

READER COMMENTS

The Harley-Davidson Service Communications Department maintains a continuous effort to improve the quality and usefulness of its publications. To do this effectively, we need user feedback — your critical evaluation of this manual.

Please comment on the completeness, accuracy, organization, usability, and readability of this manual.

Please list the page, item, and part number(s) of any errors you find in this manual.

Please tell us how we can improve this manual.

Occupation:

Name:

Dealership:

Street:

Department:

City:

State:

Zip:

2012 Sportster Models Parts Catalog (99451-12)

Please clip out and mail to:
Service Communications Department
Harley-Davidson Motor Company
P.O. Box 653
Milwaukee, WI USA 53201

CMI-1.5M-06/11

Cut Here

Cut Here

PLEASE ADD ANY OTHER COMMENTS HERE

GENERAL INFORMATION

THIS IS NOT AN ASSEMBLY MANUAL AND SHOULD NOT BE USED AS SUCH

About This Manual

This Parts Catalog has been prepared to make it easier for you to order parts for your 2012 motorcycles. You will also find a complete Hardware Listing at the back of the book for your convenience. The numbers shown in the illustrations correspond to the numbers in the "INDEX NO." column in the parts lists. Consult the illustrations when ordering parts to make sure you receive all the required parts. Take note that the number in parenthesis following the part description is the quantity of that part needed for complete assembly; if there is no number in parenthesis, only one is used. Prices of parts in this catalog are published separately.

The following instructions should be followed carefully when ordering parts:

- The "MODEL(S)" column in the parts lists may include one or more two-character (three-character for FLT and Softail) codes that correspond to the V.I.N. model designations and engine type. The models and their respective two-character (three-character for FLT and Softail) codes are listed at the bottom of each right-hand page for your reference. If a part fits all models, "ALL" will be in the corresponding "MODEL(S)" column.
- Be sure to specify the correct part number for each item. The part numbers appear under the "PART NO." column in the parts lists.
- Orders may be placed via your computer for all parts. Review your system documentation for details on placing orders electronically. All non-warranty replacement crankcase orders require return of the complete left crankcase half with V.I.N.. All non-warranty replacement frame orders require return of the steering neck with V.I.N.. Non-compliance will result in a fine. See non-warranty frame and crankcase policy or contact Dealer Services for details.
- The sale or use of these parts or accessories does not grant the purchaser a license or other right under any Harley-Davidson patent.
- For all 2008 and later painted parts refer to the Service Section of h-dnet.com which features a listing of painted part numbers, except CVO (Custom Vehicle Operations) models which are located in their own respective catalogs.
- All parts that were added for the new model year will have a vertical bar located on the parts list page to the left of the index number. This can be used to quickly identify any new parts that are unique to a specific model, and help distinguish new and previous model year parts. In the back of the book you will find a New Parts List. This list will serve as a summary of new parts.
- Parts marked "**RESTRICTED SALE PART**" are limited edition items and can only be ordered as direct replacements.
- Orientation Symbols:

Orientation symbols will be used when the illustration is not in the standard "Right-Front" orientation. The symbol will be a motorcycle with an arrow in the front indicating the direction of view. The symbol will be located at the bottom left or right hand side of the illustration page.

To the best knowledge of Harley-Davidson Motor Company, the material contained herein is accurate as of the date this publication was approved for printing. Harley-Davidson Motor Company reserves the right to change specifications, equipment, or designs at any time without notice and without incurring obligation.

Vehicle Identification Number (V.I.N.)

See Figure 1. A unique 17-digit serial, or V.I.N., is assigned to each motorcycle. For a description of each item in the V.I.N., refer to Table 1.

For all models except VRSC the full 17-digit serial, or V.I.N., is stamped on the right side of the frame backbone at the rear of the steering head. The V.I.N. is also printed on a label on the right front down tube. An abbreviated V.I.N. is stamped on the left side crankcase between the front and rear cylinders.

For VRSC models only the full 17-digit serial, or V.I.N., is stamped on the right side of the steering head. The V.I.N. is also printed on a label on the left frame tube above the front engine cylinder. An abbreviated V.I.N. is stamped on the left side crankcase below the rear cylinder head.

Always give the full 17-digit V.I.N. when ordering parts or making any inquiry about your motorcycle.

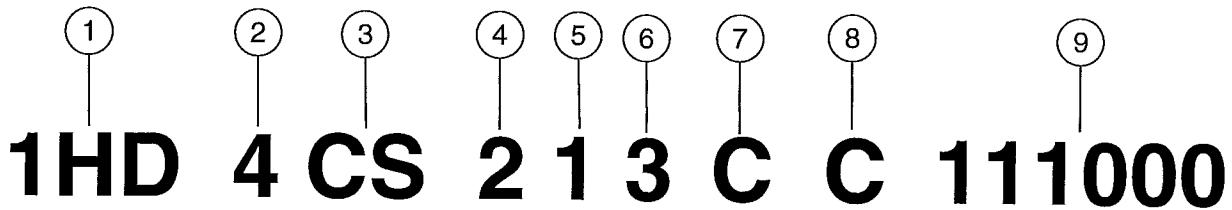


Figure 1. Typical Harley-Davidson VIN: 2012 Sportster Models

Table 1. Harley-Davidson VIN Breakdown: 2012 Sportster Models

POSITION	DESCRIPTION	POSSIBLE VALUES		
1	World manufacturer identifier	1HD=Originally manufactured for sale within the United States 5HD=Originally manufactured for sale outside of the United States 932=Originally manufactured in and for sale only in Brazil market MEG=Originally manufactured in and for sale only in India market		
2	Motorcycle type	1=Heavyweight motorcycle (901 cm ³ or larger) 4=Middleweight motorcycle (351 cm ³ to 900 cm ³)		
3	Model	See VIN model table		
4	Engine type	2=Evolution® 883 cm ³ air-cooled, fuel-injected 3=Evolution® 1202 cm ³ air-cooled, fuel-injected 6=Evolution® 1202 cm ³ precision-cooled, fuel-injected		
5	Introduction date/Configuration and calibration recognition	<table border="0"> <tr> <td> Normal Introduction 1=Domestic 3=California A=Canada C=HDI E=Japan G=Australia J=Brazil L=Asia Pacific N=India </td> <td> Mid-year or Special Introduction 2, 4=Domestic 5, 6=California B=Canada D=HDI F=Japan H=Australia K=Brazil M=Asia Pacific P=India </td> </tr> </table>	Normal Introduction 1=Domestic 3=California A=Canada C=HDI E=Japan G=Australia J=Brazil L=Asia Pacific N=India	Mid-year or Special Introduction 2, 4=Domestic 5, 6=California B=Canada D=HDI F=Japan H=Australia K=Brazil M=Asia Pacific P=India
Normal Introduction 1=Domestic 3=California A=Canada C=HDI E=Japan G=Australia J=Brazil L=Asia Pacific N=India	Mid-year or Special Introduction 2, 4=Domestic 5, 6=California B=Canada D=HDI F=Japan H=Australia K=Brazil M=Asia Pacific P=India			
6	VIN check digit	Can be 0-9 or X		
7	Model year	C=2012		
8	Assembly plant	C=Kansas City, MO U.S.A. D=H-D Brazil-Manaus, Brazil (CKD) N=Haryana India (Bawal District Rewari)		
9	Sequential number	Varies		

Table 2. VIN Model Codes: 2012 Sportster Models

CODE	MODEL	NAME	CODE	MODEL	NAME
CR	XL 883L	SuperLow™	LC	XL 1200X	Forty-Eight™
CS	XL 883R	883 Roadster	LD	XR 1200X	XR1200X™
CT	XL 1200C	1200 Custom	LE	XL 883N	Iron 883™
CZ	XL 1200N	Nightster®	LH	XL 1200CP	1200 Custom

ALPHABETICAL INDEX

PART DESCRIPTION	PAGE	PART DESCRIPTION	PAGE
AIR BOX - XR1200X.....	41	FOOTRESTS - 883L/N/R, 1200C/CP/N/X.....	119
AIR CLEANER - 883L/N/R, 1200C/CP/N/X.....	39	FOOTRESTS - XR1200X.....	121
ALTERNATOR & REGULATOR.....	43	FORK, FRONT - 883L/R, 1200C/CP/X.....	103
BATTERY.....	153	FORK, FRONT - 883N, 1200N.....	105
BELT & SPROCKETS - 883L/N/R, 1200C/CP/N/X.....	61	FORK, FRONT - XR1200X.....	107
BELT & SPROCKETS - XR1200X.....	63	FORK, REAR, DEBRIS DEFLECTOR & BELT GUARD..	115
BELT GUARD.....	115	FORK BRACKETS, FRONT - 883L/N/R, 1200C/CP/N/X..	99
BRAKE, MASTER CYLINDER, FRONT - 883L/N/R, 1200C/CP/N/X.....	69	FORK BRACKETS, FRONT - XR1200X.....	101
BRAKE, MASTER CYLINDER, FRONT - XR1200X.....	71	FRAME & JIFFY STAND - 883L/N/R, 1200C/CP/N/X..	111
BRAKE, MASTER CYLINDER, REAR - 883L/N/R, 1200C/CP/N/X.....	73	FRAME & JIFFY STAND - XR1200X.....	113
BRAKE, MASTER CYLINDER, REAR - XR1200X.....	75	FUEL FILTER.....	143
BRAKE CALIPER, FRONT - 883L/N/R, 1200C/CP/N/X..	79	FUEL INJECTOR - 883L/N/R, 1200C/CP/N/X.....	33
BRAKE CALIPER, FRONT - XR1200X.....	81	FUEL INJECTOR - XR1200X.....	35
BRAKE CALIPER, REAR - 883L/N/R, 1200C/CP/N/X..	83	FUEL PUMP.....	143
BRAKE CALIPER, REAR - XR1200X.....	85	FUEL TANK - 883L/N/R, 1200C/CP/N/X.....	139
BRAKE CONTROL, FRONT - 883L/N/R, 1200C/CP/N/X..	69	FUEL TANK TRIM.....	145
BRAKE CONTROL, FRONT - XR1200X.....	71	FUEL TANK - XR1200X.....	141
BRAKE CONTROL, REAR.....	77	FUSE, 30 AMP.....	195
BRAKE DISC, REAR - 1200C/CP/N/X.....	97	HANDLEBAR & THROTTLE CONTROL - 1200C/CP..	125
BRAKE DISC, REAR - 883L/N/R, 1200C/CP.....	93	HANDLEBAR & THROTTLE CONTROL - 883L/N/R, 1200N/X, XR1200X.....	123
BRAKE DISC, REAR - XR1200X.....	95	HEADLAMP - 1200C/CP.....	157
BRAKE LINE, FRONT - 883L/N/R, 1200C/CP/N/X.....	69	HEADLAMP - 883L/N/R, 1200N/X, XR1200X.....	155
BRAKE LINE, FRONT - XR1200X.....	71	HORN.....	175
BRAKE LINE, REAR - 883L/N/R, 1200C/CP/N/X.....	73	IGNITION COIL - 883L/N/R, 1200C/CP/N/X.....	45
BRAKE LINE, REAR - XR1200X.....	75	IGNITION COIL - XR1200X.....	47
CAMSHAFTS & GEAR COVER - 883L/N/R, 1200C/CP/N/X.....	25	INDUCTION MODULE, FUEL - 883L/N/R, 1200C/CP/N/X..	33
CAMSHAFTS & GEAR COVER - XR1200X.....	27	INDUCTION MODULE, FUEL - XR1200X.....	35
CHAIN, PRIMARY - 883L/N/R, 1200C/CP/N/X.....	61	INNER TUBE, FRONT.....	91
CHAIN, PRIMARY - XR1200X.....	63	INNER TUBE, REAR.....	97
CLUTCH - 883L/N/R, 1200C/CP/N/X.....	57	INSPECTION COVER & PRIMARY COVER.....	23
CLUTCH CABLE.....	67	JET, PISTON COOLING - 883C/L/N/R, 1200C/CP/N/X..	19
CLUTCH CONTROL.....	67	JET, PISTON COOLING - XR1200X.....	21
CLUTCH - XR1200X.....	59	JIFFY STAND - 883L/N/R, 1200C/CP/N/X.....	111
COVER, PUSH RODS - 883L/N/R, 1200C/CP/N/X.....	13	JIFFY STAND - XR1200X.....	113
COVER, PUSH RODS - XR1200X.....	15	LABELS.....	197
CRANKCASE & GEARCASE - 883L/N/R, 1200C/CP/N/X..	19	LICENSE PLATE BRACKETS.....	137
CRANKCASE & GEARCASE - XR1200X.....	21	LIFTER, HYDRAULIC - 883L/N/R, 1200C/CP/N/X.....	13
CYLINDERS, HEADS & VALVES - 883L/N/R, 1200C/CP/N/X.....	9	LIFTER, HYDRAULIC - XR1200X.....	15
CYLINDERS, HEADS & VALVES - XR1200X.....	11	LOCK SET COMPLETE - XR1200X.....	113
DEBRIS DEFLECTOR.....	115	MIRRORS.....	159
ELECTRONIC IGNITION SYSTEM - 883L/N/R, 1200C/CP/N/X.....	45	MODULE, SECURITY SYSTEM.....	193
ELECTRONIC IGNITION SYSTEM - XR1200X.....	47	MODULE, TURN SIGNAL CANCELLER.....	193
ENGINE ASSEMBLY.....	7	MUFFLERS - 883L/N/R, 1200C/CP/N/X.....	161
ENGINE MOUNTS.....	65	MUFFLERS - XR1200X.....	163
ENGINE SENSORS & SWITCHES.....	37	OIL FILTER, ENGINE - 883C/L/N/R, 1200C/CP/N/X..	19
EVAPORATIVE EMISSIONS COMPONENTS.....	199	OIL FILTER, ENGINE - XR1200X.....	21
EXHAUST SYSTEM - 883L/N/R, 1200C/CP/N/X.....	161	OIL LINES & COOLER - XR1200X.....	151
EXHAUST SYSTEM - XR1200X.....	163	OIL PUMP - 883L/N/R, 1200C/CP/N/X.....	29
FENDERS, FRONT.....	129	OIL PUMP - XR1200X.....	31
FENDERS, REAR - 883L/R/1200C/CP (ALL), 883N/1200N/X (CANADA ONLY).....	131	OIL TANK & LINES - 883L/N/R, 1200C/CP/N/X.....	147
FENDERS, REAR - 883N/1200N/X (ALL EXCEPT CANADA).....	133	OIL TANK & LINES- XR1200X.....	149
FENDERS, REAR - XR1200X.....	135	PISTONS & FLYWHEEL ASSEMBLY.....	17
FLYWHEEL ASSEMBLY.....	17	PRIMARY COVER.....	23
		REGULATOR, VOLTAGE.....	43
		REMOTE CONTROL FOB.....	195
		ROCKER ARM ASSEMBLY & PUSH RODS - 883L/N/R, 1200C/CP/N/X.....	13
		ROCKER ARM ASSEMBLY & PUSH RODS - XR1200X..	15

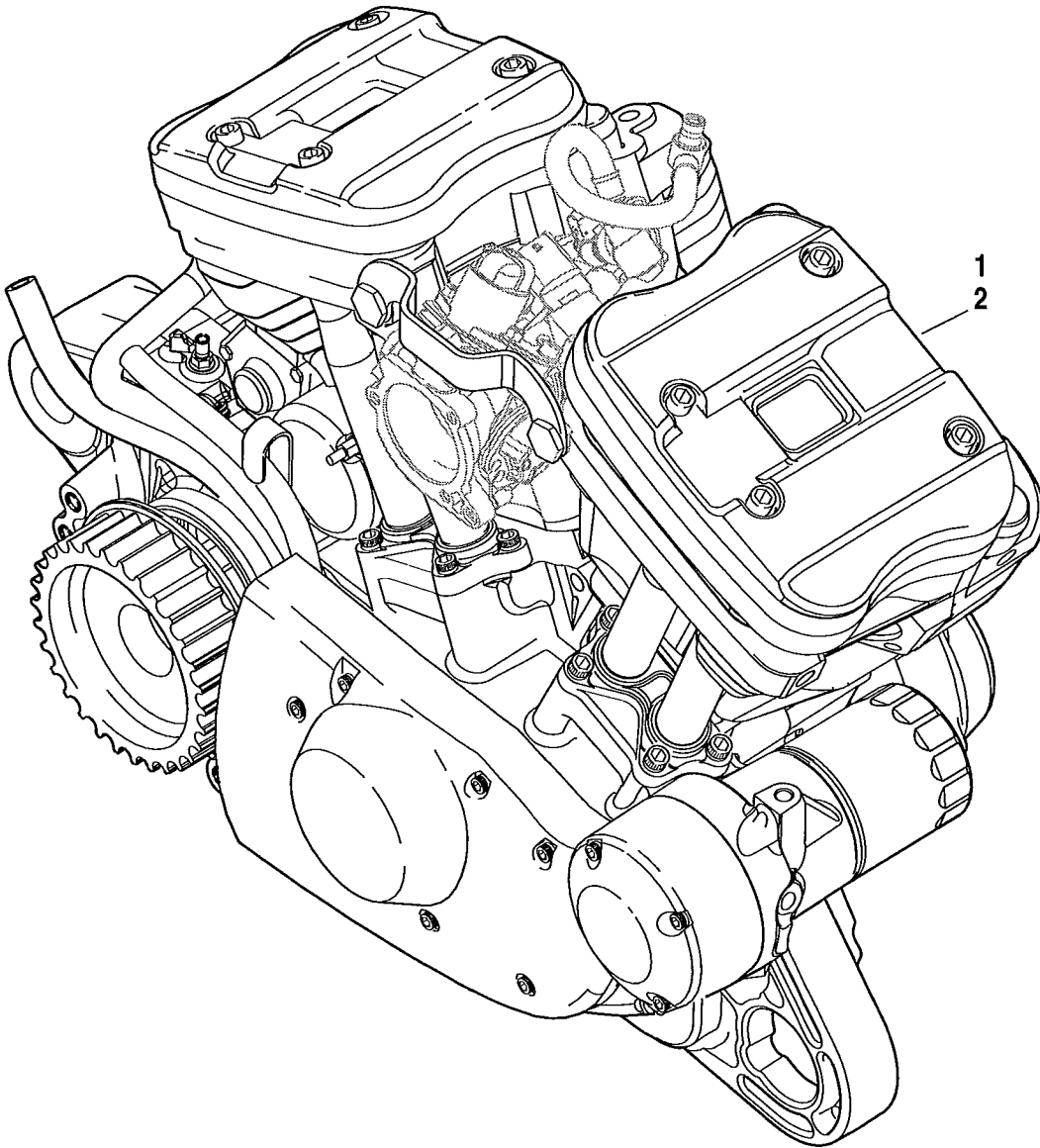
ALPHABETICAL INDEX

PART DESCRIPTION	PAGE	PART DESCRIPTION	PAGE
SEATS	117	THROTTLE CONTROL - 883L/N/R, 1200N/X, XR1200X	123
SENSOR, CRANKSHAFT POSITION.	37	TRANSMISSION GEARS.	51
SENSOR, SPEED.	37	TURN SIGNAL MODULE & SECURITY SIREN.	193
SHIFTER, GEAR.	53	TURN SIGNALS, FRONT.	169
SHIFTER CAM.	53	WHEEL, FRONT, CAST - XR1200X.	89
SHIFTER FORK.	53	WHEEL, REAR, CAST - XR1200X.	95
SHIFTER LEVER.	55	WHEELS, FRONT, CAST - 883L/N/R, 1200C/CP.	87
SHOCK ABSORBERS, REAR.	109	WHEELS, FRONT, LACED - 1200C/CP/N/X.	91
SIDE COVER, OIL TANK - 883L/N/R, 1200C/CP/N/X. .	111	WHEELS, REAR, CAST - 883L/N/R, 1200C/CP.	93
SIDE COVER, OIL TANK - XR1200X.	113	WHEELS, REAR, LACED - 1200C/CP/N/X.	97
SPARK PLUGS - 883L/N/R, 1200C/CP/N/X.	45	WIRING HARNESS, ENGINE - 883L/N/R, 1200C/CP/N/X.	189
SPARK PLUGS - XR1200X.	47	WIRING HARNESS, ENGINE - XR1200X.	191
SPEEDOMETER & TACHOMETER - XR1200X.	167	WIRING HARNESS, MAIN - 883L/N/R, 1200C/CP/N/X (1 OF 3).	177
SPEEDOMETER - 883L/N/R, 1200C/CP/N/X.	165	WIRING HARNESS, MAIN - 883L/N/R, 1200C/CP/N/X (2 OF 3).	179
SPROCKET, TRANSMISSION - 883L/N/R, 1200C/CP/N/X.	61	WIRING HARNESS, MAIN - 883L/N/R, 1200C/CP/N/X (3 OF 3).	181
SPROCKET, TRANSMISSION - XR1200X.	63	WIRING HARNESS, MAIN - XR1200X (1 OF 3).	183
SPROCKET - 883L/N/R, 1200C/CP/N/X.	61	WIRING HARNESS, MAIN - XR1200X (2 OF 3).	185
SPROCKET - XR1200X.	63	WIRING HARNESS, MAIN - XR1200X (3 OF 3).	187
STARTER MOTOR.	49		
STATOR.	43		
SWITCH, IGNITION.	195		
SWITCH, NEUTRAL INDICATOR.	195		
SWITCH ASSEMBLY, DIRECTIONAL.	127		
SWITCHES.	195		
SWITCHES, HANDLEBAR.	127		
TAIL LAMP & TURN SIGNALS, REAR.	171		
TAIL LAMPS.	173		

REFERENCE MATERIAL

HARDWARE LIST	200
NEW PARTS LIST	203
NUMERICAL INDEX	206
COMPONENT TYPES AND INTRODUCTION DATES. .	217

ENGINE ASSEMBLY



INDEX NO.	PART NO.	DESCRIPTION	MODEL(S)
1	19519-12	ENGINE ASSEMBLY (883cc) (World)	CS LE
	19566-12	ENGINE ASSEMBLY (883cc) (World)	CR
	19637-12	ENGINE ASSEMBLY (1200cc) (Domestic, California, Canada)	CZ
	19766-12	ENGINE ASSEMBLY (1200cc) (Domestic, California, Canada)	LC
	19768-12	ENGINE ASSEMBLY (1200cc) (Domestic, California, Canada, HDI) (not shown)	LD
	19527-12	ENGINE ASSEMBLY (1200cc) (Domestic, California, Canada) (1200CP - Chrome Engine w/ Drag or Pull Back Handlebar)	CT LH
	19925-12	ENGINE ASSEMBLY (1200cc) (Domestic, California, Canada) (1200CP - Chrome Engine w/ Mini-Ape Handlebar)	LH
	19926-12	ENGINE ASSEMBLY (1200cc) (Domestic, California, Canada) (1200CP - Black Engine w/ Drag or Pull Back Handlebar)	LH
	19927-12	ENGINE ASSEMBLY (1200cc) (Domestic, California, Canada) (1200CP - Black Engine w/ Mini-Ape Handlebar)	LH
	INTERNATIONAL MODELS ONLY		
2	19606-12	ENGINE ASSEMBLY (1200cc) (HDI)	CT
	19734-12	ENGINE ASSEMBLY (1200cc) (HDI)	CZ
	19767-12	ENGINE ASSEMBLY (1200cc) (HDI)	LC

2012 MODEL IDENTIFICATION CODES

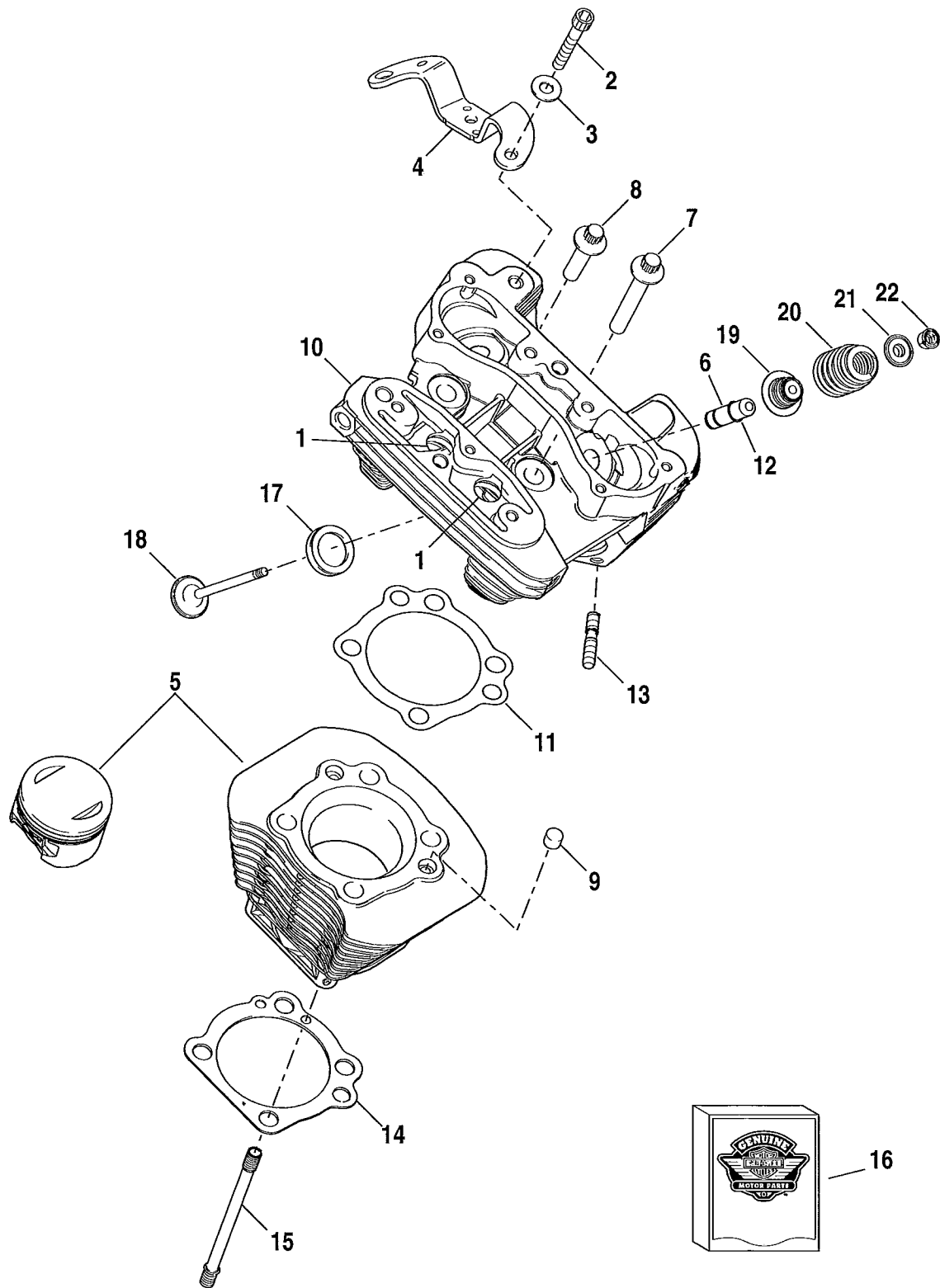
CR = XL883L
LH = XL1200CP

LE = XL883N
CZ = XL1200N

CS = XL883R
LC = XL1200X

CT = XL1200C
LD = XR1200X

CYLINDERS, HEADS & VALVES - 883L/N/R, 1200C/CP/N/X



CYLINDERS, HEADS & VALVES - 883L/N/R, 1200C/CP/N/X

INDEX NO.	PART NO.	DESCRIPTION	MODEL(S)
1	11190	O-RING (4)	CR CS CT CZ LC LE LH
2	4266A	SCREW (2)	CR CS CZ LE
	4748	SCREW (2)	CT LC LH
3	6787	WASHER (2)	CT LC LH
4	16353-04	BRACKET, center engine mount	CT LH
5	16443-04	CYLINDER, w/ piston (883 cc) (silver) (2)	CR
	16452-05	CYLINDER, w/ piston (883 cc) (black) (2)	CS LE
	16463-04	CYLINDER, w/ piston (1200 cc) (black w/o fin highlights) (2)	CT LH
	16469-10	CYLINDER, w/ piston (1200 cc) (black w/ fin highlights) (2)	LC LH
	17496-07	CYLINDER, w/ piston (1200 cc) (gray) (2)	CZ
6	16465-06	VALVE GUIDE, w/ 16699-06 (4)	CR CS CT CZ LC LE LH
7	16478-85A	SCREW, internal thread (4)	CR CS CT CZ LC LE LH
8	16480-92A	SCREW, internal thread (4)	CR CS CT CZ LC LE LH
9	16573-83A	DOWEL (4)	CR CS CT CZ LC LE LH
10	16660-07	HEAD, rear cylinder (883 cc) (silver), w/ valve guides & seats	CR
	16661-07	HEAD, front cylinder (883 cc) (silver), w/ valve guides & seats	CR
	16666-07	HEAD, rear cylinder (1200 cc) (black w/ fin highlights), w/ valve guides & seats	CT LC LH
	16667-07	HEAD, front cylinder (1200 cc) (black w/ fin highlights), w/ valve guides & seats	CT LC LH
	16865-07	HEAD, rear cylinder (883 cc) (black), w/ valve guides & seats	CS LE
	16867-07	HEAD, front cylinder (883 cc) (black), w/ valve guides & seats	CS LE
	17488-07	HEAD, rear cylinder (1200 cc) (black w/o fin highlights), w/ valve guides & seats	CZ LC LH
	17485-07	HEAD, front cylinder (1200 cc) (black w/o fin highlights), w/ valve guides & seats	CZ LC LH
11	16664-86D	GASKET, cylinder head (2)	CR CS LE
	16770-84F	GASKET, cylinder head (2)	CT CZ LC LH
12	16699-06	SNAP RING (4)	CR CS CT CZ LC LE LH
13	16715-83	STUD, exhaust port (4)	CR CS CT CZ LC LE LH
14	16789-04	GASKET, cylinder base (2)	CR CS CT CZ LC LE LH
15	16832-86C	STUD, cylinder base (8)	CR CS CT CZ LC LE LH
16	17027-08	GASKET KIT, engine overhaul	CR CS CT CZ LC LE LH
	17049-08	GASKET KIT, top overhaul	CR CS CT CZ LC LE LH
17	18011-86	INSERT, exhaust valve seat (2)	CT CZ LC LH
	18012-87A	INSERT, exhaust valve seat (2)	CR CS LE
	18020-07	INSERT, intake valve seat (2)	CT CZ LC LH
	18021-87A	INSERT, intake valve seat (2)	CR CS LE
18	18053-04	INTAKE VALVE, 7mm (2)	CR CS LE
	18690-02	INTAKE VALVE, 7mm (2)	CT CZ LC LH
	18059-04	EXHAUST VALVE, 7mm (2)	CR CS LE
	18691-02	EXHAUST VALVE, 7mm (2)	CT CZ LC LH
19	18094-02A	SEAL, valve (4)	CR CS CT CZ LC LE LH
20	18245-02	VALVE SPRING (4)	CR CS CT CZ LC LE LH
21	18258-02	COLLAR, valve spring - upper (4)	CR CS CT CZ LC LE LH
22	18260-02	KEEPER, valve collar (8)	CR CS CT CZ LC LE LH

2012 MODEL IDENTIFICATION CODES

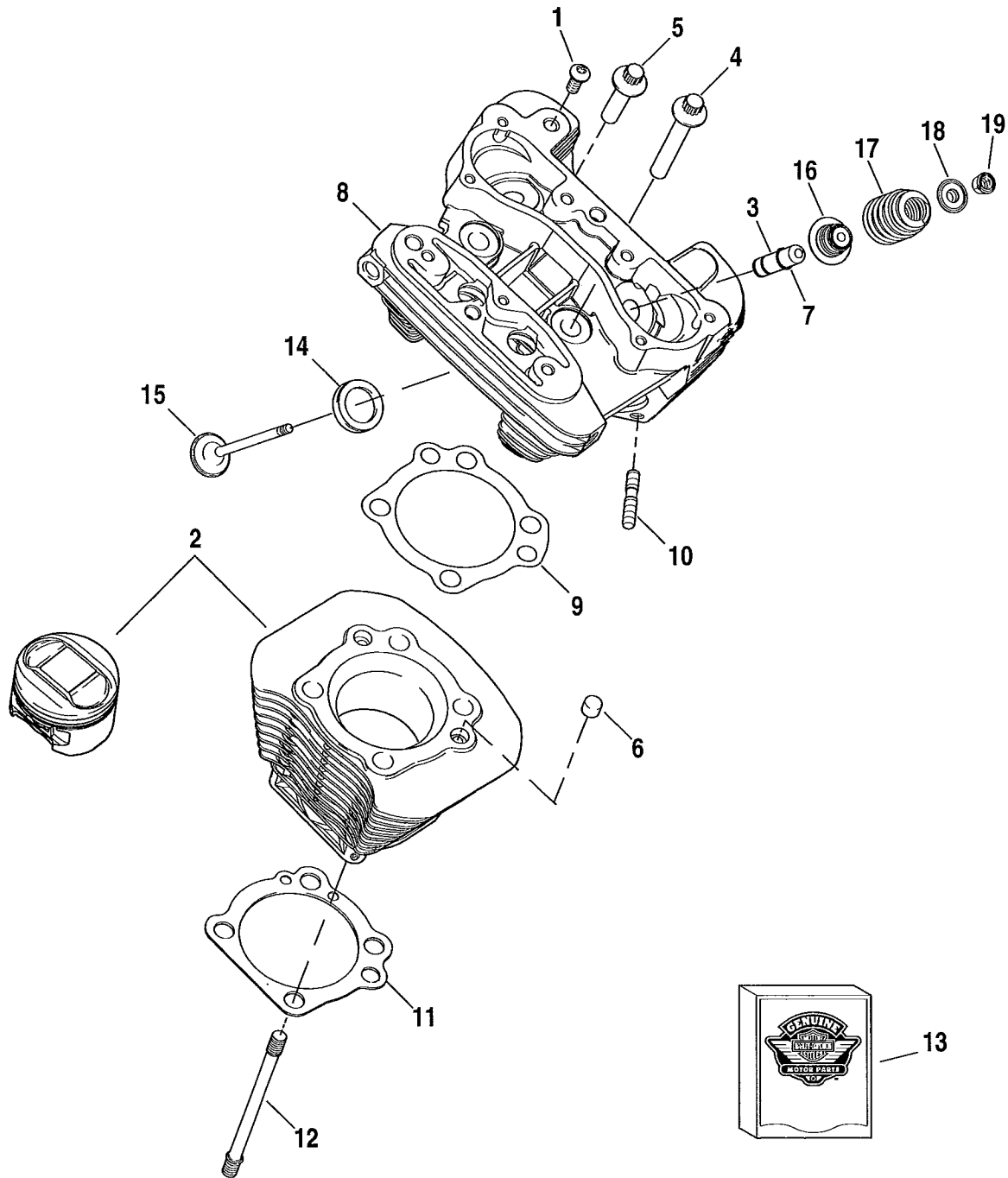
CR = XL883L
LH = XL1200CP

LE = XL883N
CZ = XL1200N

CS = XL883R
LC = XL1200X

CT = XL1200C
LD = XR1200X

CYLINDERS, HEADS & VALVES - XR1200X



INDEX NO.	PART NO.	DESCRIPTION	MODEL(S)
1	4266A	SCREW (2)	LD
2	16468-08	CYLINDER, w/ piston & rings (black) (2)	LD
3	16465-06	VALVE GUIDE, w/ 16699-06 (4)	LD
4	16478-85A	SCREW, internal thread (4)	LD
5	16480-92A	SCREW, internal thread (4)	LD
6	16573-83A	DOWEL (4)	LD
7	16699-06	SNAP RING (4)	LD
8	17562-10	HEAD, front cylinder (black), w/ valve guides & seats	LD
	17565-10	HEAD, rear cylinder (black), w/ valve guides & seats	LD
9	16771-08	GASKET, cylinder head (2)	LD
10	16715-83	STUD, exhaust port (4)	LD
11	16789-04	GASKET, cylinder base (2)	LD
12	16832-86C	STUD, cylinder base (8)	LD
13	17027-08	GASKET KIT, engine overhaul	LD
	17049-08	GASKET KIT, top overhaul	LD
14	18011-86	INSERT, exhaust valve seat (2)	LD
	18020-07	INSERT, intake valve seat (2)	LD
15	18690-02	INTAKE VALVE, 7mm (2)	LD
	18691-02	EXHAUST VALVE, 7mm (2)	LD
16	18094-02A	SEAL, valve (4)	LD
17	18245-02	VALVE SPRING (4)	LD
18	18258-02	COLLAR, valve spring - upper (4)	LD
19	18260-02	KEEPER, valve collar (8)	LD

2012 MODEL IDENTIFICATION CODES

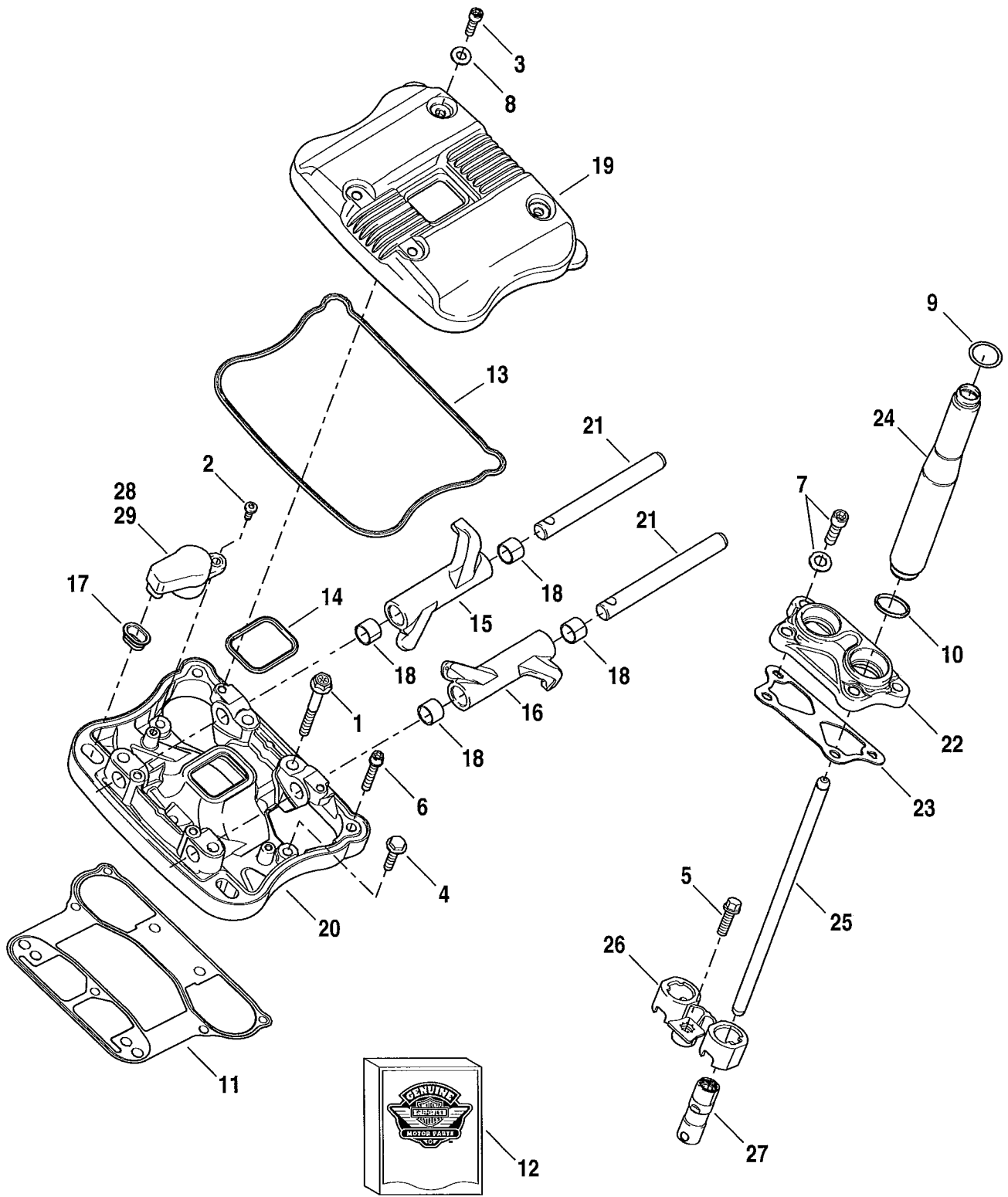
CR = XL883L
LH = XL1200CP

LE = XL883N
CZ = XL1200N

CS = XL883R
LC = XL1200X

CT = XL1200C
LD = XR1200X

ROCKER ARM ASSEMBLY & PUSH RODS - 883L/N/R, 1200C/CP/N/X



ROCKER ARM ASSEMBLY & PUSH RODS - 883L/N/R, 1200C/CP/N/X

INDEX NO.	PART NO.	DESCRIPTION	MODEL(S)
1	1039	SCREW (8)	CR CS CT CZ LC LE LH
2	2441	SCREW (2)	CR CS CT CZ LC LE LH
3	2486	SCREW (8)	CR CS CT CZ LC LE LH
4	3849	SCREW (6)	CR CS CT CZ LC LE LH
5	3976	SCREW (2)	CR CS CT CZ LC LE LH
6	4718A	SCREW (4)	CR CS CT CZ LC LE LH
7	4741A	SCREW (8)	CR CS CT CZ LC LE LH
8	6589	WASHER, bonded/sealing (8)	CR CS CT CZ LC LE LH
9	11190	O-RING (4)	CR CS CT CZ LC LE LH
10	11377	O-RING (4)	CR CS CT CZ LC LE LH
11	16800-84A	GASKET, rocker box (2)	CR CS CT CZ LC LE LH
12	17036-08	GASKET KIT, rocker cover	CR CS CT CZ LC LE LH
13	17362-07B	GASKET, rocker cover - lower (2)	CR CS CT CZ LC LE LH
14	17695-07B	GASKET, rocker cover - inner (2)	CR CS CT CZ LC LE LH
15	17360-83A	ROCKER ARM, front intake & rear exhaust (2)	CR CS CT CZ LC LE LH
16	17375-83A	ROCKER ARM, front exhaust & rear intake (2)	CR CS CT CZ LC LE LH
17	17393-07	SEAL, breather	CR CS CT CZ LC LE LH
18	17429-91	BUSHING, rocker arm (4)	CR CS CT CZ LC LE LH
19	17501-04	ROCKER COVER, outer (polished) (2)	CR CZ LC
	17551-04	ROCKER COVER, outer (chrome) (2)	CT LH
	17655-05	ROCKER COVER, outer (black) (2)	CS LE LH
20	17532-07A	ROCKER COVER, inner (polished) (2)	CR CZ LC
	17537-07A	ROCKER COVER, inner (chrome) (2)	CT LH
	17614-07A	ROCKER COVER, inner (silver) (2)	CS LE LH
21	17611-83	SHAFT, rocker arm (4)	CR CS CT CZ LC LE LH
22	17972-04	TAPPET COVER, front	CR CS CT CZ LC LE LH
	17981-04	TAPPET COVER, rear	CR CS CT CZ LC LE LH
23	17976-04	GASKET, tappet cover (2)	CR CS CT CZ LC LE LH
24	17946-04	COVER, push rod (chrome) (4)	CR CS CT CZ LC LE LH
25	17908-02	PUSH ROD, exhaust (2)	CR CS CT CZ LC LE LH
	17909-02	PUSH ROD, intake (2)	CR CS CT CZ LC LE LH
26	18505-06	ANTI-ROTATION DEVICE	CR CS CT CZ LC LE LH
27	18538-99C	TAPPET, w/ roller (4)	CR CS CT CZ LC LE LH
28	26010-04	BREATHER, front	CR CS CT CZ LC LE LH
	26011-04	BREATHER, rear	CR CS CT CZ LC LE LH
29	26012-07	BREATHER, front w/ seal	CR CS CT CZ LC LE LH
	26020-07	BREATHER, rear w/ seal	CR CS CT CZ LC LE LH

2012 MODEL IDENTIFICATION CODES

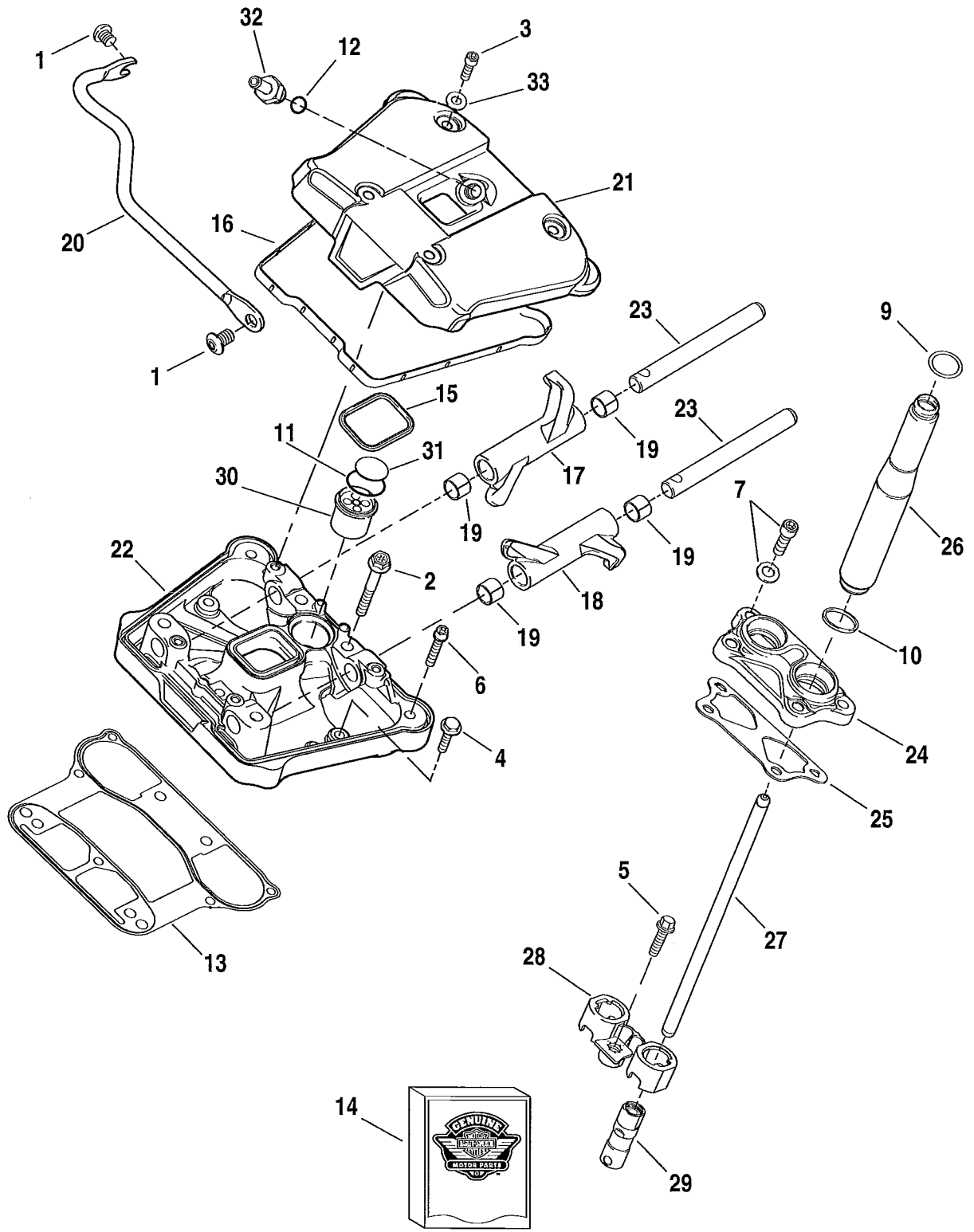
CR = XL883L
LH = XL1200CP

LE = XL883N
CZ = XL1200N

CS = XL883R
LC = XL1200X

CT = XL1200C
LD = XR1200X

ROCKER ARM ASSEMBLY & PUSH RODS - XR1200X



ROCKER ARM ASSEMBLY & PUSH RODS - XR1200X

INDEX NO.	PART NO.	DESCRIPTION	MODEL(S)
1	943	SCREW (2)	LD
2	1039	SCREW (8)	LD
3	2486	SCREW (8)	LD
4	3849	SCREW (6)	LD
5	3976	SCREW (2)	LD
6	4718A	SCREW (4)	LD
7	4741A	SCREW (8)	LD
8	6589	WASHER, bonded/sealing (8)	LD
9	11190	O-RING (4)	LD
10	11377	O-RING (4)	LD
11	11621	O-RING (2)	LD
12	11625	O-RING (2)	LD
13	16800-84A	GASKET, rocker box (2)	LD
14	17036-08	GASKET KIT, rocker cover	LD
15	17695-07B	GASKET, rocker cover - inner (2)	LD
16	17633-08B	GASKET, rocker cover - lower (2)	LD
17	17360-83A	ROCKER ARM, front intake & rear exhaust (2)	LD
18	17375-83A	ROCKER ARM, front exhaust & rear intake (2)	LD
19	17429-91	BUSHING, rocker arm (4)	LD
20	17569-08	ROCKER BOX GUARD, rear cylinder	LD
21	17615-10	ROCKER COVER, outer (black) (2)	LD
22	17591-10	ROCKER COVER, inner (black) (2)	LD
23	17611-83	SHAFT, rocker arm (4)	LD
24	17903-10	TAPPET COVER, front (black)	LD
	17911-10	TAPPET COVER, rear (black)	LD
25	17976-04	GASKET, tappet cover (2)	LD
26	17963-10	COVER, push rod (black) (4)	LD
27	17908-02	PUSH ROD, exhaust (2)	LD
	17909-02	PUSH ROD, intake (2)	LD
28	18505-06	ANTI-ROTATION DEVICE	LD
29	18538-99C	TAPPET, w/ roller (4)	LD
30	26016-08	BREATHER (2)	LD
31	26856-89A	VALVE, umbrella-check, breather	LD
32	63548-08	FITTING (2)	LD

2012 MODEL IDENTIFICATION CODES

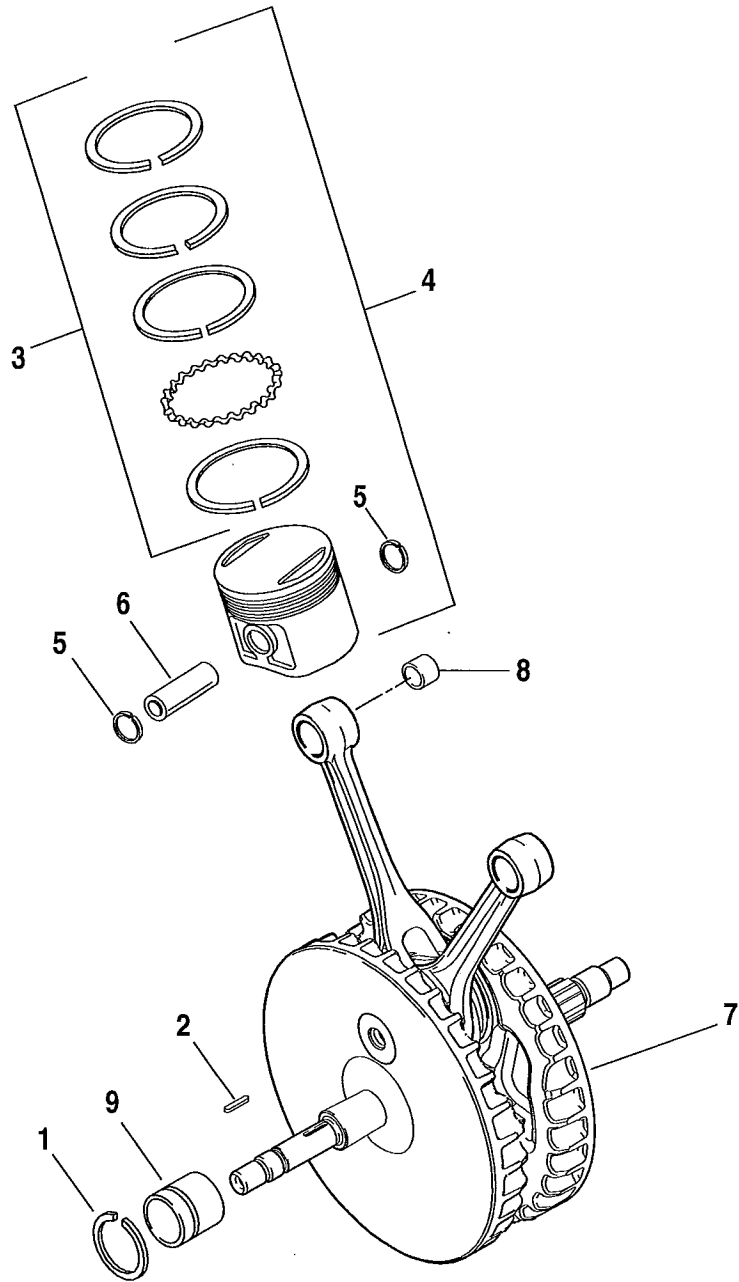
CR = XL883L
LH = XL1200CP

LE = XL883N
CZ = XL1200N

CS = XL883R
LC = XL1200X

CT = XL1200C
LD = XR1200X

PISTONS & FLYWHEEL ASSEMBLY



INDEX NO.	PART NO.	DESCRIPTION	MODEL(S)
1	11177A	RETAINING RING	ALL
2	11317	KEY	ALL
3	21948-02	PISTON RING SET, standard (2)	CT CZ LC LH
	22231-04	PISTON RING SET, 0.005 O.S. (2)	CT CZ LC LH
	22238-04	PISTON RING SET, 0.010 O.S. (2)	CT CZ LC LH
	22266-86	PISTON RING SET, standard (2)	CR CS LE
	22261-86	PISTON RING SET, 0.010 O.S. (2)	CR CS LE
	22271-86	PISTON RING SET, 0.005 O.S. (2)	CR CS LE
4	22221-04	PISTON & RINGS ASSEMBLY, standard (2)	CR CS LE
	22224-04	PISTON & RINGS ASSEMBLY, 0.005 O.S. (2)	CR CS LE
	22228-04	PISTON & RINGS ASSEMBLY, 0.010 O.S. (2)	CR CS LE
	22223-04	PISTON & RINGS ASSEMBLY, standard (2)	CT CZ LC LH
	22227-04	PISTON & RINGS ASSEMBLY, 0.005 O.S. (2)	CT CZ LC LH
	22230-04	PISTON & RINGS ASSEMBLY, 0.010 O.S. (2)	CT CZ LC LH
	22244-04A	PISTON & RINGS ASSEMBLY, standard (2)	LD
5	22589-83B	LOCK RING (4)	ALL
6	22719-04	PISTON PIN (2)	CR CS LE
	22765-02	PISTON PIN (2)	CT CZ LC LH
7	23905-04B	FLYWHEELS & CONNECTING ROD ASSEMBLY, w/ 11317	CR CS CT CZ LC LE LH
	23999-08	FLYWHEELS & CONNECTING ROD ASSEMBLY, w/ 11317	LD
8	24331-36	BUSHING, piston pin - standard (2)	ALL
	24332-36	BUSHING, piston pin - 0.01 O.S. (2)	ALL
9	24658-87	INNER RING	ALL

2012 MODEL IDENTIFICATION CODES

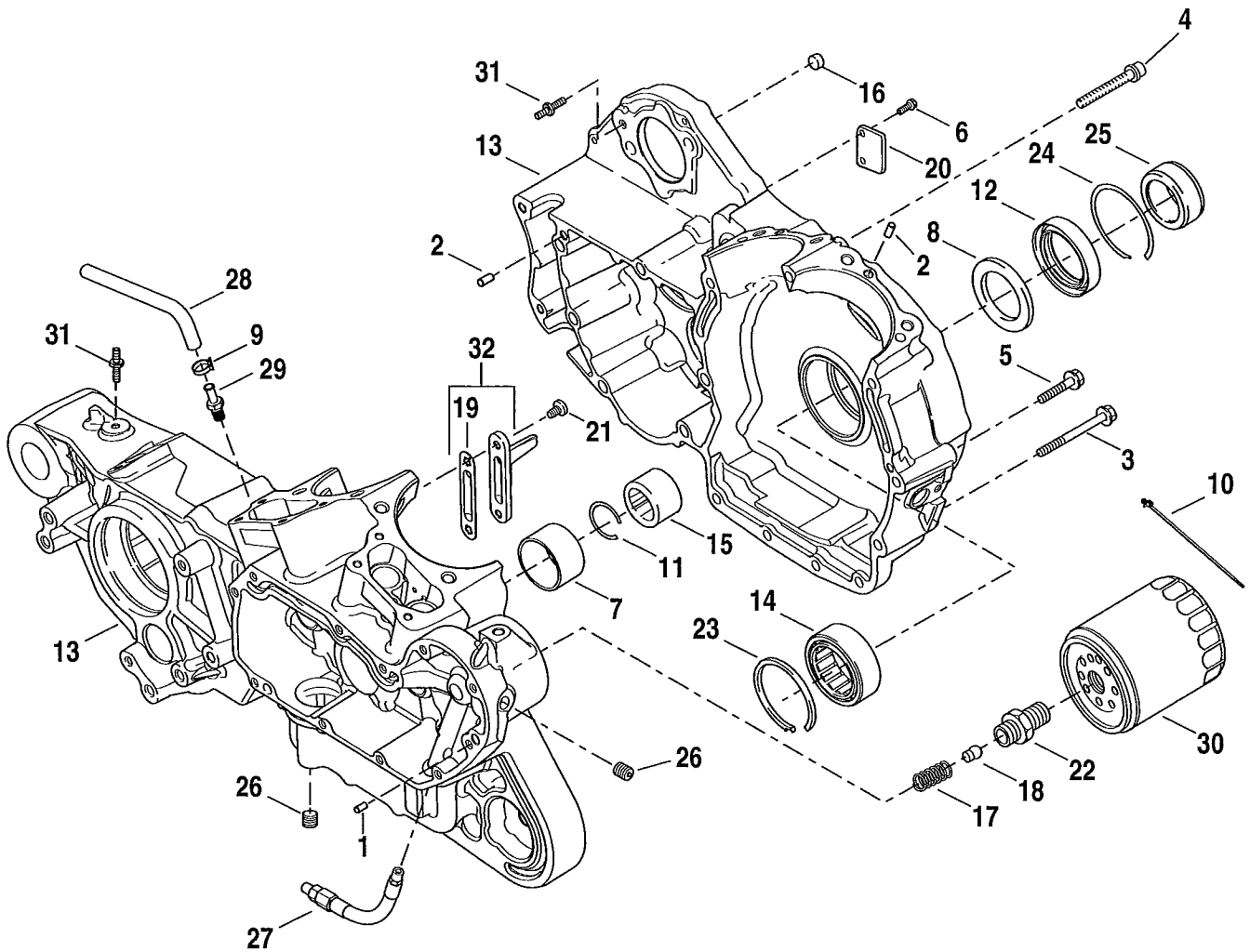
CR = XL883L
LH = XL1200CP

LE = XL883N
CZ = XL1200N

CS = XL883R
LC = XL1200X

CT = XL1200C
LD = XR1200X

CRANKCASE & GEARCASE - 883L/N/R, 1200C/CP/N/X



INDEX NO.	PART NO.	DESCRIPTION	MODEL(S)
1	215	PIN (2)	CR CS CT CZ LC LE LH
2	358	DOWEL PIN (4)	CR CS CT CZ LC LE LH
3	835	SCREW (11)	CR CS CT CZ LC LE LH
4	1028	SCREW	CR CS CT CZ LC LE LH
5	1048	SCREW (4)	CR CS CT CZ LC LE LH
6	4091	SCREW (2)	CR CS CT CZ LC LE LH
7	8881	BEARING RACE	CR CS CT CZ LC LE LH
8	8972	WASHER	CR CS CT CZ LC LE LH
9	10080	CLAMP	CR CS CT CZ LC LE LH
10	10177	CABLE STRAP (as required)	CR CS CT CZ LC LE LH
11	11177A	RETAINING RING	CR CS CT CZ LC LE LH
12	12068	OIL SEAL	CR CS CT CZ LC LE LH
13	24466-06B	CRANKCASE SET, w/ bearings (black)	CS CT LC LE LH
	24470-06B	CRANKCASE SET, w/ bearings (silver)	CR
	24745-07A	CRANKCASE SET, w/ bearings (gray)	CZ
14	24605-07	BEARING	CR CS CT CZ LC LE LH
15	24647-87	BEARING (blue)	CR CS CT CZ LC LE LH
	24650-87	BEARING (red)	CR CS CT CZ LC LE LH
	24659-87	BEARING (white/gray)	CR CS CT CZ LC LE LH
	24660-87	BEARING (green)	CR CS CT CZ LC LE LH
16	24754-75A	DOWEL PIN (2)	CR CS CT CZ LC LE LH
17	26436-90A	SPRING	CR CS CT CZ LC LE LH
18	26437-86B	BALL	CR CS CT CZ LC LE LH
19	26638-00Y	GASKET (2)	CR CS CT CZ LC LE LH
20	29950-91	COVER	CR CS CT CZ LC LE LH
21	68042-99	SCREW (4)	CR CS CT CZ LC LE LH
22	33117-91A	ADAPTER	CR CS CT CZ LC LE LH
23	35114-02	RETAINING RING	CR CS CT CZ LC LE LH
24	35118-03	RETAINING RING	CR CS CT CZ LC LE LH
25	40254-02	SPACER	CR CS CT CZ LC LE LH
26	45830-48	PLUG (2)	CR CS CT CZ LC LE LH
27	62651-04	LINE, oil pump	CR CS CT CZ LC LE LH
28	63508-04	HOSE, transmission vent	CR CS CT CZ LC LE LH
29	63533-41A	FITTING	CR CS CT CZ LC LE LH
30	63805-80A	OIL FILTER (black)	CR CS CZ LC LE LH
	63796-77A	OIL FILTER (chrome)	CT LH
31	65088-04	STUD, ground (2)	CR CS CT CZ LC LE LH
32	62700014	OIL JET ASSEMBLY (2)	CR CS CT CZ LC LE LH

2012 MODEL IDENTIFICATION CODES

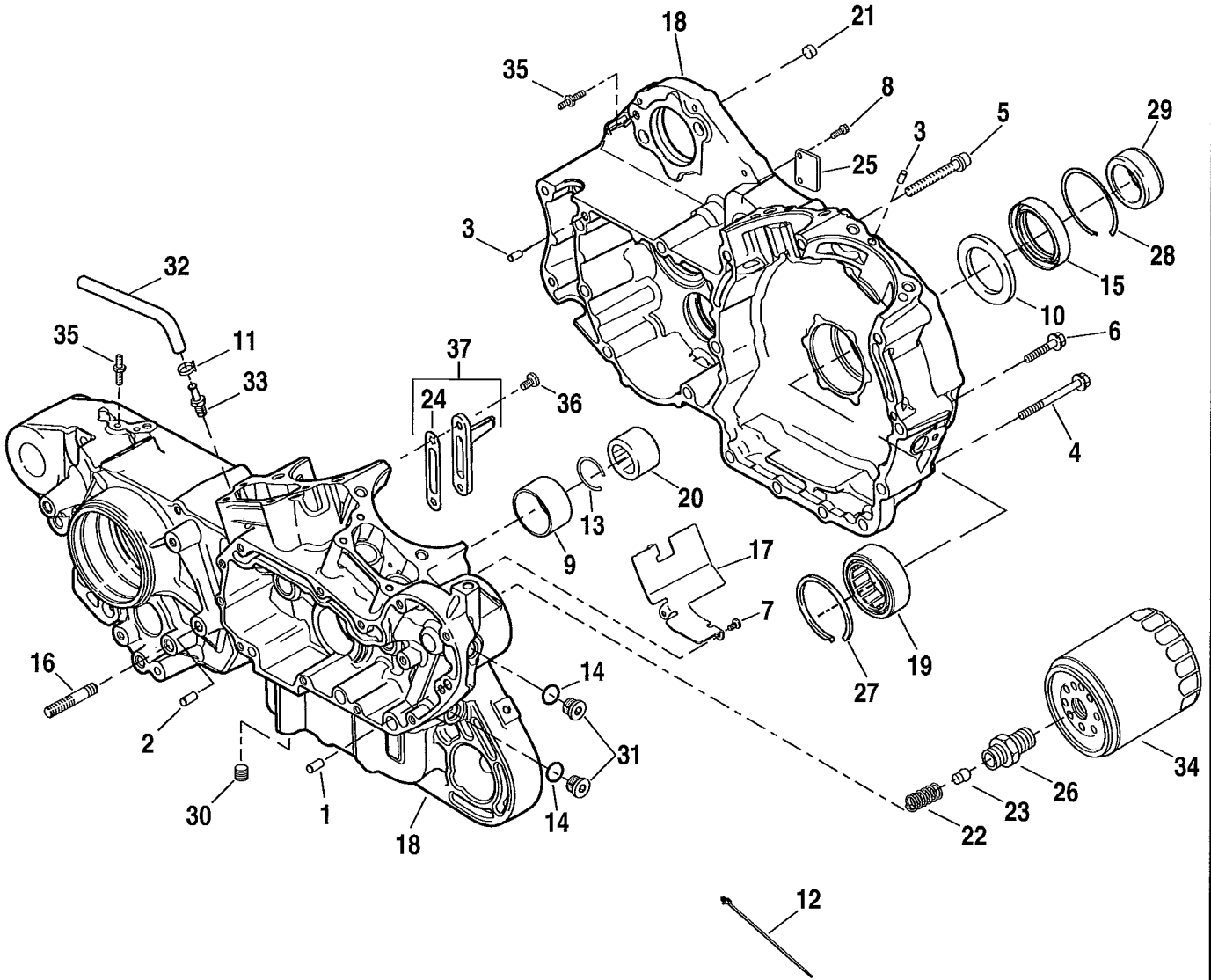
CR = XL883L
LH = XL1200CP

LE = XL883N
CZ = XL1200N

CS = XL883R
LC = XL1200X

CT = XL1200C
LD = XR1200X

CRANKCASE & GEARCASE - XR1200X



INDEX NO.	PART NO.	DESCRIPTION	MODEL(S)
1	215	PIN	LD
2	232	PIN	LD
3	358	DOWEL PIN (4)	LD
4	835	SCREW (12)	LD
5	1028	SCREW	LD
6	1048	SCREW (4)	LD
7	2487	SCREW (3)	LD
8	4091	SCREW (2)	LD
9	8881	BEARING RACE	LD
10	8972	WASHER	LD
11	10080	CLAMP (2)	LD
12	10177	CABLE STRAP (as required)	LD
13	11177A	RETAINING RING	LD
14	11290	O-RING	LD
15	12068	OIL SEAL	LD
16	16899-02	STUD (2)	LD
17	17525-08	PLATE	LD
18	24475-08	CRANKCASE SET, w/ bearings (black)	LD
19	24605-07	BEARING	LD
20	24647-87	BEARING (blue)	LD
	24650-87	BEARING (red)	LD
	24659-87	BEARING (white/gray)	LD
	24660-87	BEARING (green)	LD
21	24754-75A	DOWEL PIN (2)	LD
22	26436-90A	SPRING	LD
23	26437-86B	BALL	LD
24	26638-00Y	GASKET (2)	LD
25	29950-91	COVER	LD
26	33117-91A	ADAPTOR	LD
27	35114-02	RETAINING RING	LD
28	35118-03	RETAINING RING	LD
29	40254-02	SPACER	LD
30	45830-48	PLUG	LD
31	60330-08	PLUG, w/ O-ring (2)	LD
32	63508-04	HOSE, transmission - vent	LD
33	63533-41A	FITTING, connector - vent	LD
34	63805-80A	OIL FILTER	LD
35	65088-04	STUD, ground (2)	LD
36	68042-99	SCREW (4)	LD
37	62700013	OIL JET ASSEMBLY, w/ gasket (2)	LD

2012 MODEL IDENTIFICATION CODES

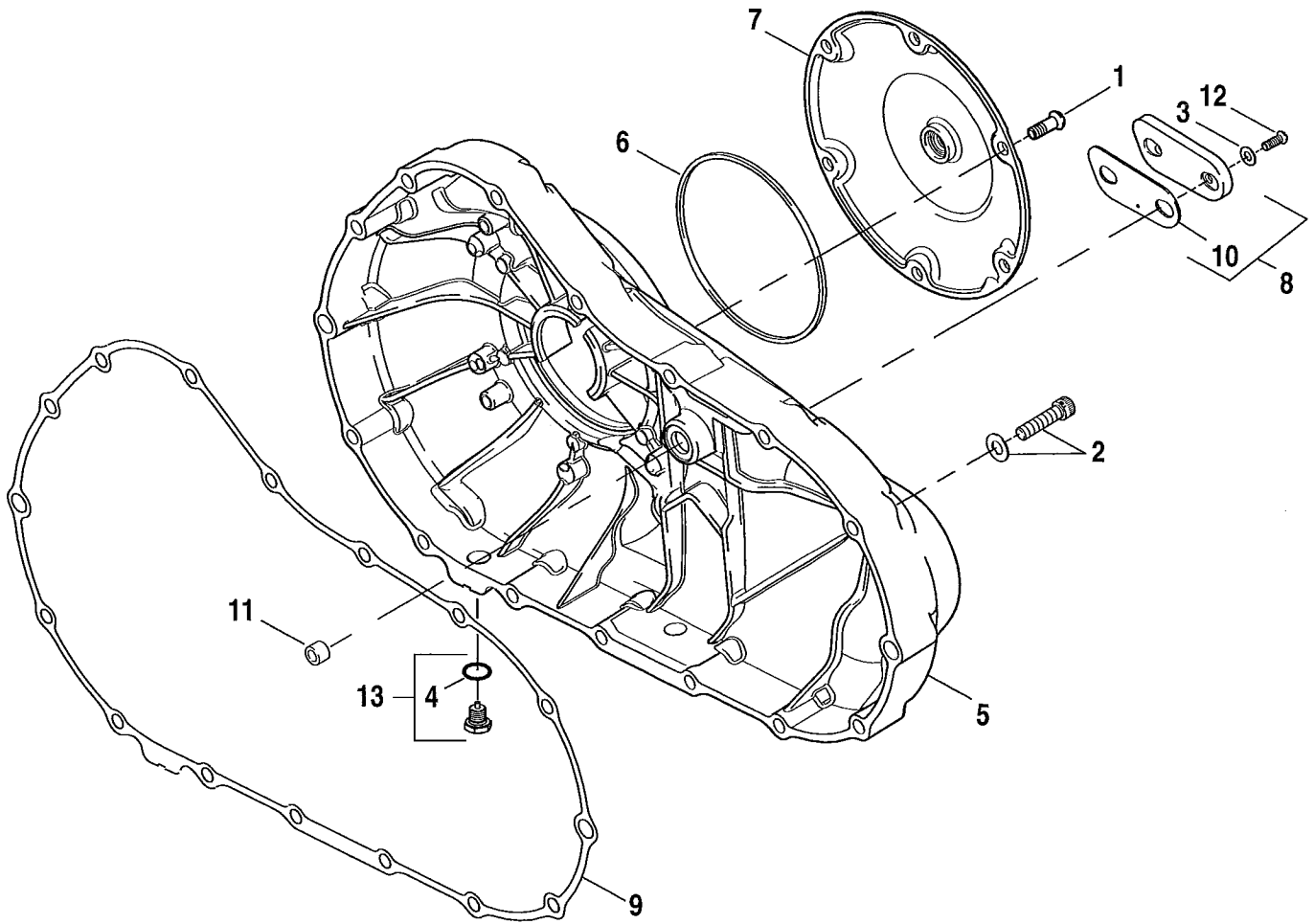
CR = XL883L
LH = XL1200CP

LE = XL883N
CZ = XL1200N

CS = XL883R
LC = XL1200X

CT = XL1200C
LD = XR1200X

INSPECTION COVER & PRIMARY COVER



INSPECTION COVER & PRIMARY COVER

INDEX NO.	PART NO.	DESCRIPTION	MODEL(S)
1	943	SCREW (6)	ALL
2	4820A	SCREW (16)	ALL
3	11171	O-RING (2)	ALL
4	11105	O-RING	ALL
5	25307-06	PRIMARY COVER (black) w/ 40574-06	CS LC LE LH
	25430-06	PRIMARY COVER (polished) w/ 40574-06	CR
	25460-06	PRIMARY COVER (chrome) w/ 40574-06	CT LH
	60830-07	PRIMARY COVER (gray) w/ 40574-06	CZ
	60836-10	PRIMARY COVER (black) w/ 40574-06	LD
6	25463-94A	GASKET	ALL
7	34760-04	INSPECTION COVER, clutch (chrome)	CT LH
	34992-04	INSPECTION COVER, clutch (polished)	CR CS CZ LC LE LH
8	37718-10	INSPECTION COVER, clutch (black)	LD
	34993-04A	INSPECTION COVER, chain, w/ gasket (polished)	CR CZ LC LH
	34761-04A	INSPECTION COVER, chain, w/ gasket (chrome)	CT LH
	34794-05A	INSPECTION COVER, chain, w/ gasket (polished)	CS LE
	35077-10	INSPECTION COVER, chain, w/ gasket (black)	LD
9	34955-04	GASKET	ALL
10	34990-08	GASKET	ALL
11	40574-06	BUSHING	ALL
12	41191-74A	SCREW (2)	ALL
13	60328-98B	OIL DRAIN PLUG ASSEMBLY	ALL

2012 MODEL IDENTIFICATION CODES

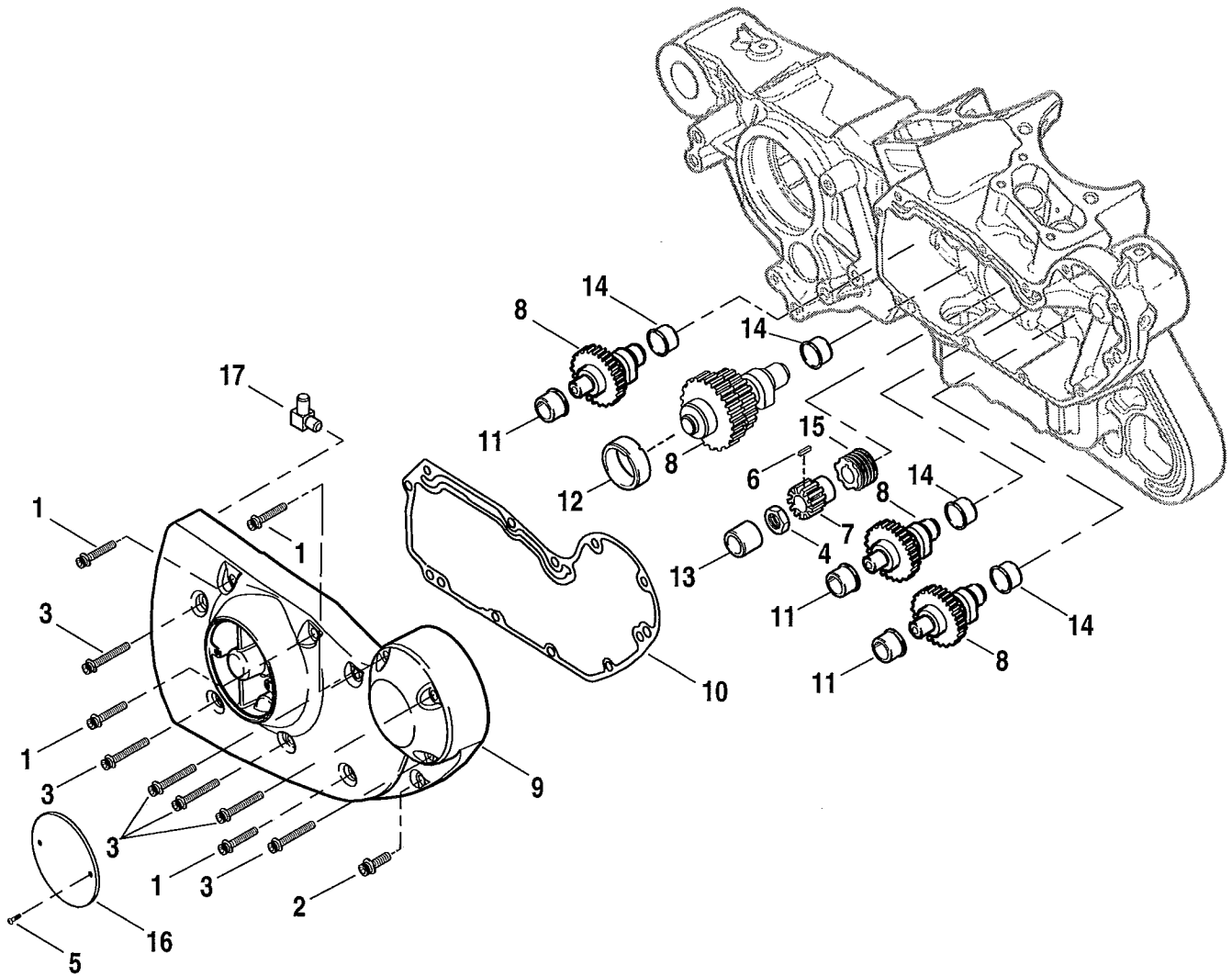
CR = XL883L
LH = XL1200CP

LE = XL883N
CZ = XL1200N

CS = XL883R
LC = XL1200X

CT = XL1200C
LD = XR1200X

CAMSHAFTS & GEAR COVER - 883L/N/R, 1200C/CP/N/X



INDEX NO.	PART NO.	DESCRIPTION	MODEL(S)
1	3480A	SCREW (4)	CR CS CT CZ LC LE LH
2	4740A	SCREW	CR CS CT CZ LC LE LH
3	4717A	SCREW (6)	CR CS CT CZ LC LE LH
4	7916A	JAM NUT	CR CS CT CZ LC LE LH
5	68120-00	SCREW (2)	CR CS CT CZ LC LE LH
6	11317	T-KEY	CR CS CT CZ LC LE LH
7	24047-00	PINION GEAR	CR CS CT CZ LC LE LH
8	25194-06	CAM GEAR SET, complete, w/ pinion gear	CR CS CT CZ LC LE LH
9	25219-04	COVER ASSEMBLY (polished), w/ 62375-57A & bushings	CR
	25213-04	COVER ASSEMBLY (chrome), w/ 62375-57A & bushings	CT LH
	25486-05	COVER ASSEMBLY (black), w/ 62375-57A & bushings	CS LC LE LH
	25546-07	COVER ASSEMBLY (gray), w/ 62375-57A & bushings	CZ
10	25263-90D	GASKET	CR CS CT CZ LC LE LH
11	25586-37	OUTER BUSHING, cam gear shafts (3)	CR CS CT CZ LC LE LH
12	25588-91	BUSHING, rear intake cam gear shaft	CR CS CT CZ LC LE LH
13	25593-74	BUSHING, flywheel gear shaft	CR CS CT CZ LC LE LH
14	25598-91	INNER BUSHING, camshaft gear (4)	CR CS CT CZ LC LE LH
15	26318-88A	DRIVE GEAR, oil pump	CR CS CT CZ LC LE LH
16	32506-90	TIMER COVER	CR
	32514-04	TIMER COVER	CS CT LE LH
	32531-07	TIMER COVER	CZ LC
17	62375-57A	FITTING, oil vent hose	CR CS CT CZ LC LE LH

2012 MODEL IDENTIFICATION CODES

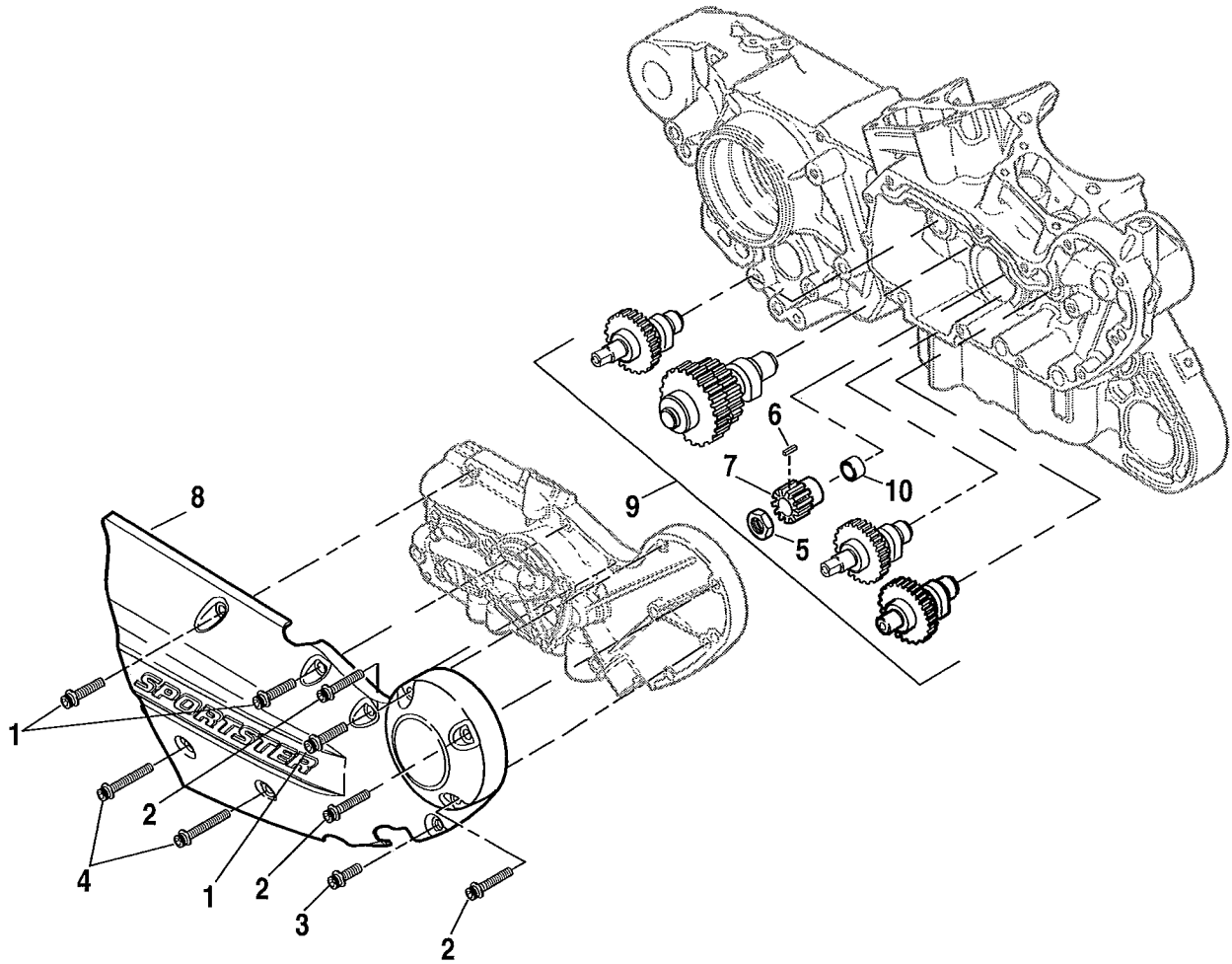
CR = XL883L
LH = XL1200CP

LE = XL883N
CZ = XL1200N

CS = XL883R
LC = XL1200X

CT = XL1200C
LD = XR1200X

CAMSHAFTS & GEAR COVER - XR1200X



INDEX NO.	PART NO.	DESCRIPTION	MODEL(S)
1	3480A	SCREW (3)	LD
2	4717A	SCREW (3)	LD
3	4740A	SCREW	LD
4	4822A	SCREW	LD
5	7916A	JAM NUT	LD
6	11317	T-KEY	LD
7	24047-00	PINION GEAR	LD
8	25250-10	COVER (black)	LD
9	25271-08	CAM GEAR SET, complete, w/ pinion gear	LD
10	26332-08	SPACER	LD

2012 MODEL IDENTIFICATION CODES

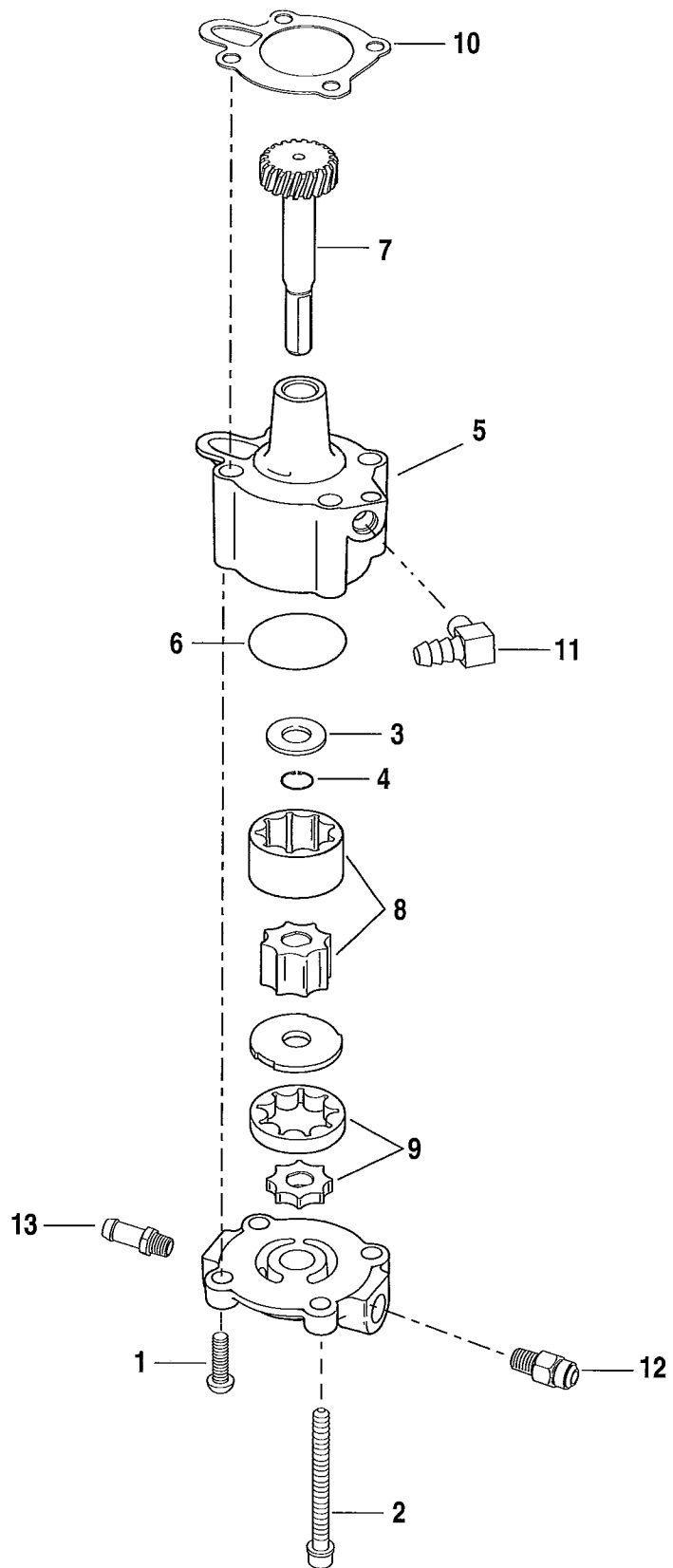
CR = XL883L
LH = XL1200CP

LE = XL883N
CZ = XL1200N

CS = XL883R
LC = XL1200X

CT = XL1200C
LD = XR1200X

OIL PUMP - 883L/N/R, 1200C/CP/N/X



INDEX NO.	PART NO.	DESCRIPTION	MODEL(S)
1	4132	SCREW (2)	CR CS CT CZ LC LE LH
2	4765	SCREW (2)	CR CS CT CZ LC LE LH
3	6157	WASHER	CR CS CT CZ LC LE LH
4	11002	RETAINING RING	CR CS CT CZ LC LE LH
5	26204-91A	OIL PUMP, complete	CR CS CT CZ LC LE LH
6	26434-91	O-RING	CR CS CT CZ LC LE LH
7	26239-07	GEAR SHAFT	CR CS CT CZ LC LE LH
8	26502-07	GEROTOR SET, return	CR CS CT CZ LC LE LH
9	26503-07	GEROTOR SET, feed	CR CS CT CZ LC LE LH
10	26495-89B	GASKET	CR CS CT CZ LC LE LH
11	26496-75A	FITTING	CR CS CT CZ LC LE LH
12	62601-91A	FITTING, front	CR CS CT CZ LC LE LH
13	63533-41A	FITTING, rear	CR CS CT CZ LC LE LH

2012 MODEL IDENTIFICATION CODES

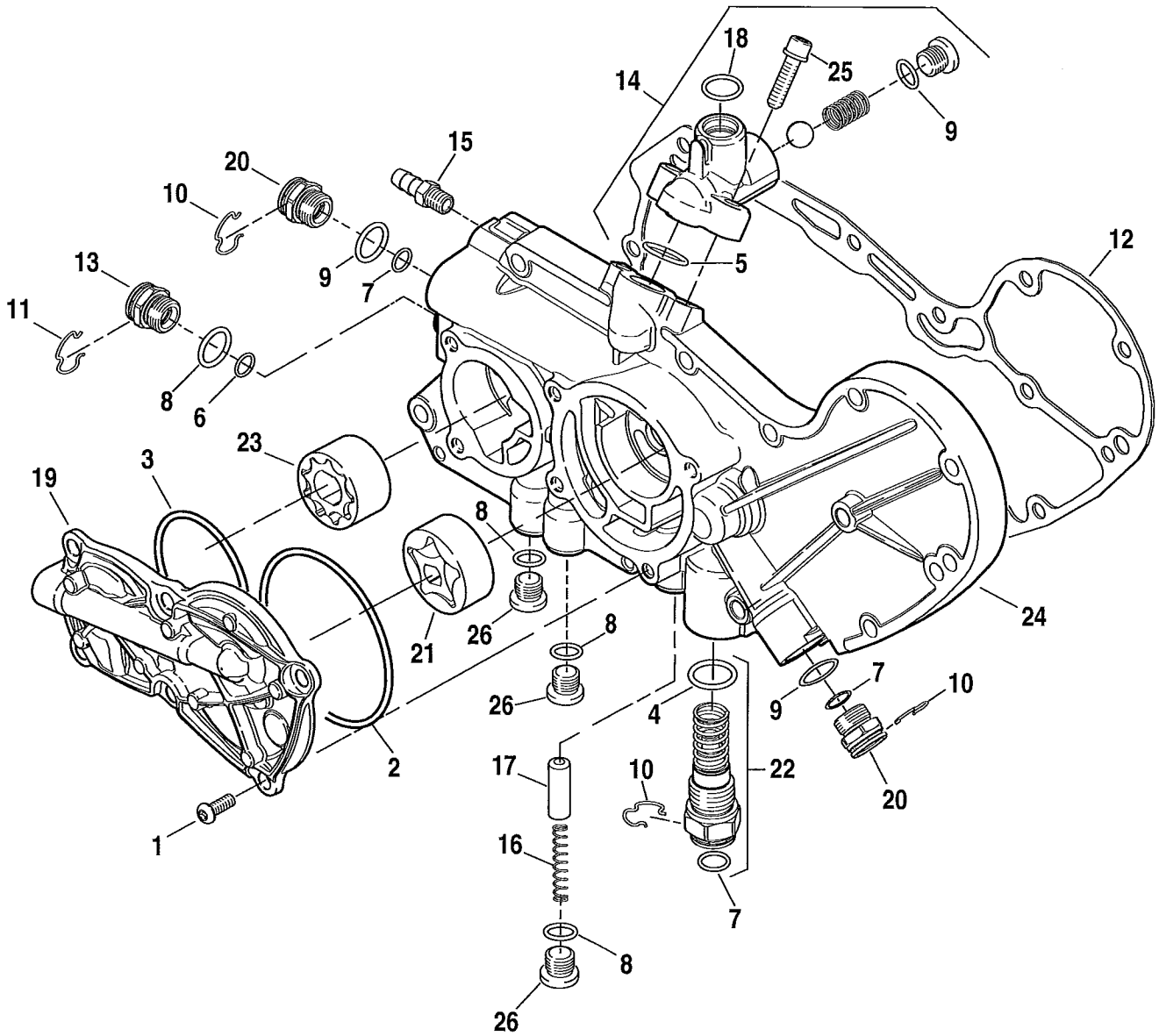
CR = XL883L
LH = XL1200CP

LE = XL883N
CZ = XL1200N

CS = XL883R
LC = XL1200X

CT = XL1200C
LD = XR1200X

OIL PUMP - XR1200X



INDEX NO.	PART NO.	DESCRIPTION	MODEL(S)
1	942	SCREW (6)	LD
2	10966	O-RING	LD
3	10967	O-RING	LD
4	10969	O-RING	LD
5	10971	O-RING	LD
6	11110	O-RING	LD
7	11140	O-RING (2)	LD
8	11290	O-RING (4)	LD
9	11326	O-RING (2)	LD
10	11384K	RETAINER (2)	LD
11	11408	RETAINER	LD
12	25279-08	GASKET	LD
13	26064-08	FITTING ASSEMBLY, w/ 11110, 11290 & 11408	LD
14	26182-08	CHECK VALVE ASSEMBLY, w/ 10971	LD
15	26184-08	FITTING	LD
16	26210-99	SPRING, compression	LD
17	26400-82B	VALVE, bypass - oil pump	LD
18	26432-76A	O-RING	LD
19	26522-08	COVER ASSEMBLY	LD
20	26525-08	FITTING ASSEMBLY, w/ 11140, 11326 & 11384K (2)	LD
21	26526-08	GEROTOR ASSEMBLY, feed	LD
22	26529-08	THERMOSTAT ASSEMBLY	LD
23	26546-08	GEROTOR ASSEMBLY, return	LD
24	26592-08	OIL PUMP ASSEMBLY, w/ 13, 14, 15, 16, 17, 20, 22, 25 & 26	LD
25	4741A	SCREW (2)	LD
26	60330-08	PLUG, w/ 11290 (3)	LD

2012 MODEL IDENTIFICATION CODES

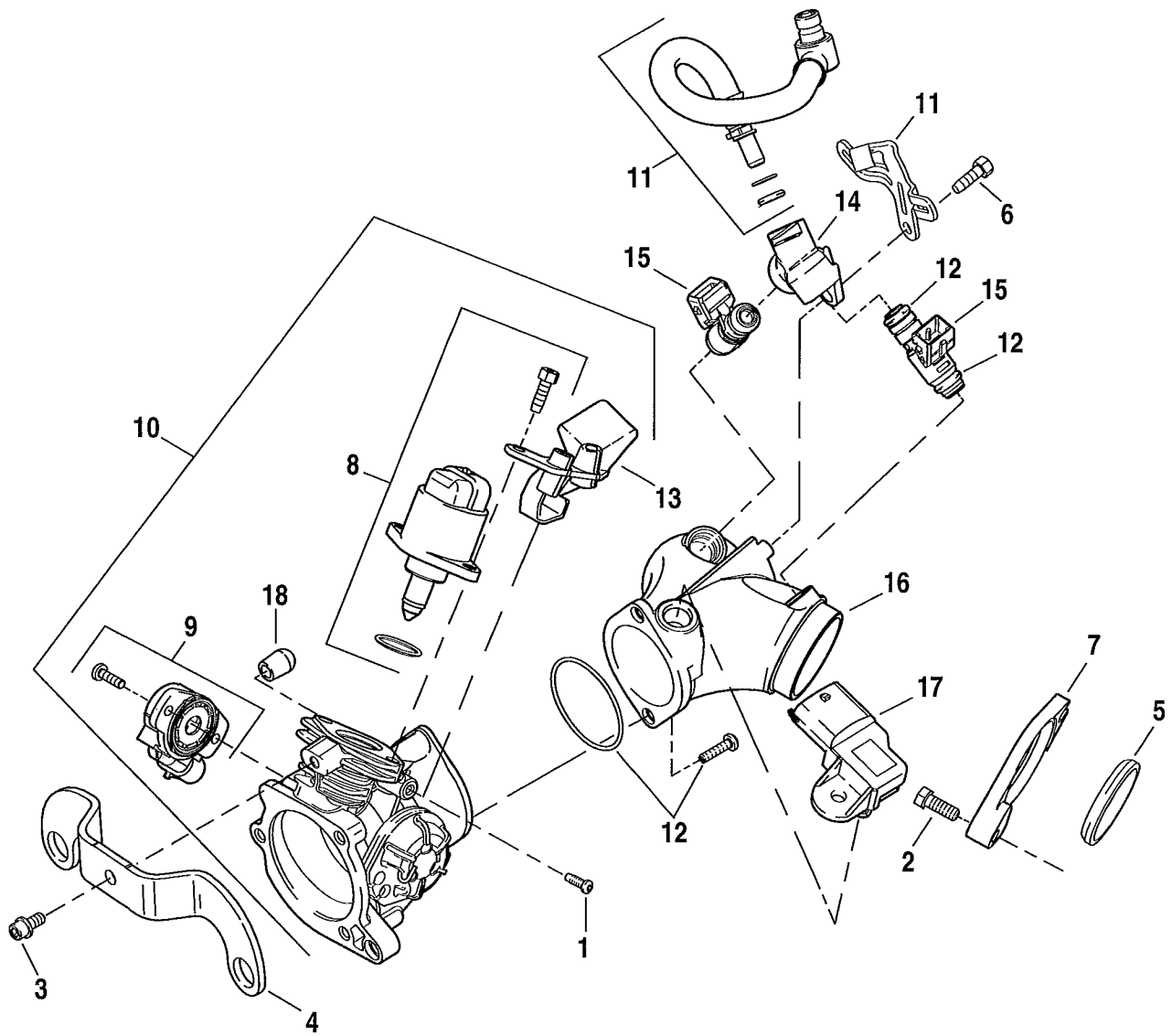
CR = XL883L
LH = XL1200CP

LE = XL883N
CZ = XL1200N

CS = XL883R
LC = XL1200X

CT = XL1200C
LD = XR1200X

INDUCTION MODULE, FUEL - 883L/N/R, 1200C/CP/N/X



INDEX NO.	PART NO.	DESCRIPTION	MODEL(S)
1	2481M	SCREW	CR CS CT CZ LC LE LH
2	3987	BOLT (4)	CR CS CT CZ LC LE LH
3	4798	SCREW	CR CS CT CZ LC LE LH
4	16361-07	BRACKET	CR CS CT CZ LC LE LH
5	26995-86B	SEAL, intake (2)	CR CS CT CZ LC LE LH
6	27216-95	SCREW	CR CS CT CZ LC LE LH
7	27327-07	FLANGE, intake (2)	CR CS CT CZ LC LE LH
8	27628-01A	KIT, IAC motor	CR CS CT CZ LC LE LH
9	27629-01A	KIT, throttle position sensor	CR CS CT CZ LC LE LH
10	27795-07	INDUCTION MODULE ASSEMBLY, w/ fuel rail, fuel injector, intake manifold, TMAP sensor, cap, IAC Kit, TPS Kit, hardware kit	CR CS CT CZ LC LE LH
11	27693-07	FUEL LINE KIT, w/ 27216-95 & bracket	CR CS CT CZ LC LE LH
12	27700-07	KIT, hardware & O-rings	CR CS CT CZ LC LE LH
13	27701-07A	CABLE BRACKET	CR CS CT CZ LC LE LH
14	27704-07	FUEL RAIL	CR CS CT CZ LC LE LH
15	27706-07A	FUEL INJECTOR, w/ O-ring (2)	CR CS CT CZ LC LE LH
16	27707-07	INTAKE MANIFOLD	CR CS CT CZ LC LE LH
17	32319-07	T-MAP SENSOR	CR CS CT CZ LC LE LH
18	90383-98	CAP	CR CS CT CZ LC LE LH

2012 MODEL IDENTIFICATION CODES

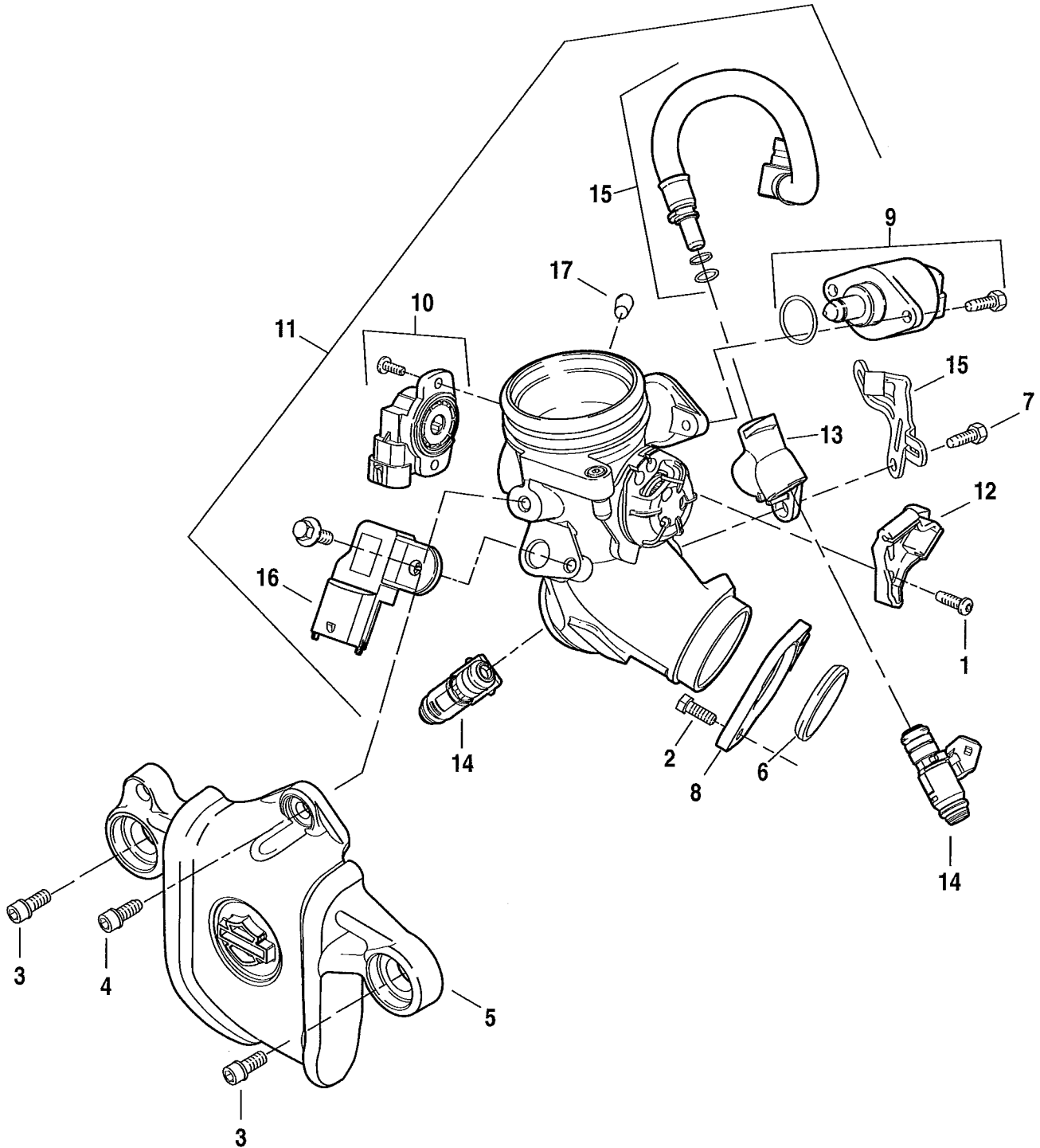
CR = XL883L
LH = XL1200CP

LE = XL883N
CZ = XL1200N

CS = XL883R
LC = XL1200X

CT = XL1200C
LD = XR1200X

INDUCTION MODULE, FUEL - XR1200X



INDEX NO.	PART NO.	DESCRIPTION	MODEL(S)
1	2481M	SCREW	LD
2	3987	BOLT (4)	LD
3	4551	SCREW (2)	LD
4	4798	SCREW	LD
5	16360-08	COVER (black)	LD
6	26995-86B	SEAL, intake (2)	LD
7	27216-95	SCREW	LD
8	27327-07	FLANGE, intake (2)	LD
9	27628-01A	KIT, IAC motor	LD
10	27629-01A	KIT, throttle position sensor	LD
11	27695-08	INDUCTION MODULE ASSEMBLY, w/ fuel rail, fuel injector, intake manifold, TMAP sensor, cap, IAC Kit, TPS Kit	LD
12	27698-08A	BRACKET	LD
13	27704-07	FUEL RAIL	LD
14	27706-07A	FUEL INJECTOR, w/ O-ring (2)	LD
15	27792-08	FUEL LINE KIT, w/ 27216-95 & bracket	LD
16	32319-07	T-MAP SENSOR	LD
17	90383-98	CAP	LD
INTERNATIONAL MODELS ONLY			
	27300029	RESTRICTOR PLATE KIT (HDI) (not shown)	LD

2012 MODEL IDENTIFICATION CODES

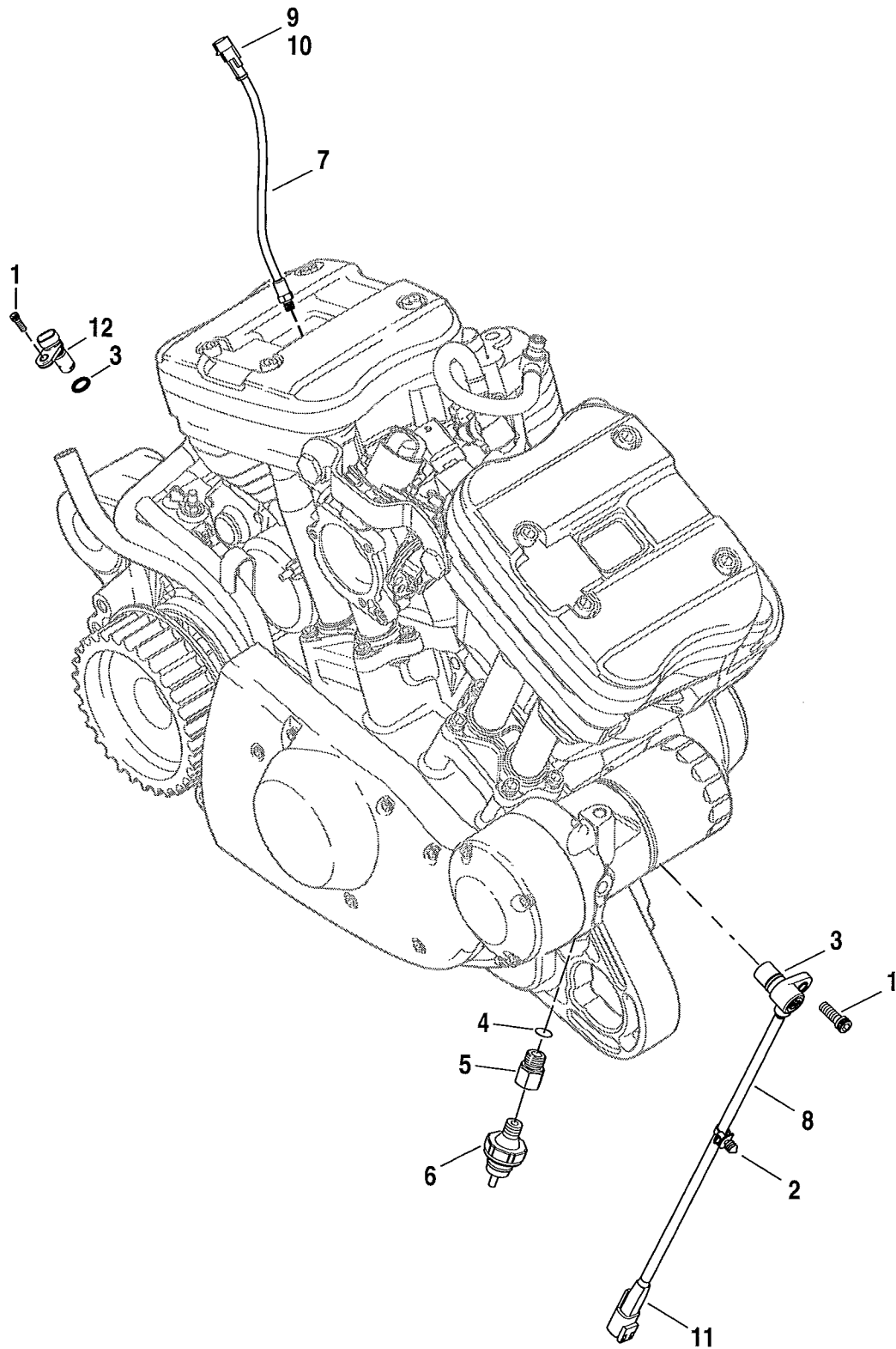
CR = XL883L
LH = XL1200CP

LE = XL883N
CZ = XL1200N

CS = XL883R
LC = XL1200X

CT = XL1200C
LD = XR1200X

ENGINE SENSORS & SWITCHES



INDEX NO.	PART NO.	DESCRIPTION	MODEL(S)
1	4705	SCREW (2)	ALL
2	10177	STRAP	ALL
3	11289A	O-RING (2)	ALL
4	11290	O-RING	LD
5	25394-08	PIPE ADAPTER, w/ 11290	LD
6	26554-77B	SWITCH, oil pressure	ALL
7	32472-10	SENSOR, engine temperature w/ 72009-05, 72011-05 & cable strap	ALL
8	32804-04B	SENSOR, crank position w/ 10177, 11289A & 74194-98	ALL
9	72009-05	HOUSING, 2-way pin	ALL
10	72011-05	WIRE SEAL, 16-20 gauge (yellow) (2)	ALL
11	74194-98	TERMINAL	ALL
12	74402-05A	SENSOR, vehicle speed, w/ 11289A	ALL

2012 MODEL IDENTIFICATION CODES

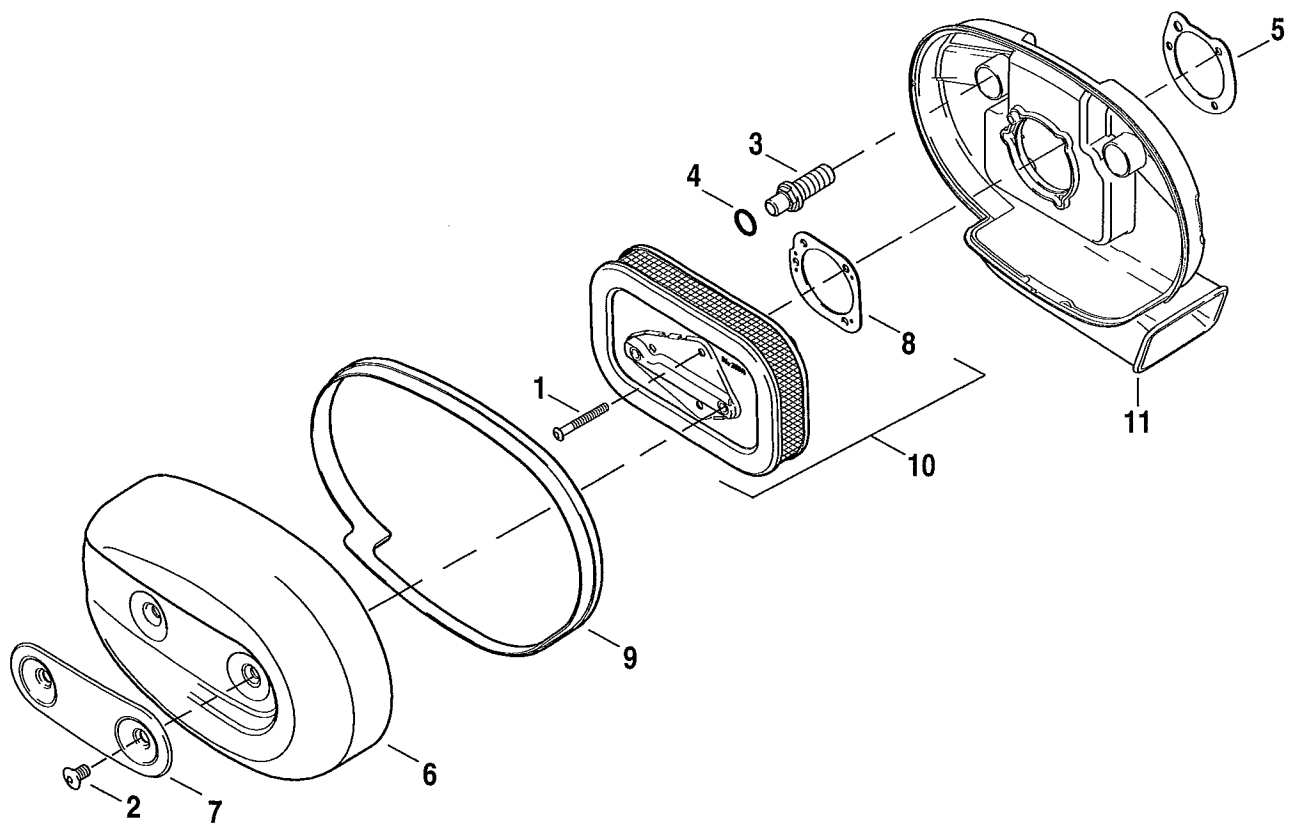
CR = XL883L
LH = XL1200CP

LE = XL883N
CZ = XL1200N

CS = XL883R
LC = XL1200X

CT = XL1200C
LD = XR1200X

AIR CLEANER - 883L/N/R, 1200C/CP/N/X



INDEX NO.	PART NO.	DESCRIPTION	MODEL(S)
1	946	SCREW (3)	CR CS CT CZ LC LE LH
2	2460	SCREW (2)	CR CS CT CZ LC LE LH
3	3565	SCREW, breather (2)	CR CS CT CZ LC LE LH
4	11202	O-RING (2)	CR CS CT CZ LC LE LH
5	29062-95B	GASKET	CR CS CT CZ LC LE LH
6	28794-10	COVER (gloss black) w/ label	LC
	28792-10	COVER (chrome) w/ label	CR CT LH
	28793-10	COVER (gray) w/ label	CZ
	28790-10	COVER (black) w/ label	CS LE
7	29123-07	TRIM INSERT	CR
	29200001	TRIM INSERT	CS LE
	29355-07	TRIM INSERT	CZ LC
	29346-07	TRIM INSERT	CT LH
8	29313-95	GASKET	CR CS CT CZ LC LE LH
9	29315-04	SEAL	CR CS CT CZ LC LE LH
10	29331-04	FILTER ELEMENT, w/ 29313-95	CR CS CT CZ LC LE LH
11	29369-07A	BACKPLATE ASSEMBLY	CR CS CT CZ LC LE LH

2012 MODEL IDENTIFICATION CODES

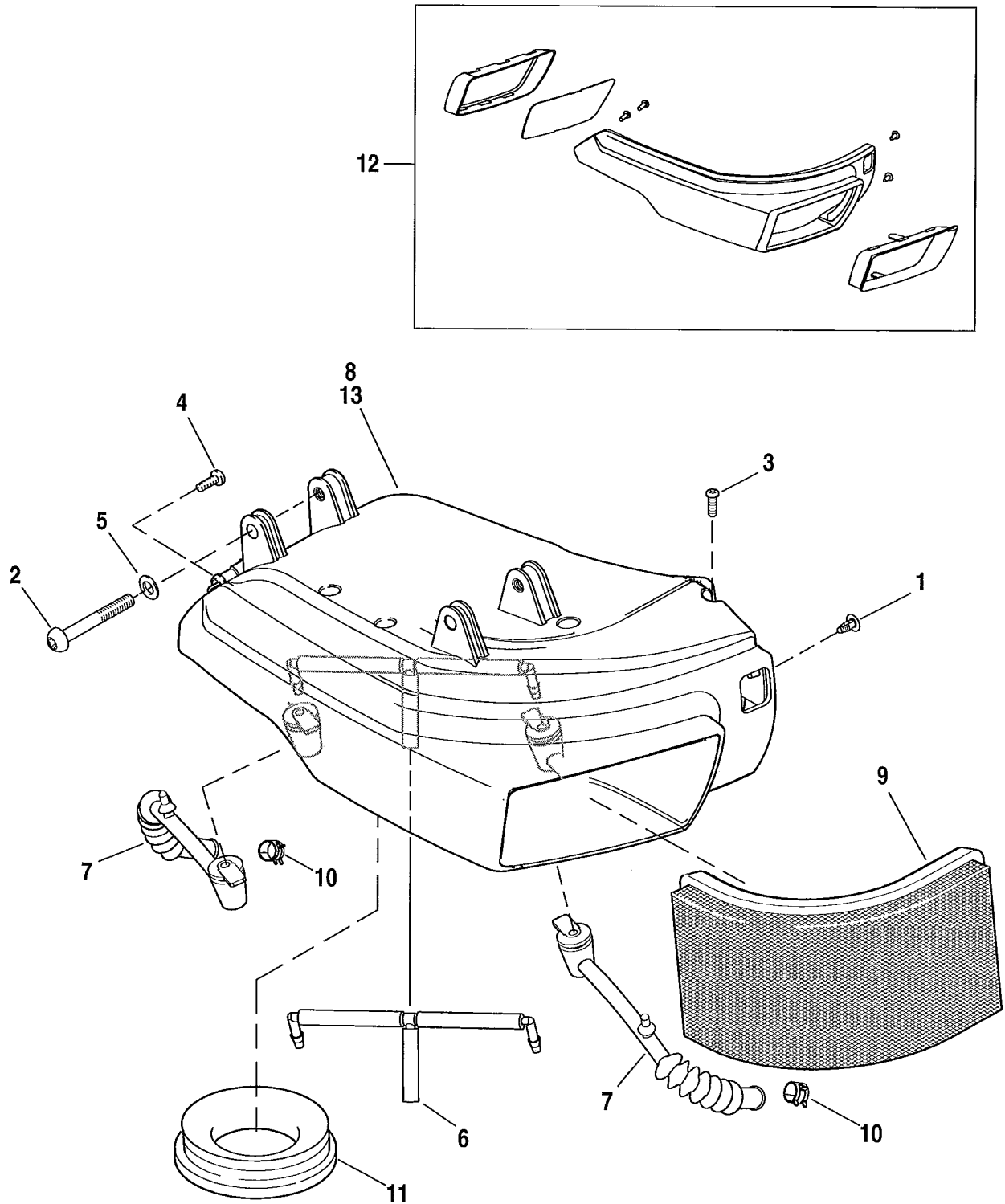
CR = XL883L
LH = XL1200CP

LE = XL883N
CZ = XL1200N

CS = XL883R
LC = XL1200X

CT = XL1200C
LD = XR1200X

AIR BOX - XR1200X



INDEX NO.	PART NO.	DESCRIPTION	MODEL(S)
1	673	CLIP (2)	LD
2	4802	SCREW (2)	LD
3	2407	SCREW (9)	LD
4	2612	SCREW (2)	LD
5	6703	WASHER (2)	LD
6	26162-08	BREATHER HOSE ASSEMBLY	LD
7	26169-08	HOSE, breather (2)	LD
8	29867-09	AIR BOX ASSEMBLY, w/ 1, 3, 4, 6, 7, 9, & 10 (Domestic, Canada, Australia, Asia-Pacific)	LD
9	29377-08	ELEMENT	LD
10	29379-08	CLAMP (2)	LD
11	29380-08	COUPLING	LD
12	65258-08	AIR BOX FASCIA KIT	LD

INTERNATIONAL MODELS ONLY

13	29371-08	AIR BOX ASSEMBLY, w/ 1, 3, 4, 6, 7, 9, & 10 (HDI, England, Japan)	LD
----	----------	---	----

2012 MODEL IDENTIFICATION CODES

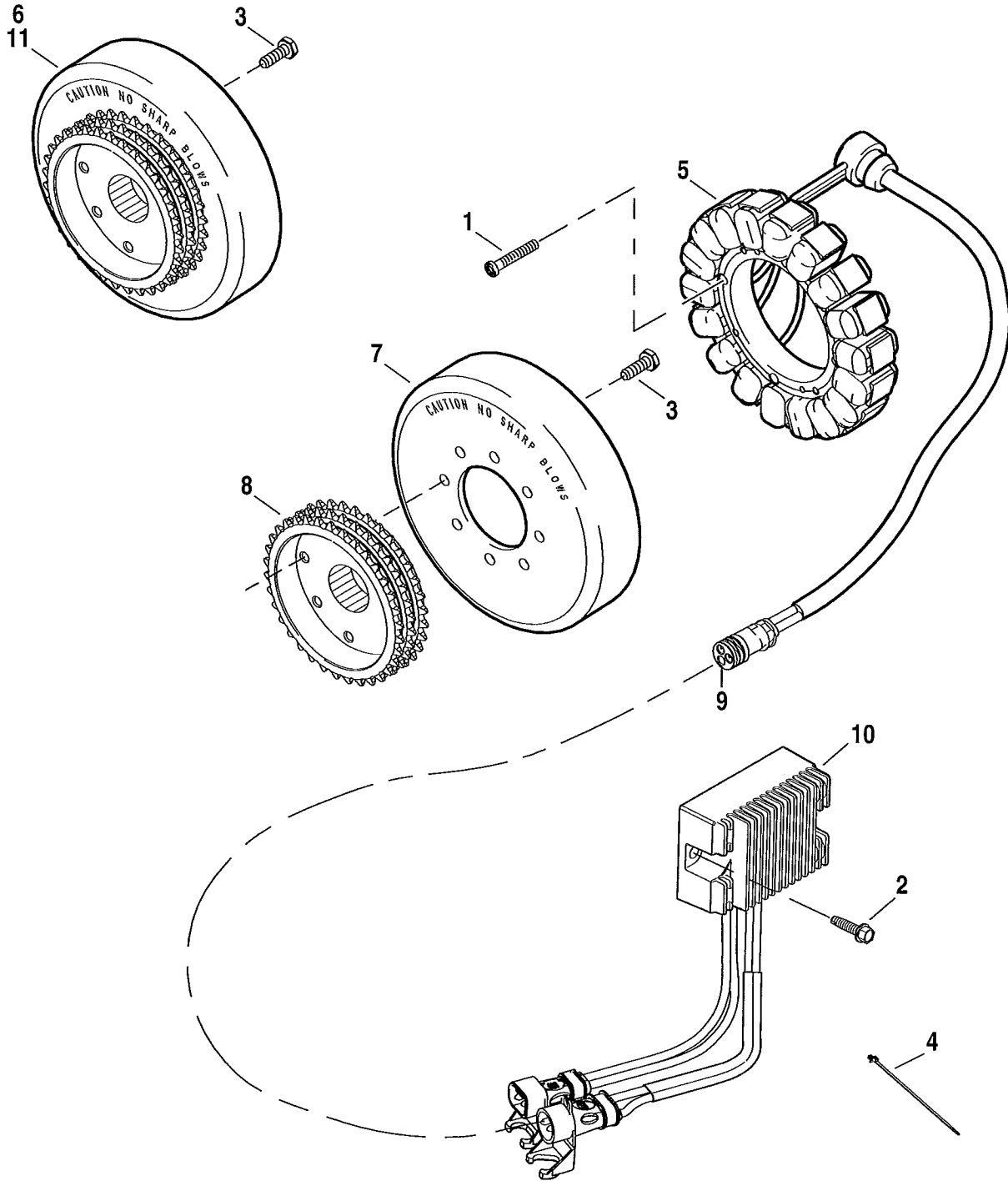
CR = XL883L
LH = XL1200CP

LE = XL883N
CZ = XL1200N

CS = XL883R
LC = XL1200X

CT = XL1200C
LD = XR1200X

ALTERNATOR & REGULATOR



INDEX NO.	PART NO.	DESCRIPTION	MODEL(S)
1	3029	SCREW (4)	ALL
2	4329	SCREW (2)	ALL
3	4751	SCREW (8)	ALL
4	10177	STRAP (3)	ALL
5	29997-07A	STATOR	ALL
6	30018-08	ROTOR SPROCKET ASSEMBLY, w/ 4751 & sprocket	LD
7	32493-02B	ROTOR SPROCKET ASSEMBLY, w/ 4751 & 40241-02A	CR CS LE
	32494-04B	ROTOR SPROCKET ASSEMBLY, w/ 4751 & 40290-04A	CT CZ LC LH
8	40241-02A	SPROCKET, 34T	CR CS LE
	40290-04A	SPROCKET, 38T	CT CZ LC LH
9	72195-94	SEAL, pin, 4-way	ALL
10	74711-08	REGULATOR, w/ 10177	ALL

INTERNATIONAL MODELS ONLY

11	30029-08	ROTOR SPROCKET ASSEMBLY, w/ 4751 & sprocket (Japan, Brazil)	LD
----	----------	---	----

2012 MODEL IDENTIFICATION CODES

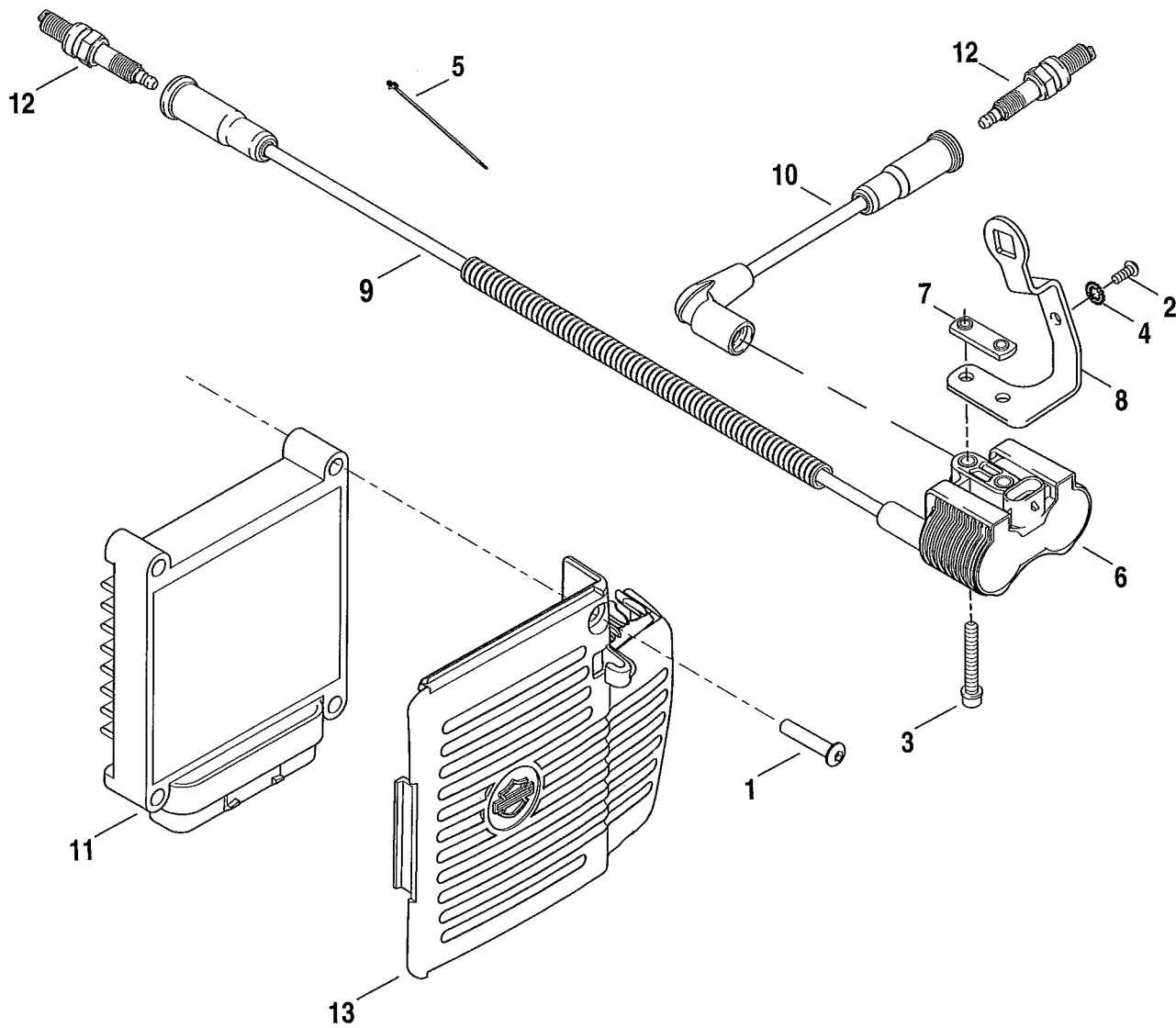
CR = XL883L
LH = XL1200CP

LE = XL883N
CZ = XL1200N

CS = XL883R
LC = XL1200X

CT = XL1200C
LD = XR1200X

ELECTRONIC IGNITION SYSTEM - 883L/N/R, 1200C/CP/N/X



ELECTRONIC IGNITION SYSTEM - 883L/N/R, 1200C/CP/N/X

INDEX NO.	PART NO.	DESCRIPTION	MODEL(S)
1	2513	SCREW	CR CS CT CZ LC LE LH
2	3124	SCREW	CR CS CT CZ LC LE LH
3	3480A	SCREW (2)	CR CS CT CZ LC LE LH
4	7220	LOCKWASHER	CR CS CT CZ LC LE LH
5	10177	STRAP	CR CS CT CZ LC LE LH
6	31656-07	IGNITION COIL	CR CS CT CZ LC LE LH
7	31753-07	PLATE, nut	CR CS CT CZ LC LE LH
8	31807-07	BRACKET	CR CS CT CZ LC LE LH
9	32006-07	CABLE, spark plug, rear (long)	CR CS CT CZ LC LE LH
10	32003-07	CABLE, spark plug, front (short)	CR CS CT CZ LC LE LH
11	32534-11	ELECTRONIC CONTROL MODULE	CR CS CT CZ LC LE LH
12	32362-04	SPARK PLUG (2)	CR CS CT CZ LC LE LH
13	73227-10	COVER	CR CS CT CZ LC LE LH

2012 MODEL IDENTIFICATION CODES

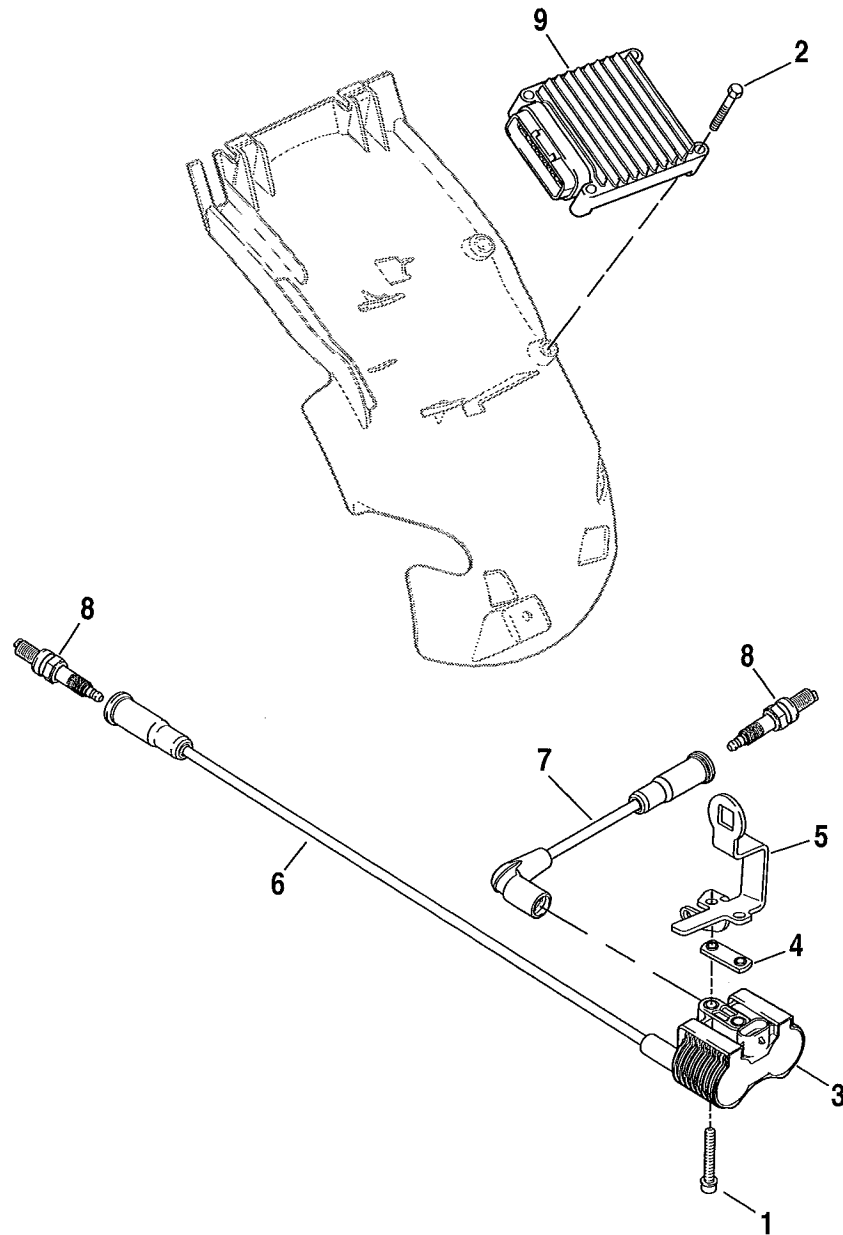
CR = XL883L
LH = XL1200CP

LE = XL883N
CZ = XL1200N

CS = XL883R
LC = XL1200X

CT = XL1200C
LD = XR1200X

ELECTRONIC IGNITION SYSTEM - XR1200X



INDEX NO.	PART NO.	DESCRIPTION	MODEL(S)
1	3480A	SCREW (2)	LD
2	3708M	SCREW (2)	LD
3	31656-07	IGNITION COIL	LD
4	31753-07	PLATE, nut	LD
5	31801-08	BRACKET	LD
6	32004-08	CABLE, spark plug, rear (long)	LD
7	32005-08A	CABLE, spark plug, front (short)	LD
8	27794-08	SPARK PLUG (2)	LD
9	32534-11	ELECTRONIC CONTROL MODULE	LD

2012 MODEL IDENTIFICATION CODES

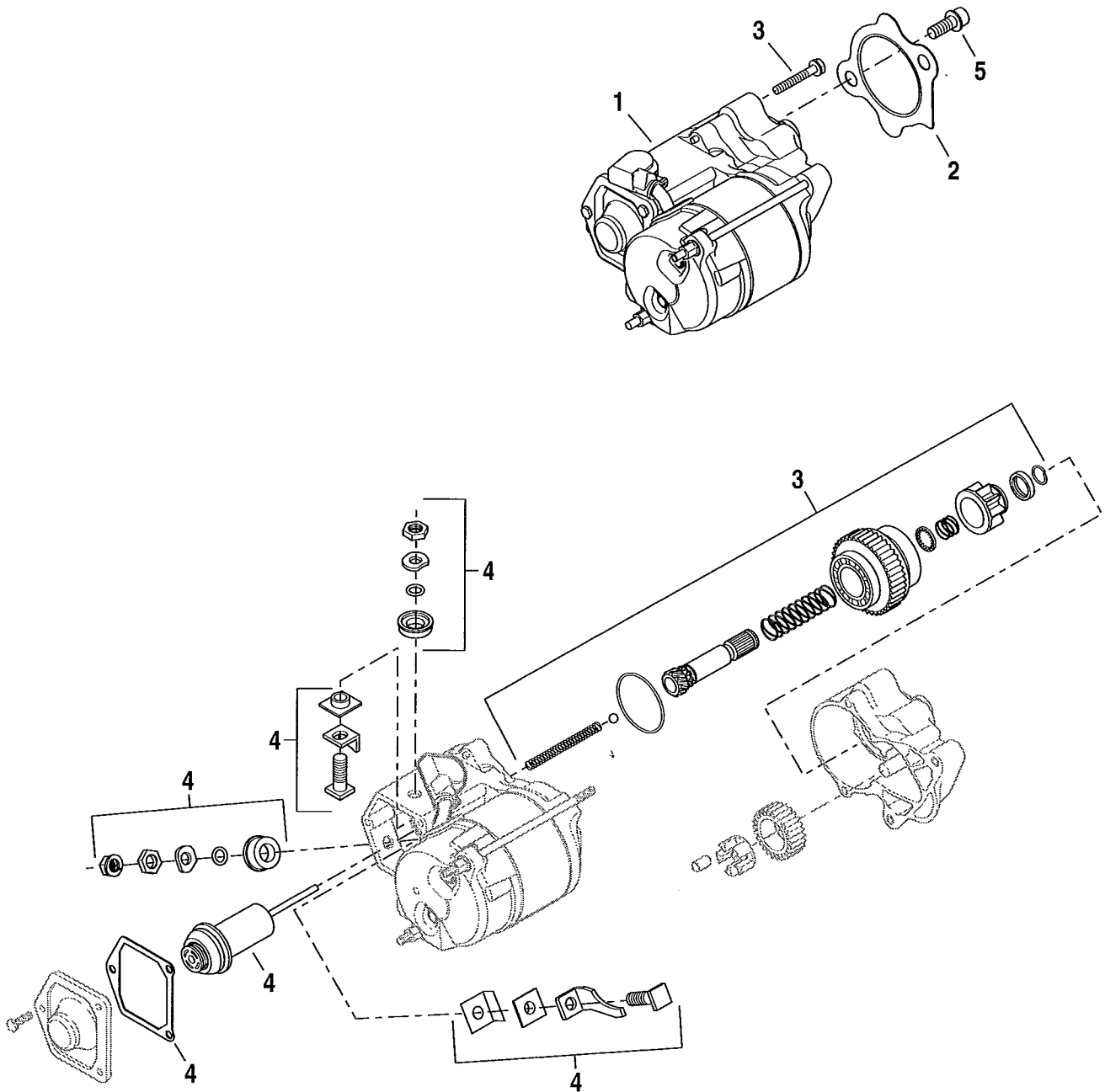
CR = XL883L
LH = XL1200CP

LE = XL883N
CZ = XL1200N

CS = XL883R
LC = XL1200X

CT = XL1200C
LD = XR1200X

STARTER MOTOR



INDEX NO.	PART NO.	DESCRIPTION	MODEL(S)
1	31390-91F	STARTER MOTOR, complete	ALL
2	31488-81C	GASKET	ALL
3	31556-91D	CLUTCH SUB-ASSEMBLY	ALL
4	31603-91	REPAIR KIT, starter solenoid	ALL
5	45902-00	SCREW (2)	ALL

2012 MODEL IDENTIFICATION CODES

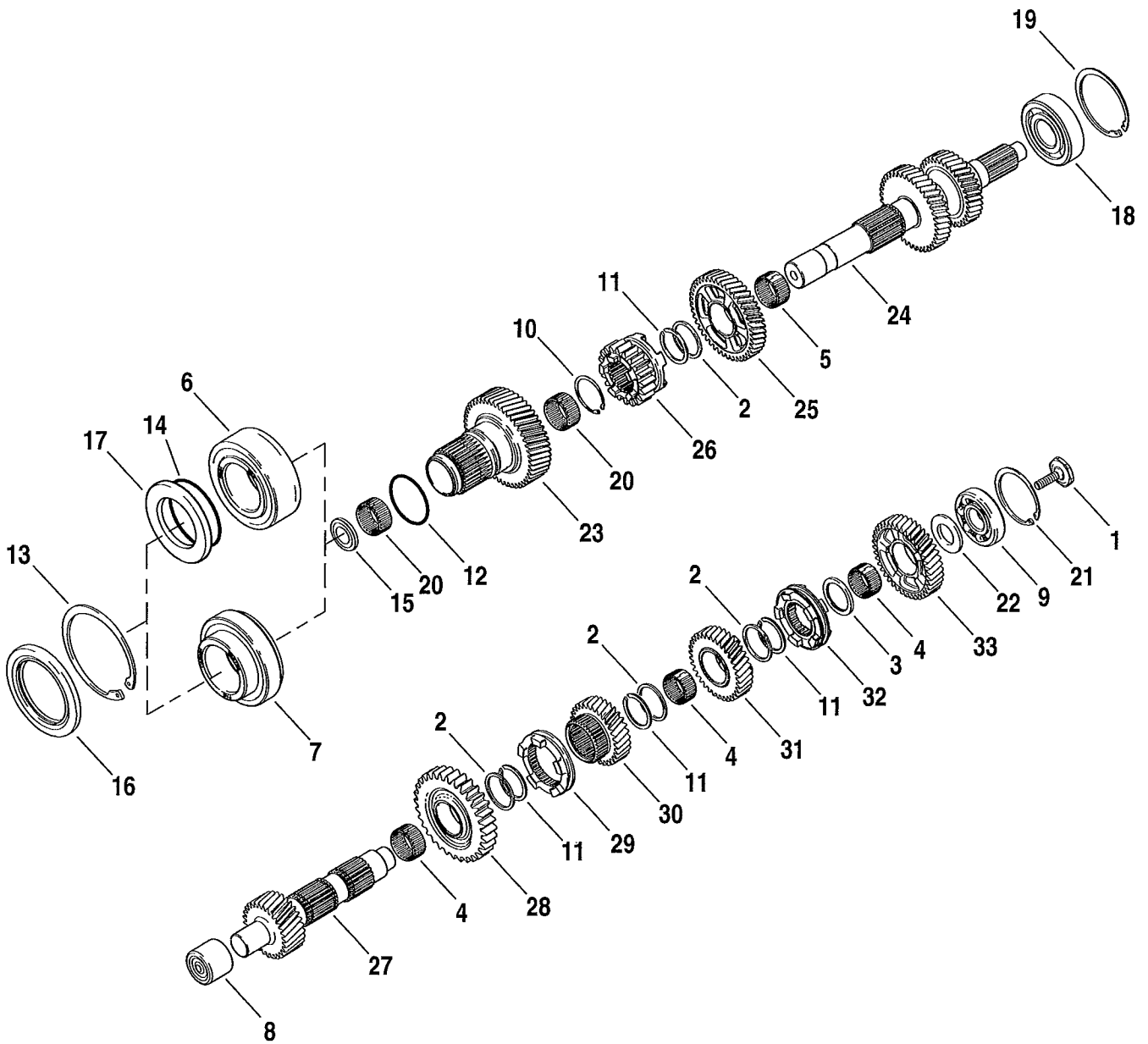
CR = XL883L
LH = XL1200CP

LE = XL883N
CZ = XL1200N

CS = XL883R
LC = XL1200X

CT = XL1200C
LD = XR1200X

TRANSMISSION GEARS



INDEX NO.	PART NO.	DESCRIPTION	MODEL(S)
1	3990	SCREW	ALL
2	6003	WASHER (4)	ALL
3	6021	SPACER	ALL
4	8862	BEARING (3)	ALL
5	8884	BEARING	ALL
6	8956	BEARING, ball	LD
7	8964	BEARING, ball	CR CS CT CZ LC LE LH
8	8966	BEARING, closed end	ALL
9	8970A	BEARING, ball	ALL
10	10984	SNAP RING	ALL
11	11067	RETAINING RING (4)	ALL
12	11113	O-RING	ALL
13	11161	RETAINING RING	ALL
14	11631	O-RING	LD
15	12030	SEAL	ALL
16	12074	OIL SEAL	ALL
17	33354-08	SPACER	LD
18	35030-89A	BEARING, mainshaft	ALL
19	35038-89A	RETAINING RING	ALL
20	35051-89A	NEEDLE BEARING (2)	ALL
21	35087-99A	RETAINING RING	ALL
22	35107-06	SPACER	ALL
23	35159-06	GEAR, fifth-mainshaft	CR CS CT CZ LC LE LH
	35234-08	GEAR, fifth-mainshaft	LD
24	35163-06	GEAR, mainshaft	ALL
25	35165-06	GEAR, fourth-mainshaft	ALL
26	35167-06	GEAR, first-mainshaft	ALL
27	35172-06	GEAR, countershaft	ALL
28	35174-06	GEAR, first-countershaft	ALL
29	35190-06	DOG RING	ALL
30	35191-06	GEAR, fourth-countershaft	ALL
31	35193-06	GEAR, third-countershaft	ALL
32	35196-06	DOG RING	ALL
33	35197-06	GEAR, second-countershaft	ALL

2012 MODEL IDENTIFICATION CODES

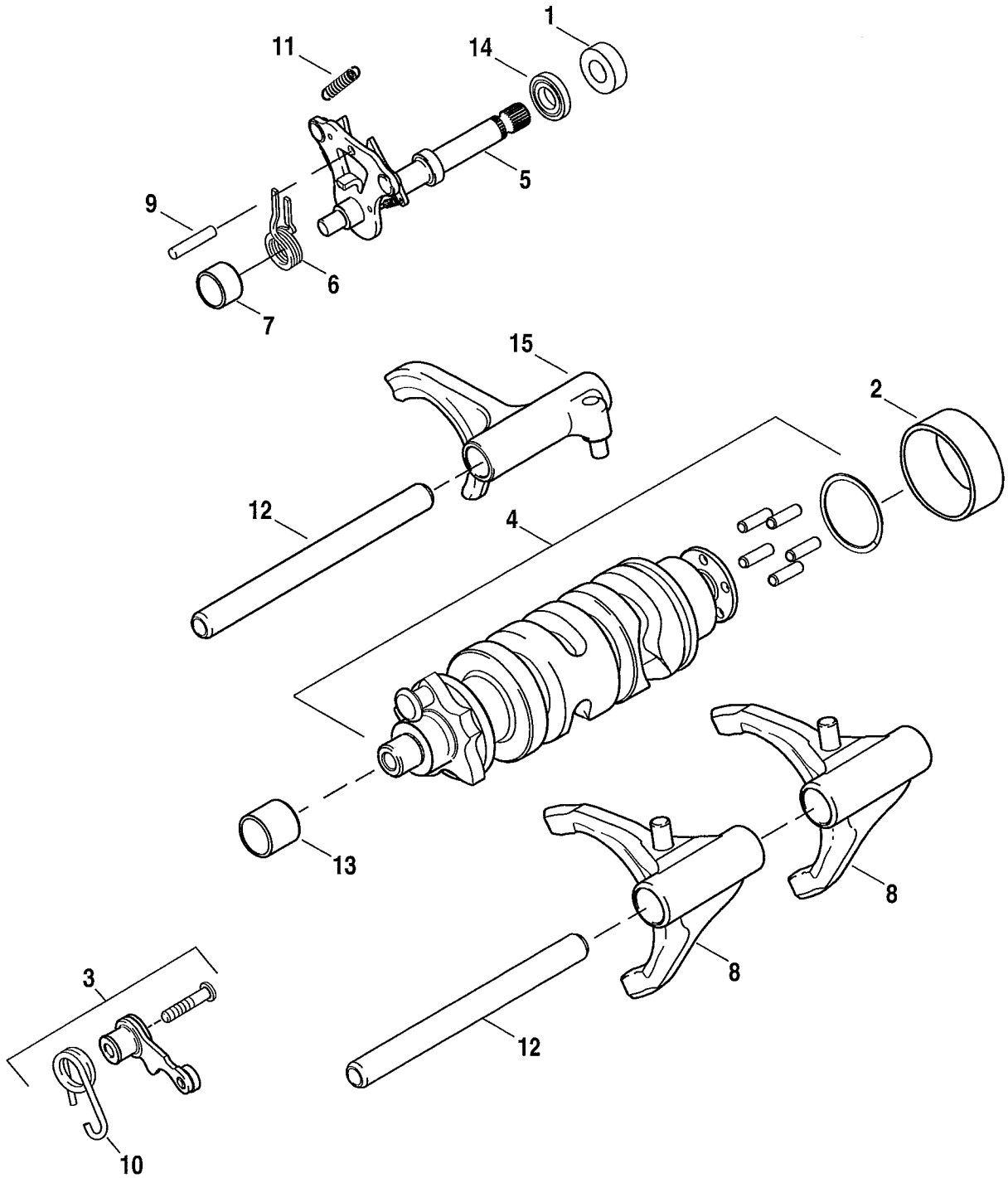
CR = XL883L
LH = XL1200CP

LE = XL883N
CZ = XL1200N

CS = XL883R
LC = XL1200X

CT = XL1200C
LD = XR1200X

SHIFTER, GEAR



INDEX NO.	PART NO.	DESCRIPTION	MODEL(S)
1	7080	WASHER	ALL
2	9187A	BEARING	ALL
3	33540-06	SPRING SLEEVE ASSEMBLY, detent	ALL
4	33641-06	SHIFTER CAM ASSEMBLY	ALL
5	34014-06A	SHIFTER LEVER ASSEMBLY, w/ 34064-00C & 34491-02A	ALL
6	34064-00C	SPRING, shifter return	ALL
7	34076-02A	BUSHING	ALL
8	34157-06	FORK ASSEMBLY, shifter (2)	ALL
9	34163-02	PIN, shifter stop	ALL
10	34483-06	SPRING, detent	ALL
11	34491-02A	SPRING, extension (2)	ALL
12	34981-02A	SHAFT, shifter forks (2)	ALL
13	34982-02A	BUSHING, right hand crankcase	ALL
14	37107-06	OIL SEAL	ALL
15	34162-06	FORK ASSEMBLY, shifter	ALL

2012 MODEL IDENTIFICATION CODES

CR = XL883L
LH = XL1200CP

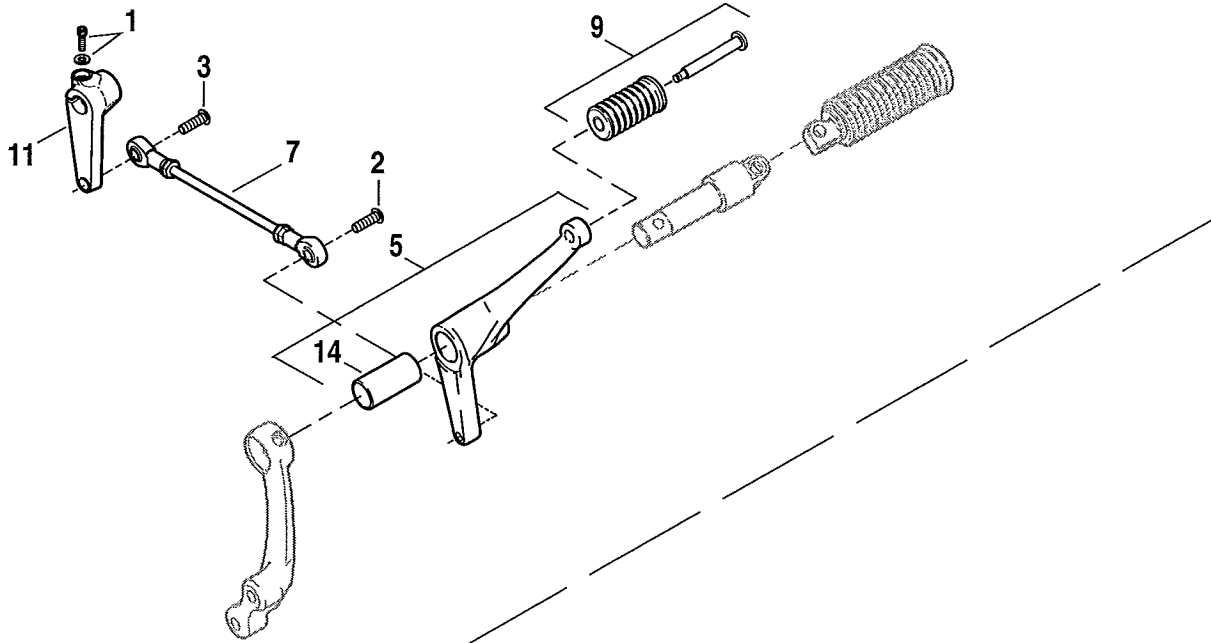
LE = XL883N
CZ = XL1200N

CS = XL883R
LC = XL1200X

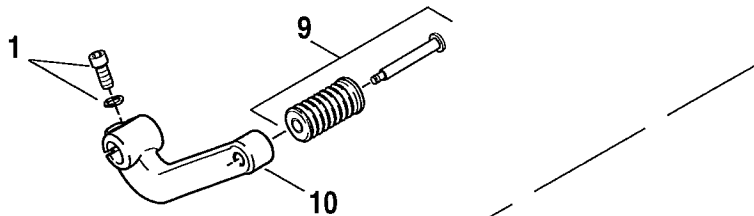
CT = XL1200C
LD = XR1200X

SHIFTER LEVER

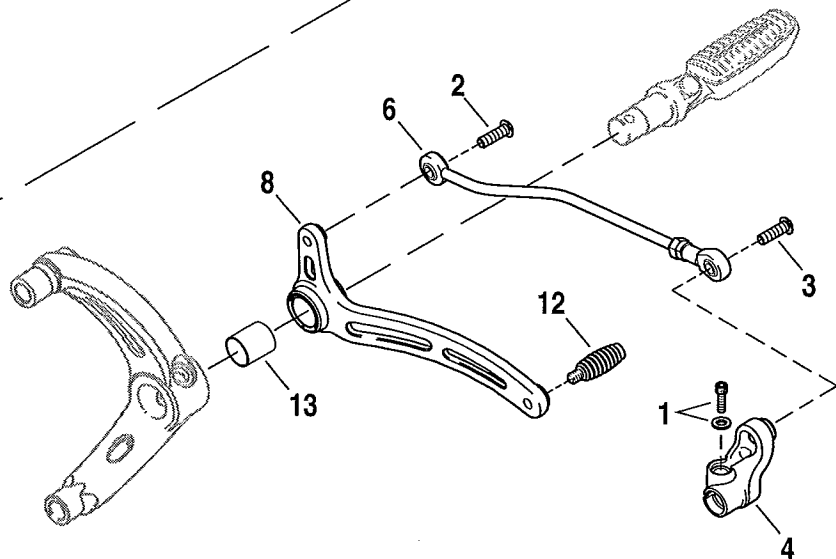
XL1200X
XL1200C
XL1200CP



XL883L
XL883N
XL883R
XL1200N
XL1200CP



XR1200X



INDEX NO.	PART NO.	DESCRIPTION	MODEL(S)
1	2708A	SCREW	ALL
2	4016	SCREW	CT LC LD LH
3	4359	SCREW	CT LC LD LH
4	34665-10	SHIFTER ARM (black)	LD
5	34572-04	LEVER ASSEMBLY, w/ 42569-03 (1200CP - Forward Foot Controls)	CT LH
	34723-10	LEVER ASSEMBLY, w/ 42569-03	LC
6	33832-08	SHIFTER LINK	LD
7	34573-04	SHIFTER ROD LINK	CT LH
	34663-10	SHIFTER ROD LINK	LC
8	33875-08	SHIFTER LEVER ASSEMBLY, w/ 42443-80A	LD
9	34611-65A	SHIFTER TOE PEG KIT	CR CS CT CZ LC LE LH
10	34660-04A	SHIFT LEVER (chrome) (1200CP - Mid Foot Controls)	CR LH
	34721-07	SHIFT LEVER (black)	CS CZ LE
11	34670-06	SHIFT LEVER (chrome)	CT LH
	34724-10	SHIFT LEVER (gloss black)	LC
12	34672-08	TOE PEG ASSEMBLY	LD
13	42443-80A	BUSHING	LD
14	42569-03	BUSHING	CT LC LH

2012 MODEL IDENTIFICATION CODES

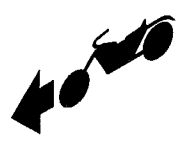
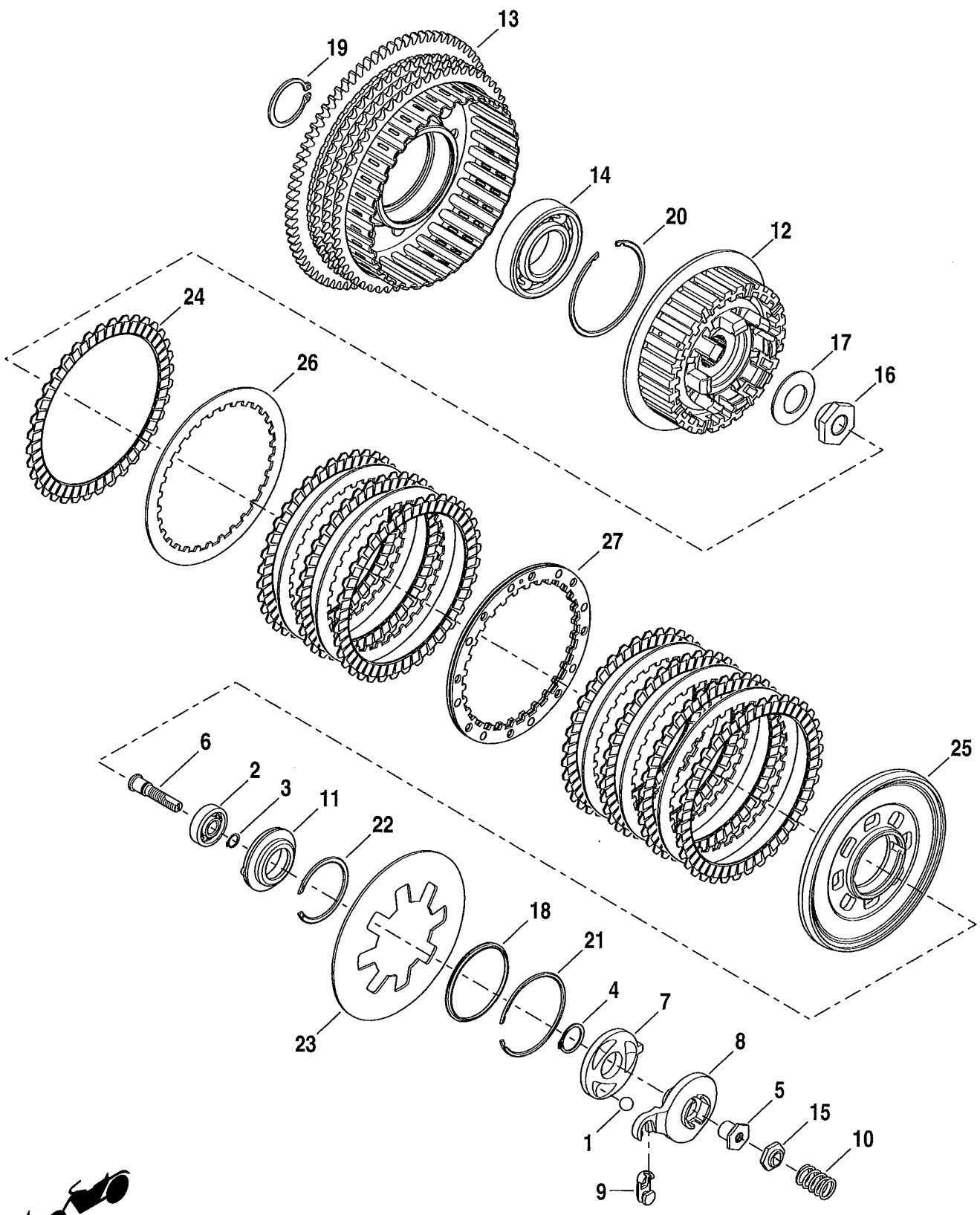
CR = XL883L
LH = XL1200CP

LE = XL883N
CZ = XL1200N

CS = XL883R
LC = XL1200X

CT = XL1200C
LD = XR1200X

CLUTCH - 883L/N/R, 1200C/CP/N/X



INDEX NO.	PART NO.	DESCRIPTION	MODEL(S)
1	8873	BALL (3)	CR CS CT CZ LC LE LH
2	8885	BEARING	CR CS CT CZ LC LE LH
3	11046	RETAINING RING	CR CS CT CZ LC LE LH
4	11250	RETAINING RING	CR CS CT CZ LC LE LH
5	11730A	WELL NUT	CR CS CT CZ LC LE LH
6	11765Y	ADJUSTMENT SCREW	CR CS CT CZ LC LE LH
7	25453-87A	RAMP, inner	CR CS CT CZ LC LE LH
8	25409-94B	RAMP, outer	CR CS CT CZ LC LE LH
9	34920-86A	COUPLING, clutch cable	CR CS CT CZ LC LE LH
10	36715-94	SPRING, clutch adjustment	CR CS CT CZ LC LE LH
11	36731-91	RELEASE PLATE, w/ 8885	CR CS CT CZ LC LE LH
12	36785-91	CLUTCH HUB	CR CS CT CZ LC LE LH
13	36790-04	CLUTCH SHELL & SPROCKET, w/ 36799-91 & 37905-90	CR CS CT CZ LC LE LH
14	36799-91	BALL BEARING	CR CS CT CZ LC LE LH
15	36802-84B	LOCKPLATE, well type	CR CS CT CZ LC LE LH
16	37495-91	NUT, main shaft	CR CS CT CZ LC LE LH
17	37870-91	SPRING WASHER	CR CS CT CZ LC LE LH
18	37872-90	SEAT, spring-inner	CR CS CT CZ LC LE LH
19	37904-90	RETAINING RING	CR CS CT CZ LC LE LH
20	37905-90	RETAINING RING	CR CS CT CZ LC LE LH
21	37908-90	RETAINING RING	CR CS CT CZ LC LE LH
22	37909-90	RETAINING RING	CR CS CT CZ LC LE LH
23	37910-04B	SPRING, clutch plate	CR CS LE
	37924-04A	SPRING, clutch plate	CT CZ LC LH
24	37911-90	FRICTION PLATE (paper) (8)	CR CS CT CZ LC LE LH
25	37912-91	PRESSURE PLATE	CR CS CT CZ LC LE LH
26	37913-90	STEEL PLATE (6)	CR CS CT CZ LC LE LH
27	37977-90	SPRING PLATE	CR CS CT CZ LC LE LH

2012 MODEL IDENTIFICATION CODES

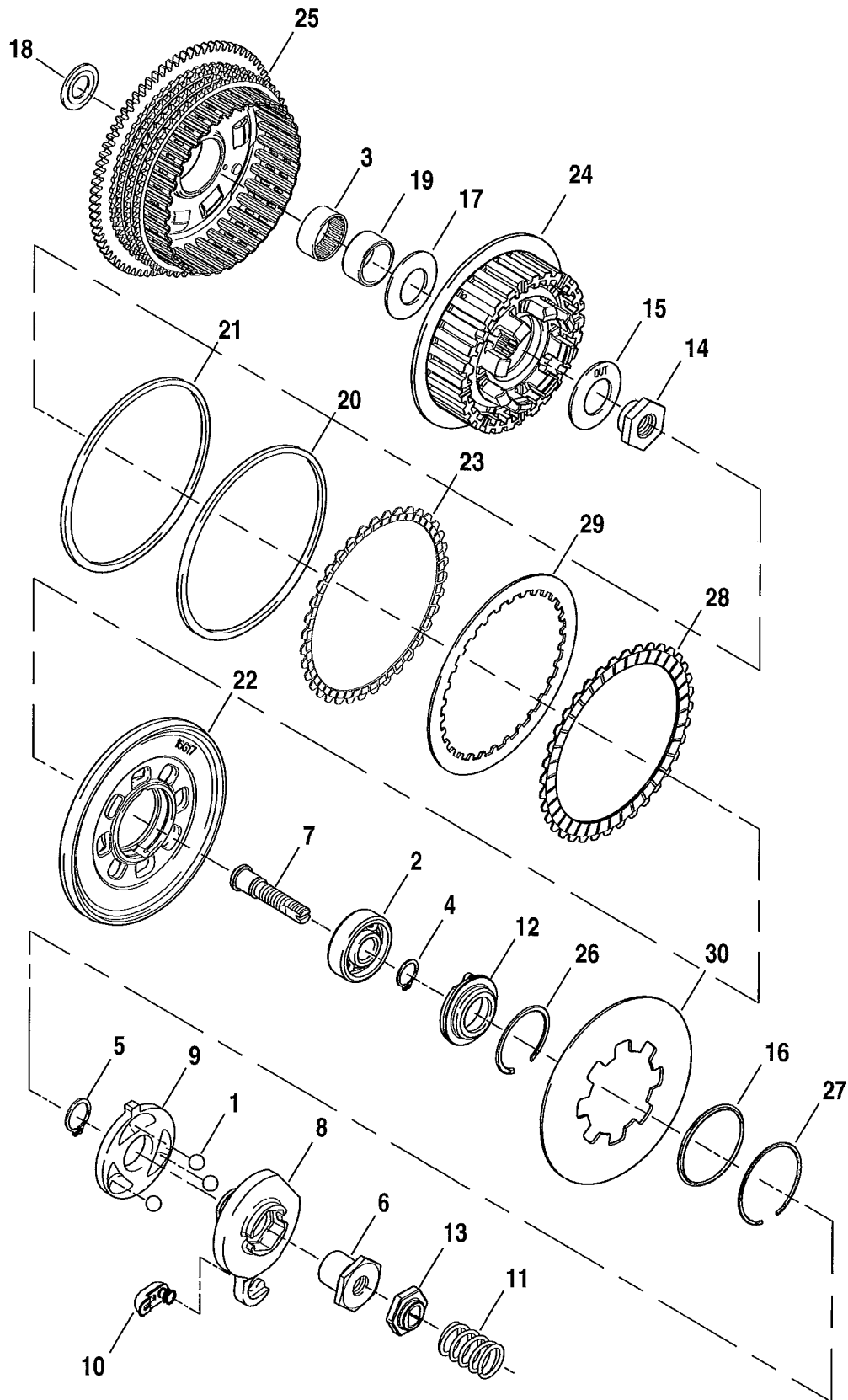
CR = XL883L
LH = XL1200CP

LE = XL883N
CZ = XL1200N

CS = XL883R
LD = XL1200X

CT = XL1200C
LD = XR1200X

CLUTCH - XR1200X



INDEX NO.	PART NO.	DESCRIPTION	MODEL(S)
1	8873	BALL (3)	LD
2	8885	BEARING	LD
3	9214	BEARING	LD
4	11046	RETAINING RING	LD
5	11250	RETAINING RING	LD
6	11730A	WELL NUT	LD
7	11765Y	ADJUSTMENT SCREW	LD
8	25409-94B	RAMP, outer	LD
9	25453-87A	RAMP, inner	LD
10	34920-86A	COUPLING, clutch cable	LD
11	36715-94	SPRING, clutch adjustment	LD
12	36731-91	RELEASE PLATE, w/ 8885	LD
13	36802-84B	LOCKPLATE, well type	LD
14	37495-91	NUT, main shaft	LD
15	37870-91	SPRING WASHER	LD
16	37872-90	SEAT, spring-inner	LD
17	37890-02	THRUST WASHER, inner	LD
18	37891-02	THRUST WASHER, outer	LD
19	37892-02	INNER RACE, needle bearing	LD
20	37894-02	SPRING, clutch	LD
21	37895-02	SEAT, damper spring	LD
22	37896-02	PRESSURE PLATE	LD
23	37897-02	FRICTION PLATE, narrow	LD
24	37898-02A	CLUTCH HUB	LD
25	37899-02A	CLUTCH SHELL & SPROCKET, w/ 9214	LD
26	37908-90	RETAINING RING	LD
27	37909-90	RETAINING RING	LD
28	37911-90	FRICTION PLATE (paper) (7)	LD
29	37913-90	STEEL PLATE (7)	LD
30	37934-06	SPRING, clutch	LD

2012 MODEL IDENTIFICATION CODES

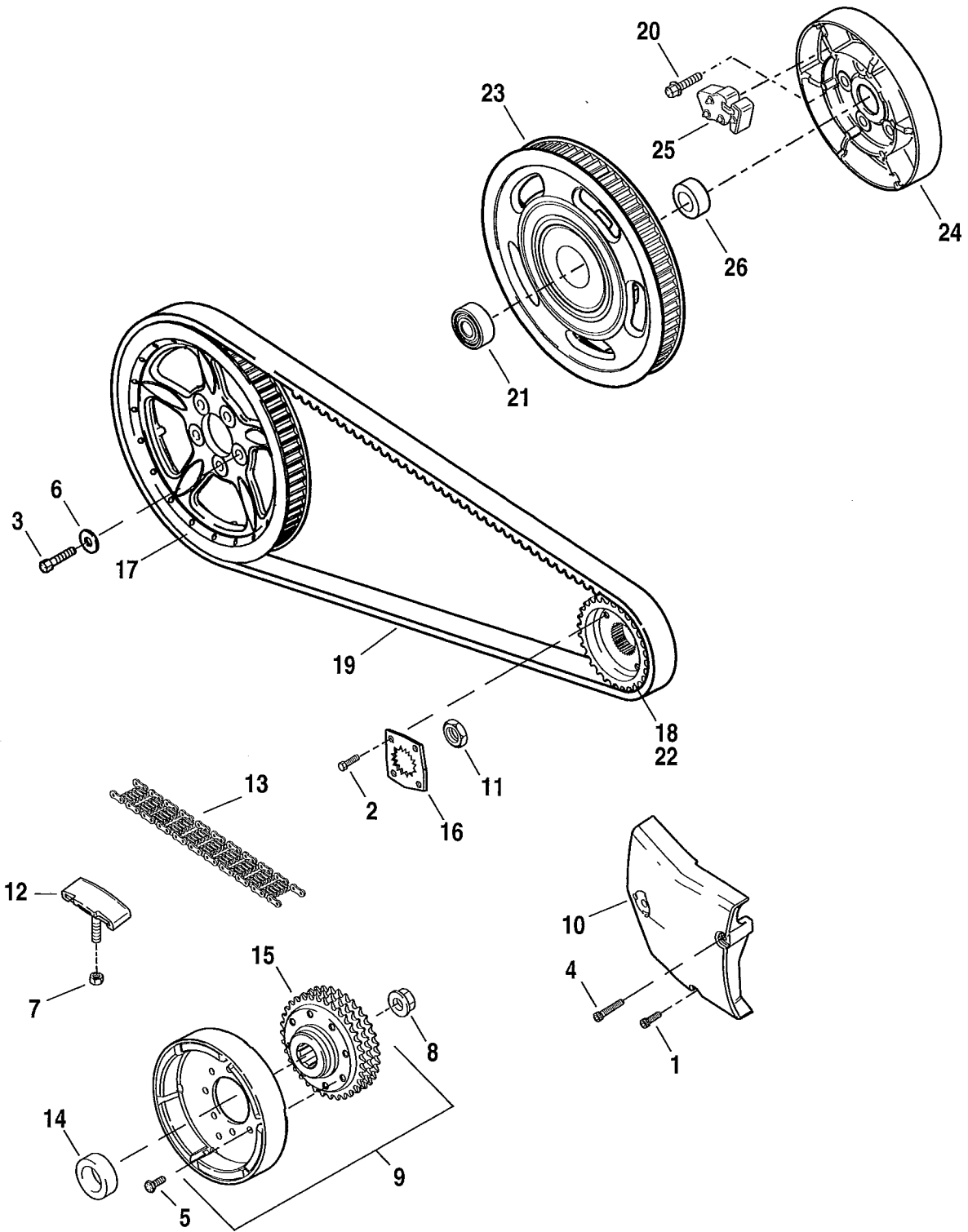
CR = XL883L
LH = XL1200CP

LE = XL883N
CZ = XL1200N

CS = XL883R
LC = XL1200X

CT = XL1200C
LD = XR1200X

BELT & SPROCKETS - 883L/N/R, 1200C/CP/N/X



INDEX NO.	PART NO.	DESCRIPTION	MODEL(S)
1	3480A	SCREW	CR CS CT CZ LC LE LH
2	3594	SCREW (2)	CR CS CT CZ LC LE LH
3	3899	SCREW (5)	CR CS CT CZ LC LE LH
4	4717A	SCREW	CR CS CT CZ LC LE LH
5	4751	SCREW	CR CS CT CZ LC LE LH
6	6516HW	WASHER (5)	CR CS CT CZ LC LE LH
7	7804	LOCKNUT	CR CS CT CZ LC LE LH
8	7839	NUT	CR CS CT CZ LC LE LH
9	32493-02B	ROTOR SPROCKET ASSEMBLY, w/ 4751 & 40241-02A	CR CS LE
	32494-04B	ROTOR SPROCKET ASSEMBLY, w/ 4751 & 40290-04A	CT CZ LC LH
10	34911-04	SPROCKET COVER	CR
	34932-04	SPROCKET COVER	CT LH
	34943-05	SPROCKET COVER	CS LC LE
	34954-07	SPROCKET COVER (gray)	CZ
11	35211-91B	NUT	CR CS CT CZ LC LE LH
12	40039-02C	CHAIN ADJUSTER ASSEMBLY	CR CS CT CZ LC LE LH
13	40005-57B	PRIMARY CHAIN, 94 links	CR CS LE
	40147-04	PRIMARY CHAIN, 96 links	CT CZ LC LH
14	40254-02	SPACER, sprocket	CR CS CT CZ LC LE LH
15	40241-02A	SPROCKET, triple row - 34T	CR CS LE
	40290-04A	SPROCKET, triple row - 38T	CT CZ LC LH
16	40251-92A	RETENTION PLATE	CR CS CT CZ LC LE LH
17	40350-07	SPROCKET, belt - 68T (black)	CR CS CT LH
	40444-07	SPROCKET, belt - 68T (black)	CZ LC LE
18	40409-04	SPROCKET, transmission - 29T (Domestic - CT/CZ/LC/LH, World - CR/CS/LE)	CR CS CT CZ LC LE LH
19	40591-07	BELT, 137T	CR CS CT CZ LC LE LH
INTERNATIONAL MODELS ONLY			
20	3814	SCREW (Japan) (5)	CR CS CT CZ LC LE
21	9254	BEARING (Japan)	CR CS CT CZ LC LE
22	40380-04	SPROCKET, transmission - 30T (HDI)	CT CZ LC
23	40518-08	SPROCKET ASSEMBLY, final drive, w/ bearing - 68T (black) (Japan/Asia-Pacific)	CR CS CT CZ LC LE
24	40560-05	BOWL COMPENSATOR (Japan)	CR CS CT CZ LC LE
25	40561-05	ISOLATOR (Japan) (6)	CR CS CT CZ LC LE
26	40562-05	SPACER (Japan)	CR CS CT CZ LC LE

2012 MODEL IDENTIFICATION CODES

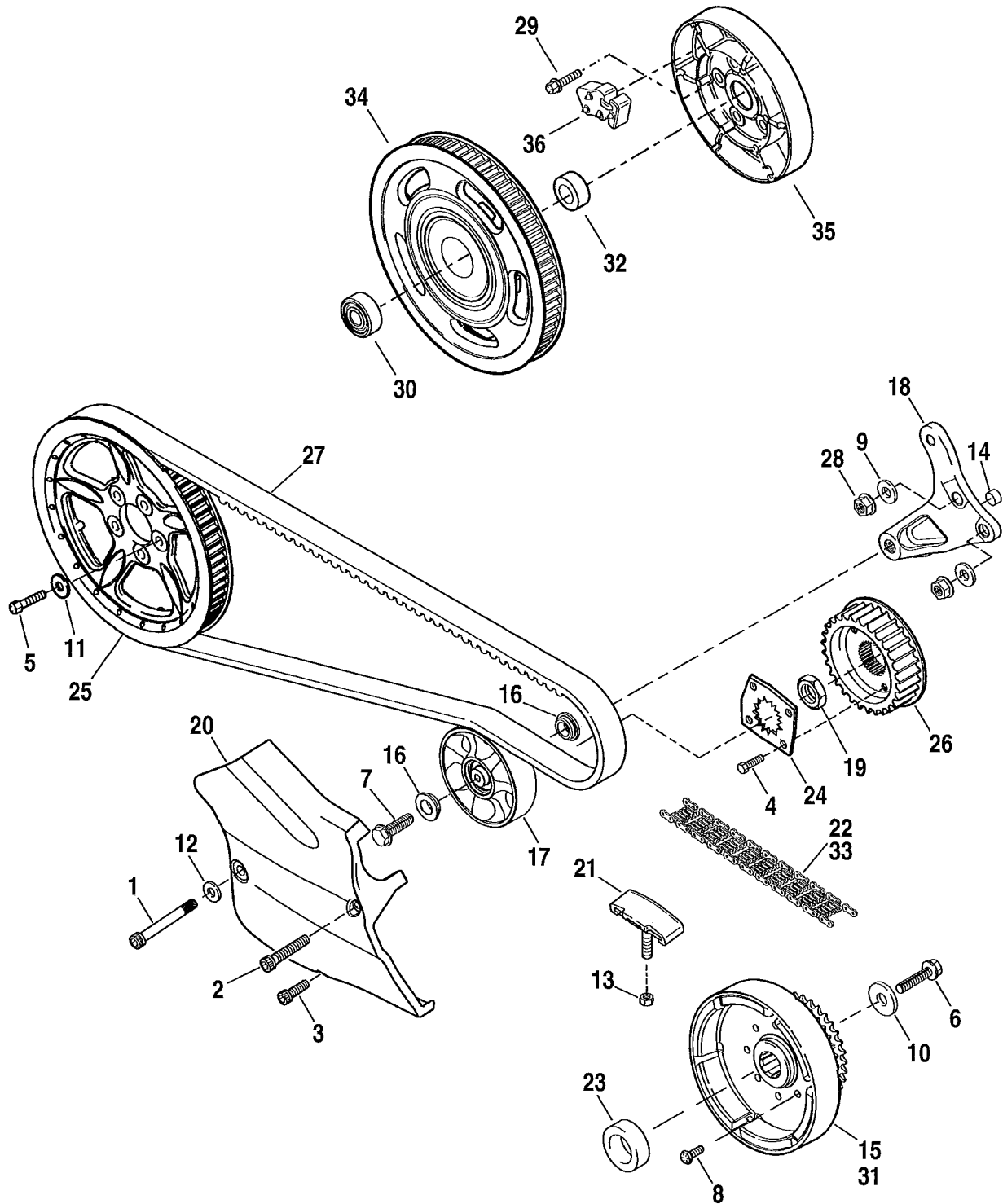
CR = XL883L
LH = XL1200CP

LE = XL883N
CZ = XL1200N

CS = XL883R
LC = XL1200X

CT = XL1200C
LD = XR1200X

BELT & SPROCKETS - XR1200X



INDEX NO.	PART NO.	DESCRIPTION	MODEL(S)
1	675	SCREW	LD
2	1751	SCREW (2)	LD
3	3480A	SCREW	LD
4	3594	SCREW (2)	LD
5	3899	SCREW (5)	LD
6	4589	SCREW	LD
7	4678	SCREW	LD
8	4751	SCREW (8)	LD
9	6400HB	WASHER (2)	LD
10	6445	WASHER	LD
11	6516HW	WASHER (5)	LD
12	6701	WASHER	LD
13	7804	LOCKNUT	LD
14	9704	DOWEL PIN, idler locating	LD
15	30018-08	ROTOR SPROCKET ASSEMBLY, w/ 4751 & sprocket	LD
16	31630-08	BUSHING (2)	LD
17	31698-08	IDLER	LD
18	31699-08	BRACKET ASSEMBLY, idler, w/ 9704	LD
	31602-08	IDLER WHEEL KIT, w/ 7, 9, 14, 16, 17, 18, & 28	LD
19	35211-91B	NUT	LD
20	37716-10	SPROCKET COVER (black)	LD
21	40039-02C	CHAIN ADJUSTER ASSEMBLY	LD
22	40057-08	PRIMARY CHAIN, 94 links	LD
23	40254-02	SPACER	LD
24	40251-92A	RETENTION PLATE	LD
25	40350-07	SPROCKET, belt - 68T (black)	LD
26	40379-04	SPROCKET, transmission - 28T	LD
27	40591-07	BELT, 137T	LD
28	DA0600.12FAZB	LOCKNUT (2)	LD
INTERNATIONAL MODELS ONLY			
29	3814	SCREW (Japan) (5)	LD
30	9254	BEARING (Japan)	LD
31	30029-08	ROTOR SPROCKET ASSEMBLY, w/ 4751 & sprocket (Japan, Brazil)	LD
32	37797-09	SPACER (Japan)	LD
33	40147-04	PRIMARY CHAIN, 96 links (Japan, Brazil)	LD
34	40518-08	SPROCKET ASSEMBLY, 68T (Japan)	LD
35	40560-05	BOWL COMPENSATOR (Japan)	LD
36	40561-05	ISOLATOR (Japan)	LD

2012 MODEL IDENTIFICATION CODES

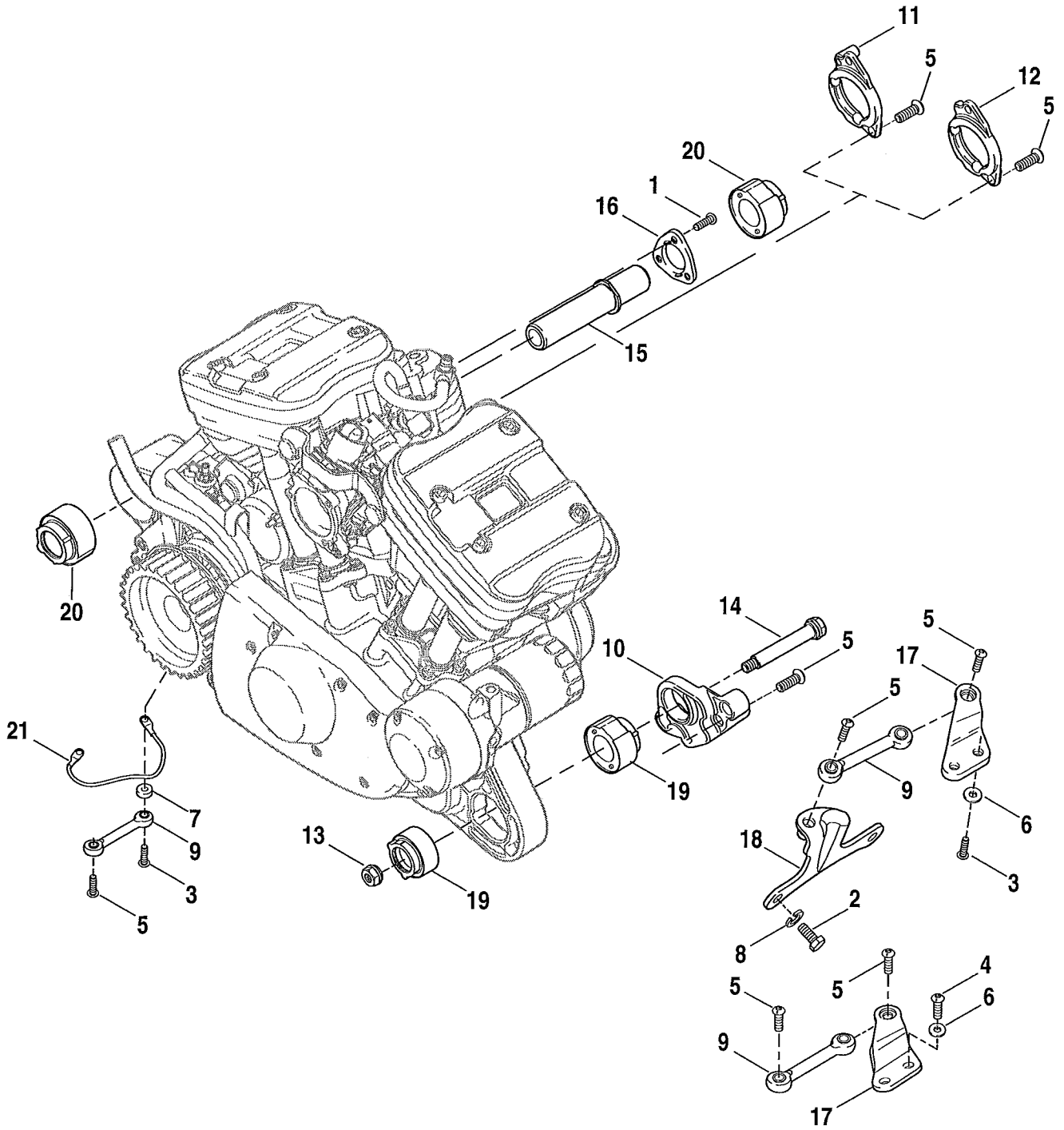
CR = XL883L
LH = XL1200CP

LE = XL883N
CZ = XL1200N

CS = XL883R
LC = XL1200X

CT = XL1200C
LD = XR1200X

ENGINE MOUNTS



INDEX NO.	PART NO.	DESCRIPTION	MODEL(S)
1	940	SCREW (3)	ALL
2	3854	SCREW (2)	ALL
3	4180	SCREW (3)	ALL
4	4188	SCREW (2)	ALL
5	4290	SCREW (9)	ALL
6	6026	WASHER (4)	ALL
7	6152	SPACER	ALL
8	7039	LOCKWASHER (2)	ALL
9	16232-04B	TIE-LINK (3)	ALL
10	16287-04	MOUNT, front isolator	ALL
11	16291-04	MOUNT, rear isolator	CR CS CT CZ LC LE LH
12	16301-08	MOUNT, rear isolator	LD
13	41561-04	NUT	ALL
14	41562-04	BOLT	ALL
15	41568-04	SHAFT, swing arm pivot	ALL
16	41699-04	LOCKPLATE	ALL
17	47470-04	BRACKET (2)	ALL
18	47471-04A	BRACKET	ALL
19	48463-04A	ISOLATOR, front mount (2)	ALL
20	48492-04A	ISOLATOR, rear mount (2)	ALL
21	70297-04A	STRAP, grounding	ALL

2012 MODEL IDENTIFICATION CODES

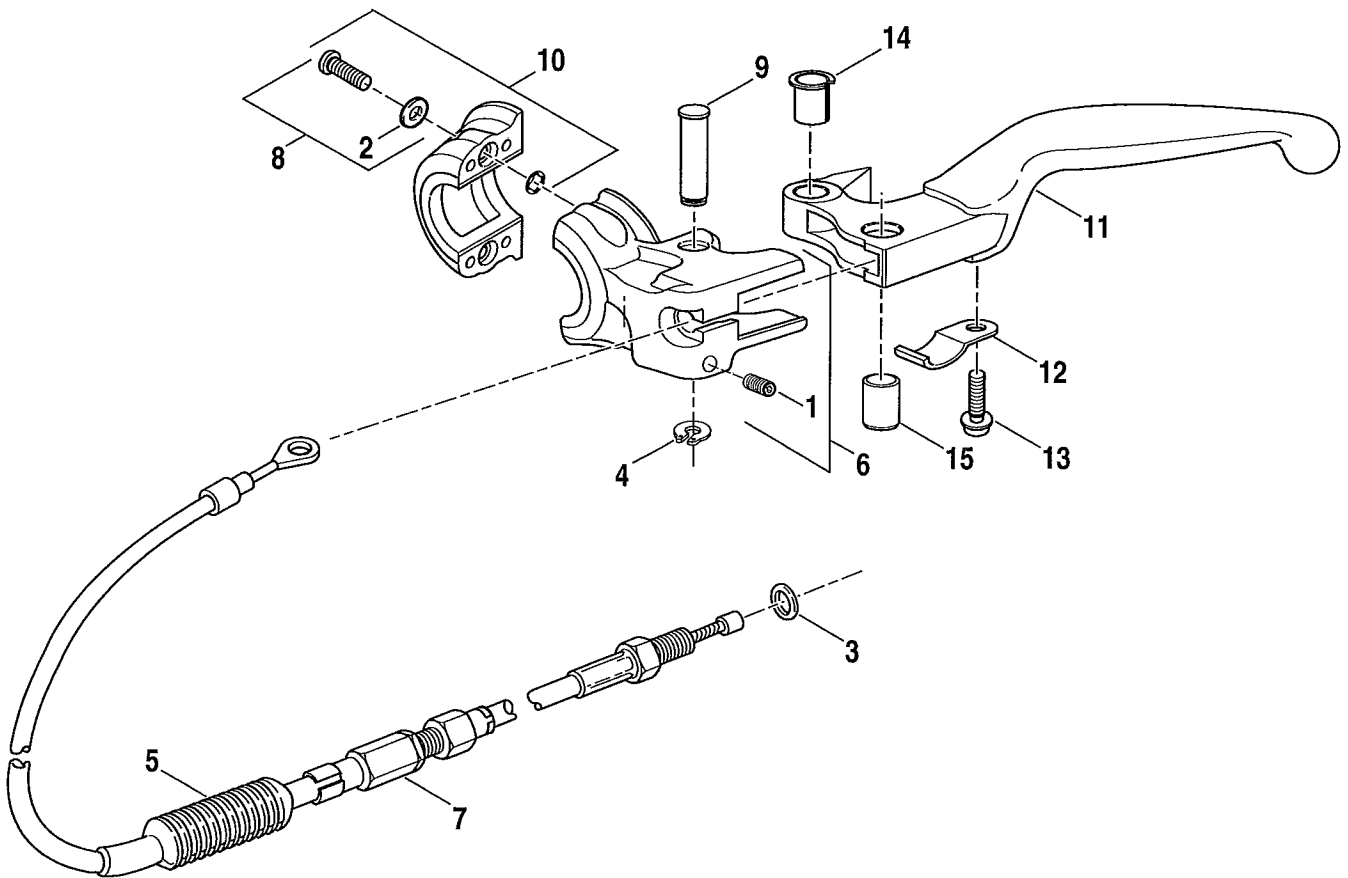
CR = XL883L
LH = XL1200CP

LE = XL883N
CZ = XL1200N

CS = XL883R
LC = XL1200X

CT = XL1200C
LD = XR1200X

CLUTCH CONTROL



INDEX NO.	PART NO.	DESCRIPTION	MODEL(S)
1	3244	SCREW	ALL
2	6101	WASHER (2)	ALL
3	11179	O-RING	ALL
4	11379	RETAINING RING	ALL
5	38630-88	BOOT	ALL
6	38671-04	BRACKET	ALL
7	38699-04C	CABLE ASSEMBLY, w/ 11179, 11379, 38630-88, & 46268-04 (1200CP - Pullback or Drag Handlebar)	CR CS CT LC LE LH
	38702-05C	CABLE ASSEMBLY, w/ 11179, 11379, 38630-88, & 46268-04	CZ
	38786-08A	CABLE ASSEMBLY, w/ 11179, 11379, 38630-88, & 46268-04	LD
	37000041	CABLE ASSEMBLY, w/ 11179, 11379, 38630-88, & 46268-04 (1200CP - Mini-Ape Handlebar)	LH
8	42425-05	KIT, w/ 6101 (2) & screw (2)	ALL
9	42807-04	BOLT	ALL
10	42808-04	CLAMP	ALL
11	45356-07	HAND LEVER, w/ 45799-04, 45800-04, & 45801-04	CR CS CT LH
	46945-07A	HAND LEVER, w/ 45799-04, 45800-04, & 45801-04	CZ LC LD LE
12	45799-04	SPRING, anti-rattle	ALL
13	45800-04	SCREW	ALL
14	45801-04	BUSHING	ALL
15	46268-04	PIN	ALL

2012 MODEL IDENTIFICATION CODES

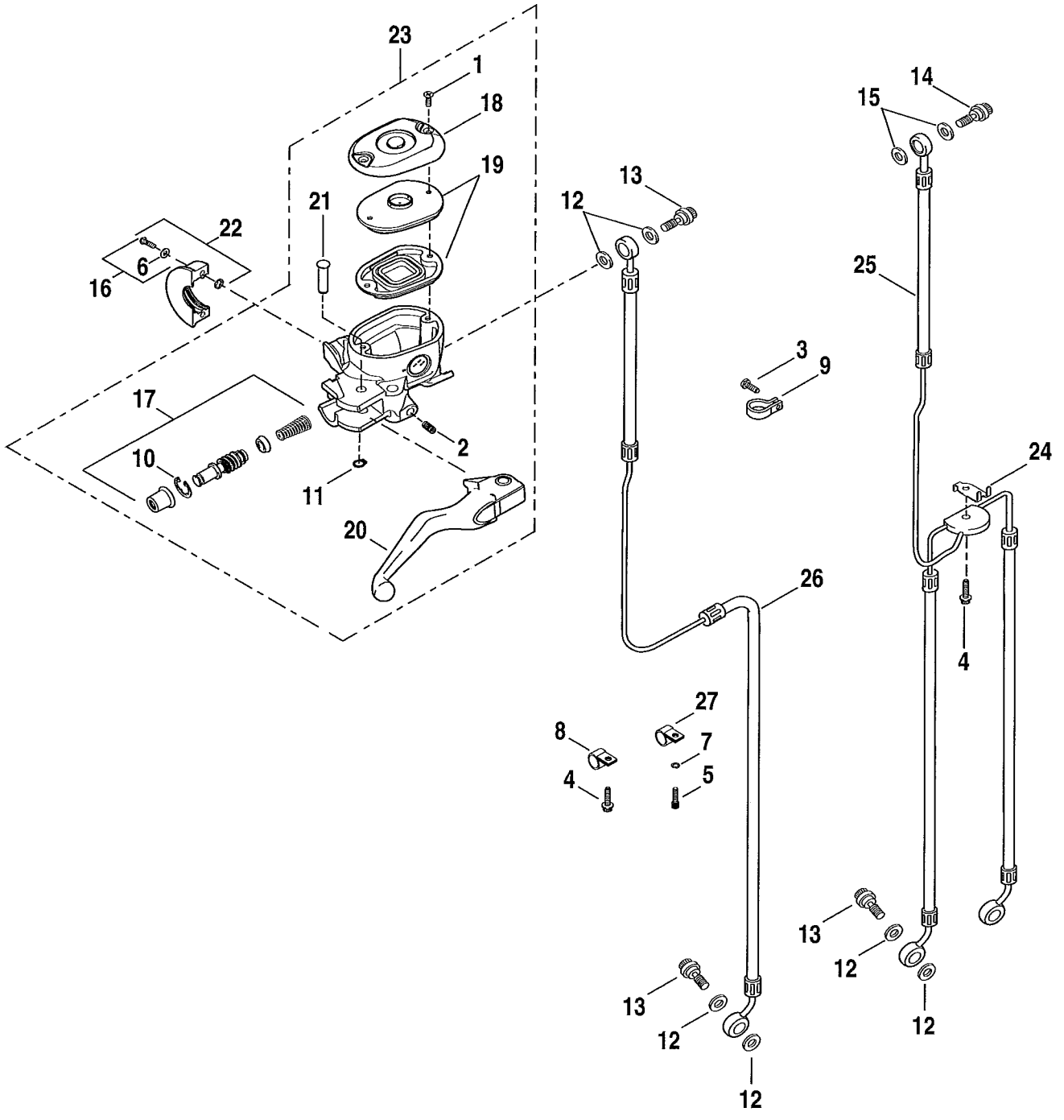
CR = XL883L
LH = XL1200CP

LE = XL883N
CZ = XL1200N

CS = XL883R
LC = XL1200X

CT = XL1200C
LD = XR1200X

BRAKE CONTROL, FRONT - 883L/N/R, 1200C/CP/N/X



INDEX NO.	PART NO.	DESCRIPTION	MODEL(S)
1	2586A	SCREW (2)	CR CS CT CZ LC LE LH
2	3244	SCREW	CR CS CT CZ LC LE LH
3	4240	SCREW	CR CS CT CZ LC LE LH
4	4741A	SCREW	CR CS CT CZ LC LE LH
5	4748	SCREW	CT LH
6	6101	WASHER (2)	CR CS CT CZ LC LE LH
7	7045	LOCKWASHER	CT LH
8	10053	CLAMP	CR CT CZ LC LE LH
9	10031	CLAMP	CR CS CT CZ LC LE LH
10	11142	RETAINING RING	CR CS CT CZ LC LE LH
11	11379	RETAINING RING	CR CS CT CZ LC LE LH
12	41732-04	SEALING WASHER, 10mm (4)	CR CS CT CZ LC LE LH
13	41736-04	BANJO BOLT, 10mm (2)	CR CS CT CZ LC LE LH
14	41737-04	BANJO BOLT, 12mm	CS
15	41743-04	SEALING WASHER, 12mm (2)	CS
16	42425-05	KIT, w/ 6101 (2) & screw (2)	CR CS CT CZ LC LE LH
17	42803-07A	REBUILD KIT, single, w/ 10, 11, 12	CR CT CZ LC LE LH
	42809-07A	REBUILD KIT, dual, w/ 10, 11, 15	CS
18	42804-07	CAP, w/ decal	CR CS CT CZ LC LE LH
19	42805-04	GASKET KIT	CR CS CT CZ LC LE LH
20	42806-04	LEVER	CR CS CT LH
	46946-06A	LEVER (black)	CZ LC LE
21	42807-04	BOLT	CR CS CT CZ LC LE LH
22	42808-04	CLAMP	CR CS CT CZ LC LE LH
23	45052-07A	MASTER CYLINDER ASSEMBLY, dual	CS
	45146-07	MASTER CYLINDER ASSEMBLY, single	CR CT LH
	42745-07	MASTER CYLINDER ASSEMBLY, single (black)	CZ LC LE
24	45074-95	GUIDE	CS
25	45319-04D	BRAKELINE, dual	CS
26	45449-04C	BRAKELINE, single (1200CP - Pullback Handlebar)	CT CZ LH
	46400-04C	BRAKELINE, single	LE
	46417-10A	BRAKELINE, single	LC
	46688-11	BRAKELINE, single (not shown) (1200CP - Mini-Ape Handlebar)	LH
	46680-11	BRAKELINE, single	CR
	46986-11	BRAKELINE, single (not shown) (1200CP - Drag Handlebar)	LH
27	10800003	P-CLAMP (1200CP - Drag or Mini-Ape Handlebar)	LH
	10053	P-CLAMP (1200CP - Pullback Handlebar)	CT LH

2012 MODEL IDENTIFICATION CODES

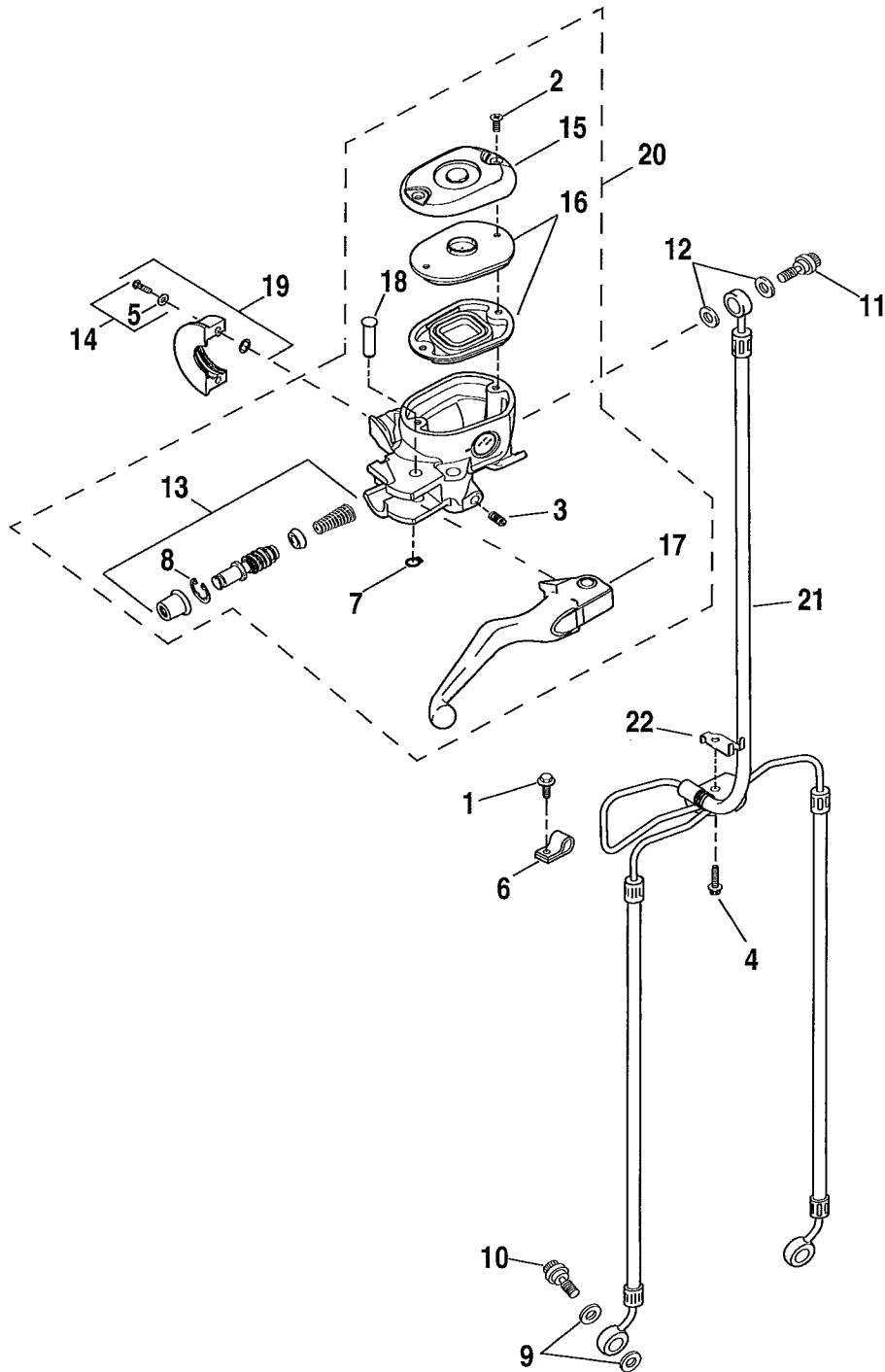
CR = XL883L
LH = XL1200CP

LE = XL883N
CZ = XL1200N

CS = XL883R
LC = XL1200X

CT = XL1200C
LD = XR1200X

BRAKE CONTROL, FRONT - XR1200X



INDEX NO.	PART NO.	DESCRIPTION	MODEL(S)
1	4240	SCREW	LD
2	2586A	SCREW	LD
3	3244	SCREW	LD
4	4741A	SCREW	LD
5	6101	WASHER (2)	LD
6	10031	CLAMP	LD
7	11379	RETAINING RING	LD
8	11142	RETAINING RING	LD
9	41732-04	SEALING WASHER, 10mm (4)	LD
10	41736-04	BANJO BOLT, 10mm (2)	LD
11	41737-04	BANJO BOLT, 12mm	LD
12	41743-04	SEALING WASHER, 12mm (2)	LD
13	42736-08	REBUILD KIT, w/ 7 & 8	LD
14	42425-05	KIT, w/ 6101 (2) & screw (2)	LD
15	42804-07	CAP, w/ decal	LD
16	42805-04	GASKET KIT	LD
17	46946-06A	LEVER (black)	LD
18	42807-04	BOLT	LD
19	42808-04	CLAMP	LD
20	42941-10	MASTER CYLINDER ASSEMBLY	LD
21	42942-08A	BRAKELINE	LD
22	45074-95	GUIDE	LD

2012 MODEL IDENTIFICATION CODES

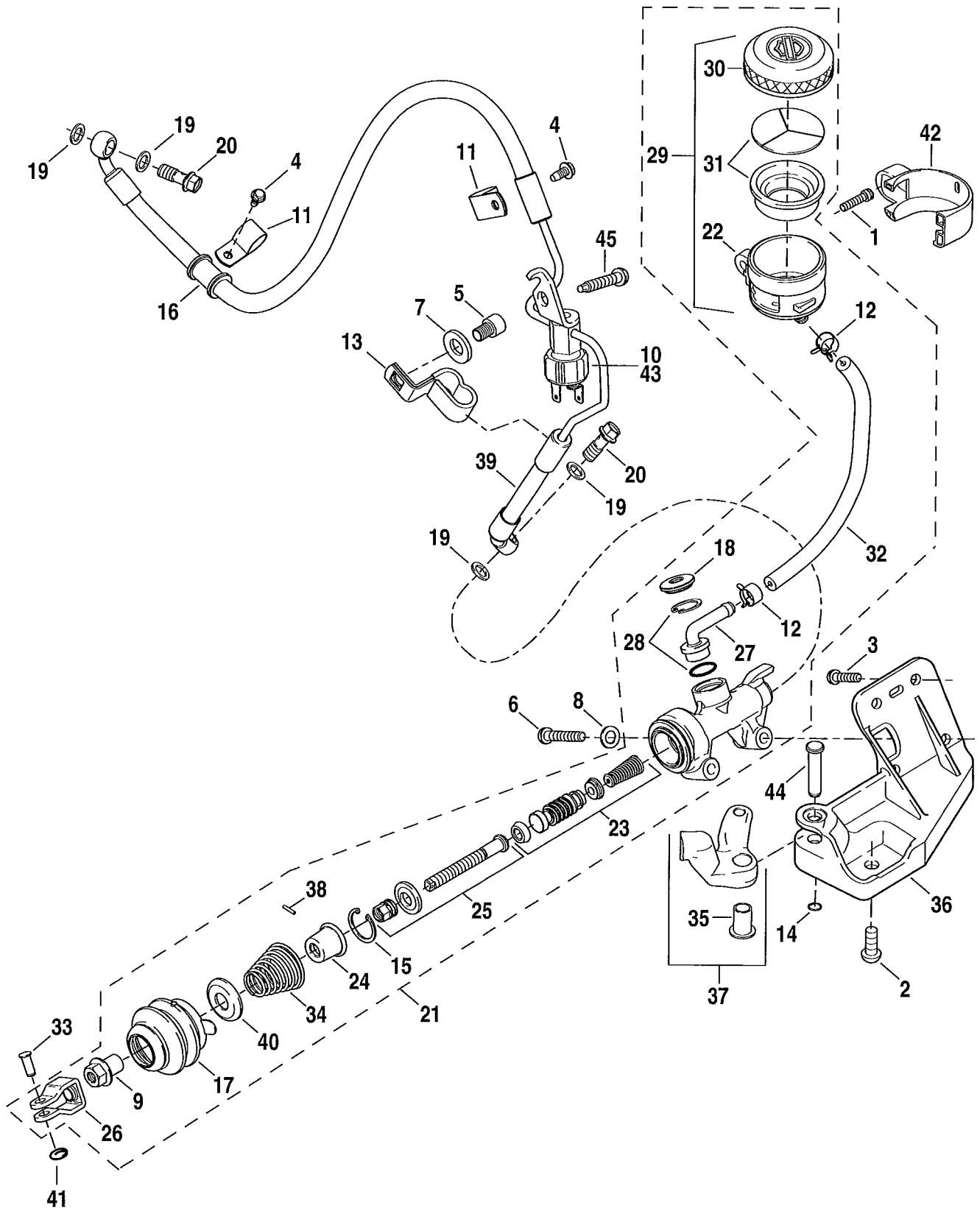
CR = XL883L
LH = XL1200CP

LE = XL883N
CZ = XL1200N

CS = XL883R
LC = XL1200X

CT = XL1200C
LD = XR1200X

BRAKE, MASTER CYLINDER, REAR - 883L/N/R, 1200C/CP/N/X



BRAKE, MASTER CYLINDER, REAR - 883L/N/R, 1200C/CP/N/X

INDEX NO.	PART NO.	DESCRIPTION	MODEL(S)
1	882	SCREW	CR CS CT CZ LC LE LH
2	995	SCREW	CR CS CT CZ LC LE LH
3	997	SCREW (2)	CR CS CT CZ LC LE LH
4	2501A	SCREW (2)	CR CS CT CZ LC LE LH
5	4076	SCREW	CR CT LC LE LH
6	4816A	SCREW (2)	CR CS CT CZ LC LE LH
7	6701	WASHER	CR CS CT CZ LC LE LH
8	6702	WASHER (2)	CR CS CT CZ LC LE LH
9	7477	NUT	CR CS CT CZ LC LE LH
10	9907	TERMINAL	CR CS CT CZ LC LE LH
11	10031	CLAMP (2)	CR CS CT CZ LC LE LH
12	10252	CLAMP (2)	CR CS CT CZ LC LE LH
13	10255	CLAMP	CR CS CT CZ LC LE LH
14	11031	RETAINING RING	CR CS CT CZ LC LE LH
15	11121	RETAINING RING	CR CS CT CZ LC LE LH
16	11407	GROMMET	CR CS CT CZ LC LE LH
17	40946-04	BOOT	CR CS CT CZ LC LE LH
18	40948-04	DUSTCOVER	CR CS CT CZ LC LE LH
19	41732-04	SEALING WASHER, 10mm (4)	CR CS CT CZ LC LE LH
20	41736-04	BANJO BOLT, 10mm (2)	CR CS CT CZ LC LE LH
21	42521-07	MASTER CYLINDER AND RESERVOIR ASSEMBLY	CR CS CT CZ LC LE LH
22	42595-04	TANK	CR CS CT CZ LC LE LH
23	42810-07A	REBUILD KIT, w/ 11121, 41732-04, 42811-04, & 44189-04	CR CS CT CZ LC LE LH
24	42811-04	BOOT	CR CS CT CZ LC LE LH
25	42812-04	PUSH ROD ASSEMBLY	CR CS CT CZ LC LE LH
26	42813-04	YOKE	CR CS CT CZ LC LE LH
27	42814-04	PORT	CR CS CT CZ LC LE LH
28	42815-04	SEAL KIT, w/ retaining ring & O-ring	CR CS CT CZ LC LE LH
29	42816-07	RESERVOIR ASSEMBLY, w/ 42595-04, 42817-07, & 42845-07	CR CS CT CZ LC LE LH
30	42817-07	CAP	CR CS CT CZ LC LE LH
31	42845-07	GASKET KIT	CR CS CT CZ LC LE LH
32	42821-04	HOSE	CR CS CT CZ LC LE LH
33	42460-80B	PIN	CR CS CT CZ LC LE LH
34	42593-04	SPRING	CR CS CT CZ LC LE LH
35	42846-04	BUSHING	CR CS CT CZ LC LE LH
36	42976-04	BRACKET, mounting	CR CS CT CZ LC LE LH
37	42979-04	BELL CRANK ASSEMBLY, w/ 42846-04	CR CS CT CZ LC LE LH
38	44189-04	SPRING PIN	CR CS CT CZ LC LE LH
39	44429-11	BRAKELINE ASSEMBLY, w/ 11407	CR CS CT CZ LC LE LH
40	44590-04	RETAINER SPRING	CR CS CT CZ LC LE LH
41	51938-04	COTTER CIRCLE	CR CS CT CZ LC LE LH
42	67804-04	COVER, reservoir	CR CS CT CZ LC LE LH
43	72023-51D	BRAKE LIGHT SWITCH, w/ 9907	CR CS CT CZ LC LE LH
44	94432-04	SHOULDER BOLT	CR CS CT CZ LC LE LH
45	94612-04	SCREW	CR CS CT CZ LC LE LH

2012 MODEL IDENTIFICATION CODES

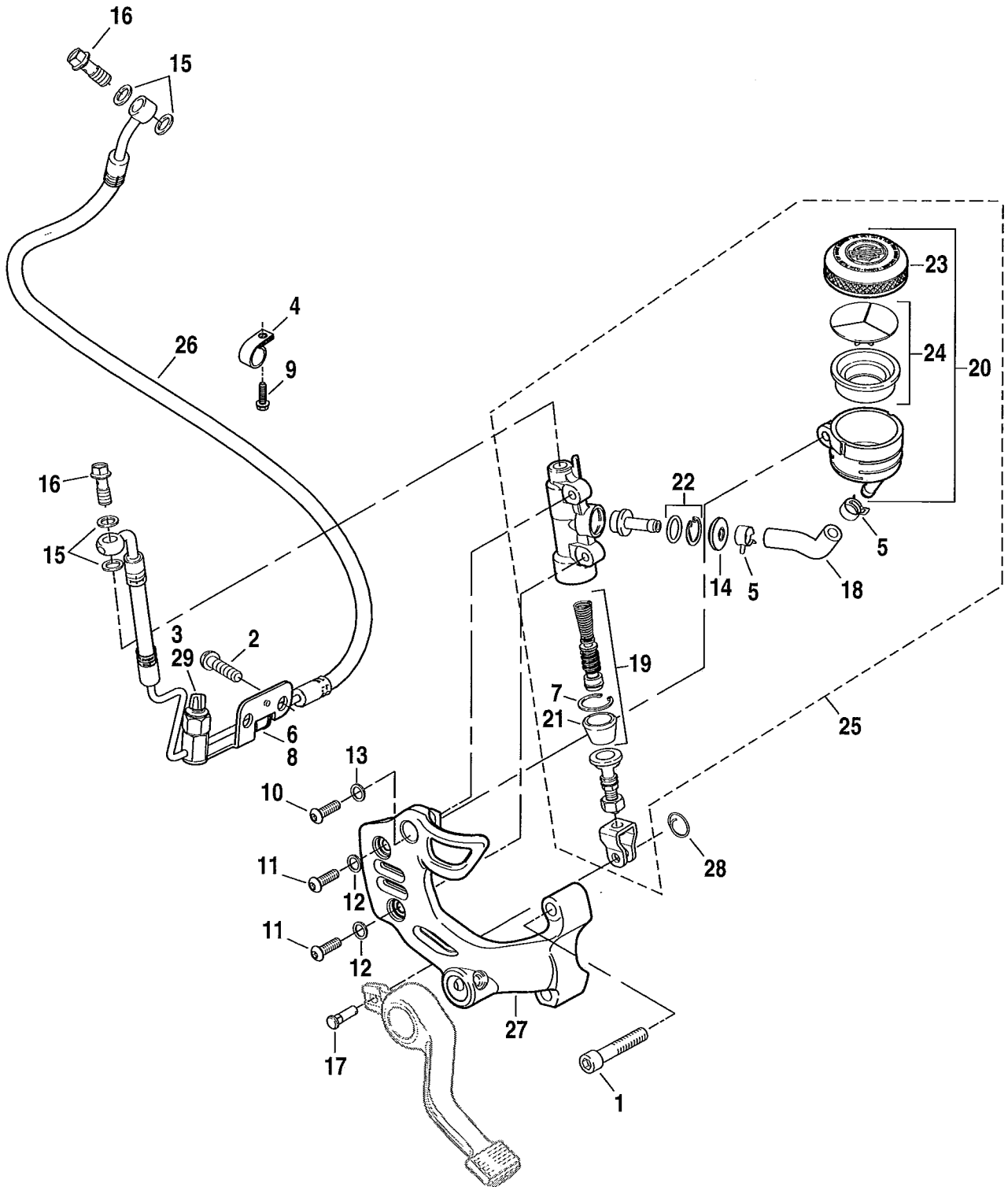
CR = XL883L
LH = XL1200CP

LE = XL883N
CZ = XL1200N

CS = XL883R
LC = XL1200X

CT = XL1200C
LD = XR1200X

BRAKE, MASTER CYLINDER, REAR - XR1200X



INDEX NO.	PART NO.	DESCRIPTION	MODEL(S)
1	855B	SCREW	LD
2	997	SCREW (2)	LD
3	9907	TERMINAL	LD
4	10092	CLAMP (2)	LD
5	10252	CLAMP (2)	LD
6	10031	RETAINING RING	LD
7	11121	RETAINING RING	LD
8	11407	GROMMET	LD
9	3579A	SCREW	LD
10	42425-05	KIT, screw & washer	LD
11	4975M	SCREW (2)	LD
12	6099	WASHER (2)	LD
13	7124	LOCKWASHER	LD
14	40948-04	DUSTCOVER	LD
15	41732-04	SEALING WASHER, 10mm (4)	LD
16	41736-04	BANJO BOLT (2)	LD
17	42460-80B	CLEVIS PIN	LD
18	42737-08	HOSE	LD
19	42738-08	REBUILD KIT, w/ 11121, 42811-04	LD
20	42744-08	RESERVOIR ASSEMBLY KIT, w/ 42817-07, 42845-07	LD
21	42811-04	BOOT	LD
22	42815-04	SEAL KIT, w/ o-ring	LD
23	42817-07	CAP	LD
24	42845-07	GASKET KIT	LD
25	42945-08	MASTER CYLINDER ASSEMBLY, rear	LD
26	42975-08A	BRAKELINE ASSEMBLY, w/ 10031, 11407	LD
27	51045-08	BRACKET	LD
28	51938-04	COTTER CIRCLE	LD
29	72023-51D	BRAKE LIGHT SWITCH, w/ 9907	LD

2012 MODEL IDENTIFICATION CODES

CR = XL883L
LH = XL1200CP

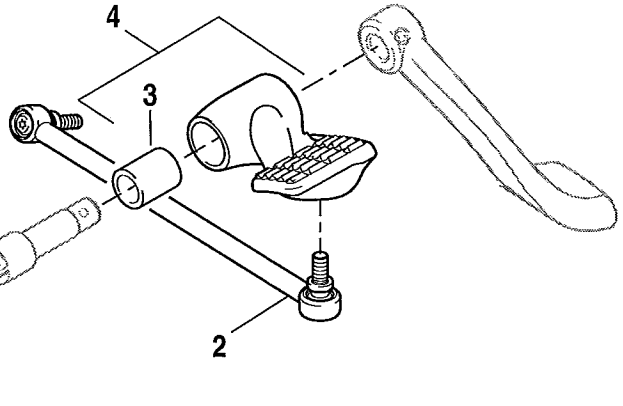
LE = XL883N
CZ = XL1200N

CS = XL883R
LC = XL1200X

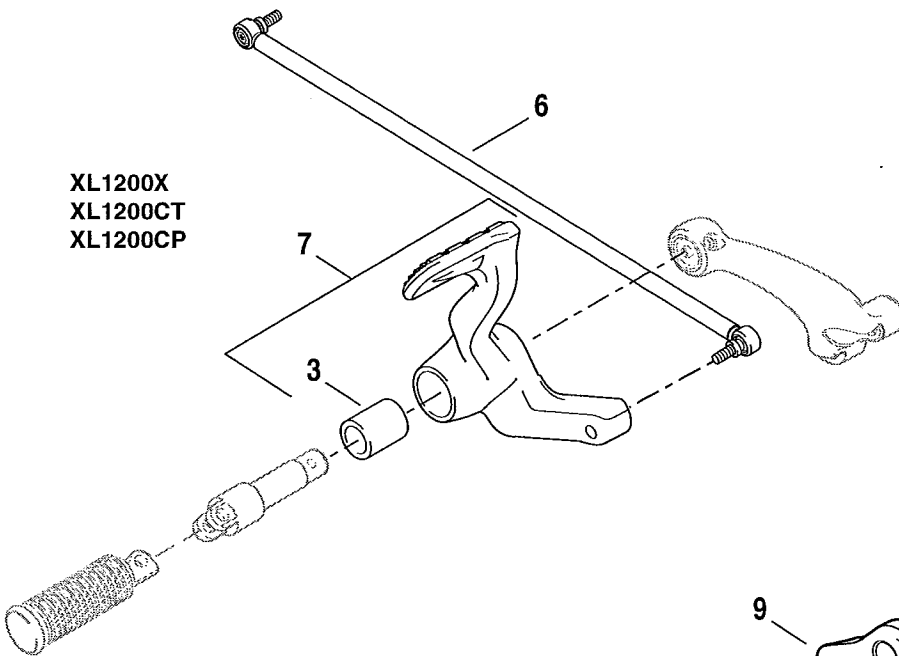
CT = XL1200C
LD = XR1200X

BRAKE CONTROL, REAR

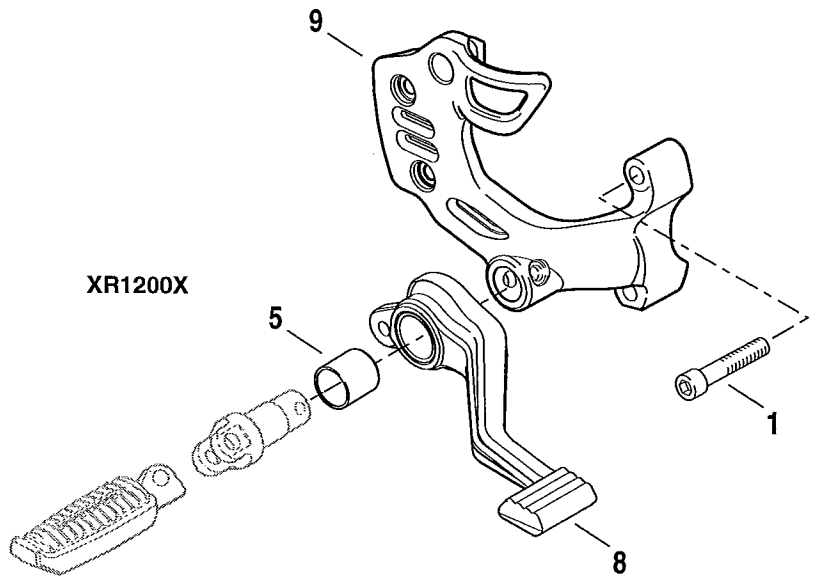
XL883L
XL883N
XL883R
XL1200CP
XL1200N



XL1200X
XL1200CT
XL1200CP



XR1200X



INDEX NO.	PART NO.	DESCRIPTION	MODEL(S)
1	855B	SCREW (2)	LD
2	34582-04	BRAKE ROD ASSEMBLY	CR CS CZ LE LH
3	42569-03	BUSHING	CR CS CT CZ LC LE LH
4	42969-04	PEDAL ASSEMBLY, w/ 42569-03 (1200CP - Mid Foot Controls)	CR LH
	42341-07	PEDAL ASSEMBLY, w/ 42569-03	CS CZ LE
5	42443-80A	BUSHING	LD
6	34581-04	BRAKE ROD ASSEMBLY	CT LH
	42645-07	BRAKE ROD ASSEMBLY	CT LC
7	42649-07	PEDAL ASSEMBLY, w/ 42569-03 (black)	CT LC
	42685-04	PEDAL ASSEMBLY, w/ 42569-03 (1200CP - Forward Foot Controls)	CT LH
8	42949-08	BRAKE PEDAL, w/ 42443-80A	LD
9	51045-08	BRACKET	LD

2012 MODEL IDENTIFICATION CODES

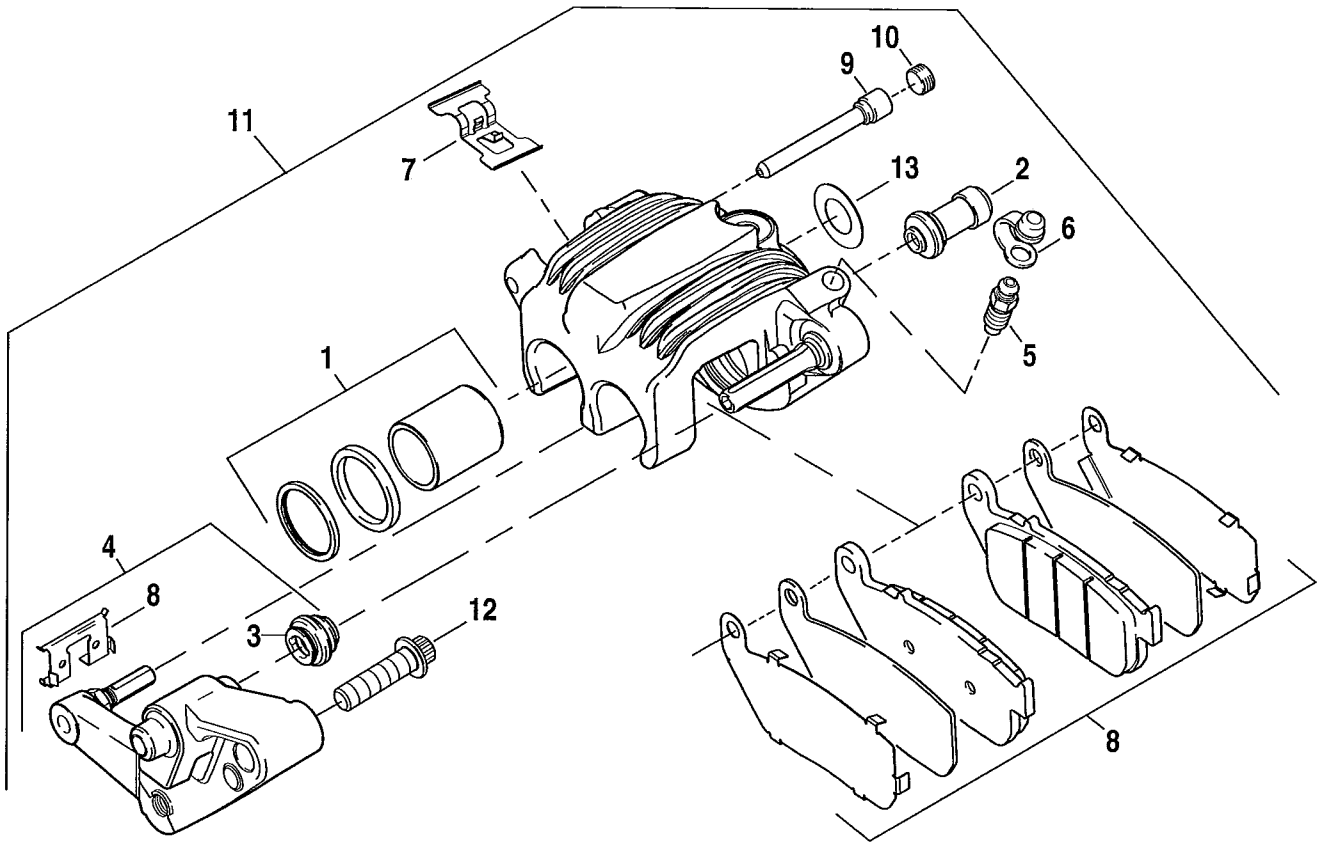
CR = XL883L
LH = XL1200CP

LE = XL883N
CZ = XL1200N

CS = XL883R
LC = XL1200X

CT = XL1200C
LD = XR1200X

BRAKE CALIPER, FRONT - 883L/N/R, 1200C/CP/N/X



BRAKE CALIPER, FRONT - 883L/N/R, 1200C/CP/N/X

INDEX NO.	PART NO.	DESCRIPTION	MODEL(S)
1	42028-07	PISTON KIT	CR CS CT CZ LC LE LH
2	42823-04	BOOT, bushing	CR CS CT CZ LC LE LH
3	42824-04	BOOT, pin	CR CS CT CZ LC LE LH
4	42825-04	CALIPER BRACKET ASSEMBLY, left, w/ 42824-04	CR CT LH
	42880-10	CALIPER BRACKET ASSEMBLY, left, w/ 42824-04	CS CZ LC LE
	42878-10	CALIPER BRACKET ASSEMBLY, right, w/ 42824-04 (not shown)	CS
5	42875-07	BLEEDER SCREW, w/ O-ring, left	CR CS CT CZ LC LE LH
	42827-04	BLEEDER SCREW, right	CS
6	42828-04	CAP, right	CS
	42893-07	CAP, left	CR CS CT CZ LC LE LH
7	42829-04	SPRING	CR CS CT CZ LC LE LH
8	42831-04A	PAD KIT, w/ retainer clip	CR CS CT CZ LC LE LH
9	42832-04	PAD PIN	CR CS CT CZ LC LE LH
10	42838-04	PLUG	CR CS CT CZ LC LE LH
11	44121-07A	CALIPER ASSEMBLY, left	CR CT LH
	42877-10	CALIPER ASSEMBLY, right (not shown)	CS
	42879-10	CALIPER ASSEMBLY, left	CS CZ LC LE
12	44160-00	BOLT (2-CR/CT/LH/CZ/LE/LC, 4-CS)	CR CS CT CZ LC LE LH
13	44440-04	DECAL	CR CS CT CZ LC LE LH

2012 MODEL IDENTIFICATION CODES

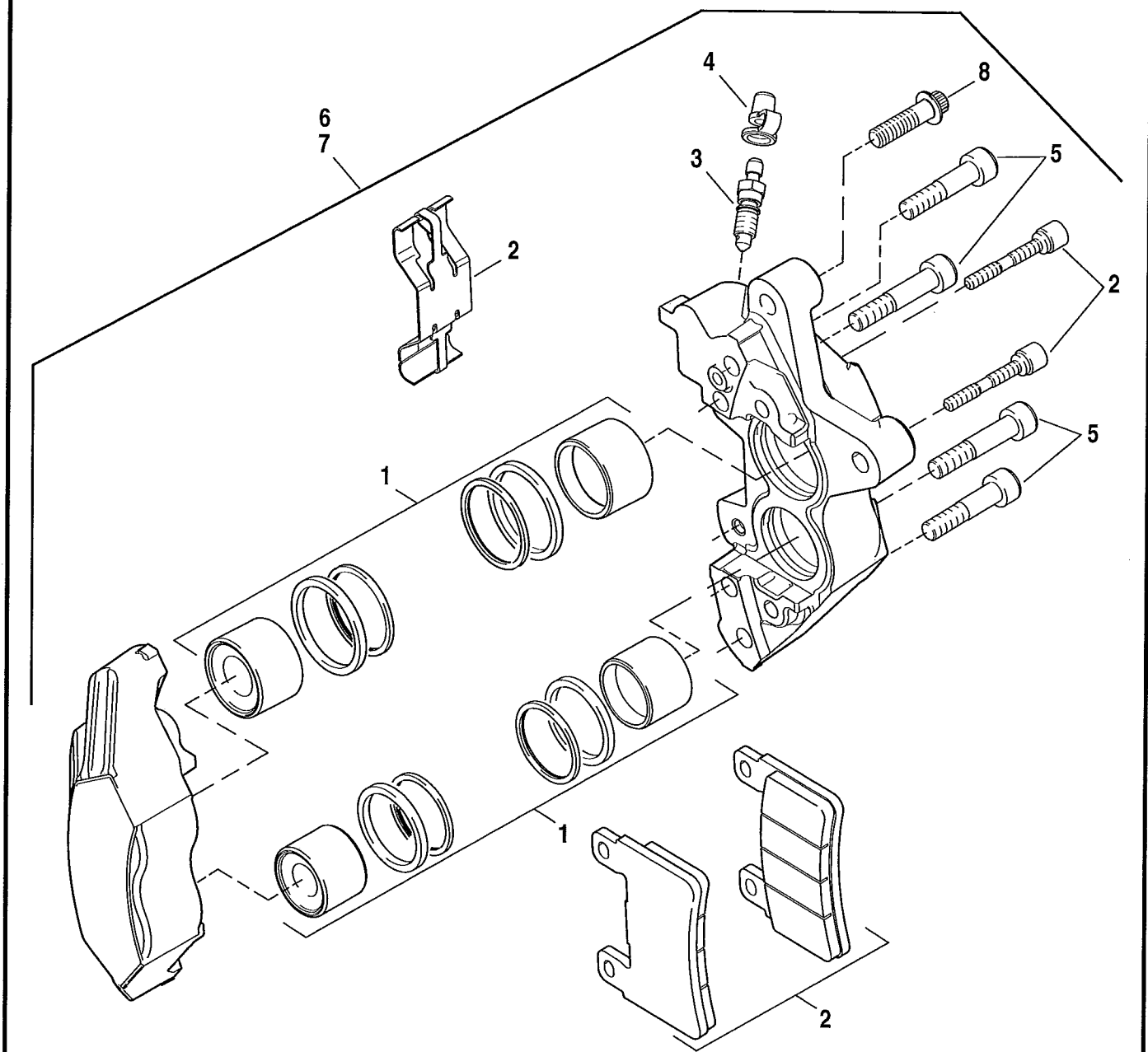
CR = XL883L
LH = XL1200CP

LE = XL883N
CZ = XL1200N

CS = XL883R
LC = XL1200X

CT = XL1200C
LD = XR1200X

BRAKE CALIPER, FRONT - XR1200X



INDEX NO.	PART NO.	DESCRIPTION	MODEL(S)
1	21965-08	PISTON KIT	LD
2	42739-08	PAD KIT, w/ spring & pins	LD
3	42827-04	BLEEDER SCREW, right	LD
	42875-07	BLEEDER SCREW, left, w/ O-ring	LD
4	42828-04	CAP, right	LD
	42893-07	CAP, left	LD
5	42899-08	BOLT KIT (4)	LD
6	42943-08	CALIPER ASSEMBLY, left	LD
7	42944-08	CALIPER ASSEMBLY, right	LD
8	44160-00	BOLT (2)	LD

2012 MODEL IDENTIFICATION CODES

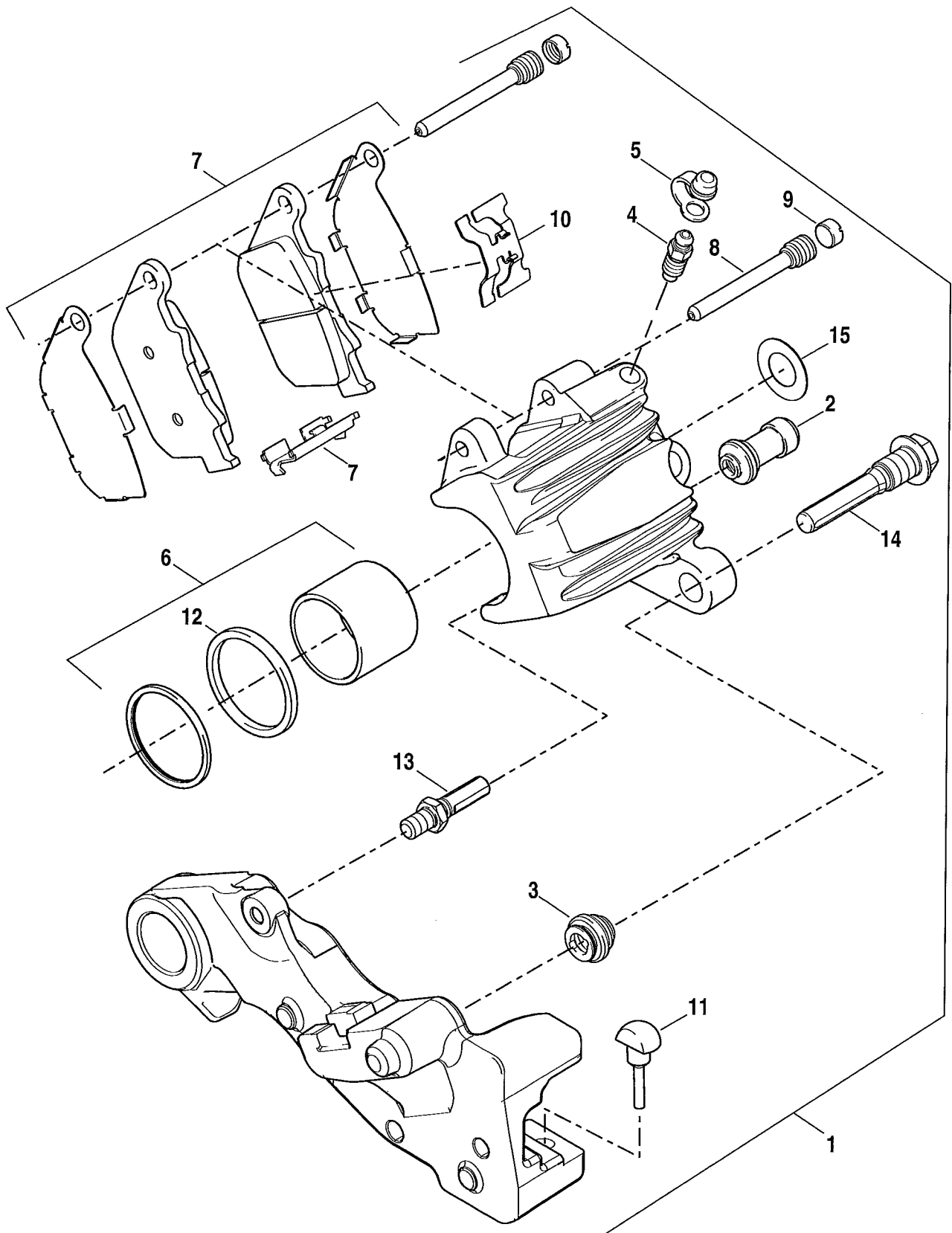
CR = XL883L
LH = XL1200CP

LE = XL883N
CZ = XL1200N

CS = XL883R
LC = XL1200X

CT = XL1200C
LD = XR1200X

BRAKE CALIPER, REAR - 883L/N/R, 1200C/CP/N/X



INDEX NO.	PART NO.	DESCRIPTION	MODEL(S)
1	40968-11	CALIPER ASSEMBLY (silver)	CR CT LH
	42881-11	CALIPER ASSEMBLY (black)	CS CZ LC LE
2	42823-04	BOOT, bushing	CR CS CT CZ LC LE LH
3	42824-04	BOOT, pin	CR CS CT CZ LC LE LH
4	42875-07	BLEEDER SCREW, w/ O-ring	CR CS CT CZ LC LE LH
5	42893-07	CAP	CR CS CT CZ LC LE LH
6	42834-04	PISTON KIT	CR CS CT CZ LC LE LH
7	42029-07	PAD KIT	CR CS CT CZ LC LE LH
8	42837-04	PAD PIN	CR CS CT CZ LC LE LH
9	42838-04	PLUG	CR CS CT CZ LC LE LH
10	42839-04	SPRING	CR CS CT CZ LC LE LH
11	42840-04	DAMPER	CR CS CT CZ LC LE LH
12	43528-04	SEAL KIT	CR CS CT CZ LC LE LH
13	44178-04	PIN	CR CS CT CZ LC LE LH
14	44184-04	PIN	CR CS CT CZ LC LE LH
15	44440-04	DECAL	CR CS CT CZ LC LE LH

2012 MODEL IDENTIFICATION CODES

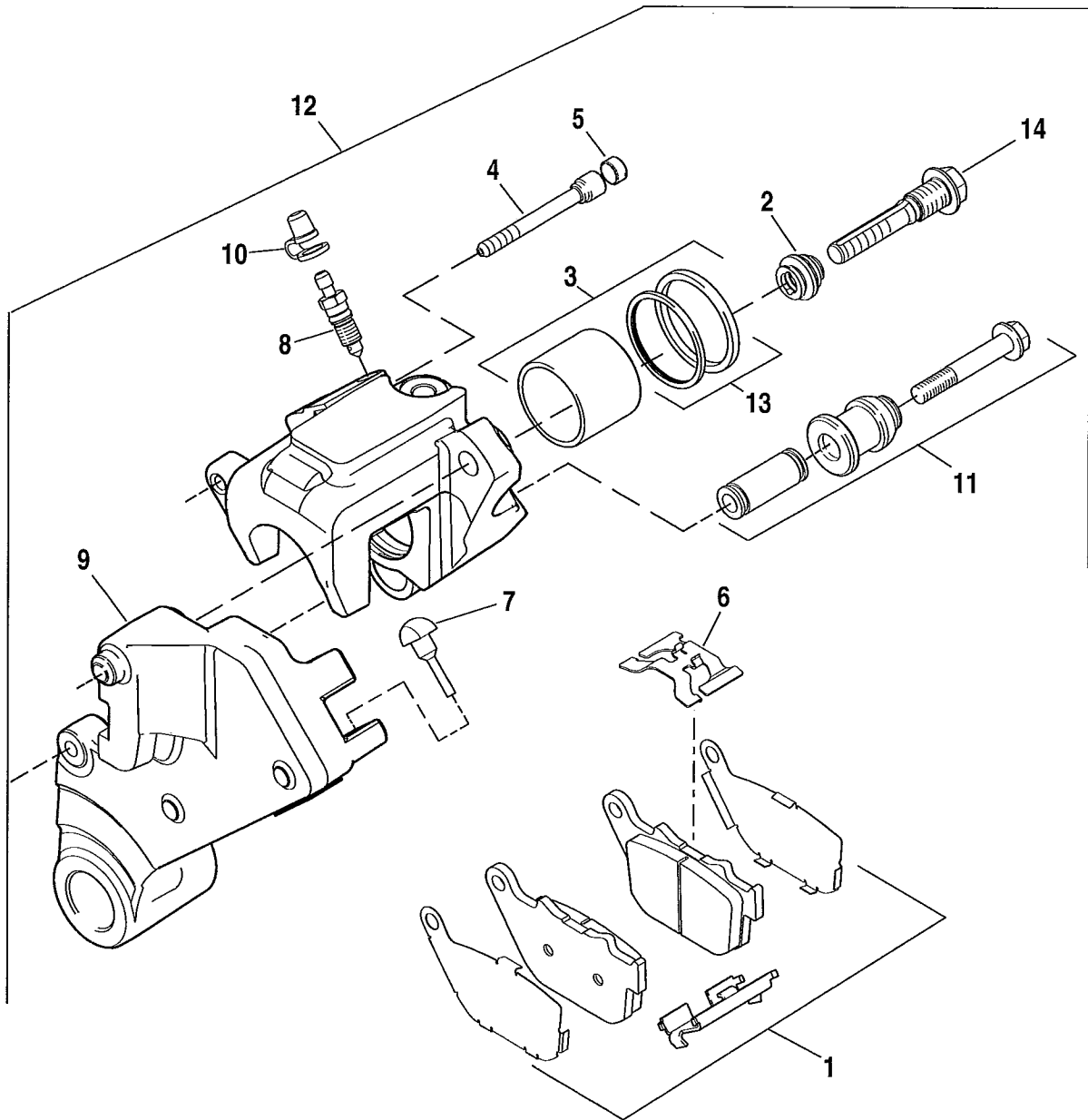
CR = XL883L
LH = XL1200CP

LE = XL883N
CZ = XL1200N

CS = XL883R
LC = XL1200X

CT = XL1200C
LD = XR1200X

BRAKE CALIPER, REAR - XR1200X



INDEX NO.	PART NO.	DESCRIPTION	MODEL(S)
1	42310-08	PAD KIT	LD
2	42824-04	BOOT, pin	LD
3	42834-04	PISTON KIT, w/ 43528-04	LD
4	42837-04	PAD PIN	LD
5	42838-04	PLUG	LD
6	42839-04	SPRING	LD
7	42840-04	DAMPER	LD
8	42875-07	BLEEDER SCREW, w/ O-ring	LD
9	42892-08	BRACKET ASSEMBLY, w/ 42824-04, 42840-04	LD
10	42893-07	CAP	LD
11	42900-08	BOLT & SLEEVE KIT	LD
12	42948-08	CALIPER ASSEMBLY, w/ 1, 3, 4, 5, 6, 8, 9, 10, 11 & 14	LD
13	43528-04	SEAL KIT	LD
14	44184-04	PIN	LD

2012 MODEL IDENTIFICATION CODES

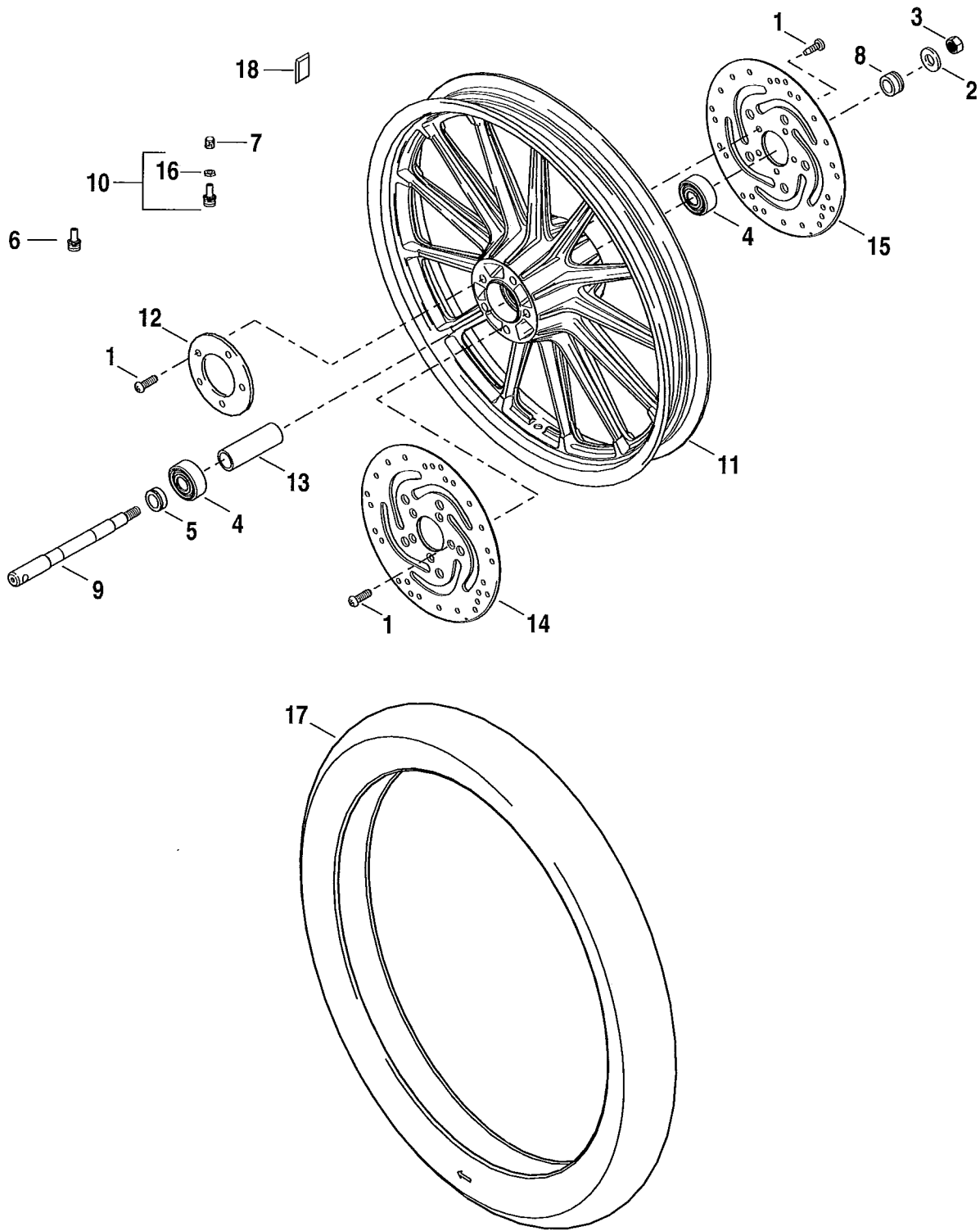
CR = XL883L
LH = XL1200CP

LE = XL883N
CZ = XL1200N

CS = XL883R
LC = XL1200X

CT = XL1200C
LD = XR1200X

WHEELS, FRONT, CAST - 883L/N/R, 1200C/CP



INDEX NO.	PART NO.	DESCRIPTION	MODEL(S)
1	3655A	SCREW (10)	CR CS CT LE LH
2	6594	WASHER	CR CS CT LE LH
3	7813A	NUT	CR CS CT LE LH
4	9276A	BALL BEARING, 25mm (2)	CR CS CT LE LH
5	11804	SPACER, right	CR CT LH
	43358-08	SPACER, right	CS LE
6	40999-87	VALVE STEM	CT LH
7	41123-79	VALVE CAP	CR CS CT LE LH
8	41242-08	SPACER, left	CR CT LH
	43522-08	SPACER, left	CS LE
9	41628-08	AXLE	CR CT LH
	43895-08	AXLE	CS LE
10	43157-83A	VALVE STEM ASSEMBLY, w/ 54321-85	CR CS LE
11	43499-08	WHEEL ASSEMBLY, 19 in. (13 spoke) (black) w/o bearings & sleeves	CS
	47875-09A	WHEEL ASSEMBLY, 19 in. (13 spoke) (black) w/o bearings & sleeves	LE
	43689-11	WHEEL ASSEMBLY, 18 in. (5 spoke) (black) w/o bearings & sleeves (not shown)	CR
	55018-11	WHEEL ASSEMBLY, 16 in. (5 spoke) (chrome) w/o bearings & sleeves (not shown)	CT LH
	55074-11	WHEEL ASSEMBLY, 16 in. (5 spoke) (black) w/o bearings & sleeves (not shown)	LH
12	43355-00	HUB PLATE (flat black)	LE
	43359-00	HUB PLATE (silver)	CR
13	43906-08	SPACER	CS LE
	11888	SPACER	CR CT LH
14	44136-00	BRAKE DISC, right	CS
15	44156-00	BRAKE DISC, left	CR CS CT LE LH
16	54321-85	NUT	CR CS LE
17	40879-11	TIRE	CR
	43258-07B	TIRE	CS LE
	55035-11	TIRE	CT LH
18	95595-84A	WHEEL WEIGHT, 5 grams (silver)	CR CS CT LE LH

2012 MODEL IDENTIFICATION CODES

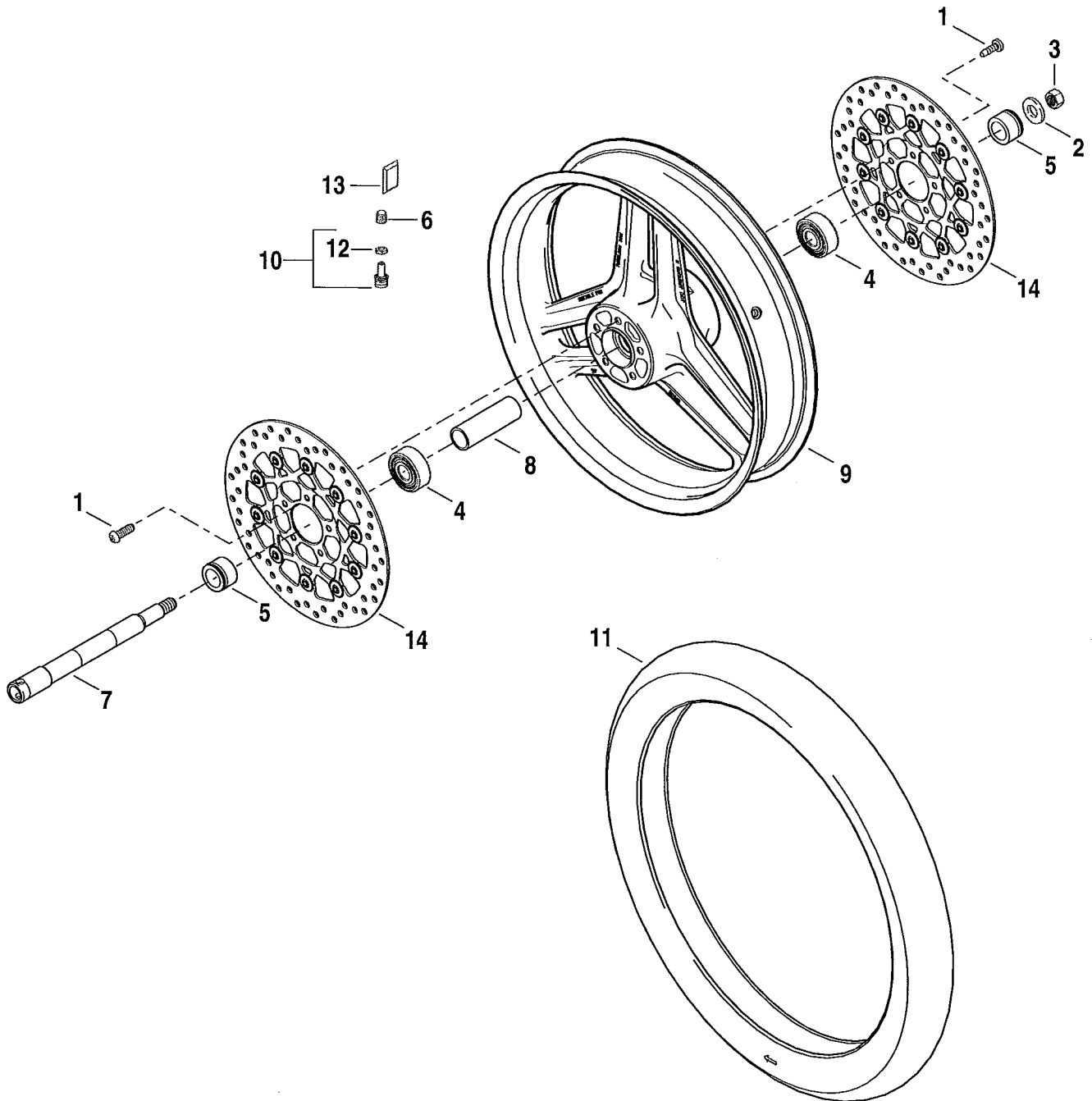
CR = XL883L
LH = XL1200CP

LE = XL883N
CZ = XL1200N

CS = XL883R
LC = XL1200X

CT = XL1200C
LD = XR1200X

WHEEL, FRONT, CAST - XR1200X



INDEX NO.	PART NO.	DESCRIPTION	MODEL(S)
1	3655A	SCREW (10)	LD
2	6594	WASHER	LD
3	7813A	NUT	LD
4	9276A	BALL BEARING, 25mm (2)	LD
5	11804	SPACER (2)	LD
6	41123-79	VALVE CAP	LD
7	41628-08	AXLE (front)	LD
8	41748-08	SLEEVE	LD
9	43343-10	WHEEL ASSEMBLY, 18 in. (3 spoke) (black w/ stripe) w/o bearings & sleeves	LD
10	43157-83A	VALVE STEM ASSEMBLY, w/ 54321-85	LD
11	40879-11A	TIRE	LD
12	54321-85	NUT	LD
13	95594-84A	WHEEL WEIGHT, 5 grams (black)	LD
14	41822-10	BRAKE DISC (2)	LD

2012 MODEL IDENTIFICATION CODES

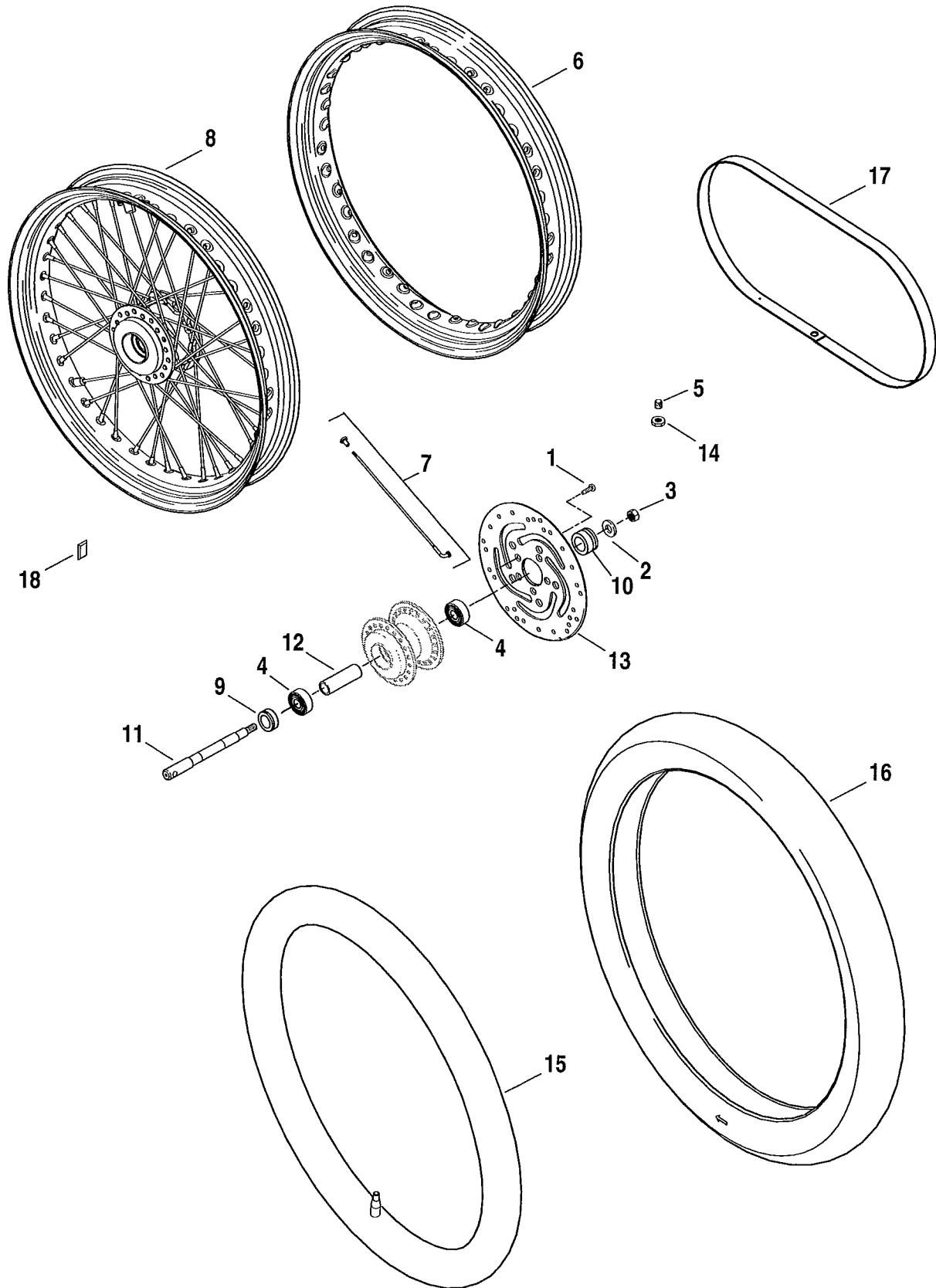
CR = XL883L
LH = XL1200CP

LE = XL883N
CZ = XL1200N

CS = XL883R
LC = XL1200X

CT = XL1200C
LD = XR1200X

WHEELS, FRONT, LACED - 1200C/CP/N/X



INDEX NO.	PART NO.	DESCRIPTION	MODEL(S)
1	3655A	SCREW (5)	CT CZ LC LH
2	6594	WASHER	CT CZ LC LH
3	7813A	NUT	CT CZ LC LH
4	9276A	BALL BEARING, 25mm (2)	CT CZ LC LH
5	41123-79	VALVE CAP	CT CZ LC LH
6	41426-07	RIM, 19 in. (black)	CZ
	41389-10	RIM, 16 in. (black)	LC LH
	55127-11	RIM, 16 in. (chrome)	CT LH
7	40762-05	SPOKE & NIPPLE KIT, 19 in. rim - long (chrome) (20)	CZ
	40761-05	SPOKE & NIPPLE KIT, 19 in. rim - short (chrome) (20)	CZ
	47887-10	SPOKE & NIPPLE KIT, 16 in. rim	CT LC LH
8	43831-08	WHEEL ASSEMBLY, 19 in.(black) w/o bearings & sleeves	CZ
	41388-10	WHEEL ASSEMBLY, 16 in. (black) w/o bearings & sleeves	LC LH
	55126-11	WHEEL ASSEMBLY, 16 in. (chrome) w/o bearings & sleeves	CT LH
9	43358-08	SPACER, right	CZ
	11804	SPACER, right	CT LC LH
10	43522-08	SPACER, left	CZ
	41242-08	SPACER, left	CT LC LH
11	43895-08	AXLE	CZ
	41628-08	AXLE	CT LC LH
12	43906-08	SPACER	CZ
	11888	SPACER	CT LC LH
13	44156-00	BRAKE DISC	CT CZ LC LH
14	54321-85	NUT	CT CZ LC LH
15	41188-06	INNER TUBE	CZ
	40558-82	INNER TUBE	LC
	40572-11	INNER TUBE	CT LH
16	43258-07B	TIRE	CZ
	55035-11	TIRE	CT LC LH
17	43145-47	RIM STRIP	CZ LC
	40875-11	RIM STRIP	CT LH
18	95595-84A	WHEEL WEIGHT, 5 grams (silver)	CZ
	95594-84A	WHEEL WEIGHT, 5 grams (black)	CT LC LH

2012 MODEL IDENTIFICATION CODES

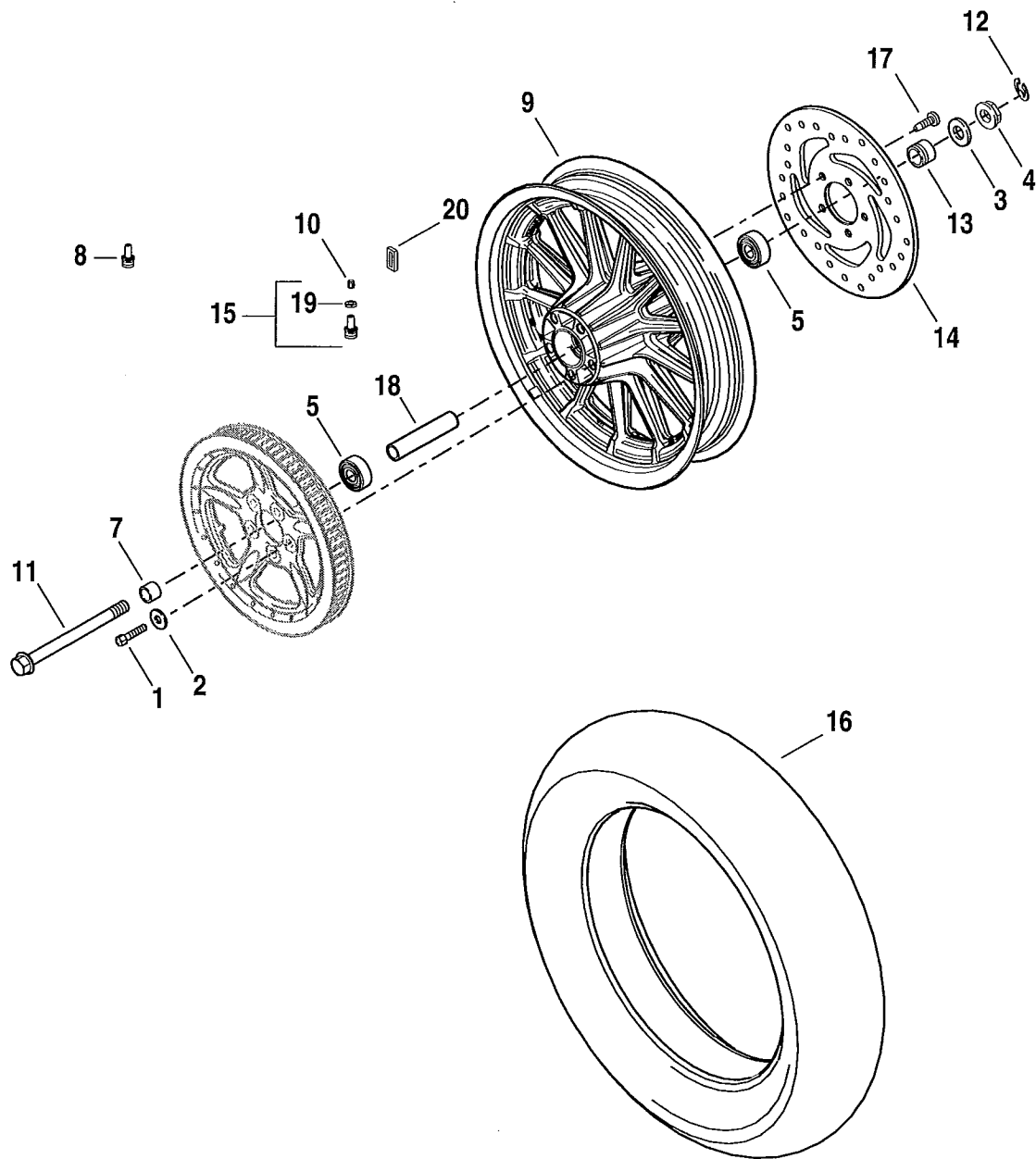
CR = XL883L
LH = XL1200CP

LE = XL883N
CZ = XL1200N

CS = XL883R
LC = XL1200X

CT = XL1200C
LD = XR1200X

WHEELS, REAR, CAST - 883L/N/R, 1200C/CP



INDEX NO.	PART NO.	DESCRIPTION	MODEL(S)
1	3899	SCREW (5)	CR CS CT LE LH
2	6516HW	WASHER (5)	CR CS CT LE LH
3	6551	WASHER	CR CS CT LE LH
4	8190	NUT	CR CS CT LE LH
5	9276A	BALL BEARING, 25mm (2)	CR CS CT LE LH
7	40930-05	SPACER, right	CR CS CT LE LH
8	40999-87	VALVE STEM	CT LH
9	41012-08	WHEEL ASSEMBLY, 16 in. (13 spoke) (black) w/o bearings & sleeves	CS
	47878-09A	WHEEL ASSEMBLY, 16 in. (13 spoke) (black) w/o bearings & sleeves	LE
	55019-11	WHEEL ASSEMBLY, 16 in. (5 spoke) (chrome) w/o bearings & sleeves (not shown)	CT LH
	55076-11	WHEEL ASSEMBLY, 16 in. (5 spoke) (black) w/o bearings & sleeves (not shown)	LH
	44012-11	WHEEL ASSEMBLY, 17 in. (5 spoke) (black) w/o bearings & sleeves (not shown)	CR
10	41123-79	VALVE CAP	CR CS CT LE LH
11	41176-08	AXLE ASSEMBLY	CR CS CT LE LH
12	41229-08	RETAINING RING	CR CS CT LE LH
13	41242-08	SPACER, left	CR CS CT LE LH
14	41833-08	BRAKE DISC	CR CS CT LE LH
15	43157-83A	VALVE STEM ASSEMBLY, w/ 54321-85	CR CS LE
16	40878-11	TIRE	CS LE
	43216-11	TIRE	CR
	40878-11	TIRE	CT LH
17	43567-92	SCREW (5)	CR CS CT LE LH
18	43905-08	SLEEVE	CR CS CT LE LH
19	54321-85	NUT	CR CS LE
20	95594-84A	WHEEL WEIGHT, 5 grams (black) (5)	LH
	95595-84A	WHEEL WEIGHT, 5 grams (silver) (4)	CR CS CT LE LH

2012 MODEL IDENTIFICATION CODES

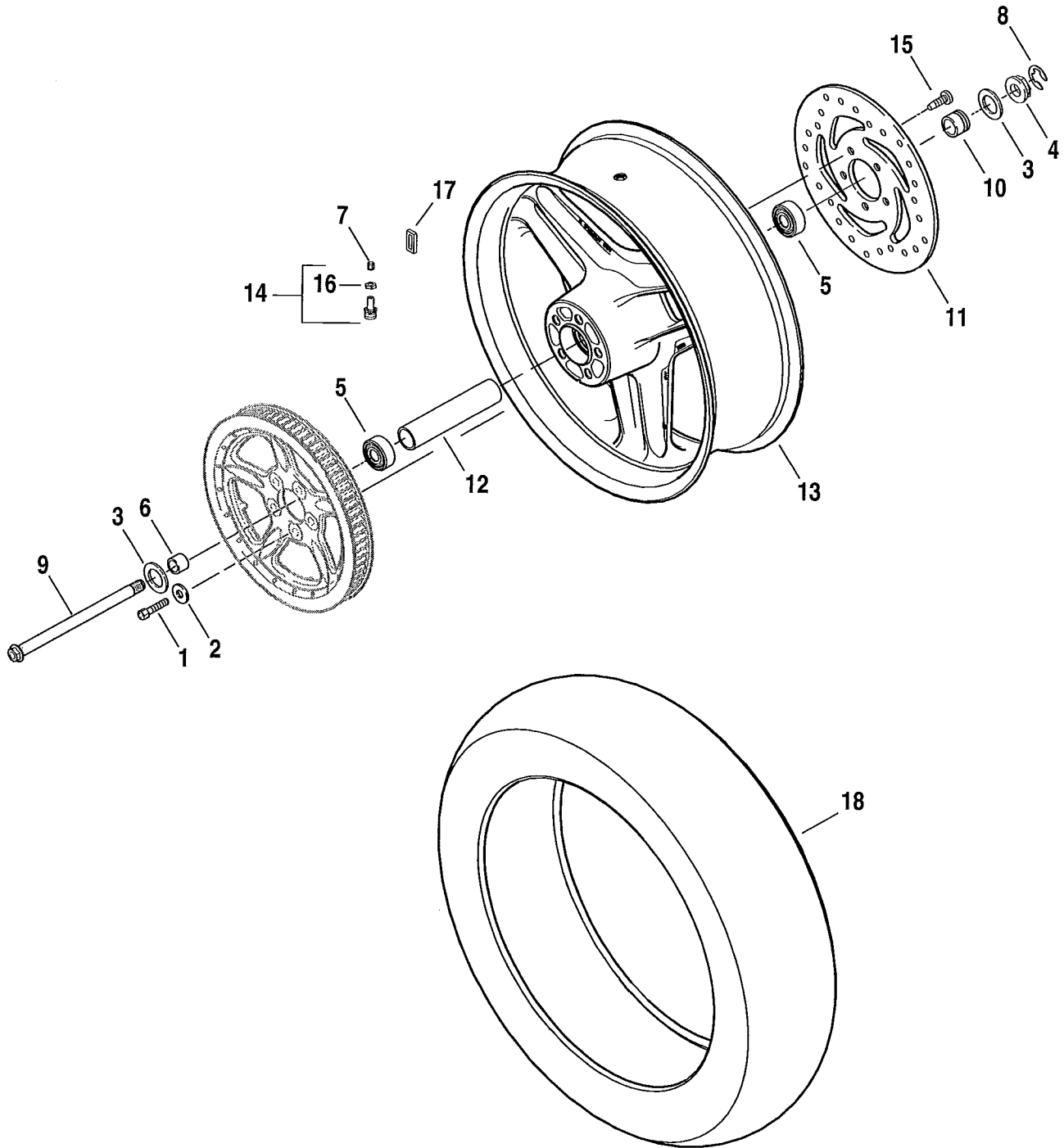
CR = XL883L
LH = XL1200CP

LE = XL883N
CZ = XL1200N

CS = XL883R
LC = XL1200X

CT = XL1200C
LD = XR1200X

WHEEL, REAR, CAST - XR1200X



INDEX NO.	PART NO.	DESCRIPTION	MODEL(S)
1	3899	SCREW (5)	LD
2	6516HW	WASHER (5)	LD
3	6551	WASHER (2)	LD
4	8190	NUT	LD
5	9276A	BALL BEARING, 25mm (2)	LD
6	40930-05	SPACER, left	LD
7	41123-79	VALVE CAP	LD
8	41229-08	RETAINING RING	LD
9	41627-08	AXLE ASSEMBLY	LD
10	41730-08	SPACER, right	LD
11	41833-08	BRAKE DISC	LD
12	41858-08	SLEEVE	LD
13	43348-10	WHEEL ASSEMBLY, 17 in., w/o bearings & sleeve	LD
14	43157-83A	VALVE STEM ASSEMBLY, w/ 54321-85	LD
15	43567-92	SCREW (5)	LD
16	54321-85	NUT	LD
17	95594-84A	WHEEL WEIGHT, 5 grams (4)	LD
18	43200011	TIRE	LD

2012 MODEL IDENTIFICATION CODES

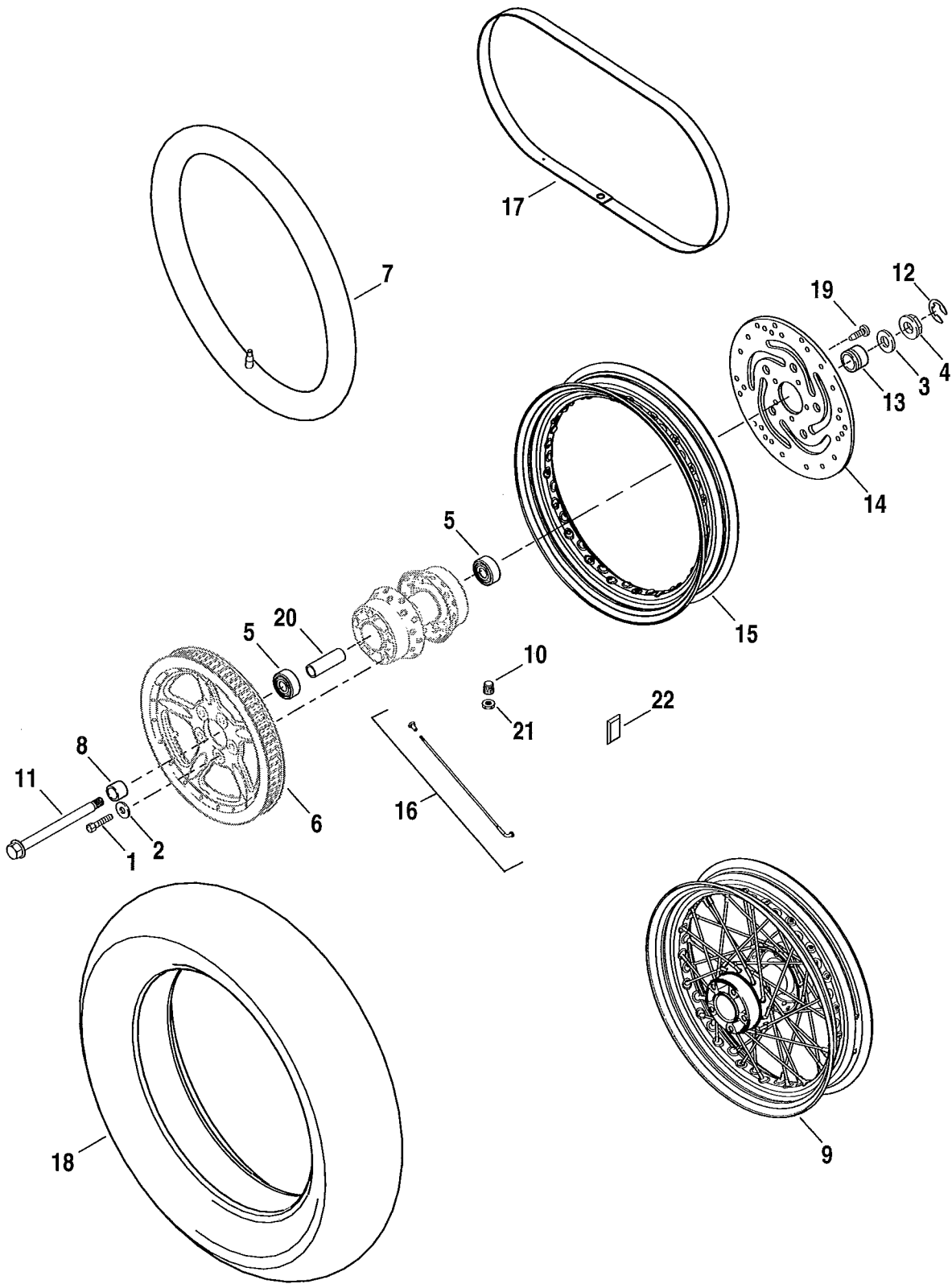
CR = XL883L
LH = XL1200CP

LE = XL883N
CZ = XL1200N

CS = XL883R
LC = XL1200X

CT = XL1200C
LD = XR1200X

WHEELS, REAR, LACED - 1200C/CP/N/X



INDEX NO.	PART NO.	DESCRIPTION	MODEL(S)
1	3899	SCREW (5)	CT CZ LC LH
2	6516HW	WASHER (5)	CT CZ LC LH
3	6551	WASHER	CT CZ LC LH
4	8190	NUT	CT CZ LC LH
5	9276A	BALL BEARING, 25mm (2)	CT CZ LC LH
7	40558-82	INNER TUBE	CZ LC
	40572-11	INNER TUBE	CT LH
8	40930-05	SPACER, wheel bearing, sprocket side	CT CZ LC LH
9	41082-08	WHEEL ASSEMBLY, 16 in. (chrome) w/o bearings & sleeves	CT LH
	41478-10	WHEEL ASSEMBLY, 16 in. (black) w/o bearings & sleeves	LC LH
	43832-08	WHEEL ASSEMBLY, 16 in. (black) w/o bearings & sleeves	CZ
10	41123-79	VALVE CAP	CT CZ LC LH
11	41176-08	AXLE ASSEMBLY	CT CZ LC LH
12	41229-08	RETAINING RING	CT CZ LC LH
13	41242-08	SPACER, disk side	CT CZ LC LH
14	41797-00	BRAKE DISC	CZ LC
	41833-08	BRAKE DISC	CT LH
15	43017-07	RIM, laced wheel, 16 in. (black)	CZ
	43085-97	RIM, laced wheel, 16 in. (chrome)	CT LH
	41389-10	RIM, laced wheel, 16 in. (black)	LC LH
16	43241-05	SPOKE & NIPPLE KIT, 16 in. rim (chrome) (40)	CT CZ LH
	47889-10	SPOKE & NIPPLE KIT, 16 in. rim (black) (32)	LC LH
17	43147-40	RIM STRIP	CZ LC
	40875-11	RIM STRIP	CT LH
18	40878-11	TIRE	CT CZ LC LH
19	43567-92	SCREW (5)	CT CZ LC LH
20	43905-08	SLEEVE, bearing spacer	CT CZ LC LH
21	54321-85	NUT	CT CZ LC LH
22	95595-84A	WHEEL WEIGHT, 5 grams (silver) (LH - chrome wheel)	CT CZ LH
	95594-84A	WHEEL WEIGHT, 5 grams (black) (LH - black wheel)	LC LH

2012 MODEL IDENTIFICATION CODES

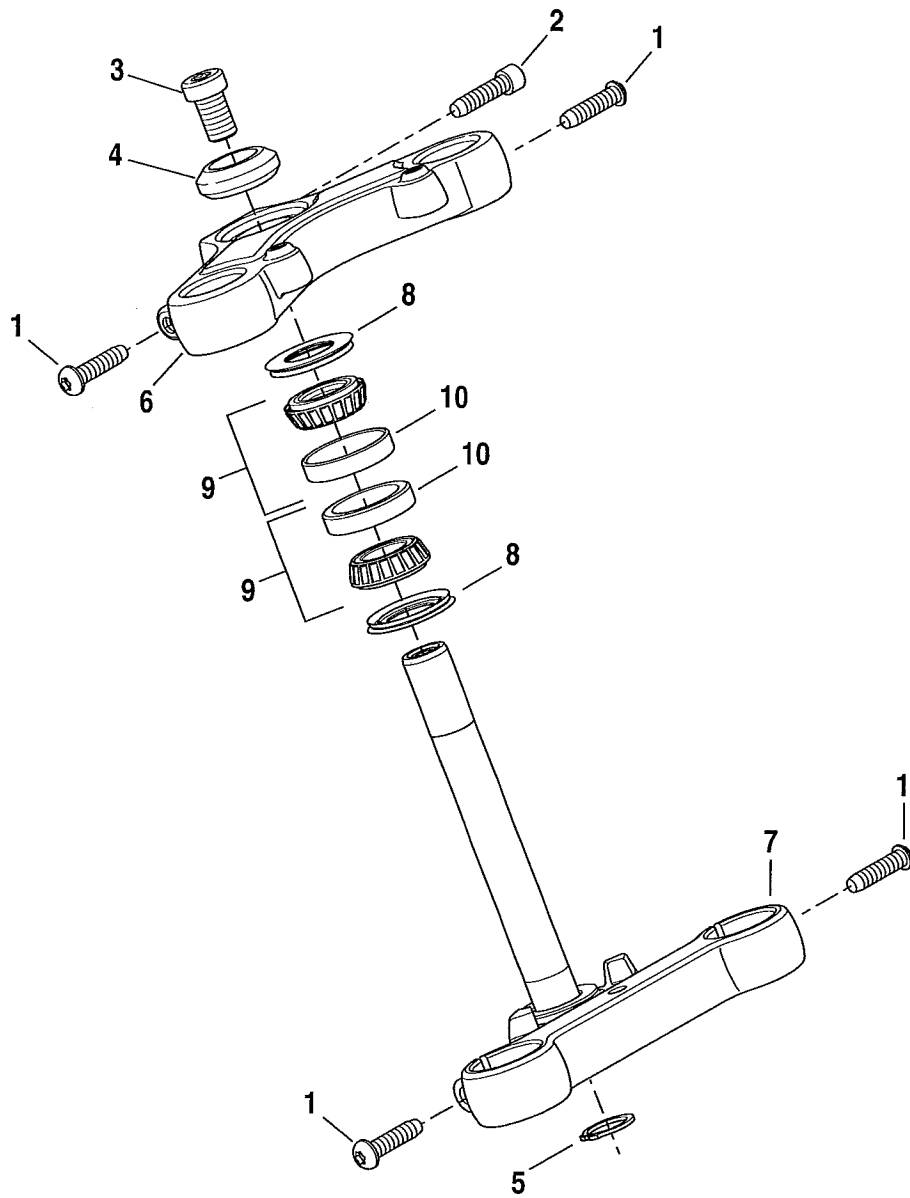
CR = XL883L
LH = XL1200CP

LE = XL883N
CZ = XL1200N

CS = XL883R
LC = XL1200X

CT = XL1200C
LD = XR1200X

FORK BRACKETS, FRONT - 883L/N/R, 1200C/CP/N/X



INDEX NO.	PART NO.	DESCRIPTION	MODEL(S)
1	3056	SCREW (4)	CR CS CT CZ LC LE LH
2	4352	SCREW	CR CS CT CZ LC LE LH
3	4993	BOLT	CR CS CT CZ LC LE LH
4	6611	WASHER	CR CS CT CZ LC LE LH
5	45611-86	RETAINING RING	CR CS CT CZ LC LE LH
6	45966-04	BRACKET, upper	CS
	46009-10	BRACKET, upper (not shown)	LC
	46758-07	BRACKET, upper (black)	CZ LE
	46997-11	BRACKET, upper (not shown)	CR
	49419-11	BRACKET, upper (not shown)	CT LH
7	46014-10	BRACKET, lower, w/ bearing, seal & retaining ring (not shown)	LC
	46127-04	BRACKET, lower, w/ bearing, seal & retaining ring	CS
	46767-07	BRACKET, lower, w/ bearing, seal & retaining ring	CZ LE
	46998-11	BRACKET, lower, w/ bearing, seal & retaining ring	CR
	49422-11	BRACKET, lower, w/ bearing, seal & retaining ring	CT LH
8	48184-01	SEAL, tapered bearing	CR CS CT CZ LC LE LH
9	48300-60	ROLLER BEARING, w/ cup (2)	CR CS CT CZ LC LE LH
10	48315-60	BEARING CUP (2)	CR CS CT CZ LC LE LH

2012 MODEL IDENTIFICATION CODES

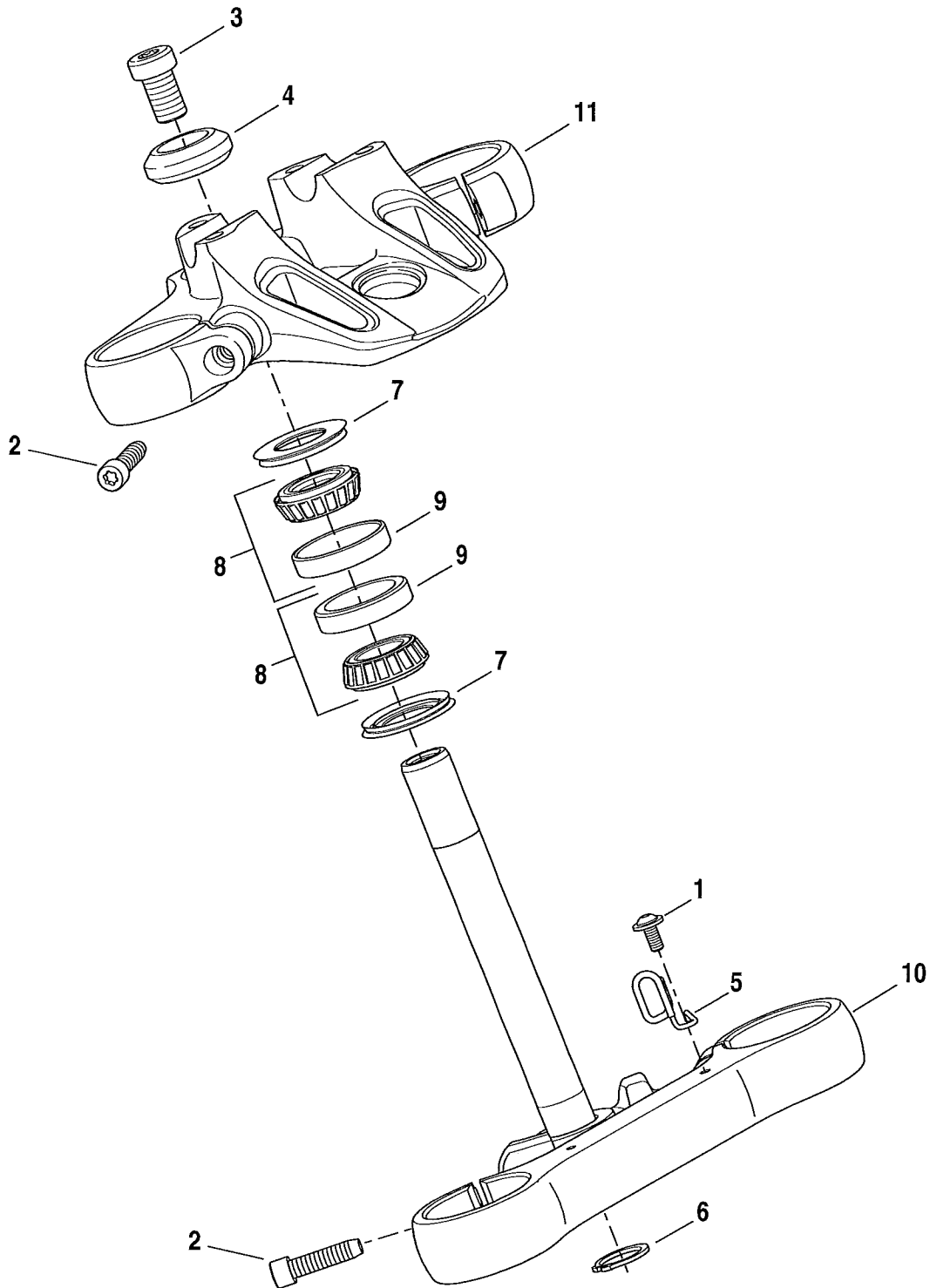
CR = XL883L
LH = XL1200CP

LE = XL883N
CZ = XL1200N

CS = XL883R
LC = XL1200X

CT = XL1200C
LD = XR1200X

FORK BRACKETS, FRONT - XR1200X



INDEX NO.	PART NO.	DESCRIPTION	MODEL(S)
1	2445	SCREW	LD
2	4352	SCREW (5)	LD
3	4993	BOLT	LD
4	6611	WASHER	LD
5	45155-08	GUIDE	LD
6	45611-86	RETAINING RING	LD
7	48184-01	SEAL, tapered bearing (2)	LD
8	48300-60	ROLLER BEARING, w/ cup (2)	LD
9	48315-60	BEARING CUP (2)	LD
10	46927-10	BRACKET, lower, w/ bearing, seal & retaining ring	LD
11	46928-10	BRACKET, upper	LD

2012 MODEL IDENTIFICATION CODES

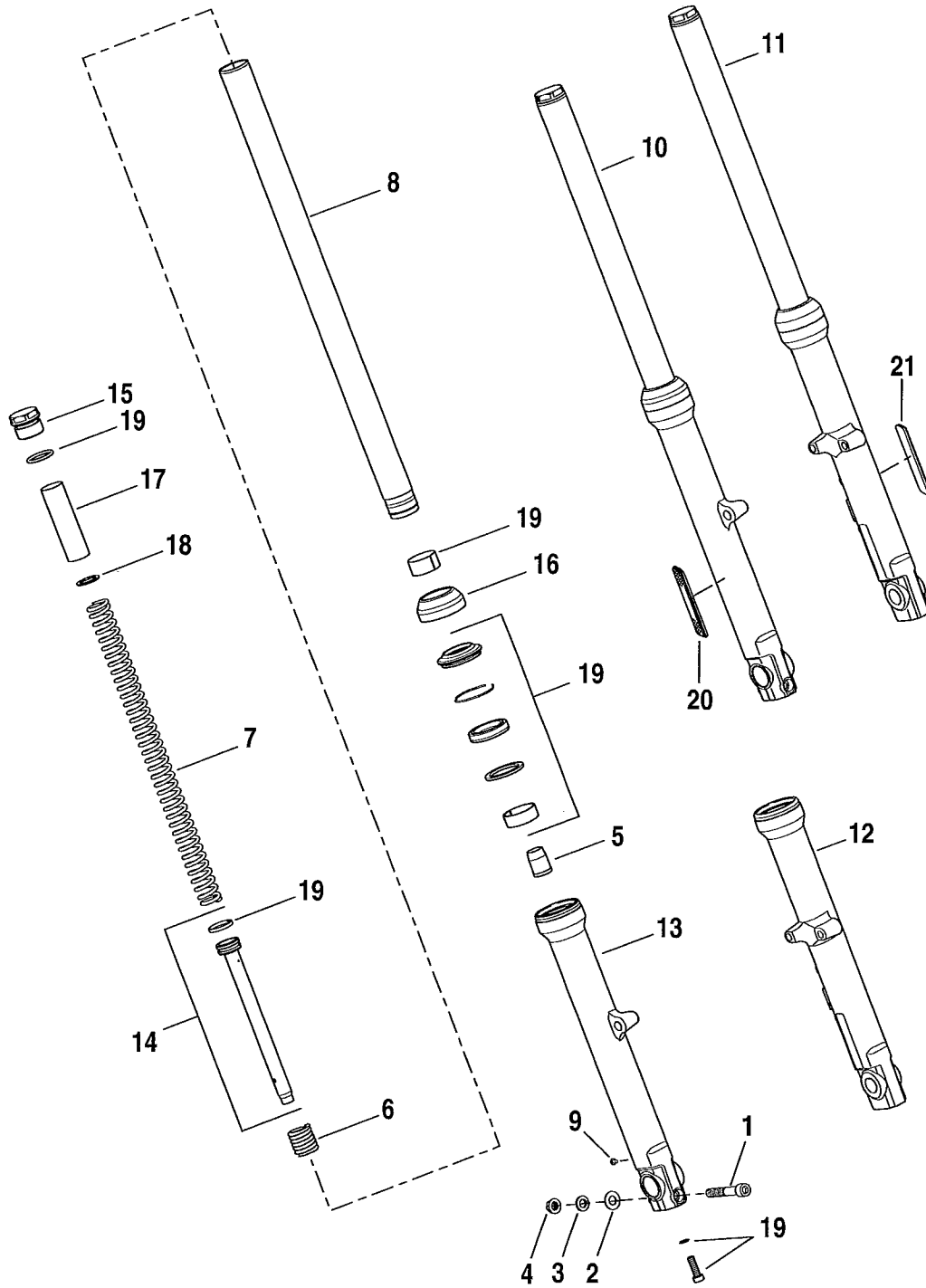
CR = XL883L
LH = XL1200CP

LE = XL883N
CZ = XL1200N

CS = XL883R
LC = XL1200X

CT = XL1200C
LD = XR1200X

FORK, FRONT - 883L/R, 1200C/CP/X



INDEX NO.	PART NO.	DESCRIPTION	MODEL(S)
1	4029A	SCREW	CR CS CT LC LH
2	6701	WASHER	CR CS CT LC LH
3	7038	LOCKWASHER	CR CS CT LC LH
4	7783	NUT	CR CS CT LC LH
5	45361-90	LOWER STOP (2)	CR CS CT LC LH
6	45374-87	SPRING (2)	CR CS CT LC LH
7	10417	SPRING (2)	LC
	45376-09	SPRING (2)	CS
	46245-09	SPRING (2)	CT LH
	46267-05	SPRING (2)	CR
8	45395-09	SLIDER TUBE, w/ bushing (2)	CS CT LC LH
	46218-05	SLIDER TUBE, w/ bushing (2)	CR
9	45790-80	DRAIN SCREW, w/ washer (2)	CS
10	49400-11	FORK SLIDER & TUBE ASSEMBLY, right	CR
	49410-11	FORK SLIDER & TUBE ASSEMBLY, right (not shown)	CT LH
	45988-10	FORK SLIDER & TUBE ASSEMBLY, right (not shown)	LC
	46453-09	FORK SLIDER & TUBE ASSEMBLY, right (not shown)	CS
11	49382-11	FORK SLIDER & TUBE ASSEMBLY, left	CR
	49409-11	FORK SLIDER & TUBE ASSEMBLY, left (not shown)	CT LH
	45968-10	FORK SLIDER & TUBE ASSEMBLY, left (not shown)	LC
	46454-09	FORK SLIDER & TUBE ASSEMBLY, left (not shown)	CS
12	49401-11	SLIDER ASSEMBLY, left	CR
	46450-08	SLIDER ASSEMBLY, left (not shown)	CS
	48850-10	SLIDER ASSEMBLY, left (not shown)	LC
	49411-11	SLIDER ASSEMBLY, left (not shown)	CT LH
13	49403-11	SLIDER ASSEMBLY, right	CR
	46449-08	SLIDER ASSEMBLY, right (not shown)	CS
	48849-10	SLIDER ASSEMBLY, right (not shown)	LC
	49412-11	SLIDER ASSEMBLY, right (not shown)	CT LH
14	10627	DAMPER TUBE, w/ ring (2)	LC
	45458-09	DAMPER TUBE, w/ ring (2)	CT LH
	45925-09	DAMPER TUBE, w/ ring (2)	CS
	45938-92	DAMPER TUBE, w/ ring (2)	CR
15	45996-87	CAP (2)	CR CS CT LC LH
16	46002-87	COVER (2)	CR CS CT LC LH
17	48791-09	SPRING COLLAR (2)	CS CT LH
18	48738-07	WASHER (2)	CS CT LH
19	49378-09	FRONT FORK SERVICE KIT	CR CS CT LC LH
20	59481-00	REFLECTOR, amber - right	CR CS CT LC LH
21	59482-00	REFLECTOR, amber - left	CR CS CT LC LH

2012 MODEL IDENTIFICATION CODES

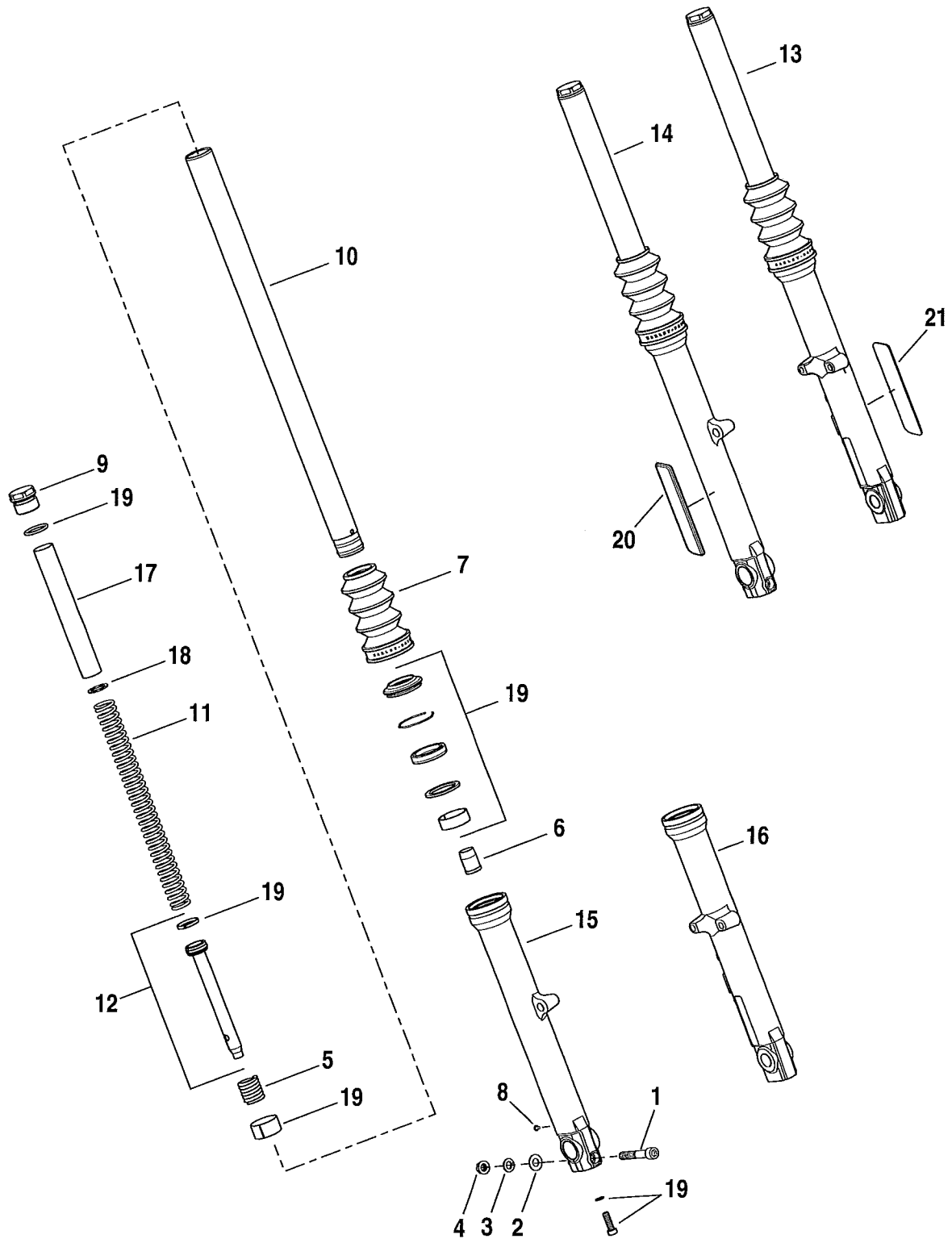
CR = XL883L
LH = XL1200CP

LE = XL883N
CZ = XL1200N

CS = XL883R
LC = XL1200X

CT = XL1200C
LD = XR1200X

FORK, FRONT - 883N, 1200N



INDEX NO.	PART NO.	DESCRIPTION	MODEL(S)
1	4029A	SCREW	CZ LE
2	6701	WASHER	CZ LE
3	7038	LOCKWASHER	CZ LE
4	7783	NUT	CZ LE
5	45374-87	SPRING (2)	CZ LE
6	45361-90	LOWER STOP (2)	CZ LE
7	45451-07	FORK GAITERS (2)	CZ LE
8	45790-80	DRAIN SCREW, w/ washer (2)	CZ LE
9	45996-87	CAP (2)	CZ LE
10	46218-05	SLIDER TUBE, w/ bushing (2)	CZ LE
11	47299-07	SPRING (2)	CZ LE
12	47313-07	COMPRESSION PIPE, w/ ring (2)	CZ LE
13	48714-08	FORK ASSEMBLY, left	CZ LE
14	48715-08	FORK ASSEMBLY, right	CZ LE
15	48716-08	SLIDER ASSEMBLY, right	CZ LE
16	48726-08	SLIDER ASSEMBLY, left	CZ LE
17	48737-07	COLLAR (2)	CZ LE
18	48738-07	WASHER (2)	CZ LE
19	49378-09	FRONT FORK SERVICE KIT	CZ LE
20	59481-00	REFLECTOR, amber - right	CZ LE
21	59482-00	REFLECTOR, amber - left	CZ LE

2012 MODEL IDENTIFICATION CODES

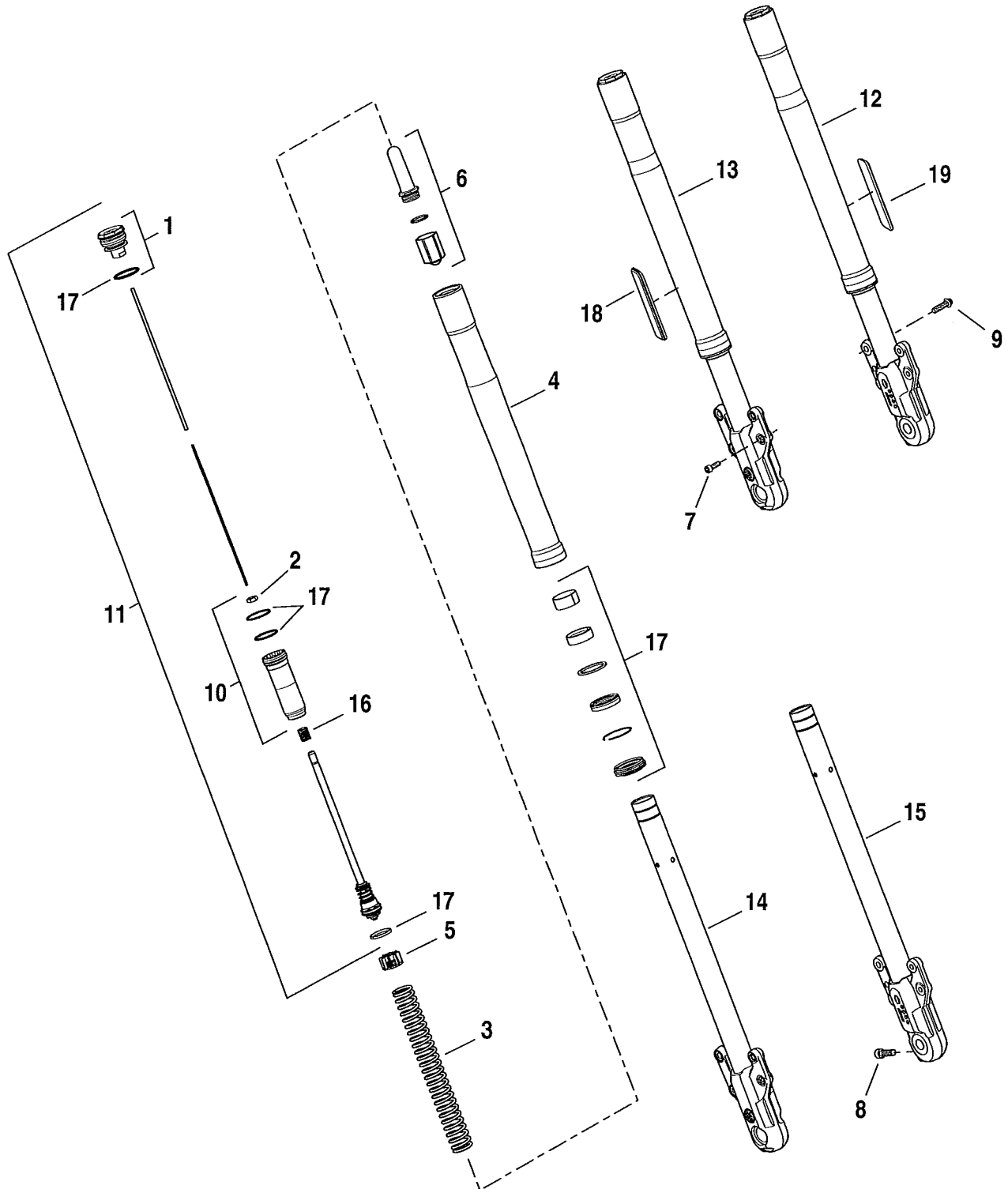
CR = XL883L
LH = XL1200CP

LE = XL883N
CZ = XL1200N

CS = XL883R
LC = XL1200X

CT = XL1200C
LD = XR1200X

FORK, FRONT - XR1200X



INDEX NO.	PART NO.	DESCRIPTION	MODEL(S)
1	4977	BOLT (2)	LD
2	7341M	NUT (2)	LD
3	10418	SPRING (2)	LD
4	10628	OUTER TUBE (2)	LD
5	12200	SPRING COLLAR (2)	LD
6	12201	SPRING COLLAR (2)	LD
7	4250M	SCREW (4)	LD
8	4499M	BOLT	LD
9	44160-00	BOLT (4)	LD
10	46372-10	ROD GUIDE CASE (2)	LD
11	46681-10	PISTON ROD, complete (2)	LD
12	48771-10	FORK ASSEMBLY, left	LD
13	48778-10	FORK ASSEMBLY, right	LD
14	48785-10	SLIDER, right	LD
15	48786-10	SLIDER, left	LD
16	49372-10	REBOUND SPRING (2)	LD
17	49406-10	FRONT FORK SERVICE KIT (2)	LD
18	69861-07	REFLECTOR, amber w/black base - right	LD
19	69862-07	REFLECTOR, amber w/black base - left	LD

2012 MODEL IDENTIFICATION CODES

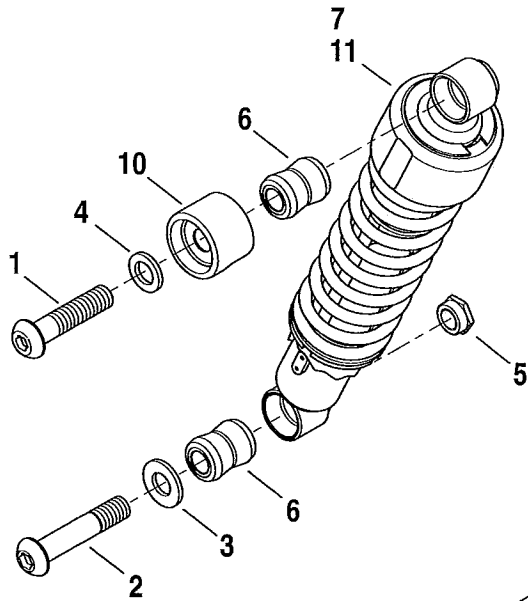
CR = XL883L
LH = XL1200CP

LE = XL883N
CZ = XL1200N

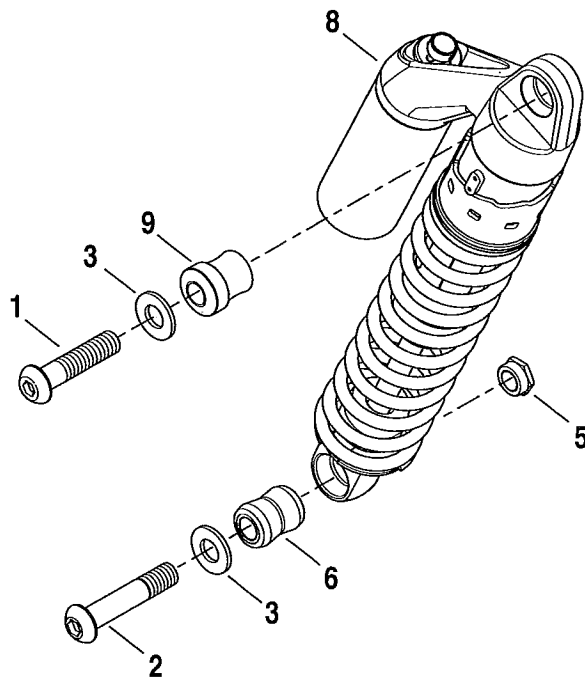
CS = XL883R
LC = XL1200X

CT = XL1200C
LD = XR1200X

SHOCK ABSORBERS, REAR



XL883L
XL883N
XL883R
XL1200C
XL1200CP
XL1200N
XL1200X



XR1200X

INDEX NO.	PART NO.	DESCRIPTION	MODEL(S)
1	3880	SCREW (2)	ALL
2	4354	SCREW (2)	ALL
3	6718	WASHER (2 - CR/CS/CT/CZ/LC/LE/LH, 4 - LD)	ALL
4	6738	WASHER (2)	CR CS CT CZ LC LE LH
5	7824	LOCKNUT (2)	ALL
6	54556-84	BUSHING (4)	ALL
7	54568-09	SHOCK ABSORBER, complete, w/ 54556-84 (LC - HDI, England) (2)	CR CT LC LH
	54570-09	SHOCK ABSORBER, complete, w/ 54556-84 (2)	CS
	54550-10	SHOCK ABSORBER, complete, w/ 54556-84 (LC - Domestic) (2)	CZ LC LE
8	54671-10	SHOCK ABSORBER, left, complete, w/ 54556-84 & 54715-96	LD
	54700-10	SHOCK ABSORBER, right, complete, w/ 54556-84 & 54715-96	LD
9	54715-96	BUSHING (2)	LD
10	54724-04	COVER (2)	CS CT LH
	54741-07	COVER (black) (2)	CR CZ LC LE
INTERNATIONAL MODELS ONLY			
11	54570-09	SHOCK ABSORBER, complete, w/ 54556-84 (HDI, England, Australia, Asia-Pacific) (2)	CZ LE

2012 MODEL IDENTIFICATION CODES

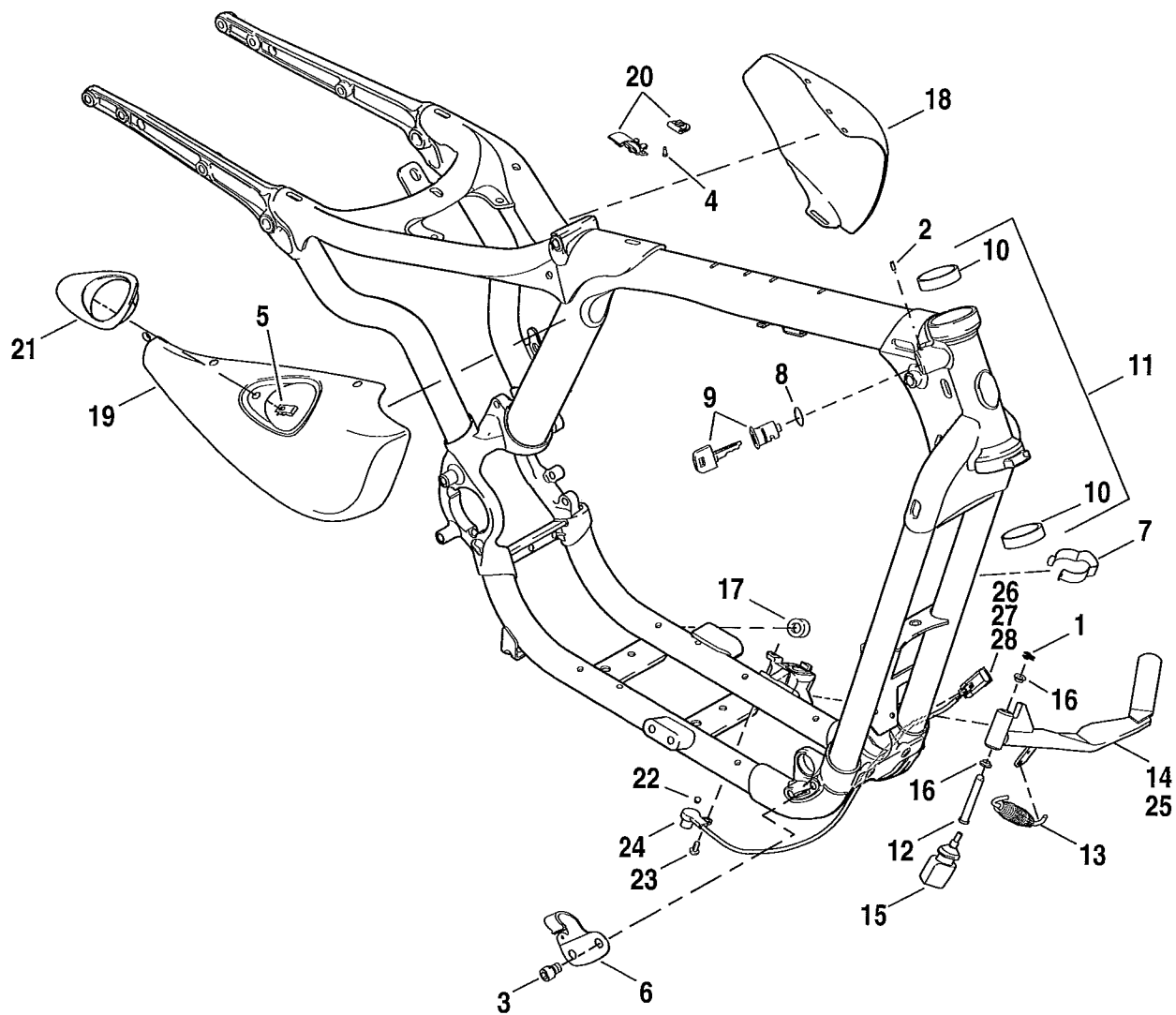
CR = XL883L
LH = XL1200CP

LE = XL883N
CZ = XL1200N

CS = XL883R
LC = XL1200X

CT = XL1200C
LD = XR1200X

FRAME & JIFFY STAND - 883L/N/R, 1200C/CP/N/X



INDEX NO.	PART NO.	DESCRIPTION	MODEL(S)
1	554A	PRETZEL CLIP	CR CS CT CZ LC LE LH
2	1594	PIN, lock	CR CS CT CZ LC LE LH
3	4076	SCREW (2)	CR CS CT CZ LC LE LH
4	4991	SCREW (2)	CR CS CT CZ LC LE LH
5	8135B	PUSH NUT	CR CS CT CZ LC LE LH
6	10179A	J-CLIP	CR CS CT CZ LC LE LH
7	10289A	CLIP (2)	CR CS CT CZ LC LE LH
8	48027-99	O-RING	CR CS CT CZ LC LE LH
9	45600014	FORK LOCK KIT, w/ 1594 & 48027-99 (specify key code)	CR CS CT CZ LC LE LH
	90300037	LOCKSET ASSEMBLY, complete (specify key code) (not shown)	CR CS CT CZ LC LE LH
10	48315-60	BEARING CUP (2)	CR CS CT CZ LC LE LH
11	49376-11	FRAME, w/ bearing cups	CR CS CT CZ LC LE LH
12	50003-89B	PIN	CR CS CT CZ LC LE LH
13	50005-85A	SPRING	CR CS CT CZ LC LE LH
14	50124-09BHP	JIFFY STAND	CS
	50000025BHP	JIFFY STAND (CZ/LE - Domestic, HDI, Japan)	CR CZ LC LE
	50000025BHP	JIFFY STAND	CT LH
15	49735-08	BUMPER	CR CS CT CZ LC LE LH
16	53176-08	BUSHING (2)	CR CS CT CZ LC LE LH
17	62122-89A	BUMPER	CR CS CT CZ LC LE LH
18	66251-04A	SIDE COVER, left (black)	CR CT CZ LC LH
	66272-05A	SIDE COVER, left (satin)	CS LE
19	66252-04A	SIDE COVER, right (black)	CR CT CZ LC LH
	66273-05A	SIDE COVER, right (satin)	CS LE
20	70417-04C	SIDE COVER MOUNTING KIT	CR CS CT CZ LC LE LH
21	71472-04	BEZEL (chrome)	CR CS CT LC LH
	62534-07	BEZEL (satin chrome)	CZ LE
	72559-07	BACKBONE SADDLE (not illustrated)	CR CS CT CZ LC LE LH
22	90520-07	PLUG	CR CS CT CZ LC LE LH
INTERNATIONAL MODELS ONLY			
23	4871	SCREW (HDI, England)	CR CS CT CZ LC LE LH
24	50126-08A	SENSOR (HDI, England), w/ 28, 29, 30	CR CS CT CZ LC LE LH
25	50185-04C	JIFFY STAND (England, Australia, Asia-Pacific)	CZ LE
26	72169-07	TERMINAL, pin, 16-20 gauge (HDI, England)	CR CS CT CZ LC LE LH
27	72511-07BK	HOUSING (HDI, England)	CR CS CT CZ LC LE LH
28	73213-07	RETAINER (HDI, England)	CR CS CT CZ LC LE LH

2012 MODEL IDENTIFICATION CODES

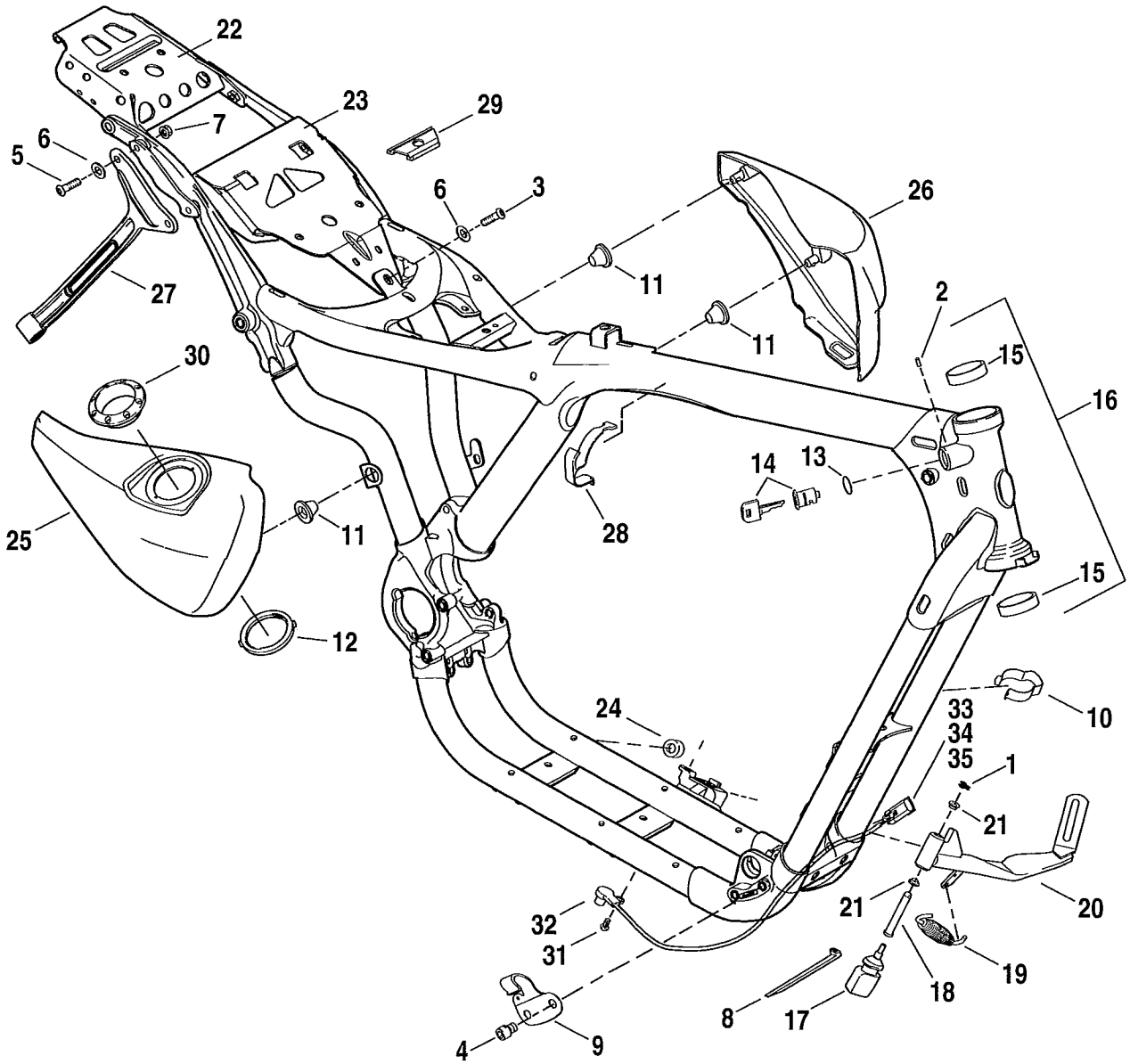
CR = XL883L
LH = XL1200CP

LE = XL883N
CZ = XL1200N

CS = XL883R
LC = XL1200X

CT = XL1200C
LD = XR1200X

FRAME & JIFFY STAND - XR1200X



INDEX NO.	PART NO.	DESCRIPTION	MODEL(S)
1	554A	PRETZEL CLIP	LD
2	1594	PIN, lock	LD
3	3696	SCREW	LD
4	4076	SCREW (4)	LD
5	4549	SCREW (6)	LD
6	6302	WASHER (7)	LD
7	7531	LOCKNUT (2)	LD
8	10006	CABLE STRAP (as required)	LD
9	10179A	J-CLIP (2)	LD
10	10289A	CLIP	LD
11	11491A	GROMMET (3)	LD
12	11598	SNAP RING	LD
13	48027-99	O-RING	LD
14	45600014	FORK LOCK KIT, w/ 1594 & 48027-99 (specify key code)	LD
	90300037	LOCKSET ASSEMBLY, complete (specify key code) (not shown)	LD
15	48315-60	BEARING CUP (2)	LD
16	48879-08A	FRAME, w/ bearing cups	LD
17	49735-08	BUMPER	LD
18	50003-89B	PIN	LD
19	50005-85A	SPRING	LD
20	50124-09BHP	JIFFY STAND	LD
21	53176-08	BUSHING (2)	LD
22	59400-08	REAR FENDER SUPPORT	LD
23	59401-08	MIDDLE FENDER SUPPORT	LD
24	62122-89A	BUMPER	LD
25	66269-08BDK	SIDE COVER, right (primed)	LD
	66269-08CHJ	SIDE COVER, right (black)	LD
26	66270-08BDK	SIDE COVER, left (primed)	LD
	66270-08CHJ	SIDE COVER, left (black)	LD
27	65316-08	SUPPORT, muffler	LD
28	70633-08	CLIP	LD
29	71287-08	WIRE GUARD	LD
30	71478-08	BEZEL (chrome)	LD

INTERNATIONAL MODELS ONLY

31	4871	SCREW (HDI, England, Asia-Pacific)	LD
32	50126-08A	SENSOR (HDI, England, Asia-Pacific)	LD
33	72169-07	TERMINAL, pin, 16-20 gauge (HDI, England, Asia-Pacific) (3)	LD
34	72511-07BK	HOUSING (HDI, England, Asia-Pacific)	LD
35	73213-07	RETAINER (HDI, England, Asia-Pacific)	LD

2012 MODEL IDENTIFICATION CODES

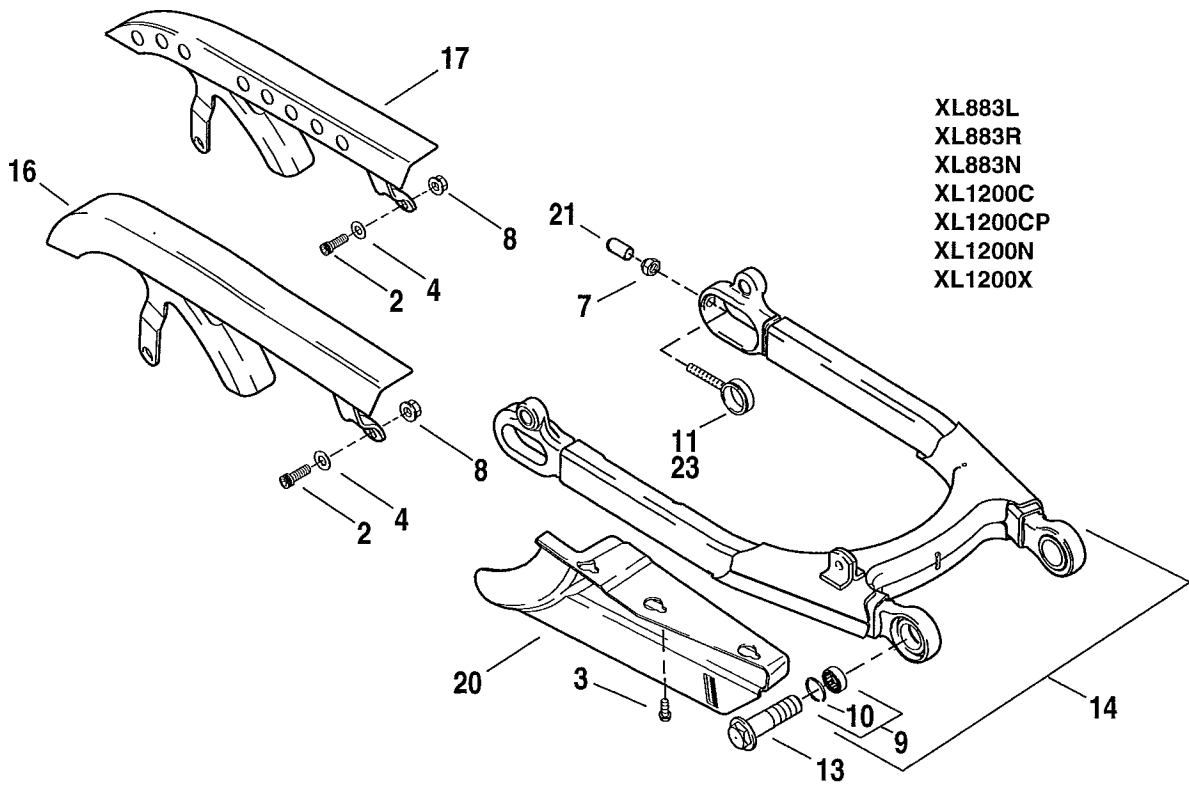
CR = XL883L
LH = XL1200CP

LE = XL883N
CZ = XL1200N

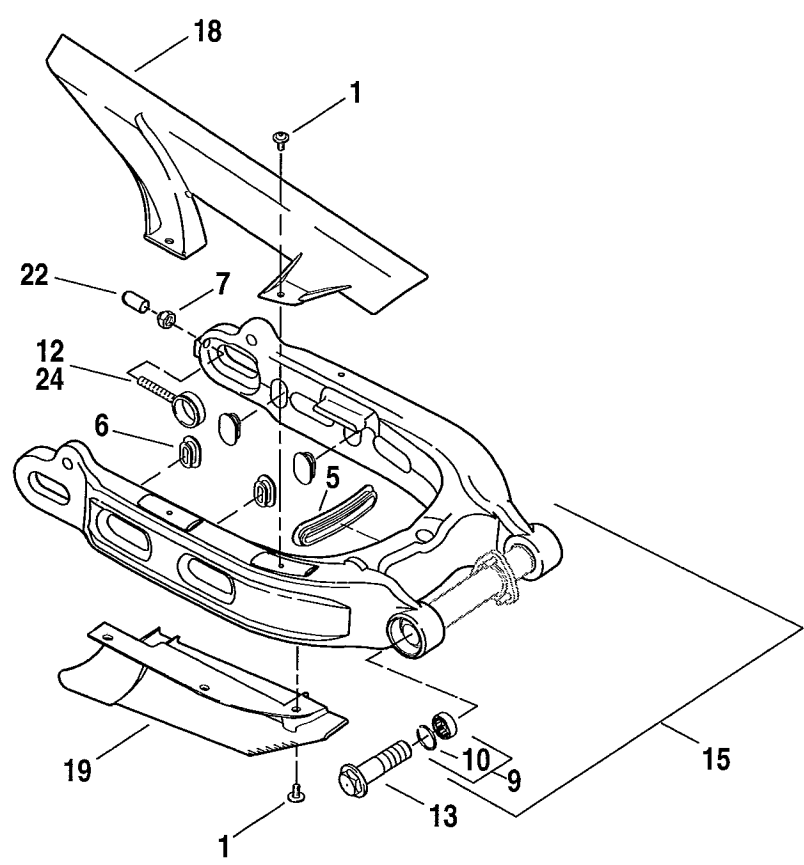
CS = XL883R
LC = XL1200X

CT = XL1200C
LD = XR1200X

FORK, REAR, DEBRIS DEFLECTOR & BELT GUARD



XR1200X



FORK, REAR, DEBRIS DEFLECTOR & BELT GUARD

INDEX NO.	PART NO.	DESCRIPTION	MODEL(S)
1	2445	SCREW (5)	LD
2	2708A	SCREW	CR CS CT CZ LC LE LH
3	3579A	SCREW (3)	CR CS CT CZ LC LE LH
4	6702	WASHER	CR CS CT CZ LC LE LH
5	6863	PLUG	LD
6	6864A	PLUG (4)	LD
7	7766	LOCKNUT (2)	ALL
8	7531	LOCKNUT	CR CS CT CZ LC LE LH
9	9209	BEARING, w/ 11282 (2)	ALL
10	11282	RETAINING RING (2)	ALL
11	41573-05	ADJUSTER (2) (1-Japan, left)	CR CS CT CZ LC LE LH
12	41626-08	ADJUSTER (2) (1-Japan, left)	LD
13	41698-04	BOLT (2)	ALL
14	47587-05	REAR FORK, w/ bearings & 9209	CR CS CT CZ LC LE LH
15	47682-10	REAR FORK, w/ bearings (black)	LD
16	60367-04	BELT GUARD	CR CS CT LE LH
17	60379-09	BELT GUARD	CZ LC
18	60403-08	BELT GUARD	LD
19	60416-08	DEBRIS DEFLECTOR	LD
20	60435-04A	DEBRIS DEFLECTOR	CR CS CT CZ LC LE LH
21	89579-91	CAP (2)	CR CS CT CZ LC LE LH
22	89586-04	CAP (2)	LD
INTERNATIONAL MODELS ONLY			
23	41623-05	ADJUSTER, right (Japan) (not shown)	CR CS CT CZ LE LH
24	42174-09	ADJUSTER, right (Japan) (not shown)	LD

2012 MODEL IDENTIFICATION CODES

CR = XL883L
LH = XL1200CP

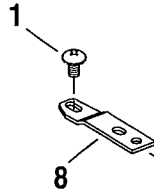
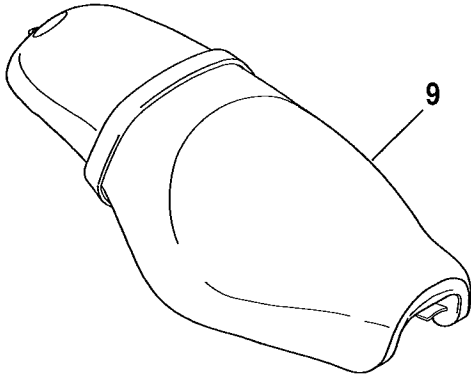
LE = XL883N
CZ = XL1200N

CS = XL883R
LC = XL1200X

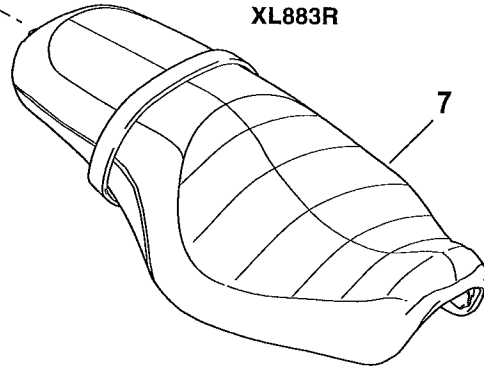
CT = XL1200C
LD = XR1200X

SEATS

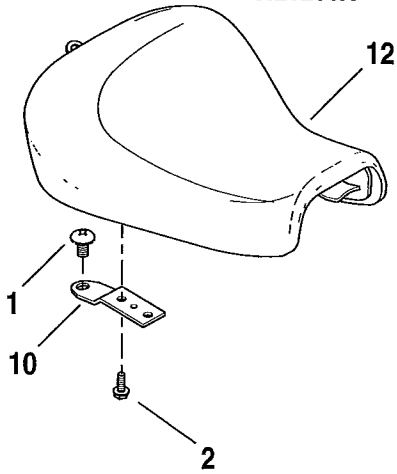
XL1200C
XL1200CP



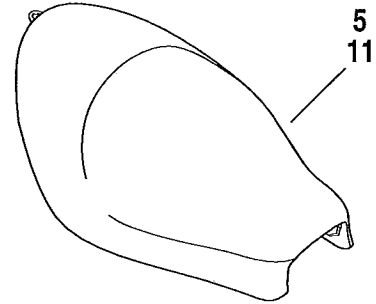
XL883R



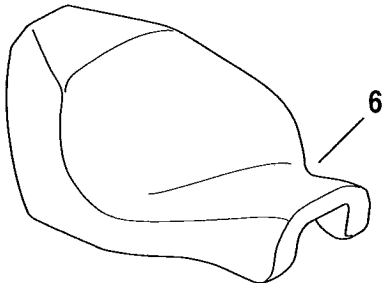
XL1200X



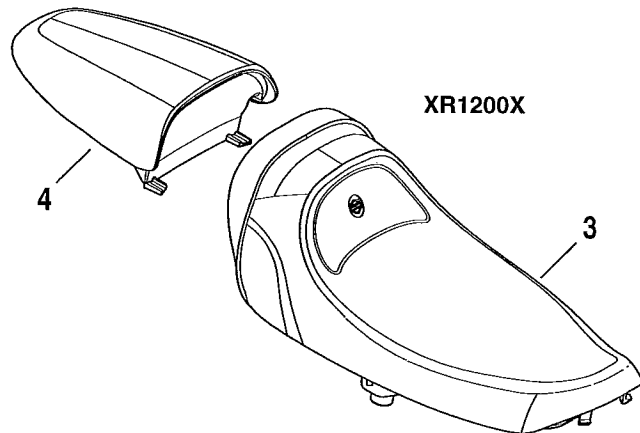
XL883N
XL1200N



XL883L
XL1200CP



XR1200X



INDEX NO.	PART NO.	DESCRIPTION	MODEL(S)
1	2952A	SCREW	CR CS CT CZ LC LE LH
2	3574	SCREW (2)	CR LC
3	51382-08	SEAT, rider	LD
4	51383-08	SEAT, pillion	LD
5	51532-07	SEAT ASSEMBLY, w/ 51652-97A	LE
6	51550-11	SEAT ASSEMBLY, w/ 3574 & 51652-97A (1200CP - Solo)	CR LH
7	51551-07	SEAT ASSEMBLY, w/ 51652-97A	CS
8	51652-97A	BRACKET	CR CS CT CZ LE LH
9	51530-07	SEAT ASSEMBLY, w/ 51652-97A (1200CP - 2-Up)	CT LH
10	51740-10	BRACKET	LC
11	51899-07	SEAT ASSEMBLY, w/ 51652-97A	CZ
12	51911-10	SEAT ASSEMBLY, w/ 3574 & 51740-10	LC

2012 MODEL IDENTIFICATION CODES

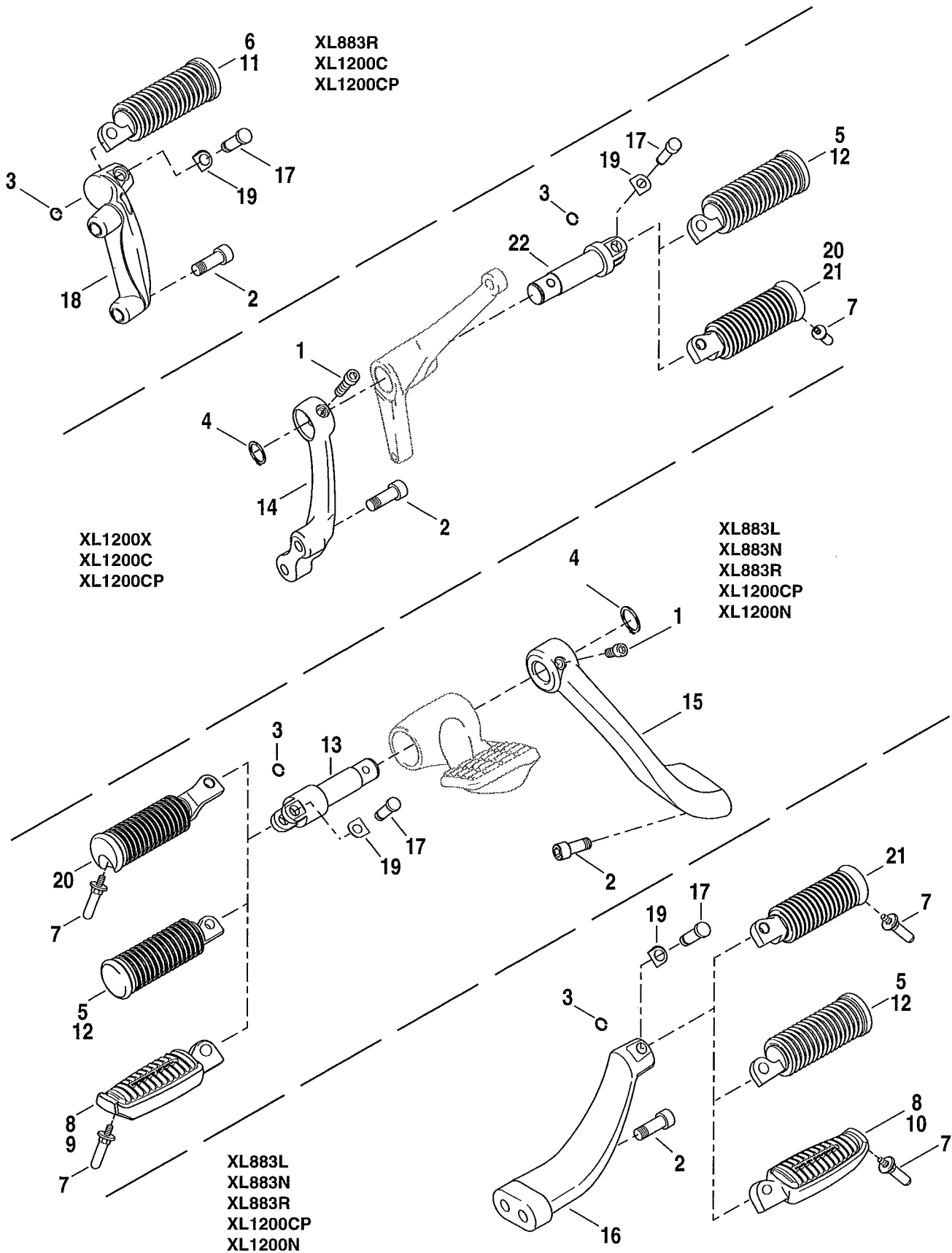
CR = XL883L
LH = XL1200CP

LE = XL883N
CZ = XL1200N

CS = XL883R
LC = XL1200X

CT = XL1200C
LD = XR1200X

FOOTRESTS - 883L/N/R, 1200C/CP/N/X



INDEX NO.	PART NO.	DESCRIPTION	MODEL(S)
1	3162	SCREW	CR CS CT CZ LC LE LH
2	3214	SCREW (4)	CR CS CT CZ LC LE LH
3	11304	RETAINING RING (2-CR/CT/CZ/LC/LE/LH, 4-CS)	CR CS CT CZ LC LE LH
4	11390	RETAINING RING (2)	CR CS CT CZ LC LE LH
5	33032-99	FOOTPEG ASSEMBLY, w/ 33216-06 (2)	CS
6	33048-72	FOOTPEG ASSEMBLY, w/ 33189-63 (2)	CS CT LH
7	33130-07A	WEAR PEG (2)	CR CT CZ LC LE LH
8	33133-06	RUBBER, footpegs (2)	CZ LE
9	33134-07CAZ	FOOTPEG ASSEMBLY, w/ 33133-06, right (black)	CZ LE
10	33135-07CAZ	FOOTPEG ASSEMBLY, w/ 33133-06, left (black)	CZ LE
11	33189-63	RUBBER, footrest (2)	CS CT LH
12	33216-99	RUBBER, footrest (2)	CS
13	42541-04	CLEVIS, right	CR CS CZ LE LH
14	42651-04	SUPPORT BRACKET, left (1200CP - Forward Foot Controls)	CT LC LH
	42652-04	SUPPORT BRACKET, right (not shown) (1200CP - Forward Foot Controls)	CT LC LH
15	42971-04	BRACKET, right (1200CP - Mid Foot Controls)	CR CS CZ LE LH
16	42972-04	BRACKET, left (1200CP - Mid Foot Controls)	CR CS CZ LE LH
17	45041-01A	CLEVIS PIN (2-CR/CT/CZ/LC/LE/LH, 4-CS)	CR CS CT CZ LC LE LH
18	49314-04	BRACKET, right (not shown) (1200CP - 2Up)	CS CT LH
	49315-04	BRACKET, left (1200CP - 2Up)	CS CT LH
19	50912-72	SPRING WASHER (2-CR/CT/CZ/LC/LE/LH, 4-CS)	CR CS CT CZ LC LE LH
20	51323-08	FOOTPEG ASSEMBLY, right	CR CT LC LH
21	51327-08	FOOTPEG ASSEMBLY, left	CR CT LC LH
22	51731-10	CLEVIS, right (not shown)	CT LC LH
	51730-10	CLEVIS, left	CT LC LH
	90493-83	HOLE PLUG (not illustrated) (as required)	CR CS CT LH

2012 MODEL IDENTIFICATION CODES

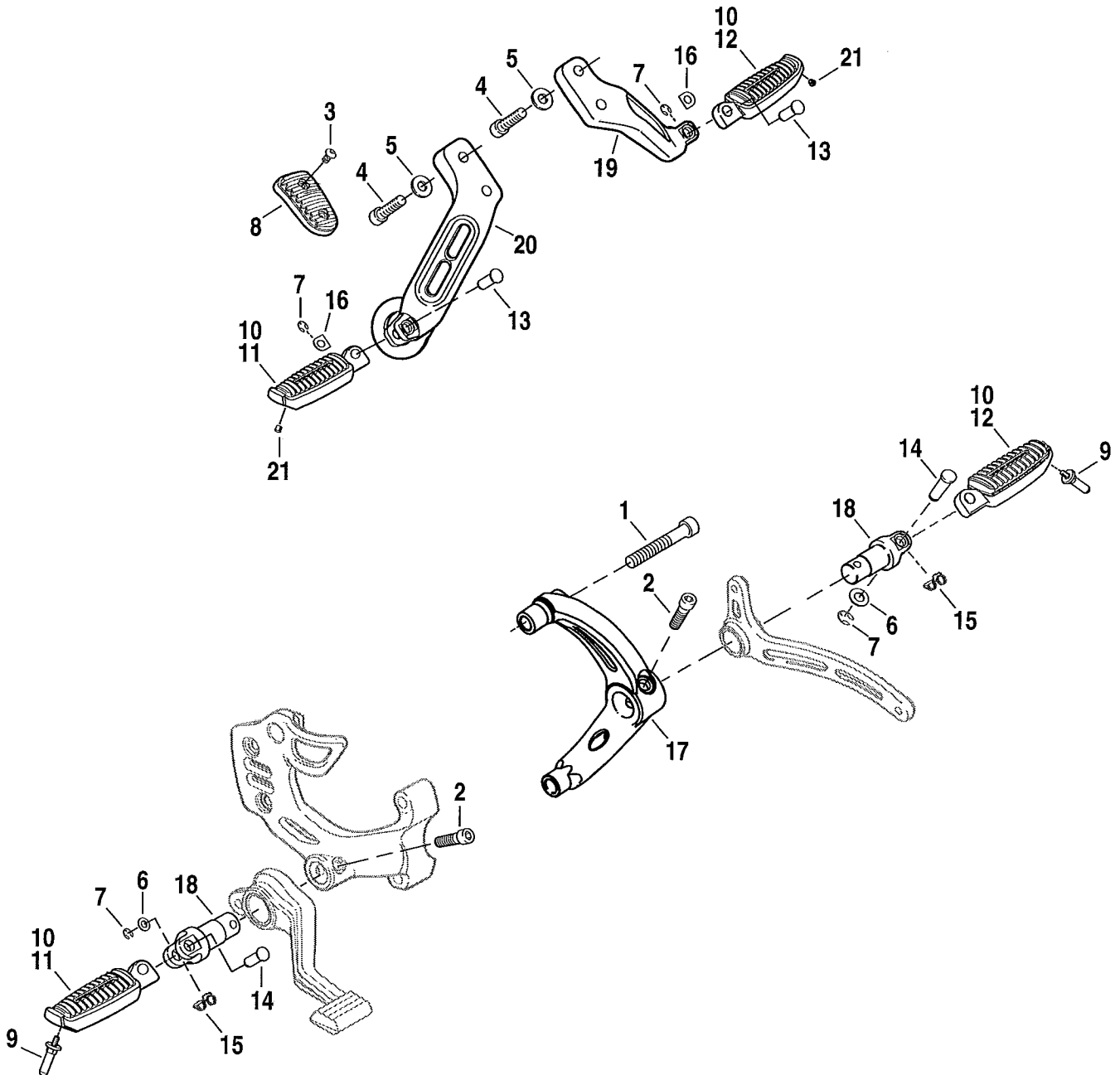
CR = XL883L
LH = XL1200CP

LE = XL883N
CZ = XL1200N

CS = XL883R
LC = XL1200X

CT = XL1200C
LD = XR1200X

FOOTRESTS - XR1200X



INDEX NO.	PART NO.	DESCRIPTION	MODEL(S)
1	855B	SCREW (2)	LD
2	3162	SCREW (2)	LD
3	3048	SCREW (2)	LD
4	4350A	SCREW (2)	LD
5	6400HB	WASHER (2)	LD
6	6874	WASHER (2)	LD
7	11304	RETAINING RING (4)	LD
8	33084-06	HEEL REST	LD
9	33130-07A	WEAR PEG (2)	LD
10	33133-06	RUBBER (4)	LD
11	33134-07CAZ	FOOTPEG ASSEMBLY, w/ 33133-06, right (2)	LD
12	33135-07CAZ	FOOTPEG ASSEMBLY, w/ 33133-06, left (2)	LD
13	45041-01A	CLEVIS PIN (2)	LD
14	45067-06	CLEVIS PIN (4)	LD
15	45065-06	RETURN SPRING (2)	LD
16	50912-72	SPRING WASHER (2)	LD
17	51044-08	BRACKET, left	LD
18	51046-09	CLEVIS (2)	LD
19	51048-08	BRACKET, left	LD
20	51049-08	BRACKET, right	LD
21	90520-07	PLUG (2)	LD

2012 MODEL IDENTIFICATION CODES

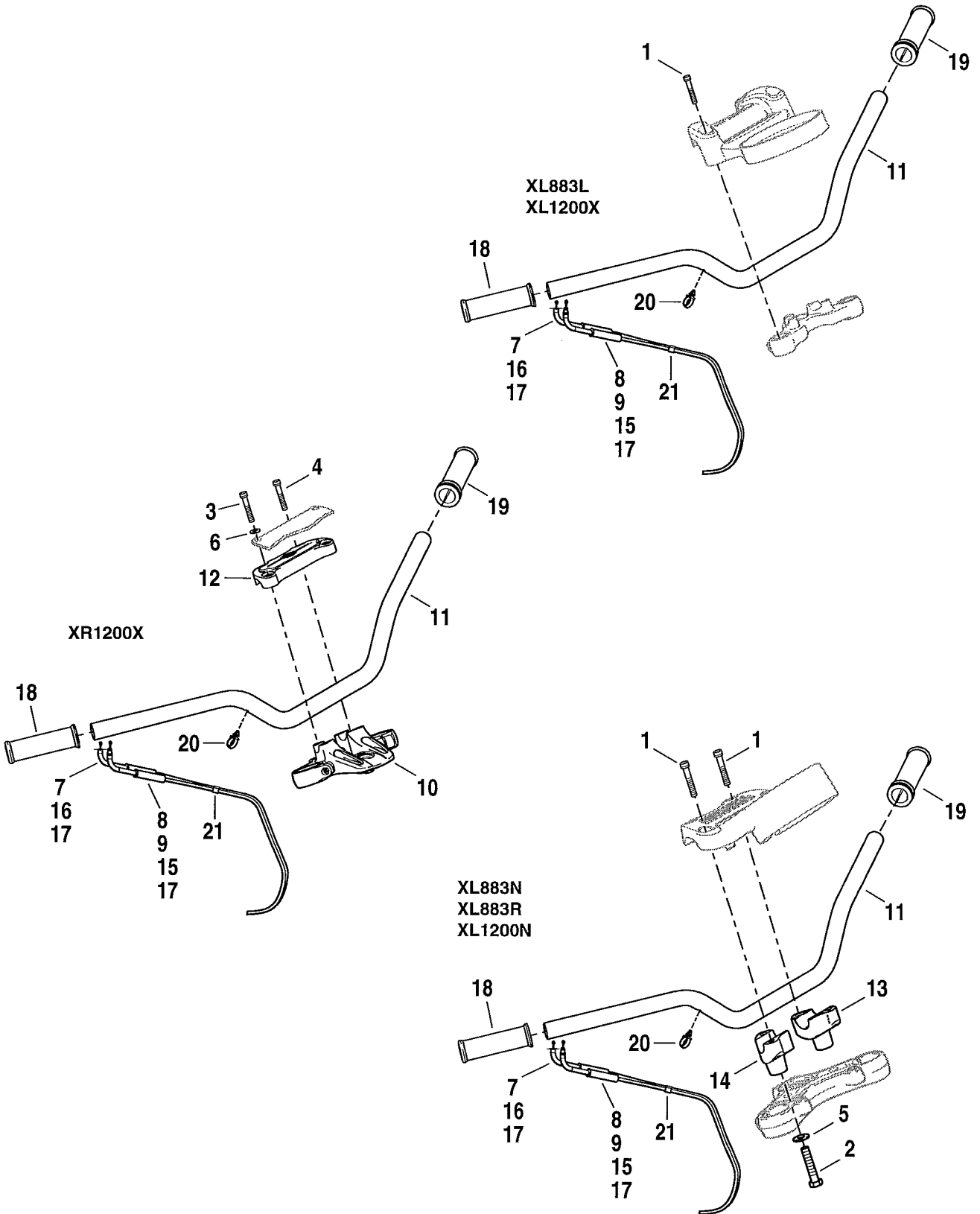
CR = XL883L
LH = XL1200CP

LE = XL883N
CZ = XL1200N

CS = XL883R
LC = XL1200X

CT = XL1200C
LD = XR1200X

HANDLEBAR & THROTTLE CONTROL - 883L/N/R, 1200N/X, XR1200X



HANDLEBAR & THROTTLE CONTROL - 883L/N/R, 1200N/X, XR1200X

INDEX NO.	PART NO.	DESCRIPTION	MODEL(S)
1	3210A	SCREW (4)	CR CZ LC LE
2	3605	BOLT (2)	CS CZ LE
3	4326A	SCREW (2)	CS LD
4	4816A	SCREW (2)	CS LD
5	6590HW	WASHER (2)	CS CZ LE
6	6702	WASHER (2)	CS LD
7	11271	RING RETAINER, idle	CR CS CZ LC LD LE
8	11272	RING RETAINER, throttle	CR CS CZ LC LD LE
9	38653-01	BOOT, throttle	CR CS CZ LC LD LE
10	46028-08	BRACKET	LD
11	56014-09A	HANDLEBAR	LC LE
	56085-83A	HANDLEBAR	CS CZ LD
	57209-11	HANDLEBAR	CR
12	56115-95	CLAMP, upper (black)	CS LD
13	56116-82A	CLAMP, lower left	CS CZ LE
14	56117-82A	CLAMP, lower right	CS CZ LE
15	56637-08	THROTTLE CONTROL ASSEMBLY, w/ 11272 & 38653-01	LD
	56884-07	THROTTLE CONTROL ASSEMBLY, w/ 11272 & 38653-01	CR CS CZ LC LE
16	56639-08	IDLE CONTROL ASSEMBLY, w/ 11271	LD
	56885-07	IDLE CONTROL ASSEMBLY, w/ 11271	CR CS CZ LC LE
17	56508-76	FERRULE (2)	CR CS CZ LC LD LE
18	56666-04	GRIP & SLEEVE, throttle	CR CS CZ LC LD LE
19	56667-04	HANDLEBAR GRIP	CR CS CZ LC LD LE
20	70345-84	RETAINER (4)	CR CS CZ LC LD LE
21	70504-81	CLIP (2)	CR CS CZ LC LD LE

2012 MODEL IDENTIFICATION CODES

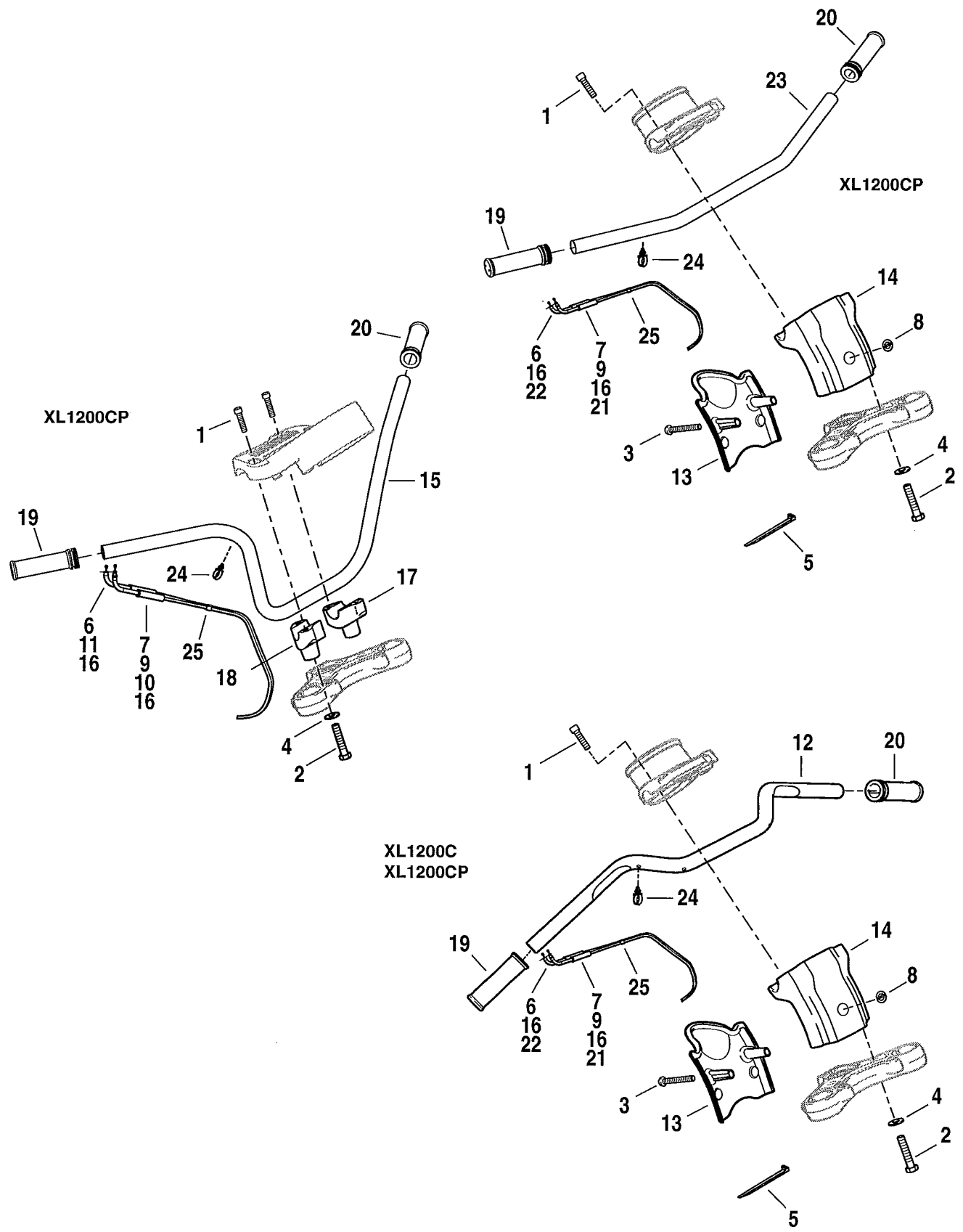
CR = XL883L
LH = XL1200CP

LE = XL883N
CZ = XL1200N

CS = XL883R
LC = XL1200X

CT = XL1200C
LD = XR1200X

HANDLEBAR & THROTTLE CONTROL - 1200C/CP



INDEX NO.	PART NO.	DESCRIPTION	MODEL(S)
1	3210A	SCREW (4)	CT LH
2	3605	BOLT (2)	CT LH
3	3666A	SCREW (2)	CT LH
4	6590HW	WASHER (2)	CT LH
5	10006	CABLE STRAP (as required)	CT LH
6	11271	RING RETAINER, idle	CT LH
7	11272	RING RETAINER, throttle	CT LH
8	14448-94	LOGO BAR & SHIELD	CT LH
9	38653-01	BOOT, throttle	CT LH
10	55785-11	THROTTLE CONTROL ASSEMBLY, w/ 11272 & 38653-11	LH
11	55786-11	IDLE CONTROL ASSEMBLY, w/ 11271	LH
12	55840-04A	HANDLEBAR (1200CP - Pull Back)	CT LH
13	55842-04	COVER, riser	CT LH
14	56017-04	RISER ASSEMBLY, w/ 14448-94	CT LH
15	56079-93	HANDLEBAR (1200CP - Mini-Ape)	LH
16	56508-76	FERRULE (2)	CT LH
17	56541-86A	CLAMP, lower left	LH
18	56542-86A	CLAMP, lower right	LH
19	56666-04	GRIP & SLEEVE, throttle	CT LH
20	56667-04	HANDLEBAR GRIP	CT LH
21	56884-07	THROTTLE CONTROL ASSEMBLY, w/ 11272 & 38653-11	CT LH
22	56885-07	IDLE CONTROL ASSEMBLY, w/ 11271	CT LH
23	57472-11	HANDLEBAR (1200CP - Drag)	LH
24	70345-84	RETAINER (4)	CT LH
25	70504-81	CLIP (2)	CT LH

2012 MODEL IDENTIFICATION CODES

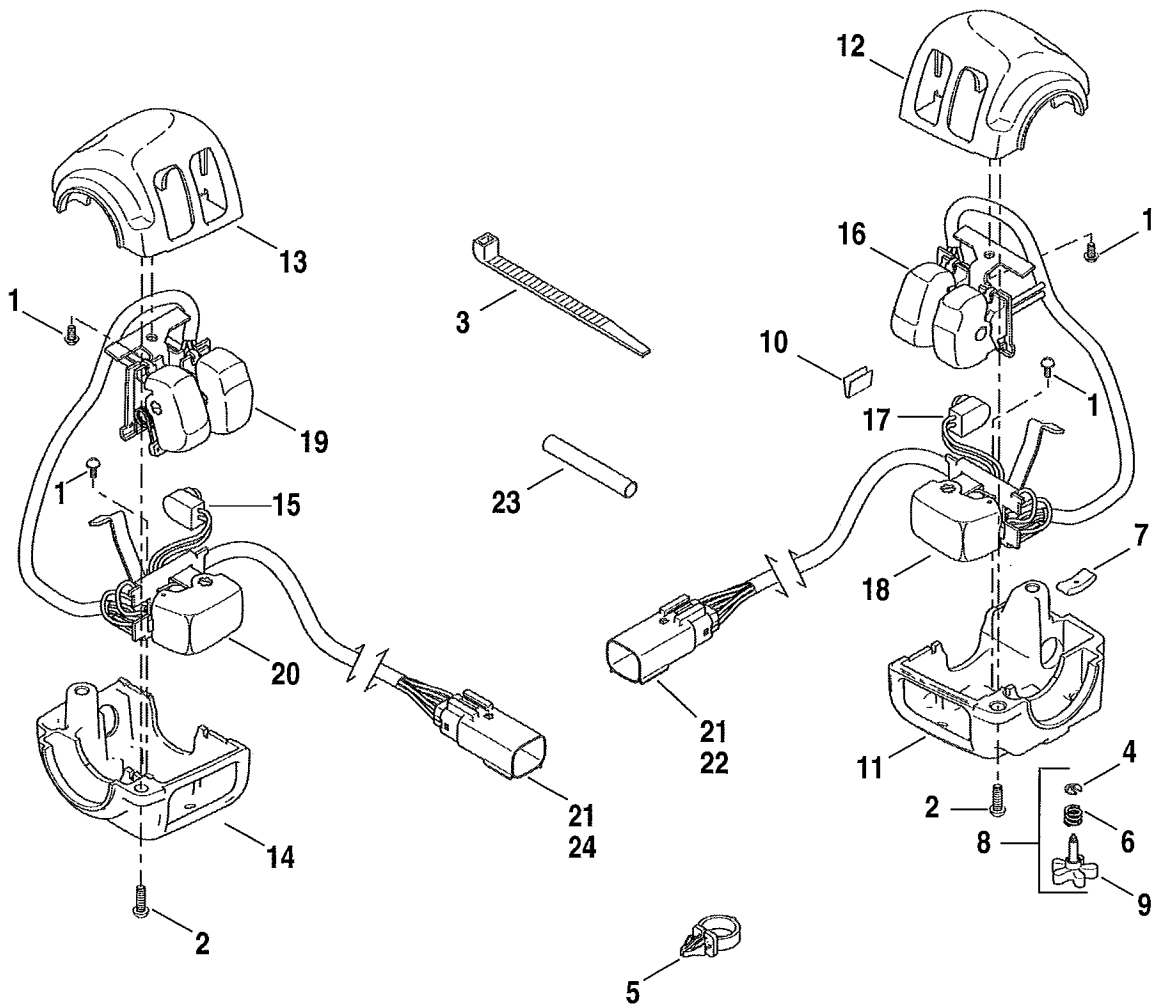
CR = XL883L
LH = XL1200CP

LE = XL883N
CZ = XL1200N

CS = XL883R
LC = XL1200X

CT = XL1200C
LD = XR1200X

SWITCHES, HANDLEBAR



INDEX NO.	PART NO.	DESCRIPTION	MODEL(S)
1	2955	SCREW (4)	ALL
2	3658	SCREW (4)	ALL
3	10181	CABLE STRAP (as required)	ALL
4	11155	RETAINING RING	ALL
5	70345-84	RETAINER, wiring harness (4)	ALL
6	56394-74	SPRING	ALL
7	56396-74A	FRICTION SPRING	ALL
8	56397-74C	THROTTLE ADJUSTING SCREW KIT, w/ 11155, 56394-74, & 56402-83A	ALL
9	56402-83A	ADJUSTING SCREW	ALL
10	71587-04	CLIP	ALL
11	71563-96	HOUSING, lower right	ALL
12	71564-96	HOUSING, upper right	ALL
13	71567-96	HOUSING, upper left	ALL
14	71568-96A	HOUSING, lower left	ALL
15	71620-08	SWITCH, clutch, w/ 10181 & 72266-94	ALL
16	71684-06A	SWITCH ASSEMBLY, engine stop & start, w/ 10181 & 72266-94	ALL
17	71621-08	SWITCH ASSEMBLY, stoplight, w/ 10181 & 72266-94	ALL
18	71683-06A	SWITCH ASSEMBLY, right directional, w/ 10181	ALL
19	71682-06A	SWITCH ASSEMBLY, dimmer & horn, w/ 10181 & 72266-94	ALL
20	71685-06A	SWITCH ASSEMBLY, left directional, w/ 10181	ALL
21	72169-07	TERMINAL, pin, 16-20 gauge (14)	ALL
22	72188-07BK	HOUSING, 6-way pin (black)	ALL
23	72266-94	SHRINK TUBE (as required)	ALL
24	72447-07GY	HOUSING, 8-way pin (gray)	ALL

2012 MODEL IDENTIFICATION CODES

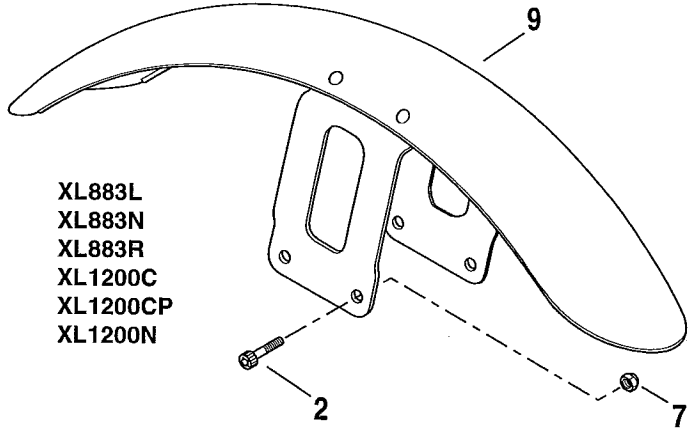
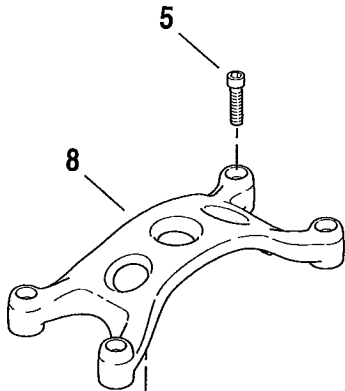
CR = XL883L
LH = XL1200CP

LE = XL883N
CZ = XL1200N

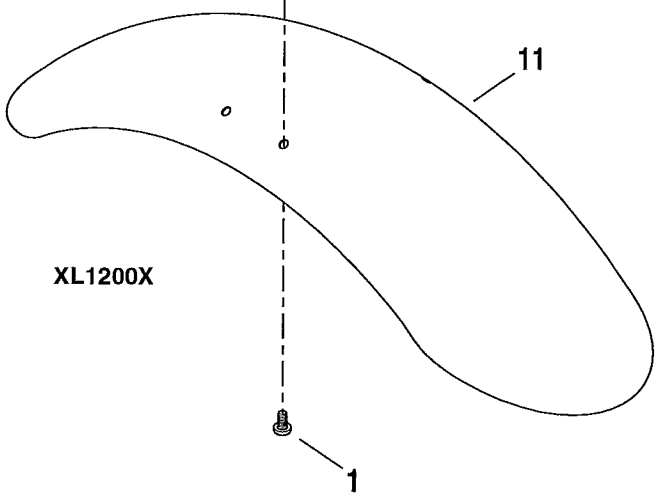
CS = XL883R
LC = XL1200X

CT = XL1200C
LD = XR1200X

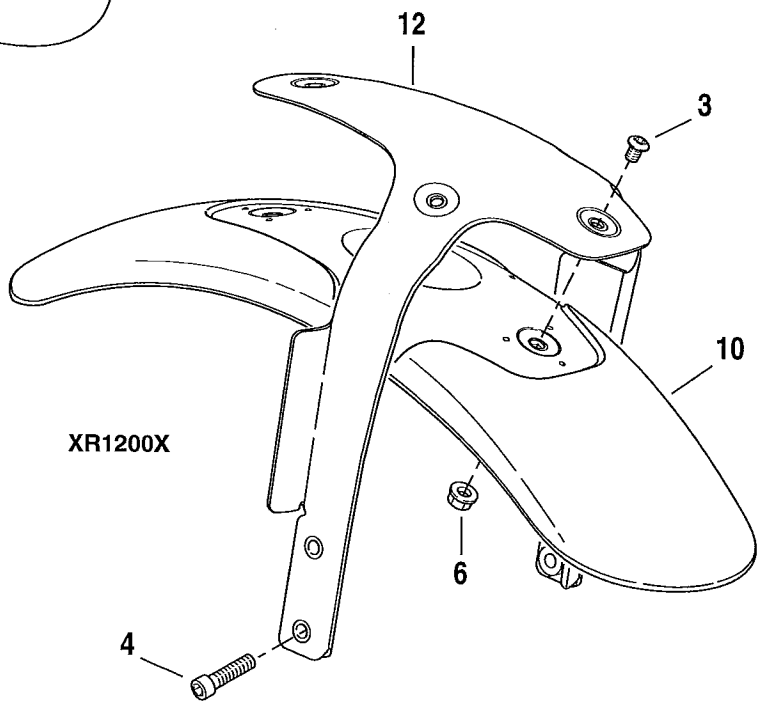
FENDERS, FRONT



XL883L
XL883N
XL883R
XL1200C
XL1200CP
XL1200N



XL1200X



XR1200X

INDEX NO.	PART NO.	DESCRIPTION	MODEL(S)
NOTE: Refer to the Service Section of h-dnet.com for painted part numbers.			
1	3018A	SCREW (4)	LC
2	3210A	SCREW (4)	CR CS CT CZ LE LH
3	3731M	SCREW (4)	LD
4	4250M	SCREW (4)	LD
5	4978	SCREW (4)	LC
6	7495	NUT (4)	LD
7	7531	LOCKNUT (4)	CR CS CT CZ LE LH
8	46420-10	BRACE	LC
9	58998-83E	FRONT FENDER, prime	CS LE
	60955-11	FRONT FENDER, prime	CR CT LH
	59712-07A	FRONT FENDER, prime (not shown)	CZ
10	59022-07BDK	FRONT FENDER, prime	LD
11	60574-10	FRONT FENDER, prime	LC
12	59441-10	FENDER SUPPORT	LD

2012 MODEL IDENTIFICATION CODES

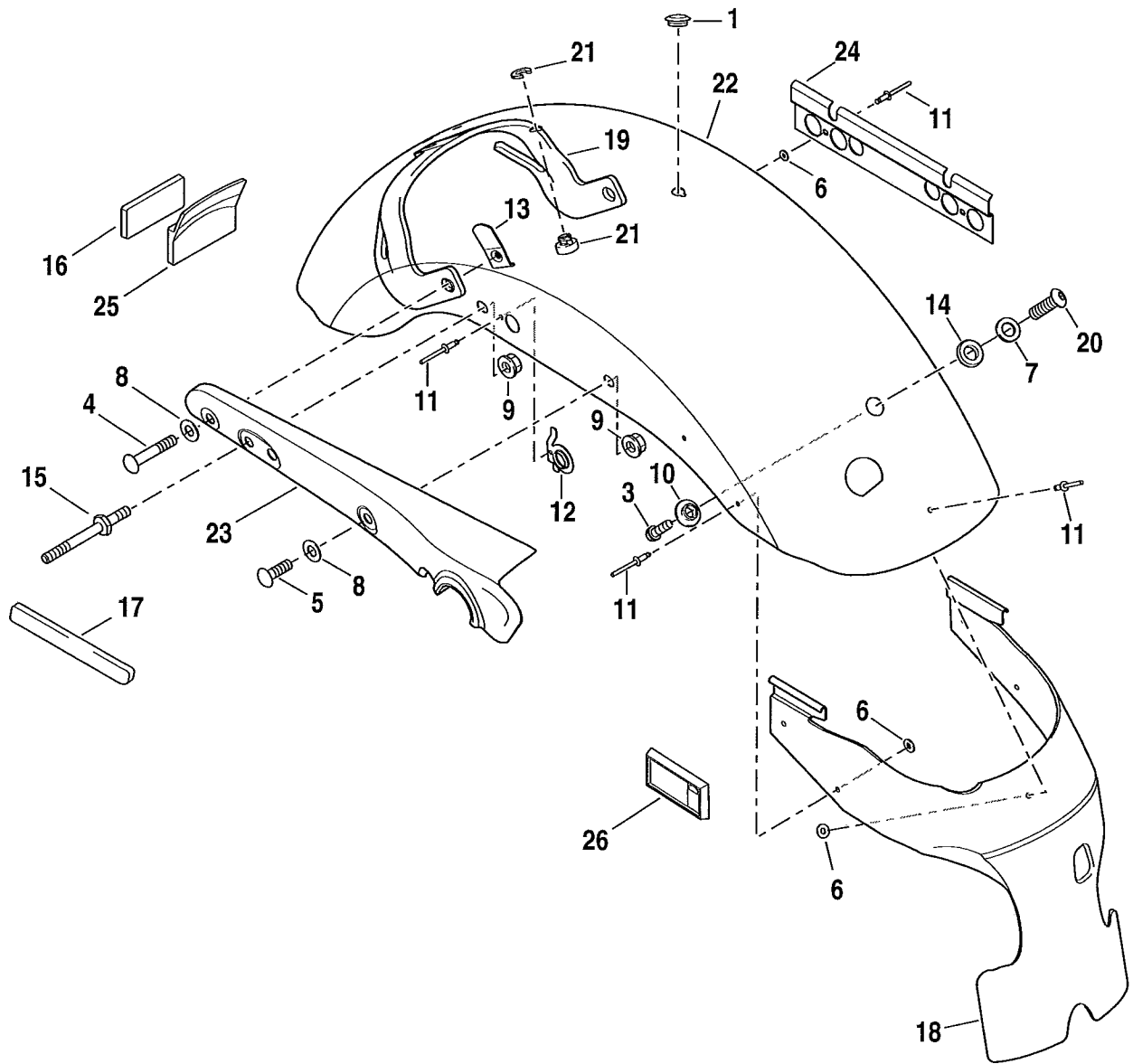
CR = XL883L
LH = XL1200CP

LE = XL883N
CZ = XL1200N

CS = XL883R
LC = XL1200X

CT = XL1200C
LD = XR1200X

**FENDERS, REAR - 883L/R/1200C/CP (ALL),
883N/1200N/X (CANADA ONLY)**



FENDERS, REAR - 883L/R/1200C/CP (ALL), 883N/1200N/X (CANADA ONLY)

INDEX NO.	PART NO.	DESCRIPTION	MODEL(S)
NOTE: Refer to the Service Section of h-dnet.com for painted part numbers.			
1	761	PLUG (black)	CR CS CT CZ LC LE LH
2	2607	SCREW	CR CS CZ LC LE
	3085	SCREW	CT LH
3	4017	BOLT	CR CS CT CZ LC LE LH
4	4778	SCREW (2)	CR CS CT CZ LC LE LH
5	4779	SCREW (2)	CR CS CT CZ LC LE LH
6	6192	WASHER (5)	CR CS CT CZ LC LE LH
7	6702	WASHER (2)	CR CS CT CZ LC LE LH
8	6798	WASHER (4)	CR CS CT CZ LC LE LH
9	7531	LOCKNUT (4)	CR CS CT CZ LC LE LH
10	7882	TEE SPACER	CR CS CT CZ LC LE LH
11	8692	RIVET (7)	CR CS CT CZ LC LE LH
12	10200	BRACKET, wire retention (2)	CR CS CT CZ LC LE LH
13	10242	CLIP, threaded	CR CS CT CZ LC LE LH
14	11474	GROMMET	CR CS CT CZ LC LE LH
15	56104-02	SCREW (2)	CR CS CT CZ LC LE LH
16	59259-90	REFLECTOR, red	CT LH
17	59287-92	REFLECTOR, right (red)	CR CS CT CZ LC LE LH
	59288-92	REFLECTOR, left (red)	CR CS CT CZ LC LE LH
18	59502-04A	REAR FENDER EXTENSION	CR CS CT CZ LC LE LH
19	59673-04A	FENDER SUPPORT	CR CS CZ LC LE
	59500034	FENDER SUPPORT	CT LH
20	59723-04	SEAT POST	CR CS CT CZ LC LE LH
21	59768-97	FENDER SEAT NUT KIT	CR CS CT CZ LC LE LH
22	59847-10	FENDER, rear (prime)	CR CS CZ LC LE
	59885-11	FENDER, rear (prime)	CT LH
23	59902-04	COVER, rear fender support - right (chrome)	CS CT LH
	59903-04	COVER, rear fender support - left (chrome) (not shown)	CS CT LH
	60203-06	COVER, rear fender support - right (vivid black)	CR CZ LC LE
	60204-06	COVER, rear fender support - left (vivid black) (not shown)	CR CZ LC LE
24	69302-11	WIRE GUIDE (2)	CT LH
25	67900006	BRACKET, reflector	CT LH

INTERNATIONAL MODELS ONLY

26	59254-91	REFLECTOR, amber (HDI) (2)	CR CS CZ
	59256-84A	REFLECTOR, amber (HDI) (2)	CT

2012 MODEL IDENTIFICATION CODES

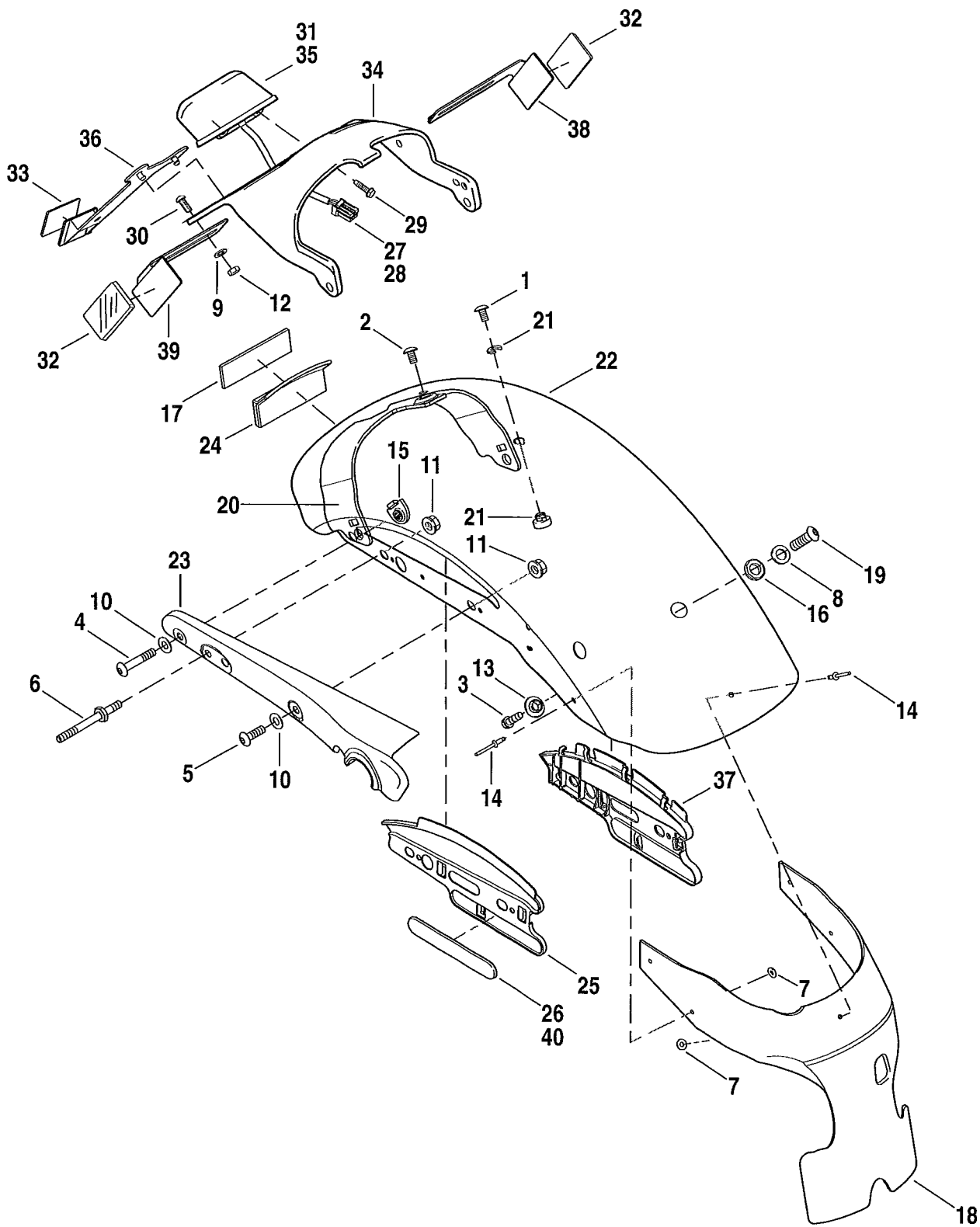
CR = XL883L
LH = XL1200CP

LE = XL883N
CZ = XL1200N

CS = XL883R
LC = XL1200X

CT = XL1200C
LD = XR1200X

FENDERS, REAR - 883N/1200N/X (ALL EXCEPT CANADA)



FENDERS, REAR - 883N/1200N/X (ALL EXCEPT CANADA)

INDEX NO.	PART NO.	DESCRIPTION	MODEL(S)
NOTE: Refer to the Service Section of h-dnet.com for painted part numbers.			
1	2952A	SCREW	CZ LC LE
2	3085	SCREW	CZ LC LE
3	4017	BOLT	CZ LC LE
4	4778	SCREW (2)	CZ LC LE
5	4779	SCREW (2)	CZ LC LE
6	5531	SCREW (2)	CZ LC LE
7	6192	WASHER (5)	CZ LC LE
8	6702	WASHER (2)	CZ LC LE
9	6703	WASHER	CZ LC LE
10	6798	WASHER (4)	CZ LC LE
11	7531	LOCKNUT (4)	CZ LC LE
12	7716	LOCKNUT	CZ LC LE
13	7882	TEE SPACER	CZ LC LE
14	8692	RIVET (9)	CZ LC LE
15	10323	CLIP, threaded (2)	CZ LC LE
16	11474	GROMMET	CZ LC LE
17	59359-06	REFLECTOR (red)	CZ LC LE
18	59502-04A	REAR FENDER EXTENSION	CZ LC LE
19	59723-04	SEAT POST	CZ LC LE
20	59727-07	FENDER SUPPORT	CZ LC LE
21	59768-97	FENDER SEAT NUT KIT	CZ LC LE
22	59865-10	FENDER, rear (prime)	CZ LC LE
23	60203-06	COVER, rear fender support - right (vivid black)	CZ LC LE
	60204-06	COVER, rear fender support - left (vivid black) (not shown)	CZ LC LE
24	68724-07	MOUNTING BLOCK, w/ tape	CZ LC LE
25	68704-07	BRACKET REFLECTOR MOUNT, right	CZ LC LE
26	69490-07	REFLECTOR (red) (2)	CZ LC LE
27	73152-96BK	SOCKET HOUSING, 2-way (black)	CZ LC LE
28	73191-96	SOCKET TERMINAL, 16-20 awg (2)	CZ LC LE

INTERNATIONAL MODELS ONLY

29	2362	SCREW (HDI) (2)	CZ LC LE
30	2446	SCREW (HDI) (2)	CZ LC LE
31	52441-95	BULB (HDI)	CZ LC LE
32	59256-84A	REFLECTOR (amber) (HDI) (2)	CZ LC LE
33	59259-90	REFLECTOR (red) (HDI)	CZ LC LE
34	60901-07	LICENSE PLATE MODULE (HDI)	CZ LC LE
35	73504-11	ILLUMINATOR, license plate w/ 73191-96 (HDI)	CZ LC LE
36	60188-08	BRACKET, reflector w/ 59259-90 (HDI)	CZ LC LE
37	68857-07	BRACKET, reflector mount, left (HDI)	CZ LC LE
38	68966-08	BRACKET, reflector, LH (HDI)	CZ LC LE
39	73504-11	BRACKET, reflector, RH (HDI)	CZ LC LE
40	69498-08	COVER, side reflector (HDI) (2)	CZ LC LE

2012 MODEL IDENTIFICATION CODES

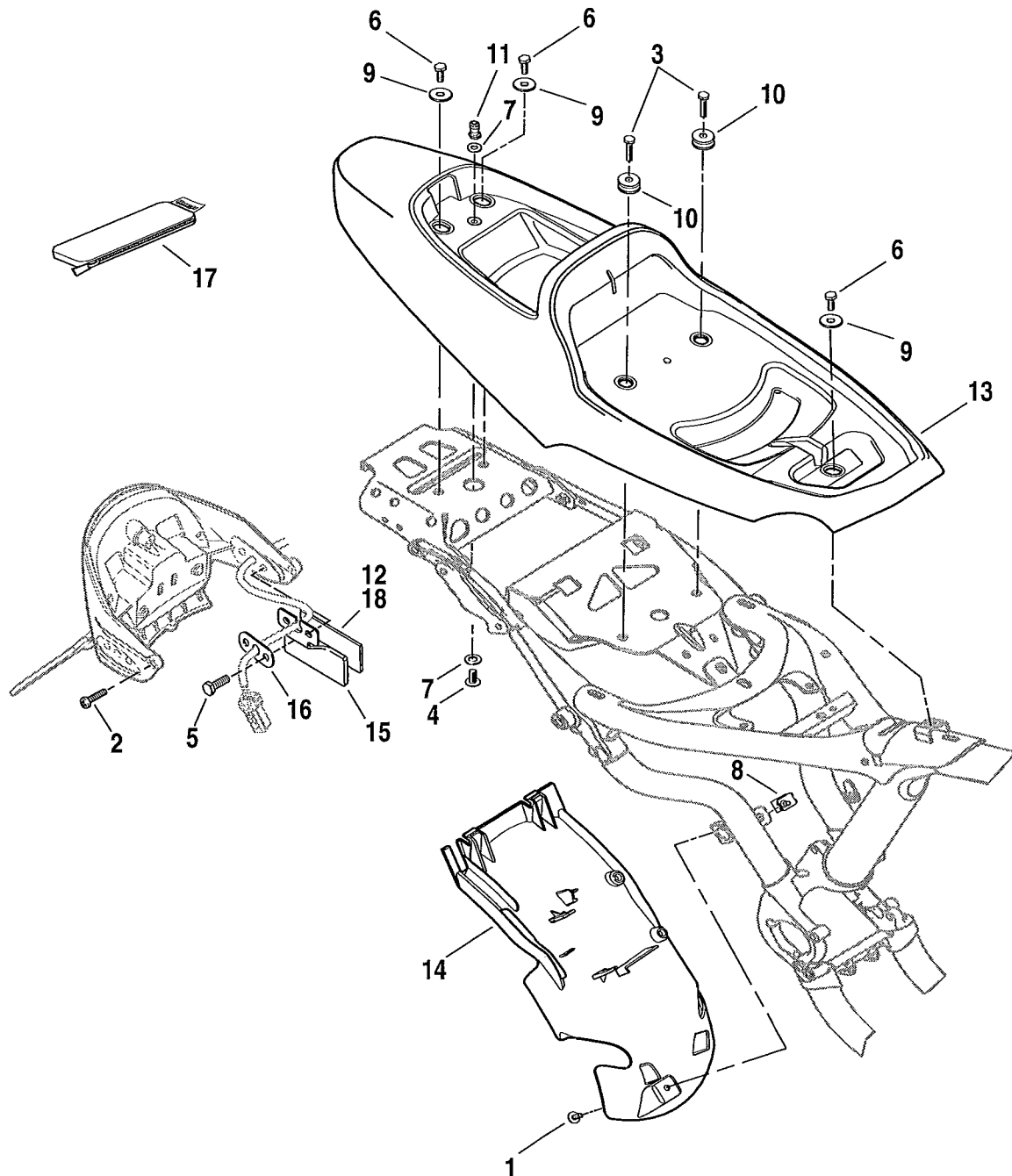
CR = XL883L
LH = XL1200CP

LE = XL883N
CZ = XL1200N

CS = XL883R
LD = XL1200X

CT = XL1200C
LD = XR1200X

FENDERS, REAR - XR1200X



INDEX NO.	PART NO.	DESCRIPTION	MODEL(S)
NOTE: Refer to the Service Section of h-dnet.com for painted part numbers.			
1	2445	SCREW	LD
2	2653	SCREW (2)	LD
3	2872W	BOLT (2)	LD
4	3574	SCREW	LD
5	3706M	SCREW (4)	LD
6	3802W	BOLT (3)	LD
7	6703	WASHER (2)	LD
8	7900	LOCKNUT	LD
9	48390-06	SPACER (3)	LD
10	51710-08	POST, grabstrap (2)	LD
11	52429-08	SEAT POST	LD
12	59259-90	REFLECTOR, red (1-HDI, 2-DOM)	LD
13	59901-08BDK	FENDER, rear (prime)	LD
14	59916-08	FENDER ASSEMBLY, inner	LD
15	60183-08	BRACKET, reflector (2)	LD
16	69148-01	SUPPORT PLATE (2)	LD
17	92500-10	TOOL KIT, w/ C2045.1AK, C2050.1AM, C2051.1AM	LD
	C2045.1AK	HEX KEY, 5mm (tool kit) (not illustrated)	LD
	C2050.1AM	WRENCH, rear shock (tool kit) (not illustrated)	LD
	C2051.1AM	HANDLE, wrench (tool kit) (not illustrated)	LD
INTERNATIONAL MODELS ONLY			
18	59256-84A	REFLECTOR, amber (HDI) (2)	LD

2012 MODEL IDENTIFICATION CODES

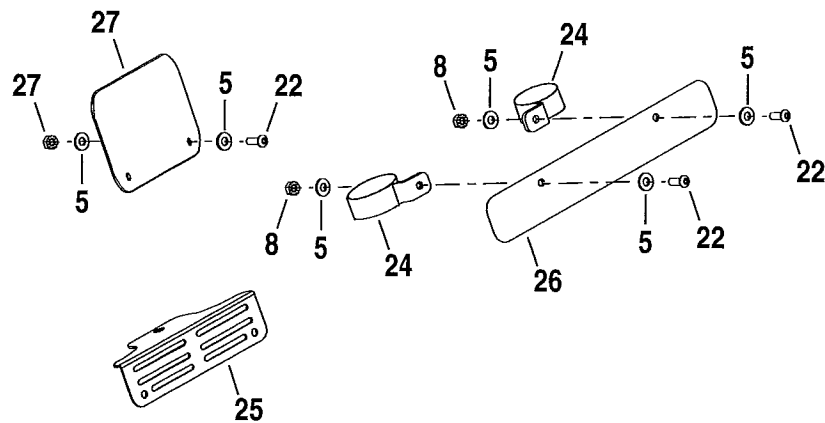
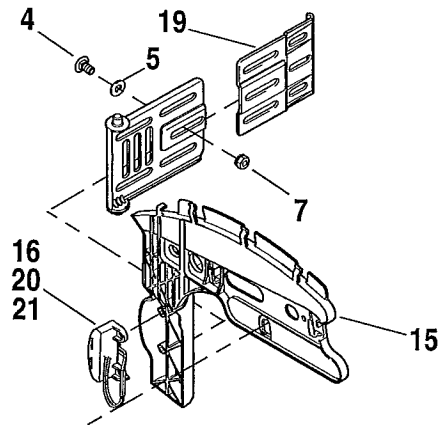
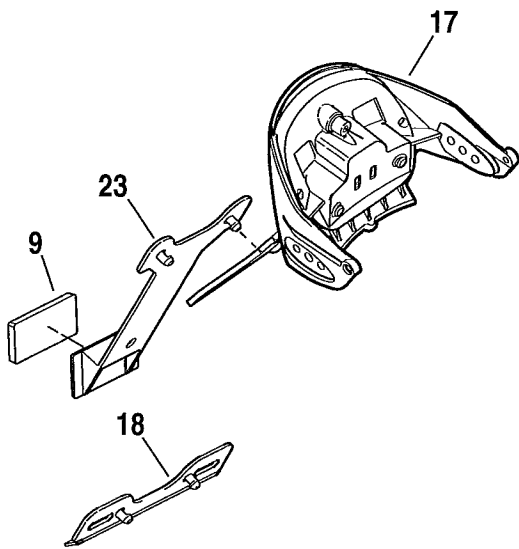
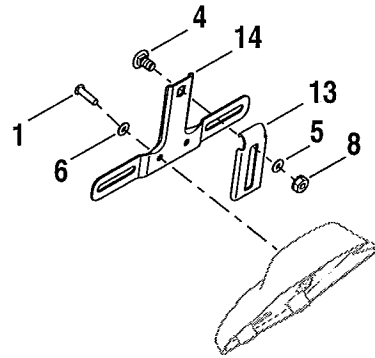
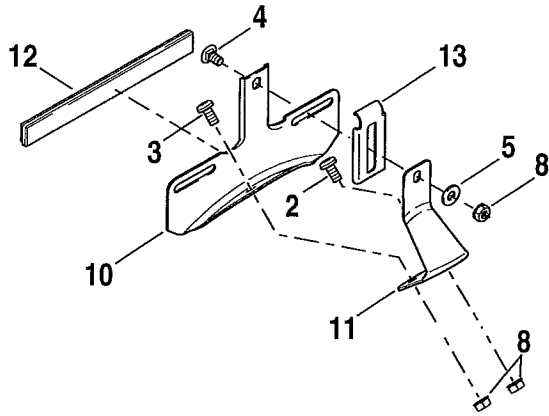
CR = XL883L
LH = XL1200CP

LE = XL883N
CZ = XL1200N

CS = XL883R
LC = XL1200X

CT = XL1200C
LD = XR1200X

LICENSE PLATE BRACKETS



INDEX NO.	PART NO.	DESCRIPTION	MODEL(S)
1	2508	SCREW	CT LH
2	2607	SCREW	CR CS CZ LC LE
	3085	SCREW	CT LH
3	2773	SCREW (2)	CR CS CZ LC LE
4	5403B	BOLT	CR CS CT CZ LC LE LH
5	6703	WASHER	CR CS CT CZ LC LE LH
6	6716	WASHER (2)	CT LH
7	7716	LOCKNUT	CZ LC LE
8	7792	NUT (4)	CR CS CT CZ LC LE LH
9	59259-90	REFLECTOR, red (1-HDI, 2-DOM)	LD
10	59984-73	BRACKET, license plate	CR CS CZ LC LE
11	59986-75	SUPPORT, license plate bracket	CR CS CZ LC LE
12	59988-72A	REFLECTOR, license plate bracket	CR CS CZ LC LE
13	60001-55	CLAMP, license plate bracket	CR CS CT CZ LC LE LH
14	60225-08BHP	BRACKET, license plate	CT LH
15	60318-07	LICENSE PLATE BRACKET MOUNT ASSEMBLY, left w/ 5403B, 7716, 60375-10 & 68702-07	CZ LC LE
16	60375-10	ILLUMINATOR, license plate w/ 73152-96BK, & 73191-96	CZ LC LE
17	68257-08	LICENSE PLATE MODULE	LD
18	68561-09	BRACKET, reflector	LD
19	68702-07	BRACKET ADJUST, license plate	CZ LC LE
20	73152-96BK	SOCKET HOUSING, 2-way (black)	CZ LC LE
21	73191-96	SOCKET TERMINAL, 16-20 awg (2)	CZ LC LE
INTERNATIONAL MODELS ONLY			
22	927A	SCREW (India)	CR CS CZ LC LE
23	60188-08	BRACKET, w/ 59259-90 (HDI, England, Japan, Asia-Pacific)	LD
24	10800006	P-CLAMP, 39mm (India)	CR CS CZ LE
25	67900079	BRACKET (India)	LC
26	67900088	LICENSE PLATE, front (India)	CS CZ LE
	67900089	LICENSE PLATE, front (India)	CR LC
27	67900093	LICENSE PLATE, rear (India)	CR CS CZ LC LE

2012 MODEL IDENTIFICATION CODES

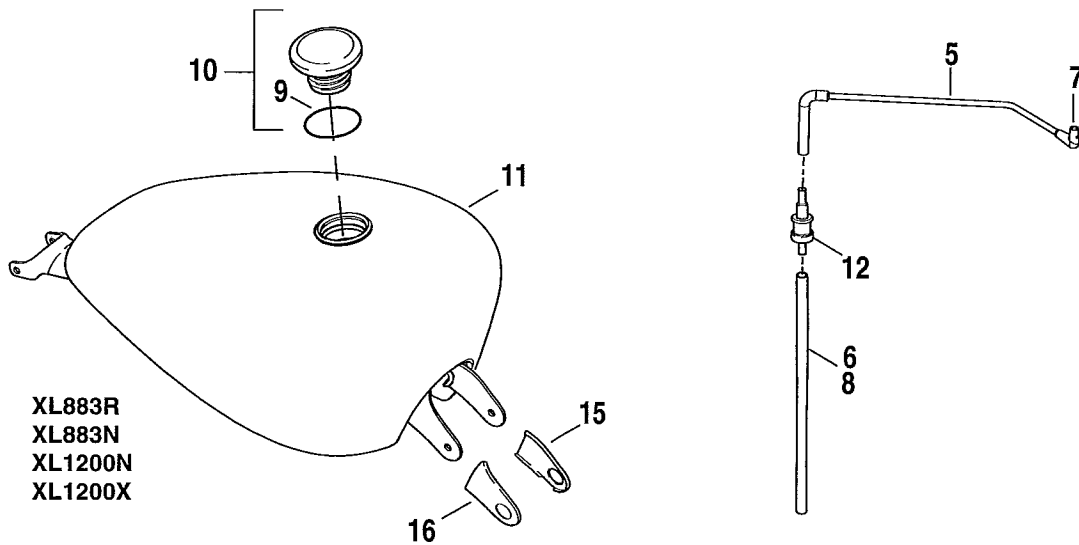
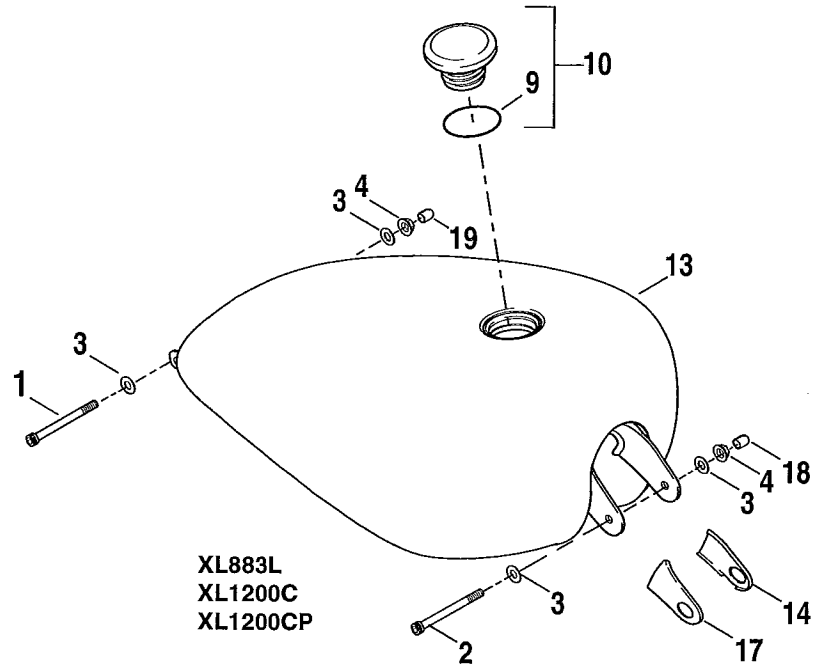
CR = XL883L
LH = XL1200CP

LE = XL883N
CZ = XL1200N

CS = XL883R
LC = XL1200X

CT = XL1200C
LD = XR1200X

FUEL TANK - 883L/N/R, 1200C/CP/N/X



INDEX NO.	PART NO.	DESCRIPTION	MODEL(S)
NOTE: Refer to the Service Section of h-dnet.com for painted part numbers.			
1	4758A	SCREW	CR CS CT CZ LC LE LH
2	4771	SCREW	CR CS CT CZ LC LE LH
3	6702	WASHER (4)	CR CS CT CZ LC LE LH
4	7531	LOCKNUT (2)	CR CS CT CZ LC LE LH
5	27067-07A	VENTLINE, tank-to-valve, w/ 27250-96B	CR CS CT CZ LE LH
	27071-10	VENTLINE, tank-to-valve, w/ 27250-96B	LC
6	27096-04A	VENTLINE, vapor valve-to-atmosphere	CR CS CT CZ LC LE LH
7	27250-96B	CONNECTOR, 90 degree	CR CS CT CZ LE LH
8	28911-04A	HOSE, vapor valve-to-evaporative canister (California)	CR CS CT CZ LE LH
9	61109-85D	GASKET	CR CS CT CZ LC LE LH
10	61272-92C	FUEL CAP ASSEMBLY, w/ 61109-85D	CR CS CT LC LH
	61289-07A	FUEL CAP ASSEMBLY, vented, w/ 61109-85D	CZ LE
11	61405-07	FUEL TANK ASSEMBLY (prime)	CS CZ LE
	61724-10	FUEL TANK ASSEMBLY (prime)	LC
12	62150-85	VAPOR VALVE	CR CS CT CZ LC LE LH
13	62213-07	FUEL TANK ASSEMBLY (prime)	CR CT LH
14	70903-04	TRIM, left	CR CT LH
15	70904-04	TRIM, left	CS CZ LC LE
16	70917-04	TRIM, right	CS CZ LC LE
17	70919-04	TRIM, right	CR CT LH
18	89579-91	CAP	CR CS CT CZ LC LE LH
19	89586-04	CAP	CR CS CT CZ LC LE LH

2012 MODEL IDENTIFICATION CODES

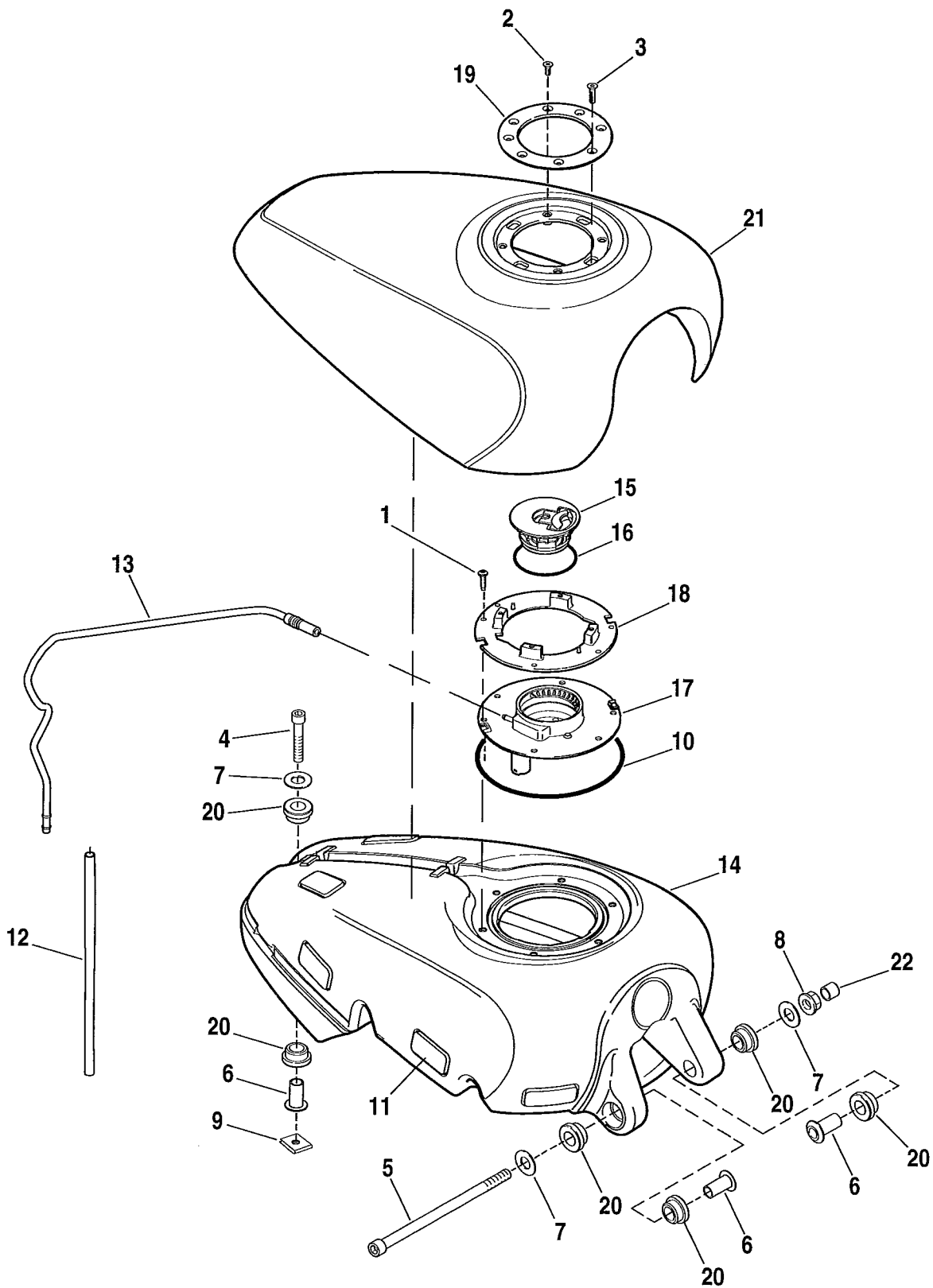
CR = XL883L
LH = XL1200CP

LE = XL883N
CZ = XL1200N

CS = XL883R
LC = XL1200X

CT = XL1200C
LD = XR1200X

FUEL TANK - XR1200X



INDEX NO.	PART NO.	DESCRIPTION	MODEL(S)
NOTE: Refer to the Service Section of h-dnet.com for painted part numbers.			
1	1081A	SCREW (6)	LD
2	3059	SCREW (4)	LD
3	3060	SCREW (4)	LD
4	3485A	SCREW	LD
5	4553	SCREW	LD
6	5845	BUSHING (3)	LD
7	6400HB	WASHER (3)	LD
8	7531	LOCKNUT	LD
9	8102	SPEEDNUT	LD
10	11570	O-RING	LD
11	11668	PAD (8)	LD
12	27096-04A	VENT LINE, vapor valve-to-atmosphere	LD
13	27200-08	VENT LINE, fuel tank	LD
14	61392-08	FUEL TANK	LD
15	61572-08A	FILLER CAP	LD
16	61573-08A	O-RING	LD
17	61574-08	TOP PLATE	LD
18	61576-08	CLAMP RING	LD
19	61577-08	TRIM RING	LD
20	62881-00	BUSHING, rubber (6)	LD
21	66271-08BDK	COVER, fuel cell (primed)	LD
22	89586-04	CAP	LD

2012 MODEL IDENTIFICATION CODES

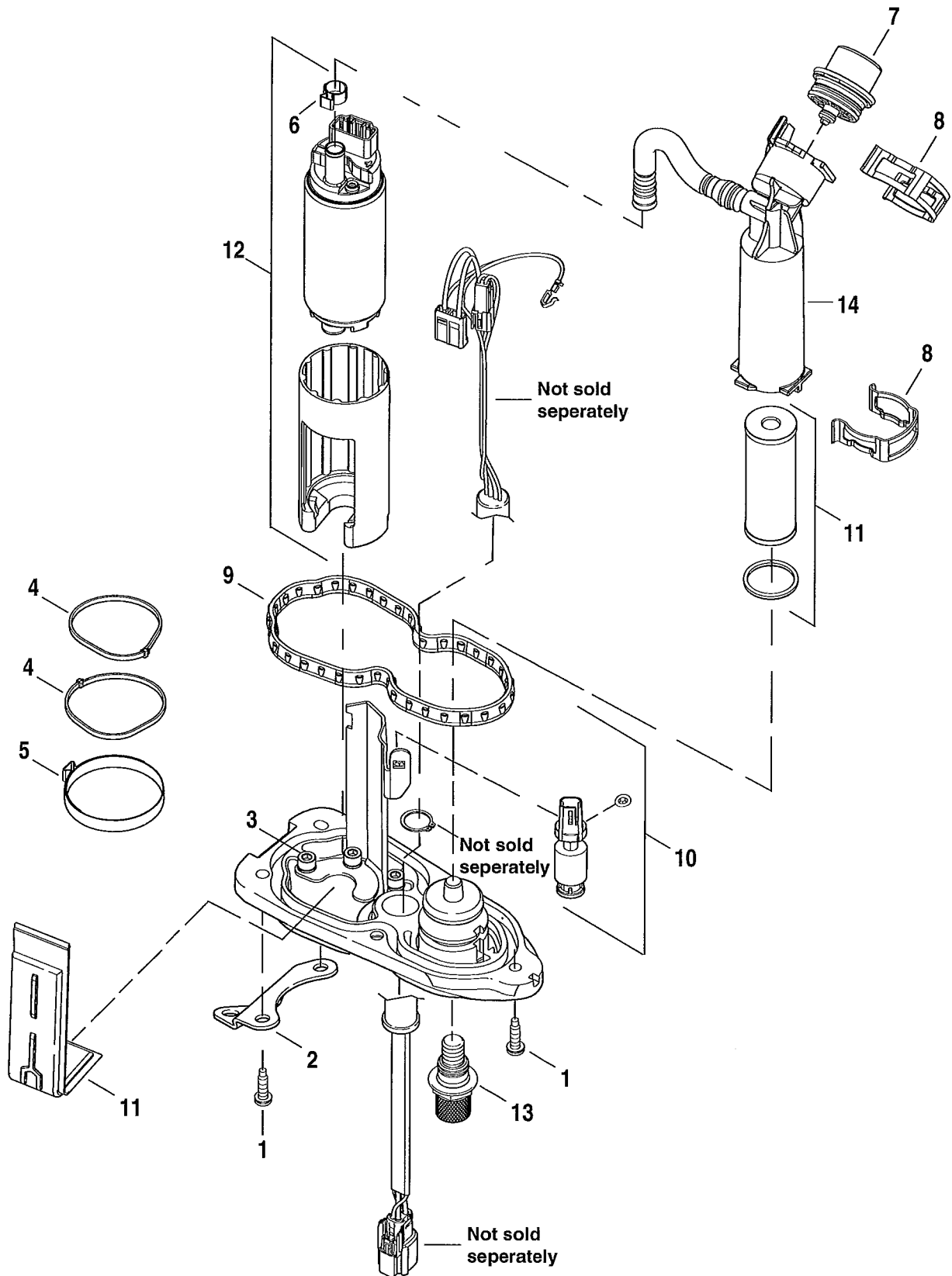
CR = XL883L
LH = XL1200CP

LE = XL883N
CZ = XL1200N

CS = XL883R
LC = XL1200X

CT = XL1200C
LD = XR1200X

FUEL PUMP



INDEX NO.	PART NO.	DESCRIPTION	MODEL(S)
1	1081A	SCREW (5)	ALL
2	56871-08	BRACKET	LD
	75268-07E	FUEL PUMP MODULE, w/ fuel sender harness	ALL

NOTE: Includes the following parts.

3	1091	SCREW (3)	ALL
4	10181	CABLE STRAP (3)	ALL
5	10303	CLAMP, pump assembly	ALL
6	10304	CLAMP, tube	ALL
7	61015-04A	PRESSURE REGULATOR ASSEMBLY	ALL
8	61213-04A	RETAINING CLIP (2)	ALL
9	75301-07	SEAL, cover plate	ALL
10	75302-07B	SENSOR, fuel level w/ retaining ring	ALL
11	75304-07A	FUEL FILTER KIT, w/ 10181, 10303, strainer & filter element	ALL
12	75305-07A	FUEL PUMP, w/ 1091, 10181, 10303 & 10304	ALL
13	75309-07	VALVE ASSEMBLY	ALL
14	75317-07	FILTER HOUSING	ALL

2012 MODEL IDENTIFICATION CODES

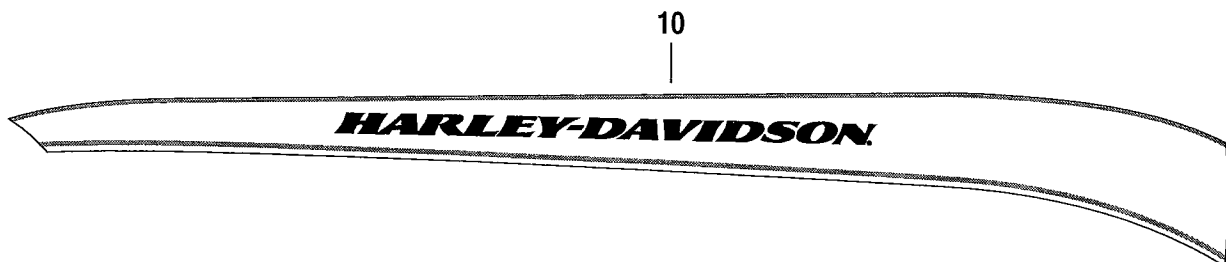
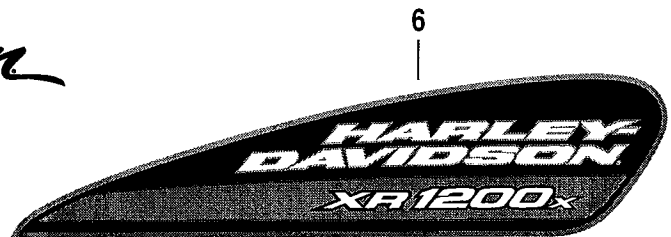
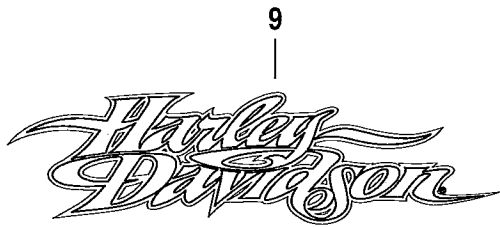
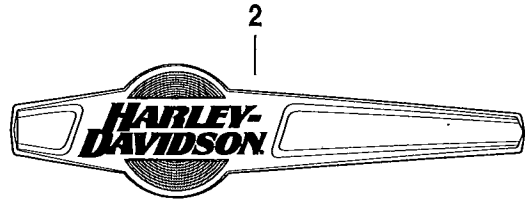
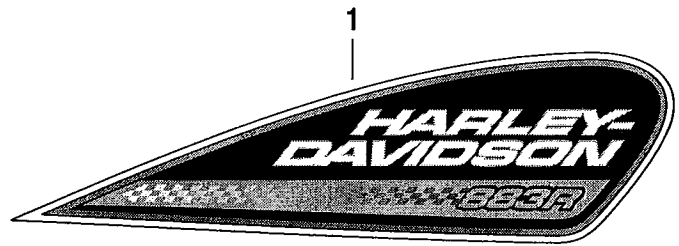
CR = XL883L
LH = XL1200CP

LE = XL883N
CZ = XL1200N

CS = XL883R
LC = XL1200X

CT = XL1200C
LD = XR1200X

FUEL TANK TRIM



INDEX NO.	PART NO.	DESCRIPTION	MODEL(S)
1	13566-05	DECAL, fuel tank (left)	CS
	13567-05	DECAL, fuel tank (right)	CS
2	62426-11	MEDALLION, fuel tank (left) (red/black)	CT LH
	62439-11	MEDALLION, fuel tank (right) (red/black)	CT LH
	62580-11	MEDALLION, fuel tank (left) (blue/black)	LH
	62581-11	MEDALLION, fuel tank (right) (blue/black)	LH

Index 3

Silkscreen that is only sold as part of XL883L fuel tank assemblies.

Index 4

Silkscreen that is only sold as part of XL1200N fuel tank assemblies.

Index 5

Silkscreen that is only sold as part of XL883N fuel tank assemblies.

Index 6

Silkscreen that is only sold as part of XR1200X fuel tank assemblies.

Index 7

Silkscreen that is only sold as part of XL1200X fuel tank assemblies.

Index 8

Silkscreen that is only sold as part of XL1200CP fuel tank assemblies.

Index 9

Silkscreen that is only sold as part of XL1200CP fuel tank assemblies.

Index 10

Silkscreen that is only sold as part of XL1200CP fuel tank assemblies.

2012 MODEL IDENTIFICATION CODES

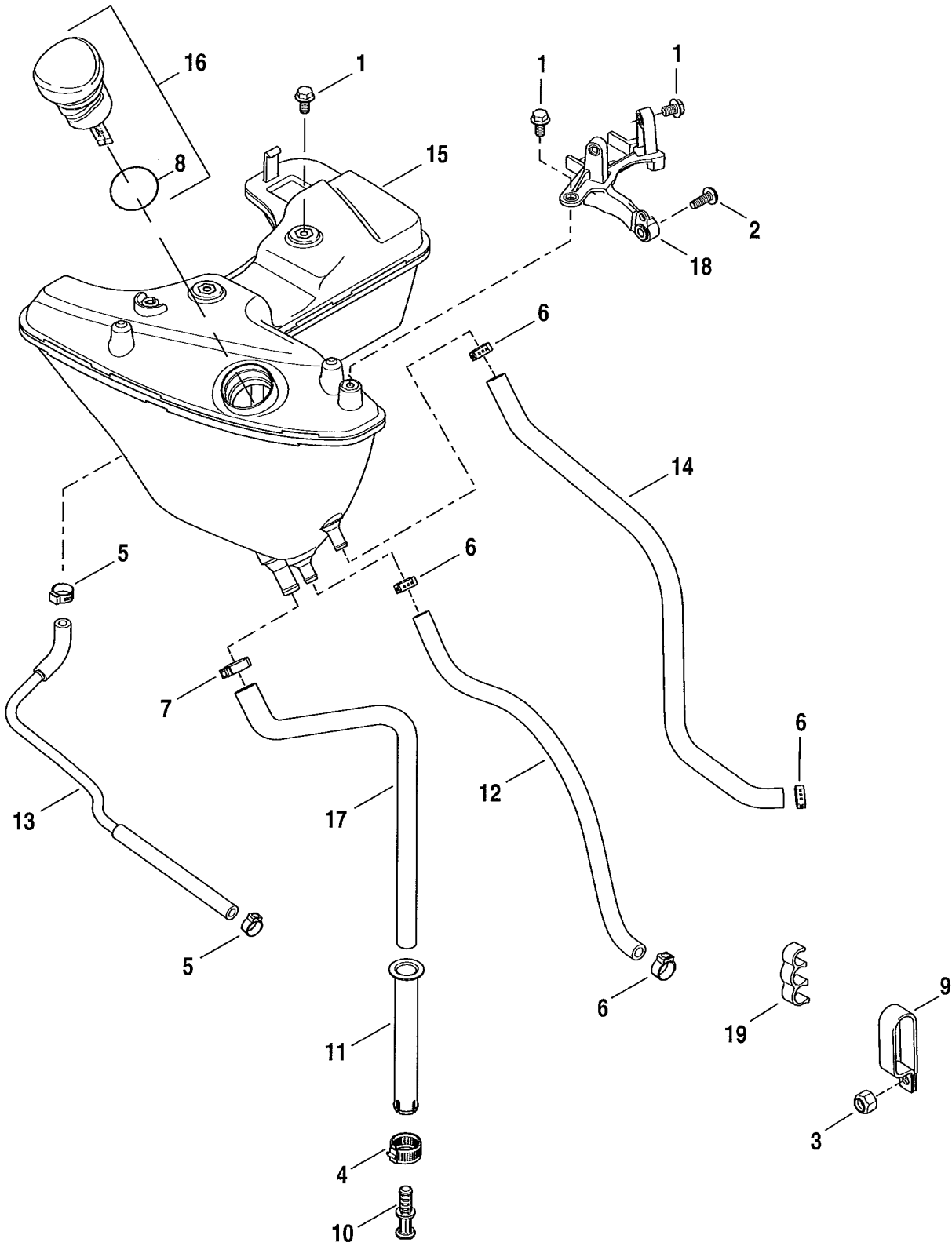
CR = XL883L
LH = XL1200CP

LE = XL883N
CZ = XL1200N

CS = XL883R
LC = XL1200X

CT = XL1200C
LD = XR1200X

OIL TANK & LINES - 883L/N/R, 1200C/CP/N/X



INDEX NO.	PART NO.	DESCRIPTION	MODEL(S)
1	3588	SCREW (5)	CR CS CT CZ LC LE LH
2	3696	SCREW	CR CS CT CZ LC LE LH
3	7624	LOCKNUT	CR CS CT CZ LC LE LH
4	9969	HOSE CLAMP	CR CS CT CZ LC LE LH
5	10014	CLAMP (2)	CR CS CT CZ LC LE LH
6	10080	CLAMP (4)	CR CS CT CZ LC LE LH
7	10142	CLAMP	CR CS CT CZ LC LE LH
8	11120	O-RING	CR CS CT CZ LC LE LH
9	31512-04	HOSE CLAMP	CR CS CT CZ LC LE LH
10	33123-06A	PLUG, oil tank drain	CR CS CT CZ LC LE LH
11	33138-06	SLEEVE, oil drain line	CR CS CT CZ LC LE LH
12	62338-01Y	LINE, oil feed	CR CS CT CZ LC LE LH
13	62360-10	LINE, vent tube, w/ 10014	CR CS CT CZ LC LE LH
14	62361-10	LINE, oil return	CR CS CT CZ LC LE LH
15	62954-10	OIL TANK ASSEMBLY	CR CS CT CZ LC LE LH
16	63000-04B	DIPSTICK ASSEMBLY, w/ 11120	CR CS CT LC LH
	62592-07A	DIPSTICK ASSEMBLY, w/ 11120	CZ LE
17	63596-06	LINE, oil drain	CR CS CT CZ LC LE LH
18	66199-10	BRACKET	CR CS CT CZ LC LE LH
19	70503-10	HOSE CLIP	CR CS CT CZ LC LE LH

2012 MODEL IDENTIFICATION CODES

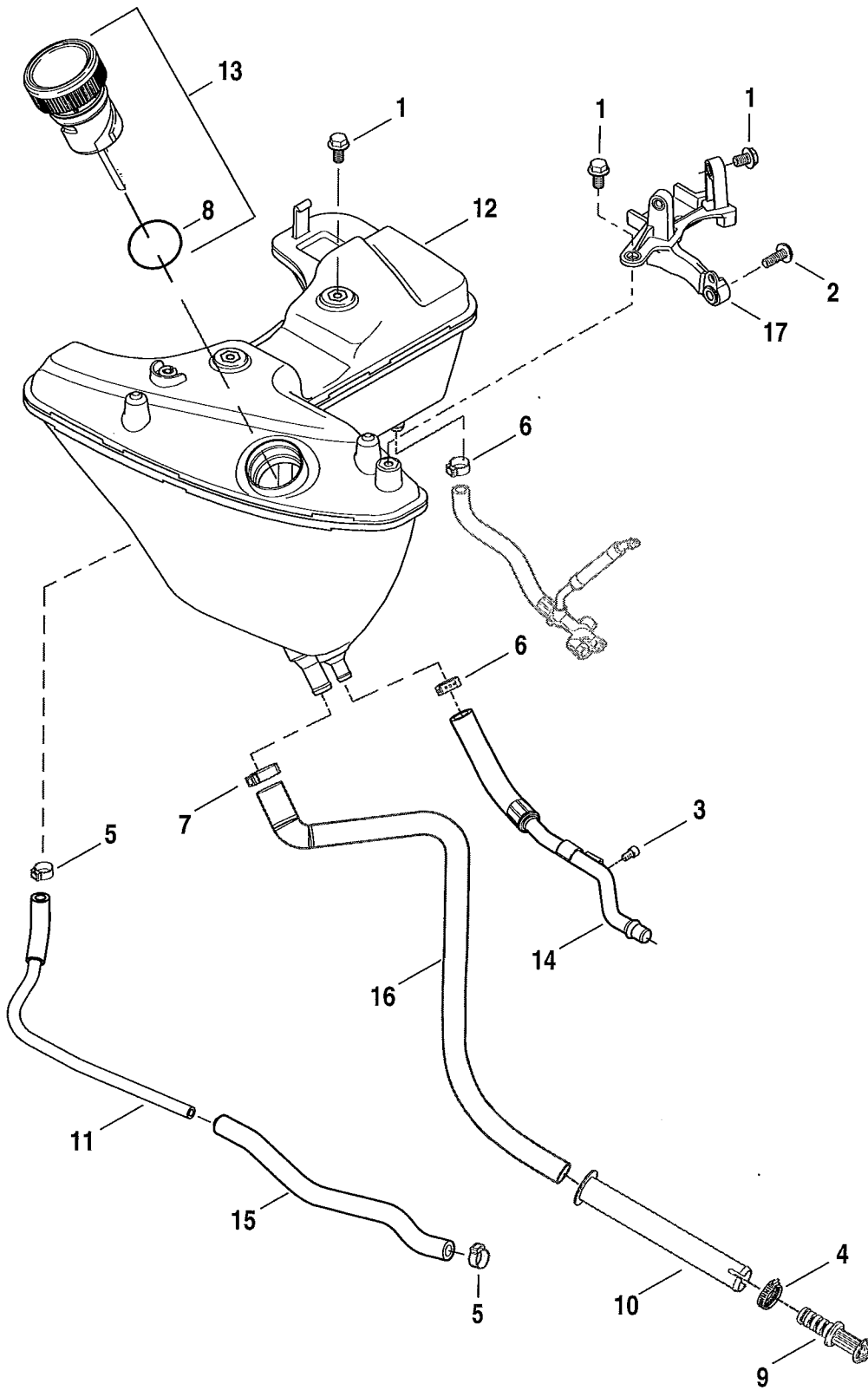
CR = XL883L
LH = XL1200CP

LE = XL883N
CZ = XL1200N

CS = XL883R
LC = XL1200X

CT = XL1200C
LD = XR1200X

OIL TANK & LINES - XR1200X



INDEX NO.	PART NO.	DESCRIPTION	MODEL(S)
1	3588	SCREW (5)	LD
2	3696	SCREW	LD
3	4705	SCREW	LD
4	9969	HOSE CLAMP	LD
5	10014	CLAMP (2)	LD
6	10344	CLAMP (2)	LD
7	10142	CLAMP	LD
8	11120	O-RING	LD
9	33123-06A	PLUG, oil tank drain	LD
10	33138-06	SLEEVE, oil drain line	LD
11	62360-04A	LINE, oil vent, upper, w/ 10014	LD
12	62888-08A	OIL TANK ASSEMBLY	LD
13	63008-08	DIPSTICK ASSEMBLY, w/ 11120	LD
14	63099-08	LINE, oil feed	LD
15	63103-08	LINE, oil vent, lower	LD
16	63596-06	LINE, oil drain	LD
17	66199-10	BRACKET	LD

2012 MODEL IDENTIFICATION CODES

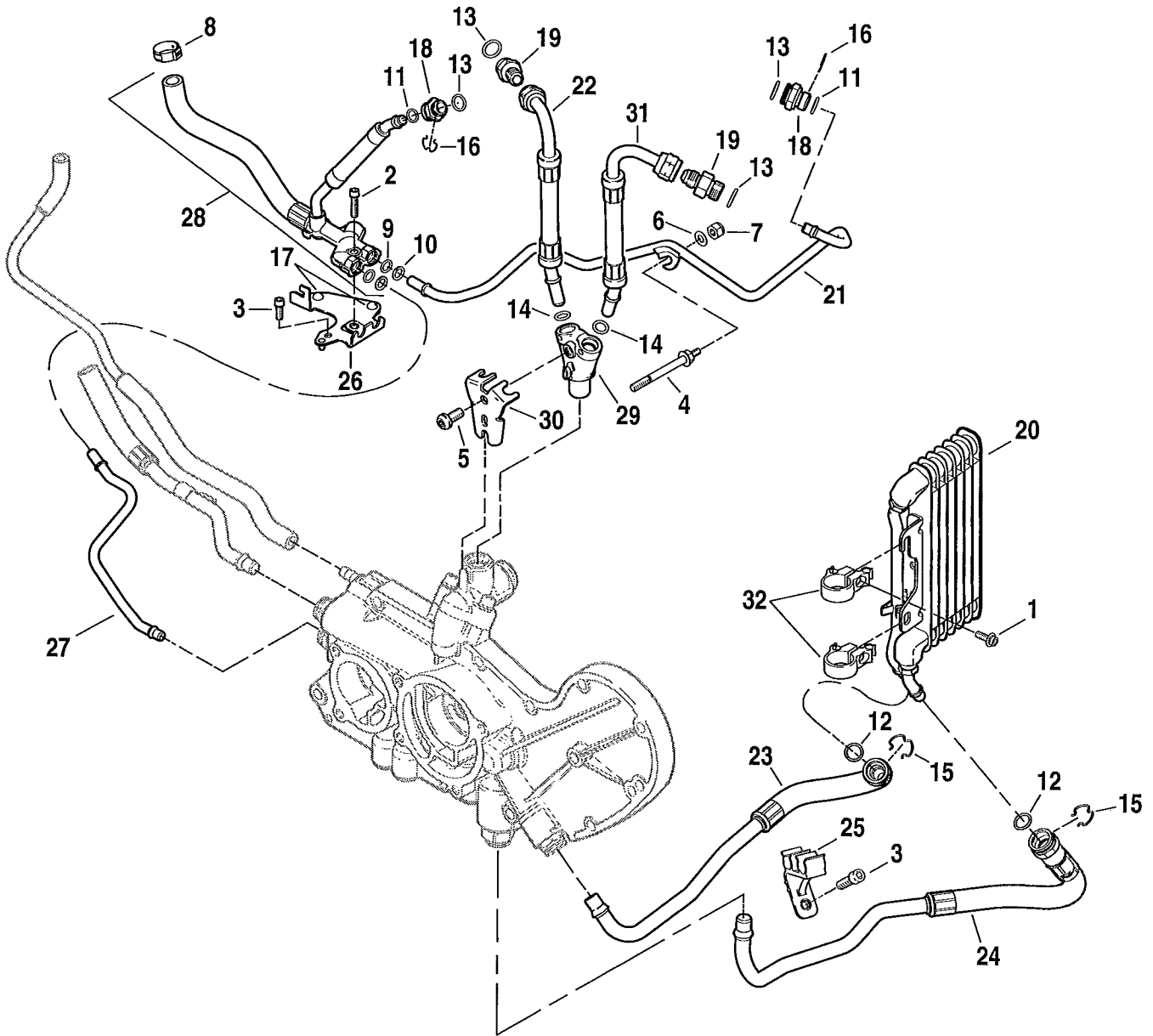
CR = XL883L
LH = XL1200CP

LE = XL883N
CZ = XL1200N

CS = XL883R
LC = XL1200X

CT = XL1200C
LD = XR1200X

OIL LINES & COOLER - XR1200X



INDEX NO.	PART NO.	DESCRIPTION	MODEL(S)
1	882	SCREW (2)	LD
2	1094	SCREW (2)	LD
3	4705	SCREW (2)	LD
4	4886	SCREW	LD
5	4897	SCREW	LD
6	6110	WASHER	LD
7	7686	LOCKNUT	LD
8	10344	CLAMP	LD
9	10970	O-RING (2)	LD
10	10972	SPACER (2)	LD
11	11110	O-RING (2)	LD
12	11140	O-RING (2)	LD
13	11290	O-RING (4)	LD
14	11351	O-RING (2)	LD
15	11384K	RETAINER, wire clip (2)	LD
16	11408	RETAINER, wire clip (2)	LD
17	11652	BUMPER, rubber (2)	LD
18	26064-08	FITTING ASSEMBLY, w/ 11110, 11290 & 11408 (2)	LD
19	26183-08	FITTING, w/ 11290 (2)	LD
20	63050-08A	OIL COOLER	LD
21	63080-08	LINE, front head return	LD
22	63081-08	LINE, rear cylinder head	LD
23	63097-08	LINE, oil cooler feed, w/ 11140, 11384K & quick connect fitting	LD
24	63098-08	LINE, oil cooler return, w/ 11140, 11384K & quick connect fitting	LD
25	63108-08	CLAMP	LD
26	63110-08	BRACKET ASSEMBLY, manifold, w/ 11652	LD
27	63111-08	LINE, scavenge return	LD
28	63112-08	MANIFOLD ASSEMBLY, oil tank return, w/ 10970 & 10972	LD
29	63116-08	MANIFOLD	LD
30	63119-08	BRACKET	LD
31	63120-08	LINE, front cylinder head	LD
32	63125-08	CLAMP (2)	LD

2012 MODEL IDENTIFICATION CODES

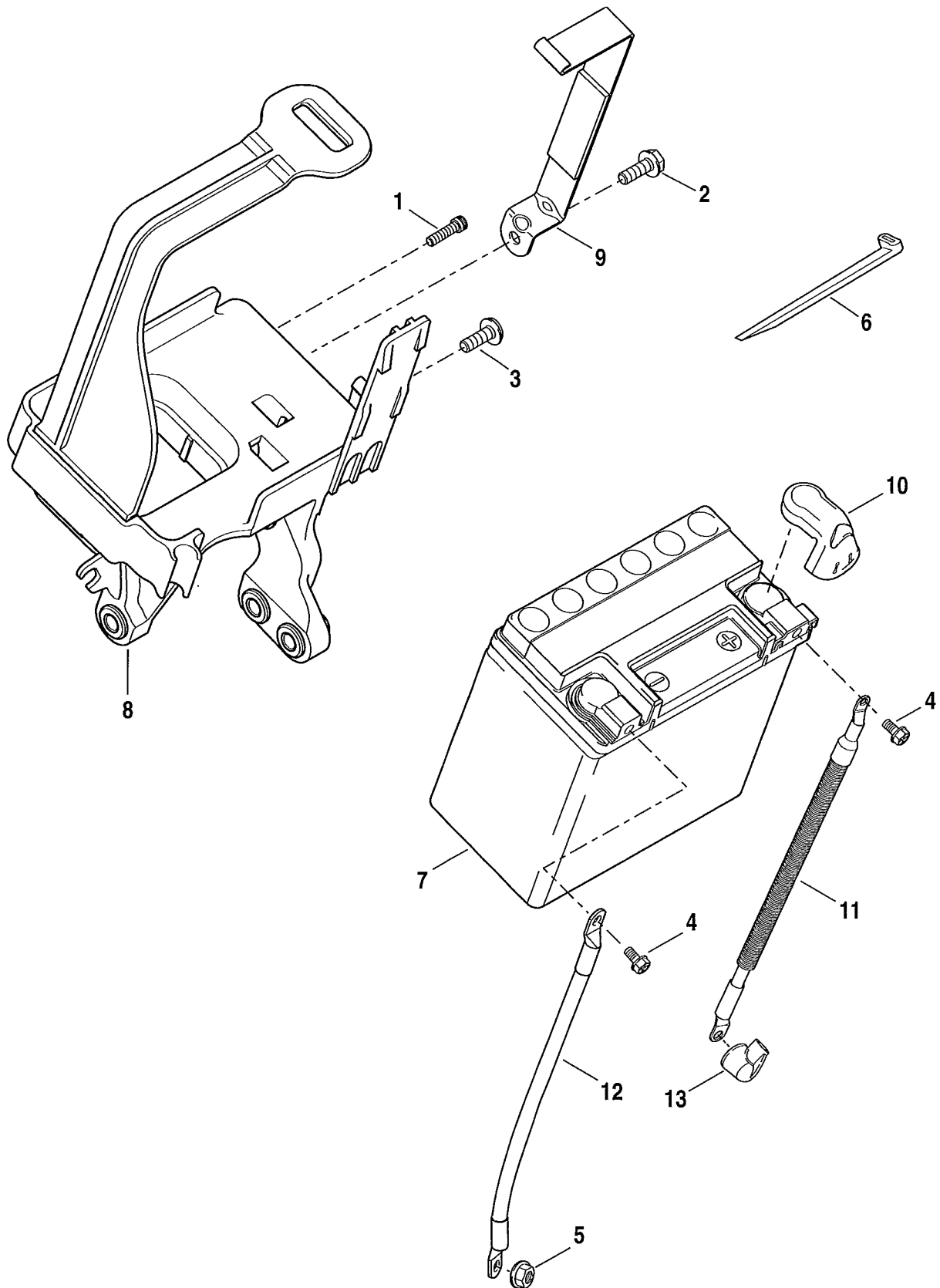
CR = XL883L
LH = XL1200CP

LE = XL883N
CZ = XL1200N

CS = XL883R
LC = XL1200X

CT = XL1200C
LD = XR1200X

BATTERY



INDEX NO.	PART NO.	DESCRIPTION	MODEL(S)
1	2535	SCREW (3)	ALL
2	3588	SCREW	ALL
3	3696	SCREW	ALL
4	4312C	SCREW (2)	ALL
5	7792	NUT	ALL
6	10006	CABLE STRAP (as required)	ALL
7	65958-04A	BATTERY, w/ 4312C	ALL
8	66194-04D	TRAY	ALL
9	66476-04A	STRAP	ALL
10	70003-04	COVER, terminal	ALL
11	70295-10	CABLE, battery-to-starter, w/ 70578-89	ALL
12	70296-04A	CABLE, battery-to-ground	ALL
13	70578-89	RUBBER BOOT	ALL

2012 MODEL IDENTIFICATION CODES

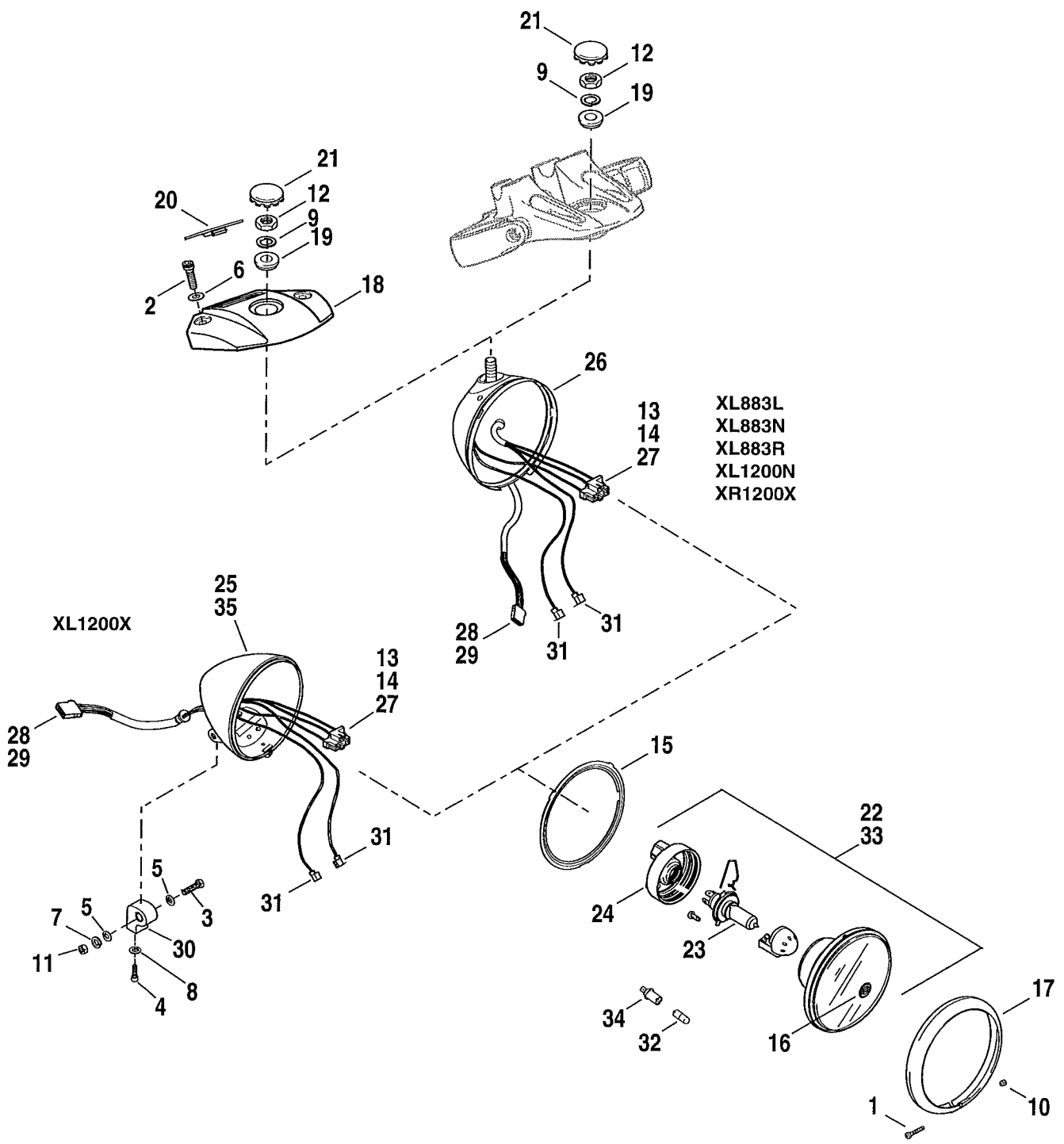
CR = XL883L
LH = XL1200CP

LE = XL883N
CZ = XL1200N

CS = XL883R
LC = XL1200X

CT = XL1200C
LD = XR1200X

HEADLAMP - 883L/N/R, 1200N/X, XR1200X



INDEX NO.	PART NO.	DESCRIPTION	MODEL(S)
1	3514	SCREW	CR CS CZ LC LD LE
2	3655A	SCREW (2)	CR CS CZ LE
3	4724	BOLT	LC
4	4748	SCREW	LC
5	6701	WASHER (2)	LC
6	6702	WASHER (2)	CR CS CZ LE
7	7038	LOCKWASHER	LC
8	7045	LOCKWASHER	LC
9	7068	LOCKWASHER	CR CS CZ LD LE
10	7606	LOCKNUT	CR CS CZ LC LD LE
11	7800W	NUT	LC
12	7880	NUT	CR CS CZ LD LE
13	9847	CONNECTOR, right	CR CS CZ LC LD LE
14	9848	CONNECTOR, left	CR CS CZ LC LD LE
15	67883-04A	ADAPTER RING	CR CS CZ LC LD LE
16	67667-05	MEDALLION	CR CS CZ LC LD LE
17	67790-93A	BEZEL (chrome)	CR CS LC
	68443-07A	BEZEL (satin chrome)	CZ LE
	69397-08	BEZEL (black)	LD
18	67805-92	BRACKET (polished)	CR
	67963-05	BRACKET (denim black / satin)	CS CZ LE
19	67815-59A	WASHER	CR CS CZ LD LE
20	67834-83	TRIM (brushed)	CR
	67972-98	TRIM (gloss black)	CS CZ LE
21	67865-89	PLUG (chrome)	CR
	69449-05	PLUG (denim black / satin)	CS CZ LD LE
22	68297-05	LAMP ASSEMBLY, w/ 16, 23 & 24	CR CS CZ LC LD LE
23	68329-03	BULB	CR CS CZ LC LD LE
24	68380-05	BOOT	CR CS CZ LC LD LE
25	73264-10	HEADLAMP SHELL, w/ 13, 14, 27, 28, 29, 31 (black)	LC
26	69386-08	HEADLAMP SHELL, w/ 13, 14, 27, 28, 29, 31 (black)	LD
	69774-07A	HEADLAMP SHELL, w/ 13, 14, 27, 28, 29, 31 (black)	CR CS CZ LE
27	72056-92	HOUSING, female	CR CS CZ LC LD LE
28	73154-96BK	SOCKET HOUSING, 4-way (black)	CR CS CZ LC LD LE
29	73191-96	SOCKET TERMINAL, 16-20 awg (4)	CR CS CZ LC LD LE
30	73266-10	MOUNT	LC

INTERNATIONAL MODELS ONLY

	7073	LOCKWASHER (not shown) (India) (3)	LC
	7230	LOCKWASHER (not shown) (India) (6)	LC
	7716	LOCKNUT (not shown) (India) (3)	LC
31	9898	TERMINAL FLAG (2)	CR CS CZ LC LD LE
32	53436-97	BULB	CR CS CZ LC LD LE
33	68335-05	LAMP ASSEMBLY, left (Australia, England, Japan), w/ 16, 23, 24, 32 & 34	CR CS CZ LC LD LE
	68341-05	LAMP ASSEMBLY, right (HDI, Asia-Pacific), w/ 16, 23, 24, 32 & 34	CR CS CZ LC LD LE
34	68653-05	SOCKET, bulb (2 spade)	CR CS CZ LC LD LE
35	67700094	HEADLAMP SHELL, w/ 13, 14, 27, 28, 29, 31, 7073, 7230 & 7716 (India) (not shown)	LC

2012 MODEL IDENTIFICATION CODES

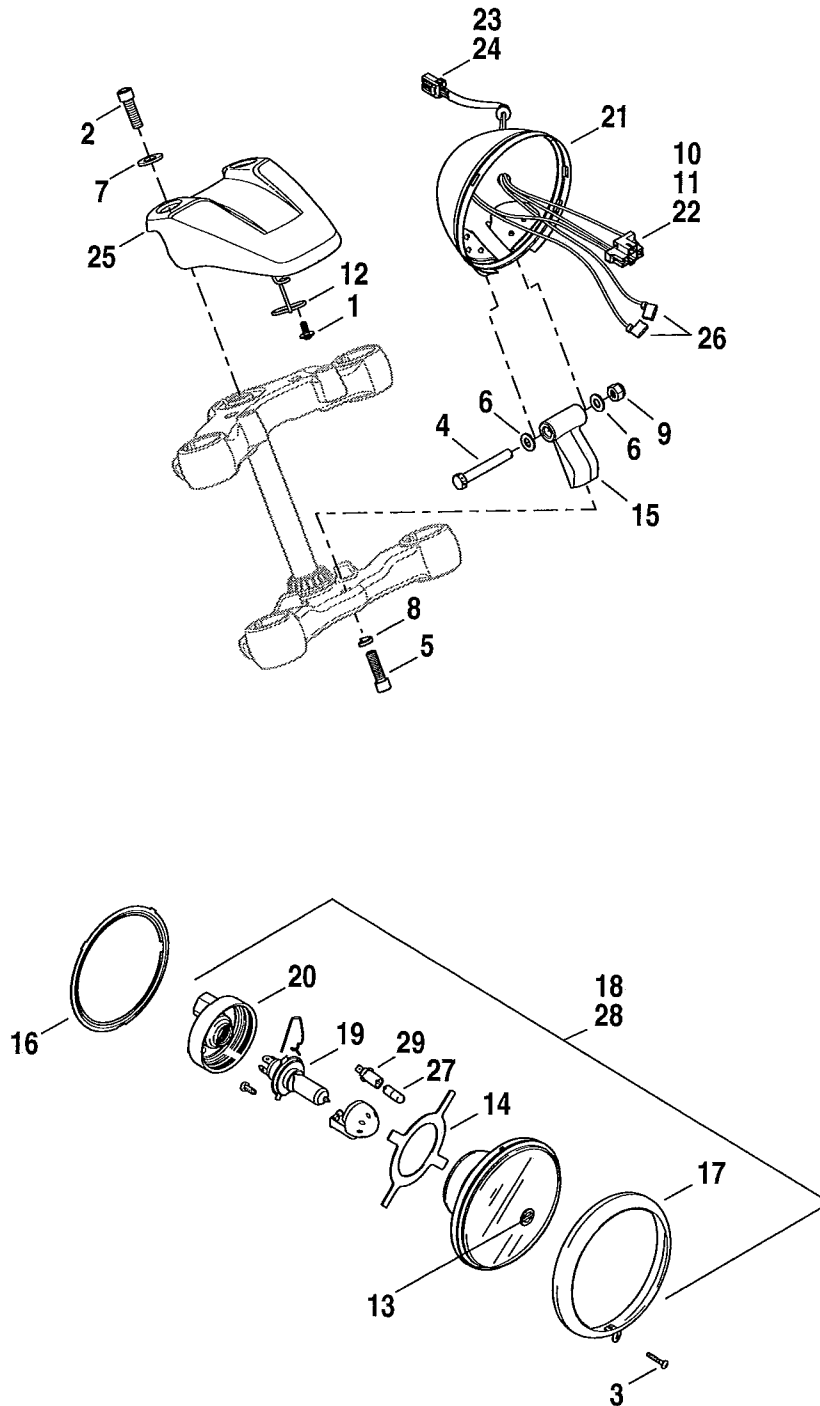
CR = XL883L
LH = XL1200CP

LE = XL883N
CZ = XL1200N

CS = XL883R
LC = XL1200X

CT = XL1200C
LD = XR1200X

HEADLAMP - 1200C/CP



INDEX NO.	PART NO.	DESCRIPTION	MODEL(S)
1	2445	SCREW	CT LH
2	2708A	SCREW (2)	CT LH
3	3615	SCREW	CT LH
4	4420	SCREW	CT LH
5	4748	SCREW	CT LH
6	6701	WASHER (2)	CT LH
7	6702	WASHER (2)	CT LH
8	7045	LOCKWASHER	CT LH
9	7778	LOCKNUT	CT LH
10	9847	CONNECTOR, right	CT LH
11	9848	CONNECTOR, left	CT LH
12	38999-11	GUIDE, clutch cable	CT LH
13	67667-05	MEDALLION	CT LH
14	67601-94A	GASKET (This gasket is sold seperately and is not part of items 18 & 28)	CT LH
15	67746-11	MOUNT	CT LH
16	67603-94A	ADAPTER RING	LH
	67883-04A	ADAPTER RING	CT
17	67894-93A	BEZEL	CT LH
18	68297-05	LAMP ASSEMBLY, w/ 13, 19 & 20	CT LH
19	68329-03	BULB	CT LH
20	68380-05	BOOT	CT LH
21	69681-07B	HEADLAMP SHELL, w/ 10, 11, 22, 23, 24 & 26	CT LH
22	72056-92	HOUSING, female	CT LH
23	73154-96BK	SOCKET HOUSING, 4-way (black)	CT LH
24	73191-96	SOCKET TERMINAL, 16-20 awg (4)	CT LH
25	73246-11	VISOR	CT LH
INTERNATIONAL MODELS ONLY			
26	9898	TERMINAL FLAG (2)	CT
27	53436-97	BULB	CT
28	68335-05	LAMP ASSEMBLY, left (Australia, England, Japan), w/ 13, 19, 20, 27 & 29	CT
	68341-05	LAMP ASSEMBLY, right (HDI, Asia-Pacific), w/ 13, 19, 20, 27 & 29	CT
29	68653-05	SOCKET, bulb (2 spade)	CT

2012 MODEL IDENTIFICATION CODES

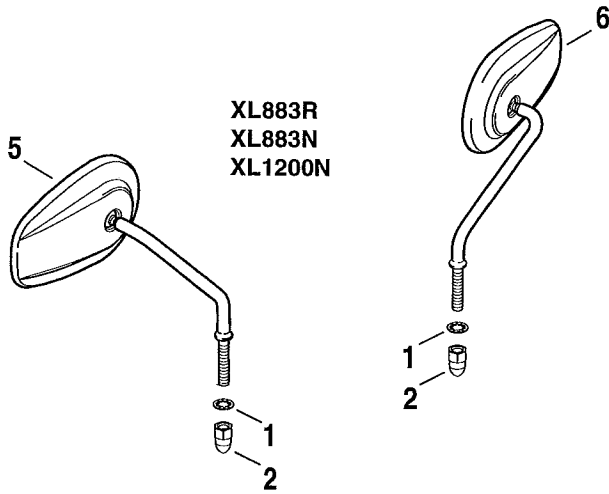
CR = XL883L
LH = XL1200CP

LE = XL883N
CZ = XL1200N

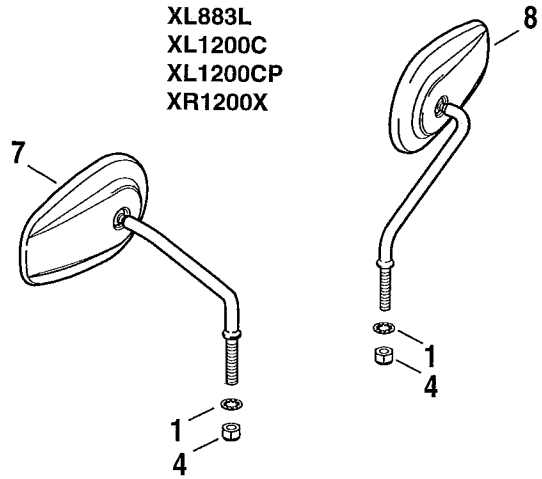
CS = XL883R
LC = XL1200X

CT = XL1200C
LD = XR1200X

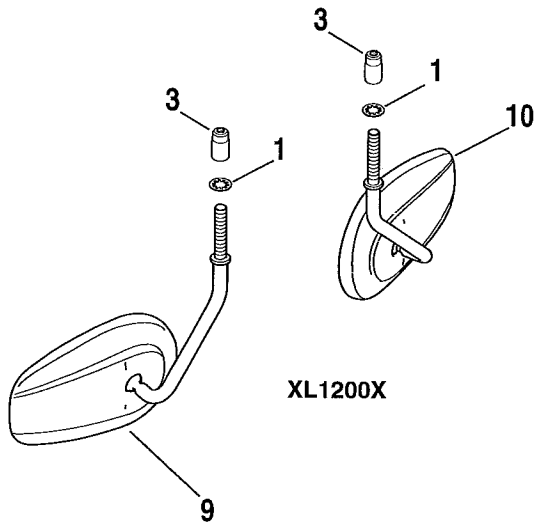
MIRRORS



XL883R
XL883N
XL1200N



XL883L
XL1200C
XL1200CP
XR1200X



XL1200X

INDEX NO.	PART NO.	DESCRIPTION	MODEL(S)
1	7155	LOCKWASHER (2)	ALL
2	7331	ACORN NUT (2)	CS CZ LE
3	7357	BULLET NUT (2)	LC
4	7725	LOCKNUT (2)	CR CT LD LH
5	91982-03B	MIRROR KIT, right, short (black), w/ 1, 2	CS CZ LE
6	91983-03B	MIRROR KIT, left, short (black), w/ 1, 2	CS CZ LE
7	92381-09	MIRROR KIT, right, long (chrome), w/ 1, 4 (LH - Pull Back & Drag Handlebar)	CT LH
	92401-09	MIRROR KIT, right, short (chrome), w/ 1, 4 (LH - Mini-Ape Handlebar)	CR LH
	92376-09	MIRROR KIT, right, short (black), w/ 1, 4	LD
8	92400-09	MIRROR KIT, left, long (chrome), w/ 1, 4 (LH - Pull Back & Drag Handlebar)	CT LH
	92402-09	MIRROR KIT, left, short (chrome), w/ 1, 4 (LH - Mini-Ape Handlebar)	CR LH
	92377-09	MIRROR KIT, left, short (black), w/ 1, 4	LD
9	91960-10	MIRROR KIT, right, short (black), w/ 1, 3	LC
10	91961-10	MIRROR KIT, left, short (black), w/ 1, 3	LC

2012 MODEL IDENTIFICATION CODES

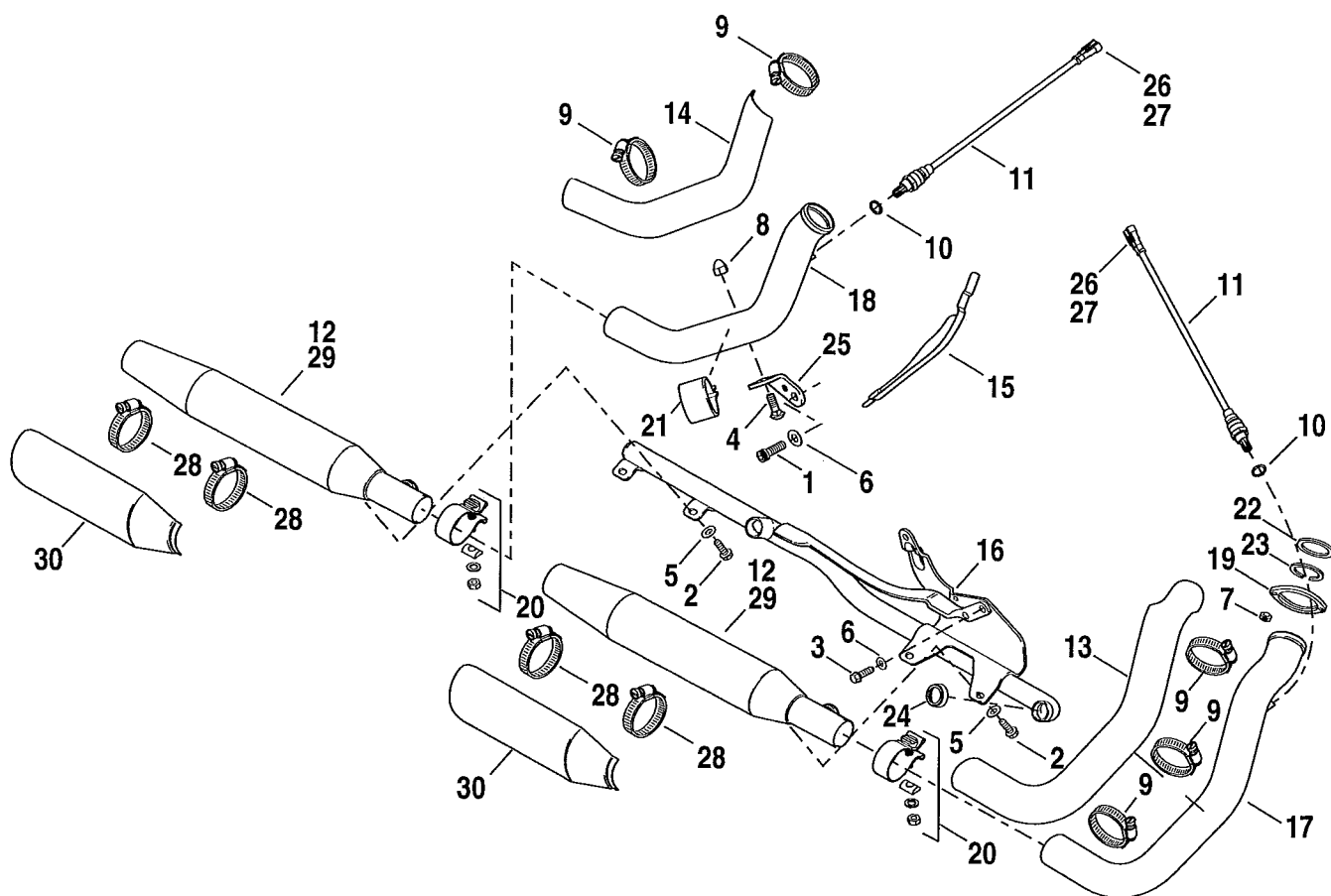
CR = XL883L
LH = XL1200CP

LE = XL883N
CZ = XL1200N

CS = XL883R
LC = XL1200X

CT = XL1200C
LD = XR1200X

EXHAUST SYSTEM - 883L/N/R, 1200C/CP/N/X



INDEX NO.	PART NO.	DESCRIPTION	MODEL(S)
1	4032A	SCREW	CR CS CT CZ LC LE LH
2	4269	SCREW (4)	CR CS CT CZ LC LE LH
3	4748	SCREW (3)	CR CS CT CZ LC LE LH
4	5414	BOLT	CR CS CT CZ LC LE LH
5	6139	WASHER (4)	CR CS CT CZ LC LE LH
6	6701	WASHER (4)	CR CS CT CZ LC LE LH
7	7593	NUT (4)	CR CS CT CZ LC LE LH
8	7862	ACORN NUT	CR CS CT CZ LC LE LH
9	9955	CLAMP, heat shield (5)	CR CS CT CZ LC LE LH
10	27714-06	SEAL RING (2)	CR CS CT CZ LC LE LH
11	27719-07	SENSOR, oxygen, w/ 27714-06, 72009-05, 72011-05 (2)	CR CS CT CZ LC LE LH
12	64842-04	MUFFLER, front (CR/CS/LE), rear (CR/LE)	CR CS LE
	64890-04	MUFFLER, rear (CS)	CS
	80399-04	MUFFLER, front & rear	CT CZ LC LH
13	64846-04A	HEAT SHIELD, front exhaust pipe	CR CS CT CZ LC LE LH
14	64847-04A	HEAT SHIELD, rear exhaust pipe, chrome	CR CS CT CZ LC LE LH
15	66851-07	HEAT SHIELD, upper rear exhaust pipe, stainless steel (LH - Mid Foot Controls)	CR CS CZ LE LH
16	65339-04	MUFFLER INTERCONNECT BRACKET	CR CS CT CZ LC LE LH
17	64942-07	EXHAUST PIPE, front (chrome)	CR CS CT CZ LC LE LH
18	64943-07	EXHAUST PIPE, rear (chrome)	CR CS CT CZ LC LE LH
19	65184-02	FLANGE, exhaust pipe (2)	CR CS CT CZ LC LE LH
20	65296-95A	CLAMP, muffler (2)	CR CS CT CZ LC LE LH
21	65302-82A	CLAMP, exhaust pipe	CR CS CT CZ LC LE LH
22	65324-83B	GASKET, exhaust port (2)	CR CS CT CZ LC LE LH
23	65325-83A	RETAINING RING, exhaust gasket (2)	CR CS CT CZ LC LE LH
24	65927-00	GASKET, exhaust interconnect (2)	CR CS CT CZ LC LE LH
25	65974-04A	BRACKET, exhaust clamp	CR CS CT CZ LC LE LH
26	72009-05	HOUSING, 2-way pin (2)	CR CS CT CZ LC LE LH
27	72011-05	WIRE SEAL, 16-20 gauge (yellow) (4)	CR CS CT CZ LC LE LH
INTERNATIONAL MODELS ONLY			
28	10074	CLAMP, muffler heat shield (HDI, England, Japan, Asia-Pacific, CZ - Brazil) (4)	CR CS CT CZ LC LE
29	64737-09	MUFFLER, front (Japan), rear (CR/CT/CZ/LE - Japan, CZ - Brazil)	CR CS CT CZ LE
	64738-09	MUFFLER, rear (CS - Japan, CZ - Brazil)	CS CZ
	64853-04	MUFFLER, front (Australia), rear (CR/CT/CZ - Australia)	CR CS CT CZ LE
	64854-04	MUFFLER, rear (Australia)	CS CZ LE
	64891-04A	MUFFLER, front (HDI, England, Asia-Pacific), rear (CR/CT - HDI, England)	CR CS CT CZ LC LE
	64893-04A	MUFFLER, rear (HDI, England, Asia-Pacific)	CS CZ LE
30	64889-04	HEAT SHIELD, muffler, (HDI, England, Japan, Asia-Pacific, CZ - Brazil) (2)	CR CS CT CZ LC LE

2012 MODEL IDENTIFICATION CODES

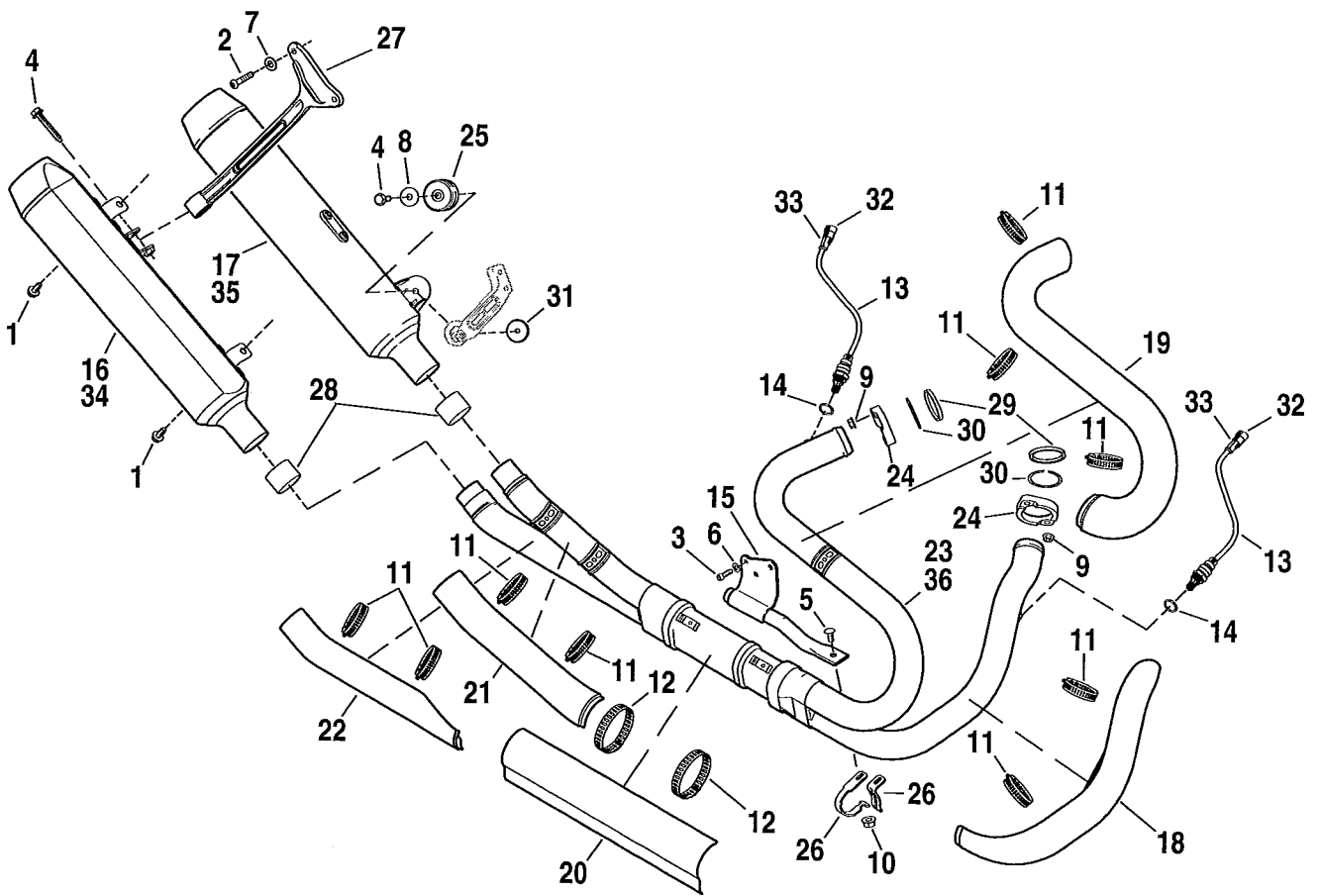
CR = XL883L
LH = XL1200CP

LE = XL883N
CZ = XL1200N

CS = XL883R
LC = XL1200X

CT = XL1200C
LD = XR1200X

EXHAUST SYSTEM - XR1200X



INDEX NO.	PART NO.	DESCRIPTION	MODEL(S)
1	4269	SCREW (2)	LD
2	4549	SCREW (2)	LD
3	4748	SCREW (3)	LD
4	4859	SCREW	LD
5	5416	BOLT	LD
6	6701	WASHER (2)	LD
7	6702	WASHER (3)	LD
8	6930	WASHER	LD
9	7593	NUT (4)	LD
10	7601	LOCKNUT	LD
11	9955	CLAMP, heat shield (9)	LD
12	9956	CLAMP, heat shield (2)	LD
13	27690-08	SENSOR, oxygen, w/ 27714-06, 72009-05, 72011-05 (2)	LD
14	27714-06	SEAL RING (2)	LD
15	64850-08	SUPPORT BAR ASSEMBLY, exhaust	LD
16	65218-10	MUFFLER, lower (black)	LD
17	65219-10	MUFFLER, upper (black)	LD
18	65168-10	HEAT SHIELD, lower (black)	LD
19	65176-10	HEAT SHIELD, upper (black)	LD
20	65189-10	SHIELD, collector (black)	LD
21	65197-10	EXHAUST SHIELD ASSEMBLY, upper (black)	LD
22	65198-10	EXHAUST SHIELD ASSEMBLY, lower (black)	LD
23	64851-09	EXHAUST ASSEMBLY	LD
24	65328-83A	FLANGE, exhaust pipe (2)	LD
25	65240-08	KIT, exhaust isolator w/ 4859, 6930 & 65453-08	LD
26	65257-08	CLAMP	LD
27	65316-08	SUPPORT, muffler, rear	LD
28	65317-08A	GASKET, muffler inlet (2)	LD
29	65324-83B	GASKET, exhaust port (2)	LD
30	65325-83A	RETAINING RING, exhaust gasket (2)	LD
31	65453-08	WASHER, snubbing	LD
32	72009-05	HOUSING, 2-way pin (2)	LD
33	72011-05	WIRE SEAL, 16-20 gauge (yellow) (4)	LD

INTERNATIONAL MODELS ONLY

34	65218-10	MUFFLER, lower (England, HDI, Asia-Pacific) (black)	LD
35	65219-10	MUFFLER, upper (England, HDI, Asia-Pacific) (black)	LD
36	64965-08A	EXHAUST ASSEMBLY (HDI, England, Japan, Asia-Pacific)	LD

2012 MODEL IDENTIFICATION CODES

CR = XL883L
LH = XL1200CP

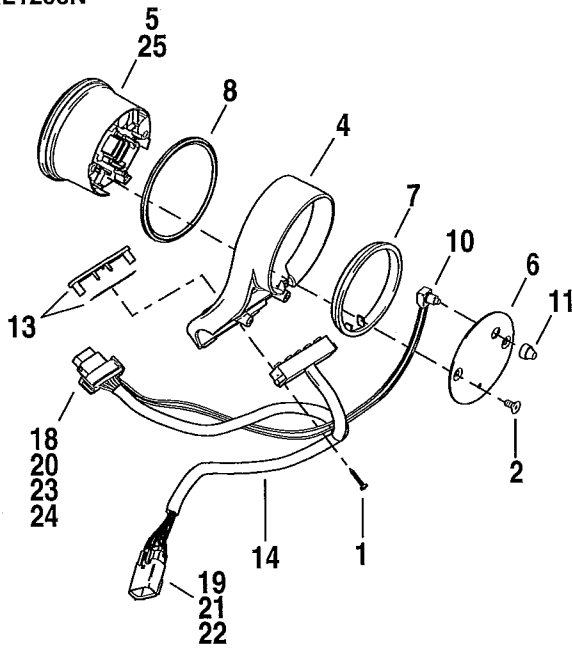
LE = XL883N
CZ = XL1200N

CS = XL883R
LC = XL1200X

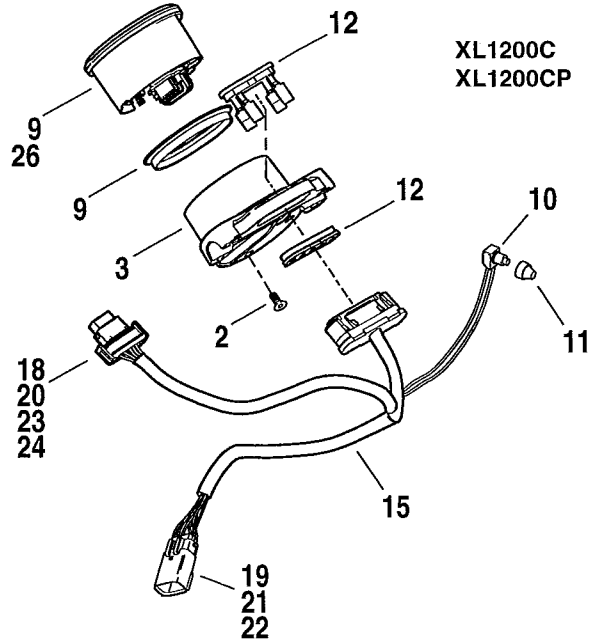
CT = XL1200C
LD = XR1200X

SPEEDOMETER - 883L/N/R, 1200C/CP/N/X

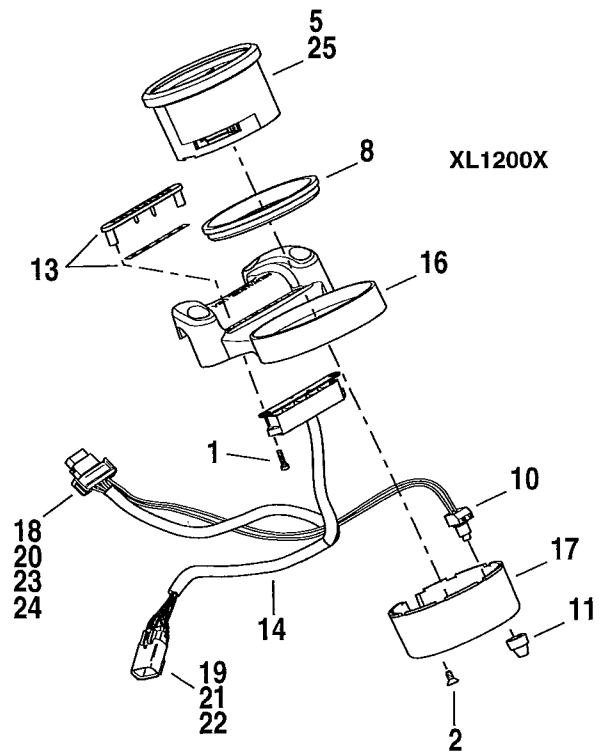
XL883L
 XL883N
 XL883R
 XL1200CP
 XL1200N



XL1200C
 XL1200CP



XL1200X



INDEX NO.	PART NO.	DESCRIPTION	MODEL(S)
1	2325	SCREW (2)	CR CS CZ LC LE LH
2	2361	SCREW (2)	CR CS CT CZ LC LE LH
3	55844-04	HOUSING, instrument (chrome) (1200CP - Drag & Pullback Handlebar)	CT LH
4	55847-05A	BRACKET, speedometer (black) (1200CP - Mini-Ape Handlebar)	CR CS CZ LE LH
5	67037-08	SPEEDOMETER, mph	CR CS CZ LC LE LH
6	67320-95	COVER, speedometer back (black)	CR CS CZ LE LH
7	67104-95	CUSHION, rear	CR CS CZ LE LH
8	67121-95A	CUSHION, front	CR CS CT CZ LC LE LH
9	67436-08	SPEEDOMETER, mph	CT LH
10	67854-98	SWITCH, reset	CR CS CT CZ LC LE LH
11	67880-94	BOOT, reset switch	CR CS CT CZ LC LE LH
12	68382-07A	BEZEL ASSEMBLY, indicator lamps	CT LH
13	68513-07	BEZEL, indicator lamps	CR CS CZ LC LE LH
14	68813-07	HARNESS, w/ LED indicator	CR CS CZ LC LE LH
15	68814-07	HARNESS, w/ LED indicator	CT LH
16	71980-10	BRACKET, speedometer	LC
17	71988-10	COVER, speedometer back	LC
18	72130-04	HOUSING, socket 12-way (black)	CR CS CT CZ LC LE LH
19	72169-07	TERMINAL, pin, 16-20 gauge (7)	CR CS CT CZ LC LE LH
20	72189-04	SEAL, pin	CR CS CT CZ LC LE LH
21	72488-07BK	HOUSING, 12-way (black)	CR CS CT CZ LC LE LH
22	72549-07	TERMINAL, pin, 22 AWG (5)	CR CS CT CZ LC LE LH
23	74196-04	TERMINAL, socket, 20 AWG	CR CS CT CZ LC LE LH
24	74197-04	SOCKET LOCK, secondary, 12-way	CR CS CT CZ LC LE LH
INTERNATIONAL MODELS ONLY			
25	67041-08	SPEEDOMETER, kph (Canada, HDI, Australia, Japan, Asia-Pacific)	CR CS CZ LC LE
	67290-08	SPEEDOMETER, mph/kph (England)	CR CS CZ LC LE
26	67415-08	SPEEDOMETER, mph/kph (England)	CT
	67416-08	SPEEDOMETER, kph (Australia, Canada, HDI, Japan)	CT

2012 MODEL IDENTIFICATION CODES

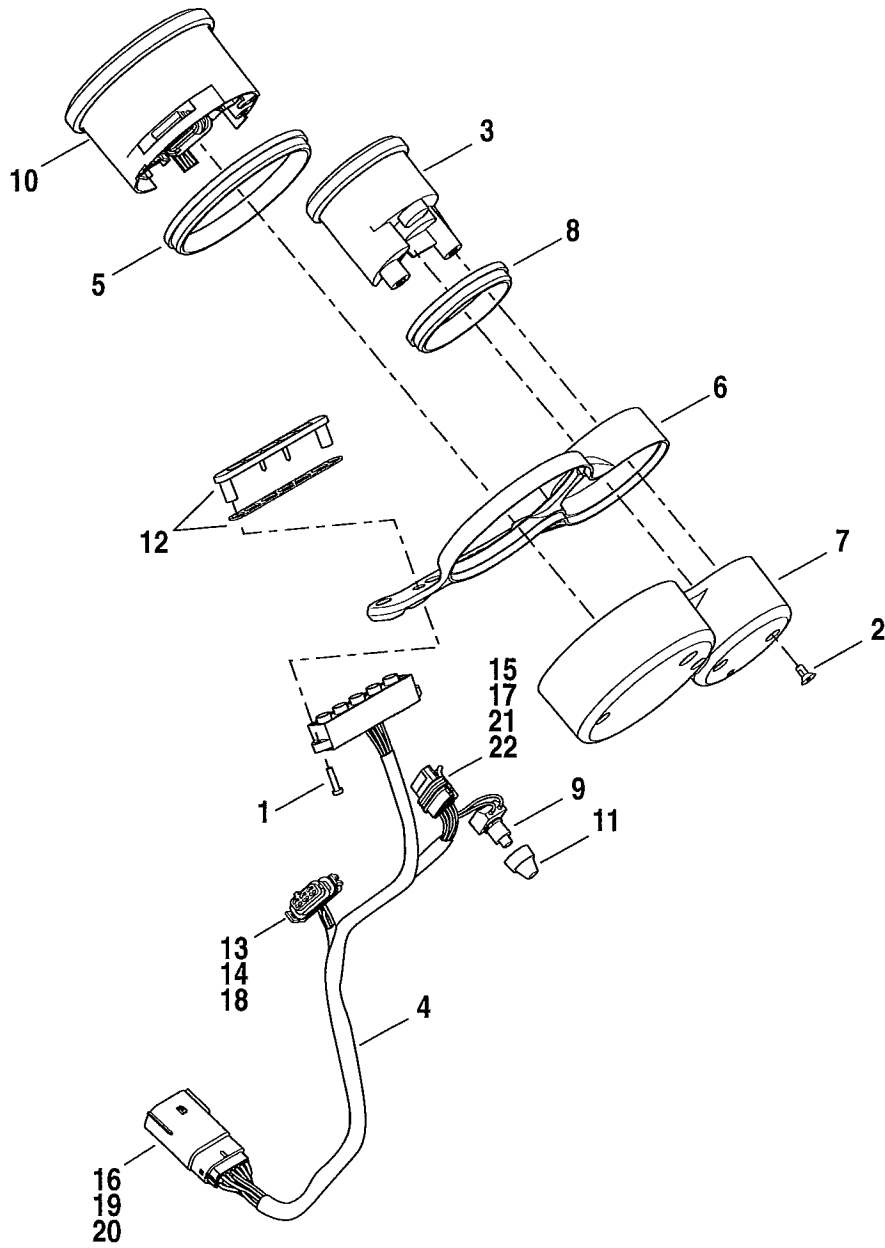
CR = XL883L
LH = XL1200CP

LE = XL883N
CZ = XL1200N

CS = XL883R
LD = XL1200X

CT = XL1200C
LD = XR1200X

SPEEDOMETER AND TACHOMETER - XR1200X



INDEX NO.	PART NO.	DESCRIPTION	MODEL(S)
1	2325	SCREW (2)	LD
2	2361	SCREW (4)	LD
3	70714-10	SPEEDOMETER (black)	LD
4	67091-08	HARNESS, instrument assembly	LD
5	67121-95A	GASKET, tachometer	LD
6	67157-08	BRACKET, instrument mounting	LD
7	67170-08	BACK COVER, instrument	LD
8	67174-08	GASKET, speedometer	LD
9	67854-98	SWITCH, reset	LD
10	74714-10	TACHOMETER	LD
11	67880-94	BOOT, reset switch	LD
12	68513-07	BEZEL, indicator lamps	LD
13	72032-93	PLUG, connector	LD
14	72033-93	TERMINAL, socket 16-20 AWG (4)	LD
15	72130-04	HOUSING, socket 12-way (black)	LD
16	72169-07	TERMINAL, pin, 16-20 gauge (7)	LD
17	72189-04	SEAL, pin (3)	LD
18	72329-08	HOUSING, socket 5-way	LD
19	72488-07BK	HOUSING, pin 12-way (black)	LD
20	72549-07	TERMINAL, pin, 22 AWG (5)	LD
21	74196-04	TERMINAL, socket, 20 AWG (9)	LD
22	74197-04	SOCKET LOCK, secondary, 12-way	LD

2012 MODEL IDENTIFICATION CODES

CR = XL883L
LH = XL1200CP

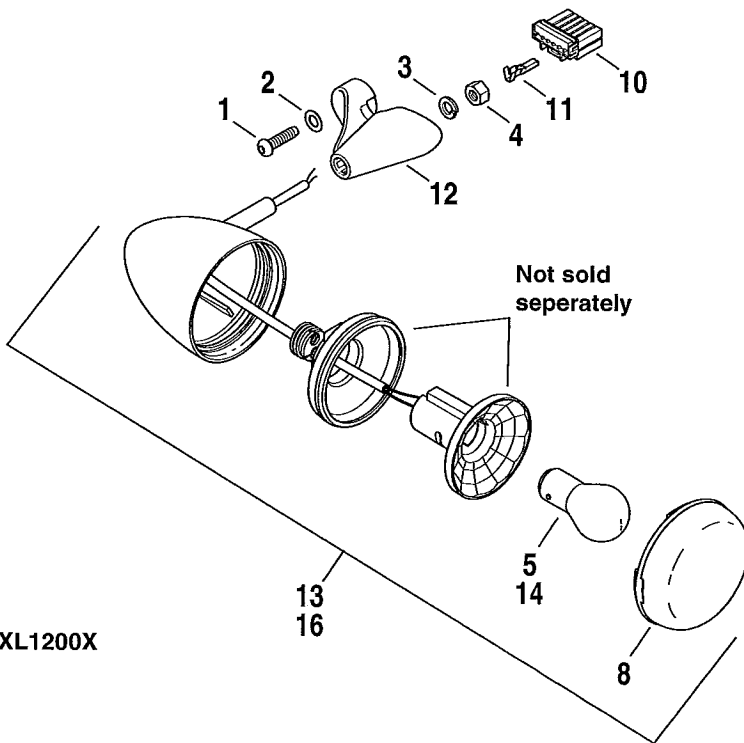
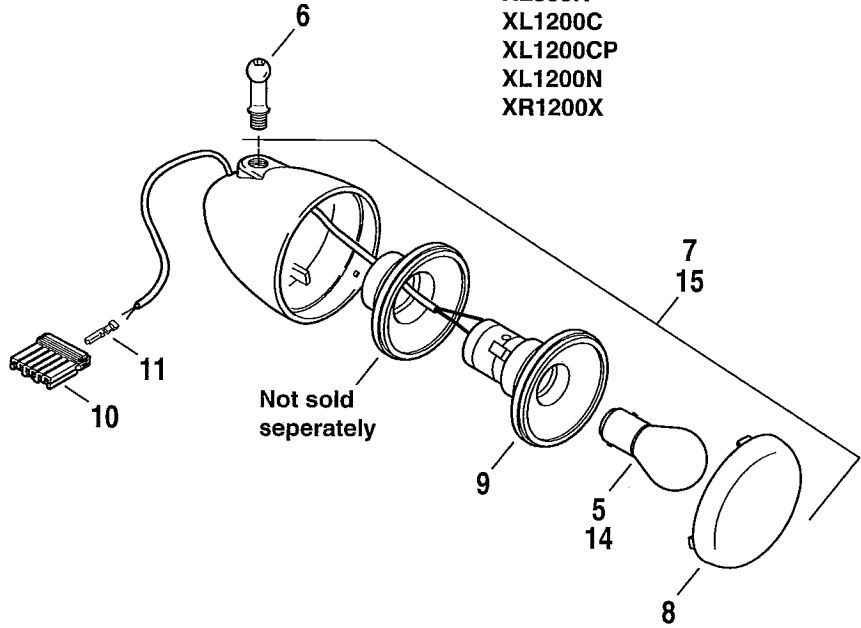
LE = XL883N
CZ = XL1200N

CS = XL883R
LC = XL1200X

CT = XL1200C
LD = XR1200X

TURN SIGNALS, FRONT

XL883L
XL883N
XL883R
XL1200C
XL1200CP
XL1200N
XR1200X



XL1200X

INDEX NO.	PART NO.	DESCRIPTION	MODEL(S)
1	4351	SCREW (2)	LC
2	6610	WASHER (2)	LC
3	7038	LOCKWASHER (2)	LC
4	7783	NUT (2)	LC
5	68168-89A	BULB, dual contact	CR CS CT CZ LC LD LE LH
6	68265-04	BALL STUD (1200CP - Mini Ape & Pullback Handlebar) (2)	CR CS CT CZ LD LE LH
	67800070	BALL STUD (1200CP - Drag Handlebar) (2)	LH
7	68730-07	TURN SIGNAL ASSEMBLY (2)	CZ LE
	68804-06	TURN SIGNAL ASSEMBLY (2)	LD
	68972-00	TURN SIGNAL ASSEMBLY (2)	CR CS CT LH
8	68755-07	LENS (2)	CZ LC LE
	68973-00	LENS (2)	CR CS CT LD LH
9	68904-00	SOCKET ASSEMBLY (All HDI & CZ,LC,LE Domestic - not sold seperately) (2)	CR CS CT LD LH
10	73156-96BK	SOCKET HOUSING, 6-way (black) (2)	CR CS CT CZ LC LD LE LH
11	73191-96	SOCKET TERMINAL, 16-20 awg	CR CS CT CZ LC LD LE LH
12	73267-10	MOUNT, turn signal (2)	LC
13	73282-10	TURN SIGNAL ASSEMBLY, front (2)	LC
INTERNATIONAL MODELS ONLY			
14	68163-84	BULB, single contact (HDI) (2)	CR CS CT CZ LC LD LE
15	68838-06	TURN SIGNAL ASSEMBLY (HDI) (2)	LD
	68975-00	TURN SIGNAL ASSEMBLY (HDI) (2)	CR CS CT
	69362-08	TURN SIGNAL ASSEMBLY (HDI) (2)	CZ LE
16	73284-10	TURN SIGNAL ASSEMBLY (HDI) (2)	LC

2012 MODEL IDENTIFICATION CODES

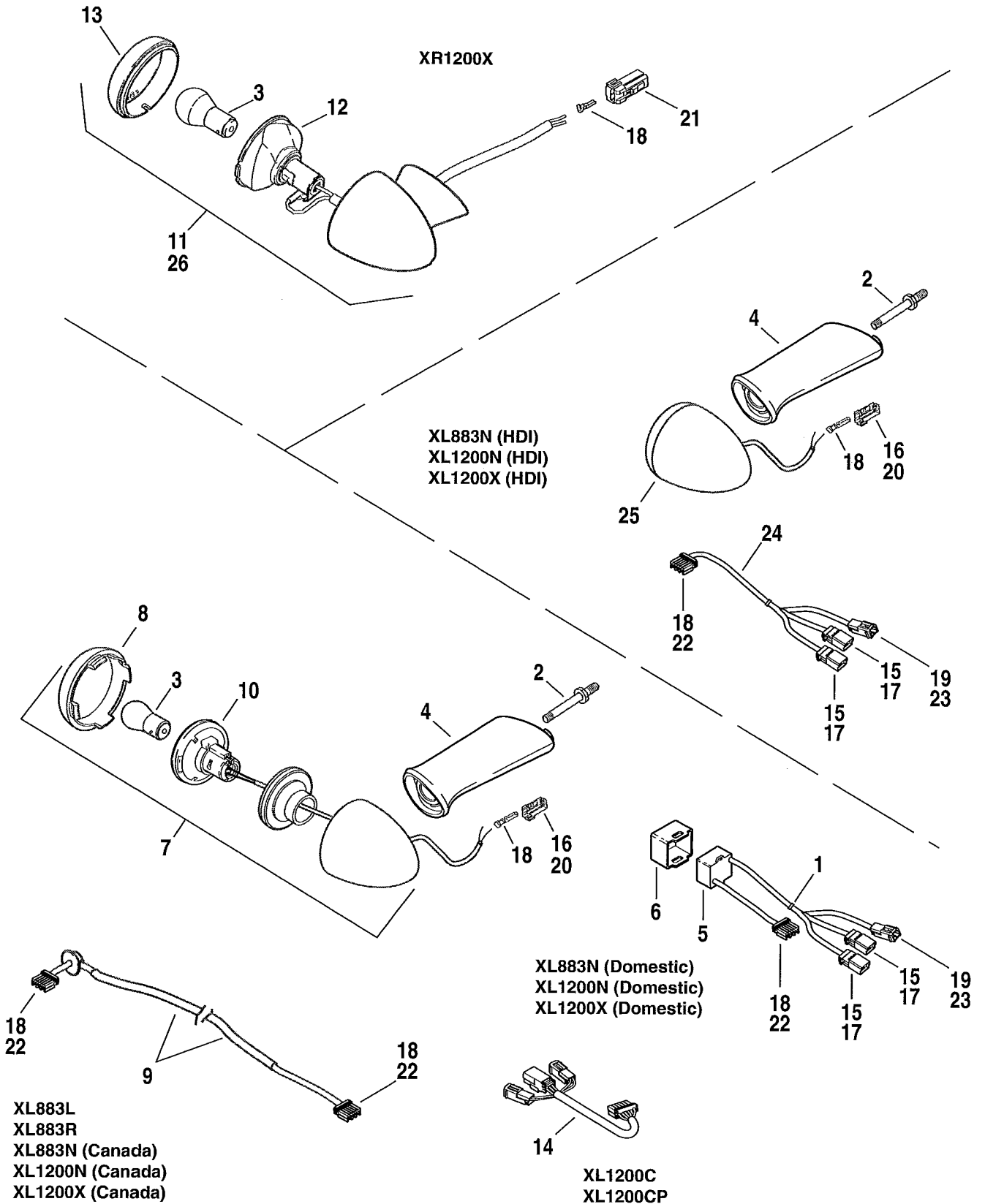
CR = XL883L
LH = XL1200CP

LE = XL883N
CZ = XL1200N

CS = XL883R
LC = XL1200X

CT = XL1200C
LD = XR1200X

TAIL LAMP & TURN SIGNALS, REAR



INDEX NO.	PART NO.	DESCRIPTION	MODEL(S)
1	10065	CABLE STRAP (as required)	CZ LC LE
2	5531	SCREW (2)	CZ LC LE
	56104-02	SCREW (2)	CR CS CT LH
3	68163-84	BULB, single contact (2)	CR CS CT LD LH
	68168-89A	BULB, dual contact (Domestic) (2)	CZ LC LE
	68572-64B	BULB, single contact (Canada) (2)	CZ LC LE
4	68277-07	SUPPORT (2)	CZ LC LE
	68480-02	SUPPORT (2)	CR CS CT LH
5	68278-07	HARNESS	CZ LC LE
6	68299-07	HOLDER, harness	CZ LC LE
7	68449-07	TURN SIGNAL ASSEMBLY (Domestic), w/ 68168-89A, 68559-07, 68497-07 (2)	CZ LC LE
	73318-09	TURN SIGNAL ASSEMBLY (Canada), w/ 68572-64B, 68755-07 (2)	CZ LC LE
	68978-00	TURN SIGNAL ASSEMBLY, w/ 68163-84, 68979-00 (2)	CR CS CT LH
8	68559-07	LENS (Domestic) (2)	CZ LC LE
	68755-07	LENS (Canada) (2)	CZ LC LE
	68973-00	LENS (2)	CR CS CT LH
9	68899-04A	HARNESS	CR CS CZ LC LE
10	68497-07	SOCKET ASSEMBLY (CR,CS,CT,LH - All & CZ,LC,LE - Canada - not sold seperately) (2)	CZ LC LE
11	68984-01	TURN SIGNAL ASSEMBLY, w/ 68163-84, 69066-01A, 69110-01 (2)	LD
12	69066-01A	SOCKET ASSEMBLY (HDI - not sold seperately) (2)	LD
13	69110-01	LENS (2)	LD
14	70025-11	HARNESS (2)	CT LH
15	72904-01BK	HOUSING, pin, 4-way (black) (2)	CZ LC LE
16	72914-01BK	HOUSING, socket, 4-way (black) (2)	CT CZ LC LH
17	72990-01	TERMINAL, pin (6)	CZ LC LE
18	72991-01	TERMINAL, socket, 18-22 awg (4)	CT CZ LC LE LH
	73191-96	TERMINAL, socket, 16-20 awg (4)	CR CS CZ LC LD LE
19	73102-96BK	HOUSING, pin, 2-way (black)	CZ LC LE
20	73152-96BK	HOUSING, socket, 2-way (black)	CR CS CT CZ LC LE LH
21	73152-96WE	HOUSING, socket, 2-way (white)	LD
22	73156-96BK	HOUSING, socket, 6-way (black)	CZ LC LE
23	73190-96	TERMINAL, pin (2)	CZ LC LE
INTERNATIONAL MODELS ONLY			
24	68955-08	HARNESS (HDI)	CZ LC LE
25	69406-09	TURN SIGNAL ASSEMBLY, w/ 72991-01 (HDI) (2)	CZ LC LE
26	69530-08	TURN SIGNAL ASSEMBLY, w/ 68163-84, 69110-01, 73191-96 (HDI) (2)	LD

2012 MODEL IDENTIFICATION CODES

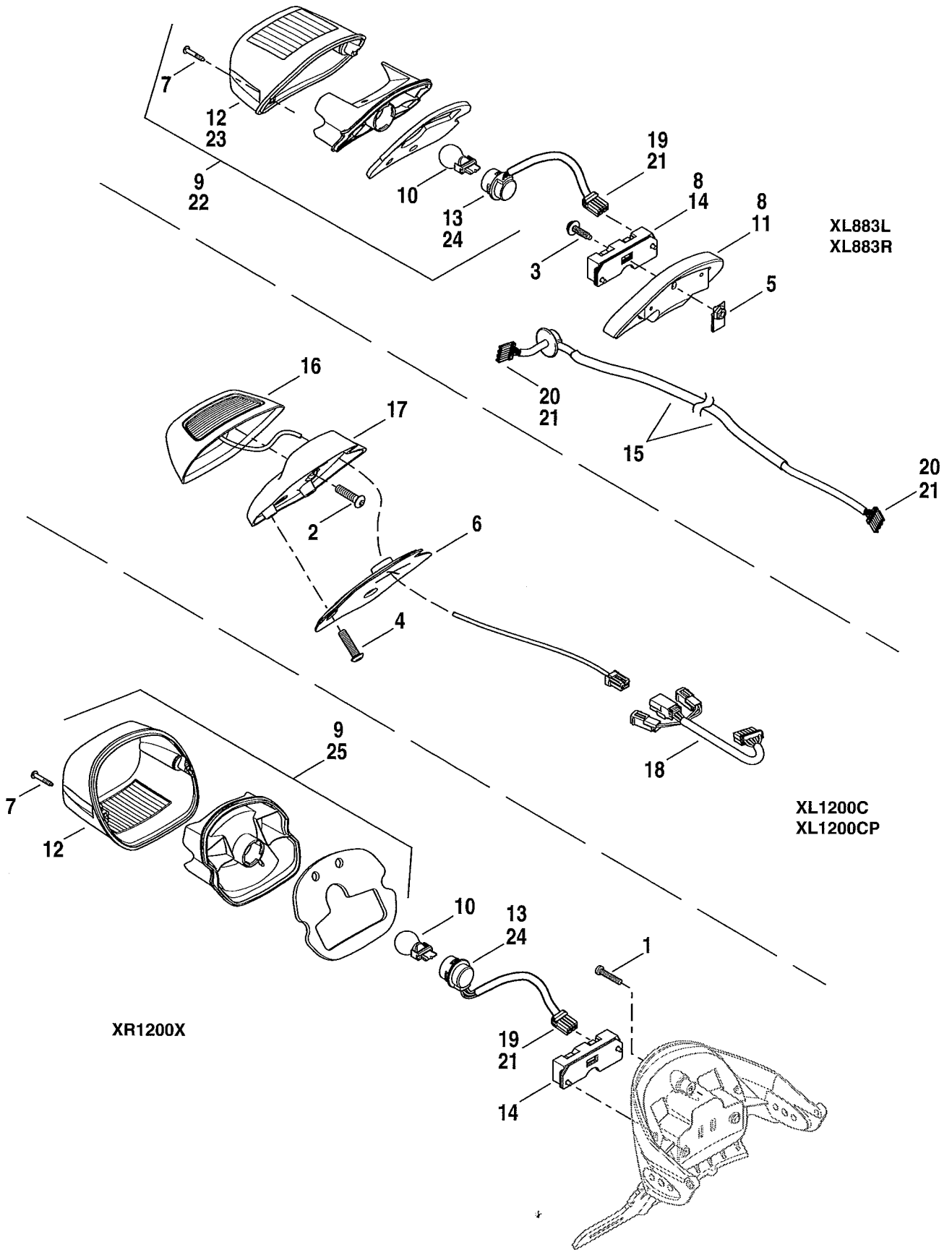
CR = XL883L
LH = XL1200CP

LE = XL883N
CZ = XL1200N

CS = XL883R
LC = XL1200X

CT = XL1200C
LD = XR1200X

TAIL LAMPS



INDEX NO.	PART NO.	DESCRIPTION	MODEL(S)
1	930	SCREW	LD
2	2508	SCREW (4)	CT LH
3	3022A	SCREW	CR CS
4	4365	SCREW (3)	CT LH
5	7964	CLIP NUT	CR CS
6	11954	GASKET	CT LH
7	68026-99	SCREW (2)	CR CS LD
8	68066-99A	BASE ASSEMBLY, chromed, w/ 68296-99A & 68830-99A	CR CS
9	68140-04	LIGHT ASSEMBLY, w/ 68369-03 & 68370-03A	CR CS LD
10	68167-04	BULB	CR CS LD
11	68296-99A	BASE TAIL LAMP, chrome	CR CS
12	68369-03	LENS, w/ 68026-99 (LD - HDI not sold seperately)	CR CS LD
13	68370-03A	BULB SOCKET ASSEMBLY, w/ 68167-04, 73154-96BK, 73191-96	CR CS LD
14	68830-99A	CIRCUIT BOARD & COVER ASSEMBLY	CR CS LD
15	68899-04A	HARNESS, rear lighting, w/ 73156-96BK & 73191-96	CR CS
16	69352-11	TAIL LAMP	CT LH
17	69361-11	TAIL LAMP BASE	CT LH
18	70025-11	HARNESS	CT LH
19	73154-96BK	SOCKET HOUSING, 4-way (black)	CR CS LD
20	73156-96BK	SOCKET HOUSING, 6-way (black)	CR CS
21	73191-96	SOCKET TERMINAL, 16-20 awg	CR CS LD

INTERNATIONAL MODELS ONLY

22	68141-04	LIGHT ASSEMBLY (HDI), w/ 68372-03 & 69187-03A	CR CS
23	68372-03	LENS, w/ 68026-99 (HDI)	CR CS
24	69187-03A	BULB SOCKET ASSEMBLY, w/ 68167-04, 73154-96BK, 73191-96 (HDI)	CR CS LD
25	69864-08	TAIL LAMP ENVELOPE (HDI), w/ 68026-99	LD

2012 MODEL IDENTIFICATION CODES

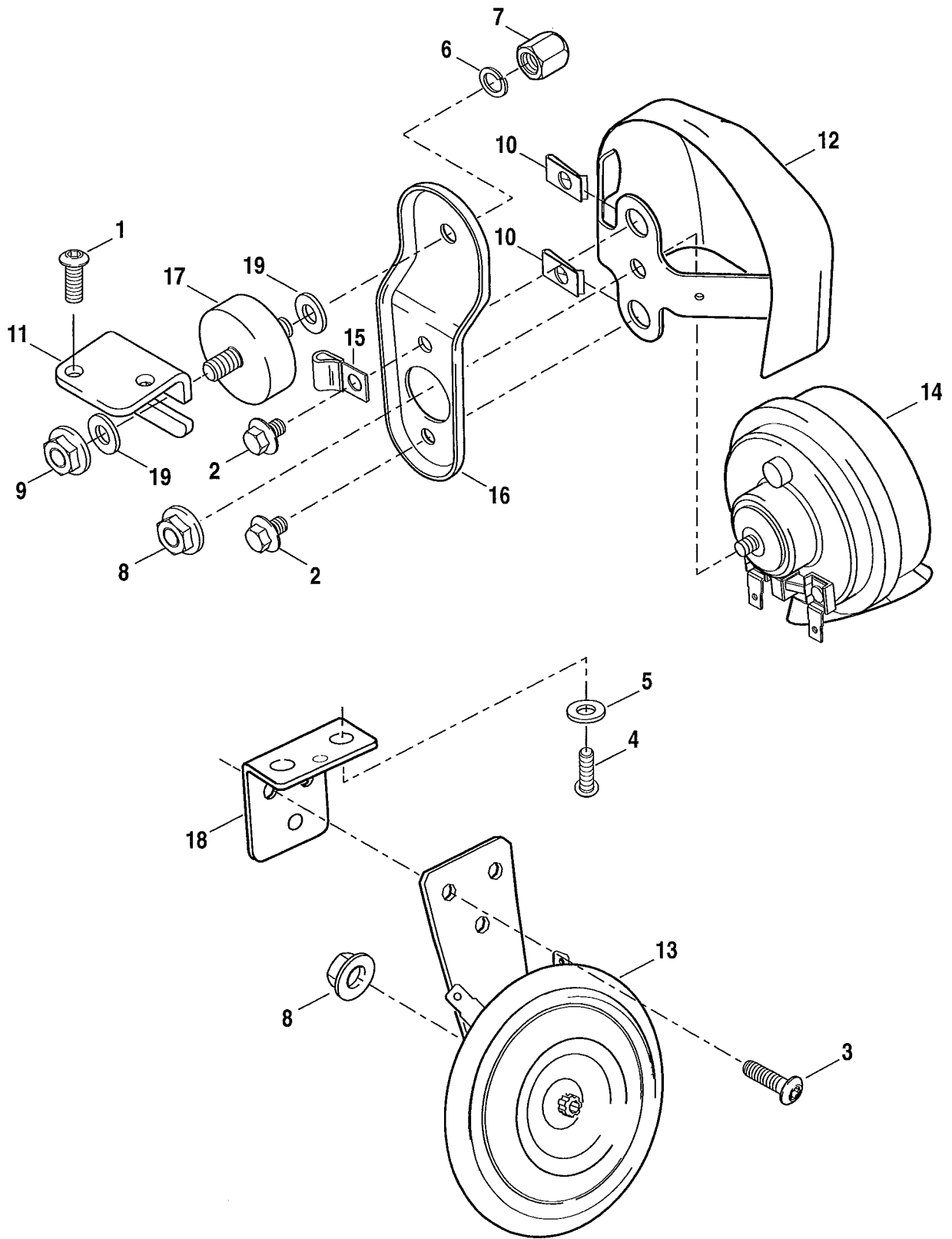
CR = XL883L
LH = XL1200CP

LE = XL883N
CZ = XL1200N

CS = XL883R
LC = XL1200X

CT = XL1200C
LD = XR1200X

HORN



INDEX NO.	PART NO.	DESCRIPTION	MODEL(S)
1	3026	SCREW (2)	CT LH
2	3563	SCREW (2)	CT LH
3	3124	SCREW (3)	CR CS CZ LC LD LE
4	4180	SCREW (2)	CR CS CZ LC LD LE
5	6026	WASHER (2)	CR CS CZ LC LD LE
6	7041	LOCKWASHER	CT LH
7	7549A	ACORN NUT	CT LH
8	7495	NUT	ALL
9	7531	LOCKNUT	CT LH
10	8108	SPEEDNUT (2)	CT LH
11	69049-07	BRACKET, horn	CT LH
12	69012-93A	COVER	CT LH
13	69000014	HORN, complete, w/ bracket & 7495	CR CS CZ LC LD LE
14	69060-90F	HORN, w/ 7495	CT LH
15	69062-91A	CLAMP, horn wire	CT LH
16	69120-91	HORN BRACKET	CT LH
17	69123-92A	RUBBER MOUNT	CT LH
18	69135-04	HORN BRACKET	CR CS CZ LC LD LE
19	6237	WASHER (2)	CT LH

2012 MODEL IDENTIFICATION CODES

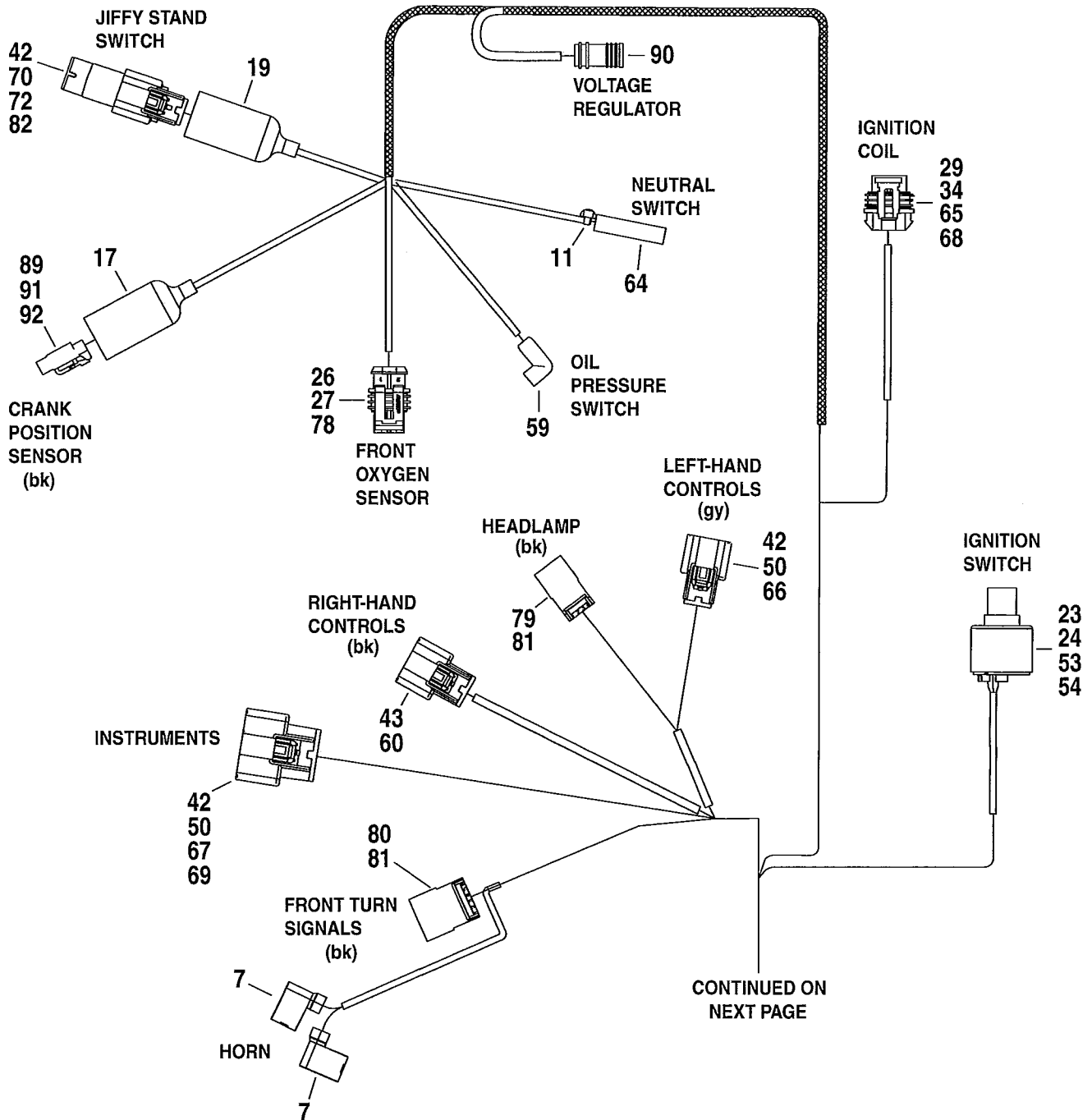
CR = XL883L
LH = XL1200CP

LE = XL883N
CZ = XL1200N

CS = XL883R
LC = XL1200X

CT = XL1200C
LD = XR1200X

WIRING HARNESS, MAIN - 883L/N/R, 1200C/CP/N/X



WIRING HARNESS, MAIN - 883L/N/R, 1200C/CP/N/X (1 OF 3)

INDEX NO.	PART NO.	DESCRIPTION	MODEL(S)
1	3123	SCREW	CR CS CT CZ LC LE LH
2	70640-07	CLIP, caddy	CR CS CT CZ LC LE LH
3	56073-83	RETAINER, h-clip	CR CS CT CZ LC LE LH
	69200317	WIRING HARNESS, main	CR CS CT CZ LC LE LH

NOTE: Includes the following parts.

4	3124	SCREW	CR CS CT CZ LC LE LH
5	7220	LOCKWASHER	CR CS CT CZ LC LE LH
6	9838	TERMINAL RING, 1/4, 10-12 gauge (2)	CR CS CT CZ LC LE LH
7	9898	TERMINAL FLAG (2)	CR CS CT CZ LC LE LH
8	10006	CABLE STRAP (5)	CR CS CT CZ LC LE LH
9	10065	CABLE STRAP (15)	CR CS CT CZ LC LE LH
10	10279	CLIP, harness mount	CR CS CT CZ LC LE LH
11	10287	CABLE STRAP (as required)	CR CS CT CZ LC LE LH
12	11778	FASTENER, push in	CR CS CT CZ LC LE LH
13	11785	CLIP, push in fastener	CR CS CT CZ LC LE LH
14	31586-07	RELAY (2)	CR CS CT CZ LC LE LH
15	31797-07	BRACKET ASSEMBLY, ignition switch	CR CS CT CZ LC LE LH
16	70466-07A	WIRE HARNESS CADDY, left	CR CS CT CZ LC LE LH
17	70598-99	BOOT, temperature sensor	CR CS CT CZ LC LE LH
18	70642-07	WIRE HARNESS CADDY, right	CR CS CT CZ LC LE LH
19	70664-08	BOOT, jiffy stand sensor	CR CS CT CZ LC LE LH
20	70679-10	CADDY, ECM & wire distribution	CR CS CT CZ LC LE LH
21	70680-10	CADDY, RH	CR CS CT CZ LC LE LH
22	71510-04	HOUSING, IGNITION SWITCH	CR CS CT CZ LC LE LH
23	71550-94	LABEL, ignition switch	CR CS CT CZ LC LE LH
24	71552-94	FACE NUT, ignition switch	CR CS CT CZ LC LE LH
25	72006-05	TERMINAL, 16-20 gauge	CR CS CT CZ LC LE LH
26	72007-05	HOUSING, socket, 2-way (3)	CR CS CT CZ LC LE LH
27	72011-05	WIRE SEAL, 16-20 gauge (yellow) (6)	CR CS CT CZ LC LE LH
28	72024-08	TERMINAL, socket, 20-22 gauge (2)	CR CS CT CZ LC LE LH
29	72066-06A	SOCKET HOUSING, 4-way, female (black)	CR CS CT CZ LC LE LH
30	72076-00	TERMINAL, socket (4)	CR CS CT CZ LC LE LH
31	72077-00	SEAL PIN (10)	CR CS CT CZ LC LE LH
32	72094-06	TERMINAL, socket, 18 gauge (5)	CR CS CT CZ LC LE LH
33	72078-00	CONNECTOR KIT, 36 position socket	CR CS CT CZ LC LE LH

2012 MODEL IDENTIFICATION CODES

CR = XL883L
LH = XL1200CP

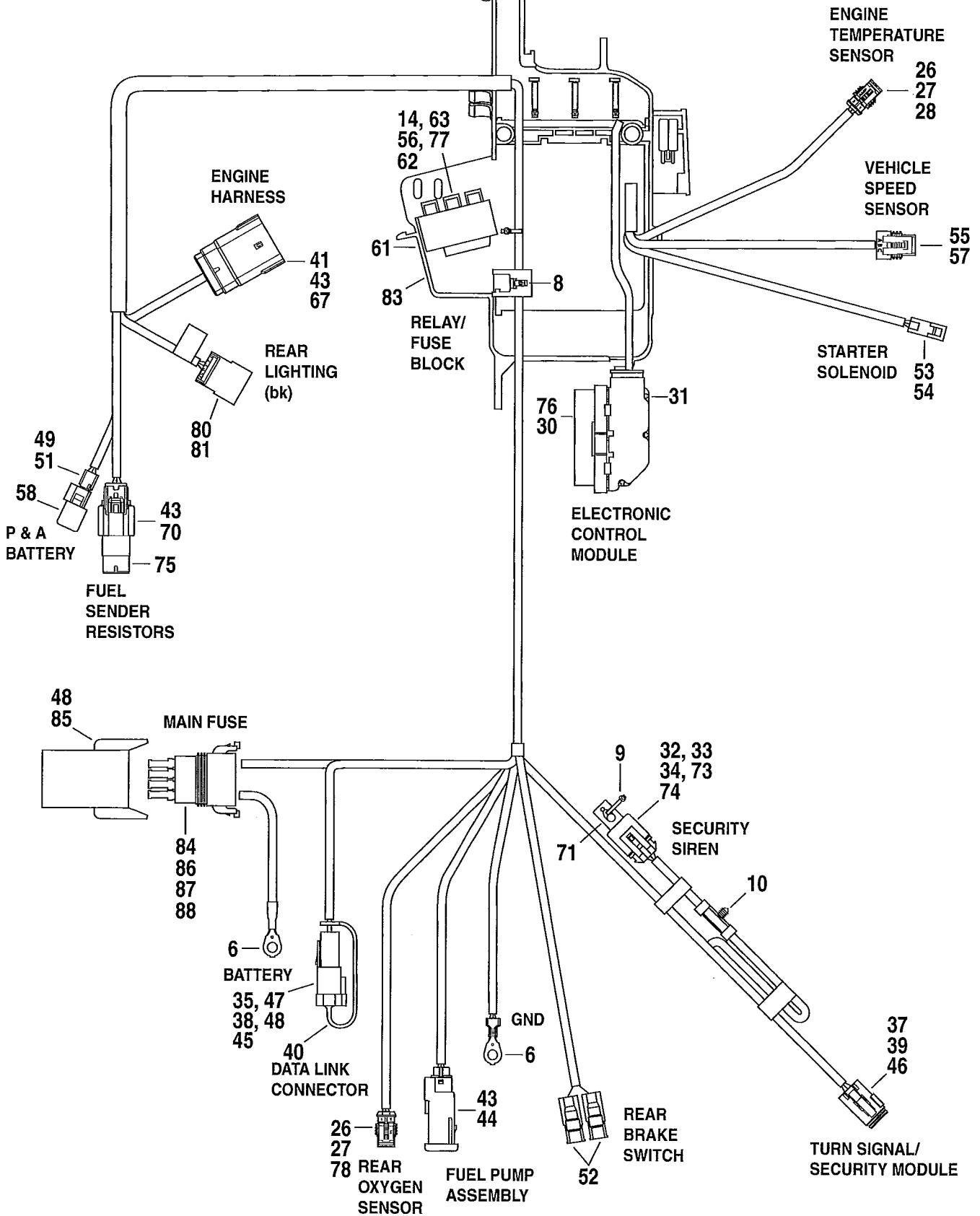
LE = XL883N
CZ = XL1200N

CS = XL883R
LC = XL1200X

CT = XL1200C
LD = XR1200X

WIRING HARNESS, MAIN - 883L/N/R, 1200C/CP/N/X

CONTINUED FROM
PREVIOUS PAGE



INDEX NO.	PART NO.	DESCRIPTION	MODEL(S)
	69200317	WIRING HARNESS, main (continued)	CR CS CT CZ LC LE LH
NOTE: Includes the following parts.			
34	72096-06	SEAL WIRE, 18-20 AWG (yellow) (3)	CR CS CT CZ LC LE LH
35	72124-94GY	SOCKET HOUSING, 4-way (gray)	CR CS CT CZ LC LE LH
36	72135-06	SECONDARY LOCK, 4-way, female (gray)	CR CS CT CZ LC LE LH
37	72139-94GY	SOCKET HOUSING, 12-way, w/ 72179-94 (gray)	CR CS CT CZ LC LE LH
38	72144-94	SECONDARY LOCK, 4-way	CR CS CT CZ LC LE LH
39	72159-94	SECONDARY LOCK, pin, 12-way	CR CS CT CZ LC LE LH
40	72164-94A	WEATHER PLUG, 4-way	CR CS CT CZ LC LE LH
41	72167-07BK	HOUSING, 16-way, pin (black)	CR CS CT CZ LC LE LH
42	72168-07	TERMINAL, socket, 18-20 gauge (26)	CR CS CT CZ LC LE LH
43	72169-07	TERMINAL, pin, 16-20 gauge (16)	CR CS CT CZ LC LE LH
44	72175-07BK	HOUSING, pin, 4-way (black)	CR CS CT CZ LC LE LH
45	72190-94	TERMINAL, pin, 16-18 gauge (3)	CR CS CT CZ LC LE LH
46	72191-94	TERMINAL, socket, 16-18 gauge (12)	CR CS CT CZ LC LE LH
47	72195-94	SEAL, pin, 4-way	CR CS CT CZ LC LE LH
48	72199-94	CONNECTOR ANCHOR (2)	CR CS CT CZ LC LE LH
49	72260-04	HOUSING, female, 1-way (gray)	CR CS CT CZ LC LE LH
50	72272-07	TERMINAL, socket, 14-16 gauge (6)	CR CS CT CZ LC LE LH
51	72289-04	TERMINAL, female, 10-12 gauge	CR CS CT CZ LC LE LH
52	72290-94	TERMINAL, insulated (2)	CR CS CT CZ LC LE LH
53	72291-94	TERMINAL, female spade, 14-16 gauge	CR CS CT CZ LC LE LH
54	72295-94	TERMINAL HOUSING, 1-way	CR CS CT CZ LC LE LH
55	72312-04	HOUSING, socket, 3-way	CR CS CT CZ LC LE LH
56	72330-95	FUSE, 15 amp (6)	CR CS CT CZ LC LE LH
57	72335-10	TERMINAL, socket, 20-22 gauge (3)	CR CS CT CZ LC LE LH
58	72378-04	CAP, red	CR CS CT CZ LC LE LH
59	72405-98BK	PUSH ON WIRE ASSEMBLY, right angle molded, w/ 60 in. wire lead (black)	CR CS CT CZ LC LE LH
60	72414-07BK	HOUSING, socket, 6-way (black)	CR CS CT CZ LC LE LH
61	72430-00	FUSEBLOCK MOUNTING, relay, 9 fuses	CR CS CT CZ LC LE LH
62	72434-00	TERMINAL, 14-16 gauge (12)	CR CS CT CZ LC LE LH
63	72441-04	TERMINAL, 12-14 gauge (2)	CR CS CT CZ LC LE LH

2012 MODEL IDENTIFICATION CODES

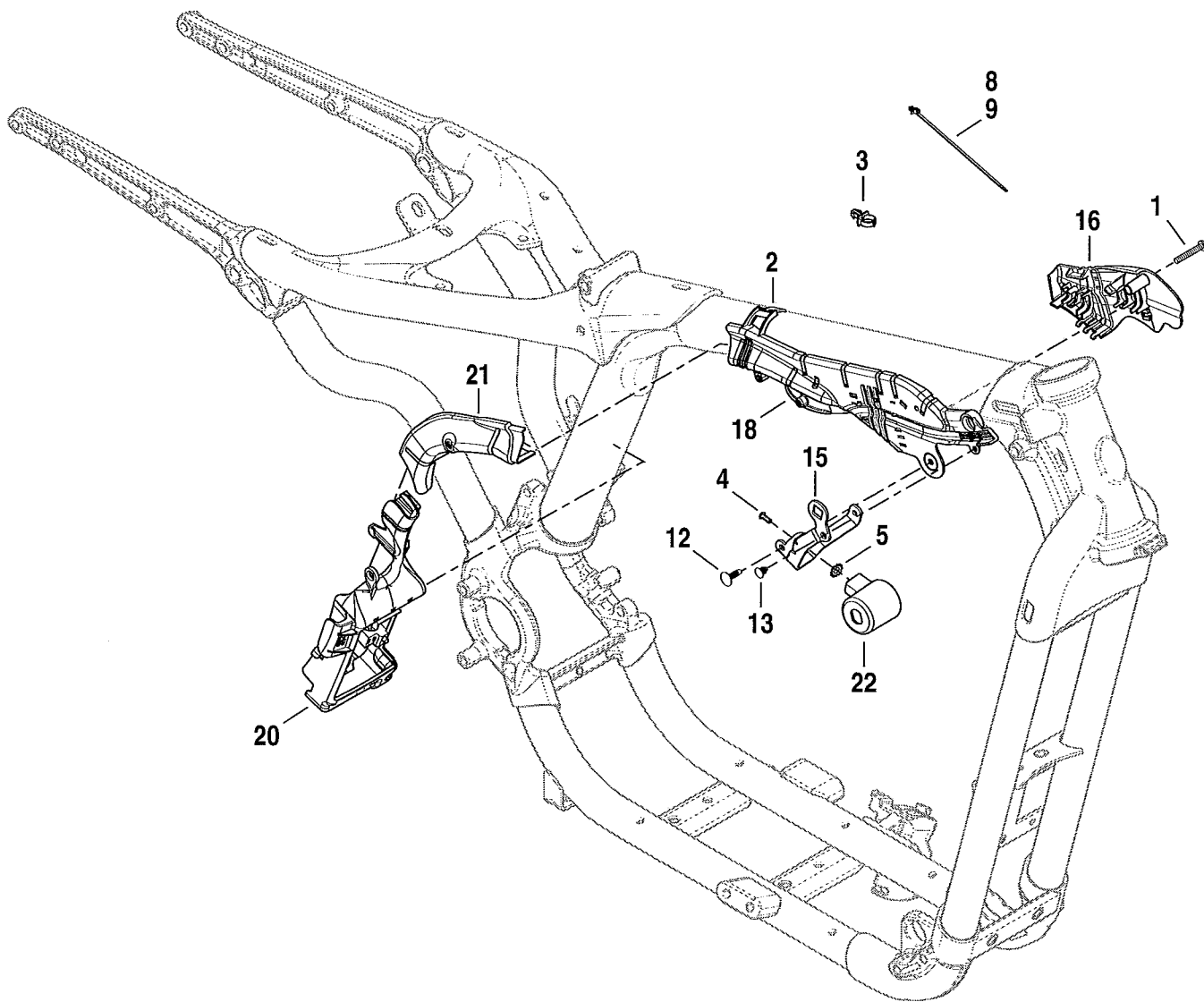
CR = XL883L
LH = XL1200CP

LE = XL883N
CZ = XL1200N

CS = XL883R
LC = XL1200X

CT = XL1200C
LD = XR1200X

WIRING HARNESS, MAIN - 883L/N/R, 1200C/CP/N/X



INDEX NO.	PART NO.	DESCRIPTION	MODEL(S)
	69200317	WIRING HARNESS, main (continued)	CR CS CT CZ LC LE LH
NOTE: Includes the following parts.			
64	72445-99TN	TERMINAL, female (tan)	CR CS CT CZ LC LE LH
65	72484-08	TERMINAL, socket, 20 gauge (2)	CR CS CT CZ LC LE LH
66	72469-07GY	HOUSING, socket, 8-way (gray)	CR CS CT CZ LC LE LH
67	72473-07	SEAL PIN (4)	CR CS CT CZ LC LE LH
68	72486-08	WIRE SEAL, 20 gauge (green) (4)	CR CS CT CZ LC LE LH
69	72487-07BK	HOUSING, socket, 12-way (black)	CR CS CT CZ LC LE LH
70	72512-07BK	HOUSING, socket, 3-way (black) (2)	CR CS CT CZ LC LE LH
71	72516-01	DUSTCAP	CR CS CT CZ LC LE LH
72	72519-09BK	DUSTCAP, 3-way socket	CR CS CT CZ LC LE LH
73	72543-07BK	SOCKET HOUSING, 3-way (black)	CR CS CT CZ LC LE LH
74	72544-07	SECONDARY LOCK, 3-way, female	CR CS CT CZ LC LE LH
75	72545-08	RESISTOR ASSEMBLY, fuel sender	CR CS CT CZ LC LE LH
76	72568-08	TERMINAL, socket, 20-22 gauge (22)	CR CS CT CZ LC LE LH
77	72592-10	TERMINAL, socket, 18 gauge (4)	CR CS CT CZ LC LE LH
78	72611-07	TERMINAL, socket, 16-20 gauge (4)	CR CS CT CZ LC LE LH
79	73104-96BK	CONNECTOR, 4-way (black)	CR CS CT CZ LC LE LH
80	73106-96BK	CONNECTOR, 6-way (black) (2)	CR CS CT CZ LC LE LH
81	73190-96	TERMINAL, pin, 20-16 gauge (16)	CR CS CT CZ LC LE LH
82	73213-07	RETAINER	CR CS CT CZ LC LE LH
83	73214-10	COVER ASSEMBLY, fuseblock	CR CS CT CZ LC LE LH
84	73301-04	HOUSING, 2-way, female	CR CS CT CZ LC LE LH
85	73302-04	COVER, maxi-fuse, fuse block	CR CS CT CZ LC LE LH
86	73303-04	SECONDARY LOCK, 2-way, female	CR CS CT CZ LC LE LH
87	73304-04	TERMINAL, female, 10 gauge (2)	CR CS CT CZ LC LE LH
88	73305-04	SEAL WIRE, 10 gauge (blue) (2)	CR CS CT CZ LC LE LH
89	74112-98BK	SOCKET HOUSING, 2-way (black)	CR CS CT CZ LC LE LH
90	74120-08	DC LEAD ASSEMBLY	CR CS CT CZ LC LE LH
91	74152-98	SECONDARY LOCK, 2-way	CR CS CT CZ LC LE LH
92	74191-98	SOCKET TERMINAL (2)	CR CS CT CZ LC LE LH

2012 MODEL IDENTIFICATION CODES

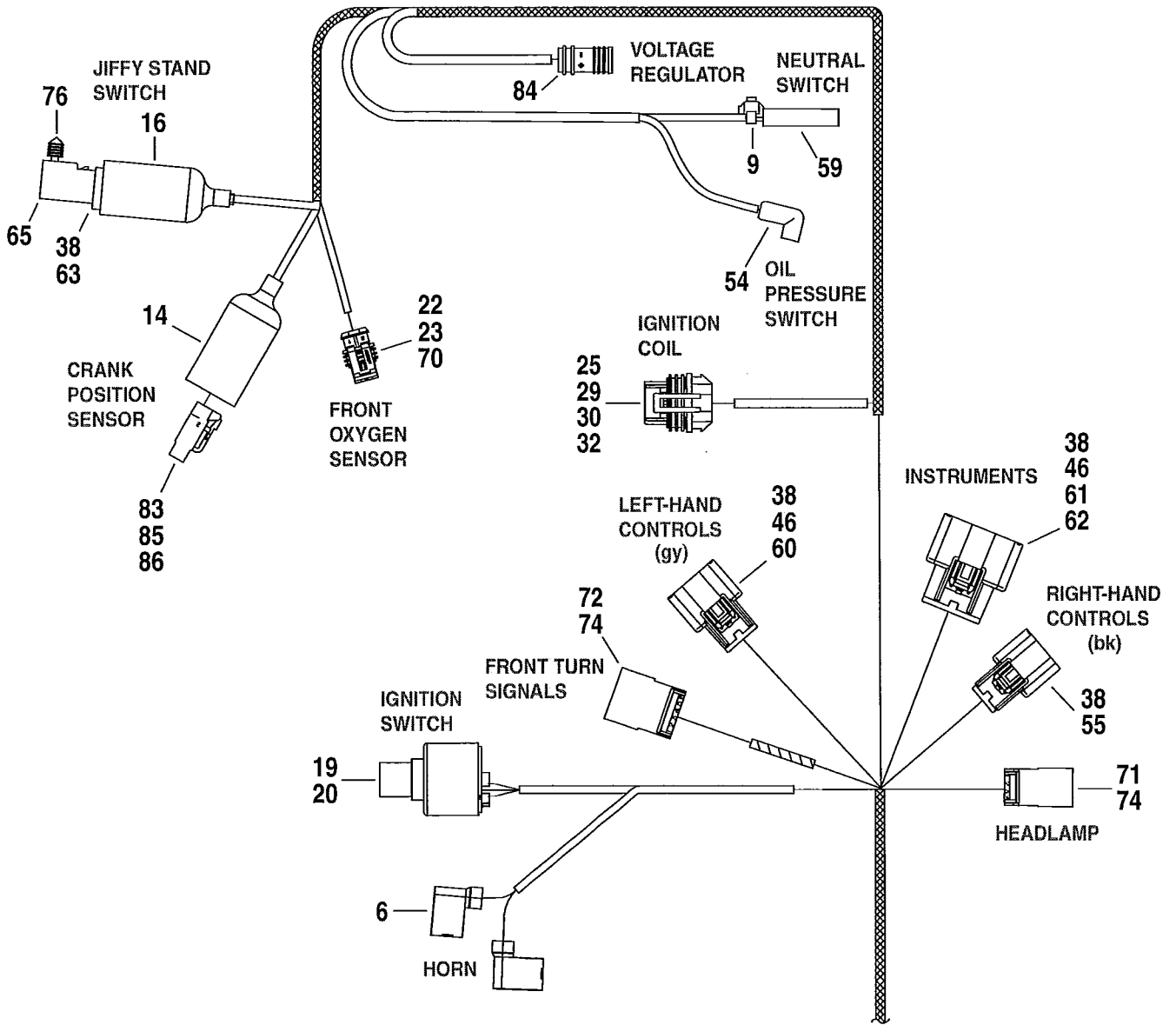
CR = XL883L
LH = XL1200CP

LE = XL883N
CZ = XL1200N

CS = XL883R
LC = XL1200X

CT = XL1200C
LD = XR1200X

WIRING HARNESS, MAIN - XR1200X



CONTINUED ON
NEXT PAGE

INDEX NO.	PART NO.	DESCRIPTION	MODEL(S)
1	56073-83	RETAINER, h-clip	LD
	69200316	WIRING HARNESS, main	LD
NOTE: Includes the following parts.			
2	3124	SCREW	LD
3	7220	LOCKWASHER	LD
4	9810	OVERMOLD, fuel tank, ground	LD
5	9838	TERMINAL RING, 1/4, 10-12 gauge (2)	LD
6	9898	TERMINAL FLAG (2)	LD
7	10006	CABLE STRAP (as required)	LD
8	10065	CABLE STRAP (as required)	LD
9	10279	CLIP, harness mount	LD
10	10287	CABLE STRAP (as required)	LD
11	31586-07	RELAY (2)	LD
12	31806-08A	BRACKET ASSEMBLY	LD
13	70368-08	WIRE HARNESS CADDY	LD
14	70598-99	BOOT, temperature sensor	LD
15	70632-08	CADDY COVER	LD
16	70664-08	BOOT, jiffy stand sensor	LD
17	71341-10	CADDY	LD
18	71510-04	HOUSING, ignition switch	LD
19	71550-94	LABEL, ignition switch	LD
20	71552-94	FACE NUT, ignition switch (2)	LD
21	72006-05	TERMINAL, 16-20 gauge (2)	LD
22	72007-05	HOUSING, socket, 2-way (3)	LD
23	72011-05	WIRE SEAL, 16-20 gauge (yellow) (6)	LD
24	72033-93	TERMINAL, socket, 16-20 gauge (3)	LD
25	72066-06A	SOCKET HOUSING, 4-way	LD
26	72076-00	TERMINAL, socket (27)	LD
27	72077-00	SEAL PIN (9)	LD
28	72078-00	KIT, connector, 36-position socket housing	LD
29	72094-06	TERMINAL, socket, female, 18 gauge (7)	LD
30	72096-06	SEAL WIRE, 18-20 AWG (yellow) (7)	LD

2012 MODEL IDENTIFICATION CODES

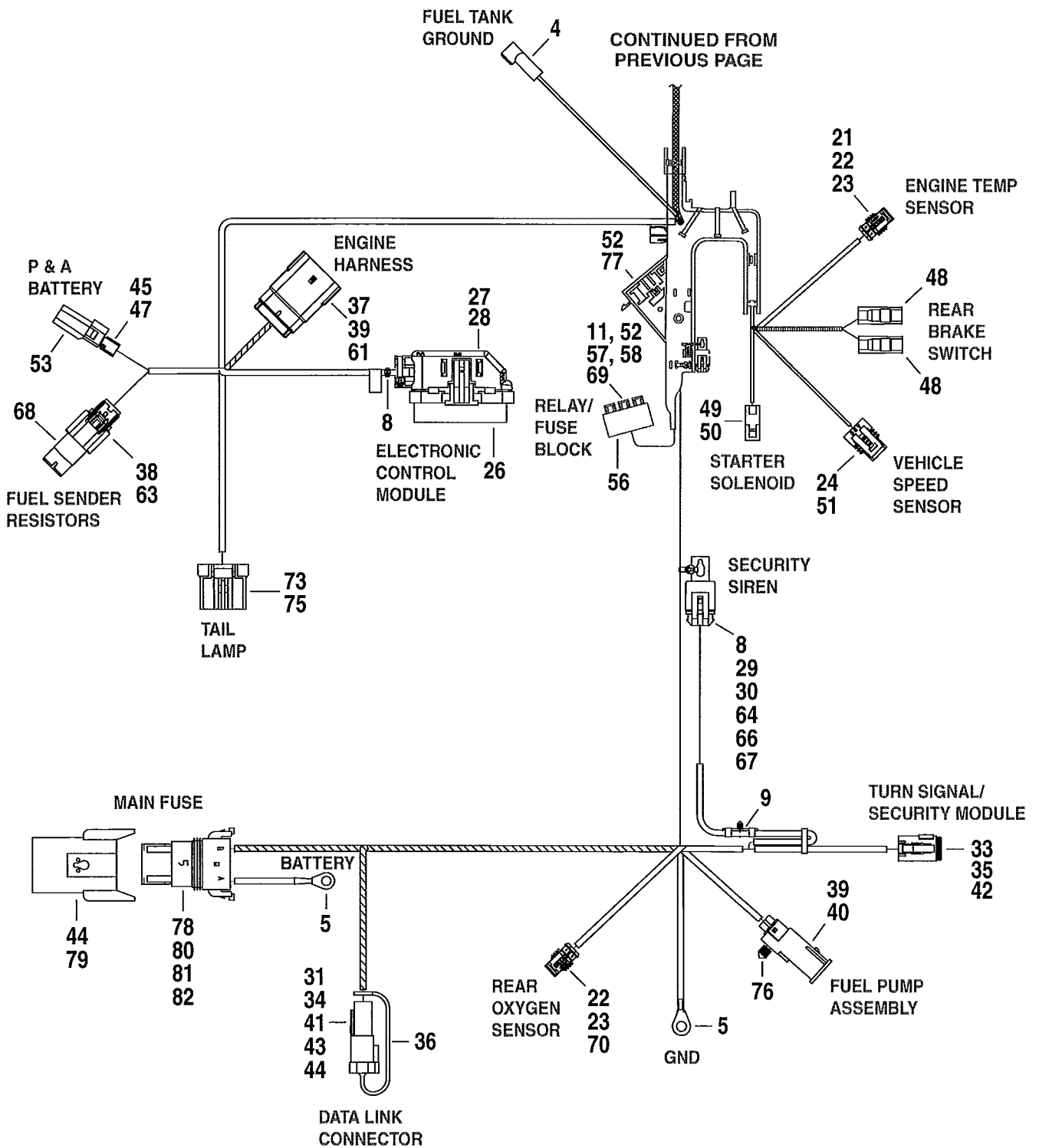
CR = XL883L
LH = XL1200CP

LE = XL883N
CZ = XL1200N

CS = XL883R
LC = XL1200X

CT = XL1200C
LD = XR1200X

WIRING HARNESS, MAIN - XR1200X



INDEX NO.	PART NO.	DESCRIPTION	MODEL(S)
	69200316	WIRING HARNESS, main (continued)	LD
NOTE: Includes the following parts.			
31	72124-94GY	SOCKET HOUSING, 4-way (gray)	LD
32	72135-06	SECONDARY LOCK, 4-way, female (gray)	LD
33	72139-94GY	SOCKET HOUSING, 12-way, w/ 72179-94 (gray)	LD
34	72144-94	SECONDARY LOCK, 4-way	LD
35	72159-94	SECONDARY LOCK, pin, 12-way	LD
36	72164-94A	WEATHER PLUG, 4-way	LD
37	72167-07BK	HOUSING, 16-way, pin (black)	LD
38	72168-07	TERMINAL, socket, 18-20 gauge (25)	LD
39	72169-07	TERMINAL, pin, 16-20 gauge (17)	LD
40	72175-07BK	HOUSING, pin, 4-way (black)	LD
41	72190-94	TERMINAL, pin, 16-18 gauge (3)	LD
42	72191-94	TERMINAL, socket, 16-18 gauge (12)	LD
43	72195-94	SEAL, pin, 4-way	LD
44	72199-94	CONNECTOR ANCHOR (2)	LD
45	72260-04	HOUSING, female, 1-way (gray)	LD
46	72272-07	TERMINAL, socket, 14-16 gauge (6)	LD
47	72289-04	TERMINAL, female, 10-12 gauge	LD
48	72290-94	TERMINAL, insulated (2)	LD
49	72291-94	TERMINAL, female spade, 14-16 gauge	LD
50	72295-94	TERMINAL HOUSING, 1-way	LD
51	72312-04	HOUSING, socket, 3-way	LD
52	72330-95	FUSE, 15-amp (6)	LD
53	72378-04	CAP, red	LD
54	72405-98BK	PUSH ON WIRE ASSEMBLY, right angle molded, w/ 60 in. wire lead (black)	LD
55	72414-07BK	HOUSING, socket, 6-way (black)	LD
56	72430-00	FUSEBLOCK MOUNTING, relay, 9 fuses	LD
57	72434-00	TERMINAL, 14-16 gauge (12)	LD
58	72441-04	TERMINAL, 12-14 gauge (2)	LD
59	72445-99TN	TERMINAL, female (tan)	LD
60	72469-07GY	HOUSING, socket, 8-way (gray)	LD

2012 MODEL IDENTIFICATION CODES

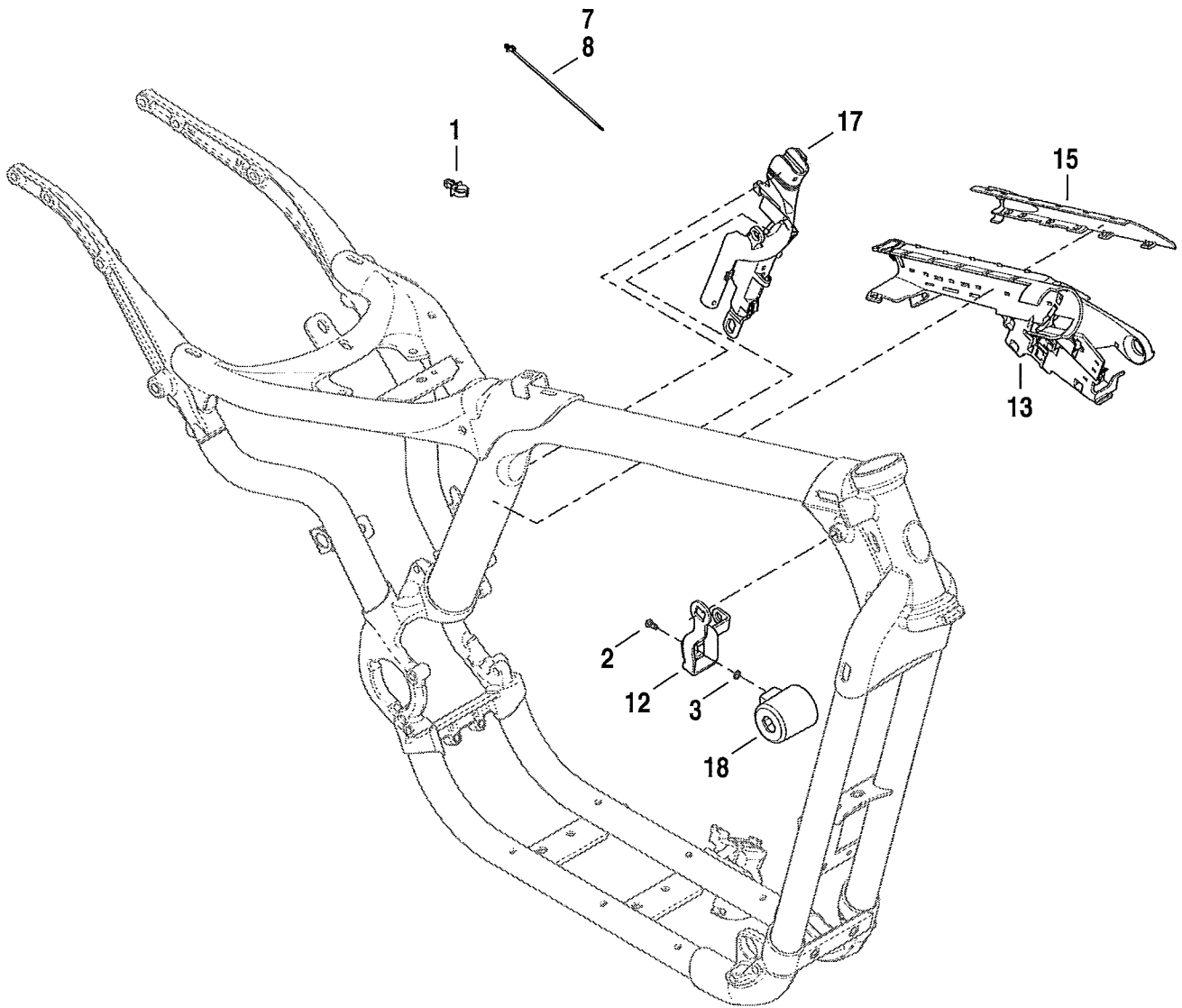
CR = XL883L
LH = XL1200CP

LE = XL883N
CZ = XL1200N

CS = XL883R
LC = XL1200X

CT = XL1200C
LD = XR1200X

WIRING HARNESS, MAIN - XR1200X



INDEX NO.	PART NO.	DESCRIPTION	MODEL(S)
	69200316	WIRING HARNESS, main (continued)	LD
NOTE: Includes the following parts.			
61	72473-07	SEAL PIN (4)	LD
62	72487-07BK	HOUSING, socket, 12-way (black)	LD
63	72512-07BK	HOUSING, socket, 3-way (black) (2)	LD
64	72516-01	DUSTCAP	LD
65	72519-09BK	CAP	LD
66	72543-07BK	HOUSING, socket, 3-way (black)	LD
67	72544-07	SECONDARY LOCK, 3-way, female	LD
68	72545-08	RESISTOR ASSEMBLY, fuel sender	LD
69	72592-10	TERMINAL, socket, 18 gauge (4)	LD
70	72611-07	TERMINAL, socket, 16-20 gauge (gold) (4)	LD
71	73104-96BK	CONNECTOR, 4-way (black)	LD
72	73106-96BK	CONNECTOR, 6-way (black)	LD
73	73156-96BK	SOCKET HOUSING, 6-way (black)	LD
74	73190-96	TERMINAL, pin, 16-20 gauge (10)	LD
75	73191-96	SOCKET TERMINAL, 16-20 awg (6)	LD
76	73213-07	RETAINER (2)	LD
77	73228-10	COVER, fuseblock	LD
78	73301-04	HOUSING, 2-way, female	LD
79	73302-04	COVER, maxi-fuse, fuse block	LD
80	73303-04	SECONDARY LOCK, 2-way, female	LD
81	73304-04	TERMINAL, female, 10 gauge (2)	LD
82	73305-04	SEAL WIRE, 10 gauge (blue) (2)	LD
83	74112-98BK	SOCKET HOUSING, 2-way (black)	LD
84	74120-08	DC LEAD ASSEMBLY	LD
85	74152-98	SECONDARY LOCK, 2-way	LD
86	74191-98	SOCKET TERMINAL (2)	LD

2012 MODEL IDENTIFICATION CODES

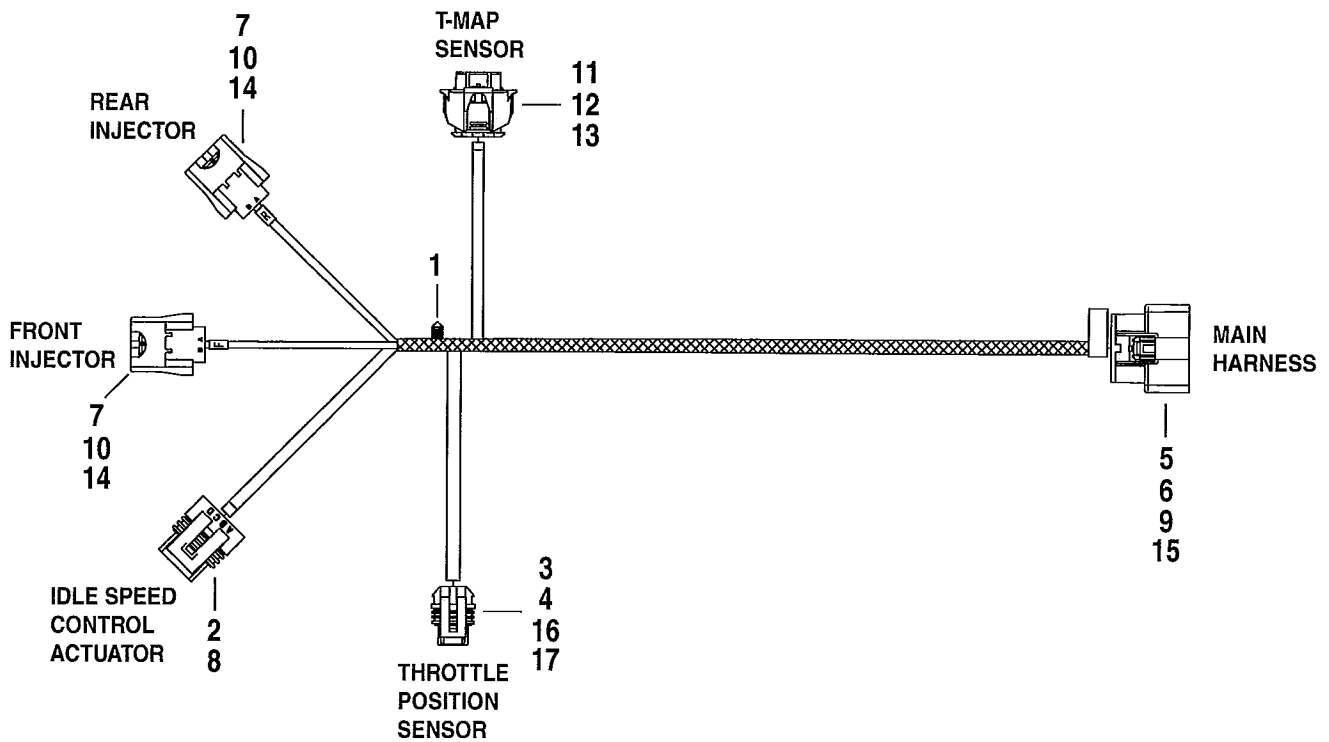
CR = XL883L
LH = XL1200CP

LE = XL883N
CZ = XL1200N

CS = XL883R
LC = XL1200X

CT = XL1200C
LD = XR1200X

WIRING HARNESS, ENGINE - 883L/N/R, 1200C/CP/N/X



WIRING HARNESS, ENGINE - 883L/N/R, 1200C/CP/N/X

INDEX NO.	PART NO.	DESCRIPTION	MODEL(S)
	70167-08A	WIRING HARNESS, engine	CR CS CT CZ LC LE LH
NOTE: Includes the following parts.			
1	10279	CLIP, harness mount	CR CS CT CZ LC LE LH
2	72033-93	TERMINAL, socket, 16-20 gauge (4)	CR CS CT CZ LC LE LH
3	72094-06	TERMINAL, socket, 18 gauge (3)	CR CS CT CZ LC LE LH
4	72096-06	SEAL WIRE, 18-20 AWG (yellow) (3)	CR CS CT CZ LC LE LH
5	72166-07BK	HOUSING, 16-way, socket (black)	CR CS CT CZ LC LE LH
6	72168-07	TERMINAL, socket, 18-20 gauge (10)	CR CS CT CZ LC LE LH
7	72251-07	SECONDARY LOCK, 2-way (2)	CR CS CT CZ LC LE LH
8	72263-95	HOUSING, 4-way, socket (black)	CR CS CT CZ LC LE LH
9	72272-07	TERMINAL, socket, 14-16 gauge (2)	CR CS CT CZ LC LE LH
10	72402-07	HOUSING, 2-way, socket (black) (2)	CR CS CT CZ LC LE LH
11	72406-07A	HOUSING, 4-way, socket	CR CS CT CZ LC LE LH
12	72407-07	TERMINAL, socket, 16-20 gauge (4)	CR CS CT CZ LC LE LH
13	72408-07	SEAL WIRE, 16-20 gauge (blue) (4)	CR CS CT CZ LC LE LH
14	72413-07	TERMINAL, socket, 18-20 gauge (4)	CR CS CT CZ LC LE LH
15	72473-07	SEAL PIN (4)	CR CS CT CZ LC LE LH
16	72543-07BK	HOUSING, 3-way, socket (black)	CR CS CT CZ LC LE LH
17	72544-07	SECONDARY LOCK, 3-way	CR CS CT CZ LC LE LH

2012 MODEL IDENTIFICATION CODES

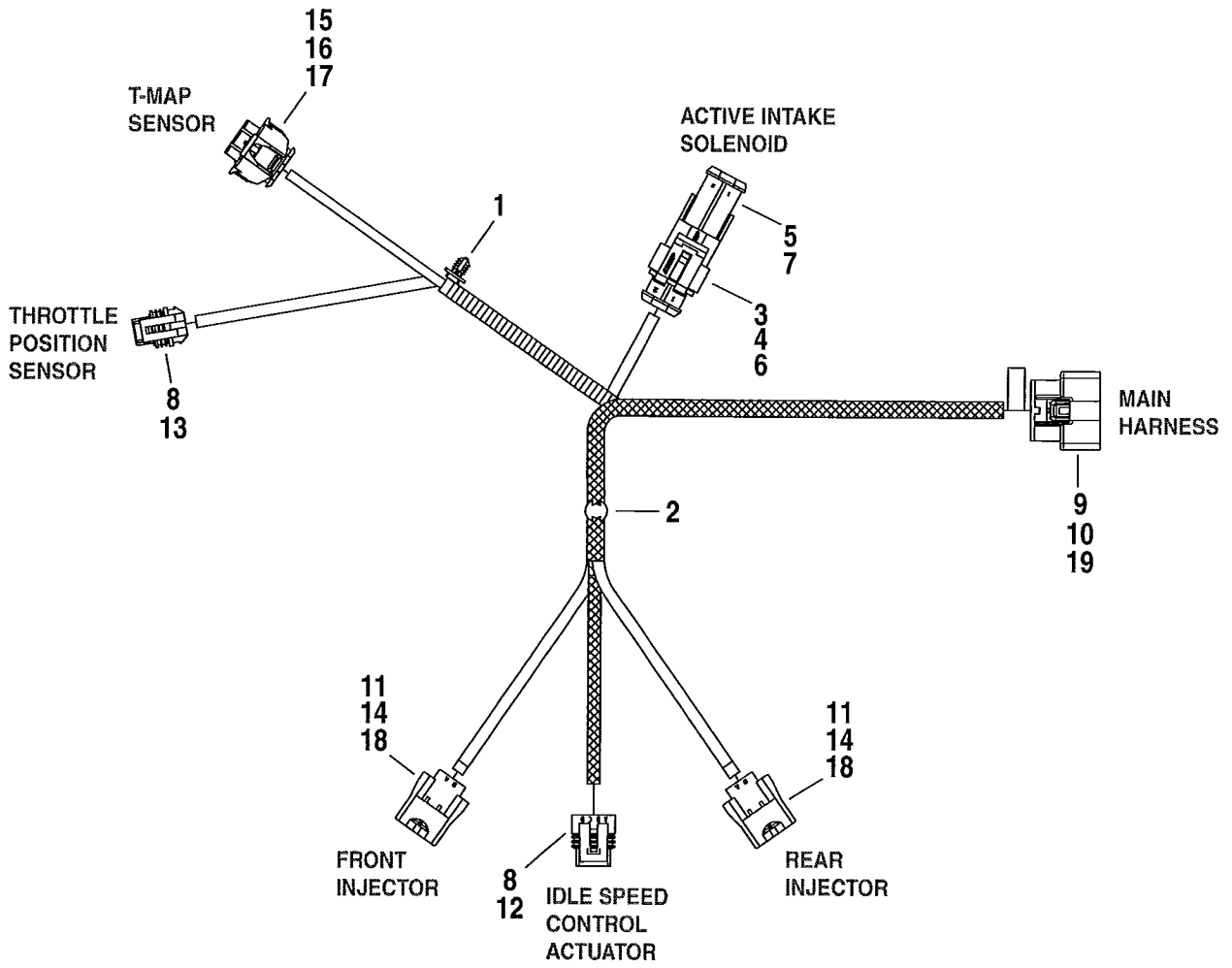
CR = XL883L
LH = XL1200CP

LE = XL883N
CZ = XL1200N

CS = XL883R
LC = XL1200X

CT = XL1200C
LD = XR1200X

WIRING HARNESS, ENGINE - XR1200X



INDEX NO.	PART NO.	DESCRIPTION	MODEL(S)
	70163-10	WIRING HARNESS, engine	LD
NOTE: Includes the following parts.			
1	10177	CABLE STRAP (as required)	LD
2	10279	CLIP	LD
3	72006-05	TERMINAL, socket, 16-20 gauge (2)	LD
4	72007-05	HOUSING, socket, 2-way	LD
5	72009-05	HOUSING, pin, 2-way	LD
6	72011-05	WIRE SEAL, 16-20 gauge (yellow) (2)	LD
7	72014-07	SEAL PIN (2)	LD
8	72033-93	TERMINAL, socket, 16-20 gauge (4)	LD
9	72166-07BK	HOUSING, socket, 16-way (black)	LD
10	72168-07	TERMINAL, socket, 18-20 gauge (14)	LD
11	72251-07	SECONDARY LOCK, 2-way (2)	LD
12	72263-95	HOUSING, 4-way, socket (black)	LD
13	72312-04	HOUSING, 3-way, socket	LD
14	72402-07	HOUSING, 2-way, socket (black) (2)	LD
15	72406-07	HOUSING, 4-way, socket	LD
16	72407-07	TERMINAL, socket, 16-20 gauge (4)	LD
17	72408-07	SEAL WIRE, 16-20 gauge (blue) (4)	LD
18	72413-07	TERMINAL, socket, 18-20 gauge (4)	LD
19	72473-07	SEAL PIN (2)	LD

2012 MODEL IDENTIFICATION CODES

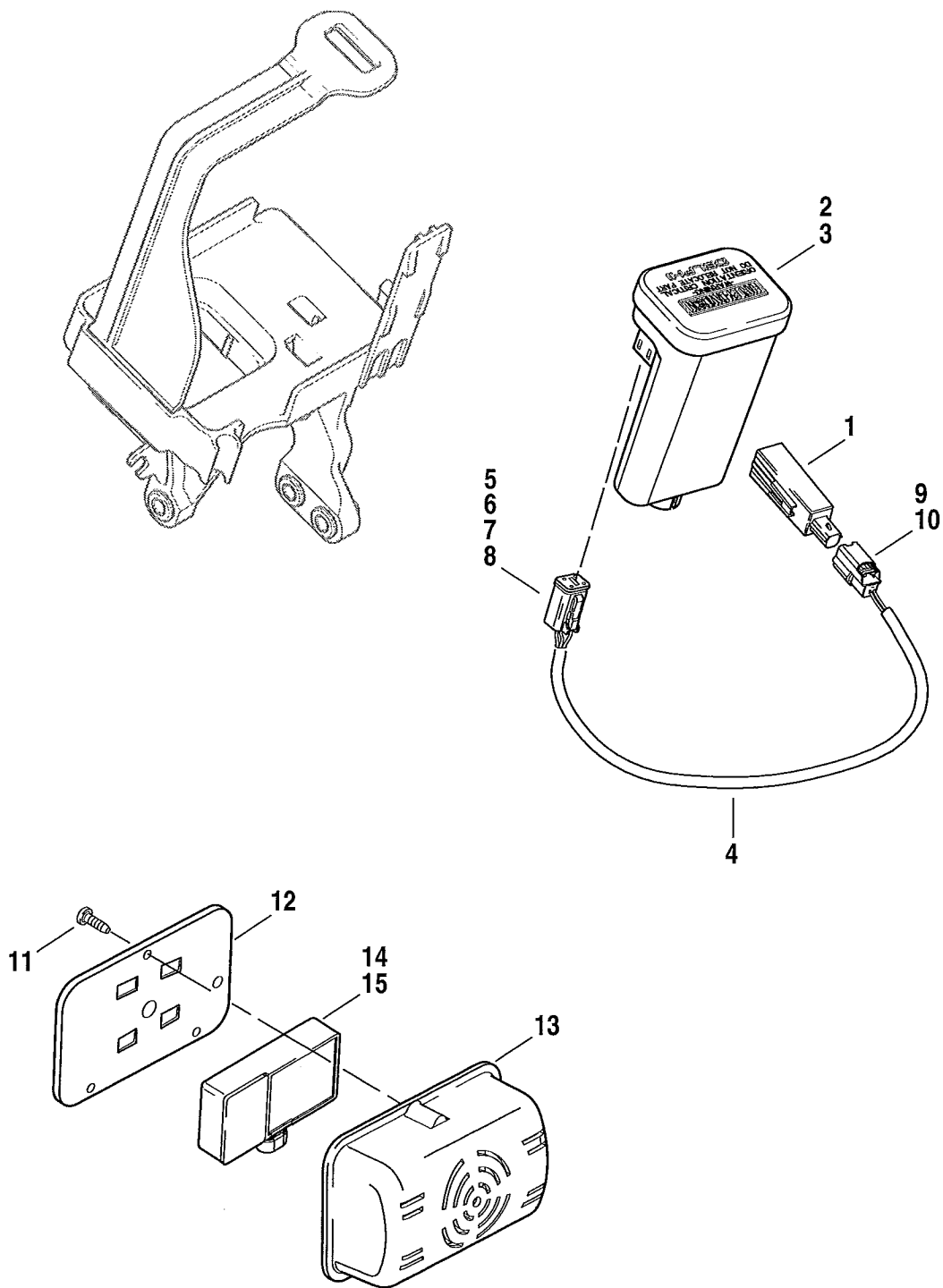
CR = XL883L
LH = XL1200CP

LE = XL883N
CZ = XL1200N

CS = XL883R
LC = XL1200X

CT = XL1200C
LD = XR1200X

TURN SIGNAL MODULE & SECURITY SIREN



INDEX NO.	PART NO.	DESCRIPTION	MODEL(S)
1	68956-07	ANTENNA MODULE, security system	ALL
2	68920-07	TURN SIGNAL MODULE, standard	ALL
3	68924-07	MODULE, security system	ALL
4	70617-07	HARNESS, security module w/ 5, 6, 7, 8, 9, 10	LD
	70619-07	HARNESS, security module w/ 5, 6, 7, 8, 9, 10	CR CS CT CZ LC LE LH
5	72114-94BK	HOUSING, 4-way (black)	ALL
6	72154-94	LOCK, secondary, 4-way	ALL
7	72191-94	TERMINAL, socket, 16-18 gauge (3)	ALL
8	72195-94	SEAL, pin, 4-way	ALL
9	72720-07	HOUSING, socket, 2-way	ALL
10	72721-07	TERMINAL, socket, 18-20 gauge	ALL
INTERNATIONAL MODELS ONLY			
11	3732	SCREW (HDI) (3)	ALL
12	66523-06	PLATE, siren mounting bracket (HDI)	ALL
13	66524-06	COVER, siren (HDI)	ALL
14	68958-07C	SIREN (HDI)	ALL
15	69309-10	BATTERY REPLACEMENT KIT, siren	ALL

2012 MODEL IDENTIFICATION CODES

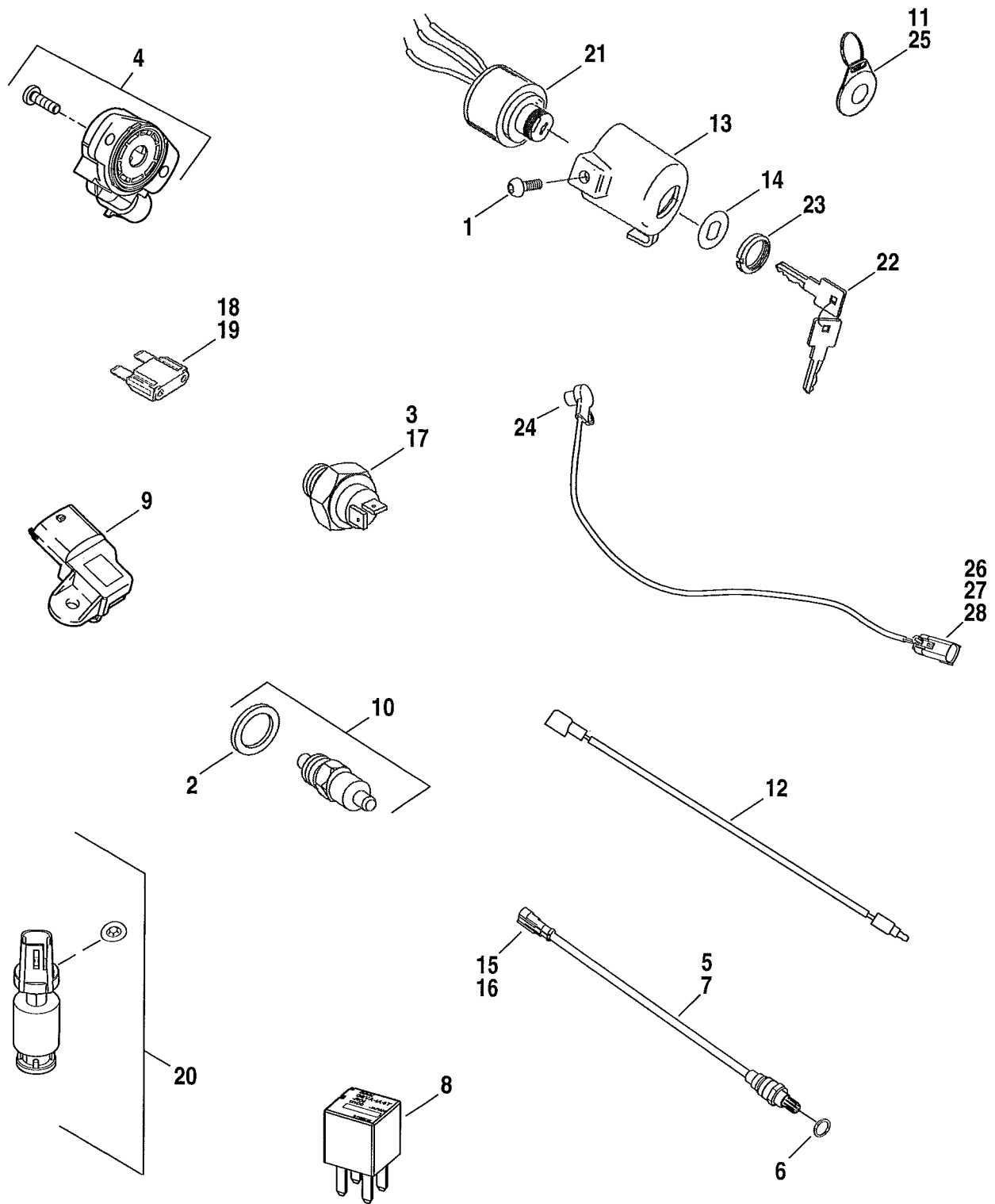
CR = XL883L
LH = XL1200CP

LE = XL883N
CZ = XL1200N

CS = XL883R
LC = XL1200X

CT = XL1200C
LD = XR1200X

SWITCHES



INDEX NO.	PART NO.	DESCRIPTION	MODEL(S)
1	3658	SCREW	ALL
2	6288	WASHER	CZ
3	9907	TERMINAL, wire (2)	ALL
4	27629-01A	THROTTLE POSITION SENSOR KIT	ALL
5	27690-08	SENSOR, oxygen, w/ 27714-06, 72009-05, 72011-05 (2)	LD
6	27714-06	SEAL RING (2)	ALL
7	27719-07	SENSOR, oxygen, w/ 27714-06, 72009-05, 72011-05 (2)	CR CS CT CZ LC LE LH
8	31586-07	RELAY (2)	ALL
9	32319-07	T-MAP SENSOR	ALL
10	33900-99	SWITCH, neutral indicator, w/ washer	ALL
11	68926-07	FOB, remote control	ALL
12	70247-07	JUMPER WIRE, neutral switch	ALL
13	71510-04	HOUSING, ignition switch	ALL
14	71550-94	LABEL, ignition switch	ALL
15	72009-05	HOUSING, 2-way pin (2)	ALL
16	72011-05	WIRE SEAL, 16-20 gauge (yellow) (4)	ALL
17	72023-51D	BRAKE LIGHT SWITCH, w/ 9907	ALL
18	72318-04	FUSE, 30A	ALL
19	72330-95	FUSE, 15A (6)	ALL
20	75302-07B	SENSOR, fuel level	ALL
21	71400058	IGNITION SWITCH, w/ 90300035 & 90300036 (specify key code)	ALL
22	90300035	KEY SET, w/ tumbler (specify key code)	ALL
23	90300036	FACE NUT, ignition switch (2)	ALL
	90300037	LOCKSET ASSEMBLY, complete (specify key code) (not shown)	ALL

INTERNATIONAL MODELS ONLY

24	50126-08A	SENSOR, jiffystand (HDI, England) w/ 72169-07, 72511-07BK, 73213-07	ALL
25	68939-00	FOB, remote control (Japan)	ALL
26	72169-07	TERMINAL, pin, 16-20 gauge (HDI, England) (3)	ALL
27	72511-07BK	HOUSING (HDI, England)	ALL
28	73213-07	RETAINER (HDI, England)	ALL

2012 MODEL IDENTIFICATION CODES

CR = XL883L
LH = XL1200CP

LE = XL883N
CZ = XL1200N

CS = XL883R
LC = XL1200X

CT = XL1200C
LD = XR1200X

LABELS

3

<p>⚠ WARNING</p> <p>Battery Removal Sparks can cause battery explosion. Death or serious injury could occur.</p> <p>To avoid sparks:</p> <ul style="list-style-type: none"> • Disconnect negative battery cable first. • Keep cable away from all metal parts. • Do not allow red marked positive battery cables to touch metal motorcycle parts with negative cable connected. • If vehicle is equipped with optional security alarm, verify that fob is present and turn ignition key to IGNITION before removing main fuse or disconnecting battery. <ol style="list-style-type: none"> 1. Unscrew nut and remove negative battery cable from crankcase stud (see Figure 1). Keep end of negative battery cable away from all metal parts. 2. Unscrew bolt and remove red marked positive battery cables from battery positive (+) terminal. 3. Unscrew bolt and remove battery hold-down strap. 4. Slide battery out until the battery negative (-) terminal is accessible. Disconnect the negative cable at the battery (-) terminal. Leave the cable on the vehicle. 	<p>⚠ WARNING</p> <p>Battery Installation Sparks can cause battery explosion. Death or serious injury could occur.</p> <p>To avoid sparks:</p> <ul style="list-style-type: none"> • Connect red marked positive battery cables first. Do not allow non-marked positive battery cables to touch metal motorcycle parts with negative cable connected. • While connecting the red-marked positive battery cables, keep negative cable away from metal parts. <p>FIGURE 1</p>	<p>CAUTION</p> <p>Failure to connect cables to the correct battery terminals could cause damage to the motorcycle electrical system.</p> <p>Over-tightening battery terminal bolts could cause damage to battery terminals. Use recommended torque values.</p> <ol style="list-style-type: none"> 1. Place the fully charged battery into the battery tray. 2. Insert bolt through negative battery cable and into threaded hole of battery negative (-) terminal. Tighten bolt to 50-70 in-lbs (6.2-7.9 Nm). Keep negative cable away from metal parts and the ground stud until the red marked positive cables are attached. 3. Insert bolt through red marked positive battery cables and into threaded hole of battery positive (+) terminal. Tighten bolt to 50-70 in-lbs (6.2-7.9 Nm). 4. Place the negative battery cable onto ground stud. Press cable connector against cable stop on crankcase. Tighten nut to 85-75 in-lbs (6.2-6.5 Nm). <p>XXXXXX-XX</p>
---	---	---

1

⚠ WARNING

A connected battery can cause a spark or motorcycle startup while servicing. Death or serious injury could occur.

- Disconnect negative cable before servicing.
- Keep cable away from terminal while servicing.

XXXXXX-XX

2

⚠ WARNING

Motorcycles are different from other vehicles. They operate, steer, handle and brake differently. Unskilled or improper use could result in loss of control, death or serious injury.

- Take a rider training course.
- Read Owner's Manual before riding, adding accessories or servicing.
- Wear a helmet, eye protection and protective clothing.
- Never tow a trailer.

To be removed by customer only.

XXXXXX-XX

5

1 - (N) - 2 - 3 - 4 - 5

4

⚠ WARNING

Motorcycles are different from other vehicles. They operate, steer, handle and brake differently. Unskilled or improper use could result in loss of control, death or serious injury.

- Take a rider training course.
- Read Owner's Manual before riding, adding accessories or servicing.
- Wear a helmet, eye protection and protective clothing.
- Never tow a trailer.

For a manual, find nearest dealer at 1-800-443-2153 or www.harley-davidson.com

XXXXXX-XX

INDEX NO.	PART NO.	DESCRIPTION	MODEL(S)
1	15368-01A	LABEL, battery warning	ALL
2	15370-01A	LABEL, mirror warning	ALL
3	15376-06A	LABEL, battery removal	ALL
4	29127-95B	LABEL, general warning, air cleaner	CR CT LH
	29147-07	LABEL, air cleaner	CS CZ LC LE
	29466-08	LABEL, air cleaner	LD

INTERNATIONAL MODELS ONLY

5	14270-92	LABEL, shift (Japan)	ALL
---	----------	----------------------	-----

NOTE: When ordering any V.I.N., Emissions, or Noise Labels you must contact your local dealer with the V.I.N. number and model year of your motorcycle and the label type needed. Replacement V.I.N. and Emissions labels can only be ordered for warranty purposes through h-dnet Service eForm.

2012 MODEL IDENTIFICATION CODES

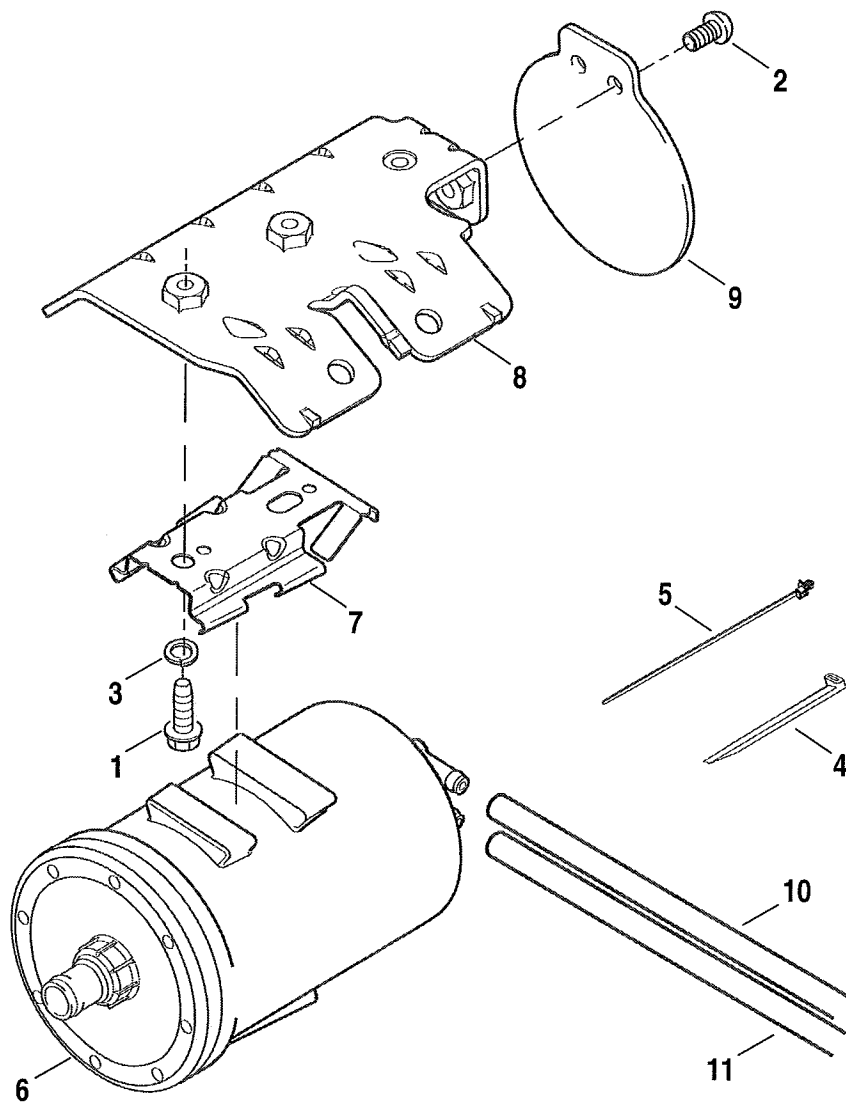
CR = XL883L
LH = XL1200CP

LE = XL883N
CZ = XL1200N

CS = XL883R
LC = XL1200X

CT = XL1200C
LD = XR1200X

EVAPORATIVE EMISSIONS COMPONENTS



INDEX NO.	PART NO.	DESCRIPTION	MODEL(S)
NOTE: These parts are required for motorcycles sold in the state of California.			
NOTE: These parts are required for motorcycles sold in Asia-Pacific markets.			
1	3767B	BOLT (2)	ALL
2	4363	SCREW (2)	ALL
3	6099	WASHER (2)	ALL
4	10006	CABLE STRAP (as required)	ALL
5	10177	CABLE STRAP (as required)	ALL
6	27042-84A	CANNISTER	ALL
7	27047-84B	BRACKET, mounting	ALL
8	28908-04A	BRACKET	ALL
9	28909-04	GUARD	ALL
10	28822-07A	HOSE, canister-to-manifold	ALL
11	28911-04A	HOSE, canister-to-vapor valve	ALL

2012 MODEL IDENTIFICATION CODES

CR = XL883L
LH = XL1200CP

LE = XL883N
CZ = XL1200N

CS = XL883R
LC = XL1200X

CT = XL1200C
LD = XR1200X

HARDWARE LIST

PART NO.	DESCRIPTION	PART NO.	DESCRIPTION
1028	SCREW, 5/16-18 X 2-1/2 SEMS socket hd., w/lockpatch	3085	SCREW, 1/4-20 X 1/2 w/washer
1039	SCREW, 5/16-18 X 2-1/2 hex flange hd. (Grade 8)	3123	SCREW, 10-14 X 1.0 torx pan hd.
1048	SCREW, 5/16-18 X 1-1/2 hex flange hd.	3124	SCREW, 10-24 X 1/2 torx pan hd. w/lock patch
1081A	SCREW, 10-24 X 0.895 SEMS pan hd.	3162	SCREW, 5/16-18 X 1-1/4 hex hd
1091	SCREW, 10-24 X 9.5 SEMS socket hd.	3210A	SCREW, 5/16-18 X 1-1/4 knurled hd.
1751	SCREW, No. 1/4-20 X 3.0 hex socket	3214	SCREW, 3/8-16 X 1-1/4 socket hd., thread-cutting
2325	SCREW, No. 6 X 3/4 cross recess pan hd., self-tapping	3244	SCREW, M8 X 1.25 X 12
2361	SCREW, No. 8-32 X 3/8 socket countersink hd., w/lockpatch	3480A	SCREW, 1/4-20 X 1-3/4 knurled hd. (Grade 8)
2362	SCREW, No. 10 X 3/4 hex hd., self-tapping	3485A	SCREW, 5/16-18 X 1-3/4 knurled hd. (Grade 8)
2407	SCREW, No. 8 X 1/2 pan hd., Phillips drive, plastite	3514	SCREW, No. 8-32 X 1 fillister hd. (Grade 5)
2441	SCREW, No. 10-24 X 1/2 TORX pan hd.	35211-91B	NUT, 1-1/2-24 X .350 X 1-7/8 hex hd.
2445	SCREW, 1/4-20 X 9/16 button hd.	3563	SCREW, 1/4-20 X 3/8 hex flange hd. (Grade 5)
2446	SCREW, 1/4-20 X 5/8 TORX socket button hd.	3574	SCREW, 1/4-20 X 3/4 flange
2460	SCREW, 5/16-18 X 1/2 socket countersink hd.	3579A	SCREW, 1/4-28 X 1/4 SEMS hex hd., self-tapping (Grade 2)
2481M	SCREW, M5 X 0.8 X 16 TORX hd., self-tapping	3588	SCREW, 1/4-20 X 1/2 hex flange hd.
2486	SCREW, 1/4-20 X 1 hex socket, SEMS/Lock	3594	SCREW, 1/4-20 X 5/8 knurled hd. (Grade 8)
2487	SCREW, 6-32 X 3/8 hex washer head, self-tapping	3605	BOLT, 1/2-13 X 2-1/2 hex hd. (Grade 5)
2501A	SCREW, No. 8-32 X 3/8 hex hd., self-tapping	3615	SCREW, No. 8-32 X 1, pan hd., thread-cutting
2508	SCREW, No. 10-32 X 1/2 socket hd.	3655A	SCREW, 5/16-18 X 7/8 TORX pan hd., w/lockpatch (Grade 8)
2513	SCREW, 1/4-20 X 1-1/4 socket hd. (black)	3658	SCREW, No. 10-24 X 1/2 TORX hd. (Grade 5)
2535	SCREW, 5/16-18 X 1 socket hd.	3666A	SCREW, No. 10-24 X 1.500 TORX recessed hd., w/washer
2586A	SCREW, M4 X 0.7 X 12 flat hd.	3696	SCREW, 5/16 X 3/4 TORX pan hd. (Grade 5)
2607	SCREW, 1/4-20 X 3/4 Pozidriv pan hd. (Grade 2)	3706M	SCREW, M6 X 1.0 X 20 hex hd.
2612	SCREW, No. 8-32 X 1/2 Pozidriv pan hd. (Grade 2)	3708M	SCREW, M6 X 1.0 X30 hex hd.
2653	SCREW, No. 10-24 X 7/8 fillister hd.	3731M	SCREW, M6 X 1.0 X 12 socket button hd., w/lockpatch
2708A	SCREW, 5/16-18 X 1 socket hd.	3732	SCREW, 3/16-16 X 5/8 TORX pan hd.
2773	SCREW, 1/4-20 X 1/2 Pozidriv pan hd. (Grade 2)	3767B	BOLT, 1/4-20 X 5/8 hex hd. (Grade 5)
2872W	BOLT, 1/4-20 X 1-1/2 hex hd. (Grade 5)	3802W	BOLT, 1/4-20 X 7/8 hex hd. (Grade 5)
2952A	SCREW, 1/4-20 X 1/2 SEMS truss hd.	3814	SCREW, 7/16-14 X 1-3/4 hex hd., w/washer (Grade 8)
2955	SCREW, No. 6-32 X 1/4 Phillips pan hd., w/lockwasher	3849	SCREW, 1/4-20 X 1-1/4 SEMS hex hd. (Grade 8)
3018A	SCREW, 10-24 X 3/8 TORX hd	3854	SCREW, 7/16-14 X 1, hex hd. (Grade 8)
3022A	SCREW, 1/4-20 X 5/8 socket fillister hd., w/lockpatch	3880	SCREW, 1/2-13 X 2-1/4 TORX recessed button hd.
3026	SCREW, No. 10-32 X 1/2 socket button hd.	3899	SCREW, 7/16-14 X 1-3/4 hex hd., w/lockpatch
3029	SCREW, No. 10-24 X 1 TORX hd., w/adhesive	3976	SCREW, 1/4-20 X 1 hex flange hd. (Grade 5)
3048	SCREW, No. 10-24 X 3/8 hex button hd.	3987	BOLT, 5/16-18 X 3/4 hex hd. (Grade 5)
3056	SCREW, 3/8-16 X 1-1/2 TORX button hd.	4016	SCREW, 5/16-18 X 1.0 socket button hd.
3059	SCREW, 10-24 X 1/2 hex flat hd.	4017	BOLT, 5/16-18 X 1 hex hd. (Grade 5)
3060	SCREW, 10-24 X 3/4 hex flat hd.	4029A	SCREW, 3/8-16 X 2-1/4 socket hd. (black)
		4032A	SCREW, 3/8-16 X 2-1/2 socket hd.
		4076	SCREW, 3/8-16 X 1/2 socket hd.

HARDWARE LIST

PART NO.	DESCRIPTION	PART NO.	DESCRIPTION
4091	SCREW, No. 10-24 X 1/2 hex hd., w/washer, self-tapping (zinc)	4751	SCREW, 1/4-20 X 3/4 hex hd., w/lockpatch (Grade 8) (zinc)
41191-74A	SCREW, 1/2-20 X 5/8 hex socket flat hd., w/lockpatch	4758A	SCREW, 5/16-18 X 3.48 socket hd. (Grade 8)
4132	SCREW, 1/4-20 X 1-1/8 TORX button hd. (Grade 5) (black)	4765	SCREW, 1/4-20 X 2-5/8 SEMS socket hd., w/lockpatch (Grade 8) (zinc)
4180	SCREW, 3/8-16 X 1-1/2 TORX button hd.	4771	SCREW, 5/16-18 X 4-1/4 socket hd. (Grade 5)
4188	SCREW, 3/8-16 X 1-1/4 TORX button hd.	4778	SCREW, 5/16-18 X 1-3/8 TORX button hd.
4240	SCREW, No. 10-24 X 3/16 hex hd., w/washer	4779	SCREW, 5/16-18 X 1-3/4 TORX button hd.
4250M	SCREW, M8 X 1.25 X 25 hex socket hd. cap	4798	SCREW, 1/4-20 X 5/8
4266A	SCREW, 3/8-16 X 7/8 button hd. (Grade 5)	4816A	SCREW, 5/16-18 X 1-1/2 socket hd.
4269	SCREW, 5/16-18 X 3/4, flange hd.	4820A	SCREW, 1/4-20 X 2 socket hd.
4290	SCREW, 3/8-16 X 1-1/4, TORX button hd. (Grade 5)	4822A	SCREW, 1/4-20 X 2-3/4 knurled hd., w/lockpatch
4312C	SCREW, M6 X 1.0 X 14mm, SEMS flange hd. (stainless)	4859	SCREW, 5/16-18 X 2.0 hex flange hd.
4326A	SCREW, 5/16-18 X 2 socket hd.	4871	SCREW, 1/4-20 X 29/64 flange hd.
4329	SCREW, 1/4-20 X 3/4 hex hd. w/washer, self-tapping	4897	SCREW, 1/4-20 X 5/8 TORX socket button hd. (black)
4350A	SCREW, 3/8-16 X 1-1/2 socket hd.	4975M	SCREW, M6 X 1.0 X 20 hex socket hd cap w/lock patch
4351	SCREW, 3/8-16 X 1-1/2 TORX hd., self-tapping (Grade 8)	4978	SCREW, 5/16-18 X 1.5 hex socket hd cap
4352	SCREW, 3/8-16 X 1-1/2 TORX, self-tapping (Grade 8)	4991	SCREW, M6 torx pan head,
4354	SCREW, 1/2-20 X 2-1/2, TORX button hd.	5403B	BOLT, 1/4-20 X 3/8 carriage
43567-92	SCREW, 3/8-16 X 1 TORX pan hd., w/lockpatch	5414	BOLT, 3/8-16 X 7/8 carriage (Grade 5)
4359	SCREW, 5/16-18 X 7/8 socket button hd.	5416	BOLT, 3/8-16 X 1/8 carriage (Grade 5)
4363	SCREW, 1/4-20 X 1/2 socket button hd.	54321-85	NUT, No. 8-32 X 1/2 X 1/8 (brass)
4365	SCREW, 1/4-20 X 1/2 socket button hd. (Grade 8)	6003	WASHER, 1-3/16 X 1-3/8 X 11/16
4420	SCREW, 3/8-16 X 2.75 hex hd. (Grade 5)	6026	WASHER, 3/8 X 7/8 X 7/64
4499M	BOLT, M10 X 1.25 X 35 socket hd.	6099	WASHER, 1/4 X 7/16 X 1/16
4549	SCREW, 5/16-18 X 1-3/4 TORX button hd. (Grade 5)	6101	WASHER, 17/64 X 27/64 X 1/16
4551	SCREW, 1/2-13 X 1-1/8 hex socket hd., w/ adhesive	6110	WASHER, 9/32 X 5/8 X 1/16
4553	SCREW, 5/16-18 X 6.0 socket hd. cap	6139	WASHER, 3/8 X 7/8 X 1/16
4589	SCREW, 9/16-12 X 2-5/16 hex flange hd.	6152	SPACER, 13/32 X 1.0 X 5/16
4678	SCREW, 1/2-13 X 1-3/4 hex flange	6157	WASHER, 27/64 X 5/8 X 1/64 heat treated
4705	SCREW, 1/4-20 X 11/16 SEMS socket hd., w/lockpatch	6192	WASHER, No. 8 X 7/16 X 3/64
4717A	SCREW, 1/4-20 X 2-1/4 knurled hd., w/lockpatch	6237	WASHER, 5/16 X 1-1/8 X 5/64
4718A	SCREW, 1/4-20 X 1-1/2 knurled hd., w/lockpatch	6288	WASHER, 17/32 X 25/32 X 1/32
4724	BOLT, 3/8-24 X 1-1/2 hex hd. (Grade 5)	6302	WASHER, 5/16 X 11/16 X 19/32
4740A	SCREW, 1/4-20 X 1-1/4 knurled hd., w/lockpatch (Grade 8)	6400HB	WASHER, 5/16 X 13/16 X 3/32
4741A	SCREW, 1/4-20 X 1 socket hd., w/lockpatch	6445	WASHER, 1/2 X 2 X 0.300
4748	SCREW, 3/8-16 X 1-1/8 socket hd. (Grade 8)	6516HW	WASHER, 7/16 X 1-1/8 X 1/8
		6551	WASHER, 1 X 1-5/8 X 1/8 hardened
		6590HW	WASHER, 1/2 X 1-1/8 X 3/32
		6594	WASHER, 5/8 X 1-1/8 X 3/32
		6610	WASHER, 0.375 X 0.7 X 0.035
		6701	WASHER, 3/8 X 13/16 X 1/16
		6702	WASHER, 5/16 X 11/16 X 1/16
		6703	WASHER, 1/4 X 5/8 X 1/16
		6716	WASHER, No. 10 X 1/2 X 3/64
		6718	WASHER, 1/2 X 1-1/16 X 3/32
		6738	WASHER, 17/32 X 7/8 X 7/64
		675	SCREW, 3/8-16 X 3-1/4 socket hd.
		6787	WASHER, 7/16 X 13/16 X 5/64 flat
		6798	WASHER, 5/16 X 1/2 X 1/32

HARDWARE LIST

PART NO.	DESCRIPTION	PART NO.	DESCRIPTION
68026-99	SCREW, No. 8-32 X 1 Phillips pan hd. (stainless)	7778	LOCKNUT, 3/8-16 X 7/16 X 9/16
68042-99	SCREW, No. 8-32 X 3/8 TORX hd.	7783	NUT, 3/8-16 X 5/16 X 9/16 (Grade 2)
68120-00	SCREW, No. 8-32 x 1-2 TORX hd., self-tapping	7792	NUT, 1/4-20 X 1/4 (Grade 2)
6874	WASHER, 25/64 X 5/8 X 1/16	7800W	NUT, 3/8-24 X 5/16 X 9/16 (Grade 2)
6930	WASHER, 0.344 X 1-1/8 X 0.078 heat treated	7804	LOCKNUT, 1/2-13 X 15/32 X 7/8 self-sealing
7038	LOCKWASHER, 3/8	7813A	NUT, 5/8-18 X 9/16 X 15/16 (Grade 2)
7039	LOCKWASHER, 7/16	7824	LOCKNUT, 1/2-20 X 1/4 (Grade 2)
7041	LOCKWASHER, 5/16	7839	NUT, 3/4-16 X 21/32 flange (Grade 2)
7045	LOCKWASHER, 3/8 high collar	7862	ACORN NUT, 3/8-16 (chrome)
7068	LOCKWASHER, 1/2	7880	NUT, 1/2-13 X 7/16 X 3/4 (Grade 2)
7073	LOCKWASHER, 1/4 external tooth	7900	LOCKNUT, 5/8-18
7080	WASHER, 9/16 X 3/4 X 1/4	7916A	JAM NUT, 5/8-18
7124	LOCKWASHER, 1/4 internal tooth	8102	SPEEDNUT, 5/16-18
7155	LOCKWASHER, 5/16 internal tooth (black)	8108	SPEEDNUT, 1/4-20
7220	LOCKWASHER, No. 10 external tooth	8190	NUT, M24 X 2.0
7230	LOCKWASHER, 1/4 external tooth	835	SCREW, 5/16-18 X 3 flange hd., w/lockpatch
7331	ACORN NUT, 5/16-24	855B	SCREW, 3/8-16 X 2 knurled hd.
7357	BULLET NUT, 5/16-24 (black)	882	SCREW, 1/4-20 X 7/8 knurled hd., w/washer (Grade 8)
7477	NUT, M8 X 1.25	8972	WASHER, 1-1/4 X 1-53/64 X 1/8
7495	NUT, M6 flange	927A	SCREW, 1/4-20 X 3/4 button hd. (Grade 8)
7531	LOCKNUT, 5/16-18 X 9/32 X 1/2 flange	930	SCREW, 10-24 X 1-1/4 fillister hd.
7549A	ACORN NUT, 5/16-18 X 9/16 X 1/2	940	SCREW, 1/4-20 X 3/4 TORX button hd.
7593	NUT, 5/16-24 flange	942	SCREW, 1/4-20 X 3/4 TORX button hd., w/lockpatch (Grade 8)
7601	LOCKNUT, 3/8-16 flange	943	SCREW, 1/4-20 X 5/8 socket button hd.
7606	LOCKNUT, No. 8-32 X 1/4 X 1/4 hex (chrome)	946	SCREW, 1/4-20 X 2-1/4 socket button hd., w/lockpatch (Grade 8)
7624	LOCKNUT, No. 10-24 X 1/4 X 3/8	995	SCREW, 5/16-18 X 5/8 TORX button hd.
7686	LOCKNUT, 1/4-20 X 5/16 X 7/16	997	SCREW, 5/16-18 X 1 TORX button hd.
7716	LOCKNUT, 1/4-20 X 7/16 flange	DA0600.12FAZB	LOCKNUT, 3/8-24 flange (Grade 5)
7725	LOCKNUT, 5/16-24 X 11/32 X 1/2		
7766	LOCKNUT, 5/16-18 flange		

NEW PARTS LIST

PAGE 7. ENGINE ASSEMBLY

PART NO.	DESCRIPTION	MODEL(S)
19519-12	ENGINE ASSEMBLY (883cc) (World)	CS LE
19566-12	ENGINE ASSEMBLY (883cc) (World)	CR
19637-12	ENGINE ASSEMBLY (1200cc) (Domestic, California, Canada)	CZ
19766-12	ENGINE ASSEMBLY (1200cc) (Domestic, California, Canada)	LC
19768-12	ENGINE ASSEMBLY (1200cc) (Domestic, California, Canada, HDI) (not shown)	LD
19527-12	ENGINE ASSEMBLY (1200cc) (Domestic, California, Canada) (1200CP - Chrome Engine w/ Drag or Pull Back Handlebar)	CT LH
19925-12	ENGINE ASSEMBLY (1200cc) (Domestic, California, Canada) (1200CP - Chrome Engine w/ Mini-Ape Handlebar)	LH
19926-12	ENGINE ASSEMBLY (1200cc) (Domestic, California, Canada) (1200CP - Black Engine w/ Drag or Pull Back Handlebar)	LH
19927-12	ENGINE ASSEMBLY (1200cc) (Domestic, California, Canada) (1200CP - Black Engine w/ Mini-Ape Handlebar)	LH
19606-12	ENGINE ASSEMBLY (1200cc) (HDI)	CT
19734-12	ENGINE ASSEMBLY (1200cc) (HDI)	CZ
19767-12	ENGINE ASSEMBLY (1200cc) (HDI)	LC

PAGE 13. ROCKER ARM ASSEMBLY & PUSH RODS - 883L/N/R, 1200C/CP/N/X

PART NO.	DESCRIPTION	MODEL(S)
18538-99C	TAPPET, w/ roller (4)	CR CS CT CZ LC LE LH

PAGE 15. ROCKER ARM ASSEMBLY & PUSH RODS - XR1200X

PART NO.	DESCRIPTION	MODEL(S)
18538-99C	TAPPET, w/ roller (4)	LD

PAGE 25. CAMSHAFTS & GEAR COVER - 883L/N/R, 1200C/CP/N/X

PART NO.	DESCRIPTION	MODEL(S)
68120-00	SCREW (2)	CR CS CT CZ LC LE LH

PAGE 37. ENGINE SENSORS & SWITCHES

PART NO.	DESCRIPTION	MODEL(S)
4705	SCREW (2)	ALL

PAGE 51. TRANSMISSION GEARS

PART NO.	DESCRIPTION	MODEL(S)
8970A	BEARING, ball	ALL

PAGE 65. ENGINE MOUNTS

PART NO.	DESCRIPTION	MODEL(S)
48463-04A	ISOLATOR, front mount (2)	ALL

PAGE 87. WHEELS, FRONT, CAST - 883L/N/R, 1200C/CP

PART NO.	DESCRIPTION	MODEL(S)
9276A	BALL BEARING, 25mm (2)	CR CS CT LE LH

PAGE 89. WHEEL, FRONT, CAST - XR1200X

PART NO.	DESCRIPTION	MODEL(S)
40879-11A	TIRE	LD

PAGE 93. WHEELS, REAR, CAST - 883L/N/R, 1200C/CP

PART NO.	DESCRIPTION	MODEL(S)
47878-09A	WHEEL ASSEMBLY, 16 in. (13 spoke) (black) w/o bearings & sleeves	LE

NEW PARTS LIST

PAGE 95. WHEEL, REAR, CAST - XR1200X

PART NO.	DESCRIPTION	MODEL(S)
43200011	TIRE	LD

PAGE 99. FORK BRACKETS, FRONT - 883L/N/R, 1200C/CP/N/X

PART NO.	DESCRIPTION	MODEL(S)
3056	SCREW (4)	CR CS CT CZ LC LE LH

PAGE 103. FORK, FRONT - 883L/R, 1200C/CP/X

PART NO.	DESCRIPTION	MODEL(S)
45458-09	DAMPER TUBE, w/ ring (2)	CT LH

PAGE 111. FRAME & JIFFY STAND - 883L/N/R, 1200C/CP/N/X

PART NO.	DESCRIPTION	MODEL(S)
45600014	FORK LOCK KIT, w/ 1594 & 48027-99 (specify key code)	CR CS CT CZ LC LE LH
90300037	LOCKSET ASSEMBLY, complete (specify key code) (not shown)	CR CS CT CZ LC LE LH

PAGE 113. FRAME & JIFFY STAND - XR1200X

PART NO.	DESCRIPTION	MODEL(S)
45600014	FORK LOCK KIT, w/ 1594 & 48027-99 (specify key code)	LD
90300037	LOCKSET ASSEMBLY, complete (specify key code) (not shown)	LD

PAGE 115. FORK, REAR, DEBRIS DEFLECTOR & BELT GUARD

PART NO.	DESCRIPTION	MODEL(S)
60435-04A	DEBRIS DEFLECTOR	CR CS CT CZ LC LE LH

PAGE 133. FENDERS, REAR - 883N/1200N/X (ALL EXCEPT CANADA)

PART NO.	DESCRIPTION	MODEL(S)
73504-11	ILLUMINATOR, license plate w/ 73191-96 (HDI)	CZ LC LE
73504-11	BRACKET, reflector, RH (HDI)	CZ LC LE

PAGE 137. LICENSE PLATE BRACKETS

PART NO.	DESCRIPTION	MODEL(S)
927A	SCREW (India)	CR CS CZ LC LE
10800006	P-CLAMP, 39mm (India)	CR CS CZ LE
67900079	BRACKET (India)	LC
67900088	LICENSE PLATE, front (India)	CS CZ LE
67900089	LICENSE PLATE, front (India)	CR LC
67900093	LICENSE PLATE, rear (India)	CR CS CZ LC LE

PAGE 139. FUEL TANK - 883L/N/R, 1200C/CP/N/X

PART NO.	DESCRIPTION	MODEL(S)
61289-07A	FUEL CAP ASSEMBLY, vented, w/ 61109-85D	CZ LE

PAGE 143. FUEL PUMP

PART NO.	DESCRIPTION	MODEL(S)
75268-07E	FUEL PUMP MODULE, w/ fuel sender harness	ALL
75302-07B	SENSOR, fuel level w/ retaining ring	ALL

PAGE 153. BATTERY

PART NO.	DESCRIPTION	MODEL(S)
7792	NUT	ALL

PAGE 155. HEADLAMP - 883L/N/R, 1200N/X, XR1200X

PART NO.	DESCRIPTION	MODEL(S)
7073	LOCKWASHER (not shown) (India) (3)	LC
7230	LOCKWASHER (not shown) (India) (6)	LC

NEW PARTS LIST

PAGE 155. HEADLAMP - 883L/N/R, 1200N/X, XR1200X

PART NO.	DESCRIPTION	MODEL(S)
7716	LOCKNUT (not shown) (India) (3)	LC

PAGE 157. HEADLAMP - 1200C/CP

PART NO.	DESCRIPTION	MODEL(S)
67603-94A	ADAPTER RING	LH

PAGE 163. EXHAUST SYSTEM - XR1200X

PART NO.	DESCRIPTION	MODEL(S)
65328-83A	FLANGE, exhaust pipe (2)	LD

PAGE 165. SPEEDOMETER - 883L/N/R, 1200C/CP/N/X

PART NO.	DESCRIPTION	MODEL(S)
68513-07	BEZEL, indicator lamps	CR CS CZ LC LE LH

PAGE 175. HORN

PART NO.	DESCRIPTION	MODEL(S)
3124	SCREW (3)	CR CS CZ LC LD LE
69000014	HORN, complete, w/ bracket & 7495	CR CS CZ LC LD LE

PAGE 177. WIRING HARNESS, MAIN - 883L/N/R, 1200C/CP/N/X (1 OF 3)

PART NO.	DESCRIPTION	MODEL(S)
69200317	WIRING HARNESS, main	CR CS CT CZ LC LE LH

PAGE 179. WIRING HARNESS, MAIN - 883L/N/R, 1200C/CP/N/X (2 OF 3)

PART NO.	DESCRIPTION	MODEL(S)
69200317	WIRING HARNESS, main (continued)	CR CS CT CZ LC LE LH

PAGE 181. WIRING HARNESS, MAIN - 883L/N/R, 1200C/CP/N/X (3 OF 3)

PART NO.	DESCRIPTION	MODEL(S)
69200317	WIRING HARNESS, main (continued)	CR CS CT CZ LC LE LH

PAGE 183. WIRING HARNESS, MAIN - XR1200X (1 OF 3)

PART NO.	DESCRIPTION	MODEL(S)
69200316	WIRING HARNESS, main	LD

PAGE 185. WIRING HARNESS, MAIN - XR1200X (2 OF 3)

PART NO.	DESCRIPTION	MODEL(S)
69200316	WIRING HARNESS, main (continued)	LD

PAGE 187. WIRING HARNESS, MAIN - XR1200X (3 OF 3)

PART NO.	DESCRIPTION	MODEL(S)
69200316	WIRING HARNESS, main (continued)	LD

PAGE 195. SWITCHES

PART NO.	DESCRIPTION	MODEL(S)
75302-07B	SENSOR, fuel level	ALL
71400058	IGNITION SWITCH, w/ 90300035 & 90300036 (specify key code)	ALL
90300035	KEY SET, w/ tumbler (specify key code)	ALL
90300036	FACE NUT, ignition switch (2)	ALL
90300037	LOCKSET ASSEMBLY, complete (specify key code) (not shown)	ALL

NUMERICAL INDEX

PART NO.	PAGE	PART NO.	PAGE	PART NO.	PAGE	PART NO.	PAGE
10006.	113	10418.	107	11304.	119	16291-04.	65
10006.	125	1048.	19	11304.	121	16301-08.	65
10006.	153	1048.	21	11317.	17	16353-04.	9
10006.	177	10627.	103	11317.	25	16360-08.	35
10006.	183	10628.	107	11317.	27	16361-07.	33
10006.	199	10800003.	69	11326.	31	16443-04.	9
10014.	147	10800006.	137	11351.	151	16452-05.	9
10014.	149	1081A.	141	11377.	13	16463-04.	9
10031.	69	1081A.	143	11377.	15	16465-06.	9
10031.	71	1091.	143	11379.	67	16465-06.	11
10031.	73	1094.	151	11379.	69	16468-08.	11
10031.	75	10966.	31	11379.	71	16469-10.	9
10053.	69	10967.	31	11384K.	31	16478-85A.	9
10053.	69	10969.	31	11384K.	151	16478-85A.	11
10065.	171	10970.	151	11390.	119	16480-92A.	9
10065.	177	10971.	31	11407.	73	16480-92A.	11
10065.	183	10972.	151	11407.	75	16573-83A.	9
10074.	161	10984.	51	11408.	31	16573-83A.	11
10080.	19	11002.	29	11408.	151	16660-07.	9
10080.	21	11031.	73	11474.	131	16661-07.	9
10080.	147	11046.	57	11474.	133	16664-86D.	9
10092.	75	11046.	59	11491A.	113	16666-07.	9
10142.	147	11067.	51	11570.	141	16667-07.	9
10142.	149	11105.	23	11598.	113	16699-06.	9
10177.	19	11110.	31	11621.	15	16699-06.	11
10177.	21	11110.	151	11625.	15	16715-83.	9
10177.	37	11113.	51	11631.	51	16715-83.	11
10177.	43	11120.	147	11652.	151	16770-84F.	9
10177.	45	11120.	149	11668.	141	16771-08.	11
10177.	191	11121.	73	11730A.	57	16789-04.	9
10177.	199	11121.	75	11730A.	59	16789-04.	11
10179A.	111	11140.	31	11765Y.	57	16800-84A.	13
10179A.	113	11140.	151	11765Y.	59	16800-84A.	15
10181.	127	11142.	69	11778.	177	16832-86C.	9
10181.	143	11142.	71	11785.	177	16832-86C.	11
10200.	131	11155.	127	11804.	87	16865-07.	9
10242.	131	11161.	51	11804.	89	16867-07.	9
10252.	73	11171.	23	11804.	91	16899-02.	21
10252.	75	11177A.	17	11888.	87	17027-08.	9
10255.	73	11177A.	19	11888.	91	17027-08.	11
10279.	177	11177A.	21	11954.	173	17036-08.	13
10279.	183	11179.	67	12030.	51	17036-08.	15
10279.	189	11190.	9	12068.	19	17049-08.	9
10279.	191	11190.	13	12068.	21	17049-08.	11
1028.	19	11190.	15	12074.	51	17360-83A.	13
1028.	21	11202.	39	12200.	107	17360-83A.	15
10287.	177	11250.	57	12201.	107	17362-07B.	13
10287.	183	11250.	59	13566-05.	145	17375-83A.	13
10289A.	111	11271.	123	13567-05.	145	17375-83A.	15
10289A.	113	11271.	125	14270-92.	197	17393-07.	13
10303.	143	11272.	123	14448-94.	125	17429-91.	13
10304.	143	11272.	125	15368-01A.	197	17429-91.	15
10323.	133	11282.	115	15370-01A.	197	17485-07.	9
10344.	149	11289A.	37	15376-06A.	197	17488-07.	9
10344.	151	11290.	21	1594.	111	17496-07.	9
1039.	13	11290.	31	1594.	113	17501-04.	13
1039.	15	11290.	37	16232-04B.	65	1751.	63
10417.	103	11290.	151	16287-04.	65	17525-08.	21

NUMERICAL INDEX

PART NO.	PAGE	PART NO.	PAGE	PART NO.	PAGE	PART NO.	PAGE
17532-07A.	13	19767-12.	7	24745-07A.	19	26432-76A.	31
17537-07A.	13	19768-12.	7	24754-75A.	19	26434-91.	29
17551-04.	13	19925-12.	7	24754-75A.	21	26436-90A.	19
17562-10.	11	19926-12.	7	2481M.	33	26436-90A.	21
17565-10.	11	19927-12.	7	2481M.	35	26437-86B.	19
17569-08.	15	215.	19	2486.	13	26437-86B.	21
17591-10.	15	215.	21	2486.	15	26495-89B.	29
17611-83.	13	21948-02.	17	2487.	21	26496-75A.	29
17611-83.	15	21965-08.	81	2501A.	73	26502-07.	29
17614-07A.	13	22221-04.	17	2508.	137	26503-07.	29
17615-10.	15	22223-04.	17	2508.	173	26522-08.	31
17633-08B.	15	22224-04.	17	2513.	45	26525-08.	31
17655-05.	13	22227-04.	17	25194-06.	25	26526-08.	31
17695-07B.	13	22228-04.	17	25213-04.	25	26529-08.	31
17695-07B.	15	22230-04.	17	25219-04.	25	2653.	135
17903-10.	15	22231-04.	17	25250-10.	27	26546-08.	31
17908-02.	13	22238-04.	17	25263-90D.	25	26554-77B.	37
17908-02.	15	22244-04A.	17	25271-08.	27	26592-08.	31
17909-02.	13	22261-86.	17	25279-08.	31	26638-00Y.	19
17909-02.	15	22266-86.	17	25307-06.	23	26638-00Y.	21
17911-10.	15	22271-86.	17	2535.	153	26856-89A.	15
17946-04.	13	22589-83B.	17	25394-08.	37	26995-86B.	33
17963-10.	15	22719-04.	17	25409-94B.	57	26995-86B.	35
17972-04.	13	22765-02.	17	25409-94B.	59	27042-84A.	199
17976-04.	13	232.	21	25430-06.	23	27047-84B.	199
17976-04.	15	2325.	165	25453-87A.	57	27067-07A.	139
17981-04.	13	2325.	167	25453-87A.	59	27071-10.	139
18011-86.	9	2361.	165	25460-06.	23	2708A.	55
18011-86.	11	2361.	167	25463-94A.	23	2708A.	115
18012-87A.	9	2362.	133	25486-05.	25	2708A.	157
18020-07.	9	23905-04B.	17	25546-07.	25	27096-04A.	139
18020-07.	11	23999-08.	17	25586-37.	25	27096-04A.	141
18021-87A.	9	24047-00.	25	25588-91.	25	27200-08.	141
18053-04.	9	24047-00.	27	25593-74.	25	27216-95.	33
18059-04.	9	2407.	41	25598-91.	25	27216-95.	35
18094-02A.	9	24331-36.	17	2586A.	69	27250-96B.	139
18094-02A.	11	24332-36.	17	2586A.	71	27300029.	35
18245-02.	9	2441.	13	26010-04.	13	27327-07.	33
18245-02.	11	2445.	101	26011-04.	13	27327-07.	35
18258-02.	9	2445.	115	26012-07.	13	27628-01A.	33
18258-02.	11	2445.	135	26016-08.	15	27628-01A.	35
18260-02.	9	2445.	157	26020-07.	13	27629-01A.	33
18260-02.	11	2446.	133	26064-08.	31	27629-01A.	35
18505-06.	13	24466-06B.	19	26064-08.	151	27629-01A.	195
18505-06.	15	24470-06B.	19	2607.	131	27690-08.	163
18538-99C.	13	24475-08.	21	2607.	137	27690-08.	195
18538-99C.	15	2460.	39	2612.	41	27693-07.	33
18690-02.	9	24605-07.	19	26162-08.	41	27695-08.	35
18690-02.	11	24605-07.	21	26169-08.	41	27698-08A.	35
18691-02.	9	24647-87.	19	26182-08.	31	27700-07.	33
18691-02.	11	24647-87.	21	26183-08.	151	27701-07A.	33
19519-12.	7	24650-87.	19	26184-08.	31	27704-07.	33
19527-12.	7	24650-87.	21	26204-91A.	29	27704-07.	35
19566-12.	7	24658-87.	17	26210-99.	31	27706-07A.	33
19606-12.	7	24659-87.	19	26239-07.	29	27706-07A.	35
19637-12.	7	24659-87.	21	26318-88A.	25	27707-07.	33
19734-12.	7	24660-87.	19	26332-08.	27	27714-06.	161
19766-12.	7	24660-87.	21	26400-82B.	31	27714-06.	163

NUMERICAL INDEX

PART NO.	PAGE	PART NO.	PAGE	PART NO.	PAGE	PART NO.	PAGE
27714-06.	195	3124.	177	33130-07A.	121	34992-04.	23
27719-07.	161	3124.	183	33133-06.	119	34993-04A.	23
27719-07.	195	31390-91F.	49	33133-06.	121	35030-89A.	51
2773.	137	31488-81C.	49	33134-07CAZ.	119	35038-89A.	51
27792-08.	35	31512-04.	147	33134-07CAZ.	121	35051-89A.	51
27794-08.	47	31556-91D.	49	33135-07CAZ.	119	35077-10.	23
27795-07.	33	31586-07.	177	33135-07CAZ.	121	35087-99A.	51
2872W.	135	31586-07.	183	33138-06.	147	35107-06.	51
28790-10.	39	31586-07.	195	33138-06.	149	35114-02.	19
28792-10.	39	31602-08.	63	33189-63.	119	35114-02.	21
28793-10.	39	31603-91.	49	33216-99.	119	35118-03.	19
28794-10.	39	3162.	119	33354-08.	51	35118-03.	21
28822-07A.	199	3162.	121	33540-06.	53	3514.	155
28908-04A.	199	31630-08.	63	33641-06.	53	35159-06.	51
28909-04.	199	31656-07.	45	33832-08.	55	35163-06.	51
28911-04A.	139	31656-07.	47	33875-08.	55	35165-06.	51
28911-04A.	199	31698-08.	63	33900-99.	195	35167-06.	51
29062-95B.	39	31699-08.	63	34014-06A.	53	35172-06.	51
29123-07.	39	31753-07.	45	34064-00C.	53	35174-06.	51
29127-95B.	197	31753-07.	47	34076-02A.	53	35190-06.	51
29147-07.	197	31797-07.	177	34157-06.	53	35191-06.	51
29200001.	39	31801-08.	47	34162-06.	53	35193-06.	51
29313-95.	39	31806-08A.	183	34163-02.	53	35196-06.	51
29315-04.	39	31807-07.	45	34483-06.	53	35197-06.	51
29331-04.	39	32003-07.	45	34491-02A.	53	35211-91B.	61
29346-07.	39	32004-08.	47	34572-04.	55	35211-91B.	63
29355-07.	39	32005-08A.	47	34573-04.	55	35234-08.	51
29369-07A.	39	32006-07.	45	34581-04.	77	3563.	175
29371-08.	41	3210A.	123	34582-04.	77	3565.	39
29377-08.	41	3210A.	125	34611-65A.	55	3574.	117
29379-08.	41	3210A.	129	34660-04A.	55	3574.	135
29380-08.	41	3214.	119	34663-10.	55	3579A.	75
29466-08.	197	32319-07.	33	34665-10.	55	3579A.	115
2952A.	117	32319-07.	35	34670-06.	55	358.	19
2952A.	133	32319-07.	195	34672-08.	55	358.	21
2955.	127	32362-04.	45	34721-07.	55	3588.	147
29867-09.	41	3244.	67	34723-10.	55	3588.	149
29950-91.	19	3244.	69	34724-10.	55	3588.	153
29950-91.	21	3244.	71	34760-04.	23	3594.	61
29997-07A.	43	32472-10.	37	34761-04A.	23	3594.	63
30018-08.	43	32493-02B.	43	34794-05A.	23	3605.	123
30018-08.	63	32493-02B.	61	3480A.	25	3605.	125
30029-08.	43	32494-04B.	43	3480A.	27	3615.	157
30029-08.	63	32494-04B.	61	3480A.	45	3655A.	87
3018A.	129	32506-90.	25	3480A.	47	3655A.	89
3022A.	173	32514-04.	25	3480A.	61	3655A.	91
3026.	175	32531-07.	25	3480A.	63	3655A.	155
3029.	43	32534-11.	45	3485A.	141	3658.	127
3048.	121	32534-11.	47	34911-04.	61	3658.	195
3056.	99	32804-04B.	37	34920-86A.	57	3666A.	125
3059.	141	33032-99.	119	34920-86A.	59	36715-94.	57
3060.	141	33048-72.	119	34932-04.	61	36715-94.	59
3085.	131	33084-06.	121	34943-05.	61	36731-91.	57
3085.	133	33117-91A.	19	34954-07.	61	36731-91.	59
3085.	137	33117-91A.	21	34955-04.	23	36785-91.	57
3123.	177	33123-06A.	147	34981-02A.	53	36790-04.	57
3124.	45	33123-06A.	149	34982-02A.	53	36799-91.	57
3124.	175	33130-07A.	119	34990-08.	23	36802-84B.	57

NUMERICAL INDEX

PART NO.	PAGE	PART NO.	PAGE	PART NO.	PAGE	PART NO.	PAGE
36802-84B.	59	3880.	109	40762-05.	91	41732-04.	71
3696.	113	3899.	61	40875-11.	91	41732-04.	73
3696.	147	3899.	63	40875-11.	97	41732-04.	75
3696.	149	3899.	93	40878-11.	93	41736-04.	69
3696.	153	3899.	95	40878-11.	93	41736-04.	71
37000041.	67	3899.	97	40878-11.	97	41736-04.	73
3706M.	135	38999-11.	157	40879-11.	87	41736-04.	75
3708M.	47	3976.	13	40879-11A.	89	41737-04.	69
37107-06.	53	3976.	15	4091.	19	41737-04.	71
3731M.	129	3987.	33	4091.	21	41743-04.	69
3732.	193	3987.	35	40930-05.	93	41743-04.	71
37495-91.	57	3990.	51	40930-05.	95	41748-08.	89
37495-91.	59	40005-57B.	61	40930-05.	97	41797-00.	97
3767B.	199	40039-02C.	61	40946-04.	73	4180.	65
37716-10.	63	40039-02C.	63	40948-04.	73	4180.	175
37718-10.	23	40057-08.	63	40948-04.	75	41822-10.	89
37797-09.	63	40147-04.	61	40968-11.	83	41833-08.	93
37870-91.	57	40147-04.	63	40999-87.	87	41833-08.	95
37870-91.	59	4016.	55	40999-87.	93	41833-08.	97
37872-90.	57	4017.	131	41012-08.	93	41858-08.	95
37872-90.	59	4017.	133	41082-08.	97	4188.	65
37890-02.	59	40241-02A.	43	41123-79.	87	42028-07.	79
37891-02.	59	40241-02A.	61	41123-79.	89	42029-07.	83
37892-02.	59	40251-92A.	61	41123-79.	91	42174-09.	115
37894-02.	59	40251-92A.	63	41123-79.	93	42310-08.	85
37895-02.	59	40254-02.	19	41123-79.	95	42341-07.	77
37896-02.	59	40254-02.	21	41123-79.	97	4240.	69
37897-02.	59	40254-02.	61	41176-08.	93	4240.	71
37898-02A.	59	40254-02.	63	41176-08.	97	42425-05.	67
37899-02A.	59	40290-04A.	43	41188-06.	91	42425-05.	69
37904-90.	57	40290-04A.	61	41191-74A.	23	42425-05.	71
37905-90.	57	4029A.	103	41229-08.	93	42425-05.	75
37908-90.	57	4029A.	105	41229-08.	95	42443-80A.	55
37908-90.	59	4032A.	161	41229-08.	97	42443-80A.	77
37909-90.	57	40350-07.	61	41242-08.	87	42460-80B.	73
37909-90.	59	40350-07.	63	41242-08.	91	42460-80B.	75
37910-04B.	57	40379-04.	63	41242-08.	93	4250M.	107
37911-90.	57	40380-04.	61	41242-08.	97	4250M.	129
37911-90.	59	40409-04.	61	4132.	29	42521-07.	73
37912-91.	57	40444-07.	61	41388-10.	91	42541-04.	119
37913-90.	57	40518-08.	61	41389-10.	91	42569-03.	55
37913-90.	59	40518-08.	63	41389-10.	97	42569-03.	77
37924-04A.	57	40558-82.	91	41426-07.	91	42593-04.	73
37934-06.	59	40558-82.	97	41478-10.	97	42595-04.	73
37977-90.	57	40560-05.	61	41561-04.	65	42645-07.	77
3802W.	135	40560-05.	63	41562-04.	65	42649-07.	77
3814.	61	40561-05.	61	41568-04.	65	42651-04.	119
3814.	63	40561-05.	63	41573-05.	115	42652-04.	119
3849.	13	40562-05.	61	41623-05.	115	4266A.	9
3849.	15	40572-11.	91	41626-08.	115	4266A.	11
3854.	65	40572-11.	97	41627-08.	95	42685-04.	77
38630-88.	67	40574-06.	23	41628-08.	87	4269.	161
38653-01.	123	40591-07.	61	41628-08.	89	4269.	163
38653-01.	125	40591-07.	63	41628-08.	91	42736-08.	71
38671-04.	67	4076.	73	41698-04.	115	42737-08.	75
38699-04C.	67	4076.	111	41699-04.	65	42738-08.	75
38702-05C.	67	4076.	113	41730-08.	95	42739-08.	81
38786-08A.	67	40761-05.	91	41732-04.	69	42744-08.	75

NUMERICAL INDEX

PART NO.	PAGE	PART NO.	PAGE	PART NO.	PAGE	PART NO.	PAGE
42745-07.....	69	42878-10.....	79	43567-92.....	95	45611-86.....	99
42803-07A.....	69	42879-10.....	79	43567-92.....	97	45611-86.....	101
42804-07.....	69	42880-10.....	79	4359.....	55	45790-80.....	103
42804-07.....	71	42881-11.....	83	4363.....	199	45790-80.....	105
42805-04.....	69	42892-08.....	85	4365.....	173	45799-04.....	67
42805-04.....	71	42893-07.....	79	43689-11.....	87	45800-04.....	67
42806-04.....	69	42893-07.....	81	43831-08.....	91	45801-04.....	67
42807-04.....	67	42893-07.....	83	43832-08.....	97	45830-48.....	19
42807-04.....	69	42893-07.....	85	43895-08.....	87	45830-48.....	21
42807-04.....	71	42899-08.....	81	43895-08.....	91	4589.....	63
42808-04.....	67	4290.....	65	43905-08.....	93	45902-00.....	49
42808-04.....	69	42900-08.....	85	43905-08.....	97	45925-09.....	103
42808-04.....	71	42941-10.....	71	43906-08.....	87	45938-92.....	103
42809-07A.....	69	42942-08A.....	71	43906-08.....	91	45966-04.....	99
42810-07A.....	73	42943-08.....	81	44012-11.....	93	45968-10.....	103
42811-04.....	73	42944-08.....	81	44121-07A.....	79	45988-10.....	103
42811-04.....	75	42945-08.....	75	44136-00.....	87	45996-87.....	103
42812-04.....	73	42948-08.....	85	44156-00.....	87	45996-87.....	105
42813-04.....	73	42949-08.....	77	44156-00.....	91	46002-87.....	103
42814-04.....	73	42969-04.....	77	44160-00.....	79	46009-10.....	99
42815-04.....	73	42971-04.....	119	44160-00.....	81	46014-10.....	99
42815-04.....	75	42972-04.....	119	44160-00.....	107	46028-08.....	123
42816-07.....	73	42975-08A.....	75	44178-04.....	83	46127-04.....	99
42817-07.....	73	42976-04.....	73	44184-04.....	83	46218-05.....	103
42817-07.....	75	42979-04.....	73	44184-04.....	85	46218-05.....	105
42821-04.....	73	43017-07.....	97	44189-04.....	73	46245-09.....	103
42823-04.....	79	43085-97.....	97	4420.....	157	46267-05.....	103
42823-04.....	83	4312C.....	153	44429-11.....	73	46268-04.....	67
42824-04.....	79	43145-47.....	91	44440-04.....	79	46372-10.....	107
42824-04.....	83	43147-40.....	97	44440-04.....	83	46400-04C.....	69
42824-04.....	85	43157-83A.....	87	44590-04.....	73	46417-10A.....	69
42825-04.....	79	43157-83A.....	89	4499M.....	107	46420-10.....	129
42827-04.....	79	43157-83A.....	93	45041-01A.....	119	46449-08.....	103
42827-04.....	81	43157-83A.....	95	45041-01A.....	121	46450-08.....	103
42828-04.....	79	43200011.....	95	45052-07A.....	69	46453-09.....	103
42828-04.....	81	43216-11.....	93	45065-06.....	121	46454-09.....	103
42829-04.....	79	43241-05.....	97	45067-06.....	121	46680-11.....	69
42831-04A.....	79	43258-07B.....	87	45074-95.....	69	46681-10.....	107
42832-04.....	79	43258-07B.....	91	45074-95.....	71	46688-11.....	69
42834-04.....	83	4326A.....	123	45146-07.....	69	46758-07.....	99
42834-04.....	85	4329.....	43	45155-08.....	101	46767-07.....	99
42837-04.....	83	43343-10.....	89	45319-04D.....	69	4678.....	63
42837-04.....	85	43348-10.....	95	45356-07.....	67	46927-10.....	101
42838-04.....	79	43355-00.....	87	45361-90.....	103	46928-10.....	101
42838-04.....	83	43358-08.....	87	45361-90.....	105	46945-07A.....	67
42838-04.....	85	43358-08.....	91	45374-87 ^f	103	46946-06A.....	69
42839-04.....	83	43359-00.....	87	45374-87.....	105	46946-06A.....	71
42839-04.....	85	43499-08.....	87	45376-09.....	103	46986-11.....	69
42840-04.....	83	4350A.....	121	45395-09.....	103	46997-11.....	99
42840-04.....	85	4351.....	169	45449-04C.....	69	46998-11.....	99
42845-07.....	73	4352.....	99	45451-07.....	105	4705.....	37
42845-07.....	75	4352.....	101	45458-09.....	103	4705.....	149
42846-04.....	73	43522-08.....	87	4549.....	113	4705.....	151
42875-07.....	79	43522-08.....	91	4549.....	163	4717A.....	25
42875-07.....	81	43528-04.....	83	4551.....	35	4717A.....	27
42875-07.....	83	43528-04.....	85	4553.....	141	4717A.....	61
42875-07.....	85	4354.....	109	45600014.....	111	4718A.....	13
42877-10.....	79	43567-92.....	93	45600014.....	113	4718A.....	15

NUMERICAL INDEX

PART NO.	PAGE	PART NO.	PAGE	PART NO.	PAGE	PART NO.	PAGE
4724.....	155	48715-08.....	105	51046-09.....	121	55786-11.....	125
47299-07.....	105	48716-08.....	105	51048-08.....	121	55840-04A.....	125
47313-07.....	105	48726-08.....	105	51049-08.....	121	55842-04.....	125
4740A.....	25	48737-07.....	105	51323-08.....	119	55844-04.....	165
4740A.....	27	48738-07.....	103	51327-08.....	119	55847-05A.....	165
4741A.....	13	48738-07.....	105	51382-08.....	117	56014-09A.....	123
4741A.....	15	48771-10.....	107	51383-08.....	117	56017-04.....	125
4741A.....	31	48778-10.....	107	51530-07.....	117	56073-83.....	177
4741A.....	69	48785-10.....	107	51532-07.....	117	56073-83.....	183
4741A.....	71	48786-10.....	107	51550-11.....	117	56079-93.....	125
47470-04.....	65	48791-09.....	103	51551-07.....	117	56085-83A.....	123
47471-04A.....	65	48849-10.....	103	51652-97A.....	117	56104-02.....	131
4748.....	9	48850-10.....	103	51710-08.....	135	56104-02.....	171
4748.....	69	4886.....	151	51730-10.....	119	56115-95.....	123
4748.....	155	48879-08A.....	113	51731-10.....	119	56116-82A.....	123
4748.....	157	4897.....	151	51740-10.....	117	56117-82A.....	123
4748.....	161	49314-04.....	119	51899-07.....	117	56394-74.....	127
4748.....	163	49315-04.....	119	51911-10.....	117	56396-74A.....	127
4751.....	43	49372-10.....	107	51938-04.....	73	56397-74C.....	127
4751.....	61	49376-11.....	111	51938-04.....	75	56402-83A.....	127
4751.....	63	49378-09.....	103	52429-08.....	135	56508-76.....	123
47587-05.....	115	49378-09.....	105	52441-95.....	133	56508-76.....	125
4758A.....	139	49382-11.....	103	53176-08.....	111	56541-86A.....	125
4765.....	29	49400-11.....	103	53176-08.....	113	56542-86A.....	125
47682-10.....	115	49401-11.....	103	53436-97.....	155	56637-08.....	123
4771.....	139	49403-11.....	103	53436-97.....	157	56639-08.....	123
4778.....	131	49406-10.....	107	5403B.....	137	56666-04.....	123
4778.....	133	49409-11.....	103	5414.....	161	56666-04.....	125
4779.....	131	49410-11.....	103	5416.....	163	56667-04.....	123
4779.....	133	49411-11.....	103	54321-85.....	87	56667-04.....	125
47875-09A.....	87	49412-11.....	103	54321-85.....	89	56871-08.....	143
47878-09A.....	93	49419-11.....	99	54321-85.....	91	56884-07.....	123
47887-10.....	91	49422-11.....	99	54321-85.....	93	56884-07.....	125
47889-10.....	97	49735-08.....	111	54321-85.....	95	56885-07.....	123
4798.....	33	49735-08.....	113	54321-85.....	97	56885-07.....	125
4798.....	35	4975M.....	75	54550-10.....	109	57209-11.....	123
4802.....	41	4977.....	107	54556-84.....	109	57472-11.....	125
48027-99.....	111	4978.....	129	54568-09.....	109	5845.....	141
48027-99.....	113	4991.....	111	54570-09.....	109	58998-83E.....	129
4816A.....	73	4993.....	99	54570-09.....	109	59022-07BDK.....	129
4816A.....	123	4993.....	101	54671-10.....	109	59254-91.....	131
48184-01.....	99	50000025BHP.....	111	54700-10.....	109	59256-84A.....	131
48184-01.....	101	50000025BHP.....	111	54715-96.....	109	59256-84A.....	133
4820A.....	23	50003-89B.....	111	54724-04.....	109	59256-84A.....	135
4822A.....	27	50003-89B.....	113	54741-07.....	109	59259-90.....	131
48300-60.....	99	50005-85A.....	111	55018-11.....	87	59259-90.....	133
48300-60.....	101	50005-85A.....	113	55019-11.....	93	59259-90.....	135
48315-60.....	99	50124-09BHP.....	111	55035-11.....	87	59259-90.....	137
48315-60.....	101	50124-09BHP.....	113	55035-11.....	91	59287-92.....	131
48315-60.....	111	50126-08A.....	111	55074-11.....	87	59288-92.....	131
48315-60.....	113	50126-08A.....	113	55076-11.....	93	59359-06.....	133
48390-06.....	135	50126-08A.....	195	55126-11.....	91	59400-08.....	113
48463-04A.....	65	50185-04C.....	111	55127-11.....	91	59401-08.....	113
48492-04A.....	65	50912-72.....	119	5531.....	133	59441-10.....	129
4859.....	163	50912-72.....	121	5531.....	171	59481-00.....	103
4871.....	111	51044-08.....	121	554A.....	111	59481-00.....	105
4871.....	113	51045-08.....	75	554A.....	113	59482-00.....	103
48714-08.....	105	51045-08.....	77	55785-11.....	125	59482-00.....	105

NUMERICAL INDEX

PART NO.	PAGE	PART NO.	PAGE	PART NO.	PAGE	PART NO.	PAGE
59500034.....	131	61289-07A.....	139	63533-41A.....	19	65328-83A.....	163
59502-04A.....	131	6139.....	161	63533-41A.....	21	65339-04.....	161
59502-04A.....	133	61392-08.....	141	63533-41A.....	29	65453-08.....	163
59673-04A.....	131	61405-07.....	139	63548-08.....	15	6551.....	93
59712-07A.....	129	6152.....	65	63596-06.....	147	6551.....	95
59723-04.....	131	6157.....	29	63596-06.....	149	6551.....	97
59723-04.....	133	61572-08A.....	141	63796-77A.....	19	6589.....	13
59727-07.....	133	61573-08A.....	141	63805-80A.....	19	6589.....	15
59768-97.....	131	61574-08.....	141	63805-80A.....	21	6590HW.....	123
59768-97.....	133	61576-08.....	141	6400HB.....	63	6590HW.....	125
59847-10.....	131	61577-08.....	141	6400HB.....	121	65927-00.....	161
59865-10.....	133	61724-10.....	139	6400HB.....	141	6594.....	87
59885-11.....	131	6192.....	131	6445.....	63	6594.....	89
59901-08BDK.....	135	6192.....	133	64737-09.....	161	6594.....	91
59902-04.....	131	62122-89A.....	111	64738-09.....	161	65958-04A.....	153
59903-04.....	131	62122-89A.....	113	64842-04.....	161	65974-04A.....	161
59916-08.....	135	62150-85.....	139	64846-04A.....	161	6610.....	169
59984-73.....	137	62213-07.....	139	64847-04A.....	161	6611.....	99
59986-75.....	137	62338-01Y.....	147	64850-08.....	163	6611.....	101
59988-72A.....	137	62360-04A.....	149	64851-09.....	163	66194-04D.....	153
60001-55.....	137	62360-10.....	147	64853-04.....	161	66199-10.....	147
6003.....	51	62361-10.....	147	64854-04.....	161	66199-10.....	149
60183-08.....	135	6237.....	175	64889-04.....	161	66251-04A.....	111
60188-08.....	133	62375-57A.....	25	64890-04.....	161	66252-04A.....	111
60188-08.....	137	62426-11.....	145	64891-04A.....	161	66269-08BDK.....	113
60203-06.....	131	62439-11.....	145	64893-04A.....	161	66269-08CHJ.....	113
60203-06.....	133	62534-07.....	111	64942-07.....	161	66270-08BDK.....	113
60204-06.....	131	62580-11.....	145	64943-07.....	161	66270-08CHJ.....	113
60204-06.....	133	62581-11.....	145	64965-08A.....	163	66271-08BDK.....	141
6021.....	51	62592-07A.....	147	65088-04.....	19	66272-05A.....	111
60225-08BHP.....	137	62601-91A.....	29	65088-04.....	21	66273-05A.....	111
6026.....	65	62651-04.....	19	65168-10.....	163	66476-04A.....	153
6026.....	175	62700013.....	21	6516HW.....	61	66523-06.....	193
60318-07.....	137	62700014.....	19	6516HW.....	63	66524-06.....	193
60328-98B.....	23	6288.....	195	6516HW.....	93	66851-07.....	161
60330-08.....	21	62881-00.....	141	6516HW.....	95	6701.....	63
60330-08.....	31	62888-08A.....	149	6516HW.....	97	6701.....	73
60367-04.....	115	62954-10.....	147	65176-10.....	163	6701.....	103
60375-10.....	137	63000-04B.....	147	65184-02.....	161	6701.....	105
60379-09.....	115	63008-08.....	149	65189-10.....	163	6701.....	155
60403-08.....	115	6302.....	113	65197-10.....	163	6701.....	157
60416-08.....	115	63050-08A.....	151	65198-10.....	163	6701.....	161
60435-04A.....	115	63080-08.....	151	65218-10.....	163	6701.....	163
60574-10.....	129	63081-08.....	151	65218-10.....	163	6702.....	73
60830-07.....	23	63097-08.....	151	65219-10.....	163	6702.....	115
60836-10.....	23	63098-08.....	151	65219-10.....	163	6702.....	123
60901-07.....	133	63099-08.....	149	65240-08.....	163	6702.....	131
60955-11.....	129	63103-08.....	149	65257-08.....	163	6702.....	133
6099.....	75	63108-08.....	151	65258-08.....	41	6702.....	139
6099.....	199	63110-08.....	151	65296-95A.....	161	6702.....	155
6101.....	67	63111-08.....	151	65302-82A.....	161	6702.....	157
6101.....	69	63112-08.....	151	65316-08.....	113	6702.....	163
6101.....	71	63116-08.....	151	65316-08.....	163	6703.....	41
61015-04A.....	143	63119-08.....	151	65317-08A.....	163	6703.....	133
6110.....	151	63120-08.....	151	65324-83B.....	161	6703.....	135
61109-85D.....	139	63125-08.....	151	65324-83B.....	163	6703.....	137
61213-04A.....	143	63508-04.....	19	65325-83A.....	161	67037-08.....	165
61272-92C.....	139	63508-04.....	21	65325-83A.....	163	67041-08.....	165

NUMERICAL INDEX

PART NO.	PAGE	PART NO.	PAGE	PART NO.	PAGE	PART NO.	PAGE
67091-08.....	167	68168-89A.....	171	68972-00.....	169	7038.....	169
67104-95.....	165	68257-08.....	137	68973-00.....	169	7039.....	65
67121-95A.....	165	68265-04.....	169	68973-00.....	171	7041.....	175
67121-95A.....	167	68277-07.....	171	68975-00.....	169	70417-04C.....	111
67157-08.....	167	68278-07.....	171	68978-00.....	171	7045.....	69
6716.....	137	68296-99A.....	173	68984-01.....	171	7045.....	155
67170-08.....	167	68297-05.....	155	69000014.....	175	7045.....	157
67174-08.....	167	68297-05.....	157	69012-93A.....	175	70466-07A.....	177
6718.....	109	68299-07.....	171	69049-07.....	175	70503-10.....	147
67290-08.....	165	68329-03.....	155	69060-90F.....	175	70504-81.....	123
673.....	41	68329-03.....	157	69062-91A.....	175	70504-81.....	125
67320-95.....	165	68335-05.....	155	69066-01A.....	171	70578-89.....	153
6738.....	109	68335-05.....	157	69110-01.....	171	70598-99.....	177
67415-08.....	165	68341-05.....	155	69120-91.....	175	70598-99.....	183
67416-08.....	165	68341-05.....	157	69123-92A.....	175	70617-07.....	193
67436-08.....	165	68369-03.....	173	69135-04.....	175	70619-07.....	193
675.....	63	68370-03A.....	173	69148-01.....	135	70632-08.....	183
67601-94A.....	157	68372-03.....	173	69187-03A.....	173	70633-08.....	113
67603-94A.....	157	68380-05.....	155	69200316.....	183	70640-07.....	177
67667-05.....	155	68380-05.....	157	69200316.....	185	70642-07.....	177
67667-05.....	157	68382-07A.....	165	69200316.....	187	70664-08.....	177
67700094.....	155	68443-07A.....	155	69200317.....	177	70664-08.....	183
67746-11.....	157	68449-07.....	171	69200317.....	179	70679-10.....	177
67790-93A.....	155	68480-02.....	171	69200317.....	181	7068.....	155
67800070.....	169	68497-07.....	171	6930.....	163	70680-10.....	177
67804-04.....	73	68513-07.....	165	69302-11.....	131	70714-10.....	167
67805-92.....	155	68513-07.....	167	69309-10.....	193	7073.....	155
67815-59A.....	155	68559-07.....	171	69352-11.....	173	7080.....	53
67834-83.....	155	68561-09.....	137	69361-11.....	173	70903-04.....	139
67854-98.....	165	68572-64B.....	171	69362-08.....	169	70904-04.....	139
67854-98.....	167	6863.....	115	69386-08.....	155	70917-04.....	139
67865-89.....	155	6864A.....	115	69397-08.....	155	70919-04.....	139
6787.....	9	68653-05.....	155	69406-09.....	171	7124.....	75
67880-94.....	165	68653-05.....	157	69449-05.....	155	71287-08.....	113
67880-94.....	167	68702-07.....	137	69490-07.....	133	71341-10.....	183
67883-04A.....	155	68704-07.....	133	69498-08.....	133	71400058.....	195
67883-04A.....	157	68724-07.....	133	69530-08.....	171	71472-04.....	111
67894-93A.....	157	68730-07.....	169	69681-07B.....	157	71478-08.....	113
67900006.....	131	6874.....	121	69774-07A.....	155	71510-04.....	177
67900079.....	137	68755-07.....	169	69861-07.....	107	71510-04.....	183
67900088.....	137	68755-07.....	171	69862-07.....	107	71510-04.....	195
67900089.....	137	68804-06.....	169	69864-08.....	173	7155.....	159
67900093.....	137	68813-07.....	165	70003-04.....	153	71550-94.....	177
67963-05.....	155	68814-07.....	165	70025-11.....	171	71550-94.....	183
67972-98.....	155	68830-99A.....	173	70025-11.....	173	71550-94.....	195
6798.....	131	68838-06.....	169	70163-10.....	191	71552-94.....	177
6798.....	133	68857-07.....	133	70167-08A.....	189	71552-94.....	183
68026-99.....	173	68899-04A.....	171	70247-07.....	195	71563-96.....	127
68042-99.....	19	68899-04A.....	173	70295-10.....	153	71564-96.....	127
68042-99.....	21	68904-00.....	169	70296-04A.....	153	71567-96.....	127
68066-99A.....	173	68920-07.....	193	70297-04A.....	65	71568-96A.....	127
68120-00.....	25	68924-07.....	193	70345-84.....	123	71587-04.....	127
68140-04.....	173	68926-07.....	195	70345-84.....	125	71620-08.....	127
68141-04.....	173	68939-00.....	195	70345-84.....	127	71621-08.....	127
68163-84.....	169	68955-08.....	171	70368-08.....	183	71682-06A.....	127
68163-84.....	171	68956-07.....	193	7038.....	103	71683-06A.....	127
68167-04.....	173	68958-07C.....	193	7038.....	105	71684-06A.....	127
68168-89A.....	169	68966-08.....	133	7038.....	155	71685-06A.....	127

NUMERICAL INDEX

PART NO.	PAGE	PART NO.	PAGE	PART NO.	PAGE	PART NO.	PAGE
71980-10.....	165	72159-94.....	179	72312-04.....	179	72544-07.....	181
71988-10.....	165	72159-94.....	185	72312-04.....	185	72544-07.....	187
72006-05.....	177	72164-94A.....	179	72312-04.....	191	72544-07.....	189
72006-05.....	183	72164-94A.....	185	72318-04.....	195	72545-08.....	181
72006-05.....	191	72166-07BK.....	189	72329-08.....	167	72545-08.....	187
72007-05.....	177	72166-07BK.....	191	72330-95.....	179	72549-07.....	165
72007-05.....	183	72167-07BK.....	179	72330-95.....	185	72549-07.....	167
72007-05.....	191	72167-07BK.....	185	72330-95.....	195	72559-07.....	111
72009-05.....	37	72168-07.....	179	72335-10.....	179	72568-08.....	181
72009-05.....	161	72168-07.....	185	72378-04.....	179	72592-10.....	181
72009-05.....	163	72168-07.....	189	72378-04.....	185	72592-10.....	187
72009-05.....	191	72168-07.....	191	72402-07.....	189	72611-07.....	181
72009-05.....	195	72169-07.....	111	72402-07.....	191	72611-07.....	187
72011-05.....	37	72169-07.....	113	72405-98BK.....	179	72720-07.....	193
72011-05.....	161	72169-07.....	127	72405-98BK.....	185	72721-07.....	193
72011-05.....	163	72169-07.....	165	72406-07.....	191	72904-01BK.....	171
72011-05.....	177	72169-07.....	167	72406-07A.....	189	72914-01BK.....	171
72011-05.....	183	72169-07.....	179	72407-07.....	189	72990-01.....	171
72011-05.....	191	72169-07.....	185	72407-07.....	191	72991-01.....	171
72011-05.....	195	72169-07.....	195	72408-07.....	189	73102-96BK.....	171
72014-07.....	191	72175-07BK.....	179	72408-07.....	191	73104-96BK.....	181
72023-51D.....	73	72175-07BK.....	185	72413-07.....	189	73104-96BK.....	187
72023-51D.....	75	72188-07BK.....	127	72413-07.....	191	73106-96BK.....	181
72023-51D.....	195	72189-04.....	165	72414-07BK.....	179	73106-96BK.....	187
72024-08.....	177	72189-04.....	167	72414-07BK.....	185	73152-96BK.....	133
72032-93.....	167	72190-94.....	179	72430-00.....	179	73152-96BK.....	137
72033-93.....	167	72190-94.....	185	72430-00.....	185	73152-96BK.....	171
72033-93.....	183	72191-94.....	179	72434-00.....	179	73152-96WE.....	171
72033-93.....	189	72191-94.....	185	72434-00.....	185	73154-96BK.....	155
72033-93.....	191	72191-94.....	193	72441-04.....	179	73154-96BK.....	157
72056-92.....	155	72195-94.....	43	72441-04.....	185	73154-96BK.....	173
72056-92.....	157	72195-94.....	179	72445-99TN.....	181	73156-96BK.....	169
72066-06A.....	177	72195-94.....	185	72445-99TN.....	185	73156-96BK.....	171
72066-06A.....	183	72195-94.....	193	72447-07GY.....	127	73156-96BK.....	173
72076-00.....	177	72199-94.....	179	72469-07GY.....	181	73156-96BK.....	187
72076-00.....	183	72199-94.....	185	72469-07GY.....	185	73190-96.....	171
72077-00.....	177	7220.....	45	72473-07.....	181	73190-96.....	181
72077-00.....	183	7220.....	177	72473-07.....	187	73190-96.....	187
72078-00.....	177	7220.....	183	72473-07.....	189	73191-96.....	133
72078-00.....	183	72251-07.....	189	72473-07.....	191	73191-96.....	137
72094-06.....	177	72251-07.....	191	72484-08.....	181	73191-96.....	155
72094-06.....	183	72260-04.....	179	72486-08.....	181	73191-96.....	157
72094-06.....	189	72260-04.....	185	72487-07BK.....	181	73191-96.....	169
72096-06.....	179	72263-95.....	189	72487-07BK.....	187	73191-96.....	171
72096-06.....	183	72263-95.....	191	72488-07BK.....	165	73191-96.....	173
72096-06.....	189	72266-94.....	127	72488-07BK.....	167	73191-96.....	187
72114-94BK.....	193	72272-07.....	179	72511-07BK.....	111	73213-07.....	111
72124-94GY.....	179	72272-07.....	185	72511-07BK.....	113	73213-07.....	113
72124-94GY.....	185	72272-07.....	189	72511-07BK.....	195	73213-07.....	181
72130-04.....	165	72289-04.....	179	72512-07BK.....	181	73213-07.....	187
72130-04.....	167	72289-04.....	185	72512-07BK.....	187	73213-07.....	195
72135-06.....	179	72290-94.....	179	72516-01.....	181	73214-10.....	181
72135-06.....	185	72290-94.....	185	72516-01.....	187	73227-10.....	45
72139-94GY.....	179	72291-94.....	179	72519-09BK.....	181	73228-10.....	187
72139-94GY.....	185	72291-94.....	185	72519-09BK.....	187	73246-11.....	157
72144-94.....	179	72295-94.....	179	72543-07BK.....	181	73264-10.....	155
72144-94.....	185	72295-94.....	185	72543-07BK.....	187	73266-10.....	155
72154-94.....	193	7230.....	155	72543-07BK.....	189	73267-10.....	169

NUMERICAL INDEX

PART NO.	PAGE	PART NO.	PAGE	PART NO.	PAGE	PART NO.	PAGE
73282-10.....	169	7531.....	141	8692.....	131	9276A.....	89
73284-10.....	169	7531.....	175	8692.....	133	9276A.....	91
73301-04.....	181	75317-07.....	143	882.....	73	9276A.....	93
73301-04.....	187	7549A.....	175	882.....	151	9276A.....	95
73302-04.....	181	7593.....	161	8862.....	51	9276A.....	97
73302-04.....	187	7593.....	163	8873.....	57	927A.....	137
73303-04.....	181	7601.....	163	8873.....	59	930.....	173
73303-04.....	187	7606.....	155	8881.....	19	940.....	65
73304-04.....	181	761.....	131	8881.....	21	942.....	31
73304-04.....	187	7624.....	147	8884.....	51	943.....	15
73305-04.....	181	7686.....	151	8885.....	57	943.....	23
73305-04.....	187	7716.....	133	8885.....	59	94432-04.....	73
7331.....	159	7716.....	137	8956.....	51	946.....	39
73318-09.....	171	7716.....	155	89579-91.....	115	94612-04.....	73
7341M.....	107	7725.....	159	89579-91.....	139	95594-84A.....	89
73504-11.....	133	7766.....	115	89586-04.....	115	95594-84A.....	91
73504-11.....	133	7778.....	157	89586-04.....	139	95594-84A.....	93
7357.....	159	7783.....	103	89586-04.....	141	95594-84A.....	95
74112-98BK.....	181	7783.....	105	8964.....	51	95594-84A.....	97
74112-98BK.....	187	7783.....	169	8966.....	51	95595-84A.....	87
74120-08.....	181	7792.....	137	8970A.....	51	95595-84A.....	91
74120-08.....	187	7792.....	153	8972.....	19	95595-84A.....	93
74152-98.....	181	7800W.....	155	8972.....	21	95595-84A.....	97
74152-98.....	187	7804.....	61	90300035.....	195	9704.....	63
74191-98.....	181	7804.....	63	90300036.....	195	9810.....	183
74191-98.....	187	7813A.....	87	90300037.....	111	9838.....	177
74194-98.....	37	7813A.....	89	90300037.....	113	9838.....	183
74196-04.....	165	7813A.....	91	90300037.....	195	9847.....	155
74196-04.....	167	7824.....	109	90383-98.....	33	9847.....	157
74197-04.....	165	7839.....	61	90383-98.....	35	9848.....	155
74197-04.....	167	7862.....	161	90493-83.....	119	9848.....	157
74402-05A.....	37	7880.....	155	90520-07.....	111	9898.....	155
74711-08.....	43	7882.....	131	90520-07.....	121	9898.....	157
74714-10.....	167	7882.....	133	9187A.....	53	9898.....	177
7477.....	73	7900.....	135	91960-10.....	159	9898.....	183
7495.....	129	7916A.....	25	91961-10.....	159	9907.....	73
7495.....	175	7916A.....	27	91982-03B.....	159	9907.....	75
75268-07E.....	143	7964.....	173	91983-03B.....	159	9907.....	195
75301-07.....	143	80399-04.....	161	9209.....	115	995.....	73
75302-07B.....	143	8102.....	141	9214.....	59	9955.....	161
75302-07B.....	195	8108.....	175	92376-09.....	159	9955.....	163
75304-07A.....	143	8135B.....	111	92377-09.....	159	9956.....	163
75305-07A.....	143	8190.....	93	92381-09.....	159	9969.....	147
75309-07.....	143	8190.....	95	92400-09.....	159	9969.....	149
7531.....	113	8190.....	97	92401-09.....	159	997.....	73
7531.....	115	835.....	19	92402-09.....	159	997.....	75
7531.....	129	835.....	21	92500-10.....	135	C2045.1AK.....	135
7531.....	131	855B.....	75	9254.....	61	C2050.1AM.....	135
7531.....	133	855B.....	77	9254.....	63	C2051.1AM.....	135
7531.....	139	855B.....	121	9276A.....	87	DA0600.12FAZB.....	63

COMPONENT TYPES AND INTRODUCTION DATES

Adhesive - 111A1

72990-01. 2001
73304-04. 2004
74196-04. 2004
9838. Unknown
9907. Unknown

Airbox Baseplate - 290A1

29369-07A. 2007

Airbox Baseplate sub-component - 290C1

29123-07. 2007
29355-07. 2007

Airbox Cover - 613K1

28790-10. 2010
28793-10. 2010

Airbox Helmholtz Chamber - 290E1

29867-09. 2009

Airbox Seal - 290D1

29315-04. 2004

Air Duct - 292A1

28794-10. 2010

Air Duct Bezel - 292B1

29200001. 2011

Air Filter Element - 294A1

29331-04. 2004
29371-08. 2008
29377-08. 2008

Antenna - 760B1

68956-07. 2007

Banjo Bolts - 116A1

41736-04. 2004
41737-04. 2004

Battery - 660A1

65958-04A. 2004

Battery Pan - 660C1

66194-04D. 2004

Battery Strap - 660D1

66476-04A. 2004

Battery Warning Label - 140A1

15368-01A. 2001
15376-06A. 2006

Belt / Chain Guard - 603B1

60367-04. 2004
60379-09. 2009
60403-08. 2008
60416-08. 2008

Brake Caliper - 413A1

40968-11. 2011
42877-10. 2010

42879-10. 2010
42881-11. 2011
42892-08. 2008
42943-08. 2008
42944-08. 2008
42948-08. 2008
44121-07A. 2007
44160-00. 2000

Brake Caliper sub-component - 413C1

40948-04. 2004
42823-04. 2004
42824-04. 2004

Brake Line - 418B1

42942-08A. 2008
42975-08A. 2008
44429-11. 2011
45074-95. 1995
45319-04D. 2011
45449-04C. 2011
46400-04C. 2011
46417-10A. 2011
46680-11. 2011
46688-11. 2011
46986-11. 2011

Brake Master Cylinder - 417B1

42745-07. 2007
42941-10. 2010
45052-07A. 2007
45146-07. 2007

Brake Master Cylinder Assembly - 417A1

42805-04. 2004
42813-04. 2004
42814-04. 2004
42945-08. 2008

Brake Master Cylinder Hose - 417E1

42737-08. 2008
42821-04. 2004

Brake Master Cylinder Piston Set - 417C1

42028-07. 2007
42834-04. 2004

Brake Master Cylinder Reservoir - 417F1

42521-07. 2007
42744-08. 2008
42816-07. 2007
42845-07. 2007

Brake Master Cylinder sub-Component - 417D1

40946-04. 2004
42595-04. 2004
42645-07. 2007

42736-08. 2008
42738-08. 2008
42803-07A. 2007
42804-07. 2007
42809-07A. 2007
42810-07A. 2007
42811-04. 2004
42815-04. 2004
42817-07. 2007
42828-04. 2004
42832-04. 2004
42893-07. 2007
42900-08. 2008
42976-04. 2004
42979-04. 2004
43528-04. 2004
44178-04. 2004
44184-04. 2004
44189-04. 2004
67804-04. 2004

Brake Mounting Bracket - 416B1

42825-04. 2004
42878-10. 2010
42880-10. 2010

Brake Pad - 413D1

42029-07. 2007

Brake Pedal - 506A1

34581-04. 2004
42341-07. 2007
42649-07. 2007
42685-04. 2004
42812-04. 2004
42949-08. 2008
42969-04. 2004
50912-72. 1972

Brake Rotor - 415B1

41797-00. 2000
41822-10. 2010
41833-08. 2008
44136-00. 2000
44156-00. 2000

Brakes Miscellaneous Component - 416A1

34582-04. 2004
42807-04. 2004
42837-04. 2004
45067-06. 2006
72023-51D. 1951

Camdrive Chain Tensioner - 255C1

40039-02C. 2007

Camdrive Gear - 254A1

25194-06. 2006
25271-08. 2008

Carbon Canister - 608A1

27042-84A. 1995
28908-04A. 2004
28909-04. 2004

Carbon Canister Hose - 608B1

27067-07A. 2007
27200-08. 2008
28822-07A. 2007

Charging Rotor - 299C1

30018-08. 2008
30029-08. 2008
32493-02B. 2008
32494-04B. 2008

Chassis Structure Miscellaneous Component - 472D1

47313-07. 2007

Chassis Structure Mounting Bracket - 472D2

47470-04. 2004
59502-04A. 2004
59902-04. 2004
59903-04. 2004

Chemical / Gas Sensor - 327B1

27690-08. 2008
27719-07. 2007

Clutch Actuation Screw - 372A1

11765Y. Unknown

Clutch Assembly - 370A1

37000041. 2011
37924-04A. 2006

Clutch Cable - 372D1

38699-04C. 2004
38702-05C. 2005
38786-08A. 2008
38999-11. 2011

Clutch Cover - 257B1

34760-04. 2004
34992-04. 2004
37718-10. 2010

Clutch Diaphragm Spring - 370F3

37894-02. 2002

Clutch Friction Plate - 370B1

37897-02. 2002
37911-90. 1990

Clutch Hub - 370C1

36785-91. 1991
37898-02A. 2002

COMPONENT TYPES AND INTRODUCTION DATES

Clutch Inspection Cover - 257D1	72124-94GY..... 1994	Custom Nuts - 104A1	Electrical Component / Wire Cover - 692M1
34761-04A..... 2006	72130-04..... 2004	54321-85..... 1985	69302-11..... 2011
34794-05A..... 2005	72139-94GY..... 1994	7606..... Unknown	70679-10..... 2010
34993-04A..... 2004	72144-94..... 1994	Custom Screws - 105A1	Electrical Miscellaneous Component - 692C1
35077-10..... 2010	72159-94..... 1994	41191-74A..... 1974	10289A..... Unknown
Clutch Lever - 367A1	72199-94..... 1994	94432-04..... 2004	11954..... 2011
45356-07..... 2007	72260-04..... 2004	Custom Washers - 106A1	68382-07A..... 2010
46945-07A..... 2007	72312-04..... 2004	6003..... 2010	70368-08..... 2008
Clutch Lever Mount Clamp - 367E1	72516-01..... 2001	6874..... Unknown	70466-07A..... 2007
38671-04..... 2004	72519-09BK..... 2009	7080..... Unknown	70632-08..... 2008
Clutch Lever sub-component - 367H1	73152-96BK..... 1996	7124..... Unknown	70633-08..... 2008
34920-86A..... 1986	73301-04..... 2004	Cylinder - 168A1	71552-94..... 1994
36715-94..... 1994	9847..... Unknown	16443-04..... 2004	72189-04..... 2004
36799-91..... 1991	9848..... Unknown	16452-05..... 2005	72378-04..... 2004
37870-91..... 1991	Connector / Terminal Seal - 692K1	16463-04..... 2004	Electrical Mounting Bracket - 692C2
37872-90..... 1990	68653-05..... 2005	16468-08..... 2008	31753-07..... 2007
37892-02..... 2002	68904-00..... 2000	16469-10..... 2010	31797-07..... 2007
37895-02..... 2002	72006-05..... 2005	17496-07..... 2007	31801-08..... 2008
37904-90..... 1990	72154-94..... 1994	Cylinder Head - 165A1	31806-08A..... 2008
37905-90..... 1990	73303-04..... 2004	16660-07..... 2007	31807-07..... 2007
37908-90..... 1990	74197-04..... 2004	16661-07..... 2007	31806-08A..... 2008
37909-90..... 1990	Cover Gaskets / Seals - 257E1	16666-07..... 2007	31807-07..... 2007
37910-04B..... 2006	16800-84A..... 1984	16667-07..... 2007	66523-06..... 2006
37977-90..... 1990	17027-08..... 2008	16865-07..... 2007	66524-06..... 2006
38630-88..... 1988	17036-08..... 2008	16867-07..... 2007	67157-08..... 2008
46268-04..... 2004	17049-08..... 2008	17485-07..... 2007	67170-08..... 2008
Clutch Pressure Plate - 370F1	17362-07B..... 2011	17488-07..... 2007	67320-95..... 1995
37912-91..... 1991	17393-07..... 2007	17562-10..... 2010	69049-07..... 2007
37913-90..... 1990	17633-08B..... 2011	17565-10..... 2010	69060-90F..... 2010
Clutch Ramp - 372K2	17695-07B..... 2011	18011-86..... 1986	69062-91A..... 1991
25409-94B..... 1994	17976-04..... 2004	18020-07..... 2007	69120-91..... 1991
25453-87A..... 1987	25263-90D..... 1990	Cylinder Head and Base Gaskets - 165B1	69123-92A..... 1992
Clutch Shell - 370G1	25279-08..... 2008	16664-86D..... 1986	69135-04..... 2004
36790-04..... 2004	25463-94A..... 1994	16770-84F..... 1984	70642-07..... 2007
Coil Springs - 117A1	26638-00Y..... 2000	16771-08..... 2008	70680-10..... 2010
56396-74A..... 1974	29062-95B..... 1995	16789-04..... 2004	71341-10..... 2010
Conduit / Sheathing / Sleeving - 692G1	29313-95..... 1995	Debris Deflector - 571D1	71980-10..... 2010
11888..... 2010	34955-04..... 2004	60435-04A..... 2011	71988-10..... 2010
72266-94..... 1994	34990-08..... 2008	Decal / Graphic / Medallion - 141A1	73227-10..... 2010
Connecting Rod sub-component - 237B1	61109-85D..... 1985	13566-05..... 2005	Electronic Control Module (ECM) - 410D1
24331-36..... 1936	65324-83B..... 2009	13567-05..... 2005	32534-11..... 2011
24332-36..... 1936	67121-95A..... 1995	14270-92..... 1992	68278-07..... 2007
Connector - 692H1	67174-08..... 2008	14448-94..... 1994	68920-07..... 2007
27250-96B..... 1996	67601-94A..... 1994	44440-04..... 2004	Emergency Siren sub-component - 690B1
72007-05..... 2005	75301-07..... 2007	62426-11..... 2011	69309-10..... 2010
72009-05..... 2005	Crankcase - 244A1	62439-11..... 2011	Engine Breather Valve - 294F1
72078-00..... 2000	24466-06B..... 2006	62580-11..... 2011	26016-08..... 2008
72114-94BK..... 1994	24470-06B..... 2006	62581-11..... 2011	Engine Isolator Mount - 163B1
	24475-08..... 2008	67667-05..... 2005	16287-04..... 2004
	24745-07A..... 2007	71550-94..... 1994	16291-04..... 2004
	Crankcase sub-component - 244D1	Drive-Belt - 400A1	16301-08..... 2008
	17525-08..... 2008	40591-07..... 2007	
	24047-00..... 2000		
	8881..... Unknown		

COMPONENT TYPES AND INTRODUCTION DATES

16353-04..... 2004	65189-10..... 2010	Front Fender - 589A1	Front Telescopic Fork sub-component - 455C1
41561-04..... 2004	65197-10..... 2010	58998-83E..... 1983	10628..... Unknown
41562-04..... 2004	65198-10..... 2010	59022-07BDK..... 2007	45361-90..... 1990
48463-04A..... 2004	66851-07..... 2007	59441-10..... 2010	45374-87..... 1987
48492-04A..... 2004		59712-07A..... 2007	45938-92..... 1992
Engine Mount Bracket - 164A1	Exhaust Valve Actuator - 315B1	60574-10..... 2010	46002-87..... 1987
63110-08..... 2008	18691-02..... 2002	60955-11..... 2011	46372-10..... 2010
63119-08..... 2008			46681-10..... 2010
Engine Mount Bracket sub-component - 164B1	Fairing Side - 571C1	Front Suspension and Steering Miscellaneous Component - 458A1	Front Tire - 431A1
16232-04B..... 2004	66269-08BDK..... 2008	45458-09..... 2009	40879-11..... 2011
7357..... Unknown	Filler Neck Trim - 611A1	46245-09..... 2009	40879-11A..... 2012
7531..... Unknown	71478-08..... 2008	48184-01..... 2001	43258-07B..... 2011
7686..... Unknown	Flywheel / Crankshaft - 241A1	4978..... Unknown	55035-11..... 2011
7716..... Unknown	23905-04B..... 2007	Front Suspension and Steering Mounting Bracket - 458B1	Front Wheel - 433A1
7783..... Unknown	23999-08..... 2008	46028-08..... 2008	41388-10..... 2010
7800W..... Unknown	Footpeg Mount Bracket - 505B1	Front Telescopic Fork - 454A1	43343-10..... 2010
7804..... Unknown	33048-72..... 1972	45968-10..... 2010	43355-00..... 2000
DA0600.12FAZB.. Unknown	42651-04..... 2004	45988-10..... 2010	43359-00..... 2000
Engine Shift Lever - 339A1	42652-04..... 2004	46453-09..... 2009	43499-08..... 2008
33875-08..... 2008	42971-04..... 2004	48714-08..... 2008	43689-11..... 2011
34572-04..... 2004	49314-04..... 2004	48715-08..... 2008	43831-08..... 2008
34660-04A..... 2004	49315-04..... 2004	48771-10..... 2010	47875-09A..... 2010
34670-06..... 2006	51044-08..... 2008	48778-10..... 2010	55018-11..... 2011
34721-07..... 2007	51045-08..... 2008	49378-09..... 2009	55074-11..... 2011
EPA Label - 140G2	51048-08..... 2008	49382-11..... 2011	Fuel Cap - 611B1
29127-95B..... 1995	51049-08..... 2008	49400-11..... 2011	61272-92C..... 1992
Exhaust Catalyst - 658A1	Footpeg Wear Peg - 505K1	49406-10..... 2010	61289-07A..... 2011
64853-04..... 2004	33130-07A..... 2007	49409-11..... 2011	61572-08A..... 2008
64854-04..... 2004	33216-99..... 1999	49410-11..... 2011	Fuel Filter - 612A1
Exhaust Clamp - 659A1	Fork Brace - 456B1	Front Telescopic Fork Slider - 455A1	75304-07A..... 2007
65257-08..... 2008	46420-10..... 2010	45395-09..... 2009	Fuel Injector - 274C1
65296-95A..... 1995	49419-11..... 2011	46218-05..... 2005	27706-07A..... 2007
65302-82A..... 1982	Fork Lock - 456C1	46449-08..... 2008	Fuel Level Sensor - 612B1
Exhaust Flange - 659B1	45600014..... 2012	46450-08..... 2008	75302-07B..... 2011
65184-02..... 2002	Fork Protector - 456A1	48716-08..... 2008	Fuel Line - 612C1
65328-83A..... 2010	45451-07..... 2007	48726-08..... 2008	27693-07..... 2007
Exhaust Gasket - 659C1	Frame - 470A1	48785-10..... 2010	27792-08..... 2008
65317-08A..... 2009	48879-08A..... 2011	48786-10..... 2010	Fuel Miscellaneous Component - 609A1
Exhaust Miscellaneous Component - 648K1	49376-11..... 2011	48849-10..... 2010	27047-84B..... 1984
64850-08..... 2008	Front Axle - 430D1	48850-10..... 2010	5845..... Unknown
65258-08..... 2008	41628-08..... 2008	49401-11..... 2011	75317-07..... 2007
Exhaust Mounting Bracket - 655C1	43895-08..... 2008	49403-11..... 2011	89579-91..... 1991
65339-04..... 2004	Front Brake Lever - 417G1	49411-11..... 2011	89586-04..... 2004
65974-04A..... 2004	42806-04..... 2004	49412-11..... 2011	Fuel Pump - 612F1
Exhaust Shield - 654A1	46946-06A..... 2006	Front Telescopic Fork Spring - 455B1	75268-07E..... 2011
64846-04A..... 2004	Front Fairing Support Bracket - 472C1	10418..... Unknown	75305-07A..... 2007
64847-04A..... 2004	42972-04..... 2004	45376-09..... 2009	Fuel Pump sub-component - 612K1
64889-04..... 2004	60203-06..... 2006	46267-05..... 2005	61574-08..... 2008
65168-10..... 2010	60204-06..... 2006	49372-10..... 2010	Fuel Rail - 274B1
65176-10..... 2010			27704-07..... 2007

COMPONENT TYPES AND INTRODUCTION DATES

Fuel Tank - 610A1	8135B..... Unknown	3579A..... Unknown	45902-00..... 2000
61392-08..... 2008	8190..... Unknown	3588..... Unknown	45996-87..... 1987
61405-07..... 2007	Generic Screws - 102A1	3594..... Unknown	4678..... Unknown
61724-10..... 2010	1028..... Unknown	3605..... Unknown	4705..... Unknown
62213-07..... 2007	1039..... Unknown	3615..... Unknown	4717A..... Unknown
Fuel Tank Vapor Vent Hose - 611F1	1048..... Unknown	3655A..... Unknown	4718A..... Unknown
27071-10..... 2010	1081A..... Unknown	3658..... Unknown	4724..... Unknown
27096-04A..... 2004	1091..... Unknown	3666A..... 1997	4740A..... Unknown
Fuel Valve / Petcock - 612B2	1094..... Unknown	3696..... Unknown	4741A..... Unknown
61015-04A..... 2004	16478-85A..... 1985	3706M..... Unknown	4748..... 2009
75309-07..... 2007	16480-92A..... 1992	3708M..... 2011	4751..... Unknown
Fuse - 692D1	1751..... Unknown	3731M..... Unknown	4758A..... Unknown
72318-04..... 2004	2325..... Unknown	3732..... Unknown	4765..... Unknown
72330-95..... 1995	2361..... Unknown	3767B..... Unknown	4771..... Unknown
Fuse / Relay Block - 692E1	2362..... Unknown	3802W..... Unknown	4778..... Unknown
31586-07..... 2007	2407..... Unknown	3814..... Unknown	4779..... Unknown
72430-00..... 2000	2441..... Unknown	3849..... Unknown	4798..... Unknown
Fuse/Relay Block Cover - 692E2	2445..... Unknown	3854..... Unknown	4802..... Unknown
73214-10..... 2010	2446..... Unknown	3880..... 2004	4816A..... Unknown
73228-10..... 2010	2460..... Unknown	3899..... 1999	4820A..... Unknown
73302-04..... 2004	2481M..... Unknown	3976..... Unknown	4822A..... Unknown
General Warning Label - 140A2	2486..... Unknown	3987..... Unknown	4859..... Unknown
29147-07..... 2007	2487..... Unknown	3990..... Unknown	4871..... Unknown
29466-08..... 2008	2501A..... Unknown	4016..... Unknown	4886..... Unknown
Generic Mounting Bracket - 127B1	2508..... Unknown	4017..... Unknown	4897..... 2008
51652-97A..... 1997	2513..... Unknown	4029A..... 1990	4975M..... Unknown
Generic Nuts - 101A1	2535..... Unknown	4032A..... Unknown	4991..... Unknown
11730A..... Unknown	2586A..... Unknown	4076..... Unknown	4993..... Unknown
37495-91..... 1991	2607..... Unknown	4091..... Unknown	5403B..... Unknown
7331..... Unknown	2612..... Unknown	4132..... Unknown	5414..... Unknown
7341M..... Unknown	2653..... Unknown	4180..... Unknown	5416..... Unknown
7477..... Unknown	2708A..... Unknown	4188..... Unknown	56397-74C..... 1974
7495..... Unknown	27216-95..... 1995	4240..... Unknown	56402-83A..... 1983
7549A..... Unknown	2773..... Unknown	4250M..... Unknown	675..... Unknown
7593..... Unknown	2872W..... Unknown	4266A..... Unknown	68026-99..... 1999
7601..... Unknown	2952A..... Unknown	4269..... Unknown	68042-99..... 1999
7624..... Unknown	2955..... Unknown	42827-04..... 2004	68120-00..... 2000
7725..... Unknown	3018A..... 2010	42875-07..... 2007	835..... Unknown
7766..... Unknown	3022A..... Unknown	4290..... Unknown	855B..... Unknown
7778..... Unknown	3026..... Unknown	4312C..... Unknown	882..... 2000
7792..... Unknown	3029..... Unknown	4326A..... 1990	927A..... Unknown
7813A..... Unknown	3048..... Unknown	4329..... Unknown	930..... Unknown
7824..... Unknown	3056..... 2011	4350A..... Unknown	940..... Unknown
7839..... Unknown	3059..... Unknown	4351..... Unknown	942..... Unknown
7862..... Unknown	3060..... Unknown	4352..... Unknown	943..... Unknown
7880..... Unknown	3085..... Unknown	4354..... Unknown	946..... Unknown
7900..... Unknown	3123..... Unknown	43567-92..... 1992	94612-04..... 2004
7916A..... Unknown	3124..... Unknown	4359..... Unknown	995..... Unknown
7964..... Unknown	3162..... Unknown	4363..... Unknown	997..... Unknown
8108..... Unknown	3210A..... Unknown	4365..... Unknown	Generic Washers - 103A1
	3214..... Unknown	4420..... Unknown	10972..... 2008
	3244..... Unknown	4499M..... Unknown	27714-06..... 2006
	3480A..... Unknown	4549..... Unknown	36802-84B..... 1984
	3485A..... Unknown	4551..... Unknown	37890-02..... 2002
	3514..... Unknown	4553..... Unknown	37891-02..... 2002
	3563..... Unknown	45790-80..... 1980	41732-04..... 2004
	3565..... Unknown	45800-04..... 2004	41743-04..... 2004
	3574..... Unknown	4589..... Unknown	42425-05..... 2005

COMPONENT TYPES AND INTRODUCTION DATES

6026..... Unknown	71621-08..... 2008	Hose Clamps - 108A1	Intake / Fuel Tank Cover - 613C1
6099..... 2011	71682-06A..... 2006	10014..... Unknown	28792-10..... 2010
6101..... 2011	71683-06A..... 2006	10031..... 2010	66271-08BDK..... 2008
6110..... Unknown	71684-06A..... 2006	10053..... 2010	Intake Manifold - 273A1
6139..... Unknown	71685-06A..... 2006	10074..... Unknown	27707-07..... 2007
6157..... Unknown	Handlebar - 558A1	10080..... Unknown	Intake Manifold to Cylinder Head Seal - 273A2
6192..... Unknown	55840-04A..... 2004	10252..... Unknown	27327-07..... 2007
6237..... Unknown	56014-09A..... 2010	10303..... Unknown	Intake Miscellaneous Component - 295A1
6288..... Unknown	56079-93..... 1993	10304..... Unknown	26010-04..... 2004
6302..... Unknown	56085-83A..... 1983	10344..... Unknown	26011-04..... 2004
6400HB..... Unknown	57472-11..... 2011	29379-08..... 2008	26012-07..... 2007
6445..... Unknown	Handlebar Tube - 558B1	31512-04..... 2004	26020-07..... 2007
6516HW..... Unknown	57209-11..... 2011	42808-04..... 2004	28911-04A..... 2004
65453-08..... 2008	Header - 656C1	55847-05A..... 2005	29380-08..... 2008
6551..... Unknown	64851-09..... 2009	61576-08..... 2008	Intercooler Gasket - 271C1
6589..... Unknown	Header Pipe - 656E1	9955..... Unknown	65927-00..... 2000
6590HW..... Unknown	64942-07..... 2007	9956..... Unknown	Key Transponder - 903C1
6594..... Unknown	64943-07..... 2007	Idle Air Control Actuator - 273E1	68926-07..... 2007
6610..... Unknown	64965-08A..... 2010	27628-01A..... 2001	68939-00..... 2000
6611..... Unknown	Headlight - 677A1	Idler Pulley - 400C1	Left Hand Grip - 561B1
6701..... Unknown	67603-94A..... 1994	31698-08..... 2008	56667-04..... 2004
6702..... Unknown	67790-93A..... 1993	Idler Pulley Assembly - 400B1	License Plate Bracket - 679D1
6703..... Unknown	67834-83..... 1983	31602-08..... 2008	59984-73..... 1973
6716..... Unknown	67883-04A..... 2004	31630-08..... 2008	59986-75..... 1975
6718..... Unknown	67894-93A..... 1993	Idler Pulley Bracket - 400E1	60001-55..... 1955
6738..... Unknown	67963-05..... 2005	31699-08..... 2008	60225-08BHP..... 2008
67815-59A..... 1959	67972-98..... 1998	Ignition Coil - 316A1	60318-07..... 2007
6787..... Unknown	68297-05..... 2005	31656-07..... 2007	60901-07..... 2007
6798..... Unknown	68335-05..... 2005	Ignition Switch - 714A1	67900079..... 2011
6930..... Unknown	68341-05..... 2005	71400058..... 2012	67900088..... 2011
7038..... 1998	68443-07A..... 2007	Incandescent Bulb - 680C1	67900089..... 2011
7039..... Unknown	69386-08..... 2008	52441-95..... 1995	67900093..... 2011
7041..... Unknown	69397-08..... 2008	53436-97..... 1997	68257-08..... 2008
7045..... Unknown	69449-05..... 2005	68163-84..... 1984	68299-07..... 2007
7068..... Unknown	69774-07A..... 2007	68167-04..... 2004	68702-07..... 2007
7073..... Unknown	73264-10..... 2010	68168-89A..... 1989	68857-07..... 2007
7220..... Unknown	73266-10..... 2010	68329-03..... 2003	68966-08..... 2008
7230..... Unknown	Headlight sub-component - 677B1	68572-64B..... 1964	License Plate Light - 679E1
8972..... Unknown	67700094..... 2011	Instrument Cluster or Speedometer - 709B1	60375-10..... 2010
Grommets - 121A1	67880-94..... 1994	67037-08..... 2008	73504-11..... 2011
11407..... Unknown	68380-05..... 2005	67290-08..... 2008	Lifter Anti-Rotation Device - 179C1
11474..... Unknown	69681-07B..... 2011	67415-08..... 2008	18505-06..... 2006
11491A..... Unknown	73246-11..... 2011	67416-08..... 2008	Lifters and Tappets - 179A1
Ground Strap - 660E1	Headlight Support Bracket - 677C1	67436-08..... 2008	17903-10..... 2010
70297-04A..... 2004	67746-11..... 2011	70714-10..... 2010	17911-10..... 2010
Hand Control / Switchgear - 715A1	67805-92..... 1992	Insulating Tape or Pad - 111C1	17972-04..... 2004
55785-11..... 2011	Heel Guard / Pad - 505C1	11668..... Unknown	17981-04..... 2004
55786-11..... 2011	33084-06..... 2006	Horn - 690C1	
67854-98..... 1998	Horn Cover - 613B1	69000014..... 2011	
71510-04..... 2004	69012-93A..... 1993		
71563-96..... 1996			
71564-96..... 1996			
71567-96..... 1996			
71568-96A..... 1996			
71587-04..... 2004			
71620-08..... 2008			

COMPONENT TYPES AND INTRODUCTION DATES

18538-99C. 2011	48737-07. 2007	9969. Unknown	11113. Unknown
Lockset - 903A1	48791-09. 2009	Oil Line Fitting - 627K1	11120. Unknown
90300035. 2012	56394-74. 1974	25394-08. 2008	11140. Unknown
90300036. 2012	69148-01. 2001	26064-08. 2008	11171. Unknown
90300037. 2012	8873. 1984	26183-08. 2008	11179. Unknown
Lower Handlebar Clamp / Riser - 559D1	90493-83. 1983	26184-08. 2008	11190. Unknown
55842-04. 2004	Muffler / Auxiliary Volume - 649A1	26496-75A. 1975	11202. Unknown
56017-04. 2004	64737-09. 2009	26525-08. 2008	11289A. Unknown
56116-82A. 1982	64738-09. 2009	62375-57A. 1957	11290. Unknown
56117-82A. 1982	64842-04. 2004	63533-41A. 1941	11317. Unknown
56541-86A. 1986	64890-04. 2004	63548-08. 2008	11326. Unknown
56542-86A. 1986	64891-04A. 2004	Oil Pressure Regulator Valve - 627M1	11351. Unknown
Lower Triple Clamp - 459B1	64893-04A. 2004	26856-89A. 1989	11377. Unknown
46014-10. 2010	65218-10. 2010	Oil Pump Assembly - 624A1	11570. Unknown
46127-04. 2004	65219-10. 2010	26204-91A. 1991	11621. Unknown
46767-07. 2007	80399-04. 2004	26592-08. 2008	11625. Unknown
46927-10. 2010	Muffler Mount - 655A1	Oil Pump Assembly sub-component - 624B1	11631. Unknown
46998-11. 2011	65316-08. 2008	11652. Unknown	26432-76A. 1976
49422-11. 2011	Muffler sub-component - 653A1	26182-08. 2008	26434-91. 1991
Mechanical Switch - 714B1	65240-08. 2008	26210-99. 1999	48027-99. 1999
33900-99. 1999	Negative Battery Cable - 660F1	26239-07. 2007	61573-08A. 2008
Mirror - 560A1	70296-04A. 2004	26332-08. 2008	Other Special Warning Label - 140A3
91960-10. 2010	Oil Cooler - 627A1	26400-82B. 1982	15370-01A. 2001
91961-10. 2010	63050-08A. 2008	26437-86B. 1986	P / J Clamps - 108B1
91982-03B. 2003	Oil Drain Plug - 627B1	26495-89B. 1989	10092. 2010
91983-03B. 2003	33123-06A. 2006	26502-07. 2007	10142. Unknown
92376-09. 2009	60328-98B. 1998	26503-07. 2007	10179A. Unknown
92377-09. 2009	60330-08. 2008	26526-08. 2008	10255. Unknown
92381-09. 2009	Oil Filler Plug / Dipstick - 627E1	26546-08. 2008	10323. Unknown
92400-09. 2009	62592-07A. 2007	33117-91A. 1991	10800003. 2011
92401-09. 2009	63000-04B. 2004	45830-48. 1948	10800006. 2011
92402-09. 2009	63008-08. 2008	62601-91A. 1991	70417-04C. 2004
Miscellaneous Decorative Trim - 614C1	Oil Filter - 627F1	62651-04. 2004	Passenger Footpeg - 505D1
29346-07. 2007	63796-77A. 1977	Oil Pump Drive Gear - 624D1	33032-99. 1999
61577-08. 2008	63805-80A. 1980	26318-88A. 1988	33134-07CAZ. 2007
62534-07. 2007	Oil Jet - 627G1	Oil Pump Internal Cover - 624E1	33135-07CAZ. 2007
70903-04. 2004	62700013. 2011	26522-08. 2008	51323-08. 2008
70904-04. 2004	62700014. 2011	Oil Tank - 625B1	51327-08. 2008
70917-04. 2004	Oil Line - 627H1	62888-08A. 2008	Passenger Grab Handle - 524A1
70919-04. 2004	33138-06. 2006	62954-10. 2010	59723-04. 2004
71472-04. 2004	62338-01Y. 2001	Oil Thermostat - 627P1	Passenger Seat - 524B1
Miscellaneous Hardware - 126A1	62361-10. 2010	26529-08. 2008	51383-08. 2008
12030. Unknown	63080-08. 2008	O-Rings - 119A1	Pins - 120A1
12200. Unknown	63081-08. 2008	10966. Unknown	1594. Unknown
12201. Unknown	63097-08. 2008	10967. Unknown	16573-83A. 1983
33540-06. 2006	63098-08. 2008	10969. Unknown	215. Unknown
42593-04. 2004	63111-08. 2008	10970. 2008	232. Unknown
42829-04. 2004	63120-08. 2008	10971. Unknown	24754-75A. 1975
42839-04. 2004	63596-06. 2006	11105. Unknown	358. Unknown
42899-08. 2008		11110. Unknown	42460-80B. 1980
45065-06. 2006			45041-01A. 2001
45799-04. 2004			50003-89B. 1989
			51938-04. 2004

COMPONENT TYPES AND INTRODUCTION DATES

9704..... Unknown	19637-12..... 2012	PT Covers Miscellaneous Component - 258A1	59768-97..... 1997
Piston - 219A1	19734-12..... 2012	25213-04..... 2004	59847-10..... 2010
21965-08..... 2008	19766-12..... 2012	25219-04..... 2004	59865-10..... 2010
22244-04A..... 2004	19767-12..... 2012	25250-10..... 2010	59885-11..... 2011
Piston Pin - 221A1	19768-12..... 2012	PT Driveline Miscellaneous Component - 363A1	59901-08BDK..... 2008
22589-83B..... 1983	19925-12..... 2012	35051-89A..... 1989	59916-08..... 2008
22719-04..... 2004	19926-12..... 2012	35211-91B..... 1991	Rear Fender Support - 595E1
22765-02..... 2002	19927-12..... 2012	PT Lower End Miscellaneous Component - 239A1	59500034..... 2011
Piston Ring - 220A1	Press-Fit Plugs - 121B1	24658-87..... 1987	Rear Lift Stand Spool - 474D1
21948-02..... 2002	42838-04..... 2004	PT Lubrication and Cooling Miscellaneous Component - 628A1	47682-10..... 2010
22221-04..... 2004	67865-89..... 1989	63112-08..... 2008	Rear Shock - 540B1
22223-04..... 2004	6863..... Unknown	63116-08..... 2008	46454-09..... 2009
22224-04..... 2004	6864A..... 2010	63125-08..... 2008	54550-10..... 2010
22227-04..... 2004	72164-94A..... 1994	66199-10..... 2010	54568-09..... 2009
22228-04..... 2004	761..... Unknown	70503-10..... 2010	54570-09..... 2009
22228-04..... 2004	90383-98..... 1998	PT Lubrication and Cooling Mounting Bracket - 628B1	54671-10..... 2010
22230-04..... 2004	90520-07..... 2007	63108-08..... 2008	54700-10..... 2010
22231-04..... 2004	Pressure Sensor - 327C1	PT Upper End Miscellaneous Component - 275A1	Rear Shock sub-component - 540E1
22238-04..... 2004	26554-77B..... 1977	27700-07..... 2007	54724-04..... 2004
22261-86..... 1986	Primary Chain - 365A1	Push Rod - 179B1	54741-07..... 2007
22266-86..... 1986	40005-57B..... 1957	17908-02..... 2002	Rear Suspension Mounting Bracket - 540L2
22271-86..... 1986	40057-08..... 2008	17909-02..... 2002	42310-08..... 2008
Plain Bearings and Bushings - 110B1	40147-04..... 2004	Push Rod Cover - 257M1	42739-08..... 2008
17429-91..... 1991	Primary Cover - 257L1	17946-04..... 2004	42831-04A..... 2004
24647-87..... 1987	25307-06..... 2006	17963-10..... 2010	Rear Tire - 432A1
25586-37..... 1937	25430-06..... 2006	Radial Shaft Seals - 110C1	40878-11..... 2011
25588-91..... 1991	25460-06..... 2006	12068..... Unknown	43200011..... 2012
25593-74..... 1974	25486-05..... 2005	12074..... Unknown	43216-11..... 2011
25598-91..... 1991	25546-07..... 2007	37107-06..... 2006	Rear Wheel - 409A1
34076-02A..... 2002	60830-07..... 2007	67104-95..... 1995	41012-08..... 2008
34982-02A..... 2011	60836-10..... 2010	Rear Axle - 430E1	41082-08..... 2008
35030-89A..... 1989	Primary Drive Assembly - 365C1	41176-08..... 2008	41478-10..... 2010
40574-06..... 2006	40241-02A..... 2003	41573-05..... 2005	43348-10..... 2010
42443-80A..... 1980	40251-92A..... 1992	41623-05..... 2005	43832-08..... 2008
42569-03..... 2003	40254-02..... 2002	41627-08..... 2008	44012-11..... 2011
42846-04..... 2004	40290-04A..... 2004	Rear Axle Carrier / Adjuster - 430B1	55019-11..... 2011
45801-04..... 2004	Proximity Sensor - 327D1	41626-08..... 2008	55076-11..... 2011
53176-08..... 2008	32804-04B..... 2005	42174-09..... 2009	Reflector - 679B1
54556-84..... 1984	50126-08A..... 2008	Rear Fender - 595D1	59254-91..... 1991
62881-00..... 2000	74402-05A..... 2005	59400-08..... 2008	59256-84A..... 1984
8885..... Unknown	PT Assembly Miscellaneous Component - 167A1	59401-08..... 2008	59259-90..... 1990
8966..... Unknown	36731-91..... 1991	59673-04A..... 2004	59287-92..... 1992
9214..... Unknown	37896-02..... 2002	59727-07..... 2007	59288-92..... 1992
9254..... 2006	37934-06..... 2006	Rear Fender Support - 595E1	59359-06..... 2006
Positive Battery Cable - 660G1	PT Camdrive and Valvetrain Miscellaneous Component - 184A1	59481-00..... 2000	59482-00..... 2000
70295-10..... 2010	17569-08..... 2008	59488-72A..... 1972	59988-72A..... 1972
Positive Battery Cable Boot - 660H1	18245-02..... 2002	60183-08..... 2008	60188-08..... 2008
70003-04..... 2004	18258-02..... 2002	68561-09..... 2009	68704-07..... 2007
Powertrain Assembly - 161A1			
19519-12..... 2012			
19527-12..... 2012			
19566-12..... 2012			
19606-12..... 2012			

COMPONENT TYPES AND INTRODUCTION DATES

68724-07..... 2007
 69490-07..... 2007
 69498-08..... 2008
 69861-07..... 2007
 69862-07..... 2007

Reflector Mount Bracket / Holder - 679C1

67900006..... 2011

Retaining Rings / Clips - 122A1

10242..... Unknown
 10279..... Unknown
 10984..... Unknown
 11002..... Unknown
 11031..... Unknown
 11046..... Unknown
 11067..... Unknown
 11121..... 2008
 11142..... Unknown
 11155..... Unknown
 11161..... Unknown
 11177A..... Unknown
 11250..... Unknown
 11271..... Unknown
 11272..... Unknown
 11282..... Unknown
 11304..... Unknown
 11379..... 2002
 11384K..... Unknown
 11390..... Unknown
 11408..... Unknown
 11598..... 2007

16699-06..... 2006
 35038-89A..... 1989
 35087-99A..... 1999
 35114-02..... 2002
 35118-03..... 2003
 41229-08..... 2008
 44590-04..... 2004
 45611-86..... 1986
 61213-04A..... 2004
 65325-83A..... 1983
 673..... Unknown
 68958-07C..... 2007
 70640-07..... 2007
 8102..... Unknown

Rider/Full Seat Assembly sub-component - 520B1

51740-10..... 2010

Rider Interface Miscellaneous Component - 507A1

42541-04..... 2004
 51046-09..... 2009
 51730-10..... 2010
 51731-10..... 2010

Rider Seat or Full Seat - 520A1

51382-08..... 2008
 51530-07..... 2007
 51532-07..... 2007
 51550-11..... 2011
 51551-07..... 2007
 51899-07..... 2007
 51911-10..... 2010

Rim Strip - 423C1

40875-11..... 2011
 43145-47..... 1947
 43147-40..... 1940

Rivets / Tree Fasteners - 126B1

11778..... Unknown
 11785..... Unknown
 8692..... Unknown

Rocker-Arm / Valve Cover - 257N1

17360-83A..... 1983
 17375-83A..... 1983
 17501-04..... 2004
 17532-07A..... 2007
 17537-07A..... 2007
 17551-04..... 2004
 17591-10..... 2010
 17611-83..... 1983
 17614-07A..... 2007
 17615-10..... 2010
 17655-05..... 2005

Rolling Element Bearings - 110D1

24605-07..... 2007
 24650-87..... 1987
 24659-87..... 1987
 24660-87..... 1987
 8862..... Unknown
 8884..... Unknown
 8956..... Unknown
 8964..... 2006
 8970A..... 2012
 9187A..... 2011
 9209..... Unknown
 9276A..... 2011

Sealing Washers - 123A1

26436-90A..... 1990

Seat Support Structure - 521A1

51710-08..... 2008
 52429-08..... 2008

Seat Suspension Damper - 521C1

10627..... Unknown
 42840-04..... 2004
 45925-09..... 2009

54715-96..... 1996

Security System Control Module - 410G1

68924-07..... 2007
 70617-07..... 2007

Shifter Drum - 339C1

33641-06..... 2006

Shifter Fork - 339D1

34157-06..... 2006
 34162-06..... 2006
 34981-02A..... 2002

Shifter Index Lever - 339F1

34014-06A..... 2006
 34724-10..... 2010

Shifter Mechanism Components (internal) - 339H1

34064-00C..... 2000
 34163-02..... 2002
 34483-06..... 2006
 34491-02A..... 2002
 34665-10..... 2010

Shift Linkage Connection Rod - 336B1

33832-08..... 2008

Shift Linkage Rod Assembly - 336A1

34663-10..... 2010
 34723-10..... 2010

Shift Linkage Rod End - 336C1

34573-04..... 2004

Side Cover - 572E1

66251-04A..... 2004
 66252-04A..... 2004
 66269-08CHJ..... 2008
 66270-08BDK..... 2008
 66270-08CHJ..... 2008
 66272-05A..... 2005
 66273-05A..... 2005

Sidestand Assembly - 500A1

50000025BHP..... 2011
 50185-04C..... 2011

Sidestand Leg - 500D1

50124-09BHP..... 2011

Sidestand Leg sub-component - 500E1

49735-08..... 2008
 50005-85A..... 1985
 62122-89A..... 1989

Sidestand Pivot Pin - 500F1

554A..... Unknown

Spacers - 124A1

11804..... Unknown
 33354-08..... 2008
 35107-06..... 2006
 37797-09..... 2009
 40562-05..... 2005
 48390-06..... 2006
 6021..... Unknown
 6152..... Unknown
 7882..... Unknown

Spark Plug - 316C1

27794-08..... 2008
 32362-04..... 2004

Spark Plug Cable - 316B1

32003-07..... 2007
 32004-08..... 2008
 32005-08A..... 2008
 32006-07..... 2007

Springer Fork - 454B1

10417..... Unknown
 47299-07..... 2007

Spring Washers - 123B1

48738-07..... 2007
 7155..... Unknown

Starter Friction Clutch - 314E1

31556-91D..... 2010

Starter Motor - 314F1

31390-91F..... 1991

Starter Motor Drive - 314L1

33189-63..... 1963

Starter Motor sub-component - 314G1

31488-81C..... 2008

Starter Solenoid - 314H1

31603-91..... 1991

Stator Assembly - 299F1

29997-07A..... 2008

Steering Stem - 457D1

4977..... Unknown

Steering Stem Bearing Insert Cup - 457E1

48300-60..... 1960
 48315-60..... 1960

Studs - 109A1

16715-83..... 1983
 16832-86C..... 1986
 16899-02..... 2002
 65088-04..... 2004

Swingarm - 474C1

47587-05..... 2005

COMPONENT TYPES AND INTRODUCTION DATES

Swingarm Pivot Shaft - 475B1

41568-04. 2004
41698-04. 2004
41699-04. 2004

Tachometer - 670A1

74714-10. 2010

Taillight - 678A1

68066-99A. 2004
68140-04. 2004
68141-04. 2004
68296-99A. 2004
68369-03. 2003
68370-03A. 2003
68372-03. 2003
68830-99A. 1999
69187-03A. 2003
69352-11. 2011
69361-11. 2011
69864-08. 2008

Taillight Housing - 678B1

68513-07. 2010

Temperature Sensor - 327E1

32319-07. 2007
32472-10. 2010

Terminal - 692H2

72024-08. 2008
72076-00. 2000
72094-06. 2006
72168-07. 2007
72169-07. 2007
72272-07. 2007
72289-04. 2004
72290-94. 1994
72291-94. 1994
72335-10. 2010
72407-07. 2007
72413-07. 2007
72434-00. 2000
72441-04. 2004
72445-99TN. 1999
72484-08. 2008
72549-07. 2007
72568-08. 2008
72592-10. 2010
72611-07. 2007
72721-07. 2007
72991-01. 2001
74194-98. 1998
9810. Unknown
9898. Unknown

Throttle Assembly sub-component - 561D1

38653-01. 2001

Throttle Assembly w/Grip - 561C1

56666-04. 2004

Throttle Body / Intake Manifold - 272B1

16360-08. 2008
16361-07. 2007
27695-08. 2008
27795-07. 2007

Throttle Body/Intake Manifold sub-component - 273C1

27300029. 2011

Throttle Body to Manifold Seal - 273K1

26995-86B. 1986

Throttle Cable - 561A1

45155-08. 2008
56637-08. 2008
56639-08. 2008
56884-07. 2007
56885-07. 2007

Throttle Cable Bracket - 273M1

27698-08A. 2008
27701-07A. 2007
56871-08. 2008

Throttle Cable Retention Bracket - 273N1

56508-76. 1976

Throttle Position Sensor - 327F1

27629-01A. 2001

Tiebar Mount - 164D1

47471-04A. 2004

Tie Straps - 125A1

10006. 1981
10065. 1985
10177. 1996
10181. 1996
10287. 2004

Timer Cover - 256A1

32506-90. 1990
32514-04. 2004
32531-07. 2007

Tire Inner Tube - 423D1

40558-82. 1982
40572-11. 2011
41188-06. 2006

Toepeg - 336F1

34611-65A. 1965

Toepeg Rubber - 336G1

33133-06. 2006

34672-08. 2008

Tool - 149A1

92500-10. 2010
C2045.1AK. 2006
C2050.1AM. 2008
C2051.1AM. 2008

Transmission Countershaft - 356A1

35172-06. 2006
35174-06. 2006
35191-06. 2006
35193-06. 2006
35197-06. 2006

Transmission Dog Ring - 356B1

35190-06. 2006
35196-06. 2006

Transmission Gear - 350E1

35159-06. 2006
35165-06. 2006
35167-06. 2006
35234-08. 2008

Transmission Mainshaft - 350F1

35163-06. 2006

Transmission Output Sprocket - 350A1

40379-04. 2004
40380-04. 2004
40409-04. 2004

Transmission Output Sprocket Compensating Cushion - 350B1

37899-02A. 2002

Transmission Output Sprocket Compensator Driving Element - 350C1

40560-05. 2005

Transmission Output Sprocket Cover - 348A1

34911-04. 2004
34932-04. 2004
34943-05. 2005
34954-07. 2007
37716-10. 2010

Turnsignal - 678D1

5531. Unknown
56104-02. 2002
67800070. 2011
68265-04. 2004
68277-07. 2007
68449-07. 2007
68480-02. 2002
68497-07. 2007
68730-07. 2007

68804-06. 2006
68838-06. 2006
68972-00. 2000
68975-00. 2000
68978-00. 2000
68984-01. 2001
69066-01A. 2001
69362-08. 2008
69406-09. 2009
69530-08. 2008
73267-10. 2010
73282-10. 2010
73284-10. 2010
73318-09. 2009

Turnsignal Lens - 678E1

68559-07. 2007
68755-07. 2007
68973-00. 2000
69110-01. 2001

Upper Handlebar Clamp - 559E1

56115-95. 1995

Upper Triple Clamp - 459A1

45966-04. 2004
46009-10. 2010
46758-07. 2007
46928-10. 2010
46997-11. 2011

Valves - 180A1

18021-87A. 1987
18053-04. 2004
18059-04. 2004
18690-02. 2002

Valve Seals, Guides and Seats - 181B1

16465-06. 2006
18012-87A. 1987
18094-02A. 2002

Valve Springs, Collars and Keepers - 181C1

18260-02. 2002

Valve Stem - 423G1

40999-87. 1987
43157-83A. 1983

Valve Stem Cap - 423H1

41123-79. 1979

Vapor Valve - 612L1

62150-85. 1985

Vent / Breather Line - 265A1

26162-08. 2008
26169-08. 2008
62360-04A. 2004

COMPONENT TYPES AND INTRODUCTION DATES

62360-10. 2010	43241-05. 2005		72406-07A. 2007
63103-08. 2008	47887-10. 2010		72408-07. 2007
63508-04. 2004	47889-10. 2010		72414-07BK. 2007
Voltage Regulator - 747A1	Wheel Sprocket - 422B1	Wire Harness	
74711-08. 2008	40350-07. 2007	sub-component - 692L1	
Wheel Bearing Spacer - 433B1	40444-07. 2007	10200. Unknown	
40930-05. 2005	40518-08. 2008	56073-83. 1983	72447-07GY. 2007
41242-08. 2008	Wheel Sprocket Compensating Cushion - 422C1	70345-84. 1984	72469-07GY. 2007
41730-08. 2008	40561-05. 2005	70504-81. 1981	72473-07. 2007
41748-08. 2008	Wheel Weights - 423K1	70578-89. 1989	72486-08. 2008
41858-08. 2008	95594-84A. 2010	70598-99. 1999	72487-07BK. 2007
43358-08. 2008	95595-84A. 2010	70664-08. 2008	72488-07BK. 2007
43522-08. 2008	Wire Guide - 692G2	72011-05. 2005	72511-07BK. 2007
43905-08. 2008	29950-91. 1991	72014-07. 2007	72512-07BK. 2007
43906-08. 2008	71287-08. 2008	72032-93. 1993	72543-07BK. 2007
Wheel Rim - 420A1	Wire Harness - 692F1	72033-93. 1993	72544-07. 2007
41389-10. 2010	55844-04. 2004	72056-92. 1992	72545-08. 2008
41426-07. 2007	67091-08. 2008	72066-06A. 2006	72559-07. 2007
43017-07. 2007	68813-07. 2007	72077-00. 2000	72720-07. 2007
43085-97. 1997	68814-07. 2007	72096-06. 2006	72904-01BK. 2001
55127-11. 2011	68899-04A. 2004	72135-06. 2006	72914-01BK. 2001
Wheels, Tires and Final Drive Miscellaneous Component - 424A1	68955-08. 2008	72166-07BK. 2007	73102-96BK. 1996
47878-09A. 2010	69200316. 2012	72167-07BK. 2007	73104-96BK. 1996
55126-11. 2011	69200317. 2012	72175-07BK. 2007	73106-96BK. 1996
Wheel Spoke with Nipple - 421A1	70025-11. 2011	72188-07BK. 2007	73152-96WE. 1996
40761-05. 2005	70163-10. 2010	72190-94. 1994	73154-96BK. 1996
40762-05. 2005	70167-08A. 2008	72191-94. 1994	73156-96BK. 1996
	70247-07. 2007	72195-94. 1994	73190-96. 1996
	70619-07. 2007	72251-07. 2007	73191-96. 1996
		72263-95. 1995	73213-07. 2007
		72295-94. 1994	73305-04. 2004
		72329-08. 2008	74112-98BK. 1998
		72402-07. 2007	74120-08. 2008
		72405-98BK. 1998	74152-98. 1998
		72406-07. 2007	74191-98. 1998