

READER COMMENTS

The Harley-Davidson Service Communications Department maintains a continuous effort to improve the quality and usefulness of its publications. To do this effectively, we need user feedback — your critical evaluation of this manual.

Please comment on the completeness, accuracy, organization, usability, and readability of this manual.

Please list the page, item, and part number(s) of any errors you find in this manual.

Please tell us how we can improve this manual.

Occupation:

Name:

Dealership:

Street:

Department:

City:

State:

Zip:

2008 Sportster Models Parts Catalog (99451-08A)

Please clip out and mail to:
Service Communications Department
Harley-Davidson Motor Company
P.O. Box 653
Milwaukee, WI USA 53201

Cut Here

Cut Here

PLEASE ADD ANY OTHER COMMENTS HERE

GENERAL INFORMATION

2008 SPORTSTER MODELS PARTS CATALOG

THIS IS NOT AN ASSEMBLY MANUAL AND SHOULD NOT BE USED AS SUCH

About This Manual

This Parts Catalog has been prepared to make it easier for you to order parts for the 2008 Sportster model motorcycles. You will also find a complete Hardware Listing at the back of the book for your convenience. The numbers shown in the illustrations correspond to the numbers in the "INDEX NO." column in the parts lists. Please consult the illustrations when ordering parts to ensure you receive all the required parts. Take note that the number in parenthesis following the part description is the quantity of that part needed for complete assembly; if there is no number in parenthesis, only one is used. Prices of parts in this catalog are published separately.

The following instructions should be followed carefully when ordering parts:

- The "MODELS" column in the parts lists may include one or more two-character codes that correspond to the V.I.N. model designations. The Sportster models and their respective two-character codes are listed at the bottom of each right-hand page for your reference. If a part fits all Sportster models, "All" will be in the corresponding "MODEL" column.
- Be sure to specify the correct part number for each item. The part numbers appear under the "PART NO." column in the parts lists.
- Orders may be placed via your computer for all parts. Please review your system documentation for details on placing orders electronically. All non-warranty replacement crankcase orders require return of the complete left crankcase half with V.I.N.. All non-warranty replacement frame orders require return of the steering neck with V.I.N.. Non-compliance will result in a fine. See non-warranty frame and crankcase policy or contact your SPOC team for details.
- Parts marked "**105 ANNIVERSARY RESTRICTED SALE PART**" are limited edition items and can only be ordered as direct replacements. Harley-Davidson may require that certain "RESTRICTED SALE PART" items be returned.
- The sale or use of these parts or accessories does not grant the purchaser a license or other right under any Harley-Davidson patent.
- For all 2008 and later painted parts refer to the Service Section of h-dnet.com which features a listing of painted part numbers for all Harley-Davidson motorcycles.

To the best knowledge of Harley-Davidson Motor Company, the material contained herein is accurate as of the date this publication was approved for printing. Harley-Davidson Motor Company reserves the right to change specifications, equipment, or designs at any time without notice and without incurring obligation.

Vehicle Identification Number (V.I.N.)

See Figure 1 on the next page. The full 17-digit serial, or V.I.N., is stamped on the right side of the frame backbone at the rear of the steering head. The V.I.N. is also printed on a label on the right side of the down tube.

An abbreviated V.I.N. is stamped on the left side crankcase between the front and rear cylinders.

Sample V.I.N. as it appears on the steering head - **1HD1CV3138K110000**

Sample abbreviated V.I.N. as it appears on the left crankcase - **CV38110000**

Always give the full 17-digit V.I.N. when ordering parts or making any inquiry about your motorcycle.

1
 2
 3
 4
 5
 6
 7
 8
 9
 10

1 HD 1 CV 3 1 3 8 K 111000

Figure 1. Typical Harley-Davidson V.I.N.: 2008 Sportster Models

Table 1. Harley-Davidson V.I.N. Breakdown: 2008 Sportster Models

POSITION	DESCRIPTION	POSSIBLE VALUES
1	Market designation	1=Originally manufactured for sale within the United States 5=Originally manufactured for sale outside of the United States
2	Manufacturer	HD=Harley-Davidson
3	Motorcycle type	1=Heavyweight motorcycle (901 cc or larger) 4=Middleweight motorcycle (351 cc to 900 cc)
4	Model	See V.I.N. model table
5	Engine type	2=Evolution® 883 cc air-cooled, fuel-injected 3=Evolution® 1200 cc air-cooled, fuel-injected 3=Evolution® 1200 cc precision-cooled, fuel-injected
6	Introduction date	1=Regular 2=Mid-year 3=California/regular 4=Cosmetic changes and/or special introductory date 5=California/cosmetic changes and/or special introductory date 6=California/mid-year
7	V.I.N. check digit	Can be 0-9 or X
8	Model year	8=2008
9	Assembly plant	K=Kansas City, MO U.S.A.
10	Sequential number	Varies

Table 2. V.I.N. Model Codes: 2008 Sportster Models

CODE	MODEL	CODE	MODEL
CN	XL 883 Sportster® 883	CV	XL 1200R Sportster® 1200 Roadster
CP	XL 883C Sportster® 883 Custom	CX	XL 1200L Sportster® 1200 Low
CR	XL 883L Sportster® 883 Low	CZ	XL 1200N Sportster® 1200 Nightster™
CS	XL 883R Sportster® 883R	LA	XR 1200 Sportster® 1200
CT	XL 1200C Sportster® 1200 Custom		

©2008 H-D.

ALPHABETICAL INDEX

PART DESCRIPTION	PAGE	PART DESCRIPTION	PAGE
AIR BOX - XR1200.	41	DRIVE GEAR, OIL PUMP - XR1200.	27
AIR CLEANER - 883/C/L/R, 1200C/L/N/R.	39	ELECTRONIC CONTROL MODULE - 883/C/L/R, 1200C/L/N/R.	45
ALTERNATOR & REGULATOR.	43	ELECTRONIC CONTROL MODULE - XR1200.	47
AXLE, FRONT (CAST) - 883/L/R, 1200L/R.	91	ELECTRONIC IGNITION SYSTEM - 883/C/L/R, 1200C/L/N/R.	45
AXLE, FRONT (CAST) - XR1200.	93	ELECTRONIC IGNITION SYSTEM - XR1200.	47
AXLE, FRONT (LACED & PROFILE LACED) - 883/C/L, 1200C/N/R.	95	ENGINE ASSEMBLY.	7
AXLE, REAR (CAST) - 883/L/R, 1200C/L/R.	97	ENGINE MOUNTS.	65
AXLE, REAR (CAST) - XR1200.	99	ENGINE SENSORS & SWITCHES.	37
AXLE, REAR (LACED & PROFILE LACED) - 883/C/L, 1200C/L/N/R.	101	EVAPORATIVE EMISSIONS.	205
BATTERY.	155	EXHAUST SYSTEM - 883/C/L/R, 1200C/L/N/R.	163
BELT GUARD.	121	EXHAUST SYSTEM - XR1200.	165
BELTS & SPROCKETS - 883/C/L/R, 1200C/L/N/R.	61	FENDER, FRONT.	133
BELTS & SPROCKETS - XR1200.	63	FENDER, REAR - 1200N (NON-JAPAN).	137
BRACKET, HORN.	183	FENDER, REAR - 883/C/L/R, 1200C/L/R, 1200N (JAPAN).	135
BRACKET, LICENSE PLATE - 1200N (NON-JAPAN). . .	137	FENDER, REAR - XR1200.	139
BRACKET, LICENSE PLATE - 883/C/L/R, 1200C/L/R, 1200N (JAPAN).	135	FILTER, AIR.	39
BRACKET, LOWER STEERING HEAD - 883/C/L/R, 1200C/L/N/R.	103	FILTER, AIR BOX.	41
BRACKET, LOWER STEERING HEAD - XR1200.	105	FILTER, OIL - 883/C/L/R, 1200C/L/N/R.	149
BRACKET, SPEEDOMETER - 883/L/R, 1200L/N/R.	167	FILTER, OIL - XR1200.	151
BRACKET, SPEEDOMETER - 883C, 1200C.	171	FLYWHEEL.	17
BRACKET, SPEEDOMETER - XR1200.	169	FOOTRESTS - 883/C/L/R, 1200C/L/N/R.	125
BRAKE CONTROL, REAR - 883/L/R, 1200L/N/R.	77	FOOTRESTS - XR1200.	127
BRAKE CONTROL, REAR - 883C, 1200C.	79	FORK, FRONT - 1200N.	109
BRAKE CONTROL, REAR - XR1200.	81	FORK, FRONT - 883/C/L/R, 1200C/L/R.	107
BRAKE DISC, REAR (CAST WHEEL) - 883/L/R, 1200C/L/R.	97	FRAME & JIFFY STAND - 883/C/L/R, 1200C/L/N/R. . .	117
BRAKE DISC, REAR (CAST WHEEL) - XR1200.	99	FRAME & JIFFY STAND - XR1200.	119
BRAKE DISC, REAR (LACED) - 883/C/L, 1200C/L/N/R. .	101	FRONT BRAKE CALIPER - 883/C/L/R, 1200C/L/N/R. . .	83
BRAKELINE, FRONT - 883/C/L/R, 1200C/L/N/R.	69	FRONT BRAKE CALIPER - XR1200.	85
BRAKELINE, FRONT - XR1200.	71	FRONT BRAKE CONTROL - 883/C/L/R, 1200C/L/N/R. .	69
BRAKELINE, REAR - 883/C/L/R, 1200C/L/N/R.	73	FRONT BRAKE CONTROL - XR1200.	71
BRAKELINE, REAR - XR1200.	75	FRONT FENDER.	133
BUSHINGS, CAM - 883/C/L/R, 1200C/L/N/R.	25	FRONT FORK - 1200N.	109
CABLE, CLUTCH CONTROL.	67	FRONT FORK - 883/C/L/R, 1200C/L/R.	107
CABLES, BATTERY.	155	FRONT FORK - XR1200.	111
CALIPER, FRONT - 883/C/L/R, 1200C/L/N/R.	83	FRONT TURN SIGNALS - XR1200.	175
CALIPER, FRONT - XR1200.	85	FRONT WHEEL, CAST - 883/L/R, 1200L/R.	91
CALIPER, REAR - 883/C/L/R, 1200C/L/N/R.	87	FRONT WHEEL, CAST - XR1200.	93
CALIPER, REAR - XR1200.	89	FRONT WHEEL, LACED & PROFILE LACED - 883/C/L, 1200C/N/R.	95
CAMSHAFTS & GEAR COVER - 883/C/L/R, 1200C/L/N/R.	25	FUEL PUMP.	145
CAMSHAFTS & GEAR COVER - XR1200.	27	FUEL TANK - 883/C/L/R, 1200C/L/N/R.	141
CLAMP, HANDLEBAR - 883/L/R, 1200L/N/R, XR1200. .	129	FUEL TANK TRIM.	147
CLAMP, HANDLEBAR - 883C, 1200C.	131	FUEL TANK - XR1200.	143
CLUTCH - 883/C/L/R, 1200C/L/N/R.	57	FUSES.	199
CLUTCH CONTROL.	67	GASKET KIT, ENGINE OVERHAUL - 883/C/L/R, 1200C/L/N/R.	9
CLUTCH - XR1200.	59	GASKET KIT, ENGINE OVERHAUL - XR1200.	11
COIL, IGNITION - 883/C/L/R, 1200C/L/N/R.	45	GASKET KIT, FRONT MASTER CYLINDER - 883/C/L/R, 1200C/L/N/R.	69
COIL, IGNITION - XR1200.	47	GASKET KIT, FRONT MASTER CYLINDER - XR1200. .	71
CRANKCASE & GEARCASE - 883/C/L/R, 1200C/L/N/R. .	19	GASKET KIT, REAR MASTER CYLINDER - 883/C/L/R, 1200C/L/N/R.	73
CRANKCASE & GEARCASE - XR1200.	21	GASKET KIT, REAR MASTER CYLINDER - XR1200. . .	75
CYLINDER, HEAD, & VALVES - 883/C/L/R, 1200C/L/N/R. .	9	GEARS, TRANSMISSION.	51
CYLINDER, HEAD, & VALVES - XR1200.	11	HANDLEBAR & THROTTLE CONTROL - 883/L/R, 1200L/N/R, XR1200.	129
DEBRIS DEFLECTOR.	121	HANDLEBAR & THROTTLE CONTROL - 883C, 1200C. .	131
DRIVE GEAR, OIL PUMP - 883/C/L/R, 1200C/L/N/R. . .	25		

ALPHABETICAL INDEX

PART DESCRIPTION	PAGE	PART DESCRIPTION	PAGE
HANDLEBAR SWITCHES.....	201	REAR BRAKE MASTER CYLINDER - XR1200.....	75
HAND LEVER, CLUTCH CONTROL.....	67	REAR FENDER & LICENSE PLATE BRACKET - 1200N (NON-JAPAN).....	137
HAND LEVER, FRONT BRAKE CONTROL - 883/C/L/R, 1200C/L/N/R.....	69	REAR FENDER & LICENSE PLATE BRKT - 883/C/L/R, 1200C/L/R, 1200N (JAPAN).....	135
HAND LEVER, FRONT BRAKE CONTROL - XR1200.....	71	REAR FENDER - XR1200.....	139
HEAD, CYLINDER - 883/C/L/R, 1200C/L/N/R.....	9	REAR FORK, DEBRIS DEFLECTOR & BELT GUARD..	121
HEAD, CYLINDER - XR1200.....	11	REAR TURN SIGNALS, TAIL LAMP & LICENSE PLATE BRACKET - XR1200.....	179
HEADLAMP & MIRROR - 883/L/R, 1200L/N/R.....	157	REAR WHEEL, CAST - 883/L/R, 1200C/L/R.....	97
HEADLAMP & MIRROR - 883C, 1200C.....	159	REAR WHEEL, CAST - XR1200.....	99
HEADLAMP & MIRROR - XR1200.....	161	REAR WHEEL, LACED & PROFILE LACED - 883/C/L, 1200C/L/N/R.....	101
HORN.....	183	REGULATOR, VOLTAGE.....	43
INDUCTION MODULE - 883/C/L/R, 1200C/L/N/R.....	33	RISER, HANDLEBAR - 883C, 1200C.....	131
INDUCTION MODULE - XR1200.....	35	ROCKER ARMS, COVERS, & PUSH RODS - 883/C/L/R, 1200C/L/N/R.....	13
INSPECTION COVER & PRIMARY COVER.....	23	ROCKER ARMS, COVERS, & PUSH RODS - XR1200..	15
JIFFY STAND - 883/C/L/R, 1200C/L/N/R.....	117	SEATS.....	123
JIFFY STAND - XR1200.....	119	SECURITY SIREN.....	197
KEY SET.....	199	SHIFTER.....	53
LABELS.....	203	SHIFT LEVER.....	55
LEVER, SHIFTER.....	55	SHOCK ABSORBERS - 883/C/L/R, 1200C/L/N/R.....	113
LOCKSET ASSEMBLY - 883/C/L/R, 1200C/L/N/R.....	117	SHOCK ABSORBERS - XR1200.....	115
LOCKSET ASSEMBLY - XR1200.....	119	SIDE COVER, OIL TANK - 883/C/L/R, 1200C/L/N/R..	117
MASTER CYLINDER ASSEMBLY, FRONT - 883/C/L/R, 1200C/L/N/R.....	69	SIDE COVER, OIL TANK - XR1200.....	119
MASTER CYLINDER ASSEMBLY, FRONT - XR1200.....	71	SPARK PLUG - 883/C/L/R, 1200C/L/N/R.....	45
MASTER CYLINDER ASSEMBLY, REAR - 883/C/L/R, 1200C/L/N/R.....	73	SPARK PLUG - XR1200.....	47
MASTER CYLINDER ASSEMBLY, REAR - XR1200.....	75	SPEEDOMETER & TACHOMETER - 883/L/R, 1200L/N/R.....	167
MIRRORS - 883/L/R, 1200L/N/R.....	157	SPEEDOMETER & TACHOMETER - XR1200.....	169
MIRRORS - 883C, 1200C.....	159	SPEEDOMETER - 883C, 1200C.....	171
MIRRORS - XR1200.....	161	SPROCKET - 883/C/L/R, 1200C/L/N/R.....	61
MODULE, SECURITY SYSTEM/TURN SIGNAL CANCELLER.....	197	SPROCKET - XR1200.....	63
MOUNTS, ENGINE.....	65	STARTER MOTOR.....	49
MUFFLER - 883/C/L/R, 1200C/L/N/R.....	163	STATOR.....	43
MUFFLER - XR1200.....	165	STEERING HEAD BRACKET ASSEMBLY - 883/C/L/R, 1200C/L/N/R.....	103
OIL FILTER - 883/C/L/R, 1200C/L/N/R.....	149	STEERING HEAD BRACKET ASSEMBLY - XR1200..	105
OIL FILTER - XR1200.....	151	SWITCH ASSEMBLY, DIRECTIONAL.....	201
OIL JET ASSEMBLY - 883/C/L/R, 1200C/L/N/R.....	19	SWITCHES, SENSORS & ELECTRICAL CONNECTORS.....	199
OIL JET ASSEMBLY - XR1200.....	21	TACHOMETER - 883/L/R, 1200L/N/R.....	167
OIL LINES & COOLER - XR1200.....	153	TACHOMETER - XR1200.....	169
OIL PUMP - 883/C/L/R, 1200C/L/N/R.....	29	TAIL LAMP - 883/C/L/R, 1200C/L/R.....	181
OIL PUMP - XR1200.....	31	TAIL LAMP - XR1200.....	179
OIL TANK & FILTER - 883/C/L/R, 1200C/L/N/R.....	149	TAPPET - 883/C/L/R, 1200C/L/N/R.....	13
OIL TANK & FILTER - XR1200.....	151	TAPPET - XR1200.....	15
PISTONS & FLYWHEEL ASSEMBLY.....	17	THROTTLE CONTROL - 883/L/R, 1200L/N/R, XR1200..	129
PRIMARY CHAIN - 883/C/L/R, 1200C/L/N/R.....	61	THROTTLE CONTROL - 883C, 1200C.....	131
PRIMARY CHAIN - XR1200.....	63	TRANSMISSION GEARS.....	51
PRIMARY COVER.....	23	TRAY, BATTERY.....	155
PUMP, OIL - 883/C/L/R, 1200C/L/N/R.....	29	TURN SIGNAL MODULE & SECURITY SIREN.....	197
PUMP, OIL - XR1200.....	31	TURN SIGNALS & TAIL LAMP - 1200N.....	177
PUSH ROD - 883/C/L/R, 1200C/L/N/R.....	13	TURN SIGNALS - 883/C/L/R, 1200C/L/R.....	173
PUSH ROD - XR1200.....	15	VALVES AND GUIDES - 883/C/L/R, 1200C/L/N/R.....	9
REAR BRAKE CALIPER - 883/C/L/R, 1200C/L/N/R.....	87	VALVES AND GUIDES - XR1200.....	11
REAR BRAKE CALIPER - XR1200.....	89	VOLTAGE REGULATOR.....	43
REAR BRAKE CONTROL - 883/L/R, 1200L/N/R.....	77	WHEELS, FRONT (CAST) - 883/L/R, 1200L/R.....	91
REAR BRAKE CONTROL - 883C, 1200C.....	79	WHEELS, FRONT (CAST) - XR1200.....	93
REAR BRAKE CONTROL - XR1200.....	81		
REAR BRAKE MASTER CYLINDER - 883/C/L/R, 1200C/L/N/R.....	73		

ALPHABETICAL INDEX

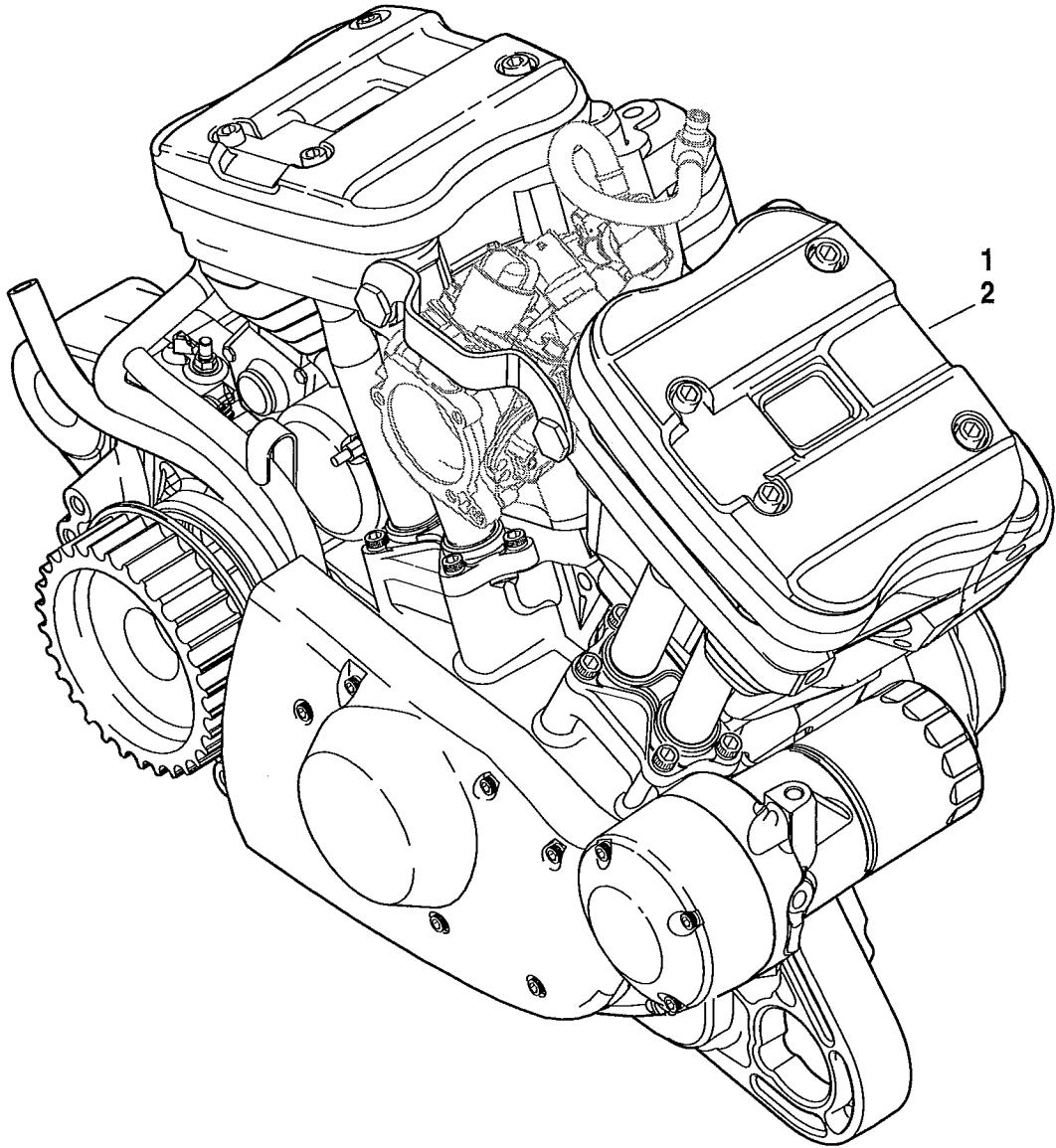
PART DESCRIPTION	PAGE
WHEELS, FRONT (LACED & PROFILE LACED) - 883/C/L, 1200C/N/R.	95
WHEELS, REAR (CAST) - 883/L/R, 1200C/L/R.	97
WHEELS, REAR (CAST) - XR1200.	99
WHEELS, REAR (LACED & PROFILE LACED) - 883/C/L, 1200C/L/N/R.	101
WIRING HARNESS, ENGINE - 883/C/L/R, 1200C/L/N/R.	193
WIRING HARNESS, ENGINE - XR1200.	195
WIRING HARNESS, MAIN - 883/C/L/R, 1200C/L/N/R. .	185

PART DESCRIPTION	PAGE
WIRING HARNESS, MAIN - 883/C/L/R, 1200C/L/N/R (CONTINUED).	187
WIRING HARNESS, MAIN - XR1200.	189
WIRING HARNESS, MAIN - XR1200 (CONTINUED). .	191

REFERENCE MATERIAL

HARDWARE LIST	206
NEW PARTS LIST	209
NUMERICAL INDEX	218

ENGINE ASSEMBLY

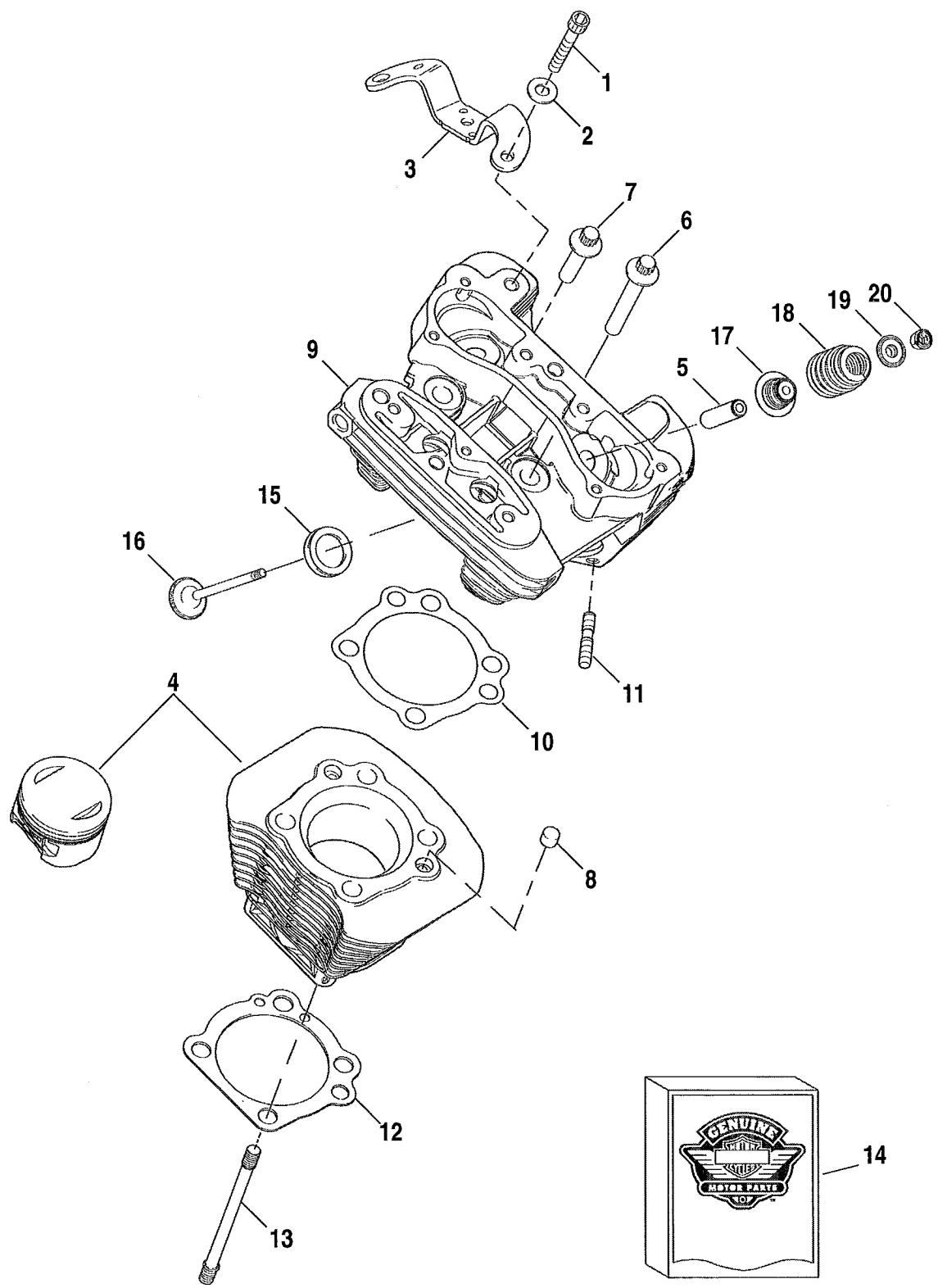


INDEX NO.	PART NO.	DESCRIPTION	MODEL(S)
1	19518-08	ENGINE ASSEMBLY (883cc) (World)	CN
	19527-08	ENGINE ASSEMBLY (1200cc) (50 State)	CT
	19528-08	ENGINE ASSEMBLY (1200cc) (50 State)	CV
	19566-08	ENGINE ASSEMBLY (883cc) (World)	CR
	19567-08	ENGINE ASSEMBLY (883cc) (World)	CP
	19604-08	ENGINE ASSEMBLY (1200cc) (50 State)	CX
	19637-08	ENGINE ASSEMBLY (1200cc) (50 State)	CZ
INTERNATIONAL MODELS ONLY			
2	19519-08	ENGINE ASSEMBLY (883cc) (HDI)	CS
	19606-08	ENGINE ASSEMBLY (1200cc) (HDI)	CT
	19607-08	ENGINE ASSEMBLY (1200cc) (HDI)	CV
	19622-08	ENGINE ASSEMBLY (1200cc) (HDI)	CX
	19638-08	ENGINE ASSEMBLY (1200cc) (HDI) (not illustrated)	LA
	19734-08	ENGINE ASSEMBLY (1200cc) (HDI)	CZ

2008 MODEL IDENTIFICATION CODES

CN = XL883 CP = XL883C CR = XL883L CS = XL883R CT = XL1200C CV = XL1200R CX = XL1200L CZ = XL1200N LA = XR1200

CYLINDER, HEAD, & VALVES - 883/C/L/R, 1200C/L/N/R



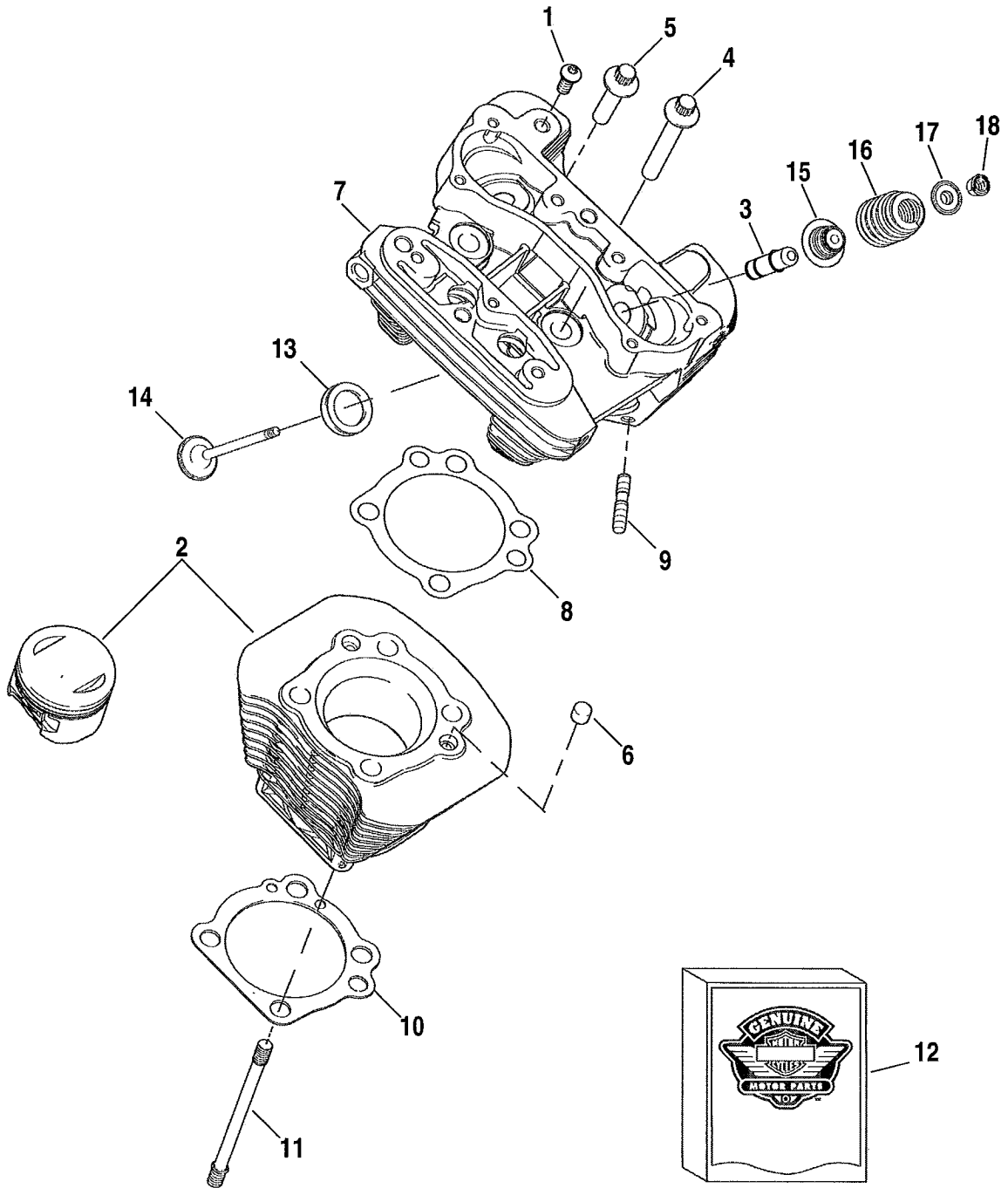
CYLINDER, HEAD, & VALVES - 883/C/L/R, 1200C/L/N/R

INDEX NO.	PART NO.	DESCRIPTION	MODEL(S)
1	4266A	SCREW (2)	CN/CP/CR/CS/CV/CX/CZ
	4748	SCREW (2)	CT
2	6787	WASHER (2)	CT
3	16353-04	BRACKET, center engine mount	CT
4	16443-04	CYLINDER, w/ piston (883 cc) (silver) (2)	CN/CP/CR
	16452-05	CYLINDER, w/ piston (883 cc) (black) (2)	CS
5	16463-04	CYLINDER, w/ piston (1200 cc) (black) (2)	CT/CV/CX
	17496-07	CYLINDER, w/ piston (1200 cc) (gray) (2)	CZ
	16461-02	VALVE GUIDE, intake & exhaust (4)	CN/CP/CR/CT/CV/CX/CZ
6	16478-85A	SCREW, internal thread (4)	CN/CP/CR/CT/CV/CX/CZ
7	16480-92A	SCREW, internal thread (4)	CN/CP/CR/CT/CV/CX/CZ
8	16573-83A	DOWEL (4)	CN/CP/CR/CT/CV/CX/CZ
9	16660-07	HEAD, rear cylinder (883 cc) (silver), w/ valve guides & seats	CN/CP/CR
	16661-07	HEAD, front cylinder (883 cc) (silver), w/ valve guides & seats	CN/CP/CR
	16666-07	HEAD, rear cylinder (1200 cc) (black), w/ valve guides & seats	CT/CV/CX
	16667-07	HEAD, front cylinder (1200 cc) (black), w/ valve guides & seats	CT/CV/CX
	16865-07	HEAD, rear cylinder (1200 cc) (black), w/ valve guides & seats	CS
	16867-07	HEAD, rear cylinder (1200 cc) (black), w/ valve guides & seats	CS
	17488-07	HEAD, rear cylinder (1200 cc) (black w/o fin highlights), w/ valve guides & seats	CZ
	17485-07	HEAD, front cylinder (1200 cc) (black w/o fin highlights), w/ valve guides & seats	CZ
10	16664-86C	GASKET, cylinder head (2)	CN/CP/CR/CS
	16770-84F	GASKET, cylinder head (2)	CT/CV/CX/CZ
11	16715-83	STUD, exhaust port (4)	CN/CP/CR/CT/CV/CX/CZ
12	16774-86E	GASKET, cylinder base (2)	CN/CP/CR/CS/CT/CV/CX
	16789-04	GASKET, cylinder base (2)	CZ
13	16832-86C	STUD, cylinder base (8)	CN/CP/CR/CT/CV/CX/CZ
14	17027-04B	GASKET KIT, engine overhaul	CN/CP/CR/CT/CV/CX/CZ
	17049-04A	GASKET KIT, top overhaul	CN/CP/CR/CT/CV/CX/CZ
15	18011-86	INSERT, exhaust valve seat (2)	CT/CV/CX/CZ
	18012-87A	INSERT, exhaust valve seat (2)	CN/CP/CR/CS
	18020-07	INSERT, intake valve seat (2)	CT/CV/CX/CZ
	18021-87A	INSERT, intake valve seat (2)	CN/CP/CR/CS
16	18053-04	INTAKE VALVE, 7mm (2)	CN/CP/CR/CS
	18690-02	INTAKE VALVE, 7mm (2)	CT/CV/CX/CZ
	18059-04	EXHAUST VALVE, 7mm (2)	CN/CP/CR/CS
	18691-02	EXHAUST VALVE, 7mm (2)	CT/CV/CX/CZ
17	18094-02A	SEAL, valve (4)	CN/CP/CR/CT/CV/CX/CZ
18	18245-02	VALVE SPRING (4)	CN/CP/CR/CT/CV/CX/CZ
19	18258-02	COLLAR, valve spring - upper (4)	CN/CP/CR/CT/CV/CX/CZ
20	18260-02	KEEPER, valve collar (8)	CN/CP/CR/CT/CV/CX/CZ

2008 MODEL IDENTIFICATION CODES

CN = XL883 CP = XL883C CR = XL883L CS = XL883R CT = XL1200C CV = XL1200R CX = XL1200L CZ = XL1200N LA = XR1200

CYLINDER, HEAD, & VALVES - XR1200

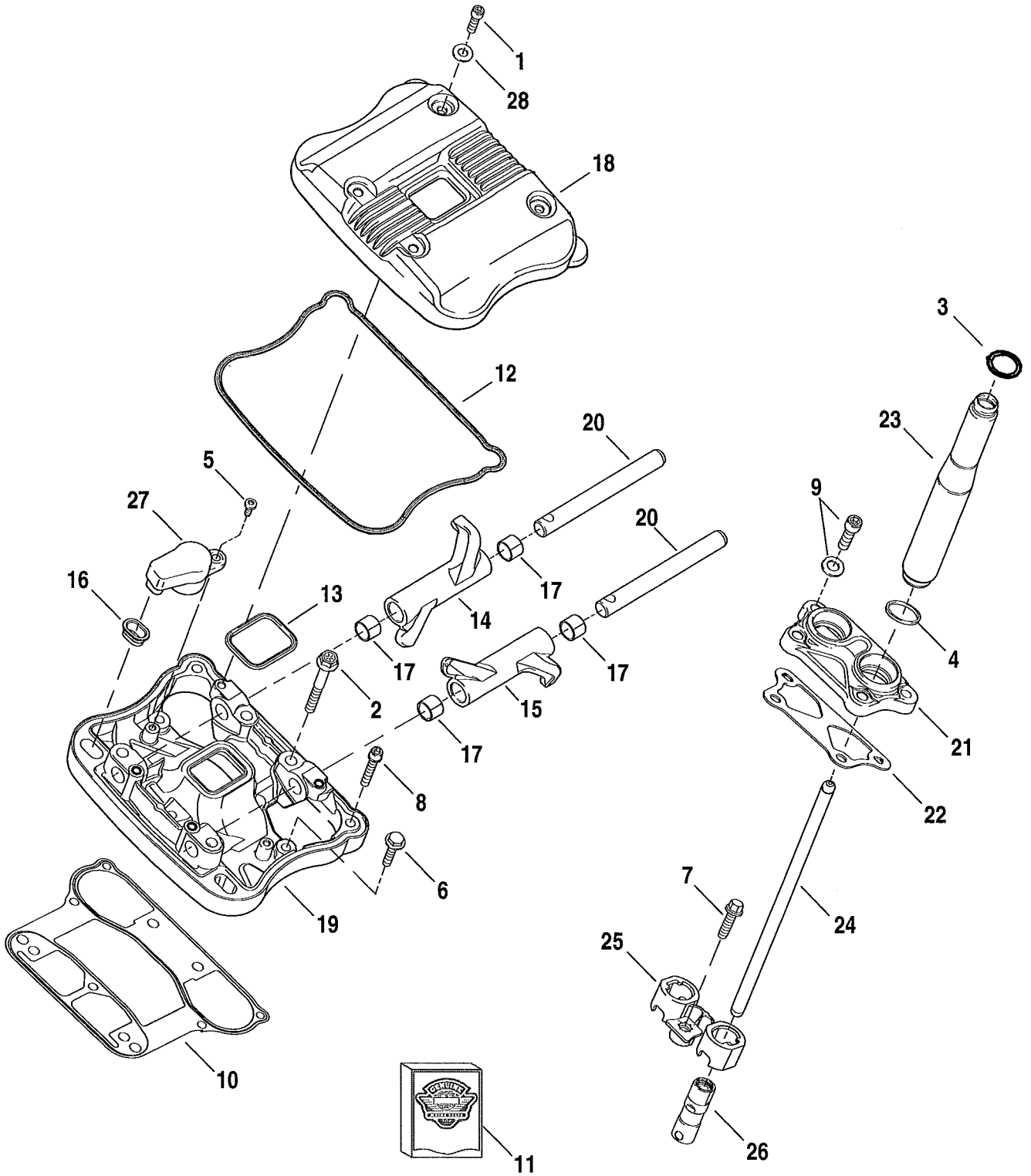


INDEX NO.	PART NO.	DESCRIPTION	MODEL(S)
INTERNATIONAL MODELS ONLY			
1	4266A	SCREW (2)	LA
2	16466-04A	CYLINDER, w/ piston & rings (silver) (2)	LA
3	16465-06	VALVE GUIDE ASSEMBLY, intake & exhaust, w/ retaining ring (4)	LA
4	16478-85A	SCREW, internal thread (4)	LA
5	16480-92A	SCREW, internal thread (4)	LA
6	16573-83A	DOWEL (4)	LA
7	17523-08	HEAD, front cylinder (silver), w/ valve guides & seats	LA
	17524-08	HEAD, rear cylinder (silver), w/ valve guides & seats	LA
8	16771-08	GASKET, cylinder head (2)	LA
9	16715-83	STUD, exhaust port (4)	LA
10	16789-04	GASKET, cylinder base (2)	LA
11	16832-86C	STUD, cylinder base (8)	LA
12	17027-08	GASKET KIT, engine overhaul	LA
	17049-08	GASKET KIT, top overhaul	LA
13	18011-86	INSERT, exhaust valve seat (2)	LA
	18020-07	INSERT, intake valve seat (2)	LA
14	18690-02	INTAKE VALVE, 7mm (2)	LA
	18691-02	EXHAUST VALVE, 7mm (2)	LA
15	18094-02A	SEAL, valve (4)	LA
16	18245-02	VALVE SPRING (4)	LA
17	18258-02	COLLAR, valve spring - upper (4)	LA
18	18260-02	KEEPER, valve collar (8)	LA

2008 MODEL IDENTIFICATION CODES

CN = XL883 CP = XL883C CR = XL883L CS = XL883R CT = XL1200C CV = XL1200R CX = XL1200L CZ = XL1200N LA = XR1200

ROCKER ARMS, COVERS, & PUSH RODS - 883/C/L/R, 1200C/L/N/R



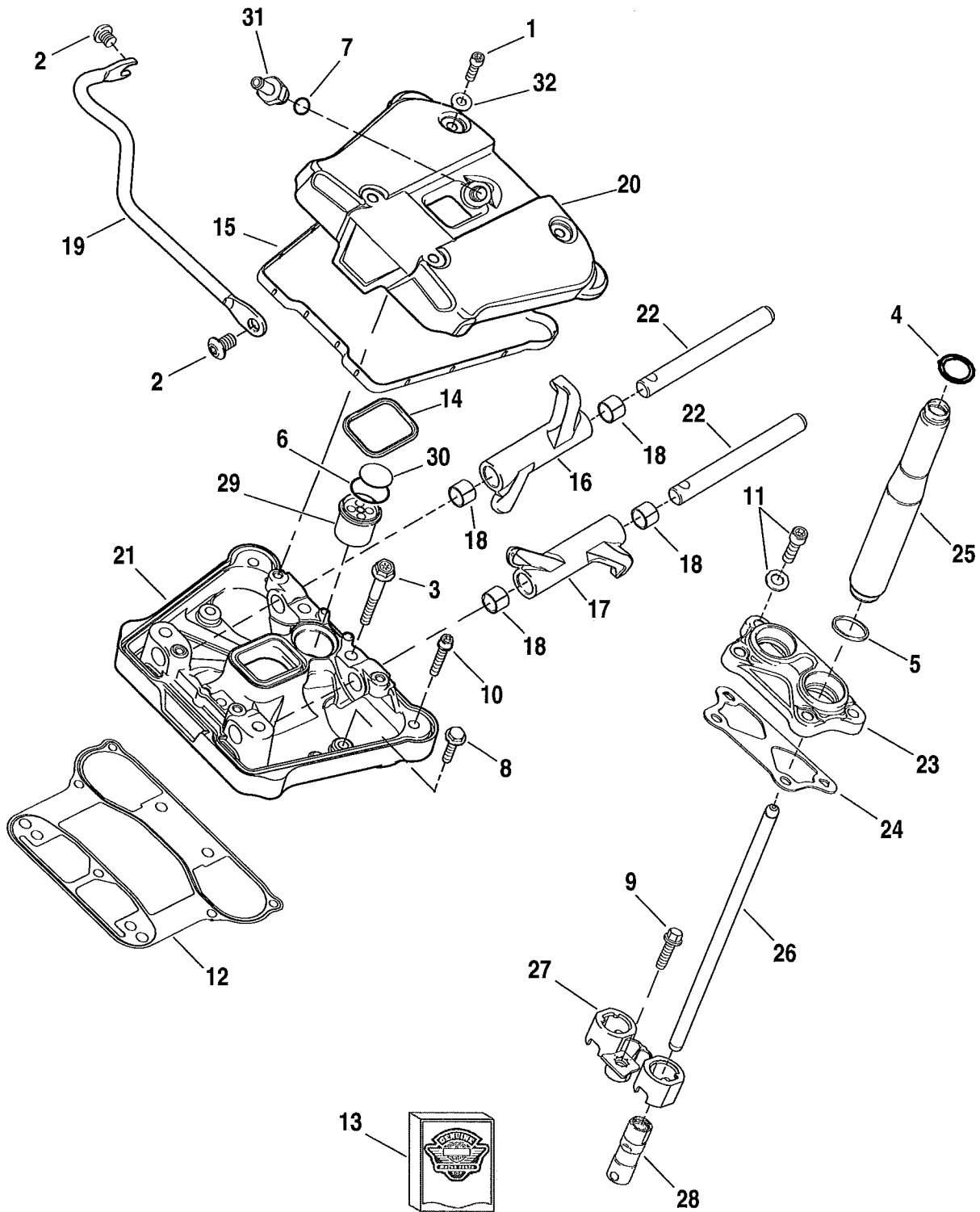
ROCKER ARMS, COVERS, & PUSH RODS - 883/C/L/R, 1200C/L/N/R

INDEX NO.	PART NO.	DESCRIPTION	MODEL(S)
1	882	SCREW (8)	CN/CP/CR/CS/CT/CV/CX/CZ
2	1039	SCREW (8)	CN/CP/CR/CS/CT/CV/CX/CZ
3	11190	O-RING, push rod cover-upper (4)	CN/CP/CR/CS/CT/CV/CX/CZ
4	11377	O-RING (4)	CN/CP/CR/CS/CT/CV/CX/CZ
5	2441	SCREW, pan head (2)	CN/CP/CR/CS/CT/CV/CX/CZ
6	3849	SCREW, w/ washer (6)	CN/CP/CR/CS/CT/CV/CX/CZ
7	3976	SCREW (2)	CN/CP/CR/CS/CT/CV/CX/CZ
8	4718A	SCREW, w/ washer (4)	CN/CP/CR/CS/CT/CV/CX/CZ
9	4741A	SCREW (8)	CN/CP/CR/CS/CT/CV/CX/CZ
10	16800-84A	GASKET, rocker box (2)	CN/CP/CR/CS/CT/CV/CX/CZ
11	17036-91A	GASKET KIT, rocker cover	CN/CP/CR/CS/CT/CV/CX/CZ
12	17362-07A	GASKET, rocker cover - lower (2)	CN/CP/CR/CS/CT/CV/CX/CZ
13	17695-07A	GASKET, rocker cover - inner (2)	CN/CP/CR/CS/CT/CV/CX/CZ
14	17360-83A	ROCKER ARM, front intake & rear exhaust (2)	CN/CP/CR/CS/CT/CV/CX/CZ
15	17375-83A	ROCKER ARM, front exhaust & rear intake (2)	CN/CP/CR/CS/CT/CV/CX/CZ
16	17393-07	SEAL, breather	CN/CP/CR/CS/CT/CV/CX/CZ
17	17428-57	BUSHING, rocker arm (4)	CN/CP/CR/CS/CT/CV/CX/CZ
18	17501-04	ROCKER COVER, outer (polished) (2)	CN/CP/CR/CZ
	17551-04	ROCKER COVER, outer (chrome) (2)	CT/CX
	17655-05	ROCKER COVER, outer (black) (2)	CS/CV
19	17532-07	ROCKER COVER, inner (polished) (2)	CN/CP/CR/CZ
	17537-07	ROCKER COVER, inner (chrome) (2)	CT/CX
	17614-07	ROCKER COVER, inner (silver) (2)	CS
	17645-07	ROCKER COVER, inner (black) (2)	CV
20	17611-83	SHAFT, rocker arm (4)	CN/CP/CR/CS/CT/CV/CX/CZ
21	17972-04	TAPPET COVER, front	CN/CP/CR/CS/CT/CV/CX/CZ
	17981-04	TAPPET COVER, rear	CN/CP/CR/CS/CT/CV/CX/CZ
22	17976-04	GASKET, tappet cover (2)	CN/CP/CR/CS/CT/CV/CX/CZ
23	17946-04	COVER, push rod (chrome) (4)	CN/CP/CR/CS/CT/CV/CX/CZ
24	17908-02	PUSH ROD, exhaust (2)	CN/CP/CR/CS/CT/CV/CX/CZ
	17909-02	PUSH ROD, intake (2)	CN/CP/CR/CS/CT/CV/CX/CZ
25	18505-06	ANTI-ROTATION DEVICE	CN/CP/CR/CS/CT/CV/CX/CZ
26	18538-99B	TAPPET, w/ roller (4)	CN/CP/CR/CS/CT/CV/CX/CZ
27	26012-07	BREATHER, front	CN/CP/CR/CS/CT/CV/CX/CZ
	26020-07	BREATHER, rear	CN/CP/CR/CS/CT/CV/CX/CZ
	26856-89A	VALVE, umbrella-check, breather (not illustrated)	CN/CP/CR/CS/CT/CV/CX/CZ
28	63858-49	GASKET (8)	CN/CP/CR/CS/CT/CV/CX/CZ

2008 MODEL IDENTIFICATION CODES

CN = XL883 CP = XL883C CR = XL883L CS = XL883R CT = XL1200C CV = XL1200R CX = XL1200L CZ = XL1200N LA = XR1200

ROCKER ARMS, COVERS, & PUSH RODS - XR1200



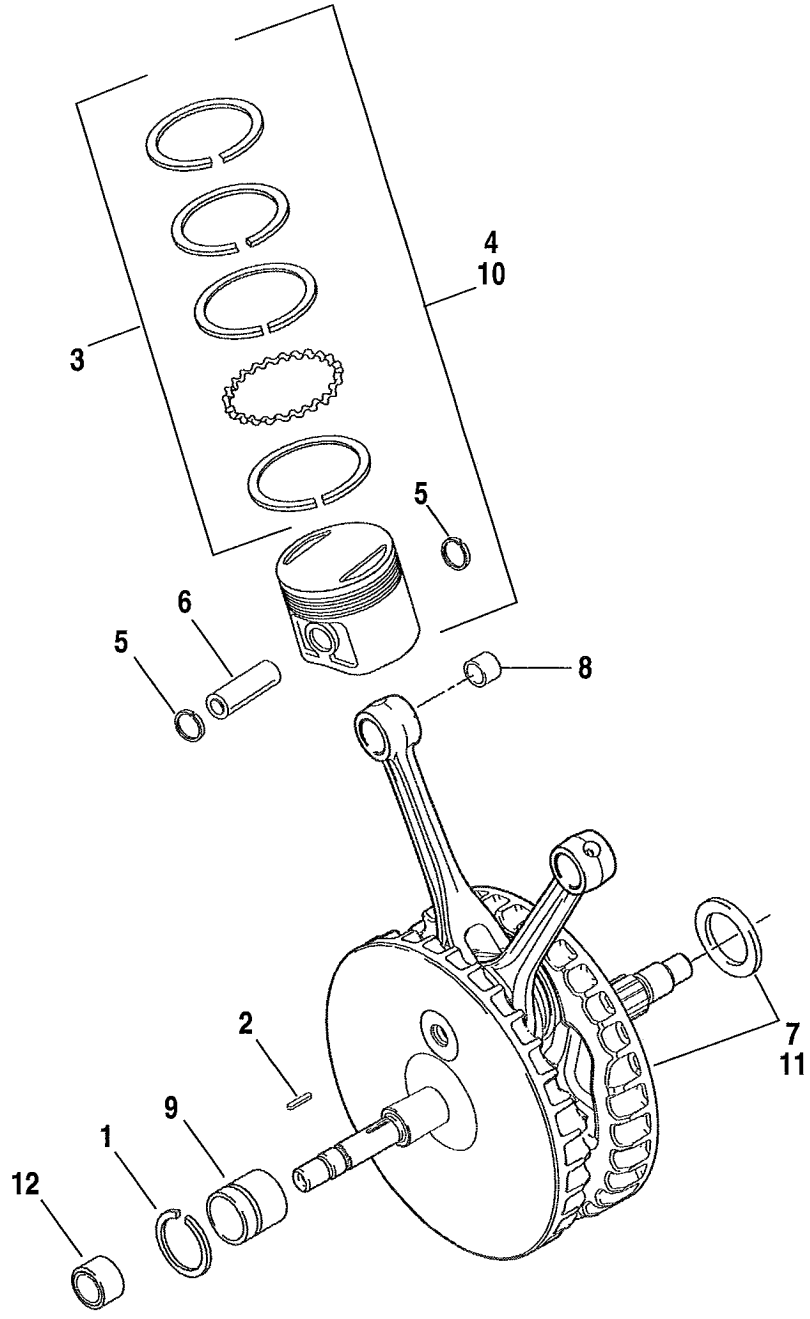
ROCKER ARMS, COVERS, & PUSH RODS - XR1200

INDEX NO.	PART NO.	DESCRIPTION	MODEL(S)
INTERNATIONAL MODELS ONLY			
1	882	SCREW (8)	LA
2	943	SCREW (2)	LA
3	1039	SCREW (8)	LA
4	11190	O-RING, push rod cover-upper (4)	LA
5	11377	O-RING (4)	LA
6	11621	O-RING (2)	LA
7	11625	O-RING (2)	LA
8	3849	SCREW, w/ washer (6)	LA
9	3976	SCREW (2)	LA
10	4718A	SCREW, w/ washer (4)	LA
11	4741A	SCREW (8)	LA
12	16800-84A	GASKET, rocker box (2)	LA
13	17036-08	GASKET KIT, rocker cover	LA
14	17695-07A	GASKET, rocker cover - inner (2)	LA
15	17633-08A	GASKET, rocker cover - lower (2)	LA
16	17360-83A	ROCKER ARM, front intake & rear exhaust (2)	LA
17	17375-83A	ROCKER ARM, front exhaust & rear intake (2)	LA
18	17428-57	BUSHING, rocker arm (4)	LA
19	17569-08	ROCKER BOX GUARD, rear cylinder	LA
20	17585-08	ROCKER COVER, outer (silver) (2)	LA
21	17590-08	ROCKER COVER, inner (silver) (2)	LA
22	17611-83	SHAFT, rocker arm (4)	LA
23	17956-08	TAPPET COVER, front	LA
	17957-08	TAPPET COVER, rear	LA
24	17976-04	GASKET, tappet cover (2)	LA
25	17954-08	COVER, push rod (silver) (4)	LA
26	17908-02	PUSH ROD, exhaust (2)	LA
	17909-02	PUSH ROD, intake (2)	LA
27	18505-06	ANTI-ROTATION DEVICE	LA
28	18538-99B	TAPPET, w/ roller (4)	LA
29	26016-08	BREATHER (2)	LA
30	26856-89A	VALVE, umbrella-check, breather	LA
31	63548-08	FITTING (2)	LA
32	63858-49	GASKET (8)	LA

2008 MODEL IDENTIFICATION CODES

CN = XL883 CP = XL883C CR = XL883L CS = XL883R CT = XL1200C CV = XL1200R CX = XL1200L CZ = XL1200N LA = XR1200

PISTONS & FLYWHEEL ASSEMBLY

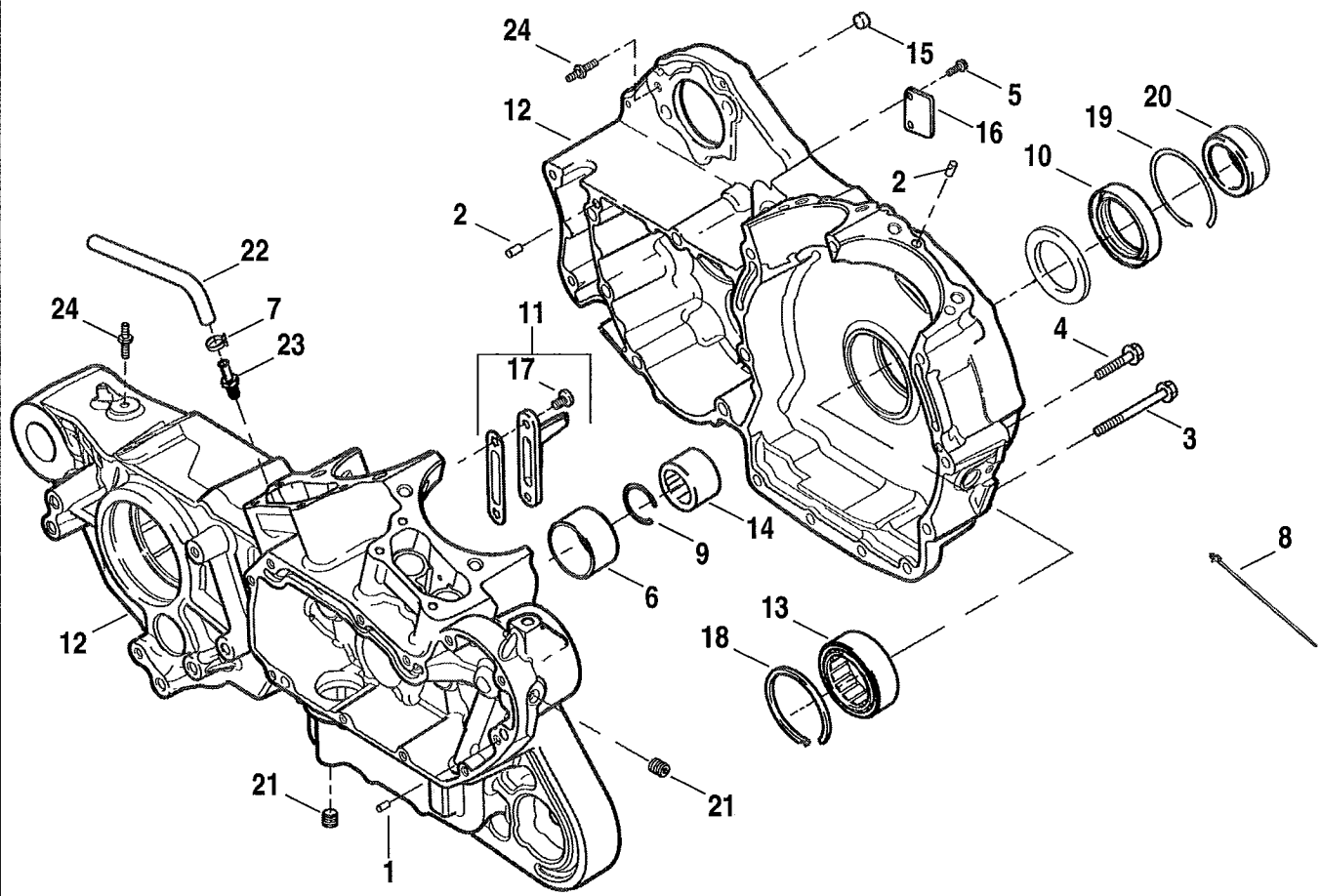


INDEX NO.	PART NO.	DESCRIPTION	MODEL(S)
1	11177A	RETAINING RING	ALL
2	11317	KEY	ALL
3	21948-02	PISTON RING SET, standard (2)	CT/CV/CX/CZ/LA
	22231-04	PISTON RING SET, 0.005 O.S. (2)	CT/CV/CX/CZ/LA
	22238-04	PISTON RING SET, 0.010 O.S. (2)	CT/CV/CX/CZ/LA
	22266-86	PISTON RING SET, standard (2)	CN/CP/CR/CS
	22261-86	PISTON RING SET, 0.010 O.S. (2)	CN/CP/CR/CS
	22271-86	PISTON RING SET, 0.005 O.S. (2)	CN/CP/CR/CS
4	22221-04	PISTON & RINGS ASSEMBLY, standard (2)	CN/CP/CR/CS
	22224-04	PISTON & RINGS ASSEMBLY, 0.005 O.S. (2)	CN/CP/CR/CS
	22228-04	PISTON & RINGS ASSEMBLY, 0.010 O.S. (2)	CN/CP/CR/CS
	22223-04	PISTON & RINGS ASSEMBLY, standard (2)	CT/CV/CX/CZ
	22227-04	PISTON & RINGS ASSEMBLY, 0.005 O.S. (2)	CT/CV/CX/CZ
	22230-04	PISTON & RINGS ASSEMBLY, 0.010 O.S. (2)	CT/CV/CX/CZ
	22244-04A	PISTON & RINGS ASSEMBLY, standard (2)	CT/LA
5	22589-83B	LOCK RING, piston pin (4)	ALL
6	22719-04	PISTON PIN (2)	CN/CP/CR/CS
	22765-02	PISTON PIN (2)	CT/CV/CX/CZ/LA
7	23905-04A	FLYWHEELS & SHAFTS SET, w/ rods	ALL
8	24331-36	BUSHING, piston pin - standard (2)	ALL
	24332-36	BUSHING, piston pin - 0.01 O.S. (2)	ALL
9	24658-87	INNER RING	ALL
INTERNATIONAL MODELS ONLY			
10	22245-04	PISTON & RINGS ASSEMBLY, 0.005 O.S. (2)	LA
	22246-04	PISTON & RINGS ASSEMBLY, 0.010 O.S. (2)	LA
11	23999-08	FLYWHEELS & CONNECTING ROD ASSEMBLY, w/ 24658-87	LA
12	26332-08	SPACER, oil gear	LA

2008 MODEL IDENTIFICATION CODES

CN = XL883 CP = XL883C CR = XL883L CS = XL883R CT = XL1200C CV = XL1200R CX = XL1200L CZ = XL1200N LA = XR1200

CRANKCASE & GEARCASE - 883/C/L/R, 1200C/L/N/R

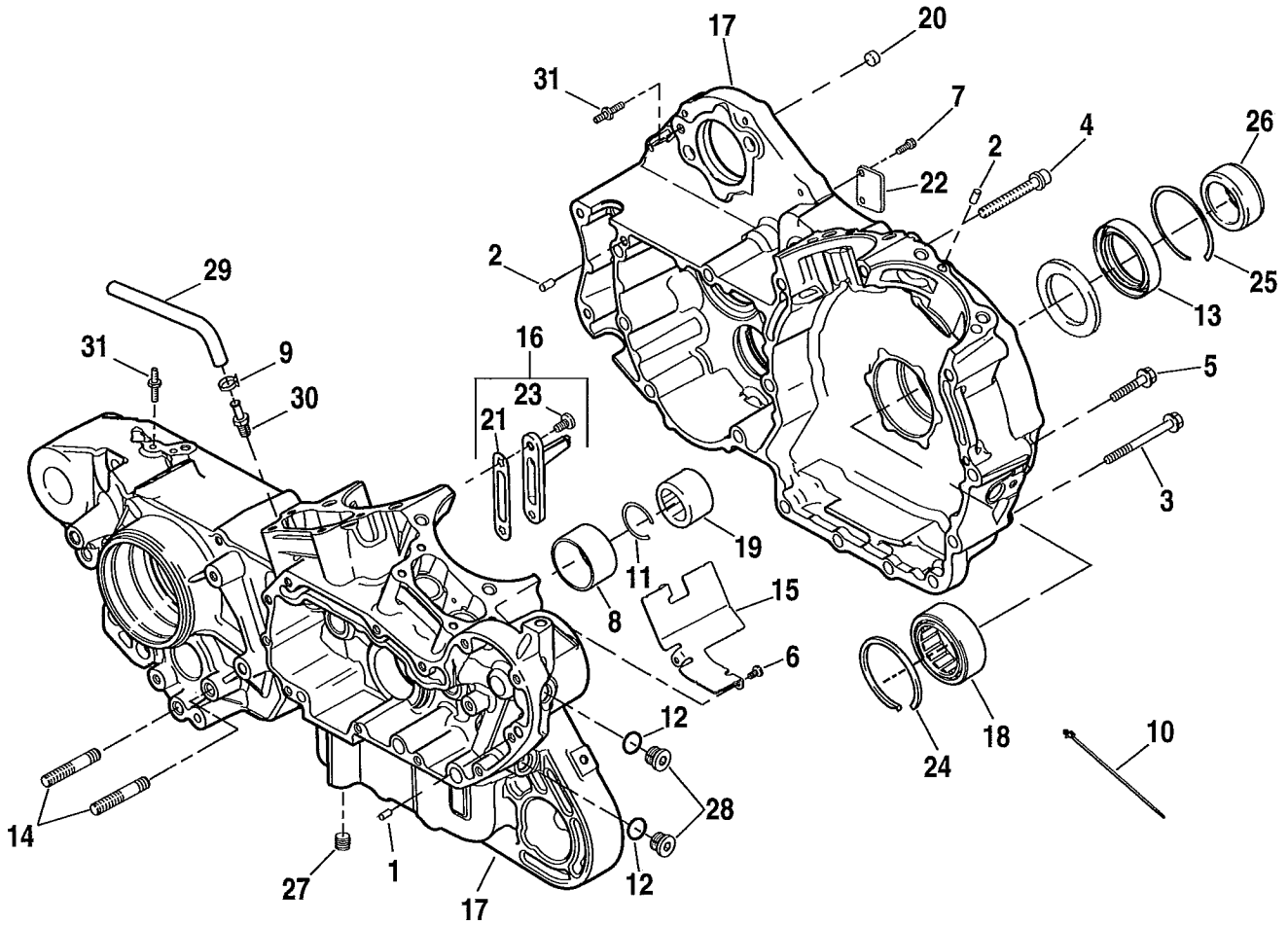


INDEX NO.	PART NO.	DESCRIPTION	MODEL(S)
1	215	PIN (2)	CN/CP/CR/CS/CT/CX/CZ
2	358	DOWEL PIN (4)	CN/CP/CR/CS/CT/CX/CZ
3	835	SCREW (11)	CN/CP/CR/CS/CT/CX/CZ
4	1048	SCREW (4)	CN/CP/CR/CS/CT/CX/CZ
5	4091	SCREW (2)	CN/CP/CR/CS/CT/CX/CZ
6	8881	BEARING RACE	CN/CP/CR/CS/CT/CX/CZ
7	10080	CLAMP, hose (3)	CN/CP/CR/CS/CT/CX/CZ
8	10177	CABLE STRAP (as required)	CN/CP/CR/CS/CT/CX/CZ
9	11177A	RETAINING RING	CN/CP/CR/CS/CT/CX/CZ
10	12068	OIL SEAL	CN/CP/CR/CS/CT/CX/CZ
11	22265-00Y	OIL JET ASSEMBLY, complete (2)	CN/CP/CR/CS/CT/CX/CZ
12	24466-06B	CRANKCASE SET, w/ bearings (black)	CS/CT/CX
	24470-06B	CRANKCASE SET, w/ bearings (silver)	CN/CP/CR/CV
	24745-07A	CRANKCASE SET, w/ bearings (gray)	CZ
13	24604-00D	BEARING	CN/CP/CR/CS/CT/CX/CZ
14	24647-87	BEARING, gear shaft (blue)	CN/CP/CR/CS/CT/CX/CZ
	24650-87	BEARING, gear shaft (red)	CN/CP/CR/CS/CT/CX/CZ
	24659-87	BEARING, gear shaft (white/gray)	CN/CP/CR/CS/CT/CX/CZ
	24660-87	BEARING, gear shaft (green)	CN/CP/CR/CS/CT/CX/CZ
15	24754-75A	DOWEL PIN (2)	CN/CP/CR/CS/CT/CX/CZ
16	29950-91	COVER, stator wires	CN/CP/CR/CS/CT/CX/CZ
17	32617-00Y	SCREW, self-tapping (4)	CN/CP/CR/CS/CT/CX/CZ
18	35114-02	RING, retaining	CN/CP/CR/CS/CT/CX/CZ
19	35118-03	RING, retaining	CN/CP/CR/CS/CT/CX/CZ
20	40254-02	SPACER, sprocket shaft	CN/CP/CR/CS/CT/CX/CZ
21	45830-48	PLUG (2)	CN/CP/CR/CS/CT/CX/CZ
22	63508-04	HOSE, transmission vent	CN/CP/CR/CS/CT/CX/CZ
23	63533-41A	FITTING, connector - vent	CN/CP/CR/CS/CT/CX/CZ
24	65088-04	STUD, ground (2)	CN/CP/CR/CS/CT/CX/CZ

2008 MODEL IDENTIFICATION CODES

CN = XL883 CP = XL883C CR = XL883L CS = XL883R CT = XL1200C CV = XL1200R CX = XL1200L CZ = XL1200N LA = XR1200

CRANKCASE & GEARCASE - XR1200

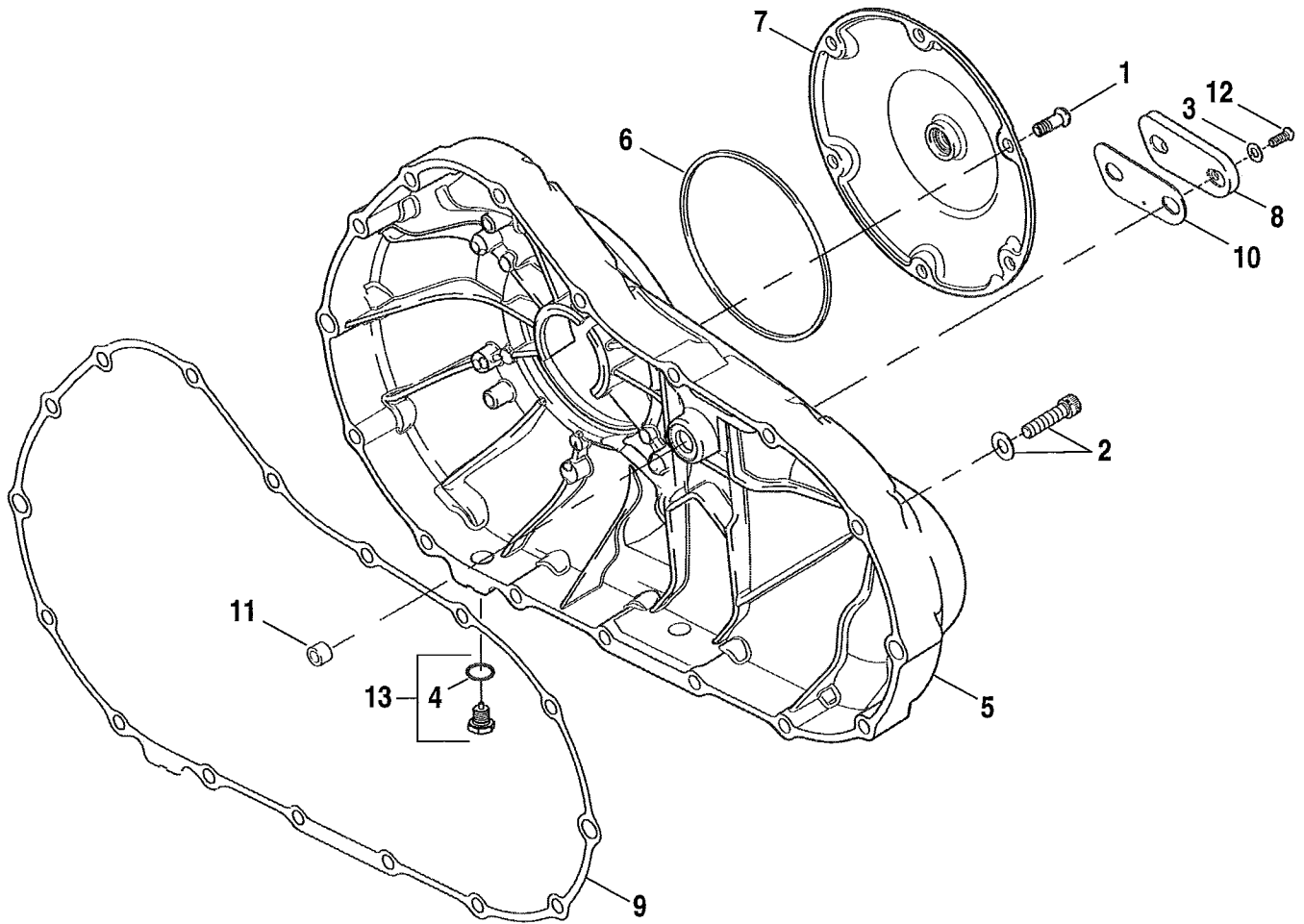


INDEX NO.	PART NO.	DESCRIPTION	MODEL(S)
INTERNATIONAL MODELS ONLY			
1	215	PIN (2)	LA
2	358	DOWEL PIN (4)	LA
3	835	SCREW (12)	LA
4	1028	SCREW	LA
5	1048	SCREW (4)	LA
6	2501A	SCREW (3)	LA
7	4091	SCREW (2)	LA
8	8881	BEARING RACE	LA
9	10080	CLAMP, hose (2)	LA
10	10177	CABLE STRAP (as required)	LA
11	11177A	RETAINING RING	LA
12	11290	O-RING	LA
13	12068	OIL SEAL	LA
14	16899-02	STUD, tap end (2)	LA
15	17525-08	PLATE, oil deflector	LA
16	22265-00Y	OIL JET ASSEMBLY, w/ gasket (2)	LA
17	24475-08	CRANKCASE SET, w/ bearings (black)	LA
18	24604-00D	BEARING	LA
19	24647-87	BEARING, gear shaft (blue)	LA
	24650-87	BEARING, gear shaft (red)	LA
	24659-87	BEARING, gear shaft (white/gray)	LA
	24660-87	BEARING, gear shaft (green)	LA
20	24754-75A	DOWEL PIN (2)	LA
21	26638-00Y	GASKET (1)	LA
22	29950-91	COVER, stator wires	LA
23	32617-00Y	SCREW, self-tapping (4)	LA
24	35114-02	RING, retaining	LA
25	35118-03	RING, retaining	LA
26	40254-02	SPACER, sprocket shaft	LA
27	45830-48	PLUG (2)	LA
28	60330-08	PLUG, w/ o-ring (2)	LA
29	63508-04	HOSE, transmission vent	LA
30	63533-41A	FITTING, connector - vent	LA
31	65088-04	STUD, ground (2)	LA

2008 MODEL IDENTIFICATION CODES

CN = XL883 CP = XL883C CR = XL883L CS = XL883R CT = XL1200C CV = XL1200R CX = XL1200L CZ = XL1200N LA = XR1200

INSPECTION COVER & PRIMARY COVER

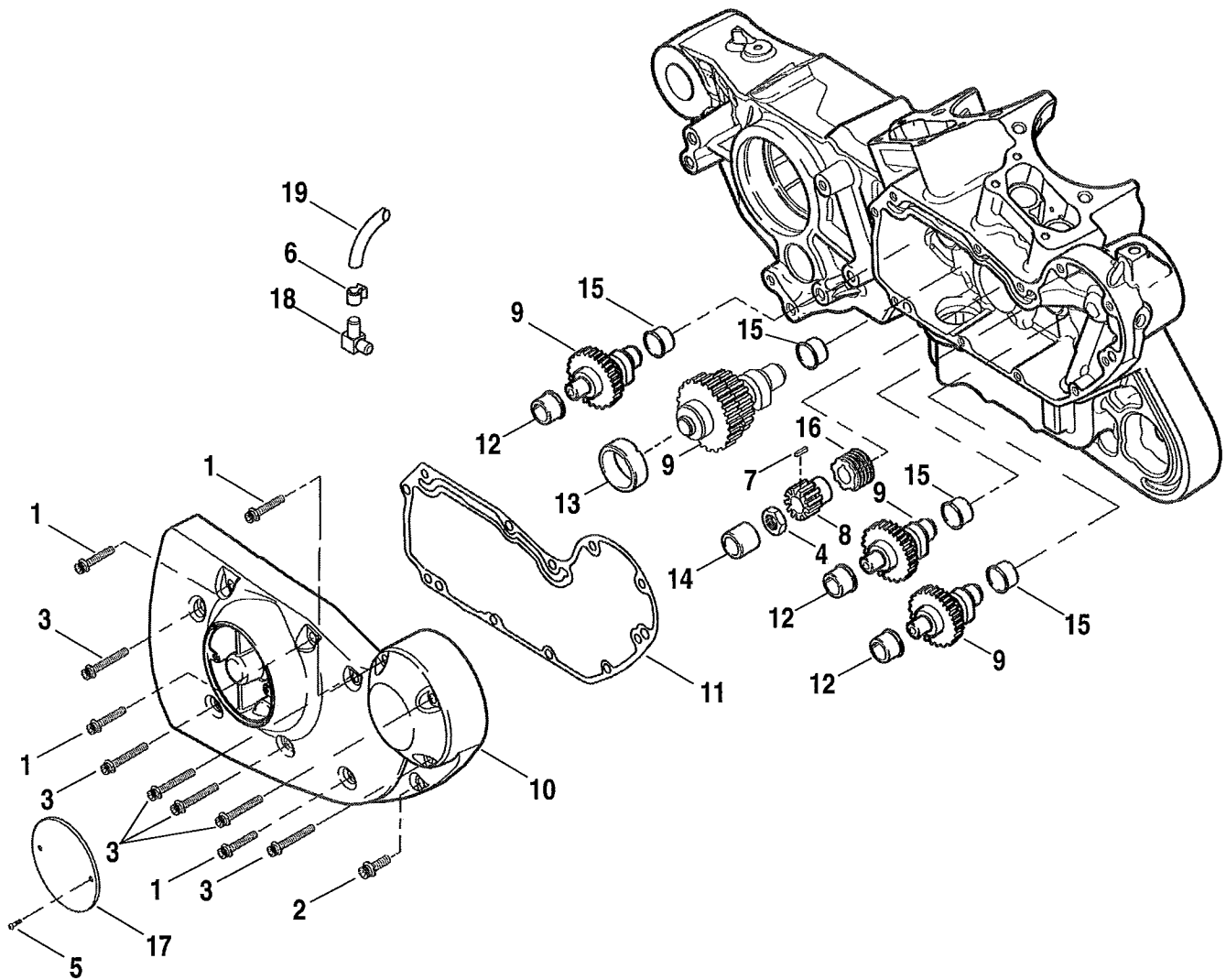


INDEX NO.	PART NO.	DESCRIPTION	MODEL(S)
1	943	SCREW (6)	ALL
2	4820A	SCREW (16)	ALL
3	11171	O-RING, inspection cover screws (2)	ALL
4	11105	O-RING, drain plug	ALL
5	25307-06	PRIMARY COVER (black) w/ 40574-06	CS/CV
	25430-06	PRIMARY COVER (polished) w/ 40574-06	CN/CR
	25460-06	PRIMARY COVER (chrome) w/ 40574-06	CT/CX
	25471-06	PRIMARY COVER (silver) w/ 40574-06	CP/LA
	60830-07	PRIMARY COVER (gray) w/ 40574-06	CZ
6	25463-94A	GASKET, clutch inspection cover	ALL
7	34760-04	INSPECTION COVER, clutch (chrome)	CT/CX
	34790-05	INSPECTION COVER, clutch (black)	CS
	34992-04	INSPECTION COVER, clutch (polished)	CN/CP/CR/CV/CZ/LA
8	34993-04	INSPECTION COVER, chain (polished)	CN/CP/CR/CV/CZ/LA
	34761-04	INSPECTION COVER, chain (chrome)	CT/CX
	34794-05	INSPECTION COVER, chain (black)	CS
9	34955-04	GASKET, primary cover	ALL
10	34986-04	GASKET, chain inspection cover	ALL
11	40574-06	BUSHING	ALL
12	41191-74A	SCREW, inspection covers (2)	ALL
13	60328-98B	OIL DRAIN PLUG ASSEMBLY	ALL

2008 MODEL IDENTIFICATION CODES

CN = XL883 CP = XL883C CR = XL883L CS = XL883R CT = XL1200C CV = XL1200R CX = XL1200L CZ = XL1200N LA = XR1200

CAMSHAFTS & GEAR COVER - 883/C/L/R, 1200C/L/N/R

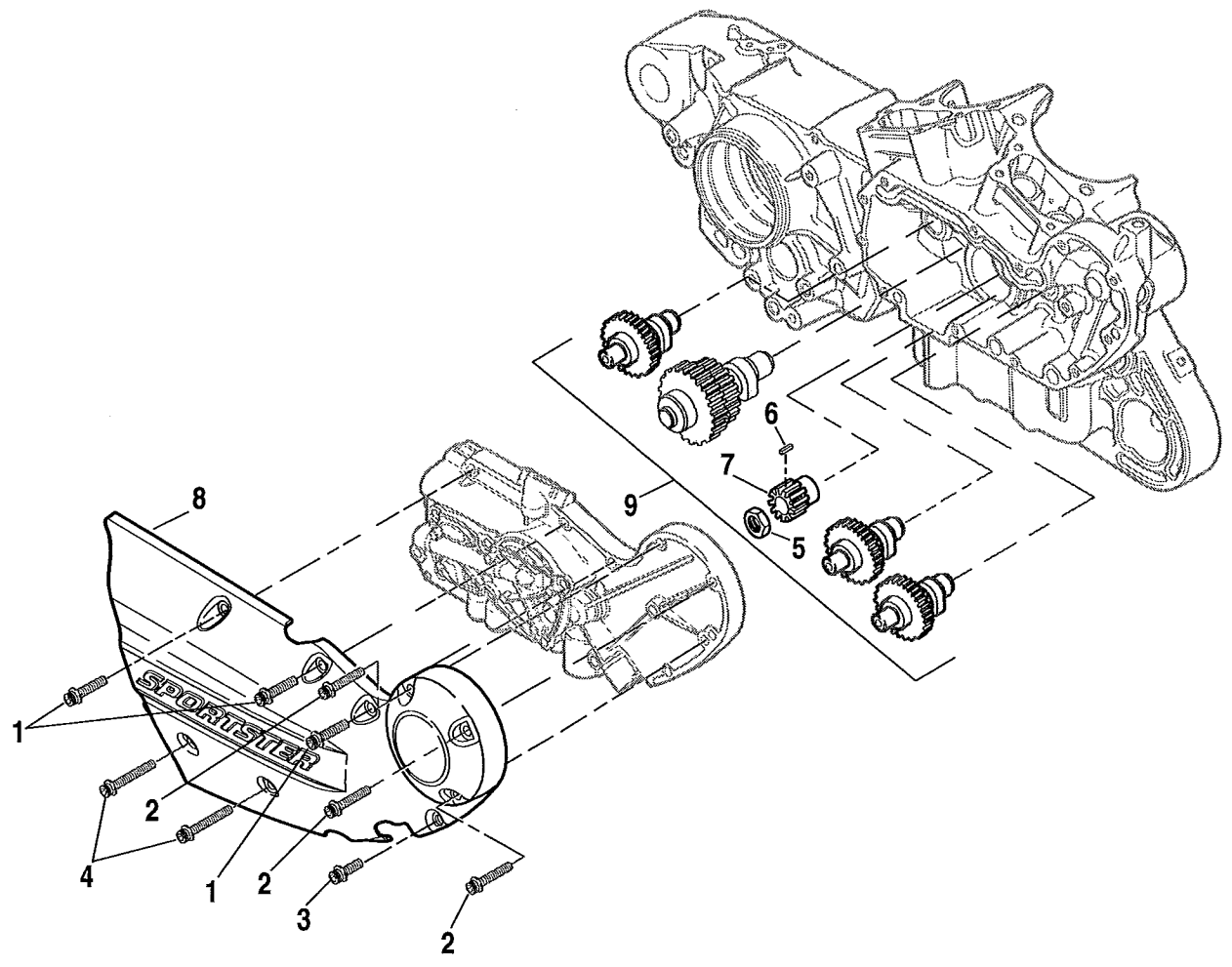


INDEX NO.	PART NO.	DESCRIPTION	MODEL(S)
1	3480A	SCREW (4)	CN/CP/CR/CS/CT/CV/CX/CZ
2	4740A	SCREW	CN/CP/CR/CS/CT/CV/CX/CZ
3	4717A	SCREW (6)	CN/CP/CR/CS/CT/CV/CX/CZ
4	7916A	JAM NUT	CN/CP/CR/CS/CT/CV/CX/CZ
5	8679	SCREW (2)	CN/CP/CR/CS/CT/CV/CX/CZ
6	10014	CLAMP	CN/CP/CR/CS/CT/CV/CX/CZ
7	11317	T-KEY	CN/CP/CR/CS/CT/CV/CX/CZ
8	24047-00	PINION GEAR	CN/CP/CR/CS/CT/CV/CX/CZ
9	25194-06	CAM GEAR SET, complete, w/ pinion gear	CN/CP/CR/CS/CT/CV/CX/CZ
10	25219-04	COVER ASSEMBLY, gearcase (polished), w/ 62375-57A & bushings	CN/CR
	25213-04	COVER ASSEMBLY, gearcase (chrome), w/ 62375-57A & bushings	CT/CX
	25252-04	COVER ASSEMBLY, gearcase (silver), w/ 62375-57A & bushings	CP
	25486-05	COVER ASSEMBLY, gearcase (black), w/ 62375-57A & bushings	CS/CV
	25546-07	COVER ASSEMBLY, gearcase (gray), w/ 62375-57A & bushings	CZ
11	25263-90D	GASKET, gearcase cover	CN/CP/CR/CS/CT/CV/CX/CZ
12	25586-37	OUTER BUSHING, cam gear shafts (3)	CN/CP/CR/CS/CT/CV/CX/CZ
13	25588-91	BUSHING, rear intake cam gear shaft	CN/CP/CR/CS/CT/CV/CX/CZ
14	25593-74	BUSHING, flywheel gear shaft	CN/CP/CR/CS/CT/CV/CX/CZ
15	25598-91	INNER BUSHING, camshaft gear (4)	CN/CP/CR/CS/CT/CV/CX/CZ
16	26318-88A	DRIVE GEAR, oil pump	CN/CP/CR/CS/CT/CV/CX/CZ
17	32506-90	TIMER COVER	CN/CR
	32514-04	TIMER COVER	CP/CT
	32531-07	TIMER COVER	CZ
	32555-04	TIMER COVER	CV
	32587-06	TIMER COVER	CX
	32699-05	TIMER COVER	CS
	32742-08	TIMER COVER, black/copper **105TH ANNIVERSARY RESTRICTED SALE PART**	CT/CX
18	62375-57A	FITTING, oil vent hose	CN/CP/CR/CS/CT/CV/CX/CZ
NOTE: Hose or insulator is sold in bulk length under the following part numbers. Cut to length.			
19	62360-04A	LINE, vent tube, w/ 10014	CN/CP/CR/CS/CT/CV/CX/CZ

2008 MODEL IDENTIFICATION CODES

CN = XL883 CP = XL883C CR = XL883L CS = XL883R CT = XL1200C CV = XL1200R CX = XL1200L CZ = XL1200N LA = XR1200

CAMSHAFTS & GEAR COVER - XR1200

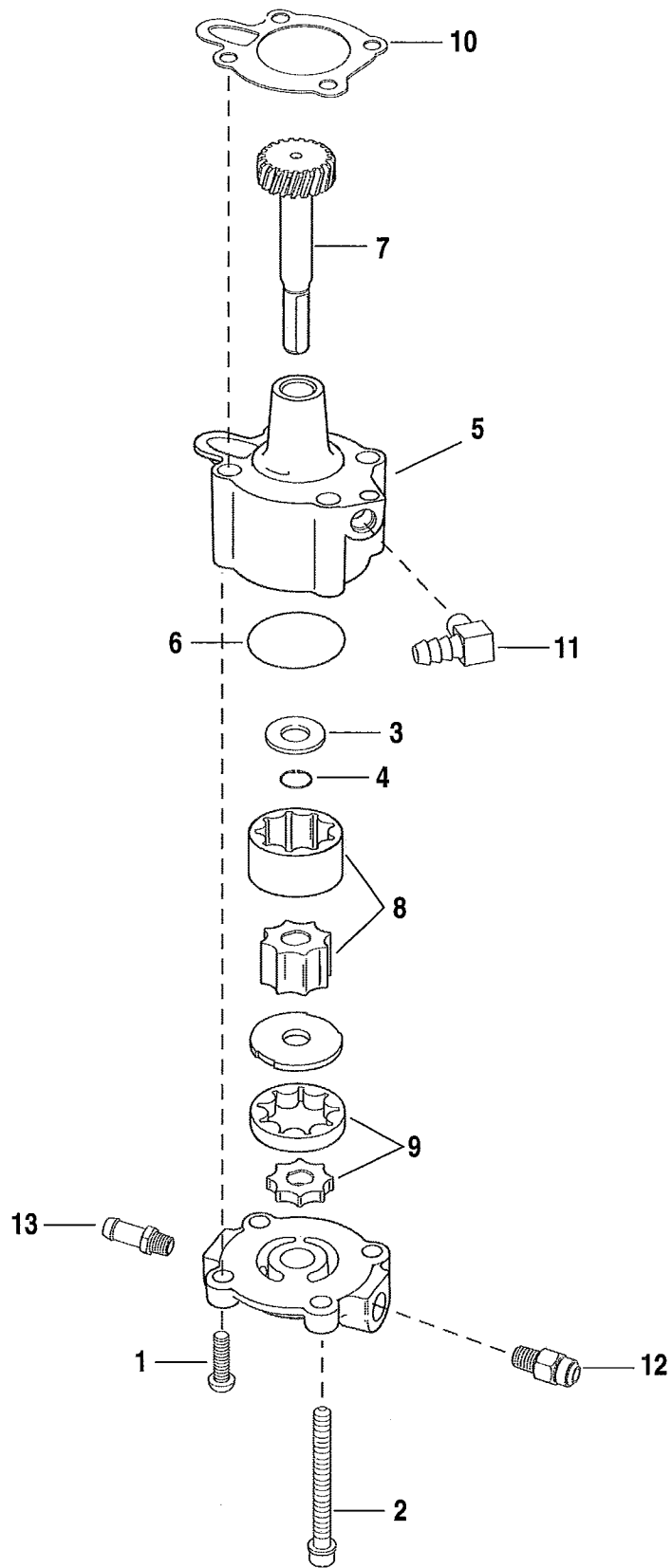


INDEX NO.	PART NO.	DESCRIPTION	MODEL(S)
INTERNATIONAL MODELS ONLY			
1	3480A	SCREW (3)	LA
2	4717A	SCREW (3)	LA
3	4740A	SCREW	LA
4	4822A	SCREW	LA
5	7916A	JAM NUT	LA
6	11317	T-KEY	LA
7	24047-00	PINION GEAR	LA
8	25246-08	COVER, gear (silver)	LA
9	25271-08	CAM GEAR SET, complete, w/ pinion gear	LA

2008 MODEL IDENTIFICATION CODES

CN = XL883 CP = XL883C CR = XL883L CS = XL883R CT = XL1200C CV = XL1200R CX = XL1200L CZ = XL1200N LA = XR1200

OIL PUMP - 883/C/L/R, 1200C/L/N/R

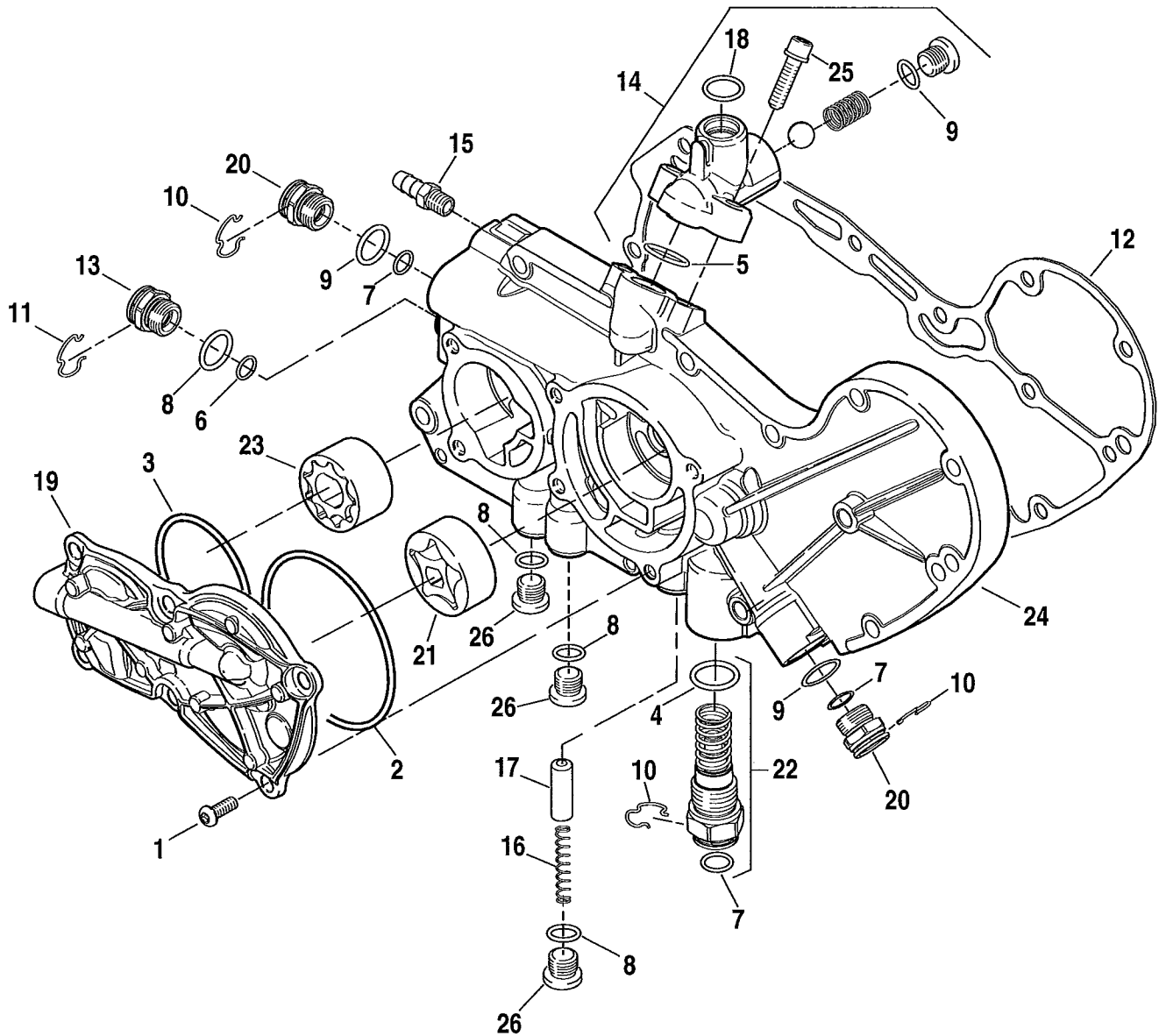


INDEX NO.	PART NO.	DESCRIPTION	MODEL(S)
1	4132	SCREW (2)	CN/CP/CR/CS/CT/CV/CX/CZ
2	4765	SCREW, w/ washer (2)	CN/CP/CR/CS/CT/CV/CX/CZ
3	6157	WASHER, thrust	CN/CP/CR/CS/CT/CV/CX/CZ
4	11002	RETAINING RING	CN/CP/CR/CS/CT/CV/CX/CZ
5	26204-91A	OIL PUMP, complete	CN/CP/CR/CS/CT/CV/CX/CZ
6	26434-91	O-RING	CN/CP/CR/CS/CT/CV/CX/CZ
7	26239-07	GEAR SHAFT	CN/CP/CR/CS/CT/CV/CX/CZ
8	26502-07	GEROTOR SET, return	CN/CP/CR/CS/CT/CV/CX/CZ
9	26503-07	GEROTOR SET, feed	CN/CP/CR/CS/CT/CV/CX/CZ
10	26495-89B	GASKET, pump mounting	CN/CP/CR/CS/CT/CV/CX/CZ
11	26496-75A	FITTING, 90 degree	CN/CP/CR/CS/CT/CV/CX/CZ
12	62601-91A	FITTING, connector - front	CN/CP/CR/CS/CT/CV/CX/CZ
13	63533-41A	FITTING, connector - rear	CN/CP/CR/CS/CT/CV/CX/CZ

2008 MODEL IDENTIFICATION CODES

CN = XL883 CP = XL883C CR = XL883L CS = XL883R CT = XL1200C CV = XL1200R CX = XL1200L CZ = XL1200N LA = XR1200

OIL PUMP - XR1200

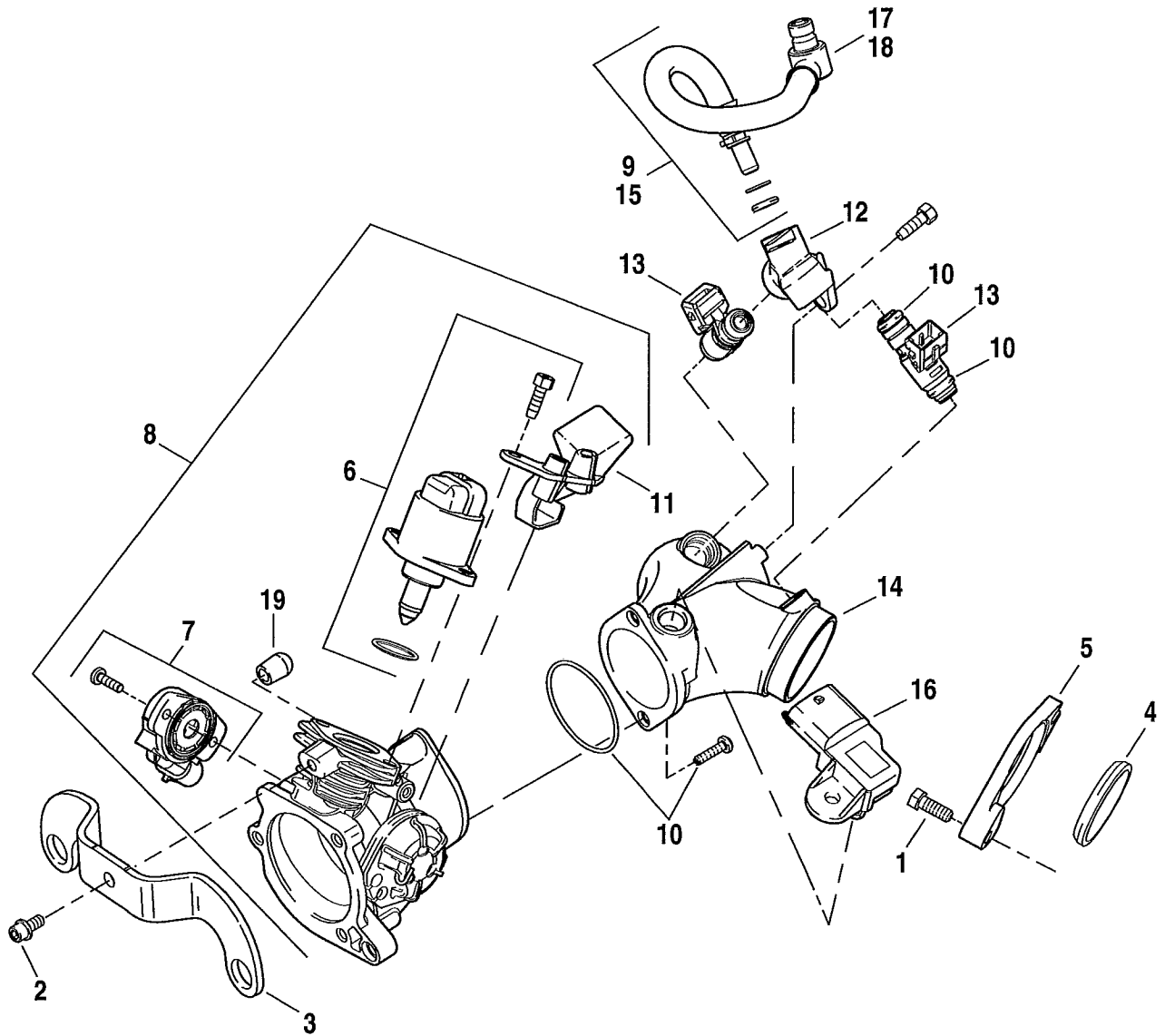


INDEX NO.	PART NO.	DESCRIPTION	MODEL(S)
INTERNATIONAL MODELS ONLY			
1	942	SCREW (6)	LA
2	10966	O-RING	LA
3	10967	O-RING	LA
4	10969	O-RING	LA
5	10971	O-RING	LA
6	11110	O-RING	LA
7	11140	O-RING	LA
8	11290	O-RING	LA
9	11326	O-RING	LA
10	11384K	RETAINER, wire clip	LA
11	11408	RETAINER, wire clip	LA
12	25279-08	GASKET, gear cover	LA
13	26064-08	FITTING ASSEMBLY, oil pump, w/ 11110, 11290 & 11408	LA
14	26182-08	CHECK VALVE ASSEMBLY	LA
15	26184-08	FITTING	LA
16	26210-99	SPRING, compression	LA
17	26400-82B	VALVE, bypass - oil pump	LA
18	26432-76A	O-RING	LA
19	26522-08	COVER ASSEMBLY, oil pump	LA
20	26525-08	FITTING ASSEMBLY, oil pump, w/ 11140, 11326 & 11384K	LA
21	26526-08	GEROTOR ASSEMBLY, feed	LA
22	26529-08	THERMOSTAT ASSEMBLY	LA
23	26546-08	GEROTOR ASSEMBLY, return	LA
24	26592-08	OIL PUMP ASSEMBLY	LA
25	4741A	SCREW (2)	LA
26	60330-08	PLUG, w/ o-ring	LA

2008 MODEL IDENTIFICATION CODES

CN = XL883 CP = XL883C CR = XL883L CS = XL883R CT = XL1200C CV = XL1200R CX = XL1200L CZ = XL1200N LA = XR1200

INDUCTION MODULE - 883/C/L/R, 1200C/L/N/R

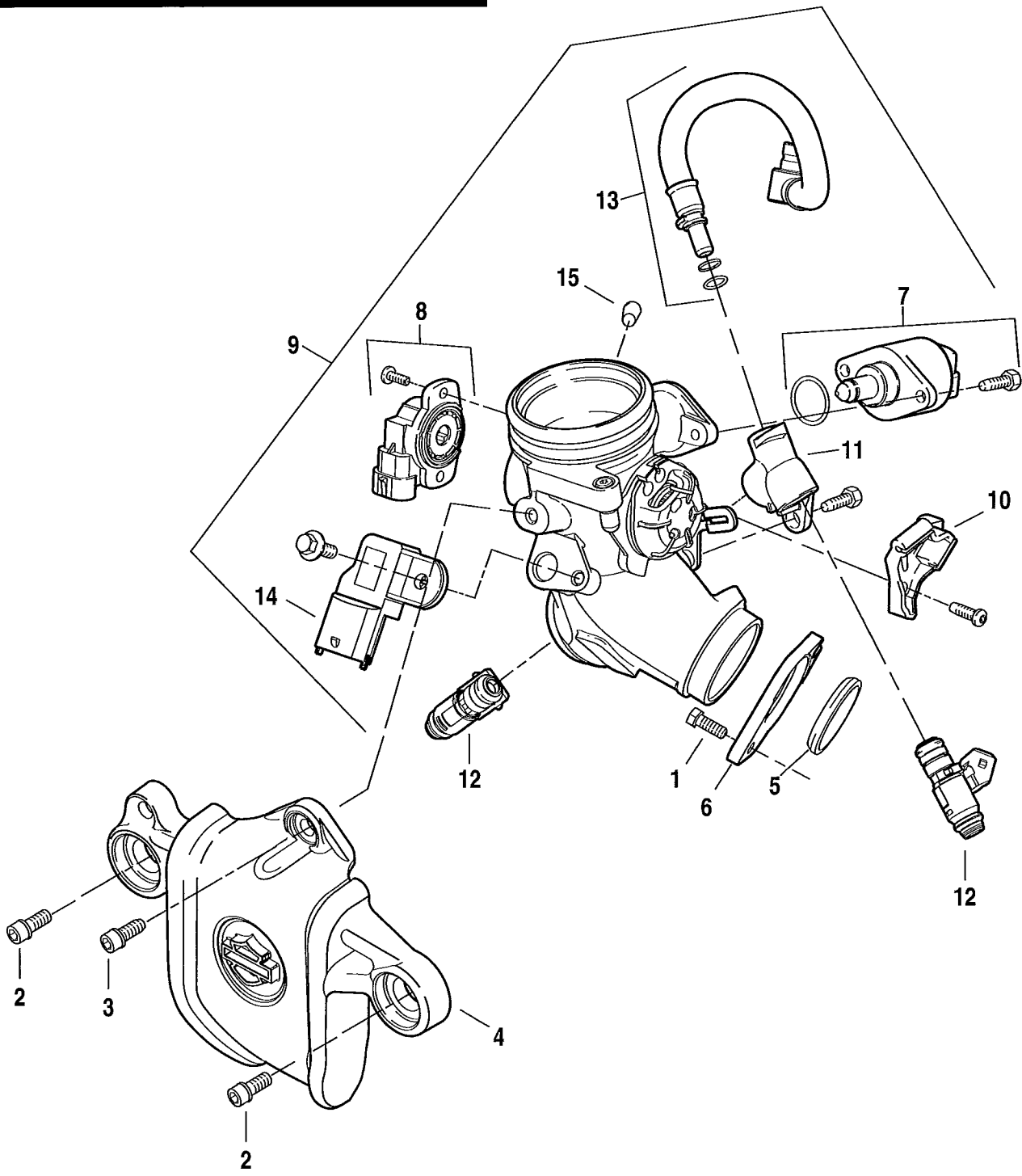


INDEX NO.	PART NO.	DESCRIPTION	MODEL(S)
1	3987	BOLT, flange (4)	CN/CP/CR/CS/CT/CV/CX/CZ
2	4798	SCREW, bracket throttle body	CN/CP/CR/CS/CT/CV/CX/CZ
3	16361-07	BRACKET, throttle body	CN/CP/CR/CS/CT/CV/CX/CZ
4	26995-86B	SEAL, intake (2)	CN/CP/CR/CS/CT/CV/CX/CZ
5	27327-07	FLANGE, intake (2)	CN/CP/CR/CS/CT/CV/CX/CZ
6	27628-01A	KIT, IAC motor	CN/CP/CR/CS/CT/CV/CX/CZ
7	27629-01A	KIT, throttle position sensor	CN/CP/CR/CS/CT/CV/CX/CZ
8	27795-07	INDUCTION MODULE ASSEMBLY, w/ fuel rail, fuel injector, intake manifold, TMAP sensor, cap, IAC Kit, TPS Kit, hardware kit	CN/CP/CR/CS/CT/CV/CX/CZ
9	27693-07	FUEL LINE KIT, w/ 62351-07	CP/CT/CX
10	27700-07	KIT, hardware & o-rings	CN/CP/CR/CS/CT/CV/CX/CZ
11	27701-07	CABLE BRACKET	CN/CP/CR/CS/CT/CV/CX/CZ
12	27704-07	FUEL RAIL	CN/CP/CR/CS/CT/CV/CX/CZ
13	27706-07A	FUEL INJECTOR, w/ o-ring (2)	CN/CP/CR/CS/CT/CV/CX/CZ
14	27707-07	INTAKE MANIFOLD	CN/CP/CR/CS/CT/CV/CX/CZ
15	27774-07	FUEL LINE KIT, w/ 62350-07	CN/CR/CS/CV/CZ
16	32319-07	T-MAP SENSOR	CN/CP/CR/CS/CT/CV/CX/CZ
17	62350-07	FUEL LINE	CN/CR/CS/CV/CZ
18	62351-07	FUEL LINE	CP/CT/CX
19	90383-98	CAP	CN/CP/CR/CS/CT/CV/CX/CZ

2008 MODEL IDENTIFICATION CODES

CN = XL883 CP = XL883C CR = XL883L CS = XL883R CT = XL1200C CV = XL1200R CX = XL1200L CZ = XL1200N LA = XR1200

INDUCTION MODULE - XR1200

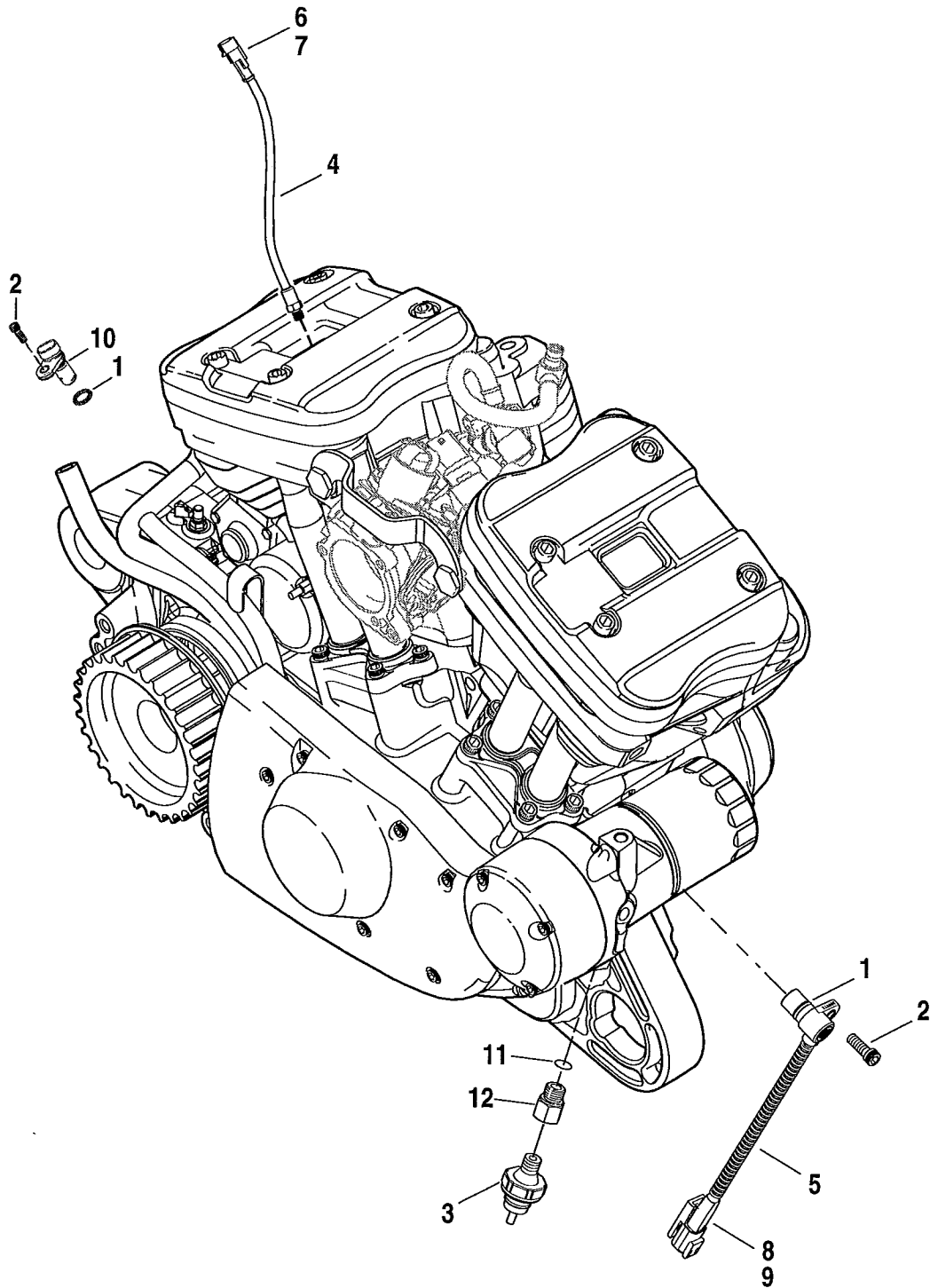


INDEX NO.	PART NO.	DESCRIPTION	MODEL(S)
INTERNATIONAL MODELS ONLY			
1	3987	BOLT, flange (4)	LA
2	4551	SCREW (2)	LA
3	4798	SCREW, bracket throttle body	LA
4	16360-08	COVER, induction module (black)	LA
5	26995-86B	SEAL, intake (2)	LA
6	27327-07	FLANGE, intake (2)	LA
7	27628-01A	KIT, IAC motor	LA
8	27629-01A	KIT, throttle position sensor	LA
9	27695-08	INDUCTION MODULE ASSEMBLY, w/ fuel rail, fuel injector, intake manifold, TMAP sensor, cap, IAC Kit, TPS Kit	LA
10	27698-08	BRACKET, throttle cable	LA
11	27704-07	FUEL RAIL	LA
12	27706-07A	FUEL INJECTOR, w/ o-ring (2)	LA
13	27792-08	FUEL LINE KIT	LA
14	32319-07	T-MAP SENSOR	LA
15	90383-98	CAP	LA

2008 MODEL IDENTIFICATION CODES

CN = XL883 CP = XL883C CR = XL883L CS = XL883R CT = XL1200C CV = XL1200R CX = XL1200L CZ = XL1200N LA = XR1200

ENGINE SENSORS & SWITCHES

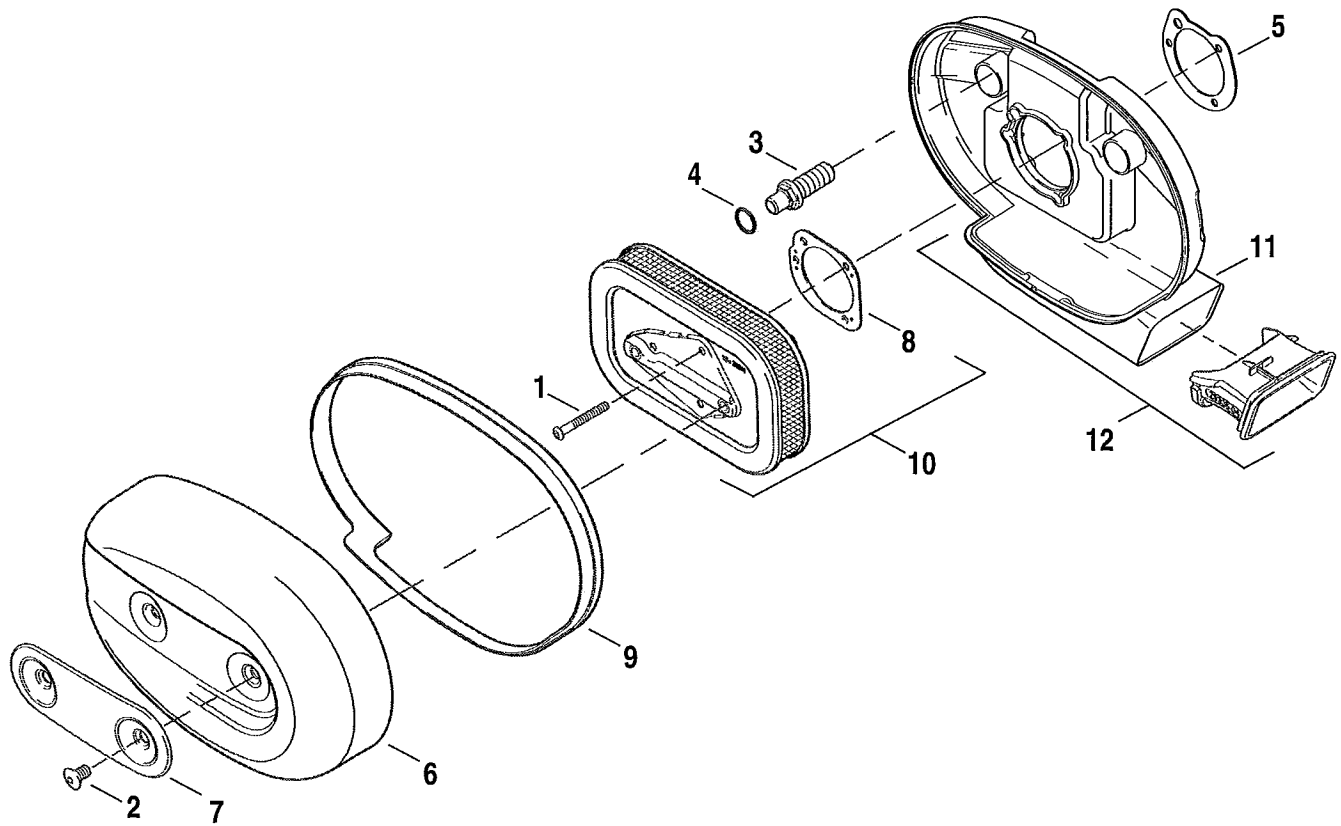


INDEX NO.	PART NO.	DESCRIPTION	MODEL(S)
1	11289A	O-RING	ALL
2	3594	SCREW	ALL
3	26554-77B	SWITCH, oil pressure	ALL
4	32472-07B	SENSOR, engine temperature w/ 72009-05, 72011-05	ALL
5	32707-01C	SENSOR, crank position w/ 11289A, 72199-94 & 74194-98	ALL
6	72009-05	HOUSING, 2-way pin	ALL
7	72011-05	WIRE SEAL, 16-20 gauge (yellow) (2)	ALL
8	72199-94	CONNECTOR ANCHOR	ALL
9	74194-98	TERMINAL	ALL
10	74402-05	SENSOR, vehicle speed, w/ 11289A	ALL
INTERNATIONAL MODELS ONLY			
11	10973	O-RING	LA
12	25394-08	PIPE ADAPTER, w/ 10973	LA

2008 MODEL IDENTIFICATION CODES

CN = XL883 CP = XL883C CR = XL883L CS = XL883R CT = XL1200C CV = XL1200R CX = XL1200L CZ = XL1200N LA = XR1200

AIR CLEANER - 883/C/L/R, 1200C/L/N/R

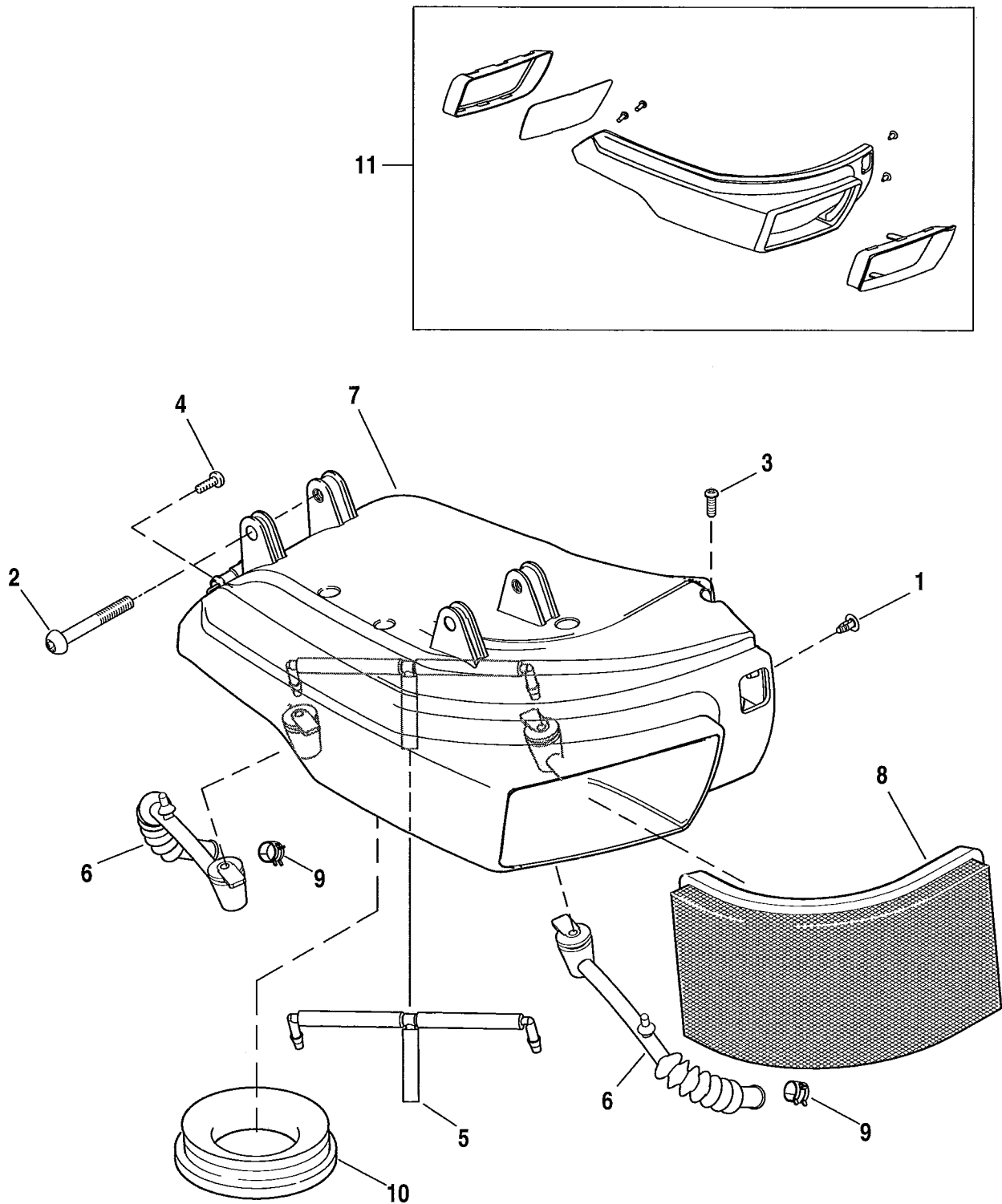


INDEX NO.	PART NO.	DESCRIPTION	MODEL(S)
1	946	SCREW (3)	CN/CP/CR/CS/CT/CV/CX/CZ
2	2460	SCREW (2)	CN/CP/CR/CS/CT/CV/CX/CZ
3	3565	SCREW, breather (2)	CN/CP/CR/CS/CT/CV/CX/CZ
4	11202	O-RING (2)	CN/CP/CR/CS/CT/CV/CX/CZ
5	29062-95B	GASKET, backplate	CN/CP/CR/CS/CT/CV/CX/CZ
6	29084-04	COVER, air cleaner	CN/CP/CR/CT/CV/CX
	29113-07	COVER, air cleaner (gray)	CZ
	29122-05	COVER, air cleaner (black)	CS
7	29123-07	TRIM INSERT, air cleaner	CN/CR
	29125-07	TRIM INSERT, air cleaner	CS
	29346-07	TRIM INSERT, air cleaner	CT
	29389-08	TRIM INSERT, air cleaner **105TH ANNIVERSARY RESTRICTED SALE PART**	CT
	29352-07	TRIM INSERT, air cleaner	CV
	29354-07	TRIM INSERT, air cleaner	CX
	29391-08	TRIM INSERT, air cleaner **105TH ANNIVERSARY RESTRICTED SALE PART**	CX
	29355-07	TRIM INSERT, air cleaner	CZ
	29802-07	TRIM INSERT, air cleaner	CP
8	29313-95	GASKET, filter element	CN/CP/CR/CS/CT/CV/CX/CZ
9	29315-04	SEAL, air cleaner	CN/CP/CR/CS/CT/CV/CX/CZ
10	29331-04	FILTER ELEMENT, w/ 29313-95	CN/CP/CR/CS/CT/CV/CX/CZ
11	29367-07	BACKPLATE, air cleaner	CN/CP/CR/CS/CT/CV/CX/CZ
12	29369-07	BACKPLATE ASSEMBLY, air cleaner	CN/CP/CR/CS/CT/CV/CX/CZ

2008 MODEL IDENTIFICATION CODES

CN = XL883 CP = XL883C CR = XL883L CS = XL883R CT = XL1200C CV = XL1200R CX = XL1200L CZ = XL1200N LA = XR1200

AIRBOX - XR1200

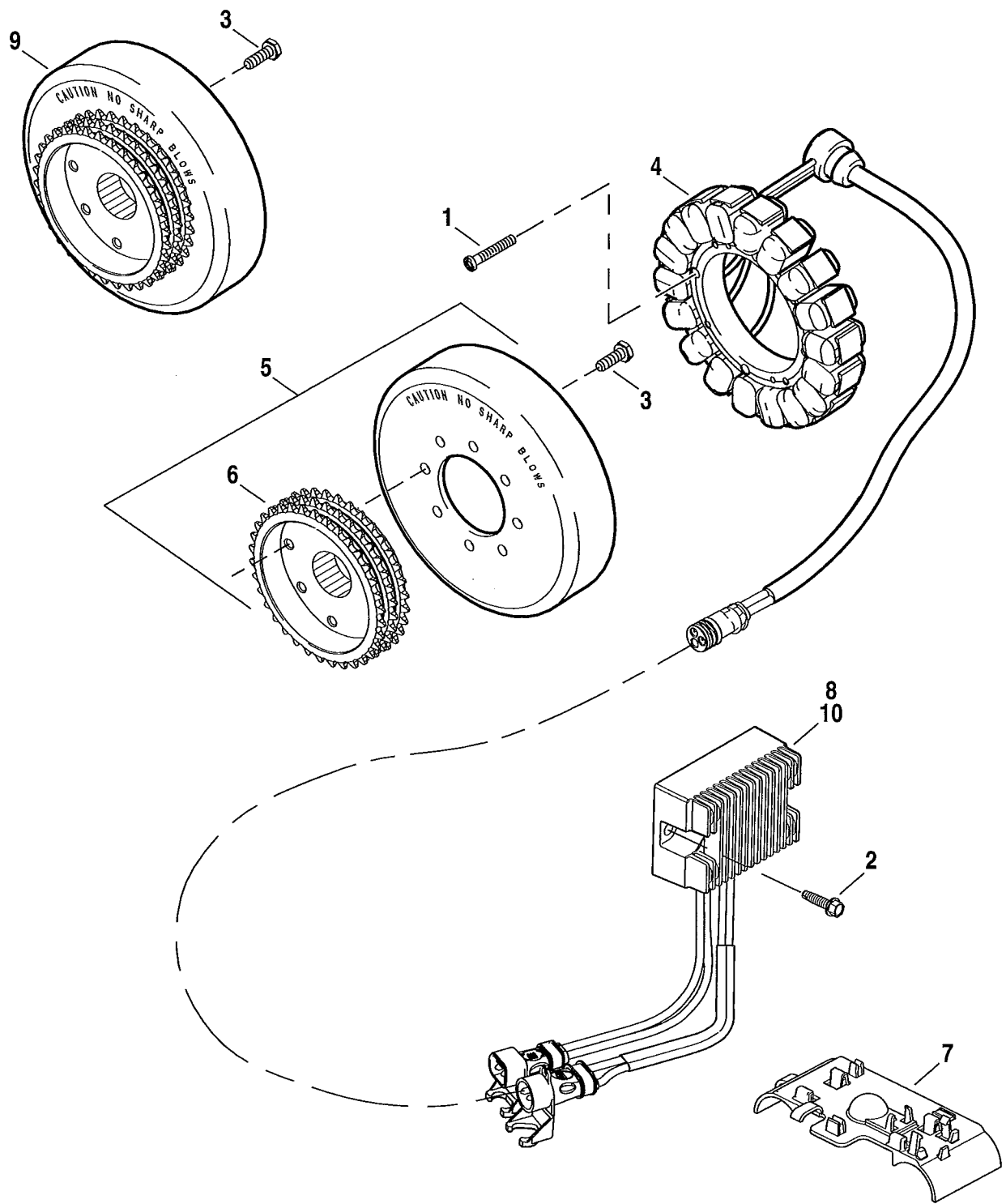


INDEX NO.	PART NO.	DESCRIPTION	MODEL(S)
INTERNATIONAL MODELS ONLY			
1	673	CLIP, canoe, truss head (2)	LA
2	4802	SCREW (2)	LA
3	2407	SCREW (9)	LA
4	2612	SCREW (2)	LA
5	26162-08	BREATHER HOSE ASSEMBLY	LA
6	26169-08	HOSE, breather (2)	LA
7	29371-08	AIR BOX ASSEMBLY, w/ 1, 3, 4, 5, 6, 8, 9 & 11	LA
8	29377-08	ELEMENT, air filter	LA
9	29379-08	CLAMP, hose (2)	LA
10	29380-08	COUPLING, air box to induction module	LA
11	65258-08	AIRBOX FASCIA KIT	LA

2008 MODEL IDENTIFICATION CODES

CN = XL883 CP = XL883C CR = XL883L CS = XL883R CT = XL1200C CV = XL1200R CX = XL1200L CZ = XL1200N LA = XR1200

ALTERNATOR & REGULATOR

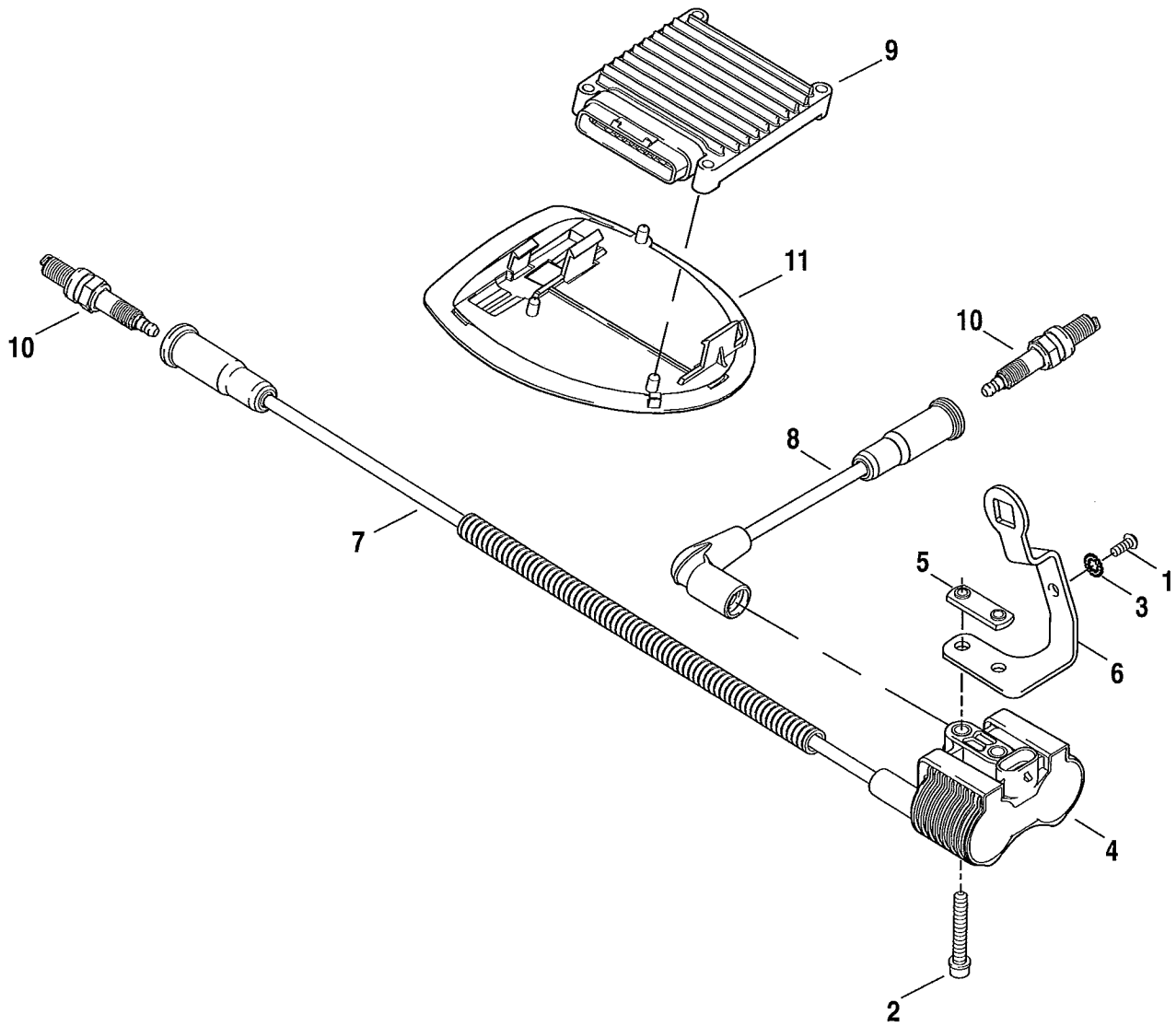


INDEX NO.	PART NO.	DESCRIPTION	MODEL(S)
1	3029	SCREW (4)	ALL
2	4329	SCREW (2)	ALL
3	4751	BOLT (8)	ALL
4	29997-07A	STATOR	ALL
5	32493-02B	ROTOR SPROCKET ASSEMBLY, w/ 4751 & 40241-02A	CN/CP/CR/CS
	32494-04B	ROTOR SPROCKET ASSEMBLY, w/ 4751 & 40290-04A	CT/CV/CX/CZ
6	40241-02A	SPROCKET, triple row, 34T	CN/CP/CR/CS
	40290-04A	SPROCKET, triple row, 38T	CT/CV/CX/CZ
7	70364-07	CADDY, voltage regulator	ALL
8	74546-07A	REGULATOR	CN/CP/CR/CS/CT/CV/CX/CZ
INTERNATIONAL MODELS ONLY			
9	30018-08	ROTOR SPROCKET ASSEMBLY, w/ 4751 & sprocket	LA
10	74711-08	REGULATOR	LA

2008 MODEL IDENTIFICATION CODES

CN = XL883 CP = XL883C CR = XL883L CS = XL883R CT = XL1200C CV = XL1200R CX = XL1200L CZ = XL1200N LA = XR1200

ELECTRONIC IGNITION SYSTEM - 883/C/L/R, 1200C/L/N/R



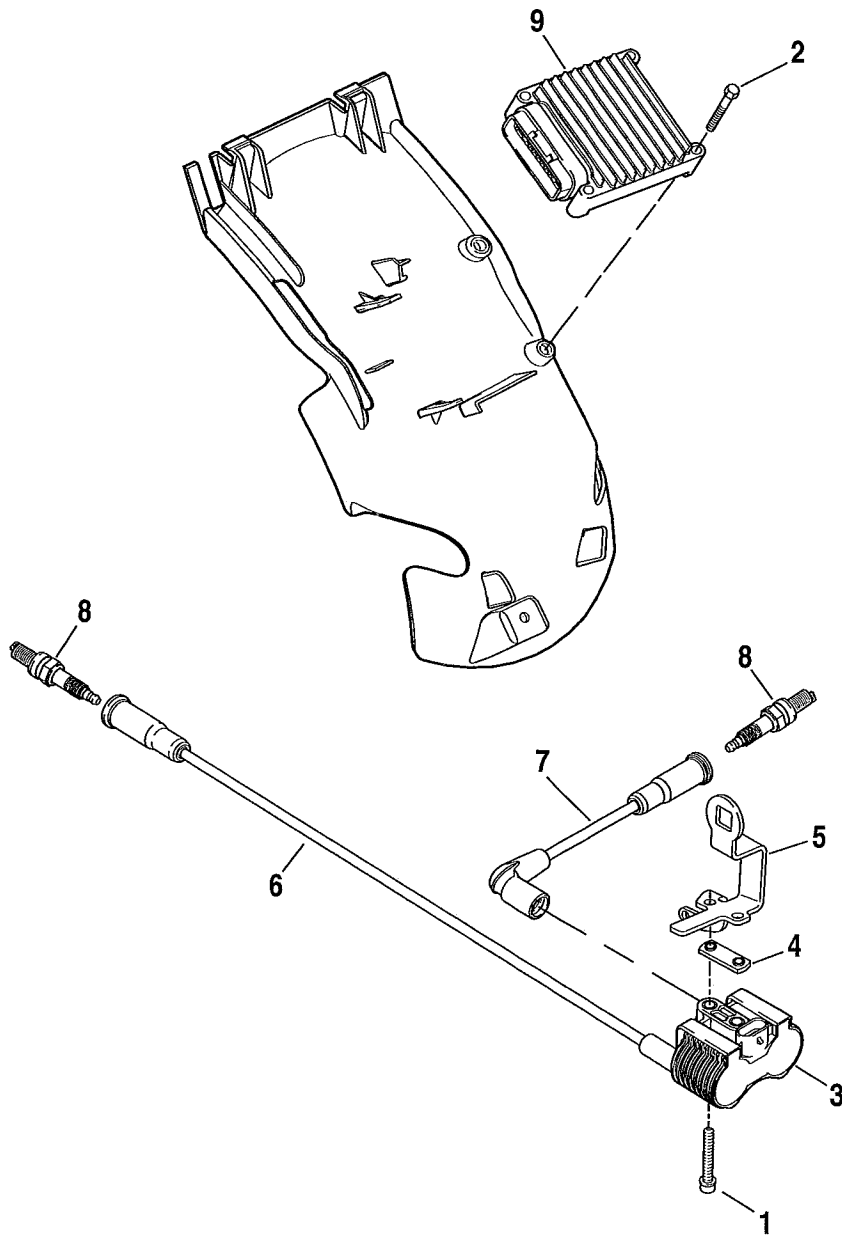
ELECTRONIC IGNITION SYSTEM - 883/C/L/R, 1200C/L/N/R

INDEX NO.	PART NO.	DESCRIPTION	MODEL(S)
1	3124	SCREW	CN/CP/CR/CS/CT/CV/CX/CZ
2	3480A	SCREW (2)	CN/CP/CR/CS/CT/CV/CX/CZ
3	7220	LOCKWASHER	CN/CP/CR/CS/CT/CV/CX/CZ
4	31656-07	COIL, ignition	CN/CP/CR/CS/CT/CV/CX/CZ
5	31753-07	PLATE, nut	CN/CP/CR/CS/CT/CV/CX/CZ
6	31807-07	BRACKET	CN/CP/CR/CS/CT/CV/CX/CZ
7	32006-07	CABLE, spark plug, rear (long)	CN/CP/CR/CS/CT/CV/CX/CZ
8	32003-07	CABLE, spark plug, front (short)	CN/CP/CR/CS/CT/CV/CX/CZ
9	32534-05C	ELECTRONIC CONTROL MODULE	CN/CP/CR/CS/CT/CV/CX/CZ
10	32362-04	SPARK PLUG (2)	CN/CP/CR/CS/CT/CV/CX/CZ
11	70444-07	MOUNTING, ECM	CN/CP/CR/CS/CT/CV/CX/CZ

2008 MODEL IDENTIFICATION CODES

CN = XL883 CP = XL883C CR = XL883L CS = XL883R CT = XL1200C CV = XL1200R CX = XL1200L CZ = XL1200N LA = XR1200

ELECTRONIC IGNITION SYSTEM - XR1200

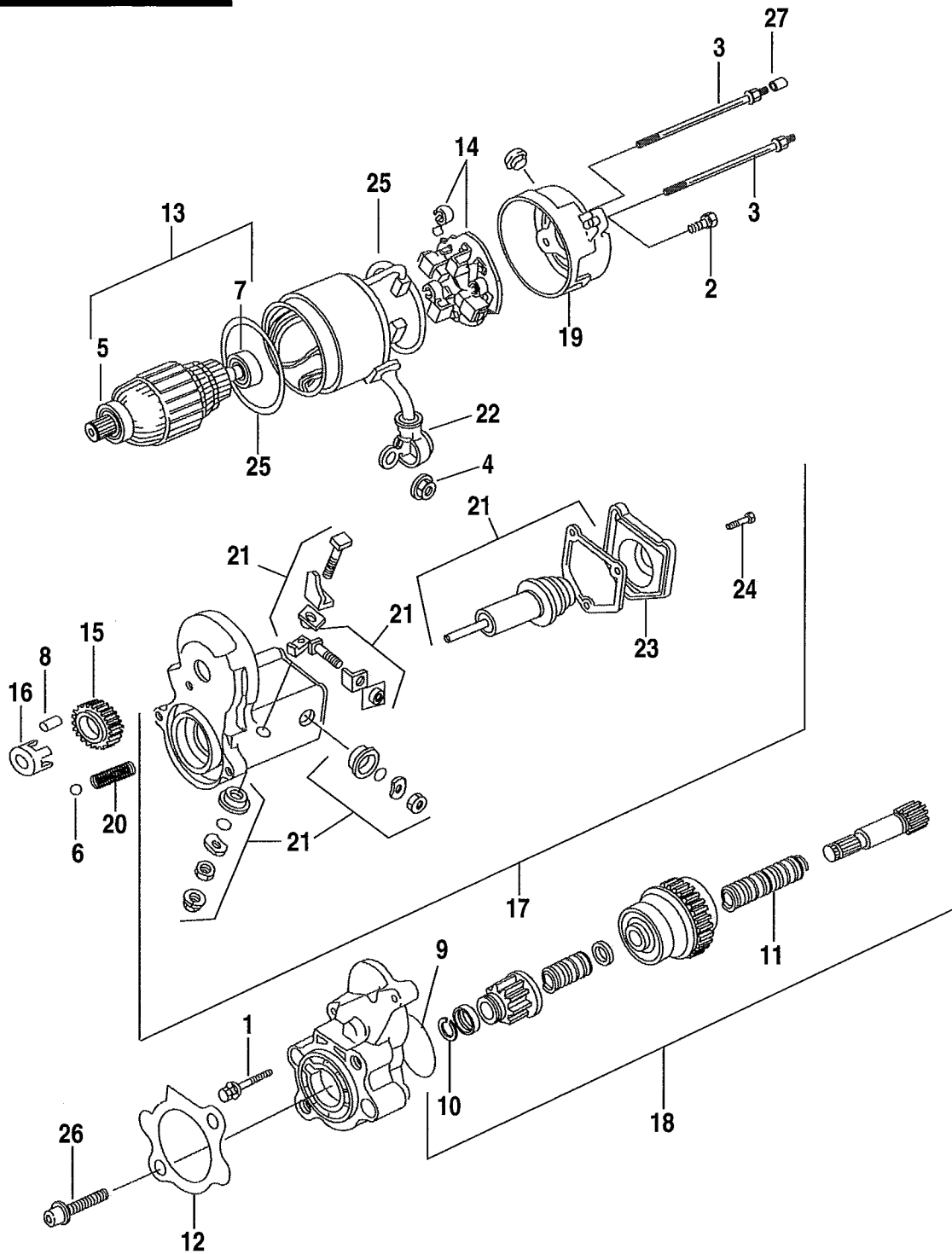


INDEX NO.	PART NO.	DESCRIPTION	MODEL(S)
INTERNATIONAL MODELS ONLY			
1	3480A	SCREW (2)	LA
2	3708M	SCREW	LA
3	31656-07	COIL, ignition	LA
4	31753-07	PLATE, nut	LA
5	31801-08	BRACKET	LA
6	32004-08	CABLE, spark plug, rear (long)	LA
7	32005-08A	CABLE, spark plug, front (short)	LA
8	27794-08	SPARK PLUG (2)	LA
9	32164-08	ELECTRONIC CONTROL MODULE	LA

2008 MODEL IDENTIFICATION CODES

CN = XL883 CP = XL883C CR = XL883L CS = XL883R CT = XL1200C CV = XL1200R CX = XL1200L CZ = XL1200N LA = XR1200

STARTER MOTOR

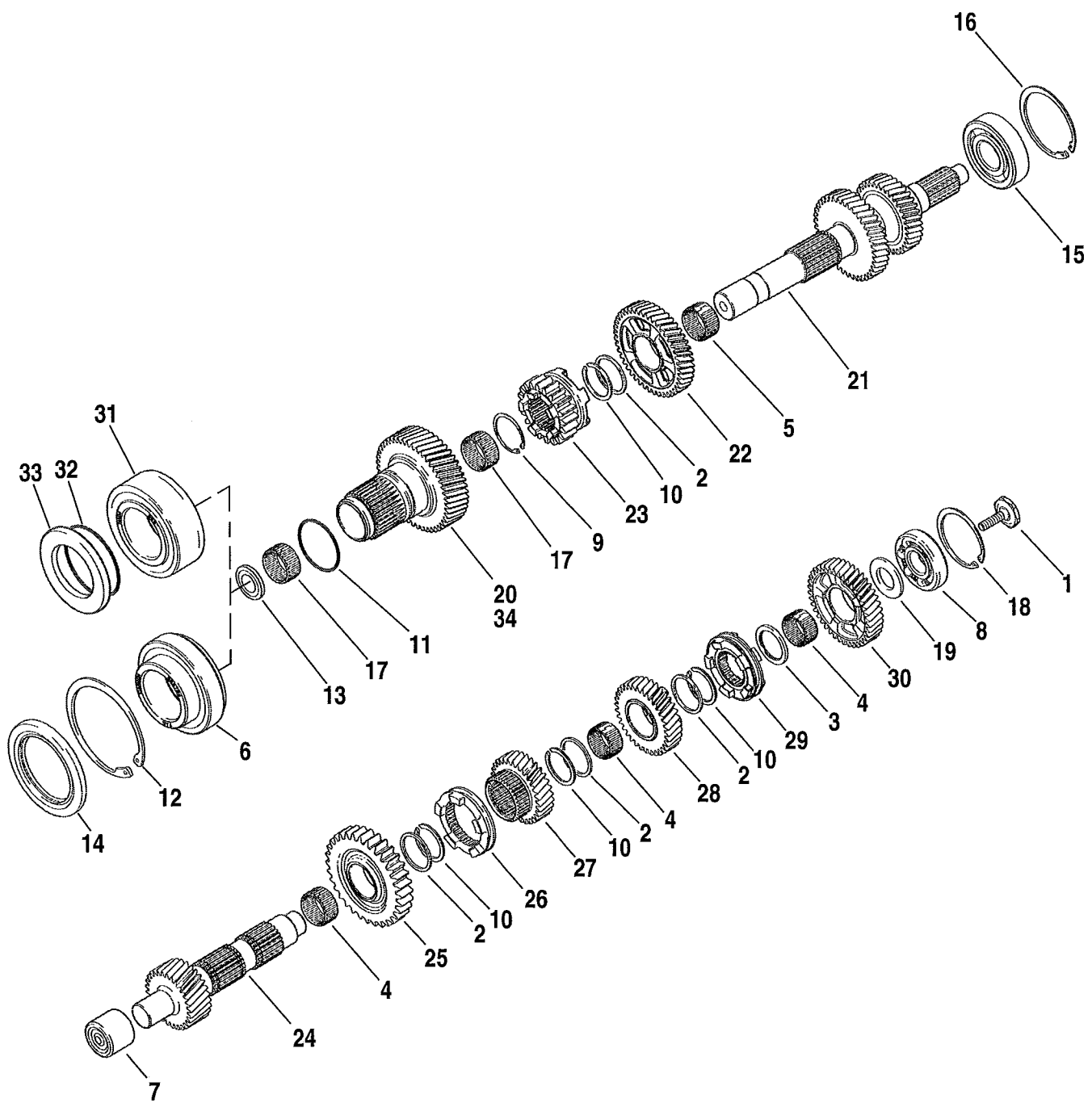


INDEX NO.	PART NO.	DESCRIPTION	MODEL(S)
1	928	BOLT, starter (2)	ALL
2	929A	SCREW, w/ o-ring (2)	ALL
3	3559	BOLT, through (2)	ALL
4	3403	LOCKNUT	ALL
5	8871	BALL BEARING	ALL
6	8879	BALL	ALL
7	8883	BALL BEARING	ALL
8	9077	CLUTCH ROLLER (5)	ALL
9	10957	O-RING	ALL
10	31328-91	RING, snap	ALL
11	31692-90	SPRING	ALL
	31390-91F	STARTER MOTOR, complete	ALL
12	31488-81C	GASKET, starter motor	ALL
13	31515-90	ARMATURE ASSEMBLY	ALL
14	31518-90	HOLDER ASSEMBLY, starter brush w/ spring	ALL
15	31525-90	GEAR, idler	ALL
16	31530-90	RETAINER, idler	ALL
17	31537-98	SWITCH ASSEMBLY, magnetic	ALL
18	31556-91C	CLUTCH SUB-ASSEMBLY, w/ 31328-91 & 31692-90	ALL
19	31599-91	FRAME, starter end	ALL
20	31600-90	SPRING, return	ALL
21	31603-91	REPAIR KIT, starter solenoid	ALL
22	31662-90	CAP TERMINAL, rubber	ALL
23	31688-90	COVER, solenoid	ALL
24	31689-90	BOLT, w/ washer (3)	ALL
25	31695-90	O-RING, yoke (2)	ALL
26	45902-00	SCREW (2)	ALL
27	89581-04A	CAP, thread protector (2-LA)	ALL

2008 MODEL IDENTIFICATION CODES

CN = XL883 CP = XL883C CR = XL883L CS = XL883R CT = XL1200C CV = XL1200R CX = XL1200L CZ = XL1200N LA = XR1200

TRANSMISSION GEARS

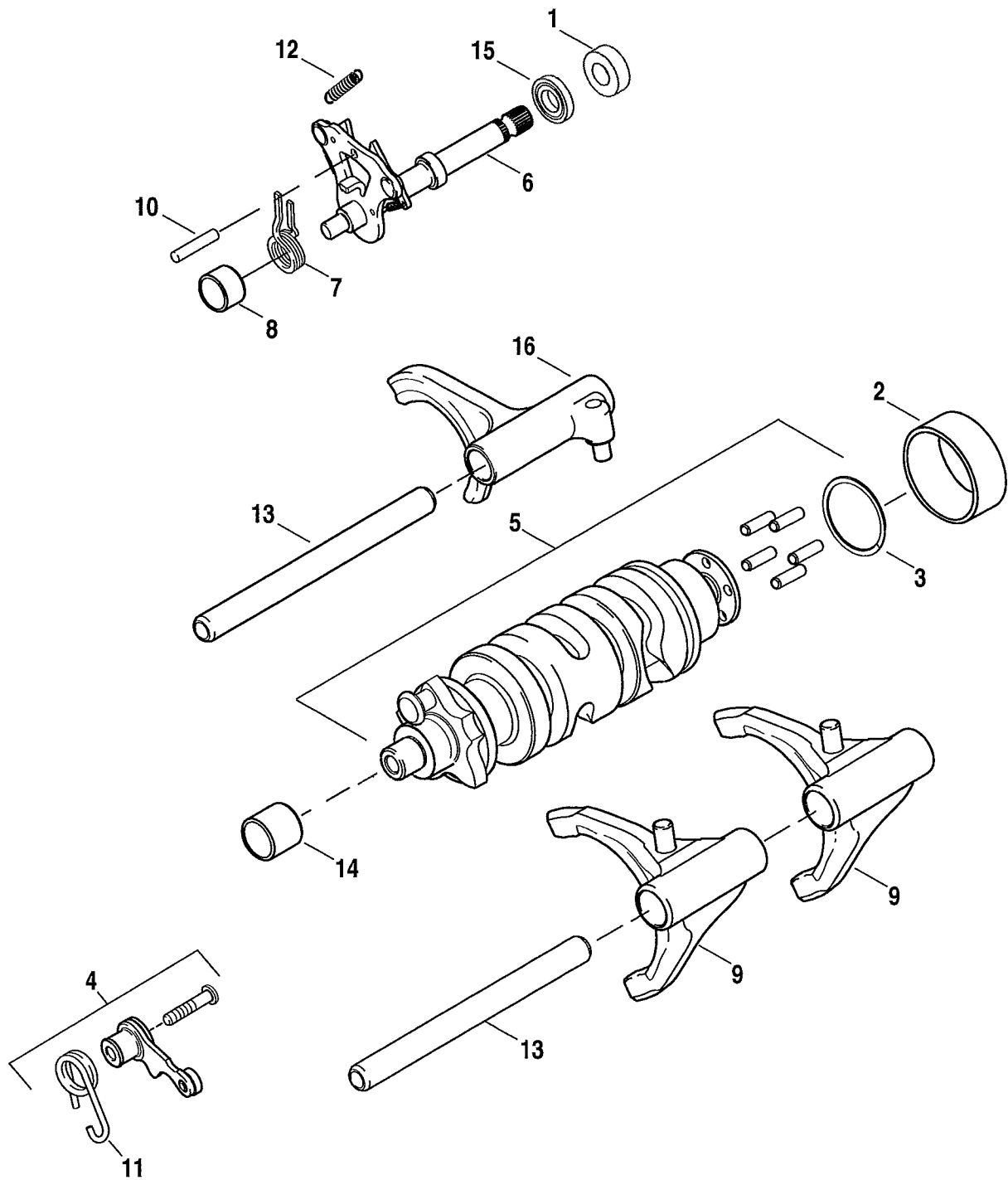


INDEX NO.	PART NO.	DESCRIPTION	MODEL(S)
1	3990	SCREW	ALL
2	6003	WASHER, thrust (4)	ALL
3	6021	SPACER	ALL
4	8862	BEARING (3)	ALL
5	8884	BEARING	ALL
6	8964	BEARING, ball	CN/CP/CR/CS/CT/CV/CX/CZ
7	8966	BEARING, closed end	ALL
8	8970	BEARING, ball	ALL
9	10984	SNAP RING	ALL
10	11067	RETAINING RING (4)	ALL
11	11113	O-RING	ALL
12	11161	RETAINING RING	ALL
13	12030	SEAL	ALL
14	12074	OIL SEAL	ALL
15	35030-89A	BEARING, mainshaft	ALL
16	35038-89A	RETAINING RING	ALL
17	35051-89A	BEARING, needle (2)	ALL
18	35087-99A	RETAINING RING	ALL
19	35107-06	SPACER	CN/CP/CR/CS/CT/CV/CX/CZ
20	35159-06	GEAR, fifth-mainshaft	CN/CP/CR/CS/CT/CV/CX/CZ
21	35163-06	GEAR, mainshaft	ALL
22	35165-06	GEAR, fourth-mainshaft	ALL
23	35167-06	GEAR, first-mainshaft	ALL
24	35172-06	GEAR, countershaft	ALL
25	35174-06	GEAR, first-countershaft	ALL
26	35190-06	RING, dog	ALL
27	35191-06	GEAR, fourth-countershaft	ALL
28	35193-06	GEAR, third-countershaft	ALL
29	35196-06	RING, dog	ALL
30	35197-06	GEAR, second-countershaft	ALL
INTERNATIONAL MODELS ONLY			
31	8956	BEARING, ball	LA
32	11631	O-RING	LA
33	33354-08	SPACER	LA
34	35234-08	GEAR, fifth-mainshaft	LA

2008 MODEL IDENTIFICATION CODES

CN = XL883 CP = XL883C CR = XL883L CS = XL883R CT = XL1200C CV = XL1200R CX = XL1200L CZ = XL1200N LA = XR1200

SHIFTER



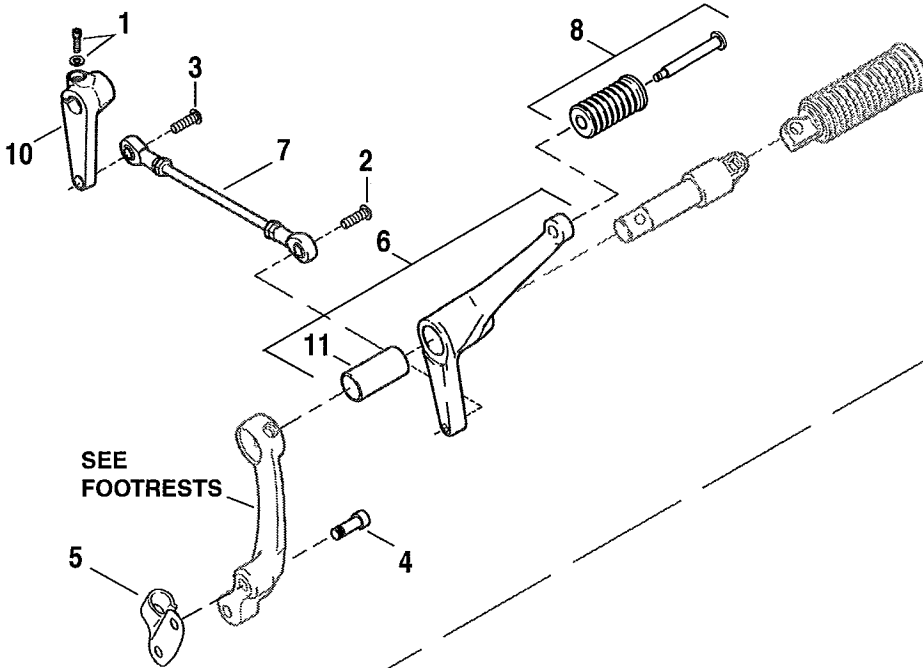
INDEX NO.	PART NO.	DESCRIPTION	MODEL(S)
1	7080	WASHER, non-metallic	ALL
2	9187	BEARING	ALL
3	11360	RING, retaining	ALL
4	33540-06	SPRING SLEEVE ASSEMBLY, detent	ALL
5	33641-06	SHIFTER CAM ASSEMBLY, w/ 11360	ALL
	33900-99	SWITCH, neutral (not illustrated)	ALL
6	34014-06	SHIFTER LEVER ASSEMBLY, w/ 34064-00C & 34491-02A (2)	ALL
7	34064-00C	SPRING, shifter return	ALL
8	34076-02A	BUSHING	ALL
9	34157-06	FORK ASSEMBLY, shifter (2)	ALL
10	34163-02	PIN, shifter stop	ALL
11	34483-06	SPRING, detent	ALL
12	34491-02A	SPRING, extension (2)	ALL
13	34981-02A	SHAFT, shifter forks (2)	ALL
14	34982-02	BUSHING, right hand crankcase	ALL
15	37107-06	OIL SEAL	ALL
16	34162-06	FORK ASSEMBLY, shifter	ALL

2008 MODEL IDENTIFICATION CODES

CN = XL883 CP = XL883C CR = XL883L CS = XL883R CT = XL1200C CV = XL1200R CX = XL1200L CZ = XL1200N LA = XR1200

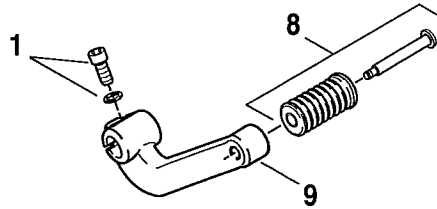
SHIFT LEVER

SHIFT LEVER
883C (CP)
1200C (CT)

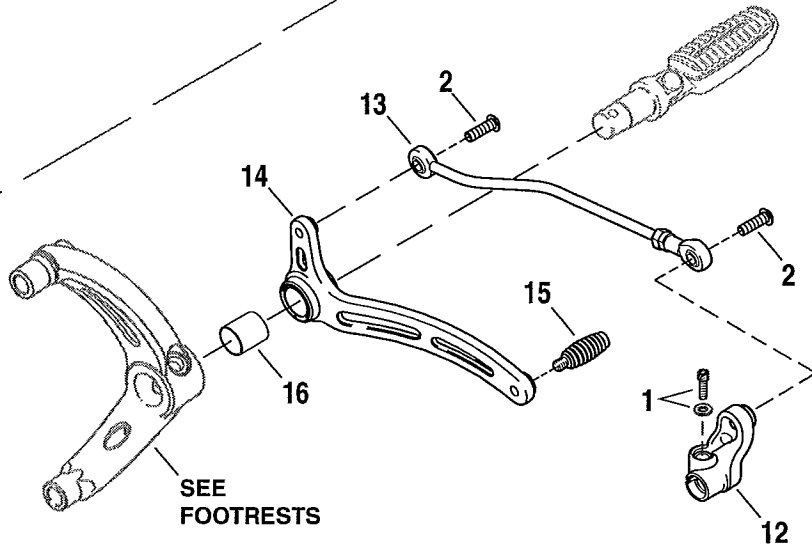


SEE
FOOTRESTS

SHIFT LEVER
883 (CN)
883L (CR)
883R (CS)
1200L (CX)
1200N (CZ)
1200R (CV)



SHIFT LEVER
XR1200 (LA)



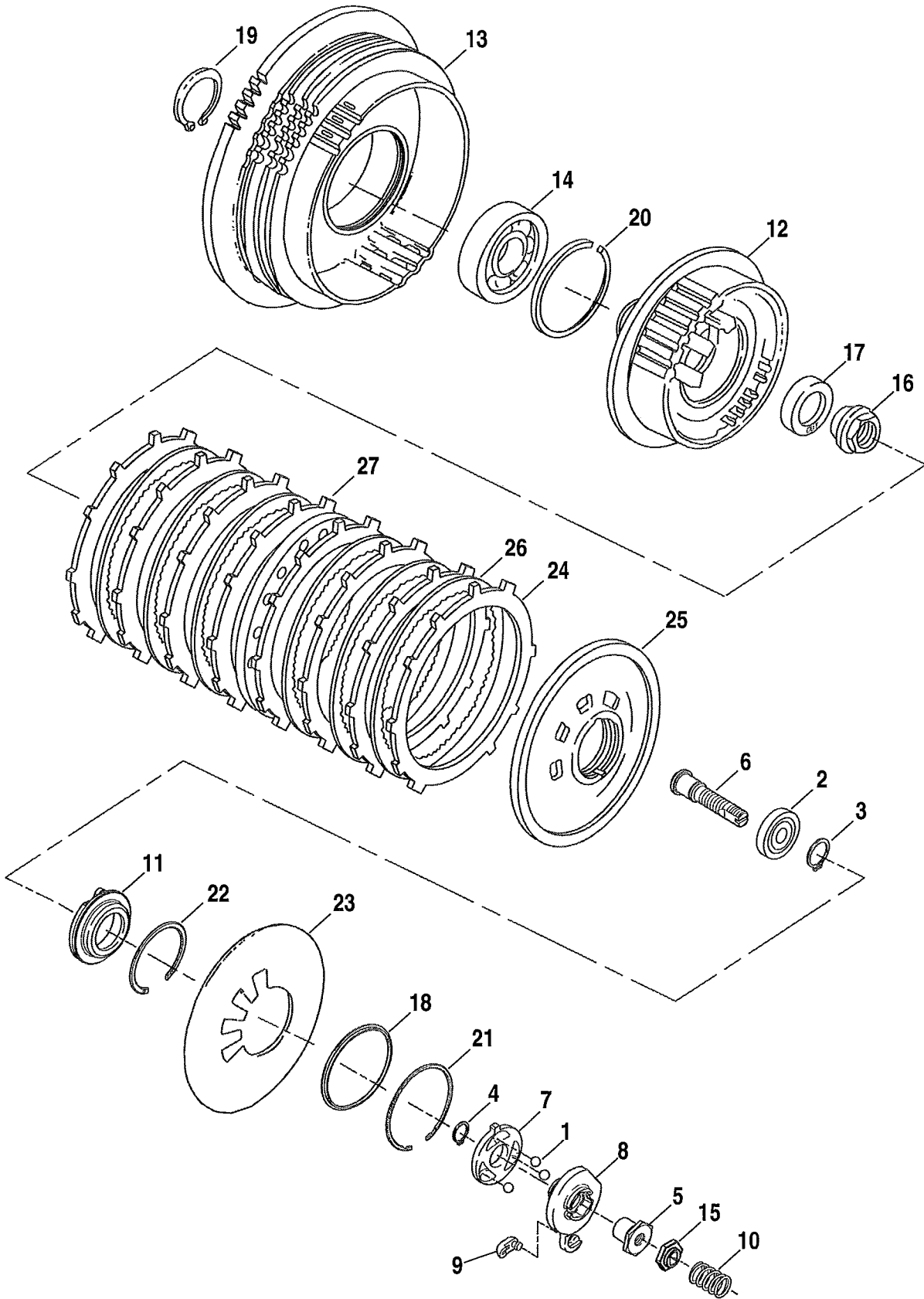
SEE
FOOTRESTS

INDEX NO.	PART NO.	DESCRIPTION	MODEL(S)
1	2708A	SCREW, w/ washer	ALL
2	4016	SCREW	CP/CT/LA
3	4359	SCREW	CP/CT
4	4748	SCREW, socket head (4)	CP/CT
5	10179A	J-CLIP	CP/CT
6	34572-04	LEVER ASSEMBLY, shifter, w/ 42569-03	CP/CT
7	34573-04	SHIFTER ROD LINK	CP/CT
8	34611-65A	SHIFTER TOE PEG KIT	CN/CP/CR/CS/CT/CV/CX/CZ
9	34660-04A	SHIFT LEVER, foot (chrome)	CN/CR/CS/CV/CX
	34721-07	SHIFT LEVER, foot (black)	CZ
10	34670-06	SHIFT LEVER	CP/CT
11	42569-03	BUSHING	CP/CT
	42930-07	BRAKE PEDAL SHIFTLER KIT, w/ retaining ring (black)	CZ
INTERNATIONAL MODELS ONLY			
12	33831-08	SHIFTER ARM	LA
13	33832-08	SHIFTER LINK	LA
14	33875-08	SHIFTER LEVER ASSEMBLY, w/ 42443-80A	LA
15	34672-08	TOE PEG ASSEMBLY	LA
16	42443-80A	BUSHING	LA

2008 MODEL IDENTIFICATION CODES

CN = XL883 CP = XL883C CR = XL883L CS = XL883R CT = XL1200C CV = XL1200R CX = XL1200L CZ = XL1200N LA = XR1200

CLUTCH - 883/C/L/R, 1200C/L/N/R

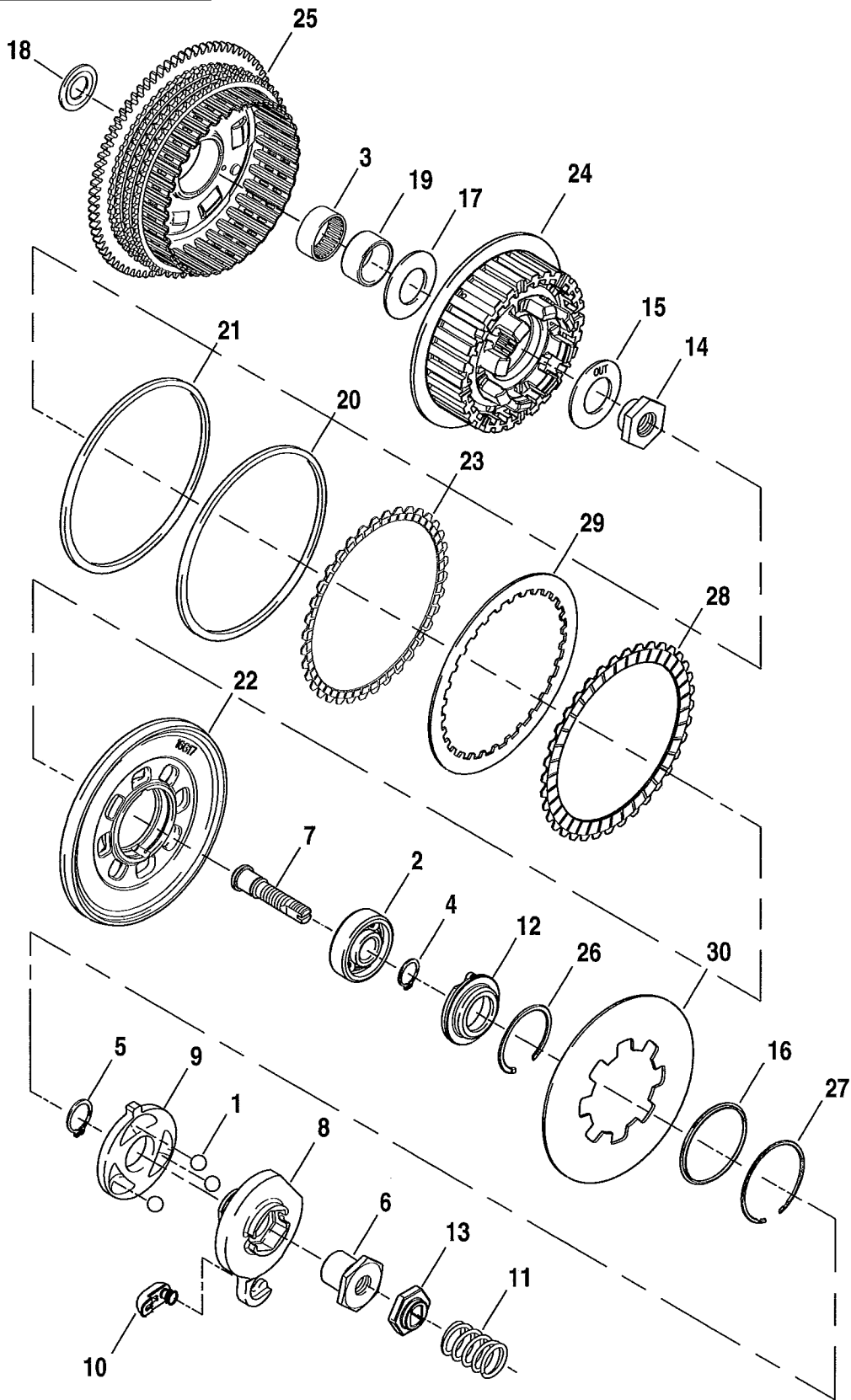


INDEX NO.	PART NO.	DESCRIPTION	MODEL(S)
1	8873	BALL (3)	CN/CP/CR/CS/CT/CV/CX/CZ
2	8885	BEARING	CN/CP/CR/CS/CT/CV/CX/CZ
3	11046	RETAINING RING	CN/CP/CR/CS/CT/CV/CX/CZ
4	11250	RETAINING RING	CN/CP/CR/CS/CT/CV/CX/CZ
5	11730A	WELL NUT	CN/CP/CR/CS/CT/CV/CX/CZ
6	11765Y	ADJUSTMENT SCREW	CN/CP/CR/CS/CT/CV/CX/CZ
7	25453-87A	RAMP, inner	CN/CP/CR/CS/CT/CV/CX/CZ
8	25409-94B	RAMP, outer	CN/CP/CR/CS/CT/CV/CX/CZ
9	34920-86A	COUPLING, clutch cable	CN/CP/CR/CS/CT/CV/CX/CZ
10	36715-94	SPRING, clutch adjustment	CN/CP/CR/CS/CT/CV/CX/CZ
11	36731-91	RELEASE PLATE, w/ 8885	CN/CP/CR/CS/CT/CV/CX/CZ
12	36785-91	CLUTCH HUB	CN/CP/CR/CS/CT/CV/CX/CZ
13	36790-04	CLUTCH SHELL & SPROCKET, w/ 36799-91 & 37905-90	CN/CP/CR/CS/CT/CV/CX/CZ
14	36799-91	BALL BEARING	CN/CP/CR/CS/CT/CV/CX/CZ
15	36802-84B	LOCKPLATE, well type	CN/CP/CR/CS/CT/CV/CX/CZ
16	37495-91	NUT, main shaft	CN/CP/CR/CS/CT/CV/CX/CZ
17	37870-91	SPRING WASHER	CN/CP/CR/CS/CT/CV/CX/CZ
18	37872-90	SEAT, spring-inner	CN/CP/CR/CS/CT/CV/CX/CZ
19	37904-90	RETAINING RING	CN/CP/CR/CS/CT/CV/CX/CZ
20	37905-90	RETAINING RING	CN/CP/CR/CS/CT/CV/CX/CZ
21	37908-90	RETAINING RING	CN/CP/CR/CS/CT/CV/CX/CZ
22	37909-90	RETAINING RING	CN/CP/CR/CS/CT/CV/CX/CZ
23	37910-04B	SPRING, clutch plate	CN/CP/CR/CS
	37924-04A	SPRING, clutch plate	CT/CV/CX/CZ
24	37911-90	FRICTION PLATE (paper) (8)	CN/CP/CR/CS/CT/CV/CX/CZ
25	37912-91	PRESSURE PLATE	CN/CP/CR/CS/CT/CV/CX/CZ
26	37913-90	STEEL PLATE (6)	CN/CP/CR/CS/CT/CV/CX/CZ
27	37977-90	SPRING PLATE	CN/CP/CR/CS/CT/CV/CX/CZ

2008 MODEL IDENTIFICATION CODES

CN = XL883 CP = XL883C CR = XL883L CS = XL883R CT = XL1200C CV = XL1200R CX = XL1200L CZ = XL1200N LA = XR1200

CLUTCH - XR1200

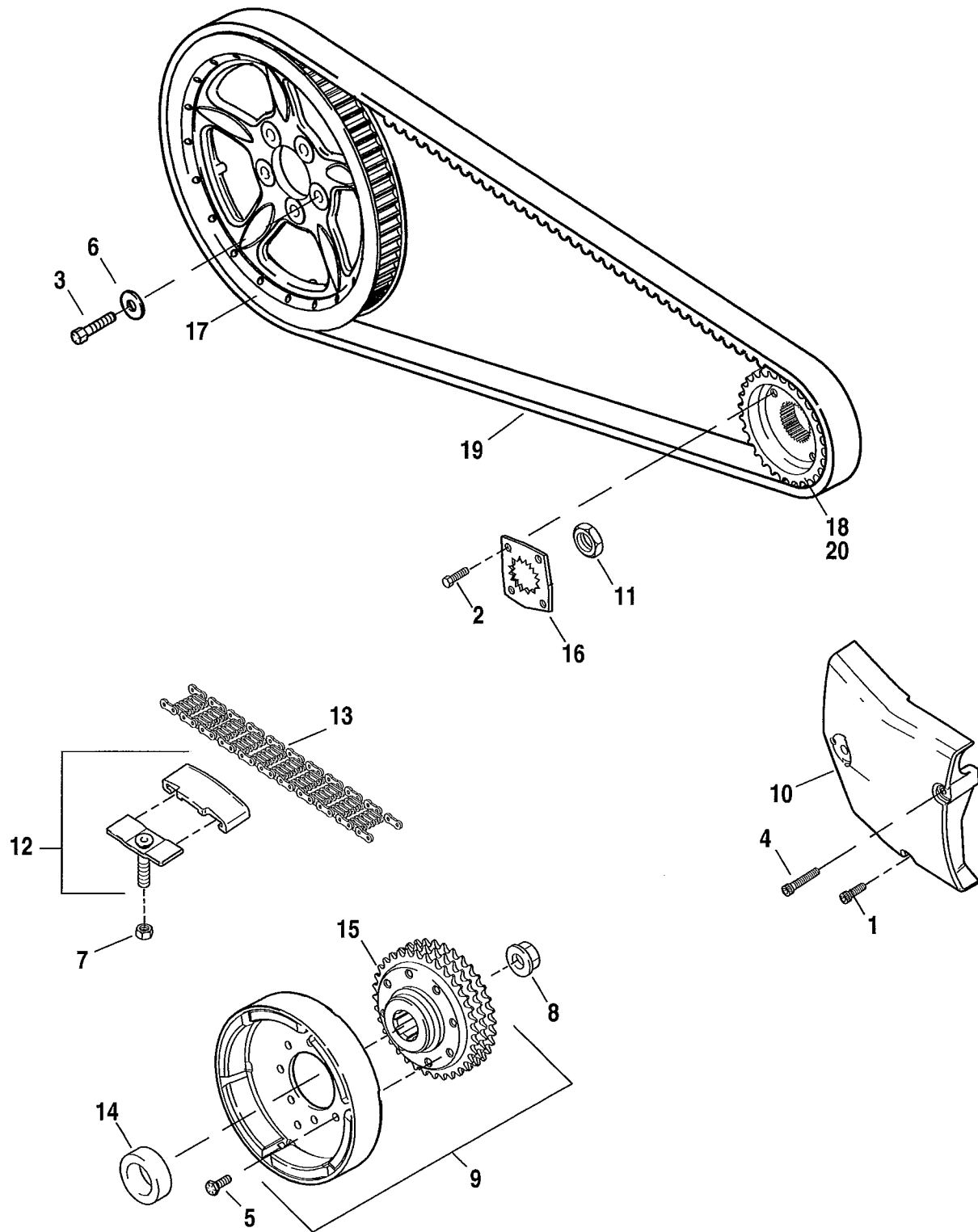


INDEX NO.	PART NO.	DESCRIPTION	MODEL(S)
INTERNATIONAL MODELS ONLY			
1	8873	BALL (3)	LA
2	8885	BEARING	LA
3	9214	BEARING	LA
4	11046	RETAINING RING	LA
5	11250	RETAINING RING	LA
6	11730A	WELL NUT	LA
7	11765Y	ADJUSTMENT SCREW	LA
8	25409-94B	RAMP, outer	LA
9	25453-87A	RAMP, inner	LA
10	34920-86A	COUPLING, clutch cable	LA
11	36715-94	SPRING, clutch adjustment	LA
12	36731-91	RELEASE PLATE, w/ 8885	LA
13	36802-84B	LOCKPLATE, well type	LA
14	37495-91	NUT, main shaft	LA
15	37870-91	SPRING WASHER	LA
16	37872-90	SEAT, spring-inner	LA
17	37890-02	THRUST WASHER, inner	LA
18	37891-02	THRUST WASHER, outer	LA
19	37892-02	INNER RACE, needle bearing	LA
20	37894-02	SPRING, clutch	LA
21	37895-02	SEAT, damper spring	LA
22	37896-02	PRESSURE PLATE	LA
23	37897-02	FRICITION PLATE, narrow	LA
24	37898-02A	CLUTCH HUB	LA
25	37899-02A	CLUTCH SHELL & SPROCKET, w/ 9214	LA
26	37908-90	RETAINING RING	LA
27	37909-90	RETAINING RING	LA
28	37911-90	FRICITION PLATE (paper) (7)	LA
29	37913-90	STEEL PLATE (7)	LA
30	37934-06	SPRING, clutch	LA

2008 MODEL IDENTIFICATION CODES

CN = XL883 CP = XL883C CR = XL883L CS = XL883R CT = XL1200C CV = XL1200R CX = XL1200L CZ = XL1200N LA = XR1200

BELTS & SPROCKETS - 883/C/L/R, 1200C/L/N/R



INDEX NO.	PART NO.	DESCRIPTION	MODEL(S)
1	3480A	SCREW	CN/CP/CR/CS/CT/CV/CX/CZ
2	3594	SCREW (2)	CN/CP/CR/CS/CT/CV/CX/CZ
3	3899	SCREW (for Japan see REAR WHEEL - LACED & PROFILE LACED) (5)	CN/CP/CR/CS/CT/CV/CX/CZ
4	4717A	SCREW	CN/CP/CR/CS/CT/CV/CX/CZ
5	4751	BOLT	CN/CP/CR/CS/CT/CV/CX/CZ
6	6516HW	WASHER (for Japan see REAR WHEEL - LACED & PROFILE LACED) (5)	CN/CP/CR/CS/CT/CV/CX/CZ
7	7804	LOCKNUT	CN/CP/CR/CS/CT/CV/CX/CZ
8	7839	NUT, engine sprocket	CN/CP/CR/CS/CT/CV/CX/CZ
9	32493-02B	ROTOR SPROCKET ASSEMBLY, w/ 4751 & 40241-02A	CN/CP/CR/CS
	32494-04B	ROTOR SPROCKET ASSEMBLY, w/ 4751 & 40290-04A	CT/CV/CX/CZ
10	34911-04	SPROCKET COVER	CN/CR
	34932-04	SPROCKET COVER	CT/CX
	34938-04	SPROCKET COVER	CP
	34943-05	SPROCKET COVER	CS/CV
	34954-07	SPROCKET COVER (gray)	CZ
11	35211-91B	NUT, transmission sprocket	CN/CP/CR/CS/CT/CV/CX/CZ
12	40039-02C	CHAIN ADJUSTER ASSEMBLY	CN/CP/CR/CS/CT/CV/CX/CZ
13	40005-57B	PRIMARY CHAIN, 94 links	CN/CP/CR/CS
	40147-04	PRIMARY CHAIN, 96 links	CT/CV/CX/CZ
14	40254-02	SPACER, sprocket	CN/CP/CR/CS/CT/CV/CX/CZ
15	40241-02A	SPROCKET, triple row - 34T	CN/CP/CR/CS
	40290-04A	SPROCKET, triple row - 38T	CT/CV/CX/CZ
16	40251-92A	RETENTION PLATE	CN/CP/CR/CS/CT/CV/CX/CZ
17	40350-07	SPROCKET, belt - 68T (black)	CS/CT/CV/CX
	40352-07	SPROCKET, belt - 68T (silver)	CN/CP/CR
	40444-07	SPROCKET, belt - 68T (black)	CZ
18	40379-04	SPROCKET, transmission - 28T (World)	CN/CP/CR/CS
	40409-04	SPROCKET, transmission - 29T (50 State)	CT/CV/CX/CZ
19	40371-07	BELT, 136T	CN/CP/CR/CS
	40591-07	BELT, 137T	CT/CV/CX/CZ

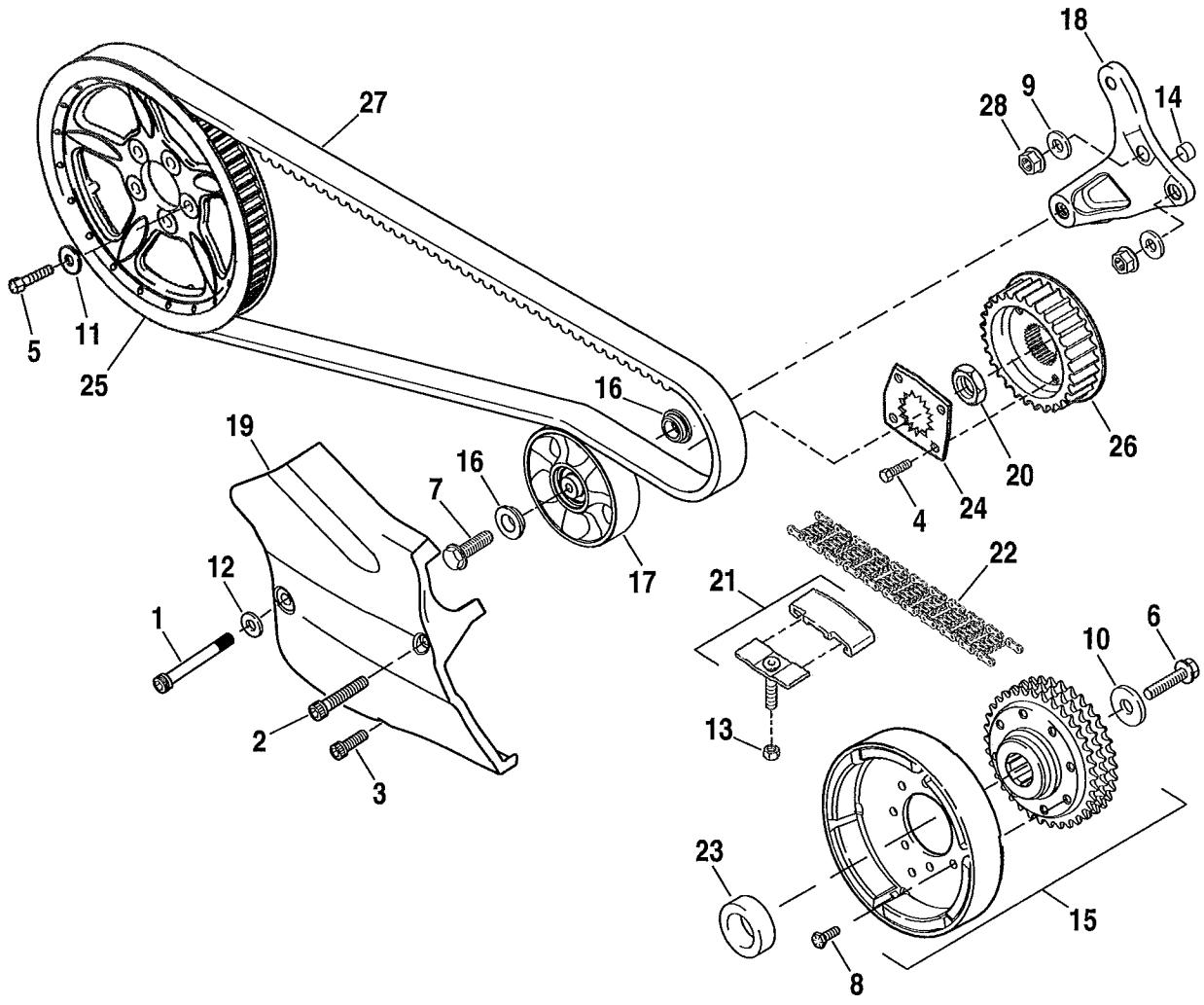
INTERNATIONAL MODELS ONLY

20	40380-04	SPROCKET, transmission - 30T (HDI)	CT/CV/CX/CZ
----	----------	------------------------------------	-------------

2008 MODEL IDENTIFICATION CODES

CN = XL883 CP = XL883C CR = XL883L CS = XL883R CT = XL1200C CV = XL1200R CX = XL1200L CZ = XL1200N LA = XR1200

BELTS & SPROCKETS - XR1200

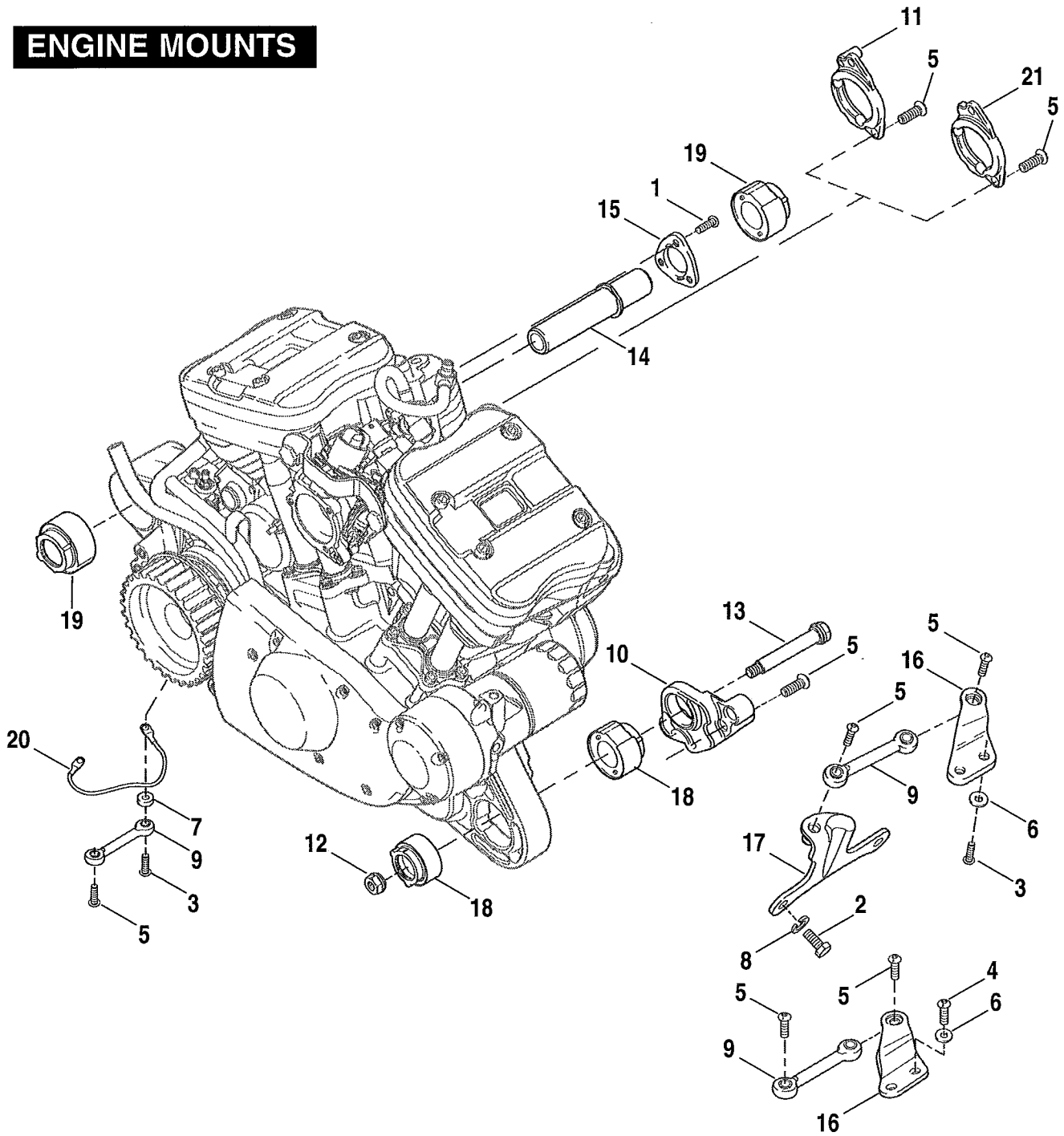


INDEX NO.	PART NO.	DESCRIPTION	MODEL(S)
INTERNATIONAL MODELS ONLY			
1	675	SCREW	LA
2	1751	SCREW (2)	LA
3	3480A	SCREW	LA
4	3594	SCREW (2)	LA
5	3899	SCREW (5)	LA
6	4589	SCREW	LA
7	4678	SCREW	LA
8	4751	BOLT (8)	LA
9	6400HB	WASHER (2)	LA
10	6445	WASHER	LA
11	6516HW	WASHER (5)	LA
12	6701	WASHER	LA
13	7804	LOCKNUT	LA
14	9704	DOWEL PIN, idler locating	LA
15	30018-08	ROTOR SPROCKET ASSEMBLY, w/ 4751 & sprocket	LA
16	31630-08	BUSHING, idler (2)	LA
17	31698-08	IDLER	LA
18	31699-08	BRACKET ASSEMBLY, idler, w/ 9704	LA
	31602-08	IDLER WHEEL KIT, w/ 7, 9, 14, 16, 17, 18, & 28	LA
19	34941-08	SPROCKET COVER, silver	LA
20	35211-91B	NUT, transmission sprocket	LA
21	40039-02C	CHAIN ADJUSTER ASSEMBLY	LA
22	40057-08	PRIMARY CHAIN, 94 links	LA
23	40254-02	SPACER, sprocket	LA
24	40251-92A	RETENTION PLATE	LA
25	40353-08	SPROCKET, belt - 68T (black)	LA
26	40379-04	SPROCKET, transmission - 28T	LA
27	40591-07	BELT, 137T	LA
28	DA0600.12FAZB	LOCKNUT (2)	LA

2008 MODEL IDENTIFICATION CODES

CN = XL883 CP = XL883C CR = XL883L CS = XL883R CT = XL1200C CV = XL1200R CX = XL1200L CZ = XL1200N LA = XR1200

ENGINE MOUNTS

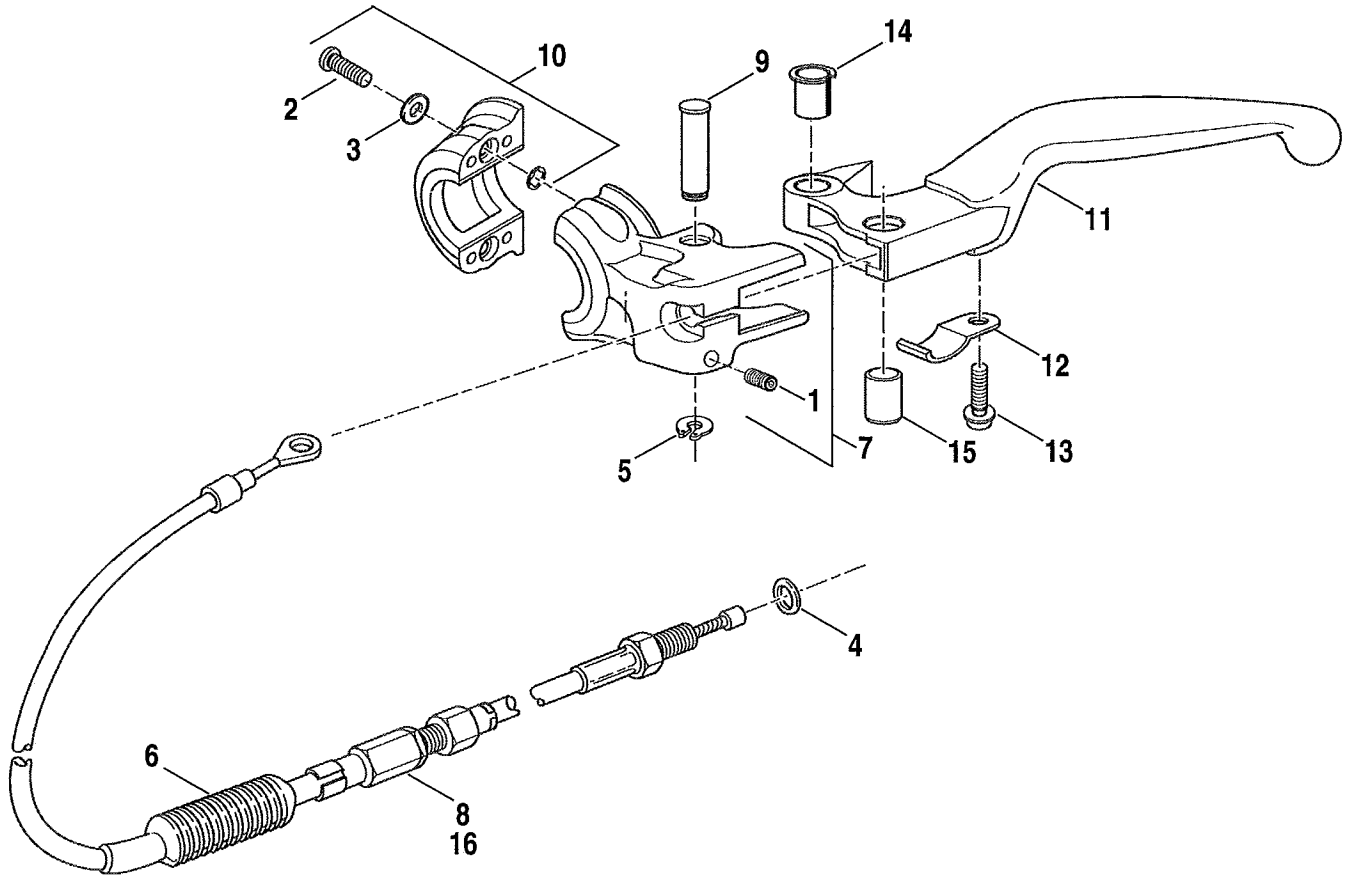


INDEX NO.	PART NO.	DESCRIPTION	MODEL(S)
1	940	SCREW (3)	ALL
2	3854	SCREW (2)	ALL
3	4180	SCREW (3)	ALL
4	4188	SCREW (2)	ALL
5	4290	SCREW (9)	ALL
6	6026	WASHER, flat (4)	ALL
7	6152	SPACER	ALL
8	7039	LOCKWASHER (2)	ALL
9	16232-04	TIE-LINK (3)	ALL
10	16287-04	MOUNT, front isolator	ALL
11	16291-04	MOUNT, rear isolator	CN/CP/CR/CS/CT/CV/CX/CZ
12	41561-04	NUT, lower front motor mount	ALL
13	41562-04	BOLT, lower front motor mount	ALL
14	41568-04	SHAFT, swing arm pivot	ALL
15	41699-04	LOCKPLATE, rear pivot	ALL
16	47470-04	BRACKET, tie-link (2)	ALL
17	47471-04A	BRACKET, tie-link mounting, engine	ALL
18	48463-04	ISOLATOR, front mount (2)	ALL
19	48492-04	ISOLATOR, rear mount (2)	ALL
20	70297-04	STRAP, grounding	ALL
INTERNATIONAL MODELS ONLY			
21	16301-08	MOUNT, rear isolator	LA

2008 MODEL IDENTIFICATION CODES

CN = XL883 CP = XL883C CR = XL883L CS = XL883R CT = XL1200C CV = XL1200R CX = XL1200L CZ = XL1200N LA = XR1200

CLUTCH CONTROL



INDEX NO.	PART NO.	DESCRIPTION	MODEL(S)
1	3244	SCREW, set	ALL
2	4535M	SCREW (2)	ALL
3	6101	WASHER (2)	ALL
	42425-05	KIT, washer & screw, w/ 4535M (2) & 6101 (2)	ALL
4	11179	O-RING	ALL
5	11379	RETAINING RING	ALL
6	38630-88	BOOT, clutch cable	ALL
7	38671-04	BRACKET, clutch lever	ALL
8	38699-04B	CABLE ASSEMBLY, w/ 11179, 11379, 38630-88, & 46268-04	CN/CP/CS/CT/CV
	38702-05B	CABLE ASSEMBLY, w/ 11179, 11379, 38630-88, & 46268-04	CR/CX/CZ
9	42807-04	BOLT	ALL
10	42808-04	CLAMP, clutch control, w/ 4535M & 6101	ALL
11	45356-07	HAND LEVER, w/ 45799-04, 45800-04, & 45801-04	CN/CP/CR/CS/CT/CV/CX/LA
	46945-07A	HAND LEVER, w/ 45799-04, 45800-04, & 45801-04	CZ
12	45799-04	SPRING, anti-rattle	ALL
13	45800-04	SCREW, spring - clutch lever	ALL
14	45801-04	BUSHING	ALL
15	46268-04	PIN, clutch cable	ALL

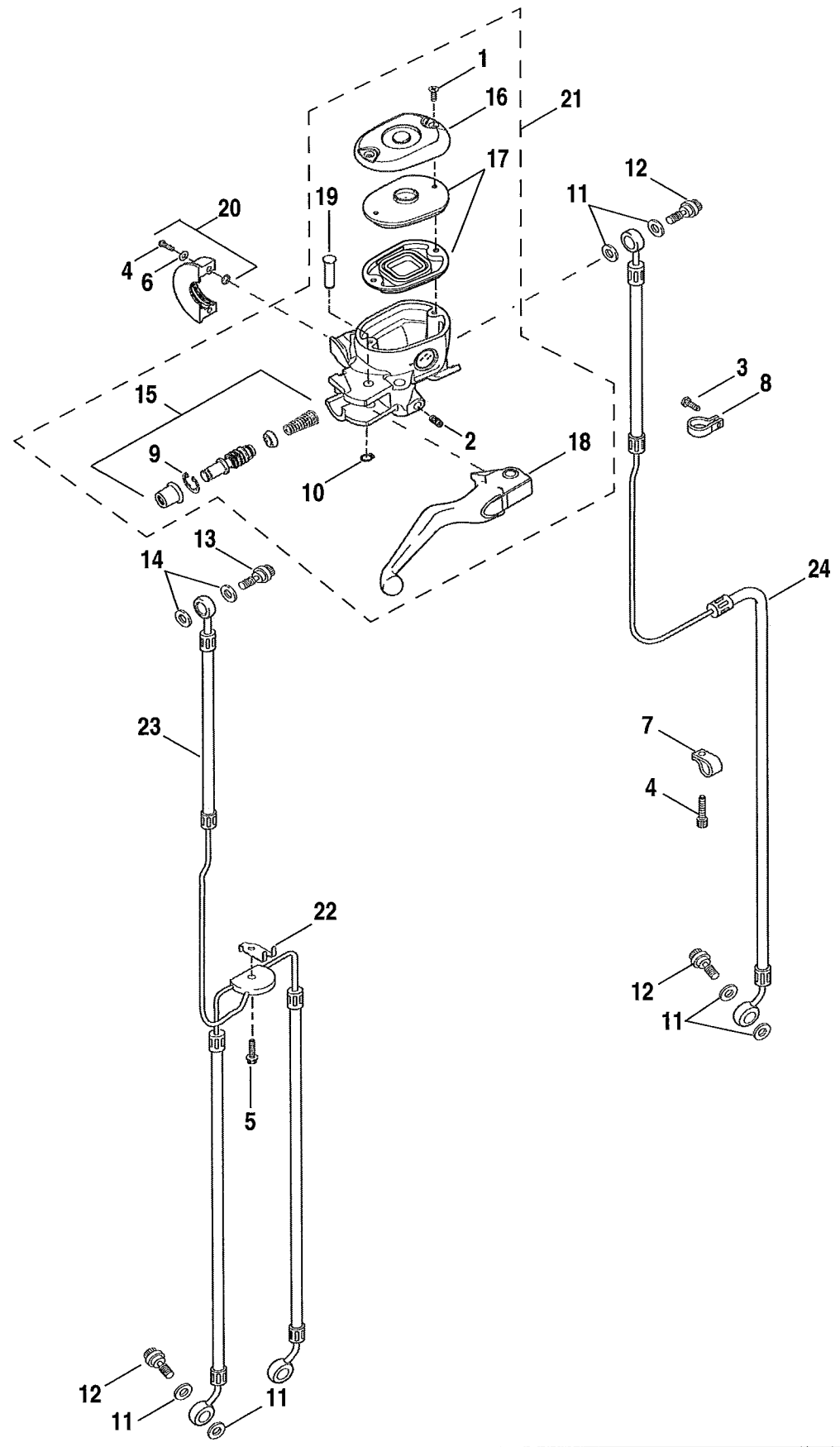
INTERNATIONAL MODELS ONLY

16	38786-08	CABLE ASSEMBLY, w/ 11179, 11379, 38630-88, & 46268-04	LA
----	----------	---	----

2008 MODEL IDENTIFICATION CODES

CN = XL883 CP = XL883C CR = XL883L CS = XL883R CT = XL1200C CV = XL1200R CX = XL1200L CZ = XL1200N LA = XR1200

FRONT BRAKE CONTROL- 883/C/L/R, 1200C/L/N/R

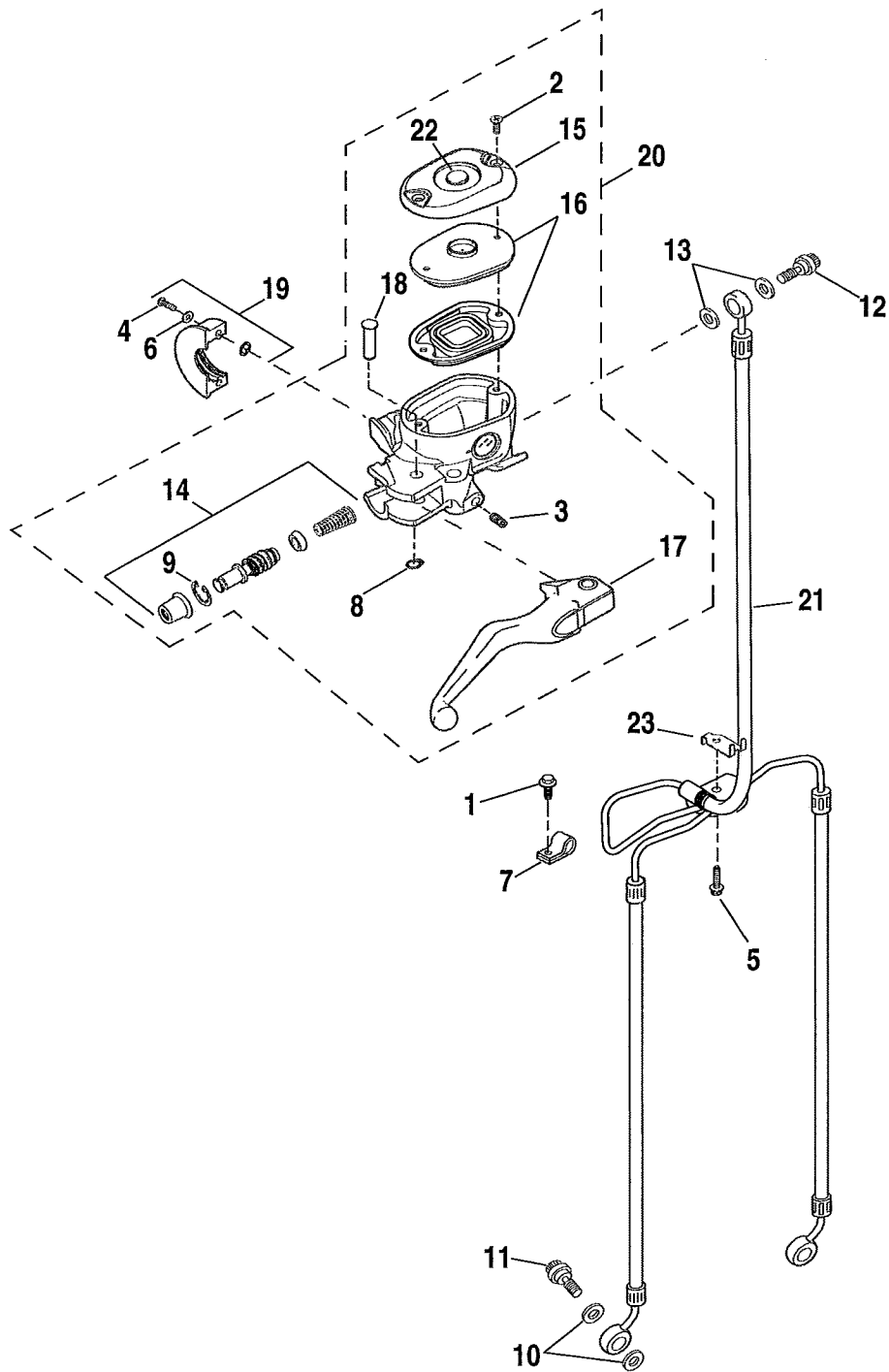


INDEX NO.	PART NO.	DESCRIPTION	MODEL(S)
1	2586A	SCREW, flat (2)	CN/CP/CR/CS/CT/CV/CX/CZ
2	3244	SCREW, w/ thread lock	CN/CP/CR/CS/CT/CV/CX/CZ
3	4104	SCREW	CN/CP/CR/CS/CT/CV/CX/CZ
4	4535M	SCREW (2)	CN/CP/CR/CS/CT/CV/CX/CZ
5	4741A	SCREW	CN/CP/CR/CS/CT/CV/CX/CZ
6	6101	WASHER (2)	CN/CP/CR/CS/CT/CV/CX/CZ
	42425-05	KIT, washer & screw, w/ 4535M (2) & 6101 (2)	CN/CP/CR/CS/CT/CV/CX/CZ
7	10053	CLAMP	CN/CP/CR/CT/CX/CZ
8	10031	CLAMP	CN/CP/CR/CS/CT/CV/CX/CZ
9	11142	RETAINING RING	CN/CP/CR/CS/CT/CV/CX/CZ
10	11379	RETAINING RING, lever pivot	CN/CP/CR/CS/CT/CV/CX/CZ
11	41732-04	SEALING WASHER, 10mm (4)	CN/CP/CR/CS/CT/CV/CX/CZ
12	41736-04	BANJO BOLT, 10mm (2)	CN/CP/CR/CS/CT/CV/CX/CZ
13	41737-04	BANJO BOLT, 12mm	CS/CV
14	41743-04	SEALING WASHER, 12mm (2)	CS/CV
15	42803-07A	REBUILD KIT, front master cylinder, single, w/ 9, 10, 11	CN/CP/CR/CT/CX/CZ
	42809-07A	REBUILD KIT, front master cylinder, dual, w/ 9, 10, 14	CS/CV
16	42804-07	CAP, front master cylinder, w/ decal	CN/CP/CR/CS/CT/CV/CX/CZ
17	42805-04	GASKET KIT, master cylinder	CN/CP/CR/CS/CT/CV/CX/CZ
18	42806-04	LEVER, front brake	CN/CP/CR/CS/CT/CV/CX
	46946-06A	LEVER, front brake (black)	CZ
19	42807-04	BOLT, lever	CN/CP/CR/CS/CT/CV/CX/CZ
20	42808-04	CLAMP, master cylinder, w/ 4535M & 6101	CN/CP/CR/CS/CT/CV/CX/CZ
21	45052-07	MASTER CYLINDER ASSEMBLY, dual, front	CS/CV
	45146-07	MASTER CYLINDER ASSEMBLY, single, front	CN/CP/CR/CT/CX
	42745-07	MASTER CYLINDER ASSEMBLY, single, front (black)	CZ
22	45074-95	GUIDE, front brakeline	CS/CV
23	45319-04A	BRAKELINE, front, dual	CS/CV
24	45449-04A	BRAKELINE, front, single	CP/CT/CZ
	46400-04A	BRAKELINE, front, single	CN
	46411-05C	BRAKELINE, front, single	CR/CX

2008 MODEL IDENTIFICATION CODES

CN = XL883 CP = XL883C CR = XL883L CS = XL883R CT = XL1200C CV = XL1200R CX = XL1200L CZ = XL1200N LA = XR1200

FRONT BRAKE CONTROL - XR1200

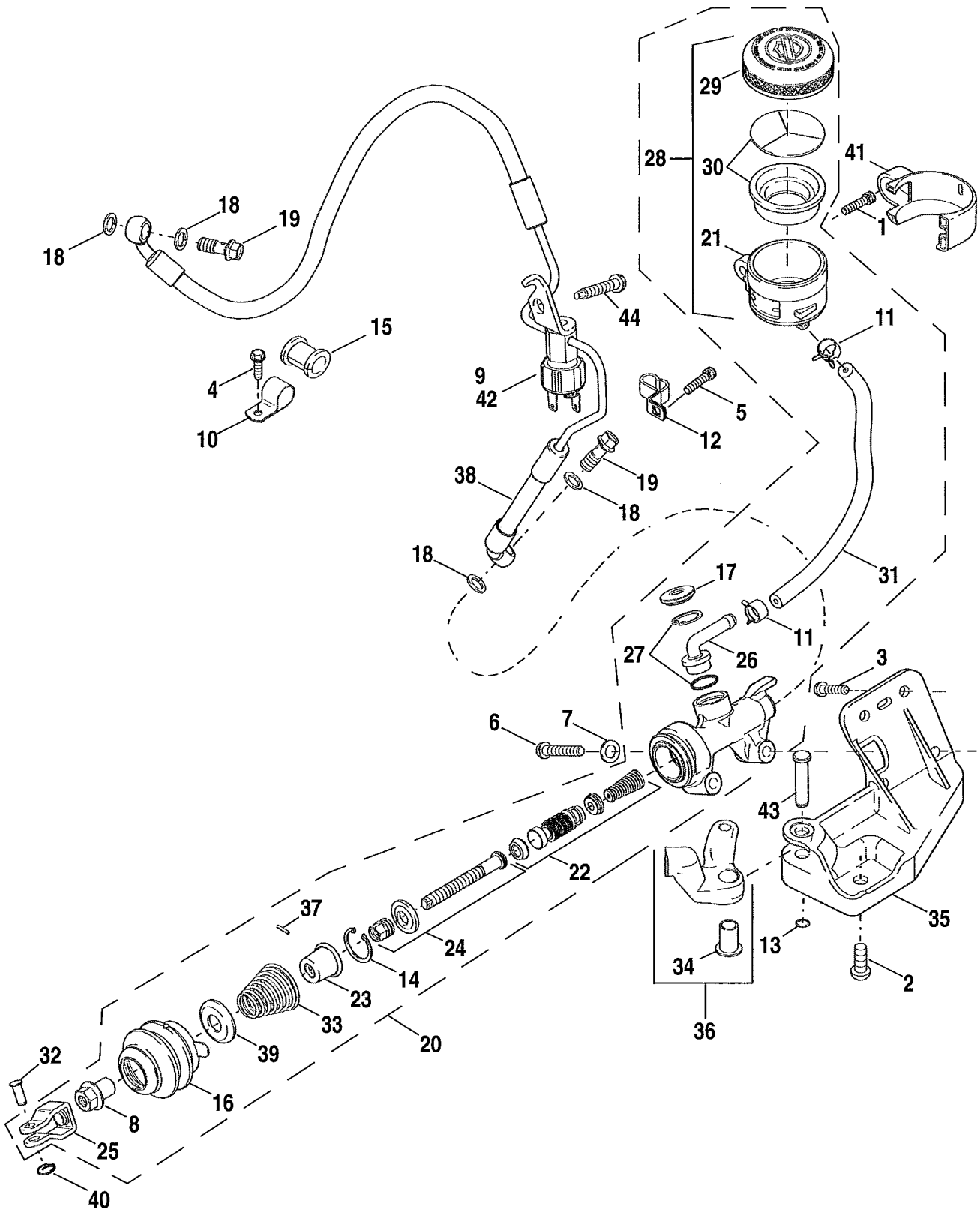


INDEX NO.	PART NO.	DESCRIPTION	MODEL(S)
INTERNATIONAL MODELS ONLY			
1	4104	SCREW, hex head	LA
2	2586A	SCREW	LA
3	3244	SCREW	LA
4	4535M	SCREW (2)	LA
5	4741A	SCREW	LA
6	6101	WASHER (2)	LA
	42425-05	KIT, washer & screw, w/ 4535M (2) & 6101 (2) (2)	LA
7	10031	CLAMP	LA
8	11379	RETAINING RING, lever pivot	LA
9	11142	RETAINING RING	LA
10	41732-04	SEALING WASHER, 10mm (4)	LA
11	41736-04	BANJO BOLT, 10mm (2)	LA
12	41737-04	BANJO BOLT, 12mm	LA
13	41743-04	SEALING WASHER, 12mm (2)	LA
14	42736-08	REBUILD KIT, front master cylinder, dual, w/ 7, 8, 9	LA
15	42804-07	CAP, front master cylinder, w/ decal	LA
16	42805-04	GASKET KIT, master cylinder	LA
17	42806-04	LEVER, front brake	LA
18	42807-04	BOLT, lever	LA
19	42808-04	CLAMP, master cylinder, w/ 4535M & 6101	LA
20	42941-08	MASTER CYLINDER ASSEMBLY, dual, front	LA
21	42942-08	BRAKELINE, front, dual	LA
22	44791-07	DECAL, front master cylinder, DOT 4	LA
23	45074-95	GUIDE, front brakeline	LA

2008 MODEL IDENTIFICATION CODES

CN = XL883 CP = XL883C CR = XL883L CS = XL883R CT = XL1200C CV = XL1200R CX = XL1200L CZ = XL1200N LA = XR1200

REAR BRAKE MASTER CYLINDER - 883/C/L/R, 1200C/L/N/R



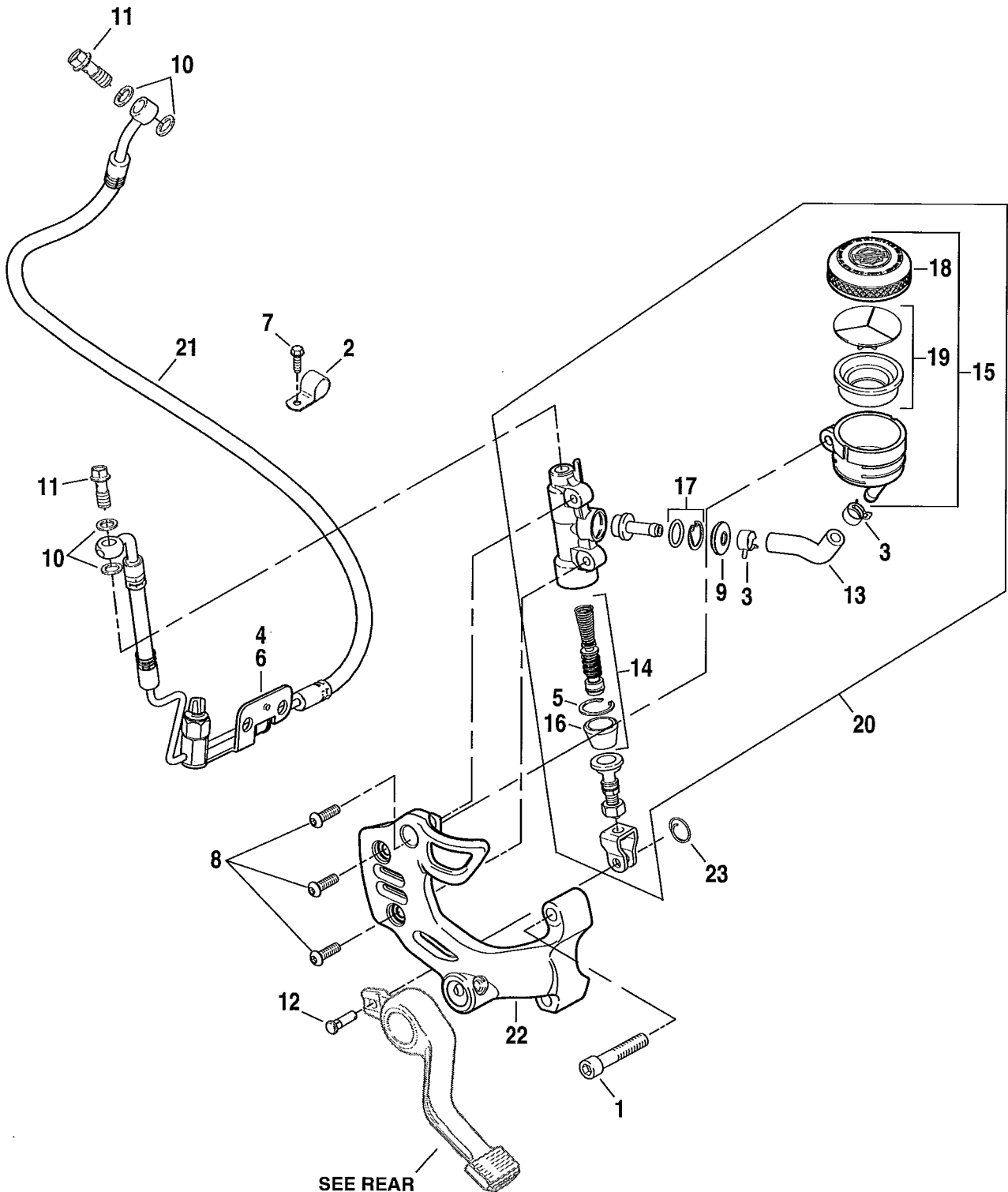
REAR BRAKE MASTER CYLINDER - 883/C/L/R, 1200C/L/N/R

INDEX NO.	PART NO.	DESCRIPTION	MODEL(S)
1	882	SCREW	CN/CP/CR/CS/CT/CV/CX/CZ
2	995	SCREW	CN/CP/CR/CS/CT/CV/CX/CZ
3	997	SCREW, hex socket, button head (2)	CN/CP/CR/CS/CT/CV/CX/CZ
4	2501A	SCREW (2)	CN/CP/CR/CS/CT/CV/CX/CZ
5	4076	SCREW	CN/CR
6	4816A	SCREW (2)	CN/CP/CR/CS/CT/CV/CX/CZ
7	6702	WASHER (2)	CN/CP/CR/CS/CT/CV/CX/CZ
8	7477	NUT, hex, 8mm	CN/CP/CR/CS/CT/CV/CX/CZ
9	9907	TERMINAL, wire	CN/CP/CR/CS/CT/CV/CX/CZ
10	10031	CLAMP (2)	CN/CP/CR/CS/CT/CV/CX/CZ
11	10252	CLAMP, reservoir (2)	CN/CP/CR/CS/CT/CV/CX/CZ
12	10255	CLAMP, double tube	CN/CP/CR/CS/CT/CV/CX/CZ
13	11031	RETAINING RING	CN/CP/CR/CS/CT/CV/CX/CZ
14	11121	RETAINING RING	CN/CP/CR/CS/CT/CV/CX/CZ
15	11407	GROMMET	CN/CP/CR/CS/CT/CV/CX/CZ
16	40946-04	BOOT, external	CN/CP/CR/CS/CT/CV/CX/CZ
17	40948-04	DUSTCOVER	CN/CP/CR/CS/CT/CV/CX/CZ
18	41732-04	SEALING WASHER, 10mm (4)	CN/CP/CR/CS/CT/CV/CX/CZ
19	41736-04	BANJO BOLT, 10mm (2)	CN/CP/CR/CS/CT/CV/CX/CZ
20	42521-07	MASTER CYLINDER AND RESERVOIR ASSEMBLY, rear	CN/CP/CR/CS/CT/CV/CX/CZ
21	42595-04	TANK, rear brake reservoir	CN/CP/CR/CS/CT/CV/CX/CZ
22	42810-07A	REBUILD KIT, master cylinder, w/ 11121, 41732-04, 42811-04, & 44189-04	CN/CP/CR/CS/CT/CV/CX/CZ
23	42811-04	BOOT, master cylinder, rear	CN/CP/CR/CS/CT/CV/CX/CZ
24	42812-04	PUSH ROD ASSEMBLY	CN/CP/CR/CS/CT/CV/CX/CZ
25	42813-04	YOKE, master cylinder	CN/CP/CR/CS/CT/CV/CX/CZ
26	42814-04	PORT, rear master cylinder	CN/CP/CR/CS/CT/CV/CX/CZ
27	42815-04	SEAL KIT, port, w/ retaining ring & o-ring	CN/CP/CR/CS/CT/CV/CX/CZ
28	42816-07	RESERVOIR ASSEMBLY, brake, w/ 42595-04, 42817-07, & 42845-07	CN/CP/CR/CS/CT/CV/CX/CZ
29	42817-07	CAP, rear brake reservoir	CN/CP/CR/CS/CT/CV/CX/CZ
30	42845-07	GASKET KIT, rear brake reservoir	CN/CP/CR/CS/CT/CV/CX/CZ
31	42821-04	HOSE	CN/CP/CR/CS/CT/CV/CX/CZ
32	42255-04	PIN, brake lever	CN/CP/CR/CS/CT/CV/CX/CZ
33	42593-04	SPRING, external return	CN/CP/CR/CS/CT/CV/CX/CZ
34	42846-04	BUSHING, bell crank	CN/CP/CR/CS/CT/CV/CX/CZ
35	42976-04	BRACKET, mounting, rear master cylinder	CN/CP/CR/CS/CT/CV/CX/CZ
36	42979-04	BELL CRANK ASSEMBLY, w/ 42846-04	CN/CP/CR/CS/CT/CV/CX/CZ
37	44189-04	SPRING PIN	CN/CP/CR/CS/CT/CV/CX/CZ
38	44429-06A	BRAKELINE ASSEMBLY, w/ 11407	CN/CP/CR/CS/CT/CV/CX/CZ
39	44590-04	RETAINER, spring	CN/CP/CR/CS/CT/CV/CX/CZ
40	51938-04	COTTER CIRCLE	CN/CP/CR/CS/CT/CV/CX/CZ
41	67804-04	COVER, reservoir	CN/CP/CR/CS/CT/CV/CX/CZ
42	72023-51D	BRAKE LIGHT SWITCH, w/ 9907	CN/CP/CR/CS/CT/CV/CX/CZ
43	94432-04	SHOULDER BOLT, bell crank	CN/CP/CR/CS/CT/CV/CX/CZ
44	94612-04	SCREW, dog point	CN/CP/CR/CS/CT/CV/CX/CZ

2008 MODEL IDENTIFICATION CODES

CN = XL883 CP = XL883C CR = XL883L CS = XL883R CT = XL1200C CV = XL1200R CX = XL1200L CZ = XL1200N LA = XR1200

REAR BRAKE MASTER CYLINDER - XR1200



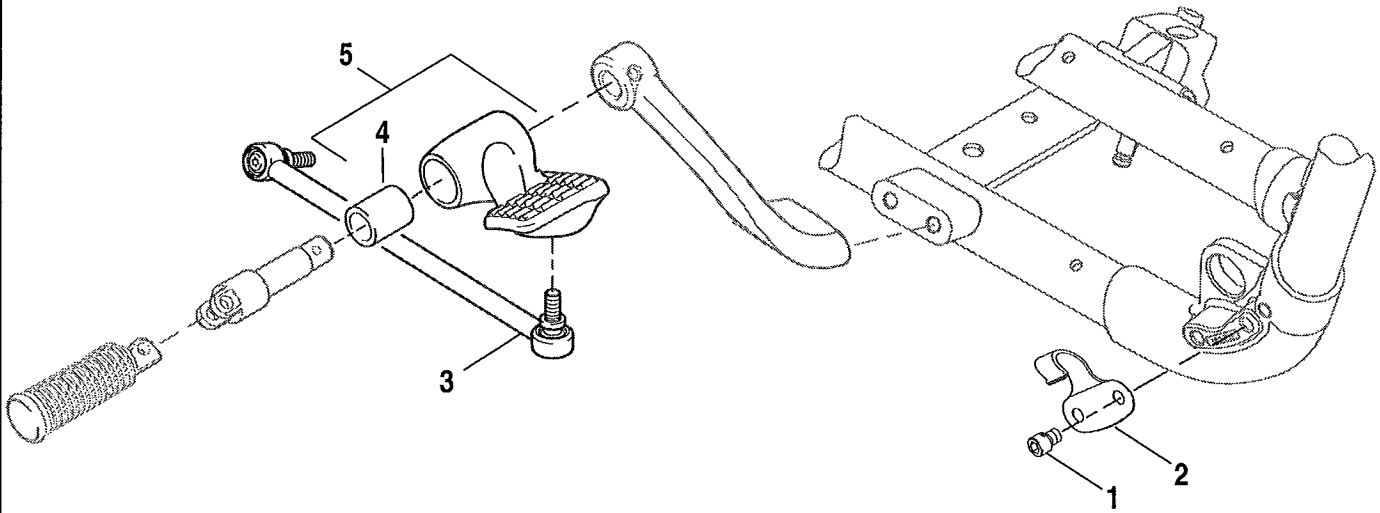
SEE REAR
BRAKE
CONTROL

INDEX NO.	PART NO.	DESCRIPTION	MODEL(S)
INTERNATIONAL MODELS ONLY			
1	855B	SCREW	LA
2	10092	CLAMP	LA
3	10252	CLAMP (2)	LA
4	11031	RETAINING RING	LA
5	11121	RETAINING RING	LA
6	11407	GROMMET	LA
7	3579A	SCREW	LA
8	3832M	SCREW (3)	LA
9	40948-04	DUSTCOVER	LA
10	41732-04	SEALING WASHER, 10mm (4)	LA
11	41736-04	BANJO BOLT (2)	LA
12	42460-80B	CLEVIS PIN	LA
13	42737-08	HOSE	LA
14	42738-08	REBUILD KIT, w/ 11121, 48211-04	LA
15	42744-08	RESERVOIR ASSEMBLY KIT, w/ 42817-07, 42845-07	LA
16	42811-04	BOOT, master cylinder	LA
17	42815-04	SEAL KIT, w/ o-ring	LA
18	42817-07	CAP, reservoir	LA
19	42845-07	GASKET KIT, rear brake reservoir	LA
20	42945-08	MASTER CYLINDER ASSEMBLY, rear	LA
21	42975-08	BRAKELINE ASSEMBLY, rear, w/ 11031, 11407	LA
22	51045-08	BRACKET, footpeg support	LA
23	51938-04	COTTER CIRCLE	LA

2008 MODEL IDENTIFICATION CODES

CN = XL883 CP = XL883C CR = XL883L CS = XL883R CT = XL1200C CV = XL1200R CX = XL1200L CZ = XL1200N LA = XR1200

REAR BRAKE CONTROL - 883/L/R, 1200L/N/R

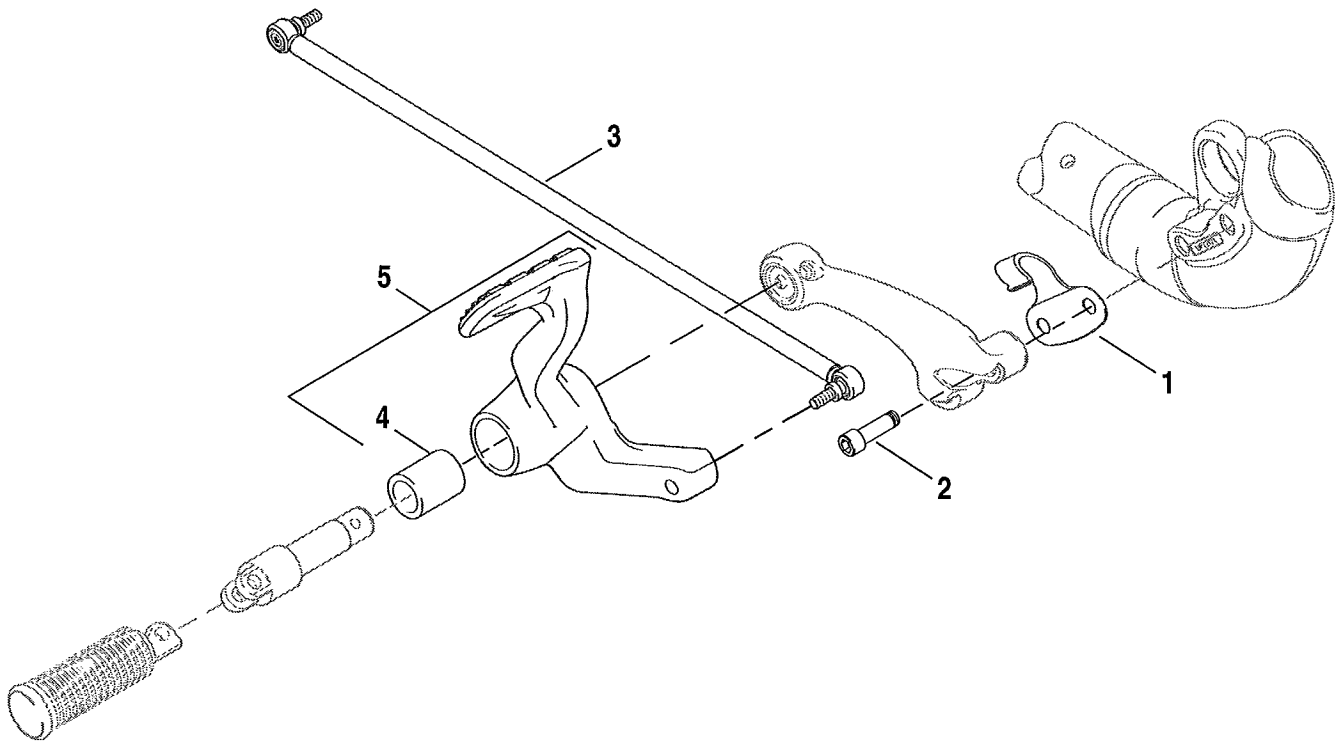


INDEX NO.	PART NO.	DESCRIPTION	MODEL(S)
1	4076	SCREW, hex socket (2)	CN/CR/CS/CV/CX/CZ
2	10179A	J-CLIP	CN/CR/CS/CV/CX/CZ
3	34582-04	BRAKE ROD ASSEMBLY	CN/CR/CS/CV/CX/CZ
4	42569-03	BUSHING	CN/CR/CS/CV/CX/CZ
5	42969-04	PEDAL ASSEMBLY, w/ 42569-03	CN/CR/CS/CV/CX
	42341-07	PEDAL ASSEMBLY, w/ 42569-03	CZ
	42930-07	BRAKE PEDAL SHIFTLIVER KIT (black)	CZ

2008 MODEL IDENTIFICATION CODES

CN = XL883 CP = XL883C CR = XL883L CS = XL883R CT = XL1200C CV = XL1200R CX = XL1200L CZ = XL1200N LA = XR1200

REAR BRAKE CONTROL - 883C, 1200C

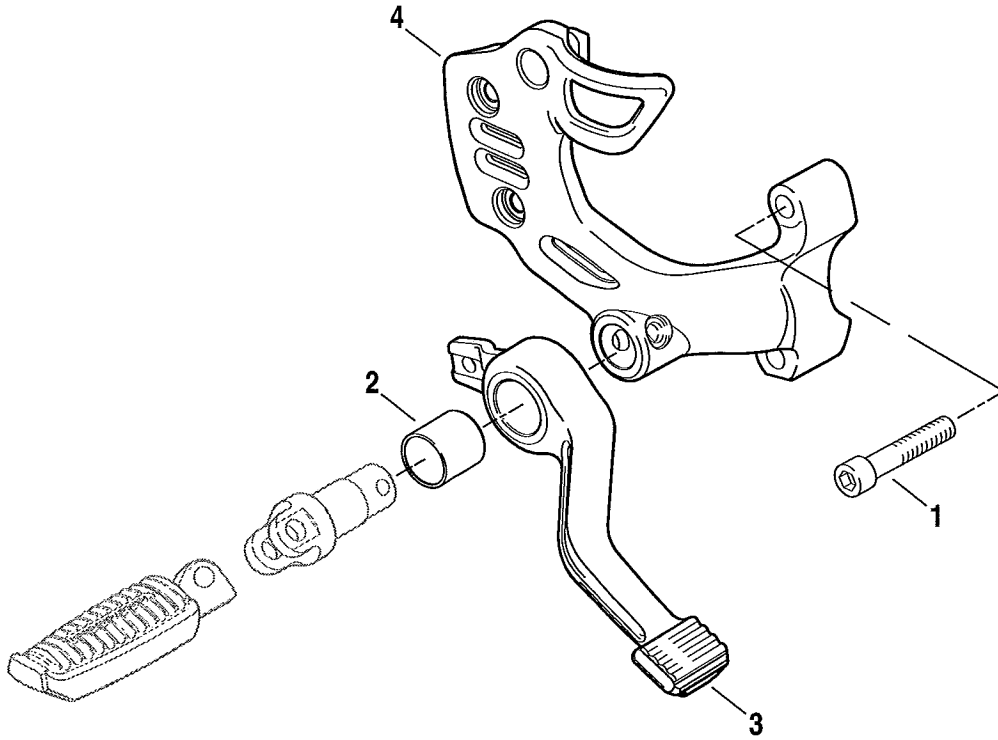


INDEX NO.	PART NO.	DESCRIPTION	MODEL(S)
1	10179A	J-CLIP	CP/CT
2	4748	SCREW, socket head (4)	CP/CT
3	34581-04	BRAKE ROD ASSEMBLY	CP/CT
4	42569-03	BUSHING	CP/CT
5	42685-04	PEDAL ASSEMBLY, w/ 42569-03	CP/CT

2008 MODEL IDENTIFICATION CODES

CN = XL883 CP = XL883C CR = XL883L CS = XL883R CT = XL1200C CV = XL1200R CX = XL1200L CZ = XL1200N LA = XR1200

REAR BRAKE CONTROL - XR1200

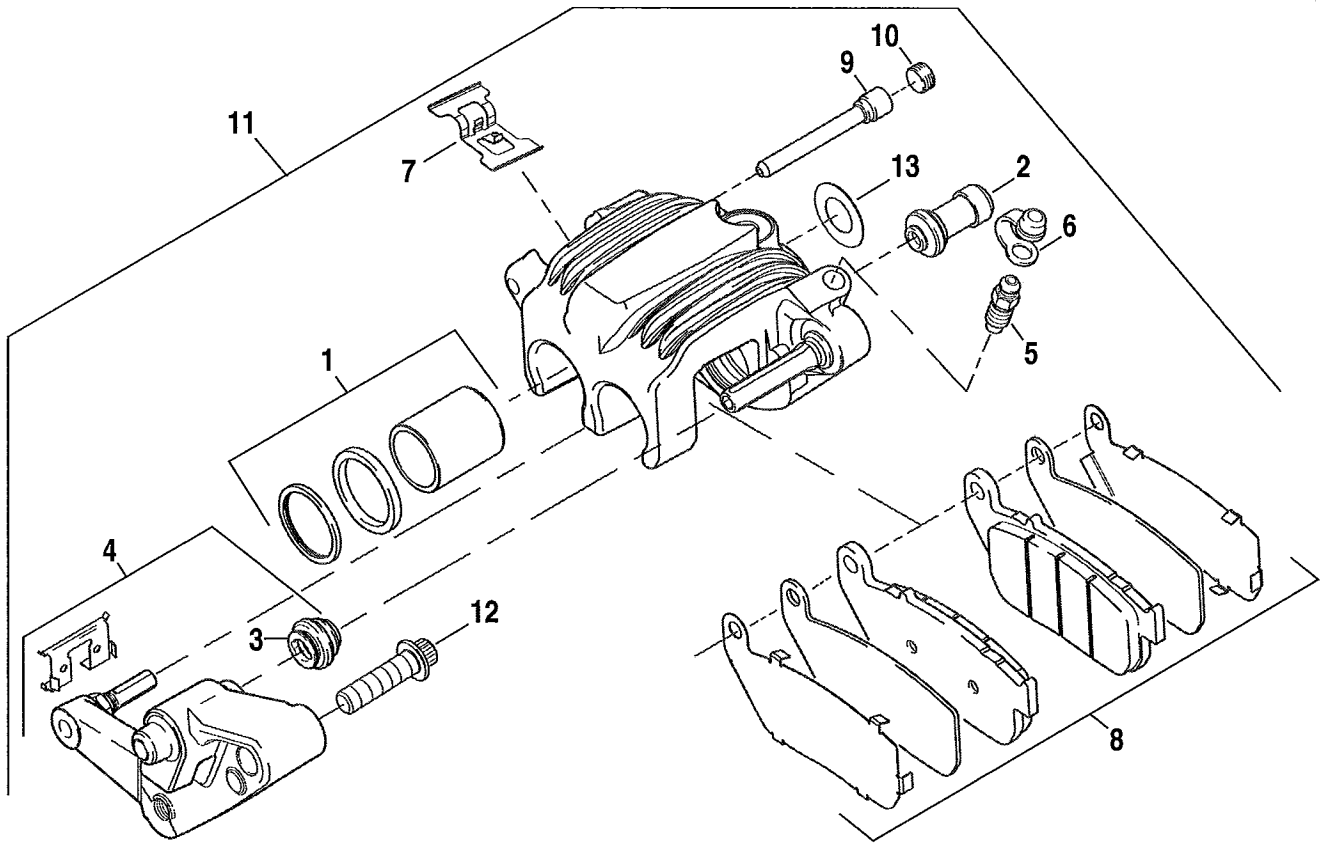


INDEX NO.	PART NO.	DESCRIPTION	MODEL(S)
INTERNATIONAL MODELS ONLY			
1	855B	SCREW (2)	LA
2	42443-80A	BUSHING	LA
3	42949-08	BRAKE PEDAL, rear, w/ 42443-80A	LA
4	51045-08	BRACKET, footpeg support	LA

2008 MODEL IDENTIFICATION CODES

CN = XL883 CP = XL883C CR = XL883L CS = XL883R CT = XL1200C CV = XL1200R CX = XL1200L CZ = XL1200N LA = XR1200

FRONT BRAKE CALIPER - 883/C/L/R, 1200C/L/N/R



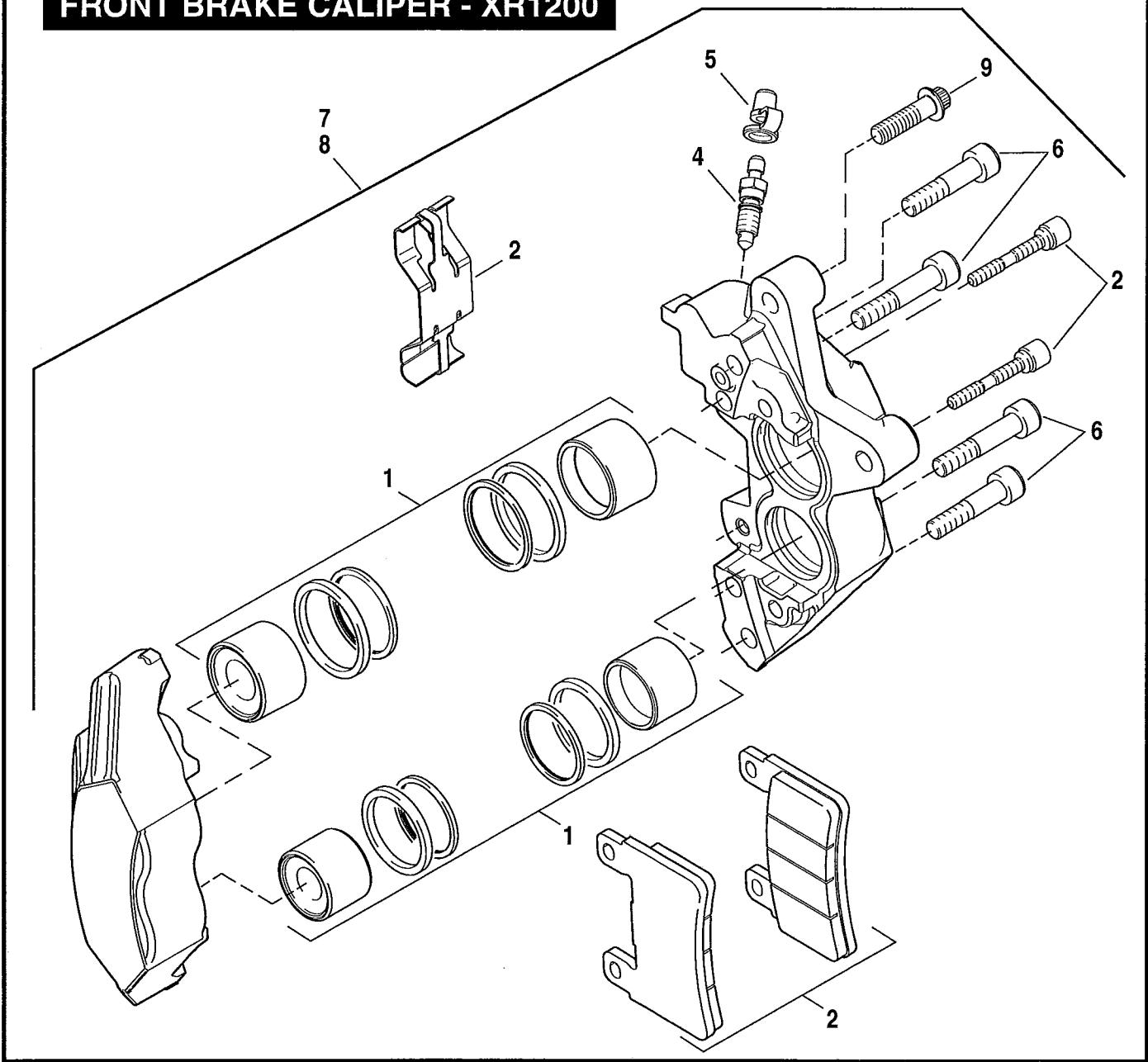
FRONT BRAKE CALIPER - 883/C/L/R, 1200C/L/N/R

INDEX NO.	PART NO.	DESCRIPTION	MODEL(S)
1	42028-07	PISTON KIT, front	CN/CP/CR/CS/CT/CV/CX/CZ
2	42823-04	BOOT, caliper bushing	CN/CP/CR/CS/CT/CV/CX/CZ
3	42824-04	BOOT, caliper pin	CN/CP/CR/CS/CT/CV/CX/CZ
4	42825-04	CALIPER BRACKET ASSEMBLY, front left, w/ 42824-04	CN/CP/CR/CT/CV
	42826-04	CALIPER BRACKET ASSEMBLY, front right, w/ 42824-04 (not illustrated)	CV
	42880-05	CALIPER BRACKET ASSEMBLY, front left, w/ 42824-04	CS/CX/CZ
	42878-05	CALIPER BRACKET ASSEMBLY, front right, w/ 42824-04 (not illustrated)	CS
5	42875-07	SCREW, bleeder w/ o-ring (front left - CN/CP/CR/CT/CV)	CN/CP/CR/CT/CV
	42827-04	SCREW, bleeder (front left - CS/CX/CZ, front right - CS/CV)	CS/CV/CX/CZ
6	42828-04	CAP, bleeder screw (front left - CS/CX/CZ, front right - CS/CV)	CS/CV/CX/CZ
	42893-07	CAP, bleeder screw (front left - CN/CP/CR/CT/CV)	CN/CP/CR/CT/CV
7	42829-04	SPRING, pad, front	CN/CP/CR/CS/CT/CV/CX/CZ
8	42831-04A	PAD KIT, front w/ 42829-04	CN/CP/CR/CS/CT/CV/CX/CZ
9	42832-04	PAD PIN, front caliper	CN/CP/CR/CS/CT/CV/CX/CZ
10	42838-04	PLUG, pad pin	CN/CP/CR/CS/CT/CV/CX/CZ
11	44119-07	CALIPER ASSEMBLY, front right (not illustrated)	CV
	44121-07	CALIPER ASSEMBLY, front left	CN/CP/CR/CT/CV
	42877-07	CALIPER ASSEMBLY, front right (not illustrated)	CS
	42879-07	CALIPER ASSEMBLY, front left	CS/CX/CZ
12	44160-00	BOLT, caliper mounting (2-CN/CP/CR/CT/CX/CZ, 4-CS/CV)	CN/CP/CR/CS/CT/CV/CX/CZ
13	44440-04	DECAL, caliper	CN/CP/CR/CS/CT/CV/CX/CZ

2008 MODEL IDENTIFICATION CODES

CN = XL883 CP = XL883C CR = XL883L CS = XL883R CT = XL1200C CV = XL1200R CX = XL1200L CZ = XL1200N LA = XR1200

FRONT BRAKE CALIPER - XR1200

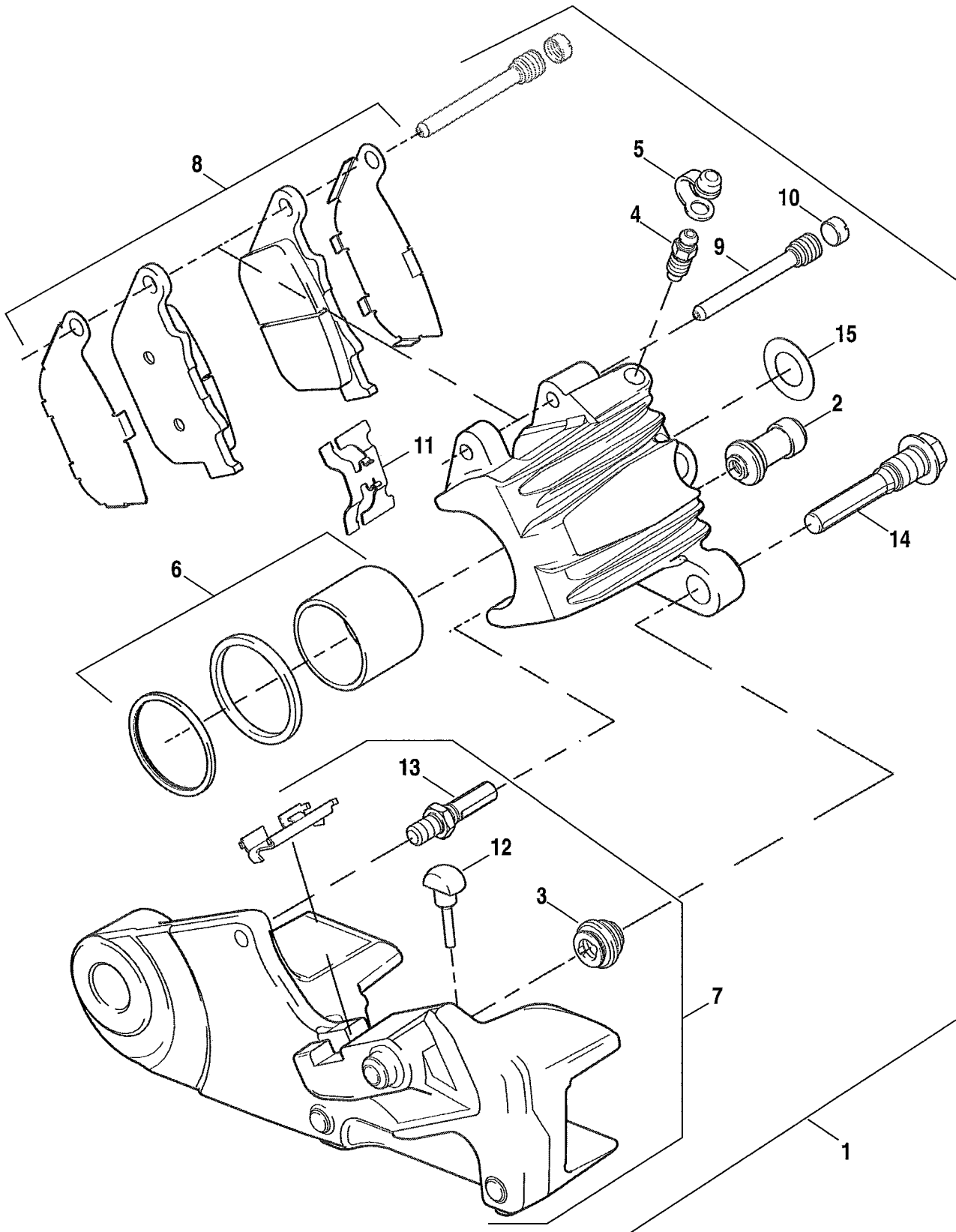


INDEX NO.	PART NO.	DESCRIPTION	MODEL(S)
INTERNATIONAL MODELS ONLY			
1	21965-08	PISTON KIT, front w/ 42820-04	LA
2	42739-08	PAD Kit, front w/ spring & pins	LA
3	42820-04	GREASE, caliper (not shown)	LA
4	42827-04	SCREW, bleeder, right caliper	LA
	42875-07	SCREW, bleeder w/ o-ring, left caliper	LA
5	42828-04	CAP, bleeder screw, right caliper	LA
	42893-07	CAP, bleeder screw, left caliper	LA
6	42899-08	BOLT KIT, front caliper (4)	LA
7	42943-08	CALIPER ASSEMBLY, front left	LA
8	42944-08	CALIPER ASSEMBLY, front right	LA
9	44160-00	BOLT, caliper mounting (2)	LA

2008 MODEL IDENTIFICATION CODES

CN = XL883 CP = XL883C CR = XL883L CS = XL883R CT = XL1200C CV = XL1200R CX = XL1200L CZ = XL1200N LA = XR1200

REAR BRAKE CALIPER - 883/C/L/R, 1200C/L/N/R

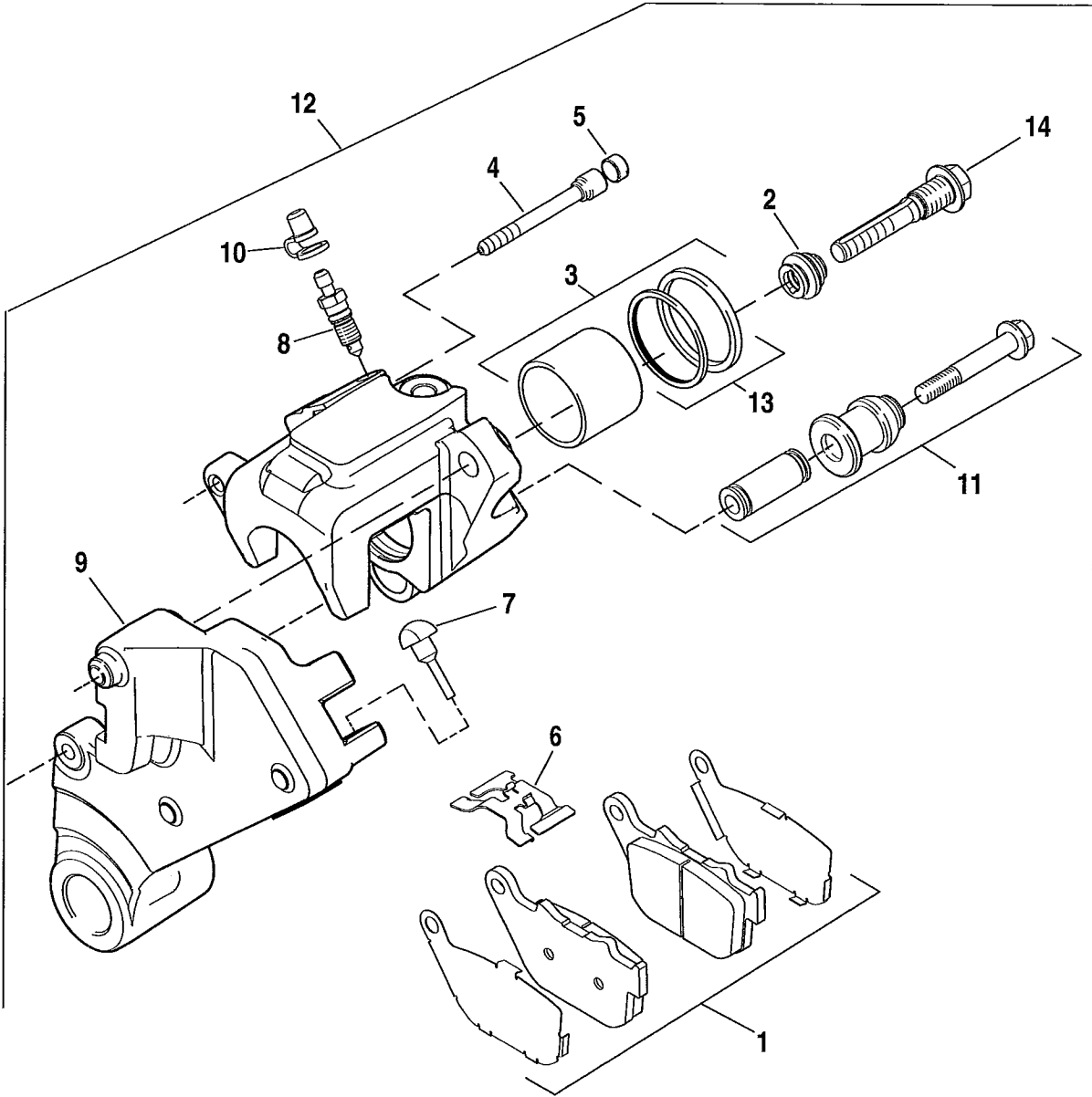


INDEX NO.	PART NO.	DESCRIPTION	MODEL(S)
1	40968-08	CALIPER ASSEMBLY, rear	CN/CP/CR/CT/CV
	42881-08	CALIPER ASSEMBLY, rear	CS/CX/CZ
2	42823-04	BOOT, caliper bushing	CN/CP/CR/CS/CT/CV/CX/CZ
3	42824-04	BOOT, caliper pin	CN/CP/CR/CS/CT/CV/CX/CZ
4	42875-07	SCREW, bleeder w/ o-ring	CN/CP/CR/CS/CT/CV/CX/CZ
5	42828-04	CAP, bleeder screw	CN/CP/CR/CS/CT/CV/CX/CZ
6	42834-04	PISTON KIT, rear caliper	CN/CP/CR/CS/CT/CV/CX/CZ
7	42835-08	BRACKET ASSEMBLY, rear caliper, w/ 42824-04, 42840-04, & 44178-04	CN/CP/CR/CS/CT/CV/CX/CZ
8	42029-07	PAD KIT, rear w/ 42839-04	CN/CP/CR/CS/CT/CV/CX/CZ
9	42837-04	PAD PIN, rear caliper	CN/CP/CR/CS/CT/CV/CX/CZ
10	42838-04	PLUG, pad pin	CN/CP/CR/CS/CT/CV/CX/CZ
11	42839-04	SPRING, pad, rear	CN/CP/CR/CS/CT/CV/CX/CZ
12	42840-04	DAMPER	CN/CP/CR/CS/CT/CV/CX/CZ
13	44178-04	PIN, bolt	CN/CP/CR/CS/CT/CV/CX/CZ
14	44184-04	PIN, bolt	CN/CP/CR/CS/CT/CV/CX/CZ
15	44440-04	DECAL, caliper	CN/CP/CR/CS/CT/CV/CX/CZ

2008 MODEL IDENTIFICATION CODES

CN = XL883 CP = XL883C CR = XL883L CS = XL883R CT = XL1200C CV = XL1200R CX = XL1200L CZ = XL1200N LA = XR1200

REAR BRAKE CALIPER - XR1200

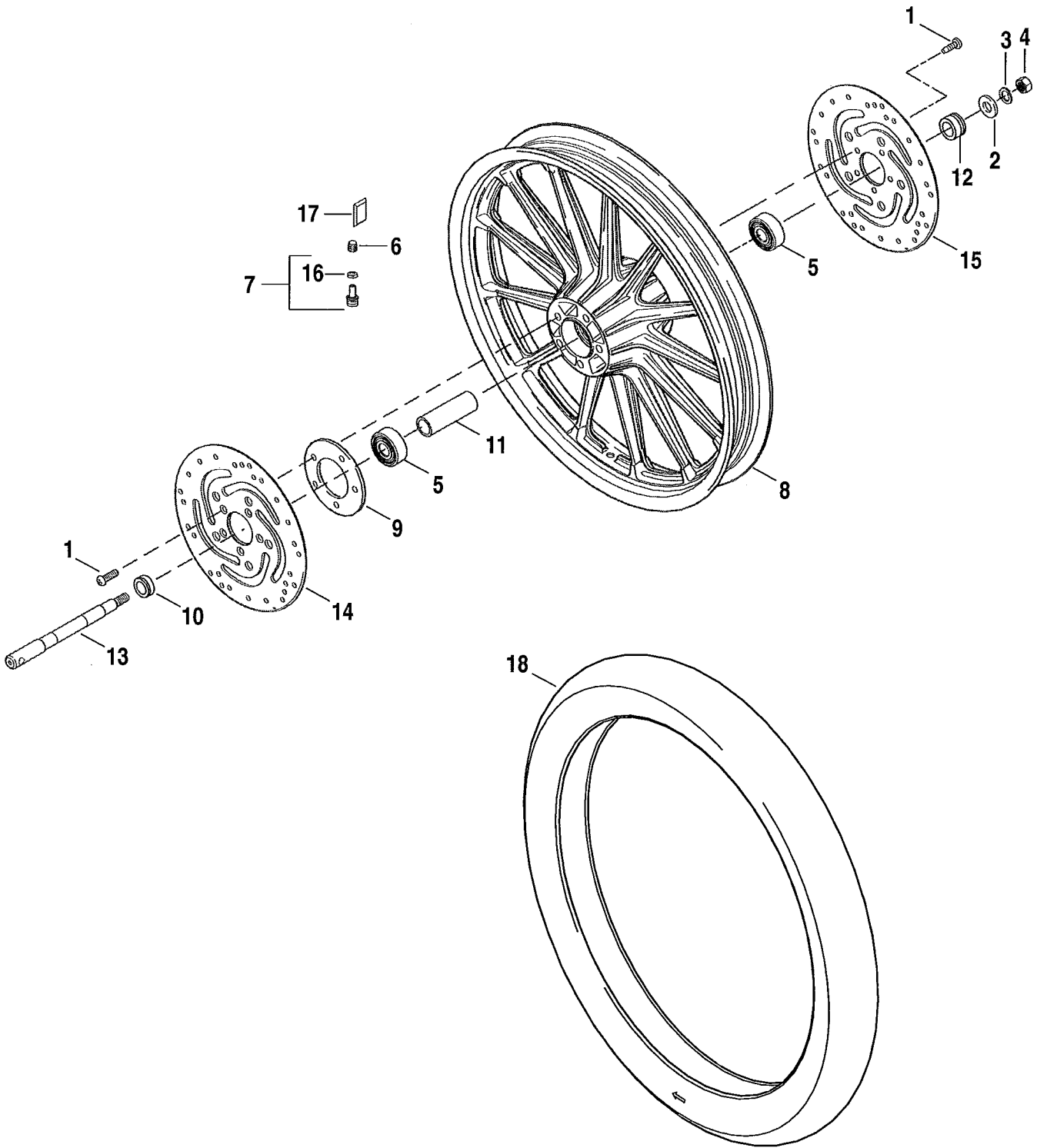


INDEX NO.	PART NO.	DESCRIPTION	MODEL(S)
INTERNATIONAL MODELS ONLY			
1	42310-08	PAD KIT, rear	LA
2	42824-04	BOOT, caliper pin	LA
3	42834-04	PISTON KIT, rear caliper, w/ 43528-04	LA
4	42837-04	PAD PIN, rear caliper	LA
5	42838-04	PLUG, pad pin	LA
6	42839-04	SPRING, pad, rear	LA
7	42840-04	DAMPER	LA
8	42875-07	SCREW, bleeder w/ o-ring	LA
9	42892-08	BRACKET ASSEMBLY, rear caliper, w/ 42834-04, 42310-08, 42875-07, 42892-08, 42900-08, 42,837-04, 42838-04, 42839-04, 42893-07 & 44184-04	LA
10	42893-07	CAP, bleeder screw	LA
11	42900-08	BOOT, rear	LA
12	42948-08	CALIPER ASSEMBLY, rear	LA
13	43528-04	SEAL KIT	LA
14	44184-04	PIN, bolt	LA

2008 MODEL IDENTIFICATION CODES

CN = XL883 CP = XL883C CR = XL883L CS = XL883R CT = XL1200C CV = XL1200R CX = XL1200L CZ = XL1200N LA = XR1200

FRONT WHEEL, CAST - 883/L/R, 1200L/R

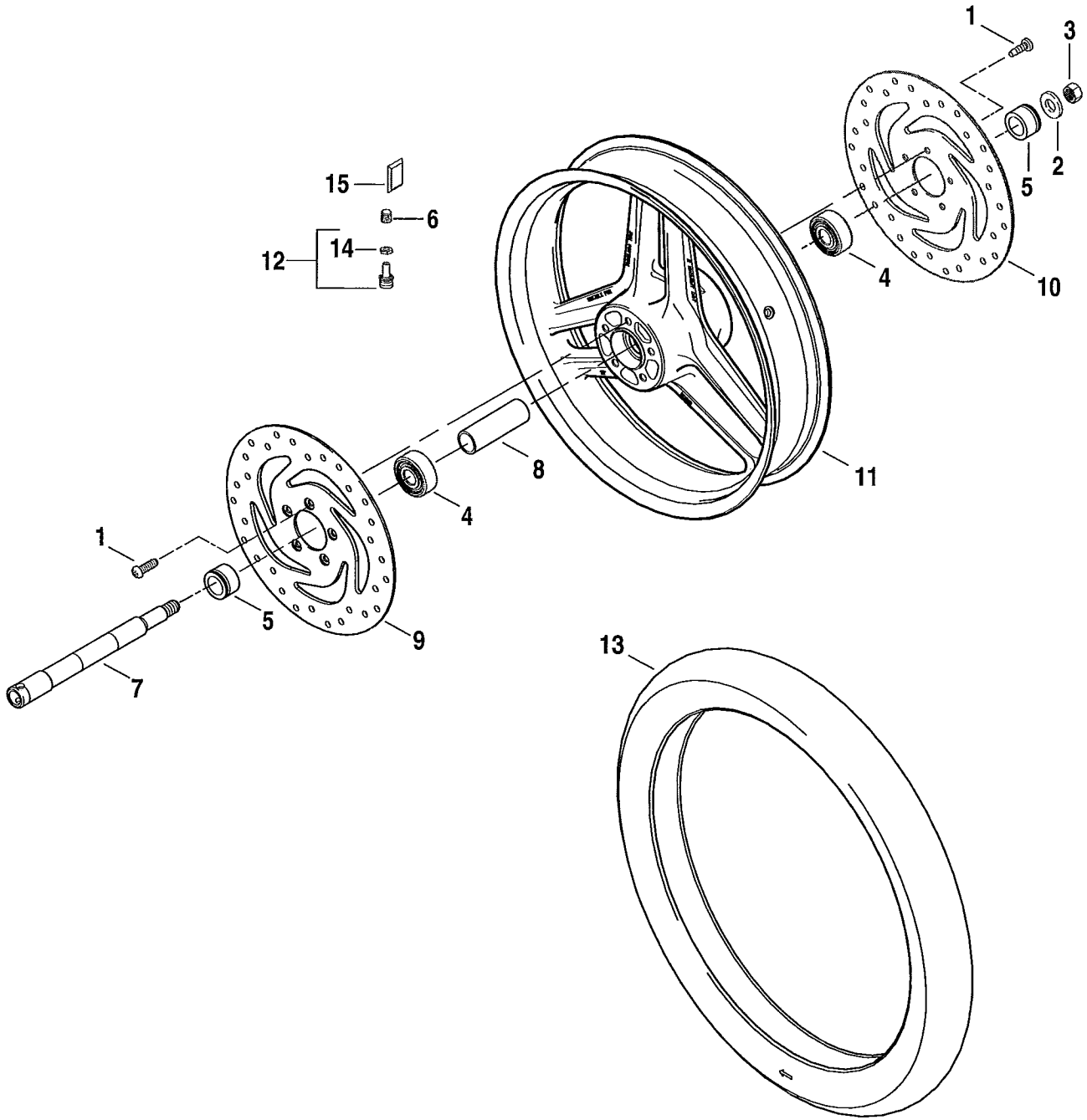


INDEX NO.	PART NO.	DESCRIPTION	MODEL(S)
1	3655A	SCREW (10)	CN/CR/CS/CV/CX
2	6594	WASHER	CN/CR/CS/CV/CX
3	7068	LOCKWASHER	CN/CR/CS/CV/CX
4	7813A	NUT	CN/CR/CS/CV/CX
5	9276	BALL BEARING, 25mm (2)	CN/CR/CS/CV/CX
6	41123-79	VALVE CAP	CN/CR/CS/CV/CX
7	43157-83A	VALVE STEM ASSEMBLY, w/ 54321-85	CN/CR/CS/CV/CX
8	43499-08	WHEEL ASSEMBLY, 19 in. (13 spoke) (black) w/o bearings & sleeves	CS/CV
	41659-08	WHEEL ASSEMBLY, 19 in. (13 spoke) (black) w/o bearings & sleeves	CX
	43426-08	WHEEL ASSEMBLY, 19 in. (13 spoke) (gloss black) w/o bearings & sleeves	CX
	43594-08	WHEEL ASSEMBLY, 19 in. (13 spoke) (silver) w/o bearings & sleeves	CN/CR
9	43355-00	HUB PLATE (flat black)	CX
	43359-00	HUB PLATE (silver)	CN/CR
10	43358-08	SPACER, bearing - RH	CN/CR/CS/CV/CX
11	43906-08	SPACER, hub	CN/CR/CS/CV/CX
12	43522-08	SPACER, bearing - LH	CN/CR/CS/CV/CX
13	43895-08	AXLE (front)	CN/CR/CS/CV/CX
14	44136-00	DISC, brake - RH	CS/CV
15	44156-00	DISC, brake - LH	CN/CR/CS/CV/CX
16	54321-85	NUT, hex	CN/CR/CS/CV/CX
17	95595-84	WHEEL WEIGHT, 1/4 oz. (silver)	CN/CR/CS/CV/CX
18	43112-91A	TIRE	CN/CR/CS/CV/CX

2008 MODEL IDENTIFICATION CODES

CN = XL883 CP = XL883C CR = XL883L CS = XL883R CT = XL1200C CV = XL1200R CX = XL1200L CZ = XL1200N LA = XR1200

FRONT WHEEL, CAST - XR1200

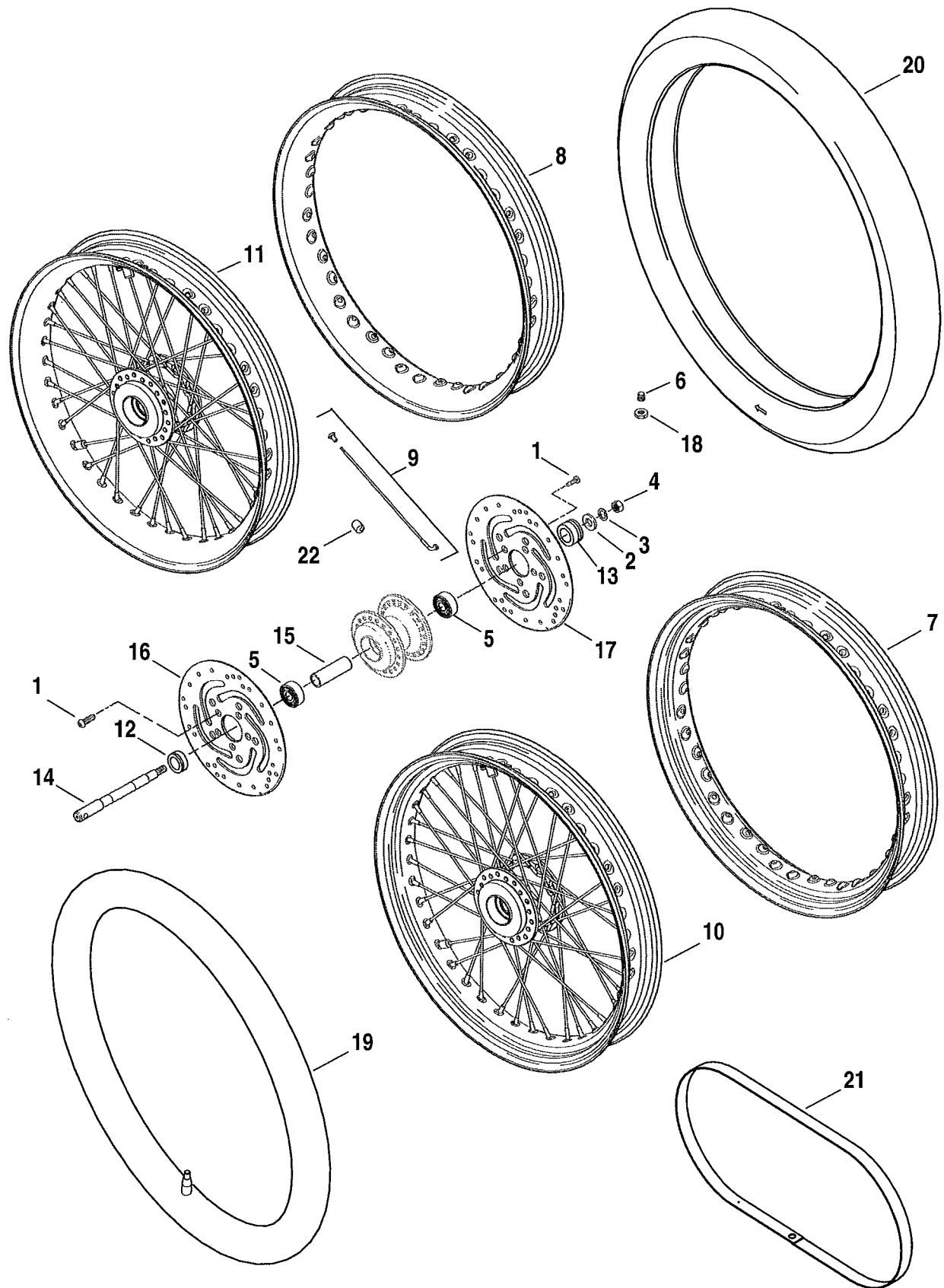


INDEX NO.	PART NO.	DESCRIPTION	MODEL(S)
INTERNATIONAL MODELS ONLY			
1	3655A	SCREW (10)	LA
2	6594	WASHER	LA
3	7813A	NUT	LA
4	9276	BALL BEARING, 25mm (2)	LA
5	11804	SPACER, bearing (2)	LA
6	41123-79	VALVE CAP	LA
7	41628-08	AXLE (front)	LA
8	41748-08	SLEEVE, bearing spacer	LA
9	41820-08	DISC, brake - RH	LA
10	41821-08	DISC, brake - LH	LA
11	43103-08	WHEEL ASSEMBLY, 18 in. (3 spoke) (black) w/o bearings & sleeves	LA
12	43157-83A	VALVE STEM ASSEMBLY, w/ 54321-85	LA
13	43229-08	TIRE	LA
14	54321-85	NUT, hex	LA
15	95594-84	WHEEL WEIGHT, 1/4 oz. (black)	LA

2008 MODEL IDENTIFICATION CODES

CN = XL883 CP = XL883C CR = XL883L CS = XL883R CT = XL1200C CV = XL1200R CX = XL1200L CZ = XL1200N LA = XR1200

FRONT WHEEL, LACED & PROFILE LACED - 883/C/L, 1200C/N/R



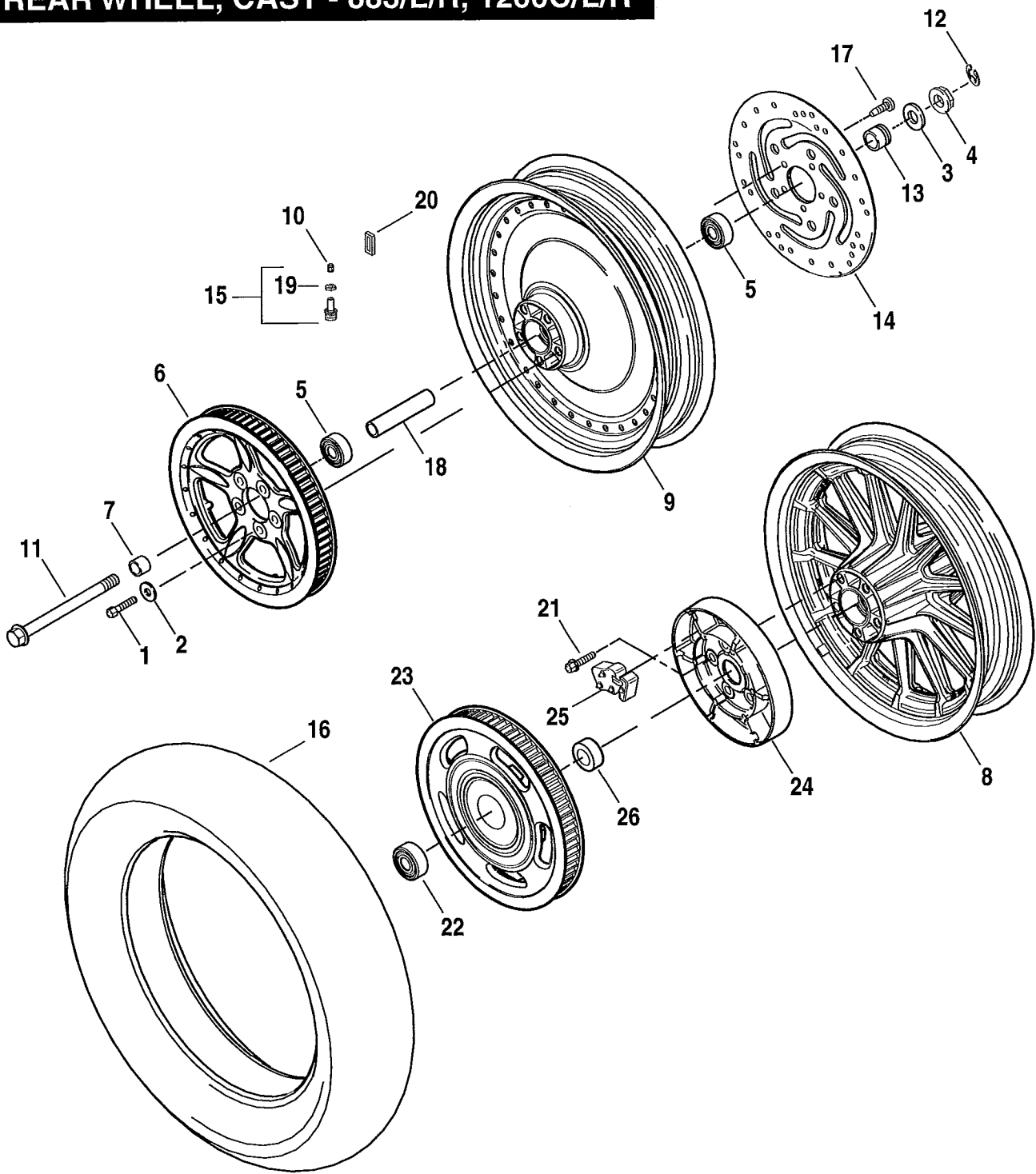
FRONT WHEEL, LACED & PROFILE LACED - 883/C/L, 1200C/N/R

INDEX NO.	PART NO.	DESCRIPTION	MODEL(S)
1	3655A	SCREW (5, 10-1200R)	CN/CP/CR/CS/CT/CV/CZ
2	6594	WASHER	CN/CP/CR/CS/CT/CV/CZ
3	7068	LOCKWASHER	CN/CP/CR/CS/CT/CV/CZ
4	7813A	NUT	CN/CP/CR/CS/CT/CV/CZ
5	9276	BALL BEARING, 25mm (2)	CN/CP/CR/CS/CT/CV/CZ
6	41123-79	VALVE CAP	CN/CP/CR/CS/CT/CV/CZ
7	41426-07	RIM, laced wheel, 19 in. (black)	CZ
	43001-06	RIM, laced wheel, 19 in. (steel)	CN/CR/CV
	43662-80B	RIM, laced wheel, 21 in. (chrome)	CP/CT
8	43445-05	RIM, profile laced wheel, 21 in. (chrome)	CP/CT
9	40762-05	SPOKE & NIPPLE KIT, 19 in. rim - long (chrome) (20)	CN/CR/CV/CZ
	40761-05	SPOKE & NIPPLE KIT, 19 in. rim - short (chrome) (20)	CN/CR/CV/CZ
	40760-05	SPOKE & NIPPLE KIT, 21 in. rim - short (chrome) (20)	CP/CT
	40759-05	SPOKE & NIPPLE KIT, 21 in. rim - long (chrome) (20)	CP/CT
	43056-05	SPOKE & NIPPLE KIT, profile laced wheel, 21 in. rim - long (20)	CP/CT
	43064-05	SPOKE & NIPPLE KIT, profile laced wheel, 21 in. rim - short (20)	CP/CT
	10	43312-08	WHEEL ASSEMBLY, laced wheel, single disc, 19 in. w/o bearings & sleeves
	43547-08	WHEEL ASSEMBLY, laced wheel, dual disc, 19 in. w/o bearings & sleeves	CV
	43557-08	WHEEL ASSEMBLY, laced wheel, 21 in. w/o bearings & sleeves	CP/CT
	43831-08	WHEEL ASSEMBLY, laced wheel, 19 in.(black) w/o bearings & sleeves	CZ
11	44610-08	WHEEL ASSEMBLY, profile laced wheel, 21 in. w/o bearings & sleeves	CP/CT
12	43358-08	SPACER, bearing - RH	CN/CP/CR/CS/CT/CV/CZ
13	43522-08	SPACER, bearing - LH	CN/CP/CR/CS/CT/CV/CZ
14	43895-08	AXLE (front)	CN/CP/CR/CS/CT/CV/CZ
15	43906-08	SPACER, hub	CN/CP/CR/CS/CT/CV/CZ
16	44136-00	DISC, brake - RH	CV
17	44156-00	DISC, brake - LH	CN/CP/CR/CS/CT/CV/CZ
18	54321-85	NUT, valve stem	CN/CP/CR/CS/CT/CV/CZ
19	41339-06	INNER TUBE	CN/CR/CV/CZ
	43140-80	INNER TUBE	CP/CT
20	43104-93A	TIRE	CP/CT
	43112-91A	TIRE	CN/CR/CV/CZ
21	43145-47	RIM FLAP	CN/CR/CV/CZ
	43939-89	RIM FLAP	CP/CT
22	95578-41A	WHEEL WEIGHT, 1/2 oz.	CN/CP/CR/CS/CT/CV/CZ
	95581-47A	WHEEL WEIGHT, 3/4 oz.	CN/CP/CR/CS/CT/CV/CZ
	95582-47A	WHEEL WEIGHT, 1 oz.	CN/CP/CR/CS/CT/CV/CZ

2008 MODEL IDENTIFICATION CODES

CN = XL883 CP = XL883C CR = XL883L CS = XL883R CT = XL1200C CV = XL1200R CX = XL1200L CZ = XL1200N LA = XR1200

REAR WHEEL, CAST - 883/L/R, 1200C/L/R

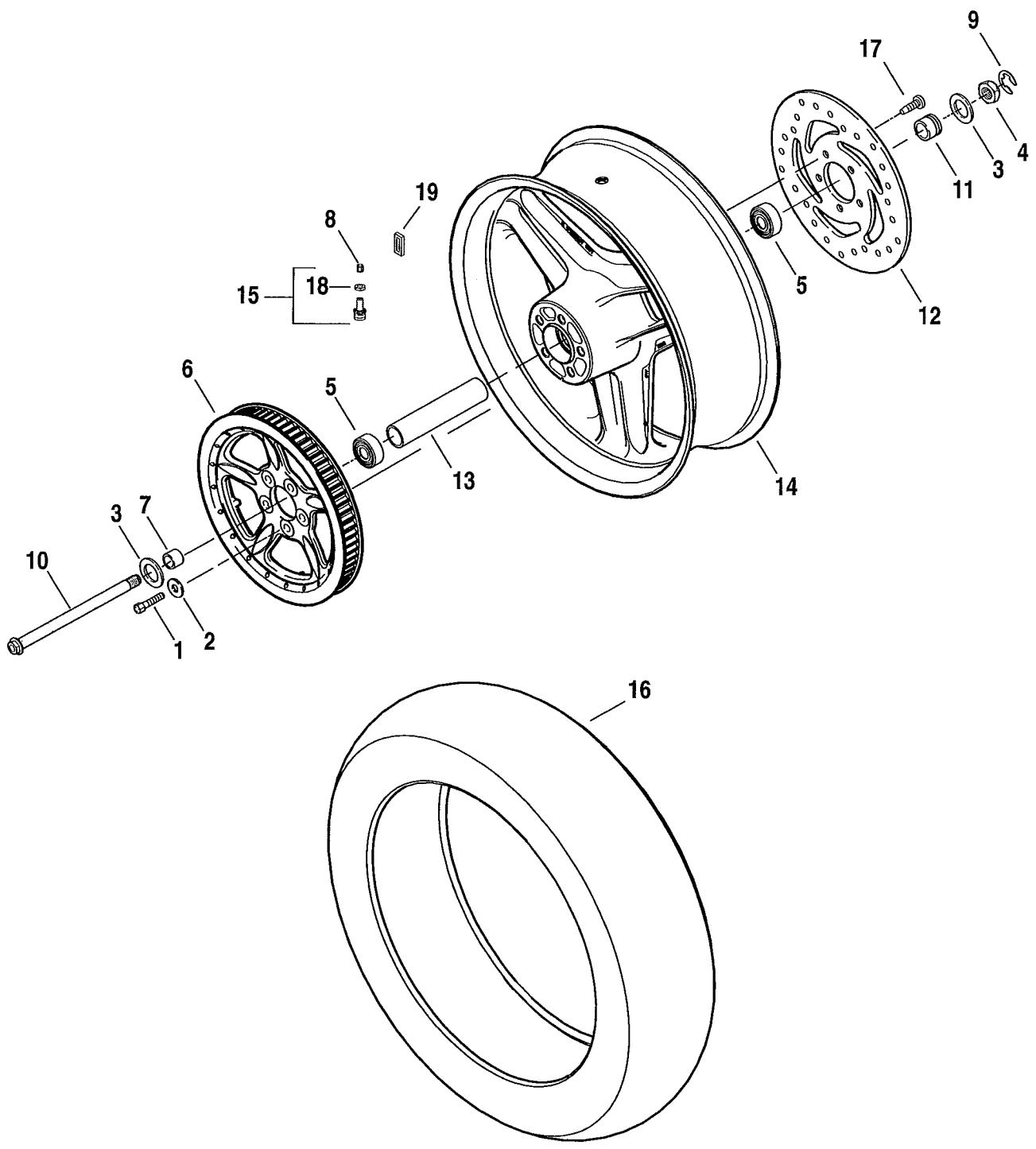


INDEX NO.	PART NO.	DESCRIPTION	MODEL(S)
1	3899	SCREW (5)	CN/CP/CR/CS/CT/CV/CX
2	6516HW	WASHER (5)	CN/CP/CR/CS/CT/CV/CX
3	6551	WASHER, left side, rear axle	ALL
4	8190	NUT, flange	ALL
5	9276	BALL BEARING, 25mm (2)	ALL
6	40350-07	SPROCKET, belt - 68T (black)	CS/CT/CV/CX
	40352-07	SPROCKET, 68T (silver)	CN/CP/CR
7	40930-05	SPACER, wheel bearing, sprocket side	CN/CP/CR/CS/CT/CV/CX
8	40992-08	WHEEL ASSEMBLY, 16 in. (13 spoke) (silver) w/o bearings & sleeves	CN/CR
	41012-08	WHEEL ASSEMBLY, 16 in. (13 spoke) (black) w/o bearings & sleeves	CS/CV
	41660-08	WHEEL ASSEMBLY, 16 in. (13 spoke) (matte black) w/o bearings & sleeves	CX
	43427-08	WHEEL ASSEMBLY, 16 in. (13 spoke) (gloss black) w/o bearings & sleeves	CX
9	41013-08	WHEEL ASSEMBLY, solid w/ slots (chrome) w/o bearings & sleeves	CT
	41058-08	WHEEL ASSEMBLY, solid, w/ holes (silver) w/o bearings & sleeves	CP
10	41123-79	VALVE CAP	CN/CP/CR/CS/CT/CV/CX
11	41176-08	AXLE ASSEMBLY	CN/CP/CR/CS/CT/CV/CX
12	41229-08	RETAINING RING	CN/CP/CR/CS/CT/CV/CX
13	41730-08	SPACER, disk side	CN/CP/CR/CS/CT/CV/CX
14	41797-00	BRAKE DISC	CN/CP/CR/CS/CT/CV/CX
15	43157-83A	VALVE STEM ASSEMBLY, w/ 54321-85	CN/CP/CR/CS/CT/CV/CX
16	43264-02	TIRE	CN/CP/CR/CS/CT/CV/CX
17	43567-92	SCREW, brake disc (5)	CN/CP/CR/CS/CT/CV/CX
18	43905-08	SLEEVE, spacer	CN/CP/CR/CS/CT/CV/CX
19	54321-85	NUT, valve stem	CN/CP/CR/CS/CT/CV/CX
20	95595-84	WHEEL WEIGHT, 1/4 oz. (4)	CN/CP/CR/CS/CT/CV/CX
INTERNATIONAL MODELS ONLY			
21	3814	SCREW, w/ washer (Japan) (5)	CN/CP/CR/CS/CT/CV/CX
22	9254	BEARING (Japan)	CN/CP/CR/CS/CT/CV/CX
23	40518-08	SPROCKET ASSEMBLY, final drive, w/ bearing - 68T (black) (Japan)	CS/CT/CX/CZ
	40544-08	SPROCKET ASSEMBLY, final drive, w/ bearing - 68T (silver) (Japan)	CN/CP/CR/CV
24	40560-05	BOWL COMPENSATOR (Japan)	CN/CP/CR/CS/CT/CV/CX
25	40561-05	ISOLATOR, rubber (Japan) (6)	CN/CP/CR/CS/CT/CV/CX
26	40562-05	SPACER (Japan)	CN/CP/CR/CS/CT/CV/CX

2008 MODEL IDENTIFICATION CODES

CN = XL883 CP = XL883C CR = XL883L CS = XL883R CT = XL1200C CV = XL1200R CX = XL1200L CZ = XL1200N LA = XR1200

REAR WHEEL, CAST - XR1200

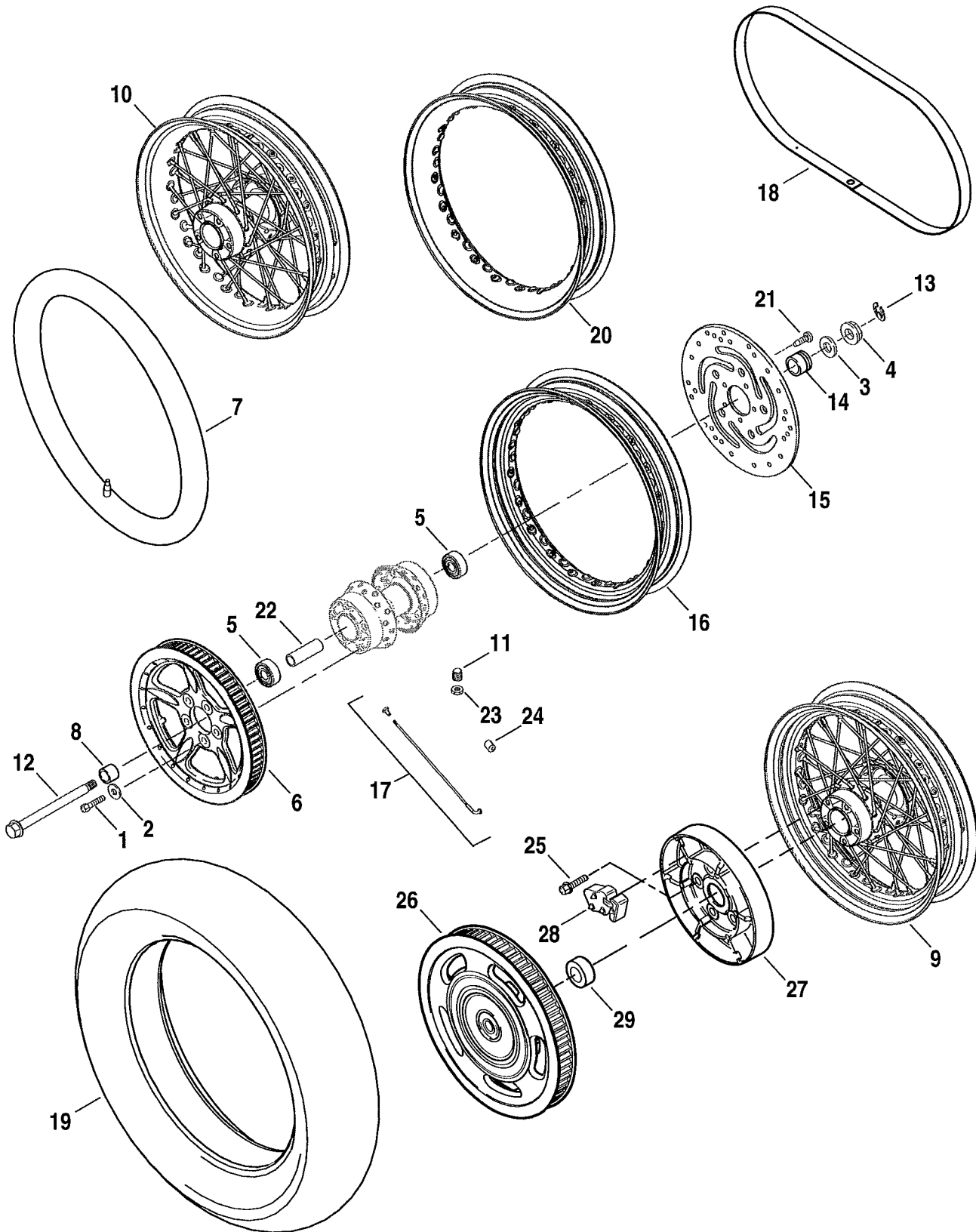


INDEX NO.	PART NO.	DESCRIPTION	MODEL(S)
INTERNATIONAL MODELS ONLY			
1	3899	SCREW (5)	LA
2	6516HW	WASHER (5)	LA
3	6551	WASHER, rear axle (2)	LA
4	8190	NUT	LA
5	9276	BALL BEARING, 25mm (2)	LA
6	40353-08	SPROCKET, belt - 68T (black)	LA
7	40930-05	SPACER, wheel bearing, sprocket side	LA
8	41123-79	VALVE CAP	LA
9	41229-08	RETAINING RING	LA
10	41627-08	AXLE ASSEMBLY	LA
11	41730-08	SPACER, disk side	LA
12	41833-08	BRAKE DISC	LA
13	41858-08	SLEEVE, spacer	LA
14	43107-08	WHEEL ASSEMBLY, 17 in. (3 spoke) (black) w/o bearings & sleeve	LA
15	43157-83A	VALVE STEM ASSEMBLY, w/ 54321-85	LA
16	43231-08	TIRE	LA
17	43567-92	SCREW, brake disc (5)	LA
18	54321-85	NUT, valve stem	LA
19	95594-84	WHEEL WEIGHT, 1/4 oz. (black) (4)	LA

2008 MODEL IDENTIFICATION CODES

CN = XL883 CP = XL883C CR = XL883L CS = XL883R CT = XL1200C CV = XL1200R CX = XL1200L CZ = XL1200N LA = XR1200

REAR WHEEL, LACED & PROFILE LACED - 883/C/L, 1200C/L/N/R



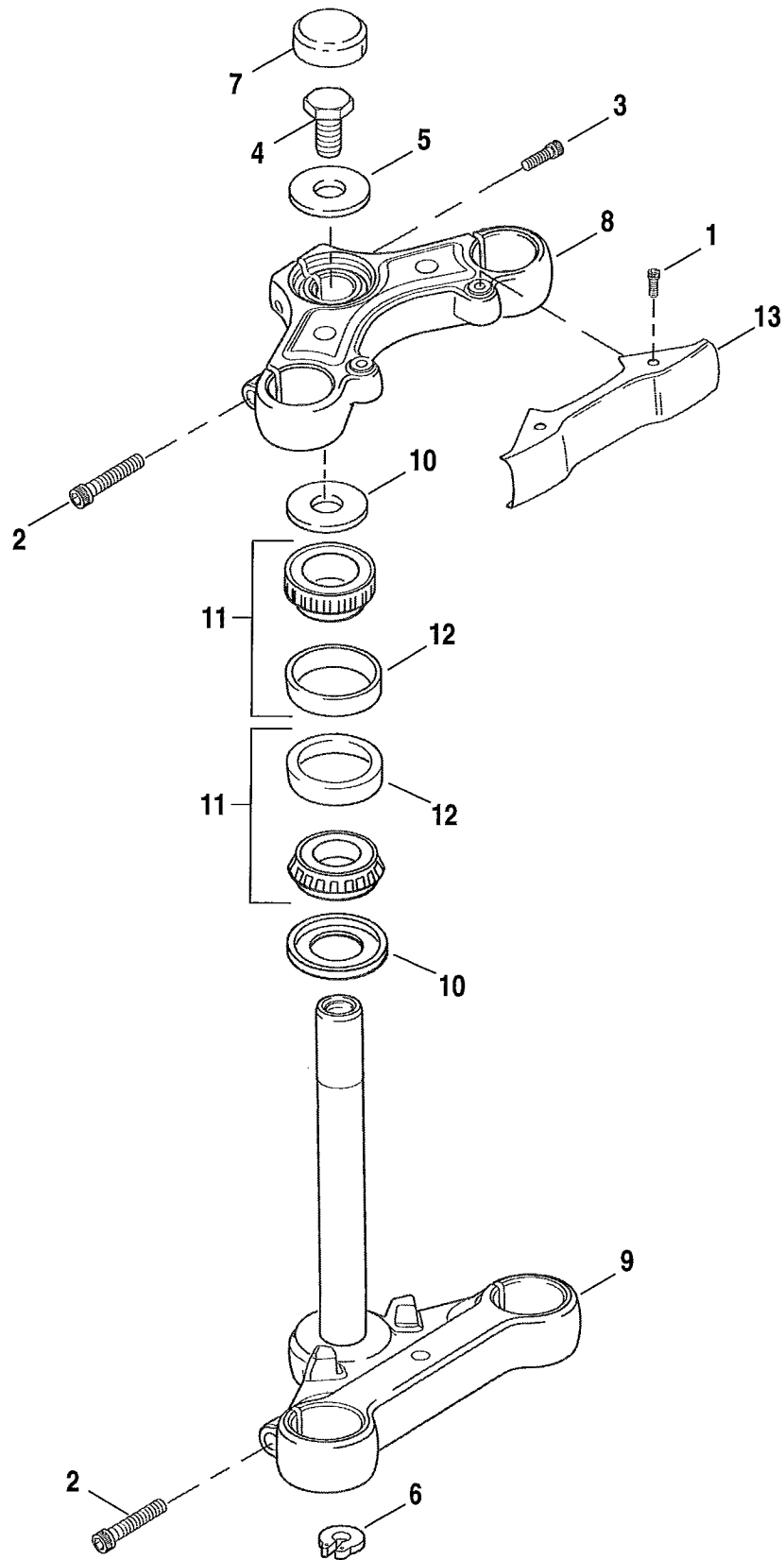
REAR WHEEL, LACED & PROFILE LACED - 883/C/L, 1200C/L/N/R

INDEX NO.	PART NO.	DESCRIPTION	MODEL(S)
1	3899	SCREW (5)	CN/CP/CR/CT/CV/CX/CZ
2	6516HW	WASHER (5)	CN/CP/CR/CT/CV/CX/CZ
3	6551	WASHER, left side, rear axle	CN/CP/CR/CT/CV/CX/CZ
4	8190	NUT, flange	CN/CP/CR/CS/CT/CV/CX/CZ
5	9276	BALL BEARING, 25mm (2)	CN/CP/CR/CT/CV/CX/CZ
6	40350-07	SPROCKET, belt - 68T (black)	CN/CP/CR/CT/CV/CX
	40444-07	SPROCKET, belt - 68T (black)	CZ
7	40558-82	INNER TUBE	CN/CR/CV/CX/CZ
	40575-05	INNER TUBE	CP/CT
8	40930-05	SPACER, wheel bearing, sprocket side	CN/CP/CR/CS/CT/CV/CX/CZ
9	41082-08	WHEEL ASSEMBLY, laced, 16 in. (chrome) w/o bearings & sleeves	CN/CR/CV/CX
	43832-08	WHEEL ASSEMBLY, laced, 16 in. (black) w/o bearings & sleeves	CZ
10	41083-08	WHEEL ASSEMBLY, profile laced, 16 in. (chrome) w/o bearings & sleeves	CP/CT
11	41123-79	VALVE CAP	CN/CP/CR/CT/CV/CX/CZ
12	41176-08	AXLE ASSEMBLY	CN/CP/CR/CT/CV/CX/CZ
13	41229-08	RETAINING RING	CN/CP/CR/CT/CV/CX/CZ
14	41730-08	SPACER, disk side	CN/CP/CR/CT/CV/CX/CZ
15	41797-00	BRAKE DISC	CN/CP/CR/CT/CV/CX/CZ
16	43017-07	RIM, laced wheel, 16 in. (black)	CZ
	43085-97	RIM, laced wheel, 16 in. (chrome)	CN/CR/CV/CX
17	43052-05A	SPOKE & NIPPLE KIT, profile laced wheel, 16 in. rim (40)	CP/CT
	43241-05	SPOKE & NIPPLE KIT, laced wheel, 16 in. rim (chrome) (40)	CN/CR/CV/CX/CZ
18	43147-40	RIM FLAP	CN/CR/CV/CX/CZ
	43164-05	RIM FLAP	CP/CT
19	43264-02	TIRE	CN/CP/CR/CT/CV/CX/CZ
20	43440-05A	RIM, profile laced wheel, 16 in. (chrome)	CP/CT
21	43567-92	SCREW, brake disc (5)	CN/CP/CR/CT/CV/CX/CZ
22	43905-08	SLEEVE, bearing spacer	CN/CP/CR/CT/CV/CX/CZ
23	54321-85	NUT, valve stem	CN/CP/CR/CT/CV/CX/CZ
24	95578-41A	WHEEL WEIGHT, 1/2 oz.	CN/CP/CR/CT/CV/CX/CZ
	95581-47A	WHEEL WEIGHT, 3/4 oz.	CN/CP/CR/CT/CV/CX/CZ
	95582-47A	WHEEL WEIGHT, 1 oz.	CN/CP/CR/CT/CV/CX/CZ
INTERNATIONAL MODELS ONLY			
25	3814	SCREW, w/ washer (Japan) (5)	CZ
26	40518-08	SPROCKET ASSEMBLY, final drive, w/ bearing - 68T (black) (Japan)	CZ
27	40560-05	BOWL COMPENSATOR (Japan)	CZ
28	40561-05	ISOLATOR, rubber (Japan) (6)	CZ
29	40562-05	SPACER (Japan)	CZ

2008 MODEL IDENTIFICATION CODES

CN = XL883 CP = XL883C CR = XL883L CS = XL883R CT = XL1200C CV = XL1200R CX = XL1200L CZ = XL1200N LA = XR1200

STEERING HEAD BRACKET ASSEMBLY - 883/C/L/R, 1200C/L/N/R



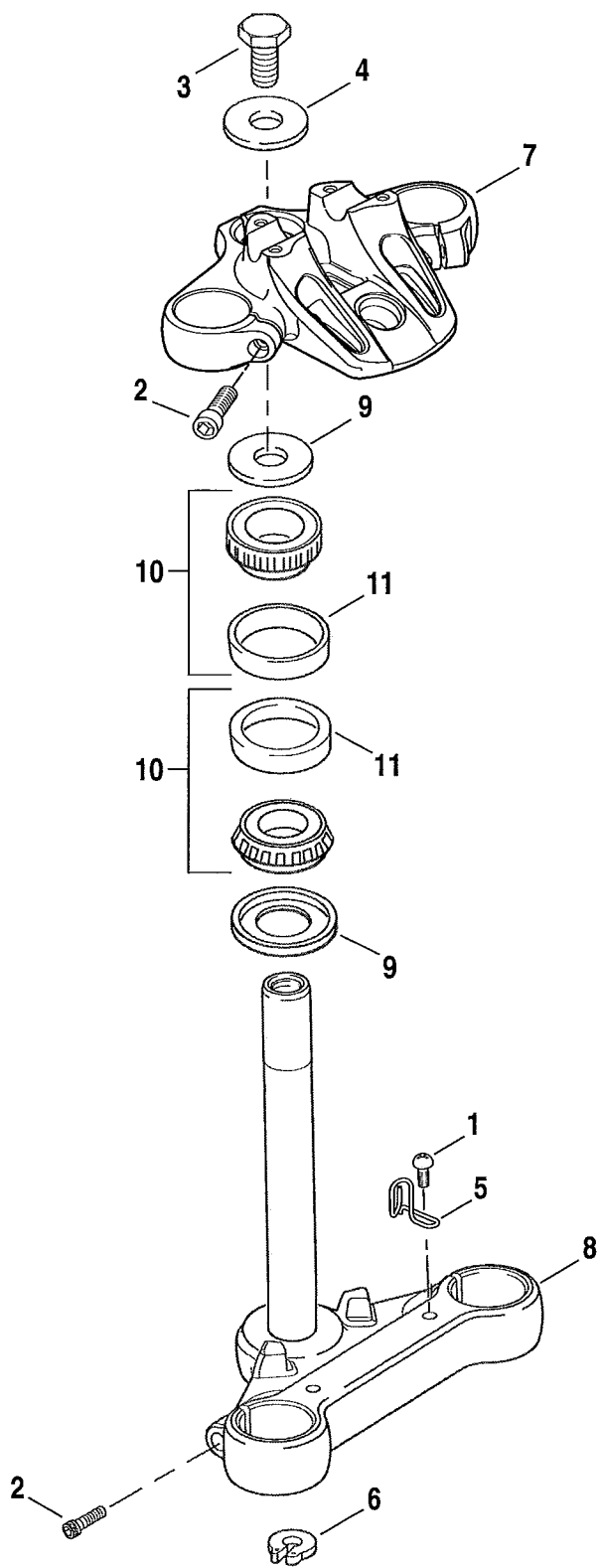
STEERING HEAD BRACKET ASSEMBLY - 883/C/L/R, 1200C/L/N/R

INDEX NO.	PART NO.	DESCRIPTION	MODEL(S)
1	3655A	SCREW (2)	CP/CT
2	4351	SCREW (4)	CN/CP/CR/CS/CT/CV/CX/CZ
3	4352	SCREW	CN/CP/CR/CS/CT/CV/CX/CZ
4	4453	BOLT, tapped	CV/CX
	4460	BOLT	CN/CP/CR/CS/CT/CZ
5	6655	WASHER	CN/CP/CR/CS/CT/CV/CX/CZ
6	45611-86	RETAINING RING	CN/CP/CR/CS/CT/CV/CX/CZ
7	45668-90	CAP, fork stem	CV/CX
8	45966-04	BRACKET, upper	CN/CP/CR/CS/CT/CV/CX
	46758-07	BRACKET, upper (black)	CZ
9	46126-04	BRACKET, lower, w/ bearing, seal & retaining ring	CP/CT
	46127-04	BRACKET, lower, w/ bearing, seal & retaining ring	CN/CR/CS/CV/CX
	46767-07	BRACKET, lower, w/ bearing, seal & retaining ring	CZ
10	48184-01	SEAL, tapered bearing	CN/CP/CR/CS/CT/CV/CX/CZ
11	48300-60	ROLLER BEARING, w/ cup (2)	CN/CP/CR/CS/CT/CV/CX/CZ
12	48315-60	BEARING CUP (2)	CN/CP/CR/CS/CT/CV/CX/CZ
13	68041-04	COVER, upper triple clamp	CP/CT

2008 MODEL IDENTIFICATION CODES

CN = XL883 CP = XL883C CR = XL883L CS = XL883R CT = XL1200C CV = XL1200R CX = XL1200L CZ = XL1200N LA = XR1200

STEERING HEAD BRACKET ASSEMBLY - XR1200

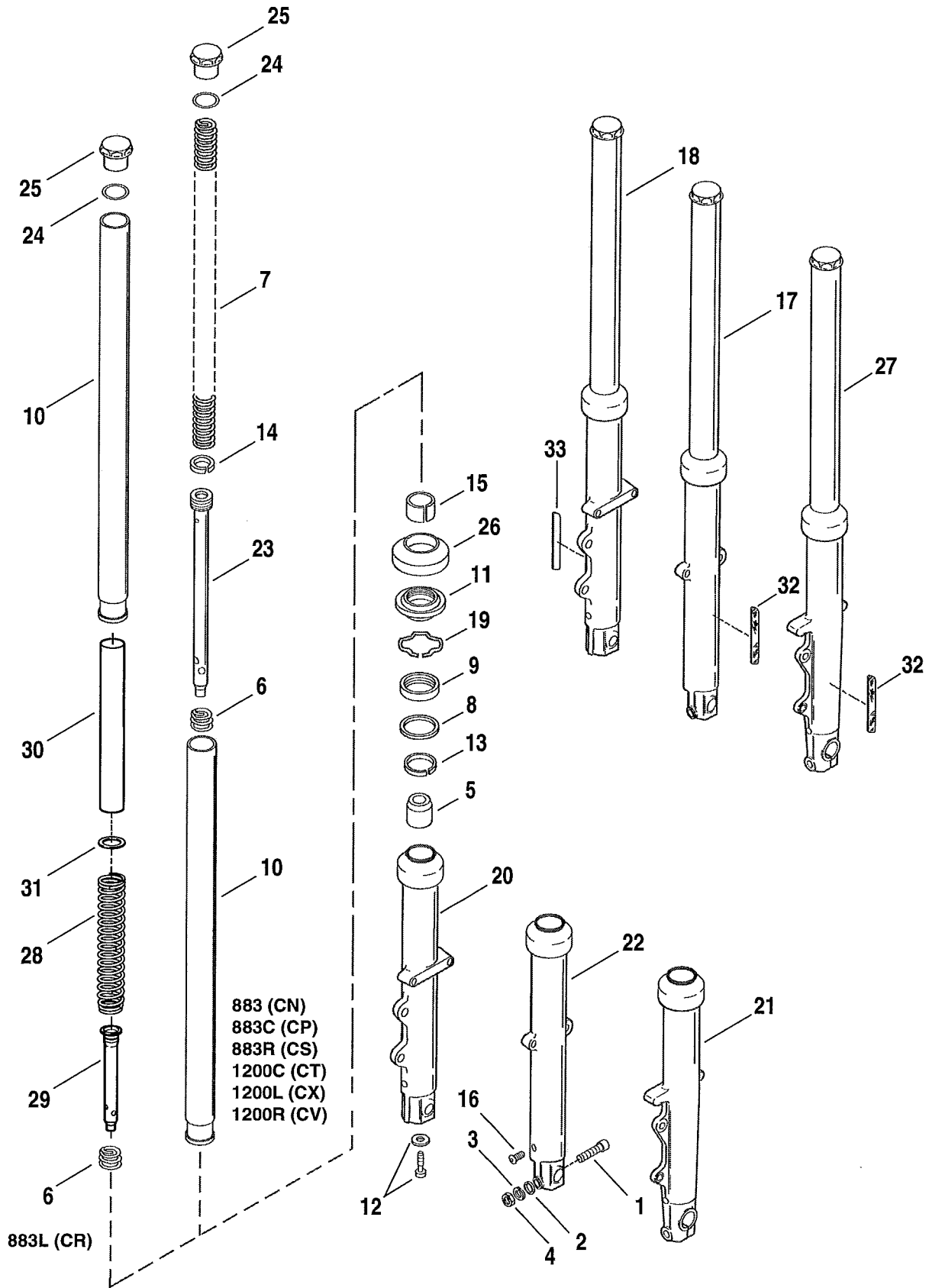


INDEX NO.	PART NO.	DESCRIPTION	MODEL(S)
INTERNATIONAL MODELS ONLY			
1	2445	SCREW	LA
2	4352	SCREW (5)	LA
3	4460	BOLT	LA
4	6655	WASHER	LA
5	45155-08	GUIDE, control cable	LA
6	45611-86	RETAINING RING	LA
7	46028-08	BRACKET, upper	LA
8	46050-08	BRACKET, lower, w/ bearing, seal & retaining ring	LA
9	48184-01	SEAL, tapered bearing	LA
10	48300-60	ROLLER BEARING, w/ cup (2)	LA
11	48315-60	BEARING CUP (2)	LA

2008 MODEL IDENTIFICATION CODES

CN = XL883 CP = XL883C CR = XL883L CS = XL883R CT = XL1200C CV = XL1200R CX = XL1200L CZ = XL1200N LA = XR1200

FRONT FORK - 883/C/L/R, 1200C/L/R

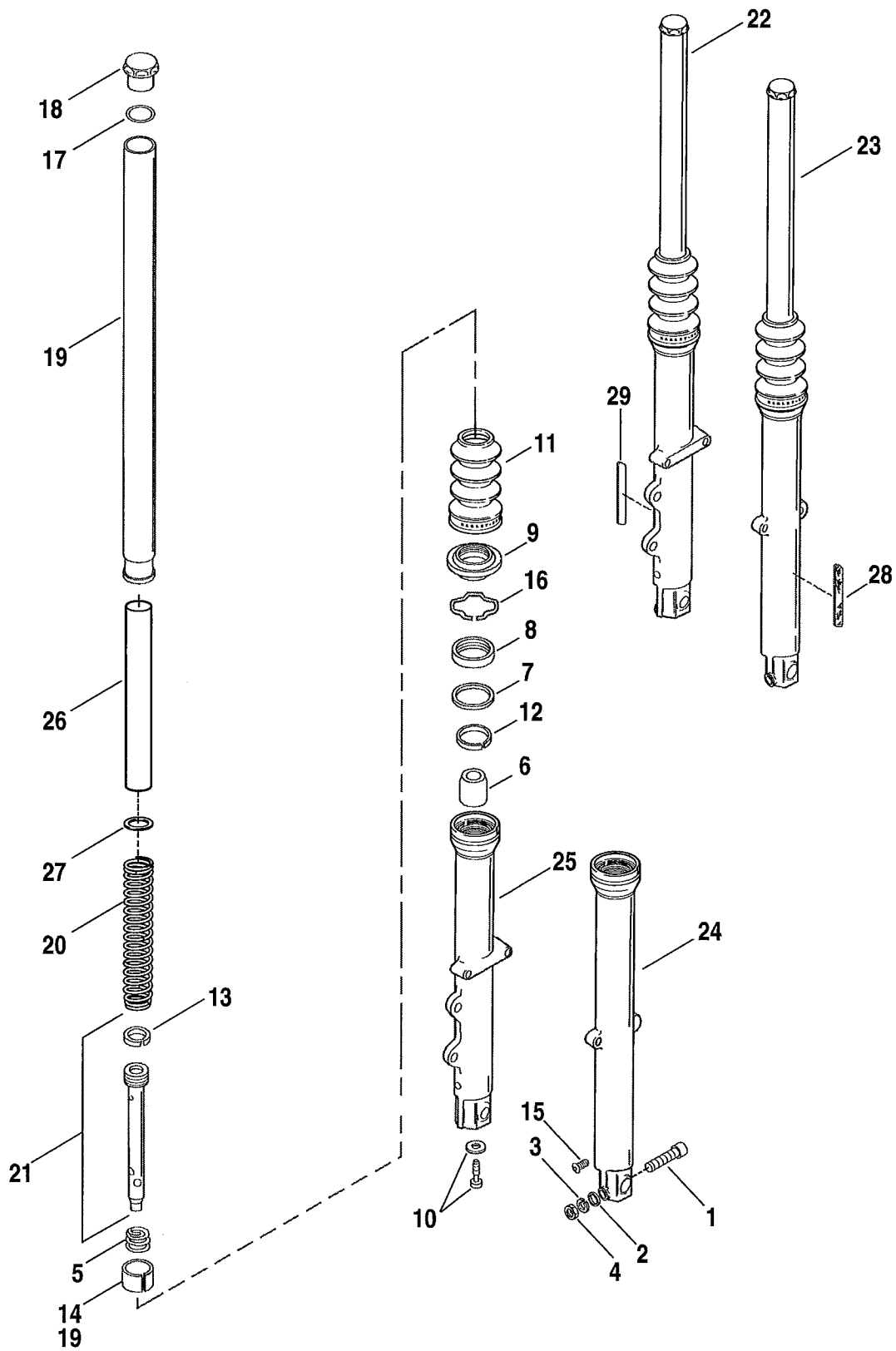


INDEX NO.	PART NO.	DESCRIPTION	MODEL(S)
1	4029A	SCREW	CN/CP/CR/CS/CT/CV/CX
2	6701	WASHER	CN/CP/CR/CS/CT/CV/CX
3	7038	LOCKWASHER	CN/CP/CR/CS/CT/CV/CX
4	7783	NUT	CN/CP/CR/CS/CT/CV/CX
5	45361-90	LOWER STOP (2)	CN/CP/CR/CS/CT/CV/CX
6	45374-87	SPRING, slider (2)	CN/CP/CR/CS/CT/CV/CX
7	45376-04	SPRING (2)	CN/CP/CS/CT/CV
	46267-05	SPRING (2)	CX
8	45377-87	SPACER, oil seal (2)	CN/CP/CR/CS/CT/CV/CX
9	45378-87	OIL SEAL (2)	CN/CP/CR/CS/CT/CV/CX
10	45395-04	SLIDER TUBE, w/ 45465-87 (2)	CN/CP/CS/CT/CV
	46218-05	SLIDER TUBE, w/ 45465-87 (2)	CR/CX
11	45401-87	SEAL, dust (2)	CN/CP/CR/CS/CT/CV/CX
12	45405-75A	SCREW, w/ washer (2)	CN/CP/CR/CS/CT/CV/CX
13	45461-87	BUSHING, upper (2)	CN/CP/CR/CS/CT/CV/CX
14	45460-90	RING, damper tube (2)	CN/CP/CS/CT/CV/CX
15	45465-87	BUSHING, slider tube (2)	CN/CP/CR/CS/CT/CV/CX
16	45790-80	DRAIN SCREW, w/ washer (2)	CN/CP/CR/CS/CT/CV/CX
17	45900-08	FORK SLIDER & TUBE ASSEMBLY, right	CN/CP/CT
	46307-08	FORK SLIDER & TUBE ASSEMBLY, right	CX
	46390-08	FORK SLIDER & TUBE ASSEMBLY, right	CR
18	45901-08	FORK SLIDER & TUBE ASSEMBLY, left	CN/CP/CT/CV
	46308-08	FORK SLIDER & TUBE ASSEMBLY, left	CX
	46394-08	FORK SLIDER & TUBE ASSEMBLY, left	CR
	46454-08	FORK SLIDER & TUBE ASSEMBLY, left	CS
19	45905-87	RETAINING RING, oil seal (2)	CN/CP/CR/CS/CT/CV/CX
20	46075-04	SLIDER ASSEMBLY, left	CN/CP/CR/CT/CV/CX
	46450-08	SLIDER ASSEMBLY, left	CS
21	45922-08	SLIDER ASSEMBLY, right	CV
	46449-08	SLIDER ASSEMBLY, right	CS
22	46076-04	SLIDER ASSEMBLY, right	CN/CP/CR/CT/CX
23	45925-04	DAMPER TUBE, w/ 45460-90 (2)	CN/CP/CS/CT/CV
	45938-92	DAMPER TUBE (2)	CX
24	45984-87	O-RING (2)	CN/CP/CR/CS/CT/CV/CX
25	45996-87	CAP, slider tube (2)	CN/CP/CR/CS/CT/CV/CX
26	46002-87	COVER, slider (2)	CN/CP/CR/CS/CT/CV/CX
27	46029-08	FORK SLIDER & TUBE ASSEMBLY, right	CV
	46453-08	FORK SLIDER & TUBE ASSEMBLY, right	CS
28	47299-07	SPRING (2)	CR
29	47313-07	DAMPER TUBE (2)	CR
30	48737-07	COLLAR, spring (2)	CR
31	48738-07	WASHER, spring (2)	CR
32	59481-00	REFLECTOR, amber - right	CN/CP/CR/CS/CT/CV/CX
33	59482-00	REFLECTOR, amber - left	CN/CP/CR/CS/CT/CV/CX

2008 MODEL IDENTIFICATION CODES

CN = XL883 CP = XL883C CR = XL883L CS = XL883R CT = XL1200C CV = XL1200R CX = XL1200L CZ = XL1200N LA = XR1200

FRONT FORK - 1200N

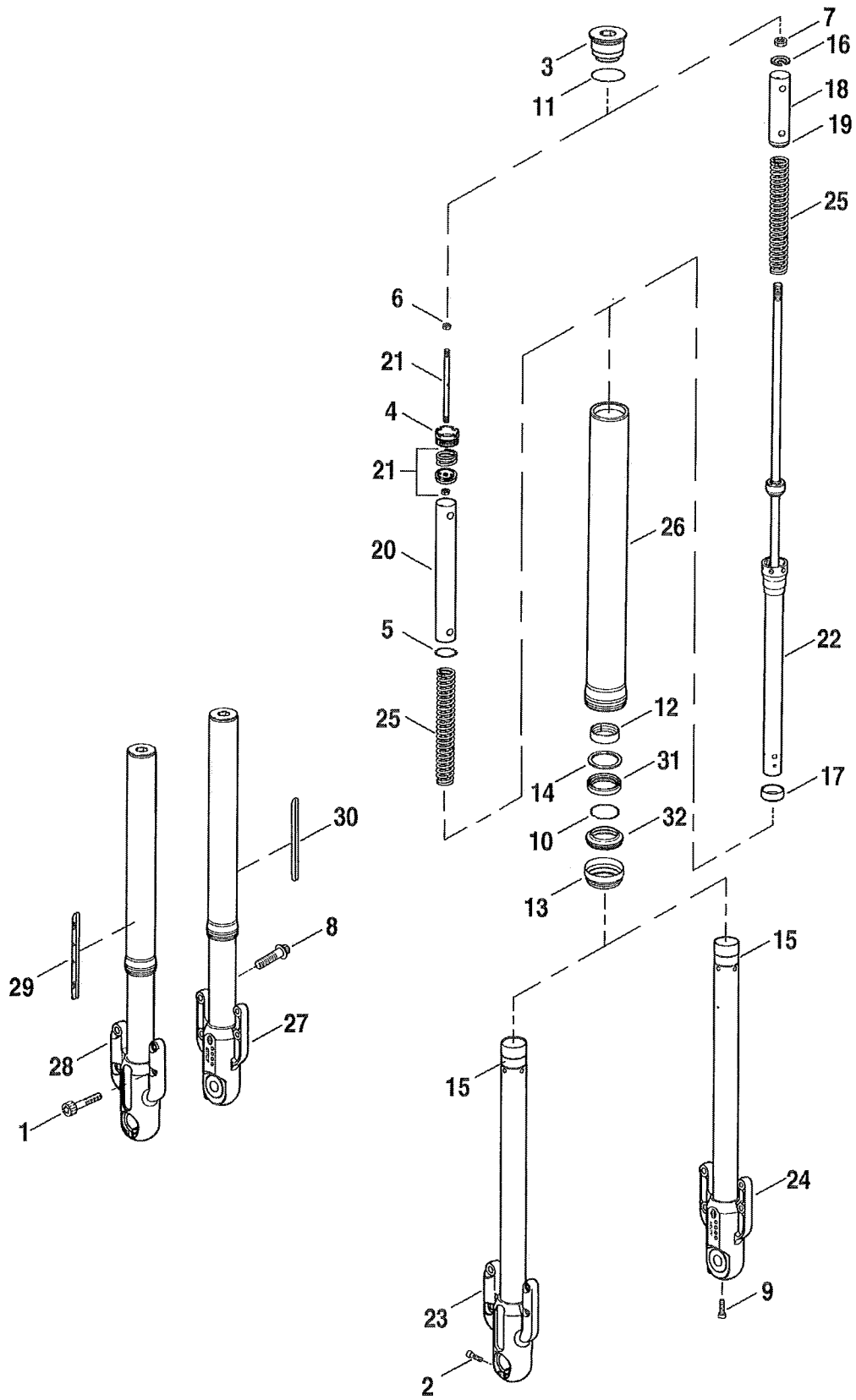


INDEX NO.	PART NO.	DESCRIPTION	MODEL(S)
1	4029A	SCREW	CZ
2	6701	WASHER	CZ
3	7038	LOCKWASHER	CZ
4	7783	NUT	CZ
5	45374-87	SPRING, slider (2)	CZ
6	45361-90	LOWER STOP (2)	CZ
7	45377-87	SPACER, oil seal (2)	CZ
8	45378-87	OIL SEAL (2)	CZ
9	45401-87	SEAL, dust (2)	CZ
10	45405-75A	SCREW, w/ washer (2)	CZ
11	45451-07	FORK GAITERS, front fork (2)	CZ
12	45461-87	BUSHING, upper (2)	CZ
13	45462-87	RING (2)	CZ
14	45465-87	BUSHING, slider tube (2)	CZ
15	45790-80	DRAIN SCREW, w/ washer (2)	CZ
16	45905-87	RETAINING RING, oil seal (2)	CZ
17	45984-87	O-RING (2)	CZ
18	45996-87	CAP, slider tube (2)	CZ
19	46218-05	SLIDER TUBE, w/ 45465-87 (2)	CZ
20	47299-07	SPRING (2)	CZ
21	47313-07	PIPE, compression w/ 45462-87 (2)	CZ
22	48714-08	FORK ASSEMBLY, left	CZ
23	48715-08	FORK ASSEMBLY, right	CZ
24	48716-08	SLIDER ASSEMBLY, right	CZ
25	48726-08	SLIDER ASSEMBLY, left	CZ
26	48737-07	COLLAR, spring (2)	CZ
27	48738-07	WASHER, spring (2)	CZ
28	69861-07	REFLECTOR, amber - right	CZ
29	69862-07	REFLECTOR, amber - left	CZ

2008 MODEL IDENTIFICATION CODES

CN = XL883 CP = XL883C CR = XL883L CS = XL883R CT = XL1200C CV = XL1200R CX = XL1200L CZ = XL1200N LA = XR1200

FRONT FORK - XR1200

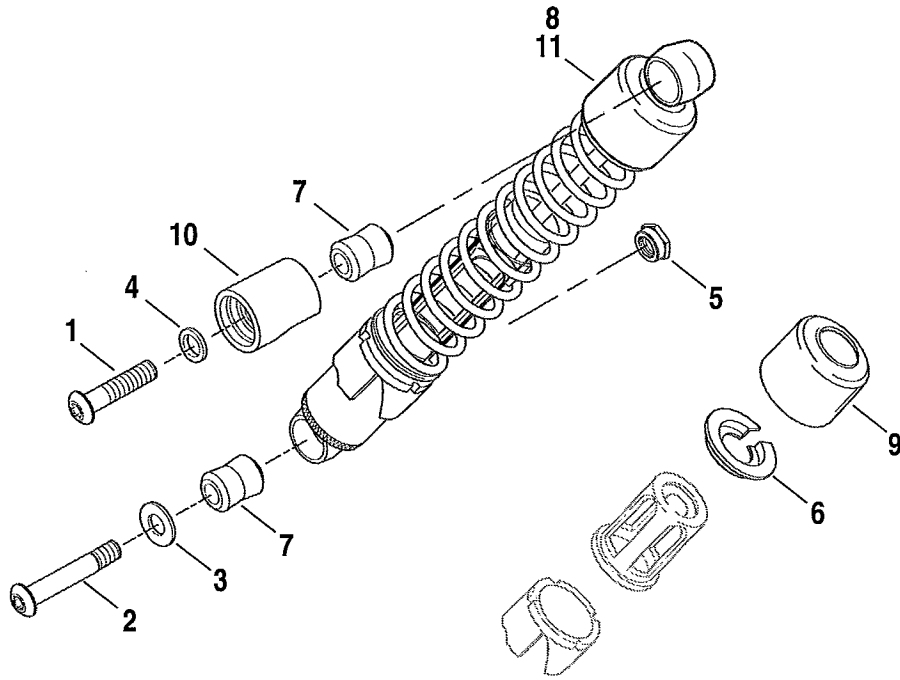


INDEX NO.	PART NO.	DESCRIPTION	MODEL(S)
INTERNATIONAL MODELS ONLY			
1	4250M	SCREW (4)	LA
2	4499M	BOLT, right only	LA
3	4574	BOLT, fork (2)	LA
4	4575	BOLT, inner fork, right only	LA
5	5925	WASHER (right only)	LA
6	7468M	NUT, right only	LA
7	7469	NUT, left only	LA
8	44160-00	BOLT, caliper mounting (4)	LA
9	45405-75A	SCREW, left only	LA
10	45842-77A	RETAINING RING, oil (2)	LA
11	46329-06	O-RING (2)	LA
12	46343-06	GUIDE BUSHING (2)	LA
13	46344-06	COVER, slider (2)	LA
14	46346-06	SPACER, seal (2)	LA
15	46348-06	BUSHING, slider tube (2)	LA
16	46352-06	SPRING SEAT, left only	LA
17	46353-06	CENTERING PLATE, left only	LA
18	46354-06	SPRING COLLAR, left only	LA
19	46355-06	SPRING JOINT, left only	LA
20	46358-06	SPRING COLLAR, right only	LA
21	46359-06	JOINT ROD, right only	LA
22	46878-08	DAMPER COMP, left only, w/ 7469	LA
23	46879-08	SLIDER, right	LA
24	46880-08	SLIDER, left	LA
25	46882-08	SPRING (2)	LA
26	46884-08	OUTER TUBE (black) (2)	LA
27	46886-08	FORK ASSEMBLY, left, complete	LA
28	46887-08	FORK ASSEMBLY, right, complete	LA
29	69861-07	REFLECTOR, amber w/black base - right hand	LA
30	69862-07	REFLECTOR, amber w/black base - left hand	LA
31	J8127.3A8	OIL SEAL (2)	LA
32	J8130.3A8	DUST SEAL (2)	LA

2008 MODEL IDENTIFICATION CODES

CN = XL883 CP = XL883C CR = XL883L CS = XL883R CT = XL1200C CV = XL1200R CX = XL1200L CZ = XL1200N LA = XR1200

SHOCK ABSORBERS - 883/C/L/R, 1200C/L/N/R



RIGHT SIDE SHOWN

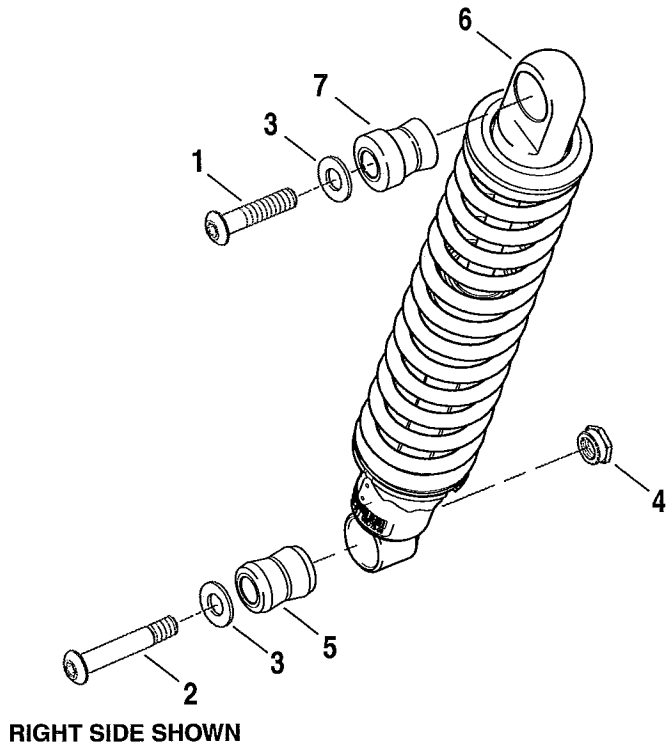
SHOCK ABSORBERS - 883/C/L/R, 1200C/L/N/R

INDEX NO.	PART NO.	DESCRIPTION	MODEL(S)
1	3880	SCREW, upper (2)	CN/CP/CR/CS/CT/CV/CX/CZ
2	4354	SCREW, lower (2)	CN/CP/CR/CS/CT/CV/CX/CZ
3	6718	WASHER (2)	CN/CP/CR/CS/CT/CV/CX/CZ
4	6738	WASHER (2)	CN/CP/CR/CS/CT/CV/CX/CZ
5	7824	LOCKNUT (2)	CN/CP/CR/CS/CT/CV/CX/CZ
6	54473-79	SEAT, spring - upper (2)	CN/CP/CR/CS/CT/CV/CX
7	54556-84	BUSHING, damper (4)	CN/CP/CR/CS/CT/CV/CX
8	54566-04	SHOCK ABSORBER, complete, w/ 54473-79, 54556-84, & 54701-82 (2)	CN/CV
	54568-04	SHOCK ABSORBER, complete, w/ 54473-79, 54556-84, & 54701-82 (2)	CP/CT/CX
	54626-07	SHOCK ABSORBER, complete, w/ 54473-79, 54556-84, & 54701-82 (2)	CR
	54570-05	SHOCK ABSORBER, complete, w/ 54473-79, 54556-84, & 54701-82 (2)	CS
	54540-07	SHOCK ABSORBER, complete (2)	CZ
9	54701-82	COVER, shock absorber (2)	CN/CP/CR/CS/CT/CV/CX
10	54724-04	COVER, shock absorber stud (2)	CN/CP/CR/CS/CT/CV/CX
	54741-07	COVER, shock absorber stud, upper (black) (2)	CZ
INTERNATIONAL MODELS ONLY			
11	54570-05	SHOCK ABSORBER, complete, w/ 54473-79, 54556-84, & 54701-82 (HDI, England) (2)	CZ
	54540-07	SHOCK ABSORBER, complete (Australia, Japan) (2)	CZ

2008 MODEL IDENTIFICATION CODES

CN = XL883 CP = XL883C CR = XL883L CS = XL883R CT = XL1200C CV = XL1200R CX = XL1200L CZ = XL1200N LA = XR1200

SHOCK ABSORBERS - XR1200

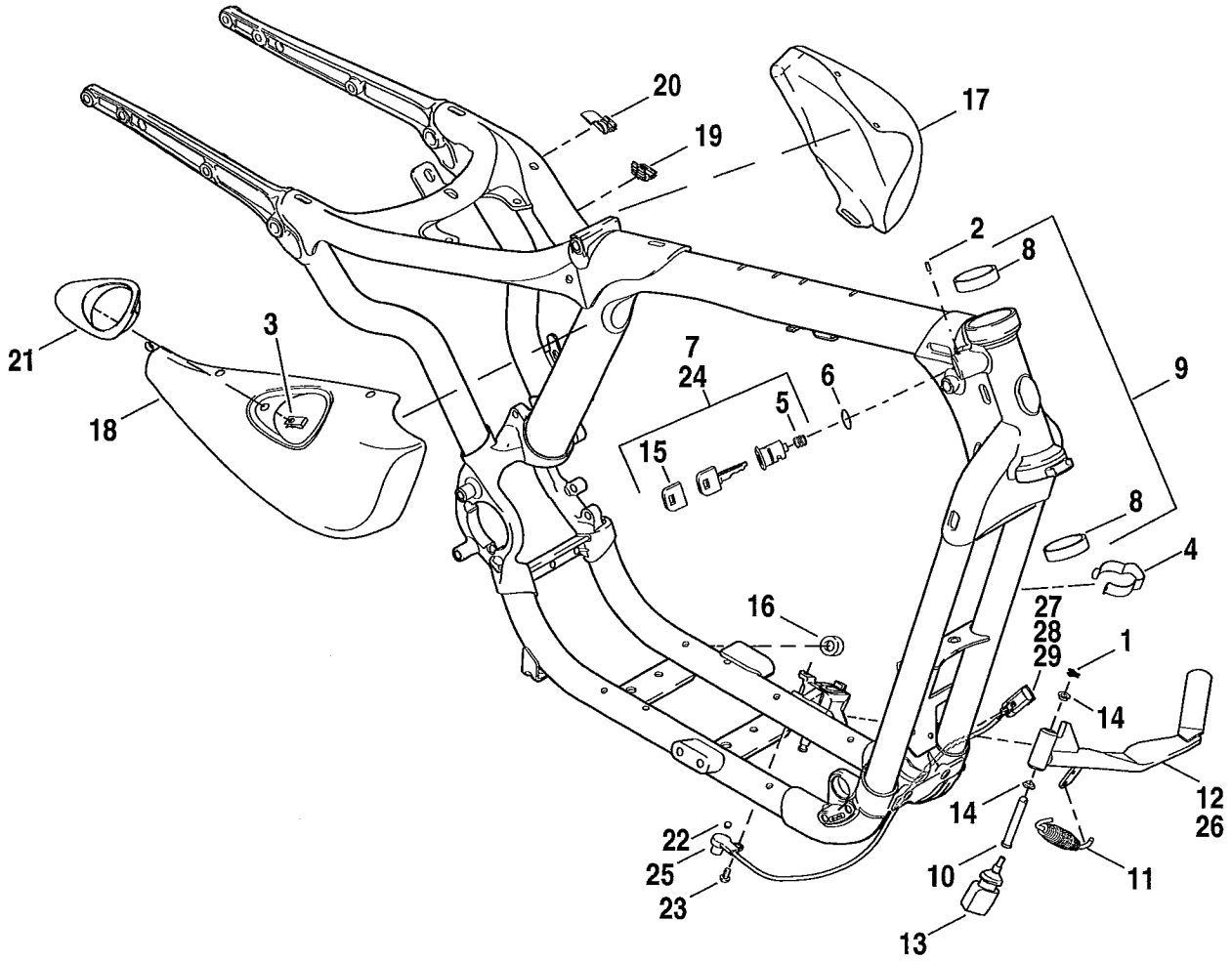


INDEX NO.	PART NO.	DESCRIPTION	MODEL(S)
INTERNATIONAL MODELS ONLY			
1	3880	SCREW, upper (2)	LA
2	4354	SCREW, lower (2)	LA
3	6718	WASHER (4)	LA
4	7824	LOCKNUT (2)	LA
5	54556-84	BUSHING, damper (2)	LA
6	54668-08	SHOCK ABSORBER, complete, w/ 54556-84, & 54715-96 (2)	LA
7	54715-96	BUSHING, damper (2)	LA

2008 MODEL IDENTIFICATION CODES

CN = XL883 CP = XL883C CR = XL883L CS = XL883R CT = XL1200C CV = XL1200R CX = XL1200L CZ = XL1200N LA = XR1200

FRAME & JIFFY STAND - 883/C/L/R, 1200C/L/N/R

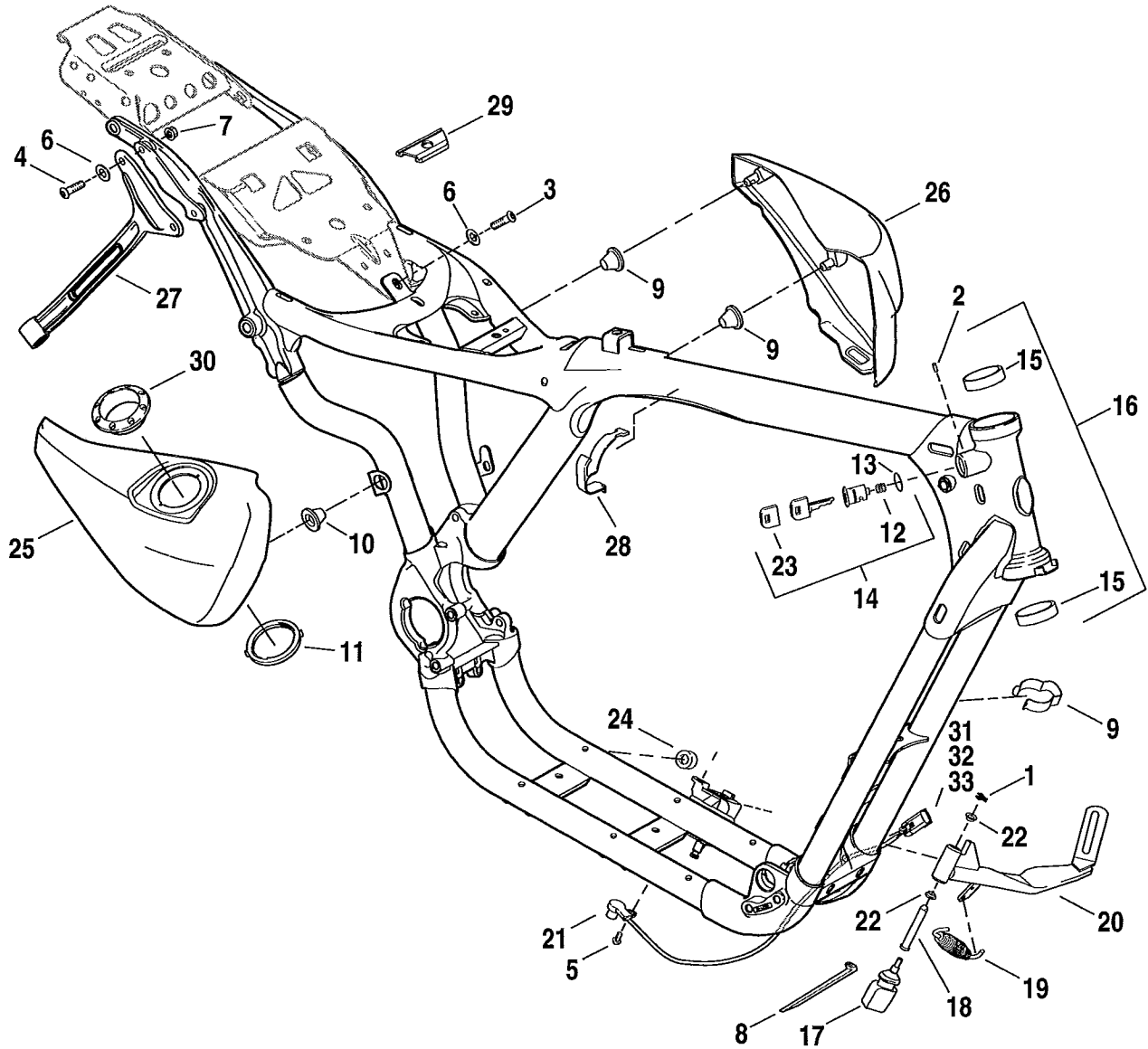


INDEX NO.	PART NO.	DESCRIPTION	MODEL(S)
1	554A	PRETZEL CLIP	CN/CP/CR/CS/CT/CV/CX/CZ
2	1594	PIN, lock	CN/CP/CR/CS/CT/CV/CX/CZ
3	8135B	PUSH NUT	CN/CP/CR/CS/CT/CV/CX/CZ
4	10289A	CLIP, clutch cable (2)	CN/CP/CR/CS/CT/CV/CX/CZ
5	43595-99	SPRING, fork lock	CN/CP/CR/CS/CT/CV/CX/CZ
6	48027-99	O-RING, fork lock	CN/CP/CR/CS/CT/CV/CX/CZ
7	48154-05	LOCKSET ASSEMBLY, complete	CN/CP/CR/CS/CT/CV/CX/CZ
	48153-02A	FORK LOCK KIT, w/ 1594, 43595-99, 61459-97 (specify key code)	CN/CP/CR/CS/CT/CV/CX/CZ
8	48315-60	BEARING CUP, steering head (2)	CN/CP/CR/CS/CT/CV/CX/CZ
9	49348-08	FRAME, w/ bearing cups	CN/CP/CR/CS/CT/CV/CX/CZ
10	50003-89B	PIN, clevis	CN/CP/CR/CS/CT/CV/CX/CZ
11	50005-85A	SPRING, jiffy stand	CN/CP/CR/CS/CT/CV/CX/CZ
12	50185-04A	JIFFY STAND	CP/CT/CX
	50238-08BHP	JIFFY STAND (CZ - Domestic, California, Canada)	CR/CZ
	49722-08BHP	JIFFY STAND	CN/CS/CV
13	49735-08	BUMPER, jiffystand sensor	CN/CP/CR/CS/CT/CV/CX/CZ
14	53176-08	BUSHING (2)	CN/CP/CR/CS/CT/CV/CX/CZ
15	61459-97	COVER, key head set	CN/CP/CR/CS/CT/CV/CX/CZ
16	62122-89A	BUMPER	CN/CP/CR/CS/CT/CV/CX/CZ
17	66251-04	SIDE COVER, left	CN/CP/CR/CT/CV/CX/CZ
	66272-05	SIDE COVER, left	CS
18	66252-04	SIDE COVER, right	CN/CP/CR/CT/CV/CX/CZ
	66273-05	SIDE COVER, right	CS
19	70416-04B	CLIP, side cover, front mounting	CN/CP/CR/CS/CT/CV/CX/CZ
20	70417-04B	CLIP, side cover, rear mounting	CN/CP/CR/CS/CT/CV/CX/CZ
21	71472-04	BEZEL, oil tank filler (chrome)	CN/CP/CR/CS/CT/CV/CX
	62534-07	BEZEL, oil tank filler (satin chrome)	CZ
22	72559-07	BACKBONE SADDLE (not illustrated)	CN/CP/CR/CS/CT/CV/CX/CZ
	90520-07	PLUG, jiffystand	CN/CP/CR/CS/CT/CV/CX/CZ
INTERNATIONAL MODELS ONLY			
23	4871	SCREW, jiffystand switch (HDI, England)	CN/CP/CR/CS/CT/CV/CX/CZ
24	48153-02A	FORK LOCK KIT, w/ 1594, 43595-99, 61459-97 (specify key code)	CN/CP/CR/CS/CT/CV/CX/CZ
25	50126-08A	SENSOR, jiffystand (HDI, England)	CN/CP/CR/CS/CT/CV/CX/CZ
26	50185-04A	JIFFY STAND (HDI, England)	CZ
	50238-08BHP	JIFFY STAND (Australia, Japan)	CZ
27	72169-07	TERMINAL, pin, 16-20 gauge (HDI, England)	CN/CP/CR/CS/CT/CV/CX/CZ
28	72511-07BK	HOUSING (HDI, England)	CN/CP/CR/CS/CT/CV/CX/CZ
29	73213-07	RETAINER, jiffystand (HDI, England)	CN/CP/CR/CS/CT/CV/CX/CZ

2008 MODEL IDENTIFICATION CODES

CN = XL883 CP = XL883C CR = XL883L CS = XL883R CT = XL1200C CV = XL1200R CX = XL1200L CZ = XL1200N LA = XR1200

FRAME & JIFFY STAND - XR1200

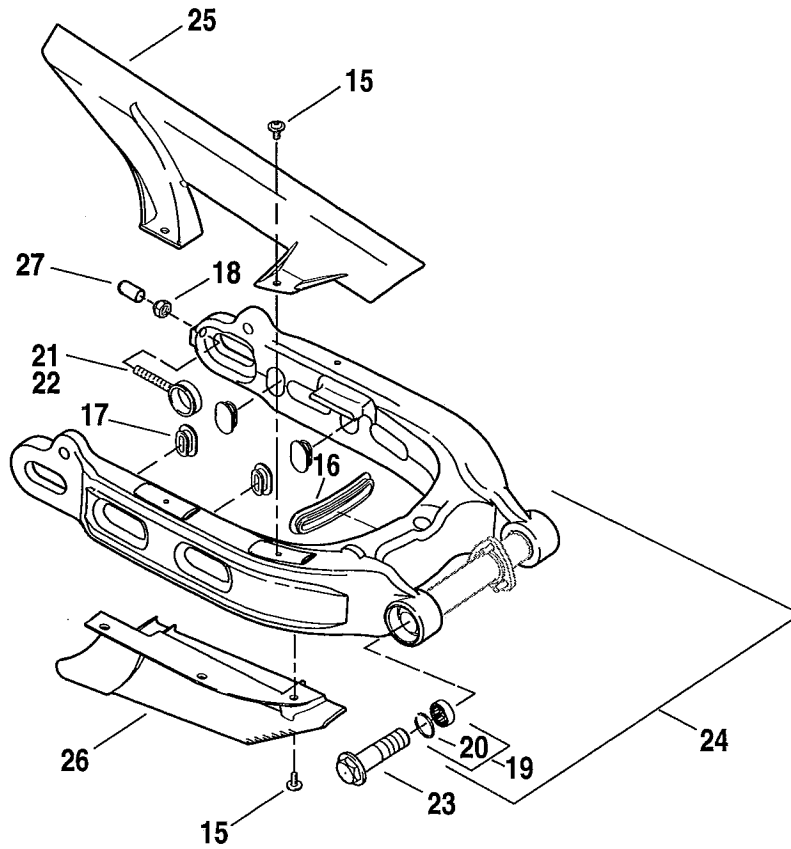
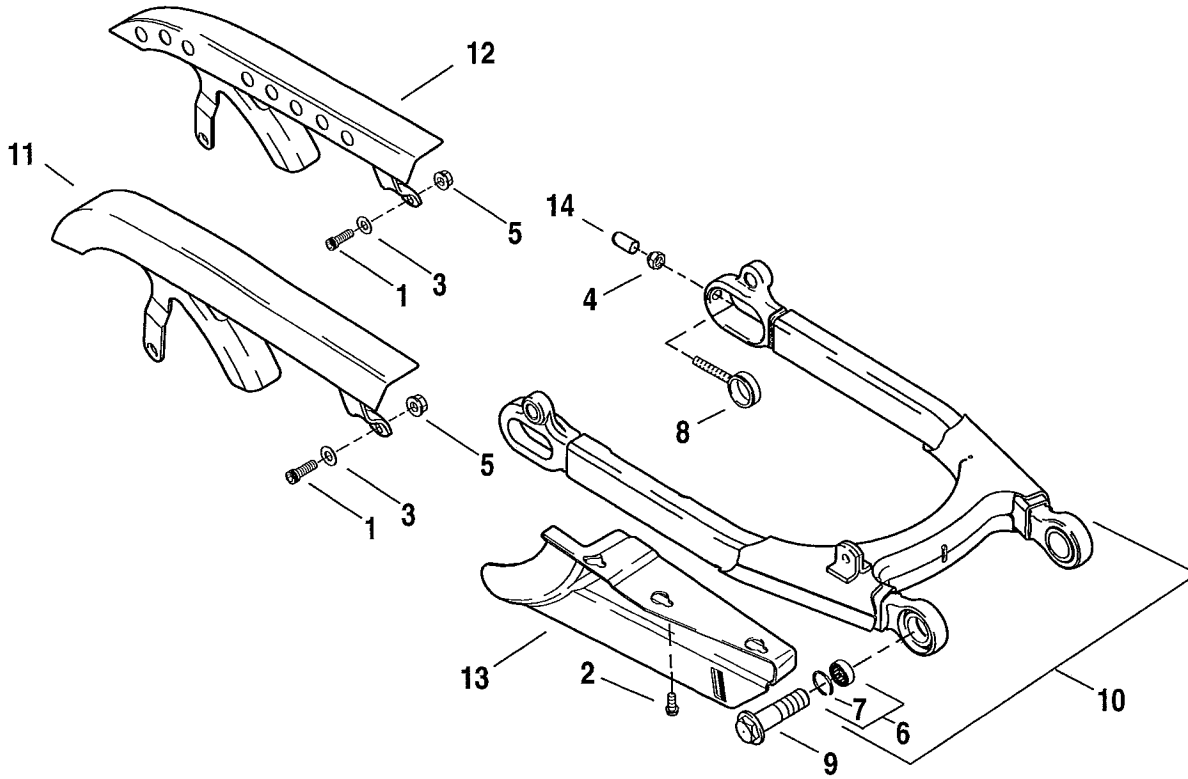


INDEX NO.	PART NO.	DESCRIPTION	MODEL(S)
INTERNATIONAL MODELS ONLY			
1	554A	PRETZEL CLIP	LA
2	1594	PIN, lock	LA
3	3696	SCREW	LA
4	4549	SCREW (6)	LA
5	4871	SCREW, jiffystand switch	LA
6	6302	WASHER (7)	LA
7	7531	LOCKNUT (2)	LA
8	10006	CABLE STRAP (as required)	LA
9	10289A	CLIP, clutch cable	LA
10	11491A	GROMMET, side cover (3)	LA
11	11598	SNAP RING	LA
12	43595-99	SPRING, fork lock	LA
13	48027-99	O-RING, fork lock	LA
	48154-05	LOCKSET ASSEMBLY, complete	LA
14	48153-02A	FORK LOCK KIT, w/ 1594, 43595-99, 61459-97 (specify key code)	LA
15	48315-60	BEARING CUP, steering head (2)	LA
16	48879-08	FRAME, w/ bearing cups	LA
17	49735-08	BUMPER, jiffystand sensor	LA
18	50003-89B	PIN, clevis	LA
19	50005-85A	SPRING, jiffy stand	LA
20	50124-08BHP	JIFFY STAND	LA
21	50126-08A	SENSOR, jiffystand (HDI, England)	LA
22	53176-08	BUSHING (2)	LA
23	61459-97	COVER, key head set	LA
24	62122-89A	BUMPER	LA
25	66269-08BDK	SIDE COVER, right (primed)	LA
	66269-08CHJ	SIDE COVER, right (black)	LA
26	66270-08BDK	SIDE COVER, left (primed)	LA
	66270-08CHJ	SIDE COVER, left (black)	LA
27	65316-08	SUPPORT, muffler, rear	LA
28	70633-08	CLIP, caddy	LA
29	71287-08	WIRE GUARD	LA
30	71478-08	BEZEL, oil tank filler (chrome)	LA
31	72169-07	TERMINAL, pin, 16-20 gauge (3)	LA
32	72511-07BK	HOUSING	LA
33	73213-07	RETAINER, jiffystand	LA

2008 MODEL IDENTIFICATION CODES

CN = XL883 CP = XL883C CR = XL883L CS = XL883R CT = XL1200C CV = XL1200R CX = XL1200L CZ = XL1200N LA = XR1200

REAR FORK, DEBRIS DEFLECTOR & BELT GUARD



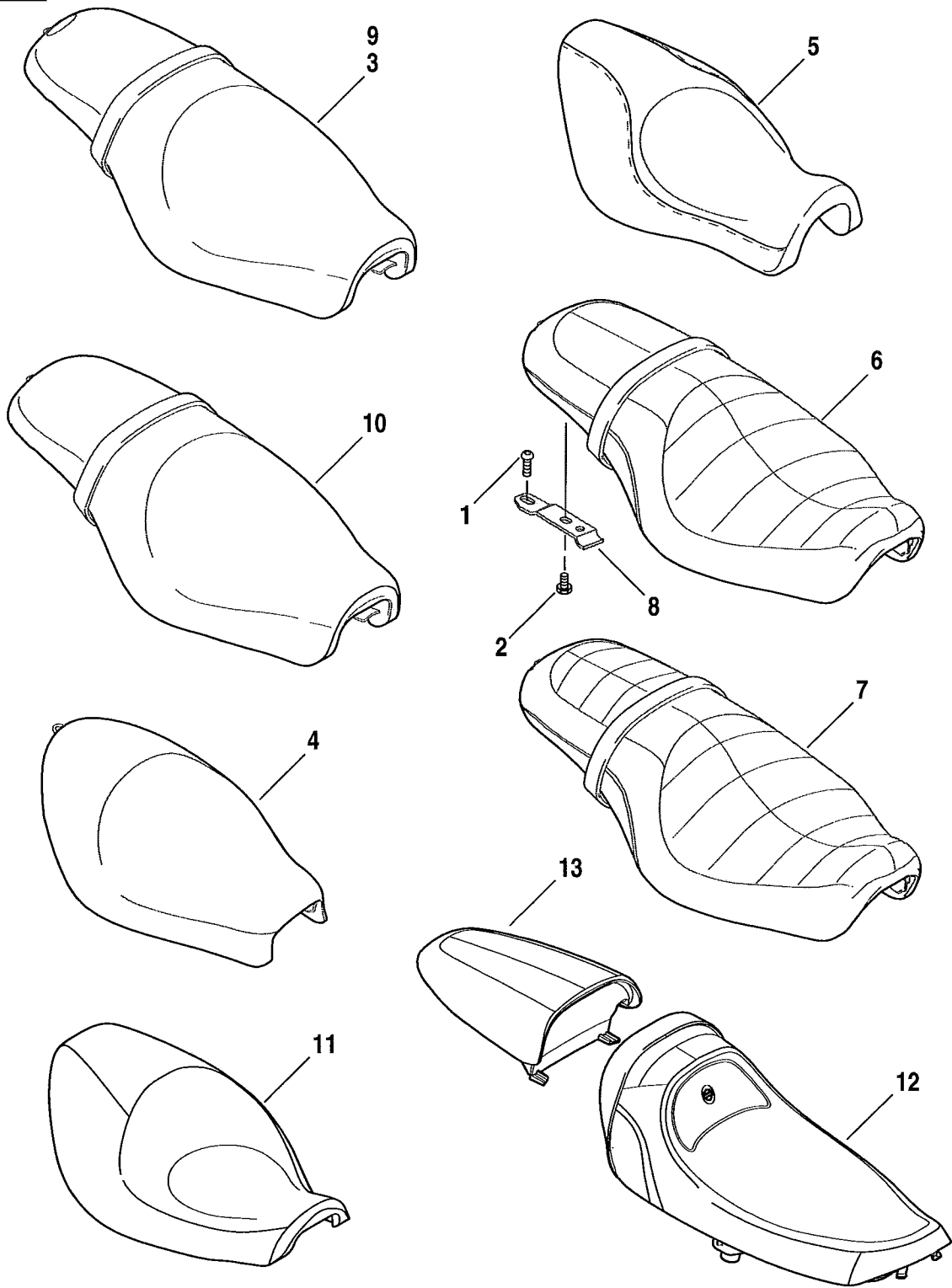
REAR FORK, DEBRIS DEFLECTOR & BELT GUARD

INDEX NO.	PART NO.	DESCRIPTION	MODEL(S)
1	2708A	SCREW	CN/CP/CR/CS/CT/CV/CX/CZ
2	3579A	SCREW (3)	CN/CP/CR/CS/CT/CV/CX/CZ
3	6702	WASHER	CN/CP/CR/CS/CT/CV/CX/CZ
4	7766	LOCKNUT (2)	CN/CP/CR/CS/CT/CV/CX/CZ
5	7531	LOCKNUT	CN/CP/CR/CS/CT/CV/CX/CZ
6	9209	BEARING, swing arm, w/ 11282 (2)	CN/CP/CR/CS/CT/CV/CX/CZ
7	11282	RETAINING RING (2)	CN/CP/CR/CS/CT/CV/CX/CZ
8	41573-05	ADJUSTER, rear axle (2) (1-Japan, left)	CN/CP/CR/CS/CT/CV/CX/CZ
9	41698-04	BOLT, swing arm pivot (2)	CN/CP/CR/CS/CT/CV/CX/CZ
10	47587-05	REAR FORK, w/ bearings	CN/CP/CR/CS/CT/CV/CX/CZ
11	60367-04	BELT GUARD	CN/CP/CR/CS/CT/CV/CX
12	60371-07	BELT GUARD	CZ
13	60435-04	DEBRIS DEFLECTOR	CN/CP/CR/CS/CT/CV/CX/CZ
14	89579-91	CAP, protective (2)	CN/CP/CR/CS/CT/CV/CX/CZ
INTERNATIONAL MODELS ONLY			
15	2445	SCREW (5)	LA
16	6863	PLUG, swing arm, large	LA
17	6864	PLUG, swing arm, small (4)	LA
18	7766	LOCKNUT (2)	LA
19	9209	BEARING, swing arm, w/ 11282 (2)	LA
20	11282	RETAINING RING (2)	LA
21	41573-05	ADJUSTER, rear axle, left (Japan)	CN/CP/CR/CS/CT/CV/CX/CZ
	41623-05	ADJUSTER, rear axle, right (Japan) (not illustrated)	CN/CP/CR/CS/CT/CV/CX/CZ
22	41626-08	ADJUSTER, rear axle (2)	LA
23	41698-04	BOLT, swing arm pivot (2)	LA
24	47674-08	REAR FORK, w/ bearings	LA
25	60403-08	BELT GUARD	LA
26	60416-08	DEBRIS DEFLECTOR	LA
27	89586-04	CAP, protective (2)	LA

2008 MODEL IDENTIFICATION CODES

CN = XL883 CP = XL883C CR = XL883L CS = XL883R CT = XL1200C CV = XL1200R CX = XL1200L CZ = XL1200N LA = XR1200

SEATS



INDEX NO.	PART NO.	DESCRIPTION	MODEL(S)
1	2952A	SCREW, seat mounting	CN/CP/CR/CS/CT/CV/CX/CZ
2	3588	SCREW (2)	CN/CP/CR/CS/CT/CV/CX/CZ
3	51530-07	SEAT ASSEMBLY, w/ 3588 & 51652-97	CT
	51833-08	SEAT ASSEMBLY, w/ 3588 & 51652-97 **105TH ANNIVERSARY RESTRICTED SALE PART**	CT
4	51532-07	SEAT ASSEMBLY, w/ 3588 & 51652-97	CN
5	51550-07	SEAT ASSEMBLY, w/ 3588 & 51652-97	CR
6	51558-08	SEAT ASSEMBLY, w/ 3588 & 51652-97	CV
7	51551-07	SEAT ASSEMBLY, w/ 3588 & 51652-97	CS
8	51652-97	BRACKET, seat mounting	CN/CP/CR/CS/CT/CV/CX/CZ
9	51706-07	SEAT ASSEMBLY, w/ 3588 & 51652-97	CX
	51835-08	SEAT ASSEMBLY, w/ 3588 & 51652-97 **105TH ANNIVERSARY RESTRICTED SALE PART**	CX
10	52608-07	SEAT ASSEMBLY, w/ 3588 & 51652-97	CP
11	51899-07	SEAT ASSEMBLY, w/ 3588 & 51652-97	CZ
INTERNATIONAL MODELS ONLY			
12	51382-08	SEAT, rider	LA
13	51383-08	SEAT, pillion	LA

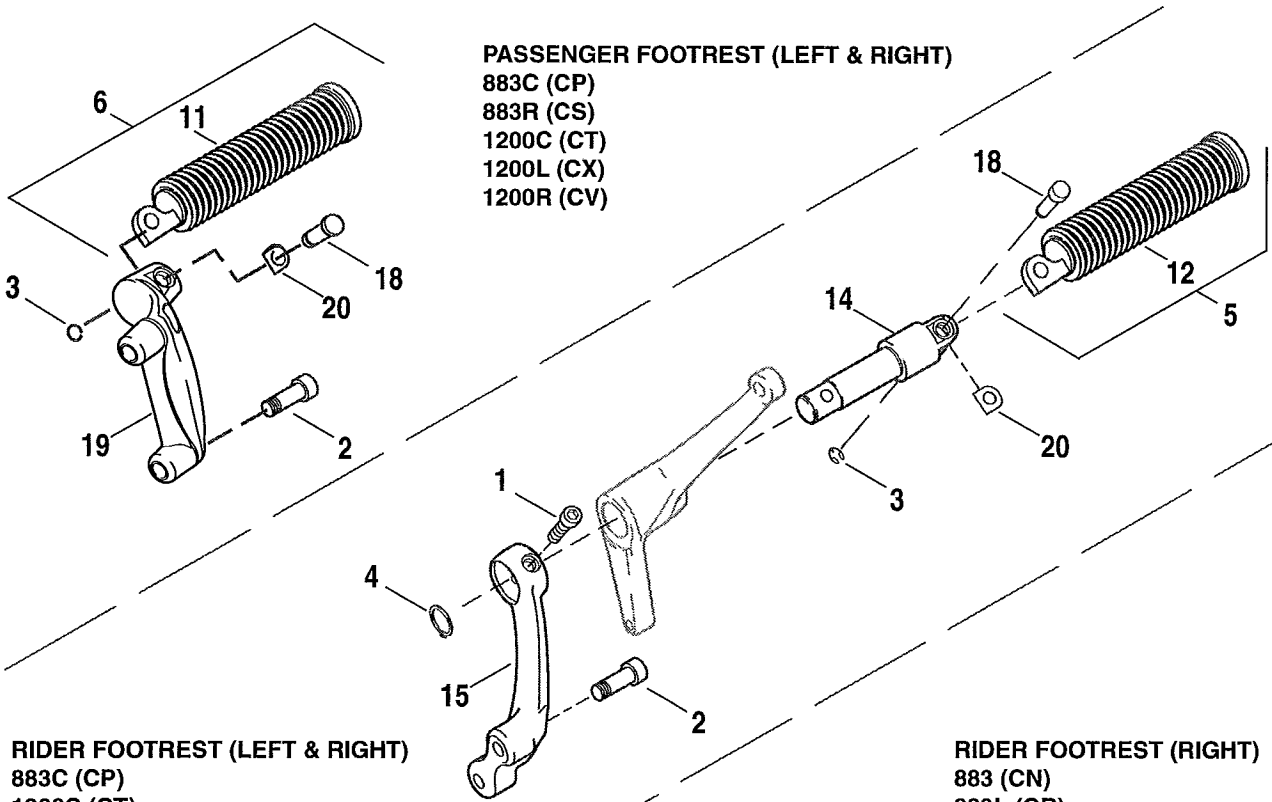
2008 MODEL IDENTIFICATION CODES

CN = XL883 CP = XL883C CR = XL883L CS = XL883R CT = XL1200C CV = XL1200R CX = XL1200L CZ = XL1200N LA = XR1200

FOOTRESTS - 883/C/L/R, 1200C/L/N/R

PASSENGER FOOTREST (LEFT & RIGHT)

- 883C (CP)
- 883R (CS)
- 1200C (CT)
- 1200L (CX)
- 1200R (CV)

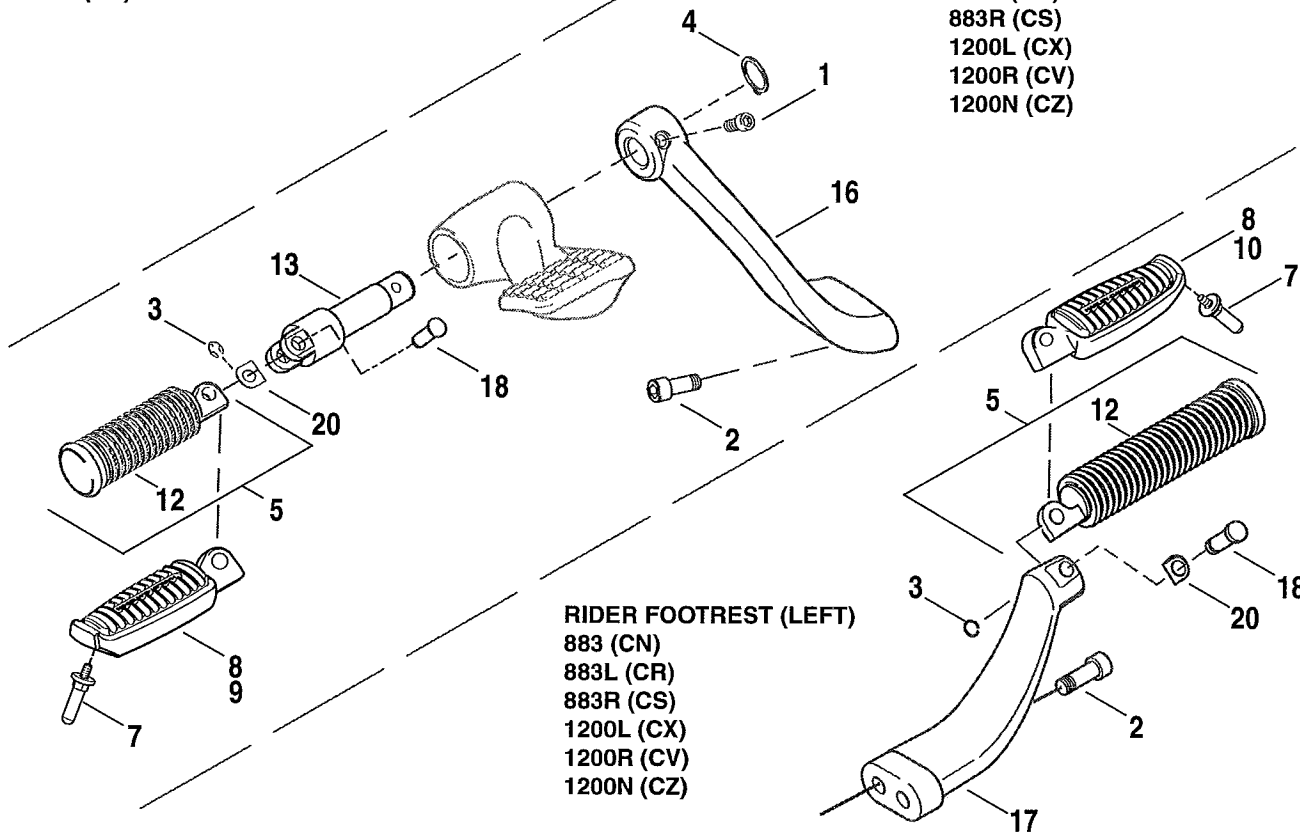


RIDER FOOTREST (LEFT & RIGHT)

- 883C (CP)
- 1200C (CT)

RIDER FOOTREST (RIGHT)

- 883 (CN)
- 883L (CR)
- 883R (CS)
- 1200L (CX)
- 1200R (CV)
- 1200N (CZ)



RIDER FOOTREST (LEFT)

- 883 (CN)
- 883L (CR)
- 883R (CS)
- 1200L (CX)
- 1200R (CV)
- 1200N (CZ)

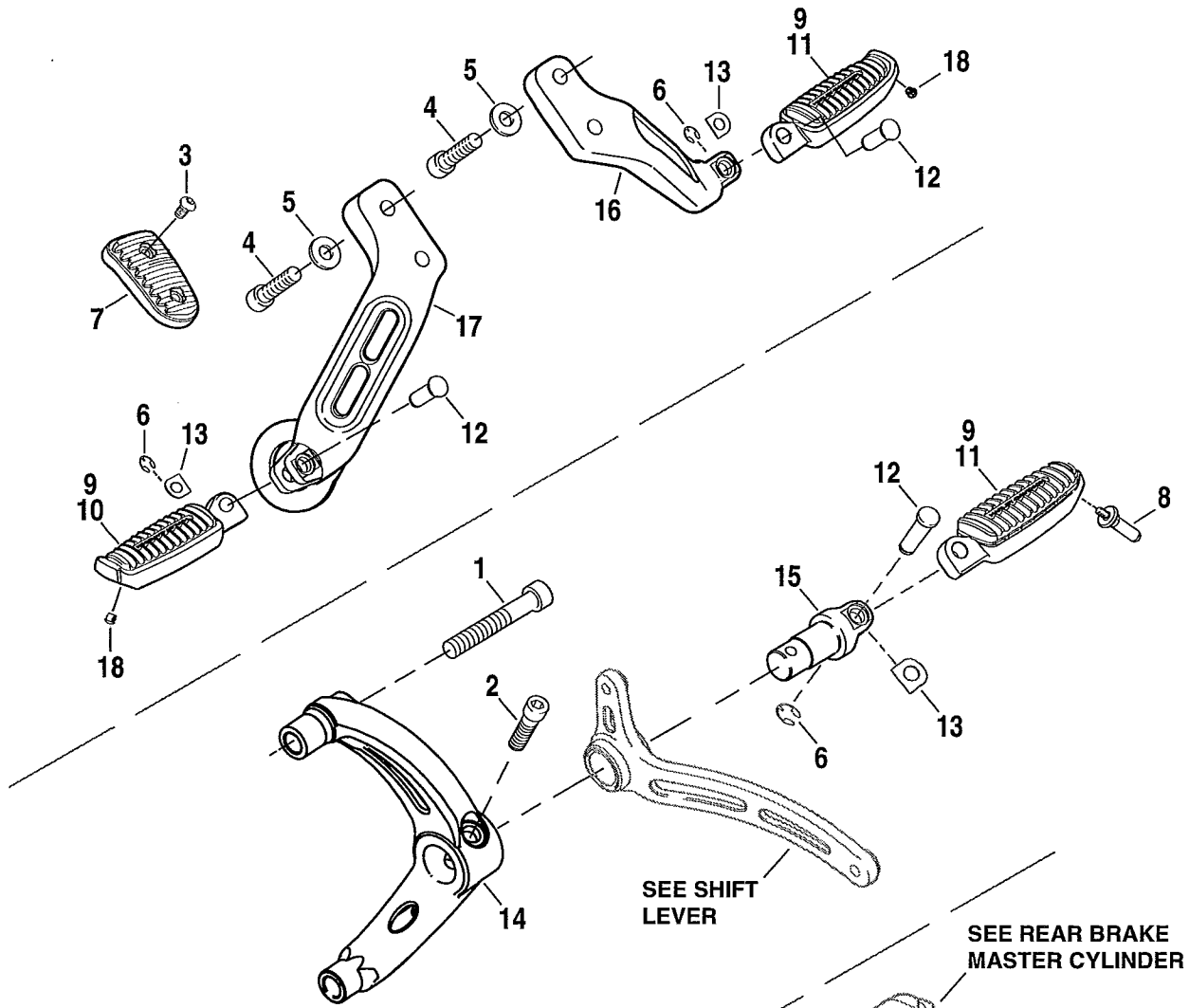
INDEX NO.	PART NO.	DESCRIPTION	MODEL(S)
	740	HOLE PLUG (2-CS/CV, 4-CP/CT/CX, 5-CN/CR) (not illustrated)	CN/CP/CR/CS/CT/CV/CX
1	3210A	SCREW (1-CP/CT/CZ, 2-CN/CR/CS/CX/CV)	CN/CP/CR/CS/CT/CV/CX/CZ
2	4748	SCREW, socket head (4)	CN/CP/CR/CS/CT/CV/CX/CZ
3	11304	RETAINING RING (2)	CN/CP/CR/CS/CT/CV/CX/CZ
4	11390	RETAINING RING (2)	CN/CP/CR/CS/CT/CV/CX/CZ
5	33032-99	FOOTPEG ASSEMBLY, w/ 33216-06, front (2)	CN/CP/CR/CS/CT/CV/CX
6	33048-72	FOOTPEG ASSEMBLY, w/ 33189-63, rear (2)	CP/CS/CT/CV/CX
7	33130-07A	WEAR PEG, footrest - shown (2)	CR/CZ
8	33133-06	RUBBER, foot pegs (2)	CR/CZ
9	33134-07CAZ	FOOTPEG ASSEMBLY, RH, w/33133-06 (black)	CR/CZ
10	33135-07CAZ	FOOTPEG ASSEMBLY, LH, w/33133-06 (black)	CR/CZ
	33148-07	WEAR PEG, footrest (not illustrated) (2)	CR
11	33189-63	RUBBER, footrest, rear (2)	CP/CS/CT/CV/CX
12	33216-99	RUBBER, footrest, front	CN/CP/CR/CS/CT/CV/CX
13	42541-04	CLEVIS, right rider footpeg	CN/CR/CS/CV/CX/CZ
14	42541-04	CLEVIS, left rider footpeg	CP/CT
	42566-04	CLEVIS, right rider footpeg (not illustrated)	CP/CT
15	42651-04	SUPPORT BRACKET, left rider footpeg	CP/CT
	42652-04	SUPPORT BRACKET, right rider footpeg (not illustrated)	CP/CT
16	42971-04	BRACKET, rider footrest support - right	CN/CR/CS/CV/CX/CZ
17	42972-04	BRACKET, rider footrest support - left	CN/CR/CS/CV/CX/CZ
18	45041-01A	CLEVIS PIN (2)	CN/CP/CR/CS/CT/CV/CX/CZ
19	49314-04	BRACKET, passenger footrest - right (not illustrated)	CP/CS/CT/CV/CX
	49315-04	BRACKET, passenger footrest - left	CP/CS/CT/CV/CX
20	50912-72	SPRING WASHER (2)	CN/CP/CR/CS/CT/CV/CX/CZ

2008 MODEL IDENTIFICATION CODES

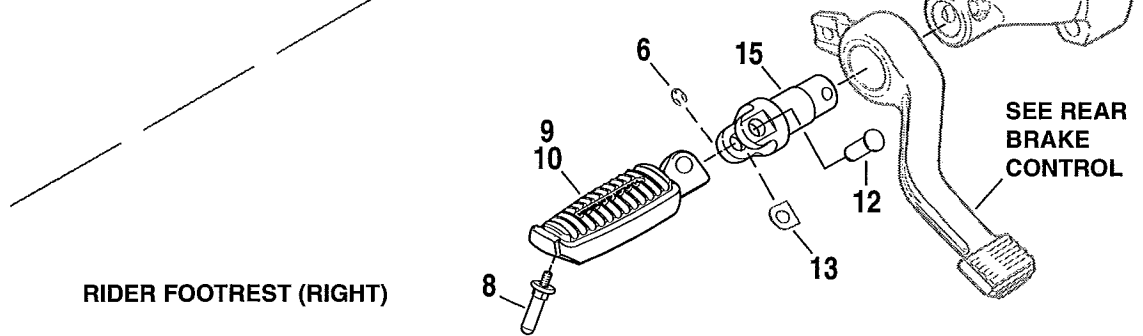
CN = XL883 CP = XL883C CR = XL883L CS = XL883R CT = XL1200C CV = XL1200R CX = XL1200L CZ = XL1200N LA = XR1200

FOOTRESTS - XR1200

PASSENGER FOOTREST (LEFT & RIGHT)



RIDER FOOTREST (LEFT)



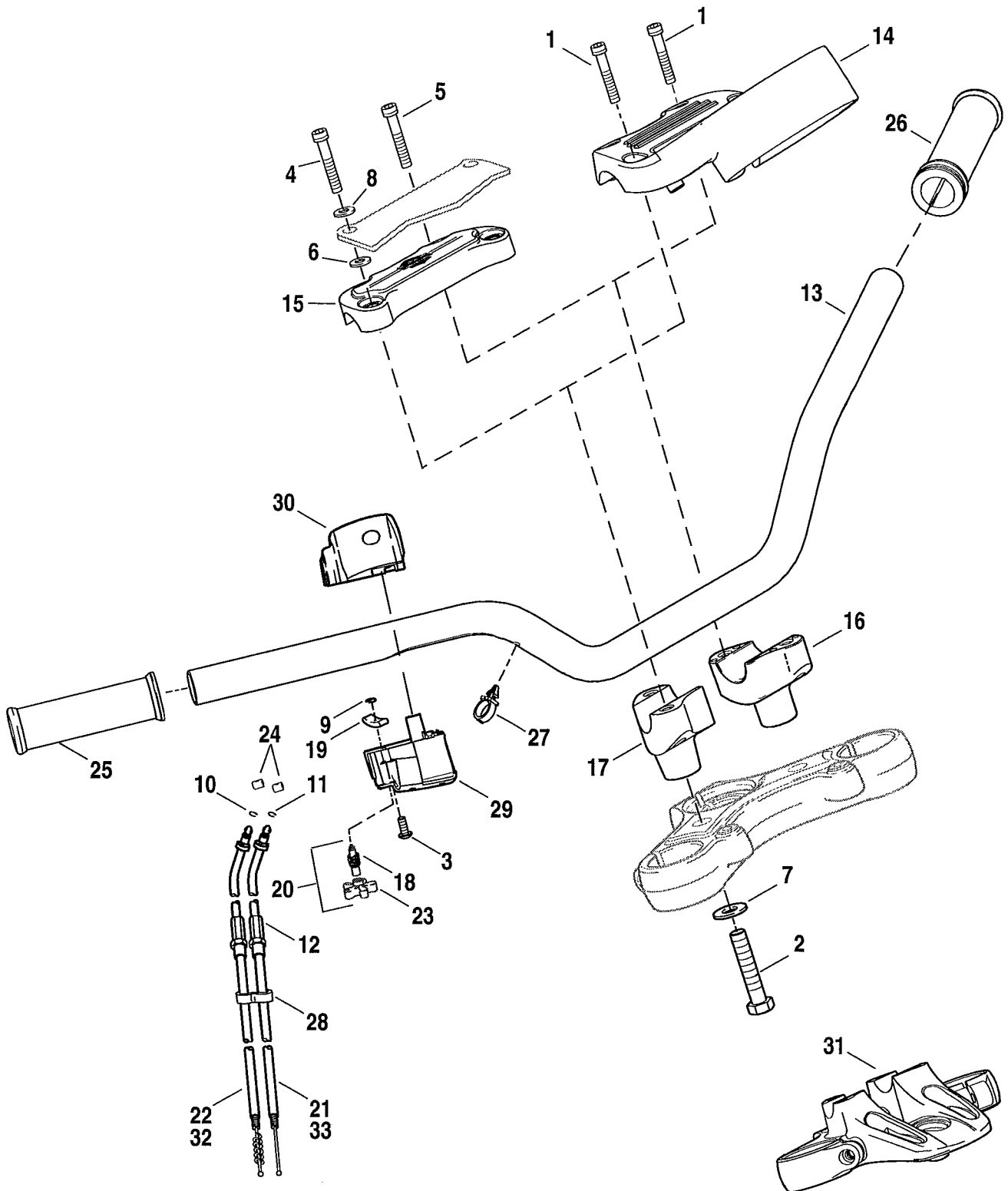
RIDER FOOTREST (RIGHT)

INDEX NO.	PART NO.	DESCRIPTION	MODEL(S)
INTERNATIONAL MODELS ONLY			
1	855B	SCREW (2)	LA
2	3210A	SCREW	LA
3	3048	SCREW (2)	LA
4	4350A	SCREW (2)	LA
5	6400HB	WASHER (2)	LA
6	11304	RETAINING RING (4)	LA
7	33084-06	HEEL REST	LA
8	33130-07A	WEAR PEG, footrest (2)	LA
9	33133-06	RUBBER, footpeg (4)	LA
10	33134-07CAZ	FOOTPEG ASSEMBLY, RH, w/ 33133-06 (2)	LA
11	33135-07CAZ	FOOTPEG ASSEMBLY, LH, w/ 33133-06 (2)	LA
12	45041-01A	CLEVIS PIN (4)	LA
13	50912-72	SPRING WASHER (4)	LA
14	51044-08	BRACKET, rider support, LH	LA
15	51046-08	CLEVIS, rider footpeg (2)	LA
16	51048-08	BRACKET, passenger support, LH	LA
17	51049-08	BRACKET, passenger support, RH	LA
18	90520-07	PLUG, passenger (2)	LA

2008 MODEL IDENTIFICATION CODES

CN = XL883 CP = XL883C CR = XL883L CS = XL883R CT = XL1200C CV = XL1200R CX = XL1200L CZ = XL1200N LA = XR1200

HANDLEBAR & THROTTLE CONTROL - 883/L/R, 1200L/N/R, XR1200



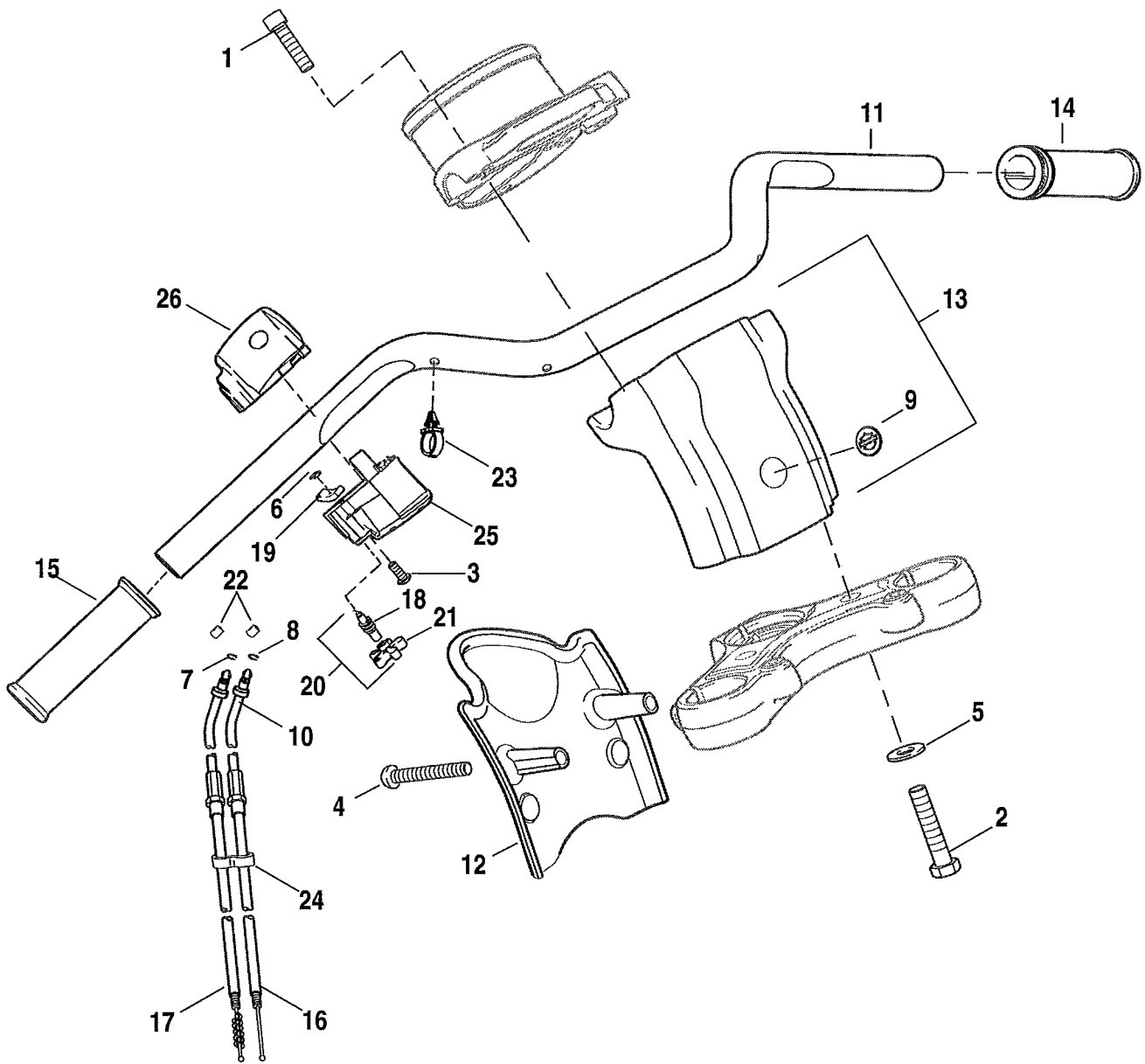
HANDLEBAR & THROTTLE CONTROL - 883/L/R, 1200L/N/R, XR1200

INDEX NO.	PART NO.	DESCRIPTION	MODEL(S)
1	3210A	SCREW (4)	CX/CZ
2	3605	BOLT (2)	CN/CR/CS/CV/CX/CZ
3	3658	SCREW (2)	CN/CR/CS/CV/CX/CZ
4	4326A	SCREW (2)	CN/CR/CS/CV/LA
5	4816A	SCREW (2)	CN/CR/CS/CV/LA
6	6109	WASHER (2)	CV
7	6590HW	WASHER (2)	CN/CR/CS/CV/CX/CZ
8	6702	WASHER (2)	CN/CR/CS/CV/LA
9	11155	RETAINING RING	CN/CR/CS/CV/CX/CZ/LA
10	11271	RING RETAINER, idle	CN/CR/CS/CV/CX/CZ/LA
11	11272	RING RETAINER, retainer - throttle	CN/CR/CS/CV/CX/CZ/LA
12	38653-01	BOOT, cable, throttle	CN/CR/CS/CV/CX/CZ/LA
13	55845-04	HANDLEBAR	CN
	56004-00	HANDLEBAR	CV
	56051-06	HANDLEBAR	CR/CX
	56085-83A	HANDLEBAR	CS/CZ/LA
14	55846-05A	BRACKET, handlebar - upper (chrome)	CX
	55847-05A	BRACKET, handlebar - upper (black wrinkle)	CZ
15	56115-95	CLAMP, handlebar - upper (black)	CN/CR/CS/LA
	56567-86B	CLAMP, handlebar - upper (chrome)	CV
16	56116-82A	CLAMP, handlebar - lower left	CN/CR/CS/CZ
	56541-86A	CLAMP, handlebar - lower left	CV/CX
17	56117-82A	CLAMP, handlebar - lower right	CN/CR/CS/CZ
	56542-86A	CLAMP, handlebar - lower right	CV/CX
18	56394-74	SPRING, adjusting screw	CN/CR/CS/CV/CX/CZ/LA
19	56396-74A	FRICTION SPRING, throttle grip	CN/CR/CS/CV/CX/CZ/LA
20	56397-74C	KIT, throttle adjusting screw, w/ 11155, 56394-74 ,& 56402-83A	CN/CR/CS/CV/CX/CZ/LA
21	56884-07	THROTTLE CONTROL ASSEMBLY, w/ 11272 & 38653-01	CN/CR/CS/CV/CX/CZ
22	56885-07	IDLE CONTROL ASSEMBLY, w/ 11271	CN/CR/CS/CV/CX/CZ
23	56402-83A	ADJUSTING SCREW, throttle	CN/CR/CS/CV/CX/CZ/LA
24	56508-76	FERRULE (2)	CN/CR/CS/CV/CX/CZ/LA
25	56666-04	GRIP & SLEEVE, throttle	CN/CR/CS/CV/CX/CZ/LA
26	56667-04	HANDLEBAR GRIP	CN/CR/CS/CV/CX/CZ/LA
	66448-08	NAMEPLATE (not illustrated) **105TH ANNIVERSARY RESTRICTED SALE PART**	CX
27	70345-84	RETAINER, wire harness (4)	CN/CR/CS/CV/CX/CZ/LA
28	70504-81	CLIP, throttle cables (2)	CN/CR/CS/CV/CX/CZ/LA
29	71563-96	HOUSING, switches & throttle control - lower	CN/CR/CS/CV/CX/CZ/LA
30	71564-96	HOUSING, switches & throttle control - upper	CN/CR/CS/CV/CX/CZ/LA
INTERNATIONAL MODELS ONLY			
31	46028-08	BRACKET, upper	LA
32	56637-08	IDLE CONTROL ASSEMBLY, w/ 11271	LA
33	56639-08	THROTTLE CONTROL ASSEMBLY, w/ 11272 & 38653-01	LA

2008 MODEL IDENTIFICATION CODES

CN = XL883 CP = XL883C CR = XL883L CS = XL883R CT = XL1200C CV = XL1200R CX = XL1200L CZ = XL1200N LA = XR1200

HANDLEBAR & THROTTLE CONTROL - 883C, 1200C

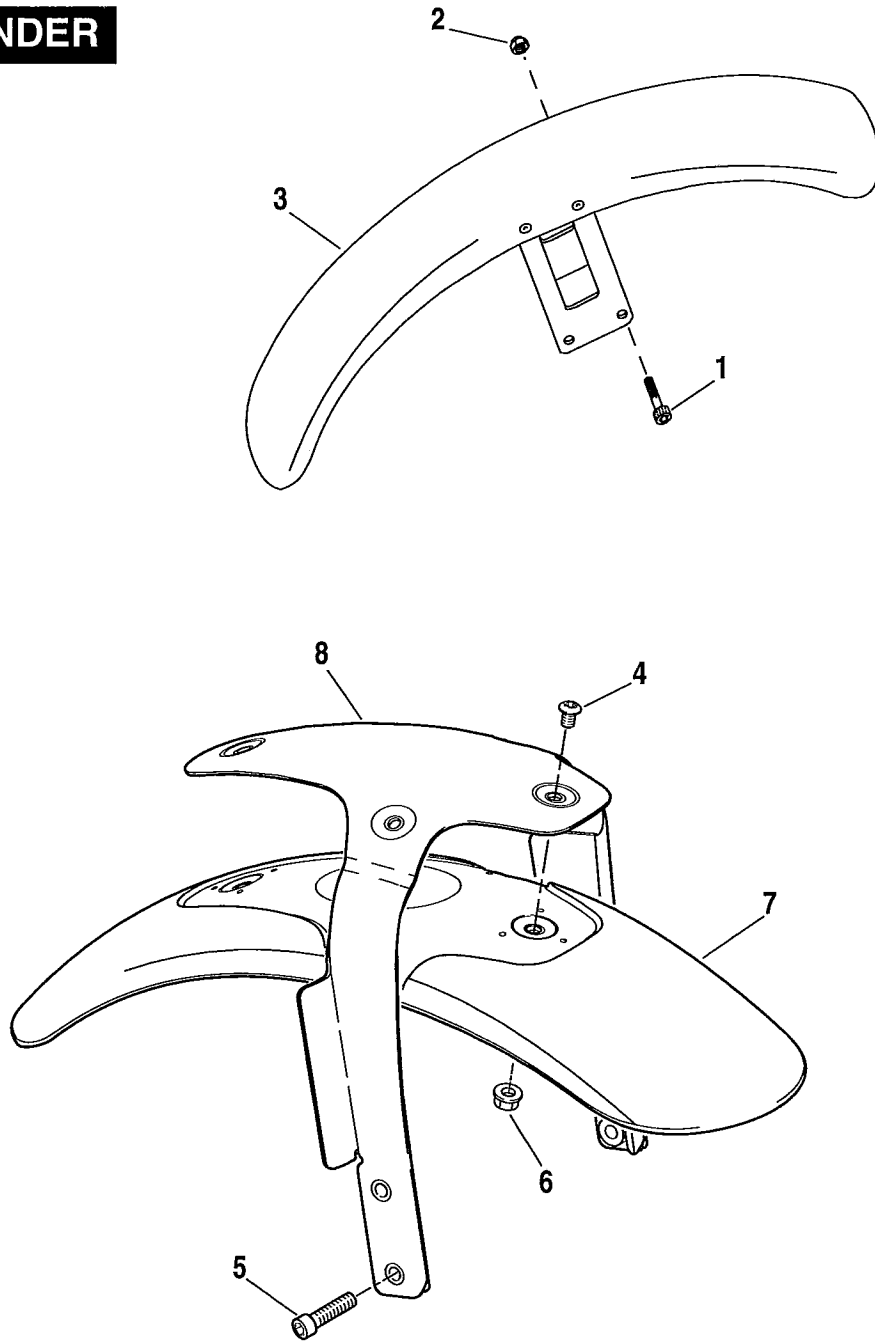


INDEX NO.	PART NO.	DESCRIPTION	MODEL(S)
1	3210A	SCREW (4)	CP/CT
2	3605	BOLT (2)	CP/CT
3	3658	SCREW (2)	CP/CT
4	3666A	SCREW (2)	CP/CT
5	6590HW 10006	WASHER (2) CABLE STRAP (not illustrated) (2)	CP/CT CP/CT
6	11155	RETAINING RING	CP/CT
7	11271	RING RETAINER (idle)	CP/CT
8	11272	RING RETAINER (throttle)	CP/CT
9	14448-94	LOGO BAR & SHIELD	CP/CT
10	38653-01	BOOT, cable, throttle	CP/CT
11	55840-04	HANDLEBAR	CP/CT
12	55842-04	COVER, riser	CP/CT
13	56017-04	RISER ASSEMBLY, handlebar, w/ 14448-94	CP/CT
14	56667-04	HANDLEBAR GRIP	CP/CT
15	56666-04	GRIP & SLEEVE, throttle	CP/CT
16	56884-07	THROTTLE CONTROL ASSEMBLY	CP/CT
17	56885-07	IDLE CONTROL ASSEMBLY	CP/CT
18	56394-74	SPRING, adjusting screw	CP/CT
19	56396-74A	FRICTION SPRING, throttle grip	CP/CT
20	56397-74C	KIT, throttle adjusting screw, w/ 11155, 56394-74, & 56402-83A	CP/CT
21	56402-83A	ADJUSTING SCREW, throttle	CP/CT
22	56508-76	FERRULE (2)	CP/CT
23	70345-84	RETAINER, wire harness (4)	CP/CT
24	70504-81	CLIP, throttle cables (2)	CP/CT
25	71563-96	HOUSING, switches & throttle control - lower	CP/CT
26	71564-96	HOUSING, switches & throttle control - upper	CP/CT

2008 MODEL IDENTIFICATION CODES

CN = XL883 CP = XL883C CR = XL883L CS = XL883R CT = XL1200C CV = XL1200R CX = XL1200L CZ = XL1200N LA = XR1200

FRONT FENDER

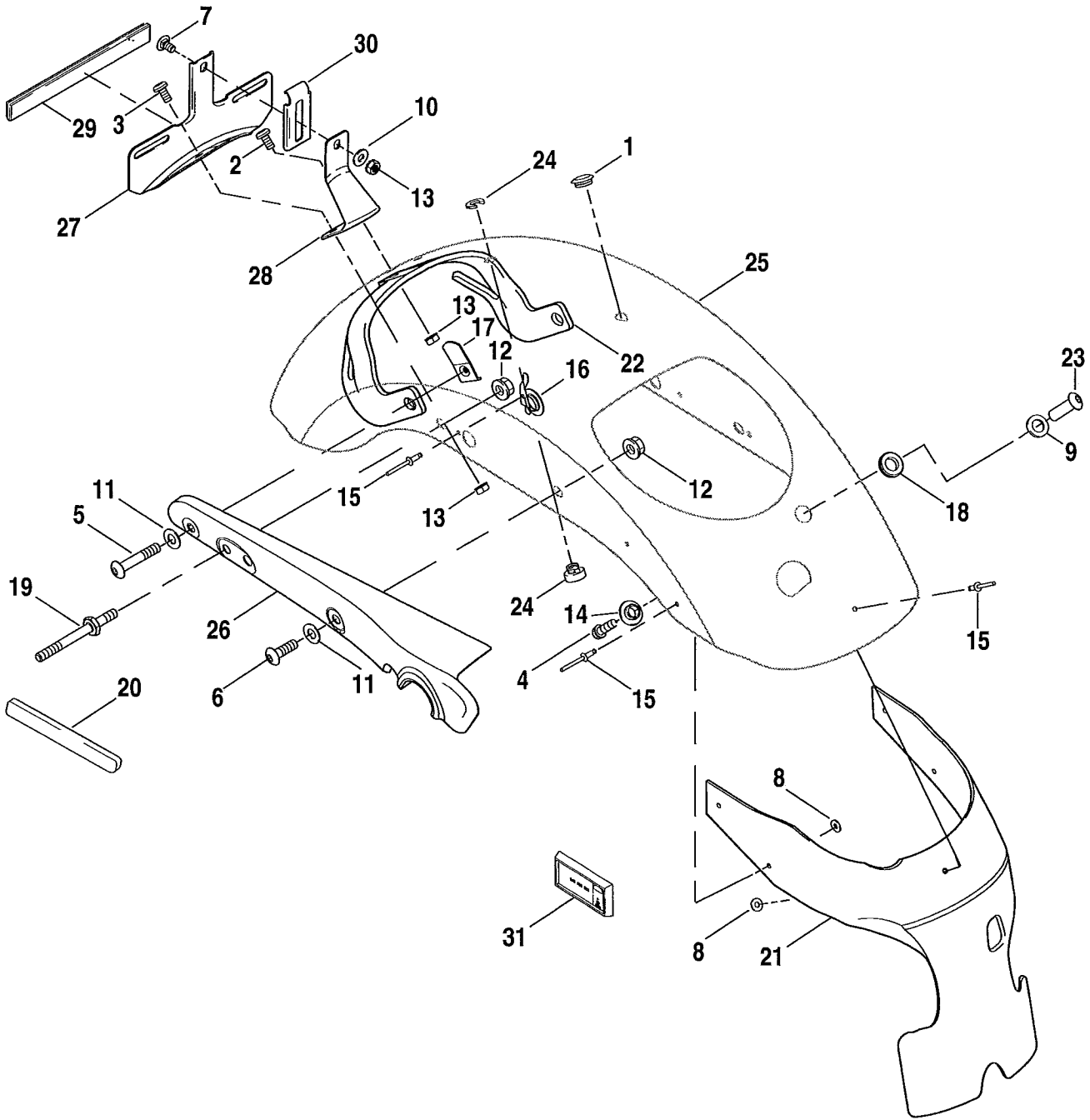


INDEX NO.	PART NO.	DESCRIPTION	MODEL(S)
NOTE: Refer to the Service Section of h-dnet.com for painted part numbers.			
1	3210A	SCREW (4)	CN/CP/CR/CS/CT/CV/CX/CZ
2	7531	LOCKNUT (4)	CN/CP/CR/CS/CT/CV/CX/CZ
3	58998-83D	FRONT FENDER, prime	CN/CP/CR/CS/CT/CV/CX
	59712-07	FRONT FENDER, prime	CZ
INTERNATIONAL MODELS ONLY			
4	3731M	SCREW (4)	LA
5	4250M	SCREW (4)	LA
6	7495	NUT (4)	LA
7	59022-07BDK	FENDER, prime	LA
8	59403-08	FENDER SUPPORT	LA

2008 MODEL IDENTIFICATION CODES

CN = XL883 CP = XL883C CR = XL883L CS = XL883R CT = XL1200C CV = XL1200R CX = XL1200L CZ = XL1200N LA = XR1200

**REAR FENDER & LICENSE PLATE BRKT -
883/C/L/R, 1200C/L/R, 1200N (JAPAN)**



INDEX NO.	PART NO.	DESCRIPTION	MODEL(S)
NOTE: Refer to the Service Section of h-dnet.com for painted part numbers.			
1	761	PLUG (black) (2)	CN/CP/CR/CS/CT/CV/CX
2	2607	SCREW	CN/CP/CR/CS/CT/CV/CX
3	2773	SCREW (2)	CN/CP/CR/CS/CT/CV/CX
4	4017	BOLT	CN/CP/CR/CS/CT/CV/CX
5	4778	SCREW (2)	CN/CP/CR/CS/CT/CV/CX
6	4779	SCREW (2)	CN/CP/CR/CS/CT/CV/CX
7	5403B	BOLT, carriage	CN/CP/CR/CS/CT/CV/CX
8	6192	WASHER (5)	CN/CP/CR/CS/CT/CV/CX
9	6702	WASHER (2)	CN/CP/CR/CS/CT/CV/CX
10	6703	WASHER	CN/CP/CR/CS/CT/CV/CX
11	6798	WASHER (4)	CN/CP/CR/CS/CT/CV/CX
12	7531	LOCKNUT (4)	CN/CP/CR/CS/CT/CV/CX
13	7792	NUT, kept (4)	CN/CP/CR/CS/CT/CV/CX
14	7882	TEE SPACER	CN/CP/CR/CS/CT/CV/CX
15	8692	RIVET (7)	CN/CP/CR/CS/CT/CV/CX
16	10200	BRACKET, wire retention (2)	CN/CP/CR/CS/CT/CV/CX
17	10242	CLIP, threaded	CN/CP/CR/CS/CT/CV/CX
18	11474	GROMMET	CN/CP/CR/CS/CT/CV/CX
19	56104-02	SCREW, rear fender (2)	CN/CP/CR/CS/CT/CV/CX
20	59287-92	REFLECTOR, right (red)	CN/CP/CR/CS/CT/CV/CX
	59288-92	REFLECTOR, left (red)	CN/CP/CR/CS/CT/CV/CX
21	59502-04	REAR FENDER EXTENSION	CN/CP/CR/CS/CT/CV/CX
22	59673-04	FENDER SUPPORT	CN/CP/CR/CS/CT/CV/CX
23	59723-04	SEAT POST	CN/CP/CR/CS/CT/CV/CX
24	59768-97	FENDER SEAT NUT KIT	CN/CP/CR/CS/CT/CV/CX
25	59847-07	FENDER, rear (prime)	CN/CP/CR/CS/CT/CV/CX
26	59902-04	COVER, rear fender support - right (chrome)	CN/CP/CR/CS/CT/CV
	59903-04	COVER, rear fender support - left (chrome) (not illustrated)	CN/CP/CR/CS/CT/CV
	60203-06	COVER, rear fender support - right (vivid black)	CX
	60204-06	COVER, rear fender support - left (vivid black) (not illustrated)	CX
27	59984-73	BRACKET, license plate	CN/CP/CR/CS/CT/CV/CX
28	59986-75	SUPPORT, license plate bracket	CN/CP/CR/CS/CT/CV/CX
29	59988-72A	REFLECTOR, license plate bracket	CN/CP/CR/CS/CT/CV/CX
30	60001-55	CLAMP, license plate bracket	CN/CP/CR/CS/CT/CV/CX

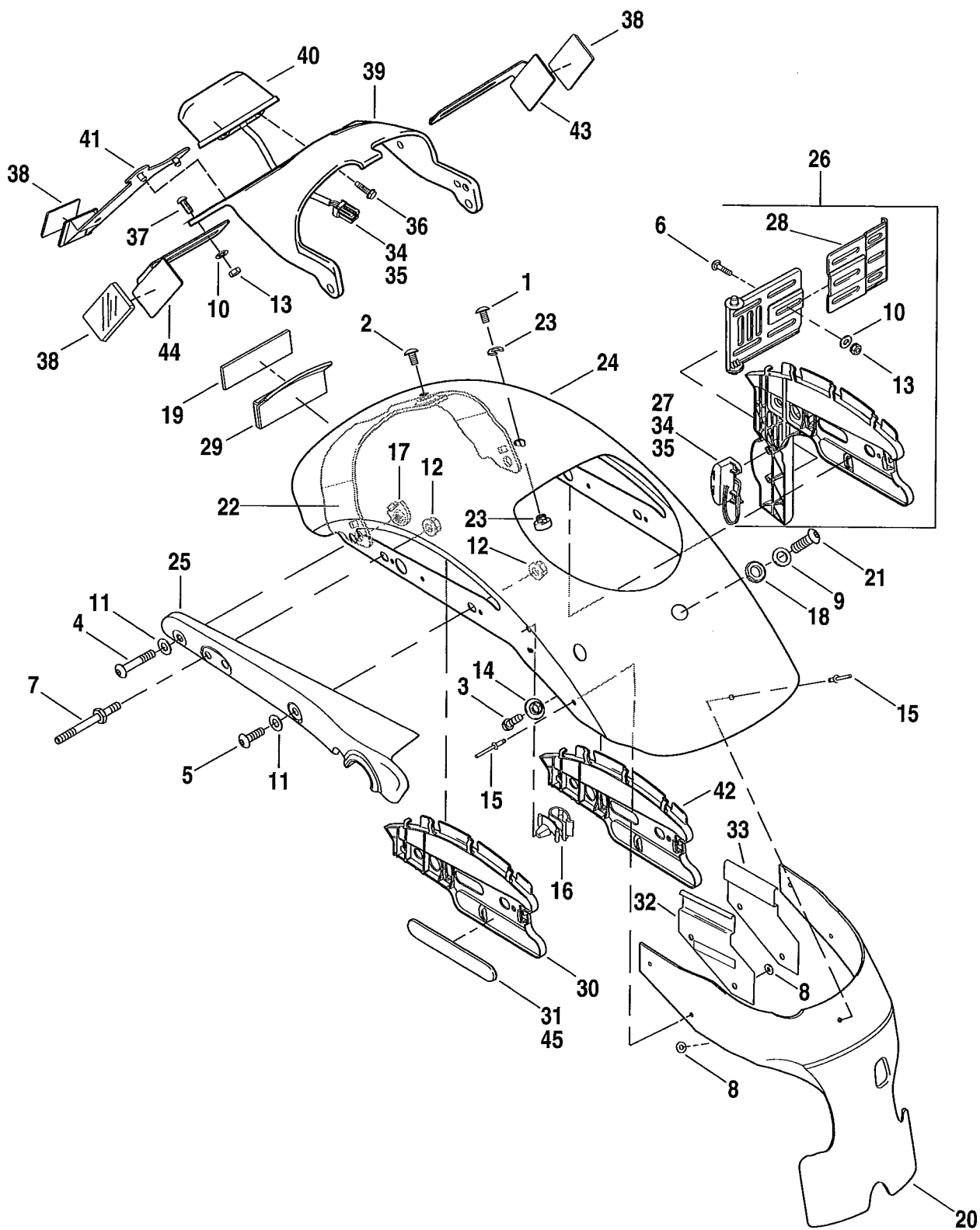
INTERNATIONAL MODELS ONLY

31	59254-91	REFLECTOR, amber (HDI) (2)	CN/CP/CR/CS/CT/CV/CX
----	----------	----------------------------	----------------------

2008 MODEL IDENTIFICATION CODES

CN = XL883 CP = XL883C CR = XL883L CS = XL883R CT = XL1200C CV = XL1200R CX = XL1200L CZ = XL1200N LA = XR1200

REAR FENDER & LICENSE PLATE BRACKET - 1200N (NON-JAPAN)



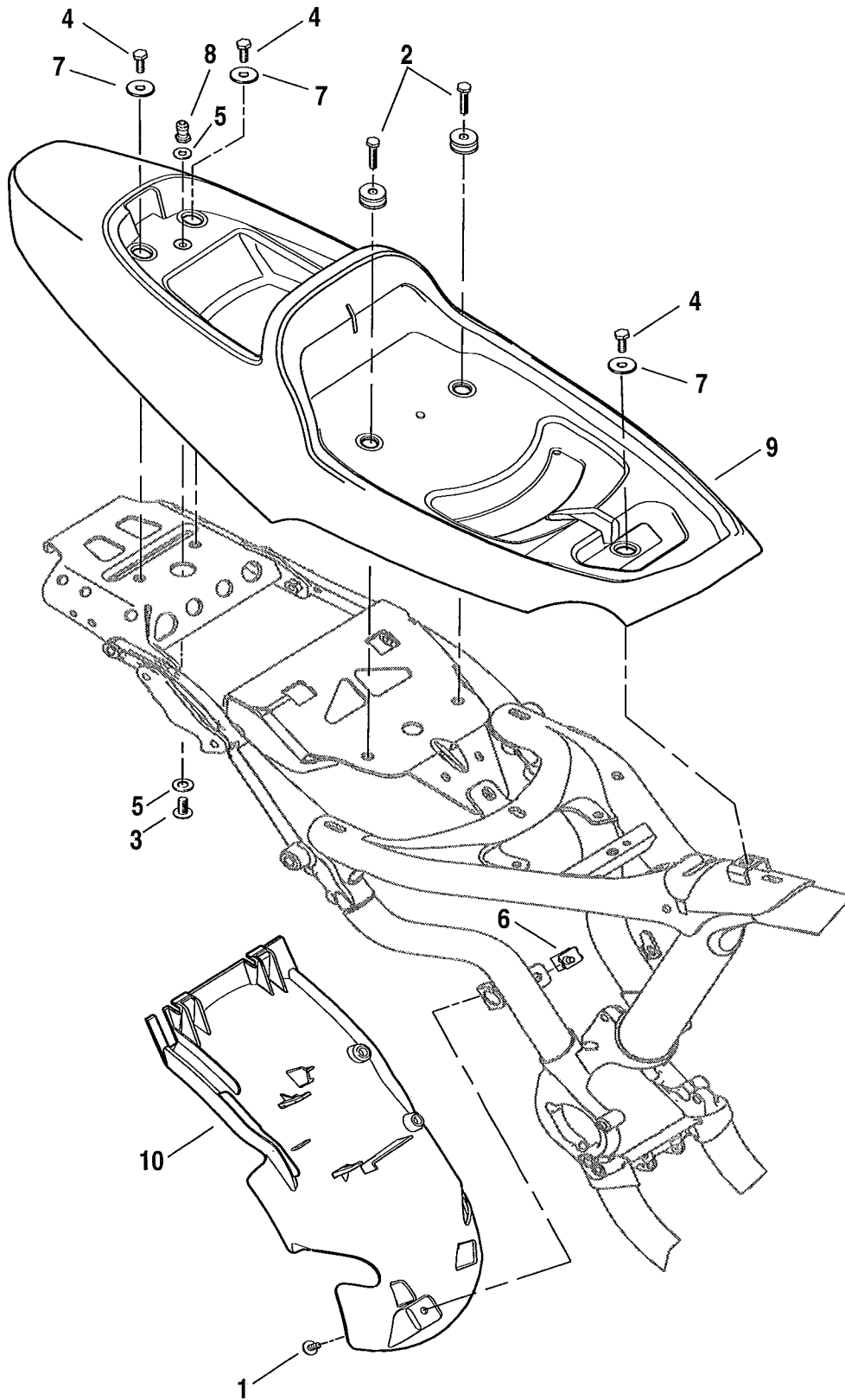
REAR FENDER & LICENSE PLATE BRACKET - 1200N (NON-JAPAN)

INDEX NO.	PART NO.	DESCRIPTION	MODEL(S)
NOTE: Refer to Painted Parts Book for painted part numbers.			
1	2952A	SCREW	CZ
2	3085	SCREW	CZ
3	4017	BOLT	CZ
4	4778	SCREW (2)	CZ
5	4779	SCREW (2)	CZ
6	5403B	BOLT, carriage	CZ
7	5531	SCREW, rear fender (2)	CZ
8	6192	WASHER (5)	CZ
9	6702	WASHER (2)	CZ
10	6703	WASHER	CZ
11	6798	WASHER (4)	CZ
12	7531	LOCKNUT (4)	CZ
13	7792	NUT, kept	CZ
14	7882	TEE SPACER	CZ
15	8692	RIVET (9)	CZ
16	10318	CLIP (2)	CZ
17	10323	CLIP, threaded (2)	CZ
18	11474	GROMMET	CZ
19	59359-06	REFLECTOR (red)	CZ
20	59502-04	REAR FENDER EXTENSION	CZ
21	59723-04	SEAT POST	CZ
22	59727-07	FENDER SUPPORT	CZ
23	59768-97	FENDER SEAT NUT KIT	CZ
24	59865-07	FENDER, rear (prime)	CZ
25	60203-06	COVER, rear fender support - right (vivid black)	CZ
	60204-06	COVER, rear fender support - left (vivid black) (not illustrated)	CZ
26	60318-07	LICENSE PLATE BRACKET MOUNT ASSEMBLY, left w/ 5403B, 6703, 7792, 68183-07 & 68702-07	CZ
27	68183-07	ILLUMINATOR, license plate w/ 73152-96BK, & 73191-96	CZ
28	68702-07	BRACKET ADJUST, license plate	CZ
29	68724-07	MOUNTING BLOCK, w/ tape	CZ
30	68704-07	BRACKET REFLECTOR MOUNT, right	CZ
31	69490-07	REFLECTOR (red) (2)	CZ
32	72566-08	WIRE TROUGH, right	CZ
33	72567-08	WIRE TROUGH, left	CZ
34	73152-96BK	SOCKET HOUSING, 2-way (black)	CZ
35	73191-96	SOCKET TERMINAL, 16-20 awg (2)	CZ
INTERNATIONAL MODELS ONLY			
36	2362	SCREW (HDI) (2)	CZ
37	2446	SCREW (HDI) (2)	CZ
38	59259-90	REFLECTOR (red) (HDI) (3)	CZ
39	60901-07	LICENSE PLATE MODULE (HDI)	CZ
40	60903-08	ILLUMINATOR, license plate (HDI)	CZ
41	60188-08	BRACKET, reflector w/ 59259-90 (HDI)	CZ
42	68857-07	BRACKET, license plate (HDI)	CZ
43	68966-08	BRACKET, reflector, LH (HDI)	CZ
44	68992-08	BRACKET, reflector, RH (HDI)	CZ
45	69498-08	COVER, side reflector (HDI) (2)	CZ

2008 MODEL IDENTIFICATION CODES

CN = XL883 CP = XL883C CR = XL883L CS = XL883R CT = XL1200C CV = XL1200R CX = XL1200L CZ = XL1200N LA = XR1200

REAR FENDER - XR1200

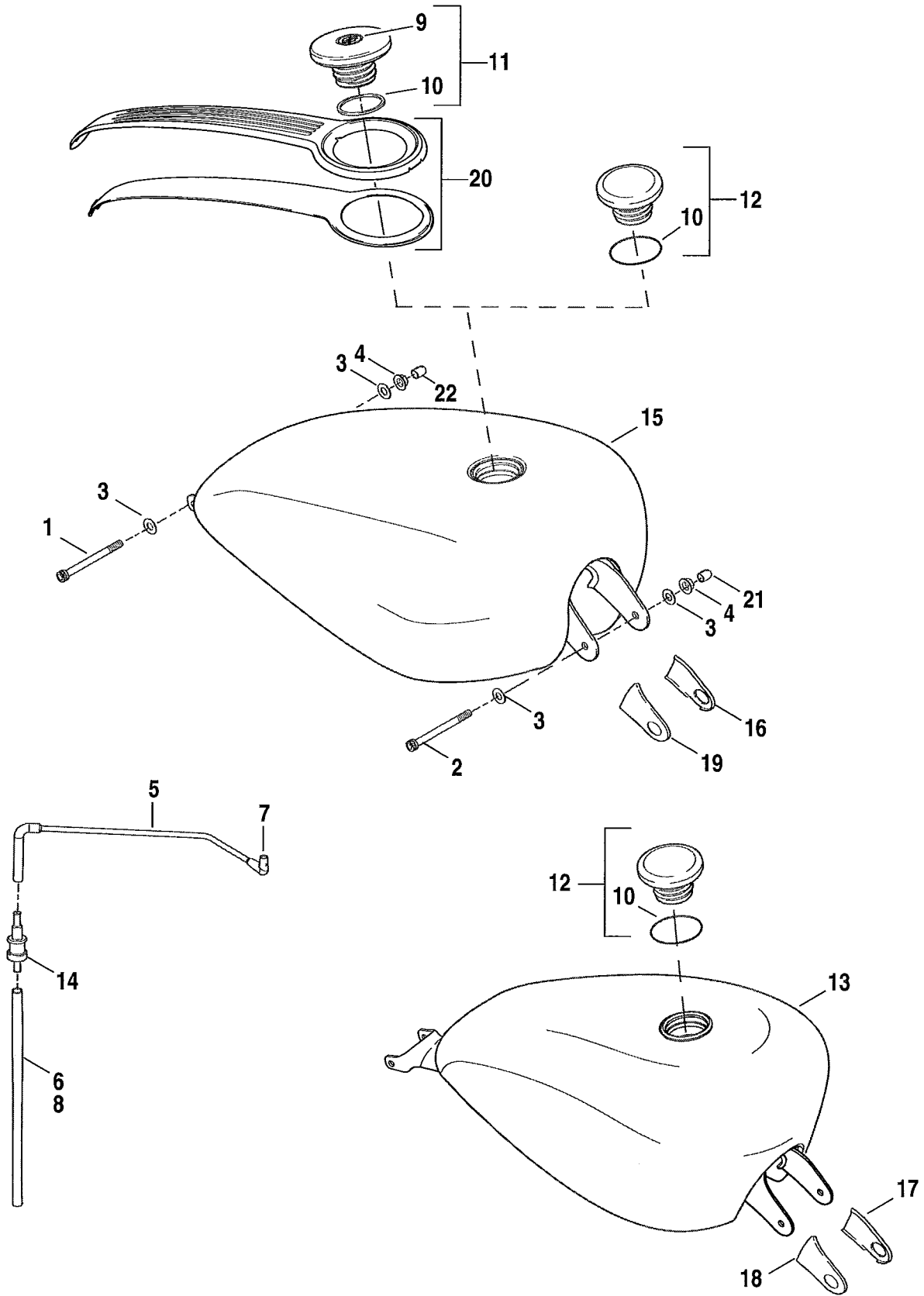


INDEX NO.	PART NO.	DESCRIPTION	MODEL(S)
INTERNATIONAL MODELS ONLY			
NOTE: Refer to the Service Section of h-dnet.com for painted part numbers.			
1	2445	SCREW	LA
2	2872W	BOLT (2)	LA
3	3574	SCREW	LA
4	3802W	BOLT (3)	LA
5	6703	WASHER (2)	LA
6	7900	LOCKNUT	LA
7	48390-06	SPACER (3)	LA
8	52429-08	SEAT POST	LA
9	59901-08BDK	FENDER, rear (prime)	LA
10	59916-08	FENDER ASSEMBLY, inner	LA

2008 MODEL IDENTIFICATION CODES

CN = XL883 CP = XL883C CR = XL883L CS = XL883R CT = XL1200C CV = XL1200R CX = XL1200L CZ = XL1200N LA = XR1200

FUEL TANK - 883/C/L/R, 1200C/L/N/R

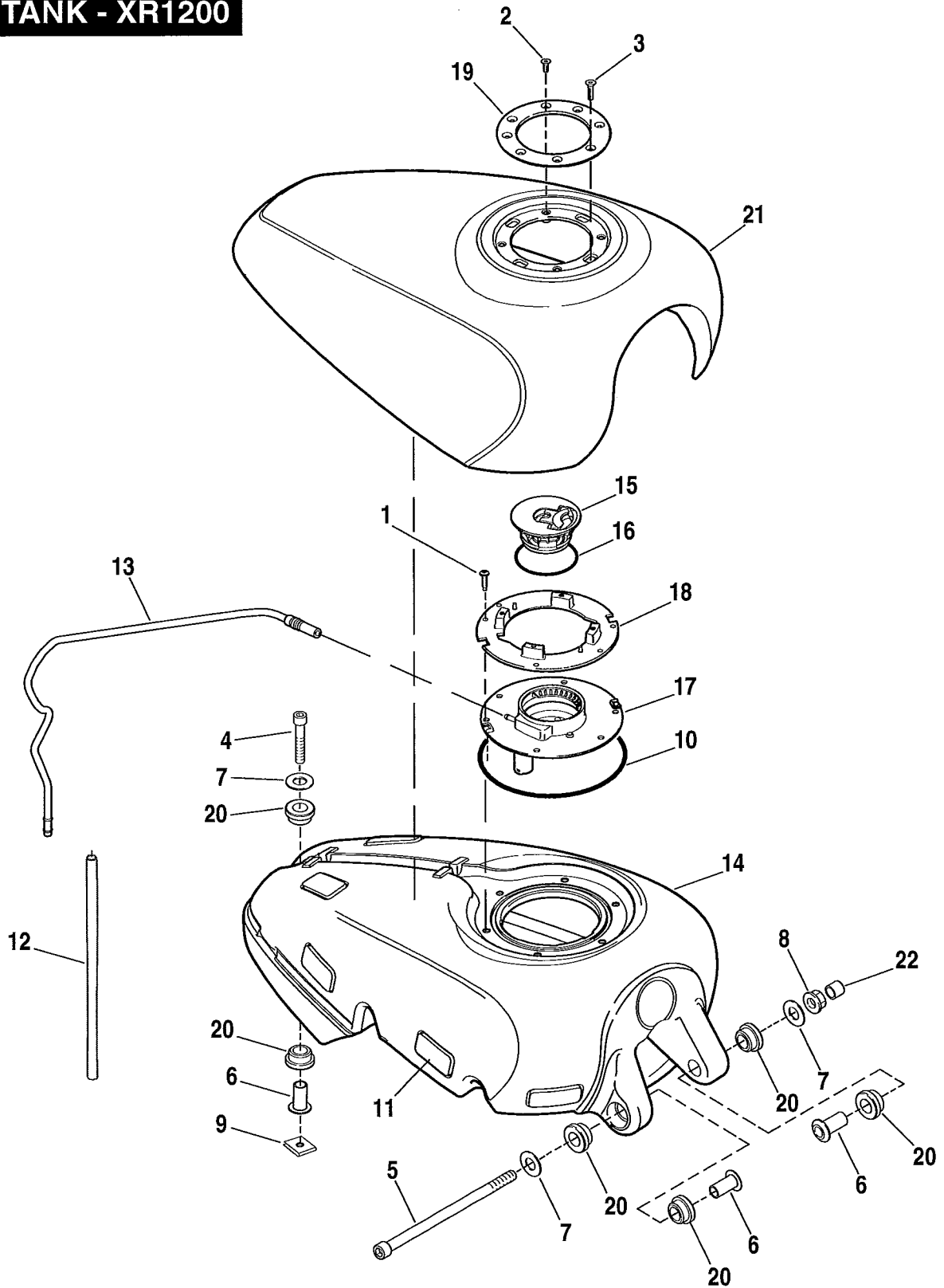


INDEX NO.	PART NO.	DESCRIPTION	MODEL(S)
NOTE: Refer to the Service Section of h-dnet.com for painted part numbers.			
1	4758A	SCREW	CN/CP/CR/CS/CT/CV/CX/CZ
2	4771	SCREW	CN/CP/CR/CS/CT/CV/CX/CZ
3	6702	WASHER (4)	CN/CP/CR/CS/CT/CV/CX/CZ
4	7531	LOCKNUT, flange (2)	CN/CP/CR/CS/CT/CV/CX/CZ
5	27067-07A	VENTLINE, tank-to-valve, w/ 27250-96B	CN/CP/CR/CS/CT/CV/CX/CZ
6	27096-04A	VENT LINE, vapor valve-to-atmosphere	CN/CP/CR/CS/CT/CV/CX/CZ
7	27250-96B	CONNECTOR, 90 degree	CN/CP/CR/CS/CT/CV/CX/CZ
8	28911-04A	HOSE, vapor valve-to-evaporative canister (California)	CN/CP/CR/CS/CT/CV/CX/CZ
9	52494-04	FUEL CAP, medallion	CP/CT/CX
	60982-08	NAMEPLATE (not illustrated) **105TH ANNIVERSARY RESTRICTED SALE PART**	CT
10	61109-85D	GASKET, fuel cap	CN/CP/CR/CS/CT/CV/CX/CZ
11	61260-04	FUEL CAP ASSEMBLY, vented, w/ 52494-04 & 61109-85D	CP/CT/CX
12	61272-92B	FUEL CAP ASSEMBLY, w/ 61109-85D	CN/CR/CS/CV
	61289-07	FUEL CAP ASSEMBLY, vented, w/ 61109-85D	CZ
13	61348-07	FUEL TANK ASSEMBLY (prime)	CN/CR/CS/CZ
14	62150-85	VAPOR VALVE	CN/CP/CR/CS/CT/CV/CX/CZ
15	62213-07	FUEL TANK ASSEMBLY (prime)	CP/CT/CV/CX
16	70903-04	TRIM, left front	CP/CT/CV/CX
17	70904-04	TRIM, left front	CN/CR/CS/CZ
18	70917-04	TRIM, right front	CN/CR/CS/CZ
19	70919-04	TRIM, right front	CP/CT/CV/CX
20	71276-04	CONSOLE ASSEMBLY, fuel tank	CT
21	89579-91	CAP, protective	CN/CP/CR/CS/CT/CV/CX/CZ
22	89586-04	CAP, protective	CN/CP/CR/CS/CT/CV/CX/CZ

2008 MODEL IDENTIFICATION CODES

CN = XL883 CP = XL883C CR = XL883L CS = XL883R CT = XL1200C CV = XL1200R CX = XL1200L CZ = XL1200N LA = XR1200

FUEL TANK - XR1200

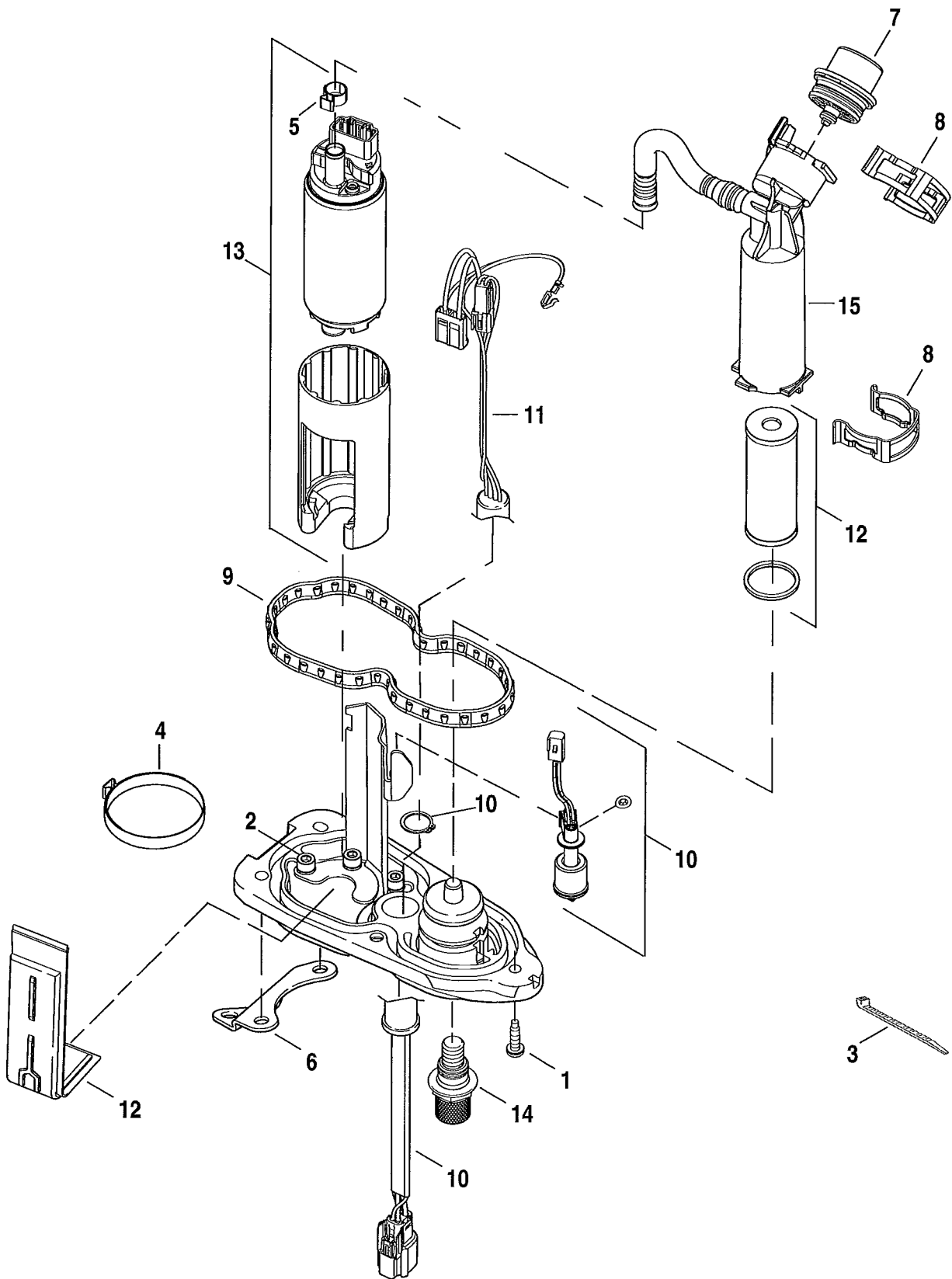


INDEX NO.	PART NO.	DESCRIPTION	MODEL(S)
INTERNATIONAL MODELS ONLY			
NOTE: Refer to the Service Section of h-dnet.com for painted part numbers.			
1	1081A	SCREW (6)	LA
2	3059	SCREW (4)	LA
3	3060	SCREW (4)	LA
4	3485A	SCREW	LA
5	4553	SCREW	LA
6	5845	BUSHING, tank mount (3)	LA
7	6400HB	WASHER, ferrous (3)	LA
8	7531	LOCKNUT, flange	LA
9	8102	SPEEDNUT	LA
10	11570	O-RING, fuel tank seal	LA
11	11668	PAD, fuel tank (8)	LA
12	27096-04A	VENT LINE, vapor valve-to-atmosphere	LA
13	27200-08	VENT LINE, fuel tank	LA
14	61392-08	FUEL TANK	LA
15	61572-08	FILLER CAP	LA
16	61573-08	O-RING	LA
17	61574-08	TOP PLATE	LA
18	61576-08	CLAMP RING	LA
19	61577-08	TRIM RING	LA
20	62881-00	BUSHING, rubber (6)	LA
21	66271-08BDK	COVER, fuel cell (primed)	LA
22	89586-04	CAP, protective	LA

2008 MODEL IDENTIFICATION CODES

CN = XL883 CP = XL883C CR = XL883L CS = XL883R CT = XL1200C CV = XL1200R CX = XL1200L CZ = XL1200N LA = XR1200

FUEL PUMP

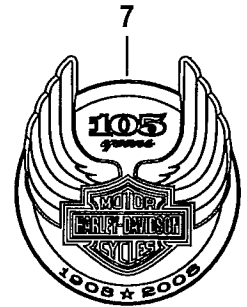
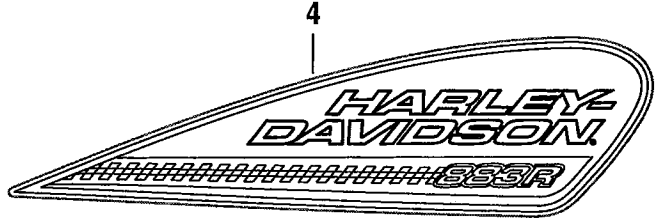
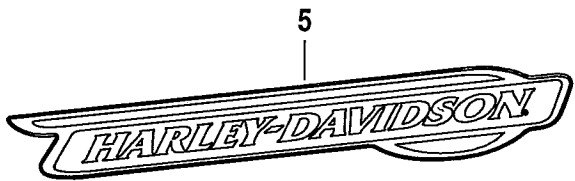


INDEX NO.	PART NO.	DESCRIPTION	MODEL(S)
	75268-07C	FUEL PUMP MODULE	ALL
NOTE: Includes the following parts.			
1	1081A	SCREW (not included in pump) (5)	ALL
2	1091	SCREW (3)	ALL
3	10181	CABLE STRAP (as required)	ALL
4	10303	CLAMP, pump assembly	ALL
5	10304	CLAMP, tube	ALL
6	56871-08	BRACKET, throttle cable guide	LA
7	61015-04A	PRESSURE REGULATOR ASSEMBLY	ALL
8	61213-04A	RETAINING CLIP (2)	ALL
9	75301-07	SEAL, cover plate	ALL
10	75302-07	SENSOR, fuel level	ALL
11	75303-07	HARNESS, fuel sender, w/ retaining ring	ALL
12	75304-07A	FUEL FILTER KIT, w/ 10181, 10303, strainer & filter element	ALL
13	75305-07A	FUEL PUMP, w/ 1091, 10181, 10303 & 10304	ALL
14	75309-07	VALVE ASSEMBLY	ALL
15	75317-07	FILTER HOUSING	ALL

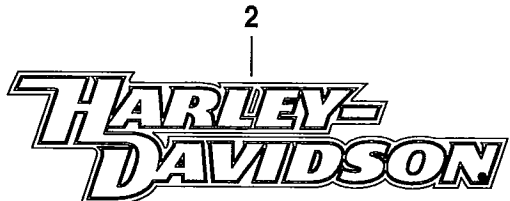
2008 MODEL IDENTIFICATION CODES

CN = XL883 CP = XL883C CR = XL883L CS = XL883R CT = XL1200C CV = XL1200R CX = XL1200L CZ = XL1200N LA = XR1200

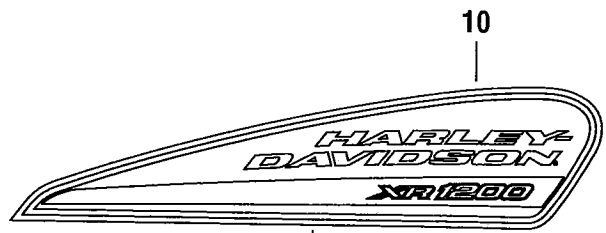
FUEL TANK TRIM



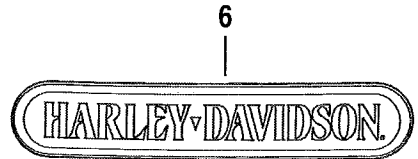
NOTE: The fuel tank decal shown is a silkscreen that is only sold as part of the painted fuel tank assembly.



NOTE: The fuel tank decal shown is a waterslide that is only sold as part of the painted fuel tank assembly.



NOTE: The fuel tank decal shown is a waterslide that is only sold as part of the painted fuel cell cover.

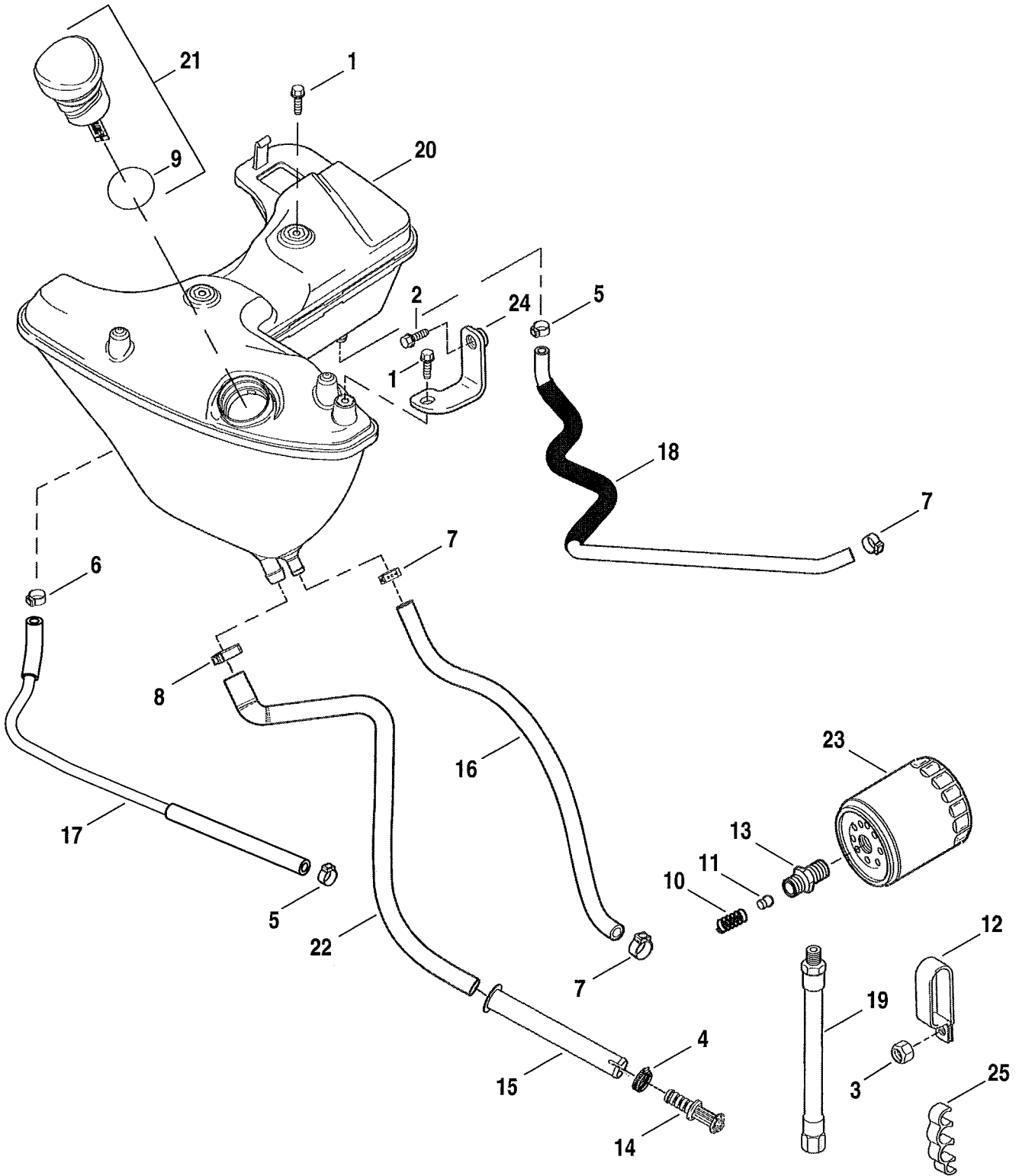


INDEX NO.	PART NO.	DESCRIPTION	MODEL(S)
1	13304-08	DECAL, fuel tank (gold, burgundy)	CR
	13305-08	DECAL, fuel tank (silver, blue)	CR
2	13340-08	DECAL, fuel tank (red, black, silver)	CN
	13341-08	DECAL, fuel tank (blue, black, silver)	CN
3	13342-08	DECAL, fuel tank, LH (silver, burgandy)	CP
	13343-08	DECAL, fuel tank, RH (silver, burgandy)	CP
	13386-08	DECAL, fuel tank, LH (silver, blue)	CP
4	13397-08	DECAL, fuel tank, RH (silver, blue)	CP
	13578-08	DECAL, fuel tank, LH (gold, burgandy)	CP
	13579-08	DECAL, fuel tank, RH (gold, burgandy)	CP
	13566-05	DECAL, fuel tank (LH)	CS
	13567-05	DECAL, fuel tank (RH)	CS
5	62260-08	MEDALLION, fuel tank, LH (red)	CT
	62261-08	MEDALLION, fuel tank, RH (red)	CT
	62262-08	MEDALLION, fuel tank LH (blue)	CT
	62263-08	MEDALLION, fuel tank, RH (blue)	CT
6	62320-06	MEDALLION, fuel tank, LH	CX
	62321-06	MEDALLION, fuel tank, RH	CX
7	62386-08	MEDALLION, fuel tank LH **105TH ANNIVERSARY RESTRICTED SALE PART**	CT/CX
	62387-08	MEDALLION, fuel tank, RH **105TH ANNIVERSARY RESTRICTED SALE PART**	CT//CX
8	SEE NOTE	(for vivid black, mirage orange pearl, brilliant silver denim, suede blue pearl, olive pearl denim tanks)	CZ
9	SEE NOTE	(for vivid black, pacific blue pearl, crimson red sunglow, black pearl tanks)	CV
INTERNATIONAL MODELS ONLY			
10	SEE NOTE	(for mirage orange pearl, pewter pearl, pewter denim, dark blue pearl, pacific blue pearl)	LA

2008 MODEL IDENTIFICATION CODES

CN = XL883 CP = XL883C CR = XL883L CS = XL883R CT = XL1200C CV = XL1200R CX = XL1200L CZ = XL1200N LA = XR1200

OIL TANK & FILTER - 883/C/L/R, 1200C/L/N/R

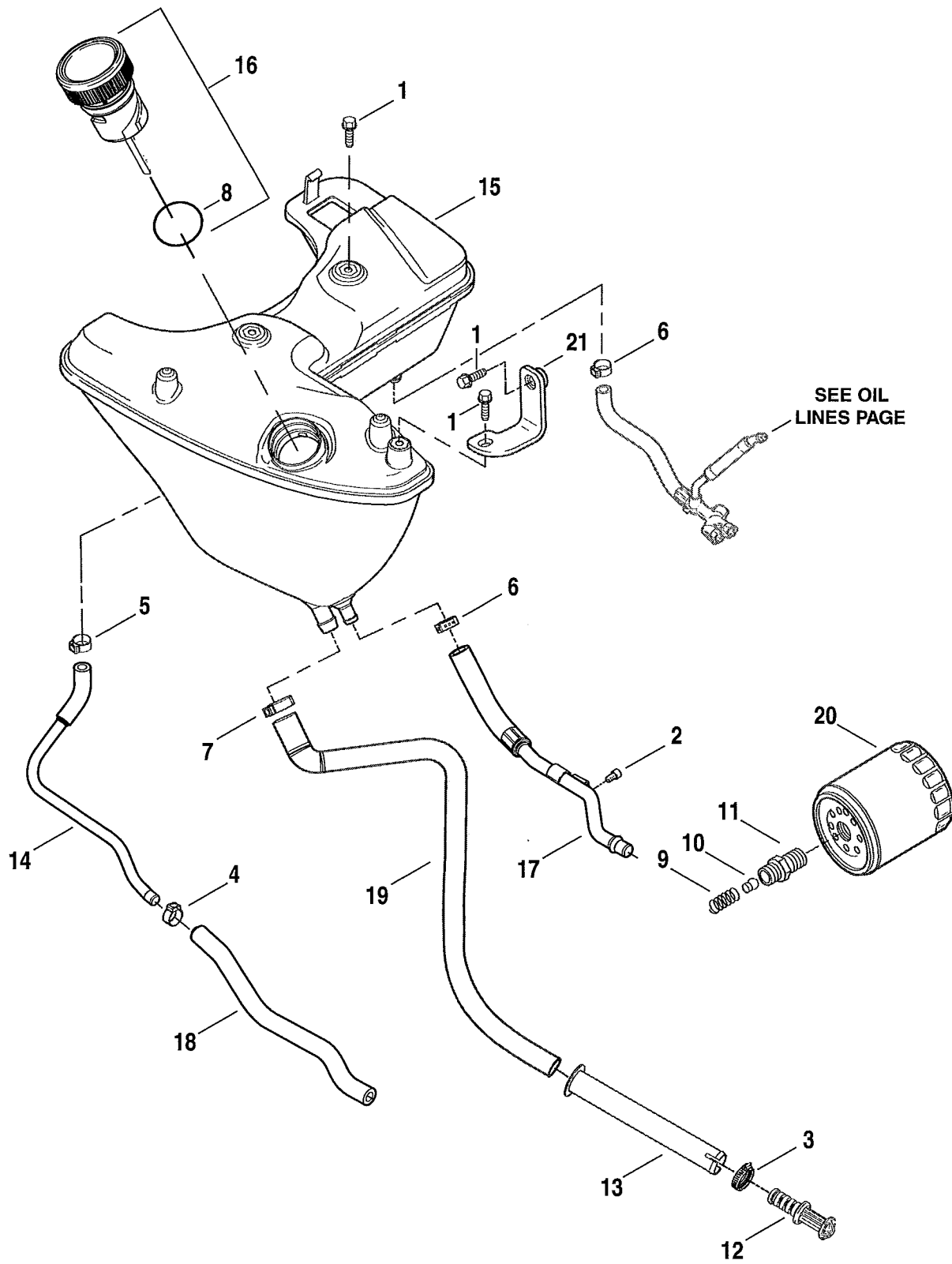


INDEX NO.	PART NO.	DESCRIPTION	MODEL(S)
1	3588	SCREW, flange (3)	CN/CP/CR/CS/CT/CV/CX/CZ
2	3799	SCREW, flange	CN/CP/CR/CS/CT/CV/CX/CZ
3	7624	LOCKNUT	CN/CP/CR/CS/CT/CV/CX/CZ
4	9969	HOSE CLAMP	CN/CP/CR/CS/CT/CV/CX/CZ
5	10014	CLAMP	CN/CP/CR/CS/CT/CV/CX/CZ
6	10038A	CLAMP	CN/CP/CR/CS/CT/CV/CX/CZ
7	10080	CLAMP (3)	CN/CP/CR/CS/CT/CV/CX/CZ
8	10142	CLAMP	CN/CP/CR/CS/CT/CV/CX/CZ
9	11120	O-RING	CN/CP/CR/CS/CT/CV/CX/CZ
10	26436-90A	SPRING	CN/CP/CR/CS/CT/CV/CX/CZ
11	26437-86B	BALL	CN/CP/CR/CS/CT/CV/CX/CZ
12	31512-04	HOSE CLAMP	CN/CP/CR/CS/CT/CV/CX/CZ
13	33117-91A	ADAPTOR, oil filter	CN/CP/CR/CS/CT/CV/CX/CZ
14	33123-06A	PLUG, oil tank drain	CN/CP/CR/CS/CT/CV/CX/CZ
15	33138-06	SLEEVE, oil drain line	CN/CP/CR/CS/CT/CV/CX/CZ
16	62338-01Y	LINE, oil feed	CN/CP/CR/CS/CT/CV/CX/CZ
17	62360-04A	LINE, vent tube, w/ 10014	CN/CP/CR/CS/CT/CV/CX/CZ
18	62361-04	LINE, oil return	CN/CP/CR/CS/CT/CV/CX/CZ
19	62651-04	LINE, oil pump	CN/CP/CR/CS/CT/CV/CX/CZ
20	62888-04A	OIL TANK ASSEMBLY	CN/CP/CR/CS/CT/CV/CX/CZ
21	63000-04B	DIPSTICK ASSEMBLY, oil tank, w/ 11120	CN/CP/CR/CS/CT/CV/CX
	62592-07A	DIPSTICK ASSEMBLY, oil tank, w/ 11120	CZ
22	63596-06	LINE, oil drain	CN/CP/CR/CS/CT/CV/CX/CZ
23	63805-80A	OIL FILTER	CN/CP/CR/CS/CV/CX/CZ
	63796-77A	OIL FILTER (chrome)	CT
24	66199-04	BRACKET, oil tank	CN/CP/CR/CS/CT/CV/CX/CZ
25	70503-04	HOSE CLIP	CN/CP/CR/CS/CT/CV/CX/CZ

2008 MODEL IDENTIFICATION CODES

CN = XL883 CP = XL883C CR = XL883L CS = XL883R CT = XL1200C CV = XL1200R CX = XL1200L CZ = XL1200N LA = XR1200

OIL TANK & FILTER - XR1200

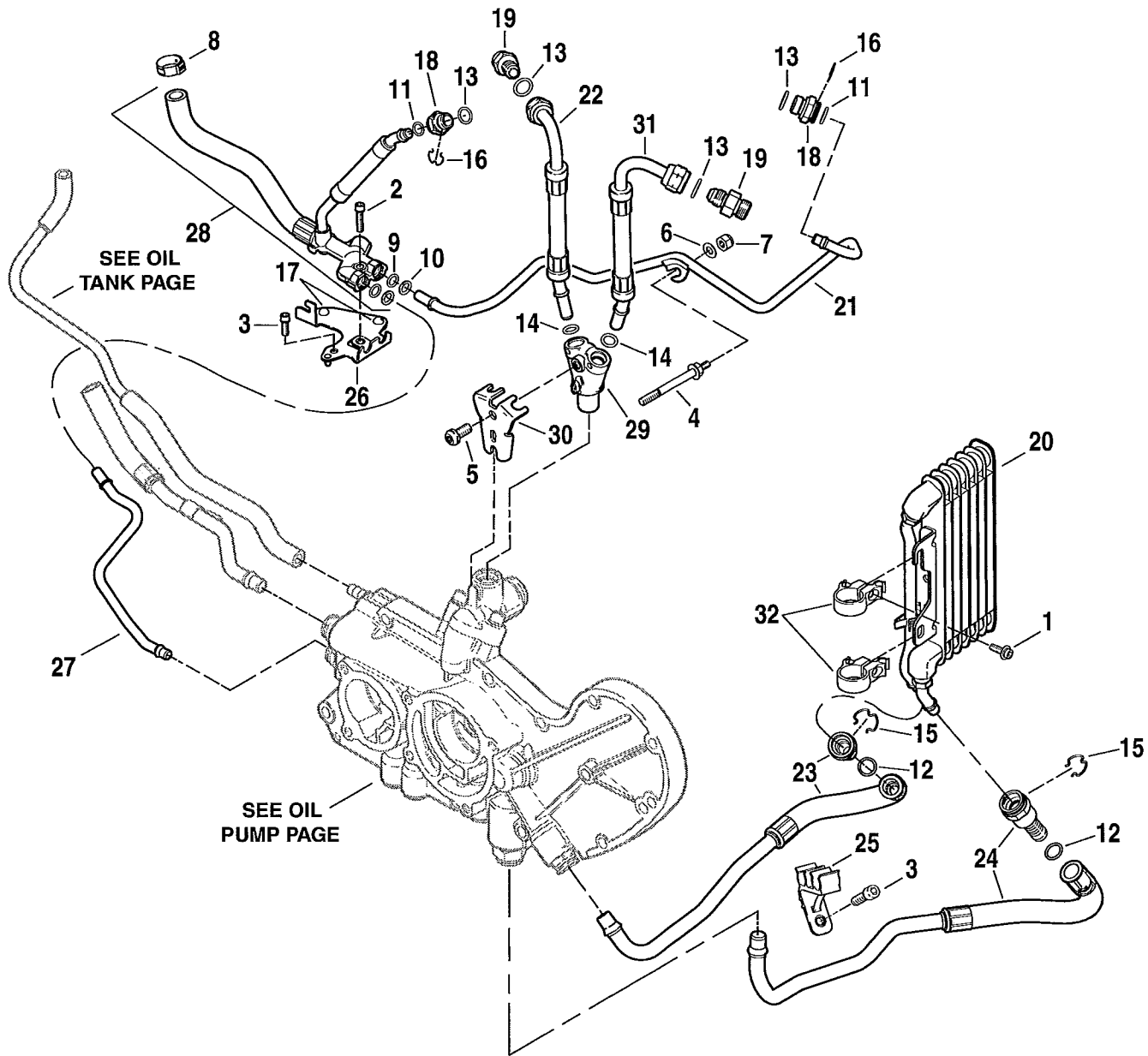


INDEX NO.	PART NO.	DESCRIPTION	MODEL(S)
INTERNATIONAL MODELS ONLY			
1	3588	SCREW, flange (4)	LA
2	4705	SCREW	LA
3	9969	HOSE CLAMP	LA
4	10014	CLAMP	LA
5	10038A	CLAMP	LA
6	10344	CLAMP (2)	LA
7	10142	CLAMP	LA
8	11120	O-RING	LA
9	26436-90A	SPRING	LA
10	26437-86B	BALL	LA
11	33117-91A	ADAPTOR, oil filter	LA
12	33123-06A	PLUG, oil tank drain	LA
13	33138-06	SLEEVE, oil drain line	LA
14	62360-04A	LINE, oil vent, upper, w/ 10014	LA
15	62888-08	OIL TANK ASSEMBLY	LA
16	63008-08	DIPSTICK ASSEMBLY, oil tank, w/ 11120	LA
17	63099-08	LINE, oil feed	LA
18	63103-08	LINE, oil vent, lower	LA
19	63596-06	LINE, oil drain	LA
20	63805-80A	OIL FILTER	LA
21	66199-04	BRACKET, oil tank	LA

2008 MODEL IDENTIFICATION CODES

CN = XL883 CP = XL883C CR = XL883L CS = XL883R CT = XL1200C CV = XL1200R CX = XL1200L CZ = XL1200N LA = XR1200

OIL LINES & COOLER - XR1200

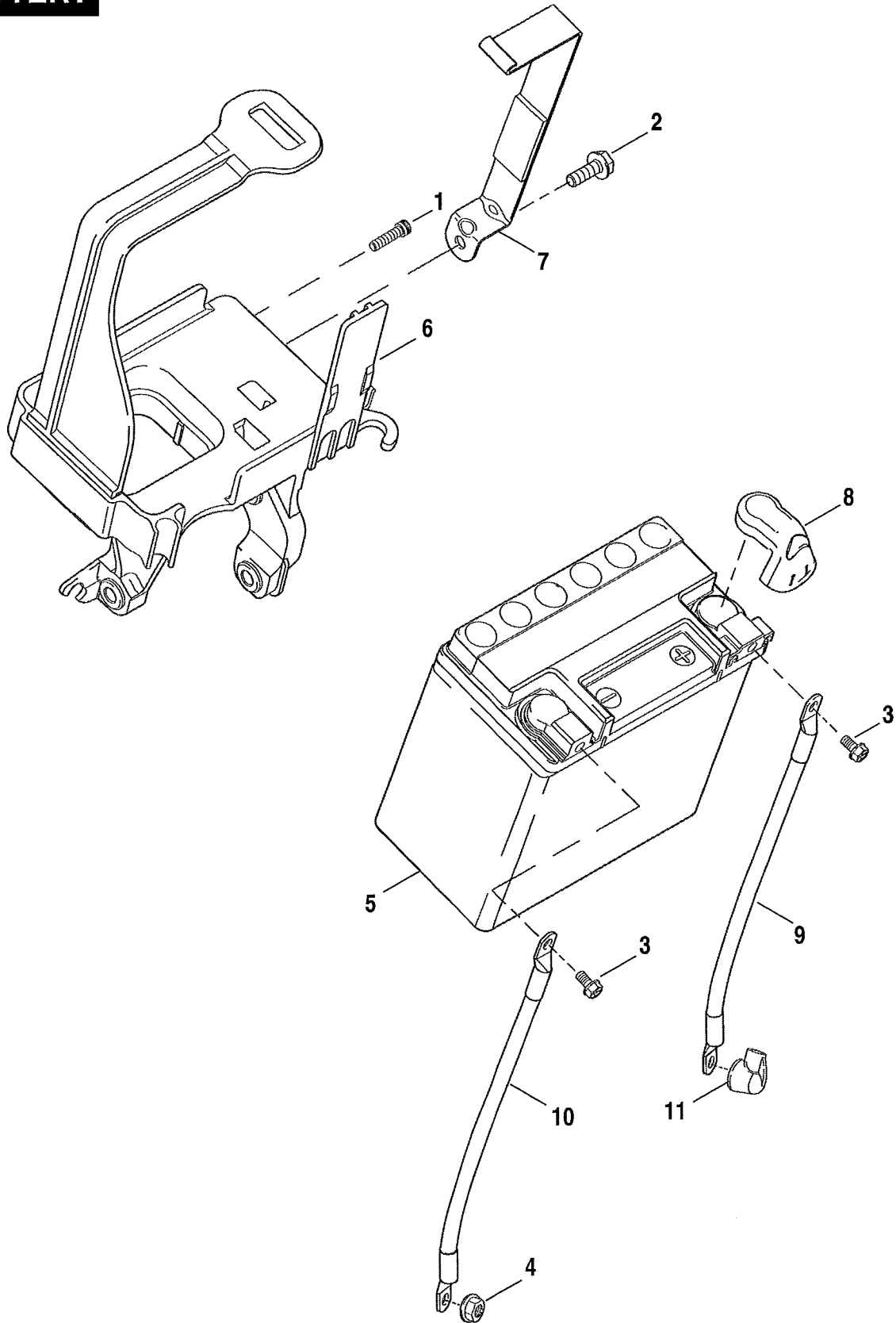


INDEX NO.	PART NO.	DESCRIPTION	MODEL(S)
INTERNATIONAL MODELS ONLY			
1	882	SCREW (2)	LA
2	1094	SCREW (2)	LA
3	4705	SCREW (2)	LA
4	4886	SCREW, special	LA
5	4897	SCREW	LA
6	6110	WASHER	LA
7	7686	LOCKNUT	LA
8	10344	CLAMP	LA
9	10970	O-RING (2)	LA
10	10972	SPACER (2)	LA
11	11110	O-RING (2)	LA
12	11140	O-RING (2)	LA
13	11290	O-RING (4)	LA
14	11351	O-RING (2)	LA
15	11384K	RETAINER, wire clip (2)	LA
16	11408	RETAINER, wire clip (2)	LA
17	11652	BUMPER, rubber (2)	LA
18	26064-08	FITTING ASSEMBLY, w/ 11110, 11290 & 11408 (2)	LA
19	26183-08	FITTING, w/ 11290 (2)	LA
20	63050-08A	OIL COOLER	LA
21	63080-08	LINE, oil, front head return	LA
22	63081-08	LINE, oil, rear cylinder head	LA
23	63097-08	LINE, oil cooler feed, w/ 11140, 11384K & quick connect fitting	LA
24	63098-08	LINE, oil cooler return, w/ 11140, 11384K & quick connect fitting	LA
25	63108-08	CLAMP	LA
26	63110-08	BRACKET ASSEMBLY, manifold, w/ 11652	LA
27	63111-08	LINE, oil, savenge return	LA
28	63112-08	MANIFOLD ASSEMBLY, oil tank return, w/ 10970 & 10972	LA
29	63116-08	MANIFOLD	LA
30	63119-08	BRACKET	LA
31	63120-08	LINE, oil, front cylinder head	LA
32	63125-08	CLAMP (2)	LA

2008 MODEL IDENTIFICATION CODES

CN = XL883 CP = XL883C CR = XL883L CS = XL883R CT = XL1200C CV = XL1200R CX = XL1200L CZ = XL1200N LA = XR1200

BATTERY

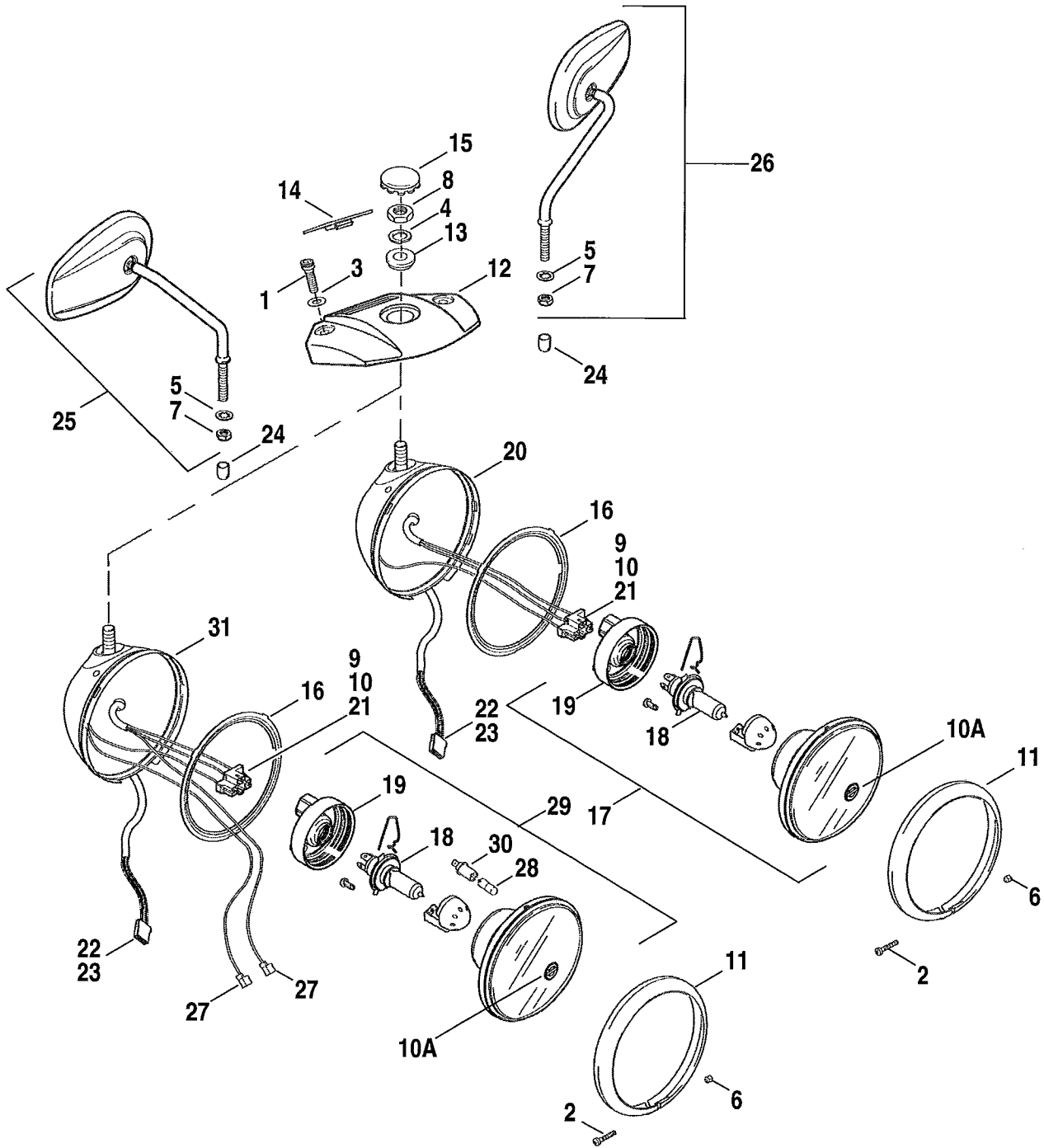


INDEX NO.	PART NO.	DESCRIPTION	MODEL(S)
1	2535	SCREW (3)	ALL
2	3574	SCREW, flange	ALL
3	4312C	SCREW, flange (2)	ALL
4	7770	NUT, flange	ALL
	10006	CABLE STRAP (not illustrated)	ALL
5	65958-04	BATTERY, w/ 4312C	ALL
6	66194-04C	TRAY, battery	ALL
7	66476-04A	STRAP, battery	ALL
8	70003-04	COVER, battery terminal	ALL
9	70295-04	CABLE, battery-to-starter, w/ 70578-89	ALL
10	70296-04	CABLE, battery-to-ground	ALL
11	70578-89	RUBBER BOOT	ALL

2008 MODEL IDENTIFICATION CODES

CN = XL883 CP = XL883C CR = XL883L CS = XL883R CT = XL1200C CV = XL1200R CX = XL1200L CZ = XL1200N LA = XR1200

HEADLAMP & MIRROR - 883/L/R, 1200L/N/R

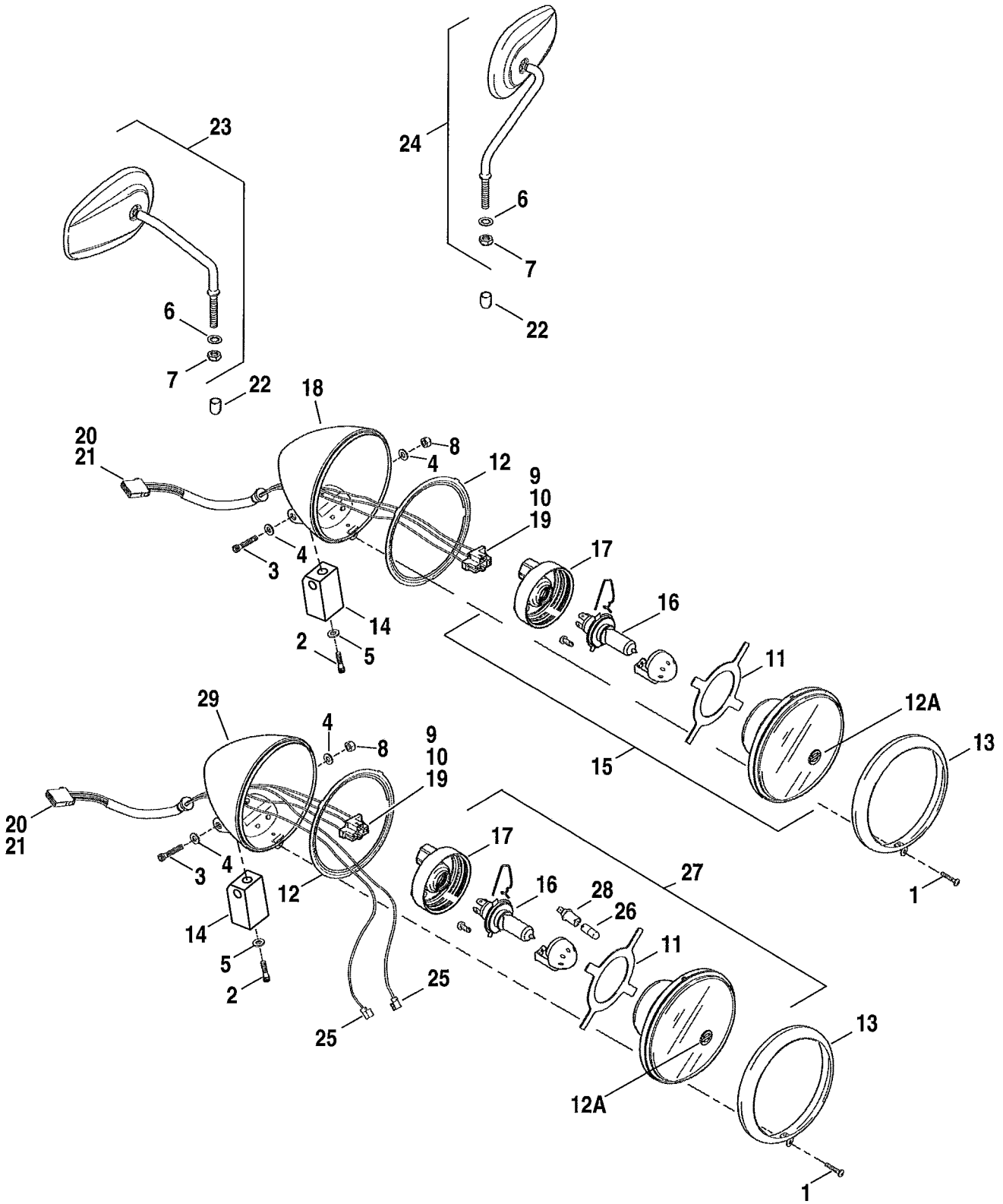


INDEX NO.	PART NO.	DESCRIPTION	MODEL(S)
1	3655A	SCREW (2)	CN/CR/CS/CV/CX/CZ
2	3514	SCREW	CN/CR/CS/CV/CX/CZ
3	6702	WASHER (2)	CN/CR/CS/CV/CX/CZ
4	7068	LOCKWASHER, lock	CN/CR/CS/CV/CX/CZ
5	7127	LOCKWASHER (2)	CN/CR/CS/CV/CX/CZ
6	7606	LOCKNUT	CN/CR/CS/CV/CX/CZ
7	7720	ACORN NUT (2)	CN/CR/CS/CV/CX/CZ
8	7880	NUT	CN/CR/CS/CV/CX/CZ
9	9847	CONNECTOR, right	CN/CR/CS/CV/CX/CZ
10	9848	CONNECTOR, left	CN/CR/CS/CV/CX/CZ
10A	67667-05	MEDALLION	CN/CR/CS/CV/CX/CZ
11	67790-93A	BEZEL	CN/CR/CS/CV/CX
	68443-07A	BEZEL, black/satin	CZ
12	67805-92	BRACKET, headlamp	CN/CR
	67963-05	BRACKET, headlamp	CS
	69709-00	BRACKET KIT, headlamp, w/ trim (chrome)	CV/CX
	67950-07	BRACKET, headlamp (gloss black)	CZ
13	67815-59A	WASHER, headlamp	CN/CR/CS/CV/CX/CZ
14	67834-83	TRIM, headlamp bracket	CN/CR
	67972-98	TRIM, headlamp bracket	CS/CZ
15	67865-89	PLUG	CN/CR/CV/CX
	69449-05	PLUG	CS
	67951-07	PLUG (gloss black)	CZ
16	67883-04A	ADAPTER RING	CN/CR/CS/CV/CX/CZ
17	68297-05	LAMP ASSEMBLY, 5-3/4 in., w/ 67667-05, 68329-03 & 68380-05	CN/CR/CS/CV/CX/CZ
18	68329-03	BULB	CN/CR/CS/CV/CX/CZ
19	68380-05	BOOT, headlamp connector	CN/CR/CS/CV/CX/CZ
20	69774-07A	HEADLAMP SHELL ASSEMBLY, 5-3/4 in. (black), w/ 9847, 9848, 9898, 72056-92, 73154-96BK, & 73191-96	CN/CR/CS/CV/CX/CZ
21	72056-92	HOUSING, female	CN/CR/CS/CV/CX/CZ
22	73154-96BK	SOCKET HOUSING, 4-way (black)	CZ
	73160-96BK	SOCKET HOUSING, 10-way (black)	CN/CR/CS/CV/CX
23	73191-96	SOCKET TERMINAL, 16-20 awg (4)	CN/CR/CS/CV/CX/CZ
24	89586-04	CAP, protective (2)	CN/CR/CS/CV/CX/CZ
25	91840-03A	MIRROR KIT, right, short (chrome)	CR/CV/CX
	91846-03A	MIRROR KIT, right, long (chrome)	CN
	91982-03A	MIRROR KIT, right, short (black)	CS/CZ
26	91845-03A	MIRROR KIT, left, short (chrome)	CR/CV/CX
	91848-03A	MIRROR KIT, left, long (chrome)	CN
	91983-03A	MIRROR KIT, left, short (black)	CS/CZ
INTERNATIONAL MODELS ONLY			
27	9898	TERMINAL FLAG (2)	CN/CR/CS/CV/CX/CZ
28	53438-92	BULB	CN/CR/CS/CV/CX/CZ
29	68335-05	LAMP ASSEMBLY, left 5-3/4 in. (Australia, England, Japan), w/ 53438-92, 68329-03, 68380-05, & 68650-92	CN/CR/CS/CV/CX/CZ
	68341-05	LAMP ASSEMBLY, right 5-3/4 (HDI), w/ 53438-92, 68329-03, 68380-05, & 68650-92	CN/CR/CS/CV/CX/CZ
30	68650-92	SOCKET, bulb (2 spade)	CN/CR/CS/CV/CX/CZ
31	69774-07A	HEADLAMP SHELL ASSEMBLY, 5-3/4 in. (black), w/ 9847, 9848, 9898, 72056-92, 73154-96BK, & 73191-96	CN/CR/CS/CV/CX/CZ

2008 MODEL IDENTIFICATION CODES

CN = XL883 CP = XL883C CR = XL883L CS = XL883R CT = XL1200C CV = XL1200R CX = XL1200L CZ = XL1200N LA = XR1200

HEADLAMP & MIRROR - 883C, 1200C

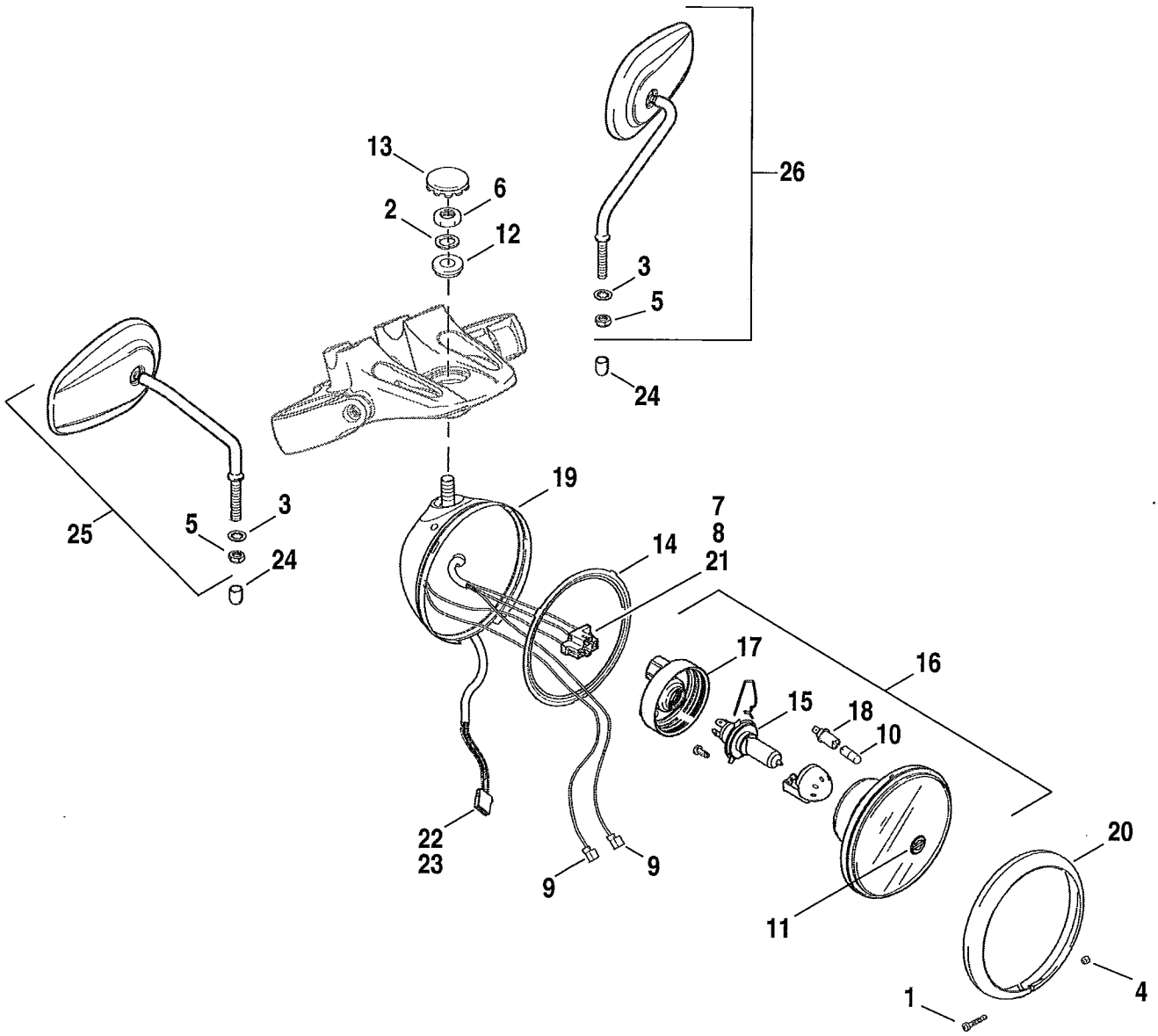


INDEX NO.	PART NO.	DESCRIPTION	MODEL(S)
1	3615	SCREW	CP/CT
2	4350A	SCREW	CP/CT
3	4420	SCREW	CP/CT
4	6701	WASHER (2)	CP/CT
5	7045	LOCKWASHER	CP/CT
6	7127	LOCKWASHER (2)	CP/CT
7	7727	LOCKNUT (2)	CP/CT
8	7778	LOCKNUT	CP/CT
9	9847	CONNECTOR, right	CP/CT
10	9848	CONNECTOR, left	CP/CT
11	67601-94A	GASKET, headlamp, This gasket is sold separately and is not part of items 15, 26, & 27.	CP/CT
12	67603-94A	ADAPTER RING	CP/CT
12A	67667-05	MEDALLION	CP/CT
13	67894-93A	BEZEL ASSEMBLY	CP/CT
14	67742-06	MOUNT, headlamp	CP/CT
15	68297-05	LAMP ASSEMBLY, 5-3/4 in., w/ 68329-03 & 68380-05	CP/CT
16	68329-03	BULB	CP/CT
17	68380-05	BOOT, headlamp connector	CP/CT
18	69681-07	HEADLAMP SHELL ASSEMBLY, 5-3/4 in., w/ 9847, 9848, 9898, 72056-92, 73154-96BK, & 73191-96	CP/CT
19	72056-92	HOUSING, female	CP/CT
20	73191-96	SOCKET TERMINAL, 16-20 awg	CP/CT
21	73154-96BK	SOCKET HOUSING, 4-way (black)	CP/CT
22	89586-04	CAP, protective	CP/CT
23	91846-03A	MIRROR KIT, right	CP/CT
24	91848-03A	MIRROR KIT, left	CP/CT
INTERNATIONAL MODELS ONLY			
25	9898	TERMINAL FLAG	CP/CT
26	53438-92	BULB	CP/CT
27	68335-05	LAMP ASSEMBLY, left (Australia, England, Japan) 5-3/4 in.	CP/CT
	68341-05	LAMP ASSEMBLY, right (HDI) 5-3/4 in.	CP/CT
28	68650-92	SOCKET, bulb (2 spade)	CP/CT
29	69681-07	HEADLAMP SHELL ASSEMBLY, 5-3/4 in., w/ 9847, 9848, 9898, 72056-92, 73154-96BK, & 73191-96	CP/CT

2008 MODEL IDENTIFICATION CODES

CN = XL883 CP = XL883C CR = XL883L CS = XL883R CT = XL1200C CV = XL1200R CX = XL1200L CZ = XL1200N LA = XR1200

HEADLAMP & MIRROR - XR1200

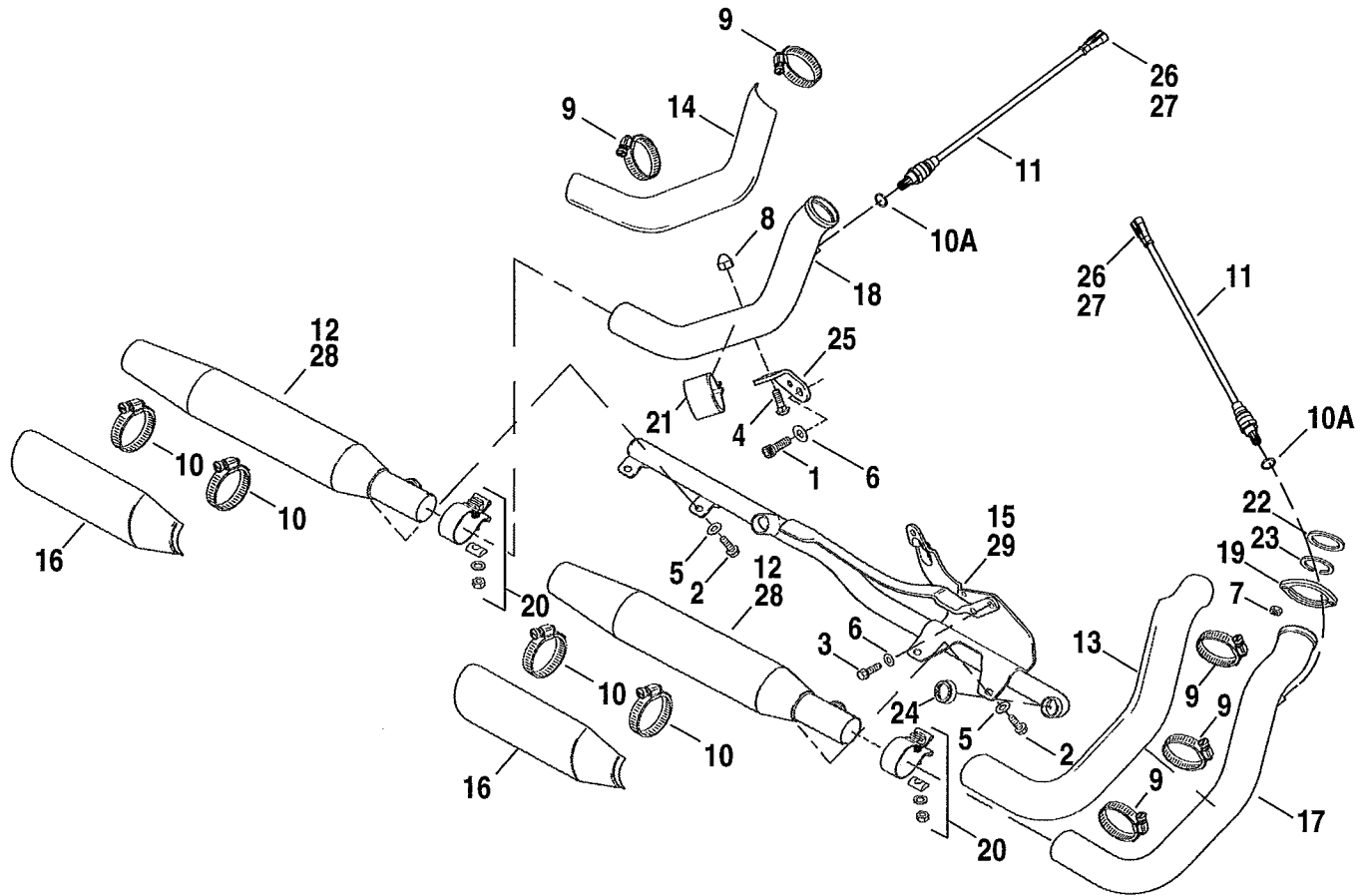


INDEX NO.	PART NO.	DESCRIPTION	MODEL(S)
INTERNATIONAL MODELS ONLY			
1	3514	SCREW	LA
2	7068	LOCKWASHER, lock	LA
3	7127	LOCKWASHER (2)	LA
4	7606	LOCKNUT	LA
5	7720	ACORN NUT (2)	LA
6	7880	NUT	LA
7	9847	CONNECTOR, right	LA
8	9848	CONNECTOR, left	LA
9	9898	TERMINAL FLAG (2)	LA
10	53438-92	BULB	LA
11	67667-05	MEDALLION	LA
12	67815-59A	WASHER, headlamp	LA
13	67865-89	PLUG	LA
14	67883-04A	ADAPTER RING	LA
15	68329-03	BULB	LA
16	68335-05	LAMP ASSEMBLY, left 5-3/4 in. (England), w/ 53438-92, 67667-05, 68329-03, 68380-05, & 68650-92	LA
	68341-05	LAMP ASSEMBLY, right 5-3/4 in. (HDI), w/ 53438-92, 67667-05, 68329-03, 68380-05, & 68650-92	LA
17	68380-05	BOOT, headlamp connector	LA
18	68650-92	SOCKET, bulb (2 spade)	LA
19	69386-08	HEADLAMP SHELL ASSEMBLY, 5-3/4 in. (black), w/ 9847, 9848, 9898, 72056-92, 73154-96BK, & 73191-96	LA
20	69397-08	BEZEL, black	LA
21	72056-92	HOUSING, female	LA
22	73154-96BK	SOCKET HOUSING, 4-way (black)	LA
23	73191-96	SOCKET TERMINAL, 16-20 awg (4)	LA
24	89586-04	CAP, protective (2)	LA
25	91982-03A	MIRROR KIT, right, short (black)	LA
26	91983-03A	MIRROR KIT, left, short (black)	LA

2008 MODEL IDENTIFICATION CODES

CN = XL883 CP = XL883C CR = XL883L CS = XL883R CT = XL1200C CV = XL1200R CX = XL1200L CZ = XL1200N LA = XR1200

EXHAUST SYSTEM- 883/C/L/R, 1200C/L/N/R



INDEX NO.	PART NO.	DESCRIPTION	MODEL(S)
1	4032A	SCREW	CN/CP/CR/CS/CT/CV/CX/CZ
2	4269	SCREW, flanged (4)	CN/CP/CR/CS/CT/CV/CX/CZ
3	4748	SCREW (3)	CN/CP/CR/CS/CT/CV/CX/CZ
4	5414	BOLT, carriage	CN/CP/CR/CS/CT/CV/CX/CZ
5	6302	WASHER (4)	CN/CP/CR/CS/CT/CV/CX/CZ
6	6701	WASHER (4)	CN/CP/CR/CS/CT/CV/CX/CZ
7	7593	NUT (4)	CN/CP/CR/CS/CT/CV/CX/CZ
8	7862	ACORN NUT, w/ lock	CN/CP/CR/CS/CT/CV/CX/CZ
9	9955	CLAMP, heat shield (5)	CN/CP/CR/CS/CT/CV/CX/CZ
10	10074	CLAMP, muffler heat shield (HDI, England) (4)	CN/CP/CR/CS/CT/CV/CX/CZ
10A	27714-06	SEAL RING (2)	CN/CP/CR/CS/CT/CV/CX/CZ
11	27719-07	SENSOR, oxygen, w/ 27714-06, 72009-05, 72011-05 (2)	CN/CP/CR/CS/CT/CV/CX/CZ
12	64842-04	MUFFLER, front (CN/CP/CR/CT/CV/CX - Domestic, California, Canada), rear (CP/CR/CT/CX - Domestic, California, Canada)	CN/CP/CR/CT/CV/CX
	64890-04	MUFFLER, rear (CN/CS/CV - Domestic, California, Canada)	CN/CS/CV
	80399-04	MUFFLER, front & rear (Domestic, California, Canada)	CZ
13	64846-04A	HEAT SHIELD, front exhaust pipe	CN/CP/CR/CS/CT/CV/CX/CZ
14	64847-04A	HEAT SHIELD, rear exhaust pipe, chrome	CN/CP/CR/CS/CT/CV/CX/CZ
	66851-07	HEAT SHIELD, upper rear exhaust pipe, stainless steel (not illustrated)	CN/CR/CS/CV/CX/CZ
15	64855-04	MUFFLER INTERCONNECT BRACKET, support assembly (CZ - Domestic, California, Canada)	CP/CR/CT/CX/CZ
	65339-04	MUFFLER INTERCONNECT BRACKET, support assembly	CN/CS/CV
16	64889-04	HEAT SHIELD, muffler, (All models - HDI, England) (2)	CN/CP/CR/CS/CT/CV/CX/CZ
17	64942-07	EXHAUST PIPE, front (chrome)	CN/CP/CR/CS/CT/CV/CX/CZ
18	64943-07	EXHAUST PIPE, rear (chrome)	CN/CP/CR/CS/CT/CV/CX/CZ
19	65184-02	FLANGE, exhaust pipe (2)	CN/CP/CR/CS/CT/CV/CX/CZ
20	65283-94	CLAMP, muffler (2)	CN/CP/CR/CS/CT/CV/CX/CZ
21	65302-82A	CLAMP, exhaust pipe	CN/CP/CR/CS/CT/CV/CX/CZ
22	65324-83B	GASKET, exhaust port (2)	CN/CP/CR/CS/CT/CV/CX/CZ
23	65325-83A	RETAINING RING, exhaust gasket (2)	CN/CP/CR/CS/CT/CV/CX/CZ
24	65927-00	GASKET, exhaust interconnect (2)	CN/CP/CR/CS/CT/CV/CX/CZ
25	65974-04A	BRACKET, exhaust clamp	CN/CP/CR/CS/CT/CV/CX/CZ
26	72009-05	HOUSING, 2-way pin (2)	CN/CP/CR/CS/CT/CV/CX/CZ
27	72011-05	WIRE SEAL, 16-20 gauge (yellow) (4)	CN/CP/CR/CS/CT/CV/CX/CZ

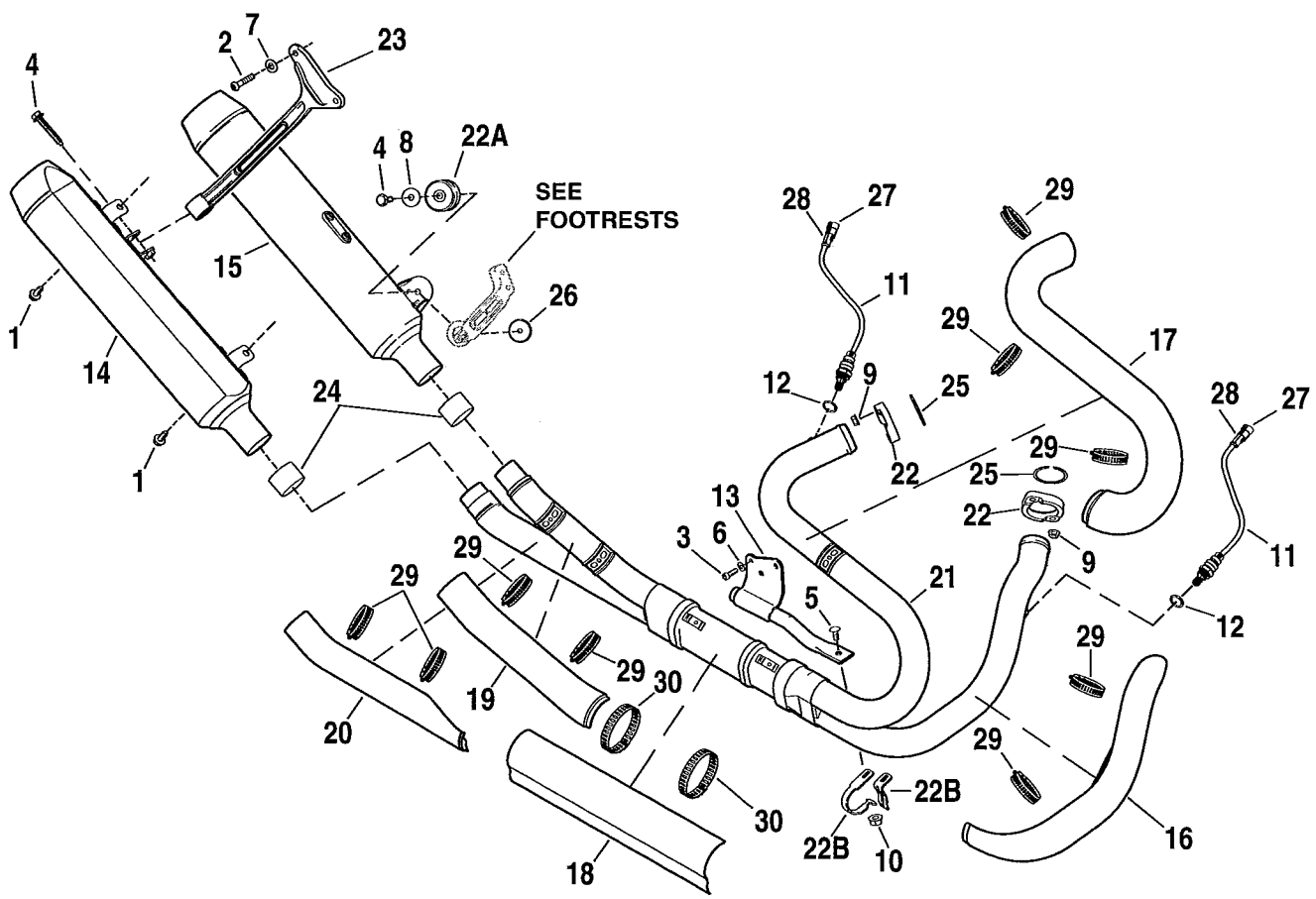
INTERNATIONAL MODELS ONLY

28	64848-04	MUFFLER, front (Japan), rear (CP/CR/CT/CX/CZ - Japan)	CN/CP/CR/CS/CT/CV/CX/CZ
	64857-04	MUFFLER, rear (CN/CS/CV - Japan)	CN/CS/CV
	64853-04	MUFFLER, front (Australia), rear (CP/CR/CT/CX/CZ - Australia)	CN/CP/CR/CS/CT/CV/CX/CZ
	64854-04	MUFFLER, rear (CN/CS/CV - Australia)	CN/CS/CV
	64891-04A	MUFFLER, front (HDI, England), rear (CP/CR/CT/CX - HDI, England)	CN/CP/CR/CS/CT/CV/CX/CZ
	64893-04A	MUFFLER, rear (CN/CS/CV/CZ - HDI, England)	CN/CS/CV/CZ
29	64855-04	MUFFLER INTERCONNECT BRACKET, support assembly (Australia, Japan)	CZ
	65339-04	MUFFLER INTERCONNECT BRACKET, support assembly (HDI, England)	CZ

2008 MODEL IDENTIFICATION CODES

CN = XL883 CP = XL883C CR = XL883L CS = XL883R CT = XL1200C CV = XL1200R CX = XL1200L CZ = XL1200N LA = XR1200

EXHAUST SYSTEM - XR1200

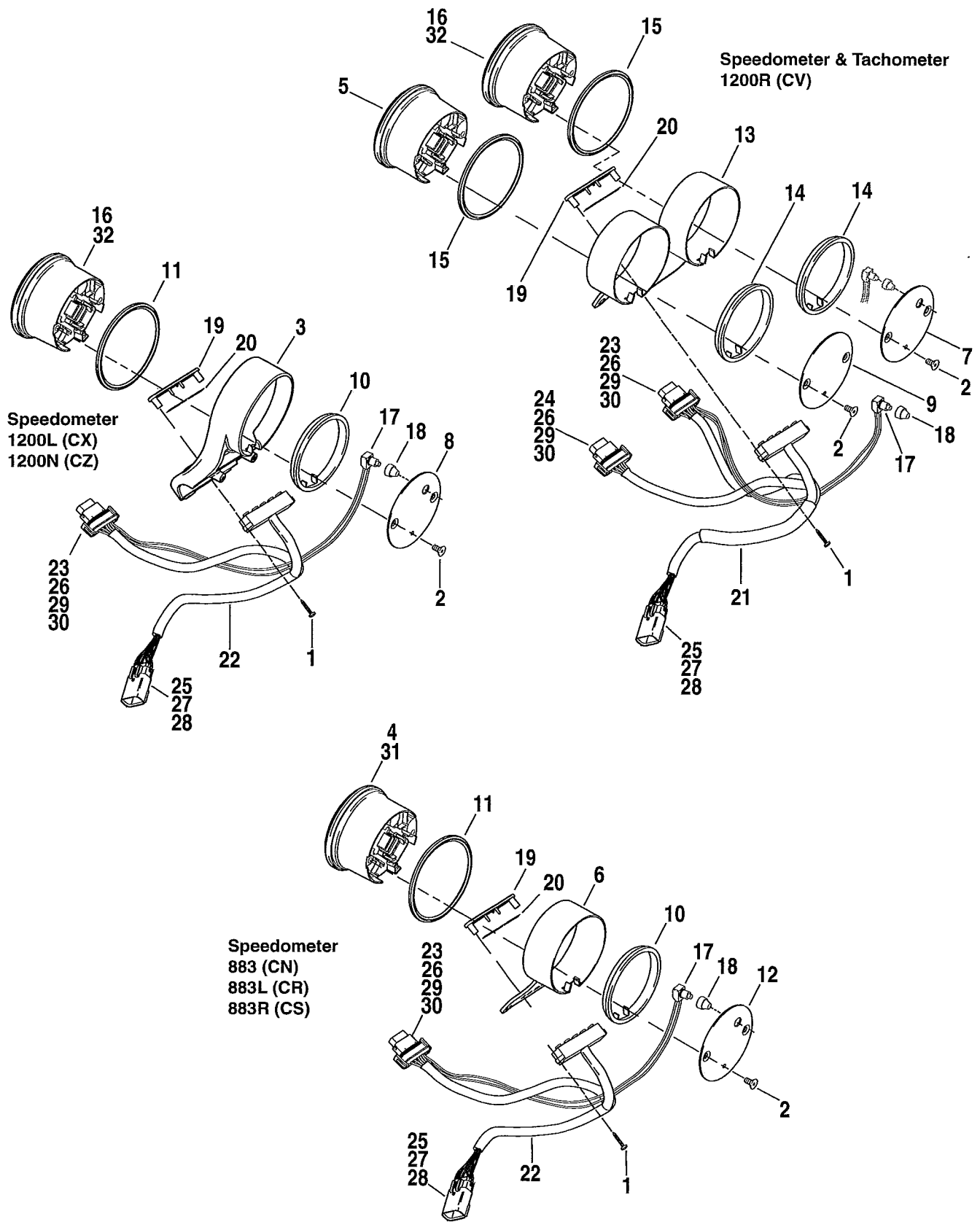


INDEX NO.	PART NO.	DESCRIPTION	MODEL(S)
INTERNATIONAL MODELS ONLY			
1	4269	SCREW, flanged (2)	LA
2	4549	SCREW (2)	LA
3	4748	SCREW (3)	LA
4	4859	SCREW, flanged	LA
5	5416	BOLT	LA
6	6701	WASHER (2)	LA
7	6702	WASHER (3)	LA
8	6930	WASHER	LA
9	7593	NUT (4)	LA
10	7601	LOCKNUT	LA
11	27690-08	SENSOR, oxygen, w/ 27714-06, 72009-05, 72011-05 (2)	LA
12	27714-06	SEAL RING (2)	LA
13	64850-08	SUPPORT BAR ASSEMBLY, exhaust	LA
14	64859-08	MUFFLER, lower	LA
15	64883-08	MUFFLER, upper	LA
16	64927-08	HEAT SHIELD, lower	LA
17	64934-08	HEAT SHIELD, upper	LA
18	64935-08	SHIELD, collector	LA
19	64936-08	EXHAUST SHIELD ASSEMBLY, upper	LA
20	64954-08	EXHAUST SHIELD ASSEMBLY, lower	LA
21	64965-08	EXHAUST, assembly	LA
22	65328-83	FLANGE, exhaust pipe (2)	LA
22A	65240-08	KIT, exhaust isolator w/ 4859, 6930 & 65453-08	LA
22B	65257-08	CLAMP	LA
23	65316-08	SUPPORT, muffler, rear	LA
24	65317-08	GASKET, muffler inlet (2)	LA
25	65325-83A	RETAINING RING, exhaust gasket (2)	LA
26	65453-08	WASHER, snubbing	LA
27	72009-05	HOUSING, 2-way pin (2)	LA
28	72011-05	WIRE SEAL, 16-20 gauge (yellow) (4)	LA
29	9955	CLAMP, heat shield (9)	LA
30	9956	CLAMP, heat shield (2)	LA

2008 MODEL IDENTIFICATION CODES

CN = XL883 CP = XL883C CR = XL883L CS = XL883R CT = XL1200C CV = XL1200R CX = XL1200L CZ = XL1200N LA = XR1200

SPEEDOMETER & TACHOMETER - 883/L/R, 1200L/N/R



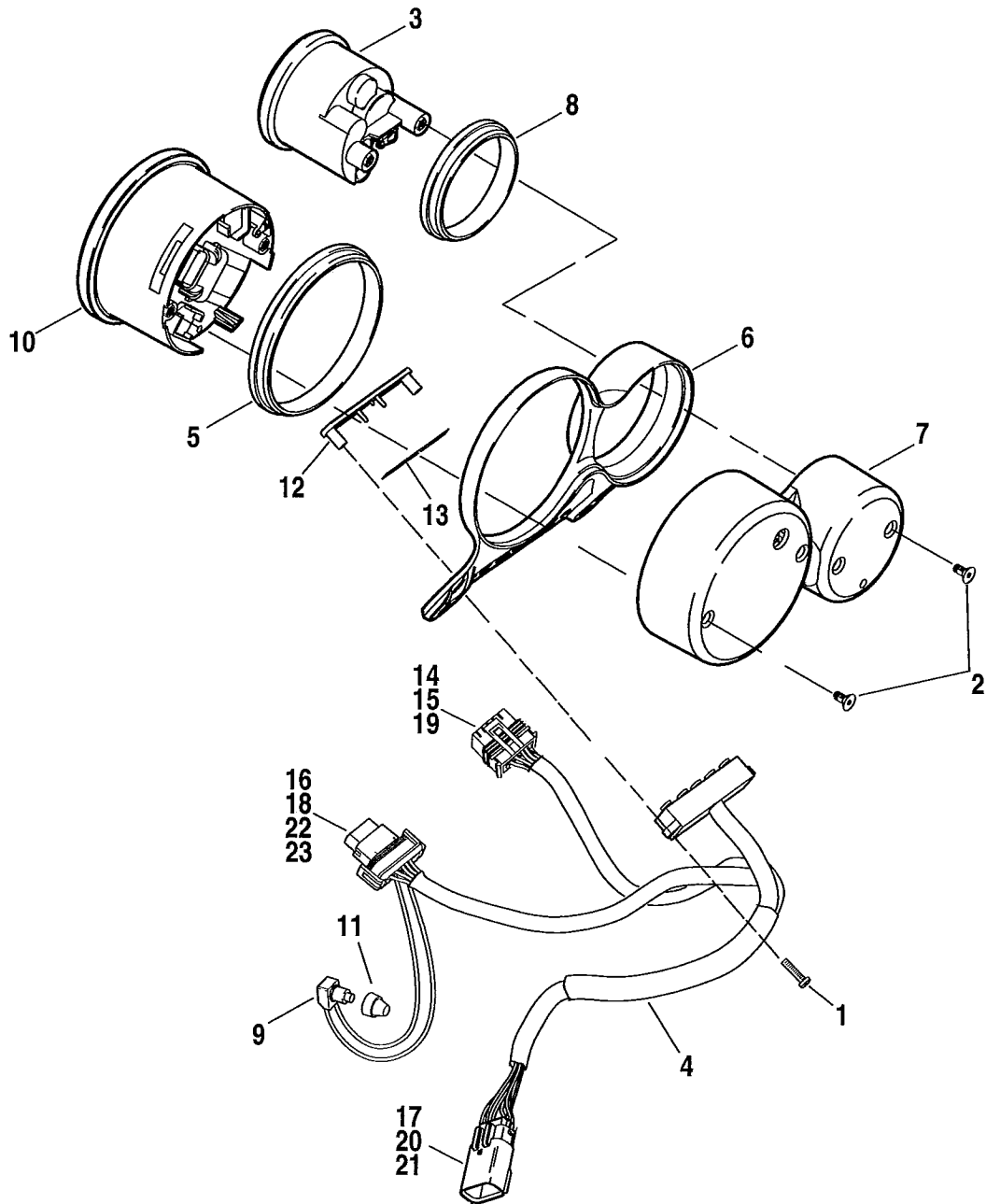
SPEEDOMETER & TACHOMETER - 883/L/R, 1200L/N/R

INDEX NO.	PART NO.	DESCRIPTION	MODEL(S)
1	2325	SCREW (2)	CN/CR/CS/CV/CX/CZ
2	2361	SCREW (2-CN/CR/CS/CZ,4-CV)	CN/CR/CS/CV/CZ
	2548	SCREW (2)	CX
3	55846-05A	BRACKET, speedometer (chrome)	CX
	55847-05A	BRACKET, speedometer (black)	CZ
4	67037-08	SPEEDOMETER, mph (Domestic, California)	CN/CR/CS/CZ
5	67049-04B	TACHOMETER	CV
6	67053-95	BRACKET, speedometer	CN/CR/CS
7	67085-95	COVER, speedometer back (chrome rim)	CV
8	67089-05	COVER, speedometer back (chrome rim)	CX
9	67103-95	COVER, tachometer back (chrome rim)	CV
10	67104-95	CUSHION, rear	CN/CR/CS/CX/CZ
11	67121-95A	GASKET, front	CN/CR/CS/CX/CZ
12	67320-95	COVER, speedometer back (black)	CN/CR/CS/CZ
13	67338-97	BRACKET, speedometer & tachometer	CV
14	67344-97	CUSHION, rear (2)	CV
15	67345-97	CUSHION, front (2)	CV
16	67436-08	SPEEDOMETER, mph (Domestic, California)	CV/CX
17	67450-99	SWITCH, reset	CN/CR/CS/CV/CX/CZ
18	67880-94	BOOT, reset switch	CN/CR/CS/CV/CX/CZ
19	68513-95	BEZEL, indicator lamps	CN/CR/CS/CV/CX/CZ
20	68551-07	LENS, indicator lamps	CN/CR/CS/CV/CX/CZ
21	68811-07	HARNESS, warning lamp assembly, w/ LED indicator	CV
22	68813-07	HARNESS, warning lamp assembly, w/ LED indicator	CN/CR/CS/CX/CZ
23	72130-04	HOUSING, socket 12-way (black)	CN/CR/CS/CV/CX/CZ
24	72131-04	HOUSING, socket 12-way (gray)	CV
25	72169-07	TERMINAL, pin, 16-20 gauge (7)	CN/CR/CS/CV/CX/CZ
26	72189-04	SEAL, pin (4-CA/CM, 11-CL)	CN/CR/CS/CV/CX/CZ
27	72488-07BK	HOUSING, 12-way (black)	CN/CR/CS/CV/CX/CZ
28	72549-07	TERMINAL, pin, 22 AWG (5)	CN/CR/CS/CV/CX/CZ
29	74196-04	TERMINAL, socket, 20 AWG. (8-CA/CM, 13-CL)	CN/CR/CS/CV/CX/CZ
30	74197-04	SOCKET LOCK, secondary, 12-way (2-CL)	CN/CR/CS/CV/CX/CZ
INTERNATIONAL MODELS ONLY			
31	67041-08	SPEEDOMETER, kph (Canada/HDI/Australia/Japan)	CN/CR/CS/CZ
	67290-08	SPEEDOMETER, mph/kph (England)	CN/CR/CS/CZ
32	67415-08	SPEEDOMETER, mph/kph (England)	CV/CX
	67416-08	SPEEDOMETER, kph (Canada/HDI/Australia/Japan)	CV/CX

2008 MODEL IDENTIFICATION CODES

CN = XL883 CP = XL883C CR = XL883L CS = XL883R CT = XL1200C CV = XL1200R CX = XL1200L CZ = XL1200N LA = XR1200

SPEEDOMETER AND TACHOMETER - XR1200

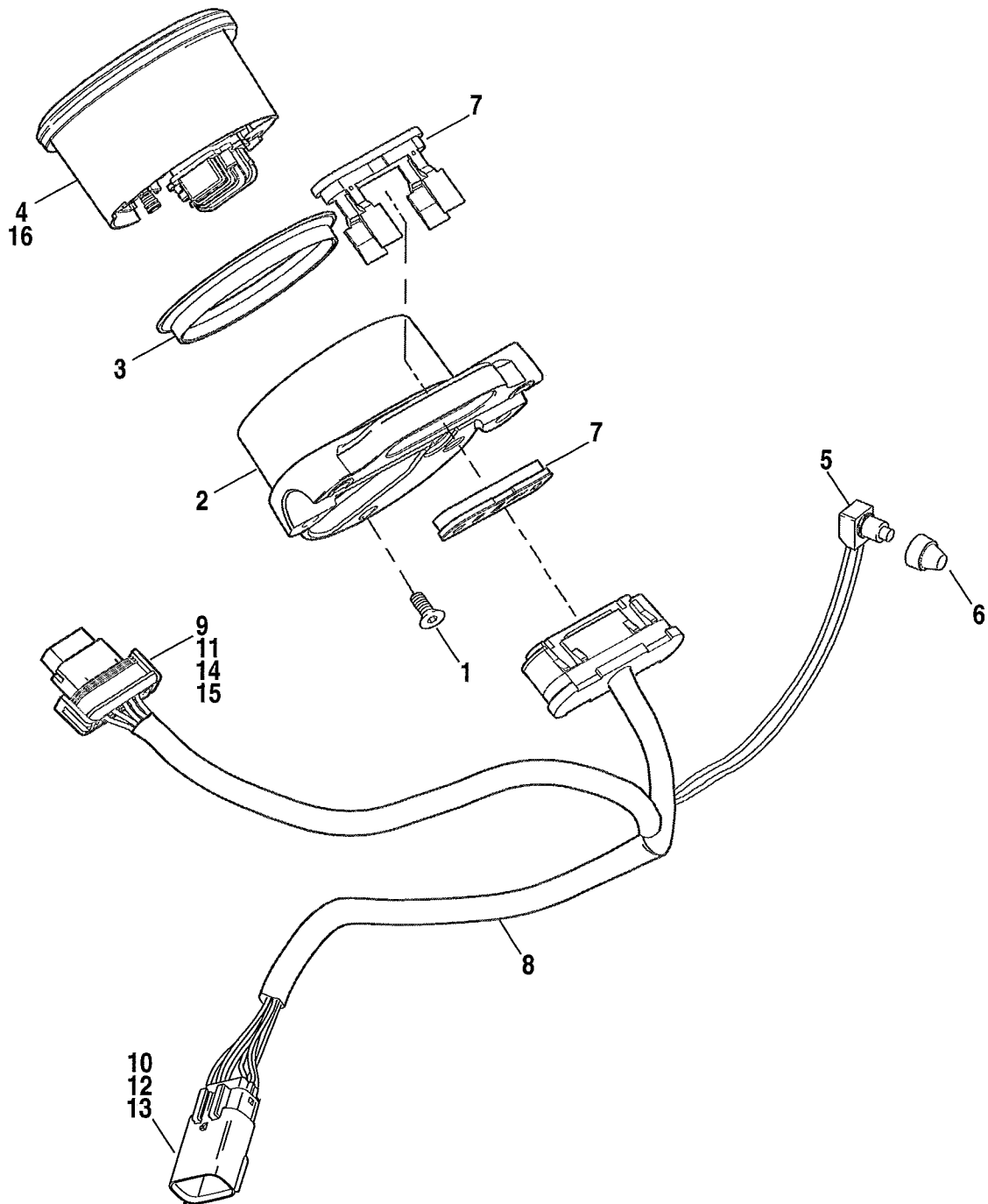


INDEX NO.	PART NO.	DESCRIPTION	MODEL(S)
INTERNATIONAL MODELS ONLY			
1	2325	SCREW (2)	LA
2	2361	SCREW (4)	LA
3	67087-08	SPEEDOMETER, speedometer (chrome)	LA
4	67091-08	HARNESS, instrument assembly	LA
5	67121-95A	GASKET, tachometer	LA
6	67157-08	BRACKET, instrument mounting	LA
7	67170-08	BACK COVER, instrument	LA
8	67174-08	GASKET, speedometer	LA
9	67450-99	SWITCH, reset	LA
10	67576-08	TACHOMETER	LA
11	67880-94	BOOT, reset switch	LA
12	68513-95	BEZEL, indicator lamps	LA
13	68551-07	LENS, indicator lamps	LA
14	72032-93	PLUG, connector	LA
15	72033-93	TERMINAL, socket 16-20 AWG (4)	LA
16	72130-04	HOUSING, socket 12-way (black)	LA
17	72169-07	TERMINAL, pin, 16-20 gauge (7)	LA
18	72189-04	SEAL, pin (3)	LA
19	72329-08	HOUSING, socket 5-way	LA
20	72488-07BK	HOUSING, pin 12-way (black)	LA
21	72549-07	TERMINAL, pin, 22 AWG (5)	LA
22	74196-04	TERMINAL, socket, 20 AWG (9)	LA
23	74197-04	SOCKET LOCK, secondary, 12-way	LA

2008 MODEL IDENTIFICATION CODES

CN = XL883 CP = XL883C CR = XL883L CS = XL883R CT = XL1200C CV = XL1200R CX = XL1200L CZ = XL1200N LA = XR1200

SPEEDOMETER - 883C, 1200C

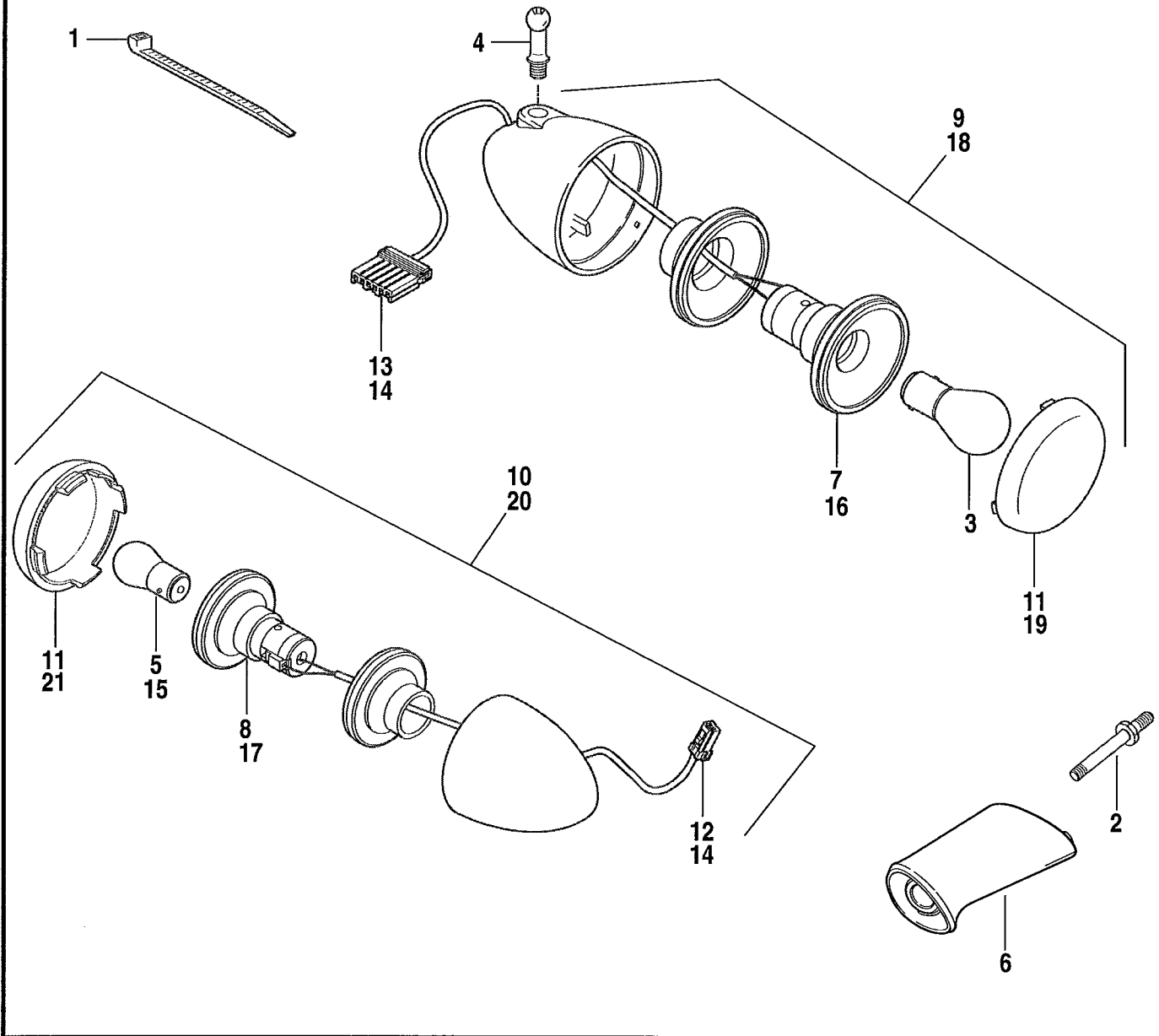


INDEX NO.	PART NO.	DESCRIPTION	MODEL(S)
1	2548	SCREW, countersunk	CP/CT
2	55844-04	HOUSING, instrument (chrome)	CP/CT
3	67121-95A	GASKET, shock, front	CP/CT
4	67436-08	SPEEDOMETER, mph (Domestic)	CP/CT
5	67450-99	SWITCH, trip reset	CP/CT
6	67880-94	BOOT, reset switch	CP/CT
7	68382-07	BEZEL ASSEMBLY, indicator lamps	CP/CT
8	68814-07	INSTRUMENT HARNESS ASSEMBLY, w/ LED indicator	CP/CT
9	72130-04	HOUSING, socket 12-way (black)	CP/CT
10	72169-07	TERMINAL, pin, 16-20 gauge (7)	CP/CT
11	72189-04	SEAL, pin (4)	CP/CT
12	72488-07BK	HOUSING, socket 12-way (black)	CP/CT
13	72549-07	TERMINAL, pin, 22 AWG (5)	CP/CT
14	74196-04	TERMINAL, 22 AWG. (9)	CP/CT
15	74197-04	SOCKET LOCK, secondary, 12-way	CP/CT
INTERNATIONAL MODELS ONLY			
16	67415-08	SPEEDOMETER, mph/kph (England)	CP/CT
	67416-08	SPEEDOMETER, kph (Australia, Canada, HDI, Japan)	CP/CT

2008 MODEL IDENTIFICATION CODES

CN = XL883 CP = XL883C CR = XL883L CS = XL883R CT = XL1200C CV = XL1200R CX = XL1200L CZ = XL1200N LA = XR1200

TURN SIGNALS - 883/C/L/R, 1200C/L/R



INDEX NO.	PART NO.	DESCRIPTION	MODEL(S)
1	10065	CABLE STRAP (as required)	CN/CP/CR/CS/CT/CV/CX
2	56104-02	SCREW, rear turn signal (2)	CN/CP/CR/CS/CT/CV/CX
3	68168-89A	BULB, front turn signal (2)	CN/CP/CR/CS/CT/CV/CX
4	68265-04	BALL STUD (2)	CN/CP/CR/CS/CT/CV/CX
5	68572-64B	BULB, rear turn signal (2)	CN/CP/CR/CS/CT/CV/CX
6	68480-02	SUPPORT, rear turn signal (2)	CN/CP/CR/CS/CT/CV/CX
7	68904-00	SOCKET ASSEMBLY, front (2)	CN/CP/CR/CS/CT/CV/CX
8	68905-00	SOCKET ASSEMBLY, rear (2)	CN/CP/CR/CS/CT/CV/CX
9	68972-00	TURN SIGNAL ASSEMBLY, front (amber) (2)	CN/CP/CR/CS/CT/CV/CX
10	68977-00	TURN SIGNAL ASSEMBLY, rear (amber) (2)	CN/CP/CR/CS/CT/CV/CX
11	68973-00	LENS (4)	CN/CP/CR/CS/CT/CV/CX
12	73152-96BK	SOCKET HOUSING, 2-way (black), right	CN/CP/CR/CS/CT/CV/CX
	73152-96WE	SOCKET HOUSING, 2-way (white), left	CN/CP/CR/CS/CT/CV/CX
13	73156-96BK	SOCKET HOUSING, 6-way (black) (2)	CN/CP/CR/CS/CT/CV/CX
14	73191-96	SOCKET TERMINAL, 16-20 awg (left & right turn signals) (6)	CN/CP/CR/CS/CT/CV/CX

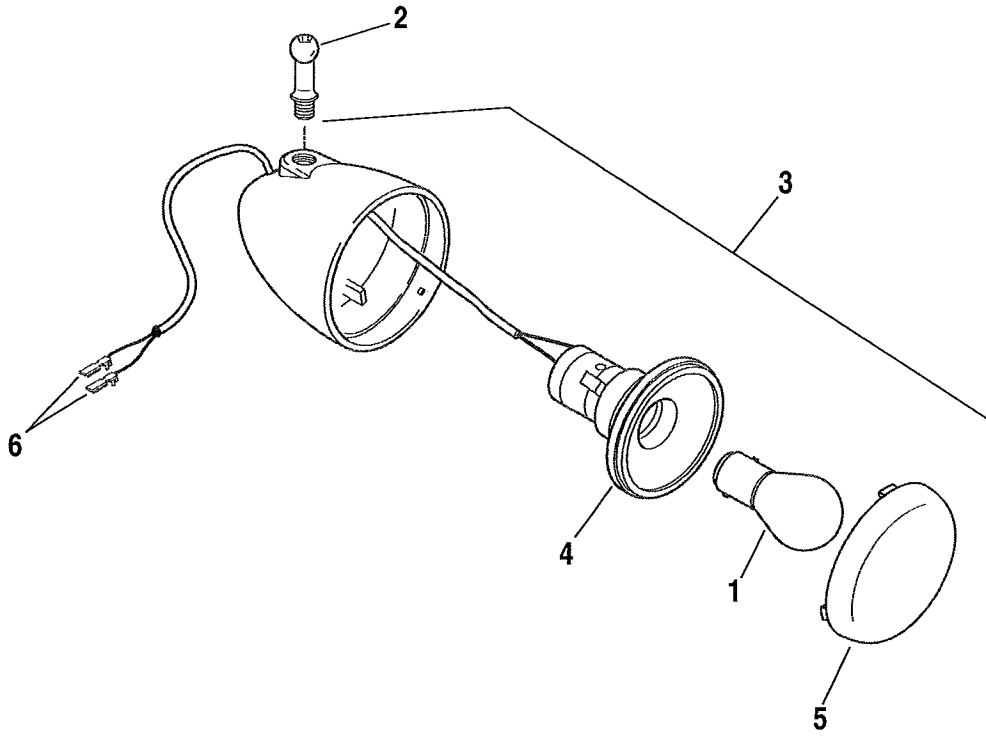
INTERNATIONAL MODELS ONLY

15	68163-84	BULB, turn signal (HDI) (4)	CN/CP/CR/CS/CT/CV/CX
16	68906-00	SOCKET ASSEMBLY, front (HDI) (2)	CN/CP/CR/CS/CT/CV/CX
17	68907-00	SOCKET ASSEMBLY, rear (HDI) (2)	CN/CP/CR/CS/CT/CV/CX
18	68975-00	TURN SIGNAL ASSEMBLY, front (amber) (HDI) (2)	CN/CP/CR/CS/CT/CV/CX
19	68976-00	LENS, front (HDI) (2)	CN/CP/CR/CS/CT/CV/CX
20	68978-00	TURN SIGNAL ASSEMBLY, rear (amber) (HDI) (2)	CN/CP/CR/CS/CT/CV/CX
21	68979-00	LENS, rear (HDI) (2)	CN/CP/CR/CS/CT/CV/CX

2008 MODEL IDENTIFICATION CODES

CN = XL883 CP = XL883C CR = XL883L CS = XL883R CT = XL1200C CV = XL1200R CX = XL1200L CZ = XL1200N LA = XR1200

FRONT TURN SIGNALS - XR1200

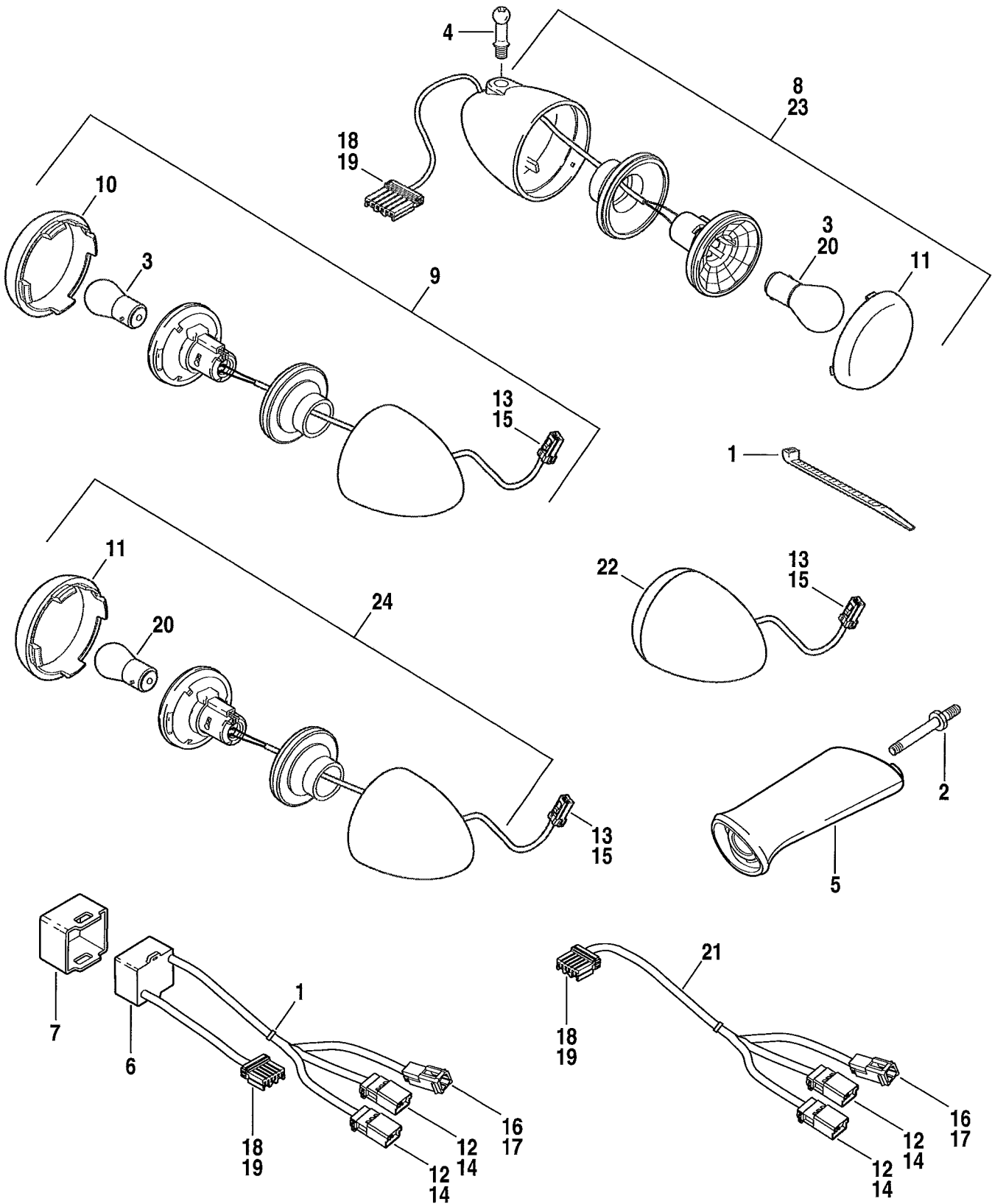


INDEX NO.	PART NO.	DESCRIPTION	MODEL(S)
INTERNATIONAL MODELS ONLY			
1	68163-84	BULB (2)	LA
2	68265-04	BALL STUD (2)	LA
3	68838-06	TURN SIGNAL SUB-ASSEMBLY, black (2)	LA
4	68906-00	SOCKET ASSEMBLY (2)	LA
5	68976-00	LENS (2)	LA
6	73191-96	SOCKET TERMINAL, 16-20 awg (2)	LA

2008 MODEL IDENTIFICATION CODES

CN = XL883 CP = XL883C CR = XL883L CS = XL883R CT = XL1200C CV = XL1200R CX = XL1200L CZ = XL1200N LA = XR1200

TURN SIGNALS & TAIL LAMP - 1200N

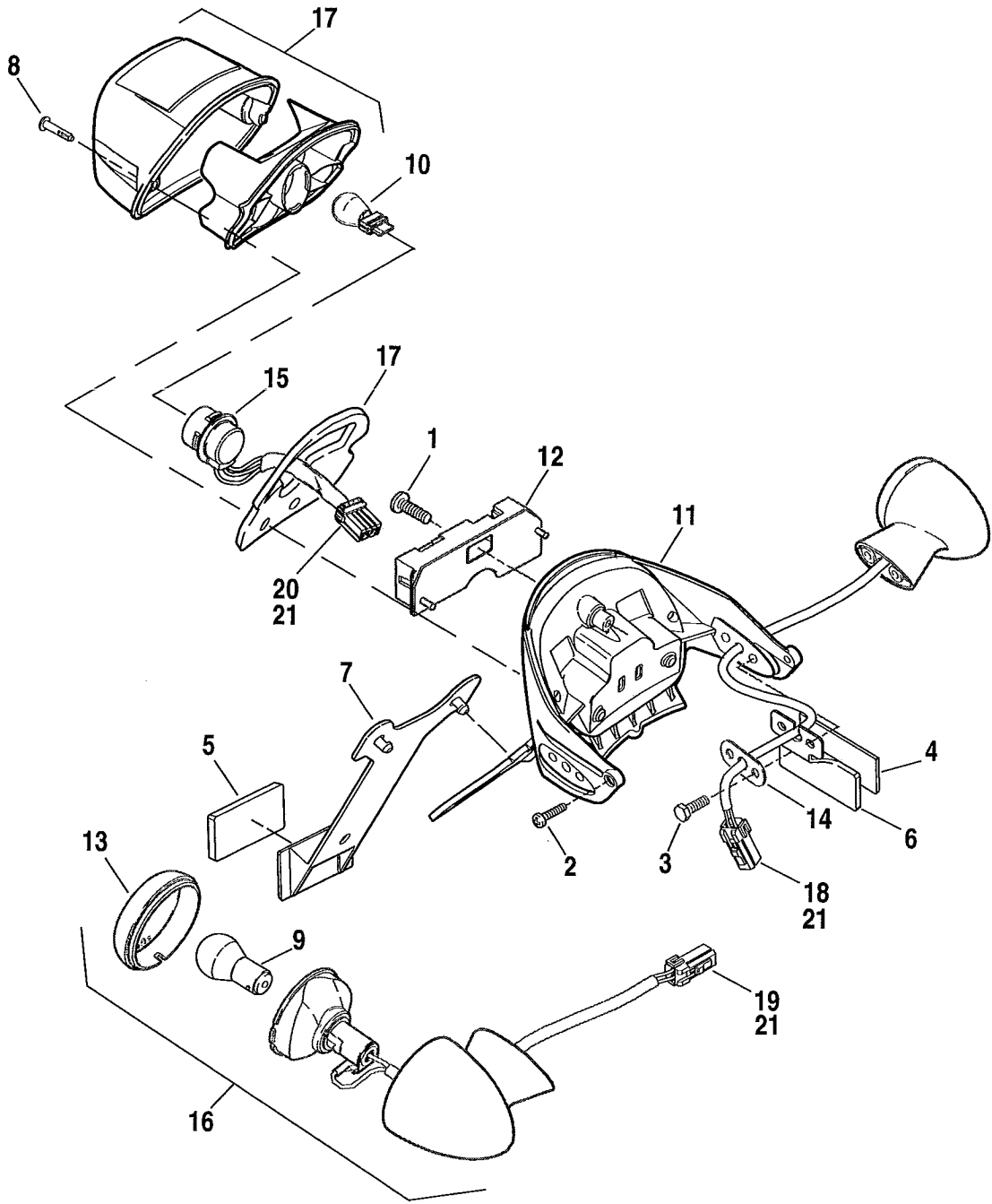


INDEX NO.	PART NO.	DESCRIPTION	MODEL(S)
1	10065	CABLE STRAP (as required)	CZ
2	5531	SCREW, rear turn signal (2)	CZ
3	68168-89A	BULB, turn signal (Domestic) (2)	CZ
4	68265-04	BALL STUD (2)	CZ
5	68277-07	SUPPORT, rear turn signal (2)	CZ
6	68278-07	CONVERTER MODULE, rear turn signal & tail lamp (Domestic)	CZ
7	68299-07	HOLDER, module (Domestic)	CZ
8	68730-07	TURN SIGNAL ASSEMBLY, front (Domestic) (2)	CZ
9	68449-07	TURN SIGNAL ASSEMBLY, rear (Domestic) (2)	CZ
10	68559-07	LENS, rear (2)	CZ
11	68755-07	LENS, front (Domestic, HDI), rear (Japan) (2)	CZ
12	72904-01BK	HOUSING, pin, 4-way (black) (2)	CZ
13	72914-01BK	SOCKET HOUSING, 4-way (rear) (2)	CZ
14	72990-01	TERMINAL, pin (6)	CZ
15	72991-01	TERMINAL, socket (rear) (6)	CZ
16	73102-96BK	HOUSING, pin, 2-way (black)	CZ
17	73190-96	TERMINAL, pin (2)	CZ
18	73156-96BK	SOCKET HOUSING, 6-way (black) (1-module; 2-front turn signal)	CZ
19	73191-96	SOCKET TERMINAL, 16-20 gauge (6-module; 6-front turn signal)	CZ
INTERNATIONAL MODELS ONLY			
20	68163-84	BULB, turn signal (HDI, Japan) (2)	CZ
21	68955-08	HARNESS, rear turn signal & tail lamp (HDI) (2)	CZ
22	69360-08	TURN SIGNAL, rear (HDI) (2)	CZ
23	69362-08	TURN SIGNAL, front (HDI, Japan) (2)	CZ
24	69478-08	TURN SIGNAL, rear (Japan) w/o terminals (2)	CZ

2008 MODEL IDENTIFICATION CODES

CN = XL883 CP = XL883C CR = XL883L CS = XL883R CT = XL1200C CV = XL1200R CX = XL1200L CZ = XL1200N LA = XR1200

REAR TURN SIGNALS, TAIL LAMP & LICENSE PLATE BRACKET - XR1200



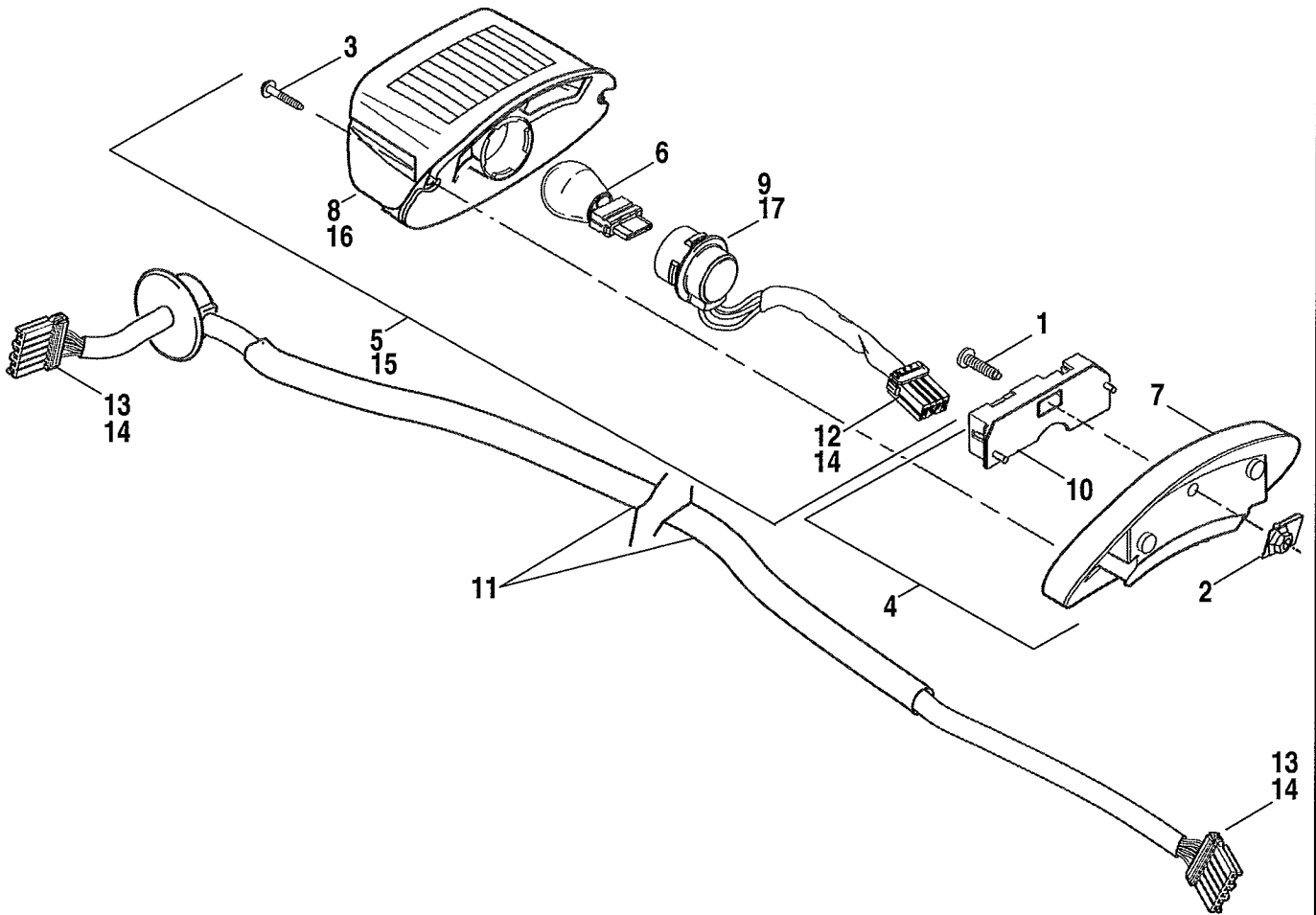
REAR TURN SIGNALS, TAIL LAMP & LICENSE PLATE BRACKET - XR1200

INDEX NO.	PART NO.	DESCRIPTION	MODEL(S)
INTERNATIONAL MODELS ONLY			
1	930	SCREW	LA
2	1198	SCREW (2)	LA
3	3706M	SCREW (4)	LA
4	59256-84A	REFLECTOR, amber (2)	LA
5	59259-90	REFLECTOR, red	LA
6	60183-08	BRACKET, side reflector mount (2)	LA
7	60188-08	BRACKET, reflector w/ 59259-90	LA
8	68026-99	SCREW (2)	LA
9	68163-84	BULB (2)	LA
10	68167-04	BULB	LA
11	68257-08	LICENSE PLATE, module	LA
12	68830-99A	CIRCUIT BOARD & COVER ASSEMBLY	LA
13	69110-01	LENS, turn signal, rear (2)	LA
14	69148-01	PLATE, support (2)	LA
15	69187-03A	SOCKET ASSEMBLY, tail lamp, rear, w/ 10, 20, 21	LA
16	69530-08	TURN SIGNAL ASSEMBLY	LA
17	69864-08	TAIL LAMP ENVELOPE	LA
18	73152-96BK	SOCKET HOUSING, 2-way (black)	LA
19	73152-96WE	SOCKET HOUSING, 2-way (white)	LA
20	73154-96BK	SOCKET HOUSING, 4-way (black)	LA
21	73191-96	SOCKET TERMINAL, 16-20 awg (4)	LA

2008 MODEL IDENTIFICATION CODES

CN = XL883 CP = XL883C CR = XL883L CS = XL883R CT = XL1200C CV = XL1200R CX = XL1200L CZ = XL1200N LA = XR1200

TAIL LAMP - 883/C/L/R, 1200C/L/R

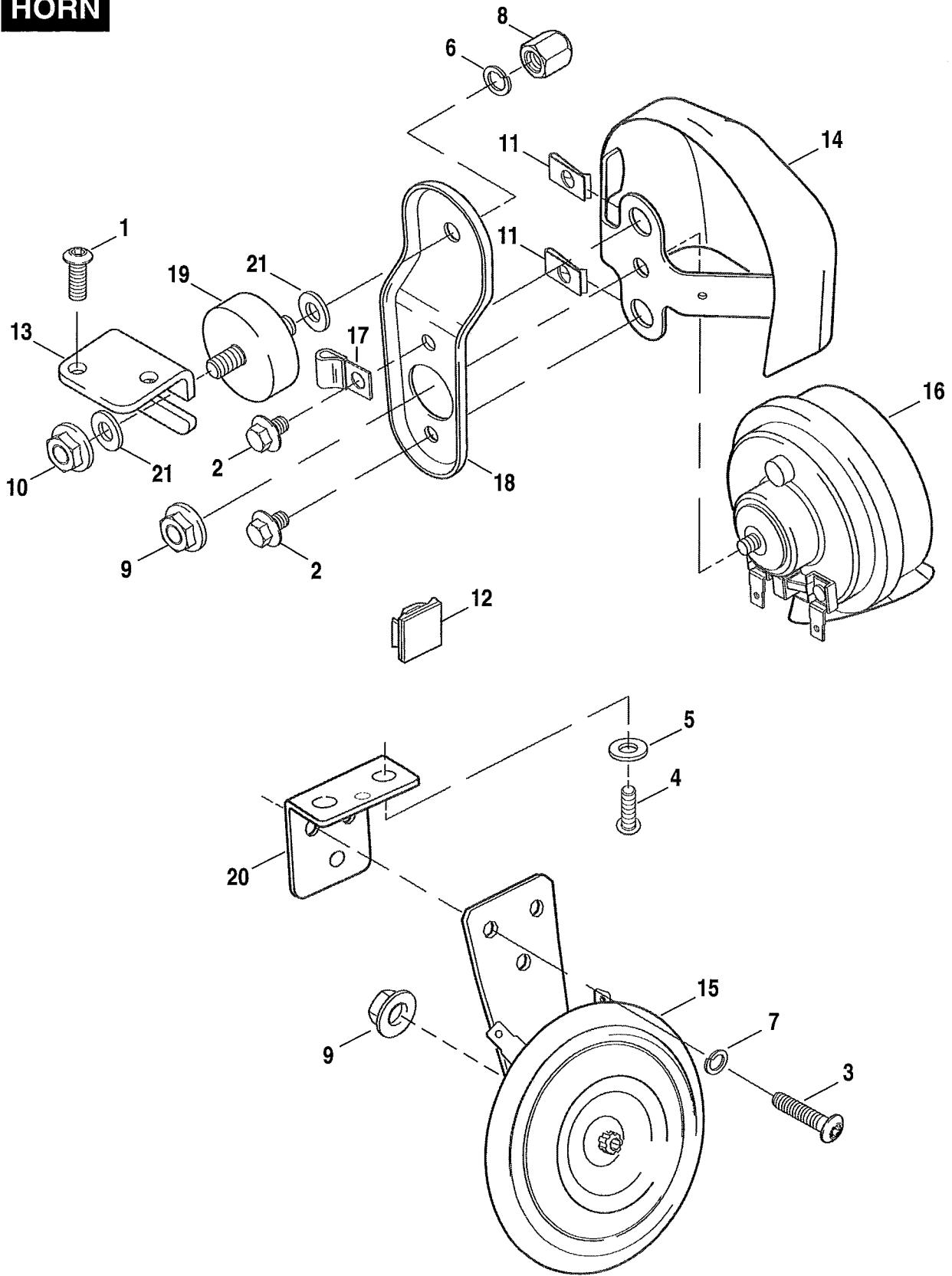


INDEX NO.	PART NO.	DESCRIPTION	MODEL(S)
1	3022A	SCREW	CN/CP/CR/CS/CT/CV/CX
2	7964	CLIP NUT	CN/CP/CR/CS/CT/CV/CX
3	68026-99	SCREW, tail lamp (2)	CN/CP/CR/CS/CT/CV/CX
4	68066-99A	BASE ASSEMBLY, chromed	CN/CP/CR/CS/CT/CV/CX
5	68140-04	LIGHT ASSEMBLY, tail lamp (Domestic)	CN/CP/CR/CS/CT/CV/CX
6	68167-04	BULB, tail lamp, wedge mount	CN/CP/CR/CS/CT/CV/CX
7	68296-99A	BASE TAIL LAMP, chrome	CN/CP/CR/CS/CT/CV/CX
8	68369-03	LENS, tail lamp, w/ 68026-99 (Domestic)	CN/CP/CR/CS/CT/CV/CX
9	68370-03A	BULB SOCKET ASSEMBLY, w/ 6, 12, 14 (Domestic)	CN/CP/CR/CS/CT/CV/CX
10	68830-99A	CIRCUIT BOARD/COVER ASSEMBLY	CN/CP/CR/CS/CT/CV/CX
11	68899-04	HARNESS, rear lighting	CN/CP/CR/CS/CT/CV/CX
12	73154-96BK	SOCKET HOUSING, 4-way (black)	CN/CP/CR/CS/CT/CV/CX
13	73156-96BK	SOCKET HOUSING, 6-way (black) (2)	CN/CP/CR/CS/CT/CV/CX
14	73191-96	SOCKET TERMINAL, 16-20 awg (as required)	CN/CP/CR/CS/CT/CV/CX
INTERNATIONAL MODELS ONLY			
15	68141-04	LIGHT ASSEMBLY, tail lamp (HDI)	CN/CP/CR/CS/CT/CV/CX
16	68372-03	LENS, tail lamp, w/ 68026-99 (HDI)	CN/CP/CR/CS/CT/CV/CX
17	69187-03A	BULB SOCKET ASSEMBLY, w/ 6, 12, 14 (HDI)	CN/CP/CR/CS/CT/CV/CX

2008 MODEL IDENTIFICATION CODES

CN = XL883 CP = XL883C CR = XL883L CS = XL883R CT = XL1200C CV = XL1200R CX = XL1200L CZ = XL1200N LA = XR1200

HORN

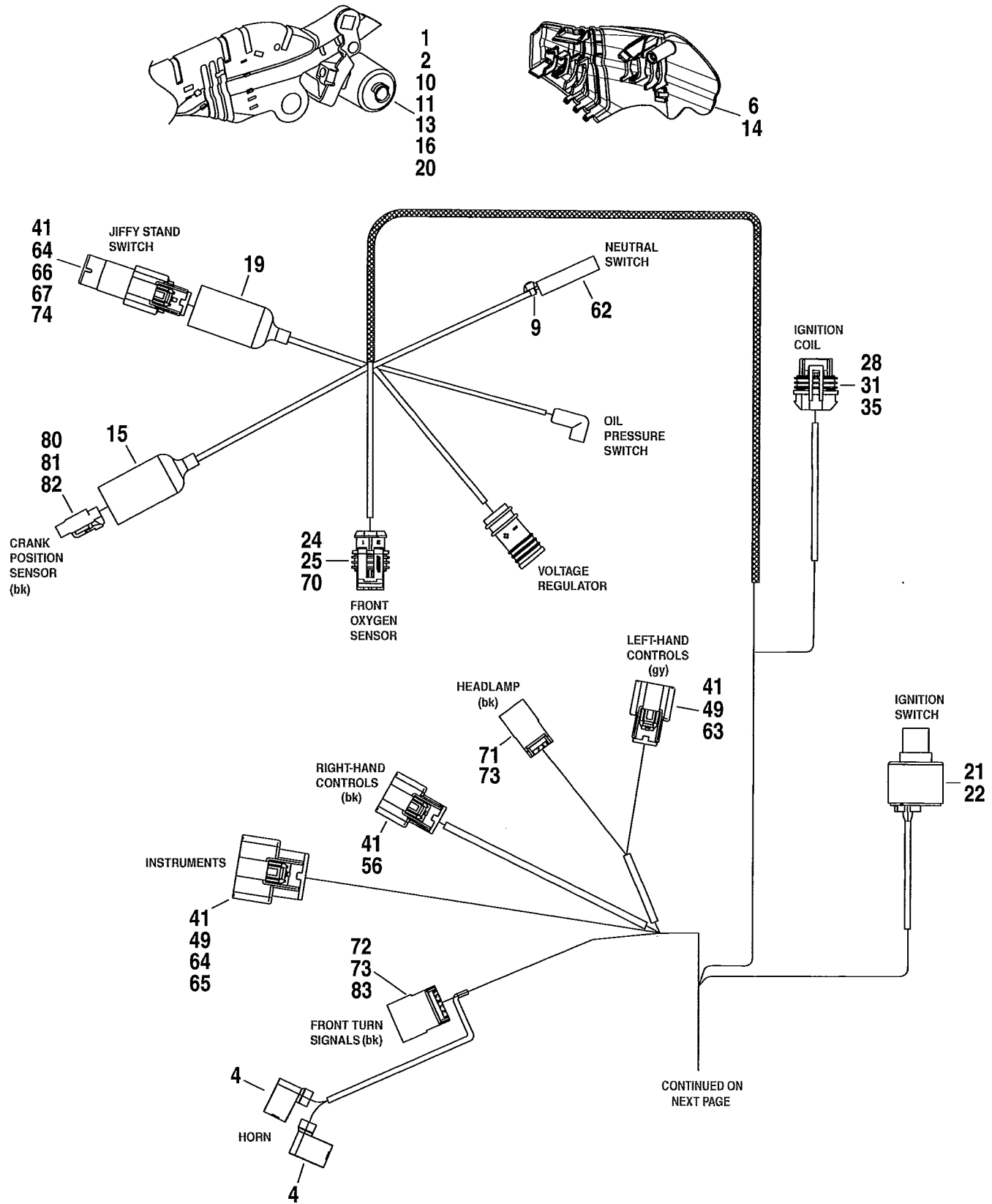


INDEX NO.	PART NO.	DESCRIPTION	MODEL(S)
1	3026	SCREW (2)	CT
2	3563	SCREW (2)	CT
3	3658	SCREW (3)	CN/CP/CR/CS/CV/CX/CZ/LA
4	4180	SCREW (2)	CN/CP/CR/CS/CV/CX/CZ/LA
5	6026	WASHER (2)	CN/CP/CR/CS/CV/CX/CZ/LA
6	7041	LOCKWASHER	CT
7	7069	LOCKWASHER (3)	CN/CP/CR/CS/CV/CX/CZ/LA
8	7481	ACORN NUT	CT
9	7495	NUT	ALL
10	7531	LOCKNUT	CT
11	8108	SPEEDNUT (2)	CT
12	10120	CLIP	CN/CP/CR/CS/CV/CX/CZ/LA
13	69049-07	BRACKET, horn	CT
14	69012-93A	COVER, horn (chrome)	CT
15	69043-96B	HORN, complete, w/ bracket & 7495	CN/CP/CR/CS/CV/CX/CZ/LA
16	69060-90D	HORN, w/ 7495	CT
17	69062-91A	CLAMP, horn wire	CT
18	69120-91	HORN BRACKET	CT
19	69123-92	RUBBER MOUNT	CT
20	69135-04	HORN BRACKET	CN/CP/CR/CS/CV/CX/CZ/LA
21	6237	WASHER (2)	CT

2008 MODEL IDENTIFICATION CODES

CN = XL883 CP = XL883C CR = XL883L CS = XL883R CT = XL1200C CV = XL1200R CX = XL1200L CZ = XL1200N LA = XR1200

WIRING HARNESS, MAIN - 883/C/L/R, 1200C/L/N/R



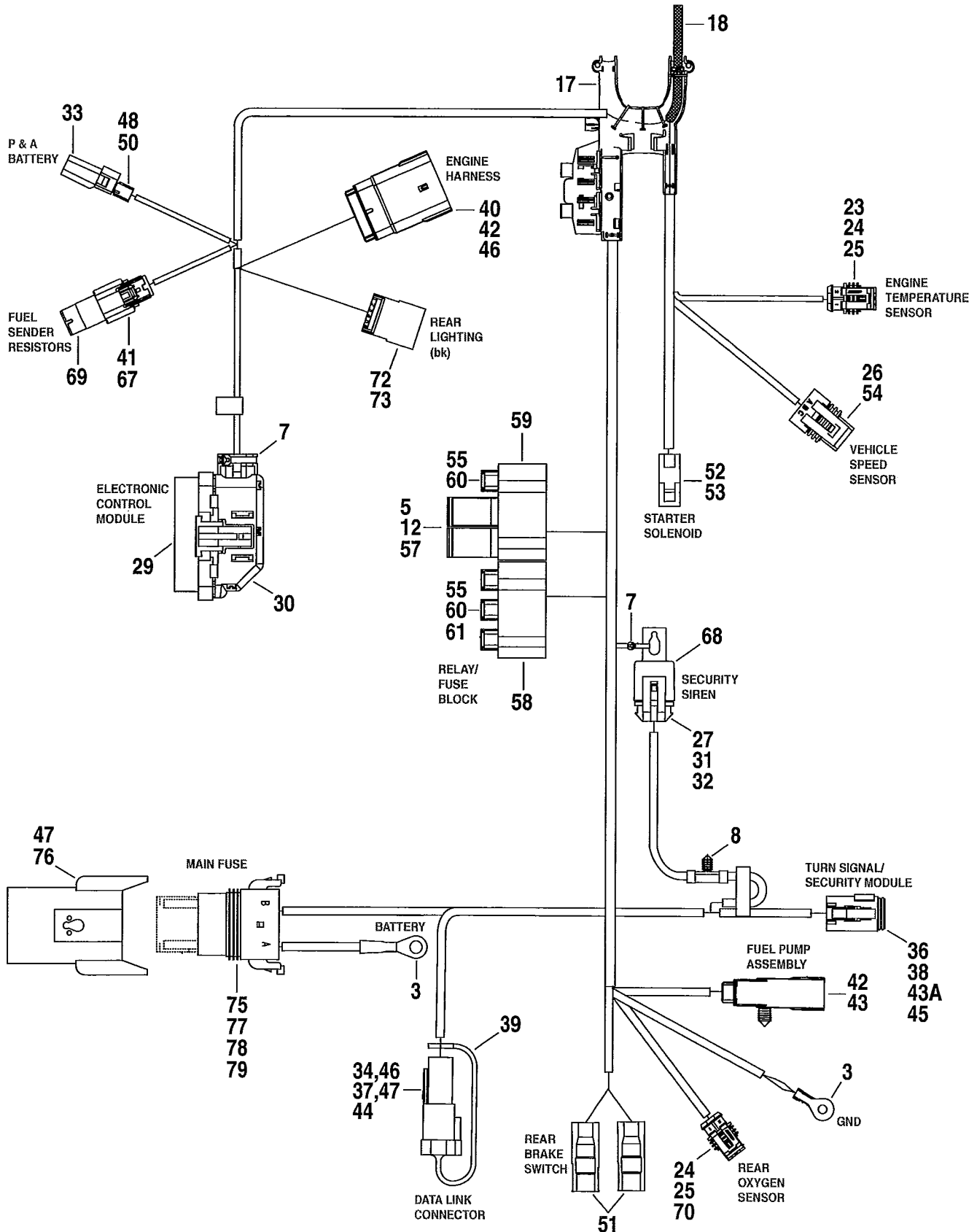
INDEX NO.	PART NO.	DESCRIPTION	MODEL(S)
	70181-08	WIRING HARNESS, main	CN/CP/CR/CS/CT/CV/CX/CZ
NOTE: Includes the following parts.			
	3123	SCREW, caddy mount (not part of wiring harness) (not illustrated)	CN/CP/CR/CS/CT/CV/CX/CZ
1	3124	SCREW	CN/CP/CR/CS/CT/CV/CX/CZ
2	7220	LOCKWASHER	CN/CP/CR/CS/CT/CV/CX/CZ
3	9838	TERMINAL RING, 1/4, 10-12 gauge (2)	CN/CP/CR/CS/CT/CV/CX/CZ
4	9898	TERMINAL FLAG (2)	CN/CP/CR/CS/CT/CV/CX/CZ
5	9937	TERMINAL, female, 14-18 gauge (4)	CN/CP/CR/CS/CT/CV/CX/CZ
6	10006	CABLE STRAP (as required)	CN/CP/CR/CS/CT/CV/CX/CZ
7	10065	CABLE STRAP (as required)	CN/CP/CR/CS/CT/CV/CX/CZ
8	10279	CLIP, harness mount	CN/CP/CR/CS/CT/CV/CX/CZ
9	10287	CABLE STRAP (as required)	CN/CP/CR/CS/CT/CV/CX/CZ
10	11778	FASTENER, push in	CN/CP/CR/CS/CT/CV/CX/CZ
11	11785	CLIP, push in fastener	CN/CP/CR/CS/CT/CV/CX/CZ
12	31601-04	RELAY (2)	CN/CP/CR/CS/CT/CV/CX/CZ
13	31797-07	BRACKET ASSEMBLY, ignition switch	CN/CP/CR/CS/CT/CV/CX/CZ
	56073-83	RETAINER, h-clip (not part of wiring harness) (not illustrated)	CN/CP/CR/CS/CT/CV/CX/CZ
14	70466-07A	WIRE HARNESS CADDY, left	CN/CP/CR/CS/CT/CV/CX/CZ
15	70598-99	BOOT, temperature sensor	CN/CP/CR/CS/CT/CV/CX/CZ
	70640-07	CLIP, caddy (not part of wiring harness) (not illustrated)	CN/CP/CR/CS/CT/CV/CX/CZ
16	70642-07	WIRE HARNESS CADDY, right	CN/CP/CR/CS/CT/CV/CX/CZ
17	70645-07	H-CLIP, fuseblock	CN/CP/CR/CS/CT/CV/CX/CZ
18	70649-07	WIRE GUIDE	CN/CP/CR/CS/CT/CV/CX/CZ
19	70664-08	BOOT, jiffystand sensor	CN/CP/CR/CS/CT/CV/CX/CZ
20	71510-04	HOUSING, IGNITION SWITCH	CN/CP/CR/CS/CT/CV/CX/CZ
21	71550-94	LABEL, ignition switch	CN/CP/CR/CS/CT/CV/CX/CZ
22	71552-94	FACE NUT, ignition switch	CN/CP/CR/CS/CT/CV/CX/CZ
23	72006-05	TERMINAL, 16-20 gauge (2)	CN/CP/CR/CS/CT/CV/CX/CZ
24	72007-05	HOUSING, socket, 2-way (3)	CN/CP/CR/CS/CT/CV/CX/CZ
25	72011-05	WIRE SEAL, 16-20 gauge (yellow) (6)	CN/CP/CR/CS/CT/CV/CX/CZ
26	72033-93	TERMINAL, 16-20 gauge (2)	CN/CP/CR/CS/CT/CV/CX/CZ
27	72064-06	SOCKET HOUSING, 3-way (black)	CN/CP/CR/CS/CT/CV/CX/CZ
28	72066-06	SOCKET HOUSING, 4-way, female (black)	CN/CP/CR/CS/CT/CV/CX/CZ
29	72076-00	TERMINAL, socket (26)	CN/CP/CR/CS/CT/CV/CX/CZ
30	72077-00	SEAL PIN (10)	CN/CP/CR/CS/CT/CV/CX/CZ
31	72094-06	TERMINAL, socket, 18 gauge (8)	CN/CP/CR/CS/CT/CV/CX/CZ
32	72096-06	SEAL WIRE, 18-20 AWG (yellow) (8)	CN/CP/CR/CS/CT/CV/CX/CZ
33	72100-04	HOUSING, 1-way, male (gray)	CN/CP/CR/CS/CT/CV/CX/CZ
34	72124-94GY	SOCKET HOUSING, 4-way (gray)	CN/CP/CR/CS/CT/CV/CX/CZ
35	72135-06	SECONDARY LOCK, 4-way, female (gray)	CN/CP/CR/CS/CT/CV/CX/CZ
36	72139-94GY	SOCKET HOUSING, 12-way, w/ 72179-94 (gray)	CN/CP/CR/CS/CT/CV/CX/CZ
37	72144-94	SECONDARY LOCK, 4-way	CN/CP/CR/CS/CT/CV/CX/CZ
38	72159-94	SECONDARY LOCK, pin, 12-way	CN/CP/CR/CS/CT/CV/CX/CZ
39	72164-94A	WEATHER PLUG, 4-way	CN/CP/CR/CS/CT/CV/CX/CZ
40	72167-07BK	HOUSING, 16-way, pin (black)	CN/CP/CR/CS/CT/CV/CX/CZ
41	72168-07	TERMINAL, socket, 18-20 gauge (25)	CN/CP/CR/CS/CT/CV/CX/CZ
42	72169-07	TERMINAL, pin, 16-20 gauge (17)	CN/CP/CR/CS/CT/CV/CX/CZ
43	72175-07BK	HOUSING, pin, 4-way (black)	CN/CP/CR/CS/CT/CV/CX/CZ
43A	72179-94	SEAL (2)	CN/CP/CR/CS/CT/CV/CX/CZ

2008 MODEL IDENTIFICATION CODES

CN = XL883 CP = XL883C CR = XL883L CS = XL883R CT = XL1200C CV = XL1200R CX = XL1200L CZ = XL1200N LA = XR1200

WIRING HARNESS, MAIN - 883/C/L/R, 1200C/L/N/R (CONTINUED)

CONTINUED FROM
PREVIOUS PAGE



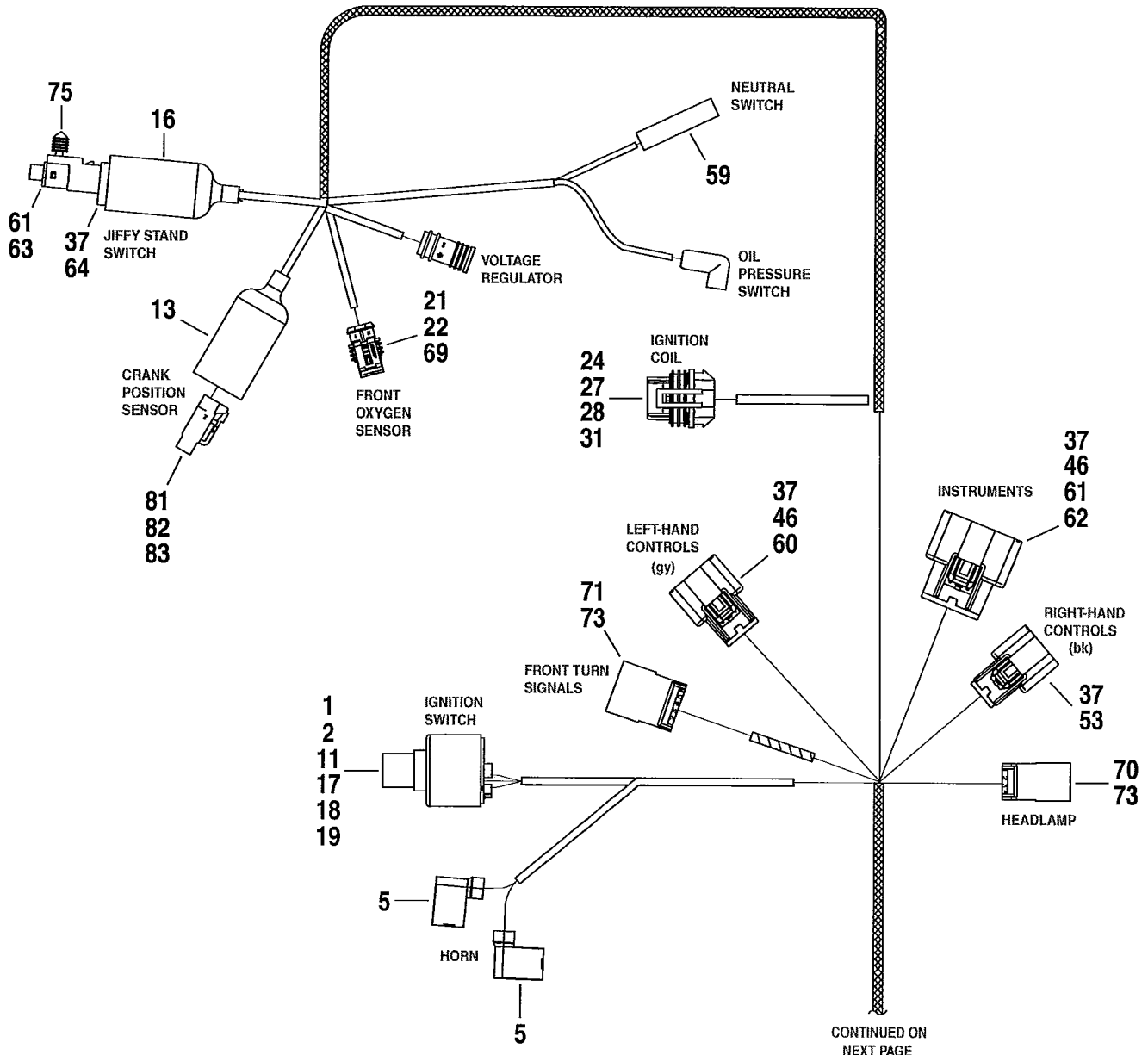
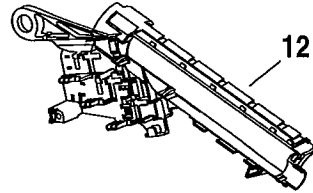
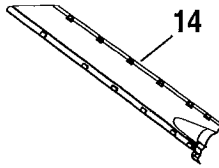
WIRING HARNESS, MAIN - 883/C/L/R, 1200C/L/N/R (CONTINUED)

INDEX NO.	PART NO.	DESCRIPTION	MODEL(S)
	70181-08	WIRING HARNESS, main	CN/CP/CR/CS/CT/CV/CX/CZ
NOTE: Includes the following parts.			
44	72190-94	TERMINAL, pin, 16-18 gauge (3)	CN/CP/CR/CS/CT/CV/CX/CZ
45	72191-94	TERMINAL, socket, 16-18 gauge (12)	CN/CP/CR/CS/CT/CV/CX/CZ
46	72195-94	SEAL, pin, 4-way	CN/CP/CR/CS/CT/CV/CX/CZ
47	72199-94	CONNECTOR ANCHOR (2)	CN/CP/CR/CS/CT/CV/CX/CZ
48	72260-04	HOUSING, female, 1-way (gray)	CN/CP/CR/CS/CT/CV/CX/CZ
49	72272-07	TERMINAL, socket, 14-16 gauge (6)	CN/CP/CR/CS/CT/CV/CX/CZ
50	72289-04	TERMINAL, female, 10-12 gauge	CN/CP/CR/CS/CT/CV/CX/CZ
51	72290-94	TERMINAL, insulated (2)	CN/CP/CR/CS/CT/CV/CX/CZ
52	72291-94	TERMINAL, female spade, 14-16 gauge	CN/CP/CR/CS/CT/CV/CX/CZ
53	72295-94	TERMINAL HOUSING, 1-way	CN/CP/CR/CS/CT/CV/CX/CZ
54	72312-04	HOUSING, socket, 3-way	CN/CP/CR/CS/CT/CV/CX/CZ
55	72330-95	FUSE, 15 amp (10)	CN/CP/CR/CS/CT/CV/CX/CZ
56	72414-07BK	HOUSING, socket, 6-way (black)	CN/CP/CR/CS/CT/CV/CX/CZ
57	72427-00	TERMINAL, 16-22 gauge (4)	CN/CP/CR/CS/CT/CV/CX/CZ
58	72430-00	FUSEBLOCK MOUNTING, relay, 9 fuses	CN/CP/CR/CS/CT/CV/CX/CZ
59	72432-00	FUSEBLOCK MOUNTING, relay, 3 fuses	CN/CP/CR/CS/CT/CV/CX/CZ
60	72434-00	TERMINAL, 14-16 gauge (17)	CN/CP/CR/CS/CT/CV/CX/CZ
61	72441-04	TERMINAL, 12-14 gauge	CN/CP/CR/CS/CT/CV/CX/CZ
62	72445-99TN	TERMINAL, female (tan)	CN/CP/CR/CS/CT/CV/CX/CZ
63	72469-07GY	HOUSING, socket, 8-way (gray)	CN/CP/CR/CS/CT/CV/CX/CZ
64	72473-07	SEAL PIN (7)	CN/CP/CR/CS/CT/CV/CX/CZ
65	72487-07BK	HOUSING, socket, 12-way (black)	CN/CP/CR/CS/CT/CV/CX/CZ
66	72511-07BK	HOUSING, 3-way (black)	CN/CP/CR/CS/CT/CV/CX/CZ
67	72512-07BK	HOUSING, socket, 3-way (black)	CN/CP/CR/CS/CT/CV/CX/CZ
68	72516-01	DUSTCAP	CN/CP/CR/CS/CT/CV/CX/CZ
69	72545-08	RESISTOR ASSEMBLY, fuel sender	CN/CP/CR/CS/CT/CV/CX/CZ
70	72611-07	TERMINAL, socket, 16-20 gauge (4)	CN/CP/CR/CS/CT/CV/CX/CZ
71	73104-96BK	CONNECTOR, 4-way (black)	CN/CP/CR/CS/CT/CV/CX/CZ
72	73106-96BK	CONNECTOR, 6-way (black) (2)	CN/CP/CR/CS/CT/CV/CX/CZ
73	73190-96	TERMINAL, pin, 20-16 gauge (16)	CN/CP/CR/CS/CT/CV/CX/CZ
74	73213-07	RETAINER (2)	CN/CP/CR/CS/CT/CV/CX/CZ
75	73301-04	HOUSING, 2-way, female	CN/CP/CR/CS/CT/CV/CX/CZ
76	73302-04	COVER, maxi-fuse, fuse block	CN/CP/CR/CS/CT/CV/CX/CZ
77	73303-04	SECONDARY LOCK, 2-way, female	CN/CP/CR/CS/CT/CV/CX/CZ
78	73304-04	TERMINAL, female, 10 gauge (2)	CN/CP/CR/CS/CT/CV/CX/CZ
79	73305-04	SEAL WIRE, 10 gauge (blue) (2)	CN/CP/CR/CS/CT/CV/CX/CZ
80	74112-98BK	SOCKET HOUSING, 2-way (black)	CN/CP/CR/CS/CT/CV/CX/CZ
81	74152-98	SECONDARY LOCK, 2-way	CN/CP/CR/CS/CT/CV/CX/CZ
82	74191-98	SOCKET TERMINAL (2)	CN/CP/CR/CS/CT/CV/CX/CZ
83	74195-98	SEAL PIN	CN/CP/CR/CS/CT/CV/CX/CZ

2008 MODEL IDENTIFICATION CODES

CN = XL883 CP = XL883C CR = XL883L CS = XL883R CT = XL1200C CV = XL1200R CX = XL1200L CZ = XL1200N LA = XR1200

WIRING HARNESS, MAIN - XR1200

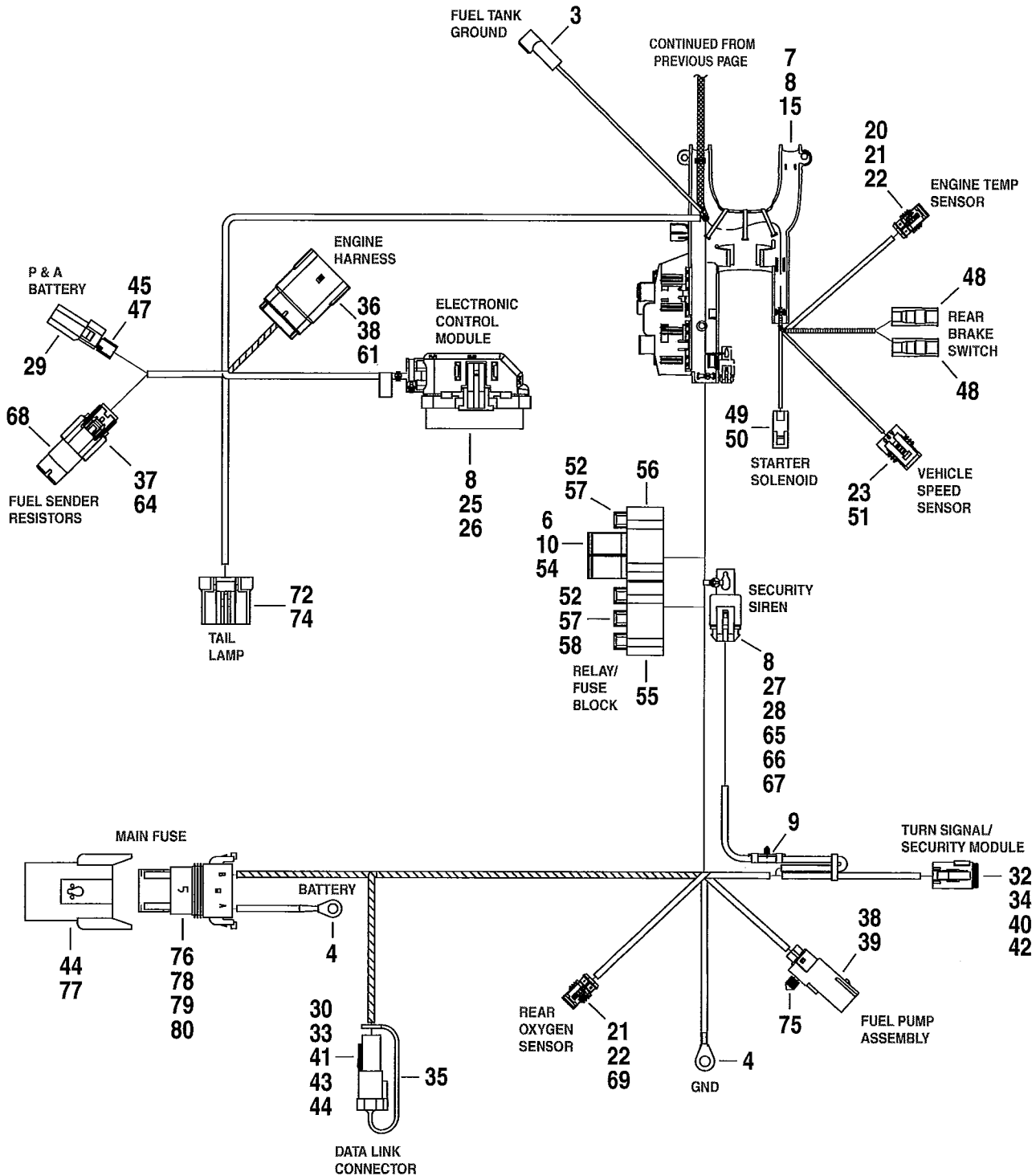


INDEX NO.	PART NO.	DESCRIPTION	MODEL(S)
INTERNATIONAL MODELS ONLY			
	70225-08	WIRING HARNESS, main	LA
NOTE: Includes the following parts.			
1	3124	SCREW	LA
2	7220	LOCKWASHER	LA
3	9814	OVERMOLD, fuel tank, ground	LA
4	9838	TERMINAL RING, 1/4, 10-12 gauge (2)	LA
5	9898	TERMINAL FLAG (2)	LA
6	9937	TERMINAL, female, 14-18 gauge (4)	LA
7	10006	CABLE STRAP (as required)	LA
8	10065	CABLE STRAP (as required)	LA
9	10279	CLIP, harness mount	LA
10	31601-04	RELAY (2)	LA
11	31806-08	BRACKET ASSEMBLY	LA
	56073-83	RETAINER, h-clip (not part of wiring harness) (not illustrated)	LA
12	70368-08	WIRE HARNESS CADDY	LA
13	70598-99	BOOT, temperature sensor	LA
14	70632-08	CADDY COVER	LA
15	70645-07	H-CLIP, fuseblock	LA
16	70664-08	BOOT, jiffystand sensor	LA
17	71510-04	HOUSING, ignition switch	LA
18	71550-94	LABEL, ignition switch	LA
19	71552-94	FACE NUT, ignition switch (2)	LA
20	72006-05	TERMINAL, 16-20 gauge (2)	LA
21	72007-05	HOUSING, socket, 2-way (3)	LA
22	72011-05	WIRE SEAL, 16-20 gauge (yellow) (6)	LA
23	72033-93	TERMINAL, socket, 16-20 gauge (3)	LA
24	72066-06	SOCKET HOUSING, 4-way	LA
25	72076-00	TERMINAL, socket (27)	LA
26	72077-00	SEAL PIN (9)	LA
27	72094-06	TERMINAL, socket, female, 18 gauge (7)	LA
28	72096-06	SEAL WIRE, 18-20 AWG (yellow) (7)	LA
29	72100-04	HOUSING, 1-way, male	LA
30	72124-94GY	SOCKET HOUSING, 4-way (gray)	LA
31	72135-06	SECONDARY LOCK, 4-way, female (gray)	LA
32	72139-94GY	SOCKET HOUSING, 12-way, w/ 72179-94 (gray)	LA
33	72144-94	SECONDARY LOCK, 4-way	LA
34	72159-94	SECONDARY LOCK, pin, 12-way	LA
35	72164-94A	WEATHER PLUG, 4-way	LA
36	72167-07BK	HOUSING, 16-way, pin (black)	LA
37	72168-07	TERMINAL, socket, 18-20 gauge (25)	LA
38	72169-07	TERMINAL, pin, 16-20 gauge (18)	LA
39	72175-07BK	HOUSING, pin, 4-way (black) (2)	LA
40	72179-94	SEAL (2)	LA
41	72190-94	TERMINAL, pin, 16-18 gauge (3)	LA
42	72191-94	TERMINAL, socket, 16-18 gauge (12)	LA
43	72195-94	SEAL, pin, 4-way	LA
44	72199-94	CONNECTOR ANCHOR (2)	LA
45	72260-04	HOUSING, female, 1-way (gray)	LA
46	72272-07	TERMINAL, socket, 14-16 gauge (6)	LA
47	72289-04	TERMINAL, female, 10-12 gauge	LA

2008 MODEL IDENTIFICATION CODES

CN = XL883 CP = XL883C CR = XL883L CS = XL883R CT = XL1200C CV = XL1200R CX = XL1200L CZ = XL1200N LA = XR1200

WIRING HARNESS, MAIN - XR1200 (CONTINUED)

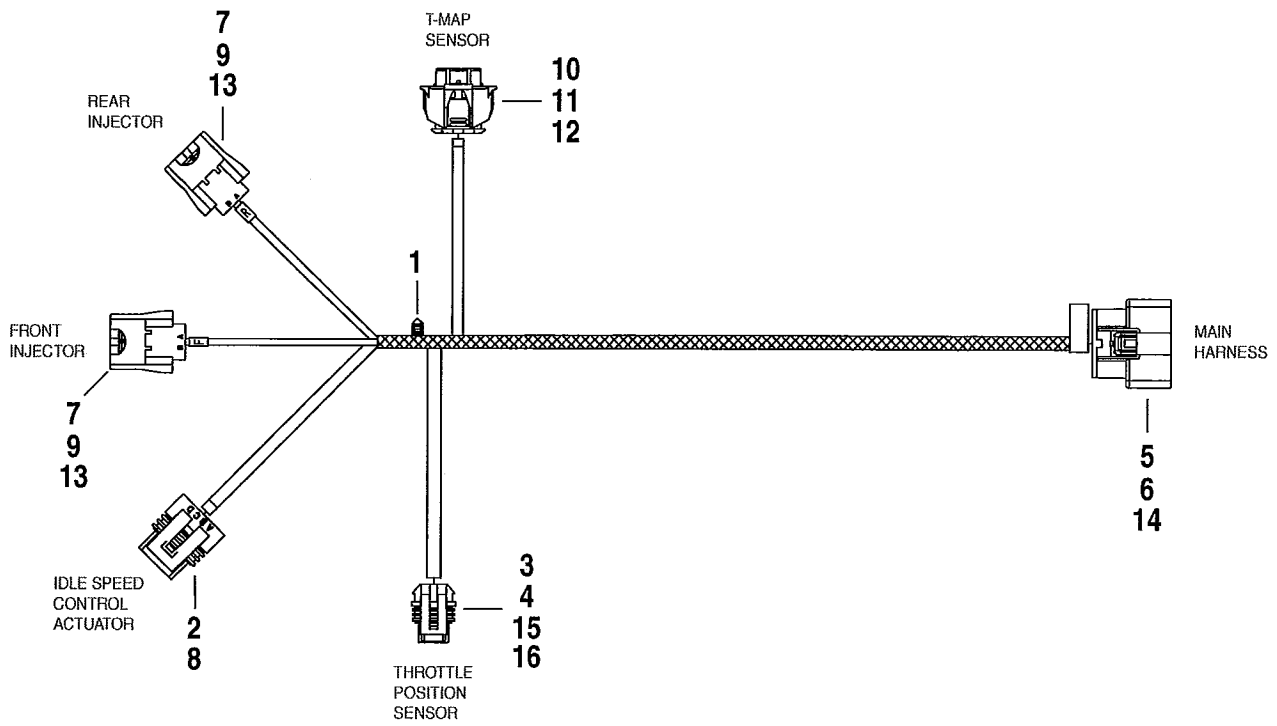


INDEX NO.	PART NO.	DESCRIPTION	MODEL(S)
INTERNATIONAL MODELS ONLY			
	70225-08	WIRING HARNESS, main	LA
NOTE: Includes the following parts.			
48	72290-94	TERMINAL, insulated (2)	LA
49	72291-94	TERMINAL, female spade, 14-16 gauge	LA
50	72295-94	TERMINAL HOUSING, 1-way	LA
51	72312-04	HOUSING, socket, 3-way	LA
52	72330-95	FUSE, 15-amp (10)	LA
53	72414-07BK	HOUSING, socket, 6-way (black)	LA
54	72427-00	TERMINAL, 16-22 gauge (4)	LA
55	72430-00	FUSEBLOCK MOUNTING, relay, 9 fuses	LA
56	72432-00	FUSEBLOCK MOUNTING, relay, 3 fuses	LA
57	72434-00	TERMINAL, 14-16 gauge (19)	LA
58	72441-04	TERMINAL, 12-14 gauge (2)	LA
59	72445-99TN	TERMINAL, female (tan)	LA
60	72469-07GY	HOUSING, socket, 8-way (gray)	LA
61	72473-07	SEAL PIN (6)	LA
62	72487-07BK	HOUSING, socket, 12-way (black)	LA
63	72511-07BK	HOUSING, 3-way (black)	LA
64	72512-07BK	HOUSING, socket, 3-way (black) (2)	LA
65	72516-01	DUSTCAP	LA
66	72543-07BK	HOUSING, socket, 3-way (black)	LA
67	72544-07	SECONDARY LOCK, 3-way, female	LA
68	72545-08	RESISTOR ASSEMBLY, fuel sender	LA
69	72611-07	TERMINAL, socket, 16-20 gauge (gold) (4)	LA
70	73104-96BK	CONNECTOR, 4-way (black)	LA
71	73106-96BK	CONNECTOR, 6-way (black)	LA
72	73156-96BK	SOCKET HOUSING, 6-way (black)	LA
73	73190-96	TERMINAL, pin, 16-20 gauge (10)	LA
74	73191-96	SOCKET TERMINAL, 16-20 awg (6)	LA
75	73213-07	RETAINER (2)	LA
76	73301-04	HOUSING, 2-way, female	LA
77	73302-04	COVER, maxi-fuse, fuse block	LA
78	73303-04	SECONDARY LOCK, 2-way, female	LA
79	73304-04	TERMINAL, female, 10 gauge (2)	LA
80	73305-04	SEAL WIRE, 10 gauge (blue) (2)	LA
81	74112-98BK	SOCKET HOUSING, 2-way (black)	LA
82	74152-98	SECONDARY LOCK, 2-way	LA
83	74191-98	SOCKET TERMINAL (2)	LA

2008 MODEL IDENTIFICATION CODES

CN = XL883 CP = XL883C CR = XL883L CS = XL883R CT = XL1200C CV = XL1200R CX = XL1200L CZ = XL1200N LA = XR1200

WIRING HARNESS, ENGINE - 883/C/L/R, 1200C/L/N/R

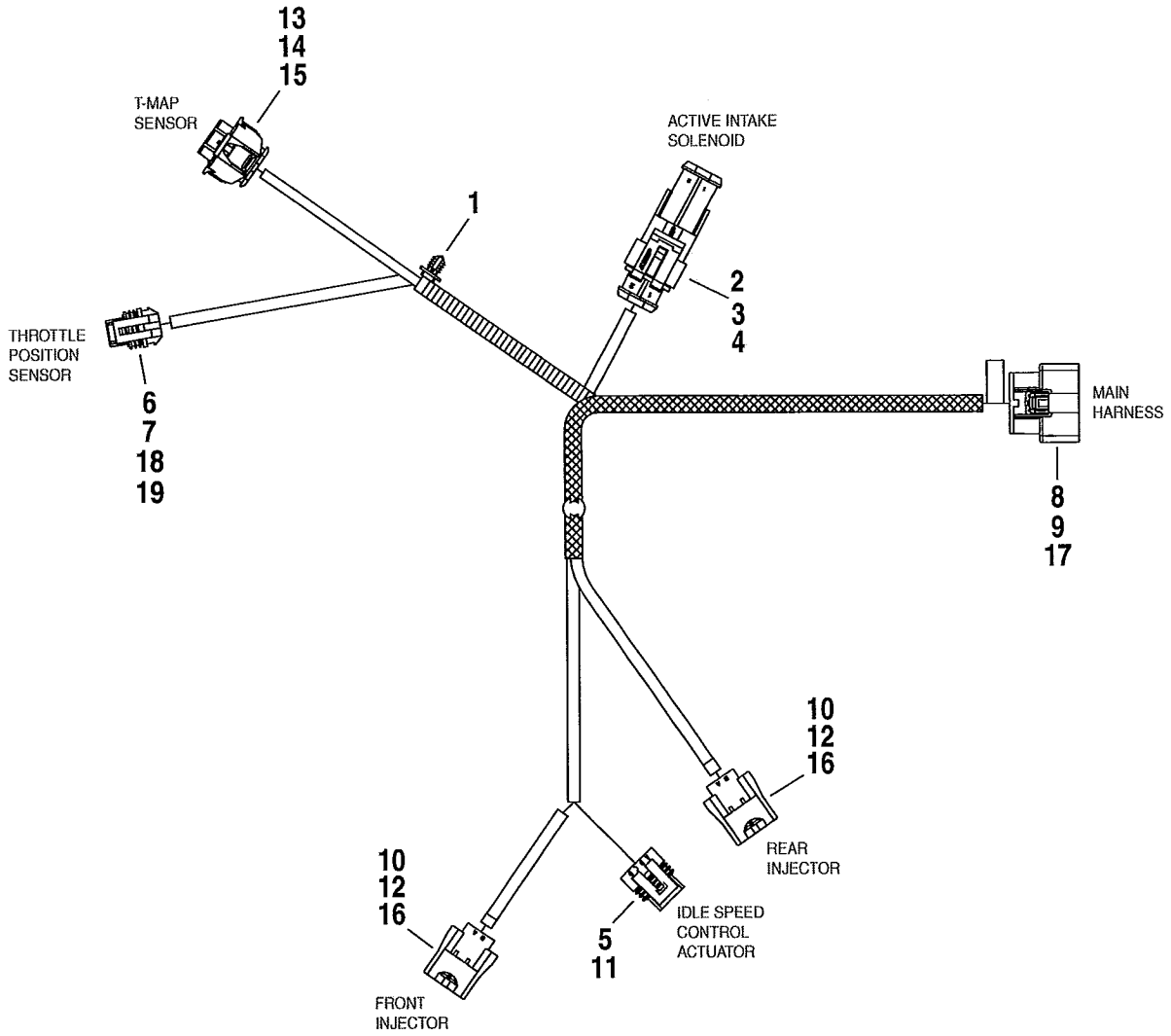


INDEX NO.	PART NO.	DESCRIPTION	MODEL(S)
	70167-08	WIRING HARNESS, engine	CN/CP/CR/CS/CT/CV/CX/CZ
NOTE: Includes the following parts.			
1	10279	CLIP, harness mount	CN/CP/CR/CS/CT/CV/CX/CZ
2	72033-93	TERMINAL, socket, 16-20 gauge (4)	CN/CP/CR/CS/CT/CV/CX/CZ
3	72094-06	TERMINAL, socket, 18 gauge (3)	CN/CP/CR/CS/CT/CV/CX/CZ
4	72096-06	SEAL WIRE, 18-20 AWG (yellow) (3)	CN/CP/CR/CS/CT/CV/CX/CZ
5	72166-07BK	HOUSING, 16-way, socket (black)	CN/CP/CR/CS/CT/CV/CX/CZ
6	72168-07	TERMINAL, socket, 18-20 gauge (15)	CN/CP/CR/CS/CT/CV/CX/CZ
7	72251-07	SECONDARY LOCK, 2-way (2)	CN/CP/CR/CS/CT/CV/CX/CZ
8	72263-95	HOUSING, 4-way, socket (black)	CN/CP/CR/CS/CT/CV/CX/CZ
9	72402-07	HOUSING, 2-way, socket (black) (2)	CN/CP/CR/CS/CT/CV/CX/CZ
10	72406-07	HOUSING, 4-way, socket	CN/CP/CR/CS/CT/CV/CX/CZ
11	72407-07	TERMINAL, socket, 16-20 gauge (4)	CN/CP/CR/CS/CT/CV/CX/CZ
12	72408-07	SEAL WIRE, 16-20 gauge (blue) (4)	CN/CP/CR/CS/CT/CV/CX/CZ
13	72413-07	TERMINAL, socket, 18-20 gauge (4)	CN/CP/CR/CS/CT/CV/CX/CZ
14	72473-07	SEAL PIN	CN/CP/CR/CS/CT/CV/CX/CZ
15	72543-07BK	HOUSING, 3-way, socket (black)	CN/CP/CR/CS/CT/CV/CX/CZ
16	72544-07	SECONDARY LOCK, 3-way	CN/CP/CR/CS/CT/CV/CX/CZ

2008 MODEL IDENTIFICATION CODES

CN = XL883 CP = XL883C CR = XL883L CS = XL883R CT = XL1200C CV = XL1200R CX = XL1200L CZ = XL1200N LA = XR1200

WIRING HARNESS, ENGINE - XR1200

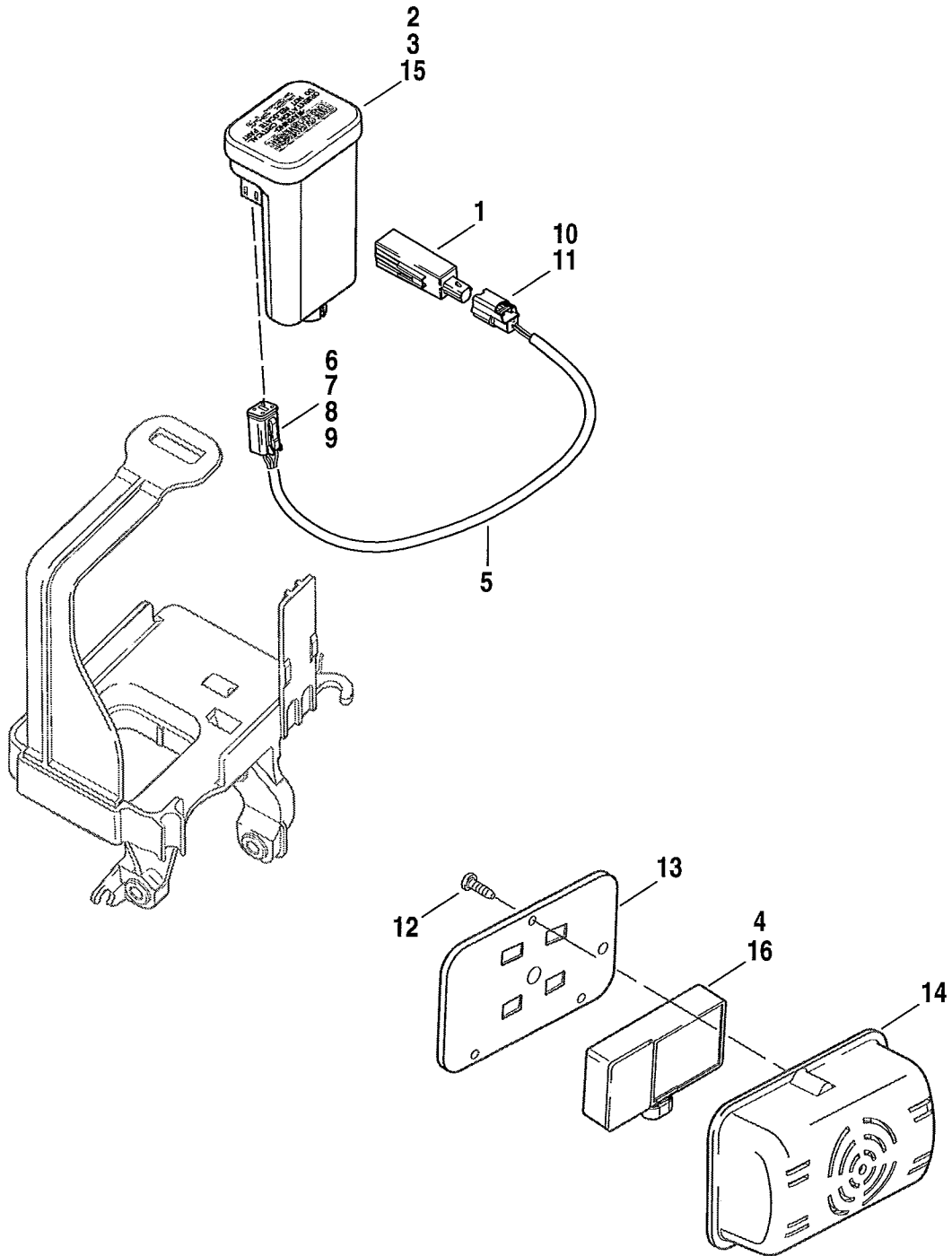


INDEX NO.	PART NO.	DESCRIPTION	MODEL(S)
INTERNATIONAL MODELS ONLY			
	70163-08	WIRING HARNESS, engine	LA
NOTE: Includes the following parts.			
1	10177	CABLE STRAP (as required)	LA
2	72006-05	TERMINAL, socket, 16-20 gauge (2)	LA
3	72007-05	HOUSING, socket, 2-way	LA
4	72011-05	WIRE SEAL, 16-20 gauge (yellow) (2)	LA
5	72033-93	TERMINAL, socket, 16-20 gauge (4)	LA
6	72094-06	TERMINAL, socket, female, 18 gauge (3)	LA
7	72096-06	SEAL WIRE, 18-20 AWG (yellow) (3)	LA
8	72166-07BK	HOUSING, socket, 16-way (black)	LA
9	72168-07	TERMINAL, socket, 18-20 gauge (14)	LA
10	72251-07	SECONDARY LOCK, 2-way (2)	LA
11	72263-95	HOUSING, 4-way, socket (black)	LA
12	72402-07	HOUSING, 2-way, socket (black) (2)	LA
13	72406-07	HOUSING, 4-way, socket	LA
14	72407-07	TERMINAL, socket, 16-20 gauge (4)	LA
15	72408-07	SEAL WIRE, 16-20 gauge (blue) (4)	LA
16	72413-07	TERMINAL, socket, 18-20 gauge (4)	LA
17	72473-07	SEAL PIN (2)	LA
18	72543-07BK	HOUSING, 3-way, socket (black)	LA
19	72544-07	SECONDARY LOCK, 3-way	LA

2008 MODEL IDENTIFICATION CODES

CN = XL883 CP = XL883C CR = XL883L CS = XL883R CT = XL1200C CV = XL1200R CX = XL1200L CZ = XL1200N LA = XR1200

TURN SIGNAL MODULE & SECURITY SIREN



INDEX NO.	PART NO.	DESCRIPTION	MODEL(S)
1	68919-07	PLUG, antenna module	ALL
2	68920-07	TURN SIGNAL MODULE, standard	ALL
3	68924-07	MODULE, security system	ALL
	68956-07	ANTENNA MODULE, security system	ALL
4	69018-00	BATTERY REPLACEMENT KIT, siren	ALL
5	70617-07	HARNESS, security module w/ 6, 7, 8, 9, 10, 11	ALL
6	72134-94GY	HOUSING, 4-way (gray)	ALL
7	72154-94	LOCK, secondary, 4-way	ALL
8	72191-94	TERMINAL, socket, 16-18 gauge (3)	ALL
9	72195-94	SEAL, pin, 4-way	ALL
10	72720-07	HOUSING, socket, 2-way	ALL
11	72721-07	TERMINAL, socket, 18-20 gauge	ALL

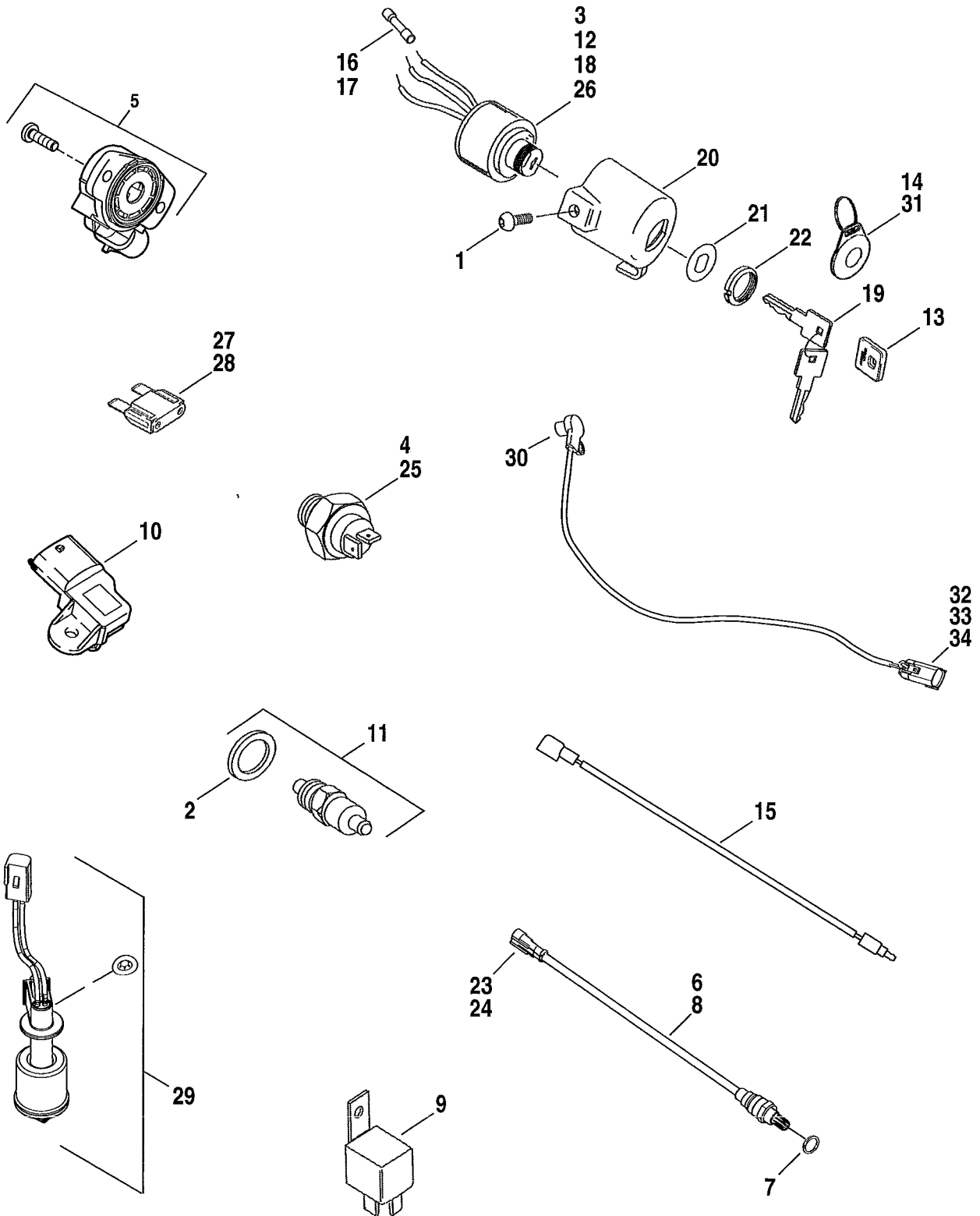
INTERNATIONAL MODELS ONLY

12	3732	SCREW (HDI) (3)	ALL
13	66523-06	PLATE, siren mounting bracket (HDI)	ALL
14	66524-06	COVER, siren (HDI)	ALL
15	68922-07	MODULE, security system (Japan)	CN/CP/CR/CS/CT/CV/CX/CZ
16	68958-07A	SIREN (HDI)	ALL
	76522-08	BRACKET, antenna module (not illustrated)	LA

2008 MODEL IDENTIFICATION CODES

CN = XL883 CP = XL883C CR = XL883L CS = XL883R CT = XL1200C CV = XL1200R CX = XL1200L CZ = XL1200N LA = XR1200

SWITCHES, SENSORS & ELECTRICAL CONNECTORS



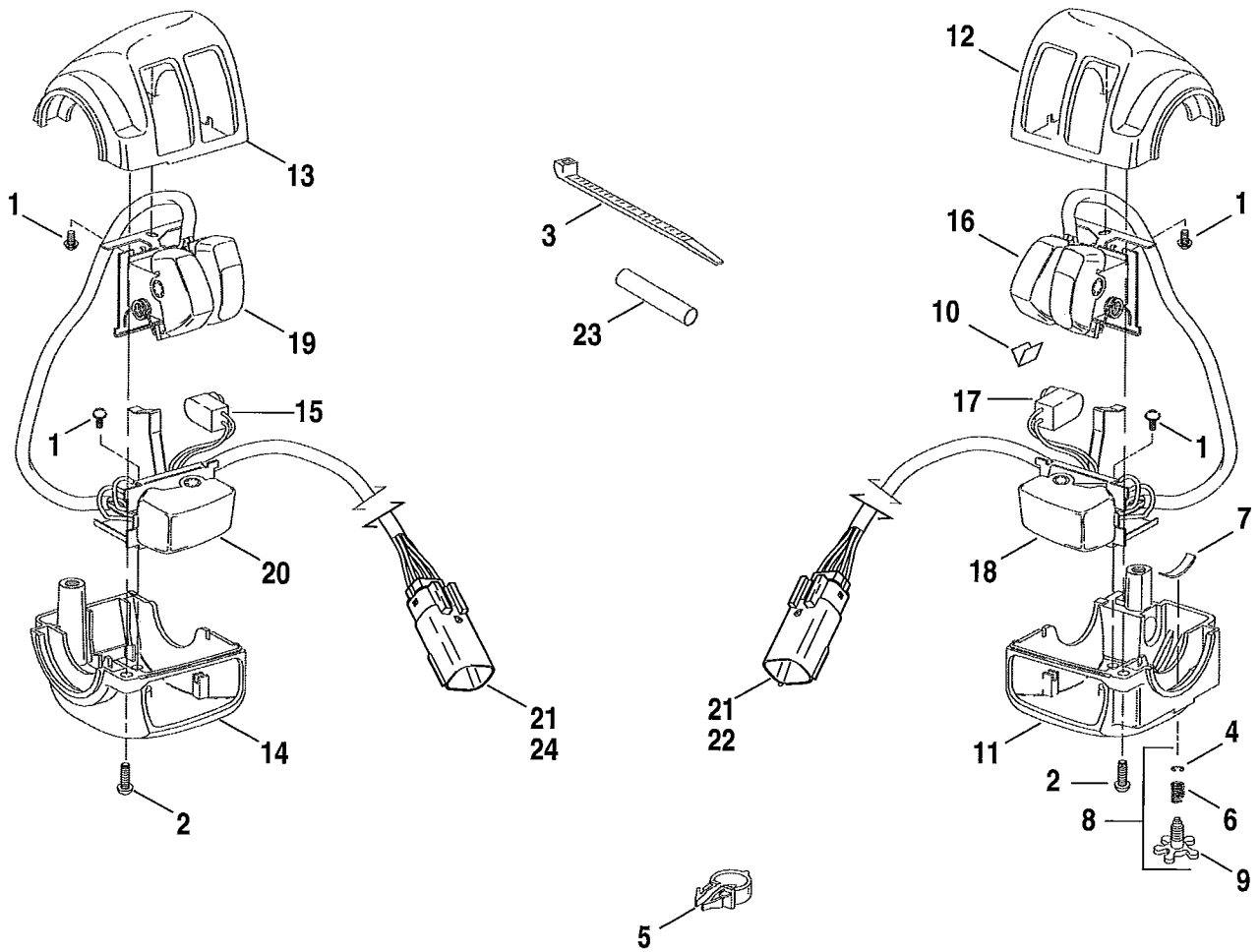
SWITCHES, SENSORS & ELECTRICAL CONNECTORS

INDEX NO.	PART NO.	DESCRIPTION	MODEL(S)
1	3658	SCREW	ALL
2	6288	WASHER	ALL
3	9862	TERMINAL RING (3)	ALL
4	9907	TERMINAL, wire (2)	ALL
5	27629-01A	KIT, throttle position sensor	ALL
6	27690-08	SENSOR, oxygen, w/ 27714-06, 72009-05, 72011-05 (2)	LA
7	27714-06	SEAL RING (2)	ALL
8	27719-07	SENSOR, oxygen, w/ 27714-06, 72009-05, 72011-05 (2)	CN/CP/CR/CS/CT/CV/CX/CZ
9	31601-04	RELAY (2)	ALL
10	32319-07	T-MAP SENSOR	ALL
11	33900-99	SWITCH, neutral indicator, w/ washer	ALL
12	48154-05	LOCKSET ASSEMBLY	ALL
13	61459-97	COVER, key head set	ALL
14	68926-07	FOB, remote control	ALL
15	70247-07	JUMPER WIRE, neutral switch	ALL
16	70586-93	CONNECTOR, butt splice (blue) (3)	ALL
17	70587-93	CONNECTOR, butt splice (yellow) (2)	ALL
18	71441-94	IGNITION SWITCH (specify key code)	ALL
19	71451-94A	KEY SET, ignition switch (specify key code)	ALL
20	71510-04	HOUSING, ignition switch	ALL
21	71550-94	LABEL, ignition switch	ALL
22	71552-94	FACE NUT, ignition switch (2)	ALL
23	72009-05	HOUSING, 2-way pin (2)	ALL
24	72011-05	WIRE SEAL, 16-20 gauge (yellow) (4)	ALL
25	72023-51D	BRAKE LIGHT SWITCH, w/ 9907	ALL
26	72268-94	SHRINK TUBE	ALL
27	72318-04	FUSE, 30A	ALL
28	72330-95	FUSE, 15A (6)	ALL
29	75302-07	SENSOR, fuel level	ALL
INTERNATIONAL MODELS ONLY			
30	50126-08	SENSOR, jiffystand (HDI, England) w/ 72169-07, 72511-07BK, 73213-07	ALL
31	68939-00	FOB, remote control (Japan)	CN/CP/CR/CS/CT/CV/CX/CZ
32	72169-07	TERMINAL, pin, 16-20 gauge (HDI, England) (3)	ALL
33	72511-07BK	HOUSING (HDI, England)	ALL
34	73213-07	RETAINER (HDI, England)	ALL

2008 MODEL IDENTIFICATION CODES

CN = XL883 CP = XL883C CR = XL883L CS = XL883R CT = XL1200C CV = XL1200R CX = XL1200L CZ = XL1200N LA = XR1200

HANDLEBAR SWITCHES



INDEX NO.	PART NO.	DESCRIPTION	MODEL(S)
1	2955	SCREW (4)	ALL
2	3658	SCREW (4)	ALL
3	10181	CABLE STRAP (as required)	ALL
4	11155	RETAINING RING	ALL
5	70345-84	RETAINER, wiring harness (4)	ALL
6	56394-74	SPRING, throttle adjusting screw	ALL
7	56396-74A	FRICTION SPRING, throttle adjusting	ALL
8	56397-74C	KIT, throttle adjusting screw, w/ 11155, 56394-74, & 56402-83A	ALL
9	56402-83A	ADJUSTING SCREW	ALL
10	71509-00	CLIP	ALL
11	71563-96	HOUSING, lower right	ALL
12	71564-96	HOUSING, upper right	ALL
13	71567-96	HOUSING, upper left	ALL
14	71568-96A	HOUSING, lower left	ALL
15	71584-96A	SWITCH, clutch, w/ 10181 & 72266-94	ALL
16	71589-96B	SWITCH ASSEMBLY, engine stop & start, w/ 10181 & 72266-94	ALL
17	71590-96A	STOPLIGHT SWITCH, w/ 10181 & 72266-94	ALL
18	71591-00	SWITCH ASSEMBLY, right directional, w/ 10181	ALL
19	71597-96B	SWITCH ASSEMBLY, dimmer & horn, w/ 10181 & 72266-94	ALL
20	71598-00	SWITCH ASSEMBLY, left directional, w/ 10181	ALL
21	72169-07	TERMINAL, pin, 16-20 gauge (14)	ALL
22	72188-07BK	HOUSING, 6-way pin (black)	ALL
23	72266-94	SHRINK TUBE (as required)	ALL
24	72447-07GY	HOUSING, 8-way pin (gray)	ALL

2008 MODEL IDENTIFICATION CODES

CN = XL883 CP = XL883C CR = XL883L CS = XL883R CT = XL1200C CV = XL1200R CX = XL1200L CZ = XL1200N LA = XR1200

LABELS

1

SPORTSTER					
Spare 15A	Starter	System	Spare 15A	Lights 15A	Open
Fuel pump 15A			Instruments 15A	Battery 15A	Spare 15A
ECM 15A	Relay	Relay	Ignition 15A	Accessory 15A	P&A Ign (2A Max)
13571-07					

2

WARNING

A connected battery can cause a spark or motorcycle startup while servicing. Death or serious injury could occur.

- † Disconnect negative cable before servicing.
- † Keep cable away from terminal while servicing.

5

SPORTSTER					
Spare 15A	Starter	System	Spare 15A	Lights 15A	
Fuel pump 15A			Instruments 15A	Battery 15A	Eng Cont 15A
ECM 15A	Relay	Relay	Ignition 15A	Accessory 15A	P&A Ign (2A Max)
13699-08					

3

WARNING

Motorcycles are different from other vehicles. They operate, steer, handle and brake differently. Unskilled or improper use could result in loss of control, death or serious injury.

- Take a rider training course.
- Read Owner's Manual before riding, adding accessories or servicing.
- Wear a helmet, eye protection and protective clothing.
- Never tow a trailer.

To be removed by customer only.

15370-01A

4

Battery Removal

WARNING

Sparks can cause battery explosion. Death or serious injury could occur.

To avoid sparks:

- † Disconnect negative battery cable first. Keep cable away from all metal parts.
- † Do not allow red-marked positive battery cables to touch metal motorcycle parts with negative cable connected.

1. Unscrew nut and remove negative battery cable from crankcase stud (see Figure 1). Keep end of negative battery cable away from all metal parts.
2. Unscrew bolt and remove red-marked positive battery plus from battery positive (+) terminal.
3. Unscrew bolt and remove battery hold-down strap.
4. Lift battery with attached negative cable from battery.

Battery Installation

WARNING

Sparks can cause battery explosion. Death or serious injury could occur.

To avoid sparks:

- † Connect red-marked positive battery cables first. Do not allow red-marked positive battery cables to touch metal motorcycle parts with negative cable connected.
- † While connecting the red-marked positive battery cables, keep negative cable away from metal parts.

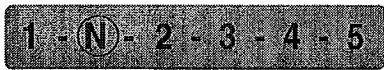
CAUTION

Failure to connect cables to the correct battery terminals could cause damage to the motorcycle electrical system.

Over-tightening battery terminal bolts could cause damage to battery terminals. Use recommended torque values.

1. Place the fully charged battery with attached negative cable into the battery tray.
2. Route negative cable through battery tray. Do not connect negative cable yet. Keep negative cable away from metal parts and the crankcase stud until red-marked positive cables are attached.
3. Insert bolt through red-marked positive battery cable and into threaded hole of battery positive (+) terminal. Tighten bolt to 40in-lbs (4.5 Nm). Do not over tighten.
4. Place the negative battery cables onto crankcase stud. Tighten nut to 60in-lbs (7.3 Nm).

Figure 1
Battery Side View



6

WARNING

Motorcycles are different from other vehicles. They operate, steer, handle and brake differently. Unskilled or improper use could result in loss of control, death or serious injury.

- Take a rider training course.
- Read Owner's Manual before riding, adding accessories or servicing.
- Wear a helmet, eye protection and protective clothing.
- Never tow a trailer.

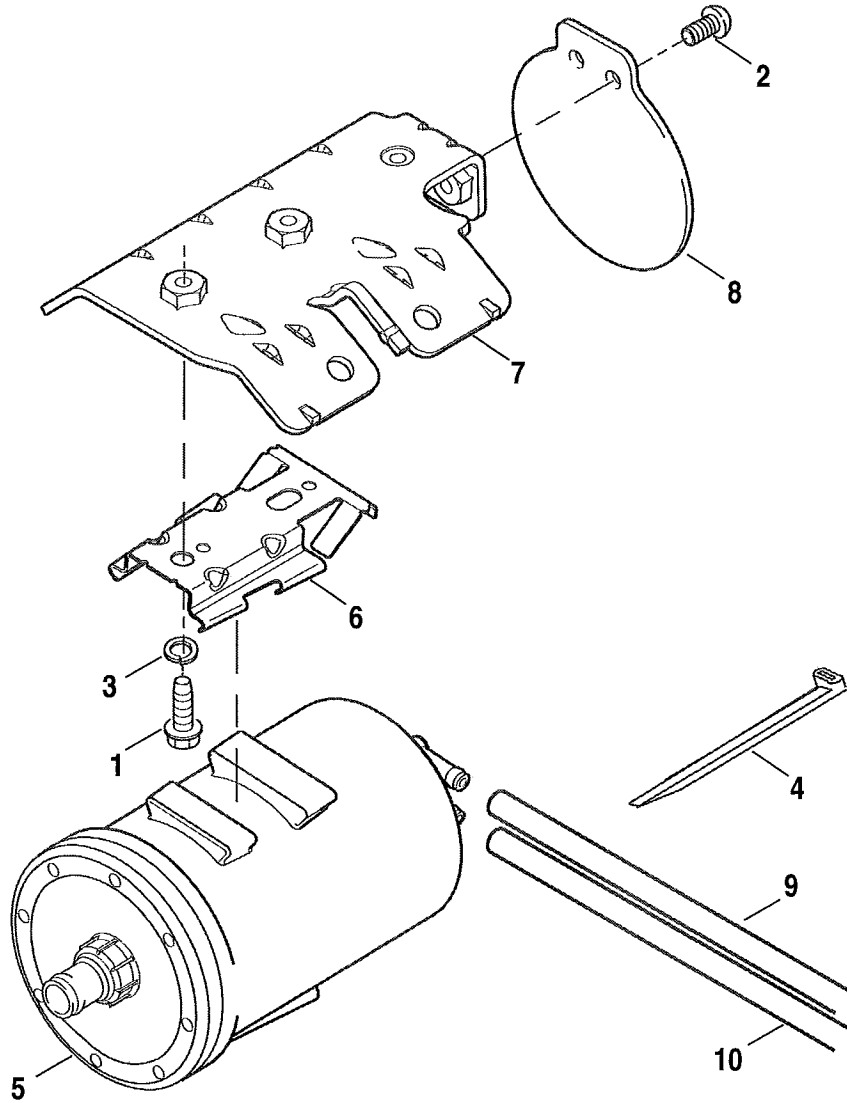
For a manual, find nearest dealer at 1-800-443-2153 or www.harley-davidson.com 28127-958

INDEX NO.	PART NO.	DESCRIPTION	MODEL(S)
1	13571-07	LABEL, fuse block	CN/CP/CR/CS/CT/CV/CX/CZ
2	15368-01A	LABEL, battery warning	ALL
3	15370-01A	LABEL, mirror warning	ALL
4	15376-06	LABEL, battery removal	ALL
5	13699-08	LABEL, fuse block	LA
6	29127-95B	LABEL, general warning, air cleaner	CN/CP/CR/CT/CV/CX
	29147-07	LABEL, general warning, air cleaner	CZ
	29404-01A	LABEL, general warning, air cleaner	CS
INTERNATIONAL MODELS ONLY			
7	14270-92	LABEL, shift label (Japan)	ALL

2008 MODEL IDENTIFICATION CODES

CN = XL883 CP = XL883C CR = XL883L CS = XL883R CT = XL1200C CV = XL1200R CX = XL1200L CZ = XL1200N LA = XR1200

EVAPORATIVE EMISSIONS



INDEX NO.	PART NO.	DESCRIPTION	MODEL(S)
NOTE: These parts are required for motorcycles sold in the state of California.			
1	3767B	BOLT (2)	ALL
2	4363	SCREW (2)	ALL
3	6099	WASHER (2)	ALL
4	10006	CABLE STRAP (as required)	ALL
5	27042-84A	CANNISTER	ALL
6	27047-84B	BRACKET, canister mounting	ALL
7	28908-04A	BRACKET, canister	ALL
8	28909-04	GUARD, canister	ALL
9	28822-07A	HOSE, canister-to-manifold	ALL
10	28911-04A	HOSE, canister-to-vapor valve	ALL

2008 MODEL IDENTIFICATION CODES

CN = XL883 CP = XL883C CR = XL883L CS = XL883R CT = XL1200C CV = XL1200R CX = XL1200L CZ = XL1200N LA = XR1200

HARDWARE LIST

PART NO.	DESCRIPTION	PART NO.	DESCRIPTION
1028	SCREW, 5/16-18 X 2-1/2 SEMS socket hd., w/lockpatch	3480A	SCREW, 1/4-20 X 1-3/4 knurled hd. (Grade 8)
1039	SCREW, 5/16-18 X 2-1/2 hex flange hd. (Grade 8)	3485A	SCREW, 5/16-18 X 1-3/4 knurled hd. (Grade 8)
1048	SCREW, 5/16-18 X 1-1/2 hex flange hd.	3514	SCREW, No. 8-32 X 1 fillister hd. (Grade 5)
1081A	SCREW, 10-24 X 0.895 SEMS pan hd.	35211-91B	NUT, 1-1/2-24 X .350 X 1-7/8 hex hd.
1091	SCREW, 10-24 X 9.5 SEMS socket hd.	3563	SCREW, 1/4-20 X 3-9/16 hex flange hd. (Grade 5)
1198	SCREW, 10-24 X 0.550 fillister hd.	3574	SCREW, 1/4-20 X 3/4 hex hd., w/washer.
1751	SCREW, No. 1/4-20 X 3.0 hex socket	3579A	SCREW, 1/4-28 X 1/4 SEMS hex hd., self-tapping (Grade 2)
2325	SCREW, No. 6 X 3/4 cross recess pan hd., self-tapping	3588	SCREW, 1/4-20 X 1/2 hex flange hd.
2361	SCREW, No. 8-32 X 3/8 socket countersink hd., w/lockpatch	3594	SCREW, 1/4-20 X 5/8 knurled hd. (Grade 8)
2362	SCREW, No. 10 X 3/4 hex hd., self-tapping	3605	BOLT, 1/2-13 X 2-1/2 hex hd. (Grade 5)
2407	SCREW, No. 8 X 1/2 pan hd., Phillips drive, plastite	3615	SCREW, No. 8-32 X 1, pan hd., thread-cutting
2441	SCREW, No. 10-24 X 1/2 TORX pan hd.	3655A	SCREW, 5/16-18 X 7/8 TORX pan hd., w/lockpatch (Grade 8)
2445	SCREW, 1/4-20 X 9/16 button hd.	3658	SCREW, No. 10-24 X 1/2 TORX hd. (Grade 5)
2446	SCREW, 1/4-20 X 5/8 TORX socket button hd.	3666A	SCREW, No. 10-24 X 1.500 TORX recessed hd., w/washer
2460	SCREW, 5/16-18 X 1/2 socket countersink hd.	3696	SCREW, 5/16 X 3/4 TORX pan hd. (Grade 5)
2501A	SCREW, No. 8-32 X 3/8 hex hd., self-tapping	3706M	SCREW, M6 X 1.0 X 20 hex hd.
2535	SCREW, 5/16-18 X 1 socket hd.	3708M	SCREW, M6 X 1.0 X30 hex hd.
2548	SCREW, No.8-32 X 3/4 socket hd., w/lockpatch	3731M	SCREW, M6 X 1.0 X 12 socket button hd., w/lockpatch
2586A	SCREW, M4 X 0.7 X 12 flat hd.	3732	SCREW, 3/16-16 X 5/8 TORX pan hd.
2607	SCREW, 1/4-20 X 3/4 Pozidriv pan hd. (Grade 2)	3767B	BOLT, 1/4-20 X 5/8 hex hd. (Grade 5)
2612	SCREW, No. 8-32 X 1/2 Pozidriv pan hd. (Grade 2)	3799	SCREW, 1/4-20 X 3/4 flange hd.
2708A	SCREW, 5/16-18 X 1 socket hd.	3802W	BOLT, 1/4-20 X 7/8 hex hd. (Grade 5)
2773	SCREW, 1/4-20 X 1/2 Pozidriv pan hd. (Grade 2)	3814	SCREW, 7/16-14 X 1-3/4 hex hd., w/washer (Grade 8)
2872W	BOLT, 1/4-20 X 1-1/2 hex hd. (Grade 5)	3832M	SCREW, M6 X 1.0 X 20 hex button hd.
2952A	SCREW, 1/4-20 X 1/2 SEMS truss hd.	3849	SCREW, 1/4-20 X 1-1/4 SEMS hex hd. (Grade 8)
2955	SCREW, No. 6-32 X 1/4 Phillips pan hd., w/lockwasher	3854	SCREW, 7/16-14 X 1, hex hd. (Grade 8)
3022A	SCREW, 1/4-20 X 5/8 socket fillister hd., w/lockpatch	3880	SCREW, 1/2-13 X 2-1/4 TORX recessed button hd.
3026	SCREW, No. 10-32 X 1/2 socket button hd.	3899	SCREW, 7/16-14 X 1-3/4 hex hd., w/lockpatch
3029	SCREW, No. 10-24 X 1 TORX hd., w/adhesive	3976	SCREW, 1/4-20 X 1 hex flange hd. (Grade 5)
3048	SCREW, No. 10-24 X 3/8 hex button hd.	3987	BOLT, 5/16-18 X 3/4 hex hd. (Grade 5)
3059	SCREW, 10-24 X 1/2 hex flat hd.	4016	SCREW, 5/16-18 X 1.0 socket button hd.
3060	SCREW, 10-24 X 3/4 hex flat hd.	4017	BOLT, 5/16-18 X 1 hex hd. (Grade 5)
3085	SCREW, 1/4-20 X 1/2 w/washer	4029A	SCREW, 3/8-16 X 2-1/4 socket hd. (black)
3123	SCREW, 10-14 X 1.0 torx pan hd.	4032A	SCREW, 3/8-16 X 2-1/2 socket hd.
3124	SCREW, 10-24 X 1/2 torx pan hd. w/lock patch	4076	SCREW, 3/8-16 X 1/2 socket hd.
31689-90	BOLT, M4 X 0.7 X 12 hex hd.	4091	SCREW, No. 10-24 X 1/2 hex hd., w/washer, self-tapping (zinc)
3210A	SCREW, 5/16-18 X 1-1/4 knurled hd.	4104	SCREW, No. 10-24 X 1/2 hex hd., w/washer
3244	SCREW, M8 X 1.25 X 12	41191-74A	SCREW, 1/2-20 X 5/8 hex socket flat hd., w/lockpatch
3403	LOCKNUT, M8-1.25 X 12mm flange (zinc)		

HARDWARE LIST

PART NO.	DESCRIPTION	PART NO.	DESCRIPTION
4132	SCREW, 1/4-20 X 1-1/8 TORX button hd. (Grade 5) (black)	4765	SCREW, 1/4-20 X 2-5/8 SEMS socket hd., w/lockpatch (Grade 8) (zinc)
4180	SCREW, 3/8-16 X 1-1/2 TORX button hd.	4771	SCREW, 5/16-18 X 4-1/4 socket hd. (Grade 5)
4188	SCREW, 3/8-16 X 1-1/4 TORX button hd.	4778	SCREW, 5/16-18 X 1-3/8 TORX button hd.
4250M	SCREW, M8 X 1.25 X 25 hex socket hd. cap	4779	SCREW, 5/16-18 X 1-3/4 TORX button hd.
4266A	SCREW, 3/8-16 X 7/8 button hd. (Grade 5)	4798	SCREW, 1/4-20 X 5/8
4269	SCREW, 5/16-18 X 3/4, flange hd.	4816A	SCREW, 5/16-18 X 1-1/2 socket hd.
4290	SCREW, 3/8-16 X 1-1/4, TORX button hd. (Grade 5)	4820A	SCREW, 1/4-20 X 2 socket hd.
4312C	SCREW, M6 X 1.0 X 14mm, SEMS flange hd. (stainless)	4822A	SCREW, 1/4-20 X 2-3/4 knurled hd., w/lockpatch
4326A	SCREW, 5/16-18 X 2 socket hd.	4859	SCREW, 5/16-18 X 2.0 hex flange hd.
4329	SCREW, 1/4-20 X 3/4 hex hd. w/washer, self-tapping	4871	SCREW, 1/4-20 X 29/64 flange hd.
4350A	SCREW, 3/8-16 X 1-1/2 socket hd.	4897	SCREW, 1/4-20 X 5/8 TORX socket button hd. (black)
4351	SCREW, 5/16 X 3/4 TORX hd., self-tapping (Grade 8)	5403B	BOLT, 1/4-20 X 3/8 carriage
4352	SCREW, 3/8-16 X 1-1/2 TORX, self-tapping (Grade 8)	5414	BOLT, 3/8-16 X 7/8 carriage (Grade 5)
4354	SCREW, 1/2-20 X 2-1/2, TORX button hd.	5416	BOLT, 3/8-16 X 1/8 carriage (Grade 5)
43567-92	SCREW, 3/4-16 X 1 TORX pan hd., w/lockpatch	54321-85	NUT, No. 8-32 X 1/2 X 1/8 (brass)
4359	SCREW, 5/16-18 X 7/8 socket button hd.	5925	WASHER, 29 X 39 X 2-19/64
4363	SCREW, 1/4-20 X 1/2 socket button hd.	6003	WASHER, 1-3/16 X 1-3/8 X 11/16
4420	SCREW, 3/8-16 X 2.75 hex hd. (Grade 5)	6026	WASHER, 3/8 X 7/8 X 7/64
4453	BOLT, 1/4-20 X 7/8 hex hd. SPECIAL WITH TAPPED HOLE	6099	WASHER, 1/4 X 7/16 X 1/16
4460	BOLT, 5/8-18 X 1 hex hd. (Grade 5)	6101	WASHER, 17/64 X 27/64 X 1/16
4499M	BOLT, M10 X 1.25 X 35 socket hd.	6109	WASHER, 5/16 X 11/16 X 1/8
4535M	SCREW, M6 X 1 x 25 TORX button hd.	6110	WASHER, 9/32 X 5/8 X 1/16
45405-75A	SCREW, M8 X 1.25 x 27 hex socket hd.	6152	SPACER, 13/32 X 1.0 X 5/16
4549	SCREW, 5/16-18 X 1-3/4 TORX button hd. (Grade 5)	6157	WASHER, 27/64 X 5/8 X 1/64 heat treated
4551	SCREW, 1/2-13 X 1-1/8 hex socket hd., w/ adhesive	6192	WASHER, No. 8 X 7/16 X 3/64
4553	SCREW, 5/16-18 X 6.0 socket hd. cap	6237	WASHER, 5/16 X 1-1/8 X 5/64
4589	SCREW, 9/16-12 X 2-5/16 hex flange hd.	6288	WASHER, 17/32 X 25/32 X 1/32
4678	SCREW, 1/2-13 X 1-3/4 hex flange	6302	WASHER, 5/16 X 11/16 X 19/32
4705	SCREW, 1/4-20 X 11/16 SEMS socket hd., w/lockpatch	6400HB	WASHER, 5/16 X 13/16 X 3/32
4717A	SCREW, 1/4-20 X 2-1/4 knurled hd., w/lockpatch	6445	WASHER, 1/2 X 2 X 0.300
4718A	SCREW, 1/4-20 X 1-1/2 knurled hd., w/lockpatch	6516HW	WASHER, 7/16 X 1-1/8 X 1/8
4740A	SCREW, 1/4-20 X 1-1/4 knurled hd., w/lockpatch (Grade 8)	6551	WASHER, 1 X 1-5/8 X 1/8 hardened
4741A	SCREW, 1/4-20 X 1 socket hd., w/lockpatch	6590HW	WASHER, 1/2 X 1-1/8 X 3/32
4748	SCREW, 3/8-16 X 1-1/8 socket hd. (Grade 8)	6594	WASHER, 5/8 X 1-1/8 X 3/32
4751	BOLT, 1/4-20 X 3/4 hex hd., w/lockpatch (Grade 8) (zinc)	6655	WASHER, 5/8 X 1-1/2 X 7/64
4758A	SCREW, 5/16-18 X 3.48 socket hd. (Grade 8)	6701	WASHER, 3/8 X 13/16 X 1/16
		6702	WASHER, 5/16 X 11/16 X 1/16
		6703	WASHER, 1/4 X 5/8 X 1/16
		6718	WASHER, 1/2 X 1-1/16 X 3/32
		6738	WASHER, 17/32 X 7/8 X 7/64
		675	SCREW, 3/8-16 X 3-1/4 socket hd.
		6787	WASHER, 7/16 X 13/16 X 5/64 flat
		6798	WASHER, 5/16 X 1/2 X 1/32
		68026-99	SCREW, No. 8-32 X 1 Phillips pan hd. (stainless)
		6930	WASHER, 0.344 X 1-1/8 X 0.078 heat treated
		7038	LOCKWASHER, 3/8
		7039	LOCKWASHER, 7/16
		7041	LOCKWASHER, 5/16
		7045	LOCKWASHER, 3/8 high collar
		7068	LOCKWASHER, 1/2

HARDWARE LIST

PART NO.	DESCRIPTION	PART NO.	DESCRIPTION
7069	LOCKWASHER, 3/16	7839	NUT, 3/4-16 X 21/32 flange (Grade 2)
7080	WASHER, 9/16 X 3/4 X 1/4	7862	ACORN NUT, 3/8-16 (chrome)
7127	LOCKWASHER, 5/16 internal tooth	7880	NUT, 1/2-13 X 7/16 X 3/4 (Grade 2)
7220	LOCKWASHER, No. 10 external tooth	7900	LOCKNUT, 5/8-18
7468M	NUT, M10 X 1 X 6	7916A	JAM NUT, 5/8-18
7469	NUT, M10 X 1 X 11	8102	SPEEDNUT, 5/16-18
7477	NUT, M8 X 1.25	8108	SPEEDNUT, 1/4-20
7481	ACORN NUT, 5/16-18 X 5/8 X 1/2	8190	NUT, M24 X 2.0
7495	NUT, M6 flange	835	SCREW, 5/16-18 X 3 flange hd., w/lockpatch
7531	LOCKNUT, 5/16-18 X 9/32 X 1/2 flange	855B	SCREW, 3/8-16 X 2 knurled hd.
7593	NUT, 5/16-24 flange	8679	SCREW, No. 8-32 X 7/16, TORX button hd.
7601	LOCKNUT, 3/8-16 flange	882	SCREW, 1/4-20 X 7/8 knurled hd., w/washer (Grade 8)
7606	LOCKNUT, No. 8-32 X 1/4 X 1/4 hex (chrome)	928	BOLT, M5 X 0.8 X 35.2 hex hd.
7624	LOCKNUT, No. 10-24 X 1/4 X 3/8	929A	SCREW, M4 X 0.7 X 11.8 flange hd.
7686	LOCKNUT, 1/4-20 X 5/16 X 7/16	930	SCREW, 10-24 X 1-1/4 fillister hd.
7720	ACORN NUT, 5/16-24 (chrome)	940	SCREW, 1/4-20 X 3/4 TORX button hd.
7727	LOCKNUT, 5/16-24 X 1/4 X 1/2	942	SCREW, 1/4-20 X 3/4 TORX button hd., w/lockpatch (Grade 8)
7766	LOCKNUT, 5/16-18 flange	943	SCREW, 1/4-20 X 5/8 socket button hd.
7770	NUT, 1/4-20 keps flat washer	946	SCREW, 1/4-20 X 2-1/4 socket button hd., w/lockpatch (Grade 8)
7778	LOCKNUT, 3/8-16 X 7/16 X 9/16	995	SCREW, 5/16-18 X 5/8 TORX button hd.
7783	NUT, 3/8-16 X 5/16 X 9/16 (Grade 2)	997	SCREW, 5/16-18 X 1 TORX button hd.
7792	NUT, 1/4-20 X 1/4 (Grade 2)	DA0600.12FAZB	LOCKNUT, 3/8-24 flange (Grade 5)
7804	LOCKNUT, 1/2-13 X 15/32 X 7/8 self-sealing		
7813A	NUT, 5/8-18 X 9/16 X 15/16 (Grade 2)		
7824	LOCKNUT, 1/2-20 X 1/4 (Grade 2)		

NEW PARTS LIST

PART NO.	PAGE	PART NO.	PAGE		
10006	CABLE STRAP (as required)	119	11384K	RETAINER.	31
10006	CABLE STRAP (as required)	185	11384K	RETAINER.	153
10006	CABLE STRAP (as required)	189	11407	GROMMET.	75
10014	CLAMP.	151	11408	RETAINER.	31
10031	CLAMP.	71	11408	RETAINER.	153
10065	CABLE STRAP (as required)	185	11491A	GROMMET.	119
10065	CABLE STRAP (as required)	189	11570	O-RING.	143
10080	CLAMP.	21	11598	SNAP RING.	119
10092	CLAMP.	75	11621	O-RING.	15
10142	CLAMP.	151	11625	O-RING.	15
10177	CABLE STRAP (as required)	21	11631	O-RING.	51
10177	CABLE STRAP (as required)	195	11652	BUMPER.	153
10181	CABLE STRAP (as required)	145	11668	PAD.	143
10252	CLAMP.	75	11730A	WELL NUT.	59
10279	CLIP.	185	11765Y	ADJUSTMENT SCREW.	59
10279	CLIP.	189	11778	FASTENER.	185
10279	CLIP.	193	11804	SPACER.	93
1028	SCREW.	21	1198	SCREW.	179
10287	CABLE STRAP (as required)	185	12068	OIL SEAL.	21
10289A	CLIP.	117	13304-08	DECAL.	147
10289A	CLIP.	119	13305-08	DECAL.	147
10344	CLAMP.	151	13340-08	DECAL.	147
10344	CLAMP.	153	13341-08	DECAL.	147
1039	SCREW.	15	13342-08	DECAL.	147
1048	SCREW.	21	13343-08	DECAL.	147
1081A	SCREW.	143	13386-08	DECAL.	147
1081A	SCREW.	145	13397-08	DECAL.	147
1094	SCREW.	153	13578-08	DECAL.	147
10966	O-RING.	31	13579-08	DECAL.	147
10967	O-RING.	31	1594	PIN.	119
10969	O-RING.	31	16360-08	COVER.	35
10970	O-RING.	153	16465-06	VALVE GUIDE ASSEMBLY.	11
10971	O-RING.	31	16466-04A	CYLINDER.	11
10972	SPACER.	153	16478-85A	SCREW.	11
10973	O-RING.	37	16480-92A	SCREW.	11
11031	RETAINING RING.	75	16573-83A	DOWEL.	11
11046	RETAINING RING.	59	16664-86C	GASKET.	9
11110	O-RING.	31	16715-83	STUD.	11
11110	O-RING.	153	16770-84F	GASKET.	9
11120	O-RING.	151	16771-08	GASKET.	11
11121	RETAINING RING.	75	16789-04	GASKET.	11
11140	O-RING.	31	16800-84A	GASKET.	15
11140	O-RING.	153	16832-86C	STUD.	11
11142	RETAINING RING.	71	16899-02	STUD.	21
11177A	RETAINING RING.	21	17027-08	GASKET KIT.	11
11190	O-RING.	15	17036-08	GASKET KIT.	15
11250	RETAINING RING.	59	17049-08	GASKET KIT.	11
11282	RETAINING RING.	121	17360-83A	ROCKER ARM.	15
11290	O-RING.	21	17375-83A	ROCKER ARM.	15
11290	O-RING.	31	17428-57	BUSHING.	15
11290	O-RING.	153	1751	SCREW.	63
11304	RETAINING RING.	127	17523-08	HEAD.	11
11317	KEY.	17	17524-08	HEAD.	11
11317	T-KEY.	27	17525-08	PLATE.	21
11326	O-RING.	31	17569-08	ROCKER BOX GUARD.	15
11351	O-RING.	153	17585-08	ROCKER COVER.	15
11377	O-RING.	15	17590-08	ROCKER COVER.	15
11379	RETAINING RING.	71	17611-83	SHAFT.	15

NEW PARTS LIST

PART NO.	PAGE	PART NO.	PAGE		
17633-08A	GASKET.....	15	2501A	SCREW.....	21
17695-07A	GASKET.....	15	25246-08	COVER.....	27
17908-02	PUSH ROD.....	15	25271-08	CAM GEAR SET.....	27
17909-02	PUSH ROD.....	15	25279-08	GASKET.....	31
17954-08	COVER.....	15	25394-08	PIPE ADAPTER.....	37
17956-08	TAPPET COVER.....	15	25409-94B	RAMP.....	59
17957-08	TAPPET COVER.....	15	25453-87A	RAMP.....	59
17976-04	GASKET.....	15	2548	SCREW.....	167
18011-86	INSERT.....	11	2586A	SCREW.....	71
18020-07	INSERT.....	11	26016-08	BREATHER.....	15
18094-02A	SEAL.....	11	26064-08	FITTING ASSEMBLY.....	31
18245-02	VALVE SPRING.....	11	26064-08	FITTING ASSEMBLY.....	153
18258-02	COLLAR.....	11	2612	SCREW.....	41
18260-02	KEEPER.....	11	26162-08	BREATHER HOSE ASSEMBLY...	41
18505-06	ANTI-ROTATION DEVICE.....	15	26169-08	HOSE.....	41
18538-99B	TAPPET.....	15	26182-08	CHECK VALVE ASSEMBLY.....	31
18690-02	INTAKE VALVE.....	11	26183-08	FITTING.....	153
18691-02	EXHAUST VALVE.....	11	26184-08	FITTING.....	31
19518-08	ENGINE ASSEMBLY.....	7	26210-99	SPRING.....	31
19519-08	ENGINE ASSEMBLY.....	7	26332-08	SPACER.....	17
19527-08	ENGINE ASSEMBLY.....	7	26400-82B	VALVE.....	31
19528-08	ENGINE ASSEMBLY.....	7	26432-76A	O-RING.....	31
19566-08	ENGINE ASSEMBLY.....	7	26436-90A	SPRING.....	151
19567-08	ENGINE ASSEMBLY.....	7	26437-86B	BALL.....	151
19604-08	ENGINE ASSEMBLY.....	7	26522-08	COVER ASSEMBLY.....	31
19606-08	ENGINE ASSEMBLY.....	7	26525-08	FITTING ASSEMBLY.....	31
19607-08	ENGINE ASSEMBLY.....	7	26526-08	GEROTOR ASSEMBLY.....	31
19622-08	ENGINE ASSEMBLY.....	7	26529-08	THERMOSTAT ASSEMBLY.....	31
19637-08	ENGINE ASSEMBLY.....	7	26546-08	GEROTOR ASSEMBLY.....	31
19638-08	ENGINE ASSEMBLY.....	7	26592-08	OIL PUMP ASSEMBLY.....	31
19734-08	ENGINE ASSEMBLY.....	7	26638-00Y	GASKET.....	21
215	PIN.....	21	26856-89A	VALVE.....	15
21965-08	PISTON KIT.....	85	26995-86B	SEAL.....	35
22244-04A	PISTON & RINGS ASSEMBLY...	17	27067-07A	VENTLINE.....	141
22245-04	PISTON & RINGS ASSEMBLY...	17	27096-04A	VENT LINE.....	141
22246-04	PISTON & RINGS ASSEMBLY...	17	27096-04A	VENT LINE.....	143
22265-00Y	OIL JET ASSEMBLY.....	21	27200-08	VENT LINE.....	143
2325	SCREW.....	169	27250-96B	CONNECTOR.....	141
2361	SCREW.....	169	27327-07	FLANGE.....	35
2362	SCREW.....	137	27628-01A	KIT.....	35
23999-08	FLYWHEELS & CONNECTING ROD ASSEMBLY.....	17	27629-01A	KIT.....	35
24047-00	PINION GEAR.....	27	27690-08	SENSOR.....	165
2407	SCREW.....	41	27695-08	INDUCTION MODULE ASSEMBLY.....	35
2445	SCREW.....	105	27698-08	BRACKET.....	35
2445	SCREW.....	121	27704-07	FUEL RAIL.....	35
2445	SCREW.....	139	27706-07A	FUEL INJECTOR.....	33
2446	SCREW.....	137	27706-07A	FUEL INJECTOR.....	35
24466-06B	CRANKCASE SET.....	19	27714-06	SEAL RING.....	165
24470-06B	CRANKCASE SET.....	19	27792-08	FUEL LINE KIT.....	35
24475-08	CRANKCASE SET.....	21	27794-08	SPARK PLUG.....	47
24604-00D	BEARING.....	21	27795-07	INDUCTION MODULE ASSEMBLY.....	33
24647-87	BEARING.....	21	2872W	BOLT.....	139
24650-87	BEARING.....	21	28822-07A	HOSE.....	205
24659-87	BEARING.....	21	28908-04A	BRACKET.....	205
24660-87	BEARING.....	21	28911-04A	HOSE.....	141
24745-07A	CRANKCASE SET.....	19	28911-04A	HOSE.....	205
24754-75A	DOWEL PIN.....	21			

NEW PARTS LIST

PART NO.	PAGE	PART NO.	PAGE		
29147-07	LABEL.....	203	3480A	SCREW.....	47
29371-08	AIR BOX ASSEMBLY.....	41	3480A	SCREW.....	63
29377-08	ELEMENT.....	41	3485A	SCREW.....	143
29379-08	CLAMP.....	41	34920-86A	COUPLING.....	59
29380-08	COUPLING.....	41	34941-08	SPROCKET COVER.....	63
29389-08	TRIM INSERT.....	39	35030-89A	BEARING.....	51
29391-08	TRIM INSERT.....	39	35087-99A	RETAINING RING.....	51
29950-91	COVER.....	21	35114-02	RING.....	21
29997-07A	STATOR.....	43	35118-03	RING.....	21
30018-08	ROTOR SPROCKET ASSEMBLY..	43	3514	SCREW.....	161
30018-08	ROTOR SPROCKET ASSEMBLY..	63	35211-91B	NUT.....	63
3048	SCREW.....	127	35234-08	GEAR.....	51
3059	SCREW.....	143	3574	SCREW.....	139
3060	SCREW.....	143	3579A	SCREW.....	75
3124	SCREW.....	185	358	DOWEL PIN.....	21
3124	SCREW.....	189	3588	SCREW.....	151
31390-91F	STARTER MOTOR.....	49	3594	SCREW.....	63
31488-81C	GASKET.....	49	3655A	SCREW.....	93
31601-04	RELAY.....	189	3655A	SCREW.....	103
31602-08	IDLER WHEEL KIT.....	63	3655A	SCREW.....	157
31630-08	BUSHING.....	63	36715-94	SPRING.....	59
31656-07	COIL.....	47	36731-91	RELEASE PLATE.....	59
31698-08	IDLER.....	63	36802-84B	LOCKPLATE.....	59
31699-08	BRACKET ASSEMBLY.....	63	3696	SCREW.....	119
31753-07	PLATE.....	47	3706M	SCREW.....	179
31801-08	BRACKET.....	47	3708M	SCREW.....	47
31806-08	BRACKET ASSEMBLY.....	189	3731M	SCREW.....	133
32004-08	CABLE.....	47	37495-91	NUT.....	59
32005-08A	CABLE.....	47	37870-91	SPRING WASHER.....	59
3210A	SCREW.....	127	37872-90	SEAT.....	59
32164-08	ELECTRONIC CONTROL MODULE.....	47	37890-02	THRUST WASHER.....	59
32319-07	T-MAP SENSOR.....	35	37891-02	THRUST WASHER.....	59
3244	SCREW.....	71	37892-02	INNER RACE.....	59
32493-02B	ROTOR SPROCKET ASSEMBLY..	43	37894-02	SPRING.....	59
32494-04B	ROTOR SPROCKET ASSEMBLY..	43	37895-02	SEAT.....	59
32534-05C	ELECTRONIC CONTROL MODULE.....	45	37896-02	PRESSURE PLATE.....	59
32617-00Y	SCREW.....	21	37897-02	FRICTION PLATE.....	59
32742-08	TIMER COVER.....	25	37898-02A	CLUTCH HUB.....	59
33084-06	HEEL REST.....	127	37899-02A	CLUTCH SHELL & SPROCKET..	59
33117-91A	ADAPTOR.....	151	37908-90	RETAINING RING.....	59
33123-06A	PLUG.....	149	37909-90	RETAINING RING.....	59
33123-06A	PLUG.....	151	37911-90	FRICTION PLATE.....	59
33130-07A	WEAR PEG.....	125	37913-90	STEEL PLATE.....	59
33130-07A	WEAR PEG.....	127	37934-06	SPRING.....	59
33133-06	RUBBER.....	127	3802W	BOLT.....	139
33134-07CAZ	FOOTPEG ASSEMBLY.....	127	3832M	SCREW.....	75
33135-07CAZ	FOOTPEG ASSEMBLY.....	127	3849	SCREW.....	15
33138-06	SLEEVE.....	151	38699-04B	CABLE ASSEMBLY.....	67
33354-08	SPACER.....	51	38702-05B	CABLE ASSEMBLY.....	67
33831-08	SHIFTER ARM.....	55	38786-08	CABLE ASSEMBLY.....	67
33832-08	SHIFTER LINK.....	55	3880	SCREW.....	115
33875-08	SHIFTER LEVER ASSEMBLY....	55	3899	SCREW.....	63
34076-02A	BUSHING.....	53	3899	SCREW.....	99
34611-65A	SHIFTER TOE PEG KIT.....	55	3976	SCREW.....	15
34672-08	TOE PEG ASSEMBLY.....	55	3987	BOLT.....	35
3480A	SCREW.....	27	40039-02C	CHAIN ADJUSTER ASSEMBLY..	63
			40057-08	PRIMARY CHAIN.....	63
			40241-02A	SPROCKET.....	43

NEW PARTS LIST

PART NO.	PAGE	PART NO.	PAGE		
40241-02A	SPROCKET.....	61	4266A	SCREW.....	11
40251-92A	RETENTION PLATE.....	63	4269	SCREW.....	165
40254-02	SPACER.....	21	42736-08	REBUILD KIT.....	71
40254-02	SPACER.....	63	42737-08	HOSE.....	75
40290-04A	SPROCKET.....	43	42738-08	REBUILD KIT.....	75
40290-04A	SPROCKET.....	61	42739-08	PAD Kit.....	85
40353-08	SPROCKET.....	63	42744-08	RESERVOIR ASSEMBLY KIT....	75
40353-08	SPROCKET.....	99	42804-07	CAP.....	71
40379-04	SPROCKET.....	63	42805-04	GASKET KIT.....	71
40518-08	SPROCKET ASSEMBLY.....	97	42806-04	LEVER.....	71
40518-08	SPROCKET ASSEMBLY.....	101	42807-04	BOLT.....	71
40544-08	SPROCKET ASSEMBLY.....	97	42808-04	CLAMP.....	71
40591-07	BELT.....	63	42809-07A	REBUILD KIT.....	69
4091	SCREW.....	21	42811-04	BOOT.....	75
40930-05	SPACER.....	99	42815-04	SEAL KIT.....	75
40948-04	DUSTCOVER.....	75	42817-07	CAP.....	75
40968-08	CALIPER ASSEMBLY.....	87	42820-04	GREASE.....	85
40992-08	WHEEL ASSEMBLY.....	97	42824-04	BOOT.....	89
41012-08	WHEEL ASSEMBLY.....	97	42827-04	SCREW.....	85
41013-08	WHEEL ASSEMBLY.....	97	42828-04	CAP.....	85
4104	SCREW.....	71	42834-04	PISTON KIT.....	89
41058-08	WHEEL ASSEMBLY.....	97	42835-08	BRACKET ASSEMBLY.....	87
41082-08	WHEEL ASSEMBLY.....	101	42837-04	PAD PIN.....	89
41083-08	WHEEL ASSEMBLY.....	101	42838-04	PLUG.....	89
41123-79	VALVE CAP.....	93	42839-04	SPRING.....	89
41123-79	VALVE CAP.....	99	42840-04	DAMPER.....	89
41176-08	AXLE ASSEMBLY.....	97	42845-07	GASKET KIT.....	75
41176-08	AXLE ASSEMBLY.....	101	42875-07	SCREW.....	85
41229-08	RETAINING RING.....	97	42875-07	SCREW.....	87
41229-08	RETAINING RING.....	99	42875-07	SCREW.....	89
41229-08	RETAINING RING.....	101	42881-08	CALIPER ASSEMBLY.....	87
41626-08	ADJUSTER.....	121	42892-08	BRACKET ASSEMBLY.....	89
41627-08	AXLE ASSEMBLY.....	99	42893-07	CAP.....	85
41628-08	AXLE.....	93	42893-07	CAP.....	89
41659-08	WHEEL ASSEMBLY.....	91	42899-08	BOLT KIT.....	85
41660-08	WHEEL ASSEMBLY.....	97	42900-08	BOOT.....	89
41698-04	BOLT.....	121	42941-08	MASTER CYLINDER ASSEMBLY..	71
41730-08	SPACER.....	97	42942-08	BRAKELINE.....	71
41730-08	SPACER.....	99	42943-08	CALIPER ASSEMBLY.....	85
41730-08	SPACER.....	101	42944-08	CALIPER ASSEMBLY.....	85
41732-04	SEALING WASHER.....	71	42945-08	MASTER CYLINDER ASSEMBLY..	75
41732-04	SEALING WASHER.....	75	42948-08	CALIPER ASSEMBLY.....	89
41736-04	BANJO BOLT.....	71	42949-08	BRAKE PEDAL.....	81
41736-04	BANJO BOLT.....	75	42975-08	BRAKELINE ASSEMBLY.....	75
41737-04	BANJO BOLT.....	71	43001-06	RIM.....	95
41743-04	SEALING WASHER.....	71	43103-08	WHEEL ASSEMBLY.....	93
41748-08	SLEEVE.....	93	43107-08	WHEEL ASSEMBLY.....	99
41820-08	DISC.....	93	4312C	SCREW.....	155
41821-08	DISC.....	93	43157-83A	VALVE STEM ASSEMBLY.....	93
41833-08	BRAKE DISC.....	99	43157-83A	VALVE STEM ASSEMBLY.....	99
41858-08	SLEEVE.....	99	43229-08	TIRE.....	93
42310-08	PAD KIT.....	89	43231-08	TIRE.....	99
42425-05	KIT.....	71	43312-08	WHEEL ASSEMBLY.....	95
42443-80A	BUSHING.....	55	43358-08	SPACER.....	91
42443-80A	BUSHING.....	81	43358-08	SPACER.....	95
42460-80B	CLEVIS PIN.....	75	43426-08	WHEEL ASSEMBLY.....	91
4250M	SCREW.....	111	43427-08	WHEEL ASSEMBLY.....	97
4250M	SCREW.....	133	43440-05A	RIM.....	101

NEW PARTS LIST

PART NO.	PAGE	PART NO.	PAGE		
43499-08	WHEEL ASSEMBLY.....	91	46308-08	FORK SLIDER & TUBE ASSEMBLY.....	107
4350A	SCREW.....	127	46329-06	O-RING.....	111
4352	SCREW.....	105	46343-06	GUIDE BUSHING.....	111
43522-08	SPACER.....	91	46344-06	COVER.....	111
43522-08	SPACER.....	95	46346-06	SPACER.....	111
43528-04	SEAL KIT.....	89	46348-06	BUSHING.....	111
4354	SCREW.....	115	46352-06	SPRING SEAT.....	111
43547-08	WHEEL ASSEMBLY.....	95	46353-06	CENTERING PLATE.....	111
43557-08	WHEEL ASSEMBLY.....	95	46354-06	SPRING COLLAR.....	111
43567-92	SCREW.....	99	46355-06	SPRING JOINT.....	111
43594-08	WHEEL ASSEMBLY.....	91	46358-06	SPRING COLLAR.....	111
43595-99	SPRING.....	119	46359-06	JOINT ROD.....	111
43831-08	WHEEL ASSEMBLY.....	95	46390-08	FORK SLIDER & TUBE ASSEMBLY.....	107
43832-08	WHEEL ASSEMBLY.....	101	46394-08	FORK SLIDER & TUBE ASSEMBLY.....	107
43895-08	AXLE.....	91	46449-08	SLIDER ASSEMBLY.....	107
43895-08	AXLE.....	95	46450-08	SLIDER ASSEMBLY.....	107
43905-08	SLEEVE.....	97	46453-08	FORK SLIDER & TUBE ASSEMBLY.....	107
43905-08	SLEEVE.....	101	46454-08	FORK SLIDER & TUBE ASSEMBLY.....	107
43906-08	SPACER.....	91	4678	SCREW.....	63
43906-08	SPACER.....	95	46878-08	DAMPER COMP.....	111
44160-00	BOLT.....	85	46879-08	SLIDER.....	111
44160-00	BOLT.....	111	46880-08	SLIDER.....	111
44184-04	PIN.....	89	46882-08	SPRING.....	111
4460	BOLT.....	105	46884-08	OUTER TUBE.....	111
44610-08	WHEEL ASSEMBLY.....	95	46886-08	FORK ASSEMBLY.....	111
44791-07	DECAL.....	71	46887-08	FORK ASSEMBLY.....	111
4499M	BOLT.....	111	46945-07A	HAND LEVER.....	67
45041-01A	CLEVIS PIN.....	127	46946-06A	LEVER.....	69
45052-07	MASTER CYLINDER ASSEMBLY..	69	4705	SCREW.....	151
45074-95	GUIDE.....	71	4705	SCREW.....	153
45155-08	GUIDE.....	105	4717A	SCREW.....	27
45319-04A	BRAKELINE.....	69	4718A	SCREW.....	15
4535M	SCREW.....	71	4740A	SCREW.....	27
45405-75A	SCREW.....	111	4741A	SCREW.....	15
4549	SCREW.....	119	4741A	SCREW.....	31
4549	SCREW.....	165	4741A	SCREW.....	71
4551	SCREW.....	35	47471-04A	BRACKET.....	65
4553	SCREW.....	143	4748	SCREW.....	165
45611-86	RETAINING RING.....	105	4751	BOLT.....	63
4574	BOLT.....	111	47674-08	REAR FORK.....	121
4575	BOLT.....	111	4798	SCREW.....	35
45830-48	PLUG.....	21	4802	SCREW.....	41
45842-77A	RETAINING RING.....	111	48027-99	O-RING.....	117
4589	SCREW.....	63	48027-99	O-RING.....	119
45900-08	FORK SLIDER & TUBE ASSEMBLY.....	107	48153-02A	FORK LOCK KIT.....	119
45901-08	FORK SLIDER & TUBE ASSEMBLY.....	107	48154-05	LOCKSET ASSEMBLY.....	119
45922-08	SLIDER ASSEMBLY.....	107	48184-01	SEAL.....	105
46028-08	BRACKET.....	105	4822A	SCREW.....	27
46028-08	BRACKET.....	129	48300-60	ROLLER BEARING.....	105
46029-08	FORK SLIDER & TUBE ASSEMBLY.....	107	48315-60	BEARING CUP.....	105
46050-08	BRACKET.....	105	48315-60	BEARING CUP.....	119
46075-04	SLIDER ASSEMBLY.....	107	48390-06	SPACER.....	139
46076-04	SLIDER ASSEMBLY.....	107	4859	SCREW.....	165
46307-08	FORK SLIDER & TUBE ASSEMBLY.....	107			

NEW PARTS LIST

PART NO.	PAGE	PART NO.	PAGE		
4871	SCREW.....	117	59916-08	FENDER ASSEMBLY.....	139
4871	SCREW.....	119	60183-08	BRACKET.....	179
48714-08	FORK ASSEMBLY.....	109	60188-08	BRACKET.....	137
48715-08	FORK ASSEMBLY.....	109	60188-08	BRACKET.....	179
48716-08	SLIDER ASSEMBLY.....	109	60330-08	PLUG.....	21
48726-08	SLIDER ASSEMBLY.....	109	60330-08	PLUG.....	31
4886	SCREW.....	153	60403-08	BELT GUARD.....	121
48879-08	FRAME.....	119	60416-08	DEBRIS DEFLECTOR.....	121
4897	SCREW.....	153	60901-07	LICENSE PLATE MODULE.....	137
49348-08	FRAME.....	117	60903-08	ILLUMINATOR.....	137
49722-08BHP	JIFFY STAND.....	117	60982-08	NAMEPLATE.....	141
49735-08	BUMPER.....	117	6101	WASHER.....	71
49735-08	BUMPER.....	119	6110	WASHER.....	153
50003-89B	PIN.....	119	61392-08	FUEL TANK.....	143
50005-85A	SPRING.....	119	61459-97	COVER.....	119
50124-08BHP	JIFFY STAND.....	119	61572-08	FILLER CAP.....	143
50126-08A	SENSOR.....	117	61573-08	O-RING.....	143
50126-08A	SENSOR.....	119	61574-08	TOP PLATE.....	143
50185-04A	JIFFY STAND.....	117	61576-08	CLAMP RING.....	143
50185-04A	JIFFY STAND.....	117	61577-08	TRIM RING.....	143
50238-08BHP	JIFFY STAND.....	117	62122-89A	BUMPER.....	117
50238-08BHP	JIFFY STAND.....	117	62122-89A	BUMPER.....	119
50912-72	SPRING WASHER.....	127	62260-08	MEDALLION.....	147
51044-08	BRACKET.....	127	62261-08	MEDALLION.....	147
51045-08	BRACKET.....	75	62262-08	MEDALLION.....	147
51045-08	BRACKET.....	81	62263-08	MEDALLION.....	147
51046-08	CLEVIS.....	127	62360-04A	LINE.....	151
51048-08	BRACKET.....	127	62386-08	MEDALLION.....	147
51049-08	BRACKET.....	127	62387-08	MEDALLION.....	147
51382-08	SEAT.....	123	62592-07A	DIPSTICK ASSEMBLY.....	149
51383-08	SEAT.....	123	62881-00	BUSHING.....	143
51558-08	SEAT ASSEMBLY.....	123	62888-08	OIL TANK ASSEMBLY.....	151
51833-08	SEAT ASSEMBLY.....	123	63000-04B	DIPSTICK ASSEMBLY.....	149
51835-08	SEAT ASSEMBLY.....	123	63008-08	DIPSTICK ASSEMBLY.....	151
51938-04	COTTER CIRCLE.....	75	6302	WASHER.....	119
52429-08	SEAT POST.....	139	63050-08A	OIL COOLER.....	153
53176-08	BUSHING.....	119	63080-08	LINE.....	153
53438-92	BULB.....	161	63081-08	LINE.....	153
5416	BOLT.....	165	63097-08	LINE.....	153
54321-85	NUT.....	93	63098-08	LINE.....	153
54321-85	NUT.....	99	63099-08	LINE.....	151
54556-84	BUSHING.....	115	63103-08	LINE.....	151
54668-08	SHOCK ABSORBER.....	115	63108-08	CLAMP.....	153
54715-96	BUSHING.....	115	63110-08	BRACKET ASSEMBLY.....	153
554A	PRETZEL CLIP.....	119	63111-08	LINE.....	153
56637-08	IDLE CONTROL ASSEMBLY.....	129	63112-08	MANIFOLD ASSEMBLY.....	153
56639-08	THROTTLE CONTROL ASSEMBLY.....	129	63116-08	MANIFOLD.....	153
56871-08	BRACKET.....	145	63119-08	BRACKET.....	153
5845	BUSHING.....	143	63120-08	LINE.....	153
58998-83D	FRONT FENDER.....	133	63125-08	CLAMP.....	153
59022-07BDK	FENDER.....	133	63508-04	HOSE.....	21
5925	WASHER.....	111	63533-41A	FITTING.....	21
59256-84A	REFLECTOR.....	179	63548-08	FITTING.....	15
59259-90	REFLECTOR.....	137	63596-06	LINE.....	151
59259-90	REFLECTOR.....	179	63805-80A	OIL FILTER.....	151
59403-08	FENDER SUPPORT.....	133	63858-49	GASKET.....	15
59901-08BDK	FENDER.....	139	6400HB	WASHER.....	63
			6400HB	WASHER.....	127

NEW PARTS LIST

PART NO.	PAGE	PART NO.	PAGE		
6400HB	WASHER.....	143	67436-08	SPEEDOMETER.....	171
6445	WASHER.....	63	67450-99	SWITCH.....	169
64850-08	SUPPORT BAR ASSEMBLY....	165	675	SCREW.....	63
64859-08	MUFFLER.....	165	67576-08	TACHOMETER.....	169
64883-08	MUFFLER.....	165	67603-94A	ADAPTER RING.....	159
64927-08	HEAT SHIELD.....	165	67667-05	MEDALLION.....	161
64934-08	HEAT SHIELD.....	165	67742-06	MOUNT.....	159
64935-08	SHIELD.....	165	67790-93A	BEZEL.....	157
64936-08	EXHAUST SHIELD ASSEMBLY..	165	67815-59A	WASHER.....	161
64954-08	EXHAUST SHIELD ASSEMBLY..	165	67865-89	PLUG.....	161
64965-08	EXHAUST.....	165	67880-94	BOOT.....	169
65088-04	STUD.....	21	67883-04A	ADAPTER RING.....	157
6516HW	WASHER.....	63	67883-04A	ADAPTER RING.....	161
6516HW	WASHER.....	99	67894-93A	BEZEL ASSEMBLY.....	159
65240-08	KIT.....	165	68026-99	SCREW.....	179
65257-08	CLAMP.....	165	68163-84	BULB.....	175
65258-08	AIRBOX FASCIA KIT.....	41	68163-84	BULB.....	177
65316-08	SUPPORT.....	119	68163-84	BULB.....	179
65316-08	SUPPORT.....	165	68167-04	BULB.....	179
65317-08	GASKET.....	165	68257-08	LICENSE PLATE.....	179
65325-83A	RETAINING RING.....	165	68265-04	BALL STUD.....	175
65328-83	FLANGE.....	165	68329-03	BULB.....	161
65453-08	WASHER.....	165	68335-05	LAMP ASSEMBLY.....	161
6551	WASHER.....	97	68341-05	LAMP ASSEMBLY.....	161
6551	WASHER.....	99	68380-05	BOOT.....	161
6551	WASHER.....	101	68443-07A	BEZEL.....	157
6594	WASHER.....	91	68513-95	BEZEL.....	169
6594	WASHER.....	93	68551-07	LENS.....	169
6594	WASHER.....	95	6863	PLUG.....	121
66199-04	BRACKET.....	151	6864	PLUG.....	121
66269-08BDK	SIDE COVER.....	119	68650-92	SOCKET.....	161
66269-08CHJ	SIDE COVER.....	119	68811-07	HARNESS.....	167
66270-08BDK	SIDE COVER.....	119	68813-07	HARNESS.....	167
66270-08CHJ	SIDE COVER.....	119	68814-07	INSTRUMENT HARNESS ASSEMBLY.....	171
66271-08BDK	COVER.....	143	68830-99A	CIRCUIT BOARD & COVER ASSEMBLY.....	179
66448-08	NAMEPLATE.....	129	68838-06	TURN SIGNAL SUB-ASSEMBLY..	175
6655	WASHER.....	105	68857-07	BRACKET.....	137
6701	WASHER.....	63	68906-00	SOCKET ASSEMBLY.....	175
6701	WASHER.....	165	68919-07	PLUG.....	197
6702	WASHER.....	165	68955-08	HARNESS.....	177
6703	WASHER.....	139	68958-07A	SIREN.....	197
67037-08	SPEEDOMETER.....	167	68966-08	BRACKET.....	137
67041-08	SPEEDOMETER.....	167	68976-00	LENS.....	175
67049-04B	TACHOMETER.....	167	68992-08	BRACKET.....	137
67087-08	SPEEDOMETER.....	169	69110-01	LENS.....	179
67091-08	HARNESS.....	169	69148-01	PLATE.....	179
67121-95A	GASKET.....	169	69187-03A	SOCKET ASSEMBLY.....	179
67157-08	BRACKET.....	169	6930	WASHER.....	165
67170-08	BACK COVER.....	169	69360-08	TURN SIGNAL.....	177
67174-08	GASKET.....	169	69362-08	TURN SIGNAL.....	177
6718	WASHER.....	115	69386-08	HEADLAMP SHELL ASSEMBLY..	161
67290-08	SPEEDOMETER.....	167	69397-08	BEZEL.....	161
673	CLIP.....	41	69478-08	TURN SIGNAL.....	177
67415-08	SPEEDOMETER.....	167	69498-08	COVER.....	137
67415-08	SPEEDOMETER.....	171	69530-08	TURN SIGNAL ASSEMBLY.....	179
67416-08	SPEEDOMETER.....	167	69774-07A	HEADLAMP SHELL ASSEMBLY..	157
67416-08	SPEEDOMETER.....	171			
67436-08	SPEEDOMETER.....	167			

NEW PARTS LIST

PART NO.	PAGE	PART NO.	PAGE
69774-07A	HEADLAMP SHELL ASSEMBLY.. 157	72164-94A	WEATHER PLUG. 189
69861-07	REFLECTOR. 111	72166-07BK	HOUSING. 195
69862-07	REFLECTOR. 111	72167-07BK	HOUSING. 189
69864-08	TAIL LAMP ENVELOPE. 179	72168-07	TERMINAL. 189
70163-08	WIRING HARNESS. 195	72168-07	TERMINAL. 195
70167-08	WIRING HARNESS. 193	72169-07	TERMINAL. 117
70181-08	WIRING HARNESS. 185	72169-07	TERMINAL. 119
70181-08	WIRING HARNESS. 187	72169-07	TERMINAL. 169
70225-08	WIRING HARNESS. 189	72169-07	TERMINAL. 189
70225-08	WIRING HARNESS. 191	72175-07BK	HOUSING. 189
70247-07	JUMPER WIRE. 199	72179-94	SEAL. 185
70368-08	WIRE HARNESS CADDY. 189	72179-94	SEAL. 189
70416-04B	CLIP. 117	72189-04	SEAL. 169
70417-04B	CLIP. 117	72190-94	TERMINAL. 189
70598-99	BOOT. 189	72191-94	TERMINAL. 189
70632-08	CADDY COVER. 189	72195-94	SEAL. 189
70633-08	CLIP. 119	72199-94	CONNECTOR ANCHOR. 189
70645-07	H-CLIP. 189	7220	LOCKWASHER. 185
70664-08	BOOT. 185	7220	LOCKWASHER. 189
70664-08	BOOT. 189	72251-07	SECONDARY LOCK. 195
7068	LOCKWASHER. 161	72260-04	HOUSING. 189
7080	WASHER. 53	72263-95	HOUSING. 195
7127	LOCKWASHER. 161	72272-07	TERMINAL. 189
71287-08	WIRE GUARD. 119	72289-04	TERMINAL. 189
71478-08	BEZEL. 119	72290-94	TERMINAL. 191
71510-04	HOUSING. 189	72291-94	TERMINAL. 191
71550-94	LABEL. 189	72295-94	TERMINAL HOUSING. 191
71552-94	FACE NUT. 189	72312-04	HOUSING. 187
72006-05	TERMINAL. 185	72312-04	HOUSING. 191
72006-05	TERMINAL. 189	72329-08	HOUSING. 169
72006-05	TERMINAL. 195	72330-95	FUSE. 191
72007-05	HOUSING. 189	72402-07	HOUSING. 195
72007-05	HOUSING. 195	72406-07	HOUSING. 195
72009-05	HOUSING. 165	72407-07	TERMINAL. 195
72011-05	WIRE SEAL. 165	72408-07	SEAL WIRE. 195
72011-05	WIRE SEAL. 189	72413-07	TERMINAL. 195
72011-05	WIRE SEAL. 195	72414-07BK	HOUSING. 191
72032-93	PLUG. 169	72427-00	TERMINAL. 191
72033-93	TERMINAL. 169	72430-00	FUSEBLOCK MOUNTING. 191
72033-93	TERMINAL. 185	72432-00	FUSEBLOCK MOUNTING. 191
72033-93	TERMINAL. 189	72434-00	TERMINAL. 191
72033-93	TERMINAL. 193	72441-04	TERMINAL. 191
72033-93	TERMINAL. 195	72445-99TN	TERMINAL. 191
72056-92	HOUSING. 161	72469-07GY	HOUSING. 191
72066-06	SOCKET HOUSING. 189	72473-07	SEAL PIN. 191
72076-00	TERMINAL. 189	72473-07	SEAL PIN. 195
72077-00	SEAL PIN. 189	72487-07BK	HOUSING. 191
72094-06	TERMINAL. 189	72488-07BK	HOUSING. 169
72094-06	TERMINAL. 195	72511-07BK	HOUSING. 117
72096-06	SEAL WIRE. 189	72511-07BK	HOUSING. 119
72096-06	SEAL WIRE. 195	72511-07BK	HOUSING. 187
72100-04	HOUSING. 189	72511-07BK	HOUSING. 191
72124-94GY	SOCKET HOUSING. 189	72512-07BK	HOUSING. 191
72130-04	HOUSING. 169	72516-01	DUSTCAP. 191
72135-06	SECONDARY LOCK. 189	72543-07BK	HOUSING. 191
72139-94GY	SOCKET HOUSING. 189	72543-07BK	HOUSING. 195
72144-94	SECONDARY LOCK. 189	72544-07	SECONDARY LOCK. 191
72159-94	SECONDARY LOCK. 189	72544-07	SECONDARY LOCK. 195

NEW PARTS LIST

PART NO.	PAGE	PART NO.	PAGE		
72545-08	RESISTOR ASSEMBLY.....	187	7900	LOCKNUT.....	139
72545-08	RESISTOR ASSEMBLY.....	191	7916A	JAM NUT.....	27
72549-07	TERMINAL.....	169	8102	SPEEDNUT.....	143
72611-07	TERMINAL.....	191	8190	NUT.....	97
73104-96BK	CONNECTOR.....	191	8190	NUT.....	99
73106-96BK	CONNECTOR.....	191	8190	NUT.....	101
73152-96BK	SOCKET HOUSING.....	179	835	SCREW.....	21
73152-96WE	SOCKET HOUSING.....	179	855B	SCREW.....	75
73154-96BK	SOCKET HOUSING.....	161	855B	SCREW.....	81
73154-96BK	SOCKET HOUSING.....	179	855B	SCREW.....	127
73156-96BK	SOCKET HOUSING.....	191	882	SCREW.....	15
73190-96	TERMINAL.....	191	882	SCREW.....	153
73191-96	SOCKET TERMINAL.....	161	8873	BALL.....	59
73191-96	SOCKET TERMINAL.....	175	8881	BEARING RACE.....	21
73191-96	SOCKET TERMINAL.....	179	8885	BEARING.....	59
73191-96	SOCKET TERMINAL.....	191	8956	BEARING.....	51
73213-07	RETAINER.....	117	89586-04	CAP.....	121
73213-07	RETAINER.....	119	89586-04	CAP.....	143
73213-07	RETAINER.....	191	89586-04	CAP.....	161
73301-04	HOUSING.....	191	90383-98	CAP.....	35
73302-04	COVER.....	191	90520-07	PLUG.....	117
73303-04	SECONDARY LOCK.....	191	90520-07	PLUG.....	127
73304-04	TERMINAL.....	191	91982-03A	MIRROR KIT.....	161
73305-04	SEAL WIRE.....	191	91983-03A	MIRROR KIT.....	161
74112-98BK	SOCKET HOUSING.....	191	9209	BEARING.....	121
74152-98	SECONDARY LOCK.....	191	9214	BEARING.....	59
74191-98	SOCKET TERMINAL.....	191	9254	BEARING.....	97
74196-04	TERMINAL.....	169	9276	BALL BEARING.....	93
74197-04	SOCKET LOCK.....	169	9276	BALL BEARING.....	95
74546-07A	REGULATOR.....	43	9276	BALL BEARING.....	97
7468M	NUT.....	111	9276	BALL BEARING.....	99
7469	NUT.....	111	9276	BALL BEARING.....	101
74711-08	REGULATOR.....	43	930	SCREW.....	179
7495	NUT.....	133	942	SCREW.....	31
75268-07C	FUEL PUMP MODULE.....	145	943	SCREW.....	15
75304-07A	FUEL FILTER KIT.....	145	95594-84	WHEEL WEIGHT.....	93
75305-07A	FUEL PUMP.....	145	95594-84	WHEEL WEIGHT.....	99
7531	LOCKNUT.....	119	9704	DOWEL PIN.....	63
7531	LOCKNUT.....	143	9814	OVERMOLD.....	189
7593	NUT.....	165	9838	TERMINAL RING.....	189
7601	LOCKNUT.....	165	9847	CONNECTOR.....	161
7606	LOCKNUT.....	161	9848	CONNECTOR.....	161
76522-08	BRACKET.....	197	9898	TERMINAL FLAG.....	161
7686	LOCKNUT.....	153	9898	TERMINAL FLAG.....	189
7720	ACORN NUT.....	161	9937	TERMINAL.....	189
7766	LOCKNUT.....	121	9955	CLAMP.....	165
7804	LOCKNUT.....	63	9956	CLAMP.....	165
7813A	NUT.....	91	9969	HOSE CLAMP.....	151
7813A	NUT.....	93	DA0600.12FAZB	LOCKNUT.....	63
7813A	NUT.....	95	J8127.3A8	OIL SEAL.....	111
7824	LOCKNUT.....	115	J8130.3A8	DUST SEAL.....	111
7880	NUT.....	161			

NUMERICAL INDEX

PART NO.	PAGE	PART NO.	PAGE	PART NO.	PAGE	PART NO.	PAGE
10006.	119	1081A.	145	11317.	27	1594.	119
10006.	131	1091.	145	11326.	31	16232-04.	65
10006.	155	1094.	153	11351.	153	16287-04.	65
10006.	185	10957.	49	11360.	53	16291-04.	65
10006.	189	10966.	31	11377.	13	16301-08.	65
10006.	205	10967.	31	11377.	15	16353-04.	9
10014.	25	10969.	31	11379.	67	16360-08.	35
10014.	149	10970.	153	11379.	69	16361-07.	33
10014.	151	10971.	31	11379.	71	16443-04.	9
10031.	69	10972.	153	11384K.	31	16452-05.	9
10031.	71	10973.	37	11384K.	153	16461-02.	9
10031.	73	10984.	51	11390.	125	16463-04.	9
10038A.	149	11002.	29	11407.	73	16465-06.	11
10038A.	151	11031.	73	11407.	75	16466-04A.	11
10053.	69	11031.	75	11408.	31	16478-85A.	9
10065.	173	11046.	57	11408.	153	16478-85A.	11
10065.	177	11046.	59	11474.	135	16480-92A.	9
10065.	185	11067.	51	11474.	137	16480-92A.	11
10065.	189	11105.	23	11491A.	119	16573-83A.	9
10074.	163	11110.	31	11570.	143	16573-83A.	11
10080.	19	11110.	153	11598.	119	16660-07.	9
10080.	21	11113.	51	11621.	15	16661-07.	9
10080.	149	11120.	149	11625.	15	16664-86C.	9
10092.	75	11120.	151	11631.	51	16666-07.	9
10120.	183	11121.	73	11652.	153	16667-07.	9
10142.	149	11121.	75	11668.	143	16715-83.	9
10142.	151	11140.	31	11730A.	57	16715-83.	11
10177.	19	11140.	153	11730A.	59	16770-84F.	9
10177.	21	11142.	69	11765Y.	57	16771-08.	11
10177.	195	11142.	71	11765Y.	59	16774-86E.	9
10179A.	55	11155.	129	11778.	185	16789-04.	9
10179A.	77	11155.	131	11785.	185	16789-04.	11
10179A.	79	11155.	201	11804.	93	16800-84A.	13
10181.	145	11161.	51	1198.	179	16800-84A.	15
10181.	201	11171.	23	12030.	51	16832-86C.	9
10200.	135	11177A.	17	12068.	19	16832-86C.	11
10242.	135	11177A.	19	12068.	21	16865-07.	9
10252.	73	11177A.	21	12074.	51	16867-07.	9
10252.	75	11179.	67	13304-08.	147	16899-02.	21
10255.	73	11190.	13	13305-08.	147	17027-04B.	9
10279.	185	11190.	15	13340-08.	147	17027-08.	11
10279.	189	11202.	39	13341-08.	147	17036-08.	15
10279.	193	11250.	57	13342-08.	147	17036-91A.	13
1028.	21	11250.	59	13343-08.	147	17049-04A.	9
10287.	185	11271.	129	13386-08.	147	17049-08.	11
10289A.	117	11271.	131	13397-08.	147	17360-83A.	13
10289A.	119	11272.	129	13566-05.	147	17360-83A.	15
10303.	145	11272.	131	13567-05.	147	17362-07A.	13
10304.	145	11282.	121	13571-07.	203	17375-83A.	13
10318.	137	11282.	121	13578-08.	147	17375-83A.	15
10323.	137	11289A.	37	13579-08.	147	17393-07.	13
10344.	151	11290.	21	13699-08.	203	17428-57.	13
10344.	153	11290.	31	14270-92.	203	17428-57.	15
1039.	13	11290.	153	14448-94.	131	17485-07.	9
1039.	15	11304.	125	15368-01A.	203	17488-07.	9
1048.	19	11304.	127	15370-01A.	203	17496-07.	9
1048.	21	11317.	17	15376-06.	203	17501-04.	13
1081A.	143	11317.	25	1594.	117	1751.	63

NUMERICAL INDEX

PART NO.	PAGE	PART NO.	PAGE	PART NO.	PAGE	PART NO.	PAGE
17523-08.....	11	19567-08.....	7	24658-87.....	17	26434-91.....	29
17524-08.....	11	19604-08.....	7	24659-87.....	19	26436-90A.....	149
17525-08.....	21	19606-08.....	7	24659-87.....	21	26436-90A.....	151
17532-07.....	13	19607-08.....	7	24660-87.....	19	26437-86B.....	149
17537-07.....	13	19622-08.....	7	24660-87.....	21	26437-86B.....	151
17551-04.....	13	19637-08.....	7	24745-07A.....	19	26495-89B.....	29
17569-08.....	15	19638-08.....	7	24754-75A.....	19	26496-75A.....	29
17585-08.....	15	19734-08.....	7	24754-75A.....	21	26502-07.....	29
17590-08.....	15	215.....	19	2501A.....	21	26503-07.....	29
17611-83.....	13	215.....	21	2501A.....	73	26522-08.....	31
17611-83.....	15	21948-02.....	17	25194-06.....	25	26525-08.....	31
17614-07.....	13	21965-08.....	85	25213-04.....	25	26526-08.....	31
17633-08A.....	15	22221-04.....	17	25219-04.....	25	26529-08.....	31
17645-07.....	13	22223-04.....	17	25246-08.....	27	26546-08.....	31
17655-05.....	13	22224-04.....	17	25252-04.....	25	26554-77B.....	37
17695-07A.....	13	22227-04.....	17	25263-90D.....	25	26592-08.....	31
17695-07A.....	15	22228-04.....	17	25271-08.....	27	26638-00Y.....	21
17908-02.....	13	22230-04.....	17	25279-08.....	31	26856-89A.....	13
17908-02.....	15	22231-04.....	17	25307-06.....	23	26856-89A.....	15
17909-02.....	13	22238-04.....	17	2535.....	155	26995-86B.....	33
17909-02.....	15	22244-04A.....	17	25394-08.....	37	26995-86B.....	35
17946-04.....	13	22245-04.....	17	25409-94B.....	57	27042-84A.....	205
17954-08.....	15	22246-04.....	17	25409-94B.....	59	27047-84B.....	205
17956-08.....	15	22261-86.....	17	25430-06.....	23	27067-07A.....	141
17957-08.....	15	22265-00Y.....	19	25453-87A.....	57	2708A.....	55
17972-04.....	13	22265-00Y.....	21	25453-87A.....	59	2708A.....	121
17976-04.....	13	22266-86.....	17	25460-06.....	23	27096-04A.....	141
17976-04.....	15	22271-86.....	17	25463-94A.....	23	27096-04A.....	143
17981-04.....	13	22589-83B.....	17	25471-06.....	23	27200-08.....	143
18011-86.....	9	22719-04.....	17	2548.....	167	27250-96B.....	141
18011-86.....	11	22765-02.....	17	2548.....	171	27327-07.....	33
18012-87A.....	9	2325.....	167	25486-05.....	25	27327-07.....	35
18020-07.....	9	2325.....	169	25546-07.....	25	27628-01A.....	33
18020-07.....	11	2361.....	167	25586-37.....	25	27628-01A.....	35
18021-87A.....	9	2361.....	169	25588-91.....	25	27629-01A.....	33
18053-04.....	9	2362.....	137	25593-74.....	25	27629-01A.....	35
18059-04.....	9	23905-04A.....	17	25598-91.....	25	27629-01A.....	199
18094-02A.....	9	23999-08.....	17	2586A.....	69	27690-08.....	165
18094-02A.....	11	24047-00.....	25	2586A.....	71	27690-08.....	199
18245-02.....	9	24047-00.....	27	26012-07.....	13	27693-07.....	33
18245-02.....	11	2407.....	41	26016-08.....	15	27695-08.....	35
18258-02.....	9	24331-36.....	17	26020-07.....	13	27698-08.....	35
18258-02.....	11	24332-36.....	17	26064-08.....	31	27700-07.....	33
18260-02.....	9	2441.....	13	26064-08.....	153	27701-07.....	33
18260-02.....	11	2445.....	105	2607.....	135	27704-07.....	33
18505-06.....	13	2445.....	121	2612.....	41	27704-07.....	35
18505-06.....	15	2445.....	139	26162-08.....	41	27706-07A.....	33
18538-99B.....	13	2446.....	137	26169-08.....	41	27706-07A.....	35
18538-99B.....	15	24466-06B.....	19	26182-08.....	31	27707-07.....	33
18690-02.....	9	24470-06B.....	19	26183-08.....	153	27714-06.....	163
18690-02.....	11	24475-08.....	21	26184-08.....	31	27714-06.....	165
18691-02.....	9	2460.....	39	26204-91A.....	29	27714-06.....	199
18691-02.....	11	24604-00D.....	19	26210-99.....	31	27719-07.....	163
19518-08.....	7	24604-00D.....	21	26239-07.....	29	27719-07.....	199
19519-08.....	7	24647-87.....	19	26318-88A.....	25	2773.....	135
19527-08.....	7	24647-87.....	21	26332-08.....	17	27774-07.....	33
19528-08.....	7	24650-87.....	19	26400-82B.....	31	27792-08.....	35
19566-08.....	7	24650-87.....	21	26432-76A.....	31	27794-08.....	47

NUMERICAL INDEX

PART NO.	PAGE	PART NO.	PAGE	PART NO.	PAGE	PART NO.	PAGE
27795-07.....	33	31530-90.....	49	32742-08.....	25	34911-04.....	61
2872W.....	139	31537-98.....	49	33032-99.....	125	34920-86A.....	57
28822-07A.....	205	31556-91C.....	49	33048-72.....	125	34920-86A.....	59
28908-04A.....	205	31599-91.....	49	33084-06.....	127	34932-04.....	61
28909-04.....	205	31600-90.....	49	33117-91A.....	149	34938-04.....	61
28911-04A.....	141	31601-04.....	185	33117-91A.....	151	34941-08.....	63
28911-04A.....	205	31601-04.....	189	33123-06A.....	149	34943-05.....	61
29062-95B.....	39	31601-04.....	199	33123-06A.....	151	34954-07.....	61
29084-04.....	39	31602-08.....	63	33130-07A.....	125	34955-04.....	23
29113-07.....	39	31603-91.....	49	33130-07A.....	127	34981-02A.....	53
29122-05.....	39	31630-08.....	63	33133-06.....	125	34982-02.....	53
29123-07.....	39	31656-07.....	45	33133-06.....	127	34986-04.....	23
29125-07.....	39	31656-07.....	47	33134-07CAZ.....	125	34992-04.....	23
29127-95B.....	203	31662-90.....	49	33134-07CAZ.....	127	34993-04.....	23
29147-07.....	203	31688-90.....	49	33135-07CAZ.....	125	35030-89A.....	51
29313-95.....	39	31689-90.....	49	33135-07CAZ.....	127	35038-89A.....	51
29315-04.....	39	31692-90.....	49	33138-06.....	149	35051-89A.....	51
29331-04.....	39	31695-90.....	49	33138-06.....	151	35087-99A.....	51
29346-07.....	39	31698-08.....	63	33148-07.....	125	35107-06.....	51
29352-07.....	39	31699-08.....	63	33189-63.....	125	35114-02.....	19
29354-07.....	39	31753-07.....	45	33216-99.....	125	35114-02.....	21
29355-07.....	39	31753-07.....	47	33354-08.....	51	35118-03.....	19
29367-07.....	39	31797-07.....	185	33540-06.....	53	35118-03.....	21
29369-07.....	39	31801-08.....	47	33641-06.....	53	3514.....	157
29371-08.....	41	31806-08.....	189	33831-08.....	55	3514.....	161
29377-08.....	41	31807-07.....	45	33832-08.....	55	35159-06.....	51
29379-08.....	41	32003-07.....	45	33875-08.....	55	35163-06.....	51
29380-08.....	41	32004-08.....	47	33900-99.....	53	35165-06.....	51
29389-08.....	39	32005-08A.....	47	33900-99.....	199	35167-06.....	51
29391-08.....	39	32006-07.....	45	34014-06.....	53	35172-06.....	51
29404-01A.....	203	3210A.....	125	3403.....	49	35174-06.....	51
2952A.....	123	3210A.....	127	34064-00C.....	53	35190-06.....	51
2952A.....	137	3210A.....	129	34076-02A.....	53	35191-06.....	51
2955.....	201	3210A.....	131	34157-06.....	53	35193-06.....	51
29802-07.....	39	3210A.....	133	34162-06.....	53	35196-06.....	51
29950-91.....	19	32164-08.....	47	34163-02.....	53	35197-06.....	51
29950-91.....	21	32319-07.....	33	34483-06.....	53	35211-91B.....	61
29997-07A.....	43	32319-07.....	35	34491-02A.....	53	35211-91B.....	63
30018-08.....	43	32319-07.....	199	34572-04.....	55	35234-08.....	51
30018-08.....	63	32362-04.....	45	34573-04.....	55	3559.....	49
3022A.....	181	3244.....	67	34581-04.....	79	3563.....	183
3026.....	183	3244.....	69	34582-04.....	77	3565.....	39
3029.....	43	3244.....	71	34611-65A.....	55	3574.....	139
3048.....	127	32472-07B.....	37	34660-04A.....	55	3574.....	155
3059.....	143	32493-02B.....	43	34670-06.....	55	3579A.....	75
3060.....	143	32493-02B.....	61	34672-08.....	55	3579A.....	121
3085.....	137	32494-04B.....	43	34721-07.....	55	358.....	19
3123.....	185	32494-04B.....	61	34760-04.....	23	358.....	21
3124.....	45	32506-90.....	25	34761-04.....	23	3588.....	123
3124.....	185	32514-04.....	25	34790-05.....	23	3588.....	149
3124.....	189	32531-07.....	25	34794-05.....	23	3588.....	151
31328-91.....	49	32534-05C.....	45	3480A.....	25	3594.....	37
31390-91F.....	49	32555-04.....	25	3480A.....	27	3594.....	61
31488-81C.....	49	32587-06.....	25	3480A.....	45	3594.....	63
31512-04.....	149	32617-00Y.....	19	3480A.....	47	3605.....	129
31515-90.....	49	32617-00Y.....	21	3480A.....	61	3605.....	131
31518-90.....	49	32699-05.....	25	3480A.....	63	3615.....	159
31525-90.....	49	32707-01C.....	37	3485A.....	143	3655A.....	91

NUMERICAL INDEX

PART NO.	PAGE	PART NO.	PAGE	PART NO.	PAGE	PART NO.	PAGE
3655A.....	93	3814.....	97	40444-07.....	61	41573-05.....	121
3655A.....	95	3814.....	101	40444-07.....	101	41623-05.....	121
3655A.....	103	3832M.....	75	40518-08.....	97	41626-08.....	121
3655A.....	157	3849.....	13	40518-08.....	101	41627-08.....	99
3658.....	129	3849.....	15	40544-08.....	97	41628-08.....	93
3658.....	131	3854.....	65	40558-82.....	101	41659-08.....	91
3658.....	183	38630-88.....	67	40560-05.....	97	41660-08.....	97
3658.....	199	38653-01.....	129	40560-05.....	101	41698-04.....	121
3658.....	201	38653-01.....	131	40561-05.....	97	41698-04.....	121
3666A.....	131	38671-04.....	67	40561-05.....	101	41699-04.....	65
36715-94.....	57	38699-04B.....	67	40562-05.....	97	41730-08.....	97
36715-94.....	59	38702-05B.....	67	40562-05.....	101	41730-08.....	99
36731-91.....	57	38786-08.....	67	40574-06.....	23	41730-08.....	101
36731-91.....	59	3880.....	113	40575-05.....	101	41732-04.....	69
36785-91.....	57	3880.....	115	40591-07.....	61	41732-04.....	71
36790-04.....	57	3899.....	61	40591-07.....	63	41732-04.....	73
36799-91.....	57	3899.....	63	40759-05.....	95	41732-04.....	75
36802-84B.....	57	3899.....	97	4076.....	73	41736-04.....	69
36802-84B.....	59	3899.....	99	4076.....	77	41736-04.....	71
3696.....	119	3899.....	101	40760-05.....	95	41736-04.....	73
3706M.....	179	3976.....	13	40761-05.....	95	41736-04.....	75
3708M.....	47	3976.....	15	40762-05.....	95	41737-04.....	69
37107-06.....	53	3987.....	33	4091.....	19	41737-04.....	71
3731M.....	133	3987.....	35	4091.....	21	41743-04.....	69
3732.....	197	3990.....	51	40930-05.....	97	41743-04.....	71
37495-91.....	57	40005-57B.....	61	40930-05.....	99	41748-08.....	93
37495-91.....	59	40039-02C.....	61	40930-05.....	101	41797-00.....	97
3767B.....	205	40039-02C.....	63	40946-04.....	73	41797-00.....	101
37870-91.....	57	40057-08.....	63	40948-04.....	73	4180.....	65
37870-91.....	59	40147-04.....	61	40948-04.....	75	4180.....	183
37872-90.....	57	4016.....	55	40968-08.....	87	41820-08.....	93
37872-90.....	59	4017.....	135	40992-08.....	97	41821-08.....	93
37890-02.....	59	4017.....	137	41012-08.....	97	41833-08.....	99
37891-02.....	59	40241-02A.....	43	41013-08.....	97	41858-08.....	99
37892-02.....	59	40241-02A.....	61	4104.....	69	4188.....	65
37894-02.....	59	40251-92A.....	61	4104.....	71	42028-07.....	83
37895-02.....	59	40251-92A.....	63	41058-08.....	97	42029-07.....	87
37896-02.....	59	40254-02.....	19	41082-08.....	101	42255-04.....	73
37897-02.....	59	40254-02.....	21	41083-08.....	101	42310-08.....	89
37898-02A.....	59	40254-02.....	61	41123-79.....	91	42341-07.....	77
37899-02A.....	59	40254-02.....	63	41123-79.....	93	42425-05.....	67
37904-90.....	57	40290-04A.....	43	41123-79.....	95	42425-05.....	69
37905-90.....	57	40290-04A.....	61	41123-79.....	97	42425-05.....	71
37908-90.....	57	4029A.....	107	41123-79.....	99	42443-80A.....	55
37908-90.....	59	4029A.....	109	41123-79.....	101	42443-80A.....	81
37909-90.....	57	4032A.....	163	41176-08.....	97	42460-80B.....	75
37909-90.....	59	40350-07.....	61	41176-08.....	101	4250M.....	111
37910-04B.....	57	40350-07.....	97	41191-74A.....	23	4250M.....	133
37911-90.....	57	40350-07.....	101	41229-08.....	97	42521-07.....	73
37911-90.....	59	40352-07.....	61	41229-08.....	99	42541-04.....	125
37912-91.....	57	40352-07.....	97	41229-08.....	101	42541-04.....	125
37913-90.....	57	40353-08.....	63	4132.....	29	42566-04.....	125
37913-90.....	59	40353-08.....	99	41339-06.....	95	42569-03.....	55
37924-04A.....	57	40371-07.....	61	41426-07.....	95	42569-03.....	77
37934-06.....	59	40379-04.....	61	41561-04.....	65	42569-03.....	79
37977-90.....	57	40379-04.....	63	41562-04.....	65	42593-04.....	73
3799.....	149	40380-04.....	61	41568-04.....	65	42595-04.....	73
3802W.....	139	40409-04.....	61	41573-05.....	121	42651-04.....	125

NUMERICAL INDEX

PART NO.	PAGE	PART NO.	PAGE	PART NO.	PAGE	PART NO.	PAGE
42652-04.....	125	42837-04.....	89	43157-83A.....	93	44160-00.....	85
4266A.....	9	42838-04.....	83	43157-83A.....	97	44160-00.....	111
4266A.....	11	42838-04.....	87	43157-83A.....	99	44178-04.....	87
42685-04.....	79	42838-04.....	89	43164-05.....	101	44184-04.....	87
4269.....	163	42839-04.....	87	43229-08.....	93	44184-04.....	89
4269.....	165	42839-04.....	89	43231-08.....	99	44189-04.....	73
42736-08.....	71	42840-04.....	87	43241-05.....	101	4420.....	159
42737-08.....	75	42840-04.....	89	43264-02.....	97	44429-06A.....	73
42738-08.....	75	42845-07.....	73	43264-02.....	101	44440-04.....	83
42739-08.....	85	42845-07.....	75	4326A.....	129	44440-04.....	87
42744-08.....	75	42846-04.....	73	4329.....	43	4453.....	103
42745-07.....	69	42875-07.....	83	43312-08.....	95	44590-04.....	73
42803-07A.....	69	42875-07.....	85	43355-00.....	91	4460.....	103
42804-07.....	69	42875-07.....	87	43358-08.....	91	4460.....	105
42804-07.....	71	42875-07.....	89	43358-08.....	95	44610-08.....	95
42805-04.....	69	42877-07.....	83	43359-00.....	91	44791-07.....	71
42805-04.....	71	42878-05.....	83	43426-08.....	91	4499M.....	111
42806-04.....	69	42879-07.....	83	43427-08.....	97	45041-01A.....	125
42806-04.....	71	42880-05.....	83	43440-05A.....	101	45041-01A.....	127
42807-04.....	67	42881-08.....	87	43445-05.....	95	45052-07.....	69
42807-04.....	69	42892-08.....	89	43499-08.....	91	45074-95.....	69
42807-04.....	71	42893-07.....	83	4350A.....	127	45074-95.....	71
42808-04.....	67	42893-07.....	85	4350A.....	159	45146-07.....	69
42808-04.....	69	42893-07.....	89	4351.....	103	45155-08.....	105
42808-04.....	71	42899-08.....	85	4352.....	103	45319-04A.....	69
42809-07A.....	69	4290.....	65	4352.....	105	45356-07.....	67
42810-07A.....	73	42900-08.....	89	43522-08.....	91	4535M.....	67
42811-04.....	73	42930-07.....	55	43522-08.....	95	4535M.....	69
42811-04.....	75	42930-07.....	77	43528-04.....	89	4535M.....	71
42812-04.....	73	42941-08.....	71	4354.....	113	45361-90.....	107
42813-04.....	73	42942-08.....	71	4354.....	115	45361-90.....	109
42814-04.....	73	42943-08.....	85	43547-08.....	95	45374-87.....	107
42815-04.....	73	42944-08.....	85	43557-08.....	95	45374-87.....	109
42815-04.....	75	42945-08.....	75	43567-92.....	97	45376-04.....	107
42816-07.....	73	42948-08.....	89	43567-92.....	99	45377-87.....	107
42817-07.....	73	42949-08.....	81	43567-92.....	101	45377-87.....	109
42817-07.....	75	42969-04.....	77	4359.....	55	45378-87.....	107
42820-04.....	85	42971-04.....	125	43594-08.....	91	45378-87.....	109
42821-04.....	73	42972-04.....	125	43595-99.....	117	45395-04.....	107
42823-04.....	83	42975-08.....	75	43595-99.....	119	45401-87.....	107
42823-04.....	87	42976-04.....	73	4363.....	205	45401-87.....	109
42824-04.....	83	42979-04.....	73	43662-80B.....	95	45405-75A.....	107
42824-04.....	87	43001-06.....	95	43831-08.....	95	45405-75A.....	109
42824-04.....	89	43017-07.....	101	43832-08.....	101	45405-75A.....	111
42825-04.....	83	43052-05A.....	101	43895-08.....	91	45449-04A.....	69
42826-04.....	83	43056-05.....	95	43895-08.....	95	45451-07.....	109
42827-04.....	83	43064-05.....	95	43905-08.....	97	45460-90.....	107
42827-04.....	85	43085-97.....	101	43905-08.....	101	45461-87.....	107
42828-04.....	83	43103-08.....	93	43906-08.....	91	45461-87.....	109
42828-04.....	85	43104-93A.....	95	43906-08.....	95	45462-87.....	109
42828-04.....	87	43107-08.....	99	43939-89.....	95	45465-87.....	107
42829-04.....	83	43112-91A.....	91	44119-07.....	83	45465-87.....	109
42831-04A.....	83	43112-91A.....	95	44121-07.....	83	4549.....	119
42832-04.....	83	4312C.....	155	44136-00.....	91	4549.....	165
42834-04.....	87	43140-80.....	95	44136-00.....	95	4551.....	35
42834-04.....	89	43145-47.....	95	44156-00.....	91	4553.....	143
42835-08.....	87	43147-40.....	101	44156-00.....	95	45611-86.....	103
42837-04.....	87	43157-83A.....	91	44160-00.....	83	45611-86.....	105

NUMERICAL INDEX

PART NO.	PAGE	PART NO.	PAGE	PART NO.	PAGE	PART NO.	PAGE
45668-90.....	103	46454-08.....	107	48153-02A.....	119	51049-08.....	127
4574.....	111	46758-07.....	103	48154-05.....	117	51382-08.....	123
4575.....	111	46767-07.....	103	48154-05.....	119	51383-08.....	123
45790-80.....	107	4678.....	63	48154-05.....	199	51530-07.....	123
45790-80.....	109	46878-08.....	111	4816A.....	73	51532-07.....	123
45799-04.....	67	46879-08.....	111	4816A.....	129	51550-07.....	123
45800-04.....	67	46880-08.....	111	48184-01.....	103	51551-07.....	123
45801-04.....	67	46882-08.....	111	48184-01.....	105	51558-08.....	123
45830-48.....	19	46884-08.....	111	4820A.....	23	51652-97.....	123
45830-48.....	21	46886-08.....	111	4822A.....	27	51706-07.....	123
45842-77A.....	111	46887-08.....	111	48300-60.....	103	51833-08.....	123
4589.....	63	46945-07A.....	67	48300-60.....	105	51835-08.....	123
45900-08.....	107	46946-06A.....	69	48315-60.....	103	51899-07.....	123
45901-08.....	107	4705.....	151	48315-60.....	105	51938-04.....	73
45902-00.....	49	4705.....	153	48315-60.....	117	51938-04.....	75
45905-87.....	107	4717A.....	25	48315-60.....	119	52429-08.....	139
45905-87.....	109	4717A.....	27	48390-06.....	139	52494-04.....	141
45922-08.....	107	4717A.....	61	48463-04.....	65	52608-07.....	123
45925-04.....	107	4718A.....	13	48492-04.....	65	53176-08.....	117
45938-92.....	107	4718A.....	15	4859.....	165	53176-08.....	119
45966-04.....	103	47299-07.....	107	4871.....	117	53438-92.....	157
45984-87.....	107	47299-07.....	109	4871.....	119	53438-92.....	159
45984-87.....	109	47313-07.....	107	48714-08.....	109	53438-92.....	161
45996-87.....	107	47313-07.....	109	48715-08.....	109	5403B.....	135
45996-87.....	109	4740A.....	25	48716-08.....	109	5403B.....	137
46002-87.....	107	4740A.....	27	48726-08.....	109	5414.....	163
46028-08.....	105	4741A.....	13	48737-07.....	107	5416.....	165
46028-08.....	129	4741A.....	15	48737-07.....	109	54321-85.....	91
46029-08.....	107	4741A.....	31	48738-07.....	107	54321-85.....	93
46050-08.....	105	4741A.....	69	48738-07.....	109	54321-85.....	95
46075-04.....	107	4741A.....	71	4886.....	153	54321-85.....	97
46076-04.....	107	47470-04.....	65	48879-08.....	119	54321-85.....	99
46126-04.....	103	47471-04A.....	65	4897.....	153	54321-85.....	101
46127-04.....	103	4748.....	9	49314-04.....	125	54473-79.....	113
46218-05.....	107	4748.....	55	49315-04.....	125	54540-07.....	113
46218-05.....	109	4748.....	79	49348-08.....	117	54540-07.....	113
46267-05.....	107	4748.....	125	49722-08BHP.....	117	54556-84.....	113
46268-04.....	67	4748.....	163	49735-08.....	117	54556-84.....	115
46307-08.....	107	4748.....	165	49735-08.....	119	54566-04.....	113
46308-08.....	107	4751.....	43	50003-89B.....	117	54568-04.....	113
46329-06.....	111	4751.....	61	50003-89B.....	119	54570-05.....	113
46343-06.....	111	4751.....	63	50005-85A.....	117	54570-05.....	113
46344-06.....	111	47587-05.....	121	50005-85A.....	119	54626-07.....	113
46346-06.....	111	4758A.....	141	50124-08BHP.....	119	54668-08.....	115
46348-06.....	111	4765.....	29	50126-08.....	199	54701-82.....	113
46352-06.....	111	47674-08.....	121	50126-08A.....	117	54715-96.....	115
46353-06.....	111	4771.....	141	50126-08A.....	119	54724-04.....	113
46354-06.....	111	4778.....	135	50185-04A.....	117	54741-07.....	113
46355-06.....	111	4778.....	137	50185-04A.....	117	5531.....	137
46358-06.....	111	4779.....	135	50238-08BHP.....	117	5531.....	177
46359-06.....	111	4779.....	137	50238-08BHP.....	117	554A.....	117
46390-08.....	107	4798.....	33	50912-72.....	125	554A.....	119
46394-08.....	107	4798.....	35	50912-72.....	127	55840-04.....	131
46400-04A.....	69	4802.....	41	51044-08.....	127	55842-04.....	131
46411-05C.....	69	48027-99.....	117	51045-08.....	75	55844-04.....	171
46449-08.....	107	48027-99.....	119	51045-08.....	81	55845-04.....	129
46450-08.....	107	48153-02A.....	117	51046-08.....	127	55846-05A.....	129
46453-08.....	107	48153-02A.....	117	51048-08.....	127	55846-05A.....	167

NUMERICAL INDEX

PART NO.	PAGE	PART NO.	PAGE	PART NO.	PAGE	PART NO.	PAGE
55847-05A.	129	59712-07.	133	6157.	29	63533-41A.	19
55847-05A.	167	59723-04.	135	61572-08.	143	63533-41A.	21
56004-00.	129	59723-04.	137	61573-08.	143	63533-41A.	29
56017-04.	131	59727-07.	137	61574-08.	143	63548-08.	15
56051-06.	129	59768-97.	135	61576-08.	143	63596-06.	149
56073-83.	185	59768-97.	137	61577-08.	143	63596-06.	151
56073-83.	189	59847-07.	135	6192.	135	63796-77A.	149
56085-83A.	129	59865-07.	137	6192.	137	63805-80A.	149
56104-02.	135	59901-08BDK.	139	62122-89A.	117	63805-80A.	151
56104-02.	173	59902-04.	135	62122-89A.	119	63858-49.	13
56115-95.	129	59903-04.	135	62150-85.	141	63858-49.	15
56116-82A.	129	59916-08.	139	62213-07.	141	6400HB.	63
56117-82A.	129	59984-73.	135	62260-08.	147	6400HB.	127
56394-74.	129	59986-75.	135	62261-08.	147	6400HB.	143
56394-74.	131	59988-72A.	135	62262-08.	147	6445.	63
56394-74.	201	60001-55.	135	62263-08.	147	64842-04.	163
56396-74A.	129	6003.	51	62320-06.	147	64846-04A.	163
56396-74A.	131	60183-08.	179	62321-06.	147	64847-04A.	163
56396-74A.	201	60188-08.	137	62338-01Y.	149	64848-04.	163
56397-74C.	129	60188-08.	179	62350-07.	33	64850-08.	165
56397-74C.	131	60203-06.	135	62351-07.	33	64853-04.	163
56397-74C.	201	60203-06.	137	62360-04A.	25	64854-04.	163
56402-83A.	129	60204-06.	135	62360-04A.	149	64855-04.	163
56402-83A.	131	60204-06.	137	62360-04A.	151	64855-04.	163
56402-83A.	201	6021.	51	62361-04.	149	64857-04.	163
56508-76.	129	6026.	65	6237.	183	64859-08.	165
56508-76.	131	6026.	183	62375-57A.	25	64883-08.	165
56541-86A.	129	60318-07.	137	62386-08.	147	64889-04.	163
56542-86A.	129	60328-98B.	23	62387-08.	147	64890-04.	163
56567-86B.	129	60330-08.	21	62534-07.	117	64891-04A.	163
56637-08.	129	60330-08.	31	62592-07A.	149	64893-04A.	163
56639-08.	129	60367-04.	121	62601-91A.	29	64927-08.	165
56666-04.	129	60371-07.	121	62651-04.	149	64934-08.	165
56666-04.	131	60403-08.	121	6288.	199	64935-08.	165
56667-04.	129	60416-08.	121	62881-00.	143	64936-08.	165
56667-04.	131	60435-04.	121	62888-04A.	149	64942-07.	163
56871-08.	145	60830-07.	23	62888-08.	151	64943-07.	163
56884-07.	129	60901-07.	137	63000-04B.	149	64954-08.	165
56884-07.	131	60903-08.	137	63008-08.	151	64965-08.	165
56885-07.	129	60982-08.	141	6302.	119	65088-04.	19
56885-07.	131	6099.	205	6302.	163	65088-04.	21
5845.	143	6101.	67	63050-08A.	153	6516HW.	61
58998-83D.	133	6101.	69	63080-08.	153	6516HW.	63
59022-07BDK.	133	6101.	71	63081-08.	153	6516HW.	97
5925.	111	61015-04A.	145	63097-08.	153	6516HW.	99
59254-91.	135	6109.	129	63098-08.	153	6516HW.	101
59256-84A.	179	6110.	153	63099-08.	151	65184-02.	163
59259-90.	137	61109-85D.	141	63103-08.	151	65240-08.	165
59259-90.	179	61213-04A.	145	63108-08.	153	65257-08.	165
59287-92.	135	61260-04.	141	63110-08.	153	65258-08.	41
59288-92.	135	61272-92B.	141	63111-08.	153	65283-94.	163
59359-06.	137	61289-07.	141	63112-08.	153	65302-82A.	163
59403-08.	133	61348-07.	141	63116-08.	153	65316-08.	119
59481-00.	107	61392-08.	143	63119-08.	153	65316-08.	165
59482-00.	107	61459-97.	117	63120-08.	153	65317-08.	165
59502-04.	135	61459-97.	119	63125-08.	153	65324-83B.	163
59502-04.	137	61459-97.	199	63508-04.	19	65325-83A.	163
59673-04.	135	6152.	65	63508-04.	21	65325-83A.	165

NUMERICAL INDEX

PART NO.	PAGE	PART NO.	PAGE	PART NO.	PAGE	PART NO.	PAGE
65328-83.....	165	67091-08.....	169	68041-04.....	103	68811-07.....	167
65339-04.....	163	67103-95.....	167	68066-99A.....	181	68813-07.....	167
65339-04.....	163	67104-95.....	167	68140-04.....	181	68814-07.....	171
65453-08.....	165	67121-95A.....	167	68141-04.....	181	68830-99A.....	179
6551.....	97	67121-95A.....	169	68163-84.....	173	68830-99A.....	181
6551.....	99	67121-95A.....	171	68163-84.....	175	68838-06.....	175
6551.....	101	67157-08.....	169	68163-84.....	177	68857-07.....	137
6590HW.....	129	67170-08.....	169	68163-84.....	179	68899-04.....	181
6590HW.....	131	67174-08.....	169	68167-04.....	179	68904-00.....	173
65927-00.....	163	6718.....	113	68167-04.....	181	68905-00.....	173
6594.....	91	6718.....	115	68168-89A.....	173	68906-00.....	173
6594.....	93	67290-08.....	167	68168-89A.....	177	68906-00.....	175
6594.....	95	673.....	41	68183-07.....	137	68907-00.....	173
65958-04.....	155	67320-95.....	167	68257-08.....	179	68919-07.....	197
65974-04A.....	163	67338-97.....	167	68265-04.....	173	68920-07.....	197
66194-04C.....	155	67344-97.....	167	68265-04.....	175	68922-07.....	197
66199-04.....	149	67345-97.....	167	68265-04.....	177	68924-07.....	197
66199-04.....	151	6738.....	113	68277-07.....	177	68926-07.....	199
66251-04.....	117	67415-08.....	167	68278-07.....	177	68939-00.....	199
66252-04.....	117	67415-08.....	171	68296-99A.....	181	68955-08.....	177
66269-08BDK.....	119	67416-08.....	167	68297-05.....	157	68956-07.....	197
66269-08CHJ.....	119	67416-08.....	171	68297-05.....	159	68958-07A.....	197
66270-08BDK.....	119	67436-08.....	167	68299-07.....	177	68966-08.....	137
66270-08CHJ.....	119	67436-08.....	171	68329-03.....	157	68972-00.....	173
66271-08BDK.....	143	67450-99.....	167	68329-03.....	159	68973-00.....	173
66272-05.....	117	67450-99.....	169	68329-03.....	161	68975-00.....	173
66273-05.....	117	67450-99.....	171	68335-05.....	157	68976-00.....	173
66448-08.....	129	675.....	63	68335-05.....	159	68976-00.....	175
66476-04A.....	155	67576-08.....	169	68335-05.....	161	68977-00.....	173
66523-06.....	197	67601-94A.....	159	68341-05.....	157	68978-00.....	173
66524-06.....	197	67603-94A.....	159	68341-05.....	159	68979-00.....	173
6655.....	103	67667-05.....	157	68341-05.....	161	68992-08.....	137
6655.....	105	67667-05.....	159	68369-03.....	181	69012-93A.....	183
66851-07.....	163	67667-05.....	161	68370-03A.....	181	69018-00.....	197
6701.....	63	67742-06.....	159	68372-03.....	181	69043-96B.....	183
6701.....	107	67790-93A.....	157	68380-05.....	157	69049-07.....	183
6701.....	109	67804-04.....	73	68380-05.....	159	69060-90D.....	183
6701.....	159	67805-92.....	157	68380-05.....	161	69062-91A.....	183
6701.....	163	67815-59A.....	157	68382-07.....	171	69110-01.....	179
6701.....	165	67815-59A.....	161	68443-07A.....	157	69120-91.....	183
6702.....	73	67834-83.....	157	68449-07.....	177	69123-92.....	183
6702.....	121	67865-89.....	157	68480-02.....	173	69135-04.....	183
6702.....	129	67865-89.....	161	68513-95.....	167	69148-01.....	179
6702.....	135	6787.....	9	68513-95.....	169	69187-03A.....	179
6702.....	137	67880-94.....	167	68551-07.....	167	69187-03A.....	181
6702.....	141	67880-94.....	169	68551-07.....	169	6930.....	165
6702.....	157	67880-94.....	171	68559-07.....	177	69360-08.....	177
6702.....	165	67883-04A.....	157	68572-64B.....	173	69362-08.....	177
6703.....	135	67883-04A.....	161	6863.....	121	69386-08.....	161
6703.....	137	67894-93A.....	159	6864.....	121	69397-08.....	161
6703.....	139	67950-07.....	157	68650-92.....	157	69449-05.....	157
67037-08.....	167	67951-07.....	157	68650-92.....	159	69478-08.....	177
67041-08.....	167	67963-05.....	157	68650-92.....	161	69490-07.....	137
67049-04B.....	167	67972-98.....	157	68702-07.....	137	69498-08.....	137
67053-95.....	167	6798.....	135	68704-07.....	137	69530-08.....	179
67085-95.....	167	6798.....	137	68724-07.....	137	69681-07.....	159
67087-08.....	169	68026-99.....	179	68730-07.....	177	69681-07.....	159
67089-05.....	167	68026-99.....	181	68755-07.....	177	69709-00.....	157

NUMERICAL INDEX

PART NO.	PAGE	PART NO.	PAGE	PART NO.	PAGE	PART NO.	PAGE
69774-07A.....	157	70917-04.....	141	72033-93.....	193	72175-07BK.....	189
69774-07A.....	157	70919-04.....	141	72033-93.....	195	72179-94.....	185
69861-07.....	109	7127.....	157	72056-92.....	157	72179-94.....	189
69861-07.....	111	7127.....	159	72056-92.....	159	72188-07BK.....	201
69862-07.....	109	7127.....	161	72056-92.....	161	72189-04.....	167
69862-07.....	111	71276-04.....	141	72064-06.....	185	72189-04.....	169
69864-08.....	179	71287-08.....	119	72066-06.....	185	72189-04.....	171
70003-04.....	155	71441-94.....	199	72066-06.....	189	72190-94.....	187
70163-08.....	195	71451-94A.....	199	72076-00.....	185	72190-94.....	189
70167-08.....	193	71472-04.....	117	72076-00.....	189	72191-94.....	187
70181-08.....	185	71478-08.....	119	72077-00.....	185	72191-94.....	189
70181-08.....	187	71509-00.....	201	72077-00.....	189	72191-94.....	197
70225-08.....	189	71510-04.....	185	72094-06.....	185	72195-94.....	187
70225-08.....	191	71510-04.....	189	72094-06.....	189	72195-94.....	189
70247-07.....	199	71510-04.....	199	72094-06.....	193	72195-94.....	197
70295-04.....	155	71550-94.....	185	72094-06.....	195	72199-94.....	37
70296-04.....	155	71550-94.....	189	72096-06.....	185	72199-94.....	187
70297-04.....	65	71550-94.....	199	72096-06.....	189	72199-94.....	189
70345-84.....	129	71552-94.....	185	72096-06.....	193	7220.....	45
70345-84.....	131	71552-94.....	189	72096-06.....	195	7220.....	185
70345-84.....	201	71552-94.....	199	72100-04.....	185	7220.....	189
70364-07.....	43	71563-96.....	129	72100-04.....	189	72251-07.....	193
70368-08.....	189	71563-96.....	131	72124-94GY.....	185	72251-07.....	195
7038.....	107	71563-96.....	201	72124-94GY.....	189	72260-04.....	187
7038.....	109	71564-96.....	129	72130-04.....	167	72260-04.....	189
7039.....	65	71564-96.....	131	72130-04.....	169	72263-95.....	193
7041.....	183	71564-96.....	201	72130-04.....	171	72263-95.....	195
70416-04B.....	117	71567-96.....	201	72131-04.....	167	72266-94.....	201
70417-04B.....	117	71568-96A.....	201	72134-94GY.....	197	72268-94.....	199
70444-07.....	45	71584-96A.....	201	72135-06.....	185	72272-07.....	187
7045.....	159	71589-96B.....	201	72135-06.....	189	72272-07.....	189
70466-07A.....	185	71590-96A.....	201	72139-94GY.....	185	72289-04.....	187
70503-04.....	149	71591-00.....	201	72139-94GY.....	189	72289-04.....	189
70504-81.....	129	71597-96B.....	201	72144-94.....	185	72290-94.....	187
70504-81.....	131	71598-00.....	201	72144-94.....	189	72290-94.....	191
70578-89.....	155	72006-05.....	185	72154-94.....	197	72291-94.....	187
70586-93.....	199	72006-05.....	189	72159-94.....	185	72291-94.....	191
70587-93.....	199	72006-05.....	195	72159-94.....	189	72295-94.....	187
70598-99.....	185	72007-05.....	185	72164-94A.....	185	72295-94.....	191
70598-99.....	189	72007-05.....	189	72164-94A.....	189	72312-04.....	187
70617-07.....	197	72007-05.....	195	72166-07BK.....	193	72312-04.....	191
70632-08.....	189	72009-05.....	37	72166-07BK.....	195	72318-04.....	199
70633-08.....	119	72009-05.....	163	72167-07BK.....	185	72329-08.....	169
70640-07.....	185	72009-05.....	165	72167-07BK.....	189	72330-95.....	187
70642-07.....	185	72009-05.....	199	72168-07.....	185	72330-95.....	191
70645-07.....	185	72011-05.....	37	72168-07.....	189	72330-95.....	199
70645-07.....	189	72011-05.....	163	72168-07.....	193	72402-07.....	193
70649-07.....	185	72011-05.....	165	72168-07.....	195	72402-07.....	195
70664-08.....	185	72011-05.....	185	72169-07.....	117	72406-07.....	193
70664-08.....	189	72011-05.....	189	72169-07.....	119	72406-07.....	195
7068.....	91	72011-05.....	195	72169-07.....	167	72407-07.....	193
7068.....	95	72011-05.....	199	72169-07.....	169	72407-07.....	195
7068.....	157	72023-51D.....	73	72169-07.....	171	72407-07.....	195
7068.....	161	72023-51D.....	199	72169-07.....	185	72408-07.....	193
7069.....	183	72032-93.....	169	72169-07.....	189	72408-07.....	195
7080.....	53	72033-93.....	169	72169-07.....	199	72413-07.....	193
70903-04.....	141	72033-93.....	185	72169-07.....	201	72413-07.....	195
70904-04.....	141	72033-93.....	189	72175-07BK.....	185	72414-07BK.....	187
						72414-07BK.....	191

NUMERICAL INDEX

PART NO.	PAGE	PART NO.	PAGE	PART NO.	PAGE	PART NO.	PAGE
72427-00.	187	73106-96BK.	187	74197-04.	169	7880.	161
72427-00.	191	73106-96BK.	191	74197-04.	171	7882.	135
72430-00.	187	73152-96BK.	137	74402-05.	37	7882.	137
72430-00.	191	73152-96BK.	173	74546-07A.	43	7900.	139
72432-00.	187	73152-96BK.	179	7468M.	111	7916A.	25
72432-00.	191	73152-96WE.	173	7469.	111	7916A.	27
72434-00.	187	73152-96WE.	179	74711-08.	43	7964.	181
72434-00.	191	73154-96BK.	157	7477.	73	80399-04.	163
72441-04.	187	73154-96BK.	159	7481.	183	8102.	143
72441-04.	191	73154-96BK.	161	7495.	133	8108.	183
72445-99TN.	187	73154-96BK.	179	7495.	183	8135B.	117
72445-99TN.	191	73154-96BK.	181	75268-07C.	145	8190.	97
72447-07GY.	201	73156-96BK.	173	75301-07.	145	8190.	99
72469-07GY.	187	73156-96BK.	177	75302-07.	145	8190.	101
72469-07GY.	191	73156-96BK.	181	75302-07.	199	835.	19
72473-07.	187	73156-96BK.	191	75303-07.	145	835.	21
72473-07.	191	73160-96BK.	157	75304-07A.	145	855B.	75
72473-07.	193	73190-96.	177	75305-07A.	145	855B.	81
72473-07.	195	73190-96.	187	75309-07.	145	855B.	127
72487-07BK.	187	73190-96.	191	7531.	119	8679.	25
72487-07BK.	191	73191-96.	137	7531.	121	8692.	135
72488-07BK.	167	73191-96.	157	7531.	133	8692.	137
72488-07BK.	169	73191-96.	159	7531.	135	882.	13
72488-07BK.	171	73191-96.	161	7531.	137	882.	15
72511-07BK.	117	73191-96.	173	7531.	141	882.	73
72511-07BK.	119	73191-96.	175	7531.	143	882.	153
72511-07BK.	187	73191-96.	177	7531.	183	8862.	51
72511-07BK.	191	73191-96.	179	75317-07.	145	8871.	49
72511-07BK.	199	73191-96.	181	7593.	163	8873.	57
72512-07BK.	187	73191-96.	191	7593.	165	8873.	59
72512-07BK.	191	73213-07.	117	7601.	165	8879.	49
72516-01.	187	73213-07.	119	7606.	157	8881.	19
72516-01.	191	73213-07.	187	7606.	161	8881.	21
72543-07BK.	191	73213-07.	191	761.	135	8883.	49
72543-07BK.	193	73213-07.	199	7624.	149	8884.	51
72543-07BK.	195	73301-04.	187	76522-08.	197	8885.	57
72544-07.	191	73301-04.	191	7686.	153	8885.	59
72544-07.	193	73302-04.	187	7720.	157	8956.	51
72544-07.	195	73302-04.	191	7720.	161	89579-91.	121
72545-08.	187	73303-04.	187	7727.	159	89579-91.	141
72545-08.	191	73303-04.	191	7766.	121	89581-04A.	49
72549-07.	167	73304-04.	187	7766.	121	89586-04.	121
72549-07.	169	73304-04.	191	7770.	155	89586-04.	141
72549-07.	171	73305-04.	187	7778.	159	89586-04.	143
72559-07.	117	73305-04.	191	7783.	107	89586-04.	157
72566-08.	137	740.	125	7783.	109	89586-04.	159
72567-08.	137	74112-98BK.	187	7792.	135	89586-04.	161
72611-07.	187	74112-98BK.	191	7792.	137	8964.	51
72611-07.	191	74152-98.	187	7804.	61	8966.	51
72720-07.	197	74152-98.	191	7804.	63	8970.	51
72721-07.	197	74191-98.	187	7813A.	91	90383-98.	33
72904-01BK.	177	74191-98.	191	7813A.	93	90383-98.	35
72914-01BK.	177	74194-98.	37	7813A.	95	90520-07.	117
72990-01.	177	74195-98.	187	7824.	113	90520-07.	127
72991-01.	177	74196-04.	167	7824.	115	9077.	49
73102-96BK.	177	74196-04.	169	7839.	61	91840-03A.	157
73104-96BK.	187	74196-04.	171	7862.	163	91845-03A.	157
73104-96BK.	191	74197-04.	167	7880.	157	91846-03A.	157

NUMERICAL INDEX

PART NO.	PAGE	PART NO.	PAGE	PART NO.	PAGE	PART NO.	PAGE
91846-03A.....	159	928.....	49	95595-84.....	91	9907.....	73
91848-03A.....	157	929A.....	49	95595-84.....	97	9907.....	199
91848-03A.....	159	930.....	179	9704.....	63	9937.....	185
9187.....	53	940.....	65	9814.....	189	9937.....	189
91982-03A.....	157	942.....	31	9838.....	185	995.....	73
91982-03A.....	161	943.....	15	9838.....	189	9955.....	163
91983-03A.....	157	943.....	23	9847.....	157	9955.....	165
91983-03A.....	161	94432-04.....	73	9847.....	159	9956.....	165
9209.....	121	946.....	39	9847.....	161	9969.....	149
9209.....	121	94612-04.....	73	9848.....	157	9969.....	151
9214.....	59	95578-41A.....	95	9848.....	159	997.....	73
9254.....	97	95578-41A.....	101	9848.....	161	DA0600.12FAZB.....	63
9276.....	91	95581-47A.....	95	9862.....	199	J8127.3A8.....	111
9276.....	93	95581-47A.....	101	9898.....	157	J8130.3A8.....	111
9276.....	95	95582-47A.....	95	9898.....	159	SEE NOTE.....	147
9276.....	97	95582-47A.....	101	9898.....	161	SEE NOTE.....	147
9276.....	99	95594-84.....	93	9898.....	185	SEE NOTE.....	147
9276.....	101	95594-84.....	99	9898.....	189		