

READER'S COMMENTS

The Harley-Davidson Service Communications Department maintains a continuous effort to improve the quality and usefulness of its publications. To do this effectively we need user feedback — your critical evaluation of this manual.

Please comment on this manual's completeness, accuracy, organization, usability and readability.

Should you find errors in this manual, please list the page, item and part numbers.

How can this manual be improved?

Occupation:

Name

Dealership

Street

Department

City

State

Zip

Clip out and mail to:
Service Communications
Harley-Davidson Motor Company
P.O. Box 653
Milwaukee, WI 53201

2004 Sportster
Parts Catalog
P.N. 99451-04

CMI-2.5M-12/03

CUT HERE



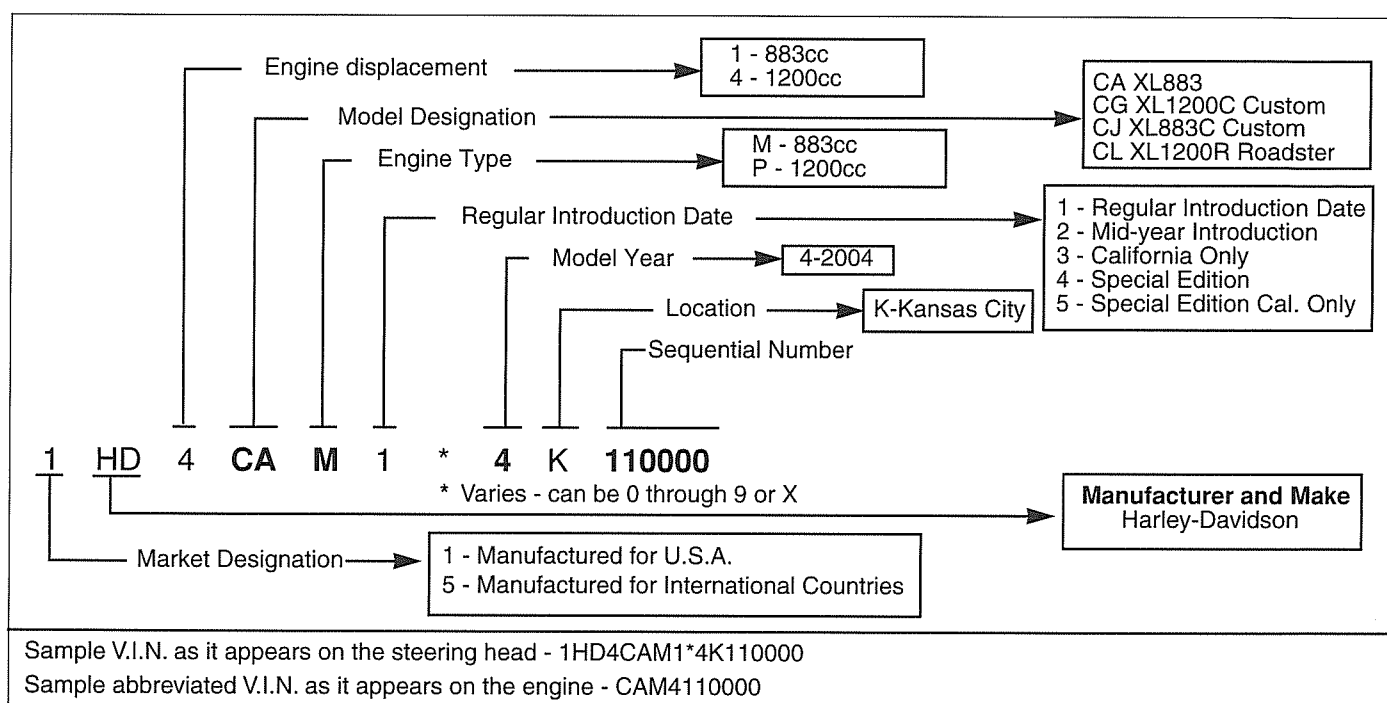
GENERAL INFORMATION

This Parts Catalog has been prepared for your convenience when ordering parts for the 2004 XL EVOLUTION SPORTSTER models. This format allows you to compare the parts usage on all Sportster model motorcycles. A complete Hardware Listing is featured at the end of the book. Index numbers shown in the illustrations correspond to index numbers in parts lists. Consult the illustrations when ordering parts so you are sure to get the part required. The number in parenthesis following description of parts is the quantity needed for complete assembly. If there is no number in parenthesis, only one is used. Prices of parts in this catalog are published separately.

The following instructions should be followed carefully when ordering parts.

- Specify the correct part number for each item. Check the "MODEL" column of the parts list which shows the model on which the part fits. Whenever in doubt, refer to the Vehicle Identification Number (V.I.N.). A 17 digit V.I.N. is stamped on the front of the frame and frame right downtube label. An abbreviated V.I.N. is stamped on the left engine crankcase.

Always give one of these numbers when ordering parts or making any inquiry about your motorcycle.



- Orders may be placed via your computer for all parts. Please review your system documentation for details on placing orders electronically. All non-warranty replacement crankcase orders require return of the complete left crankcase half with VIN. All non-warranty replacement frame orders require return of the steering neck with VIN. Non-compliance will result in a fine. See non-warranty frame and crankcase policy or contact your SPOC team for details.

THIS IS NOT AN ASSEMBLY MANUAL AND SHOULD NOT BE USED AS SUCH.

- The following model designations are located in each of the models column.

(883) = Sportster 883 Standard	(1200R) = Sportster 1200R Roadster
(883C) = Sportster 883C Custom	(1200C) = Sportster 1200C Custom

PATENT NOTICE

Harley-Davidson products are manufactured under one or more of the following patents: U.S. Patents - 2986162, 2987934, 2998809, 3116089, 3144631, 3144860, 3226994, 3229792, 3434887, 3559773, 3673359, 3709317, Des. 225,626.

To the best knowledge of Harley-Davidson, Inc., the material contained herein is accurate as of the date this publication was approved for printing. Harley-Davidson, Inc. reserves the right to change specifications, equipment, or designs at any time without notice and without incurring obligation.

COPYRIGHT 2003 BY HARLEY-DAVIDSON MOTOR COMPANY, ALL RIGHTS RESERVED

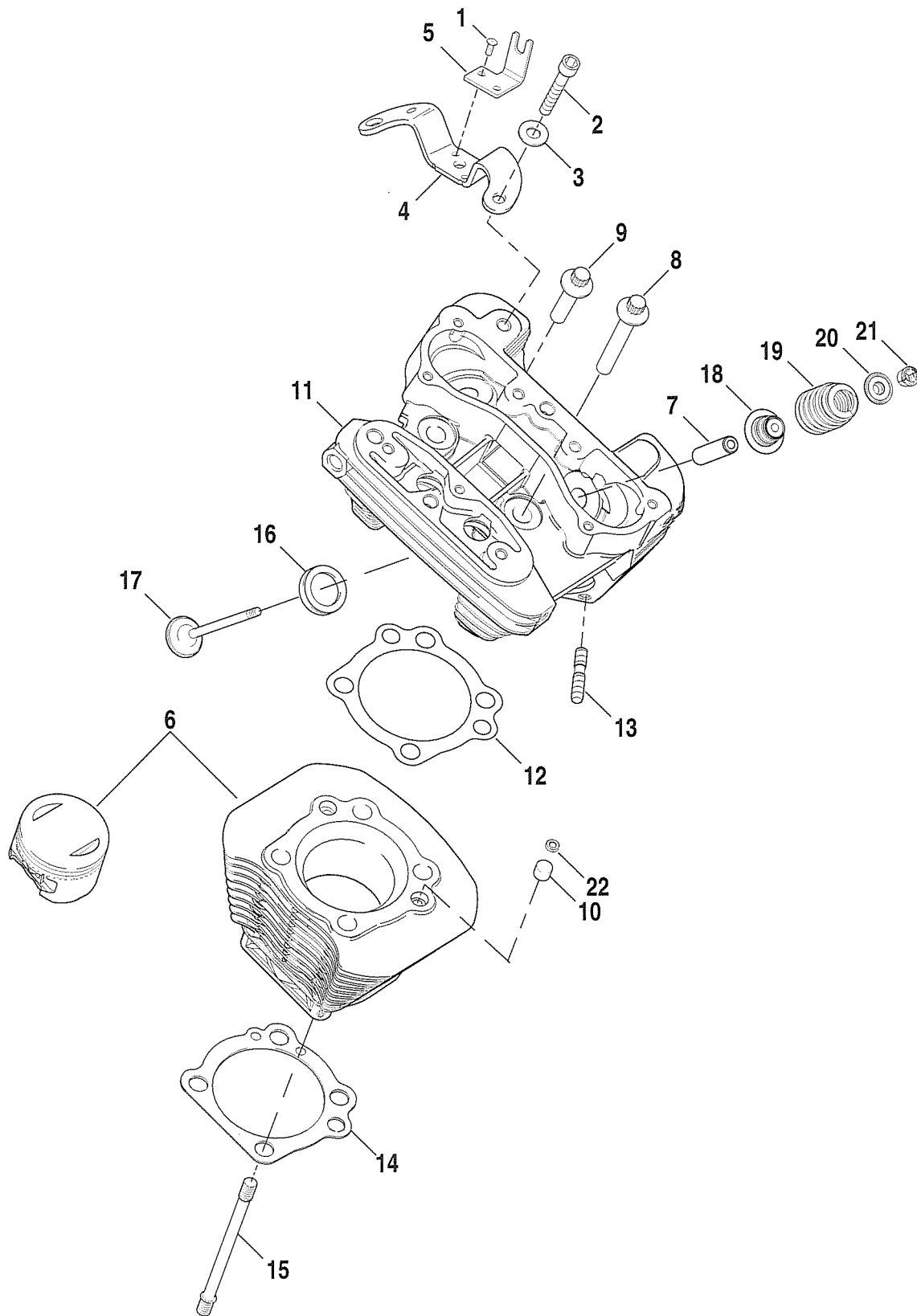
ALPHABETICAL INDEX

DESCRIPTION	PAGE	DESCRIPTION	PAGE
Access Door, transmission	15	Filter, Air	25
Air Cleaner	25	Filter, Engine Oil	89
Air Filter	25	Filter, Fuel	85
Alternator	27	Flywheels	11
Axle, front	59,61	Footrests	37,51,53,57
Axle, rear	63	Fork, front	67
Battery	91	Fork, rear	71
Battery Cables	91	Frame	71
Battery, tray	91	Fuel Lines	85
Belt, rear	41	Fuel Tank	85
Belt Guard	83	Fuel Valve	85
Bracket, choke-883, 883C, 1200R	5	Gasket Kits	7
Bracket, speedo/tach	99	Gearcase	17
Bracket/Clip, turn signal canceller	91	Handlebar	77, 79
Brake Caliper, front	55	Hardware Listing	118-120
Brake Caliper, rear	57	Headlamp	93,95
Brake Control, front	47	Housing, speedometer-883/1200R	99
Brake Control, rear	51,53	Housing, speedometer-883C/1200C	101
Brake Disc, front	59,61	Horn	107
Brake Disc, rear	63	Ignition Coil	29
Brake line, front	47	Ignition Module	29
Brake line, rear	49	Ignition Switch	109,113
Cam Gears	17	Indicator Lamps	99,101
Cam Bushings	17	Interconnect, exhaust	97
Carburetor	21,23	Intake Manifold	21
Cable, clutch control	45	Jet, oil	13
Canister, evaporative exhaust	117	Jiffy Stand	71
Chain, primary	41	Lever, Clutch Control	45
Choke Bracket-883, 883C, 1200R	5	Lever, Front Brake Control	47
Choke Bracket-1200C	107	Lever, Rear Brake Control	51,53
Circuit Breakers/Fuses	113	Lever, Transmission Gear Shift	35,37
Clamps, handlebar upper & lower	77,79	License Plate Bracket	83
Clutch	39	MAP Sensor	21
Clutch Control	45	Master Cylinder, front	47
Coil, ignition	29	Master Cylinder, rear	49
Connecting Rods	11	Mirrors	93,95
Cover, oil tank	71	Module, ignition	29
Covers, rocker arm	9	Module, security system/turn signal canceller	113
Crankcase	13	Mounts, engine	43
Cylinders, engine	5	Mufflers	97
Cylinder Heads	5	Numerical Index	120-124
Debris Deflector	83	Oil Filter	89
Decals, fuel tank	87	Oil Jet	13
Engine	5,7	Oil Pressure Switch	89
Engine mounts,	43	Oil Pump	19
Enrichener Cable	25	Oil Pump Drive Gear	17
Evaporative Emissions Kit	117	Oil Tank	89
Exhaust System	97	Oil Tank Cover	71
Fender, front	81	Pistons and Piston Rings	5,11
Fender, rear	83	Primary Cover	15

ALPHABETICAL INDEX

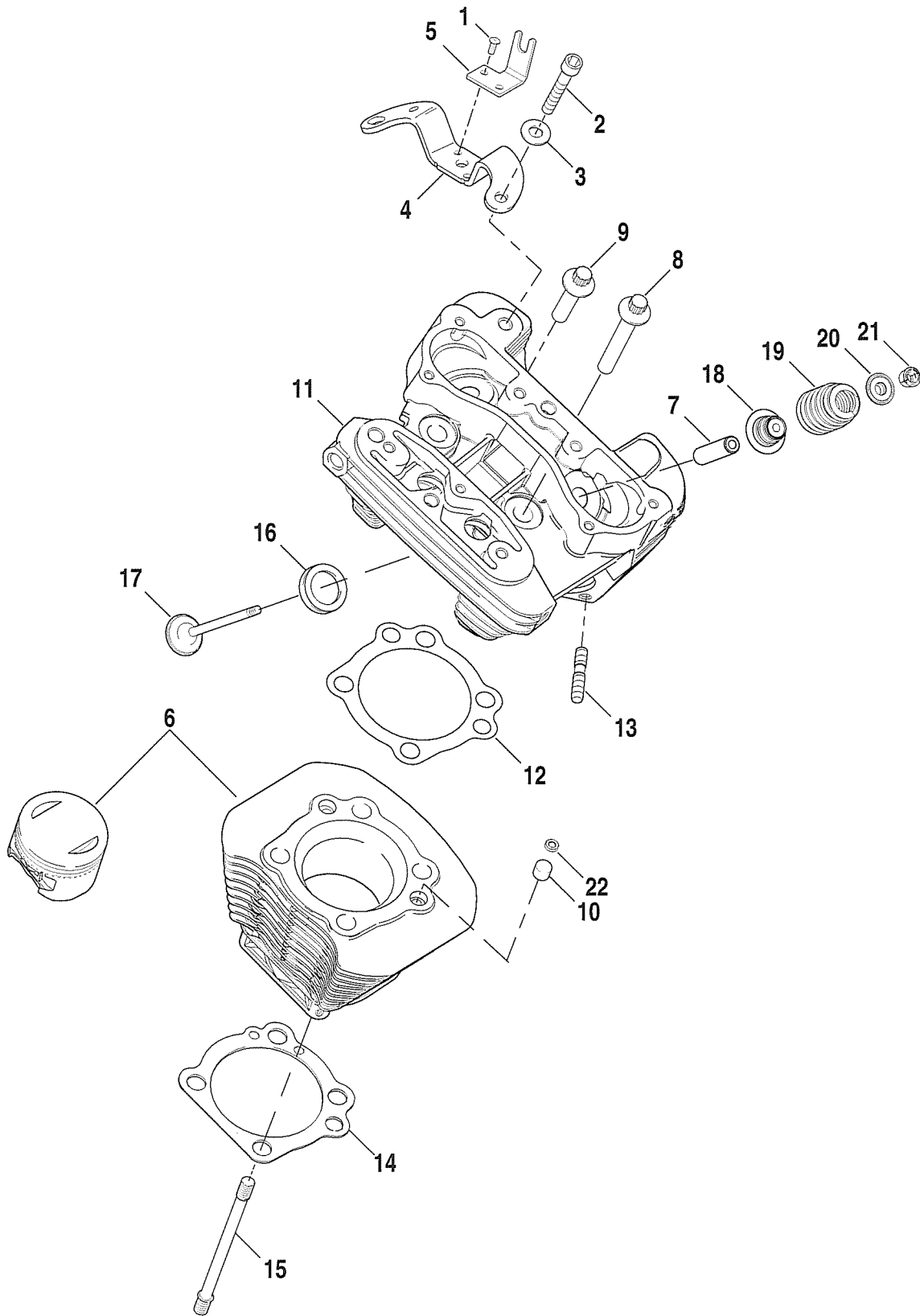
DESCRIPTION	PAGE	DESCRIPTION	PAGE
Push Rods & Covers.....	9		
Regulator	27		
Relay, starter.....	113		
Rims, front & rear.....	59,61,63		
Rocker Arms & Covers	9		
Seats.....	73		
Sensor, MAP.....	21		
Sensor, speed.....	99,101		
Shifter	35,37		
Shock Absorbers	69		
Side Cover, module.....	71		
Spark Plugs	29		
Speedometer	99,101		
Speed Sensor	99,101		
Sprocket Cover, transmission	41		
Sprockets	41,63		
Starter Motor.....	31		
Stator	27		
Steering Head Brackets, upper & lower.....	65		
Swing Arm	71		
Switches	113		
Switches, handlebar	115		
Switches, ignition	109,113		
Switches, starter	115		
Tachometer	99		
Tail Lamp	105		
Tappets	9		
Throttle Control.....	77,79		
Transmission Gears	33		
Turn Signal Cancellor.....	113		
Turn Signals	102		
Valves & Guides.....	5,7		
Voltage Regulator	27		
Wheels, front - cast.....	59		
Wheels, front - laced.....	61		
Wheels, rear - cast.....	63		
Wiring Harness, main	109,111		

CYLINDER, HEAD & VALVES - V²™



INDEX NO.	PART NO.	DESCRIPTION	MODELS
1	3026	SCREW (2)	883/883C/1200R
2	4748	SCREW (2)	All Models
3	6787	WASHER (2)	All Models
	16052-04	ENGINE ASSEMBLY, complete (883cc) (DOMESTIC, CANADA)	883
	16055-04	ENGINE ASSEMBLY, complete (883cc) (CALIFORNIA)	883
	16068-04	ENGINE ASSEMBLY, complete (1200cc) (DOMESTIC, CANADA)	1200C
	16069-04	ENGINE ASSEMBLY, complete (1200cc) (CALIFORNIA)	1200C
	16079-04	ENGINE ASSEMBLY, complete (883cc) (DOMESTIC, CANADA)	883C
	16080-04	ENGINE ASSEMBLY, complete (883cc) (CALIFORNIA)	883C
	19194-04	ENGINE ASSEMBLY, complete (1200cc) (DOMESTIC, CANADA)	1200R
	19195-04	ENGINE ASSEMBLY, complete (1200cc) (CALIFORNIA)	1200R
4	16353-04	BRACKET, center engine mount	All Models
5	16354-04	BRACKET, choke	883/883C/1200R
6	16443-04	CYLINDER, w/ piston (883 cc) (2)	883/883C
	16463-04	CYLINDER, w/ piston (1200 cc) (2)	1200C/1200R
7	16461-02	VALVE GUIDE, intake and exhaust (4)	All Models
	16462-02	VALVE GUIDE, intake and exhaust O.S. (4)	All Models
8	16478-85A	SCREW, internal thread (4)	All Models
9	16480-92A	SCREW, internal thread (4)	All Models
10	16573-83	DOWEL (4)	All Models
11	16660-04	HEAD, rear cylinder (silver) - w/ valve guides & seats	883/883C
	16661-04	HEAD, front cylinder (silver) - w/ valve guides & seats	883/883C
	16666-04	HEAD, rear cylinder (black) - w/ valve guides & seats	1200C/1200R
	16667-04	HEAD, front cylinder (black) - w/ valve guides & seats	1200C/1200R
12	16664-86B	GASKET, cylinder head (2)	883/883C
	16770-84D	GASKET, cylinder head (2)	1200C/R
13	16715-83	STUD, exhaust port (4)	All Models
14	16774-86D	GASKET, cylinder base (2)	All Models
15	16832-86C	STUD, cylinder base (8)	All Models

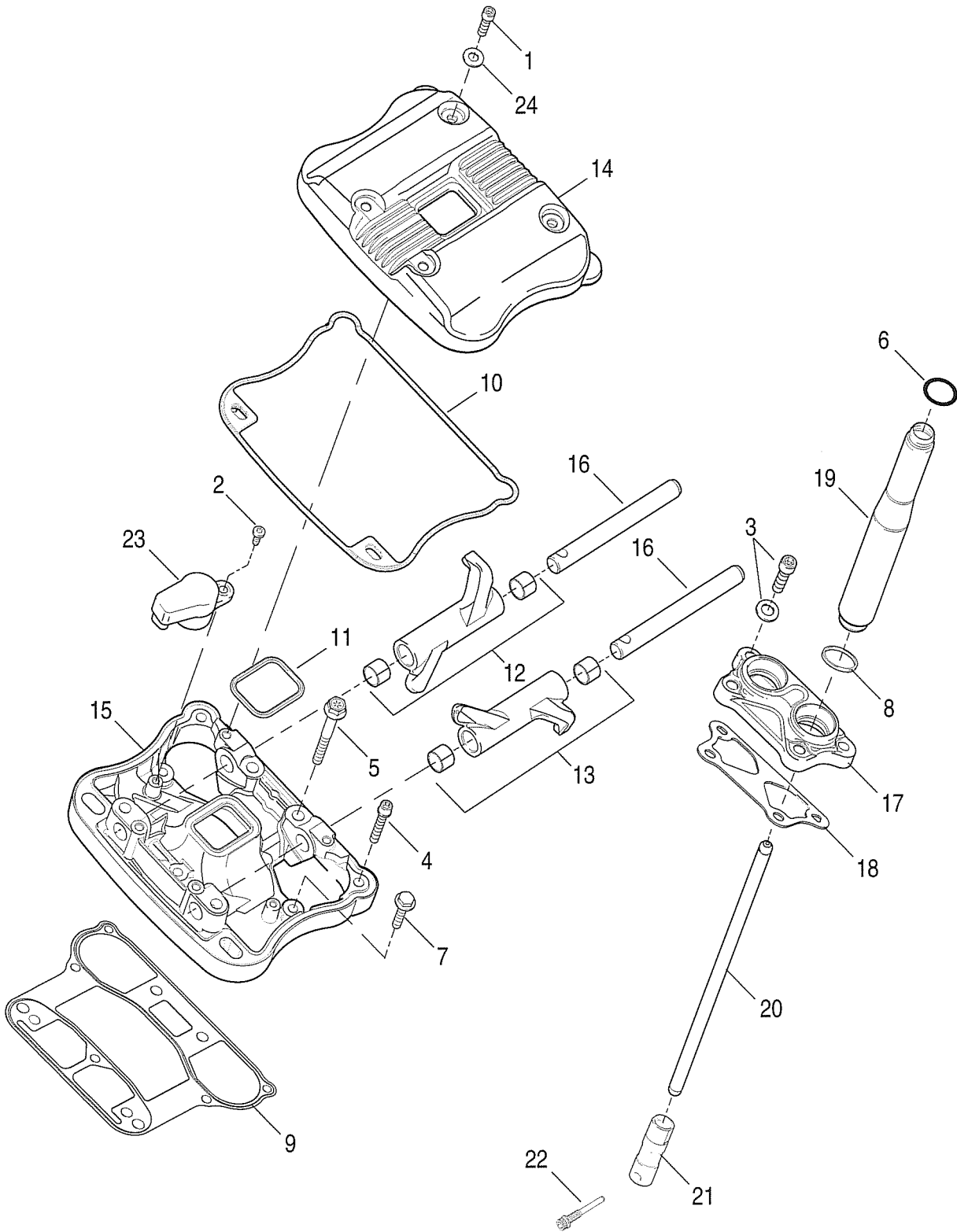
CYLINDER, HEAD & VALVES - V²™ (CONTINUED)



CYLINDER, HEAD & VALVES - V²™ EVOLUTION (CONTINUED)

INDEX NO.	PART NO.	DESCRIPTION	MODELS
	17027-04	GASKET KIT, engine overhaul (not illustrated)	All Models
	17049-04	GASKET KIT, top overhaul (not illustrated)	All Models
16	18011-86	INSERT, exhaust valve seat (2)	1200C/1200R
	18012-87A	INSERT, exhaust valve seat (2)	883/883C
	18020-83	INSERT, intake valve seat (2)	1200C/1200R
	18021-87A	INSERT, intake valve seat (2)	883/883C
17	18053-04	INTAKE VALVE, 7mm (2)	883/883C
	18690-02	INTAKE VALVE, 7mm (2)	1200C/1200R
	18059-04	EXHAUST VALVE, 7mm (2)	883/883C
	18691-02	EXHAUST VALVE, 7mm (2)	1200C/1200R
18	18094-02	SEAL, valve (4)	All Models
19	18245-02	VALVE SPRING (4)	All Models
20	18258-02	COLLAR, valve spring - upper (4)	All Models
21	18260-02	KEEPER, valve collar (8)	All Models
22	26432-76A	O-RING, cylinder stud insert (4)	All Models
H-D INTERNATIONAL ONLY			
	16064-04	ENGINE ASSEMBLY, complete (883cc) (HDI, AUSTRALIA, ENGLAND)	883
	16071-04	ENGINE ASSEMBLY, complete (1200cc) (HDI, AUSTRALIA, ENGLAND)	1200C
	16078-04	ENGINE ASSEMBLY, complete (883cc) (HDI, AUSTRALIA, ENGLAND)	883C
	19169-04	ENGINE ASSEMBLY, complete (1200cc) (JAPAN)	1200C
	19171-04	ENGINE ASSEMBLY, complete (883cc) (JAPAN)	883C
	19172-04	ENGINE ASSEMBLY, complete (883cc) (JAPAN)	883
	19196-04	ENGINE ASSEMBLY, complete (1200cc) (HDI, AUSTRALIA, ENGLAND)	1200R
	19197-04	ENGINE ASSEMBLY, complete (1200cc) (JAPAN)	1200R

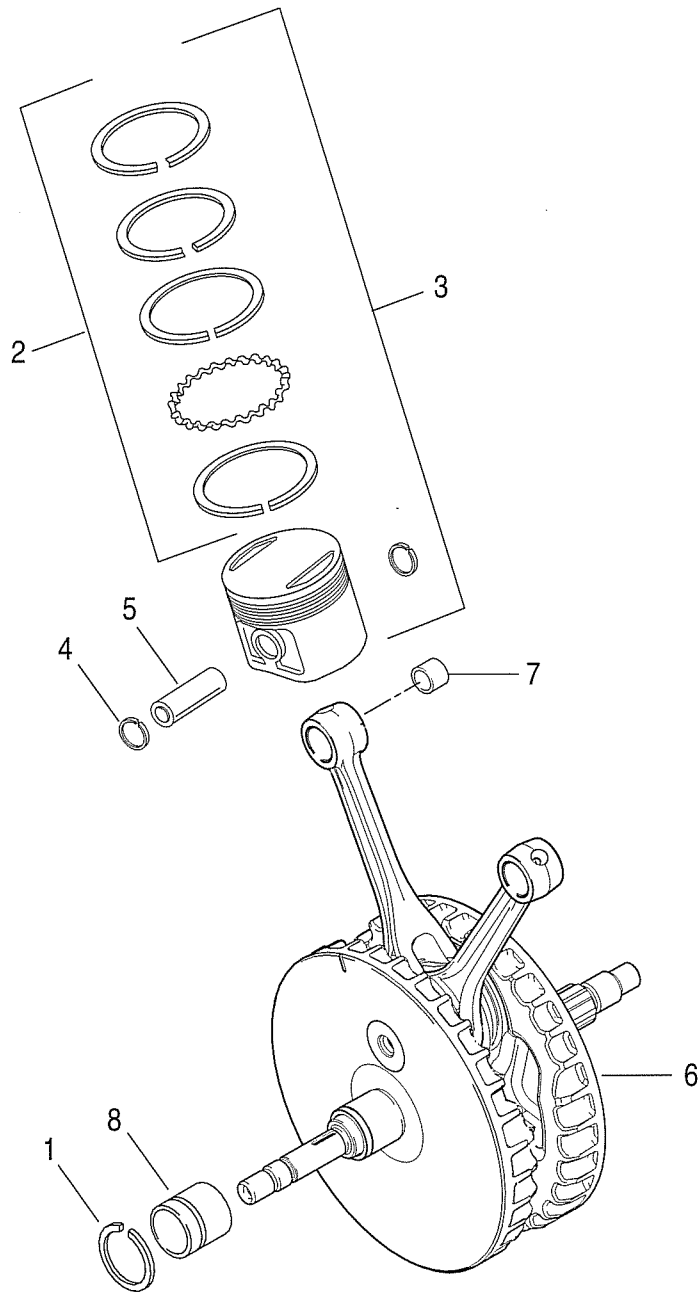
ROCKER ARMS, COVERS & PUSH RODS - V²™



ROCKER ARMS, COVERS & PUSH RODS

INDEX NO.	PART NO.	DESCRIPTION	MODELS
1	882	SCREW (8)	All Models
2	2441	SCREW, pan head (2)	All Models
3	4741A	SCREW (8)	All Models
4	4718A	SCREW, w/ washer (4)	All Models
5	1039	BOLT (8)	All Models
6	11377	O-RING (4)	All Models
7	3849	BOLT w/ washer (6)	All Models
8	11190	O-RING, push rod cover-upper (4)	All Models
9	16800-84	GASKET, rocker box (2)	All Models
10	17353-89A	GASKET, rocker cover - lower (2)	All Models
11	17358-84A	GASKET, rocker cover - inner (2)	All Models
12	17360-83A	ROCKER ARM, front intake & rear exhaust (2)	All Models
13	17375-83A	ROCKER ARM, front exhaust & rear intake (2)	All Models
14	17501-04	ROCKER COVER, outer (polished) (2)	883/883C
	17551-04	ROCKER COVER, outer (chrome) (2)	1200C
	17527-04	ROCKER COVER, outer (silver) (2)	1200R
15	17532-86C	ROCKER COVER, inner (polished) (2)	883/883C
	17537-96A	ROCKER COVER, inner (chrome) (2)	1200C
	17614-98A	ROCKER COVER, inner, silver (2)	1200R
16	17611-83	SHAFT, rocker arm (4)	All Models
17	17972-04	TAPPET COVER, front	All Models
	17981-04	TAPPET COVER, rear	All Models
18	17976-04	GASKET, tappet cover (2)	All Models
19	17946-04	COVER, push rod (chrome) (4)	All Models
20	17908-02	PUSH ROD, exhaust (2)	All Models
	17909-02	PUSH ROD, intake (2)	All Models
21	18538-99B	TAPPET, w/ roller (4)	All Models
22	18532-00A	SCREW, anti-rotation (4)	All Models
23	26010-04	BREATHER, front	All Models
	26011-04	BREATHER, rear	All Models
24	63858-49	WASHER (8)	All Models

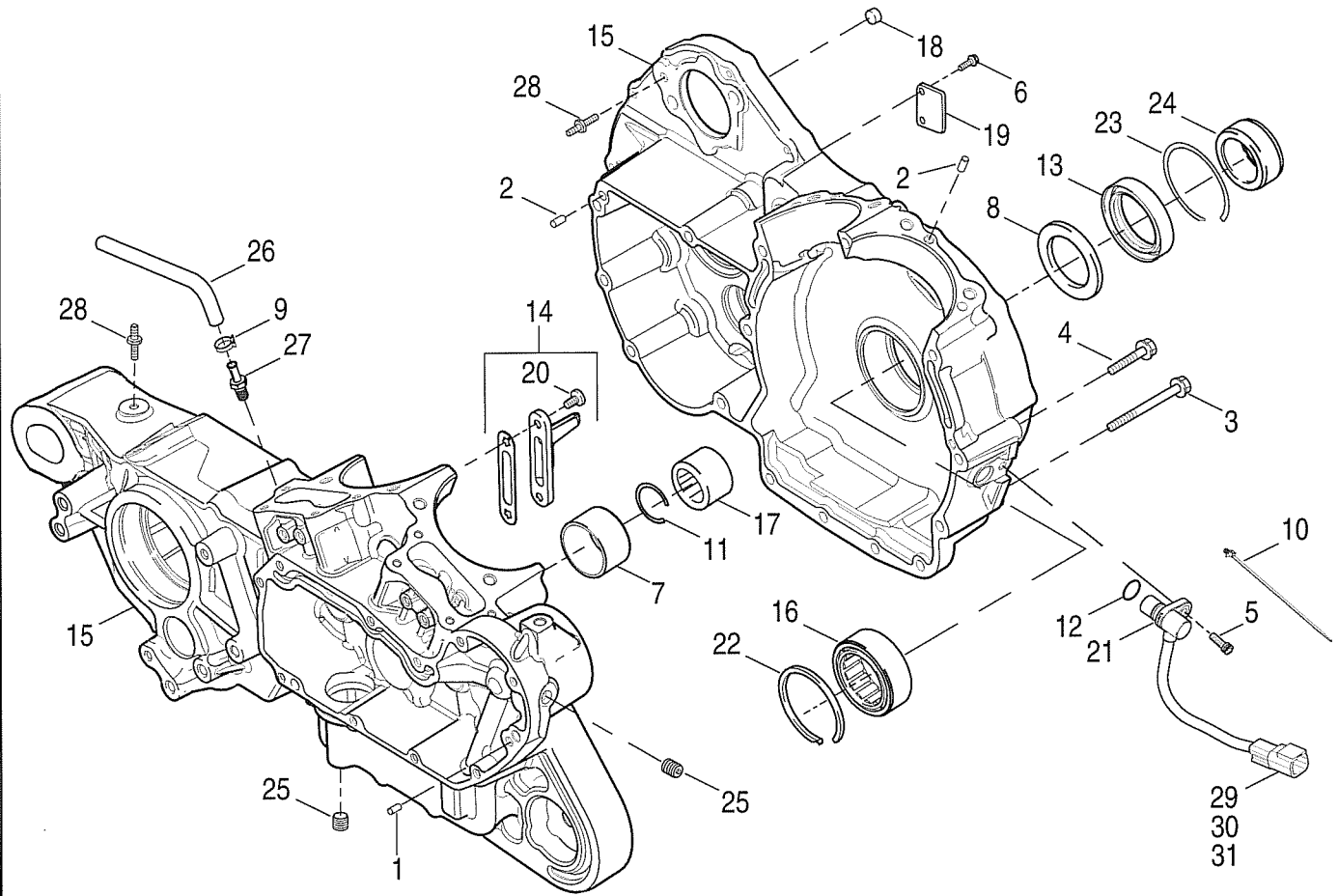
PISTONS, CONNECTING RODS & FLYWHEELS



PISTONS, CONNECTING RODS & FLYWHEELS

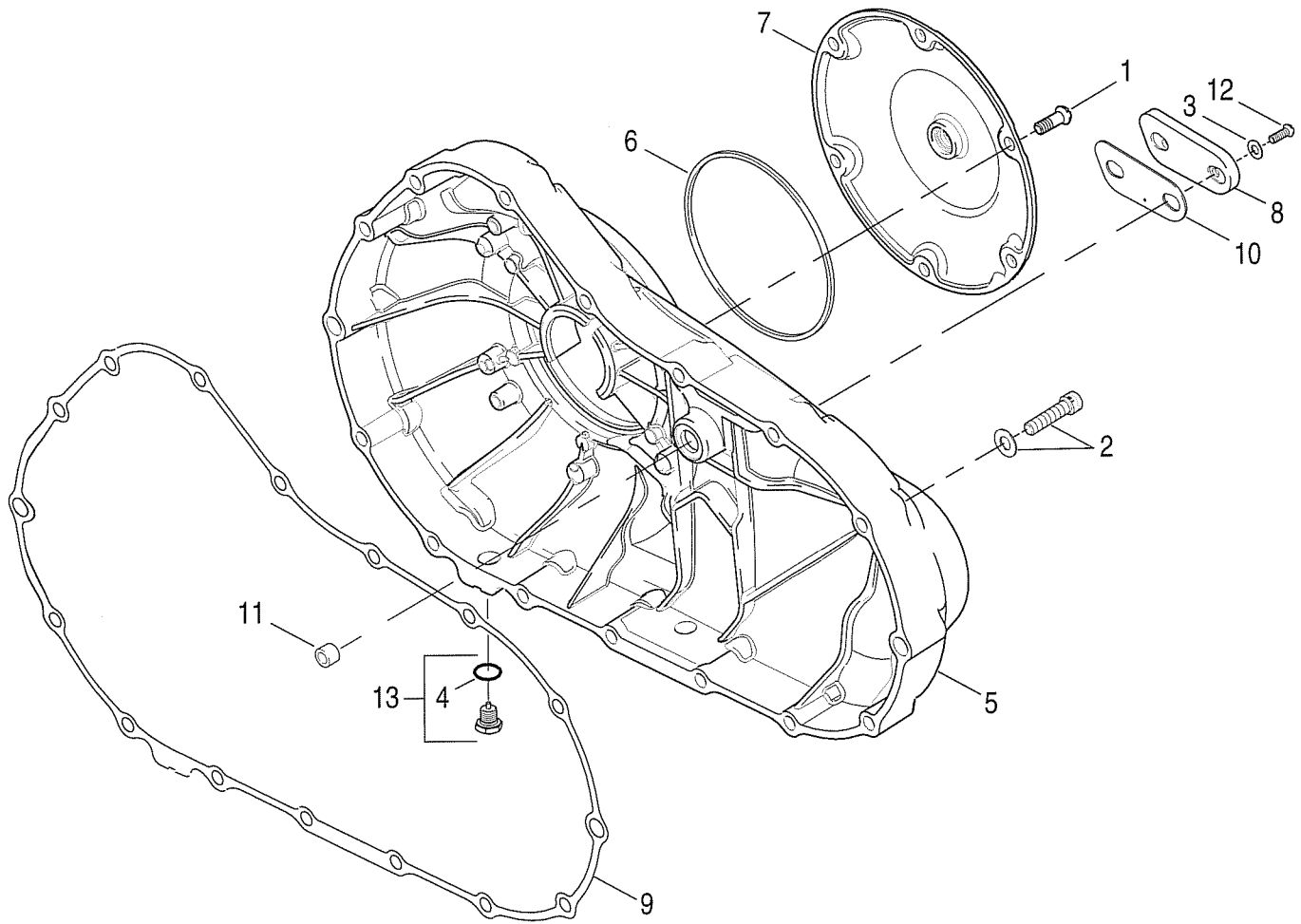
INDEX NO.	PART NO.	DESCRIPTION	MODELS
1	11177A	RETAINING RING	All Models
2	21948-02	PISTON RING SET - standard (2)	1200C/1200R
	22231-04	PISTON RING SET - 0.005 O.S. (2)	1200C/1200R
	22238-04	PISTON RING SET - 0.010 O.S. (2)	1200C/1200R
	22266-86	PISTON RING SET - standard (2)	883/883C
	22261-86	PISTON RING SET - 0.010 O.S. (2)	883/883C
	22271-86	PISTON RING SET - 0.005 O.S. (2)	883/883C
3	22221-04	PISTON AND RINGS ASSEMBLY - standard (2)	883/883C
	22224-04	PISTON AND RINGS ASSEMBLY - 0.005 O.S. (2)	883/883C
	22228-04	PISTON AND RINGS ASSEMBLY - 0.010 O.S. (2)	883/883C
	22223-04	PISTON AND RINGS ASSEMBLY - standard (2)	1200C/1200R
	22227-04	PISTON AND RINGS ASSEMBLY - 0.005 O.S. (2)	1200C/1200R
	22230-04	PISTON AND RINGS ASSEMBLY - 0.010 O.S. (2)	1200C/1200R
4	22589-83B	LOCK RING, piston pin (4)	All Models
5	22719-04	PISTON PIN (2)	883/883C
	22765-02	PISTON PIN (2)	1200C/1200R
6	23905-04	SET OF FLYWHEELS AND SHAFTS W/ RODS	All Models
7	24331-36	BUSHING, piston pin - standard (2)	All Models
	24332-36	BUSHING, piston pin - 0.01 O.S. (2)	All Models
8	24658-87	INNER RING	All Models

CRANKCASE



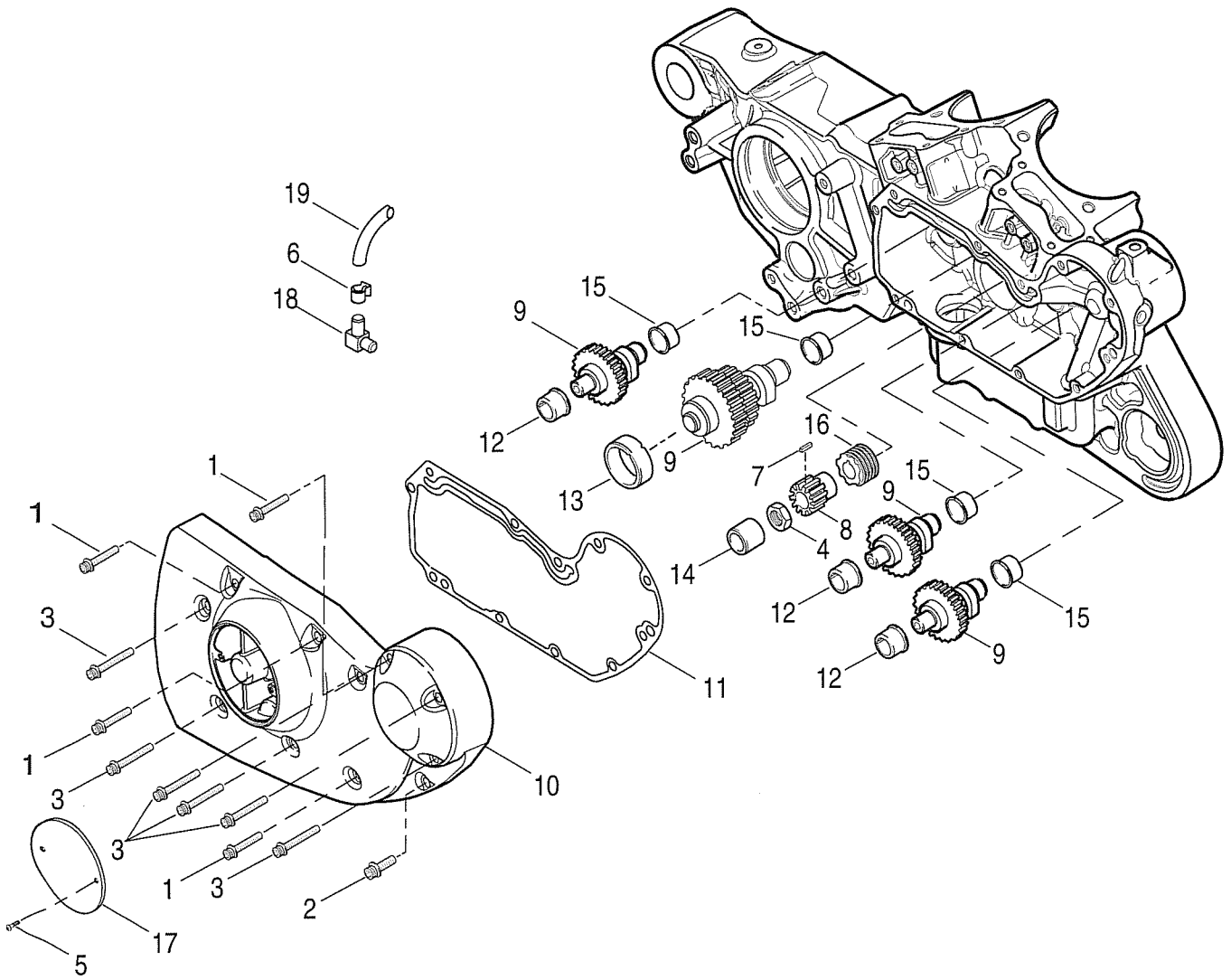
INDEX NO.	PART NO.	DESCRIPTION	MODELS
1	215	PIN (2)	All Models
2	358	DOWEL PIN (4)	All Models
3	835	SCREW (11)	All Models
4	1048	SCREW (4)	All Models
5	3594	SCREW	All Models
6	4091	SCREW (2)	All Models
7	8881	BEARING RACE	All Models
8	8973	WASHER, thrust	All Models
9	10080	CLAMP, hose (3)	All Models
10	10177	CABLE STRAP	All Models
	10267	CLIP, push-in, crank position sensor-to-frame (not illustrated)	All Models
11	11177A	RETAINING RING	All Models
12	11289	O-RING	All Models
13	12068	OIL SEAL	All Models
14	22265-00Y	OIL JET ASSEMBLY, complete (2)	All Models
15	24466-04	CRANKCASE SET w/ bearings (black)	1200C
	24470-04	CRANKCASE SET w/ bearings (silver)	883/883C/1200R
16	24604-00C	BEARING	All Models
17	24647-87	BEARING, gear shaft (blue)	All Models
	24650-87	BEARING, gear shaft (red)	All Models
	24659-87	BEARING, gear shaft (white/gray)	All Models
	24660-87	BEARING, gear shaft (green)	All Models
18	24754-75	DOWEL PIN (2)	All Models
19	29950-91	COVER, stator wires	All Models
20	32617-00Y	SCREW, self-tapping (6)	All Models
21	32804-04	SENSOR, crank position w/ #10177, 74102-98BK, 74142-98, 74192-98	All Models
22	35114-02	RING, retaining	All Models
23	35118-03	RING, retaining	All Models
24	40254-02	SPACER, sprocket shaft	All Models
25	45830-48	PLUG	All Models
26	63508-04	HOSE, transmission vent	All Models
27	63533-41A	FITTING, connector - vent	All Models
28	65088-04	STUD, ground (2)	All Models
29	74102-98BK	HOUSING, 2-way (black)	All Models
30	74142-98	LOCK, 2-way	All Models
31	74192-98	PIN, terminal (2)	All Models

ACCESS DOOR & PRIMARY COVER



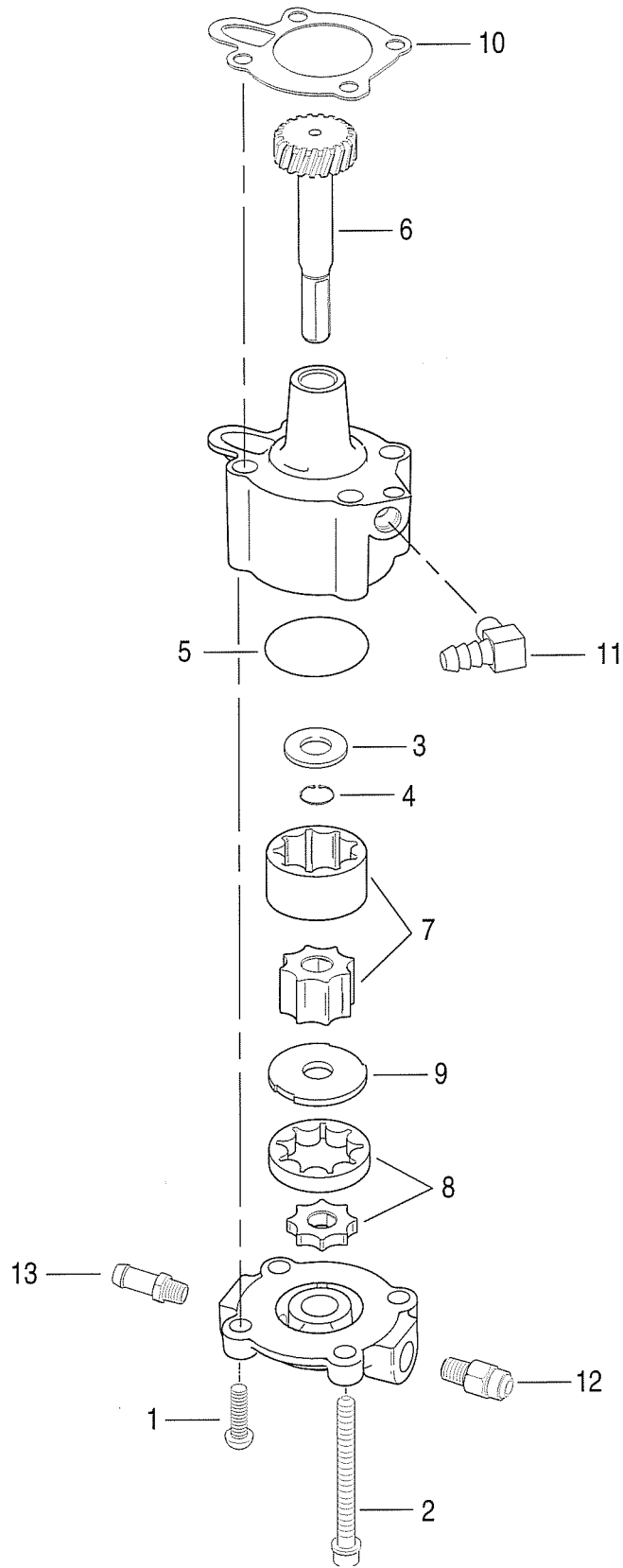
INDEX NO.	PART NO.	DESCRIPTION	MODELS
1	943	SCREW (6)	All Models
2	4820A	SCREW (16)	All Models
3	11171	O-RING, inspection cover screws (2)	All Models
4	11105	O-RING, drain plug	All Models
5	25430-04	PRIMARY COVER (polished) W/ #40520-63	883
	25460-04	PRIMARY COVER (chrome) W/ #40520-63	1200C
	25471-04	PRIMARY COVER (silver) W/ #40520-63	883C/1200R
6	25463-94A	GASKET, clutch inspection cover	All Models
7	34760-04	INSPECTION COVER, clutch (chrome)	1200C
	34992-04	INSPECTION COVER, clutch (polished)	883/883C/1200R
8	34993-04	INSPECTION COVER, chain (polished)	883/883C/1200R
	34761-04	INSPECTION COVER, chain (chrome)	1200C
9	34955-04	GASKET, primary cover	All Models
10	34986-04	GASKET, chain inspection cover	All Models
11	40520-63	BUSHING	All Models
12	41191-74A	SCREW, inspection covers (2)	All Models
13	60328-98A	OIL DRAIN PLUG ASSEMBLY	All Models
		H-D INTERNATIONAL ONLY	
	14270-92	DECAL, shift pattern (Japan) (not illustrated)	All Models

GEARCASE & COVER



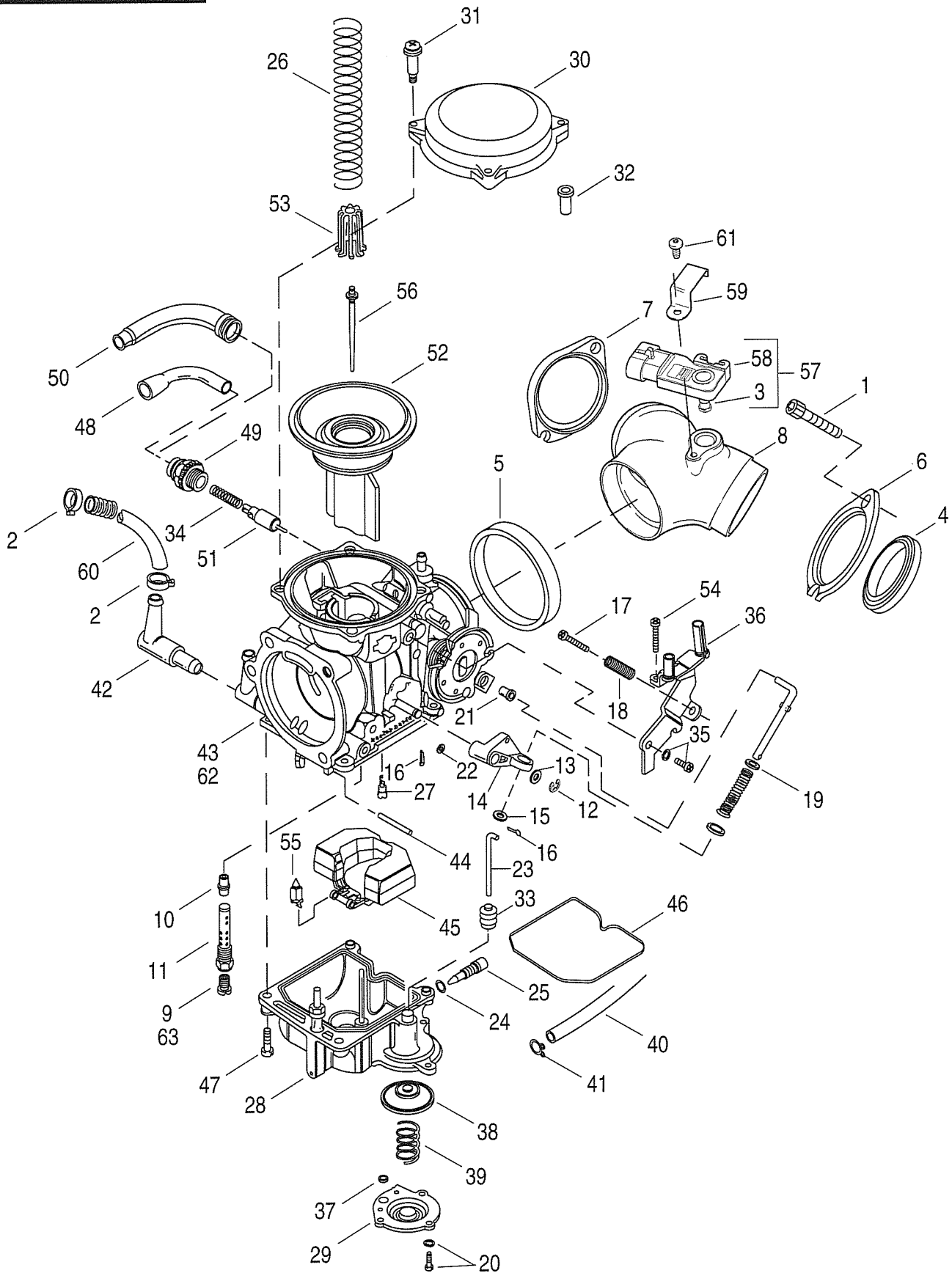
INDEX NO.	PART NO.	DESCRIPTION	MODELS
1	3480A	SCREW (4)	All Models
2	4740A	SCREW	All Models
3	4717A	SCREW (6)	All Models
4	7916A	NUT	All Models
5	8679	SCREW (2)	All Models
6	10117	CLAMP	All Models
7	11317	T-KEY	All Models
8	24047-00	PINION GEAR	All Models
9	25193-00B	CAM GEAR SET, complete w/ pinion gear	883/C
	25194-00B	CAM GEAR SET, complete w/ pinion gear	1200C/R
10	25219-04	COVER ASSEMBLY, gearcase (polished) w/ #17 & bushings	883
	25213-04	COVER ASSEMBLY, gearcase (chrome) w/ #17 & bushings	1200C
	25252-04	COVER ASSEMBLY, gearcase (silver) w/ #17 & bushings	883C/1200R
11	25263-90D	GASKET, gearcase cover	All Models
12	25586-37	OUTER BUSHING, cam gear shafts (3)	All Models
13	25588-91	BUSHING, rear intake cam gear shaft	All Models
14	25593-74	BUSHING, flywheel gear shaft	All Models
15	25598-91	INNER BUSHING, camshaft gear (4)	All Models
16	26318-88A	DRIVE GEAR, oil pump	All Models
17	32506-90	COVER PLATE	883
	32514-04	COVER PLATE	883C/1200C
	32555-04	COVER PLATE	1200R
18	62375-57A	FITTING, oil vent hose	All Models
		NOTE: Hoses are sold in bulk length under the following part number. Cut to the required length.	
19	62375-57A	HOSE, 1/4 I.D. x 1/2 O.D. (rubber)	All Models

OIL PUMP



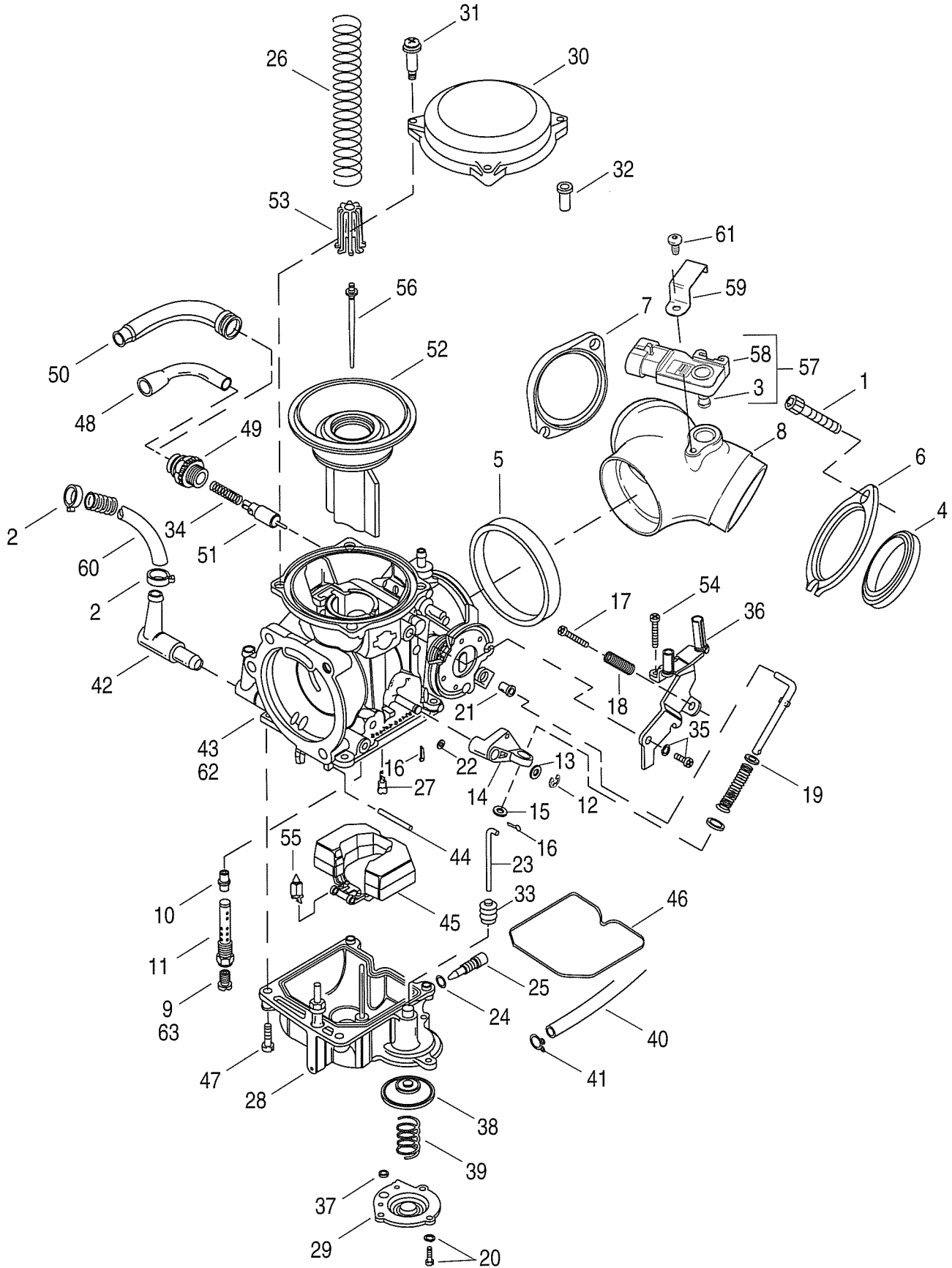
INDEX NO.	PART NO.	DESCRIPTION	MODELS
1	4132	SCREW (2)	All Models
2	4765	SCREW, w/ washer (2)	All Models
3	6157	THRUST WASHER	All Models
4	11002	RETAINING RING	All Models
	26204-91A	OIL PUMP, complete	All Models
5	26434-91	O-RING	All Models
6	26488-98	GEAR SHAFT	All Models
7	26491-98	GEROTOR SET, return	All Models
8	26492-91	GEROTOR SET, feed	All Models
9	26493-91	SEPARATOR PLATE	All Models
10	26495-89B	GASKET, pump mounting	All Models
11	26496-75A	FITTING, 90 degree	All Models
12	62601-91A	FITTING, connector - front	All Models
13	63533-41A	FITTING, connector - rear	All Models

CARBURETOR



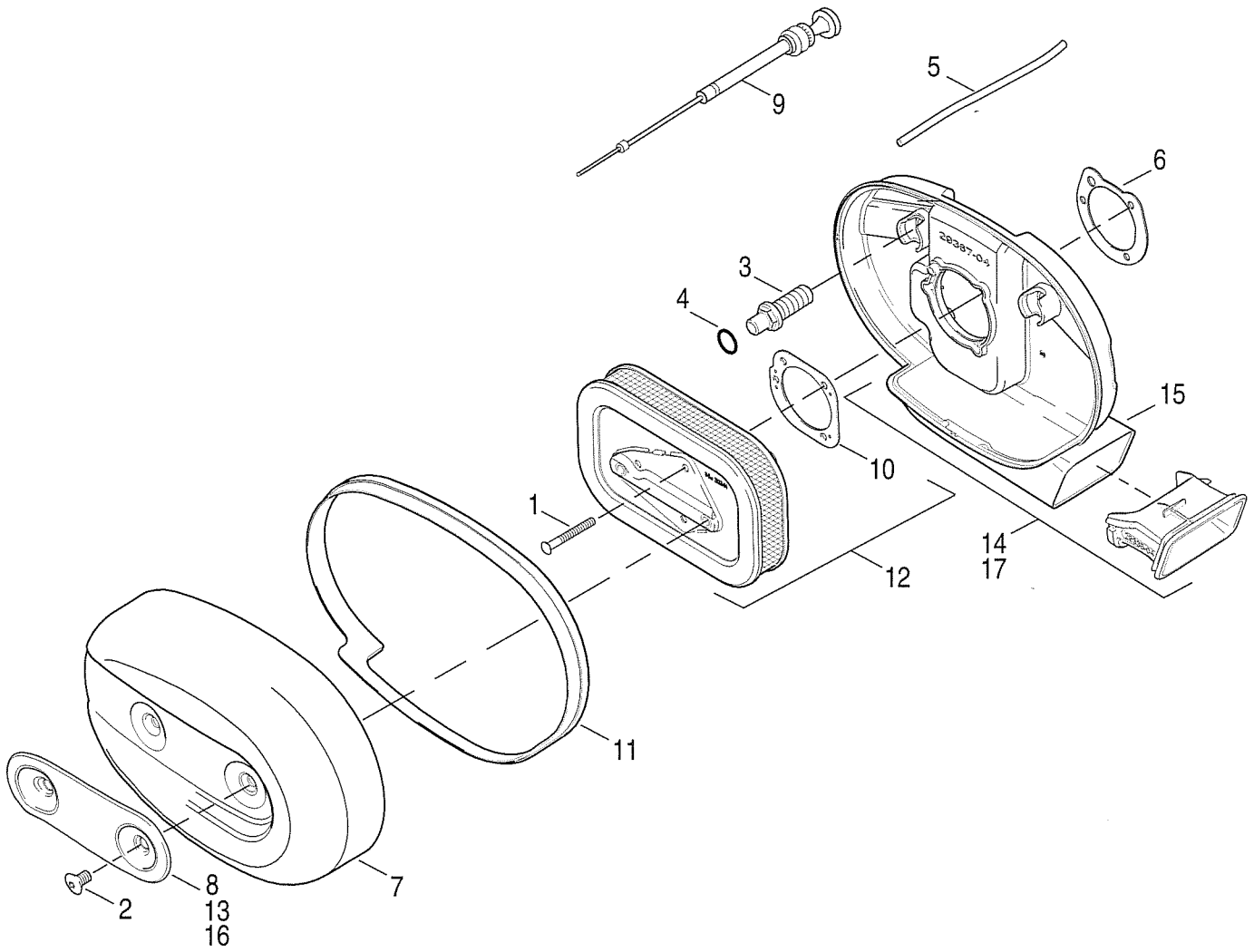
INDEX NO.	PART NO.	DESCRIPTION	MODELS
1	3275	SCREW (4)	All Models
2	10014	CLAMP (2)	All Models
3	11291	SEAL, MAP sensor	All Models
4	26995-86B	SEAL, intake manifold (2)	All Models
5	27002-89	SEAL RING, carburetor	All Models
6	27009-86A	FLANGE, mounting - front	All Models
7	27010-86A	FLANGE, mounting - rear	All Models
8	27024-04	INTAKE MANIFOLD KIT w/ 32316-99, 38723-99, 68042-99	All Models
9	27090-89	MAIN JET (DOMESTIC)	883/883C
	27114-88	MAIN JET (DOMESTIC)	1200C/1200R
	27185-90	MAIN JET (CALIFORNIA)	All Models
10	27100-88	NEEDLE JET	All Models
11	27101-88	NEEDLE JET HOLDER	All Models
12	27124-89	E-CLIP	All Models
13	27125-89	WASHER	All Models
14	27126-89	LEVER	All Models
15	27127-89	WASHER	All Models
16	27128-89	PIN (2)	All Models
17	27130-90	IDLE SCREW	All Models
18	27136-90A	SPRING	All Models
19	27137-81	WASHER (3)	All Models
20	27146-89	SCREW w/ washer (3)	All Models
21	27147-89	COLLAR	All Models
22	27148-89	WASHER	All Models
23	27156-89	ROD	All Models
24	27157-89	O-RING	All Models
25	27158-89	DRAIN SCREW	All Models
26	27162-89	SPRING	All Models
27	27171-89	SLOW JET	All Models
28	27256-01	FLOAT CHAMBER ASSEMBLY	1200C/1200R
	27777-04	FLOAT CHAMBER ASSEMBLY	883/883C
29	27260-00	PUMP HOUSING	All Models
30	27261-96	TOP, carburetor	All Models
31	27262-96	SCREW, top (3)	All Models
32	27263-96	COLLAR	All Models
33	27311-76	CAP, accelerator pump (rubber)	All Models
34	27315-88A	SPRING	All Models

CARBURETOR (CONTINUED)



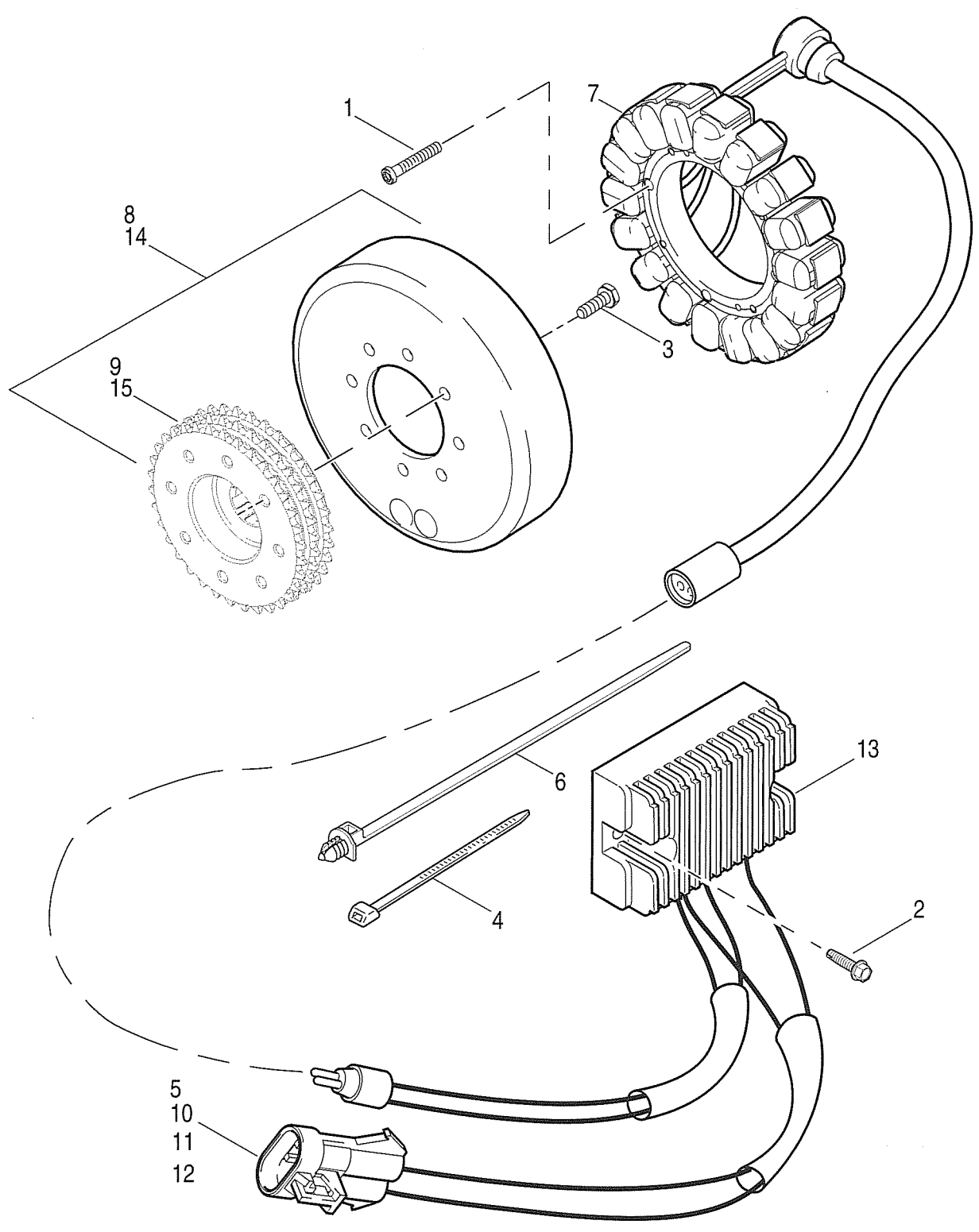
INDEX NO.	PART NO.	DESCRIPTION	MODELS
35	27317-88	SCREW	All Models
36	27320-04	BRACKET	All Models
37	27360-76	O-RING	All Models
38	27361-76A	DIAPHRAGM, accelerator pump	All Models
39	27362-76	SPRING, diaphragm	All Models
40	27363-88	HOSE, overflow	All Models
41	27368-76	CLIP, overflow hose	All Models
42	27371-76A	FITTING	All Models
43	27490-04	CARBURETOR (DOMESTIC)	883/883C
	27495-04	CARBURETOR (CALIFORNIA)	883/883C
	27732-04	CARBURETOR (CALIFORNIA)	1200C/1200R
	27731-04	CARBURETOR (DOMESTIC)	1200C/1200R
44	27575-88A	PIN	All Models
45	27576-92	FLOAT	All Models
46	27577-92	O-RING	All Models
47	27579-88A	SCREW (4)	All Models
48	27580-88	CABLE GUIDE	All Models
49	27581-88	STARTER CAP	All Models
50	27582-88	CABLE SEALING CAP	All Models
51	27583-88	STARTER VALVE	All Models
52	27585-88	VACUUM PISTON	All Models
53	27586-88	SPRING SEAT	All Models
54	27587-88	SCREW	All Models
55	27886-78A	VALVE w/ clip	All Models
56	28026-04	JET, needle (883/883C - CALIFORNIA)	All Models
	28027-04	JET, needle	883/883C
57	32316-99	MAP SENSOR W/ 11291	All Models
58	32424-98	MAP SENSOR	All Models
59	38723-99	CLIP, MAP sensor	All Models
		NOTE: Hose is sold only in bulk length under the following part number. Cut to required length.	
60	62347-04	HOSE, 1/4 I.D. x 1/2 O.D. (rubber) (25 ft. lg.)	All Models
61	68042-99	SCREW	All Models
		H-D INTERNATIONAL ONLY	
62	27465-04	CARBURETOR (HDI)	883/883C
	27749-04	CARBURETOR (HDI)	1200C/1200R
63	27116-88	MAIN JET (HDI)	883/883C
	27152-89	MAIN JET (HDI, JAPAN)	1200C/1200R
	28015-01	PLUG, idle mixture screw (not illustrated)	All Models

AIR CLEANER & ENRICHENER



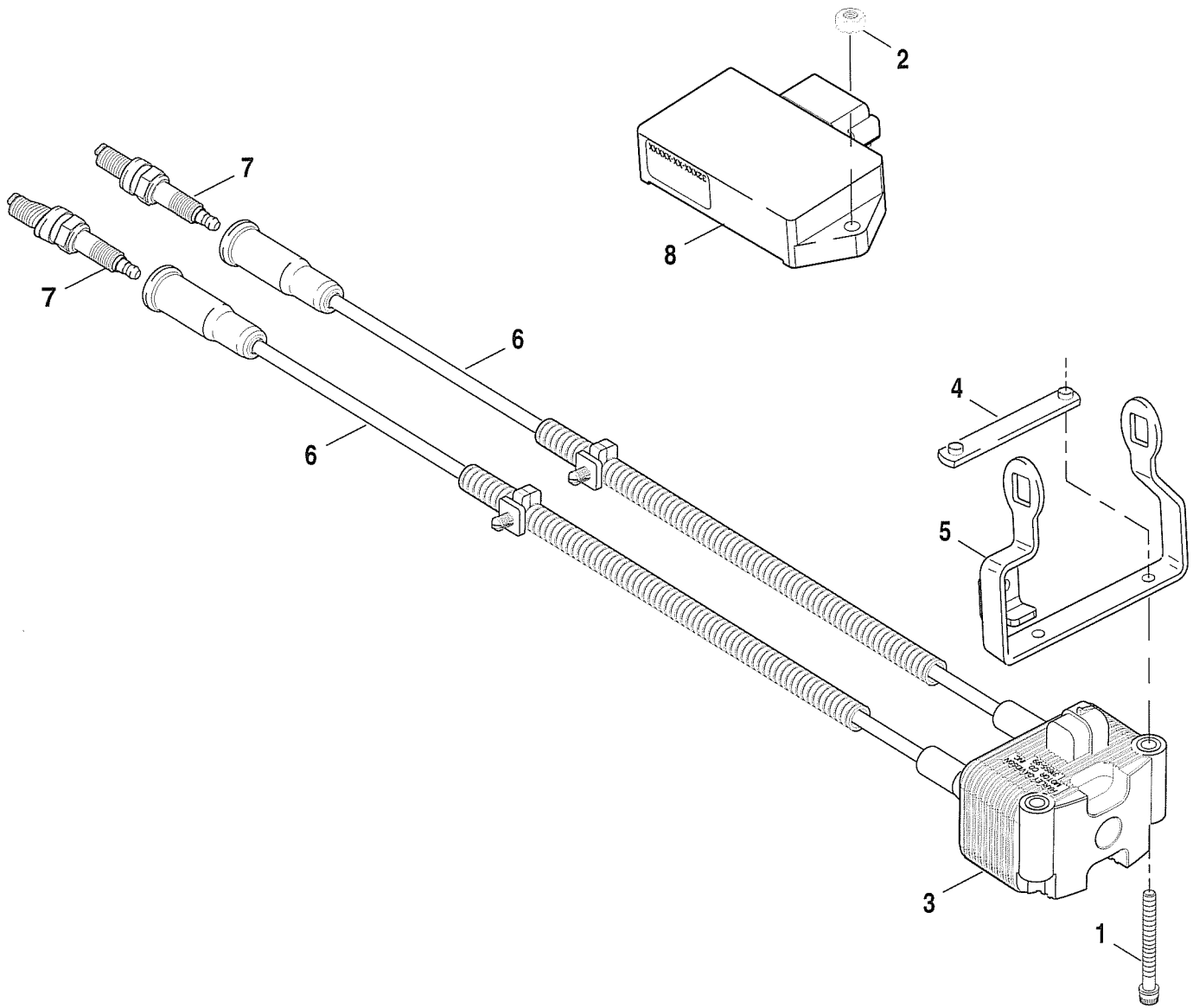
INDEX NO.	PART NO.	DESCRIPTION	MODELS
1	946	SCREW (3)	All Models
2	2460	SCREW (2)	All Models
3	3565	SCREW, breather (2)	All Models
4	11202	O-RING (2)	All Models
5	27096-04	VENT LINE, valve to atmosphere (DOMESTIC, HDI)	All Models
6	29062-95B	GASKET, carburetor intake	All Models
7	29084-04	COVER, air cleaner	All Models
8	29123-04	TRIM INSERT, air cleaner	883
9	29229-88D	CARBURETOR ENRICHENER CABLE	All Models
10	29313-95	GASKET, filter element	All Models
11	29315-04	SEAL, air cleaner	All Models
12	29331-04	FILTER ELEMENT w/ #29313-95	All Models
	29342-99	GROMMET (CALIFORNIA) (not illustrated)	All Models
13	29346-04	TRIM INSERT, air cleaner	1200C
14	29348-04	BACKPLATE ASSEMBLY, air cleaner w/ #29342-99 (CALIFORNIA)	All Models
	29359-04	BACKPLATE ASSEMBLY, air cleaner (DOMESTIC)	All Models
15	29367-04	BACKPLATE, air cleaner (DOMESTIC)	All Models
16	29352-04	TRIM INSERT, air cleaner	1200R
	29802-04	TRIM INSERT, air cleaner	883C
H-D INTERNATIONAL ONLY			
17	29359-04	BACKPLATE ASSEMBLY, air cleaner (HDI)	883/883C
	29360-04	BACKPLATE ASSEMBLY, air cleaner (HDI)	1200C/1200R

ALTERNATOR & REGULATOR



INDEX NO.	PART NO.	DESCRIPTION	MODELS
1	3029	SCREW (4)	All Models
2	4329	SCREW (2)	All Models
3	4751	SCREW (8)	All Models
4	10065	STRAP, cable	All Models
5	10147	CLIP, connector	All Models
6	10177	STRAP, cable plug-in	All Models
7	29967-89B	STATOR	All Models
8	32493-02	ROTOR SPROCKET ASSEMBLY W/ #40241-02, (8) 4751 (DOMESTIC, CANADA)	883/883C
	32494-04	ROTOR SPROCKET ASSEMBLY W/ #40290-04, (8) 4751	1200R/1200C
9	40241-02	SPROCKET, triple row, 34T (DOMESTIC, CANADA)	883/883C
	40290-04	SPROCKET, triple row, 38T	1200R/1200C
10	72233-94	CONNECTOR, 2-way pin, black	All Models
11	72235-94	TERMINAL, pin, 14-16 gauge (2)	All Models
12	72237-94	SEAL, cable (2)	All Models
13	74523-04	REGULATOR, voltage w/ #10147, 72233-94, 72235-94 & 72237-0450	All Models
H-D INTERNATIONAL ONLY			
14	32494-04	ROTOR SPROCKET ASSEMBLY W/ #40290-04, (8) 4751 (HDI, JAPAN)	883/883C
15	40290-04	SPROCKET, triple row, 38T (HDI, JAPAN)	883/883C

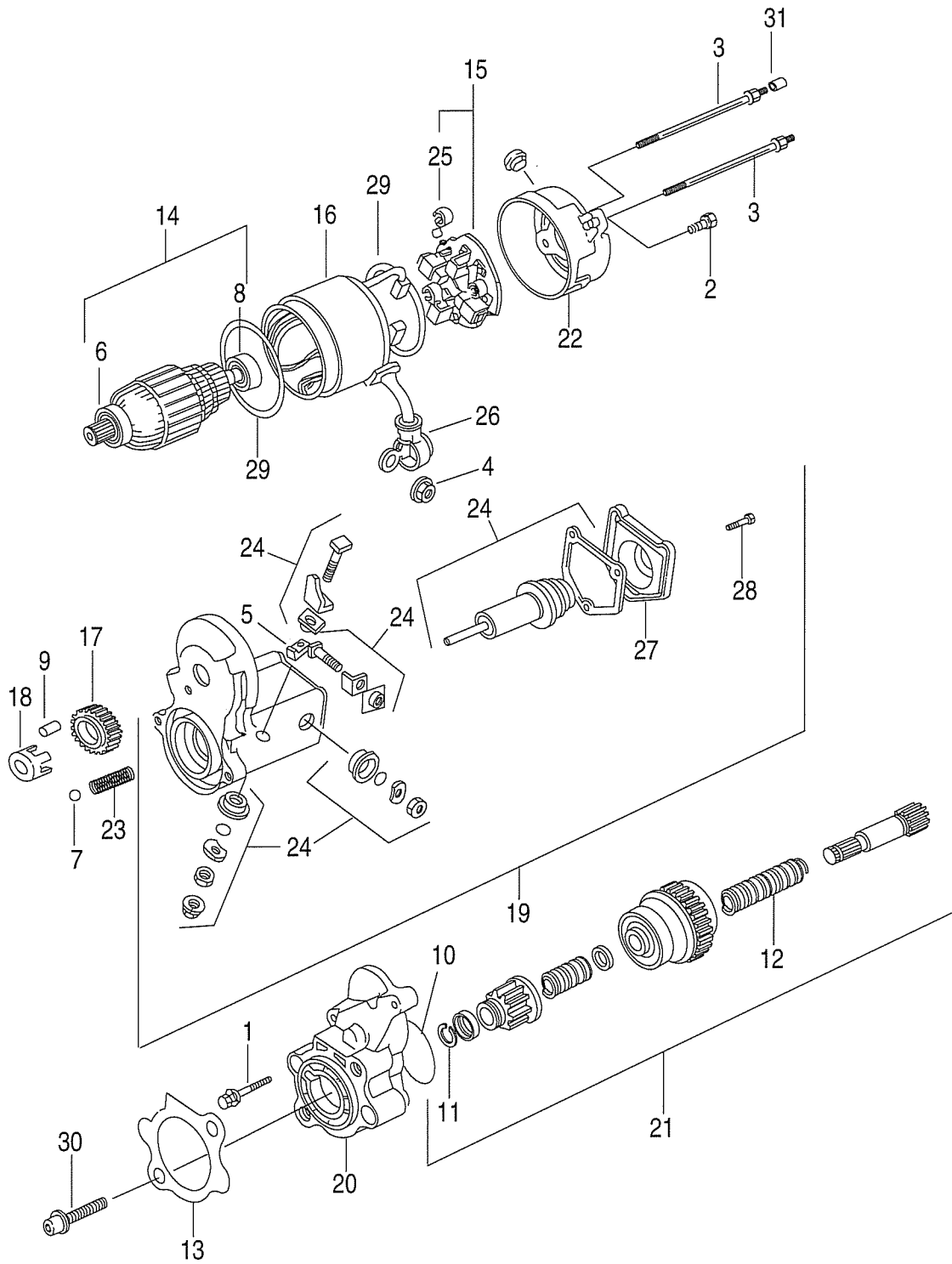
ELECTRONIC IGNITION SYSTEM



ELECTRONIC IGNITION SYSTEM

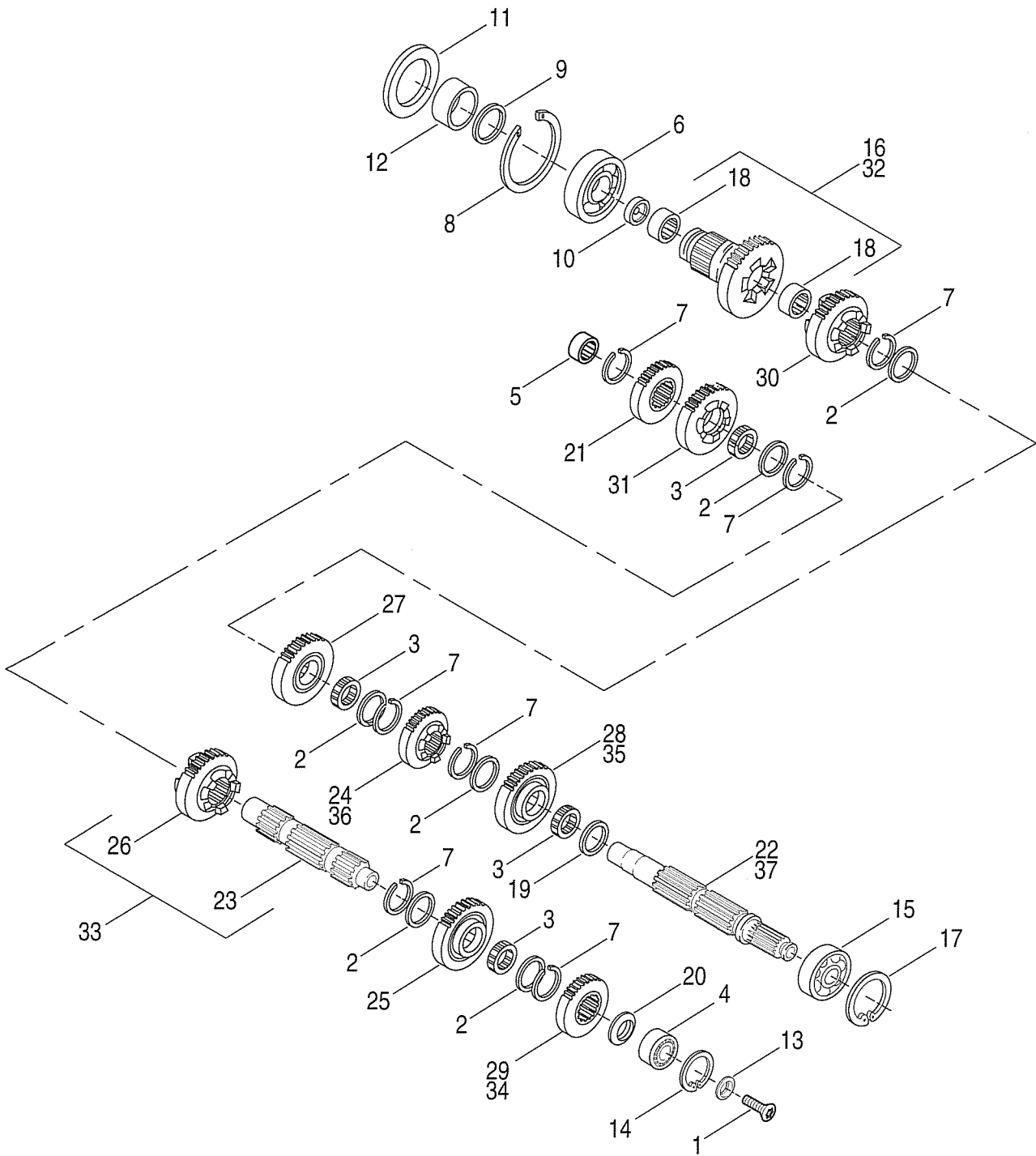
INDEX NO.	PART NO.	DESCRIPTION	MODELS
1	3480A	SCREW (2)	All Models
2	7805	NUT	All Models
3	31655-99	COIL, ignition, dual	All Models
4	31740-04	PLATE, nut	All Models
5	31755-04	BRACKET	All Models
6	31996-04	CABLE, spark plug (2)	All Models
7	32317-86A	SPARK PLUG (2)	All Models
8	32478-04	IGNITION MODULE	All Models

STARTER MOTOR



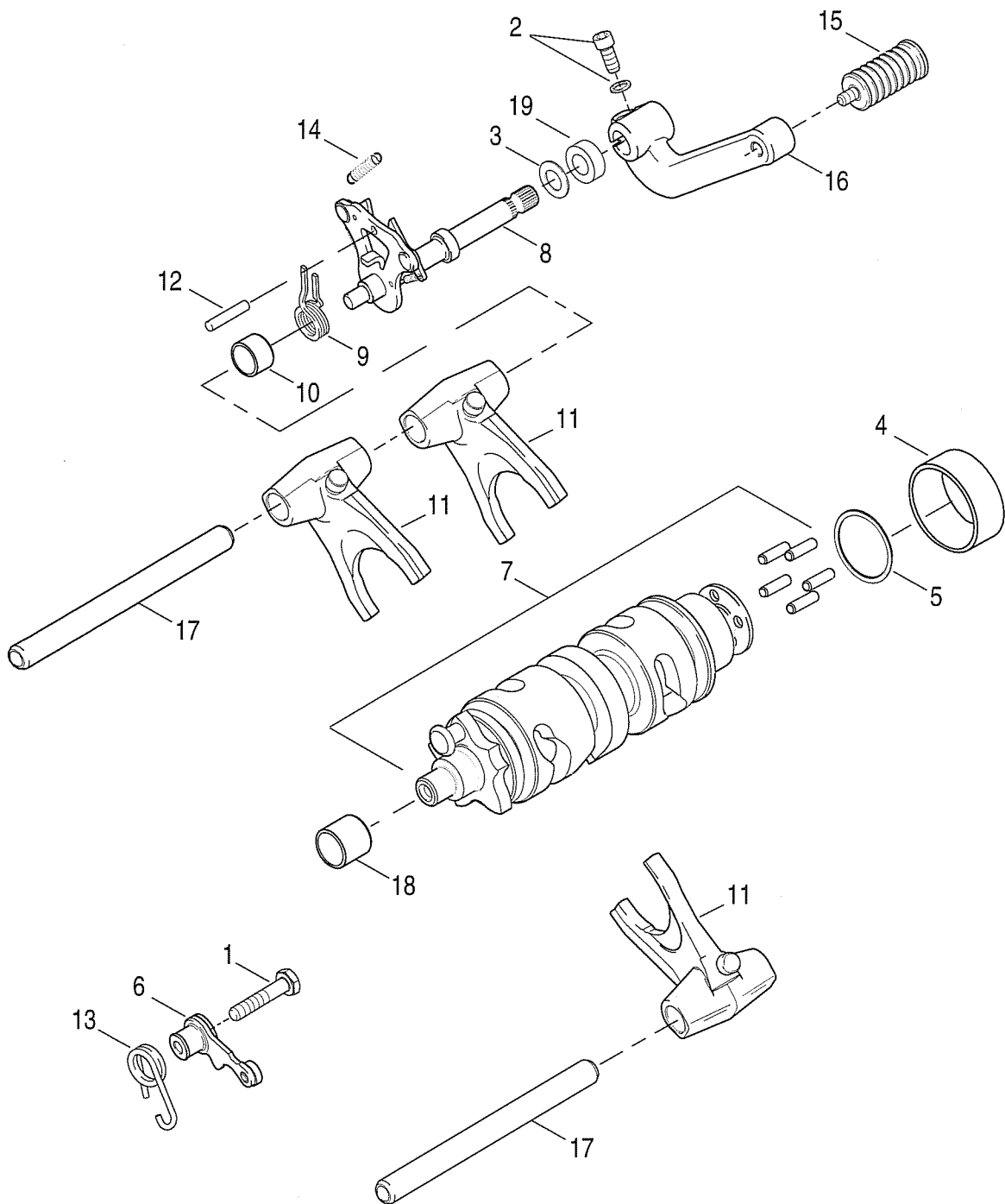
INDEX NO.	PART NO.	DESCRIPTION	MODELS
1	928	BOLT, starter (2)	All Models
2	929A	SCREW w/ o-ring (2)	All Models
3	3559	BOLT, through (2)	All Models
4	3403	FLANGE NUT	All Models
5	6217	WASHER	All Models
6	8871	BALL BEARING	All Models
7	8879	BALL	All Models
8	8883	BALL BEARING	All Models
9	9077	CLUTCH ROLLER (5)	All Models
10	11116	O-RING	All Models
11	31328-91	RING, snap	All Models
12	31692-90	SPRING	All Models
	31390-91D	STARTER MOTOR, complete	All Models
13	31488-81B	GASKET, starter motor	All Models
14	31515-90	ARMATURE ASSEMBLY	All Models
15	31518-90	HOLDER ASSEMBLY, starter brush	All Models
16	31521-98	YOKE ASSEMBLY	All Models
17	31525-90	GEAR, idler	All Models
18	31530-90	RETAINER, idler	All Models
19	31537-98	SWITCH ASSEMBLY, magnetic	All Models
20	31539-91	HOUSING ASSEMBLY	All Models
21	31556-91B	CLUTCH SUB-ASSEMBLY w/ #31328-91 & 31692-90	All Models
22	31599-91	FRAME, starter end	All Models
23	31600-90	SPRING, return	All Models
24	31603-91	REPAIR KIT, starter solenoid	All Models
25	31661-90	SPRING, starter (4)	All Models
26	31662-90	CAP TERMINAL, rubber	All Models
27	31688-90	COVER, solenoid	All Models
28	31689-90	BOLT w/ washer (3)	All Models
29	31695-90	O-RING, yoke (2)	All Models
30	45902-00	SCREW (2)	All Models
31	89581-04	CAP, thread protector	All Models

TRANSMISSION GEARS



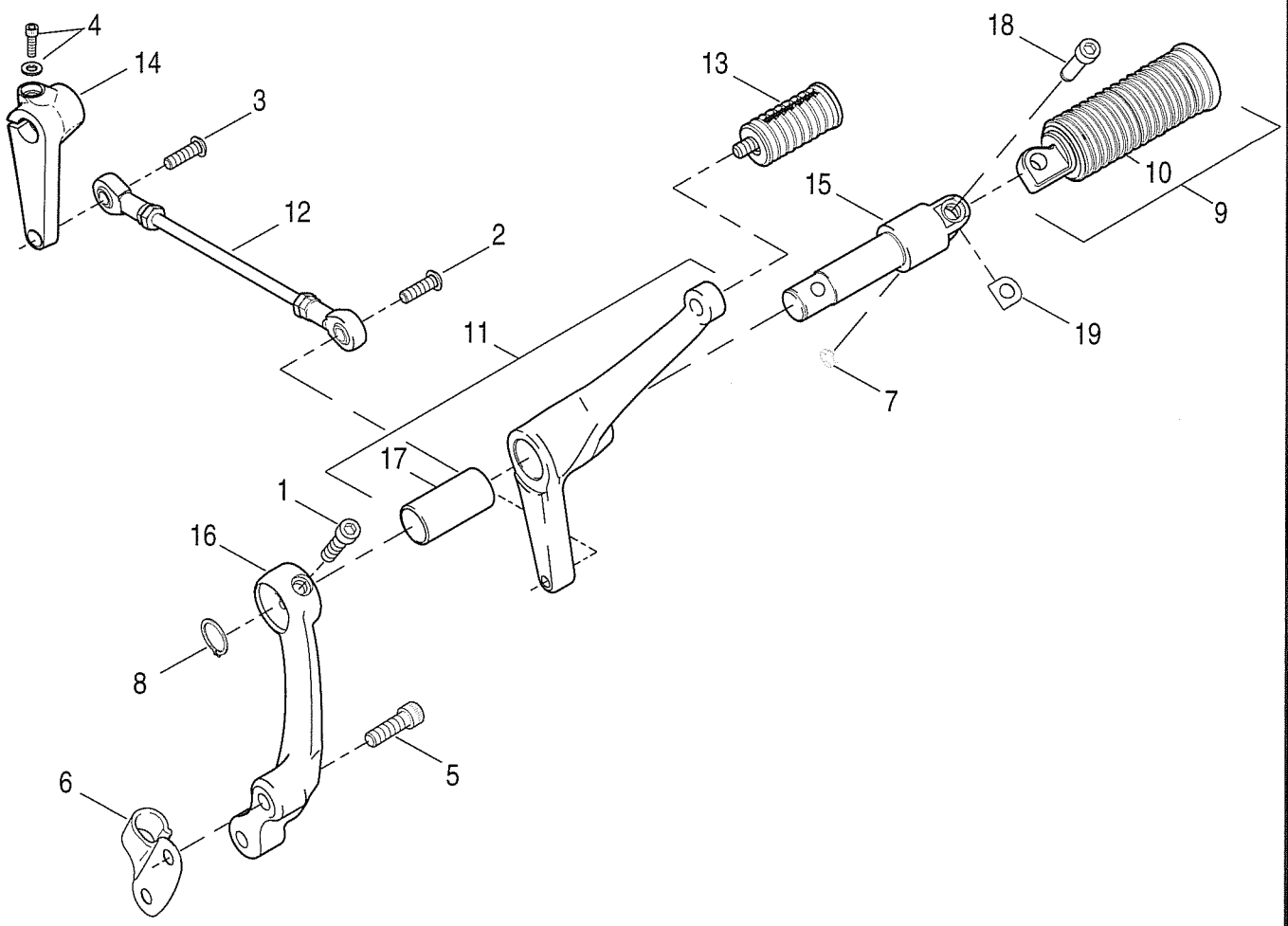
INDEX NO.	PART NO.	DESCRIPTION	MODELS
1	3675	SCREW	All Models
2	6003	THRUST WASHER (6)	All Models
3	8876A	BEARING (4)	All Models
4	8968	BEARING	All Models
5	8977	BEARING, closed end	All Models
6	8996A	BEARING, ball	All Models
7	11067	RETAINING RING (7)	All Models
8	11161	RETAINING RING	All Models
9	11165	QUAD SEAL	All Models
10	12030	OIL SEAL	All Models
11	12067B	OIL SEAL	All Models
12	33344-94	SPACER	All Models
13	35020-89	RETAINER, countershaft	All Models
14	35021-89	RETAINING RING	All Models
15	35030-89	BEARING, mainshaft	All Models
16	35034-94	GEAR ASSEMBLY w/ #12030 & 35051-89, fifth-mainshaft	All Models
17	35038-89A	RETAINING RING	All Models
18	35051-89	BEARING, needle (2)	All Models
19	35063-89	SPACER	All Models
20	35133-04	SPACER	All Models
21	35633-94	GEAR, fifth-countershaft	All Models
22	35640-89	MAINSHAFT	All Models
23	35641-89	COUNTERSHAFT	All Models
24	35762-89A	GEAR, first-mainshaft	All Models
25	35763-89A	GEAR, first-countershaft	All Models
26	35771-94	GEAR, third-countershaft	All Models
27	35772-94	GEAR, third-mainshaft	All Models
28	35773-94	GEAR, fourth-mainshaft	All Models
29	35775-94	GEAR, fourth-countershaft	All Models
30	35796-00	GEAR, second-mainshaft	All Models
31	35797-00	GEAR, second-countershaft	All Models
H-D INTERNATIONAL ONLY			
32	35128-04	GEAR ASSEMBLY W/ #12030 & 35051-89 (JAPAN)	All Models
33	35647-04	COUNTERSHAFT W/ integral beveled pinion (JAPAN)	All Models
34	35754-04	GEAR, fourth-countershaft, beveled (JAPAN)	All Models
35	35755-04	GEAR, fourth-mainshaft, beveled (JAPAN)	All Models
36	35756-04	GEAR, first-mainshaft (JAPAN)	All Models
37	35758-04	MAINSHAFT (JAPAN)	All Models

SHIFTER



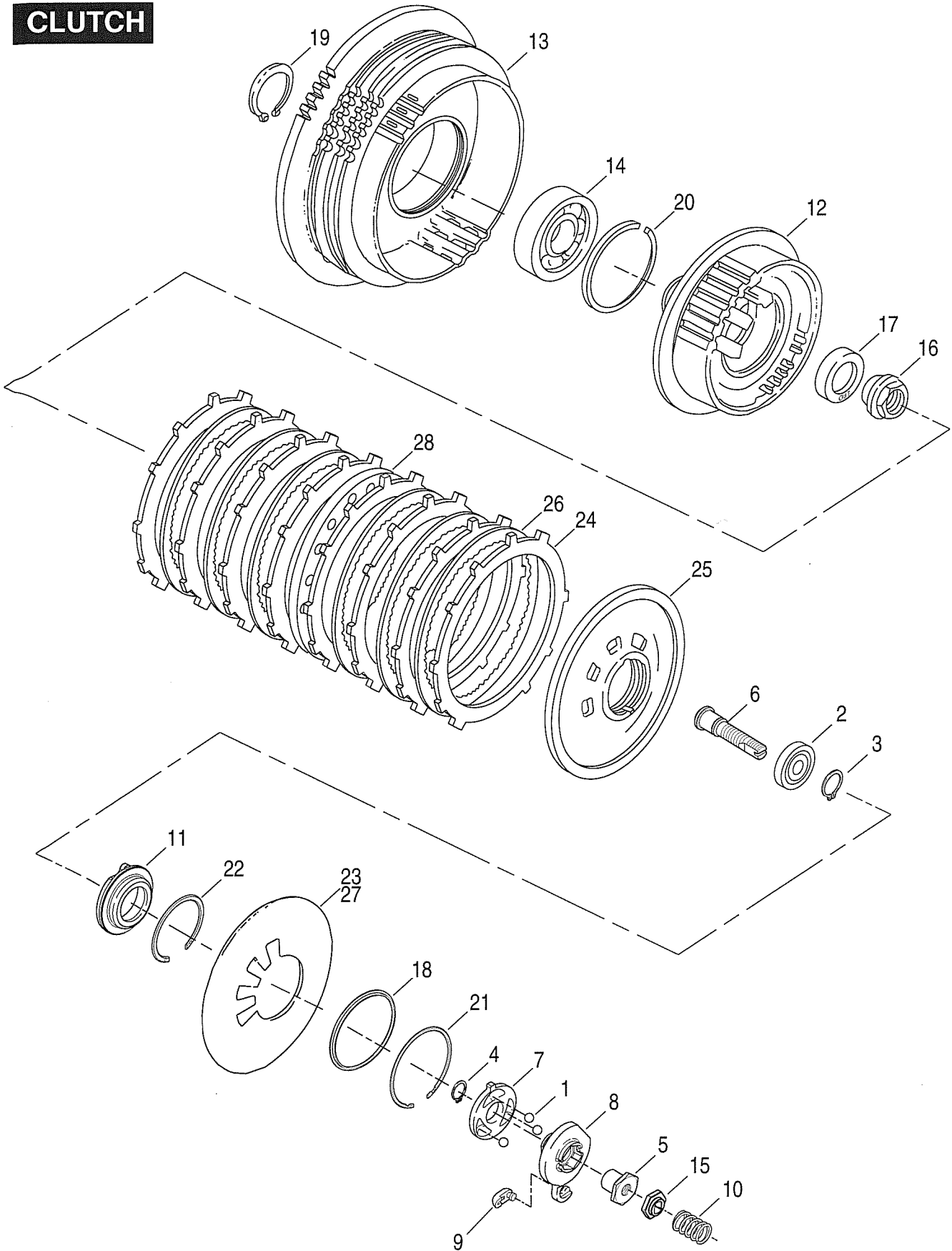
INDEX NO.	PART NO.	DESCRIPTION	MODELS
1	3997A	BOLT	All Models
2	2708A	SCREW w/ washer	883/1200R
3	7019	WASHER (rubber)	All Models
4	9187	BEARING	All Models
5	11360	RING, retaining	All Models
6	33540-02A	SPRING SLEEVE ASSEMBLY, detent	All Models
7	33634-02A	SHIFTER CAM ASSEMBLY	All Models
	33900-99	SWITCH, neutral (not illustrated)	All Models
8	34014-02B	SHIFTER LEVER ASSEMBLY	All Models
9	34064-00C	SPRING, shifter return	All Models
10	34076-02	BUSHING	All Models
11	34144-02	FORK ASSEMBLY, shifter (3)	All Models
12	34163-02	PIN, shifter stop	All Models
13	34483-02	SPRING, detent	All Models
14	34491-02A	SPRING, extension (2)	All Models
15	34611-65	SHIFTER PEG	883/1200R
16	34660-04	SHIFT LEVER, foot (chrome)	883/1200R
17	34981-02	SHAFT, shifter forks (2)	All Models
18	34982-02	BUSHING, right hand crankcase	All Models
19	37101-84A	OIL SEAL	All Models

SHIFTER - 883C/1200C



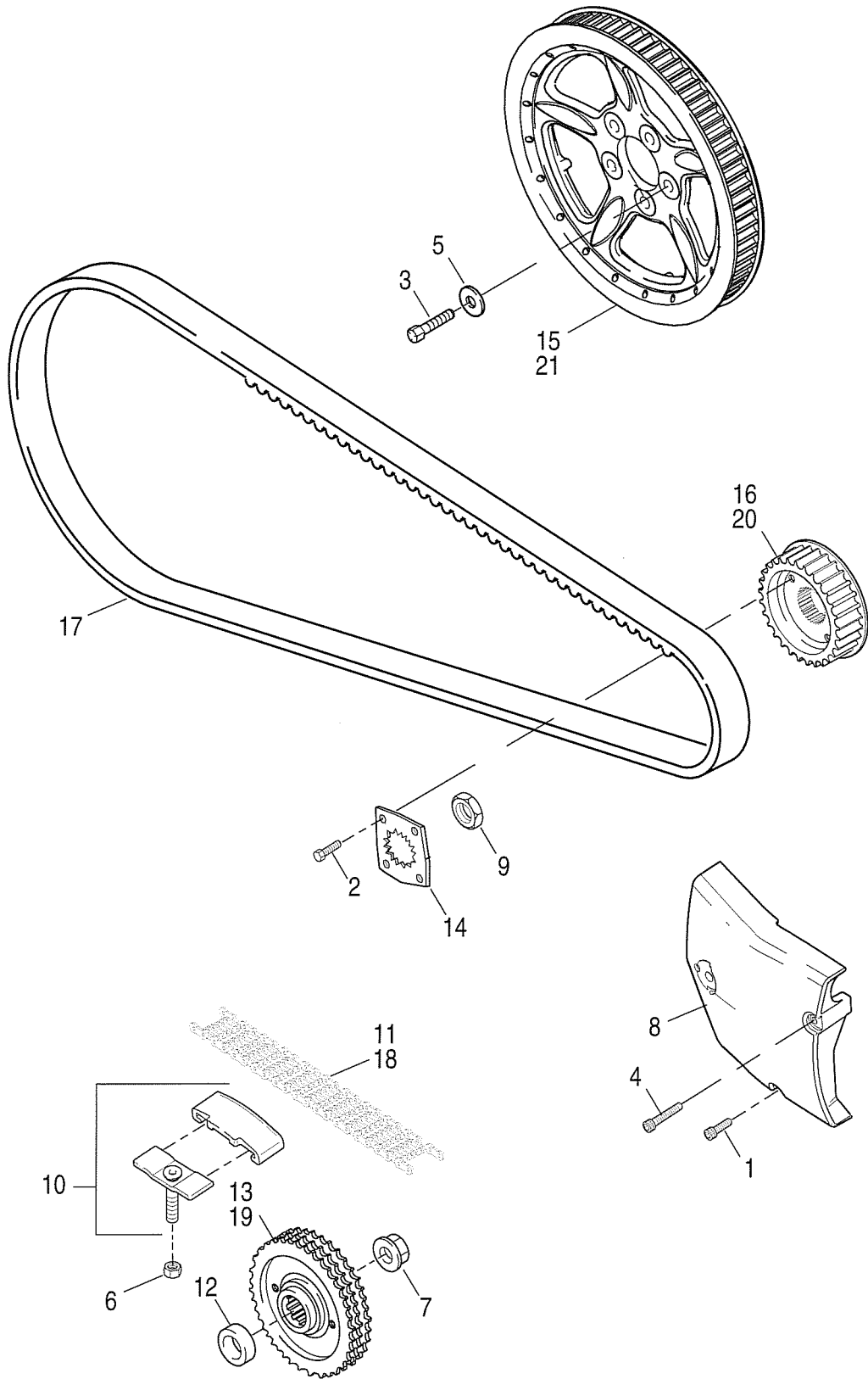
INDEX NO.	PART NO.	DESCRIPTION	MODELS
1	3210A	SCREW	883C/1200C
2	4016	SCREW	883C/1200C
3	4359	SCREW	883C/1200C
4	2708A	SCREW w/ washer	883C/1200C
5	4748	SCREW (2)	883C/1200C
6	10179	J-CLIP	883C/1200C
7	11304	RETAINING RING	883C/1200C
8	11390	RETAINING RING	883C/1200C
9	33032-99	FOOTPEG ASSEMBLY w/ #33216-99	883C/1200C
10	33216-99	RUBBER, footpeg	883C/1200C
11	34572-04	LEVER ASSEMBLY, shifter w/ #42569-03	883C/1200C
12	34573-04	SHIFTER ROD LINK	883C/1200C
13	34611-65	PEG ASSEMBLY, shifter pedal	883C/1200C
14	34670-04	SHIFT LEVER	883C/1200C
15	42541-04	CLEVIS, rider footpeg	883C/1200C
16	42651-04	SUPPORT BRACKET, left rider footpeg	883C/1200C
17	42569-03	BUSHING	883C/1200C
18	45041-01	CLEVIS PIN	883C/1200C
19	50912-72	SPRING WASHER, pedal	883C/1200C

CLUTCH



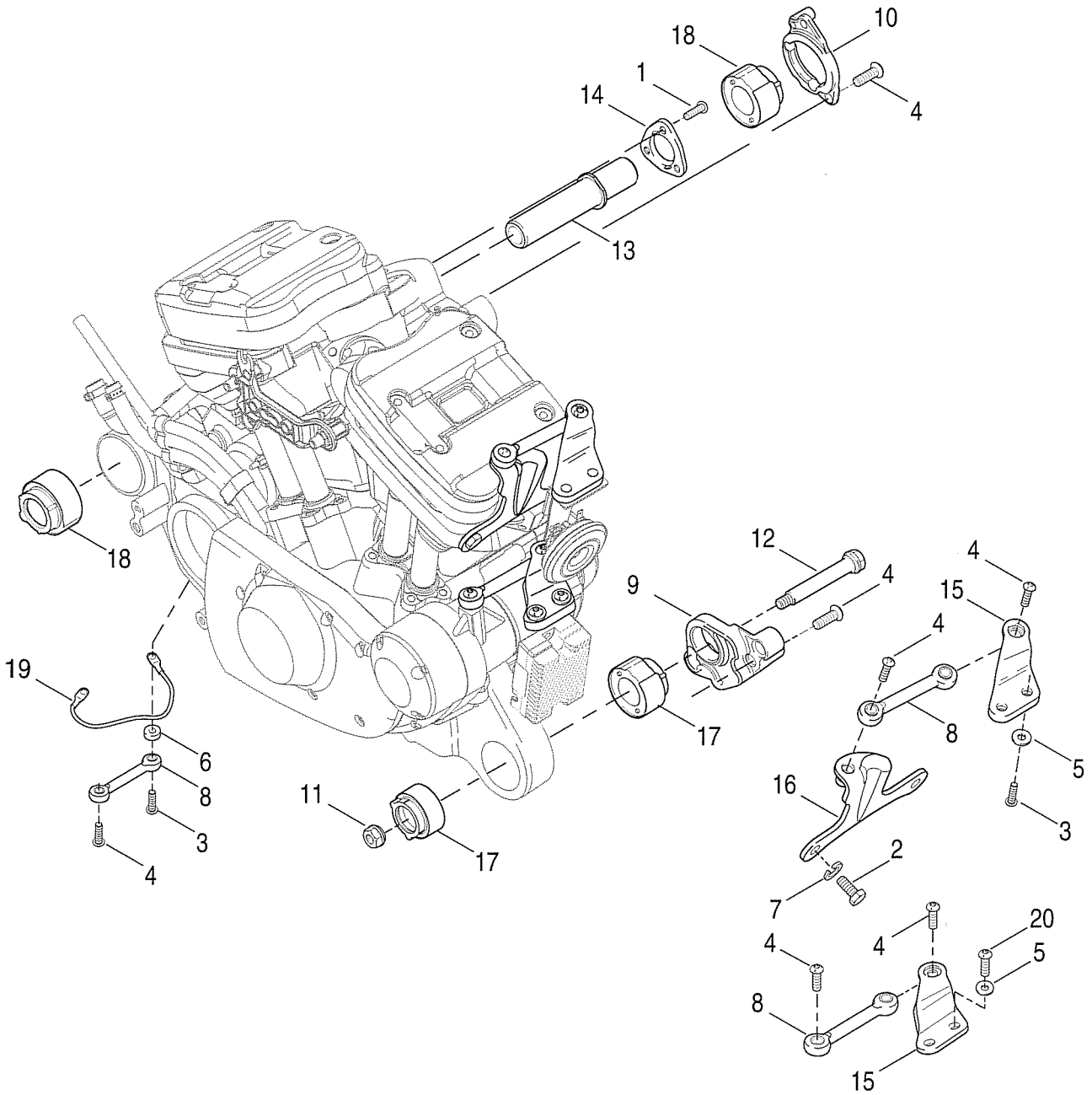
INDEX NO.	PART NO.	DESCRIPTION	MODELS
1	8873	BALL (3)	All Models
2	8885	BEARING	All Models
3	11046	RETAINING RING	All Models
4	11250	RETAINING RING	All Models
5	11730A	WELL NUT	All Models
6	11765Y	ADJUSTMENT SCREW	All Models
7	25453-87A	RAMP, inner	All Models
8	25409-94B	RAMP, outer	All Models
9	34920-86A	COUPLING, clutch cable	All Models
10	36715-94	SPRING, clutch adjustment	All Models
11	36731-91	RELEASE PLATE W/ #8885	All Models
12	36785-91	CLUTCH HUB	All Models
13	36790-04	CLUTCH SHELL & SPROCKET w/ #36799-91 & 37905-90	All Models
14	36799-91	BALL BEARING	All Models
15	36802-84B	LOCKPLATE, well type	All Models
16	37495-91	NUT, main shaft	All Models
17	37870-91	SPRING WASHER	All Models
18	37872-90	SEAT, spring-inner	All Models
19	37904-90	RETAINING RING	All Models
20	37905-90	RETAINING RING	All Models
21	37908-90	RETAINING RING	All Models
22	37909-90	RETAINING RING	All Models
23	37910-04A	SPRING, clutch plate	883/883C
24	37911-90	FRICTION PLATE (paper) (8)	All Models
25	37912-91	PRESSURE PLATE	All Models
26	37913-90	STEEL PLATE (6)	All Models
27	37924-04	SPRING, clutch plate	1200C/1200R
28	37977-90	SPRING PLATE	All Models

BELTS & SPROCKETS



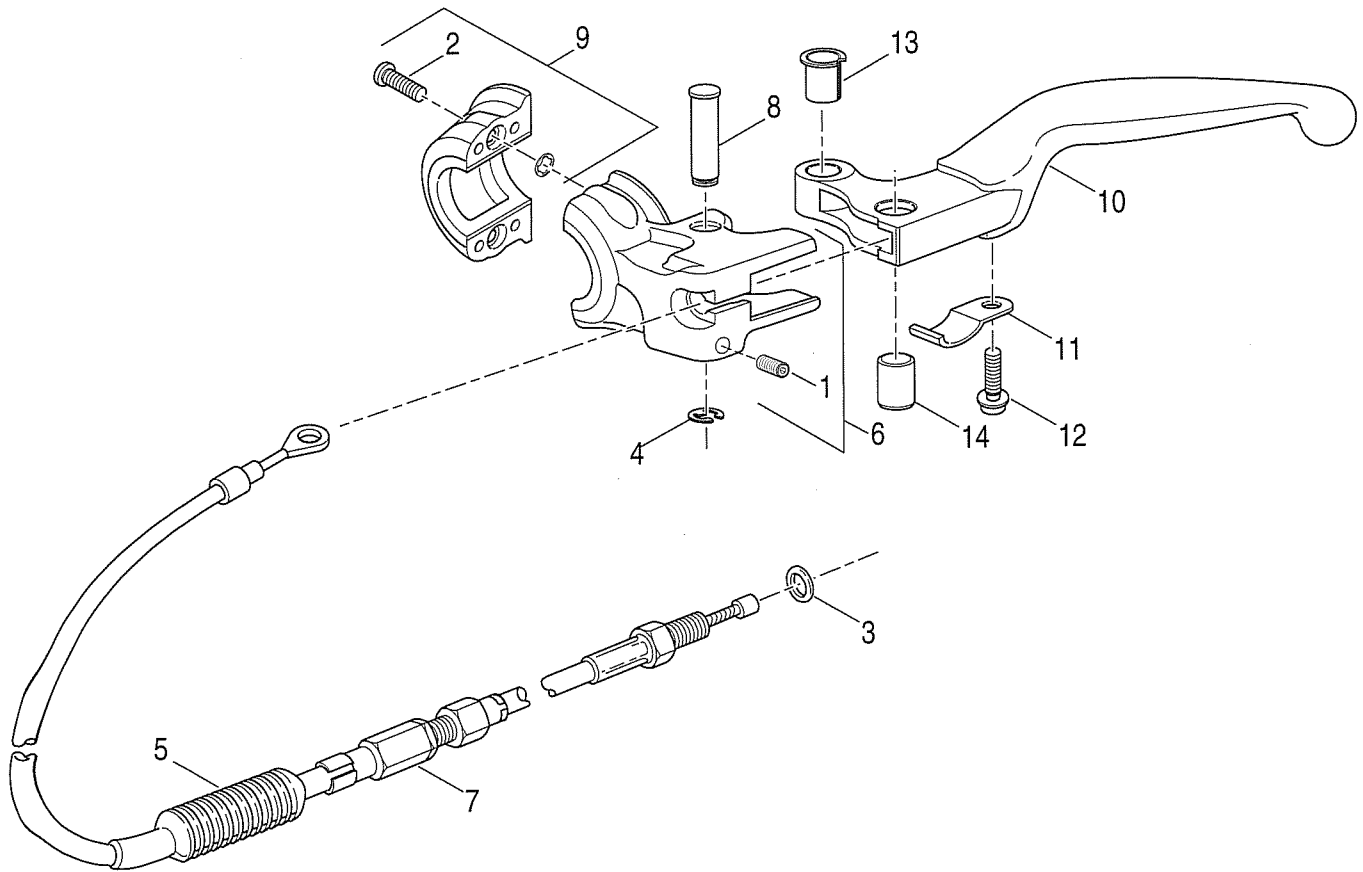
INDEX NO.	PART NO.	DESCRIPTION	MODELS
1	3480A	SCREW	All Models
2	3594	SCREW (2)	All Models
3	3899	BOLT (for JAPAN see REAR WHEEL - CAST) (5)	All Models
4	4717A	SCREW (2)	All Models
5	6516HW	WASHER (for JAPAN see REAR WHEEL - CAST) (5)	All Models
6	7804	NUT, sealing	All Models
7	7839	NUT, engine sprocket	All Models
8	34911-04	SPROCKET COVER	883
	34932-04	SPROCKET COVER	1200C
	34938-04	SPROCKET COVER	883C/1200R
9	35211-91B	NUT, transmission sprocket	All Models
10	40039-02B	CHAIN ADJUSTER ASSEMBLY	All Models
11	40005-57B	PRIMARY CHAIN (DOMESTIC, CANADA)	883/883C
	40147-04	PRIMARY CHAIN	1200R/1200C
12	40240-89	SPACER, sprocket	All Models
13	40241-02	SPROCKET, triple row - 34T (DOMESTIC, CANADA)	883/883C
	40290-04	SPROCKET, triple row - 38T	1200C/1200R
14	40251-92A	RETENTION PLATE	All Models
15	40350-04	SPROCKET - 68T (belt) (black)	1200C
	40352-04	SPROCKET - 68T (belt) (silver)	883/C/1200R
16	40379-04	SPROCKET, transmission - 28T	883/883C
	40409-04	SPROCKET, transmission - 29T (DOMESTIC, CANADA)	1200R/1200C
17	40570-04	BELT - 136T	883/883C
	40571-04	BELT - 137T	1200R/1200C
H-D INTERNATIONAL ONLY			
18	40147-04	PRIMARY CHAIN (HDI, JAPAN)	883/883C
19	40290-04	SPROCKET, triple row - 38T (HDI, JAPAN)	883/883C
20	40380-04	SPROCKET, transmission - 30T (HDI, JAPAN)	1200R/1200C
21	40470-04	SPROCKET, final drive - 68T (black) (JAPAN)	1200C
	40471-04	SPROCKET, final drive - 68T (silver) (JAPAN)	883/883C/1200R

ENGINE MOUNTS



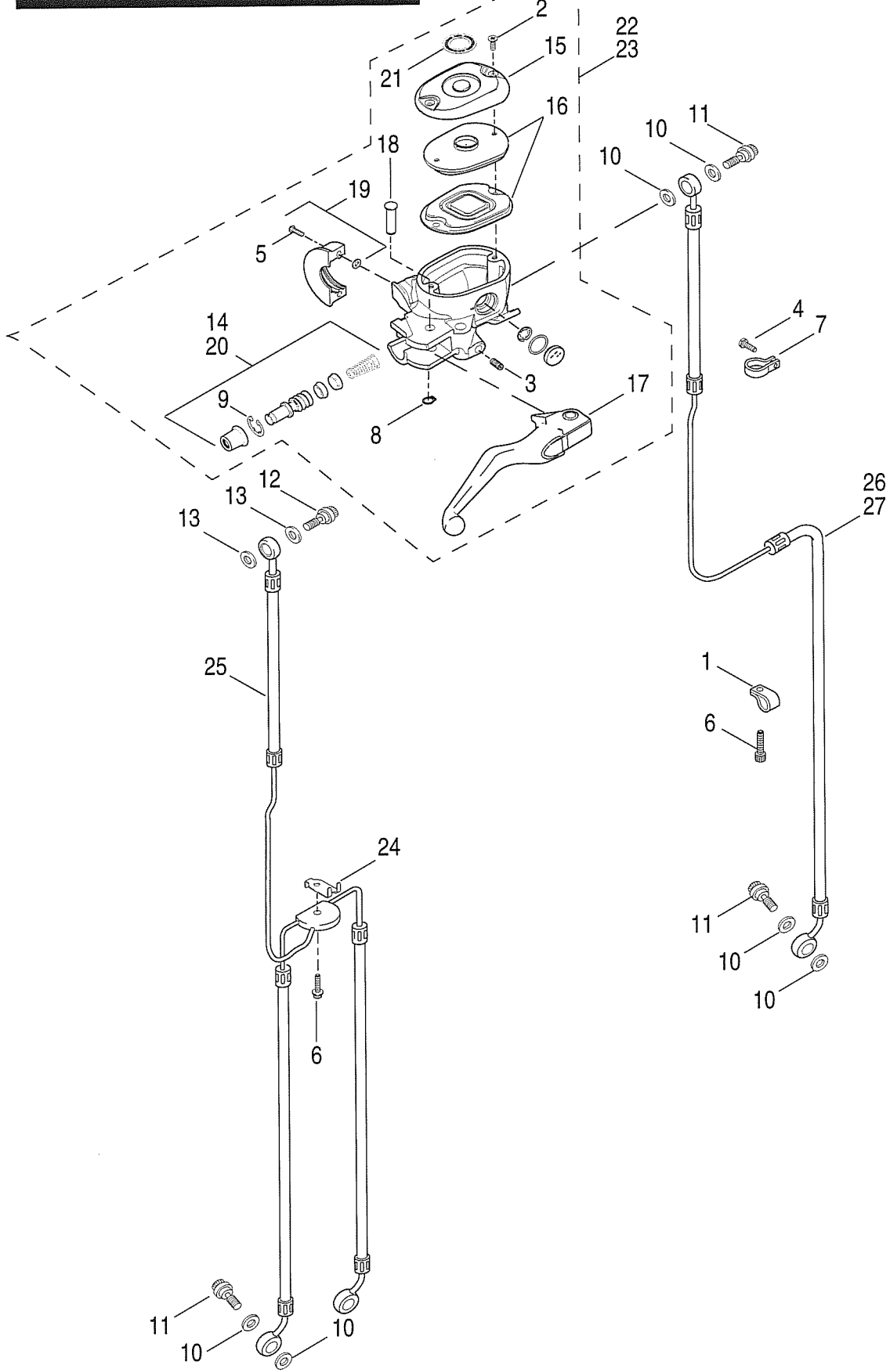
INDEX NO.	PART NO.	DESCRIPTION	MODELS
1	940	SCREW (3)	All Models
2	3854	SCREW (2)	All Models
3	4180	SCREW (3)	All Models
4	4290	SCREW (9)	All Models
5	6026	WASHER, flat (4)	All Models
6	6152	SPACER	All Models
7	7039	WASHER, lock (2)	All Models
8	16232-04	TIE-LINK (3)	All Models
9	16287-04	MOUNT, front isolator	All Models
10	16291-04	MOUNT, rear isolator	All Models
11	41561-04	NUT, lower front motor mount	All Models
12	41562-04	BOLT, lower front motor mount	All Models
13	41568-04	SHAFT, swing arm pivot	All Models
14	41699-04	LOCKPLATE, rear pivot	All Models
15	47470-04	BRACKET, tie-link (2)	All Models
16	47471-04	BRACKET, tie-link mounting, engine	All Models
17	48463-04	ISOLATOR, front mount (2)	All Models
18	48492-04	ISOLATOR, rear mount (2)	All Models
19	70297-04	STRAP, grounding	All Models
20	4188	SCREW (2)	All Models

CLUTCH CONTROL



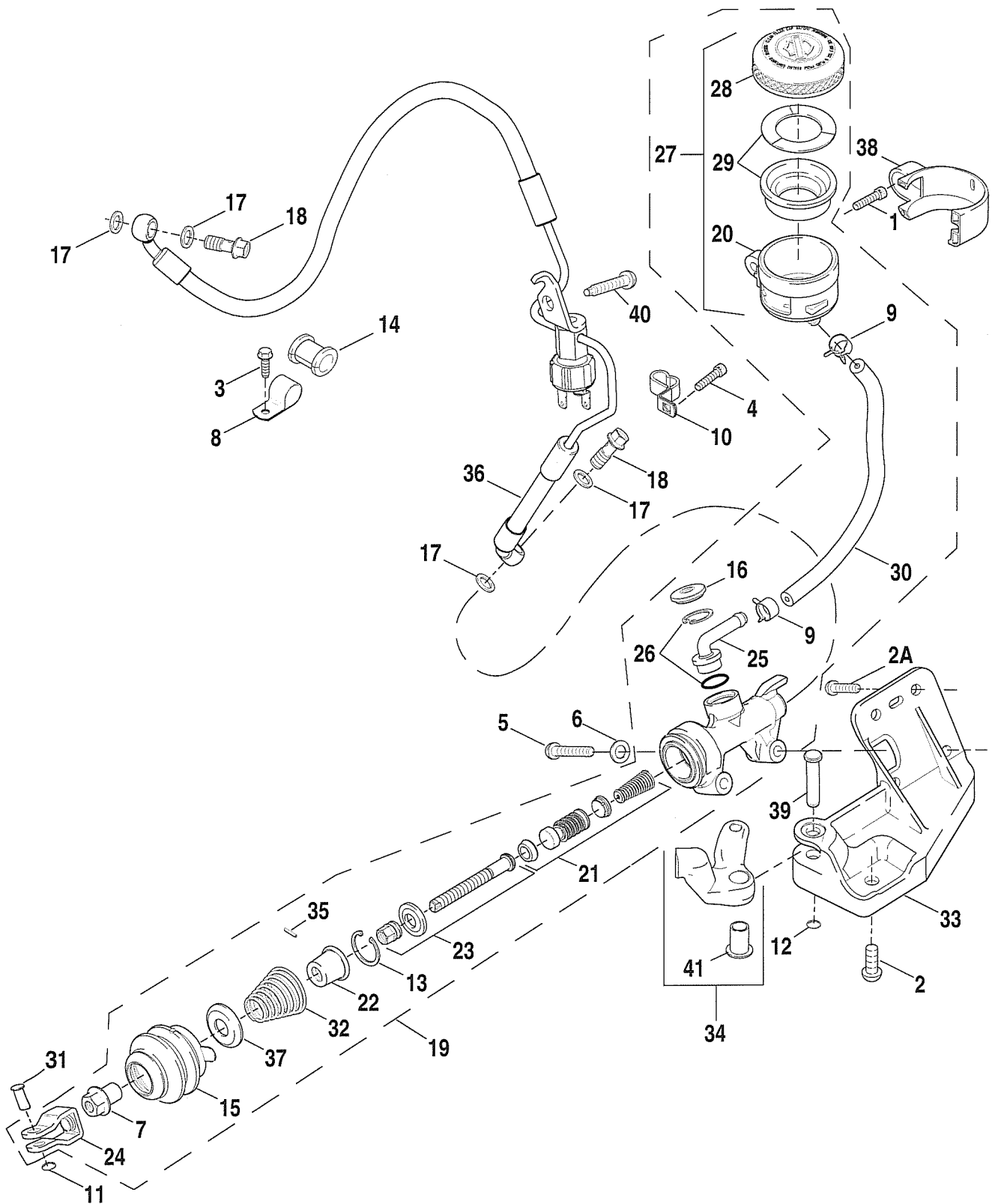
INDEX NO.	PART NO.	DESCRIPTION	MODELS
1	3244	SCREW, set	All Models
2	4262	SCREW (2)	All Models
	10264	CLIP, clutch cable-to-frame (not illustrated)	All Models
3	11179	O-RING	All Models
4	11379	RETAINING RING	All Models
5	38630-88	BOOT, clutch cable	All Models
6	38671-04	BRACKET, clutch lever	All Models
7	38699-04	CABLE ASSEMBLY W/ #11179, 38630-88 & 46268-04	All Models
8	42807-04	PIVOT PIN	All Models
9	42808-04	CLAMP, clutch control W/ #4262 (2)	All Models
10	45081-04	HAND LEVER w/ #45799-04, 45800-04 & 45801-04	All Models
11	45799-04	SPRING, anti-rattle	All Models
12	45800-04	SCREW, spring - clutch lever	All Models
13	45801-04	BUSHING	All Models
14	46268-04	PIN, clutch cable	All Models

FRONT BRAKE CONTROL



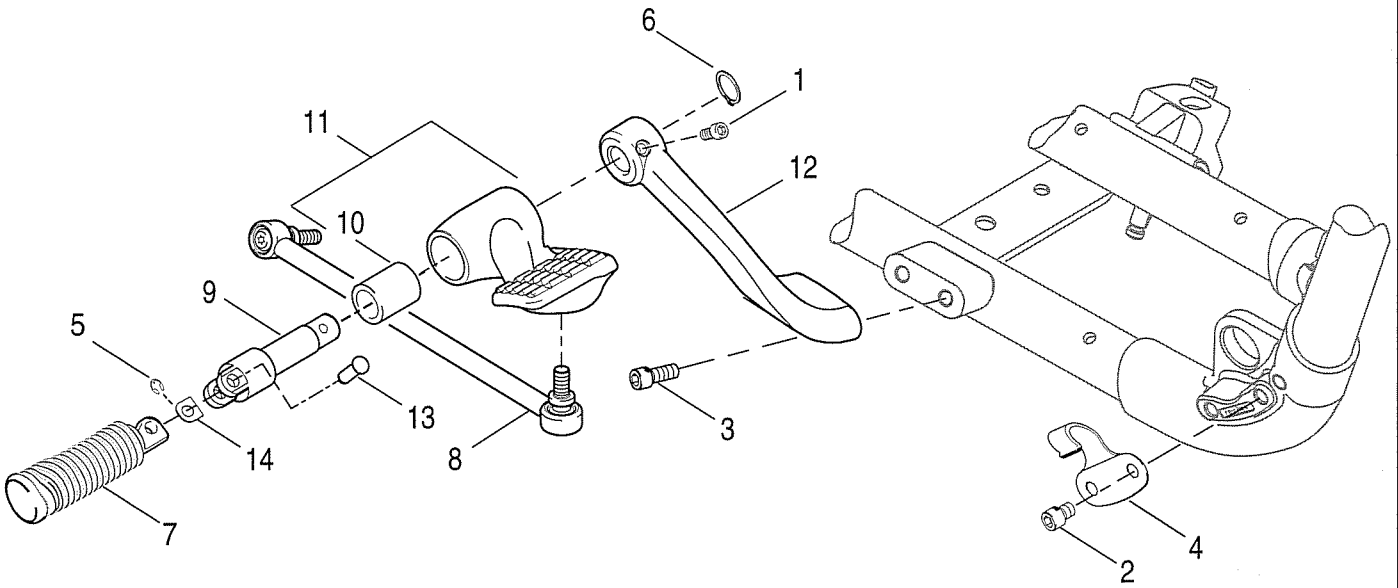
INDEX NO.	PART NO.	DESCRIPTION	MODELS
1	10053	CLAMP	883/C/1200C
2	2586	SCREW, flat (2)	All Models
3	3244	SET SCREW, w/ thread lock	All Models
4	4104	SCREW	All Models
5	4262	SCREW	All Models
6	4741A	SCREW	All Models
7	10031	CLAMP	All Models
8	11379	RETAINING RING, lever pivot	All Models
9	11142	RETAINING RING	All Models
10	41732-04	SEALING WASHER, 10mm (4)	All Models
11	41736-04	BANJO BOLT, 10mm (2)	All Models
12	41737-04	BANJO BOLT, 12mm	1200R
13	41743-04	SEALING WASHER, 12mm (2)	1200R
14	42803-04	REBUILD KIT, front master cylinder, single w/ #11142	883/883C/1200C
15	42804-04	CAP, front master cylinder w/ #44791-04	All Models
16	42805-04	GASKET KIT, master cylinder	All Models
17	42806-04	LEVER, front brake	All Models
18	42807-04	BOLT, lever	All Models
19	42808-04	CLAMP, master cylinder	All Models
20	42809-04	REBUILD KIT, front master cylinder, dual, w/ #11142	1200R
21	44791-04	DECAL, front master cylinder	All Models
22	45052-04	MASTER CYLINDER ASSEMBLY, dual, front	1200R
23	45146-04	MASTER CYLINDER ASSEMBLY, single, front	883/883C/1200C
24	45074-95	GUIDE, front brakeline	1200R
25	45319-04	BRAKELINE, front, dual	1200R
26	45449-04	BRAKELINE, front, single	883C/1200C
27	46400-04	BRAKELINE, front, single	883

REAR BRAKE MASTER CYLINDER



INDEX NO.	PART NO.	DESCRIPTION	MODELS
1	882	SCREW	All Models
2	995	SCREW	All Models
2A	997	SCREW, hex socket, button head (2)	All Models
3	2501A	SCREW	All Models
4	4076	SCREW	883/1200R
5	4816A	SCREW (2)	All Models
6	6702	WASHER (2)	All Models
7	7477	NUT, hex, 8mm	All Models
8	10031	CLAMP (2)	All Models
9	10252	CLAMP, reservoir (2)	All Models
10	10255	CLAMP, double tube	All Models
11	10995	RETAINING RING	All Models
12	11031	RETAINING RING	All Models
13	11121	RETAINING RING	All Models
14	11407	GROMMET	All Models
15	40946-04	BOOT, external	All Models
16	40948-04	DUST COVER	All Models
17	41732-04	SEALING WASHER, 10mm (4)	All Models
18	41736-04	BANJO BOLT, 10mm (2)	All Models
19	42521-04	MASTER CYLINDER AND RESERVOIR ASSEMBLY, rear	All Models
20	42595-04	TANK, rear brake reservoir	All Models
21	42810-04	REBUILD KIT, master cylinder, w/# 11121, 42811-04, 44189-04	All Models
22	42811-04	BOOT, master cylinder, rear	All Models
23	42812-04	PUSH ROD ASSEMBLY	All Models
24	42813-04	YOKE, master cylinder	All Models
25	42814-04	PORT, rear master cylinder	All Models
26	42815-04	SEAL KIT, port, w/ retaining ring and O-ring	All Models
27	42816-04	RESERVOIR ASSEMBLY, brake, w/# 42595-04, 42817-04, 42818-04	All Models
28	42817-04	CAP, rear brake reservoir	All Models
29	42818-04	GASKET KIT, rear brake reservoir	All Models
30	42821-04	HOSE	All Models
31	42255-04	PIN, brake lever	All Models
32	42593-04	SPRING, external return	All Models
33	42976-04	BRACKET, mounting, rear master cylinder	All Models
34	42979-04	BELL CRANK ASSEMBLY w/ #42846-04	All Models
35	44189-04	SPRING PIN	All Models
36	44429-04	BRAKELINE ASSEMBLY w/ #11407	All Models
37	44590-04	RETAINER, spring	All Models
38	67804-04	COVER, reservoir	All Models
39	94432-04	SHOULDER BOLT, bell crank	All Models
40	94612-04	SCREW, dog point	All Models
41	42846-04	BUSHING, bell crank	All Models

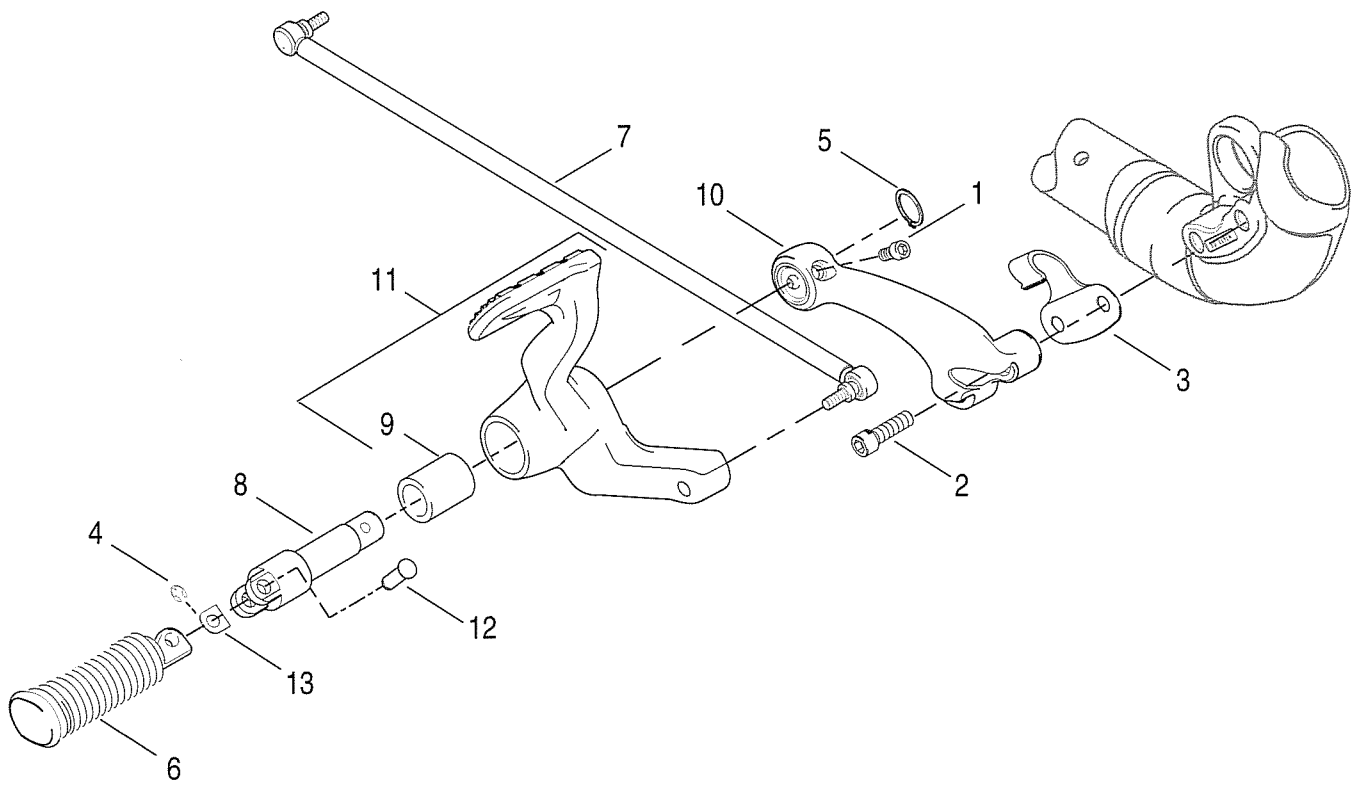
REAR BRAKE CONTROL - 883/1200R



REAR BRAKE CONTROL - 883/1200R

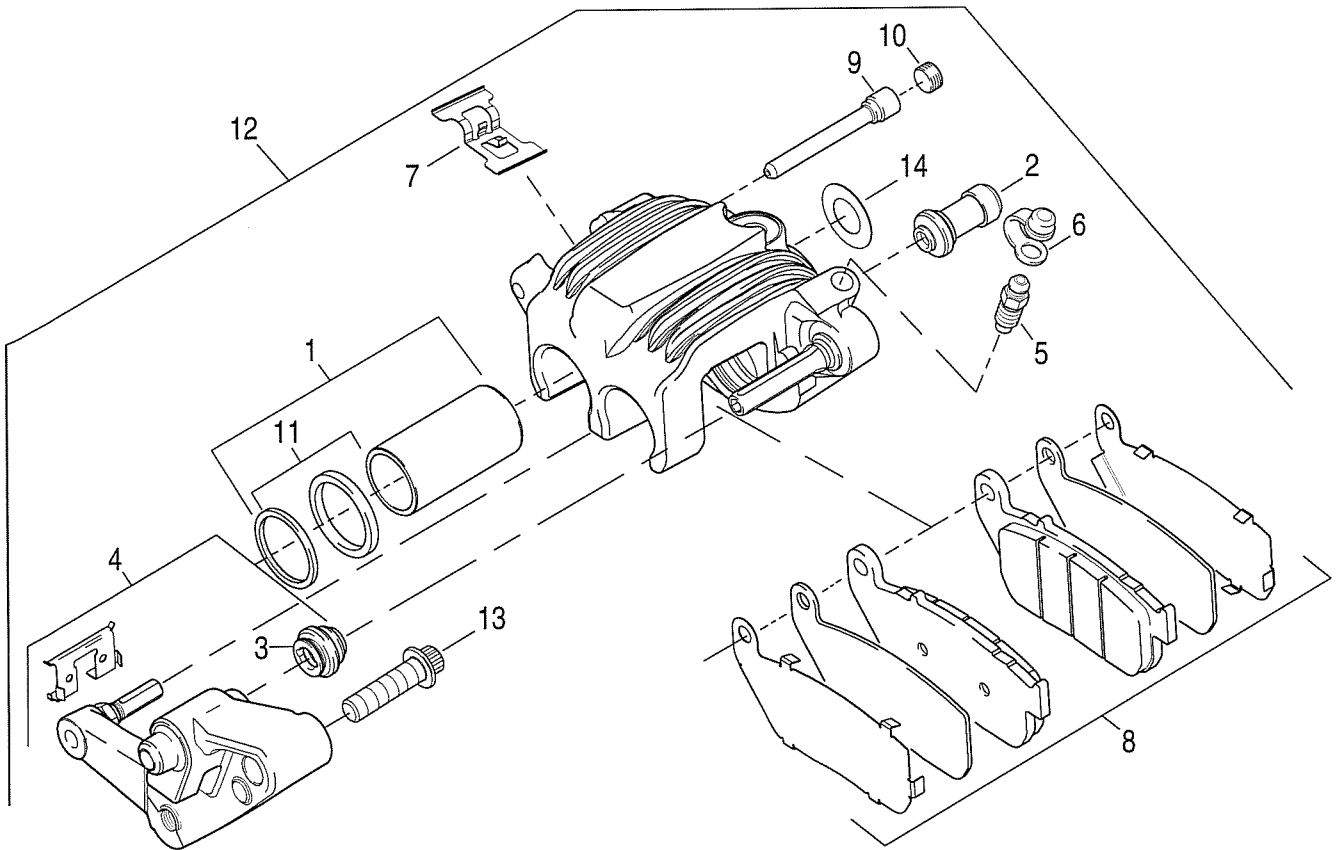
INDEX NO.	PART NO.	DESCRIPTION	MODELS
1	3210A	SCREW, hex socket	883/1200R
2	4076	SCREW, hex socket (2)	883/1200R
3	4748	SCREW, hex socket (2)	883/1200R
4	10179	J-CLIP	883/1200R
5	11304	RETAINING RING	883/1200R
6	11390	RETAINING RING	883/1200R
7	33032-99	FOOTPEG ASSEMBLY w/# 33216-99	883/1200R
	33216-99	RUBBER, front footpeg	883/1200R
8	34582-04	BRAKE ROD ASSEMBLY	883/1200R
9	42541-04	CLEVIS, rider footpeg	883/1200R
10	42569-03	BUSHING	883/1200R
11	42969-04	PEDAL ASSEMBLY, w/# 42569-03	883/1200R
12	42971-04	SUPPORT BRACKET, right rider footpeg	883/1200R
13	45041-01	CLEVIS PIN	883/1200R
14	50912-72	SPRING WASHER, pedal	883/1200R

REAR BRAKE CONTROL - 883C/1200C



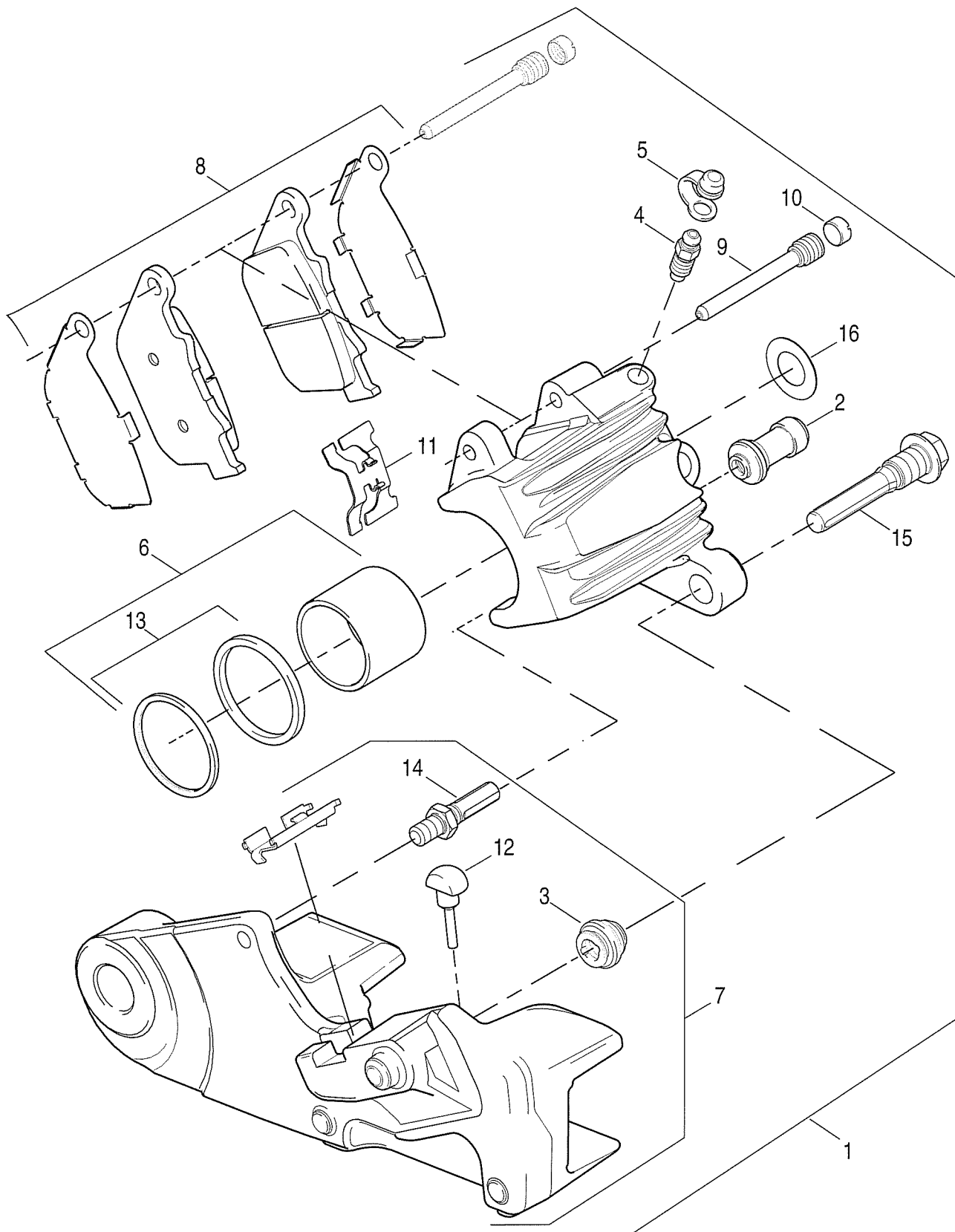
INDEX NO.	PART NO.	DESCRIPTION	MODELS
1	3210A	SCREW, hex socket	883C/1200C
2	4748	SCREW, hex socket (2)	883C/1200C
3	10179	J-CLIP	883C/1200C
4	11304	RETAINING RING	883C/1200C
5	11390	RETAINING RING	883C/1200C
6	33032-99	FOOTPEG ASSEMBLY w/# 33216-99	883C/1200C
	33216-99	RUBBER, front footpeg	883C/1200C
7	34581-04	BRAKE ROD ASSEMBLY	883C/1200C
8	42566-04	CLEVIS, rider footpeg	883C/1200C
9	42569-03	BUSHING	883C/1200C
10	42652-04	SUPPORT BRACKET, right rider footpeg	883C/1200C
11	42685-04	PEDAL ASSEMBLY, w/# 42569-03	883C/1200C
12	45041-01	CLEVIS PIN	883C/1200C
13	50912-72	SPRING WASHER, pedal	883C/1200C

FRONT BRAKE CALIPER



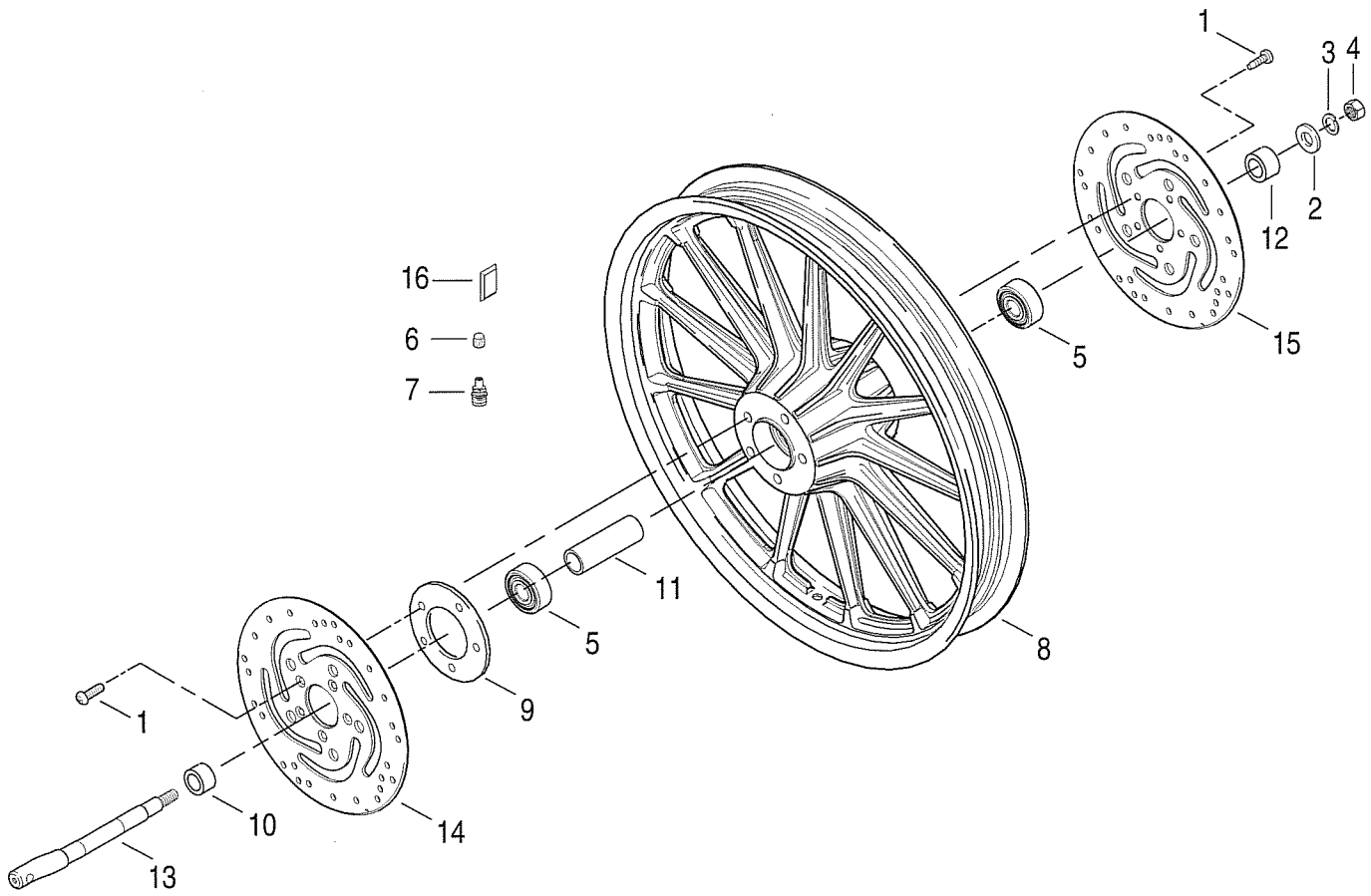
INDEX NO.	PART NO.	DESCRIPTION	MODELS
1	42822-04	PISTON KIT, front	All Models
2	42823-04	BOOT, caliper bushing	All Models
3	42824-04	BOOT, caliper pin	All Models
4	42825-04	CALIPER BRACKET ASSEMBLY, front left, w/# 42824-04	All Models
	42826-04	CALIPER BRACKET ASSEMBLY, front right, w/# 42824-04 (not illustrated)	1200R
5	42827-04	SCREW, bleeder	All Models
6	42828-04	CAP, bleeder screw	All Models
7	42829-04	SPRING, pad, front	All Models
8	42831-04	PAD Kit, front	All Models
9	42832-04	PAD PIN, front caliper	All Models
10	42838-04	PLUG, pad pin	All Models
11	43529-04	SEAL KIT, front caliper	All Models
12	44119-04	CALIPER ASSEMBLY, front right (not illustrated)	1200R
	44121-04	CALIPER ASSEMBLY, front left	All Models
13	44160-00	BOLT, caliper mounting (2, 4-1200R)	All Models
14	44440-04	DECAL, caliper	All Models

REAR BRAKE CALIPER



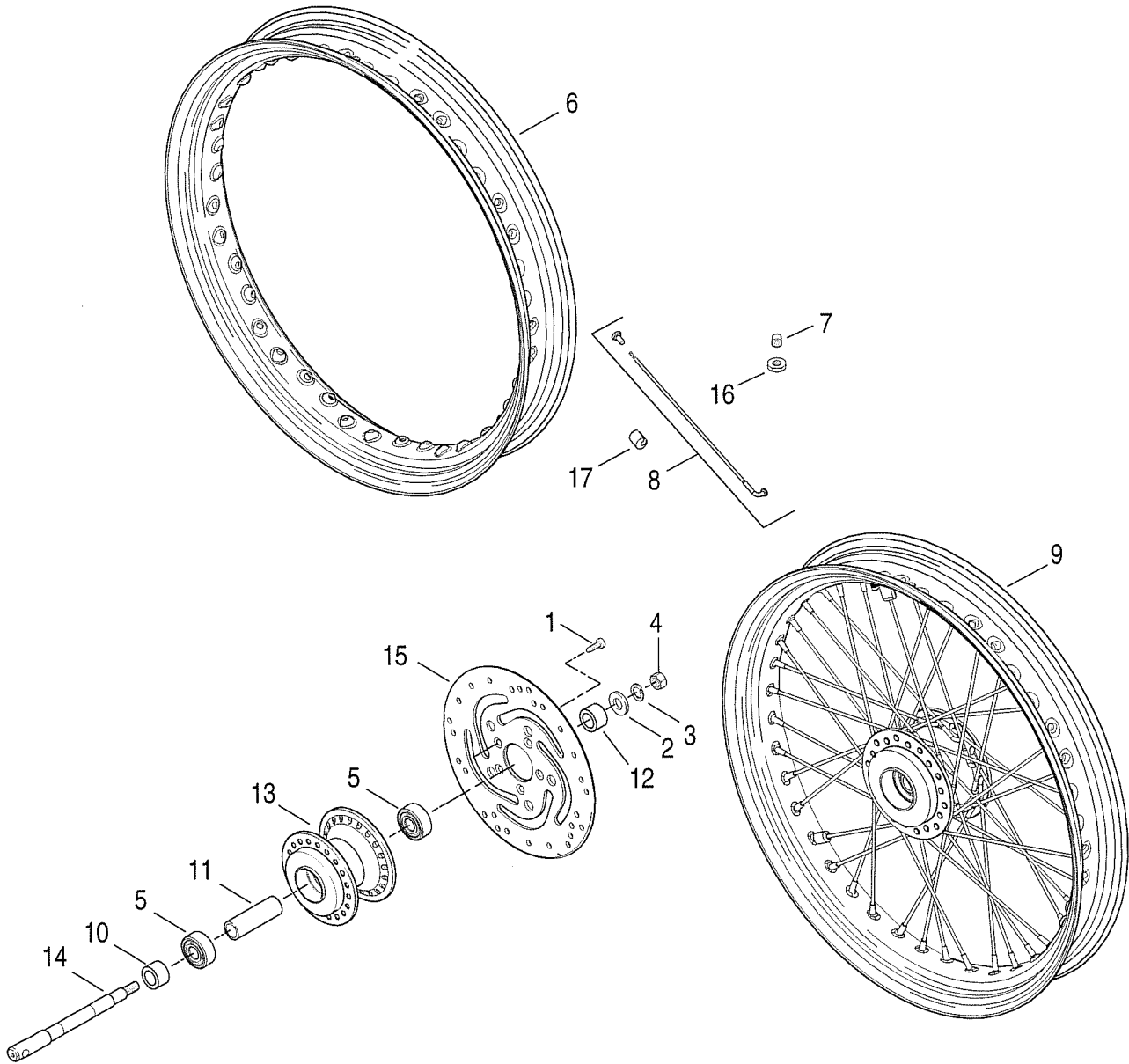
INDEX NO.	PART NO.	DESCRIPTION	MODELS
1	40968-04	CALIPER ASSEMBLY, rear	All Models
2	42823-04	BOOT, caliper bushing	All Models
3	42824-04	BOOT, caliper pin	All Models
4	42827-04	SCREW, bleeder	All Models
5	42828-04	CAP, bleeder screw	All Models
6	42834-04	PISTON KIT, rear caliper	All Models
7	42835-04	BRACKET ASSEMBLY, rear caliper, w/# 42824-04, 42840-04, 44178-04	All Models
8	42836-04	PAD KIT, rear	All Models
9	42837-04	PAD PIN, rear caliper	All Models
10	42838-04	PLUG, pad pin	All Models
11	42839-04	SPRING, pad, rear	All Models
12	42840-04	DAMPER	All Models
13	43528-04	SEAL KIT	All Models
14	44178-04	PIN, bolt	All Models
15	44184-04	PIN, bolt A	All Models
16	44440-04	DECAL, caliper	All Models

FRONT WHEEL - CAST



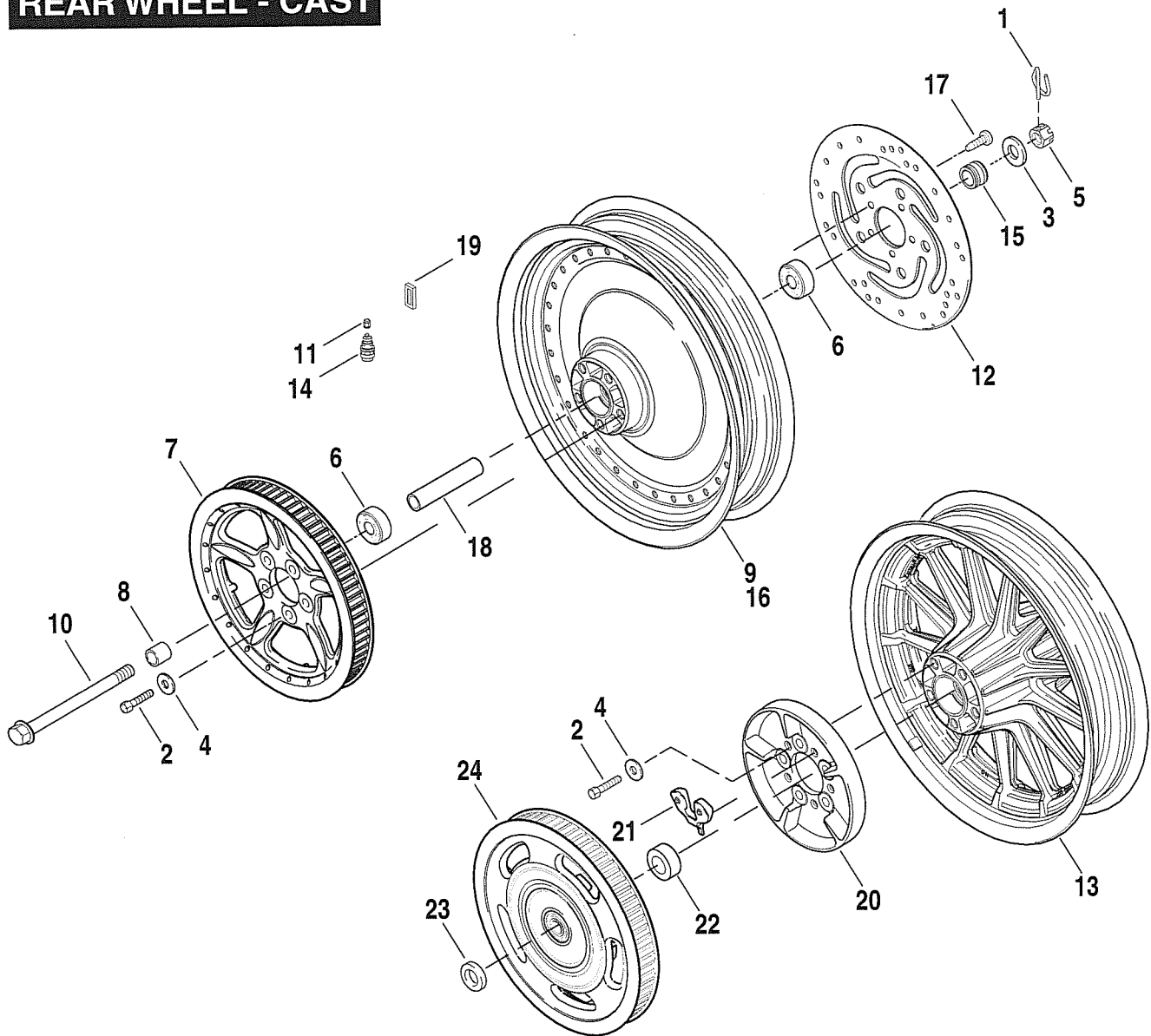
INDEX NO.	PART NO.	DESCRIPTION	MODELS
1	3655A	SCREW (5) (10-1200R)	883/1200R
2	6590HW	WASHER	883/1200R
3	7068	LOCKWASHER	883/1200R
4	7956	NUT	883/1200R
5	9267	ROLLER BEARING (2)	883/1200R
6	41123-79	VALVE CAP	883/1200R
7	43157-83A	VALVE STEM ASSEMBLY	883/1200R
8	43338-00	WHEEL ASSEMBLY, 19" (13 spoke) (silver) w/ #5, 6, 7 & 11	883/1200R
9	43359-00	HUB PLATE (silver)	883/1200R
10	43358-00	SPACER, bearing	883/1200R
11	43613-00	SPACER, hub	883/1200R
12	43617-00A	SPACER, bearing	883/1200R
13	43895-00	FRONT AXLE	883/1200R
14	44136-00	DISC, brake - RH	1200R
15	44156-00	DISC, brake - LH	883/1200R
16	95595-84	WHEEL WEIGHT, 1/4 oz. (silver)	883/1200R

FRONT WHEEL - LACED



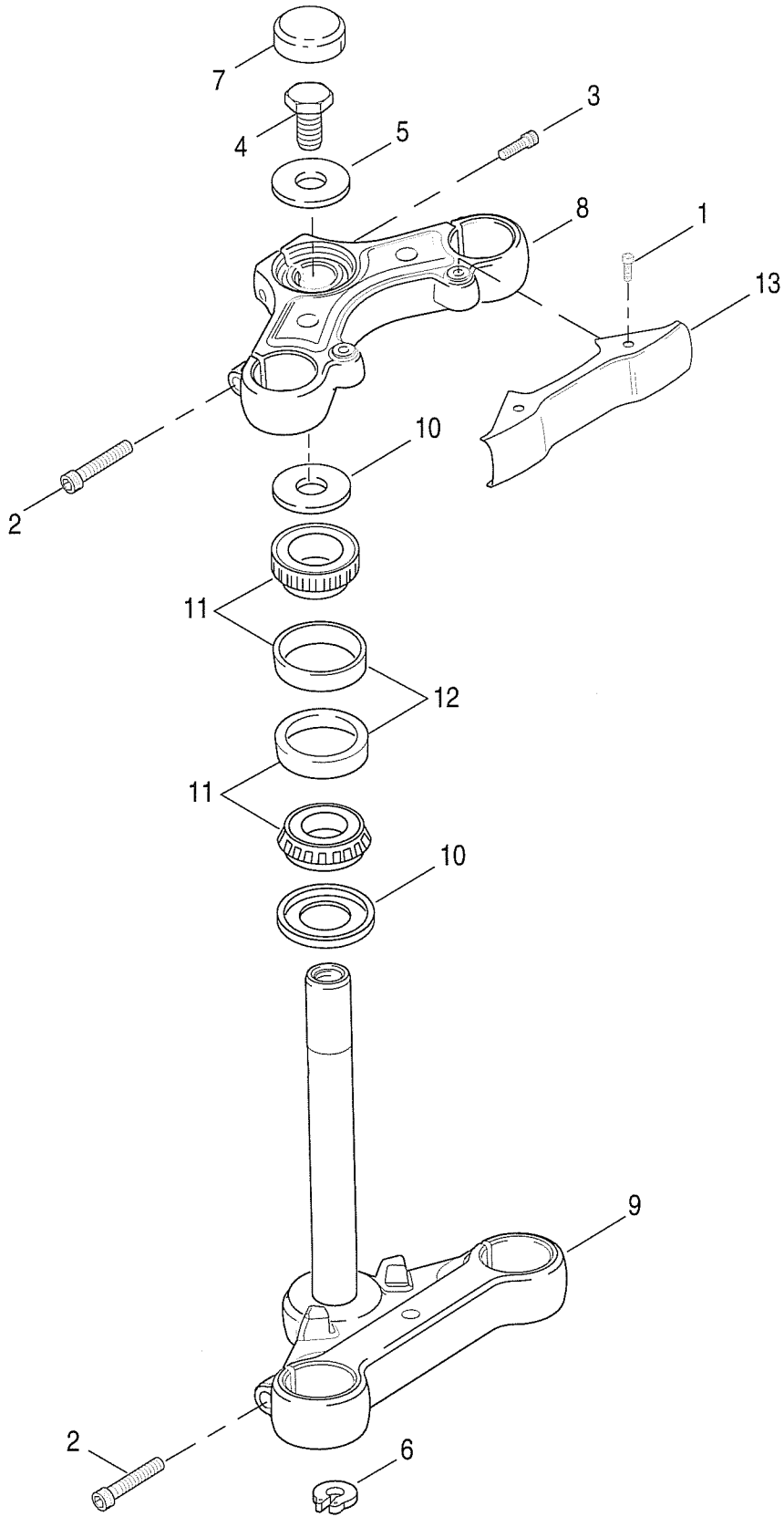
INDEX NO.	PART NO.	DESCRIPTION	MODELS
1	3655A	SCREW (5)	883C/1200C
2	6590HW	WASHER	883C/1200C
3	7068	LOCKWASHER	883C/1200C
4	7956	NUT	883C/1200C
5	9267	ROLLER BEARING (2)	883C/1200C
6	43662-80B	RIM, 21" (chrome)	883C/1200C
7	41123-79	VALVE CAP	883C/1200C
8	43020-87A	SPOKE AND NIPPLE KIT, 21" rim - short (20)	883C/1200C
	43035-87A	SPOKE AND NIPPLE KIT, 21" rim - long (20)	883C/1200C
9	43557-00A	WHEEL ASSEMBLY, 21", w/ #5, 6, 11 & 13	883C/1200C
10	43358-00	SPACER, bearing	883C/1200C
11	43613-00	SPACER, hub	883C/1200C
12	43617-00A	SPACER, bearing	883C/1200C
13	43610-00A	WHEEL HUB ASSEMBLY	883C/1200C
14	43895-00	FRONT AXLE	883C/1200C
	43939-89	FLAP, wheel rim, 21" (not illustrated)	883C/1200C
15	44156-00	DISC, brake	883C/1200C
16	54321-85	NUT, valve stem	883C/1200C
17	95578-41	WHEEL WEIGHT, 1/2 oz.	883C/1200C
	95581-47	WHEEL WEIGHT, 3/4 oz.	883C/1200C
	95582-47	WHEEL WEIGHT, 1 oz.	883C/1200C

REAR WHEEL - CAST



INDEX NO.	PART NO.	DESCRIPTION	MODELS
1	508	COTTER CLIP	All Models
2	3899	BOLT (5)	All Models
3	5756	SPACER	All Models
4	6516HW	WASHER (5)	All Models
5	7987	CASTLE NUT	All Models
6	9267	ROLLER BEARING (2)	All Models
7	40350-04	SPROCKET - 68T (belt) (black)	1200C
	40352-04	SPROCKET - 68T (belt) (silver)	883/883C/1200R
8	40930-04	SPACER, sprocket side	All Models
9	41008-00	WHEEL ASSEMBLY, solid w/ holes (silver) w/ #6, 14, 17 & 18	883C
10	41110-89	AXLE ASSEMBLY	All Models
11	41123-79	VALVE CAP	All Models
12	41797-00	BRAKE DISC	All Models
13	40983-00	WHEEL ASSEMBLY - 16" (13 spoke) (silver) w/ #6, 14, 17 & 18	883/1200R
14	43157-83A	VALVE STEM	All Models
15	43654-00A	SPACER, disk side	All Models
16	41017-00	WHEEL ASSEMBLY, solid w/ slots (chrome) w/ #6, 11, 14, 17 & 18	1200C
17	43567-92	SCREW, brake disc (5)	All Models
18	43608-00	SLEEVE WHEEL BEARING, spacer	All Models
19	95595-84	WHEEL WEIGHT, 1/4 oz. (4)	All Models
H-D INTERNATIONAL ONLY			
20	40464-04	BOWL COMPENSATOR (JAPAN)	All Models
21	40465-04	ISOLATOR, sprocket (JAPAN)	All Models
22	40466-04	SPACER (JAPAN)	All Models
23	40467-04	SPACER, outer sprocket (JAPAN)	All Models
24	40470-04	SPROCKET ASSEMBLY, final drive w/ bearing - 68T (black) (JAPAN)	1200C
	40471-04	SPROCKET ASSEMBLY, final drive w/ bearing - 68T (silver) (JAPAN)	883/883C/1200R

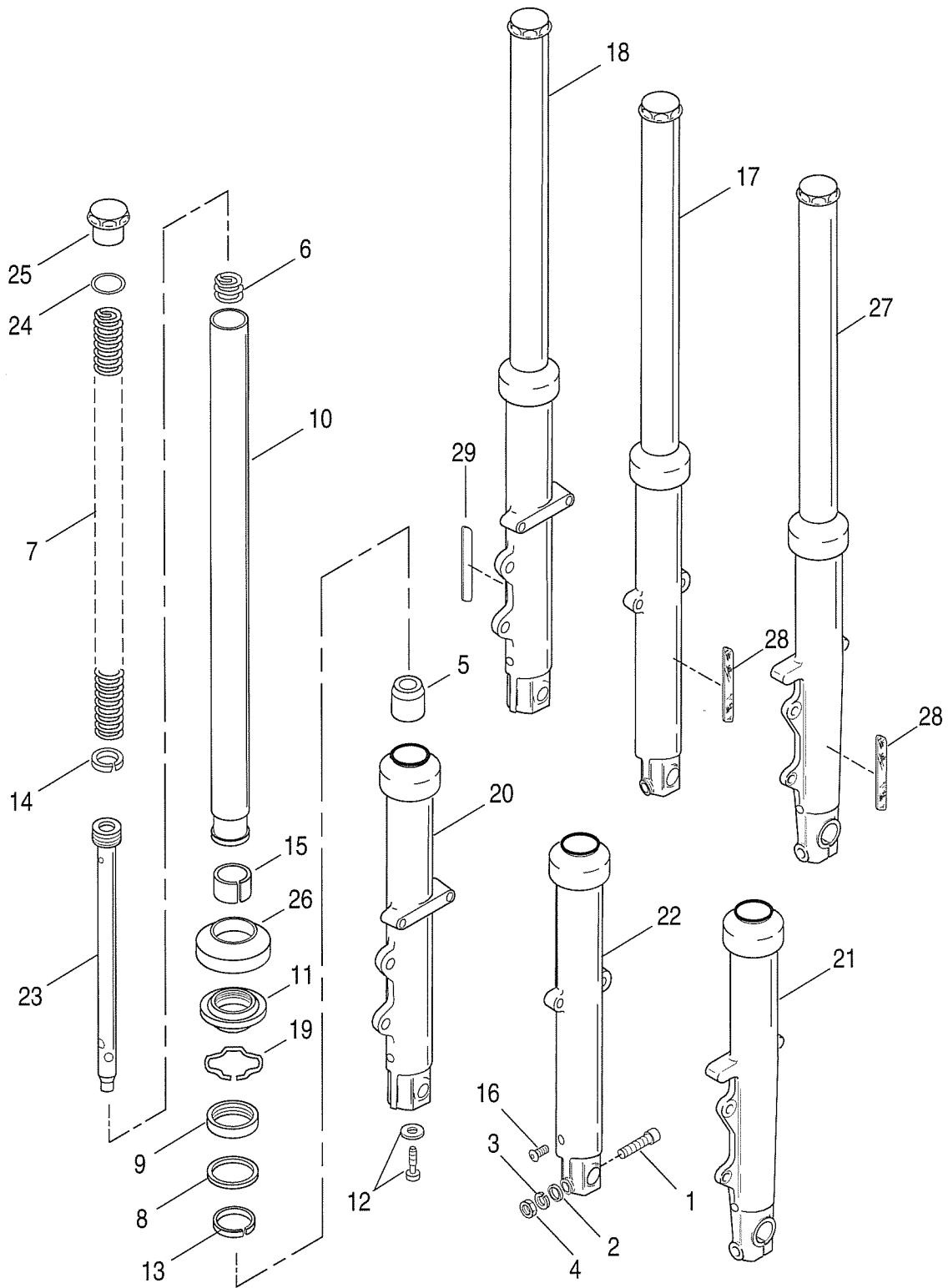
STEERING HEAD BRACKET ASSEMBLY



STEERING HEAD BRACKET ASSEMBLY

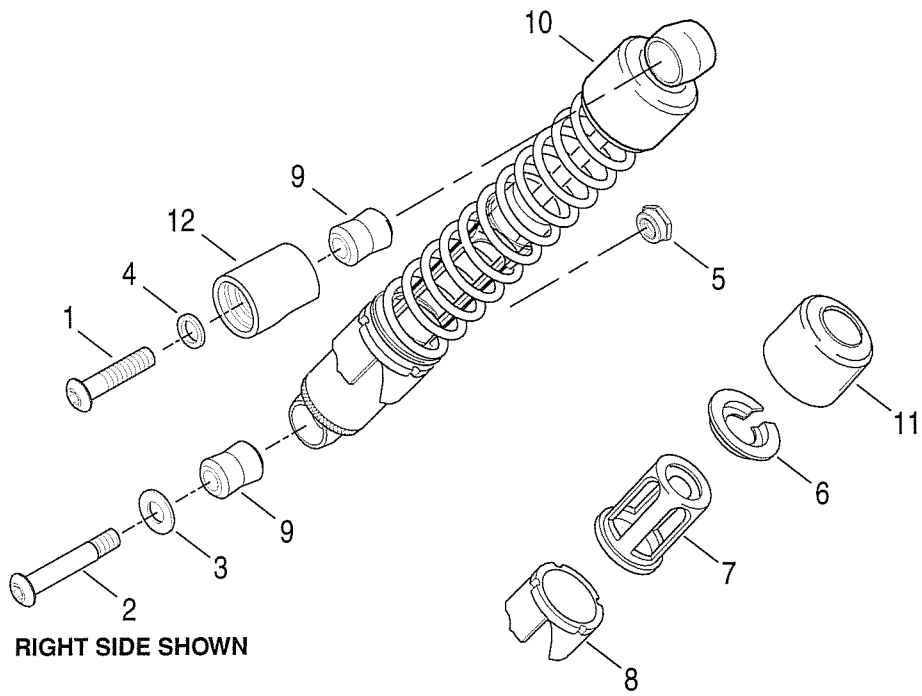
INDEX NO.	PART NO.	DESCRIPTION	MODELS
1	3201WA	SCREW (2)	883C/1200C
2	4351	SCREW, (4)	All Models
3	4352	SCREW	All Models
4	4453	BOLT, tapped	1200R
	4460	BOLT	883/883C/1200C
5	6655	WASHER	All Models
6	45611-86	RETAINING RING	All Models
7	45668-90	CAP, fork stem	1200R
8	45966-04	BRACKET, upper	All Models
9	46126-04	BRACKET, lower w/ bearing and seal	883C/1200C
	46127-04	BRACKET, lower w/ bearing and seal	883/1200R
10	48184-01	SEAL, tapered bearing (2)	All Models
11	48300-60	ROLLER BEARING w/ cup (2)	All Models
12	48315-60	BEARING CUP (2)	All Models
13	68041-04	COVER, upper triple clamp	883C/1200C

FRONT FORK



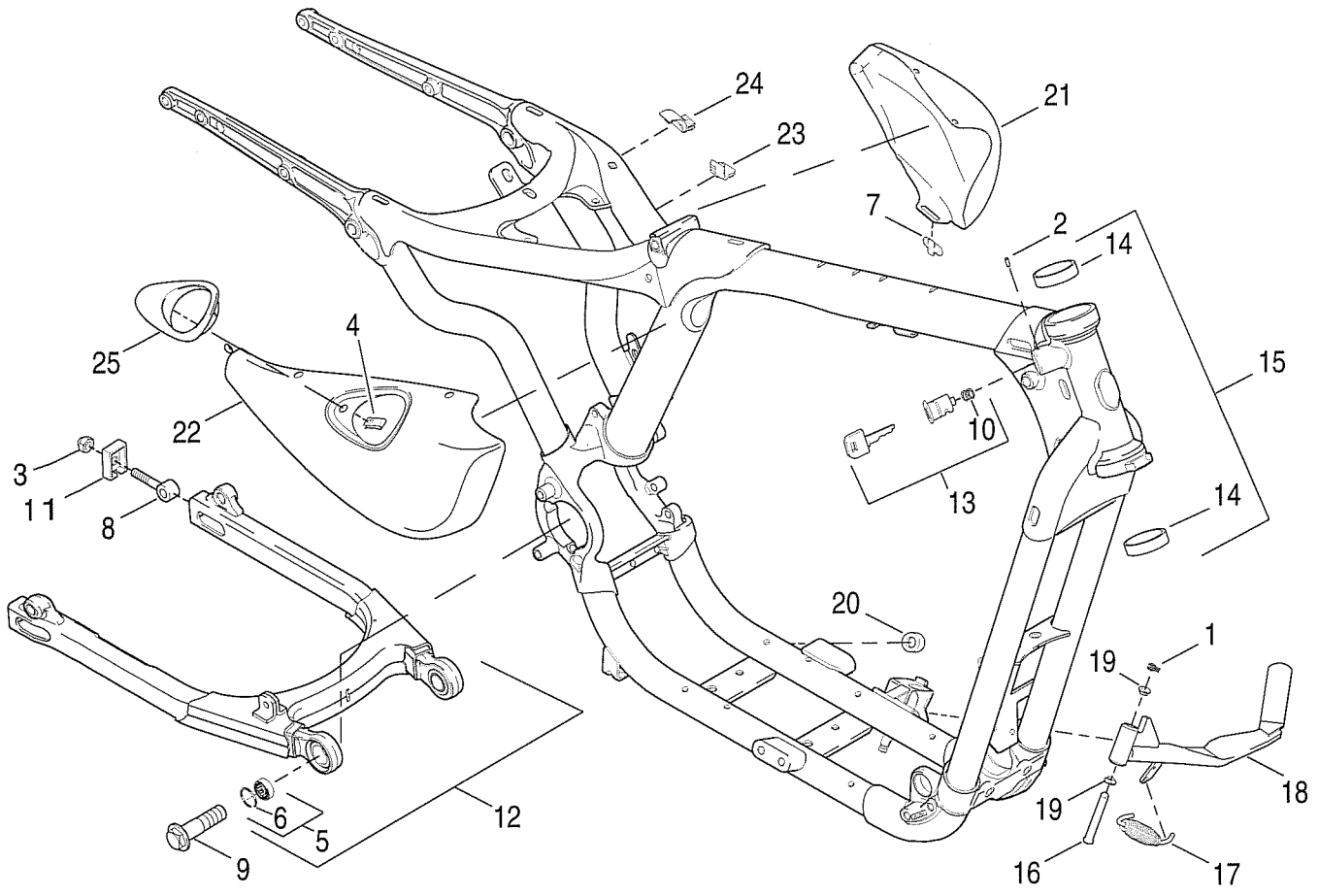
INDEX NO.	PART NO.	DESCRIPTION	MODELS
1	4029A	SCREW	All Models
2	6701	WASHER	All Models
3	7038	LOCKWASHER	All Models
4	7783	NUT	All Models
5	45361-90	LOWER STOP (2)	All Models
6	45374-87	SPRING, slider (2)	All Models
7	45376-04	SPRING (2)	All Models
8	45377-87	SPACER, oil seal (2)	All Models
9	45378-87	OIL SEAL (2)	All Models
10	45395-04	SLIDER TUBE w/ #45465-87 (2)	All Models
11	45401-87	SEAL, dust (2)	All Models
12	45405-75A	SCREW, w/ washer (2)	All Models
13	45461-87	BUSHING, upper (2)	All Models
14	45460-90	RING, damper tube (2)	All Models
15	45465-87	BUSHING, slider tube (2)	All Models
16	45790-80	DRAIN SCREW, w/ washer (2)	All Models
17	45900-04	FORK SLIDER AND TUBE ASSEMBLY - right	883/883C/1200C
18	45901-04	FORK SLIDER AND TUBE ASSEMBLY - left	All Models
19	45905-87	RETAINING RING, oil seal (2)	All Models
20	45921-00	SLIDER ASSEMBLY, left	All Models
21	45922-00	SLIDER ASSEMBLY, right	1200R
22	45923-00	SLIDER ASSEMBLY, right	883/883C/1200C
23	45925-04	DAMPER TUBE (2)	All Models
24	45984-87	O-RING (2)	All Models
25	45996-87	CAP, slider tube (2)	All Models
26	46002-87	COVER, slider (2)	All Models
27	46029-04	FORK SLIDER AND TUBE ASSEMBLY - right	1200R
28	59481-00	REFLECTOR, amber - right	All Models
29	59482-00	REFLECTOR, amber - left	All Models

SHOCK ABSORBERS



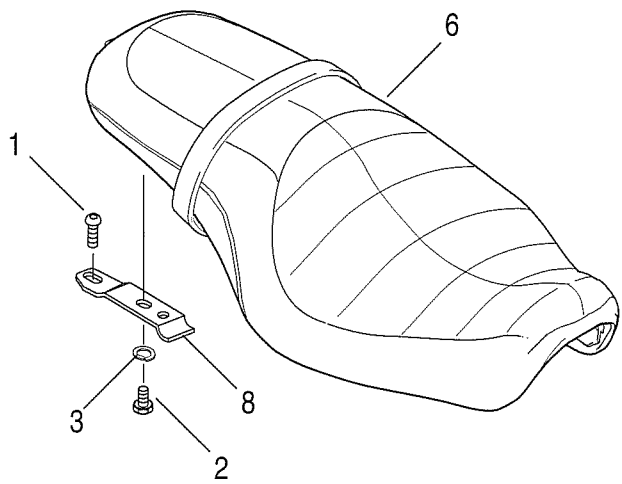
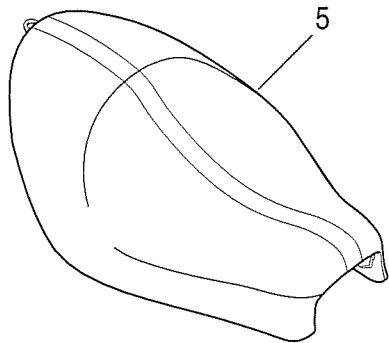
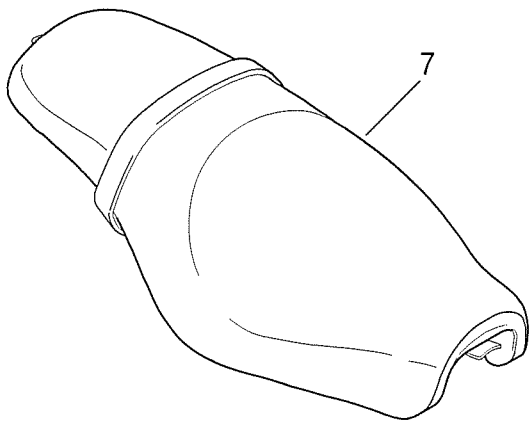
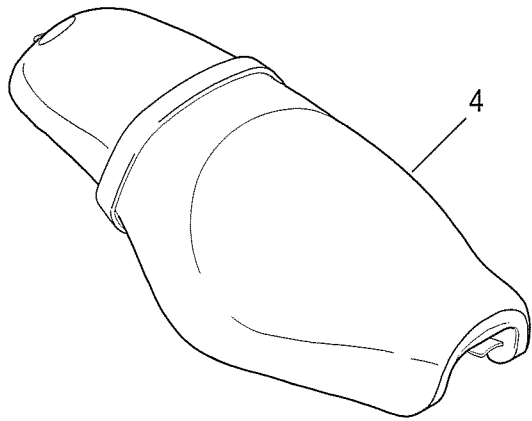
INDEX NO.	PART NO.	DESCRIPTION	MODELS
1	3880	SCREW, upper (2)	All Models
2	4354	SCREW, lower (2)	All Models
3	6718	WASHER (2)	All Models
4	6738	WASHER (2)	All Models
5	7824	NUT (2)	All Models
6	54473-79	SEAT, spring - upper (2)	All Models
7	54475-79	SPRING GUIDE, lower (2)	All Models
8	54476-82	ADJUSTER, spring (2)	All Models
9	54556-84	BUSHING, damper (4)	All Models
10	54566-04	SHOCK ABSORBER, complete (2)	883/1200R
	54568-04	SHOCK ABSORBER, complete (2)	883C/1200C
11	54701-82	COVER, shock absorber (2)	All Models
12	54724-04	COVER, shock absorber stud (2)	All Models

FRAME, REAR FORK & JIFFY STAND



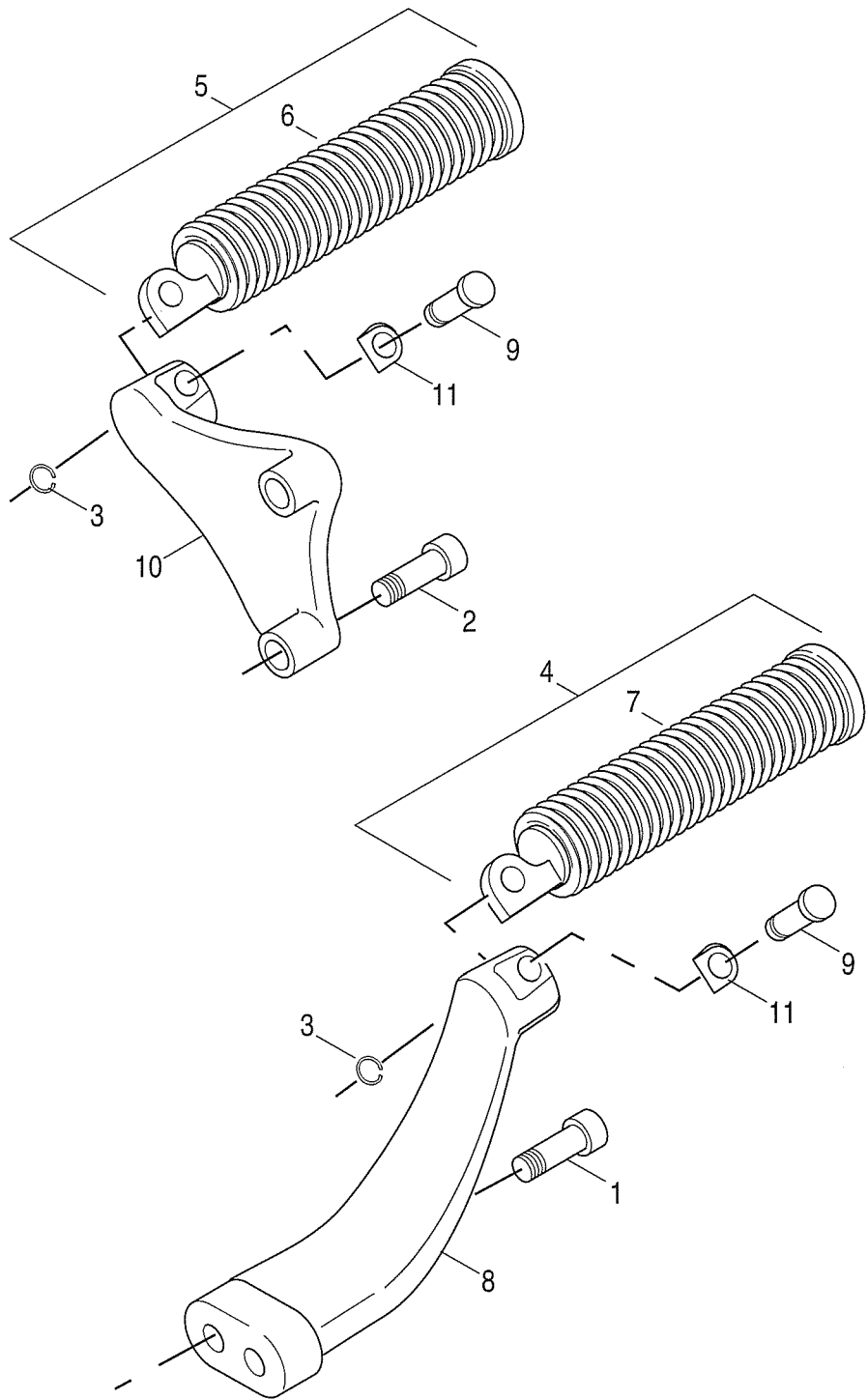
INDEX NO.	PART NO.	DESCRIPTION	MODELS
1	554A	PRETZEL CLIP	All Models
2	1594	PIN, lock	All Models
3	7778	LOCKNUT (2)	All Models
4	8135B	PUSH NUT	All Models
5	9209	BEARING, swing arm w/ #11282	All Models
6	11282	RETAINING RING	All Models
7	11376	GROMMET, side cover mounting	All Models
8	41573-97	ADJUSTER, rear axle (2)	All Models
9	41698-04	BOLT, swing arm pivot	All Models
10	43595-99	SPRING, fork lock	All Models
11	47554-73A	END COVER, rear fork (2)	All Models
12	47587-04	REAR FORK w/ bearings	All Models
13	48153-02	FORK LOCK w/ #1594 & 43595-99 (specify key code)	All Models
14	48315-60	BEARING CUP, steering head (2)	All Models
15	48878-04	FRAME w/ bearing cups	All Models
16	50003-89B	PIN, clevis	All Models
17	50005-85A	SPRING, jiffy stand	All Models
18	50185-04	JIFFY STAND	All Models
19	53158-98	BUSHING (2)	All Models
20	62122-89	BUMPER	All Models
21	66251-04	SIDE COVER, left	All Models
22	66252-04	SIDE COVER, right	All Models
23	70416-04	CLIP, side cover, front mounting	All Models
24	70417-04	CLIP, side cover, rear mounting	All Models
25	71472-04	BEZEL, oil tank filler (chrome)	All Models

SEATS



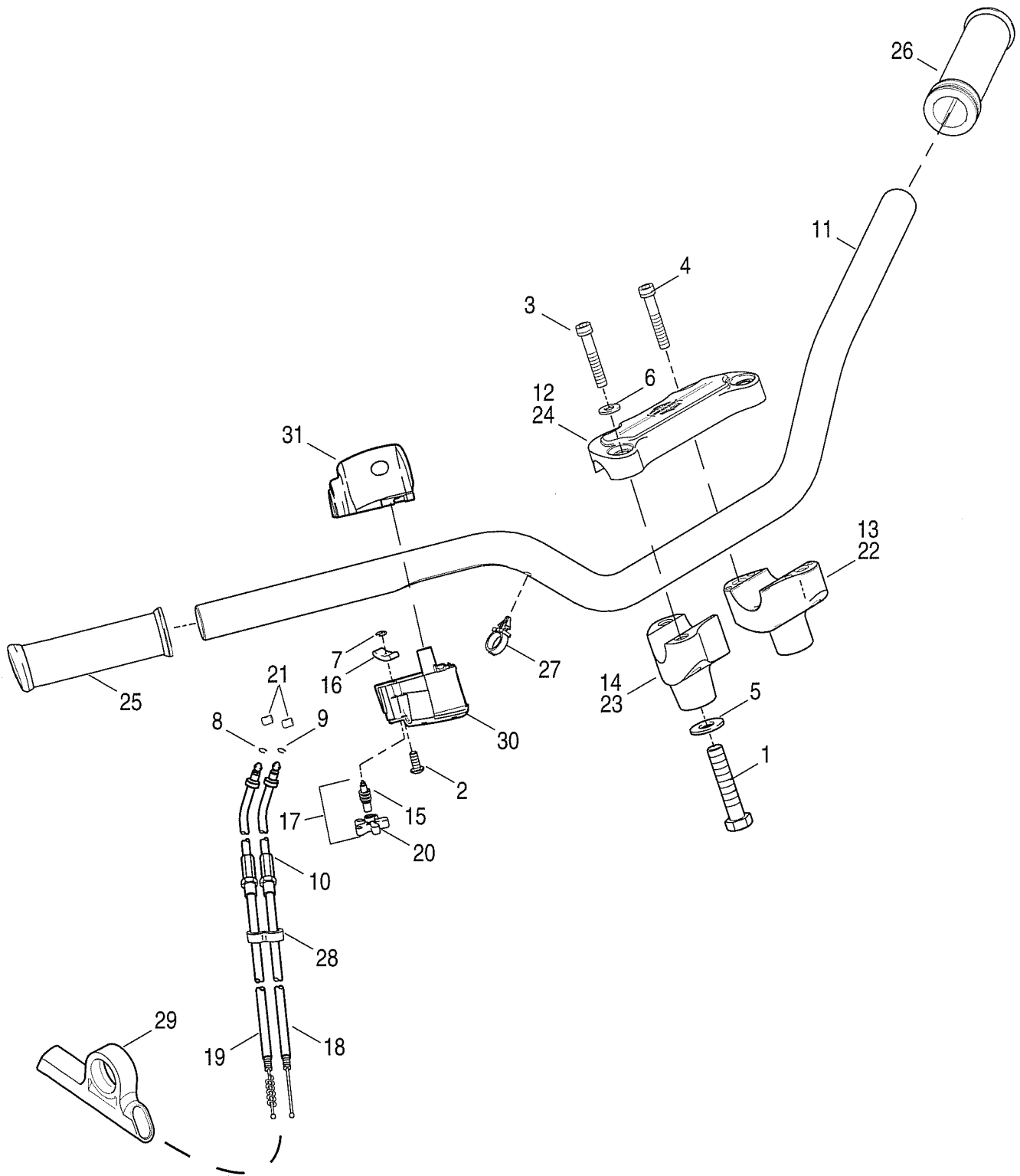
INDEX NO.	PART NO.	DESCRIPTION	MODELS
1	2952A	SCREW, seat mounting	All Models
2	3767B	SCREW (2)	All Models
3	7036	WASHER, lock	All Models
4	51530-04	SEAT ASSEMBLY w/ #3767B (2), 51652-97 & 7036 (2)	1200C
5	51532-04	SEAT ASSEMBLY w/ #3767B (2), 51652-97 & 7036 (2)	883
6	51558-04	SEAT ASSEMBLY w/ #3767B (2), 51652-97 & 7036 (2)	1200R
7	52608-04	SEAT ASSEMBLY w/ #3767B (2), 51652-97 & 7036 (2)	883C
8	51652-97	BRACKET, seat mounting	All Models

FOOTRESTS



INDEX NO.	PART NO.	DESCRIPTION	MODELS
1	4748	SCREW, socket head (2)	883/1200R
2	4748	SCREW, socket head (4)	883C/1200C/1200R
	740	HOLE PLUG (5) (not illustrated)	883
3	11304	RETAINING RING (1-883, 2883C/1200C, 3-1200R)	All Models
4	33032-99	FOOTREST, w/ rubber	All Models
5	33048-72	FOOTREST, w/ rubber (2)	883C/1200C/1200R
6	33189-63	RUBBER, footrest, rear	883C/1200C/1200R
7	33216-99	RUBBER, footrest, front	All Models
8	42972-04	BRACKET, rider footrest support - left	883/1200R
9	45041-01	CLEVIS PIN (1 - 883, 2 - 883C/1200C, 3 - 1200R)	All Models
10	49314-04	BRACKET, passenger footrest - right (not illustrated)	883C/1200C/1200R
	49315-04	BRACKET, passenger footrest - left	883C/1200C/1200R
11	50912-72	SPRING WASHER (1 - 883, 2 - 883C/1200C, 3 - 1200R)	All Models

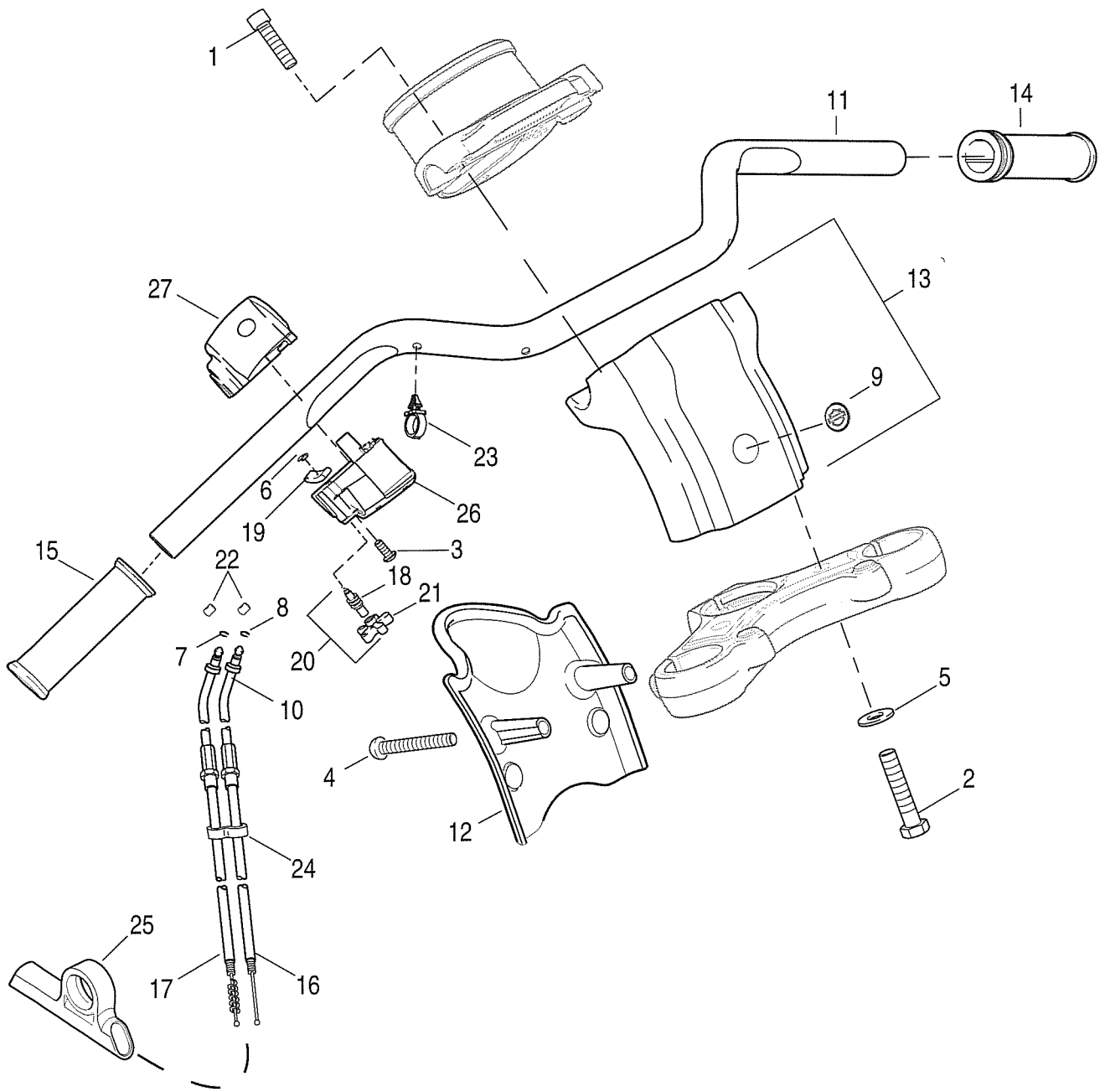
HANDLEBAR & THROTTLE CONTROL



HANDLEBAR & THROTTLE CONTROL

INDEX NO.	PART NO.	DESCRIPTION	MODELS
1	3605	BOLT (2)	883/1200R
2	3658	SCREW (2)	883/1200R
3	4326A	SCREW (2)	883/1200R
4	4816A	SCREW (2)	883/1200R
5	6590HW	WASHER (2)	883/1200R
6	6702	WASHER (2)	883/1200R
7	11155	RETAINING RING	883/1200R
8	11271	RING, retainer - idle	883/1200R
9	11272	RING, retainer - throttle	883/1200R
10	38653-01	BOOT, cable, throttle	883/1200R
11	56004-00	HANDLEBAR	1200R
	55845-04	HANDLEBAR	883
12	56115-95	CLAMP, handlebar - upper (black)	883
13	56116-82A	CLAMP, handlebar - lower left	883
14	56117-82A	CLAMP, handlebar - lower right	883
15	56394-74	SPRING, adjusting screw	883/1200R
16	56396-74A	FRICTION SPRING, throttle grip	883/1200R
17	56397-74C	KIT, throttle adjusting screw, w/ #11155, 56394-74 & 56402-83A	883/1200R
18	56400-96	THROTTLE CONTROL ASSEMBLY	883/1200R
19	56401-96	IDLE CONTROL ASSEMBLY	883/1200R
20	56402-83A	ADJUSTING SCREW, throttle	883/1200R
21	56508-76	FERRULE (2)	883/1200R
22	56541-86A	CLAMP, handlebar - lower left	1200R
23	56542-86A	CLAMP, handlebar - lower right	1200R
24	56567-86B	CLAMP, handlebar - upper	1200R
25	56666-04	GRIP AND SLEEVE, throttle	883/1200R
26	56667-04	HANDLEBAR GRIP	883/1200R
27	70345-84	RETAINER, wire harness (4)	883/1200R
28	70504-81	CLIP, throttle cables	883/1200R
29	70518-04	GUIDE, throttle cable	883/1200R
30	71563-96	HOUSING, switches & throttle control - lower	883/1200R
31	71564-96	HOUSING, switches & throttle control - upper	883/1200R

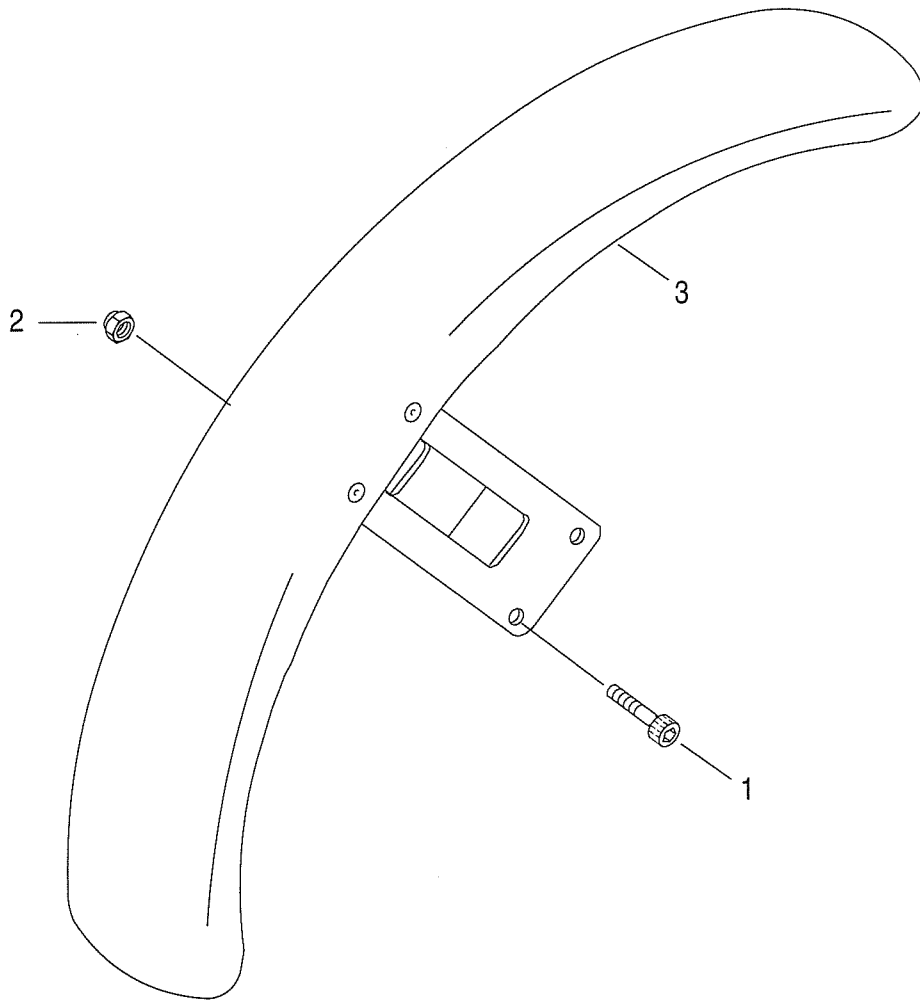
HANDLEBAR & THROTTLE CONTROL - 883/1200 CUSTOM



HANDLEBAR & THROTTLE CONTROL - 883/1200 CUSTOM

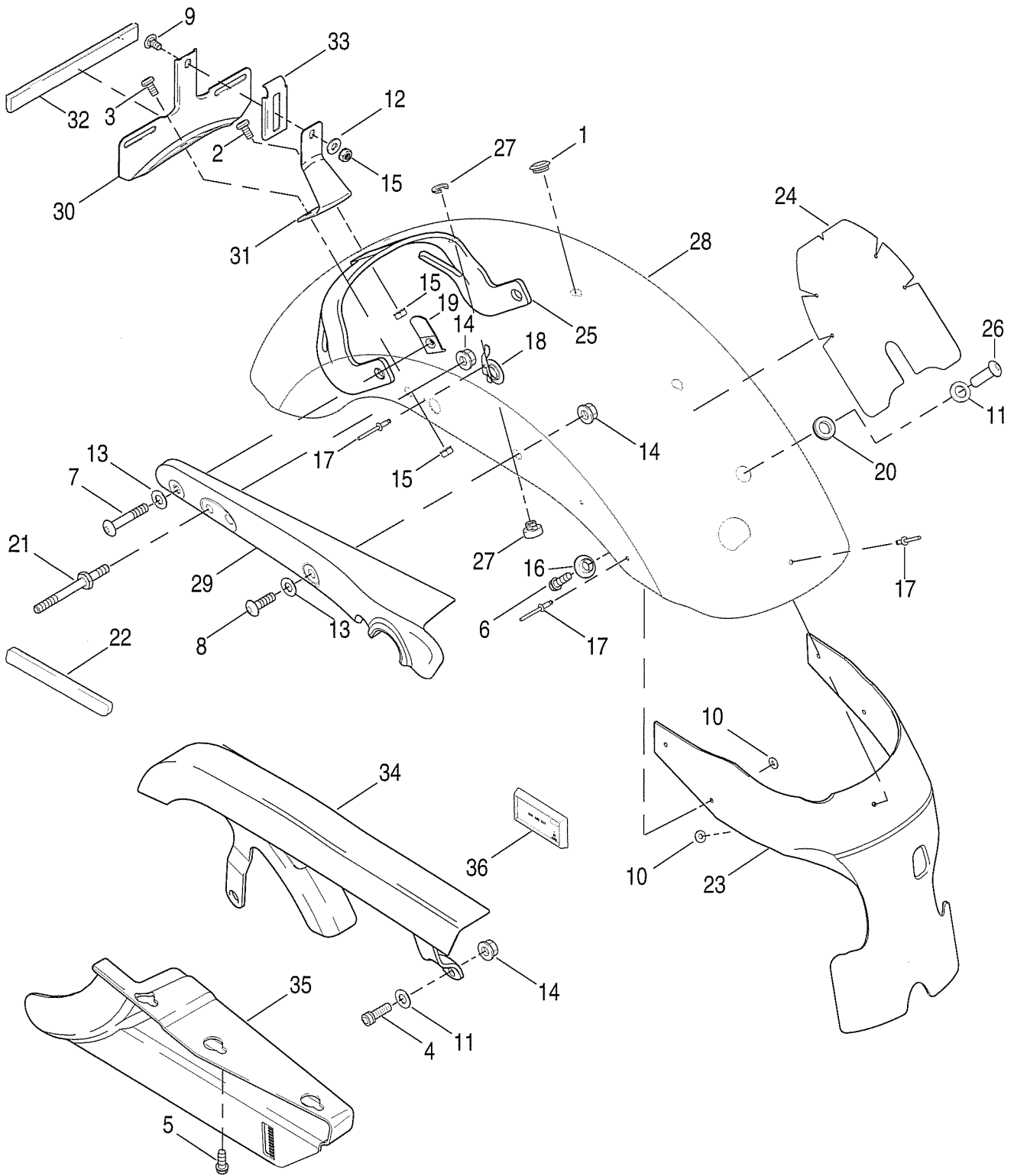
INDEX NO.	PART NO.	DESCRIPTION	MODELS
1	3210A	SCREW (4)	883C/1200C
2	3605	BOLT (2)	883C/1200C
3	3658	SCREW (2)	883C/1200C
4	3666A	SCREW (2)	883C/1200C
5	6590HW	WASHER (2)	883C/1200C
	10006	CABLE STRAP (2) (not illustrated)	883C/1200C
6	11155	RETAINING RING	883C/1200C
7	11271	RING RETAINER (idle)	883C/1200C
8	11272	RING RETAINER (throttle)	883C/1200C
9	14448-94	LOGO BAR & SHIELD	883C/1200C
10	38653-01	BOOT, cable, throttle	883C/1200C
11	55840-04	HANDLEBAR	883C/1200C
12	55842-04	COVER, riser	883C/1200C
13	56017-04	RISER ASSEMBLY, handle bar w/# 14448-94	883C/1200C
14	56667-04	HANDLEBAR GRIP	883C/1200C
15	56666-04	GRIP AND SLEEVE, throttle	883C/1200C
16	56400-96	THROTTLE CONTROL ASSEMBLY	883C/1200C
17	56401-96	IDLE CONTROL ASSEMBLY	883C/1200C
18	56394-74	SPRING, adjusting screw	883C/1200C
19	56396-74A	FRICTION SPRING, throttle grip	883C/1200C
20	56397-74C	KIT, throttle adjusting screw, w/ #11155, 56394-74 & 56402-83A	883C/1200C
21	56402-83A	ADJUSTING SCREW, throttle	883C/1200C
22	56508-76	FERRULE (2)	883C/1200C
23	70345-84	RETAINER, wire harness	883C/1200C
24	70504-81	CLIP, throttle cables	883C/1200C
25	70518-04	GUIDE, throttle cable	883C/1200C
26	71563-96	HOUSING, switches & throttle control - lower	883C/1200C
27	71564-96	HOUSING, switches & throttle control - upper	883C/1200C

FRONT FENDER



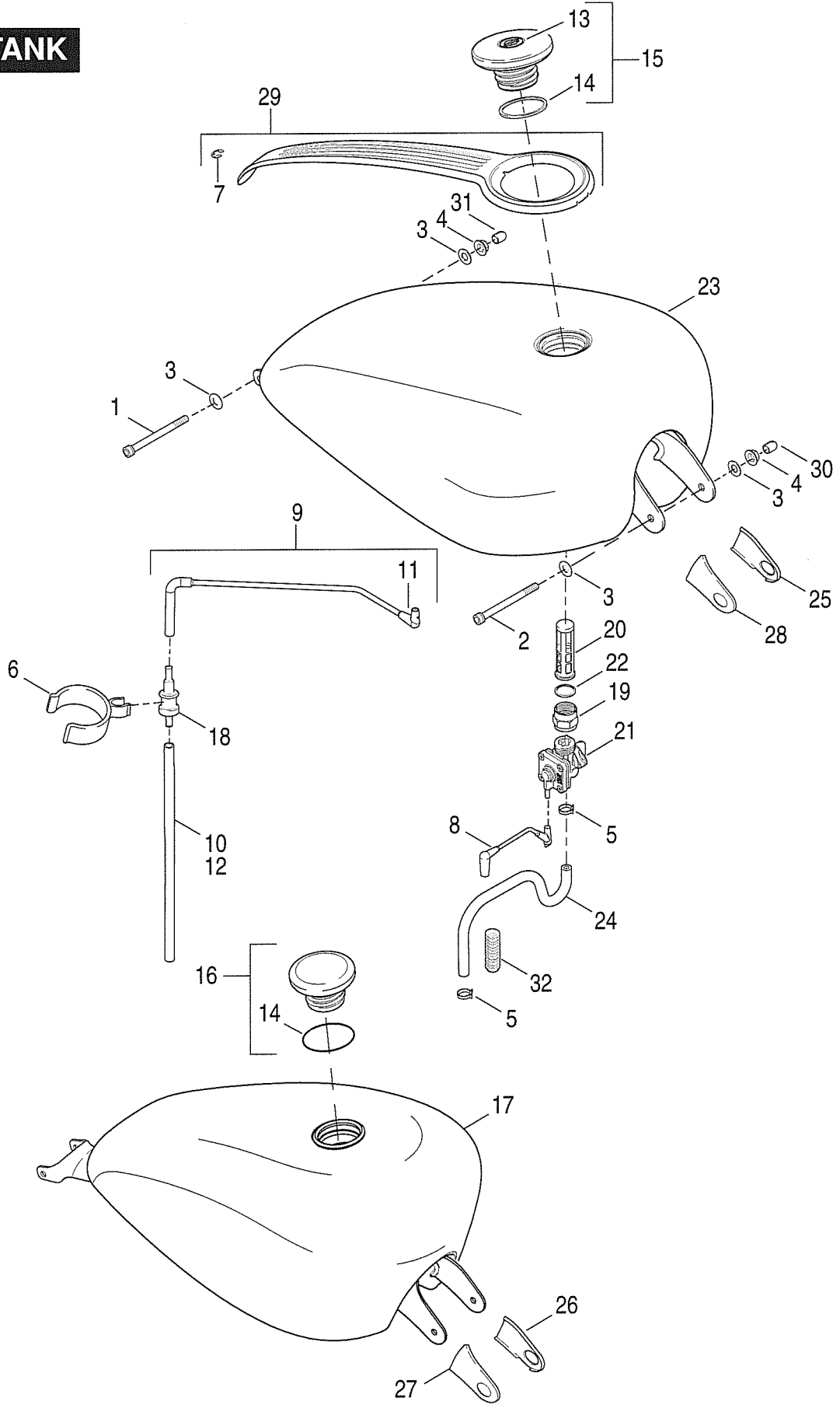
INDEX NO.	PART NO.	DESCRIPTION	MODELS
NOTE: REFER TO PAINTED PARTS BOOK FOR PAINTED PART NUMBERS.			
1	3210A	SCREW (4)	All Models
2	7531	LOCKNUT (4)	All Models
3	58998-83C	FRONT FENDER, prime	All Models

REAR FENDER & BELT GUARDS



INDEX NO.	PART NO.	DESCRIPTION	MODELS
NOTE: REFER TO PAINTED PARTS BOOK FOR PAINTED PART NUMBERS.			
1	761	PLUG (black) (2)	All Models
2	2607	SCREW	All Models
3	2773	SCREW (2)	All Models
4	2708A	SCREW	All Models
5	3579A	SCREW (3)	All Models
6	4017	SCREW	All Models
7	4778	SCREW, button head, TORX (2)	All Models
8	4779	SCREW, button head, TORX (2)	All Models
9	5403B	CARRIAGE BOLT	All Models
10	6192	WASHER (5)	All Models
11	6702	WASHER (2)	All Models
12	6703	WASHER	All Models
13	6798	WASHER (4)	All Models
14	7531	NUT (5)	All Models
15	7792	NUT, kept (4)	All Models
16	7882	TEE SPACER	All Models
17	8692	RIVET (7)	All Models
18	10200	BRACKET, wire retention (2)	All Models
19	10242	CLIP, threaded	All Models
20	11474	GROMMET	All Models
21	56104-02	SCREW, rear fender (2)	All Models
22	59287-92	REFLECTOR, right (red)	All Models
	59288-92	REFLECTOR, left (red)	All Models
23	59502-04	REAR FENDER EXTENSION	All Models
24	59547-04	TAPE, paint protection	All Models
25	59673-04	FENDER SUPPORT	All Models
26	59723-04	SEAT POST	All Models
27	59768-97	FENDER SEAT NUT KIT	All Models
28	59847-04	REAR FENDER (prime)	All Models
29	59902-04	COVER, rear fender support - right (chrome)	All Models
	59903-04	COVER, rear fender support - left (chrome) (not illustrated)	All Models
30	59984-73	BRACKET, license plate	All Models
31	59986-75	SUPPORT, license plate bracket	All Models
32	59988-72A	REFLECTOR, license plate bracket	All Models
33	60001-55	CLAMP, license plate bracket	All Models
34	60367-04	BELT GUARD	All Models
35	60435-04	DEBRIS DEFLECTOR	All Models
H-D INTERNATIONAL ONLY			
36	59254-91	REFLECTOR, amber (2) (HDI)	All Models

FUEL TANK

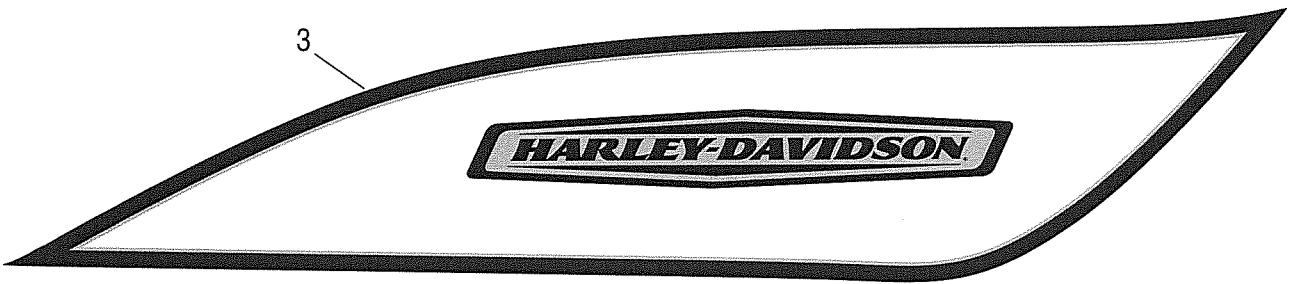


INDEX NO.	PART NO.	DESCRIPTION	MODELS
NOTE: REFER TO PAINTED PARTS BOOK FOR PAINTED PART NUMBERS.			
1	4758A	SCREW	All Models
2	4771	SCREW	All Models
3	6702	WASHER (4)	All Models
4	7531	LOCKNUT, flange (2)	All Models
5	10014	CLAMP (2)	All Models
6	10254	CLIP, vapor valve mounting	All Models
	11000	E-CLIP	1200C
7	26556-04	VACCUUM HOSE ASSEMBLY	883/1200R
8	26588-04	VACCUUM HOSE ASSEMBLY	883C/1200C
9	27067-04	VENTLINE, tank-to-valve w/ #27250-96A	All Models
10	27096-04	HOSE, vapor valve-to--atmosphere	All Models
11	27250-96A	CONNECTOR, 90 degree	All Models
12	28911-04	HOSE, vapor valve-to-evaporative canister (CALIFORNIA)	All Models
13	52494-04	FUEL CAP, medallion	883C/1200C
14	61109-85D	GASKET, fuel cap	All Models
15	61260-04	FUEL CAP, vented w/ #52494-04, 61109-85D	883C/1200C
16	61272-92B	FUEL CAP, w/ #61109-85D	883/1200R
17	61348-04	FUEL TANK ASSEMBLY (prime)	883/1200R
18	62150-85	VAPOR VALVE	All Models
19	62161-02	NUT, fuel valve	All Models
20	62166-02	FILTER, fuel valve	All Models
21	62169-02A	FUEL VALVE	All Models
22	62172-02	GASKET, fuel valve	All Models
23	62213-04	FUEL TANK ASSEMBLY (prime)	883C/1200C
24	62347-04	FUEL HOSE, preformed	All Models
25	70903-04	TRIM, left front	883C/1200C
26	70904-04	TRIM, left front	883/1200R
27	70917-04	TRIM, right front	883/1200R
28	70919-04	TRIM, right front	883C/1200C
29	71276-04	CONSOLE ASSEMBLY, fuel tank	1200C
30	89579-91	CAP, protective	All Models
31	89586-04	CAP, protective	All Models

NOTE: Hoses are sold in bulk length under the following part number.
Cut to the required length.

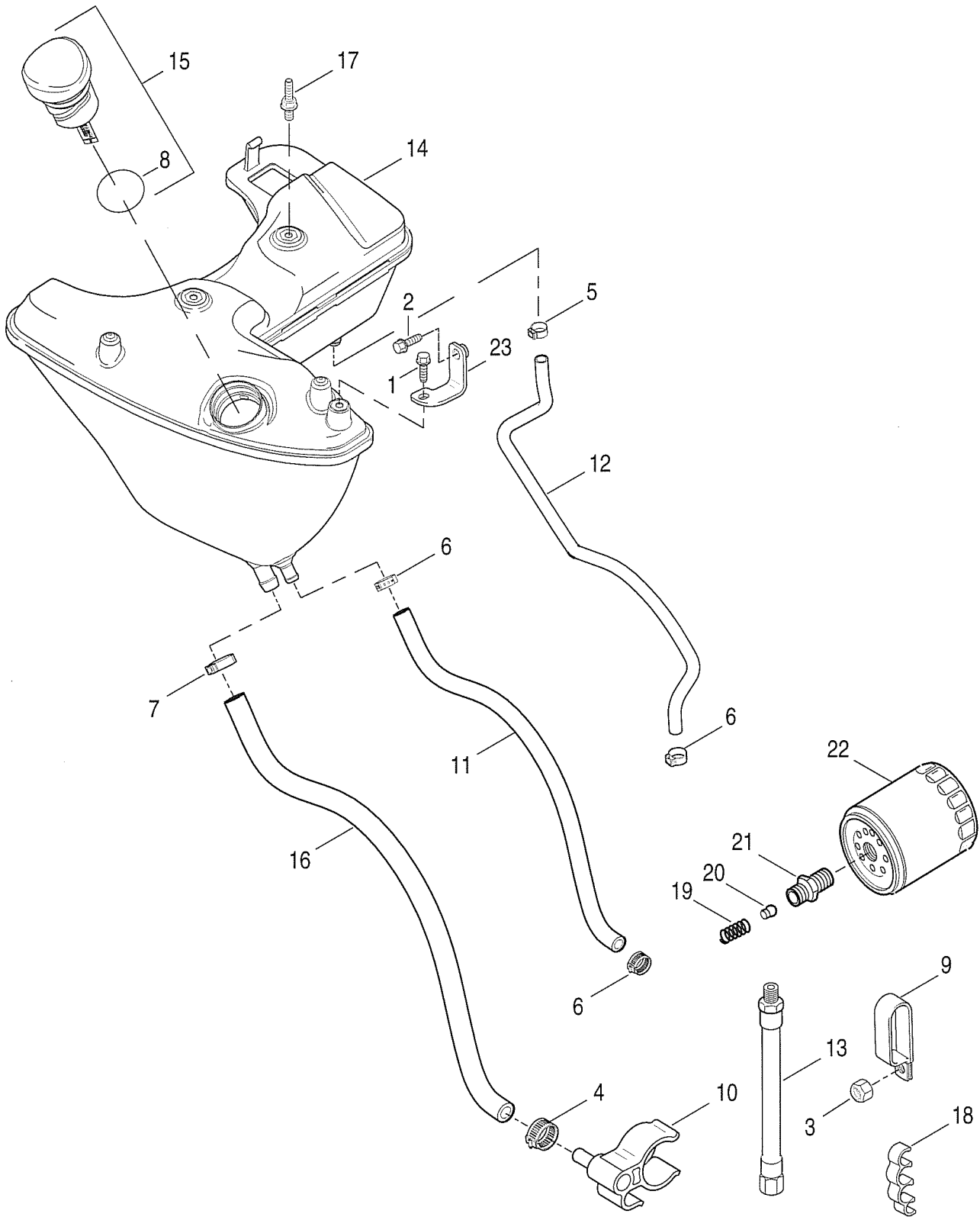
32	63505-84	INSULATOR, 1/2 I.D. (nylon) (8 ft. lg)	All Models
----	----------	--	------------

FUEL TANK TRIM



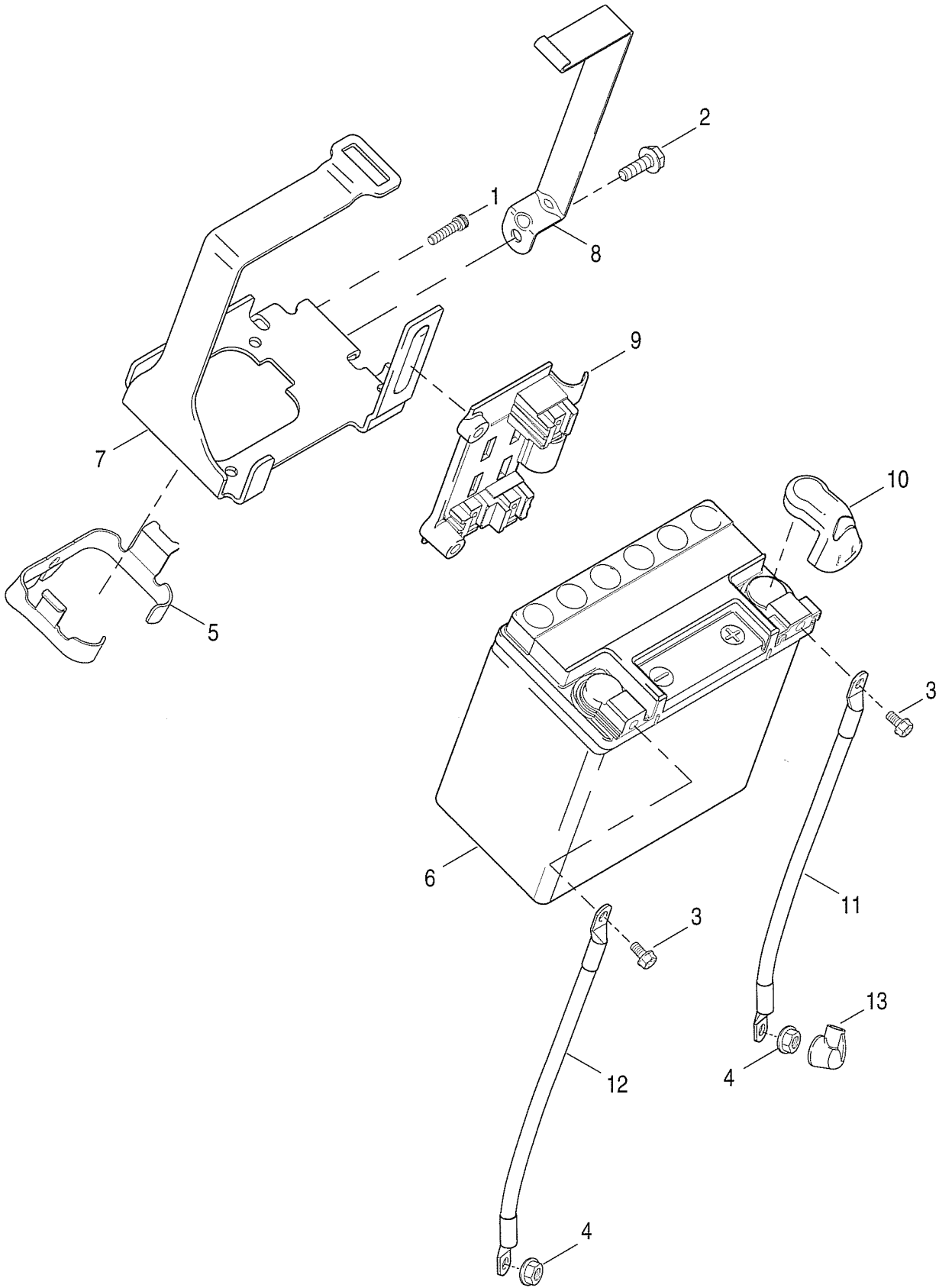
INDEX NO.	PART NO.	DESCRIPTION	MODELS
1	13340-04	DECAL, fuel tank (red) (2)	883
	13341-04	DECAL, fuel tank (blue) (2)	883
2	13342-04	DECAL, fuel tank (red) (2)	883C
	13343-04	DECAL, fuel tank (blue) (2)	883C
	13367-04	DECAL, fuel tank (turquoise) (2)	883C
3	13371-04	DECAL, fuel tank, LH (red)	1200R
	13372-04	DECAL, fuel tank, RH (red)	1200R
	13373-04	DECAL, fuel tank, LH (blue)	1200R
	13374-04	DECAL, fuel tank, RH (blue)	1200R
4	62260-04	MEDALLION, fuel tank, LH (red)	1200C
	62261-04	MEDALLION, fuel tank, RH (red)	1200C
	62262-04	MEDALLION, fuel tank LH (blue)	1200C
	62263-04	MEDALLION, fuel tank, RH (blue)	1200C
	62270-04	MEDALLION, fuel tank, LH (turquoise)	1200C
	62271-04	MEDALLION, fuel tank, RH (turquoise)	1200C

OIL TANK & FILTER



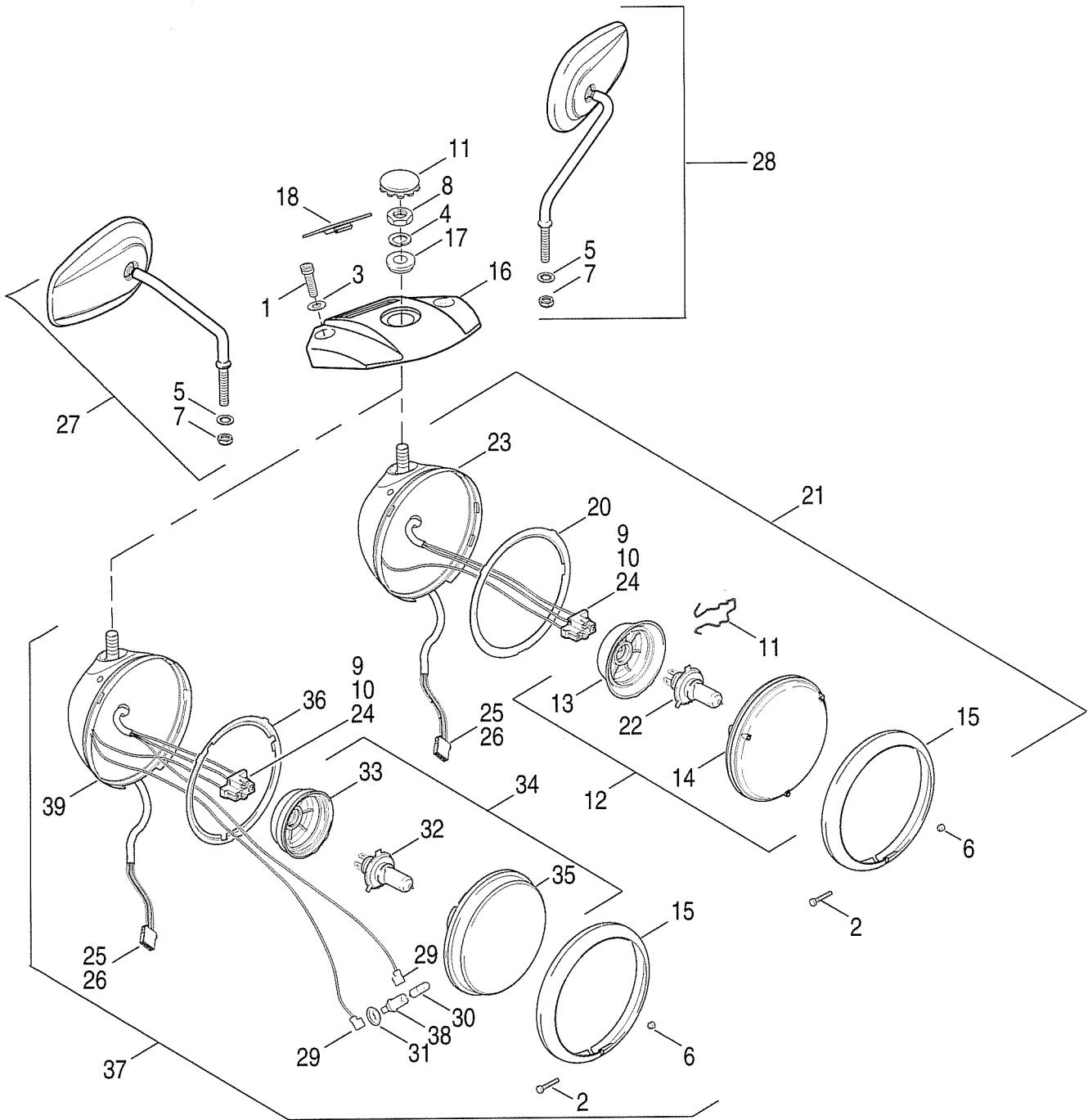
INDEX NO.	PART NO.	DESCRIPTION	MODELS
1	3588	SCREW, flange	All Models
2	3799	SCREW, flange	All Models
3	7624	LOCK NUT	All Models
4	9969	HOSE CLAMP	All Models
5	10014	CLAMP	All Models
6	10080	CLAMP (3)	All Models
7	10142	CLAMP	All Models
8	11120	O-RING	All Models
9	31512-04	HOSE CLAMP	All Models
10	33123-04	PLUG, oil tank drain	All Models
11	62338-01Y	HOSE, oil	All Models
12	62361-04	HOSE, oil return line	All Models
13	62651-04	HOSE, oil pump	All Models
14	62888-04	OIL TANK ASSEMBLY	All Models
15	63000-04	DIPSTICK ASSEMBLY, oil tank w/ #11120	All Models
16	63589-04	HOSE, oil drain	All Models
17	65092-04	STUD SPACER (2)	All Models
18	70503-04	HOSE CLIP	All Models
19	26436-90A	SPRING	All Models
20	26437-86B	BALL	All Models
21	33117-91A	ADAPTOR, oil filter	All Models
22	63805-80A	OIL FILTER	883/883C/1200R
	63796-77A	OIL FILTER (chrome)	1200C
23	66199-04	BRACKET, oil tank	All Models

BATTERY



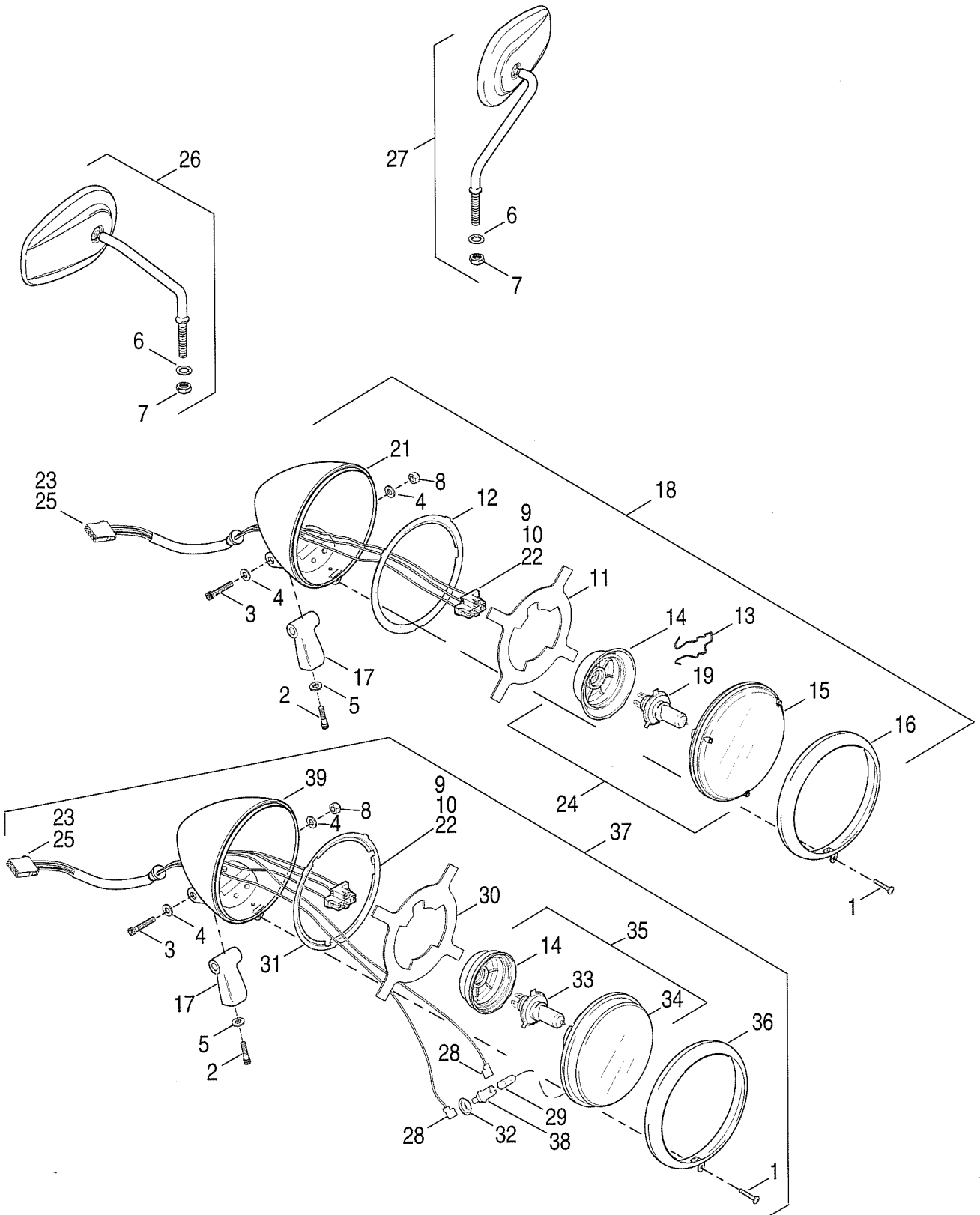
INDEX NO.	PART NO.	DESCRIPTION	MODELS
1	2535	SCREW (3)	All Models
2	3574	SCREW, flange	All Models
3	4312A	SCREW, flange (2)	All Models
4	7770	NUT, flange (2)	All Models
	10006	CABLE STRAP (not illustrated)	All Models
5	10212	CLIP, turn-signal canceller	All Models
6	65958-04	BATTERY w/ #4312A (2)	All Models
7	66194-04	TRAY, battery	All Models
8	66476-04	STRAP, battery	All Models
9	66498-04	CADDY, electric component	All Models
10	70003-04	COVER, battery terminal	All Models
11	70295-04	CABLE, battery-to-starter w/ #70578-89	All Models
12	70296-04	CABLE, battery-to-ground	All Models
13	70578-89	RUBBER BOOT	All Models

HEADLAMP & MIRROR - 883/1200R



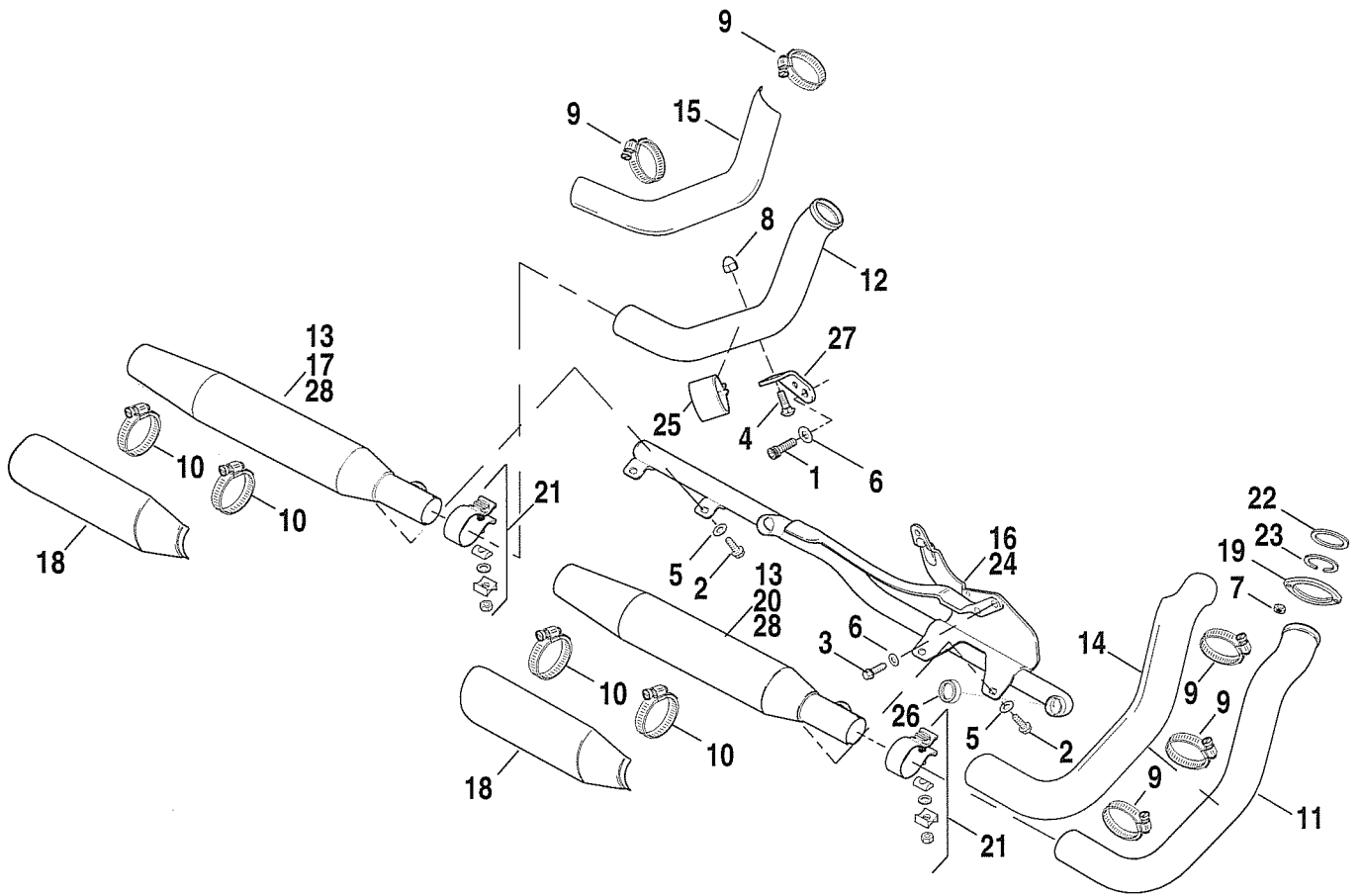
INDEX NO.	PART NO.	DESCRIPTION	MODELS
1	2708A	SCREW (2)	883/1200R
2	3514	SCREW	883/1200R
3	6702	WASHER (2)	883/1200R
4	7068	WASHER, lock	883/1200R
5	7127	WASHER, lock (2)	883/1200R
6	7606	NUT	883/1200R
7	7727	NUT, lock (2)	883/1200R
8	7880	NUT	883/1200R
9	9847	CONNECTOR, right	883/1200R
10	9848	CONNECTOR, left	883/1200R
11	67685-92	CLIP, burner retainer	883/1200R
12	67698-81D	HEADLAMP ASSEMBLY w/ #67685-92, 67705-92, 67757-92 & 68329-03 (DOMESTIC)	883/1200R
13	67705-92	BOOT, headlamp connector	883/1200R
14	67757-92	HOUSING, headlamp w/ #67685-92	883/1200R
15	67790-93	BEZEL	883/1200R
16	67805-92	BRACKET, headlamp	883
	69709-00	HEADLAMP BRACKET KIT w/ trim (chrome)	1200R
17	67815-59A	WASHER, headlamp	883/1200R
18	67834-83	TRIM, headlamp bracket	883
19	67865-89	PLUG	883/1200R
20	67883-04	RING, headlamp adapter	883/1200R
21	68116-04	HEADLAMP ASSEMBLY (DOMESTIC)	883/1200R
22	68329-03	BULB	883/1200R
23	69628-04	HEADLAMP SHELL ASSEMBLY, w/ #9847, 9848, 72056-92, 73154-96BK & 73191-96 (DOMESTIC)	883/1200R
24	72056-92	HOUSING, female	883/1200R
25	73191-96	SOCKET	883/1200R
26	73154-96BK	HOUSING, socket	883/1200R
27	91840-03A	MIRROR KIT, right, short	1200R
	91846-03A	MIRROR KIT, right, long	883
28	91845-03A	MIRROR KIT, left, short	1200R
	91848-03A	MIRROR KIT, left, long	883
H-D INTERNATIONAL ONLY			
29	9898	TERMINAL FLAG	883/1200R
30	53438-92	BULB	883/1200R
31	67691-92	GROMMET	883/1200R
32	67697-81	BULB	883/1200R
33	67705-92	BOOT, connector, headlamp	883/1200R
34	67763-92	HEADLAMP ASSEMBLY, right w/ #67691-92, 67697-81, 67705-92 & 67764-92	883/1200R
	67781-92	HEADLAMP ASSEMBLY, left w/ #67691-92, 67697-81, 67705-92 & 67787-92	883/1200R
35	67787-92	HOUSING, headlamp, left	883/1200R
36	67877-02	RING, headlamp adapter	883/1200R
37	68117-04	HEADLAMP ASSEMBLY, left side dip (HDI)	883/1200R
	68118-04	HEADLAMP ASSEMBLY, right side dip (HDI)	883/1200R
38	68650-92	SOCKET, bulb (2 spade)	883/1200R
39	69669-04	HEADLAMP SHELL ASSEMBLY w/ #72056-92, 73154-96BK, 73191-96, 883/1200R 9847, 9848, 9898	883/1200R

HEADLAMP & MIRROR - 883C/1200C



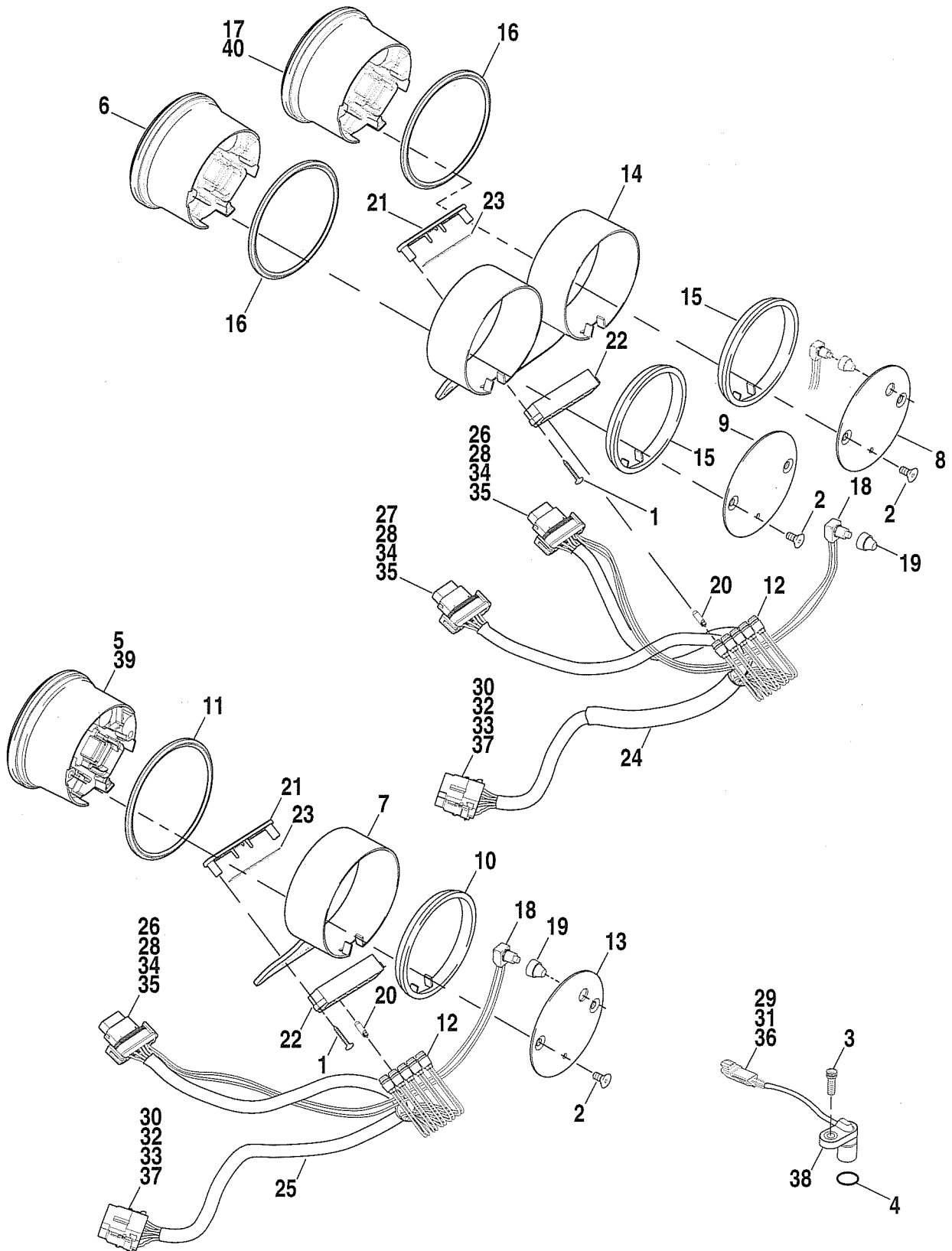
INDEX NO.	PART NO.	DESCRIPTION	MODELS
1	3615	SCREW	883C/1200C
2	4350A	SCREW	883C/1200C
3	4420	SCREW	883C/1200C
4	6701	WASHER (2)	883C/1200C
5	7045	WASHER	883C/1200C
6	7127	WASHER	883C/1200C
7	7727	NUT, lock	883C/1200C
8	7778	NUT	883C/1200C
9	9847	CONNECTOR, right	883C/1200C
10	9848	CONNECTOR, left	883C/1200C
11	67601-94	GASKET, headlamp	883C/1200C
12	67603-94	RETAINING RING, headlamp	883C/1200C
13	67685-92	CLIP, burner retainer	883C/1200C
14	67705-92	BOOT, headlamp connector	883C/1200C
15	67757-92	HOUSING, headlamp w/ #67685-92	883C/1200C
16	67894-93	BEZEL ASSEMBLY	883C/1200C
17	67919-96	MOUNT, headlamp	883C/1200C
18	68119-04	HEADLAMP ASSEMBLY (DOMESTIC) (chrome)	883C/1200C
19	68329-03	BULB	883C/1200C
20	69670-04	HEADLAMP SHELL ASSEMBLY w/ #9847, 9848, 69682-04, 72056-92, 73154-96BK & 73191-96 (DOMESTIC)	883C/1200C
21	69682-04	HEADLAMP SHELL	883C/1200C
22	72056-92	HOUSING, female	883C/1200C
23	73191-96	SOCKET	883C/1200C
24	67698-81D	HEADLAMP ASSEMBLY w/ #67685-92, 67705-92, 67757-92 & 68329-03 (DOMESTIC)	883C/1200C
25	73154-96BK	HOUSING, socket	883C/1200C
26	91846-03A	MIRROR KIT, right	883C/1200C
27	91848-03A	MIRROR KIT, left	883C/1200C
H-D INTERNATIONAL ONLY			
28	9898	TERMINAL FLAG	883C/1200C
29	53438-92	BULB	883C/1200C
30	67602-94	HEADLAMP, gasket	883C/1200C
31	67604-94	RETAINING RING, headlamp (HDI)	883C/1200C
32	67691-92	GROMMET	883C/1200C
33	67697-81	BULB	883C/1200C
34	67764-92	HOUSING, headlamp, right dip w/ #67691-92	883C/1200C
	67787-92	HOUSING, headlamp, left dip w/ #67691-92	883C/1200C
35	67763-92	HEADLAMP, ASSEMBLY, right dip w/ #67691-92, 67697-81, 67705-92 & 67787-92	883C/1200C
	67781-92	HEADLAMP, ASSEMBLY, left dip w/ #67691-92, 67697-81, 67705-92 & 67787-92	883C/1200C
36	67790-93	BEZEL	883C/1200C
37	68149-04	HEADLAMP ASSEMBLY, left dip (HDI)	883C/1200C
	68159-04	HEADLAMP ASSEMBLY, right dip (HDI)	883C/1200C
38	68650-92	SOCKET, bulb (2 spade)	883C/1200C
39	69681-04	HEADLAMP SHELL ASSEMBLY w/ #9847, 9848, 9898, 69682-04, 72056-92, 73154-96BK & 73191-96 (HDI)	883C/1200C

EXHAUST SYSTEM



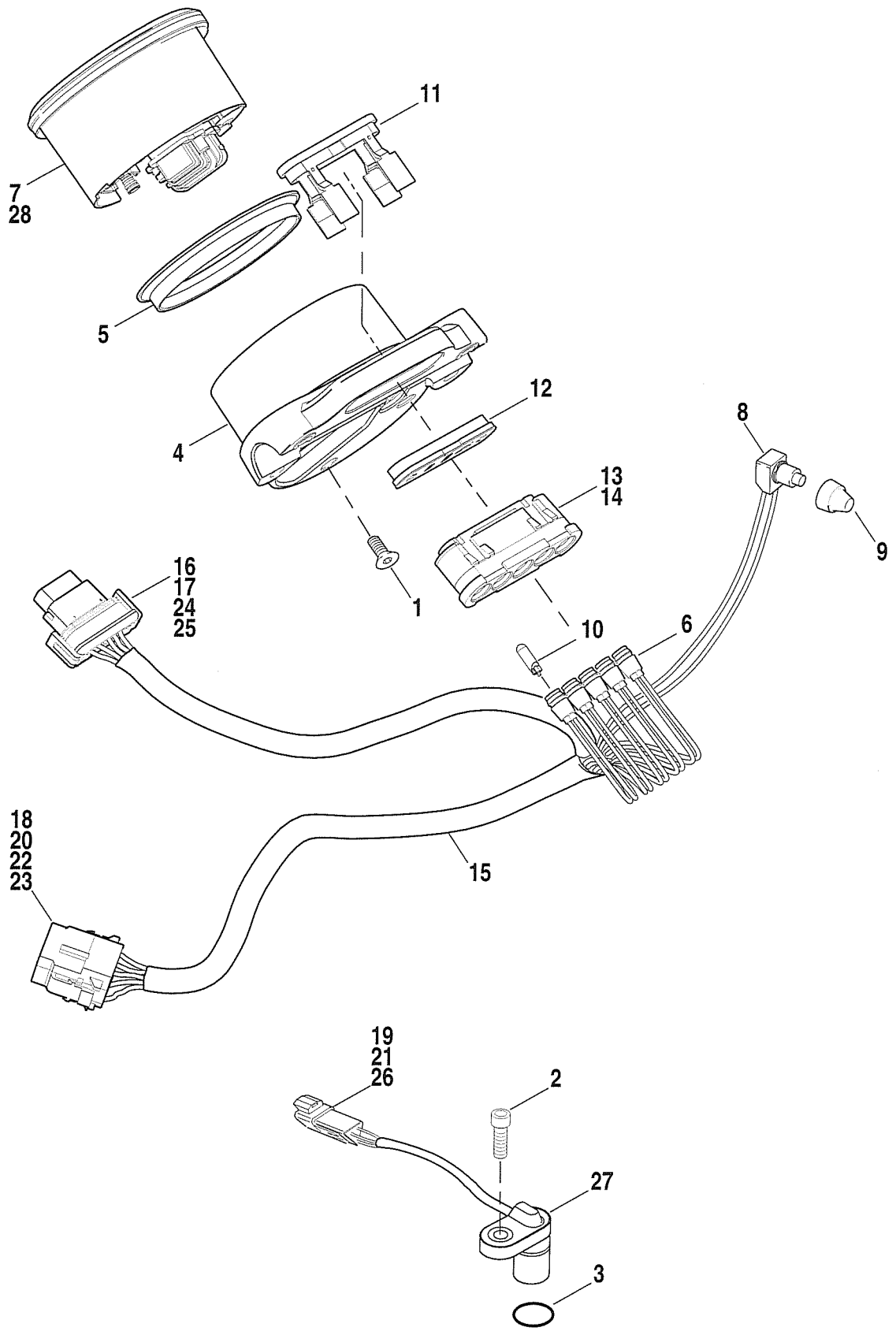
INDEX NO.	PART NO.	DESCRIPTION	MODELS
1	4032A	SCREW	All Models
2	4269	BOLT, flanged (4)	All Models
3	4748	BOLT (3)	All Models
4	5414	CARRIAGE BOLT	All Models
5	6302	WASHER (4)	All Models
6	6701	WASHER (4)	All Models
7	7593	NUT (4)	All Models
8	7862	NUT, acorn w/ lock	All Models
9	9955	CLAMP, heat shield (5)	All Models
10	10074	CLAMP, muffler heat shield (4) (CALIFORNIA, HDI, ENGLAND)	All Models
11	64840-04	EXHAUST PIPE, front (chrome)	All Models
12	64841-04	EXHAUST PIPE, rear (chrome)	All Models
13	64842-04	MUFFLER, front (883C/1200C - DOMESTIC, CALIFORNIA, 883/1200R - DOMESTIC, CANADA), rear (883C/1200C - DOMESTIC, CALIFORNIA, CANADA)	883C/1200C
14	64846-04	HEAT SHIELD, front exhaust pipe	All Models
15	64847-04	HEAT SHIELD, rear exhaust pipe	All Models
16	64855-04	MUFFLER INTERCONNECT BRACKET, support assembly	883C/1200C
17	64890-04	MUFFLER, rear (DOMESTIC, CANADA, CALIFORNIA)	883/1200R
18	64889-04	HEAT SHIELD, muffler (2) (CALIFORNIA, HDI, ENGLAND)	All Models
19	65184-02	FLANGE, exhaust pipe (2)	All Models
20	65232-04	MUFFLER, front (CALIFORNIA)	All Models
21	65296-95	CLAMP, muffler (2)	All Models
22	65324-83A	GASKET, exhaust port (2)	All Models
23	65325-83A	RETAINING RING, exhaust gasket (2)	All Models
24	65339-04	MUFFLER INTERCONNECT BRACKET, support assembly	883/1200R
25	65302-82A	CLAMP, exhaust pipe	All Models
26	65927-00	GASKET, exhaust interconnect (2)	All Models
27	65974-04A	BRACKET, exhaust clamp	All Models
H-D INTERNATIONAL ONLY			
28	64848-04	MUFFLER, front (1200C/1200R - JAPAN), rear (1200C - JAPAN)	1200C/1200R
	64853-04	MUFFLER, front (883/883C - AUSTRALIA, JAPAN, 1200C/1200R - AUSTRALIA), rear (883C - AUSTRALIA, JAPAN, 1200C - AUSTRALIA)	All Models
	64854-04	MUFFLER, rear (883 - AUSTRALIA, JAPAN, 1200R - AUSTRALIA)	883/1200R
	64857-04	MUFFLER, rear (JAPAN)	1200R
	64891-04	MUFFLER, front (1200C/1200R - HDI, ENGLAND), rear (1200C - HDI, ENGLAND)	1200C/1200R
	64893-04	MUFFLER, rear (2) (HDI, ENGLAND)	1200R
	65232-04	MUFFLER, front (883/883C - HDI, ENGLAND), rear (883C - HDI, ENGLAND)	883/883C
	65233-04	MUFFLER, rear (HDI, ENGLAND)	883

SPEEDOMETER & TACHOMETER - 883/1200R



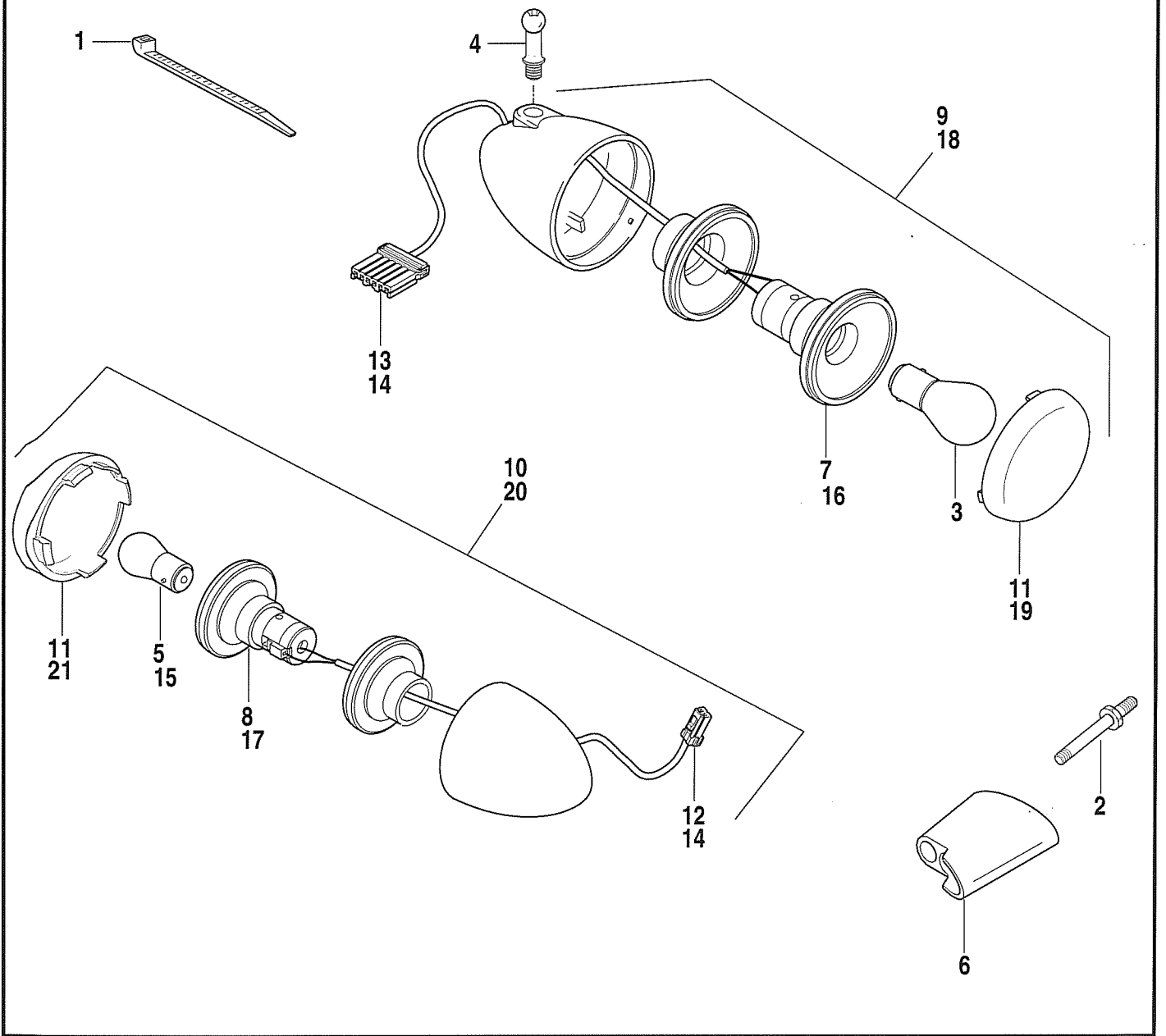
INDEX NO.	PART NO.	DESCRIPTION	MODELS
1	2325	SCREW (2)	883/1200R
2	2361	SCREW (2-883, 4-1200R)	883/1200R
3	3594	SCREW	883/1200R
4	11289A	O-RING	883/1200R
5	67037-04	SPEEDOMETER, mph (DOMESTIC, CALIFORNIA)	883
6	67049-04	TACHOMETER	1200R
7	67053-95	BRACKET, speedometer	883
8	67085-95	COVER, speedometer back (chrome rim)	1200R
9	67103-95	COVER, tachometer back (chrome rim)	1200R
10	67104-95	CUSHION, rear	883
11	67121-95	CUSHION, front	883
12	67184-94	SOCKET, indicator lamps (5)	883/1200R
13	67320-95	COVER, speedometer back (black)	883
14	67338-97	BRACKET, speedometer & tachometer	1200R
15	67344-97	CUSHION, rear (2)	1200R
16	67345-97	CUSHION, front (2)	1200R
17	67436-04	SPEEDOMETER, mph (DOMESTIC, CALIFORNIA)	1200R
18	67450-99	SWITCH, reset	883/1200R
19	67880-94	BOOT, reset switch	883/1200R
20	68024-94	BULB, indicator lamps (5)	883/1200R
21	68513-95	TRIM PLATE, indicator lamps	883/1200R
22	68516-95	HOUSING, indicator lamps	883/1200R
23	68551-95	LENS, indicator lamps	883/1200R
24	68811-04	HARNESS, warning lamp assembly	1200R
25	68813-04	HARNESS, warning lamp assembly	883
26	72130-04	HOUSING, socket 12-way (black)	883/1200R
27	72131-04	HOUSING, socket 12-way (gray)	1200R
28	72189-04	SEAL, pin (4-883, 11-1200R)	883/1200R
29	74143-98	LOCK, 3-way pin	883/1200R
30	74159-98	SOCKET LOCK, 12-way	883/1200R
31	74190-98	PIN, terminal (3)	883/1200R
32	74191-98	TERMINAL, socket - reset switch	883/1200R
33	74195-98	SEAL, pin	883/1200R
34	74196-04	TERMINAL, socket, 20awg. (8-883, 13-1200R)	883/1200R
35	74197-04	LOCK, secondary, 12-way socket (2-1200R)	883/1200R
36	74103-98BK	HOUSING, 3-way, pin (black)	883/1200R
37	74119-98BK	HOUSING, 12-way (black)	883/1200R
38	74402-04A	SENSOR, speed	883/1200R
H-D INTERNATIONAL ONLY			
39	67041-04	SPEEDOMETER, kph (CANADA/HDI/AUSTRALIA/JAPAN)	883
	67290-04	SPEEDOMETER, mph/kph (ENGLAND)	883
40	67415-04	SPEEDOMETER, mph/kph (ENGLAND)	1200R
	67416-04	SPEEDOMETER, kph (CANADA/HDI/AUSTRALIA/JAPAN)	1200R

SPEEDOMETER - 883C/1200C



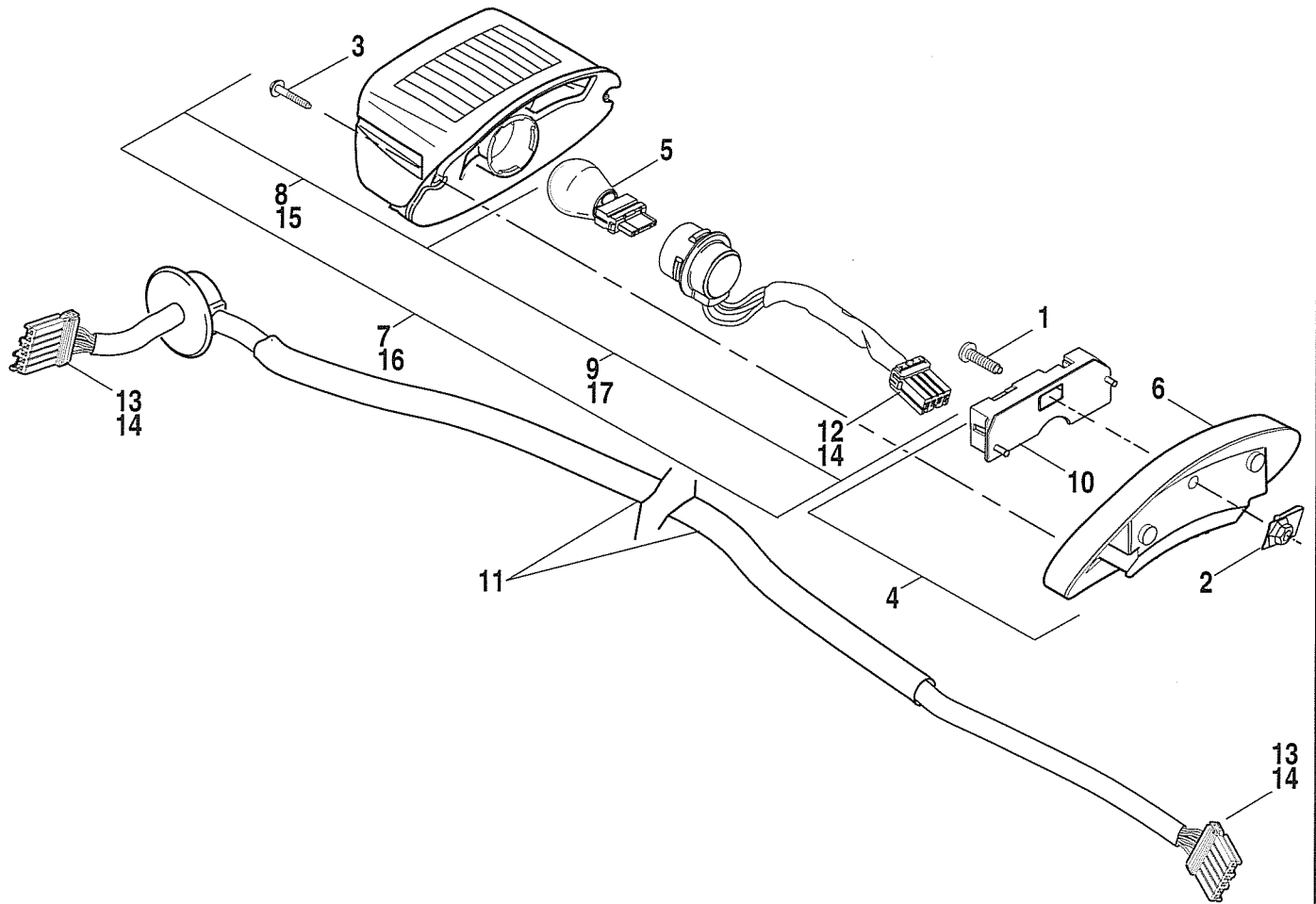
INDEX NO.	PART NO.	DESCRIPTION	MODELS
1	2548	SCREW, countersunk	883C/1200C
2	3594	SCREW	883C/1200C
3	11289A	O-RING	883C/1200C
4	55844-04	HOUSING, instrument (chrome)	883C/1200C
5	67121-95	GASKET, shock, front	883C/1200C
6	67184-94	SOCKET, warning light (5)	883C/1200C
7	67436-04	SPEEDOMETER, mph (DOMESTIC)	883C/1200C
8	67450-99	SWITCH ASSEMBLY, trip reset	883C/1200C
9	67880-94	BOOT, reset switch	883C/1200C
10	68024-94	BULB, warning light (5)	883C/1200C
11	68383-96	BEZEL, indicator lamp	883C/1200C
12	68415-96	LENS, indicator lamp	883C/1200C
13	68788-96	HOUSING, indicator lamp	883C/1200C
14	68792-96	HOUSING, indicator lamp w/ #68788-96	883C/1200C
15	68814-04	INSTRUMENT HARNESS ASSEMBLY	883C/1200C
16	72130-04	HOUSING, socket 12-way (black)	883C/1200C
17	72189-04	SEAL, pin (4)	883C/1200C
18	74119-98BK	HOUSING, socket 12-way (black)	883C/1200C
19	74143-98	LOCK, 3-way pin	883C/1200C
20	74159-98	LOCK, 12-way socket	883C/1200C
21	74190-98	PIN, terminal (3)	883C/1200C
22	74193-98	TERMINAL, socket, solid (11)	883C/1200C
23	74195-98	SEAL, pin	883C/1200C
24	74196-04	TERMINAL, socket, 20awg. (8)	883C/1200C
25	74197-04	LOCK, secondary, 12-way socket	883C/1200C
26	74103-98BK	HOUSING, 3-way, pin (black)	883C/1200C
27	74402-04A	VEHICLE SPEED SENSOR	883C/1200C
		H-D INTERNATIONAL ONLY	
28	67415-04	SPEEDOMETER, mph/kph (ENGLAND)	883C/1200C
	67416-04	SPEEDOMETER, kph (AUSTRALIA, CANADA, HDI, JAPAN)	883C/1200C

TURN SIGNALS



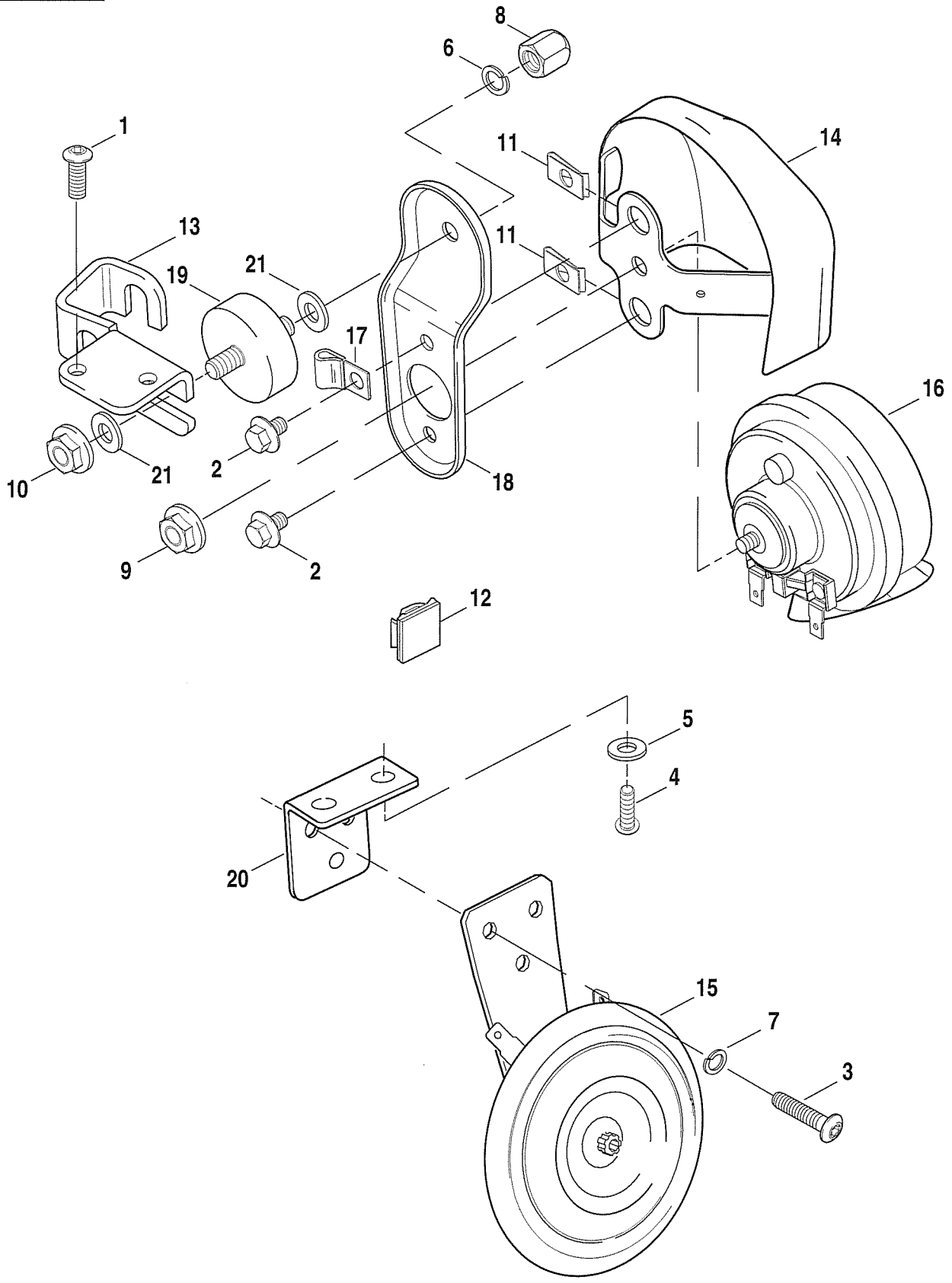
INDEX NO.	PART NO.	DESCRIPTION	MODELS
1	10065	CABLE STRAP (2)	All Models
2	56104-02	STUD, rear turn signal (2)	All Models
3	68168-89	BULB, front turn signal (2)	All Models
4	68265-04	BALL STUD (2)	All Models
5	68572-64B	BULB, rear turn signal (2)	All Models
6	68480-02	SUPPORT, rear turn signal (2)	All Models
7	68904-00	SOCKET ASSEMBLY, front (2)	All Models
8	68905-00	SOCKET ASSEMBLY, rear (2)	All Models
9	68972-00	TURN SIGNAL ASSEMBLY, front (amber) (2)	All Models
10	68977-00	TURN SIGNAL ASSEMBLY, rear (amber) (2)	All Models
11	68973-00	LENS (4)	All Models
12	73152-96BK	SOCKET HOUSING, 2-place, right (black)	All Models
	73152-96WE	SOCKET HOUSING, 2-place, left (white)	All Models
13	73156-96BK	SOCKET HOUSING, 6-place (2)	All Models
14	73191-96	PIN, #16-20 gauge (left & right turn signals) (6)	All Models
H-D INTERNATIONAL ONLY			
15	68163-84	BULB, turn signal (4) (HDI)	All Models
16	68906-00	SOCKET ASSEMBLY, front (HDI) (2)	All Models
17	68907-00	SOCKET ASSEMBLY, rear (HDI) (2)	All Models
18	68975-00	TURN SIGNAL ASSEMBLY, front (amber) (HDI) (2)	All Models
19	68976-00	LENS, front (HDI) (2)	All Models
20	68978-00	TURN SIGNAL ASSEMBLY, rear (amber) (HDI) (2)	All Models
21	68979-00	LENS, rear (HDI) (2)	All Models

TAIL LAMP



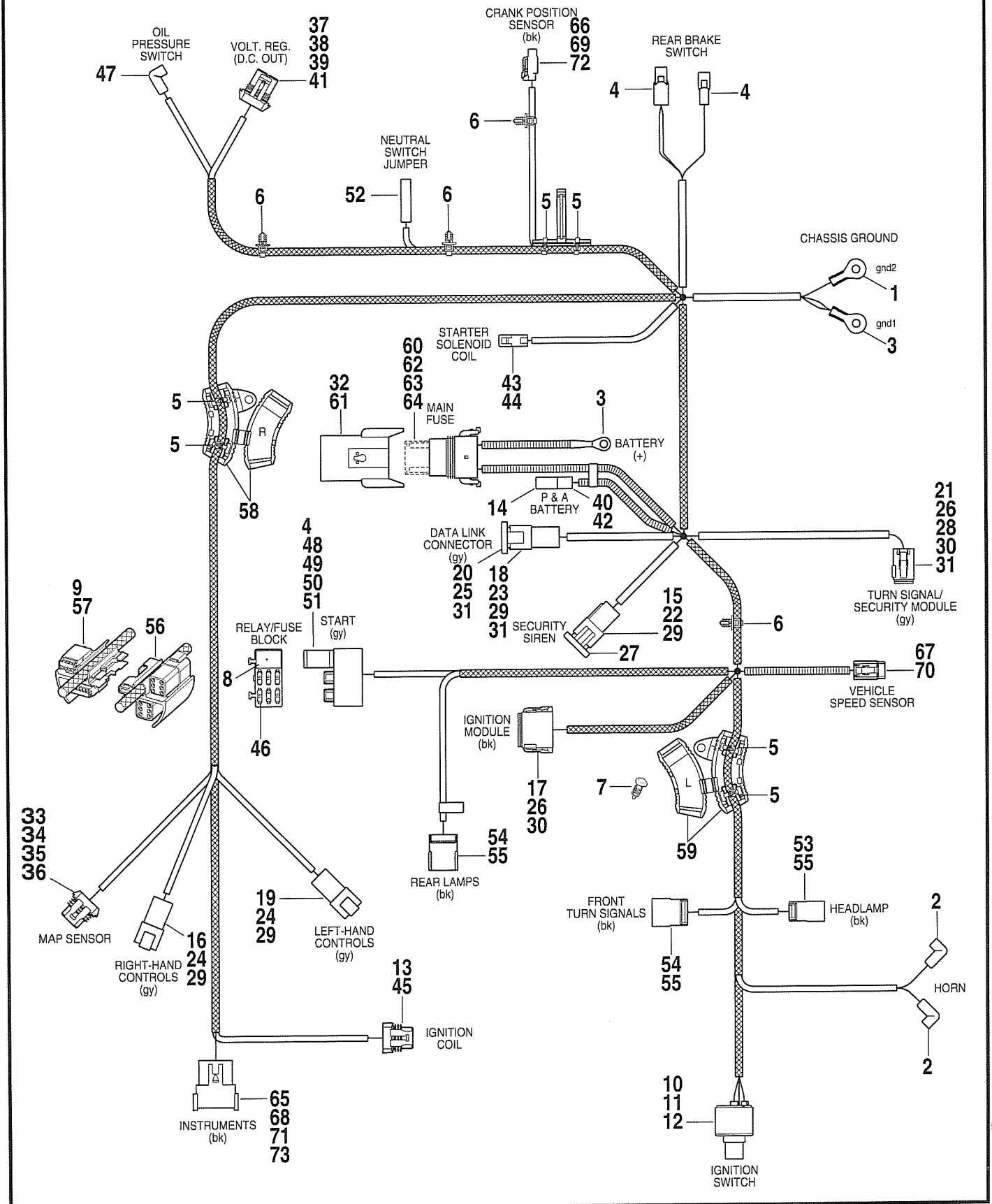
INDEX NO.	PART NO.	DESCRIPTION	MODELS
1	3022A	SCREW	All Models
2	7964	CLIP NUT	All Models
3	68026-99	SCREW, tail lamp (2)	All Models
4	68066-99A	BASE ASSEMBLY, chromed	All Models
5	68167-88	BULB, tail lamp, wedge mount	All Models
6	68296-99A	BASE TAIL LAMP, chrome	All Models
7	68368-03	LIGHT ASSEMBLY, tail lamp	All Models
8	68369-03	LENS, tail lamp	All Models
9	68370-03	BULB SOCKET ASSEMBLY	All Models
10	68830-99A	CIRCUIT BOARD/COVER ASSEMBLY	All Models
11	68899-04	HARNESS, rear lighting	All Models
12	73154-96BK	SOCKET HOUSING 4-place	All Models
13	73156-96BK	SOCKET HOUSING 6-place (2)	All Models
14	73191-96	CONTACT SOCKET, 16-20 ga. (as required)	All Models
H-D INTERNATIONAL ONLY			
15	68372-03	LENS, tail lamp (HDI)	All Models
16	68371-03	LIGHT ASSEMBLY, tail lamp (HDI)	All Models
17	69187-03	BULB SOCKET ASSEMBLY (HDI)	All Models

HORN



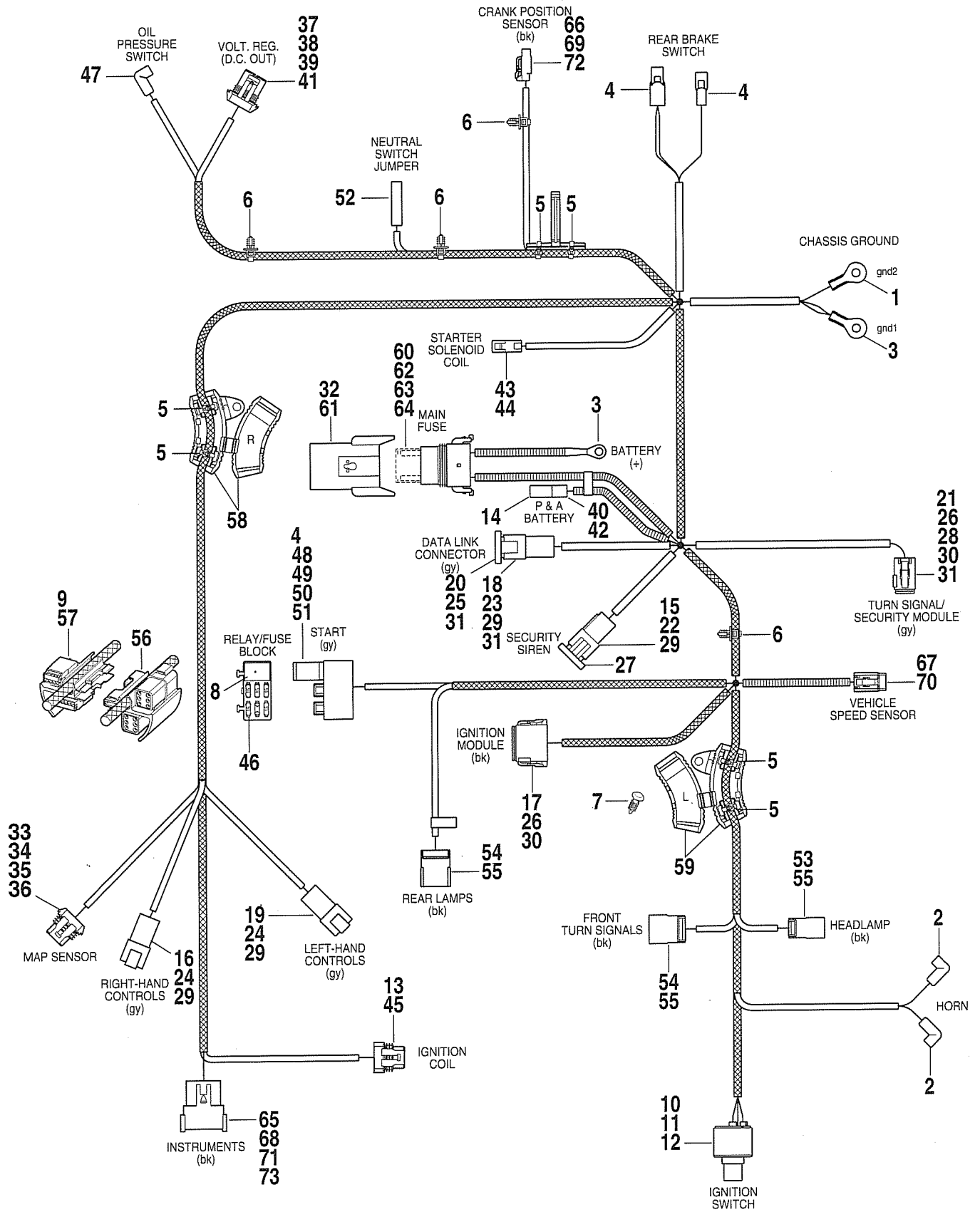
INDEX NO.	PART NO.	DESCRIPTION	MODELS
1	3026	SCREW (2)	1200C
2	3563	SCREW (2)	1200C
3	3658	SCREW (3)	883/883C/1200R
4	4180	SCREW (2)	883/883C/1200R
5	6026	WASHER (2)	883/883C/1200R
6	7041	LOCK WASHER	1200C
7	7069	LOCK WASHER (3)	883/883C/1200R
8	7481	ACORN NUT	1200C
9	7495	NUT	1200C
10	7531	LOCKNUT	1200C
11	8108	CLIP NUT (2)	1200C
12	10120	CLIP	883/883C/1200R
13	16355-04	BRACKET, horn & choke	1200C
14	69012-93A	COVER, horn (chrome)	1200C
15	69043-96A	HORN, complete w/ bracket & #7495	883/883C/1200R
16	69060-90D	HORN	1200C
17	69062-91A	CLAMP, horn wire	1200C
18	69120-91	HORN BRACKET	1200C
19	69123-92	RUBBER MOUNT	1200C
20	69135-04	HORN BRACKET	883/883C/1200R
21	6237	WASHER (2)	1200C

MAIN WIRING HARNESS



INDEX NO.	PART NO.	DESCRIPTION	MODELS
	70139-04	MAIN WIRING HARNESS Includes The Following Parts	All Models
1	9825	TERMINAL RING, #14-18 awg.	All Models
2	9898	TERMINAL, flag (2)	All Models
3	9838	TERMINAL RING, 1/4 #10-12awg. (2)	All Models
4	9937	TERMINAL, 1/4 18-14 gauge (4)	All Models
5	10065	CABLE STRAP (6)	All Models
6	10177	CABLE STRAP, plug-in (4)	All Models
	10210	CLAMP, pan (not illustrated)	All Models
7	10259	PUSH RIVET	All Models
8	31601-04	RELAY	All Models
9	53486-85	PAD, protective	All Models
10	71510-04	IGNITION SWITCH HOUSING	All Models
11	71550-04	DECAL, ignition switch	All Models
12	71552-94	FACE NUT, ignition switch	All Models
13	72033-93	SOCKET TERMINAL (3)	All Models
14	72100-04	HOUSING TERMINAL	All Models
15	72103-94BK	CONNECTOR, 3-way (black)	All Models
16	72106-94BK	CONNECTOR, 6-way (black)	All Models
17	72119-94BK	CONNECTOR, 12-way (black)	All Models
18	72124-94GY	SOCKET HOUSING, 4-way (gray)	All Models
19	72126-94GY	SOCKET HOUSING, 6-way (gray)	All Models
20	72134-94GY	SOCKET HOUSING, 4-way (gray)	All Models
21	72139-94GY	SOCKET HOUSING, 12-way w/ #72179-94 (gray)	All Models
22	72143-94	SECONDARY LOCK, 3-way	All Models
23	72144-94	SECONDARY LOCK, 4-way	All Models
24	72146-94	SECONDARY LOCK, 6-way (2)	All Models
25	72154-94	SOCKET LOCK, 4-way	All Models
26	72159-94	SOCKET LOCK, 12-way (2)	All Models
27	72163-94	WEATHER PLUG, 3-way	All Models
28	72179-94	SEAL, internal (4)	All Models
29	72190-94	TERMINAL, pin (18)	All Models
30	72191-94	TERMINAL, socket (23)	All Models
31	72195-94	SEAL PIN (6)	All Models
32	72199-94	CONNECTOR ANCHOR	All Models
33	72213-94	TERMINAL, socket (3)	All Models
34	72214-94	CABLE SEAL (3)	All Models
35	72230-98	HOUSING SOCKET CONNECTOR, 3-way	All Models
36	72231-98	SECONDARY LOCK, 3-way	All Models
37	72234-94	CONNECTOR, 2-position, sealed	All Models
38	72236-94	TERMINAL, 14-16 gauge, female (2)	All Models
39	72238-94	SECONDARY LOCK	All Models
40	72260-04	HOUSING, female, 1-way (gray)	All Models
41	72284-94	SEAL, cable (2)	All Models
42	72289-04	TERMINAL, #10-12 awg., female	All Models
43	72291-94	TERMINAL, 14-16 gauge, female spade	All Models
44	72295-94	TERMINAL HOUSING, 1-way	All Models
45	72312-04	SOCKET HOUSING, 3-way	All Models
46	72347-94	FUSE, 15 amp (6)	All Models
47	72405-98BK	TERMINAL, push-on, right angle (black)	All Models
48	72428-00	TERMINAL, 18-14 gauge (2)	All Models
49	72431-00	FUSE BLOCK	All Models

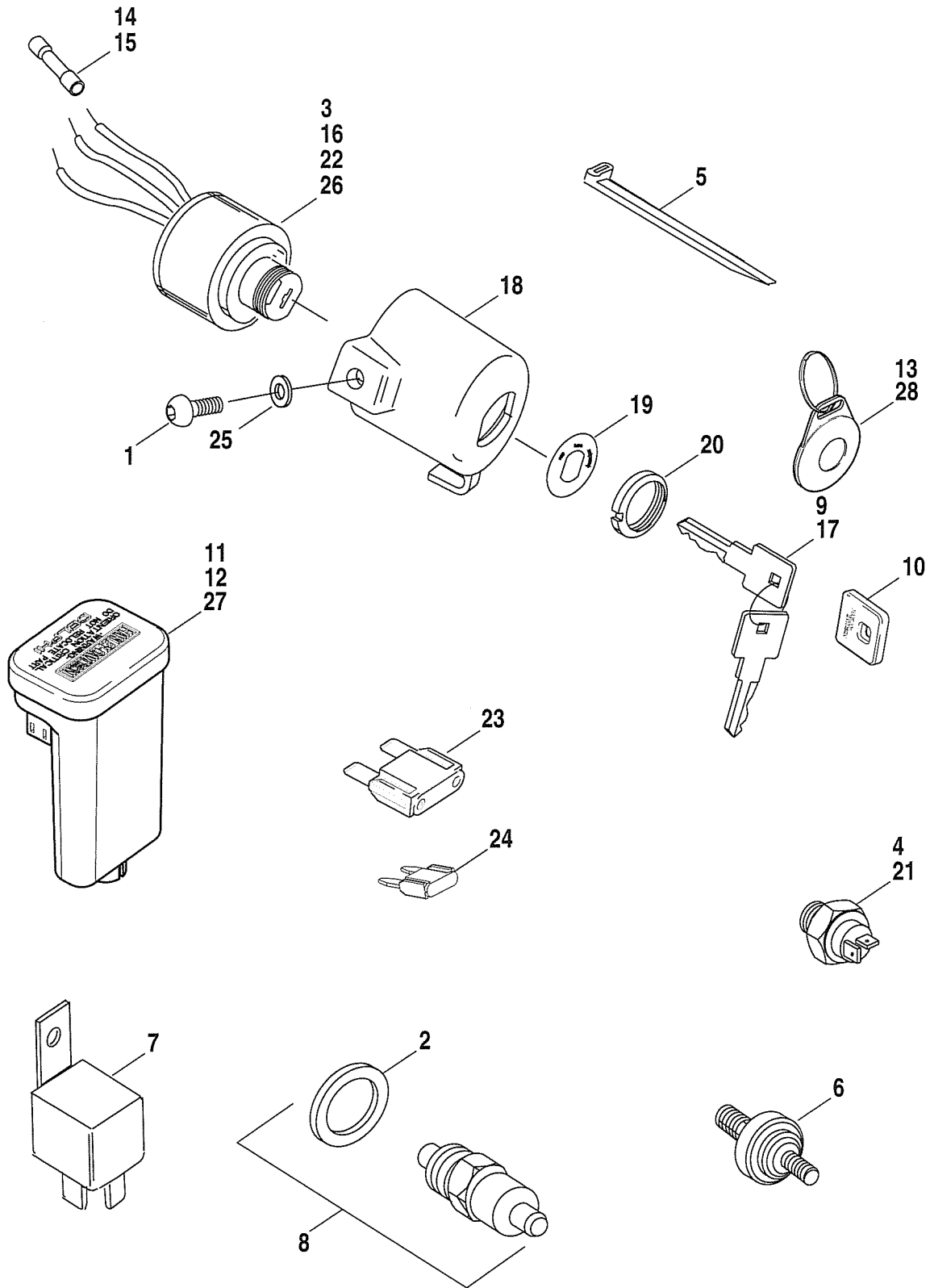
MAIN WIRING HARNESS (CONTINUED)



MAIN WIRING HARNESS (CONTINUED)

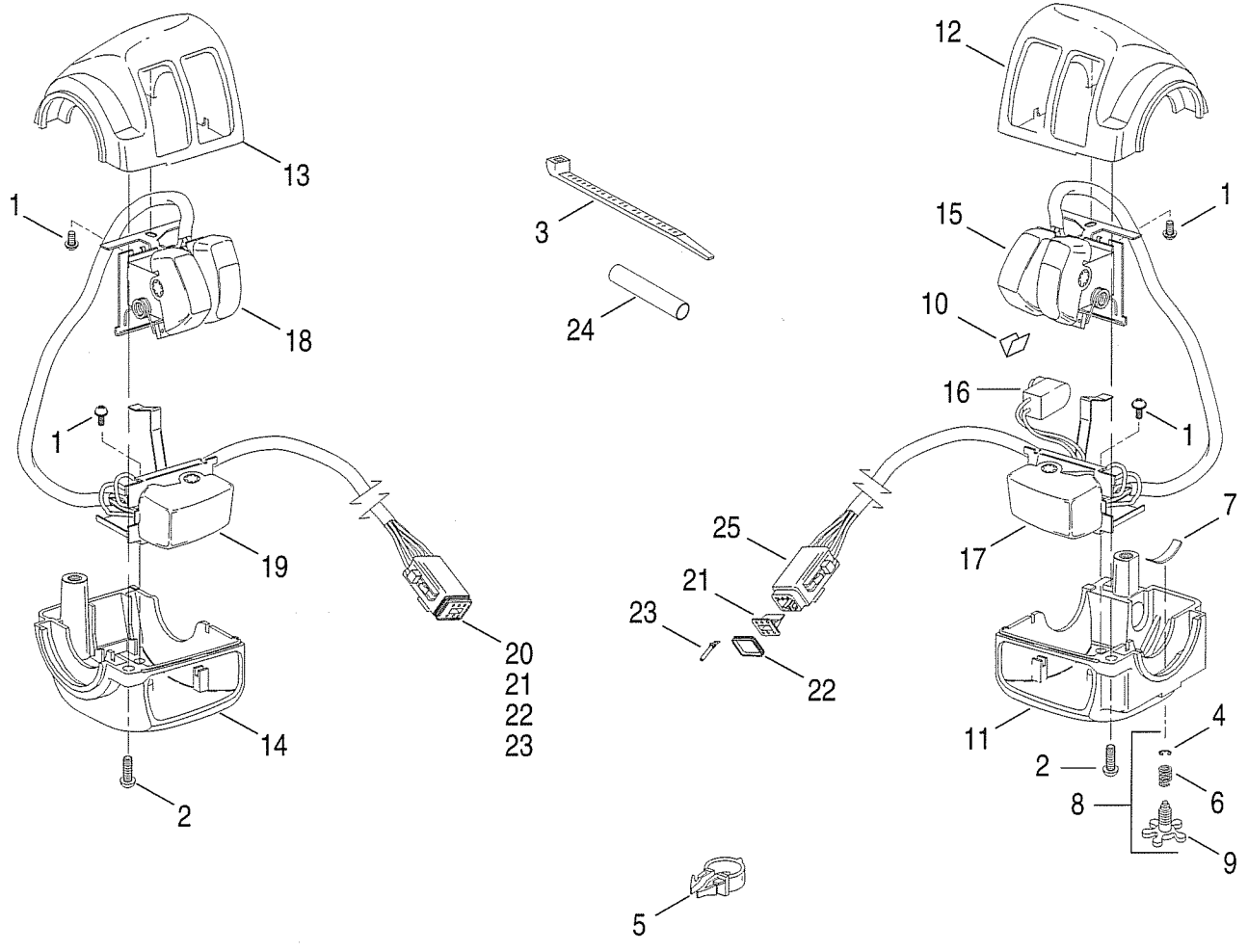
INDEX NO.	PART NO.	DESCRIPTION	MODELS
	70139-04	MAIN WIRING HARNESS (CONTINUED) Includes The Following Parts	All Models
50	72434-00	TERMINAL (11)	All Models
51	72441-04	TERMINAL	All Models
52	72445-99TN	TERMINAL, female (tan)	All Models
53	73104-96BK	CONNECTOR, 4-way (black)	All Models
54	73106-96BK	CONNECTOR, 6-way (black) (2)	All Models
55	73190-96	TERMINAL, pin, 20-16 gauge (16)	All Models
56	73203-04	CLIP, LH-wire harness	All Models
57	73204-04	CLIP, RH-wire harness w/ #53486-85	All Models
58	73205-04	ELBOW, RH-wire harness	All Models
59	73206-04	ELBOW, LH-wire harness	All Models
60	73301-04	HOUSING, 2-way, female	All Models
61	73302-04	COVER, maxi-fuse, fuse block	All Models
62	73303-04	SECONDARY LOCK, 2-way, female (2)	All Models
63	73304-04	TERMINAL, female, #10 awg. (2)	All Models
64	73305-04	SEAL WIRE, #10 awg. (blue)	All Models
65	74109-98BK	SOCKET HOUSING, 12-way (black)	All Models
66	74112-98BK	SOCKET HOUSING, 2-way (black)	All Models
67	74113-98BK	SOCKET HOUSING, 3-way (black)	All Models
68	74149-98	SECONDARY LOCK, 12-way	All Models
69	74152-98	SECONDARY LOCK, 2-way	All Models
70	74153-98	SECONDARY LOCK, 3-way	All Models
71	74190-98	TERMINAL, pin (11)	All Models
72	74191-98	SOCKET TERMINAL (5)	All Models
73	74195-98	SEAL PIN	All Models

SWITCHES & CIRCUIT BREAKERS



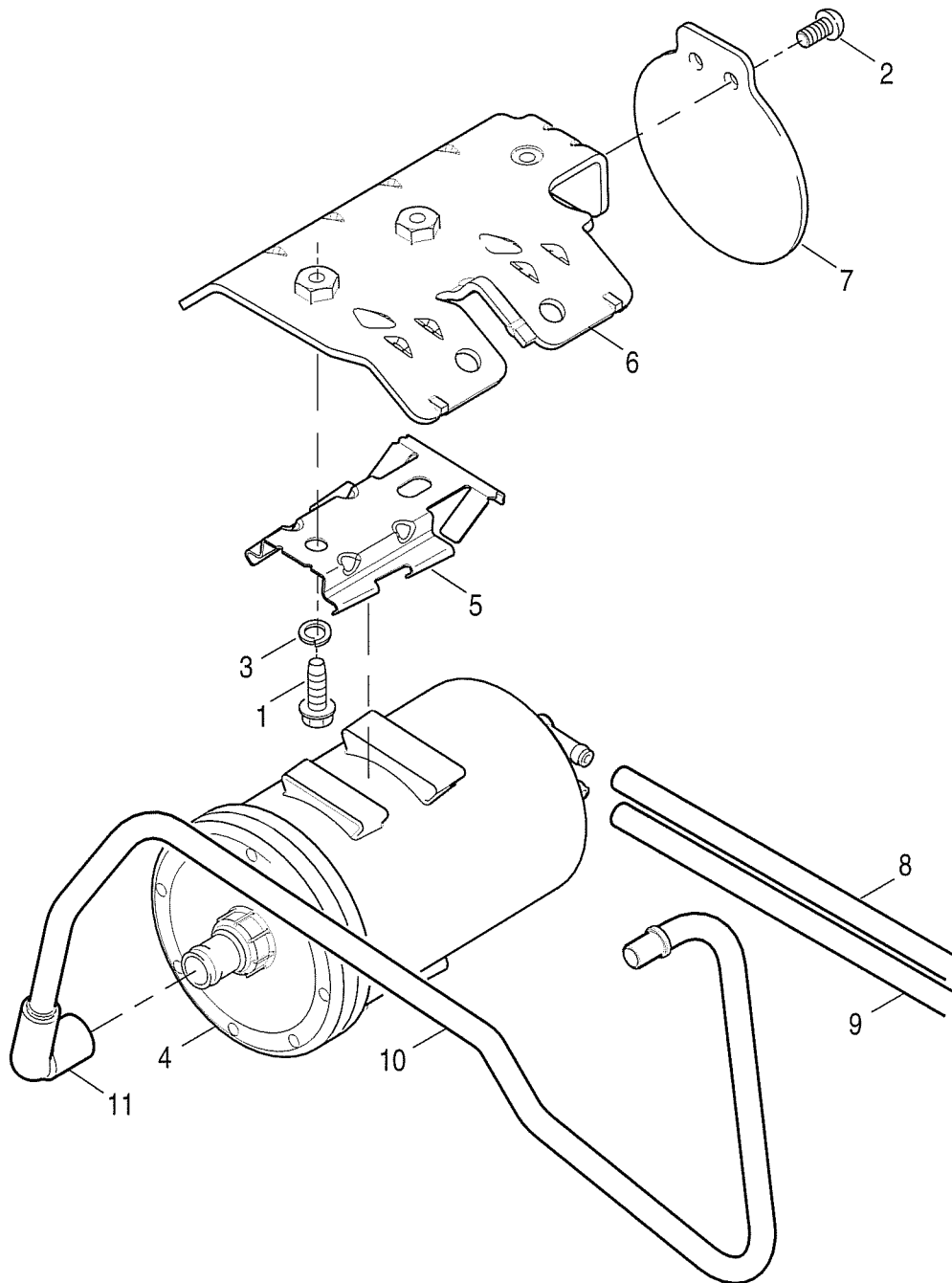
INDEX NO.	PART NO.	DESCRIPTION	MODELS
1	2528	SCREW	All Models
2	6288	WASHER	All Models
3	9862	TERMINAL RING (3)	All Models
4	9898	TERMINAL (2)	All Models
5	10039	CABLE STRAP	All Models
6	26554-77A	SWITCH, oil pressure indicator	All Models
7	31504-91A	STARTER RELAY	All Models
8	33900-99	SWITCH, neutral indicator, w/ washer	All Models
9	48415-99	LOCK SET ASSEMBLY, ignition	All Models
10	61459-97	KEY HEAD COVER	All Models
11	68920-01C	TURN SIGNAL MODULE, standard	All Models
12	68980-04	MODULE, security system (DOMESTIC)	All Models
13	68926-00	FOB, remote control	All Models
	70227-99	JUMPER WIRE ASSEMBLY, neutral switch (not illustrated)	All Models
14	70586-93	CONNECTOR, butt splice (blue) (3)	All Models
15	70587-93	CONNECTOR, butt splice (yellow) (2)	All Models
16	71441-94	LOCK SET ASSEMBLY, ignition w/ key	All Models
17	71451-94A	KEY SET, ignition switch (specify key code)	All Models
18	71510-04	COVER, ignition switch	All Models
19	71550-94	LABEL, ignition switch	All Models
20	71552-94	FACE NUT, ignition switch	All Models
21	72023-51C	STOPLIGHT SWITCH, rear brake w/ #9898	All Models
22	72268-94	SHRINK TUBE	All Models
23	72318-04	FUSE 30A	All Models
24	72347-94	FUSE 15A (6)	All Models
	72373-97	FUSE PULLER (not illustrated)	All Models
25	7220	WASHER	All Models
26	48151-66	LOCKSET ASSEMBLY	All Models
H-D INTERNATIONAL ONLY			
27	68981-04	MODULE, security system (HDI)	All Models
28	68927-00	FOB, remote control (HDI)	All Models
	68939-00	FOB, remote control (JAPAN)	All Models

HANDLEBAR SWITCHES



INDEX NO.	PART NO.	DESCRIPTION	MODELS
1	2955	SCREW (4)	All Models
2	3658	SCREW (4)	All Models
3	10181	CABLE STRAP (as required)	All Models
4	11155	RETAINING RING	All Models
5	70345-84	RETAINER, wiring harness (4)	STD/HUG/883R/1200/S
6	56394-74	SPRING, throttle adjusting screw	All Models
7	56396-74A	PAD, throttle adjusting	All Models
8	56397-74C	KIT, throttle adjusting screw w/ #4, 6 & 9	All Models
9	56402-83A	ADJUSTING SCREW	All Models
10	71509-00	CLIP	All Models
11	71563-96	HOUSING, lower right	All Models
12	71564-96	HOUSING, upper right	All Models
13	71567-96	HOUSING, upper left	All Models
14	71568-96	HOUSING, lower left	All Models
15	71589-96B	SWITCH ASSEMBLY, engine stop & start w/ #3 & 24	All Models
16	71590-96	STOPLIGHT SWITCH	All Models
17	71591-00	SWITCH ASSEMBLY, right directional w/ #3 & 24	All Models
18	71597-96B	SWITCH ASSEMBLY, dimmer & horn w/ #3 & 24	All Models
19	71598-00	SWITCH ASSEMBLY, left directional w/ #3 & 24	All Models
20	72136-94GY	SOCKET HOUSING, 6-way (gray)	All Models
21	72156-94	SECONDARY LOCK, 6-way (2)	All Models
22	72176-94	SEAL, front (6-way plug) (2)	All Models
23	72191-94	TERMINAL, socket (as required)	All Models
24	72266-94	SHRINK TUBE (as required)	All Models
25	72116-94BK	SOCKET HOUSING, 6-way (black)	All Models

CALIFORNIA EVAPORATIVE EMISSIONS KIT



INDEX NO.	PART NO.	DESCRIPTION	MODELS
		NOTE: These parts are for 2004 XL model motorcycles sold for use in the state of California.	
1	3767B	SCREW (2)	All Models
2	4363	SCREW (2)	All Models
3	6099	WASHER (2)	All Models
4	27042-84A	CANNISTER	All Models
5	27047-84A	BRACKET, canister mounting	All Models
6	28908-04	BRACKET, canister	All Models
7	28909-04	GUARD, canister	All Models
8	28910-04	HOSE, canister-to-carburetor	All Models
9	28911-04	HOSE, canister-to-vapor valve	All Models
10	28912-04	HOSE, canister-to-air cleaner w/ #29312-95	All Models
11	29312-95	ELBOW	All Models

HARDWARE LISTING

z835	SCREW, 5/16-18 X 3 flange hd. w/ locker	3579A	SCREW, 1/4-28 X 1/4 hex. head sems tapping (Grade 2)
861A	SCREW, 3/8-16 X 1 knurled socket hd. (Grade 8)	3588	SCREW, 1/4-20 X 1/2 hex. flange hd.
882	SCREW, 1/4-20 X 7/8 knurled socket hd. (Grade)	3594	SCREW, 1/4-20 X 5/8 knurled socket hd. (Grade 8)
928	BOLT, M5 X 0.8 X 35.2 (metric) hex	3605	BOLT, 1/2-13 X 2-1/2 hex. hd. (Grade 5)
929A	SCREW, M4-0.7 X 9.1	3615	SCREW, No. 8-32 X 1, pan hd., thread-cutting
940	SCREW, 1/4-20 X 3/4 button hd. Torx	3655A	SCREW, 5/16-18 X 7/8 pan hd. torx (Grade 8)
943	SCREW, 1/4-20 X 5/8 socket button hd.	3658	SCREW, No. 10-24 X 1/2 hex. socket head torx head (Grade 5)
946	SCREW, 1/4-20 X 2-1/4 Torx button hd. (Grade 8)	3666A	SCREW, No. 10-24 X 1.500 torx recessed round washer hd.
995	SCREW, 5/16-18 X 5/8 button hd. Torx	3675	SCREW, 5/16-18 X 1 torx hd lock (Grade 8)
997	SCREW, 5/16-18 X 1 button hd. Torx	3767B	BOLT, 1/4-20 X 5/8 hex. hd. (Grade 5)
1039	SCREW, 5/16-18 X 2-1/2 hex flange cap (Grade 8)	3799	SCREW, 1/4-20 X 3/4, small flange hd.
1048	SCREW, 5/16-18 X 1-1/2 hex flange cap	3849	SCREW, 1/4-20 X 1-1/4, sems hex cap (Grade 8)
2325	SCREW, No. 6 X 3/4 cross recess pan hd. (self-tapping)	3854	SCREW, 7/16-14 X 1, hex cap (Grade 8)
2361	SCREW, No. 8-32 X 3/8 socket flat ctsk. hd. (w/ locking adhesive)	3880	SCREW, 1/2-13 X 2-1/4, Torx recess button hd.
2441	SCREW, No. 10-24 X 1/2 pan hd., thread rolling Torx	3899	SCREW, 7/16-14 X 1-3/4 hex. hd. w/lock patch
2460	SCREW, 5/16-18 X 1/2, hex socket hd., oval countersunk	3997A	BOLT, 1/4-20 X 1-1/4 hex. hd. (Grade 8)
2501 A	SCREW, No. 8-32 X 3/8 hex washer head (self-tapping)	4016	SCREW, 5/16-18 X 7/8 socket rd. hd.
2508	SCREW, No. 10-32 X 1/2, hex socket, button hd.	4017	BOLT, 5/16-18 X 1 hex. head (Grade 5)
2528	SCREW, No. 10-24 X 1/2 socket button hd.	4029A	SCREW, 3/8-16 X 2-1/4 socket hd. (black)
2535	SCREW, 5/16-18 X 1, hex socket hd. cap	4069A	SCREW, 1/4-20 X 3/4 knurled socket hd.
2548	SCREW, NO.8-32 X 3/4 sckt hd (w/lockpatch)	4076	SCREW, 3/8-16 X 1/2, hex socket hd. cap
2586	SCREW, M4 X 0.7 X 12 flat hd.	4091	BOLT, No. 10-24 X 1/2 hex washer hd. (self-tapping)
2607	SCREW, 1/4-20 X 3/4 pozidriv. pan hd. (Grade 2)	4104	SCREW, No. 10-24 X 1/2 hex. washer hd.
2708A	SCREW, 5/16-18 X 1 socket hd.	4132	SCREW, 1/4-20 X 1 1/8 hex socket button head (Grade 5, steel)
2773	SCREW, 1/4-20 X 1/2 Pozidriv pan hd. (Grade 2)	4180	SCREW, 3/8-16 X 1-1/2, button hd. Torx
2952A	SCREW, 1/4-20 X .485 sems truss hd. (Grade 2) (chrome)	4188	SCREW, 3/8-16 X 1-1/4, button hd. Torx
2955	SCREW, No. 6-32 X 1/4 pan head phillips machine lock washer	4262	SCREW, M6 X 1 X 22
3022A	SCREW, 1/4-20 X 1, sems, dog point	4269	SCREW, 5/16-18 X 3/4, flange hd. dog point
3026	SCREW, No. 10-32 X 1/2, hex socket, button hd.	4290	SCREW, 3/8-16 X 1-1/4, button hd. Torx (Grade 5)
3029	SCREW, No. 10-24 X 1-1/8 socket head torx head w/adhesive threads	4312	BOLT, M6 X 1.0 X 12 flange head
3210A	SCREW, 5/16-18 X 1-1/4 knurled soc. hd.	4326A	SCREW, 5/16-18 X 2 hex. soc. hd.
3244	SCREW, M8 X 1.25 X 12, set	4329	SCREW, 1/4-20 X 3/4 hex. washer hd.
3275	SCREW, 5/16-18 X 3/4 hex. socket head cap (Grade 8)	4350A	SCREW, 3/8-16 X 1.500 hex. socket cap (Grade 8)
3403	LOCKNUT, M8 X 7 X 12mm hex.	4351	SCREW, 3/8 X 1-1/2 Torx button hd. (self-tapping) (Grade 8)
3480A	SCREW, 1/4-20 X 1-3/4 knurled socket hd. (Grade 8)	4352	SCREW, 3/8-16 X 1-1/2, Torx socket (self-tapping) (Grade 8)
3514	SCREW, 7/16-40 X 2-13/16 hex cap (Grade 8)	4354	SCREW, 1/2-20 X 2-1/2, Torx button hd., shoulder
3563	SCREW, 1/4-20 X 3-9/16 large flange hex head (Grade 5)	4359	SCREW, 5/16-18 X 7/8, hex socket button hd.
3574	SCREW, 1/4-20 X 3/4 hex washer hd.	4363	SCREW, 1/4-20 X 1/2 soc. button hd.
		4420	SCREW, 3/8-16 X 2.75 hex. cap (Grade 5)
		4453	BOLT, 1/4-20 X 7/8 hex. hd.
		4460	BOLT, 5/8-18 X 1 hex. hd. (Grade 5 steel)
		4716W	BOLT, 3/8-16 X 1-1/4 hex. hd. (Grade 5 steel)

HARDWARE LISTING

4717A	SCREW, 1/4-20 X 2-1/4 knurled socket hd. (w/lockpatch)	7593	FLANGE NUT, 5/16-24
4718A	SCREW, 1/4-20 X 1-1/2 knurled socket hd. (w/lockpatch)	7606	LOCKNUT, No. 8-32 X 1/4 X 1/4 hex. (chrome)
4740A	SCREW, 1/4-20 X 1-1/4 knurled socket hd. (w/lockpatch & lockwasher) (Grade 8)	7624	LOCKNUT, No. 10-24 X 1/4 X 3/8 hex.
4741A	SCREW, 1/4-20 X 1 hex. socket hd.(w/lockpatch)	7727	LOCKNUT, 5/16-24 X 1/4 X 1/2 hex.
4748	SCREW, 3/8-16 X 1-1/8 hex. socket hd. (Grade 8)	7770	NUT, 1/4-20, flat washer keps
4751	SCREW, 1/4-20 X 3/4 hex. hd. (w/lockpatch) (Grade 8)	7778	LOCKNUT, 3/8-16 X 7/16 X 9/16 hex.
4758A	SCREW, 5/16-18 X 3.48 hex. socket cap (Grade 8)	7783	NUT, 3/8-16 X 5/16 X 9/16 hex.(Grade 2)
4765	SCREW, 1/4-20 X 2-5/8 cap screw hex socket hd. w/ flat (Grade 8)	7792	NUT, 1/4,-20 X 1/4 hex. (Grade 2)
4771	SCREW, 5/16-18 X 4-1/4 hex socket head cap (Grade 5)	7804	NUT, 1/2-13 X 15/32 X 7/8 (sealing)
4778	SCREW, 5/16-18 X 1-3/8, button hd. Torx	7805	NUT, No. 12-24, keps
4779	SCREW, 5/16-18 X 1-3/4, button hd. Torx	7824	LOCKNUT, 1/2-20 X 1/4 hex. (Grade 2)
4816A	SCREW,5/16-18 X 1-1/2 socket hd.	7839	FLANGE NUT, 3/4-16 X 21/32 (Grade 2)
4820A	SCREW, 1/4-20 X 2 hex. socket	7880	NUT, 1/2-13 X 7/16 X 3/4 hex. (Grade 2)
5403B	CARRIAGE BOLT, 1/4-20 X 3/8	7916A	JAM NUT, 5/8-18 (locking)
6026	WASHER, 3/8 X 7/8 X 7/64	7956	HEX NUT, 1/2-20 X 3/4
6099	WASHER, 1/4 X 7/16 X 1/16	7987	CASTLE NUT 5/8-18 X 15/16 hex (Grade 8)
6152	SPACER, 13/32 X 1.0 X 5/16	8108	SPEED NUT, 11/32 dia.
6192	WASHER, No. 8 X 7/16 X 3/64	8135B	SPEED NUT, 1/4 dia. stud size
6288	WASHER, 17/32 X 25/32 X 1/32	8679	SCREW, No. 8-32 X 7/16, Torx button hd.
6516HW	WASHER, 7/16 X 1-1/8 X 1/8		
6590HW	WASHER, 1/2 X 1-1/8 X 3/32		
6655	WASHER, 5/8 X 1-1/2 X 3/32		
6701	WASHER, 3/8 X 13/16 X 1/16		
6702	WASHER, 5/16 X 11/16 X 1/16		
6703	WASHER, 1/4 X 5/8 X 1 /16		
6718	WASHER, 1/2 X 1-1/16 X 3/32		
6738	WASHER, 17/32 X 7/8 X 7/64		
6787	WASHER, 7/16 X 27/32 X 5/64		
6798	WASHER, 5/16X 1/2 X 1/32		
7019	WASHER, 1/2 X 3/4 X 1/4 (rubber)		
7036	LOCKWASHER, 1/4		
7038	LOCKWASHER, 3/8		
7039	LOCKWASHER, 7/16		
7041	LOCKWASHER, 5/16		
7045	LOCKWASHER, 3/8 (high collar)		
7068	LOCKWASHER, 1/2		
7069	LOCKWASHER, No. 10		
7127	LOCKWASHER, 5/16 internal tooth		
7145W	LOCKWASHER, 3/8 external tooth		
7477	NUT, M8 X 1.25, hex		
7481	ACORN NUT, 5/16-18 chrome		
7495	NUT, No. 6 hex		
7531	LOCKNUT, 5/16-18 X 9/32 X 1/2 hex.		

NUMERICAL INDEX

Part No.	Page	Part No.	Page	Part No.	Page	Part No.	Page	Part No.	Page
10006	79	11250	39	16463-04	5	22228-04	11	26492-91	19
10006	91	11271	77	16478-85A	5	22230-04	11	26493-91	19
10014	21	11271	79	16480-92A	5	22231-04	11	26495-89B	19
10014	85	11272	77	16573-83	5	22238-04	11	26496-75A	19
10014	89	11272	79	16660-04	5	22261-86	11	26554-77A	113
10031	47	11282	71	16661-04	5	22265-00Y	13	26556-04	85
10031	49	11289	13	16664-86B	5	22266-86	11	26588-04	85
10039	113	11289A	101	16666-04	5	22271-86	11	26995-86B	21
10053	47	11289A	99	16667-04	5	22589-83B	11	27002-89	21
10065	103	11291	21	16715-83	5	22719-04	11	27009-86A	21
10065	109	11304	37	16770-84D	5	22765-02	11	27010-86A	21
10065	27	11304	51	16774-86D	5	2325	99	27024-04	21
10074	97	11304	53	16800-84	9	2361	99	27042-84A	117
10080	13	11304	75	16832-86C	5	23905-04	11	27047-84A	117
10080	89	11317	17	17027-04	7	24047-00	17	27067-04	85
10117	17	11360	35	17049-04	7	24331-36	11	2708A	35
10120	107	11376	71	17353-89A	9	24332-36	11	2708A	37
10142	89	11377	9	17358-84A	9	2441	9	2708A	83
10147	27	11379	45	17360-83A	9	24466-04	13	2708A	93
10177	109	11379	47	17375-83A	9	24470-04	13	27090-89	21
10177	13	11390	37	17501-04	9	2460	25	27096-04	25
10177	27	11390	51	17527-04	9	24604-00C	13	27096-04	85
10179	37	11390	53	17532-86C	9	24647-87	13	27100-88	21
10179	51	11407	49	17537-96A	9	24650-87	13	27101-88	21
10179	53	11474	83	17551-04	9	24658-87	11	27114-88	21
10181	115	11730A	39	17611-83	9	24659-87	13	27116-88	23
10200	83	11765Y	39	17614-98A	9	24660-87	13	27124-89	21
10210	109	12030	33	17908-02	9	24754-75	13	27125-89	21
10212	91	12067B	33	17909-02	9	2501A	49	27126-89	21
10242	83	12068	13	17946-04	9	25193-00B	17	27127-89	21
10252	49	13340-04	87	17972-04	9	25194-00B	17	27128-89	21
10254	85	13341-04	87	17976-04	9	25213-04	17	27130-90	21
10255	49	13342-04	87	17981-04	9	25219-04	17	27136-90A	21
10259	109	13343-04	87	18011-86	7	25252-04	17	27137-81	21
10264	45	13367-04	87	18012-87A	7	25263-90D	17	27146-89	21
10267	13	13371-04	87	18020-83	7	2528	113	27147-89	21
1039	9	13372-04	87	18021-87A	7	2535	91	27148-89	21
1048	13	13373-04	87	18053-04	7	25409-94B	39	27152-89	23
10995	49	13374-04	87	18059-04	7	25430-04	15	27156-89	21
11000	85	14270-92	15	18094-02	7	25453-87A	39	27157-89	21
11002	19	14448-94	79	18245-02	7	25460-04	15	27158-89	21
11031	49	1594	71	18258-02	7	25463-94A	15	27162-89	21
11046	39	16052-04	5	18260-02	7	25471-04	15	27171-89	21
11067	33	16055-04	5	18532-00A	9	2548	101	27185-90	21
11105	15	16064-04	7	18538-99B	9	25586-37	17	27250-96A	85
11116	31	16068-04	5	18690-02	7	25588-91	17	27256-01	21
11120	89	16069-04	5	18691-02	7	25593-74	17	27260-00	21
11121	49	16071-04	7	19169-04	7	25598-91	17	27261-96	21
11142	47	16078-04	7	19171-04	7	2586	47	27262-96	21
11155	115	16079-04	5	19172-04	7	26010-04	9	27263-96	21
11155	77	16080-04	5	19194-04	5	26011-04	9	27311-76	21
11155	79	16232-04	43	19195-04	5	2607	83	27315-88A	21
11161	33	16287-04	43	19196-04	7	26204-91A	19	27317-88	23
11165	33	16291-04	43	19197-04	7	26318-88A	17	27320-04	23
11171	15	16353-04	5	215	13	26432-76A	7	27360-76	23
11177A	11	16354-04	5	21948-02	11	26434-91	19	27361-76A	23
11177A	13	16355-04	107	22221-04	11	26436-90A	89	27362-76	23
11179	45	16443-04	5	22223-04	11	26437-86B	89	27363-88	23
11190	9	16461-02	5	22224-04	11	26488-98	19	27368-76	23
11202	25	16462-02	5	22227-04	11	26491-98	19	27371-76A	23

NUMERICAL INDEX

Part No.	Page	Part No.	Page	Part No.	Page	Part No.	Page	Part No.	Page
27465-04	23	31518-90	31	3403	31	35775-94	33	4016	37
27490-04	23	31521-98	31	34064-00C	35	35796-00	33	4017	83
27495-04	23	31525-90	31	34076-02	35	35797-00	33	40240-89	41
27575-88A	23	31530-90	31	34144-02	35	3579A	83	40241-02	27
27576-92	23	31537-98	31	34163-02	35	358	13	40241-02	41
27577-92	23	31539-91	31	34483-02	35	3588	89	40251-92A	41
27579-88A	23	31556-91B	31	34491-02A	35	3594	101	40254-02	13
27580-88	23	31599-91	31	34572-04	37	3594	13	40290-04	27
27581-88	23	31600-90	31	34573-04	37	3594	41	40290-04	27
27582-88	23	31601-04	109	34581-04	53	3594	99	40290-04	41
27583-88	23	31603-91	31	34582-04	51	3605	77	40290-04	41
27585-88	23	31655-99	29	34611-65	35	3605	79	4029A	67
27586-88	23	31661-90	31	34611-65	37	3615	95	4032A	97
27587-88	23	31662-90	31	34660-04	35	3655A	59	40350-04	41
2773	83	31688-90	31	34670-04	37	3655A	61	40350-04	63
27731-04	23	31689-90	31	34760-04	15	3658	107	40352-04	41
27732-04	23	31692-90	31	34761-04	15	3658	115	40352-04	63
27749-04	23	31695-90	31	3480A	17	3658	77	40379-04	41
27777-04	21	31740-04	29	3480A	29	3658	79	40380-04	41
27886-78A	23	31755-04	29	3480A	41	3666A	79	40409-04	41
28015-01	23	31996-04	29	34911-04	41	36715-94	39	40464-04	63
28026-04	23	3201WA	65	34920-86A	39	36731-91	39	40465-04	63
28027-04	23	3210A	37	34932-04	41	3675	33	40466-04	63
28908-04	117	3210A	51	34938-04	41	36785-91	39	40467-04	63
28909-04	117	3210A	53	34955-04	15	36790-04	39	40470-04	41
28910-04	117	3210A	79	34981-02	35	36799-91	39	40470-04	63
28911-04	117	3210A	81	34982-02	35	36802-84B	39	40471-04	41
28911-04	85	32316-99	23	34986-04	15	37101-84A	35	40471-04	63
28912-04	117	32317-86A	29	34992-04	15	37495-91	39	40520-63	15
29062-95B	25	32424-98	23	34993-04	15	3767B	117	40570-04	41
29084-04	25	3244	45	35020-89	33	3767B	73	40571-04	41
29123-04	25	3244	47	35021-89	33	37870-91	39	4076	49
29229-88D	25	32478-04	29	35030-89	33	37872-90	39	4076	51
29312-95	117	32493-02	27	35034-94	33	37904-90	39	4091	13
29313-95	25	32494-04	27	35038-89A	33	37905-90	39	40930-04	63
29315-04	25	32494-04	27	35051-89	33	37908-90	39	40946-04	49
29331-04	25	32506-90	17	35063-89	33	37909-90	39	40948-04	49
29342-99	25	32514-04	17	35114-02	13	37910-04A	39	40968-04	57
29346-04	25	32555-04	17	35118-03	13	37911-90	39	40983-00	63
29348-04	25	32617-00Y	13	35128-04	33	37912-91	39	41008-00	63
29352-04	25	3275	21	35133-04	33	37913-90	39	41017-00	63
29359-04	25	32804-04	13	3514	93	37924-04	39	4104	47
29359-04	25	33032-99	37	35211-91B	41	37977-90	39	41110-89	63
29360-04	25	33032-99	51	3559	31	3799	89	41123-79	59
29367-04	25	33032-99	53	3563	107	3849	9	41123-79	61
2952A	73	33032-99	75	35633-94	33	3854	43	41123-79	63
2955	115	33048-72	75	35640-89	33	38630-88	45	41191-74A	15
29802-04	25	33117-91A	89	35641-89	33	38653-01	77	4132	19
29950-91	13	33123-04	89	35647-04	33	38653-01	79	41561-04	43
29967-89B	27	33189-63	75	3565	25	38671-04	45	41562-04	43
3022A	105	33216-99	37	3574	91	38699-04	45	41568-04	43
3026	107	33216-99	51	35754-04	33	38723-99	23	41573-97	71
3026	5	33216-99	53	35755-04	33	3880	69	41698-04	71
3029	27	33216-99	75	35756-04	33	3899	41	41699-04	43
31328-91	31	33344-94	33	35758-04	33	3899	63	41732-04	47
31390-91D	31	33540-02A	35	35762-89A	33	3997A	35	41732-04	49
31488-81B	31	33634-02A	35	35763-89A	33	40005-57B	41	41736-04	47
31504-91A	113	33900-99	113	35771-94	33	40039-02B	41	41736-04	49
31512-04	89	33900-99	35	35772-94	33	40147-04	41	41737-04	47
31515-90	31	34014-02B	35	35773-94	33	40147-04	41	41743-04	47

NUMERICAL INDEX

Part No.	Page	Part No.	Page	Part No.	Page	Part No.	Page	Part No.	Page
41797-00	63	42840-04	57	45041-01	53	47587-04	71	56116-82A	77
4180	107	42846-04	49	45041-01	75	4758A	85	56117-82A	77
4180	43	4290	43	45052-04	47	4765	19	56394-74	115
4188	43	42969-04	51	45074-95	47	4771	85	56394-74	77
42255-04	49	42971-04	51	45081-04	45	4778	83	56394-74	79
42521-04	49	42972-04	75	45146-04	47	4779	83	56396-74A	115
42541-04	37	42976-04	49	45319-04	47	48151-66	113	56396-74A	77
42541-04	51	42979-04	49	45361-90	67	48153-02	71	56396-74A	79
42566-04	53	43020-87A	61	45374-87	67	4816A	49	56397-74C	115
42569-03	37	43035-87A	61	45376-04	67	4816A	77	56397-74C	77
42569-03	51	4312A	91	45377-87	67	48184-01	65	56397-74C	79
42569-03	53	43157-83A	59	45378-87	67	4820A	15	56400-96	77
42593-04	49	43157-83A	63	45395-04	67	48300-60	65	56400-96	79
42595-04	49	4326A	77	45401-87	67	48315-60	65	56401-96	77
4262	45	4329	27	45405-75A	67	48315-60	71	56401-96	79
4262	47	43338-00	59	45449-04	47	48415-99	113	56402-83A	115
42651-04	37	43358-00	59	45460-90	67	48463-04	43	56402-83A	77
42652-04	53	43358-00	61	45461-87	67	48492-04	43	56402-83A	79
42685-04	53	43359-00	59	45465-87	67	48878-04	71	56508-76	77
4269	97	4350A	95	45611-86	65	49314-04	75	56508-76	79
42803-04	47	4351	65	45668-90	65	49315-04	75	56541-86A	77
42804-04	47	4352	65	45790-80	67	50003-89B	71	56542-86A	77
42805-04	47	43528-04	57	45799-04	45	50005-85A	71	56567-86B	77
42806-04	47	43529-04	55	45800-04	45	50185-04	71	56666-04	77
42807-04	45	4354	69	45801-04	45	508	63	56666-04	79
42807-04	47	43557-00A	61	45830-48	13	50912-72	37	56667-04	77
42808-04	45	43567-92	63	45900-04	67	50912-72	51	56667-04	79
42808-04	47	4359	37	45901-04	67	50912-72	53	5756	63
42809-04	47	43595-99	71	45902-00	31	50912-72	75	58998-83C	81
42810-04	49	43608-00	63	45905-87	67	51530-04	73	59254-91	83
42811-04	49	43610-00A	61	45921-00	67	51532-04	73	59287-92	83
42812-04	49	43613-00	59	45922-00	67	51558-04	73	59288-92	83
42813-04	49	43613-00	61	45923-00	67	51652-97	73	59481-00	67
42814-04	49	43617-00A	59	45925-04	67	52494-04	85	59482-00	67
42815-04	49	43617-00A	61	45966-04	65	52608-04	73	59502-04	83
42816-04	49	4363	117	45984-87	67	53158-98	71	59547-04	83
42817-04	49	43654-00A	63	45996-87	67	53438-92	93	59673-04	83
42818-04	49	43662-80B	61	46002-87	67	53438-92	95	59723-04	83
42821-04	49	43895-00	59	46029-04	67	53486-85	109	59768-97	83
42822-04	55	43895-00	61	46126-04	65	5403B	83	59847-04	83
42823-04	55	43939-89	61	46127-04	65	5414	97	59902-04	83
42823-04	57	44119-04	55	46268-04	45	54321-85	61	59903-04	83
42824-04	55	44121-04	55	46400-04	47	54473-79	69	59984-73	83
42824-04	57	44136-00	59	4717A	17	54475-79	69	59986-75	83
42825-04	55	44156-00	59	4717A	41	54476-82	69	59988-72A	83
42826-04	55	44156-00	61	4718A	9	54556-84	69	60001-55	83
42827-04	55	44160-00	55	4740A	17	54566-04	69	6003	33
42827-04	57	44178-04	57	4741A	47	54568-04	69	6026	107
42828-04	55	44184-04	57	4741A	9	54701-82	69	6026	43
42828-04	57	44189-04	49	47470-04	43	54724-04	69	60328-98A	15
42829-04	55	4420	95	47471-04	43	554A	71	60367-04	83
42831-04	55	44429-04	49	4748	37	55840-04	79	60435-04	83
42832-04	55	44440-04	55	4748	5	55842-04	79	6099	117
42834-04	57	44440-04	57	4748	51	55844-04	101	61109-85D	85
42835-04	57	4453	65	4748	53	55845-04	77	61260-04	85
42836-04	57	44590-04	49	4748	75	56004-00	77	61272-92B	85
42837-04	57	4460	65	4748	75	56017-04	79	61348-04	85
42838-04	55	44791-04	47	4748	97	56104-02	103	61459-97	113
42838-04	57	45041-01	37	4751	27	56104-02	83	6152	43
42839-04	57	45041-01	51	47554-73A	71	56115-95	77	6157	19

NUMERICAL INDEX

Part No.	Page	Part No.	Page	Part No.	Page	Part No.	Page	Part No.	Page
6192	83	65324-83A	97	67697-81	93	68551-95	99	70503-04	89
62122-89	71	65325-83A	97	67697-81	95	68572-64B	103	70504-81	77
62150-85	85	65339-04	97	67698-81D	93	68650-92	93	70504-81	79
62161-02	85	6590HW	59	67698-81D	95	68650-92	95	70518-04	77
62166-02	85	6590HW	61	67705-92	93	68788-96	101	70518-04	79
62169-02A	85	6590HW	77	67705-92	93	68792-96	101	70578-89	91
6217	31	6590HW	79	67705-92	95	68811-04	99	70586-93	113
62172-02	85	65927-00	97	67757-92	93	68813-04	99	70587-93	113
62213-04	85	65958-04	91	67757-92	95	68814-04	101	7068	59
62260-04	87	65974-04A	97	67763-92	93	68830-99A	105	7068	61
62261-04	87	66194-04	91	67763-92	95	68899-04	105	7068	93
62262-04	87	66199-04	89	67764-92	95	68904-00	103	7069	107
62263-04	87	66251-04	71	67781-92	93	68905-00	103	70903-04	85
62270-04	87	66252-04	71	67781-92	95	68906-00	103	70904-04	85
62271-04	87	66476-04	91	67787-92	93	68907-00	103	70917-04	85
62338-01Y	89	66498-04	91	67787-92	95	68920-01C	113	70919-04	85
62347-04	23	6655	65	67790-93	93	68926-00	113	7127	93
62347-04	85	6701	67	67790-93	95	68927-00	113	7127	95
62361-04	89	6701	95	67804-04	49	68939-00	113	71276-04	85
6237	107	6701	97	67805-92	93	68972-00	103	71441-94	113
62375-57A	17	6702	49	67815-59A	93	68973-00	103	71451-94A	113
62375-57A	17	6702	77	67834-83	93	68975-00	103	71472-04	71
62601-91A	19	6702	83	67865-89	93	68976-00	103	71509-00	115
62651-04	89	6702	85	6787	5	68977-00	103	71510-04	109
6288	113	6702	93	67877-02	93	68978-00	103	71510-04	113
62888-04	89	6703	83	67880-94	101	68979-00	103	71550-04	109
63000-04	89	67037-04	99	67880-94	99	68980-04	113	71550-94	113
6302	97	67041-04	99	67883-04	93	68981-04	113	71552-94	109
63505-84	85	67049-04	99	67894-93	95	69012-93A	107	71552-94	113
63508-04	13	67053-95	99	67919-96	95	69043-96A	107	71563-96	115
63533-41A	13	67085-95	99	6798	83	69060-90D	107	71563-96	77
63533-41A	19	67103-95	99	68024-94	101	69062-91A	107	71563-96	79
63589-04	89	67104-95	99	68024-94	99	69120-91	107	71564-96	115
63796-77A	89	67121-95	101	68026-99	105	69123-92	107	71564-96	77
63805-80A	89	67121-95	99	68041-04	65	69135-04	107	71564-96	79
63858-49	9	6718	69	68042-99	23	69187-03	105	71567-96	115
64840-04	97	67184-94	101	68066-99A	105	69628-04	93	71568-96	115
64841-04	97	67184-94	99	68116-04	93	69669-04	93	71589-96B	115
64842-04	97	67290-04	99	68117-04	93	69670-04	95	71590-96	115
64846-04	97	67320-95	99	68118-04	93	69681-04	95	71591-00	115
64847-04	97	67338-97	99	68119-04	95	69682-04	95	71597-96B	115
64848-04	97	67344-97	99	68149-04	95	69709-00	93	71598-00	115
64853-04	97	67345-97	99	68159-04	95	70003-04	91	72023-51C	113
64854-04	97	6738	69	68163-84	103	70139-04	109	72033-93	109
64855-04	97	67415-04	101	68167-88	105	70139-04	111	72056-92	93
64857-04	97	67415-04	99	68168-89	103	7019	35	72056-92	95
64889-04	97	67416-04	101	68265-04	103	70227-99	113	72100-04	109
64890-04	97	67416-04	99	68296-99A	105	70295-04	91	72103-94BK	109
64891-04	97	67436-04	101	68329-03	93	70296-04	91	72106-94BK	109
64893-04	97	67436-04	99	68329-03	95	70297-04	43	72116-94BK	115
65088-04	13	67450-99	101	68368-03	105	70345-84	115	72119-94BK	109
65092-04	89	67450-99	99	68369-03	105	70345-84	77	72124-94GY	109
6516HW	41	67601-94	95	68370-03	105	70345-84	79	72126-94GY	109
6516HW	63	67602-94	95	68371-03	105	7036	73	72130-04	101
65184-02	97	67603-94	95	68372-03	105	7038	67	72130-04	99
65232-04	97	67604-94	95	68383-96	101	7039	43	72131-04	99
65232-04	97	67685-92	93	68415-96	101	7041	107	72134-94GY	109
65233-04	97	67685-92	95	68480-02	103	70416-04	71	72136-94GY	115
65296-95	97	67691-92	93	68513-95	99	70417-04	71	72139-94GY	109
65302-82A	97	67691-92	95	68516-95	99	7045	95	72143-94	109

NUMERICAL INDEX

Part No.	Page	Part No.	Page	Part No.	Page	Part No.	Page	Part No.	Page
7214-4-94	109	73205-04	111	7805	29	9848	93		
7214-6-94	109	73206-04	111	7824	69	9848	95		
7215-4-94	109	73301-04	111	7839	41	9862	113		
7215-6-94	115	73302-04	111	7862	97	9898	109		
7215-9-94	109	73303-04	111	7880	93	9898	113		
7216-3-94	109	73304-04	111	7882	83	9898	93		
7217-6-94	115	73305-04	111	7916A	17	9898	95		
7217-9-94	109	740	75	7956	59	9937	109		
7218-9-04	101	74102-98BK	13	7956	61	995	49		
7218-9-04	99	74103-98BK	101	7964	105	9955	97		
7219-0-94	109	74103-98BK	99	7987	63	9969	89		
7219-1-94	109	74109-98BK	111	8108	107	997	49		
7219-1-94	115	74112-98BK	111	8135B	71				
7219-5-94	109	74113-98BK	111	835	13				
7219-9-94	109	74119-98BK	101	8679	17				
7220	113	74119-98BK	99	8692	83				
7221-3-94	109	74142-98	13	882	49				
7221-4-94	109	74143-98	101	882	9				
7223-0-98	109	74143-98	99	8871	31				
7223-1-98	109	74149-98	111	8873	39				
7223-3-94	27	74152-98	111	8876A	33				
7223-4-94	109	74153-98	111	8879	31				
7223-5-94	27	74159-98	101	8881	13				
7223-6-94	109	74159-98	99	8883	31				
7223-7-94	27	74190-98	101	8885	39				
7223-8-94	109	74190-98	111	89579-91	85				
7226-0-04	109	74190-98	99	89581-04	31				
7226-6-94	115	74191-98	111	89586-04	85				
7226-8-94	113	74191-98	99	8968	33				
7228-4-94	109	74192-98	13	8973	13				
7228-9-04	109	74193-98	101	8977	33				
7229-1-94	109	74195-98	101	8996A	33				
7229-5-94	109	74195-98	111	9077	31				
7231-2-04	109	74195-98	99	91840-03A	93				
7231-8-04	113	74196-04	101	91845-03A	93				
7234-7-94	109	74196-04	99	91846-03A	93				
7234-7-94	113	74197-04	101	91846-03A	95				
7237-3-97	113	74197-04	99	91848-03A	93				
7240-5-98BK	109	74402-04A	101	91848-03A	95				
7242-8-00	109	74402-04A	99	9187	35				
7243-1-00	109	74523-04	27	9209	71				
7243-4-00	111	7477	49	9267	59				
7244-1-04	111	7481	107	9267	61				
7244-5-99TN	111	7495	107	9267	63				
7310-4-96BK	111	7531	107	928	31				
7310-6-96BK	111	7531	81	929A	31				
7315-2-96BK	103	7531	83	940	43				
7315-2-96WE	103	7531	85	943	15				
7315-4-96BK	105	7593	97	94432-04	49				
7315-4-96BK	93	7606	93	946	25				
7315-4-96BK	95	761	83	94612-04	49				
7315-6-96BK	103	7624	89	95578-41	61				
7315-6-96BK	105	7727	93	95581-47	61				
7319-0-96	111	7727	95	95582-47	61				
7319-1-96	103	7770	91	95595-84	59				
7319-1-96	105	7778	71	95595-84	63				
7319-1-96	93	7778	95	9825	109				
7319-1-96	95	7783	67	9838	109				
7320-3-04	111	7792	83	9847	93				
7320-4-04	111	7804	41	9847	95				

NUMERICAL INDEX

Part No.	Page	Part No.	Page	Part No.	Page	Part No.	Page	Part No.	Page

