

READER'S COMMENTS

The Harley-Davidson Service Communications Department maintains a continuous effort to improve the quality and usefulness of its publications. To do this effectively we need user feedback — your critical evaluation of this manual.

Please comment on this manual's completeness, accuracy, organization, usability and readability.

Should you find errors in this manual, please list the page, item and part numbers.

How can this manual be improved?

Occupation:

Name

Dealership

Street

Department

City

State

Zip

Clip out and mail to:
Service Communications
Harley-Davidson Motor Company
P.O. Box 653
Milwaukee, WI 53201

2003 Sportster
Parts Catalog
P.N. 99451-03A
CMI-2.5M-12/02

CUT HERE

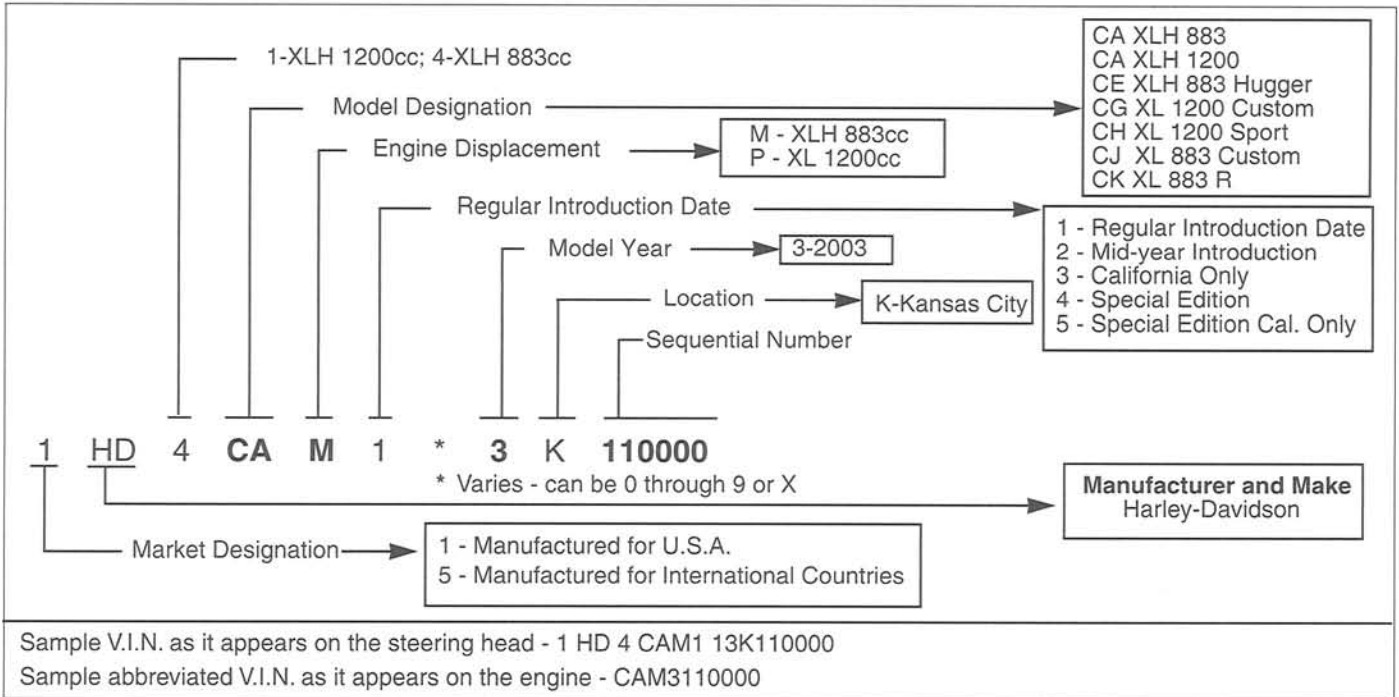
GENERAL INFORMATION

This Parts Catalog has been prepared for your convenience when ordering parts for the 2003 XLH EVOLUTION SPORTSTER models. This format allows you to compare the parts usage on all Sporster model motorcycles. Refer to the Glossary at the end of the book for unfamiliar abbreviations. A complete Hardware Listing is also featured. Index numbers shown in the illustrations correspond to index numbers in parts lists. Consult the illustrations when ordering parts so you are sure to get the part required. The number in parenthesis following description of parts is the quantity needed for complete assembly. If there is no number in parenthesis, only one is used. Prices of parts in this catalog are published separately.

The following instructions should be followed carefully when ordering parts.

- Specify the correct part number for each item. Check the "MODEL" column of the parts list which shows the model on which the part fits. Whenever in doubt, refer to the Vehicle Identification Number (V.I.N.). A 17 digit V.I.N. is stamped on the front of the frame and frame right downtube label. An abbreviated V.I.N. is stamped on the left engine crankcase.

Always give one of these numbers when ordering parts or making any inquiry about your motorcycle.



- An asterisk (*) in the "Used On" column indicates part is used through the current model year.
- Orders may be placed via your computer for all parts. Please review your system documentation for details on placing orders electronically. All non-warranty replacement crankcase orders require return of the complete left crankcase half with VIN. All non-warranty replacement frame orders require return of the steering neck with VIN. Non-compliance will result in a fine. See non-warranty frame and crankcase policy or contact your SPOC team for details.
- Parts marked "**100th. anniversary restricted sale part**" are limited edition items and can only be ordered as direct replacements. Harley-Davidson may require that certain "restricted sale" items be returned.

THIS IS NOT AN ASSEMBLY MANUAL AND SHOULD NOT BE USED AS SUCH.

- The following model designations are located in each of the models column.
- | | |
|--------------------------------|---------------------------------|
| (STD) = Sportster 883 Standard | (1200S) = Sportster 1200 Sport |
| (HUG) = Sportster 883 Hugger | (1200C) = Sportster 1200 Custom |
| (883R) = Sportster 883 R | (883C) = Sportster 883 Custom |
| (1200) = Sportster 1200 | |

PATENT NOTICE

Harley-Davidson products are manufactured under one or more of the following patents: U.S. Patents - 2986162, 2987934, 2998809, 3116089, 3144631, 3144860, 3226994, 3229792, 3434887, 3559773, 3673359, 3709317, Des. 225,626.

To the best knowledge of Harley-Davidson, Inc., the material contained herein is accurate as of the date this publication was approved for printing. Harley-Davidson, Inc. reserves the right to change specifications, equipment, or designs at any time without notice and without incurring obligation.

ALPHABETICAL INDEX

DESCRIPTION	PAGE
Access Door, transmission	17
Air Cleaner	27
Air Filter	27
Alternator	29
Axle, front.....	59,61
Axle, rear	63,65
Battery	95
Battery Cables	95
Battery, tray, covers, side, & top.....	95
Belt, rear	45
Belt Guard.....	87
Bracket, speedo/tach	105,107
Brake Caliper, front	55
Brake Caliper, rear	57
Brake Control, front.....	49
Brake Control, rear.....	51,53
Brake Disc, front	59,61
Brake Disc, rear	63,65
Brake line, front.....	49
Brake line, rear.....	51
Cam Gears	19
Cam Bushings	19
Carburetor.....	23,25
Cable, clutch control	47
Chain, primary	45
Circuit Breakers/Fuses.....	127
Clamps, handlebar upper & lower.....	81,83
Clutch.....	43
Clutch Control	47
Coil, ignition	31,33
Connecting Rods and Bearings	11
Covers, rocker arm	9
Crankcase.....	13,15
Cylinders, engine	5
Cylinder Heads	5
Debris Deflector	87
Decals, fuel tank	91
Engine.....	5,7
Engine mounts, front.....	13,41,53
Enrichener Cable	27
Evaporative Emissions Kit	131
Exhaust System.....	101
Exhaust System - 883R	103
Fender, front.....	85
Fender, rear	87
Filter, Air.....	27
Filter, Engine Oil	93
Filter, Fuel	89
Flywheels.....	11
Footrests	41,53,79

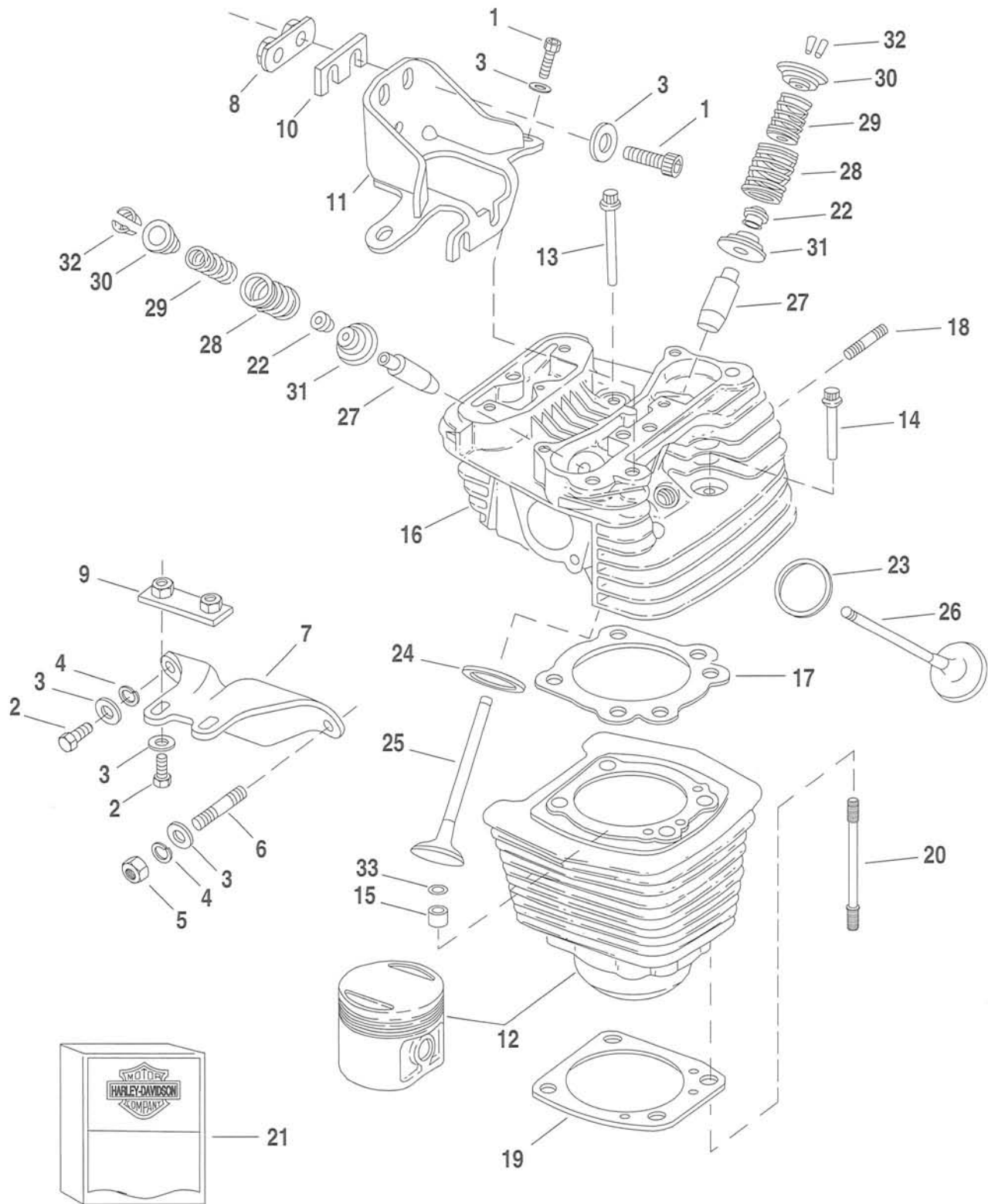
DESCRIPTION	PAGE
Fork, front - STD/HUG/883C/R/1200/1200C	69
Fork, front - 1200S	71
Fork, rear	75
Frame.....	75
Fuel Lines	89
Fuel Tank.....	89
Fuel Valve.....	89
Gasket Kits.....	7,9
Gearcase	19
Glossary.....	132
Handlebar	81,83
Hardware Listing	133-135
Headlamp.....	97,99
Horn	113
Ignition Coil	31,33
Ignition Module.....	31,33
Ignition Switch.....	125
Indicator Lamps	105,107
Intake Manifold.....	23
Jiffy Stand	75
Lever, Clutch Control.....	47
Lever, Front Brake Control	49
Lever, Rear Brake Control.....	51,53
Lever, Transmission Gear Shift	39
License Plate Bracket	87
Master Cylinder, front.....	49
Master Cylinder, rear.....	51
Mirrors.....	97,99
Mounting plates, front	15,41,53
Mufflers	101
Numerical Index	136-141
Oil Filter.....	93
Oil Pressure Switch.....	93
Oil Pump	21
Oil Pump Drive Gear	19
Oil Tank	93
Pistons and Piston Rings	5,11
Primary Cover	17
Push Rods & Covers.....	9
Regulator	29
Relay, starter	127
Rims, front & rear	61,65
Rocker Arms & Covers.....	9
Rotor, ignition	29
Seats.....	77
Sensor, bank angle	95
Shifter.....	39,41
Shock Absorbers.....	73
Side Cover, module.....	75
Spark Plugs.....	31,33

ALPHABETICAL INDEX

DESCRIPTION	PAGE
Speedometer	105,107
Sprocket Cover, transmission	37
Sprockets	37,45,63,65
Starter Motor	35
Stator	29
Steering Head Brackets, upper & lower	67
Swing Arm	75
Switches	127
Switches, handlebar	129
Switches, ignition	127
Switches, starter	127
Tachometer	105
Tail Lamp	111
Tappets	79
Throttle Control	81,83
Transmission Gears	37
Turn Signal Cancellor.....	87
Turn Signals	109
Vacuum Switch	31
Valves & Guides.....	7
Voltage Regulator	29
Wheels, front - cast.....	59
Wheels, front - laced.....	61
Wheels, rear - cast.....	63
Wheels, rear - laced.....	65
Wiring Harness, main - STD/HUG/883R/1200115,117	
Wiring Harness, main - 883C/1200C	119,121
Wiring Harness, main - 1200S.....	123,125

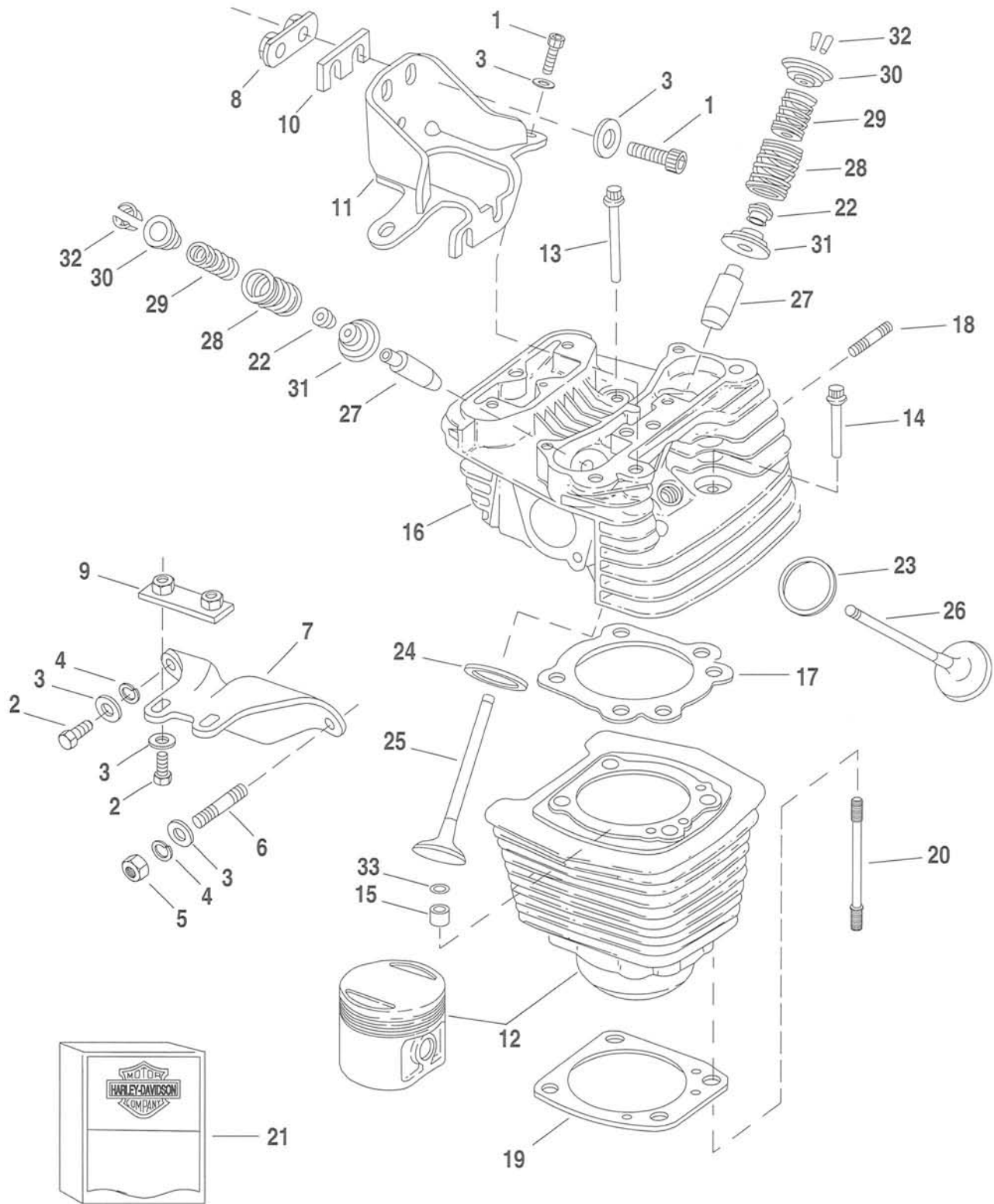
DESCRIPTION	PAGE
-------------	------

CYLINDER, HEAD & VALVES - V²™



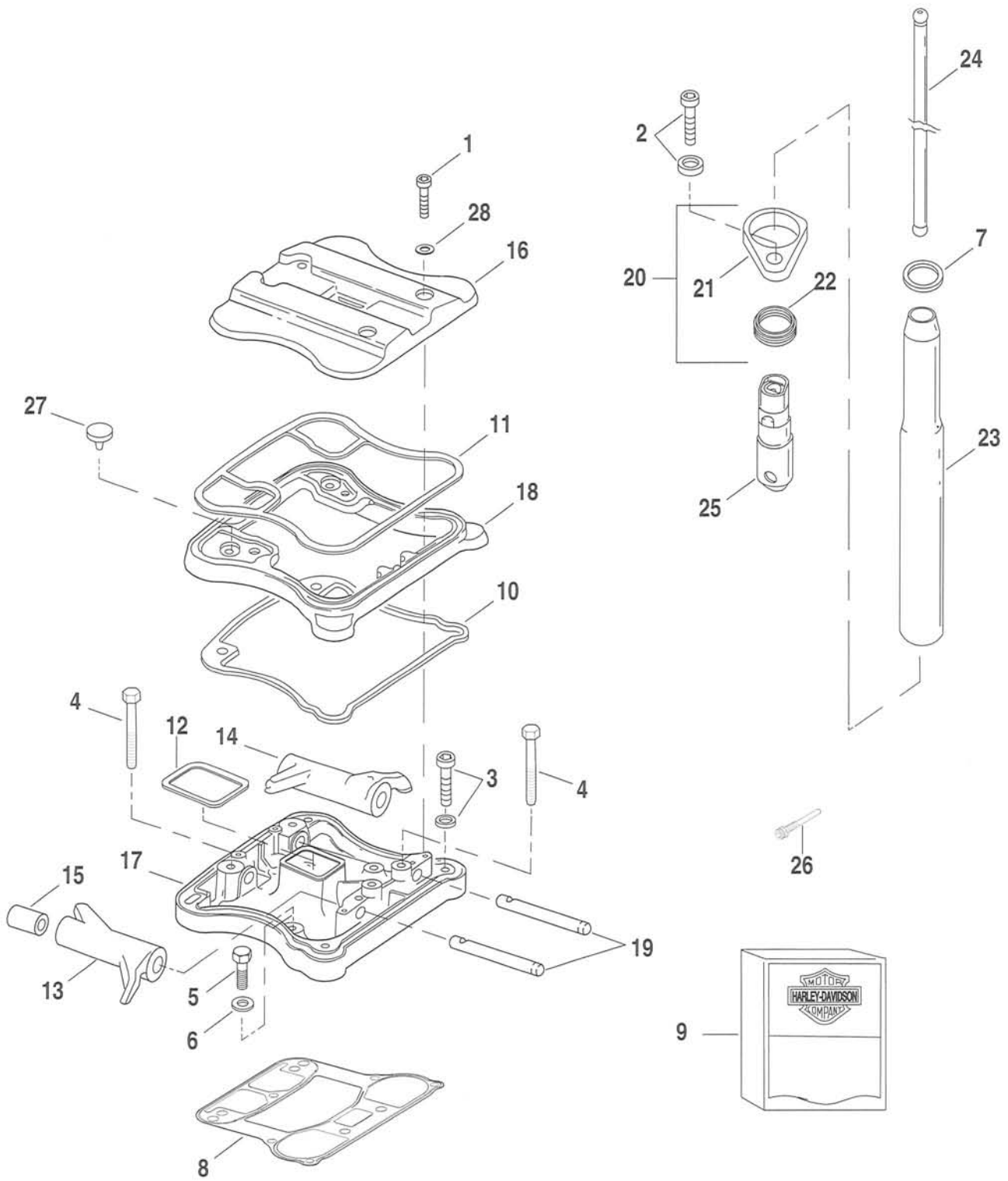
INDEX NO.	PART NO.	DESCRIPTION	MODELS
1	4748	SCREW (4)	All Models
2	4716W	BOLT (3)	All Models
3	6701	WASHER (8)	All Models
4	7038	LOCKWASHER (2)	All Models
5	7861	NUT	All Models
6	11727A	STUD, left front	All Models
	16051-03	ENGINE ASM., complete (1200cc)	1200
	16052-03	ENGINE ASM., complete (883cc)	STD
	16054-03	ENGINE ASM., complete (1200cc) (Cal. only)	1200
	16055-03	ENGINE ASM., complete (883cc) (Cal. only)	STD
	16061-03	ENGINE ASM., complete (883cc)	HUG
	16062-03	ENGINE ASM., complete (883cc) (Cal. only)	HUG
	16068-03	ENGINE ASM., complete (1200cc)	1200C
	16069-03	ENGINE ASM., complete (1200cc) (Cal. only)	1200C
	16074-03	ENGINE ASM., complete (1200cc)	1200S
	16075-03	ENGINE ASM., complete (1200cc) (Cal. only)	1200S
	16079-03	ENGINE ASM., complete (883cc)	883C
	16080-03	ENGINE ASM., complete (883cc) (Cal. only)	883C
	16188-03	ENGINE ASM., complete (883cc)	883R
	16189-03	ENGINE ASM., complete (883cc) (Cal. only)	883R
7	16214-86	BRACKET, upper front	883R1200/C/S
	16222-86	BRACKET, upper front	STD/HUG/883C
8	16226-94	NUT PLATE	All Models
9	16228-86A	NUT PLATE	All Models
10	16233-86	SHIM, 0.030 (as required)	All Models
11	16278-95B	BRACKET, center engine mount	All Models
12	16446-86B	CYLINDER, w/ piston (883 cc) (2)	STD/HUG/883C
	16447-88A	CYLINDER, w/ piston (1200 cc) (2)	1200/C/S
	16449-02	CYLINDER, w/ piston (883 cc) (2)	883R
13	16478-85A	SCREW, internal thread (4)	All Models
14	16480-92	SCREW, internal thread (4)	All Models
15	16573-83	INSERT, cylinder stud (4)	All Models
16	16660-89B	HEAD, rear cylinder - w/ valve guides & seats	STD/HUG/883C
	16661-89B	HEAD, front cylinder - w/ valve guides & seats	STD/HUG/883C
	16865-02	HEAD, rear cylinder - w/ valve guides & seats	883R
	16867-02	HEAD, front cylinder - w/ valve guides & seats	883R
	16688-90A	HEAD, front cylinder - w/ valve guides & seats	1200/C
	16698-90A	HEAD, rear cylinder - w/ valve guides & seats	1200/C
	16630-98	HEAD, front cylinder - w/ valve guides & seats	1200S
	16633-98	HEAD, rear cylinder - w/ valve guides & seats	1200S
17	16664-86B	GASKET, cylinder head (2)	STD/HUG/883C/R
	16770-84D	GASKET, cylinder head (2)	1200/C/S
18	16715-83	STUD, exhaust port (4)	All Models
19	16774-86D	GASKET, cylinder base (2)	All Models
20	16832-86C	STUD, cylinder base (8)	All Models

CYLINDER, HEAD & VALVES - V²™ (CONTINUED)



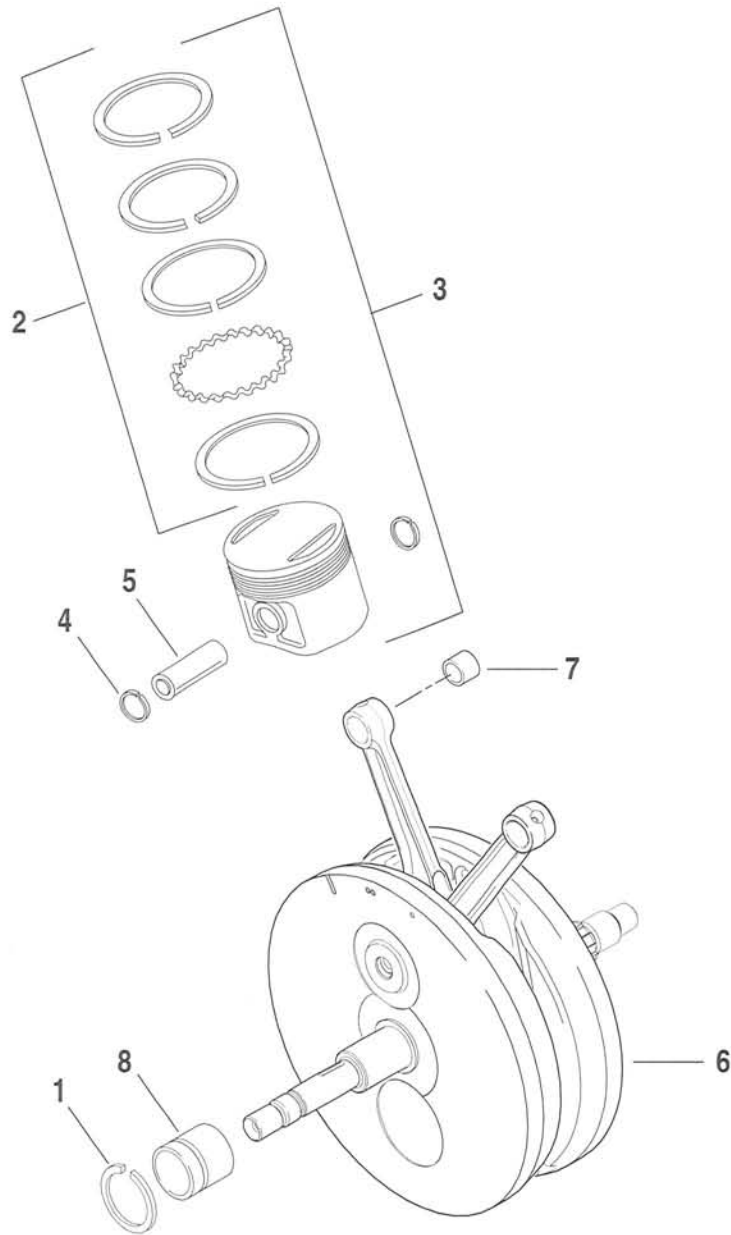
INDEX NO.	PART NO.	DESCRIPTION	MODELS
21	17026-91C	GASKET KIT, engine overhaul	All Models
	17032-91	GASKET KIT, top overhaul	All Models
	17036-91	GASKET KIT, rocker covers	All Models
22	18001-83B	SEAL, valve (4)	All Models
23	18011-87A	INSERT, exhaust valve seat (2)	1200/C
	18012-87A	INSERT, exhaust valve seat (2)	STD/HUG/883C/R
	18022-96YA	INSERT, exhaust valve seat (2)	1200S
24	18020-87B	INSERT, intake valve seat (2)	1200/C/S
	18021-87A	INSERT, intake valve seat (2)	STD/HUG/883C/R
25	18023-87	INTAKE VALVE (2)	1200/C/S
	18031-86	INTAKE VALVE (2)	STD/HUG/883C/R
26	18024-87	EXHAUST VALVE (2)	1200/C/S
	18030-86	EXHAUST VALVE (2)	STD/HUG/883C/R
27	18112-92A	VALVE GUIDE, int. & exh. (4)	STD/HUG/883C/R/1200/C
	18130-83D	VALVE GUIDE, int. & exh.-0.001 O.S. (4)	STD/HUG/883C/R/1200/C
	18131-83D	VALVE GUIDE, int. & exh.-0.003 O.S. (4)	STD/HUG/883C/R/1200/C
	18133-83B	VALVE GUIDE, int. & exh.-0.002 O.S. (4)	STD/HUG/883C/R/1200/C
	18113-96YA	VALVE GUIDE, int. & exh. (4)	1200S
	18652-96YA	VALVE GUIDE, int. & exh.-0.001 O.S. (4)	1200S
	18653-96YA	VALVE GUIDE, int. & exh.-0.002 O.S. (4)	1200S
	18654-96YA	VALVE GUIDE, int. & exh.-0.003 O.S. (4)	1200S
28	18201-83	VALVE SPRING, outer (4)	All Models
29	18202-83	VALVE SPRING, inner (4)	All Models
30	18219-83A	COLLAR, valve spring - upper (4)	All Models
31	18222-83A	COLLAR, valve spring - lower (4)	All Models
32	18229-83	RETAINER, valve collar (8)	All Models
33	26432-76A	O-RING, cylinder stud insert (4)	All Models
H-D INTERNATIONAL ONLY			
	16014-03	ENGINE ASM., complete (883cc) (Aust.)	STD
	16015-03	ENGINE ASM., complete (883cc) (Aust.)	HUG
	16016-03	ENGINE ASM., complete (883cc) (Aust.)	883C
	16063-03	ENGINE ASM., complete (1200cc) (HDI./Aust.)	1200
	16064-03	ENGINE ASM., complete (883cc) (HDI only)	STD
	16066-03	ENGINE ASM., complete (883cc) (HDI only)	HUG
	16071-03	ENGINE ASM., complete (1200cc) (HDI/Aust.)	1200C
	16076-03	ENGINE ASM., complete (1200cc) (HDI only)	1200S
	16078-03	ENGINE ASM., complete (883cc) (HDI only)	883C
	16198-03	ENGINE ASM., complete (883cc) (HDI only)	883R

ROCKER ARMS, COVERS & PUSH RODS - V²_{TM}



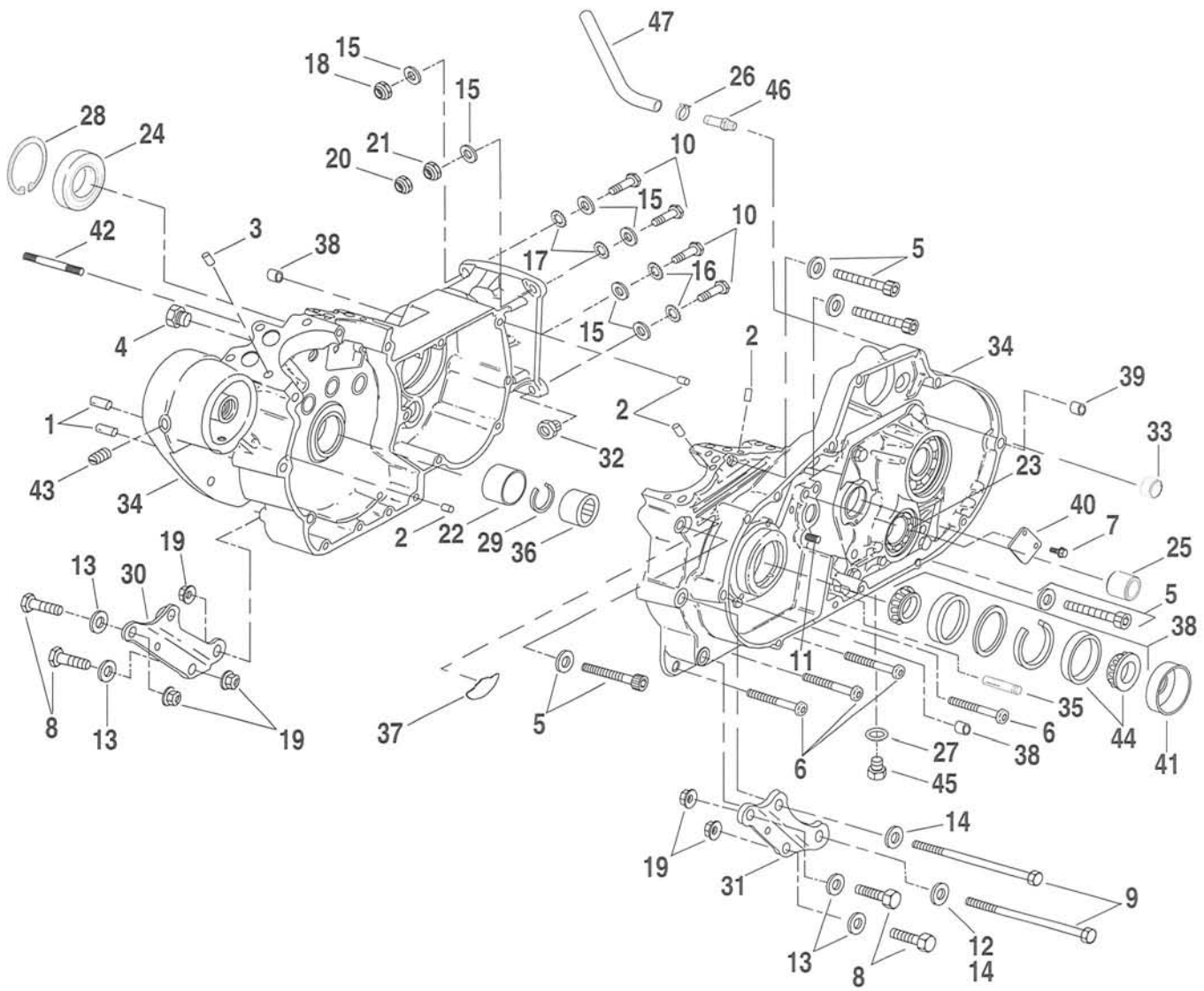
INDEX NO.	PART NO.	DESCRIPTION	MODELS
1	882	SCREW (8)	All Models
2	3228A	SCREW, w/ washer (4)	All Models
3	4718A	SCREW, w/ washer (4)	All Models
4	1039	BOLT (8)	All Models
5	3997A	BOLT (6)	All Models
6	6736	WASHER (6)	All Models
7	11190	O-RING, push rod cover-upper (4)	All Models
8	16800-84	GASKET, rocker box (2)	All Models
9	17036-91	GASKET KIT, rocker covers	All Models
10	17353-89	GASKET, rocker cover - lower (2)	All Models
11	17354-89	GASKET, rocker cover - upper (2)	All Models
12	17358-84A	GASKET, rocker cover - inner (2)	All Models
13	17360-83A	ROCKER ARM, front intake & rear exhaust (2)	All Models
14	17375-83A	ROCKER ARM, front exhaust & rear intake (2)	All Models
15	17428-57	BUSHING, rocker arm (8)	All Models
16	17501-86B	ROCKER COVER, outer (2)	STD/HUG/883C/R/1200
	17551-96	ROCKER COVER, outer (2)	1200C
	17527-98	ROCKER COVER, outer, silver (2)	1200S
17	17532-86B	ROCKER COVER, inner (2)	STD/HUG/883C/R/1200
	17537-96	ROCKER COVER, inner (2)	1200C
	17614-98	ROCKER COVER, inner, silver (2)	1200S
18	17533-90A	SPACER, rocker cover (2)	STD/HUG/883C/1200/S
	17535-02	SPACER, rocker cover (2)	833R
	17538-96	SPACER, rocker cover (2)	1200C
	17535-02	SPACER, rocker cover (2)	883R
19	17611-83	SHAFT, rocker arm (4)	All Models
20	17952-91	SEAL PLATE ASM., front int. & rear exh. w/ cover & seal (2)	All Models
	17953-91	SEAL PLATE ASM., front exh. & rear int. w/ cover & seal (2)	All Models
21	17942-89	COVER PUSHROD SEAL (4)	All Models
22	17944-89	SEAL, push rod cover (4)	All Models
23	17946-89	COVER, push rod (4)	All Models
24	17897-89	PUSH ROD, intake (2)	All Models
	17904-89	PUSH ROD, exhaust (2)	All Models
25	18538-99B	TAPPET, w/ roller (4)	All Models
26	18532-00A	SCREW, anti-rotation (4)	All Models
27	26856-89	VALVE, umbrella (2)	All Models
28	63858-49	GASKET (8)	All Models

PISTONS, CONNECTING RODS & FLYWHEELS



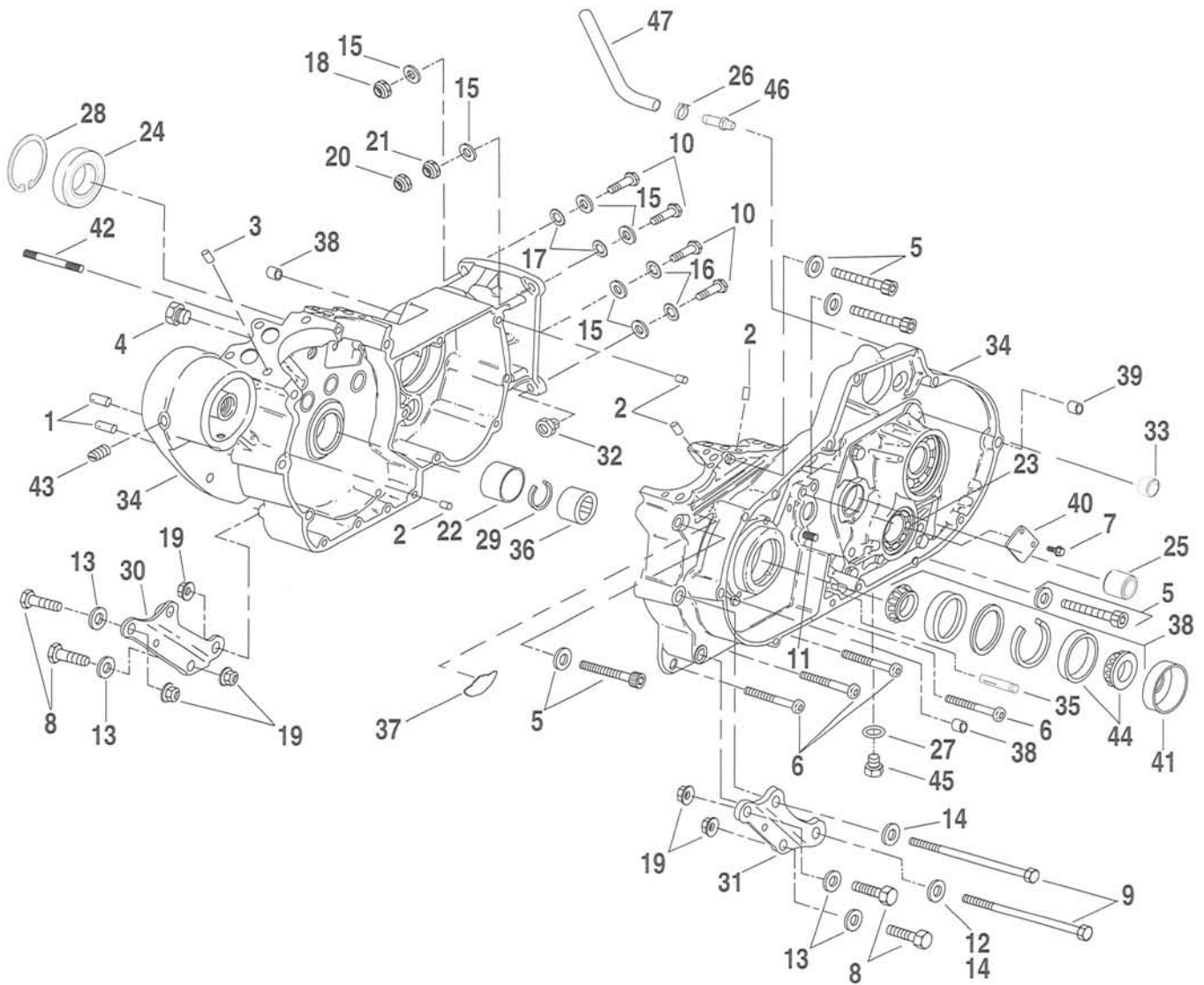
INDEX NO.	PART NO.	DESCRIPTION	MODELS
1	11177A	RETAINING RING	All Models
2	21920-83	PISTON RING SET - standard (2)	1200/C/S
	21921-83	PISTON RING SET - 0.005 O.S. (2)	1200/C/S
	21922-83	PISTON RING SET - 0.010 O.S. (2)	1200/C/S
	21923-83	PISTON RING SET - 0.020 O.S. (2)	1200/C/S
	21924-83	PISTON RING SET - 0.030 O.S. (2)	1200/C/S
	22266-86	PISTON RING SET - standard (2)	STD/HUG/883C/R
	22261-86	PISTON RING SET - 0.010 O.S. (2)	STD/HUG/883C/R
	22262-86	PISTON RING SET - 0.020 O.S. (2)	STD/HUG/883C/R
	22263-86	PISTON RING SET - 0.030 O.S. (2)	STD/HUG/883C/R
	22271-86	PISTON RING SET - 0.005 O.S. (2)	STD/HUG/883C/R
3	22242-86A	PISTON AND RINGS ASM. - standard (2)	STD/HUG/883C/R
	22201-86A	PISTON AND RINGS ASM. - 0.005 O.S. (2)	STD/HUG/883C/R
	22253-86A	PISTON AND RINGS ASM. - 0.010 O.S. (2)	STD/HUG/883C/R
	22254-86A	PISTON AND RINGS ASM. - 0.020 O.S. (2)	STD/HUG/883C/R
	22255-86A	PISTON AND RINGS ASM. - 0.030 O.S. (2)	STD/HUG/883C/R
	22243-88A	PISTON AND RINGS ASM. - standard (2)	1200/C/S
	22205-88A	PISTON AND RINGS ASM. - 0.005 O.S. (2)	1200/C/S
	22216-88A	PISTON AND RINGS ASM. - 0.010 O.S. (2)	1200/C/S
	22220-88A	PISTON AND RINGS ASM. - 0.020 O.S. (2)	1200/C/S
	22225-88A	PISTON AND RINGS ASM. - 0.030 O.S. (2)	1200/C/S
4	22589-83B	LOCK RING, piston pin (4)	All Models
5	22719-85	PISTON PIN (2)	STD/HUG/883C/R
	22765-88	PISTON PIN (2)	1200/C/S
6	23905-00	SET OF FLYWHEELS AND SHAFTS W/ RODS	All Models
7	24331-36	BUSHING, piston pin - standard (2)	All Models
	24332-36	BUSHING, piston pin - 0.01 O.S. (2)	All Models
8	24658-87	INNER RING	All Models

CRANKCASE



INDEX NO.	PART NO.	DESCRIPTION	MODELS
1	215	DOWEL PIN (2)	All Models
2	358	DOWEL PIN (4)	All Models
3	604	ROLL PIN (4)	All Models
4	720	PLUG, timing	All Models
5	1028	SCREW w/ washer (4)	All Models
6	3696	SCREW (4)	All Models
7	4091	SCREW (2)	All Models
8	4337W	BOLT (4)	All Models
9	4413	BOLT (2)	All Models
10	4435W	BOLT (4)	All Models
11	5226B	STUD (2)	All Models
12	6019	WASHER	883C/1200C
13	6026	WASHER (4)	All Models
14	6152	SPACER (2- STD/HUG/1200/S)	All Models
15	6701	WASHER (6)	All Models
16	7038	WASHER, star (2)	All Models
17	7145W	WASHER, star (2)	All Models
18	7775	LOCKNUT	All Models
19	7780	LOCKNUT (5)	All Models
20	7789	LOCKNUT	All Models
21	7861	LOCKNUT	All Models
22	8881	BEARING RACE	All Models
23	8977	BEARING CLOSED END	All Models
24	8996A	BEARING	All Models
25	9151	BEARING CLOSED END	All Models

CRANKCASE (CONTINUED)

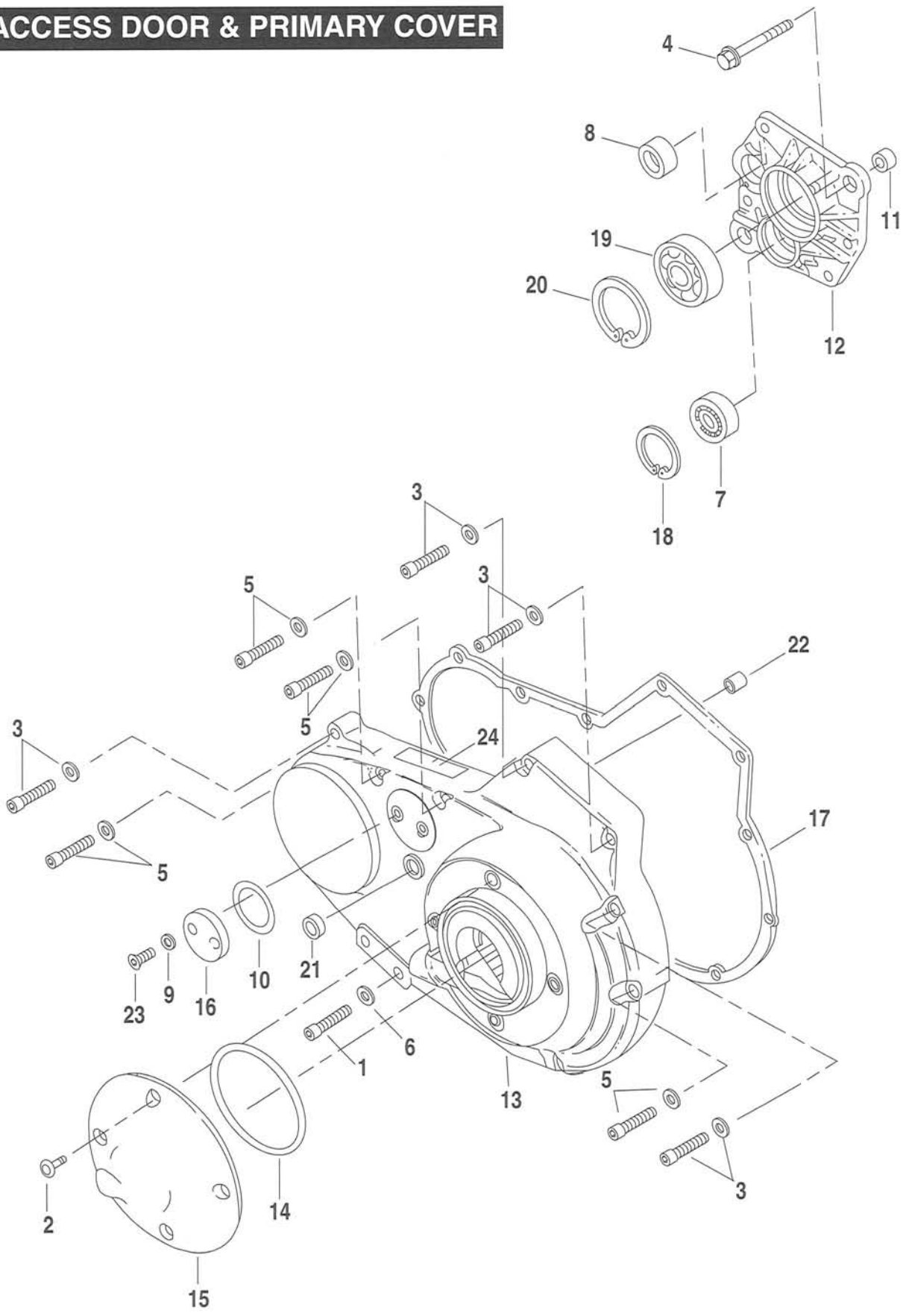


INDEX NO.	PART NO.	DESCRIPTION	MODELS
26	10080	CLAMP	All Models
27	11105	O-RING	All Models
28	11161	RETAINING RING	All Models
29	11177A	RETAINING RING	All Models
30	16210-84A	MOUNTING PLATE, lower right - front	STD/HUG/R/1200/S
	16294-99	MOUNTING PLATE, lower right - front	883C/1200C
31	16212-84	MOUNTING PLATE, lower left - front	STD/HUG/R/1200/S
	16297-99	MOUNTING PLATE, lower left - front	883C/1200C
32	16240-82	BUSHING (2)	All Models
33	16573-83	DOWEL (2)	All Models
34	24500-03	CRANKCASE SET w/ bearings (black) - 100th. Anniversary restricted sale part	883R/1200C
	24502-03	CRANKCASE SET w/ bearings (silver) - 100th. Anniversary restricted sale part	STD/HUG/883C/1200/S
35	24530-90	PIN GROOVED	All Models
36	24647-87	BEARING, gear shaft (blue)	All Models
	24650-87	BEARING, gear shaft (red)	All Models
	24659-87	BEARING, gear shaft (white/grey)	All Models
	24660-87	BEARING, gear shaft (green)	All Models
37	24709-03	MEDALLION KIT - 100th. Anniversary restricted sale part	All Models
38	24729-74	BEARING ASM.	All Models
39	24754-75	DOWEL PIN (3)	All Models
40	29950-91	COVER, stator wires	All Models
41	35151-74A	OIL SEAL	All Models
42	42449-80A	STUD	All Models
43	45830-48	PLUG PIPE	All Models
44	48302-85	BEARING, complete, (2) w/ #48348-70 & 48315-60	All Models
45	60348-65B	DRAIN PLUG KIT w/ o-ring	All Models
46	63533-41A	FITTING STRAIGHT	All Models

NOTE; Hose is sold in bulk length under the following part number. Cut to required length.

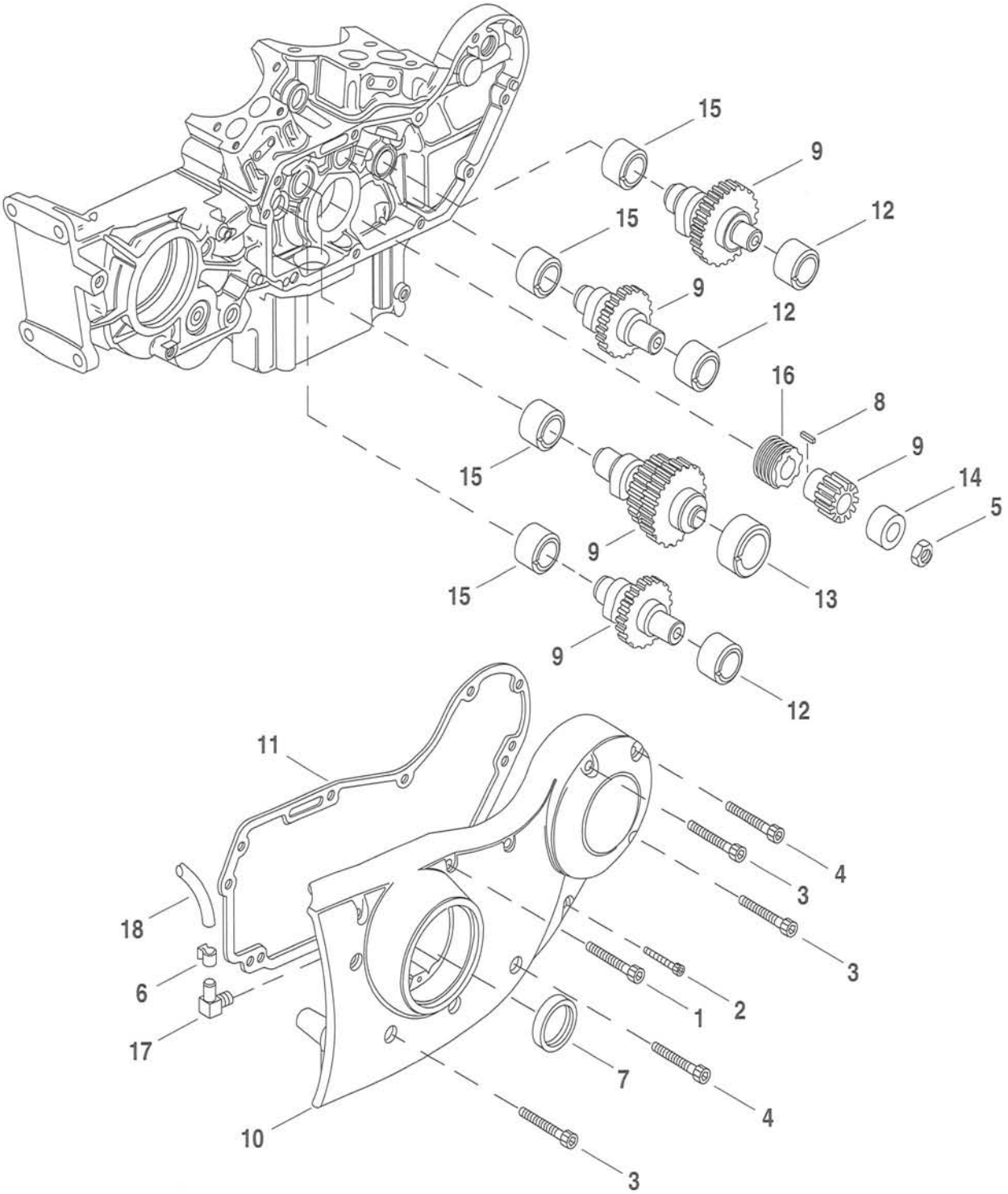
47	63500-68	HOSE, 3/8 I.D. x 5/8 O.D. rubber (25 ft. lg.)	All Models
----	----------	---	------------

ACCESS DOOR & PRIMARY COVER



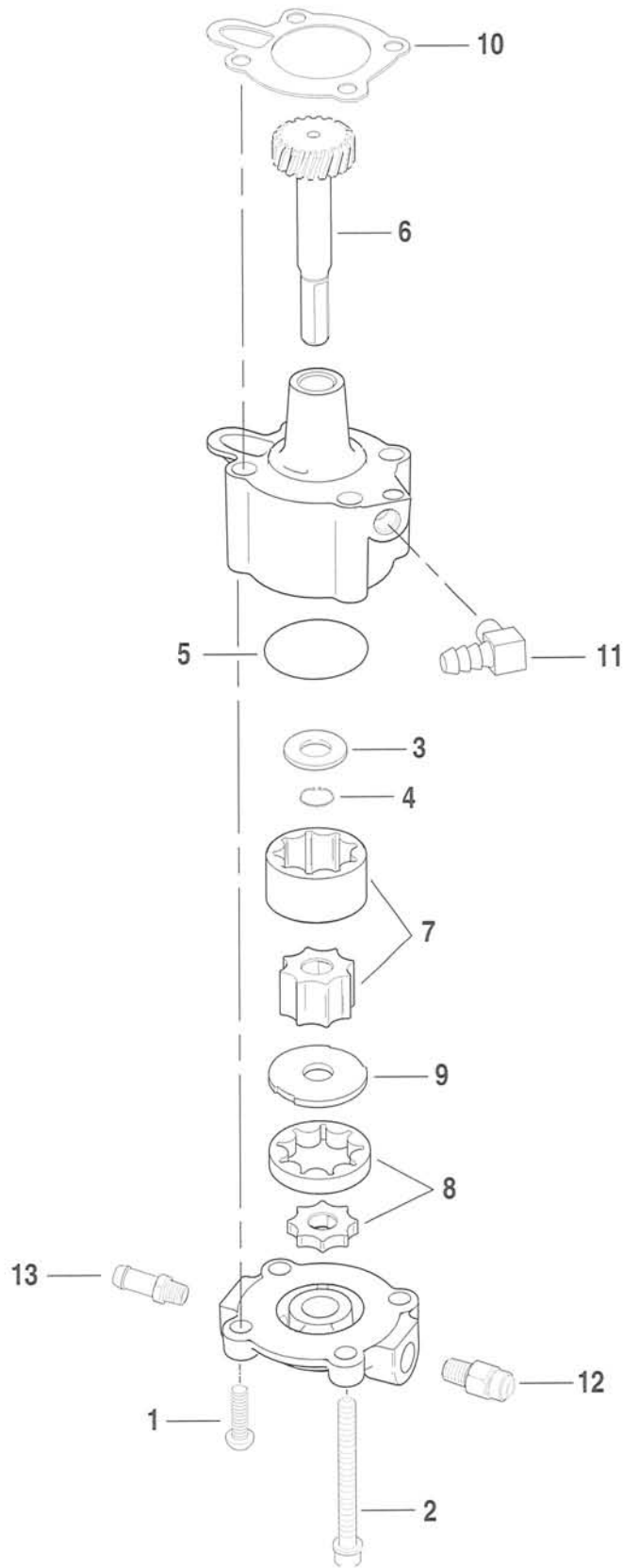
INDEX NO.	PART NO.	DESCRIPTION	MODELS
1	1029	SCREW (2)	883C/1200C
2	943	SCREW (4)	All Models
3	4820A	SCREW (7)	All Models
4	3610	BOLT, flange (5)	All Models
5	4717A	SCREW, SEMS (4)	All Models
6	6702	WASHER (2)	883C/1200C
7	8998	BEARING	All Models
8	9187	BUSHING	All Models
9	11171	O-RING, inspection cover screws (2)	All Models
10	11188	O-RING, chain insp. cover	All Models
11	16573-83	INSERT, access door (2)	All Models
12	25238-94	ACCESS DOOR ASM., transmission - w/ #7,8,18,19, & 20	All Models
13	25430-94A	PRIMARY COVER (polished)	STD/HUG/883C//1200
	25460-94	PRIMARY COVER (chrome)	1200C
	25471-97Y	PRIMARY COVER (silver)	1200S
	25574-99Y	PRIMARY COVER (black)	883R
14	25463-94	GASKET, clutch cover	All Models
15	34760-94	INSPECTION COVER, clutch (chrome)	1200C
	34787-03	INSPECTION COVER, clutch - 100th. Anniversary restricted sale part	883C/1200C
	34790-01Y	INSPECTION COVER, clutch (black)	883R
	34992-94	INSPECTION COVER, clutch (polished)	STD/HUG/883C/1200/S
16	34993-90	INSPECTION COVER, chain	STD/HUG/883C/1200/S
	34761-94	INSPECTION COVER, chain (chrome)	1200C
	34794-01Y	INSPECTION COVER, chain (black)	883R
17	34955-89A	GASKET, primary cover	All Models
18	35021-89	RETAINING RING	All Models
19	35030-89	BEARING	All Models
20	35038-89A	RETAINING RING	All Models
21	37101-84	OIL SEAL	All Models
22	40520-63	BUSHING	All Models
23	41191-74A	SCREW, inspection covers (2)	All Models
H-D INTERNATIONAL ONLY			
24	14270-92	DECAL, shift pattern (Japan)	All Models

GEARCASE & COVER



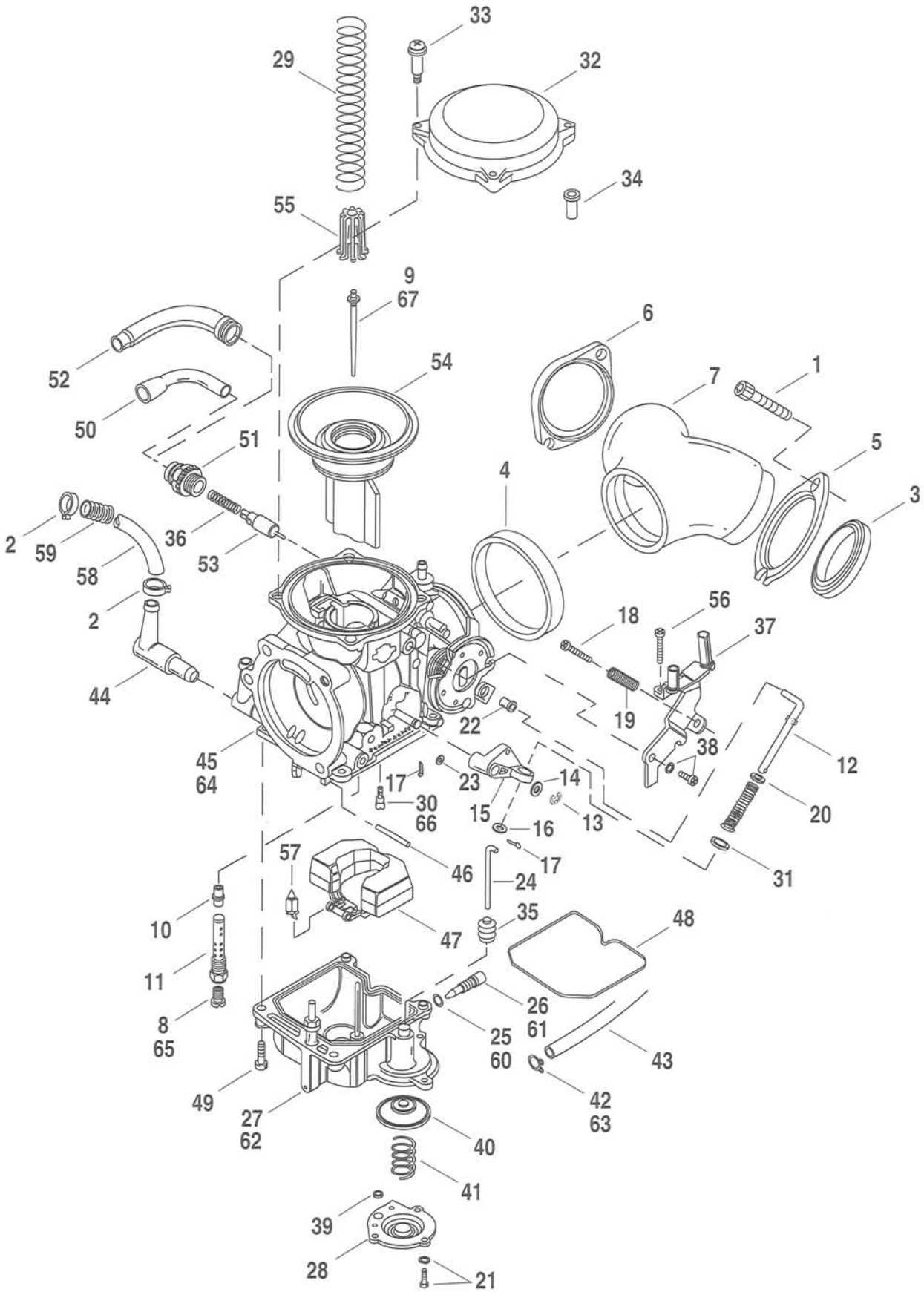
INDEX NO.	PART NO.	DESCRIPTION	MODELS
1	3480A	SCREW (3)	All Models
2	4740A	SCREW	All Models
3	4717A	SCREW (5)	All Models
4	4820A	SCREW (2)	All Models
5	7916A	NUT	All Models
6	10117	CLAMP	All Models
7	11124	SEAL	All Models
8	11317	T-KEY	All Models
9	25193-00A	CAM GEAR SET, complete w/ pinion gear	STD/HUG/883C/1200/C
	25194-00A	CAM GEAR SET, complete w/ pinion gear	1200S
10	25219-91C	COVER ASM., gearcase (polished) w/ #7, 17 & bushings	STD/HUG/1200
	25213-96B	COVER ASM., gearcase (chrome) w/ #7, 17 & bushings	1200C
	25252-97YB	COVER ASM., gearcase (silver) w/ #7, 17 & bushings	883C/1200S
	25307-99YA	COVER ASM., gearcase (black) w/ #7, 17 & bushings	883R
11	25263-90C	GASKET, gearcase cover	All Models
12	25586-37	OUTER BUSHING, cam gear shafts (3)	All Models
13	25588-91	BUSHING, rear intake cam gear shaft	All Models
14	25593-74	BUSHING, flywheel gear shaft	All Models
15	25598-91	INNER BUSHING, camshaft gear (4)	All Models
16	26318-88A	DRIVE GEAR, oil pump	All Models
17	62375-57A	FITTING, oil vent hose	All Models
		NOTE: Hoses are sold in bulk length under the following part number. Cut to required length.	
18	63501-68A	HOSE, 1/4 I.D. x 1/2 O.D. (rubber)	All Models

OIL PUMP



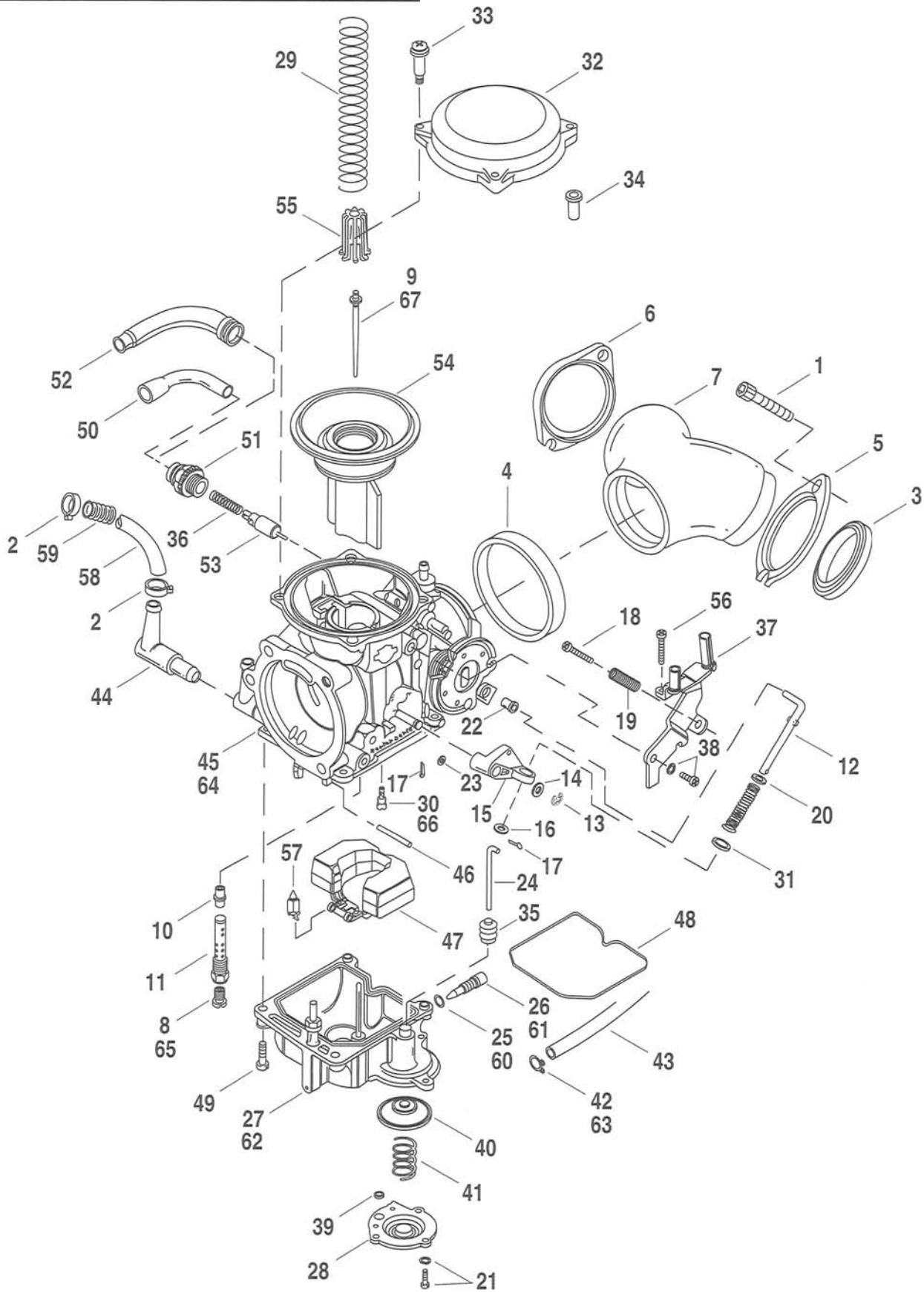
INDEX NO.	PART NO.	DESCRIPTION	MODELS
1	4132	SCREW (2)	All Models
2	4765	SCREW, w/ washer (2)	All Models
3	6157	THRUST WASHER	All Models
4	11002	RETAINING RING	All Models
	26204-91A	OIL PUMP, complete	All Models
5	26434-91	O-RING	All Models
6	26488-98	GEAR SHAFT	All Models
7	26491-98	GEROTOR SET, return	All Models
8	26492-91	GEROTOR SET, feed	All Models
9	26493-91	SEPARATOR PLATE	All Models
10	26495-89A	GASKET, pump mounting	All Models
11	26496-75	FITTING, 90 degree	All Models
12	62601-91A	FITTING, connector - front	All Models
13	63533-41A	FITTING, connector - rear	All Models

CARBURETOR



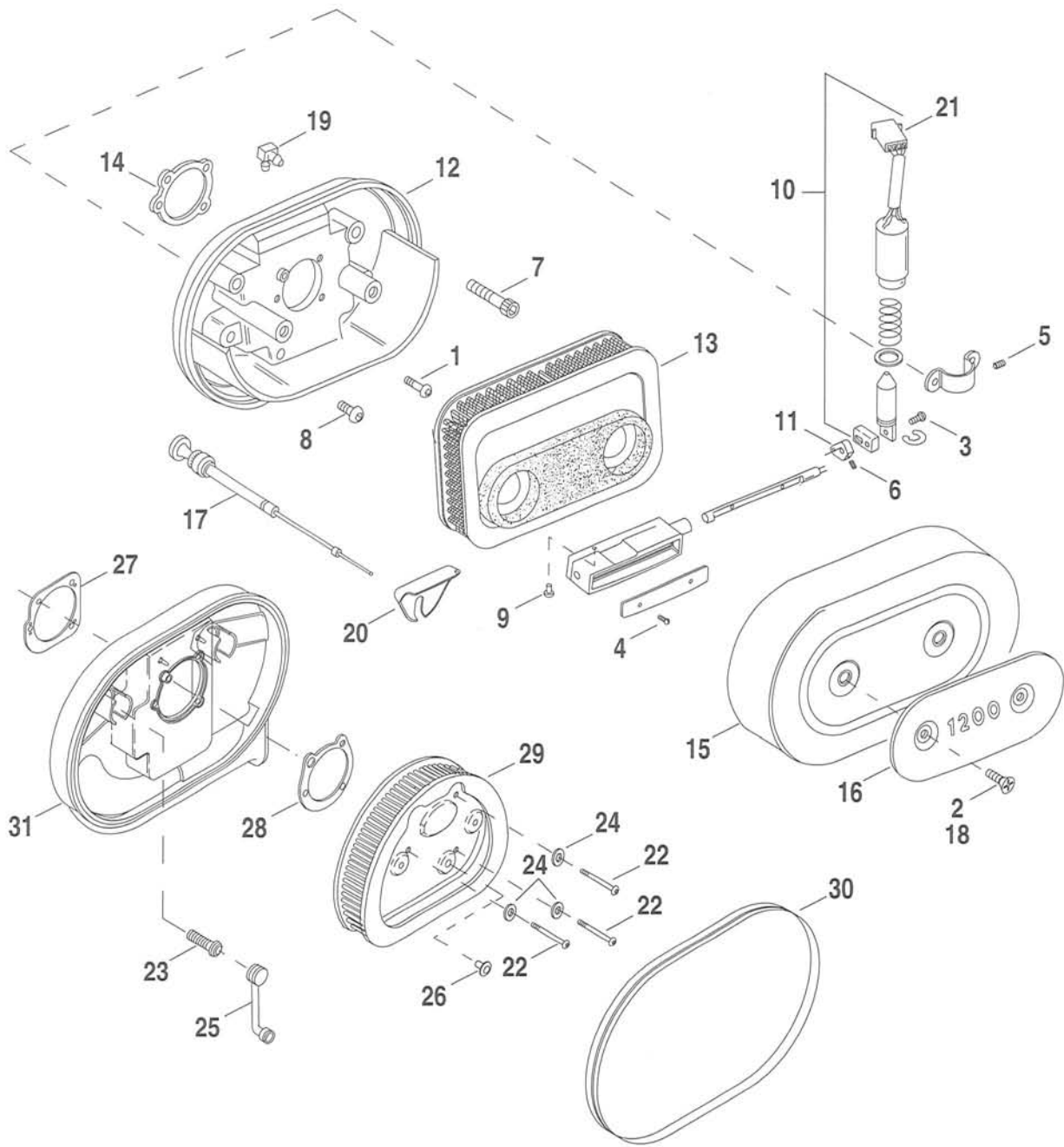
INDEX NO.	PART NO.	DESCRIPTION	MODELS
1	3275	SCREW (4)	All Models
2	10014	CLAMP (2)	All Models
3	26995-86B	SEAL, intake manifold	All Models
4	27002-89	SEAL RING, carburetor	All Models
5	27009-86A	FLANGE, mounting - front	All Models
6	27010-86A	FLANGE, mounting - rear	All Models
7	27004-88A	INTAKE MANIFOLD KIT w/ #3 & 4	All Models
8	27115-88	MAIN JET (Cal. STD/HUG/883C)	1200/C
	27275-96Y	MAIN JET (Cal. 1200S)	1200S
	27152-89	MAIN JET	STD/HUG/883C/R
	27185-90	MAIN JET (Cal. only)	1200/C
9	27241-95	JET, needle (Cal. STD/HUG/883C)	STD/HUG/883C/R/1200/C
	27656-98	JET, needle	1200S
	27279-93	JET, needle (Cal. only 1200/C)	1200/C
	27254-96	JET, needle (Cal. only 1200S)	1200S
10	27100-88	NEEDLE JET	All Models
11	27101-88	NEEDLE JET HOLDER	All Models
12	27122-89	ROD	All Models
13	27124-89	E-CLIP	All Models
14	27125-89	WASHER	All Models
15	27126-89	LEVER	All Models
16	27127-89	WASHER	All Models
17	27128-89	PIN (2)	All Models
18	27130-90	IDLE SCREW	All Models
19	27136-90A	SPRING	All Models
20	27137-81	WASHER (3)	All Models
21	27146-89	SCREW w/ washer (3)	All Models
22	27147-89	COLLAR	All Models
23	27148-89	WASHER	All Models
24	27156-89	ROD	All Models
25	27157-89	O-RING	STD/HUG/883C/R/1200/C
26	27158-89	DRAIN SCREW	STD/HUG/883C/R/1200/C
27	27159-92	FLOAT CHAMBER ASM.	STD/HUG/883C/R/1200/C
	27380-98	FLOAT CHAMBER ASM.	1200S
28	27160-89	PUMP HOUSING	All Models
29	27162-89	SPRING	All Models
30	27171-89	SLOW JET	All Models
31	27231-98	COLLAR	All Models
32	27261-96	TOP, carburetor	All Models
33	27262-96	SCREW, top (3)	All Models
34	27263-96	COLLAR	All Models
35	27311-76	CAP, accelerator pump (rubber)	All Models
36	27315-88A	SPRING	All Models
37	27316-88	BRACKET	All Models

CARBURETOR (CONTINUED)



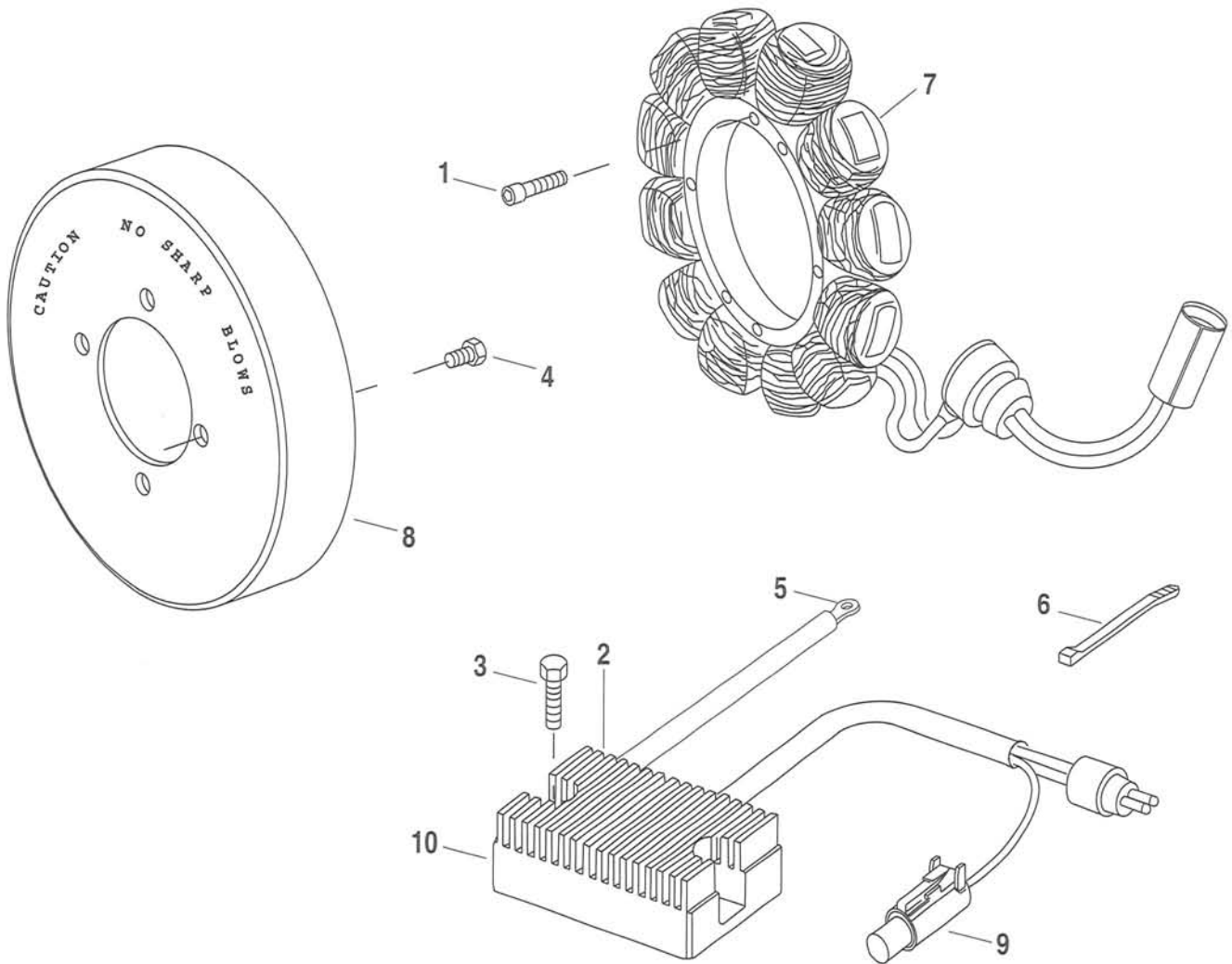
INDEX NO.	PART NO.	DESCRIPTION	MODELS
38	27317-88	SCREW	All Models
39	27360-76	O-RING	All Models
40	27361-76A	DIAPHRAGM, accelerator pump	All Models
41	27362-76	SPRING, diaphragm	All Models
42	27368-76	CLIP, overflow hose	STD/HUG/883C/R/1200/C
43	27363-88	HOSE, overflow	All Models
44	27371-76A	FITTING	All Models
45	27498-96A	CARBURETOR (Cal. only)	1200/C
	27480-97A	CARBURETOR	1200/C
	27732-98A	CARBURETOR (Cal. only)	1200S
	27731-98A	CARBURETOR	1200S
	27495-96A	CARBURETOR (Cal. only)	STD/HUG/883C/R
	27490-96A	CARBURETOR	STD/HUG/883C/R
46	27575-88A	PIN	All Models
47	27576-92	FLOAT	All Models
48	27577-92	O-RING	All Models
49	27579-88A	SCREW (4)	All Models
50	27580-88	CABLE GUIDE	All Models
51	27581-88	STARTER CAP	All Models
52	27582-88	CABLE SEALING CAP	All Models
53	27583-88	STARTER VALVE	All Models
54	27585-88	VACUUM PISTON	All Models
55	27586-88	SPRING SEAT	All Models
56	27587-88	SCREW	All Models
57	27886-78A	VALVE w/ clip	All Models
		NOTE: Hose is sold only in bulk length under the following part number. Cut to required length.	
58	63501-68A	HOSE, 1/4 I.D. x 1/2 O.D. (rubber) (25 ft. lg.)	All Models
59	63505-84	INSULATOR, 1/2 I.D. nylon (8 ft. lg.)	All Models
		H-D INTERNATIONAL ONLY	
60	27157-89	O-RING (HDI/Aust./Eng./Japan only)	1200S
61	27158-89	DRAIN SCREW (HDI/Aust./Eng./Japan only)	1200S
62	27256-01	FLOAT CHAMBER ASM. (HDI)	1200S
63	27368-76	CLIP, overflow hose (HDI/Aust./Eng./Japan only)	1200S
64	27076-95A	CARBURETOR (HDI/Aust./Eng./Japan)	1200/C
	27749-01A	CARBURETOR (HDI/Aust./Eng./Japan)	1200S
	27031-95A	CARBURETOR (Aust.)	STD/HUG/883C/R
	27465-01A	CARBURETOR (HDI/Eng./Japan)	STD/HUG/883C/R
65	27243-95	MAIN JET (Aust.;1200/C HDI/Aust./Eng./Japan)	STD/HUG/883C/R/1200/C
	27116-88	MAIN JET (HDI/Eng./Japan)	STD/HUG/883C/R
	27185-90	MAIN JET (HDI/Aust./Eng./Japan)	1200S
66	27171-89	SLOW JET (HDI)	All Models
67	27241-95	JET, needle (HDI/Aust./Eng./Japan)	1200/C
	27242-95	JET, needle (Aust.)	STD/HUG/883C/R
	27647-01	JET, needle (HDI/Aust./Eng./Japan)	1200S
	28013-01	JET, needle (HDI/Eng./Japan)	STD/HUG/883C/R

AIR CLEANER & ENRICHENER



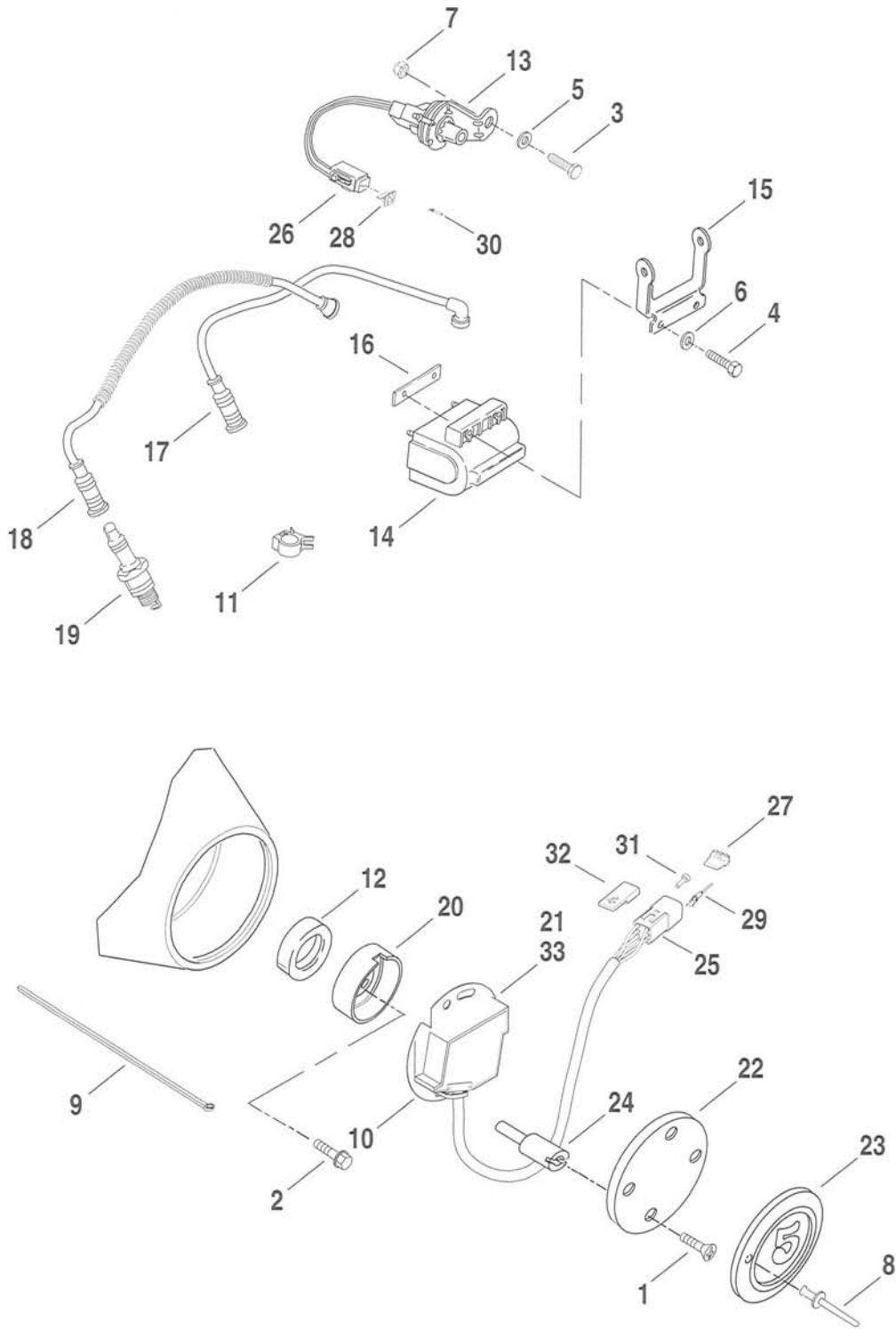
INDEX NO.	PART NO.	DESCRIPTION	MODELS
1	869	SCREW (3)	All Models
2	2405A	SCREW (2)	All Models
3	2711	SCREW (Cal. only)	All Models
4	2737	SCREW (2) (Cal. only)	All Models
5	3206B	SET SCREW (Cal. only)	All Models
6	3221	SET SCREW (Cal. only)	All Models
7	3534B	SCREW, breather (2)	All Models
8	3652	SCREW (2) (Cal. only)	All Models
9	8535	RIVET (2) (Cal. only)	All Models
10	28827-96A	SOLENOID (Cal. only)	All Models
11	28842-89	LINK (Cal. only)	All Models
12	29367-97A	BACKPLATE, air cleaner	All Models
	29018-97	BACKPLATE ASM. (Cal. only)	All Models
13	29331-96	FILTER ELEMENT	All Models
14	29059-88A	GASKET, carburetor intake	All Models
15	29084-73	COVER, air cleaner	STD/HUG/883C/1200/C/S
	29370-02	COVER, air cleaner	883R
	29810-03	COVER, air cleaner - 100th. Anniversary restricted sale part	883C/1200C
16	29111-88	TRIM, air cleaner	1200
	29100-96	TRIM, air cleaner	1200C
	29300-98	TRIM, air cleaner	1200S
	29488-98	TRIM, air cleaner	883C
	29257-02	TRIM, air cleaner	883R
17	29238-92B	CABLE, enrichment	All Models
18	29788-03	BOLT, air cleaner cover (2)	883C/1200C
19	61107-92	FITTING (Cal. only)	All Models
20	69037-95A	COVER, enrichment cable	STD/HUG/883C/R/1200S
21	73153-96BK	HOUSING, socket 3 pin (Cal. only)	All Models
	73191-96	SOCKET CONTACT 16-20 gauge (Cal. only)	All Models
H-D INTERNATIONAL ONLY			
22	946	SCREW (3) (HDI)	1200/C/S
23	3577	SCREW, breather (HDI)	1200/C/S
24	6410	WASHER (3) (HDI)	1200/C/S
25	24922-93	BREATHER CONNECTOR (2) (HDI)	1200/C/S
26	24925-95	PLUG, threaded (HDI)	1200/C/S
27	29062-95B	GASKET, carburetor intake (HDI)	1200/C/S
28	29313-95	GASKET, filter element (HDI)	1200/C/S
29	29325-95A	FILTER ELEMENT, w/ #24, 26 & 28 (HDI)	1200/C/S
30	29315-95	MOLDING, air cleaner cover (HDI)	1200/C/S
31	29316-95C	BACKPLATE ASM. (HDI)	1200/C/S

ALTERNATOR & REGULATOR



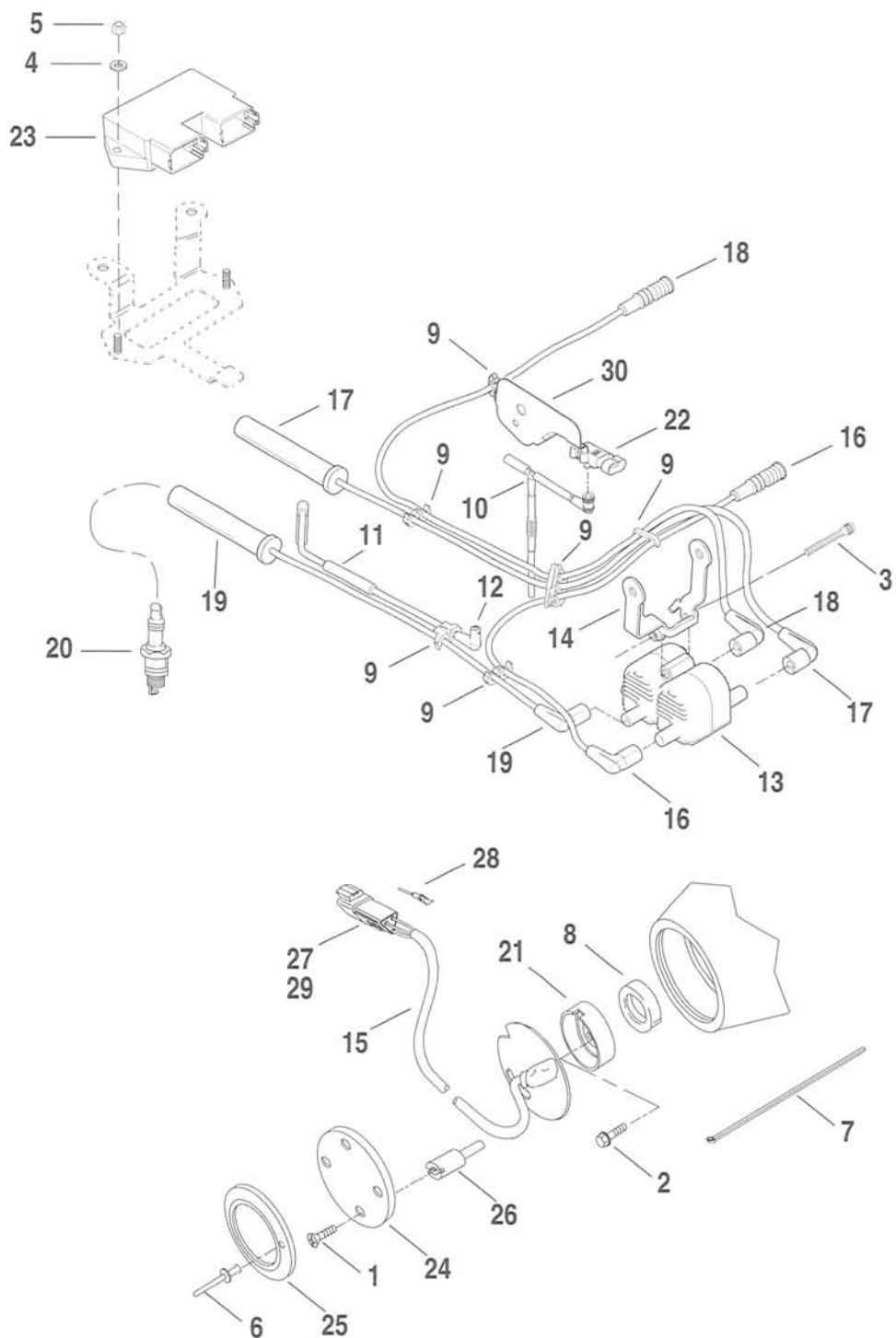
INDEX NO.	PART NO.	DESCRIPTION	MODELS
1	3029	SCREW (4)	All Models
2	4134	SCREW	All Models
3	4329	SCREW (2)	All Models
4	4751	SCREW (4)	All Models
5	9840	TERMINAL RING	All Models
6	10065	STRAP, cable	All Models
7	29967-89A	STATOR	All Models
8	32413-92A	ROTOR w/ #4751 screw	All Models
9	72197-94	TERMINAL, SOCKET	All Models
10	74523-94A	REGULATOR	All Models

ELECTRONIC IGNITION SYSTEM



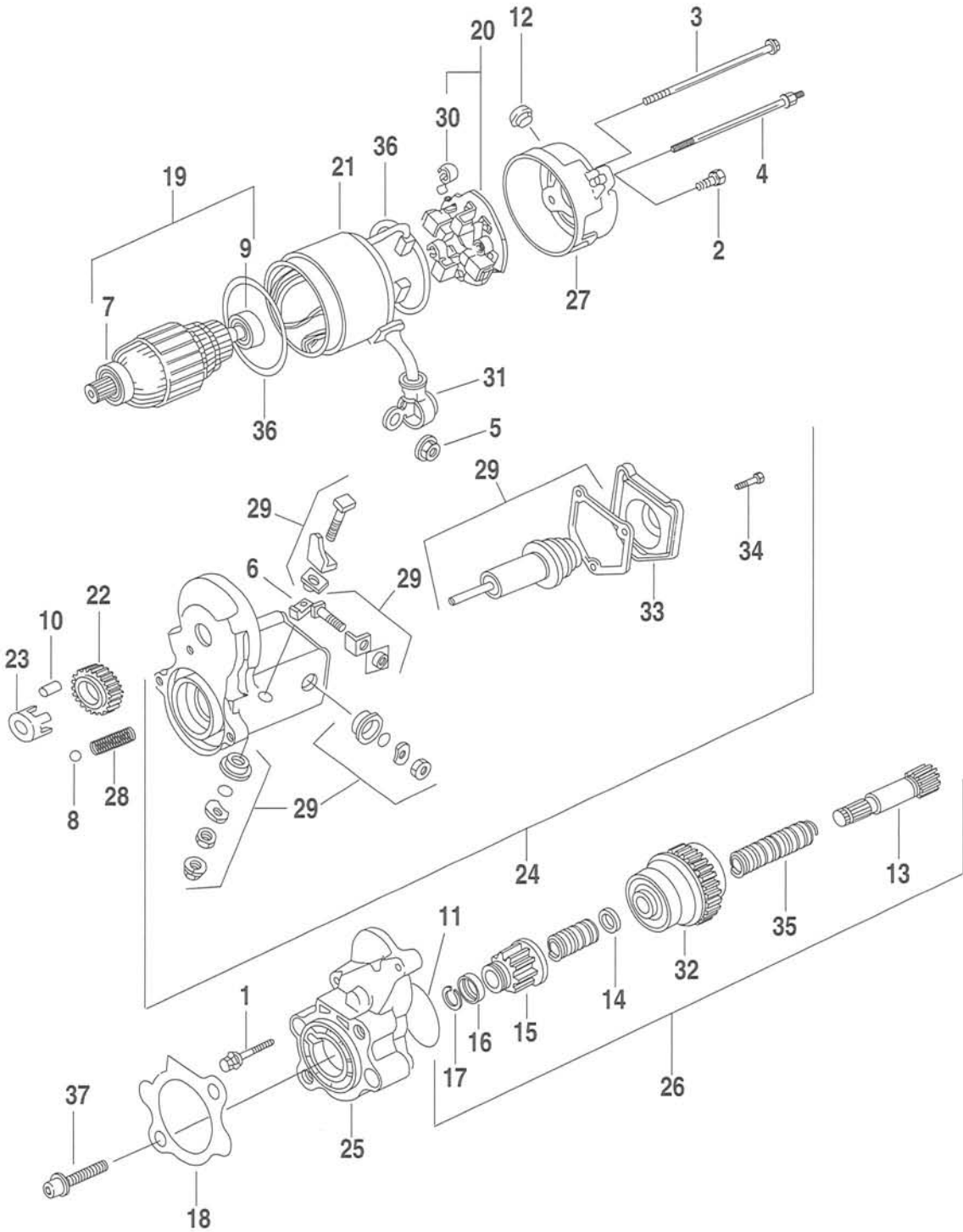
INDEX NO.	PART NO.	DESCRIPTION	MODELS
1	1601	SCREW (2)	STD/HUG/883C/R/1200/C
2	2611C	SCREW	STD/HUG/883C/R/1200/C
3	3987	BOLT	STD/HUG/883C/R/1200/C
4	3993	BOLT (2)	STD/HUG/883C/R/1200/C
5	6702	WASHER	STD/HUG/883C/R/1200/C
6	7036	LOCKWASHER (2)	STD/HUG/883C/R/1200/C
7	7531	LOCKNUT	STD/HUG/883C/R/1200/C
8	8699	POP RIVET (2)	STD/HUG/883C/R/1200/C
9	10039	CABLE STRAP	STD/HUG/883C/R/1200/C
10	10065	CABLE STRAP	STD/HUG/883C/R/1200/C
11	10108	CLIP	STD/HUG/883C/R/1200/C
12	11124	SEAL	STD/HUG/883C/R/1200/C
13	26558-94A	VACUUM SWITCH w/ electrical connector asm.	STD/HUG/883C/R/1200/C
14	31614-83A	IGNITION COIL	STD/HUG/883C/R/1200/C
15	31738-00	BRACKET, ignition coil mounting	STD/HUG/883C/R/1200/C
16	31727-85	PLATE, ignition coil mounting	STD/HUG/883C/R/1200/C
17	31986-86	CABLE, spark plug - 6 1/2"	STD/HUG/883C/R/1200/C
18	31996-86A	CABLE, spark plug - 20" (front)	STD/HUG/883C/R/1200/C
19	32317-86A	SPARK PLUG, No. 6R12 (2) w/ conduit (rear)	STD/HUG/883C/R/1200/C
20	32402-83	TRIGGER ROTOR	STD/HUG/883C/R/1200/C
21	32465-98	IGNITION MODULE, integrated sensor	1200/C
	32466-98	IGNITION MODULE, integrated sensor	STD/HUG/883C/R
22	32504-80A	INNER COVER	STD/HUG/883C/1200/C
23	32506-90	COVER, timer	STD/HUG/883C/1200/C
	32507-03	COVER, timer, chrome - 100th. Anniversary restricted sale part	883C/1200C
	32549-98	COVER, timer	1200S
	32554-02	COVER, timer	883R
24	32606-82	STUD, timer plate (2)	STD/HUG/883C/R/1200/C
25	72106-94BK	CONNECTOR 6-way (black)	STD/HUG/883C/R/1200/C
26	72112-94BK	CONNECTOR 2-way (black)	STD/HUG/883C/R/1200/C
27	72146-94	SECONDARY LOCK, 6-pin	STD/HUG/883C/R/1200/C
28	72152-94	SECONDARY LOCK, 2-pin	STD/HUG/883C/R/1200/C
29	72190-94	TERMINAL, pin (5)	STD/HUG/883C/R/1200/C
30	72191-94	TERMINAL, socket (2)	STD/HUG/883C/R/1200/C
31	72195-94	PIN SEAL	STD/HUG/883C/R/1200/C
32	72199-94	ATTACHMENT CLIP	STD/HUG/883C/R/1200/C
		H-D INTERNATIONAL ONLY	
33	32475-00	IGNITION MODULE (HDI, Aust.)	STD/HUG/883C/R

ELECTRONIC IGNITION SYSTEM 1200 SPORT



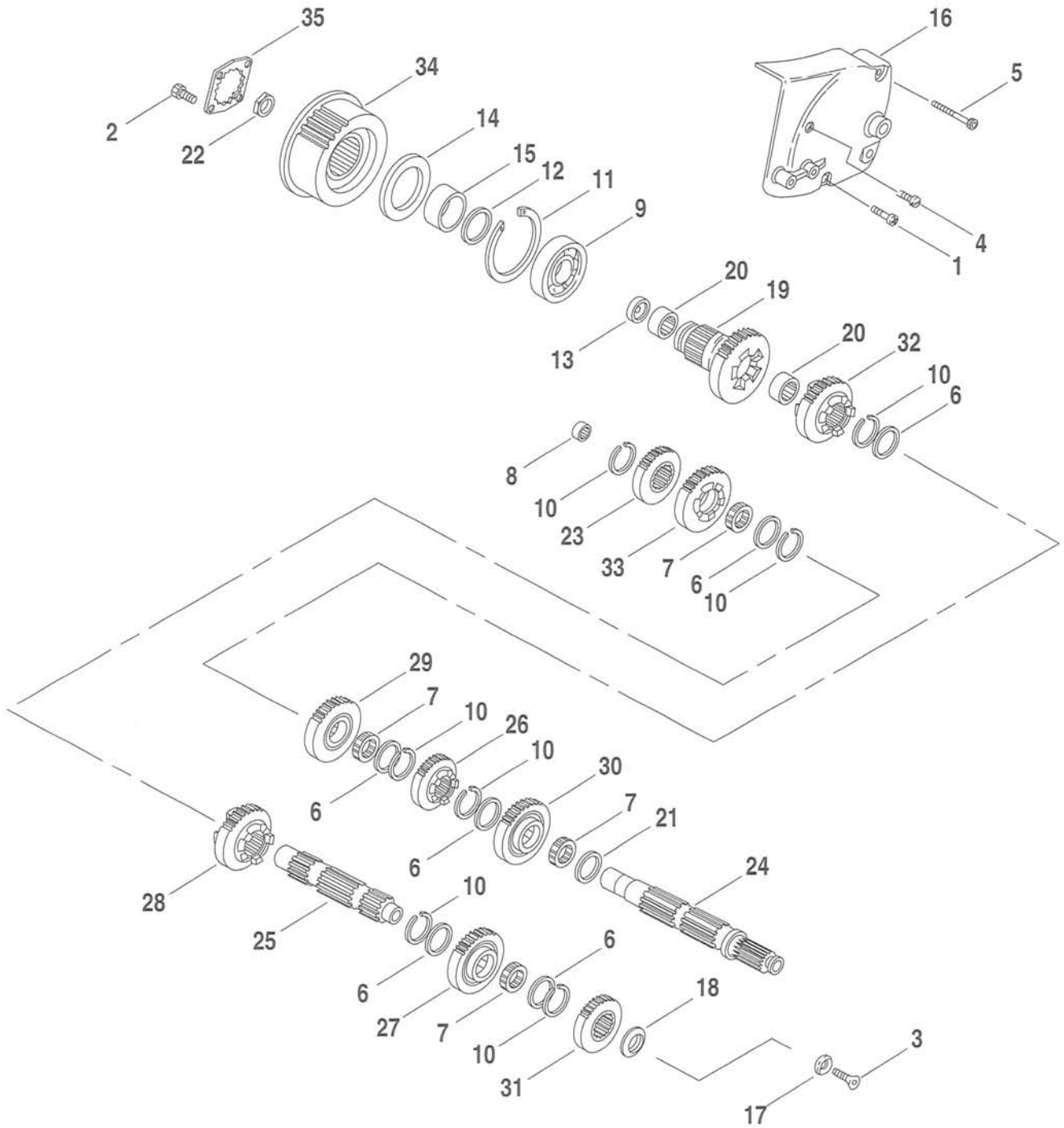
INDEX NO.	PART NO.	DESCRIPTION	MODELS
1	1601	SCREW (2)	1200S
2	2611C	SCREW	1200S
3	4820A	SCREW	1200S
4	6716	WASHER (2)	1200S
5	7966	NUT (2)	1200S
6	8699	POP RIVET (2)	1200S
7	10039	CABLE STRAP	1200S
8	11124	SEAL	1200S
9	10214	PLUG WIRE RETENTION KIT	1200S
10	26556-98	HOSE ASSEMBLY, vacuum	1200S
11	27067-98	TUBE, tank to valve w/ #27250-96A	1200S
12	27250-96A	CONNECTOR, elbow 90 degree	1200S
13	31646-98	IGNITION COIL, quad tower	1200S
14	31732-98A	BRACKET ASM., coil (black)	1200S
15	32400-94	SENSOR ASM. w/ #72190-94	1200S
16	32043-98	CABLE SPARK PLUG, front left	1200S
17	32044-98	CABLE SPARK PLUG, front chimney	1200S
18	32045-98	CABLE SPARK PLUG, rear left	1200S
19	32046-98	CABLE SPARK PLUG, rear chimney	1200S
20	32317-86A	SPARK PLUG No. 6R12 (4)	1200S
21	32422-98	TRIGGER ROTOR	1200S
22	32424-98	MAP SENSOR, w/ o seal	1200S
23	32480-01	MODULE, electronic ignition dual plug	1200S
24	32504-80A	INNER COVER	1200S
25	32549-98	COVER, timer	1200S
26	32606-82	STUD, timer plate (2)	1200S
27	72103-94BK	CONNECTOR, 3-way	1200S
28	72190-94	TERMINAL, pin (3)	1200S
29	72199-94	ANCHOR	1200S
30	72375-98	BRACKET, map sensor	1200S

STARTER MOTOR



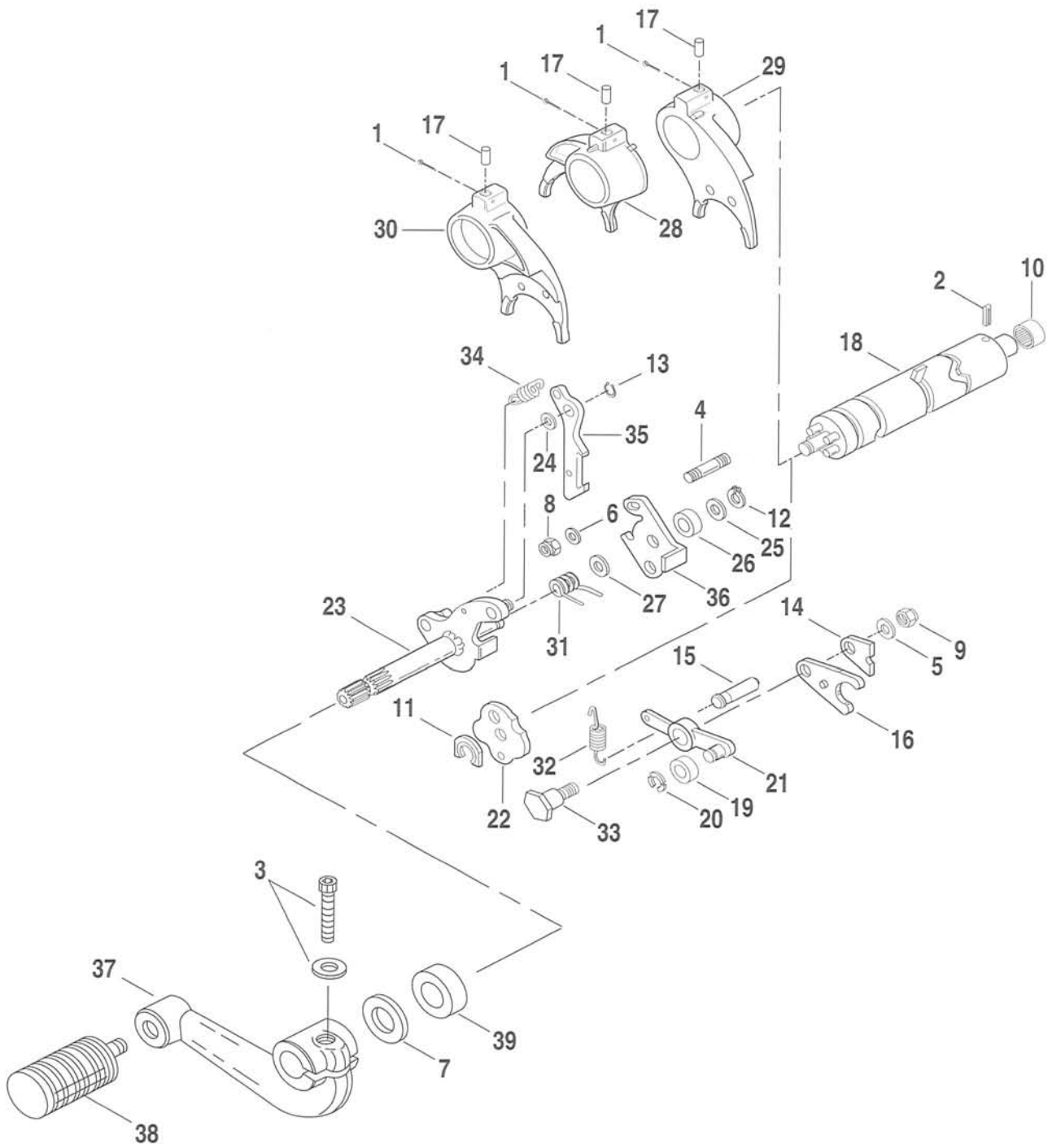
INDEX NO.	PART NO.	DESCRIPTION	MODELS
1	928	BOLT, starter (2)	All Models
2	929A	SCREW w/ o-ring (2)	All Models
3	3350	BOLT, through	All Models
4	3559	BOLT, through	All Models
5	3403	FLANGE NUT	All Models
6	6217	WASHER	All Models
7	8871	BALL BEARING	All Models
8	8879	BALL	All Models
9	8883	BALL BEARING	All Models
10	9077	CLUTCH ROLLER (5)	All Models
11	11116	O-RING	All Models
12	31322-91	COVER	All Models
13	31323-91	SHAFT	All Models
14	31324-91	RETAINER, snap	All Models
15	31325-91	PINION, starter	All Models
16	31327-91	NUT, pinion stop	All Models
17	31328-91	RING, snap	All Models
	31390-91B	STARTER MOTOR, complete	All Models
18	31488-81A	GASKET, starter motor	All Models
19	31515-90	ARMATURE ASM.	All Models
20	31518-90	HOLDER ASM., starter brush	All Models
21	31521-98	YOKE ASM.	All Models
22	31525-90	GEAR, idler	All Models
23	31530-90	RETAINER, idler	All Models
24	31537-98	SWITCH ASM., magnetic	All Models
25	31539-91	HOUSING ASM.	All Models
26	31556-91A	CLUTCH SUB-ASM. w/ #13, 14, 15, 16, 17, 32 & 35	All Models
27	31599-91	FRAME, starter end	All Models
28	31600-90	SPRING, return	All Models
29	31603-91	REPAIR KIT, starter solenoid	All Models
30	31661-90	SPRING, starter (4)	All Models
31	31662-90	CAP TERMINAL, rubber	All Models
32	31663-90	CLUTCH, starter	All Models
33	31688-90	COVER, solenoid	All Models
34	31689-90	BOLT w/ washer (3)	All Models
35	31692-90	SPRING	All Models
36	31695-90	O-RING, yoke (2)	All Models
37	45902-00	SCREW (2)	All Models

TRANSMISSION GEARS



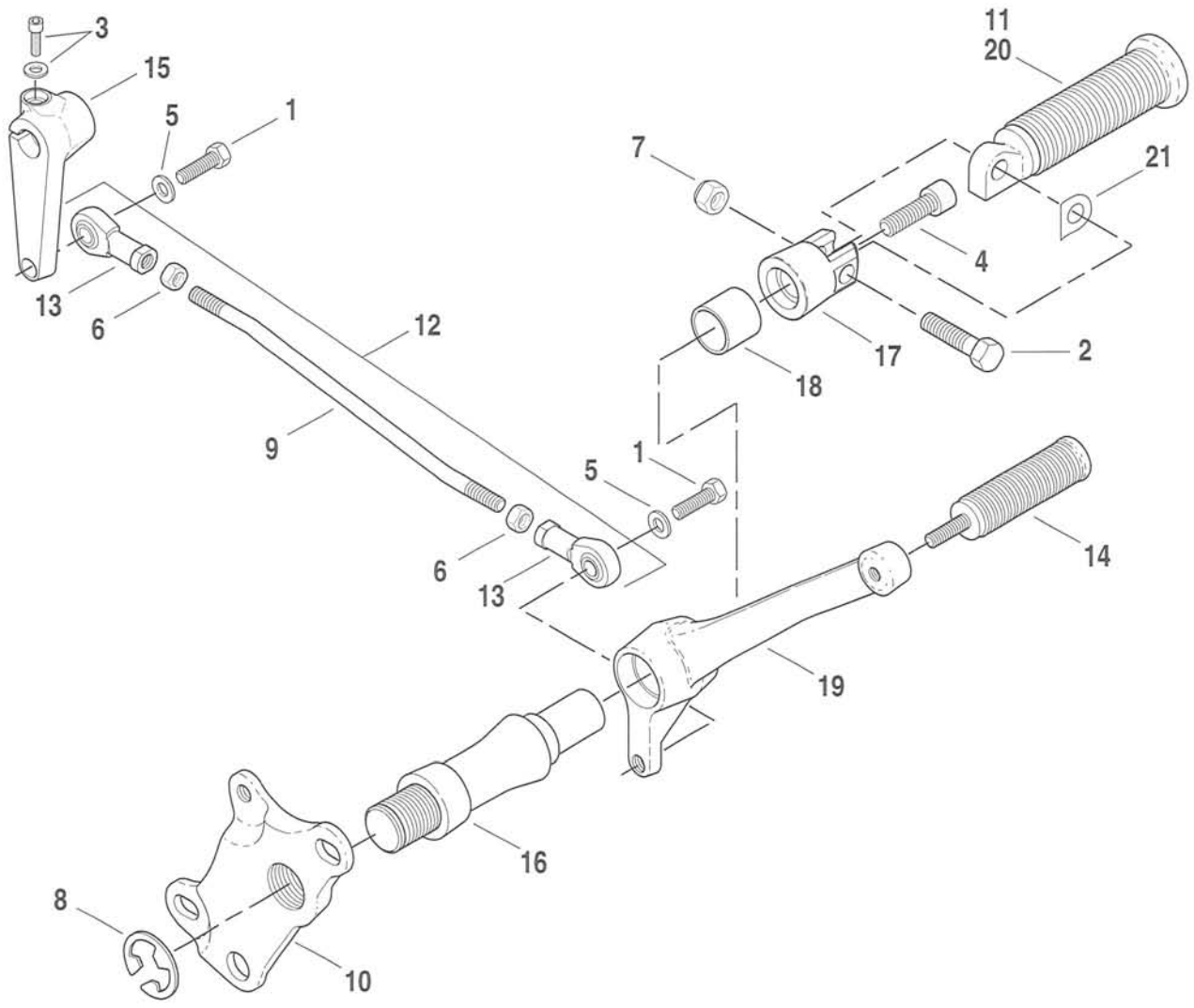
INDEX NO.	PART NO.	DESCRIPTION	MODELS
1	3480A	SCREW, SEMS	All Models
2	3594	SCREW (2)	All Models
3	3675	SCREW	All Models
4	4820A	SCREW, SEMS	All Models
5	4826	SCREW, SEMS	All Models
6	6003	THRUST WASHER (6)	All Models
7	8876A	BEARING (4)	All Models
8	8977	BEARING, closed end	All Models
9	8996A	BEARING, ball	All Models
10	11067	RETAINING RING (7)	All Models
11	11161	RETAINING RING	All Models
12	11165	QUAD SEAL	All Models
13	12030	OIL SEAL	All Models
14	12067A	OIL SEAL	All Models
15	33344-94	SPACER	All Models
16	34911-91A	SPROCKET COVER	STD/HUG/1200
	34932-96	SPROCKET COVER	1200C
	34938-98	SPROCKET COVER	883C/1200S
	34943-02	SPROCKET COVER (black)	883R
17	35020-89	RETAINER, countershaft	All Models
18	35022-89A	SPACER	All Models
19	35034-94	GEAR ASM. w/ #12030 & 35051-89, fifth-mainshaft	All Models
20	35051-89	BEARING, needle (2)	All Models
21	35063-89	SPACER	All Models
22	35211-91A	NUT, sprocket	All Models
23	35633-94	GEAR, fifth-countershaft	All Models
24	35640-89	MAINSHAFT	All Models
25	35641-89	COUNTERSHAFT	All Models
26	35762-89A	GEAR, first-mainshaft	All Models
27	35763-89A	GEAR, first-countershaft	All Models
28	35771-94	GEAR, third-countershaft	All Models
29	35772-94	GEAR, third-mainshaft	All Models
30	35773-94	GEAR, fourth-mainshaft	All Models
31	35775-94	GEAR, fourth-countershaft	All Models
32	35796-00	GEAR, second-mainshaft	All Models
33	35797-00	GEAR, second-countershaft	All Models
34	40202-91B	SPROCKET KIT - 29T (belt) w/ #2, 12, 14, 15, 22, 35 & #40205-95	1200/C/S
	40205-95	SPROCKET - 29T (belt)	1200/C/S
	40285-91B	SPROCKET KIT - 27T (belt) w/ #2, 12, 14, 15, 22, 35 & #40288-95	STD/HUG/883C/R
	40288-95	SPROCKET - 27T (belt)	STD/HUG/883C/R
35	40251-92A	RETENTION PLATE	All Models

SHIFTER



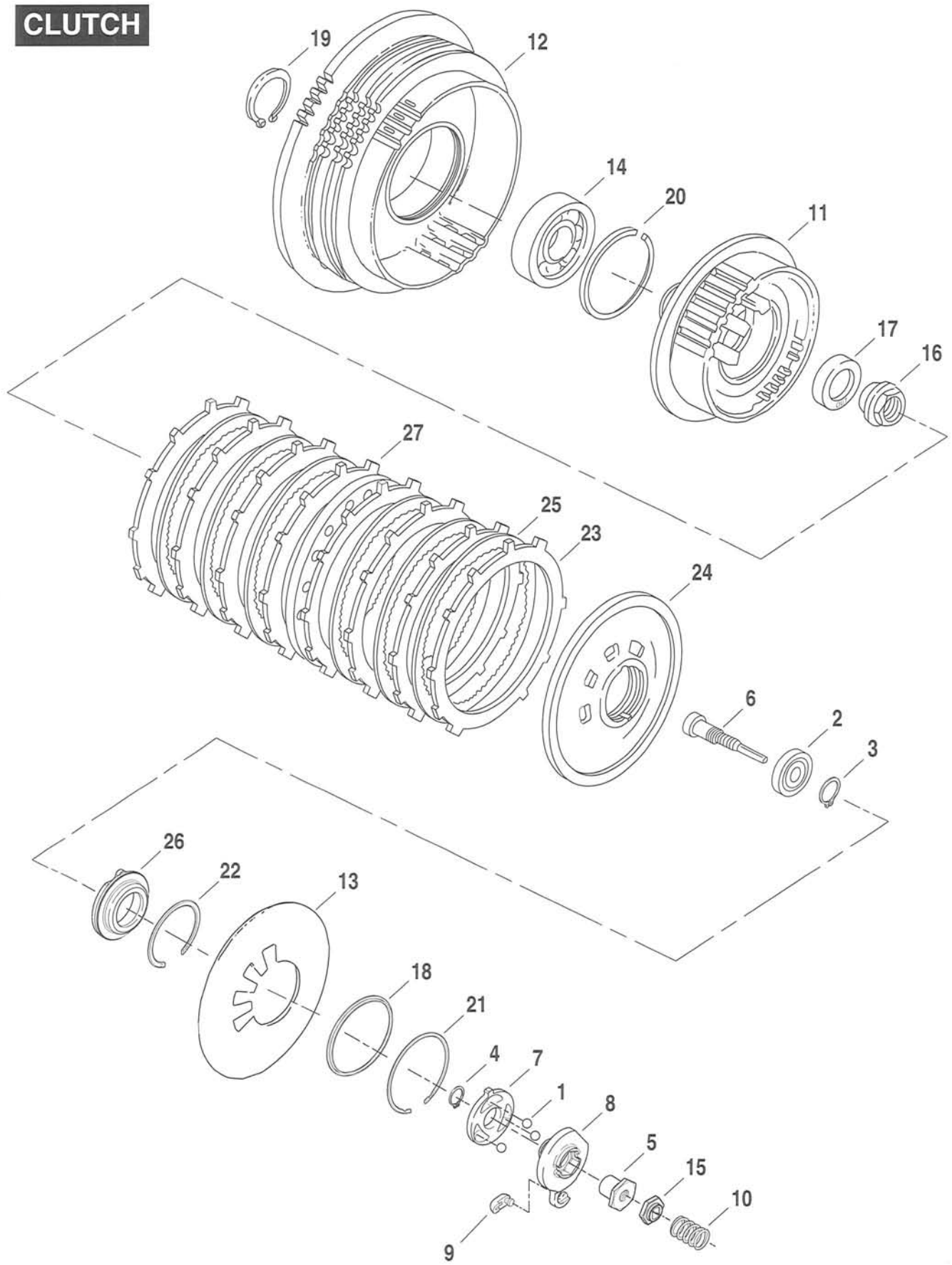
INDEX NO.	PART NO.	DESCRIPTION	MODELS
1	515	COTTER PIN (3)	All Models
2	601	ROLL PIN	All Models
3	4741A	SCREW w/ washer	STD/HUG/R/1200/S
4	5226B	STUD (2)	All Models
5	6702	WASHER	All Models
6	6099	WASHER (2)	All Models
7	7019	WASHER (rubber)	All Models
8	7683	NUT (2)	All Models
9	7739	LOCKNUT, detent arm	All Models
10	9151	BEARING, closed end	All Models
11	11019	RETAINING RING	All Models
12	11031	RETAINING RING	All Models
13	11185	RETAINING RING	All Models
14	33204-98	PLATE, drum reinforcement	All Models
15	24530-90	PIN, spring	All Models
16	33178-98	PLATE, shift drum	All Models
17	33319-90	ROLLER (3)	All Models
18	33634-91	SHIFTER DRUM ASM., w/ #601	All Models
19	33652-90	ROLLER, detent	All Models
20	33653-90	RETAINING RING	All Models
21	33655-90	DETENT ARM	All Models
22	33656-90A	PLATE, detent	All Models
23	34015-91	SHIFTER SHAFT	All Models
24	34073-91	SPACER, pawl	All Models
25	34075-89	WASHER	All Models
26	34076-89	BUSHING	All Models
27	34077-91	WASHER	All Models
28	34142-89C	SHIFTER FORK, first & second	All Models
29	34144-89C	SHIFTER FORK, third & fifth	All Models
30	34147-89C	SHIFTER FORK, fourth	All Models
31	34481-91A	SPRING	All Models
32	34483-90	SPRING	All Models
33	34486-90	SCREW, detent arm	All Models
34	34491-91	SPRING	All Models
35	34492-91	SHIFTER PAWL	All Models
36	34560-91	BASEPLATE	All Models
37	34615-94	SHIFT LEVER, foot (chrome)	STD/HUG/R/1200/S
38	34611-65	SHIFTER PEG	STD/HUG/R/1200/S
39	37101-84	OIL SEAL	All Models

SHIFTER - 883/1200 CUSTOM



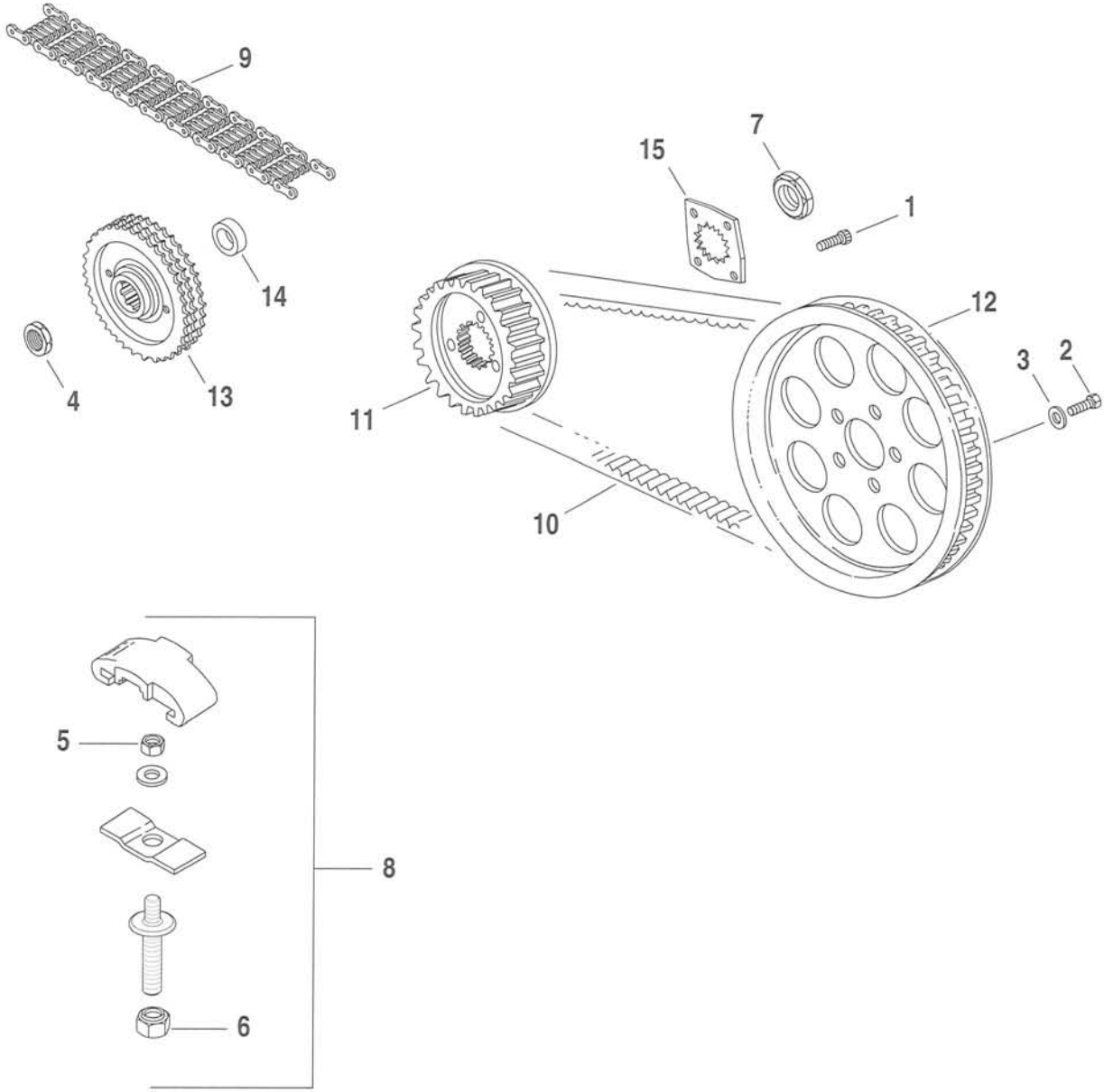
INDEX NO.	PART NO.	DESCRIPTION	MODELS
1	4017	SCREW, hex hd. (2)	883C/1200C
2	4721	SCREW, hex hd.	883C/1200C
3	4741A	SCREW, w/ washer	883C/1200C
4	4748	SCREW, hex socket hd.	883C/1200C
5	6702	WASHER (2)	883C/1200C
6	7744	NUT (2)	883C/1200C
7	7778	NUT, lock	883C/1200C
8	11302	RING RETAINING	883C/1200C
9	11763	ROD, shifter	883C/1200C
10	16297-99	ENGINE MOUNT - lower (LH)	883C/1200C
11	33216-99	RUBBER, footpeg	883C/1200C
12	33735-99A	ROD ASM. w/ #7744, 11763 & 33871-85A	883C/1200C
13	33871-85B	ROD END (2)	883C/1200C
14	34611-65	SHIFTER PEG	883C/1200C
15	34963-99	SHIFTER LEVER	883C/1200C
16	42420-99	FOOTREST SUPPORT, forward control	883C/1200C
17	42426-99	CLEVIS, footrest mtg.	883C/1200C
18	42443-80A	BUSHING, brake pedal	883C/1200C
19	42582-99	SHIFTER LEVER ASM. w/ #42443-80A	883C/1200C
20	33032-99	FOOTREST ASM.	883C/1200C
21	50912-72	SPRING WASHER	883C/1200C

CLUTCH



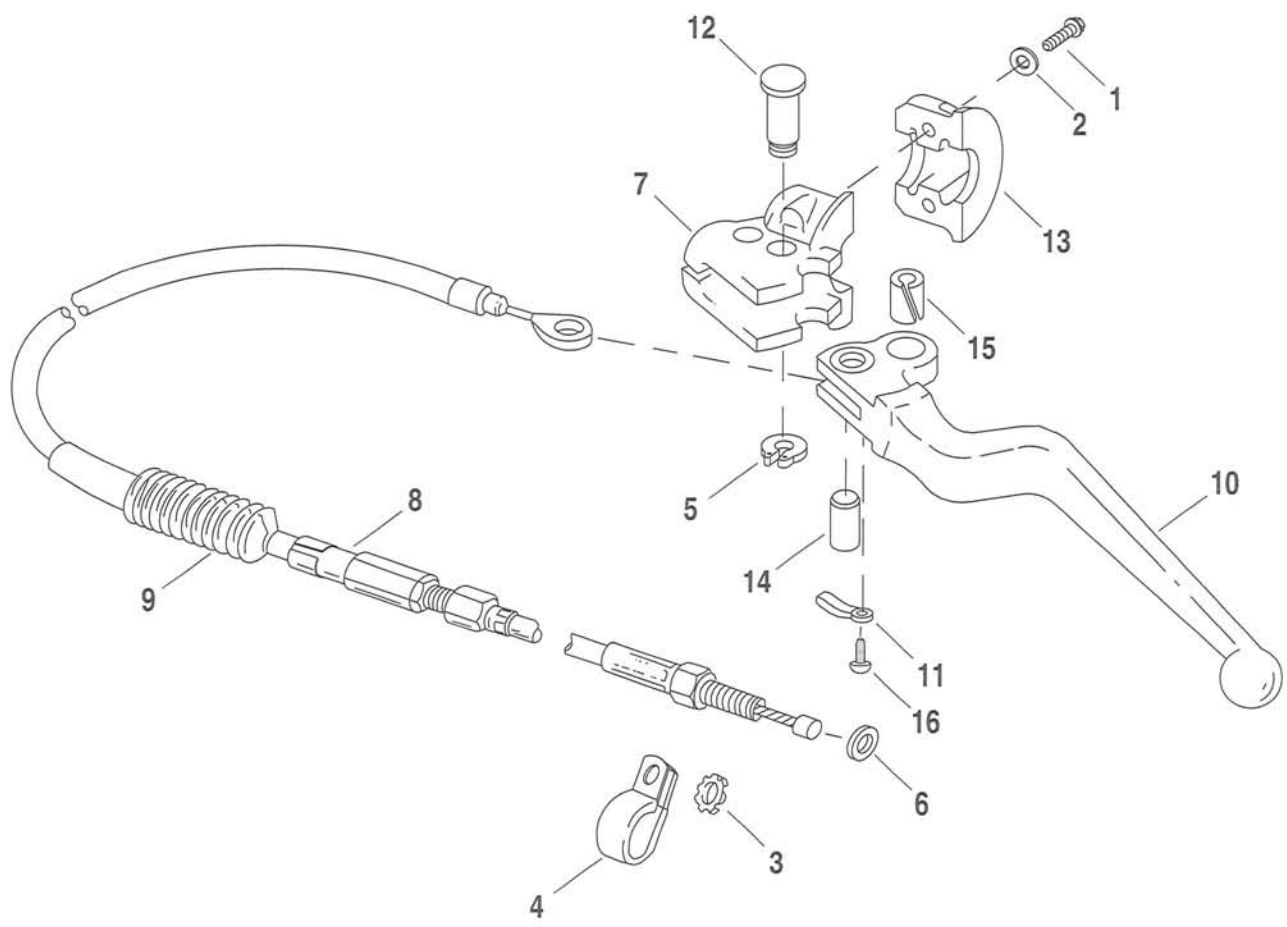
INDEX NO.	PART NO.	DESCRIPTION	MODELS
1	8873	BALL (3)	All Models
2	8885	BEARING	All Models
3	11046	RETAINING RING	All Models
4	11250	RETAINING RING	All Models
5	11730A	WELL NUT	All Models
6	11752	ADJUSTMENT SCREW	All Models
7	25453-87A	RAMP, inner	All Models
8	25409-94B	RAMP, outer	All Models
9	34920-86A	COUPLING, clutch cable	All Models
10	36715-94	SPRING, clutch adjustment	All Models
11	36785-91	CLUTCH HUB	All Models
12	36790-91	CLUTCH SHELL & SPROCKET w/ #36799-91 & 37905-90	All Models
13	36792-91	SPRING, diaphragm	All Models
14	36799-91	BALL BEARING	All Models
15	36802-84B	LOCKPLATE, well type	All Models
16	37495-91	NUT, main shaft	All Models
17	37870-91	SPRING WASHER	All Models
18	37872-90	SEAT, spring-inner	All Models
19	37904-90	RETAINING RING	All Models
20	37905-90	RETAINING RING	All Models
21	37908-90	RETAINING RING	All Models
22	37909-90	RETAINING RING	All Models
23	37911-90	FRICTION PLATE (paper) (8)	All Models
24	37912-91	PRESSURE PLATE	All Models
25	37913-90	STEEL PLATE (6)	All Models
26	37918-91	RELEASE PLATE	All Models
27	37977-90	SPRING PLATE	All Models

BELTS & SPROCKETS



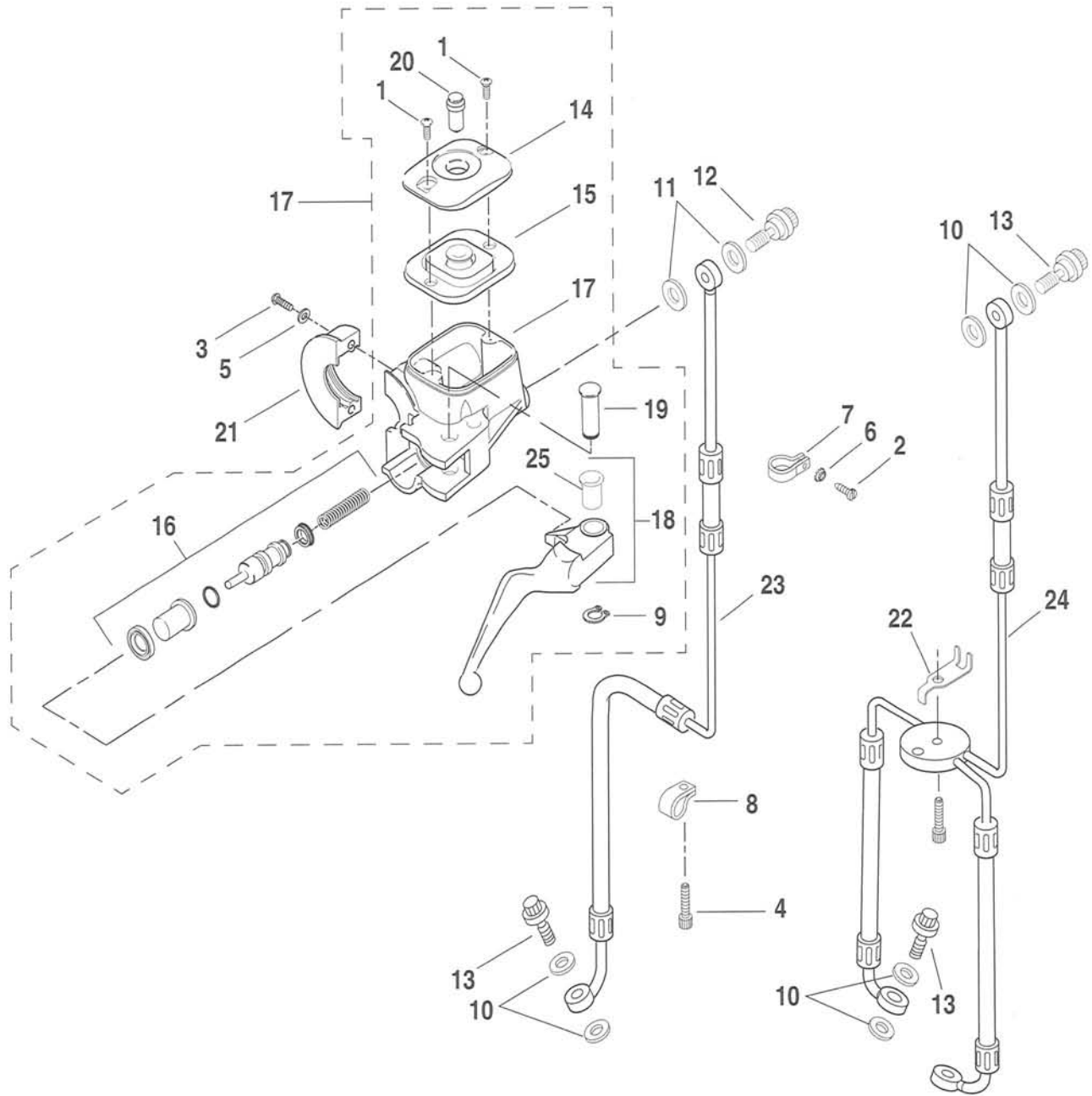
INDEX NO.	PART NO.	DESCRIPTION	MODELS
1	3594	SCREW (2)	All Models
2	3899	BOLT (5)	All Models
3	6516HW	WASHER (5)	All Models
4	7839	NUT, engine sprocket	All Models
5	7667	LOCKNUT	All Models
6	7804	NUT, sealing	All Models
7	35211-91A	NUT, transmission sprocket	All Models
8	39975-90A	CHAIN ADJUSTER ASM.	All Models
9	40005-57B	PRIMARY CHAIN	All Models
10	40022-91	BELT - 128T.	All Models
11	40202-91B	SPROCKET KIT, transmission - 29T (belt) w/ #1, 7, 15, seal & spacer	1200/C/S
	40285-91B	SPROCKET KIT, transmission - 27T (belt) w/ #1, 7, 15, seal & spacer	STD/HUG/883CR
	40205-95	SPROCKET, transmission - 29T	1200/C/S
	40288-95	SPROCKET, transmission - 27T	STD/HUG/883C/R
12	40213-00	SPROCKET, rear wheel - 61T (belt) (black)	STD/HUG/1200/C
	40227-00	SPROCKET, rear wheel - 61T (belt) (silver)	STD/HUG/883C/R/1200S
13	40235-89A	ENGINE SPROCKET - 35T	All Models
14	40240-89	SPACER, sprocket	All Models
15	40251-92A	RETENTION PLATE	All Models

CLUTCH CONTROL



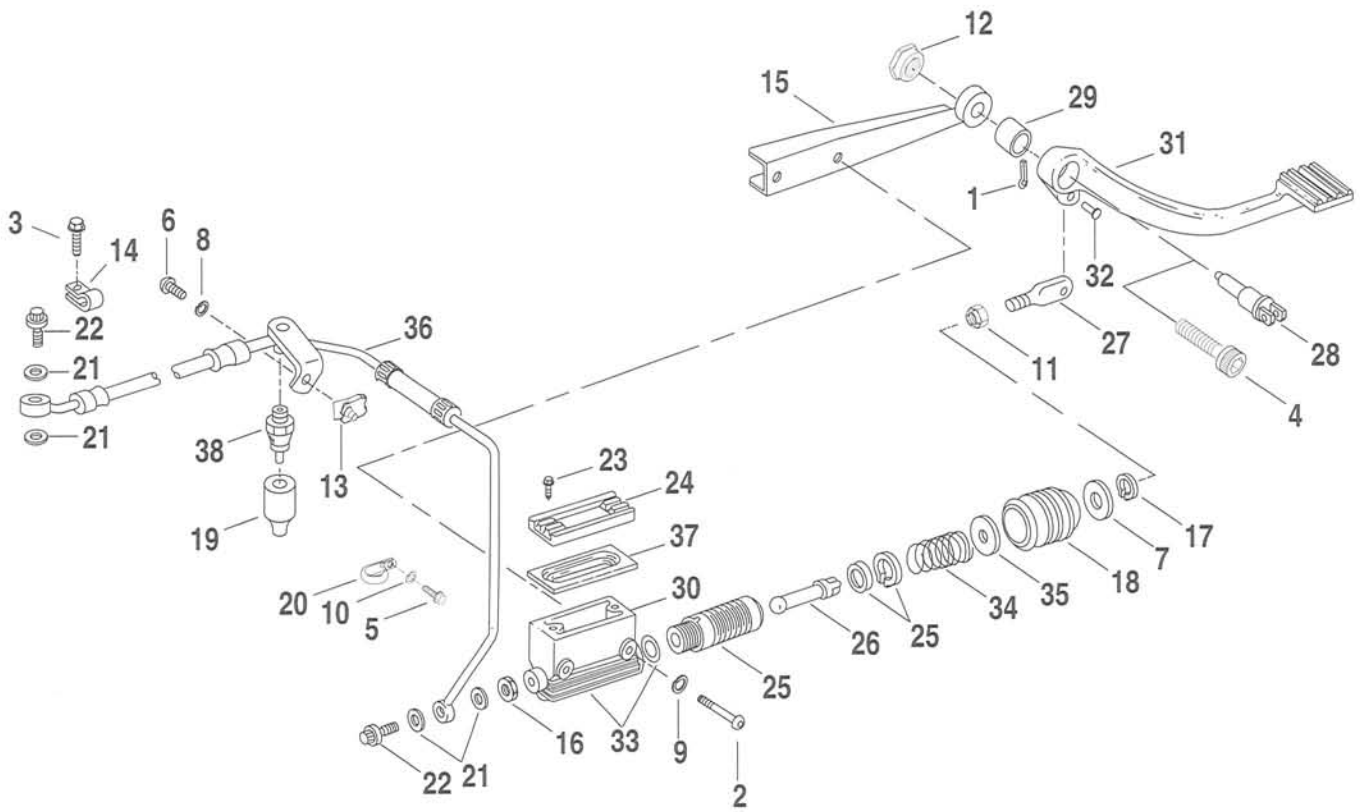
INDEX NO.	PART NO.	DESCRIPTION	MODELS
1	4132	SCREW (2)	All Models
2	6101	WASHER (2)	All Models
3	7145W	LOCKWASHER	All Models
4	10123	CLIP	All Models
5	11143	RETAINING RING	All Models
6	11179	O-RING	All Models
7	38608-96	BRACKET, clutch lever	All Models
8	38662-00	CABLE ASM.	HUG/883R/1200
	38663-00	CABLE ASM.	STD/883C/1200C/S
9	38630-88	BOOT, clutch cable	All Models
10	45017-93	HAND LEVER w/ #45021-86, 45423-92 & 90770-79	All Models
11	45021-86	SPRING, anti-rattle	All Models
12	45032-82	PIVOT PIN	All Models
13	45044-96	CLAMP, clutch control	All Models
14	45036-88	PIN, clutch cable	All Models
15	45423-92	BUSHING	All Models
16	90770-79	SCREW, spring - clutch lever	All Models

FRONT BRAKE CONTROL



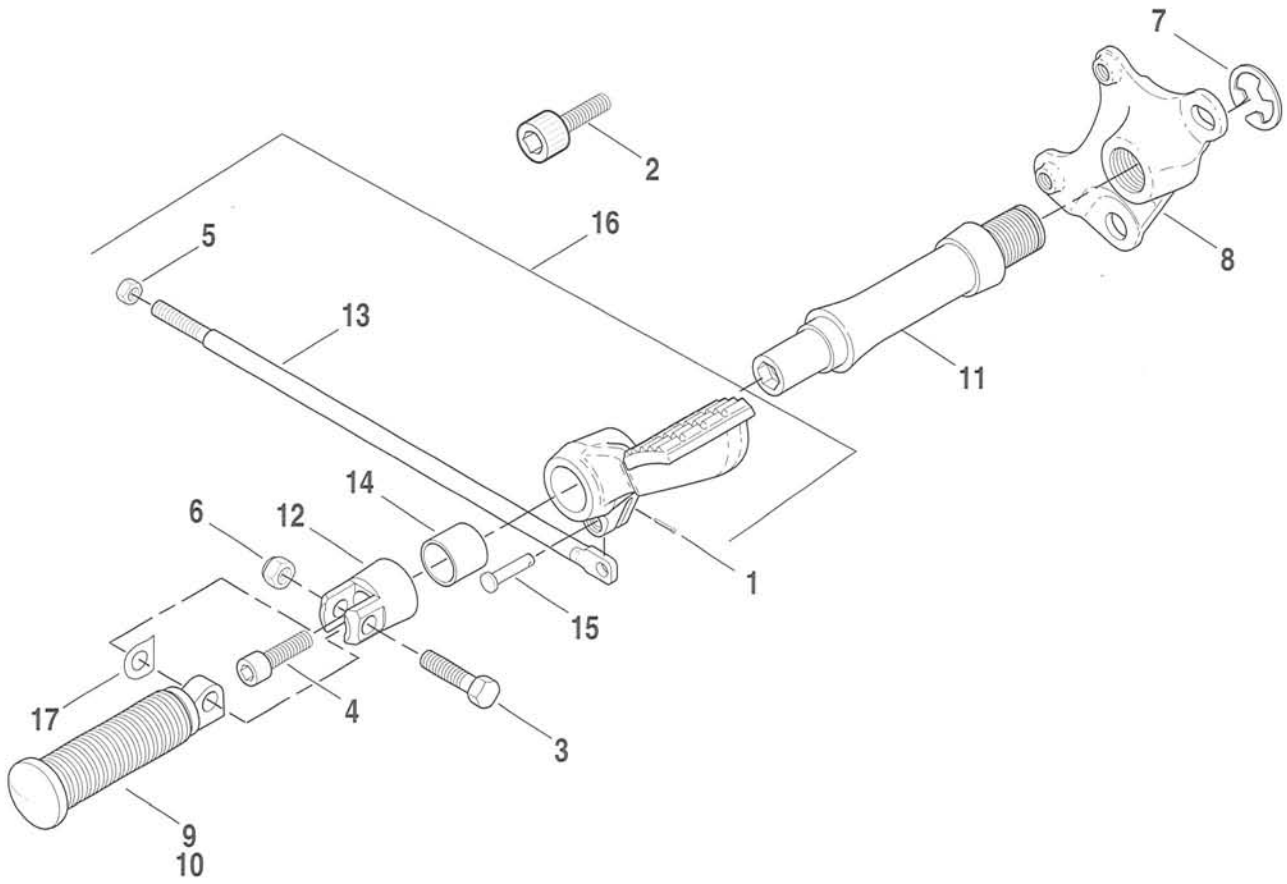
INDEX NO.	PART NO.	DESCRIPTION	MODELS
1	2579A	SCREW (2)	All Models
2	4240	SCREW	All Models
3	4132	SCREW (2)	All Models
4	4741A	SCREW	All Models
5	6101	WASHER (2)	All Models
6	7220	LOCKWASHER	All Models
7	10031	CLAMP	All Models
8	10053	CLAMP	STD/HUG/883C/R/1200/C
9	11143	RETAINING RING, external	All Models
10	41731-01	GASKET, brake line (2; 6 - 1200S)	All Models
11	41733-88	GASKET, master cylinder top (2)	STD/HUG/883C/R/1200/C
12	41739-84A	BOLT, master cylinder top	STD/HUG/883C/R/1200/C
13	41747-82A	BOLT, brake line (3 - 1200S)	All Models
14	45004-96A	COVER, master cylinder	All Models
15	45005-96	GASKET, master cylinder cover	All Models
16	45006-96C	REPAIR KIT, master cylinder	STD/HUG/883C/R/1200/C
	45072-96C	REPAIR KIT, master cylinder	883R/1200S
17	45013-96B	MASTER CYLINDER ASM.	883R/1200S
	45019-96B	MASTER CYLINDER ASM.	STD/HUG/883C/R/1200/C
18	45016-96	LEVER ASM., brake	All Models
19	45032-82	PIN, hand lever	All Models
20	45042-96	SIGHT GLASS	All Models
21	45044-96	CLAMP, master cylinder	All Models
22	45074-95	GUIDE, anti rotation	883R1200S
23	45121-96	BRAKE LINE, front	HUG/1200
	45143-88B	BRAKE LINE, front	STD/883C/1200C
24	45148-96	BRAKE LINE, front	1200S
	45194-99	BRAKE LINE, front	883R
25	45423-96	BUSHING, pivot lever	All Models

REAR BRAKE CONTROL



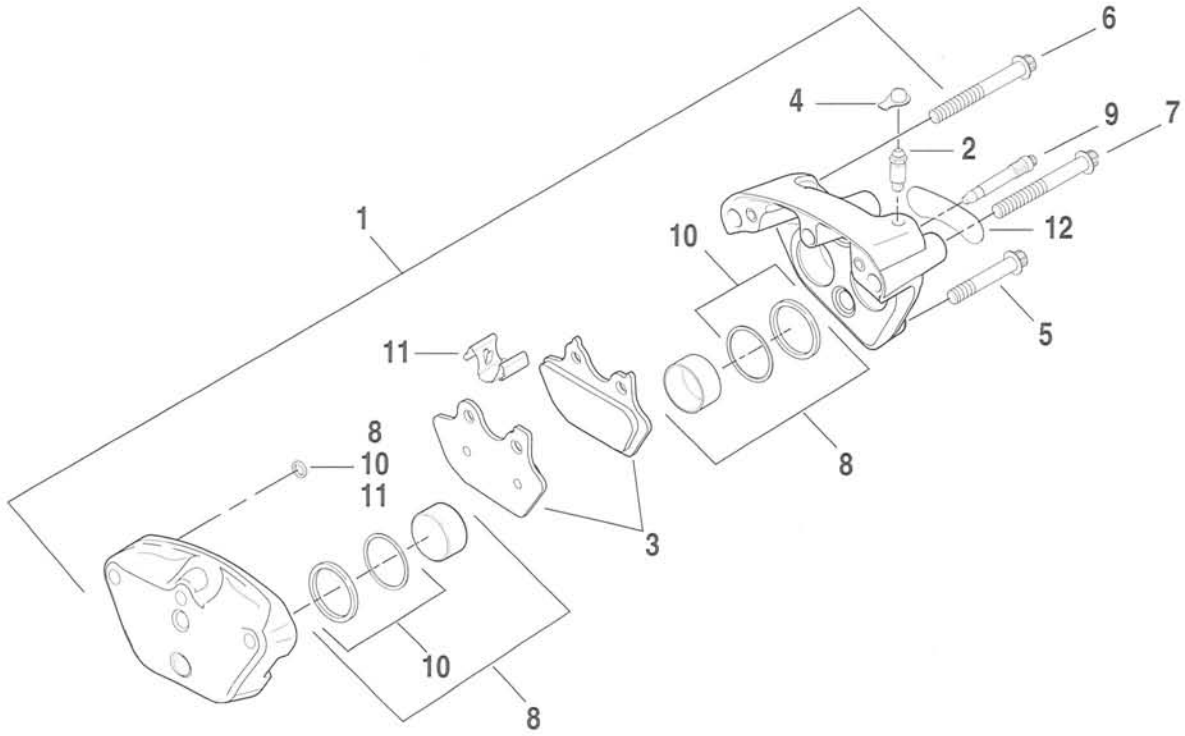
INDEX NO.	PART NO.	DESCRIPTION	MODELS
1	515	COTTER PIN	HUG/STD/R/1200/S
2	853A	SCREW (2)	All Models
3	2501A	SCREW (2)	All Models
4	3549A	SCREW	883C/1200C
5	4240	SCREW	All Models
6	3201WA	SCREW	All Models
7	6366	WASHER	All Models
8	6702	WASHER	All Models
9	7042	LOCKWASHER (2)	All Models
10	7220	LOCKWASHER	All Models
11	7744	JAM NUT	HUG/STD/R/1200/S
12	7824	NUT	All Models
13	8144	CLIPNUT	All Models
14	10031	CLAMP (2)	All Models
15	34909-90	STIFFENER, master cylinder	STD/HUG/883C/R/1200/S
	34933-96	STIFFENER, master cylinder	1200C
16	35078-79	LOCKNUT	All Models
17	40903-87	RETAINING RING	All Models
18	40922-87	BOOT, push rod	All Models
19	41642-82	BOOT, brake switch	All Models
20	41713-86	CLAMP	All Models
21	41731-01	GASKET (4)	All Models
22	41747-82A	BOLT (2)	All Models
23	42375-87	BOLT (2)	All Models
24	42381-87	COVER, master cylinder	All Models
25	42382-87C	REPAIR KIT, master cylinder	All Models
26	42436-87	PUSH ROD	All Models
27	42437-87	ROD END	HUG/STD/R/1200/S
28	42441-90A	CLEVIS, footrest mounting	HUG/STD/R/1200/S
29	42443-80A	BUSHING	HUG/STD/R/1200/S
30	42456-87C	MASTER CYLINDER	All Models
31	42447-96	PEDAL ASM. w/ #1, 26, 28 & 31	HUG/STD/R/1200/S
32	42460-80B	CLEVIS PIN	HUG/STD/R/1200/S
33	42472-87	REPAIR KIT, master cylinder body	All Models
34	42479-90	SPRING	All Models
35	44126-87	RETAINER, spring	All Models
36	44438-87B	HOSE, rear brake	All Models
37	45005-85	GASKET, master cylinder cover	All Models
	45042-82	REPAIR KIT, sight glass	All Models
38	72023-51C	STOPLIGHT SWITCH	All Models

REAR BRAKE CONTROL - 883/1200 CUSTOM



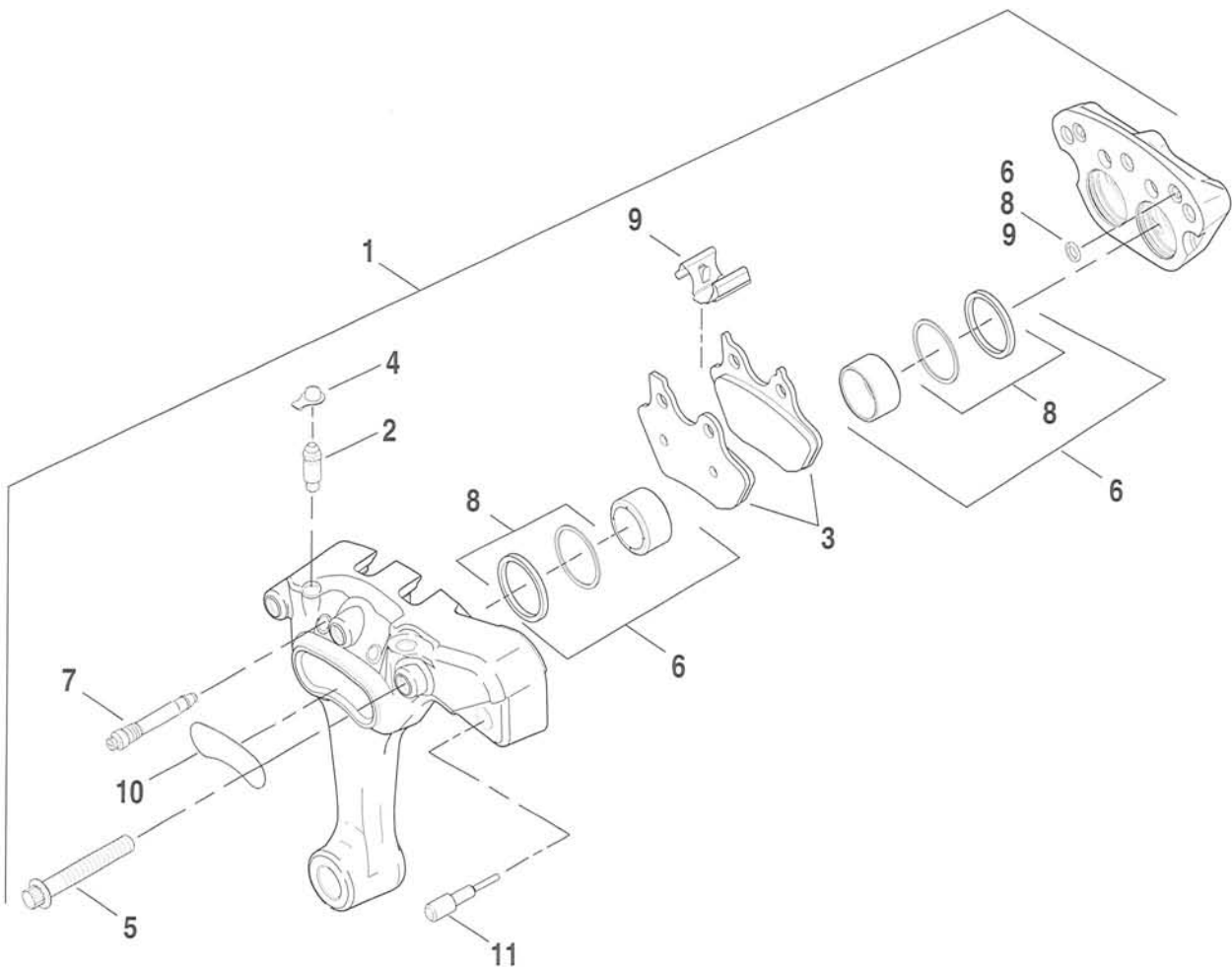
INDEX NO.	PART NO.	DESCRIPTION	MODELS
1	515	COTTER PIN	883C/1200C
2	3549A	SCREW, hex socket hd.	883C/1200C
3	4721	SCREW, hex hd.	883C/1200C
4	4748	SCREW, hex socket hd.	883C/1200C
5	7744	NUT (2)	883C/1200C
6	7778	NUT, lock	883C/1200C
7	11302	RING RETAINING	883C/1200C
8	16294-99	ENGINE MOUNT - lower (RH)	883C/1200C
9	33032-99	FOOTPEG ASM.	883C/1200C
10	33216-99	RUBBER, footpeg	883C/1200C
11	42421-99	FOOTREST SUPPORT, foward control	883C/1200C
12	42426-99	CLEVIS, footrest mtg.	883C/1200C
13	42432-99	ROD, rear brake	883C/1200C
14	42443-80A	BUSHING, brake pedal	883C/1200C
15	42460-80B	PIN, clevis	883C/1200C
16	42579-99	PEDAL ASM., rear brake w/ #1,5,13,14 &15	883C/1200C
17	50912-72	SPRING WASHER	883C/1200C

FRONT BRAKE CALIPER



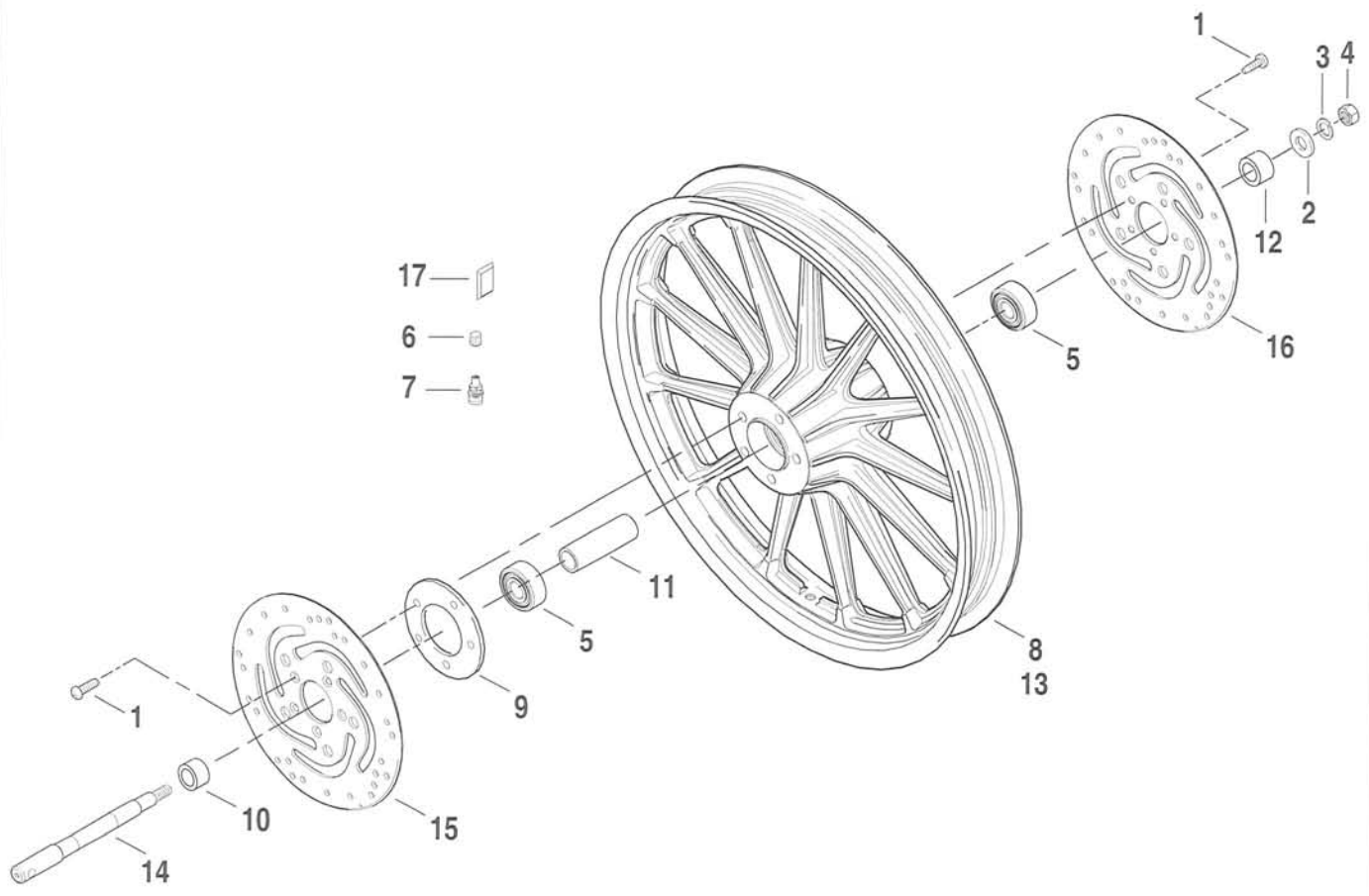
INDEX NO.	PART NO.	DESCRIPTION	MODELS
1	44023-00A	CALIPER ASM., right	1200S
	44046-00A	CALIPER ASM., left	STD/HUG/883C/1200/C/S
	44451-01A	CALIPER ASM., right	883R
	44452-01A	CALIPER ASM., left	883R
2	44048-83	BLEEDER FITTING (2-1200S)	All Models
3	44082-00A	PAD KIT	All Models
4	44147-87A	CAP BLEEDER (2-1200S)	All Models
5	44160-00	BOLT, caliper mounting - lower (2-1200S)	All Models
6	44163-00	BOLT, caliper mounting - upper (2-1200S)	All Models
7	44177-00	BOLT, bridge (2; 4-1200S)	All Models
8	44313-01	PISTON KIT	All Models
9	44314-00	PAD PIN KIT	All Models
10	44315-00	SEAL KIT	All Models
11	44337-00B	SPRING KIT, anti-rattle	All Models
12	44338-00	DECAL (2-1200S)	All Models

REAR BRAKE CALIPER



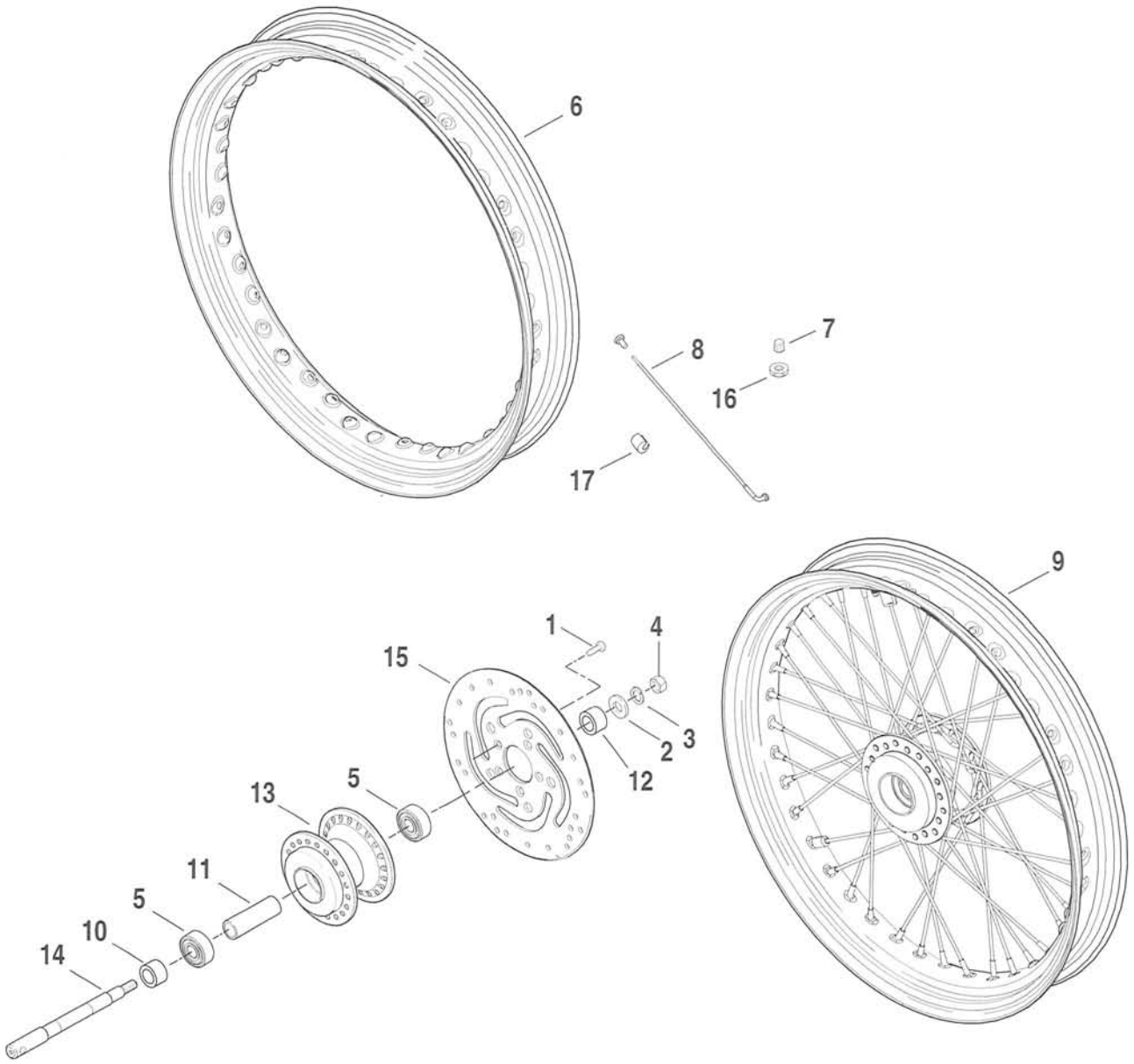
INDEX NO.	PART NO.	DESCRIPTION	MODELS
1	40925-00A	CALIPER ASM.	STD/HUG/C/1200/C/S
	40965-02A	CALIPER ASM. (silver)	883R
2	44048-83	SCREW, bleeder	All Models
3	44082-00A	PAD KIT	All Models
4	44147-87A	CAP, bleeder screw	All Models
5	44177-00	BOLT, bridge (3)	All Models
6	44313-01	PISTON KIT	All Models
7	44314-00	PAD PIN KIT	All Models
8	44315-00	SEAL KIT	All Models
9	44337-00B	SPRING KIT, anti-rattle	All Models
10	44338-00	DECAL	All Models
11	44351-00	BUMPER	All Models

FRONT WHEEL - CAST



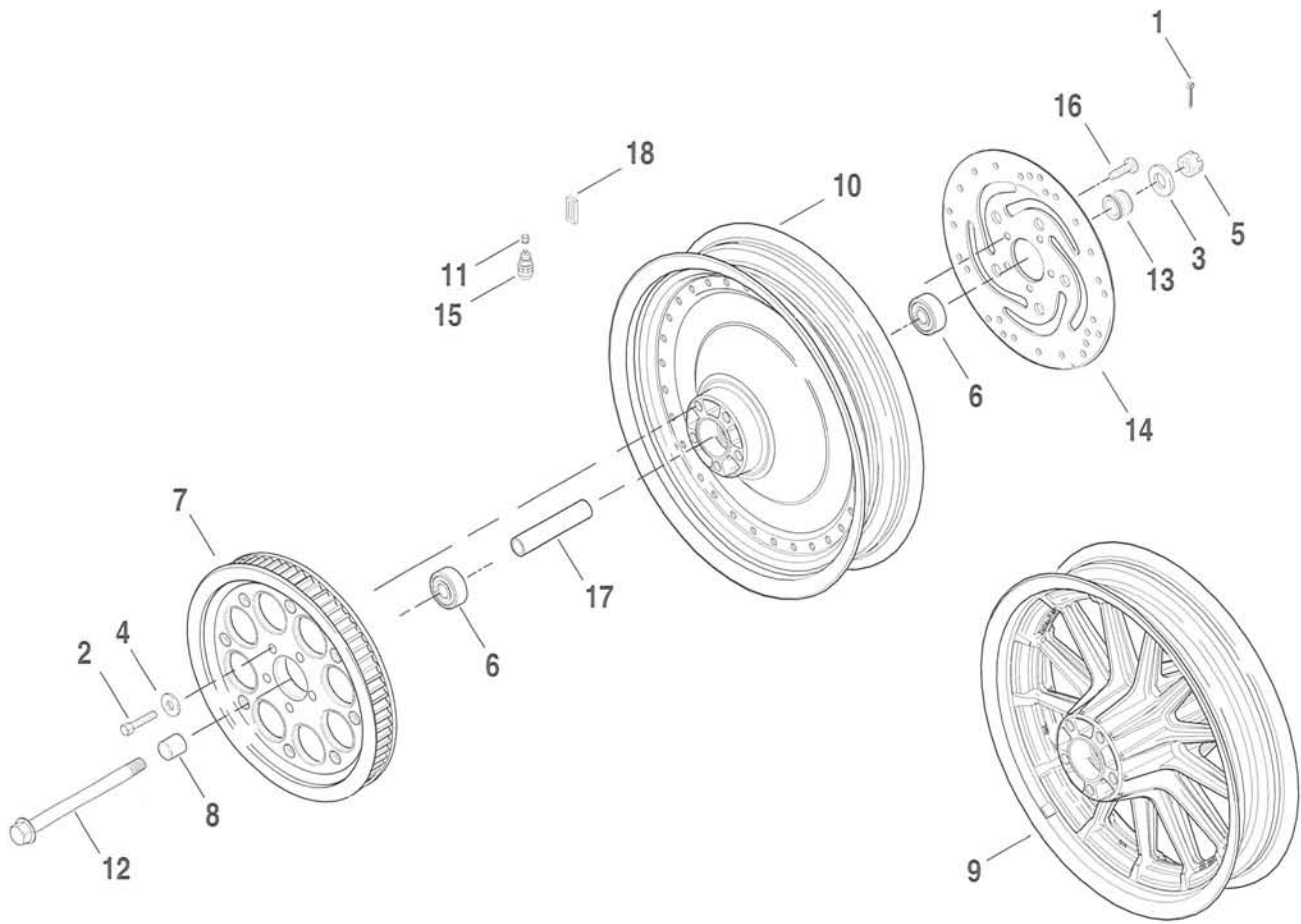
INDEX NO.	PART NO.	DESCRIPTION	MODELS
1	3655A	SCREW (5) (10-1200S)	All Models
2	6590HW	WASHER	All Models
3	7068	LOCKWASHER	All Models
4	7956	NUT	All Models
5	9267	ROLLER BEARING (2)	All Models
6	41123-79	VALVE CAP	All Models
7	43157-83A	VALVE STEM ASM.	STD/HUG/R/1200/S
8	43338-00	WHEEL ASM., 19" (13 spoke) (silver)	STD/HUG/R/1200S
9	43355-00	HUB PLATE (black)	1200
	43359-00	HUB PLATE (silver)	STD/HUG/R
10	43358-00	SPACER, bearing	All Models
11	43613-00	SPACER, hub	All Models
12	43617-00A	SPACER, bearing	All Models
13	43626-00	WHEEL ASM., 19" (13 spoke) (black)	1200
14	43895-00	FRONT AXLE	All Models
15	44136-00	DISC, brake - RH	1200S/883R
16	44156-00	DISC, brake - LH	STD/HUG/R/1200/S
17	95594-84	WHEEL WEIGHT, 1/4 oz. (black)	1200/S
	95595-84	WHEEL WEIGHT, 1/4 oz. (silver)	STD/HUG/R

FRONT WHEEL - LACED



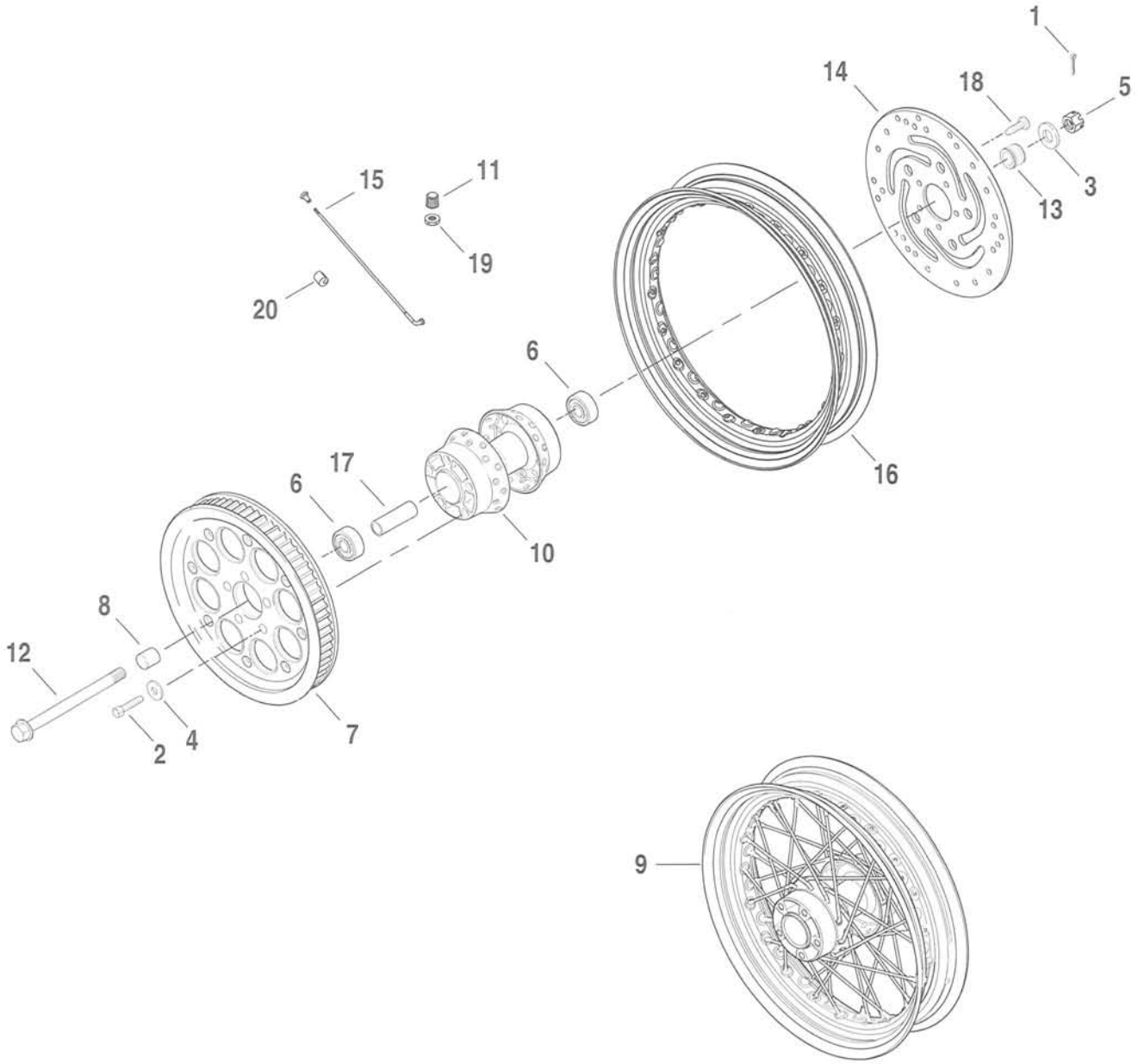
INDEX NO.	PART NO.	DESCRIPTION	MODELS
1	3655A	SCREW (5)	All Models
2	6590HW	WASHER	All Models
3	7068	LOCKWASHER	All Models
4	7956	NUT	All Models
5	9267	ROLLER BEARING (2)	All Models
6	43001-79	RIM, 19" (chrome)	STD/HUG/1200
	43662-80B	RIM, 21" (chrome)	883C/1200C
7	41123-79	VALVE CAP	All Models
8	43024-73C	SPOKE AND NIPPLE KIT, 19" rim - short (20)	STD/HUG/1200
	43025-73C	SPOKE AND NIPPLE KIT, 19" rim - long (20)	STD/HUG/1200
	43020-87A	SPOKE AND NIPPLE KIT, 21" rim - short (20)	883C/1200C
	43035-87A	SPOKE AND NIPPLE KIT, 21" rim - long (20)	883C/1200C
9	43312-00A	WHEEL ASM., 19"	STD/HUG/1200
	43557-00A	WHEEL ASM., 21"	883C/1200C
10	43358-00	SPACER, bearing	All Models
11	43613-00	SPACER, hub	All Models
12	43617-00A	SPACER, bearing	All Models
13	43619-00A	WHEEL HUB ASM.	STD/HUG/1200
	43610-00A	WHEEL HUB ASM.	883C/1200C
14	43895-00	FRONT AXLE	All Models
15	44156-00	DISC, brake	STD/HUG/883C/1200/C
16	54321-85	NUT, valve stem	All Models
17	95578-41	WHEEL WEIGHT, 1/2 oz.	STD/HUG/883C/1200/C
	95581-47	WHEEL WEIGHT, 3/4 oz.	STD/HUG/883C/1200/C
	95582-47	WHEEL WEIGHT, 1 oz.	STD/HUG/883C/1200/C

REAR WHEEL - CAST



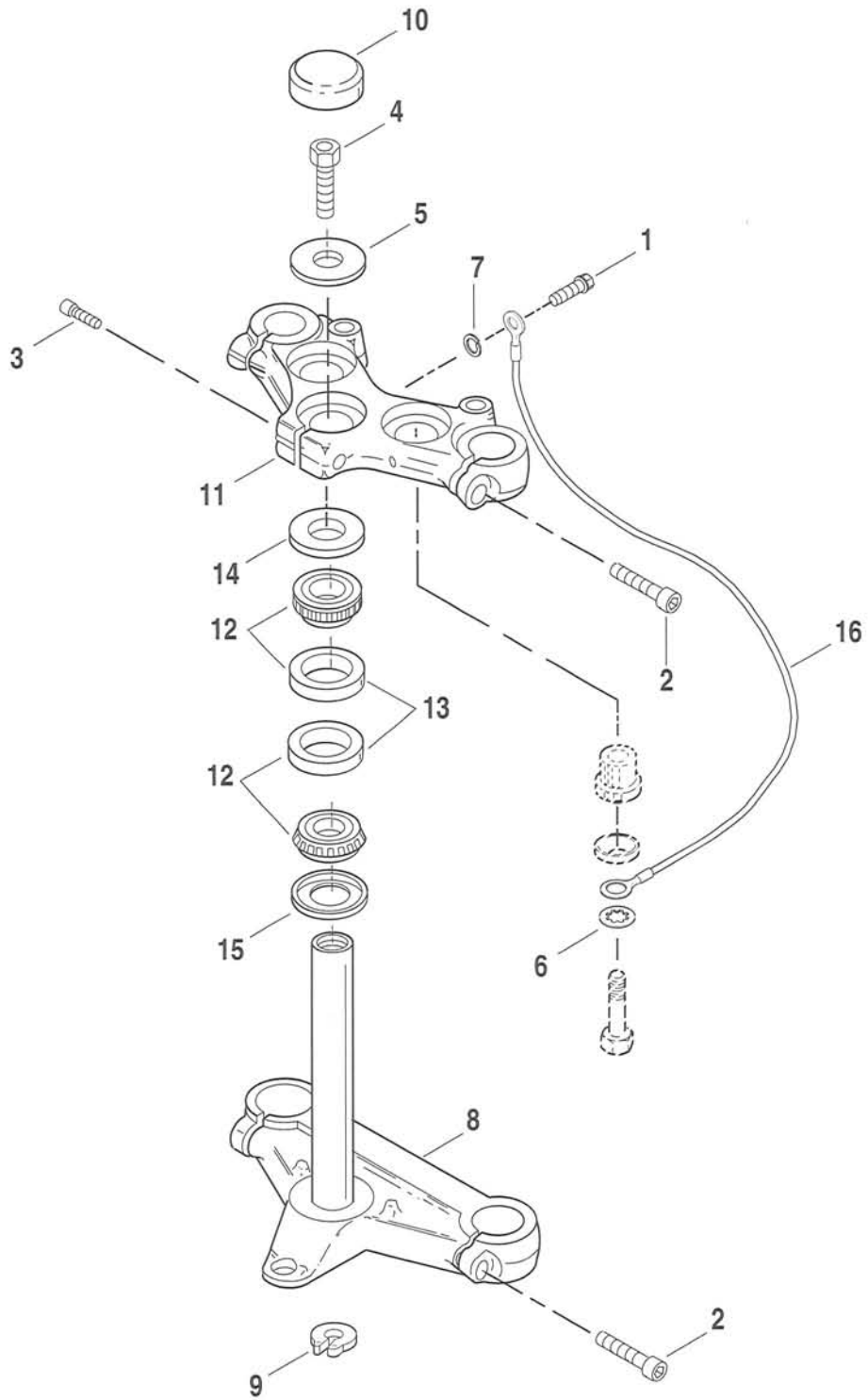
INDEX NO.	PART NO.	DESCRIPTION	MODELS
1	511	COTTER PIN	All Models
2	3899	BOLT (5)	All Models
3	5756	SPACER	All Models
4	6516HW	WASHER (5)	All Models
5	7987	CASTLE NUT	All Models
6	9267	ROLLER BEARING (2)	All Models
7	40213-00	SPROCKET - 61T (belt) (black)	STD/HUG/1200/C
	40227-00	SPROCKET - 61T (belt) (silver)	STD/HUG/883C/R/1200S
8	40910-00A	SPACER, sprocket side	All Models
9	40983-00	WHEEL ASM. - 16" (13 spoke) (silver)	STD/HUG/1200S
	41015-00	WHEEL ASM. - 16" (13 spoke) (black)	1200
10	41017-00	WHEEL ASM., solid w/ slots (chrome)	1200C
	41008-00	WHEEL ASM., solid disc	883C
11	41123-79	VALVE CAP	All Models
12	41563-77A	AXLE ASM.	All Models
13	43654-00A	SPACER, disk side	All Models
14	41797-00	BRAKE DISC	All Models
15	43157-83A	VALVE STEM	All Models
16	43567-92	SCREW, brake disc (5)	All Models
17	43608-00	SLEEVE WHEEL BEARING, spacer	All Models
18	95595-84	WHEEL WEIGHT, 1/4 oz. (4)	All Models

REAR WHEEL - LACED



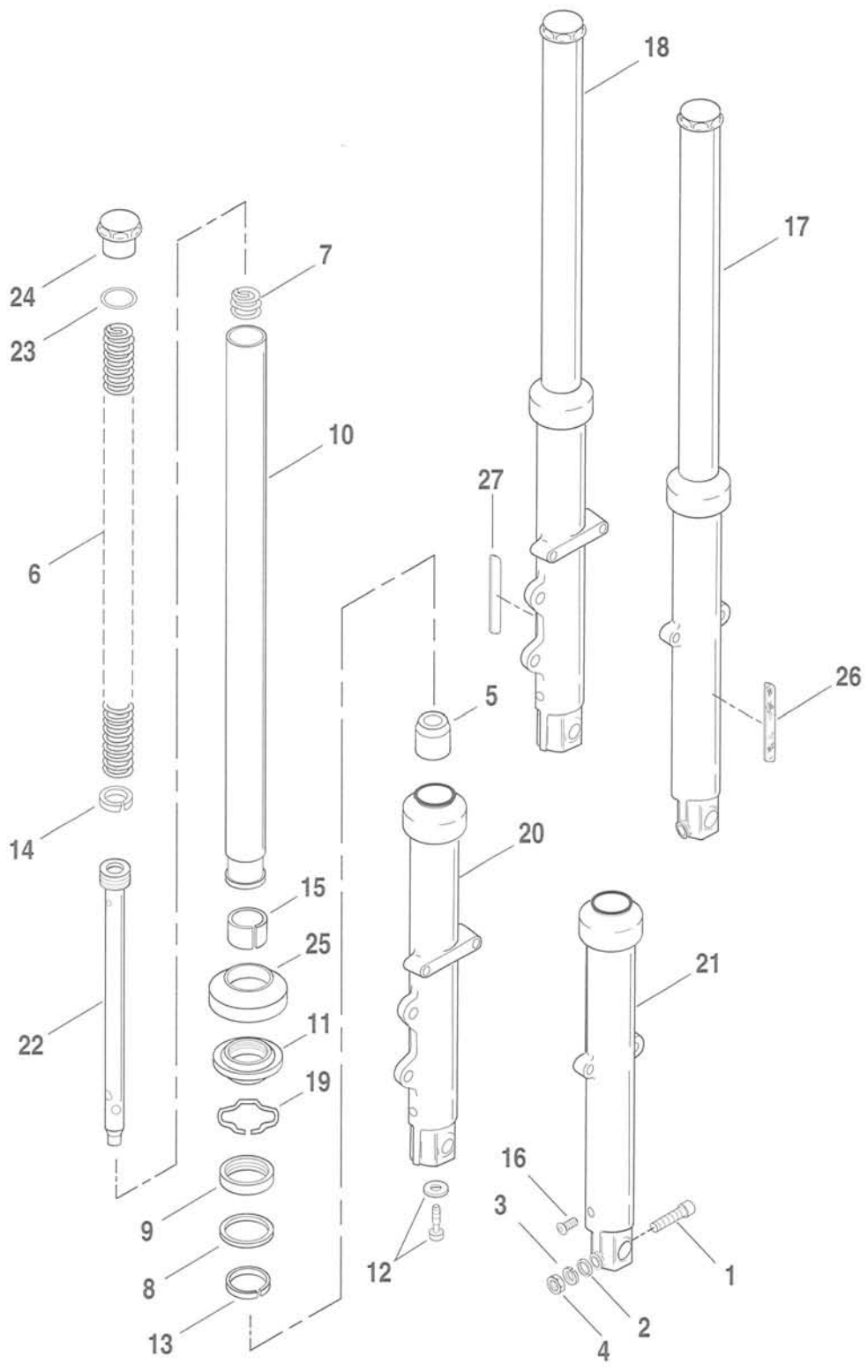
INDEX NO.	PART NO.	DESCRIPTION	MODELS
1	511	COTTER PIN	STD/HUG/1200
2	3899	BOLT (5)	STD/HUG/1200
3	5756	SPACER	STD/HUG/1200
4	6516HW	WASHER (5)	STD/HUG/1200
5	7987	CASTLE NUT	STD/HUG/1200
6	9267	WHEEL BEARING (2)	STD/HUG/1200
7	40213-00	SPROCKET - 61T. (belt) (black)	STD/HUG/1200
8	40910-00A	SPACER, wheel bearing, sprocket side	STD/HUG/1200
9	40975-00	WHEEL ASM., 16" (chrome)	STD/HUG/1200
10	40976-00	HUB ASM., rear, 16"	STD/HUG/1200
11	41123-79	VALVE CAP	STD/HUG/1200
12	41563-77A	AXLE ASM.	STD/HUG/1200
13	43654-00A	SPACER, disk side	STD/HUG/1200
14	41797-00	BRAKE DISC	STD/HUG/1200
15	43032-40C	SPOKE AND NIPPLE KIT, 16" rim (20)	STD/HUG/1200
16	43085-97	RIM, 16" (chrome)	STD/HUG/1200
17	43608-00	SLEEVE WHEEL BEARING, spacer	STD/HUG/1200
18	43567-92	SCREW, brake disc (5)	STD/HUG/1200
19	54321-85	NUT, valve stem	STD/HUG/1200
20	95578-41	WHEEL WEIGHT, 1/2 oz.	STD/HUG/1200
	95581-47	WHEEL WEIGHT, 3/4 oz.	STD/HUG/1200
	95582-47	WHEEL WEIGHT, 1 oz.	STD/HUG/1200

STEERING HEAD BRACKET ASSEMBLY



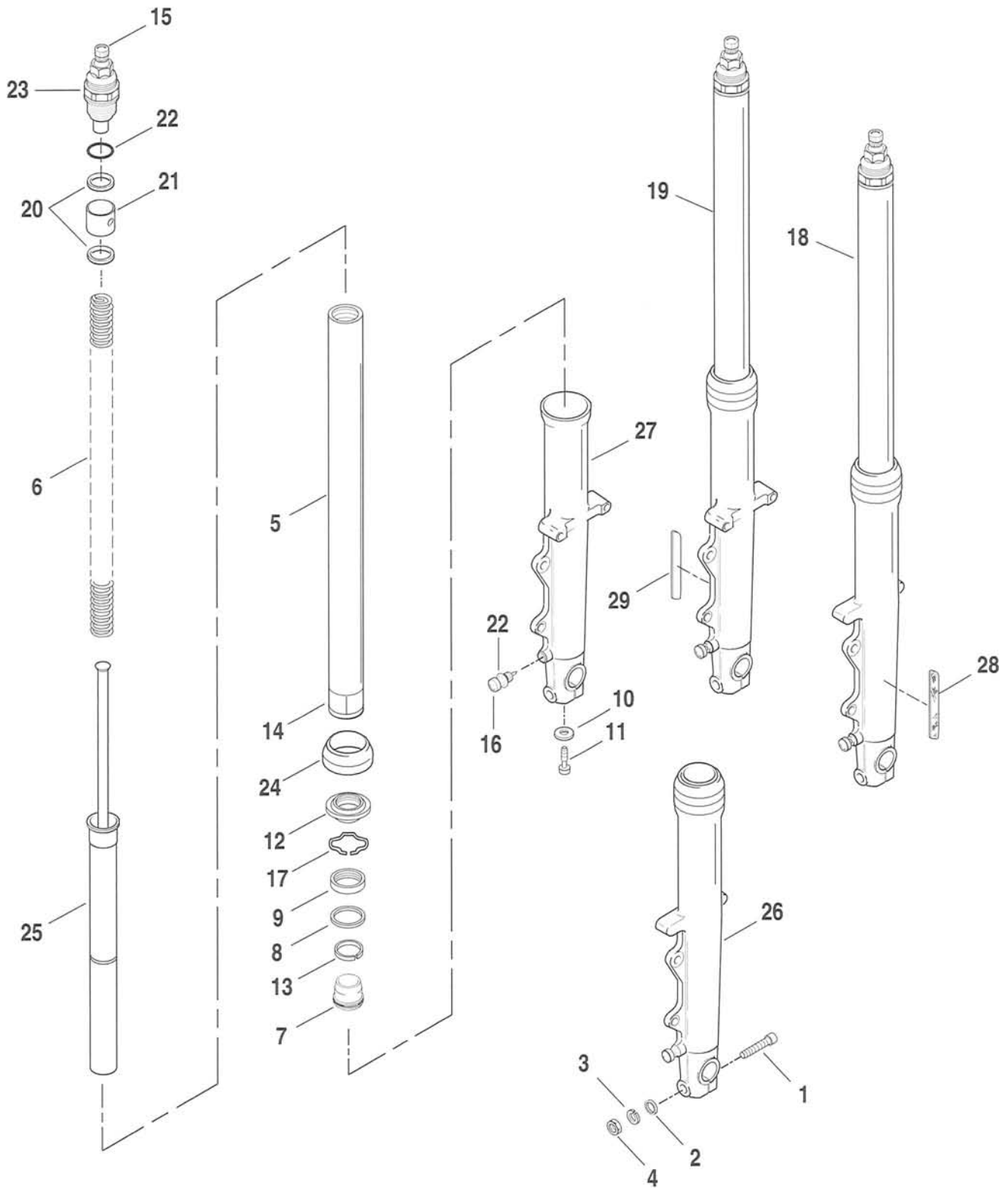
INDEX NO.	PART NO.	DESCRIPTION	MODELS
1	4240	SCREW	All Models
2	4351	SCREW, (4)	All Models
3	4352	SCREW	All Models
4	4453	BOLT, tapped	1200/S
	4460	BOLT	STD/HUG/883C/R/1200C
5	6655	WASHER	All Models
6	7129	LOCKWASHER	All Models
7	7220	LOCKWASHER	All Models
8	45563-87	BRACKET, lower w/ stem	STD/HUG//R/200/S
	45561-87	BRACKET, lower w/ stem	883C/1200C
9	45611-86	RETAINING RING	All Models
10	45668-90	CAP, fork stem	1200/S
11	45739-87	BRACKET, upper	All Models
12	48300-60	ROLLER BEARING, w/ cup (2)	All Models
13	48315-60	BEARING CUP (2)	All Models
14	48361-80	DUST SHIELD, upper	All Models
15	48365-48A	DUST SHIELD, lower	All Models
16	70191-73A	GROUND WIRE	All Models

FRONT FORK



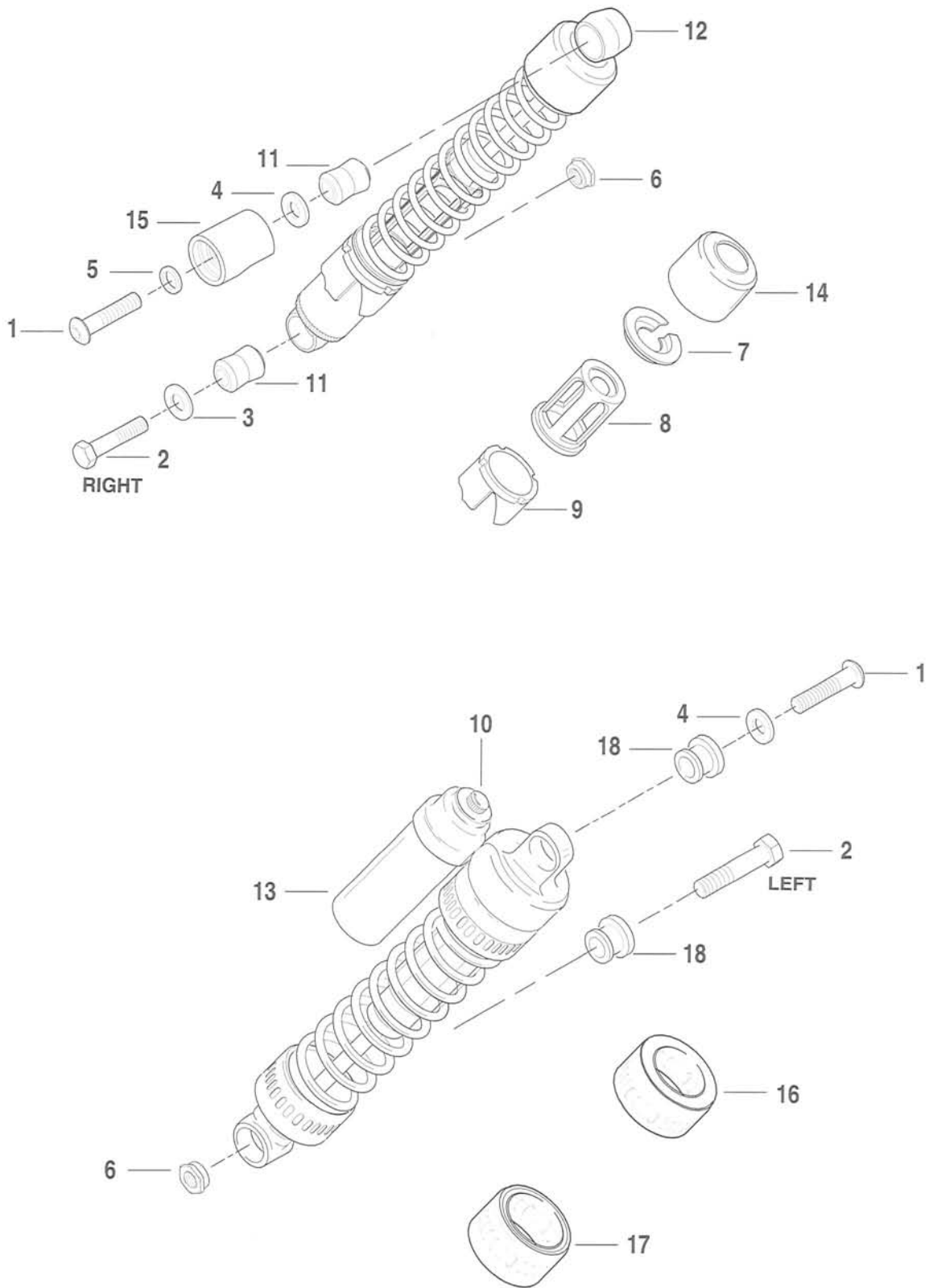
INDEX NO.	PART NO.	DESCRIPTION	MODELS
1	4029A	SCREW	STD/HUG/883C/R/1200/C
2	6701	WASHER	STD/HUG/883C/R/1200/C
3	7038	LOCKWASHER	STD/HUG/883C/R/1200/C
4	7783	NUT	STD/HUG/883C/R/1200/C
5	45361-90	LOWER STOP (2)	STD/HUG/883C/R/1200/C
6	45372-92	SPRING (2)	HUG
	45376-97	SPRING (2)	STD//883C/R/1200/C
7	45374-87	SPRING, slider (2)	STD/HUG/883C/R/1200/C
8	45377-87	SPACER, oil seal (2)	STD/HUG/883C/R/1200/C
9	45378-87	OIL SEAL (2)	STD/HUG/883C/R/1200/C
10	45395-97	SLIDER TUBE (2)	STD/883C/R/1200/C
	45395-92	SLIDER TUBE (2)	HUG
11	45401-87	SEAL, dust (2)	STD/HUG/883C/R/1200/C
12	45405-75A	SCREW, w/ washer (2)	STD/HUG/883C/R/1200/C
13	45461-87	BUSHING, upper (2)	STD/HUG/883C/R/1200/C
14	45460-90	RING, damper tube (2)	STD/HUG/883C/R/1200/C
15	45465-87	BUSHING, slider tube (2)	STD/HUG/883C/R/1200/C
16	45790-80	DRAIN SCREW, w/ washer (2)	STD/HUG/883C/R/1200/C
17	45900-00	FORK SLIDER AND TUBE ASM. - right	STD/883C/1200/C
	45928-00	FORK SLIDER AND TUBE ASM. - right	HUG
	45974-02	FORK SLIDER AND TUBE ASM. - right	883R
18	45901-00	FORK SLIDER AND TUBE ASM. - left	STD/883C/R/1200/C
	45929-00	FORK SLIDER AND TUBE ASM. - left	HUG
19	45905-87	RETAINING RING, oil seal (2)	STD/HUG/883C/R/1200/C
20	45921-00	SLIDER ASM., left	STD/HUG/883C/R/1200/C
21	45923-00	SLIDER ASM., right	STD/HUG/883C/1200/C
	45922-00	SLIDER ASM., right	883R
22	45925-97	DAMPER TUBE (2)	STD/883C/R/1200/C
	45938-92	DAMPER TUBE w/ #45460-90 (2)	HUG
23	45984-87	O-RING (2)	STD/HUG/883C/R/1200/C
24	45996-87	CAP, slider tube (2)	STD/HUG/883C/R/1200/C
25	46002-87	COVER, slider (2)	STD/HUG/883C/R/1200/C
26	59481-00	REFLECTOR, amber - right	STD/HUG/883C/R/1200/C
27	59482-00	REFLECTOR, amber - left	STD/HUG/883C/R/1200/C

FRONT FORK - 1200 SPORT



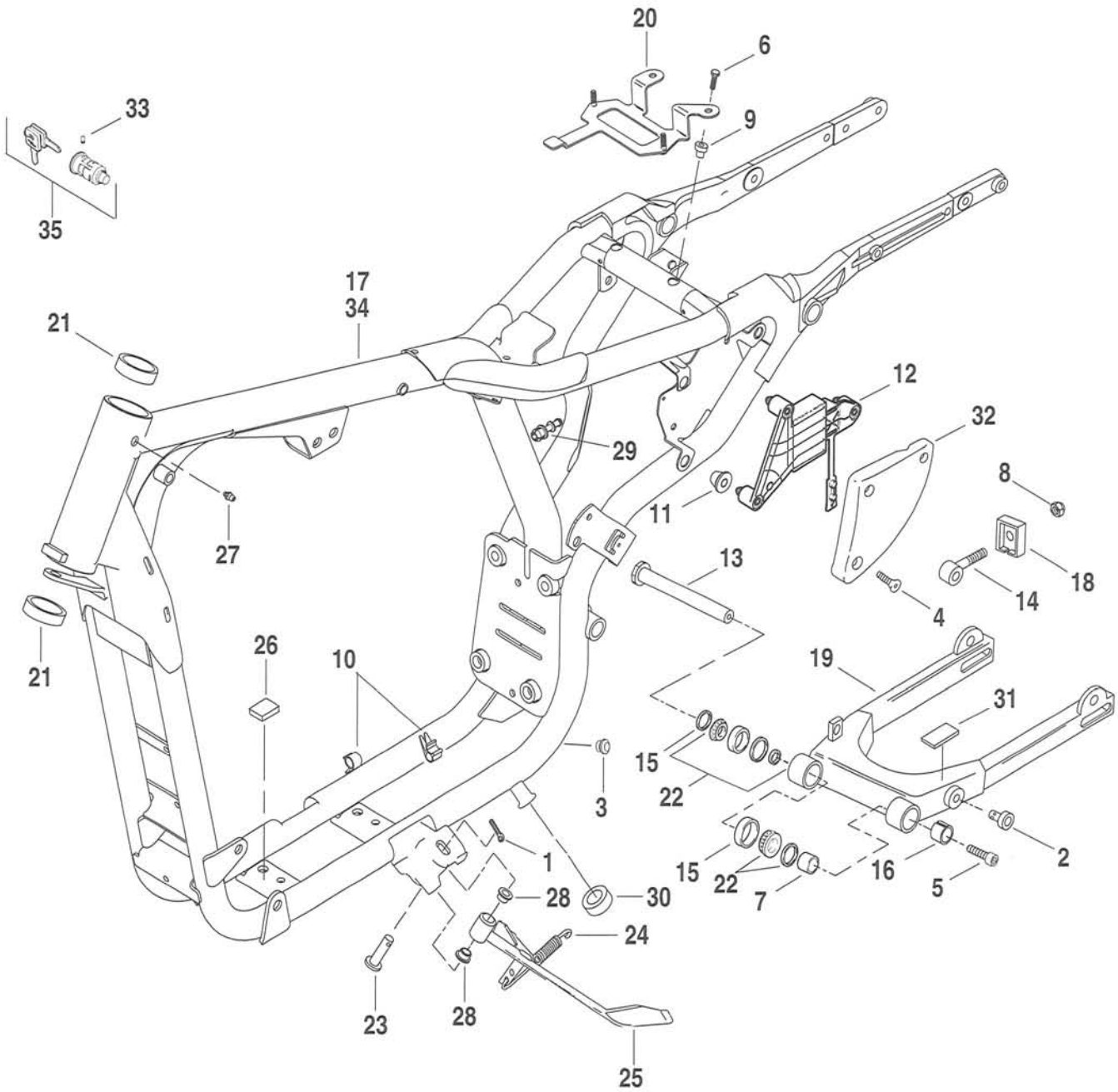
INDEX NO.	PART NO.	DESCRIPTION	MODELS
1	4029A	SCREW	1200S
2	6701	WASHER	1200S
3	7038	LOCKWASHER	1200S
4	7783	NUT	1200S
5	45366-96	SLIDER TUBE ASM. (2)	1200S
6	45367-96	SPRING (2)	1200S
7	45368-96	LOWER STOP (2)	1200S
8	45377-87	SPACER, oil seal (2)	1200S
9	45378-87	OIL SEAL (2)	1200S
10	45398-96	WASHER (2)	1200S
11	45399-96	SCREW (2)	1200S
12	45401-87	SEAL, dust (2)	1200S
13	45461-87	BUSHING, upper (2)	1200S
14	45465-87	SLIDE BUSHING (2)	1200S
15	45723-96	KNOB ADJUSTER (2)	1200S
16	45726-96	PLUG BOLT (2)	1200S
17	45905-87	RETAINING RING, oil seal (2)	1200S
18	45943-00	FORK SLIDER AND TUBE ASM. - right	1200S
19	45944-00	FORK SLIDER AND TUBE ASM. - left	1200S
20	45980-96	SPACER (4)	1200S
21	45981-96	SPRING COLLAR (2)	1200S
22	45985-96	O-RING, kit (2)	1200S
23	45986-96	CAP ADJUSTABLE, slider tube (2)	1200S
24	46002-87	COVER, slider (2)	1200S
25	46024-96	DAMPER TUBE (2)	1200S
26	46022-00	SLIDER ASM. - right	1200S
27	46023-00	SLIDER ASM. - left	1200S
28	59481-00	REFLECTOR, amber - right	1200S
29	59482-00	REFLECTOR, amber - left	1200S

SHOCK ABSORBERS



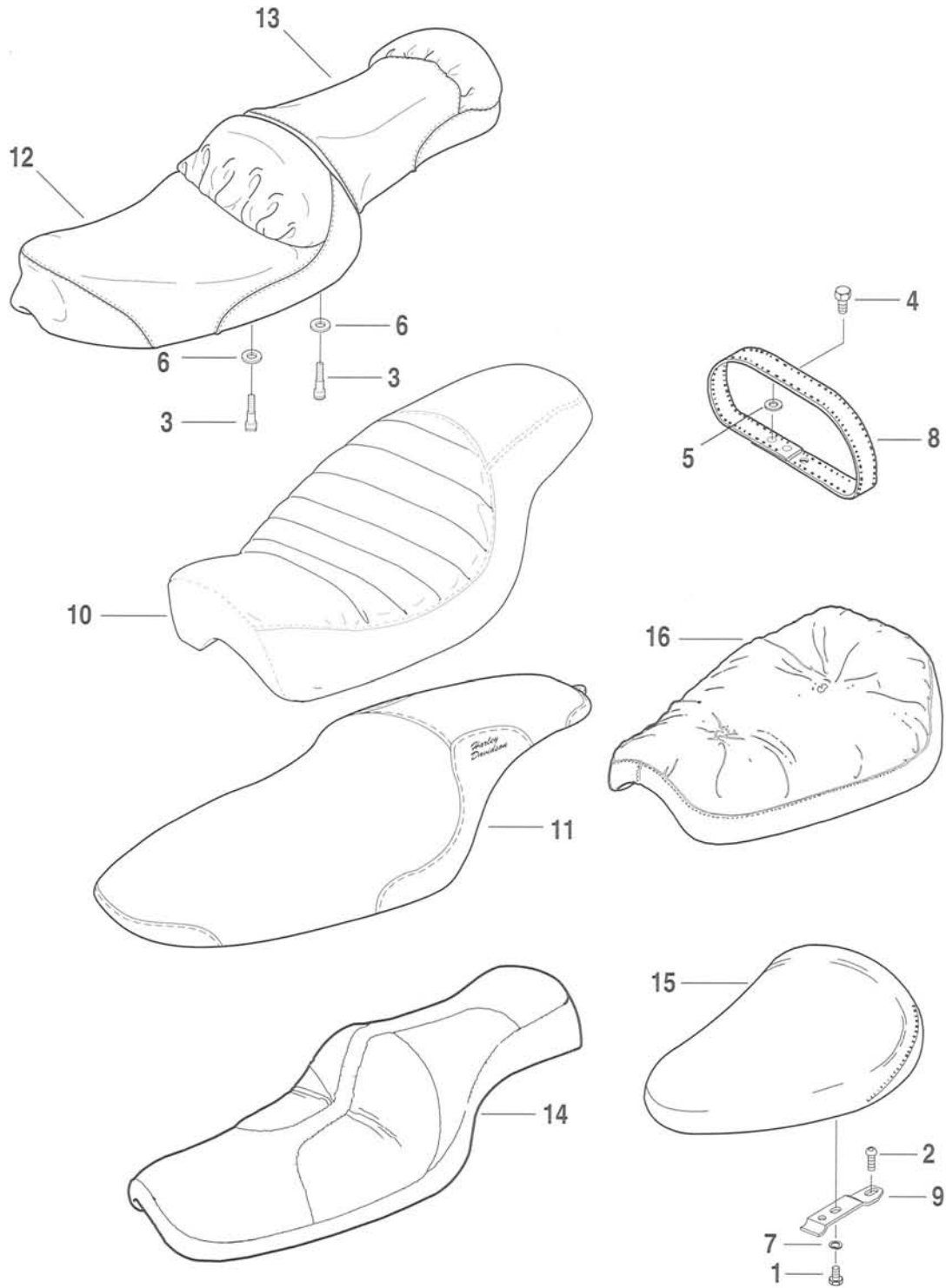
INDEX NO.	PART NO.	DESCRIPTION	MODELS
1	3820	SCREW (2)	All Models
2	3958	BOLT, left	All Models
	4743	BOLT, right	All Models
3	6012	WASHER (2)	All Models
4	6718	WASHER (2)	All Models
5	6738	WASHER (2)	STD/HUG/883C/R//1200/C
6	7824	NUT (2)	All Models
7	54473-79	SEAT, spring - upper (2)	STD/HUG/883C/R/1200/C
8	54475-79	SPRING GUIDE, lower (2)	STD/HUG/883C/R/1200/C
9	54476-82	ADJUSTER, spring (2)	STD/R/1200
	54474-79	ADJUSTER, spring (2)	HUG/883C/1200C
10	54481-96	KNOB, rear shock (2)	1200S
11	54556-84	BUSHING, damper (4)	STD/HUG/883C/1200/C
12	54566-97	SHOCK ABSORBER, complete (standard) (2)	STD/R/1200
	54568-92	SHOCK ABSORBER, complete (low) (2)	HUG/883C/1200C
13	54552-96A	SHOCK ABSORBER, complete, right (adjustable)	1200S
	54542-96A	SHOCK ABSORBER, complete, left (adjustable)	1200S
14	54701-82	COVER, shock absorber (2)	STD/HUG/883C/R/1200/C
15	54705-00	COVER, shock absorber stud (2)	STD/HUG/883C/R/1200/C
16	54713-96	COVER, upper (2)	1200S
17	54714-96	COVER, lower (2)	1200S
18	54715-96	BUSHING, damper (4)	1200S

FRAME, REAR FORK & JIFFY STAND



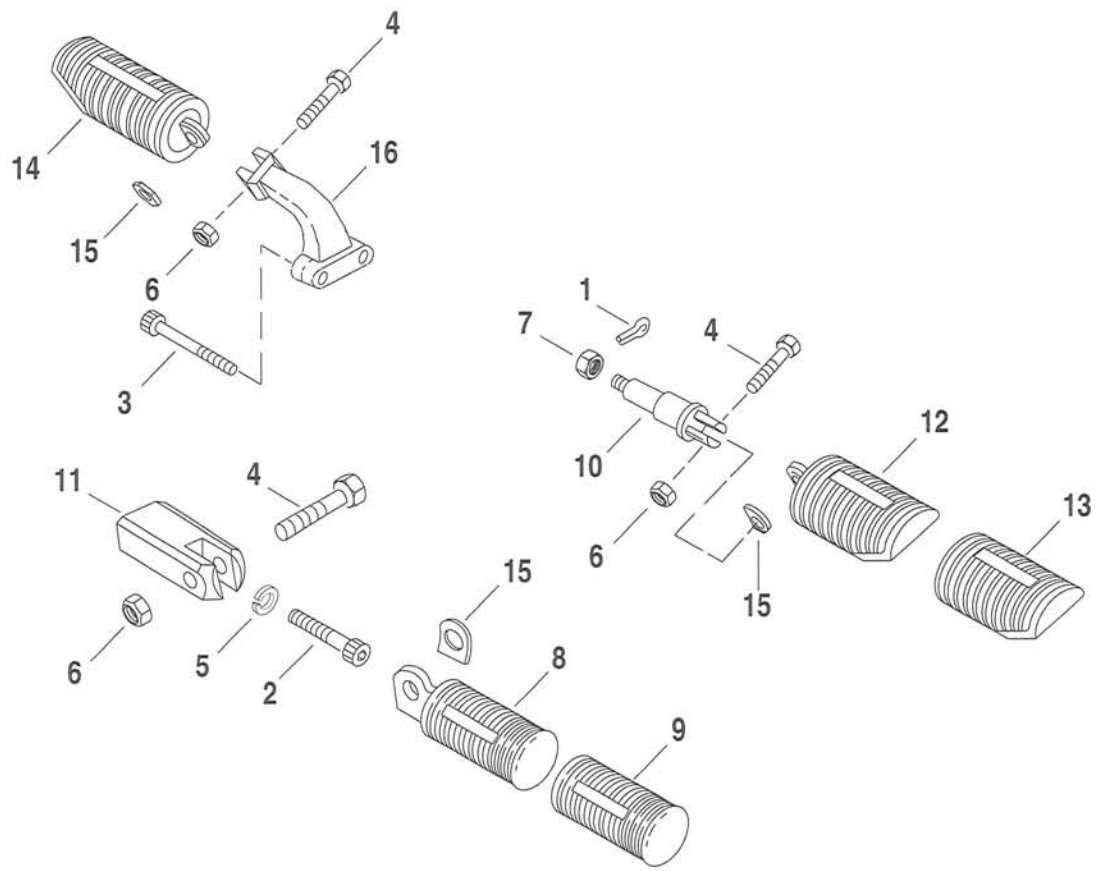
INDEX NO.	PART NO.	DESCRIPTION	MODELS
1	554	COTTER PIN	All Models
2	740	HOLE PLUG (2)	STD/HUG/883R
3	767A	PLUG, frame (2)	All Models
4	1392	SCREW (3)	All Models
5	2925A	SCREW	All Models
6	3802W	SCREW (2)	1200S
7	5741	SPACER, pivot bolt	All Models
8	7778	LOCKNUT (2)	All Models
9	8099	WELL NUT (2)	1200S
10	10110	CLIP (2)	All Models
	10235	CABLE STRAP, for main harness (2) (not illustrated)	All Models
11	11491	GROMMET, electrical bracket (3)	All Models
12	27266-98	COVER, fuse block	All Models
13	41568-81B	PIVOT BOLT, rear fork w/ #2925A & 5741	All Models
14	41573-97	ADJUSTER, rear axle (2)	All Models
15	41579-81	DUST SHIELD, bearing (2)	All Models
16	47083-81A	BUSHING, rear fork - left	All Models
17	47150-00	FRAME	All Models
18	47554-73A	END COVER, rear fork (2)	All Models
19	47587-00	REAR FORK w/ bearings	All Models
20	47937-98	BRACKET, ignition asm. electrical	1200S
21	48315-60	BEARING CUP, steering head (2)	All Models
22	48367-98	BEARING, rear fork - right	All Models
23	50003-89B	PIN, clevis	All Models
24	50005-85A	SPRING, jiffy stand	All Models
25	50006-89	JIFFY STAND	STD/883C/R/1200/C/S
	50072-92	JIFFY STAND	HUG
26	50101-91	DECKING BUMPER	All Models
27	50972-75	FITTING, lubrication	All Models
28	53158-98	BUSHING (2)	All Models
29	61131-92	VENT LINE CONNECTOR	All Models
30	62122-89	BUMPER	All Models
31	66042-79A	LABEL, warning	All Models
32	66325-82	SIDE COVER, electrical bracket (black)	STD/883C/1200/C/S
	66392-02	SIDE COVER, electrical bracket (flat black)	883R
H-D INTERNATIONAL ONLY			
33	1594	PIN, lock (HDI)	All Models
34	47209-00	FRAME (HDI)	All Models
35	48153-02	FORK LOCK	All Models

SEATS



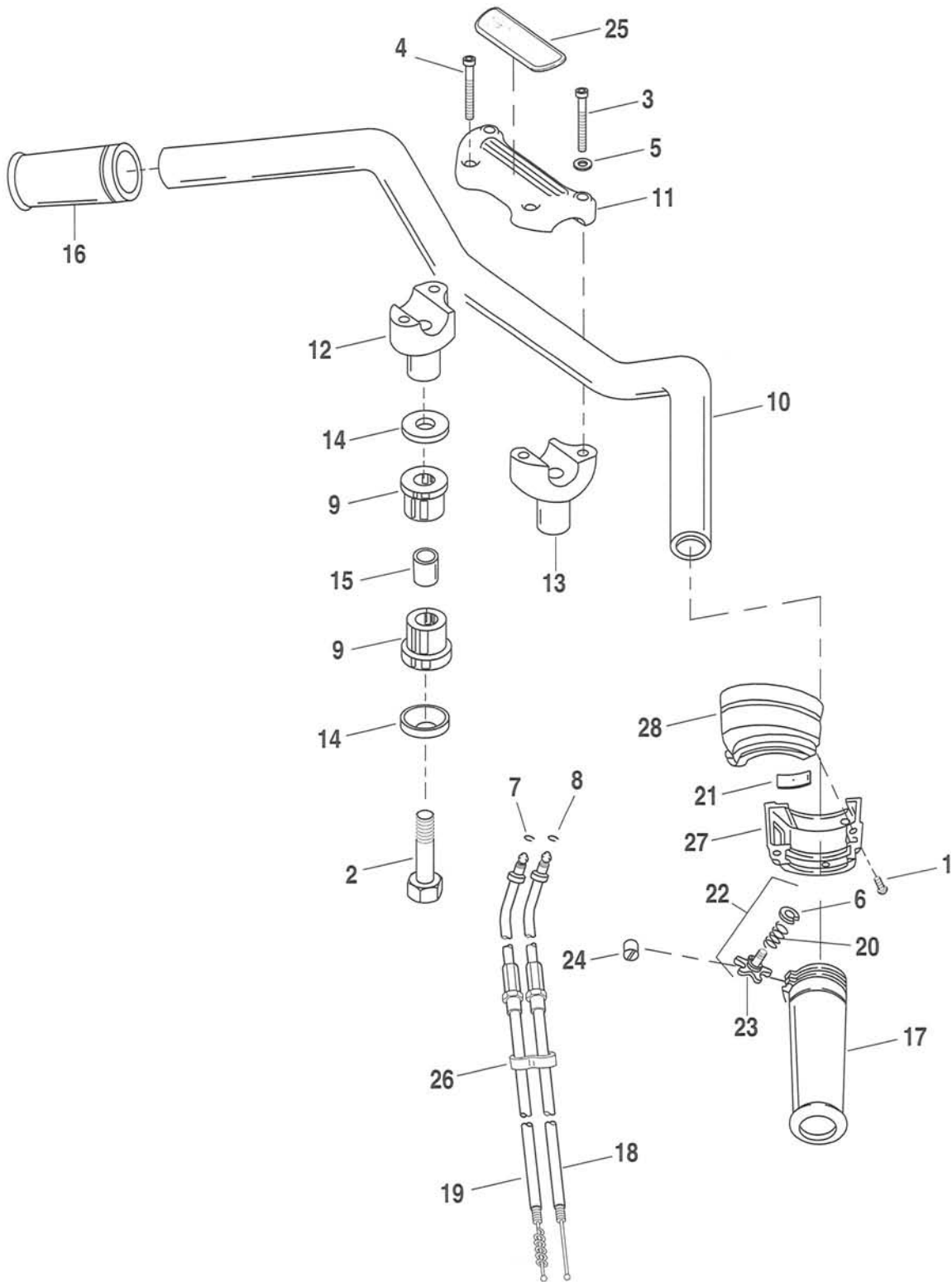
INDEX NO.	PART NO.	DESCRIPTION	MODELS
1	923	SCREW (2)	STD/HUG/883R1200/C
2	2952A	SCREW, seat mounting	All Models
3	3594	SCREW (2)	883R1200
4	3767B	SCREW	883C/1200/C/S
5	6036	WASHER	883C/1200/C/S
6	6703	WASHER (2)	883R/1200
7	7124	LOCKWASHER (2)	STD/HUG/883R1200/C
8	51187-94A	PASSENGER STRAP, long	883R/1200/C
	52968-98	PASSENGER STRAP, short	883C/1200S
9	51652-97	BRACKET, seat mounting	STD/HUG/883R/1200/C
10	51926-02	SEAT	883R
11	52136-98	SEAT, two-up	883C/1200S
	51042-03	SEAT, two-up - 100th. Anniversary restricted sale part	883C
12	52357-97	SEAT, solo (front)	1200
13	52358-97	SEAT, pillow (rear)	1200
14	52577-96	SEAT, two-up (smooth cover)	1200C
	51041-03	SEAT, two-up (smooth cover) - 100th. Anniversary restricted sale part	1200C
15	52129-92C	SEAT, solo	STD
16	52132-94A	SEAT, solo - ruffle	HUG

FOOTRESTS



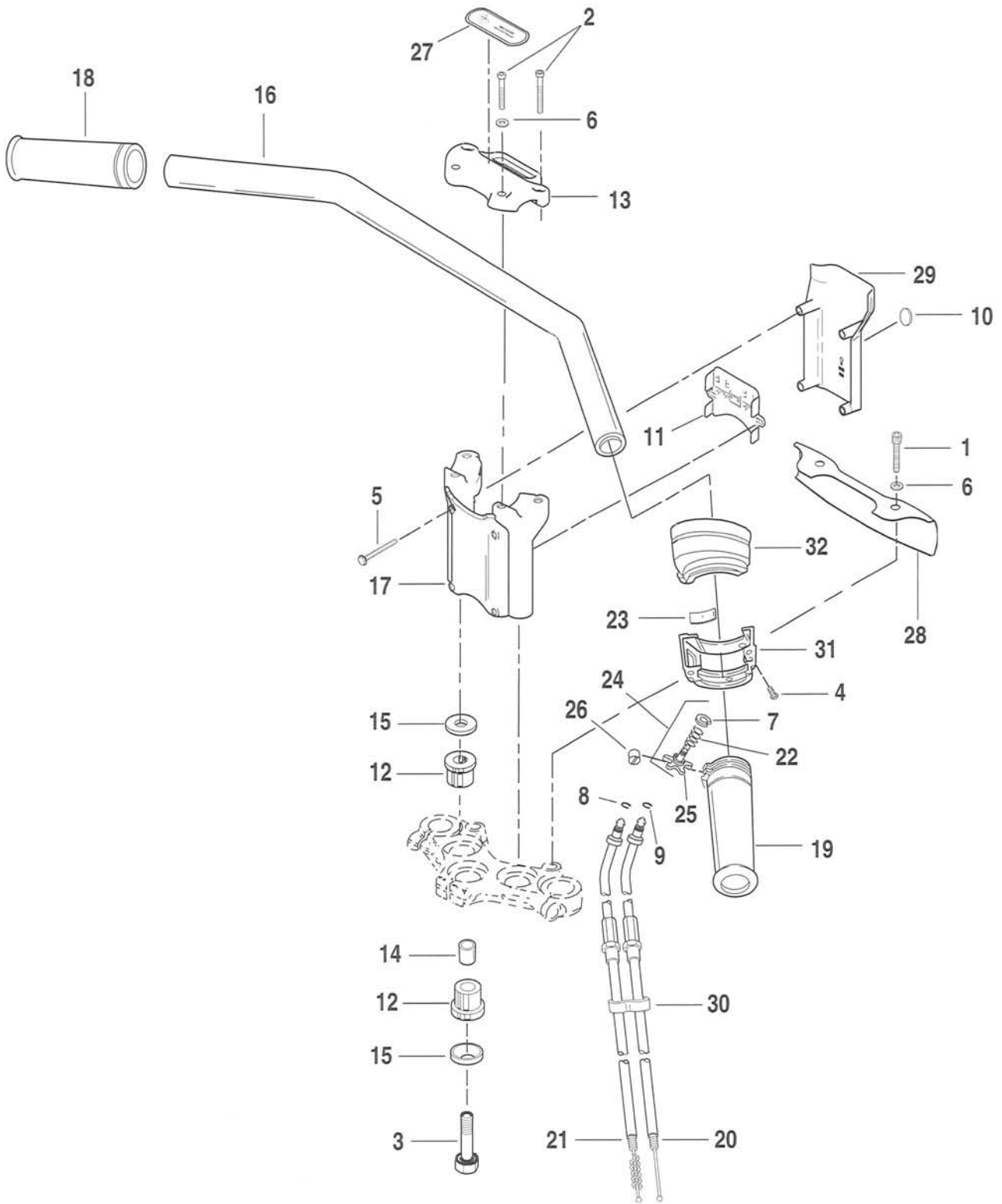
INDEX NO.	PART NO.	DESCRIPTION	MODELS
1	534	COTTER PIN	STD/HUG/883R1200/S
2	855B	SCREW (2)	883C/R/1200/C/S
3	879A	SCREW (2)	STD/HUG/883R/1200/S
4	4721	BOLT (2 - STD/HUG/883R/C/1200C; 4 - 1200/S)	All Models
5	7045	LOCKWASHER (2)	883C/R/1200/C/S
6	7778	LOCKNUT (2 - STD/HUG/883C/1200C; 4 - 883R/1200/S)	All Models
7	7824	LOCKNUT	All Models
8	33048-72	FOOTREST, w/ cover (2)	883C/R/1200/C/S
9	33189-63	COVER, footrest (2)	883C/R/1200/C/S
10	42441-90A	CLEVIS, footrest mtg. - right	STD/HUG/883R/1200/S
11	50615-83	FOOTREST SUPPORT (2)	883C/R/1200/C/S
12	50643-82	FOOTREST, w/ cover - right	STD/HUG/883R/1200/S
13	50646-82	COVER, footrest (2)	STD/HUG/883R/1200/S
14	50647-82	FOOTREST, w/ cover - left	STD/HUG/883R/1200/S
15	50912-72	SPRING WASHER (2 - STD/HUG/883C/1200C; 4 - 883R/1200/S)	All Models
16	50951-90	FOOTREST SUPPORT, left	STD/HUG/883R/1200/S

HANDLEBAR & THROTTLE CONTROL



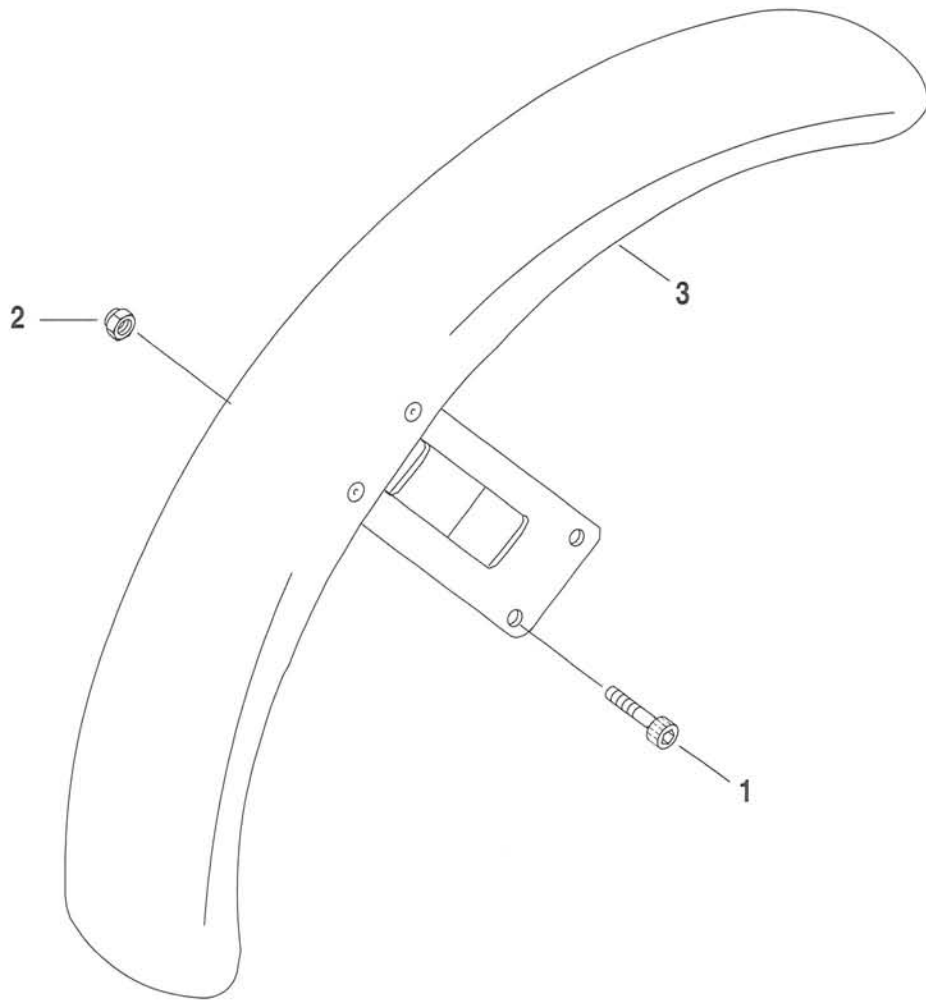
INDEX NO.	PART NO.	DESCRIPTION	MODELS
1	3658	SCREW (2)	STD/HUG/883R/1200/S
2	3498	BOLT (2)	STD/HUG/883R/1200/S
3	4326A	SCREW (2)	STD/HUG/883R/1200/S
4	4816A	SCREW (2)	STD/HUG/883R/1200/S
5	6702	WASHER (2)	STD/HUG/883R/1200/S
6	11155	RETAINING RING	STD/HUG/883R/1200/S
7	11271	RING, retainer - idle	STD/HUG/883R/1200/S
8	11272	RING, retainer - throttle	STD/HUG/883R/1200/S
9	53156-86	RUBBER BUSHING, handlebar mounting (4)	STD/HUG/883R/1200/S
10	56081-82A	HANDLEBAR, buckram	HUG/1200
	56082-83	HANDLEBAR, flat	STD
	56110-98	HANDLEBAR, flat (black)	1200S
	56085-83A	HANDLEBAR (black)	883R
11	56115-95	CLAMP, handlebar - upper (black)	STD/HUG/883R/1200/S
12	56116-82A	CLAMP, handlebar - lower left	STD/HUG/883R/1200/S
13	56117-82A	CLAMP, handlebar - lower right	STD/HUG/883R/1200/S
14	56159-73	CUP WASHER, handlebar mounting (4)	STD/HUG/883R/1200/S
15	56153-73	SPACER (2)	STD/HUG/883R/1200/S
16	56206-96	HANDLEBAR GRIP	STD/HUG/883R/1200/S
17	56220-94A	GRIP AND SLEEVE, throttle	STD/HUG/883R/1200/S
18	56308-96	THROTTLE CONTROL ASM.	HUG/883R/1200
	56400-96	THROTTLE CONTROL ASM.	STD/1200S
19	56309-96	IDLE CONTROL ASM.	HUG/883R/1200
	56401-96	IDLE CONTROL ASM.	STD/1200S
20	56394-74	SPRING, adjusting screw	STD/HUG/883R/1200/S
21	56396-74A	FRICTION SPRING, throttle grip	STD/HUG/883R/1200/S
22	56397-74C	KIT, throttle adjusting screw, w/ #6, 20 & 23	STD/HUG/883R/1200/S
23	56402-83A	ADJUSTING SCREW, throttle	STD/HUG/883R/1200/S
24	56508-76	FERRULE (2)	STD/HUG/883R/1200/S
25	61477-03	NAMEPLATE - 100th. Anniversary restricted sale part	STD
	61478-03	NAMEPLATE - 100th. Anniversary restricted sale part	HUG
	61479-03	NAMEPLATE - 100th. Anniversary restricted sale part	1200
	61483-03	NAMEPLATE - 100th. Anniversary restricted sale part	1200S
	61487-03	NAMEPLATE - 100th. Anniversary restricted sale part	883R
26	70504-81	CLIP, throttle cables	STD/HUG/883R/1200/S
27	71563-96	HOUSING, switches & throttle control - lower	STD/HUG/883R/1200/S
28	71564-96	HOUSING, switches & throttle control - upper	STD/HUG/883R/1200/S

HANDLEBAR & THROTTLE CONTROL - 883/1200 CUSTOM



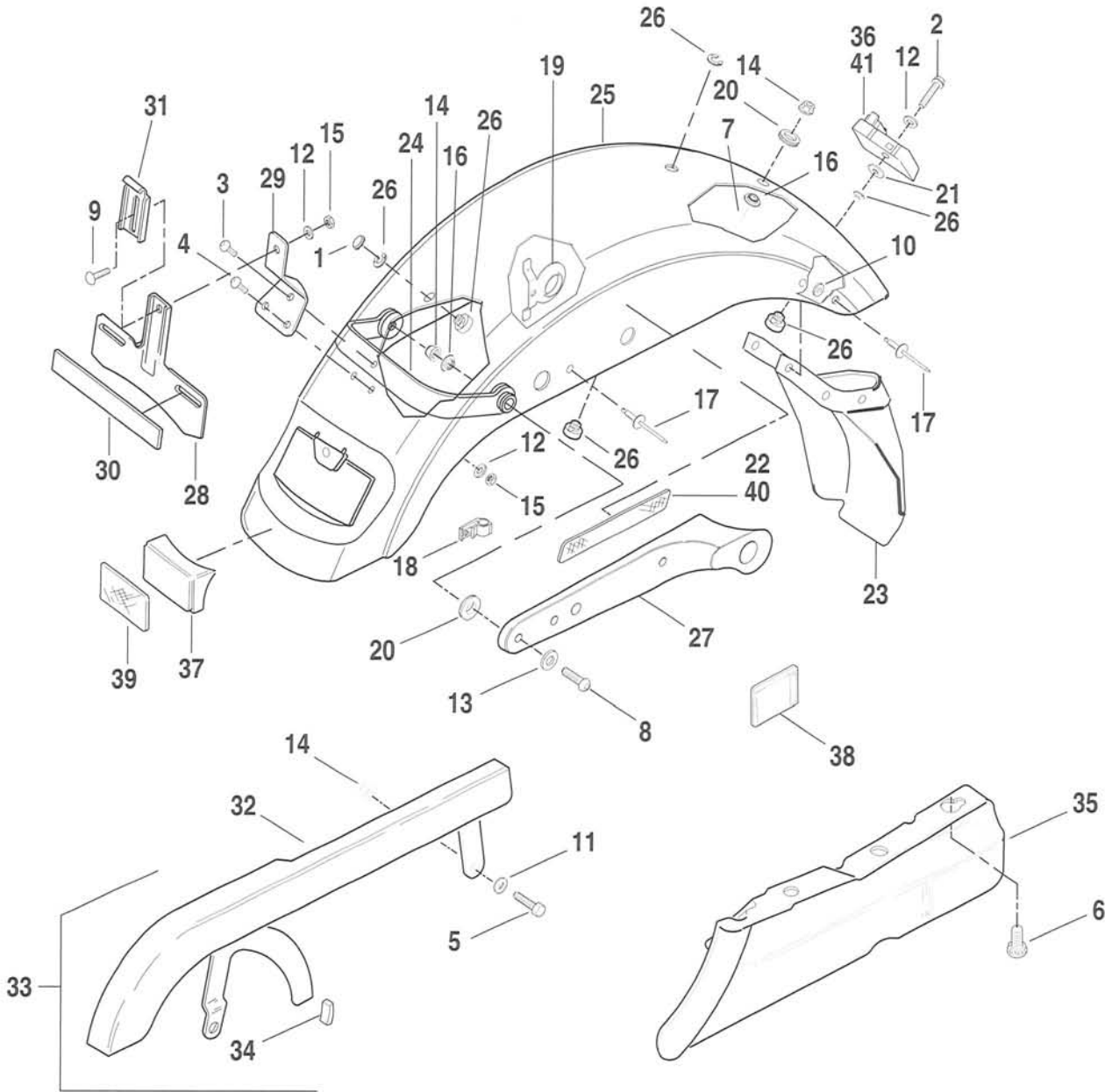
INDEX NO.	PART NO.	DESCRIPTION	MODELS
1	3201WA	SCREW (2)	883C/1200C
2	3210A	SCREW (4)	883C/1200C
3	3498	BOLT	883C/1200C
4	3658	SCREW (2)	883C/1200C
5	3923	SCREW (4)	883C/1200C
6	6702	WASHER (4)	883C/1200C
	10006	CABLE STRAP (2) (not illustrated)	883C/1200C
7	11155	RETAINING RING	883C/1200C
8	11271	RING RETAINER (idle)	883C/1200C
9	11272	RING RETAINER (throttle)	883C/1200C
10	14448-94	LOGO BAR & SHIELD	883C/1200C
11	46991-99	PANEL ELECTRICAL BRACKET	883C/1200C
12	53156-86	RUBBER BUSHING, handlebar mounting (4)	883C/1200C
13	56074-96	CLAMP, handlebar - upper (chrome)	883C/1200C
14	56153-73	SPACER (2)	883C/1200C
15	56159-73	CUP WASHER, handlebar mounting (4)	883C/1200C
16	56185-98A	HANDLEBAR, drag style	883C/1200C
17	56192-01	RISER ASM., handle bar (one piece)	883C/1200C
18	56206-96	HANDLEBAR GRIP	883C/1200C
19	56220-94A	GRIP AND SLEEVE, throttle	883C/1200C
20	56400-96	THROTTLE CONTROL ASM.	883C/1200C
21	56401-96	IDLE CONTROL ASM.	883C/1200C
22	56394-74	SPRING, adjusting screw	883C/1200C
23	56396-74A	FRICTION SPRING, throttle grip	883C/1200C
24	56397-74C	KIT, throttle adjusting screw, w/ #7, 22, 25	883C/1200C
25	56402-83A	ADJUSTING SCREW, throttle	883C/1200C
26	56508-76	FERRULE (2)	883C/1200C
27	60982-03	NAMEPLATE - 100th. Anniversary restricted sale part	1200C
	61000-03	NAMEPLATE - 100th. Anniversary restricted sale part	883C
28	67861-96	COVER, bracket upper	883C/1200C
29	68030-96	COVER, front	883C/1200C
30	70504-81	CLIP, throttle cables	883C/1200C
31	71563-96	HOUSING, switches & throttle control - lower	883C/1200C
32	71564-96	HOUSING, switches & throttle control - upper	883C/1200C

FRONT FENDER



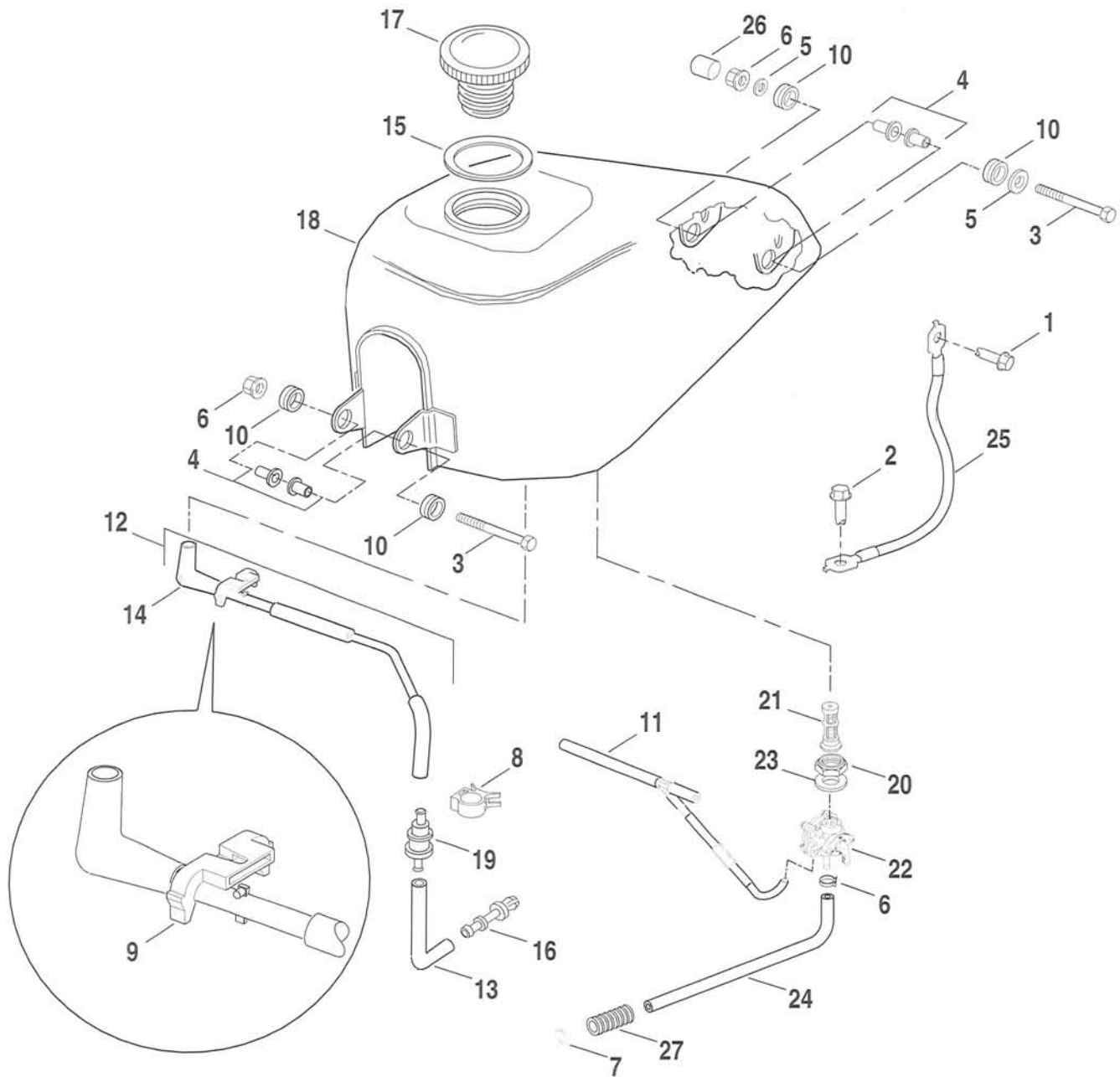
INDEX NO.	PART NO.	DESCRIPTION	MODELS
		NOTE: REFER TO PAINTED PARTS BOOK FOR PAINTED PART NUMBERS.	
1	3210A	SCREW (4)	All Models
2	7531	LOCKNUT (4)	All Models
3	58998-83C	FRONT FENDER, prime	All Models

REAR FENDER & BELT GUARDS



INDEX NO.	PART NO.	DESCRIPTION	MODELS
NOTE: REFER TO PAINTED PARTS BOOK FOR PAINTED PART NUMBERS.			
1	761	PLUG (black)	STD/HUG
2	2551W	SCREW	All Models
3	2607	SCREW	All Models
4	2773	SCREW (2)	All Models
5	3201WA	SCREW	All Models
6	3579A	SCREW (3)	All Models
7	3987	SCREW	All Models
8	4767	SCREW (4)	All Models
9	5403B	CARRIAGE BOLT	All Models
10	6192	WASHER (4)	All Models
11	6702	WASHER	All Models
12	6703	WASHER (4)	All Models
13	6798	WASHER (4)	All Models
14	7531	NUT (6)	All Models
15	7792	NUT, kept (4)	All Models
16	7882	TEE SPACER (5)	All Models
17	8692	RIVET (6)	All Models
18	10183	CLIP (7)	All Models
19	10200	BRACKET, wire retention (2)	All Models
20	11474	GROMMET (7)	All Models
21	11512	DAMPNER, vibration	All Models
22	59287-92	REFLECTOR, right (red)	All Models
	59288-92	REFLECTOR, left (red)	All Models
23	59594-82C	REAR FENDER EXTENSION	All Models
24	59671-98	FENDER SUPPORT KIT	All Models
25	59674-99	REAR FENDER (prime)	All Models
26	59768-97	KIT FENDER SEAT NUT ASM. (3)	All Models
27	59853-98	COVER, rear fender support - right (black)	1200S
	59854-98	COVER, rear fender support - left (black)	1200S
	59896-94	COVER, rear fender support - right (chrome)	STD/HUG/883C/R/1200/C
	59897-94	COVER, rear fender support - left (chrome)	STD/HUG/883C/R/1200/C
28	59984-73	BRACKET, license plate	All Models
29	59986-75	SUPPORT, license plate bracket	All Models
30	59988-72A	REFLECTOR, license plate bracket	All Models
31	60001-55	CLAMP, license plate bracket	All Models
32	60337-00	BELT GUARD	All Models
33	60381-91	BELT GUARD, KIT (black) w/ #60337-00 & 60419-91	All Models
34	60419-91	BUMPER	All Models
35	60436-91	DEBRIS DEFLECTOR	All Models
36	68540-96	TURN SIGNAL CANCELLER, w/ connector assembly	All Models
H-D INTERNATIONAL ONLY			
37	59251-90	REFLECTOR ASM., w/ #40 (red) (HDI)	All Models
38	59254-91	REFLECTOR, amber (2) (HDI)	All Models
39	59259-90	REFLECTOR (red) (HDI)	All Models
40	59289-92	REFLECTOR, left (amber) (HDI)	All Models
	59290-92	REFLECTOR, right (amber) (HDI)	All Models
41	68441-00	TURN SIGNAL CANCELLER, w/ connector assembly (HDI)	All Models

FUEL TANK



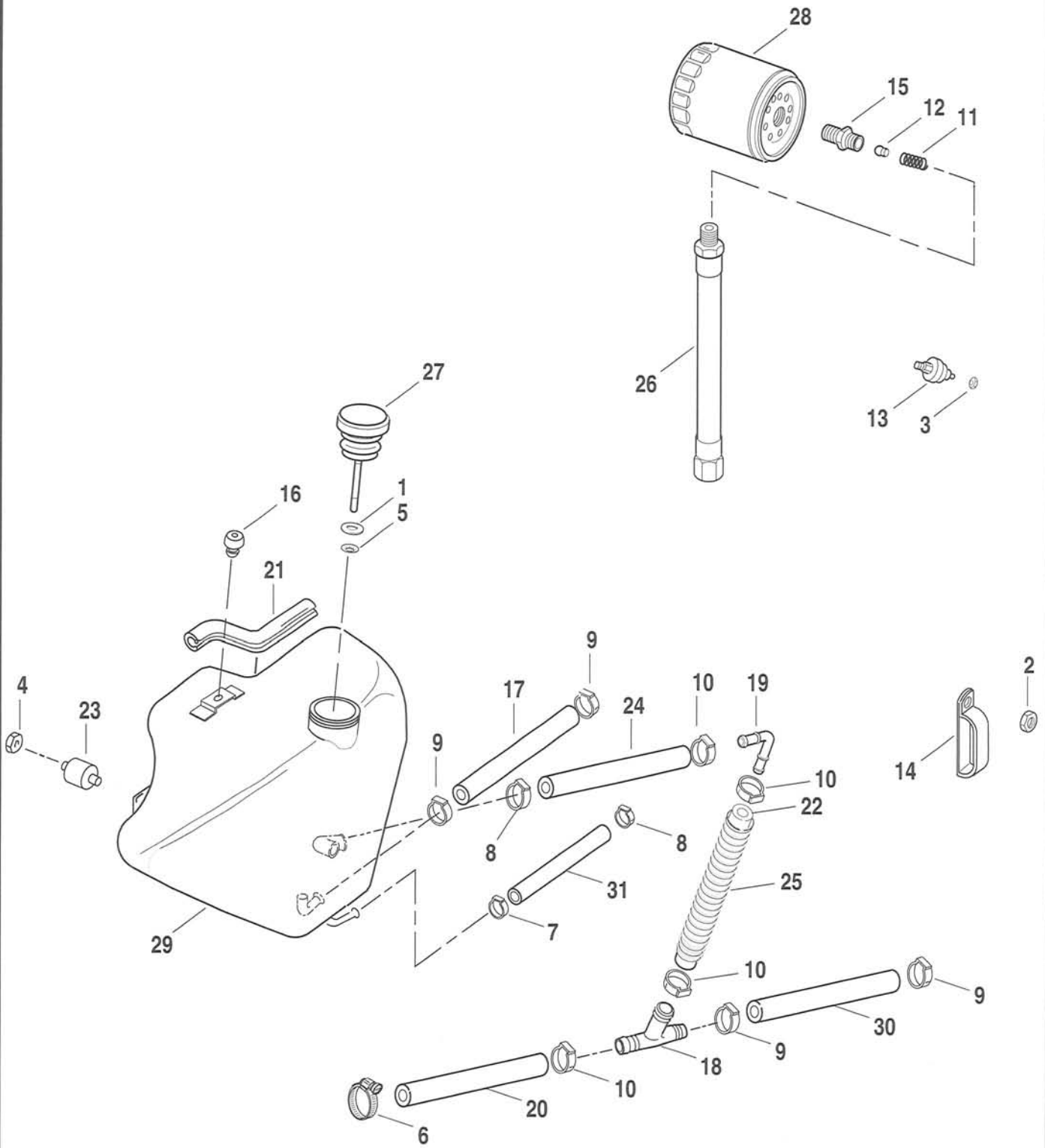
INDEX NO.	PART NO.	DESCRIPTION	MODELS
NOTE: REFER TO PAINTED PARTS BOOK FOR PAINTED PART NUMBERS.			
1	4237	SCREW	All Models
2	4240	SCREW	All Models
3	4758A	BOLT (2)	All Models
4	5787	T-SPACER (4)	All Models
5	6333	WASHER (2)	All Models
6	7531	LOCKNUT (2)	All Models
	10006	CABLE STRAP (vent hose to tank routing) (not illustrated)	All Models
7	10014	CLAMP, fuel hose (2)	All Models
8	10108	CLIP, vapor valve	All Models
9	10214	CLIP	1200S
10	11473	GROMMET (4)	All Models
11	26556-98	HOSE ASM., vacuum	1200S
	26559-95	HOSE ASM., vacuum	STD/HUG/883C/R/1200/C
12	27067-98	TUBE, tank to valve, w/ #27250-96A	All Models
13	27096-94	TUBE, valve to atmosphere	All Models
14	27250-96A	CONNECTOR, elbow 90 degree	All Models
	59589-02	PROTECTIVE TAPE (not illustrated)	883R
15	61109-85D	GASKET	All Models
16	61131-92	VENT LINE CONNECTOR	All Models
17	61272-92B	FILLER CAP	All Models
18	61348-98A	FUEL TANK ASM. (prime)	All Models
19	62150-85	VAPOR VALVE	All Models
20	62161-02	NUT, fuel valve	All Models
21	62166-02	FILTER, fuel valve	All Models
22	62169-02	FUEL VALVE w/ gasket	All Models
23	62172-02	GASKET, fuel valve	All Models
24	62347-95	HOSE, fuel	All Models
25	70118-97	GROUND WIRE, fuel tank	All Models
26	89579-91	CAP, protective	All Models
NOTE: Hose insulator is sold only in bulk length under the following part number. Cut to required length.			
27	63505-84	INSULATOR, 1/2 I.D. (nylon)(8 ft. lg.)	All Models

FUEL TANK TRIM



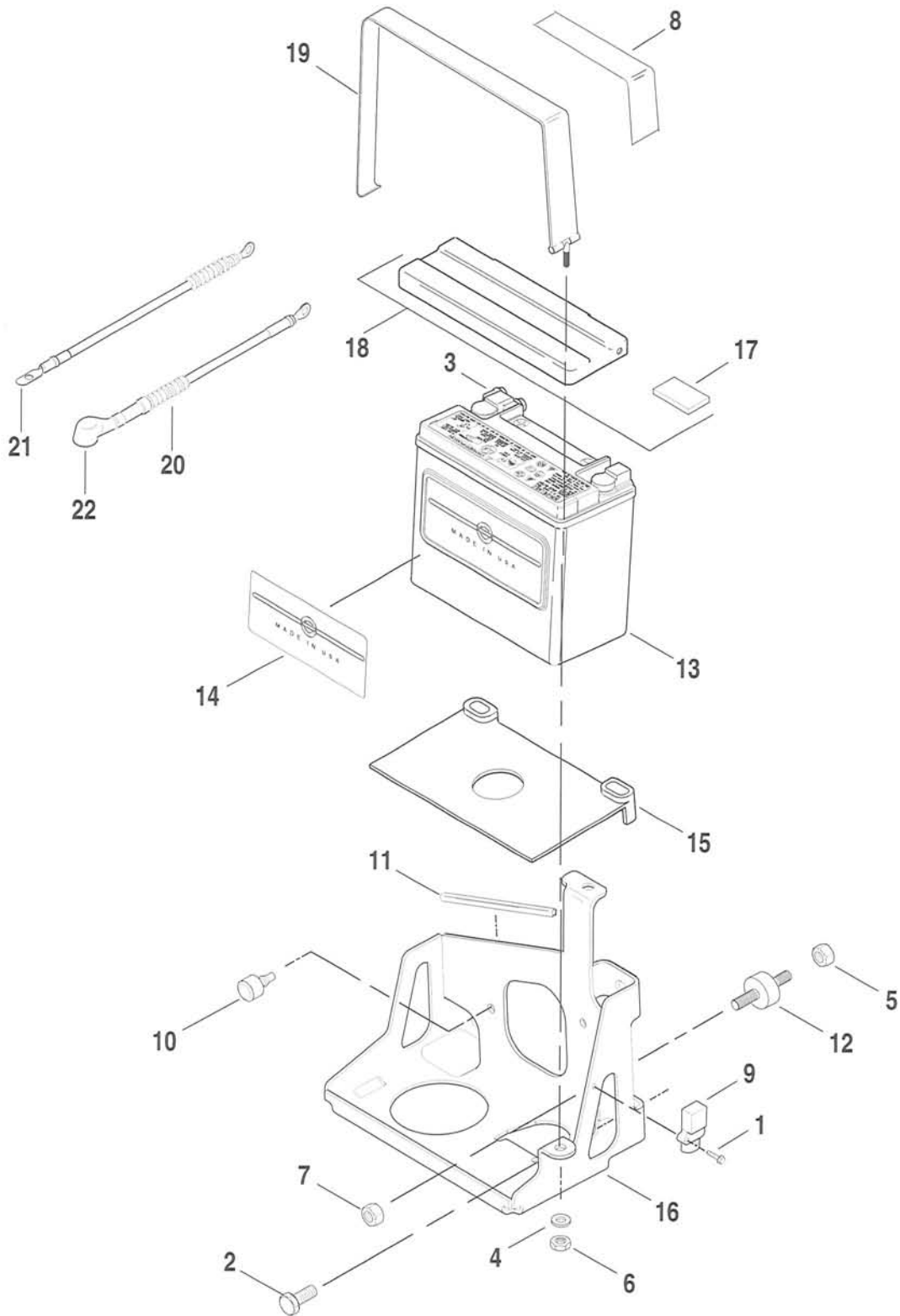
INDEX NO.	PART NO.	DESCRIPTION	MODELS
1	13538-02	DECAL LH	883R
	13539-02	DECAL RH	883R
2	62244-03	MEDALLION, fuel tank - LH (chrome) - 100th. Anniversary restricted sale part (for Anniversary gunmetal, black tanks)	STD/HUG/883C/1200/S/C
	62245-03	MEDALLION, fuel tank - RH (chrome) - 100th. Anniversary restricted sale part (for Anniversary gunmetal, black tanks)	STD/HUG/883C/1200/S/C
3	62246-03	MEDALLION, fuel tank - LH (gold) - 100th. Anniversary restricted sale part (for 2-tone Anniversary silver, black tanks)	883C/1200C
	62247-03	MEDALLION, fuel tank - RH (gold) - 100th. Anniversary restricted sale part (for 2-tone Anniversary silver, black tanks)	883C/1200C

OIL TANK & FILTER



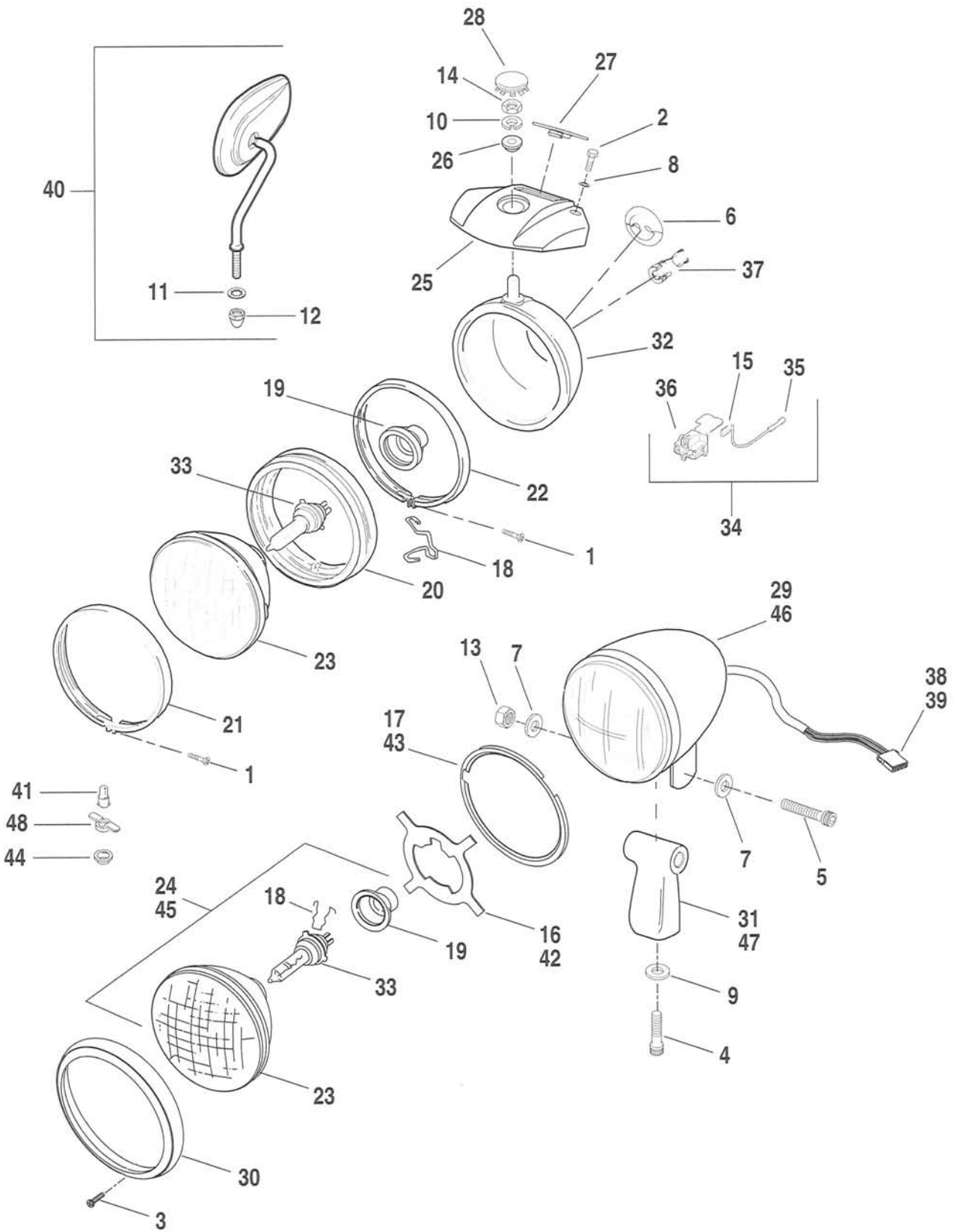
INDEX NO.	PART NO.	DESCRIPTION	MODELS
1	6703	WASHER	All Models
2	7624	NUT	All Models
3	7629	NUT	All Models
4	7686	LOCKNUT (3)	All Models
5	8126A	PUSH NUT, 8 prong	All Models
6	9969	CLAMP, oil drain hose	All Models
	10006	STRAP CABLE (2) (not illustrated)	All Models
7	10014	CLAMP, crankcase vent hose	All Models
8	10117	CLAMP, crankcase vent hose	All Models
9	10080	CLAMP, oil hose (4)	All Models
10	10142	CLAMP, oil hose (5)	All Models
11	26436-90A	SPRING	All Models
12	26437-86B	BALL	All Models
13	26554-77	SWITCH, oil pressure indicator	All Models
14	31532-94	CLIP	All Models
15	33117-91A	ADAPTOR, oil filter	All Models
16	60439-98	RUBBER BUMPER	1200S
17	62361-94	HOSE, oil return to tank	All Models
18	62493-89	TEE, oil hose	All Models
19	62494-94B	ELBOW, 90 degree	All Models
20	63504-94	HOSE, oil drain	All Models
21	62540-83	TRIM STRIP (3)	All Models
22	63542-94A	HOSE, oil drain/feed	All Models
23	62563-65	MOUNT, oil tank (3)	All Models
24	63564-94A	HOSE, oil drain/feed	All Models
25	63576-95	SHEILD, hose 1" conv. tubing	All Models
26	62631-91	HOSE, oil pump to filter	All Models
27	62634-84A	FILLER CAP w/ dipstick & #6703 & 8126A	All Models
28	63796-77A	OIL FILTER (chrome)	1200C
	63805-80A	OIL FILTER (black)	STD/HUG/883C/R/1200/S
29	62888-99	OIL TANK ASM.	STD/HUG/883C/1200/C/S
	62951-02	OIL TANK ASM. (flat black)	883R
		NOTE: Hoses are sold only in bulk length under the following part numbers. Cut to required length.	
30	63500-68	HOSE, 3/8 I.D. x 5/8 O.D. (rubber) (25 ft. lg.)	All Models
31	63501-68A	HOSE, 1/4 I.D. x 1/2 O.D. (rubber) (25 ft. lg.)	All Models

BATTERY



INDEX NO.	PART NO.	DESCRIPTION	MODELS
1	2362	SCREW	All Models
2	3930A	BOLT (3)	All Models
3	4312	BOLT (2) w/ battery	All Models
4	6220W	WASHER	All Models
5	7686	LOCKNUT	All Models
6	7688	NUT	All Models
7	7739	LOCKNUT	All Models
8	29112-83	WARNING LABEL	All Models
9	32495-98	SENSOR, bank angle	All Models
10	60429-97	BUMMPER (2)	All Models
11	62540-83	TRIM STRIP	All Models
12	62569-94	MOUNT, battery tray	All Models
13	65989-97A	BATTERY w/ #4312 (2)	All Models
14	66040-00	DECAL, battery	883C/1200C
15	66214-97	PAD, battery	All Models
16	66194-98	TRAY, battery	All Models
17	66352-65	PAD, cover - large	All Models
18	66359-97	COVER, battery-top asm. (black)	STD/HUG/883C/R/1200C
	66367-97	COVER, battery-top asm. (chrome)	1200/S
19	66476-98	STRAP, battery	All Models
20	70076-97	CABLE BATTERY, positive w/ boot	All Models
21	70097-97	CABLE BATTERY, negative	All Models
22	70578-89	BOOT, insulating	All Models

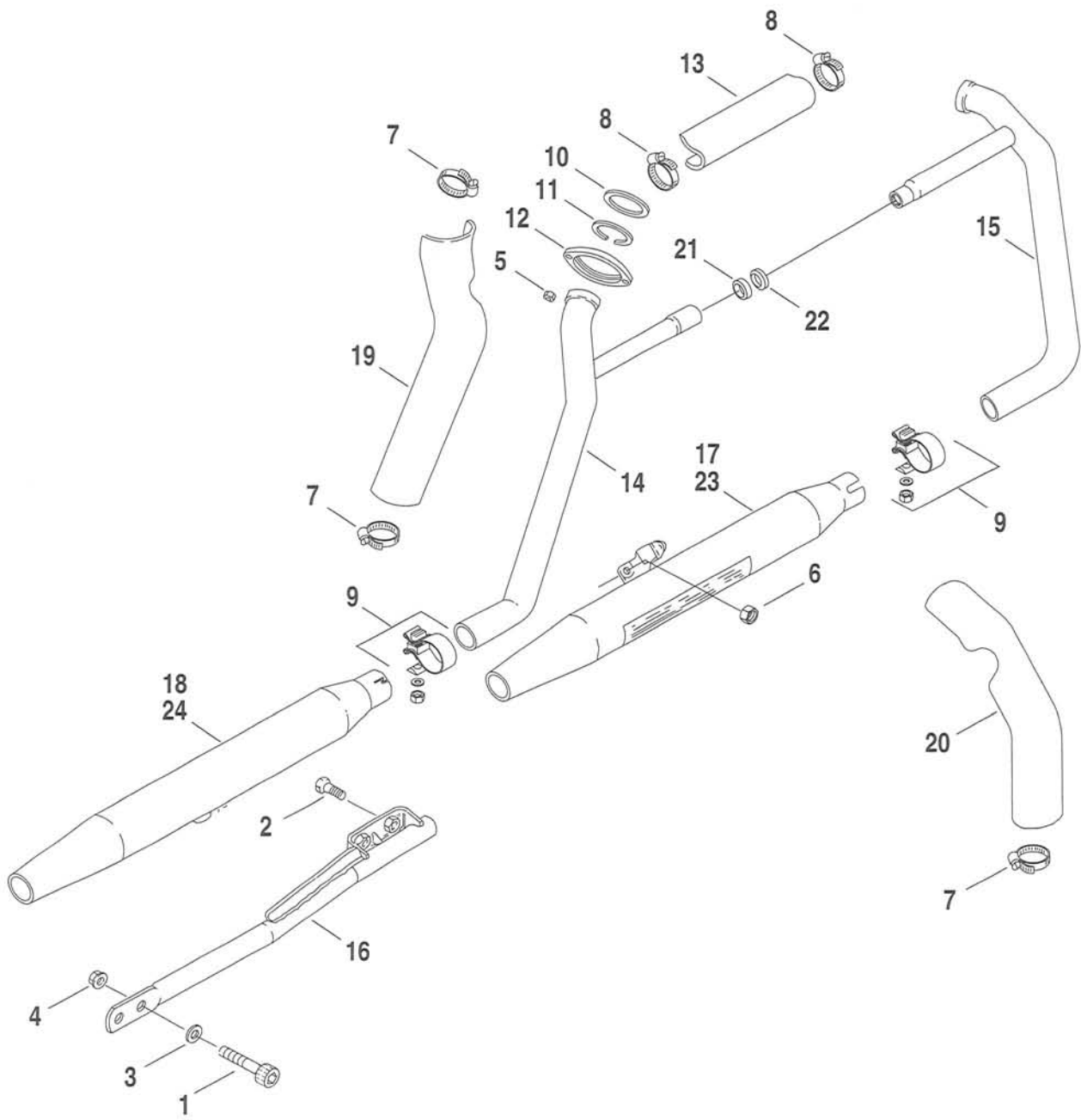
HEADLAMP & MIRROR



INDEX NO.	PART NO.	DESCRIPTION	MODELS
1	2566	SCREW (2)	STD/HUG/883R/1200/S
2	2708A	BOLT (2)	STD/HUG/883R/1200/S
3	3514	SCREW	883C/1200C
4	4350A	BOLT	883C/1200C
5	4420	BOLT	883C/1200C
6	6272	GROMMET	STD/HUG/883R/1200/S
7	6701	WASHER (2)	883C/1200C
8	6702	WASHER (2)	STD/HUG/883R/1200/S
9	7045	WASHER	883C/1200C
10	7068	LOCKWASHER	STD/HUG/883R/1200/S
11	7127	LOCKWASHER (2)	All Models
12	7736	ACORN NUT (2)	All Models
13	7778	NUT	883C/1200C
14	7880	NUT	STD/HUG/883R/1200/S
15	9847	WIRE TERMINAL, female spade-RH	All Models
	9848	WIRE TERMINAL, female spade-LH (2)	All Models
16	67601-94	GASKET, headlamp	883C/1200C
17	67603-94	ADAPTER RING	883C/1200C
18	67685-92	CLIP, bulb	All Models
19	67705-92	BOOT, headlamp	All Models
20	67719-63	MOUNTING RING (rubber)	STD/HUG/883R/1200/S
21	67725-63	MOLDING RING, outer	STD/HUG/883R/1200/S
22	67744-75	MOLDING RING, inner	STD/HUG/883R/1200/S
23	67757-92	LENS, headlamp w/ #67685-92	All Models
24	67698-81D	LENS ASM. w/ #18, 19, 23 & 33	All Models
25	67805-92	BRACKET, headlamp	STD/HUG/1200
	67963-98	BRACKET, headlamp (black)	883R/1200S
26	67815-59A	WASHER, headlamp mounting	STD/HUG/883R/1200/S
27	67834-83	DECAL, TRIM	STD/HUG/1200
	67972-98	DECAL, TRIM	883R/1200S

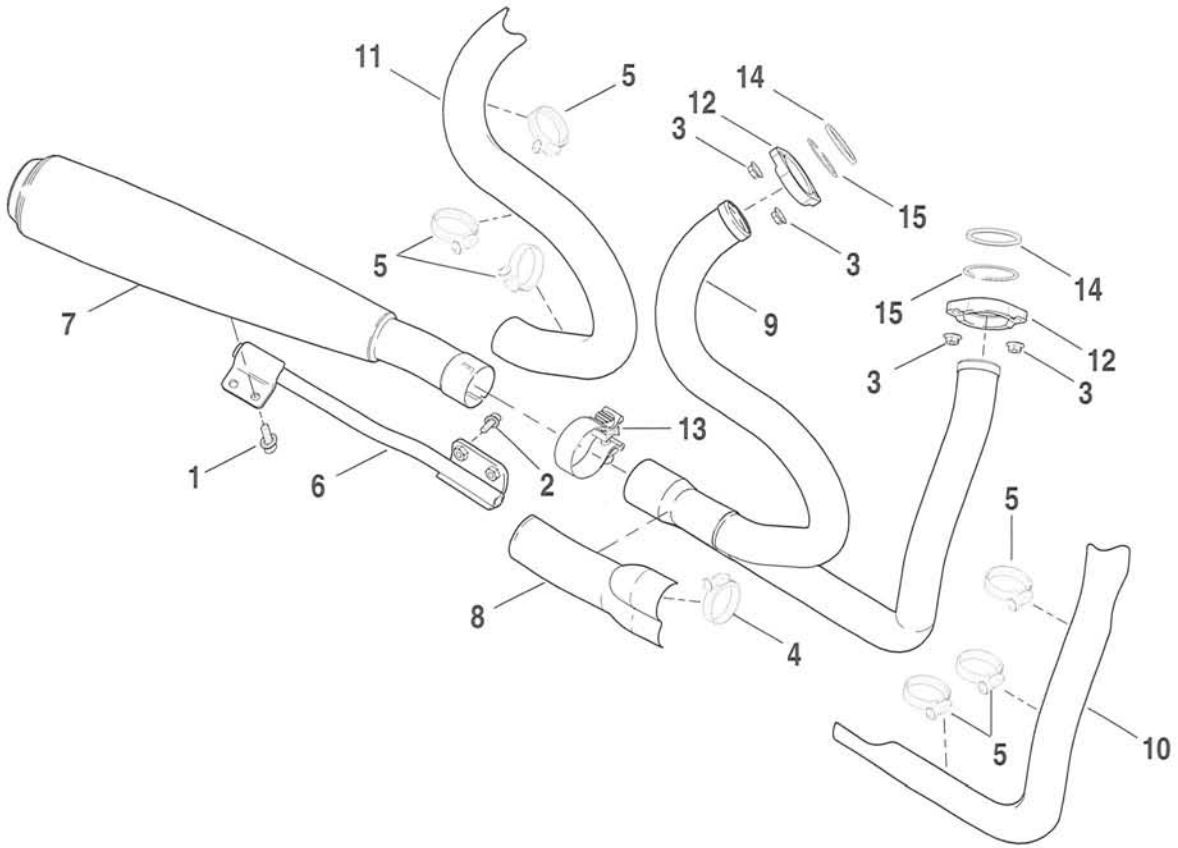
INDEX NO.	PART NO.	DESCRIPTION	MODELS
28	67865-89	PLUG, headlamp bracket	STD/HUG/1200
	67973-98	PLUG, headlamp bracket (black)	883R/1200S
29	67881-96A	HEADLIGHT ASM.	883C/1200C
30	67894-93	TRIIM RING (chrome)	883C/1200C
31	67919-96	HEADLAMP MOUNTING	883C/1200C
32	68061-94B	HOUSING, headlamp	STD/HUG/883R/1200/S
33	68329-03	BULB, halogen	All Models
34	68705-93A	CONNECTOR ASM., headlamp - w/ wires, terminals & splice conn.	All Models
35	70586-93	CONNECTOR, butt splice, 16-22 gauge (4)	All Models
36	72056-92	CONNECTOR, spade terminal (three-way)	All Models
37	72507-94	GROMMET	STD/HUG/883R/1200/S
38	73154-96BK	SOCKET HOUSING, 4-position	883C/1200C
39	73191-96	CONTACT SOCKET (16-20 gauge)	883C/1200C
40	91846-03	MIRROR KIT, right-long w/ #7126 & 7736	883C/1200C
	91848-03	MIRROR KIT, left-long w/ #7126 & 7736	883C/1200C
	91909-03	MIRROR KIT, right-long w/ #7126 & 7736 (black)	1200S
	91910-03	MIRROR KIT, left-long w/ #7126 & 7736 (black)	1200S
	91840-03	MIRROR KIT, right-short w/ #7126 & 7736	HUG/1200
	91845-03	MIRROR KIT, left-short w/ #7126 & 7736	HUG/1200
	91982-03	MIRROR KIT, right-short w/ #7126 & 7736 (black)	883R
	91983-03	MIRROR KIT, left-short w/ #7126 & 7736 (black)	883R
H-D INTERNATIONAL ONLY			
	9898	TERMINAL, female flag - #14-16 gauge wire (HDI) (not illustrated)	All Models
41	53438-92	BULB, position lamp (HDI)	All Models
42	67602-94	GASKET, headlight (HDI)	883C/1200C
43	67604-94	RETAINING RING, headlight (HDI)	883C/1200C
44	67691-92	GROMMET (HDI)	STD/HUG/883R/1200/S
45	67763-92A	LENS ASM. w/ #19, 20, 24 & 33 - right dip (HDI)	STD/HUG/883R/1200/C/S
	67781-92A	LENS ASM. w/ #19, 20, 24 & 33 - left dip (HDI/Aust.)	STD/HUG/883R/1200/C/S
46	67882-96A	HEADLIGHT ASM., left dip (HDI/Aust./Eng./Japan)	883C/1200C
	67901-96A	HEADLIGHT ASM., right dip (HDI)	883C/1200C
47	67850-96	HEADLAMP MOUNTING (HDI)	883C/1200C
48	68650-92	SOCKET, bulb (HDI)	All Models

EXHAUST SYSTEM



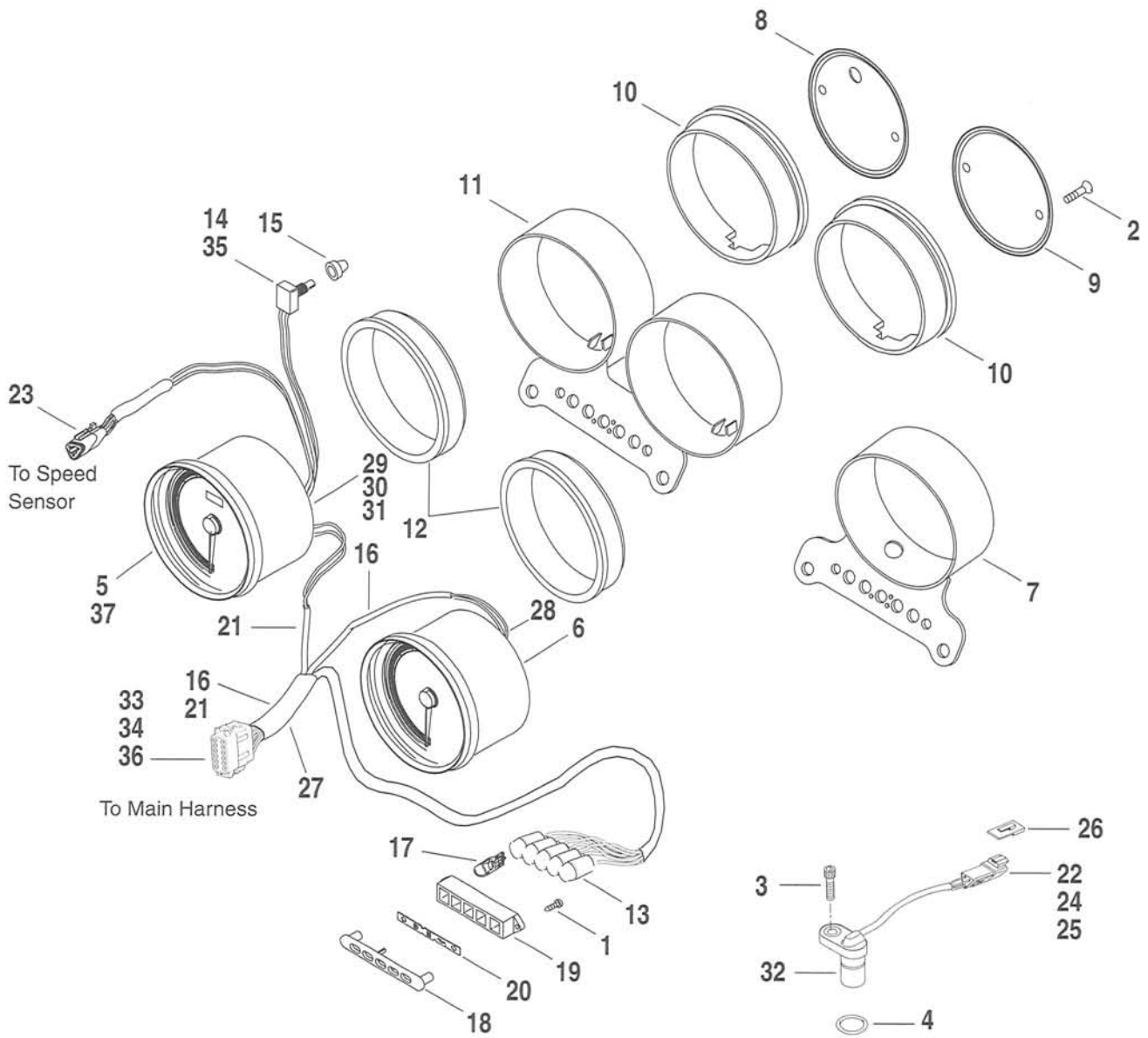
INDEX NO.	PART NO.	DESCRIPTION	MODELS
1	3201WA	SCREW	STD/HUG/883C/1200/C/S
2	4377	BOLT (2)	All Models
3	6702	WASHER	STD/HUG/883C/1200/C/S
4	7531	LOCKNUT	STD/HUG/883C/1200/C/S
5	7593	NUT (4)	All Models
6	7844	LOCKNUT	All Models
7	9955	CLAMP, heat shield (4)	All Models
8	10048	CLAMP, crossover pipe shield (2)	STD/HUG/883C/1200/C/S
9	65283-94	CLAMP, muffler (2)	STD/HUG/883C/1200/C/S
10	65324-83A	GASKET, exhaust port (2)	All Models
11	65325-83A	RETAINING RING, exhaust gasket (2)	All Models
12	65184-02	FLANGE, exhaust pipe (2)	All Models
13	65419-86	HEAT SHIELD, crossover pipe (chrome)	STD/HUG/883C/1200/C/S
14	65568-86A	EXHAUST PIPE, rear (chrome)	STD/HUG/883C/1200/C/S
15	65569-86A	EXHAUST PIPE, front (chrome)	STD/HUG/883C/1200/C/S
16	65599-80D	SUPPORT KIT, rear muffler w/ #3201WA & 4377	STD/HUG/883C/1200/C/S
17	65605-97	MUFFLER, front (chrome) (49st./Cal/Canada)	STD/HUG/883C/1200/C
	65171-98A	MUFFLER, front (chrome) (49s.t/Cal/Canada)	STD/HUG/C/1200S
18	65613-97	MUFFLER, rear (chrome) (49st./Cal/Canada)	STD/HUG/883C/1200/C
19	65712-95	HEAT SHIELD, rear (chrome)	STD/HUG/883C/1200/C/S
20	65719-95	HEAT SHIELD, front (chrome)	STD/HUG/883C/1200/C/S
21	65781-82	GASKET	STD/HUG/883C/1200/C/S
22	65782-82	WASHER	STD/HUG/883C/1200/C/S
H-D INTERNATIONAL ONLY			
23	65193-98A	MUFFLER, front (chrome) (HDI/Eng./Japan)	1200/C/S
	65173-00	MUFFLER, front (chrome) (Aust.)	STD/HUG/883C/1200/C
	65171-98A	MUFFLER, front (chrome) (Japan)	STD/HUG/883C/1200/C
24	65312-98A	MUFFLER, rear (chrome) (HDI/Eng./Japan)	1200/C/S
	65179-00	MUFFLER, rear (chrome) (Aust.)	STD/HUG/883C/1200/C
	65177-98A	MUFFLER, rear (chrome) (Japan)	STD/HUG/883C/1200/C

EXHAUST SYSTEM – 883R



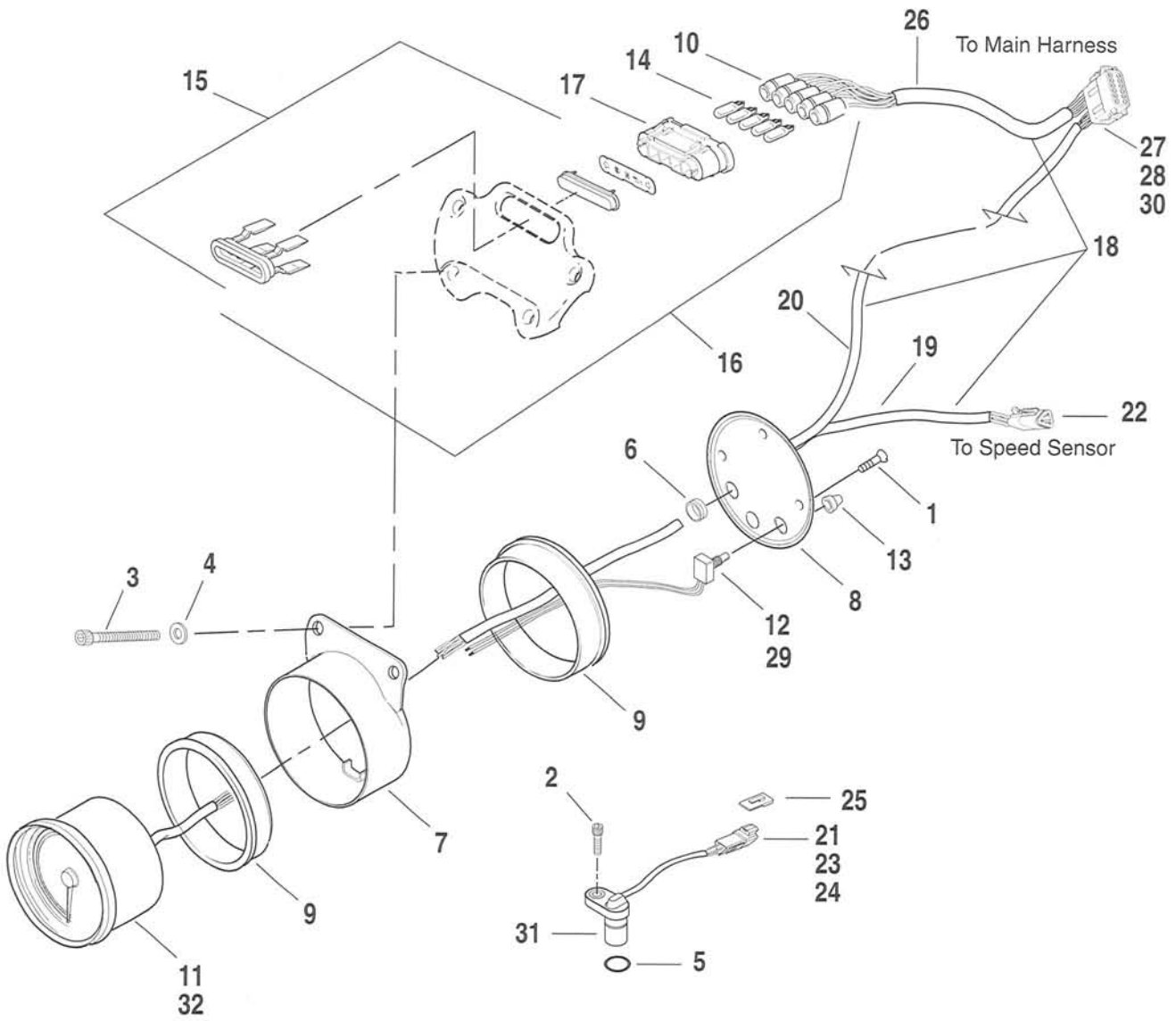
INDEX NO.	PART NO.	DESCRIPTION	MODELS
1	3546	SCREW (2)	883R
2	4377	SCREW (2)	883R
3	7593	NUT (4)	883R
4	9954	CLAMP	883R
5	9955	CLAMP (6)	883R
6	64780-02	SUPPORT BAR	883R
7	64783-02	MUFFLER (chrome) includes support bracket	883R
8	64784-02	HEAT SHIELD, collector	883R
9	64785-02	HEADER ASM.	883R
10	64860-99	HEAT SHIELD, front	883R
11	64861-99	HEAT SHIELD, rear	883R
12	65184-02	FLANGE, exhaust (2)	883R
13	65221-02	CLAMP	883R
14	65324-83A	GASKET, exhaust port (2)	883R
15	65325-83A	RETAINING RING (2)	883R

SPEEDOMETER & TACHOMETER



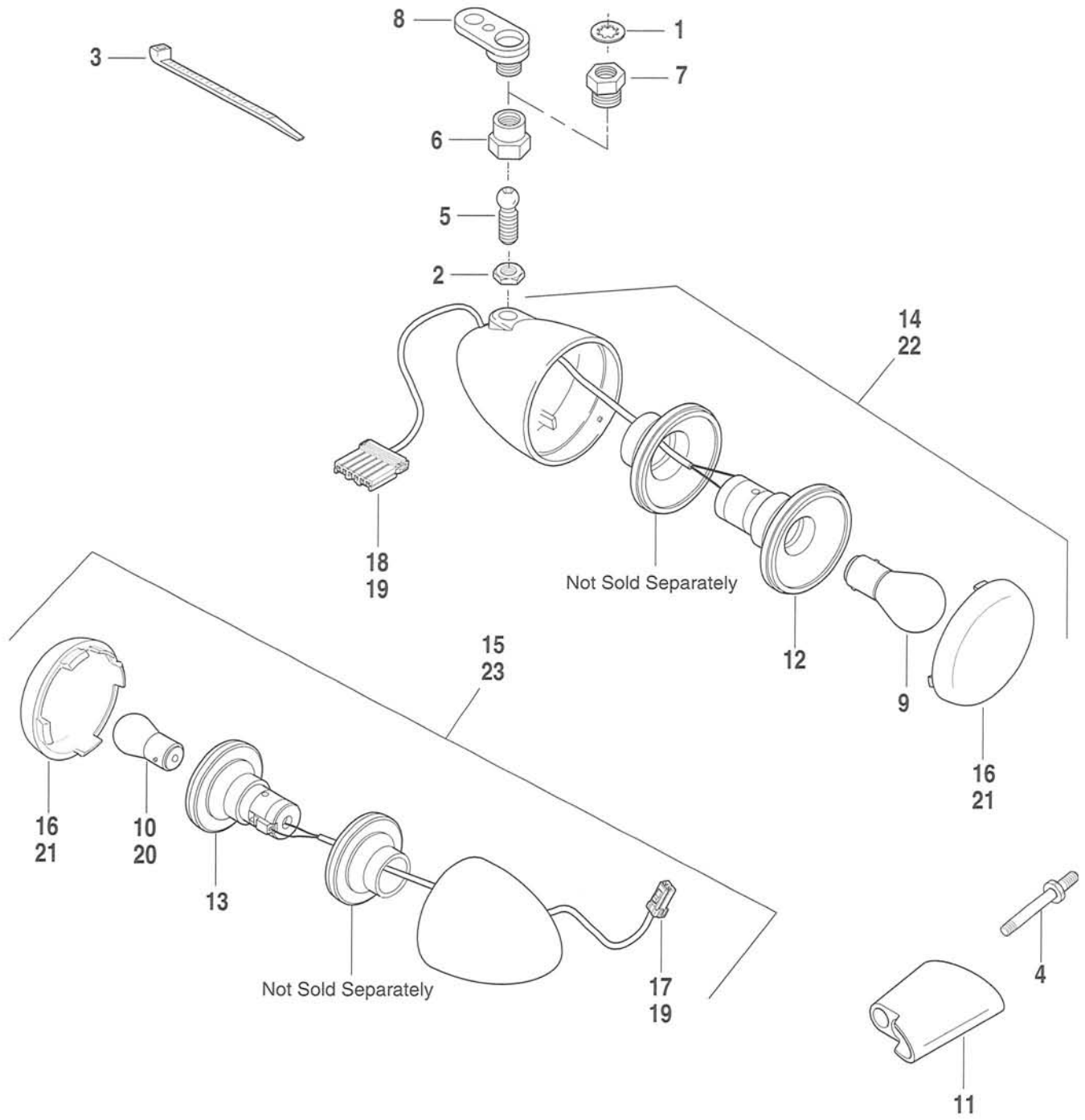
INDEX NO.	PART NO.	DESCRIPTION	MODELS
1	2325	SCREW (2)	STD/HUG/883R/1200/S
2	2361	SCREW (2-883, 4-1200/S)	STD/HUG/883R/1200/S
3	3594	SCREW	STD/HUG/883R/1200/S
	10065	CABLE STRAP (not illustrated)	STD/HUG/883R/1200/S
4	11140	O-RING	STD/HUG/883R/1200/S
5	67037-98B	SPEEDOMETER, mph (49st./Cal.)	STD/HUG/883R
	67283-99A	SPEEDOMETER, mph (49st./Cal.)	1200/S
6	67042-99	TACHOMETER	1200/S
7	67053-95	BRACKET, speedometer	STD/HUG/883R
8	67085-95	COVER, speedometer back (chrome rim)	1200/S
	67320-95	COVER, speedometer back (black)	STD/HUG/883R
9	67103-95	COVER, tachometer back (chrome rim)	1200/S
10	67104-95	CUSHION, rear	STD/HUG/883R
	67344-97	CUSHION, rear (2)	1200/S
11	67338-97	BRACKET, speedo. & tach.	1200/S
12	67121-95	CUSHION, front	STD/HUG/883R
	67345-97	CUSHION, front (2)	1200/S
13	67184-94	SOCKET, indicator lamps (5)	STD/HUG/883R/1200/S
14	67854-98	SWITCH, reset	STD/HUG/883R/1200/S
15	67880-94	BOOT, reset switch	STD/HUG/883R/1200/S
16	68806-99	HARNESS, assembly tachometer	1200/S
	68811-01	HARNESS, warning lamp assembly w/ #10065	1200/S
	68813-01	HARNESS, warning lamp assembly w/ #10065	STD/HUG/883R
17	68024-94	BULB, indicator lamps (5)	STD/HUG/883R/1200/S
18	68513-95	TRIM PLATE, indicator lamps	STD/HUG/883R/1200/S
19	68516-95	HOUSING, indicator lamps	STD/HUG/883R/1200/S
20	68551-95	LENS, indicator lamps	STD/HUG/883R/1200/S
21	68820-98	HARNESS, assembly speedometer	STD/HUG/883R/1200/S
	68841-98	HARNESS, assembly speedometer w/ #67854-98 & 70585-93	STD/HUG/883R/1200/S
	70585-93	CONNECTOR, switch reset (not illustrated) (2)	STD/HUG/883R/1200/S
22	72143-94	SECONDARY LOCK, 3-way receptacle	STD/HUG/883R/1200/S
23	72153-94	SECONDARY LOCK	STD/HUG/883R/1200/S
24	72163-94BK	RECEPTACLE, 3-way pin	STD/HUG/883R/1200/S
25	72190-94	TERMINAL, pin (3)	STD/HUG/883R/1200/S
26	72199-94	ATTACHMENT CLIP	STD/HUG/883R/1200/S
27	72266-94	SHRINK TUBE	STD/HUG/883R/1200/S
28	72452-00	TERMINAL	All Models
29	72453-00	HOUSING, 12-way, outer shell	All Models
30	72454-00	HOUSING, 12-way socket, inner (black)	All Models
31	72455-00	TERMINAL SOCKET	All Models
32	74402-95	SENSOR, speed	STD/HUG/883R/1200/S
33	74119-98BK	HOUSING, 12-way (black)	STD/HUG/883R/1200/S
34	74159-98	SOCKET LOCK, 12-way	STD/HUG/883R/1200/S
35	74191-98	TERMINAL, socket - reset switch	STD/HUG/883R/1200/S
36	74193-98	TERMINAL, socket	STD/HUG/883R/1200/S
H-D INTERNATIONAL ONLY			
37	67041-98B	SPEEDOMETER, kph (Can./HDI/Aust./Japan)	STD/HUG/883R
	67285-99A	SPEEDOMETER, kph (Can./HDI/Aust./Japan)	1200/S
	67290-98B	SPEEDOMETER, mph (Eng.)	STD/HUG/883R
	67284-99A	SPEEDOMETER, mph (Eng.)	1200/S

SPEEDOMETER - 883/1200 CUSTOM



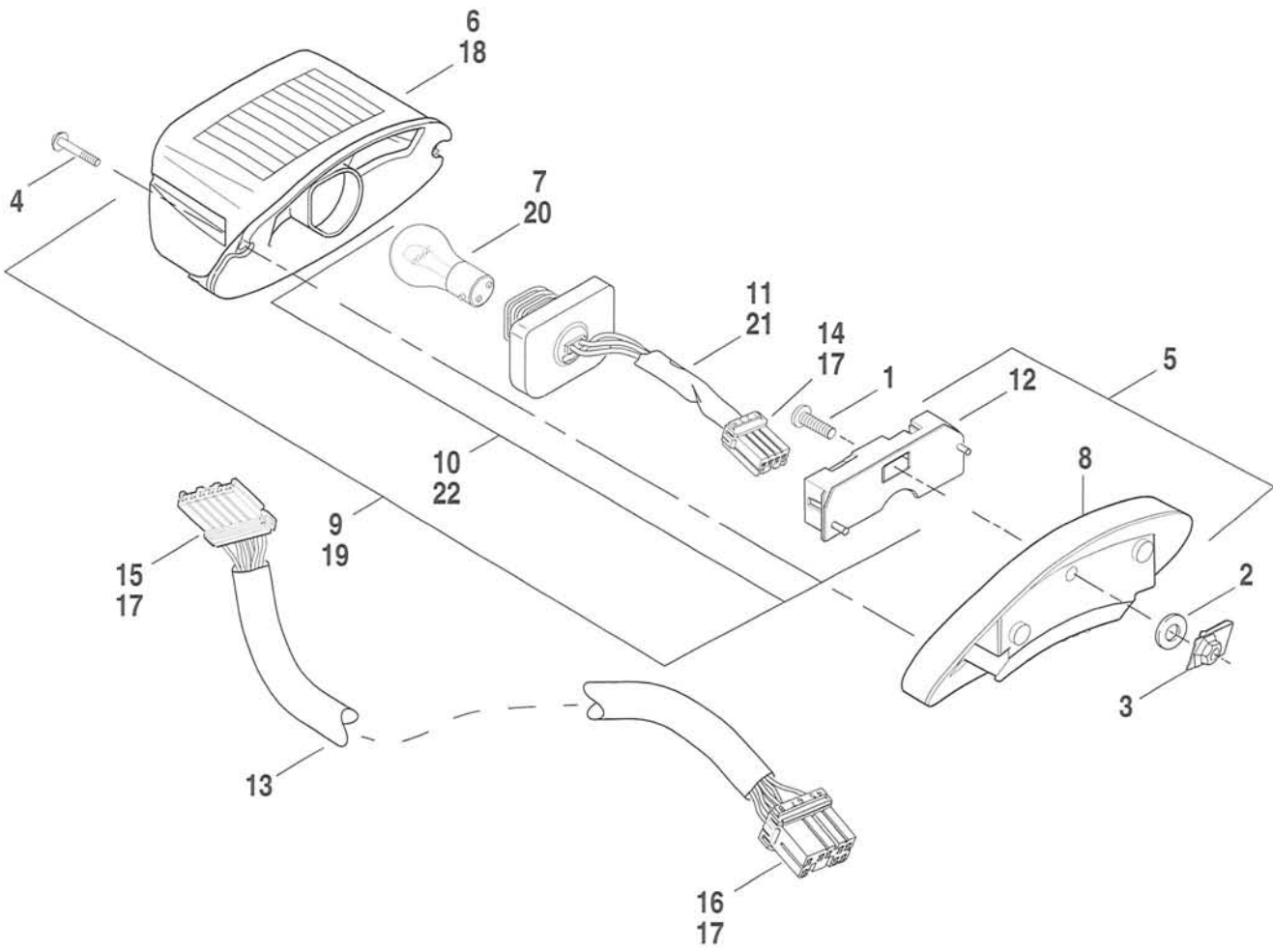
INDEX NO.	PART NO.	DESCRIPTION	MODELS
1	2548	SCREW (2)	883C/1200C
2	3594	SCREW	883C/1200C
3	3210A	SCREW (2)	883C/1200C
4	6702	WASHER (2)	883C/1200C
	10065	CABLE STRAP (not illustrated)	883C/1200C
5	11140	O-RING	883C/1200C
6	11496	GROMMET	883C/1200C
7	67084-96	BRACKET, speedometer	883C/1200C
8	67088-96	COVER, speedometer back	883C/1200C
9	67121-95	CUSHION, front and rear (2)	883C/1200C
10	67184-94	SOCKET, indicator lamps (5)	883C/1200C
11	67283-99A	SPEEDOMETER, mph (49st./Cal.)	1200C
	67436-99A	SPEEDOMETER, mph (49st./Cal./Can.)	883C
12	67854-98	SWITCH, reset	883C/1200C
13	67880-94	BOOT, reset switch	883C/1200C
14	68024-94	BULB, indicator lamps (5)	883C/1200C
15	68382-96	BEZEL, lens & jewel asm., indicator lamp	883C/1200C
16	68715-96	INDICATOR LAMP ASSEMBLY	883C/1200C
17	68788-96	HOUSING, indicator lamp, w/ #68788-96	883C/1200C
18	68814-01	HARNESS, warning lamp asm., w/ #10065	883C/1200C
19	68820-98	HARNESS ASSEMBLY, speedometer	883C/1200C
20	68841-98	HARNESS ASSEMBLY, speedometer	883C/1200C
	70585-93	CONNECTOR, switch reset (not illustrated)	883C/1200C
21	72143-94	SECONDARY LOCK, 3-way receptacle	883C/1200C
22	72153-94	SOCKET LOCK, sec. 3-way	883C/1200C
23	72163-94BK	RECEPTACLE, 3-way plug	883C/1200C
24	72190-94	TERMINAL, pin (3)	883C/1200C
25	72199-94	ATTACHMENT CLIP	883C/1200C
26	72266-94	SHRINK TUBE	883C/1200C
27	74119-98BK	PLUG 12-way (black)	883C/1200C
28	74159-98	SECONDARY LOCK, 12-way	883C/1200C
29	74191-98	SOCKET TERMINAL, reset switch	883C/1200C
30	74193-98	TERMINAL, socket (11)	883C/1200C
31	74402-95	SENSOR, speed	883C/1200C
H-D INTERNATIONAL ONLY			
32	67285-99A	SPEEDOMETER, kph (Can./HDI/Aust./Japan)	1200C
	67416-99A	SPEEDOMETER, kph (HDI/Aust./Japan)	883C
	67284-99A	SPEEDOMETER, mph/ kph (Eng.)	1200C
	67415-99A	SPEEDOMETER, mph/ kph (Eng.)	883C

TURN SIGNALS



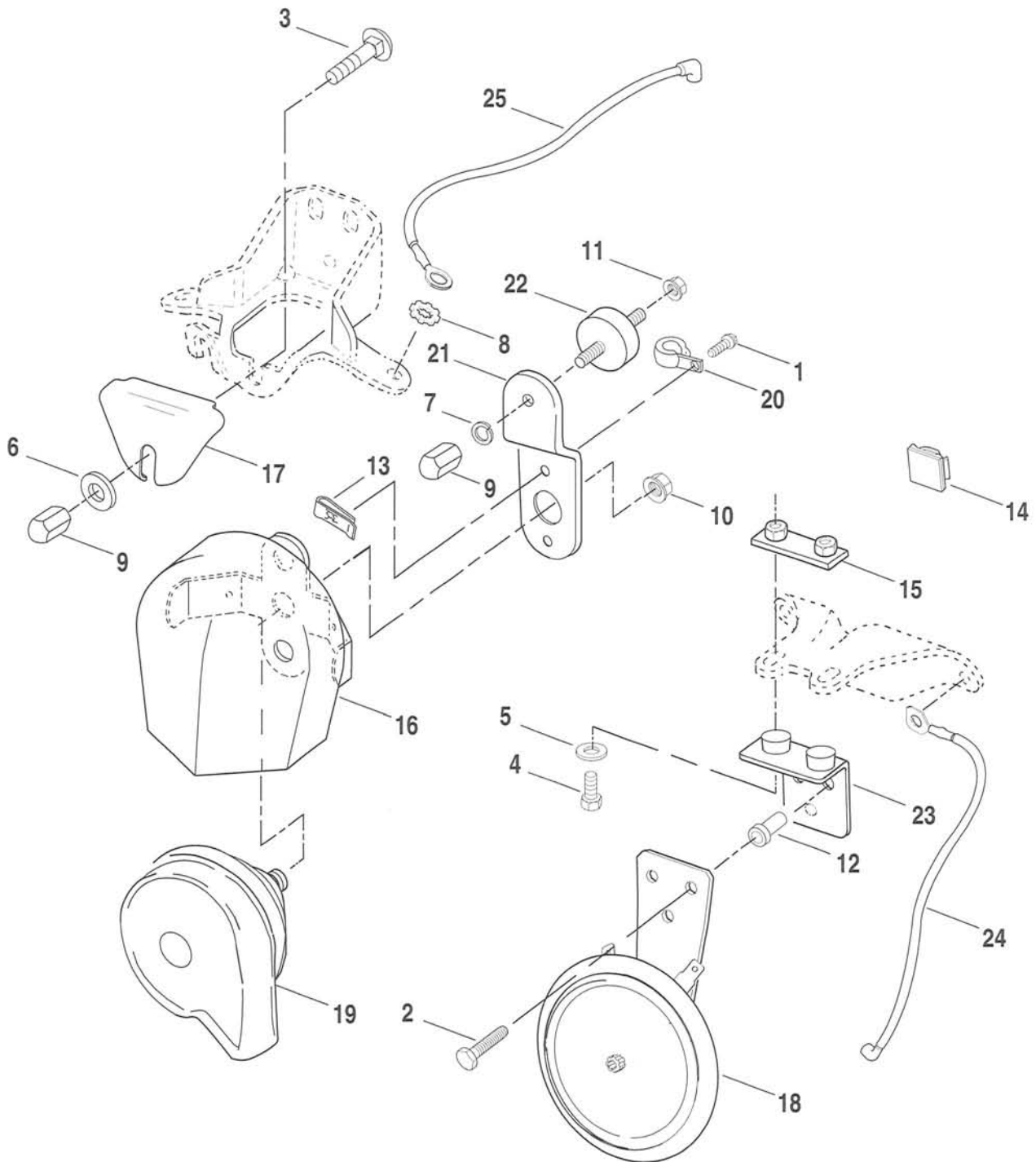
INDEX NO.	PART NO.	DESCRIPTION	MODELS
1	7127	LOCKWASHER	All Models
2	7744	JAM NUT (2)	All Models
3	10065	CABLE STRAP (2)	All Models
4	56104-02	STUD, rear turn signal (2)	All Models
5	67822-88	BALL STUD (2)	All Models
6	67827-88A	CLAMP, ball stud (2)	All Models
7	67828-88A	RETAINER, mirror	All Models
8	67829-88	BALL RECEPTACLE ASM.	All Models
9	68168-89	BULB, front turn signal (2)	All Models
10	68572-64B	BULB, rear turn signal (2)	All Models
11	68480-02	SUPPORT, rear turn signal (2)	All Models
12	68904-00	SOCKET ASM., front	All Models
13	68905-00	SOCKET ASM., rear	All Models
14	68972-00	TURN SIGNAL ASM., front (amber) (2)	All Models
15	68977-00	TURN SIGNAL ASM., rear (amber) (2)	All Models
16	68973-00	LENS (4)	All Models
17	73152-96BK	SOCKET HOUSING, 2-place	All Models
18	73156-96BK	SOCKET HOUSING, 6-place	All Models
19	73191-96	PIN, #16-20 gauge (left & right turn signals) (3)	All Models
H-D INTERNATIONAL ONLY			
20	68163-84	BULB, turn signal (4) (HDI)	All Models
21	68973-00	LENS, front /rear (amber) (2) (HDI)	All Models
22	68975-00	TURN SIGNAL ASM., front (amber) (HDI) (2)	All Models
23	68978-00	TURN SIGNAL ASM., rear (amber) (HDI) (2)	All Models

TAIL LAMP



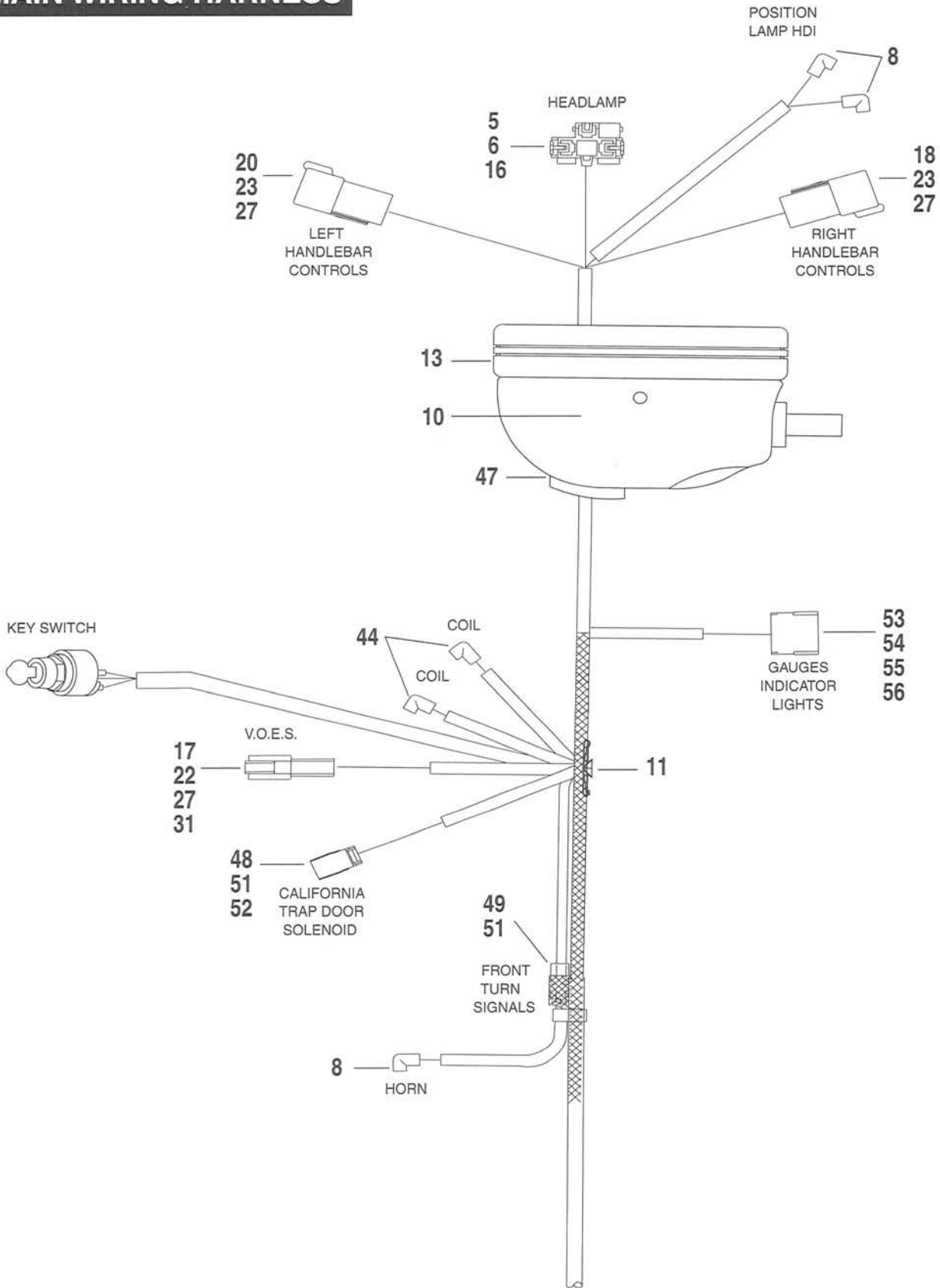
INDEX NO.	PART NO.	DESCRIPTION	MODELS
1	3022A	SCREW	All Models
2	6701	WASHER	All Models
3	7964	CLIP NUT	All Models
4	68026-99	SCREW, tail lamp (2)	All Models
5	68066-99A	BASE ASM., chromed	All Models
6	68140-99A	LENS, tail lamp	E: All Models
	68369-03	LENS, tail lamp	L: All Models
7	68167-88	BULB, tail lamp, wedge mount	L: All Models
	68168-89A	BULB, tail lamp	E: All Models
8	68296-99A	BASE TAIL LAMP, chrome	All Models
9	68368-03	LIGHT ASM., tail lamp	L: All Models
10	68370-03	BULB SOCKET ASM.	L: All Models
11	68832-99	BULB SOCKET ASM.	E: All Models
12	68830-99A	CIRCUIT BOARD/COVER ASM.	All Models
13	68899-99	HARNESS REAR LIGHTING	All Models
14	73154-96BK	SOCKET HOUSING 4-place	All Models
15	73156-96BK	SOCKET HOUSING 6-place	All Models
16	73158-96BK	SOCKET HOUSING 8-place	All Models
17	73191-96	CONTACT SOCKET, 16-20 ga. (as required)	All Models
H-D INTERNATIONAL ONLY			
18	68141-99A	LENS, tail lamp (HDI only)	E: All Models
	68372-03	LENS, tail lamp (HDI only)	L: All Models
19	68371-03	LIGHT ASM., tail lamp (HDI only)	L: All Models
20	68167-88	BULB, tail lamp, wedge mount (HDI only)	L: All Models
	68169-90A	BULB, tail lamp (HDI only)	E: All Models
21	68833-99	BULB SOCKET ASM. (HDI only)	E: All Models
22	69187-03	BULB SOCKET ASM. (HDI only)	L: All Models
E = EARLY MODEL YEAR; L = LATE MODEL YEAR			

HORN



INDEX NO.	PART NO.	DESCRIPTION	MODELS
1	3563	SCREW (2)	1200/C
2	3606	SCREW (3)	STD/HUG/883C/R/1200S
3	3987	CARRIGE BOLT	STD/HUG/883C/R/1200S
4	4716W	BOLT (2)	All Models
5	6701	WASHER (2)	All Models
6	6702	WASHER	STD/HUG/883C/R/1200S
7	7041	LOCKWASHER	1200/C
8	7145W	LOCKWASHER	1200/C
9	7481	ACORN NUT	All Models
10	7495	NUT	1200/C
11	7531	LOCKNUT	1200/C
12	8098	NUT, well (3)	STD/HUG/883C/R/1200S
13	8108	CLIP NUT (2)	1200/C
14	10120	CLIP	STD/HUG/883C/R/1200S
15	16228-86A	NUT PLATE	All Models
16	69012-93A	COVER, horn (chrome)	1200/C
17	69037-95A	COVER, enrichment cable	STD/HUG/883C/R/1200S
18	69043-96A	HORN, complete w/ bracket & #7495	STD/HUG/883C/R/1200S
19	69060-90D	HORN	1200/C
20	69062-91A	CLAMP, horn wire	1200/C
21	69120-91	HORN BRACKET	1200/C
22	69123-92	RUBBER MOUNT	1200/C
23	69135-96A	HORN BRACKET	STD/HUG/883C/R/1200S
24	70068-96	WIRE GROUND, horn	STD/HUG/883C/R/1200S
25	70087-95	WIRE GROUND, horn	1200/C

MAIN WIRING HARNESS

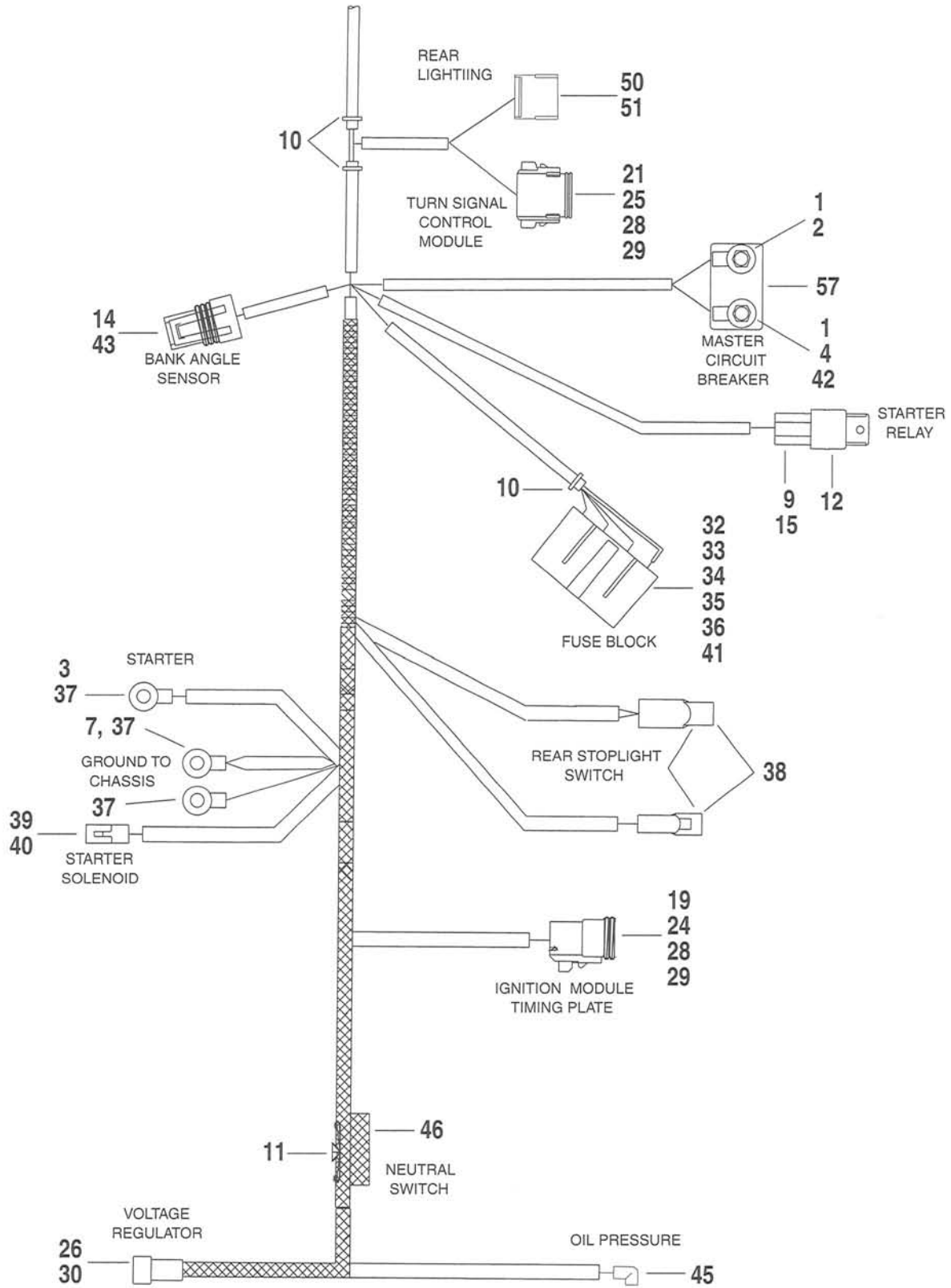


CONTINUED ON NEXT PAGE

INDEX NO.	PART NO.	DESCRIPTION	MODELS
	70135-99	MAIN WIRING HARNESS Includes The Following Parts	STD/HUG/883R/1200
1	7629	NUT (2)	STD/HUG/883R/1200
2	9840	TERMINAL, ring	STD/HUG/883R/1200
3	9842	TERMINAL, ring - 5/16 stud (10-12 gauge)	STD/HUG/883R/1200
4	9843	TERMINAL, ring - #10 (10-12 gauge)	STD/HUG/883R/1200
5	9847	TERMINAL, R.H.	STD/HUG/883R/1200
6	9848	TERMINAL, L.H. (2)	STD/HUG/883R/1200
7	9869	TERMINAL, ring - 3/8 (12 gauge)	STD/HUG/883R/1200
8	9898	TERMINAL, female - 1/4 (3)	STD/HUG/883R/1200
9	9937	TERMINAL, female spade type, 1/4 slot (4)	STD/HUG/883R/1200
10	10065	CABLE STRAP (4)	STD/HUG/883R/1200
11	10136	ANCHOR, T-stud (2)	STD/HUG/883R/1200
12	31504-91A	RELAY	STD/HUG/883R/1200
13	67719-63	MOUNTING RING (rubber)	STD/HUG/883R/1200
14	72033-93	SOCKET TERMINAL (3)	STD/HUG/883R/1200
15	72056-92	CONNECTOR, spade terminal (3-way)	STD/HUG/883R/1200
16	72046-79	SOCKET HOUSING, 5-way	STD/HUG/883R/1200
17	72102-94BK	RECEPTACLE, 2-way (black)	STD/HUG/883R/1200
18	72106-94BK	CONNECTOR, 6-way (black)	STD/HUG/883R/1200
19	72116-94BK	SOCKET HOUSING, 6-way	STD/HUG/883R/1200
20	72126-94GY	SOCKET HOUSING, 6-way	STD/HUG/883R/1200
21	72138-94GY	SOCKET HOUSING, 8-way (gray)	STD/HUG/883R/1200
22	72142-94	SECONDARY LOCK, 2-way receptacle (3)	STD/HUG/883R/1200
23	72146-94	SECONDARY LOCK, 6-way pin (2)	STD/HUG/883R/1200
24	72156-94	SOCKET LOCK 6-way	STD/HUG/883R/1200
25	72158-94	SECONDARY LOCK, 8-way	STD/HUG/883R/1200
26	72180-94	RECEPTACLE, 1 pin	STD/HUG/883R/1200
27	72190-94	TERMINAL, pin (14)	STD/HUG/883R/1200
28	72191-94	TERMINAL, socket (12)	STD/HUG/883R/1200
29	72195-94	SEAL PIN (2)	STD/HUG/883R/1200
30	72196-94	TERMINAL, pin	STD/HUG/883R/1200

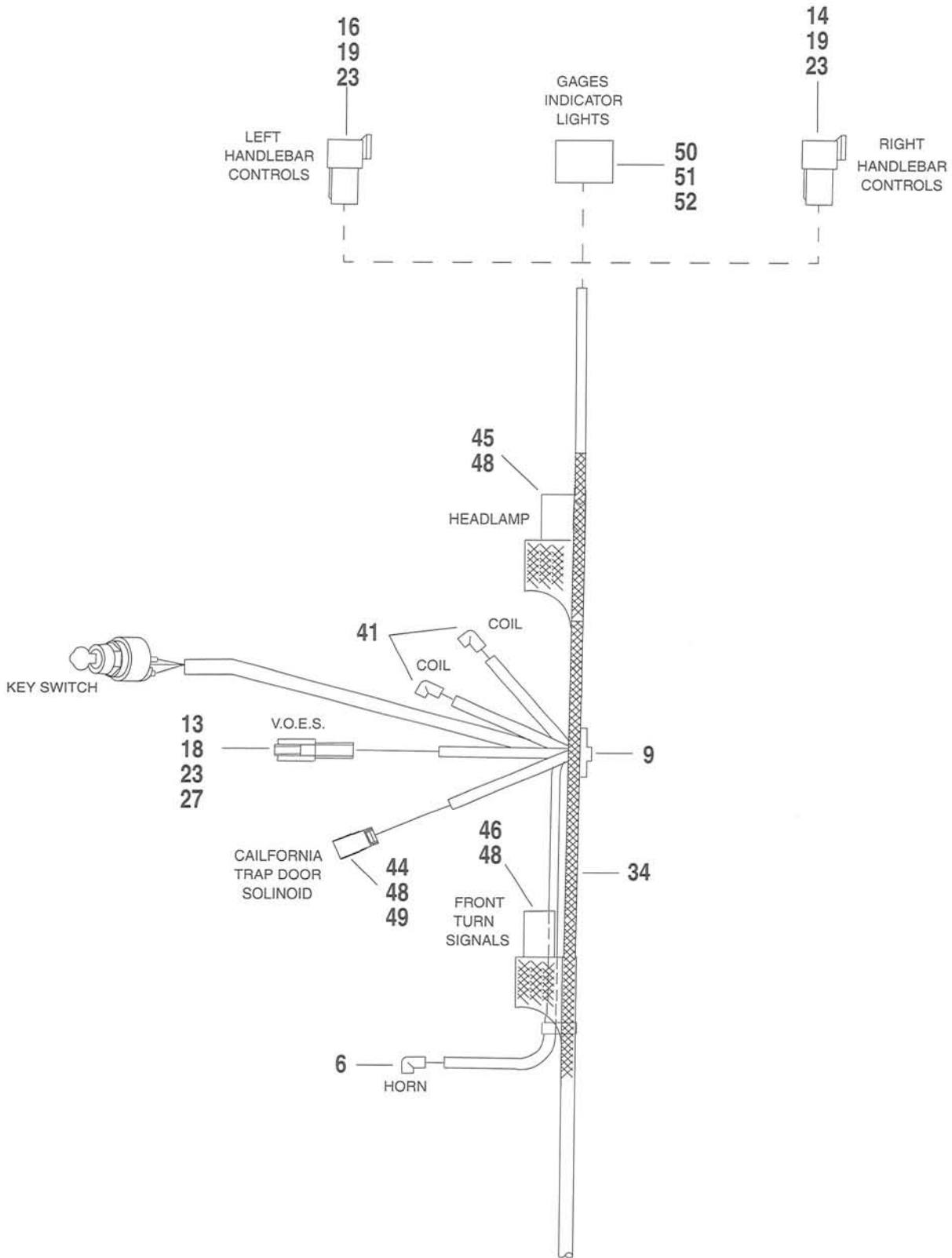
MAIN WIRING HARNESS (CONTINUED)

CONTINUED FROM PREVIOUS PAGE



INDEX NO.	PART NO.	DESCRIPTION	MODELS
	70135-99	MAIN WIRING HARNESS (CONTINUED) Includes The Following Parts	STD/HUG/883R/1200
31	72199-94	CONNECTOR ANCHOR	STD/HUG/883R/1200
32	72216-94	FUSE BLOCK	STD/HUG/883R/1200
33	72217-94	TERMINAL, auto fuse (18-20 gauge)	STD/HUG/883R/1200
34	72218-94	TERMINAL, auto fuse (14-16 gauge) (2)	STD/HUG/883R/1200
35	72219-94	TERMINAL, auto fuse (18 gauge)	STD/HUG/883R/1200
36	72220-94	TERMINAL, auto fuse (14-16 gauge) (4)	STD/HUG/883R/1200
37	72249-94	HEAT SHRINK TUBING, 0.3 X 1 inch (3)	STD/HUG/883R/1200
38	72290-94	TERMINAL, female (18 gauge) (2)	STD/HUG/883R/1200
39	72291-94	TERMINAL, female spade (14-16 gauge)	STD/HUG/883R/1200
40	72295-94	TERMINAL HOUSING 1-way	STD/HUG/883R/1200
41	72347-94	FUSE 15amp (4)	STD/HUG/883R/1200
42	72366-95	HEAT SHRINK TUBING, yellow	STD/HUG/883R/1200
43	72399-98	CONNECTOR 3-way	STD/HUG/883R/1200
44	72405-98BK	TERMINAL, push on right angle (2)	STD/HUG/883R/1200
45	72405-98GN	TERMINAL, push on #18 awg.	STD/HUG/883R/1200
46	72445-99TN	TERMINAL, female #18 awg. (tan)	STD/HUG/883R/1200
47	72507-94	GROMMET	STD/HUG/883R/1200
48	73103-96BK	CONNECTOR, 3-way (black)	STD/HUG/883R/1200
49	73106-96BK	CONNECTOR, 6-way (black)	STD/HUG/883R/1200
50	73108-96BK	PIN HOUSING, 8-way (black)	STD/HUG/883R/1200
51	73190-96	TERMINAL, pin (20-16 gauge) (17)	STD/HUG/883R/1200
52	73198-96	CONNECTOR ANCHOR (2)	STD/HUG/883R/1200
53	74109-98BK	PIN HOUSING, 12-way (black)	STD/HUG/883R/1200
54	74149-98	PIN LOCK, 12-way	STD/HUG/883R/1200
55	74190-98	PIN TERMINAL, (11)	STD/HUG/883R/1200
56	74195-98	SEAL PIN	STD/HUG/883R/1200
57	74599-77B	CIRCUIT BREAKER 30A	STD/HUG/883R/1200

MAIN WIRING HARNESS - 883/1200 CUSTOM

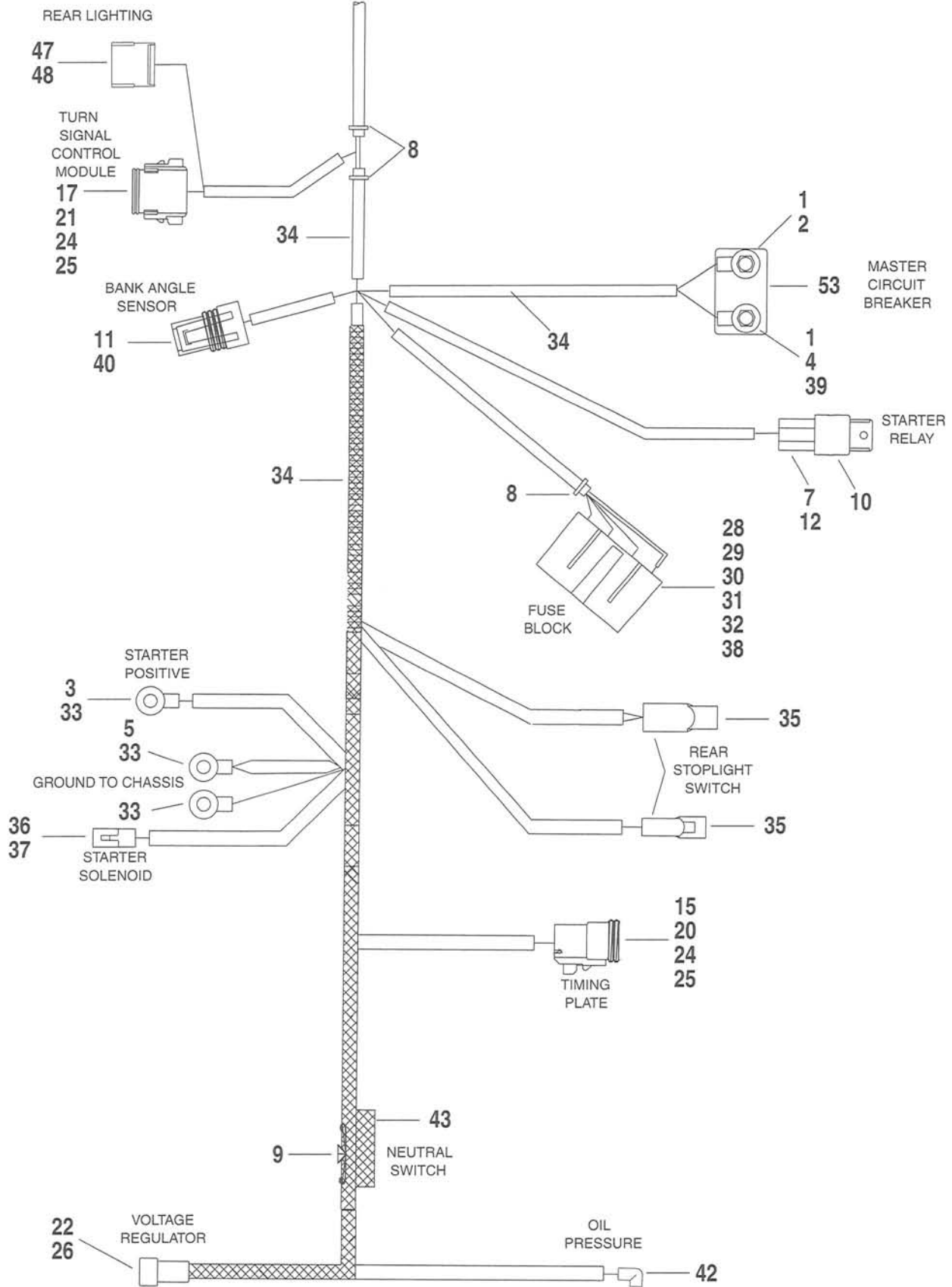


CONTINUED ON NEXT PAGE

INDEX NO.	PART NO.	DESCRIPTION	MODELS
	70153-99	MAIN WIRING HARNESS 883 & 1200 CUSTOM Includes The Following Parts	883C/1200C
1	7629	NUT (2)	883C/1200C
2	9840	TERMINAL, ring	883C/1200C
3	9842	TERMINAL, ring - 5/16 stud (10-12 gauge)	883C/1200C
4	9843	TERMINAL, ring - #10 (10-12 gauge)	883C/1200C
5	9869	TERMINAL, ring - 3/8 (12 gauge)	883C/1200C
6	9898	TERMINAL, flag	883C/1200C
7	9937	TERMINAL, female spade type, 1/4 slot (4)	883C/1200C
8	10065	CABLE STRAP (3)	883C/1200C
9	10136	ANCHOR, T-stud (2)	883C/1200C
10	31504-91A	RELAY	883C/1200C
11	72033-93	SOCKET TERMINAL (3)	883C/1200C
12	72046-79	SOCKET HOUSING, 5-way	883C/1200C
13	72102-94BK	RECEPTACLE, 2-way (black)	883C/1200C
14	72106-94BK	RECEPTACLE, 6-way (black)	883C/1200C
15	72116-94BK	SOCKET HOUSING 6-way	883C/1200C
16	72126-94GY	SOCKET HOUSING 6-way	883C/1200C
17	72138-94GY	SOCKET HOUSING, 8-way	883C/1200C
18	72142-94	SECONDARY LOCK, 2-way receptacle	883C/1200C
19	72146-94	SECONDARY LOCK, 6-way (2)	883C/1200C
20	72156-94	SOCKET LOCK 6-way	883C/1200C
21	72158-94	SECONDARY LOCK, 8-way	883C/1200C
22	72180-94	RECEPTACLE, 1 pin	883C/1200C
23	72190-94	PIN (14)	883C/1200C
24	72191-94	TERMINAL, socket (12)	883C/1200C
25	72195-94	SEAL PIN (3)	883C/1200C
26	72196-94	CONTACT PIN	883C/1200C
27	72199-94	CONNECTOR ANCHOR	883C/1200C

MAIN WIRING HARNESS - 883/1200 CUSTOM (CONTINUED)

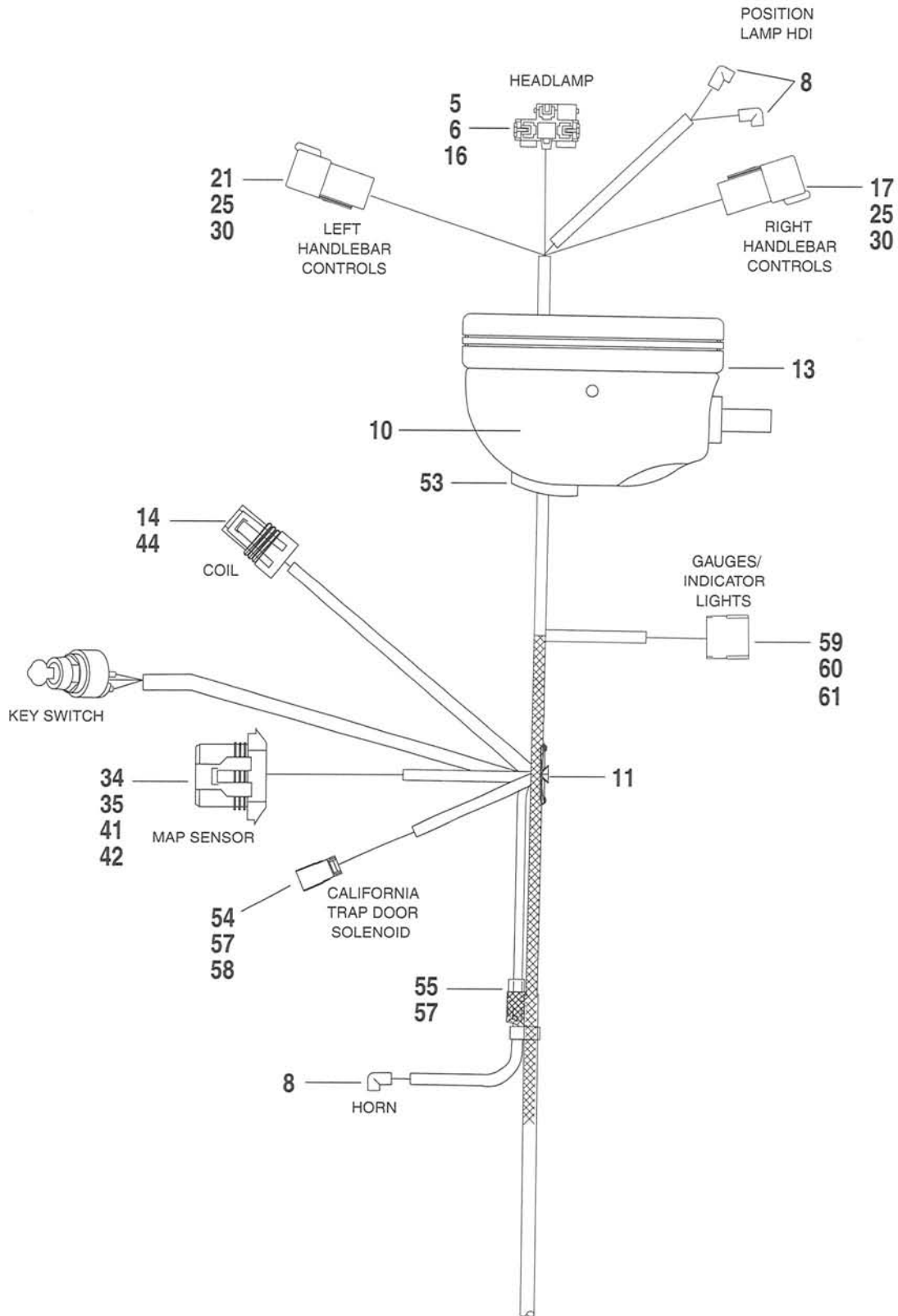
CONTINUED FROM PREVIOUS PAGE



MAIN WIRING HARNESS - 883/1200 CUSTOM (CONTINUED)

INDEX NO.	PART NO.	DESCRIPTION	MODELS
	70153-99	MAIN WIRING HARNESS 883 & 1200 CUSTOM (CONTINUED) Includes The Following Parts	883C/1200C
28	72216-94	FUSE BLOCK	883C/1200C
29	72217-94	TERMINAL, auto fuse (18-20 gauge)	883C/1200C
30	72218-94	TERMINAL, auto fuse (14-16 gauge) (2)	883C/1200C
31	72219-94	TERMINAL, auto fuse (18 gauge) (2)	883C/1200C
32	72220-94	TERMINAL, auto fuse (14-16 gauge) (4)	883C/1200C
33	72249-94	HEAT SHRINK TUBING, 0.3 X 1 inch (3)	883C/1200C
34	72266-94	HEAT SHRINK TUBING, .3 X 1 (5)	883C/1200C
35	72290-94	TERMINAL, insulated (2)	883C/1200C
36	72291-94	TERMINAL, female spade (14-16 gauge)	883C/1200C
37	72295-94	HOUSING, starter connector	883C/1200C
38	72347-94	FUSE 15A (4)	883C/1200C
39	72366-95	HEAT SHRINK TUBING, yellow	883C/1200C
40	72399-98	CONNECTOR 3-way	883C/1200C
41	72405-98BK	TERMINAL, push on right angle (2)	883C/1200C
42	72405-98GN	TERMINAL, push on #18 awg.	883C/1200C
43	72445-99TN	TERMINAL, female #18 awg. (tan)	883C/1200C
44	73103-96BK	PIN HOUSING, 3-way (black)	883C/1200C
45	73104-96BK	TAB HOUSING, 4-way (black)	883C/1200C
46	73106-96BK	TAB HOUSING, 6-way (black)	883C/1200C
47	73108-96BK	PIN HOUSING, 8-way (black)	883C/1200C
48	73190-96	PIN #16 (20 gauge) (21)	883C/1200C
49	73198-96	CONNECTOR ANCHOR	883C/1200C
50	74109-98BK	PIN HOUSING, 12-way (black)	883C/1200C
51	74149-98	PIN LOCK, 12-way	883C/1200C
52	74190-98	PIN TERMINAL (12)	883C/1200C
53	74599-77B	CIRCUIT BREAKER 30A	883C/1200C

MAIN WIRING HARNESS - 1200 SPORT

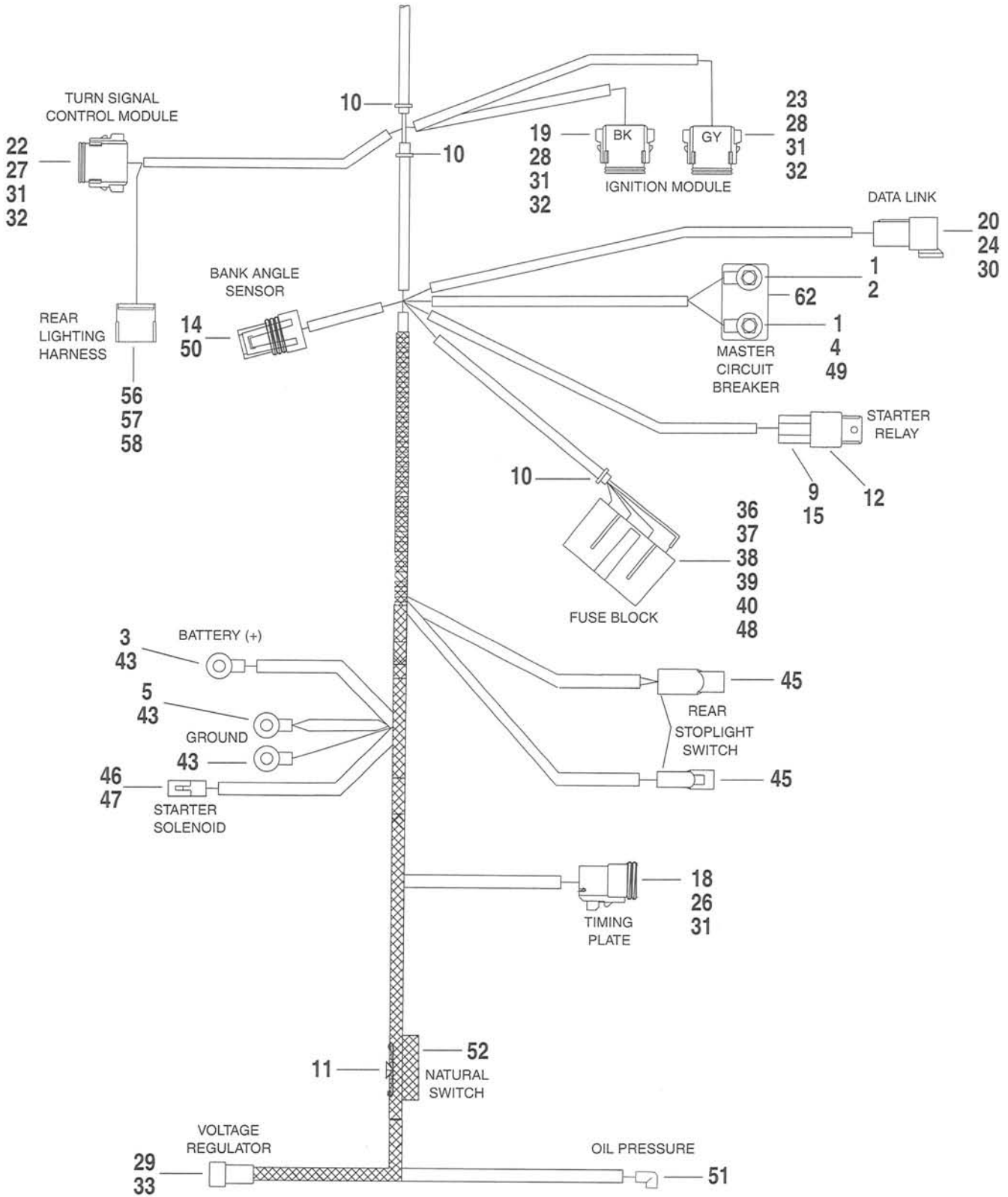


CONTINUED ON NEXT PAGE

INDEX NO.	PART NO.	DESCRIPTION	MODELS
	70139-99	MAIN WIRING HARNESS 1200 SPORT Includes The Following Parts	1200S
1	7629	NUT (2)	1200S
2	9840	TERMINAL, ring	1200S
3	9842	TERMINAL, ring - 5/16 stud (10-12 gauge)	1200S
4	9843	TERMINAL, ring - #10 (10-12 gauge)	1200S
5	9847	TERMINAL, R.H.	1200S
6	9848	TERMINAL, L.H. (2)	1200S
7	9869	TERMINAL, ring - 3/8 (12 gauge)	1200S
8	9898	TERMINAL, flag (3)	1200S
9	9937	TERMINAL, female spade type, 1/4 slot (4)	1200S
10	10065	CABLE STRAP (4)	1200S
11	10136	ANCHOR, T-stud (2)	1200S
12	31504-91A	RELAY	1200S
13	67719-63	HEADLAMP MOUNTING RING	1200S
14	72033-93	SOCKET TERMINAL (6)	1200S
15	72046-79	SOCKET HOUSING, 5-way	1200S
16	72056-92	HOUSING, 3-way	1200S
17	72106-94BK	RECEPTACLE, 6-way (black)	1200S
18	72113-94BK	SOCKET HOUSING, 3-way (black)	1200S
19	72119-94BK	SOCKET HOUSING, 12-way (black)	1200S
20	72124-94GY	SOCKET HOUSING, 4-way (gray)	1200S
21	72126-94GY	SOCKET HOUSING, 6-way (gray)	1200S
22	72138-94GY	SOCKET HOUSING, 8-way (gray)	1200S
23	72139-94GY	SOCKET HOUSING, 12-way (gray)	1200S
24	72144-94	SECONDARY LOCK, 4-way	1200S
25	72146-94	SECONDARY LOCK, 6-way (2)	1200S
26	72153-94	SECONDARY LOCK, 3-way	1200S
27	72158-94	SECONDARY LOCK, 8-way	1200S
28	72159-94	SECONDARY LOCK, 12-way (2)	1200S
29	72180-94	RECEPTACLE, 1 pin	1200S
30	72190-94	PIN (16)	1200S
31	72191-94	TERMINAL, socket (25)	1200S

MAIN WIRING HARNESS - 1200 SPORT (CONTINUED)

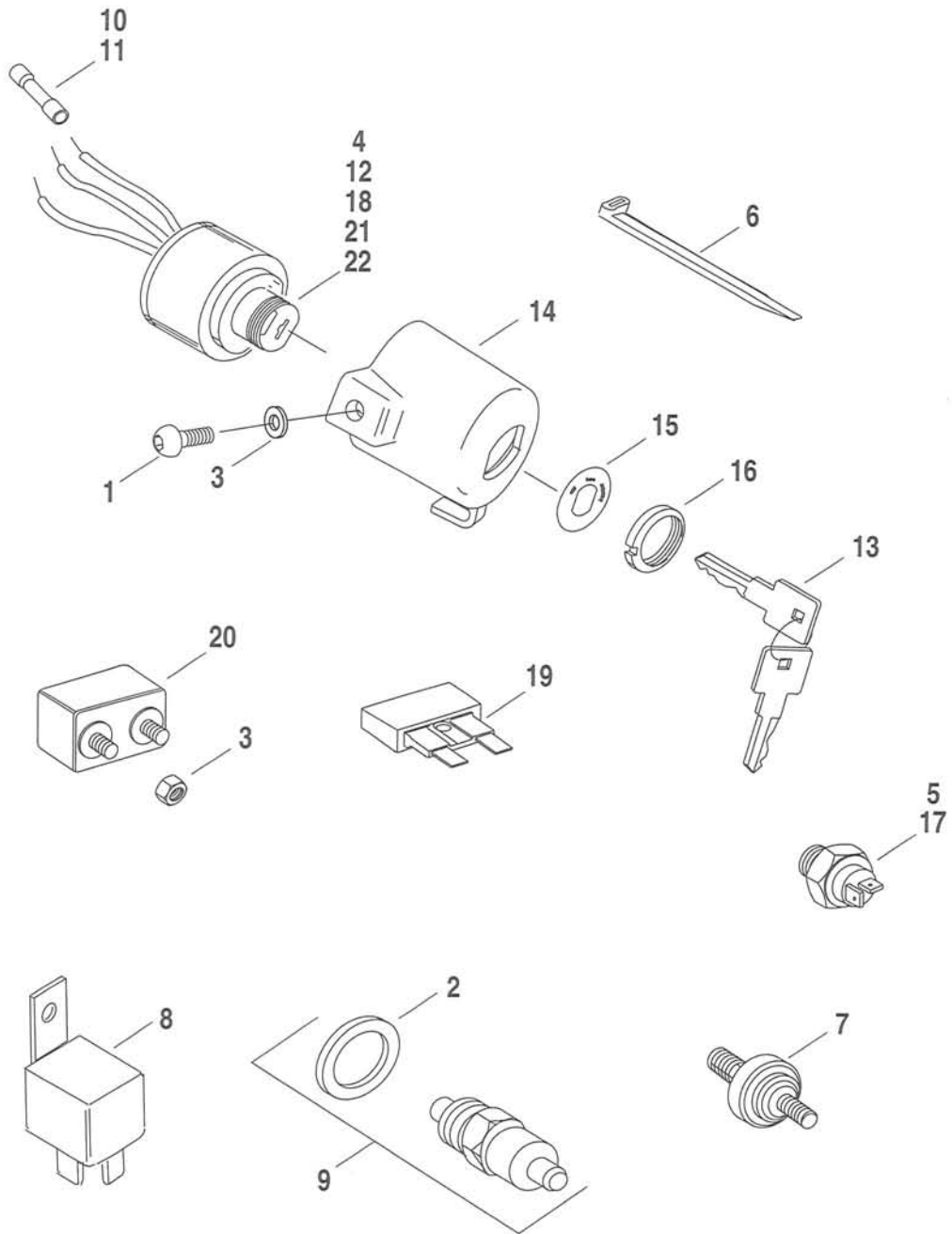
CONTINUED FROM PREVIOUS PAGE



MAIN WIRING HARNESS - 1200 SPORT (CONTINUED)

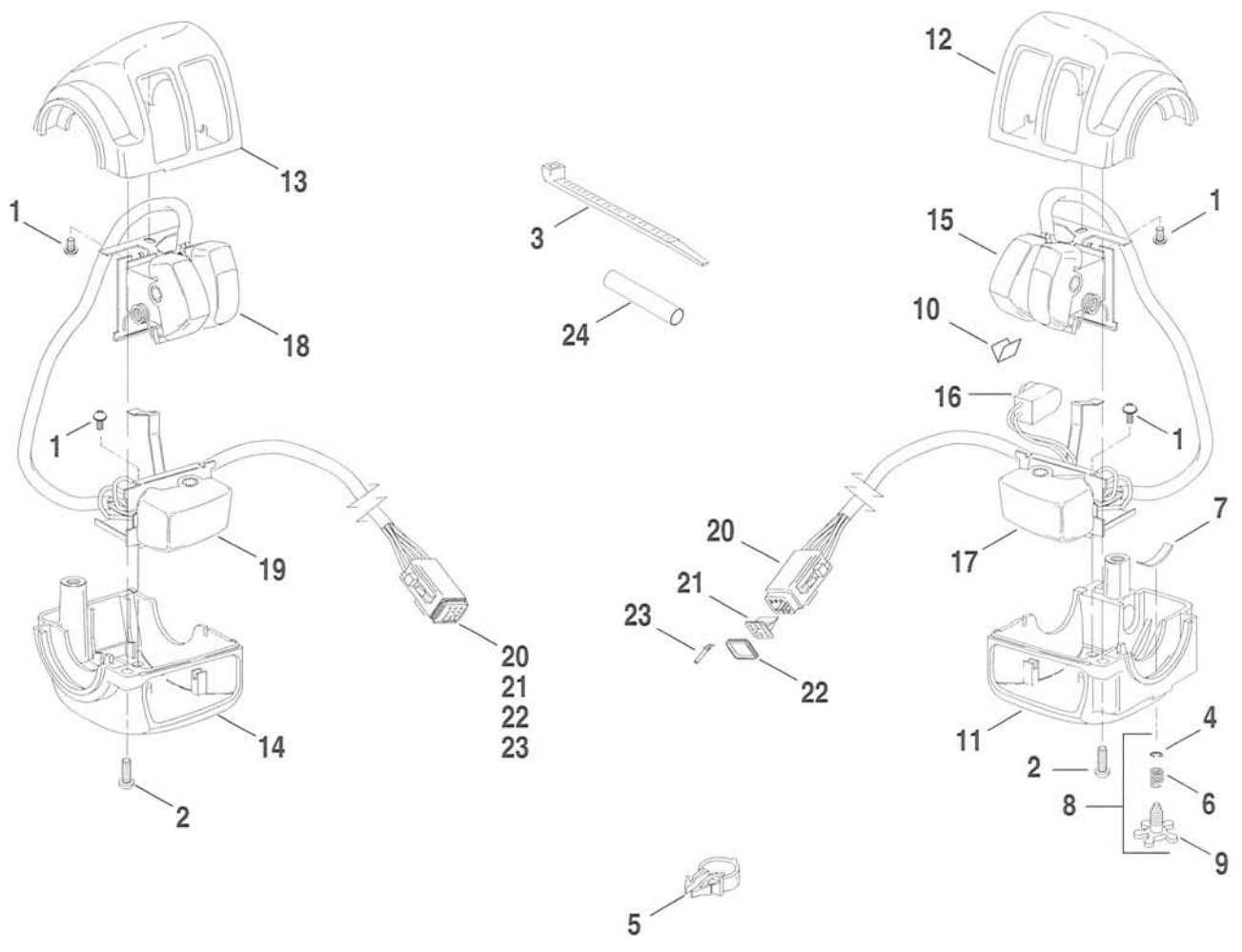
INDEX NO.	PART NO.	DESCRIPTION	MODELS
	70139-99	MAIN WIRING HARNESS 1200 SPORT (CONTINUED) Includes The Following Parts	1200S
32	72195-94	SEAL PIN (11)	1200S
33	72196-94	CONTACT PIN	1200S
34	72213-94	TERMINAL, socket (3)	1200S
35	72214-94	CABLE SEAL (3)	1200S
36	72216-94	FUSE BLOCK	1200S
37	72217-94	TERMINAL, auto fuse (18-20 gauge)	1200S
38	72218-94	TERMINAL, auto fuse (14-16 gauge) (2)	1200S
39	72219-94	TERMINAL, auto fuse (18 gauge)	1200S
40	72220-94	TERMINAL, auto fuse (14-16 gauge) (4)	1200S
41	72230-98	HOUSING SOCKET, 3-way	1200S
42	72231-98	SECONDARY LOCK, 3-way	1200S
43	72249-94	HEAT SHRINK TUBING, 0.3 X 1 inch (3)	1200S
44	72280-95	CONNECTOR 3-way	1200S
45	72290-94	TERMINAL, insulated (2)	1200S
46	72291-94	TERMINAL, female spade (14-16 gauge)	1200S
47	72295-94	HOUSING, starter connector	1200S
48	72347-94	FUSE 15 amp. (4)	1200S
49	72366-95	HEAT SHRINK TUBING (yellow)	1200S
50	72399-98	CONNECTOR 3-way	1200S
51	72405-98GN	TERMINAL, push on #18 awg.	1200S
52	72445-99TN	TERMINAL, female #18 awg. (tan)	1200S
53	72507-94	GROMMET	1200S
54	73103-96BK	PIN HOUSING, 3-way (black)	1200S
55	73106-96BK	TAB HOUSING, 6-way (black)	1200S
56	73108-96BK	PIN HOUSING, 8-way (black)	1200S
57	73190-96	PIN #16 (20 gauge) (17)	1200S
58	73198-96	CONNECTOR ANCHOR (2)	1200S
59	74109-98BK	PIN HOUSING, 12-way (black)	1200S
60	74149-98	PIN LOCK, 12-way	1200S
61	74190-98	PIN TERMINAL, (12)	1200S
62	74599-77B	CIRCUIT BREAKER 30A	1200S

SWITCHES & CIRCUIT BREAKERS



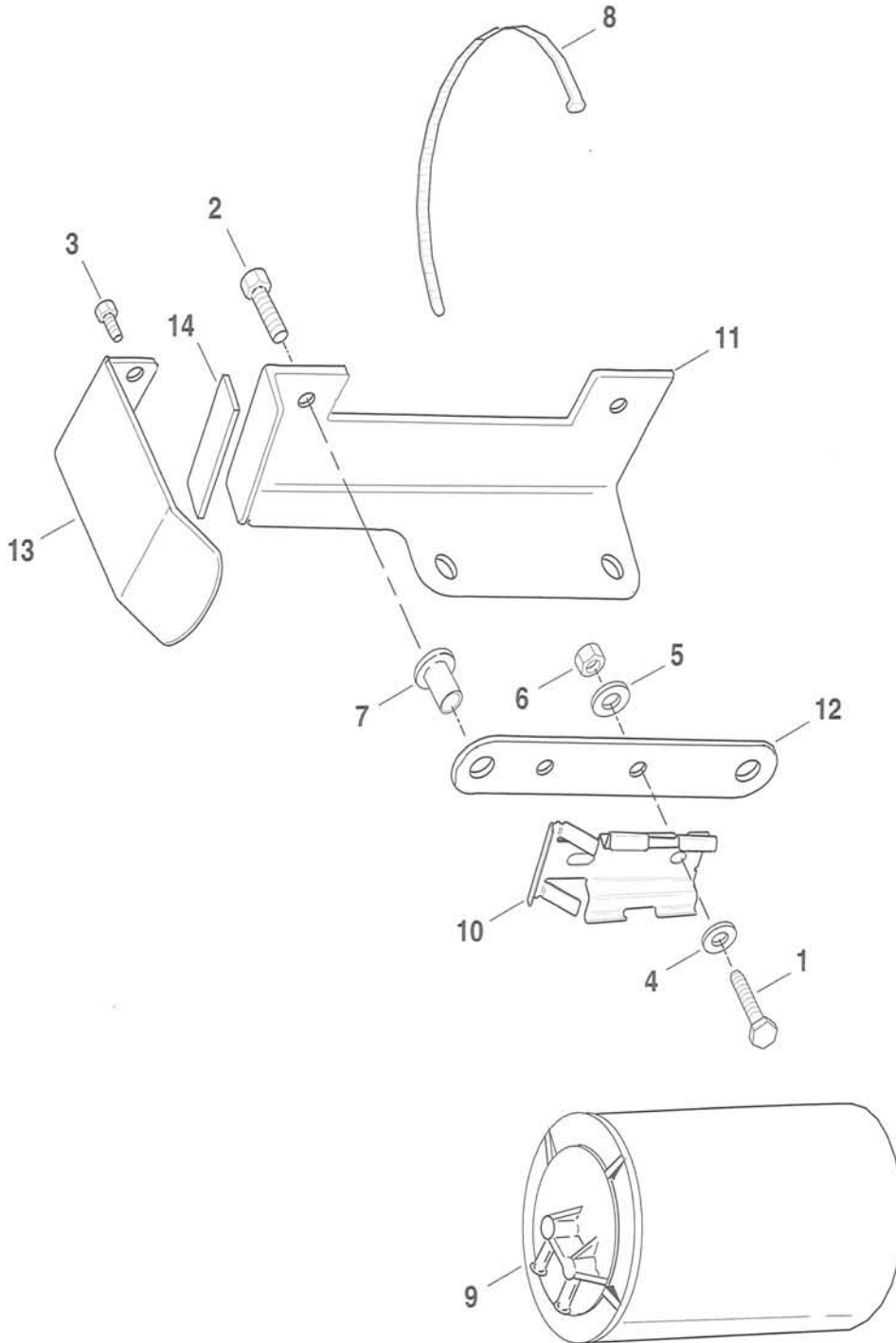
INDEX NO.	PART NO.	DESCRIPTION	MODELS
1	2528	SCREW	All Models
2	6288	WASHER	All Models
3	7220	WASHER	All Models
4	9862	TERMINAL RING (3)	All Models
5	9898	TERMINAL (2)	All Models
6	10039	CABLE STRAP	All Models
7	26554-77	SWITCH, oil pressure indicator	All Models
8	31504-91A	STARTER RELAY	All Models
9	33900-99	SWITCH, neutral indicator, w/ washer	All Models
	70227-99	JUMPER WIRE ASM., neutral switch (not illustrated)	All Models
10	70586-93	CONNECTOR, butt splice (blue) (3)	All Models
11	70587-93	CONNECTOR, butt splice (yellow) (2)	All Models
12	71441-94	LOCK SET ASM., ignition w/ key	All Models
13	71451-94A	KEY SET, ignition switch (specify key code)	All Models
14	71510-95	COVER, ignition switch	All Models
15	71550-94	LABEL, ignition switch	All Models
16	71552-94	FACE NUT, ignition switch	All Models
17	72023-51C	STOPLIGHT SWITCH, rear brake w/ #4	All Models
18	72268-94	SHRINK TUBE	All Models
19	72347-94	FUSE 15A (6)	All Models
	72373-97	FUSE PULLER (not illustrated)	All Models
20	74599-77B	CIRCUIT BREAKER, 30A	All Models
H-D INTERNATIONAL ONLY			
21	48151-99	LOCKSET ASM. (HDI)	All Models
22	43595-99	SPRING, forklock (HDI)	All Models

HANDLEBAR SWITCHES



INDEX NO.	PART NO.	DESCRIPTION	MODELS
1	2955	SCREW (4)	All Models
2	3658	SCREW (4)	All Models
3	10181	CABLE STRAP (as required)	All Models
4	11155	RETAINING RING	All Models
5	70345-84	RETAINER, wiring harness (4)	STD/HUG/883R/1200/S
6	56394-74	SPRING, throttle adjusting screw	All Models
7	56396-74A	PAD, throttle adjusting	All Models
8	56397-74C	KIT, throttle adjusting screw w/ #4, 6 & 9	All Models
9	56402-83A	ADJUSTING SCREW	All Models
10	71509-00	CLIP	All Models
11	71563-96	HOUSING, lower right	All Models
12	71564-96	HOUSING, upper right	All Models
13	71567-96	HOUSING, upper left	All Models
14	71568-96	HOUSING, lower left	All Models
15	71589-96B	SWITCH ASM., engine stop & start w/ #3 & 24	All Models
16	71590-96	STOPLIGHT SWITCH	All Models
17	71591-00	SWITCH ASM., right directional w/ #3 & 24	All Models
18	71597-96B	SWITCH ASM., dimmer & horn w/ #3 & 24	All Models
19	71598-00	SWITCH ASM., left directional w/ #3 & 24	All Models
20	72116-94BK	PLUG, 6-way, right (black) (2)	All Models
21	72156-94	SECONDARY LOCK, 6-way (2)	All Models
22	72176-94	SEAL, front (6-way plug) (2)	All Models
23	72191-94	TERMINAL, socket (as required)	All Models
24	72266-94	SHRINK TUBE	All Models

CALIFORNIA EVAPORATIVE EMISSIONS KIT



INDEX NO.	PART NO.	DESCRIPTION	MODELS
<p>NOTE: These parts are for 2003 and later XLH model motorcycles sold for use in the state of California.</p>			
1	3767B	SCREW, mounting bracket (2)	All Models
2	3802W	BOLT, bracket to plate (2)	All Models
3	4240	SCREW (2)	All Models
4	6099	WASHER (2; 4 - XLH 1200)	All Models
5	6703	WASHER (2)	All Models
6	7686	LOCKNUT (2)	All Models
7	8099	WELL NUT (2)	All Models
8	10006	CABLE STRAP (2)	All Models
9	27042-84A	CANISTER	All Models
10	27047-84A	BRACKET, canister mounting	All Models
11	28857-90	BRACKET, canister	All Models
12	28859-90	PLATE, canister mounting	All Models
13	28860-89	GUARD, evaporative canister	All Models
	28875-95	HOSE, canister to a/c backplate (not illustrated)	All Models
	32440-97	WIRING HARNESS, solenoid (not illustrated)	All Models
14	67133-98	PAD (vinyl foam)	All Models
	27138-90	<p>NOTE: Hose is sold only in bulk length under the the following part numbers. Cut to length. HOSE 3/16" I.D. (10 ft. lg.) (black) (not illustrated)</p>	All Models

GLOSSARY

A

AMP Amperage
ASM Assembly

C

CAL California
CONN Connecting/Connector
CTSK Countersink

D

DIA Diameter

E

ENG Engine
EXH Exhaust

F

FRT Front
FT Foot

G

GA Gauge

H

HD Head
HDI Harley-Davidson International
HEX Hexagon

I

I.D. Inside Diameter
INSP Inspection
INT Internal

K

KPH Kilometers Per Hour

L

L.H. Left hand
LG Long

M

MACH Machine
MM Millimeter
MPH Miles Per Hour

N

NO. Number

O

O.D. Outside Diameter
O.S. Over Size
OZ Ounce

R

R.H. Right Hand

S

SOC/SCKT Socket
ST State
SPEEDO Speedomet
S.S. Stainless Steel

T

T Teeth
TACH Tachometer

W

W/ With

HARDWARE LISTING

853A	SCREW, 5/16-18 X 2-1/4 knurled socket hd.	3029	SCREW, #10-24 X 1-1/8 socket head torx head w/adhesive threads
855B	SCREW, 3/8-16 X 2 knurled socket hd.	3201WA	SCREW, 5/16-18 X 1-1/4 knurled soc. hd.
869	SCREW, 1/4-20 X 1-1/4 socket button hd.	3206B	SCREW, No. 8-32 X 1-7/8 (headless brass)
879A	SCREW, 5/16-18 X 3-1/2 knurled socket hd.	3210A	SCREW, 5/16-18 X 1-1/4 knurled soc. hd.
882	SCREW, 1/4-20 X 7/8 knurled socket hd. (Grade 8 steel)	3221	SCREW, No. 4-16 X 3/16 set screw (Grade 8 steel)
897	SCREW, 5/16-18 X 3.0 hex socket head cap (Grade 8)	3228A	SCREW, 5/16-18 X 3/4 hex. socket hd. (w/washer)(Grade 8 steel)
923	SCREW, 1/4-20 X 21/32 socket pan hd.	3275	SCREW, .312-18 X 3/4 hex. socket head cap (Grade 8 steel)
929A	SCREW, M4-0.7 X 9.1	3350	BOLT, M5 X 0.87 X115
943	SCREW, 1/4-20 X 5/8 socket button hd.	3403	LOCKNUT, M8 X 7 X 12mm hex.
946	SCREW, 1/4-20 X 2-1/4 Torx button hd. (Grade 8 steel)	3427	BOLT, 5/16-18 X 3-1/2 hex head (Grade 5)
1028	SCREW, 5/16-18 X 2-1/2 sems hex socket hd. w/lock washer	3480A	SCREW, 1/4-20 X 1-3/4 knurled socket hd.(Grade 8 steel)
1392	SCREW, mach. oval hd. 1/4-20 X 3/4 (s.s)	3498	SCREW, 1/2-13 X 3 hex. hd.(Grade 5 steel) (w/lockpatch)
1601	SCREW, No. 8-32 X 1/2 Pozidriv flat ctsk. hd. (Grade 2 steel)	3500A	BOLT, 5/16-18 X 2-3/4 hex. hd.(Grade 8 steel)
2325	SCREW, No. 6 X 3/4 cross recess pan hd. (self-tapping)	3501A	BOLT, 5/16-18 X 2-1/2 hex. hd.(Grade 8 steel)
2361	SCREW, No. 8-32 X 3/8 socket flat ctsk. hd. (w/ locking adhesive)	3514	SCREW, 7/16-40 X 2-13/16 hex cap (Grade 8)
2362	SCREW, No. 10 X 3/4 hex. hd. (self-tapping)	3534B	SCREW, 1/2-13 X 2-1/2 socket hd. (Grade 8 steel)
2405A	SCREW, 5/16-18 X 3/4 Phillips oval hd. (Chrome)	3549A	SCREW, 1/2-20 X 1-1/2 knurled socket head
2501A	SCREW, #8-32 X 3/8 hex washer head (self tapping)	3563	SCREW, 1/4-20 X 3-9/16 large flange hex head (Grade 5)
2420	SCREW, 1/4-20 X 3/4 truss hd. (Grade 2 steel)	3579A	SCREW, 1/4-28 X 1/4 hex. head sems tapping (Grade 2 steel)
2528	SCREW, No. 10-24 X 1/2 socket button hd.	3594	SCREW, 1/4-20 X 5/8 knurled socket hd. (Grade 8 steel)
2548	SCREW, NO.8-32 X 3/4 sckt hd (w/lockpatch)	3606	SCREW, #10-24 X .860 hex. head machine (Grade 2 steel)
2551W	BOLT, 1/4-20 X 1 hex. hd. (Grade 2 steel)	3610	SCREW, 5/16-18 X 3-3/4 hex. flange hd. (Grade 5 steel)
2566	SCREW, 8-32 X 7/8 self tapping	3652	SCREW, 1/4-20 X 3/8 socket hd.(chrome)
2579A	SCREW, No. 8-32 X 6-1/4 mach oval hd. (brass) (Grade 2 steel)	3655A	SCREW, 5/16-18 X 7/8 pan hd. torx (Grade 8)
2607	SCREW, 1/4-20 X 3/4 pozidriv. pan hd. (Grade 2 steel)	3658	SCREW, #10-24 X 1/2 hex. socket head torx head (Grade 5)
2611C	BOLT, No. 10-32 X 3/4 hex. washer hd. (Grade 5 steel)	3666A	SCREW, #10-24 X 1.500 torx recessed round washer hd.
2708A	SCREW, 5/16-18 X 1 socket hd.	3675	SCREW,5/16-18 X 1 torx hd lock (Grade 8 steel)
2711	SCREW, No. 4-40 X 3/8 pan hd. (self-tapping)	3696	SCREW, 5/16 thd X 3/4 pan head torx (Grade 5 steel)
2720	SCREW, No. 10-24 X 1 Torx hd. (w/ locking adhesive)	3767B	BOLT, 1/4-20 X 5/8 hex. hd.(Grade 5 steel)
2737	SCREW, 1/4-20 X 1/4 pan hd.	3820	SCREW, 1/2-13 X 2-1/4 hex socket button head (Grade 8)
2773	SCREW, 1/4-20 X 1/2 Pozidriv pan hd. (Grade 2 steel)	3802W	BOLT, 1/4-20 X 7/8 hex. hd. (Grade 5 steel)
2925A	SCREW, 7/16-20 X 1 hex. socket hd. (Grade 8 steel)	3899	SCREW, 7/16-14 X 1-3/4 hex. hd. w/lock patch
2952	SCREW, 1/4-20 X .485 sems truss hd. (Grade 2 steel) (chrome)	3930A	SCREW, 5/16-18 X 3/4 hex. washer hd. (self-tapping)
2955	SCREW, #6-32 X 1/4 pan head phillips machine lock washer	3958	BOLT, 1/2-20 X 2-1/4 hex. hd.(Grade 5 steel)

HARDWARE LISTING

3987	BOLT, 5/16-18 X 3/4 hex. hd.(Grade 5 steel)	4826	SCREW, 1/4-20 X 2-1/2 hex. socket hd. (w/washer)
3993	BOLT, 1/4-20 X 1-1/4 hex. hd.(Grade 5 steel)	5403B	CARRIAGE BOLT, 1/4-20 X 3/8
3997A	BOLT, 1/4-20 X 1-1/4 hex. hd. (Grade 8)	6003	WASHER, 1-3/16 X 1-3/8 X 5/64
4017	BOLT, 5/16-18 X 1 hex. head (Grade 5 steel)	6012	WASHER, 1/2 X 1-3/16 X 1/16
4029A	SCREW, 3/8-16 X 2-1/4 socket hd.(black)	6016	WASHER, 11/32 X 11/16 X 1/16
4091	BOLT, #10-24 X 1/2 hex washer hd. (self tapping)	6019	WASHER, 3/8 X 29/32 X 1/16
4104	SCREW, No. 10-24 X 1/2 hex. washer hd.	6026	WASHER, 3/8 X 7/8 X 7/64
4132	SCREW, 1/4-20 X 1 1/8 hex socket button head (Grade 5, steel)	6036	WASHER, 17/64 X 1 X 1/16
4237	SCREW, #10-24 X 1/4 hex washer hd.	6099	WASHER, 1/4 X 7/16 X 1/16
4240	SCREW, #10-24 X 3/8 hex washer hd.	6101	WASHER, 17/64 X 27/64 X 1/16
4312	BOLT, M6 X 1.0 X 12 flange head	6152	SPACER, 13/32 X 1.0 X 5/16
4326A	SCREW, 5/16-18 X 2 hex. soc. hd.	6157	WASHER, 27/64 X 5/8 X 1/64 heat treated
4329	SCREW, 1/4-20 X 3/4 hex. washer hd.	6192	WASHER, No. 8 X 7/16 X 3/64
4337W	SCREW,3/8-24 X 1-1/4 hex cap (Grade 5)	6220W	WASHER, 1/4 X 7/16 X 1/32
4350A	SCREW, 3/8-16 X 1.500 hex. socket cap (Grade 8 steel)	6288	WASHER, 17/32 X 25/32 X 1/32
4351	SCREW, 3/8 X 1-1/2Torx button hd. (self-tapping) (Grade 8 steel)	6314W	WASHER, 21/64 X 9/16 X 1/8
4352	SCREW, 3/8-16 X 1-1/2 Torx socket (self-tapping) (Grade 8 steel)	6333	WASHER, 5/16 X 7/8 X 5/64
4377	SCREW, 3/8-16 X 2.0 hex w/washer self tapping	6366	WASHER, 1/2 X 1-1/4 X 3/32
4413	SCREW, 3/8-24 X 5-1/2 hex cap (Grade 5)	6410	WASHER, 1/4 X 9/16 X 1/16 (nylon)
4420	SCREW, 3/8-16 X 2.75 hex. cap (Grade 5 steel)	6516HW	WASHER, 7/16 X 1-1/8 X 1/8
4435W	BOLT, 3/8-24 X 3-1/2 hex. hd.(Grade 5 steel)	6590HW	WASHER, 1/2 X 1-1/8 X 3/32
4453	BOLT, 1/4-20 X 7/8 hex. hd.	6655	WASHER, 5/8 X 1-1/2 X 3/32
4460	BOLT, 5/8-18 X 1 hex. hd.(Grade 5 steel)	6701	WASHER, 3/8 X 13/16 X 1/16
4716W	BOLT, 3/8-16 X 1-1/4 hex. hd.(Grade 5 steel)	6702	WASHER, 5/16 X 11/16 X 1/16
4717A	SCREW, 1/4-20 X 2-1/4 knurled socket hd. (w/lockpatch)	6703	WASHER, 1/4 X 5/8 X 1 /16
4718A	SCREW, 1/4-20 X 1-1/2 SEM HEXSOC, CAP (Grade 8 steel)	6716	WASHER, #10 X 1/2 X 3/64
4721	BOLT, 3/8-16 X 1-1/2 hex. hd.(Grade 5 steel)	6718	WASHER, 1/2 X 1-1/16 X 3/32
4740A	SCREW, 1/4-20 X 1-1/4 knurled socket hd. (w/lockpatch & lockwasher)(Grade 8 steel))	6736	WASHER, 9/32 X 5/8 X 1/16
4741A	SCREW, 1/4-20 X 1 hex. socket hd.(w/lockpatch)	6738	WASHER, 17/32 X 7/8 X 7/64
4743	SCREW, 1/2-20 X 2-5/8 hex. hd. (Grade 5 steel)	6758	WASHER, 3/8 X 9/16 X 7/64
4748	SCREW, 3/8-16 X 1-1/8 hex. socket hd. (Grade 8 steel)	6798	WASHER, .31 X .50 X .03
4751	SCREW, 1/4-20 X 3/4 hex. hd. (w/lockpatch) (Grade 8 steel)	6812	WASHER, 13/32 X 11/16 X 1/16
4758	SCREW, .312-18 X 3.48 hex. socket cap (Grade 8 steel)	7019	WASHER, 1/2 X 3/4 X 1/4 (rubber)
4765	SCREW, 1/4-20 X 2-5/8 cap screw hex socket head w/ flat (Grade 8 steel)	7036	LOCKWASHER, 1/4
4767	SCREW, 5/16-18 X 1-1/4 button head s.s.	7038	LOCKWASHER, 3/8
4771	SCREW, 5/16-18 X 4-1/4 hex socket head cap (Grade 5)	7041	LOCKWASHER, 5/16
4816A	SCREW,5/16-18 X 1-1/2 socket hd.	7042	LOCKWASHER, 5/16 (high collar)
4820A	SCREW, 1/4-20 X 2 hex. socket	7045	LOCKWASHER, 3/8(high collar)
		7068	LOCKWASHER, 1/2
		7124	LOCKWASHER, 1/4 internal tooth
		7127	LOCKWASHER, 5/16 internal tooth
		7129	LOCKWASHER, 1/2 internal tooth
		7145W	LOCKWASHER, 3/8 external tooth
		7220	LOCKWASHER, No. 10 external tooth
		7481	ACORN NUT, 5/16-18 chrome
		7495	NUT, No. 6 hex
		7531	LOCKNUT, 5/16-18 X 9/32 X 1/2 hex.
		7593	FLANGE NUT, 5/16-24
		7624	LOCKNUT, No. 10-24 X 1/4 X 3/8 hex.

HARDWARE LISTING

7629	NUT, No. 10-32 X 3/8 hex (keps)
7667	NUT, 3/8-16 X 9/32 X 9/16 hex. (w/nylon insert)
7683	LOCKNUT, 1/4-28 X 5/16 X 7/16 hex.
7686	LOCKNUT, 1/4-20 X 5/16 X 7/16 hex.
7688	NUT, 1/4-20 X 7/32 X 7/16 hex.(Grade 2 steel)
7716	LOCKNUT, 1/4-20 X 15/64 X 7/16 hex.
7736	ACORN NUT, 5/16-24 X 19/32 X 1/2 hex. (Grade 2 steel)(chrome)
7739	LOCKNUT, 5/16-18 X 11/32 X 1/2 hex.
7744	JAM NUT, 5/16-24 X 3/16 X 1/2 hex. (Grade 2 steel)
7775	LOCKNUT, 3/8-24 X 7/16 X 9/16 hex.
7778	LOCKNUT, 3/8-16 X 7/16 X 9/16 hex.
7780	LOCKNUT, 3/8-24 X 13/32 X 11/16 hex.
7783	NUT, 3/8-16 X 5/16 X 9/16 hex.(Grade 2 steel)
7789	LOCKNUT, 3/8-24 X 7/32 X 9/16
7792	NUT, 1/4,-20 X 1/4 hex. (Grade 2 steel)
7804	NUT, 1/2-13 X 15/32 X 7/8 (sealing)
7824	LOCKNUT, 1/2-20 X 1/4 hex. (Grade 2 steel)
7839	FLANGE NUT, 3/4-16 X 21/32 (Grade 2 steel)
7844	NUT, 1/2-13 X 5/16 X 3/4
7861	NUT, 3/8-24
7880	NUT, 1/2-13 X 7/16 X 3/4 hex.(Grade 2 steel)
7916A	JAM NUT, 5/8-18 (locking)
7956	NUT, 1/2 X 20
7966	LOCKNUT 10-32 X 15/64 X 6/8 hex. w/nylon insert
7987	CASTLE NUT 5/8-18 X 15/16 hex (Grade 8 steel)
8108	SPEED NUT, 11/32 dia.
8144	NUT CLIP, 5/16

NUMERICAL INDEX

Part No.	Page	Part No.	Page	Part No.	Page	Part No.	Page	Part No.	Page
10006	131	11155	83	16189-03	5	17904-89	9	24331-36	11
10006	83	11161	15	16198-03	7	17942-89	9	24332-36	11
10006	89	11161	37	16210-84A	15	17944-89	9	24500-03	15
10006	93	11165	37	16212-84	15	17946-89	9	24502-03	15
10014	23	11171	17	16214-86	5	17952-91	9	24530-90	15
10014	89	11177A	11	16222-86	5	17953-91	9	24530-90	39
10014	93	11177A	15	16226-94	5	18001-83B	7	24647-87	15
10031	49	11179	47	16228-86A	113	18011-87A	7	24650-87	15
10031	51	11185	39	16228-86A	5	18012-87A	7	24658-87	11
10039	127	11188	17	16233-86	5	18020-87B	7	24659-87	15
10039	31	11190	9	16240-82	15	18021-87A	7	24660-87	15
10039	33	11250	43	16278-95B	5	18022-96YA	7	24709-03	15
10048	101	11271	81	16294-99	15	18023-87	7	24729-74	15
10053	49	11271	83	16294-99	53	18024-87	7	24754-75	15
10065	105	11272	81	16297-99	15	18030-86	7	24922-93	27
10065	107	11272	83	16297-99	41	18031-86	7	24925-95	27
10065	109	11302	41	16446-86B	5	18112-92A	7	2501A	51
10065	115	11302	53	16447-88A	5	18113-96YA	7	25193-00A	19
10065	119	11317	19	16449-02	5	18130-83D	7	25194-00A	19
10065	123	11473	89	16478-85A	5	18131-83D	7	25213-96B	19
10065	29	11474	87	16480-92	5	18133-83B	7	25219-91C	19
10065	31	11491	75	16573-83	15	18201-83	7	25238-94	17
10080	15	11496	107	16573-83	17	18202-83	7	25252-97YB	19
10080	93	11512	87	16573-83	5	18219-83A	7	25263-90C	19
10108	31	11727A	5	16630-98	5	18222-83A	7	2528	127
10108	89	11730A	43	16633-98	5	18229-83	7	25307-99YA	19
10110	75	11752	43	16660-89B	5	18532-00A	9	25409-94B	43
10117	19	11763	41	16661-89B	5	18538-99B	9	25430-94A	17
10117	93	12030	37	16664-86B	5	18652-96YA	7	25453-87A	43
10120	113	12067A	37	16688-90A	5	18653-96YA	7	25460-94	17
10123	47	13538-02	91	16698-90A	5	18654-96YA	7	25463-94	17
10136	115	13539-02	91	16715-83	5	215	13	25471-97Y	17
10136	119	1392	75	16770-84D	5	21920-83	11	2548	107
10136	123	14270-92	17	16774-86D	5	21921-83	11	2551W	87
10142	93	14448-94	83	16800-84	9	21922-83	11	25574-99Y	17
10181	129	1594	75	16832-86C	5	21923-83	11	25586-37	19
10183	87	1601	31	16865-02	5	21924-83	11	25588-91	19
10200	87	1601	33	16867-02	5	22201-86A	11	25593-74	19
10214	33	16014-03	7	17026-91C	7	22205-88A	11	25598-91	19
10214	89	16015-03	7	17032-91	7	22216-88A	11	2566	97
10235	75	16016-03	7	17036-91	7	22220-88A	11	2579A	49
1028	13	16051-03	5	17036-91	9	22225-88A	11	2607	87
1029	17	16052-03	5	17353-89	9	22242-86A	11	2611C	31
1039	9	16054-03	5	17354-89	9	22243-88A	11	2611C	33
11002	21	16055-03	5	17358-84A	9	22253-86A	11	26204-91A	21
11019	39	16061-03	5	17360-83A	9	22254-86A	11	26318-88A	19
11031	39	16062-03	5	17375-83A	9	22255-86A	11	26432-76A	7
11046	43	16063-03	7	17428-57	9	22261-86	11	26434-91	21
11067	37	16064-03	7	17501-86B	9	22262-86	11	26436-90A	93
11105	15	16066-03	7	17527-98	9	22263-86	11	26437-86B	93
11116	35	16068-03	5	17532-86B	9	22266-86	11	26488-98	21
11124	19	16069-03	5	17533-90A	9	22271-86	11	26491-98	21
11124	31	16071-03	7	17535-02	9	22589-83B	11	26492-91	21
11124	33	16074-03	5	17535-02	9	22719-85	11	26493-91	21
11140	105	16075-03	5	17537-96	9	22765-88	11	26495-89A	21
11140	107	16076-03	7	17538-96	9	2325	105	26496-75	21
11143	47	16078-03	7	17551-96	9	2361	105	26554-77	127
11143	49	16079-03	5	17611-83	9	2362	95	26554-77	93
11155	129	16080-03	5	17614-98	9	23905-00	11	26556-98	33
11155	81	16188-03	5	17897-89	9	2405A	27	26556-98	89

NUMERICAL INDEX

Part No.	Page	Part No.	Page	Part No.	Page	Part No.	Page	Part No.	Page
26558-94A	31	27275-96Y	23	29331-96	27	3210A	83	34492-91	39
26559-95	89	27279-93	23	29367-97A	27	3210A	85	34560-91	39
26856-89	9	27311-76	23	29370-02	27	3221	27	34611-65	39
26995-86B	23	27315-88A	23	29488-98	27	3228A	9	34611-65	41
27002-89	23	27316-88	23	2952A	77	32317-86A	31	34615-94	39
27004-88A	23	27317-88	25	2955	129	32317-86A	33	34760-94	17
27009-86A	23	27360-76	25	29788-03	27	32400-94	33	34761-94	17
27010-86A	23	27361-76A	25	29810-03	27	32402-83	31	34787-03	17
27031-95A	25	27362-76	25	29950-91	15	32413-92A	29	34790-01Y	17
27042-84A	131	27363-88	25	29967-89A	29	32422-98	33	34794-01Y	17
27047-84A	131	27368-76	25	3022A	111	32424-98	33	3480A	19
27067-98	33	27368-76	25	3029	29	32440-97	131	3480A	37
27067-98	89	2737	27	31322-91	35	32465-98	31	34909-90	51
27076-95A	25	27371-76A	25	31323-91	35	32466-98	31	34911-91A	37
2708A	97	27380-98	23	31324-91	35	32475-00	31	34920-86A	43
27096-94	89	27465-01A	25	31325-91	35	32480-01	33	34932-96	37
27100-88	23	27480-97A	25	31327-91	35	32495-98	95	34933-96	51
27101-88	23	27490-96A	25	31328-91	35	32504-80A	31	34938-98	37
2711	27	27495-96A	25	31390-91B	35	32504-80A	33	34943-02	37
27115-88	23	27498-96A	25	31488-81A	35	32506-90	31	34955-89A	17
27116-88	25	27575-88A	25	31504-91A	115	32507-03	31	34963-99	41
27122-89	23	27576-92	25	31504-91A	119	32549-98	31	3498	81
27124-89	23	27577-92	25	31504-91A	123	32549-98	33	3498	83
27125-89	23	27579-88A	25	31504-91A	127	32554-02	31	34992-94	17
27126-89	23	27580-88	25	31515-90	35	32606-82	31	34993-90	17
27127-89	23	27581-88	25	31518-90	35	32606-82	33	35020-89	37
27128-89	23	27582-88	25	31521-98	35	3275	23	35021-89	17
27130-90	23	27583-88	25	31525-90	35	33032-99	41	35022-89A	37
27136-90A	23	27585-88	25	31530-90	35	33032-99	53	35030-89	17
27137-81	23	27586-88	25	31532-94	93	33048-72	79	35034-94	37
27138-90	131	27587-88	25	31537-98	35	33117-91A	93	35038-89A	17
27146-89	23	27647-01	25	31539-91	35	33178-98	39	35051-89	37
27147-89	23	27656-98	23	31556-91A	35	33189-63	79	35063-89	37
27148-89	23	2773	87	31599-91	35	33204-98	39	35078-79	51
27152-89	23	27731-98A	25	31600-90	35	33216-99	41	3514	97
27156-89	23	27732-98A	25	31603-91	35	33216-99	53	35151-74A	15
27157-89	23	27749-01A	25	31614-83A	31	33319-90	39	35211-91A	37
27157-89	25	27886-78A	25	31646-98	33	33344-94	37	35211-91A	45
27158-89	23	28013-01	25	31661-90	35	3350	35	3534B	27
27158-89	25	28827-96A	27	31662-90	35	33634-91	39	3546	103
27159-92	23	28842-89	27	31663-90	35	33652-90	39	3549A	51
27160-89	23	28857-90	131	31688-90	35	33653-90	39	3549A	53
27162-89	23	28859-90	131	31689-90	35	33655-90	39	3559	35
27171-89	23	28860-89	131	31692-90	35	33656-90A	39	3563	113
27171-89	25	28875-95	131	31695-90	35	33735-99A	41	35633-94	37
27185-90	23	29018-97	27	31727-85	31	33871-85B	41	35640-89	37
27185-90	25	29059-88A	27	31732-98A	33	33900-99	127	35641-89	37
27231-98	23	29062-95B	27	31738-00	31	34015-91	39	35762-89A	37
27241-95	23	29084-73	27	31986-86	31	3403	35	35763-89A	37
27241-95	25	29100-96	27	31996-86A	31	34073-91	39	3577	27
27242-95	25	29111-88	27	3201WA	101	34075-89	39	35771-94	37
27243-95	25	29112-83	95	3201WA	51	34076-89	39	35772-94	37
27250-96A	33	29238-92B	27	3201WA	83	34077-91	39	35773-94	37
27250-96A	89	29257-02	27	3201WA	87	34142-89C	39	35775-94	37
27254-96	23	2925A	75	32043-98	33	34144-89C	39	35796-00	37
27256-01	25	29300-98	27	32044-98	33	34147-89C	39	35797-00	37
27261-96	23	29313-95	27	32045-98	33	34481-91A	39	3579A	87
27262-96	23	29315-95	27	32046-98	33	34483-90	39	358	13
27263-96	23	29316-95C	27	3206B	27	34486-90	39	3594	105
27266-98	75	29325-95A	27	3210A	107	34491-91	39	3594	107

NUMERICAL INDEX

Part No.	Page	Part No.	Page	Part No.	Page	Part No.	Page	Part No.	Page
3594	37	40205-95	45	4240	51	43654-00A	65	45143-88B	49
3594	45	40213-00	45	4240	67	43662-80B	61	45148-96	49
3594	77	40213-00	63	4240	89	4377	101	45194-99	49
3606	113	40213-00	65	42420-99	41	4377	103	45361-90	69
3610	17	40227-00	45	42421-99	53	43895-00	59	45366-96	71
3652	27	40227-00	63	42426-99	41	43895-00	61	45367-96	71
3655A	59	40235-89A	45	42426-99	53	44023-00A	55	45368-96	71
3655A	61	40240-89	45	42432-99	53	44046-00A	55	45372-92	69
3658	129	40251-92A	37	42436-87	51	44048-83	55	45374-87	69
3658	81	40251-92A	45	42437-87	51	44048-83	57	45376-97	69
3658	83	40285-91B	37	42441-90A	51	44082-00A	55	45377-87	69
36715-94	43	40285-91B	45	42441-90A	79	44082-00A	57	45377-87	71
3675	37	40288-95	37	42443-80A	41	44126-87	51	45378-87	69
36785-91	43	40288-95	45	42443-80A	51	4413	13	45378-87	71
36790-91	43	4029A	69	42443-80A	53	44136-00	59	45395-92	69
36792-91	43	4029A	71	42447-96	51	44147-87A	55	45395-97	69
36799-91	43	40520-63	17	42449-80A	15	44147-87A	57	45398-96	71
36802-84B	43	40903-87	51	42456-87C	51	44156-00	59	45399-96	71
3696	13	4091	13	42460-80B	51	44156-00	61	45401-87	69
37101-84	17	40910-00A	63	42460-80B	53	44160-00	55	45401-87	71
37101-84	39	40910-00A	65	42472-87	51	44163-00	55	45405-75A	69
37495-91	43	40922-87	51	42479-90	51	44177-00	55	45423-92	47
3767B	131	40925-00A	57	42579-99	53	44177-00	57	45423-96	49
3767B	77	40965-02A	57	42582-99	41	4420	97	45460-90	69
37870-91	43	40975-00	65	43001-79	61	44313-01	55	45461-87	69
37872-90	43	40976-00	65	43020-87A	61	44313-01	57	45461-87	71
37904-90	43	40983-00	63	43024-73C	61	44314-00	55	45465-87	69
37905-90	43	41008-00	63	43025-73C	61	44314-00	57	45465-87	71
37908-90	43	41015-00	63	43032-40C	65	44315-00	55	45561-87	67
37909-90	43	41017-00	63	43035-87A	61	44315-00	57	45563-87	67
37911-90	43	41123-79	59	43085-97	65	44337-00B	55	45611-86	67
37912-91	43	41123-79	61	4312	95	44337-00B	57	45668-90	67
37913-90	43	41123-79	63	43157-83A	59	44338-00	55	45723-96	71
37918-91	43	41123-79	65	43157-83A	63	44338-00	57	45726-96	71
37977-90	43	41191-74A	17	4326A	81	44351-00	57	45739-87	67
3802W	131	4132	21	4329	29	4435W	13	45790-80	69
3802W	75	4132	47	43312-00A	61	44438-87B	51	45830-48	15
3820	73	4132	49	43338-00	59	44451-01A	55	45900-00	69
38608-96	47	4134	29	43355-00	59	44452-01A	55	45901-00	69
38630-88	47	41563-77A	63	43358-00	59	4453	67	45902-00	35
38662-00	47	41563-77A	65	43358-00	61	4460	67	45905-87	69
38663-00	47	41568-81B	75	43359-00	59	45004-96A	49	45905-87	71
3899	45	41573-97	75	4337W	13	45005-85	51	45921-00	69
3899	63	41579-81	75	4350A	97	45005-96	49	45922-00	69
3899	65	41642-82	51	4351	67	45006-96C	49	45923-00	69
3923	83	41713-86	51	4352	67	45013-96B	49	45925-97	69
3930A	95	41731-01	49	43557-00A	61	45016-96	49	45928-00	69
3958	73	41731-01	51	43567-92	63	45017-93	47	45929-00	69
3987	113	41733-88	49	43567-92	65	45019-96B	49	45938-92	69
3987	31	41739-84A	49	43595-99	127	45021-86	47	45943-00	71
3987	87	41747-82A	49	43608-00	63	45032-82	47	45944-00	71
3993	31	41747-82A	51	43608-00	65	45032-82	49	45974-02	69
39975-90A	45	41797-00	63	43610-00A	61	45036-88	47	45980-96	71
3997A	9	41797-00	65	43613-00	59	45042-82	51	45981-96	71
40005-57B	45	4237	89	43613-00	61	45042-96	49	45984-87	69
40022-91	45	42375-87	51	43617-00A	59	45044-96	47	45985-96	71
4017	41	42381-87	51	43617-00A	61	45044-96	49	45986-96	71
40202-91B	37	42382-87C	51	43619-00A	61	45072-96C	49	45996-87	69
40202-91B	45	4240	131	43626-00	59	45074-95	49	46002-87	69
40205-95	37	4240	49	43654-00A	63	45121-96	49	46002-87	71

NUMERICAL INDEX

Part No.	Page	Part No.	Page	Part No.	Page	Part No.	Page	Part No.	Page
46022-00	71	51042-03	77	56220-94A	83	60419-91	87	63505-84	89
46023-00	71	511	63	56308-96	81	60429-97	95	63533-41A	15
46024-96	71	511	65	56309-96	81	60436-91	87	63533-41A	21
46991-99	83	51187-94A	77	56394-74	129	60439-98	93	63542-94A	93
47083-81A	75	515	39	56394-74	81	60982-03	83	63564-94A	93
47150-00	75	515	51	56394-74	83	6099	131	63576-95	93
4716W	113	515	53	56396-74A	129	6099	39	6366	51
4716W	5	51652-97	77	56396-74A	81	61000-03	83	63796-77A	93
4717A	17	51926-02	77	56396-74A	83	6101	47	63805-80A	93
4717A	19	52129-92C	77	56397-74C	129	6101	49	63858-49	9
4718A	9	52132-94A	77	56397-74C	81	61107-92	27	6410	27
47209-00	75	52136-98	77	56397-74C	83	61109-85D	89	64780-02	103
4721	41	5226B	13	56400-96	81	61131-92	75	64783-02	103
4721	53	5226B	39	56400-96	83	61131-92	89	64784-02	103
4721	79	52357-97	77	56401-96	81	61272-92B	89	64785-02	103
4740A	19	52358-97	77	56401-96	83	61348-98A	89	64860-99	103
4741A	39	52577-96	77	56402-83A	129	61477-03	81	64861-99	103
4741A	41	52968-98	77	56402-83A	81	61478-03	81	6516HW	45
4741A	49	53156-86	81	56402-83A	83	61479-03	81	6516HW	63
4743	73	53156-86	83	56508-76	81	61483-03	81	6516HW	65
4748	41	53158-98	75	56508-76	83	61487-03	81	65171-98A	101
4748	5	534	79	5741	75	6152	13	65171-98A	101
4748	53	53438-92	99	5756	63	6157	21	65173-00	101
4751	29	5403B	87	5756	65	6192	87	65177-98A	101
47554-73A	75	54321-85	61	5787	89	62122-89	75	65179-00	101
47587-00	75	54321-85	65	58998-83C	85	62150-85	89	65184-02	101
4758A	89	54473-79	73	59251-90	87	62161-02	89	65184-02	103
4765	21	54474-79	73	59254-91	87	62166-02	89	65193-98A	101
4767	87	54475-79	73	59259-90	87	62169-02	89	65221-02	103
47937-98	75	54476-82	73	59287-92	87	6217	35	65283-94	101
48151-99	127	54481-96	73	59288-92	87	62172-02	89	65312-98A	101
48153-02	75	54542-96A	73	59289-92	87	6220W	95	65324-83A	101
4816A	81	54552-96A	73	59290-92	87	62244-03	91	65324-83A	103
4820A	17	54556-84	73	59481-00	69	62245-03	91	65325-83A	101
4820A	19	54566-97	73	59481-00	71	62246-03	91	65325-83A	103
4820A	33	54568-92	73	59482-00	69	62247-03	91	65419-86	101
4820A	37	54701-82	73	59482-00	71	62347-95	89	65568-86A	101
4826	37	54705-00	73	59589-02	89	62361-94	93	65569-86A	101
48300-60	67	54713-96	73	59594-82C	87	62375-57A	19	65599-80D	101
48302-85	15	54714-96	73	59671-98	87	62493-89	93	65605-97	101
48315-60	67	54715-96	73	59674-99	87	62494-94B	93	65613-97	101
48315-60	75	554	75	59768-97	87	62540-83	93	65712-95	101
48361-80	67	56074-96	83	59853-98	87	62540-83	95	65719-95	101
48365-48A	67	56081-82A	81	59854-98	87	62563-65	93	65781-82	101
48367-98	75	56082-83	81	59896-94	87	62569-94	95	65782-82	101
50003-89B	75	56085-83A	81	59897-94	87	62601-91A	21	6590HW	59
50005-85A	75	56104-02	109	59984-73	87	62631-91	93	6590HW	61
50006-89	75	56110-98	81	59986-75	87	62634-84A	93	65989-97A	95
50072-92	75	56115-95	81	59988-72A	87	6272	97	66040-00	95
50101-91	75	56116-82A	81	60001-55	87	6288	127	66042-79A	75
50615-83	79	56117-82A	81	6003	37	62888-99	93	66194-98	95
50643-82	79	56153-73	81	601	39	62951-02	93	66214-97	95
50646-82	79	56153-73	83	6012	73	6333	89	66325-82	75
50647-82	79	56159-73	81	6019	13	63500-68	15	66352-65	95
50912-72	41	56159-73	83	6026	13	63500-68	93	66359-97	95
50912-72	53	56185-98A	83	60337-00	87	63501-68A	19	66367-97	95
50912-72	79	56192-01	83	60348-65B	15	63501-68A	25	66392-02	75
50951-90	79	56206-96	81	6036	77	63501-68A	93	66476-98	95
50972-75	75	56206-96	83	60381-91	87	63504-94	93	6655	67
51041-03	77	56220-94A	81	604	13	63505-84	25	6701	111

NUMERICAL INDEX

Part No.	Page	Part No.	Page	Part No.	Page	Part No.	Page	Part No.	Page
6701	113	67698-81D	97	68551-95	105	70504-81	81	72116-94BK	129
6701	13	67705-92	97	68572-64B	109	70504-81	83	72119-94BK	123
6701	5	67719-63	115	68650-92	99	70578-89	95	72124-94GY	123
6701	69	67719-63	123	68705-93A	99	70585-93	105	72126-94GY	115
6701	71	67719-63	97	68715-96	107	70585-93	107	72126-94GY	119
6701	97	67725-63	97	68788-96	107	70586-93	127	72126-94GY	123
6702	101	67744-75	97	68806-99	105	70586-93	99	72138-94GY	115
6702	107	67757-92	97	68811-01	105	70587-93	127	72138-94GY	119
6702	113	67763-92A	99	68813-01	105	7068	59	72138-94GY	123
6702	17	67781-92A	99	68814-01	107	7068	61	72139-94GY	123
6702	31	67805-92	97	68820-98	105	7068	97	72142-94	115
6702	39	67815-59A	97	68820-98	107	7124	77	72142-94	119
6702	41	67822-88	109	68830-99A	111	7127	109	72143-94	105
6702	51	67827-88A	109	68832-99	111	7127	97	72143-94	107
6702	81	67828-88A	109	68833-99	111	7129	67	72144-94	123
6702	83	67829-88	109	68841-98	105	71441-94	127	72146-94	115
6702	87	67834-83	97	68841-98	107	71451-94A	127	72146-94	119
6702	97	67850-96	99	68899-99	111	7145W	113	72146-94	123
6703	131	67854-98	105	68904-00	109	7145W	13	72146-94	31
6703	77	67854-98	107	68905-00	109	7145W	47	72152-94	31
6703	87	67861-96	83	68972-00	109	71509-00	129	72153-94	105
6703	93	67865-89	99	68973-00	109	71510-95	127	72153-94	107
67037-98B	105	67880-94	105	68973-00	109	71550-94	127	72153-94	123
67041-98B	105	67880-94	107	68975-00	109	71552-94	127	72156-94	115
67042-99	105	67881-96A	99	68977-00	109	71563-96	129	72156-94	119
67053-95	105	67882-96A	99	68978-00	109	71563-96	81	72156-94	129
67084-96	107	67894-93	99	69012-93A	113	71563-96	83	72158-94	115
67085-95	105	67901-96A	99	69037-95A	113	71564-96	129	72158-94	119
67088-96	107	67919-96	99	69037-95A	27	71564-96	81	72158-94	123
67103-95	105	67963-98	97	69043-96A	113	71564-96	83	72159-94	123
67104-95	105	67972-98	97	69060-90D	113	71567-96	129	72163-94BK	105
67121-95	105	67973-98	99	69062-91A	113	71568-96	129	72163-94BK	107
67121-95	107	6798	87	69120-91	113	71589-96B	129	72176-94	129
67133-98	131	68024-94	105	69123-92	113	71590-96	129	72180-94	115
6716	33	68024-94	107	69135-96A	113	71591-00	129	72180-94	119
6718	73	68026-99	111	69187-03	111	71597-96B	129	72180-94	123
67184-94	105	68030-96	83	70068-96	113	71598-00	129	72190-94	105
67184-94	107	68061-94B	99	70076-97	95	720	13	72190-94	107
67283-99A	105	68066-99A	111	70087-95	113	72023-51C	127	72190-94	115
67283-99A	107	68140-99A	111	70097-97	95	72023-51C	51	72190-94	119
67284-99A	105	68141-99A	111	70118-97	89	72033-93	115	72190-94	123
67284-99A	107	68163-84	109	70135-99	115	72033-93	119	72190-94	31
67285-99A	105	68167-88	111	70135-99	117	72033-93	123	72190-94	33
67285-99A	107	68167-88	111	70139-99	123	72046-79	115	72191-94	115
67290-98B	105	68168-89	109	70139-99	125	72046-79	119	72191-94	119
67320-95	105	68168-89A	111	70153-99	119	72046-79	123	72191-94	123
67338-97	105	68169-90A	111	70153-99	121	72056-92	115	72191-94	129
67344-97	105	68296-99A	111	7019	39	72056-92	123	72191-94	31
67345-97	105	68329-03	99	70191-73A	67	72056-92	99	72195-94	115
6736	9	68368-03	111	70227-99	127	72102-94BK	115	72195-94	119
6738	73	68369-03	111	70345-84	129	72102-94BK	119	72195-94	125
67415-99A	107	68370-03	111	7036	31	72103-94BK	33	72195-94	31
67416-99A	107	68371-03	111	7038	13	72106-94BK	115	72196-94	115
67436-99A	107	68372-03	111	7038	5	72106-94BK	119	72196-94	119
67601-94	97	68382-96	107	7038	69	72106-94BK	123	72196-94	125
67602-94	99	68441-00	87	7038	71	72106-94BK	31	72197-94	29
67603-94	97	68480-02	109	7041	113	72112-94BK	31	72199-94	105
67604-94	99	68513-95	105	7042	51	72113-94BK	123	72199-94	107
67685-92	97	68516-95	105	7045	79	72116-94BK	115	72199-94	117
67691-92	99	68540-96	87	7045	97	72116-94BK	119	72199-94	119

NUMERICAL INDEX

Part No.	Page	Part No.	Page	Part No.	Page	Part No.	Page	Part No.	Page
72199-94	31	72445-99TN	117	74599-77B	121	7987	65	9840	115
72199-94	33	72445-99TN	121	74599-77B	125	8098	113	9840	119
7220	127	72445-99TN	125	74599-77B	127	8099	131	9840	123
7220	49	72452-00	105	7481	113	8099	75	9840	29
7220	51	72453-00	105	7495	113	8108	113	9842	115
7220	67	72454-00	105	7531	101	8126A	93	9842	119
72213-94	125	72455-00	105	7531	113	8144	51	9842	123
72214-94	125	72507-94	117	7531	31	8535	27	9843	115
72216-94	117	72507-94	125	7531	85	853A	51	9843	119
72216-94	121	72507-94	99	7531	87	855B	79	9843	123
72216-94	125	73103-96BK	117	7531	89	869	27	9847	115
72217-94	117	73103-96BK	121	7593	101	8692	87	9847	123
72217-94	121	73103-96BK	125	7593	103	8699	31	9847	97
72217-94	125	73104-96BK	121	761	87	8699	33	9848	115
72218-94	117	73106-96BK	117	7624	93	879A	79	9848	123
72218-94	121	73106-96BK	121	7629	115	882	9	9848	97
72218-94	125	73106-96BK	125	7629	119	8871	35	9862	127
72219-94	117	73108-96BK	117	7629	123	8873	43	9869	115
72219-94	121	73108-96BK	121	7629	93	8876A	37	9869	119
72219-94	125	73108-96BK	125	7667	45	8879	35	9869	123
72220-94	117	73152-96BK	109	767A	75	8881	13	9898	115
72220-94	121	73153-96BK	27	7683	39	8883	35	9898	119
72220-94	125	73154-96BK	111	7686	131	8885	43	9898	123
72230-98	125	73154-96BK	99	7686	93	89579-91	89	9898	127
72231-98	125	73156-96BK	109	7686	95	8977	13	9898	99
72249-94	117	73156-96BK	111	7688	95	8977	37	9937	115
72249-94	121	73158-96BK	111	7736	97	8996A	13	9937	119
72249-94	125	73190-96	117	7739	39	8996A	37	9937	123
72266-94	105	73190-96	121	7739	95	8998	17	9954	103
72266-94	107	73190-96	125	7744	109	9077	35	9955	101
72266-94	121	73191-96	109	7744	41	90770-79	47	9955	103
72266-94	129	73191-96	111	7744	51	9151	13	9969	93
72268-94	127	73191-96	27	7744	53	9151	39		
72280-95	125	73191-96	99	7775	13	91840-03	99		
72290-94	117	73198-96	117	7778	41	91845-03	99		
72290-94	121	73198-96	121	7778	53	91846-03	99		
72290-94	125	73198-96	125	7778	75	91848-03	99		
72291-94	117	740	75	7778	79	9187	17		
72291-94	121	74109-98BK	117	7778	97	91909-03	99		
72291-94	125	74109-98BK	121	7780	13	91910-03	99		
72295-94	117	74109-98BK	125	7783	69	91982-03	99		
72295-94	121	74119-98BK	105	7783	71	91983-03	99		
72295-94	125	74119-98BK	107	7789	13	923	77		
72347-94	117	74149-98	117	7792	87	9267	59		
72347-94	121	74149-98	121	7804	45	9267	61		
72347-94	125	74149-98	125	7824	51	9267	63		
72347-94	127	74159-98	105	7824	73	9267	65		
72366-95	117	74159-98	107	7824	79	928	35		
72366-95	121	74190-98	117	7839	45	929A	35		
72366-95	125	74190-98	121	7844	101	943	17		
72373-97	127	74190-98	125	7861	13	946	27		
72375-98	33	74191-98	105	7861	5	95578-41	61		
72399-98	117	74191-98	107	7880	97	95578-41	65		
72399-98	121	74193-98	105	7882	87	95581-47	61		
72399-98	125	74193-98	107	7916A	19	95581-47	65		
72405-98BK	117	74195-98	117	7956	59	95582-47	61		
72405-98BK	121	74402-95	105	7956	61	95582-47	65		
72405-98GN	117	74402-95	107	7964	111	95594-84	59		
72405-98GN	121	74523-94A	29	7966	33	95595-84	59		
72405-98GN	125	74599-77B	117	7987	63	95595-84	63		

