

READER'S COMMENTS

The Harley-Davidson Service Communications Department maintains a continuous effort to improve the quality and usefulness of its publications. To do this effectively we need user feedback — your critical evaluation of this manual.

Please comment on this manual's completeness, accuracy, organization, usability and readability.

Should you find errors in this manual, please list the page, item and part numbers.

How can this manual be improved?

Occupation:

Name

Dealership

Street

Department

City

State

Zip

Clip out and mail to:
Service Communications
Harley-Davidson Motor Company
P.O. Box 653
Milwaukee, WI 53201

2001
Sportster
Parts Catalog
P.N. 99451-01A

CMI-2.5M-10/00

CUT HERE

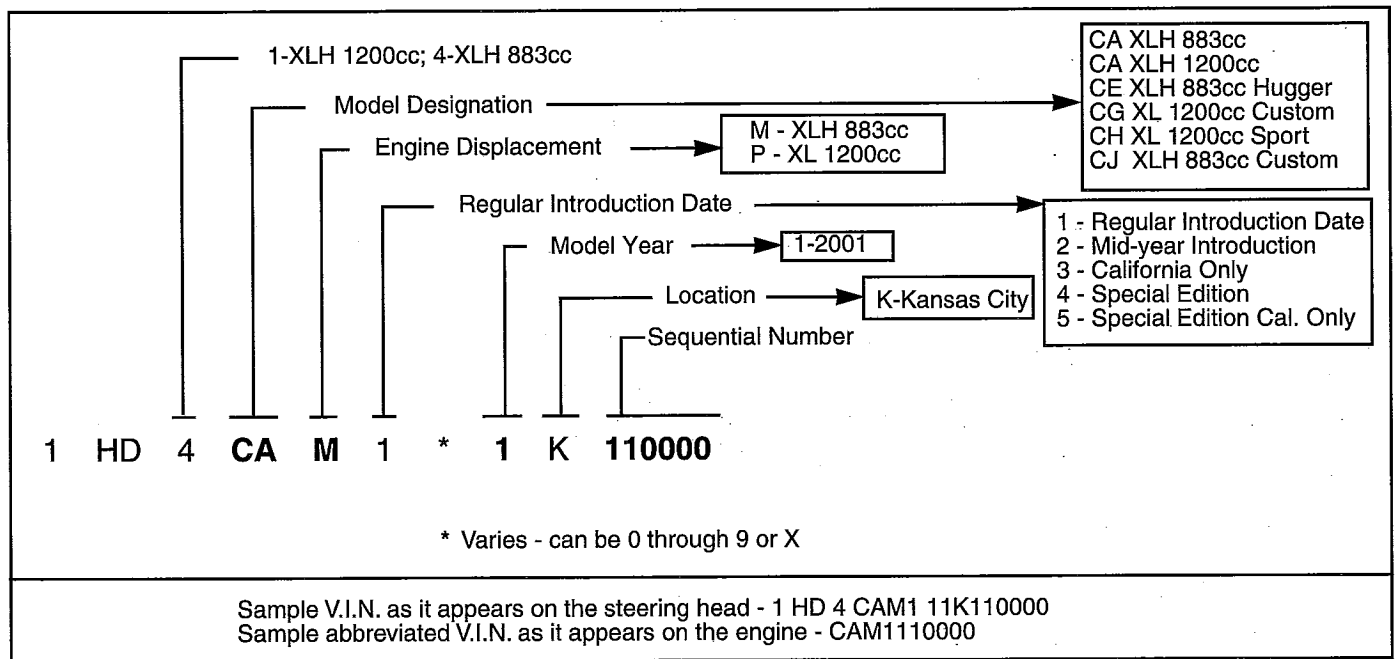
GENERAL INFORMATION

This Parts Catalog has been prepared for your convenience when ordering parts for the 2001 XLH EVOLUTION SPORTSTER models. This format allows you to compare the parts usage on all Sportster model motorcycles. Refer to the Glossary at the end of the book for unfamiliar abbreviations. A complete Hardware Listing is also featured. Index numbers shown in the illustrations correspond to index numbers in parts lists. Consult the illustrations when ordering parts so you are sure to get the part required. The number in parenthesis following description of parts is the quantity needed for complete assembly. If there is no number in parenthesis, only one is used. Prices of parts in this catalog are published separately.

The following instructions should be followed carefully when ordering parts.

- Specify the correct part number for each item. Check the "MODEL" column of the parts list which shows the model on which the part fits. Whenever in doubt, refer to the Vehicle Identification Number (V.I.N.). A 17 digit V.I.N. is stamped on the front of the frame and frame right downtube label. An abbreviated V.I.N. is stamped on the left engine crankcase.

Always give one of these numbers when ordering parts or making any inquiry about your motorcycle.



- An asterisk (*) in the "Used On" column indicates part is used through the current model year.
- Orders may be placed via your computer, fax or phone for all parts except engines, crankcases and frames. Order form, Part No. 99514-76, must be used for engines, crankcases and frames. All non-warranty replacement crankcase orders must have the corresponding complete left crankcase half included with the order. All non-warranty replacement frame orders must have the corresponding steering neck with V.I.N. included with the order.
- The following model designations are located in each of the models column.

(STD) = Sportster 883 Standard	(1200S) = Sportster 1200 Sport
(HUG) = Sportster 883 Hugger	(1200C) = Sportster 1200 Custom
(1200) = Sportster 1200	(883C) = Sportster 883 Custom

PATENT NOTICE

Harley-Davidson products are manufactured under one or more of the following patents: U.S. Patents - 2986162, 2987934, 2998809, 3116089, 3144631, 3144860, 3226994, 3229792, 3434887, 3559773, 3673359, 3709317, Des. 225,626.

To the best knowledge of Harley-Davidson, Inc., the material contained herein is accurate as of the date this publication was approved for printing. Harley-Davidson, Inc. reserves the right to change specifications, equipment, or designs at any time without notice and without incurring obligation.

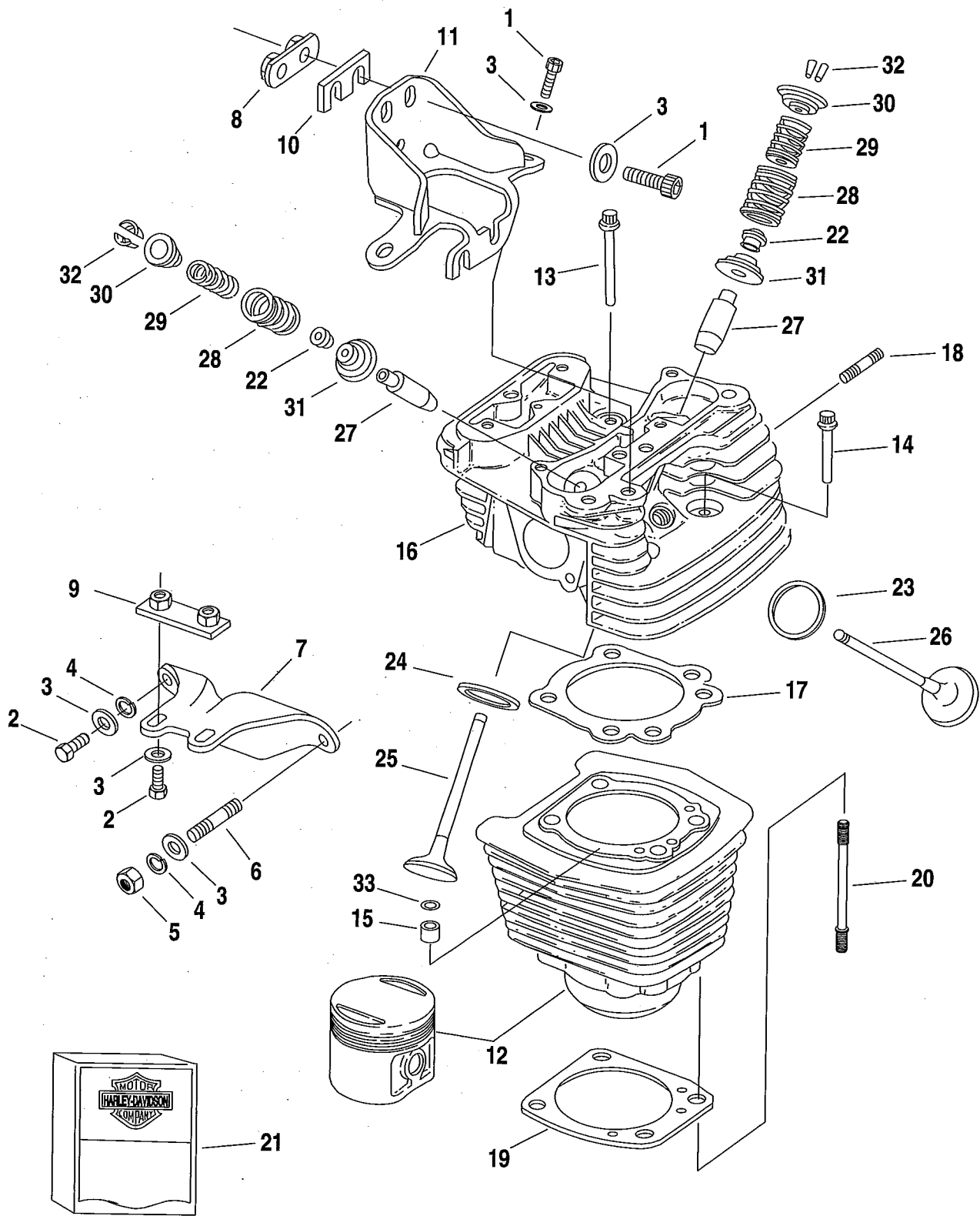
ALPHABETICAL INDEX

DESCRIPTION	PAGE	DESCRIPTION	PAGE
Access Door, transmission	17	Fork, front - 1200S	71
Air Cleaner	27	Fork, rear	75
Air Filter	27	Frame	75
Alternator	29	Fuel Lines	89
Axle, front.....	59,61	Fuel Tank.....	89
Axle, rear	63,65	Fuel Valve.....	89
Battery	95	Gasket Kits.....	7,9
Battery Cables	95	Gearcase	19
Battery, tray, covers, side, & top.....	95	Glossary.....	130
Belt, rear	45	Handlebar	81,83
Belt Guard.....	87	Hardware Listing	131-133
Bracket, speedo/tach	103,105	Headlamp.....	97,99
Brake Caliper, front	55	Horn	111
Brake Caliper, rear	57	Ignition Coil	31,33
Brake Control, front.....	49	Ignition Module.....	31,33
Brake Control, rear.....	51,53	Ignition Switch.....	125
Brake Disc, front	59,61	Indicator Lamps	103,105
Brake Disc, rear	63,65	Intake Manifold.....	23
Brake line, front.....	49	Jiffy Stand	75
Brake line, rear.....	51	Lever, Clutch Control.....	47
Cam Gears	19	Lever, Front Brake Control	49
Cam Bushings	19	Lever, Rear Brake Control.....	51,53
Carburetor.....	23,25	Lever, Transmission Gear Shift	39
Cable, clutch control	47	License Plate Bracket	87
Chain, primary	45	Master Cylinder, front.....	49
Circuit Breakers/Fuses.....	125	Master Cylinder, rear.....	51
Clamps, handlebar upper & lower.....	81,83	Mirrors.....	97,99
Clutch.....	43	Mounting plates, front	15,41,53
Clutch Control	47	Mufflers	101
Coil, ignition	31,33	Numerical Index	134-139
Connecting Rods and Bearings	11	Oil Filter.....	93
Covers, rocker arm	9	Oil Pressure Switch.....	93
Crankcase.....	13,15	Oil Pump	21
Cylinders, engine	5	Oil Pump Drive Gear	19
Cylinder Heads	5	Oil Tank	93
Debris Deflector	87	Pistons and Piston Rings	5,11
Decals, fuel tank	91	Primary Cover	17
Engine.....	5,7	Push Rods & Covers.....	9
Engine mounts, front.....	13,41,53	Regulator	29
Enrichener Cable	27	Relay, starter	125
Evaporative Emissions Kit	129	Rims, front & rear	61,65
Exhaust System	101	Rocker Arms & Covers.....	9
Fender, front.....	85	Rotor, ignition	29
Fender, rear	87	Seats.....	77
Filter, Air.....	27	Sensor, bank angle	95
Filter, Engine Oil	93	Shifter.....	39,41
Filter, Fuel	89	Shock Absorbers.....	73
Flywheels.....	11	Side Cover, module.....	75
Footrests.....	41,53,79	Spark Plugs.....	31,33
Fork, front - STD/HUG/883C/1200/1200C.....	69	Speedometer	103,105

ALPHABETICAL INDEX

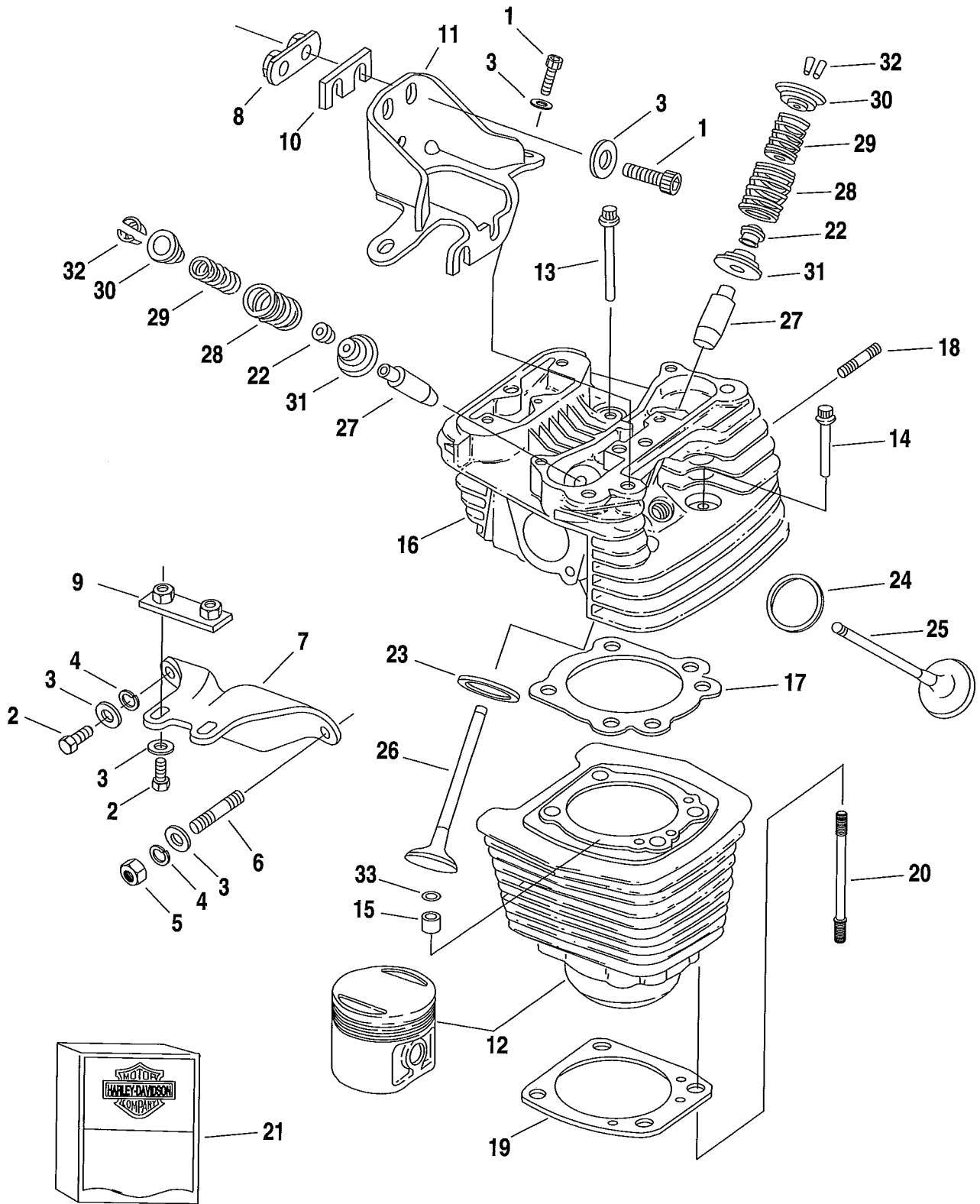
DESCRIPTION	PAGE	DESCRIPTION	PAGE
Sprocket Cover, transmission	37		
Sprockets	37,45,63,65		
Starter Motor.....	35		
Stator	29		
Steering Head Brackets, upper & lower.....	67		
Swing Arm	75		
Switches	125		
Switches, handlebar	127		
Switches, ignition	125		
Switches, starter	125		
Tachometer	103		
Tail Lamp	109		
Tappets	79		
Throttle Control.....	81,83		
Transmission Gears	37		
Turn Signal Cancellor.....	87		
Turn Signals	107		
Vacuum Switch	31		
Valves & Guides.....	7		
Voltage Regulator	29		
Wheels, front - cast.....	59		
Wheels, front - laced.....	61		
Wheels, rear - cast.....	63		
Wheels, rear - laced.....	65		
Wiring Harness, main - STD/HUG/1200	113,115		
Wiring Harness, main - 883C/1200C	117,119		
Wiring Harness, main - 1200S.....	121,123		

CYLINDER, HEAD & VALVES - V²™



INDEX NO.	PART NO.	DESCRIPTION	MODELS
1	4748	SCREW (4)	2001-All Models
2	4716W	BOLT (3)	2001-All Models
3	6701	WASHER (8)	2001-All Models
4	7038	LOCKWASHER (2)	2001-All Models
5	7861	NUT	2001-All Models
6	11727A	STUD, left front	2001-All Models
	16051-01	ENGINE ASM., complete (1200cc)	2001-1200
	16052-01	ENGINE ASM., complete (883cc)	2001-STD
	16054-01	ENGINE ASM., complete (1200cc)(Cal. only)	2001-1200
	16055-01	ENGINE ASM., complete (883cc)(Cal. only)	2001-STD
	16061-01	ENGINE ASM., complete (883cc)	2001-HUG
	16062-01	ENGINE ASM., complete (883cc)(Cal. only)	2001-HUG
	16068-01	ENGINE ASM., complete (1200cc)	2001-1200C
	16069-01	ENGINE ASM., complete (1200cc)(Cal. only)	2001-1200C
	16074-01	ENGINE ASM., complete (1200cc)	2001-1200S
	16075-01	ENGINE ASM., complete (1200cc)(Cal. only)	2001-1200S
	16079-01	ENGINE ASM., complete (883cc)	2001-883C
	16080-01	ENGINE ASM., complete (883cc) (Cal. only)	2001-883C
7	16214-86	BRACKET, upper front	2001-1200/C/S
	16222-86	BRACKET, upper front	2001-STD/HUG/883C
8	16226-94	NUT PLATE	2001-All Models
9	16228-86A	NUT PLATE	2001-All Models
10	16233-86	SHIM, 0.030 (as required)	2001-All Models
11	16278-95B	BRACKET, center eng. mount	2001-All Models
12	16446-86B	CYLINDER WITH PISTON (883 cc)(2)	2001-STD/HUG/883C
	16447-88A	CYLINDER WITH PISTON (1200 cc)(2)	2001-1200/C/S
13	16478-85A	SCREW, internal thread (4)	2001-All Models
14	16480-92	SCREW, internal thread (4)	2001-All Models
15	16573-83	INSERT, cylinder stud (4)	2001-All Models
16	16660-89B	HEAD, rear cylinder - w/valve guides & seats	2001-STD/HUG/883C
	16661-89B	HEAD, front cylinder - w/valve guides & seats	2001-STD/HUG/883C
	16688-90A	HEAD, front cylinder - w/valve guides & seats	2001-1200/C
	16698-90A	HEAD, rear cylinder - w/valve guides & seats	2001-1200/C
	16630-98	HEAD, front cylinder - w/valve guides & seats	2001-1200S
	16633-98	HEAD, rear cylinder - w/valve guides & seats	2001-1200S
17	16664-86B	GASKET, cylinder head (2)	2001-STD/HUG/883C
	16770-84D	GASKET, cylinder head (2)	2001-1200/C/S
18	16715-83	STUD, exhaust port (4)	2001-All Models
19	16774-86D	GASKET, cylinder base (2)	2001-All Models
20	16832-86C	STUD, cylinder base (8)	2001-All Models

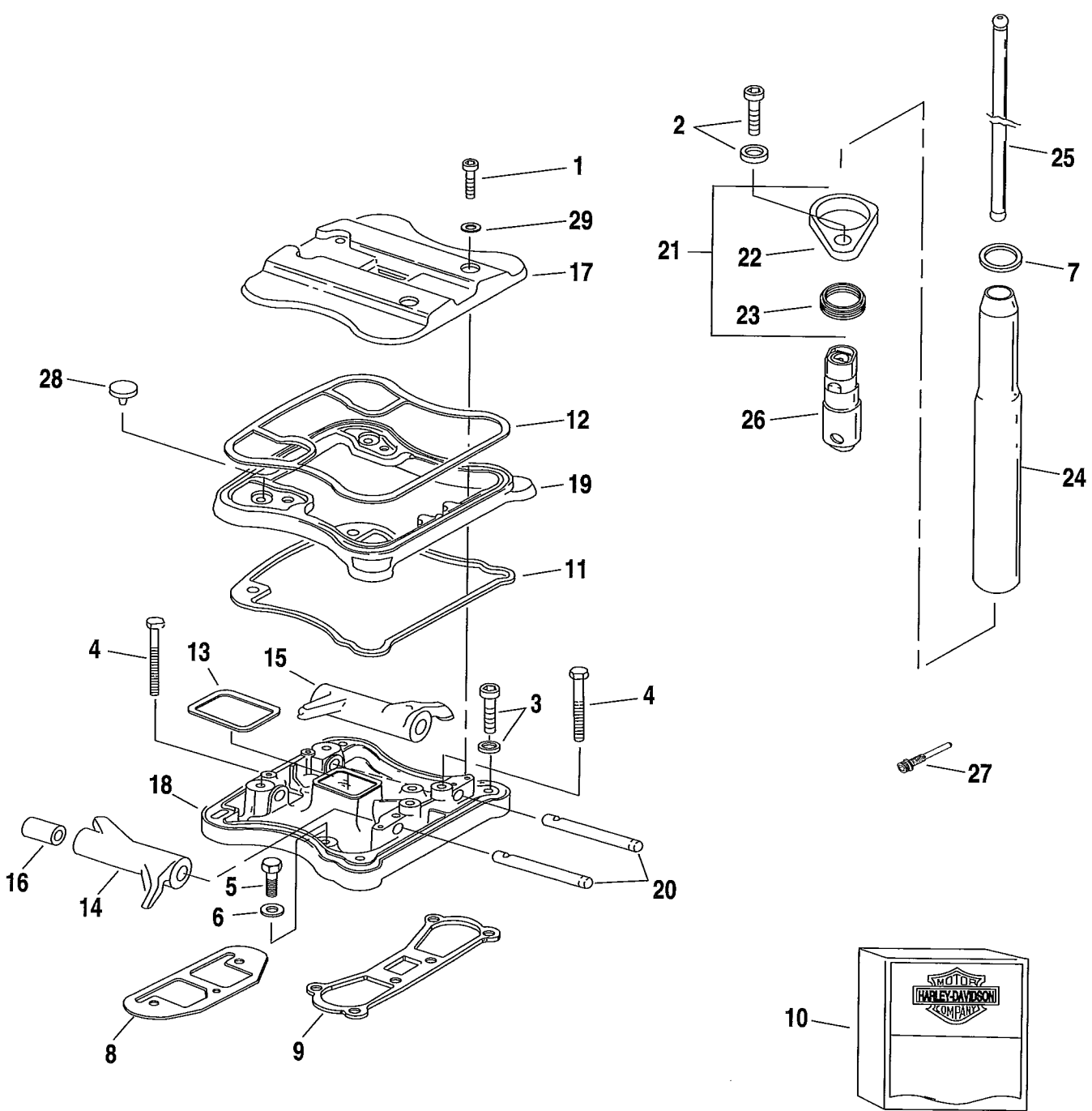
CYLINDER, HEAD & VALVES - V²™



CYLINDER, HEAD AND VALVES - V²™ EVOLUTION (CONTINUED)

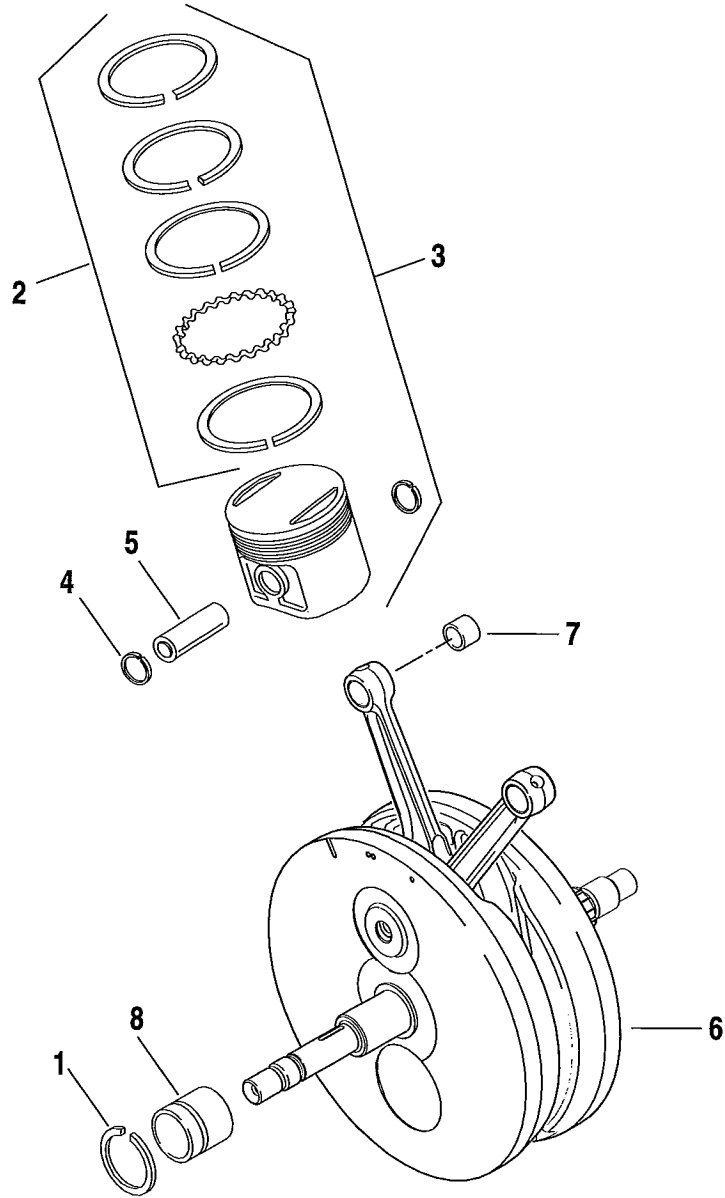
INDEX NO.	PART NO.	DESCRIPTION	MODELS
21	17026-91B	GASKET KIT, engine overhaul	2001-All Models
	17032-91	GASKET KIT, top overhaul	2001-All Models
	17036-91	GASKET KIT, rocker covers	2001-All Models
22	18001-83B	SEAL, valve (4)	2001-All Models
23	18011-87A	INSERT, exhaust valve seat (2)	2001-1200/C
	18012-87A	INSERT, exhaust valve seat (2)	2001-STD/HUG/883C
	18022-96YA	INSERT, exhaust valve seat (2)	2001-1200S
24	18020-87B	INSERT, intake valve seat (2)	2001-1200/C/S
	18021-87A	INSERT, intake valve seat (2)	2001-STD/HUG/883C
25	18023-87	INTAKE VALVE (2)	2001-1200/C/S
	18031-86	INTAKE VALVE (2)	2001-STD/HUG/883C
26	18024-87	EXHAUST VALVE (2)	2001-1200/C/S
	18030-86	EXHAUST VALVE (2)	2001-STD/HUG/883C
27	18112-92A	VALVE GUIDE, int. & exh. (4)	2001-STD/HUG/883C/1200/C
	18130-83D	VALVE GUIDE, int. & exh.-0.001 O.S. (4)	2001-STD/HUG/883C/1200/C
	18131-83D	VALVE GUIDE, int. & exh.-0.003 O.S. (4)	2001-STD/HUG/883C/1200/C
	18133-83B	VALVE GUIDE, int. & exh.-0.002 O.S. (4)	2001-STD/HUG/883C/1200/C
	18113-96YA	VALVE GUIDE, int. & exh. (4)	2001-1200S
	18652-96YA	VALVE GUIDE, int. & exh.-0.001 O.S. (4)	2001-1200S
	18653-96YA	VALVE GUIDE, int. & exh.-0.002 O.S. (4)	2001-1200S
	18654-96YA	VALVE GUIDE, int. & exh.-0.003 O.S. (4)	2001-1200S
28	18201-83	VALVE SPRING, outer (4)	2001-All Models
29	18202-83	VALVE SPRING, inner (4)	2001-All Models
30	18219-83A	COLLAR, valve spring - upper (4)	2001-All Models
31	18222-83A	COLLAR, valve spring - lower (4)	2001-All Models
32	18229-83	RETAINER, valve collar (8)	2001-All Models
33	26432-76A	O-RING, cylinder stud insert (4)	2001-All Models
H-D INTERNATIONAL ONLY			
	16063-01	ENGINE ASM., complete (1200cc)(HDI./Aust.)	2001-1200
	16064-01	ENGINE ASM., complete (883cc)(HDI only)	2001-STD
	16066-01	ENGINE ASM., complete (883cc)(HDI only)	2001-HUG
	16071-01	ENGINE ASM., complete (1200cc)(HDI./Aust.)	2001-1200C
	16076-01	ENGINE ASM., complete (1200cc)(HDI only)	2001-1200S
	16078-01	ENGINE ASM., complete (883cc)(HDI only)	2001-883C

ROCKER ARMS, COVERS, & PUSH RODS - V²™



INDEX NO.	PART NO.	DESCRIPTION	MODELS
1	882	SCREW (8)	2001-All Models
2	3228	SCREW, w/washer (4)	2001-All Models
3	4718A	SCREW, w/washer (4)	2001-All Models
4	1039	BOLT (8)	2001-All Models
5	3997A	BOLT (6)	2001-All Models
6	6736	WASHER (6)	2001-All Models
7	11190	O-RING, push rod cover-upper (4)	2001-All Models
8	16778-84B	GASKET, cylinder head-right (2)	2001-All Models
9	16779-84D	GASKET, cylinder head-left (2)	2001-All Models
10	17036-91	GASKET KIT, rocker covers	2001-All Models
11	17353-89	GASKET, rocker cover - lower (2)	2001-All Models
12	17354-89	GASKET, rocker cover - upper (2)	2001-All Models
13	17358-84A	GASKET, rocker cover - inner (2)	2001-All Models
14	17360-83A	ROCKER ARM, front intake & rear exhaust (2)	2001-All Models
15	17375-83A	ROCKER ARM, front exhaust & rear intake (2)	2001-All Models
16	17428-57	BUSHING, rocker arm (8)	2001-All Models
17	17501-86B	ROCKER COVER, outer (2)	2001-STD/HUG/883C/1200
	17551-96	ROCKER COVER, outer (2)	2001-1200C
	17527-98	ROCKER COVER, outer, silver (2)	2001-1200S
18	17532-86B	ROCKER COVER, inner (2)	2001-STD/HUG/883C/1200
	17537-96	ROCKER COVER, inner (2)	2001-1200C
	17614-98	ROCKER COVER, inner, silver (2)	2001-1200S
19	17533-90A	SPACER, rocker cover (2)	2001-STD/HUG/883C/1200/S
	17538-96	SPACER, rocker cover (2)	2001-1200C
20	17611-83	SHAFT, rocker arm (4)	2001-All Models
21	17952-91	SEAL PLATE ASSEMBLY, front int. & rear exh. w/cover & seal (2)	2001-All Models
	17953-91	SEAL PLATE ASSEMBLY, front exh. & rear int. w/cover & seal (2)	2001-All Models
22	17942-89	COVER PUSHROD SEAL (4)	2001-All Models
23	17944-89	SEAL, push rod cover (4)	2001-All Models
24	17946-89	COVER, push rod (4)	2001-All Models
25	17897-89	PUSH ROD, intake (2)	2001-All Models
	17904-89	PUSH ROD, exhaust (2)	2001-All Models
26	18538-99A	TAPPET, with roller (4)	2001-All Models
27	18532-00	SCREW, anti-rotation (4)	2001-All Models
28	26856-89	VALVE, umbrella (2)	2001-All Models
29	63858-49	GASKET (8)	2001-All Models

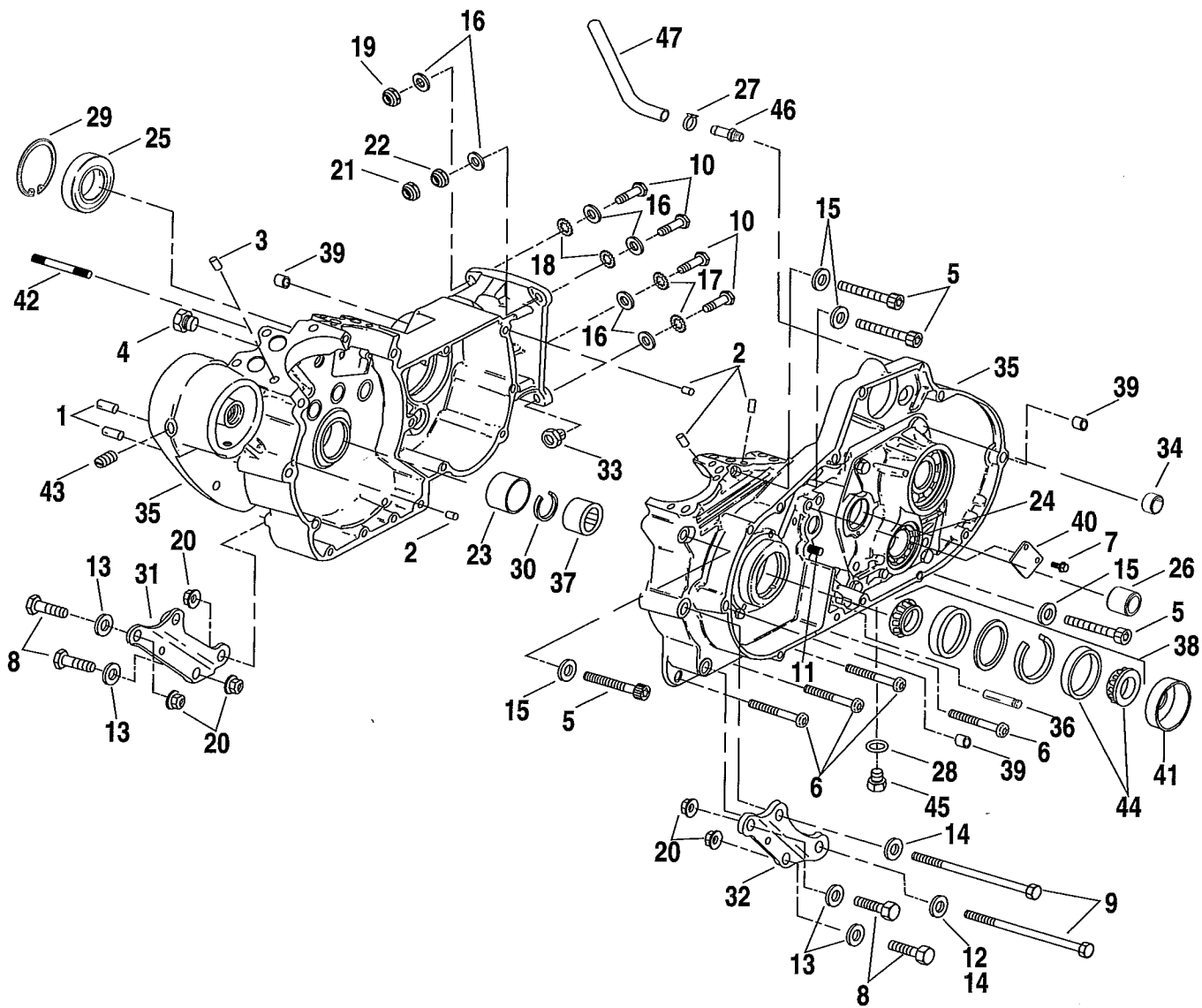
PISTONS, CONNECTING RODS, AND FLYWHEELS



PISTONS, CONNECTING RODS AND FLYWHEELS

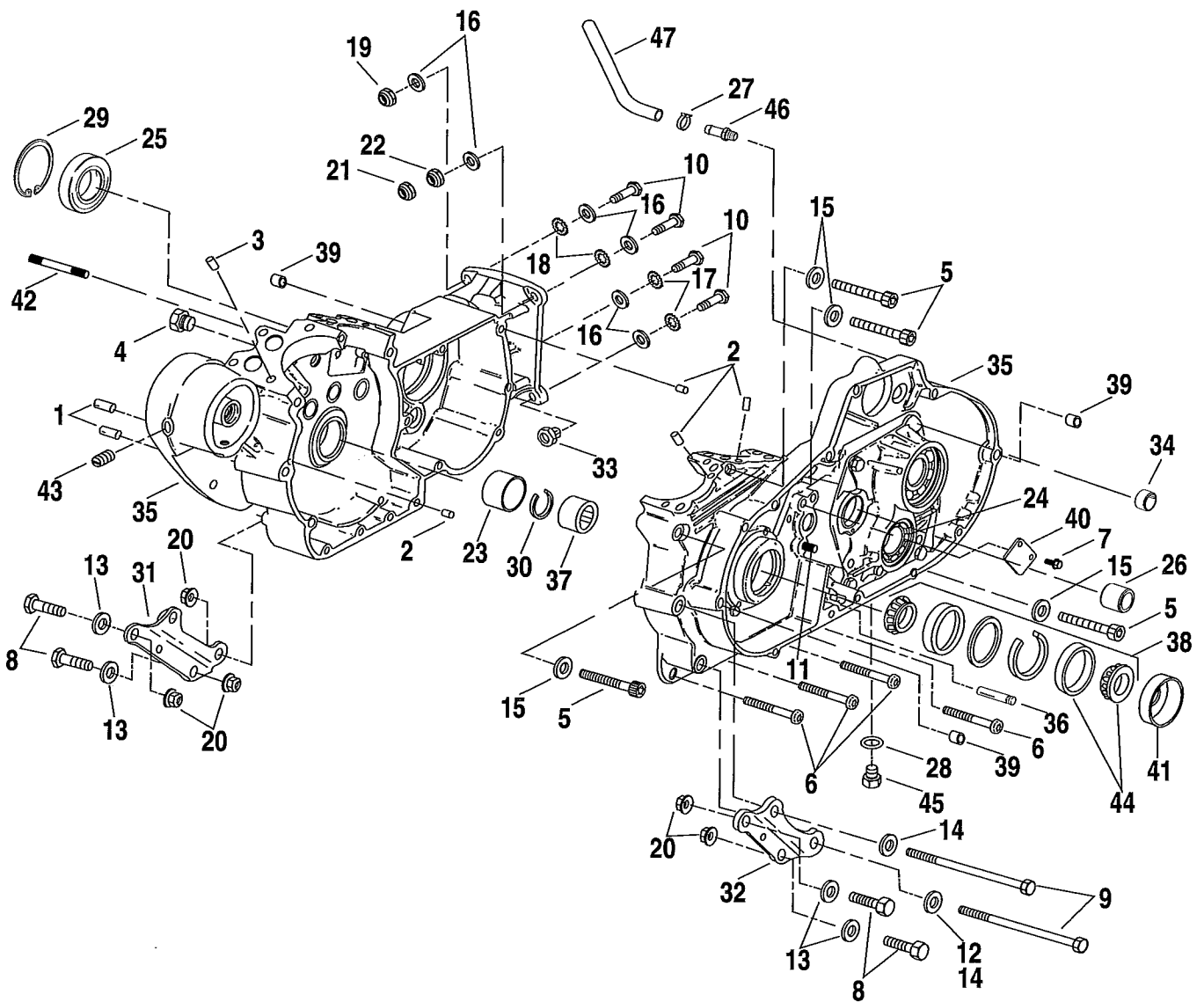
INDEX NO.	PART NO.	DESCRIPTION	MODELS
1	11177A	RETAINING RING	2001-All Models
2	21920-83	PISTON RING SET - standard (2)	2001-1200/C/S
	21921-83	PISTON RING SET - 0.005 O.S. (2)	2001-1200/C/S
	21922-83	PISTON RING SET - 0.010 O.S. (2)	2001-1200/C/S
	21923-83	PISTON RING SET - 0.020 O.S. (2)	2001-1200/C/S
	21924-83	PISTON RING SET - 0.030 O.S. (2)	2001-1200/C/S
	22266-86	PISTON RING SET - standard (2)	2001-STD/HUG/883C
	22261-86	PISTON RING SET - 0.010 O.S. (2)	2001-STD/HUG/883C
	22262-86	PISTON RING SET - 0.020 O.S. (2)	2001-STD/HUG/883C
	22263-86	PISTON RING SET - 0.030 O.S. (2)	2001-STD/HUG/883C
	22271-86	PISTON RING SET - 0.005 O.S. (2)	2001-STD/HUG/883C
3	22242-86A	PISTON AND RINGS ASM. - standard (2)	2001-STD/HUG/883C
	22201-86A	PISTON AND RINGS ASM. - 0.005 O.S. (2)	2001-STD/HUG/883C
	22253-86A	PISTON AND RINGS ASM. - 0.010 O.S. (2)	2001-STD/HUG/883C
	22254-86A	PISTON AND RINGS ASM. - 0.020 O.S. (2)	2001-STD/HUG/883C
	22255-86A	PISTON AND RINGS ASM. - 0.030 O.S. (2)	2001-STD/HUG/883C
	22243-88A	PISTON AND RINGS ASM. - standard (2)	2001-1200/C/S
	22205-88A	PISTON AND RINGS ASM. - 0.005 O.S. (2)	2001-1200/C/S
	22216-88A	PISTON AND RINGS ASM. - 0.010 O.S. (2)	2001-1200/C/S
	22220-88A	PISTON AND RINGS ASM. - 0.020 O.S. (2)	2001-1200/C/S
	22225-88A	PISTON AND RINGS ASM. - 0.030 O.S. (2)	2001-1200/C/S
4	22589-83A	LOCK RING, piston pin (4)	2001-All Models
5	22719-85	PISTON PIN (2)	2001-STD/HUG/883C
	22765-88	PISTON PIN (2)	2001-1200/C/S
6	23905-00	SET OF FLYWHEELS AND SHAFTS WITH RODS	2001-All Models
7	24331-36	BUSHING, piston pin - standard (2)	2001-All Models
	24332-36	BUSHING, piston pin - 0.01 O.S. (2)	2001-All Models
8	24658-87	INNER RING	2001-All Models

CRANKCASE



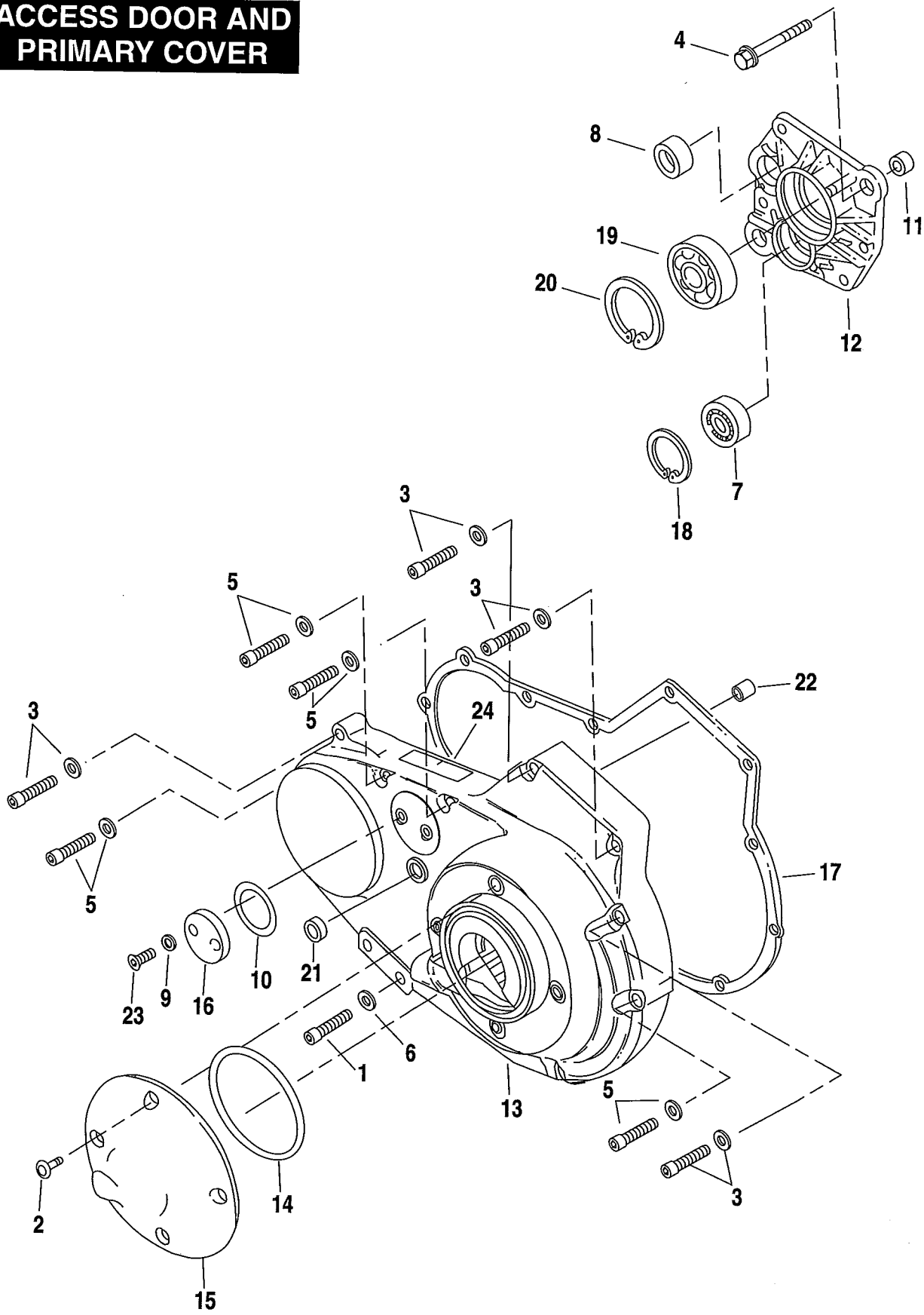
INDEX NO.	PART NO.	DESCRIPTION	MODELS
1	215	DOWEL PIN (2)	2001-All Models
2	358	DOWEL PIN (4)	2001-All Models
3	604	ROLL PIN (4)	2001-All Models
4	720	PLUG, timing	2001-All Models
5	876A	SCREW (4)	2001-All Models
6	3696	SCREW (4)	2001-All Models
7	4091	SCREW (2)	2001-All Models
8	4337W	BOLT (4)	2001-All Models
9	4413	BOLT (2)	2001-All Models
10	4435W	BOLT (4)	2001-All Models
11	5226B	STUD (2)	2001-All Models
12	6019	WASHER	2001-883C/1200C
13	6026	WASHER (4)	2001-All Models
14	6152	SPACER (2- STD/HUG/1200/S)	2001-All Models
15	6314W	WASHER (4)	2001-All Models
16	6701	WASHER (6)	2001-All Models
17	7038	WASHER, star (2)	2001-All Models
18	7145W	WASHER, star (2)	2001-All Models
19	7775	LOCKNUT	2001-All Models
20	7780	LOCKNUT (5)	2001-All Models
21	7789	LOCKNUT	2001-All Models
22	7861	LOCKNUT	2001-All Models
23	8881	BEARING RACE	2001-All Models
24	8977	BEARING CLOSED END	2001-All Models
25	8996A	BEARING	2001-All Models
26	9151	BEARING CLOSED END	2001-All Models

CRANKCASE



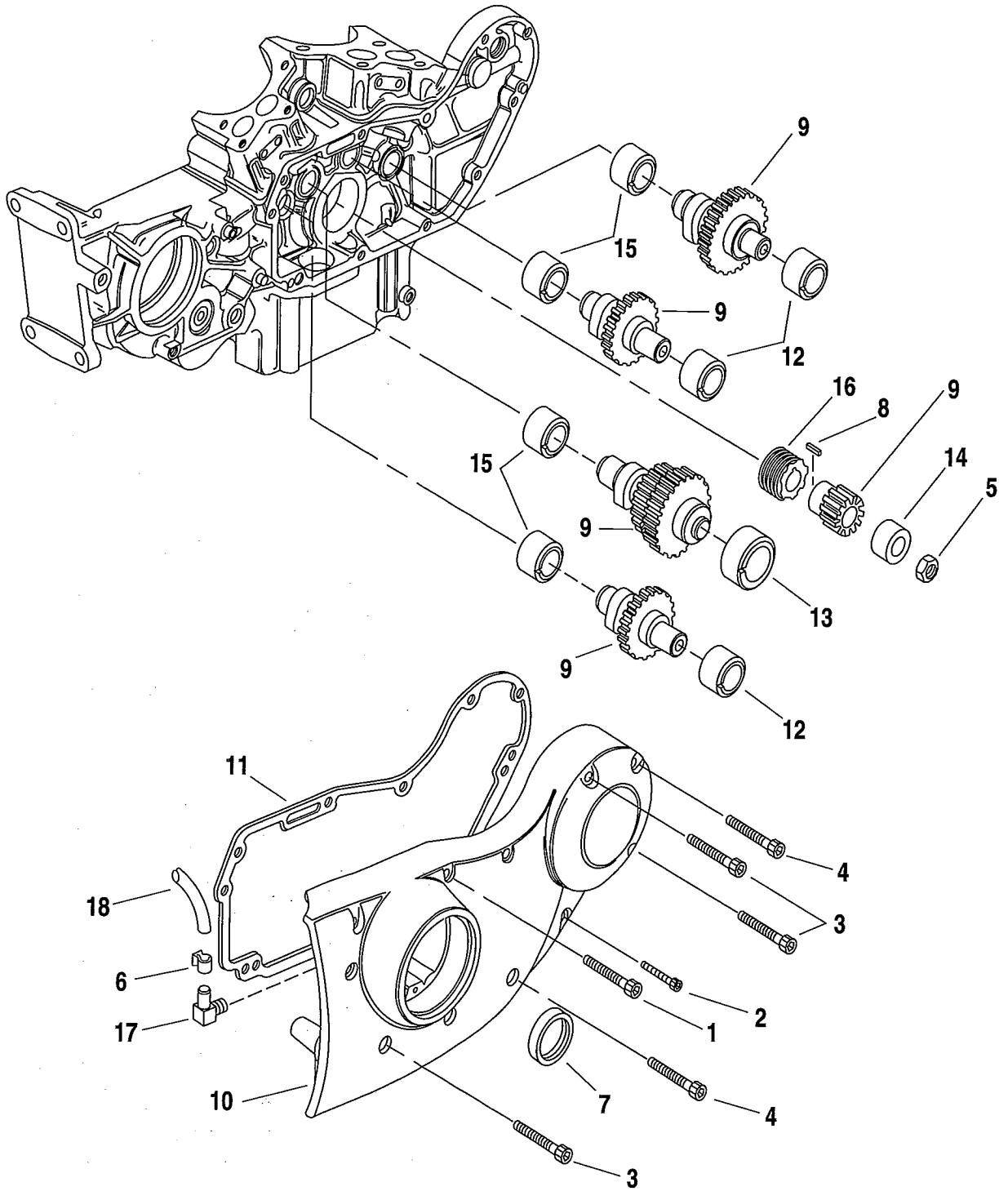
INDEX NO.	PART NO.	DESCRIPTION	MODELS
27	10080	CLAMP	2001-All Models
28	11105	O-RING	2001-All Models
29	11161	RETAINING RING	2001-All Models
30	11177A	RETAINING RING	2001-All Models
31	16210-84A	MOUNTING PLATE, lower right - front	2001-STD/HUG/1200/S
	16294-99	MOUNTING PLATE, lower right - front	2001-883C/1200C
32	16212-84	MOUNTING PLATE, lower left - front	2001-STD/HUG/1200/S
	16297-99	MOUNTING PLATE, lower left - front	2001-883C/1200C
33	16240-82	BUSHING (2)	2001-All Models
34	16573-83	DOWEL (2)	2001-All Models
35	24470-00	CRANKCASE SET w/bearings	2001-STD/HUG/883C/1200/S
	24466-00	CRANKCASE SET w/bearings (black)	2001-1200C
36	24530-90	PIN GROOVED	2001-All Models
37	24647-87	BEARING, gear shaft (blue)	2001-All Models
	24650-87	BEARING, gear shaft (red)	2001-All Models
	24659-87	BEARING, gear shaft (white/grey)	2001-All Models
	24660-87	BEARING, gear shaft (green)	2001-All Models
38	24729-74	BEARING ASSEMBLY	2001-All Models
39	24754-75	DOWEL PIN (3)	2001-All Models
40	29950-91	COVER, stator wires	2001-All Models
41	35151-74	OIL SEAL	2001-All Models
42	42449-80A	STUD	2001-All Models
43	45830-48	PLUG PIPE	2001-All Models
44	48302-85	BEARING, complete,(2) w/# 48348-70 & 48315-60	2001-All Models
45	60348-65B	DRAIN PLUG KIT with o-ring	2001-All Models
46	63533-41A	FITTING STRAIGHT	2001-All Models
		NOTE; Hose is sold in bulk length under the following part number. Cut to required length.	
47	63500-68	HOSE, 3/8 I.D. x 5/8 O.D. rubber (25 ft. lg.)	2001-All Models

ACCESS DOOR AND PRIMARY COVER



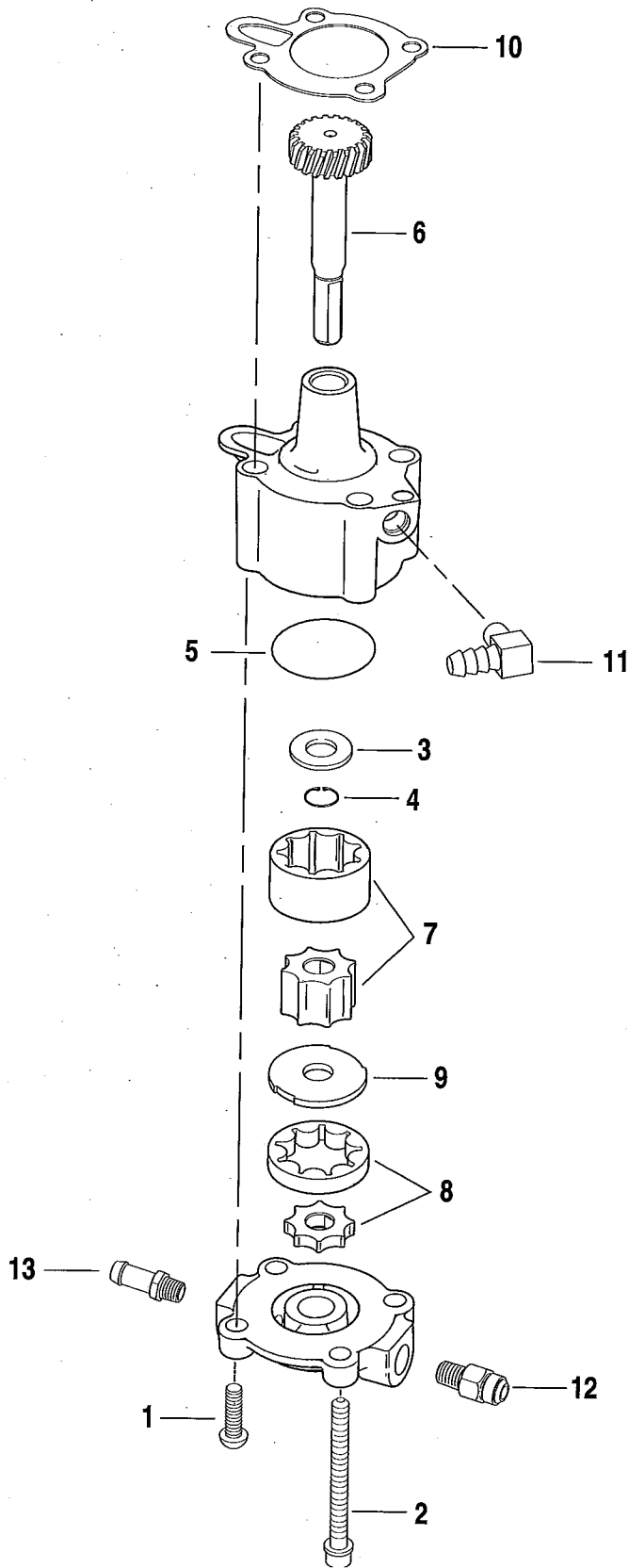
INDEX NO.	PART NO.	DESCRIPTION	MODELS
1	897	SCREW (2)	2001-883C/1200C
2	943	SCREW (4)	2001-All Models
3	4820A	SCREW (7)	2001-All Models
4	3610	BOLT, flange (5)	2001-All Models
5	4717A	SCREW, SEMS (4)	2001-All Models
6	6016	WASHER (2)	2001-883C/1200C
7	8998	BEARING	2001-All Models
8	9187	BUSHING	2001-All Models
9	11171	O-RING, inspection cover screws (2)	2001-All Models
10	11188	O-RING, chain insp. cover	2001-All Models
11	16573-83	INSERT, access door (2)	2001-All Models
12	25238-94	ACCESS DOOR ASM., transmission - w/#6,8,16,19, & 20	2001-All Models
13	25430-94A	PRIMARY COVER (polished)	2001-STD/HUG/1200
	25460-94	PRIMARY COVER (chrome)	2001-1200C
	25471-97Y	PRIMARY COVER (silver)	2001-883C/1200S
14	25463-94	GASKET, clutch cover	2001-All Models
15	34992-94	INSPECTION COVER, clutch	2001-STD/HUG/883C/1200/S
	34760-94	INSPECTION COVER, clutch (chrome)	2001-1200C
16	34993-90	INSPECTION COVER, chain	2001-STD/HUG/883C/1200/S
	34761-94	INSPECTION COVER, chain (chrome)	2001-1200C
17	34955-89A	GASKET, primary cover	2001-All Models
18	35021-89	RETAINING RING	2001-All Models
19	35030-89	BEARING	2001-All Models
20	35038-89	RETAINING RING	2001-All Models
21	37101-84	OIL SEAL	2001-All Models
22	40520-63	BUSHING	2001-All Models
23	41191-74A	SCREW, inspection covers (2)	2001-All Models
		H-D INTERNATIONAL ONLY	
24	14270-92	DECAL, shift pattern (Japan)	2001-All Models

GEARCASE AND COVER



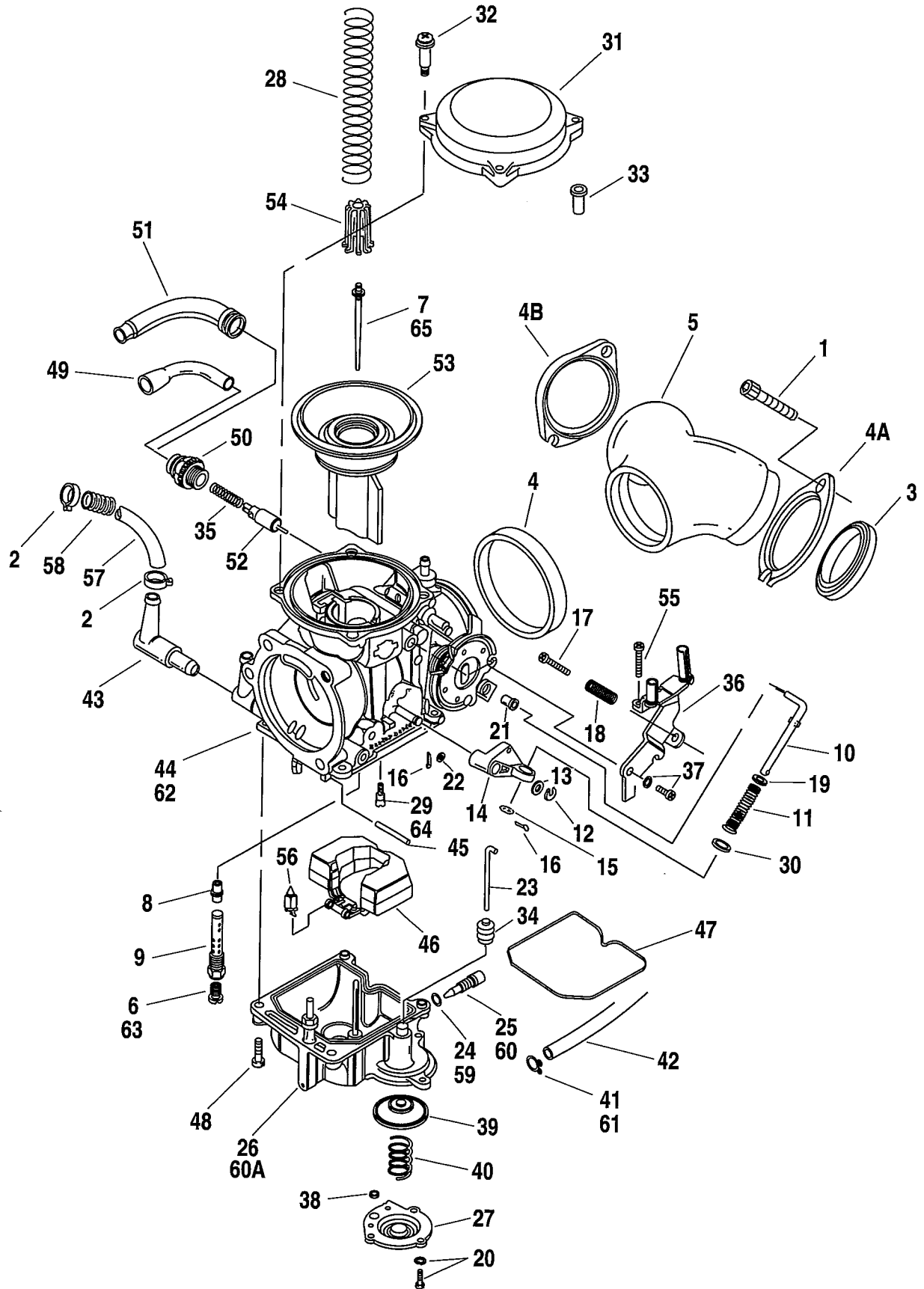
INDEX NO.	PART NO.	DESCRIPTION	MODELS
1	3480A	SCREW (3)	2001-All Models
2	4740A	SCREW	2001-All Models
3	4717A	SCREW (5)	2001-All Models
4	4820A	SCREW (2)	2001-All Models
5	7916A	NUT	2001-All Models
6	10117	CLAMP	2001-All Models
7	11124	SEAL	2001-All Models
8	11317	T-KEY	2001-All Models
9	25193-00A	CAM GEAR SET, complete w/pinion gear	2001-STD/HUG/883C/1200/C
	25194-00A	CAM GEAR SET, complete w/pinion gear	2001-1200S
10	25219-91C	COVER ASM., gearcase (polished) w/# 7, 17 & bushings	2001-STD/HUG/883C/1200
	25213-96B	COVER ASM., gearcase (chrome) w/# 7, 17 & bushings	2001-1200C
	25252-97YB	COVER ASM., gearcase (silver) w/# 7, 17 & bushings	2001-1200S
11	25263-90C	GASKET, gearcase cover	2001-All Models
12	25586-37	OUTER BUSHING, cam gear shafts (3)	2001-All Models
13	25588-91	BUSHING, rear intake cam gear shaft	2001-All Models
14	25593-74	BUSHING, flywheel gear shaft	2001-All Models
15	25598-91	INNER BUSHING, camshaft gear (4)	2001-All Models
16	26318-88A	DRIVE GEAR, oil pump	2001-All Models
17	62375-57	FITTING, oil vent hose	2001-All Models
		NOTE: Hoses are sold in bulk length under the following part number. Cut to required length.	
18	63501-68A	HOSE, 1/4 I.D. x 1/2 O.D. (rubber)	2001-All Models

OIL PUMP



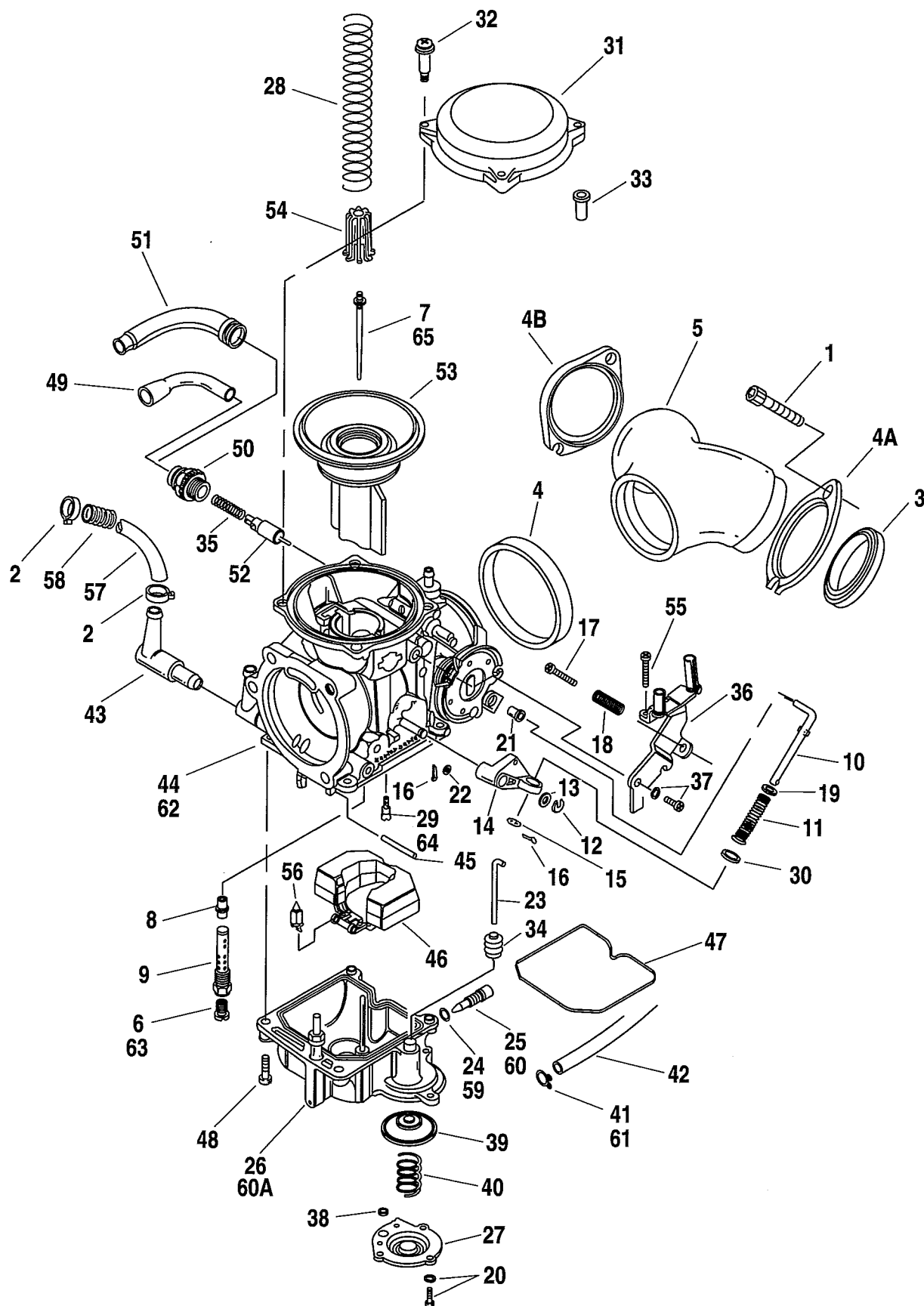
INDEX NO.	PART NO.	DESCRIPTION	MODELS
1	4132	SCREW (2)	2001-All Models
2	4765	SCREW, w/washer (2)	2001-All Models
3	6157	THRUST WASHER	2001-All Models
4	11002	RETAINING RING	2001-All Models
	26204-91A	OIL PUMP, complete	2001-All Models
5	26434-91	O-RING	2001-All Models
6	26488-98	GEAR SHAFT	2001-All Models
7	26491-98	GEROTOR SET, return	2001-All Models
8	26492-91	GEROTOR SET, feed	2001-All Models
9	26493-91	SEPARATOR PLATE	2001-All Models
10	26495-89A	GASKET, pump mounting	2001-All Models
11	26496-75	FITTING, 90 degree	2001-All Models
12	62601-91A	FITTING, connector - front	2001-All Models
13	63533-41A	FITTING, connector - rear	2001-All Models

CARBURETOR



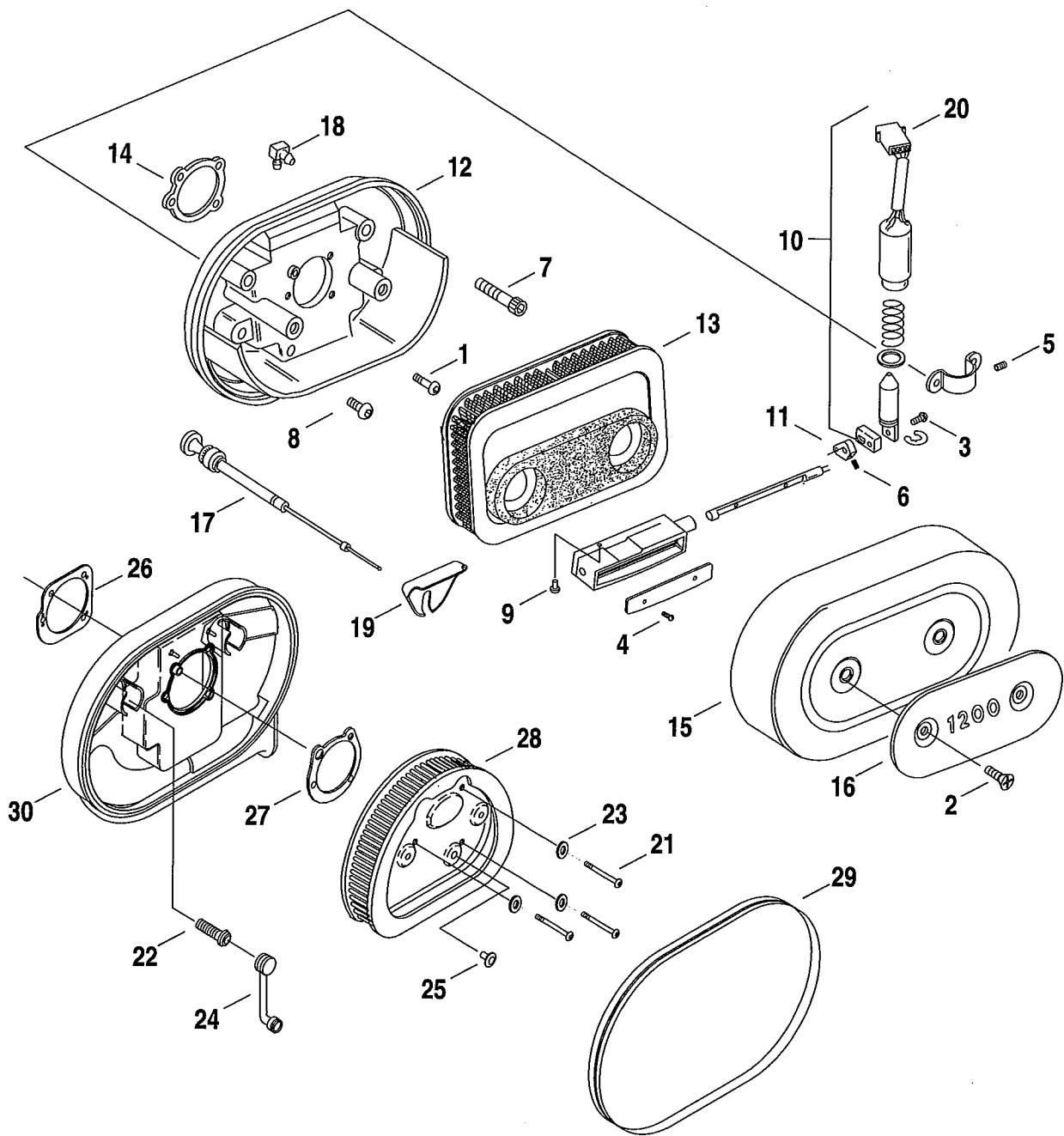
INDEX NO.	PART NO.	DESCRIPTION	MODELS
1	3275	SCREW (4)	2001-All Models
2	10014	CLAMP	2001-All Models
3	26995-86B	SEAL, intake manifold	2001-All Models
4	27002-89	SEAL RING, carburetor	2001-All Models
4A	27009-86A	FLANGE, mounting - front	2001-All Models
4B	27010-86A	FLANGE, mounting - rear	2001-All Models
5	27004-88A	INTAKE MANIFOLD KIT w/#3 & 4	2001-All Models
6	27115-88	MAIN JET (Cal. STD/HUG/883C)	2001-1200/C
	27275-96Y	MAIN JET (Cal. 1200S)	2001-1200S
	27152-89	MAIN JET	2001-STD/HUG/883C
	27185-90	MAIN JET (Cal. only)	2001-1200/C
7	27241-95	JET, needle (Cal. STD/HUG/883C)	2001-STD/HUG/883C/1200/C
	27656-98	JET, needle	2001-1200S
	27279-93	JET, needle (Cal. only 1200/C)	2001-1200/C
	27254-96	JET, needle (Cal. only 1200S)	2001-1200S
8	27100-88	NEEDLE JET	2001-All Models
9	27101-88	NEEDLE JET HOLDER	2001-All Models
10	27122-89	ROD	2001-All Models
11	27123-89A	SPRING	2001-All Models
12	27124-89	E-CLIP	2001-All Models
13	27125-89	WASHER	2001-All Models
14	27126-89	LEVER	2001-All Models
15	27127-89	WASHER	2001-All Models
16	27128-89	PIN (2)	2001-All Models
17	27130-90	IDLE SCREW	2001-All Models
18	27136-90	SPRING	2001-All Models
19	27137-81	WASHER (3)	2001-All Models
20	27146-89	SCREW w/washer (3)	2001-All Models
21	27147-89	COLLAR	2001-All Models
22	27148-89	WASHER	2001-All Models
23	27156-89	ROD	2001-All Models
24	27157-89	O-RING	2001-STD/HUG/883C/1200/C
25	27158-89	DRAIN SCREW	2001-STD/HUG/883C/1200/C
26	27159-92	FLOAT CHAMBER ASM.	2001-STD/HUG/883C/1200/C
	27380-98	FLOAT CHAMBER ASM.	2001-1200S
27	27160-89	PUMP HOUSING	2001-All Models
28	27162-89	SPRING	2001-All Models
29	27171-89	SLOW JET	2001-All Models
30	27231-98	COLLAR	2001-All Models
31	27261-96	TOP, carburetor	2001-All Models
32	27262-96	SCREW, top (3)	2001-All Models
33	27263-96	COLLAR	2001-All Models
34	27311-76	CAP, accelerator pump (rubber)	2001-All Models
35	27315-88A	SPRING	2001-All Models
36	27316-88	BRACKET	2001-All Models

CARBURETOR



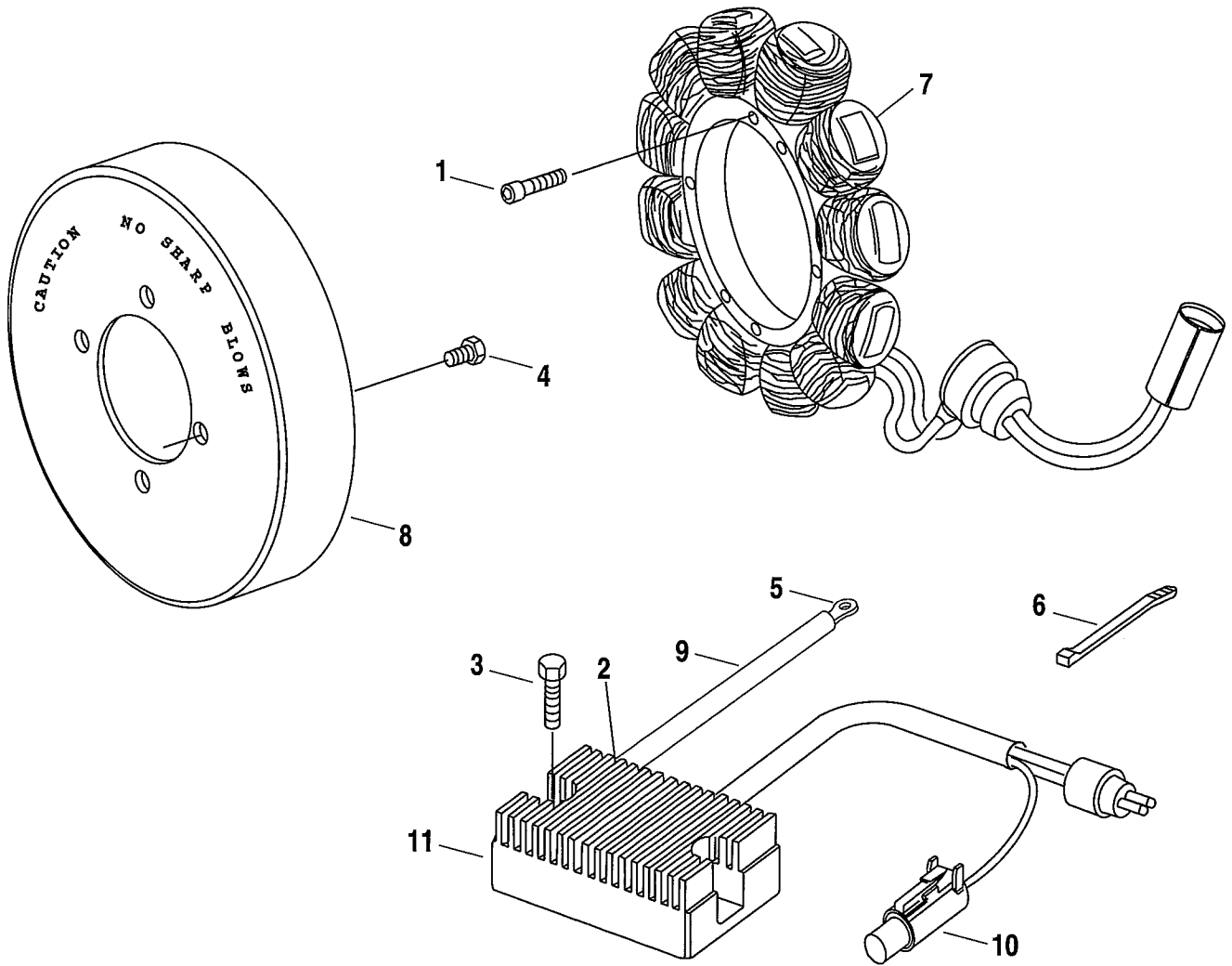
INDEX NO.	PART NO.	DESCRIPTION	MODELS
37	27317-88	SCREW	2001-All Models
38	27360-76	O-RING	2001-All Models
39	27361-76	DIAPHRAGM, accelerator pump	2001-All Models
40	27362-76	SPRING, diaphragm	2001-All Models
41	27368-76	CLIP, overflow hose	2001-STD/HUG/883C/1200/C
42	27363-88	HOSE, overflow	2001-All Models
43	27371-76	FITTING	2001-All Models
44	27498-96	CARBURETOR (Cal. only)	2001-1200/C
	27480-97	CARBURETOR	2001-1200/C
	27732-98	CARBURETOR (Cal. only)	2001-1200S
	27731-98	CARBURETOR	2001-1200S
	27495-96	CARBURETOR (Cal. only)	2001-STD/HUG/883C
	27490-96	CARBURETOR	2001-STD/HUG/883C
45	27575-88A	PIN	2001-All Models
46	27576-92	FLOAT	2001-All Models
47	27577-92	O-RING	2001-All Models
48	27579-88A	SCREW (4)	2001-All Models
49	27580-88	CABLE GUIDE	2001-All Models
50	27581-88	STARTER CAP	2001-All Models
51	27582-88	CABLE SEALING CAP	2001-All Models
52	27583-88	STARTER VALVE	2001-All Models
53	27585-88	VACUUM PISTON	2001-All Models
54	27586-88	SPRING SEAT	2001-All Models
55	27587-88	SCREW	2001-All Models
56	27886-78A	VALVE, with clip	2001-All Models
		NOTE: Hose is sold only in bulk length under the following part number. Cut to required length.	
57	63501-68A	HOSE, 1/4 I.D. x 1/2 O.D. (rubber)(25 ft. lg.)	2001-All Models
58	63505-84	INSULATOR, 1/2 I.D. nylon (8 ft. lg.)	2001-All Models
		H-D INTERNATIONAL ONLY	
59	27157-89	O-RING (1200S, HDI/Aust./Eng./Japan only)	2001-1200S
60	27158-89	DRAIN SCREW (1200S, HDI/Aust./Eng./Japan only)	2001-1200S
60A	27256-01	FLOAT CHAMBER ASM. (HDI)	2001-1200S
61	27368-76	CLIP, overflow hose (1200S, HDI/Aust./Eng./Japan only)	2001-1200S
62	27076-95	CARBURETOR (HDI/Aust./Eng./Japan)	2001-1200/C
	27749-01	CARBURETOR (HDI/Aust./Eng./Japan)	2001-1200S
	27031-95	CARBURETOR (Aust)	2001-STD/HUG/883C
	27465-01	CARBURETOR (HDI/Eng./Japan)	2001-STD/HUG/883C
63	27243-95	MAIN JET (Aust.;1200/C HDI/Aust./Eng./Japan)	2001-STD/HUG/883C/1200/C
	27116-88	MAIN JET (HDI/Eng./Japan)	2001-STD/HUG/883C
	27185-90	MAIN JET (HDI/Aust./Eng./Japan)	2001-1200S
64	27171-89	SLOW JET (HDI)	2001-All Models
65	27241-95	JET, needle (HDI/Aust./Eng./Japan)	2001-1200/C
	27242-95	JET, needle (Aust)	2001-STD/HUG/883C
	27647-01	JET, needle (HDI/Aust./Eng./Japan)	2001-1200S
	28013-01	JET, needle (HDI/Eng./Japan)	2001-STD/HUG/883C

AIR CLEANER & ENRICHENER



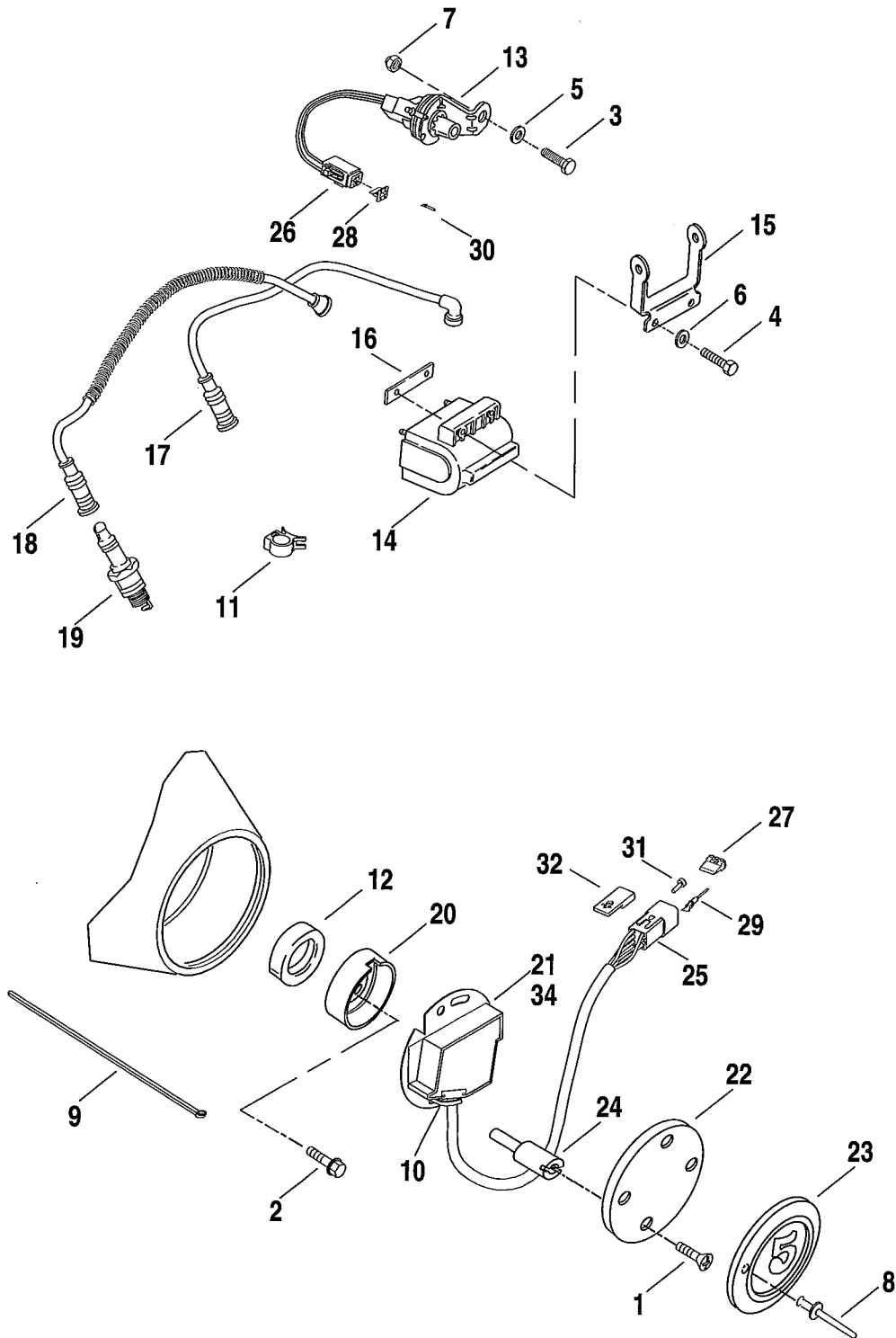
INDEX NO.	PART NO.	DESCRIPTION	MODELS
1	869	SCREW (3)	2001-All Models
2	2405A	SCREW (2)	2001-All Models
3	2711	SCREW (Cal. only)	2001-All Models
4	2737	SCREW (2) (Cal. only)	2001-All Models
5	3206B	SET SCREW (Cal. only)	2001-All Models
6	3221	SET SCREW (Cal. only)	2001-All Models
7	3534B	SCREW, breather (2)	2001-All Models
8	3652	SCREW (2) (Cal. only)	2001-All Models
9	8535	RIVET (2) (Cal. only)	2001-All Models
10	28827-96	SOLENOID (Cal. only)	2001-All Models
11	28842-89	LINK (Cal. only)	2001-All Models
12	29367-97A	BACKPLATE, air cleaner	2001-All Models
	29018-97	BACKPLATE ASM. (Cal. only)	2001-All Models
13	29331-96	FILTER ELEMENT	2001-All Models
14	29059-88A	GASKET, carburetor intake	2001-All Models
15	29084-73	COVER, air cleaner	2001-All Models
16	29111-88	TRIM, air cleaner	2001-1200
	29100-96	TRIM, air cleaner	2001-1200C
	29300-98	TRIM, air cleaner	2001-1200S
	29488-98	TRIM, air cleaner	2001-883C
17	29238-92A	CABLE, enrichment	2001-All Models
18	61107-92	FITTING (Cal. only)	2001-All Models
19	69037-95A	COVER, enrichment cable	2001-STD/HUG/883C/1200S
20	73153-96BK	HOUSING, socket 3 pin (Cal. only)	2001-All Models
	73191-96	SOCKET CONTACT 16-20 ga(Cal. only)	2001-All Models
H-D INTERNATIONAL ONLY			
21	946	SCREW (3) (HDI)	2001-1200/C/S
22	3577	SCREW, breather (2) (HDI)	2001-1200/C/S
23	6410	WASHER (3) (HDI)	2001-1200/C/S
24	24922-93	BREATHER CONNECTOR (2) (HDI)	2001-1200/C/S
25	24925-95	PLUG, threaded (HDI)	2001-1200/C/S
26	29062-95B	GASKET, carburetor intake (HDI)	2001-1200/C/S
27	29313-95	GASKET, filter element (HDI)	2001-1200/C/S
28	29325-95A	FILTER ELEMENT, with #25 & 27 (HDI)	2001-1200/C/S
29	29315-95	MOLDING, air cleaner cover (HDI)	2001-1200/C/S
30	29316-95C	BACKPLATE ASM. (HDI)	2001-1200/C/S

ALTERNATOR AND REGULATOR



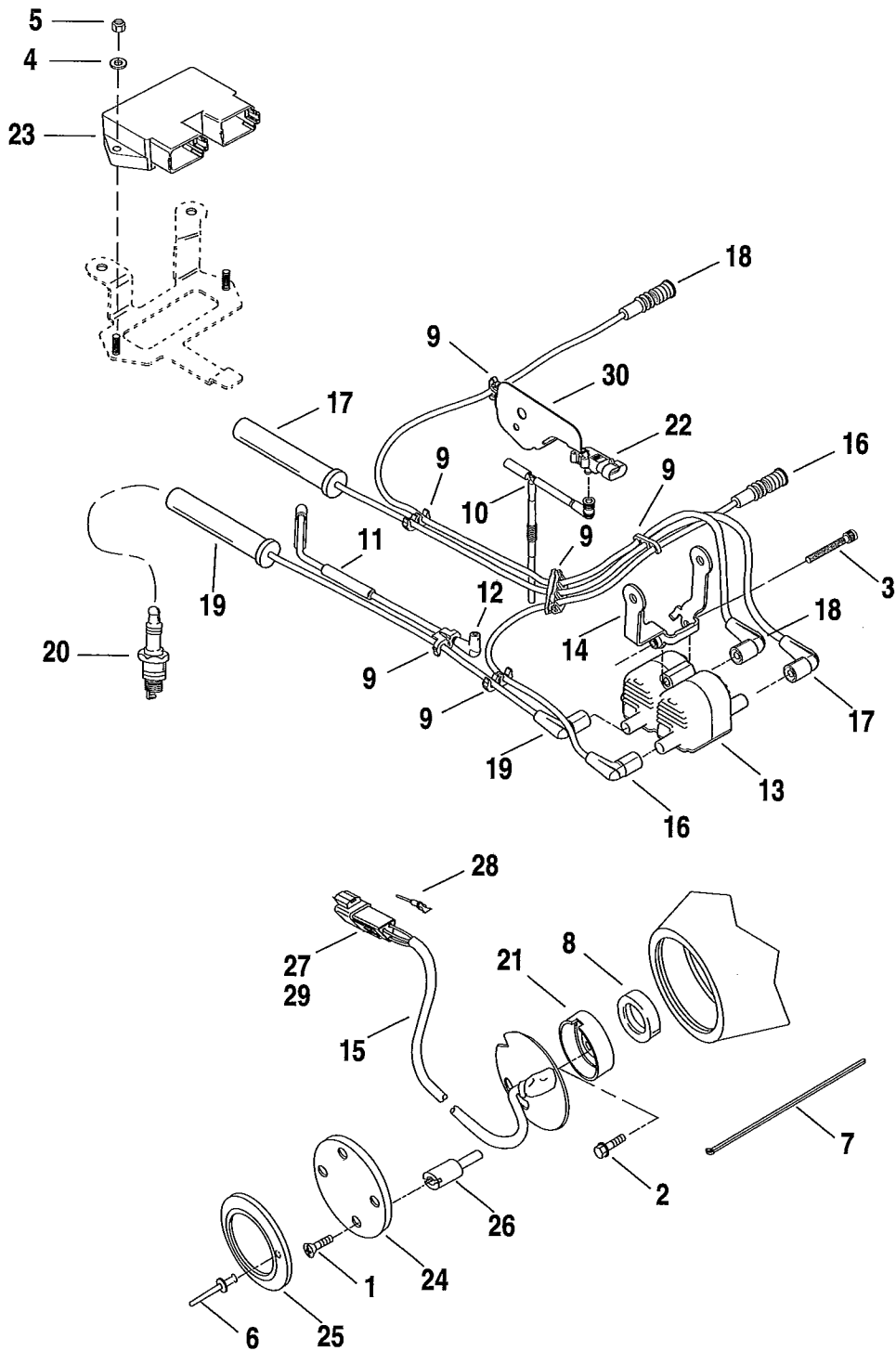
INDEX NO.	PART NO.	DESCRIPTION	MODELS
1	2720	SCREW (4)	2001-All Models
2	4134	SCREW	2001-All Models
3	4329	SCREW (2)	2001-All Models
4	4751	SCREW (4)	2001-All Models
5	9840	TERMINAL RING	2001-All Models
6	10065	STRAP, cable	2001-All Models
7	29967-89A	STATOR	2001-All Models
8	32413-92A	ROTOR w/ #3	2001-All Models
9	70444-00	WIRE ASSEMBLY, ground	2001-All Models
10	72197-94	TERMINAL, SOCKET	2001-All Models
11	74523-94B	REGULATOR	2001-All Models

ELECTRONIC IGNITION SYSTEM



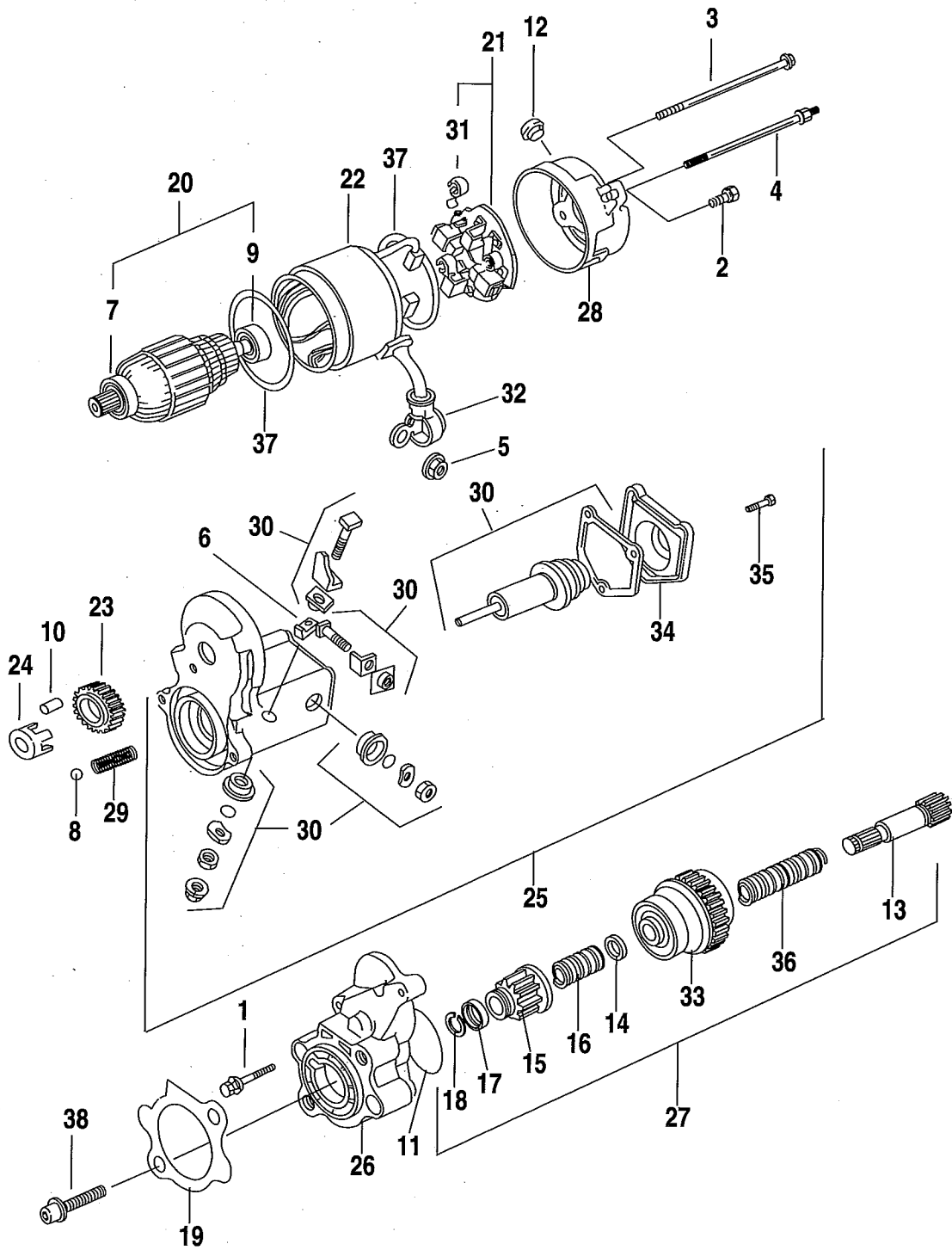
INDEX NO.	PART NO.	DESCRIPTION	MODELS
1	1601	SCREW (2)	2001-STD/HUG/883C/1200/C
2	2611C	SCREW	2001-STD/HUG/883C/1200/C
3	3987	BOLT	2001-STD/HUG/883C/1200/C
4	3993	BOLT (2)	2001-STD/HUG/883C/1200/C
5	6702	WASHER	2001-STD/HUG/883C/1200/C
6	7036	LOCKWASHER (2)	2001-STD/HUG/883C/1200/C
7	7531	LOCKNUT	2001-STD/HUG/883C/1200/C
8	8699	POP RIVET (2)	2001-STD/HUG/883C/1200/C
9	10039	CABLE STRAP	2001-STD/HUG/883C/1200/C
10	10065	CABLE STRAP	2001-STD/HUG/883C/1200/C
11	10108	CLIP	2001-STD/HUG/883C/1200/C
12	11124	SEAL	2001-STD/HUG/883C/1200/C
13	26558-94	VACUUM SWITCH, with electrical connector asm.	2001-STD/HUG/883C/1200/C
14	31614-83A	IGNITION COIL	2001-STD/HUG/883C/1200/C
15	31738-00	BRACKET, ignition coil mounting	2001-STD/HUG/883C/1200/C
16	31727-85	PLATE, ignition coil mounting	2001-STD/HUG/883C/1200/C
17	31986-86	CABLE, spark plug - 6 1/2"	2001-STD/HUG/883C/1200/C
18	31996-86A	CABLE, spark plug - 20" (front)	2001-STD/HUG/883C/1200/C
19	32317-86A	SPARK PLUG, No. 6R12 (2) w/conduit (rear)	2001-STD/HUG/883C/1200/C
20	32402-83	TRIGGER ROTOR	2001-STD/HUG/883C/1200/C
21	32465-98	IGNITION MODULE,integrated sensor	2001-1200/C
	32466-98	IGNITION MODULE,integrated sensor	2001-STD/HUG/883C
22	32504-80	INNER COVER	2001-STD/HUG/883C/1200/C
23	32506-90	COVER, timer	2001-STD/HUG/883C/1200/C
24	32606-82	STUD, timer plate (2)	2001-STD/HUG/883C/1200/C
25	72106-94BK	CONNECTOR 6-way (black)	2001-STD/HUG/883C/1200/C
26	72112-94BK	CONNECTOR 2-way (black)	2001-STD/HUG/883C/1200/C
27	72146-94	SECONDARY LOCK, 6-pin	2001-STD/HUG/883C/1200/C
28	72152-94	SECONDARY LOCK, 2-pin	2001-STD/HUG/883C/1200/C
29	72190-94	TERMINAL, pin (5)	2001-STD/HUG/883C/1200/C
30	72191-94	TERMINAL, socket (2)	2001-STD/HUG/883C/1200/C
31	72195-94	PIN SEAL	2001-STD/HUG/883C/1200/C
32	72199-94	ATTACHMENT CLIP	2001-STD/HUG/883C/1200/C
		H-D INTERNATIONAL ONLY	
33	32475-00	IGNITION MODULE (HDI Australia)	2001-STD/HUG/883C

ELECTRONIC IGNITION SYSTEM 1200 SPORT



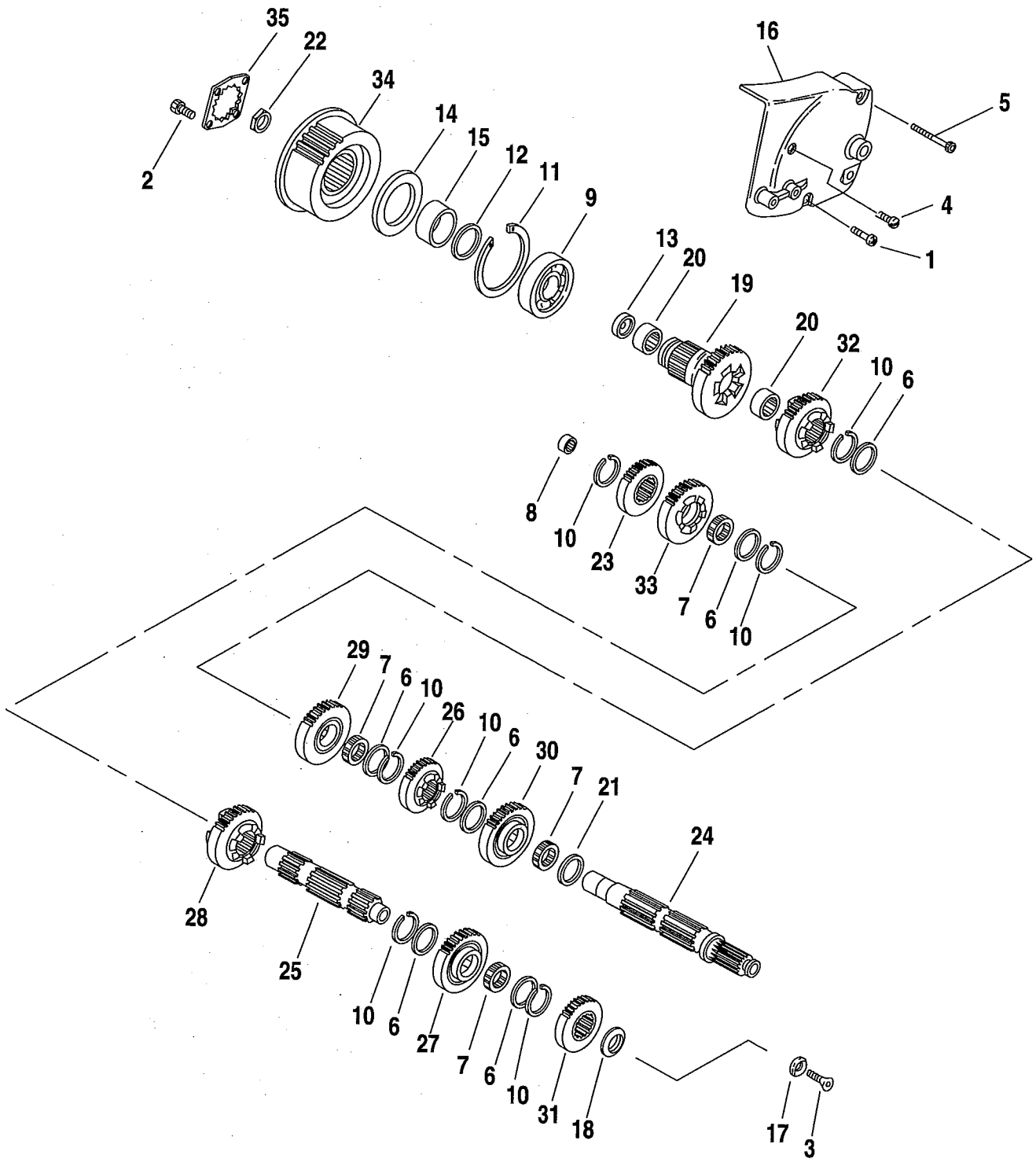
INDEX NO.	PART NO.	DESCRIPTION	MODELS
1	1601	SCREW (2)	2001-1200S
2	2611C	SCREW	2001-1200S
3	4820A	SCREW	2001-1200S
4	6716	WASHER (2)	2001-1200S
5	7966	NUT (2)	2001-1200S
6	8699	POP RIVET (2)	2001-1200S
7	10039	CABLE STRAP	2001-1200S
8	11124	SEAL	2001-1200S
9	10214	PLUG WIRE RETENTION KIT	2001-1200S
10	26556-98	HOSE ASSEMBLY, vacuum	2001-1200S
11	27067-98	TUBE, tank to valve w/#12	2001-1200S
12	27250-96A	CONNECTOR, elbow 90 degree	2001-1200S
13	31646-98	IGNITION COIL, quad tower	2001-1200S
14	31732-98	BRACKET ASSEMBLY, coil (black)	2001-1200S
15	32400-94	SENSOR ASSEMBLY w/#29	2001-1200S
16	32043-98	CABLE SPARK PLUG, front left	2001-1200S
17	32044-98	CABLE SPARK PLUG, front chimney	2001-1200S
18	32045-98	CABLE SPARK PLUG, rear left	2001-1200S
19	32046-98	CABLE SPARK PLUG, rear chimney	2001-1200S
20	32317-86A	SPARK PLUG No. 6R12 (4)	2001-1200S
21	32422-98	TRIGGER ROTOR	2001-1200S
22	32424-98	MAP SENSOR, w/o seal	2001-1200S
23	32480-01	MODULE, electronic ignition dual plug	2001-1200S
24	32504-80	INNER COVER	2001-1200S
25	32549-98	COVER, timer	2001-1200S
26	32606-82	STUD, timer plate (2)	2001-1200S
27	72103-94BK	CONNECTOR, 3-way	2001-1200S
28	72190-94	TERMINAL, pin (3)	2001-1200S
29	72199-94	ANCHOR	2001-1200S
30	72375-98	BRACKET, map sensor	2001-1200S

STARTER MOTOR



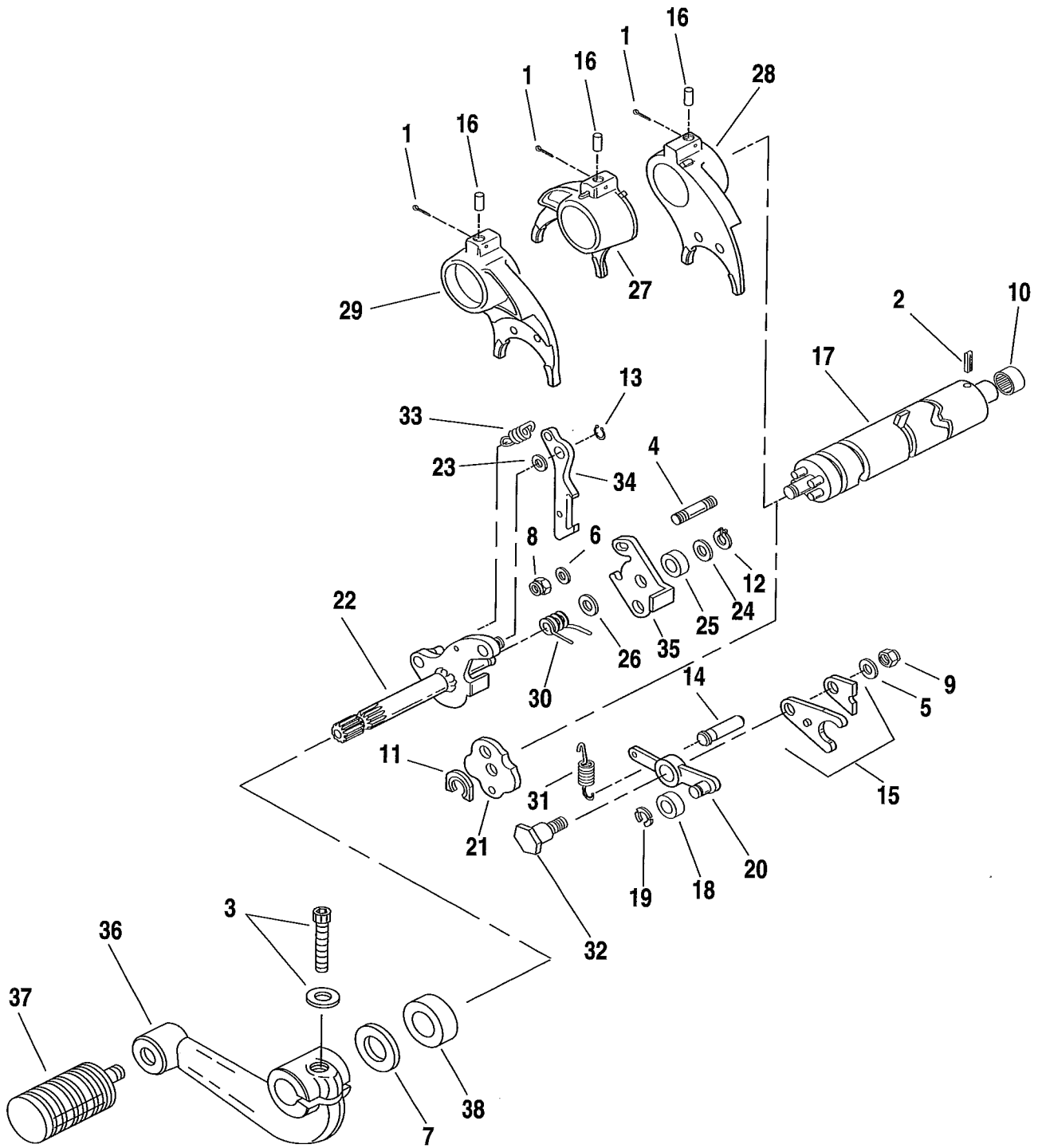
INDEX NO.	PART NO.	DESCRIPTION	MODELS
1	928	BOLT, starter (2)	2001-All Models
2	929A	SCREW w/ O-RING (2)	2001-All Models
3	3350	BOLT, through	2001-All Models
4	3559	BOLT, through	2001-All Models
5	3403	FLANGE NUT	2001-All Models
6	6217	WASHER	2001-All Models
7	8871	BALL BEARING	2001-All Models
8	8879	BALL	2001-All Models
9	8883	BALL BEARING	2001-All Models
10	9077	CLUTCH ROLLER (5)	2001-All Models
11	11116	O-RING	2001-All Models
12	31322-91	COVER	2001-All Models
13	31323-91	SHAFT	2001-All Models
14	31324-91	RETAINER, snap	2001-All Models
15	31325-91	PINION, starter	2001-All Models
16	31326-91	SPRING, compression coil	2001-All Models
17	31327-91	NUT, pinion stop	2001-All Models
18	31328-91	RING, snap	2001-All Models
	31390-91B	STARTER MOTOR, complete	2001-All Models
19	31488-81	GASKET, starter motor	2001-All Models
20	31515-90	ARMATURE ASM.	2001-All Models
21	31518-90	HOLDER ASM., starter brush	2001-All Models
22	31521-98	YOKE ASM.	2001-All Models
23	31525-90	GEAR, idler	2001-All Models
24	31530-90	RETAINER, idler	2001-All Models
25	31537-98	SWITCH ASSEMBLY, magnetic	2001-All Models
26	31539-91	HOUSING ASM.	2001-All Models
27	31556-91A	CLUTCH SUB-ASM. w/#31330-91	2001-All Models
28	31599-91	FRAME, starter end	2001-All Models
29	31600-90	SPRING, return	2001-All Models
30	31603-91	STARTER SOLENOID REPAIR KIT	2001-All Models
31	31661-90	SPRING, starter (4)	2001-All Models
32	31662-90	CAP TERMINAL, rubber	2001-All Models
33	31663-90	CLUTCH, starter	2001-All Models
34	31688-90	COVER, solenoid	2001-All Models
35	31689-90	BOLT w/ washer (3)	2001-All Models
36	31692-90	SPRING	2001-All Models
37	31695-90	O-RING, yoke (2)	2001-All Models
38	45902-00	SCREW (2)	2001-All Models

TRANSMISSION GEARS



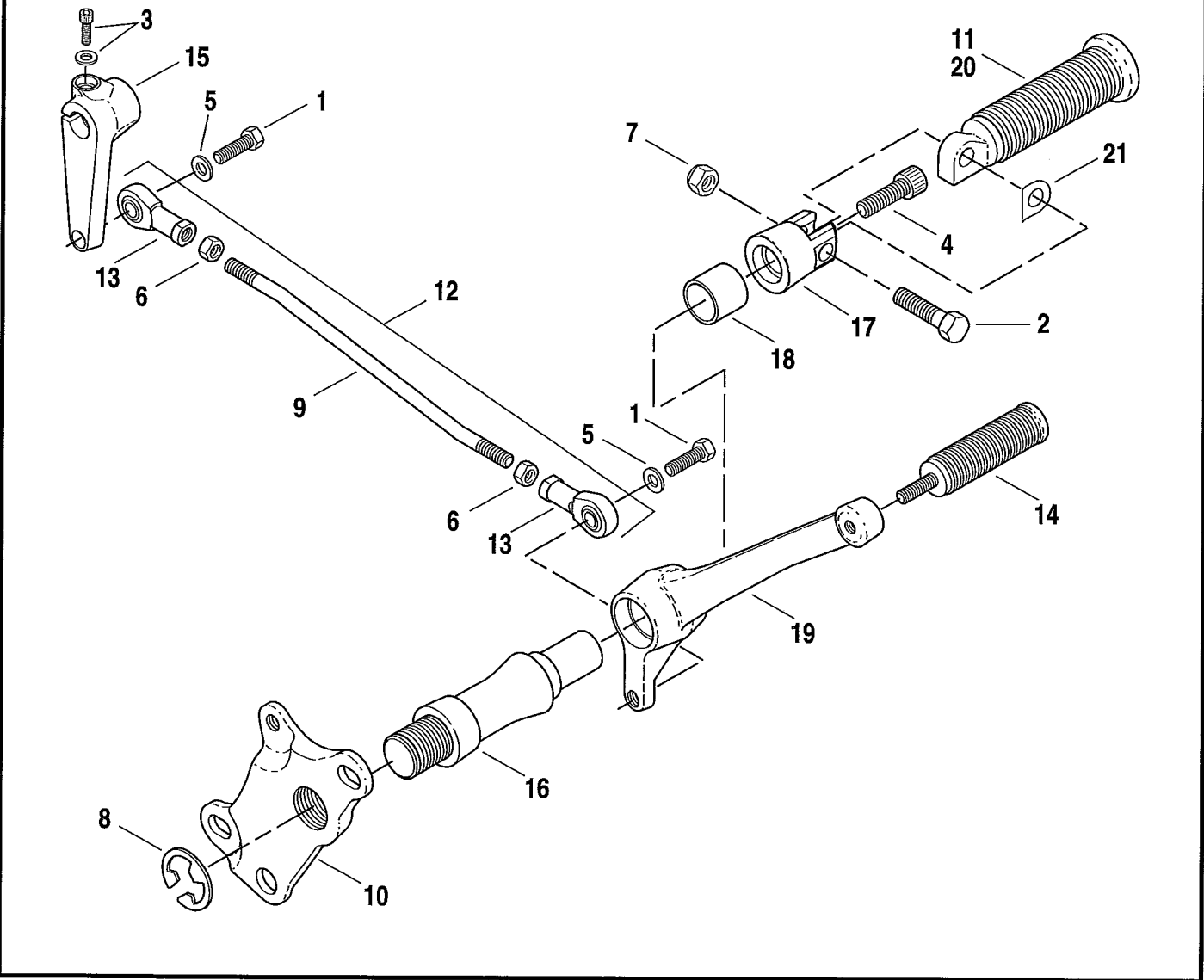
INDEX NO.	PART NO.	DESCRIPTION	MODELS
1	3480A	SCREW, SEMS	2001-All Models
2	3594	SCREW (2)	2001-All Models
3	3675	SCREW	2001-All Models
4	4820A	SCREW, SEMS	2001-All Models
5	4826	SCREW, SEMS	2001-All Models
6	6003	THRUST WASHER (6)	2001-All Models
7	8876A	BEARING (4)	2001-All Models
8	8977	BEARING, closed end	2001-All Models
9	8996A	BEARING, ball	2001-All Models
10	11067	RETAINING RING (7)	2001-All Models
11	11161	RETAINING RING	2001-All Models
12	11165	QUAD SEAL	2001-All Models
13	12030	OIL SEAL	2001-All Models
14	12067A	OIL SEAL	2001-All Models
15	33344-94	SPACER	2001-All Models
16	34911-91A	SPROCKET COVER	2001-STD/HUG/1200
	34932-96	SPROCKET COVER	2001-1200C
	34938-98	SPROCKET COVER	2001-883C/1200S
17	35020-89	RETAINER, countershaft	2001-All Models
18	35022-89A	SPACER	2001-All Models
19	35034-94	GEAR ASM. w/#13 & 20, fifth-mainshaft	2001-All Models
20	35051-89	BEARING, needle (2)	2001-All Models
21	35063-89	SPACER	2001-All Models
22	35211-91A	NUT, sprocket	2001-All Models
23	35633-94	GEAR, fifth-countershaft	2001-All Models
24	35640-89	MAINSHAFT	2001-All Models
25	35641-89	COUNTERSHAFT	2001-All Models
26	35762-89A	GEAR, first-mainshaft	2001-All Models
27	35763-89A	GEAR, first-countershaft	2001-All Models
28	35771-94	GEAR, third-countershaft	2001-All Models
29	35772-94	GEAR, third-mainshaft	2001-All Models
30	35773-94	GEAR, fourth-mainshaft	2001-All Models
31	35775-94	GEAR, fourth-countershaft	2001-All Models
32	35796-00	GEAR, second-mainshaft	2001-All Models
33	35797-00	GEAR, second-countershaft	2001-All Models
34	40202-91B	SPROCKET KIT - 29T. (belt) w/# 2,12,14,15,22,35, & #40205-95	2001-1200/C/S
	40205-95	SPROCKET - 29T. (belt)	2001-1200/C/S
	40285-91B	SPROCKET KIT - 27T. (belt) w/# 2,12,14,15,22,35, & #40288-95	2001-STD/HUG/883C
	40288-95	SPROCKET - 27T. (belt)	2001-STD/HUG/883C
35	40251-92A	RETENTION PLATE	2001-All Models

SHIFTER



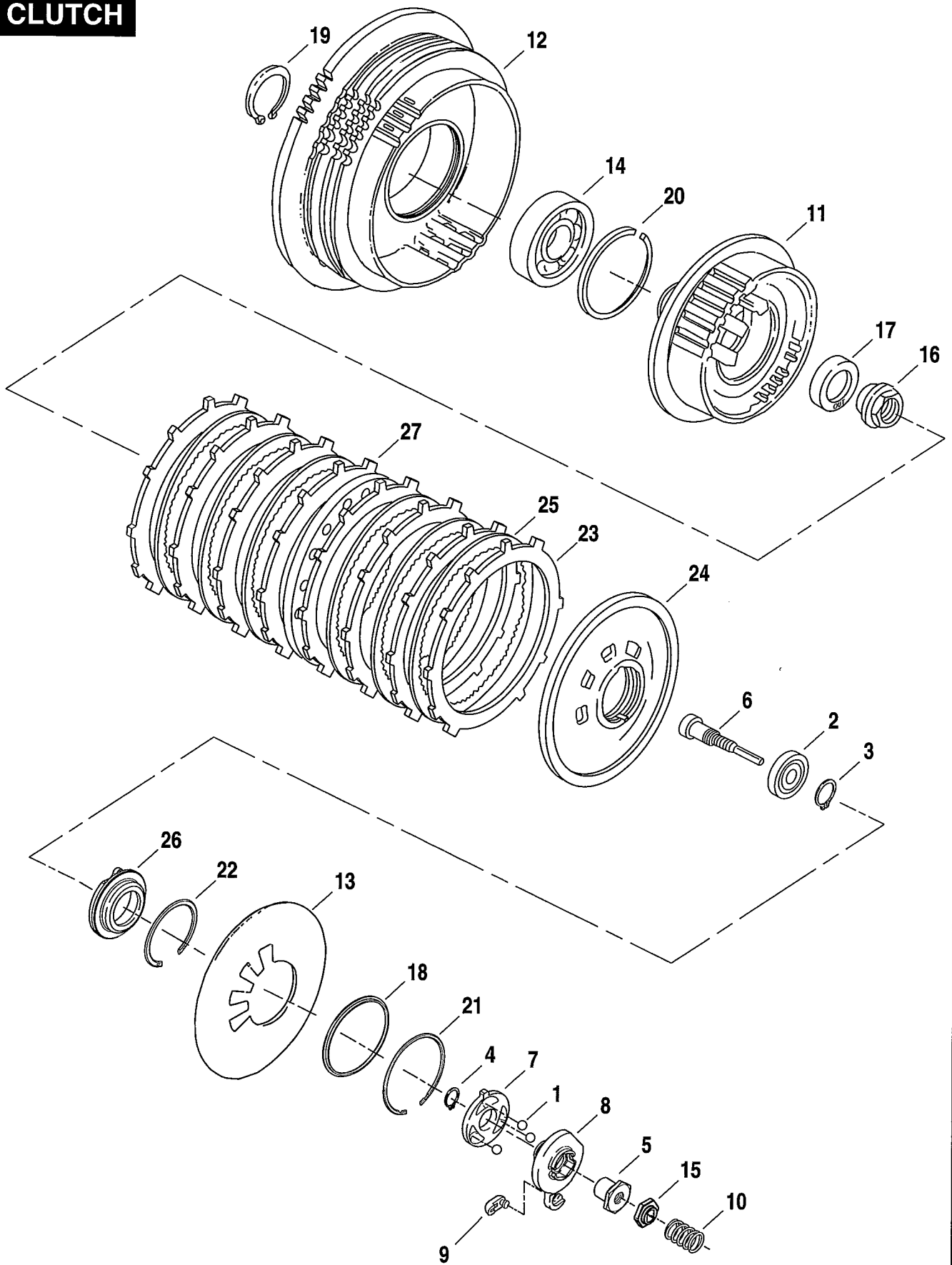
INDEX NO.	PART NO.	DESCRIPTION	MODELS
1	515	COTTER PIN (3)	2001-All Models
2	601	ROLL PIN	2001-All Models
3	4741A	SCREW w/ washer	2001-STD/HUG/1200/S
4	5226B	STUD (2)	2001-All Models
5	6016	WASHER	2001-All Models
6	6099	WASHER (2)	2001-All Models
7	7019	WASHER (rubber)	2001-All Models
8	7683	NUT (2)	2001-All Models
9	7739	LOCKNUT, detent arm	2001-All Models
10	9151	BEARING, closed end	2001-All Models
11	11019	RETAINING RING	2001-All Models
12	11031	RETAINING RING	2001-All Models
13	11185	RETAINING RING	2001-All Models
14	24530-90	PIN, spring	2001-All Models
15	33178-90B	PLATE, shift drum, kit w/#s 33178-98 & 33204-98	2001-All Models
16	33319-90	ROLLER (3)	2001-All Models
17	33634-91	SHIFTER DRUM ASM., w/#2	2001-All Models
18	33652-90	ROLLER, detent	2001-All Models
19	33653-90	RETAINING RING	2001-All Models
20	33655-90	DETENT ARM	2001-All Models
21	33656-90A	PLATE, detent	2001-All Models
22	34015-91	SHIFTER SHAFT	2001-All Models
23	34073-91	SPACER, pawl	2001-All Models
24	34075-89	WASHER	2001-All Models
25	34076-89	BUSHING	2001-All Models
26	34077-91	WASHER	2001-All Models
27	34142-89C	SHIFTER FORK, first & second	2001-All Models
28	34144-89C	SHIFTER FORK, third & fifth	2001-All Models
29	34147-89C	SHIFTER FORK, fourth	2001-All Models
30	34481-91A	SPRING	2001-All Models
31	34483-90	SPRING	2001-All Models
32	34486-90	SCREW, detent arm	2001-All Models
33	34491-91	SPRING	2001-All Models
34	34492-91	SHIFTER PAWL	2001-All Models
35	34560-91	BASEPLATE	2001-All Models
36	34615-94	SHIFT LEVER, foot (chrome)	2001-STD/HUG/1200/S
37	34611-65	SHIFTER PEG	2001-STD/HUG/1200/S
38	37101-84	OIL SEAL	2001-All Models

SHIFTER - 883/1200 CUSTOM



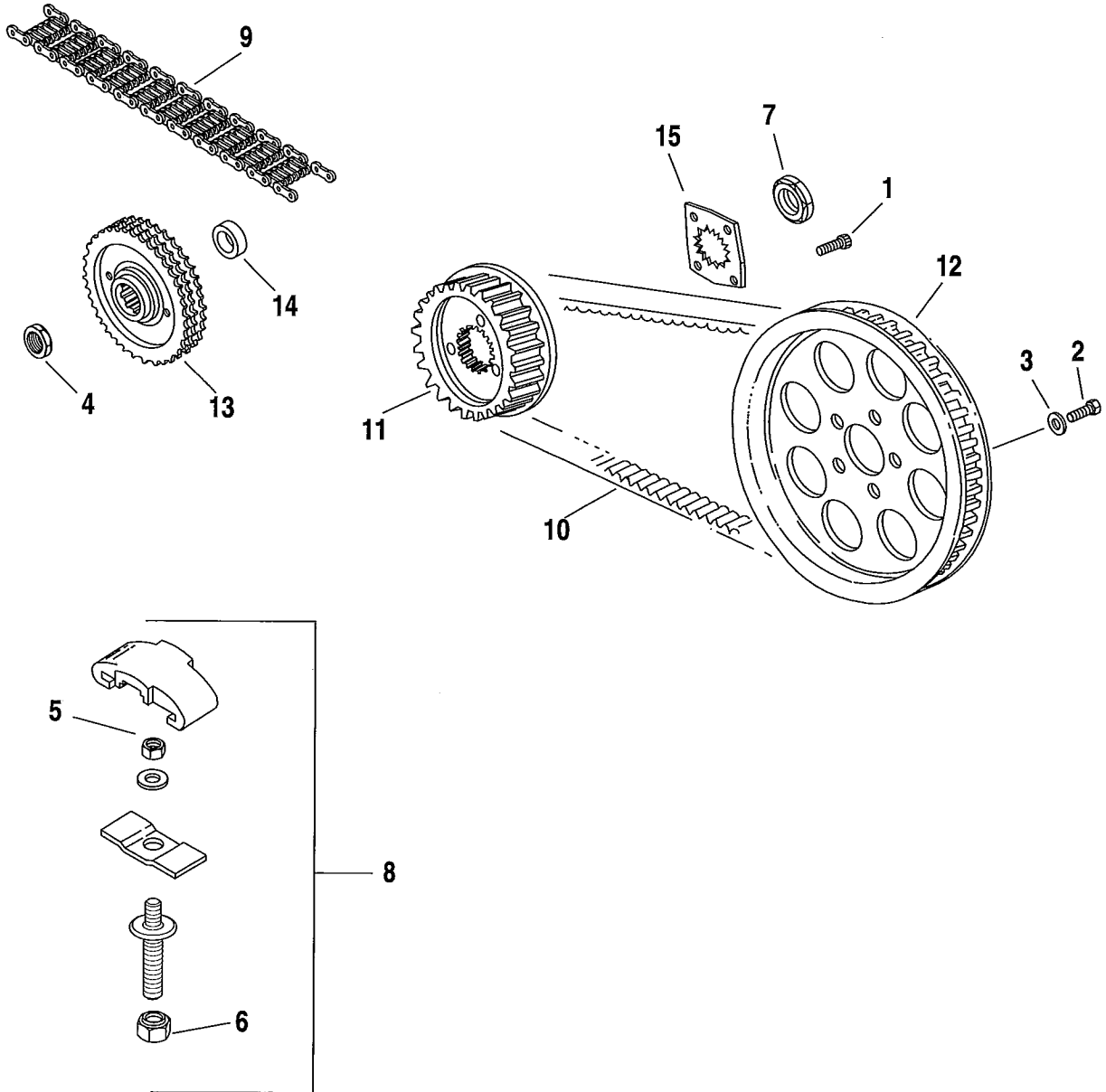
INDEX NO.	PART NO.	DESCRIPTION	MODELS
1	4017	SCREW, hex hd. (2)	2001-883C/1200C
2	4721	SCREW, hex hd.	2001-883C/1200C
3	4741A	SCREW, w/washer	2001-883C/1200C
4	4748	SCREW, hex socket hd.	2001-883C/1200C
5	6016	WASHER (2)	2001-883C/1200C
6	7744	NUT (2)	2001-883C/1200C
7	7778	NUT, lock	2001-883C/1200C
8	11302	RING RETAINING	2001-883C/1200C
9	11763	ROD, shifter	2001-883C/1200C
10	16297-99	ENGINE MOUNT - lower, (LH)	2001-883C/1200C
11	33216-99	RUBBER, footpeg	2001-883C/1200C
12	33735-99	ROD ASSEMBLY w/#s 6,9, & 13	2001-883C/1200C
13	33871-85A	ROD END (2)	2001-883C/1200C
14	34611-65	SHIFTER PEG	2001-883C/1200C
15	34963-99	SHIFTER LEVER	2001-883C/1200C
16	42420-99	FOOTREST SUPPORT, forward control	2001-883C/1200C
17	42426-99	CLEVIS, footrest mtg.	2001-883C/1200C
18	42443-80A	BUSHING, brake pedal	2001-883C/1200C
19	42582-99	SHIFTER LEVER ASSY. w/#18	2001-883C/1200C
20	33032-99	FOOTREST ASSY.	2001-883C/1200C
21	50912-72	SPRING WASHER	2001-883C/1200C

CLUTCH



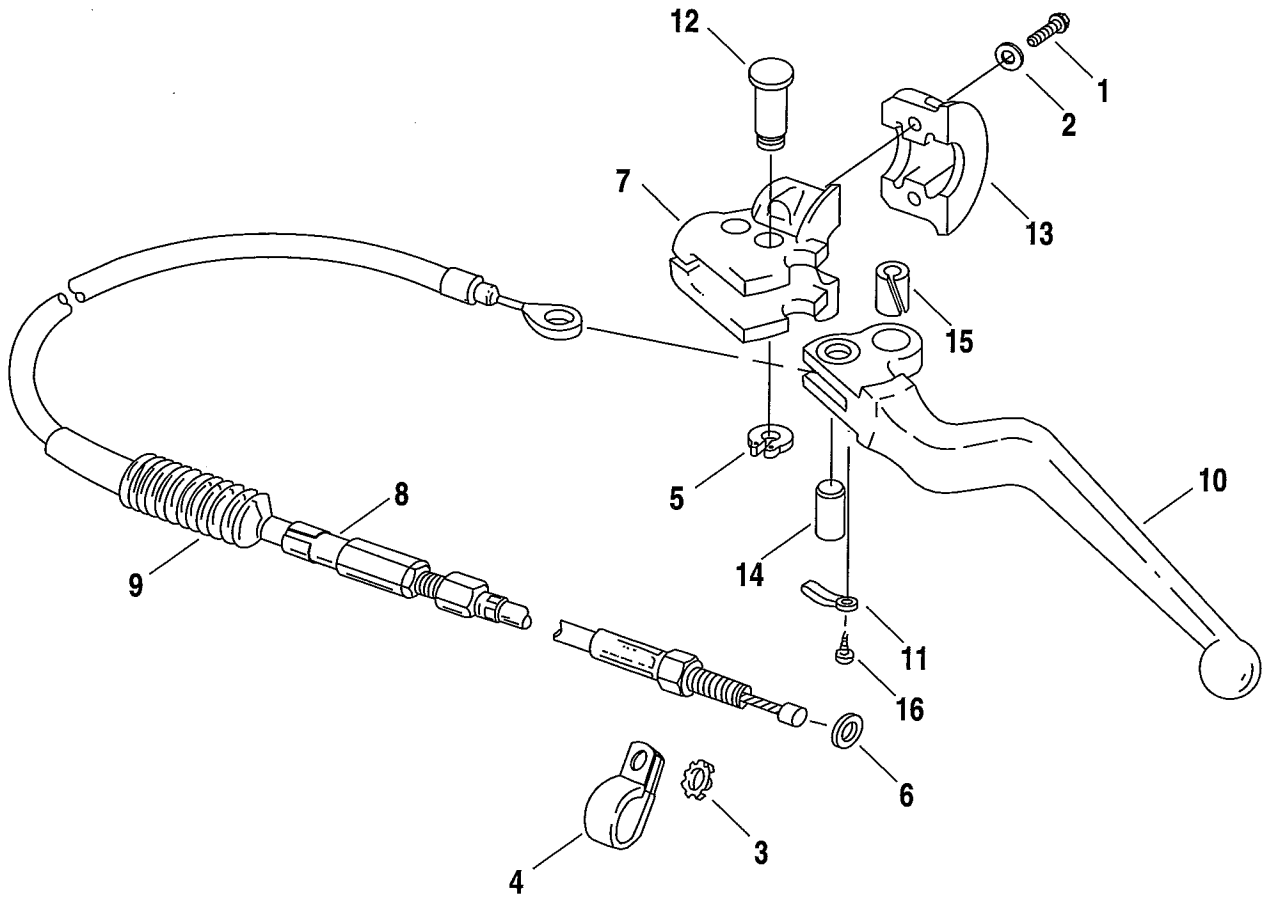
INDEX NO.	PART NO.	DESCRIPTION	MODELS
1	8873	BALL (3)	2001-All Models
2	8885	BEARING	2001-All Models
3	11046	RETAINING RING	2001-All Models
4	11250	RETAINING RING	2001-All Models
5	11730A	WELL NUT	2001-All Models
6	11752	ADJUSTMENT SCREW	2001-All Models
7	25453-87A	RAMP, inner	2001-All Models
8	25409-94A	RAMP, outer	2001-All Models
9	34920-86	COUPLING, clutch cable	2001-All Models
10	36715-94	SPRING, clutch adjustment	2001-All Models
11	36785-91	CLUTCH HUB	2001-All Models
12	36790-91	CLUTCH SHELL & SPROCKET w/#14 & 20	2001-All Models
13	36792-91	SPRING, diaphragm	2001-All Models
14	36799-91	BALL BEARING	2001-All Models
15	36802-84B	LOCKPLATE, well type	2001-All Models
16	37495-91	NUT, main shaft	2001-All Models
17	37870-91	SPRING WASHER	2001-All Models
18	37872-90	SEAT, spring-inner	2001-All Models
19	37904-90	RETAINING RING	2001-All Models
20	37905-90	RETAINING RING	2001-All Models
21	37908-90	RETAINING RING	2001-All Models
22	37909-90	RETAINING RING	2001-All Models
23	37911-90	FRICTION PLATE (paper) (8)	2001-All Models
24	37912-91	PRESSURE PLATE	2001-All Models
25	37913-90	STEEL PLATE (6)	2001-All Models
26	37918-91	RELEASE PLATE	2001-All Models
27	37977-90	SPRING PLATE	2001-All Models

BELTS AND SPROCKETS



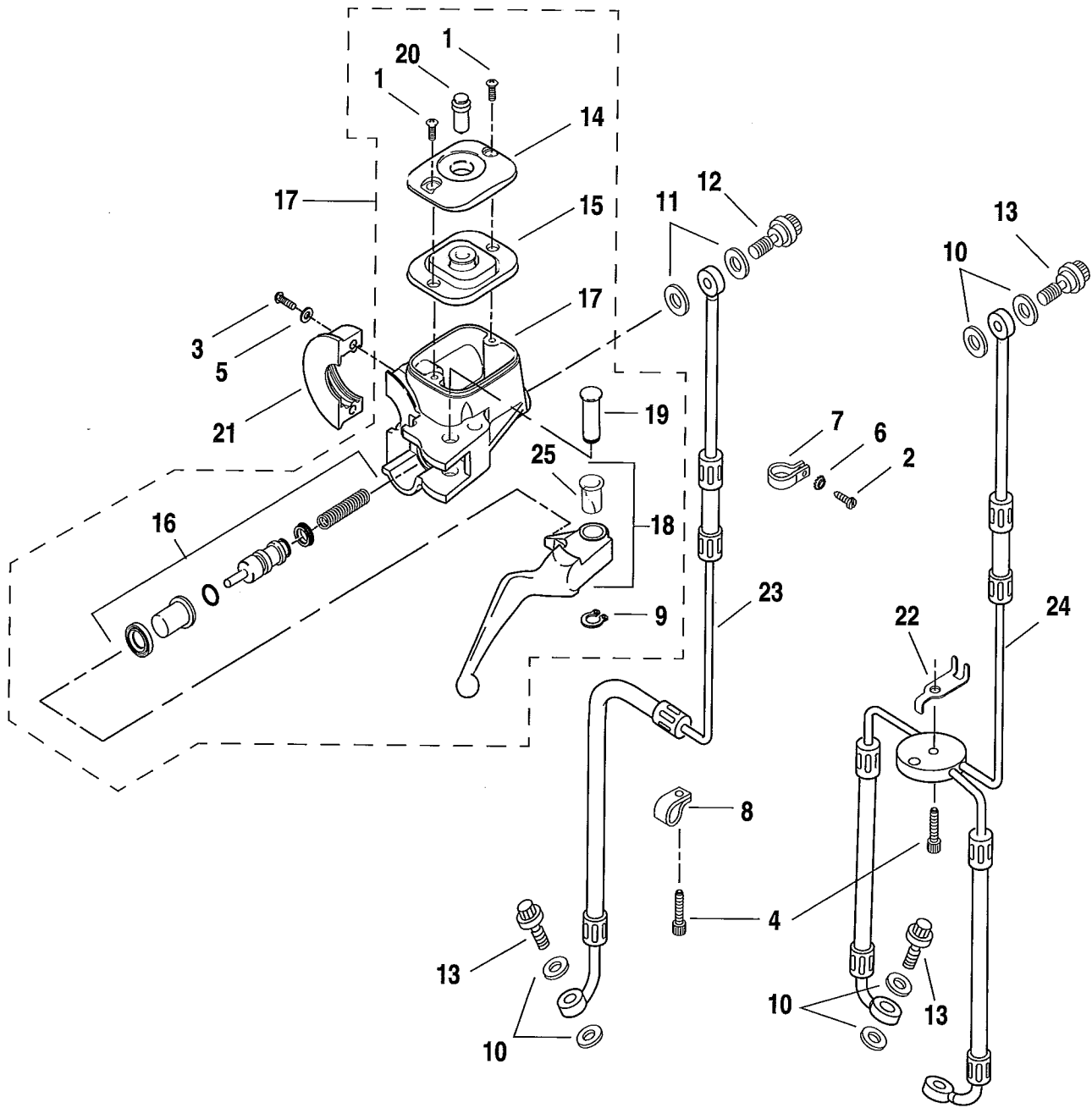
INDEX NO.	PART NO.	DESCRIPTION	MODELS
1	3594	SCREW (2)	2001-All Models
2	3899	BOLT (5)	2001-All Models
3	6516HW	WASHER (5)	2001-All Models
4	7839	NUT, engine sprocket	2001-All Models
5	7667	LOCKNUT	2001-All Models
6	7804	NUT, sealing	2001-All Models
7	35211-91A	NUT, transmission sprocket	2001-All Models
8	39975-90A	CHAIN ADJUSTER ASSEMBLY	2001-All Models
9	40005-57B	PRIMARY CHAIN	2001-All Models
10	40022-91	BELT - 128T.	2001-All Models
11	40202-91B	SPROCKET KIT, transmission - 29T (belt) w/#1, 7, 15, seal and spacer	2001-1200/C/S
	40285-91B	SPROCKET KIT, transmission - 27T (belt) w/#1, 7, 15, seal and spacer	2001-STD/HUG/883C
	40205-95	SPROCKET, transmission - 29T	2001-1200/C/S
	40288-95	SPROCKET, transmission - 27T	2001-STD/HUG/883C
12	40213-00	SPROCKET, rear wheel - 61T (belt) (black)	2001-STD/HUG/1200/C
	40227-00	SPROCKET, rear wheel - 61T (belt)(silver)	2001-STD/HUG/883C/1200S
13	40235-89A	ENGINE SPROCKET - 35T	2001-All Models
14	40240-89	SPACER, sprocket	2001-All Models
15	40251-92A	RETENTION PLATE	2001-All Models

CLUTCH CONTROL



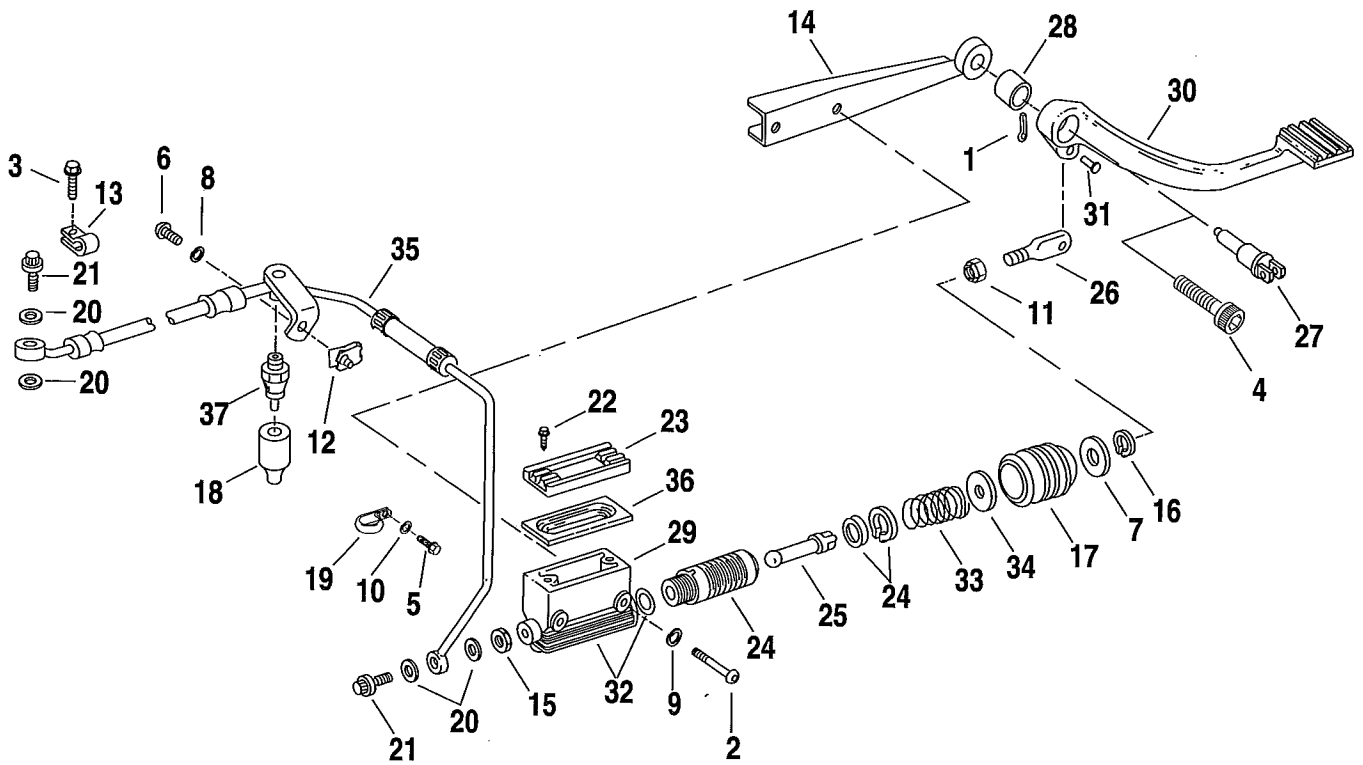
INDEX NO.	PART NO.	DESCRIPTION	MODELS
1	4132	SCREW (2)	2001-All Models
2	6101	WASHER (2)	2001-All Models
3	7145W	LOCKWASHER	2001-All Models
4	10123	CLIP	2001-All Models
5	11143	RETAINING RING	2001-All Models
6	11179	O-RING	2001-All Models
7	38608-96	BRACKET, clutch lever	2001-All Models
8	38662-00	CABLE ASSEMBLY	2001-HUG/883C/1200
	38663-00	CABLE ASSEMBLY	2001-STD/1200C/S
9	38630-88	BOOT, clutch cable	2001-All Models
10	45017-93	HAND LEVER w/#11, 15, & 16	2001-All Models
11	45021-86	SPRING, anti-rattle	2001-All Models
12	45032-82	PIVOT PIN	2001-All Models
13	45044-96	CLAMP, clutch control	2001-All Models
14	45036-88	PIN, clutch cable	2001-All Models
15	45423-92	BUSHING	2001-All Models
16	90770-79	SCREW, spring - clutch lever	2001-All Models

FRONT BRAKE CONTROL



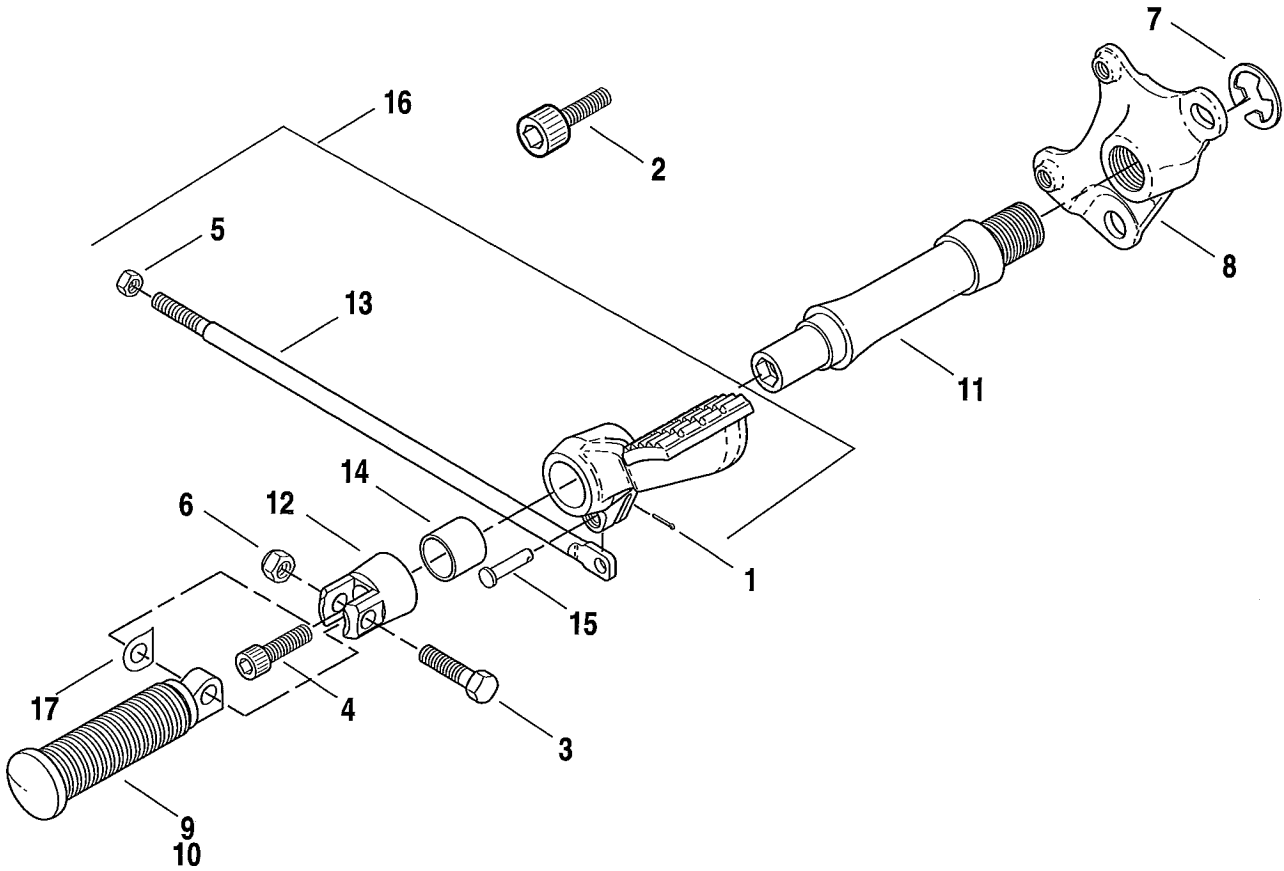
INDEX NO.	PART NO.	DESCRIPTION	MODELS
1	2579A	SCREW (2)	2001-All Models
2	4104	SCREW	2001-All Models
3	4132	SCREW (2)	2001-All Models
4	4741A	SCREW	2001-All Models
5	6101	WASHER (2)	2001-All Models
6	7220	LOCKWASHER	2001-All Models
7	10031	CLAMP	2001-All Models
8	10053	CLAMP	2001-STD/HUG/883C/1200/C
9	11143	RETAINING RING, external	2001-All Models
10	41731-01	GASKET, brake line (2; 6 - 1200S)	2001-All Models
11	41733-88	GASKET, master cylinder top (2)	2001-STD/HUG/883C/1200/C
12	41739-84A	BOLT, master cylinder top	2001-STD/HUG/883C/1200/C
13	41747-82A	BOLT, brake line (3 - 1200S)	2001-All Models
14	45004-96	COVER, master cylinder	2001-All Models
15	45005-96	GASKET, master cylinder cover	2001-All Models
16	45006-96A	REPAIR KIT, master cylinder	2001-STD/HUG/883C/1200/C
	45072-96A	REPAIR KIT, master cylinder	2001-1200S
17	45013-96A	MASTER CYLINDER ASSEMBLY	2001-1200S
	45019-96	MASTER CYLINDER ASSEMBLY	2001-STD/HUG/883C/1200/C
18	45016-96	LEVER ASSEMBLY, brake	2001-All Models
19	45032-82	PIN, hand lever	2001-All Models
20	45042-96	SIGHT GLASS	2001-All Models
21	45044-96	CLAMP, master cylinder	2001-All Models
22	45074-95	GUIDE, anti rotation	2001-1200S
23	45121-96	BRAKE LINE, front	2001-HUG/1200
	45143-88B	BRAKE LINE, front	2001-STD/883C/1200C
24	45148-96	BRAKE LINE, front	2001-1200S
25	45423-96	BUSHING, pivot lever	2001-All Models

REAR BRAKE CONTROL



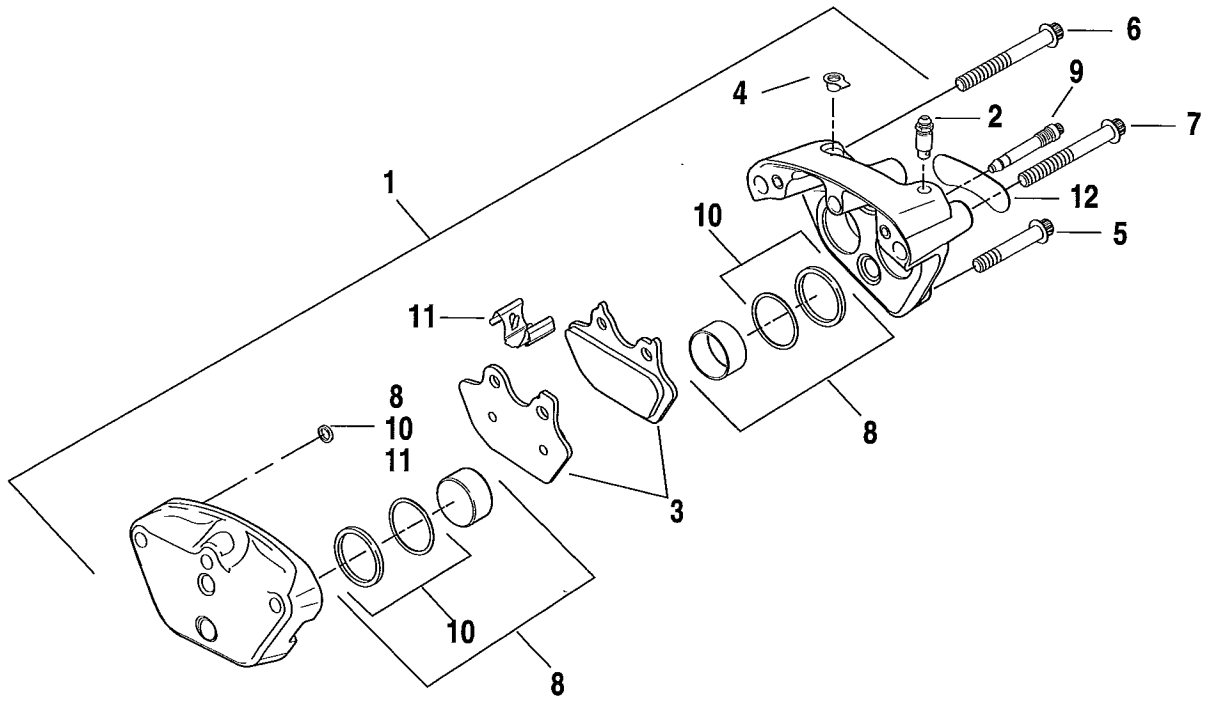
INDEX NO.	PART NO.	DESCRIPTION	MODELS
1	515	COTTER PIN	2001-HUG/STD/1200/S
2	853A	SCREW (2)	2001-All Models
3	2501A	SCREW (2)	2001-All Models
4	3549A	SCREW	2001-883C/1200C
5	4104	SCREW	2001-All Models
6	3201WA	SCREW	2001-All Models
7	6366	WASHER	2001-All Models
8	6702	WASHER	2001-All Models
9	7042	LOCKWASHER (2)	2001-All Models
10	7220	LOCKWASHER	2001-All Models
11	7744	JAM NUT	2001-HUG/STD/1200/S
12	8144	CLIPNUT	2001-All Models
13	10031	CLAMP (2)	2001-All Models
14	34909-90	STIFFENER, master cylinder	2001-STD/HUG/883C/1200/S
	34933-96	STIFFENER, master cylinder	2001-1200C
15	35078-79	LOCKNUT	2001-All Models
16	40903-87	RETAINING RING	2001-All Models
17	40922-87	BOOT, push rod	2001-All Models
18	41642-82	BOOT, brake switch	2001-All Models
19	41713-86	CLAMP	2001-All Models
20	41731-01	GASKET (4)	2001-All Models
21	41747-82A	BOLT (2)	2001-All Models
22	42375-87	BOLT (2)	2001-All Models
23	42381-87	COVER, master cylinder	2001-All Models
24	42382-87B	REPAIR KIT, master cylinder	2001-All Models
25	42436-87	PUSH ROD	2001-All Models
26	42437-87	ROD END	2001-HUG/STD/1200/S
27	42441-90A	CLEVIS, footrest mounting	2001-HUG/STD/1200/S
28	42443-80A	BUSHING	2001-HUG/STD/1200/S
29	42456-87B	MASTER CYLINDER	2001-All Models
30	42447-96	PEDAL ASSEMBLY w/#1, 26, 28 & 31	2001-HUG/STD/1200/S
31	42460-80B	CLEVIS PIN	2001-HUG/STD/1200/S
32	42472-87	REPAIR KIT, master cylinder body	2001-All Models
33	42479-90	SPRING	2001-All Models
34	44126-87	RETAINER, spring	2001-All Models
35	44438-87B	HOSE, rear brake	2001-All Models
36	45005-85	GASKET, master cylinder cover	2001-All Models
	45042-82	REPAIR KIT, sight glass	2001-All Models
37	72023-51C	STOPLIGHT SWITCH	2001-All Models

REAR BRAKE CONTROL - 883/1200 CUSTOM



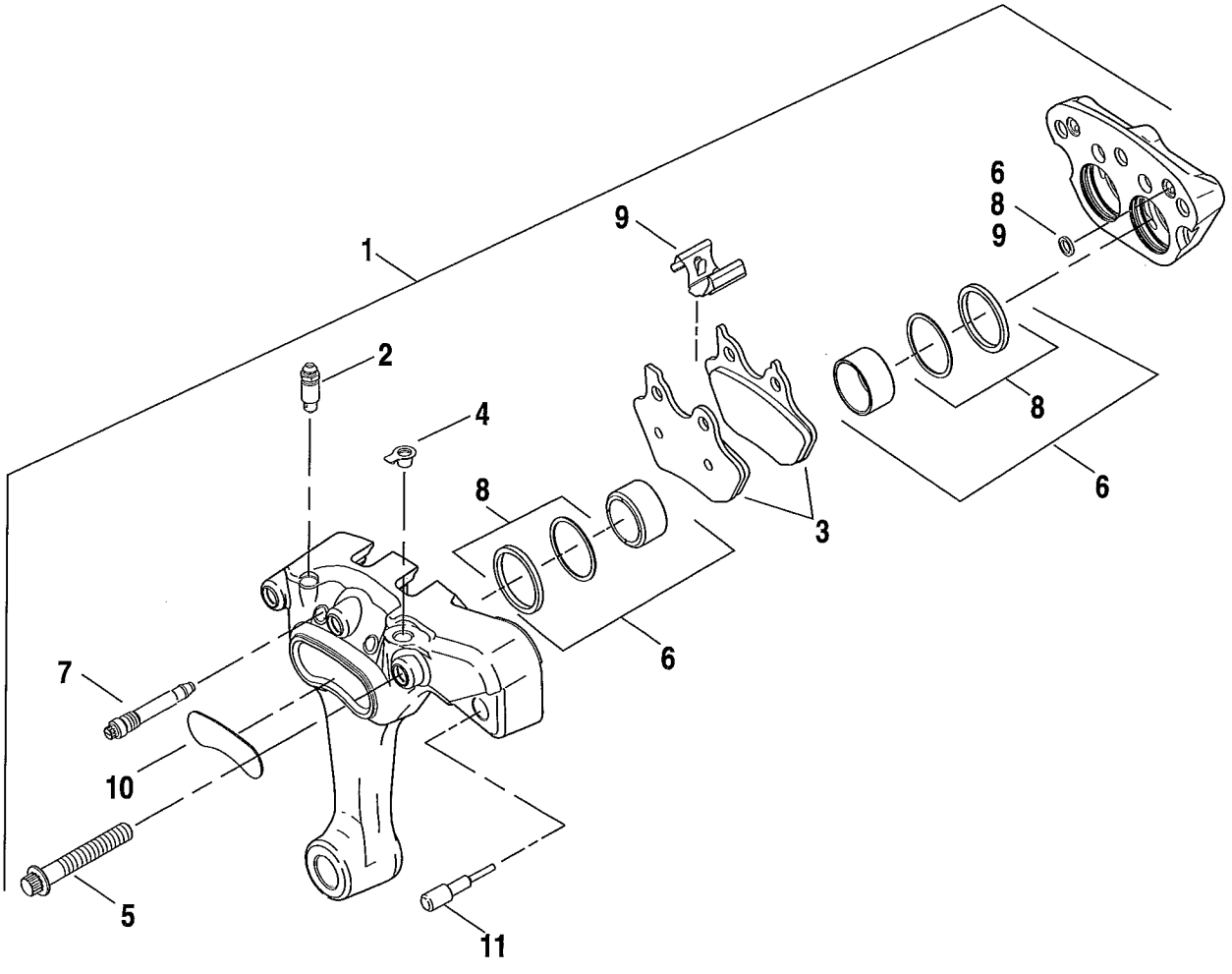
INDEX NO.	PART NO.	DESCRIPTION	MODELS
1	515	COTTER PIN	2001-883C/1200C
2	3549A	SCREW, hex socket hd.	2001-883C/1200C
3	4721	SCREW, hex hd.	2001-883C/1200C
4	4748	SCREW, hex socket hd.	2001-883C/1200C
5	7744	NUT	2001-883C/1200C
6	7778	NUT, lock	2001-883C/1200C
7	11302	RING RETAINING	2001-883C/1200C
8	16294-99	ENGINE MOUNT - lower (RH)	2001-883C/1200C
9	33032-99	FOOTPEG ASSEMBLY	2001-883C/1200C
10	33216-99	RUBBER, footpeg	2001-883C/1200C
11	42421-99	FOOTREST SUPPORT, foward control	2001-883C/1200C
12	42426-99	CLEVIS, footrest mtg.	2001-883C/1200C
13	42432-99	ROD, rear brake	2001-883C/1200C
14	42443-80A	BUSHING, brake pedal	2001-883C/1200C
15	42460-80B	PIN, clevis	2001-883C/1200C
16	42579-99	PEDAL ASSEMBLY, rear brake w/#s 1,5,13,14,&15	2001-883C/1200C
17	50912-72	SPRING WASHER	2001-883C/1200C

FRONT BRAKE CALIPER



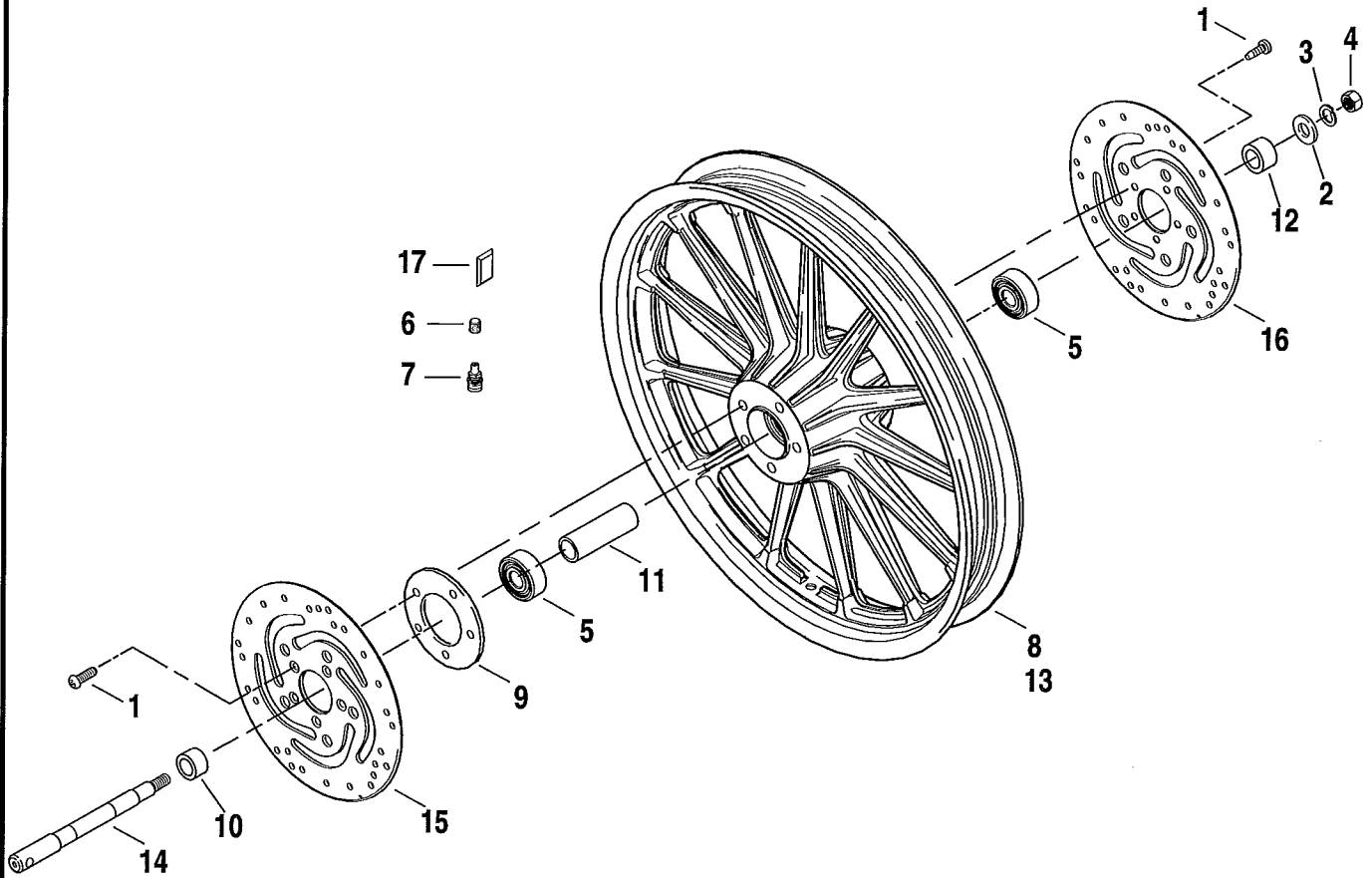
INDEX NO.	PART NO.	DESCRIPTION	MODELS
1	44023-00	CALIPER ASSEMBLY, right	2001-1200S
	44046-00	CALIPER ASSEMBLY, left	2001-All Models
2	44048-83	BLEEDER FITTING (2-1200S)	2001-All Models
3	44082-00	PAD KIT	2001-All Models
4	44147-87A	CAP BLEEDER (2-1200S)	2001-All Models
5	44160-00	BOLT, caliper mounting - lower (2-1200S)	2001-All Models
6	44163-00	BOLT, caliper mounting - upper (2-1200S)	2001-All Models
7	44177-00	BOLT, bridge (2 ; 4-1200S)	2001-All Models
8	44313-00	PISTON KIT	2001-All Models
9	44314-00	PAD PIN KIT	2001-All Models
10	44315-00	SEAL KIT	2001-All Models
11	44337-00	SPRING KIT, anti rattle	2001-All Models
12	44338-00	DECAL (2-1200S)	2001-All Models

REAR BRAKE CALIPER



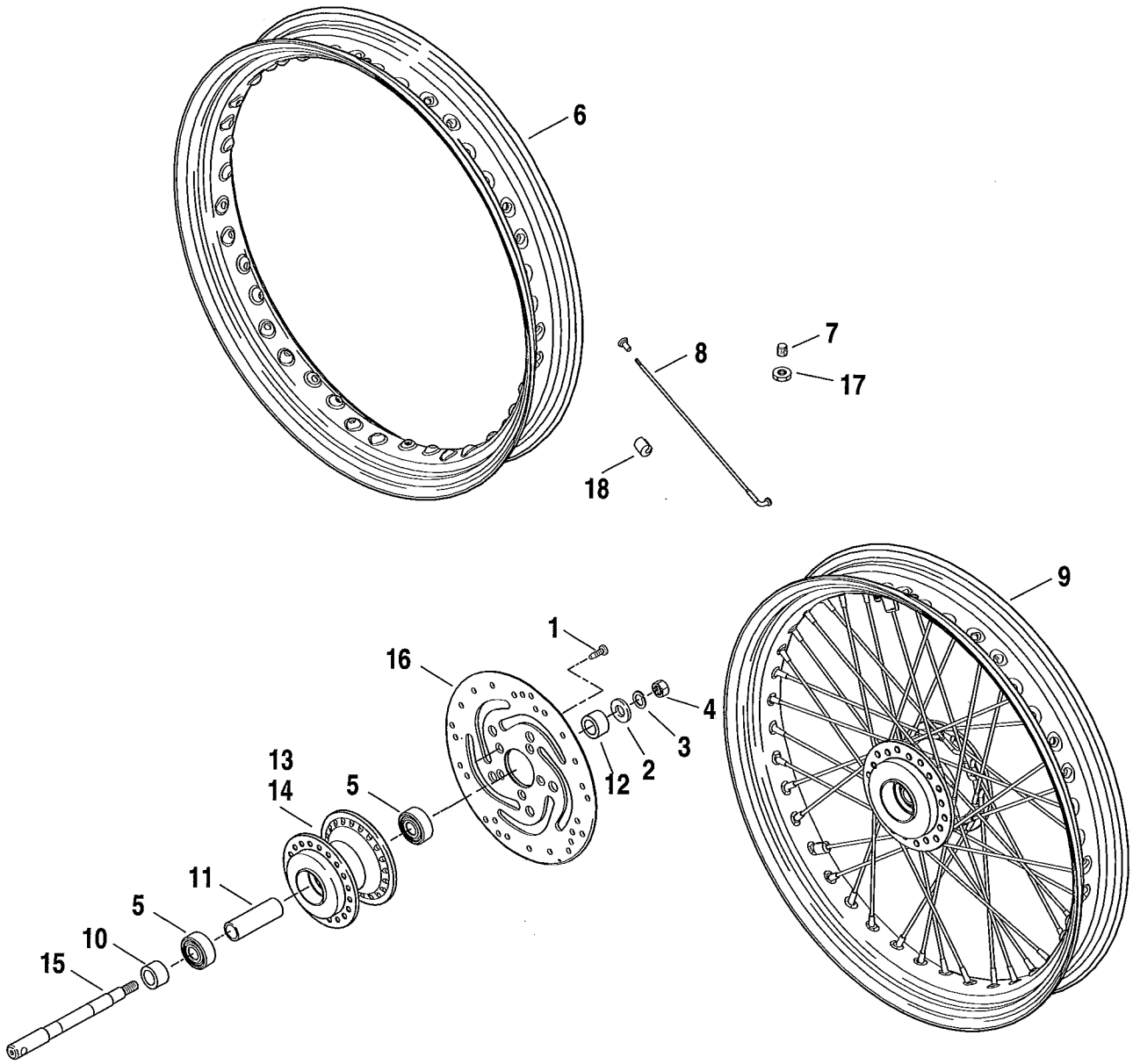
INDEX NO.	PART NO.	DESCRIPTION	MODELS
1	40925-00	CALIPER ASSEMBLY	2001-All Models
2	44048-83	SCREW, bleeder	2001-All Models
3	44082-00	PAD KIT	2001-All Models
4	44147-87A	CAP, bleeder screw	2001-All Models
5	44177-00	BOLT, bridge (3)	2001-All Models
6	44313-00	PISTON KIT	2001-All Models
7	44314-00	PAD PIN KIT	2001-All Models
8	44315-00	SEAL KIT	2001-All Models
9	44337-00	SPRING KIT, anti rattle	2001-All Models
10	44338-00	DECAL	2001-All Models
11	44351-00	BUMPER	2001-All Models

FRONT WHEEL - CAST



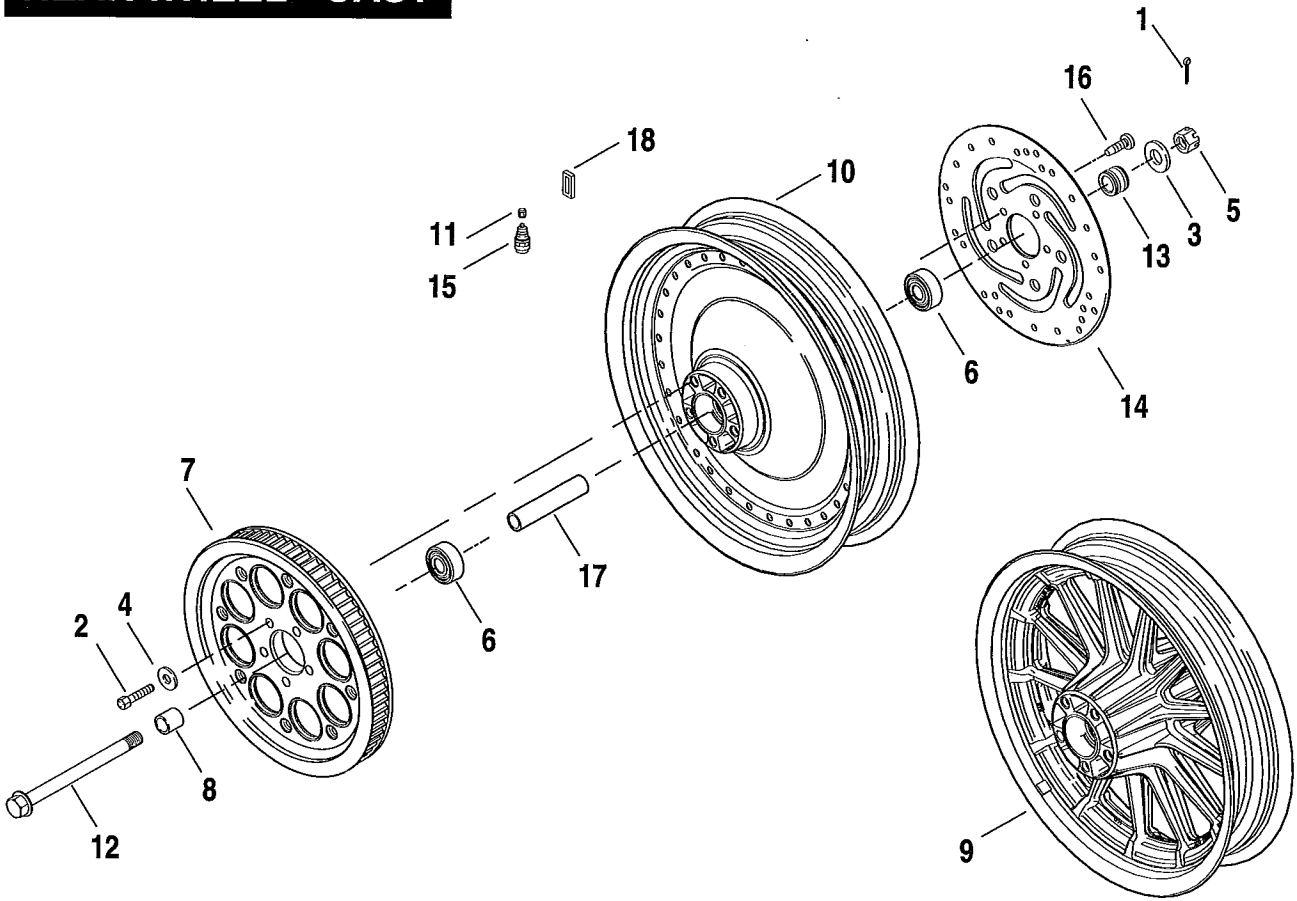
INDEX NO.	PART NO.	DESCRIPTION	MODELS
1	3655A	SCREW (5) (10-1200S)	2001-All Models
2	6590HW	WASHER	2001-All Models
3	7068	LOCKWASHER	2001-All Models
4	7956	NUT	2001-All Models
5	9267	ROLLER BEARING (2)	2001-All Models
6	41123-79	VALVE CAP	2001-All Models
7	43157-83A	VALVE STEM ASSY.	2001-STD/HUG/1200/S
8	43338-00	WHEEL ASSEMBLY, 19" (13 spoke)(silver)	2001-STD/HUG/1200S
9	43355-00	HUB PLATE (black)	2001-1200
	43359-00	HUB PLATE (silver)	2001-STD/HUG
10	43358-00	SPACER, bearing	2001-All Models
11	43613-00	SPACER, hub	2001-All Models
12	43617-00	SPACER, bearing	2001-All Models
13	43626-00	WHEEL ASSEMBLY, 19" (13 spoke)(black)	2001-1200
14	43895-00	FRONT AXLE	2001-All Models
15	44136-00	DISC, brake - R.H.	2001-1200S
16	44156-00	DISC, brake - L.H.	2001-STD/HUG/1200/S
17	95594-84	WHEEL WEIGHT, 1/4 oz. (black)	2001-1200/S
	95595-84	WHEEL WEIGHT, 1/4 oz. (silver)	2001-STD/HUG

FRONT WHEEL - LACED



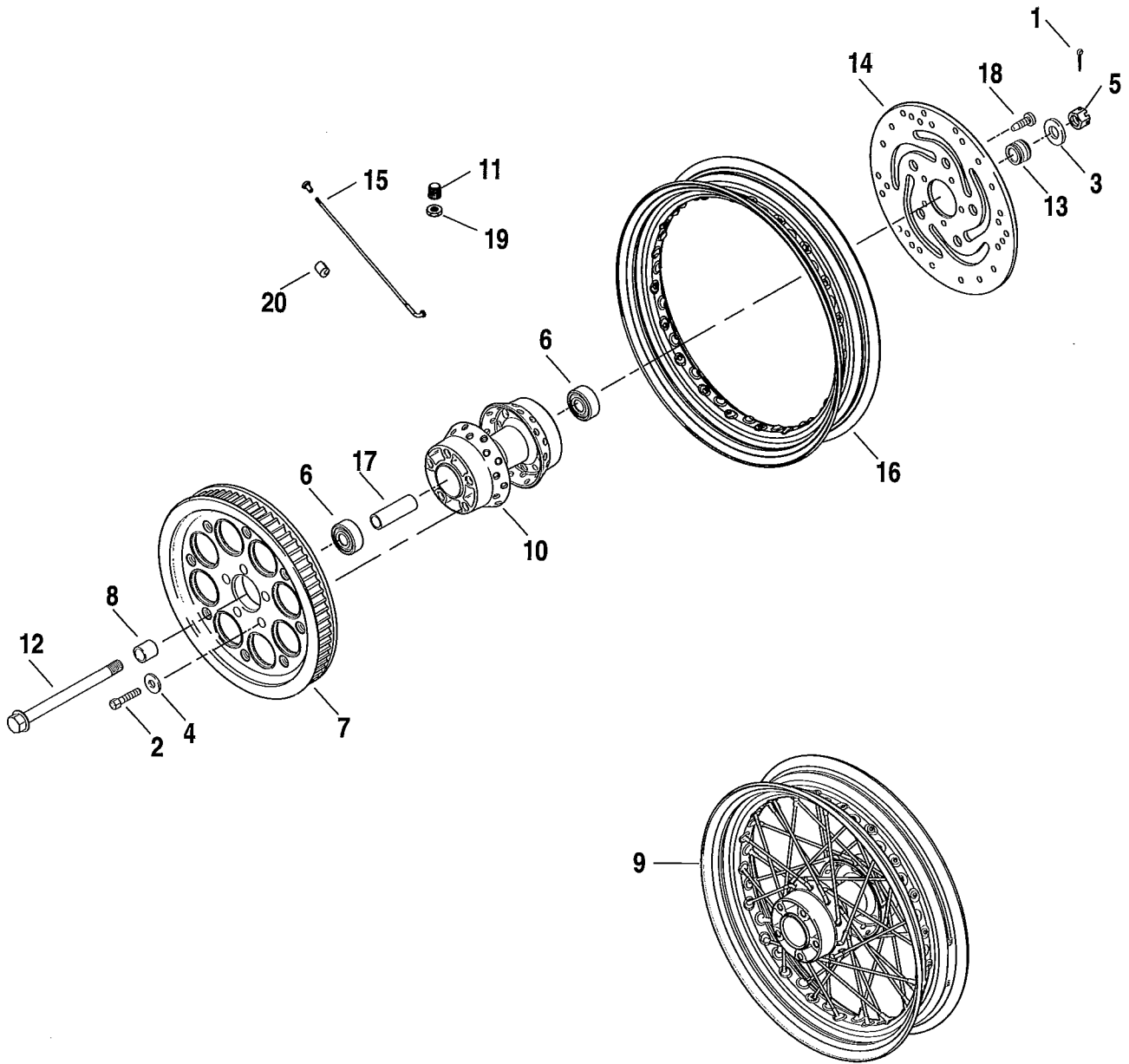
INDEX NO.	PART NO.	DESCRIPTION	MODELS
1	3655A	SCREW (5)	2001-All Models
2	6590HW	WASHER	2001-All Models
3	7068	LOCKWASHER	2001-All Models
4	7956	NUT	2001-All Models
5	9267	ROLLER BEARING (2)	2001-All Models
6	43001-79	RIM, 19" chrome	2001-STD/HUG/1200
	43662-80B	RIM, 21" chrome	2001-883C/1200C
7	41123-79	VALVE CAP	2001-All Models
8	43024-73C	SPOKE AND NIPPLE KIT, 19" rim - short (20)	2001-STD/HUG/1200
	43025-73C	SPOKE AND NIPPLE KIT, 19" rim - long (20)	2001-STD/HUG/1200
	43020-87A	SPOKE AND NIPPLE KIT, 21" rim - short (20)	2001-883C/1200C
	43035-87A	SPOKE AND NIPPLE KIT, 21" rim - long (20)	2001-883C/1200C
9	43312-00	WHEEL ASSEMBLY, 19"	2001-STD/HUG/1200
	43557-00	WHEEL ASSEMBLY, 21"	2001-883C/1200C
10	43358-00	SPACER, bearing	2001-All Models
11	43613-00	SPACER, hub	2001-All Models
12	43617-00	SPACER, bearing	2001-All Models
13	43619-00	WHEEL HUB ASSEMBLY	2001-STD/HUG/1200
	43610-00	WHEEL HUB ASSEMBLY	2001-883C/1200C
14	43627-00	HUB ASSEMBLY WHEEL w/#43619-00	2001-STD/HUG/1200
15	43895-00	FRONT AXLE	2001-All Models
16	44156-00	DISC, brake	2001-STD/HUG/883C/1200/C
17	54321-85	NUT, valve stem	2001-All Models
18	95578-41	WHEEL WEIGHT, 1/2 oz.	2001-STD/HUG/883C/1200/C
	95581-47	WHEEL WEIGHT, 3/4 oz.	2001-STD/HUG/883C/1200/C
	95582-47	WHEEL WEIGHT, 1 oz.	2001-STD/HUG/883C/1200/C

REAR WHEEL - CAST



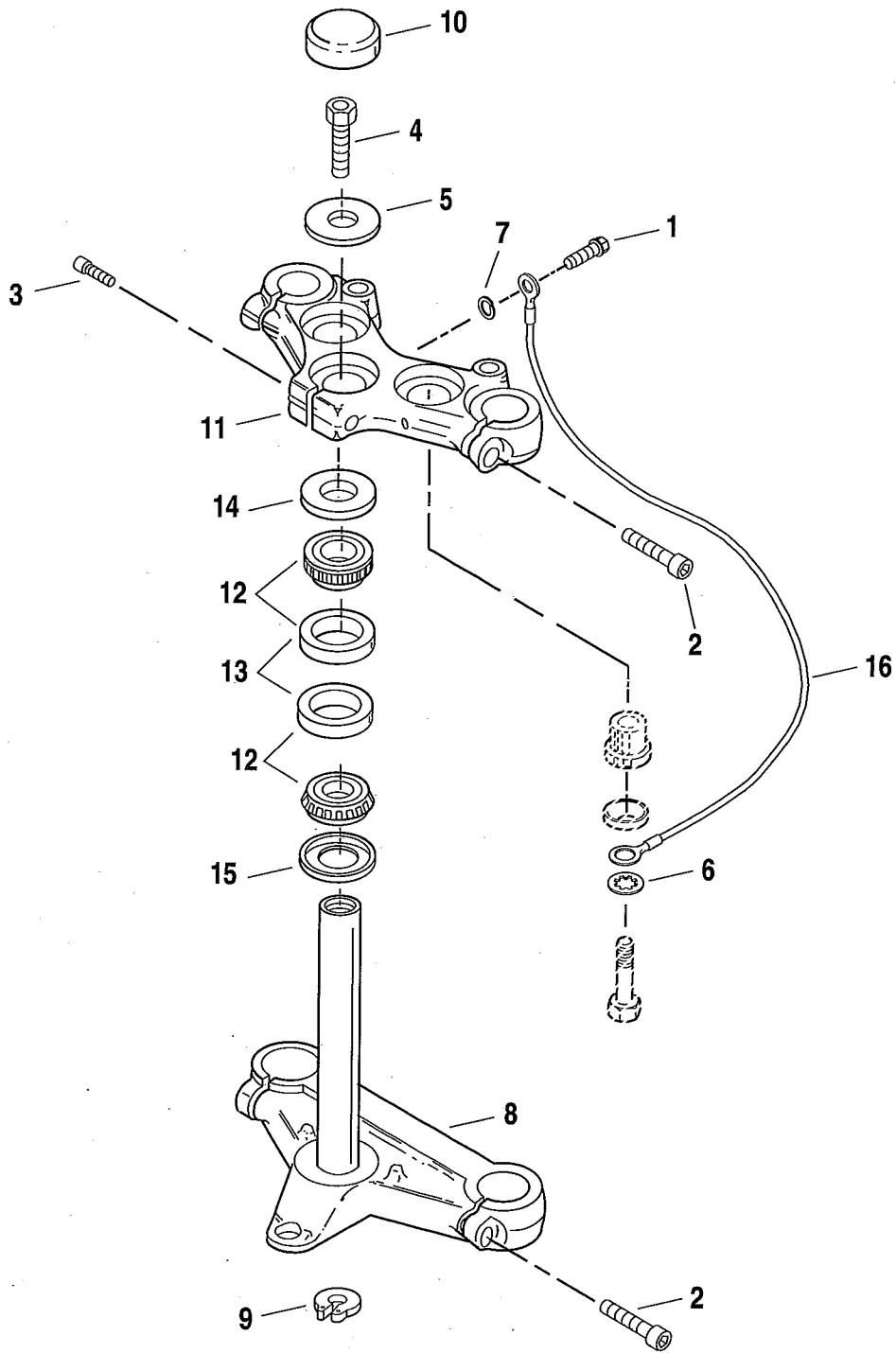
INDEX NO.	PART NO.	DESCRIPTION	MODELS
1	511	COTTER PIN	2001-All Models
2	3899	BOLT (5)	2001-All Models
3	5756	SPACER	2001-All Models
4	6516HW	WASHER (5)	2001-All Models
5	7987	CASTLE NUT	2001-All Models
6	9267	ROLLER BEARING (2)	2001-All Models
7	40213-00	SPROCKET - 61T (belt) (black)	2001-STD/HUG/1200/C
	40227-00	SPROCKET - 61T (belt) (silver)	2001-STD/HUG/883C/1200S
8	40910-00	SPACER, sprocket side	2001-All Models
9	40983-00	WHEEL ASSEMBLY - 16" (13 spoke)(silver)	2001-STD/HUG/1200S
	41015-00	WHEEL ASSEMBLY - 16" (13 spoke)(black)	2001-1200
10	41017-00	WHEEL ASSEMBLY, solid with slots (chrome)	2001-1200C
	41008-00	WHEEL ASSEMBLY, solid disc	2001-883C
11	41123-79	VALVE CAP	2001-All Models
12	41563-77A	AXLE ASSEMBLY	2001-All Models
13	43654-00	SPACER, disk side	2001-All Models
14	41797-00	BRAKE DISC	2001-All Models
15	43157-83A	VALVE STEM	2001-All Models
16	43567-92	SCREW, brake disc (5)	2001-All Models
17	43608-00	SLEEVE WHEEL BEARING, spacer	2001-All Models
18	95595-84	WHEEL WEIGHT, 1/4 oz. (4)	2001-All Models

REAR WHEEL - LACED



INDEX NO.	PART NO.	DESCRIPTION	MODELS
1	511	COTTER PIN	2001-STD/HUG/1200
2	3899	BOLT (5)	2001-STD/HUG/1200
3	5756	SPACER	2001-STD/HUG/1200
4	6516HW	WASHER (5)	2001-STD/HUG/1200
5	7987	CASTLE NUT	2001-STD/HUG/1200
6	9267	WHEEL BEARING (2)	2001-STD/HUG/1200
7	40213-00	SPROCKET - 61T. (belt) (black)	2001-STD/HUG/1200
8	40910-00	SPACER, wheel bearing, sprocket side	2001-STD/HUG/1200
9	40975-00	WHEEL ASSEMBLY, 16" (chrome)	2001-STD/HUG/1200
10	40976-00	HUB ASSEMBLY, rear, 16"	2001-STD/HUG/1200
11	41123-79	VALVE CAP	2001-STD/HUG/1200
12	41563-77A	AXLE ASSEMBLY	2001-STD/HUG/1200
13	43654-00	SPACER, disk side	2001-STD/HUG/1200
14	41797-00	BRAKE DISC	2001-STD/HUG/1200
15	43032-40B	SPOKE AND NIPPLE KIT, 16" rim (20)	2001-STD/HUG/1200
16	43085-97	RIM, 16" (chrome)	2001-STD/HUG/1200
17	43608-00	SLEEVE WHEEL BEARING, spacer	2001-STD/HUG/1200
18	43567-92	SCREW, brake disc (5)	2001-STD/HUG/1200
19	54321-85	NUT, valve stem	2001-STD/HUG/1200
20	95578-41	WHEEL WEIGHT, 1/2 oz.	2001-STD/HUG/1200
	95581-47	WHEEL WEIGHT, 3/4 oz.	2001-STD/HUG/1200
	95582-47	WHEEL WEIGHT, 1 oz.	2001-STD/HUG/1200

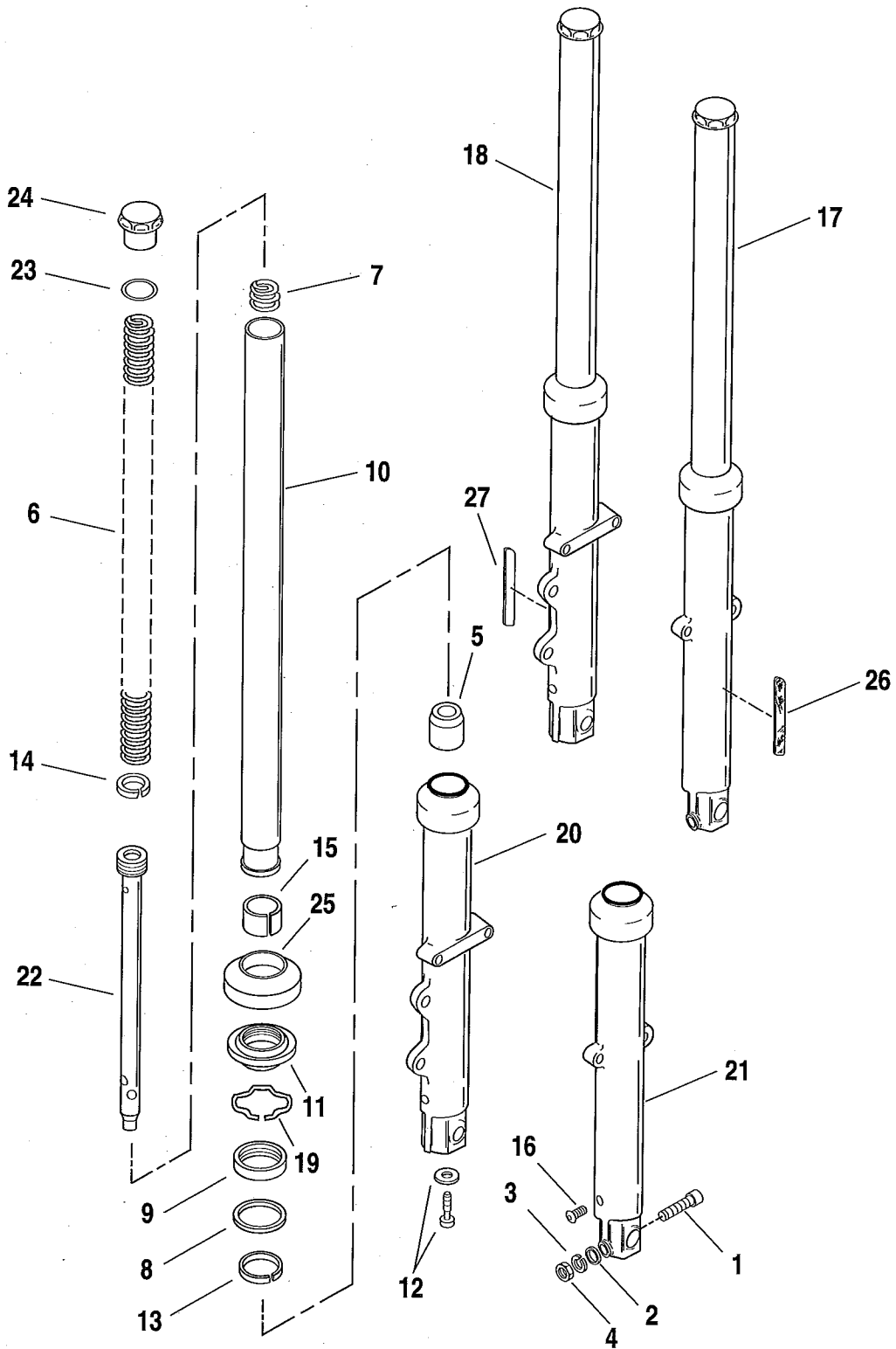
STEERING HEAD BRACKET ASSEMBLY



STEERING HEAD BRACKET ASSEMBLY

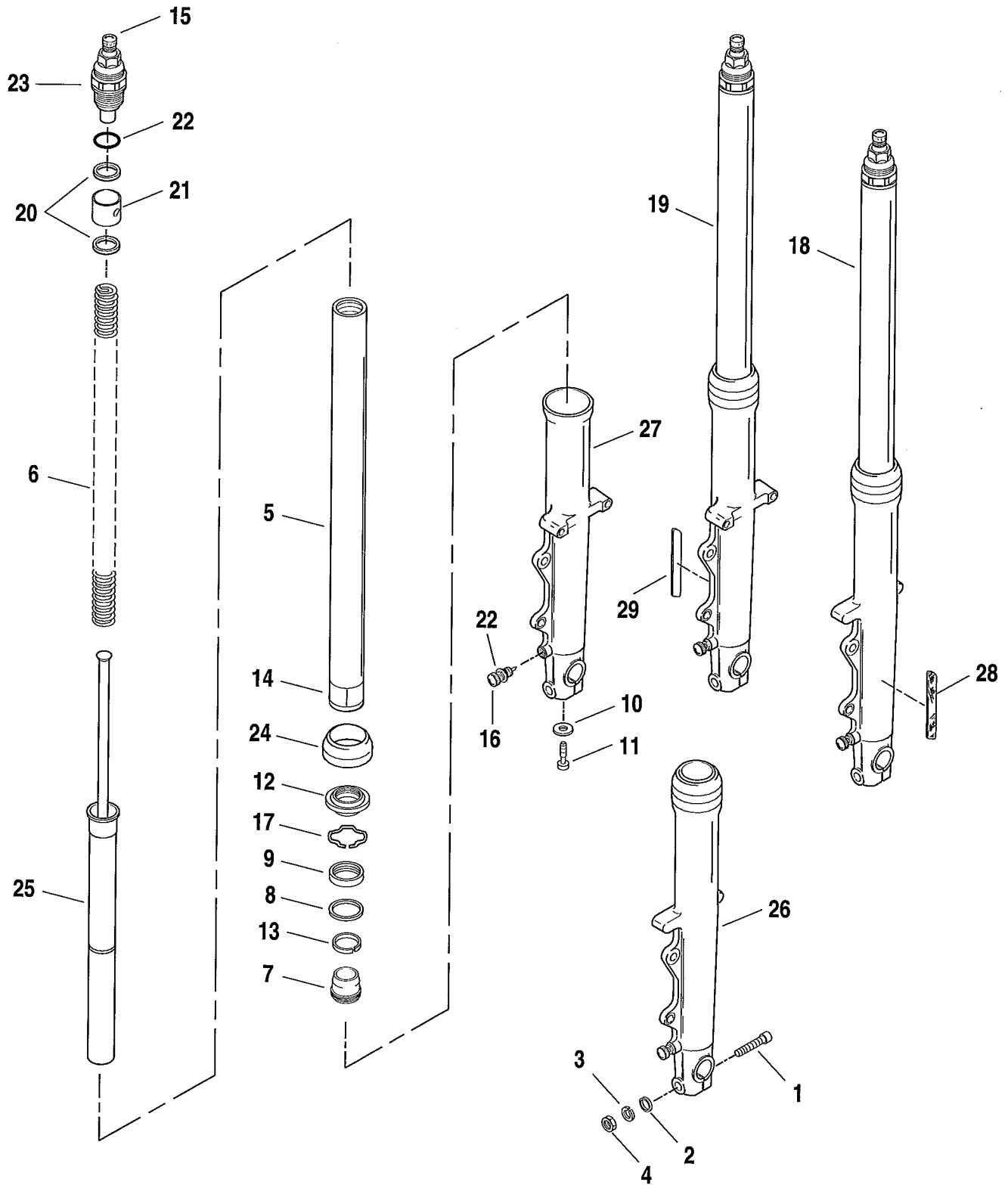
INDEX NO.	PART NO.	DESCRIPTION	MODELS
1	4104	SCREW	2001-All Models
2	4351	SCREW, (4)	2001-All Models
3	4352	SCREW	2001-All Models
4	4453	BOLT, tapped	2001-1200/S
	4460	BOLT	2001-STD/HUG/883C/1200C
5	6655	WASHER	2001-All Models
6	7129	LOCKWASHER	2001-All Models
7	7220	LOCKWASHER	2001-All Models
8	45563-87	BRACKET, lower with stem	2001-STD/HUG/1200/S
	45561-87	BRACKET, lower with stem	2001-883C/1200C
9	45611-86	RETAINING RING	2001-All Models
10	45668-90	CAP, fork stem	2001-1200/S
11	45739-87	BRACKET, upper	2001-All Models
12	48300-60	ROLLER BEARING, with cup (2)	2001-All Models
13	48315-60	BEARING CUP (2)	2001-All Models
14	48361-80	DUST SHIELD, upper	2001-All Models
15	48365-48A	DUST SHIELD, lower	2001-All Models
16	70191-73A	GROUND WIRE	2001-All Models

FRONT FORK



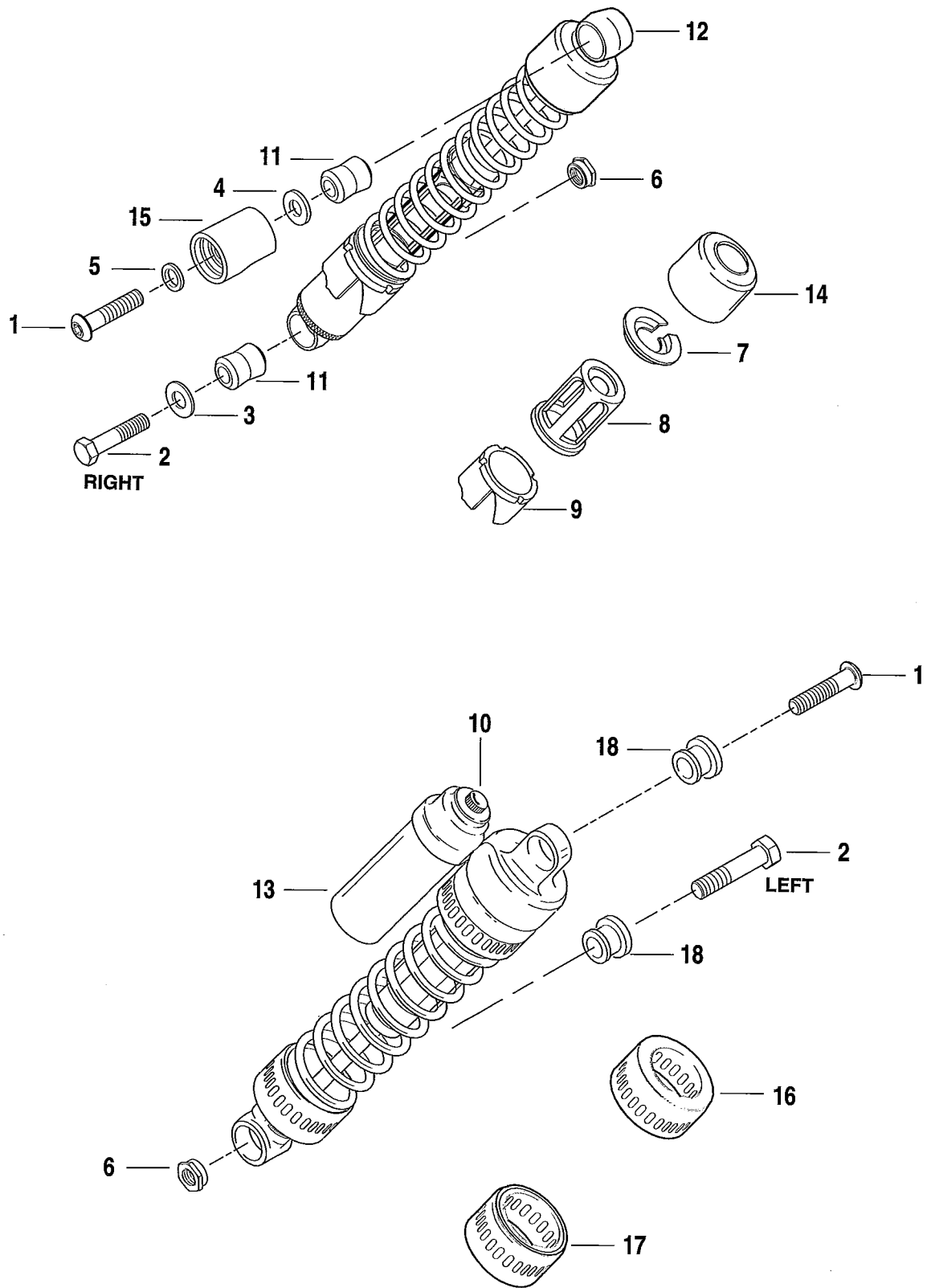
INDEX NO.	PART NO.	DESCRIPTION	MODELS
1	4029A	SCREW	2001-STD/HUG/883C/1200/C
2	6701	WASHER	2001-STD/HUG/883C/1200/C
3	7038	LOCKWASHER	2001-STD/HUG/883C/1200/C
4	7783	NUT	2001-STD/HUG/883C/1200/C
5	45361-90	LOWER STOP (2)	2001-STD/HUG/883C/1200/C
6	45372-92	SPRING (2)	2001-HUG
	45376-97	SPRING (2)	2001-STD/833C/1200/C
7	45374-87	SPRING, slider (2)	2001-STD/HUG/883C/1200/C
8	45377-87	SPACER, oil seal (2)	2001-STD/HUG/883C/1200/C
9	45378-87	OIL SEAL (2)	2001-STD/HUG/883C/1200/C
10	45395-97	SLIDER TUBE (2)	2001-STD/883C/1200/C
	45395-92	SLIDER TUBE (2)	2001-HUG
11	45401-87	SEAL, dust (2)	2001-STD/HUG/883C/1200/C
12	45405-75A	SCREW WITH WASHER (2)	2001-STD/HUG/883C/1200/C
13	45461-87	BUSHING, upper (2)	2001-STD/HUG/883C/1200/C
14	45460-90	RING, damper tube (2)	2001-STD/HUG/883C/1200/C
15	45465-87	BUSHING, slider tube (2)	2001-STD/HUG/883C/1200/C
16	45790-80	DRAIN SCREW, w/washer (2)	2001-STD/HUG/883C/1200/C
17	45900-00	FORK SLIDER AND TUBE ASSEMBLY - right	2001-STD/883C/1200/C
	45928-00	FORK SLIDER AND TUBE ASSEMBLY - right	2001-HUG
18	45901-00	FORK SLIDER AND TUBE ASSEMBLY - left	2001-STD/883C/1200/C
	45929-00	FORK SLIDER AND TUBE ASSEMBLY - left	2001-HUG
19	45905-87	RETAINING RING, oil seal (2)	2001-STD/HUG/883C/1200/C
20	45921-00	SLIDER ASSEMBLY, left	2001-STD/HUG/883C/1200/C
21	45923-00	SLIDER ASSEMBLY, right	2001-STD/HUG/883C/1200/C
22	45925-97	DAMPER TUBE (2)	2001-STD/883C/1200/C
	45938-92	DAMPER TUBE w/45460-90 (2)	2001-HUG
23	45984-87	O-RING (2)	2001-STD/HUG/883C/1200/C
24	45996-87	CAP, slider tube (2)	2001-STD/HUG/883C/1200/C
25	46002-87	COVER, slider (2)	2001-STD/HUG/883C/1200/C
26	59481-00	REFLECTOR, amber - right	2001-STD/HUG/883C/1200/C
27	59482-00	REFLECTOR, amber - left	2001-STD/HUG/883C/1200/C

FRONT FORK - 1200 SPORT



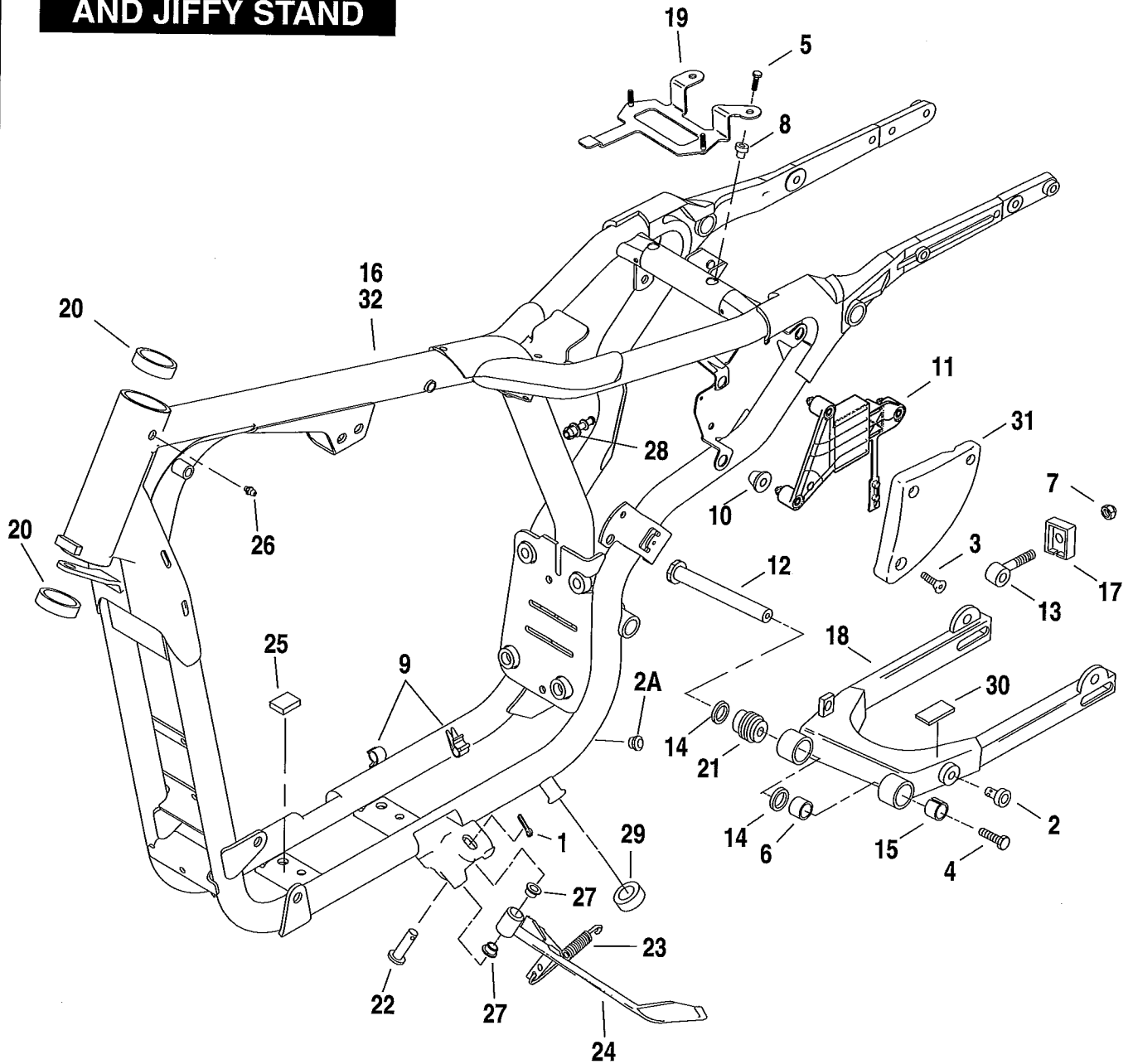
INDEX NO.	PART NO.	DESCRIPTION	MODELS
1	4029A	SCREW	2001-1200S
2	6701	WASHER	2001-1200S
3	7038	LOCKWASHER	2001-1200S
4	7783	NUT	2001-1200S
5	45366-96	SLIDER TUBE ASSEMBLY (2)	2001-1200S
6	45367-96	SPRING (2)	2001-1200S
7	45368-96	LOWER STOP (2)	2001-1200S
8	45377-87	SPACER, oil seal (2)	2001-1200S
9	45378-87	OIL SEAL (2)	2001-1200S
10	45398-96	WASHER (2)	2001-1200S
11	45399-96	SCREW (2)	2001-1200S
12	45401-87	SEAL, dust (2)	2001-1200S
13	45461-87	BUSHING, upper (2)	2001-1200S
14	45465-87	SLIDE BUSHING (2)	2001-1200S
15	45723-96	KNOB ADJUSTER (2)	2001-1200S
16	45726-96	PLUG BOLT (2)	2001-1200S
17	45905-87	RETAINING RING, oil seal (2)	2001-1200S
18	45943-00	FORK SLIDER AND TUBE ASSEMBLY - right	2001-1200S
19	45944-00	FORK SLIDER AND TUBE ASSEMBLY - left	2001-1200S
20	45980-96	SPACER (4)	2001-1200S
21	45981-96	SPRING COLLAR (2)	2001-1200S
22	45985-96	O-RING, kit (2)	2001-1200S
23	45986-96	CAP ADJUSTABLE, slider tube (2)	2001-1200S
24	46002-87	COVER, slider (2)	2001-1200S
25	46024-96	DAMPER TUBE (2)	2001-1200S
26	46022-00	SLIDER ASSEMBLY - right	2001-1200S
27	46023-00	SLIDER ASSEMBLY - left	2001-1200S
28	59481-00	REFLECTOR, amber - right	2001-1200S
29	59482-00	REFLECTOR, amber - left	2001-1200S

SHOCK ABSORBERS



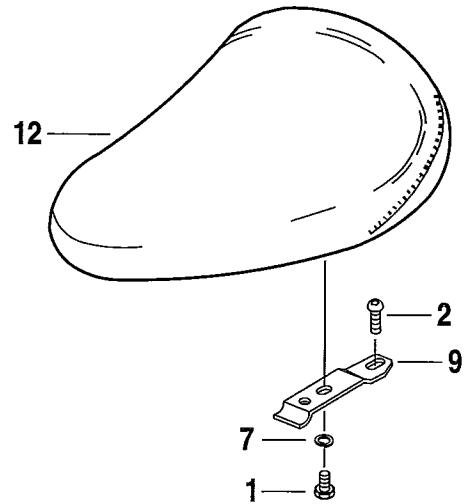
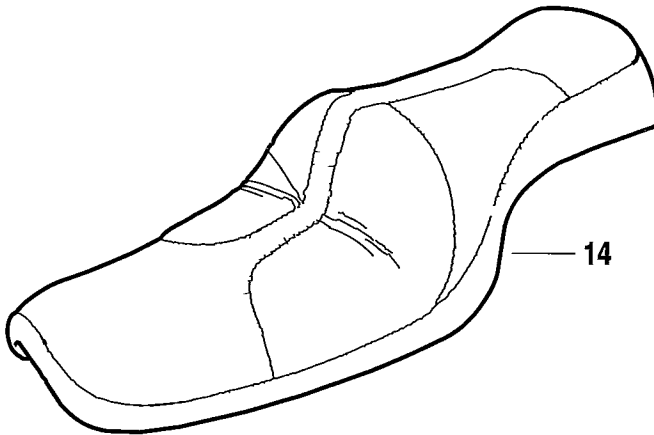
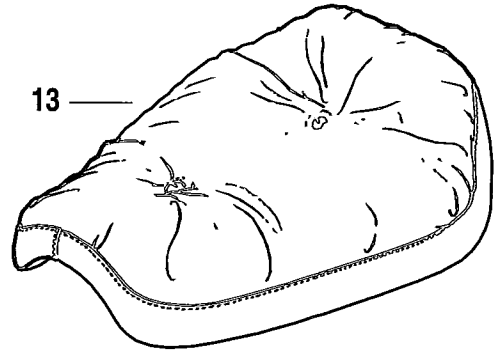
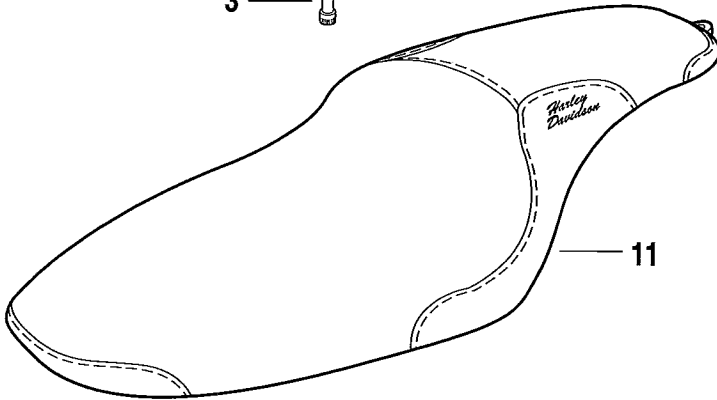
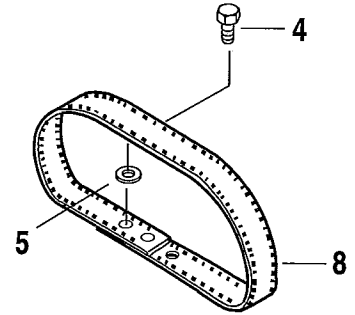
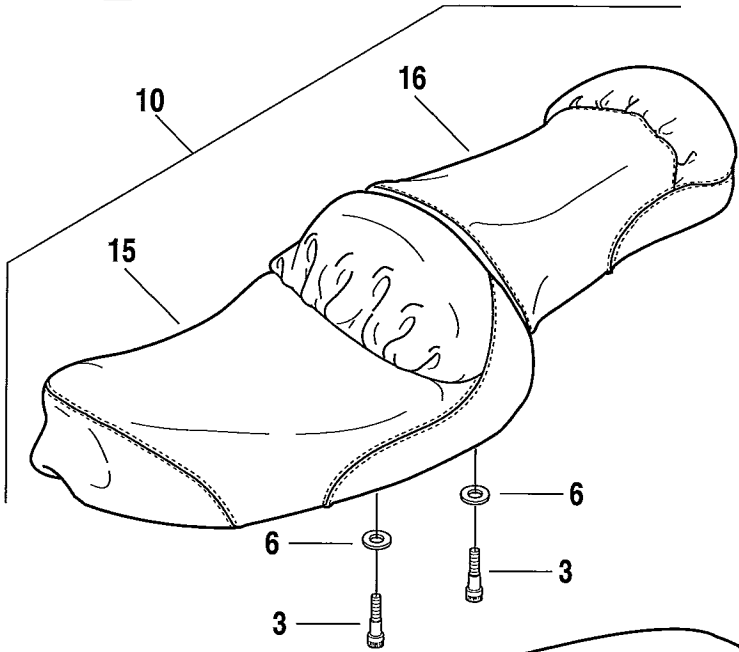
INDEX NO.	PART NO.	DESCRIPTION	MODELS
1	3820	SCREW (2)	2001-All Models
2	3958	BOLT, left	2001-All Models
	4743	BOLT, right	2001-All Models
3	6012	WASHER (2)	2001-All Models
4	6718	WASHER (2)	2001-All Models
5	6738	WASHER (2)	2001-STD/HUG/883C/1200/C
6	7824	NUT (2)	2001-All Models
7	54473-79	SEAT, spring - upper (2)	2001-STD/HUG/883C/1200/C
8	54475-79	SPRING GUIDE, lower (2)	2001-STD/HUG/883C/1200/C
9	54476-82	ADJUSTER, spring (2)	2001-STD/1200
	54474-79	ADJUSTER, spring (2)	2001-HUG/883C/1200C
10	54481-96	KNOB, rear shock (2)	2001-1200S
11	54556-84	BUSHING, damper (4)	2001-STD/HUG/883C/1200/C
12	54566-97	SHOCK ABSORBER, complete (standard) (2)	2001-STD/1200
	54568-92	SHOCK ABSORBER, complete (low) (2)	2001-HUG/883C/1200C
13	54552-96A	SHOCK ABSORBER, complete, right (adjustable)	2001-1200S
	54542-96A	SHOCK ABSORBER, complete, left (adjustable)	2001-1200S
14	54701-82	COVER, shock absorber (2)	2001-STD/HUG/883C/1200/C
15	54705-00	COVER, shock absorber stud (2)	2001-STD/HUG/883C/1200/C
16	54713-96	COVER, upper (2)	2001-1200S
17	54714-96	COVER, lower (2)	2001-1200S
18	54715-96	BUSHING, damper (4)	2001-1200S

FRAME, REAR FORK, AND JIFFY STAND



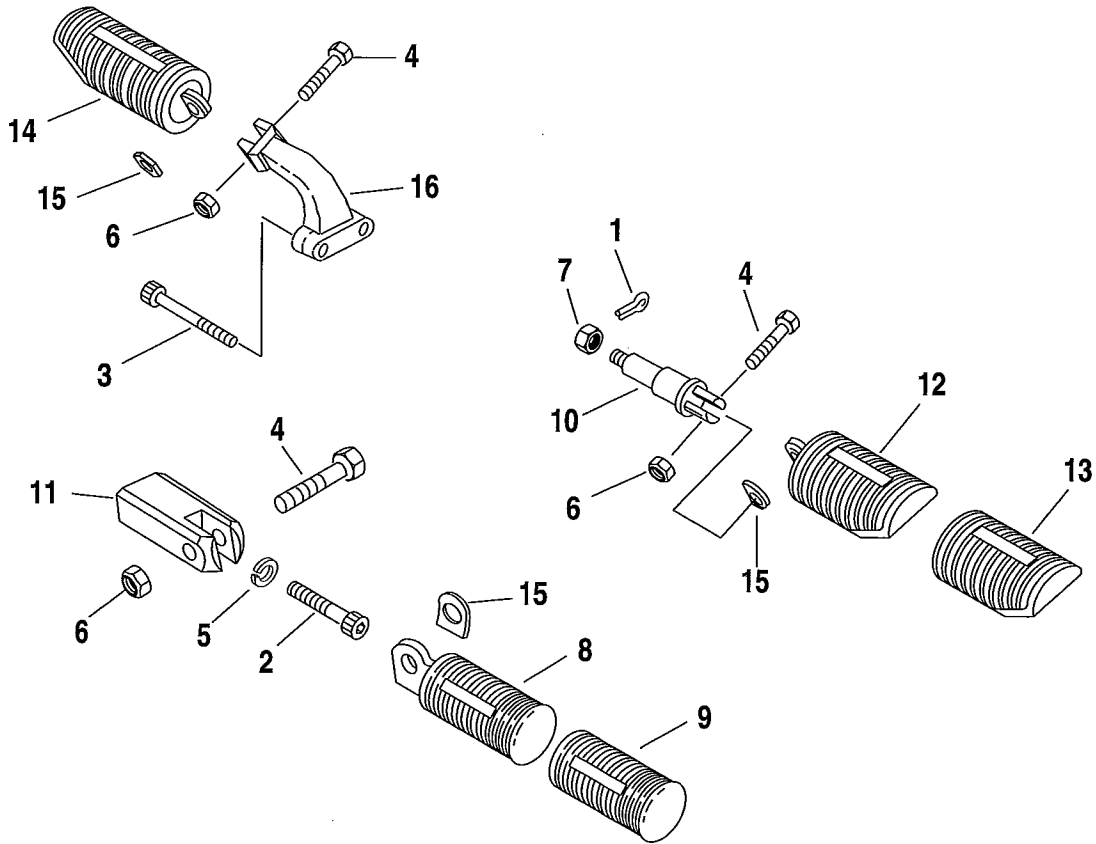
INDEX NO.	PART NO.	DESCRIPTION	MODELS
1	554	COTTER PIN	2001-All Models
2	740	HOLE PLUG (2)	2001-STD/HUG
2A	767A	PLUG, frame (2)	2001-All Models
3	1392	SCREW (3)	2001-All Models
4	2925A	SCREW	2001-All Models
5	3802W	SCREW (2)	2001-1200S
6	5741	SPACER, pivot bolt	2001-All Models
7	7778	LOCKNUT (2)	2001-All Models
8	8099	WELL NUT (2)	2001-1200S
9	10110	CLIP (2)	2001-All Models
	10235	CABLE STRAP, for main harness (2) (not illustrated)	2001-All Models
10	11491	GROMMET, electrical bracket (3)	2001-All Models
11	27266-98	COVER, fuse block	2001-All Models
12	41568-81B	PIVOT BOLT, rear fork w/#4 & 6	2001-All Models
13	41573-97	ADJUSTER, rear axle (2)	2001-All Models
14	41579-81	DUST SHIELD, bearing (2)	2001-All Models
15	47083-81A	BUSHING, rear fork - left	2001-All Models
16	47150-00	FRAME	2001-All Models
17	47554-73A	END COVER, rear fork (2)	2001-All Models
18	47587-00	REAR FORK with bearings	2001-All Models
19	47937-98	BRACKET, ignition asm. electrical	2001-1200S
20	48315-60	BEARING CUP, steering head (2)	2001-All Models
21	48367-98	BEARING, rear fork - right	2001-All Models
22	50003-89B	PIN, clevis	2001-All Models
23	50005-85A	SPRING, jiffy stand	2001-All Models
24	50006-89	JIFFY STAND	2001-STD/883C/1200/C/S
	50072-92	JIFFY STAND	2001-HUG
25	50101-91	DECKING BUMPER	2001-All Models
26	50972-75	FITTING, lubrication	2001-All Models
27	53158-98	BUSHING (2)	2001-All Models
28	61131-92	VENT LINE CONNECTOR	2001-All Models
29	62122-89	BUMPER	2001-All Models
30	66042-79A	LABEL, warning	2001-All Models
31	66325-82	SIDE COVER, electrical bracket (black)	2001-All Models
		H-D INTERNATIONAL ONLY	
32	47209-00	FRAME (HDI)	2001-All Models

SEATS



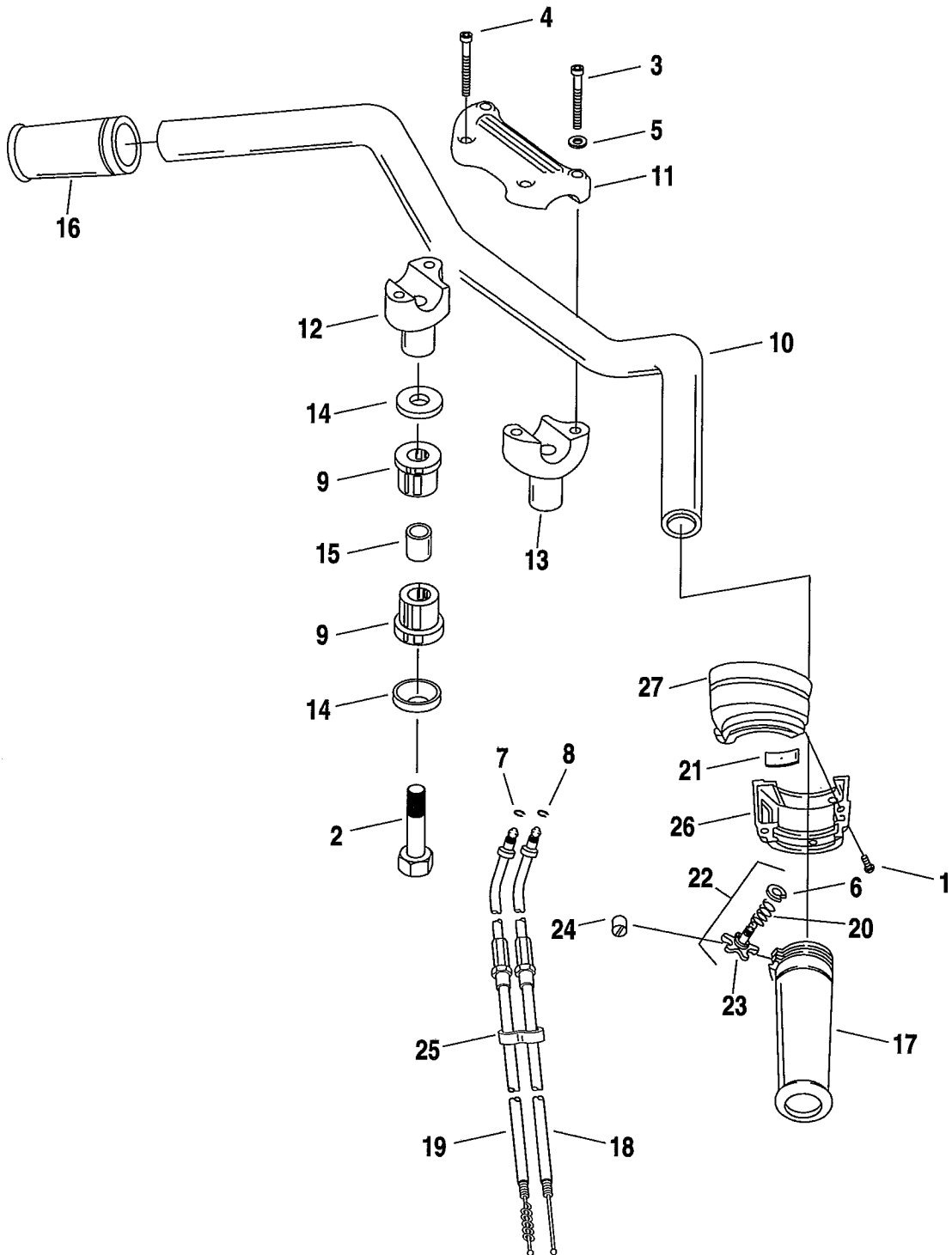
INDEX NO.	PART NO.	DESCRIPTION	MODELS
1	923	SCREW (2)	2001-STD/HUG/1200/C
2	2952	SCREW, seat mounting	2001-All Models
3	3594	SCREW (2)	2001-1200
4	3767B	SCREW	2001-883C/1200/C/S
5	6036	WASHER	2001-883C/1200/C/S
6	6703	WASHER (2)	2001-1200
7	7124	LOCKWASHER (2)	2001-STD/HUG/1200/C
8	51187-94A	PASSENGER STRAP, long	2001-1200/C
	52968-98	PASSENGER STRAP, short	2001-883C/1200S
9	51652-97	BRACKET, seat mounting	2001-STD/HUG/1200/C
10	52004-84G	SEAT, two-up w/#s 15 & 16	2001-1200
11	52136-98	SEAT, two-up	2001-883C/1200S
12	52129-92C	SEAT, solo	2001-STD
13	52132-94A	SEAT, solo - ruffle	2001-HUG
14	52577-96	SEAT, two up (smooth cover)	2001-1200C
15	52357-97	SEAT, solo (front)	2001-1200
16	52358-97	SEAT, pillow (rear)	2001-1200

FOOTRESTS



INDEX NO.	PART NO.	DESCRIPTION	MODELS
1	534	COTTER PIN	2001-STD/HUG/1200/S
2	855B	SCREW (2)	2001-883C/1200/C/S
3	879A	SCREW (2)	2001-STD/HUG/1200/S
4	4721	BOLT (2 - STD/HUG/883C/1200C; 4 - 1200/S)	2001-All Models
5	7045	LOCKWASHER (2)	2001-883C/1200/C/S
6	7778	LOCKNUT (2 - STD/HUG/883C/1200C; 4 - 1200/S)	2001-All Models
7	7824	LOCKNUT	2001-All Models
8	33048-72	FOOTREST, with cover (2)	2001-883C/1200/C/S
9	33189-63	COVER, footrest (2)	2001-883C/1200/C/S
10	42441-90A	CLEVIS, footrest mtg. - right	2001-STD/HUG/1200/S
11	50615-83	FOOTREST SUPPORT (2)	2001-883C/1200/C/S
12	50643-82	FOOTREST, with cover - right	2001-STD/HUG/1200/S
13	50646-82	COVER, footrest (2)	2001-STD/HUG/1200/S
14	50647-82	FOOTREST, with cover - left	2001-STD/HUG/1200/S
15	50912-72	SPRING WASHER (2 - STD/HUG/883C/1200C; 4 - 1200/S)	2001-All Models
16	50951-90	FOOTREST SUPPORT, left	2001-STD/HUG/1200/S

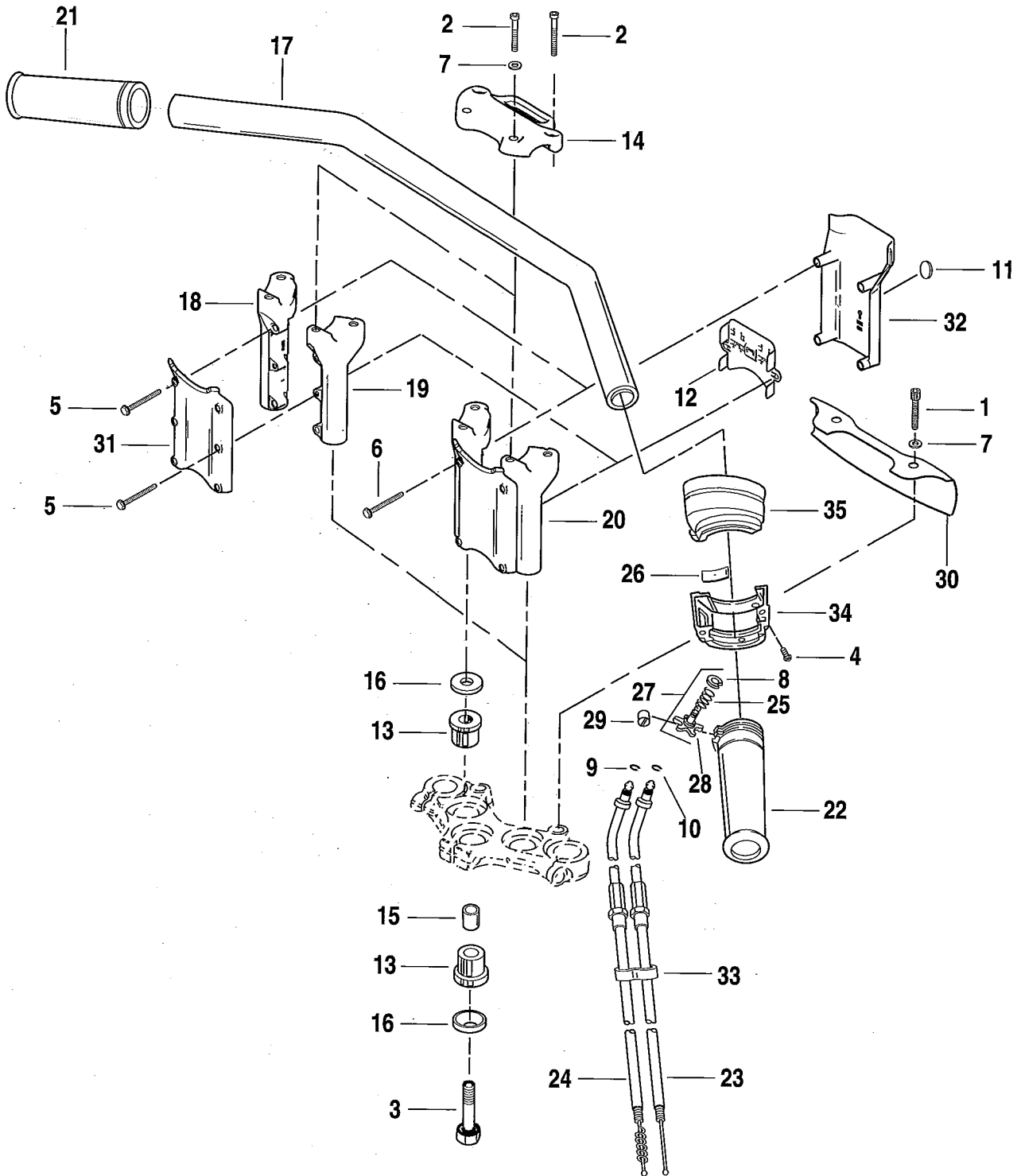
HANDLEBAR AND THROTTLE CONTROL



HANDLEBAR AND THROTTLE CONTROL

INDEX NO.	PART NO.	DESCRIPTION	MODELS
1	3658	SCREW (2)	2001-STD/HUG/1200/S
2	3498	BOLT (2)	2001-STD/HUG/1200/S
3	4326A	SCREW (2)	2001-STD/HUG/1200/S
4	4816A	SCREW (2)	2001-STD/HUG/1200/S
5	6702	WASHER (2)	2001-STD/HUG/1200/S
6	11155	RETAINING RING	2001-STD/HUG/1200/S
7	11271	RING, retainer - idle	2001-STD/HUG/1200/S
8	11272	RING, retainer - throttle	2001-STD/HUG/1200/S
9	53156-86	RUBBER BUSHING, handlebar mounting (4)	2001-STD/HUG/1200/S
10	56081-82A	HANDLEBAR, buckhorn	2001-HUG/1200
	56082-83	HANDLEBAR, flat	2001-STD
	56110-98	HANDLEBAR, flat (black)	2001-1200S
11	56115-95	CLAMP, handlebar - upper (black)	2001-STD/HUG/1200/S
12	56116-82A	CLAMP, handlebar - lower left	2001-STD/HUG/1200/S
13	56117-82A	CLAMP, handlebar - lower right	2001-STD/HUG/1200/S
14	56159-73	CUP WASHER, handlebar mounting (4)	2001-STD/HUG/1200/S
15	56153-73	SPACER (2)	2001-STD/HUG/1200/S
16	56206-96	HANDLEBAR GRIP	2001-STD/HUG/1200/S
17	56220-94A	GRIP AND SLEEVE, throttle	2001-STD/HUG/1200/S
18	56308-96	THROTTLE CONTROL ASSEMBLY	2001-HUG/1200
	56400-96	THROTTLE CONTROL ASSEMBLY	2001-STD/1200S
19	56309-96	IDLE CONTROL ASSEMBLY	2001-HUG/1200
	56401-96	IDLE CONTROL ASSEMBLY	2001-STD/1200S
20	56394-74	SPRING, adjusting screw	2001-STD/HUG/1200/S
21	56396-74A	FRICTION SPRING, throttle grip	2001-STD/HUG/1200/S
22	56397-74C	KIT, throttle adjusting screw, w/#6, 20 & 23	2001-STD/HUG/1200/S
23	56402-83A	ADJUSTING SCREW, throttle	2001-STD/HUG/1200/S
24	56508-76	FERRULE (2)	2001-STD/HUG/1200/S
25	70504-81	CLIP, throttle cables	2001-STD/HUG/1200/S
26	71563-96	HOUSING, switches & throttle control - lower	2001-STD/HUG/1200/S
27	71564-96	HOUSING, switches & throttle control - upper	2001-STD/HUG/1200/S

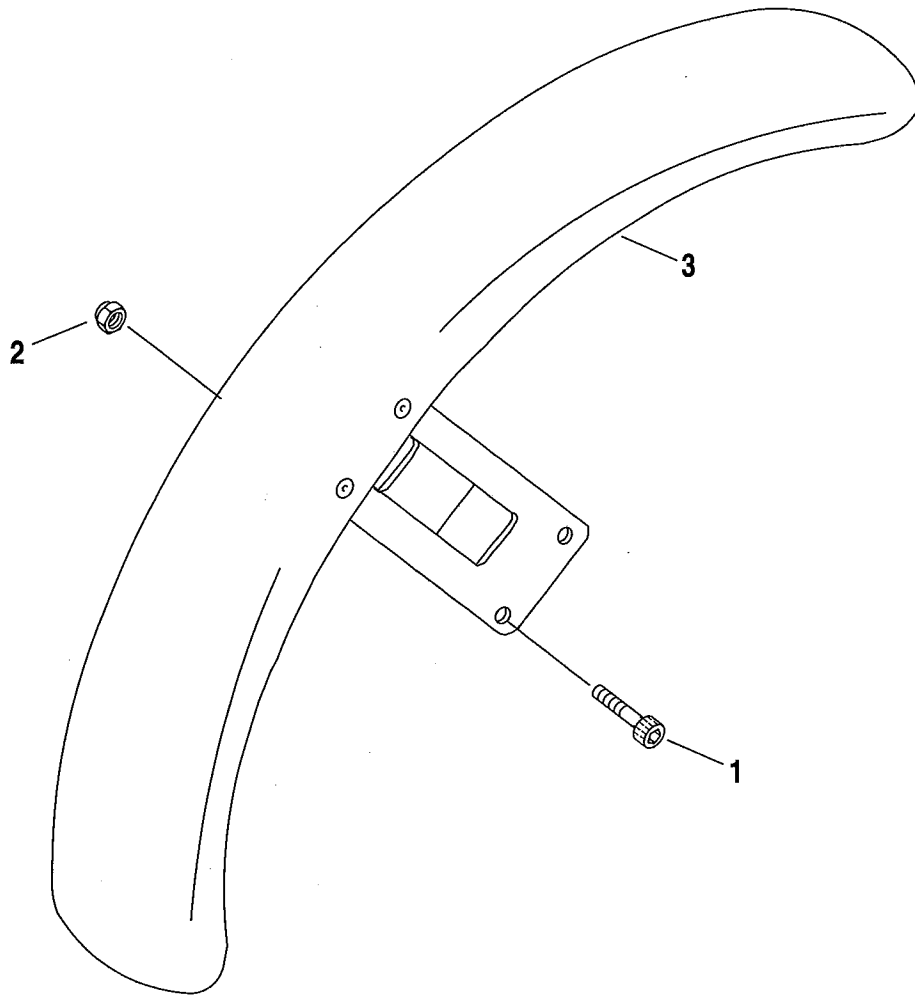
HANDLEBAR AND THROTTLE CONTROL - 883/1200 CUSTOM



HANDLEBAR AND THROTTLE CONTROL - 883/1200 CUSTOM

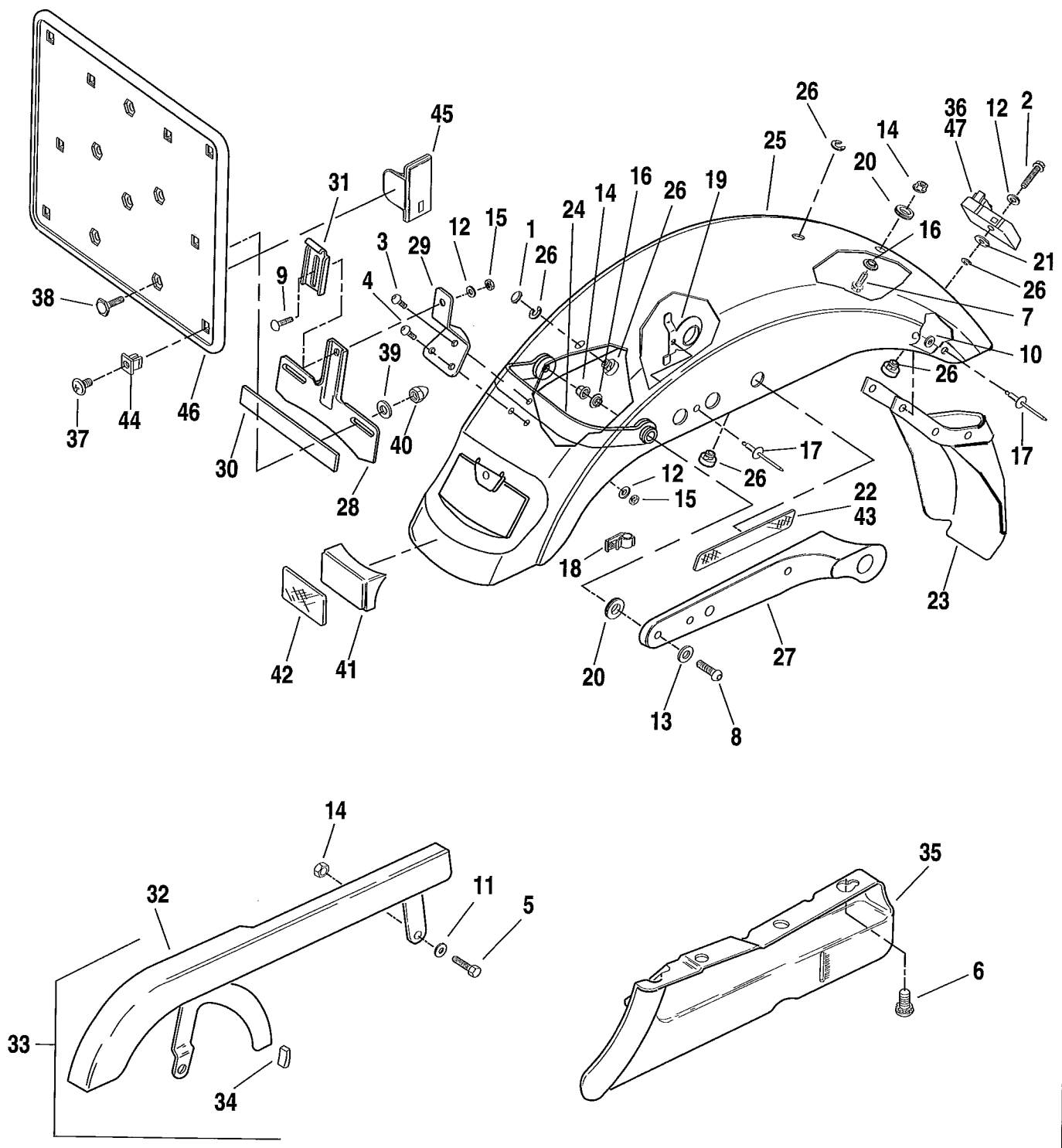
INDEX NO.	PART NO.	DESCRIPTION	MODELS
1	3201WA	SCREW	2001-883C/1200C
2	3210A	SCREW (4)	2001-883C/1200C
3	3498	BOLT	2001-883C/1200C
4	3658	SCREW (2)	2001-883C/1200C
5	3666A	SCREW (6)	E2001-883C/1200C
6	3923	SCREW (4)	L2001-883C/1200C
7	6702	WASHER (4)	2001-883C/1200C
	10006	CABLE STRAP (2) (not illustrated)	2001-883C/1200C
8	11155	RETAINING RING	2001-883C/1200C
9	11271	RING RETAINER (idle)	2001-883C/1200C
10	11272	RING RETAINER (throttle)	2001-883C/1200C
11	14448-94	LOGO BAR & SHIELD	2001-883C/1200C
12	46991-99	PANEL ELECTRICAL BRACKET	2001-883C/1200C
13	53156-86	RUBBER BUSHING, handlebar mounting (4)	2001-883C/1200C
14	56074-96	CLAMP, handlebar - upper (chrome)	2001-883C/1200C
15	56153-73	SPACER (2)	2001-883C/1200C
16	56159-73	CUP WASHER, handlebar mounting (4)	2001-883C/1200C
17	56185-98A	HANDLEBAR, drag style	2001-883C/1200C
18	56167-96	CLAMP, handlebar - lower left	E2001-883C/1200C
19	56168-96	CLAMP, handlebar - lower right	E2001-883C/1200C
20	56192-01	RISER ASSEMBLY, handle bar (one piece)	L2001-883C/1200C
21	56206-96	HANDLEBAR GRIP	2001-883C/1200C
22	56220-94A	GRIP AND SLEEVE, throttle	2001-883C/1200C
23	56436-00	THROTTLE CONTROL ASSEMBLY	2001-883C/1200C
24	56435-00	IDLE CONTROL ASSEMBLY	2001-883C/1200C
25	56394-74	SPRING, adjusting screw	2001-883C/1200C
26	56396-74A	FRICTION SPRING, throttle grip	2001-883C/1200C
27	56397-74C	KIT, throttle adjusting screw, w/#8, 25, & 28	2001-883C/1200C
28	56402-83A	ADJUSTING SCREW, throttle	2001-883C/1200C
29	56508-76	FERRULE (2)	2001-883C/1200C
30	67861-96	COVER, bracket upper	2001-883C/1200C
31	67902-96	COVER, rear	E2001-883C/1200C
32	68030-96	COVER, front	2001-883C/1200C
33	70504-81	CLIP, throttle cables	2001-883C/1200C
34	71563-96	HOUSING, switches & throttle control - lower	2001-883C/1200C
35	71564-96	HOUSING, switches & throttle control - upper	2001-883C/1200C

FRONT FENDER



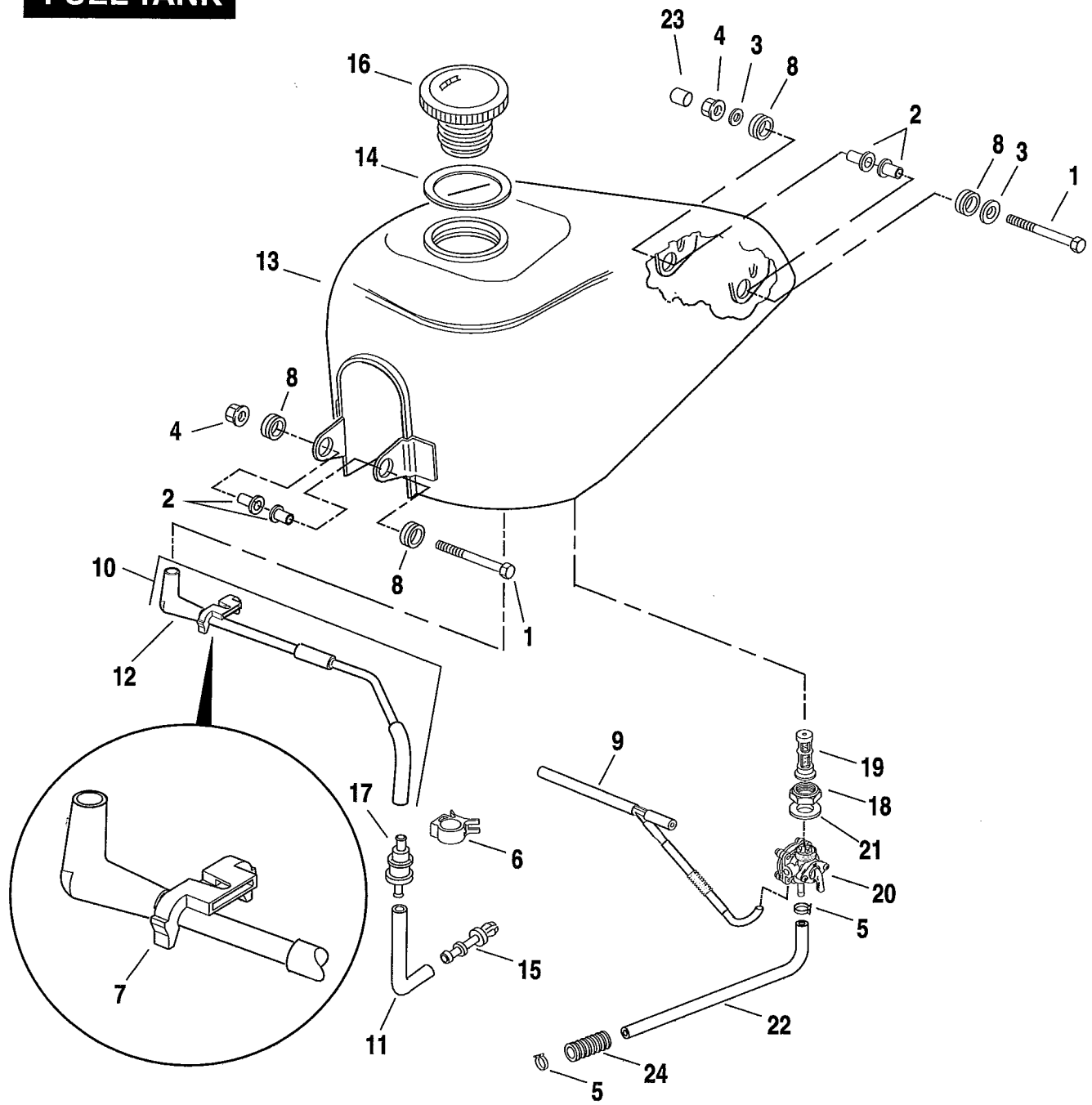
INDEX NO.	PART NO.	DESCRIPTION	MODELS
NOTE: REFER TO PAINTED PARTS BOOK FOR PAINTED PART NUMBERS.			
1	3210A	SCREW (4)	2001-All Models
2	7531	LOCKNUT (4)	2001-All Models
3	58998-83C	FRONT FENDER, prime	2001-All Models

REAR FENDER & BELT GUARDS



INDEX NO.	PART NO.	DESCRIPTION	MODELS
NOTE: REFER TO PAINTED PARTS BOOK FOR PAINTED PART NUMBERS.			
1	761	PLUG, black	2001-STD/HUG
2	2551W	SCREW	2001-All Models
3	2607	SCREW	2001-All Models
4	2773	SCREW (2)	2001-All Models
5	3201WA	SCREW	2001-All Models
6	3579A	SCREW (3)	2001-All Models
7	3987	SCREW	2001-All Models
8	4767	SCREW (4)	2001-All Models
9	5403B	CARRIAGE BOLT	2001-All Models
10	6192	WASHER (4)	2001-All Models
11	6702	WASHER	2001-All Models
12	6703	WASHER (4)	2001-All Models
13	6798	WASHER (4)	2001-All Models
14	7531	NUT (6)	2001-All Models
15	7792	NUT, keps (4)	2001-All Models
16	7882	TEE SPACER (5)	2001-All Models
17	8692	RIVET (6)	2001-All Models
18	10183	CLIP (7)	2001-All Models
19	10200	BRACKET, wire retention (2)	2001-All Models
20	11474	GROMMET (7)	2001-All Models
21	11512	DAMPNER, vibration	2001-All Models
22	59287-92	REFLECTOR, right (red)	2001-All Models
	59288-92	REFLECTOR, left (red)	2001-All Models
23	59594-82C	REAR FENDER EXTENSION	2001-All Models
24	59671-98	FENDER SUPPORT KIT	2001-All Models
25	59674-99	REAR FENDER (prime)	2001-All Models
26	59768-97	KIT FENDER SEAT NUT ASSY (3)	2001-All Models
27	59853-98	COVER, rear fender support - right (black)	2001-1200S
	59854-98	COVER, rear fender support - left (black)	2001-1200S
	59896-94	COVER, rear fender support - right (chrome)	2001-STD/HUG/883C/1200/C
	59897-94	COVER, rear fender support - left (chrome)	2001-STD/HUG/883C/1200/C
28	59984-73	BRACKET, license plate	2001-All Models
29	59986-75	SUPPORT, license plate bracket	2001-All Models
30	59900-98	REFLECTOR, license plate bracket	2001-All Models
31	60001-55	CLAMP, license plate bracket	2001-All Models
32	60337-00	BELT GUARD	2001-All Models
33	60381-00	BELT GUARD, KIT (black) w/#s 60337-00 & 60419-91	2001-All Models
34	60419-91	BUMPER	2001-All Models
35	60435-91	DEBRIS DEFLECTOR	2001-All Models
36	68540-96	TURN SIGNAL CANCELLER, w/ connector assembly	2001-All Models
H-D INTERNATIONAL ONLY			
37	2731W	SCREW (4) (HDI)	2001-All Models
38	3689	BOLT, license plate (3) (HDI)	2001-STD/1200C/S
39	6703	WASHER, license plate (3) (HDI)	2001-STD/1200C/S
40	31589-80	NUT ACORN, license plate (3) (HDI)	2001-STD/1200C/S
41	59251-90	REFLECTOR ASM., with #40 (red) (HDI)	2001-All Models
42	59259-90	REFLECTOR (red)(HDI)	2001-All Models
43	59289-92	REFLECTOR, left (amber) (HDI)	2001-All Models
	59290-92	REFLECTOR, right (amber) (HDI)	2001-All Models
44	59292-94	NUT, license plate backing (HDI) (4)	2001-All Models
45	59483-00	REFLECTOR, amber (2) (HDI)	2001-All Models
46	60026-97	LICENSE PLATE BRACKET (HDI)	2001-All Models
47	68441-00	TURN SIGNAL CANCELLER, w/ connector assembly (HDI)	2001-All Models

FUEL TANK



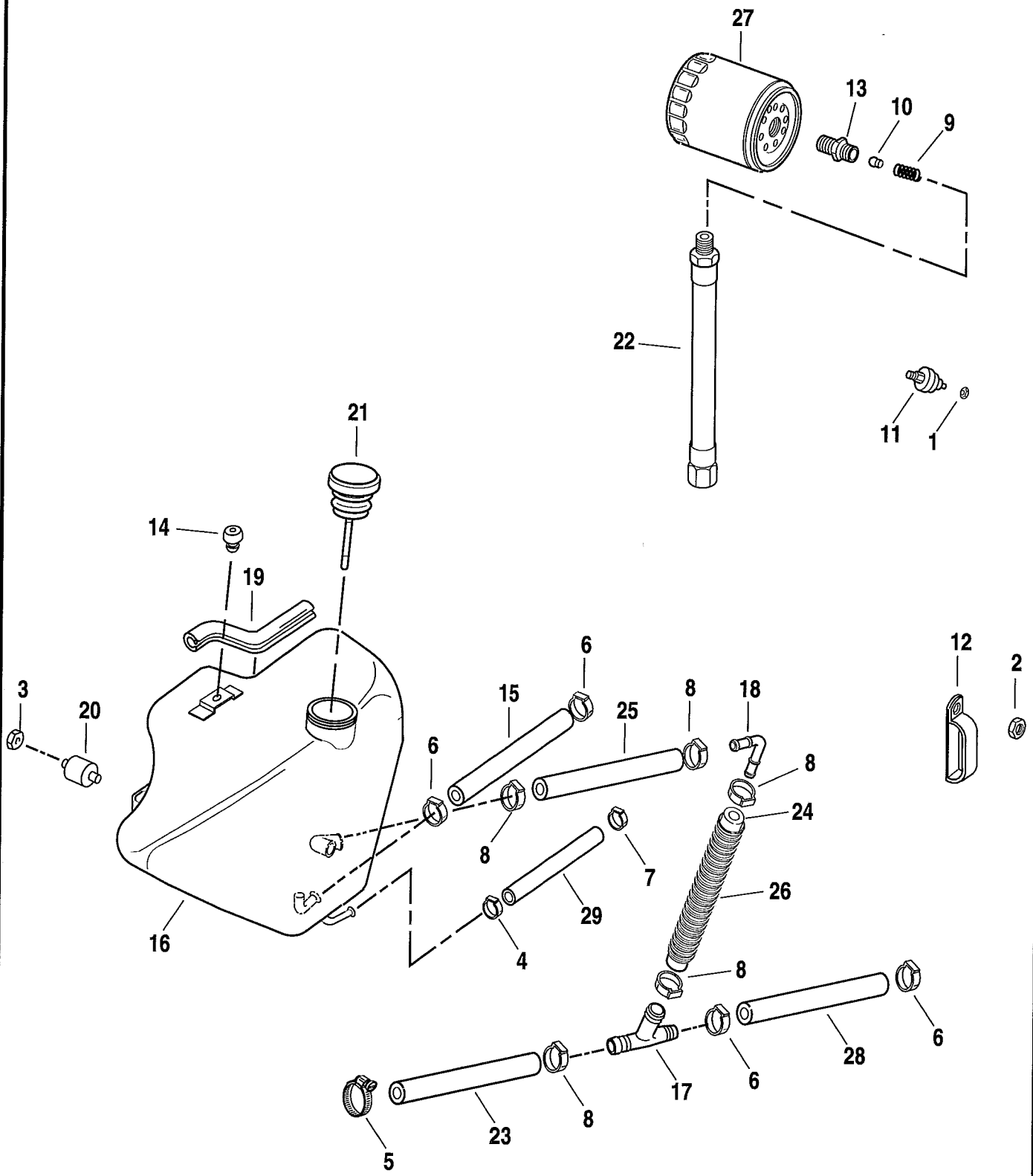
INDEX NO.	PART NO.	DESCRIPTION	MODELS
NOTE: REFER TO PAINTED PARTS BOOK FOR PAINTED PART NUMBERS.			
1	4758A	BOLT (2)	2001- All Models
2	5787	T-SPACER (4)	2001- All Models
3	6333	WASHER (2)	2001- All Models
4	7531	LOCKNUT (2)	2001- All Models
	10006	STRAP CABLE (vent hose to tank routing) (not illustrated)	2001- All Models
5	10014	CLAMP, fuel hose (2)	2001- All Models
6	10108	CLIP, vapor valve	2001- All Models
7	10214	CLIP	2001-1200S
8	11473	GROMMET (4)	2001- All Models
9	26559-95	HOSE ASM., vacuum	2001-STD/HUG/883C/1200/C
	26556-98	HOSE ASM., vacuum	2001-1200S
10	27067-98	TUBE, tank to valve, w/# 12	2001- All Models
11	27096-94	TUBE, valve to atmosphere	2001- All Models
12	27250-96A	CONNECTOR, elbow 90 degree	2001- All Models
13	61348-98A	FUEL TANK ASM. (prime)	2001- All Models
14	61109-85D	GASKET	2001- All Models
15	61131-92	VENT LINE CONNECTOR	2001- All Models
16	61272-92B	FILLER CAP	2001- All Models
17	62150-85	VAPOR VALVE	2001- All Models
18	62161-75	NUT, fuel valve	2001- All Models
19	62166-81A	FILTER, fuel valve	2001- All Models
20	62169-95B	FUEL VALVE with gasket	2001- All Models
21	62172-75	GASKET, fuel valve	2001- All Models
22	62347-95	HOSE, fuel	2001- All Models
	70118-97	WIRE GROUND, fuel tank (not illustrated)	2001- All Models
23	89579-91	CAP, protective	2001- All Models
NOTE: Hose insulator is sold only in bulk length under the following part number. Cut to required length.			
24	63505-84	INSULATOR, 1/2 I.D. (nylon)(8 ft. lg.)	2001- All Models

FUEL TANK TRIM



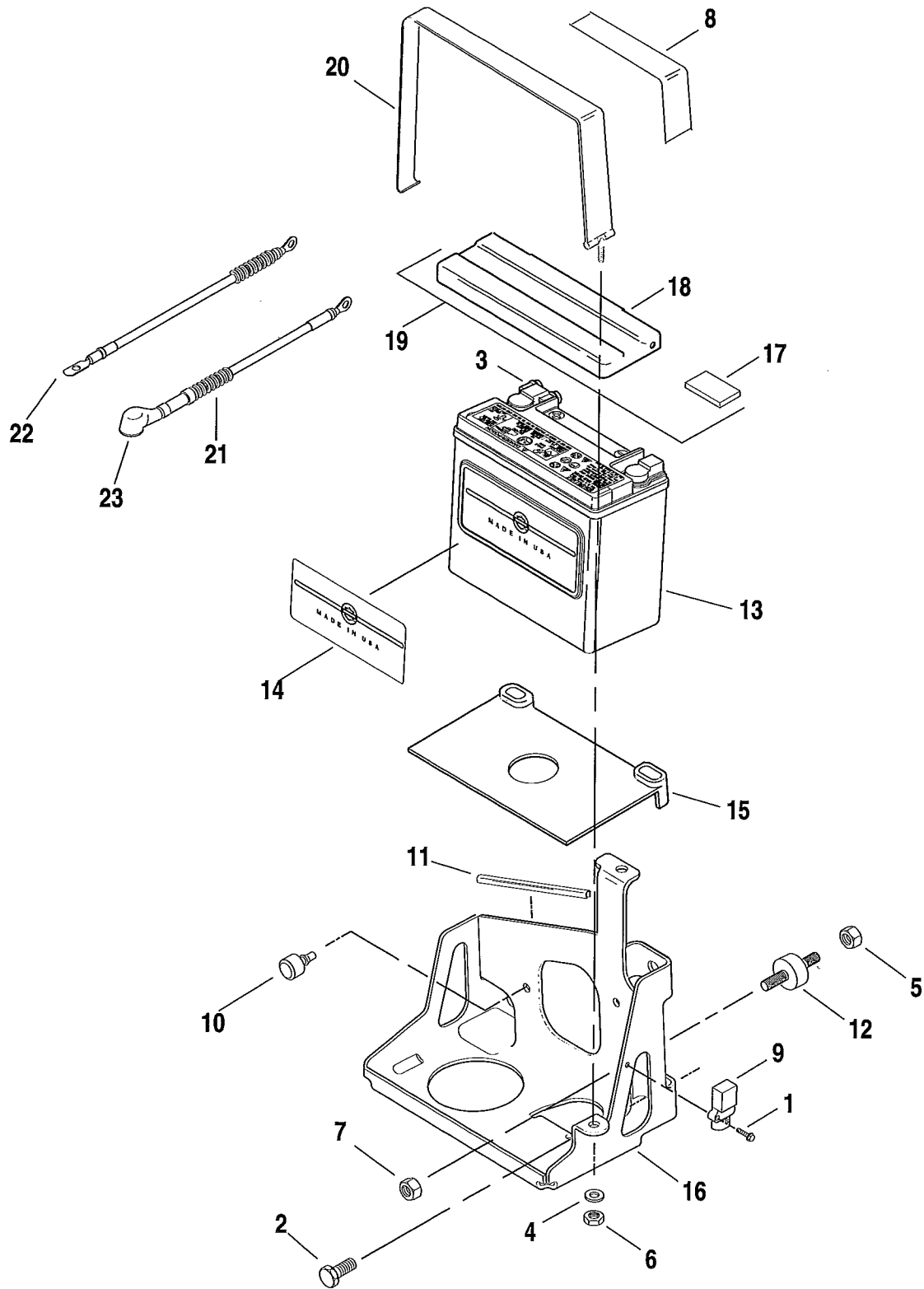
INDEX NO.	PART NO.	DESCRIPTION	MODELS
1	14638-97	DECAL, (for vivid black, luxury rich red, & chrome yellow tanks)	2001-STD/HUG
	13600-01	DECAL, (for jade sunglo tanks)	2001-STD/HUG
	13900-99	DECAL, (for concord purple, bronze pearl, & white pearl tanks)	2001-STD/HUG
2	13750-00	DECAL, (for vivid black tanks)	2001-883C
	13751-00	DECAL, (for diamond ice, luxury rich red, chrome yellow, real teal, & white pearl tanks)	2001-883C
	13753-00	DECAL, (for bronze pearl tanks)	2001-883C
	13754-00	DECAL, (for concord purple tanks)	2001-883C
3	13755-00	DECAL, (for vivid black, tanks)	2001-1200
	13756-00	DECAL, (for 2-tone vivid black/chrome yellow tanks)	2001-1200
	13757-00	DECAL, (for luxury rich red, jade sunglo, luxury blue 2-tone luxury blue/diamond ice tanks)	2001-1200
	13758-00	DECAL, (for chrome yellow tanks)	2001-1200
	13760-00	DECAL, (for luxury rich red, & white pearl tanks)	2001-1200
4	61799-96	MEDALLION, left - red	2001-1200C
	61800-96	MEDALLION, right - red	2001-1200C
	61811-99	MEDALLION, left - blue	2001-1200C
	61812-99	MEDALLION, right - blue	2001-1200C
	62192-01	MEDALLION, left (for jade sunglo tanks)	2001-1200C
	62193-01	MEDALLION, right (for jade sunglo tanks)	2001-1200C
5	13905-99	DECAL, left (for vivid black, luxury rich red, & chrome yellow, tanks)	2001-1200S
	13906-99	DECAL, right (for vivid black, luxury rich red, & chrome yellow, tanks)	2001-1200S
	13929-99	DECAL, left (for diamond ice, jade sunglo, & white pearl tanks)	2001-1200S
	13930-99	DECAL, right (for diamond ice tanks)	2001-1200S

OIL TANK & FILTER



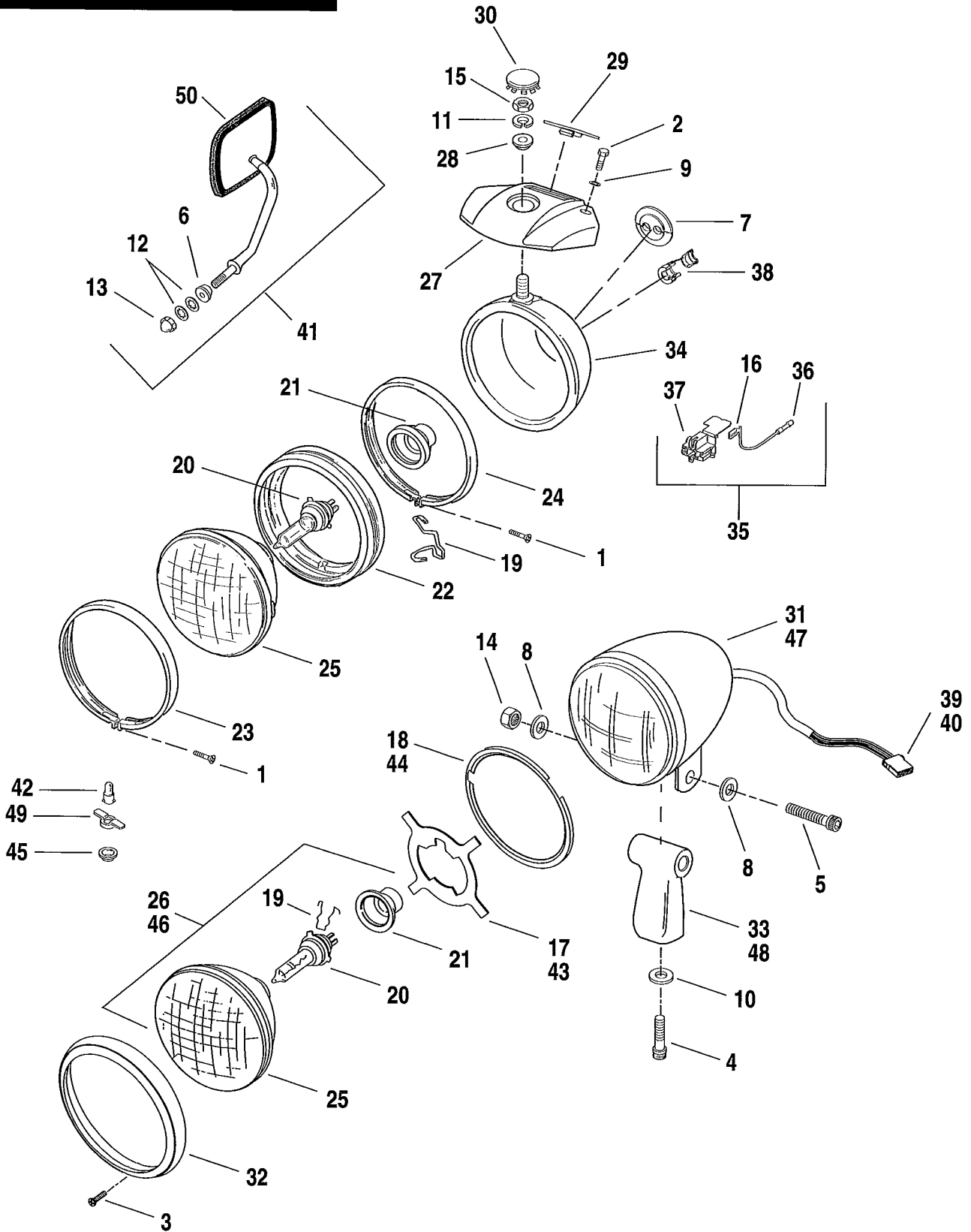
INDEX NO.	PART NO.	DESCRIPTION	MODELS
1	7629	NUT	2001-All Models
2	7624	NUT	2001-All Models
3	7686	LOCKNUT (3)	2001-All Models
4	10014	CLAMP, crankcase vent hose	2001-All Models
5	9969	CLAMP, oil drain hose	2001-All Models
	10006	STRAP CABLE (2) (not illustrated)	2001-All Models
6	10080	CLAMP, oil hose (4)	2001-All Models
7	10117	CLAMP, crankcase vent hose	2001-All Models
8	10142	CLAMP, oil hose (5)	2001-All Models
9	26436-90A	SPRING	2001-All Models
10	26437-86B	BALL	2001-All Models
11	26554-77	SWITCH, oil pressure indicator	2001-All Models
12	31532-94	CLIP	2001-All Models
13	33117-91A	ADAPTOR, oil filter	2001-All Models
14	60439-98	RUBBER BUMPER	2001-1200S
15	62361-94	HOSE, oil return to tank	2001-All Models
16	62888-99	OIL TANK ASM.	2001-All Models
17	62493-89	TEE, oil hose	2001-All Models
18	62494-94B	ELBOW, 90 degree	2001-All Models
19	62540-83	TRIM STRIP (3)	2001-All Models
20	62563-65	MOUNT, oil tank (3)	2001-All Models
21	62634-84A	FILLER CAP with dipstick w/#s 6703 & 8126A	2001-All Models
22	62631-91	HOSE, oil pump to filter	2001-All Models
23	63504-94	HOSE, oil drain	2001-All Models
24	63542-94A	HOSE, oil drain/feed	2001-All Models
25	63564-94A	HOSE, oil drain/feed	2001-All Models
26	63576-95	SHEILD, hose 1" conv. tubing	2001-All Models
27	63805-80A	OIL FILTER (black)	2001-STD/HUG/883C/1200/S
	63796-77A	OIL FILTER (chrome)	2001-1200C
		NOTE: Hoses are sold only in bulk length under the following part numbers. Cut to required length.	
28	63500-68	HOSE, 3/8 I.D. x 5/8 O.D. (rubber)(25 ft. lg.)	2001-All Models
29	63501-68A	HOSE, 1/4 I.D. x 1/2 O.D. (rubber)(25 ft. lg.)	2001-All Models

BATTERY



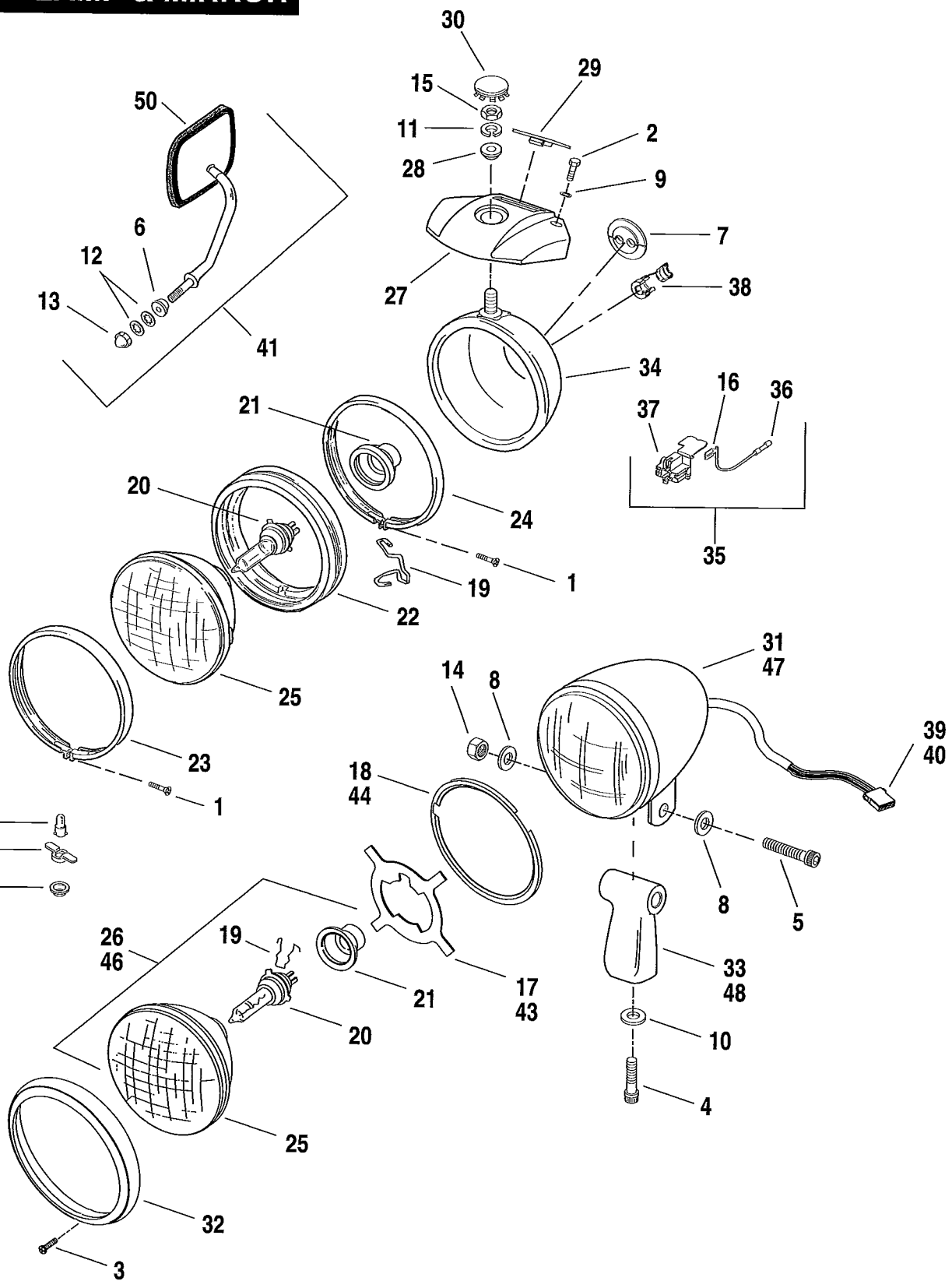
INDEX NO.	PART NO.	DESCRIPTION	MODELS
1	2362	SCREW	2001-All Models
2	3930A	BOLT (3)	2001-All Models
3	4312	BOLT (2) w/battery	2001-All Models
4	6220W	WASHER	2001-All Models
5	7686	LOCKNUT	2001-All Models
6	7688	NUT	2001-All Models
7	7739	LOCKNUT	2001-All Models
8	29112-83	WARNING LABEL	2001-All Models
9	32495-98	SENSOR, bank angle	2001-All Models
10	60429-97	BUMMPER (2)	2001-All Models
11	62540-83	TRIM STRIP	2001-All Models
12	62569-94	MOUNT, battery tray	2001-All Models
13	65989-97A	BATTERY	2001-All Models
14	66040-00	DECAL, battery	2001-883C/1200C
15	66214-97	PAD, battery	2001-All Models
16	66194-98	TRAY, battery	2001-All Models
17	66352-65	PAD, cover - large	2001-All Models
18	66376-97	COVER, chrome	2001-1200/S
	66380-97	COVER, black	2001-STD/HUG/883C/1200C
19	66359-97	COVER, battery-top assy (black)	2001-STD/HUG/883C/1200C
	66367-97	COVER, battery-top assy (chrome)	2001-1200/S
20	66476-98	STRAP, battery	2001-All Models
21	70076-97	CABLE BATTERY, positive w/boot	2001-All Models
22	70097-97	CABLE BATTERY, negative	2001-All Models
23	70578-89	BOOT, insulating	2001-All Models

HEADLAMP & MIRROR



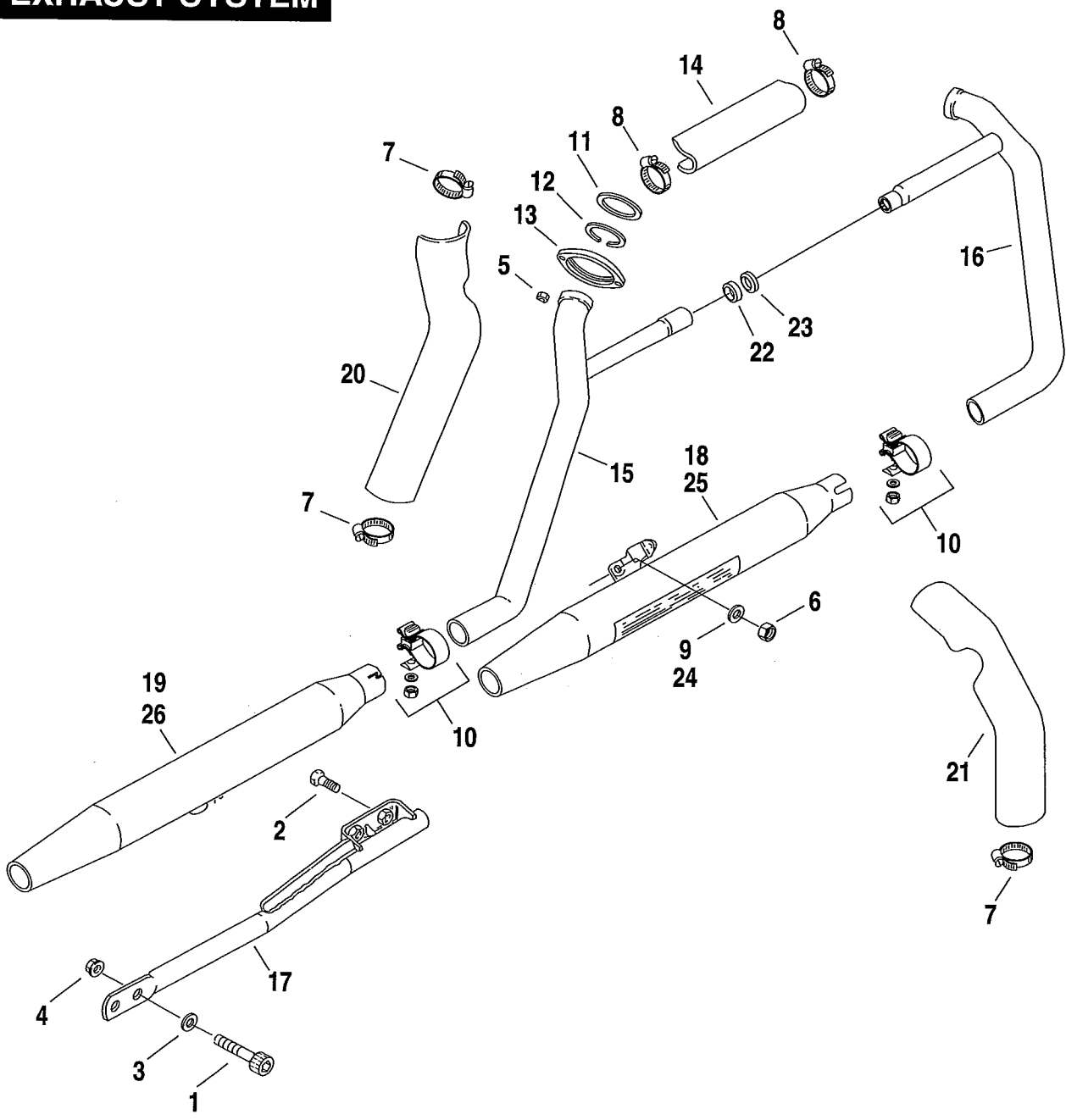
INDEX NO.	PART NO.	DESCRIPTION	MODELS
1	2566	SCREW (2)	2001-STD/HUG/1200/S
2	2708A	BOLT (2)	2001-STD/HUG/1200/S
3	3514	SCREW	2001-883C/1200C
4	4350A	BOLT	2001-883C/1200C
5	4420	BOLT	2001-883C/1200C
6	5774	SPACER (2)	2001-1200S
7	6272	GROMMET	2001-STD/HUG/1200/S
8	6701	WASHER (2)	2001-883C/1200C
9	6702	WASHER (2)	2001-STD/HUG/1200/S
10	7045	WASHER	2001-883C/1200C
11	7068	LOCKWASHER	2001-STD/HUG/1200/S
12	7127	LOCKWASHER (2)	2001-All Models
13	7736	ACORN NUT (2- STD/SPORT)	2001-All Models
14	7778	NUT	2001-883C/1200C
15	7880	NUT	2001-STD/HUG/1200/S
16	9847	WIRE TERMINAL, female spade-R.H.	2001-All Models
	9848	WIRE TERMINAL, female spade-L.H. (2)	2001-All Models
17	67601-94	GASKET, headlamp	2001-883C/1200C
18	67603-94	ADAPTER RING	2001-883C/1200C
19	67685-92	CLIP, bulb	2001-All Models
20	67697-81	BULB, halogen	2001-All Models
21	67705-92	BOOT, headlamp	2001-All Models
22	67719-63	MOUNTING RING (rubber)	2001-STD/HUG/1200/S
23	67725-63	MOLDING RING, outer	2001-STD/HUG/1200/S
24	67744-75	MOLDING RING, inner	2001-STD/HUG/1200/S
25	67757-92	LENS, headlamp w/#19	2001-All Models
26	67698-81C	LENS ASM. w/#19 ,20 ,21, & 25	2001-All Models
27	67805-92	BRACKET, headlamp	2001-STD/HUG/1200
	67963-98	BRACKET, headlamp, (black)	2001-1200S
28	67815-59A	WASHER, headlamp mounting	2001-STD/HUG/1200/S
29	67834-83	DECAL, TRIM	2001-STD/HUG/1200
	67972-98	DECAL, TRIM	2001-1200S

HEADLAMP & MIRROR



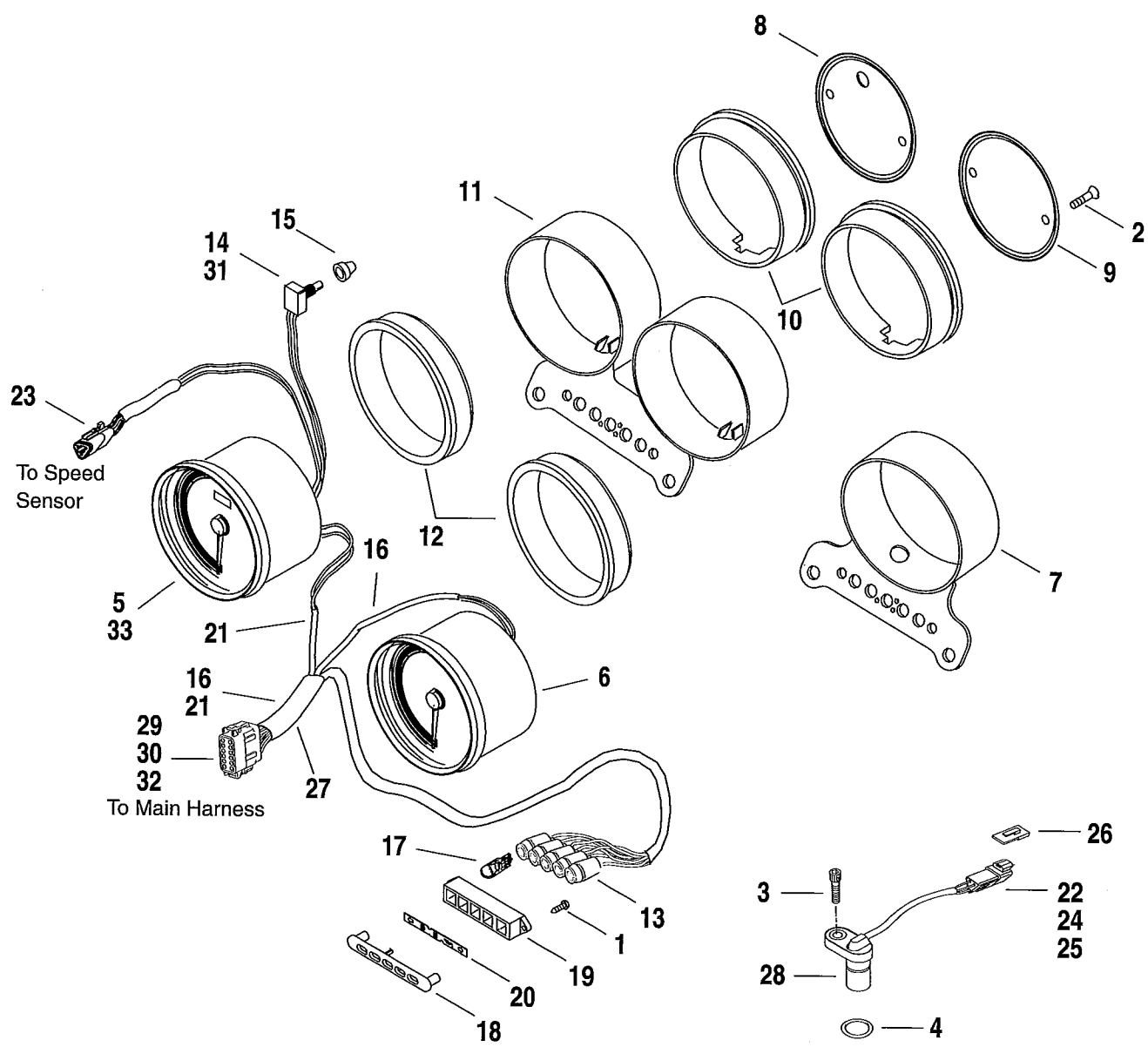
INDEX NO.	PART NO.	DESCRIPTION	MODELS
30	67865-89	PLUG, headlamp bracket	2001-STD/HUG/1200
	67973-98	PLUG, headlamp bracket (black)	2001-1200S
31	67881-96	HEADLIGHT ASM.	2001-883C/1200C
32	67894-93	TRIM RING (chrome)	2001-883C/1200C
33	67919-96	HEADLAMP MOUNTING	2001-883C/1200C
34	68061-94B	HOUSING, headlamp	2001-STD/HUG/1200/S
35	68705-93A	CONNECTOR ASM., headlamp - w/ wires, terminals & splice conn.	2001-All Models
36	70586-93	CONNECTOR, butt splice, 16-22 gauge (4)	2001-All Models
37	72056-92	CONNECTOR, spade terminal (three-way)	2001-All Models
38	72507-94	GROMMET	2001-STD/HUG/1200/S
39	73154-96BK	SOCKET HOUSING, 4-position	2001-883C/1200C
40	73191-96	CONTACT SOCKET, (16-20 gauge)	2001-883C/1200C
41	91875-88	MIRROR KIT, right-short	2001-HUG/1200
	91892-88	MIRROR KIT, left-short	2001-HUG/1200
	91902-88	MIRROR KIT, left-long	2001-STD/883C/1200C
	91904-88	MIRROR KIT, right-long	2001-STD/883C/1200C
	91909-90	MIRROR KIT, right	2001-1200S
	91910-90	MIRROR KIT, left	2001-1200S
H-D INTERNATIONAL ONLY			
	9898	TERMINAL, female flag - #14-16 wire (HDI) (not illustrated)	2001-All Models
42	53438-92	BULB, position lamp (HDI)	2001-All Models
43	67602-94	GASKET, headlight (HDI)	2001-883C/1200C
44	67604-94	RETAINING RING, headlight (HDI)	2001-883C/1200C
45	67691-92	GROMMET (HDI)	2001-STD/HUG/1200/S
46	67763-92	LENS ASM. w/#19, 20, 21 & 25 - right dip (HDI)	2001-STD/HUG/1200/S
	67781-92	LENS ASM. w/#19, 20, 21 & 25 - left dip (HDI)	2001-STD/HUG/1200/C/S
47	67882-96	HEADLIGHT ASM., left dip (HDI)	2001-883C/1200C
	67901-96	HEADLIGHT ASM., right dip (HDI)	2001-883C/1200C
48	67850-96	HEADLAMP MOUNTING (HDI)	2001-883C/1200C
49	68650-92	SOCKET, bulb (HDI)	2001-All Models
50	91932-01	MIRROR TRIM (HDI)	2001-All Models

EXHAUST SYSTEM



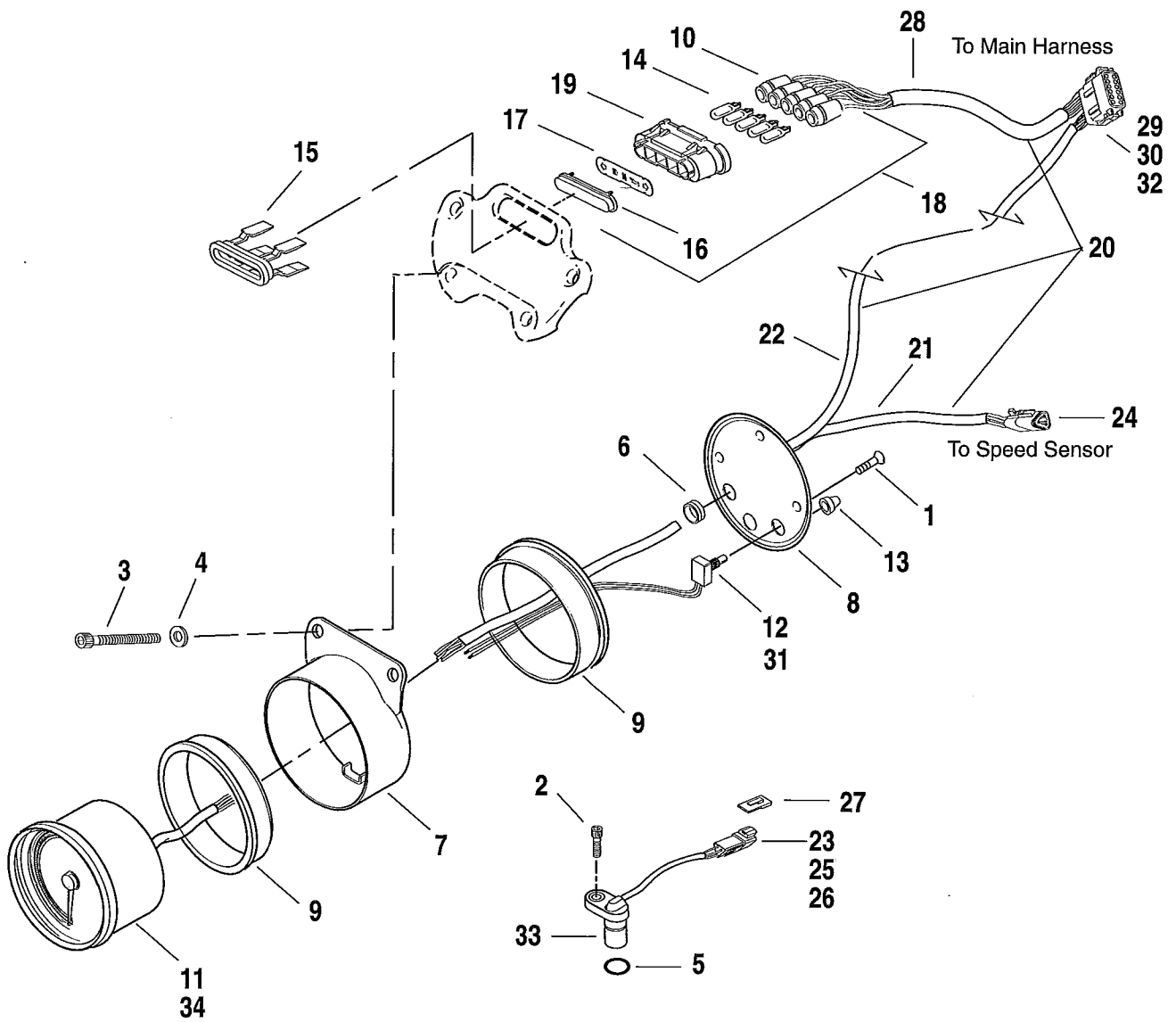
INDEX NO.	PART NO.	DESCRIPTION	MODELS
1	3201WA	SCREW	2001-All Models
2	4377	BOLT (2)	2001-All Models
3	6702	WASHER	2001-All Models
4	7531	LOCKNUT	2001-All Models
5	7593	NUT (4)	2001-All Models
6	7844	LOCKNUT	2001-All Models
7	9955	CLAMP, heat shield (4)	2001-All Models
8	10048	CLAMP, crossover pipe shield(2)	2001-All Models
9	45596-93	WASHER	2001-1200S
10	65283-94	CLAMP, muffler (2)	2001-All Models
11	65324-83A	GASKET, exhaust port (2)	2001-All Models
12	65325-83A	RETAINING RING, exhaust gasket (2)	2001-All Models
13	65328-83	CLAMP, exhaust pipe to manifold	2001-All Models
14	65419-86	HEAT SHIELD, crossover pipe (chrome)	2001-STD/HUG/883C/1200/C
	65600-00	HEAT SHIELD, crossover pipe (black)	2001-1200S
15	65568-86A	EXHAUST PIPE, rear (chrome)	2001-STD/HUG/883C/1200/C
	65575-00	EXHAUST PIPE, rear (black)	2001-1200S
16	65569-86A	EXHAUST PIPE, front (chrome)	2001-STD/HUG/883C/1200/C
	65573-00	EXHAUST PIPE, front (black)	2001-1200S
17	65599-80D	SUPPORT KIT, rear muffler w/#1 & 2	2001-All Models
18	65605-97	MUFFLER, front (chrome) (49st., Cal., Canada)	2001-STD/HUG/883C/1200/C
	65576-00	MUFFLER, front (black) (49st., Cal., Canada)	2001-1200S
19	65613-97	MUFFLER, rear (chrome) (49st., Cal., Canada)	2001-STD/HUG/883C/1200/C
	65584-00	MUFFLER, rear (black) (49st., Cal., Canada)	2001-1200S
20	65712-95	HEAT SHIELD, rear (chrome)	2001-STD/HUG/883C/1200/C
	65596-00	HEAT SHIELD, rear (black)	2001-1200S
21	65719-95	HEAT SHIELD, front (chrome)	2001-STD/HUG/883C/1200/C
	65590-00	HEAT SHIELD, front (black)	2001-1200S
22	65781-82	GASKET	2001-All Models
23	65782-82	WASHER	2001-All Models
H-D INTERNATIONAL ONLY			
24	45596-93	WASHER (HDI only)	2001-883C/1200S
25	65193-98A	MUFFLER, front (chrome)(HDI, Eng., Japan)	2001-1200/C
	65585-00A	MUFFLER, front (black)(HDI, Eng., Australia, Japan)	2001-1200S
	65173-00	MUFFLER, front (chrome)(Australia)	2001-STD/HUG/883C/1200/C
	65171-98A	MUFFLER, front (chrome)(Japan)	2001-STD/HUG/883C/1200/C
26	65312-98A	MUFFLER, rear (chrome)(HDI, Eng., Japan)	2001-1200/C
	65589-00A	MUFFLER, rear (black)(HDI, Eng., Australia, Japan)	2001-1200S
	65179-00	MUFFLER, rear (chrome)(Australia)	2001-STD/HUG/883C/1200/C
	65177-98A	MUFFLER, rear (chrome)(Japan)	2001-STD/HUG/883C/1200/C

SPEEDOMETER AND TACHOMETER



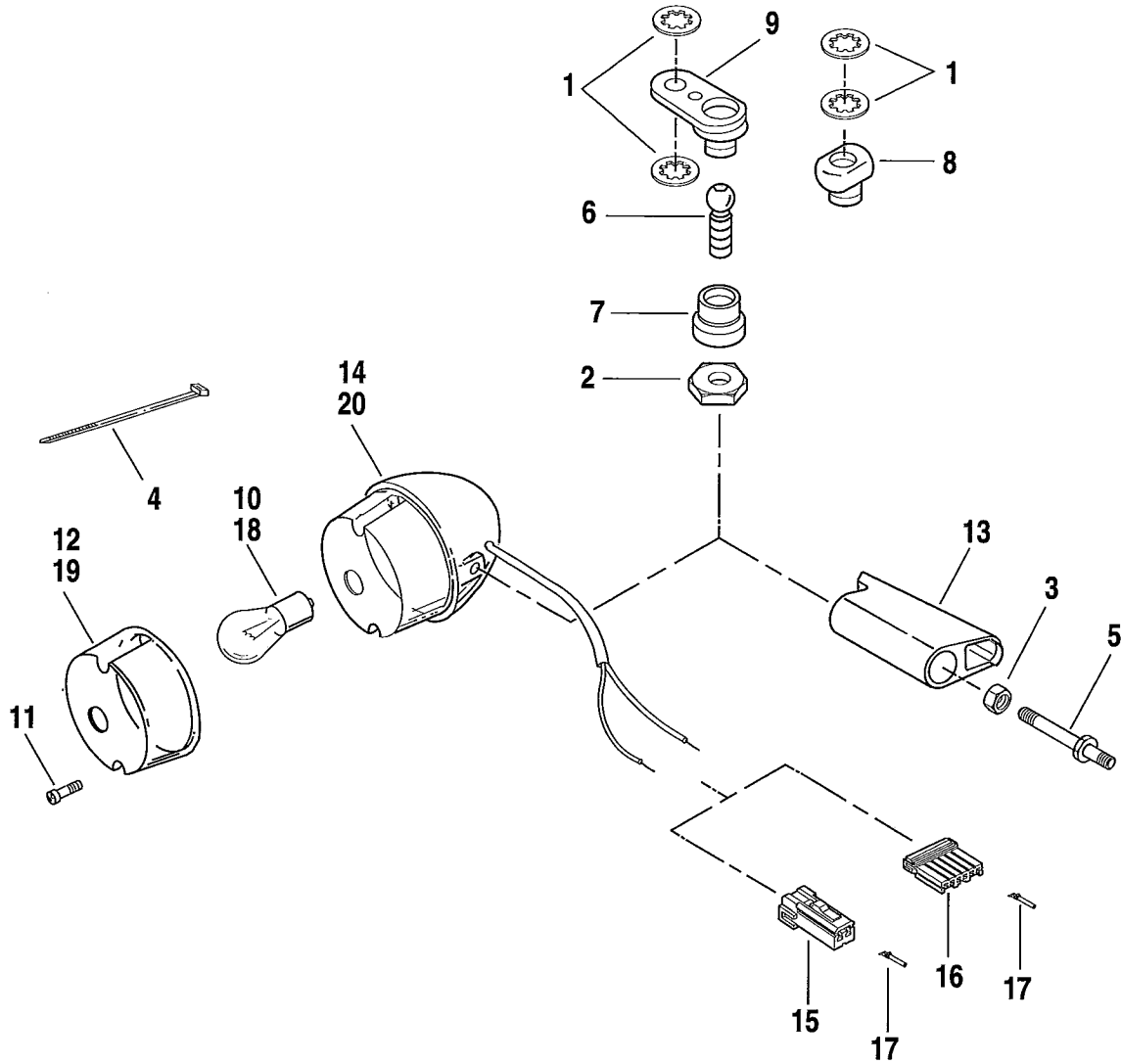
INDEX NO.	PART NO.	DESCRIPTION	MODELS
1	2325	SCREW (2)	2001-STD/HUG/1200/S
2	2361	SCREW (2-883, 4-1200/S)	2001-STD/HUG/1200/S
3	3594	SCREW	2001-STD/HUG/1200/S
	10065	CABLE STRAP w/#68813-98 (not illustrated)	2001-STD/HUG/1200/S
4	11289	O-RING	2001-STD/HUG/1200/S
5	67025-99A	SPEEDOMETER, mph (49st./Cal.)	2001-1200
	67037-98B	SPEEDOMETER, mph (49st./Cal.)	2001-STD/HUG
	67283-99A	SPEEDOMETER, mph (49st./Cal.)	2001-1200S
6	67042-99	TACHOMETER	2001-1200/S
7	67053-95	BRACKET, speedometer	2001-STD/HUG
8	67085-95	COVER, speedometer back (chrome rim)	2001-1200/S
	67320-95	COVER, speedometer back (black)	2001-STD/HUG
9	67103-95	COVER, tachometer back (chrome rim)	2001-1200/S
10	67104-95	CUSHION, rear	2001-STD/HUG
	67344-97	CUSHION, rear (2)	2001-1200/S
11	67338-97	BRACKET, speedo. & tach.	2001-1200/S
12	67121-95	CUSHION, front	2001-STD/HUG
	67345-97	CUSHION, front (2)	2001-1200/S
13	67184-94	SOCKET, indicator lamps (5)	2001-STD/HUG/1200/S
14	67854-98	SWITCH, reset	2001-STD/HUG/1200/S
15	67880-94	BOOT, reset switch	2001-STD/HUG
16	68806-99	HARNESS, assembly tachometer	2001-1200/S
	68811-01	HARNESS, warning lamp assembly	2001-1200/S
	68813-01	HARNESS, warning lamp assembly	2001-STD/HUG
17	68024-94	BULB, indicator lamps (5)	2001-STD/HUG/1200/S
18	68513-95	TRIM PLATE, indicator lamps	2001-STD/HUG/1200/S
19	68516-95	HOUSING, indicator lamps	2001-STD/HUG/1200/S
20	68551-95	LENS, indicator lamps	2001-STD/HUG/1200/S
21	68820-98	HARNESS, assembly speedometer	2001-STD/HUG/1200/S
	68841-98	HARNESS, assy. speedo. w/67854-98 & 70585-93	2001-STD/HUG/1200/S
	70585-93	CONNECTOR, (switch reset) (not illustrated) (2)	2001-STD/HUG/1200/S
22	72143-94	SECONDARY LOCK, 3-way receptacle	2001-STD/HUG/1200/S
23	72153-94	SECONDARY LOCK	2001-STD/HUG/1200/S
24	72163-94BK	RECEPTACLE, 3-way pin	2001-STD/HUG/1200/S
25	72190-94	TERMINAL, pin (3)	2001-STD/HUG/1200/S
26	72199-94	ATTACHMENT CLIP	2001-STD/HUG/1200/S
27	72266-94	SHRINK TUBE	2001-STD/HUG/1200/S
28	74402-95	SENSOR, speed	2001-STD/HUG/1200/S
29	74119-98BK	HOUSING, 12-way (black)	2001-STD/HUG/1200/S
30	74159-98	SOCKET LOCK, 12-way	2001-STD/HUG/1200/S
31	74191-98	TERMINAL, socket - reset switch	2001-STD/HUG/1200/S
32	74193-98	TERMINAL, socket	2001-STD/HUG/1200/S
H-D INTERNATIONAL ONLY			
33	67041-98B	SPEEDOMETER, kph (Can./HDI/Aust./Japan)	2001-STD/HUG
	67285-99A	SPEEDOMETER, kph (Can./HDI/Aust./Japan)	2001-1200/S
	67290-98B	SPEEDOMETER, mph (Gt. Brt.)	2001-STD/HUG
	67284-99A	SPEEDOMETER, mph (Gt. Brt.)	2001-1200/S

SPEEDOMETER - 883/1200 CUSTOM



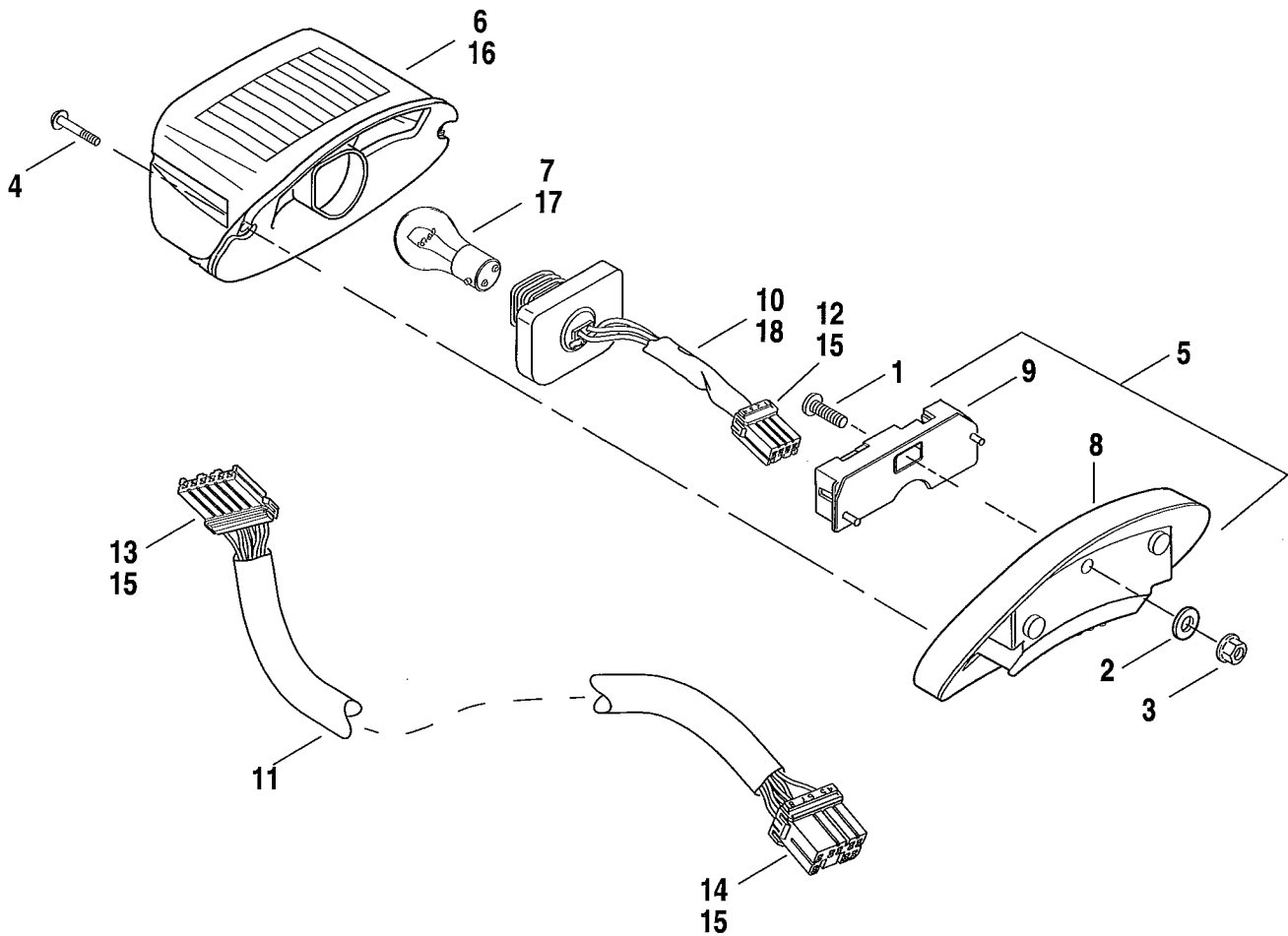
INDEX NO.	PART NO.	DESCRIPTION	MODELS
1	2548	SCREW (2)	2001-883C/1200C
2	3594	SCREW	2001-883C/1200C
3	3210A	SCREW (2)	2001-883C/1200C
4	6702	WASHER (2)	2001-883C/1200C
	10065	CABLE STRAP, w/#68814-99 (not illustrated)	2001-883C/1200C
5	11289	O-RING	2001-883C/1200C
6	11496	GROMMET	2001-883C/1200C
7	67084-96	BRACKET, speedometer	2001-883C/1200C
8	67088-96	COVER, speedometer back	2001-883C/1200C
9	67121-95	CUSHION, front and rear (2)	2001-883C/1200C
10	67184-94	SOCKET, indicator lamps (5)	2001-883C/1200C
11	67283-99A	SPEEDOMETER, mph (49st./Cal.)	2001-1200C
	67436-99A	SPEEDOMETER, mph (49st./Cal./Can.)	2001-883C
12	67854-98	SWITCH, reset	2001-883C/1200C
13	67880-94	BOOT, reset switch	2001-883C/1200C
14	68024-94	BULB, indicator lamps (5)	2001-883C/1200C
15	68383-96	BEZEL, indicator lamp	2001-883C/1200C
16	68415-96	LENS, indicator lamp	2001-883C/1200C
17	68423-96	JEWEL, indicator lamp	2001-883C/1200C
18	68715-96	INDICATOR LAMP ASSEMBLY	2001-883C/1200C
19	68792-96	HOUSING, indicator lamp, w/#68788-96	2001-883C/1200C
20	68814-01	HARNESS, warning light assy.	2001-883C/1200C
21	68820-98	HARNESS ASSEMBLY, speedometer	2001-883C/1200C
22	68841-98	HARNESS ASSEMBLY, speedometer	2001-883C/1200C
	70585-93	CONNECTOR, (switch reset) (not illustrated)	2001-883C/1200C
23	72143-94	SECONDARY LOCK, 3-way receptacle	2001-883C/1200C
24	72153-94	SOCKET LOCK, sec. 3-way	2001-883C/1200C
25	72163-94BK	RECEPTACLE, 3-way plug	2001-883C/1200C
26	72190-94	TERMINAL, pin (3)	2001-883C/1200C
27	72199-94	ATTACHMENT CLIP	2001-883C/1200C
28	72266-94	SHRINK TUBE	2001-883C/1200C
29	74119-98BK	PLUG 12-way (black)	2001-883C/1200C
30	74159-98	SECONDARY LOCK, 12-way	2001-883C/1200C
31	74191-98	SOCKET TERMINAL, reset switch	2001-883C/1200C
32	74193-98	TERMINAL, socket (11)	2001-883C/1200C
33	74402-95	SENSOR, speed	2001-883C/1200C
H-D INTERNATIONAL ONLY			
34	67285-99A	SPEEDOMETER, kph (Can./HDI/Aust./Japan)	2001-1200C
	67416-99A	SPEEDOMETER, kph (HDI/Aust./Japan)	2001-883C
	67284-99A	SPEEDOMETER, mph/ kph (Great Britain)	2001-1200C
	67415-99A	SPEEDOMETER, mph/ kph (Great Britain)	2001-883C

TURN SIGNALS



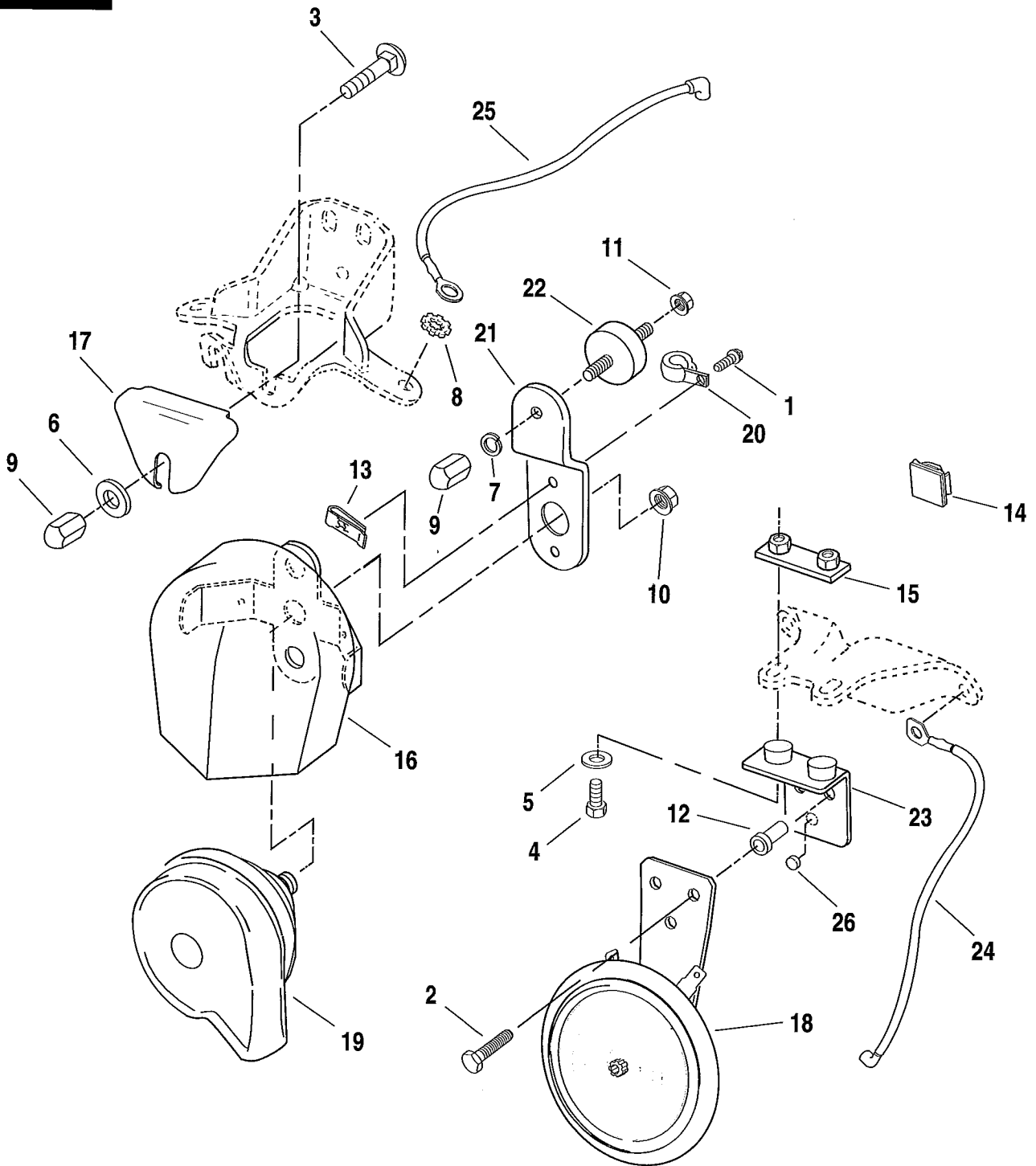
INDEX NO.	PART NO.	DESCRIPTION	MODELS
1	7127	LOCKWASHER (4)	2001-All Models
2	7744	JAM NUT (2)	2001-All Models
3	7531	NUT (2)	2001-All Models
4	10065	CABLE STRAP (2)	2001-All Models
5	56104-94A	STUD, rear turn signal (2)	2001-All Models
6	67822-88	BALL STUD (2)	2001-All Models
7	67827-88A	CLAMP, ball stud (2)	2001-All Models
8	67828-88A	RETAINER, right	2001-All Models
9	67829-88	BALL RECEPTACLE, left	2001-All Models
10	68168-89	BULB, front turn signal (2)	2001-All Models
	68572-64B	BULB, rear turn signal (2)	2001-All Models
11	68452-86	SCREW (8)	2001-All Models
12	68457-86	LENS (amber) (4)	2001-All Models
13	68480-93	SUPPORT, rear turn signal (2)	2001-All Models
14	68760-94	LAMP W/WIRE, rear (amber) (2) w/#10, 11, & 12	2001-All Models
	68709-94	LAMP W/WIRE, front (amber) (2) w/#10, 11, & 12	2001-All Models
15	73152-96BK	PLUG, 2-way (black) (2)	2001-All Models
16	73156-96BK	PLUG, 6-way (left & right turn signals) (front)	2001-All Models
17	73191-96	PIN, #16 (20 gauge) (left & right turn signals) (as required)	2001-All Models
H-D INTERNATIONAL ONLY			
18	68163-84	BULB, turn signal (4) (HDI)	2001-All Models
19	68507-90	LENS, rear (amber) (2) (HDI)	2001-All Models
	68566-90	LENS, front (amber) (2) (HDI)	2001-All Models
20	68763-94	LAMP W/WIRE, rear (amber) (HDI) (2) w/#10, 11, & 12	2001-All Models
	68710-94	LAMP W/WIRE, front (amber) (HDI) (2) w/#10, 11, & 12	2001-All Models

TAIL LAMP



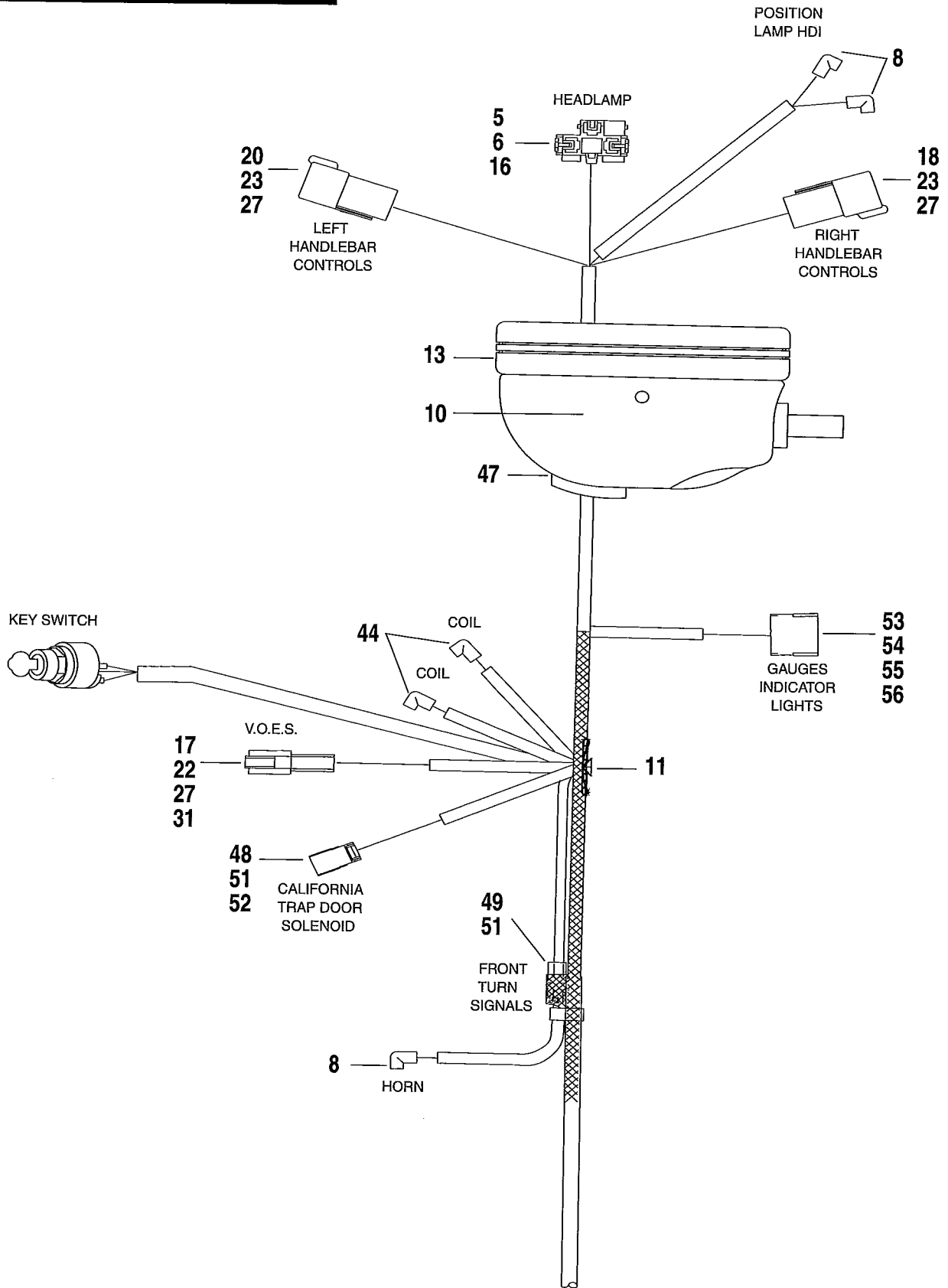
INDEX NO.	PART NO.	DESCRIPTION	MODELS
1	2420	SCREW	2001-All Models
2	6758	WASHER	2001-All Models
3	7716	NUT, flange	2001-All Models
4	68026-99	SCREW, tail lamp (2)	2001-All Models
5	68066-99	BASE ASSEMBLY, chromed	2001-All Models
6	68140-99A	LENS, tail lamp	2001-All Models
7	68168-89A	BULB, tail lamp	2001-All Models
8	68296-99	BASE TAIL LAMP, chrome	2001-All Models
9	68830-99	CIRCUIT BOARD/COVER ASSEMBLY	2001-All Models
10	68832-99	BULB SOCKET ASSEMBLY	2001-All Models
11	68899-99	HARNES REAR LIGHTING	2001-All Models
12	73154-96BK	SOCKET HOUSING 4-place	2001-All Models
13	73156-96BK	SOCKET HOUSING 6-place	2001-All Models
14	73158-96BK	SOCKET HOUSING 8-place	2001-All Models
15	73191-96	CONTACT SOCKET, 16-20 ga. (as required)	2001-All Models
H-D INTERNATIONAL ONLY			
16	68141-99A	LENS, tail lamp (HDI only)	2001-All Models
17	68169-90A	BULB, tail lamp (HDI only)	2001-All Models
18	68833-99	BULB SOCKET ASSEMBLY (HDI only)	2001-All Models

HORN



INDEX NO.	PART NO.	DESCRIPTION	MODELS
1	3563	SCREW (2)	2001-1200/C
2	3606	SCREW (3)	2001-STD/HUG/883C/1200S
3	3987	CARRIGE BOLT	2001-STD/HUG/883C/1200S
4	4716W	BOLT (2)	2001-All Models
5	6701	WASHER (2)	2001-All Models
6	6702	WASHER	2001-STD/HUG/883C/1200S
7	7041	LOCKWASHER	2001-1200/C
8	7145W	LOCKWASHER	2001-1200/C
9	7481	ACORN NUT	2001-All Models
10	7495	NUT	2001-1200/C
11	7531	LOCKNUT	2001-All Models
12	8098	NUT, well (3)	2001-STD/HUG/883C/1200S
13	8108	CLIP NUT (2)	2001-1200/C
14	10120	CLIP	2001-STD/HUG/883C/1200S
15	16228-86A	NUT PLATE	2001-All Models
16	69012-93A	COVER, horn (chrome)	2001-1200/C
17	69037-95A	COVER, enrichment cable	2001-STD/HUG/883C/1200S
18	69043-96A	HORN, complete w/ bracket, ᵇ	2001-STD/HUG/883C/1200S
19	69060-90D	HORN	2001-1200/C
20	69062-91A	CLAMP, horn wire	2001-1200/C
21	69120-91	HORN BRACKET	2001-1200/C
22	69123-92	RUBBER MOUNT	2001-1200/C
23	69135-96A	HORN BRACKET	2001-STD/HUG/883C/1200S
24	70068-96	WIRE GROUND, horn	2001-STD/HUG/883C/1200S
25	70087-95	WIRE GROUND, horn	2001-1200/C
26	75101-82	SPACER	2001-STD/HUG/883C/1200S

MAIN WIRING HARNESS

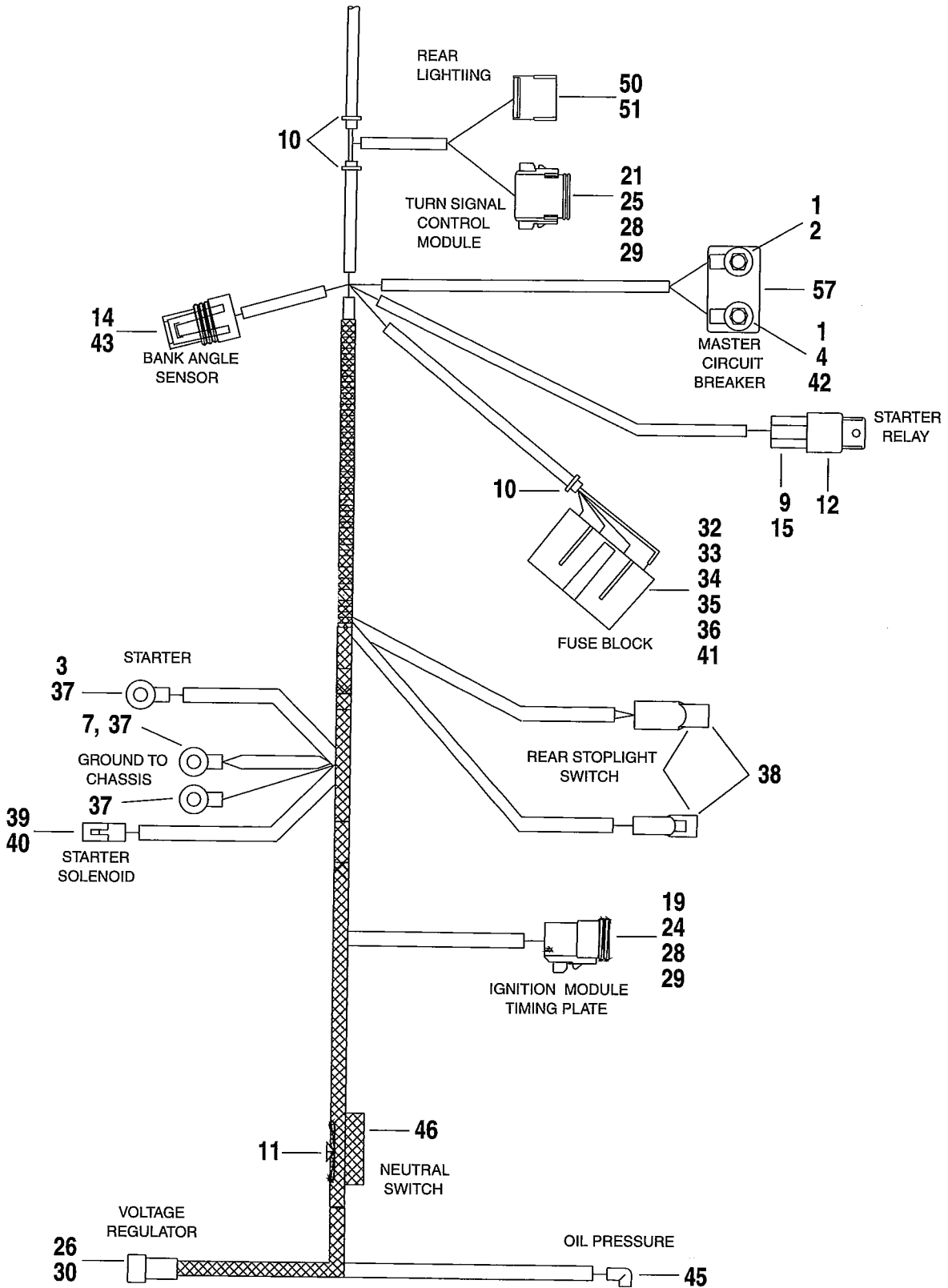


CONTINUED ON NEXT PAGE

INDEX NO.	PART NO.	DESCRIPTION	MODELS
	70135-99	MAIN WIRING HARNESS Includes The Following Parts	2001-STD/HUG/1200
1	7629	NUT (2)	2001-STD/HUG/1200
2	9840	TERMINAL, ring	2001-STD/HUG/1200
3	9842	TERMINAL, ring - 5/16 stud (10-12 gauge)	2001-STD/HUG/1200
4	9843	TERMINAL, ring - #10 (10-12 gauge)	2001-STD/HUG/1200
5	9847	TERMINAL, R.H.	2001-STD/HUG/1200
6	9848	TERMINAL, L.H. (2)	2001-STD/HUG/1200
7	9869	TERMINAL, ring - 3/8 (12 gauge)	2001-STD/HUG/1200
8	9898	TERMINAL, female - 1/4 (3)	2001-STD/HUG/1200
9	9937	TERMINAL, female spade type, 1/4 slot (4)	2001-STD/HUG/1200
10	10065	CABLE STRAP (4)	2001-STD/HUG/1200
11	10136	ANCHOR, T-stud (2)	2001-STD/HUG/1200
12	31504-91A	RELAY	2001-STD/HUG/1200
13	67719-63	MOUNTING RING (rubber)	2001-STD/HUG/1200
14	72033-93	SOCKET TERMINAL (3)	2001-STD/HUG/1200
15	72056-92	CONNECTOR, spade terminal (3-way)	2001-STD/HUG/1200
16	72046-79	SOCKET HOUSING, 5-way	2001-STD/HUG/1200
17	72102-94BK	RECEPTACLE, 2-way (black)	2001-STD/HUG/1200
18	72106-94BK	CONNECTOR, 6-way (black)	2001-STD/HUG/1200
19	72116-94BK	SOCKET HOUSING, 6-way	2001-STD/HUG/1200
20	72126-94GY	SOCKET HOUSING, 6-way	2001-STD/HUG/1200
21	72138-94GY	SOCKET HOUSING, 8-way (gray)	2001-STD/HUG/1200
22	72142-94	SECONDARY LOCK, 2-way receptacle (3)	2001-STD/HUG/1200
23	72146-94	SECONDARY LOCK, 6-way pin (2)	2001-STD/HUG/1200
24	72156-94	SOCKET LOCK 6-way	2001-STD/HUG/1200
25	72158-94	SECONDARY LOCK, 8-way	2001-STD/HUG/1200
26	72180-94	RECEPTACLE, 1 pin	2001-STD/HUG/1200
27	72190-94	TERMINAL, pin (14)	2001-STD/HUG/1200
28	72191-94	TERMINAL, socket (12)	2001-STD/HUG/1200
29	72195-94	SEAL PIN (2)	2001-STD/HUG/1200
30	72196-94	TERMINAL, pin	2001-STD/HUG/1200

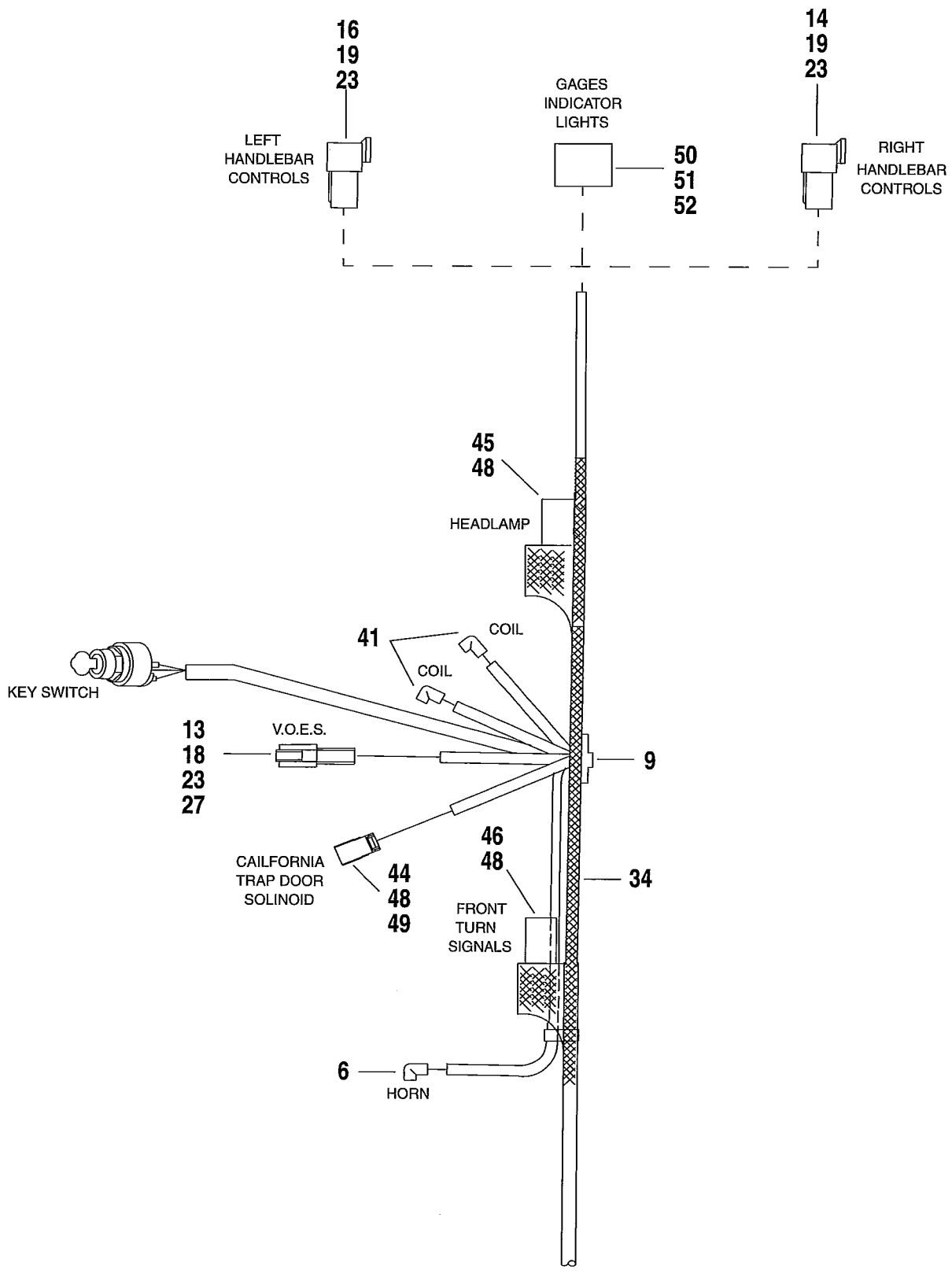
MAIN WIRING HARNESS

CONTINUED FROM PREVIOUS PAGE



INDEX NO.	PART NO.	DESCRIPTION	MODELS
	70135-99	MAIN WIRING HARNESS (CONTINUED) Includes The Following Parts	2001-STD/HUG/1200
31	72199-94	CONNECTOR ANCHOR	2001-STD/HUG/1200
32	72216-94	FUSE BLOCK	2001-STD/HUG/1200
33	72217-94	TERMINAL, auto fuse (18-20 gauge)	2001-STD/HUG/1200
34	72218-94	TERMINAL, auto fuse (14-16 gauge) (2)	2001-STD/HUG/1200
35	72219-94	TERMINAL, auto fuse (18 gauge)	2001-STD/HUG/1200
36	72220-94	TERMINAL, auto fuse (14-16 gauge) (4)	2001-STD/HUG/1200
37	72249-94	HEAT SHRINK TUBING, 0.3 X 1 inch (3)	2001-STD/HUG/1200
38	72290-94	TERMINAL, female (18 gauge) (2)	2001-STD/HUG/1200
39	72291-94	TERMINAL, female spade (14-16 gauge)	2001-STD/HUG/1200
40	72295-94	TERMINAL HOUSING 1-way	2001-STD/HUG/1200
41	72347-94	FUSE 15amp (4)	2001-STD/HUG/1200
42	72366-95	HEAT SHRINK TUBING, yellow	2001-STD/HUG/1200
43	72399-98	CONNECTOR 3-way	2001-STD/HUG/1200
44	72405-98BK	TERMINAL, push on right angle (2)	2001-STD/HUG/1200
45	72405-98GN	TERMINAL, push on #18awg.	2001-STD/HUG/1200
46	72445-99TN	TERMINAL, female #18awg. (tan)	2001-STD/HUG/1200
47	72507-94	GROMMET	2001-STD/HUG/1200
48	73103-96BK	CONNECTOR, 3-way (black)	2001-STD/HUG/1200
49	73106-96BK	CONNECTOR, 6-way (black)	2001-STD/HUG/1200
50	73108-96BK	PIN HOUSING, 8-way (black)	2001-STD/HUG/1200
51	73190-96	TERMINAL, pin ((20-16 gauge) (17)	2001-STD/HUG/1200
52	73198-96	CONNECTOR ANCHOR (2)	2001-STD/HUG/1200
53	74109-98BK	PIN HOUSING, 12-way (black)	2001-STD/HUG/1200
54	74149-98	PIN LOCK, 12-way	2001-STD/HUG/1200
55	74190-98	PIN TERMINAL, (11)	2001-STD/HUG/1200
56	74195-98	SEAL PIN	2001-STD/HUG/1200
57	74599-77B	CIRCUIT BREAKER 30A	2001-STD/HUG/1200

MAIN WIRING HARNESS - 883/1200 CUSTOM

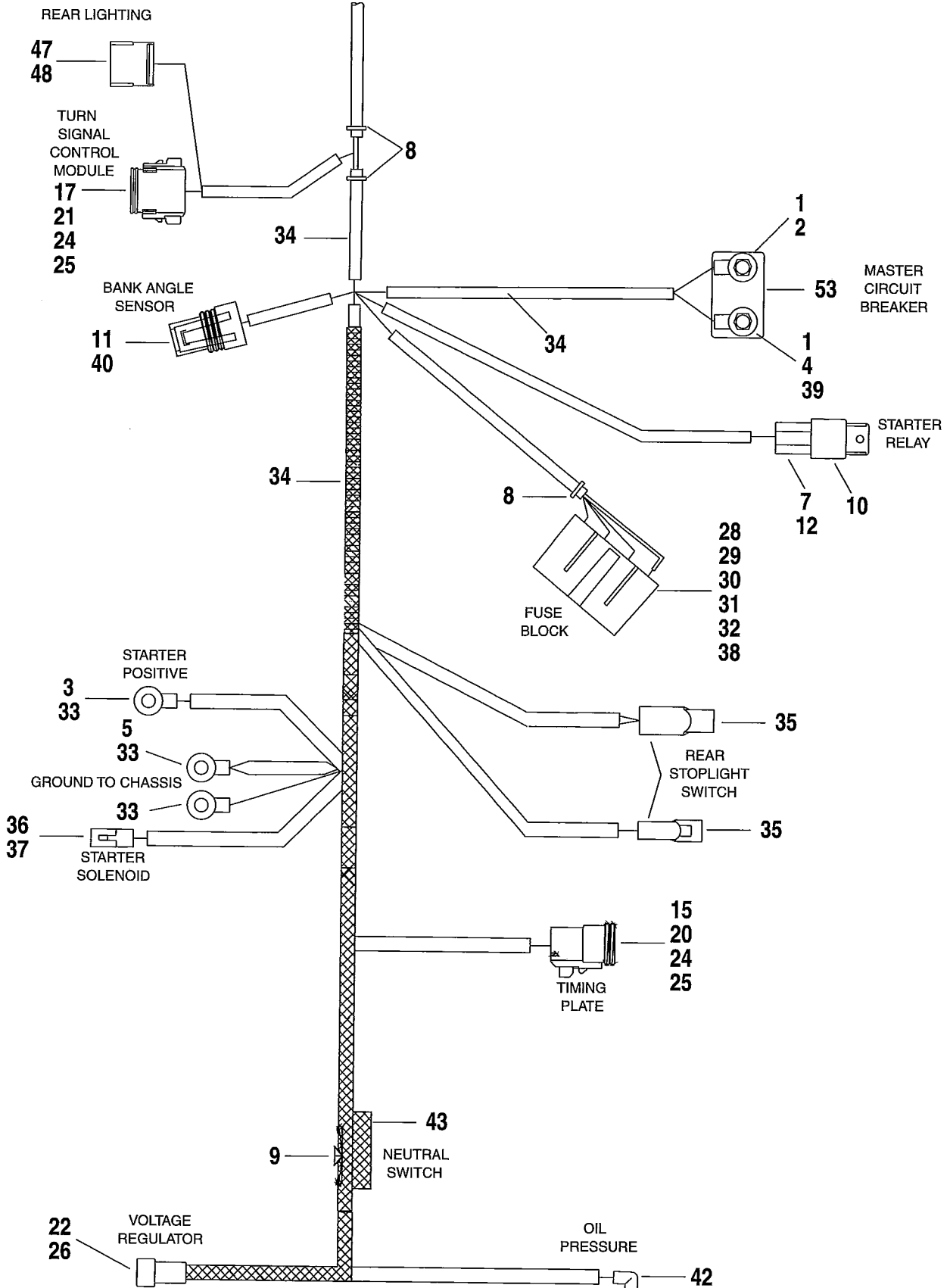


CONTINUED ON NEXT PAGE

INDEX NO.	PART NO.	DESCRIPTION	MODELS
	70153-99	MAIN WIRING HARNESS 883 & 1200 CUSTOM Includes The Following Parts	2001-883C/1200C
1	7629	NUT (2)	2001-883C/1200C
2	9840	TERMINAL, ring	2001-883C/1200C
3	9842	TERMINAL, ring - 5/16 stud (10-12 gauge)	2001-883C/1200C
4	9843	TERMINAL, ring - #10 (10-12 gauge)	2001-883C/1200C
5	9869	TERMINAL, ring - 3/8 (12 gauge)	2001-883C/1200C
6	9898	TERMINAL, flag	2001-883C/1200C
7	9937	TERMINAL, female spade type, 1/4 slot (4)	2001-883C/1200C
8	10065	CABLE STRAP (3)	2001-883C/1200C
9	10136	ANCHOR, T-stud (2)	2001-883C/1200C
10	31504-91A	RELAY	2001-883C/1200C
11	72033-93	SOCKET TERMINAL (3)	2001-883C/1200C
12	72046-79	SOCKET HOUSING, 5-way	2001-883C/1200C
13	72102-94BK	RECEPTACLE, 2-way (black)	2001-883C/1200C
14	72106-94BK	RECEPTACLE, 6-way (black)	2001-883C/1200C
15	72116-94BK	SOCKET HOUSING 6-way	2001-883C/1200C
16	72126-94GY	SOCKET HOUSING 6-way	2001-883C/1200C
17	72138-94GY	SOCKET HOUSING, 8-way	2001-883C/1200C
18	72142-94	SECONDARY LOCK, 2-way receptacle	2001-883C/1200C
19	72146-94	SECONDARY LOCK, 6-way (2)	2001-883C/1200C
20	72156-94	SOCKET LOCK 6-way	2001-883C/1200C
21	72158-94	SECONDARY LOCK, 8-way	2001-883C/1200C
22	72180-94	RECEPTACLE, 1 pin	2001-883C/1200C
23	72190-94	PIN (14)	2001-883C/1200C
24	72191-94	TERMINAL, socket (12)	2001-883C/1200C
25	72195-94	SEAL PIN (3)	2001-883C/1200C
26	72196-94	CONTACT PIN	2001-883C/1200C
27	72199-94	CONNECTOR ANCHOR	2001-883C/1200C

MAIN WIRING HARNESS - 883/1200 CUSTOM

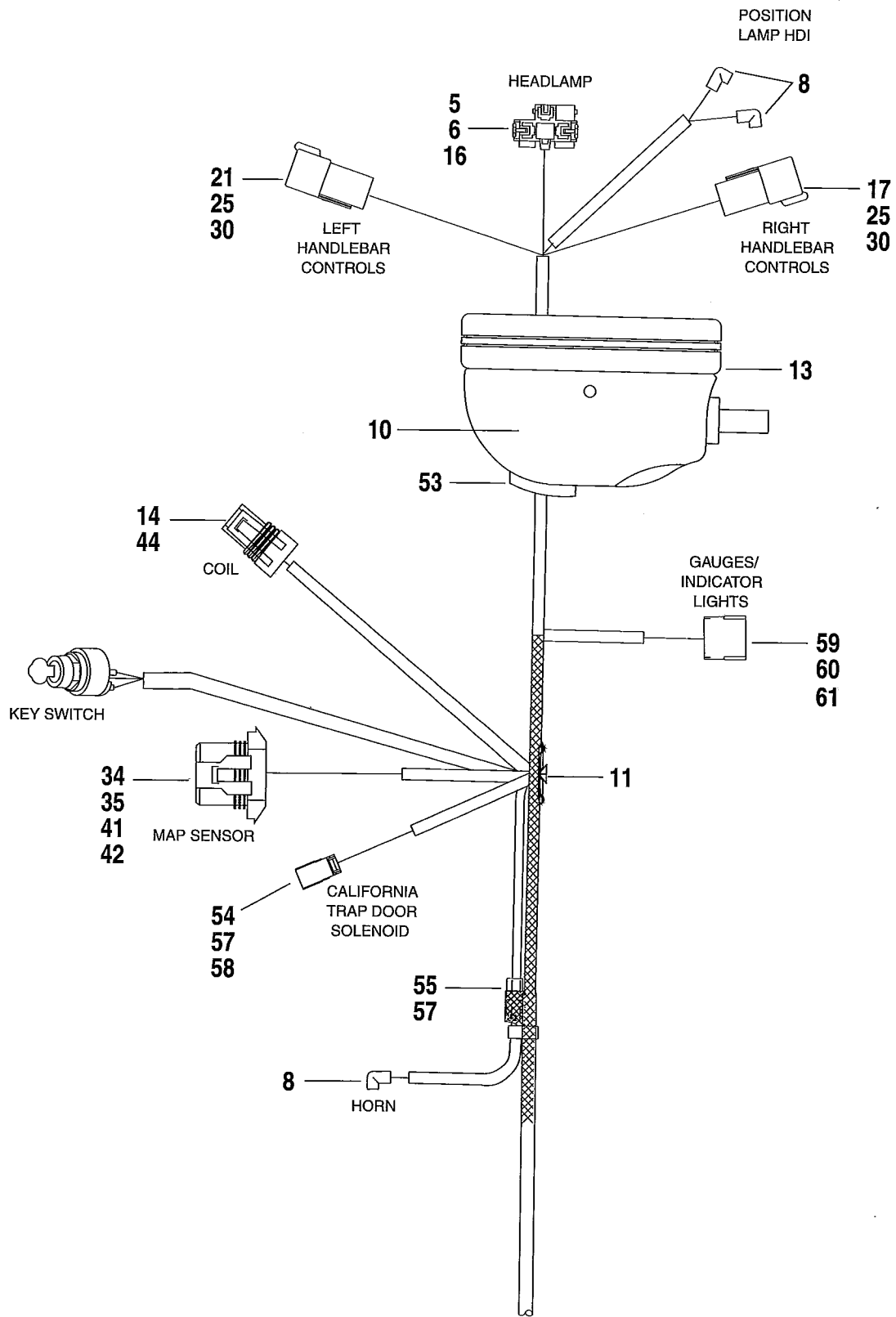
CONTINUED FROM PREVIOUS PAGE



MAIN WIRING HARNESS - 883/1200 CUSTOM (CONTINUED)

INDEX NO.	PART NO.	DESCRIPTION	MODELS
	70153-99	MAIN WIRING HARNESS 883 & 1200 CUSTOM (CONTINUED) Includes The Following Parts	2001-883C/1200C
28	72216-94	FUSE BLOCK	2001-883C/1200C
29	72217-94	TERMINAL, auto fuse (18-20 gauge)	2001-883C/1200C
30	72218-94	TERMINAL, auto fuse (14-16 gauge) (2)	2001-883C/1200C
31	72219-94	TERMINAL, auto fuse (18 gauge) (2)	2001-883C/1200C
32	72220-94	TERMINAL, auto fuse (14-16 gauge) (4)	2001-883C/1200C
33	72249-94	HEAT SHRINK TUBING, 0.3 X 1 inch (3)	2001-883C/1200C
34	72266-94	HEAT SHRINK TUBING, .3 X 1 (5)	2001-883C/1200C
35	72290-94	TERMINAL, insulated (2)	2001-883C/1200C
36	72291-94	TERMINAL, female spade (14-16 gauge)	2001-883C/1200C
37	72295-94	HOUSING, starter connector	2001-883C/1200C
38	72347-94	FUSE 15 amp. (4)	2001-883C/1200C
39	72366-95	HEAT SHRINK TUBING, yellow	2001-883C/1200C
40	72399-98	CONNECTOR 3-way	2001-883C/1200C
41	72405-98BK	TERMINAL, push on right angle (2)	2001-883C/1200C
42	72405-98GN	TERMINAL, push on #18awg.	2001-883C/1200C
43	72445-99TN	TERMINAL, female #18 awg. (tan)	2001-883C/1200C
44	73103-96BK	PIN HOUSING, 3-way (black)	2001-883C/1200C
45	73104-96BK	TAB HOUSING, 4-way (black)	2001-883C/1200C
46	73106-96BK	TAB HOUSING, 6-way (black)	2001-883C/1200C
47	73108-96BK	PIN HOUSING, 8-way (black)	2001-883C/1200C
48	73190-96	PIN #16 (20 gauge) (21)	2001-883C/1200C
49	73198-96	CONNECTOR ANCHOR	2001-883C/1200C
50	74109-98BK	PIN HOUSING, 12-way (black)	2001-883C/1200C
51	74149-98	PIN LOCK, 12-way	2001-883C/1200C
52	74190-98	PIN TERMINAL (12)	2001-883C/1200C
53	74599-77B	CIRCUIT BREAKER 30A	2001-883C/1200C

MAIN WIRING HARNESS - 1200 SPORT

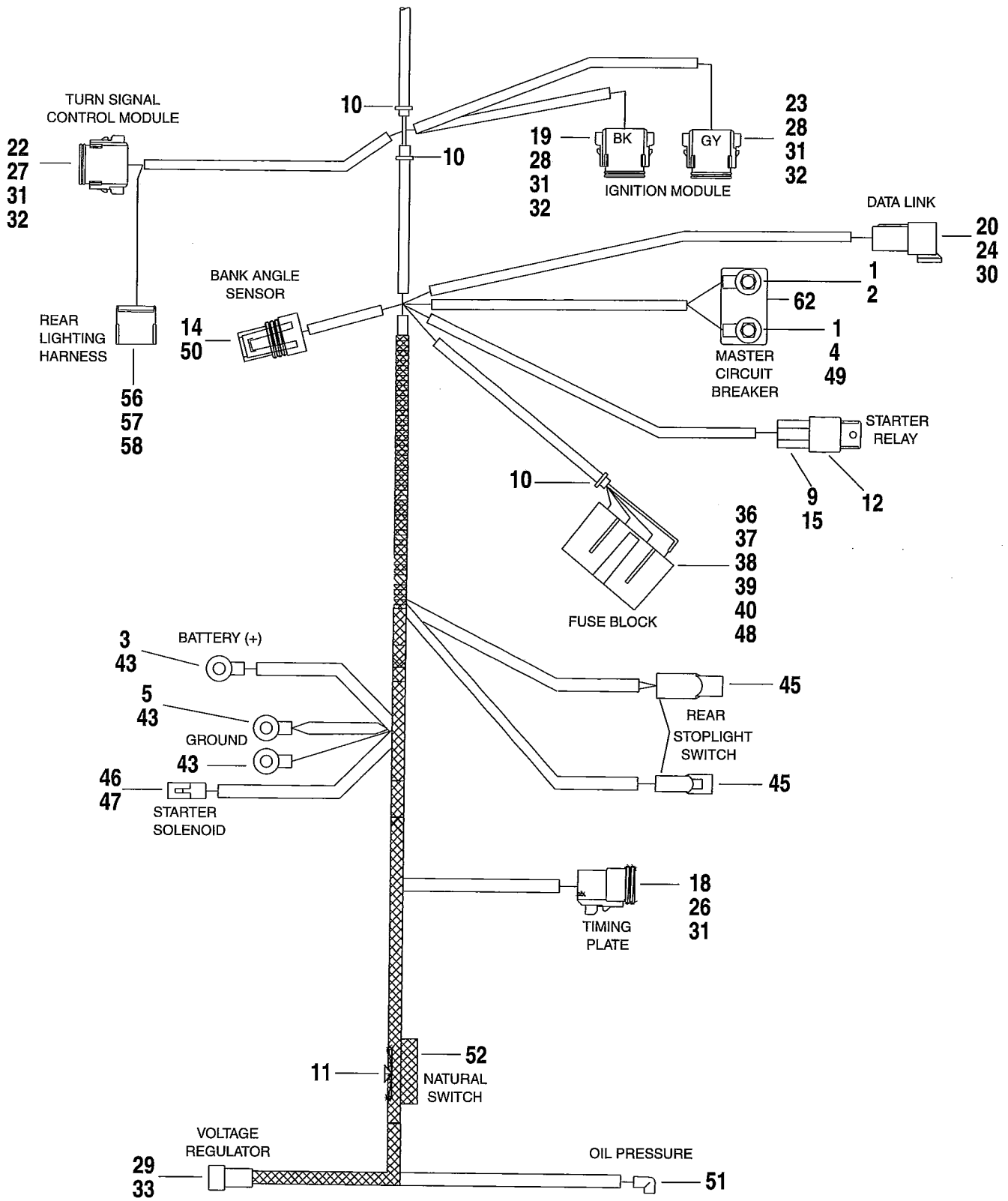


CONTINUED ON NEXT PAGE

INDEX NO.	PART NO.	DESCRIPTION	MODELS
	70139-99	MAIN WIRING HARNESS 1200 SPORT Includes The Following Parts	2001-1200S
1	7629	NUT (2)	2001-1200S
2	9840	TERMINAL, ring	2001-1200S
3	9842	TERMINAL, ring - 5/16 stud (10-12 gauge)	2001-1200S
4	9843	TERMINAL, ring - #10 (10-12 gauge)	2001-1200S
5	9847	TERMINAL, R.H.	2001-1200S
6	9848	TERMINAL, L.H. (2)	2001-1200S
7	9869	TERMINAL, ring - 3/8 (12 gauge)	2001-1200S
8	9898	TERMINAL, flag (3)	2001-1200S
9	9937	TERMINAL, female spade type, 1/4 slot (4)	2001-1200S
10	10065	CABLE STRAP (4)	2001-1200S
11	10136	ANCHOR, T-stud (2)	2001-1200S
12	31504-91A	RELAY	2001-1200S
13	67719-63	HEADLAMP MOUNTING RING	2001-1200S
14	72033-93	SOCKET TERMINAL (6)	2001-1200S
15	72046-79	SOCKET HOUSING, 5-way	2001-1200S
16	72056-92	HOUSING, 3-way	2001-1200S
17	72106-94BK	RECEPTACLE, 6-way (black)	2001-1200S
18	72113-94BK	SOCKET HOUSING, 3-way (black)	2001-1200S
19	72119-94BK	SOCKET HOUSING, 12-way (black)	2001-1200S
20	72124-94GY	SOCKET HOUSING, 4-way (gray)	2001-1200S
21	72126-94GY	SOCKET HOUSING, 6-way (gray)	2001-1200S
22	72138-94GY	SOCKET HOUSING, 8-way (gray)	2001-1200S
23	72139-94GY	SOCKET HOUSING, 12-way (gray)	2001-1200S
24	72144-94	SECONDARY LOCK, 4-way	2001-1200S
25	72146-94	SECONDARY LOCK, 6-way (2)	2001-1200S
26	72153-94	SECONDARY LOCK, 3-way	2001-1200S
27	72158-94	SECONDARY LOCK, 8-way	2001-1200S
28	72159-94	SECONDARY LOCK, 12-way (2)	2001-1200S
29	72180-94	RECEPTACLE, 1 pin	2001-1200S
30	72190-94	PIN (16)	2001-1200S
31	72191-94	TERMINAL, socket (25)	2001-1200S

MAIN WIRING HARNESS - 1200 SPORT

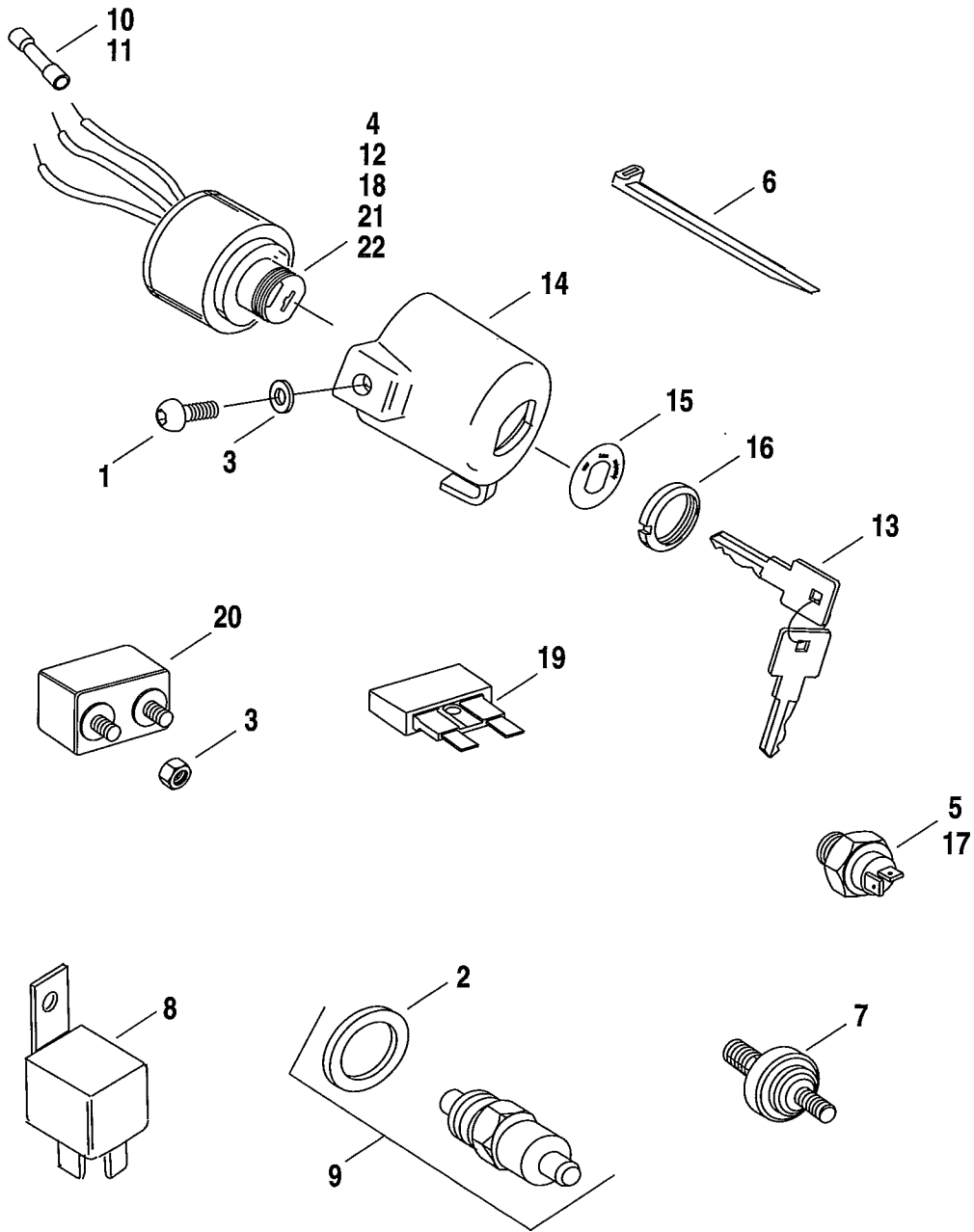
CONTINUED FROM PREVIOUS PAGE



MAIN WIRING HARNESS - 1200 SPORT (CONTINUED)

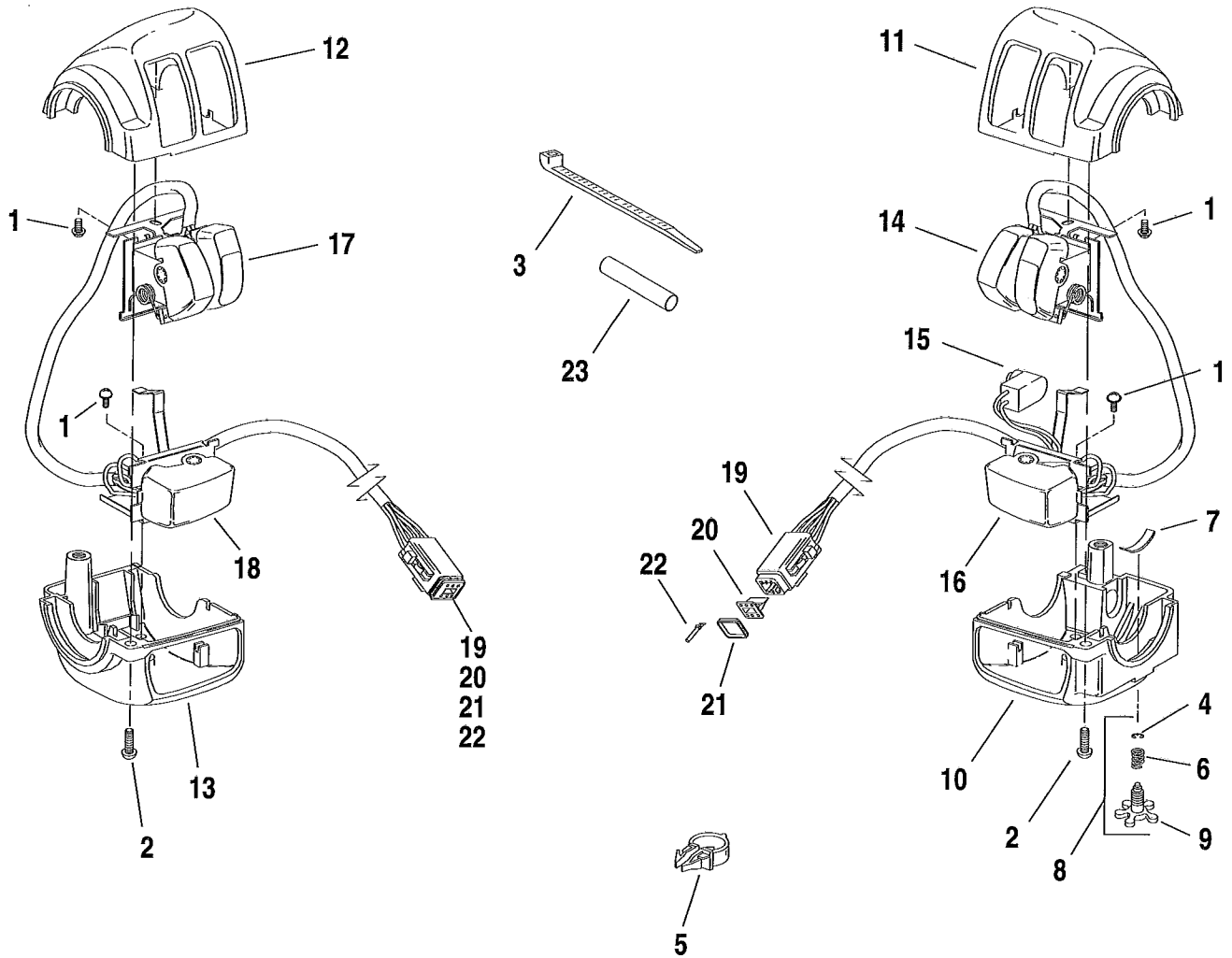
INDEX NO.	PART NO.	DESCRIPTION	MODELS
	70139-99	MAIN WIRING HARNESS 1200 SPORT (CONTINUED) Includes The Following Parts	2001-1200S
32	72195-94	SEAL PIN (11)	2001-1200S
33	72196-94	CONTACT PIN	2001-1200S
34	72213-94	TERMINAL, socket (3)	2001-1200S
35	72214-94	CABLE SEAL (3)	2001-1200S
36	72216-94	FUSE BLOCK	2001-1200S
37	72217-94	TERMINAL, auto fuse (18-20 gauge)	2001-1200S
38	72218-94	TERMINAL, auto fuse (14-16 gauge) (2)	2001-1200S
39	72219-94	TERMINAL, auto fuse (18 gauge)	2001-1200S
40	72220-94	TERMINAL, auto fuse (14-16 gauge) (4)	2001-1200S
41	72230-98	HOUSING SOCKET, 3-way	2001-1200S
42	72231-98	SECONDARY LOCK, 3-way	2001-1200S
43	72249-94	HEAT SHRINK TUBING, 0.3 X 1 inch (3)	2001-1200S
44	72280-95	CONNECTOR 3-way	2001-1200S
45	72290-94	TERMINAL, insulated (2)	2001-1200S
46	72291-94	TERMINAL, female spade (14-16 gauge)	2001-1200S
47	72295-94	HOUSING, starter connector	2001-1200S
48	72347-94	FUSE 15 amp. (4)	2001-1200S
49	72366-95	HEAT SHRINK TUBING, yellow	2001-1200S
50	72399-98	CONNECTOR 3-way	2001-1200S
51	72405-98GN	TERMINAL, push on #18awg.	2001-1200S
52	72445-99TN	TERMINAL, female #18awg. (tan)	2001-1200S
53	72507-94	GROMMET	2001-1200S
54	73103-96BK	PIN HOUSING, 3-way (black)	2001-1200S
55	73106-96BK	TAB HOUSING, 6-way (black)	2001-1200S
56	73108-96BK	PIN HOUSING, 8-way (black)	2001-1200S
57	73190-96	PIN #16 (20 gauge) (17)	2001-1200S
58	73198-96	CONNECTOR ANCHOR (2)	2001-1200S
59	74109-98BK	PIN HOUSING, 12-way (black)	2001-1200S
60	74149-98	PIN LOCK, 12-way	2001-1200S
61	74190-98	PIN TERMINAL, (12)	2001-1200S
62	74599-77B	CIRCUIT BREAKER 30A	2001-1200S

SWITCHES AND CIRCUIT BREAKERS



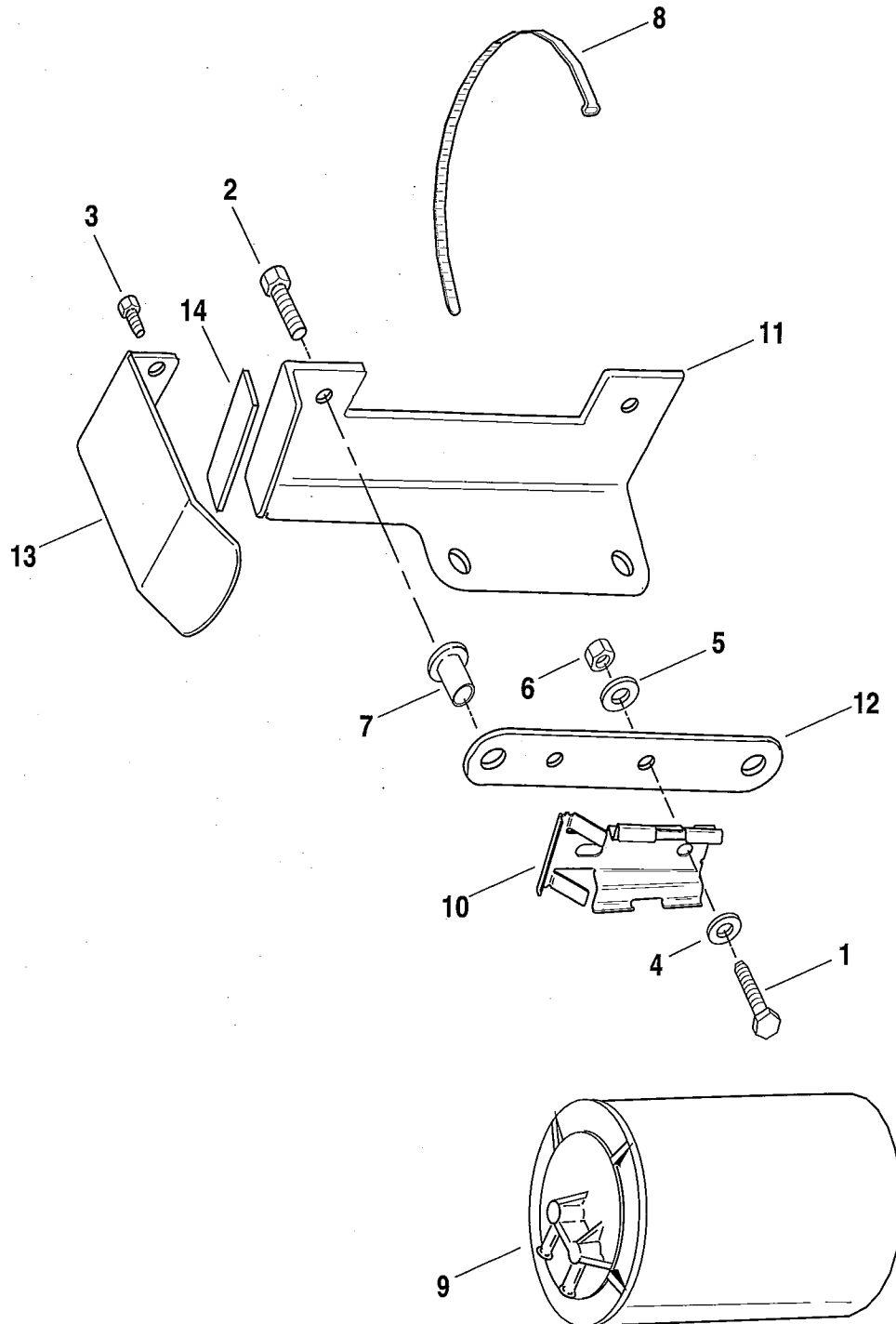
INDEX NO.	PART NO.	DESCRIPTION	MODELS
1	2528	SCREW	2001-All Models
2	6288	WASHER	2001-All Models
3	7220	WASHER	2001-All Models
4	9862	TERMINAL RING (3)	2001-All Models
5	9898	TERMINAL (2)	2001-All Models
6	10039	CABLE STRAP	2001-All Models
7	26554-77	SWITCH, oil pressure indicator	2001-All Models
8	31504-91A	STARTER RELAY	2001-All Models
9	33900-99	SWITCH, neutral indicator - with washer	2001-All Models
	70227-99	JUMPER WIRE ASSEMBLY, neutral switch (not illustrated)	2001-All Models
10	70586-93	CONNECTOR, butt splice - blue (3)	2001-All Models
11	70587-93	CONNECTOR, butt splice - yellow (2)	2001-All Models
12	71441-94	LOCK SET ASSEMBLY, ignition w/key	2001-All Models
13	71451-94A	KEY SET, ignition switch (specify key code)	2001-All Models
14	71510-95	COVER, ignition switch	2001-All Models
15	71550-94	LABEL, ignition switch	2001-All Models
16	71552-94	FACE NUT, ignition switch	2001-All Models
17	72023-51C	STOPLIGHT SWITCH, rear brake w/#4	2001-All Models
18	72268-94	SHRINK TUBE	2001-All Models
19	72347-94	FUSE 15 amp. (6)	2001-All Models
	72373-97	FUSE PULLER (not illustrated)	2001-All Models
20	74599-77B	CIRCUIT BREAKER, 30 amp.	2001-All Models
H-D INTERNATIONAL ONLY			
21	48151-99A	LOCKSET ASM. (HDI)	2001-All Models
22	43595-99	SPRING, forklock (HDI)	2001-All Models

HANDLEBAR SWITCHES



INDEX NO.	PART NO.	DESCRIPTION	MODELS
1	2955	SCREW (4)	2001-All Models
2	3658	SCREW (4)	2001-All Models
3	10181	CABLE TIE (as required)	2001-All Models
4	11155	RETAINING RING	2001-All Models
5	70345-84	RETAINER, wiring harness (4)	2001-STD/HUG/1200/S
6	56394-74	SPRING, throttle adjusting screw	2001-All Models
7	56396-74A	PAD, throttle adjusting	2001-All Models
8	56397-74C	KIT, throttle adjusting screw, w/#4,6, & 9	2001-All Models
9	56402-83A	ADJUSTING SCREW	2001-All Models
10	71563-96	HOUSING, lower right	2001-All Models
11	71564-96	HOUSING, upper right	2001-All Models
12	71567-96	HOUSING, upper left	2001-All Models
13	71568-96	HOUSING, lower left	2001-All Models
14	71589-96B	SWITCH ASSEMBLY, engine stop & start, w/#3, & 23	2001-All Models
15	71590-96	STOPLIGHT SWITCH	2001-All Models
16	71591-00	SWITCH ASSEMBLY, right directional, w/#3, & 23	2001-All Models
17	71597-96B	SWITCH ASSEMBLY, dimmer & horn, w/#3, & 23	2001-All Models
18	71598-00	SWITCH ASSEMBLY, left directional, w/#3, & 23	2001-All Models
19	72116-94BK	PLUG, 6-way, right (black) (2)	2001-All Models
20	72156-94	SECONDARY LOCK, 6-way (2)	2001-All Models
21	72176-94	SEAL, front (6-way plug) (2)	2001-All Models
22	72191-94	TERMINAL, socket (as required)	2001-All Models
23	72266-94	SHRINK TUBE	2001-All Models

CALIFORNIA EVAPORATIVE EMISSIONS KIT



INDEX NO.	PART NO.	DESCRIPTION	MODELS
NOTE: These parts are for 2001 and later XLH model motorcycles sold for use in the state of California.			
1	3767B	SCREW, mounting bracket (2)	2001-All Models
2	3802W	BOLT, bracket to plate (2)	2001-All Models
3	4104	SCREW (2)	2001-All Models
4	6099	WASHER (2; 4 - XLH 1200)	2001-All Models
5	6703	WASHER (2)	2001-All Models
6	7686	LOCKNUT (2)	2001-All Models
7	8099	WELL NUT (2)	2001-All Models
8	10006	CABLE STRAP (2)	2001-All Models
9	27042-84A	CANISTER	2001-All Models
10	27047-84A	BRACKET, canister mounting	2001-All Models
11	28857-90	BRACKET, canister	2001-All Models
12	28859-90	PLATE, canister mounting	2001-All Models
13	28860-89	GUARD, evaporative canister	2001-All Models
	28875-95	HOSE, canister to a/c backplate (not illustrated)	2001-All Models
	32440-97	WIRING HARNESS, solenoid (not illustrated)	2001-All Models
14	67133-98	PAD (vinyl foam)	2001-All Models
		NOTE: Hose is sold only in bulk length under the following part numbers. Cut to length.	
	27138-90	HOSE 3/16" I.D. (10 ft. lg.)(black) (not illustrated)	2001-All Models

A

AMP Amperage
 ASM Assembly

C

CAL California
 CONN Connecting/Connector
 CTSK Countersink

D

DIA Diameter

E

ENG Engine
 EXH Exhaust

F

FRT Front
 FT Foot

G

GA Gauge

H

HD Head
 HDI Harley-Davidson International
 HEX Hexagon

I

I.D. Inside Diameter
 INSP Inspection
 INT Internal

K

KPH Kilometers Per Hour

L

L.H. Left hand
 LG Long

M

MACH Machine
 MM Millimeter
 MPH Miles Per Hour

N

NO. Number

O

O.D. Outside Diameter
 O.S. Over Size
 OZ Ounce

R

R.H. Right Hand

S

SOC/SCKT Socket
 ST State
 SPEEDO Speedomet
 S.S. Stainless Steel

T

T Teeth
 TACH Tachometer

W

W/ With

HARDWARE LISTING

853A	SCREW, 5/16-18 X 2-1/4 knurled socket hd.	3206B	SCREW, No. 8-32 X 1-7/8 (headless brass)
855B	SCREW, 3/8-16 X 2 knurled socket hd.	3210A	SCREW, 5/16-18 X 1-1/4 knurled soc. hd.
869	SCREW, 1/4-20 X 1-1/4 socket button hd.	3221	SCREW, No. 4-16 X 3/16 set screw (Grade 8 steel)
876A	SCREW, 5/16-18 X 2-1/2 socket hd. (Grade 5 steel)	3228	SCREW, 5/16-18 X 3/4 hex. socket hd. (w/washer)(Grade 8 steel)
879A	SCREW, 5/16-18 X 3-1/2 knurled socket hd.	3275	SCREW, .312-18 X 3/4 hex. socket head cap (Grade 8 steel)
882	SCREW, 1/4-20 X 7/8 knurled socket hd. (Grade 8 steel)	3350	BOLT, M5 X 0.87 X115
897	SCREW, 5/16-18 X 3.0 hex socket head cap (grade 8)	3403	LOCKNUT, M8 X 7 X 12mm hex.
923	SCREW, 1/4-20 X 21/32 socket pan hd.	3427	BOLT, 5/16-18 X 3-1/2 hex head (grade 5)
929A	SCREW, M4-0.7 X 9.1	3480A	SCREW, 1/4-20 X 1-3/4 knurled socket hd.(Grade 8 steel)
943	SCREW, 1/4-20 X 5/8 socket button hd.	3498	SCREW, 1/2-13 X 3 hex. hd.(Grade 5 steel) (w/lockpatch)
946	SCREW, 1/4-20 X 2-1/4 Torx button hd. (Grade 8 steel)	3500A	BOLT, 5/16-18 X 2-3/4 hex. hd.(Grade 8 steel)
1392	SCREW, mach. oval hd. 1/4-20 X 3/4 (s.s)	3501A	BOLT, 5/16-18 X 2-1/2 hex. hd.(Grade 8 steel)
1601	SCREW, No. 8-32 X 1/2 Pozidriv flat ctsk. hd. (Grade 2 steel)	3514	SCREW, 7/16-40 X 2-13/16 hex cap (Grade 8)
2325	SCREW, No. 6 X 3/4 cross recess pan hd. (self-tapping)	3534B	SCREW, 1/2-13 X 2-1/2 socket hd. (Grade 8 steel)
2361	SCREW, No. 8-32 X 3/8 socket flat ctsk. hd. (w/ locking adhesive)	3549A	SCREW, 1/2-20 X 1-1/2 knurled socket head
2362	SCREW, No. 10 X 3/4 hex. hd. (self-tapping)	3563	SCREW, 1/4-20 X 3-9/16 large flange hex head (grade 5)
2405A	SCREW, 5/16-18 X 3/4 Phillips oval hd. (Chrome)	3579A	SCREW, 1/4-28 X 1/4 hex. head sems tapping (Grade 2 steel)
2501A	SCREW, #8-32 X 3/8 hex washer head (self tapping)	3594	SCREW, 1/4-20 X 5/8 knurled socket hd. (Grade 8 steel)
2420	SCREW, 1/4-20 X 3/4 truss hd. (Grade 2 steel)	3606	SCREW, #10-24 X .860 hex. head machine (Grade 2 steel)
2528	SCREW, No. 10-24 X 1/2 socket button hd.	3610	SCREW, 5/16-18 X 3-3/4 hex. flange hd. (Grade 5 steel)
2548	SCREW, NO.8-32 X 3/4 sckt hd (w/lockpatch)	3652	SCREW, 1/4-20 X 3/8 socket hd.(chrome)
2551W	BOLT, 1/4-20 X 1 hex. hd. (Grade 2 steel)	3655A	SCREW, 5/16-18 X 7/8 pan hd. torx (grade 8)
2566	SCREW, 8-32 X 7/8 self tapping	3658	SCREW, #10-24 X 1/2 hex. socket head torx head (Grade 5)
2579A	SCREW, No. 8-32 X 6-1/4 mach oval hd. (brass) (Grade 2 steel)	3666A	SCREW, #10-24 X 1.500 torx recessed round washer hd.
2607	SCREW, 1/4-20 X 3/4 pozidriv. pan hd. (Grade 2 steel)	3675	SCREW,5/16-18 X 1 torx hd lock (Grade 8 steel)
2611C	BOLT, No. 10-32 X 3/4 hex. washer hd. (Grade 5 steel)	3689	BOLT, leveling 1/4-20 X 5/8 (Grade 2 steel)
2708A	SCREW, 5/16-18 X 1 socket hd.	3696	SCREW, 5/16 thd X 3/4 pan head torx (Grade 5 steel)
2711	SCREW, No. 4-40 X 3/8 pan hd. (self-tapping)	3767B	BOLT, 1/4-20 X 5/8 hex. hd.(Grade 5 steel)
2720	SCREW, No. 10-24 X 1 Torx hd. (w/ locking adhesive)	3820	SCREW, 1/2-13 X 2-1/4 hex socket button head (grade 8)
2731W	SCREW, #10 X 3/8 phillips truss hd (self-tapping)	3802W	BOLT, 1/4-20 X 7/8 hex. hd. (Grade 5 steel)
2737	SCREW, 1/4-20 X 1/4 pan hd.	3899	SCREW, 7/16-14 X 1-3/4 hex. hd. w/lock patch
2773	SCREW, 1/4-20 X 1/2 Pozidriv pan hd. (Grade 2 steel)	3930A	SCREW, 5/16-18 X 3/4 hex. washer hd. (self-tapping)
2925A	SCREW, 7/16-20 X 1 hex. socket hd. (Grade 8 steel)	3958	BOLT, 1/2-20 X 2-1/4 hex. hd.(Grade 5 steel)
2952	SCREW, 1/4-20 X .485 sems truss hd. (Grade 2 steel) (chrome)	3987	BOLT, 5/16-18 X 3/4 hex. hd.(Grade 5 steel)
2955	SCREW, #6-32 X 1/4 pan head phillips machine lock washer	3993	BOLT, 1/4-20 X 1-1/4 hex. hd.(Grade 5 steel)
3201WA	SCREW, 5/16-18 X 1-1/4 knurled soc. hd.	3997A	BOLT, 1/4-20 X 1-1/4 hex. hd. (grade 8)

HARDWARE LISTING

4017	BOLT, 5/16-18 X 1 hex. head (grade 5 steel)	6019	WASHER, 3/8 X 29/32 X 1/16
4029A	SCREW, 3/8-16 X 2-1/4 socket hd.(black)	6026	WASHER, 3/8 X 7/8 X 7/64
4091	BOLT, #10-24 X 1/2 hex washer hd. (self tapping)	6036	WASHER, 17/64 X 1 X 1/16
4104	SCREW, No. 10-24 X 1/2 hex. washer hd.	6099	WASHER, 1/4 X 7/16 X 1/16
4132	SCREW, 1/4-20 X 1 1/8 hex socket button head (Grade 5, steel)	6101	WASHER, 17/64 X 27/64 X 1/16
4312	BOLT, M6 X 1.0 X 12 flange head	6152	SPACER, 13/32 X 1.0 X 5/16
4326A	SCREW, 5/16-18 X 2 hex. soc. hd.	6157	WASHER, 27/64 X 5/8 X 1/64 heat treated
4329	SCREW, 1/4-20 X 3/4 hex. washer hd.	6192	WASHER, No. 8 X 7/16 X 3/64
4337W	SCREW, 3/8-24 X 1-1/4 hex cap (grade 5)	6220W	WASHER, 1/4 X 7/16 X 1/32
4350A	SCREW, 3/8-16 X 1.500 hex. socket cap (Grade 8 steel)	6288	WASHER, 17/32 X 25/32 X 1/32
4351	SCREW, 3/8 X 1-1/2 Torx button hd. (self-tapping) (Grade 8 steel)	6314W	WASHER, 21/64 X 9/16 X 1/8
4352	SCREW, 3/8-16 X 1-1/2 Torx socket (self-tapping) (Grade 8 steel)	6333	WASHER, 5/16 X 7/8 X 5/64
4377	SCREW, 3/8-16 X 2.0 hex w/washer self tapping	6366	WASHER, 1/2 X 1-1/4 X 3/32
4413	SCREW, 3/8-24 X 5-1/2 hex cap (grade 5)	6410	WASHER, 1/4 X 9/16 X 1/16 (nylon)
4420	SCREW, 3/8-16 X 2.75 hex. cap (Grade 5 steel)	6516HW	WASHER, 7/16 X 1-1/8 X 1/8
4435W	BOLT, 3/8-24 X 3-1/2 hex. hd.(Grade 5 steel)	6590HW	WASHER, 1/2 X 1-1/8 X 3/32
4453	BOLT, 1/4-20 X 7/8 hex. hd.	6655	WASHER, 5/8 X 1-1/2 X 3/32
4460	BOLT, 5/8-18 X 1 hex. hd.(Grade 5 steel)	6701	WASHER, 3/8 X 13/16 X 1/16
4716W	BOLT, 3/8-16 X 1-1/4 hex. hd.(Grade 5 steel)	6702	WASHER, 5/16 X 11/16 X 1/16
4717A	SCREW, 1/4-20 X 2-1/4 knurled socket hd. (w/lockpatch)	6703	WASHER, 1/4 X 5/8 X 1 /16
4718A	SCREW, 1/4-20 X 1-1/2 SEM HEXSOC, CAP (Grade 8 steel)	6716	WASHER, #10 X 1/2 X 3/64
4721	BOLT, 3/8-16 X 1-1/2 hex. hd.(Grade 5 steel)	6718	WASHER, 1/2 X 1-1/16 X 3/32
4740A	SCREW, 1/4-20 X 1-1/4 knurled socket hd. (w/lockpatch & lockwasher)(Grade 8 steel))	6736	WASHER, 9/32 X 5/8 X 1/16
4741A	SCREW, 1/4-20 X 1 hex. socket hd.(w/lockpatch)	6738	WASHER, 17/32 X 7/8 X 7/64
4743	SCREW, 1/2-20 X 2-5/8 hex. hd. (Grade 5 steel)	6758	WASHER, 3/8 X 9/16 X 7/64
4748	SCREW, 3/8-16 X 1-1/8 hex. socket hd. (Grade 8 steel)	6798	WASHER, .31 X .50 X .03
4751	SCREW, 1/4-20 X 3/4 hex. hd. (w/lockpatch) (Grade 8 steel)	6812	WASHER, 13/32 X 11/16 X 1/16
4758	SCREW, .312-18 X 3.48 hex. socket cap (Grade 8 steel)	7019	WASHER, 1/2 X 3/4 X 1/4 (rubber)
4765	SCREW, 1/4-20 X 2-5/8 cap screw hex socket head w/ flat (Grade 8 steel)	7036	LOCKWASHER, 1/4
4767	SCREW, 5/16-18 X 1-1/4 button head s.s.	7038	LOCKWASHER, 3/8
4771	SCREW, 5/16-18 X 4-1/4 hex socket head cap (grade 5)	7041	LOCKWASHER, 5/16
4816A	SCREW, 5/16-18 X 1-1/2 socket hd.	7042	LOCKWASHER, 5/16 (high collar)
4820A	SCREW, 1/4-20 X 2 hex. socket	7045	LOCKWASHER, 3/8(high collar)
4826	SCREW, 1/4-20 X 2-1/2 hex. socket hd. (w/washer)	7068	LOCKWASHER, 1/2
5403B	CARRIAGE BOLT, 1/4-20 X 3/8	7124	LOCKWASHER, 1/4 internal tooth
6003	WASHER, 1-3/16 X 1-3/8 X 5/64	7127	LOCKWASHER, 5/16 internal tooth
6012	WASHER, 1/2 X 1-3/16 X 1/16	7129	LOCKWASHER, 1/2 internal tooth
6016	WASHER, 11/32 X 11/16 X 1/16	7145W	LOCKWASHER, 3/8 external tooth
		7220	LOCKWASHER, No. 10 external tooth
		7481	ACORN NUT, 5/16-18 chrome
		7495	NUT, No. 6 hex
		7531	LOCKNUT, 5/16-18 X 9/32 X 1/2 hex.
		7593	FLANGE NUT, 5/16-24
		7624	LOCKNUT, No. 10-24 X 1/4 X 3/8 hex.
		7629	NUT, No. 10-32 X 3/8 hex (keys)
		7667	NUT, 3/8-16 X 9/32 X 9/16 hex. (w/nylon insert)
		7683	LOCKNUT, 1/4-28 X 5/16 X 7/16 hex.
		7686	LOCKNUT, 1/4-20 X 5/16 X 7/16 hex.
		7688	NUT, 1/4-20 X 7/32 X 7/16 hex.(Grade 2 steel)
		7716	LOCKNUT, 1/4-20 X 15/64 X 7/16 hex.

HARDWARE LISTING

7736	ACORN NUT, 5/16-24 X 19/32 X 1/2 hex. (Grade 2 steel)(chrome)
7739	LOCKNUT, 5/16-18 X 11/32 X 1/2 hex.
7744	JAM NUT, 5/16-24 X 3/16 X 1/2 hex. (Grade 2 steel)
7775	LOCKNUT, 3/8-24 X 7/16 X 9/16 hex.
7778	LOCKNUT, 3/8-16 X 7/16 X 9/16 hex.
7780	LOCKNUT, 3/8-24 X 13/32 X 11/16 hex.
7783	NUT, 3/8-16 X 5/16 X 9/16 hex.(Grade 2 steel)
7789	LOCKNUT, 3/8-24 X 7/32 X 9/16
7792	NUT, 1/4,-20 X 1/4 hex. (Grade 2 steel)
7804	NUT, 1/2-13 X 15/32 X 7/8 (sealing)
7824	LOCKNUT, 1/2-20 X 1/4 hex. (Grade 2 steel)
7839	FLANGE NUT, 3/4-16 X 21/32 (Grade 2 steel)
7844	NUT, 1/2-13 X 5/16 X 3/4
7861	NUT, 3/8-24
7880	NUT, 1/2-13 X 7/16 X 3/4 hex.(Grade 2 steel)
7916A	JAM NUT, 5/8-18 (locking)
7956	NUT, 1/2 X 20
7966	LOCKNUT 10-32 X 15/64 X 6/8 hex. w/nylon insert
7987	CASTLE NUT 5/8-18 X 15/16 hex (Grade 8 steel)
8108	SPEED NUT, 11/32 dia.
8144	NUT CLIP, 5/16

NUMERICAL INDEX

Part No.	Page	Part No.	Page	Part No.	Page	Part No.	Page	Part No.	Page
10006	129	11171	17	16071-01	7	17897-89	9	2405A	27
10006	83	11177A	11	16074-01	5	17904-89	9	2420	109
10006	89	11177A	15	16075-01	5	17942-89	9	24331-36	11
10006	93	11179	47	16076-01	7	17944-89	9	24332-36	11
10014	23	11185	39	16078-01	7	17946-89	9	24466-00	15
10014	89	11188	17	16079-01	5	17952-91	9	24470-00	15
10014	93	11190	9	16080-01	5	17953-91	9	24530-90	15
10031	49	11250	43	16210-84A	15	18001-83B	7	24530-90	39
10031	51	11271	81	16212-84	15	18011-87A	7	24647-87	15
10039	125	11271	83	16214-86	5	18012-87A	7	24650-87	15
10039	31	11272	81	16222-86	5	18020-87B	7	24658-87	11
10039	33	11272	83	16226-94	5	18021-87A	7	24659-87	15
10048	101	11289	103	16228-86A	111	18022-96YA	7	24660-87	15
10053	49	11289	105	16228-86A	5	18023-87	7	24729-74	15
10065	103	11302	41	16233-86	5	18024-87	7	24754-75	15
10065	105	11302	53	16240-82	15	18030-86	7	24922-93	27
10065	107	11317	19	16278-95B	5	18031-86	7	24925-95	27
10065	113	11473	89	16294-99	15	18112-92A	7	2501A	51
10065	117	11474	87	16294-99	53	18113-96YA	7	25193-00A	19
10065	121	11491	75	16297-99	15	18130-83D	7	25194-00A	19
10065	29	11496	105	16297-99	41	18131-83D	7	25213-96B	19
10065	31	11512	87	16446-86B	5	18133-83B	7	25219-91C	19
10080	15	11727A	5	16447-88A	5	18201-83	7	25238-94	17
10080	93	11730A	43	16478-85A	5	18202-83	7	25252-97YB	19
10108	31	11752	43	16480-92	5	18219-83A	7	25263-90C	19
10108	89	11763	41	16573-83	15	18222-83A	7	2528	125
10110	75	12030	37	16573-83	17	18229-83	7	25409-94A	43
10117	19	12067A	37	16573-83	5	18532-00	9	25430-94A	17
10117	93	13600-01	91	16630-98	5	18538-99A	9	25453-87A	43
10120	111	13750-00	91	16633-98	5	18652-96YA	7	25460-94	17
10123	47	13751-00	91	16660-89B	5	18653-96YA	7	25463-94	17
10136	113	13753-00	91	16661-89B	5	18654-96YA	7	25471-97Y	17
10136	117	13754-00	91	16664-86B	5	215	13	2548	105
10136	121	13755-00	91	16688-90A	5	21920-83	11	2551W	87
10142	93	13756-00	91	16698-90A	5	21921-83	11	25586-37	19
10181	127	13757-00	91	16715-83	5	21922-83	11	25588-91	19
10183	87	13758-00	91	16770-84D	5	21923-83	11	25593-74	19
10200	87	13760-00	91	16774-86D	5	21924-83	11	25598-91	19
10214	33	13900-99	91	16778-84B	9	22201-86A	11	2566	97
10214	89	13905-99	91	16779-84D	9	22205-88A	11	2579A	49
10235	75	13906-99	91	16832-86C	5	22216-88A	11	2607	87
1039	9	1392	75	17026-91B	7	22220-88A	11	2611C	31
11002	21	13929-99	91	17032-91	7	22225-88A	11	2611C	33
11019	39	13930-99	91	17036-91	7	22242-86A	11	26204-91A	21
11031	39	14270-92	17	17036-91	9	22243-88A	11	26318-88A	19
11046	43	14448-94	83	17353-89	9	22253-86A	11	26432-76A	7
11067	37	14638-97	91	17354-89	9	22254-86A	11	26434-91	21
11105	15	1601	31	17358-84A	9	22255-86A	11	26436-90A	93
11116	35	1601	33	17360-83A	9	22261-86	11	26437-86B	93
11124	19	16051-01	5	17375-83A	9	22262-86	11	26488-98	21
11124	31	16052-01	5	17428-57	9	22263-86	11	26491-98	21
11124	33	16054-01	5	17501-86B	9	22266-86	11	26492-91	21
11143	47	16055-01	5	17527-98	9	22271-86	11	26493-91	21
11143	49	16061-01	5	17532-86B	9	22589-83A	11	26495-89A	21
11155	127	16062-01	5	17533-90A	9	22719-85	11	26496-75	21
11155	81	16063-01	7	17537-96	9	22765-88	11	26554-77	125
11155	83	16064-01	7	17538-96	9	2325	103	26554-77	93
11161	15	16066-01	7	17551-96	9	2361	103	26556-98	33
11161	37	16068-01	5	17611-83	9	2362	95	26556-98	89
11165	37	16069-01	5	17614-98	9	23905-00	11	26558-94	31

NUMERICAL INDEX

Part No.	Page	Part No.	Page	Part No.	Page	Part No.	Page	Part No.	Page
26559-95	89	27266-98	75	29325-95A	27	3221	27	34761-94	17
26856-89	9	27275-96Y	23	29331-96	27	3228	9	3480A	19
26995-86B	23	27279-93	23	29367-97A	27	32317-86A	31	3480A	37
27002-89	23	27311-76	23	29488-98	27	32317-86A	33	34909-90	51
27004-88A	23	27315-88A	23	2952	77	32400-94	33	34911-91A	37
27009-86A	23	27316-88	23	2955	127	32402-83	31	34920-86	43
27010-86A	23	27317-88	25	29950-91	15	32413-92A	29	34932-96	37
27031-95	25	2731W	87	29967-89A	29	32422-98	33	34933-96	51
27042-84A	129	27360-76	25	31322-91	35	32424-98	33	34938-98	37
27047-84A	129	27361-76	25	31323-91	35	32440-97	129	34955-89A	17
27067-98	33	27362-76	25	31324-91	35	32465-98	31	34963-99	41
27067-98	89	27363-88	25	31325-91	35	32466-98	31	3498	81
27076-95	25	27368-76	25	31326-91	35	32475-00	31	3498	83
2708A	97	27368-76	25	31327-91	35	32480-01	33	34992-94	17
27096-94	89	2737	27	31328-91	35	32495-98	95	34993-90	17
27100-88	23	27371-76	25	31390-91B	35	32504-80	31	35020-89	37
27101-88	23	27380-98	23	31488-81	35	32504-80	33	35021-89	17
2711	27	27465-01	25	31504-91A	113	32506-90	31	35022-89A	37
27115-88	23	27480-97	25	31504-91A	117	32549-98	33	35030-89	17
27116-88	25	27490-96	25	31504-91A	121	32606-82	31	35034-94	37
27122-89	23	27495-96	25	31504-91A	125	32606-82	33	35038-89	17
27123-89A	23	27498-96	25	31515-90	35	3275	23	35051-89	37
27124-89	23	27575-88A	25	31518-90	35	33032-99	41	35063-89	37
27125-89	23	27576-92	25	31521-98	35	33032-99	53	35078-79	51
27126-89	23	27577-92	25	31525-90	35	33048-72	79	3514	97
27127-89	23	27579-88A	25	31530-90	35	33117-91A	93	35151-74	15
27128-89	23	27580-88	25	31532-94	93	33178-90B	39	35211-91A	37
27130-90	23	27581-88	25	31537-98	35	33189-63	79	35211-91A	45
27136-90	23	27582-88	25	31539-91	35	33216-99	41	3534B	27
27137-81	23	27583-88	25	31556-91A	35	33216-99	53	3549A	51
27138-90	129	27585-88	25	31589-80	87	33319-90	39	3549A	53
27146-89	23	27586-88	25	31599-91	35	33344-94	37	3559	35
27147-89	23	27587-88	25	31600-90	35	3350	35	3563	111
27148-89	23	27647-01	25	31603-91	35	33634-91	39	35633-94	37
27152-89	23	27656-98	23	31614-83A	31	33652-90	39	35640-89	37
27156-89	23	2773	87	31646-98	33	33653-90	39	35641-89	37
27157-89	23	27731-98	25	31661-90	35	33655-90	39	35762-89A	37
27157-89	25	27732-98	25	31662-90	35	33656-90A	39	35763-89A	37
27158-89	23	27749-01	25	31663-90	35	33735-99	41	3577	27
27158-89	25	27886-78A	25	31688-90	35	33871-85A	41	35771-94	37
27159-92	23	28013-01	25	31689-90	35	33900-99	125	35772-94	37
27160-89	23	28827-96	27	31692-90	35	34015-91	39	35773-94	37
27162-89	23	28842-89	27	31695-90	35	3403	35	35775-94	37
27171-89	23	28857-90	129	31727-85	31	34073-91	39	35796-00	37
27171-89	25	28859-90	129	31732-98	33	34075-89	39	35797-00	37
27185-90	23	28860-89	129	31738-00	31	34076-89	39	3579A	87
27185-90	25	28875-95	129	31986-86	31	34077-91	39	358	13
2720	29	29018-97	27	31996-86A	31	34142-89C	39	3594	103
27231-98	23	29059-88A	27	3201WA	101	34144-89C	39	3594	105
27241-95	23	29062-95B	27	3201WA	51	34147-89C	39	3594	37
27241-95	25	29084-73	27	3201WA	83	34481-91A	39	3594	45
27242-95	25	29100-96	27	3201WA	87	34483-90	39	3594	77
27243-95	25	29111-88	27	32043-98	33	34486-90	39	3606	111
27250-96A	33	29112-83	95	32044-98	33	34491-91	39	3610	17
27250-96A	89	29238-92A	27	32045-98	33	34492-91	39	3652	27
27254-96	23	2925A	75	32046-98	33	34560-91	39	3655A	59
27256-01	25	29300-98	27	3206B	27	34611-65	39	3655A	61
27261-96	23	29313-95	27	3210A	105	34611-65	41	3658	127
27262-96	23	29315-95	27	3210A	83	34615-94	39	3658	81
27263-96	23	29316-95C	27	3210A	85	34760-94	17	3658	83

NUMERICAL INDEX

Part No.	Page	Part No.	Page	Part No.	Page	Part No.	Page	Part No.	Page
3666A	83	40251-92A	45	42443-80A	41	44126-87	51	45395-97	69
36715-94	43	40285-91B	37	42443-80A	51	4413	13	45398-96	71
3675	37	40285-91B	45	42443-80A	53	44136-00	59	45399-96	71
36785-91	43	40288-95	37	42447-96	51	44147-87A	55	45401-87	69
36790-91	43	40288-95	45	42449-80A	15	44147-87A	57	45401-87	71
36792-91	43	4029A	69	42456-87B	51	44156-00	59	45405-75A	69
36799-91	43	4029A	71	42460-80B	51	44156-00	61	45423-92	47
36802-84B	43	40520-63	17	42460-80B	53	44160-00	55	45423-96	49
3689	87	40903-87	51	42472-87	51	44163-00	55	45460-90	69
3696	13	4091	13	42479-90	51	44177-00	55	45461-87	69
37101-84	17	40910-00	63	42579-99	53	44177-00	57	45461-87	71
37101-84	39	40910-00	65	42582-99	41	4420	97	45465-87	69
37495-91	43	40922-87	51	43001-79	61	44313-00	55	45465-87	71
3767B	129	40925-00	57	43020-87A	61	44313-00	57	45561-87	67
3767B	77	40975-00	65	43024-73C	61	44314-00	55	45563-87	67
37870-91	43	40976-00	65	43025-73C	61	44314-00	57	45596-93	101
37872-90	43	40983-00	63	43032-40B	65	44315-00	55	45596-93	101
37904-90	43	41008-00	63	43035-87A	61	44315-00	57	45611-86	67
37905-90	43	41015-00	63	43085-97	65	44337-00	55	45668-90	67
37908-90	43	41017-00	63	4312	95	44337-00	57	45723-96	71
37909-90	43	4104	129	43157-83A	59	44338-00	55	45726-96	71
37911-90	43	4104	49	43157-83A	63	44338-00	57	45739-87	67
37912-91	43	4104	51	4326A	81	44351-00	57	45790-80	69
37913-90	43	4104	67	4329	29	4435W	13	45830-48	15
37918-91	43	41123-79	59	43312-00	61	44438-87B	51	45900-00	69
37977-90	43	41123-79	61	43338-00	59	4453	67	45901-00	69
3802W	129	41123-79	63	43355-00	59	4460	67	45902-00	35
3802W	75	41123-79	65	43358-00	59	45004-96	49	45905-87	69
3820	73	41191-74A	17	43358-00	61	45005-85	51	45905-87	71
38608-96	47	4132	21	43359-00	59	45005-96	49	45921-00	69
38630-88	47	4132	47	4337W	13	45006-96A	49	45923-00	69
38662-00	47	4132	49	4350A	97	45013-96A	49	45925-97	69
38663-00	47	4134	29	4351	67	45016-96	49	45928-00	69
3899	45	41563-77A	63	4352	67	45017-93	47	45929-00	69
3899	63	41563-77A	65	43557-00	61	45019-96	49	45938-92	69
3899	65	41568-81B	75	43567-92	63	45021-86	47	45943-00	71
3923	83	41573-97	75	43567-92	65	45032-82	47	45944-00	71
3930A	95	41579-81	75	43595-99	125	45032-82	49	45980-96	71
3958	73	41642-82	51	43608-00	63	45036-88	47	45981-96	71
3987	111	41713-86	51	43608-00	65	45042-82	51	45984-87	69
3987	31	41731-01	49	43610-00	61	45042-96	49	45985-96	71
3987	87	41731-01	51	43613-00	59	45044-96	47	45986-96	71
3993	31	41733-88	49	43613-00	61	45044-96	49	45996-87	69
39975-90A	45	41739-84A	49	43617-00	59	45072-96A	49	46002-87	69
3997A	9	41747-82A	49	43617-00	61	45074-95	49	46002-87	71
40005-57B	45	41747-82A	51	43619-00	61	45121-96	49	46022-00	71
40022-91	45	41797-00	63	43626-00	59	45143-88B	49	46023-00	71
4017	41	41797-00	65	43627-00	61	45148-96	49	46024-96	71
40202-91B	37	42375-87	51	43654-00	63	45361-90	69	46991-99	83
40202-91B	45	42381-87	51	43654-00	65	45366-96	71	47083-81A	75
40205-95	37	42382-87B	51	43662-80B	61	45367-96	71	47150-00	75
40205-95	45	42420-99	41	4377	101	45368-96	71	4716W	111
40213-00	45	42421-99	53	43895-00	59	45372-92	69	4716W	5
40213-00	63	42426-99	41	43895-00	61	45374-87	69	4717A	17
40213-00	65	42426-99	53	44023-00	55	45376-97	69	4717A	19
40227-00	45	42432-99	53	44046-00	55	45377-87	69	4718A	9
40227-00	63	42436-87	51	44048-83	55	45377-87	71	47209-00	75
40235-89A	45	42437-87	51	44048-83	57	45378-87	69	4721	41
40240-89	45	42441-90A	51	44082-00	55	45378-87	71	4721	53
40251-92A	37	42441-90A	79	44082-00	57	45395-92	69	4721	79

NUMERICAL INDEX

Part No.	Page	Part No.	Page	Part No.	Page	Part No.	Page	Part No.	Page
4740A	19	53156-86	81	56435-00	83	61272-92B	89	65179-00	101
4741A	39	53156-86	83	56436-00	83	61348-98A	89	65193-98A	101
4741A	41	53158-98	75	56508-76	81	6152	13	65283-94	101
4741A	49	534	79	56508-76	83	6157	21	65312-98A	101
4743	73	53438-92	99	5741	75	61799-96	91	65324-83A	101
4748	41	5403B	87	5756	63	61800-96	91	65325-83A	101
4748	5	54321-85	61	5756	65	61811-99	91	65328-83	101
4748	53	54321-85	65	5774	97	61812-99	91	65419-86	101
4751	29	54473-79	73	5787	89	6192	87	65568-86A	101
47554-73A	75	54474-79	73	58998-83C	85	62122-89	75	65569-86A	101
47587-00	75	54475-79	73	59251-90	87	62150-85	89	65573-00	101
4758A	89	54476-82	73	59259-90	87	62161-75	89	65575-00	101
4765	21	54481-96	73	59287-92	87	62166-81A	89	65576-00	101
4767	87	54542-96A	73	59288-92	87	62169-95B	89	65584-00	101
47937-98	75	54552-96A	73	59289-92	87	6217	35	65585-00A	101
48151-99A	125	54556-84	73	59290-92	87	62172-75	89	65589-00A	101
4816A	81	54566-97	73	59292-94	87	62192-01	91	65590-00	101
4820A	17	54568-92	73	59481-00	69	62193-01	91	65596-00	101
4820A	19	54701-82	73	59481-00	71	6220W	95	65599-80D	101
4820A	33	54705-00	73	59482-00	69	62347-95	89	65600-00	101
4820A	37	54713-96	73	59482-00	71	62361-94	93	65605-97	101
4826	37	54714-96	73	59483-00	87	62375-57	19	65613-97	101
48300-60	67	54715-96	73	59594-82C	87	62493-89	93	65712-95	101
48302-85	15	554	75	59671-98	87	62494-94B	93	65719-95	101
48315-60	67	56074-96	83	59674-99	87	62540-83	93	65781-82	101
48315-60	75	56081-82A	81	59768-97	87	62540-83	95	65782-82	101
48361-80	67	56082-83	81	59853-98	87	62563-65	93	6590HW	59
48365-48A	67	56104-94A	107	59854-98	87	62569-94	95	6590HW	61
48367-98	75	56110-98	81	59896-94	87	62601-91A	21	65989-97A	95
50003-89B	75	56115-95	81	59897-94	87	62631-91	93	66040-00	95
50005-85A	75	56116-82A	81	59900-98	87	62634-84A	93	66042-79A	75
50006-89	75	56117-82A	81	59984-73	87	6272	97	66194-98	95
50072-92	75	56153-73	81	59986-75	87	6288	125	66214-97	95
50101-91	75	56153-73	83	60001-55	87	62888-99	93	66325-82	75
50615-83	79	56159-73	81	60026-97	87	6314W	13	66352-65	95
50643-82	79	56159-73	83	6003	37	6333	89	66359-97	95
50646-82	79	56167-96	83	601	39	63500-68	15	66367-97	95
50647-82	79	56168-96	83	6012	73	63500-68	93	66376-97	95
50912-72	41	56185-98A	83	6016	17	63501-68A	19	66380-97	95
50912-72	53	56192-01	83	6016	39	63501-68A	25	66476-98	95
50912-72	79	56206-96	81	6016	41	63501-68A	93	6655	67
50951-90	79	56206-96	83	6019	13	63504-94	93	6701	111
50972-75	75	56220-94A	81	6026	13	63505-84	25	6701	13
511	63	56220-94A	83	60337-00	87	63505-84	89	6701	5
511	65	56308-96	81	60348-65B	15	63533-41A	15	6701	69
51187-94A	77	56309-96	81	6036	77	63533-41A	21	6701	71
515	39	56394-74	127	60381-00	87	63542-94A	93	6701	97
515	51	56394-74	81	604	13	63564-94A	93	6702	101
515	53	56394-74	83	60419-91	87	63576-95	93	6702	105
51652-97	77	56396-74A	127	60429-97	95	6366	51	6702	111
52004-84G	77	56396-74A	81	60435-91	87	63796-77A	93	6702	31
52129-92C	77	56396-74A	83	60439-98	93	63805-80A	93	6702	51
52132-94A	77	56397-74C	127	6099	129	63858-49	9	6702	81
52136-98	77	56397-74C	81	6099	39	6410	27	6702	83
5226B	13	56397-74C	83	6101	47	6516HW	45	6702	87
5226B	39	56400-96	81	6101	49	6516HW	63	6702	97
52357-97	77	56401-96	81	61107-92	27	6516HW	65	67025-99A	103
52358-97	77	56402-83A	127	61109-85D	89	65171-98A	101	6703	129
52577-96	77	56402-83A	81	61131-92	75	65173-00	101	6703	77
52968-98	77	56402-83A	83	61131-92	89	65177-98A	101	6703	87

NUMERICAL INDEX

Part No.	Page	Part No.	Page	Part No.	Page	Part No.	Page	Part No.	Page
6703	87	67854-98	105	68841-98	105	71563-96	81	72156-94	127
67037-98B	103	67861-96	83	68899-99	109	71563-96	83	72158-94	113
67041-98B	103	67865-89	99	69012-93A	111	71564-96	127	72158-94	117
67042-99	103	67880-94	103	69037-95A	111	71564-96	81	72158-94	121
67053-95	103	67880-94	105	69037-95A	27	71564-96	83	72159-94	121
67084-96	105	67881-96	99	69043-96A	111	71567-96	127	72163-94BK	103
67085-95	103	67882-96	99	69060-90D	111	71568-96	127	72163-94BK	105
67088-96	105	67894-93	99	69062-91A	111	71589-96B	127	72176-94	127
67103-95	103	67901-96	99	69120-91	111	71590-96	127	72180-94	113
67104-95	103	67902-96	83	69123-92	111	71591-00	127	72180-94	117
67121-95	103	67919-96	99	69135-96A	111	71597-96B	127	72180-94	121
67121-95	105	67963-98	97	70068-96	111	71598-00	127	72190-94	103
67133-98	129	67972-98	97	70076-97	95	720	13	72190-94	105
6716	33	67973-98	99	70087-95	111	72023-51C	125	72190-94	113
6718	73	6798	87	70097-97	95	72023-51C	51	72190-94	117
67184-94	103	68024-94	103	70118-97	89	72033-93	113	72190-94	121
67184-94	105	68024-94	105	70135-99	113	72033-93	117	72190-94	31
67283-99A	103	68026-99	109	70135-99	115	72033-93	121	72190-94	33
67283-99A	105	68030-96	83	70139-99	121	72046-79	113	72191-94	113
67284-99A	103	68061-94B	99	70139-99	123	72046-79	117	72191-94	117
67284-99A	105	68066-99	109	70153-99	117	72046-79	121	72191-94	121
67285-99A	103	68140-99A	109	70153-99	119	72056-92	113	72191-94	127
67285-99A	105	68141-99A	109	7019	39	72056-92	121	72191-94	31
67290-98B	103	68163-84	107	70191-73A	67	72056-92	99	72195-94	113
67320-95	103	68168-89	107	70227-99	125	72102-94BK	113	72195-94	117
67338-97	103	68168-89A	109	70345-84	127	72102-94BK	117	72195-94	123
67344-97	103	68169-90A	109	7036	31	72103-94BK	33	72195-94	31
67345-97	103	68296-99	109	7038	13	72106-94BK	113	72196-94	113
6736	9	68383-96	105	7038	5	72106-94BK	117	72196-94	117
6738	73	68415-96	105	7038	69	72106-94BK	121	72196-94	123
67415-99A	105	68423-96	105	7038	71	72106-94BK	31	72197-94	29
67416-99A	105	68441-00	87	7041	111	72112-94BK	31	72199-94	103
67436-99A	105	68452-86	107	7042	51	72113-94BK	121	72199-94	105
6758	109	68457-86	107	70444-00	29	72116-94BK	113	72199-94	115
67601-94	97	68480-93	107	7045	79	72116-94BK	117	72199-94	117
67602-94	99	68507-90	107	7045	97	72116-94BK	127	72199-94	31
67603-94	97	68513-95	103	70504-81	81	72119-94BK	121	72199-94	33
67604-94	99	68516-95	103	70504-81	83	72124-94GY	121	7220	125
67685-92	97	68540-96	87	70578-89	95	72126-94GY	113	7220	49
67691-92	99	68551-95	103	70585-93	103	72126-94GY	117	7220	51
67697-81	97	68566-90	107	70585-93	105	72126-94GY	121	7220	67
67698-81C	97	68572-64B	107	70586-93	125	72138-94GY	113	72213-94	123
67705-92	97	68650-92	99	70586-93	99	72138-94GY	117	72214-94	123
67719-63	113	68705-93A	99	70587-93	125	72138-94GY	121	72216-94	115
67719-63	121	68709-94	107	7068	59	72139-94GY	121	72216-94	119
67719-63	97	68710-94	107	7068	61	72142-94	113	72216-94	123
67725-63	97	68715-96	105	7068	97	72142-94	117	72217-94	115
67744-75	97	68760-94	107	7124	77	72143-94	103	72217-94	119
67757-92	97	68763-94	107	7127	107	72143-94	105	72217-94	123
67763-92	99	68792-96	105	7127	97	72144-94	121	72218-94	115
67781-92	99	68806-99	103	7129	67	72146-94	113	72218-94	119
67805-92	97	68811-01	103	71441-94	125	72146-94	117	72218-94	123
67815-59A	97	68813-01	103	71451-94A	125	72146-94	121	72219-94	115
67822-88	107	68814-01	105	7145W	111	72146-94	31	72219-94	119
67827-88A	107	68820-98	103	7145W	13	72152-94	31	72219-94	123
67828-88A	107	68820-98	105	7145W	47	72153-94	103	72220-94	115
67829-88	107	68830-99	109	71510-95	125	72153-94	105	72220-94	119
67834-83	97	68832-99	109	71550-94	125	72153-94	121	72220-94	123
67850-96	99	68833-99	109	71552-94	125	72156-94	113	72230-98	123
67854-98	103	68841-98	103	71563-96	127	72156-94	117	72231-98	123

NUMERICAL INDEX

Part No.	Page	Part No.	Page	Part No.	Page	Part No.	Page	Part No.	Page
72249-94	115	73190-96	123	7739	39	8998	17	9969	93
72249-94	119	73191-96	107	7739	95	9077	35		
72249-94	123	73191-96	109	7744	107	90770-79	47		
72266-94	103	73191-96	27	7744	41	9151	13		
72266-94	105	73191-96	99	7744	51	9151	39		
72266-94	119	73198-96	115	7744	53	9187	17		
72266-94	127	73198-96	119	7775	13	91875-88	99		
72268-94	125	73198-96	123	7778	41	91892-88	99		
72280-95	123	740	75	7778	53	91902-88	99		
72290-94	115	74109-98BK	115	7778	75	91904-88	99		
72290-94	119	74109-98BK	119	7778	79	91909-90	99		
72290-94	123	74109-98BK	123	7778	97	91910-90	99		
72291-94	115	74119-98BK	103	7780	13	91932-01	99		
72291-94	119	74119-98BK	105	7783	69	923	77		
72291-94	123	74149-98	115	7783	71	9267	59		
72295-94	115	74149-98	119	7789	13	9267	61		
72295-94	119	74149-98	123	7792	87	9267	63		
72295-94	123	74159-98	103	7804	45	9267	65		
72347-94	115	74159-98	105	7824	73	928	35		
72347-94	119	74190-98	115	7824	79	929A	35		
72347-94	123	74190-98	119	7839	45	943	17		
72347-94	125	74190-98	123	7844	101	946	27		
72366-95	115	74191-98	103	7861	13	95578-41	61		
72366-95	119	74191-98	105	7861	5	95578-41	65		
72366-95	123	74193-98	103	7880	97	95581-47	61		
72373-97	125	74193-98	105	7882	87	95581-47	65		
72375-98	33	74195-98	115	7916A	19	95582-47	61		
72399-98	115	74402-95	103	7956	59	95582-47	65		
72399-98	119	74402-95	105	7956	61	95594-84	59		
72399-98	123	74523-94B	29	7966	33	95595-84	59		
72405-98BK	115	74599-77B	115	7987	63	95595-84	63		
72405-98BK	119	74599-77B	119	7987	65	9840	113		
72405-98GN	115	74599-77B	123	8098	111	9840	117		
72405-98GN	119	74599-77B	125	8099	129	9840	121		
72405-98GN	123	7481	111	8099	75	9840	29		
72445-99TN	115	7495	111	8108	111	9842	113		
72445-99TN	119	75101-82	111	8144	51	9842	117		
72445-99TN	123	7531	101	8535	27	9842	121		
72507-94	115	7531	107	853A	51	9843	113		
72507-94	123	7531	111	855B	79	9843	117		
72507-94	99	7531	31	869	27	9843	121		
73103-96BK	115	7531	85	8692	87	9847	113		
73103-96BK	119	7531	87	8699	31	9847	121		
73103-96BK	123	7531	89	8699	33	9847	97		
73104-96BK	119	7593	101	876A	13	9848	113		
73106-96BK	115	761	87	879A	79	9848	121		
73106-96BK	119	7624	93	882	9	9848	97		
73106-96BK	123	7629	113	8871	35	9862	125		
73108-96BK	115	7629	117	8873	43	9869	113		
73108-96BK	119	7629	121	8876A	37	9869	117		
73108-96BK	123	7629	93	8879	35	9869	121		
73152-96BK	107	7667	45	8881	13	9898	113		
73153-96BK	27	767A	75	8883	35	9898	117		
73154-96BK	109	7683	39	8885	43	9898	121		
73154-96BK	99	7686	129	89579-91	89	9898	125		
73156-96BK	107	7686	93	897	17	9898	99		
73156-96BK	109	7686	95	8977	13	9937	113		
73158-96BK	109	7688	95	8977	37	9937	117		
73190-96	115	7716	109	8996A	13	9937	121		
73190-96	119	7736	97	8996A	37	9955	101		

