

GENERAL INFORMATION

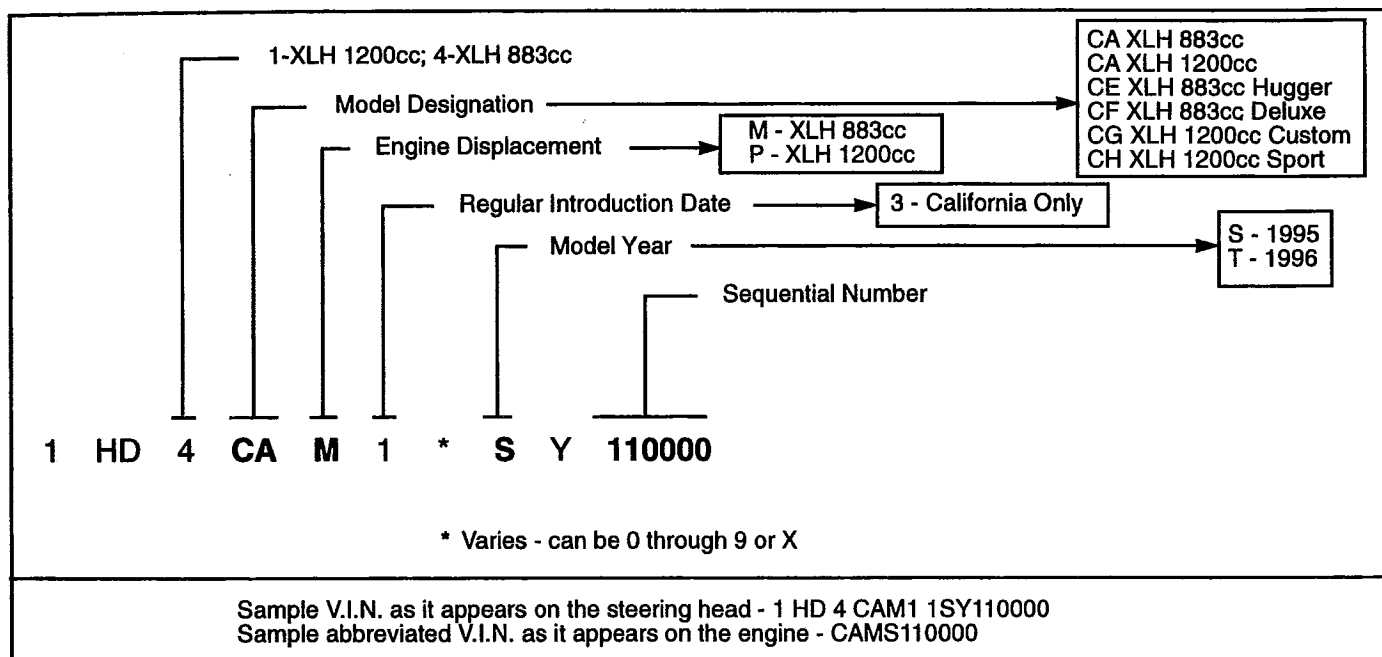
This Parts Catalog has been prepared for your convenience when ordering parts for the 1995 and 1996 XLH EVOLUTION SPORTSTER models. Index numbers shown in the illustrations correspond to index numbers in parts lists. Consult the illustrations when ordering parts so you are sure to get the part required. The number in parenthesis following description of parts is the quantity needed for complete assembly. If there is no number in parenthesis, only one is used. Prices of parts listed in this catalog are published separately.

The following instructions should be followed carefully when ordering parts.

- Specify the correct part number for each item. Check the "MODEL" column of the parts list which shows the model on which the part fits. Whenever in doubt, refer to the Vehicle Identification Number (V.I.N.) stamped on the engine crankcase and frame.

The Vehicle Identification Number (V.I.N.) is located on the engine crankcase and is the same as the frame number located on the right side of the steering head.

The V.I.N. (Vehicle Identification Number) for the XLH EVOLUTION SPORTSTER models is as follows:



- An asterisk (*) in the "Used On" column indicates part is used through the current model year.

- Orders may be placed via your computer, fax or phone for all parts except engines, crankcases and frames. Order form, Part No. 99514-76, must be used for engines, crankcases and frames. All non-warranty replacement crankcase orders must have the corresponding complete left crankcase half included with the order. All non-warranty replacement frame orders must have the corresponding steering neck with V.I.N. included with the order.

- The following model designations are located in each of the models column.

(STD) = Sportster 883 Standard	(1200S) = Sportster 1200 Sport
(HUG) = Sportster 883 Hugger	(1200C) = Sportster 1200 Custom
(DLX) = Sportster 883 Deluxe	(1200) = Sportster 1200

PATENT NOTICE

Harley-Davidson products are manufactured under one or more of the following patents: U.S. Patents - 2986162, 2987934, 2998809, 3116089, 3144631, 3144860, 3226994, 3229792, 3434887, 3559773, 3673359, 3709317, Des. 225,626.

To the best knowledge of Harley-Davidson, Inc., the material contained herein is accurate as of the date this publication was approved for printing. Harley-Davidson, Inc. reserves the right to change specifications, equipment, or designs at any time without notice and without incurring obligation.

READER'S COMMENTS

The Harley-Davidson Technical Communications, maintains a continuous effort to improve the quality and usefulness of its publications. To do this effectively we need user feedback — your critical evaluation of this manual.

Please comment on this manual's completeness, accuracy, organization, usability and readability.

Should you find errors in this manual, please list the page, item and part numbers.

How can this manual be improved?

Occupation:

Name

Dealership

Street

Department

City

State

Zip

Clip out and mail to:
Technical Communications
Harley-Davidson Motor Company
P.O. Box 653
Milwaukee, WI 53201

1995 & 1996
Sportster
Parts Catalog
P.N. 99451-96A

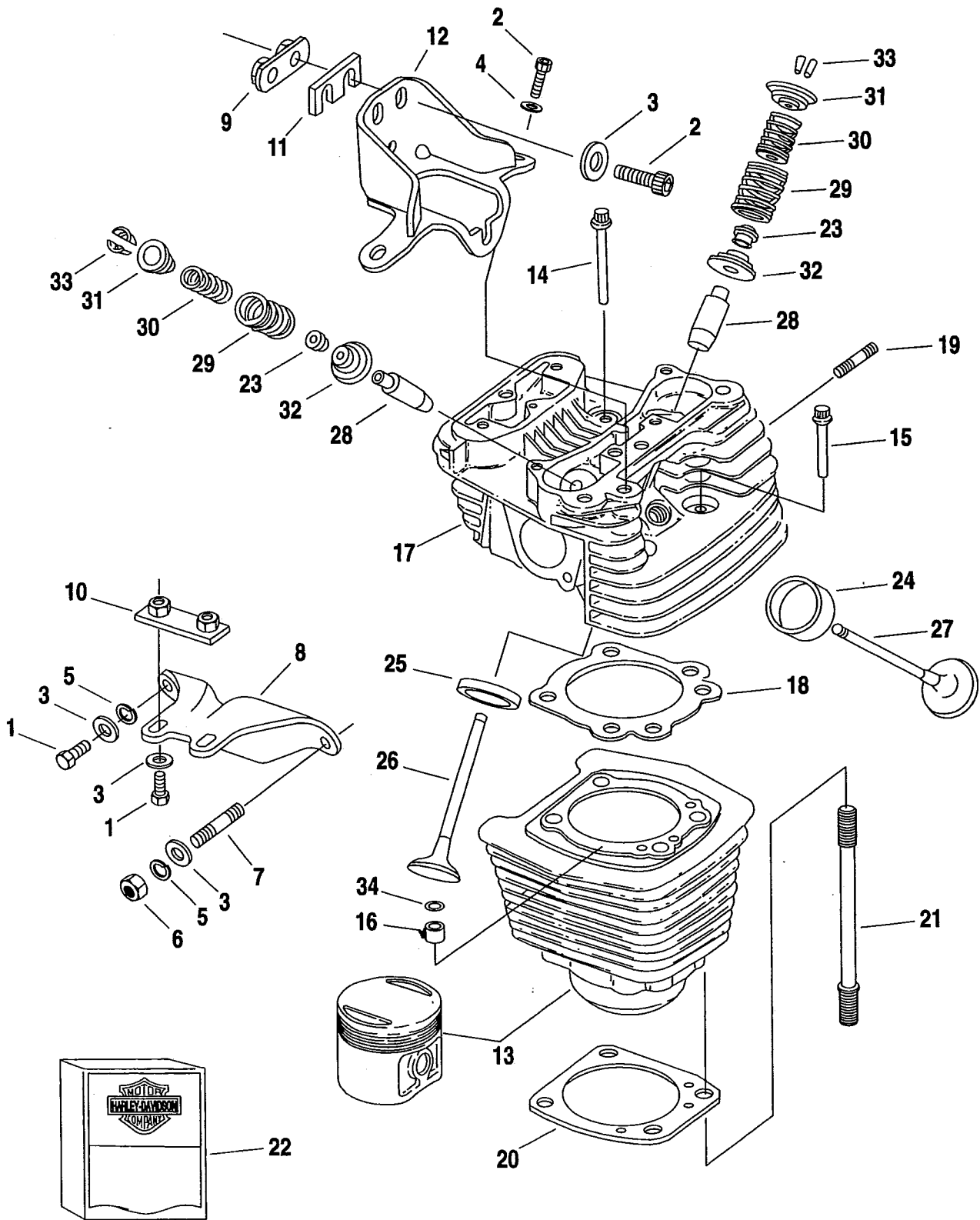
CMI-.2M-08/08

CUT HERE

ALPHABETICAL INDEX

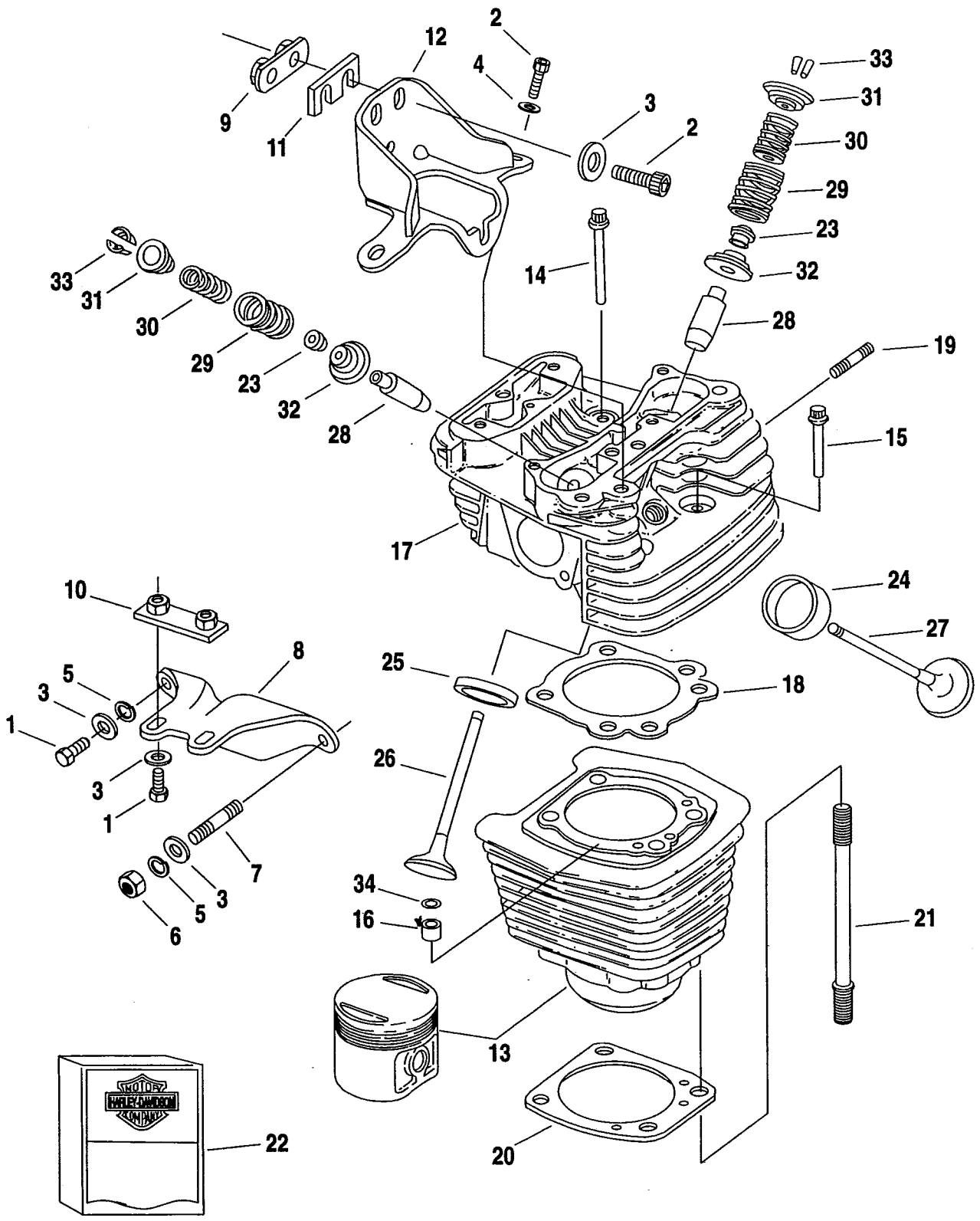
DESCRIPTION	PAGE	DESCRIPTION	PAGE
Access Door, transmission.....	13	Intake Manifold.....	19
Air Cleaner.....	23	Jiffy Stand.....	65
Air Filter.....	23	Lever, Clutch Control.....	37
Alternator.....	25	Lever, Front Brake Control.....	41,43
Axle, front.....	47,49	Lever, Rear Brake Control.....	51
Axle, rear.....	55,57	Lever, Transmission Gear Shift.....	33
Battery.....	85	License Plate Bracket.....	79
Battery Cables.....	85	Master Cylinder, front.....	41,43
Belt, rear.....	39	Master Cylinder, rear.....	51
Belt Guard.....	79	Mirrors.....	87,89
Brake Caliper, front.....	45	Mufflers.....	91
Brake Caliper, rear.....	53	Numerical Index.....	126
Brake Control, front.....	41,43	Oil Filter.....	83
Brake Control, rear.....	51	Oil Pressure Switch.....	83
Brake Disc, front.....	47,49	Oil Pump.....	17
Brake Disc, rear.....	55,57	Oil Pump Drive Gear.....	15
Cam Gears.....	120-122	Oil Tank.....	83
Cam Bushings.....	15	Pistons and Piston Rings.....	3,9
Carburetor.....	19,21	Primary Cover.....	13
Cable, clutch control.....	37	Push Rods & Covers.....	7
Chain, primary.....	39	Regulator.....	25
Circuit Breakers.....	113	Relay, starter.....	113
Clutch.....	35	Rocker Arms & Covers.....	7
Clutch Control.....	37	Rotor, ignition.....	27
Coil, ignition.....	27	Seats.....	67
Connecting Rods and Bearings.....	9	Shifter.....	33
Covers, rocker arm.....	7	Shock Absorbers.....	71
Crankcase.....	11	Side Cover, module.....	65
Cylinders, engine.....	3	Spark Plugs.....	27
Cylinder Heads.....	3	Speedometer.....	93,95,97
Debris Deflector.....	79	Sprocket Cover, transmission.....	31
Electrical Wiring Harness.....	105,107,109,111	Sprockets.....	31,39,55,57
Engine.....	3	Starter Motor.....	29
Enrichener Cable.....	23	Steering Head Bracket.....	59
Evaporative Emissions Kit.....	119	Swing Arm.....	65
Exhaust System.....	91	Switches.....	113
Fender, front.....	73	Switches, handlebar.....	115
Fender, rear.....	79	Switches, ignition.....	113
Filter, Air.....	23	Switches, starter.....	113,115
Filter, Engine Oil.....	83	Tachometer.....	93,95
Filter, Fuel.....	81	Tail Lamp.....	101
Flywheels.....	9	Tappets.....	7
Footrests.....	69	Throttle Control.....	75,77
Fork, front.....	61,63	Transmission Gears.....	31
Fork, rear.....	65	Turn Signal Cancellor.....	99
Frame.....	65	Turn Signals.....	99
Fuel Tank.....	81	Vacuum Switch.....	27
Gasket Kits.....	5,7	Vacuum Hose.....	27
Gearcase.....	15	Valves & Guides.....	3,5
Handlebar.....	75,77	Voltage Regulator.....	25
Hardware Listing.....	123-125	Wheels, front.....	47,49
Headlamp.....	87-89	Wheels, rear.....	55,57
Horn.....	103	Wiring Harness, main.....	105,107,109,111
Ignition Coil.....	27		
Ignition Module.....	27		
Ignition Switch.....	113		
Indicator Lamps.....	93,95,97		

CYLINDER, HEAD & VALVES - V²™



INDEX NO.	PART NO.	DESCRIPTION	MODELS
1	4716W	BOLT (3)	95 to * -All Models
2	4748	SCREW (4)	95 -All Models
	951	SCREW (4)	96 to * -All Models
3	6701	WASHER (6)	95 to * -All Models
4	6812	WASHER (2)	95 to * -All Models
5	7038	LOCKWASHER (2)	95 to * -All Models
6	7861	NUT	95 to * -All Models
7	11727A	STUD, left front	95 to * -All Models
	16051-95	ENGINE ASM., complete (1200cc)	95 -1200
	16051-96	ENGINE ASM., complete (1200cc)	96 to * -1200
	16052-95	ENGINE ASM., complete (883cc)	95 -STD
	16052-96	ENGINE ASM., complete (883cc)	96 to * -STD
	16054-95	ENGINE ASM., complete (1200cc)(Cal. only)	95 -1200
	16054-96	ENGINE ASM., complete (1200cc)(Cal. only)	96 to * -1200
	16055-95	ENGINE ASM., complete (883cc)(Cal. only)	95 - STD
	16055-96	ENGINE ASM., complete (883cc)(Cal. only)	96 to * -STD
	16061-95	ENGINE ASM., complete (883cc)	95 -DLX/HUG
	16061-96	ENGINE ASM., complete (883cc)	96 to * -HUG
	16062-95	ENGINE ASM., complete (883cc)(Cal. only)	95 -DLX/HUG
	16062-96	ENGINE ASM., complete (883cc)(Cal. only)	96 to * -HUG
	16068-96	ENGINE ASM., complete (1200cc)	96 to * -1200C
	16069-96	ENGINE ASM., complete (1200cc)(Cal. only)	96 to * -1200C
	16074-96	ENGINE ASM., complete (1200cc)	96 to * -1200S
	16075-96	ENGINE ASM., complete (1200cc)(Cal. only)	96 to * -1200S
8	16214-86	BRACKET, upper front	95 to * -1200/C/S
	16222-86	BRACKET, upper front	95 to * -883 Models
9	16226-94	NUT PLATE	95 to * -All Models
10	16228-86A	NUT PLATE	95 to * -All Models
11	16233-86	SHIM, 0.030 (as required)	95 to * -All Models
12	16278-95	BRACKET, center eng. mount	95 to * -All Models
13	16446-86A	CYLINDER WITH PISTON (883 cc)(2)	95 to * -883 Models
	16447-88	CYLINDER WITH PISTON (1200 cc)(2)	95 to * -1200/C/S
14	16478-85A	SCREW, internal thread (4)	95 to * -All Models
15	16480-92	SCREW, internal thread (4)	95 to * -All Models
16	16573-83	INSERT, cylinder stud (4)	95 to * -All Models
17	16660-89B	HEAD, rear cylinder - w/valve guides & seats	95 to * -883 Models
	16661-89B	HEAD, front cylinder - w/valve guides & seats	95 to * -883 Models
	16688-90A	HEAD, front cylinder - w/valve guides & seats	95 to * -1200/C/S
	16698-90A	HEAD, rear cylinder - w/valve guides & seats	95 to * -1200/C/S
18	16664-86B	GASKET, cylinder head (2)	95 to * -883 Models
	16770-84B	GASKET, cylinder head (2)	95 to * -1200/C/S
19	16715-83	STUD,exhaust port (4)	95 to * -All Models
20	16774-86D	GASKET, cylinder base (2)	95 to * -All Models
21	16832-86C	STUD, cylinder base (8)	95 to * -All Models

CYLINDER, HEAD & VALVES - V²_{TM}

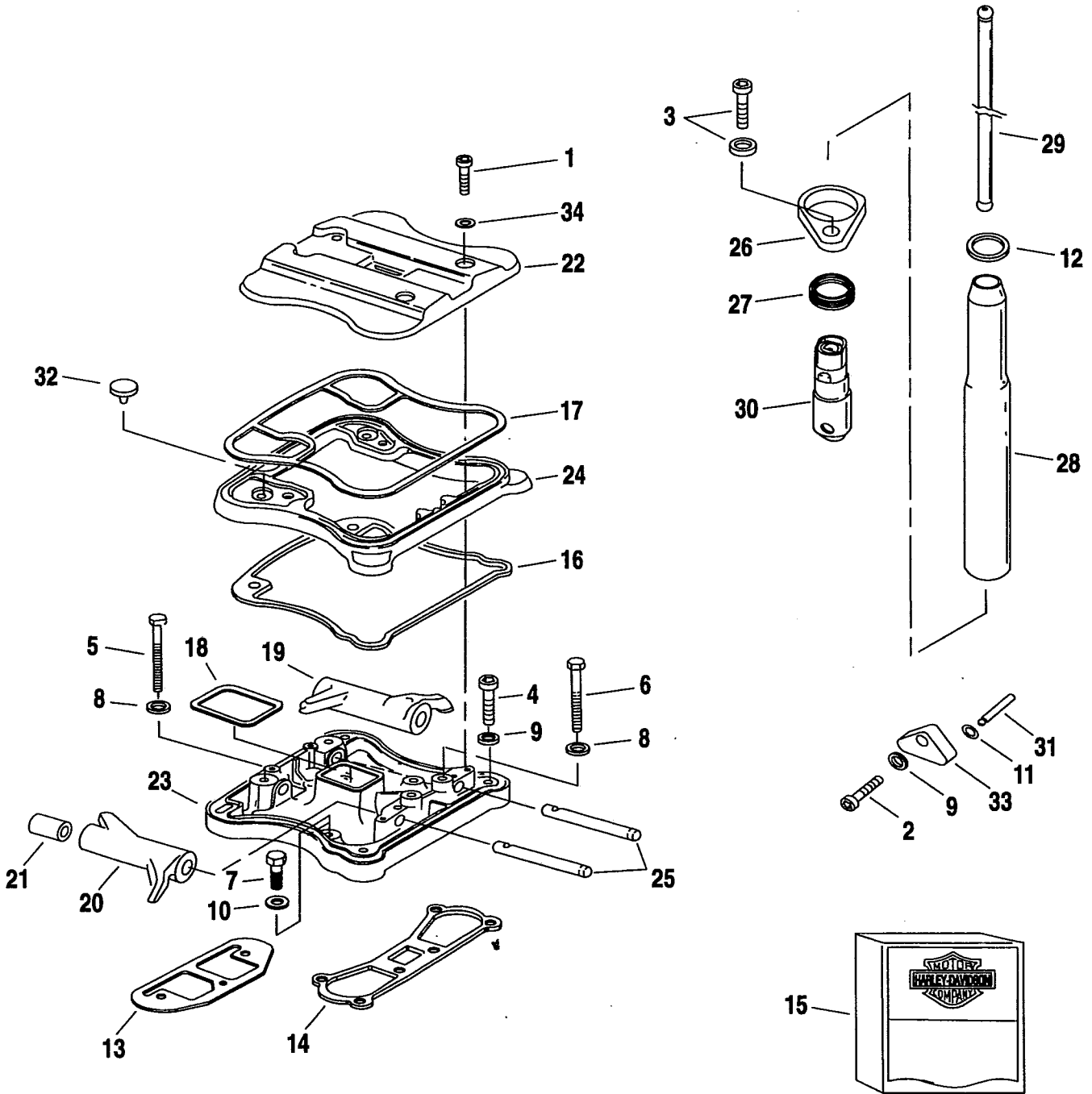


CYLINDER, HEAD AND VALVES - V²™ EVOLUTION (CONTINUED)

XH1-2

INDEX NO.	PART NO.	DESCRIPTION	MODELS
22	17026-91A	GASKET KIT, engine overhaul	95 to * -All Models
	17032-91	GASKET KIT, top overhaul	95 to * -All Models
	17036-91	GASKET KIT, rocker covers	95 to * -All Models
23	18001-83B	SEAL, valve (4)	95 to * -All Models
24	18011-87	INSERT, exhaust valve seat (2)	95 to * -1200/C/S
	18012-87	INSERT, exhaust valve seat (2)	95 to * -883 Models
25	18020-87	INSERT, intake valve seat (2)	95 to * -1200/C/S
	18021-87	INSERT, intake valve seat (2)	95 to * -883 Models
26	18023-87	INTAKE VALVE (2)	95 to * -1200/C/S
	18031-86	INTAKE VALVE (2)	95 to * -883 Models
27	18024-87	EXHAUST VALVE (2)	95 to * -1200/C/S
	18030-86	EXHAUST VALVE (2)	95 to * -883 Models
28	18112-92	VALVE GUIDE, int. & exh. (4)	95 to * -All Models
	18130-83C	VALVE GUIDE, int. & exh.-0.001 O.S. (4)	95 to * -All Models
	18131-83C	VALVE GUIDE, int. & exh.-0.003 O.S. (4)	95 to * -All Models
	18133-83A	VALVE GUIDE, int. & exh.-0.002 O.S. (4)	95 to * -All Models
29	18201-83	VALVE SPRING, outer (4)	95 to * -All Models
30	18202-83	VALVE SPRING, inner (4)	95 to * -All Models
31	18219-83	COLLAR, valve spring - upper (4)	95 to * -All Models
32	18222-83	COLLAR, valve spring - lower (4)	95 to * -All Models
33	18229-83	RETAINER, valve collar (8)	95 to * -All Models
34	26432-76A	O-RING, cylinder stud insert (4)	95 to * -All Models
H-D INTERNATIONAL ONLY			
	16047-95	ENGINE ASM., complete (1200cc)(Swiss only)	95 to * -1200
	16048-95	ENGINE ASM., complete (883cc)(Swiss only)	95 to * -STD
	16049-95	ENGINE ASM., complete (883cc)(Swiss only)	95 to * -DLX/HUG
	16063-95	ENGINE ASM., complete (1200cc)(HDI. only)	95 -1200
	16063-96	ENGINE ASM., complete (1200cc)(HDI. only)	96 to * -1200
	16064-95	ENGINE ASM., complete (883cc)(HDI. only)	95 -STD
	16064-96	ENGINE ASM., complete (883cc)(HDI. only)	96 to * -STD
	16066-95	ENGINE ASM., complete (883cc)(HDI. only)	95 -DLX/HUG
	16066-96	ENGINE ASM., complete (883cc)(HDI. only)	96 to * -HUG
	16071-96	ENGINE ASM., complete (1200cc)(HDI. only)	96 to * -1200C
	16076-96	ENGINE ASM., complete (1200cc)(Swiss only)	96 to * -1200S

ROCKER ARMS, COVERS, & PUSH RODS - V²™

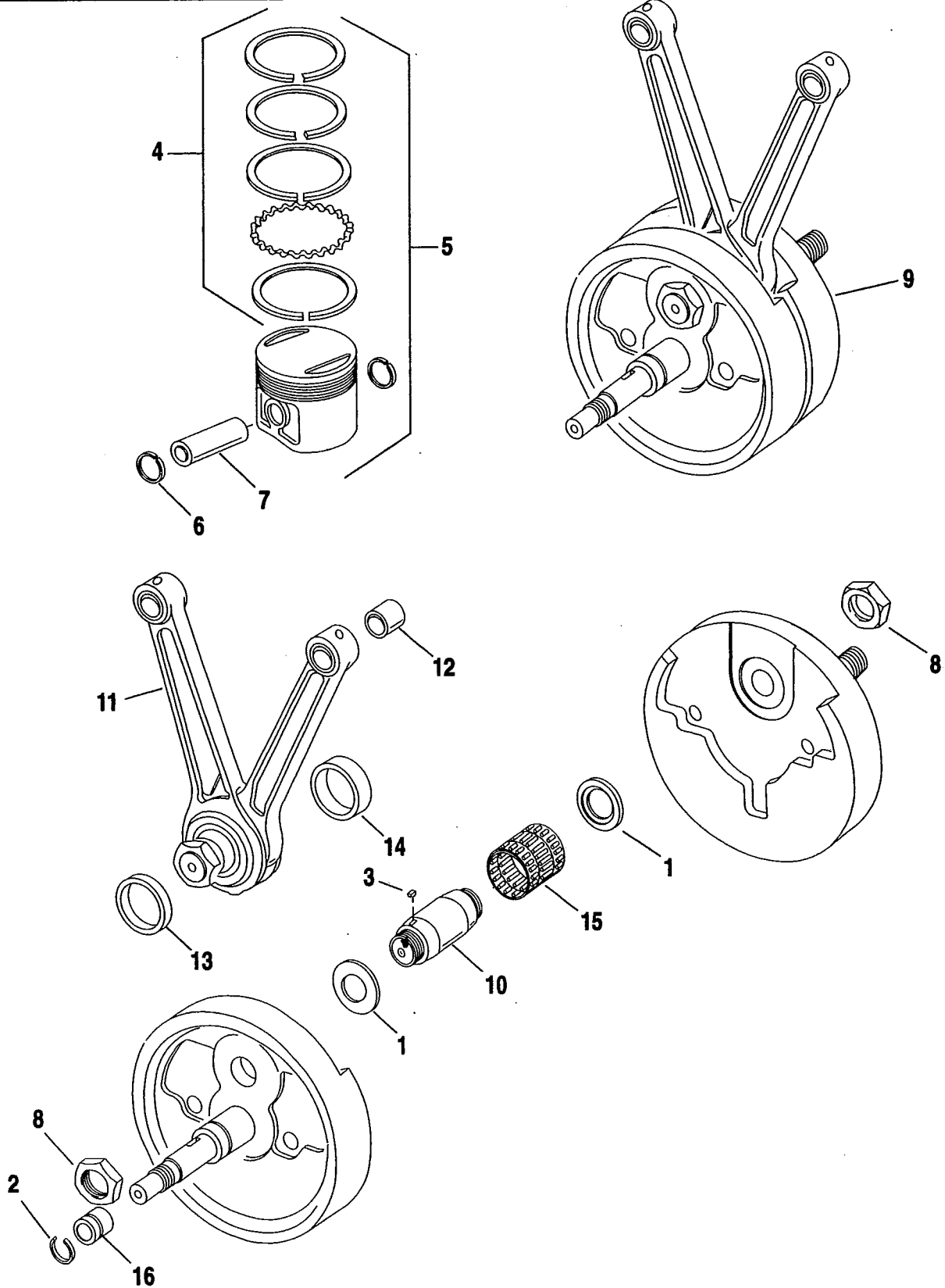


ROCKER ARMS, COVERS, & PUSH RODS

XH2

INDEX NO.	PART NO.	DESCRIPTION	MODELS
1	882	SCREW (8)	95 to * -All Models
2	884A	SCREW (2)	95 to * -All Models
3	3228	SCREW with washer (4)	95 to * -All Models
4	3481	SCREW (4)	95 to * -All Models
5	3500	BOLT (4)	95 to * -All Models
6	3501	BOLT (4)	95 to * -All Models
7	3997	BOLT (6)	95 to * -All Models
8	6016	WASHER (8)	95 to * -All Models
9	6099	WASHER (6)	95 to * -All Models
10	6736	WASHER (6)	95 to * -All Models
11	11176	O-RING (4)	95 to * -All Models
12	11190	O-RING, push rod cover-upper (4)	95 to * -All Models
13	16778-84A	GASKET, cylinder head-right (2)	95 to * -All Models
14	16779-84B	GASKET, cylinder head-left (2)	95 to * -All Models
15	17036-91	GASKET KIT, rocker covers, w/#13,14,16,17,18,32, & 34	95 to * -All Models
16	17353-89	GASKET, rocker cover - lower (2)	95 to * -All Models
17	17354-89	GASKET, rocker cover - upper (2)	95 to * -All Models
18	17358-84A	GASKET, rocker cover - inner (2)	95 to * -All Models
19	17360-83	ROCKER ARM, front intake & rear exhaust (2)	95 to * -All Models
20	17375-83	ROCKER ARM, front exhaust & rear intake (2)	95 to * -All Models
21	17428-57	BUSHING, rocker arm (8)	95 to * -All Models
22	17501-86B	ROCKER COVER, outer (2)	95 to * -STD/DLX/HUG/1200/S
	17551-96	ROCKER COVER, outer (2)	96 to * -1200C
23	17532-86B	ROCKER COVER, inner (2)	95 to * -STD/DLX/HUG/1200/S
	17537-96	ROCKER COVER, inner (2)	96 to * -1200C
24	17533-90A	SPACER, rocker cover (2)	95 to * -STD/DLX/HUG/1200/S
	17538-96	SPACER, rocker cover (2)	96 to * -1200C
25	17611-83	SHAFT, rocker arm (4)	95 to * -All Models
26	17952-91	RETAINER, push rod-frt. int. & rear exh. (2)	95 to * -All Models
	17953-91	RETAINER, push rod-frt. exh. & rear int.(2)	95 to * -All Models
27	17944-89	SEAL, push rod cover (4)	95 to * -All Models
28	17946-89	COVER, push rod (4)	95 to * -All Models
29	17897-89	PUSH ROD, intake (2)	95 to * -All Models
	17904-89	PUSH ROD, exhaust (2)	95 to * -All Models
30	18526-89	TAPPET, with roller (4)	95 to * -All Models
31	18532-89	PIN, anti-rotation (2)	95 to * -All Models
32	26856-89	VALVE, umbrella (2)	95 to * -All Models
33	36804-89	PIN PLATE (2)	95 to * -All Models
34	63858-49	GASKET (8)	95 to * -All Models

PISTONS, CONNECTING RODS, AND FLYWHEELS

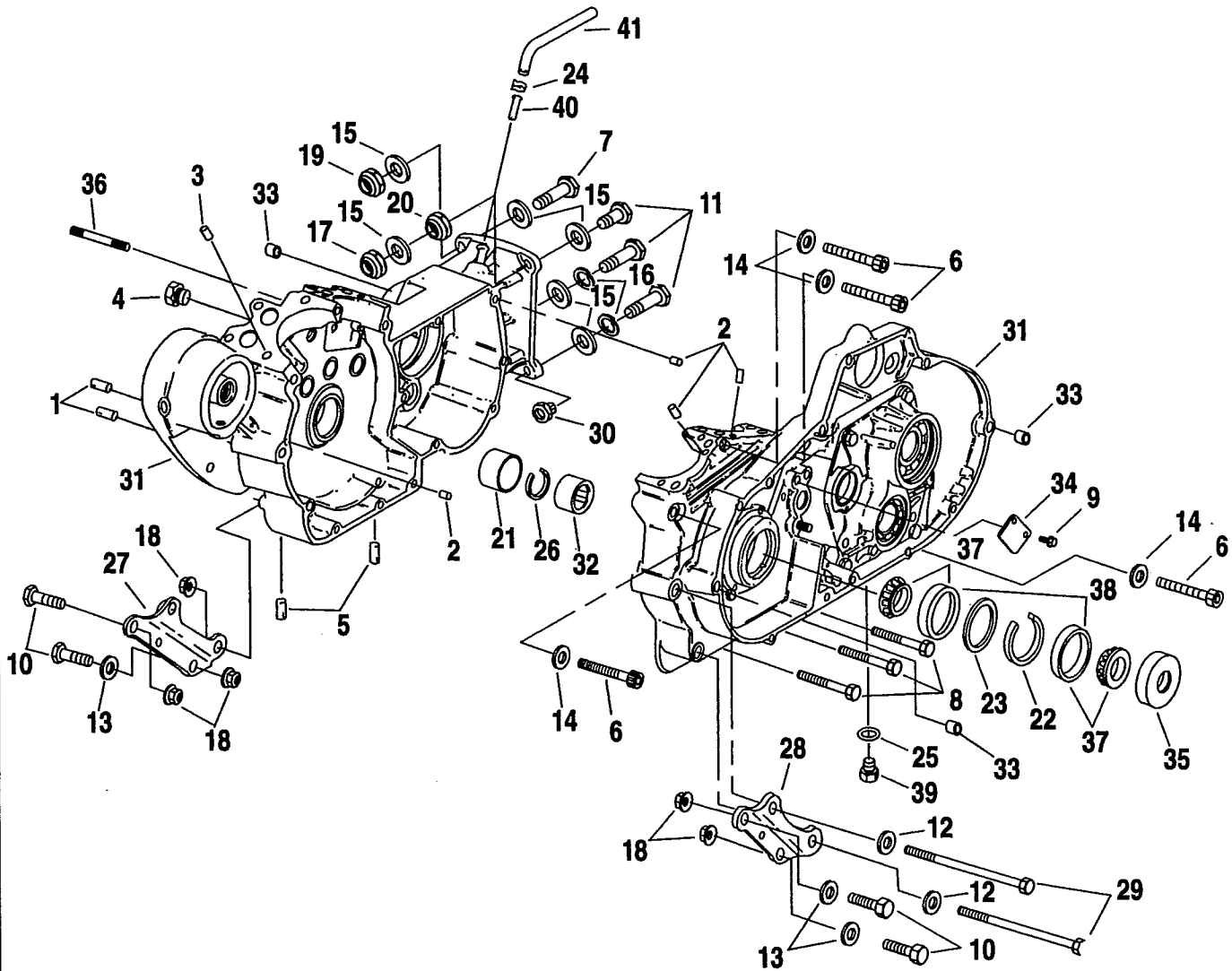


PISTONS, CONNECTING RODS AND FLYWHEELS

XH3

INDEX NO.	PART NO.	DESCRIPTION	MODELS
1	6508	WASHER, crank pin boss (2)	95 to * -All Models
2	11177A	RETAINING RING	95 to * -All Models
3	11218	KEY, crank pin	95 to * -All Models
4	21920-83	PISTON RING SET - standard (2)	95 to * -1200/C/S
	21921-83	PISTON RING SET - 0.005 O.S. (2)	95 to * -1200/C/S
	21922-83	PISTON RING SET - 0.010 O.S.(2)	95 to * -1200/C/S
	21923-83	PISTON RING SET - 0.020 O.S. (2)	95 to * -1200/C/S
	21924-83	PISTON RING SET - 0.030 O.S. (2)	95 to * -1200/C/S
	22266-86	PISTON RING SET - standard (2)	95 to * -883 Models
	22261-86	PISTON RING SET - 0.010 O.S. (2)	95 to * -883 Models
	22262-86	PISTON RING SET - 0.020 O.S. (2)	95 to * -883 Models
	22263-86	PISTON RING SET - 0.030 O.S. (2)	95 to * -883 Models
	22271-86	PISTON RING SET - 0.005 O.S. (2)	95 to * -883 Models
5	22242-86A	PISTON AND RINGS ASM. - standard (2)	95 to * -883 Models
	22201-86A	PISTON AND RINGS ASM. - 0.005 O.S. (2)	95 to * -883 Models
	22253-86A	PISTON AND RINGS ASM. - 0.010 O.S. (2)	95 to * -883 Models
	22254-86A	PISTON AND RINGS ASM. - 0.020 O.S. (2)	95 to * -883 Models
	22255-86A	PISTON AND RINGS ASM. - 0.030 O.S. (2)	95 to * -883 Models
	22243-88	PISTON AND RINGS ASM. - standard (2)	95 to * -1200/C/S
	22205-88	PISTON AND RINGS ASM. - 0.005 O.S. (2)	95 to * -1200/C/S
	22216-88	PISTON AND RINGS ASM. - 0.010 O.S. (2)	95 to * -1200/C/S
	22220-88	PISTON AND RINGS ASM. - 0.020 O.S. (2)	95 to * -1200/C/S
	22225-88	PISTON AND RINGS ASM. - 0.030 O.S. (2)	95 to * -1200/C/S
6	22589-83A	LOCK RING, piston pin (4)	95 to * -All Models
7	22719-85	PISTON PIN (2)	95 to * -883 Models
	22765-88	PISTON PIN (2)	95 to * -1200/C/S
8	23901-81	NUT, crank pin (2)	95 to * -All Models
9	23905-89A	SET OF FLYWHEELS AND SHAFTS WITH RODS	95 to * -All Models
10	23960-80A	CRANK PIN - standard	95 to * -All Models
	23948-87	CRANK PIN - 0.001 O.S.	95 to * -All Models
	23949-87	CRANK PIN - 0.002 O.S.	95 to * -All Models
11	24275-86A	SET OF CONN. RODS w/brgs, crank pin & nuts	95 to * -All Models
12	24331-36	BUSHING, piston pin - standard (2)	95 to * -All Models
	24332-36	BUSHING, piston pin - 0.01 O.S. (2)	95 to * -All Models
13	24341-52A	BEARING RACE, rear conn. rod - lower (2)	95 to * -All Models
14	24352-52A	BEARING RACE, front conn. rod - lower (2)	95 to * -All Models
15	24354-87A	BEARING SET, conn. rods	95 to * -All Models
16	24658-87	INNER RING	95 to * -All Models

CRANKCASE

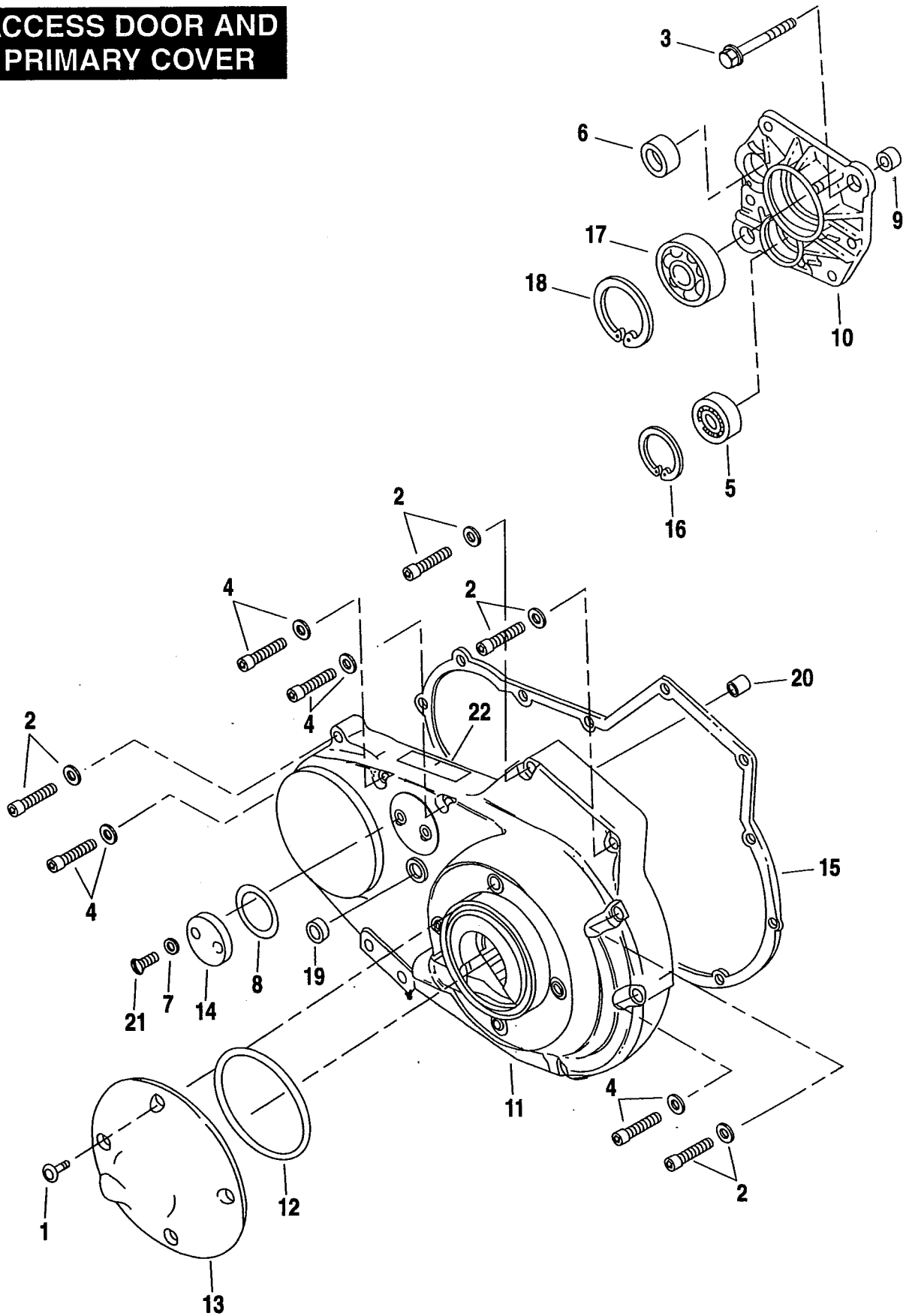


CRANKCASE

XH4

INDEX NO.	PART NO.	DESCRIPTION	MODELS
1	215	DOWEL PIN (2)	95 to * -All Models
2	358	DOWEL PIN (4)	95 to * -All Models
3	604	ROLL PIN (4)	95 to * -All Models
4	720	PLUG, timing	95 to * -All Models
5	727	PLUG (2)	95 to * -All Models
6	876	SCREW (4)	95 to * -All Models
7	3512	BOLT	95 to * -All Models
8	3787	SCREW (3)	95 to * -All Models
9	4091	SCREW (2)	95 to * -All Models
10	4319	BOLT (4)	95 to * -All Models
11	4435W	BOLT (3)	95 to * -All Models
12	6019	WASHER (2)	95 to * -All Models
13	6026	WASHER (4)	95 to * -All Models
14	6314W	WASHER (4)	95 to * -All Models
15	6701	WASHER (6)	95 to * -All Models
16	7038	LOCKWASHER (2)	95 to * -All Models
17	7775	LOCKNUT	95 to * -All Models
18	7780	LOCKNUT (5)	95 to * -All Models
19	7789	LOCKNUT	95 to * -All Models
20	7861	LOCKNUT	95 to * -All Models
21	8881	BEARING RACE	95 to * -All Models
22	9119A	RETAINING RING	95 to * -All Models
23	9142	SHIM, roller bearing - 0.100	95 to * -All Models
	9143	SHIM, roller bearing - 0.102	95 to * -All Models
	9144	SHIM, roller bearing - 0.104	95 to * -All Models
	9145	SHIM, roller bearing - 0.106	95 to * -All Models
	9146	SHIM, roller bearing - 0.108	95 to * -All Models
	9147	SHIM, roller bearing - 0.110	95 to * -All Models
	9148	SHIM, roller bearing - 0.112	95 to * -All Models
	9149	SHIM, roller bearing - 0.114	95 to * -All Models
	9155	SHIM, roller bearing - 0.098	95 to * -All Models
24	10080	CLAMP	95 to * -All Models
25	11105	O-RING	95 to * -All Models
26	11177A	RETAINING RING	95 to * -All Models
27	16210-84A	MOUNTING PLATE, lower right - front	95 to * -All Models
28	16212-84	MOUNTING PLATE, lower left - front	95 to * -All Models
29	16235-52A	BOLT (2)	95 to * -All Models
30	16240-82	BUSHING (2)	95 to * -All Models
31	24470-91C	CRANKCASE SET w/bearings	95 to * -STD/DLX/HUG/1200/S
	24466-96	CRANKCASE SET w/bearings (black)	96 to * -1200C
32	24647-87	BEARING, gear shaft (blue)	95 to * -All Models
	24650-87	BEARING, gear shaft (red)	95 to * -All Models
	24659-87	BEARING, gear shaft (white/grey)	95 to * -All Models
	24660-87	BEARING, gear shaft (green)	95 to * -All Models
33	24754-75	DOWEL PIN (3)	95 to * -All Models
34	29950-91	COVER, stator wires	95 to * -All Models
35	35151-74	OIL SEAL	95 to * -All Models
36	42449-80	STUD	95 to * -All Models
37	48302-85	BEARING, complete (2)	95 to * -All Models
38	48315-60	BEARING CUP (2)	95 to * -All Models
39	60348-65B	DRAIN PLUG KIT with o-ring	95 to * -All Models
40	63547-89	BREATHING TUBE	95 to * -All Models
		NOTE; Hose is sold in bulk length under the following part number. Cut to required length.	
41	63500-68	HOSE, 3/8 I.D. x 5/8 O.D. rubber (25 ft. lg.)	95 to * -All Models

ACCESS DOOR AND PRIMARY COVER

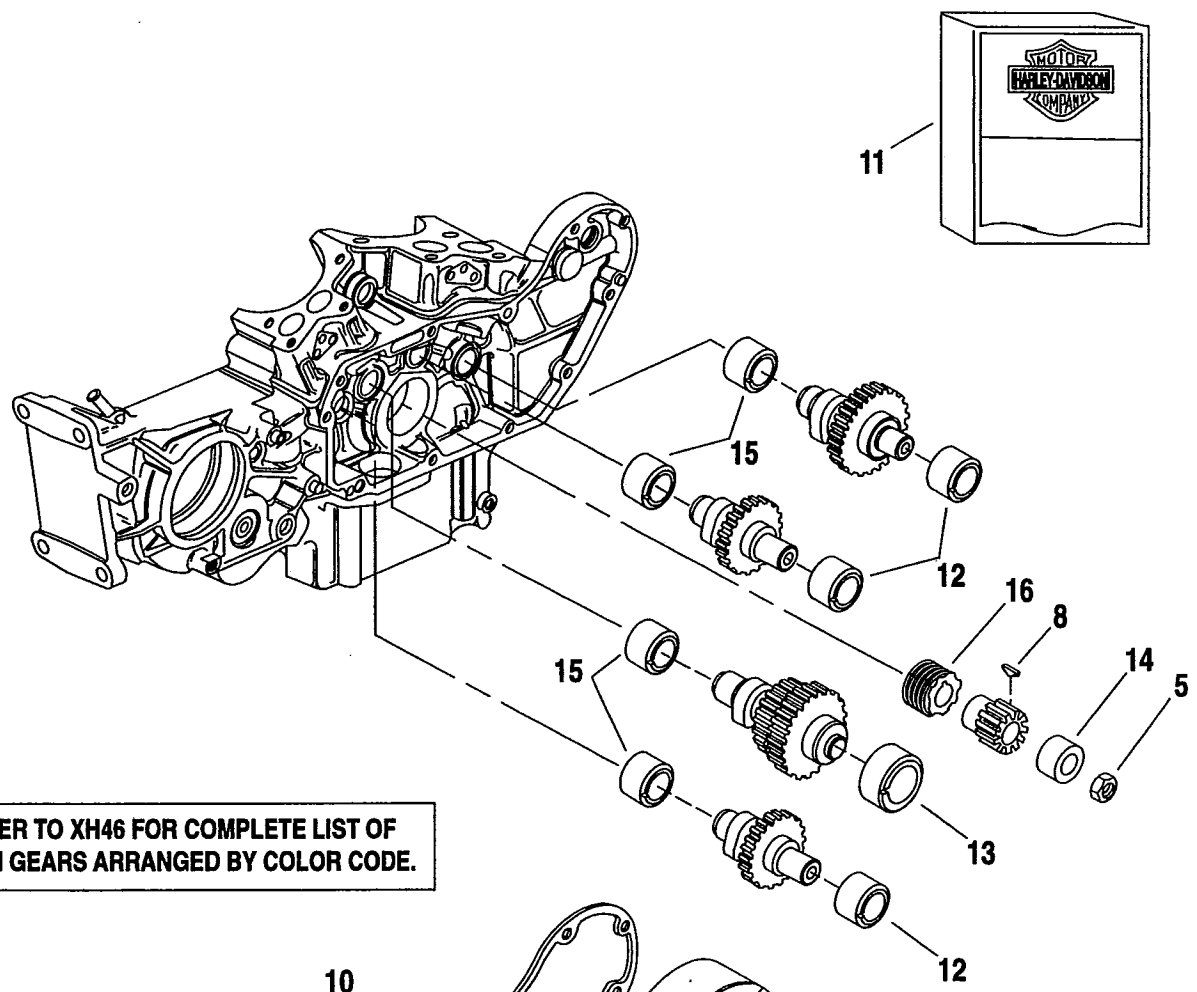


ACCESS DOOR AND PRIMARY COVER

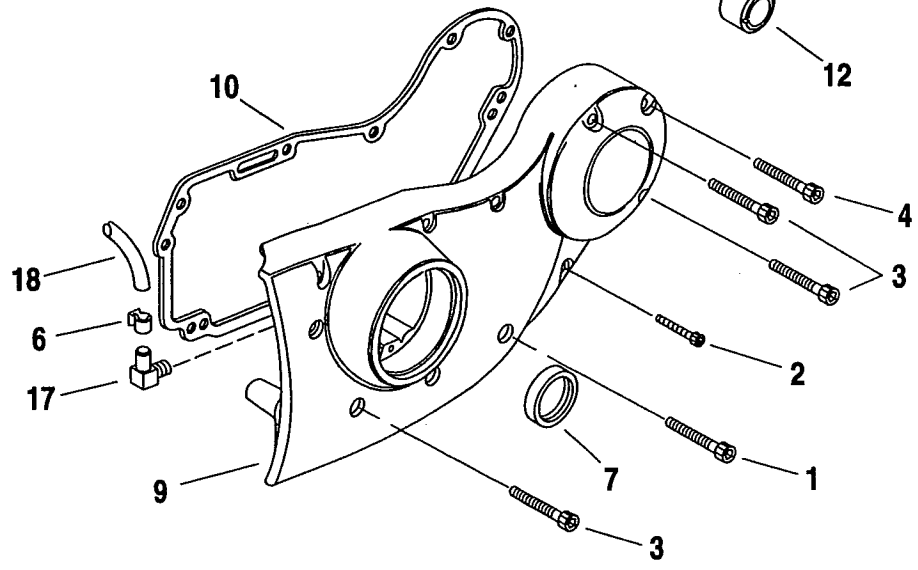
XH5

INDEX NO.	PART NO.	DESCRIPTION	MODELS
1	943	SCREW, SEMS	95 to * -All Models
2	3480A	SCREW, SEMS (7)	95 to * -All Models
3	3610	BOLT, flange (5)	95 to * -All Models
4	4717A	SCREW, SEMS (4)	95 to * -All Models
5	8998	BEARING	95 to * -All Models
6	9187	BUSHING	95 to * -All Models
7	11171	O-RING, inspection cover screws (2)	95 to * -All Models
8	11188	O-RING, chain insp. cover	95 to * -All Models
9	16573-83	INSERT, access door (2)	95 to * -All Models
10	25238-94	ACCESS DOOR ASM., transmission - w/#5,6,16,17, & 18	95 to * -All Models
11	25430-94A	PRIMARY COVER (polished)	95 to * -STD/DLX/HUG/1200/S
	25460-94	PRIMARY COVER (chrome)	96 to * -1200C
12	25463-94	GASKET, clutch cover	95 to * -All Models
13	34742-94A	INSPECTION COVER, clutch	95 to * -STD/DLX/HUG/1200/S
	34760-94	INSPECTION COVER, clutch (chrome)	96 to * -1200C
14	34745-90A	INSPECTION COVER, chain	95 to * -STD/DLX/HUG/1200/S
	34761-94	INSPECTION COVER, chain (chrome)	96 to * -1200C
15	34955-89A	GASKET, primary cover	95 to * -All Models
16	35021-89	RETAINING RING	95 to * -All Models
17	35030-89	BEARING	95 to * -All Models
18	35038-89	RETAINING RING	95 to * -All Models
19	37101-84	OIL SEAL	95 to * -All Models
20	40520-63	BUSHING	95 to * -All Models
21	41191-74	SCREW, inspection covers (2)	95 to * -All Models
H-D INTERNATIONAL ONLY			
22	14270-92	DECAL, shift pattern (Japan)	95 to * -All Models

GEARCASE AND COVER



REFER TO XH46 FOR COMPLETE LIST OF CAM GEARS ARRANGED BY COLOR CODE.

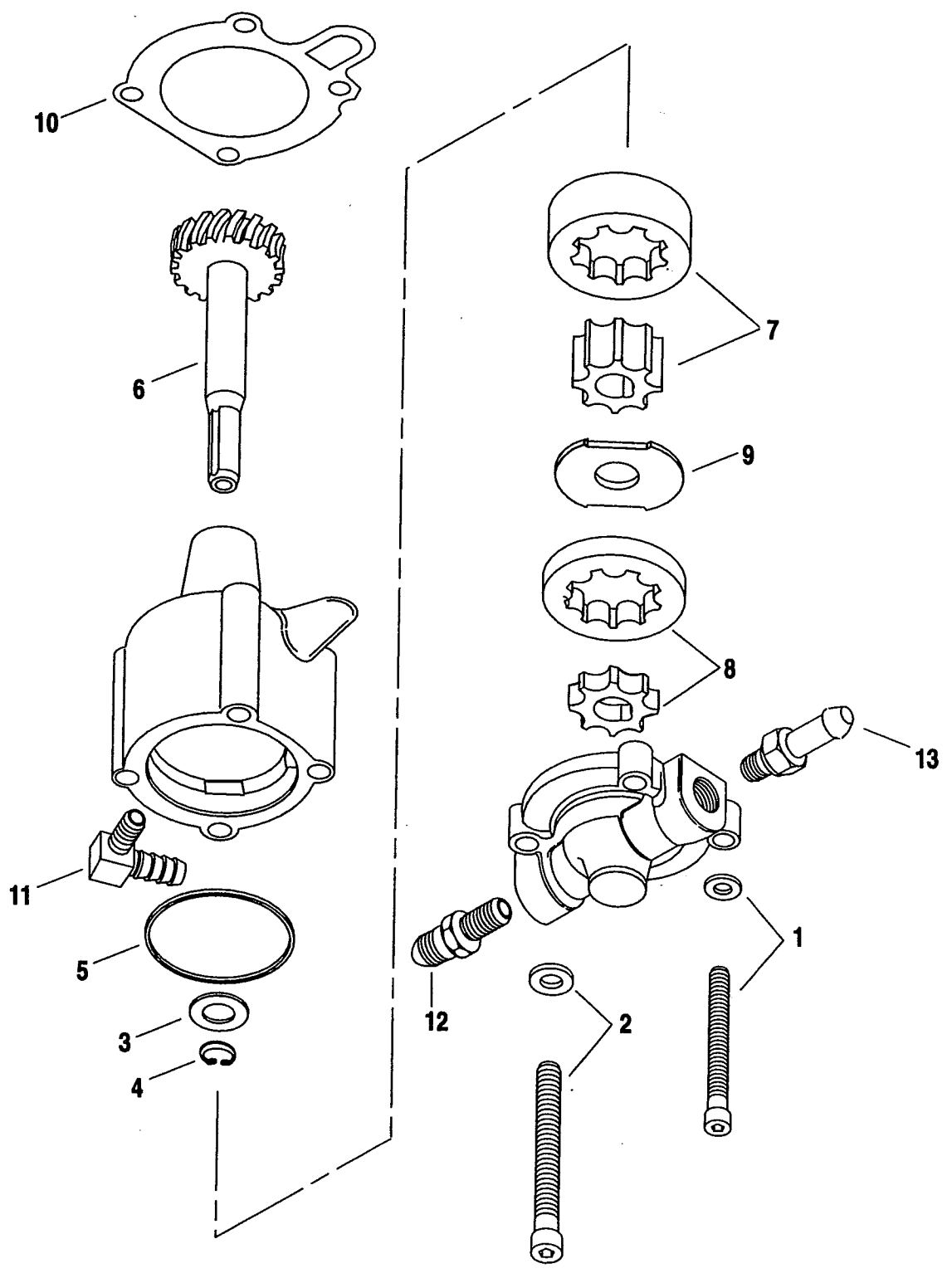


GEARCASE AND COVER

XH6

INDEX NO.	PART NO.	DESCRIPTION	MODELS
1	3480A	SCREW, SEMS (3)	95 to * -All Models
2	4740A	SCREW, SEMS	95 to * -All Models
3	4717A	SCREW, SEMS (5)	95 to * -All Models
4	4820A	SCREW, SEMS (2)	95 to * -All Models
5	7916A	NUT	95 to * -All Models
6	10117	CLAMP	95 to * -All Models
7	11124	SEAL	95 to * -All Models
8	11219	T-KEY	95 to * -All Models
9	25219-91A	COVER ASM., gearcase (polished) w/# 7, 17 & bushings	95 to * -STD/DLX/HUG/1200/S
	25213-96	COVER ASM., gearcase (chrome) w/# 7, 17 & bushings	96 to * -1200C
10	25263-90A	GASKET, gearcase cover	95 to * -All Models
11	25488-89A	COVER WITH CAM GEAR SET, matched	95 to * -STD/DLX/HUG/1200/S
	25483-96	COVER WITH CAM GEAR SET, matched (chrome)	96 to * -1200C
12	25586-37	OUTER BUSHING, cam gear shafts (3)	95 to * -All Models
13	25588-91	BUSHING, rear intake cam gear shaft	95 to * -All Models
14	25593-74	BUSHING, flywheel gear shaft	95 to * -All Models
15	25598-91	INNER BUSHING, camshaft gear (4)	95 to * -All Models
16	26318-88A	DRIVE GEAR, oil pump	95 to * -All Models
17	62375-57	FITTING, oil vent hose	
		NOTE: Hoses are sold in bulk length under the following part number. Cut to required length.	
18	63501-68A	HOSE, 1/4 I.D. x 1/2 O.D. (rubber)	95 to * -All Models

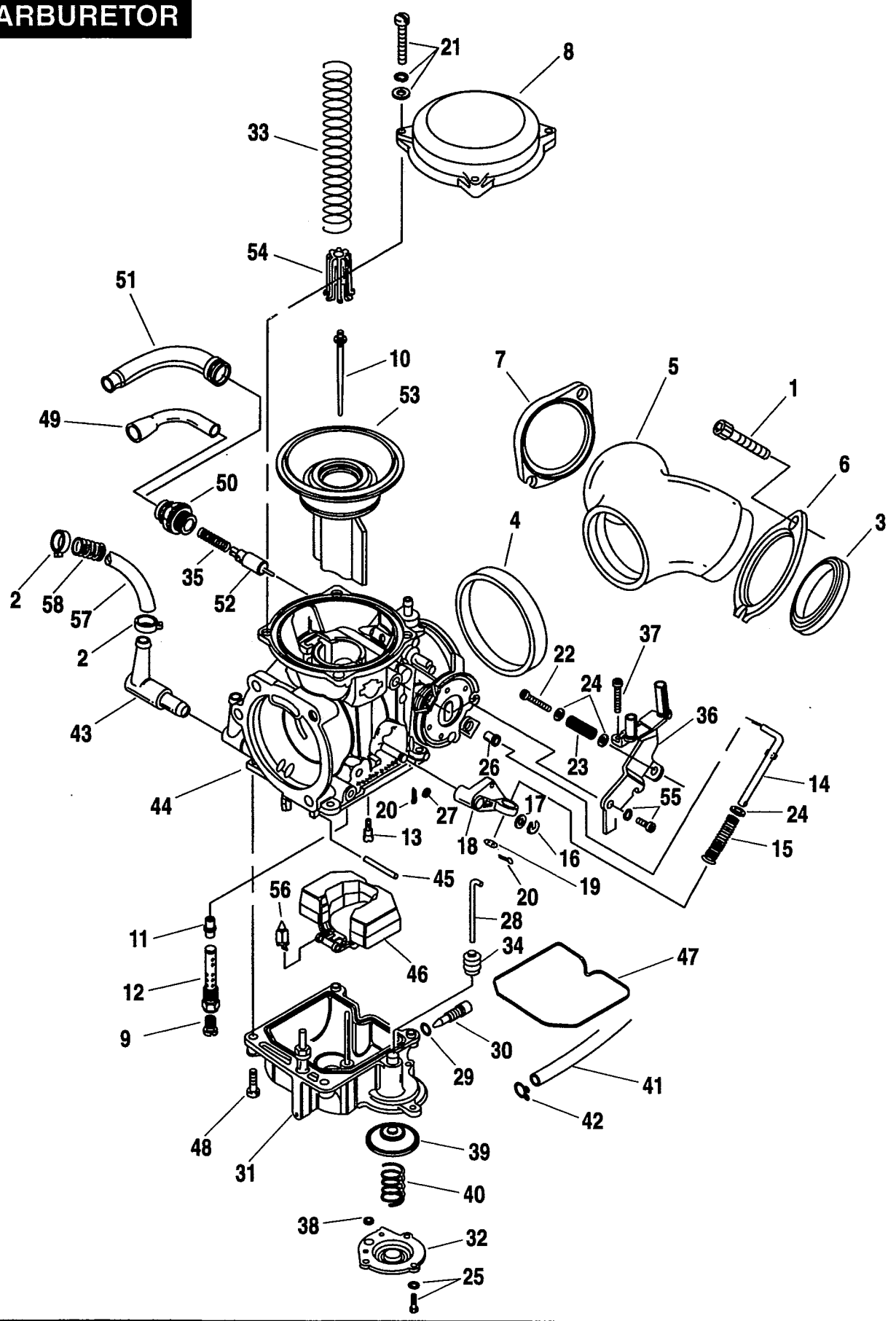
OIL PUMP



OIL PUMP**XH7**

INDEX NO.	PART NO.	DESCRIPTION	MODELS
1	4740A	SCREW, w/washer (2)	95 to * -All Models
2	4753	SCREW, w/washer (2)	95 to * -All Models
3	6157	THRUST WASHER	95 to * -All Models
4	11002	RETAINING RING	95 to * -All Models
	26204-91	OIL PUMP, complete	95 to * -All Models
5	26434-91	O-RING	95 to * -All Models
6	26488-91	GEAR SHAFT	95 to * -All Models
7	26491-91	GEROTOR SET, return	95 to * -All Models
8	26492-91	GEROTOR SET, feed	95 to * -All Models
9	26493-91	SEPARATOR PLATE	95 to * -All Models
10	26495-89A	GASKET, pump mounting	95 to * -All Models
11	26496-75	FITTING, 90 degree	95 to * -All Models
12	62601-91	FITTING, connector - front	95 to * -All Models
13	63533-41	FITTING, connector - rear	95 to * -All Models

CARBURETOR

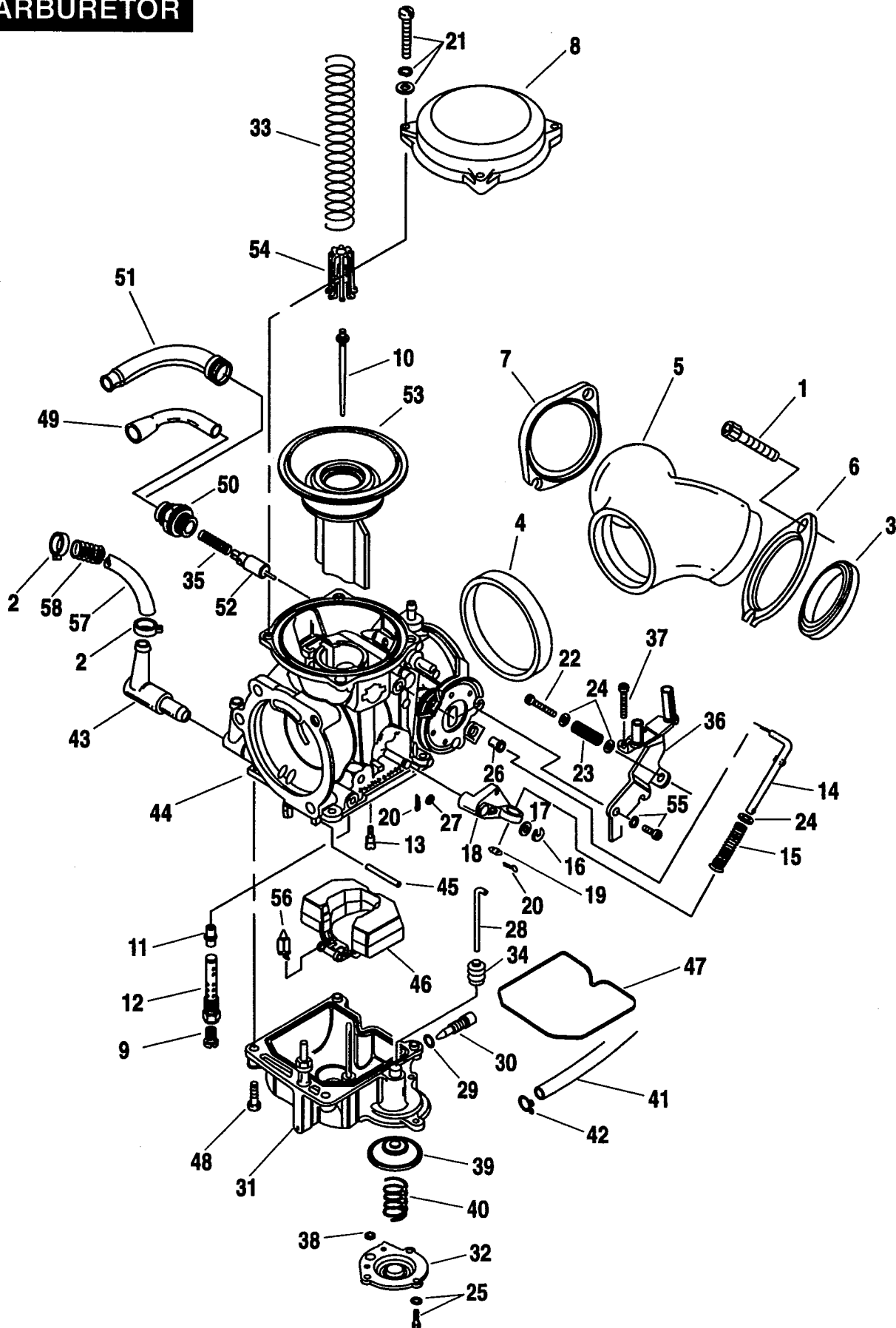


CARBURETOR

XH8-1

INDEX NO.	PART NO.	DESCRIPTION	MODELS
1	3275	SCREW (4)	95 to * -All Models
2	10014	CLAMP	95 to * -All Models
3	26995-86A	SEAL, intake manifold (2)	95 to * -All Models
4	27002-89	SEAL RING, carburetor	95 to * -All Models
5	27004-88A	INTAKE MANIFOLD KIT w/#3 & 4	95 to * -All Models
6	27009-86A	MOUNTING FLANGE, front	95 to * -All Models
7	27010-86A	MOUNTING FLANGE, rear	95 to * -All Models
8	27040-88	TOP, carburetor	95 to * -All Models
9	27115-88	MAIN JET (Cal. 883)	95 -All Models
		MAIN JET (Cal. STD/HUG)	96 to * -1200/C/S
	27152-89	MAIN JET	95 -All Models
		MAIN JET	96 to * -STD/HUG
	27185-90	MAIN JET (Cal. only)	95 -1200
		MAIN JET (Cal. only)	96 to * -1200/C/S
10	27183-92	JET, needle	95 -883 Models
	27241-95	JET, needle (Cal. only STD/HUG)	96 to * -STD/HUG
	27278-93	JET, needle (Cal. only)	95 -883 Models
	27279-93	JET, needle (Cal. only)	95 -1200
		JET, needle (Cal. only 1200/C/S)	96 to * -1200/C/S
	27280-92	JET, needle	95 -1200
11	27100-88	NEEDLE JET	95 to * -All Models
12	27101-88	NEEDLE JET HOLDER	95 to * -All Models
13	27281-92	SLOW JET	95 -All Models
	27171-89	SLOW JET	96 to * -All Models
14	27122-89	ROD	95 to * -All Models
15	27123-89	SPRING	95 to * -All Models
16	27124-89	E-CLIP	95 to * -All Models
17	27125-89	WASHER	95 to * -All Models
18	27126-89	LEVER	95 to * -All Models
19	27127-89	WASHER	95 to * -All Models
20	27128-89	PIN (2)	95 to * -All Models
21	27129-88	SCREW, top (3)	95 to * -All Models
22	27130-90	IDLE SCREW	95 to * -All Models
23	27136-90	SPRING	95 to * -All Models
24	27137-81	WASHER (3)	95 to * -All Models
25	27146-89	SCREW w/washer (3)	95 to * -All Models
26	27147-89	COLLAR	95 to * -All Models
27	27148-89	WASHER	95 to * -All Models
28	27156-89	ROD	95 to * -All Models
29	27157-89	O-RING	95 to * -All Models
30	27158-89	DRAIN SCREW	95 to * -All Models
31	27159-92	FLOAT CHAMBER ASM.	95 to * -All Models
32	27160-89	PUMP HOUSING	95 to * -All Models
33	27162-89	SPRING	95 to * -All Models
34	27311-76	CAP, accelerator pump (rubber)	95 to * -All Models
35	27315-88A	SPRING	95 to * -All Models
36	27316-88	BRACKET	95 to * -All Models
H-D INTERNATIONAL ONLY			
5	26990-91	INTAKE MANIFOLD (Swiss)	95 -All Models
9	27152-89	MAIN JET (Swiss)	95 -All Models
	27243-95	MAIN JET (HDI)	95 to * -All Models
13	27171-89	SLOW JET (HDI)	95 to * -All Models
	27281-92	SLOW JET (Swiss)	95 -All Models
10	27187-93	JET, needle (Swiss)	95 to * -All Models

CARBURETOR

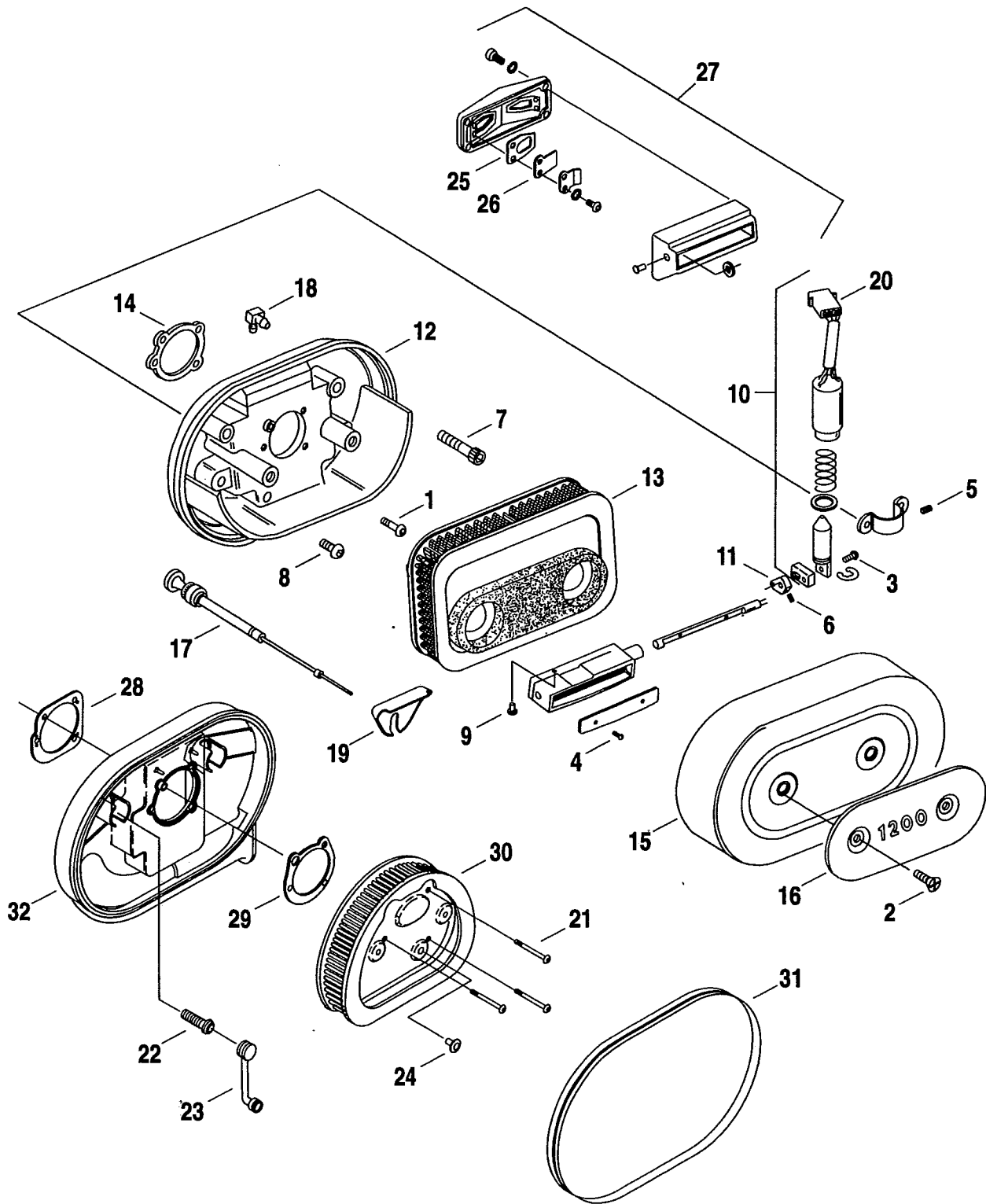


CARBURETOR (CONTINUED)

XH8-2

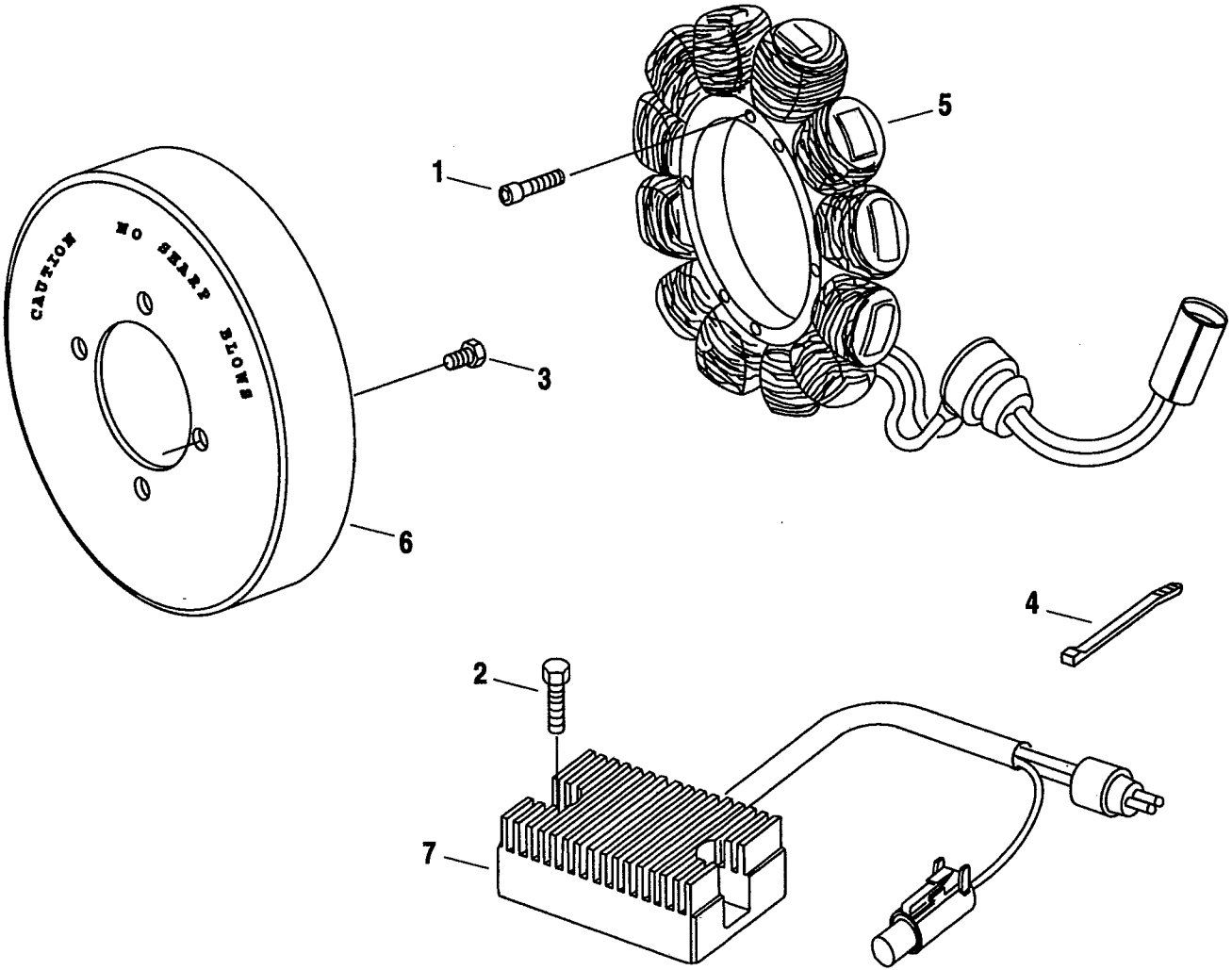
INDEX NO.	PART NO.	DESCRIPTION	MODELS
37	27317-88	SCREW	95 to * -All Models
38	27360-76	O-RING	95 to * -All Models
39	27361-76	DIAPHRAGM, accelerator pump	95 to * -All Models
40	27362-76	SPRING, diaphragm	95 to * -All Models
41	27369-76	HOSE, overflow with clip	95 to * -All Models
42	27368-76	CLIP, overflow hose	95 to * -All Models
43	27371-76	FITTING	95 to * -All Models
44	27486-92B	CARBURETOR (Cal. only)	95 -1200
	27498-96	CARBURETOR (Cal. only)	96 to * -1200/C/S
	27487-92A	CARBURETOR	95 -1200
	27491-96	CARBURETOR	96 to * -1200/C/S
	27488-92B	CARBURETOR (Cal. only)	95 -883 Models
	27495-96	CARBURETOR (Cal. only)	96 to * -STD/HUG
	27489-92A	CARBURETOR	95 -883 Models
	27490-96	CARBURETOR	96 to * -STD/HUG
45	27575-88A	PIN	95 to * -All Models
46	27576-92	FLOAT	95 to * -All Models
47	27577-92	O-RING	95 to * -All Models
48	27579-88A	SCREW (4)	95 to * -All Models
49	27580-88	CABLE GUIDE	95 to * -All Models
50	27581-88	STARTER CAP	95 to * -All Models
51	27582-88	CABLE SEALING CAP	95 to * -All Models
52	27583-88	STARTER VALVE	95 to * -All Models
53	27585-88	VACUUM PISTON	95 to * -All Models
54	27586-88	SPRING SEAT	95 to * -All Models
55	27587-88	SCREW	95 to * -All Models
56	27886-78A	VALVE, with clip	95 to * -All Models
NOTE: Hose is sold only in bulk length under the following part number. Cut to required length.			
57	63501-68A	HOSE, 1/4 I.D. x 1/2 O.D. (rubber)(25 ft. lg.)	95 to * -All Models
58	63505-84	INSULATOR, 1/2 I.D. nylon (8 ft. lg.)	95 to * -All Models
H-D INTERNATIONAL ONLY			
44	27503-92B	CARBURETOR (Swiss)	95 -All Models
	27076-95	CARBURETOR (HDI)	95 -1200
		CARBURETOR (HDI)	96 to * -1200C/S
	27031-95	CARBURETOR (HDI)	95 -883 Models
		CARBURETOR (HDI)	96 to * -STD/HUG

AIR CLEANER & ENRICHENER



INDEX NO.	PART NO.	DESCRIPTION	MODELS
1	869	SCREW (3)	95 to * -All Models
2	2405A	SCREW (2)	95 to * -All Models
3	2711	SCREW (Cal. only)	95 to * -All Models
4	2737	SCREW (2) (Cal. only)	95 to * -All Models
5	3206B	SET SCREW (Cal. only)	95 to * -All Models
6	3221	SET SCREW (Cal. only)	95 to * -All Models
7	3534B	SCREW, breather (2)	95 to * -All Models
8	3652	SCREW (2) (Cal. only)	95 to * -All Models
9	8535	RIVET (2) (Cal. only)	95 to * -All Models
10	28841-89	SOLENOID (Cal. only)	95 to * -All Models
11	28842-89	LINK (Cal. only)	95 to * -All Models
12	29009-89B	BACKPLATE, air cleaner	95 to * -All Models
	29018-92	BACKPLATE ASM. (Cal. only)	95 to * -All Models
13	29036-88B	FILTER ELEMENT	95 -All Models
	29331-96	FILTER ELEMENT	96 to * -All Models
14	29059-88A	GASKET, carburetor intake	95 to * -All Models
15	29084-73	COVER, air cleaner	95 to * -All Models
16	29111-88	TRIM, air cleaner	95 to * -1200/S
	29100-96	TRIM, air cleaner	96 to * -1200C
17	29238-92	CABLE, enrichment	95 to * -All Models
18	61107-92	FITTING (Cal. only)	95 to * -All Models
19	69037-95	COVER, enrichment cable	95 to * -All Models
20	70291-89	HOUSING, 4 pin (Cal. only)	95 to * -All Models
H-D INTERNATIONAL ONLY			
21	946	SCREW (3) (HDI except Swiss)	95 to * -All Models
22	3577	SCREW, breather (2) (HDI except Swiss)	95 to * -All Models
23	24922-93	BREATHER CONNECTOR (2) (HDI except Swiss)	95 to * -All Models
24	24925-95	PLUG, threaded (HDI except Swiss)	95 to * -All Models
25	28820-86	REED BOTTOM (2) (Swiss)	95 to * -All Models
26	28821-86	REED TOP (2) (Swiss)	95 to * -All Models
27	28826-86A	REED SUPPORT ASM. (Swiss)	95 to * -All Models
28	29062-95	GASKET, carburetor intake (HDI except Swiss)	95 to * -All Models
29	29313-95	GASKET, filter element (HDI except Swiss)	95 to * -All Models
30	29325-95	FILTER ELEMENT, with #24 & 29 (HDI except Swiss)	95 to * -All Models
31	29315-95	MOLDING, air cleaner cover (HDI except Swiss)	95 to * -All Models
32	29316-95	BACKPLATE ASM. (HDI except Swiss)	95 to * -All Models
	29078-91	BACKPLATE ASM. (Swiss) (not illustrated)	95 to * -All Models

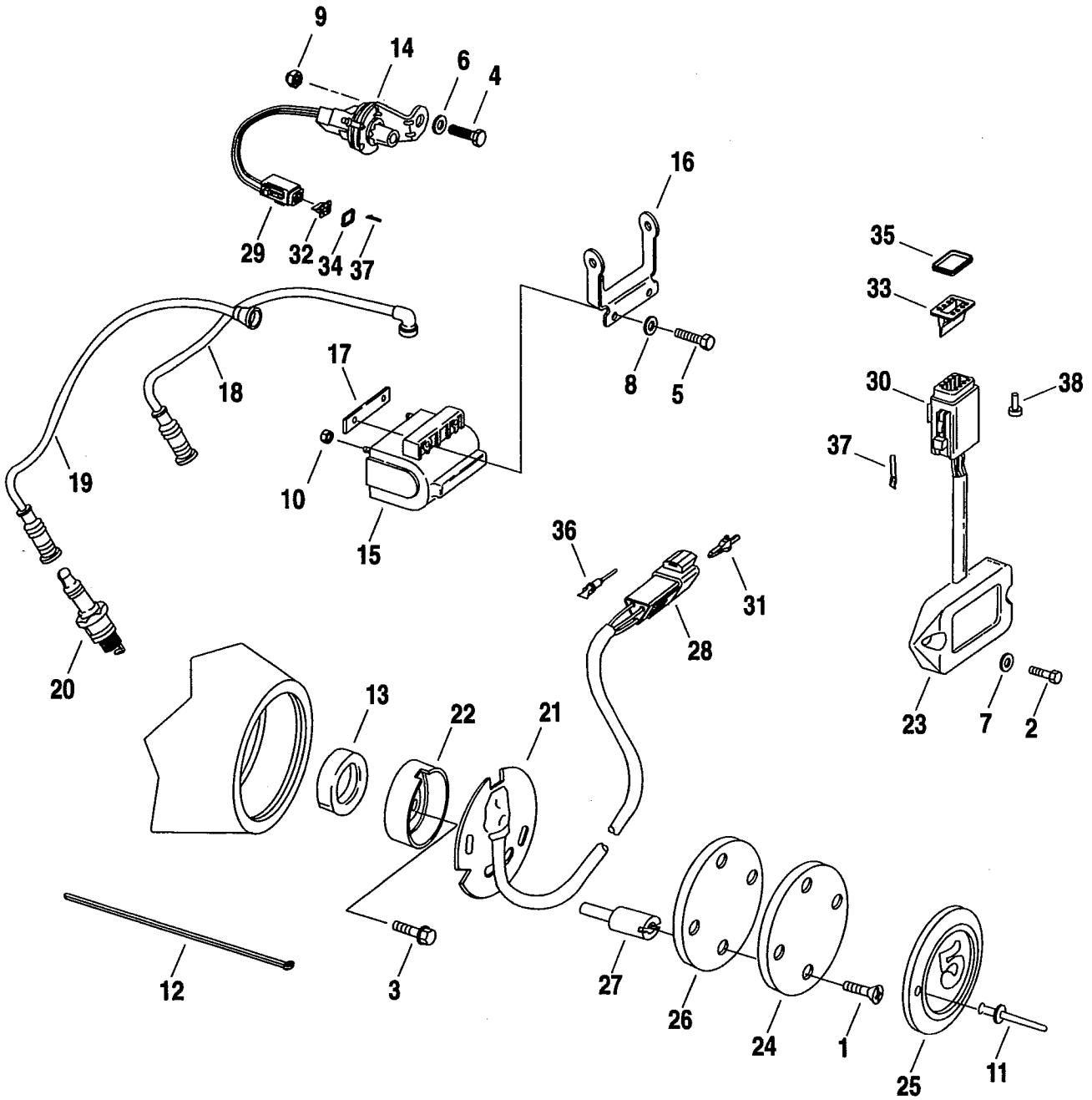
ALTERNATOR AND REGULATOR



ALTERNATOR AND REGULATOR**XH10**

INDEX NO.	PART NO.	DESCRIPTION	MODELS
1	2720	SCREW (4)	95 to * -All Models
2	4329	SCREW (2)	95 to * -All Models
3	4751	SCREW (4)	95 to * -All Models
4	10065	STRAP, cable	95 to * -All Models
5	29967-89A	STATOR	95 to * -All Models
6	32403-89A	ROTOR w/ #3	95 to * -All Models
7	74523-94A	REGULATOR	95 to * -All Models

ELECTRONIC IGNITION SYSTEM

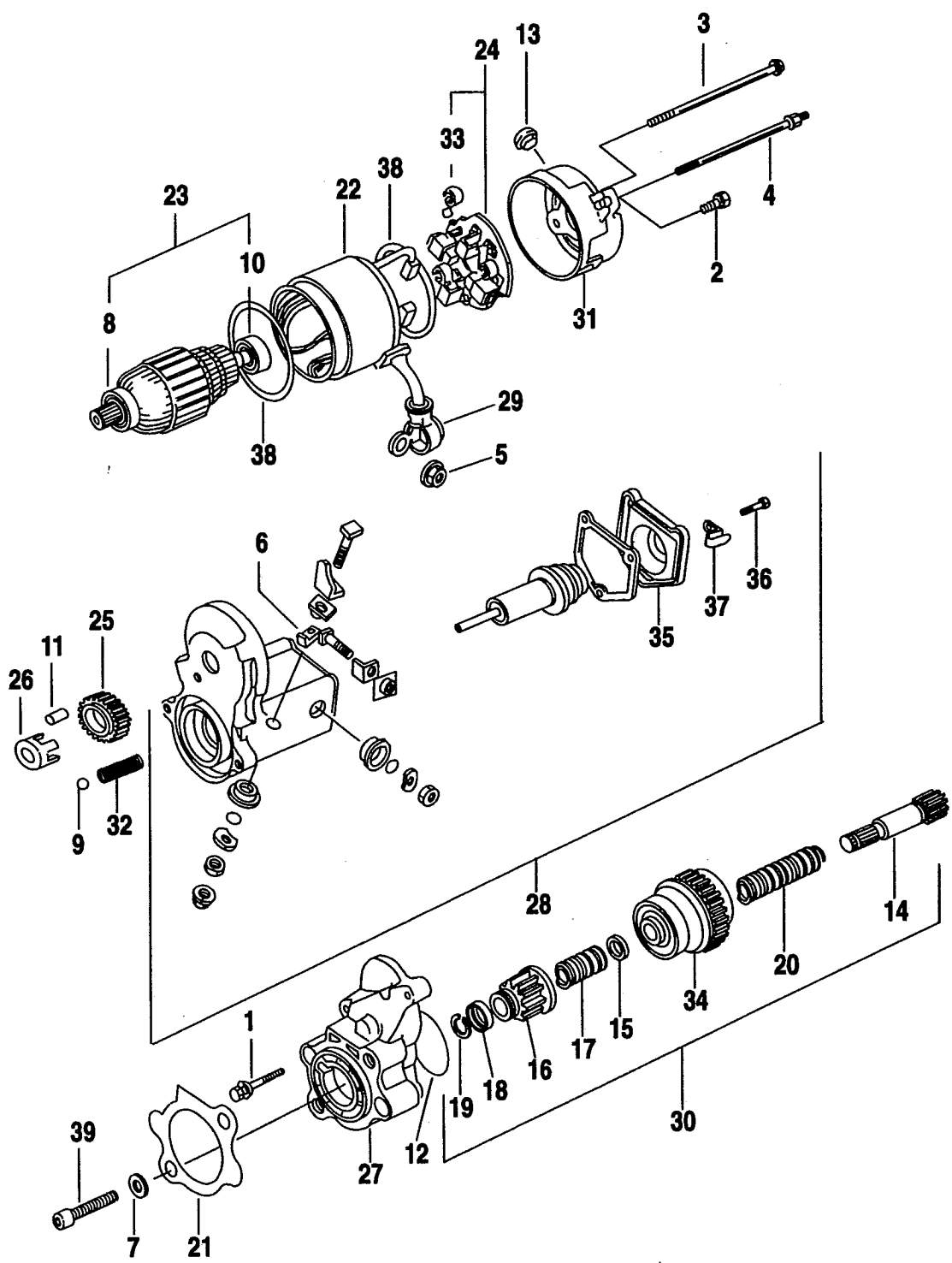


ELECTRONIC IGNITION SYSTEM

XH11

INDEX NO.	PART NO.	DESCRIPTION	MODELS
1	1601	SCREW (2)	95 to * - All Models
2	2339	SCREW (2)	95 to * - All Models
3	2611B	SCREW	95 to * - All Models
4	3987	BOLT	95 to * - All Models
5	3993	BOLT (2)	95 to * - All Models
6	6702	WASHER	96 to * - All Models
7	6716	WASHER (2)	95 to * - All Models
8	7036	LOCKWASHER (2)	95 to * - All Models
9	7531	LOCKNUT	95 to * - All Models
10	7629	NUT (2)	95 to * - All Models
11	8699	POP RIVET (2)	95 to * - All Models
12	10006	CABLE STRAP	95 to * - All Models
	10039	CABLE STRAP	95 to * - All Models
13	11124	SEAL	95 to * - All Models
14	26558-94	VACUUM SWITCH, with electrical connector asm.	95 to * - All Models
15	31614-83A	IGNITION COIL	95 to * - All Models
16	31723-95	BRACKET, ignition coil mounting	95 to * - All Models
17	31727-85	PLATE, ignition coil mounting	95 to * - All Models
18	31986-86	CABLE, spark plug - 6 1/2"	95 to * - All Models
19	31996-86	CABLE, spark plug - 20"	95 to * - All Models
20	32317-86A	SPARK PLUG, No. 6R12 (2)	95 to * - All Models
21	32400-94	SENSOR ASSEMBLY w/ #35 only	95 to * - All Models
22	32402-83	TRIGGER ROTOR	95 to * - All Models
23	32433-94	IGNITION MODULE, w/#30,33,35,37 & 38	95 - 1200
	32465-95A	IGNITION MODULE, w/#30,33,35,37 & 38	96 to * - 1200/C/S
	32410-94	IGNITION MODULE, w/#30,33,35,37 & 38	95 - 883 Models
	32466-95A	IGNITION MODULE, w/#30,33,35,37 & 38	96 to * - 883 Models
24	32504-80	INNER COVER	95 to * - All Models
25	32506-90	COVER, timer	95 to * - All Models
26	32591-80	GASKET, ignition	95 to * - All Models
27	32606-82	STUD, timer plate (2)	95 to * - All Models
28	72103-94BK	RECEPTACLE, three pin (black)	95 to * - All Models
29	72112-94BK	PLUG, two-way (black)(2)	95 to * - All Models
30	72118-94BK	PLUG, eight-way (black)	95 to * - All Models
31	72143-94	SECONDARY LOCK, three pin receptacle (black)	95 to * - All Models
32	72152-94	SECONDARY LOCK, two-way plug(2)	95 to * - All Models
33	72158-94	LOCK, plug (eight-way)	95 to * - All Models
34	72172-94	SEAL, front (two-way plug)	95 to * - All Models
35	72178-94	SEAL, front (eight-way plug)	95 to * - All Models
36	72190-94	TERMINAL, pin (3)	95 to * - All Models
37	72191-94	TERMINAL, socket (9)	95 to * - All Models
38	72195-94	PIN SEAL	95 to * - All Models
H-D INTERNATIONAL ONLY			
22	32465-95A	IGNITION MODULE, w/#30,33,35,37 & 38	95 to * - 1200
	32465-95A	IGNITION MODULE (Swiss only) w/#30,33,35,37 & 38	96 to * - 883
	32466-95A	IGNITION MODULE, w/#30,33,35,37 & 38	95 to * - 883 Models
	32433-94	IGNITION MODULE (Swiss only) w/#30,33,35,37 & 38	95 - All Models
	32485-96	IGNITION MODULE (Swiss only) w/#30,33,35,37 & 38	96 to * - 1200/C/S

STARTER MOTOR

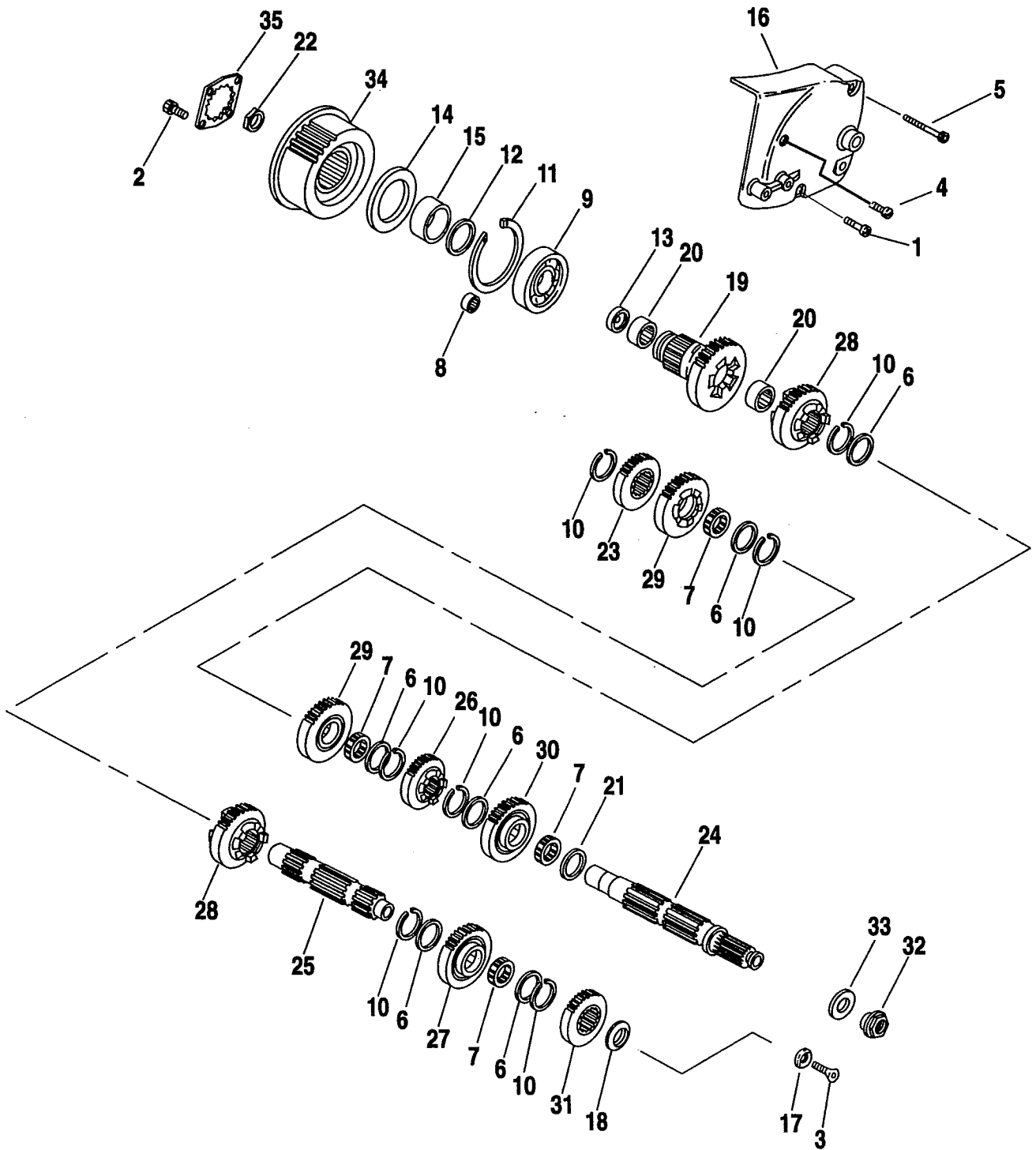


STARTER MOTOR

XH12

INDEX NO.	PART NO.	DESCRIPTION	MODELS
1	928	BOLT, starter (2)	95 to * -All Models
2	929	SCREW w/ O-RING (2)	95 to * -All Models
3	3350	BOLT, through	95 to * -All Models
4	3359	BOLT, through	95 to * -All Models
5	3403	FLANGE NUT	95 to * -All Models
6	6217	WASHER	95 to * -All Models
7	6812	WASHER (2)	95 to * -All Models
8	8871	BALL BEARING	95 to * -All Models
9	8879	BALL	95 to * -All Models
10	8883	BALL BEARING	95 to * -All Models
11	9077	CLUTCH ROLLER (5)	95 to * -All Models
12	11116	O-RING	95 to * -All Models
13	31322-91	COVER	95 to * -All Models
14	31323-91	SHAFT	95 to * -All Models
15	31324-91	RETAINER, snap	95 to * -All Models
16	31325-91	PINION, starter	95 to * -All Models
17	31326-91	SPRING, compression coil	95 to * -All Models
18	31327-91	NUT, pinion stop	95 to * -All Models
19	31328-91	RING, snap	95 to * -All Models
20	31330-91	SPRING	95 to * -All Models
	31390-91A	STARTER MOTOR, complete	95 to * -All Models
21	31488-81	GASKET, starter motor	95 to * -All Models
22	31514-90	YOKE ASM.	95 to * -All Models
23	31515-90	ARMATURE ASM.	95 to * -All Models
24	31518-90	HOLDER ASM., starter brush	95 to * -All Models
25	31525-90	GEAR, idler	95 to * -All Models
26	31530-90	RETAINER, idler	95 to * -All Models
27	31539-91	HOUSING ASM.	95 to * -All Models
28	31540-91	SOLENOID ASM., starter	95 to * -All Models
29	31555-90	TERMINAL CAP	95 to * -All Models
30	31556-91A	CLUTCH SUB-ASM.	95 to * -All Models
31	31599-91	FRAME, starter end	95 to * -All Models
32	31600-90	SPRING, return	95 to * -All Models
	31603-91	STARTER SOLENOID REPAIR KIT	95 to * -All Models
33	31661-90	SPRING, starter	95 to * -All Models
34	31663-90	CLUTCH, starter	95 to * -All Models
35	31688-90	COVER, solenoid	95 to * -All Models
36	31689-90	BOLT w/ washer (3)	95 to * -All Models
37	31693-90	CLIP, cord	95 to * -All Models
38	31695-90	O-RING, yoke (2)	95 to * -All Models
39	45995-73A	SCREW (2)	95 to * -All Models

TRANSMISSION GEARS

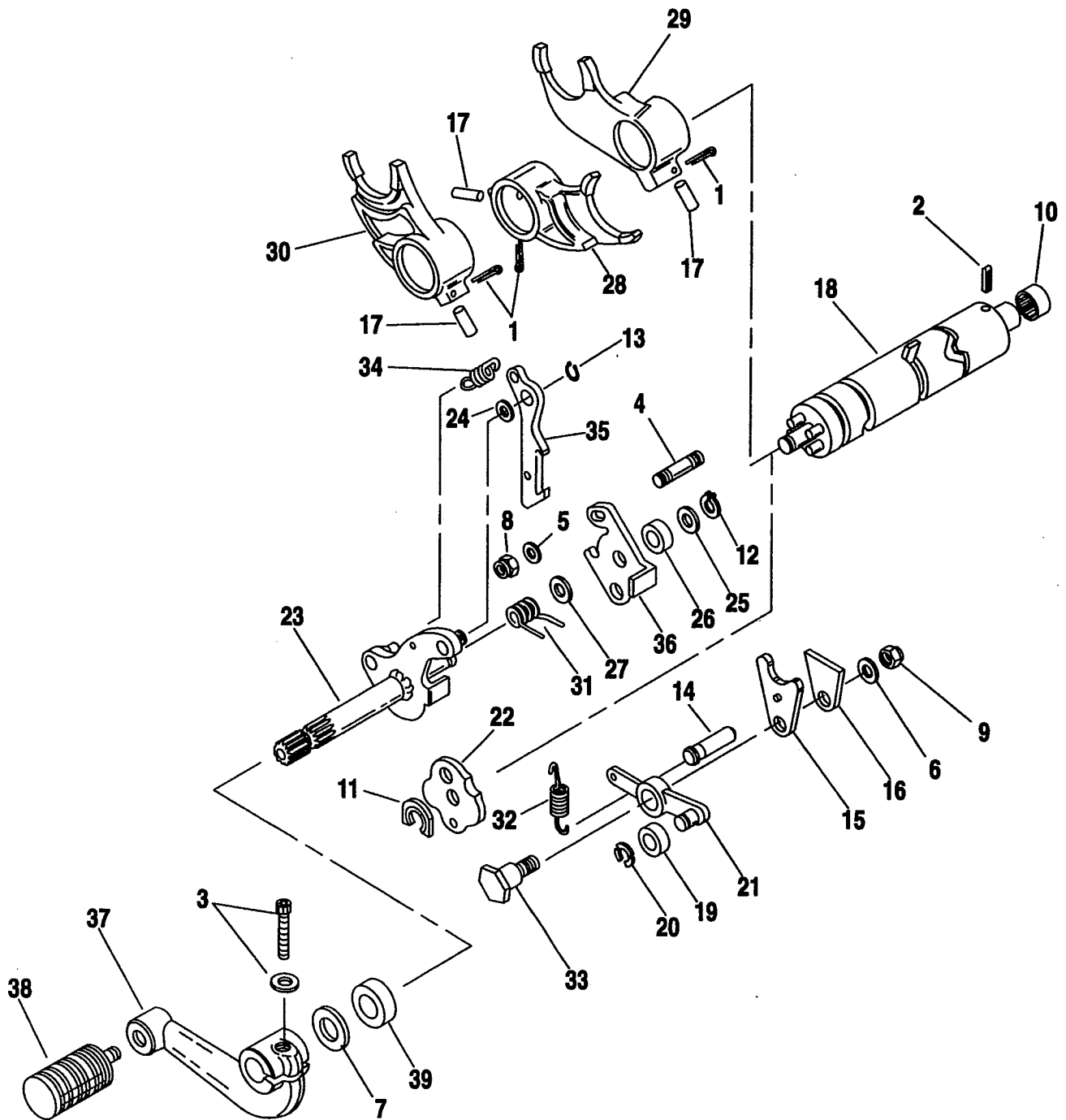


TRANSMISSION GEARS

XH13

INDEX NO.	PART NO.	DESCRIPTION	MODELS
1	3480A	SCREW, SEMS	95 to * -All Models
2	3594	SCREW (2)	95 to * -All Models
3	3675	SCREW	95 to * -All Models
4	4820A	SCREW, SEMS	95 to * -All Models
5	4826	SCREW, SEMS	95 to * -All Models
6	6003	THRUST WASHER (6)	95 to * -All Models
7	8876A	BEARING (4)	95 to * -All Models
8	8977	BEARING, closed end	95 to * -All Models
9	8996	BEARING, ball	95 to * -All Models
10	11067	RETAINING RING (7)	95 to * -All Models
11	11161	RETAINING RING	95 to * -All Models
12	11165	QUAD SEAL	95 to * -All Models
13	12030	OIL SEAL	95 to * -All Models
14	12067A	OIL SEAL	95 to * -All Models
15	33344-94	SPACER	95 to * -All Models
16	34911-91A	SPROCKET COVER	95 - STD/DLX/HUG/1200/S
	34932-96	SPROCKET COVER	96 to * -1200C
17	35020-89	RETAINER, countershaft	95 to * -All Models
18	35022-89A	SPACER	95 to * -All Models
19	35034-89A	GEAR ASM. w/#13 & 20, fifth-mainshaft	95 -All Models
	35034-94	GEAR ASM. w/#13 & 20, fifth-mainshaft	96 to * -All Models
20	35051-89	BEARING, needle (2)	95 to * -All Models
21	35063-89	SPACER	95 to * -All Models
22	35211-91A	NUT, sprocket	95 to * -All Models
23	35633-89A	GEAR, fifth-countershaft	95 -All Models
	35633-94	GEAR, fifth-countershaft	96 to * - All Models
24	35640-89	MAINSHAFT	95 to * -All Models
25	35641-89	COUNTERSHAFT	95 to * -All Models
26	35762-89A	GEAR, first-mainshaft	95 to * -All Models
27	35763-89A	GEAR, first-countershaft	95 to * -All Models
28	35771-89A	GEAR, second-mainshaft, third-countershaft(2)	95 -All Models
	35771-94	GEAR, second-mainshaft, third-countershaft(2)	96 to * - All Models
29	35772-89A	GEAR, third-mainshaft, second-countershaft(2)	95 -All Models
	35772-94	GEAR, third-mainshaft, second-countershaft(2)	96 to * - All Models
30	35773-89A	GEAR, fourth-mainshaft	95 -All Models
	35773-94	GEAR, fourth-mainshaft	96 to * - All Models
31	35775-89A	GEAR, fourth-countershaft	95 -All Models
	35775-94	GEAR, fourth-countershaft	96 to * - All Models
32	37495-91	NUT, mainshaft	95 to * -All Models
33	37870-91	SPRING WASHER	95 to * -All Models
34	40202-91B	SPROCKET KIT - 29T. (belt) w/# 2,14,15,16,22, & 35	95 to * -1200/C/S
	40205-95	SPROCKET - 29T. (belt)	95 to * -1200/C/S
	40285-91B	SPROCKET KIT - 27T. (belt) w/# 2,14,15,16,22, & 35	95 to * -883 Models
	40288-95	SPROCKET - 27T. (belt)	95 to * -883 Models
35	40251-92	RETENTION PLATE	95 to * -All Models
H-D INTERNATIONAL ONLY			
19	35034-94	GEAR ASM. w/#13 & 20, fifth-mainshaft (HDI except Japan, Swiss)	95 to * -All Models
23	35633-94	GEAR, fifth-countershaft (HDI except Japan, Swiss)	95 to * -All Models
28	35771-94	GEAR, second-mainshaft, third-countershaft (HDI except Japan, Swiss)	95 to * -All Models
		(2)	
29	35772-94	GEAR, third-mainshaft, second-countershaft (HDI except Japan, Swiss)	95 to * -All Models
		(2)	
30	35773-94	GEAR, fourth-mainshaft (HDI except Japan, Swiss)	95 to * -All Models
31	35775-94	GEAR, fourth-countershaft (HDI except Japan, Swiss)	95 to * -All Models

SHIFTER

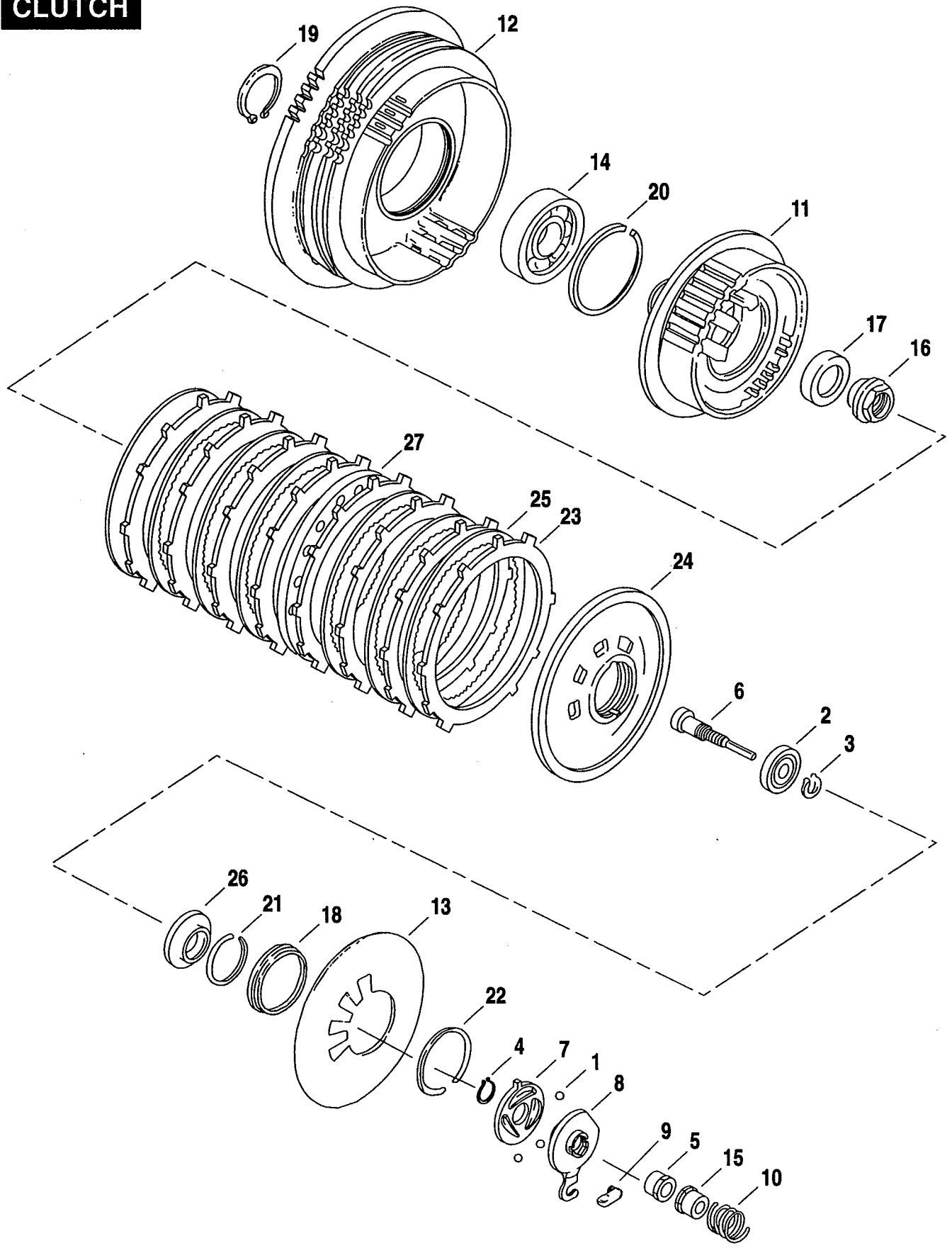


SHIFTER

XH14

INDEX NO.	PART NO.	DESCRIPTION	MODELS
1	518	COTTER PIN (3)	95 to * -All Models
2	601	ROLL PIN	95 to * -All Models
3	4741A	SCREW w/ washer	95 to * -All Models
4	5226A	STUD (2)	95 to * -All Models
5	6016	WASHER (2)	95 to * -All Models
6	6099	WASHER (3)	95 to * -All Models
7	7019	WASHER (rubber)	95 to * -All Models
8	7683	NUT (2)	95 to * -All Models
9	7710W	LOCKNUT, detent arm	95 to * -All Models
10	9151	BEARING, closed end	95 to * -All Models
11	11019	RETAINING RING	95 to * -All Models
12	11031	RETAINING RING	95 to * -All Models
13	11185	RETAINING RING	95 to * -All Models
14	24530-90	PIN, spring	95 to * -All Models
15	33178-90A	PLATE, shift drum	95 to * -All Models
16	33204-91	PLATE, shift drum	95 to * -All Models
17	33319-90	ROLLER (3)	95 to * -All Models
18	33634-91	SHIFTER DRUM ASM., w/#2	95 to * -All Models
19	33652-90	ROLLER, detent	95 to * -All Models
20	33653-90	RETAINING RING	95 to * -All Models
21	33655-90	DETENT ARM	95 to * -All Models
22	33656-90	PLATE, detent	95 to * -All Models
23	34015-91	SHIFTER SHAFT	95 to * -All Models
24	34073-91	SPACER, pawl	95 to * -All Models
25	34075-89	WASHER	95 to * -All Models
26	34076-89	BUSHING	95 to * -All Models
27	34077-91	WASHER	95 to * -All Models
28	34142-89C	SHIFTER FORK, first & second	95 to * -All Models
29	34144-89C	SHIFTER FORK, third & fifth	95 to * -All Models
30	34147-89C	SHIFTER FORK, fourth	95 to * -All Models
31	34481-91A	SPRING	95 to * -All Models
32	34483-90	SPRING	95 to * -All Models
33	34486-90	SCREW, detent arm	95 to * -All Models
34	34491-91	SPRING	95 to * -All Models
35	34492-91	SHIFTER PAWL	95 to * -All Models
36	34560-91	BASEPLATE	95 to * -All Models
37	34606-90	SHIFT LEVER, foot	95 to * -STD/DLX/HUG/1200/S
	34615-94	SHIFT LEVER, foot (chrome)	96 to * -1200C
38	34611-65	SHIFTER PEG	95 to * -All Models
39	37101-84	OIL SEAL	95 to * -All Models

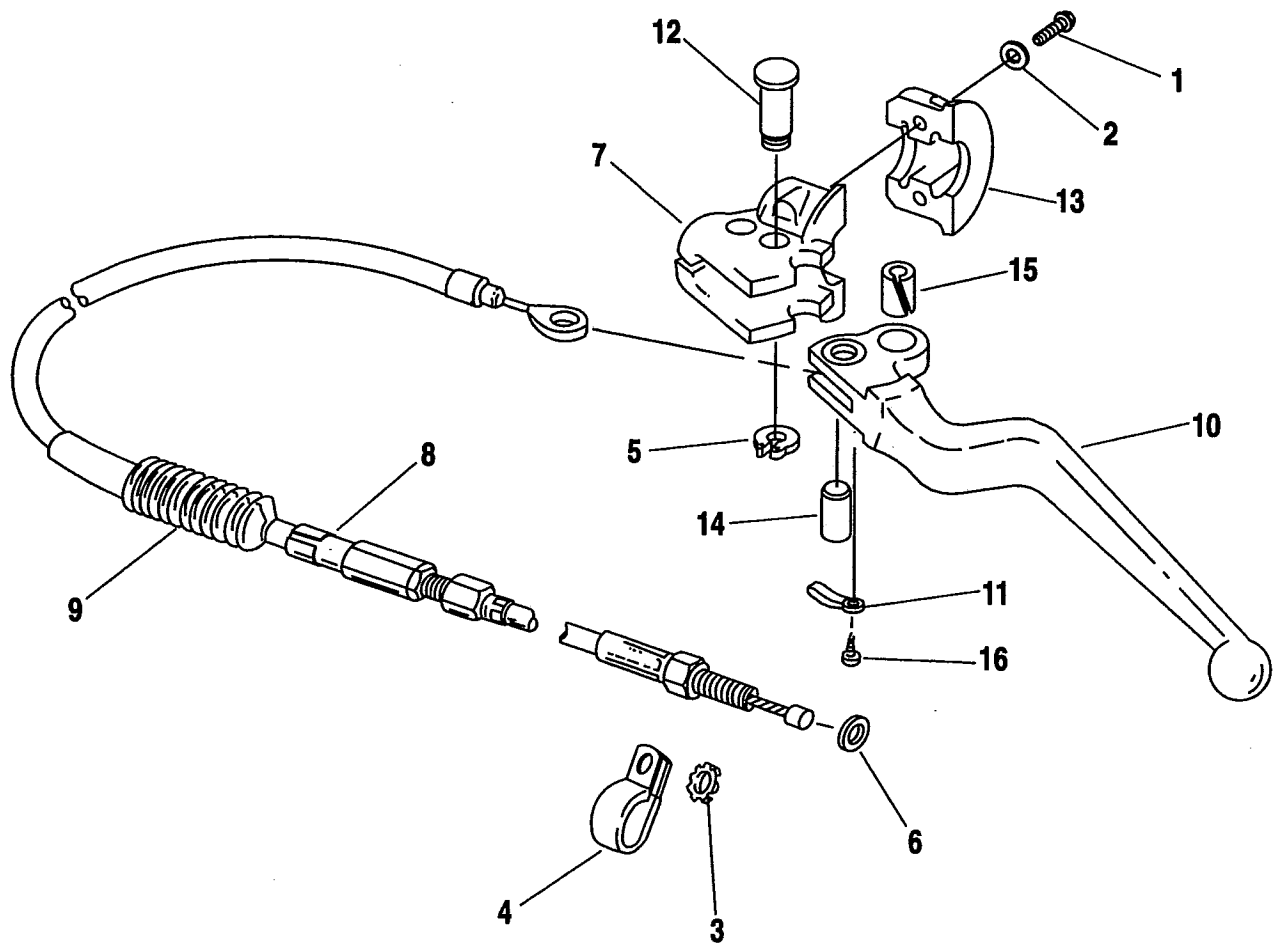
CLUTCH



CLUTCH**XH15**

INDEX NO.	PART NO.	DESCRIPTION	MODELS
1	8873	BALL (3)	95 to * -All Models
2	8885	BEARING	95 to * -All Models
3	11046	RETAINING RING	95 to * -All Models
4	11250	RETAINING RING	95 to * -All Models
5	11730A	WELL NUT	95 to * -All Models
6	11752	ADJUSTMENT SCREW	95 to * -All Models
7	25453-87A	RAMP, inner	95 to * -All Models
8	25409-94	RAMP, outer	95 to * -All Models
9	34920-86	COUPLING, clutch cable	95 to * -All Models
10	36715-94	SPRING, clutch adjustment	95 to * -All Models
11	36785-91	CLUTCH HUB	95 to * -All Models
12	36790-91	CLUTCH SHELL & SPROCKET w/#14 & 20	95 to * -All Models
13	36792-91	SPRING, diaphragm	95 to * -All Models
14	36799-91	BALL BEARING	95 to * -All Models
15	36802-84B	LOCKPLATE, well type	95 to * -All Models
16	37495-91	NUT, main shaft	95 to * -All Models
17	37870-91	SPRING WASHER	95 to * -All Models
18	37872-90	SEAT, spring - inner	95 to * -All Models
19	37904-90	RETAINING RING	95 to * -All Models
20	37905-90	RETAINING RING	95 to * -All Models
21	37908-90	RETAINING RING	95 to * -All Models
22	37909-90	RETAINING RING	95 to * -All Models
23	37911-90	FRICTION PLATE (paper)(8)	95 to * -All Models
24	37912-91	PRESSURE PLATE	95 to * -All Models
25	37913-90	STEEL PLATE (6)	95 to * -All Models
26	37918-91	RELEASE PLATE	95 to * -All Models
27	37977-90	SPRING PLATE	95 to * -All Models

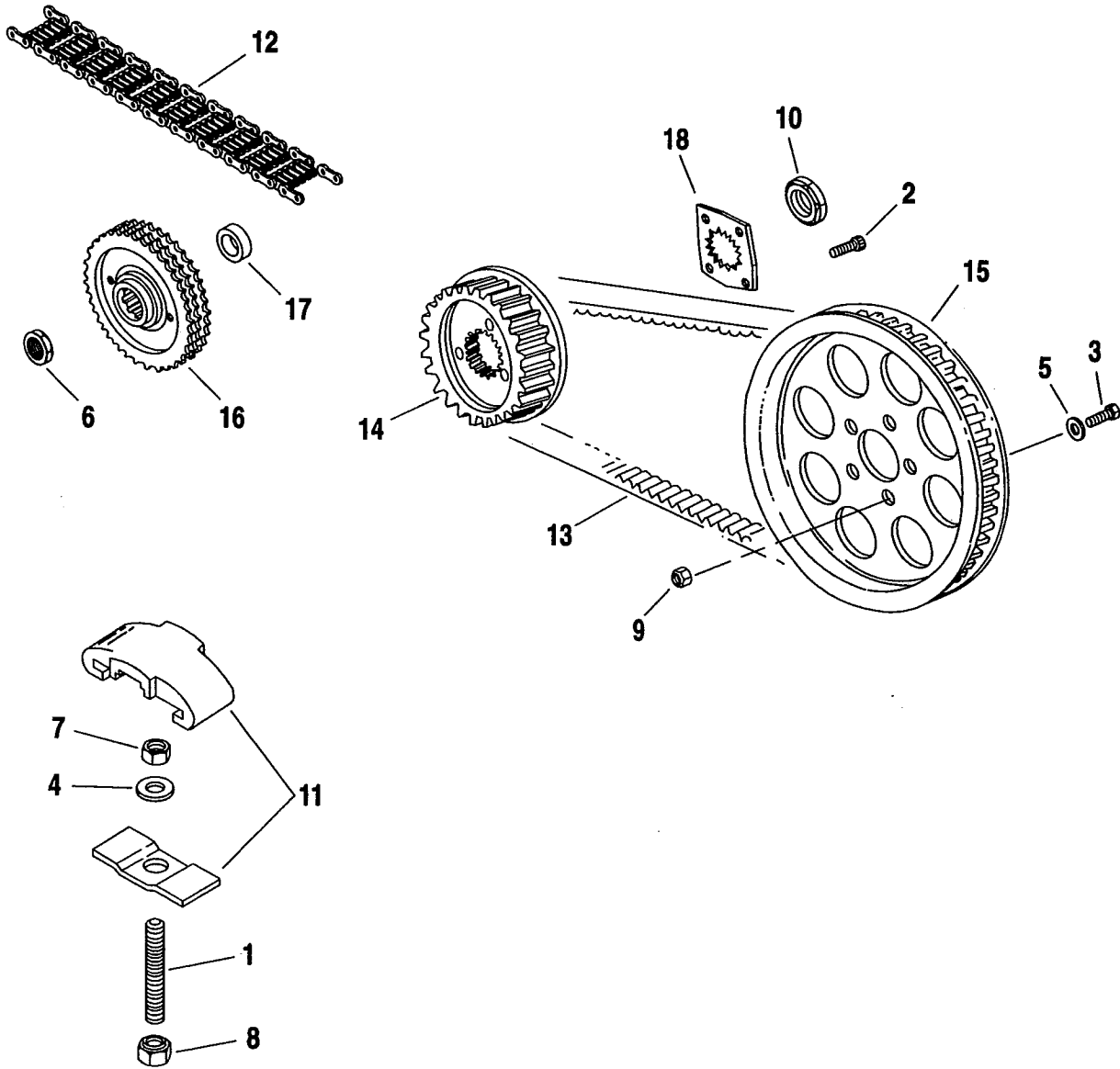
CLUTCH CONTROL



CLUTCH CONTROL**XH16**

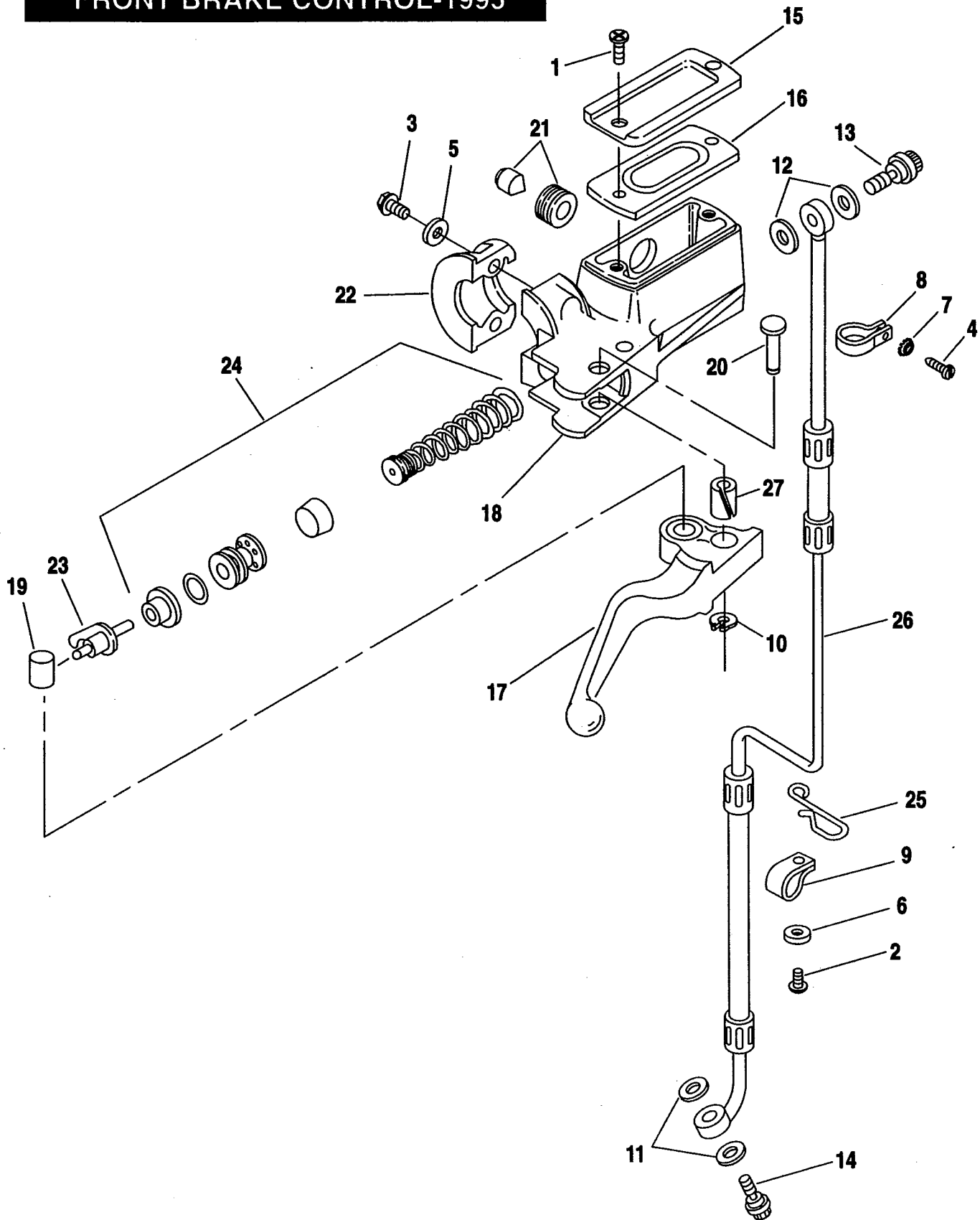
INDEX NO.	PART NO.	DESCRIPTION	MODELS
1	4015	SCREW (2)	95 -All Models
	4132	SCREW (2)	96 to * -All Models
2	6099	WASHER (2)	95 -All Models
	6101	WASHER (2)	96 to * -All Models
3	7145W	LOCKWASHER	95 to * -All Models
4	10123	CLIP	95 to * -All Models
5	11143	RETAINING RING	95 to * -All Models
6	11179	O-RING	95 to * -All Models
7	38608-82B	BRACKET, clutch lever	95 -All Models
	38608-96	BRACKET, clutch lever	96 to * -All Models
8	38619-86A	CABLE ASSEMBLY w/#9 & 14	95 to * -STD/1200S
	38621-86A	CABLE ASSEMBLY w/#9 & 14	95 -DLX/HUG/1200
	38620-96	CABLE ASSEMBLY w/#9 & 14	96 to * -HUG/1200/C
9	38630-88	BOOT, clutch cable	95 to * -All Models
10	45017-93	HAND LEVER w/#11, 15, & 16	95 to * -All Models
11	45021-86	SPRING, anti-rattle	95 to * -All Models
12	45032-82	PIVOT PIN	95 to * -All Models
13	45044-82	CLAMP, clutch control	95 -All Models
	45044-96	CLAMP, clutch control	96 to * -All Models
14	45036-88	PIN, clutch cable	95 to * -All Models
15	45423-92	BUSHING	95 to * -All Models
16	90770-79	SCREW, spring - clutch lever	95 to * -All Models

BELTS AND SPROCKETS



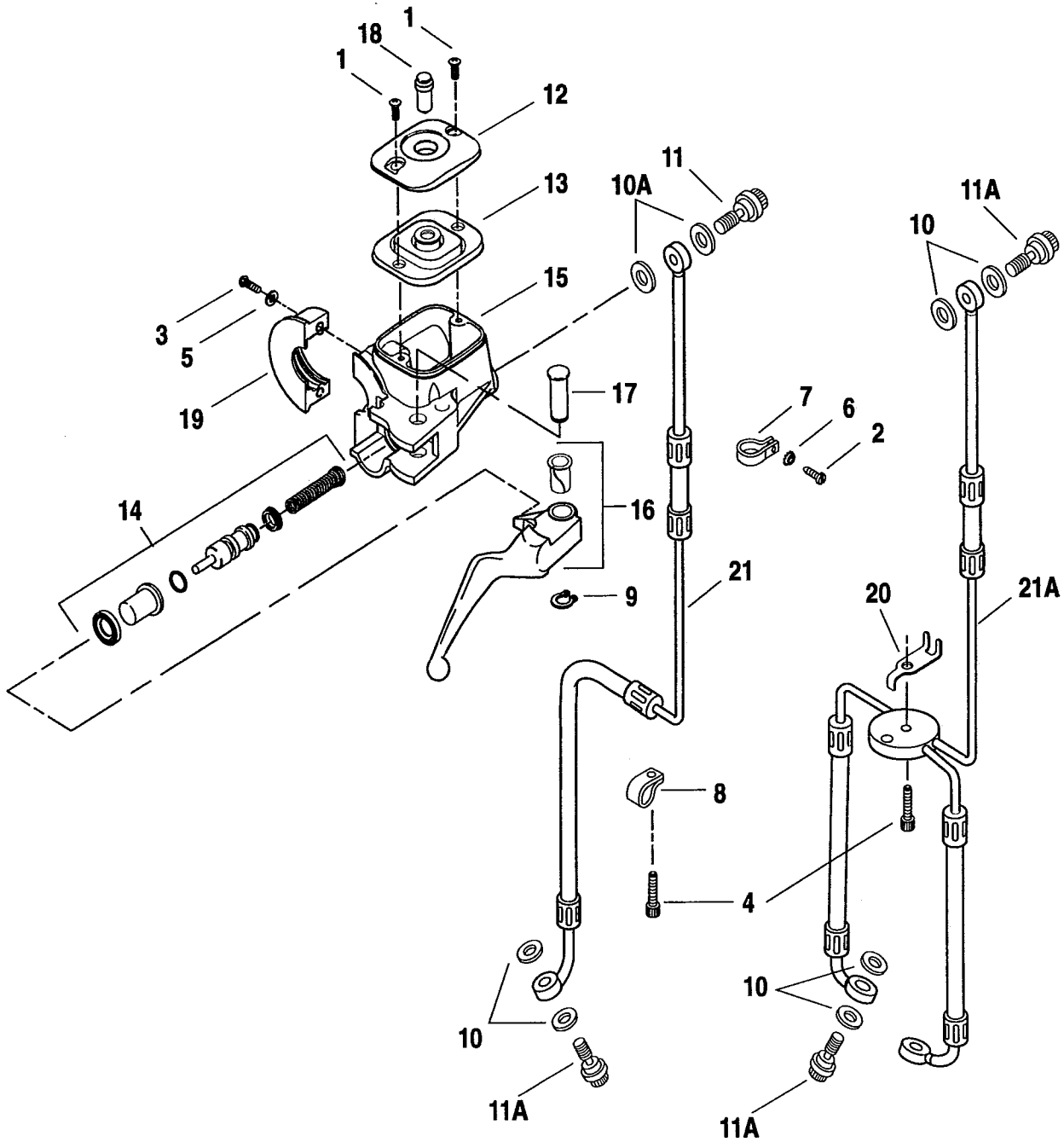
INDEX NO.	PART NO.	DESCRIPTION	MODELS
1	3242A	SCREW, adjuster	95 to * -All Models
2	3594	SCREW (2)	95 to * -All Models
3	3769	BOLT (5)	95 to * -All Models
4	5784	SPACER	95 to * -All Models
5	6516HW	WASHER (5)	95 to * -All Models
6	7839	NUT, engine sprocket	95 to * -All Models
7	7667	LOCKNUT	95 to * -All Models
8	7804	NUT, sealing	95 to * -All Models
9	7827W	LOCKNUT, laced wheel (5)	95 to * -All Models
10	35211-91A	NUT, transmission sprocket	95 to * -All Models
11	39970-91	SHOE ASM.	95 to * -All Models
12	40005-57	PRIMARY CHAIN	95 to * -All Models
13	40022-91	BELT - 128T.	95 to * -All Models
14	40202-91B	SPROCKET KIT, transmission - 29T (belt) w/#2, 10, 18, seal and spacer	95 to * -1200/C/S
	40285-91B	SPROCKET KIT, transmission - 27T (belt) w/#2, 10, 18, seal and spacer	95 to * -883 Models
	40205-95	SPROCKET, transmission - 29T	95 to * -1200/C/S
	40288-95	SPROCKET, transmission - 27T	95 to * -883 Models
15	40213-91	SPROCKET, rear wheel - 61T (belt) (black)	95 to * -All Models
	40227-93	SPROCKET, rear wheel - 61T (belt)(silver)	95 to * -STD / HUG
16	40235-89	ENGINE SPROCKET - 35T	95 to * -All Models
17	40240-89	SPACER, sprocket	95 to * -All Models
18	40251-92	LOCK PLATE	95 to * -All Models
H-D INTERNATIONAL ONLY			
13	40022-91	BELT - 128T.	95 to * -883 Models
	40038-91	BELT - 125T (Swiss)	95 to * -All Models
15	40252-91	SPROCKET, rear wheel - 55T (belt)(883 Swiss;1200 HDI)(black)	95 to * -All Models

FRONT BRAKE CONTROL-1995



INDEX NO.	PART NO.	DESCRIPTION	MODELS
1	2579A	SCREW (2)	95 -All Models
2	3444A	SCREW	95 -All Models
3	4015	SCREW (2)	95 -All Models
4	4104	SCREW	95 -All Models
5	6099	WASHER (2)	95 -All Models
6	6703	WASHER	95 -All Models
7	7220	LOCKWASHER	95 -All Models
8	10031	CLAMP	95 -All Models
9	10053	CLAMP	95 -All Models
10	11143	RETAINING RING, external	95 -All Models
11	41731-88A	GASKET, caliper (2)	95 -All Models
12	41733-88	GASKET, master cylinder (2)	95 -All Models
13	41739-84A	BOLT, master cylinder	95 -All Models
14	41747-82A	BOLT, caliper	95 -All Models
15	45004-85	COVER, master cylinder	95 -All Models
16	45005-85	GASKET, master cylinder cover	95 -All Models
17	45016-93	HAND LEVER w/#27	95 -All Models
18	45019-93	MASTER CYLINDER ASSEMBLY, with hand lever	95 -All Models
19	45031-82A	PIN, stoplight switch & push rod	95 -All Models
20	45032-82	PIN, handlever	95 -All Models
21	45042-82	FLUID LEVEL WINDOW KIT	95 -All Models
22	45044-82	CLAMP, master cylinder	95 -All Models
23	45051-82	PUSH ROD, stoplight switch & master cylinder	95 -All Models
24	45072-87	REPAIR KIT, master cylinder	95 -All Models
25	45092-66A	CLAMP, clutch & speedometer cables	95 -All Models
26	45121-88B	BRAKE LINE, front	95 -DLX/HUG/1200
	45143-88B	BRAKE LINE, front	95 -STD
27	45423-92	BUSHING, pivot pin	95 -All Models

FRONT BRAKE CONTROL -1996

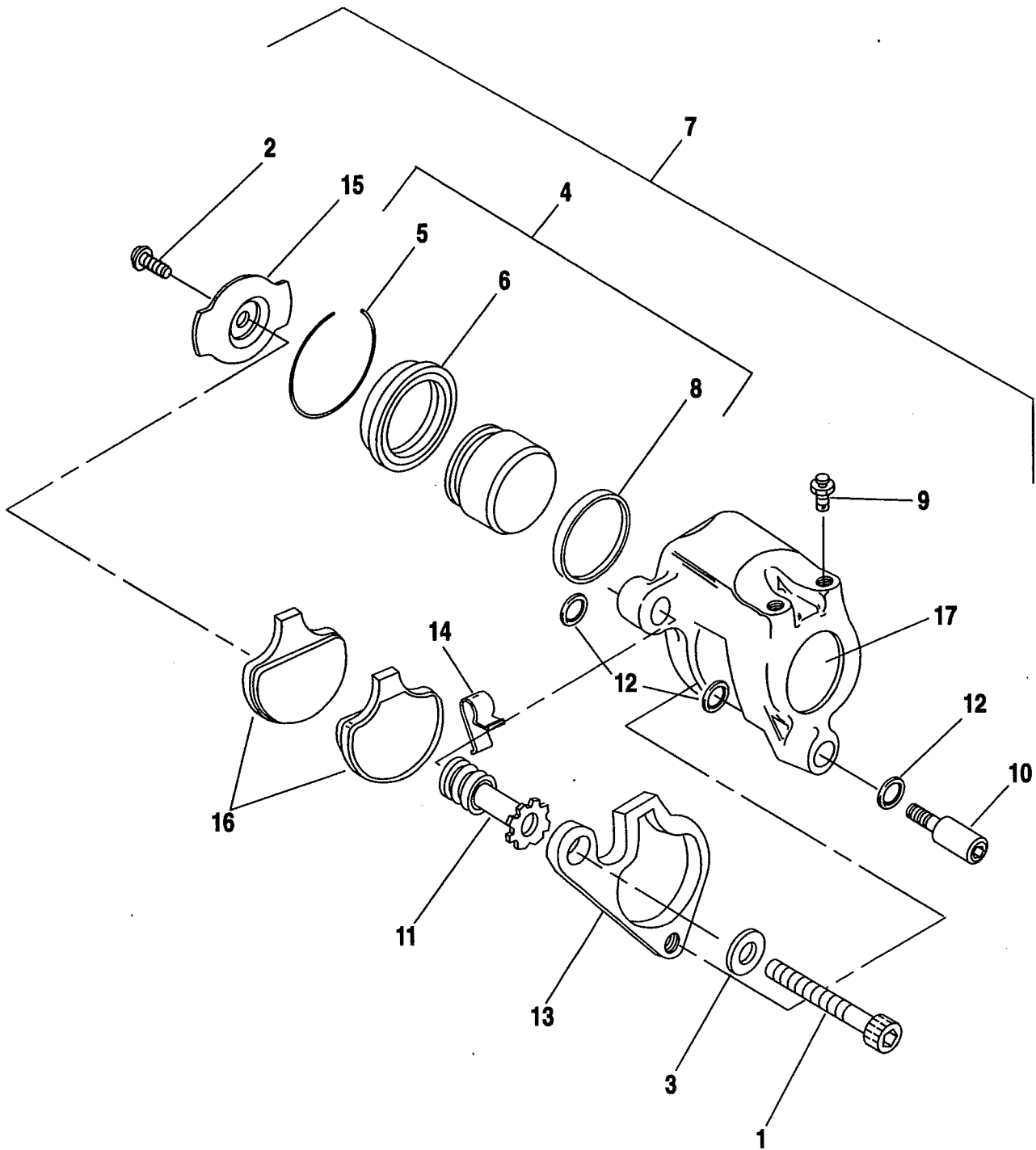


FRONT BRAKE CONTROL - 1996

XH18A

INDEX NO.	PART NO.	DESCRIPTION	MODELS
1	2579A	SCREW (2)	96 to * -All Models
2	4104	SCREW	96 to * -All Models
3	4132	SCREW (2)	96 to * -All Models
4	4741A	SCREW	96 to * -All Models
5	6101	WASHER (2)	96 to * -All Models
6	7220	LOCKWASHER	96 to * -All Models
7	10031	CLAMP	96 to * -All Models
8	10053	CLAMP	96 to * -STD/HUG/1200/C
9	11143	RETAINING RING, external	96 to * -All Models
10	41731-88A	GASKET, brake line (2; 6 - 1200S)	96 to * -All Models
10A	41733-88	GASKET, master cylinder top (2)	96 to * -STD/HUG/1200/C
11	41739-84A	BOLT, master cylinder top	96 to * -STD/HUG/1200/C
11A	41747-82A	BOLT, brake line (3 - 1200S)	96 to * -All Models
12	45004-96	COVER, master cylinder	96 to * -All Models
13	45005-96	GASKET, master cylinder cover	96 to * -All Models
14	45006-96	REPAIR KIT, master cylinder	96 to * -STD/HUG/1200/C
	45072-96	REPAIR KIT, master cylinder	96 to * -1200S
15	45013-96	MASTER CYLINDER ASSEMBLY	96 to * -1200S
	45019-96	MASTER CYLINDER ASSEMBLY	96 to * -STD/HUG/1200/C
16	45016-96	LEVER ASSEMBLY, brake	96 to * -All Models
17	45032-82	PIN, hand lever	96 to * -All Models
18	45042-96	SIGHT GLASS	96 to * -All Models
19	45044-96	CLAMP, master cylinder	96 to * -All Models
20	45074-95	GUIDE, anti rotation	96 to * -1200S
21	45084-96	BRAKE LINE, front	96 to * -1200C
	45121-96	BRAKE LINE, front	96 to * -HUG/1200
	45143-88B	BRAKE LINE, front	96 to * -STD
21A	45148-96	BRAKE LINE, front	96 to * -1200S

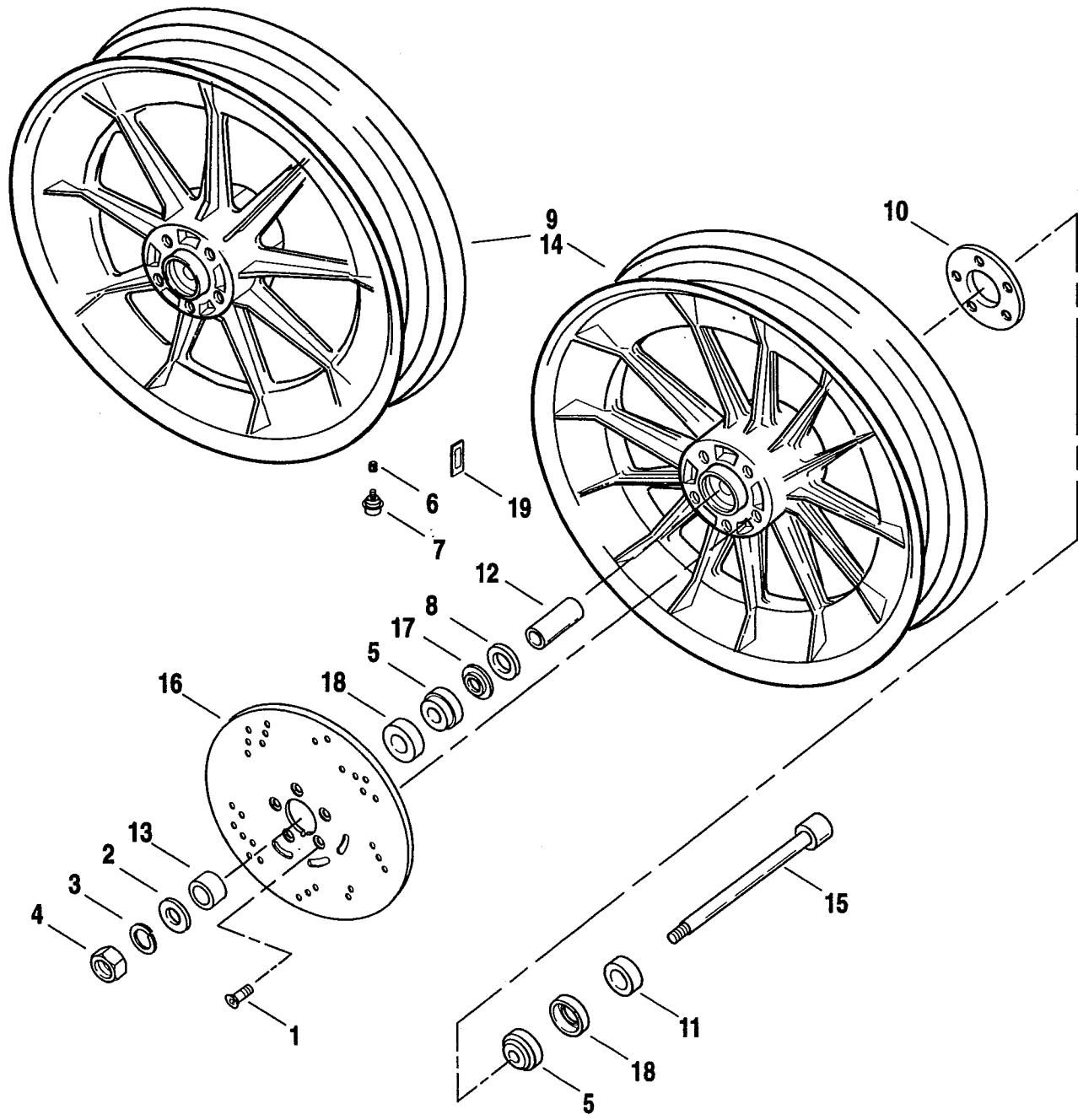
FRONT BRAKE CALIPER



FRONT BRAKE CALIPER**XH19**

INDEX NO.	PART NO.	DESCRIPTION	MODELS
1	855B	SCREW (2 - 1200S)	95 to * -All Models
2	3562	SCREW (2 - 1200S)	95 to * -All Models
3	6019	WASHER (2 - 1200S)	95 to * -All Models
4	44020-83	PISTON REBUILD KIT, w/#5, 6, & 8 (2 - 1200S)	95 to * -All Models
5	44021-83	RETAINING RING, piston (2 - 1200S)	95 to * -All Models
6	44022-83	DUST BOOT, piston (2 - 1200S)	95 to * -All Models
7	44046-84C	CALIPER ASSEMBLY, left	95 to * -All Models
	44023-83C	CALIPER ASSEMBLY, right	96 to * -1200S
8	44047-83	SEAL, piston (2 - 1200S)	95 to * -All Models
9	44048-83	BLEEDER FITTING (2 - 1200S)	95 to * -All Models
10	44053-92A	GUIDE PIN KIT, w/ #11, 12, & pins (2 - 1200S)	95 to * -All Models
11	44054-83	PIN BOOT (2 - 1200S)	95 to * -All Models
12	44059-83	O-RING (3) (2 - 1200S)	95 to * -All Models
13	44072-92A	BRACKET, caliper mounting left	95 to * -All Models
	44073-92A	BRACKET, caliper mounting right	96 to * -1200S
14	44061-83	SPRING CLIP (2 - 1200S)	95 to * -All Models
15	44062-83	RETAINING PAD (2 - 1200S)	95 to * -All Models
16	44063-83C	PAD SET, w/#2 (2 - 1200S)	95 to * -All Models
17	44197-77	LABEL (2 - 1200S)	95 to * -All Models

FRONT WHEEL - CAST

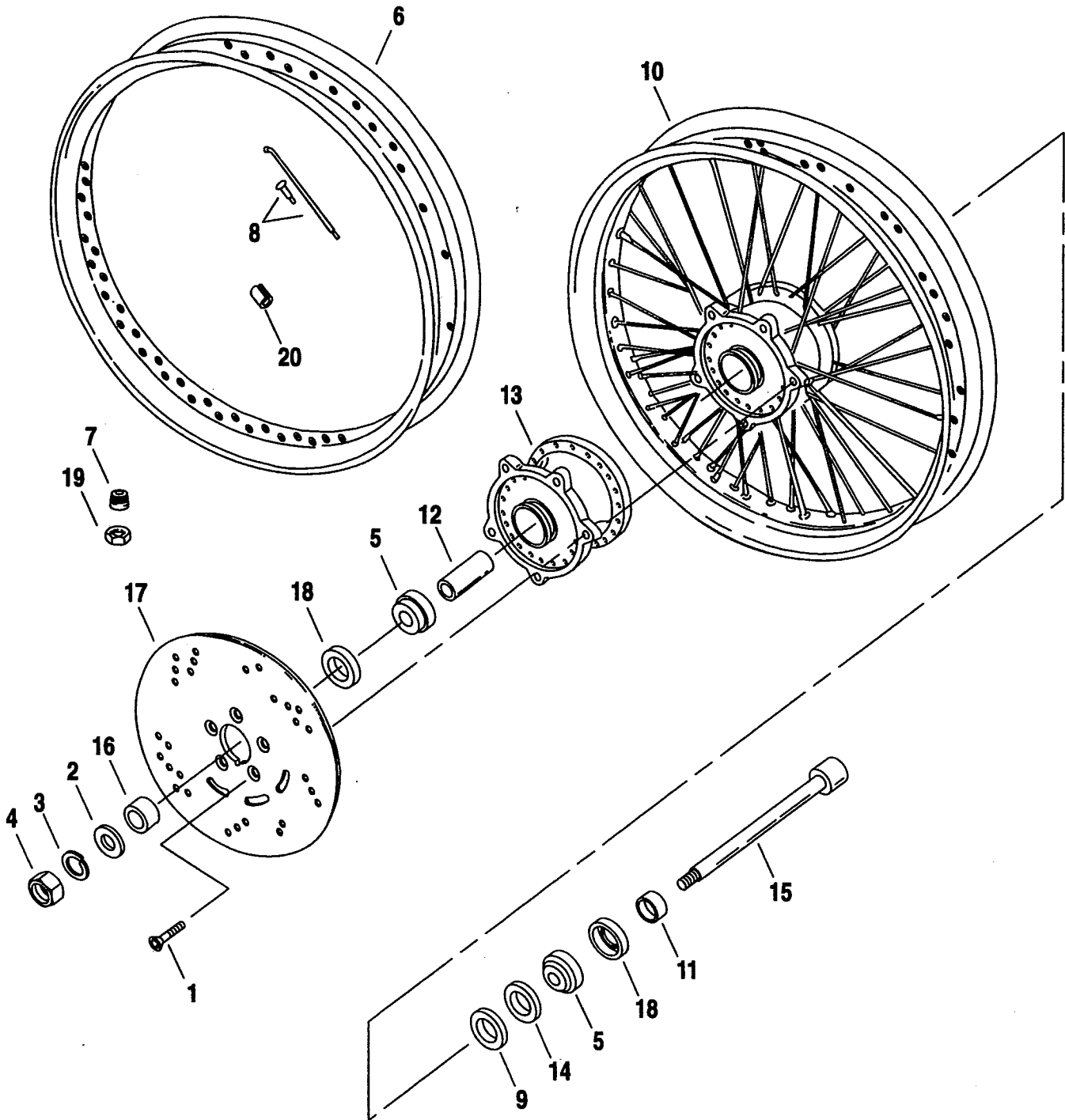


FRONT WHEEL - CAST

XH20

INDEX NO.	PART NO.	DESCRIPTION	MODELS
1	3655	SCREW (10)	95 to * -All Models
2	6590HW	WASHER	95 to * -All Models
3	7068	LOCKWASHER	95 to * -All Models
4	7845	NUT	95 to * -All Models
5	9052	ROLLER BEARING (2)	95 to * -All Models
6	41123-79	VALVE CAP	95 to * -All Models
7	43150-83	VALVE STEM, tubeless tire	95 to * -All Models
8	43290-82	SPACER - 0.032 thk.	95 to * -All Models
	43291-82	SPACER - 0.016 thk.	95 to * -All Models
	43292-82	SPACER - 0.008 thk.	95 to * -All Models
	43293-82	SPACER - 0.004 thk.	95 to * -All Models
	43294-82	SPACER - 0.002 thk.	95 to * -All Models
9	43338-83	WHEEL ASSEMBLY, 19" (9 spoke)(silver)	95 -883 Models
	43338-96	WHEEL ASSEMBLY, 19" (13 spoke)(silver)	96 to * -STD/HUG/1200S
10	43355-84	HUB PLATE (black)	95 to * -1200
	43359-84	HUB PLATE (silver)	95 to * -883 Models
11	43358-83A	SPACER, bearing	95 to * -All Models
12	43613-92	SPACER, hub	95 to * -All Models
13	43617-95	SPACER	95 to * -All Models
14	43626-84	WHEEL ASSEMBLY, 19" (9 spoke)(black)	95 -1200
	43626-96	WHEEL ASSEMBLY, 19" (13 spoke)(black)	96 to * -1200
15	43895-87	FRONT AXLE	95 to * -All Models
16	44136-92	DISC, brake	95 to * -All Models
17	43650-82	SPACER WASHER	95 to * -All Models
18	47519-83A	OIL SEAL (2)	95 to * -All Models
19	95594-84	WHEEL WEIGHT, 1/4 oz. (black)	95 to * -1200
	95595-84	WHEEL WEIGHT, 1/4 oz. (silver)	95 to * -883 Models

FRONT WHEEL - LACED

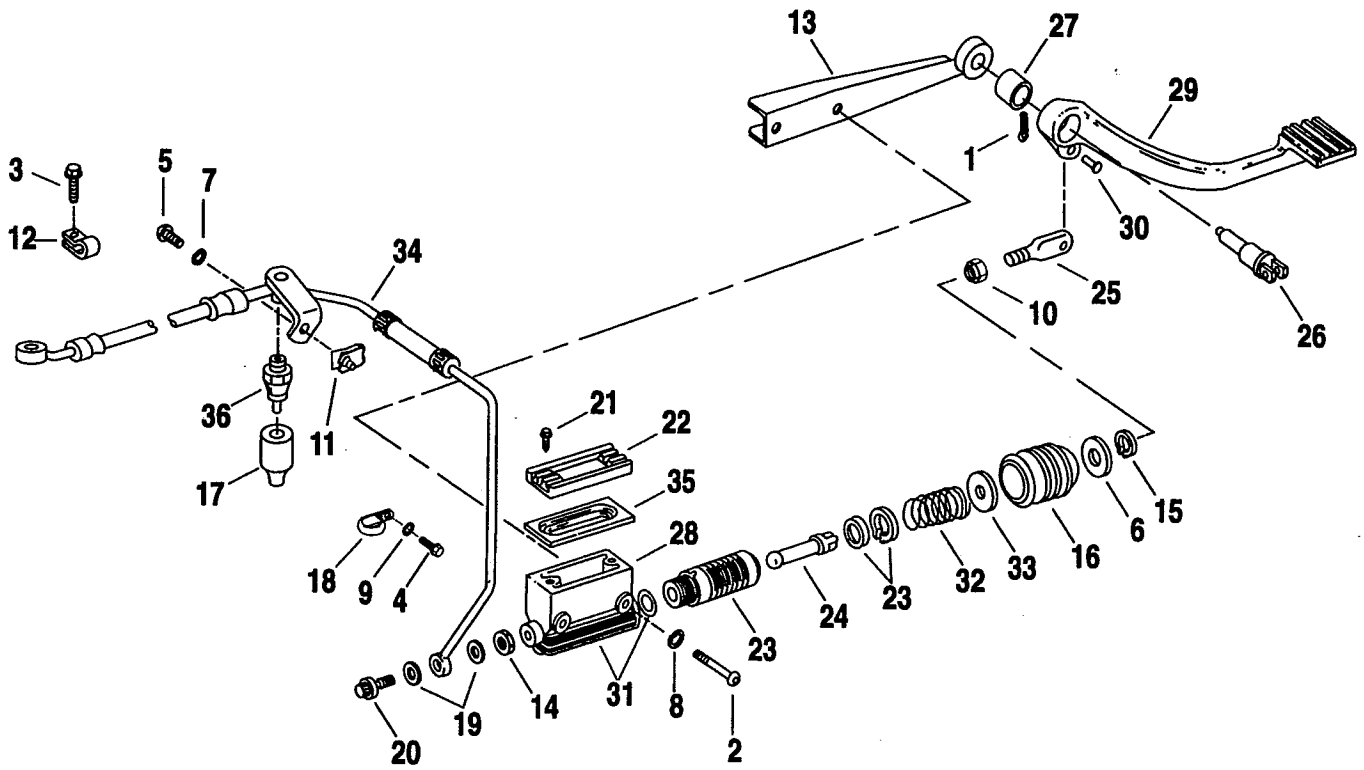


FRONT WHEEL - LACED

XH20A

INDEX NO.	PART NO.	DESCRIPTION	MODELS
1	3655	SCREW (5)	95 to * -All Models
2	6590HW	WASHER	95 to * -All Models
3	7068	LOCKWASHER	95 to * -All Models
4	7845	NUT	95 to * -All Models
5	9052	ROLLER BEARING (2)	95 to * -All Models
6	43001-79	RIM, 19" chrome	95 -All Models 96 to * -STD/HUG/1200
	43662-80B	RIM, 21" chrome	96 to * -1200C
7	41123-79	VALVE CAP	95 to * -All Models
8	43024-73B	SPOKE AND NIPPLE, 19" rim - short (20)	95 -All Models 96 to * -STD/HUG/1200
	43025-73B	SPOKE AND NIPPLE, 19" rim - long (20)	95 -All Models 96 to * -STD/HUG/1200
	43020-87	SPOKE AND NIPPLE, 21" rim - short (20)	96 to * -1200C
	43035-87	SPOKE AND NIPPLE, 21" rim - long (20)	96 to * -1200C
9	43290-82	SPACER - 0.032 thk.	95 to * -All Models
	43291-82	SPACER - 0.016 thk.	95 to * -All Models
	43292-82	SPACER - 0.008 thk.	95 to * -All Models
	43293-82	SPACER - 0.004 thk.	95 to * -All Models
	43294-82	SPACER - 0.002 thk.	95 to * -All Models
10	43312-84	WHEEL ASSEMBLY, 19"	95 -All Models 96 to * -STD/HUG/1200
	43557-87	WHEEL ASSEMBLY, 21"	96 to * -1200C
11	43358-83A	SPACER, left bearing	95 to * -All Models
12	43613-92	SPACER, hub	95 to * -All Models
13	43619-84	WHEEL HUB ASSEMBLY	95 to * -All Models 96 to * -STD/HUG/1200
	43610-87	WHEEL HUB ASSEMBLY	96 to * -1200C
14	43650-82	SPACER WASHER	95 to * -All Models
15	43895-87	FRONT AXLE	95 to * -All Models
16	43617-95	SPACER	95 to * -All Models
17	44136-92	DISC, brake	95 -All Models 96 to * -STD/HUG/1200/S
	44138-95	DISC, brake	96 to * -1200C
18	47519-83A	SEAL (2)	95 to * -All Models
19	54321-85	NUT, valve stem	95 to * -All Models
20	95578-41	WHEEL WEIGHT, 1/2 oz.	95 to * -All Models
	95581-47	WHEEL WEIGHT, 3/4 oz.	95 to * -All Models
	95582-47	WHEEL WEIGHT, 1 oz.	95 to * -All Models

REAR BRAKE CONTROL

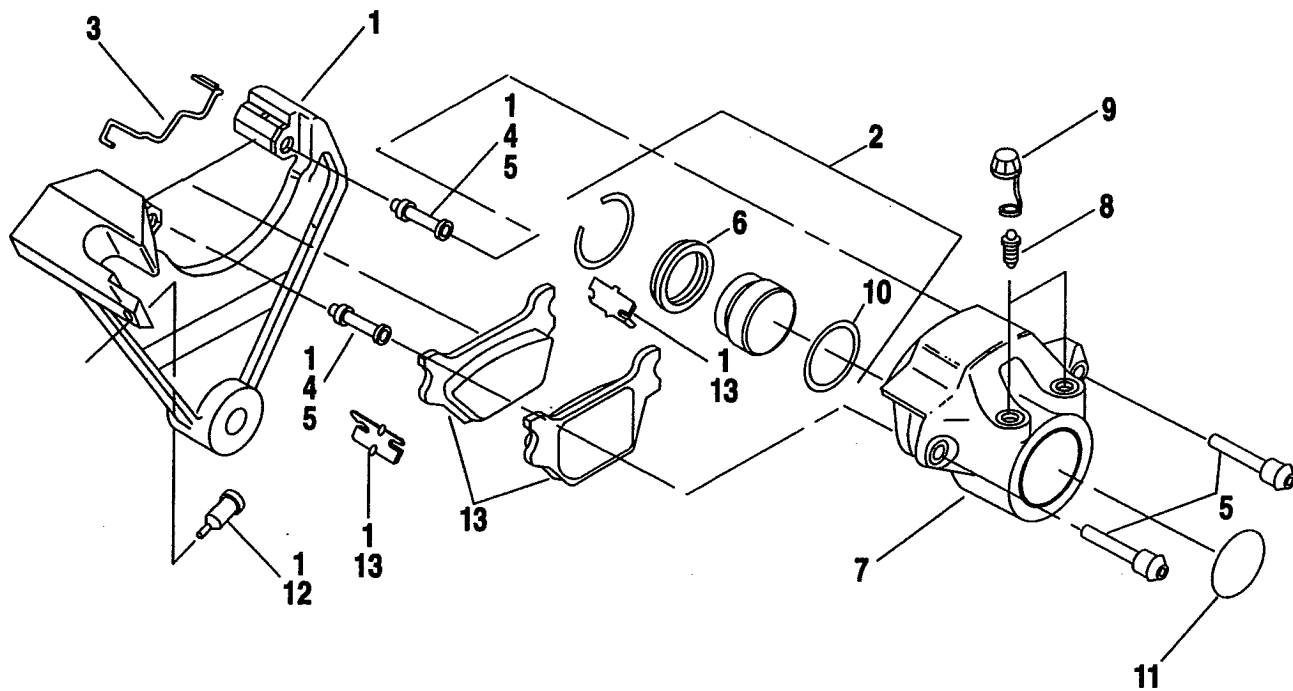


REAR BRAKE CONTROL

XH21

INDEX NO.	PART NO.	DESCRIPTION	MODELS
1	515	COTTER PIN	95 to * -All Models
2	853A	SCREW (2)	95 to * -All Models
3	2523	SCREW (2)	95 to * -All Models
4	4104	SCREW	95 to * -All Models
5	4128	SCREW	95 to * -All Models
	3201WA	SCREW	L 95 to * -All Models
6	6366	WASHER	95 to * -All Models
7	7041	LOCKWASHER	95 to * -All Models
	6702	WASHER	L96 to * -All Models
8	7042	LOCKWASHER (2)	95 to * -All Models
9	7220	LOCKWASHER	95 to * -All Models
10	7744	JAM NUT	95 to * -All Models
11	8144	CLIPNUT	L95 to * -All Models
12	10031	CLAMP (2)	95 to * -All Models
13	34909-90	STIFFENER, master cylinder	95 to * -All Models
	34933-96	STIFFENER, master cylinder	96 to * -1200C
14	35078-79	LOCKNUT	95 to * -All Models
15	40903-87	RETAINING RING	95 to * -All Models
16	40922-87	BOOT, push rod	95 to * -All Models
17	41642-82	BOOT, brake switch	95 to * -All Models
18	41713-86	CLAMP	95 to * -All Models
19	41731-88A	GASKET (4)	95 to * -All Models
20	41747-82A	BOLT (2)	95 to * -All Models
21	42375-87	BOLT (2)	95 to * -All Models
22	42381-87	COVER, master cylinder (2)	95 to * -All Models
23	42382-87A	REPAIR KIT, master cylinder	95 to * -All Models
24	42436-87	PUSH ROD	95 to * -All Models
25	42437-87	ROD END	95 to * -All Models
26	42441-90A	CLEVIS, footrest mounting	95 to * -All Models
27	42443-80A	BUSHING	95 to * -All Models
28	42456-87B	MASTER CYLINDER	95 to * -All Models
29	42459-87A	PEDAL ASSEMBLY w/#1, 25, 27 & 30	95 -All Models
	42447-96	PEDAL ASSEMBLY w/#1, 25, 27 & 30	96 to * -All Models
30	42460-80B	CLEVIS PIN	95 to * -All Models
31	42472-87	REPAIR KIT, master cylinder body	95 to * -All Models
32	42479-90	SPRING	95 to * -All Models
33	44126-87	RETAINER, spring	95 to * -All Models
34	44438-87B	HOSE, rear brake	95 to * -All Models
35	45005-85	GASKET, master cylinder cover	95 to * -All Models
	45042-82	REPAIR KIT, sight glass	95 to * -All Models
36	72023-51B	STOPLIGHT SWITCH	95 to * -All Models

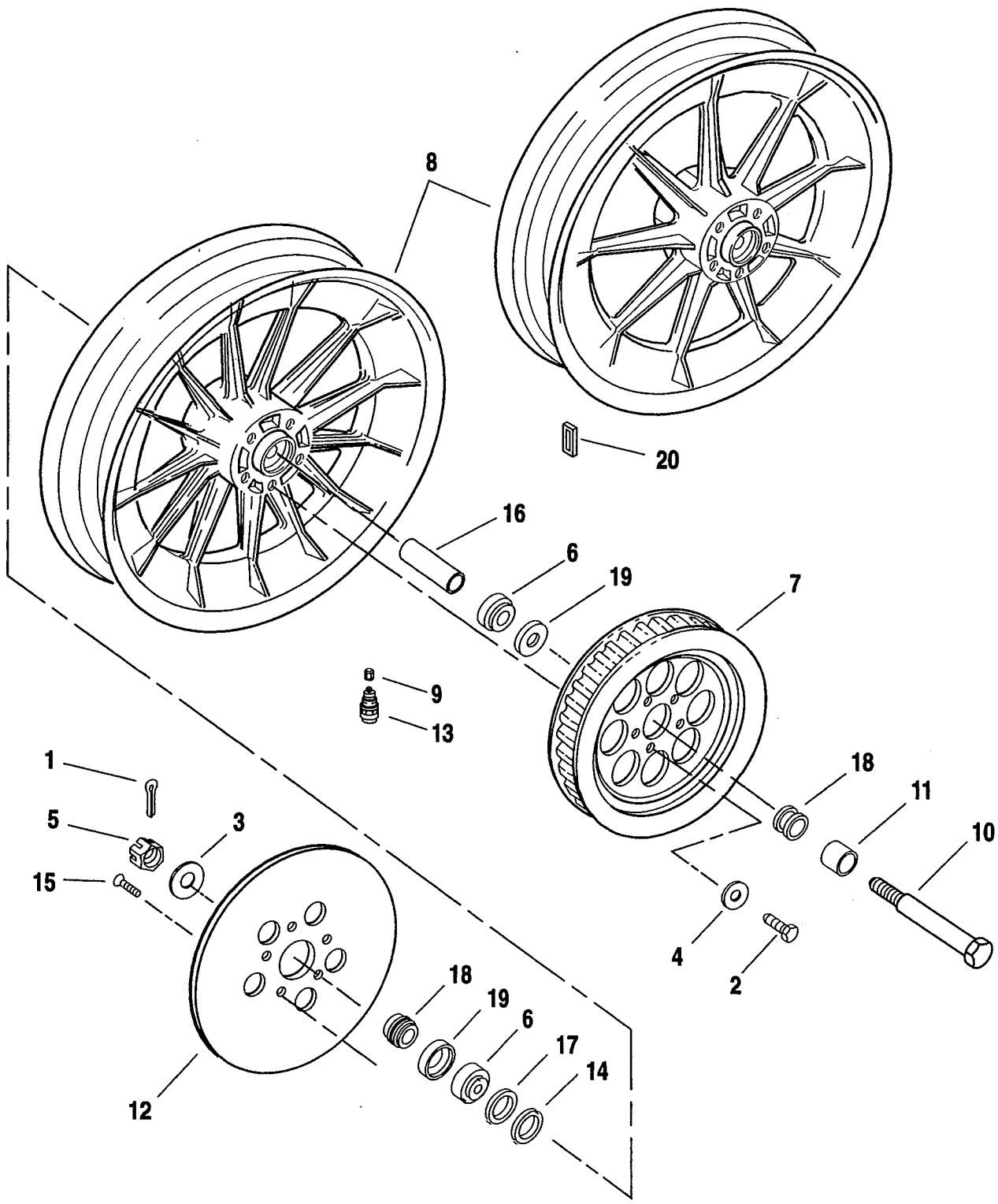
REAR BRAKE CALIPER



REAR BRAKE CALIPER**XH22**

INDEX NO.	PART NO.	DESCRIPTION	MODELS
1	40929-87	MOUNTING BRACKET, w/#4, 12 & shims	95 to * -All Models
2	43946-86	PISTON REPAIR KIT	95 to * -All Models
3	43960-86	RETAINER	95 to * -All Models
4	44035-86A	BUSHING (2)	95 to * -All Models
5	44039-86	MOUNTING KIT, w/guide pins & bushings	95 to * -All Models
6	44045-87	SEAL AND BOOT KIT	95 to * -All Models
7	44050-87	CALIPER ASSEMBLY (black)	95 to * -All Models
8	44048-83	BLEEDER FITTING	95 to * -All Models
9	44147-87	CAP, bleeder screw	95 to * -All Models
10	44152-77	SEAL, piston	95 to * -All Models
11	44198-87	LABEL	95 to * -All Models
12	44199-79	BUMPER, mounting bracket	95 to * -All Models
13	44209-87C	PAD SET w/shims	95 to * -All Models

REAR WHEEL - CAST

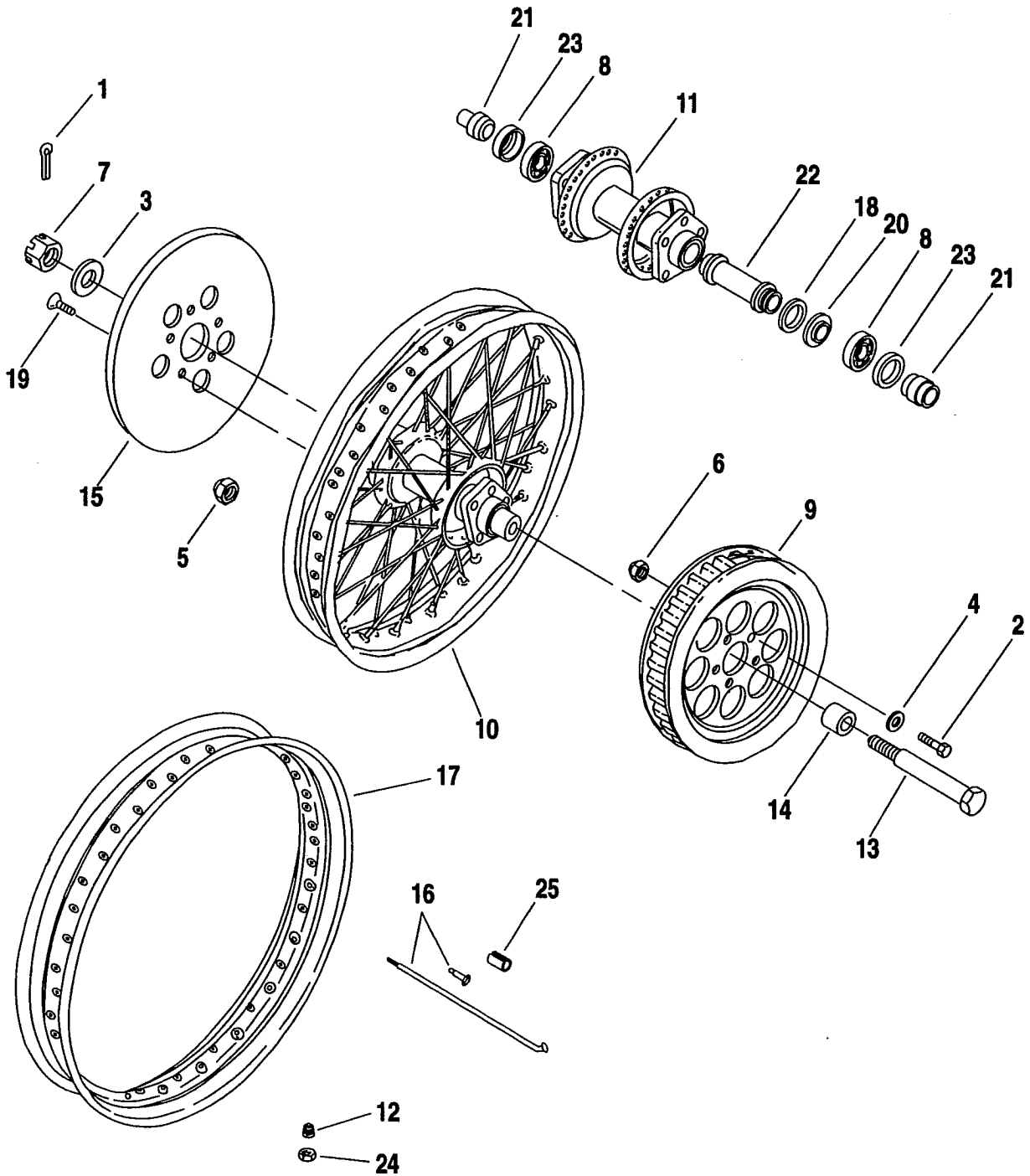


REAR WHEEL - CAST

XH23

INDEX NO.	PART NO.	DESCRIPTION	MODELS
1	511	COTTER PIN	95 to * -All Models
2	3730A	BOLT (5)	95 to * -All Models
3	5756	SPACER	95 to * -All Models
4	6516HW	WASHER (5)	95 to * -All Models
5	7987	CASTLE NUT	95 to * -All Models
6	9052	ROLLER BEARING (2)	95 to * -All Models
7	40213-91	SPROCKET - 61T (belt) (black)	95 to * -All Models
	40227-93	SPROCKET - 61T (belt) (silver)	95 to * -STD / HUG
8	40983-86	WHEEL ASSEMBLY - 16" (9 spoke)(silver)	95 -883 Models
	40983-96	WHEEL ASSEMBLY - 16" (13 spoke)(silver)	96 to * -STD/HUG/1200S
	41015-86	WHEEL ASSEMBLY - 16" (9 spoke)(black)	95 -1200
	41015-96	WHEEL ASSEMBLY - 16" (13 spoke)(black)	96 to * -1200
	41017-95	WHEEL ASSEMBLY, solid with slots (not illustrated)	96 to * -1200C
9	41123-79	VALVE CAP	95 to * -All Models
10	41563-77A	AXLE ASSEMBLY, with #1, 3 & 5	95 to * -All Models
11	41594-73	SPACER	95 to * -All Models
12	41789-92	BRAKE DISC KIT w/#15	95 to * -STD/DLX/HUG/1200
	41790-95	BRAKE DISC - floating	96 to * -1200C/S
13	43157-83A	VALVE STEM	95 to * -All Models
14	43290-82	SPACER, 0.032 thk.	95 to * -All Models
	43291-82	SPACER, 0.016 thk.	95 to * -All Models
	43292-82	SPACER, 0.008 thk.	95 to * -All Models
	43293-82	SPACER, 0.004 thk.	95 to * -All Models
	43294-82	SPACER, 0.002 thk.	95 to * -All Models
15	43567-92	SCREW, brake disc (5)	95 to * -All Models
16	43608-82	SPACER	95 to * -All Models
17	43650-82	SPACER WASHER	95 to * -All Models
18	43654-86A	SPACER (2)	95 to * -All Models
19	47519-83A	SEAL (2)	95 to * -All Models
20	95594-84	WHEEL WEIGHT, 1/4 oz. (black)	95 to * -1200
	95595-84	WHEEL WEIGHT, 1/4 oz. (silver)	95 to * -883 Models
H-D INTERNATIONAL ONLY			
7	40252-91	SPROCKET - 55T- (belt)(883-Swiss;1200-HDI) (black)	95 to * -All Models

REAR WHEEL - LACED

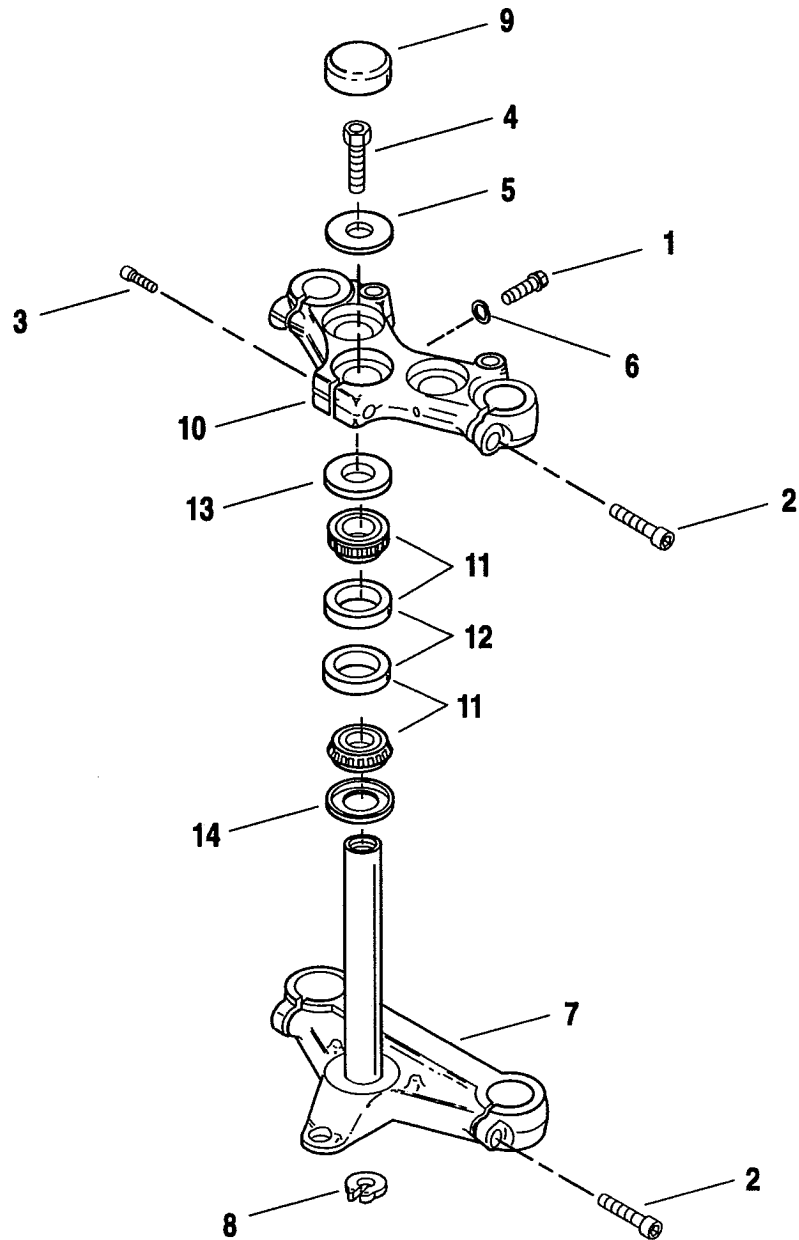


REAR WHEEL - LACED

XH23A

INDEX NO.	PART NO.	DESCRIPTION	MODELS
1	511	COTTER PIN	95 to * -All Models
2	3769	BOLT (5)	95 to * -All Models
3	5756	SPACER	95 to * -All Models
4	6516HW	WASHER (5)	95 to * -All Models
5	7778	LOCKNUT (5)	95 to * -All Models
6	7827W	LOCKNUT (5)	95 to * -All Models
7	7987	CASTLE NUT	95 to * -All Models
8	9052	ROLLER BEARING (2)	95 to * -All Models
9	40213-91	SPROCKET - 61T. (belt) (black)	95 to * -All Models
10	40975-86	WHEEL ASSEMBLY, 16" (chrome)	95 to * -All Models
11	40976-86	HUB ASSEMBLY, rear, 16"	95 to * -All Models
12	41123-79	VALVE CAP	95 to * -All Models
13	41563-77A	AXLE ASSEMBLY, w/#1, 3 & 7	95 to * -All Models
14	41594-73	SPACER	95 to * -All Models
15	41789-92	BRAKE DISC KIT, w/#19	95 to * -All Models
16	43032-40B	SPOKE AND NIPPLE, 16" rim (40)	95 to * -All Models
17	43085-81	RIM, 16" (chrome)	95 to * -All Models
18	43290-82	SPACER, 0.032 thk.	95 to * -All Models
	43291-82	SPACER, 0.016 thk.	95 to * -All Models
	43292-82	SPACER, 0.008 thk.	95 to * -All Models
	43293-82	SPACER, 0.004 thk.	95 to * -All Models
	43294-82	SPACER, 0.002 thk.	95 to * -All Models
19	43567-92	SCREW, brake disc (5)	95 to * -All Models
20	43650-82	SPACER WASHER	95 to * -All Models
21	43654-86A	SPACER (2)	95 to * -All Models
22	43668-82	SPACER	95 to * -All Models
23	47519-83A	SEAL (2)	95 to * -All Models
24	54321-85	NUT, valve stem	95 to * -All Models
25	95578-41	WHEEL WEIGHT, 1/2 oz.	95 to * -All Models
	95581-47	WHEEL WEIGHT, 3/4 oz.	95 to * -All Models
	95582-47	WHEEL WEIGHT, 1 oz.	95 to * -All Models
H-D INTERNATIONAL ONLY			
9	40252-91	SPROCKET - 55T- (belt)(883-Swiss;1200-HDI) (black)	95 to * -All Models

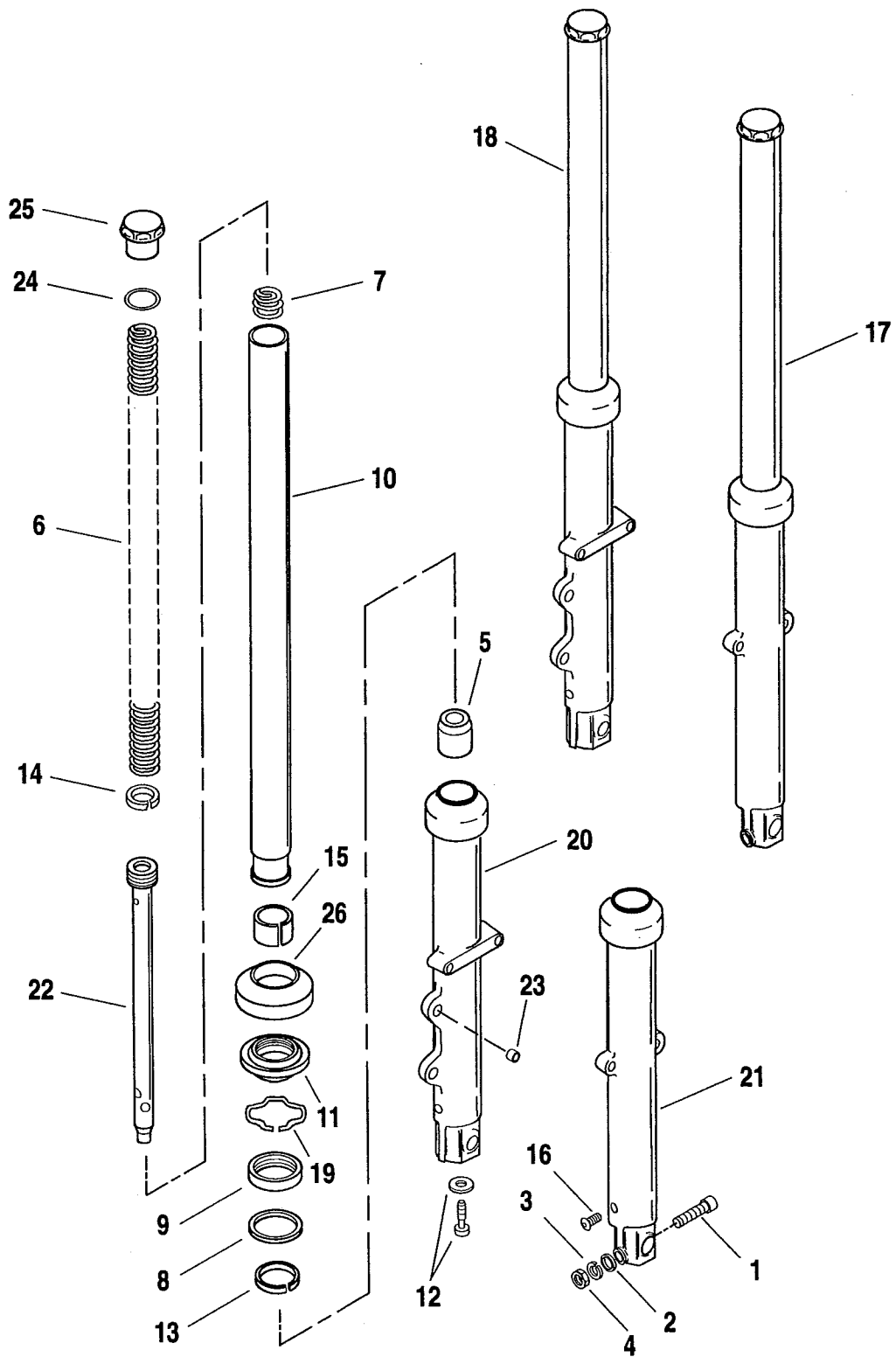
STEERING HEAD BRACKET ASSEMBLY



STEERING HEAD BRACKET ASSEMBLY**XH24**

INDEX NO.	PART NO.	DESCRIPTION	MODELS
1	4104	SCREW (2)	95 to * -All Models
2	4351	SCREW (4; 2-STD/1200S lower)	95 -All Models
	4047	SCREW, upper (2)	96 to * -STD/1200S
3	4352	SCREW	95 to * -All Models
4	4453	BOLT, tapped	95 to * -1200/S
	4460	BOLT	95 to * -STD/DLX/HUG/1200C
5	6655	WASHER	95 to * -All Models
6	7220	LOCKWASHER	95 to * -All Models
7	45563-87	BRACKET, lower with stem	95 to * -STD/DLX/HUG/1200/S
	45561-87	BRACKET, lower with stem	96 to * -1200C
8	45611-86	RETAINING RING	95 to * -All Models
9	45668-90	CAP, fork stem	95 to * -1200/S
10	45739-87	BRACKET, upper	95 to * -All Models
11	48300-60	ROLLER BEARING, with cup (2)	95 to * -All Models
12	48315-60	BEARING CUP (2)	95 to * -All Models
13	48361-80	DUST SHIELD, upper	95 to * -All Models
14	48365-48A	DUST SHIELD, lower	95 to * -All Models
		H-D INTERNATIONAL ONLY	
	48140-84A	STEERING HEAD LOCK ASSEMBLY, (HDI) (not illustrated)	95 to * -All Models

FRONT FORK

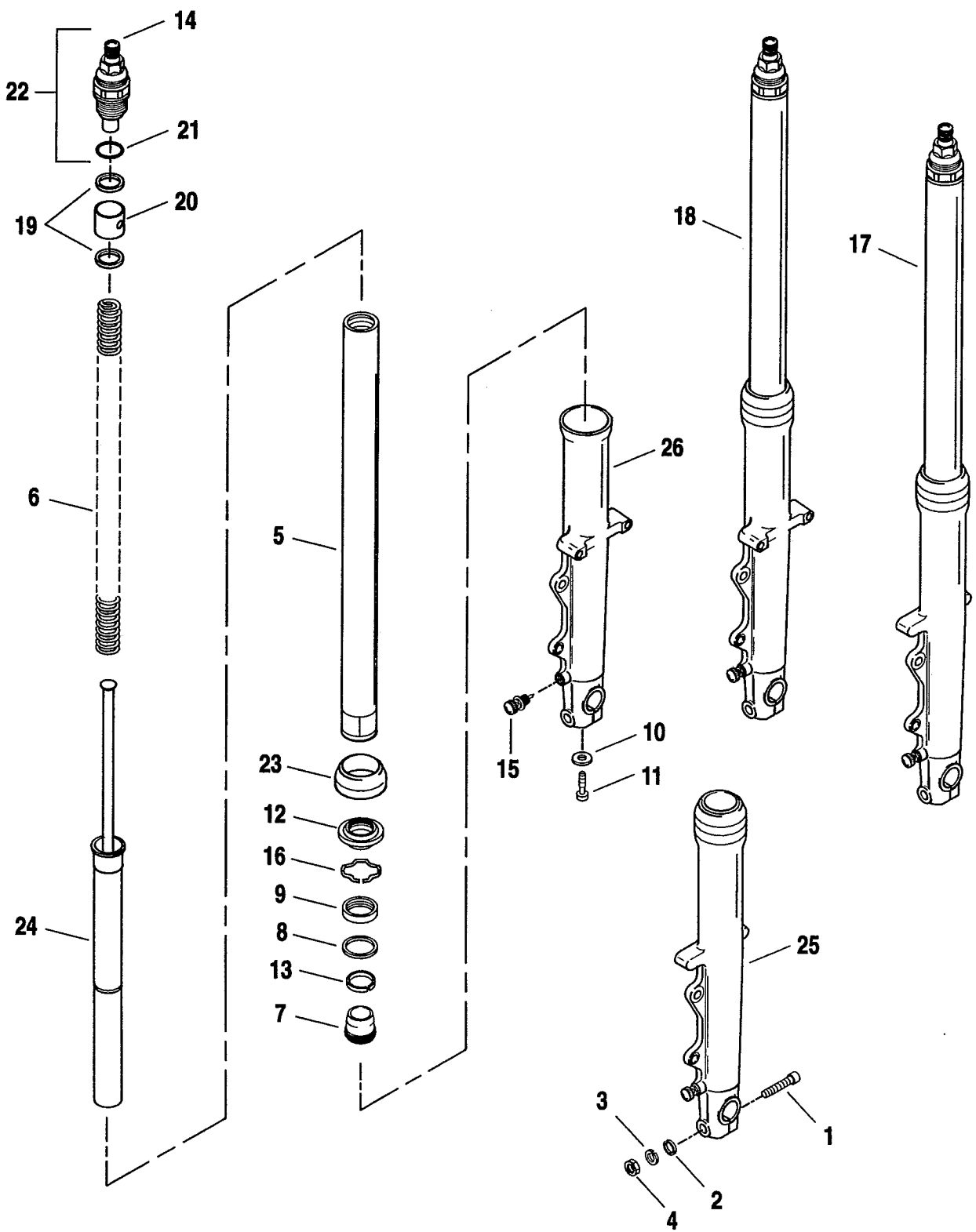


FRONT FORK

XH25

INDEX NO.	PART NO.	DESCRIPTION	MODELS
1	4029A	SCREW	95 to * -STD/DLX/HUG/1200/C
2	6701	WASHER	95 to * -STD/DLX/HUG/1200/C
3	7038	LOCKWASHER	95 to * -STD/DLX/HUG/1200/C
4	7783	NUT	95 to * -STD/DLX/HUG/1200/C
5	45361-90	LOWER STOP (2)	95 to * -HUG/1200C
	45463-87	LOWER STOP (2)	95 to * -STD/DLX/1200
6	45372-92	SPRING (2)	95 to * -HUG/1200C
	45376-94	SPRING (2)	95 to * -STD/DLX/1200
7	45374-87	SPRING, slider (2)	95 to * -STD/DLX/HUG/1200/C
8	45377-87	SPACER, oil seal (2)	95 to * -STD/DLX/HUG/1200/C
9	45378-87	OIL SEAL (2)	95 to * -STD/DLX/HUG/1200/C
10	45395-92	SLIDER TUBE (2)	95 to * -STD/DLX/HUG/1200/C
11	45401-87	SEAL, dust (2)	95 to * -STD/DLX/HUG/1200/C
12	45405-75A	SCREW WITH WASHER (2)	95 to * -STD/DLX/HUG/1200/C
13	45461-87	BUSHING, upper (2)	95 to * -STD/DLX/HUG/1200/C
14	45460-90	RING, damper tube (2)	95 to * -STD/DLX/HUG/1200/C
15	45465-87	BUSHING, slider tube (2)	95 to * -STD/DLX/HUG/1200/C
16	45790-80	DRAIN SCREW, w/washer (2)	95 to * -STD/DLX/HUG/1200/C
17	45900-94	FORK SLIDER AND TUBE ASSEMBLY - right	95 to * -STD/DLX/1200
	45928-92	FORK SLIDER AND TUBE ASSEMBLY - right	95 to * -HUG/1200C
18	45901-94	FORK SLIDER AND TUBE ASSEMBLY - left	95 to * -STD/DLX/1200
	45929-92	FORK SLIDER AND TUBE ASSEMBLY - left	95 to * -HUG/1200C
19	45905-87	RETAINING RING, oil seal (2)	95 to * -STD/DLX/HUG/1200/C
20	45921-87	SLIDER ASSEMBLY, left	95 to * -STD/DLX/1200
21	45923-87	SLIDER ASSEMBLY, right	95 to * -STD/DLX/HUG/1200/C
22	45925-94	DAMPER TUBE (2)	95 to * -STD/DLX/1200
	45938-92	DAMPER TUBE w/45460-90 (2)	95 to * -HUG/1200C
23	45934-86	BUSHING, brake caliper	95 to * -STD/DLX/HUG/1200/C
24	45984-87	O-RING (2)	95 to * -STD/DLX/HUG/1200/C
25	45996-87	CAP, slider tube (2)	95 to * -STD/DLX/HUG/1200/C
26	46002-87	COVER, slider (2)	95 to * -STD/DLX/HUG/1200/C

FRONT FORK - 1200 SPORT

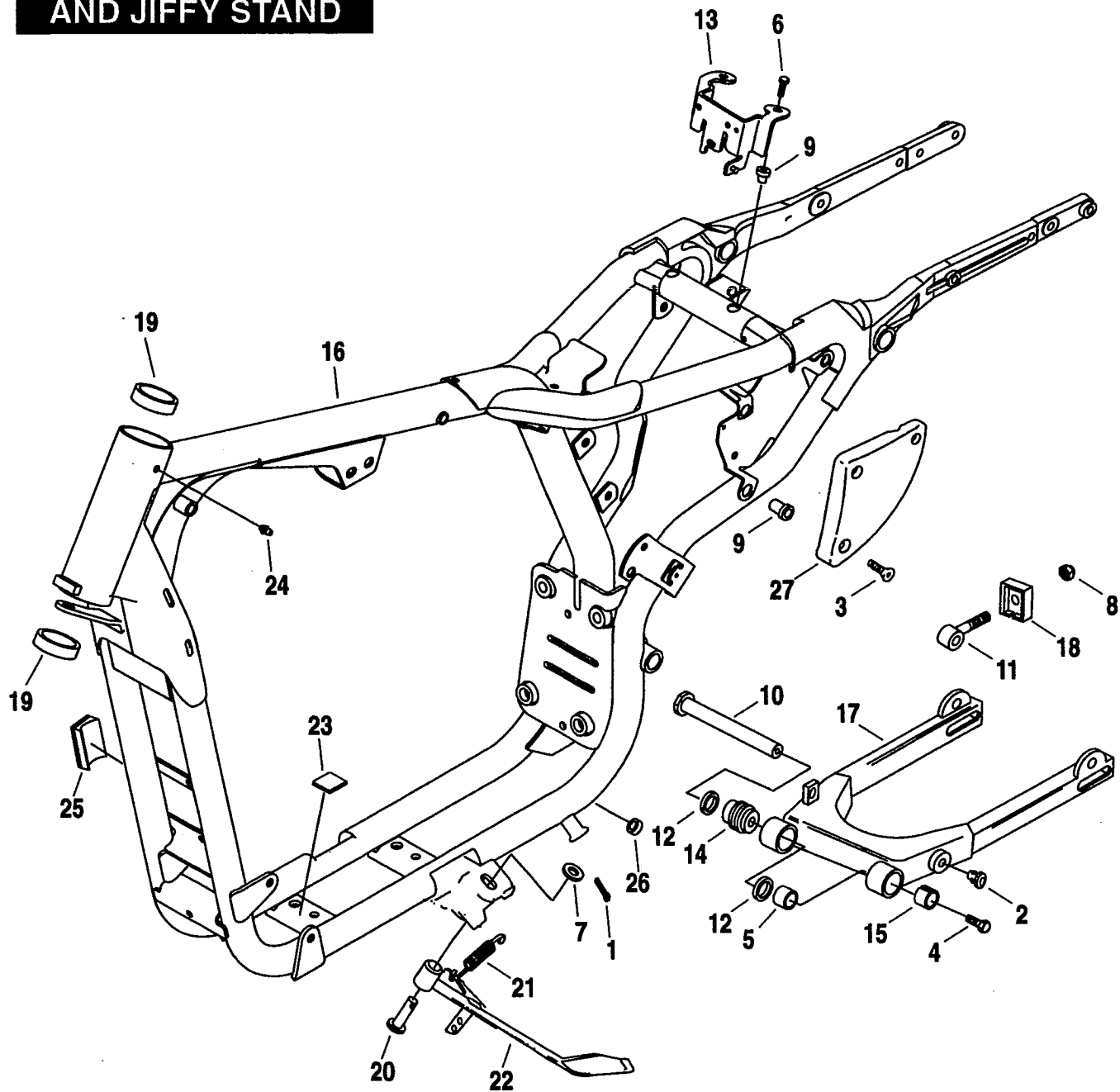


FRONT FORK - 1200 SPORT

XH25A

INDEX NO.	PART NO.	DESCRIPTION	MODELS
1	4029A	SCREW	96 to * -1200S
2	6701	WASHER	96 to * -1200S
3	7038	LOCKWASHER	96 to * -1200S
4	7783	NUT	96 to * -1200S
5	45366-96	SLIDER TUBE ASSEMBLY (2)	96 to * -1200S
6	45367-96	SPRING (2)	96 to * -1200S
7	45368-96	LOWER STOP (2)	96 to * -1200S
8	45377-87	SPACER, oil seal (2)	96 to * -1200S
9	45378-87	OIL SEAL (2)	96 to * -1200S
10	45398-96	WASHER (2)	96 to * -1200S
11	45399-96	SCREW (2)	96 to * -1200S
12	45401-87	SEAL, dust (2)	96 to * -1200S
13	45461-87	BUSHING, upper (2)	96 to * -1200S
14	45723-96	KNOB ADJUSTER (2)	96 to * -1200S
15	45726-96	PLUG BOLT (2)	96 to * -1200S
16	45905-87	RETAINING RING, oil seal (2)	96 to * -1200S
17	45943-96	FORK SLIDER AND TUBE ASSEMBLY - right	96 to * -1200S
18	45944-96	FORK SLIDER AND TUBE ASSEMBLY - left	96 to * -1200S
19	45980-96	SPACER (4)	96 to * -1200S
20	45981-96	SPRING COLLAR (2)	96 to * -1200S
21	45985-96	O-RING (2)	96 to * -1200S
22	45986-96	CAP ADJUSTABLE, slider tube (2)	96 to * -1200S
23	46002-87	COVER, slider (2)	96 to * -1200S
24	46024-96	DAMPER TUBE (2)	96 to * -1200S
25	46022-96	SLIDER ASSEMBLY - right	96 to * -1200S
26	46023-96	SLIDER ASSEMBLY - left	96 to * -1200S

FRAME, REAR FORK, AND JIFFY STAND

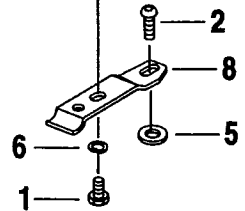
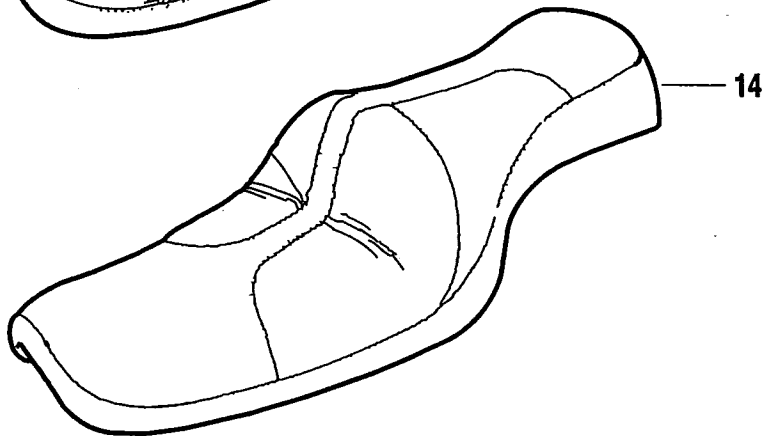
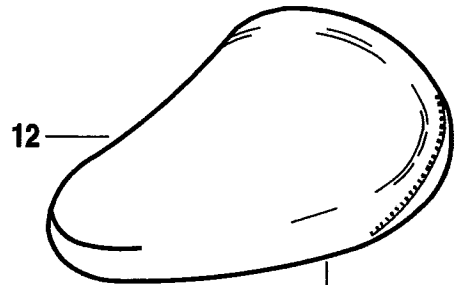
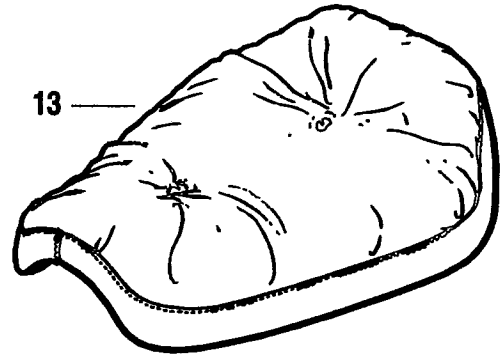
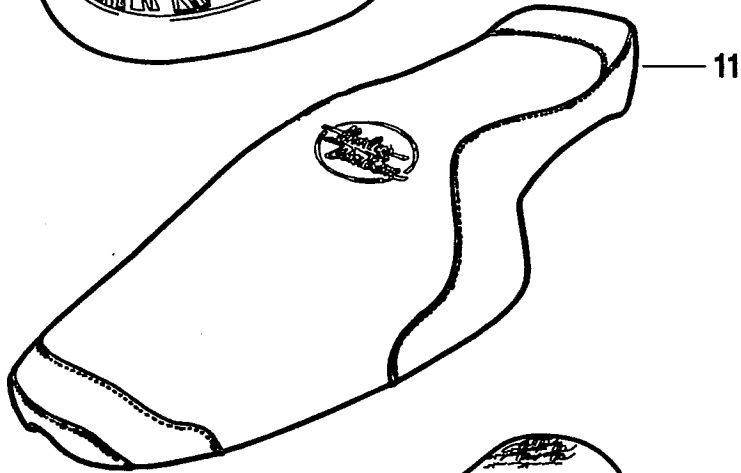
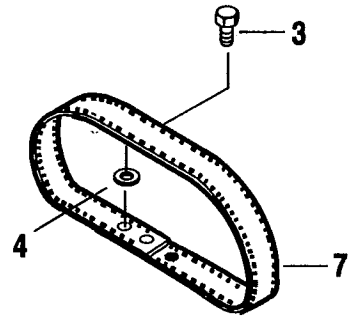
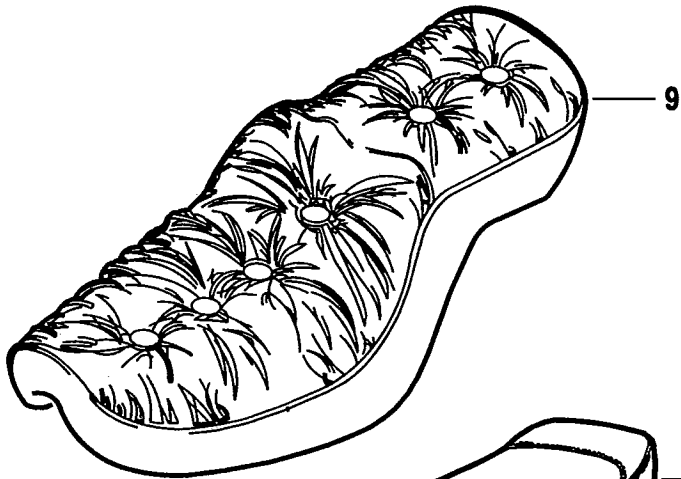


FRAME, REAR FORK, AND JIFFY STAND

XH26

INDEX NO.	PART NO.	DESCRIPTION	MODELS
1	554	COTTER PIN	95 to * -All Models
2	740	HOLE PLUG (2)	95 to * -STD./HUG.
3	1357W	SCREW (3)	95 to * -All Models
4	2925A	SCREW	95 to * -All Models
5	5741	SPACER, pivot bolt	95 to * -All Models
6	3802W	SCREW (2)	95 to * -All Models
7	6701	WASHER	95 to * -All Models
8	7725	LOCKNUT (2)	95 to * -All Models
9	8099	WELL NUT (5)	95 to * -All Models
10	41568-81B	PIVOT BOLT, rear fork w/#4 & 5	95 to * -All Models
11	41570-77	ADJUSTER, rear axle (2)	95 to * -All Models
12	41579-81	DUST SHIELD, bearing (2)	95 to * -All Models
13	46988-94	BRACKET ASM. electrical - w/ circuit breaker clip	95 to * -All Models
14	47082-81	BEARING, rear fork - right	95 to * -All Models
15	47083-81	BEARING, rear fork - left	95 to * -All Models
16	47150-94	FRAME	95 to * -All Models
17	47547-87B	REAR FORK with bearings	95 to * -All Models
18	47554-73A	END COVER, rear fork (2)	95 to * -All Models
19	48315-60	BEARING CUP, steering head (2)	95 to * -All Models
20	50003-89A	PIN, clevis	95 to * -All Models
21	50005-85A	SPRING, jiffy stand	95 to * -All Models
22	50006-89	JIFFY STAND	95 to * -STD./DLX./1200
	50072-92	JIFFY STAND	95 to * -HUG.
23	50101-91	DECKING BUMPER	95 to * -All Models
24	50972-75	FITTING, lubrication	95 to * -All Models
25	59273-91	REFLECTOR (amber) (2)	95 to * -All Models
26	62122-89	BUMPER	95 to * -All Models
27	66325-82	SIDE COVER, ignition module (black)	95 to * -All Models
H-D INTERNATIONAL ONLY			
16	47209-94	FRAME (HDI)	95 to * -All Models

SEATS

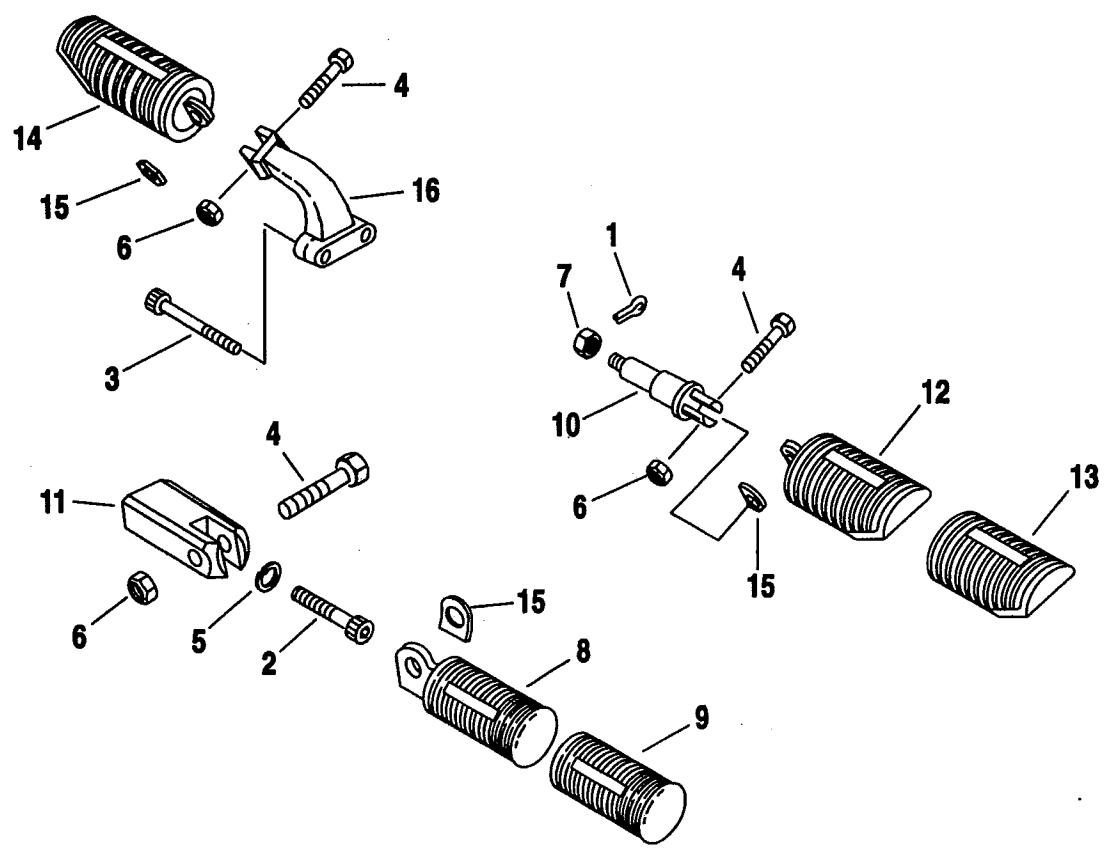


SEATS

XH27

INDEX NO.	PART NO.	DESCRIPTION	MODELS
1	923	SCREW (2)	95 to * -.All Models
2	2739	SCREW, seat mounting	95 -All Models
	2952	SCREW, seat mounting	96 to * -All Models
	2757W	SCREW, fender plug	95 -All Models
	2953	SCREW, fender plug	96 to * -STD/HUG
3	3765	SCREW	95 -DLX/1200
	3767B	SCREW	96 to * -1200/C/S
4	6036	WASHER	95 to * -DLX/1200
5	6410	WASHER (2)	95 to * -All Models
6	7036	LOCKWASHER (2)	95 to * -DLX/1200
	7124	LOCKWASHER (2)	95 to * -All Models
7	51187-94A	PASSENGER STRAP	95 to * -DLX/1200/C/S
8	51652-83	BRACKET, seat mounting	95 to * -All Models
9	52004-84F	SEAT ASM., two-up - pillow	95 to * -1200
10	52102-96	SEAT, two-up	96 to * -1200S
11	52101-92C	SEAT, two-up	95 to * -DLX
12	52129-92B	SEAT, solo	95 to * -STD
13	52132-94	SEAT, solo - ruffle	95 to * -HUG
14	52577-96	SEAT, two up (smooth cover)	96 to * -1200C

FOOTRESTS

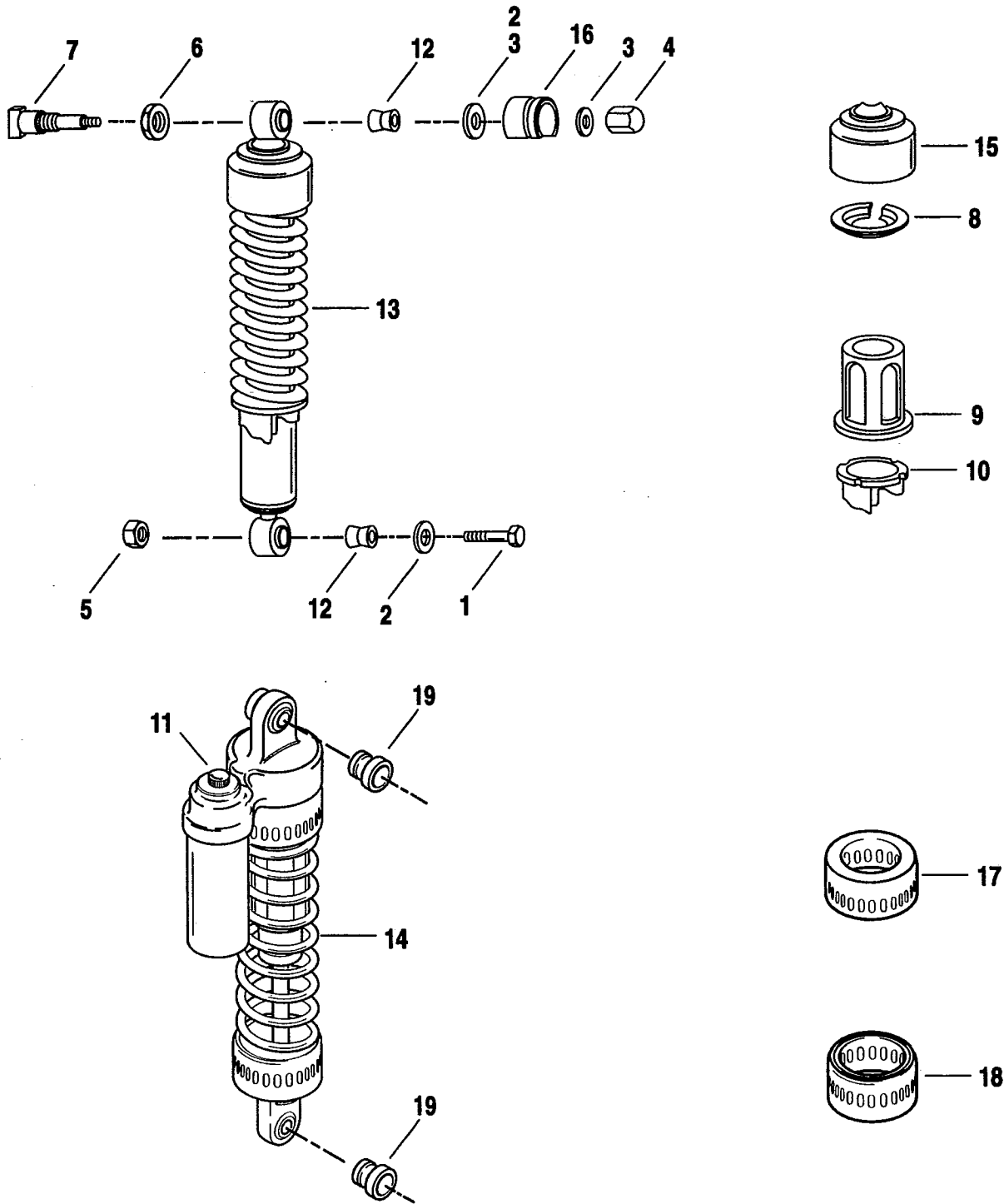


FOOTRESTS

XH28

INDEX NO.	PART NO.	DESCRIPTION	MODELS
1	534	COTTER PIN	95 to * -All Models
2	855B	SCREW (2)	95 -DLX/1200 96 to * -1200/C/S
3	879A	SCREW (2)	95 to * -All Models
4	4721	BOLT (2; 4 - DLX/1200/C/S)	95 to * -All Models
5	7045	LOCKWASHER (2)	95 -DLX/1200 96 to * -1200/C/S
6	7778	LOCKNUT (2; 4 - DLX/1200/C/S)	95 to * -All Models
7	7824	LOCKNUT	95 to * -All Models
8	33048-72	FOOTREST, with cover (2)	95 -DLX/1200 96 to * -1200/C/S
9	33189-63	COVER, footrest (2)	95 -DLX/1200 96 to * -1200/C/S
10	42441-90A	CLEVIS, footrest mtg. - right	95 to * -All Models
11	50615-83	FOOTREST SUPPORT (2)	95 -DLX/1200 96 to * -1200/C/S
12	50643-82	FOOTREST, with cover - right	95 to * -All Models
13	50646-82	COVER, footrest (2)	95 to * -All Models
14	50647-82	FOOTREST, with cover - left	95 to * -All Models
15	50912-72	SPRING WASHER (2; 4 - DLX/1200/C/S)	95 to * -All Models
16	50951-90	FOOTREST SUPPORT, left	95 to * -All Models

SHOCK ABSORBERS

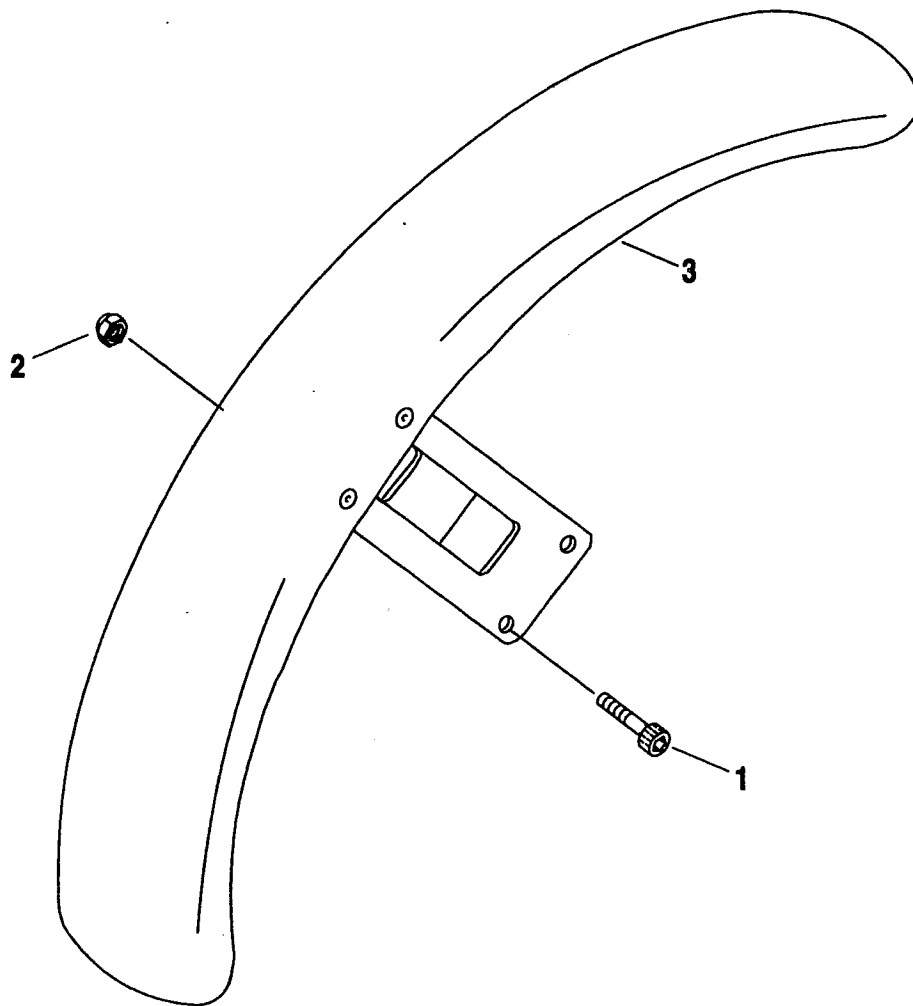


SHOCK ABSORBERS

XH29

INDEX NO.	PART NO.	DESCRIPTION	MODELS
1	3958	BOLT, left	95 to * -All Models
	4743	BOLT, right	95 to * -All Models
2	6012	WASHER (4; 2 upper 1200S)	95 to * -All Models
3	6701	WASHER, upper shock mount (4)	95 to * -STD/DLX/HUG/1200/C
4	7655	ACORN NUT (2)	95 to * -All Models
5	7824	NUT (2)	95 to * -All Models
6	35078-79	NUT (2)	95 to * -All Models
7	47384-94	BOLT, shock mount (upper)(2)	95 to * -All Models
8	54473-79	SEAT, spring - upper (2)	95 to * -STD/DLX/HUG/1200/C
9	54475-79	SPRING GUIDE, lower (2)	95 to * -STD/DLX/HUG/1200/C
10	54476-82	ADJUSTER, spring (2)	95 to * -STD/DLX/1200
	54474-79	ADJUSTER, spring (2)	95 to * -HUG/1200C
11	54481-96	KNOB, rear shock (2)	96 to * -1200S
12	54556-84	BUSHING, damper (4)	95 to * -STD/DLX/HUG/1200/C
13	54566-94	SHOCK ABSORBER, complete (2)	95 to * -STD/DLX/1200
	54568-92	SHOCK ABSORBER, complete (2)	95 to * -HUG/1200C
14	54552-96	SHOCK ABSORBER, complete, right	96 to * -1200S
	54542-96	SHOCK ABSORBER, complete, left	96 to * -1200S
15	54701-82	COVER, shock absorber (2)	95 to * -STD/DLX/HUG/1200/C
16	54705-94	COVER, shock absorber stud (2)	95 to * -STD/DLX/HUG/1200/C
17	54713-96	COVER, upper (2)	96 to * -1200S
18	54714-96	COVER, lower (2)	96 to * -1200S
19	54715-96	BUSHING, damper (4)	96 to * -1200S

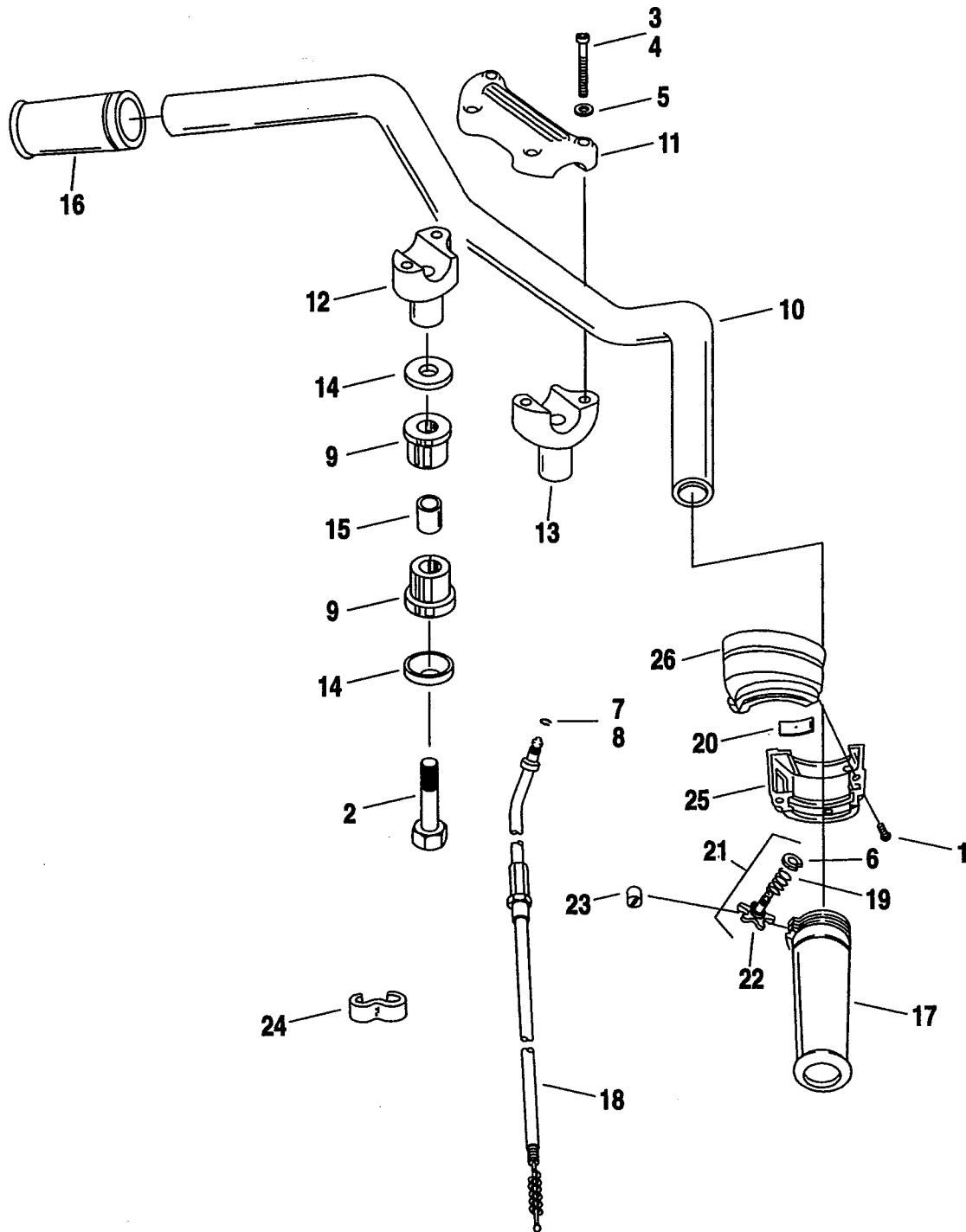
FRONT FENDER



FRONT FENDER**XH30**

INDEX NO.	PART NO.	DESCRIPTION	MODELS
		NOTE: REFER TO PAINTED PARTS BOOK FOR PAINTED PART NUMBERS.	
1	3210A	SCREW (4)	95 to * -All Models
2	7531	LOCKNUT (4)	95 to * -All Models
3	58998-83A	FRONT FENDER, prime	95 to * -All Models

HANDLEBAR AND THROTTLE CONTROL

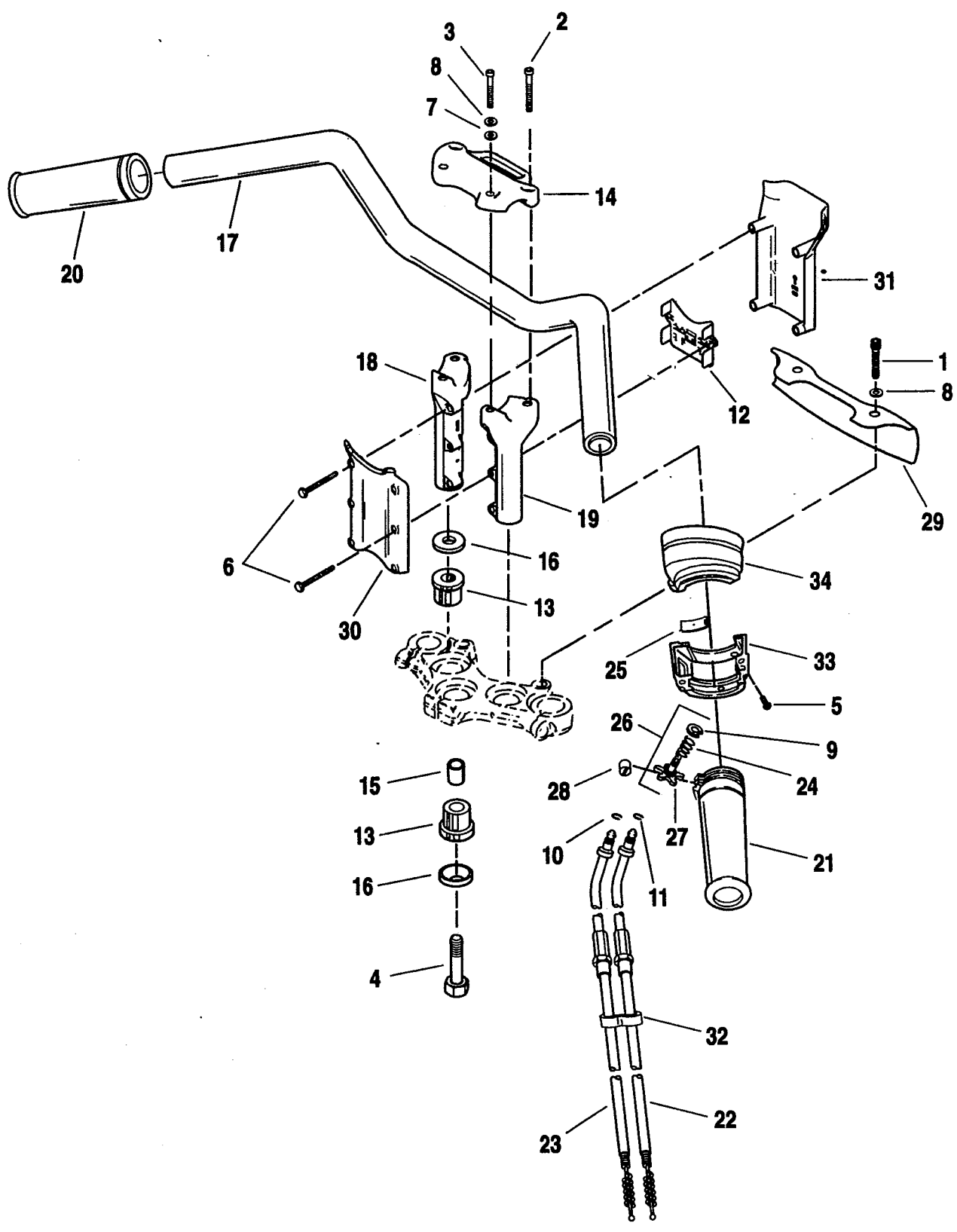


HANDLEBAR AND THROTTLE CONTROL

XH31

INDEX NO.	PART NO.	DESCRIPTION	MODELS
1	2508	SCREW (2)	95 -All Models
	3658	SCREW (2)	96 to * -STD/HUG/1200S
2	3498	BOLT (2)	95 to * -STD/DLX/HUG/1200/S
	4326A	SCREW (2)	95 to * -STD/DLX/HUG/1200/S
4	4816A	SCREW (2)	95 to * -STD/DLX/HUG/1200/S
5	6702	WASHER (2)	95 to * -STD/DLX/HUG/1200/S
6	11155	RETAINING RING	95 to * -STD/DLX/HUG/1200/S
7	11271	RING, retainer - idle	96 to * -STD/HUG/1200/S
8	11272	RING, retainer - throttle	96 to * -STD/HUG/1200/S
9	53156-86	RUBBER BUSHING, handlebar mounting (4)	95 to * -STD/DLX/HUG/1200/S
10	56081-82	HANDLEBAR	95 to * -DLX/HUG/1200
	56082-83	HANDLEBAR	95 to * -STD/1200S
11	56115-95	CLAMP, handlebar - upper	95 to * -STD/DLX/HUG/1200/S
12	56116-82A	CLAMP, handlebar - lower left	95 to * -STD/DLX/HUG/1200/S
13	56117-82A	CLAMP, handlebar - lower right	95 to * -STD/DLX/HUG/1200/S
14	56159-73	CUP WASHER, handlebar mounting (4)	95 to * -STD/DLX/HUG/1200/S
15	56153-73	SPACER (2)	95 to * -STD/DLX/HUG/1200/S
16	56206-94A	HANDLEBAR GRIP	95 -All Models
	56206-96	HANDLEBAR GRIP	96 to * -STD/HUG/1200/S
17	56220-94A	GRIP AND SLEEVE, throttle	95 to * -STD/DLX/HUG/1200/S
18	56308-88	THROTTLE CONTROL ASSEMBLY	95 -All Models
	56308-96	THROTTLE CONTROL ASSEMBLY	96 to * -HUG/1200
	56309-88	IDLE CONTROL ASSEMBLY	95 -All Models
	56309-96	DLE CONTROL ASSEMBLY	96 to * -HUG/1200
	56400-96	THROTTLE CONTROL ASSEMBLY	96 to * -STD/1200S
	56401-96	IDLE CONTROL ASSEMBLY	96 to * -STD/1200S
19	56394-74	SPRING, adjusting screw	95 to * -STD/DLX/HUG/1200/S
20	56396-74A	FRICTION SPRING, throttle grip	95 to * -STD/DLX/HUG/1200/S
21	56397-74C	KIT, throttle adjusting screw, w/#6, 19 & 22	95 to * -STD/DLX/HUG/1200/S
22	56402-83A	ADJUSTING SCREW, throttle	95 to * -STD/DLX/HUG/1200/S
23	56508-76	FERRULE (2)	95 to * -STD/DLX/HUG/1200/S
24	70504-81	CLIP, throttle cables	95 to * -STD/DLX/HUG/1200/S
25	71563-82A	HOUSING, switches & throttle control - lower	95 -All Models
	71563-96	HOUSING, switches & throttle control - lower	96 to * -STD/HUG/1200/S
26	71564-82A	HOUSING, switches & throttle control - upper	95 -All Models
	71564-96	HOUSING, switches & throttle control - upper	96 to * -STD/HUG/1200/S

HANDLEBAR AND THROTTLE CONTROL - 1200 CUSTOM

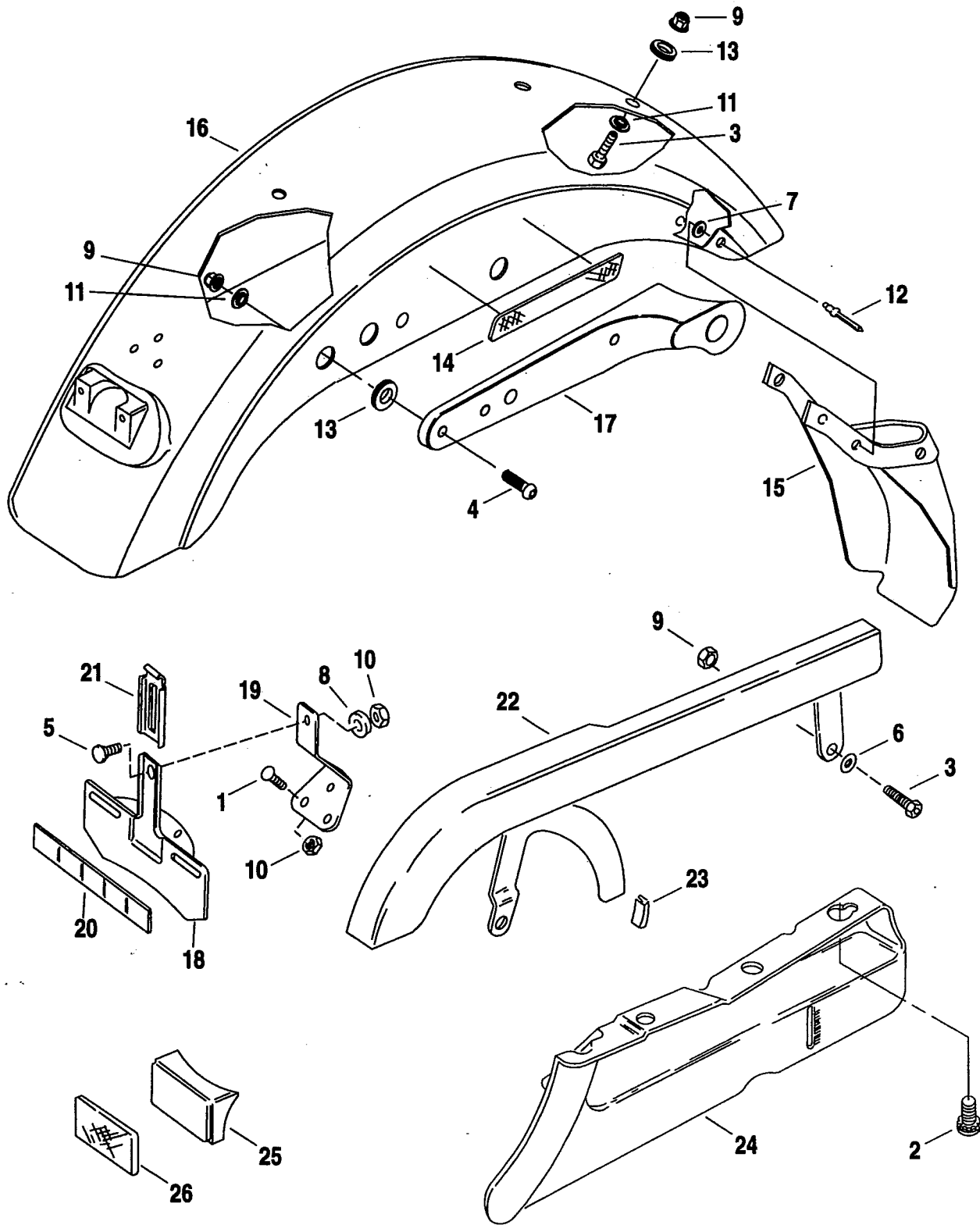


HANDLEBAR AND THROTTLE CONTROL - 1200 CUSTOM

XH31A

INDEX NO.	PART NO.	DESCRIPTION	MODELS
1	3201WA	SCREW	96 to * -1200C
2	3226	SCREW (2)	96 to * -1200C
3	4816A	SCREW (2)	96 to * -1200C
4	3498	BOLT	96 to * -1200C
5	3658	SCREW (2)	96 to * -1200C
6	3666	SCREW (6)	96 to * -1200C
7	6109	WASHER (2) (under speedometer bracket)	96 to * -1200C
8	6702	WASHER (4)	96 to * -1200C
9	11155	RETAINING RING	96 to * -1200C
10	11271	RING RETAINER (idle)	96 to * -1200C
11	11272	RING RETAINER (throttle)	96 to * -1200C
12	46991-96	PANEL ELECTRICAL BRACKET	96 to * -1200C
13	53156-86	RUBBER BUSHING, handlebar mounting (4)	96 to * -1200C
14	56074-96	CLAMP, handlebar - upper (chrome)	96 to * -1200C
15	56153-73	SPACER (2)	96 to * -1200C
16	56159-73	CUP WASHER, handlebar mounting (4)	96 to * -1200C
17	56164-96	HANDLEBAR	96 to * -1200C
18	56167-96	CLAMP, handlebar - lower left	96 to * -1200C
19	56168-96	CLAMP, handlebar - lower right	96 to * -1200C
20	56206-96	HANDLEBAR GRIP	96 to * -1200C
21	56220-94A	GRIP AND SLEEVE, throttle	96 to * -1200C
22	56381-96	THROTTLE CONTROL ASSEMBLY	96 to * -1200C
23	56382-96	IDLE CONTROL ASSEMBLY	96 to * -1200C
24	56394-74	SPRING, adjusting screw	96 to * -1200C
25	56396-74A	FRICTION SPRING, throttle grip	96 to * -1200C
26	56397-74C	KIT, throttle adjusting screw, w/#9, 24 & 27	96 to * -1200C
27	56402-83A	ADJUSTING SCREW, throttle	96 to * -1200C
28	56508-76	FERRULE (2)	96 to * -1200C
29	67861-96	COVER, bracket upper	96 to * -1200C
30	67902-96	COVER, rear	96 to * -1200C
31	68030-96	COVER, front	96 to * -1200C
32	70504-81	CLIP, throttle cables	96 to * -1200C
33	71563-96	HOUSING, switches & throttle control - lower	96 to * -1200C
34	71564-96	HOUSING, switches & throttle control - upper	96 to * -1200C

REAR FENDER & BELT GUARDS

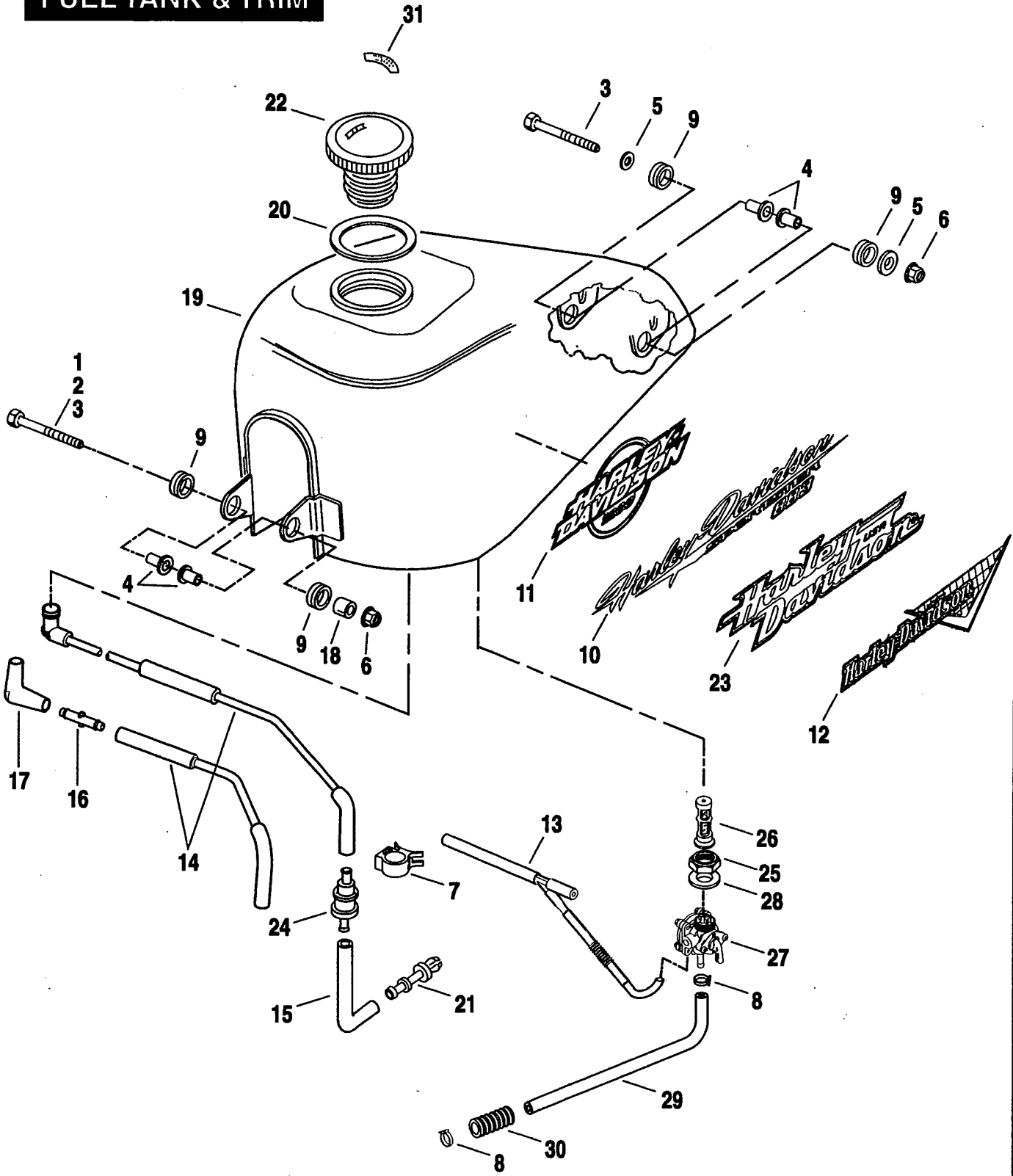


REAR FENDER & BELT GUARDS

XH32

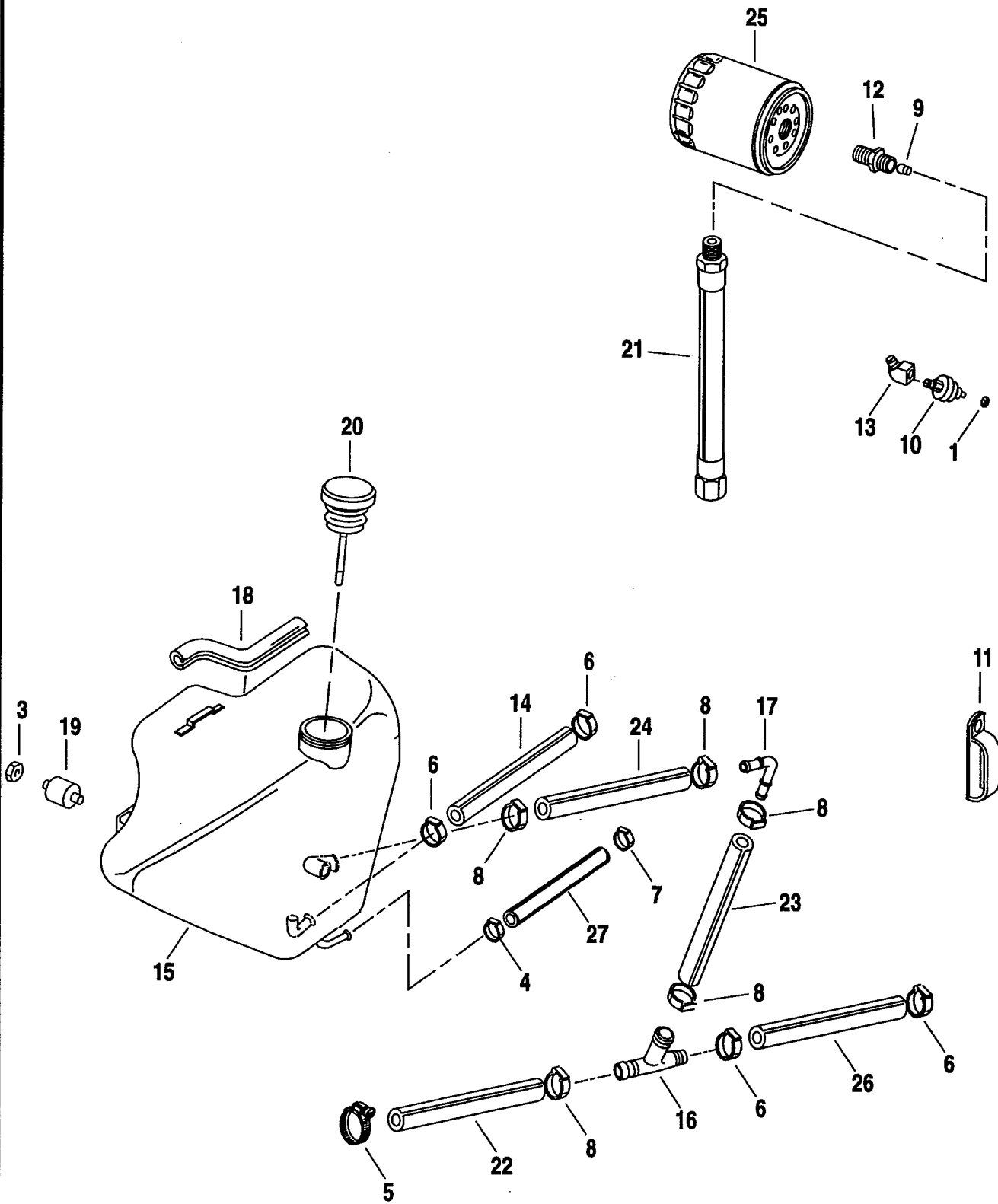
INDEX NO.	PART NO.	DESCRIPTION	MODELS
NOTE: REFER TO PAINTED PARTS BOOK FOR PAINTED PART NUMBERS.			
1	2773	SCREW (3)	95 to * -All Models
2	3579	SCREW (3)	95 to * -All Models
3	3987	SCREW (2)	95 to * -All Models
4	4007	SCREW (4)	95 to * -All Models
5	5403B	CARRIAGE BOLT	95 to * -All Models
6	6109	WASHER	95 to * -All Models
7	6192	WASHER (4)	95 to * -All Models
8	6703	WASHER	95 to * -All Models
9	7531	NUT (7)	95 to * -All Models
10	7792	NUT, keps (4)	95 to * -All Models
11	7882	TEE SPACER (7)	95 to * -All Models
12	8692	RIVET (4)	95 to * -All Models
13	11474	GROMMET (7)	95 to * -All Models
14	59287-92	REFLECTOR, right (red)	95 to * -All Models
	59288-92	REFLECTOR, left (red)	95 to * -All Models
15	59594-82A	REAR FENDER EXTENSION	95 to * -All Models
16	59674-94A	REAR FENDER (prime)	95 to * -All Models
17	59896-94	COVER, rear fender support - right	95 to * -All Models
	59897-94	COVER, rear fender support - left	95 to * -All Models
18	59984-73	BRACKET, license plate	95 to * -All Models
19	59986-75	SUPPORT, license plate bracket	95 to * -All Models
20	59988-72	REFLECTOR, license plate bracket	95 to * -All Models
21	60001-55	CLAMP, license plate bracket	95 to * -All Models
22	60381-91	BELT GUARD w/#23	95 to * -All Models
23	60419-91	BUMPER	95 to * -All Models
24	60435-91	DEBRIS DEFLECTOR	95 to * -All Models
H-D INTERNATIONAL ONLY			
25	59251-90	REFLECTOR ASM., with #26 (red)(HDI)	95 to * -All Models
26	59259-90	REFLECTOR (red)(HDI)	95 to * -All Models
14	59289-92	REFLECTOR, right (amber) (HDI)	95 to * -All Models
	59290-92	REFLECTOR, left (amber) (HDI)	95 to * -All Models

FUEL TANK & TRIM



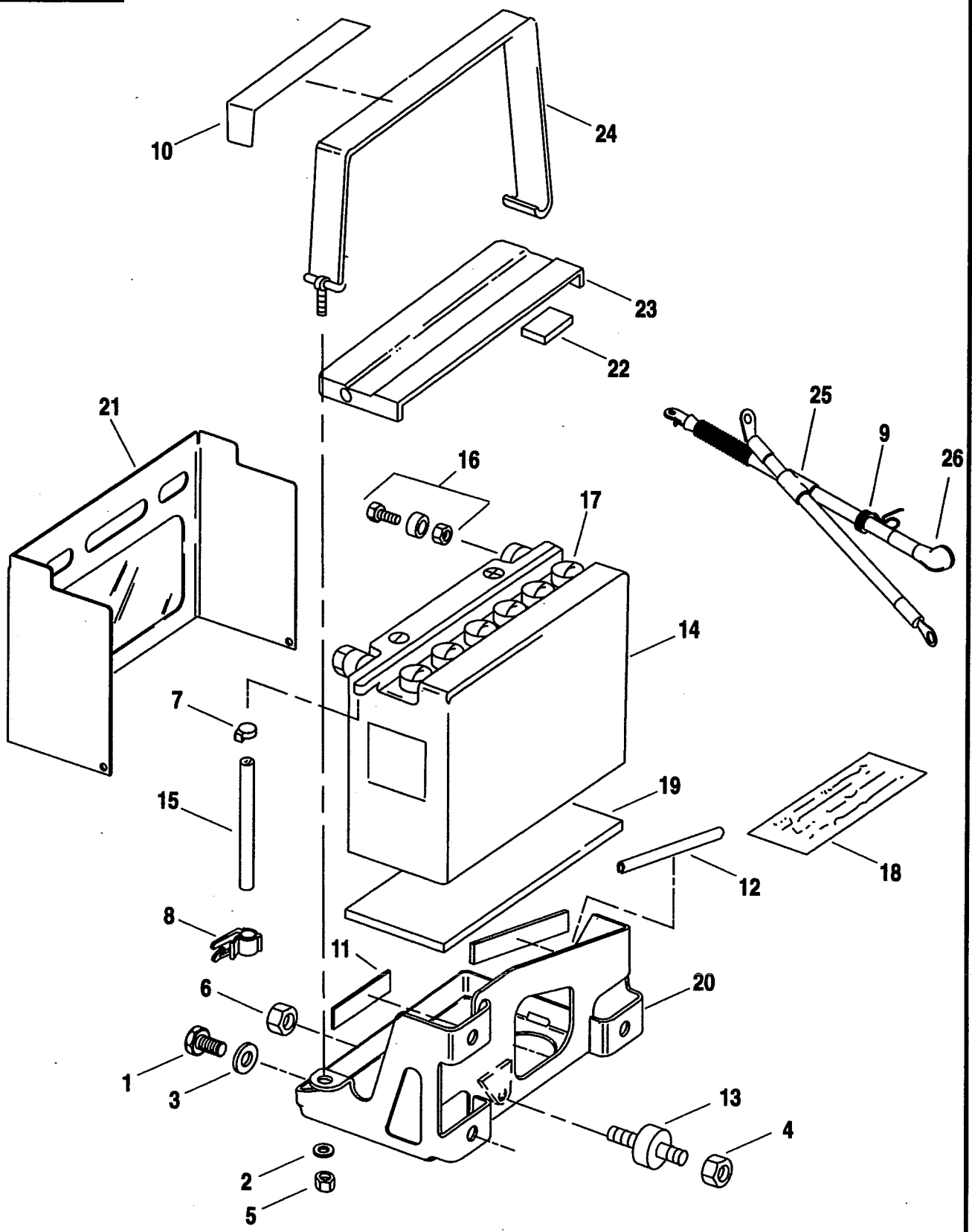
INDEX NO.	PART NO.	DESCRIPTION	MODELS
NOTE: REFER TO PAINTED PARTS BOOK FOR PAINTED PART NUMBERS.			
1	4099	BOLT	95 -883 Models
2	4116	BOLT	95 -1200
3	4117	BOLT	95 -All Models
	4758	BOLT (2)	96 to * -All Models
4	5787	T-SPACER (4)	95 to * -All Models
5	6788	WASHER (2)	95 -All Models
	6333	WASHER (2)	96 to * -All Models
6	7531	LOCKNUT (2)	95 to * -All Models
7	10108	CLIP, vapor valve	95 to * -All Models
8	10014	CLAMP, fuel hose (2)	95 to * -All Models
9	11473	GROMMET (4)	95 to * -All Models
10	14431-95	DECAL, orange (2)	95 -883 Models
	14480-95	DECAL, sky blue (2)	95 -883 Models
	14514-96	DECAL, emerald green (2)	96 to * -STD/HUG
11	14432-95	DECAL, orange (2)	95 -1200
	14433-95	DECAL, sky blue (2)	95 -1200
	14515-96	DECAL, red (2)	96 to * -1200
	14516-96	DECAL, sky blue (2)	96 to * -1200
12	14517-96	DECAL, left (pale gold,burgundy)	96 to * -1200S
	14518-96	DECAL, right (pale gold,burgundy)	96 to * -1200S
	14519-96	DECAL, left (pale gold,dark blue)	96 to * -1200S
	14520-96	DECAL, right (pale gold,dark blue)	96 to * -1200S
13	26559-95	HOSE ASM., vacuum	95 to * -All Models
14	27068-94	TUBE, tank to valve	95 to * -STD/DLX/HUG
	27067-96	TUBE, tank to valve, w/# 16 & 17	96 to * -1200/C/S
15	27096-94	TUBE, valve to atmosphere	95 to * -All Models
16	27249-96	CONNECTOR, straight	96 to * -All Models
17	27250-96	CONNECTOR, elbow 90 degree	96 to * -All Models
18	42520-80	SPACER, fuel tank-front	95 -883 Models
19	61023-95	FUEL TANK (prime)	95 to * -883 Models
	61208-95	FUEL TANK, 3.25 gallon (prime)	95 -1200
	61348-96	FUEL TANK ASM.	96 to * -1200/C/S
20	61109-85D	GASKET	95 to * -All Models
21	61131-92	VENT LINE CONNECTOR	95 to * -All Models
22	61272-92A	FILLER CAP	95 to * -All Models
23	61799-96	MEDALLION, left (red)	96 to * -1200C
	61800-96	MEDALLION, right (red)	96 to * -1200C
	61801-96	MEDALLION, left (blue)	96 to * -1200C
	61802-96	MEDALLION, right (blue)	96 to * -1200C
24	62150-85	VAPOR VALVE	95 to * -All Models
25	62161-75	NUT, fuel valve	95 to * -All Models
26	62166-81A	FILTER, fuel valve	95 to * -All Models
27	62169-95	FUEL VALVE with gasket	95 to * -All Models
28	62172-75	GASKET, fuel valve	95 to * -All Models
29	62347-95	HOSE, fuel	95 to * -All Models
30	63505-84	INSULATOR, 1/2 I.D. (nylon)(8 ft. lg.)	95 to * -All Models
H-D INTERNATIONAL ONLY			
31	14456-95	DECAL, unleaded fuel only (HDI)	95 -All Models
	61450-95	FUEL INLET RESTRICTOR KIT (Swiss) (not illustrated)	95 to * -All Models

OIL TANK & FILTER



INDEX NO.	PART NO.	DESCRIPTION	MODELS
1	7629	NUT	95 to * -All Models
2	7624	NUT	95 to * -All Models
3	7686	LOCKNUT (3)	95 to * -All Models
4	10014	CLAMP, crankcase vent hose	95 to * -All Models
5	9969	CLAMP, oil drain hose	95 to * -All Models
6	10080	CLAMP, oil hose (4)	95 to * -All Models
7	10117	CLAMP, crankcase vent hose	95 to * -All Models
8	10142	CLAMP, oil hose (5)	95 to * -All Models
9	26437-86B	BALL	95 to * -All Models
10	26554-77	SWITCH, oil pressure indicator	95 to * -All Models
11	31532-94	CLIP	95 to * -All Models
12	33117-91	ADAPTOR, oil filter	95 to * -All Models
13	60618-91	STREET ELBOW	E95 to * -All Models
14	62361-94	HOSE, oil return to tank	95 to * -All Models
15	62475-94	OIL TANK ASM.	95 to * -All Models
16	62493-89	TEE, oil hose	95 to * -All Models
17	62494-94B	ELBOW, 90 degree	95 to * -All Models
18	62540-83	TRIM STRIP (3)	95 to * -All Models
19	62563-65	MOUNT, oil tank (3)	95 to * -All Models
20	62595-82A	FILLER CAP with dipstick	95 to * -All Models
21	62631-91	HOSE, oil pump to filter	95 to * -All Models
22	63504-94	HOSE, oil drain	95 to * -All Models
23	63542-94A	HOSE, oil drain/feed	95 to * -All Models
24	63564-94	HOSE, oil drain/feed	95 to * -All Models
25	63805-80A	OIL FILTER (black)	95 to * -All Models
	63796-77A	OIL FILTER (chrome)	95 to * -All Models
NOTE: Hoses are sold only in bulk length under the following part numbers. Cut to required length.			
26	63500-68	HOSE, 3/8 I.D. x 5/8 O.D. (rubber)(25 ft. lg.)	95 to * -All Models
27	63501-68A	HOSE, 1/4 I.D. x 1/2 O.D. (rubber)(25 ft. lg.)	95 to * -All Models

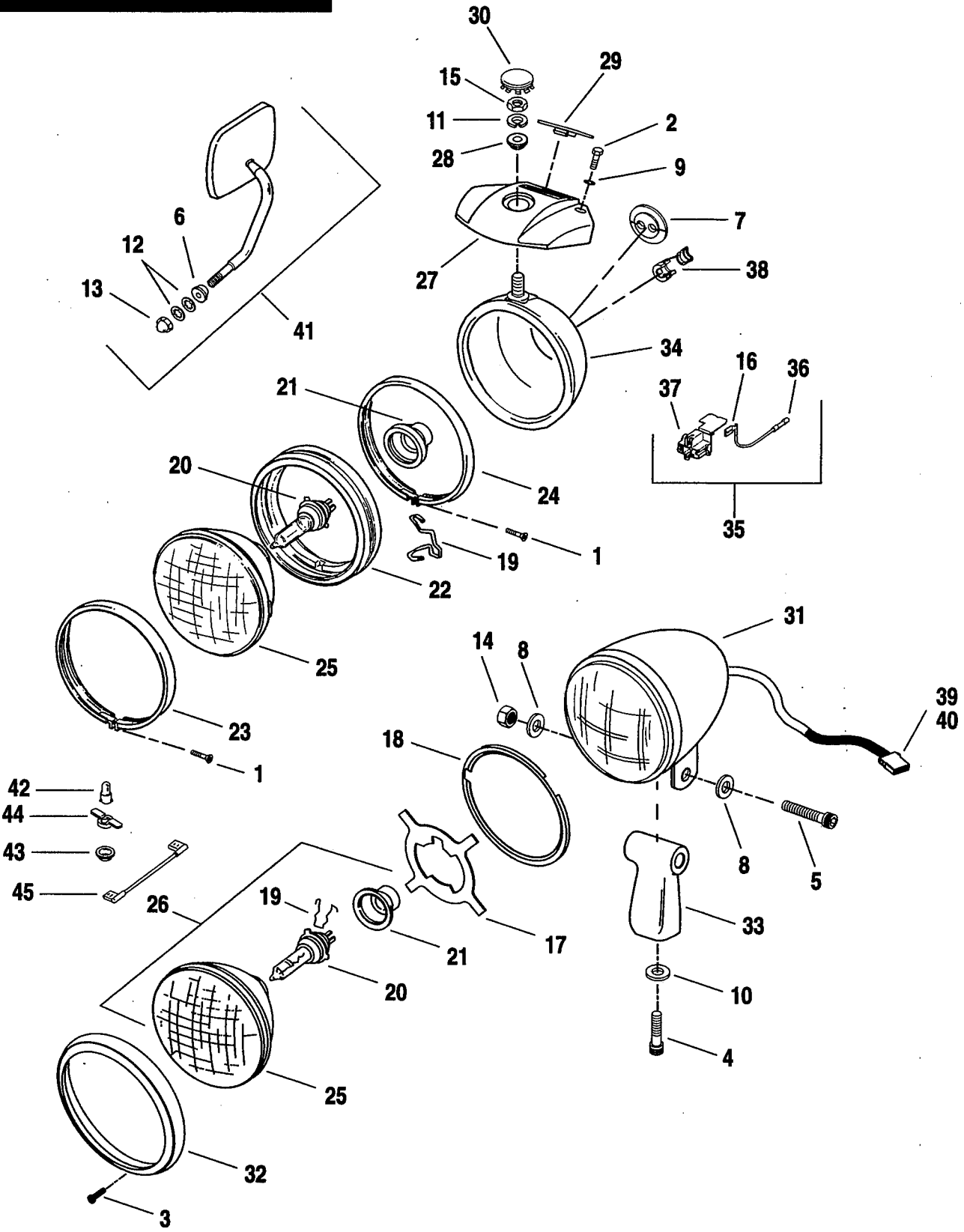
BATTERY



BATTERY**XH35**

INDEX NO.	PART NO.	DESCRIPTION	MODELS
1	3930A	BOLT (3)	95 to * -All Models
2	6220W	WASHER	95 to * -All Models
3	6702	WASHER (3)	95 to * -All Models
4	7686	LOCKNUT	95 to * -All Models
5	7688	NUT	95 to * -All Models
6	7739	LOCKNUT	95 to * -All Models
7	10067	CLAMP, vent hose	95 to * -All Models
8	10110	CLIP	95 to * -All Models
9	11412	GROMMET	95 to * -All Models
10	29112-83	WARNING LABEL	95 to * -All Models
11	47403-75A	PAD, battery tray side (2)	95 to * -All Models
12	62540-83	TRIM STRIP	95 to * -All Models
13	62569-94	MOUNT, battery tray	95 to * -All Models
14	65991-82A	BATTERY	95 to * -All Models
15	65995-88A	VENT TUBE	95 to * -All Models
16	66000-80	BATTERY TERMINAL KIT w/ #1	95 to * -All Models
17	66032-91	FILLER CAP, battery (6)	95 to * -All Models
18	66042-79A	LABEL, "warning, disconnect battery etc."	95 to * -All Models
19	66103-74A	PAD, battery	95 to * -All Models
20	66194-94	TRAY, battery	95 to * -All Models
21	66346-91	COVER, battery front (black)	96 to * -1200C
22	66352-65	PAD, battery cover (2)	95 to * -All Models
23	66359-80	COVER, battery-top (black)	95 to * -STD/DLX/HUG/1200C
	66367-73	COVER, battery-top (chrome)	95 to * -1200/S
24	66476-73A	STRAP, battery	95 to * -All Models
25	70079-94	CABLE ASM., battery positive and negative - w/ #9 & 26	95 to * -All Models
26	70578-89	BOOT, insulating	95 to * -All Models

HEADLAMP & MIRROR

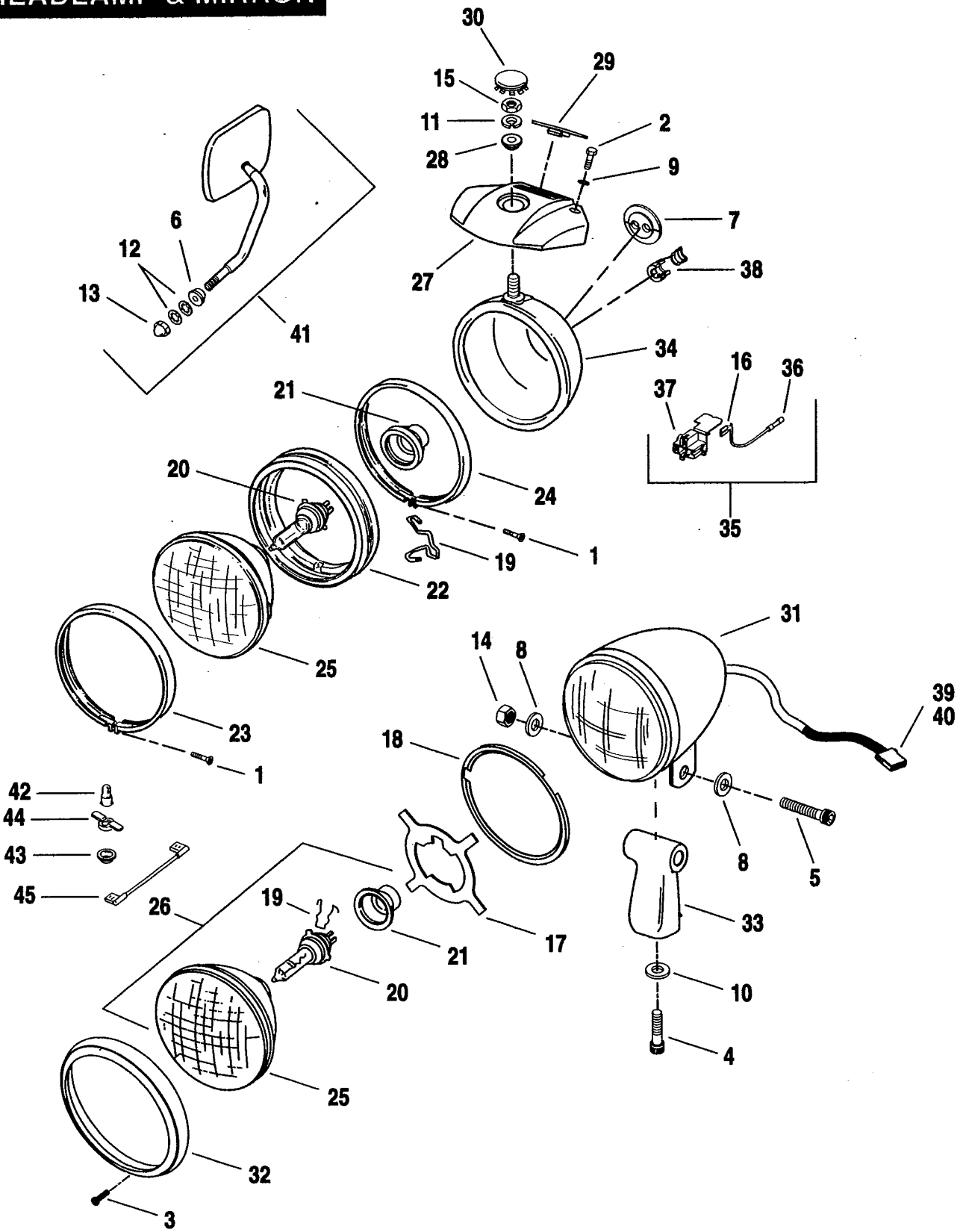


HEADLAMP & MIRROR

XH36-1

INDEX NO.	PART NO.	DESCRIPTION	MODELS
1	1203	SCREW (2)	95 to * -STD/DLX/HUG/1200/S
2	2708A	BOLT (2)	95 to * -STD/DLX/HUG/1200/S
3	3514	SCREW	96 to * -1200C
4	4350A	BOLT	96 to * -1200C
5	4420	BOLT	96 to * -1200C
6	5774	SPACER (2)	95 to * -All Models
7	6272	GROMMET	95 to * -STD/DLX/HUG/1200/S
8	6701	WASHER (2)	96 to * -1200C
9	6702	WASHER (2)	95 to * -STD/DLX/HUG/1200/S
10	7045	WASHER	96 to * -1200C
11	7068	LOCKWASHER	95 to * -STD/DLX/HUG/1200/S
12	7127	LOCKWASHER (2)	95 to * -All Models
13	7736	ACORN NUT (2- STD/SPORT)	95 to * -All Models
14	7778	NUT	96 to * -1200C
15	7880	NUT	95 to * -STD/DLX/HUG/1200/S
16	9847	WIRE TERMINAL, female spade-R.H.	95 to * -All Models
	9848	WIRE TERMINAL, female spade-L.H. (2)	95 to * -All Models
17	67601-94	GASKET, headlamp	96 to * -1200C
18	67603-94	ADAPTER RING	96 to * -1200C
19	67685-92	CLIP, bulb	95 to * -All Models
20	67697-81	BULB, halogen	95 to * -All Models
21	67705-92	BOOT, headlamp	95 to * -All Models
22	67719-63	MOUNTING RING (rubber)	95 to * -STD/DLX/HUG/1200/S
23	67725-63	MOLDING RING, outer	95 to * -STD/DLX/HUG/1200/S
24	67744-75	MOLDING RING, inner	95 to * -STD/DLX/HUG/1200/S
25	67757-92	LENS, headlamp w/#19	95 to * -All Models
26	67698-81C	LENS ASM. w/#19,20,21 & 25	95 to * -All Models
27	67805-92	BRACKET, headlamp	95 to * -STD/DLX/HUG/1200/S
28	67815-59A	WASHER, headlamp mounting	95 to * -STD/DLX/HUG/1200/S
29	67834-83	DECAL, TRIM	95 to * -STD/DLX/HUG/1200/S

HEADLAMP & MIRROR

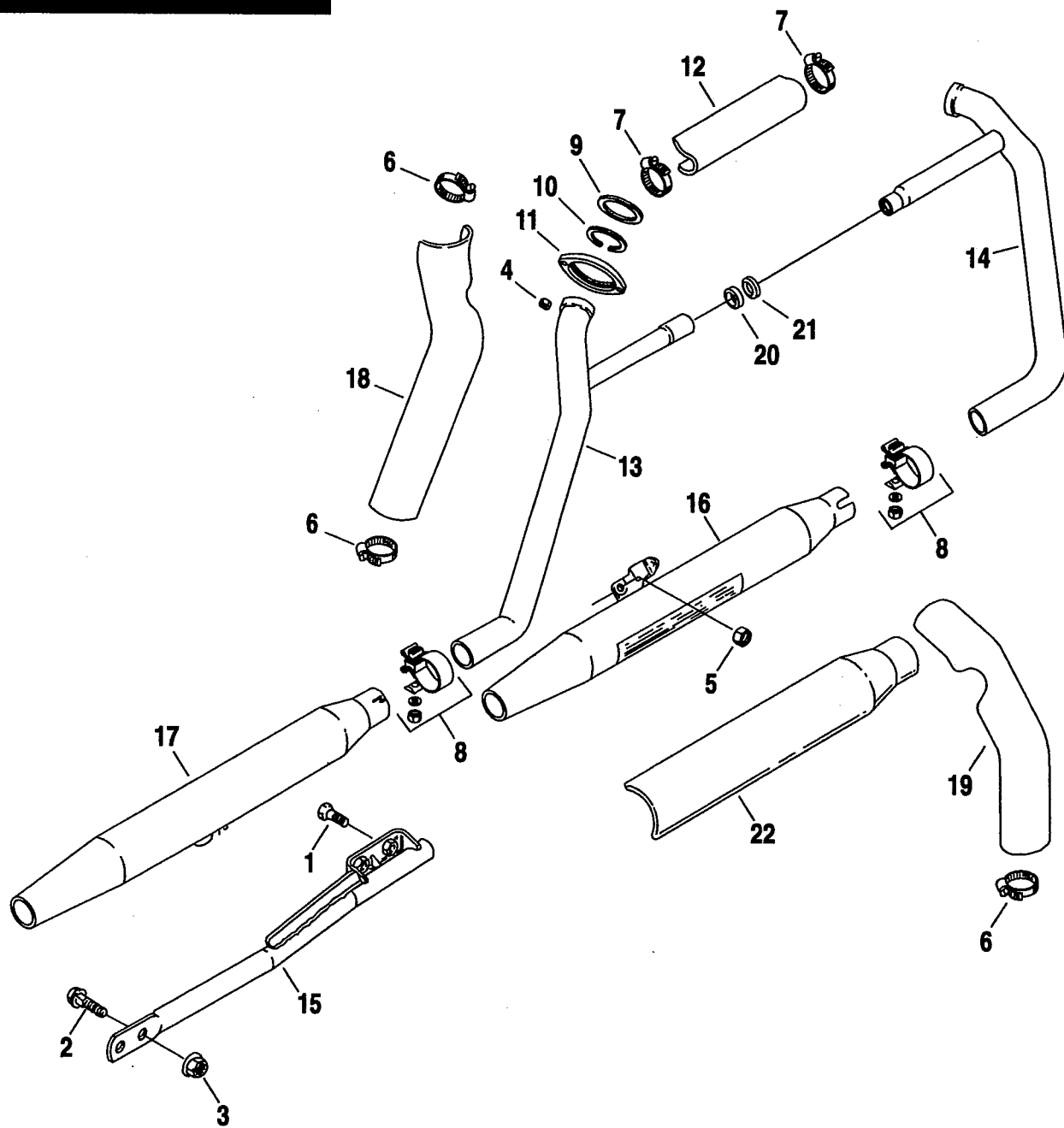


HEADLAMP & MIRROR (CONTINUED)

XH36-2

INDEX NO.	PART NO.	DESCRIPTION	MODELS
30	67865-89	PLUG, headlamp bracket	95 to * -STD/DLX/HUG/1200/S
31	67881-96	HEADLIGHT ASM.	96 to * -1200C
32	67894-93	TRIIM RING (chrome)	96 to * -1200C
33	67919-96	HEADLAMP MOUNTING	96 to * -1200C
34	68061-94B	HOUSING, headlamp	95 to * -STD/DLX/HUG/1200/S
35	68705-93A	CONNECTOR ASM., headlamp - w/ wires, terminals & splice conn.	95 to * -All Models
36	70583-93	CONNECTOR, butt splice, 16-22 gauge (4)	95 to * -All Models
37	72056-92	CONNECTOR, spade terminal (three-way)	95 to * -All Models
38	72507-94	GROMMET	95 to * -STD/DLX/HUG/1200/S
39	73154-96BK	SOCKET HOUSING, 4-position	96 to * -1200C
40	73191-96	CONTACT SOCKET, (16-20 gauge)	96 to * -1200C
41	91875-88	MIRROR KIT, right-short	95 to * -DLX/HUG/1200/C
	91892-88	MIRROR KIT, left-short	95 to * -DLX/HUG/1200/C
	91902-88	MIRROR KIT, left-long	95 to * -STD/1200S
	91904-88	MIRROR KIT, right-long	95 to * -STD/1200S
H-D INTERNATIONAL ONLY			
	9898	TERMINAL, female flag - #14-16 wire (HDI) (not illustrated)	95 to * -All Models
42	53438-92	BULB, position lamp (HDI)	95 to * -All Models
17	67602-94	GASKET , headlight (HDI)	96 to * -1200C
18	67604-94	RETAINING RING, headlight (HDI)	96 to * -1200C
43	67691-92	GROMMET (HDI)	95 to * -STD/DLX/HUG/1200/S
26	67763-92	LENS ASM. w/#19, 20, 21 & 25 - right dip (HDI)	95 to * -STD/DLX/HUG/1200/S
	67781-92	LENS ASM. w/#19, 20, 21 & 25 - left dip (HDI)	95 to * -STD/DLX/HUG/1200/S
31	67882-96	HEADLIGHT ASM., left dip (HDI)	96 to * -1200C
	67901-96	HEADLIGHT ASM., right dip (HDI)	96 to * -1200C
33	67850-96	HEADLAMP MOUNTING (HDI)	96 to * -1200C
44	68650-92	SOCKET, bulb (HDI)	95 to * -All Models
45	70048-92	WIRE, position lamp (HDI)	95 to * -All Models

EXHAUST SYSTEM

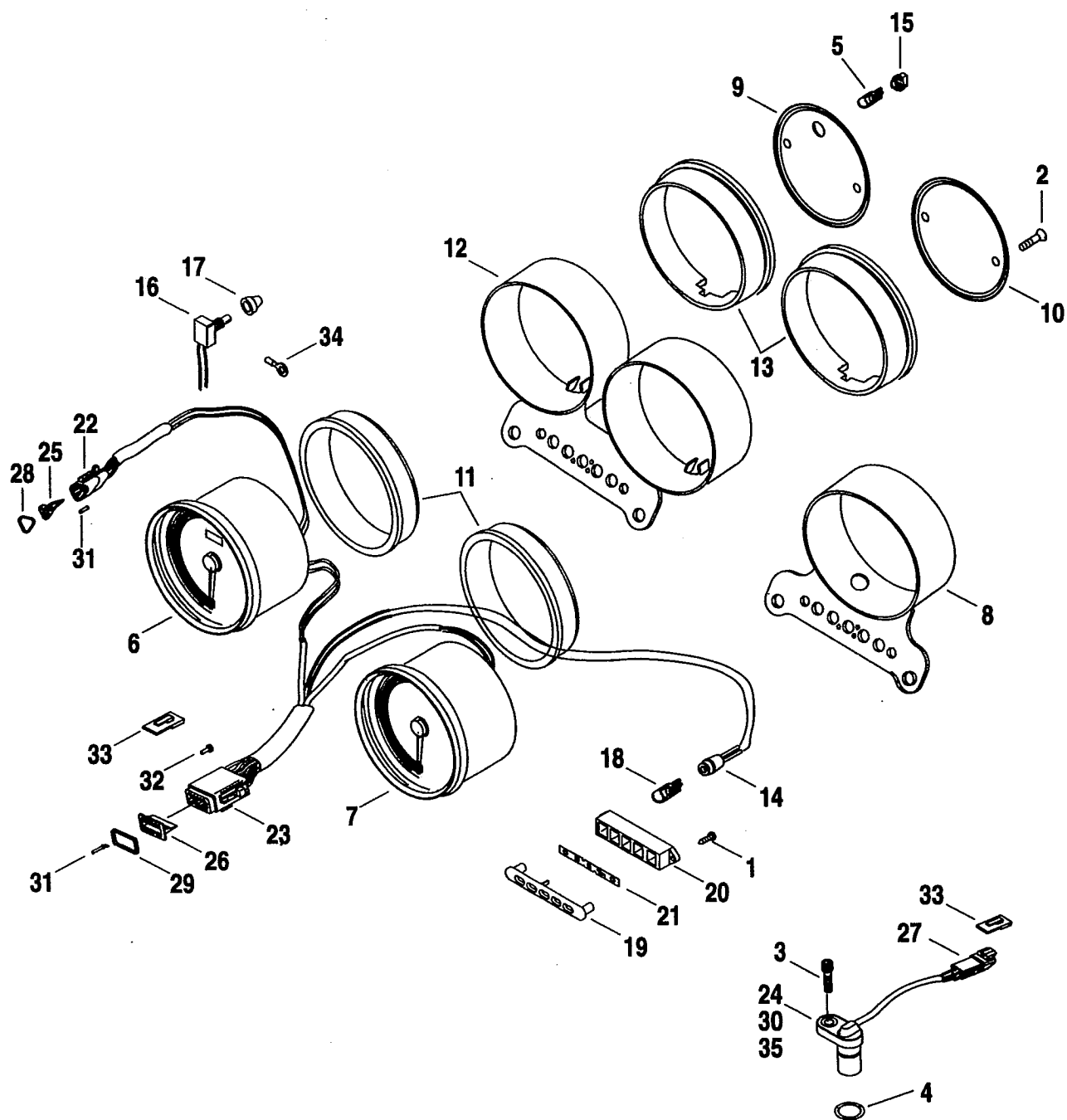


EXHAUST SYSTEM

XH37

INDEX NO.	PART NO.	DESCRIPTION	MODELS
1	4377	SCREW (2)	95 to * -All Models
2	5440	BOLT	95 to * -All Models
3	7531	LOCKNUT	95 to * -All Models
4	7593	NUT (4)	95 to * -All Models
5	7844	LOCKNUT	95 to * -All Models
6	9955	CLAMP, heat shield (6)	95 to * -All Models
7	10048	CLAMP, crossover pipe shield(2)	95 to * -All Models
8	65283-94	CLAMP, muffler (2)	95 to * -All Models
9	65324-83A	GASKET, exhaust port (2)	95 to * -All Models
10	65325-83	RETAINING RING, exhaust gasket (2)	95 to * -All Models
11	65328-83	CLAMP, exhaust pipe to manifold	95 to * -All Models
12	65419-86	HEAT SHIELD, crossover pipe (chrome)	95 to * -All Models
13	65568-86	EXHAUST PIPE, rear (chrome)	95 to * -All Models
14	65569-86	EXHAUST PIPE, front (chrome)	95 to * -All Models
15	65599-80D	SUPPORT KIT, rear muffler w/#1 & 2	95 to * -All Models
16	65605-87B	MUFFLER AND CLAMP KIT, front (chrome)	95 to * -All Models
17	65613-86B	MUFFLER AND CLAMP KIT, rear (chrome)	95 to * -All Models
18	65712-95	HEAT SHIELD, rear (chrome)	95 to * -All Models
19	65719-95	HEAT SHIELD, front (chrome)	95 to * -All Models
20	65781-82	GASKET	95 to * -All Models
21	65782-82	WASHER	95 to * -All Models
H-D INTERNATIONAL ONLY			
	10074	CLAMP, heat shield (4)(Swiss) (not illustrated)	95 to * -All Models
16	65766-89E	MUFFLER AND CLAMP KIT, front (chrome)(HDI)	95 to * -All Models
	65860-91A	MUFFLER AND CLAMP KIT, front (catalytic)(Swiss)	95 -All Models
	65860-94A	MUFFLER, front (Swiss)	96 to * -All Models
17	65769-89E	MUFFLER AND CLAMP KIT, rear (chrome)(HDI)	95 to * -All Models
	65861-91A	MUFFLER AND CLAMP KIT, rear (catalytic)(Swiss)	95 -All Models
	65861-94A	MUFFLER, rear (Swiss)	96 to * -All Models
22	65813-95	HEAT SHIELD (2)(Swiss)	95 to * -All Models

SPEEDOMETER AND TACHOMETER

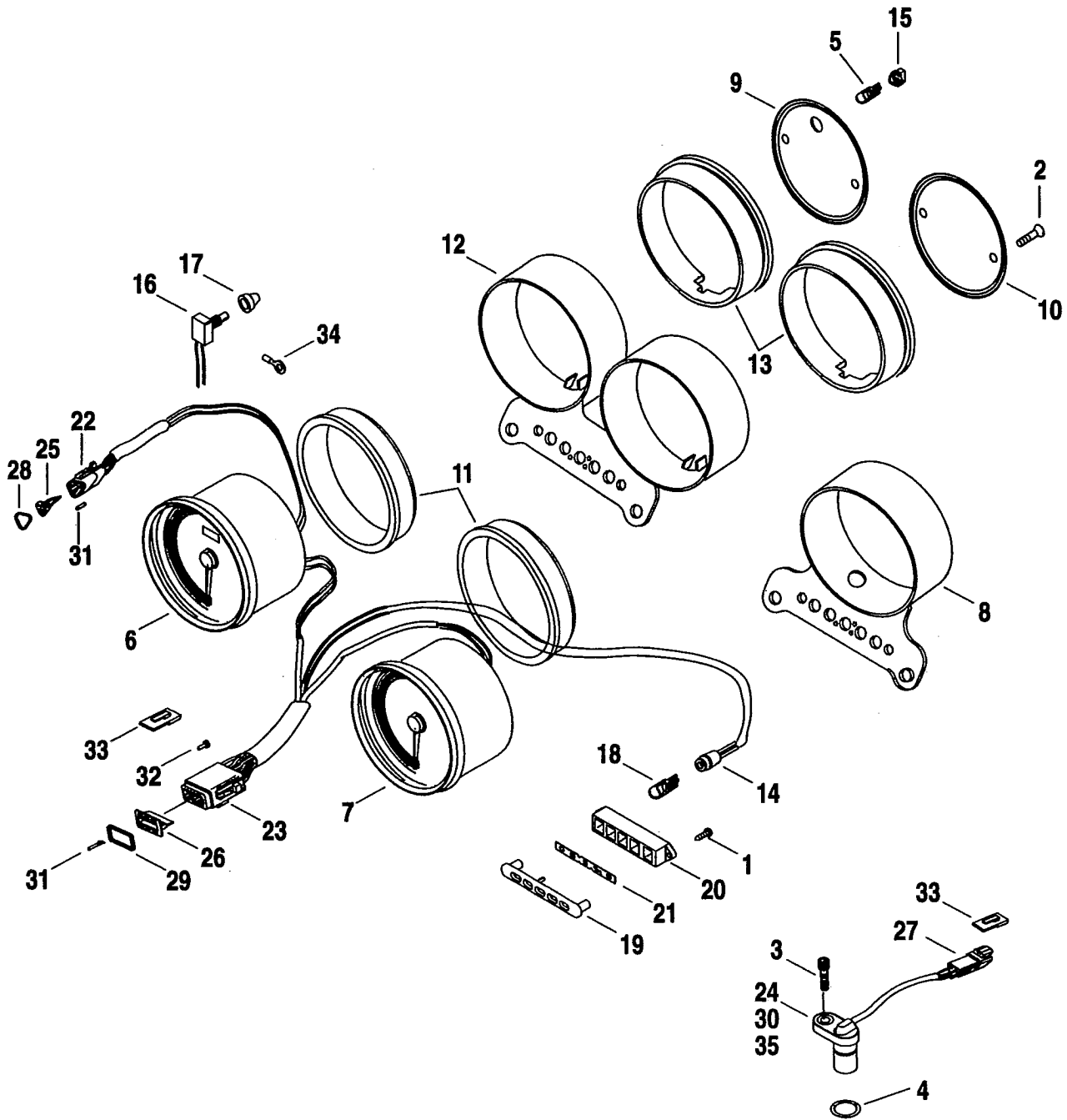


SPEEDOMETER AND TACHOMETER

XH38-1

INDEX NO.	PART NO.	DESCRIPTION	MODELS
1	2325	SCREW (2)	95 to * -STD/DLX/HUG/1200/S
2	2361	SCREW (2-883, 4-1200/S)	95 to * -STD/DLX/HUG/1200/S
3	3594	SCREW	95 to * -STD/DLX/HUG/1200/S
4	11140	O-RING	95 to * -STD/DLX/HUG/1200/S
5	67136-85	BULB, odometer	95 to * -STD/DLX/HUG/1200/S
	53439-79	BULB, speedometer	95 to * -STD/DLX/HUG/1200/S
	52441-95	BULB, tachometer	95 to * -1200/S
6	67037-95	SPEEDOMETER, mph - w/bulbs, reset switch & 3-way plug	95 - 883 Models
	67037-96	SPEEDOMETER, mph - w/bulbs, reset switch & 3-way plug	96 to * -STD/HUG
7	67283-95	SPEEDOMETER, mph - w/bulbs, reset switch & 3-way plug	95 -1200
	67283-96	SPEEDOMETER, mph - w/bulbs, reset switch & 3-way plug	96 to * -1200/S
	67152-95	TACHOMETER - w/bulb	95 to * -1200/S
	67053-95	BRACKET, speedometer	95 to * -883 Models
9	67085-95	COVER, speedometer back (chrome rim)	95 to * -1200/S
	67320-95	COVER, speedometer back (black)	95 to * -883 Models
10	67103-95	COVER, tachometer back (chrome rim)	95 to * -1200/S
11	67104-95	CUSHION, front (2-1200/S)	95 to * -STD/DLX/HUG/1200/S
12	67110-95	BRACKET, speedo & tach	95 to * -1200/S
13	67121-95	CUSHION, rear (2-1200/S)	95 to * -STD/DLX/HUG/1200/S
14	67184-94	SOCKET, indicator lamps (5)	95 to * -STD/DLX/HUG/1200/S
15	67191-94	SOCKET, speedo & tach (2-883, 3-1200/S)	95 to * -STD/DLX/HUG/1200/S
16	67879-94	SWITCH, reset	95 to * -STD/DLX/HUG/1200/S
17	67880-94	BOOT, reset switch	95 to * -STD/DLX/HUG/1200/S
18	68024-94	BULB, indicator lamps (5)	95 to * -STD/DLX/HUG/1200/S
19	68513-95	TRIM PLATE, indicator lamps	95 to * -STD/DLX/HUG/1200/S
20	68516-95	HOUSING, indicator lamps	95 to * -STD/DLX/HUG/1200/S
21	68551-95	LENS, indicator lamps	95 to * -STD/DLX/HUG/1200/S
22	72113-94BK	PLUG, 3-way socket	95 to * -STD/DLX/HUG/1200/S
23	72119-94BK	PLUG, 12-way (black)	95 to * -STD/DLX/HUG/1200/S
24	72143-94	SECONDARY LOCK, 3-way receptacle	95 to * -STD/DLX/HUG/1200/S
25	72153-94	SOCKET LOCK, sec. 3-way	95 to * -STD/DLX/HUG/1200/S
26	72159-94	SECONDARY LOCK, 12-way plug	95 to * -STD/DLX/HUG/1200/S
27	72163-94BK	RECEPTACLE, 3-way pin	95 to * -STD/DLX/HUG/1200/S

SPEEDOMETER AND TACHOMETER

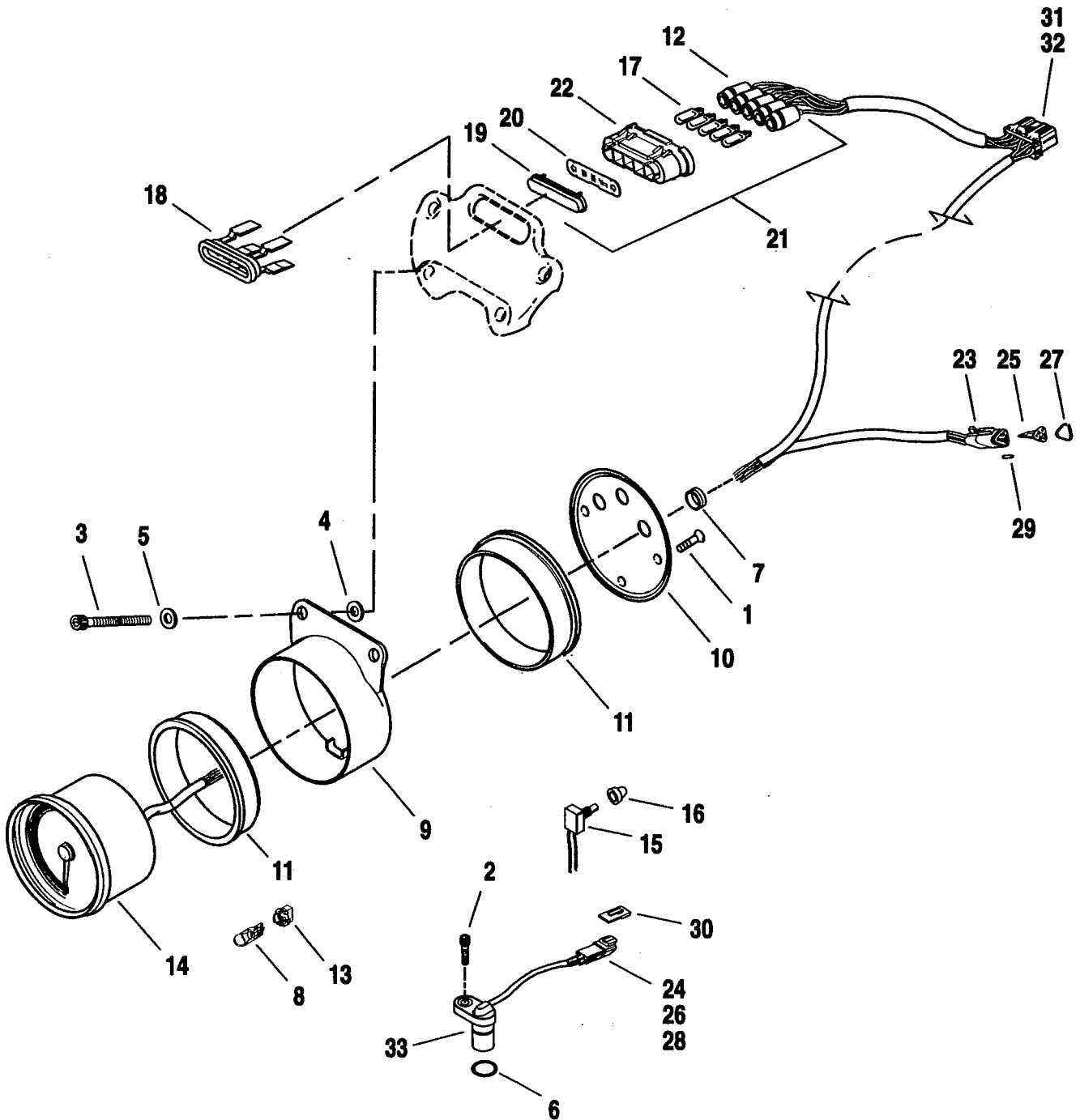


SPEEDOMETER AND TACHOMETER (CONTINUED)

XH38-2

INDEX NO.	PART NO.	DESCRIPTION	MODELS
28	72173-94	SEAL, front (3-way plug)	95 to * -STD/DLX/HUG/1200/S
29	72179-94	SEAL, front (12-way plug)	95 to * -STD/DLX/HUG/1200/S
30	72190-94	TERMINAL, pin (3)	95 to * -STD/DLX/HUG/1200/S
31	72191-94	TERMINAL, socket (15)	95 to * -STD/DLX/HUG/1200/S
32	72195-94	SEAL PIN (as required)	95 to * -STD/DLX/HUG/1200/S
33	72199-94	ATTACHMENT CLIP (2)	95 to * -STD/DLX/HUG/1200/S
34	72241-94	TERMINAL, ring type - #10 hole, 18-20 gauge (3)	95 to * -STD/DLX/HUG/1200/S
35	74421-95	SENSOR, engine speed	95 -All Models
	74402-95	SENSOR, engine speed	96 to * -All Models
H-D INTERNATIONAL ONLY			
6	67041-95	SPEEDOMETER, kph (HDI) - w/bulbs, reset switch & 3-way plug	95 to * -883 Models
	67285-95	SPEEDOMETER, kph (HDI) - w/bulbs, reset switch & 3-way plug	95 to * -1200/S
	67290-95	SPEEDOMETER, mph (Great Britain) - w/bulbs, reset switch & 3-way plug	95 to * -883 Models
	67284-95	SPEEDOMETER, mph (Great Britain) - w/bulbs, reset switch & 3-way plug	95 to * -1200/S
	67292-95	SPEEDOMETER, kph (Swiss) - w/bulbs, reset switch & 3-way plug	95 -883 Models
	67292-96	SPEEDOMETER, kph (Swiss) - w/bulbs, reset switch & 3-way plug	96 to * -STD/HUG
	67303-95	SPEEDOMETER, kph (Swiss) - w/bulbs, reset switch & 3-way plug	95 -1200
	67303-96	SPEEDOMETER, kph (Swiss) - w/bulbs, reset switch & 3-way plug	96 to * -1200/S
	67289-95	SPEEDOMETER, kph (Japan & Canada) - w/bulbs, reset switch & 3-way plug	95 -883 Models
	67286-95	SPEEDOMETER, kph (Japan & Canada) - w/bulbs, reset switch & 3-way plug	95 -1200
35	74402-95	SENSOR, engine speed	95 to * -STD/DLX/HUG/1200/S

SPEEDOMETER - 1200 CUSTOM

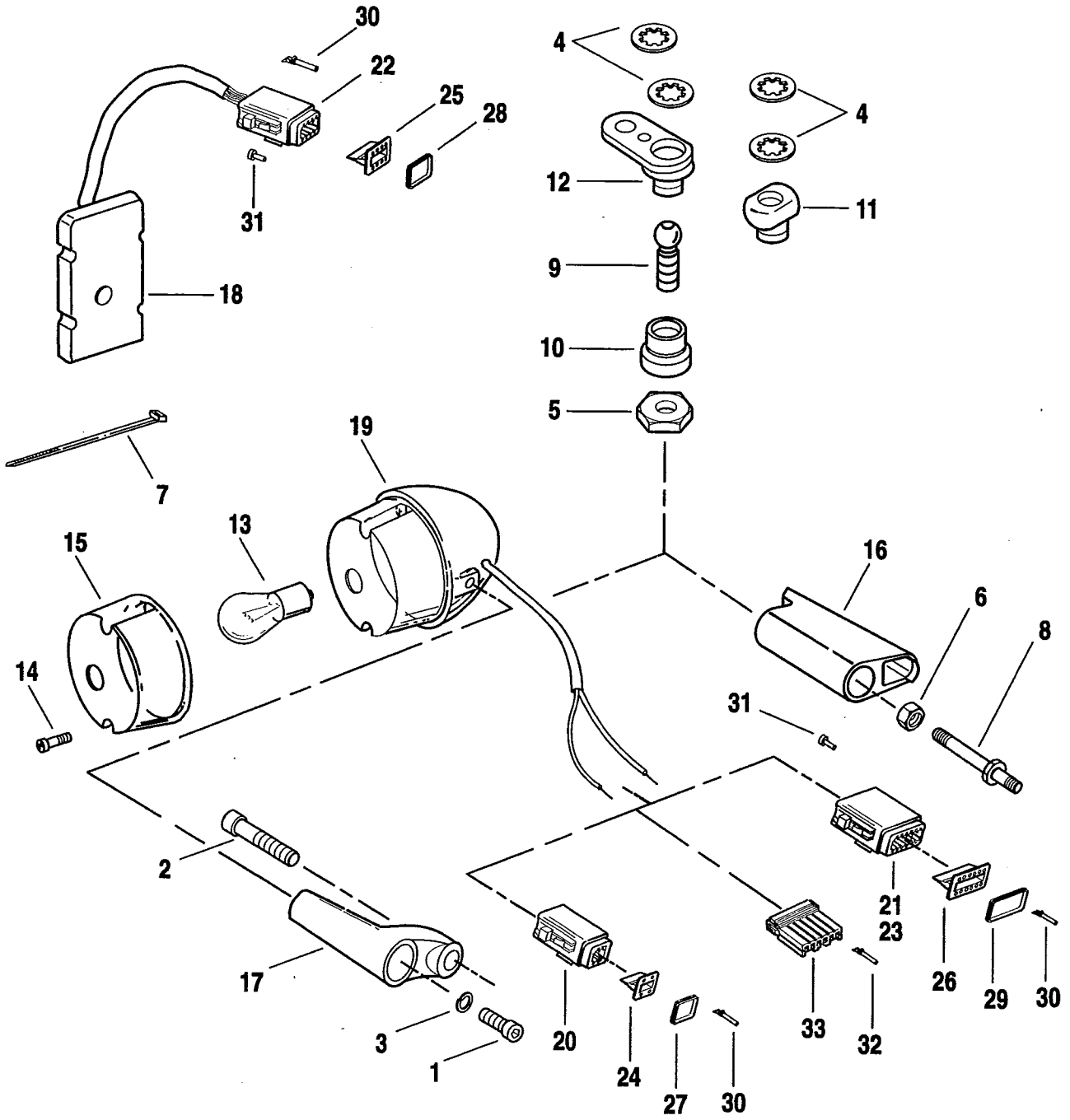


SPEEDOMETER - 1200 CUSTOM

XH38A

INDEX NO.	PART NO.	DESCRIPTION	MODELS
1	2548	SCREW (2)	96 to * -1200C
2	3594	SCREW	96 to * -1200C
3	4816A	SCREW (2)	96 to * -1200C
4	6109	WASHER (2)	96 to * -1200C
5	6702	WASHER (2)	96 to * -1200C
6	11140	O-RING	96 to * -1200C
7	11496	GROMMET	96 to * -1200C
8	53439-79	BULB, speedometer	96 to * -1200C
	67136-85	BULB, odometer	96 to * -1200C
9	67084-96	BRACKET, speedometer	96 to * -1200C
10	67088-96	COVER, speedometer back	96 to * -1200C
11	67121-95	CUSHION, front and rear (2)	96 to * -1200C
12	67184-94	SOCKET, indicator lamps (5)	96 to * -1200C
13	67191-94	SOCKET, speedometer (2)	96 to * -1200C
14	67339-96	SPEEDOMETER, mph - w/ bulbs, reset switch & 3-way plug	96 to * -1200C
15	67879-94	SWITCH, reset	96 to * -1200C
16	67880-94	BOOT, reset switch	96 to * -1200C
17	68024-94	BULB, indicator lamps (5)	96 to * -1200C
18	68383-96	BEZEL, indicator lamp	96 to * -1200C
19	68415-96	LENS, indicator lamp	96 to * -1200C
20	68423-96	JEWEL, indicator lamp	96 to * -1200C
21	68715-96	INDICATOR LAMP ASSEMBLY	96 to * -1200C
22	68792-96	HOUSING, indicator lamp	96 to * -1200C
23	72113-94BK	PLUG, 3-way socket	96 to * -1200C
24	72143-94	SECONDARY LOCK, 3-way receptacle	96 to * -1200C
25	72153-94	SOCKET LOCK, sec. 3-way	96 to * -1200C
26	72163-94BK	RECEPTACLE, 3-way plug	96 to * -1200C
27	72173-94	SEAL, front (3-way plug)	96 to * -1200C
28	72190-94	TERMINAL, pin (3)	96 to * -1200C
29	72191-94	TERMINAL, socket (13)	96 to * -1200C
30	72199-94	ATTACHMENT CLIP	96 to * -1200C
31	73162-96BK	PLUG, 12-way (black)	96 to * -1200C
32	73191-96	TERMINAL, socket (10)	96 to * -1200C
33	74420-96	SENSOR, engine speed	96 to * -1200C
H-D INTERNATIONAL ONLY			
14	67340-96	SPEEDOMETER, kph (H.D.I.) - w/ bulbs, reset switch & 3-way plug	96 to * -1200C
	67341-96	SPEEDOMETER, kph (Swiss) - w/ bulbs, reset switch & 3-way plug	96 to * -1200C
	67342-96	SPEEDOMETER, mph/ kph (Great Britain) - w/ bulbs, reset switch & 3-way plug	96 to * -1200C
33	74402-95	SENSOR, engine speed	96 to * -1200C

TURN SIGNALS

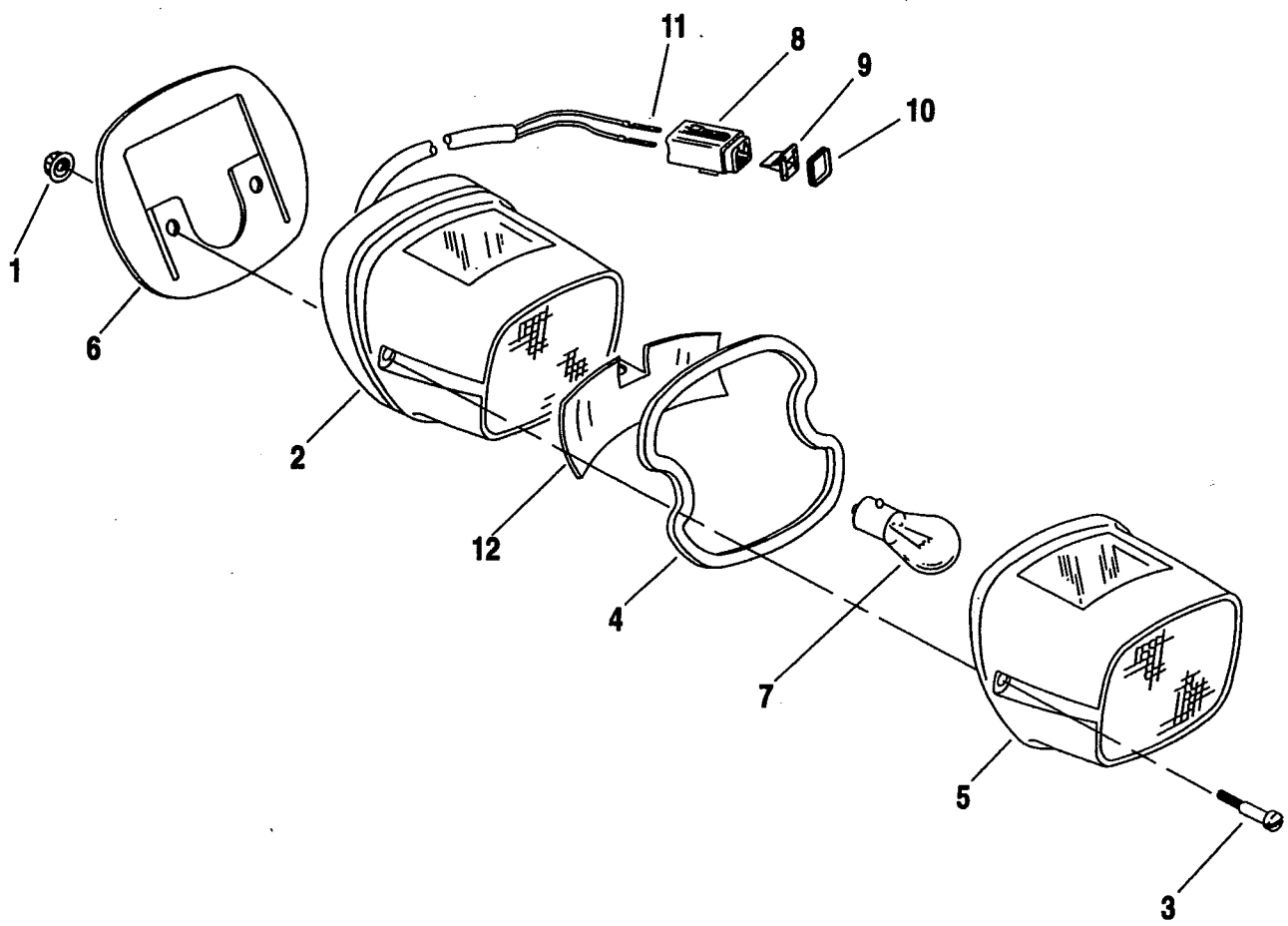


TURN SIGNALS

XH39

INDEX NO.	PART NO.	DESCRIPTION	MODELS
1	2698A	SCREW (2)	95 to * -STD/1200S
2	4047	SCREW (2)	95 to * -STD/1200S
3	7042	LOCKWASHER (2)	95 to * -STD/1200S
4	7127	LOCKWASHER (4)	95 to * -All Models
5	7744	JAM NUT (2)	95 to * -DLX/HUG/1200/C
6	7531	NUT (2)	95 to * -All Models
7	10065	CABLE STRAP (2)	95 to * -All Models
8	56104-94	STUD, rear turn signal (2)	95 to * -All Models
9	67822-88	BALL STUD (2)	95 to * -DLX/HUG/1200/C
10	67827-88A	CLAMP, ball stud (2)	95 to * -DLX/HUG/1200/C
11	67828-88A	RETAINER, right	95 to * -DLX/HUG/1200/C
12	67829-88	BALL RECEPTACLE, left	95 to * -DLX/HUG/1200/C
13	68168-89	BULB, front turn signal (2)	95 to * -All Models
	68572-64B	BULB, rear turn signal (2)	95 to * -All Models
14	68452-86	SCREW (8)	95 to * -All Models
15	68457-86	LENS (amber) (4)	95 to * -All Models
16	68480-93	SUPPORT, rear turn signal (2)	95 to * -All Models
17	68555-87	SUPPORT, front turn signal (2)	95 to * -STD/1200S
18	68570-94B	TURN SIGNAL CANCELLER, with connector asm.	95 to * -All Models
19	68760-94	LAMP W/WIRE, rear (amber) (2) w/# 13, 14, & 15	95 to * -All Models
	68709-94	LAMP W/WIRE, front (amber) (2) w/# 13, 14, & 15	95 to * -All Models
20	72112-94BK	PLUG, 2-way (rear) (black) (2)	95 to * -All Models
21	72119-94BK	PLUG, 12-way (right front lamp) (black)	95 to * -STD/DLX/HUG/1200/S
22	72138-94GY	PLUG, 8-way (gray)	95 to * -All Models
23	72139-94GY	PLUG, 12-way (left front lamp) (gray)	95 to * -STD/DLX/HUG/1200/S
24	72152-94	SECONDARY LOCK, 2-way plug (2)	95 to * -All Models
25	72158-94	SECONDARY LOCK, 8-way plug	95 to * -All Models
26	72159-94	SECONDARY LOCK, 12-way plug (2)	95 to * -STD/DLX/HUG/1200/S
27	72172-94	SEAL, front (2-way plug)	95 to * -All Models
28	72178-94	SEAL, front (8-way plug)	95 to * -All Models
29	72179-94	SEAL, front (12-way plug) (2)	95 to * -STD/DLX/HUG/1200/S
30	72191-94	TERMINAL, socket (as required)	95 to * -All Models
31	72195-94	SEAL PIN (as required)	95 to * -All Models
32	73156-96BK	PLUG, 6-way (left & right turn signals)	96 to * -1200C
33	73191-96	PIN, #16 (20 gauge) (left & right turn signals) (6)	96 to * -1200C
H-D INTERNATIONAL ONLY			
	68163-84	BULB, turn signal (4) (HDI)	95 to * -All Models
	68507-90	LENS, rear (amber) (2) (HDI)	95 to * -All Models
	68566-90	LENS, front (amber) (2) (HDI)	95 to * -All Models
	68763-94	LAMP W/WIRE, rear (amber) (HDI) (2) w/# 13, 14, & 15	95 to * -All Models
	68710-94	LAMP W/WIRE, front (amber) (HDI) (2) w/# 13, 14, & 15	95 to * -All Models

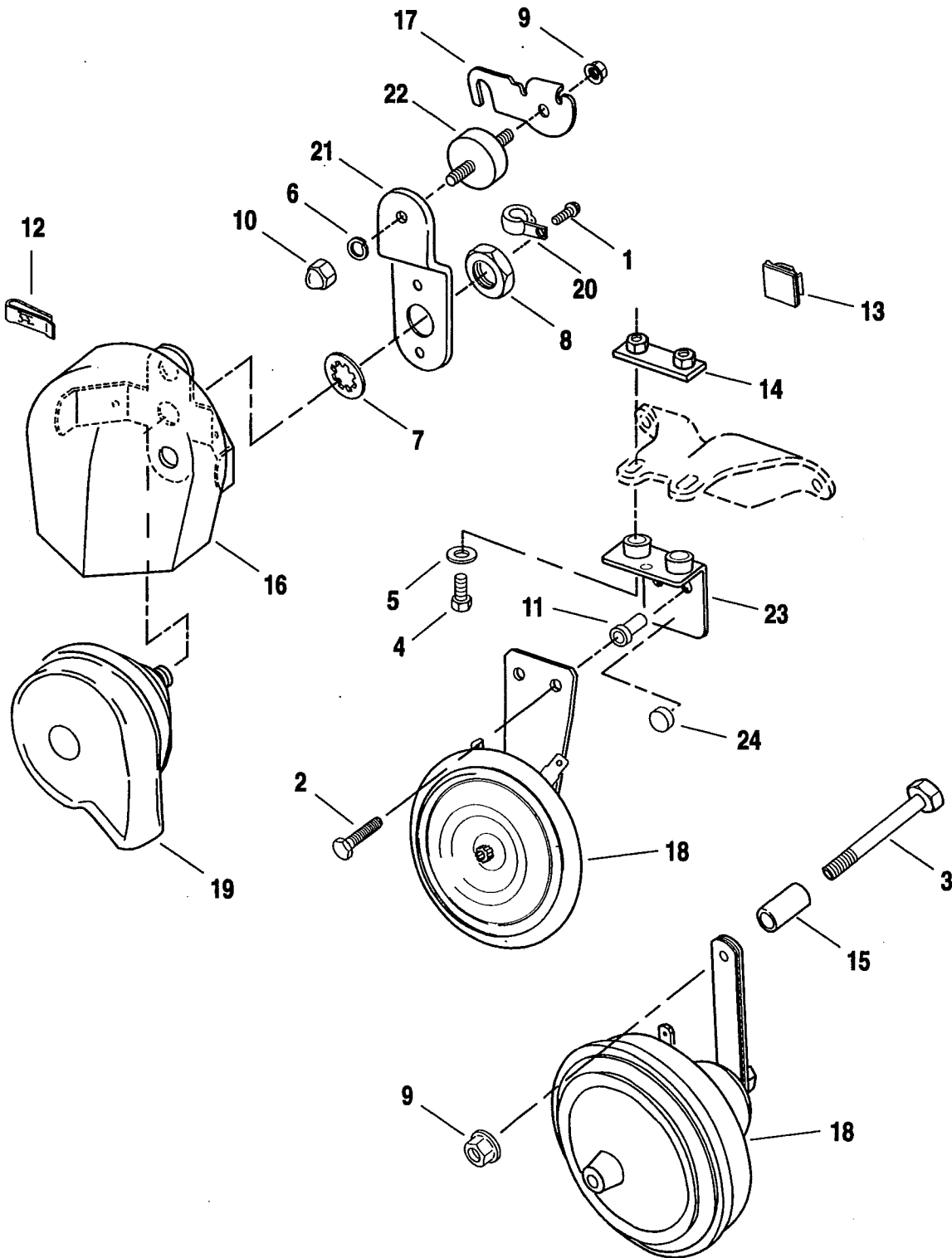
TAIL LAMP



TAIL LAMP**XH40**

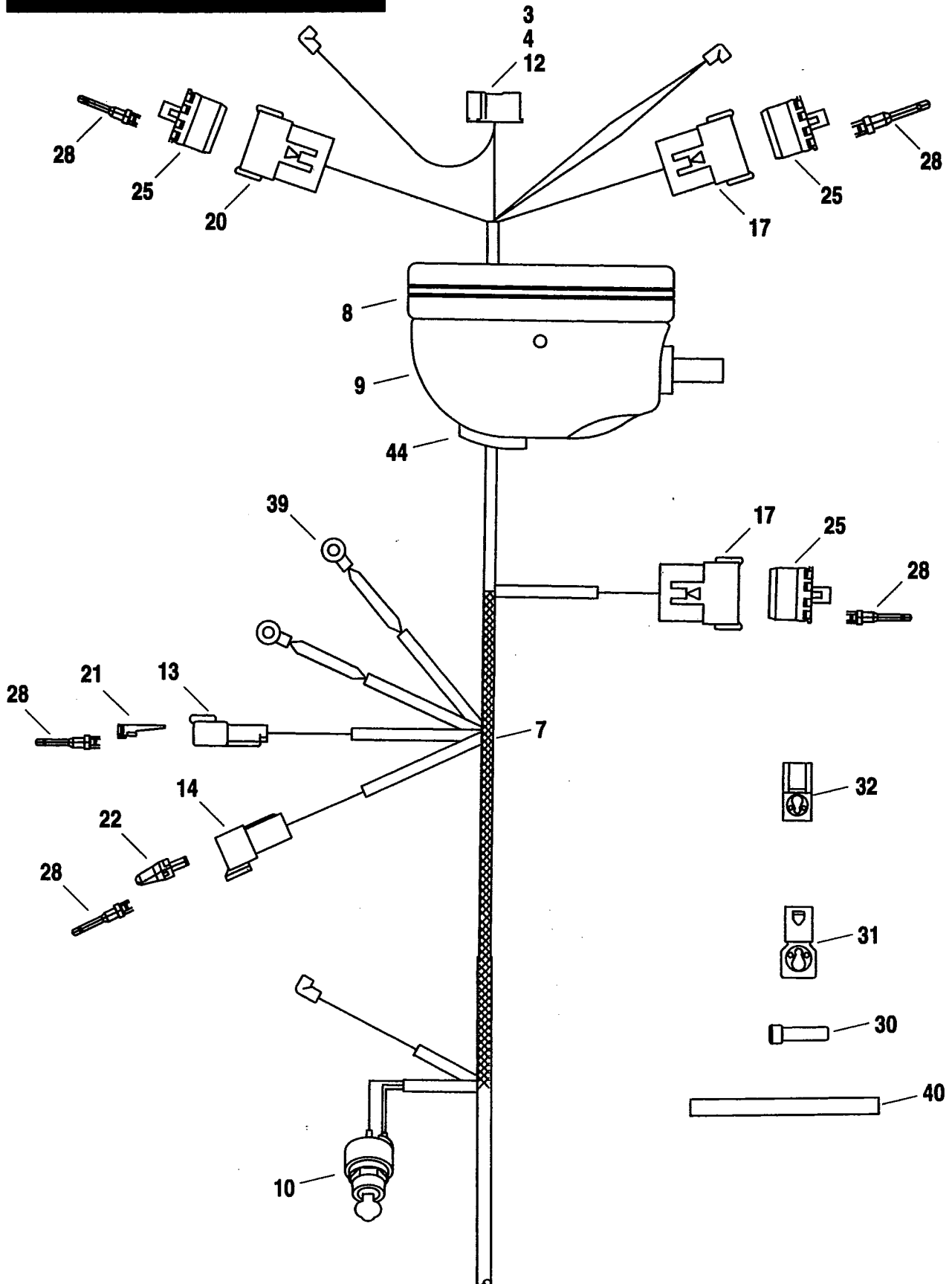
INDEX NO.	PART NO.	DESCRIPTION	MODELS
1	7501	SPEED NUT (2)	95 to * -All Models
2	68048-93B	TAIL LAMP ASM. w/ #3,4,5 & 7	95 to * -All Models
3	68026-73	SCREW, lens (2)	95 to * -All Models
4	68027-90	GASKET, lens	95 to * -All Models
5	68033-90	LENS, tail lamp (red)	95 to * -All Models
6	68123-73	GASKET, tail lamp mounting	95 to * -All Models
7	68168-89	BULB, tail lamp	95 to * -All Models
8	72114-94BK	SOCKET HOUSING, four-way	95 to * -All Models
9	72154-94	SECONDARY LOCK, four-way	95 to * -All Models
10	72172-94	SEAL, front	95 to * -All Models
11	72191-94	TERMINAL, socket (3)	95 to * -All Models
H-D INTERNATIONAL ONLY			
2	68049-93B	TAIL LAMP ASM. (HDI) w/ #3,4,5,6 & 7	95 to * -All Models
5	68032-90	LENS, tail lamp (red)(HDI)	95 to * -All Models
12	68036-91	REFLECTOR, tail lamp (HDI)	95 to * -All Models
7	68169-90	BULB, tail lamp (HDI)	95 to * -All Models

HORN



INDEX NO.	PART NO.	DESCRIPTION	MODELS
1	3588	SCREW (2)	95 to * -1200/C/S
2	3606	SCREW (2)	96 to * -883 Models
3	4099	BOLT	95 -883 Models
4	4716W	BOLT (2)	95 to * -All Models
5	6701	WASHER (2)	95 to * -All Models
6	7041	LOCKWASHER	95 to * -1200/C/S
7	7127	LOCKWASHER	95 to * -1200/C/S
8	7495	NUT	95 to * -1200/C/S
9	7531	LOCKNUT	95 to * -All Models
10	7527	ACORN NUT	95 to * -1200/C/S
11	8098	NUT, well (2)	96 to * -883 Models
12	8108	CLIP NUT (2)	95 to * -1200/C/S
13	10120	CLIP	96 to * -883 Models
14	16228-94	NUT PLATE	95 to * -All Models
15	42520-80A	SPACER	95 -883 Models
16	69012-93A	COVER, horn (chrome)	95 to * -1200/C/S
17	69035-95	SUPPORT BRACKET	95 to * -1200/C/S
18	69043-91B	HORN, complete w/ bracket	95 -883 Models
	69043-96	HORN, complete w/ bracket	96 to * -883 Models
19	69060-90C	HORN with #5	95 to * -1200/C/S
20	69062-91A	CLAMP, horn wire	95 to * -1200/C/S
21	69120-91	HORN BRACKET	95 to * -1200/C/S
22	69123-92	RUBBER MOUNT	95 to * -1200/C/S
23	69135-96	HORN BRACKET	96 to * -883 Models
24	75101-82	BUMPER	96 to * -883 Models
H-D INTERNATIONAL ONLY			
19	69074-95A	HORN	95 to * -1200

MAIN WIRING HARNESS



Continued on next page

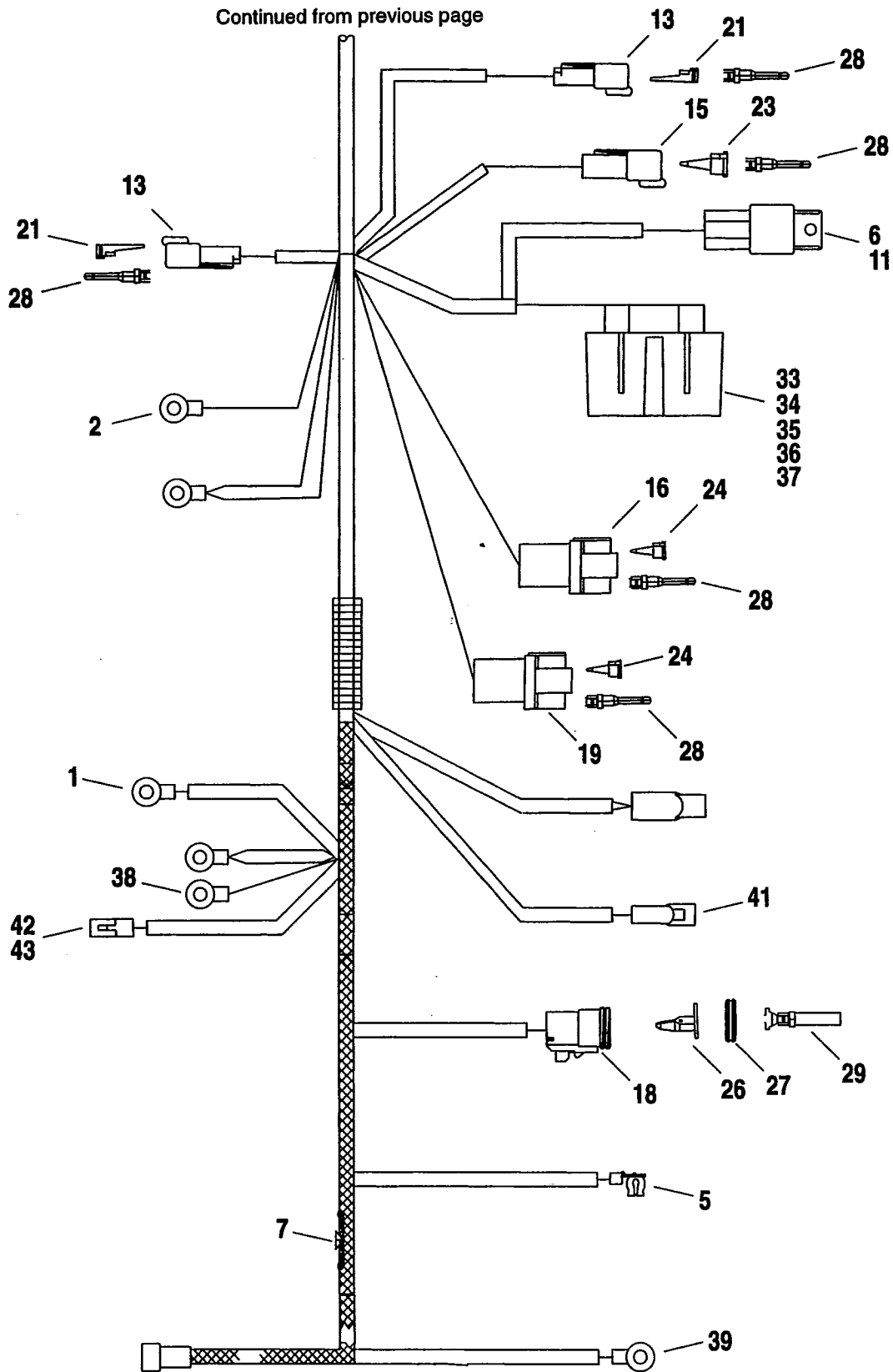
MAIN WIRING HARNESS

XH42-1

INDEX NO.	PART NO.	DESCRIPTION	MODELS
	70135-95A	MAIN WIRING HARNESS Includes The Following Parts	95 to * -STD/DLX/HUG/1200/S
1	9842	TERMINAL, ring - 5/16 stud (10-12 gauge)	95 to * -STD/DLX/HUG/1200/S
2	9843	TERMINAL, ring - #10 (10-12 gauge)	95 to * -STD/DLX/HUG/1200/S
3	9847	TERMINAL, female spade - R.H. (2)	95 to * -STD/DLX/HUG/1200/S
4	9848	TERMINAL, female spade - L.H.	95 to * -STD/DLX/HUG/1200/S
5	9905	TERMINAL, cap type - 1/4' dia.	95 to * -STD/DLX/HUG/1200/S
6	9937	TERMINAL, female spade type, 1/4 slot (4)	95 to * -STD/DLX/HUG/1200/S
7	10136	ANCHOR, T-stud	95 to * -STD/DLX/HUG/1200/S
8	67719-63	MOUNTING RING (rubber)	95 to * -STD/DLX/HUG/1200/S
9	68061-94B	HOUSING, headlamp	95 to * -STD/DLX/HUG/1200/S
	70551-69	CONDUIT, 1/8 I.D. x 10 ft. (black vinyl) (high temp) (not illustrated)	95 to * -STD/DLX/HUG/1200/S
	70552-69	CONDUIT, 3/8 I.D. x 10 ft. lg. (black vinyl) (not illustrated)	95 to * -STD/DLX/HUG/1200/S
	70553-69	CONDUIT, 7/16 I.D. x 10 ft. lg. (black vinyl) (not illustrated)	95 to * -STD/DLX/HUG/1200/S
	70554-69	CONDUIT, 1/4 I.D. x 10 ft. lg. (black vinyl) (not illustrated)	95 to * -STD/DLX/HUG/1200/S
	70555-69	CONDUIT, 1/4 I.D. x 10 ft. lg. (black vinyl) (not illustrated)	95 to * -STD/DLX/HUG/1200/S
	70556-71	CONDUIT, 5/16 I.D. x 10 ft. lg. (black vinyl) (not illustrated)	95 to * -STD/DLX/HUG/1200/S
	70558-71	CONDUIT, 1/2 I.D. x 10 ft. lg. (black vinyl) (not illustrated)	95 to * -STD/DLX/HUG/1200/S
	70559-71	CONDUIT, 1/8 I.D. x 10 ft. lg. (black vinyl) (not illustrated)	95 to * -STD/DLX/HUG/1200/S
10	71441-94	IGNITION AND LIGHT SWITCH ASM.	95 to * -STD/DLX/HUG/1200/S
11	72046-79	SOCKET HOUSING, 5-way	95 to * -STD/DLX/HUG/1200/S
12	72056-92	CONNECTOR, spade terminal (3-way)	95 to * -STD/DLX/HUG/1200/S
13	72102-94BK	RECEPTACLE, 2-way (black) (3)	95 to * -STD/DLX/HUG/1200/S
14	72103-94BK	RECEPTACLE, 3-way (black)	95 to * -STD/DLX/HUG/1200/S
15	72104-94BK	RECEPTACLE, 4-way (black)	95 to * -STD/DLX/HUG/1200/S
16	72108-94BK	RECEPTACLE, 8-way (black)	95 to * -STD/DLX/HUG/1200/S
17	72109-94BK	RECEPTACLE, 12-way (2)	95 to * -STD/DLX/HUG/1200/S
18	72113-94BK	PLUG, 3-way (black)	95 to * -STD/DLX/HUG/1200/S
19	72128-94GY	RECEPTACLE, 8-way (gray)	95 to * -STD/DLX/HUG/1200/S
20	72129-94GY	RECEPTACLE, 12-way (gray)	95 to * -STD/DLX/HUG/1200/S
21	72142-94	SECONDARY LOCK, 2-way receptacle (3)	95 to * -STD/DLX/HUG/1200/S
22	72143-94	SECONDARY LOCK, 3-way receptacle	95 to * -STD/DLX/HUG/1200/S
23	72144-94	SECONDARY LOCK, 4-way receptacle	95 to * -STD/DLX/HUG/1200/S
24	72148-94	SECONDARY LOCK, 8-way receptacle (2)	95 to * -STD/DLX/HUG/1200/S
25	72149-94	SECONDARY LOCK, 12-way receptacle (3)	95 to * -STD/DLX/HUG/1200/S
26	72153-94	SECONDARY LOCK, 3-way plug	95 to * -STD/DLX/HUG/1200/S

MAIN WIRING HARNESS

Continued from previous page

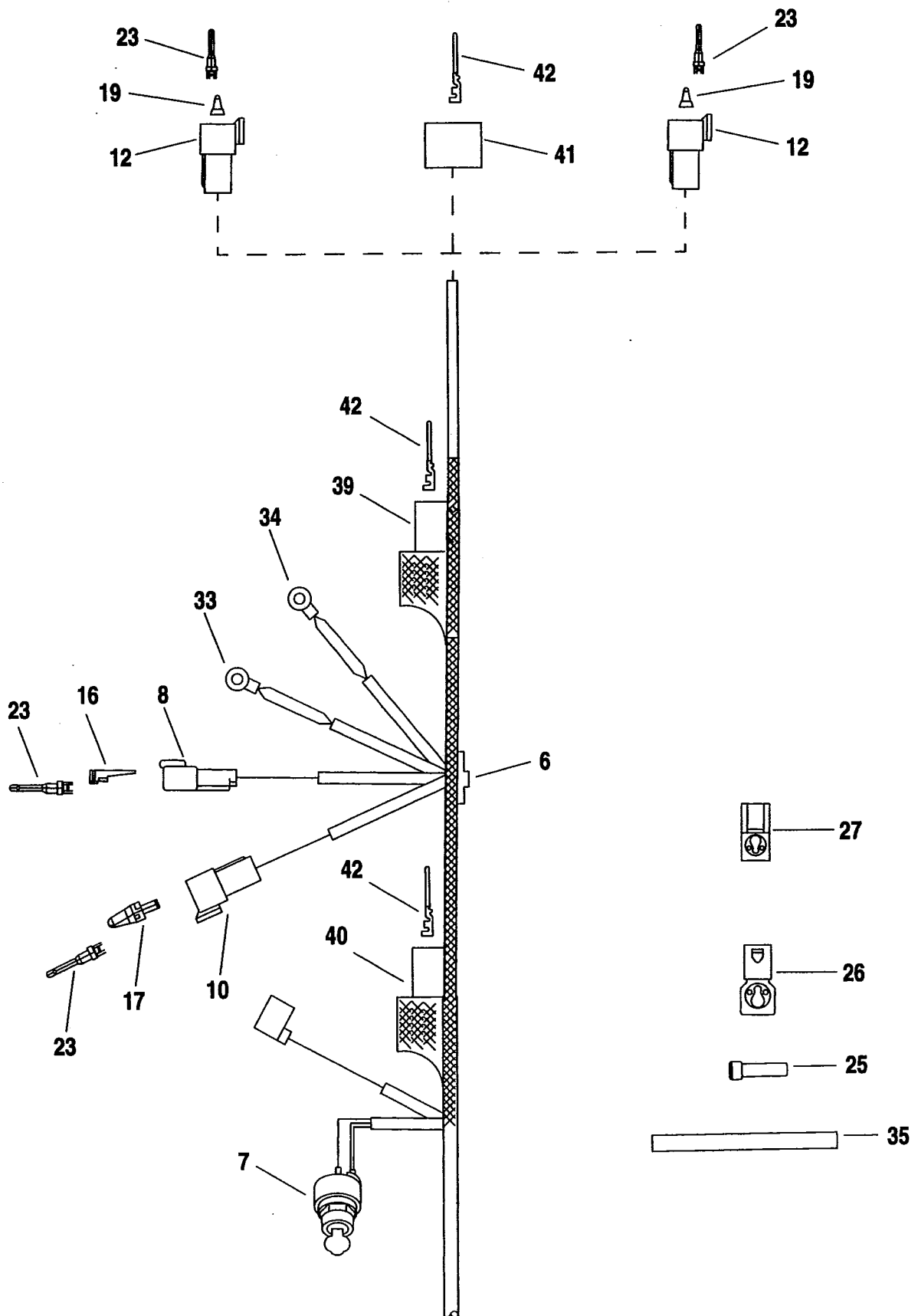


MAIN WIRING HARNESS (CONTINUED)

XH42-2

INDEX NO.	PART NO.	DESCRIPTION	MODELS
	70135-95A	MAIN WIRING HARNESS (CONTINUED) Includes The Following Parts	95 to * -STD/DLX/HUG/1200/S
27	72173-94	SEAL, front (three-way plug)	95 to * -STD/DLX/HUG/1200/S
28	72190-94	TERMINAL, pin (53)	95 to * -STD/DLX/HUG/1200/S
29	72191-94	TERMINAL, socket (3)	95 to * -STD/DLX/HUG/1200/S
30	72195-94	SEAL PIN (8)	95 to * -STD/DLX/HUG/1200/S
31	72198-94	ATTACHMENT CLIP, eight-way receptacle (2)	95 to * -STD/DLX/HUG/1200/S
32	72199-94	ATTACHMENT CLIP, 2,3,4,6 & 12-way receptacle (5)	95 to * -STD/DLX/HUG/1200/S
33	72216-94	FUSE BLOCK	95 to * -STD/DLX/HUG/1200/S
34	72217-94	TERMINAL, auto fuse (18-20 gauge)	95 to * -STD/DLX/HUG/1200/S
35	72218-94	TERMINAL, auto fuse (14-16 gauge) (2)	95 to * -STD/DLX/HUG/1200/S
36	72219-94	TERMINAL, auto fuse (18 gauge) (3)	95 to * -STD/DLX/HUG/1200/S
37	72220-94	TERMINAL, auto fuse (14-16 gauge) (2)	95 to * -STD/DLX/HUG/1200/S
38	72240-94	TERMINAL, ring - #10 (18-20 gauge) (2)	95 to * -STD/DLX/HUG/1200/S
39	72241-94	TERMINAL, ring (18-20 gauge) (2)	95 to * -STD/DLX/HUG/1200/S
40	72249-94	HEAT SHRINK TUBING, 0.3 X 1 inch (7)	95 to * -STD/DLX/HUG/1200/S
41	72259-94	TERMINAL, 0.32 inch female (16-20 gauge)	95 to * -STD/DLX/HUG/1200/S
42	72291-94	TERMINAL, female spade (14-16 gauge)	95 to * -STD/DLX/HUG/1200/S
43	72295-94	HOUSING, starter connector	95 to * -STD/DLX/HUG/1200/S
44	72507-94	GROMMET	95 to * -STD/DLX/HUG/1200/S

MAIN WIRING HARNESS - 1200 CUSTOM



Continued on next page

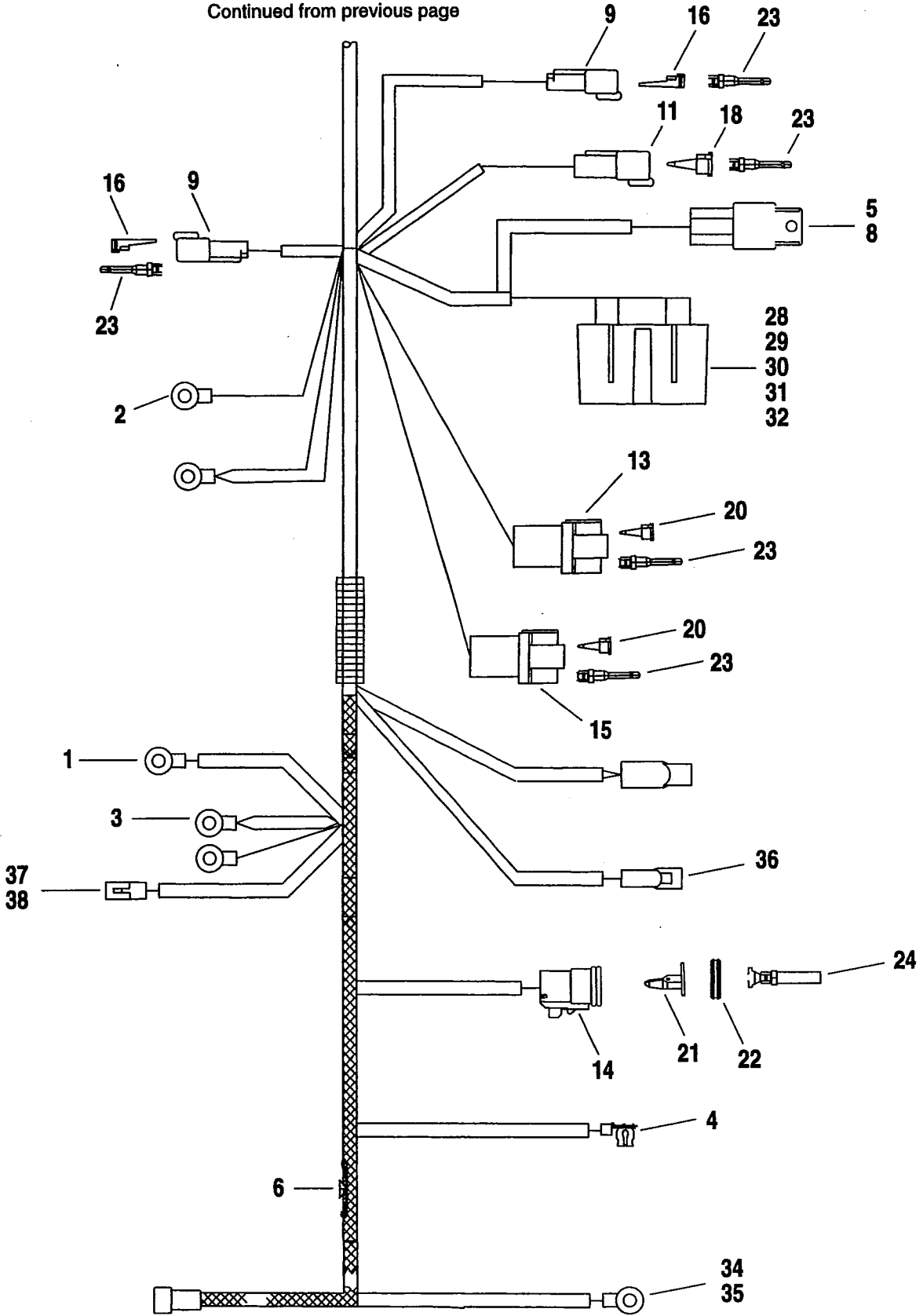
MAIN WIRING HARNESS - 1200 CUSTOM

XH42A-1

INDEX NO.	PART NO.	DESCRIPTION	MODELS
	70153-96	MAIN WIRING HARNESS 1200 CUSTOM Includes The Following Parts	96 to * -1200C
1	9842	TERMINAL, ring - 5/16 stud (10-12 gauge)	96 to * -1200C
2	9843	TERMINAL, ring - #10 (10-12 gauge)	96 to * -1200C
3	9869	TERMINAL, ring - 3/8 (12 gauge)	96 to * -1200C
4	9905	TERMINAL, cap type - 1/4 dia.	96 to * -1200C
5	9937	TERMINAL, female spade type, 1/4 slot (4)	96 to * -1200C
6	10136	ANCHOR, T-stud (2)	96 to * -1200C
	70553-69	CONDUIT, 7/16 I.D. x 10 ft. lg. (black vinyl) (not illustrated)	96 to * -1200C
	70554-69	CONDUIT, 1/4 I.D. x 10 ft. lg. (black vinyl) (not illustrated)	96 to * -1200C
	70555-69	CONDUIT, 1/4 I.D. x 10 ft. lg. (black vinyl) (not illustrated)	96 to * -1200C
	70558-71	CONDUIT, 1/2 I.D. x 10 ft. lg. (black vinyl) (not illustrated)	96 to * -1200C
	70559-71	CONDUIT, 1/8 I.D. x 10 ft. lg. (black vinyl) (not illustrated)	96 to * -1200C
7	71441-94	IGNITION AND LIGHT SWITCH ASM.	96 to * -1200C
8	72046-79	SOCKET HOUSING, 5-way	96 to * -1200C
9	72102-94BK	RECEPTACLE, 2-way (black) (2)	96 to * -1200C
10	72103-94BK	RECEPTACLE, 3-way (black)	96 to * -1200C
11	72104-94BK	RECEPTACLE, 4-way (black)	96 to * -1200C
12	72106-94BK	RECEPTACLE, 6-way (black) (2)	96 to * -1200C
13	72108-94BK	RECEPTACLE, 8-way (black)	96 to * -1200C
14	72113-94BK	PLUG, 3-way (black)	96 to * -1200C
15	72128-94GY	RECEPTACLE, 8-way (gray)	96 to * -1200C
16	72142-94	SECONDARY LOCK, 2-way receptacle (3)	96 to * -1200C
17	72143-94	SECONDARY LOCK, 3-way receptacle	96 to * -1200C
18	72144-94	SECONDARY LOCK, 4-way receptacle	96 to * -1200C
19	72146-94	SECONDARY LOCK, 6-way (2)	96 to * -1200C
20	72148-94	SECONDARY LOCK, 8-way receptacle (2)	96 to * -1200C
21	72153-94	SECONDARY LOCK, 3-way plug	96 to * -1200C

MAIN WIRING HARNESS - 1200 CUSTOM

Continued from previous page

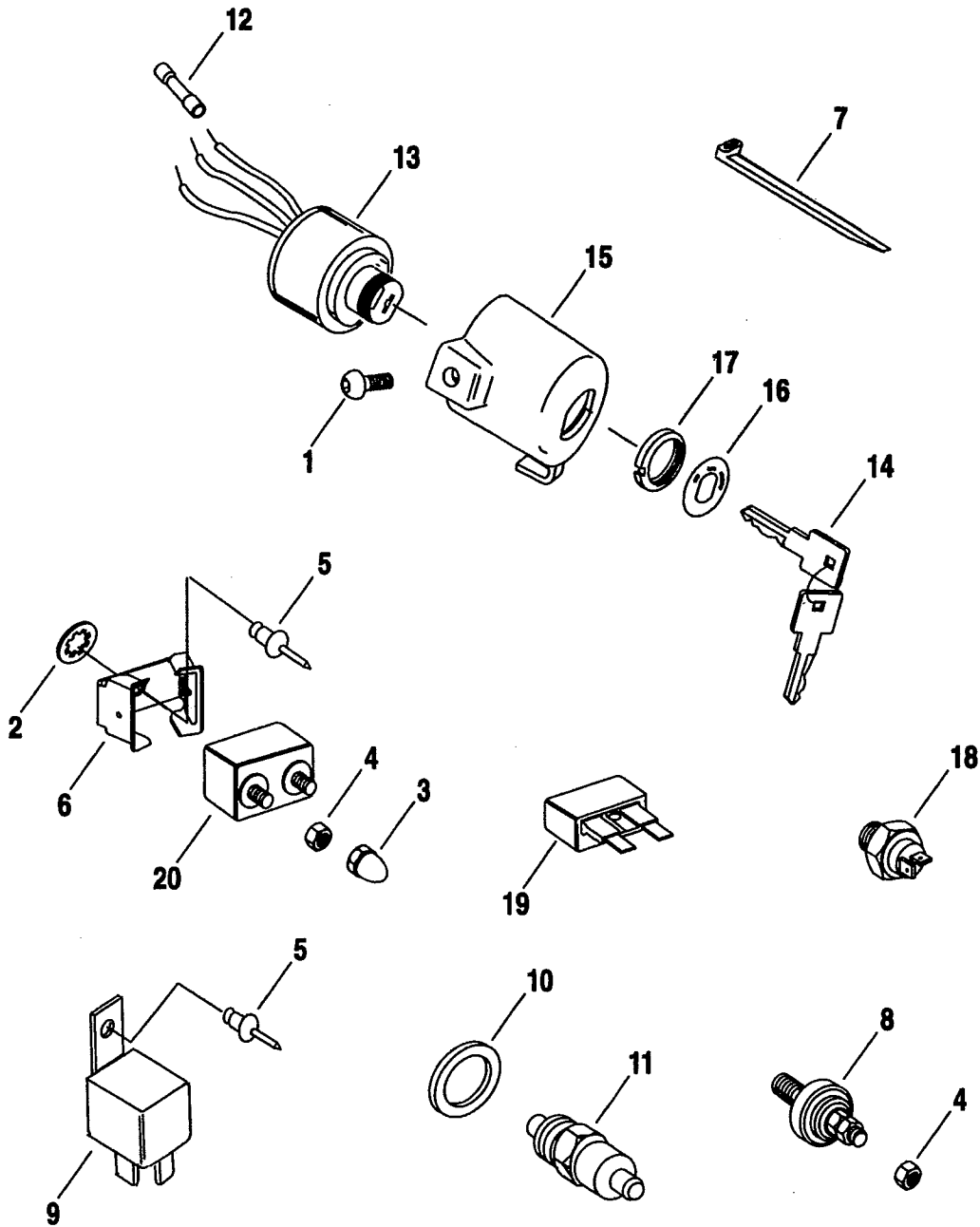


MAIN WIRING HARNESS - 1200 CUSTOM (CONTINUED)

XH42A-2

INDEX NO.	PART NO.	DESCRIPTION	MODELS
	70153-96	MAIN WIRING HARNESS 1200 CUSTOM (CONTINUED) Includes The Following Parts	96 to * -1200C
22	72173-94	SEAL, front (3-way plug)	96 to * -1200C
23	72190-94	PIN (39)	96 to * -1200C
24	72191-94	TERMINAL, socket (3)	96 to * -1200C
25	72195-94	SEAL PIN (2)	96 to * -1200C
26	72198-94	ATTACHMENT CLIP, 8-way receptacle (2)	96 to * -1200C
27	72199-94	ATTACHMENT CLIP, 2,3,4,8, & 12-way receptacle (5)	96 to * -1200C
28	72216-94	FUSE BLOCK	96 to * -1200C
29	72217-94	TERMINAL, auto fuse (18-20 gauge)	96 to * -1200C
30	72218-94	TERMINAL, auto fuse (14-16 gauge) (2)	96 to * -1200C
31	72219-94	TERMINAL, auto fuse (18 gauge) (3)	96 to * -1200C
32	72220-94	TERMINAL, auto fuse (14-16 gauge) (2)	96 to * -1200C
33	72240-94	TERMINAL, ring - #10 (18-20 gauge)	96 to * -1200C
34	72241-94	TERMINAL, ring (18-20 gauge) (2)	96 to * -1200C
35	72249-94	HEAT SHRINK TUBING, 0.3 X 1 inch (7)	96 to * -1200C
36	72259-94	TERMINAL, 0.32 inch female (16-20 gauge)	96 to * -1200C
37	72291-94	TERMINAL, female spade (14-16 gauge)	96 to * -1200C
38	72295-94	HOUSING, starter connector	96 to * -1200C
39	73104-96BK	TAB HOUSING, 4-way (black)	96 to * -1200C
40	73106-96BK	TAB HOUSING, 6-way (black)	96 to * -1200C
41	73112-96BK	TAB HOUSING, 12-way (black)	96 to * -1200C
42	73190-96	PIN #16 (20 gauge) (22)	96 to * -1200C

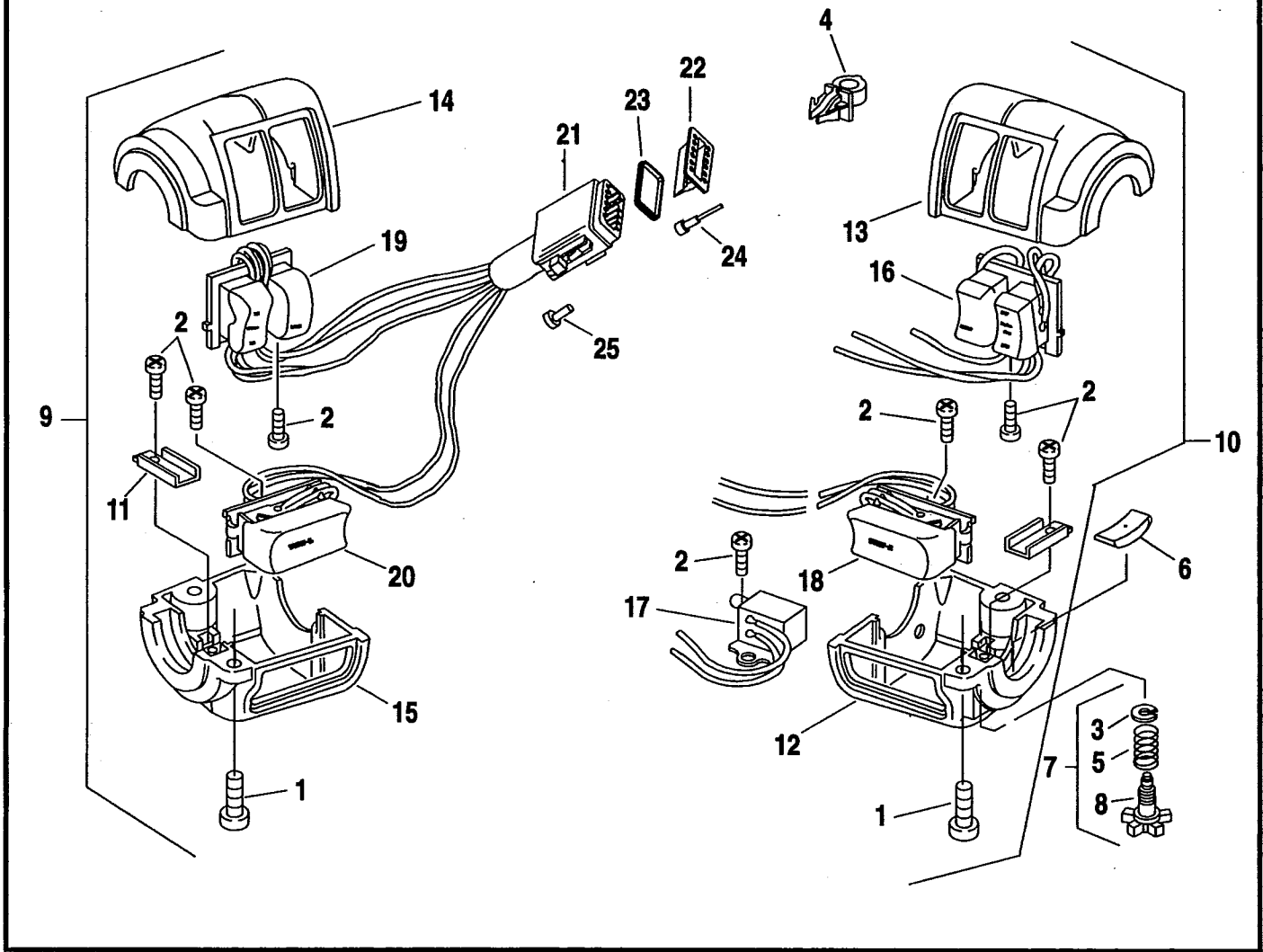
SWITCHES AND CIRCUIT BREAKERS



SWITCHES AND CIRCUIT BREAKERS**XH43**

INDEX NO.	PART NO.	DESCRIPTION	MODELS
1	2528	SCREW	95 to * -All Models
2	7127	LOCKWASHER, internal tooth	95 to * -All Models
3	7602	ACORN NUT, nylon (2)	95 to * -All Models
4	7629	NUT, keps (2)	95 to * -All Models
5	8483	POP RIVET, circuit breaker clip (2)	95 to * -All Models
6	9952	CLIP, circuit breaker	95 to * -All Models
7	10039	CABLE STRAP	95 to * -All Models
8	26554-77	SWITCH, oil pressure indicator	95 to * -All Models
9	31504-91A	STARTER RELAY	95 to * -All Models
10	33043-80	WASHER	95 to * -All Models
11	33900-59C	SWITCH, neutral indicator - with washer	95 to * -All Models
12	70586-93	CONNECTOR, butt splice (3)	95 to * -All Models
13	71441-94	IGNITION AND LIGHT SWITCH, w/ #7,12, 17 & keys	95 to * -All Models
14	71451-94	KEY SET, ignition switch (specify key code)	95 to * -All Models
15	71510-95	COVER, ignition switch	95 to * -All Models
16	71550-94	LABEL, ignition switch	95 to * -All Models
17	71552-94	FACE NUT, ignition switch	95 to * -All Models
18	72023-51B	STOPLIGHT SWITCH, rear brake	95 to * -All Models
19	74587-94	CIRCUIT BREAKER, 15 amp. (2)	95 to * -All Models
	74588-94	CIRCUIT BREAKER, 10 amp. (2)	95 to * -All Models
20	74600-94	CIRCUIT BREAKER, 50 amp.	95 to * -All Models

HANDLEBAR SWITCHES - 1995

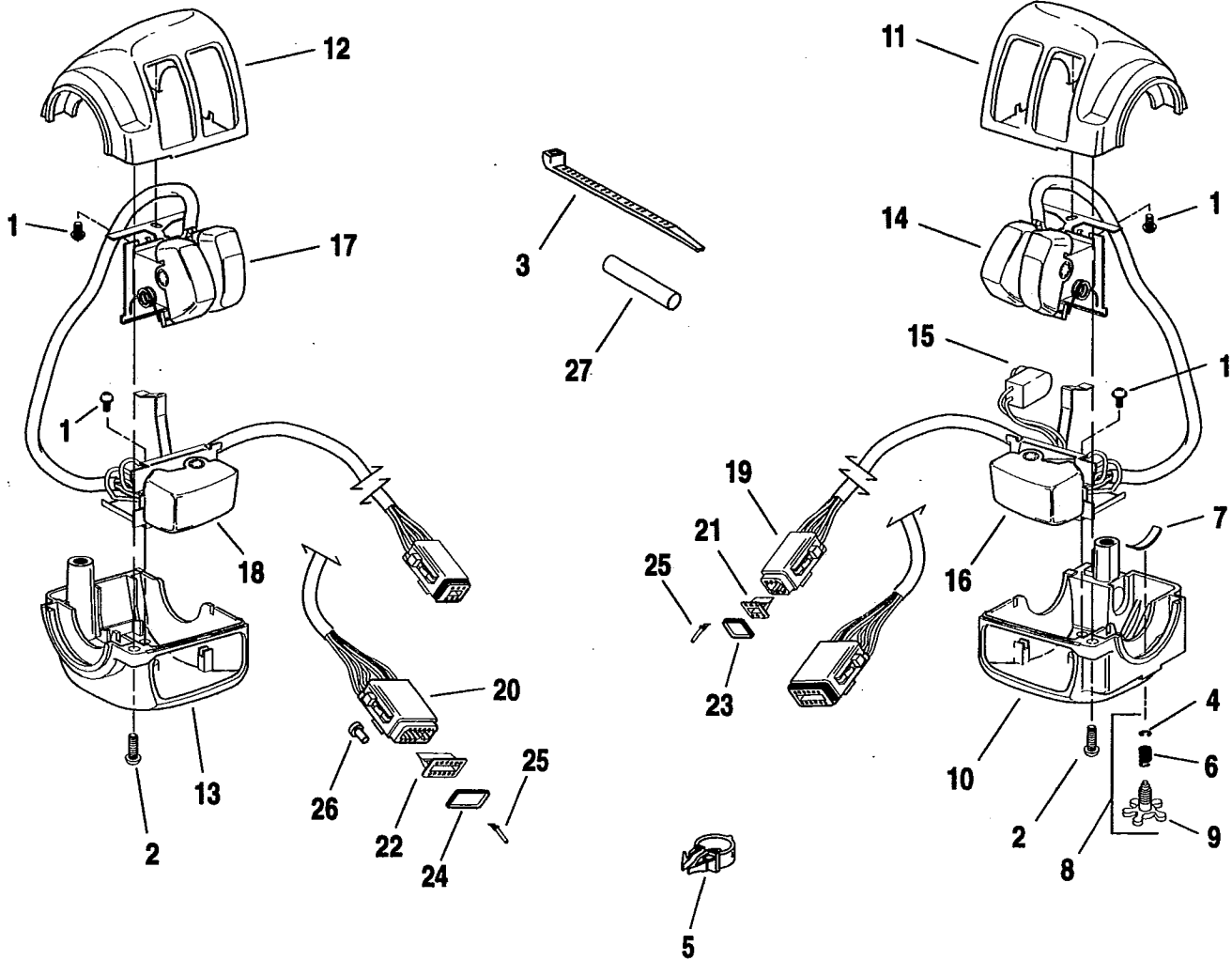


HANDLEBAR SWITCHES - 1995

XH44

INDEX NO.	PART NO.	DESCRIPTION	MODELS
1	2508	SCREW (4)	95 -All Models
2	2907	SCREW (8)	95 -All Models
3	11155	RETAINING RING	95 -All Models
4	56073-83	RETAINER, wiring harness (4)	95 -STD
	70345-84	RETAINER, wiring harness (4)	95 -HUG,DLX,1200
5	56394-74	SPRING, throttle adjusting screw	95 -All Models
6	56396-74A	PAD, throttle adjusting	95 -All Models
7	56397-74C	KIT, throttle adjusting screw, w/#3, 5, & 8	95 -All Models
8	56402-83A	ADJUSTING SCREW	95 -All Models
9	70218-87A	SWITCH KIT, complete left	95 -All Models
10	70219-87	SWITCH KIT, complete right	95 -All Models
11	71557-93	PLATE, switch (2)	95 -All Models
12	71563-82A	HOUSING, lower right	95 -All Models
13	71564-82A	HOUSING, upper right	95 -All Models
14	71567-82	HOUSING, upper left	95 -All Models
15	71568-82A	HOUSING, lower left	95 -All Models
16	71589-92	SWITCH ASSEMBLY, engine stop & start	95 -All Models
17	71590-92	STOPLIGHT SWITCH	95 -All Models
18	71591-92	SWITCH ASSEMBLY, right directional	95 -All Models
19	71597-92	SWITCH ASSEMBLY, dimmer & horn	95 -All Models
20	71598-92	SWITCH ASSEMBLY, left directional	95 -All Models
21	72119-94BK	PLUG, twelve-way (right)(black)	95 -All Models
	72139-94GY	PLUG, twelve-way (left)(gray)	95 -All Models
22	72159-94	SECONDARY LOCK, twelve-way plug(2)	95 -All Models
23	72179-94	SEAL, front (twelve-way plug)(2)	95 -All Models
24	72191-94	TERMINAL, socket (as required)	95 -All Models
25	72195-94	SEAL PIN (as required)	95 -All Models

HANDLEBAR SWITCHES - 1996

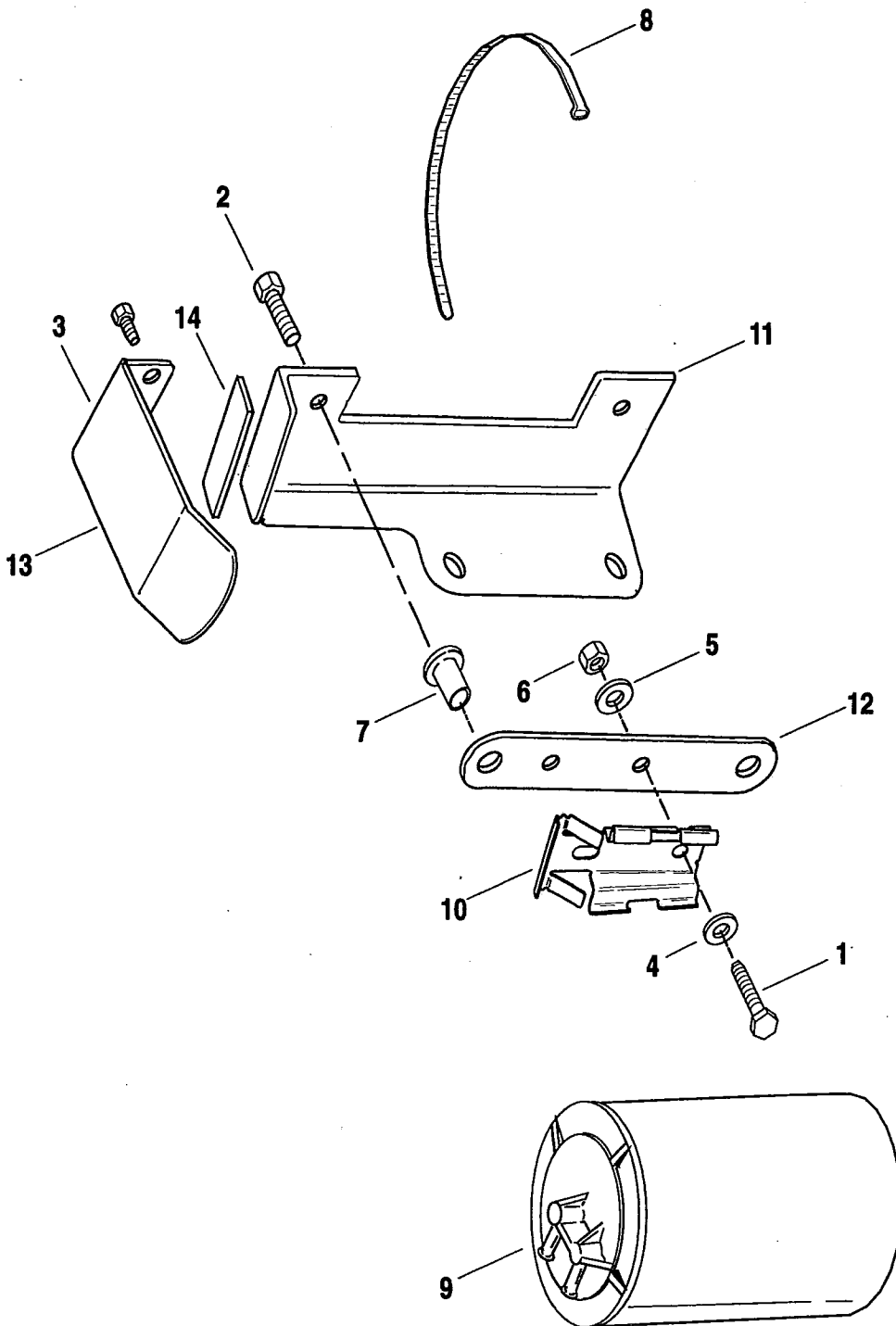


HANDLEBAR SWITCHES - 1996

XH44A

INDEX NO.	PART NO.	DESCRIPTION	MODELS
1	2955	SCREW (4)	96 to * -All Models
2	3658	SCREW (4)	96 to * -All Models
3	10181	CABLE TIE (as required)	96 to * -All Models
4	11155	RETAINING RING	96 to * -All Models
5	56073-83	RETAINER, wiring harness (4)	96 to * -STD/1200S
	70345-84	RETAINER, wiring harness (4)	96 to * -HUG/1200/C
6	56394-94	SPRING, throttle adjusting screw	96 to * -All Models
7	56396-74A	PAD, throttle adjusting	96 to * -All Models
8	56397-74C	KIT, throttle adjusting screw, w/#4,6, &9	96 to * -All Models
9	56402-83A	ADJUSTING SCREW	96 to * -All Models
10	71563-96	HOUSING, lower right	96 to * -All Models
11	71564-96	HOUSING, upper right	96 to * -All Models
12	71567-96	HOUSING, upper left	96 to * -All Models
13	71568-96	HOUSING, lower left	96 to * -All Models
14	71589-96	SWITCH ASSEMBLY, engine stop & start, w/#3, & 27	96 to * -All Models
15	71590-96	STOPLIGHT SWITCH	96 to * -All Models
16	71591-96	SWITCH ASSEMBLY, right directional, w/#3, & 27	96 to * -All Models
17	71597-96	SWITCH ASSEMBLY, dimmer & horn, w/#3, & 27	96 to * -All Models
18	71598-96	SWITCH ASSEMBLY, left directional, w/#3, & 27	96 to * -All Models
19	72116-94BK	PLUG, 6-way (2) (black)	96 to * -1200C
20	72119-94BK	PLUG, 12-way (right) (black)	96 to * -STD/HUG/1200/S
	72139-94GY	PLUG, 12-way (left) (gray)	96 to * -STD/HUG/1200/S
21	72156-94	SECONDARY LOCK, 6-way (2)	96 to * -1200C
22	72159-94	SECONDARY LOCK, 12-way plug (2)	96 to * -STD/HUG/1200/S
23	72176-94	SEAL, front (6-way plug) (2)	96 to * -1200C
24	72179-94	SEAL, front (12-way plug) (2)	96 to * -STD/HUG/1200/S
25	72191-94	TERMINAL, socket (as required)	96 to * -All Models
26	72195-94	SEAL PIN (as required)	96 to * -STD/HUG/1200/S
27	72266-94	SHRINK TUBE	96 to * -All Models

CALIFORNIA EVAPORATIVE EMISSIONS KIT



CALIFORNIA EVAPORATIVE EMISSIONS KIT

XH45

INDEX NO.	PART NO.	DESCRIPTION	MODELS
NOTE: These parts are for 1995 and later XLH model motorcycles sold for use in the state of California.			
1	3767B	SCREW, mounting bracket (2)	95 to * -All Models
2	3802W	BOLT, bracket to plate (2)	95 to * -All Models
3	4091	SCREW (2)	95 to * -All Models
4	6099	WASHER (2; 4 - XLH 1200)	95 to * -All Models
5	6703	WASHER (2)	95 to * -All Models
6	7686	LOCKNUT (2)	95 to * -All Models
7	8099	WELL NUT (2)	95 to * -All Models
8	10006	CABLE STRAP (6)	95 to * -All Models
	10039	CLAMP (Not illustrated)	95 to * -All Models
	10108	CLAMP, battery vent hose (not illustrated)	95 to * -All Models
	10110	CLIP, vent hose (not illustrated)	95 to * -All Models
	27018-85	CLAMP (not illustrated)	95 to * -All Models
9	27042-84A	CANISTER	95 to * -All Models
10	27047-84A	BRACKET, canister mounting	95 to * -All Models
11	28857-90	BRACKET, canister	95 to * -All Models
12	28859-90	PLATE, canister mounting	95 to * -All Models
13	28860-89	GUARD, evaporative canister	95 to * -All Models
	28865-89C	HOSE, canister (not illustrated)	E95 -All Models
	28875-95	HOSE, canister (not illustrated)	L95 to * -All Models
	32440-94	WIRING HARNESS, solenoid (not illustrated)	95 to * -All Models
14	66188-82A	PAD (vinyl foam)	95 to * -All Models
NOTE: Hose is sold only in bulk length under the following part numbers. Cut to length.			
	26571-89	HOSE 7/32" I.D. (10 ft. lg.)(black)	95 to * -All Models
	27138-90	HOSE 3/16" I.D. (10 ft. lg.)(black)	95 to * -All Models

CAM GEARS

XH46-1

INDEX NO.	PART NO.	DESCRIPTION	MODELS
	25660-91	CAM GEAR, front exhaust (1 brown dot)	95 to * -All Models
	25661-91	CAM GEAR, front exhaust (1 blue dot)	95 to * -All Models
	25662-91	CAM GEAR, front exhaust (1 red dot)	95 to * -All Models
	25663-91	CAM GEAR, front exhaust (1 white dot)	95 to * -All Models
	25664-91	CAM GEAR, front exhaust (1 green dot)	95 to * -All Models
	25665-91	CAM GEAR, front exhaust (1 yellow dot)	95 to * -All Models
	25666-91	CAM GEAR, front exhaust (1 black dot)	95 to * -All Models
	25640-91	CAM GEAR, front intake (1 brown dot)	95 to * -All Models
	25641-91	CAM GEAR, front intake (1 blue dot)	95 to * -All Models
	25642-91	CAM GEAR, front intake (1 red dot)	95 to * -All Models
	25643-91	CAM GEAR, front intake (1 white dot)	95 to * -All Models
	25644-91	CAM GEAR, front intake (1 green dot)	95 to * -All Models
	25645-91	CAM GEAR, front intake (1 yellow dot)	95 to * -All Models
	25646-91	CAM GEAR, front intake (1 black dot)	95 to * -All Models
	24055-91	PINION GEAR, (1 brown dot)	95 to * -All Models
	24056-91	PINION GEAR, (1 blue dot)	95 to * -All Models
	24057-91	PINION GEAR, (1 red dot)	95 to * -All Models
	24058-91	PINION GEAR, (1 white dot),	95 to * -All Models
	24059-91	PINION GEAR, (1 green dot)	95 to * -All Models
	24060-91	PINION GEAR, (1 yellow dot)	95 to * -All Models
	24061-91	PINION GEAR, (1 black dot),	95 to * -All Models
	25804-91	CAM GEAR, rear intake (cam gear 1 black dot - drive gear 1 brown dot)	95 to * -All Models
	25808-91	CAM GEAR, rear intake (cam gear 1 yellow dot - drive gear 1 brown dot)	95 to * -All Models
	25812-91	CAM GEAR, rear intake (cam gear 1 green dot - drive gear 1 brown dot)	95 to * -All Models
	25816-91	CAM GEAR, rear intake (cam gear 1 white dot - drive gear 1 brown dot)	95 to * -All Models
	25820-91	CAM GEAR, rear intake (cam gear 1 red dot - drive gear 1 brown dot)	95 to * -All Models
	25824-91	CAM GEAR, rear intake (cam gear 1 blue dot - drive gear 1 brown dot)	95 to * -All Models
	25828-91	CAM GEAR, rear intake (cam gear 1 brown dot - drive gear 1 brown dot)	95 to * -All Models
	25832-91	CAM GEAR, rear intake (cam gear 1 black dot - drive gear 1 blue dot)	95 to * -All Models
	25836-91	CAM GEAR, rear intake (cam gear 1 yellow dot - drive gear 1 blue dot)	95 to * -All Models
	25840-91	CAM GEAR, rear intake (cam gear 1 green dot - drive gear 1 blue dot)	95 to * -All Models
	25844-91	CAM GEAR, rear intake (cam gear 1 white dot - drive gear 1 blue dot)	95 to * -All Models
	25848-91	CAM GEAR, rear intake (cam gear 1 red dot - drive gear 1 blue dot)	95 to * -All Models
	25852-91	CAM GEAR, rear intake (cam gear 1 blue dot - drive gear 1 blue dot)	95 to * -All Models
	25856-91	CAM GEAR, rear intake (cam gear 1 brown dot - drive gear 1 blue dot)	95 to * -All Models

CAM GEARS (CONTINUED)

XH46-2

INDEX NO.	PART NO.	DESCRIPTION	MODELS
	25860-91	CAM GEAR, rear intake (cam gear 1 black dot - drive gear 1 red dot)	95 to * -All Models
	25864-91	CAM GEAR, rear intake (cam gear 1 yellow dot - drive gear 1 red dot)	95 to * -All Models
	25868-91	CAM GEAR, rear intake (cam gear 1 green dot - drive gear 1 red dot)	95 to * -All Models
	25872-91	CAM GEAR, rear intake (cam gear 1 white dot - drive gear 1 red dot)	95 to * -All Models
	25876-91	CAM GEAR, rear intake (cam gear 1 red dot - drive gear 1 red dot)	95 to * -All Models
	25880-91	CAM GEAR, rear intake (cam gear 1 blue dot - drive gear 1 red dot)	95 to * -All Models
	25884-91	CAM GEAR, rear intake (cam gear 1 brown dot - drive gear 1 red dot)	95 to * -All Models
	25888-91	CAM GEAR, rear intake (cam gear 1 black dot -drive gear 1 white dot)	95 to * -All Models
	25892-91	CAM GEAR, rear intake (cam gear 1 yellow dot - drive gear 1 white dot)	95 to * -All Models
	25896-91	CAM GEAR, rear intake (cam gear 1 green dot - drive gear 1 white dot)	95 to * -All Models
	25900-91	CAM GEAR, rear intake (cam gear 1 white dot - drive gear 1 white dot)	95 to * -All Models
	25904-91	CAM GEAR, rear intake (cam gear 1 red dot - drive gear 1 white dot)	95 to * -All Models
	25908-91	CAM GEAR, rear intake (cam gear 1 blue dot - drive gear 1 white dot)	95 to * -All Models
	25912-91	CAM GEAR, rear intake (cam gear 1 brown dot - drive gear 1 white dot)	95 to * -All Models
	25916-91	CAM GEAR, rear intake (cam gear 1 black dot - drive gear 1 green dot)	95 to * -All Models
	25920-91	CAM GEAR, rear intake (cam gear 1 yellow dot - drive gear 1 green dot)	95 to * -All Models
	25924-91	CAM GEAR, rear intake (cam gear 1 green dot - drive gear 1 green dot)	95 to * -All Models
	25928-91	CAM GEAR, rear intake (cam gear 1 white dot -drive gear 1 green dot)	95 to * -All Models
	25932-91	CAM GEAR, rear intake (cam gear 1 red dot - drive gear 1 green dot)	95 to * -All Models
	25936-91	CAM GEAR, rear intake (cam gear 1 blue dot - drive gear 1 green dot)	95 to * -All Models
	25940-91	CAM GEAR, rear intake (cam gear 1 brown dot - drive gear 1 green dot)	95 to * -All Models
	25944-91	CAM GEAR, rear intake (cam gear 1 black dot - drive gear 1 yellow dot)	95 to * -All Models
	25948-91	CAM GEAR, rear intake (cam gear 1 yellow dot - drive gear 1 yellow dot)	95 to * -All Models
	25952-91	CAM GEAR, rear intake (cam gear 1 green dot - drive gear 1 yellow dot)	95 to * -All Models

CAM GEARS (CONTINUED)

XH46-3

INDEX NO.	PART NO.	DESCRIPTION	MODELS
	25956-91	CAM GEAR, rear intake (cam gear 1 white dot - drive gear 1 yellow dot)	95 to * -All Models
	25960-91	CAM GEAR, rear intake (cam gear 1 red dot - drive gear 1 yellow dot)	95 to * -All Models
	25964-91	CAM GEAR, rear intake (cam gear 1 blue dot - drive gear 1 yellow dot)	95 to * -All Models
	25968-91	CAM GEAR, rear intake (cam gear 1 brown dot - drive gear 1 yellow dot)	95 to * -All Models
	25972-91	CAM GEAR, rear intake (cam gear 1 black dot - drive gear 1 black dot)	95 to * -All Models
	25976-91	CAM GEAR, rear intake (cam gear 1 yellow dot - drive gear 1 black dot)	95 to * -All Models
	25980-91	CAM GEAR, rear intake (cam gear 1 green dot - drive gear 1 black dot)	95 to * -All Models
	25984-91	CAM GEAR, rear intake (cam gear 1 white dot - drive gear 1 black dot)	95 to * -All Models
	25988-91	CAM GEAR, rear intake (cam gear 1 red dot - drive gear 1 black dot)	95 to * -All Models
	25992-91	CAM GEAR, rear intake (cam gear 1 blue dot - drive gear 1 black dot)	95 to * -All Models
	25996-91	CAM GEAR, rear intake (cam gear 1 brown dot - drive gear 1 black dot)	95 to * -All Models
	25650-91	CAM GEAR, rear exhaust (1 brown dot)	95 to * -All Models
	25651-91	CAM GEAR, rear exhaust (1 blue dot)	95 to * -All Models
	25652-91	CAM GEAR, rear exhaust (1 red dot)	95 to * -All Models
	25653-91	CAM GEAR, rear exhaust (1 white dot)	95 to * -All Models
	25654-91	CAM GEAR, rear exhaust (1 green dot)	95 to * -All Models
	25655-91	CAM GEAR, rear exhaust (1 yellow dot)	95 to * -All Models
	25656-91	CAM GEAR, rear exhaust (1 black dot)	95 to * -All Models

HARDWARE LISTING

853A	SCREW, 5/16-18 X 2-1/4 knurled socket hd.	2952	SCREW, 1/4-20 X .485 sems truss hd. (Grade 2 steel) (chrome)
855B	SCREW, 3/8-16 X 2 knurled socket hd.	2953	SCREW, 1/4 - 20 X .422 sems truss hd. (Grade 2 chrome)
869	SCREW, 1/4-20 X 1-1/4 socket button hd.	2955	SCREW, #6 - 32 X 1/4pan head machine w/ lockwasher, (chrome)
876	SCREW, 5/16-18 X 2-1/2 socket hd. (Grade 5 steel)	3201WA	SCREW, 5/16-18 X 1-1/4 knurled soc. hd.
879A	SCREW, 5/16-18 X 3-1/2 knurled socket hd.	3210A	SCREW, 5/16-18 X 1-1/4 knurled soc. hd.
882	SCREW, 1/4-20 X 7/8 knurled socket hd. (Grade 8 steel)	3221	SCREW, No. 4-16 X 3/16 set screw (Grade 8 steel)
884A	SCREW, 1/4-20 X 7/8 knurled socket hd.	3226	SCREW, 5/16-18 X 1-1/4 hex. socket hd. (Grade 8 steel)
923	SCREW, 1/4-20 X 21/32 socket pan hd.	3228	SCREW, 5/16-18 X 3/4 hex. socket hd. (w/washer)(Grade 8 steel)
943	SCREW, 1/4-20 X 5/8 socket button hd.	3275	SCREW, .312-18 X 3/4 hex. socket head cap (Grade 8 steel)
946	SCREW, 1/4-20 X 2-1/4 Torx button hd. (Grade 8 steel)	3403	LOCKNUT, M8 X 7 X 12mm hex.
951	SCREW, 3/8-16 X 1 7/32 truss head machine (grade 8 steel)	3444A	SCREW, 1/4-20 X 5/8 socket fillis. hd. (w/lockpatch)
1203	SCREW, No. 8-32 X 7/8 Pozidriv fillister hd. (Grade 2 steel)	3480A	SCREW, 1/4-20 X 1-3/4 knurled socket hd.(Grade 8 steel)
1357W	SCREW,1/4-20 X 1 Phillips oval ctsk. hd. (stainless)	3481	SCREW, 1/4-20 X 1-1/2 knurled socket hd.
1601	SCREW, No. 8-32 X 1/2 Pozidriv flat ctsk. hd. (Grade 2 steel)	3498	SCREW, 1/2-13 X 3 hex. hd.(Grade 5 steel) (w/lockpatch)
2325	SCREW, No. 6 X 3/4 cross recess pan hd. (self-tapping)	3500	BOLT, 5/16-18 X 2-3/4 hex. hd.(Grade 8 steel)
2339	SCREW, 10-24 X 3/4 hex. washer hd.	3501	BOLT, 5/16-18 X 2-1/2 hex. hd.(Grade 8 steel)
2361	SCREW, No. 8-32 X 3/8 socket flat ctsk. hd. (w/ locking adhesive)	3512	BOLT, 3/8-24 X 3-1/4 hex. hd. (chrome)
2362	SCREW, No. 10 X 3/4 hex. hd. (self-tapping)	3534B	SCREW, 1/2-13 X 2-1/2 socket hd. (Grade 8 steel)
2405A	SCREW, 5/16-18 X 3/4 Phillips oval hd. (Chrome)	3562	SCREW, No.12 X 1/2 hex. washer hd. (self-tapping)
2508	SCREW, No. 10-32 X 1/2 socket rd.hd. (black)	3579	SCREW, 1/4-28 X 1/2 hex. head sems tapping screw (Grade 2)
2523	SCREW, No. 8-32 X 1/2 hex washer hd. (self-tapping)	3588	SCREW, 1/4-20 X 1/2 hex. flange hd.
2528	SCREW, No. 10-24 X 1/2 socket button hd.	3594	SCREW, 1/4-20 X 5/8 knurled socket hd. (Grade 8 steel)
2579	SCREW, No. 8-32 X 5/8 Pozidriv oval ctsk. hd. (Grade 2 steel)	3606	SCREW, #10-24 X .860 hex. head machine (Grade 2 steel)
2611B	BOLT, No. 10-32 X 3/4 hex. washer hd. (Grade 5 steel)	3610	SCREW, 5/16-18 X 3-3/4 hex. flange hd. (Grade 5 steel)
2698A	SCREW, 5/16-18 X 9/16 socket fillis. hd.	3652	SCREW, 1/4-20 X 3/8 socket hd.(chrome)
2708A	SCREW, 5/16-18 X 1 socket hd.	3655	SCREW, 5/16-18 X 7/8 pan hd.
2711	SCREW, No. 4-40 X 3/8 pan hd. (self-tapping)	3658	SCREW, #10-24 X 1/2 hex. socket head torx head (Grade 5)
2720	SCREW, No. 10-24 X 1 Torx hd. (w/ locking adhesive)	3666	SCREW, #10-24 X 1.500 hex flange mach (Grade 2 steel)
2737	SCREW, 1/4-20 X 1/4 pan hd.	3675	SCREW, 5/16-18 X 1 Torx hd. lock (Grade 8 steel)
2739	SCREW, 1/4-28 X 1/2 Phillips truss hd. (w/lockwasher)(chrome)	3730A	BOLT, 7/16-14 X 1-3/4 hex. hd. (Grade 8 steel)
2757W	SCREW, 1/4-28 X 7/16 Phillips truss hd. (w/lockwasher)(chrome)	3765	BOLT, 1/4-28 X 5/8 hex. hd.(Grade 5 steel)
2773	SCREW, 1/4-20 X 1/2 Pozidriv pan hd. (Grade 2 steel)	3767B	BOLT, 1/4-20 X 5/8 hex. hd.(Grade 5 steel)
2907	SCREW, M3 X .05 X 8mm cross recess pan hd. (self-tapping)	3769	BOLT, 7/16-14 X 1-1/2 hex. hd. (Grade 5 steel)
2925A	SCREW, 7/16-20 X 1 hex. socket hd. (Grade 8 steel)	3787	BOLT, 1/4-20 X 3/4 hex. hd.(Grade 5 steel)

HARDWARE LISTING

3802W	BOLT, 1/4-20 X 7/8 hex. hd. (Grade 5 steel)	4758	SCREW, .312-18 X 3.48 hex. socket cap (Grade 8 steel)
3930A	SCREW, 5/16-18 X 3/4 hex. washer hd. (self-tapping)	4816A	SCREW, 5/16-18 X 1-1/2 socket hd.
3958	BOLT, 1/2-20 X 2-1/4 hex. hd. (Grade 5 steel)	4820A	SCREW, 1/4-20 X 2 hex. socket
3987	BOLT, 5/16-18 X 3/4 hex. hd. (Grade 5 steel)	4826	SCREW, 1/4-20 X 2-1/2 hex. socket hd. (w/washer)
3993	BOLT, 1/4-20 X 1-1/4 hex. hd. (Grade 5 steel)	5403B	CARRIAGE BOLT, 1/4-20 X 3/8
3997	BOLT, 1/4-20 X 1-1/4 hex. hd.	5440	CARRIAGE BOLT 5/16-18 X 3/4
4007	SCREW, 5/16-18 X 1-1/4 socket button hd.	6003	WASHER, 1-3/16 X 1-3/8 X 5/64
4015	SCREW, 1/4-20 X 7/8 socket rd. hd. (black)	6012	WASHER, 1/2 X 1-3/16 X 1/16
4017	BOLT, 5/16-18 X 1 hex. hd. (Grade 5 steel)	6016	WASHER, 11/32 X 11/16 X 1/16
4029A	SCREW, 3/8-16 X 2-1/4 socket hd. (black)	6019	WASHER, 3/8 X 29/32 X 1/16
4047	SCREW, 3/8-16 X 2 Torx hd. (Self-tapping) (Grade 8 steel)	6026	WASHER, 3/8 X 7/8 X 7/64
4091	BOLT, No. 10-24 X 1/2 hex. washer hd. (self-tapping)	6036	WASHER, 17/64 X 1 X 1/16
4099	SCREW, 5/16-18 X 4-3/8 hex. hd. (Grade 5 steel) (black)	6099	WASHER, 1/4 X 7/16 X 1/16
4104	SCREW, No. 10-24 X 1/2 hex. washer hd.	6101	WASHER, 17/64 X 27/64 X 1/16
4116	SCREW, 5/16-18 X 4-1/2 hex. hd. (Grade 5 steel)	6109	WASHER, 5/16 X 11/16 X 1/8
4117	SCREW, 5/16-18 X 3-1/8 hex. hd. (Grade 5 steel)	6192	WASHER, No. 8 X 7/16 X 3/64
4128	SCREW, 5/16-18 X 3/4 socket button hd.	6220W	WASHER, 1/4 X 7/16 X 1/32
4132	SCREW, 1/4-20 X 1 1/8 hex socket button head (Grade 5, steel)	6314W	WASHER, 21/64 X 9/16 X 1/8
4319	BOLT, 3/8-24 X 1 hex. hd. (Grade 5 steel)	6333	WASHER, 5/16 X 7/8 X 5/64
4326A	SCREW, 5/16-18 X 2 hex. soc. hd.	6366	WASHER, 1/2 X 1-1/4 X 3/32
4329	SCREW, 1/4-20 X 3/4 hex. washer hd.	6410	WASHER, 1/4 X 9/16 X 1/16 (nylon)
4350A	SCREW, 3/8-16 X 1.500 hex. socket cap (Grade 8 steel)	6516HW	WASHER, 7/16 X 1-1/8 X 1/8
4351	SCREW, 5/16 X 3/4 Torx hd. (self-tapping) (Grade 8 steel)	6590HW	WASHER, 1/2 X 1-1/8 X 3/32
4352	SCREW, 3/8-16 X 1-1/2 Torx (self-tapping) (Grade 8 steel)	6655	WASHER, 5/8 X 1-1/2 X 3/32
4377	SCREW, 3/8-16 X 2 hex. washer hd. (Self-tapping) (Grade 5 steel)	6701	WASHER, 3/8 X 13/16 X 1/16
4420	SCREW, 3/8-16 X 2.75 hex. cap (Grade 5 steel)	6702	WASHER, 5/16 X 11/16 X 1/16
4435W	BOLT, 3/8-24 X 3-1/2 hex. hd. (Grade 5 steel)	6703	WASHER, 1/4 X 5/8 X 1/16
4453	BOLT, 1/4-20 X 7/8 hex. hd.	6716	WASHER, No. 10 X 1/2 X 3/64
4460	BOLT, 5/8-18 X 1 hex. hd. (Grade 5 steel)	6736	WASHER, 9/32 X 5/8 X 1/16
4716W	BOLT, 3/8-16 X 1-1/4 hex. hd. (Grade 5 steel)	6788	WASHER, 21/6 X 1/2 X 1/16
4717A	SCREW, 1/4-20 X 2-1/4 knurled socket hd. (w/lockpatch)	6812	WASHER, 13/32 X 11/16 X 1/16
4721	BOLT, 3/8-16 X 1-1/2 hex. hd. (Grade 5 steel)	7019	WASHER, 1/2 X 3/4 X 1/4 (rubber)
4740A	SCREW, 1/4-20 X 1-1/4 knurled socket hd. (w/lockpatch & lockwasher) (Grade 8 steel))	7036	LOCKWASHER, 1/4
4741A	SCREW, 1/4-20 X 1 hex. socket hd. (w/lockpatch)	7038	LOCKWASHER, 3/8
4743	SCREW, 1/2-20 X 2-5/8 hex. hd. (Grade 5 steel)	7041	LOCKWASHER, 5/16
4748	SCREW, 3/8-16 X 1-1/8 hex. socket hd. (Grade 8 steel)	7042	LOCKWASHER, 5/16 (high collar)
4751	SCREW, 1/4-20 X 3/4 hex. hd. (w/lockpatch) (Grade 8 steel)	7045	LOCKWASHER, 3/8 (high collar)
4753	SCREW, 1/4-20 X 3/8 hex. socket hd. (w/lockpatch & lockwasher) (Grade 8 steel)	7068	LOCKWASHER, 1/2
		7124	LOCKWASHER, 1/4 internal tooth
		7127	LOCKWASHER, 5/16 internal tooth
		7145W	LOCKWASHER, 3/8 external tooth
		7220	LOCKWASHER, No. 10 external tooth
		7229W	LOCKWASHER, 1/4 internal/external tooth
		7527	ACORN NUT, 5/16-18 X 11/16 X 1/2 hex.
		7501	SPEED NUT, 1/4 dia. stud size (self threading)
		7531	LOCKNUT, 5/16-18 X 9/32 X 1/2 hex.
		7593	FLANGE NUT, 5/16-24
		7602	ACORN NUT, No. 10-32 X 5/16 X 23/64 hex. (nylon-locking)
		7624	LOCKNUT, No. 10-24 X 1/4 X 3/8 hex.

HARDWARE LISTING

7629	NUT, No. 10-32 X 3/8 hex (keps)	7880	NUT, 1/2-13 X 7/16 X 3/4 hex.(Grade 2 steel)
7655	ACORN NUT, 3/8-16 (chrome)	7916A	JAM NUT, 5/8-18 (locking)
7667	NUT, 3/8-16 X 9/32 X 9/16 hex. (w/nylon insert)	7987	CASTLE NUT 5/8-18 X 15/16 hex (Grade 8 steel)
7683	LOCKNUT, 1/4-28 X 5/16 X 7/16 hex.	8108	SPEED NUT, 11/32 dia.
7686	LOCKNUT, 1/4-20 X 5/16 X 7/16 hex.		
7688	NUT, 1/4-20 X 7/32 X 7/16 hex.(Grade 2 steel)		
7710W	LOCKNUT, 5/16-18 X 1/4 X 1/2 hex (Grade 2 steel)		
7725	LOCKNUT, 5/16-24 X 11/32 X 1/2 hex.		
7736	ACORN NUT, 5/16-24 X 19/32 X 1/2 hex. (Grade 2 steel)(chrome)		
7739	LOCKNUT, 5/16-18 X 11/32 X 1/2 hex.		
7744	JAM NUT, 5/16-24 X 3/16 X 1/2 hex. (Grade 2 steel)		
7775	LOCKNUT, 3/8-24 X 7/16 X 9/16 hex.		
7778	LOCKNUT, 3/8-16 X 7/16 X 9/16 hex.		
7780	LOCKNUT, 3/8-24 X 13/32 X 11/16 hex.		
7783	NUT, 3/8-16 X 5/16 X 9/16 hex.(Grade 2 steel)		
7789	LOCKNUT, 3/8-24 X 7/32 X 9/16		
7792	NUT, 1/4,-20 X 1/4 hex. (Grade 2 steel)		
7804	NUT, 1/2-13 X 15/32 X 7/8 (sealing)		
7824	LOCKNUT, 1/2-20 X 1/4 hex. (Grade 2 steel)		
7827W	LOCKNUT, 7/16-14 X 7/16 X 5/8		
7844	NUT, 1/2-13 X 5/16 X 3/4		
7845	NUT, 1/2-20 X 7/16 X 3/4 (Grade 2 steel)		
7861	NUT, 3/8-24		

NUMERICAL INDEX

Part No.	Page	Part No.	Page	Part No.	Page	Part No.	Page	Part No.	Page
10006	119	11218	9	16212-84	11	18130-83C	5	24650-87	11
	27	11219	15	16214-86	3	18131-83C	5	24658-87	9
10014	19	11250	35	16222-86	3	18133-83A	5	24659-87	11
	81	11271	75	16226-94	3	18201-83	5	24660-87	11
	83		77	16228-86A	3	18202-83	5	24754-75	11
10031	41	11272	75	16228-94	103	18219-83	5	24922-93	23
	43		77	16233-86	3	18222-83	5	24925-95	23
	51	11412	85	16235-52A	11	18229-83	5	2508	115
10039	113	11473	81	16240-82	11	18526-89	7		75
	119	11474	79	16278-95	3	18532-89	7	25213-96	15
	27	11496	97	16446-86A	3	215	11	25219-91A	15
10048	91	11727A	3	16447-88	3	21920-83	9	2523	51
10053	41	11730A	35	16478-85A	3	21921-83	9	25238-94	13
	43	11752	35	16480-92	3	21922-83	9	25263-90A	15
10065	25	1203	87	16573-83	13	21923-83	9	2528	113
	99	12030	31		3	21924-83	9	25409-94	35
10067	85	12067A	31	16660-89B	3	22201-86A	9	25430-94A	13
10074	91	1357W	65	16661-89B	3	22205-88	9	25453-87A	35
10080	11	14270-92	13	16664-86B	3	22216-88	9	25460-94	13
	83	14431-95	81	16688-90A	3	22220-88	9	25463-94	13
10108	119	14432-95	81	16698-90A	3	22225-88	9	2548	97
	81	14433-95	81	16715-83	3	22242-86A	9	25483-96	15
10110	119	14456-95	81	16770-84B	3	22243-88	9	25488-89A	15
	85	14480-95	81	16774-86D	3	22253-86A	9	25586-37	15
10117	15	14514-96	81	16778-84A	7	22254-86A	9	25588-91	15
	83	14515-96	81	16779-84B	7	22255-86A	9	25593-74	15
10120	103	14516-96	81	16832-86C	3	22261-86	9	25598-91	15
10123	37	14517-96	81	17026-91A	5	22262-86	9	25640-91	120
10136	105	14518-96	81	17032-91	5	22263-86	9	25641-91	120
	109	14519-96	81	17036-91	5	22266-86	9	25642-91	120
10142	83	14520-96	81		7	22271-86	9	25643-91	120
10181	117	1601	27	17353-89	7	22589-83A	9	25644-91	120
11002	17	16047-95	5	17354-89	7	22719-85	9	25645-91	120
11019	33	16048-95	5	17358-84A	7	22765-88	9	25646-91	120
11031	33	16049-95	5	17360-83	7	2325	93	25650-91	122
11046	35	16051-95	3	17375-83	7	2339	27	25651-91	122
11067	31	16051-96	3	17428-57	7	2361	93	25652-91	122
11105	11	16052-95	3	17501-86B	7	23901-81	9	25653-91	122
11116	29	16052-96	3	17532-86B	7	23905-89A	9	25654-91	122
11124	15	16054-95	3	17533-90A	7	23948-87	9	25655-91	122
	27	16054-96	3	17537-96	7	23949-87	9	25656-91	122
11140	93	16055-95	3	17538-96	7	23960-80A	9	25660-91	120
	97	16055-96	3	17551-96	7	24055-91	120	25661-91	120
11143	37	16061-95	3	17611-83	7	24056-91	120	25662-91	120
	41	16061-96	3	17897-89	7	24057-91	120	25663-91	120
	43	16062-95	3	17904-89	7	24058-91	120	25664-91	120
11155	115	16062-96	3	17944-89	7	24059-91	120	25665-91	120
	117	16063-95	5	17946-89	7	2405A	23	25666-91	120
	75	16063-96	5	17952-91	7	24060-91	120	2579A	41
	77	16064-95	5	17953-91	7	24061-91	120		43
11161	31	16064-96	5	18001-83B	5	24275-86A	9	25804-91	120
11165	31	16066-95	5	18011-87	5	24331-36	9	25808-91	120
11171	13	16066-96	5	18012-87	5	24332-36	9	25812-91	120
11176	7	16068-96	3	18020-87	5	24341-52A	9	25816-91	120
11177A	11	16069-96	3	18021-87	5	24352-52A	9	25820-91	120
	9	16071-96	5	18023-87	5	24354-87A	9	25824-91	120
11179	37	16074-96	3	18024-87	5	24466-96	11	25828-91	120
11185	33	16075-96	3	18030-86	5	24470-91C	11	25832-91	120
11188	13	16076-96	5	18031-86	5	24530-90	33	25836-91	120
11190	7	16210-84A	11	18112-92	5	24647-87	11	25840-91	120

NUMERICAL INDEX

Part No.	Page	Part No.	Page	Part No.	Page	Part No.	Page	Part No.	Page
25844-91	120	27002-89	19	27362-76	21	29950-91	11	33043-80	113
25848-91	120	27004-88A	19	27368-76	21	29967-89A	25	33048-72	69
25852-91	120	27009-86A	19	27369-76	21	31322-91	29	33117-91	83
25856-91	120	27010-86A	19	2737	23	31323-91	29	33178-90A	33
25860-91	121	27018-85	119	27371-76	21	31324-91	29	33189-63	69
25864-91	121	27031-95	21	2739	67	31325-91	29	33204-91	33
25868-91	121	27040-88	19	27486-92B	21	31326-91	29	33319-90	33
25872-91	121	27042-84A	119	27487-92A	21	31327-91	29	33344-94	31
25876-91	121	27047-84A	119	27488-92B	21	31328-91	29	3350	29
25880-91	121	27067-96	81	27489-92A	21	31330-91	29	3359	29
25884-91	121	27068-94	81	27490-96	21	31390-91A	29	33634-91	33
25888-91	121	27076-95	21	27491-96	21	31488-81	29	33652-90	33
25892-91	121	2708A	87	27495-96	21	31504-91A	113	33653-90	33
25896-91	121	27096-94	81	27498-96	21	31514-90	29	33655-90	33
25900-91	121	27100-88	19	27503-92B	21	31515-90	29	33656-90	33
25904-91	121	27101-88	19	27575-88A	21	31518-90	29	33900-59C	113
25908-91	121	2711	23	27576-92	21	31525-90	29	34015-91	33
25912-91	121	27115-88	19	27577-92	21	31530-90	29	3403	29
25916-91	121	27122-89	19	27579-88A	21	31532-94	83	34073-91	33
25920-91	121	27123-89	19	2757W	67	31539-91	29	34075-89	33
25924-91	121	27124-89	19	27580-88	21	31540-91	29	34076-89	33
25928-91	121	27125-89	19	27581-88	21	31555-90	29	34077-91	33
25932-91	121	27126-89	19	27582-88	21	31556-91A	29	34142-89C	33
25936-91	121	27127-89	19	27583-88	21	31599-91	29	34144-89C	33
25940-91	121	27128-89	19	27585-88	21	31600-90	29	34147-89C	33
25944-91	121	27129-88	19	27586-88	21	31603-91	29	3444A	41
25948-91	121	27130-90	19	27587-88	21	31614-83A	27	34481-91A	33
25952-91	121	27136-90	19	2773	79	31661-90	29	34483-90	33
25956-91	122	27137-81	19	27886-78A	21	31663-90	29	34486-90	33
25960-91	122	27138-90	119	28820-86	23	31688-90	29	34491-91	33
25964-91	122	27146-89	19	28821-86	23	31689-90	29	34492-91	33
25968-91	122	27147-89	19	28826-86A	23	31693-90	29	34560-91	33
25972-91	122	27148-89	19	28841-89	23	31695-90	29	34606-90	33
25976-91	122	27152-89	19	28842-89	23	31723-95	27	34611-65	33
25980-91	122	27156-89	19	28857-90	119	31727-85	27	34615-94	33
25984-91	122	27157-89	19	28859-90	119	31986-86	27	34742-94A	13
25988-91	122	27158-89	19	28860-89	119	31996-86	27	34745-90A	13
25992-91	122	27159-92	19	28865-89C	119	3201WA	51	34760-94	13
25996-91	122	27160-89	19	28875-95	119		77	34761-94	13
2611B	27	27162-89	19	29009-89B	23	3206B	23	3480A	13
26204-91	17	27171-89	19	29018-92	23	3210A	73		15
26318-88A	15	27183-92	19	29036-88B	23	3221	23		31
26432-76A	5	27185-90	19	29059-88A	23	3226	77	3481	7
26434-91	17	27187-93	19	29062-95	23	3228	7	34909-90	51
26437-86B	83	2720	25	2907	115	32317-86A	27	34911-91A	31
26488-91	17	27241-95	19	29078-91	23	32400-94	27	34920-86	35
26491-91	17	27242-95	19	29084-73	23	32402-83	27	34932-96	31
26492-91	17	27243-95	19	29100-96	23	32403-89A	25	34933-96	51
26493-91	17	27249-96	81	29111-88	23	32410-94	27	34955-89A	13
26495-89A	17	27250-96	81	29112-83	85	3242A	39	3498	75
26496-75	17	27278-93	19	29238-92	23	32433-94	27		77
26554-77	113	27279-93	19	2925A	65	32440-94	119	3500	7
	83	27280-92	19	29313-95	23	32465-95A	27	3501	7
26558-94	27	27281-92	19	29315-95	23	32466-95A	27	35020-89	31
26559-95	81	27311-76	19	29316-95	23	32485-96	27	35021-89	13
26571-89	119	27315-88A	19	29325-95	23	32504-80	27	35022-89A	31
26856-89	7	27316-88	19	29331-96	23	32506-90	27	35030-89	13
2698A	99	27317-88	21	2952	67	32591-80	27	35034-89A	31
26990-91	19	27360-76	21	2953	67	32606-82	27	35034-94	31
26995-86A	19	27361-76	21	2955	117	3275	19	35038-89	13

NUMERICAL INDEX

Part No.	Page	Part No.	Page	Part No.	Page	Part No.	Page	Part No.	Page
35051-89	31	3787	11	4091	11	42459-87A	51	43650-82	47
35063-89	31	37870-91	31		119	42460-80B	51		49
35078-79	51		35	40922-87	51	42472-87	51		55
	71	37872-90	35	40929-87	53	42479-90	51		57
3512	11	37904-90	35	40975-86	57	42520-80	81	43654-86A	55
3514	87	37905-90	35	40976-86	57	42520-80A	103		57
35151-74	11	37908-90	35	40983-86	55	43001-79	49	43662-80B	49
35211-91A	31	37909-90	35	40983-96	55	43020-87	49	43668-82	57
	39	37911-90	35	4099	103	43024-73B	49	4377	91
3534B	23	37912-91	35		81	43025-73B	49	43895-87	47
3562	45	37913-90	35	41015-86	55	43032-40B	57		49
35633-89A	31	37918-91	35	41015-96	55	43035-87	49	43946-86	53
35633-94	31	37977-90	35	41017-95	55	43085-81	57	43960-86	53
35640-89	31	3802W	119	4104	41	43150-83	47	44020-83	45
35641-89	31		65		43	43157-83A	55	44021-83	45
35762-89A	31	38608-82B	37		51	4319	11	44022-83	45
35763-89A	31	38608-96	37		59	4326A	75	44023-83C	45
3577	23	38619-86A	37	41123-79	47	4329	25	44035-86A	53
35771-89A	31	38620-96	37		49	43290-82	47	44039-86	53
35771-94	31	38621-86A	37		55		49	44045-87	53
35772-89A	31	38630-88	37		57		55	44046-84C	45
35772-94	31	3930A	85	4116	81		57	44047-83	45
35773-89A	31	3958	71	4117	81	43291-82	47	44048-83	45
35773-94	31	3987	27	41191-74	13		49		53
35775-89A	31		79	4128	51		55	44050-87	53
35775-94	31	3993	27	4132	37		57	44053-92A	45
3579	79	3997	7		43	43292-82	47	44054-83	45
358	11	39970-91	39	41563-77A	55		49	44059-83	45
3588	103	40005-57	39		57		55	44061-83	45
3594	31	40022-91	39	41568-81B	65		57	44062-83	45
	39	40038-91	39	41570-77	65	43293-82	47	44063-83C	45
	93	4007	79	41579-81	65		49	44072-92A	45
	97	4015	37	41594-73	55		55	44073-92A	45
3606	103		41		57		57	44126-87	51
3610	13	40202-91B	31	41642-82	51	43294-82	47	44136-92	47
3652	23		39	41713-86	51		49		49
3655	47	40205-95	31	41731-88A	41		55	44138-95	49
	49		39		43		57	44147-87	53
3658	117	40213-91	39		51	43312-84	49	44152-77	53
	75		55	41733-88	41	43338-83	47	44197-77	45
	77		57		43	43338-96	47	44198-87	53
3666	77	40227-93	39	41739-84A	41	43355-84	47	44199-79	53
36715-94	35		55		43	43358-83A	47	4420	87
3675	31	40235-89	39	41747-82A	41		49	44209-87C	53
36785-91	35	40240-89	39		43	43359-84	47	4435W	11
36790-91	35	40251-92	31		51	4350A	87	44438-87B	51
36792-91	35		39	41789-92	55	4351	59	4453	59
36799-91	35	40252-91	39		57	4352	59	4460	59
36802-84B	35		55	41790-95	55	43557-87	49	45004-85	41
36804-89	7		57	42375-87	51	43567-92	55	45004-96	43
37101-84	13	40285-91B	31	42381-87	51		57	45005-85	41
	33		39	42382-87A	51	43608-82	55		51
3730A	55	40288-95	31	42436-87	51	43610-87	49	45005-96	43
37495-91	31		39	42437-87	51	43613-92	47	45013-96	43
	35	4029A	61	42441-90A	51		49	45016-93	41
3765	67		63		69	43617-95	47	45016-96	43
3767B	119	4047	59	42443-80A	51		49	45017-93	37
	67		99	42447-96	51	43619-84	49	45019-93	41
3769	39	40520-63	13	42449-80	11	43626-84	47	45019-96	43
	57	40903-87	51	42456-87B	51	43626-96	47	45021-86	37

NUMERICAL INDEX

Part No.	Page	Part No.	Page	Part No.	Page	Part No.	Page	Part No.	Page
45031-82A	41	45923-87	61	48361-80	59	56115-95	75	59986-75	79
45032-82	37	45925-94	61	48365-48A	59	56116-82A	75	59988-72	79
	41	45928-92	61	50003-89A	65	56117-82A	75	60001-55	79
	43	45929-92	61	50005-85A	65	56153-73	75	6003	31
45036-88	37	45934-86	61	50006-89	65		77	601	33
45042-82	41	45938-92	61	50072-92	65	56159-73	75	6012	71
	51	45943-96	63	50101-91	65		77	6016	33
45042-96	43	45944-96	63	50615-83	69	56164-96	77		7
45044-82	37	45980-96	63	50643-82	69	56167-96	77	6019	11
	41	45981-96	63	50646-82	69	56168-96	77		45
45044-96	37	45984-87	61	50647-82	69	56206-94A	75	6026	11
	43	45985-96	63	50912-72	69	56206-96	75	60348-65B	11
45051-82	41	45986-96	63	50951-90	69		77	6036	67
45072-87	41	45995-73A	29	50972-75	65	56220-94A	75	60381-91	79
45072-96	43	45996-87	61	511	55		77	604	11
45074-95	43	46002-87	61		57	56308-88	75	60419-91	79
45084-96	43		63	51187-94A	67	56308-96	75	60435-91	79
45092-66A	41	46022-96	63	515	51	56309-88	75	60618-91	83
45121-88B	41	46023-96	63	51652-83	67	56309-96	75	6099	119
45121-96	43	46024-96	63	518	33	56381-96	77		33
45143-88B	41	46988-94	65	52004-84F	67	56382-96	77		37
	43	46991-96	77	52101-92C	67	56394-74	115		41
45148-96	43	47082-81	65	52102-96	67		75		7
45361-90	61	47083-81	65	52129-92B	67		77	6101	37
45366-96	63	47150-94	65	52132-94	67	56394-94	117		43
45367-96	63	4716W	103	5226A	33	56396-74A	115	61023-95	81
45368-96	63		3	52441-95	93		117	6109	77
45372-92	61	4717A	13	52577-96	67		75		79
45374-87	61		15	53156-86	75		77		97
45376-94	61	47209-94	65		77	56397-74C	115	61107-92	23
45377-87	61	4721	69	534	69		117	61109-85D	81
	63	47384-94	71	53438-92	89		75	61131-92	81
45378-87	61	47403-75A	85	53439-79	93		77	61208-95	81
	63	4740A	15		97	56400-96	75	61272-92A	81
45395-92	61		17	5403B	79	56401-96	75	61348-96	81
45398-96	63	4741A	33	54321-85	49	56402-83A	115	61450-95	81
45399-96	63		43		57		117	6157	17
45401-87	61	4743	71	5440	91		75	61799-96	81
	63	4748	3	54473-79	71		77	61800-96	81
45405-75A	61	4751	25	54474-79	71	56508-76	75	61801-96	81
45423-92	37	47519-83A	47	54475-79	71		77	61802-96	81
	41		49	54476-82	71	5741	65	6192	79
45460-90	61		55	54481-96	71	5756	55	62122-89	65
45461-87	61		57	54542-96	71		57	62150-85	81
	63	4753	17	54552-96	71	5774	87	62161-75	81
45463-87	61	47547-87B	65	54556-84	71	5784	39	62166-81A	81
45465-87	61	47554-73A	65	54566-94	71	5787	81	62169-95	81
45561-87	59	4758	81	54568-92	71	58998-83A	73	6217	29
45563-87	59	48140-84A	59	54701-82	71	59251-90	79	62172-75	81
45611-86	59	4816A	75	54705-94	71	59259-90	79	6220W	85
45668-90	59		77	54713-96	71	59273-91	65	62347-95	81
45723-96	63		97	54714-96	71	59287-92	79	62361-94	83
45726-96	63	4820A	15	54715-96	71	59288-92	79	62375-57	15
45739-87	59		31	554	65	59289-92	79	62475-94	83
45790-80	61	4826	31	56073-83	115	59290-92	79	62493-89	83
45900-94	61	48300-60	59		117	59594-82A	79	62494-94B	83
45901-94	61	48302-85	11	56074-96	77	59674-94A	79	62540-83	83
45905-87	61	48315-60	11	56081-82	75	59896-94	79		85
	63		59	56082-83	75	59897-94	79	62563-65	83
45921-87	61		65	56104-94	99	59984-73	79	62569-94	85

NUMERICAL INDEX

Part No.	Page	Part No.	Page	Part No.	Page	Part No.	Page	Part No.	Page
62595-82A	83	66352-65	85	67601-94	87	68457-86	99	70554-69	109
62601-91	17	66359-80	85	67602-94	89	68480-93	99	70555-69	105
62631-91	83	66367-73	85	67603-94	87	68507-90	99		109
6272	87	66476-73A	85	67604-94	89	68513-95	93	70556-71	105
6314W	11	6655	59	67685-92	87	68516-95	93	70558-71	105
6333	81	6701	103	67691-92	89	68551-95	93		109
63500-68	11		11	67697-81	87	68555-87	99	70559-71	105
	83		3	67698-81C	87	68566-90	99		109
63501-68A	15		61	67705-92	87	68570-94B	99	70578-89	85
	21		63	67719-63	105	68572-64B	99	70583-93	89
	83		65		87	68650-92	89	70586-93	113
63504-94	83		71	67725-63	87	68705-93A	89	7068	47
63505-84	21		87	67744-75	87	68709-94	99		49
	81	6702	27	67757-92	87	68710-94	99		87
63533-41	17		51	67763-92	89	68715-96	97	7124	67
63542-94A	83		75	67781-92	89	68760-94	99	7127	103
63547-89	11		77	67805-92	87	68763-94	99		113
63564-94	83		85	67815-59A	87	68792-96	97		87
6366	51		87	67822-88	99	69012-93A	103		99
63796-77A	83		97	67827-88A	99	69035-95	103	71441-94	105
63805-80A	83	6703	119	67828-88A	99	69037-95	23		109
63858-49	7		41	67829-88	99	69043-91B	103		113
6410	67		79	67834-83	87	69043-96	103	71451-94	113
6508	9	67037-95	93	67850-96	89	69060-90C	103	7145W	37
6516HW	39	67037-96	93	67861-96	77	69062-91A	103	71510-95	113
	55	67041-95	95	67865-89	89	69074-95A	103	71550-94	113
	57	67053-95	93	67879-94	93	69120-91	103	71552-94	113
65283-94	91	67084-96	97		97	69123-92	103	71557-93	115
65324-83A	91	67085-95	93	6788	81	69135-96	103	71563-82A	115
65325-83	91	67088-96	97	67880-94	93	70048-92	89		75
65328-83	91	67103-95	93		97	70079-94	85	71563-96	117
65419-86	91	67104-95	93	67881-96	89	70135-95A	105		75
65568-86	91	67110-95	93	67882-96	89		107		77
65569-86	91	67121-95	93	67894-93	89	70153-96	109	71564-82A	115
65599-80D	91		97	67901-96	89		111		75
65605-87B	91	67136-85	93	67902-96	77	7019	33	71564-96	117
65613-86B	91		97	67919-96	89	70218-87A	115		75
65712-95	91	67152-95	93	68024-94	93	70219-87	115		77
65719-95	91	6716	27		97	70291-89	23	71567-82	115
65766-89E	91	67184-94	93	68026-73	101	70345-84	115	71567-96	117
65769-89E	91		97	68027-90	101		117	71568-82A	115
65781-82	91	67191-94	93	68030-96	77	7036	27	71568-96	117
65782-82	91		97	68032-90	101		67	71589-92	115
65813-95	91	67283-95	93	68033-90	101	7038	11	71589-96	117
65860-91A	91	67283-96	93	68036-91	101		3	71590-92	115
65860-94A	91	67284-95	95	68048-93B	101		61	71590-96	117
65861-91A	91	67285-95	95	68049-93B	101		63	71591-92	115
65861-94A	91	67286-95	95	68061-94B	105	7041	103	71591-96	117
6590HW	47	67289-95	95		89		51	71597-92	115
	49	67290-95	95	6812	29	7042	51	71597-96	117
65991-82A	85	67292-95	95		3		99	71598-92	115
65995-88A	85	67292-96	95	68123-73	101	7045	69	71598-96	117
66000-80	85	67303-95	95	68163-84	99		87	720	11
66032-91	85	67303-96	95	68168-89	101	70504-81	75	72023-51B	113
66042-79A	85	67320-95	93		99		77		51
66103-74A	85	67339-96	97	68169-90	101	70551-69	105	72046-79	105
66188-82A	119	67340-96	97	68383-96	97	70552-69	105		109
66194-94	85	67341-96	97	68415-96	97	70553-69	105	72056-92	105
66325-82	65	67342-96	97	68423-96	97		109		89
66346-91	85	6736	7	68452-86	99	70554-69	105	72102-94BK	105

NUMERICAL INDEX

Part No.	Page	Part No.	Page	Part No.	Page	Part No.	Page	Part No.	Page
72102-94BK	109	72172-94	101	72249-94	107	7744	51	9119A	11
72103-94BK	105		27		111		99	9142	11
	109		99	72259-94	107	7775	11	9143	11
	27	72173-94	107		111	7778	57	9144	11
72104-94BK	105		111	72266-94	117		69	9145	11
	109		95	72291-94	107		87	9146	11
72106-94BK	109		97		111	7780	11	9147	11
72108-94BK	105	72176-94	117	72295-94	107	7783	61	9148	11
	109	72178-94	27		111		63	9149	11
72109-94BK	105		99	72507-94	107	7789	11	9151	33
72112-94BK	27	72179-94	115		89	7792	79	9155	11
	99		117	727	11	7804	39	9187	13
72113-94BK	105		95	73104-96BK	111	7824	69	91875-88	89
	109		99	73106-96BK	111		71	91892-88	89
	93	72190-94	107	73112-96BK	111	7827W	39	91902-88	89
	97		111	73154-96BK	89		57	91904-88	89
72114-94BK	101		27	73156-96BK	99	7839	39	923	67
72116-94BK	117		95	73162-96BK	97	7844	91	928	29
72118-94BK	27		97	73190-96	111	7845	47	929	29
72119-94BK	115	72191-94	101	73191-96	89		49	943	13
	117		107		97	7861	11	946	23
	93		111		99		3	951	3
	99		115	740	65	7880	87	95578-41	49
72126-94GY	109		117	74402-95	95	7882	79		57
72128-94GY	105		27		95	7916A	15	95581-47	49
	109		95		97	7987	55		57
72129-94GY	105		97	74420-96	97		57	95582-47	49
72138-94GY	99		99	74421-95	95	8098	103		57
72139-94GY	115	72195-94	107	74523-94A	25	8099	119	95594-84	47
	117		111	74587-94	113		65		55
	99		115	74588-94	113	8108	103	95595-84	47
72142-94	105		117	74600-94	113	8144	51		55
	109		27	7495	103	8483	113	9842	105
72143-94	105		95	7501	101	8535	23		109
	109		99	75101-82	103	853A	51	9843	105
	27	72198-94	107	7527	103	855B	45		109
	93		111	7531	103		69	9847	105
	97	72199-94	107		27	869	23		87
72144-94	105		111		73	8692	79	9848	105
	109		95		79	8699	27		87
72146-94	109		97		81	876	11	9869	109
72148-94	105	7220	41		91	879A	69	9898	89
	109		43		99	882	7	9905	105
72149-94	105		51	7593	91	884A	7		109
72152-94	27		59	7602	113	8871	29	9937	105
	99	72216-94	107	7624	83	8873	35		109
72153-94	105		111	7629	113	8876A	31	9952	113
	109	72217-94	107		27	8879	29	9955	91
	93		111		83	8881	11	9969	83
	97	72218-94	107	7655	71	8883	29		
72154-94	101		111	7667	39	8885	35		
72156-94	117	72219-94	107	7683	33	8977	31		
72158-94	27		111	7686	119	8996	31		
	99	72220-94	107		83	8998	13		
72159-94	115		111		85	9052	47		
	117	72240-94	107	7688	85		49		
	93		111	7710W	33		55		
	99	72241-94	107	7725	65		57		
72163-94BK	93		111	7736	87	9077	29		
	97		95	7739	85	90770-79	37		

