

GENERAL INFORMATION

This Parts Catalog has been prepared for your convenience when ordering parts for 1980 to 1983 FLT Models. Refer to Parts Catalog 99438-85 for 1984 and Later FLT Model parts information. Wherever possible, parts are shown in assembly breakdown sequence. Index numbers shown in the illustrations correspond to index numbers in parts lists. Consult the illustrations when ordering parts so you are sure to get what you want.

Number in parenthesis following description of part is the quantity needed for complete assembly shown in illustration. If there is no number in parenthesis, only one is used.

Prices of parts listed in this catalog are published separately in the latest RETAIL PRICE LIST, and on the latest microfiche issue of this catalog.

The following instructions should be followed carefully when ordering parts:

- Specify the correct part number for each item. Check the "Used On" column of the parts list which shows the model on which the part fits. Whenever in doubt, refer to the Vehicle Identification Number (V.I.N.) stamped on the engine crankcase and frame.

The 1980 Vehicle Identification Number (V.I.N.) is located on the engine right crankcase and is the same as the frame number located on the steering head.

See inside back cover for 1981 & Later Vehicle Identification Number information.

The V.I.N. (Vehicle Identification Number) for 1980 FLT models is as follows:

TOUR-GLIDE (Model)	FIRST TWO DIGITS (Model)	NEXT FIVE DIGITS (Sequential Number)	SECOND LAST DIGIT (Manufacturer)	LAST DIGIT (Model Season)
FLT-80	5G	00001 and up	J	0-1980
Example: 1980 FLT (5G 03479 J0)				

- **An asterisk (*) in the "Used On" column indicates part is used for 1983 models.**
- Part Numbers are to be used when ordering by TELEGRAM or CABLE.
- When ordering parts use our standard Parts & Accessories order form, Part No. 99511-76, for all parts except engines and crankcases. Order form, Part No. 99514-76, must be used for engines and crankcases. The use of these forms will enable us to fill and ship your order more promptly. These forms are furnished free of charge upon request.
- Do not order motorcycles or advertising material on Parts Order Forms. Write nothing on the order form except the order itself, as any other correspondence will not be answered until the order is shipped and billed.
- Freight, Express and Parcel Post orders should be on separate order forms.
- For your own records, number and date all orders, also keep a carbon copy for future reference.

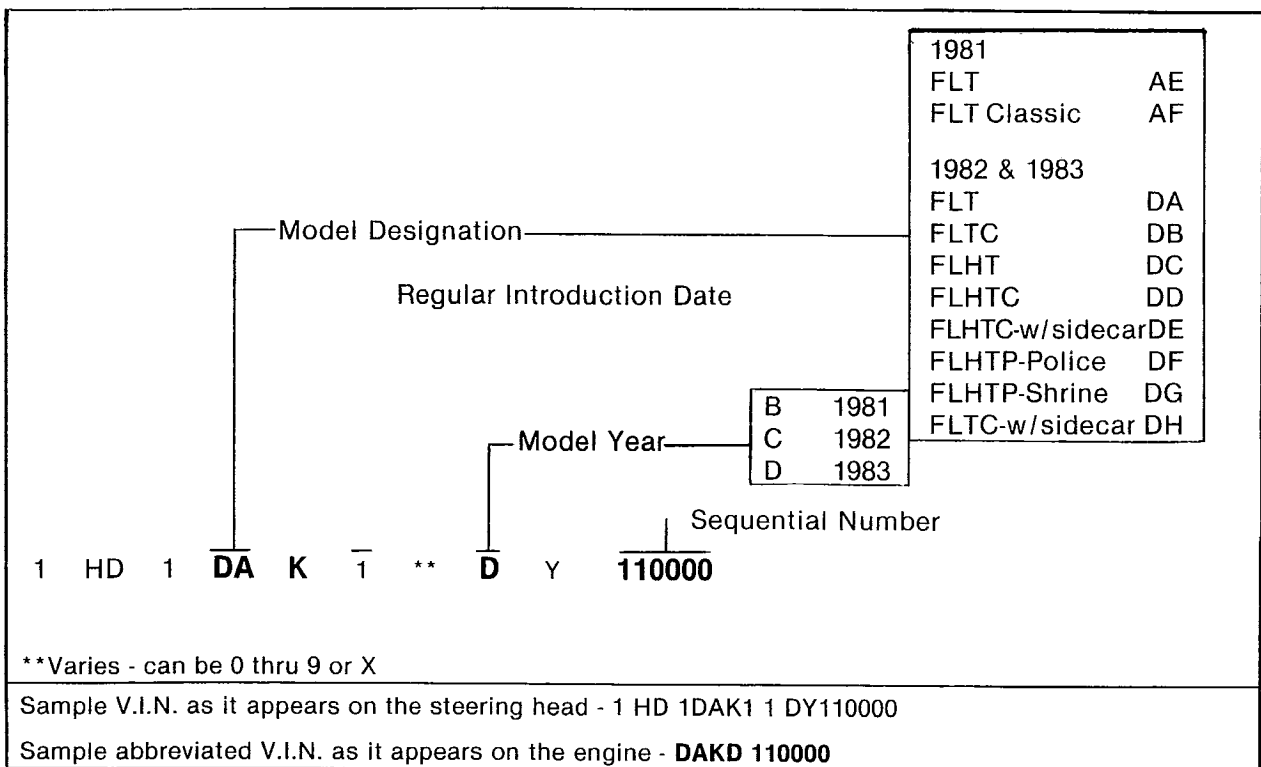
NOTE: N/A following description of part indicates part is no longer available from the factory. Do not attempt to order these parts from Harley-Davidson, Inc.

GENERAL INFORMATION (CONT'D)

1981 & LATER VEHICLE IDENTIFICATION NUMBER (V.I.N.)

The full 17 digit serial, or Vehicle Identification Number (V.I.N.) is stamped on the steering head and on a label located on the frame front downtube. An abbreviated V.I.N. is stamped on the side of the crankcase, near the front of the engine.

Always give one of these numbers when ordering parts or making any inquiry about your motorcycle.



ALPHABETICAL INDEX

	Page		Page
Air Cleaner	27	Mirror	117
Alternator	29	Muffler	109, 111
Battery	133	Numerical Index	147
Brake — Sidecar	143	Oil Filter	41
Brake Caliper — front	57	Oil Pressure Switch	21
Brake Caliper — rear	67	Oil Pump	21
Brake Control — front	53, 55	Oil Tank	107
Brake Control — rear	63, 65	Passing Lamps	95
Brake Disc	59, 61, 68	Pistons	10
Breather Valve	17, 41	Piston Rings	10
Bumpers	99	Primary Housing	103
Cam Gears	17	Push Rods	7
Carburetor	23, 25	Regulator	29
Chain	50	Saddlebags	131
Chain Housing — rear	68	Saddlebag Guards	133
Choke	27	Seat	75, 79
Circuit Breakers	129	Shifter	39
Clutch	47	Shock Absorbers	87
Clutch Control	48, 49	Sidecar	137
Connecting Rods	10	Sidecar Connection Kit	141
Crankcase	13, 17	Spark Coil	31
Cylinder	3	Spark Plugs	31
Engine	3	Speedometer	113
Exhaust System	109, 111	Sprockets	41, 47, 50
Fairing	91, 95	Starter Motor	35, 37
Fenders	99, 143	Starter Shaft and Housing	33
Flasher	115, 129	Starter Solenoid and Relay	123
Flywheels	10	Switches, handlebar	125, 127
Footboards	81	Switch, ignition	129
Footrests	81	Switches, flasher and lamp	95, 115
Fork — front	71	Tachometer	113
Fork — rear	73	Tail Lamp	115, 143, 144
Frame	73	Tanks	105
Fuel Tank	105	Tappets	7
Gasket Sets	3	Throttle Control	89
Gauges	113	Timer	31
Gear Cover	17	Tools	135
Handlebar	89	Tour-Pak	83
Handrail	75, 79	Transmission	41, 45
Headlamp	91, 95	Trim, fuel tank	106
Horn	117	Turn Signals	91, 95, 115, 145
Ignition Module	31	Voltmeter	113
Ignition Switch	129	Valves	3
Indicator Lamps	113	Voltage Regulator	29
Instruments	113	Wheel — front	59, 61
Jiffy stand	75	Wheel — rear	68
License Plate Bracket	75	Wheel — Sidecar	146
Luggage Box	83	Windshield	91, 95
Luggage Carrier	75	Wiring	119, 121, 125

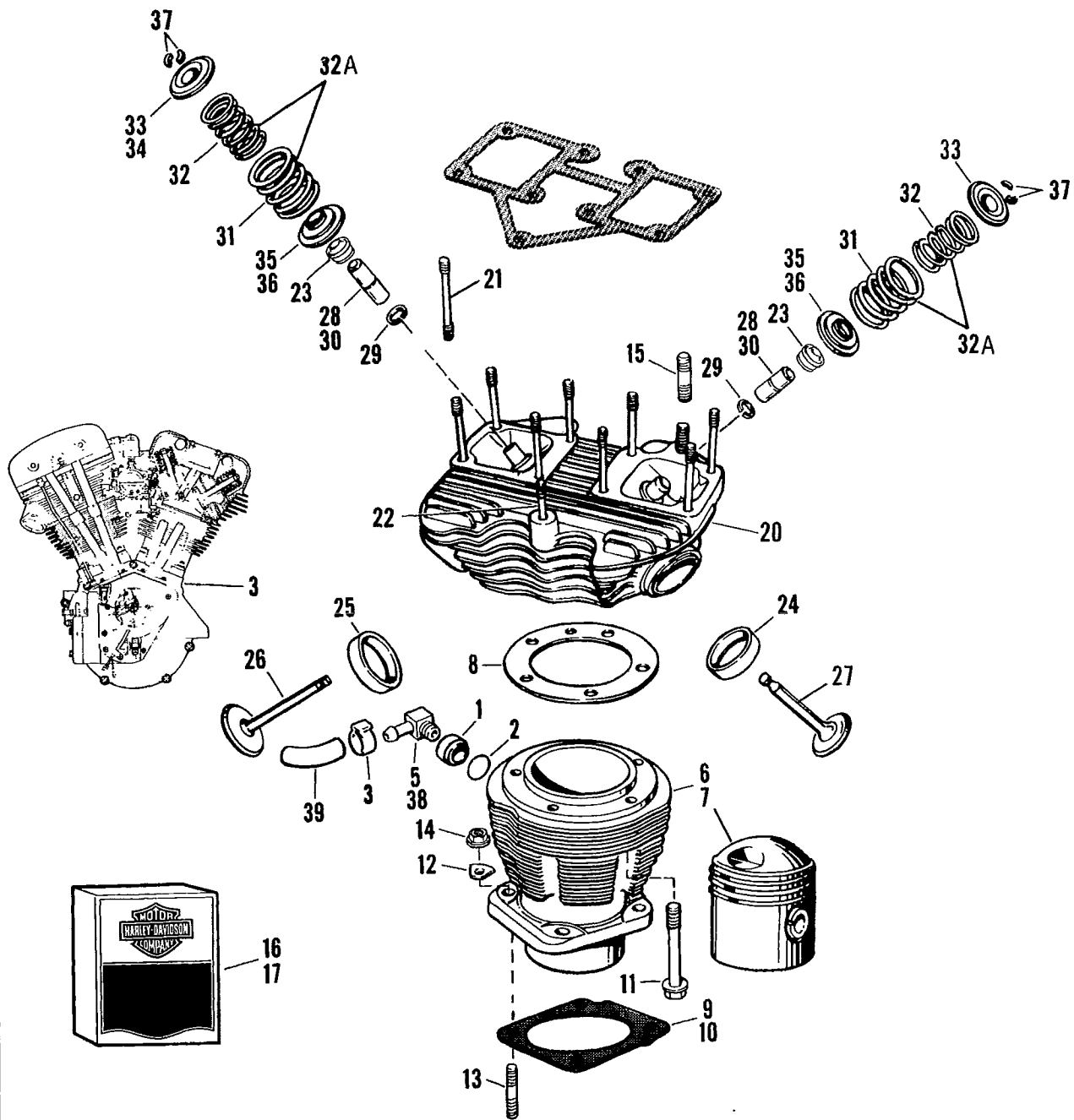
PATENT NOTICE

Harley-Davidson products are manufactured under one or more of the following: U.S. Patents — 2986162, 2987934, 2998809, 3116089, 3144631, 3144860, 3226994, 3229792, 3434887, 3559773, 3673359, 3709317, 4366880, Des. 225 626 & 265 516.

To the best knowledge of Harley-Davidson, Inc., the material contained herein is accurate as of the date this publication was approved for printing. Harley-Davidson, Inc., reserves the right to change specifications, equipment, or designs at any time without notice and without incurring obligation.

HARLEY-DAVIDSON, INC.
Milwaukee, Wisconsin 53201

CYLINDER, CYLINDER HEAD AND VALVES



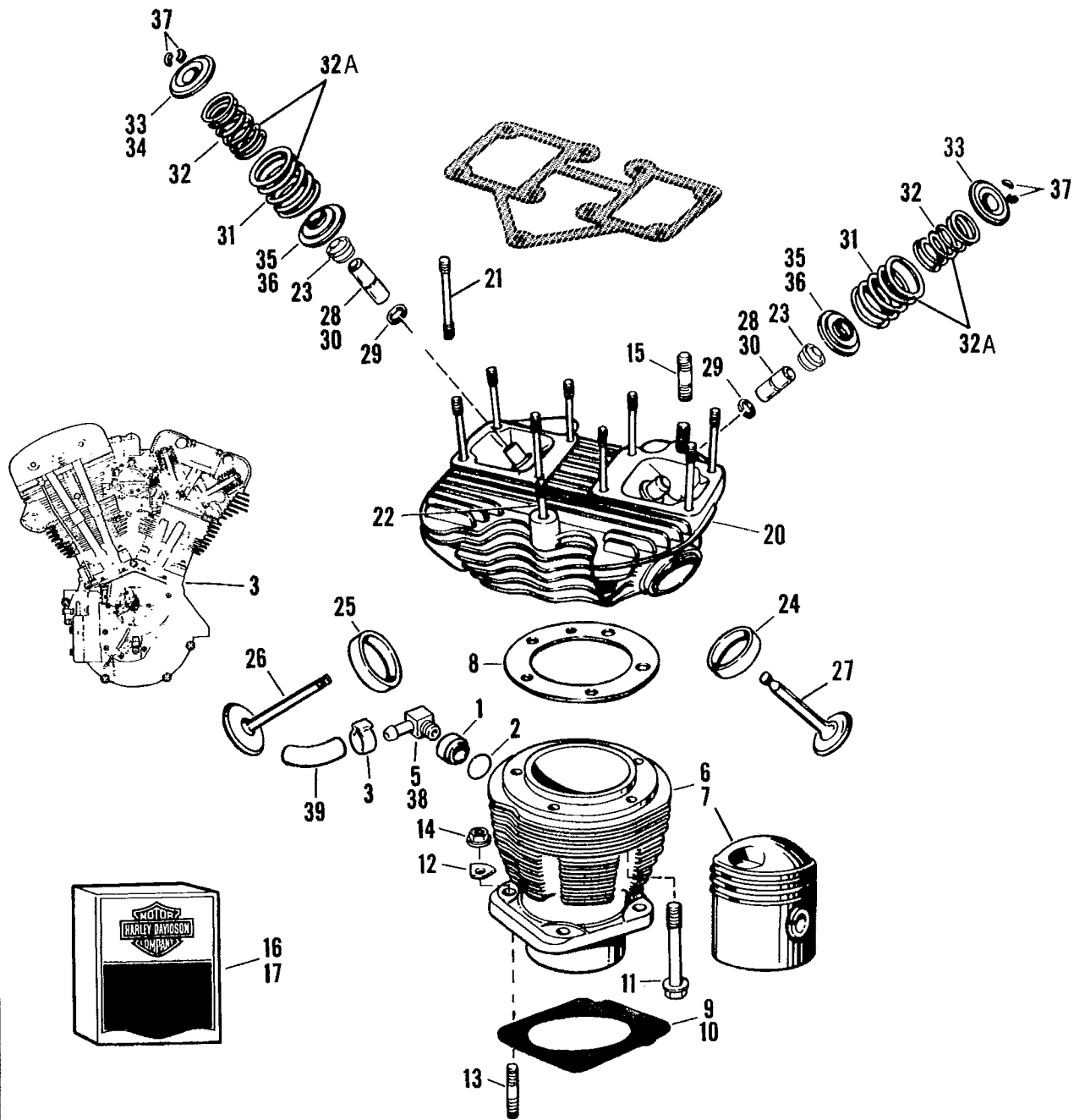
CYLINDER, CYLINDER HEAD AND VALVES

RETAIL PRICE	INDEX NO.	PART NO.	N A M E	USED ON
	1	5723	SPACER, front cylinder base	Late 81 — FLT, Classic
	2	10014	CLAMP, 1/2" O.D. hose (4)	Late 81 & Early 82 — FLT, Classic
	3	11101	O-RING (4; 2 — late 1981 & later)	80 to Early 82 — FLT, Classic
	5	16303—81	FITTING, cylinder base (2)	N/A Late 81 & Early 82 — FLT, Classic
	6	16494—78	FRONT CYLINDER WITH PISTON	80 — FLT
	7	16495—78	REAR CYLINDER WITH PISTON	80 — FLT
		16498—80A	FRONT CYLINDER WITH PISTON	81 to * — FLT, Classic
		16499—80A	REAR CYLINDER WITH PISTON	81 to * — FLT, Classic
	8	16770—66B	GASKET, cylinder head	80 to 83 — FLT, Classic
	9	16776—63	GASKET, front cylinder base	80 to 83 — FLT, Classic
	10	16777—63	GASKET, rear cylinder base	80 to 83 — FLT, Classic
	11	16814—77	BOLT, cylinder head (5)	80 to 83 — FLT, Classic
	12	16836—78	LOAD SPREADER, cylinder base stud (4)	80 to 83 — FLT, Classic
	13	16837—78	STUD, cylinder base (4)	80 to 83 — FLT, Classic
	14	16838—78	LOCKNUT (4)	80 to 83 — FLT, Classic
	15	16864—48	STUD, cylinder head motor brace	80 to 83 — FLT, Classic
	16	17029—79	SET OF ENGINE GASKETS	80 to 83 — FLT, Classic
	17	17034—80A	GASKET SET, top overhaul	80 to 83 — FLT, Classic

NOTE: To use the following on Early 81 & Earlier vehicles exhaust valves with either 18086—81 or 18089—81; replace intake valves with either 18075—81 or 18078—81; replace upper & lower collars with (2) 18219—81 & (2) 18222—81; & use (4) 18000—81 valve seals.

	20	17160—81	HEAD, front cylinder (w/studs)	80 to 83 — FLT, Classic
		17161—81	HEAD, rear cylinder (w/studs)	80 to 83 — FLT, Classic
	21	17506—66A	STUD, rocker arm cover (long) (7)	80 to 83 — FLT, Classic
	22	17508—66A	STUD, rocker arm cover (short) (2)	80 to 83 — FLT, Classic
	23	18000—81	SEAL, valve (4)	Late 81 to * — FLT, Classic
	24	18055—66B	INSERT, exhaust valve seat	80 to 83 — FLT, Classic
	25	18056—66B	INSERT, intake valve seat	N/A 80 to 83 — FLT, Classic
	26	18075—80	INTAKE VALVE (Nittan)	80 & Early 81 — FLT, Classic
		18075—81	INTAKE VALVE (Nittan)	Late 81 to 83 — FLT, Classic
		18078—80	INTAKE VALVE (Eaton)	N/A 80 & Early 81 — FLT, Classic
		18078—81	INTAKE VALVE (Eaton)	Late 81 to 83 — FLT, Classic
	27	18086—80	EXHAUST VALVE (Nittan)	80 & Early 81 — FLT, Classic
		18086—81	EXHAUST VALVE (Nittan)	Late 81 to 83 — FLT, Classic
	28	18103—81A	VALVE GUIDE, int. and exh. — 0.008 O.S. (cast iron) (2)	80 to 83 — FLT, Classic
		18104—81A	VALVE GUIDE, int. and exh. — 0.006 O.S. (cast iron) (2)	80 to 83 — FLT, Classic
	29	18105—79	RETAINING RING, valve guide (cast iron valve guides)	80 & Early 81 — FLT, Classic
	30	18106—81A	VALVE GUIDE, int. and exh. — 0.004 O.S. (cast iron) (2)	80 to 83 — FLT, Classic
		18107—81A	VALVE GUIDE, int. and exh. — 0.003 O.S. (cast iron) (2)	80 to 83 — FLT, Classic
		18108—81A	VALVE GUIDE, int. and exh. — 0.002 O.S. (cast iron) (2)	Late 81 to 83 — FLT, Classic
		18109—81A	VALVE GUIDE, int. and exh. — 0.001 O.S. (cast iron) (2)	Late 81 to 83 — FLT, Classic

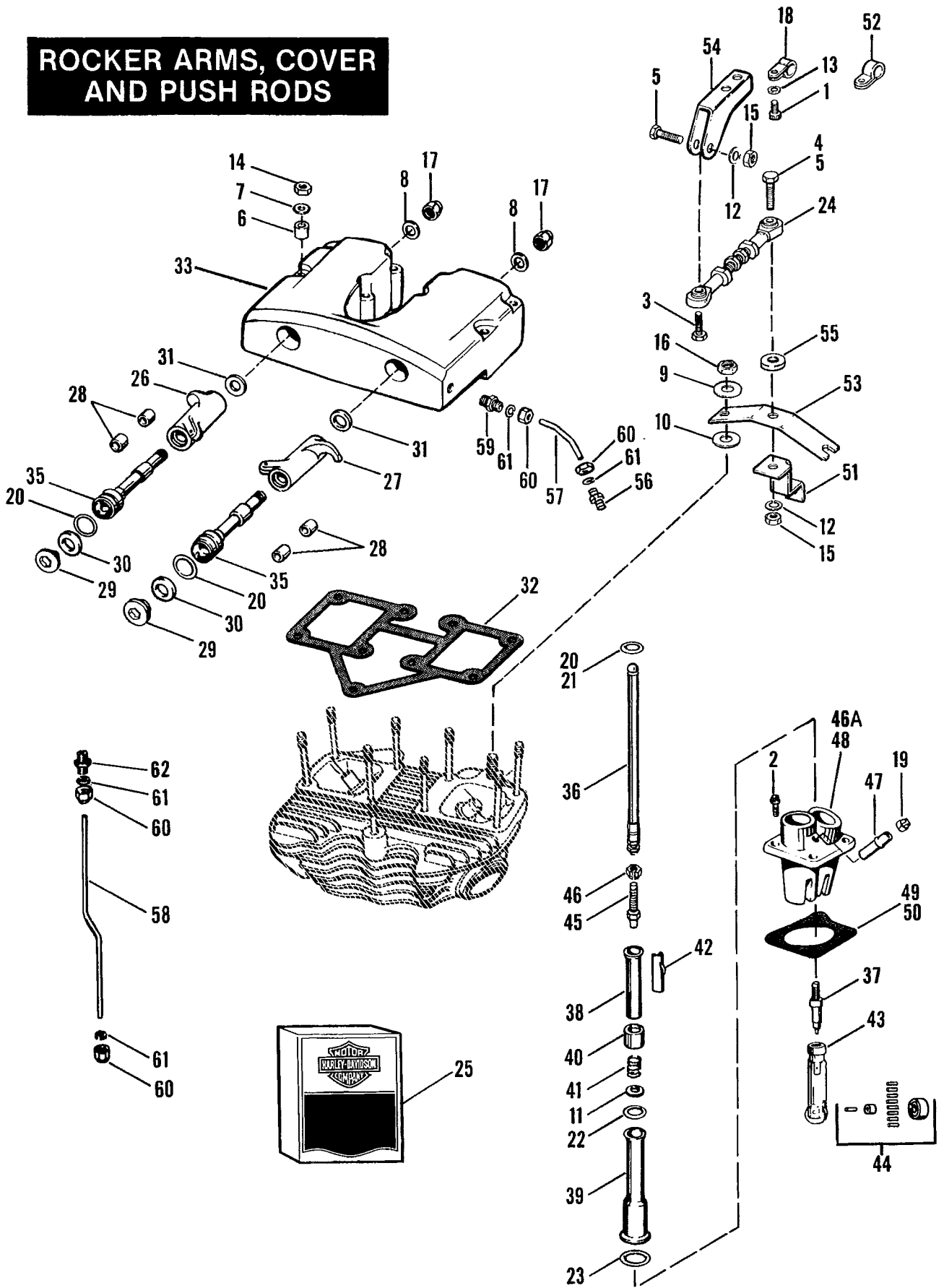
CYLINDER, CYLINDER HEAD AND VALVES



CYLINDER, CYLINDER HEAD AND VALVES (CONT'D)

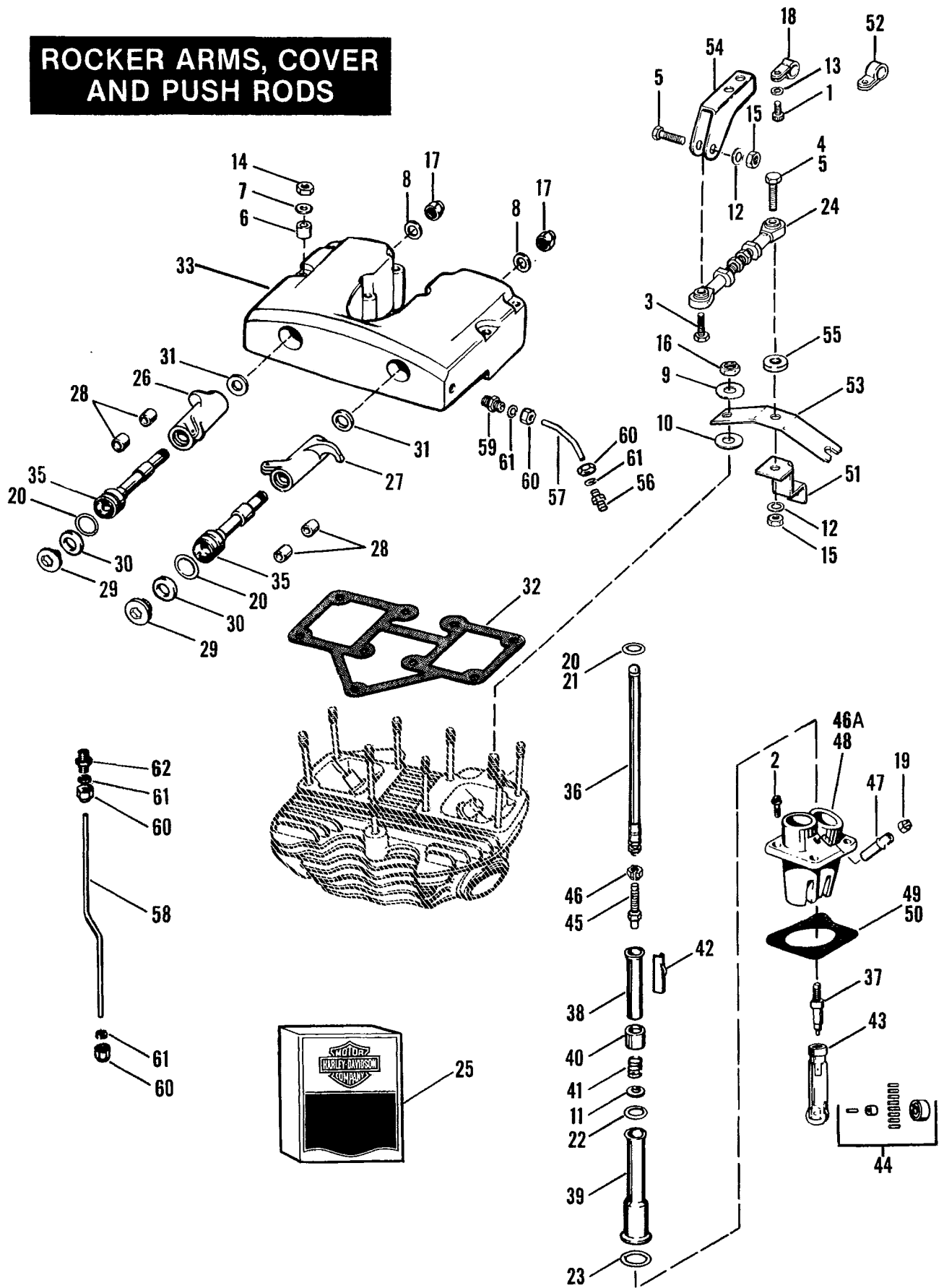
RETAIL PRICE	INDEX NO.	PART NO.	N A M E	USED ON
	31	18201—82	VALVE SPRING, outer (2)	Late 82 to * — FLT, Classic
	32	18202—82	VALVE SPRING, inner (2)	Late 82 to * — FLT, Classic
	32A	18205—57	VALVE SPRING KIT — must be used as a unit	80 to * — FLT, Classic
	33	18219—81	COLLAR, valve spring — upper (2)	Late 81 to * — FLT, Classic
		18221—36	COLLAR, valve spring — upper (2)	80 to Early 81 — FLT, Classic
	35	18222—79	COLLAR, valve spring — lower (2)	80 to Early 81 — FLT, Classic
	36	18222—81	COLLAR, valve spring — lower (2)	Late 81 to * — FLT, Classic
	37	18228—36	RETAINER, valve collar (2)	80 to * — FLT, Classic
	38	62375—57	FITTING, cylinder base (2)	Late 82 — FLT, Classic
		NOTE: Hose is sold only in bulk length under the following part number. Cut to required length.		
	39	63500—68	HOSE, 3/8 I.D. x 5/8 O.D. fabric reinforced rubber (25 ft. lg.)	Late 81 to Early 82 — FLT, Classic

ROCKER ARMS, COVER AND PUSH RODS



RETAIL PRICE	INDEX NO.	PART NO.	N A M E	USED ON
	1	2698	SCREW (2)	80 to 83 — FLT, Classic
	2	3770	SCREW (4)	80 to 83 — FLT, Classic
	3	4337W	BOLT	Late 81 to 83 — FLT, Classic
	4	4411	BOLT	Late 81 to 83 — FLT, Classic
	5	4724	BOLT (2)	80 & Early 81 — FLT, Classic
	6	5982W	SPACER, rocker arm cover stud (2)	80 to 83 — FLT, Classic
	7	6316HW	WASHER (9)	80 to 83 — FLT, Classic
	8	6466W	WASHER (2)	80 to 83 — FLT, Classic
	9	6495HW	WASHER	80 to 83 — FLT, Classic
	10	6516HW	WASHER (2)	80 to 83 — FLT, Classic
	11	6762B	WASHER (2)	80 to 83 — FLT, Classic
	12	7038	LOCKWASHER (2)	80 to 83 — FLT, Classic
	13	7042	LOCKWASHER (2)	80 to 81 — FLT, Classic
	14	7753	NUT (9)	80 to 83 — FLT, Classic
	15	7800W	NUT (2)	80 to 83 — FLT, Classic
	16	7837W	LOCKNUT (2)	80 to 83 — FLT, Classic
	17	7873	ACORN NUT (chrome)	81 to 83 — FLT, Classic
		7875	ACORN NUT (2)	80 — FLT
	18	9990W	CLIP	80 to 81 — FLT, Classic
	19	10014	CLAMP, 1/2 in. O.D hose (4)	Late 81 & Early 82 — FLT, Classic
	20	11101	O-RING (4; 2 — late 1981 & later)	80 to 83 — FLT, Classic
	21	11118	QUAD SEAL, push rod cover — upper (4)	Late 81 to 83 — FLT, Classic
	22	11132	O-RING, push rod cover — middle (2)	80 to 83 — FLT, Classic
	23	11133A	O-RING, push rod cover — lower (2)	80 to 83 — FLT, Classic
	24	16219—79A	STABILIZER LINK	80 to 83 — FLT, Classic
	25	17034—80A	GASKET SET, top overhaul	80 to 83 — FLT, Classic
	26	17360—66A	ROCKER ARM, rear exhaust and front intake	80 to 83 — FLT, Classic
	27	17375—66A	ROCKER ARM, front exhaust and rear intake	80 to 83 — FLT, Classic
	28	17428—57	BUSHING, rocker arm (4)	80 to 83 — FLT, Classic
	29	17448—71A	SCREW, rocker arm shaft end (2)	80 to 83 — FLT, Classic
	30	17450—73	SHIM (2 or less to prevent o-ring deformation)	80 & 81 — FLT, Classic
	31	17452—66	SPACER, rocker arm (2)	80 to 83 — FLT, Classic
	32	17540—69A	GASKET, rocker arm cover	80 to 83 — FLT, Classic
	33	17550—80	ROCKER ARM COVER, rear	80 to 83 — FLT, Classic
	34	17552—80	ROCKER ARM COVER, front	80 to 83 — FLT, Classic
	35	17611—66B	SHAFT, rocker arm (2)	80 to 83 — FLT, Classic
	36	17904—66	PUSH ROD ASSEMBLY (2)	80 to 83 — FLT, Classic
	37	17920—53A	PUSH ROD, hydraulic unit (2)	80 to 83 — FLT, Classic
	38	17935—79B	COVER, push rod - upper (2)	80 to 83 — FLT, Classic
	39	17938—79	COVER, push rod - lower (2)	80 to 83 — FLT, Classic
	40	17945—36B	CAP, cover spring (2)	80 to 83 — FLT, Classic
	41	17947—36	SPRING, push rod cover (2)	80 to 83 — FLT, Classic
	42	17950—66	RETAINER, spring cap (2)	80 to 83 — FLT, Classic
	43	18522—53A	TAPPET, with roller (2)	80 to 83 — FLT, Classic
	44	18534—29A	KIT, tappet roller (2)	80 to 83 — FLT, Classic
	45	18556—57	TAPPET ADJUSTING SCREW, with nut (2)	80 to 83 — FLT, Classic
	46	18570—38	NUT, tappet adjusting screw	80 to 83 — FLT, Classic
	46A	18597—81	TAPPET GUIDE, front cylinder	Late 81 & Early 82 — FLT, Classic
		18598—81	TAPPET GUIDE, rear cylinder	N/A Late 81 & Early 82 — FLT, Classic
	47	18599—81	FITTING, tappet guide	Late 81 & Early 82 — FLT, Classic
	48	18602—80A	TAPPET GUIDE, rear cylinder	80 & Early 81; Late 82 & 83 — FLT, Classic
		18603—80A	TAPPET GUIDE, front cylinder	80 & Early 81; Late 82 & 83 — FLT, Classic
	49	18633—48C	GASKET, tappet guide, rear cylinder	80 to 83 — FLT, Classic
	50	18634—48B	GASKET, tappet guide, front cylinder	80 to 83 — FLT, Classic
	51	29227—79	BRACKET, choke cable	80 to 83 — FLT, Classic
	52	42327—70	CLAMP	81 to 83 — FLT, Classic
	53	47169—79	BRACKET, engine mounting — upper	80 to 83 — FLT, Classic

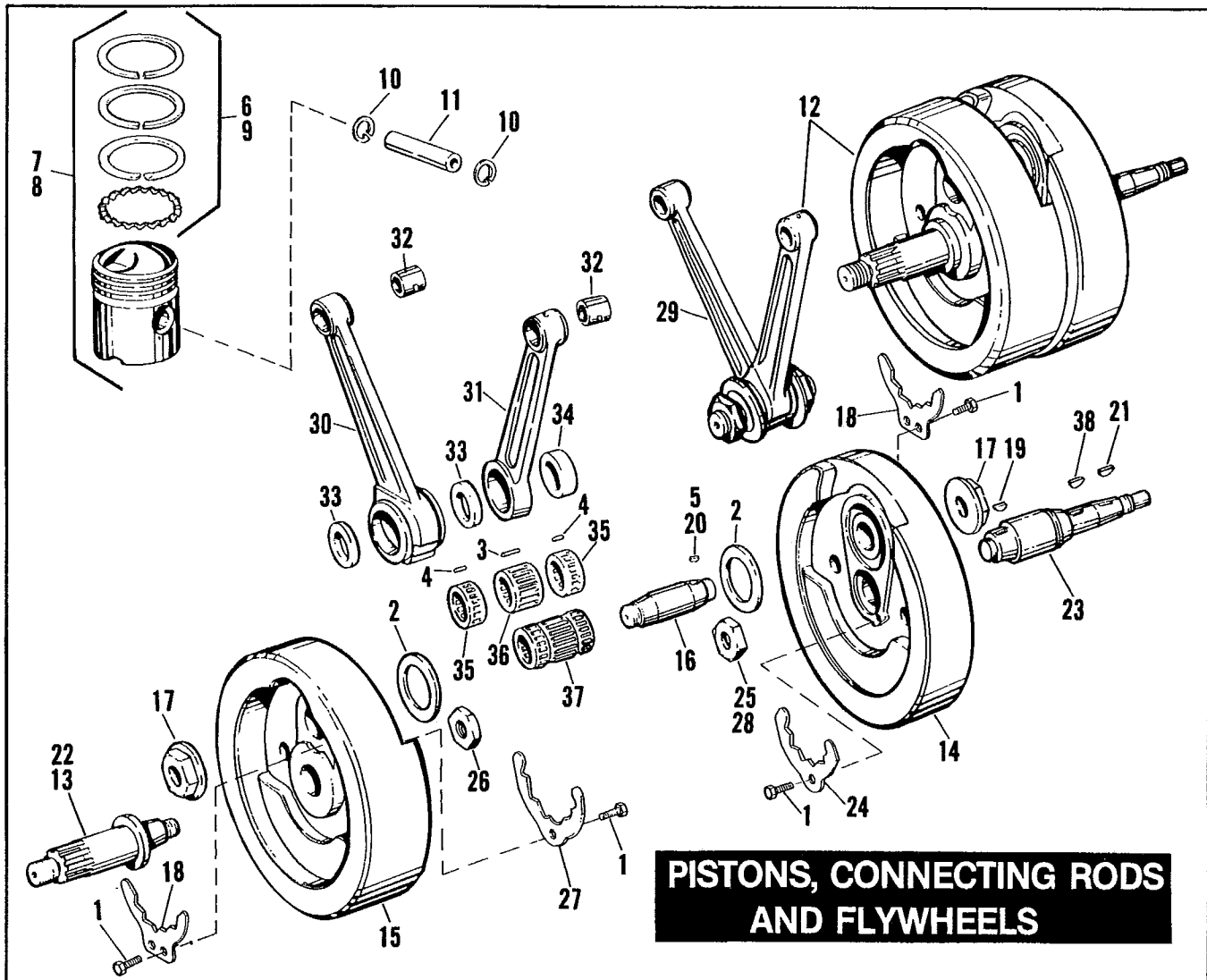
ROCKER ARMS, COVER AND PUSH RODS



ROCKER ARMS, COVER & PUSH RODS (CONT'D)

T1A-2

RETAIL PRICE	INDEX NO.	PART NO.	N A M E	USED ON
	54	47213-79	BRACKET, engine mounting — upper	80 to Early 81 — FLT, Classic
	55	50517-80	SPACER	N/A Late 81 to 83 — FLT, Classic
	56	62484-81	OIL LINE FITTING, rocker arm cover	81 to 83 — FLT, Classic
	57	62783-66A	OIL LINE TUBE, top cover cross-over (chrome)	80 to 83 — FLT, Classic
	58	62785-66A	OIL LINE TUBE, crankcase to top cover (chrome)	80 to 83 — FLT, Classic
	59	63526-57	OIL LINE FITTING, rocker arm cover (3- 80, 2-81 to Early 82)	80 to 83 — FLT, CLassic
	60	63527-57A	NUT, oil line (4)	80 to 83 — FLT, Classic
	61	63529-57	SLEEVE, oil line (4)	80 to 83 — FLT, Classic
	62	63543-82	OIL LINE FITTING, rocker arm cover	Late 82 to 83 — FLT, Classic



PISTONS, CONNECTING RODS AND FLYWHEELS

PISTONS, CONNECTING RODS AND FLYWHEELS

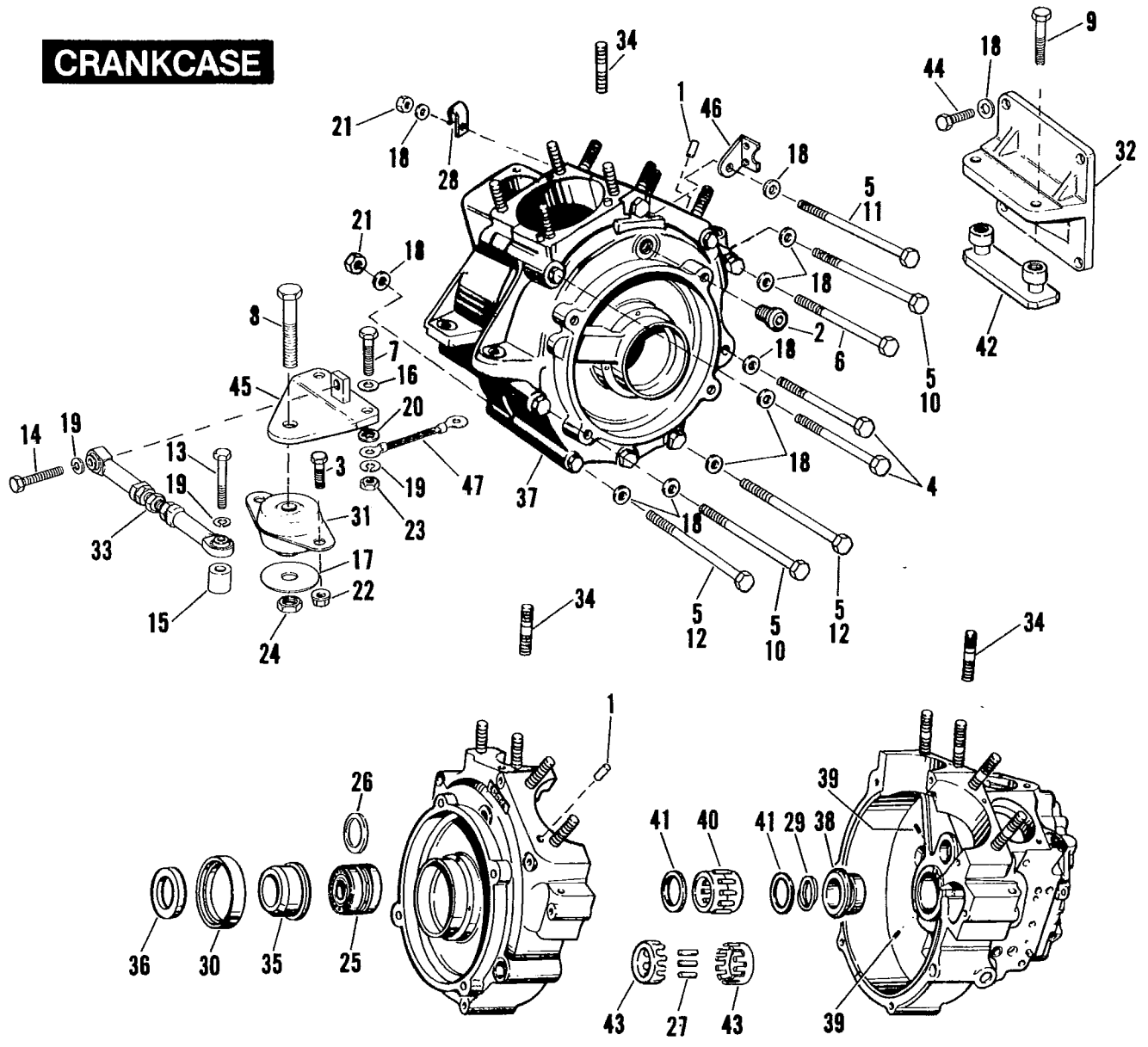
T3-1

RETAIL PRICE	INDEX NO.	PART NO.	NAME	USED ON
	1	2600	SCREW (4)	N/A Late 82 to 83 — FLT, FLHT, Classics
	2	6506	WASHER, flywheel — bronze (2)	80 to 83 — FLT, Classic
	3	9186	ROLLER, crank pin — standard (17)	N/A 80 to 83 — FLT, Classic
		9180	ROLLER, crank pin — 0.0002 O.S. (17)	80 to 83 — FLT, Classic
		9181	ROLLER, crank pin — 0.0004 O.S. (17)	80 to 83 — FLT, Classic
		9182	ROLLER, crank pin — 0.0008 O.S. (17)	80 to 83 — FLT, Classic
		9183	ROLLER, crank pin — 0.0008 O.S. (17)	80 to 83 — FLT, Classic
		9184	ROLLER, crank pin — 0.0010 O.S. (17)	N/A 80 to 83 — FLT, Classic
		9185	ROLLER, crank pin — 0.0002 U.S. (17)	80 to 83 — FLT, Classic
	4	9441A	ROLLER, crank pin — standard (34)	80 to 83 — FLT, Classic
		9442A	ROLLER, crank pin — 0.0002 O.S. (34)	80 to 83 — FLT, Classic
		9443A	ROLLER, crank pin — 0.0004 O.S. (34)	80 to 83 — FLT, Classic
		9444A	ROLLER, crank pin — 0.0006 O.S. (34)	80 to 83 — FLT, Classic
		9445A	ROLLER, crank pin — 0.0008 O.S. (34)	80 to 83 — FLT, Classic
		9446A	ROLLER, crank pin — 0.0010 O.S. (34)	N/A 80 to 83 — FLT, Classic
		9450A	ROLLER, crank pin — 0.0002 U.S. (34)	80 to 83 — FLT, Classic
	5	11218	KEY, crankpin and gearshaft (2) (commonized taper)	Late 81 to 83 — FLT, Classic
	6	21920—83	PISTON RING SET — standard (Mahle only)	Late 83 to * — FLT, Classic
		21921—83	PISTON RING SET — 0.005 O.S. (Mahle only)	Late 83 to * — FLT, Classic
		21922—83	PISTON RING SET — 0.010 O.S. (Mahle only)	Late 83 to * — FLT, Classic
		21923—83	PISTON RING SET — 0.020 O.S. (Mahle only)	Late 83 to * — FLT, Classic
		21924—83	PISTON RING SET — 0.030 O.S. (Mahle only)	Late 83 to * — FLT, Classic

PISTONS, CONNECTING RODS AND FLYWHEELS (CONT'D)

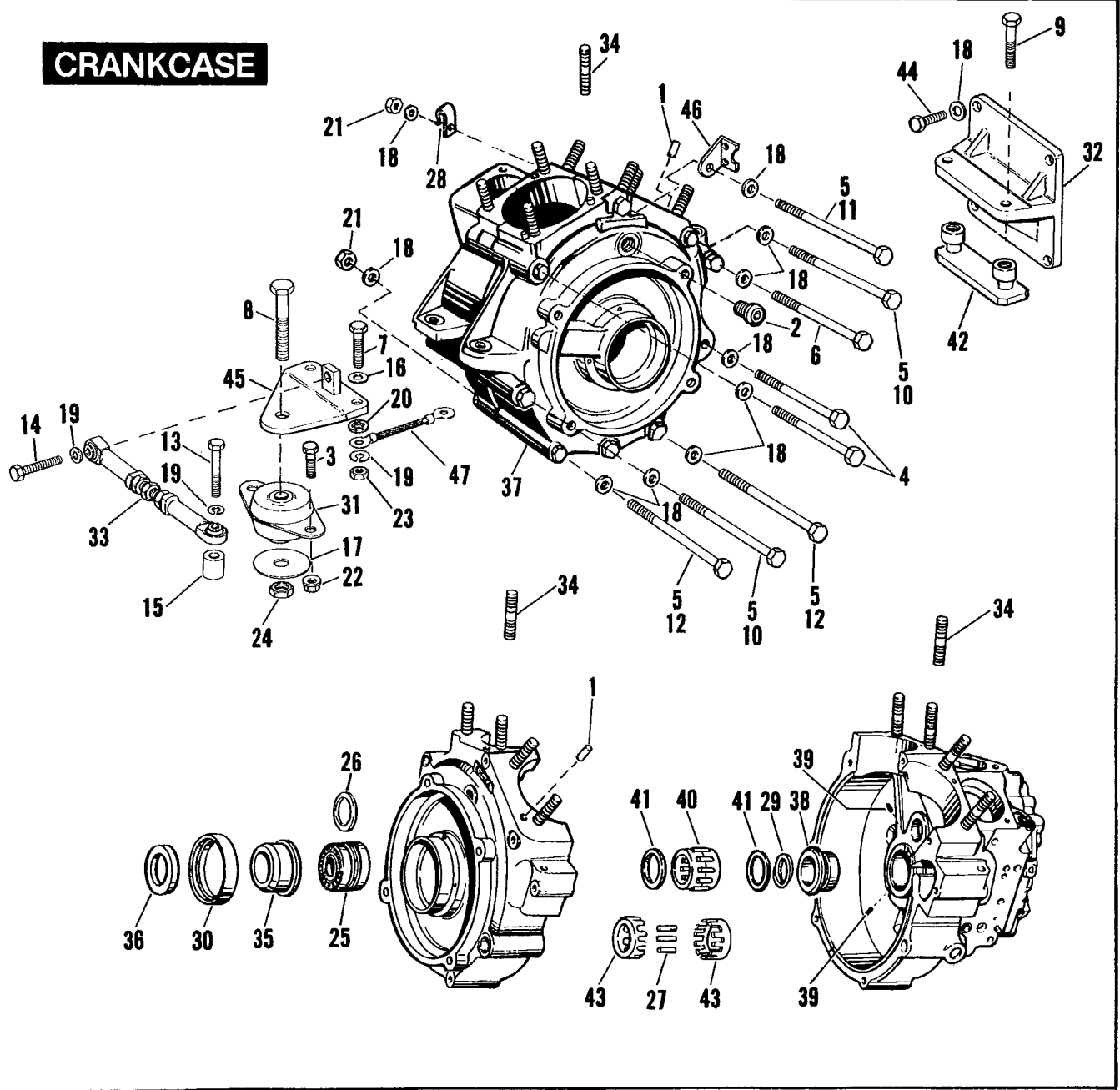
RETAIL PRICE	INDEX NO.	PART NO.	N A M E	USED ON
	8	21990—80A	PISTON AND RINGS ASSEMBLY — standard	81 to 83 — FLT, Classic
		21991—80A	PISTON AND RINGS ASSEMBLY — 0.010 O.S.	81 to 83 — FLT, Classic
		21992—80A	PISTON AND RINGS ASSEMBLY — 0.020 O.S.	81 to 83 — FLT, Classic
		21993—80A	PISTON AND RINGS ASSEMBLY — 0.030 O.S.	81 to 83 — FLT, Classic
		21994—83	PISTON AND RINGS ASSEMBLY — 0.005 O.S.	81 to 83 — FLT, Classic
		22191—78	PISTON AND RINGS ASSEMBLY — standard	80 — FLT
		22192—78	PISTON AND RINGS ASSEMBLY — 0.010 O.S. N/A	80 — FLT
		22194—78	PISTON AND RINGS ASSEMBLY — 0.020 O.S. N/A	80 — FLT
		22196—78	PISTON AND RINGS ASSEMBLY — 0.030 O.S.	80 — FLT
	9	22334—78B	PISTON RING SET — standard	80 to 83 — FLT, Classic
		22335—78B	PISTON RING SET — 0.010 O.S.	80 to 83 — FLT, Classic
		22336—78B	PISTON RING SET — 0.020 O.S.	80 to 83 — FLT, Classic
		22337—78B	PISTON RING SET — 0.030 O.S.	80 to 83 — FLT, Classic
	10	22588—78	LOCK RING, piston pin (2)	80 to 83 — FLT, Classic
		22589—83	LOCK RING, piston pin (Mahle only)	80 to 83 — FLT, Classic
	11	22760—73A	PISTON PIN — standard	80 to 83 — FLT, Classic
		22764—83	PISTON PIN (Mahle only)	80 to 83 — FLT, Classic
		22762—73	PISTON PIN — 0.004 O.S.	80 to 83 — FLT, Classic
	12	23906—78F	FLYWHEELS & SHAFT SET, with rods (comm. taper)	80 to 83 — FLT, Classic
	13	23909—80	SPROCKET SHAFT (commonized taper)	Late 81 to 83 — FLT, Classic
	14	23922—78	FLYWHEEL, right N/A	80 & Early 81 — FLT, Classic
		23922—80A	FLYWHEEL, right (commonized taper) N/A	Late 81 to 83 — FLT, FLHT, Classics
	15	23924—78	FLYWHEEL, left N/A	80 & Early 81 — FLT, Classic
		23926—80A	FLYWHEEL, left (commonized taper) N/A	Late 81 to 83 — FLT, FLHT, Classics
	16	23961—41	CRANK PIN	80 & Early 81 — FLT, Classic
		23961—80A	CRANK PIN (commonized taper)	Late 81 to 83 — FLT, Classic
	17	23966—54A	NUT, crank pin (2)	80 & Early 81 — FLT, Classic
		23969—80	NUT, crankpin (2) (commonized taper)	Late 81 to 83 — FLT, Classic
	18	23971—41	LOCKWASHER, crank pin (2) N/A	Late 82 & 83 — FLT, FLHT, Classics
	19	23985—12	KEY, gear shaft	80 & Early 81 — FLT, Classic
	20	23985—18	KEY, crank pin	80 & Early 81 — FLT, Classic
	21	23985—54	KEY, gear shaft pinion	80 to 83 — FLT, Classic
	22	24001—72	SPROCKET SHAFT	80 & Early 81 — FLT, Classic
	23	24006—73	GEAR SHAFT	80 & Early 81 — FLT, Classic
		24006—80	GEAR SHAFT (commonized taper)	Late 81 to 83 — FLT, Classic
	24	24015—36	NUT LOCKWASHER, gear shaft N/A	Late 82 & 83 — FLT, FLHT, Classics
	25	24016—80	NUT, gear shaft (commonized taper)	Late 81 to 83 — FLT, Classic
	26	24017—72	NUT, sprocket shaft	80 & Early 81 — FLT, Classic
		24017—80	NUT, sprocket shaft (commonized taper)	Late 81 to 83 — FLT, Classic
	27	24018—72	NUT LOCKWASHER, sprocket shaft	Late 82 & 83 — FLT, FLHT, Classics
	28	24023—36	NUT, gear shaft	80 & Early 81 — FLT, Classic
	29	24281—74A	SET OF CONNECTING RODS W/BRGS. & CRANK PIN	80 to Early 82 — FLT, Classic
		24281—80	SET OF CONN. RODS W/BRGS. & CRANK PIN (comm. taper)	Late 81 to 83 — FLT, Classic
	30	24290—74A	CONNECTING ROD, rear N/A	80 to 83 — FLT, Classic
	31	24294—74	CONNECTING ROD, front N/A	80 to 83 — FLT, Classic
	32	24334—36	BUSHING, piston pin (2)	80 to 83 — FLT, Classic
		24335—36	BUSHING, piston pin — 0.01 O.S. (2)	80 to 83 — FLT, Classic
	33	24345—36A	BUSHING, rear connecting rod — lower (2)	80 to 83 — FLT, Classic
	34	24356—36A	BUSHING, front connecting rod — lower	80 to 83 — FLT, Classic
	35	24366—71	RETAINER, crank pin roller — rear rod (2)	80 to 83 — FLT, Classic
	36	24367—71	RETAINER, crank pin roller — front rod	80 to 83 — FLT, Classic
	37	24385—40B	SET OF ROLLERS AND RETAINERS — standard N/A	80 to 83 — FLT, Classic
		24386—40B	SET OF ROLLERS AND RETAINERS — 0.0002 O.S. N/A	80 to 83 — FLT, Classic
		24387—40B	SET OF ROLLERS AND RETAINERS — 0.0004 O.S.	80 to 83 — FLT, Classic
		24388—40B	SET OF ROLLERS AND RETAINERS — 0.0006 O.S.	80 to 83 — FLT, Classic
		24389—40B	SET OF ROLLERS AND RETAINERS — 0.0008 O.S.	80 to 83 — FLT, Classic
		24390—40B	SET OF ROLLERS AND RETAINERS — 0.0010 O.S. N/A	80 to 83 — FLT, Classic
		24391—40B	SET OF ROLLERS AND RETAINERS — 0.0002 U.S.	80 to 83 — FLT, Classic
	38	26348—15	KEY, gear shaft pinion	80 to 83 — FLT, Classic

CRANKCASE



RETAIL PRICE	INDEX NO.	PART NO.	N A M E	USED ON
	1	358	DOWEL PIN (2)	83 — FLT, FLHT, Classics
	2	720	PLUG, timing hole	80 to 83 — FLT, Classic
	3	2889	BOLT (2)	80 to 83 — FLT, Classic
	4	3427	BOLT (2)	80 to 83 — FLT, Classic
	5	3428	BOLT (5)	80 & 81 — FLT, Classic
	6	3430	BOLT	80 to 83 — FLT, Classic
	7	3460	BOLT (2)	80 to 83 — FLT, Classic
	8	3461	BOLT (2)	80 to 83 — FLT, Classic
	9	3471	BOLT	80 to 83 — FLT, Classic
	10	3504	BOLT (2)	82 & 83 — FLT, Classic
	11	3505	STUD, threaded both ends	82 & 83 — FLT, Classic
	12	3506	STUD (2)	82 & 83 — FLT, Classic
	13	4380W	BOLT	80 to 82 — FLT, Classic
	14	4716W	BOLT	80 to 83 — FLT, Classic
	15	5761	SPACER, stabilizer link — lower	N/A 80 to 82 — FLT, Classic
	16	6019	WASHER (4)	80 to 83 — FLT, Classic
	17	6025	WASHER	N/A 80 to 83 — FLT, Classic
	18	6702	WASHER (14)	80 to 83 — FLT, Classic
	19	7038	LOCKWASHER (4)	80 to 83 — FLT, Classic
	20	7130W	LOCKWASHER	80 to 83 — FLT, Classic
	21	7753	NUT (6; 9-1982 & later)	80 to 83 — FLT, Classic
	22	7780	LOCKNUT (2)	80 to 83 — FLT, Classic
	23	7783	NUT (2)	80 to 83 — FLT, Classic
	24	7880	NUT	80 to 83 — FLT, Classic
	25	9028	BEARING, sprocket shaft (Timken)	80 to 83 — FLT, Classic
	26	9110	SHIM, sprocket shaft bearing — 0.090 thick	82 & 83 — FLT, Classic
		9120	SHIM, sprocket shaft bearing — 0.092 thick	80 to 83 — FLT, Classic
		9121	SHIM, sprocket shaft bearing — 0.094 thick	80 to 83 — FLT, Classic
		9122	SHIM, sprocket shaft bearing — 0.096 thick	80 to 83 — FLT, Classic
		9123	SHIM, sprocket shaft bearing — 0.098 thick	80 to 83 — FLT, Classic
		9124	SHIM, sprocket shaft bearing — 0.100 thick	80 to 83 — FLT, Classic
		9125	SHIM, sprocket shaft bearing — 0.102 thick	80 to 83 — FLT, Classic
		9126	SHIM, sprocket shaft bearing — 0.104 thick	80 to 83 — FLT, Classic
		9127	SHIM, sprocket shaft bearing — 0.106 thick	80 to 83 — FLT, Classic
		9128	SHIM, sprocket shaft bearing — 0.108 thick	80 to 83 — FLT, Classic
		9129	SHIM, sprocket shaft bearing — 0.110 thick	80 to 83 — FLT, Classic
		9130	SHIM, sprocket shaft bearing — 0.112 thick	80 to 83 — FLT, Classic
		9131	SHIM, sprocket shaft bearing — 0.114 thick	80 to 83 — FLT, Classic
		9132	SHIM, sprocket shaft bearing — 0.116 thick	80 to 83 — FLT, Classic
		9133	SHIM, sprocket shaft bearing — 0.118 thick	80 to 83 — FLT, Classic
		9134	SHIM, sprocket shaft bearing — 0.120 thick	80 to 83 — FLT, Classic
	27	9220A	ROLLER, right bearing, 1/4 x 0.440 — std. (28)	80 to 83 — FLT, Classic
		9219	ROLLER, right bearing — 0.0001 O.S. (28)	80 to 83 — FLT, Classic
		9221A	ROLLER, right bearing — 0.0002 O.S. (28)	80 to 83 — FLT, Classic
		9218	ROLLER, right bearing — 0.0003 O.S. (28)	80 to 83 — FLT, Classic
		9222A	ROLLER, right bearing — 0.0004 O.S. (28)	80 to 83 — FLT, Classic
		9217	ROLLER, right bearing — 0.0005 O.S. (28)	80 to 83 — FLT, Classic
		9223A	ROLLER, right bearing — 0.0006 O.S. (28)	80 to 83 — FLT, Classic
		9224A	ROLLER, right bearing — 0.0008 O.S. (28)	80 to 83 — FLT, Classic
		9225A	ROLLER, right bearing — 0.0010 O.S. (28)	80 to 83 — FLT, Classic
	28	9979	CLIP, breather hose	Early 80 — FLT
	29	11007	RETAINING RING, right bearing	80 to 83 — FLT, Classic
	30	12026B	OIL SEAL	80 to 83 — FLT, Classic
	31	16207—79B	ENGINE MOUNT, front	80 to 83 — FLT, Classic
	32	16208—83	BRACKET, engine to transmission	80 to 83 — FLT, Classic
	33	16219—79A	STABILIZER LINK	80 to 83 — FLT, Classic
	34	16837—78	STUD, cylinder base (8)	80 to 83 — FLT, Classic
	35	24002—70	SPACER, sprocket shaft	80 to 83 — FLT, Classic

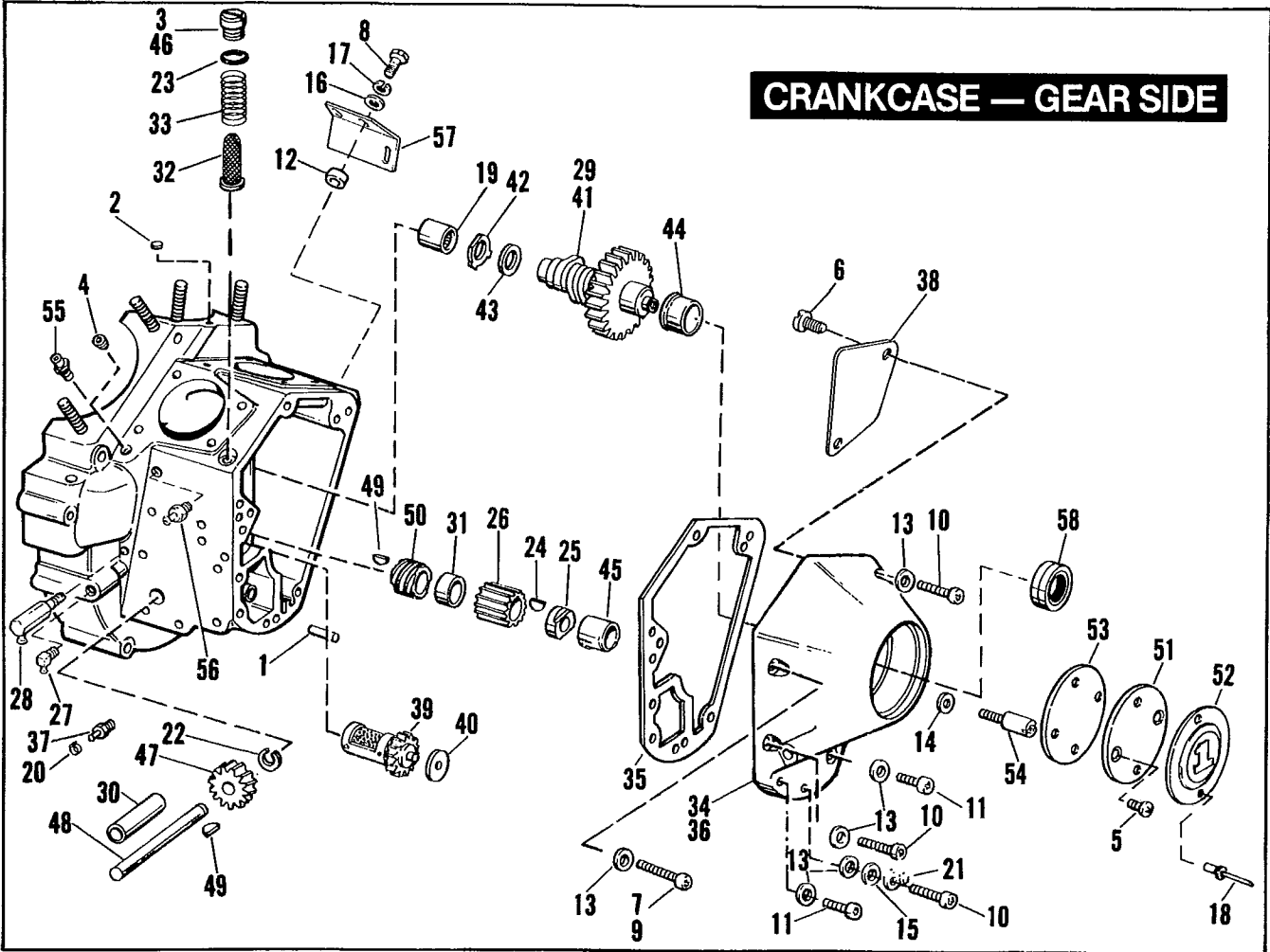
CRANKCASE



RETAIL PRICE	INDEX NO.	PART NO.	N A M E	USED ON
	36	24032-70	SPACER, sprocket shaft — 0.060 thick	80 to 83 — FLT, Classic
		24033-70	SPACER, sprocket shaft — 0.090 thick	80 to 83 — FLT, Classic
		24034-70	SPACER, sprocket shaft — 0.120 thick	80 to 83 — FLT, Classic
		24035-70	SPACER, sprocket shaft — 0.150 thick	80 to 83 — FLT, Classic
		24036-70	SPACER, sprocket shaft — 0.180 thick	80 to 83 — FLT, Classic
		24037-70	SPACER, sprocket shaft — 0.210 thick	80 to 83 — FLT, Classic
	37	24497-80	SET OF CRANKCASES	N/A 80 — FLT
		24519-73F	SET OF CRANKCASES	81 to 83 — FLT
		24524-77E	SET OF CRANKCASES (painted)	N/A 81 to 83 — Classic
	38	24600-58A	BUSHING, right crankcase — 0.002 O.S.	80 to 83 — FLT, Classic
		24601-58A	BUSHING, right crankcase — 0.005 O.S.	80 to 83 — FLT, Classic
	39	24608-54	SCREW, crankcase gear side bushing (2)	N/A 80 to 83 — FLT, Classic
	40	24650-58	RIGHT BEARING — standard	N/A 80 to 83 — FLT, Classic
		24650-81	RIGHT BEARING — 0.0001 O.S.	80 to 83 — FLT, Classic
		24651-58	RIGHT BEARING — 0.0002 O.S.	80 to 83 — FLT, Classic
		24649-81	RIGHT BEARING — 0.0003 O.S.	80 to 83 — FLT, Classic
		24652-58	RIGHT BEARING — 0.0004 O.S.	80 to 83 — FLT, Classic
		24645-81	RIGHT BEARING — 0.0005 O.S.	80 to 83 — FLT, Classic
		24653-58	RIGHT BEARING — 0.0006 O.S.	80 to 83 — FLT, Classic
		24654-58	RIGHT BEARING — 0.0008 O.S.	80 to 83 — FLT, Classic
		24655-58	RIGHT BEARING — 0.0010 O.S.	N/A 80 to 83 — FLT, Classic
	41	24692-58	WASHER, right bearing (2)	80 to 83 — FLT, Classic
	42	34715-80	NUTPLATE	80 to 83 — FLT, Classic
	43	43578-35	RETAINER, right roller bearing (2)	80 to 83 — FLT, Classic
	44	43868-72	BOLT, transmission to engine bracket (4)	80 to 83 — FLT, Classic
	45	47159-79A	BRACKET, engine front mount	80 to 83 — FLT, Classic
	46	65199-80	BRACKET, left exhaust pipe	80 — FLT
	47	66385-79	GROUND STRAP, engine front mount	80 & 81 — FLT, Classic

NOTE: Also see following page for more crankcase parts.

CRANKCASE — GEAR SIDE

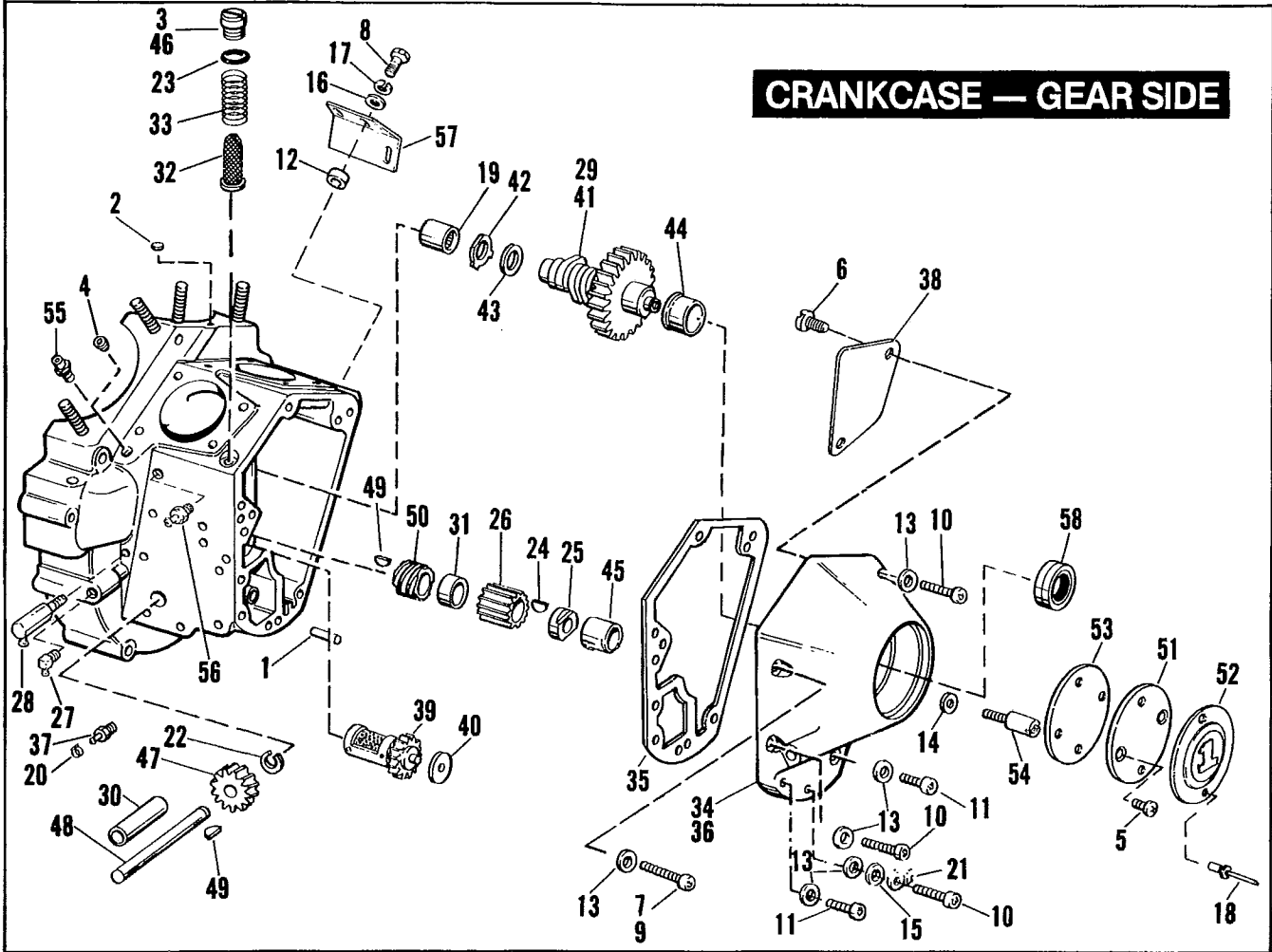


CRANKCASE — GEAR SIDE

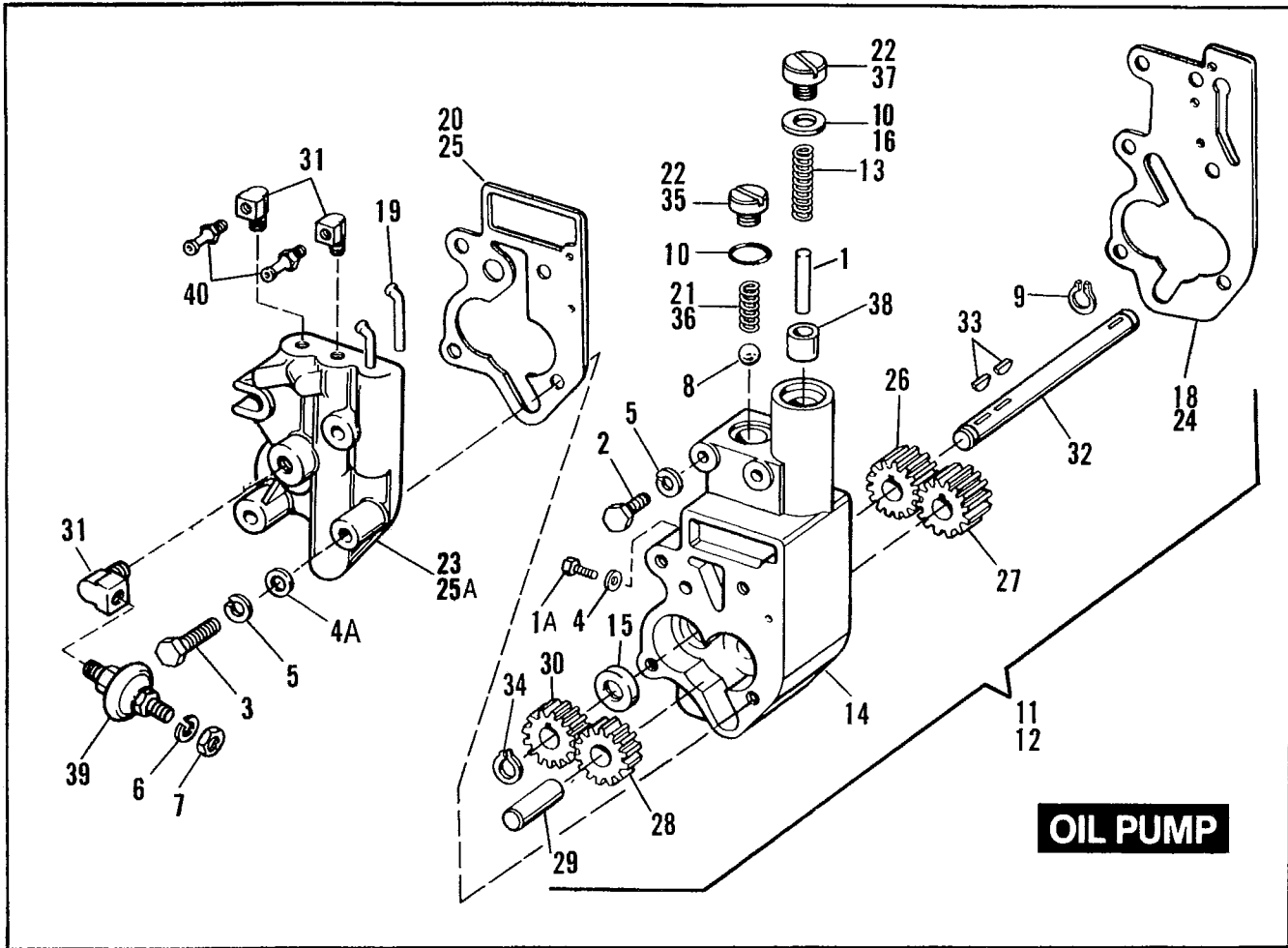
T3B-1

RETAIL PRICE	INDEX NO.	PART NO.	N A M E	USED ON
	1	358	DOWEL PIN (2)	80 to 83 — FLT, Classic
	2	653	PLUG, crankcase	80 to 83 — FLT, Classic
	3	657	PLUG, oil screen	80 — FLT
	4	724	PLUG	N/A 83 — FLT, FLHT, Classics
	5	1601	SCREW (2)	80 to 83 — FLT, Classic
	6	2511	SCREW, tapping	Late 82 to 83 — FLT, Classic
	7	2829	SCREW	80 & 81 — FLT, Classic
	8	4017	BOLT (2)	80 — FLT
	9	4810	SCREW, w/lock patch	80 to 83 — FLT, Classic
	10	4813	SCREW, w/lock patch (3)	80 to 83 — FLT, Classic
	11	4814	SCREW, w/lock patch (2)	80 to 83 — FLT, Classic
	12	5772	SPACER, exhaust pipe bracket (2)	Late 80 — FLT
	13	6099	WASHER (6)	80 to 83 — FLT, Classic
	14	6192	WASHER (2)	80 to 83 — FLT, Classic
	15	6242W	WASHER	80 to 83 — FLT, Classic
	16	6702	WASHER (4)	80 — FLT
	17	7041	LOCKWASHER (2)	80 — FLT
	18	8699	RIVET, ignition cover (2)	80 to 83 — FLT, Classic
	19	9058	NEEDLE BEARING, crankcase cam gear	80 to 83 — FLT, Classic
	20	10046	CLAMP, circuit breaker wire	80 to 83 — FLT, Classic
	21	10080	CLAMP	Late 81 to 83 — FLT, Classic
	22	11002	RETAINING RING, oil pump drive shaft	80 to 83 — FLT, Classic
	23	11105	O-RING	80 to 83 — FLT, Classic
	24	23985—54	KEY, gear shaft	80 to 83 — FLT, Classic
	25	24023—54	NUT, gear shaft	80 to 83 — FLT, Classic
	26	24040—78	PINION GEAR, 1.4751—56 pitch dia. (orange)	80 to 83 — FLT, Classic
		24041—78	PINION GEAR, 1.4745—51 pitch dia. (white)	80 to 83 — FLT, Classic
		24042—78	PINION GEAR, 1.4737—45 pitch dia. (yellow)	80 to 83 — FLT, Classic
		24043—78	PINION GEAR, 1.4729—37 pitch dia. (red)	80 to 83 — FLT, Classic
		24044—78	PINION GEAR, 1.4721—29 pitch dia. (blue)	80 to 83 — FLT, Classic
		24045—78	PINION GEAR, 1.4715—21 pitch dia. (green)	80 to 83 — FLT, Classic
		24046—78	PINION GEAR, 1.4710—15 pitch dia. (black)	80 to 83 — FLT, Classic
	27	24529—79A	FITTING, angle	N/A 80 to 83 — FLT, FLHT, Classics
	28	24530—79	FITTING	N/A 80 to 83 — FLT, Classic
	29	24582—77A	CAM AND PINION GEAR SET	80 to 83 — FLT, Classic
	30	24641—36	BUSHING, oil pump shaft	80 to 83 — FLT, Classic
	31	24703—54B	SPACER, gear shaft pinion	80 to 83 — FLT, Classic
	32	24981—70	OIL SCREEN, crankcase	80 to 83 — FLT, Classic
	33	24982—70	SPRING, oil screen	80 to 83 — FLT, Classic
	34	25216—73B	GEAR COVER	N/A 80 to 83 — FLT, Classic
	35	25225—70B	GASKET, gear cover	80 to 83 — FLT, Classic
	36	25258—80B	GEAR COVER ASSEMBLY	80 to 83 — FLT, Classic
	37	25260—78	FITTING	Late 81 — FLT, Classic
	38	25275—82	COVER, breather	Late 82 & 83 — FLT, Classic

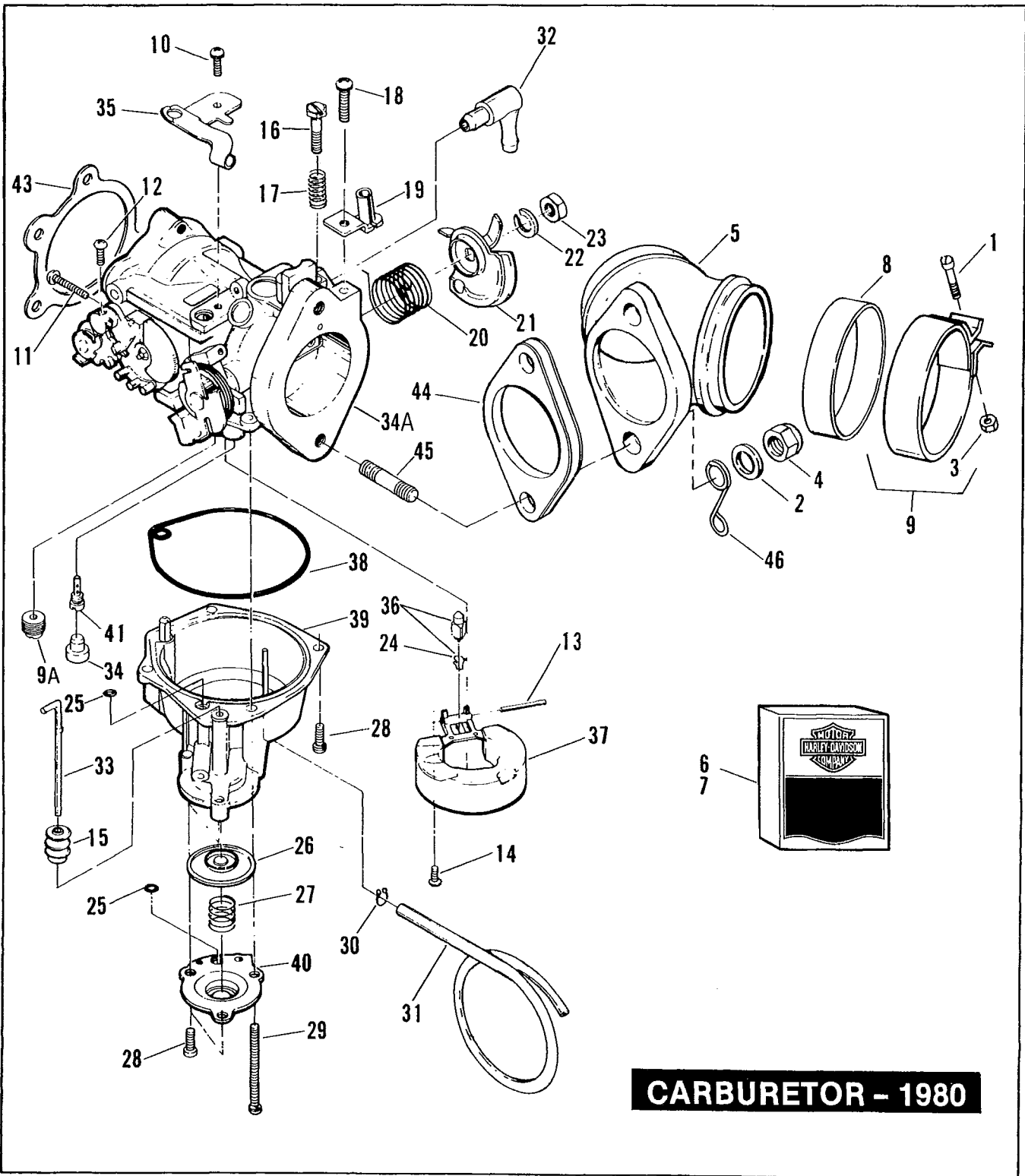
CRANKCASE — GEAR SIDE



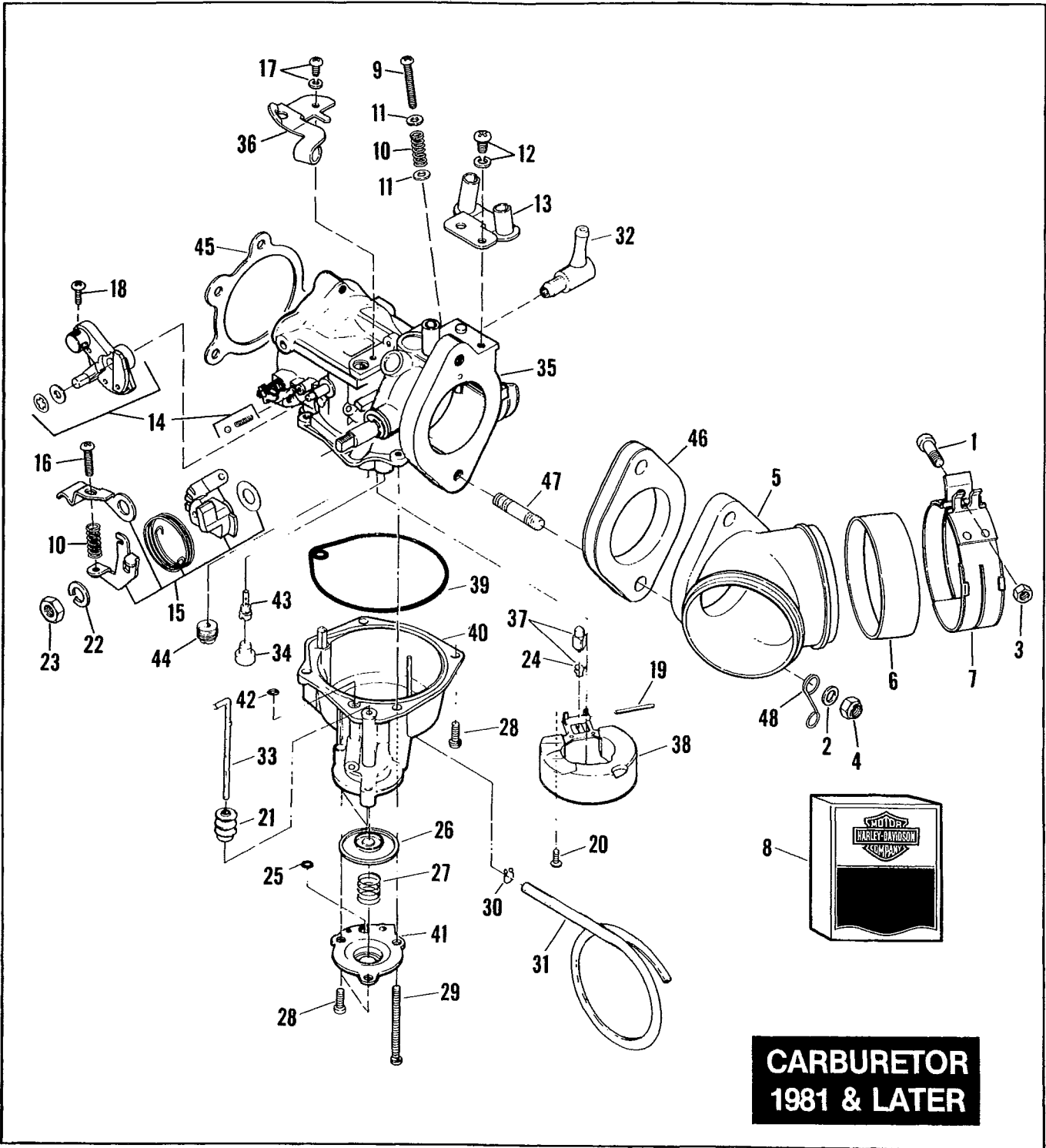
ETA L RICE	INDEX NO.	PART NO.	N A M E	USED ON
	39	25313-77C	BREATHER VALVE, with gear (plastic) (must use plastic thrust washer)	80 to 83 — FLT, Classic
NOTE: Order plastic washers only with plastic breather valve, do not intermix steel & plastic parts.				
	40	25320-79	THRUST WASHER, breather valve — 0.11 thick	80 to Early 82 — FLT, Classic
		25320-82	THRUST WASHER, breather valve — 0.13 thick (plastic)	Late 82 & 83 — FLT, Classic
		25321-79	THRUST WASHER, breather valve — 0.115 thick	80 to Early 82 — FLT, Classic
		25321-82	THRUST WASHER, breather valve — 0.135 thick (plastic)	Late 82 & 83 — FLT, Classic
		25322-79	THRUST WASHER, breather valve — 0.12 thick	80 to Early 82 — FLT, Classic
		25322-82	THRUST WASHER, breather valve — 0.14 thick (plastic)	Late 82 & 83 — FLT, Classic
		25323-79	THRUST WASHER, breather valve — 0.125 thick	80 to Early 82 — FLT, Classic
		25323-82	THRUST WASHER, breather valve — 0.145 thick (plastic)	Late 82 & 83 — FLT, Classic
		25325-79	THRUST WASHER, breather valve — 0.13 thick	80 to Early 82 — FLT, Classic
		25325-82	THRUST WASHER, breather valve — 0.15 thick (plastic)	Late 82 & 83 — FLT, Classic
		25326-79	THRUST WASHER, breather valve — 0.135 thick	80 to Early 82 — FLT, Classic
		25326-82	THRUST WASHER, breather valve — 0.155 thick (plastic)	Late 82 & 83 — FLT, Classic
		25327-79	THRUST WASHER, breather valve — 0.14 thick	80 to Early 82 — FLT, Classic
		25327-82	THRUST WASHER, breather valve — 0.16 thick (plastic)	Late 82 & 83 — FLT, Classic
		25328-79	THRUST WASHER, breather valve — 0.145 thick	80 to Early 82 — FLT, Classic
		25328-82	THRUST WASHER, breather valve — 0.165 thick (plastic)	Late 82 & 83 — FLT, Classic
	41	25527-81A	CAM GEAR, 2.7324 — 2.7334 (orange)	N/A 80 to 83 — FLT, Classic
		25528-81A	CAM GEAR, 2.7334 — 2.7344 (white)	N/A 80 to 83 — FLT, Classic
		25529-81A	CAM GEAR, 2.7344 — 2.7354 (yellow)	N/A 80 to 83 — FLT, Classic
		25530-81A	CAM GEAR, 2.7354 — 2.7364 (red)	N/A 80 to 83 — FLT, Classic
		25531-81A	CAM GEAR, 2.7364 — 2.7374 (blue)	N/A 80 to 83 — FLT, Classic
		25532-81A	CAM GEAR, 2.7374 — 2.7384 (green)	N/A 80 to 83 — FLT, Classic
		25534-81A	CAM GEAR, 2.7384 — 2.7394 (black)	N/A 80 to 83 — FLT, Classic
	42	25550-57	LOCKWASHER, cam gear	80 to 83 — FLT, Classic
	43	25550-36	THRUST WASHER, cam gear — 0.05 thick	80 to 83 — FLT, Classic
		25551-36	THRUST WASHER, cam gear — 0.055 thick	80 to 83 — FLT, Classic
		25552-36	THRUST WASHER, cam gear — 0.06 thick	80 to 83 — FLT, Classic
		25553-36	THRUST WASHER, cam gear — 0.065 thick	80 to 83 — FLT, Classic
		25554-36	THRUST WASHER, cam gear — 0.07 thick	80 to 83 — FLT, Classic
		25555-36	THRUST WASHER, cam gear — 0.075 thick	80 to 83 — FLT, Classic
		25556-79	THRUST WASHER, cam gear — 0.08 thick	80 to 83 — FLT, Classic
		25557-79	THRUST WASHER, cam gear — 0.085 thick	80 to 83 — FLT, Classic
		25558-79	THRUST WASHER, cam gear — 0.09 thick	80 to 83 — FLT, Classic
		25559-79	THRUST WASHER, cam gear — 0.095 thick	80 to 83 — FLT, Classic
	44	25581-70	BUSHING, gear cover	80 to 83 — FLT, Classic
	45	25582-73	BUSHING, gear cover pinion shaft	80 to 83 — FLT, Classic
	46	26263-80	PLUG, oil screen	81 to 83 — FLT, Classic
	47	26345-73	DRIVE GEAR, oil pump — 24 T.	80 to 83 — FLT, Classic
	48	26346-70	DRIVE SHAFT, oil pump	80 to 83 — FLT, Classic
	49	26348-15	KEY, oil pump gears (2)	80 to 83 — FLT, Classic
	50	26349-73A	DRIVE GEAR, oil pump	80 to 83 — FLT, Classic
	51	32504-80	COVER, inner	80 to 83 — FLT, Classic
	52	32511-78	COVER, outer	80 to 83 — FLT, Classic
	53	32591-80	GASKET, ignition cover	80 to 83 — FLT, Classic
	54	32606-82	SCREW (2)	80 to 83 — FLT, Classic
	55	63526-57	FITTING, rocker arm oil line	80 to 83 — FLT, Classic
	56	63533-41	FITTING, straight	80 to 83 — FLT, Classic
	57	65444-80	BRACKET, right exhaust pipe	80 — FLT
	58	83162-51	OIL SEAL, bearing	80 to 83 — FLT, Classic



RETAIL PRICE	INDEX NO.	PART NO.	NAME	USED ON
	1	223	DOWEL PIN, relief valve spring	80 to Early 82 — FLT, Classic
	1A	700	PLUG, oil pump body	80 to 83 — FLT, Classic
	2	2872W	BOLT (2)	80 to 83 — FLT, Classic
	3	3429	BOLT (4)	80 to 83 — FLT, Classic
	4	6377	WASHER	80 to 83 — FLT, Classic
	4A	6703	WASHER (4)	80 to 83 — FLT, Classic
	5	7036	LOCKWASHER (6) (2 - 1981 & later)	80 to 83 — FLT, Classic
	6	7069	LOCKWASHER	80 to 83 — FLT, Classic
	7	7634	NUT (brass)	80 to 83 — FLT, Classic
	8	8873	BALL, check valve, 3/8 dia.	80 to 83 — FLT, Classic
	9	11002	RETAINING RING, oil pump	80 to 83 — FLT, Classic
	10	11105	O-RING, valve cover screw (2 - 1981 & later)	80 to 83 — FLT, Classic
	11	26190—73	OIL PUMP KIT, with gaskets and retaining ring	80 to 83 — FLT, Classic
	13	26207—83	SPRING, relief valve	80 to 83 — FLT, Classic
	15	26227—58	OIL SEAL	80 to 83 — FLT, Classic
	16	26231—78	WASHER, relief valve screw	80 — FLT
	18	26246—68A	GASKET, oil pump body (plastic)	Early 80 — FLT
	19	26247—78	TUBE, cover — upper (bent)	80 — FLT, Classic
	20	26258—68B	GASKET, oil pump cover (plastic)	Early 80 — FLT
	21	26262—80	SPRING, check valve	81 to 83 — FLT, Classic
	22	26263—80	COVER SCREW, check valve and relief valve (2)	81 to 83 — FLT, Classic
	23	26267—82	COVER ASSEMBLY (painted)	N/A 81 to 83 — Classic's
	24	26273—80B	GASKET, oil pump body (paper)	Late 80 to 83 — FLT, Classic
	25	26276—80A	GASKET, oil pump cover (paper)	Late 80 to 83 — FLT, Classic
	25A	26285—82	COVER ASSEMBLY, with gaskets	N/A 81 to 83 — FLT, FLHT
	26	26315—68A	DRIVE GEAR	80 to 83 — FLT, Classic
	27	26317—68A	IDLER GEAR	80 to 83 — FLT, Classic
	28	26326—62A	DRIVE IDLER GEAR	80 to 83 — FLT, Classic
	29	26327—68	IDLER SHAFT	80 to 83 — FLT, Classic
	30	26328—74	DRIVE GEAR	80 to 83 — FLT, Classic
	31	26338—68	ELBOW, oil pump (3; 2 - 1981 & later)	80 to 83 — FLT, Classic
	32	26346—70	DRIVE SHAFT	80 to 83 — FLT, Classic
	33	26348—15	KEY, drive shaft (2)	80 to 83 — FLT, Classic
	34	26348—36	RETAINING RING, drive shaft	80 to 83 — FLT
	35	26362—36	COVER SCREW, check valve spring	80 — FLT
	36	26363—36	SPRING, check valve	80 — FLT
	37	26377—68	COVER SCREW, relief valve	80 — FLT
	38	26400—54	VALVE, oil pump	80 & 81 — FLT, Classic
		26400—82	VALVE, oil pump	Late 82 to 83 — FLT, Classic
		26410—82	SERVICE KIT, oil pump	Late 82 — FLT, Classic
	39	26552—72	OIL PRESSURE SWITCH	80 to 83 — FLT, Classic
	40	63533—41	FITTING (2)	80 to 83 — FLT, Classic

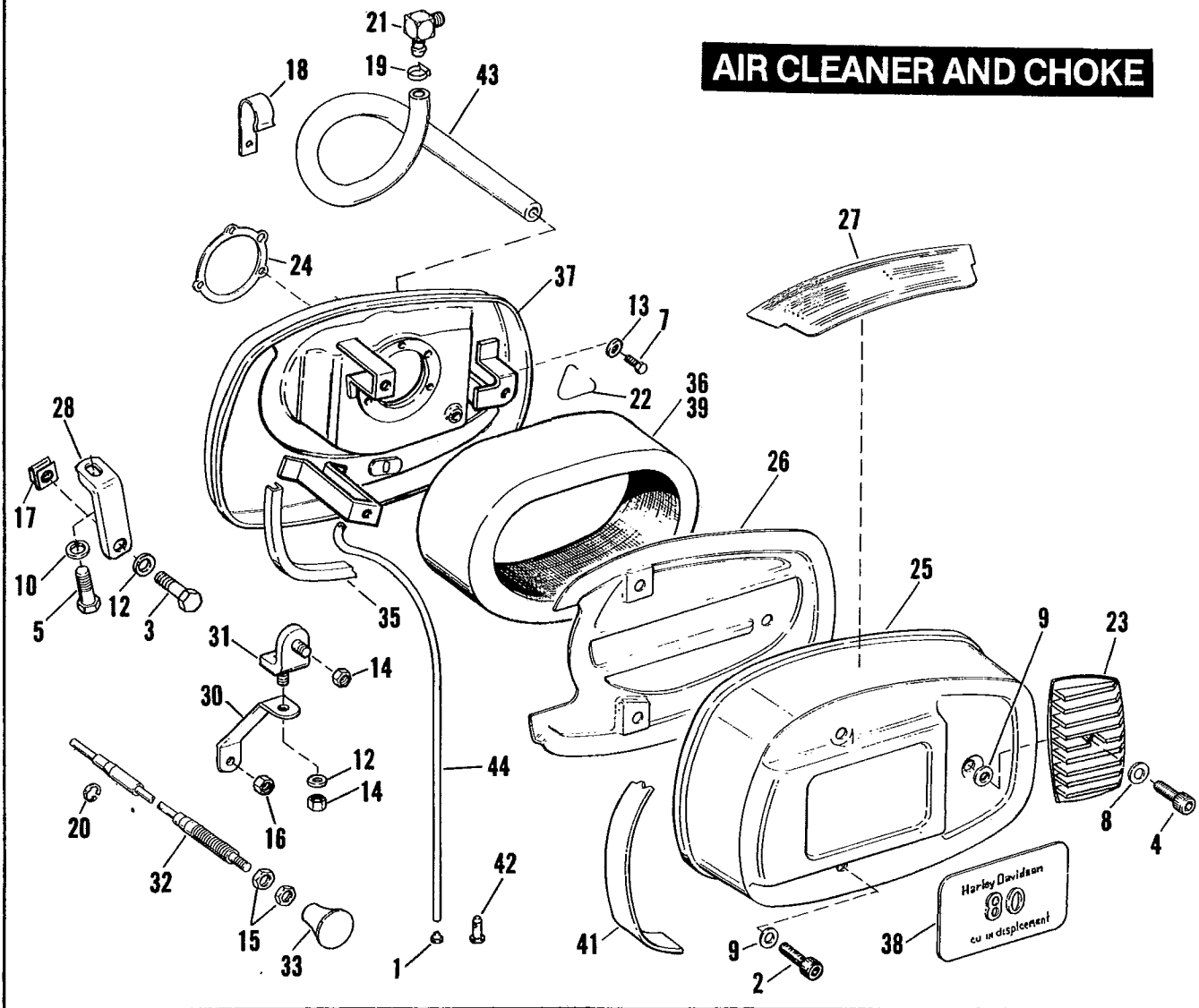


RETAIL PRICE	INDEX NO.	PART NO.	N A M E	USED ON
	1	930	SCREW, No. 10-24 x 1-1/4 Pozidriv fil. hd. (2)	80 — FLT
	2	6702	WASHER, 5/16 x 11/16 x 1/16 (2)	80 — FLT
	3	7504	NUT, No. 10-24 x 1/8 x 5/16 hex. (2)	80 — FLT
	4	7739	LOCKNUT, 5/16-18 x 11/32 x 1/2 hex. (2)	80 — FLT
	5	27021-78	INTAKE MANIFOLD	80 — FLT
	6	27045-78	CHOKE SHAFT PARTS KIT	80 — FLT
	7	27046-78	PLASTIC PARTS KIT	80 — FLT
	8	27062-78	SEAL, intake manifold clamp (2)	80 — FLT
	9	27063-80	CLAMP KIT, intake manifold — includes screw and nut (2)	80 — FLT
	9A	27098-78	MAIN JET, 1.55 mm.	80 — FLT
	10	27304-76	SCREW, choke cable bracket	80 — FLT
	11	27306-76	SCREW, fast idle cam	80 — FLT
	12	27307-76	SCREW, wire block	80 — FLT
	13	27308-76	PIN, float	80 — FLT
	14	27309-76	SCREW, float pin	80 — FLT
	15	27311-76	RUBBER CAP, accelerator pump	80 — FLT
	16	27313-76	SCREW, throttle stop	80 — FLT
	17	27314-76	SPRING, throttle stop screw	80 — FLT
	18	27320-76	SCREW, throttle cable bracket	80 — FLT
	19	27321-76	BRACKET, throttle cable	80 — FLT
	20	27322-76	SPRING, throttle lever	80 — FLT
	21	27328-76	THROTTLE LEVER	80 — FLT
	22	27333-76	LOCKWASHER, throttle lever	80 — FLT
	23	27335-76	NUT, throttle lever	80 — FLT
	24	27338-76	CLIP, float valve	80 — FLT
	25	27360-76	O-RING (2)	80 — FLT
	26	27361-76	DIAPHRAGM, accelerator pump	80 — FLT
	27	27362-76	SPRING, diaphragm	80 — FLT
	28	27366-76	SCREW (5)	80 — FLT
	29	27367-76	SCREW	80 — FLT
	30	27368-76	CLIP, overflow hose	80 — FLT
	31	27369-76	HOSE, overflow	80 — FLT
	32	27371-76	FITTING	80 — FLT
	33	27373-76	ROD, accelerator pump (860B), 59.5 mm.	80 — FLT
	34	27385-76	PLUG, low speed jet	80 — FLT
	34A	27471-80A	CARBURETOR (B880)	N/A 80 — FLT
	35	27882-78	BRACKET, choke cable	80 — FLT
	36	27886-78	FLOAT VALVE, with clip	80 — FLT
	37	27887-78	FLOAT	80 — FLT
	38	27889-78	O-RING, bowl	80 — FLT
	39	27890-78	BOWL	80 — FLT
	40	27891-80	HOUSING, accelerator pump	80 — FLT
	41	27895-78	LOW SPEED JET, 0.70 mm.	80 — FLT
	43	29058-77	GASKET, air cleaner to carburetor	80 — FLT
	44	29250-78A	INSULATING SPACER	80 — FLT
	45	29253-78	STUD (2)	80 — FLT
	46	45092-66A	CABLE GUIDE	80 — FLT



RETAIL PRICE	INDEX NO.	PART NO.	N A M E	USED ON
	1	930	SCREW (2)	81 to 83 — FLT, Classic
	2	6702	WASHER (2)	81 to 83 — FLT, Classic
	3	7620W	NUT (2)	81 to 83 — FLT, Classic
	4	7739	LOCKNUT (2)	81 to 83 — FLT, Classic
	5	27021—78	INTAKE MANIFOLD	81 to 83 — FLT, Classic
	6	27062—78	SEAL, intake manifold clamp (2)	81 to 83 — FLT, Classic
	7	27063—80	CLAMP, intake manifold — includes screw and nut (2)	81 to 83 — FLT, Classic
	8	27086—80	HIGH ALTITUDE KIT (4000-6000 ft.)	81 to 83 — FLT, Classic
			Consists of besides high altitude label:	
		27087—80	MAIN JET, 1.50 mm	
	9	27130—81	SCREW, throttle stop	81 to 83 — FLT, Classic
	10	27136—81	SPRING, throttle stop screw & fast idle screw (2)	81 to 83 — FLT, Classic
	11	27137—81	WASHER, throttle stop screw (2)	81 to 83 — FLT, Classic
	12	27139—81	SCREW WITH WASHER, throttle cable bracket	81 to 83 — FLT, Classic
	13	27141—81	BRACKET, throttle cable	81 to 83 — FLT, Classic
	14	27142—81	CHOKE LEVER KIT	81 to 83 — FLT, Classic
	15	27143—81	LEVER KIT, accelerator pump	81 to 83 — FLT, Classic
	16	27145—81	SCREW, fast idle	81 to 83 — FLT, Classic
	17	27304—76	SCREW WITH WASHER, choke cable bracket	81 to 83 — FLT, Classic
	18	27307—76	SCREW, wire block	81 to 83 — FLT, Classic
	19	27308—76	PIN, float	81 to 83 — FLT, Classic
	20	27309—76	SCREW, float pin	81 to 83 — FLT, Classic
	21	27311—76	RUBBER CAP, accelerator pump	81 to 83 — FLT, Classic
	22	27333—76	LOCKWASHER, throttle lever	81 to 83 — FLT, Classic
	23	27335—76	NUT, throttle lever	81 to 83 — FLT, Classic
	24	27338—76	CLIP, float valve	81 to 83 — FLT, Classic
	25	27360—76	O-RING	81 to 83 — FLT, Classic
	26	27361—76	DIAPHRAGM, accelerator pump	81 to 83 — FLT, Classic
	27	27362—76	SPRING, diaphragm	81 to 83 — FLT, Classic
	28	27366—76	SCREW (5)	81 to 83 — FLT, Classic
	29	27367—76	SCREW	81 to 83 — FLT, Classic
	30	27368—76	CLIP, overflow hose	81 to 83 — FLT, Classic
	31	27369—76	HOSE, overflow	81 to 83 — FLT, Classic
	32	27371—76	FITTING	81 to 83 — FLT, Classic
	33	27373—76	ROD, accelerator pump, 59.5 mm.	81 to 83 — FLT, Classic
	34	27385—76	PLUG, low speed jet	81 to 83 — FLT, Classic
	35	27494—81A	CARBURETOR (B78E)	81 to 83 — FLT, Classic
	36	27882—78	BRACKET, choke cable	81 to 83 — FLT, Classic
	37	27886—78	FLOAT VALVE, with clip	81 to 83 — FLT, Classic
	38	27887—78	FLOAT	81 to 83 — FLT, Classic
	39	27889—78	O-RING, bowl	81 to 83 — FLT, Classic
	40	27890—78	BOWL	81 to 83 — FLT, Classic
	41	27891—80	HOUSING, accelerator pump	81 to 83 — FLT, Classic
	42	27892—78	O-RING	81 to 83 — FLT, Classic
	43	27895—78	LOW SPEED JET, 0.70 mm.	81 to 83 — FLT, Classic
	44	27898—78	MAIN JET, 1.65 mm. (Std.)	81 to 83 — FLT, Classic
	45	29058—77	GASKET, air cleaner to carburetor	81 to 83 — FLT, Classic
	46	29250—78A	INSULATING SPACER	81 to 83 — FLT, Classic
	47	29253—78	STUD (2)	81 to 83 — FLT, Classic
	48	45092—66A	CABLE GUIDE	81 to 83 — FLT, Classic

AIR CLEANER AND CHOKE

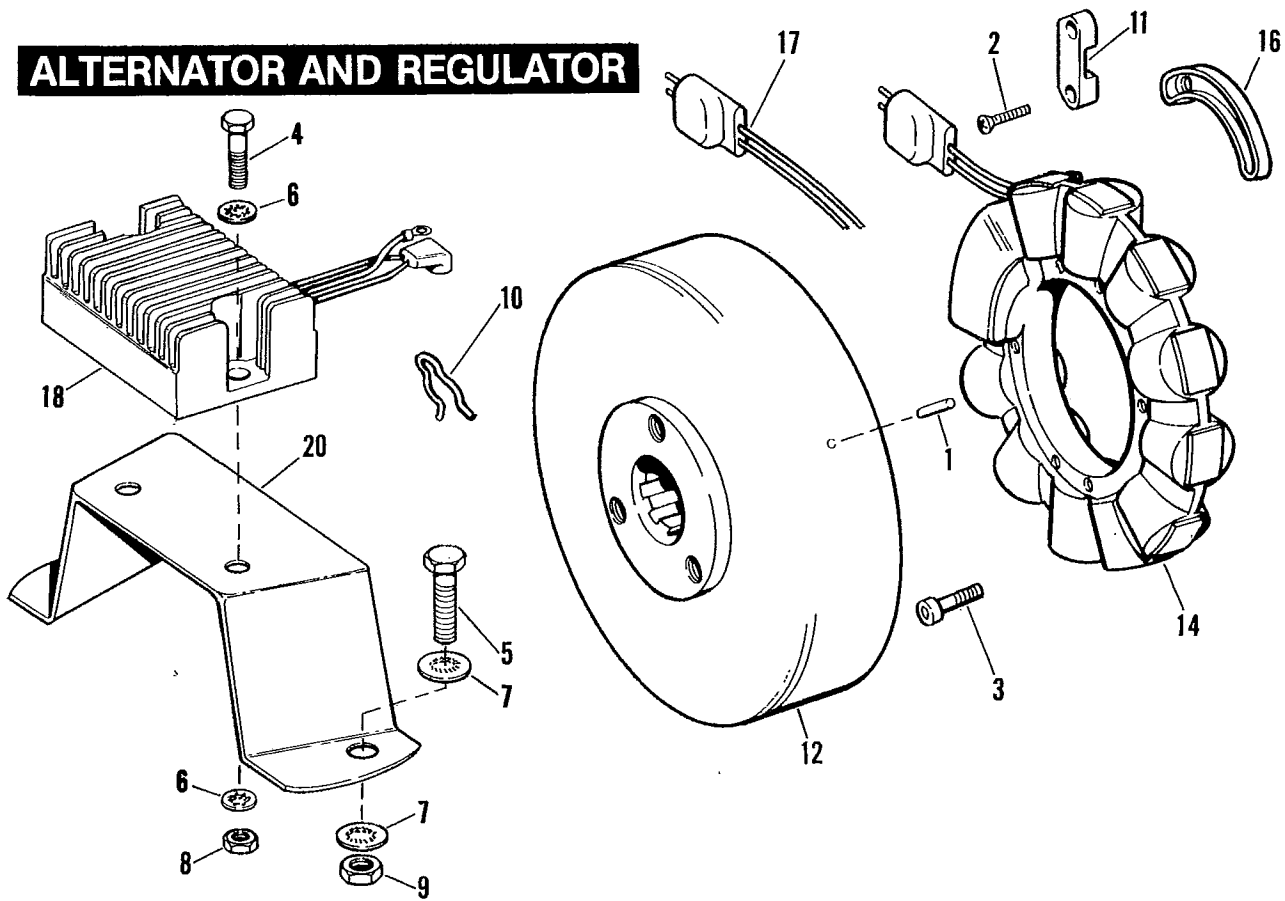


RETAIL PRICE	INDEX NO.	PART NO.	N A M E	USED ON
	1	725	PLUG, air cleaner hose	82 to 83 — FLT, Classics
	2	3413	SCREW (2)	80 to 83 — FLT, Classics
	3	3447	BOLT (2)	80 to 83 — FLT, Classics
	4	3458	SCREW	80 to 83 — FLT, Classics
	5	3991	BOLT (2)	80 to 83 — FLT, Classics
	6	4017	BOLT (2)	83 — FLT, FLHT, Classics
	7	4025	BOLT (3)	80 to 83 — FLT, Classics
	8	6046	WASHER, air intake grill	80 to 83 — FLT, Classics
	9	6095	WASHER, air cleaner cover (3)	80 to 83 — FLT, Classics
	10	6109	WASHER (2)	80 to 83 — FLT, Classics
	11	6316HW	WASHER (2)	83 to 83 — FLT, FLHT, Classics
	12	6702	WASHER (5)	80 — FLT, Classics
	13	6703	WASHER (3)	80 to 83 — FLT, Classics
	14	7740	LOCKNUT (2)	80 to 83 — FLT, Classics
	15	7744	JAMNUT (2)	80 to 83 — FLT, Classics
	16	7753	NUT	80 to 83 — FLT, Classics
	17	8103	CLIP NUT (2)	80 to 83 — FLT, Classics
	18	9979	CLAMP, hose	80 to Early 81 — FLT, Classics
	19	10080	CLAMP, hose	80 to 83 — FLT, Classics
	20	11013	RETAINING RING, choke cable	80 to 83 — FLT, Classics
	21	24529—79A	FITTING, crankcase to air cleaner hose	N/A 80 to 83 — FLT, FLHT, Classics
	22	29027—80	SECURITY WIRE, mounting bolts — 9-1/4"	N/A 80 to 83 — FLT, Classics
	23	29057—78A	GRILL, air intake	80 to 83 — FLT, Classics
	24	29058—77	GASKET, air cleaner to carburetor	80 to 83 — FLT, Classics
	25	29061—78	COVER, air cleaner	80 to 83 — FLT, Classics
	26	29064—78	BAFFLE	80 to 83 — FLT, Classics
	27	29071—79	SAFETY LABEL, air cleaner	80 to 83 — FLT, Classics
	28	29113—79A	BRACKET, rear	80 to 83 — FLT, Classics
		29114—79A	BRACKET, front	80 to 83 — FLT, Classics
	30	29117—80	BRACKET, lower	80 to 83 — FLT, Classics
	31	29125—79	BRACKET, with studs	80 to 83 — FLT, Classics
	32	29225—79	CONTROL CABLE, choke	80 to 82 — FLT, Classics
	33	29228—80	KNOB, choke wire	80 to 83 — FLT, Classics
	35	29252—79	SEAL STRIP, air cleaner backing plate	80 to 83 — FLT, Classics
	36	29255—78	FILTER ELEMENT	80 to 82 — FLT, Classics
		29295—78	FILTER ELEMENT, foam only	80 to 82 — FLT, Classics
	37	29260—80	BACK PLATE, air cleaner	80 to 83 — FLT, Classics
	38	29272—78	TRIM, air cleaner "80"	80 to 83 — FLT, Classics
	39	29288—83	FILTER ELEMENT	83 — FLT, FLHT, Classics
		29296—83	FILTER ELEMENT, foam only	83 — FLT, FLHT, Classics
	41	29299—78	TRIM STRIP, air cleaner cover (black)	N/A 80 to 83 — FLT, Classics
	42	42269—70	PLUG, air cleaner hose	Late 81 — FLT, Classics

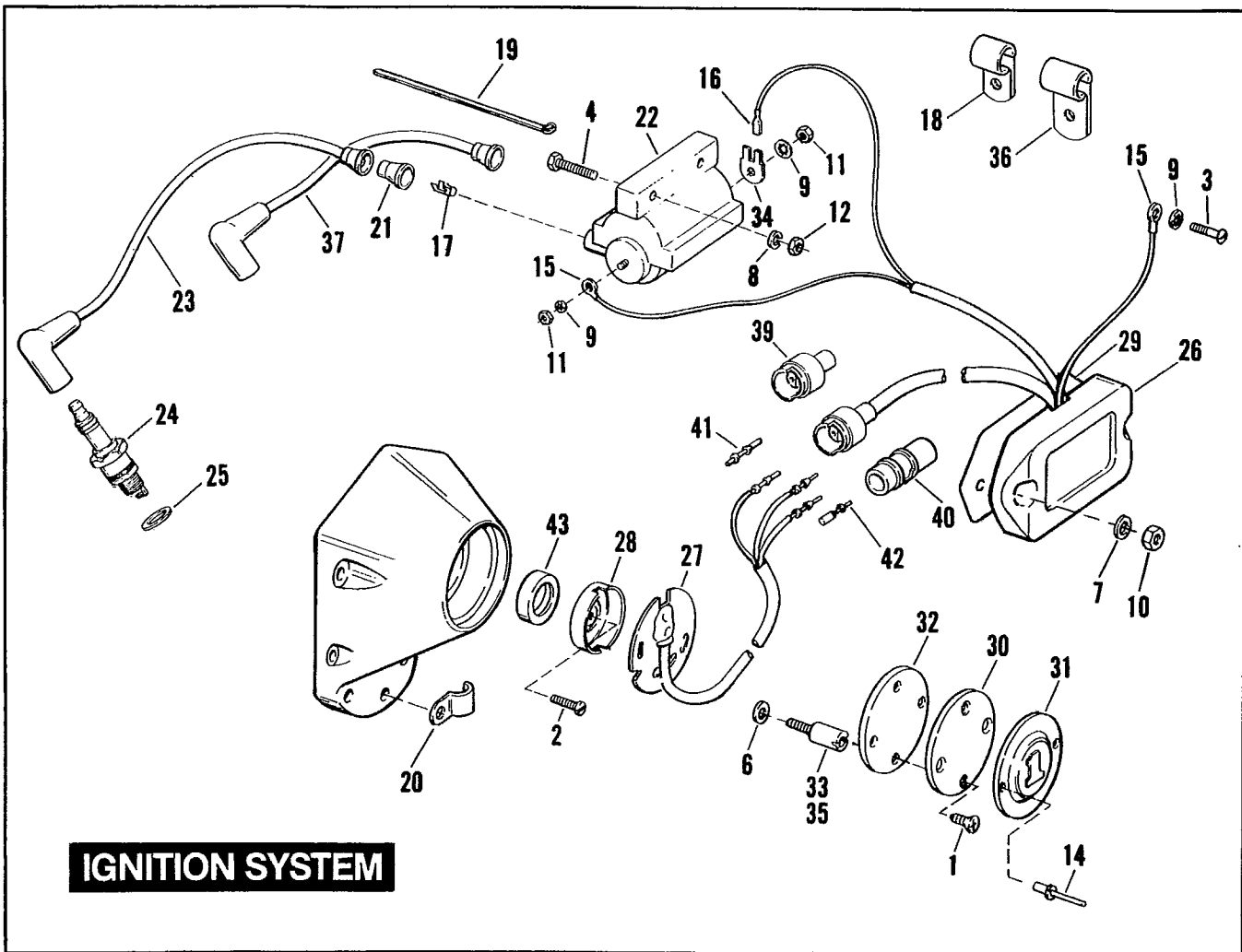
NOTE: Hose is sold only in bulk length under the following part numbers. Cut to required length.

43	63500—68	HOSE, 3/8 I.D. x 5/8 O.D. reinforced rubber (25 ft. long).	80 to 83 — FLT, Classics
44	63592—89	HOSE, 3/16 I.D. x 5/16 O.D. neoprene (30 in. lg.)	80 to 83 — FLT, Classics

ALTERNATOR AND REGULATOR



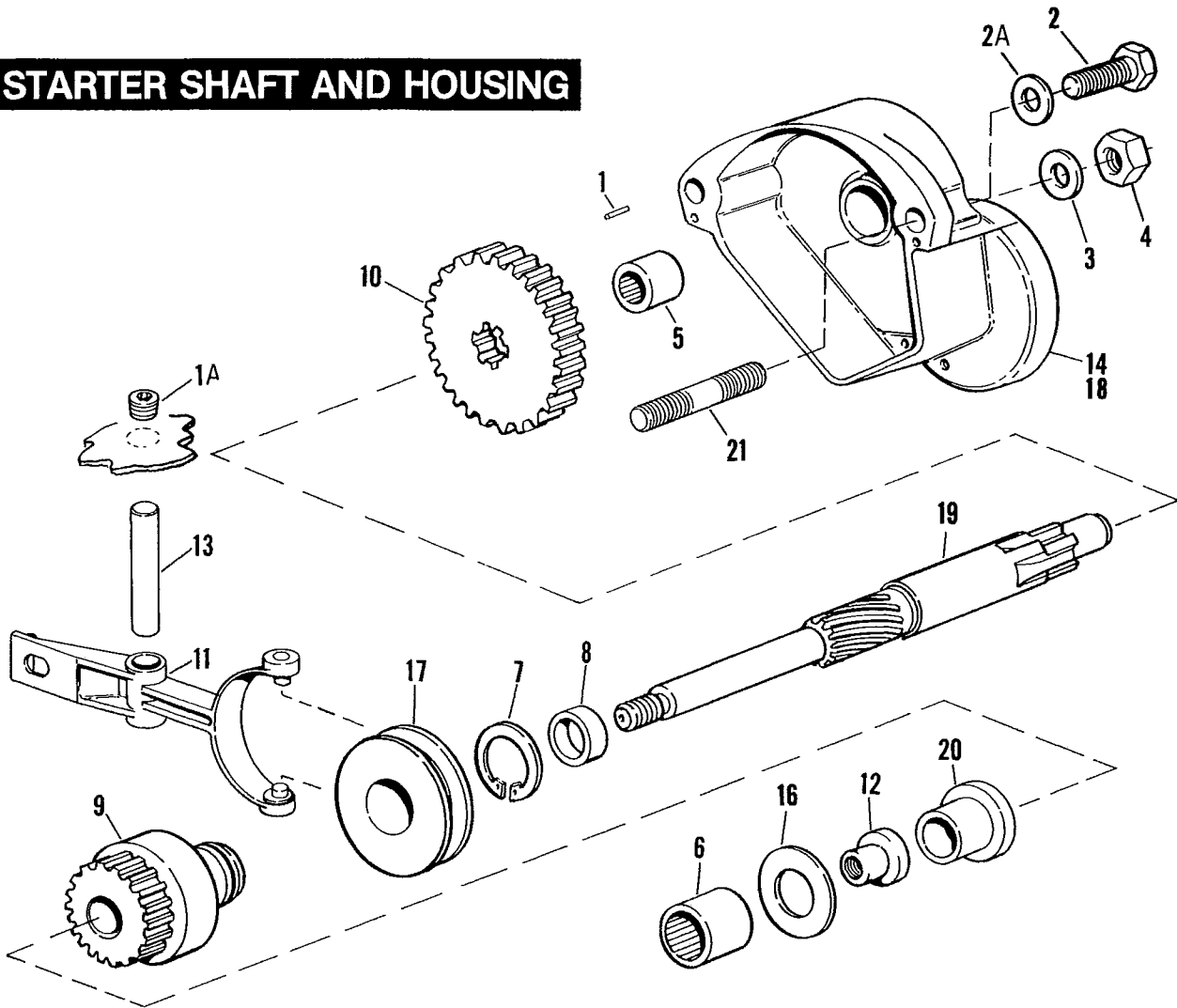
RETAIL PRICE	INDEX NO.	PART NO.	N A M E	USED ON
	1	603	ROLL PIN, rotor	80 to Early 81 — FLT, Classics
	2	2216W	SCREW (2)	80 to * — FLT, Classics
	3	2653	SCREW (4)	80 to * — FLT, Classics
	4	3787	BOLT (2)	80 to * — FLT, Classics
	5	4391	BOLT (2)	80 to * — FLT, Classics
	6	7124	LOCKWASHER (4)	80 to * — FLT, Classics
	7	7127	LOCKWASHER (4)	80 to * — FLT, Classics
	8	7688	NUT (2)	80 to * — FLT, Classics
	9	7753	NUT (2)	80 to * — FLT, Classics
	10	11084	RETAINING SPRING, rotor magnet ring	80 to Early 81 — FLT, Classics
	11	29954—71	RETAINER, alternator plug	80 to * — FLT, Classics
	12	29956—70A	ROTOR ASSEMBLY	80 to Early 81 — FLT, Classics
		29957—81B	ROTOR ASSEMBLY	Late 81 to * — FLT, Classics
	14	29965—75	STATOR (male plug)	80 — FLT
		29965—81A	STATOR (female plug)	81 to * — FLT, Classics
	16	29988—73	LOCKING PLATE, stator (2)	80 to * — FLT, Classics
	17	71871—75	PLUG, only (service tool)	80 — FLT
	18	74512—79A	RECTIFIER AND REGULATOR ASSEMBLY (female plug) ..	80 — FLT
		74516—86	RECTIFIER AND REGULATOR ASSEMBLY (male plug) . . .	81 to 83 — FLT, Classics
	20	74529—79	BRACKET, regulator mounting	80 to * — FLT, Classics



IGNITION SYSTEM

RETAIL PRICE	INDEX NO.	PART NO.	N A M E	USED ON
	1	1601	SCREW (2)	80 to * — FLT, Classic
	2	2611B	SCREW	80 to * — FLT, Classic
	3	2731W	SCREW	80 to * — FLT, Classic
	4	3826	BOLT (2)	Late 80 to * — FLT, Classic
		3993	BOLT (2)	Early 80 — FLT, Classic
	6	6192	WASHER (2)	80 to * — FLT, Classic
	7	6716	WASHER (2)	80 to * — FLT, Classic
	8	7036	LOCKWASHER (2)	80 to * — FLT, Classic
	9	7118	LOCKWASHER (3)	80 to * — FLT, Classic
	10	7634	NUT, brass (2)	80 to * — FLT, Classic
	11	7638	NUT (2)	80 to * — FLT, Classic
	12	7682	LOCKNUT (2)	Late 80 to * — FLT, Classic
		7688	NUT (2)	Early 80 — FLT, Classic
	14	8699	RIVET, ignition cover (2)	80 to * — FLT, Classic
	15	9857	WIRE TERMINAL, ring type, No. 10 hole, #16-22 wire (2)	80 to * — FLT, Classic
	16	9900	WIRE TERMINAL, female spade type, #18-22 wire	80 to * — FLT, Classic
	17	9908	TERMINAL, spark plug cable (2)	80 to * — FLT, Classic
	18	9990W	CLIP, module wire	80 to * — FLT, Classic
	19	10006	CABLE STRAP (4)	80 to * — FLT, Classic
	20	10046	CLAMP, circuit breaker wire	80 to * — FLT, Classic
	21	31607—64	RUBBER CAP, spark plug cable (2)	80 to * — FLT, Classic
	22	31609—80	SPARK COIL	80 to * — FLT, Classic
	23	31986—65C	SPARK PLUG CABLE, 20"	80 to * — FLT, Classic
	24	32312—78A	SPARK PLUG, #5RL — 0.040 gap (radio noise supp.) (2)	80 to * — FLT, Classic
	25	32342—58	GASKET, spark plug (2)	80 to * — FLT, Classic
	26	32399—84	IGNITION MODULE	80 to * — FLT, Classic
	27	32400—80A	SENSOR ASSEMBLY	80 to * — FLT, Classic
	28	32401—80	ROTOR	80 to * — FLT, Classic
	29	32451—83	BRACKET, module	83 to * — FLHT, Classic
	30	32504—80	COVER, inner	80 to * — FLT, Classic
	31	32511—78	COVER, outer	80 to 82 — FLT, Classic
		32521—83	COVER, outer — "HARLEY-DAVIDSON Motor Co." N/A	83 to * — FLT, FLHT, Classics
	32	32591—80	GASKET, ignition cover	80 to * — FLT, Classic
	34	32604—78	TERMINAL ADAPTER	80 to * — FLT, Classic
	35	32606—82	SCREW (2)	80 to * — FLT, Classic
	36	42327—70	CLIP, module wire	80 to * — FLT, Classic
	37	70063—79	SPARK PLUG CABLE, 10"	80 to * — FLT, Classic
	39	72051—77	RECEPTACLE PLUG, module	80 to * — FLT, Classic
	40	74521—77	RECEPTACLE PLUG, sensor assembly	80 to * — FLT, Classic
	41	74536—77A	PIN, plug (3)	80 to * — FLT, Classic
	42	74539—77A	SOCKET, plug (3)	80 to * — FLT, Classic
	43	83162—51	SEAL	80 to * — FLT, Classic

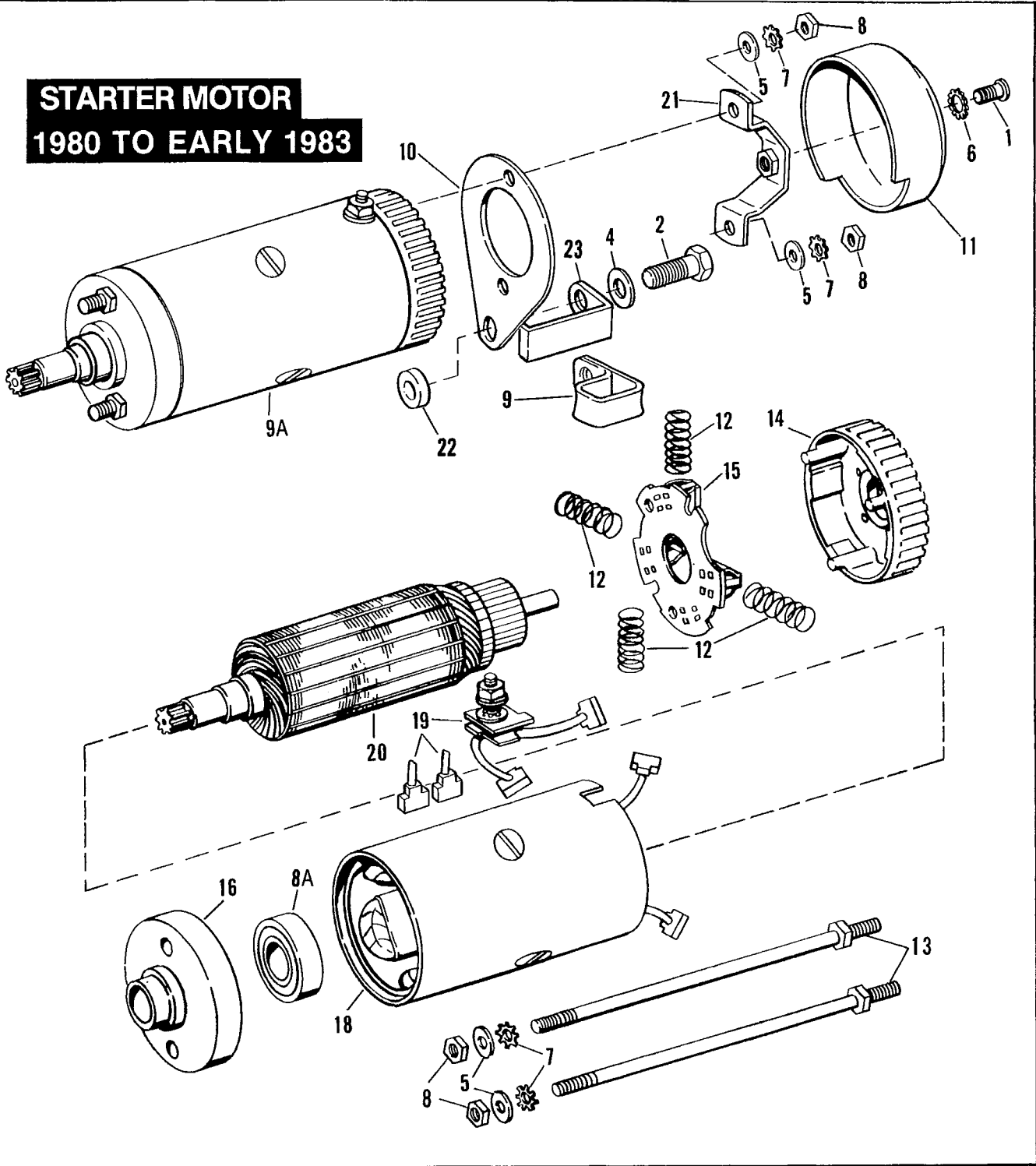
STARTER SHAFT AND HOUSING



STARTER SHAFT AND HOUSING

RETAIL PRICE	INDEX NO.	PART NO.	N A M E	USED ON
	1	328	PIN	80 to * — FLT, Classics
	1A	721	PLUG, shift lever pivot pin	80 to * — FLT, Classics
	2	2818	BOLT (2)	82 to * — FLT, Classics
	2A	6702	WASHER (2)	82 to * — FLT, Classics
	3	6703	WASHER	80 & 81 — FLT, Classics
	4	7676	NUT (2)	80 & 81 — FLT, Classics
	5	9062	NEEDLE BEARING, starter shaft housing	80 to * — FLT, Classics
	6	9063	NEEDLE BEARING, chain housing cover	80 to * — FLT, Classics
	7	11039	RETAINING RING, shifter collar	80 to * — FLT, Classics
	8	11041	SPACER, starter shaft	80 to * — FLT, Classics
	9	31443—65A	STARTER DRIVE GEAR UNIT	80 to * — FLT, Classics
	10	31485—65	GEAR, starter shaft	80 to * — FLT, Classics
	11	31491—79	SHIFT LEVER, starter gear	80 to * — FLT, Classics
	12	31493—67	NUT, starter shaft	80 to * — FLT, Classics
	13	31495—79	PIVOT PIN, shift lever	80 to * — FLT, Classics
	14	31497—79	STARTER SHAFT HOUSING, with 9062 BEARING	80 — FLT
		31497—81	STARTER SHAFT HOUSING, with 9062 BEARING	81 to Early 83 — FLT
		31497—83	STARTER SHAFT HOUSING, with 9062 BEARING	Late 83 to * — FLT, Classics
	16	31502—65	THRUST WASHER, chain cover	80 to * — FLT, FLHT, Classics
	17	31503—65	SHIFTER COLLAR	80 to * — FLT, FLHT, Classics
	18	31532—81	STARTER SHAFT HOUSING, with 9062 BEARING (black wrinkle)	81 to Early 83 — Classics
	19	33120—79	STARTER SHAFT	80 to * — FLT, FLHT, Classics
	20	33121—79	SPACER, starter shaft	80 to * — FLT, FLHT, Classics
	21	60603—79	STUD, starter shaft housing (2)	80 & 81 — FLT, FLHT, Classics

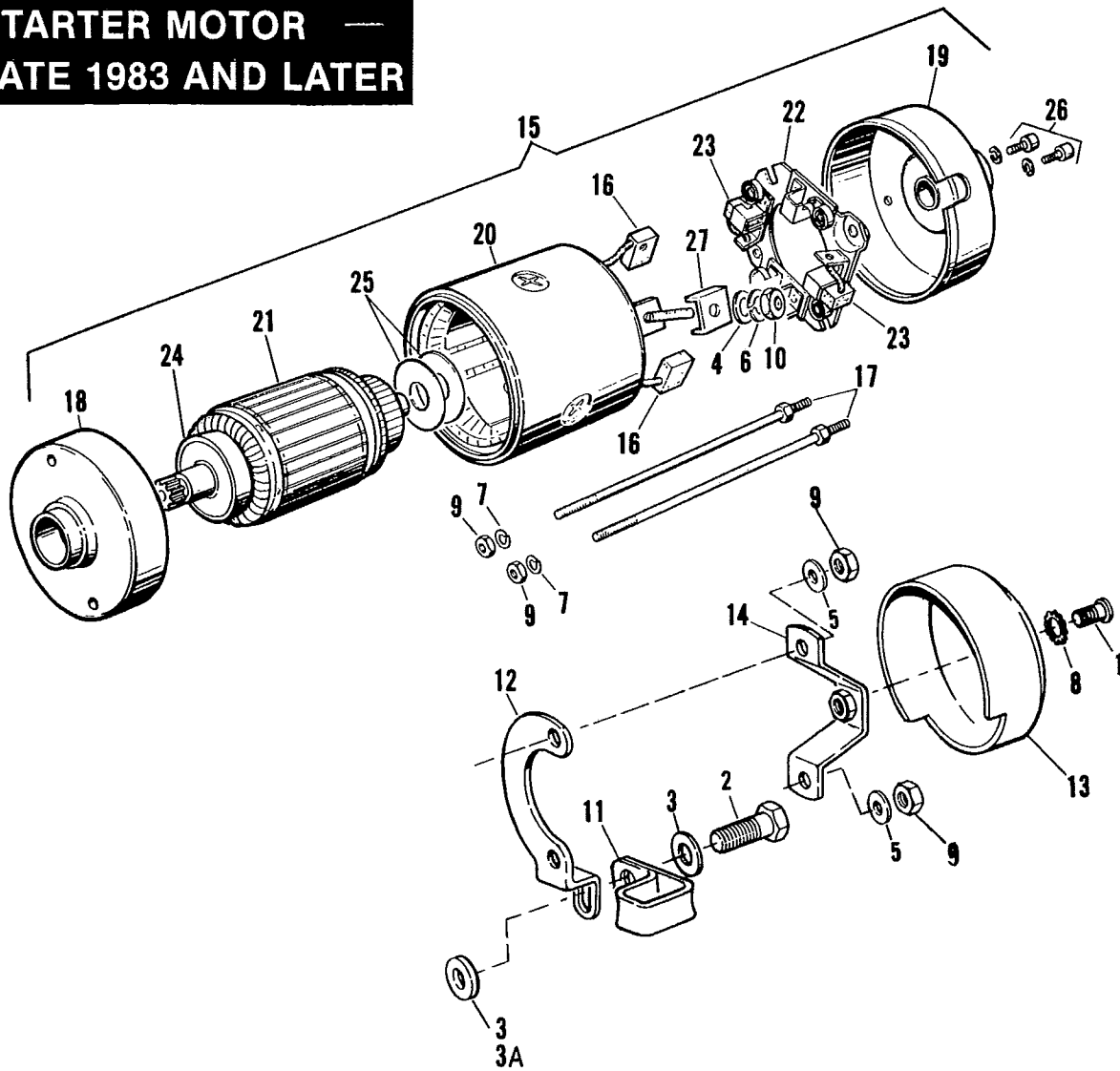
**STARTER MOTOR
1980 TO EARLY 1983**



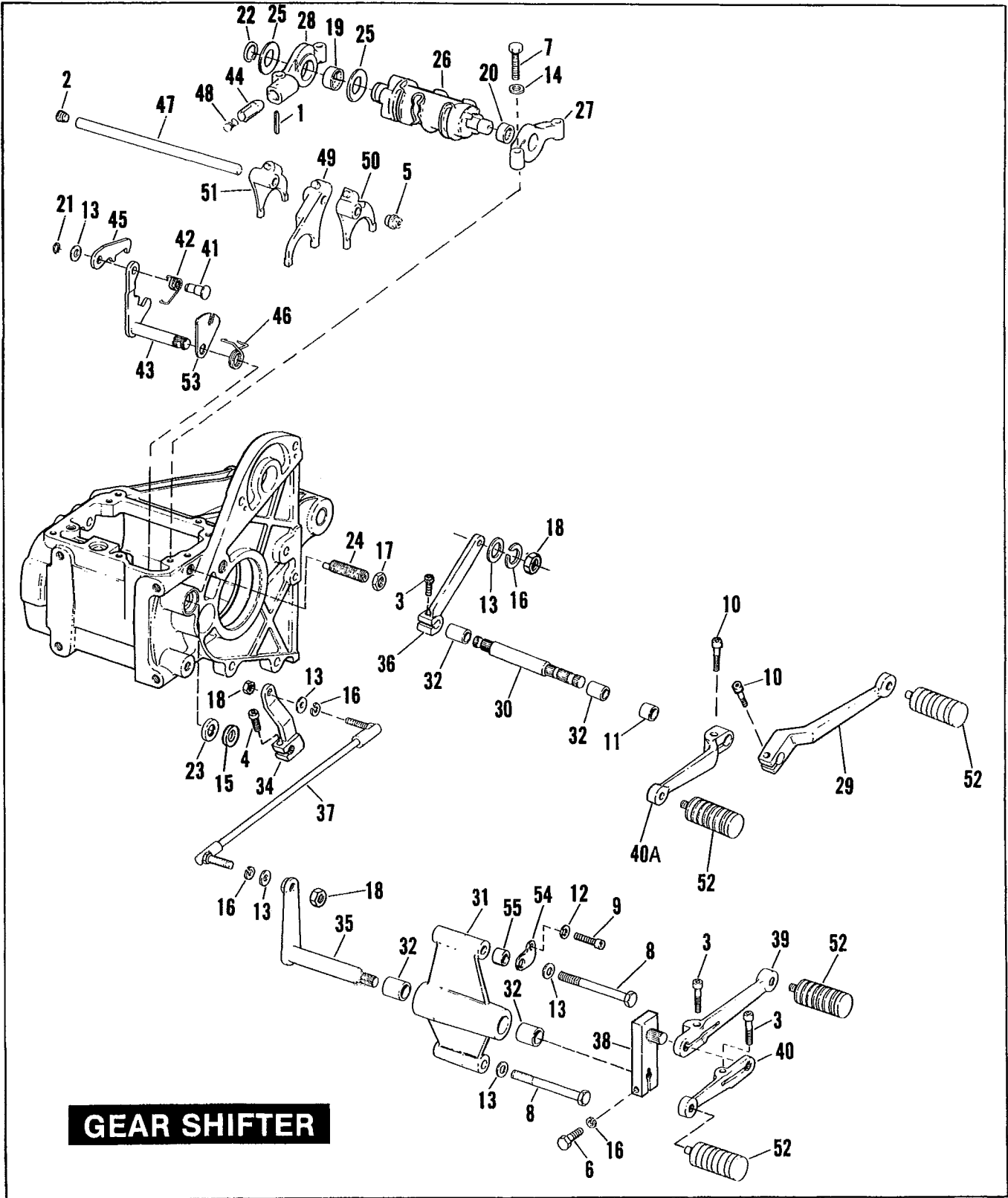
STARTER MOTOR — 1980 TO EARLY 1983

RETAIL PRICE	INDEX NO.	PART NO.	N A M E	USED ON
	1	2682	SCREW	80 to Early 83 — FLT, Classic
	2	4017	BOLT	80 to Early 83 — FLT, Classic
	4	6702	WASHER	80 to Early 83 — FLT, Classic
	5	6703	WASHER (4)	80 to Early 83 — FLT, Classic
	6	7220	LOCKWASHER	80 to Early 83 — FLT, Classic
	7	7230	LOCKWASHER (4)	80 to Early 83 — FLT, Classic
	8	7676	NUT (4)	80 to Early 83 — FLT, Classic
	8A	9073	BALL BEARING, drive end	80 to Early 83 — FLT, Classic
	9	10044	GUIDE, oil hoses	Late 80 to Early 83 — FLT, Classic
	9A	31458—66A	STARTER MOTOR, only (Prestolite) (black enamel) .. N/A	80 to Early 83 — FLT; 81 to Early 83 — Classic
	10	31479—79	BRACKET, starter mounting	80 to Early 83 — FLT, Classic
	11	31524—80	COVER, starter motor	80 to Early 83 — FLT, Classic
	12	31534—66	SET OF BRUSH SPRINGS	80 to Early 83 — FLT, Classic
	13	31535—66	SET OF THRU-BOLTS	N/A 80 to Early 83 — FLT, Classic
	14	31536—66	COVER ASSEMBLY, commutator end	N/A 80 to Early 83 — FLT, Classic
	15	31537—66	BRUSH PLATE AND HOLDER ASSEMBLY	N/A 80 to Early 83 — FLT, Classic
	16	31538—66	COVER ASSEMBLY, drive end	80 to Early 83 — FLT, Classic
	18	31540—66	FRAME AND FIELD COILS, assembled	N/A 80 to Early 83 — FLT, Classic
	19	31541—66	SET OF FOUR BRUSHES	80 to Early 83 — FLT, Classic
	20	31542—66	ARMATURE	80 to Early 83 — FLT, Classic
	21	31568—67	BRACKET, cover	80 to Early 83 — FLT, Classic
	22	52103—31	SPACER	80 to Early 83 — FLT, Classic
	23	63600—80	GUIDE, oil hoses	N/A 80 & Early 81 — FLT, Classic

STARTER MOTOR LATE 1983 AND LATER

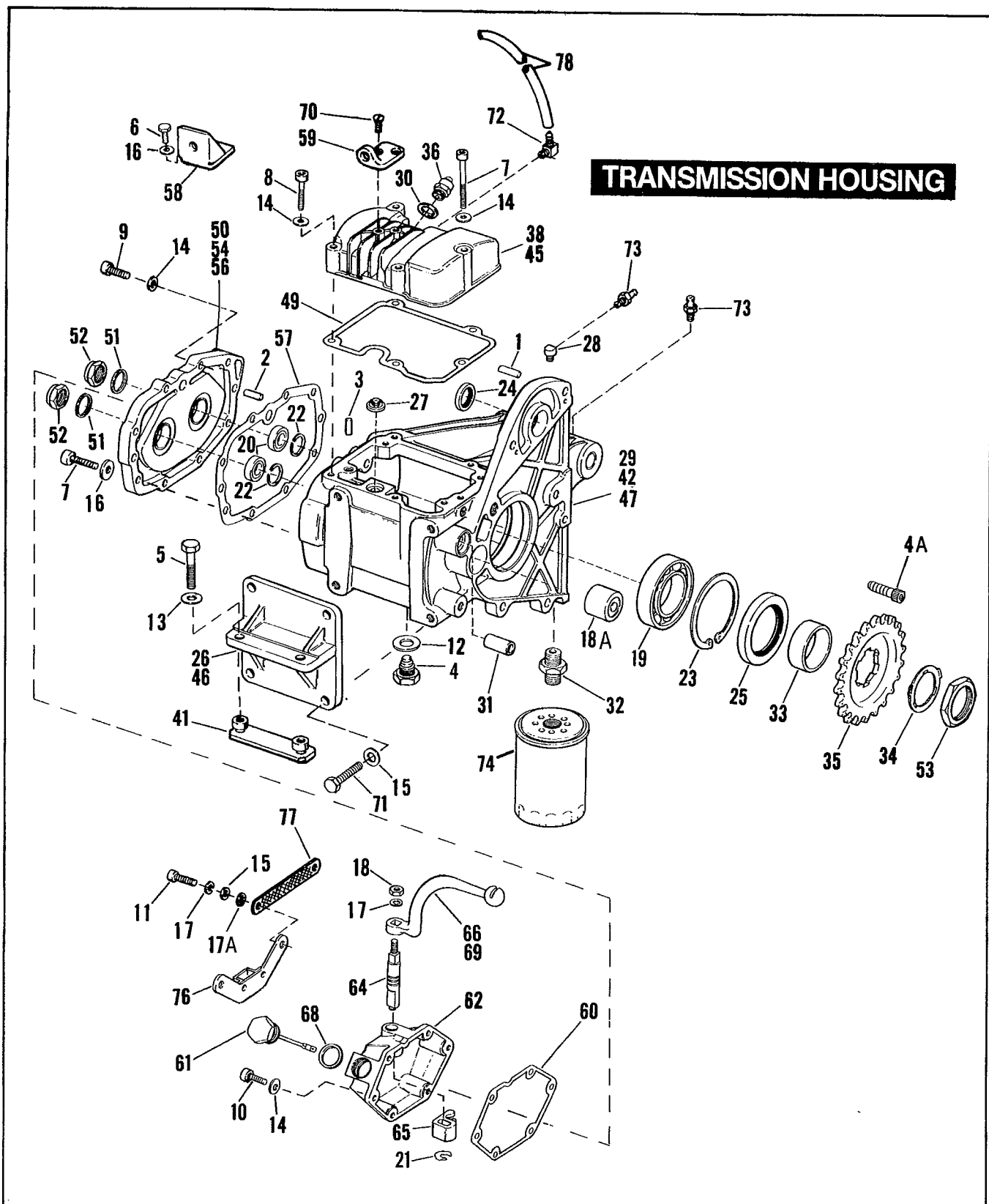


RETAIL PRICE	INDEX NO.	PART NO.	N A M E	USED ON
	1	2682	SCREW	Late 83 to * — FLT, FLHT, Classic's
	2	4017	BOLT	Late 83 to * — FLT, FLHT, Classic's
	3	6016	WASHER (2)	Late 83 to * — FLT, FLHT, Classic's
	3A	6701	WASHER	Late 83 to * — FLT, FLHT, Classic's
	4	6703	WASHER	Late 83 to * — FLT, FLHT, Classic's
	5	6716	WASHER (2)	Late 83 to * — FLT, FLHT, Classic's
	6	7036	LOCKWASHER	Late 83 to * — FLT, FLHT, Classic's
	7	7069	LOCKWASHER (2)	Late 83 to * — FLT, FLHT, Classic's
	8	7220	LOCKWASHER	Late 83 to * — FLT, FLHT, Classic's
	9	7620W	NUT (4)	Late 83 to * — FLT, FLHT, Classic's
	10	7688	NUT	Late 83 to * — FLT, FLHT, Classic's
	11	10044	GUIDE, oil hoses	Late 83 to * — FLT, FLHT, Classic's
	12	31479-83	BRACKET, starter mounting	Late 83 to * — FLT, FLHT, Classic's
	13	31524-80	COVER, starter motor (chrome)	Late 83 to * — FLT, FLHT, Classic's
	14	31564-83	BRACKET, end cover	Late 83 to * — FLT, FLHT, Classic's
	15	31570-73	STARTER MOTOR (Hitachi)	Late 83 to * — FLT, FLHT, Classic's
	16	31575-73	BRUSH, field coil mounted (2)	Late 83 to * — FLT, FLHT, Classic's
	17	31576-73	SET OF THRU-BOLTS	Late 83 to * — FLT, FLHT, Classic's
	18	31577-73	COVER, drive end	Late 83 to * — FLT, FLHT, Classic's
	19	31578-73	COVER, commutator end — with bushing	Late 83 to * — FLT, FLHT, Classic's
	20	31579-73	FRAME AND FIELD COILS, with 2 brushes	Late 83 to * — FLT, FLHT, Classic's
	21	31580-73	ARMATURE, with ball bearing	Late 83 to * — FLT, FLHT, Classic's
	22	31581-73	BRUSH HOLDER, with 4 springs and 2 brushes	Late 83 to * — FLT, FLHT, Classic's
	23	31582-73	BRUSH (2)	Late 83 to * — FLT, FLHT, Classic's
	24	31583-73	BALL BEARING, armature drive end	Late 83 to * — FLT, FLHT, Classic's
	25	31584-73	SET OF THRUST WASHERS, armature commutator end	Late 83 to * — FLT, FLHT, Classic's
	26	31585-73	SCREW, with lockwasher (2)	Late 83 to * — FLT, FLHT, Classic's
	27	31586-73	INSULATOR, terminal	Late 83 to * — FLT, FLHT, Classic's



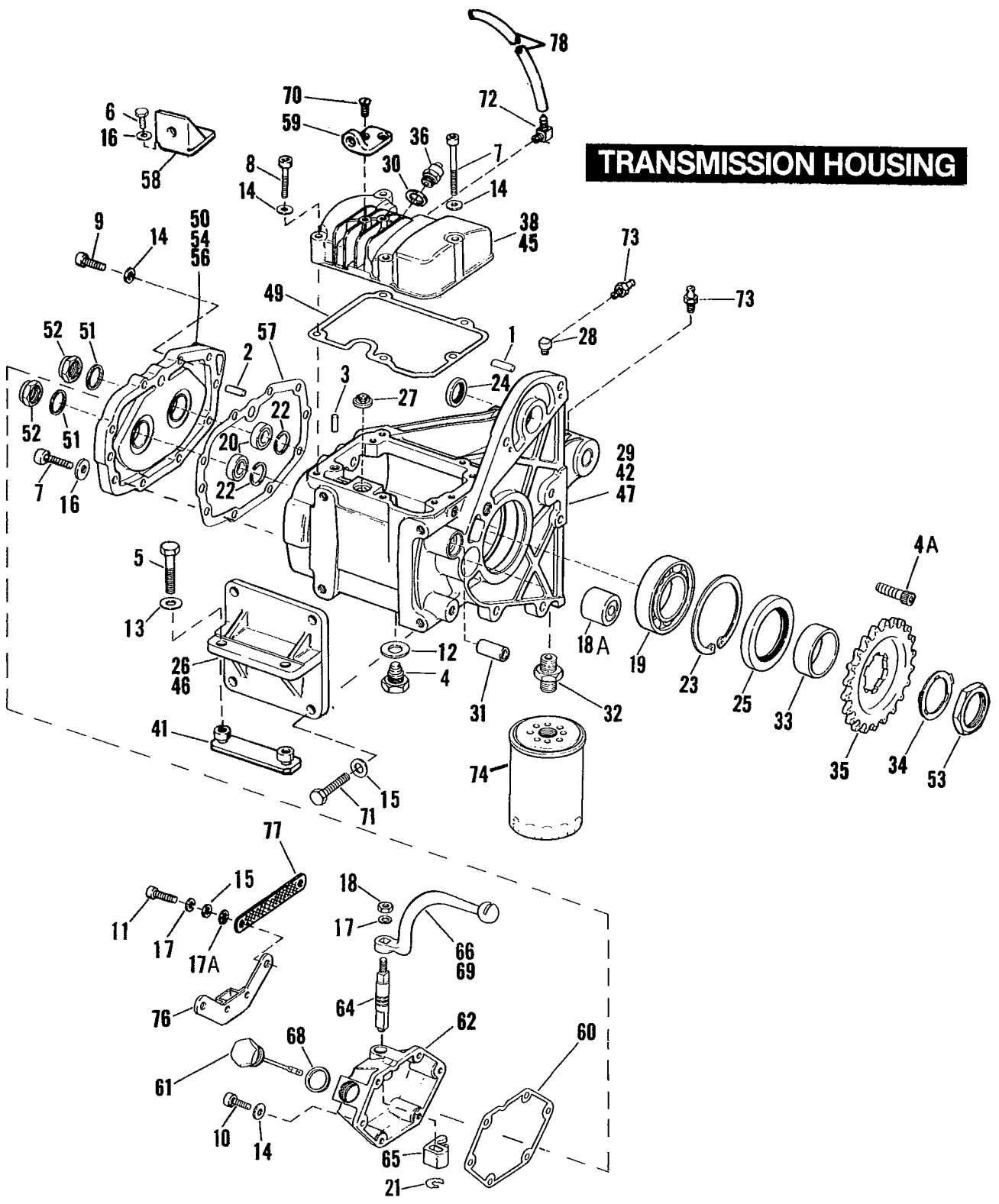
RETAIL PRICE	INDEX NO.	PART NO.	N A M E	USED ON
	1	601	ROLL PIN	80 to * — FLT, Classic
	2	721	PLUG, shifter fork shaft — right	80 to * — FLT, Classic
	3	856	SCREW	80 to * — FLT, Classic
	4	3444	SCREW (2; 80 — 82)	80 to * — FLT, Classic
	5	3784	SET SCREW, shifter fork shaft — left	80 to * — FLT, Classic
	6	3960W	BOLT	80 to 82 — FLT, Classic
	7	3993	BOLT (4)	80 to * — FLT, Classic
	8	4067	BOLT (2)	80 to 82 — FLT, Classic
	9	4813	SCREW	80 to 82 — FLT, Classic
	10	4815	SCREW (2)	83 to * — FLT, FLHT, Classics
	11	5702	SPACER	83 to * — FLT, FLHT, Classics
	12	6099	WASHER (2)	82 — FLT, Classic
	13	6702	WASHER (5; 3 — 83 & Later)	80 to * — FLT, Classic
	14	6703	WASHER (4)	80 to * — FLT, Classic
	15	6497HW	WASHER	80 to * — FLT, Classic
	16	7041	LOCKWASHER (3)	80 to * — FLT, Classic
	17	7515	JAMNUT	80 to * — FLT, Classic
	18	7753	NUT (2)	80 to * — FLT, Classic
	19	9114	NEEDLE BEARING, right shifter cam support	80 to * — FLT, Classic
	20	9115	NEEDLE BEARING, left shifter cam support	80 to * — FLT, Classic
	21	11016	RETAINING RING	80 to * — FLT, Classic
	22	11083	RETAINING RING	80 to * — FLT, Classic
	23	12045	SEAL	80 to * — FLT, Classic
	24	33119—79A	ADJUSTING SCREW, shifter arm	80 to * — FLT, Classic
	25	33205—80	THRUST WASHER, 0.017 thick	80 to * — FLT, Classic
		33206—80	THRUST WASHER, 0.020 thick	80 to * — FLT, Classic
		33207—80	THRUST WASHER, 0.022 thick	80 to * — FLT, Classic
		33208—80	THRUST WASHER, 0.025 thick	80 to * — FLT, Classic
		33209—80	THRUST WASHER, 0.028 thick	80 to * — FLT, Classic
		33210—80	THRUST WASHER, 0.031 thick	80 to * — FLT, Classic
		33211—80	THRUST WASHER, 0.035 thick	80 to * — FLT, Classic
		33212—80	THRUST WASHER, 0.039 thick	80 to * — FLT, Classic
	26	33320—79A	SHIFTER CAM	80 to * — FLT, Classic
	27	33326—79	SUPPORT, shifter cam — left (with 9115)	80 to * — FLT, Classic
	28	33332—79	SUPPORT, shifter cam — right (with 9114)	80 to * — FLT, Classic
	29	33640—83	SHIFTER PEDAL, heel	83 to * — FLT, FLHT, Classics
	30	33709—82	SHAFT	83 to * — FLT, FLHT, Classics
	31	33710—79	BRACKET, shifter	80 to 82 — FLT, Classic
	32	33712—79	BUSHING, shifter bracket (2)	80 to * — FLT, Classic
	34	33715—80A	BRACKET ASSEMBLE, rod end rear	80 to * — FLT, Classic
	35	33717—79	LEVER AND SHAFT	80 to 82 — FLT, Classic
	36	33718—82	LEVER	83 to * — FLT, FLHT, Classics
	37	33719—79A	SHIFTER ROD	80 to * — FLT, Classic
	38	33726—80	LEVER	80 to * — FLT, Classic
	39	33893—79	LEVER, heel	80 to 82 — FLT, Classic
	40	33895—79	LEVER, toe	80 to 82 — FLT, Classic
	40A	33895—82	SHIFTER PEDAL, toe	83 to * — FLT, FLHT, Classics
	41	34082—79	PIN, shifter shaft lever	80 to * — FLT, Classic
	42	34083—79	SPRING, shifter shaft lever	80 to * — FLT, Classic
	43	34084—80	LEVER, shifter shaft — with pin and spring	80 to * — FLT, Classic
	44	34085—79A	CAM FOLLOWER	80 to * — FLT, Classic
	45	34086—79	PAWL, shifter cam	80 to * — FLT, Classic
	46	34087—79	SPRING, shifter shaft	80 to * — FLT, Classic
	47	34088—79	SHAFT, shifter fork	80 to * — FLT, Classic
	48	34089—79	SPRING	80 to * — FLT, Classic
	49	34191—79C	SHIFTER FORK, 1st & 2nd	80 to * — FLT, Classic
	50	34193—79C	SHIFTER FORK, 3rd & 5th	80 to * — FLT, Classic
	51	34195—79C	SHIFTER FORK, 4th	80 to * — FLT, Classic
	52	34611—65	RUBBER, shift lever (2)	80 to * — FLT, Classic
	53	35068—79	PLATE	80 to * — FLT, Classic
	54	60519—80	PLATE (2)	80 to 82 — FLT, Classic
	55	60520—80	SPACER (2)	80 to 82 — FLT, Classic

TRANSMISSION HOUSING



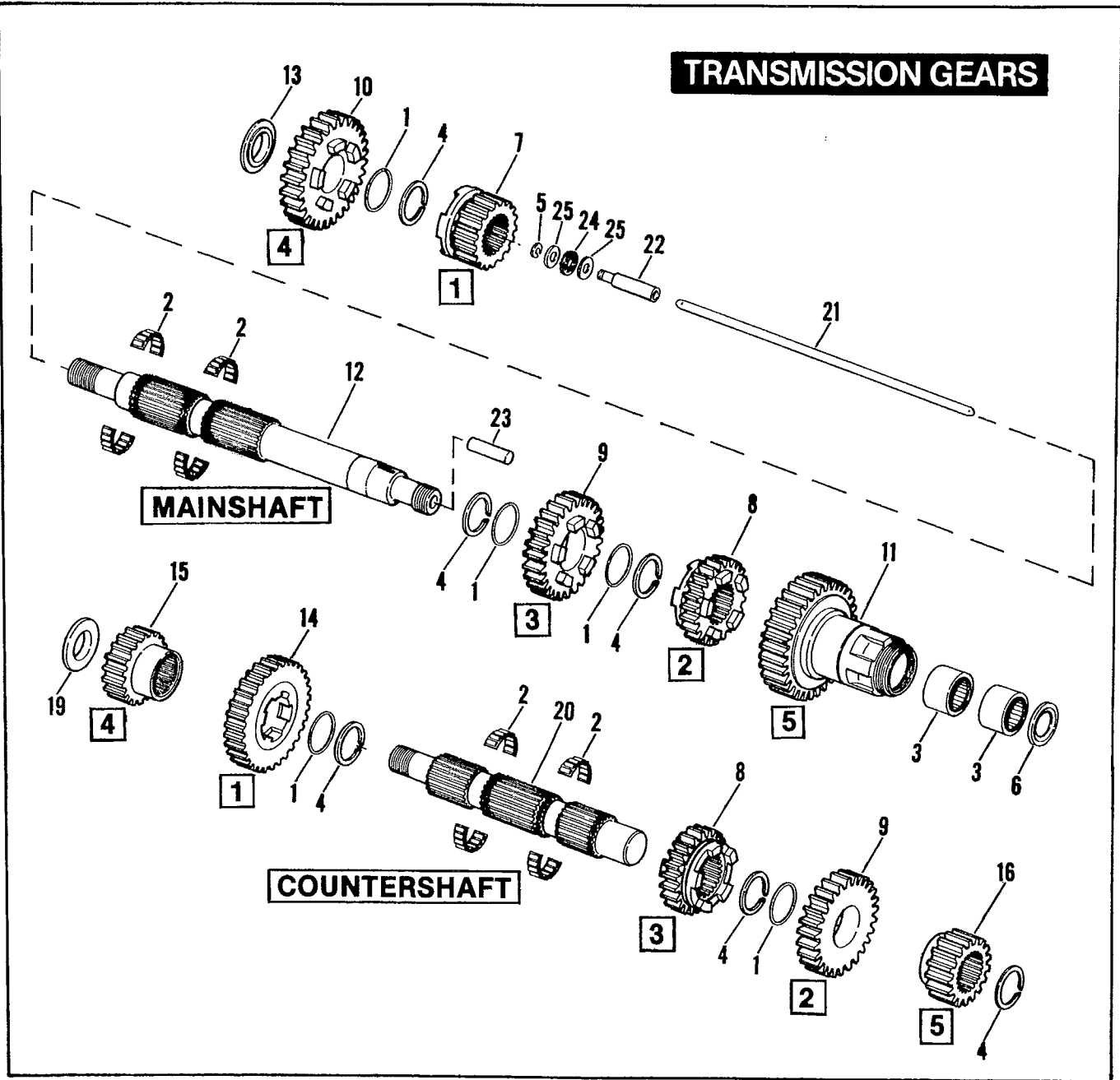
RETAIL PRICE	INDEX NO.	PART NO.	N A M E	USED ON
	1	328	PIN (2)	Early 80 — FLT
		329	PIN (2)	Late 80 — FLT
		332	PIN (2)	81 to * — FLT, Classic
	2	375	DOWEL PIN (3)	80 to * — FLT, Classic
	3	609	PIN (2)	80 to * — FLT, Classic
	4	722	DRAIN PLUG (magnetic)	80 to * — FLT, Classic
	4A	857	SCREW	80 to * — FLT, Classic
	5	3460	BOLT (2)	80 to * — FLT, Classic
	6	3767B	BOLT (2 - 80)	80 & 81 — FLT, Classic
	7	4717	SCREW	80 to * — FLT, Classic
	8	4718	SCREW (4)	80 to * — FLT, Classic
	9	4814	SCREW (4)	80 to * — FLT, Classic
	10	4815	SCREW (6)	80 to * — FLT, Classic
	11	4816	SCREW (4)	80 to * — FLT, Classic
	12	6007	WASHER (nylon)	80 to * — FLT, Classic
	13	6019	WASHER (2)	80 to * — FLT, Classic
	14	6099	WASHER (15)	80 to * — FLT, Classic
	15	6702	WASHER (4)	80 to * — FLT, Classic
	16	6703	WASHER (2)	80 & 81 — FLT, Classic
	17	7041	LOCKWASHER (4)	80 to * — FLT, Classic
	17A	7127	LOCKWASHER	82 to * — FLT, Classic
	18	7748W	NUT	80 to * — FLT, Classic
	18A	8977	NEEDLE BEARING	80 to * — FLT, Classic
	19	8978	BALL BEARING	80 to * — FLT, Classic
	20	8998	BALL BEARING (2)	80 to * — FLT, Classic
	21	11019	RETAINING RING	80 to * — FLT, Classic
	22	11020	RETAINING RING, bearing (2)	80 to * — FLT, Classic
	23	11057	RETAINING RING, ball bearing	80 to * — FLT, Classic
	24	12043	OIL SEAL	80 to * — FLT, Classic
	25	12044A	OIL SEAL	80 to * — FLT, Classic
	26	16208—83	BRACKET, transmission to engine	80 to * — FLT
	27	24634—77	BREATHER	80 & Early 81 — FLT, Classic
	28	26338—68	FITTING, oil filter hose	80 to * — FLT, Classic
	29	33030—81A	TRANSMISSION	81 to * — Classics
	30	33043—80	WASHER, neutral indicator switch	80 to * — FLT, Classic
	31	33114—79	SPACER	80 to * — FLT, Classic
	32	33115—79	ADAPTER, oil filter	80 to * — FLT, Classic
	33	33334—79	SPACER, sprocket	80 to * — FLT, Classic
	34	33335—79	LOCKWASHER, sprocket	80 to * — FLT, Classic
	35	33336—83	SPROCKET KIT, 22 T	80 to * — FLT, Classic
	36	33900—59	SWITCH, transmission neutral indicator	80 to * — FLT, Classic
	38	34462—79A	COVER, upper	80 to * — FLT
	41	34715—80	NUTPLATE	80 to * — FLT, Classic
	42	34730—79	TRANSMISSION HOUSING	80 — FLT
	43	34730—81	TRANSMISSION HOUSING	81 to * — FLT
	45	34737—82	COVER, upper (polished)	81 to * — Classic
	46	34738—81	BRACKET, transmission to engine (painted)	81 to * — Classic
	47	34739—81	TRANSMISSION HOUSING (painted)	81 to * — Classic
	48	34740—81	TRANSMISSION HOUSING ASSEMBLY (painted)	81 to * — Classic
	49	34904—79	GASKET, upper cover	80 to * — FLT, Classic
	50	35074—79A	HOUSING, only	80 to * — FLT
	51	35076—79	SPACER (2)	80 to * — FLT, Classic
	52	35078—79	NUT, mainshaft & countershaft (2)	80 to * — FLT, Classic

TRANSMISSION HOUSING



RETAIL PRICE	INDEX NO.	PART NO.	N A M E	USED ON
	53	35211-36	NUT, sprocket	80 to * — FLT, Classic
	54	35250-79	HOUSING, bearing — with bearings & rings N/A	80 to * — FLT
		35255-81	HOUSING, bearing — with bearings & rings (painted) N/A	81 to * — Classic
	56	35256-81	HOUSING, only (painted) N/A	81 to * — Classic
	57	35652-79A	GASKET, bearing housing	80 to * — FLT, Classic
	58	36754-80	BRACKET, clutch cable	80 & 81 — FLT, Classic
	59	36754-82	BRACKET, clutch cable	82 to * — FLT, Classic
	60	36801-79	GASKET, right side cover	80 to * — FLT, Classic
	61	37071-79	FILL PLUG, with dipstick (polished aluminum)	80 to * — FLT, Classic
	62	37080-80	COVER ASSEMBLY, right side N/A	80 to 83 — FLT, Classic
		37081-80	COVER, only N/A	80 to 83 — FLT, Classic
	64	37083-80A	STUD, release lever	80 to * — FLT, Classic
	65	37084-79	RELEASE FINGER	80 to * — FLT, Classic
	66	37085-80	RELEASE LEVER N/A	80 to 83 — FLT, Classic
	68	37091-80	WASHER	80 to * — FLT, Classic
	70	41191-74	SCREW (2)	82 to * — FLT, Classic
	71	43868-72	BOLT, transmission to engine bracket (4)	80 to * — FLT, Classic
	72	62375-57	FITTING, upper cover	82 to * — FLT, Classic
	73	63533-41	FITTING, oil filter hoses (2)	80 to * — FLT, Classic
	74	63796-77	OIL FILTER (chrome)	80 to * — FLT, Classic
		63805-80	OIL FILTER (black)	80 to * — FLT, Classic
	76	65555-80A	BRACKET, right exhaust pipe to transmission	80 to * — FLT, Classic
	77	70186-82	GROUND STRAP	82 to * — FLT, Classic
			NOTE: Hose is sold only in bulk length under the following part number. Cut to required length.	
	78	63501-68	HOSE, 1/4" I.D. x 25 ft. long	80 to * — FLT, Classic

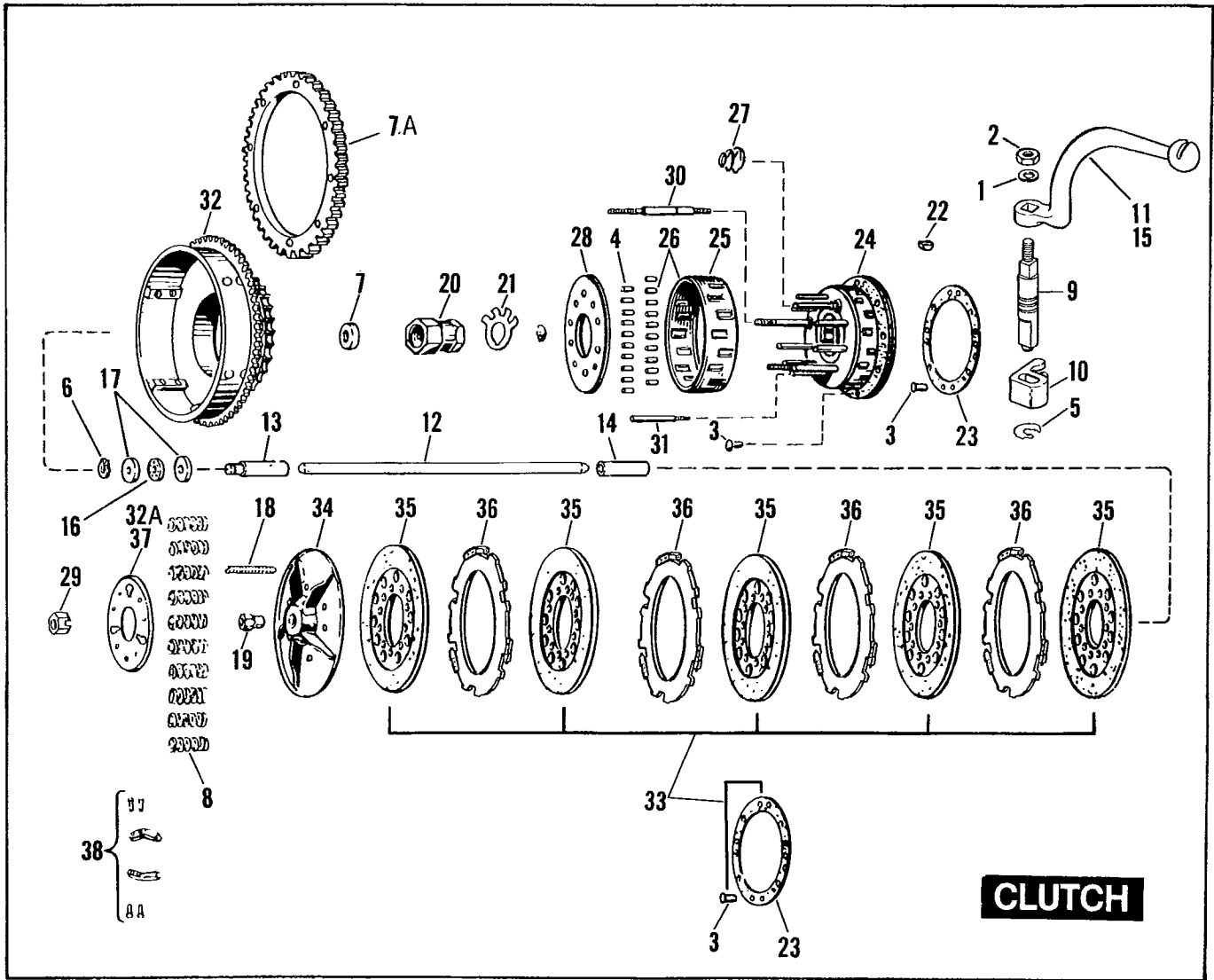
TRANSMISSION GEARS



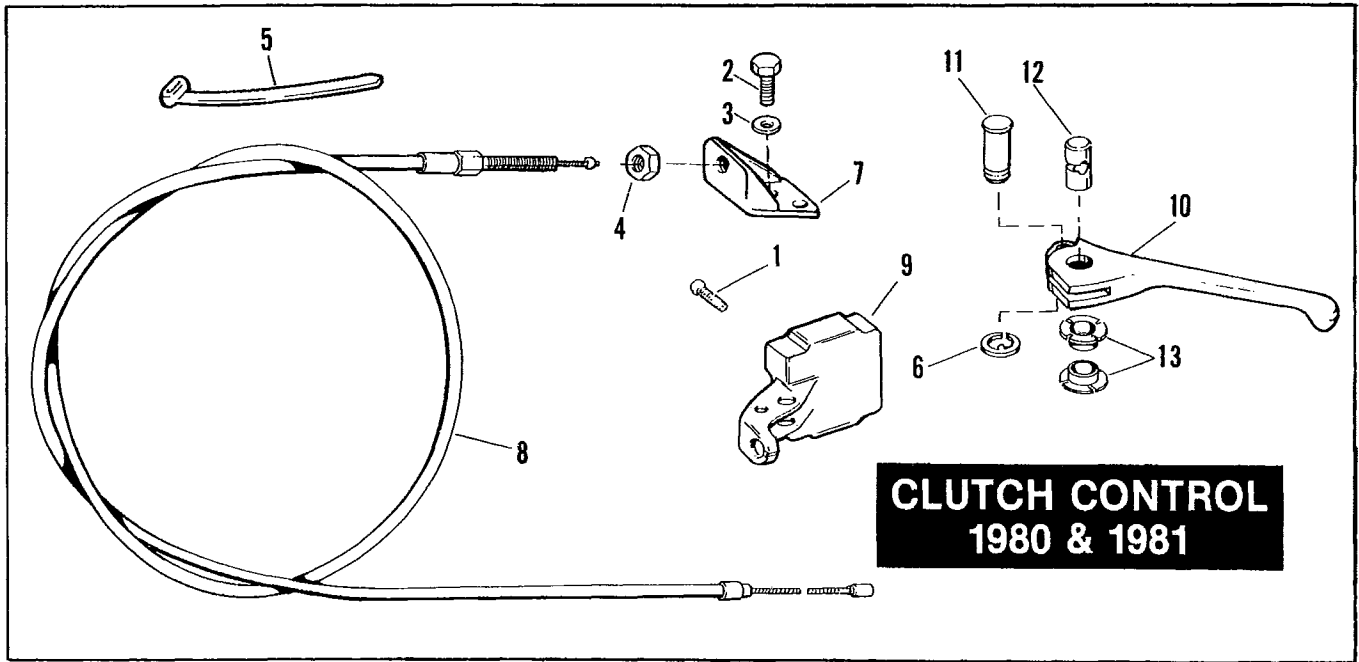
TRANSMISSION GEARS

T12A

RETAIL PRICE	INDEX NO.	PART NO.	N A M E	USED ON
	1	6003	THRUST WASHER (5)	80 to * — FLT, Classic
	2	8876A	BEARING (4)	80 to * — FLT, Classic
	3	8904	NEEDLE BEARING, mainshaft fifth gear (2)	80 to * — FLT, Classic
	4	11067	RETAINING RING (6)	80 to * — FLT, Classic
	5	11096	RETAINING RING	80 to * — FLT, Classic
	6	12013A	OIL SEAL, mainshaft fifth gear	80 to * — FLT, Classic
	7	35025—79	FIRST GEAR, mainshaft	80 to * — FLT, Classic
	8	35026—79A	GEAR, mainshaft second & countershaft third (2)	80 to * — FLT, Classic
	9	35027—79A	GEAR, mainshaft third & countershaft second (2)	80 to * — FLT, Classic
	10	35028—79	FOURTH GEAR, mainshaft	80 to * — FLT, Classic
	11	35029—79	FIFTH GEAR, mainshaft	80 to * — FLT, Classic
	12	35042—79	MAINSHAFT	80 to * — FLT, Classic
	13	35064—79	SPACER, mainshaft	80 to * — FLT, Classic
	14	35622—79A	FIRST GEAR, countershaft	80 to * — FLT, Classic
	15	35625—79A	FOURTH GEAR, countershaft	80 to * — FLT, Classic
	16	35626—79A	FIFTH GEAR, countershaft	80 to * — FLT, Classic
	19	35629—79	SPACER	80 to * — FLT, Classic
	20	35632—79	COUNTERSHAFT	80 to * — FLT, Classic
	21	37088—79	PUSH ROD, clutch release (thru mainshaft)	80 to * — FLT, Classic
	22	37089—79	END, push rod — right side	80 to * — FLT, Classic
	23	37090—79	END, push rod — left side	80 to * — FLT, Classic
	24	37312—75	BEARING	80 to * — FLT, Classic
	25	37313—80	THRUST WASHER (2)	80 to * — FLT, Classic



RETAIL PRICE	INDEX NO.	PART NO.	N A M E	USED ON
	1	7041	LOCKWASHER	80 to * — FLT, Classic
	2	7748W	NUT	80 to * — FLT, Classic
	3	8227	RIVET (brass) (9)	80 to * — FLT, Classic
	4	9540A	ROLLER, clutch hub bearing (20)	80 to * — FLT, Classic
	5	11019	RETAINING RING	80 to * — FLT, Classic
	6	11096	RETAINING RING	80 to * — FLT, Classic
	7	12014	OIL SEAL, mainshaft nut	80 to * — FLT, Classic
	7A	33163—65B	STARTER RING GEAR	80 to * — FLT, Classic
	8	37077—68	CLUTCH SPRING (10)	80 to * — FLT, Classic
	9	37083—80A	STUD, release lever	80 to * — FLT, Classic
	10	37084—79	RELEASE FINGER	80 to * — FLT, Classic
	11	37085—80	RELEASE LEVER N/A	80 to 83 — FLT, Classic
	12	37088—79	PUSH ROD, clutch release — thru mainshaft	80 to * — FLT, Classic
	13	37089—79	END, push rod — right side	80 to * — FLT, Classic
	14	37090—79	END, push rod — left side	80 to * — FLT, Classic
	16	37312—75	BEARING, push rod	80 to * — FLT, Classic
	17	37313—80	THRUST WASHER, (2)	80 to * — FLT, Classic
	18	37357—41	ADJUSTING SCREW, push rod	80 to * — FLT, Classic
	19	37361—41	NUT, adjusting screw	80 to * — FLT, Classic
	20	37496—65	NUT, mainshaft — clutch side	80 to * — FLT, Classic
	21	37503—41	LOCKWASHER, clutch nut	80 to * — FLT, Classic
	22	37523—15A	KEY, clutch	80 to * — FLT, Classic
	23	37549—41	LINING, hub friction disc	80 to * — FLT, Classic
	24	37550—41B	CLUTCH HUB ASSEMBLY	80 to * — FLT, Classic
	25	37566—58	RETAINER, clutch hub roller	80 to * — FLT, Classic
	26	37567—41A	RETAINER, clutch hub roller — with rollers	80 to * — FLT, Classic
	27	37574—44	SPRING, hub bearing plate (2)	80 to * — FLT, Classic
	28	37576—41	PLATE, hub bearing	80 to * — FLT, Classic
	29	37581—47	NUT, hub stud (3)	80 to * — FLT, Classic
	30	37583—41	STUD, drive hub (3)	80 to * — FLT, Classic
	31	37585—41	PIN, clutch hub (7)	80 to * — FLT, Classic
	32	37702—70A	CLUTCH SHELL AND SPROCKET, with starter ring gear	80 to * — FLT, Classic
	32A	37816—41	PRESSURE PLATE	80 to * — FLT, Classic
	33	37850—68	SET OF LINED CLUTCH DISCS	80 to * — FLT, Classic
	34	37871—41	RELEASING DISC	80 to * — FLT, Classic
	35	37930—68A	FRICTION DISC (5)	80 to * — FLT, Classic
	36	37975—81	DRIVE DISC, steel (4)	80 to * — FLT, Classic
	37	38010—41	PRESSURE PLATE, includes item 29 N/A	80 to * — FLT, Classic
	38	38025—41	SET OF DRIVE DISC BUFFERS	80 & Early 81 — FLT, Classic

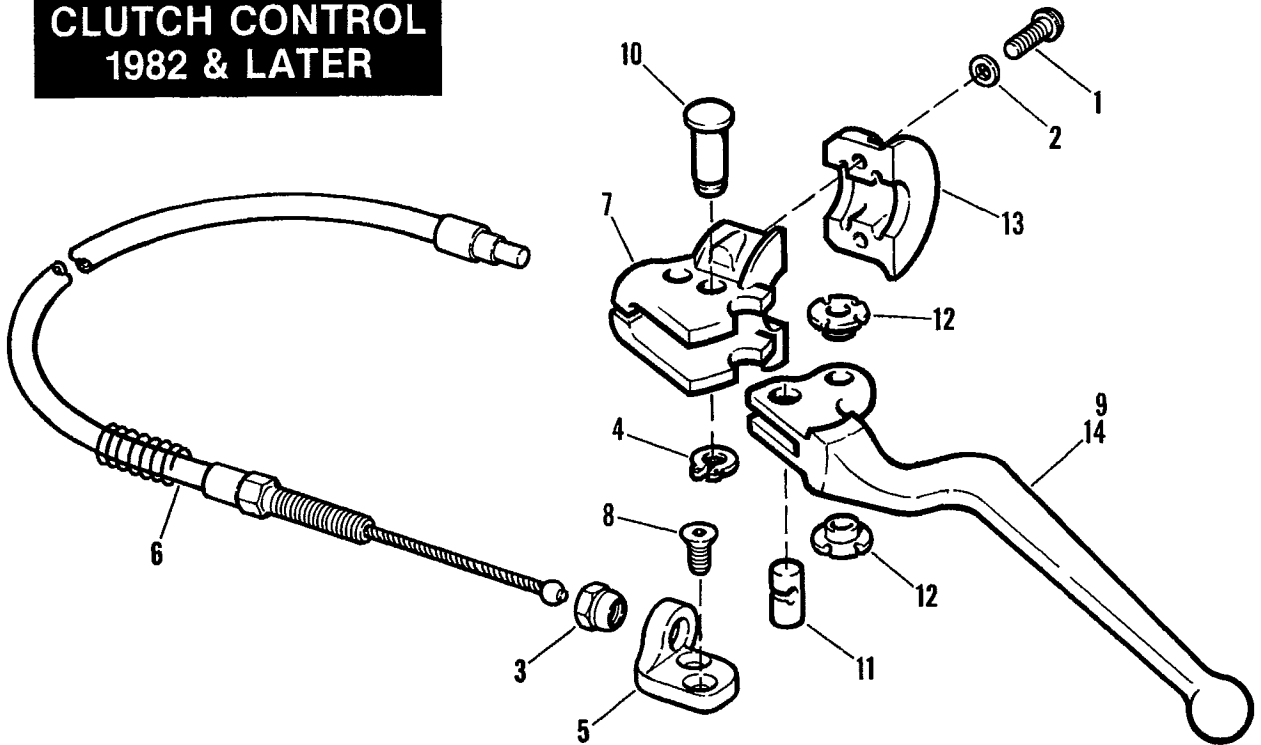


CLUTCH CONTROL — 1980 & 1981

T14

RETAIL PRICE	INDEX NO.	PART NO.	N A M E	USED ON
	1	2695W	SCREW, No. 10-24 x 1-1/8 Pozidriv fil. hd. (4)	80 & 81 — FLT, Classic
	2	3767B	BOLT, 1/4-20 x 5/8 hex hd. (2)	80 & 81 — FLT, Classic
	3	6703	WASHER, 1/4 x 5/8 x 1/16 (2)	80 & 81 — FLT, Classic
	4	7800W	NUT, 3/8-24 x 5/16 x 9/16 hex.	80 & 81 — FLT, Classic
	5	10006	CABLE STRAP	80 to Early 81 — FLT, Classic
	6	11036	RETAINING RING, handlever pivot pin	80 & 81 — FLT, Classic
	7	36754—80	BRACKET, clutch cable	80 & 81 — FLT, Classic
	8	38599—80B	CLUTCH CABLE	80 & 81 — FLT, Classic
	9	38608—72	BRACKET, handlever	80 & 81 — FLT, Classic
	10	45024—65A	HANDLEVER, with pins and nylon bushings	80 & 81 — FLT, Classic
	11	45031—65	PIVOT PIN, handlever	80 & 81 — FLT, Classic
	12	45036—68	PIN, clutch cable	80 & 81 — FLT, Classic
	13	45039—68	BUSHING, clutch cable pin (2)	80 & 81 — FLT, Classic

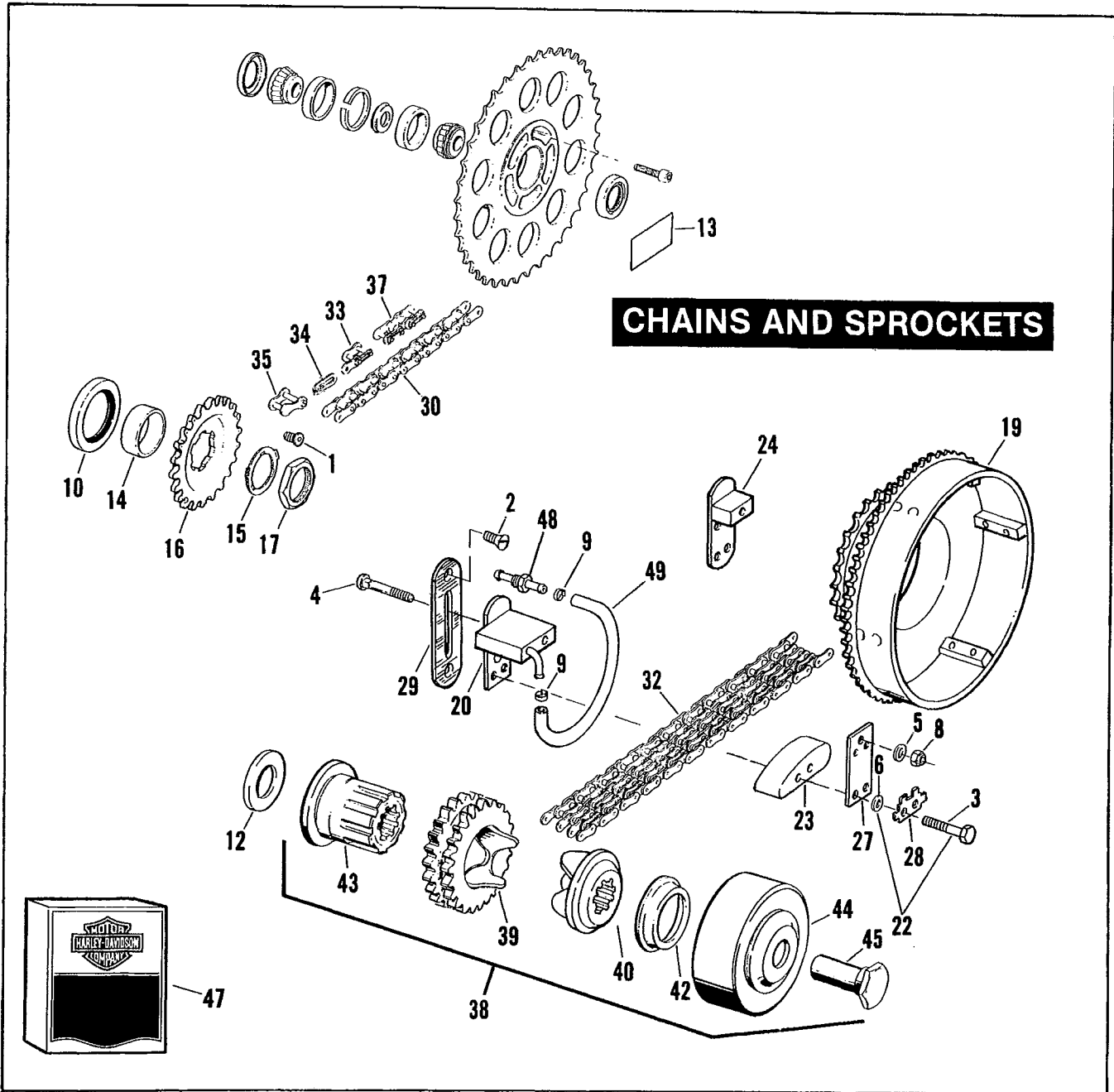
CLUTCH CONTROL 1982 & LATER



CLUTCH CONTROL — 1982 & LATER

T14A

RETAIL PRICE	INDEX NO.	PART NO.	N A M E	USED ON
	1	4015	SCREW, 1/4-20 x 7/8 hex. socket rd. hd. (2)	82 to * — FLT, Classic
	2	6099	WASHER, 1/4 x 7/16 x 3/64 (2)	82 to * — FLT, Classic
	3	7801	SWIVEL NUT	82 to * — FLT, Classic
	4	11143	RETAINING RING	82 to * — FLT, Classic
	5	36754-82	BRACKET, clutch cable	82 to * — FLT, Classic
	6	38599-80B	CLUTCH CABLE (ball to thread, 3-1/2")	82 — FLT, Classic
		38599-83A	CLUTCH CABLE (ball to thread, 4-1/2")	83 to * — FLT, FLHT, Classics
	7	38608-82B	BRACKET, handlever	82 to * — FLT, Classic
	8	41191-74	SCREW (2)	82 to * — FLT, Classic
	9	45017-82A	HANDLEVER (polished aluminum)	82 to * — FLT, Classic
	10	45032-82	PIVOT PIN, handlever	82 to * — FLT, Classic
	11	45036-82	PIN, clutch cable	82 to * — FLT, Classic
	12	45039-68	BUSHING, clutch cable pin (2)	82 to * — FLT, Classic
	13	45044-82	CLAMP	82 to * — FLT, Classic
	14	45062-82	HANDLEVER (chrome accessory)	N/A 82 & 83 — FLT, Classic



CHAINS AND SPROCKETS

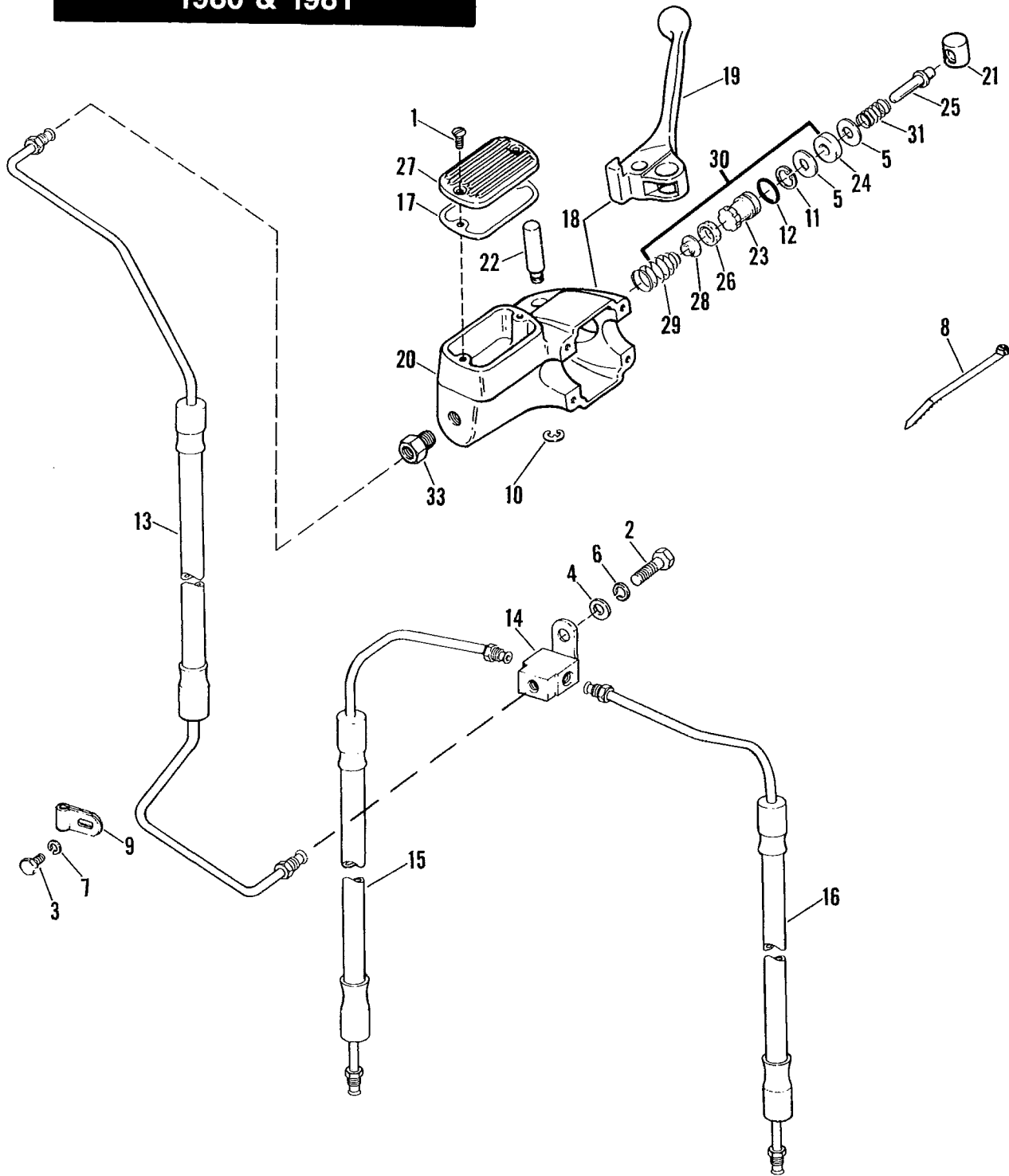
CHAINS AND SPROCKETS

T15-1

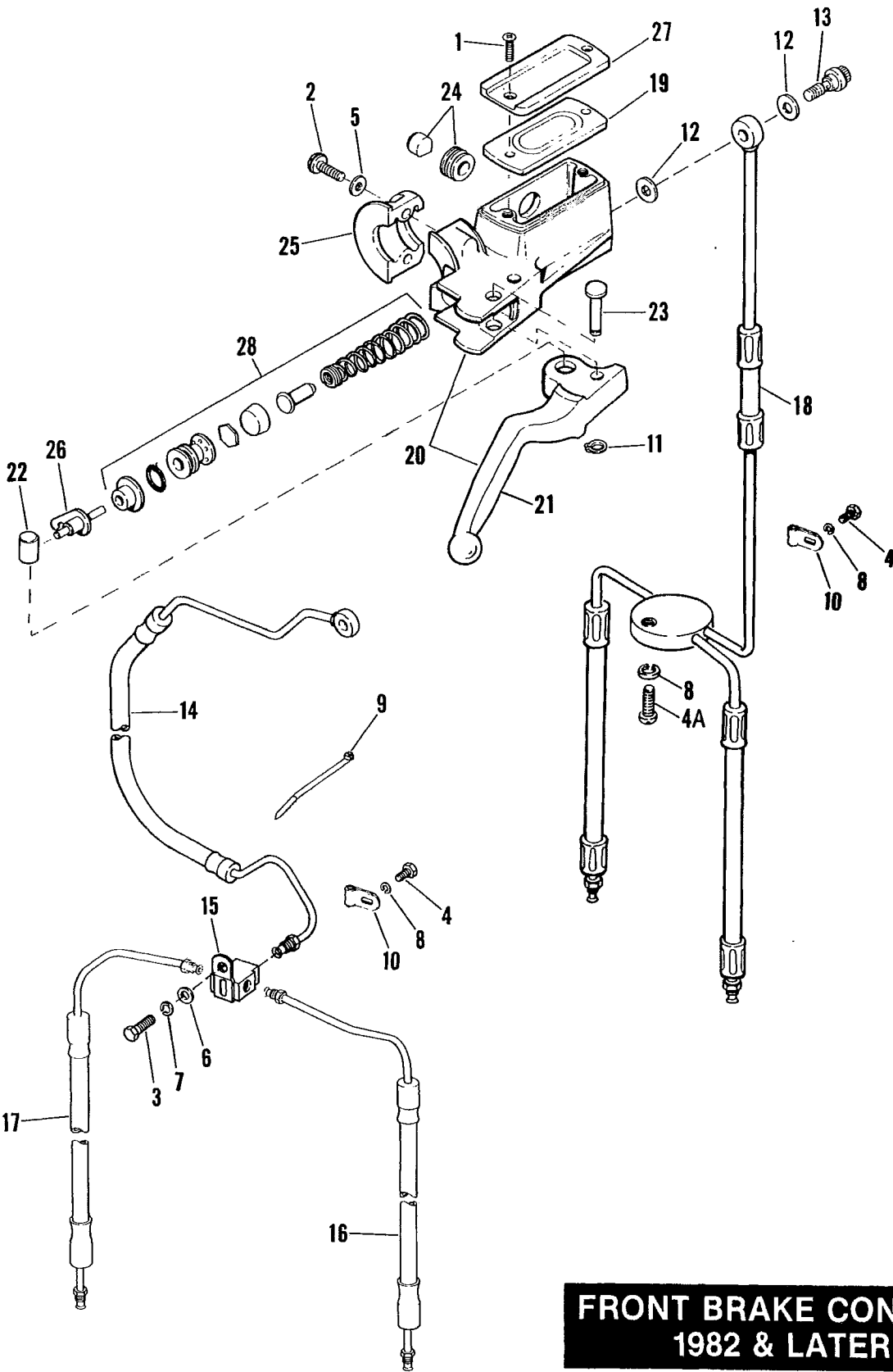
RETAIL PRICE	INDEX NO.	PART NO.	NAME	USED ON
	1	857	SCREW	80 to * - FLT, Classic
	2	1783	SCREW (2)	80 to * - FLT, Classic
	3	2614	SCREW (2)	80 to * - FLT, Classic
	4	5444	BOLT	80 to * - FLT, Classic
	5	6400HB	WASHER	80 to * - FLT, Classic
	6	6703	WASHER (2)	80 to * - FLT, Classic
	8	7778	NUT	80 to * - FLT, Classic
	9	10080	CLAMP (2)	Late 81 to * - FLT, Classic
	10	12044A	OIL SEAL	80 to * - FLT, Classic

RETAIL PRICE	INDEX NO.	PART NO.	NAME	USED ON
	12	24032-70	SPACER, sprocket shaft — 0.060 thick	80 to * — FLT, Classic
		24033-70	SPACER, sprocket shaft — 0.090 thick	80 to * — FLT, Classic
		24034-70	SPACER, sprocket shaft — 0.120 thick	80 to * — FLT, Classic
		24035-70	SPACER, sprocket shaft — 0.150 thick	80 to * — FLT, Classic
		24036-70	SPACER, sprocket shaft — 0.180 thick	80 to * — FLT, Classic
		24037-70	SPACER, sprocket shaft — 0.210 thick	80 to * — FLT, Classic
	13	25404-80	DECAL, "WARNING TORQUE WHEEL BOLTS", etc.	80 to * — FLT, Classic
	14	33334-79	SPACER, sprocket	80 to * — FLT, Classic
	15	33335-79	LOCKWASHER, sprocket	80 to * — FLT, Classic
	16	33336-83	SPROCKET KIT, 22 T	80 to * — FLT, Classic
	18	35211-36	NUT, sprocket	80 to * — FLT, Classic
	19	37702-70A	CLUTCH SHELL AND SPROCKET, with starter ring gear	80 to * — FLT, Classic
	20	39951-81	CHAIN TENSIONER SHOE	Late 81 to * — FLT, Classic
	22	39974-84	CHAIN TENSIONER MTG. KIT, includes items 3 & 6	80 to * — FLT, Classic
	23	39976-65B	PAD, chain tensioner	80 to * — FLT, Classic
	24	39990-65	CHAIN TENSIONER SHOE	80 to Early 81 — FLT, Classic
		39992-65C	CHAIN TENSIONER MTG. KIT, includes items 4, 5 & 8	80 to * — FLT, Classic
	27	39993-65	PLATE, chain tensioner	80 to * — FLT, Classic
	28	39996-65	LOCKWASHER, chain tensioner plate	80 to * — FLT, Classic
	29	39998-65	ANCHOR PLATE, chain tensioner	80 to * — FLT, Classic
	30	40021-79B	REAR CHAIN (POWER CHAIN)	80 to * — FLT, Classic
		40025-77B	REAR CHAIN — self lubricating	80 to * — FLT, Classic
		40028-15E	REAR CHAIN (Duckworth)	80 to * — FLT, Classic
		40029-15E	REAR CHAIN (Diamond)	80 to * — FLT, Classic
	32	40037-79	FRONT CHAIN	80 to * — FLT, Classic
	33	40026-77	CONNECTING LINK, rear chain (Diamond)	80 to * — FLT, Classic
		40052-65	CONNECTING LINK, rear chain (Diamond) (press fit)	80 to * — FLT, Classic
		40053-65	CONNECTING LINK, rear chain (Duckworth) (press fit)	80 to * — FLT, Classic
		40055-39	CONNECTING LINK, front chain (Duckworth)	N/A 80 to * — FLT, Classic
	35	40091-15	OFFSET RETAINER LINK, rear chain (diamond)	80 to * — FLT, Classic
	38	40270-65A	COMPENSATING SPROCKET KIT — 24 T	80 to * — FLT, Classic
		40271-65A	COMPENSATING SPROCKET KIT — 23 T	N/A 80 to * — FLT, Classic
		40272-65A	COMPENSATING SPROCKET KIT — 22 T	N/A 80 to * — FLT, Classic
	39	40275-70	COMPENSATING SPROCKET — 24 T	80 to * — FLT, Classic
		40280-70	COMPENSATING SPROCKET — 22 T	80 to * — FLT, Classic
		40282-70	COMPENSATING SPROCKET — 23 T	80 to * — FLT, Classic
	40	40299-70	SLIDING CAM	80 to * — FLT, Classic
	42	40324-70	CUP	80 to * — FLT, Classic
	43	40375-70	SHAFT EXTENSION	80 to * — FLT, Classic
	44	40384-70	RETAINER AND COVER ASSEMBLY, w/spring washers	80 to * — FLT, Classic
		40385-70	RETAINER AND COVER ASSEMBLY	80 to * — FLT, Classic
	45	40392-70	NUT	80 to * — FLT, Classic
	47	60550-81	CHAIN OILER KIT	80 — FLT
			Includes besides hose, items 9, 20 & 48:	
			45830-48 PLUG	
	48	60622-81	FITTING	Late 81 to * — FLT, Classic
			NOTE: Hose is sold only in bulk length under the following part number. Cut to required length.	
	49	63500-68	HOSE, 3/8 I.D. x 5/8 O.D. fabric reinforced rubber (25 ft. lg.)	Late 81 to * — FLT, Classic

FRONT BRAKE CONTROL 1980 & 1981

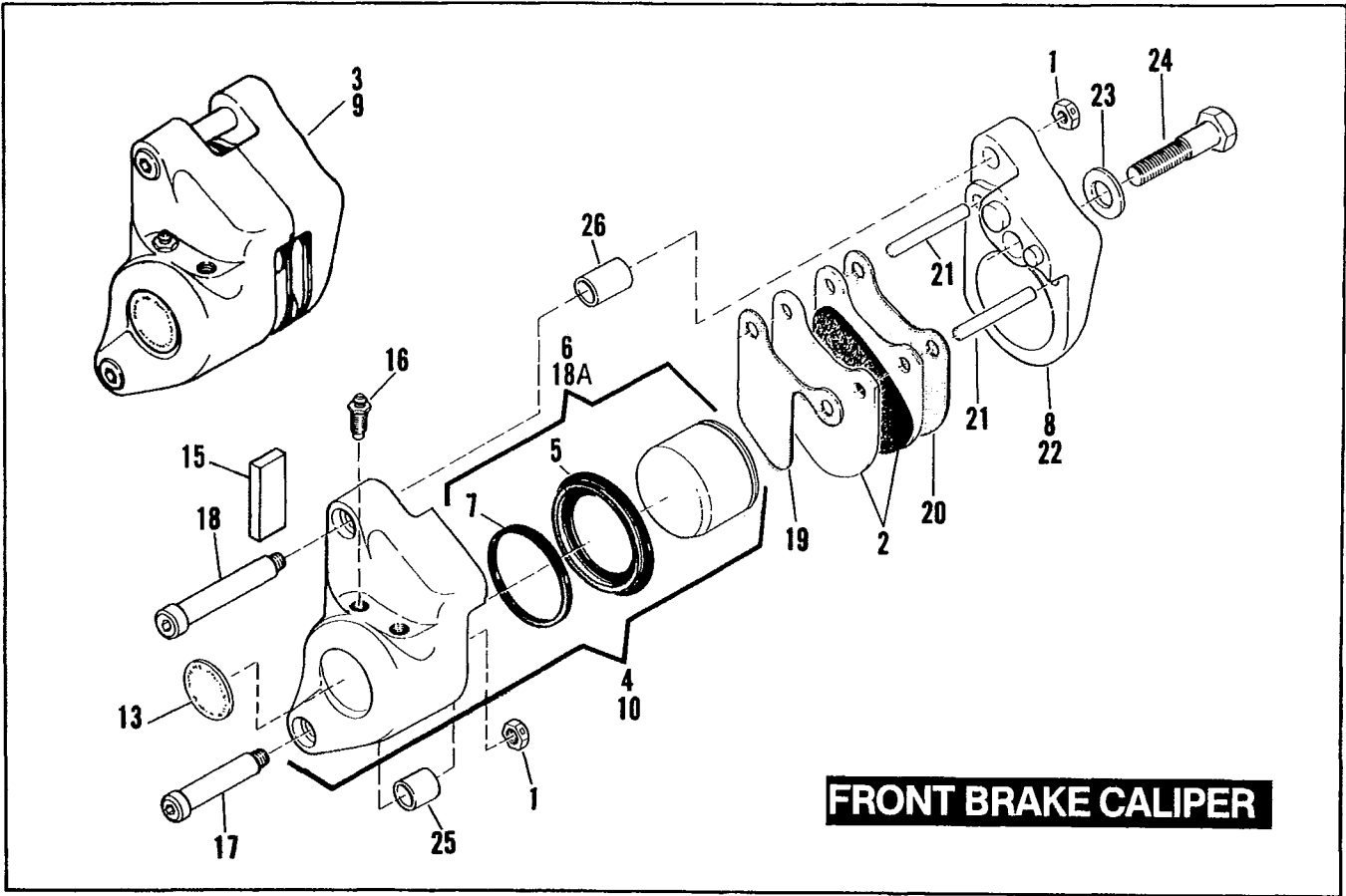


RETAIL PRICE	INDEX NO.	PART NO.	N A M E	USED ON
	1	2628	SCREW, No. 8-32 x 7/16 ctsk. hd. (2)	80 & 81 — FLT, Classic
	2	3765	BOLT, 1/4-28 x 5/8 hex. hd.	80 & 81 — FLT, Classic
	3	3953W	BOLT, 5/16-24 x 1/2 hex. hd.	80 & 81 — FLT, Classic
	4	6703	WASHER, 1/4 x 5/8 x 1/16	80 & 81 — FLT, Classic
	5	6811W	WASHER, 1/4 x 3/4 x 1/64 (2)	80 & 81 — FLT, Classic
	6	7036	LOCKWASHER, 1/4	80 & 81 — FLT, Classic
	7	7041	LOCKWASHER, 5/16	80 & 81 — FLT, Classic
	8	10006	STRAP, brake hose	80 & 81 — FLT, Classic
	9	10033	CLIP, upper brake hose	80 & 81 — FLT, Classic
	10	11015	RETAINING RING, handlever pivot pin	80 & 81 — FLT, Classic
	11	11063	RETAINING RING, piston	80 & 81 — FLT, Classic
	12	11137	O-RING, piston	80 & 81 — FLT, Classic
	13	43331—79	BRAKE HOSE, master cylinder	80 & 81 — FLT, Classic
	14	43332—79	TEE, front brake hoses	80 & 81 — FLT, Classic
	15	43333—79	BRAKE HOSE, right	80 & 81 — FLT, Classic
	16	43334—79	BRAKE HOSE, left	80 & 81 — FLT, Classic
	17	45012—72	GASKET, cover	80 & 81 — FLT, Classic
	18	45013—72	MASTER CYLINDER ASSEMBLY, w/handlever (black)	80 & 81 — FLT, Classic
	19	45016—72	HANDLEVER, front brake	80 & 81 — FLT, Classic
	20	45024—72	BODY, master cylinder (black)	80 & 81 — FLT, Classic
	21	45031—72	PIN, plunger	80 & 81 — FLT, Classic
	22	45032—72	PIN, handlever pivot	80 & 81 — FLT, Classic
	23	45053—72	PISTON	80 & 81 — FLT, Classic
	24	45054—72	DUST WIPER	80 & 81 — FLT, Classic
	25	45055—72	PLUNGER	80 & 81 — FLT, Classic
	26	45056—77	PISTON CUP	80 & 81 — FLT, Classic
	27	45057—72	COVER	80 & 81 — FLT, Classic
	28	45059—72	CUP, piston spring	80 & 81 — FLT, Classic
	29	45061—72A	SPRING, piston return	80 & 81 — FLT, Classic
	30	45063—72	REPAIR KIT, master cylinder	80 & 81 — FLT, Classic
	31	45071—72	SPRING, plunger	80 & 81 — FLT, Classic
	33	63609—72	FITTING	80 & 81 — FLT, Classic



**FRONT BRAKE CONTROL
1982 & LATER**

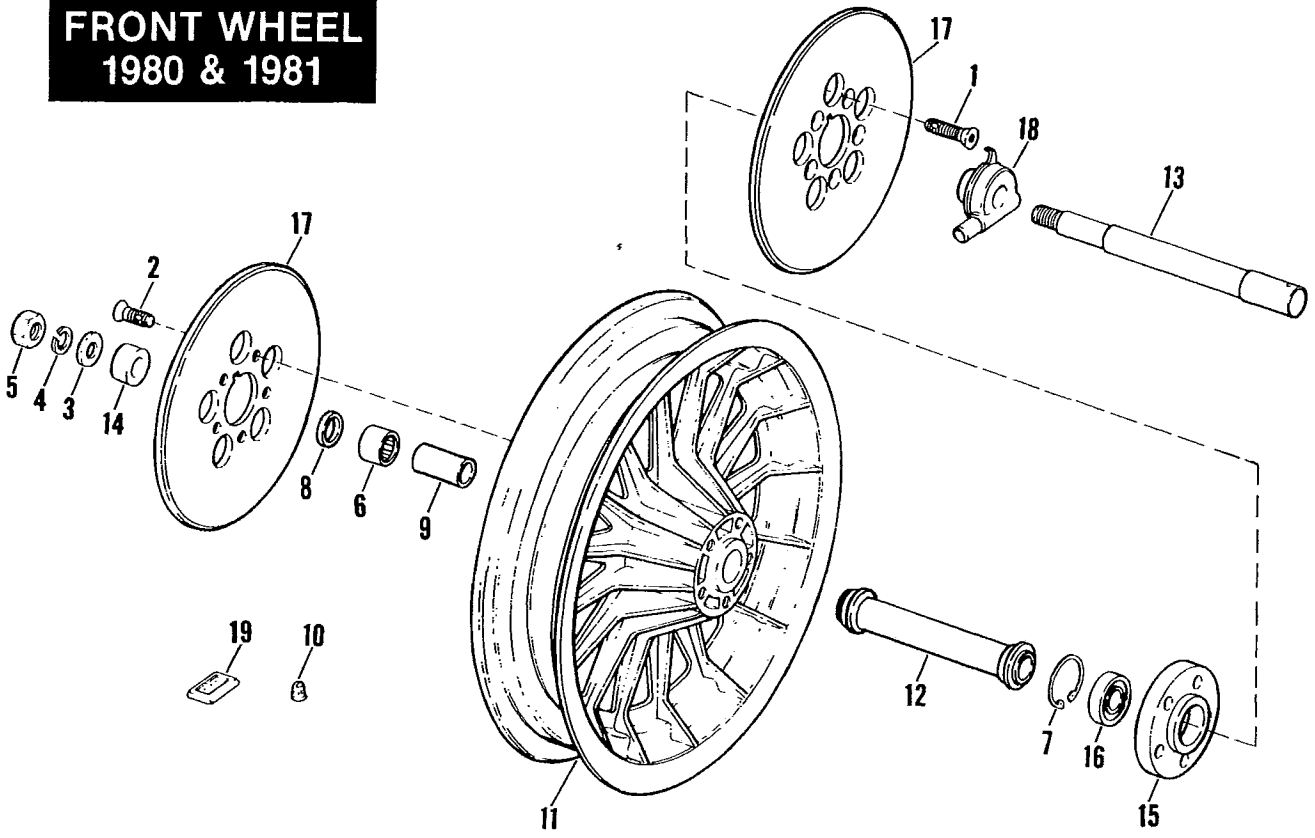
RETAIL PRICE	INDEX NO.	PART NO.	N A M E	USED ON
	1	2579	SCREW	82 to * — FLT, Classic
	2	3444	SCREW (2)	82 to * — FLT, Classic
	3	3765	BOLT	82 to * — FLT, Classic
	4	3953W	BOLT	82 to * — FLT, Classic
	4A	4014W	SCREW	83 to * — FLT, FLHT, Classics
	5	6099	WASHER (2)	82 to * — FLT, Classic
	6	6703	WASHER	82 to * — FLT, Classic
	7	7036	LOCKWASHER	82 to * — FLT, Classic
	8	7041	LOCKWASHER	82 to * — FLT, Classic
	9	10006	STRAP, brake hose	82 to * — FLT, Classic
	10	10033	CLIP, upper brake hose	82 to * — FLT, Classic
	11	11143	RETAINING RING, handlever pivot pin	82 to * — FLT, Classic
	12	41731-82	WASHER (2)	82 to * — FLT, Classic
	13	41747-82	BOLT	N/A 82 to * — FLT, Classic
	14	43331-82	BRAKE HOSE, master cylinder	82 — FLT, Classic
	15	43332-79	TEE, front brake hoses	82 — FLT, Classic
	16	43333-79	BRAKE HOSE, right	82 — FLT, Classic
	17	43334-79	BRAKE HOSE, left	82 — FLT, Classic
	18	43349-83	BRAKE LINE, front	83 to * — FLT, FLHT, Classics
	19	45012-82	GASKET, cover	82 to * — FLT, Classic
	20	45013-82A	MASTER CYLINDER ASSEMBLY, w/handlever	82 to * — FLT, Classic
	21	45016-82	HANDLEVER, front brake (polished aluminum)	82 to * — FLT, Classic
	22	45031-82	PIN, plunger	82 to * — FLT, Classic
	23	45032-82	PIN, handlever pivot	82 to * — FLT, Classic
	24	45042-82	SIGHT GLASS KIT	82 to * — FLT, Classic
	25	45044-82	CLAMP	82 to * — FLT, Classic
	26	45051-82	PLUNGER, with switch	82 to * — FLT, Classic
	27	45057-82	COVER, master cylinder	82 to * — FLT, Classic
	28	45063-82A	REPAIR KIT, master cylinder	82 to * — FLT, Classic



FRONT BRAKE CALIPER

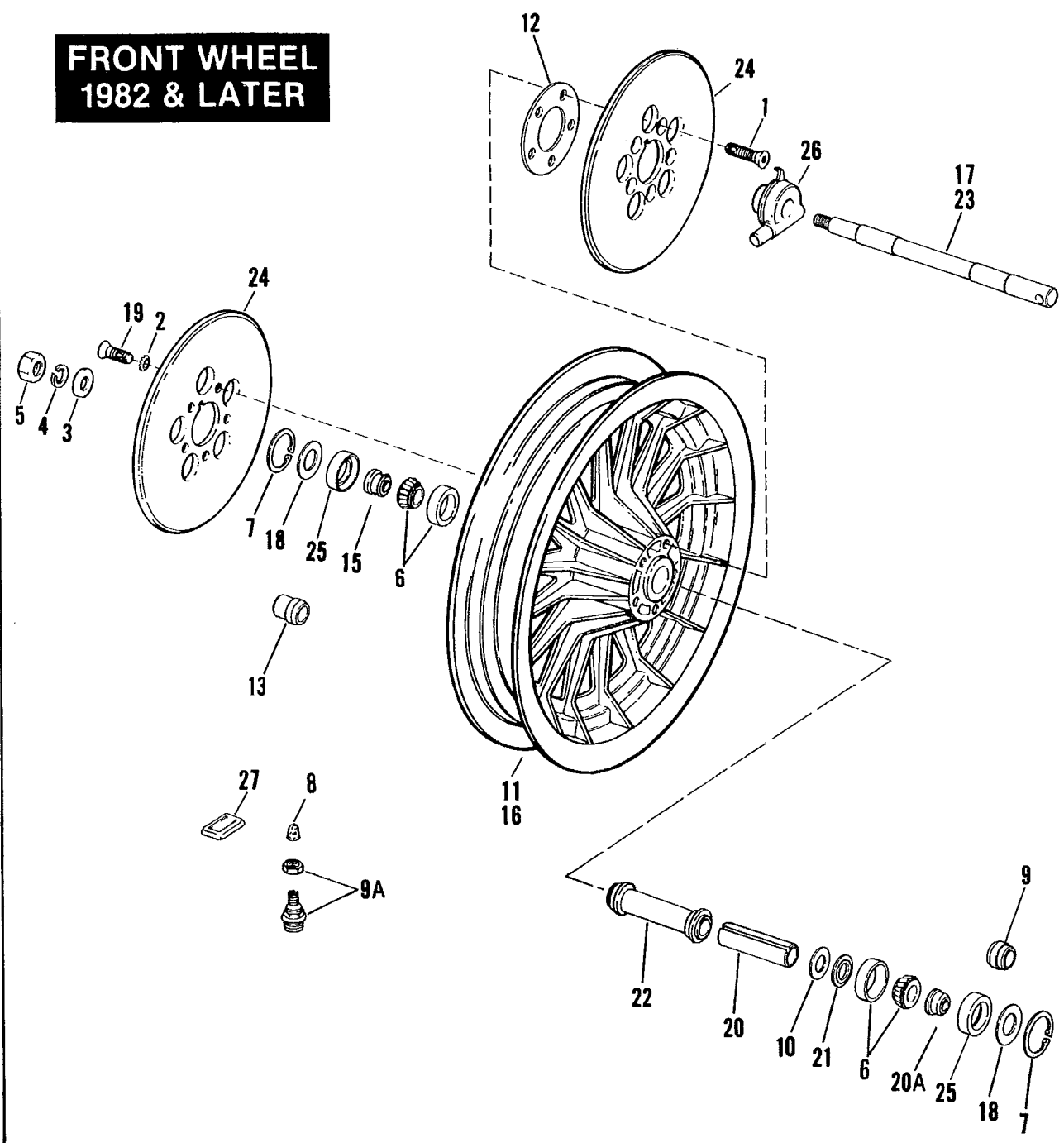
RETAIL PRICE	INDEX NO.	PART NO.	N A M E	USED ON
	1	7740	LOCKNUT (2)	80 to * — FLT, Classics
	2	43395—80	PAD SET	80 to * — FLT, Classics
	3	43942—79	CALIPER ASSEMBLY, right	80 to * — FLT, Classics
	4	43943—79	CALIPER ASSEMBLY, outer — right	80 to * — FLT, Classics
	5	43945—79	BOOT	80 to * — FLT, Classics
	6	43946—79	PISTON KIT	80 to 82 — FLT, Classics
	7	43947—79	SEAL, piston	80 to * — FLT, Classics
	8	43950—79	CALIPER, inner — right	80 to * — FLT, Classic
	9	43951—79	CALIPER ASSEMBLY, left	80 to * — FLT, Classics
	10	43952—79	CALIPER ASSEMBLY, outer — left	80 to * — FLT, Classics
	13	44108—72	LABEL, caliper	80 to * — FLT, Classics
	15	44120—82A	FOAM TAPE (anti rattle)	N/A 80 to * — FLT, Classics
	16	44146—77	BLEEDER FITTING	80 to * — FLT, Classics
	17	44175—77	SCREW, caliper mounting (short)	80 to * — FLT, Classics
	18	44176—77	SCREW, caliper mounting (long)	80 to * — FLT, Classics
	18A	44181—77A	PISTON KIT	83 to * — FLT, FLHT, Classics
			Consists of besides piston:	
			44152—77 SEAL, piston	
			44180—77 BOOT	
	19	44182—77	PLATE, outer	80 to * — FLT, Classics
	20	44185—77	PLATE, inner	80 to * — FLT, Classics
	21	44186—77	PIN (2)	80 to * — FLT, Classics
	22	44187—77	CALIPER, inner — left	80 to * — FLT, Classics
	23	44188—77A	WASHER	80 to * — FLT, Classics
	24	44189—77	BOLT	80 to * — FLT, Classics
	25	45861—79	BUSHING, fork slider — lower	80 to * — FLT, Classics
	26	45862—79	BUSHING, fork slider — upper	80 to * — FLT, Classics

**FRONT WHEEL
1980 & 1981**



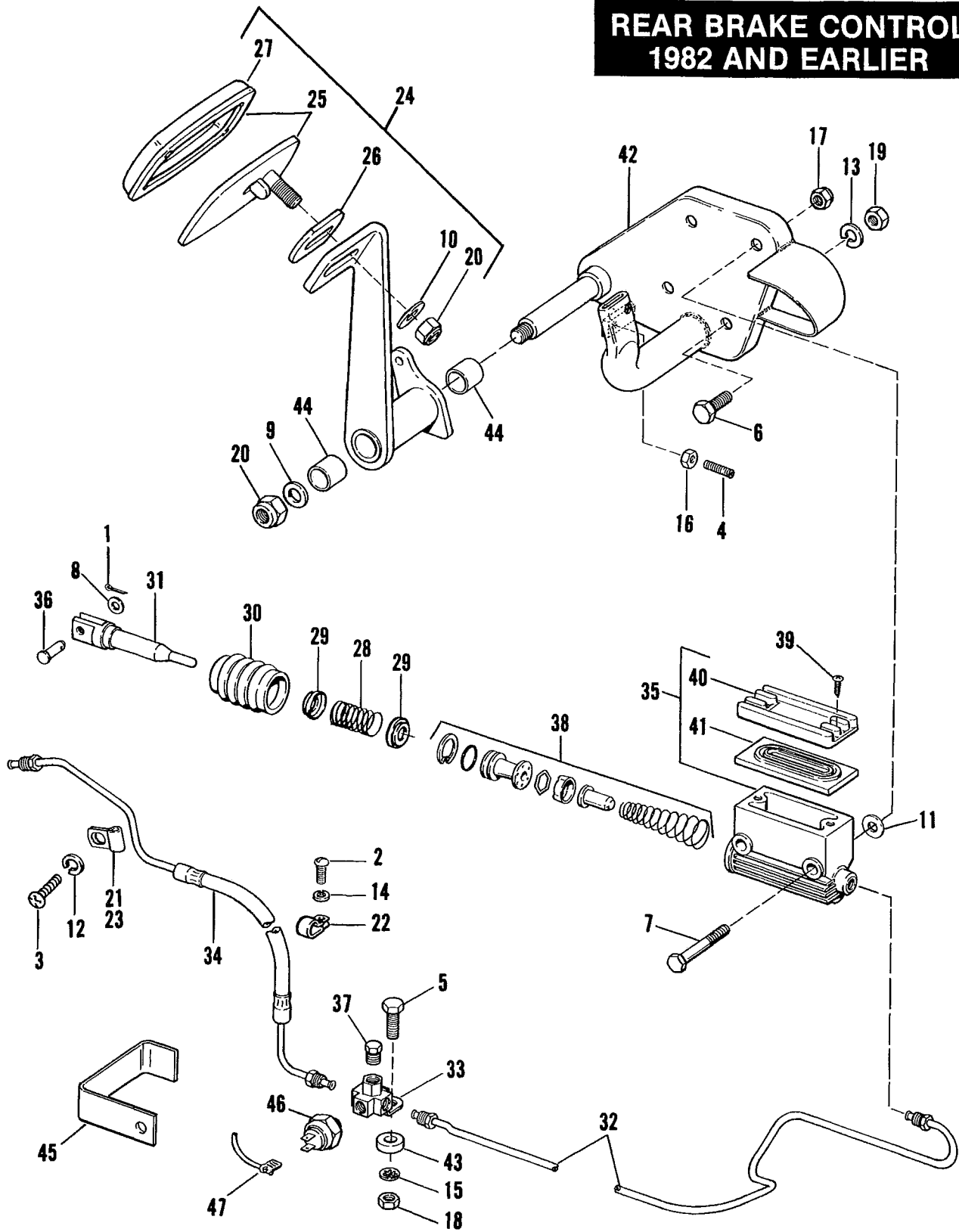
RETAIL PRICE	INDEX NO.	PART NO.	N A M E	USED ON
	1	1642	SCREW, 7/16-14 x 1-3/4 ctsk. flat socket hd. (5)	80 & 81 — FLT, Classic
	2	1643	SCREW, 7/16-14 x 1-1/4 ctsk. flat socket hd. (5)	80 & 81 — FLT, Classic
	3	6590HW	WASHER, 1/2 x 1-1/8 x 3/32	80 & 81 — FLT, Classic
	4	7068	LOCKWASHER, 1/2	80 & 81 — FLT, Classic
	5	7845	NUT, 1/2-20 x 7/16 x 3/4 hex.	80 & 81 — FLT, Classic
	6	9116	NEEDLE BEARING	80 & 81 — FLT, Classic
	7	11020	RETAINING RING, ball bearing	80 & 81 — FLT, Classic
	8	12047	SEAL	80 & 81 — FLT, Classic
	9	41118-81	INNER RACE, wheel bearing	80 & 81 — FLT, Classic
	10	41123-79	VALVE CAP, inner tube	80 & 81 — FLT, Classic
	11	41125-81	WHEEL ASSEMBLY, black (with items 6, 8 & 9)	80 & 81 — FLT, Classic
	12	43644-81	SPACER, between bearings	80 & 81 — FLT, Classic
	13	43937-79	AXLE, front wheel	80 & 81 — FLT, Classic
	14	43938-79	SPACER, axle	80 & 81 — FLT, Classic
	15	43940-79A	BEARING HOUSING	80 & 81 — FLT, Classic
	16	43941-79	BALL BEARING	80 & 81 — FLT, Classic
	17	44210-79	BRAKE DISC (2)	80 & 81 — FLT, Classic
	18	67071-79	DRIVE UNIT, speedometer	80 & 81 — FLT, Classic
	19	95594-84	WHEEL WEIGHT, 1/4 oz. (black)	80 & 81 — FLT, Classic

FRONT WHEEL 1982 & LATER



RETAIL PRICE	INDEX NO.	PART NO.	N A M E	USED ON
	1	1643	SCREW (5)	82 to * — FLT, Classic
	2	6027	LOCKWASHER (5)	82 to * — FLT, Classic
	3	6590HW	WASHER	82 to * — FLT, Classic
	4	7068	LOCKWASHER	82 to * — FLT, Classic
	5	7845	NUT	82 to * — FLT, Classic
	6	9052	ROLLER BEARING (2)	82 to * — FLT, Classic
	7	11027	RETAINING RING (2)	82 — FLT, Classic
	8	41123—79	VALVE CAP, inner tube	82 to * — FLT, Classic
	9	41196—73	SPACER, right	82 — FLT, Classic
		43157—83A	VALVE STEM	83 to * — FLT, Classic
	10	43290—82	SPACER, 0.032 thick	82 to * — FLT, Classic
		43291—82	SPACER, 0.016 thick	82 to * — FLT, Classic
		43292—82	SPACER, 0.008 thick	82 to * — FLT, Classic
		43293—82	SPACER, 0.004 thick	82 to * — FLT, Classic
		43294—82	SPACER, 0.002 thick	82 to * — FLT, Classic
	11	43300—82	WHEEL ASSEMBLY (black)	82 — FLT, Classic
	12	43303—82	SPACER, disc	82 to * — FLT, Classic
	13	43317—82	SPACER, left	82 — FLT, Classic
	15	43342—83	SPACER, left	83 to * — FLT, FLHT, Classics
	16	43345—83	WHEEL ASSEMBLY, tubeless (black)	N/A 83 — FLT, FLHT, Classics
	17	43346—83	AXLE, front wheel	83 to * — FLT, FLHT, Classics
	18	43559—73	WASHER (2)	82 — FLT, Classic
	19	43567—79	SCREW, brake disc — left (5)	82 to * — FLT, Classic
	20	43615—82	SLEEVE	82 to * — FLT, Classic
	20A	43654—86A	SPACER, right	83 to * — FLT, Classic
	21	43650—82	SPACER WASHER	82 to * — FLT, Classic
	22	43668—82	SPACER, between bearings	82 to * — FLT, Classic
	23	43937—82	AXLE, front wheel	82 — FLT, Classic
	24	44210—79	BRAKE DISC (2)	82 to * — FLT, Classic
	25	47519—83A	SEAL (2)	82 to * — FLT, Classic
	26	67073—81	DRIVE UNIT, speedometer	82 to * — FLT, Classic
	27	95594—84	WHEEL WEIGHT, 1/4 oz. (black)	82 to * — FLT, Classic

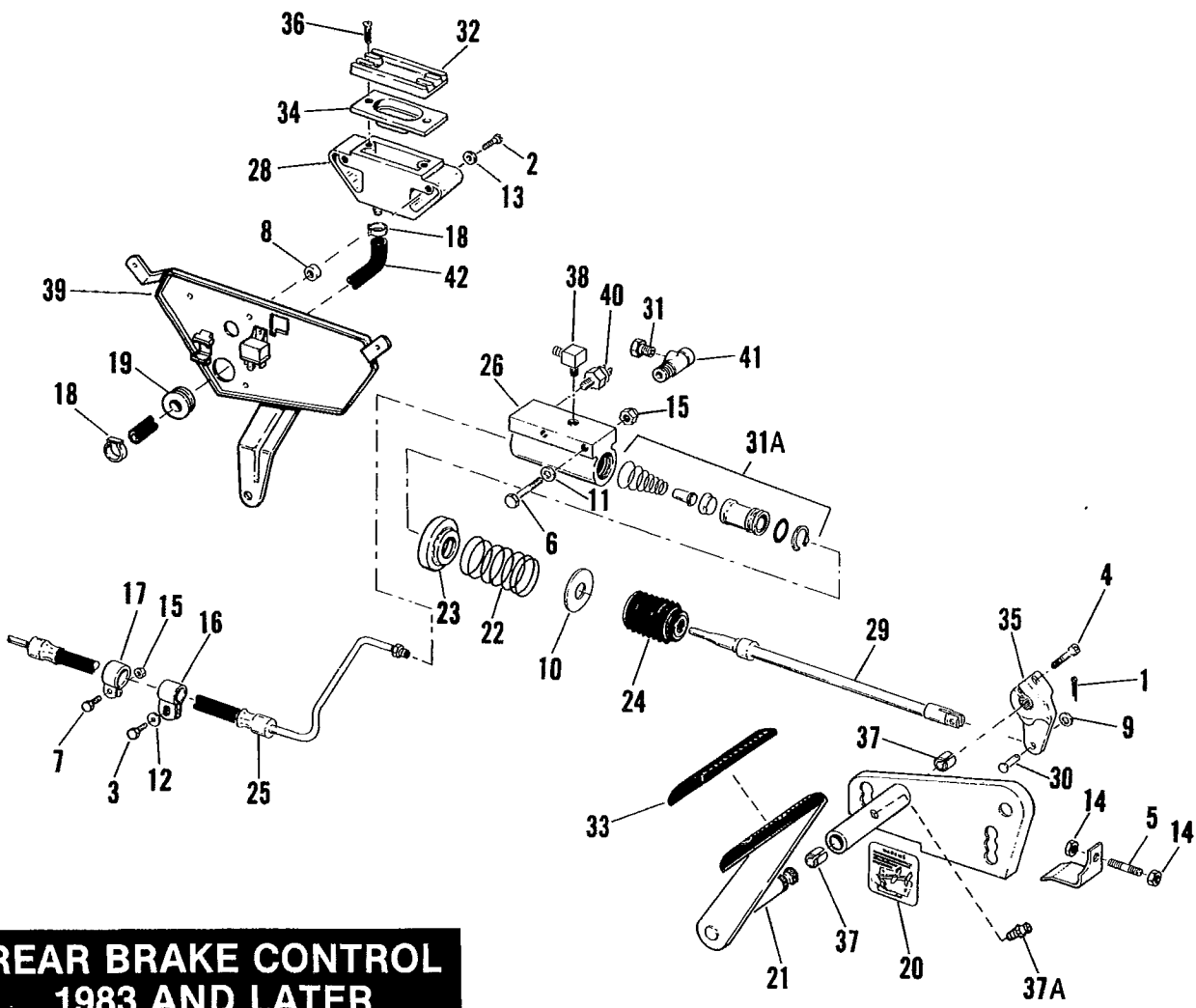
REAR BRAKE CONTROL 1982 AND EARLIER



REAR BRAKE CONTROL — 1982 & EARLIER

T19

RETAIL PRICE	INDEX NO.	PART NO.	N A M E	USED ON
	1	515	COTTER PIN	80 to 82 — FLT, Classic
	2	2664	SCREW	Late 80 to 82 — FLT, Classic
	3	2773	SCREW	80 — FLT
	4	3246	SET SCREW	80 to 82 — FLT, Classic
	5	4017	BOLT	80 to 82 — FLT, Classic
	6	4319	BOLT (2)	80 to 82 — FLT, Classic
	7	4710	BOLT (2)	80 to 82 — FLT, Classic
	8	6220W	WASHER	80 to 82 — FLT, Classic
	9	6334	WASHER	80 to 82 — FLT, Classic
	10	6486HW	WASHER	80 to 82 — FLT, Classic
	11	6702	WASHER (2)	80 to 82 — FLT, Classic
	12	7036	LOCKWASHER	80 — FLT
	13	7041	LOCKWASHER (2)	80 to 82 — FLT, Classic
	14	7069	LOCKWASHER	Late 80 to 82 — FLT, Classic
	15	7127	LOCKWASHER	80 to 82 — FLT, Classic
	16	7676	NUT	80 to 82 — FLT, Classic
	17	7725	LOCKNUT (2)	80 to 82 — FLT, Classic
	18	7748W	NUT	80 to 82 — FLT, Classic
	19	7800W	NUT (2)	80 to 82 — FLT, Classic
	20	7825	LOCKNUT (2)	80 to 82 — FLT, Classic
	21	9995	CLIP, brake hose	N/A 80 — FLT
	22	10031	CLIP, brake hose	Late 80 to 82 — FLT, Classic
	23	10033	CLIP, brake hose	81 to 82 — FLT, Classic
	24	33882—79	BRAKE PEDAL ASSEMBLY	80 to 82 — FLT, Classic
	25	36956—65A	PAD AND EXTENSION, brake pedal	80 to 82 — FLT, Classic
	26	36962—67	SPACER, brake pedal pad	80 to 82 — FLT, Classic
	27	36964—67	PAD, brake pedal	80 to 82 — FLT, Classic
	28	40920—79	SPRING, brake rod return	80 to 82 — FLT, Classic
	29	40921—79	CUP, brake rod spring (2)	80 to 82 — FLT, Classic
	30	40922—79	BOOT, master cylinder	80 to 82 — FLT, Classic
	31	40923—79	ROD, master cylinder	80 to 82 — FLT, Classic
	32	40966—79	BRAKE TUBE, master cylinder	80 to 82 — FLT, Classic
	33	40969—79	TEE, rear brake hose	80 to 82 — FLT, Classic
	34	40971—79	BRAKE HOSE, rear caliper	80 to 82 — FLT, Classic
	35	41754—79A	MASTER CYLINDER	80 to 82 — FLT, Classic
	36	42269—70	CLEVIS PIN	80 to 82 — FLT, Classic
	37	42311—58	PLUG, rear brake hose tee	80 to 82 — FLT, Classic
	38	42374—77B	REBUILD KIT, master cylinder (includes cover gasket)	80 to 82 — FLT, Classic
	39	42375—77	SCREW, master cylinder cover (2)	80 to 82 — FLT, Classic
	40	42376—77A	COVER, master cylinder	80 to 82 — FLT, Classic
	41	42455—80	GASKET, master cylinder cover	80 to 82 — FLT, Classic
	42	47251—79	BRACKET, brake pedal	80 & 81 — FLT, Classic
		47251—82	BRACKET, brake pedal	82 — FLT, Classic
	43	52103—31	SPACER, brake hose tee	80 to 82 — FLT, Classic
	44	57215—75	BUSHING, brake pedal (2)	80 to 82 — FLT, Classic
	45	63600—80	BRACKET, brake hose (on starter mounting)	N/A 80 to 82 — FLT, Classic
	46	72023—51A	STOPLIGHT SWITCH, rear	80 to 82 — FLT, Classic
			Includes:	
	47	9898	WIRE TERMINAL, female flag type — insulated — # 14-16 wire (2)	

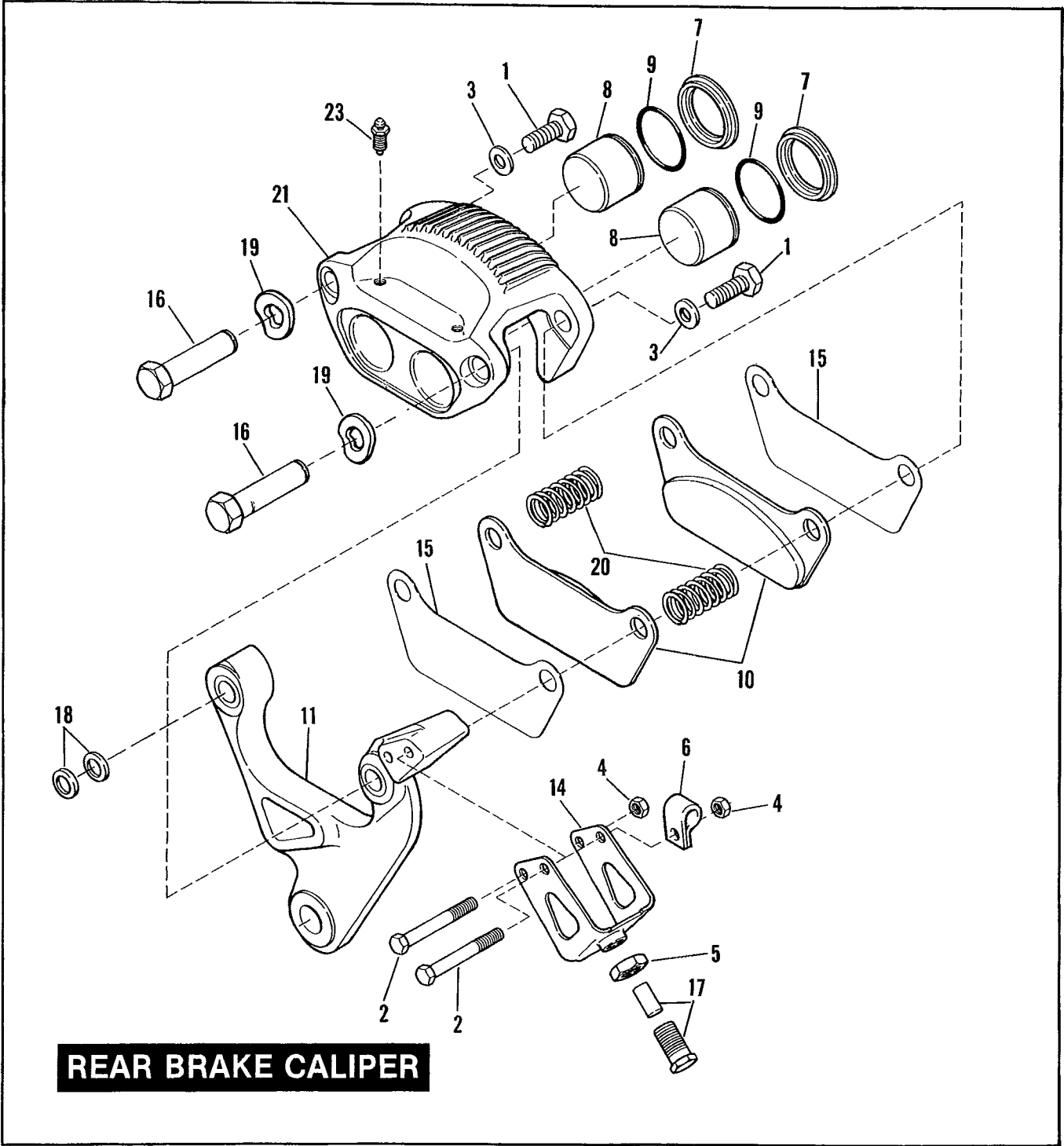


**REAR BRAKE CONTROL
1983 AND LATER**

RETAIL PRICE	INDEX NO.	PART NO.	N A M E	USED ON
	1	515	COTTER PIN	83 to * — FLT, FLHT, Classics
	2	2587	SCREW (2)	83 to * — FLT, FLHT, Classics
	3	2664	SCREW	83 to * — FLT, FLHT, Classics
	4	2708	BOLT	83 to * — FLT, FLHT, Classics
	5	3246	SET SCREW	83 to * — FLT, FLHT, Classics
	6	4710	BOLT (2)	83 to * — FLT, FLHT, Classics
	7	4725	BOLT	83 to * — FLT, FLHT, Classics
	8	5728	SPACER, master cylinder reservoir (2)	83 to * — FLT, FLHT, Classics
	9	6220W	WASHER	83 to * — FLT, FLHT, Classics
	10	6317	WASHER, nylon	83 to * — FLT, FLHT, Classics
	11	6702	WASHER (2)	83 to * — FLT, FLHT, Classics
	12	7069	LOCKWASHER, No. 10	83 to * — FLT, FLHT, Classics
	13	7118	LOCKWASHER (2)	83 to * — FLT, FLHT, Classics
	14	7676	NUT (2)	83 to * — FLT, FLHT, Classics
	15	7725	LOCKNUT (2)	83 to * — FLT, FLHT, Classics
	16	10031	CLIP, brake hose	83 to * — FLT, FLHT, Classics
	17	10033	CLIP, brake hose	83 to * — FLT, FLHT, Classics
	18	10038	CLAMP, hose master cylinder to reservoir (2)	83 to * — FLT, FLHT, Classics
	19	11422	GROMMET	83 to * — FLT, FLHT, Classics
	20	14027—83	LABEL, footboard and / or brake pedal adjustment.	83 to * — FLT, FLHT, Classics
	21	33882—83B	FOOT BRAKE LEVER	83 to * — FLT, FLHT, Classics
	22	40920—79	SPRING, brake rod return	83 to * — FLT, FLHT, Classics
	23	40921—79	CUP, brake rod spring (2)	83 to * — FLT, FLHT, Classics
	24	40922—79	BOOT, master cylinder	83 to * — FLT, FLHT, Classics
	25	40971—83	BRAKE LINE, rear	83 to * — FLT, FLHT, Classics
	26	41755—83	MASTER CYLINDER	83 to * — FLT, FLHT, Classics
	28	41800—81A	RESERVOIR, master cylinder	83 to * — FLT, FLHT, Classics
	29	41957—83	ROD, master cylinder	83 to * — FLT, FLHT, Classics
	30	42269—70	CLEVIS PIN	83 to * — FLT, FLHT, Classics
	31	42311—58	PLUG	83 to * — FLT, FLHT, Classics
	31A	42374—77B	REBUILD KIT, master cylinder	83 to * — FLT, FLHT, Classics
	32	42376—77A	COVER, master cylinder reservoir	83 to * — FLT, FLHT, Classics
	33	42416—83	PAD, brake pedal	83 to * — FLT, FLHT, Classics
	34	42455—80	GASKET, master cylinder reservoir	83 to * — FLT, FLHT, Classics
	35	42510—83	CLEVIS ASSEMBLY	83 to * — FLT, FLHT, Classics
	36	42534—82	SCREW (2)	83 to * — FLT, FLHT, Classics
	37	47247—83	BUSHING, hub foot brake (2)	83 to * — FLT, FLHT, Classics
	37A	50972—75	FITTING, lubrication	83 to * — FLT, FLHT, Classics
	38	63551—82	FITTING	83 to * — FLT, FLHT, Classics
	39	70961—79A	PLATE, circuit breaker and starter relay mounting ..	N/A 83 to * — FLT, FLHT, Classics
	40	72023—51A	SWITCH, stoplight	83 to * — FLT, FLHT, Classics
	41	87113—83	FITTING	83 to * — FLT, FLHT, Classics

NOTE: Hose is sold only in bulk length under the following part number. Cut to required length.

42	63573—82	HOSE, 5/16 I.D. x 25 ft. lg.	83 to * — FLT, FLHT, Classics
----	----------	-----------------------------------	-------------------------------

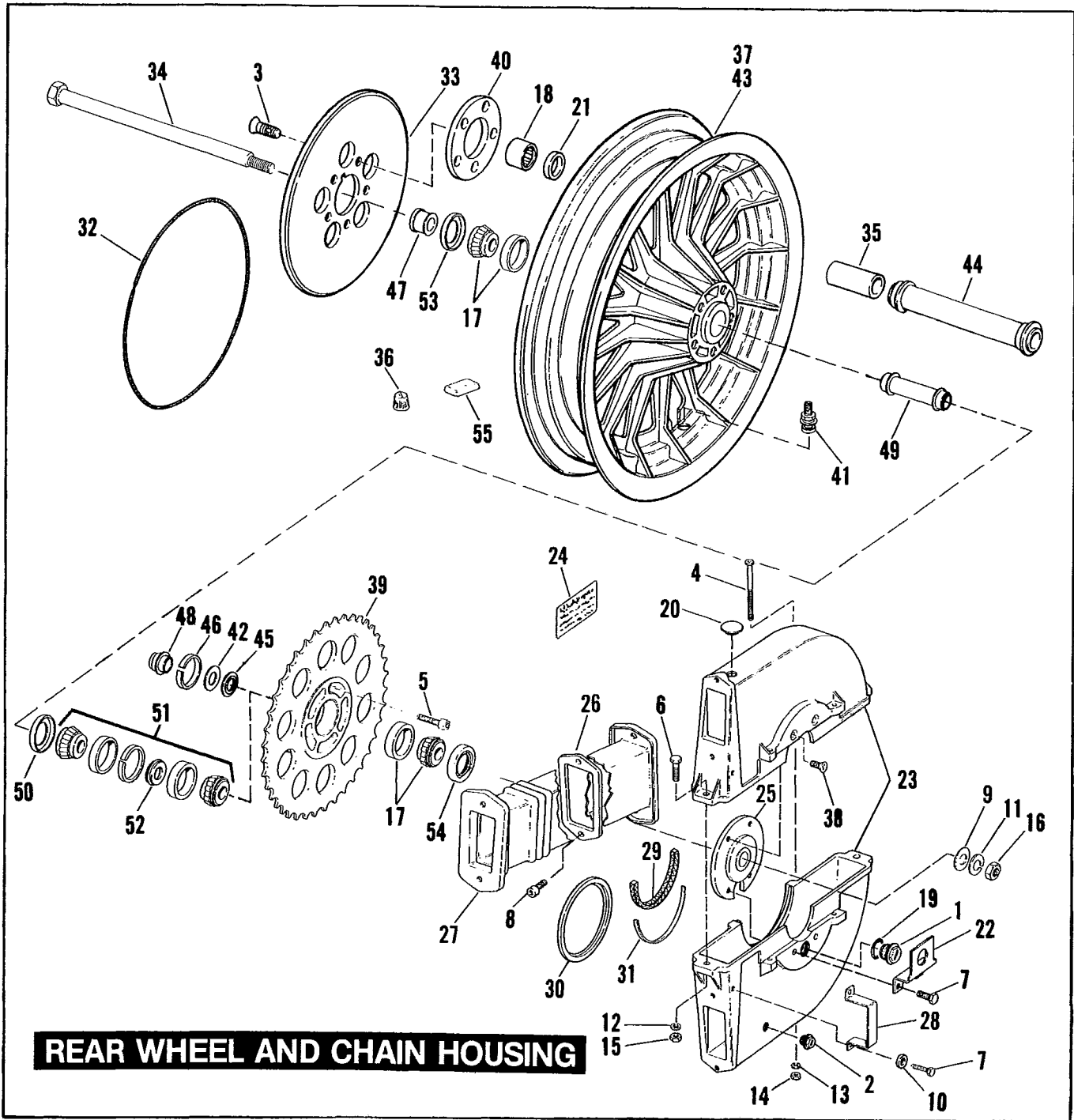


REAR BRAKE CALIPER

REAR BRAKE CALIPER

T20

RETAIL PRICE	INDEX NO.	PART NO.	N A M E	USED ON
	1	3987	BOLT, 5/16-18 x 3/4 hex. hd. (2)	80 to * — FLT, Classic
	2	4725	BOLT, 5/16-24 x 2-3/4 hex. hd. (2)	80 to * — FLT, Classic
	3	6702	WASHER, 5/16 x 11/16 x 1/16 (2)	80 to * — FLT, Classic
	4	7725	LOCKNUT, 5/16-24 x 11/32 x 1/2 hex. (2)	80 to * — FLT, Classic
	5	7855W	JAMNUT, 3/4-16 x 7/16 x 1-1/8 hex.	80 to * — FLT, Classic
	6	10033	CLIP, brake hose	80 to * — FLT, Classic
	7	43945-79	BOOT (2)	80 to * — FLT, Classic
	8	43946-79	PISTON (2)	80 to * — FLT, Classic
	9	43947-79	SEAL, piston (2)	80 to * — FLT, Classic
	10	43957-80	PAD SET	80 to * — FLT, Classic
	11	44034-80	BRACKET, with bushings and seals	80 to * — FLT, Classic
	14	44037-80	BRACKET	80 to * — FLT, Classic
	15	44038-80	PLATE (2)	80 to * — FLT, Classic
	16	44039-80	PIN (2)	80 to * — FLT, Classic
	17	44040-80	BOLT WITH SPACER	80 to * — FLT, Classic
	18	44041-80	SEAL (4)	80 to * — FLT, Classic
	19	44042-80	SPRING WASHER (2)	80 to * — FLT, Classic
	20	44043-80	SPRING (2)	80 to * — FLT, Classic
	21	44076-80	CALIPER ASSEMBLY, without bracket	80 to * — FLT, Classic
	23	44146-77	BLEEDER FITTING	80 to * — FLT, Classic



REAR WHEEL AND CHAIN HOUSING

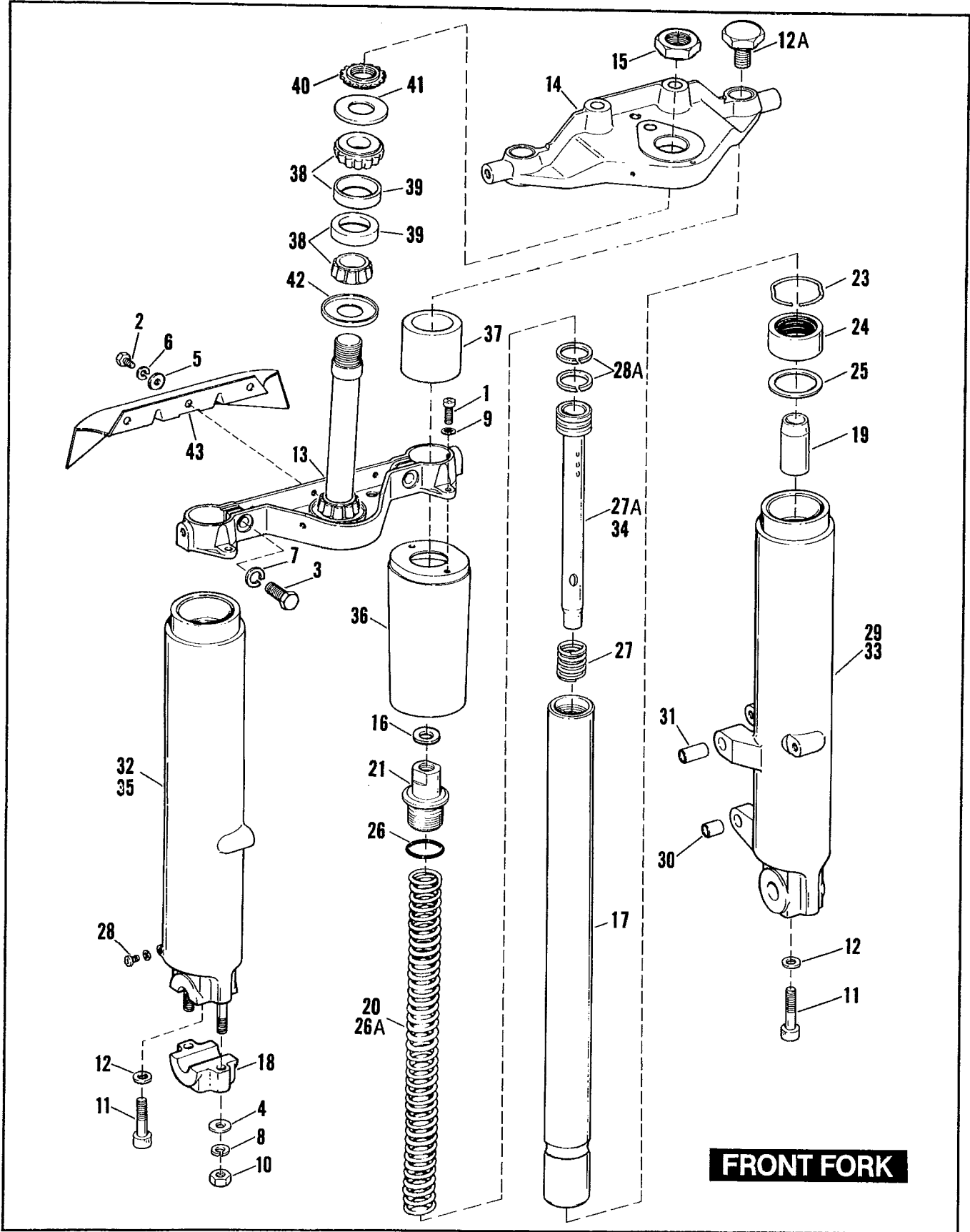
T21-1

RETAIL PRICE	INDEX NO.	PART NO.	NAME	USED ON
	1	708A	PLUG, with o-ring	80 to * - FLT, Classic
	2	717	PLUG, with o-ring	80 to * - FLT, Classic
	3	1642	SCREW, 7/16-14 x 1-3/4 ctsk. flat socket hd. (5)	82 to * - FLT, Classic
		1643	SCREW, 7/16-14 x 1-1/4 ctsk. flat socket hd. (5)	80 & 81 - FLT, Classic
	4	2002	SCREW, No. 10-24 x 3 Pozidriv pan hd. (2)	80 to * - FLT, Classic
	5	3542	SCREW, 7/16-14 x 1-3/4 socket fil. hd. (5)	80 to * - FLT, Classic
	6	3825	BOLT, 1/4-28 x 1 hex. hd. (2)	80 to * - FLT, Classic
	7	4702	BOLT, 1/4-20 x 3/4 hex. hd. (2)	80 to * - FLT, Classic
	8	4812	SCREW, 1/4-20 x 3/4 hex. socket hd. w/lock patch (8) ..	80 to * - FLT, Classic
	9	6655	WASHER, 5/8 x 1-1/2 x 1/8	80 to * - FLT, Classic
	10	6703	WASHER, 1/4 x 5/8 x 1/16 (2)	80 to * - FLT, Classic

REAR WHEEL AND CHAIN HOUSING (CONT'D)

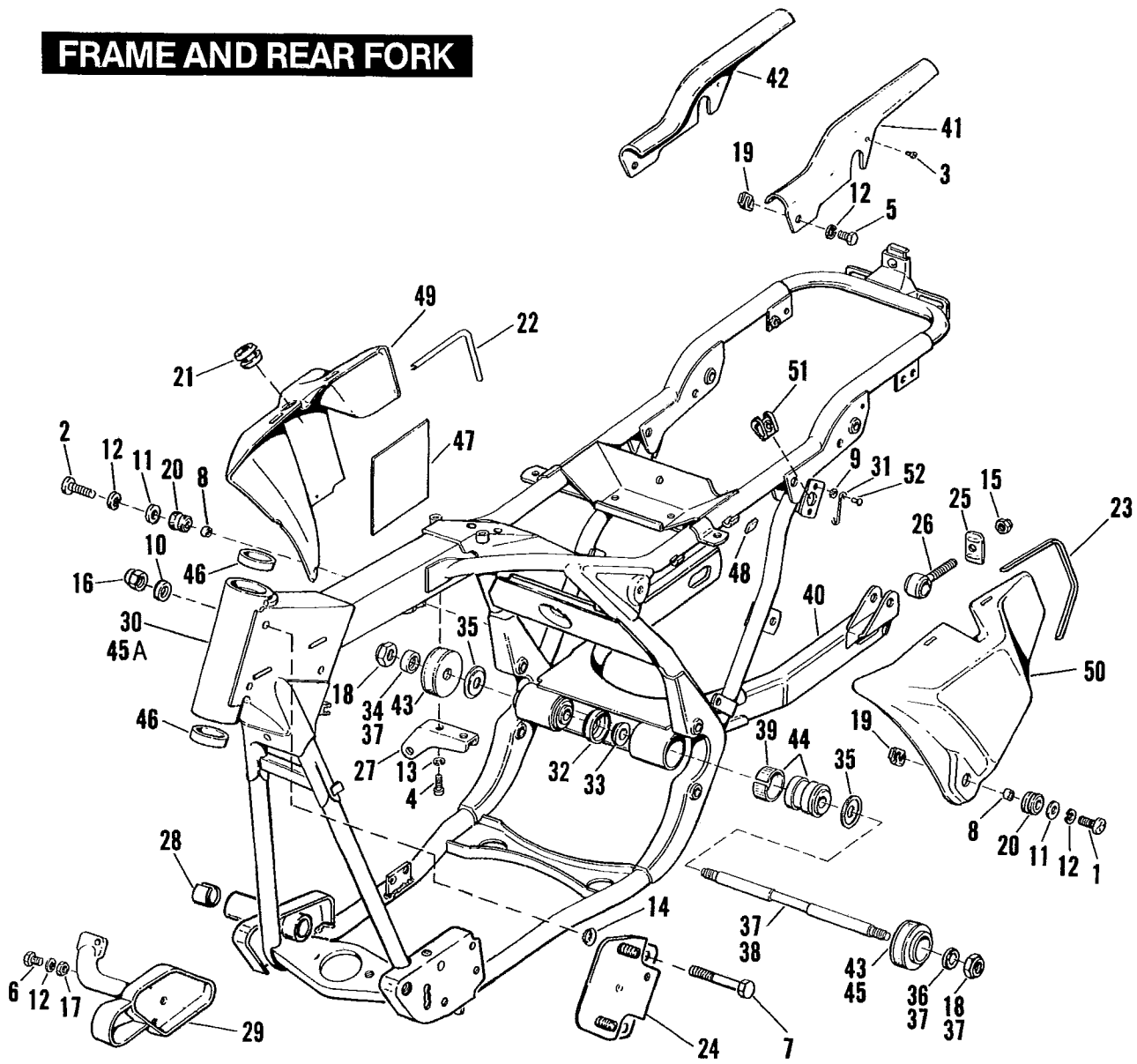
T21-2

RETAIL PRICE	INDEX NO.	PART NO.	N A M E	USED ON
	11	7022	LOCKWASHER	80 to * — FLT, Classic
	12	7036	LOCKWASHER (2)	80 to * — FLT, Classic
	13	7069	LOCKWASHER (2)	80 to * — FLT, Classic
	14	7620W	NUT (2)	80 to * — FLT, Classic
	15	7676	NUT (2)	80 to * — FLT, Classic
	16	7986	NUT	80 to * — FLT, Classic
	17	9052	ROLLER BEARING (2)	82 to * — FLT, Classic
	18	9116	NEEDLE BEARING	80 & 81 — FLT, Classic
	19	11115	O-RING	Late 81 to * — FLT, Classic
	20	11428	PLUG, chain housing fill	80 to * — FLT, Classic
	21	12047	SEAL	80 & 81 — FLT, Classic
	22	25402-79A	BRACKET, rear	80 to * — FLT, Classic
	23	25403-79	CHAIN COVER ASSEMBLY	80 & 81 — FLT, Classic
		25403-82A	CHAIN COVER ASSEMBLY	82 to * — FLT, Classic
	24	25404-80	DECAL, "WARNING — TORQUE WHEEL BOLTS," etc.	81 to * — FLT, Classic
	25	25410-79A	SPACER PLATE	80 to * — FLT, Classic
	26	25411-79	PLATE, boot mounting (4)	80 to * — FLT, Classic
	27	25412-79	BOOT, chain (2)	80 to * — FLT, Classic
	28	25413-79	BRACKET, front	80 to * — FLT, Classic
	29	25414-80	BRAIDED SEAL (2)	80 & 81 — FLT, Classic
	30	25414-82	SEAL	82 to * — FLT, Classic
	31	25423-80	BACKING, rubber (2)	80 & 81 — FLT, Classic
	32	40934-82	SPRING, brake disc	82 to * — FLT, Classic
	33	40939-79A	DISC, rear brake (includes 40934-82)	80 to * — FLT, Classic
	34	41110-79	AXLE	80 to * — FLT, Classic
	35	41118-81	INNER RACE, wheel bearing	80 & 81 — FLT, Classic
	36	41123-79	VALVE CAP, inner tube	80 to * — FLT, Classic
	37	41125-81	WHEEL ASSEMBLY, with items 17, 20 & 34 (black)	80 & 81 — FLT, Classic
	38	41191-74	SCREW (2)	80 to * — FLT, Classic
	39	41521-79A	SPROCKET, only — 48 T	80 — FLT
		41521-81A	SPROCKET, only — 46 T	81 to Early 82 — FLT, Classic
		41521-82	SPROCKET, only — 46 T	Late 82 to * — FLT, Classic
		41522-79A	SPROCKET, with bearings and seals — 48 T	N/A 80 — FLT
		41522-81A	SPROCKET, with bearings & seals — 46 T	81 to Early 82 — FLT, Classic
	40	41816-79	SPACER	80 & 81 — FLT, Classic
	41	43157-83A	VALVE STEM ASSEMBLY	83 to * — FLT, FLHT, Classics
	42	43290-82	SPACER, 0.032 thick	82 to * — FLT, Classic
		43291-82	SPACER, 0.016 thick	82 to * — FLT, Classic
		43292-82	SPACER, 0.008 thick	82 to * — FLT, Classic
		43293-82	SPACER, 0.004 thick	82 to * — FLT, Classic
		43294-82	SPACER, 0.002 thick	82 to * — FLT, Classic
	43	43299-82	WHEEL ASSEMBLY (black)	82 to * — FLT, Classic
	44	43644-81	SPACER, between bearings	80 to * — FLT, Classic
	45	43650-82	SPACER WASHER	82 to * — FLT, Classic
	46	43652-82	SPACER	Early 82 — FLT, Classic
	47	43653-82	SPACER, right	82 to * — FLT, Classic
	48	43667-82	SPACER, left	82 to * — FLT, Classic
	49	43668-82	SPACER, between bearings	82 to * — FLT, Classic
	50	43954-79	RETAINER, sprocket bearing	80 to Early 82 — FLT, Classic
	51	43955-79	BEARING, rear sprocket	80 to Early 82 — FLT, Classic
	52	43956-79	RUBBER SPACER	80 to Early 82 — FLT, Classic
	53	47519-83A	SEAL	82 to * — FLT, Classic
	54	47519-72	OIL SEAL	80 to * — FLT, Classic
	55	95594-84	WHEEL WEIGHT, 1/4 oz. (black)	80 to * — FLT, Classic



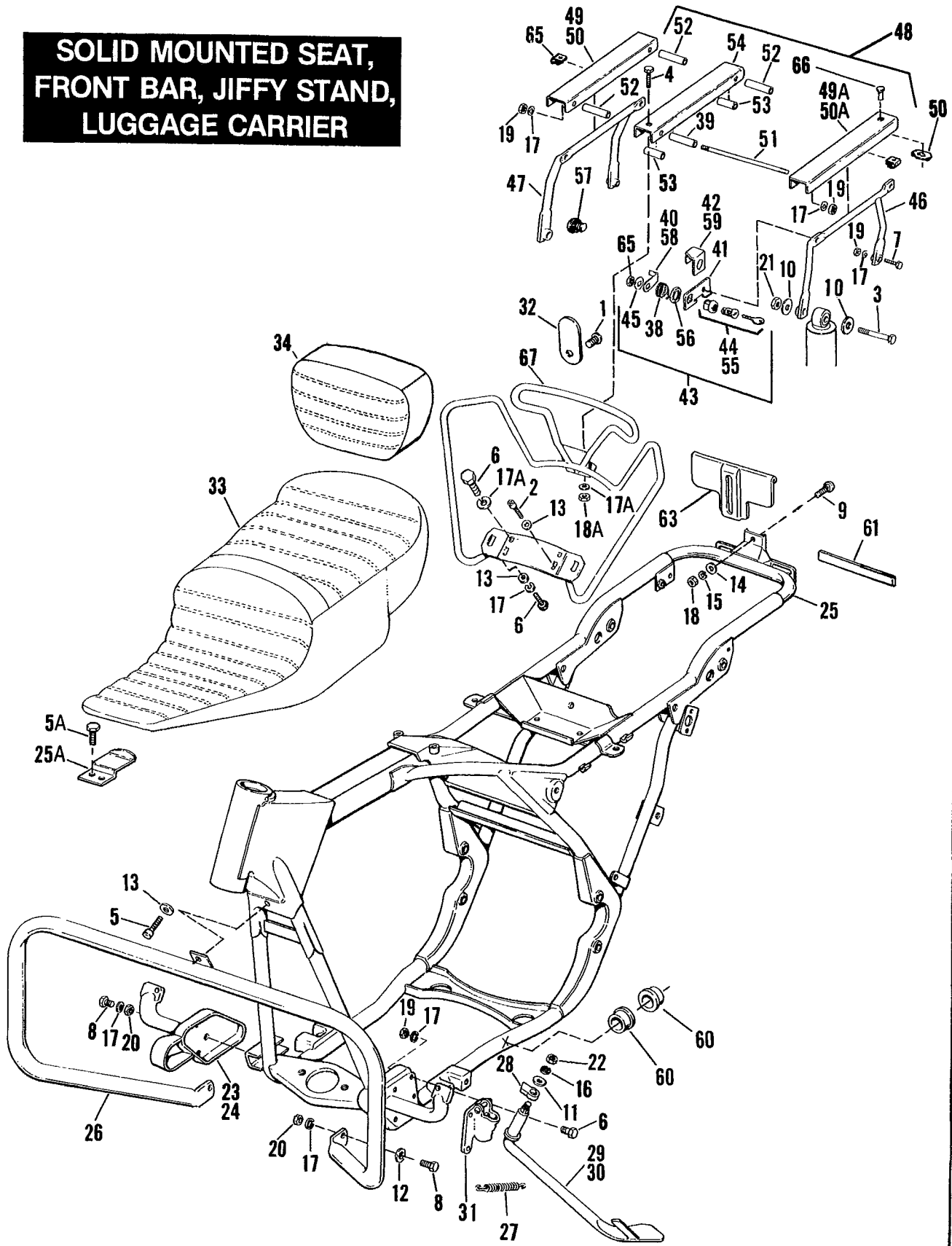
RETAIL PRICE	INDEX NO.	PART NO.	N A M E	USED ON
	1	2417	SCREW (4)	80 to * — FLT, Classics
	2	3765	BOLT (3)	80 to * — FLT, Classic
	3	4729	BOLT (2)	80 to * — FLT, Classic
	4	6702	WASHER (2)	80 to * — FLT, FLHT, Classics
	5	6703	WASHER (3)	80 to * — FLT, Classic
	6	7036	LOCKWASHER (3)	80 to * — FLT, Classic
	7	7039	LOCKWASHER (2)	80 to * — FLT, Classic
	8	7041	LOCKWASHER (2)	80 to * — FLT, Classic
	9	7124	LOCKWASHER (4)	80 to * — FLT, Classic
	10	7748W	NUT (2)	80 to * — FLT, Classic
	11	45405—75A	SCREW & WASHER, damper tube (2)	80 to * — FLT, Classic
	12	45406—75	WASHER (2)	80 to 82 — FLT, Classic
	12A	45419—80	CAP, upper bracket (2)	83 to * — FLT, FLHT, Classics
		45430—79A	FRONT FORK ASSEMBLY	N/A 80 to Early 83 — FLT, FLHT, Classics
		45430—83	FRONT FORK ASSEMBLY	N/A Late 83 to * — FLT, FLHT, Classics
	13	45431—79B	FORK STEM AND BRACKET	80 to * — FLT, Classic
	14	45435—79	BRACKET, upper	80 to Early 83 — FLT, Classic
		45435—83A	BRACKET, upper	Late 83 to * — FLT, FLHT, Classics
	15	45718—60	NUT, fork stem	80 to * — FLT, Classic
	16	45733—48	OIL SEAL, fork tube plug (2)	80 to * — FLT, Classic
	17	45825—77A	SLIDER TUBE (2)	80 to * — FLT, Classic
	18	45832—77A	AXLE CAP, right slider	80 to * — FLT, Classic
	19	45834—77	LOWER STOP, (2)	80 to * — FLT, Classic
	20	45837—77	SPRING (2)	80 to Early 83 — FLT, Classic
	21	45838—77	PLUG, fork tube (2)	80 to * — FLT, FLHT, Classics
	23	45842—77	RETAINING RING, oil seal (2)	80 to * — FLT, Classic
	24	45843—77	OIL SEAL, slider (2)	80 to * — FLT, Classic
	25	45844—77	WASHER, slider (2)	80 to * — FLT, Classic
	26	45845—77	O-RING, slider tube plug (2)	80 to * — FLT, Classic
	26A	45853—83	SPRING (2)	Late 83 to * — FLT, FLHT, Classics
	27	45855—77	SPRING, slider tube (2)	80 to * — FLT, Classic
	27A	45857—83	DAMPER TUBE (2)	Late 83 to * — FLT, FLHT, Classics
	28	45858—77	DRAIN SCREW, with washer	80 to * — FLT, Classic
	28A	45859—77	RING, damper tube (4)	80 to * — FLT, Classic
	29	45860—79	FORK LEG, complete — left	80 to Early 83 — FLT, Classic
		45860—83	SLIDER ASSEMBLY, left	Late 83 to * — FLT, FLHT, Classics
	30	45861—79	BUSHING, brake caliper — lower	80 to * — FLT, Classic
	31	45862—79	BUSHING, brake caliper — upper	80 to * — FLT, Classic
	32	45863—79	FORK SLIDER, right — with bushings (polished)	80 to * — FLT, Classic
	33	45864—79	FORK SLIDER, left — with bushings (polished)	80 to * — FLT, Classic
	34	45867—79	DAMPER TUBE (2)	80 to Early 83 — FLT, Classic
	35	45870—79A	FORK LEG, complete — right	80 to Early 83 — FLT, Classic
		45870—83	SLIDER ASSEMBLY, right	Late 83 to * — FLT, FLHT, Classics
	36	45964—49	COVER, slider (stainless) (2)	80 to * — FLT, Classic
	37	47530—79A	RUBBER SLEEVE, fork stop (2)	80 to * — FLT, Classic
	38	48300—60	ROLLER BEARING, with cup	80 to * — FLT, Classic
	39	48315—60	BEARING CUP (2)	80 to * — FLT, Classic
	40	48333—80	BEARING ADJUSTER	80 to * — FLT, Classic
	41	48361—80	DUST SHIELD, steering head bearing — upper	80 to * — FLT, Classic
	42	48365—48A	DUST SHIELD, steering head bearing — lower	80 to * — FLT, Classic
	43	58520—79A	BAFFLE	80 to * — FLT, Classics

FRAME AND REAR FORK



RETAIL PRICE	INDEX NO.	PART NO.	NAME	USED ON
	1	2003	SCREW	80 to * — FLT, Classic
	2	2582	SCREW	80 to * — FLT, Classic
	3	2662W	SCREW (2)	80 to * — FLT, Classic
	4	2698	SCREW (2)	80 & Early 81 — FLT, Classic
	5	2882W	BOLT (2)	80 to * — FLT, Classic
	6	4319	BOLT (2)	80 to * — FLT, Classic
	7	4435W	BOLT (2)	83 to * — FLHT, Classic
	8	5965B	SPACER, side cover (2)	80 to * — FLT, Classic
	9	6335	WASHER (4)	80 to * — FLT, Classic
	10	6701	WASHER (2)	83 to * — FLHT, Classic
	11	6702	WASHER (2)	80 to * — FLT, Classic
	12	7041	LOCKWASHER (6)	80 to * — FLT, Classic
	13	7042	LOCKWASHER (2)	80 & Early 81 — FLT, Classic
	14	7130W	LOCKWASHER, internal tooth (2)	83 to * — FLHT, Classic
	15	7725	LOCKNUT (2)	80 to * — FLT, Classic
	16	7775	LOCKNUT (2)	83 to * — FLHT, Classic
	17	7800W	NUT (2)	80 to * — FLT, Classic
	18	7825	LOCKNUT (2)	80 to * — FLT, Classic
	19	9959	CLIP NUT (3)	80 to * — FLT, Classic
	20	11412	GROMMET, side cover (2)	80 to * — FLT, Classic
	21	11436	GROMMET, right cover	80 to * — FLT, Classic
	22	29276—81	MOLDING STRIP, side cover — right, 43-1/4"	Late 81 & 82 — FLT, Classic
	23	29277—81	MOLDING STRIP, side cover — left, 33-1/4"	N/A Late 81 & 82 — FLT, Classic
	24	32451—83	BRACKET, ignition module	83 to * — FLHT, Classic
	25	41112—79	END COVER, rear fork (2)	80 to * — FLT, Classic
	26	41570—77	ADJUSTER, rear axle (2)	80 to * — FLT, Classic
	27	47213—79	BRACKET, engine mounting — upper	80 & Early 81 — FLT
	28	47247—83	BUSHING, hub foot brake (2)	83 to * — FLT, FLHT, Classics
	29	47251—79	BRACKET	80 & 81 — FLT, Classic
		47251—82	BRACKET	82 — FLT, Classic
	30	47313—79A	FRAME, with steering head cups	80 & 81 — FLT, Classic
			NOTE: Also order 50517—80 spacers for 80 & Early 81 use.	
		47313—82	FRAME, with steering head cups	82 — FLT, Classic
	31	47388—79	SPRING, saddlebag mounting (2)	80 to 82 — FLT, Classic
	32	47510—80	PLASTIC RETAINER RING (2)	80 to * — FLT, Classic
	33	47511—80	SPACER (2)	80 to * — FLT, Classic
	34	47512—82	SPACER, pivot shaft — right	82 to * — FLT, Classic
	35	47513—80	NYLON WASHER (2)	80 to * — FLT, Classic
	36	47514—80	SPACER, pivot shaft — left	80 to * — FLT, Classic
	37	47515—80A	PIVOT SHAFT, rear fork	80 & 81 — FLT, Classic
	38	47515—82A	PIVOT SHAFT, rear fork	82 to * — FLT, Classic
	39	47538—79	TOLERANCE RING, bushing (2)	80 to * — FLT, Classic
	40	47544—79	REAR FORK	80 to * — FLT, Classic
	41	47551—79	COVER, left	N/A 80 to 83 — FLT, Classic
	42	47552—79	COVER, right	N/A 80 to 83 — FLT, Classic
	43	47553—79A	RUBBER MOUNT, rear fork (2)	80 & 81 — FLT, Classic
	44	47556—81	BUSHING ASSEMBLY, with 47538—79 (2)	80 to * — FLT, Classic
	45	47564—82	RUBBER MOUNT, rear fork (2)	82 to * — FLT, Classic
	45A	47900—83D	FRAME, with steering head cups	83 to * — FLT, FLHT, Classics
	46	48315—60	BEARING CUP (2)	80 to * — FLT, Classic
	47	62557—80	DECAL, oil hose routing	N/A 80 & Early 81 — FLT, Classic
		62557—81	DECAL, oil hose routing	N/A Late 81 & 82 — FLT, Classic
	48	66029—80	RUBBER MOUNT, side cover (2)	80 to * — FLT, Classic
	49	66048—81A	SIDE COVER, right (black)	N/A 81 to * — FLT, Classic
		66052—79	SIDE COVER, right (black)	N/A 80 — FLT
	50	66303—81	SIDE COVER, left (black)	N/A 81 to * — FLT, Classic
		66361—79	SIDE COVER, left (black)	N/A 80 — FLT
	51	70908—82	CLIP NUT (2)	83 to * — FLT, FLHT, Classics
	52	90965—63	RIVET, 5/16" long (4)	80 to * — FLT, Classic

**SOLID MOUNTED SEAT,
FRONT BAR, JIFFY STAND,
LUGGAGE CARRIER**

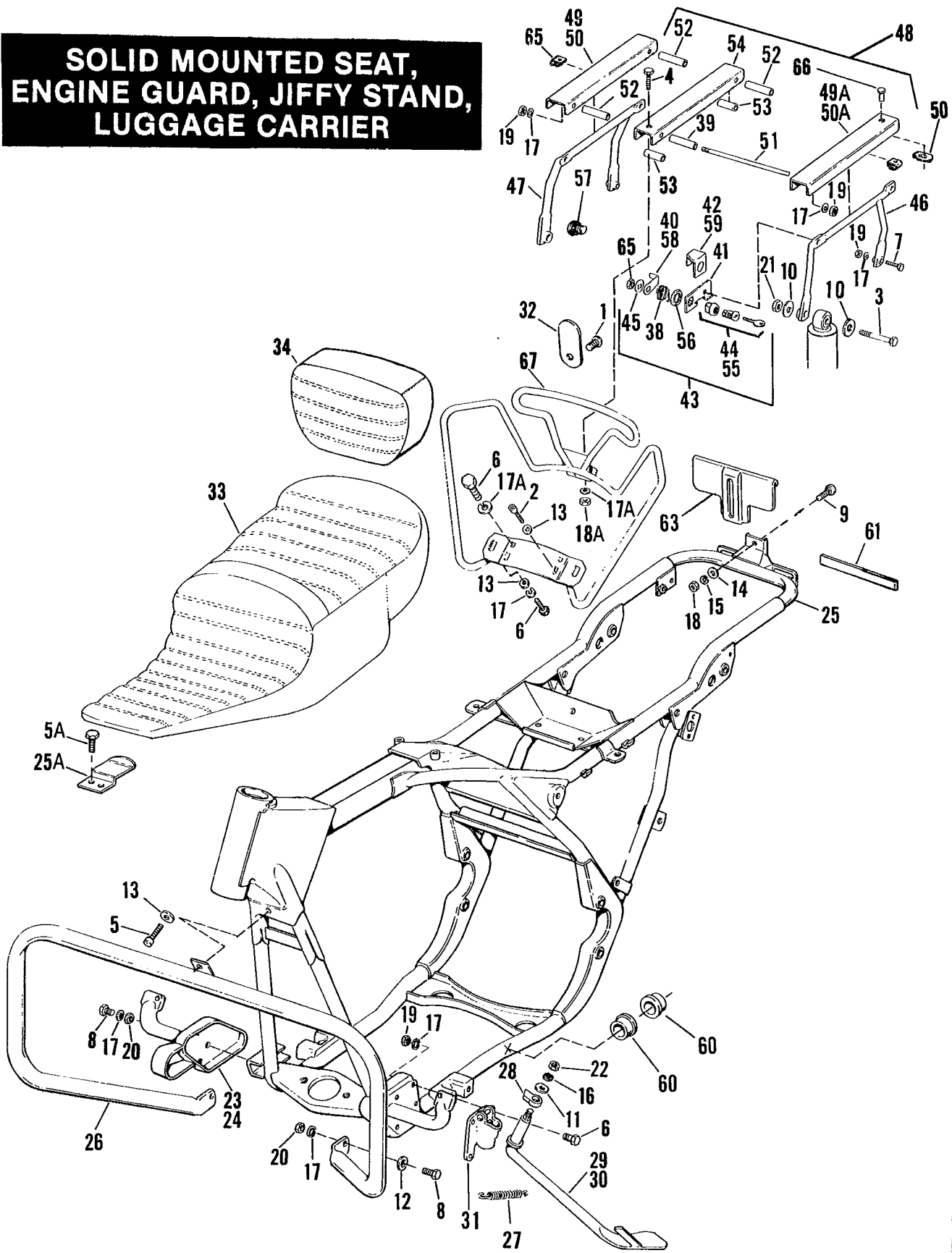


**SOLID MOUNTED SEAT,
ENGINE GUARD, JIFFY STAND, LUGGAGE CARRIER**

T23A-1

RETAIL PRICE	INDEX NO.	PART NO.	NAME	USED ON
	1	856	SCREW	80 to * — FLT, Classic
	2	2151	SCREW (2)	80 & 81 — FLT, Classic
	3	2698	SCREW (2)	80 & 81 — FLT, Classic
	4	3950	BOLT (2)	80 to * — FLT, Classic
	5	3442	BOLT (chrome)	80 to * — FLT, Classic
	5A	3787	BOLT (2)	83 to * — FLT, FLHT, Classics
	6	3974HW	BOLT (8)	80 to * — FLT, Classic
	7	4036	BOLT (2)	80 to * — FLT, Classic
	8	4337W	BOLT (2)	80 to * — FLT, Classic
	9	5403B	CLAMP BOLT	80 to * — FLT, Classic
	10	6012	WASHER (4)	80 to * — FLT, Classic
	11	6334	WASHER	80 to * — FLT, Classic
	12	6701	WASHER (2)	80 to * — FLT, Classic
	13	6702	WASHER (5; 3 — 83)	80 to * — FLT, Classic
	14	6703	WASHER	80 to * — FLT, Classic
	15	7036	LOCKWASHER	80 to * — FLT, Classic
	16	7039	LOCKWASHER	80 to * — FLT, Classic
	17	7041	LOCKWASHER (14)	80 to * — FLT, Classic
	17A	7127	LOCKWASHER (5)	80 to * — FLT, FLHT, Classics
	18	7689W	NUT	80 to * — FLT, Classic
	18A	7725	NUT	80 to * — FLT, FLHT, Classics
	19	7753	NUT (10)	80 to * — FLT, Classic
	20	7800W	NUT (2)	80 to * — FLT, Classic
	21	7741	LOCKNUT (2)	80 to * — FLT, Classic
	22	7837W	NUT	80 to * — FLT, Classic
	23	47251-79	BRACKET, engine guard	80 & 81 — FLT, Classic
	24	47251-82	BRACKET, engine guard	82 — FLT, Classic
	25	47349-83A	REAR FRAME SECTION, with license plate bracket	80 to * — FLT, Classic
	25A	47374-83	BRACKET, seat mounting — front	83 to * — FLT, FLHT, Classics
	26	49184-88	ENGINE GUARD	80 to * — FLT, Classic
	27	50011-30A	SPRING, jiffy stand	80 to * — FLT, Classic
	28	50015-74	LEG STOP	80 to * — FLT, Classic
	29	50074-79A	JIFFY STAND ASSEMBLY	80 to * — FLT, Classic
	30	50075-79	LEG, jiffy stand	80 to Early 81 — FLT, Classic
		50075-81	LEG, jiffy stand	Late 81 to * — FLT, Classic
	31	50078-79	BRACKET, jiffy stand leg	80 to Early 81 — FLT, Classic
		50078-81	BRACKET, jiffy stand leg	Late 81 to * — FLT, Classic
	32	52115-85	SUPPORT PLATE, backrest (2)	80 to * — FLT, Classic
	33	52151-79B	SEAT, solid mounted (black vinyl)	N/A 80 to 82 — FLT, Classic
		52151-80B	SEAT, solid mounted (saddle brown vinyl)	80 to 82 — FLT
		52151-83	SEAT, solid mount (black)	83 to * — FLT, FLHT
		52177-83	SEAT, solid mount (brown)	83 to * — Classics
	34	52201-83	BACKREST KIT (black vinyl)	83 to * — Classics
		52205-79	BACKREST (black vinyl) (4 double horiz. stitches)	80 — FLT
		52219-83	BACKREST KIT (brown vinyl)	N/A 83 to * — Classics
		52530-80	BACKREST (saddle brown) (4 double horiz. stitches)	N/A 80 — FLT
		52543-79	BACKREST (brown vinyl)	N/A 82 — Classic
		52567-77	BACKREST (black vinyl) (4 double horiz. stitches)	N/A 80 & 81 — FLT, Classic
		52617-80	BACKREST (saddle brown vinyl) (5 horizontal stitches)	N/A 80 to * — FLT
	38	53291-77	SPRING, luggage box lock	N/A 80 to 82 — FLT, Classic
	39	53294-77	SPACER, left front	80 to 82 — FLT, Classic
	40	53295-77	LOCKING EAR, luggage box to carrier	N/A 80 & 81 — FLT, Classic
	41	53296-77	BRACKET, lock mounting	N/A 80 to 82 — FLT, Classic
	42	53297-77	COVER, lock mechanism	N/A 80 & 81 — FLT, Classic
	43	53298-77A	LOCK ASSEMBLY	80 to * — FLT, Classic
	44	53307-69	LOCK, with key and nuts	80 & 81 — FLT, Classic
	45	53331-69	WASHER, locking ear	80 & 81 — FLT, Classic

SOLID MOUNTED SEAT, ENGINE GUARD, JIFFY STAND, LUGGAGE CARRIER

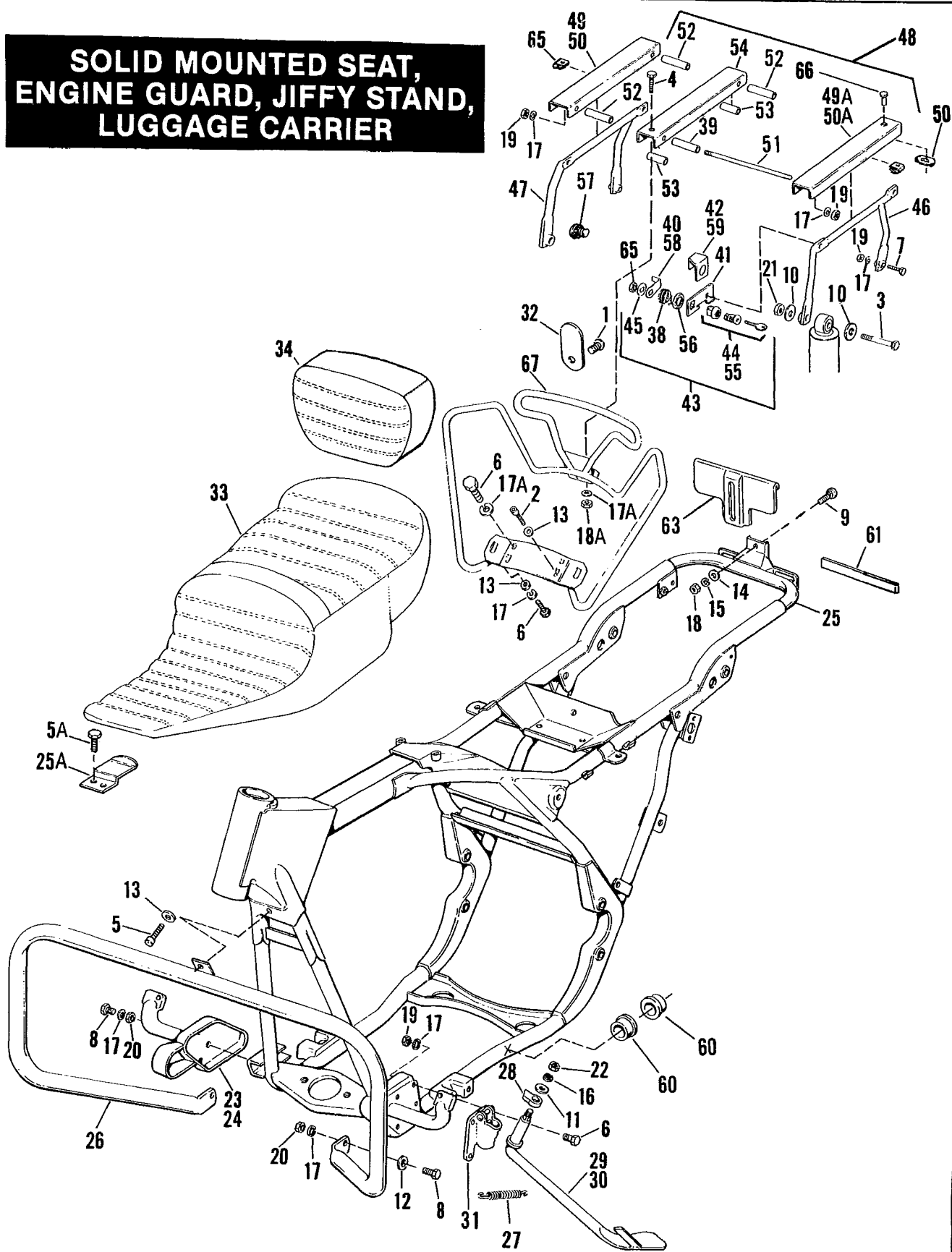


**SOLID MOUNTED SEAT,
ENGINE GUARD, JIFFY STAND, LUGGAGE CARRIER (CONT'D)**

T23A-2

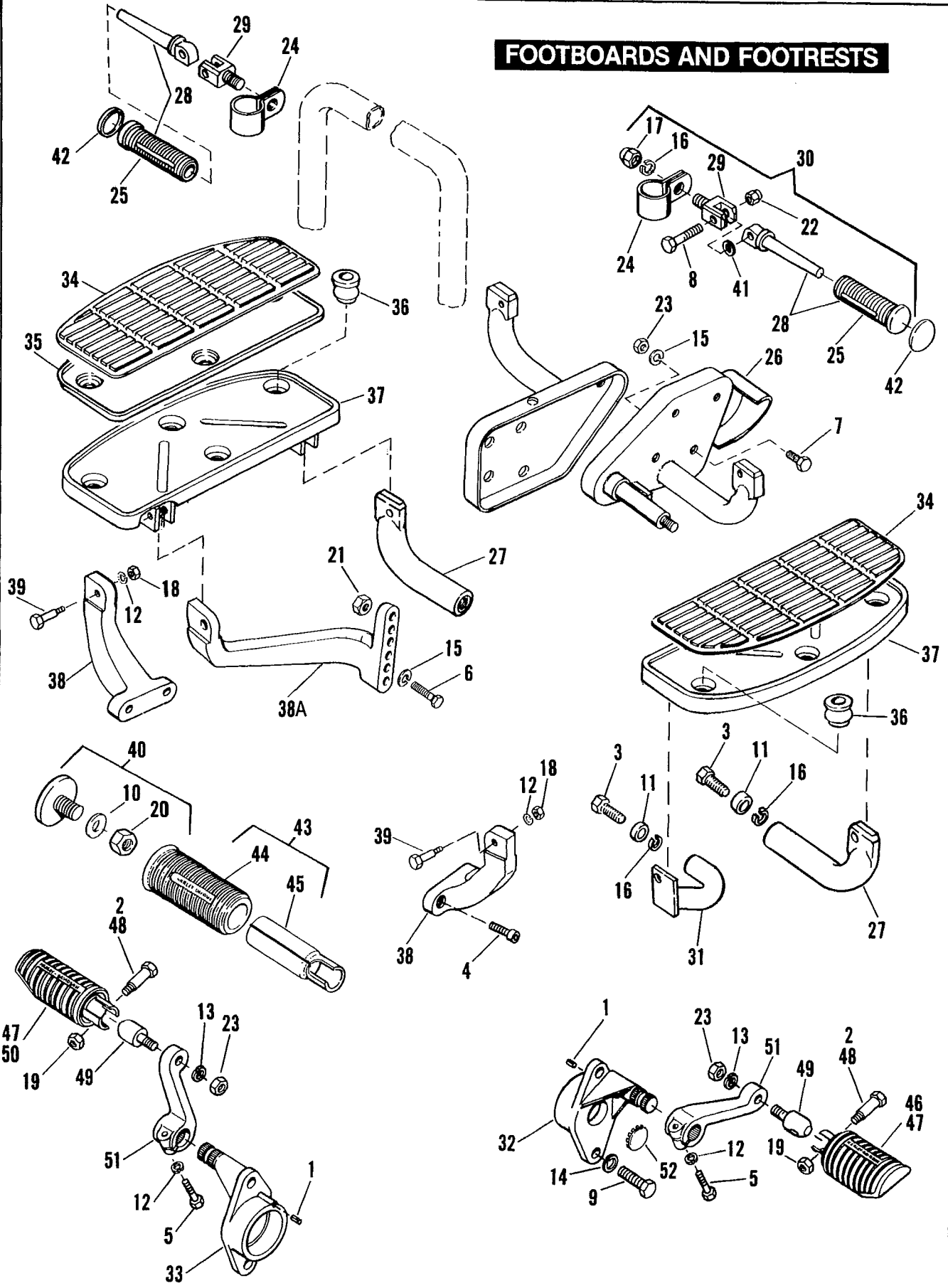
RETAIL PRICE	INDEX NO.	PART NO.	N A M E	USED ON
	46	53365-79	BRACE, left	80 to * — FLT, FLHT, Classics
	47	53366-79	BRACE, right	80 & 81 — FLT, Classic; 83 to * — FLT, FLHT, Classics
	48	53367-79	LUGGAGE CARRIER	80 & 81 — FLT, Classic
		53369-82	LUGGAGE CARRIER	82 — Classic
	49	53399-86	CHANNEL (2)	83 to * — FLT, FLHT, Classics
	50	53410-83	RECEPTACLE, leaf spring (4)	83 to * — FLT, FLHT, Classics
	50A	53450-52	OUTER CHANNEL (2)	80 to 82 — FLT, Classic
	51	53454-52	CROSS STUD (2)	80 to * — FLT, FLHT, Classics
	52	53455-52	SPACER (3)	80 to * — FLT, FLHT, Classics
	53	53456-52	SPACER (short) (2)	80 to * — FLT, FLHT, Classics
	54	53492-79	CENTER CHANNEL	80 to * — FLT, FLHT, Classics
	55	53580-82	CAM LOCK	82 to * — FLT, Classic
	56	53581-82	SPACER	82 — Classic
	57	53582-82	SCREW, with washer	82 to * — Classic
	58	53584-82	RELEASE CAM, lock	82 — Classic
	59	53586-82	COVER, lock mechanism	82 — Classic
	60	56158-73	RUBBER BUSHING (2)	80 to * — FLT, Classic
	61	59988-72	REFLECTOR, license plate bracket (red)	80 to * — FLT, Classic
	63	59998-82	CLAMP, license plate bracket (painted)	80 to * — FLT, Classic
	64	70908-82	CLIP NUT (4)	83 to * — Classics
	65	84850-67	NUT, lock	82 to * — FLT, Classic
	66	90965-63	RIVET, receptacle mounting (8)	83 to * — FLT, FLHT, Classics
	67	91582-79	HANDRAIL, solid mounted seat	80 to 82 — FLT, Classic
		91583-83	HANDRAIL, solid mounted seat	83 to * — FLT, FLHT, Classics

**SOLID MOUNTED SEAT,
ENGINE GUARD, JIFFY STAND,
LUGGAGE CARRIER**



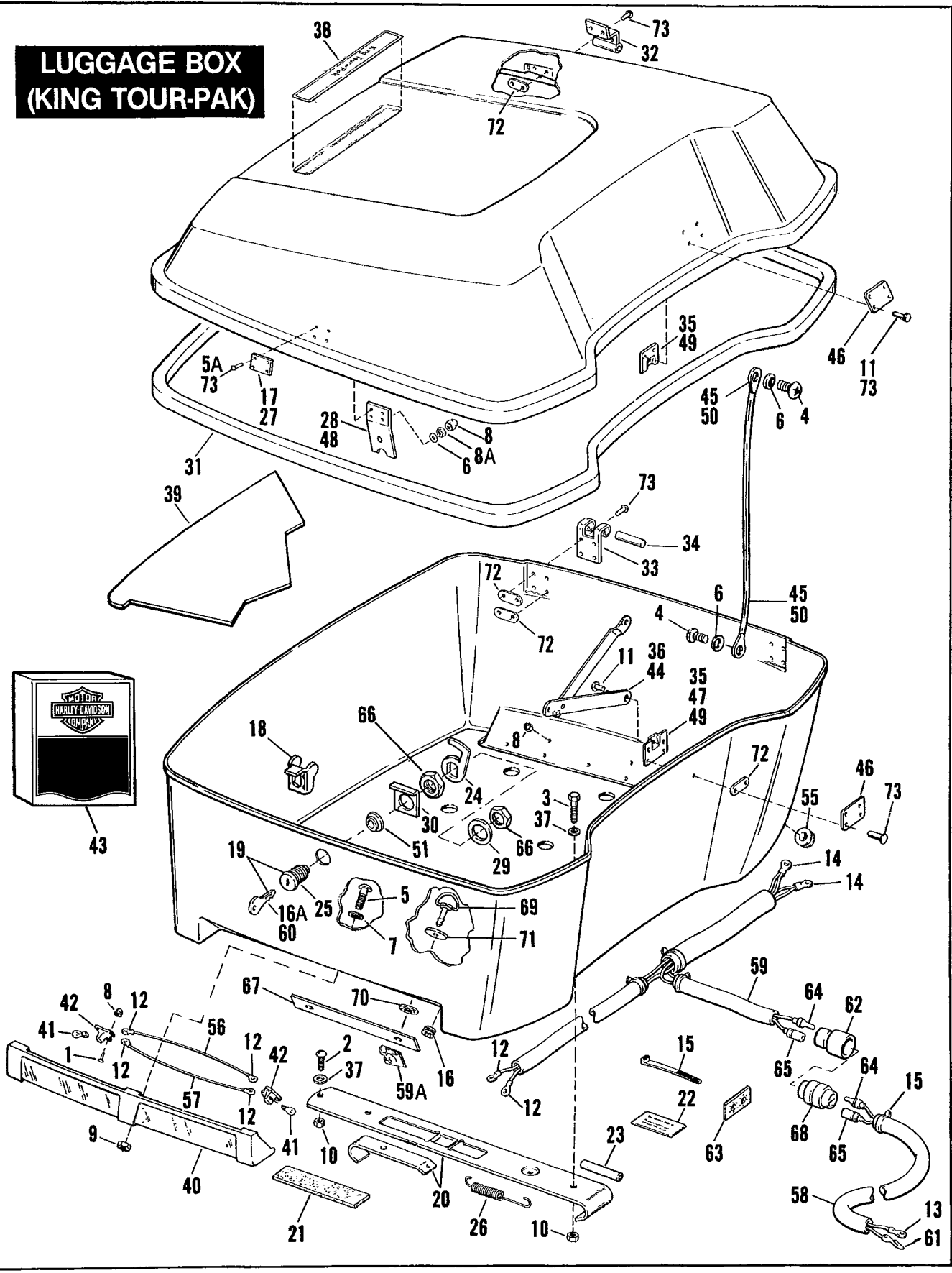
RETAIL PRICE	INDEX NO.	PART NO.	N A M E	USED ON
	1	2151	SCREW (2)	80 & 81 — FLT, Classic
	1A	4391	BOLT (3)	80 & 81 — FLT, Classic
	1B	52115—85	SUPPORT PLATE, backrest (2)	80 & 81 — FLT, Classic
	2	52125—80	HARDWARE KIT	N/A 80 & 81 — FLT, Classic
	3	52147—80	SHAFT ASSEMBLY, upper	N/A 80 & 81 — FLT, Classic
	4	52148—80	HANDLE	N/A 80 & 81 — FLT, Classic
	5	52149—80	ROD	N/A 80 & 81 — FLT, Classic
	6	52150—80	SPRING, compression (2)	N/A 80 & 81 — FLT, Classic
	7	52153—80	SHAFT ASSEMBLY, lower	N/A 80 & 81 — FLT, Classic
	8	52154—80	SHAFT (2)	N/A 80 & 81 — FLT, Classic
	10	52156—80	FRONT LINK	N/A 80 & 81 — FLT, Classic
	11	52157—80	BUMPER	N/A 80 & 81 — FLT, Classic
	12	52158—80	BASE ASSEMBLY, seat suspension	N/A 80 & 81 — FLT, Classic
	13	52159—80	DAMPER	80 & 81 — FLT, Classic
	14	52160—80	HARDWARE KIT	N/A 80 & 81 — FLT, Classic
	16	52162—80	SPRING	N/A 80 & 81 — FLT, Classic
	17	52163—80	SPRING SLIDER ASSEMBLY	N/A 80 & 81 — FLT, Classic
	17A	52419—81	SUPPORT, seat	N/A 80 & 81 — FLT, Classic
	17B	52420—81	HOOK	N/A 80 & 81 — FLT, Classic
	18	52510—80	SUSPENSION ASSEMBLY	N/A 80 & 81 — FLT, Classic
	19	52514—77A	SEAT, only (black vinyl)	N/A 80 & 81 — FLT, Classic
		52516—77A	SEAT, only (white vinyl)	N/A 80 & 81 — FLT, Classic
		52516—78	SEAT, only (white leather)	N/A 80 & 81 — FLT, Classic
		52518—78	SEAT, only (brown leather)	N/A 80 & 81 — FLT, Classic
		52528—80	SEAT, only (saddle brown vinyl)	N/A 80 — FLT
	20	52567—77	BACKREST ASSEMBLY (black vinyl)	N/A 80 & 81 — FLT, Classic
		52568—77	BACKREST ASSEMBLY (black leather)	N/A 80 & 81 — FLT, Classic
		52569—80	BACKREST ASSEMBLY (saddle brown vinyl)	N/A 80 — FLT
		52580—77	BACKREST ASSEMBLY (brown leather)	N/A 80 & 81 — FLT, Classic
		52581—77	BACKREST ASSEMBLY (white vinyl)	N/A 80 & 81 — FLT, Classic
	21	52620—77	HANDRAIL ASSEMBLY	80 & 81 — FLT, Classic
	22	52622—77	SUPPORT PLATE, handrail	80 & 81 — FLT, Classic
	23	52623—77	LOCKNUT, support plate to handrail	N/A 80 & 81 — FLT, Classic

FOOTBOARDS AND FOOTRESTS



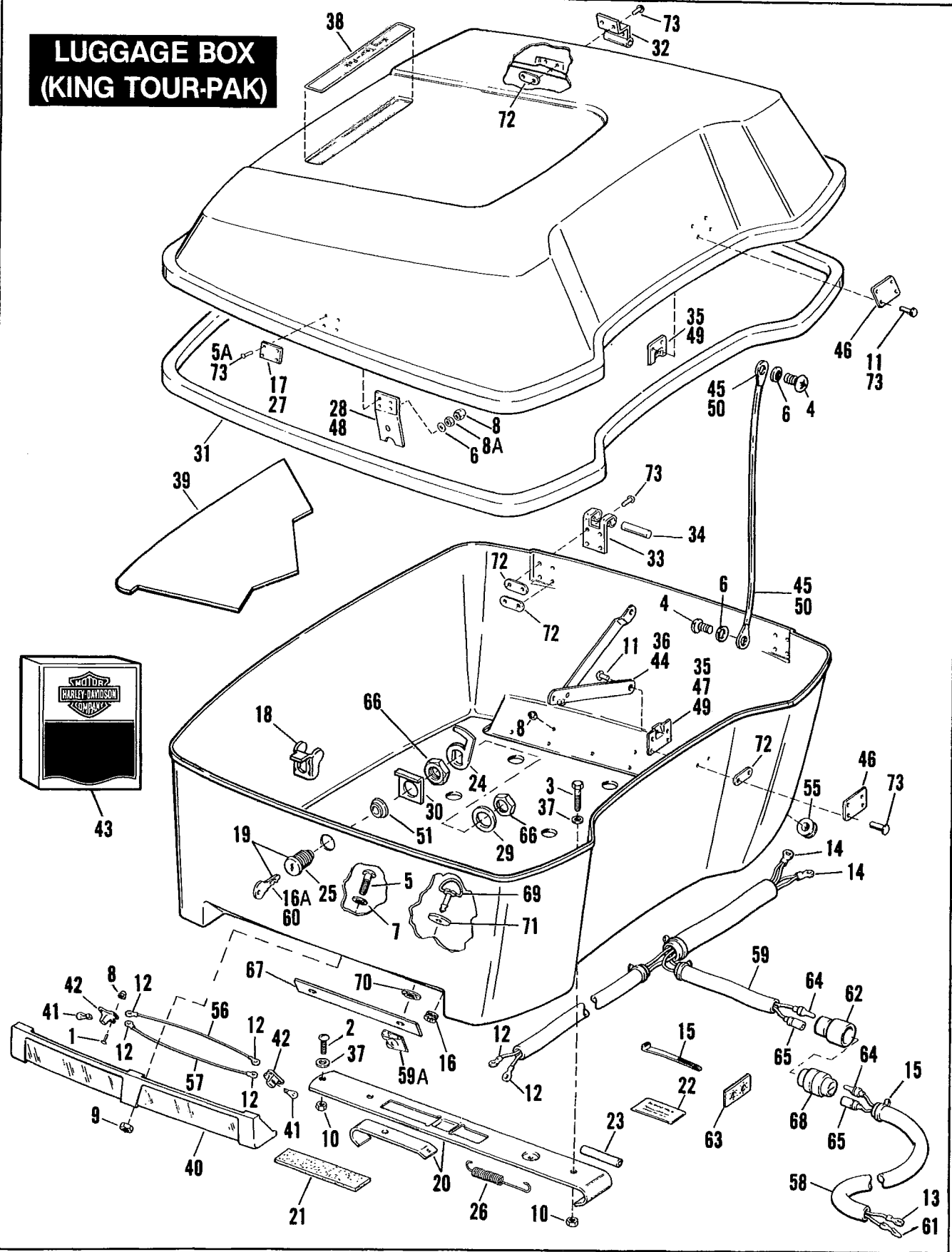
RETAIL PRICE	INDEX NO.	PART NO.	N A M E	USED ON
	1	604	ROLL PIN (2)	80 to * — FLT, Classic
	2	856	SCREW (4)	80 to * — FLT, Classic
	3	2608	SHOULDER SCREW	81 to * — FLT, Classic
	4	3486	BOLT (3)	83 to * — FLT, FLHT, Classics
	5	3825	BOLT (2)	80 to * — FLT, Classic
	6	3974HW	BOLT (2)	83 to * — FLT, FLHT, Classic
	7	4319	BOLT (2)	80 to * — FLT, Classic
	8	4721	BOLT (2)	80 to * — FLT, Classic
	9	4729	BOLT (4)	80 to * — FLT, Classic
	10	6235	WASHER (2)	82 to * — FLT, Classic
	11	6718	WASHER (3)	83 to * — FLT, FLHT, Classics
	12	7036	LOCKWASHER (6)	80 to * — FLT, Classic
	13	7038	LOCKWASHER (2)	80 to * — FLT, Classic
	14	7039	LOCKWASHER (4)	80 to * — FLT, Classic
	15	7041	LOCKWASHER (2)	80 to * — FLT, Classic
	16	7068	LOCKWASHER (5)	80 to * — FLT, Classic
	17	7627	ACORN NUT (2)	80 to * — FLT, Classic
	18	7691W	NUT (4)	80 to * — FLT, Classic
	19	7725	LOCKNUT (2)	80 — FLT
		7739	LOCKNUT (2)	81 to * — FLT, Classic
	20	7742	LOCKNUT (2)	82 to * — FLT, Classic
	21	7753	NUT (2)	83 to * — FLT, FLHT, Classics
	22	7778	LOCKNUT (2)	80 to * — FLT, Classic
	23	7800W	NUT (4)	80 to * — FLT, Classic
	24	9985	CLAMP (2)	80 to * — FLT, Classic
	25	33189—63	RUBBER, only (2)	80 to * — FLT, Classic
	26	47251—79	BRACKET, footboard	80 & 81 — FLT, Classic
		47251—82	BRACKET, footboard	82 — FLT, Classic
	27	47365—83	FOOTBOARD BRACKET, front (2)	83 to * — FLT, FLHT, Classics
	28	49117—77	FOOTREST, with cover (2)	80 to * — FLT, Classic
	29	49131—79	SUPPORT, footrest (2)	80 to * — FLT, Classic
	30	49132—79	SET OF ENGINE GUARD FOOTRESTS	80 to * — FLT, Classic
	31	50518—83	FOOTBOARD BRACKET, rear right	83 to * — FLT, FLHT, Classics
	32	50584—79B	FOOTREST BRACKET, right	80 to * — FLT, Classic
	33	50585—79A	FOOTREST BRACKET, left	N/A 80 to * — FLT, Classic
	34	50614—66	PAD, footboard (2)	80 to * — FLT, Classic
	35	50619—74A	PLATE, footboard (without pad) (2)	80 to * — FLT, Classic
	36	50620—74	RUBBER MOUNT, footboard (8)	80 to * — FLT, Classic
	37	50621—79A	FOOTBOARD (2)	80 to * — FLT, Classic
	38	50622—79	SUPPORT, footboard — rear (2)	80 & 81 — FLT, Classic
		50622—82	SUPPORT, footboard — rear (2)	82 — FLT, Classic
	38A	50622—83A	FOOTBOARD BRACKET, rear left	83 to * — FLT, FLHT, Classics
	39	50635—14A	BOLT, footboard hinge (4)	80 to Early 82 — FLT, Classic
		50635—82	BOLT, footboard hinge (4)	Late 82 to * — FLT, Classic
	40	50880—69	END COVER KIT, footrest — pair (chrome)	82 to * — FLT, Classic
	41	50912—72	SPRING WASHER (2)	80 to * — FLT, Classic
	42	50936—77	SET OF FOOTREST END CAPS (chrome)	80 & 81 — FLT, Classic
	43	50939—52	FOOTREST, with cover (2)	82 to * — FLT, Classic
	44	50940—52	COVER, only (2)	82 to * — FLT, Classic
	45	50946—52	FOOTREST, only (2)	N/A 82 to * — FLT, Classic
	46	50963—74	FOOTREST, right - with cover	N/A 80 & 81 — FLT, Classic
	47	50964—74	COVER, only (2)	80 to * — FLT, Classic
	48	50970—52	BOLT, footrest pivot (2)	80 — FLT
	49	50973—65	STUD, footrest (2)	80 to * — FLT, Classic
	50	50983—75	FOOTREST, left - with cover	N/A 80 to * — FLT, Classic
	51	52700—81	FOOTREST SUPPORT (black wrinkle) (2)	80 to * — FLT, Classic
	52	67830—59	PLUG (2)	80 to * — FLT, Classic

LUGGAGE BOX (KING TOUR-PAK)



RETAIL PRICE	INDEX NO.	PART NO.	N A M E	USED ON
	.1	2507	SCREW (8)	80 to * — FLT, Classic
	2	2538	SCREW (4)	80 to 82 — FLT, Classic
	3	2551W	BOLT (2)	80 to 82 — FLT, Classic
	4	2831	SCREW (2)	82 to * — FLT, Classic
	5	2888	SCREW (6)	80 & 81 — FLT, Classic
	5A	3225	SCREW (4)	82 — FLT, Classic
	6	6717	WASHER (4)	82 — FLT, Classic
	6A	6970	SPRING WASHER (2)	82 to * — Classic
	7	7115	LOCKWASHER (6)	80 to * — FLT, Classic
	8	7520	ACORN NUT (nylon) (8)	80 & 81 — FLT, Classic
	8A	7590	NUT (4)	82 — FLT, Classic
	9	7609W	LOCKNUT (6)	80 to * — FLT, Classic
	10	7742	LOCKNUT (6)	80 to 82 — FLT, Classic
	11	8525W	RIVET (2)	N/A Early 80 — FLT
	12	9856	WIRE TERMINAL, ring type, No. 6 hole, #16-22 wire	80 & 81 — FLT, Classic
	13	9858	WIRE TERMINAL, ring type — 1/4 dia. hole, #16-22 wire	80 to * — FLT, Classic
	14	9871	WIRE TERMINAL, ring type — No. 6 dia. hole #14-16 wire	80 & 81 — FLT, Classic
	15	10006	CABLE STRAP, black (2)	80 to * — FLT, Classic
		10007	CABLE STRAP, white (3)	80 & 81 — FLT, Classic
	16	11410	GROMMET, side light wiring (2)	80 to * — FLT, Classic
	16A	48152—82	KEY (specify key no. 1 to 100)	82 to * — FLT, FLHT, Classics
	17	52773—82	TRIM PLATE	82 to * — Classic
	18	53152—82A	HOUSING, plunger lock	82 to * — FLT, Classic
	19	53153—82	PLUNGER LOCK, with two keys	82 to * — FLT, Classic
	20	53161—80A	BOX BRACKET, (2)	80 to 82 — FLT, Classic
	21	53162—80	FOAM TAPE (3)	80 & 81 — FLT, Classic
	22	53293—79	WARNING LABEL, tour-pak	80 & 81 — FLT, Classic
	23	53294—77	SPACER, box bracket	80 & 81 — FLT, Classic
	24	53306—69	LOCKING HOOK, cover	80 — FLT
		53306—80	LOCKING HOOK, cover	81 — FLT, Classic
	25	53307—69	LOCK, luggage box (with nuts and key)	80 & 81 — FLT, Classic
	26	53404—79	SPRING, luggage box (2)	80 to 82 — FLT, Classic
	27	53326—69A	PLATE, cover latch	80 to * — FLT, Classic
	28	53329—69A	LATCH, cover	80 — FLT
	29	53331—69	WASHER, locking hook	80 & 81 — FLT, Classic
	30	53332—69	WASHER, body lock	80 & 81 — FLT, Classic
	31	53425—80	GASKET, cover	80 to * — FLT, Classic
	32	53426—80	HINGE, cover (upper) (2)	80 & 81 — FLT, Classic
	33	53427—80	HINGE, cover (lower) (2)	80 & 81 — FLT, Classic
	34	53428—80A	HINGE PIN, cover (2)	N/A 80 & 81 — FLT, Classic
	35	53429—80	BRACKET, brace (2)	N/A Early 80 — FLT
	36	53431—80	BRACE, luggage box - without plates	Early 80 — FLT
	37	53433—80	WASHER, box bracket (nylon) (6)	80 & 81 — FLT, Classic
	38	53434—80	NAMEPLATE, luggage box — black (KING TOUR-PAK) ...	80 & 81 — FLT, Classic
	39	53435—80	MAT, luggage box	N/A 80 & 81 — FLT, Classic
	40	53437—79	LENS, side light (2)	80 & 81 — FLT, Classic
	41	53439—79	BULB, side light (4)	80 to * — FLT, Classic
	42	53440—79	SOCKET, side light (4)	80 & 81 — FLT, Classic
	43	53457—79	LIGHT KIT, luggage box	80 to * — FLT, Classic
	44	53477—80	BRACE ASSEMBLY, luggage box	N/A Late 80 & 81 — FLT, Classic
	45	53477—80A	CABLE BRACE ASSEMBLY, luggage box	82 to * — FLT, Classic
	46	53478—80	BACKING PLATE, brace (2)	Late 80 to * — FLT, Classic
	47	53479—80	BRACKET, brace mounting (2)	Late 80 to * — FLT, Classic
	48	53513—81	LATCH, cover	80 & 81 — FLT, Classic
		53513—82A	LOCK SERVICE KIT — Includes items 5A, 6, 8, 8A, 48 & 51	N/A 82 — FLT, Classic
		53513—83	LATCH, cover	83 to * — Classics

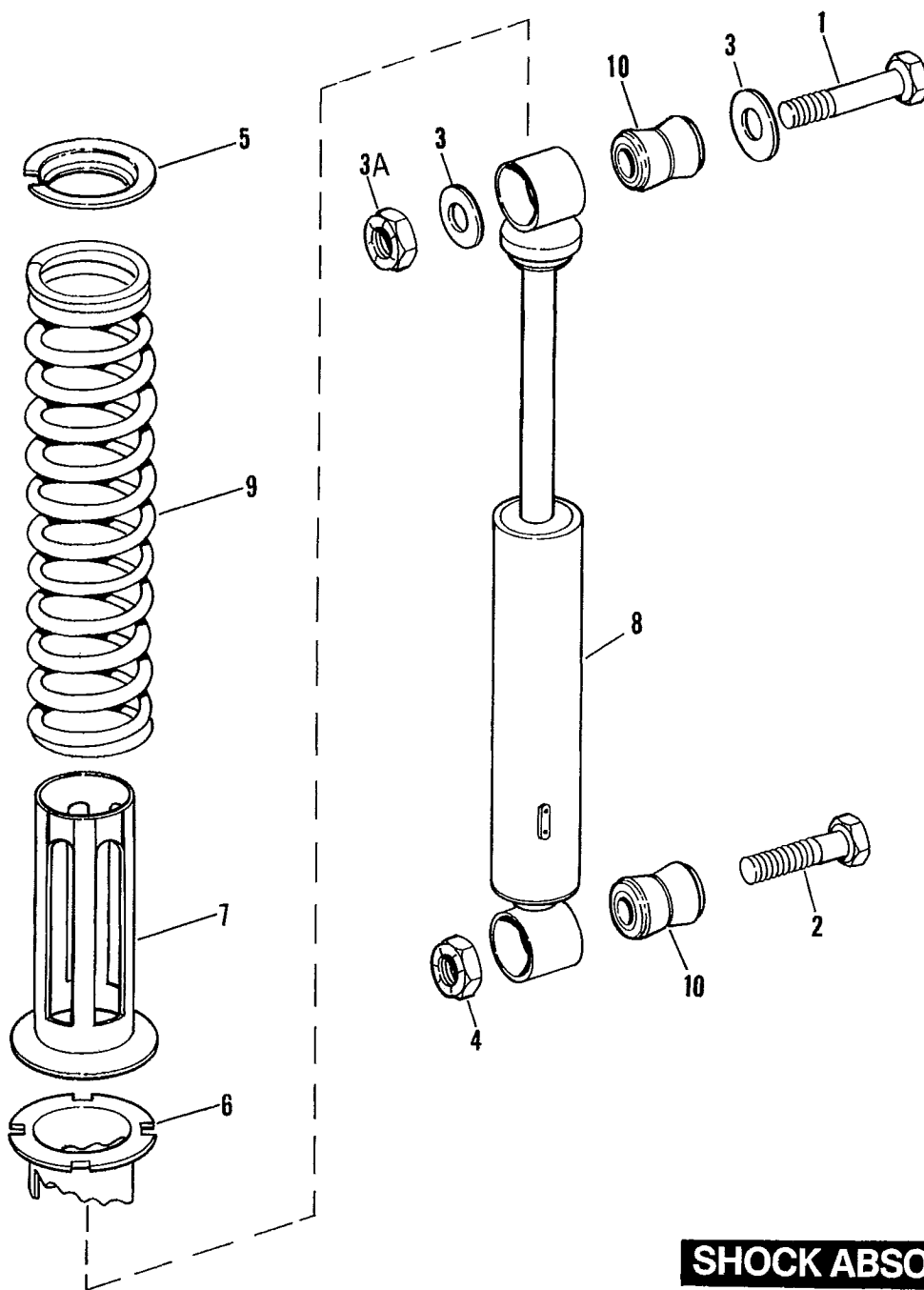
LUGGAGE BOX (KING TOUR-PAK)



LUGGAGE BOX (KING TOUR-PAK) (CONT'D)

T26-2

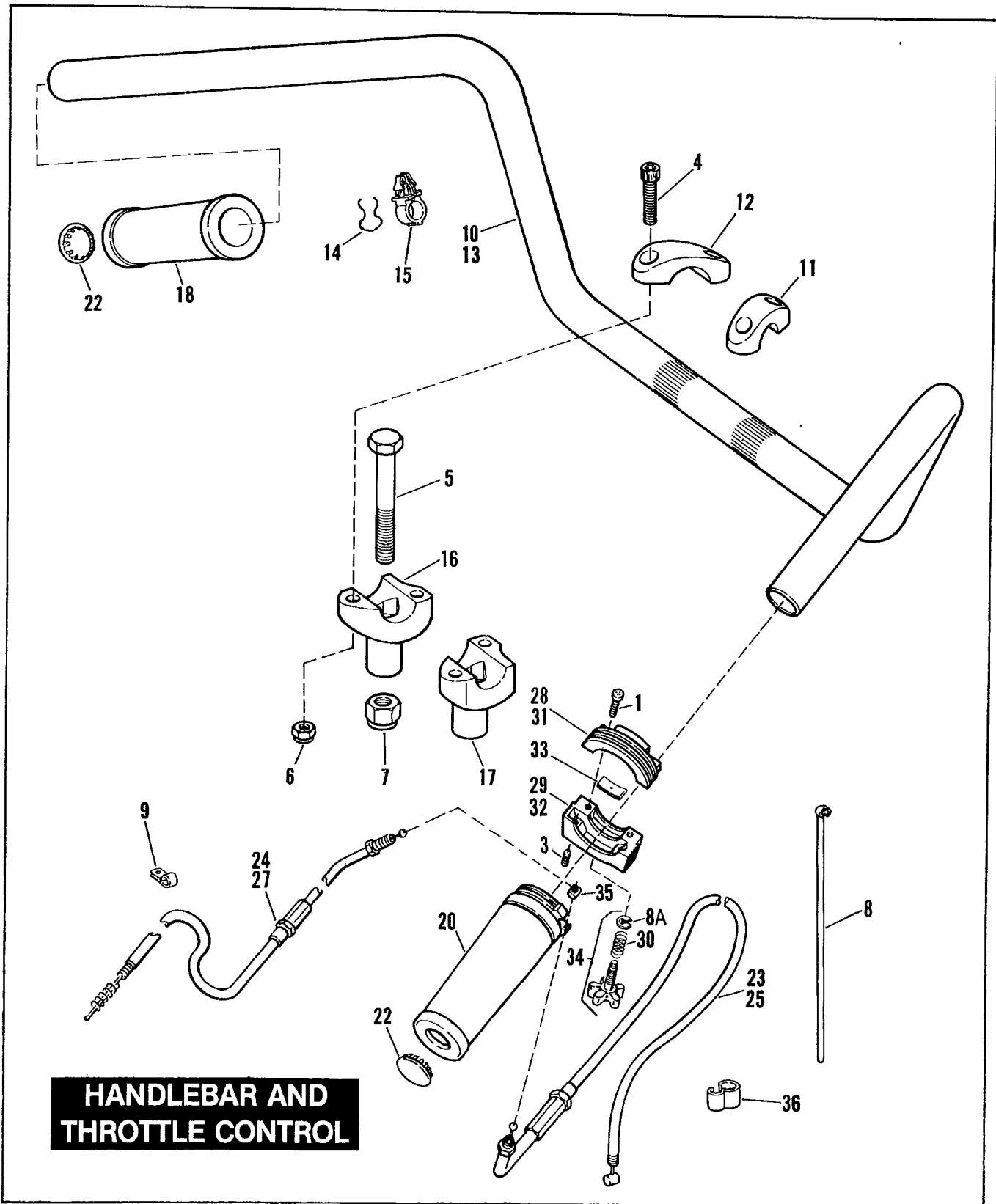
RETAIL PRICE	INDEX NO.	PART NO.	N A M E	USED ON
	49	53563-82	BRACKET, cable brace mounting (2)	82 to * — FLT, Classic
	50	53564-82	CABLE BRACE, cover	82 to * — FLT, Classic
	51	53579-82	INSERT, lock	82 — FLT, Classic
	55	57978-63	GROMMET, side light wiring	80 & 81 — FLT, Classic
	56	70643-79A	WIRE, green — side light (2)	80 & 81 — FLT, Classic
	57	70644-79A	WIRE, black — side light (2)	80 & 81 — FLT, Classic
	58	70645-79	WIRING HARNESS, rear fender	80 & 81 — FLT, Classic
	59	70646-79	WIRING HARNESS, luggage box side light	80 & 81 — FLT, Classic
	59A	70908-82	CLIP NUT (4)	83 to * — Classics
	60	71626-62	KEY (specify Key No. LL226 to LL450)	80 to * — FLT, Classic
	61	72039-71	PIN, socket terminal	80 to * — FLT, Classic
	62	72052-79	RECEPTACLE, side light wire	80 to * — Classic
	63	72275-74	CONNECTOR TAB, 2 terminal	80 & 81 — FLT; 80 to * — Classic
	64	74536-77A	PIN, wiring harness	80 to * — FLT, Classic
	65	74539-77A	SOCKET, wiring harness	80 to * — FLT, Classic
	66	84850-67	NUT, lock (2)	82 to * — FLT, Classic
	67	90743-83	GASKET (2)	83 to * — Classics
	68	90771-79	PLUG, wiring harness	80 to * — FLT, Classic
	69	90789-83	BAIL HEAD STUD (4)	83 to * — Classics
	70	90790-83	RETAINER (4)	83 to * — Classics
	71	90791-83	REINFORCEMENT, washer (4)	83 to * — Classics
	72	90964-63	BACKING PLATE (10; 8 - Late 1980 & later)	80 to * — FLT, Classic
	73	90965-63	RIVET (24)	80 to * — FLT, Classic



SHOCK ABSORBERS

SHOCK ABSORBERS

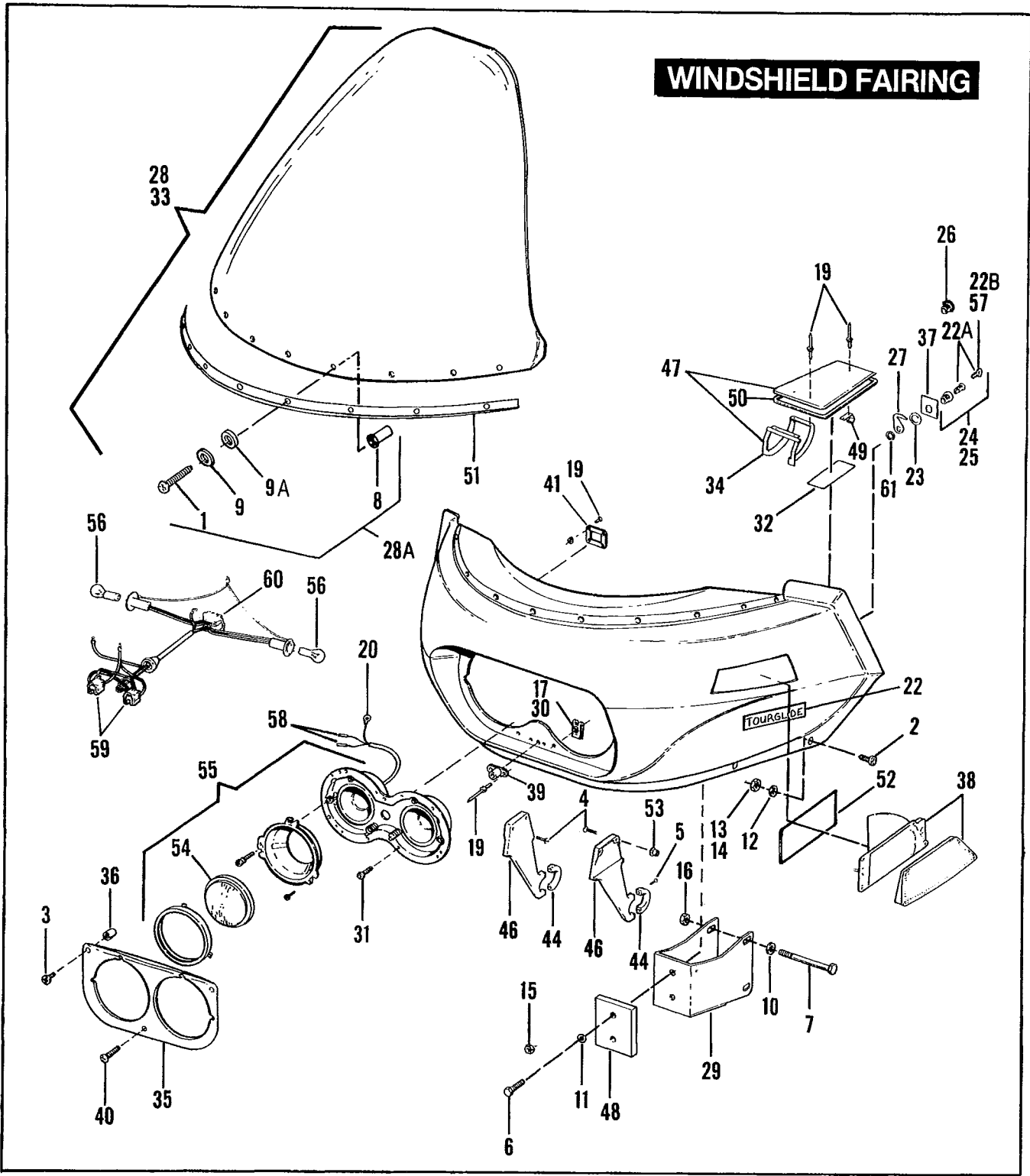
RETAIL PRICE	INDEX NO.	PART NO.	N A M E	USED ON
	1	3950	BOLT (2)	80 to * — FLT, Classic
	2	4081	BOLT (2)	80 to * — FLT, Classic
	3	6012	WASHER (4)	80 to * — FLT, Classic
	3A	7741	LOCKNUT (2)	80 to * — FLT, Classic
	4	7812W	LOCKNUT (2)	80 to * — FLT, Classic
	5	54473—79	SEAT, spring — upper	80 to * — FLT, Classic
	6	54474—79	ADJUSTER, spring	80 to * — FLT, Classic
	7	54475—79	SPRING GUIDE, lower	80 to * — FLT, Classic
	8	54532—79	SHOCK ABSORBER, complete (2)	80 — FLT
		54532—81	SHOCK ABSORBER, complete (2)	81 & 82 — FLT, Classic
		54532—83	SHOCK ABSORBER, complete (2)	83 to * — FLT, FLHT, Classic's
		54623—81	SHOCK ABSORBER, only	N/A 80 to 82 — FLT, Classic
		54623—83	SHOCK ABSORBER, only	N/A 83 to * — FLT, FLHT, Classic's
	9	54624—80	SPRING	80 to 82 — FLT, Classic
		54624—83	SPRING	N/A 83 to * — FLT, FLHT, Classic's
	10	54628—80A	RUBBER BUSHING (2)	80 to * — FLT, Classic



HANDLEBAR AND THROTTLE CONTROL

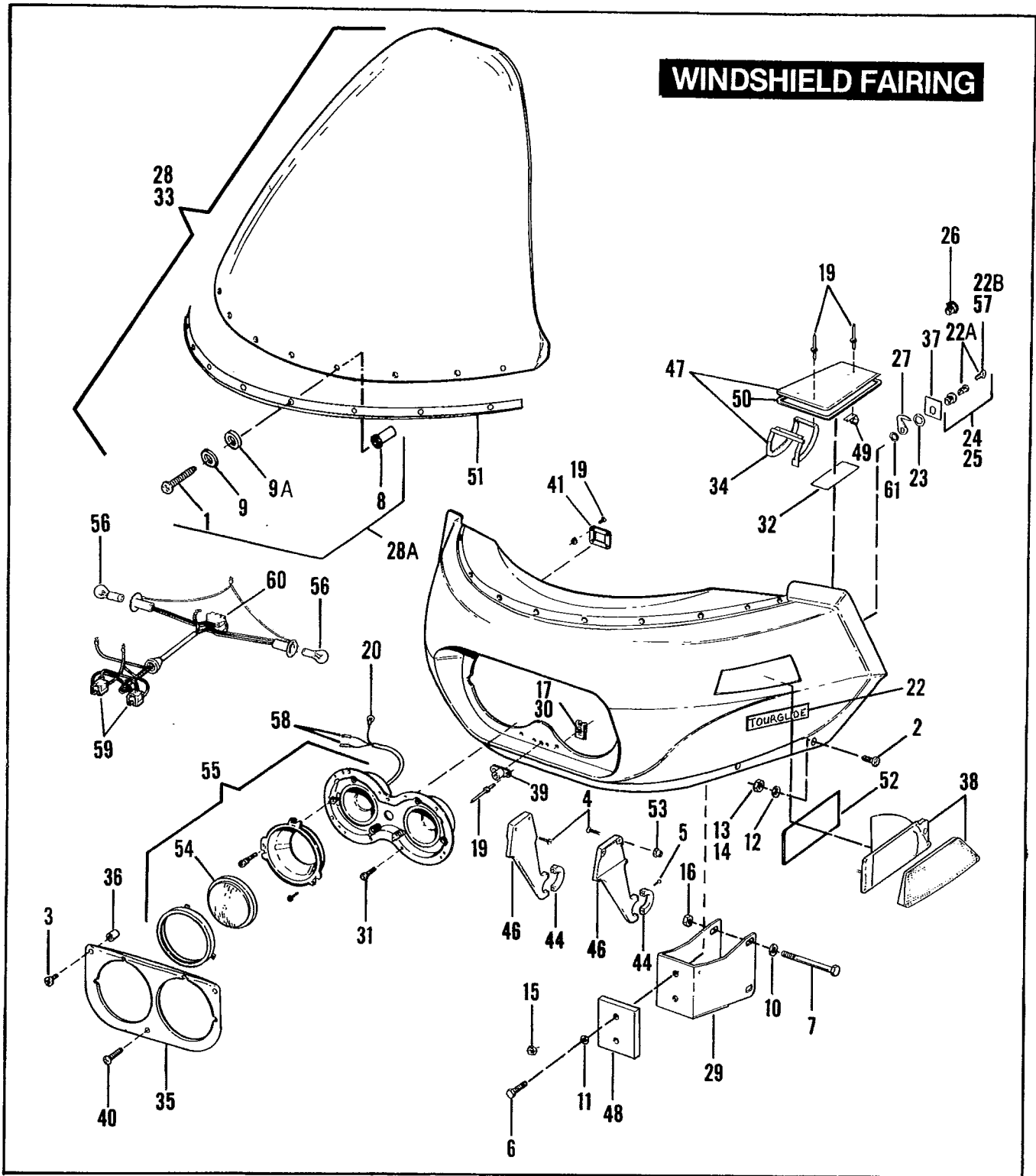
RETAIL PRICE	INDEX NO.	PART NO.	N A M E	USED ON
	1	916	SCREW (2)	81 to * — FLT, Classic
		1203	SCREW (2)	80 — FLT
	3	3208	SET SCREW	80 — FLT
	4	3210	SCREW (4)	80 to * — FLT, Classic
	5	3431	BOLT (2)	80 to * — FLT, Classic
	6	7739	LOCKNUT (4)	80 to * — FLT, Classic
	7	7768W	LOCKNUT (2)	80 to * — FLT, Classic
	8	10006	STRAP, throttle cable	80 to * — FLT, Classic
	8A	11155	RETAINING RING	80 to * — FLT, Classic
	9	42327-70	CLIP, throttle cable & steering head	81 to * — FLT, Classic
	10	55916-80	HANDLEBAR, only	80 & 81 — FLT, Classic
		55916-82	HANDLEBAR, only	82 — FLT, Classic
	11	55917-79	CLAMP, handlebar — right	80 to * — FLT, Classic
	12	55918-79	CLAMP, handlebar — left	80 to * — FLT, Classic
	13	55920-83A	HANDLEBAR, only	83 to * — FLT, FLHT, Classics
	14	56062-73	CLIP, wiring harness (6)	80 to * — FLT, Classic
	15	56070-81	RETAINER, wiring harness (4)	82 to * — FLT, Classic
	16	56140-80A	CLAMP, handlebar — lower left	80 to * — FLT, Classic
	17	56141-80A	CLAMP, handlebar — lower right	80 to * — FLT, Classic
	18	56206-74	GRIP, left handlebar	80 — FLT
		56206-81A	GRIP, left handlebar	81 to * — FLT, Classic
	20	56220-74	GRIP AND SLEEVE, throttle	80 — FLT
		56220-81B	GRIP AND SLEEVE, throttle	81 to * — FLT, Classic
	22	56238-62	PLUG, handlebar grip (2)	80 to * — FLT, Classic
	23	56316-80	CONTROL WIRE ASSEMBLY, throttle — includes item 9 ..	80 — FLT
	24	56323-81C	CONTROL WIRE ASSEMBLY, throttle close	82 to * — FLT, Classic
	25	56324-81C	CONTROL WIRE ASSEMBLY, throttle open	82 to * — FLT, Classic
		56327-81B	CONTROL WIRE ASSEMBLY, throttle open	81 — FLT, Classic
	27	56328-81B	CONTROL WIRE ASSEMBLY, throttle close	81 — FLT, Classic
	28	56392-77	CLAMP, throttle control — upper	81 to * — FLT, Classic
	29	56393-74A	CLAMP, throttle control — lower	80 — FLT
	30	56394-74	SPRING, adjusting screw	80 to * — FLT, Classic
	31	56395-74	CLAMP, throttle control — upper	80 — FLT
	32	56395-81	CLAMP, throttle control — lower	81 to * — FLT, Classic
	33	56396-74A	FRICITION SPRING, throttle grip	80 to * — FLT, Classic
	34	56397-74C	ADJUSTING SCREW KIT	80 to * — FLT, Classic
		56402-83A	ADJUSTING SCREW, only	80 to * — FLT, Classic
	35	56508-76	FERRULE, control wire (2 — 1981 & later)	80 to * — FLT, Classic
	36	70504-81	CLIP	81 to * — FLT, Classic

WINDSHIELD FAIRING



RETAIL PRICE	INDEX NO.	PART NO.	N A M E	USED ON
	1	933	SCREW (7)	80 to * — FLT, Classic
	2	2417	SCREW (4)	80 to * — FLT, Classic
	3	2504	SCREW (2)	80 to * — FLT, Classic
	4	2551W	BOLT (2)	80 to * — FLT, Classic
	5	2647	SCREW (4)	80 to * — FLT, Classic
	6	4014W	BOLT (2)	80 — FLT
	7	4435W	BOLT (2)	80 to * — FLT, Classic
	8	5207	WELLNUT (7)	80 to * — FLT, Classic
	9	6053	WASHER (nylon) (7)	80 to * — FLT, Classic
	9A	6261	WASHER (rubber)	80 to Early 82 — FLT, Classic
	10	6701	WASHER (4)	80 to * — FLT, Classic
	11	6702	WASHER (2)	80 to * — FLT, Classic
	12	6703	WASHER (4)	80 to * — FLT, Classic
	13	7682	LOCKNUT (4)	80 to * — FLT, Classic
	14	7683	LOCKNUT (4)	80 to * — FLT, Classic
	15	7725	LOCKNUT (2)	81 to * — FLT, Classic
	16	7775	LOCKNUT (2)	80 to * — FLT, Classic
	17	8105	SPEED NUT, headlamp mounting (4)	N/A Late 81 to Early 82 — FLT, Classic
		8107	SPEED NUT, headlamp mounting (4)	Late 82 to * — FLT, Classic
	19	8692	POP RIVET (black aluminum) (27)	80 to * — FLT, Classic
	20	9859	WIRE TERMINAL, ring type, 5/16 dia. hole, #16-22 wire	80 to * — FLT, Classic
	22	14010-82	DECAL, "Tour Glide" (cream)	82 to * — Classic
		14011-82	DECAL, "Tour Glide" (silver)	82 to * — FLT, Classic
		14012-82A	DECAL, "Tour Glide" (gold)	82 to * — FLT, Classic
		14026-83	DECAL, "Tour Glide" (gray)	83 to * — FLT
	22A	53153-82	PLUNGER LOCK, with two keys	82 to * — FLT, FLHT, Classics
	22B	48152-82	KEY (specify key no. 1 to 100)	82 to * — FLT, FLHT, Classics
	23	53306-69	LOCKING HOOK (2)	80 & 81 — FLT, Classic
	24	53307-69	LOCK, with nuts and key (2)	80 & 81 — FLT, Classic
	25	53580-82	CAM LOCK, fairing (2)	82 to * — FLT, Classic
	26	53582-82	SCREW, with washer (2)	82 to * — FLT, Classic
	27	53583-82	CAM HOOK, (2)	82 to * — FLT, Classic
	28	58009-80A	WINDSHIELD KIT, 22" tall at center	80 to * — FLT, Classic
		58016-80A	WINDSHIELD KIT, 20" tall at center (standard)	80 to * — FLT, Classic
	28A	58031-80	WINDSHIELD MOUNTING KIT	80 to * — FLT, FLHT, Classics
			Includes:	
			933 SCREW (7)	
			5207 NUT (7)	
			6053 WASHER (nylon) (7)	
			6261 WASHER (rubber) (7) — 80 to Early 82	
	29	58400-80	BRACKET, mounting — upper	80 to * — FLT, Classic
	30	58401-80	SPEED NUT, headlamp mounting (4)	N/A 80 to Early 81 — FLT, Classic
	31	58402-80	SCREW, headlamp mounting (4)	80 to * — FLT, Classic
	32	58410-80	LABEL, fairing door (2)	N/A 80 to 83 — FLT, Classic
	33	58453-80A	WINDSHIELD KIT, 17" tall at center	80 & 81 — FLT, Classic
	34	58459-80	HINGE, cover (2)	80 to * — FLT, Classic
	35	58460-80	TRIM PLATE, headlamp	80 to * — FLT, Classic
	36	58461-80	SPACER (2)	80 to * — FLT, Classic
	37	58466-80	WASHER PLATE (2)	80 to * — FLT, Classic
	38	58498-86	TURN SIGNAL, right	80 to * — FLT, Classic
		58499-86	TURN SIGNAL, left	80 to * — FLT, Classic
	39	58473-80	MOUNTING BRACKET (3)	80 to * — FLT, Classic
	40	58477-80	SCREW, headlamp trim plate	80 to * — FLT, Classic
	41	58482-79	MOUNTING PLATE	80 to * — FLT, Classic
	44	58487-79	CLAMP, mounting bracket (2)	80 to * — FLT, Classic
	46	58489-84	SUPPORT BRACKET, right (chrome) (2)	80 to * — FLT, Classic

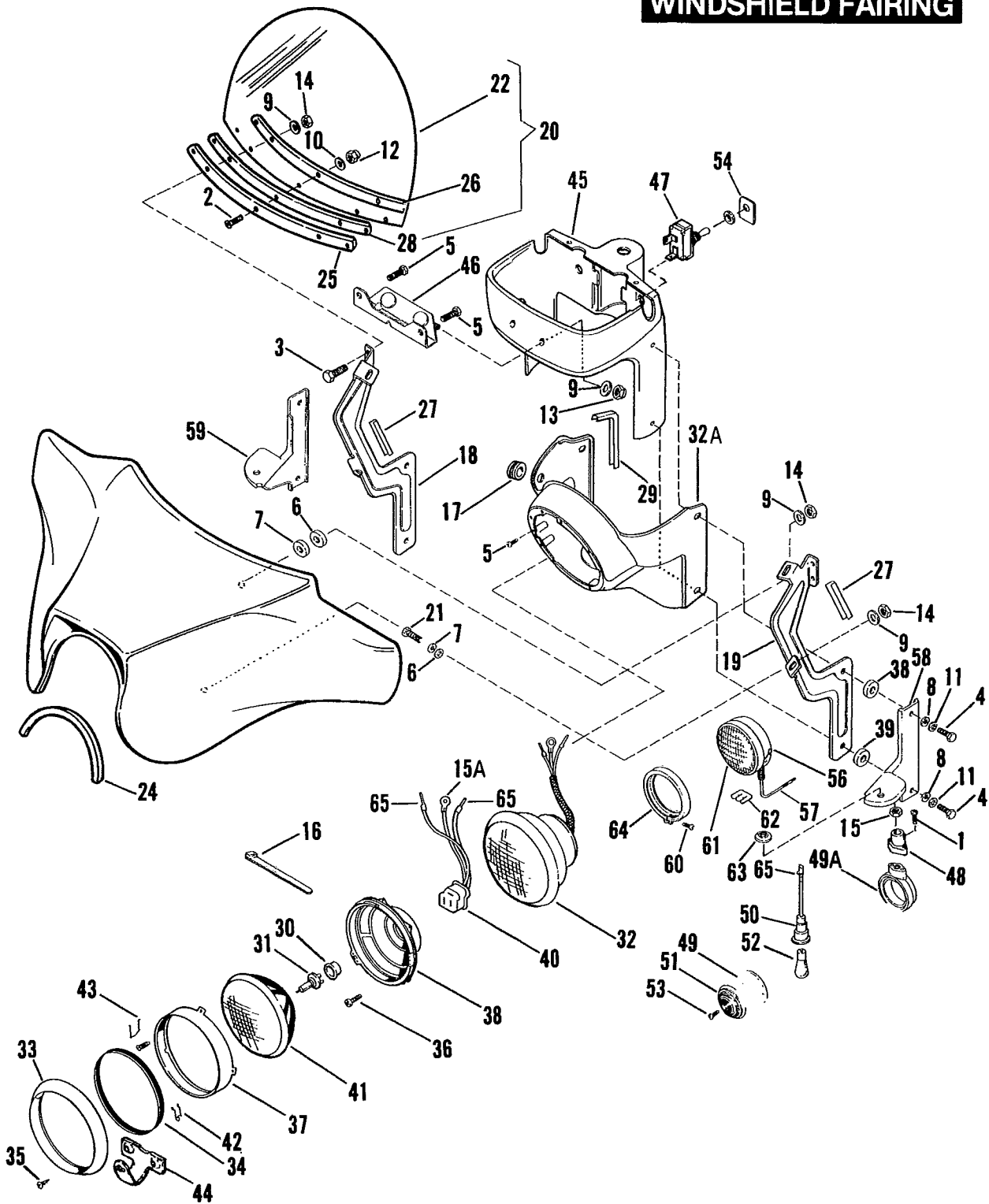
WINDSHIELD FAIRING



RETAIL PRICE	INDEX NO.	PART NO.	N A M E	USED ON
	47	58712—79A	COVER, right (black)	80 to * — FLT, Classic
		58713—79A	COVER, left (black)	80 to * — FLT, Classic
	48	58714—79	RUBBER PAD	80 to * — FLT, Classic
	49	58715—79	LATCH, cover (2)	80 to * — FLT, Classic
	50	58716—79	GASKET, cover (2)	80 to * — FLT, Classic
	51	58717—79	FOAM TAPE, windshield	80 to * — FLT, Classic
	52	58718—82	GASKET, directional lamp (left)	80 to * — FLT, Classic
		58719—82	GASKET, directional lamp (right)	80 to * — FLT, Classic
	53	64511—63	NUT (4)	80 to 82 — FLT, Classic
	54	67717—65A	SEALED BEAM (2)	80 to * — FLT, Classic
	55	67775—79	HEADLAMP HOUSING AND SEALED BEAM ASSEMBLY . N/A	80 & 81 — FLT, Classic
		67775—81	HEADLAMP ASSEMBLY	82 to * — FLT, Classic
	56	68165—64	BULB, turn signal (2)	80 to * — FLT, Classic
	57	71626—62	KEY (specify key no. LL226 to LL450)	80 & 81 — FLT, Classic
	58	72039—71	PIN, socket terminal (2)	80 to * — FLT, Classic
	59	72046—79	INSULATOR, spade terminals (2)	Late 80 to * — FLT
	60	72276—74	HOUSING, 12 pin	Late 80 to * — FLT
	61	84850—67	NUT, locks (2)	82 to * — FLT, Classic

NOTE: For painted part numbers, see Dealer Accessory Guide.

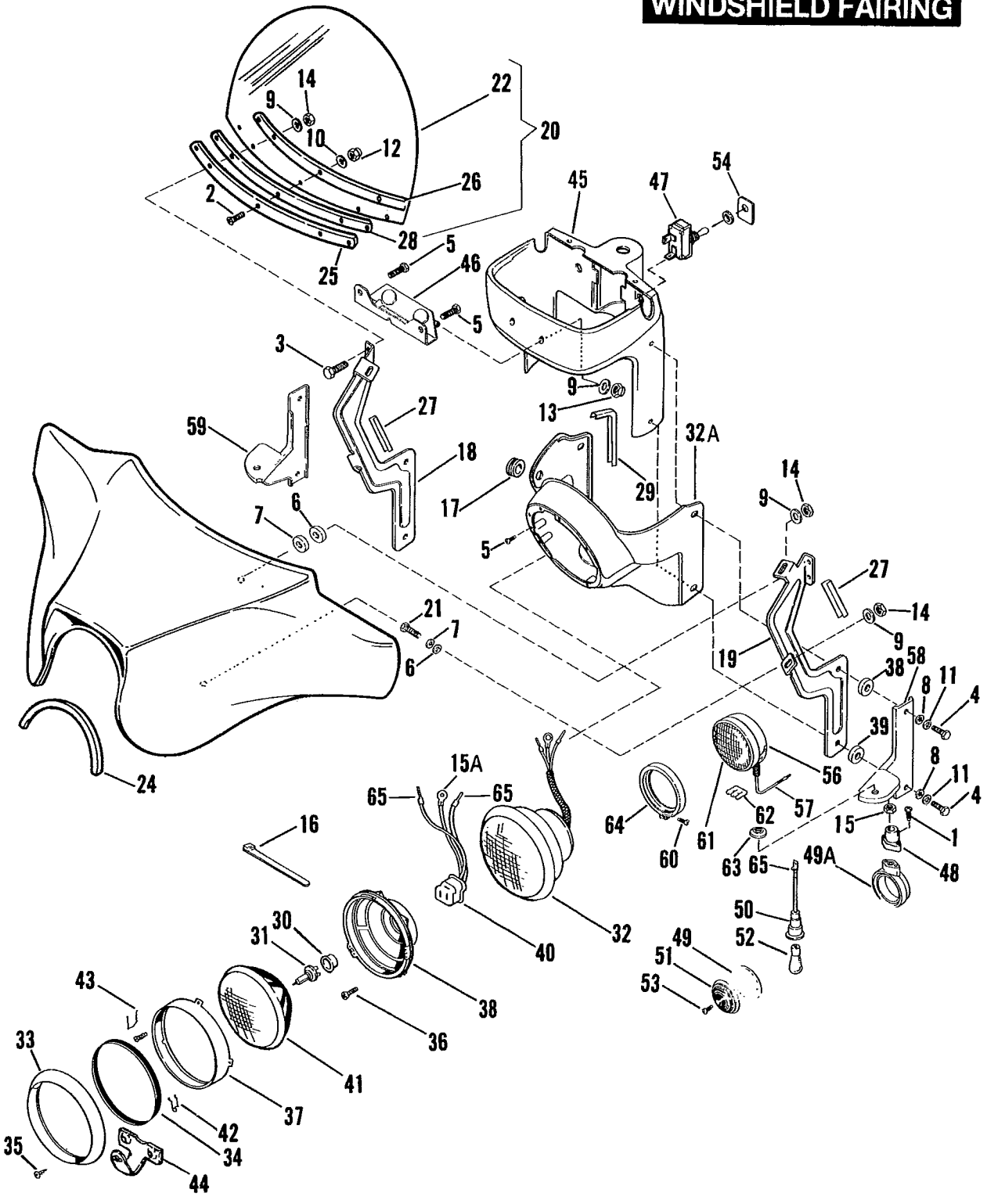
WINDSHIELD FAIRING



RETAIL PRICE	INDEX NO.	PART NO.	N A M E	USED ON
	1	2647	SCREW (2)	83 to * — FLHT, Classic
	2	2725	SCREW (3)	83 to * — FLHT, Classic
	3	3802W	BOLT (2)	83 to * — FLHT, Classic
	4	4014W	BOLT (4)	83 to * — FLHT, Classic
	5	5209	SCREW, hi-lo (9)	83 to * — FLHT, Classic
	6	6255B	WASHER (4)	83 to * — FLHT, Classic
	7	6261	WASHER, rubber (4)	83 to * — FLHT, Classic
	8	6702	WASHER (4)	83 to * — FLHT, Classic
	9	6703	WASHER (8)	83 to * — FLHT, Classic
	10	7030W	LOCKWASHER (3)	83 to * — FLHT, Classic
	11	7041	LOCKWASHER (4)	83 to * — FLHT, Classic
	12	7651	ACORN NUT (3)	83 to * — FLHT, Classic
	13	7682	LOCKNUT (2)	83 to * — FLHT, Classic
	14	7686	LOCKNUT (6)	83 to * — FLHT, Classic
	15	7778	LOCKNUT (2)	83 to * — FLHT, Classic
15A	9857		WIRE TERMINAL, ring type	83 to * — FLHT, Classic
16	10006		CABLE STRAP	83 to * — FLHT, Classic
17	11412		GROMMET, cable routing	83 to * — FLHT, Classic
18	58151—83		WINDSHIELD AND FAIRING BRACKET, right	83 to * — FLHT, Classic
19	58154—83		WINDSHIELD AND FAIRING BRACKET, left	83 to * — FLHT, Classic
20	58164—69A		WINDSHIELD KIT (LEXAN), includes besides label, items 2, 10, 12, 22, 25, 26 & 28	N/A 83 to * — FLHT, Classic
21	58171—69		MOUNTING STUD, fairing (4)	N/A 83 — FLHT, Classic
22	58181—78		WINDOW AND CUSHION TAPE KIT, 18-1/2" high window	83 to * — FLHT, Classic
	58182—78		WINDOW AND CUSHION TAPE KIT, 15-1/2" high window	83 to * — FLHT, Classic
24	58320—76		TRIM, fairing (black)	83 to * — FLHT, Classic
25	58411—76		BRACE, outer	83 to * — FLHT, Classic
26	58412—76		BRACE, inner	83 to * — FLHT, Classic
27	58414—83		TRIM, fairing and windshield bracket (2)	83 to * — FLHT, Classic
28	58416—77		CUSHION TAPE, windshield brace	83 to * — FLHT, Classic
29	61117—82		EXTRUSION (rubber)	83 to * — FLHT, Classic
30	67696—81		BOOT, halogen headlamp	83 to * — FLHT, Classic
31	67697—81		BULB, 12V (halogen)	83 to * — FLHT, Classic
32	67702—81		HEADLAMP, complete — 12V (halogen)	83 to * — FLHT, Classic
32A	67704—83		HEADLIGHT NACELLE	83 to * — FLHT, Classic
33	67712—83		DOOR ASSEMBLY, with spring (chrome)	83 to * — FLHT, Classic
34	67716—60A		GASKET, headlamp door	83 to * — FLHT, Classic
35	67718—60A		SCREW, headlamp door	83 to * — FLHT, Classic
36	67724—71		ADJUSTING SCREW	83 to * — FLHT, Classic
37	67726—71		RETAINING RING, headlamp	83 to * — FLHT, Classic
38	67732—71		MOUNTING RING, headlamp	83 to * — FLHT, Classic
39	67749—77		SPACER (4)	83 to * — FLHT, Classic
40	67753—70		LAMP WIRING AND CONNECTOR	83 to * — FLHT, Classic
41	67755—81		HEADLAMP, less bulb — with boot (use 67697—81 bulb)	83 to * — FLHT, Classic
42	67778—60		TOP SPRING, headlamp door	83 to * — FLHT, Classic
43	67780—60		BOTTOM SPRING, headlamp door (2)	83 to * — FLHT, Classic
44	67782—60A		BRACKET, headlamp door	83 to * — FLHT, Classic
45	67793—79B		DASH PANEL SUPPORT	83 to * — FLHT, Classic
46	67817—83		BRACKET, headlight nacelle	83 to * — FLHT, Classic
47	67844—70		TOGGLE SWITCH, spotlight	83 to * — FLHT, Classic
48	68519—68		MOUNTING BRACKET	83 to * — FLHT, Classic
49	68521—63A		GASKET, lens	83 to * — FLHT, Classic
49A	68552—70A		DIRECTION LAMP (2)	83 to * — FLHT, Classic
50	68554—82		WIRE ASSEMBLY, directional lamp	83 to * — FLHT, Classic

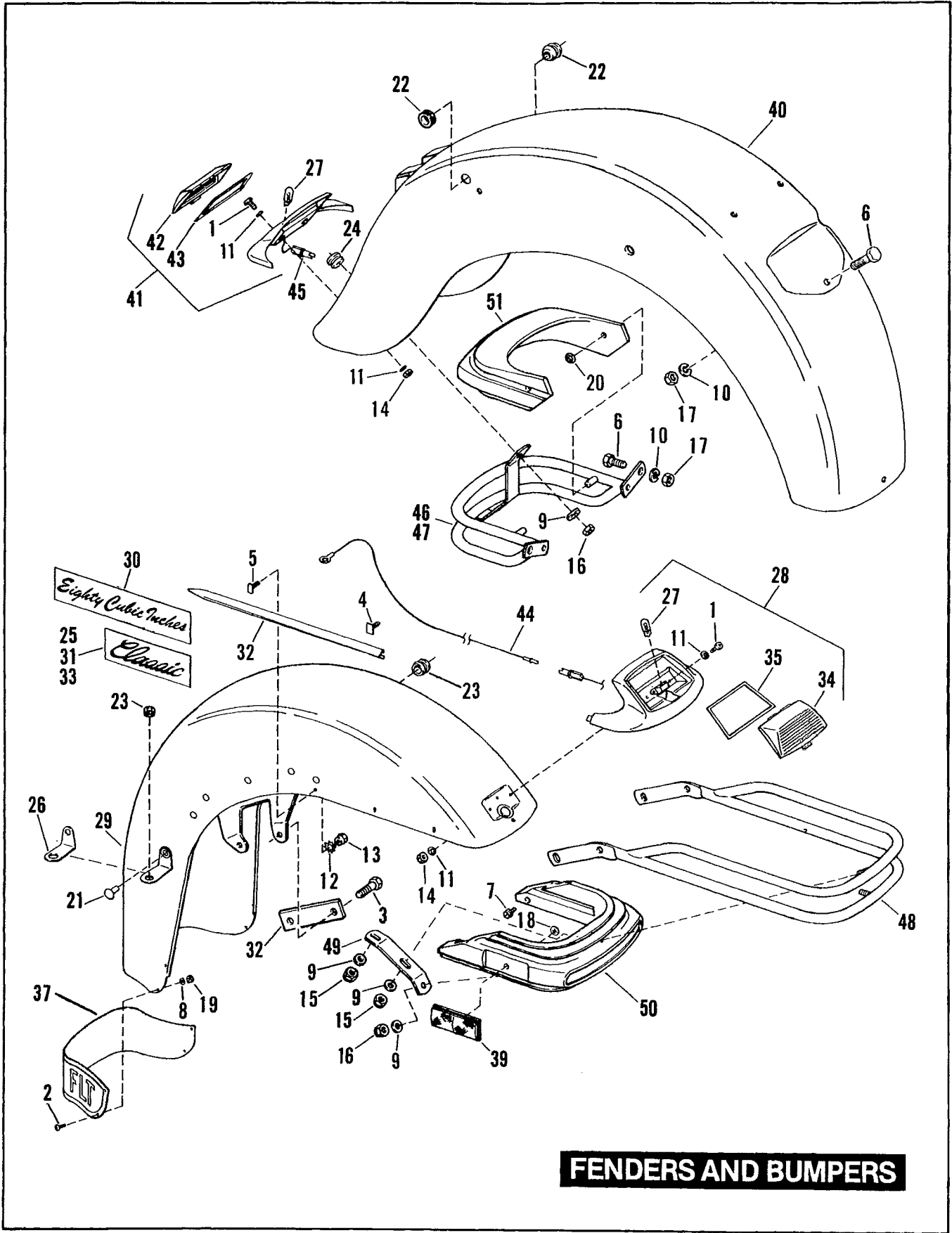
NOTE: For painted part numbers, see Dealer Accessory Guide.

WINDSHIELD FAIRING



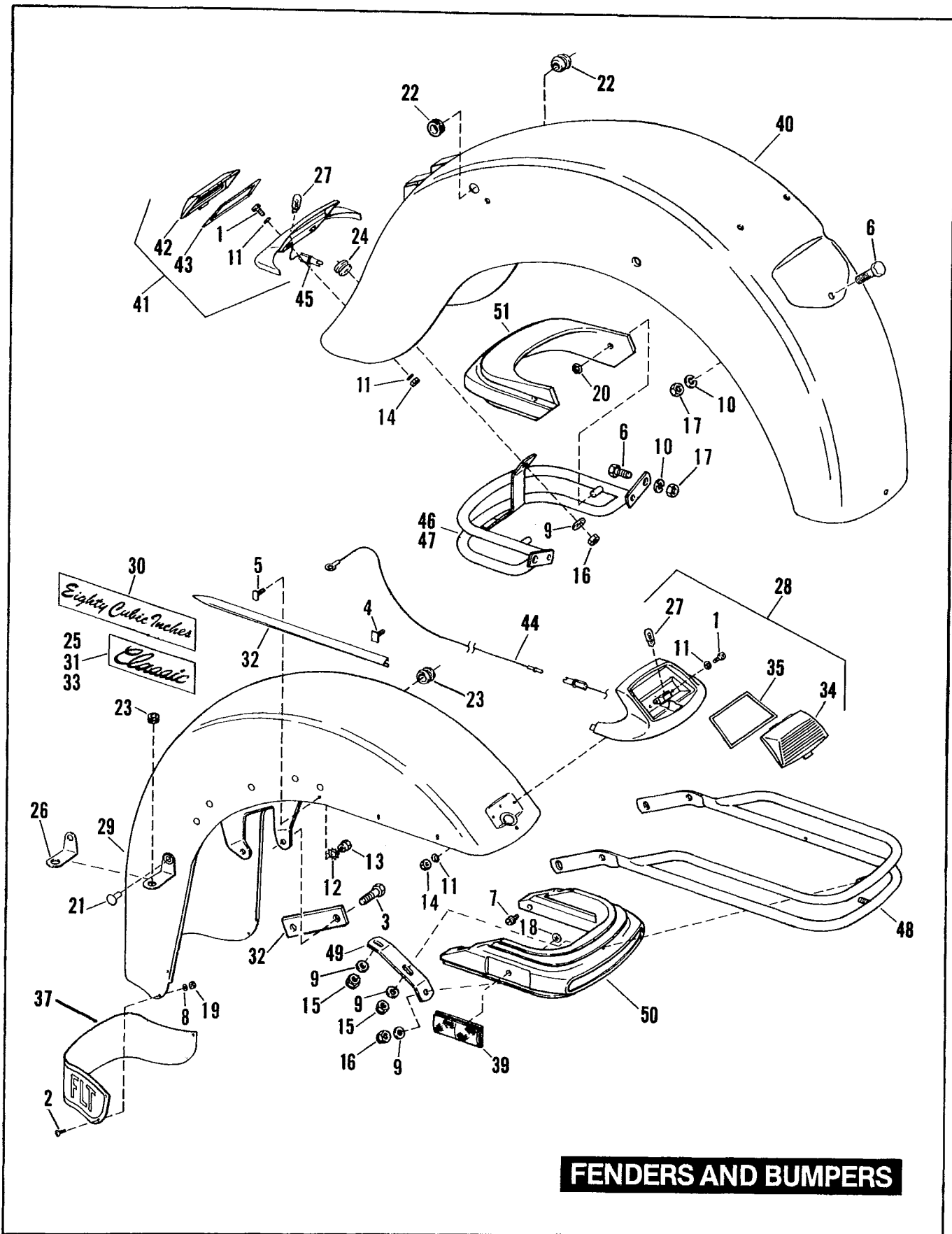
RETAIL PRICE	INDEX NO.	PART NO.	N A M E	USED ON
	51	68571—63A	LENS, turn signal (amber)	83 to * — FLHT, Classic
	52	68572—64A	BULB, directional lamp	83 to * — FLHT, Classic
	53	68586—63A	SCREW, lens (2)	83 to * — FLHT, Classic
	54	68619—83	LABEL, spotlamp toggle switch	83 to * — FLHT, Classic
	56	68671—69	PASSING LAMP ASSEMBLY	N/A 83 to * — FLHT, Classic
	57	68627—62A	WIRE ASSEMBLY	N/A 83 to * — FLHT, Classic
	58	68630—83	SPOTLAMP BRACKET ASSEMBLY, right	83 to * — FLHT, Classic
	59	68635—83	SPOTLAMP BRACKET ASSEMBLY, left	83 to * — FLHT, Classic
	60	68672—38	SCREW, spotlamp moulding	83 to * — FLHT, Classic
	61	68674—69	SEALED UNIT, spotlamp	83 to * — FLHT, Classic
	62	68690—69	CLIP, wire	83 to * — FLHT, Classic
	63	68721—62	SWIVEL BLOCK	83 to * — FLHT, Classic
	64	68725—62	MOULDING ASSEMBLY, spotlamp	83 to * — FLHT, Classic
	65	72039—71	TERMINAL, pin (6)	83 to * — FLHT, Classic

NOTE: For painted part numbers, see Dealer Accessory Guide.



FENDERS AND BUMPERS

RETAIL PRICE	INDEX NO.	PART NO.	N A M E	USED ON
	1	2604	SCREW (2)	80 to * — FLT, Classic
	2	2710C	SCREW (4)	80 to * — FLT, Classic
	3	3462	BOLT (4)	80 to * — FLT, FLHT, Classics
	4	3560W	TEE BOLT (2)	80 to * — FLT, Classic
	5	3561WB	TEE BOLT (2)	80 to * — FLT, Classic
	6	3974HW	BOLT (3)	80 to * — FLT, Classic
	7	4091	SCREW (2)	80 to * — FLT, FLHT, Classics
	8	6335	WASHER (4)	80 to * — FLT, Classic
	9	6703	WASHER (3)	80 to * — FLT, FLHT, Classics
	10	7041	LOCKWASHER (3)	80 to * — FLT, Classic
	11	7118	LOCKWASHER, internal tooth (4)	80 to * — FLT, Classic
	12	7220	LOCKWASHER, external tooth (4)	80 to * — FLT, Classic
	13	7635W	NUT (4)	80 to * — FLT, Classic
	14	7638	NUT (2)	80 to * — FLT, Classic
	15	7682	LOCKNUT (2)	80 to * — FLT, FLHT, Classics
	16	7683	LOCKNUT	80 to * — FLT, FLHT, Classics
	17	7753	NUT (3)	80 to * — FLT, Classic
	18	8126	SPEED NUT, reflector	80 to * — FLT, FLHT, Classics
	19	8131W	NUT (4)	80 to * — FLT, Classic
	20	8135B	SPEED NUT, rear bumper (2)	80 to * — FLT, Classic
	21	8474	RIVET, speedometer cable guide	N/A 80 to 83 — FLT, Classic
	22	11400	GROMMET (2)	80 to * — FLT, Classic
	23	11431	GROMMET, speedometer cable guide	80 to * — FLT, Classic
	24	11437	GROMMET, wiring harness (2)	80 to * — FLT, Classic
	25	14013—82	TRIM, front fender — "Classic" (cream) (2)	82 to * — Classic
		14022—83	TRIM, front fender — "Classic" (gray) (2)	83 to * — Classics
	26	38622—78	GUIDE, speedometer cable (grommet type)	80 to * — FLT, Classic
	27	53439—79	BULB, fender tip lamp (2)	80 to * — FLT, Classic
	28	59082—79	LAMP ASSEMBLY, front fender	80 to * — FLT, Classic
	29	59093—79	FRONT FENDER (prime)	80 to * — FLT, Classic
	30	59121—80	TRIM, front fender, "Eighty Cubic Inches" (silver) (2) ..	82 to * — FLT
		59122—80	TRIM, front fender, "Eighty Cubic Inches" (gold) (2) ..	82 to * — FLT
	31	59159—80	TRIM, front fender — "Classic" (silver) (2)	81 & 82 — Classic
	32	59166—80	LOCKPLATE (2)	80 to * — FLT, Classic
	33	59173—81A	TRIM, front fender — "Classic" (gold) (2)	81 to * — Classic
	34	59180—80	LENS, front fender lamp	80 to * — FLT, Classic
	35	59181—80	GASKET, front fender lamp lens	80 to * — FLT, Classic
	36	59211—74	SIDE TRIM, front fender (2)	80 to * — FLT, Classic
	37	59231—83	TRIM KIT, front fender — lower (FLHT)	83 to * — FLHT, Classic
	38	59232—79	TRIM KIT, front fender — lower (FLT)	80 to * — FLT, Classic
	39	59261—77	REFLECTOR (amber) (2)	80 to * — FLT, FLHT, Classics
	40	59579—79	REAR FENDER (prime)	N/A 80 & 81 — FLT, Classic
		59579—81A	REAR FENDER (prime) (louvered)	N/A 82 to * — FLT, Classic
	41	59658—79	LAMP ASSEMBLY, rear fender	80 to * — FLT, Classic
	42	68046—79	LENS, rear fender lamp	80 to * — FLT, Classic
	43	68047—79	GASKET, rear fender lamp lens	80 to * — FLT, Classic



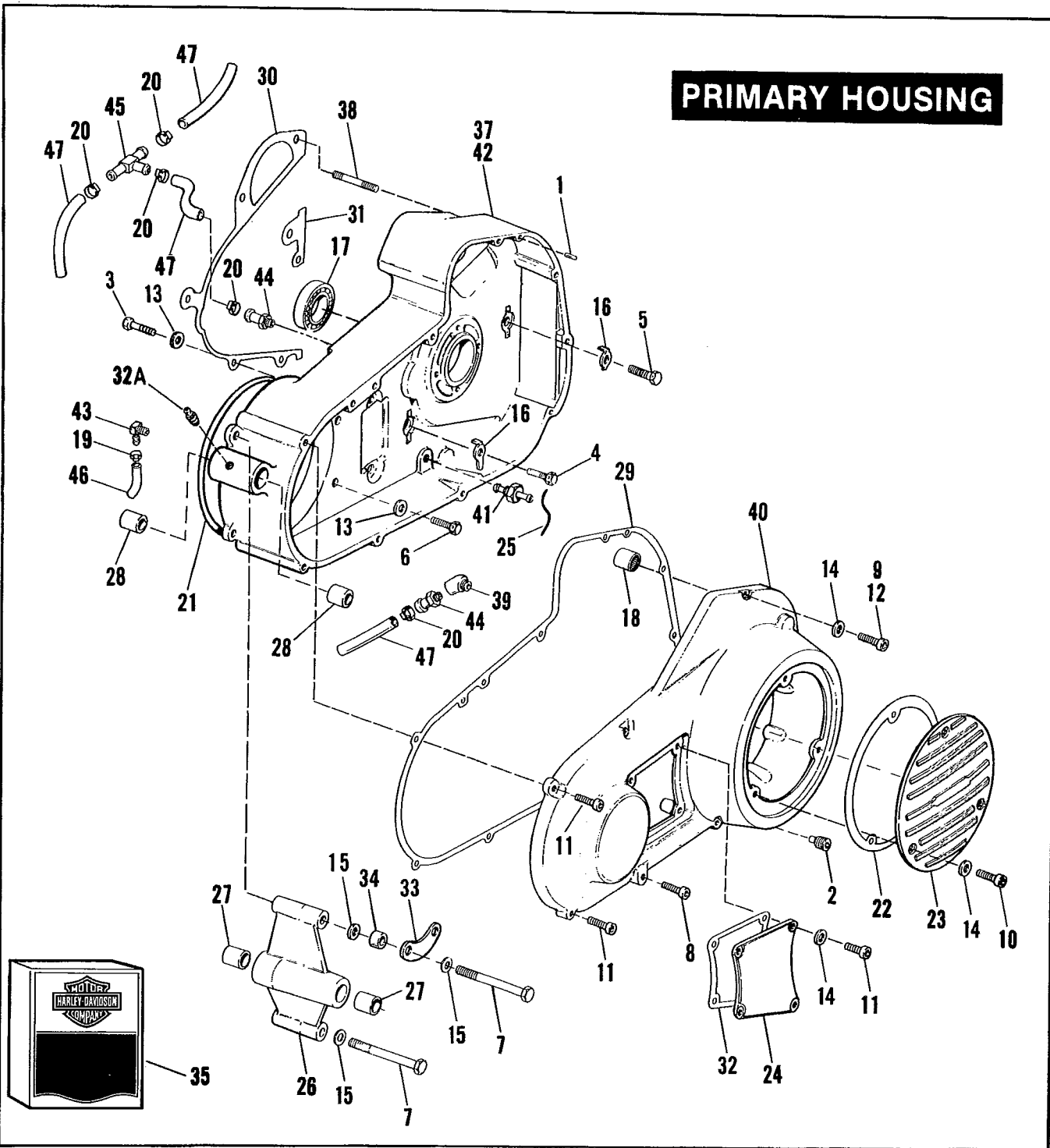
FENDERS AND BUMPERS

FENDERS AND BUMPERS (CONT'D)

RETAIL PRICE	INDEX NO.	PART NO.	N A M E	USED ON
	44	69504-80	WIRING HARNESS, front fender lamp	80 to * - FLT, Classic
	45	72038-71	SOCKET	80 to * - FLT, Classic
	46	91013-79	REAR BUMPER ASSEMBLY	80 to * - FLT, Classic
	47	91023-79	RAIL, rear bumper	80 to * - FLT, Classic
	48	91075-81	FRONT BUMPER ASSEMBLY	80 to * - FLT, Classic
	49	91090-77A	BRACKET, front bumper	80 - FLT; 83 to * - FLT, FLHT, Classic's
	50	91107-77	BUMPER CUSHION, front	80 to * - FLT, FLHT, Classic's
	51	91123-77	BUMPER CUSHION, rear	80 to * - FLT, Classic

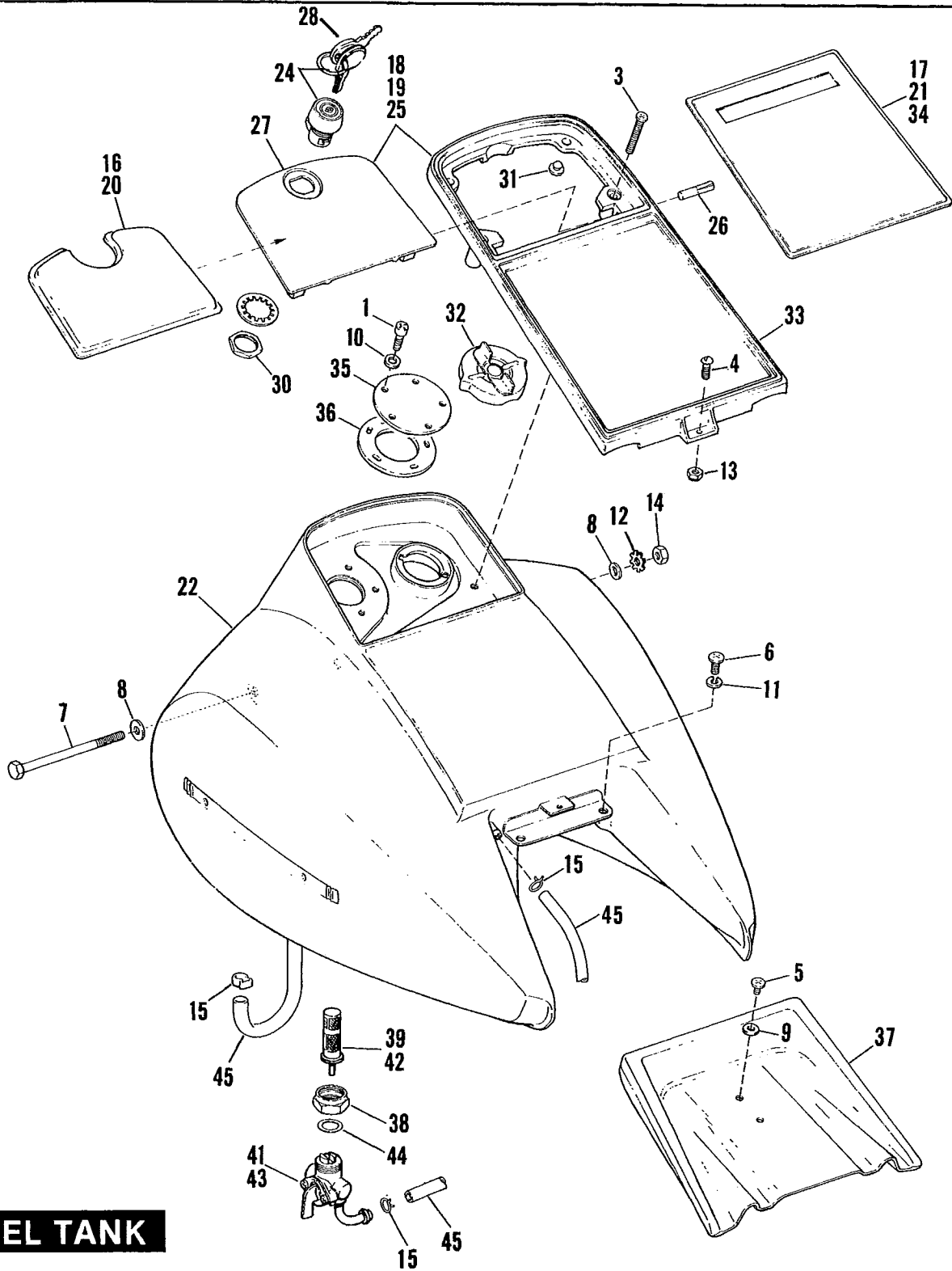
NOTE: For Painted Part Numbers, see Dealer Accessory Guide

PRIMARY HOUSING



RETAIL PRICE	INDEX NO.	PART NO.	N A M E	USED ON
	1	221	PIN (2)	80 to * — FLT, Classic
	2	718	PLUG, cover (magnetic)	80 to * — FLT, Classic
	3	2871W	BOLT (2)	80 to * — FLT, Classic
	4	4023	BOLT	80 to * — FLT, Classic
	5	4024	BOLT	80 to * — FLT, Classic
	6	4026	BOLT (2)	80 to * — FLT, Classic
	7	4067	BOLT (2)	80 to 82 — FLT, Classic
	8	4740	SCREW, w/lock patch (7)	80 to * — FLT, Classic
	9	4741	SCREW w/lock patch	80 to Early 82 — FLT, Classic
	10	4811	SCREW, w/lock patch (3)	80 to * — FLT, Classic
		4812	SCREW, w/lock patch (4)	80 to * — FLT, Classic
	11	4813	SCREW, w/lock patch (2)	80 to * — FLT, Classic
	12	4814	SCREW	Late 82 to * — FLT, Classic
	13	6016	WASHER (6)	80 to * — FLT, Classic
	14	6099	WASHER (17)	80 to * — FLT, Classic
	15	6702	WASHER (3)	80 to 82 — FLT, Classic
	16	7402	LOCKPLATE (2)	80 to * — FLT, Classic
	17	8975	BALL BEARING	80 to * — FLT, Classic
	18	9063	NEEDLE BEARING	80 to * — FLT, Classic
	19	9996	CLAMP (2)	80 — FLT
	20	10080	CLAMP (8)	80 to * — FLT, Classic
	21	11125	O-RING, housing cover	80 to * — FLT, Classic
	22	25416-70	GASKET, chain & clutch cover	80 to * — FLT, Classic
	23	25426-80	COVER, clutch	80 to * — FLT, Classic
	24	32519-79	INSPECTION COVER (polished aluminum)	80 to * — FLT, Classic
		32519-80	INSPECTION COVER (chrome)	80 to * — FLT, Classic
	25	33042-80	SAFETY WIRE (2)	80 to * — FLT, Classic
	26	33710-79	BRACKET, shifter	80 to 82 — FLT, Classic
	27	33712-79	BUSHING, shifter bracket (2)	80 to 82 — FLT, Classic
	28	33713-83	BUSHING (2)	83 to * — FLT, FLHT, Classics
	29	34901-79B	GASKET, housing cover	80 to * — FLT, Classic
	30	34902-79A	GASKET, primary housing	80 to * — FLT, Classic
	31	34903-79	GASKET, transmission to primary housing	80 to * — FLT, Classic
	32	34906-79A	GASKET, inspection cover	80 to * — FLT, Classic
	32A	50972-75	FITTING, lubrication	83 to * — FLT, FLHT, Classics
	33	60519-80	PLATE (2)	80 to 82 — FLT, Classic
	34	60520-80	SPACER (2)	80 to 82 — FLT, Classic
	35	60550-81	CHAIN OILER KIT	N/A 80 & 81 — FLT, Classic
	37	60600-81B	PRIMARY HOUSING ASSEMBLY	N/A 80 to 82 — FLT
	38	60603-79	STUD, starter shaft housing (2)	80 & 81 — FLT, Classic
	39	60604-80	ELBOW, breather fitting	80 to * — FLT, Classic
	40	60605-79B	COVER, primary housing	80 to * — FLT, Classic
	41	60622-81	FITTING	Late 81 to * — FLT, Classic
	42	60634-81B	PRIMARY HOUSING ASSEMBLY	N/A 81 & 82 — Classic
		60638-83	PRIMARY HOUSING ASSEMBLY	83 to * — FLT, FLHT, Classics
	43	62375-57	FITTING, front chain oiler	80 — FLT
	44	63533-41	FITTING (2)	80 to * — FLT, Classic
	45	63580-66A	TEE FITTING	80 to * — FLT, Classic
	46	63592-89	HOSE, front chain oiler	80 to * — FLT, Classic
	47	63500-68	HOSE, 3/8 I.D. x 5/8 O.D. reinforced rubber (25 ft. lg.)	80 to * — FLT, Classic

NOTE: Hose is sold only in bulk length under the following part number. Cut to required length.

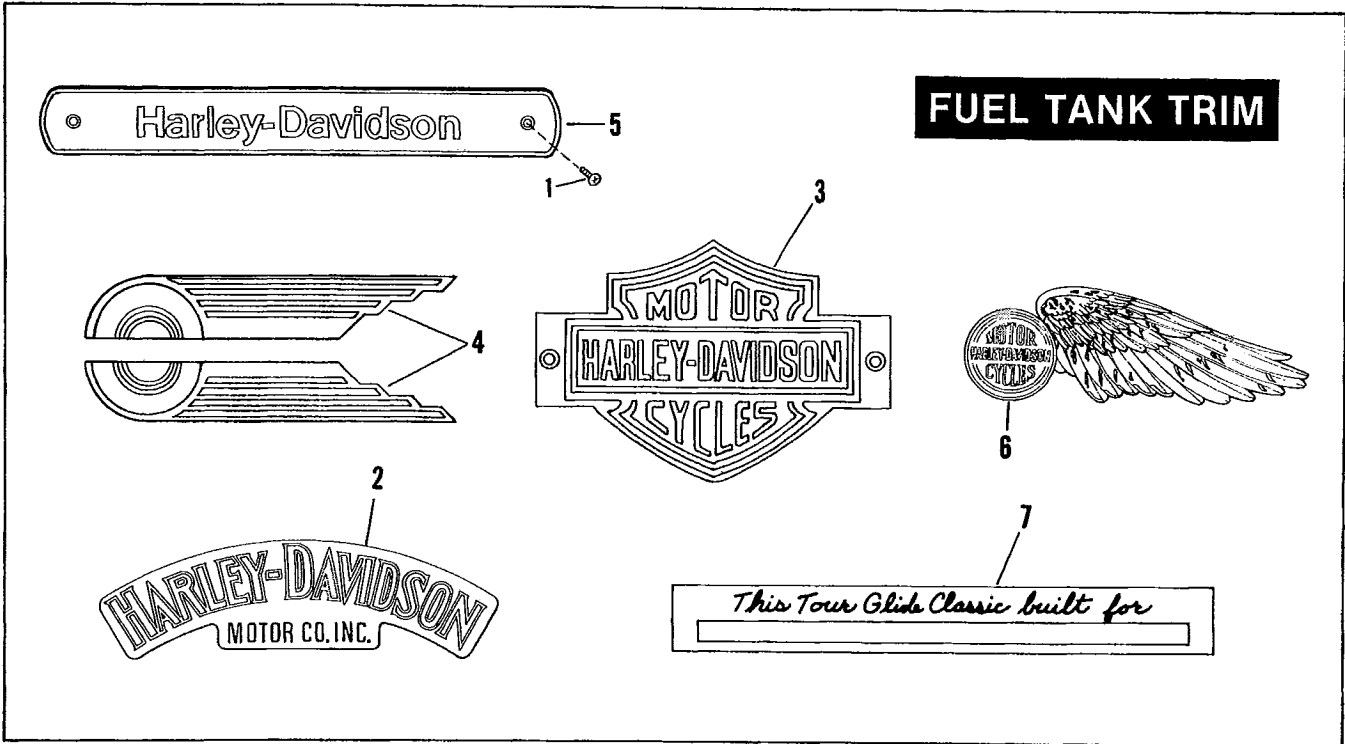


FUEL TANK

RETAIL PRICE	INDEX NO.	PART NO.	N A M E	USED ON
	1	907	SCREW (5)	80 to * — FLT, Classic
	3	2581	SCREW (2)	80 to * — FLT, Classic
	4	2612	SCREW	80 to * — FLT, Classic
	5	2731W	SCREW (2)	80 & 81 — FLT, Classic
	6	2773	SCREW (2)	80 to * — FLT, Classic
	7	4067	BOLT	80 to * — FLT, Classic
	8	6702	WASHER (2)	80 to * — FLT, Classic
	9	6716	WASHER (2)	80 & 81 — FLT, Classic
		6721	WASHER (1)	N/A 82 to * — FLT, Classic
	10	6759	WASHER (5)	80 to * — FLT, Classic
	11	7036	LOCKWASHER (2)	80 to * — FLT, Classic
	12	7232	LOCKWASHER, external tooth	Late 81 to * — FLT, Classic
	13	7609W	LOCKNUT	80 to * — FLT, Classic
	14	7739	LOCKNUT	80 to * — FLT, Classic
	15	9993	CLAMP, 1/2" O.D. hose	80 to * — FLT, Classic
	16	60956—81	INSERT, door (black)	81 to * — Classic
	17	60957—81	INSERT, door panel (black)	81 to * — Classic
	18	60958—81	DOOR AND PANEL ASSEMBLY	N/A 81 to * — Classic
	19	60962—82	DOOR AND PANEL ASSEMBLY (brown)	N/A 82 to * — Classic
	20	60964—82	INSERT, door (brown)	82 to * — Classic
	21	60969—82	INSERT, door panel (brown)	82 to * — Classic
	22	61019—83A	FUEL TANK (prime finish)	80 to * — FLT, Classic
	24	61029—82	LOCK, tank door (with keys)	80 to * — FLT, Classic
	25	61072—79	DOOR AND PANEL ASSEMBLY	80 to * — FLT
	26	61073—79	PIN, door hinge	80 to * — FLT, Classic
	27	61075—79	DOOR, fuel tank	80 to * — FLT, Classic
	28	61077—80	KEYSET, fuel tank door & ignition switch	80 & 81 — FLT, Classic
	29	61077—82	KEYSET, fuel tank door & ignition switch (specify key no.)	82 to * — FLT, Classic
	30	61078—80	NUT	80 to * — FLT, Classic
	31	61082—79	BUMPER, tank door (2)	80 to * — FLT, Classic
	32	61083—79A	FILLER CAP	80 to * — FLT, Classic
	33	61084—79	PANEL, tank door	80 to * — FLT, Classic
	34	61093—79	INSERT, door panel	80 to * — FLT
	35	61321—80	PLATE, fuel sending unit hole	80 to * — FLT, Classic
	36	61322—80A	GASKET, sending unit	N/A 80 to * — FLT, Classic
	37	61649—80	PANEL, fuel tank	N/A 80 to 82 — FLT, Classic
		61649—83	PANEL, fuel tank	83 to * — FLT, Classic
	38	62161—75	NUT, fuel valve	80 to * — FLT, Classic
	39	62162—75	FILTER, fuel valve — 2-1/8" long	80 — FLT
	40	62166—81	FILTER, fuel valve — 3-3/8" long	Early 81 — FLT, Classic
	41	62167—83	FUEL VALVE	80 to * — FLT, Classic
	42	62170—81	FILTER, fuel valve — 4-1/8" long	81 to * — FLT, Classic
	43	62171—77	FUEL VALVE KIT, includes 62166-81 & 62167—81A	N/A 80 — FLT
	44	62172—75	GASKET, fuel valve	80 to * — FLT, Classic

NOTE: Hose is sold only in bulk length under the following part number. Cut to required length.
 45 63501—68 HOSE, 1/4 I.D. x 5/8 O.D. reinforced rubber (25 ft. lg.) .. 80 to * — FLT, Classic

NOTE: For painted parts see Dealer Accessory Guide

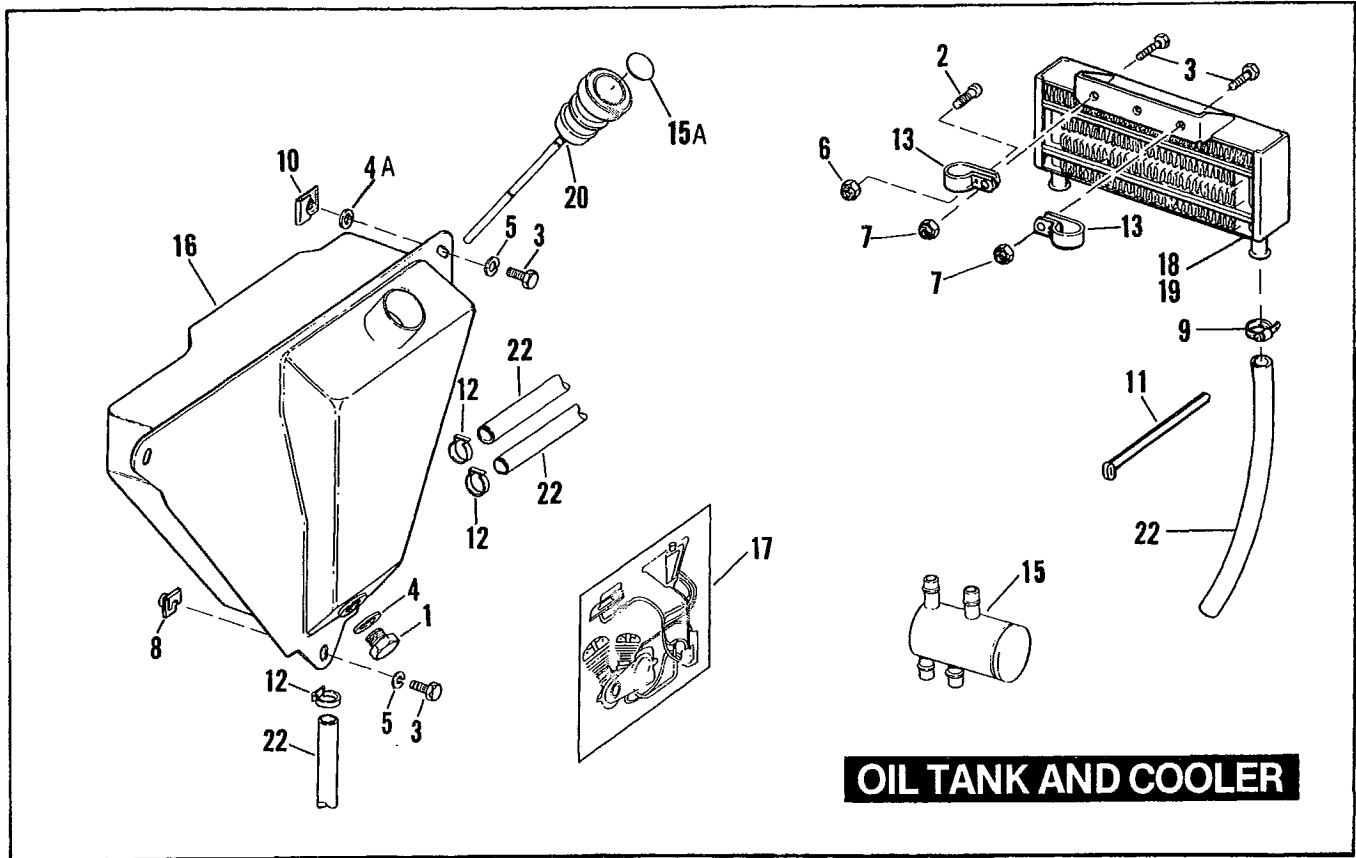


FUEL TANK TRIM

FUEL TANK TRIM

T33A

RETAIL PRICE	INDEX NO.	PART NO.	NAME	USED ON
	1	2061W	SCREW (4)	80 — FLT
	2	14001—82	TRIM, tank side (gold) (2)	82 — Classic
		14002—82	TRIM, tank side (red & gold) (2)	82 — Classic
		14003—82	TRIM, tank side (grey & silver) (2)	82 — Classic
		14014—82	TRIM, tank side (gold & brown) (2)	82 — Classic
	3	14004—82	TRIM, tank side (silver & black) (2)	83 to * — FLT
		14005—82	TRIM, tank side (gold & black) (2)	83 to * — FLT
		14006—82	TRIM, tank side (gold & brown) (2)	83 to * — FLT
	4	61325—79	TRIM, tank side — upper right (gold, light & dark brown)	80 — FLT
		61326—79	TRIM, tank side — lower right (gold, light & dark brown)	80 — FLT
		61327—79	TRIM, tank side — upper left (gold, light & dark brown)	80 — FLT
		61328—79	TRIM, tank side — lower left (gold, light & dark brown)	80 — FLT
		61356—79	TRIM, tank side — upper right (silver, red & gray)	80 — FLT
		61357—79	TRIM, tank side — lower right (silver, red, gray)	80 — FLT
		61358—79	TRIM, tank side — upper left (silver, red & gray)	80 — FLT
		61359—79	TRIM, tank side — lower left (silver, red & gray)	80 — FLT
	5	61252—84	NAMEPLATE, "Harley-Davidson" (black) (2)	N/A 80 — FLT
		61360—79	NAMEPLATE, "AMF/Harley-Davidson" (gold) (2)	N/A 80 — FLT
	6	61900—81	TRIM, tank side — left (gold)	81 — FLT
		61901—81	TRIM, tank side — right (gold)	81 — FLT
		61902—81	TRIM, tank side — left (silver)	81 — FLT, Classic; 82 — FLT
		61903—81	TRIM, tank side — right (silver)	81 — FLT, Classic; 82 — FLT
		61904—81	TRIM, tank side — left (red)	81 — Classic; 82 — FLT
		61905—81	TRIM, tank side — right (red)	81 — Classic; 82 — FLT
	7	71304—82	NAMEPLATE (personalized)	82 to * — Classic

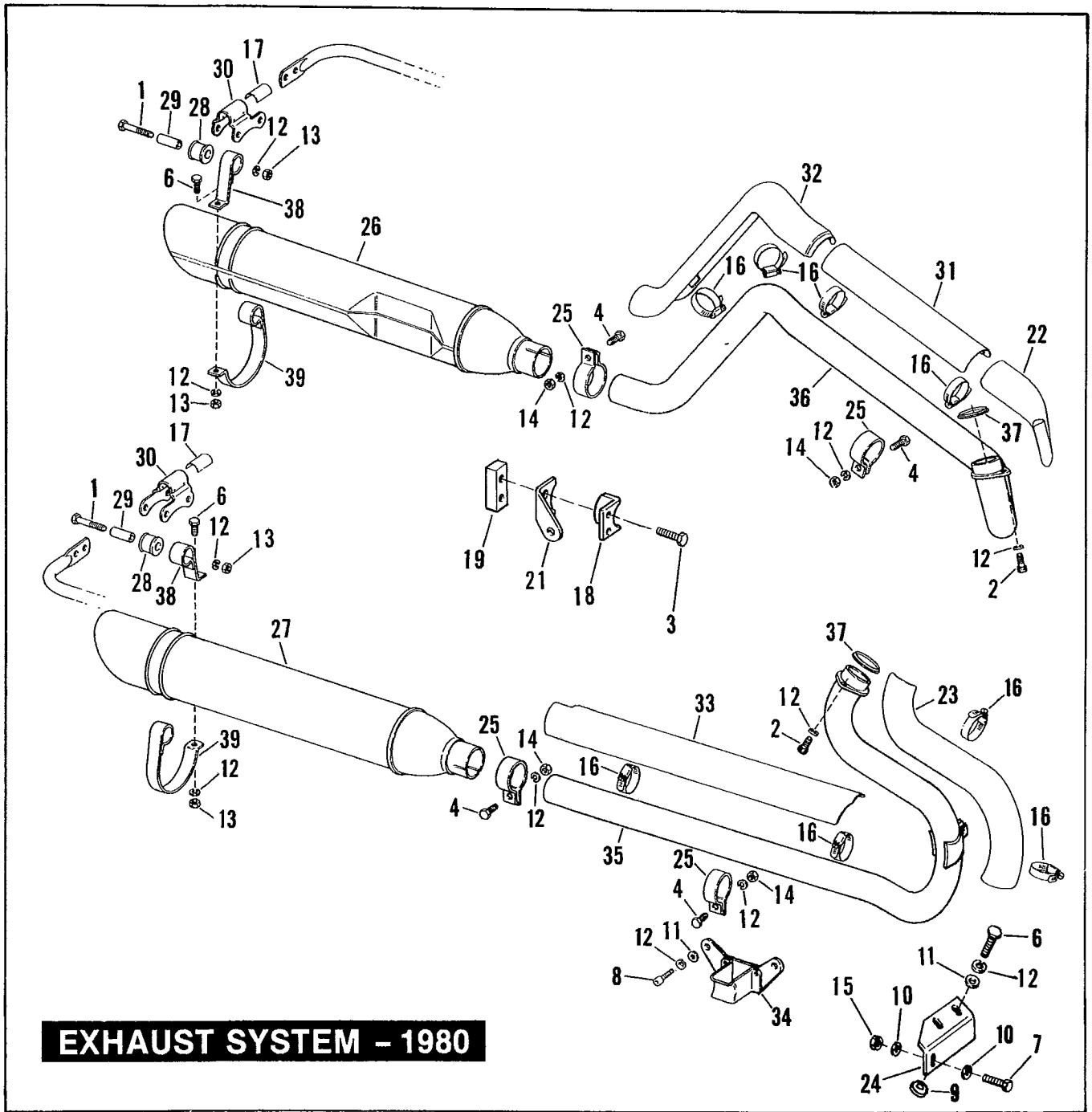


OIL TANK AND COOLER

T34

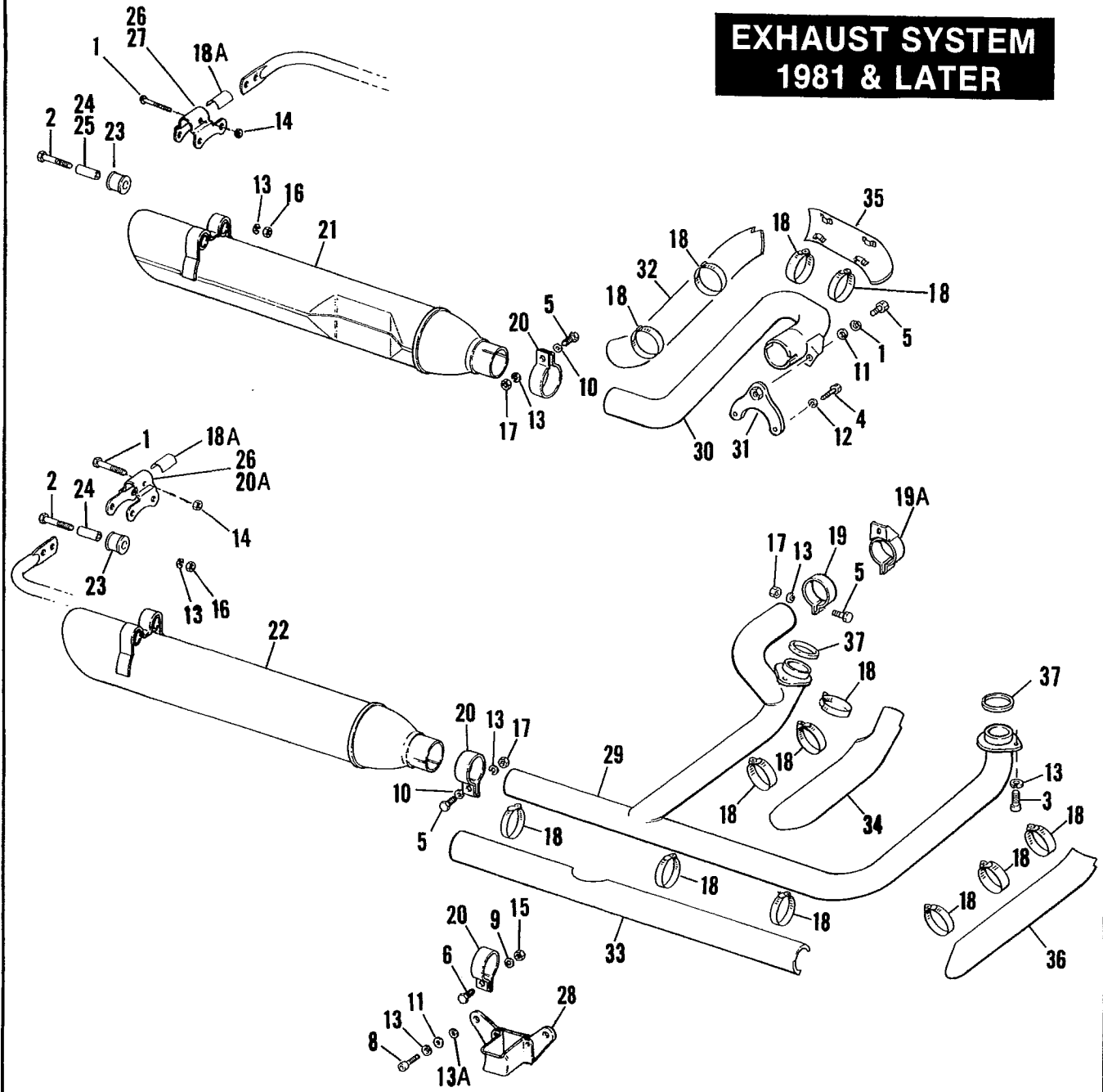
RETAIL PRICE	INDEX NO.	PART NO.	NAME	USED ON
	1	704	PLUG, oil tank, 5/8-18 thread x 3/4 hex	80 to Early 81 — FLT, Classic
		706A	PLUG, oil tank, 1/2-20 thread x 7/8 hex.	Late 81 to * — FLT, Classic
	2	1198	SCREW, No. 10-24 x 1/2 Pozidriv fil. hd. (2)	80 to * — FLT, Classic
	3	2882W	BOLT, 5/16-18 x 5/8 hex. hd. (5)	80 to * — FLT, Classic
	4	6700B	WASHER, 5/8 x 13/16 x 1/32.	80 to * — FLT, Classic
	4A	6702	WASHER, 5/16 x 11/16 x 1/16.	80 to * — FLT, Classic
	5	7041	LOCKWASHER, 5/16 (3)	80 to * — FLT, Classic
	6	7624	LOCKNUT, No. 10-24 x 1/4 x 3/8 hex. (2)	80 to * — FLT, Classic
	7	7739	LOCKNUT, 5/16-18 x 11/32 x 1/2 hex. (2)	80 to * — FLT, Classic
	8	8101	CLIP NUT, 5/16-18	80 to * — FLT, Classic
	9	9946	CLAMP, oil hose (5)	80 to * — FLT, Classic
	10	9959	CLIP NUT, 5/16-18	80 to * — FLT, Classic
	11	10006	STRAP (4)	80 to * — FLT, Classic
	12	10080	CLAMP, oil hose - 5/8 dia. (6)	80 to * — FLT, Classic
	13	10024	CLAMP, oil cooler support (2)	80 to * — FLT, Classic
	15	26251-78	THERMOSTATIC BYPASS VALVE (black)	80 to * — FLT, Classic
	15A	62481-80	LABEL, oil dipstick — "Power Blend etc."	N/A Late 81 & 82 — FLT, Classic
	16	62489-79B	OIL TANK	80 to * — FLT, Classic
	17	62557-80	DECAL, oil hose routing	N/A 80 to Early 81 — FLT, Classic
		62557-81	DECAL, oil hose routing	N/A Late 81 to 82 — FLT, Classic
		62557-83	DECAL, oil hose routing	N/A 83 to * — FLT, FLHT, Classics
	18	62581-79	OIL COOLER KIT (black)	80 to * — FLT, Classic
	19	62584-79	OIL COOLER KIT (chrome)	80 to * — FLT, Classic
	20	62625-70A	FILLER CAP, with dipstick	80 to * — FLT, Classic
	22	63500-68	HOSE, 3/8 I.D. x 5/8 O.D. reinforced rubber (25 ft. lg.)	80 to * — FLT, Classic

NOTE: Hose is sold only in bulk length under the following part number. Cut to required length.

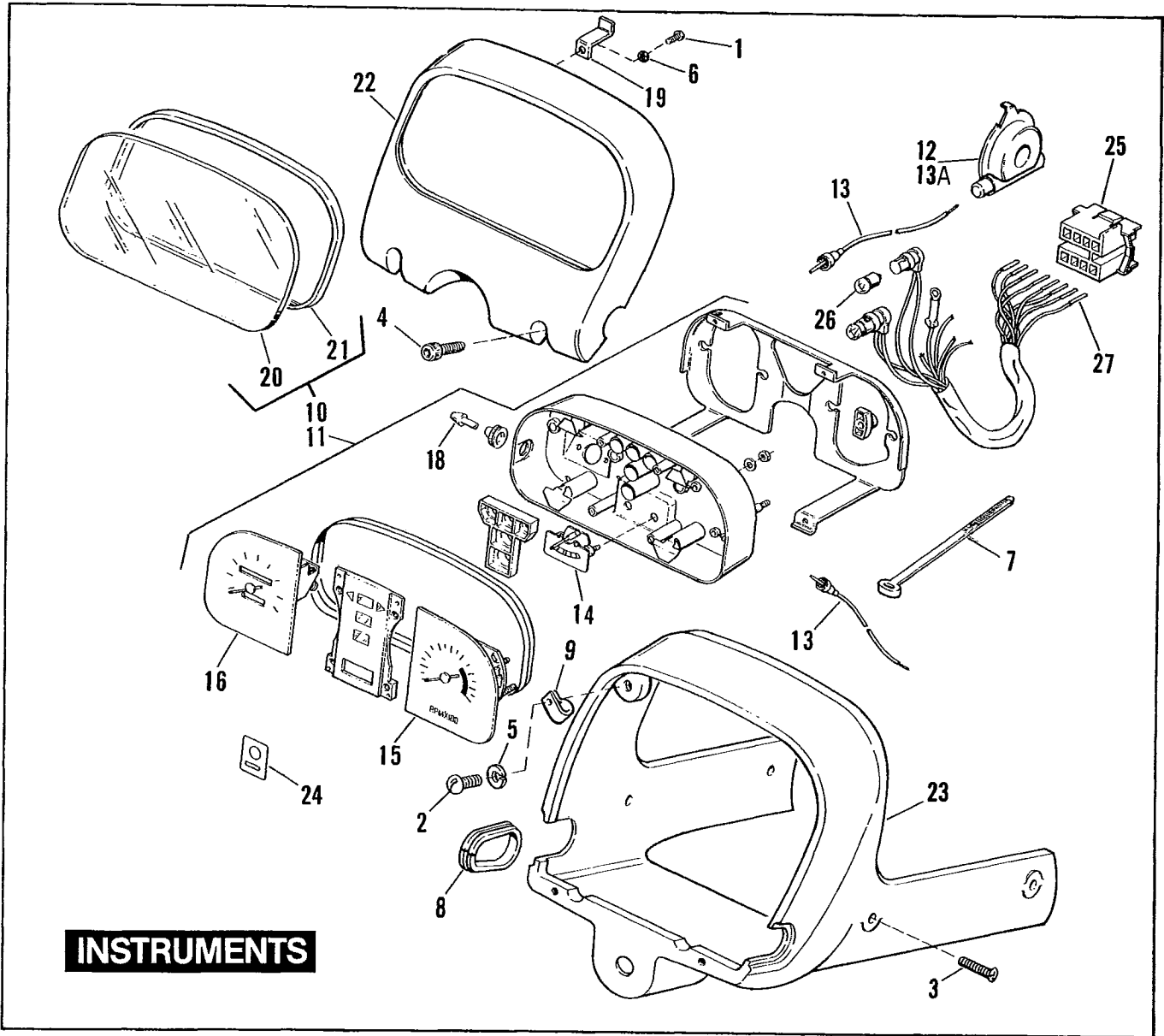


RETAIL PRICE	INDEX NO.	PART NO.	N A M E	USED ON
	1	2667	BOLT (4)	80 — FLT
	2	3201W	SCREW (2)	80 — FLT
	3	3789A	BOLT (2)	80 — FLT
	4	3960W	BOLT (4)	80 — FLT
	6	3987	BOLT (2)	80 — FLT
		4017	BOLT (2)	80 — FLT
	7	4319	BOLT	80 — FLT
	8	4816	SCREW (4)	80 — FLT
	9	5772	SPACER (2)	80 — FLT
	10	6701	WASHER (2)	80 — FLT
	11	6702	WASHER (2)	80 — FLT
	12	7041	LOCKWASHER (11)	80 — FLT
	13	7748W	NUT (6)	80 — FLT
	14	7753	NUT (5)	80 — FLT
	15	7780	LOCKNUT	80 — FLT
	16	9955	CLAMP, exhaust pipe shield (9)	80 — FLT
	17	27037—79	NYLON SLEEVE (2)	N/A 80 — FLT
	18	65196—80	BRACKET, left exhaust pipe	80 — FLT
	19	65197—80	NUT BLOCK	80 — FLT
	21	65199—80	BRACKET, crankcase to clamp bracket	80 — FLT
	22	65287—80	SHIELD, left exhaust pipe — front	N/A 80 — FLT
	23	65288—80	SHIELD, right exhaust pipe — front	N/A 80 — FLT
	24	65444—80	BRACKET, right exhaust pipe	80 — FLT
	25	65519—52B	CLAMP, pipe to muffler (4)	80 — FLT
	26	65538—79C	MUFFLER, left	80 — FLT
	27	65539—79C	MUFFLER, right	80 — FLT
	28	65541—79	RUBBER MOUNT (4)	80 — FLT
	29	65542—79	SPACER (4)	80 — FLT
	30	65543—79	BRACKET (2)	80 — FLT
	31	65549—79	SHIELD, left exhaust pipe — center	80 — FLT
	32	65550—79	SHIELD, left exhaust pipe — rear	N/A 80 — FLT
	33	65551—79	SHIELD, right exhaust pipe — rear	80 — FLT
	34	65555—80A	BRACKET, right exhaust pipe to transmission	80 — FLT
	35	65589—79	EXHAUST PIPE, right	N/A 80 — FLT
	36	65590—79	EXHAUST PIPE, left	80 — FLT
	37	65834—68A	GASKET, exhaust port (2)	80 — FLT
	38	65837—79	STRAP, inside (2)	80 — FLT
	39	65838—79	STRAP, outside (2)	80 — FLT

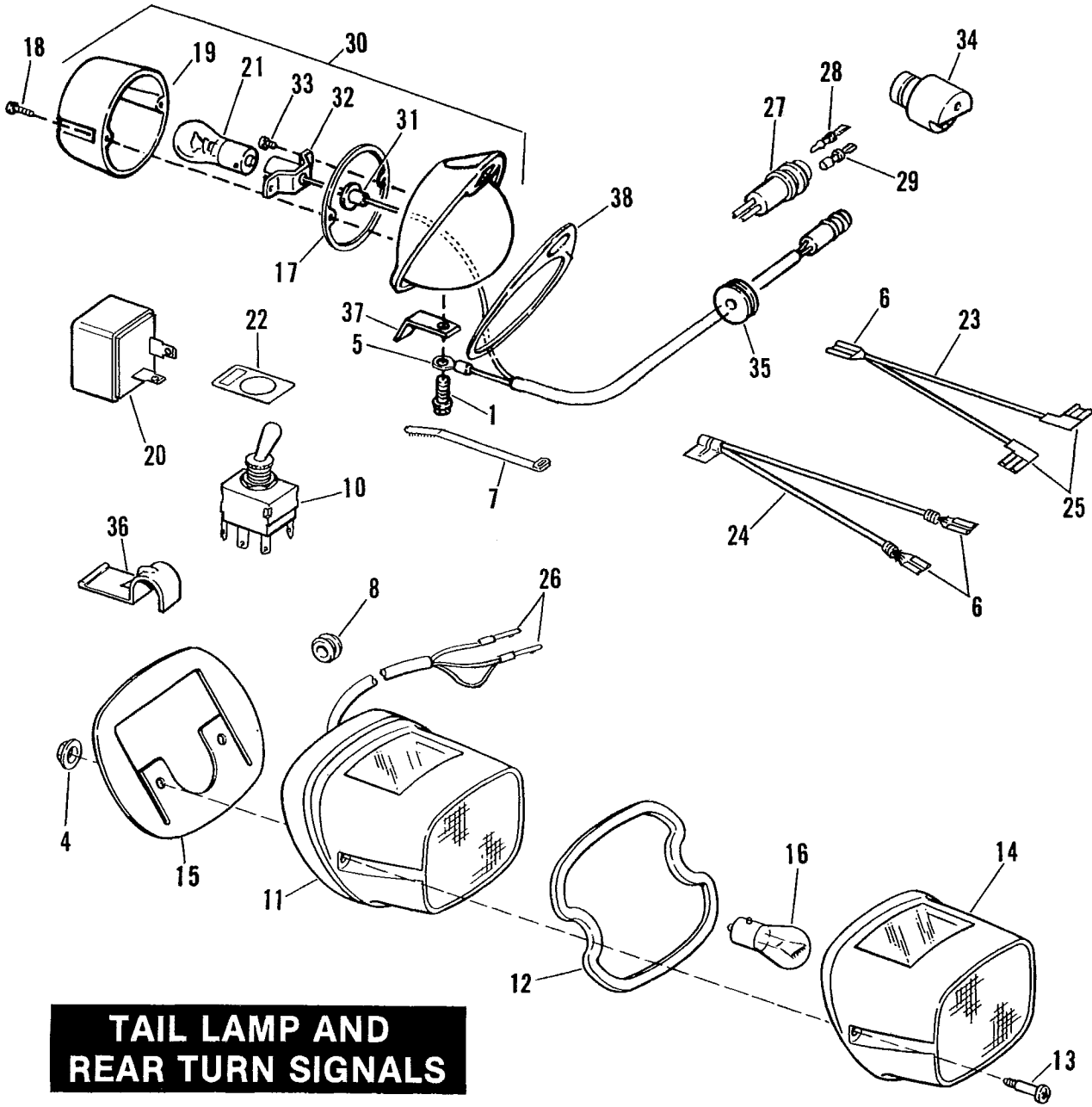
EXHAUST SYSTEM 1981 & LATER



RETAIL PRICE	INDEX NO.	PART NO.	N A M E	USED ON
	1	2606	SCREW	N/A 82 to * — FLT, Classic
		2648	SCREW (2).....	82 to * — FLT, Classic
	2	2667	BOLT (4)	81 to * — FLT, Classic
	3	3201W	SCREW (2)	81 to * — FLT, Classic
	4	3787	BOLT (2)	81 to * — FLT, Classic
	5	3960W	BOLT (4)	81 to * — FLT, Classic
	6	3991	BOLT	81 to * — FLT, Classic
	8	4816	SCREW (4).....	81 to * — FLT, Classic
	9	6109	WASHER	81 to * — FLT, Classic
	10	6324W	WASHER (2)	81 — FLT, Classic
	11	6702	WASHER (2)	81 to * — FLT, Classic
	12	7036	LOCKWASHER (2)	81 to * — FLT, Classic
	13	7041	LOCKWASHER (10)	81 to * — FLT, Classic
	13A	7127	LOCKWASHER (1)	82 to * — FLT, FLHT, Classics
	14	7682	LOCKNUT (2)	82 to * — FLT, Classic
	15	7740	LOCKNUT	81 to * — FLT, Classic
	16	7748W	NUT (4)	81 to * — FLT, Classic
	17	7753	NUT (4)	81 to * — FLT, Classic
	18	9955	CLAMP, exhaust pipe shield (13)	81 to * — FLT, Classic
	18A	27037—79	NYLON SLEEVE (2)	N/A 81 — FLT, Classic
	19	65274—81	CLAMP, pipe to bracket	81 to * — FLT, FLHT, Classics
	19A	65502—83A	CLAMP, left exhaust pipe	83 to * — FLT, FLHT, Classics
	20	65519—52B	CLAMP, pipe to muffler (4)	81 to * — FLT, Classic
	20A	65531—82	MUFFLER HANGER KIT (2)	82 to * — FLT, Classic
	21	65538—79C	MUFFLER, left	81 to * — FLT, Classic
	22	65539—79C	MUFFLER, right	81 to * — FLT, Classic
	23	65541—79	RUBBER MOUNT (4)	81 to * — FLT, Classic
	24	65542—79	SPACER (4)	81 — FLT, Classic
	25	65542—82	SPACER (2)	82 to * — FLT, Classic
	26	65543—79	BRACKET (2)	81 — FLT, Classic
	28	65555—80A	BRACKET, right exhaust pipe to transmission	81 to * — FLT, Classic
	29	65621—81	EXHAUST PIPE, right	81 to * — FLT, Classic
	30	65627—81	EXHAUST PIPE, left	81 to * — FLT, Classic
		65627—83	EXHAUST PIPE, left	83 to * — FLT, FLHT, Classics
	31	65629—81	BRACKET, left exhaust pipe	81 to * — FLT, Classic
	32	65632—81	SHIELD, left exhaust pipe	81 to * — FLT, Classic
	33	65634—81B	SHIELD, right exhaust pipe	81 to * — FLT, Classic
	34	65636—81	SHIELD, right exhaust pipe	81 to * — FLT, Classic
	35	65637—81	SHIELD, left exhaust pipe	81 to * — FLT, Classic
	36	65652—81	SHIELD, right exhaust pipe (with clamps)	81 to * — FLT, Classic
	37	65834—68A	GASKET, exhaust port (2)	81 to * — FLT, Classic

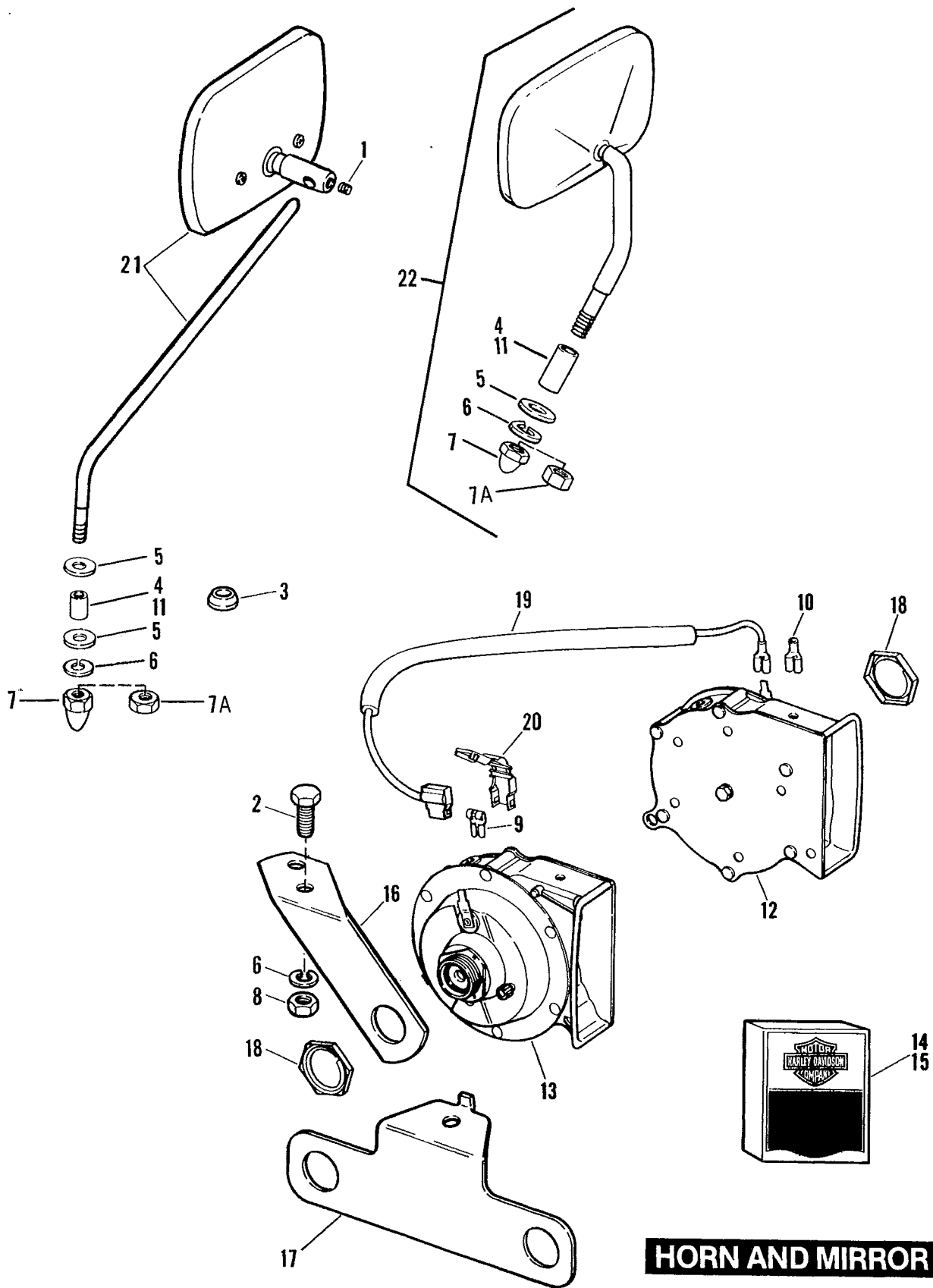


RETAIL PRICE	INDEX NO.	PART NO.	NAME	USED ON
	1	2585	SCREW, No. 8-32 x 5/16 Pozidriv pan hd. (3)	80 to * — FLT, Classic
	2	2622	SCREW, No. 8-32 x 7/16 Pozidriv pan hd. (2)	80 to 81 — FLT, Classic
	3	3415	SCREW, 5/16-24 x 1 Pozidriv pan hd. (4)	80 to * — FLT, Classic
	4	4069	SCREW, 1/4-20 x 3/4 socket fil. hd. (2)	80 to * — FLT, Classic
	5	7015	LOCKWASHER, No. 8 (2)	80 to * — FLT, Classic
	6	7115	LOCKWASHER, No. 8 internal tooth (3)	80 to * — FLT, Classic
	7	10006	STRAP, speedometer cable	80 to * — FLT, Classic
	8	11435	GROMMET, handlebar (2)	80 to * — FLT, Classic
	9	38712-68	CLAMP, handlebar wiring harness (2)	80 to * — FLT, Classic
	10	67000-79	INSTRUMENT PANEL ASSEMBLY, mph	N/A 80 — FLT
		67000-81B	INSTRUMENT PANEL ASSEMBLY, mph	81 to * — FLT, Classic
	11	67023-80	INSTRUMENT PANEL ASSEMBLY, kph	N/A 80 — FLT
		67023-81B	INSTRUMENT PANEL ASSEMBLY, kph	N/A 81 to * — FLT, Classic
	12	67071-79	DRIVE UNIT, speedometer	80 & 81 — FLT, Classic
	13	67072-79A	DRIVE CABLE ASSEMBLY, speedometer	80 to * — FLT, Classic
	13A	67073-81	DRIVE UNIT, speedometer	82 to * — FLT, Classic
	14	67230-80	VOLTMETER	80 to 82 — FLT, Classic
	15	67231-80	TACHOMETER	80 to * — FLT, Classic
	16	67232-80A	SPEEDOMETER, m/kph	80 to * — FLT, Classic
	17	67233-80C	SPEEDOMETER, kph	80 to * — FLT, Classic
	18	67234-80	RESET KNOB, odometer	80 to * — FLT, Classic
	19	67235-80	CLIP	80 to * — FLT, Classic
	20	67236-80	LENS	80 to * — FLT, Classic
	21	67237-80	GASKET	80 to * — FLT, Classic
	22	67238-80	CASE	80 to * — FLT, Classic
	23	67793-79B	HOUSING, instrument panel support	80 to * — FLT, Classic
	24	68602-79	LABEL, flasher switch	80 to * — FLT, Classic
	25	70287-81	CONNECTOR, eight socket	81 to * — FLT, Classic
	26	71099-74	BULB, instrument panel (4)	80 to * — FLT, Classic
	27	72038-71	SOCKET (8)	81 to * — FLT, Classic



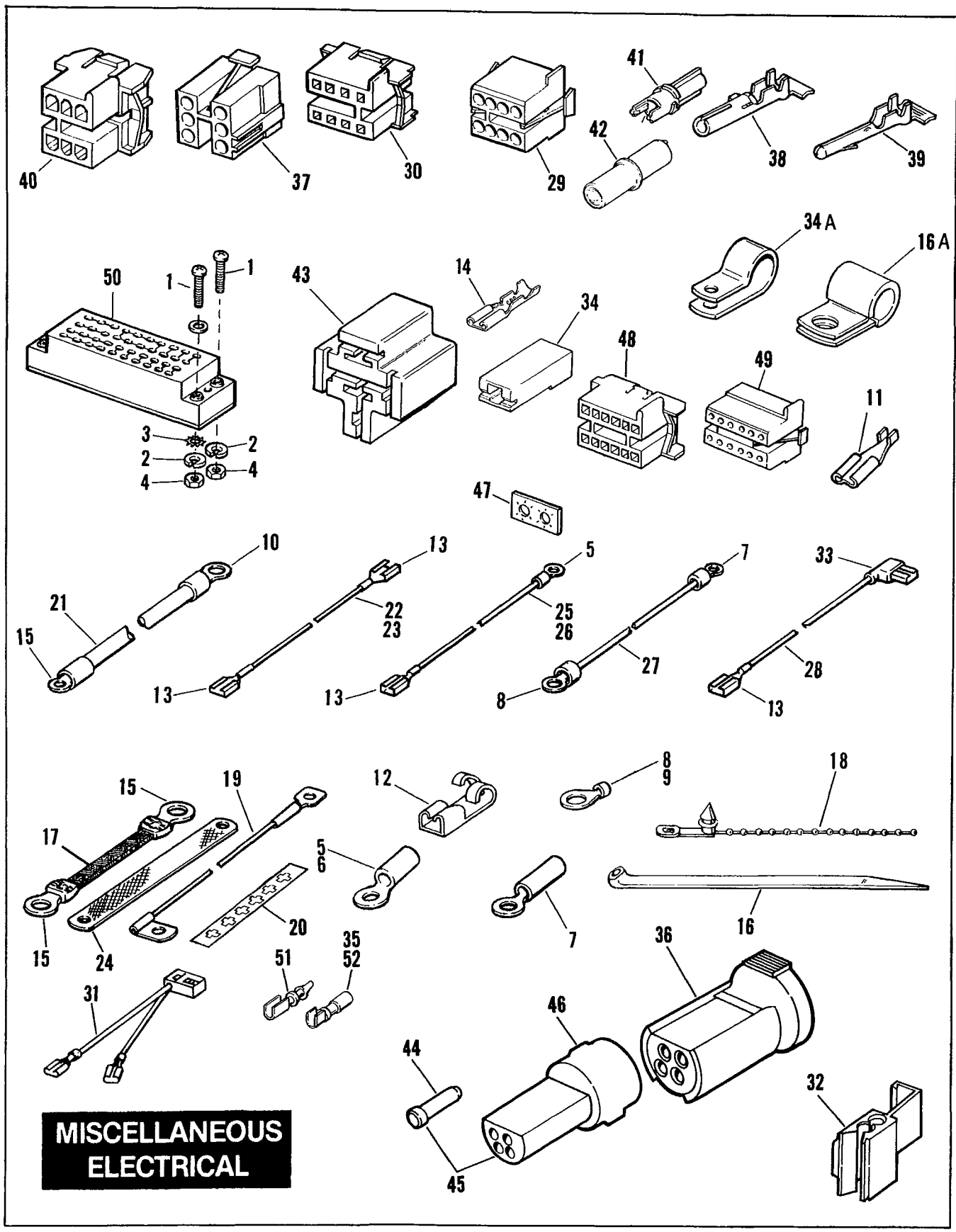
**TAIL LAMP AND
REAR TURN SIGNALS**

RETAIL PRICE	INDEX NO.	PART NO.	N A M E	USED ON
	1	2685W	SCREW	80 to * — FLT, Classic
	3	7501	SPEED NUT (2)	80 to * — FLT, Classic
	4	9857	WIRE TERMINAL, ring type - No. 10 hole - #16-22 wire	80 to * — FLT, Classic
	5	9898	INSULATOR, flag terminal (3)	80 to * — FLT, Classic
	6	9931	WIRE TERMINAL, spade type, 3/16 slot, #16-20 wire	80 to * — FLT, Classic
	7	10006	CABLE STRAP (2)	80 to * — FLT, Classic
	8	11400	GROMMET, tail lamp wire	80 to * — FLT, Classic
	10	67843-70	TOGGLE SWITCH, hazard warning flasher	80 to * — FLT, Classic
	11	68008-73A	TAIL LAMP ASSEMBLY	80 to * — FLT, Classic
	12	68025-73	GASKET, tail lamp lens	80 to * — FLT, Classic
	13	68026-73	SCREW, tail lamp lens (2)	80 to * — FLT, Classic
	14	68034-77	LENS, tail lamp	80 to * — FLT, Classic
	15	68123-73	GASKET, tail lamp housing	80 to * — FLT, Classic
	16	68165-64	BULB, tail lamp	80 to * — FLT, Classic
	17	68481-73	GASKET, turn signal lens — rear (2)	80 to * — FLT, Classic
	18	68482-73	SCREW, turn signal lens — rear (2)	80 to * — FLT, Classic
	19	68483-73	LENS, turn signal — rear (2)	80 to * — FLT, Classic
	20	68541-64A	FLASHER, hazard warning	80 to * — FLT, Classic
		68543-64B	FLASHER, turn signal	80 to * — FLT, Classic
	21	68572-64A	BULB, turn signal — rear (2)	80 to * — FLT, Classic
	22	68602-79	LABEL, flasher switch	80 to * — FLT, Classic
	23	70128-79	WIRING HARNESS, flashers to terminal board	N/A 80 — FLT
	24	70429-70	WIRING HARNESS, hazard warning switch to flasher	N/A 80 to * — FLT, Classic
	26	72039-71	PIN, single socket	80 to * — FLT, Classic
	27	72052-79	CONNECTOR BODY, turn signal wire	80 to * — FLT, Classic
	28	74536-77A	PIN, turn signal connector	80 to * — FLT, Classic
	29	74539-77A	SOCKET, turn signal connector	80 to * — FLT, Classic
	30	90765-79	LAMP WITH WIRE, saddlebag (2)	80 to * — FLT, Classic
	31	90768-79	GROMMET, lamp housing (2)	80 to * — FLT, Classic
	32	90769-79	SOCKET WITH WIRE (2)	80 to * — FLT, Classic
	33	90770-79	SCREW, bulb socket — rear (4)	80 to * — FLT, Classic
	34	90771-79	CONNECTOR, turn signal wire (2)	80 to * — FLT, Classic
	35	90772-79	GROMMET, through saddlebag (2)	80 to * — FLT, Classic
	36	90773-79	CLIP, turn signal wire	N/A 80 to 83 — FLT, Classic
	37	90774-79	BRACKET, turn signal (2)	80 to * — FLT, Classic
	38	90775-79A	GASKET, turn signal — rear (2)	80 to * — FLT, Classic



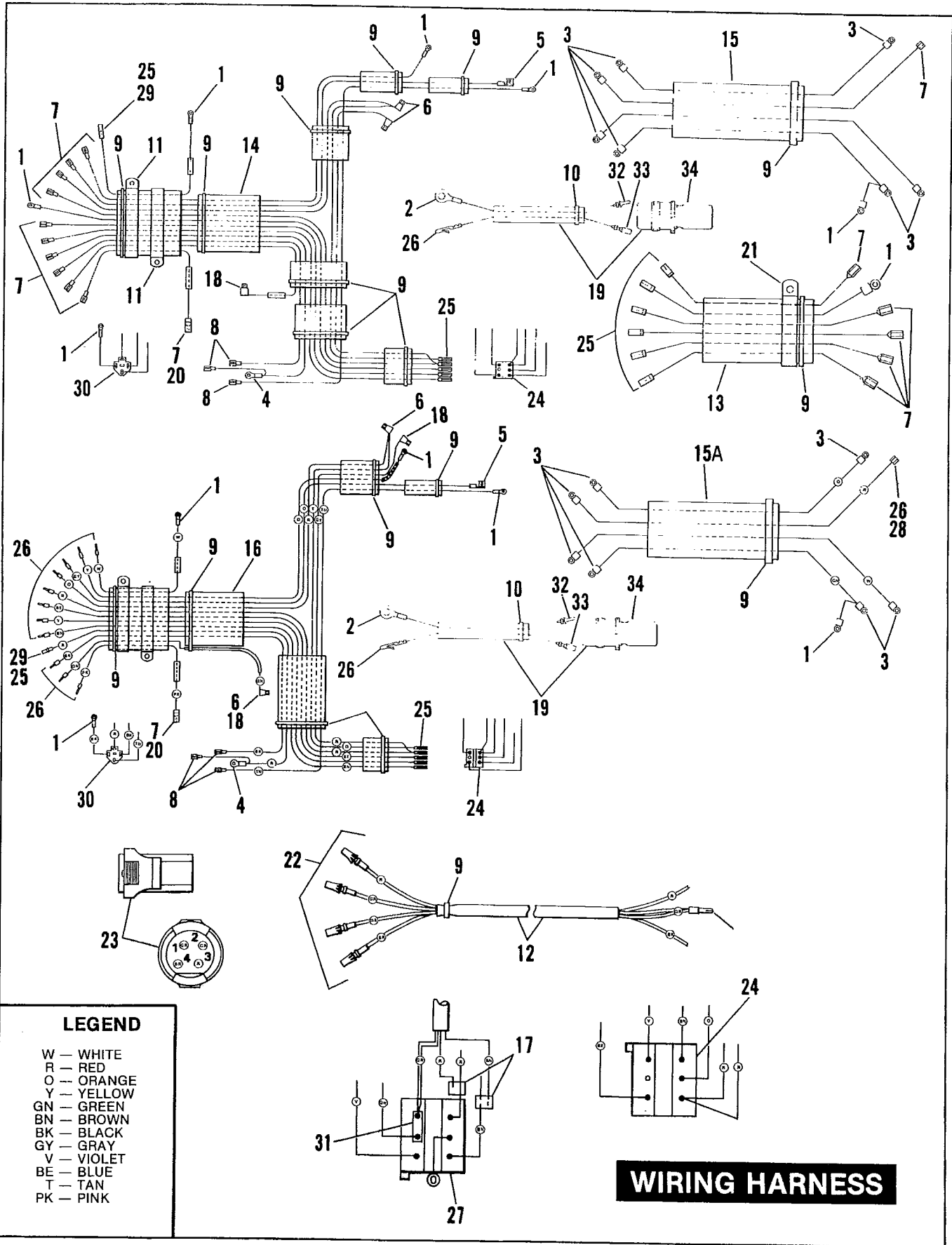
HORN AND MIRROR

RETAIL PRICE	INDEX NO.	PART NO.	N A M E	USED ON
	1	3233	SET SCREW, 1/4-28 x 1/8 socket hd.	80 to Early 82 — FLT, Classic
	2	3974HW	BOLT, 5/16-24 x 3/4 hex. hd. (2)	80 to * — FLT, Classic
	3	5714	SPACER, mirror	82 to * — FLT, Classic
	4	5978W	SPACER, 11/32 long	82 to * — FLT, Classic
	5	6702	WASHER, 5/16 x 11/16 x 1/16 (2)	80 to * — FLT, Classic
	6	7041	LOCKWASHER, 5/16 (3)	80 to * — FLT, Classic
	7	7736	ACORN NUT, 5/16-24 x 19/32 x 9/16 hex.	80 to * — FLT, Classic
	7A	7744	NUT, 5/16-24 x 1/2 hex	82 to * — FLT, Classic
	8	7753	NUT, 5/16-24 x 1/4 x 1/2 hex. (2)	80 to * — FLT, Classic
	9	9925	WIRE TERMINAL, female flat type, 1/4 slot, #16-18 wire .	80 to * — FLT, Classic
	10	9983	TERMINAL, spade type, 1/4 slot, #14-18 wire (with tab) .	80 to * — FLT, Classic
	10A	9898	INSULATOR, flag terminal	80 to * — FLT, Classic
	11	47311-77	SPACER, 7/16 long (black) (left mirror only)	80 to * — FLT, Classic
	12	69000-76	HORN, low note	80 & 81 — FLT, Classic
	13	69016-76	HORN, high note	80 to * — FLT, FLHT, Classic
	14	69022-79	TWIN HORN KIT (accessory)	N/A 80 & 81 — FLT, Classic
	15	69022-82	TWIN HORN KIT (accessory)	N/A 82 to * — FLT, FLHT, Classic
	16	69025-79	BRACKET, horn mounting	N/A 80 & 81 — FLT, Classic
	17	69030-82	BRACKET, horn mounting	82 to * — FLT, Classic
	18	69149-65	NUT, horn mounting	80 to * — FLT, Classic
	19	70265-79	WIRE	80 to * — FLT, Classic
	21	91875-70B	MIRROR KIT	80 & 81 — FLT, Classic
	22	91875-82	MIRROR KIT, short right	82 to * — FLT, Classic
		91892-82	MIRROR KIT, short left	82 to * — FLT, Classic

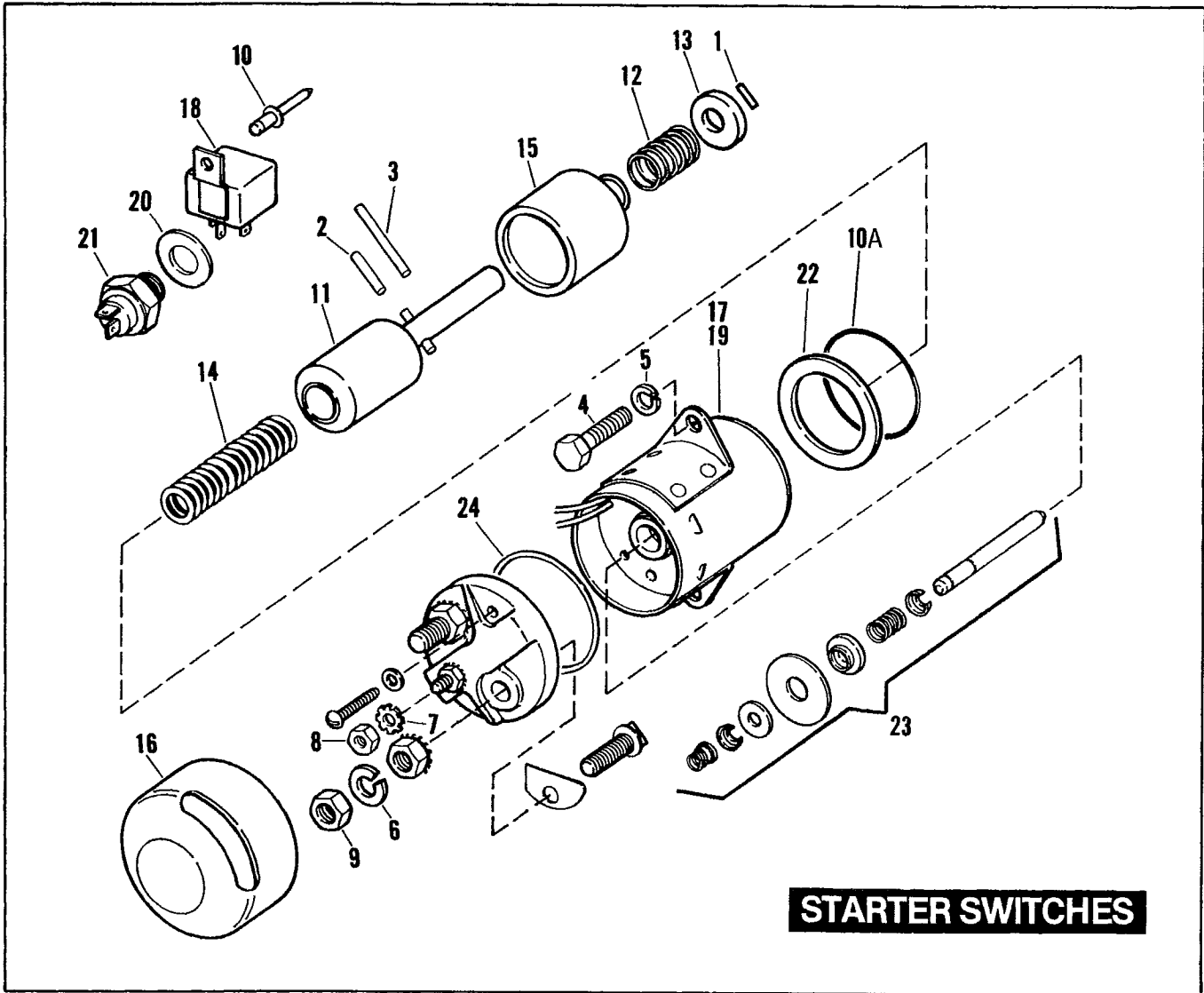


MISCELLANEOUS ELECTRICAL

RETAIL PRICE	INDEX NO.	PART NO.	N A M E	USED ON
	1	2901	SCREW (4)	N/A 80 — FLT
	2	7015	LOCKWASHER (4)	80 to * — FLT, Classic
	3	7143	LOCKWASHER, external tooth	80 — FLT
	4	7608	NUT (4)	80 — FLT
	5	9857	WIRE TERMINAL, ring type — No. 10 hole — #16-22 wire	80 to * — FLT, Classic
	6	9858	WIRE TERMINAL, ring type, 1/4 dia. hole, #16-22 wire	80 to * — FLT, Classic
	7	9862	WIRE TERMINAL, ring type, 1/4 dia. hole, #16-22 wire	80 to * — FLT, Classic
	8	9865	WIRE TERMINAL, ring type — 3/8 dia. hole	80 to * — FLT, Classic
	9	9866	WIRE TERMINAL, ring type — No. 10 hole — #10-22 wire	80 to * — FLT, Classic
	10	9879	TERMINAL, ring type, 1/4 dia. hole, #10-12 wire	80 & 81 — FLT, Classic
	10A	9898	INSULATOR, flag terminal	80 to * — FLT, Classic
	11	9904	WIRE TERMINAL, female spade type, 1/8 slot, #16-20 wire	80 to * — FLT, Classic
	12	9925	WIRE TERMINAL, female flag type, 1/4 slot, #16-18 wire	80 to * — FLT, Classic
	13	9931	WIRE TERMINAL, female spade type, 3/16 slot, #16-20 wire	80 to * — FLT, Classic
	14	9937	WIRE TERMINAL, female spade type — 1/4 slot	80 to * — FLT, Classic
	15	9945	TERMINAL, ring type 5/16 dia. hole, #10-12 wire (u-clamp)	80 & 81 — FLT, Classic
	16	10006	PLASTIC STRAP (black)	80 to * — FLT, Classic
		10007	PLASTIC STRAP (white)	80 to * — FLT, Classic
		10039	STRAP, starter cable	82 to * — FLT, FLHT, Classics
	16A	38712—68	CLAMP, wiring harness	80 to * — FLT, Classic
	17	66385—79	GROUND STRAP	80 & 81 — FLT, Classic
	18	70005—70	CABLE STRAP	80 to * — FLT, Classic
	19	70033—79A	CABLE, battery	80 to * — FLT, Classic
	20	70043—81	LABEL, battery cable (positive)	Late 81 to * — FLT, Classic
	21	70100—79A	WIRE, solenoid to starter	80 to * — FLT, Classic
	22	70171—79	WIRE, terminal block to hazard flasher (violet)	N/A 80 — FLT
	23	70175—79	WIRE, terminal, block to hazard flasher (brown)	N/A 80 — FLT
	24	70186—82	GROUND STRAP, transmission cover	82 to * — FLT, Classic
	25	70233—79	WIRE, terminal board to circuit breaker (orange)	N/A 80 — FLT
	26	70243—79	WIRE, terminal board to circuit breaker (gray)	N/A 80 — FLT
	27	70262—79	WIRE, solenoid to circuit breaker	80 to * — FLT, Classic
	28	70276—79	WIRE, terminal block to turn signal flasher (green)	N/A 80 — FLT
	29	70287—81	CONNECTOR, eight pin	81 to * — FLT, Classic
	30	70288—81	CONNECTOR, eight socket (2)	81 to * — FLT, Classic
	31	70429—70	WIRING HARNESS, hazard warning switch to flasher	N/A 80 — FLT
	32	70576—68	WIRE CONNECTOR	83 to * — TLE
	34	71774—77	INSULATOR, female spade terminal	N/A 80 to 83 — FLT, Classic
	34A	71795—63A	CLAMP	80 to * — FLT, Classic
	35	72028—83	SOCKET, Ignition module & sidecar connection	83 to * — FLT, FLHT, Classics
	36	72029—83	PLUG, 4 wire	83 to * — TLE
	37	72037—71	CONNECTOR, six socket	80 to * — FLT, Classic
	38	72038—71	SOCKET, single pin (6)	80 to * — FLT, Classic
	39	72039—71	PIN, single socket	80 to * — FLT, Classic
	41	72043—71	CONNECTOR, single pin	80 to * — FLT, Classic
	42	72044—71	CONNECTOR, single socket (1)	80 to * — FLT, Classic
	43	72046—79	INSULATOR, spade terminals	80 to * — FLT, Classic
	44	72054—82	PLUG RECEPTACLE	N/A 83 to * — TLE
	45	72055—82	CAP, protective — use when sidecar disconnected	N/A 83 to * — TLE
	46	72056—82	PLUG, sealing (4)	N/A 83 to * — TLE
	47	72275—74	CONNECTOR TAB, two terminal (2)	Late 80 to * — FLT, Classic
	48	72276—74	CONNECTOR, twelve pin	Late 80 to * — FLT, Classic
	49	72278—74	CONNECTOR, twelve socket	Late 80 to * — FLT, Classic
	50	72313—79	TERMINAL BLOCK	N/A 80 — FLT
	51	74536—77A	PIN, regulator connector & 80 to 82 ignition module (2)	80 to * — FLT, Classic
	52	74539—77A	SOCKET, regulator connector & 80 to 82 ignition module	80 to * — FLT, Classic
		74539—83	SOCKET, sidecar fender lights	83 — TLE



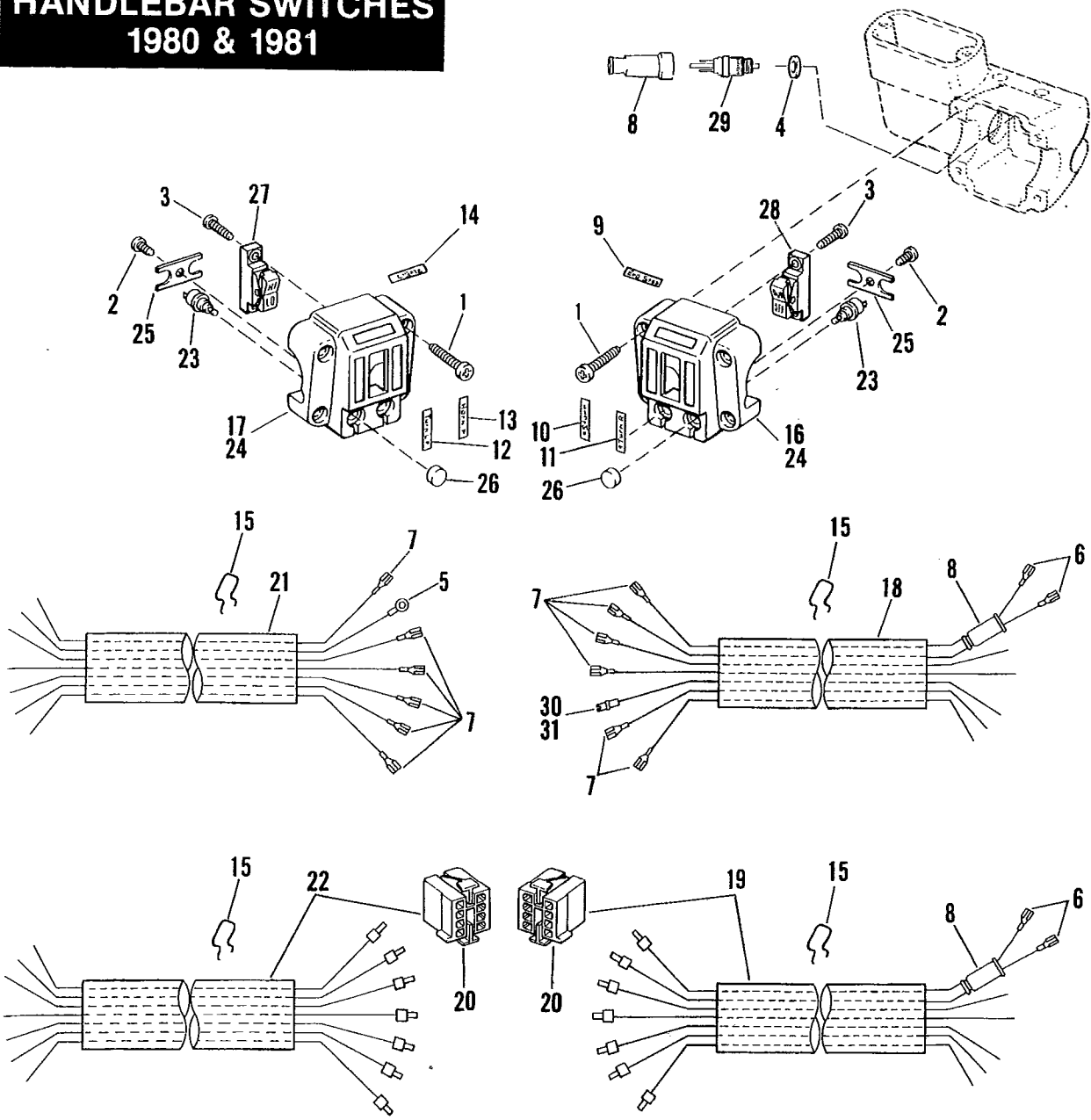
RETAIL PRICE	INDEX NO.	PART NO.	N A M E	USED ON
	1	9857	WIRE TERMINAL, ring type — No. 10 hole — #16-22 wire	80 to * — FLT, Classic
	2	9858	WIRE TERMINAL, ring type, 1/4 dia. hole, #16-22 wire . .	80 to * — FLT, Classic
	3	9862	WIRE TERMINAL, ring type, 1/4 dia. hole, #16-22 wire . .	80 to * — FLT, Classic
	4	9866	WIRE TERMINAL, ring type — No. 10 hole — #10-22 wire	80 to * — FLT, Classic
	5	9905	WIRE TERMINAL, 1/4 dia. cap type — #18-22 wire	80 to * — FLT, Classic
	6	9925	WIRE TERMINAL, female flag type, 1/4 slot, #16-18 wire .	80 to * — FLT, Classic
	7	9931	WIRE TERMINAL, female spade type, 3/16 slot, #16-20 wire	80 to * — FLT, Classic
	8	9937	WIRE TERMINAL, female spade type — 1/4 slot	80 to * — FLT, Classic
	9	10006	PLASTIC STRAP (black)	80 to * — FLT, Classic
	10	10007	PLASTIC STRAP (white)	80 to * — FLT, Classic
	11	38712—68	CLAMP, wiring harness	80 to * — FLT, Classic
	12	70028—83	SIDECAR WIRING HARNESS N/A	83 to * — TLE
	13	70264—79	WIRING HARNESS, fairing N/A	80 — FLT
		70266—81	MAIN WIRING HARNESS, front section N/A	81 — FLT, Classic
		70266—82	MAIN WIRING HARNESS, front section N/A	82 to * — FLT, Classic
	14	70267—79	MAIN WIRING HARNESS N/A	80 — FLT
		70267—81	MAIN WIRING HARNESS, rear section N/A	81 — FLT, Classic
		70267—82	MAIN WIRING HARNESS, rear section N/A	82 — FLT, Classic
	15	70268—79	WIRING HARNESS, ignition switch N/A	80 — FLT
	15A	70268—81	WIRING HARNESS, ignition switch N/A	81 to * — FLT, Classic
	16	70269—83	MAIN WIRING HARNESS	83 to * — FLT, FLHT, Classic's
	17	70576—68	CONNECTOR (2)	83 to * — TLE
	18	70584—69	INSULATOR, flag terminal (3) N/A	80 to * — FLT, Classic
	19	70645—79	WIRING HARNESS, rear fender (Tour-Pak wiring)	80 to * — FLT, Classic
	20	71774—77	INSULATOR, female spade terminal N/A	80 to * — FLT, Classic
	21	71795—63A	CLAMP	80 to * — FLT, Classic
	22	72028—83	CONTACT, socket	83 to * — TLE
	23	72029—83	PLUG, 4 wire	83 to * — TLE
	24	72037—71	CONNECTOR, six socket	80 to * — FLT, Classic
	25	72038—71	SOCKET, single pin (6)	80 to * — FLT, Classic
	26	72039—71	PIN, single socket	80 to * — FLT, Classic
	27	72041—71	CONNECTOR, six pin (with sidecar wiring)	83 to * — TLE
	28	72043—71	CONNECTOR, single pin	80 to * — FLT, Classic
	29	72044—71	CONNECTOR, single socket	80 to * — FLT, Classic
	30	72046—79	INSULATOR, spade terminals	80 to * — FLT, Classic
	31	72275—74	TAB COMMONING, 2 terminal	83 to * — TLE
	32	74536—77A	PIN, regulator connector (2)	80 to * — FLT, Classic
	33	74539—77A	SOCKET, regulator connector	80 to * — FLT, Classic
	34	90771—79	PLUG, wiring harness	80 to * — FLT, Classic



STARTER SWITCHES

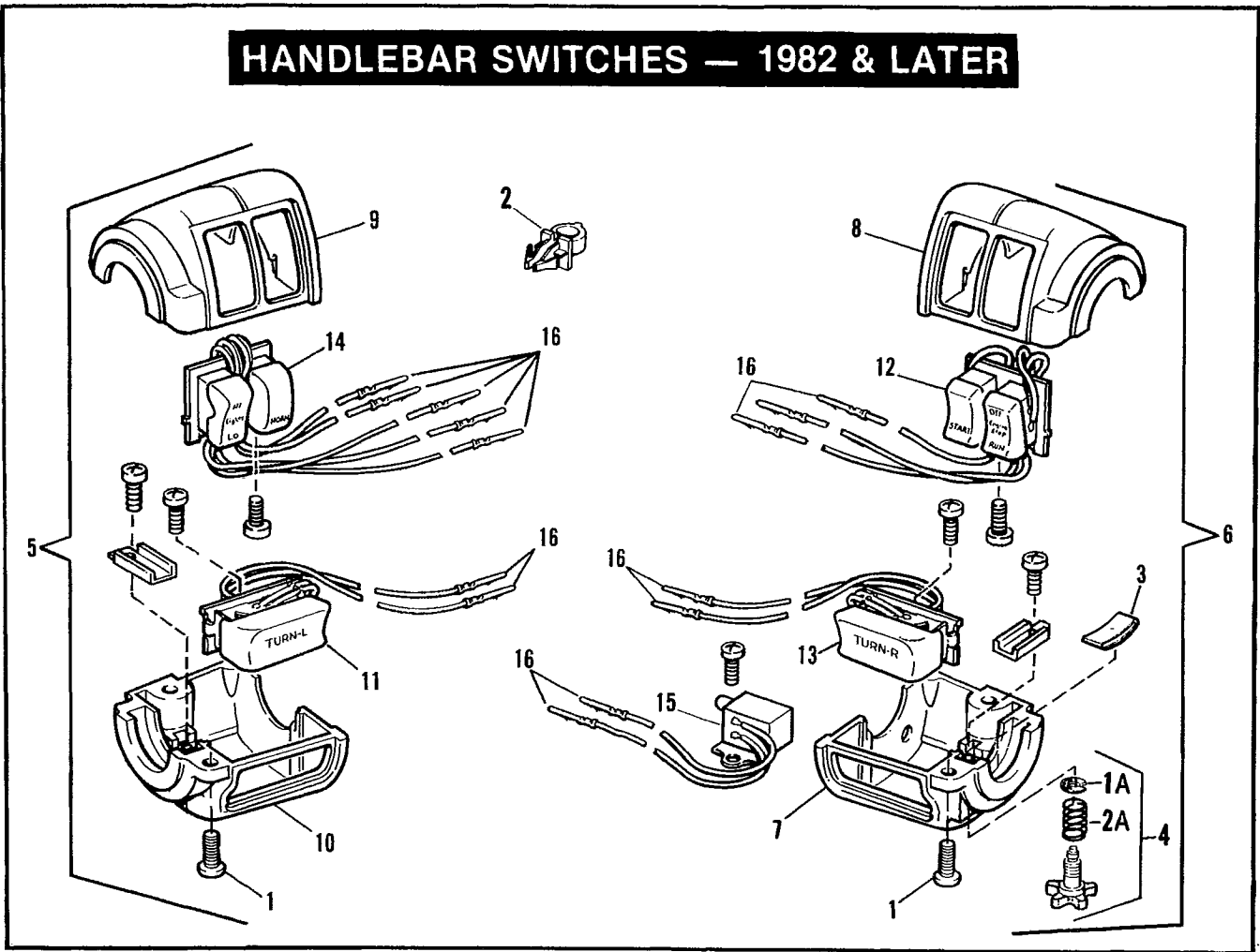
RETAIL PRICE	INDEX NO.	PART NO.	N A M E	USED ON
	1	256	PIN	80 to * — FLT, Classic
	2	600	ROLL PIN	80 to * — FLT, Classic
	3	614	ROLL PIN	80 to * — FLT, Classic
	3A	3787	BOLT (2)	81 to * — FLT
	4	3802W	BOLT (2)	80 — FLT
	4A	4740	SCREW (2)	81 to * — Classic
	5	7036	LOCKWASHER (2)	80 to * — FLT, Classic
	6	7038	LOCKWASHER (2)	80 to * — FLT, Classic
	7	7220	LOCKWASHER, external tooth	80 to * — FLT, Classic
	8	7638	NUT	80 to * — FLT, Classic
	9	7783	NUT (2)	80 to * — FLT, Classic
	10	8672	POP RIVET (2)	80 to * — FLT, Classic
	10A	27060—55	O-RING, solenoid mounting	Late 81 to * — FLT, Classic
	11	31435—65B	PLUNGER ASSEMBLY, solenoid	80 to * — FLT, Classic
	12	31438—65A	OVER-RUN SPRING	80 to * — FLT, Classic
	13	31439—65A	RETAINER, over-run spring	80 to * — FLT, Classic
	14	31440—65	RETURN SPRING, plunger	80 to * — FLT, Classic
	15	31441—65A	BOOT, solenoid plunger (rubber)	80 to * — FLT, Classic
	16	31444—65A	COVER, solenoid (grey rubber)	81 — Classic; 80 to * — FLT
		31475—77	COVER, solenoid (black rubber)	82 to * — Classic
	17	31489—79B	STARTER SOLENOID	80 to * — FLT
	18	31506—79B	STARTER RELAY	80 to * — FLT, Classic
	19	31526—81B	STARTER SOLENOID (painted)	81 to * — Classic
	20	33043—80	WASHER, neutral indicator switch	80 to * — FLT, Classic
	21	33900—59	TRANSMISSION NEUTRAL SWITCH	80 to * — FLT, Classic
	22	60645—65	GASKET, solenoid mounting	80 to Early 81 — FLT, Classic
	23	71466—65	INNER PLUNGER, solenoid	N/A 80 to * — FLT, Classic
	24	71467—65	COVER GASKET, solenoid	80 to * — FLT, Classic

HANDLEBAR SWITCHES 1980 & 1981

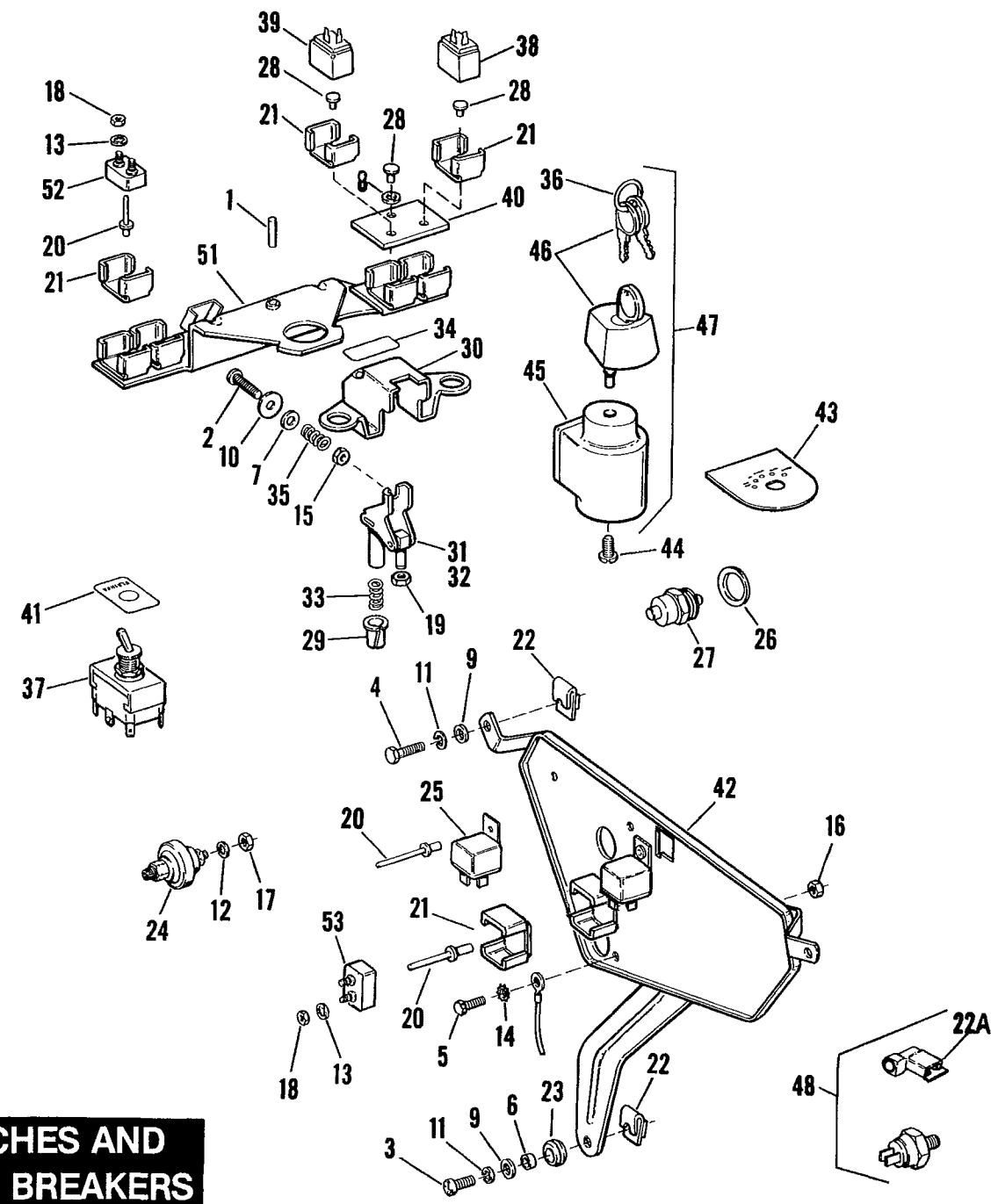


RETAIL PRICE	INDEX NO.	PART NO.	N A M E	USED ON
	1	2695W	SCREW, No. 10-24 x 1-1/8 Pozidriv fil. hd. (8)	80 & 81 — FLT, Classic
	2	2803W	SCREW, No. 6-32 x 1/4 Pozidriv pan hd. (2)	80 & 81 — FLT, Classic
	3	2804W	SCREW, No. 6-32 x 1/2 Pozidriv pan hd. (4)	80 & 81 — FLT, Classic
	4	6220W	WASHER, 1/4 x 7/16 x 1/32	80 & 81 — FLT, Classic
	5	9857	WIRE TERMINAL, ring type — No. 10 hole — #16-22 wire	80 & 81 — FLT, Classic
	6	9904	WIRE TERMINAL, female spade type — 1/8 slot — #16-20 wire	80 & 81 — FLT, Classic
	7	9931	WIRE TERMINAL, female spade type — 3/16 slot — #16-20 wire	80 & 81 — FLT, Classic
	8	27751—69P	RUBBER CAP, front stoplight switch	80 & 81 — FLT, Classic
	9	46907—77	LABEL, engine stop	80 & 81 — FLT, Classic
	10	46908—77	LABEL, start	80 & 81 — FLT, Classic
	11	46909—77	LABEL, turn — R	80 & 81 — FLT, Classic
	12	46910—77	LABEL, turn — L	80 & 81 — FLT, Classic
	13	46911—77	LABEL, horn	80 & 81 — FLT, Classic
	14	46912—77	LABEL, lights	80 & 81 — FLT, Classic
	15	56062—73	CLIP, wiring harness (4)	80 & 81 — FLT, Classic
	16	70280—81	SWITCH ASSEMBLY, complete — right	80 & 81 — FLT, Classic
	17	70284—79	SWITCH ASSEMBLY, complete — left	N/A 80 — FLT
		70284—81	SWITCH ASSEMBLY, complete — left	N/A 81 — FLT, Classic
	18	70286—79	WIRING HARNESS, right handlebar switch	N/A 80 — FLT
	19	70286—81	WIRING HARNESS, right handlebar switch	81 — FLT, Classic
	20	70287—81	CONNECTOR, eight socket (2)	81 — FLT, Classic
	21	70298—79	WIRING HARNESS, left handlebar switch	80 — FLT
	22	70298—81	WIRING HARNESS, left handlebar switch	81 — FLT, Classic
	23	71484—72A	BUTTON SWITCH	80 & 81 — FLT, Classic
	24	71519—75	HOUSING, switches (2)	80 & 81 — FLT, Classic
	25	71533—72	RETAINER, button switches (2)	80 & 81 — FLT, Classic
	26	71534—72	BUTTON CAP, switch	80 & 81 — FLT, Classic
	27	71546—75A	ROCKER SWITCH (HI — LO)	80 & 81 — FLT, Classic
	28	71547—75A	ROCKER SWITCH (RUN — OFF)	80 & 81 — FLT, Classic
	29	72001—69B	STOPLIGHT SWITCH, front brake	80 & 81 — FLT, Classic
	30	72039—71	PIN, socket terminal (14 — 1981 and later)	80 & 81 — FLT, Classic
	31	72043—71	CONNECTOR, single pin	80 & 81 — FLT, Classic

HANDLEBAR SWITCHES — 1982 & LATER

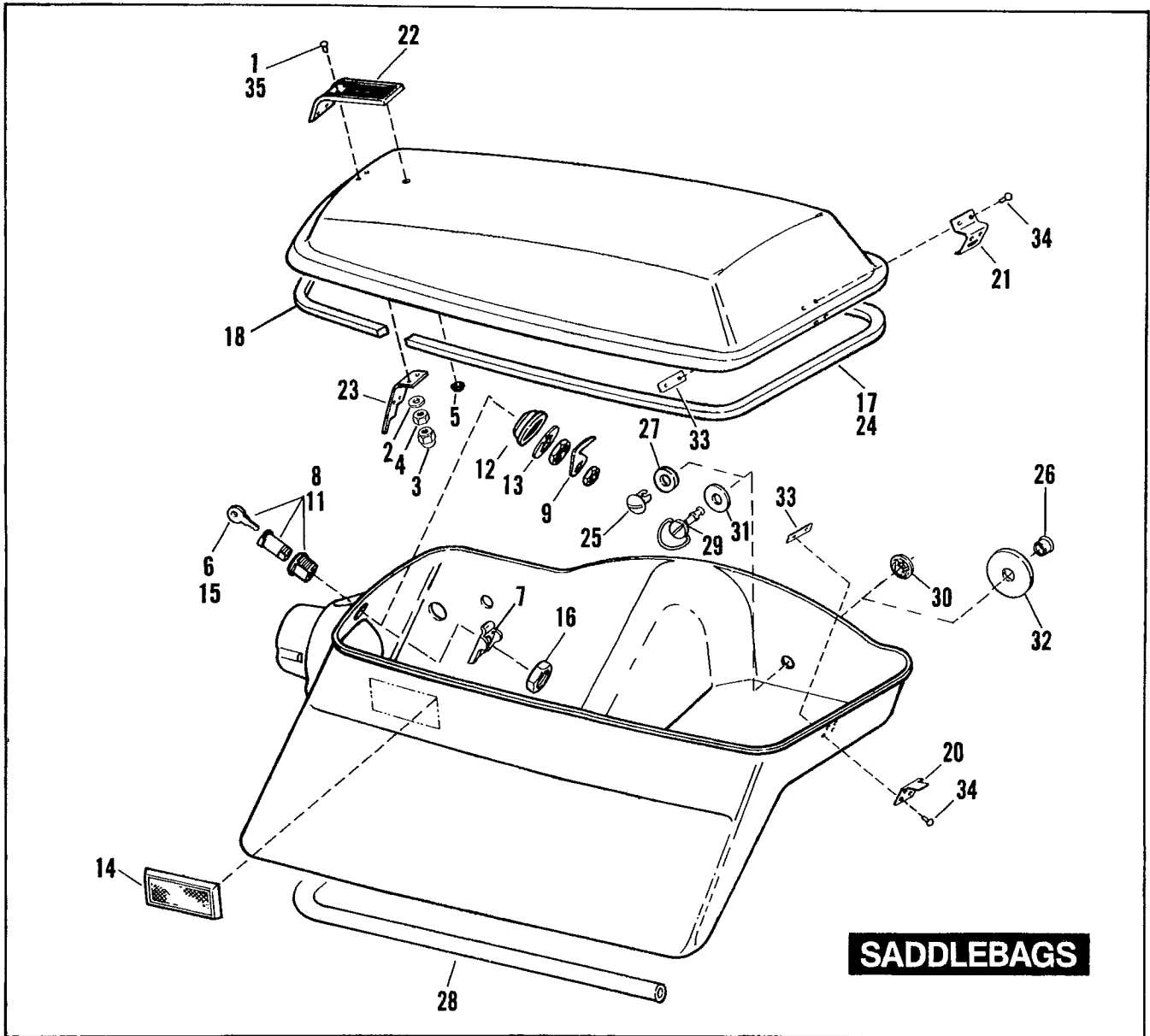


RETAIL PRICE	INDEX NO.	PART NO.	N A M E	USED ON
	1	2508	SCREW (4)	82 to * — FLT, Classic
	1A	11155	RETAINING RING	82 to * — FLT, Classic
	2	56070—81	RETAINER, wiring harness (4)	82 to * — FLT, Classic
	2A	56394—74	SPRING, screw,	82 to * — FLT, Classic
	3	56396—74A	SPRING, grip	82 to * — FLT, Classic
	4	56397—74C	ADJUSTING SCREW KIT, complete	82 to * — FLT, Classic
		56402—83A	ADJUSTING SCREW, only	82 to * — FLT, Classic
	5	70218—87	LEFT SWITCH ASSEMBLY KIT, complete	82 to * — FLT, Classic
	6	70219—87	RIGHT SWITCH ASSEMBLY KIT, complete	82 to * — FLT, Classic
			NOTE: Kits include all necessary terminals and wires to fit all models.	
	7	71563—82A	HOUSING, lower right	82 to * — FLT,
	8	71564—82A	HOUSING, upper, right	82 to * — FLT, Classic
	9	71567—82	HOUSING, upper, left	82 to * — FLT, Classic
	10	71568—82A	HOUSING, lower, left	82 to * — FLT, Classic
	11	71570—82A	SWITCH ASSEMBLY, with terminals, left directional	82 to * — FLT, Classic
	12	71571—82	SWITCH ASSEMBLY, with terminals, engine stop/start ..	82 to * — FLT, Classic
	13	71572—82A	SWITCH ASSEMBLY, with terminals, right directional. . .	82 to * — FLT, Classic
	14	71573—82A	SWITCH ASSEMBLY, with terminals & wiring, dimmer & horn	82 to * — FLT, Classic
	15	71574—82	STOPLIGHT SWITCH, with terminals & wiring	82 to * — FLT, Classic
	16	72039—71	PIN, single socket (12)	82 to * — FLT, Classic
		72043—71	CONNECTOR, single pin	82 to * — FLT, Classic



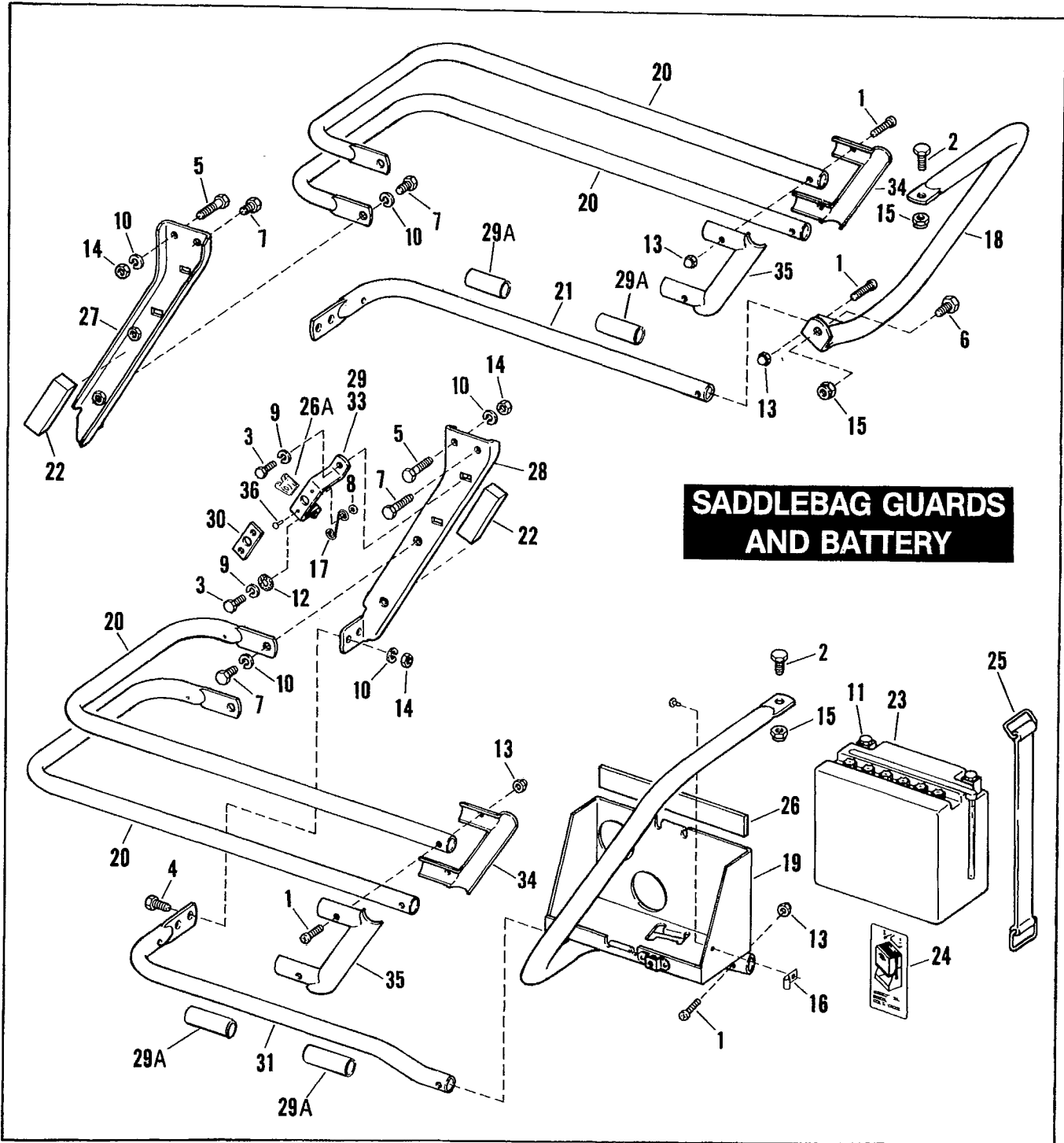
**SWITCHES AND
CIRCUIT BREAKERS**

RETAIL PRICE	INDEX NO.	PART NO.	N A M E	USED ON
	1	608	ROLL PIN	80 to * — FLT, Classic
	2	909	SCREW (w/lock patch)	81 to * — FLT, Classic
	3	2003	SCREW	80 to * — FLT, Classic
	4	2882W	BOLT (2)	80 to * — FLT, Classic
	5	3581	BOLT	80 to * — FLT, Classic
	6	5965B	SPACER	80 to 82 — FLT, Classic
	7	6150W	WASHER	80 to * — FLT, Classic
	8	6189W	WASHER	80 to * — FLT, Classic
	9	6702	WASHER (2)	80 to * — FLT, Classic
	10	6716	WASHER	80 to * — FLT, Classic
	11	7041	LOCKWASHER (2)	80 to * — FLT, Classic
	12	7069	LOCKWASHER	80 to * — FLT, Classic
	13	7118	LOCKWASHER, internal tooth (6)	80 to * — FLT, Classic
	14	7220	LOCKWASHER, external tooth	80 to * — FLT, Classic
	15	7620W	NUT	81 to * — FLT, Classic
	16	7624	LOCKNUT	80 to * — FLT, Classic
	17	7634	NUT (brass)	80 to * — FLT, Classic
	18	7638	NUT (6)	80 to * — FLT, Classic
	19	7686	LOCKNUT	80 to * — FLT, Classic
	20	8672	POP RIVET (3)	80 to * — FLT, Classic
	21	9952	CLIP, flashers and circuit breakers (7)	80 to * — FLT, Classic
	22	9959	CLIP NUT, plate (2)	80 to * — FLT, Classic
	22A	9898	WIRE TERMINAL, female spade type — #14-16 wire	80 to * — FLT, Classic
	23	11412	GROMMET	80 to 82 — FLT, Classic
	24	26552—72	OIL PRESSURE SWITCH	80 to * — FLT, Classic
	25	31506—79B	STARTER RELAY	80 to * — FLT, Classic
	26	33043—80	WASHER, neutral indicator switch	80 to * — FLT, Classic
	27	33900—59	SWITCH, transmission neutral indicator	80 to * — FLT, Classic
	28	41841—31	RIVET (3)	N/A 80 to * — FLT, Classic
	29	45426—79	SLEEVE, fork lock	80 to * — FLT, Classic
	30	45427—79	SHIELD, fork lock	80 to * — FLT, Classic
	31	45437—79	LEVER ASSEMBLY, fork lock	80 — FLT
	32	45437—81	LEVER ASSEMBLY, fork lock	81 to * — FLT, Classic
	33	45447—81	SPRING	81 to * — FLT, Classic
	34	45448—81	LABEL, "warning"	81 to * — FLT, Classic
	35	45494—79	SPRING, fork lock	80 to * — FLT, Classic
	36	61077—80	KEYSET, ignition & fuel door (specify key #011 — 127)	80 & 81 — FLT, Classic
		61077—82	KEYSET, ignition & fuel door (specify key number)	82 to * — FLT, Classic
	37	67843—70	TOGGLE SWITCH, hazard warning flasher	80 to * — FLT, Classic
	38	68541—64A	FLASHER, hazard warning	80 to * — FLT, Classic
	39	68543—64B	FLASHER, turn signal	80 to * — FLT, Classic
	40	68561—79	PAD, flasher clip mounting	80 to * — FLT, Classic
	41	68602—79	LABEL, hazard warning flasher switch	80 to * — FLT, Classic
	42	70961—79A	PLATE, circuit breaker and starter relay mounting	80 to * — FLT, Classic
	43	71427—79A	DECAL, ignition switch	80 to * — FLT, Classic
	44	71518—80	SCREW, with washer (4)	80 to * — FLT, Classic
	45	71526—80	HOUSING, ignition switch	80 to * — FLT, Classic
	46	71536—80	KNOB, ignition switch — with keyset	N/A 80 & 81 — FLT, Classic
		71536—82	KNOB, ignition switch — with keyset	82 to * — FLT, Classic
	47	71549—80	IGNITION SWITCH, with keys	80 & 81 — FLT, Classic
		71549—82	IGNITION SWITCH, with keys	82 to * — FLT, Classic
	48	72023—51A	STOPLIGHT SWITCH, rear — includes item 22A	80 to * — FLT, Classic
			Includes:	
	51	72309—79B	MOUNTING ASSEMBLY, circuit breaker & flasher clips	80 to * — FLT, Classic
	52	74589—73	CIRCUIT BREAKER (3)	80 to * — FLT, Classic
	53	74599—77A	CIRCUIT BREAKER, battery	80 to * — FLT, Classic



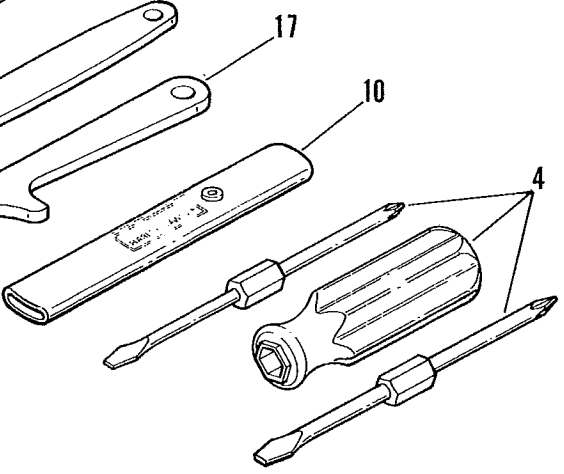
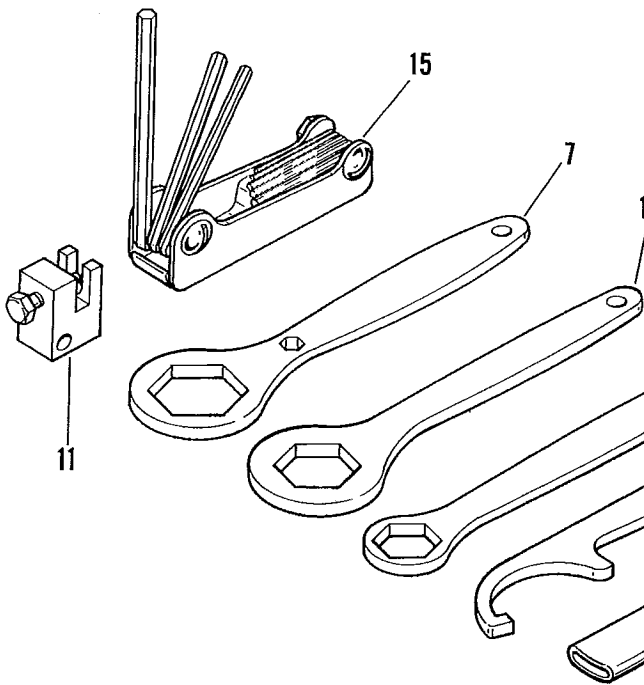
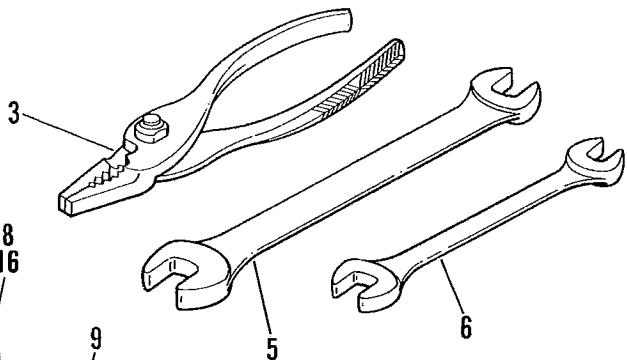
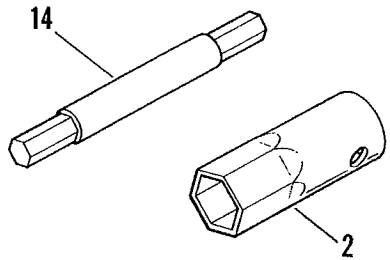
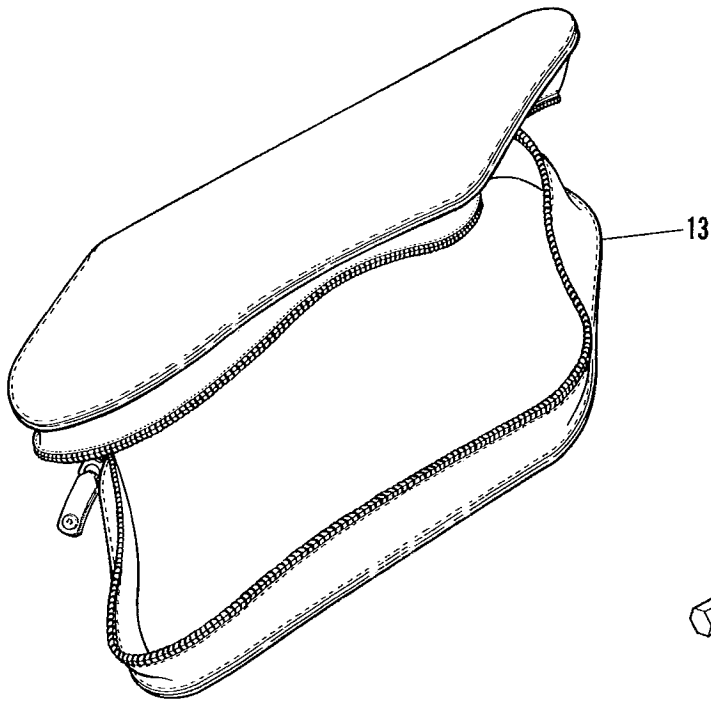
RETAIL PRICE	INDEX NO.	PART NO.	N A M E	USED ON
	1	3225	SCREW (8)	82 — FLT, Classic
	2	6717	WASHER (8)	82 — FLT, Classic
	3	7520	NUT, nylon (8)	82 — FLT, Classic
	4	7590	NUT (4)	82 — FLT, Classic
	5	8135B	SPEED NUT, trim plate (2)	80 to * — FLT, Classic
	6	48152—82	KEY (specify key no. 1 to 100)	82 to * — FLT, FLHT, Classics
	7	53152—82A	HOUSING, plunger lock (2)	82 to * — FLT, Classic
	8	53153—82	PLUNGER LOCK, with two keys	82 to * — FLT, Classic
	9	53306—69	LOCKING HOOK	80 — FLT, Classic
		53306—80	LOCKING HOOK	81 — FLT, Classic
	11	53307—69	LOCK, saddlebag (2)	80 & 81 — FLT, Classic
	12	53579—82	INSERT, lock (2)	82 — FLT, Classic
	13	53324—69	WASHER	80 & 81 — FLT, Classic
	14	59255—72	REFLECTOR (2)	80 to * — FLT, Classic
	15	71626—62	KEY (specify key No. LL226 to LL450)	80 & 81 — FLT, Classic
	16	84850—67	NUT, lock (2)	82 to * — FLT, Classic
	17	90633—82	GASKET, cover — 46" (2)	Late 80 to * — FLT, Classic
	18	90648—82	GASKET, cover — 10.5" (2)	Late 80 to * — FLT, Classic
	20	90745—79A	HINGE CLIP (2)	80 to * — FLT, Classic
	21	90747—79	HINGE (2)	80 to * — FLT, Classic
	22	90758—79A	TRIM PLATE (2)	80 to * — FLT, FLHT, Classics
	23	90759—79	LATCH (2)	80 to 82 — FLT, Classic
		90759—80	LATCH (2)	Late 80 & 81 — FLT, Classic
		90759—83	LATCH (2)	83 to * — FLT, FLHT, Classics
		90759—82A	LOCK SET, includes items 1 - 4, 12 & 23 (2)	N/A 82 — FLT, Classic
	24	90760—79	GASKET, cover (2)	Early 80 — FLT
	25	90761—79	SCREW FASTENER (4)	80 to 82 — FLT, Classic
	26	90762—79	SLEEVE, screw fastener (4)	80 to 82 — FLT, Classic
	27	90763—79	WASHER (2)	Late 80 to 82 — FLT, Classic
	28	90764—79A	FOAM TUBE, 9-1/2" long (2)	80 to 82 — FLT, Classic
	29	90789—83	BAIL HEAD STUD (4)	83 to * — FLT, FLHT, Classics
	30	90790—83	RETAINER (4)	83 to * — FLT, FLHT, Classics
	31	90791—83	REINFORCEMENT, washer (4)	83 to * — FLT, FLHT, Classics
	32	90797—80	RUBBER WASHER (4)	80 to * — FLT, Classic
	33	90964—63	BACKING PLATE (8)	80 to * — FLT, Classic
	34	90965—63	RIVET, 5/16" long (8)	80 to * — FLT, Classic
	35	90967—64	RIVET, 3/8" long (8)	80 to * — FLT, Classic

NOTE: For painted parts, see Dealer Accessory Guide.



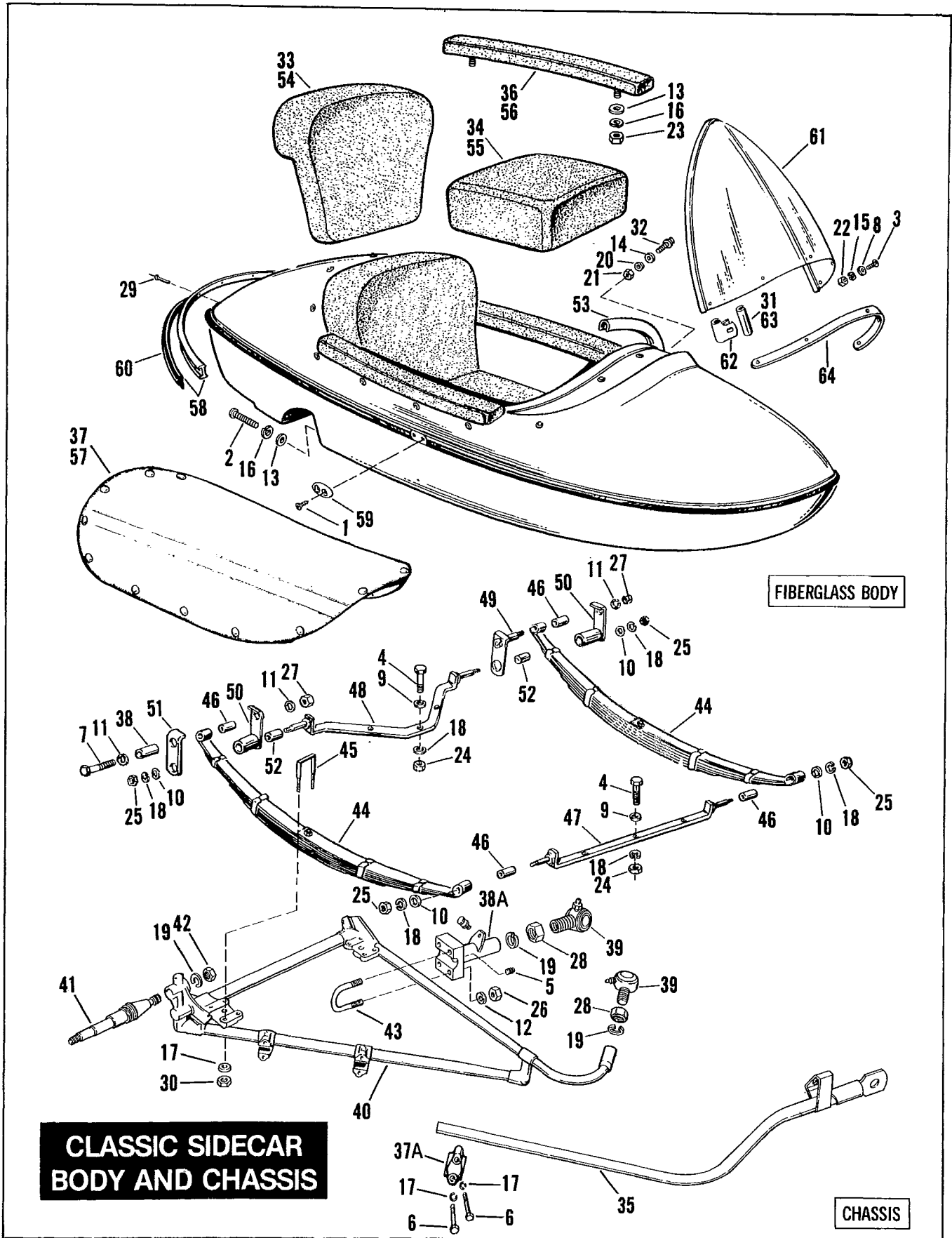
**SADDLEBAG GUARDS
AND BATTERY**

RETAIL PRICE	INDEX NO.	PART NO.	N A M E	USED ON
	1	2841W	SCREW (6)	80 to * — FLT, Classic
	2	2889	BOLT (2)	80 to * — FLT, Classic
	3	3765	BOLT (4)	80 to * — FLT, Classic
	4	3974HW	BOLT (4)	80 to * — FLT, Classic
	5	4036	BOLT	80 to * — FLT, Classic
	6	4319	BOLT	80 to * — FLT, Classic
	7	4391	BOLT (4)	80 to * — FLT, Classic
	8	6335	WASHER (4)	80 to 82 — FLT, Classic
	9	7036	LOCKWASHER (4)	80 to * — FLT, Classic
	10	7041	LOCKWASHER (4)	80 to * — FLT, Classic
	11	7229W	LOCKWASHER, internal/external tooth (2)	80 to * — FLT, Classic
	12	7230	LOCKWASHER, external tooth	80 to * — FLT, Classic
12A		7510	CLIP NUT (4)	80 to * — FLT, Classic
13		7683	ACORN NUT (6)	80 to * — FLT, Classic
14		7753	NUT (6)	80 to * — FLT, Classic
15		7776W	LOCKNUT (2)	80 to * — FLT, Classic
16		10034	CLIP	80 to * — FLT, Classic
17		47388—79	SPRING, saddlebag mounting screw (2)	80 to 82 — FLT, Classic
18		49187—79	GUARD, left	80 to * — FLT, Classic
19		49188—79	GUARD, right, with battery support	80 to * — FLT, Classic
20		49193—79	GUARD, saddlebags (4)	80 to * — FLT, Classic
21		49194—79A	SUPPORT, saddlebag — left	80 to * — FLT, Classic
22		61812—75	SPACER BLOCK (rubber) (2)	N/A 80 to * — FLT, Classic
23		66010—79	BATTERY	N/A 80 & 81 — FLT, Classic
		66010—82A	BATTERY	82 to * — FLT, Classic
24		66014—79	DECAL, battery installation	80 to * — FLT, Classic
25		66105—77	STRAP, battery	80 to * — FLT, Classic
26		66308—80	PAD, battery	80 to * — FLT, Classic
26A		70908—82	RECEPTACLE (4)	83 to * — FLT, FLHT, Classics
27		90718—79	SUPPORT BRACKET, left	80 to * — FLT, Classic
28		90720—79	SUPPORT BRACKET, right	80 to * — FLT, Classic
29		90722—79	BRACKET, saddlebag mounting (2)	80 to 82 — FLT, Classic
29A		90764—83	CUSHION (4)	83 to * — FLT, FLHT, Classics
30		90779—79	RUBBER PAD, saddlebag mounting (4)	80 to 82 — FLT, Classic
31		90781—79A	SUPPORT, saddlebag — right	80 to * — FLT, Classic
33		90801—83	BRACKET, saddlebag mounting (2)	83 to * — FLT, FLHT, Classic
34		90940—79	CLAMP, saddlebag guard — left (2)	80 to * — FLT, Classic
35		90941—79	CLAMP, saddlebag guard — right (2)	80 to * — FLT, Classic
36		90965—63	RIVET (2)	80 to * — FLT, Classic

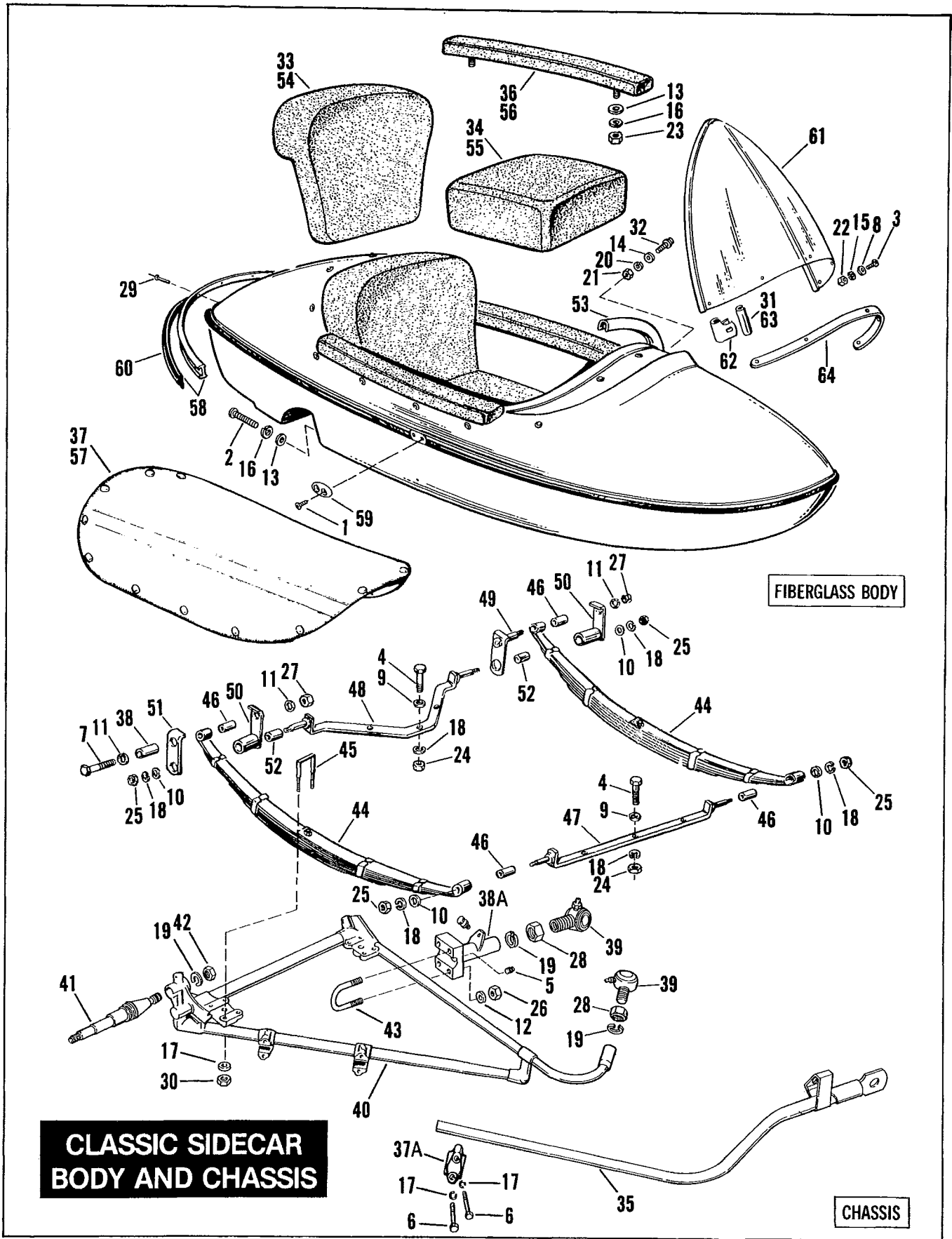


RIDER TOOLS

RETAIL PRICE	INDEX NO.	PART NO.	N A M E	USED ON
	2	94421-78	SPARK PLUG SOCKET	80 to * - FLT, Classic
	3	94422-78	PLIERS	80 to * - FLT, Classic
	4	94423-78	SCREWDRIVER	80 to * - FLT, Classic
	5	94424-78	WRENCH, open end - 9/16 x 1/2	80 to * - FLT, Classic
	6	94425-78	WRENCH, open end - 3/8 x 7/16	80 to * - FLT, Classic
	7	94445-82	WRENCH, rear axle - 1-1/16	80 to * - FLT, Classic
	8	94446-82	WRENCH, front axle - 15/16	80 to Early 82 - FLT, Classic
	9	94428-78	WRENCH, 3/4	80 to * - FLT, Classic
	10	94429-78	EXTENSION HANDLE..... N/A	80 to * - FLT, Classic
	11	94432-78	CHAIN BREAKER TOOL	80 to * - FLT, Classic
	13	94436-82A	POUCH	80 & 81 - FLT, Classic
	14	94437-79	WRENCH, rear sprocket.....	80 to * - FLT, Classic
	15	94460-78	HEX WRENCH SET	80 & 81 - FLT, Classic
	16	94447-82	WRENCH, front axle - 3/4	80 to * - FLT, Classic
	17	94448-82	WRENCH, shock absorber	80 to * - FLT, Classic



RETAIL PRICE	INDEX NO.	PART NO.	N A M E	USED ON
	1	2216W	SCREW (2)	83 to * — TLE
	2	2599	SCREW (2)	N/A 83 to * — TLE
	3	2726	SCREW (5)	83 to * — TLE
	4	2887W	BOLT (6)	83 to * — TLE
	5	3233	SET SCREW (2)	83 to * — TLE
	6	3946	BOLT (4)	83 to * — TLE
	7	4401W	BOLT	83 to * — TLE
	8	6228W	WASHER (5)	83 to * — TLE
	9	6332B	WASHER (6)	83 to * — TLE
	10	6341B	WASHER (4)	83 to * — TLE
	11	6416	WASHER (2)	83 to * — TLE
	12	6701	WASHER (4)	83 to * — TLE
	13	6703	WASHER (6)	83 to * — TLE
	14	6716	WASHER (16)	83 to * — TLE
	15	7030W	LOCKWASHER (5)	83 to * — TLE
	16	7036	LOCKWASHER (6)	83 to * — TLE
	17	7039	LOCKWASHER (12)	83 to * — TLE
	18	7041	LOCKWASHER (10)	83 to * — TLE
	19	7043	LOCKWASHER (3)	83 to * — TLE
	20	7069	LOCKWASHER (16)	83 to * — TLE
	21	7638	NUT (16)	83 to * — TLE
	22	7654W	NUT (5)	83 to * — TLE
	23	7688	NUT (4)	83 to * — TLE
	24	7748W	NUT (6)	83 to * — TLE
	25	7753	NUT (4)	83 to * — TLE
	26	7775	LOCKNUT (4)	83 to * — TLE
	27	7780	LOCKNUT (2)	83 to * — TLE
	28	7855W	JAM NUT (2)	83 to * — TLE
	29	8688	POP RIVET (29)	83 to * — TLE
	30	16602—30	NUT (8)	83 to * — TLE
	31	58049—50A	BUSHING, windshield molding (2)	83 to * — TLE
	32	58132—66	SNAP STUD, body cover (16)	83 to * — TLE
	33	87053—79	BACK CUSHION, brown	83 to * — TLE
	34	87055—79	SEAT CUSHION, brown	83 to * — TLE
	35	87056—83B	BRACE, sidecar frame	83 to * — TLE
	36	87057—79	ARM REST CUSHION (2), brown	83 to * — TLE
	37	87058—79	COVER, sidecar body — brown	83 to * — TLE
	37A	87117—36	LOWER CLAMP (2)	83 to * — TLE
	38	87120—79	SPACER, turn signal and spring shackle	83 to * — TLE
	38A	87157—83	REAR MOUNTING ASSEMBLY	83 to * — TLE
	39	87159—83	ROD END, sidecar mounting (2)	83 to * — TLE
	40	87160—83	FRAME ASSEMBLY, sidecar	83 to * — TLE
	41	87435—79	AXLE	83 to * — TLE
	42	87444—33	AXLE NUT, inside sidecar frame	83 to * — TLE
	43	87701—79	U-BOLT, rear mounting bracket (2)	83 to * — TLE
	44	88100—24A	SIDECAR SPRING (2)	83 to * — TLE
	45	88172—25	U-BOLT, springs (4)	83 to * — TLE
	46	88174—37	SPRING BUSHING (4)	83 to * — TLE
	47	88261—36	SUPPORT ROD, front	83 to * — TLE
	48	88264—36	SUPPORT ROD, rear	83 to * — TLE
	49	88300—79	SHACKLE PLATE, with stud — inner, spring	83 to * — TLE
	50	88301—79	SHACKLE PLATE, with bushing — spring (2)	83 to * — TLE
	51	88302—79	SHACKLE PLATE, spring — outer	83 to * — TLE
	52	88314—37	BUSHING, shackle plate (2)	83 to * — TLE



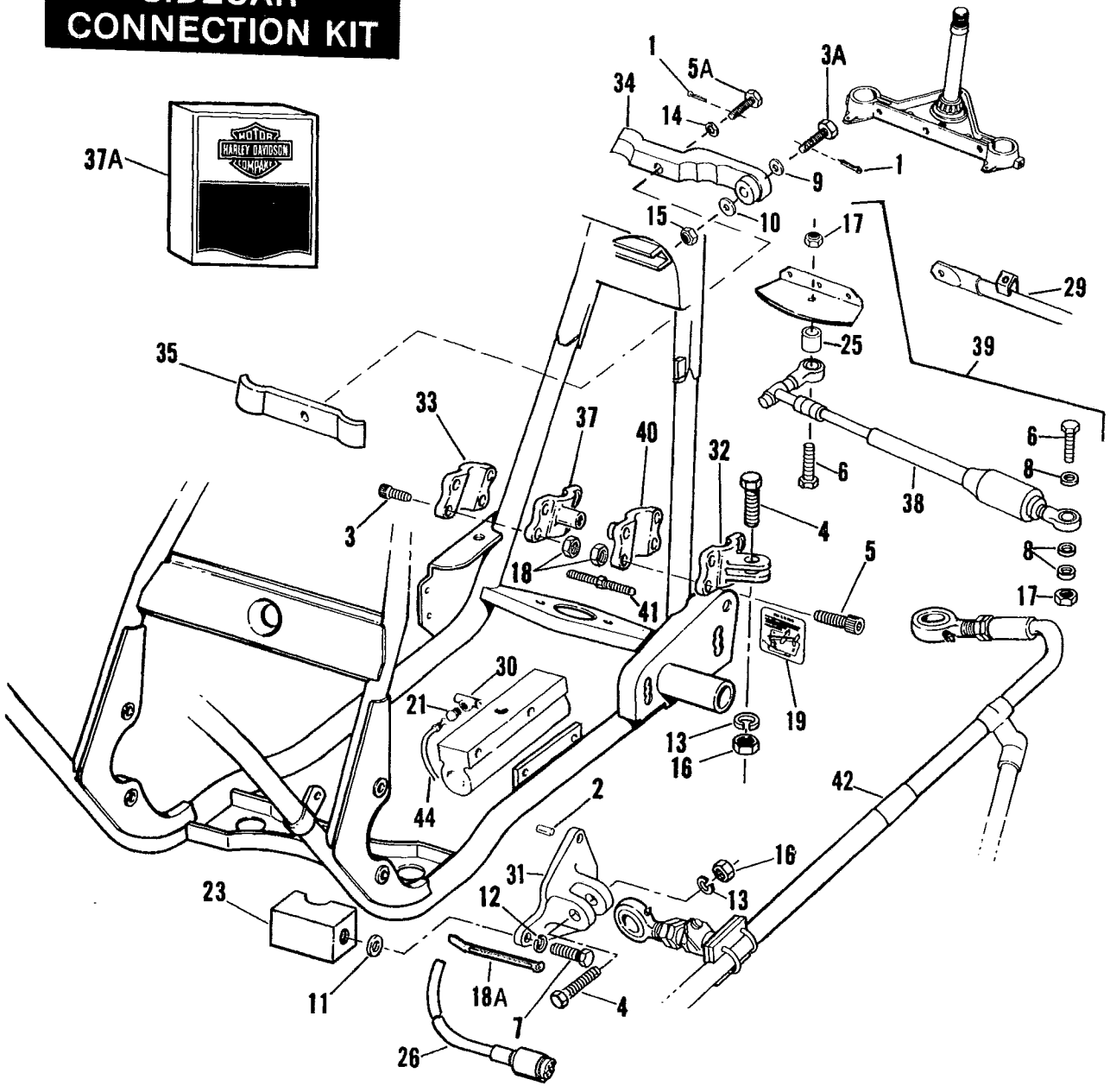
FIBERGLASS BODY

**CLASSIC SIDECAR
BODY AND CHASSIS**

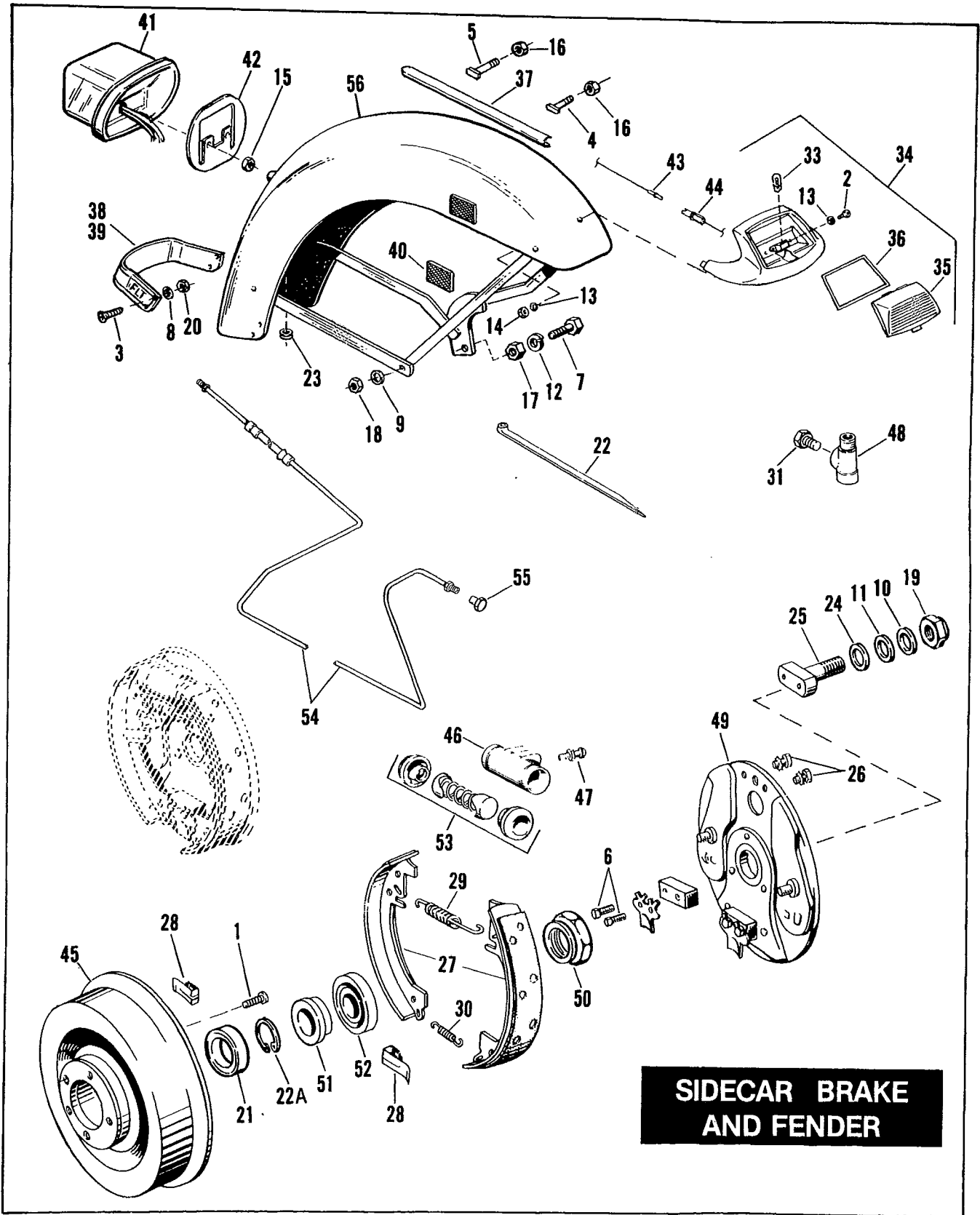
CHASSIS

RETAIL PRICE	INDEX NO.	PART NO.	N A M E	USED ON
	53	88425-67	TRIM STRIP, body top	83 to * - TLE
	54	88481-67	BACK CUSHION (black)	83 to * - TLE
	55	88487-67	SEAT CUSHION (black)	83 to * - TLE
	56	88493-67	ARM REST CUSHION (black) (2)	83 to * - TLE
	57	88528-67	COVER, sidecar body (black)	83 to * - TLE
	58	88694-67	TRIM STRIP, with fittings	N/A 83 to * - TLE
	59	88695-67	RETAINER CLIP, sidecar trim strip	83 to * - TLE
	60	88698-67	CHANNEL INSERT, body trim (black vinyl)	83 to * - TLE
	61	88862-67	WINDSHIELD, only	83 to * - TLE
	62	88883-67	CLAMP, windshield moulding (2)	83 to * - TLE
	63	88885-67	BUSHING, windshield moulding (2)	83 to * - TLE
	64	88895-67	WINDSHIELD BRACE	83 to * - TLE

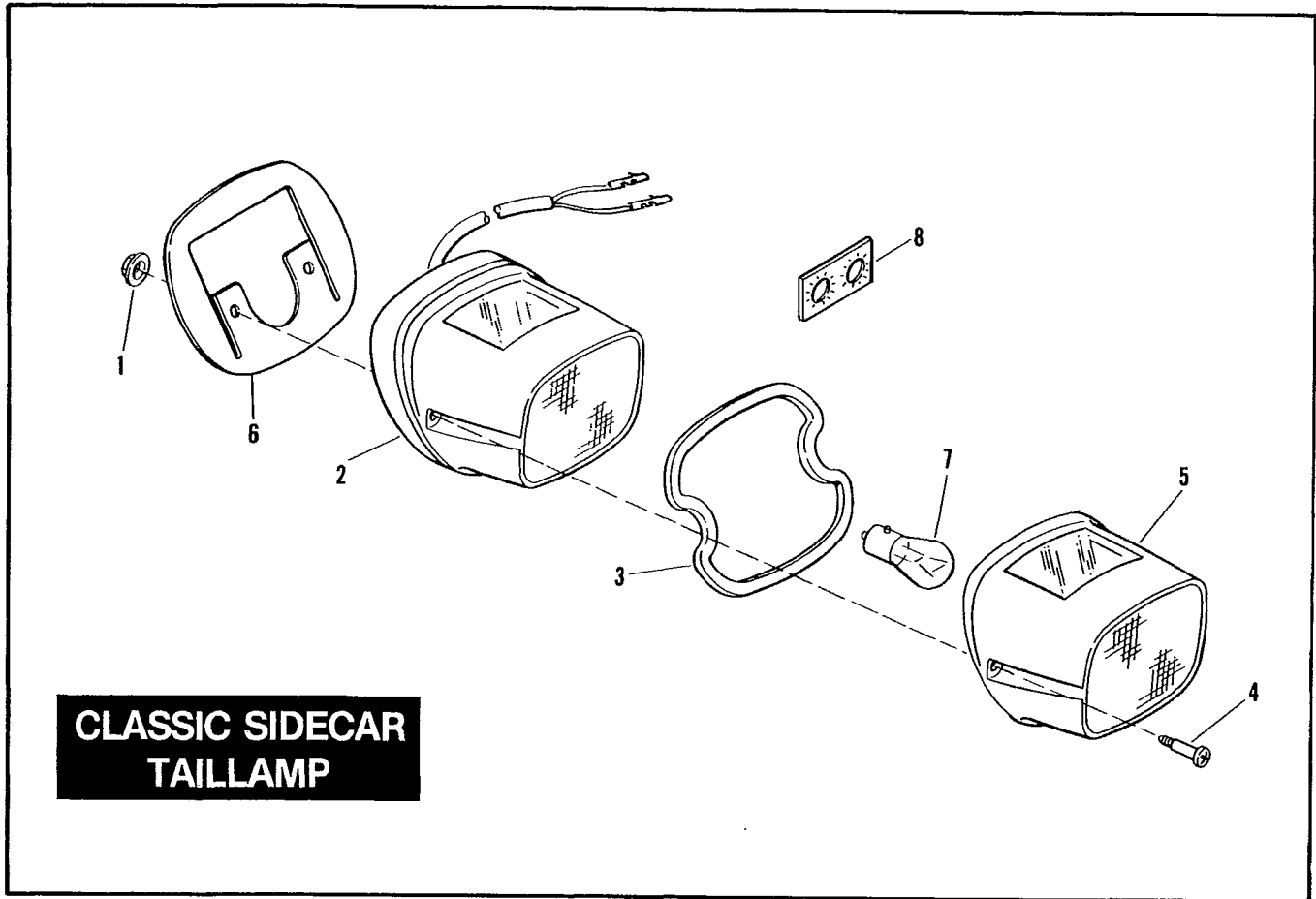
SIDECAR CONNECTION KIT



RETAIL PRICE	INDEX NO.	PART NO.	N A M E	USED ON
	1	559	COTTER PIN (2)	83 to * — TLE
	2	604	ROLL PIN	83 to * — TLE
	3	855	SCREW (4)	83 to * — TLE
	3A	3973	BOLT	83 to * — TLE
	4	4028	BOLT (2)	83 to * — TLE
	5	4029	SCREW (4)	83 to * — TLE
	5A	4081	BOLT	83 to * — TLE
	6	4411	BOLT (2)	83 to * — TLE
	7	4729	BOLT (3)	83 to * — TLE
	8	6701	WASHER (3)	83 to * — TLE
	9	6718	WASHER (2)	83 to * — TLE
	10	6723	WASHER	83 to * — TLE
	11	6960	SHIM, .004 thick (2 — as req'd.)	83 to * — TLE
		6961	SHIM, .007 thick (2 — as req'd.)	83 to * — TLE
		6962	SHIM, .015 thick (2 — as req'd.)	83 to * — TLE
		6963	SHIM, .031 thick (2 — as req'd.)	83 to * — TLE
	12	7039	LOCKWASHER (3)	83 to * — TLE
	13	7043	LOCKWASHER (2)	83 to * — TLE
	14	7068	LOCKWASHER	83 to * — TLE
	15	7734W	CASTLE NUT	83 to * — TLE
	16	7652	NUT (2)	83 to * — TLE
	17	7775	NUT (2)	83 to * — TLE
	18	7778	LOCKNUT (8)	83 to * — TLE
	18A	10006	STRAP (6)	83 to * — TLE
	19	14027—83	LABEL, footboard and / or brake pedal adjustment	83 to * — TLE
	21	42311—58	PLUG, sidecar brake line (used when sidecar is removed)	83 to * — TLE
	23	47902—83	MOUNTING BLOCK, rear	83 to * — TLE
	25	59938—72	SPACER, mounting	83 to * — TLE
	26	70028—83	CONNECTING HARNESS, sidecar	N/A 83 to * — TLE
	29	87056—83B	BRACE, sidecar frame	83 to * — TLE
	30	87113—83	TEE, brake line	83 to * — TLE
	31	87114—83	BRACKET ASSEMBLY, rear, includes item 2	83 to * — TLE
	32	87122—83	MOUNTING BRACKET, lower front — right	83 to * — TLE
	33	87123—83	MOUNTING BRACKET, lower front — left	83 to * — TLE
	34	87131—83B	UPPER CONNECTION, front	83 to * — TLE
	35	87132—83B	UPPER CONNECTION, rear	83 to * — TLE
	37	87137—83	STABILIZER BRACKET, left	83 to * — TLE
	37A	87140—83	STEERING DAMPER KIT	N/A 83 to * — TLE
	38	87141—83	STEERING DAMPER	83 to * — TLE
	39	87142—83	DAMPER MOUNTING KIT, includes items 6, 8, 17 & 25	83 to * — TLE
	40	87148—83	STABILIZER BRACKET, right	83 to * — TLE
	41	87156—83	STABILIZER, front	83 to * — TLE
	42	87160—83	FRAME ASSEMBLY	83 to * — TLE
		87166—83C	CONNECTION KIT, sidecar	83 to * — TLE
	44	87776—83	BRAKE LINE, sidecar	83 to * — TLE



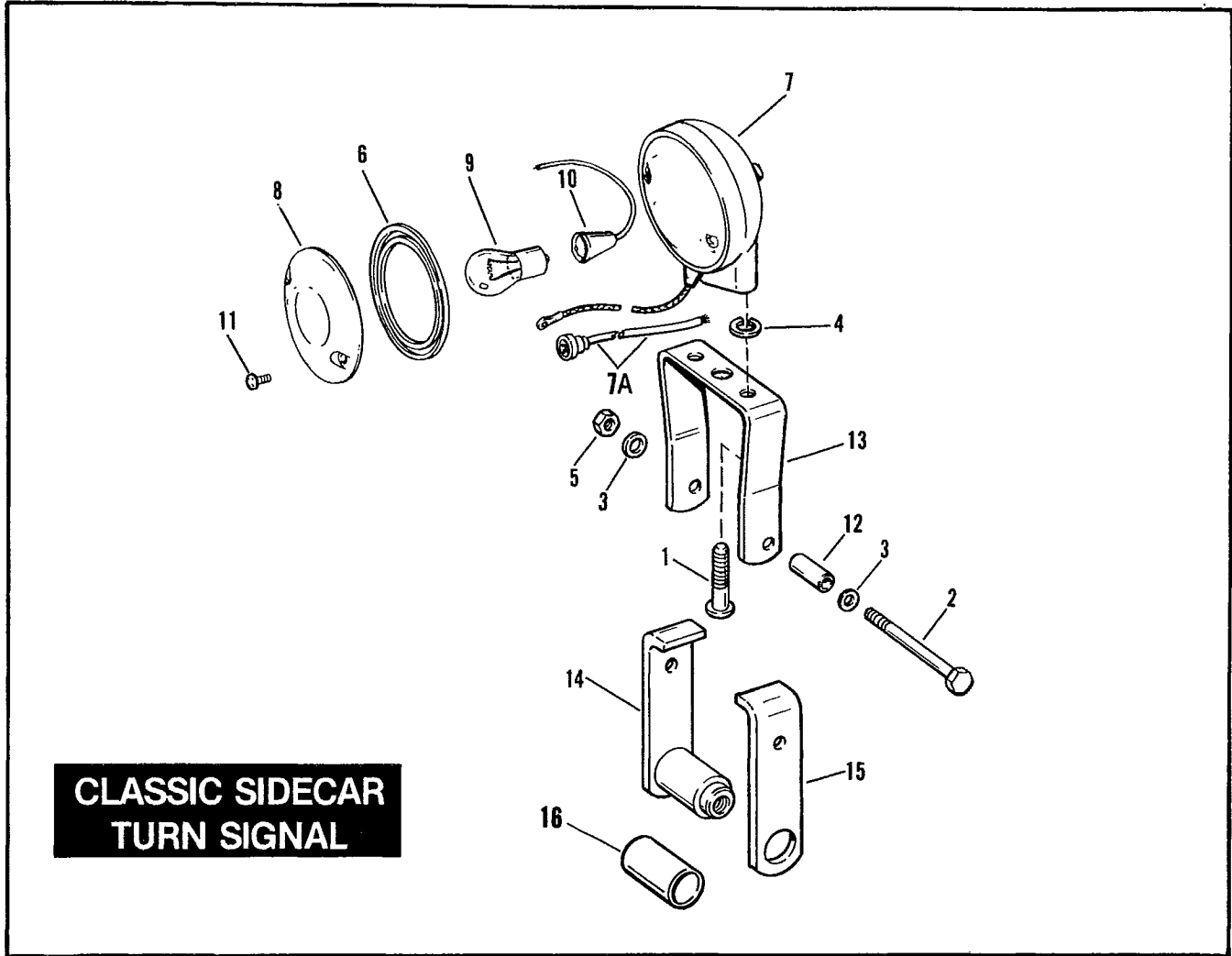
RETAIL PRICE	INDEX NO.	PART NO.	N A M E	USED ON
		NOTE: For painted part numbers, see Dealer Accessory Guide.		
	1	1643	SCREW (5)	83 to * — TLE
	2	2604	SCREW (2)	83 to * — TLE
	3	2710C	SCREW (4)	83 to * — TLE
	4	3560W	TEE BOLT (2)	83 to * — TLE
	5	3561WB	TEE BOLT (2)	83 to * — TLE
	6	4020W	BOLT (2)	83 to * — TLE
	7	4721	BOLT	83 to * — TLE
	8	6335	WASHER (4)	83 to * — TLE
	9	6653	WASHER	83 to * — TLE
	10	6700B	WASHER (as req'd)	83 to * — TLE
	11	6712B	WASHER (as req'd)	83 to * — TLE
	12	7038	LOCKWASHER	83 to * — TLE
	13	7118	LOCKWASHER (4)	83 to * — TLE
	14	7638	NUT (2)	83 to * — TLE
	15	7501	SPEED NUT (self threading) (2)	83 to * — TLE
	16	7624	LOCKNUT (4)	83 to * — TLE
	17	7783	NUT	83 to * — TLE
	18	7823	CASTLE NUT	83 to * — TLE
	19	7993	LOCKNUT	83 to * — TLE
	20	8131W	LOCKNUT (4)	83 to * — TLE
	21	9200	BEARING, brake drum	83 to * — TLE
	22	10006	STRAP, brake tube (3)	83 to * — TLE
	22A	10999	RETAINING RING, brake drum bearing	83 to * — TLE
	23	11410	GROMMET, tail lamp wiring	83 to * — TLE
	24	18268—48	WASHER (as req'd)	83 to * — TLE
	25	41720—58	ANCHOR STUD	83 to * — TLE
	26	41742—58A	SCREW AND LOCKWASHER, brake cylinder (2)	83 to * — TLE
	28	41835—58	HOLD DOWN, spring (2)	83 to * — TLE
	29	41836—58	BRAKE SHOE SPRING, upper	83 to * — TLE
	30	41837—58	BRAKE SHOE SPRING, lower	83 to * — TLE
	31	42311—58	PLUG, brake line tee (used when sidecar removed)	83 to * — TLE
	33	53439—79	BULB, fender tip lamp	83 to * — TLE
	34	59082—79	LAMP ASSEMBLY	83 to * — TLE
	35	59180—80	LENS, fender tip lamp	83 to * — TLE
	36	59181—80	GASKET, fender tip lamp lens	83 to * — TLE
	37	59211—74	SIDE TRIM STRIP (2)	83 to * — TLE
	38	59231—83	TRIM KIT, lower (FLHT)	83 to * — TLE
	39	59232—79	TRIM KIT, lower (FLT)	83 to * — TLE
	40	59255—72	REFLECTOR (red)	83 to * — TLE
	41	68008—73A	TAIL LAMP ASSEMBLY	83 to * — TLE
	42	68123—73	GASKET, tail lamp	83 to * — TLE
	43	72038—71	SOCKET, single pin	83 to * — TLE
	44	72044—71	CONNECTOR, single socket	83 to * — TLE
	45	86999—79	BRAKE DRUM ASSEMBLY	83 to * — TLE
	46	87071—79	BRAKE CYLINDER, wheel	83 to * — TLE
	47	87073—79	BLEEDER FITTING, brake cylinder	83 to * — TLE
	48	87113—83	TEE, sidecar brake line	83 to * — TLE
	49	87672—76	SIDE PLATE	83 to * — TLE
	50	87706—79	LOCKNUT, axle shaft	83 to * — TLE
	51	87713—83	SPACER	83 to * — TLE
	52	87714—83	SEAL, oil	83 to * — TLE
	53	87752—58A	REPAIR KIT, brake cylinder	83 to * — TLE
	54	87776—83	BRAKE LINE	83 to * — TLE
	55	87778—64A	CAP, sidecar brake line (used when sidecar removed)	83 to * — TLE
	56	87901—83A	FENDER, sidecar (prime)	83 to * — TLE



CLASSIC SIDECAR TAIL LAMP

T51

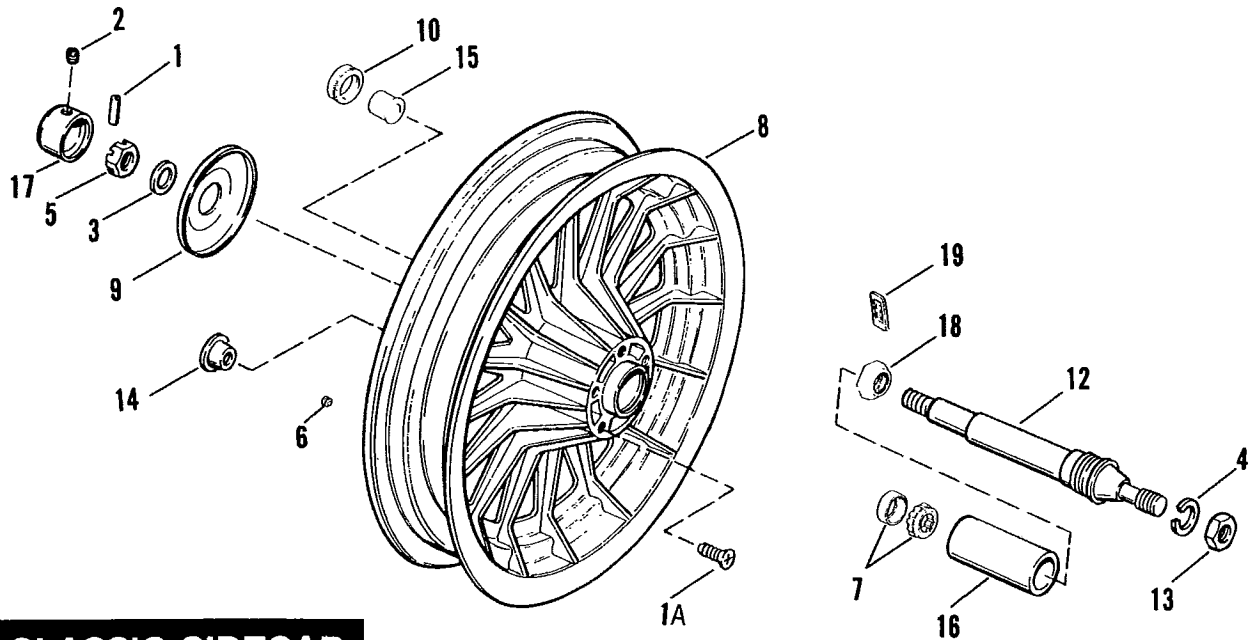
RETAIL PRICE	INDEX NO.	PART NO.	N A M E	USED ON
	1	7501	SPEED NUT, 1/4 x 7/16 hex. (2)	83 to * - TLE
	2	68008-73A	TAIL LAMP ASSEMBLY	83 to * - TLE
	3	68025-73	GASKET, tail lamp lens	83 to * - TLE
	4	68026-73	SCREW, tail lamp lens (2)	83 to * - TLE
	5	68034-77	LENS, tail lamp	83 to * - TLE
	6	68123-73	GASKET, tail lamp housing	83 to * - TLE
	7	68165-64	BULB, tail lamp - 12 V.	83 to * - TLE
	8	72275-74	CONNECTOR TAB - 2 terminal	83 to * - TLE



CLASSIC SIDECAR TURN SIGNAL

T52

RETAIL PRICE	INDEX NO.	PART NO.	N A M E	USED ON
	1	2664	SCREW, NO. 10-24 x 7/16 Pozidriv pan hd. (2)	83 to * - TLE
	2	4401W	BOLT, 3/8-24 x 2-3/4 hex. hd.	83 to * - TLE
	3	6416	WASHER, 3/8 x 1 x 5/64 (2)	83 to * - TLE
	4	7069	LOCKWASHER, No. 10 (2)	83 to * - TLE
	5	7780	LOCKNUT, 3/8-24 x 3/8 x 11/16 hex.	83 to * - TLE
	6	68521-63A	GASKET, sidecar turn signal lens	83 to * - TLE
	7	68552-70A	LAMP WITH WIRE, - sidecar turn signal (amber)	83 to * - TLE
	7A	68554-82	WIRE, sidecar turn signal	83 to * - TLE
	8	68571-63A	LENS, sidecar turn signal	83 to * - TLE
	9	68572-64A	BULB, sidecar turn signal lamp	83 to * - TLE
	10	68576-70	SOCKET AND WIRE, sidecar turn signal	83 to * - TLE
	11	68586-63A	SCREW, lens mounting - sidecar turn signal (2)	83 to * - TLE
	12	87120-79	SPACER, turn signal and spring shackle	83 to * - TLE
	13	87121-79	BRACKET, sidecar turn signal	83 to * - TLE
	14	88301-79	SHACKLE PLATE, with bushing - turn signal and spring	83 to * - TLE
	15	88302-79	SHACKLE PLATE, turn signal and spring	83 to * - TLE
	16	88314-37	BUSHING, shackle plate	83 to * - TLE



**CLASSIC SIDECAR
CAST WHEEL**

SIDECAR CAST WHEEL — TLE

T53

RETAIL PRICE	INDEX NO.	PART NO.	N A M E	USED ON
	1	601	ROLL PIN	83 to * — TLE
	1A	1643	SCREW (5)	83 to * — TLE
	2	3234W	SET SCREW (2)	83 to * — TLE
	3	6653	WASHER	83 to * — TLE
	4	7043	LOCKWASHER	83 to * — TLE
	5	7823	CASTLE NUT	83 to * — TLE
	6	41123—79	VALVE CAP	83 to * — TLE
	7	41124—81	ROLLER BEARING, sidecar wheel	83 to * — TLE
	8	41126—79	WHEEL ASSEMBLY, cast	83 to * — TLE
	9	44444—79	HUB CAP, sidecar (chrome)	83 to * — TLE
	10	47519—83A	OIL SEAL	83 to * — TLE
	12	87435—79	AXLE, sidecar	83 to * — TLE
	13	87444—33	AXLE NUT, inside sidecar frame	83 to * — TLE
	14	87700—79	CAP, sidecar wheel — outer (plastic) (5)	83 to * — TLE
	15	87703—79	SPACER, outer — axle	83 to * — TLE
	16	87704—79	SLEEVE, axle bearing	83 to * — TLE
	17	87705—79	CAP, axle end	83 to * — TLE
	18	87706—79	AXLE NUT — outer	83 to * — TLE
	19	95594—84	WHEEL WEIGHT, 1/4 oz. (black)	83 to * — TLE

NUMERICAL INDEX

Part No.	Page	Part No.	Page	Part No.	Page	Part No.	Page	Part No.	Page
221	103	1643	59		73	3471	13		35
223	21		61		75	3486	31		37
256	123		68	2708	65	3504	13		63
328	33		143	2710 C	99	3505	13		109
	41		146		143	3506	13	4020 W	143
329	41	1783	50	2725	95	3542	68	4023	103
332	41	2002	68		95	3560 W	99	4024	103
358	13	2003	73	2726	137		143	4025	27
	17		129	2731 W	31	3561 WB	99	4026	103
375	41	2061 W	106		105		143	4028	141
515	63	2151	75	2773	63	3581	129	4029	141
	65		79		105	3765	53	4036	75
559	141	2216 W	29	2803 W	125		55		133
600	123		137	2804 W	125		71	4067	39
601	39	2417	71	2818	33		133		103
	146		91	2829	17	3767 B	41		105
603	29	2504	91	2831	83		48	4069	113
604	81	2507	83	2841 W	133	3770	7	4081	87
	141	2508	127	2871 W	103	3784	39		141
608	129	2511	17	2872 W	21	3787	29	4091	99
609	41	2538	83	2882 W	73		75	4319	63
614	123	2551 W	83		107		111		73
653	17		91		129		123		81
657	17	2579	55	2887 W	137	3789 A	109		109
700	21	2581	105	2888	83	3802 W	95		133
704	107	2582	73	2889	13		123	4337 W	7
706 A	107	2585	113		133	3825	68		75
708 A	68	2587	65	2901	119		81	4380 W	13
717	68	2599	137	3201 W	109	3826	31	4391	29
718	103	2600	10		111	3946	137		79
720	13	2604	99	3208	89	3950	75		133
721	33		143	3210	89		87	4401 W	137
	39	2606	111	3225	83	3953 W	53		145
722	41	2608	81		131		55	4411	7
724	17	2611 B	31	3233	117	3960 W	39		141
725	27	2612	105		137		109	4435 W	73
855	141	2614	50	3234 W	146		111		91
856	39	2622	113	3246	63	3973	141	4702	68
	75	2628	53		65	3974 HW	75	4710	63
	81	2647	91	3413	27		81		65
857	41		95	3415	113		99	4716 W	13
	50	2648	111	3427	13		117	4717	41
907	105	2653	29	3428	13		133	4718	41
909	129	2662 W	73	3429	21	3987	67	4721	81
916	89	2664	63	3430	13		109		143
930	23		65	3431	89	3991	27	4724	7
	25		145	3442	75		111	4725	65
933	91	2667	109	3444	39	3993	31		67
	91		111		55		39	4729	71
1198	107	2682	35	3447	27	4014 W	55		81
1203	89		37	3458	27		91		141
1601	17	2685 W	115	3460	13		95	4740	103
	31	2695 W	48		41	4015	49		123
1642	59		125	3461	13	4017	17	4741	103
	68	2698	7	3462	99		27	4810	17

NUMERICAL INDEX

Part No.	Page	Part No.	Page	Part No.	Page	Part No.	Page	Part No.	Page
4811	103		31		41		119	7068	59
4812	68	6220 W	63		63	7022	69		61
	103		65		65	7030 W	95		81
4813	17		125		67		95		141
	39	6228 W	137		71		137	7069	21
	103	6235	81		73	7036	21		37
4814	17	6242 W	17		75		31		63
	41	6255 B	95		91		37		65
	103	6261	91		95		53		69
4815	39		91		103		55		129
	41		95		105		63		137
4816	41	6316 HW	7		107		69		145
	109		27		109		71	7115	83
	111	6317	65		111		75		113
5207	91	6324 W	111		117		81	7118	31
	91	6332 B	137		129		105		65
5209	95	6334	63	6703	21		111		99
5403 B	75		75		27		123		129
5444	50	6335	73		33		133		143
5702	39		99		35		137	7124	29
5714	117		133		37	7038	7		71
5723	3		143		39		13	7127	29
5728	65	6341 B	137		41		81		41
5761	13	6377	21		48		123		63
5772	17	6400 HB	50		50		143		75
	109	6416	137		53	7039	71		111
5965 B	73		145		55		75	7130 W	13
	129	6466 W	7		68		81		73
5978 W	117	6486 HW	63		71		137	7143	119
5982 W	7	6495 HW	7		75		141	7220	35
6003	45	6497 HW	39		91	7041	17		37
6007	41	6506	10		95		39		99
6012	75	6516 HW	7		99		41		123
	87	6590 HW	59		137		47		129
6016	37		61	6712 B	143		53	7229 W	133
	103	6653	143	6716	31		55	7230	35
6019	13		146		37		63		133
	41	6655	68		105		71	7232	105
6025	13	6700 B	107		129		73	7402	103
6027	61		143		137		75	7501	115
6046	27	6701	37	6717	83		81		143
6053	91		73		131		95		144
	91		75	6718	81		99	7504	23
6095	27		91		141		107	7515	39
6099	17		109	6721	105		109	7520	83
	39		137	6723	141		111		131
	41		141	6759	105		117	7590	83
	49	6702	13	6762 B	7		129		131
	55		17	6811 W	53		133	7608	119
	103		23	6960	141		137	7609 W	83
6109	27		25	6961	141	7042	7		105
	111		27	6962	141		73	7620 W	25
6150 W	129		33	6963	141	7043	137		37
6189 W	129		35	6970	83		141		69
6192	17		39	7015	113		146		129

NUMERICAL INDEX

Part No.	Page	Part No.	Page	Part No.	Page	Part No.	Page	Part No.	Page
7624	107		57	7825	63	9125	13		117
	129		111		73	9126	13		119
	143	7741	75	7837 W	7	9127	13		129
7627	81		87		75	9128	13	9900	31
7634	21	7742	81	7845	59	9129	13	9904	119
	31		83		61	9130	13		125
	129	7744	27	7855 W	67	9131	13	9905	121
7635 W	99		117		137	9132	13	9908	31
7638	31	7748 W	41	7873	7	9133	13	9925	117
	99		47	7875	7	9134	13		119
	123		63	7880	13	9180	10		121
	129		71	7986	69	9181	10	9931	115
	137		109	7993	143	9182	10		119
	143		111	8101	107	9183	10		121
7651	95		137	8103	27	9184	10		125
	95	7753	7	8105	91	9185	10	9937	117
7652	141		13	8107	91	9186	10		121
7654 W	137		27	8126	99	9200	143	9945	119
7676	33		29	8131 W	99	9217	13	9946	107
	35		39		143	9218	13	9952	129
	63		75	8135 B	99	9219	13	9955	109
	65		81		131	9220 A	13		111
	69		99	8227	47	9221 A	13	9959	73
7682	31		109	8474	99	9222 A	13		107
	91		111	8525 W	83	9223 A	13		129
	95		117	8672	123	9224 A	13	9979	13
	99		133		129	9225 A	13		27
	111		137	8688	137	9441 A	10	9983	117
7683	91	7768 W	89	8692	91	9442 A	10	9985	81
	99	7775	73	8699	17	9443 A	10	9990 W	7
	133		91		31	9444 A	10		31
7686	95		137	8873	21	9445 A	10	9993	105
	129		141	8876 A	45	9446 A	10	9995	63
7688	29	7776 W	133	8904	45	9450 A	10	9996	103
	31	7778	50	8975	103	9540 A	47	10006	31
	37		81	8977	41	9856	83		48
	137		95	8978	41	9857	31		53
7689 W	75		141	8998	41		95		55
7691 W	81	7780	13	9028	13		115		83
7725	63		109	9052	61		119		89
	65		137		69		121		95
	67		145	9058	17		125		107
	73	7783	13	9062	33	9858	83		113
	75		123	9063	33		119		115
	81		143		103		121		119
	91	7800 W	7	9073	35	9859	91		121
7734 W	141		48	9114	39	9862	119		141
7736	117		63	9115	39		121		143
7739	23		73	9116	59	9865	119	10007	83
	25		75		69	9866	119		119
	81		81	9120	13		121		121
	89	7801	49	9121	13	9871	83	10014	3
	105	7812 W	87	9122	13	9879	119		7
	107	7823	143	9123	13	9898	63	10020 A	51
7740	27		146	9124	13		115	10024	107

NUMERICAL INDEX

Part No.	Page	Part No.	Page	Part No.	Page	Part No.	Page	Part No.	Page
10031	63	11218	10	16836-76	3	18534-29A	7	24017-80	11
	65	11400	99	16837-78	3	18556-57	7	24018-72	11
10033	53		115		13	18570-38	7	24023-36	11
	55	11410	83	16838-78	3	18597-81	7	24023-54	17
	63		143	16864-48	3	18598-81	7	24032-70	15
	65	11412	73	17029-79	3	18599-81	7		50
	67		95	17034-80A	3	18602-80A	7	24033-70	15
10034	133		129		7	18603-80A	7		50
10038	65	11422	65	17160-81	3	18633-48C	7	24034-70	15
10039	119	11428	69	17161-81	3	18634-48B	7		50
10044	35	11431	99	17360-66A	7	21920-83	10	24035-70	15
	37	11435	113	17375-66A	7	21921-83	10		50
10046	17	11436	73	17428-57	7	21922-83	10	24036-70	15
	31	11437	99	17448-71A	7	21923-83	10		50
10080	17	12013 A	45	17450-73	7	21924-83	10	24037-70	15
	27	12014	47	17452-66	7	21990-80A	11		50
	50	12026 B	13	17506-66A	3	21991-80A	11	24040-78	17
	103	12043	41	17508-66A	3	21992-80A	11	24041-78	17
	107	12044 A	41	17540-69	7	21993-80A	11	24042-78	17
10999	143		50	17550-80	7	21994-83	11	24043-78	17
11002	17	12045	39	17552-80	7	22191-78	11	24044-78	17
	21	12047	59	17611-66B	7	22192-78	11	24045-78	17
11007	13		69	17904-66	7	22194-78	11	24046-78	17
11013	27	14001-82	106	17920-53A	7	22196-78	11	24281-74A	11
11015	53	14002-82	106	17935-79B	7	22334-78B	11	24281-80	11
11016	39	14003-82	106	17938-79	7	22335-78B	11	24290-74A	11
11019	41	14004-82	106	17945-36B	7	22336-78B	11	24294-74	11
	47	14005-82	106	17947-36	7	22337-78B	11	24334-36	11
11020	41	14006-82	106	17950-66	7	22583-78	11	24335-36	11
	59	14010-82	91	18000-81	3	22589-83	11	24345-36A	11
11027	61	14011-82	91	18055-66B	3	22760-73A	11	24356-36A	11
11036	48	14012-82	91	18056-66B	3	22762-73	11	24366-71	11
11039	33	14013-82	99	18075-80	3	22764-83	11	24367-71	11
11041	33	14014-82	106	18075-81	3	23906-78F	11	24385-40B	11
11057	41	14022-83	99	18078-80	3	23909-80	11	24386-40B	11
11063	53	14026-83	91	18078-81	3	23922-78	11	24387-40B	11
11067	45	14027-83	65	18086-80	3	23922-80A	11	24388-40B	11
11083	39		141	18086-81	3	23924-78	11	24389-40B	11
11084	29	16207-79B	13	18103-81A	3	23926-80A	11	24390-40B	11
11096	45	16208-83	13	18104-81A	3	23961-41	11	24391-40B	11
	47		41	18105-79	3	23961-80A	11	24497-80	15
11101	3	16219-79A	7	18106-81A	3	23966-54A	11	24519-73F	15
	7		13	18107-81A	3	23969-80	11	24524-77E	15
11105	17	16303-81	3	18108-81A	3	23971-41	11	24529-79A	17
	21	16494-78	3	18109-81A	3	23985-12	11		27
11115	69	16495-78	3	18201-82	5	23985-18	11	24530-79	17
11118	7	16498-80A	3	18202-82	5	23985-54	11	24582-77A	17
11125	103	16499-80A	3	18205-57	5		17	24600-58A	15
11132	7	16508-81	3	18219-81	5	24001-72	11	24601-58A	15
11133 A	7	16509-81	3	18221-36	5	24002-70	13	24608-54	15
11137	53	16602-30	137	18222-79	5	24006-73	11	24634-77	41
11143	49	16770-66B	3	18222-81	5	24006-80	11	24641-36	17
	55	16776-63	3	18228-36	5	24015-36	11	24645-81	15
11155	89	16777-63	3	18268-48	143	24016-80	11	24649-81	15
	127	16814-77	3	18522-53A	7	24017-72	11	24650-58	15

NUMERICAL INDEX

Part No.	Page	Part No.	Page	Part No.	Page	Part No.	Page	Part No.	Page
24650-81	15	25551-36	19	27060-55	123	27373-76	23	29965-75	29
24651-58	15	25552-36	19	27062-78	23		25	29965-81A	29
24652-56	15	25553-36	19		25	27385-76	23	29988-73	29
24653-58	15	25554-36	19	27063-80	23		25	31435-65B	123
24654-58	15	25555-36	19		25	27471-80A	23	31438-65A	123
24655-58	15	25556-79	19	27086-80	25	27494-81A	25	31439-65A	123
24692-58	15	25557-79	19	27087-80	25	27751-69P	125	31440-65	123
24703-54B	17	25558-79	19	27098-78	23	27882-78	23	31441-65A	123
24981-70	17	25559-79	19	27130-81	25		25	31443-65A	33
24982-70	17	25581-70	19	27136-81	25	27886-78	23	31444-65A	123
25216-73B	17	25582-73	19	27137-81	25		25	31458-66A	35
25225-70B	17	26190-73	21	27139-81	25	27887-78	23	31475-77	123
25258-80B	17	26207-83	21	27141-81	25		25	31479-79	35
25260-78	17	26227-58	21	27142-81	25	27889-78	23	31479-83	37
25275-82	17	26231-78	21	27143-81	25		25	31485-65	33
25313-77B	19	26246-68A	21	27145-81	25	27890-78	23	31489-79B	123
25320-79	19	26247-78	21	27304-76	23		25	31491-79	33
25320-82	19	26251-78	107		25	27891-80	23	31493-67	33
25321-79	19	26258-68B	21	27306-76	23		25	31495-79	33
25321-82	19	26262-80	21	27307-76	23	27892-78	25	31497-79	33
25322-79	19	26263-80	19		25	27895-78	23	31497-81	33
25322-82	19		21	27308-76	23		25	31497-83	33
25323-79	19	26267-82	21		25	27898-78	25	31502-65	33
25323-82	19	26273-80B	21	27309-76	23	29027-80	27	31503-65	33
25325-79	19	26276-80A	21		25	29057-78A	27	31506-79B	123
25325-82	19	26285-82	21	27311-76	23	29058-77	23		129
25326-79	19	26315-68A	21		25		25	31524-80	35
25326-82	19	26317-68A	21	27313-76	23		27		37
25327-79	19	26326-62A	21	27314-76	23	29061-78	27	31526-81B	123
25327-82	19	26327-68	21	27320-76	23	29064-78	27	31532-81	33
25328-79	19	26328-74	21	27321-76	23	29071-79	27	31534-66	35
25328-82	19	26338-68	21	27322-76	23	29113-79A	27	31535-66	35
25402-79A	69		41	27328-76	23	29114-79A	27	31536-66	35
25403-79	69	26345-73	19	27333-76	23	29117-80	27	31537-66	35
25403-82A	69	26346-70	19		25	29125-79	27	31538-66	35
25404-80	51		21	27335-76	23	29225-79	27	31540-66	35
	69	26348-15	11		25	29227-79	7	31541-66	35
25410-79A	69		19	27338-76	23	29228-80	27	31542-66	35
25411-79	69		21		25	29250-78A	23	31564-83	37
25412-79	69	26348-36	21	27360-76	23		25	31568-67	35
25413-79	69	26349-73A	19		25	29252-79	27	31570-73	37
25414-80	69	26362-36	21	27361-76	23	29253-78	23	31575-73	37
25414-82	69	26363-36	21		25		25	31576-73	37
25416-70	103	26377-68	21	27362-76	23	29255-78	27	31577-73	37
25423-80	69	26400-54	21		25	29260-80	27	31578-73	37
25426-80	103	26400-82	21	27366-76	23	29272-78	27	31579-73	37
25527-81A	19	26410-82	21		25	29276-81	73	31580-73	37
25528-81A	19	26552-72	21	27367-76	23	29277-81	73	31581-73	37
25529-81A	19		129		25	29288-83	27	31582-73	37
25530-81A	19	27021-78	23	27368-76	23	29295-78	27	31583-73	37
25531-81A	19		25		25	29296-83	27	31584-73	37
25532-81A	19	27037-79	109	27369-76	23	29299-78	27	31585-73	37
25534-81A	19		111		25	29954-71	29	31586-73	37
25550-36	19	27045-78	23	27371-76	23	29956-70A	29	31607-64	31
25550-57	19	27046-78	23		25	29957-81B	29	31609-80	31

NUMERICAL INDEX

Part No.	Page	Part No.	Page	Part No.	Page	Part No.	Page	Part No.	Page
31986-65C	31	33713-83	103	35256-81	43	37871-41	47		65
32312-78A	31	33715-80A	39	35622-79A	45	37930-68A	47	40922-79	63
32342-58	31	33717-79	39	35625-79A	45	37975-81	47		65
32399-84	31	33718-82	39	35626-79A	45	38010-41	47	40923-79	63
32400-80A	31	33719-79A	39	35627-79A	45	38025-41	47	40934-82	69
32401-80	31	33726-80	39	35628-79	45	38599-80B	48	40939-79A	69
32451-83	31	33882-79	63	35629-79	45		49	40966-79	63
	73	33882-83B	65	35632-79	45	38599-83A	49	40969-79	63
32504-80	19	33893-79	39	35652-79A	43	38608-72	48	40971-79	63
	31	33895-79	39	36754-80	43	38608-82B	49	40971-83	65
32511-78	19	33895-82	39		48	38622-78	99	41110-79	69
	31	33900-59	41	36754-82	43	38712-68	113	41112-79	73
32519-79	103		123		49		119	41118-81	59
32519-80	103		129	36801-79	43		121		69
32521-83	31	34082-79	39	36956-65A	63	39951-81	51	41123-79	59
32591-80	19	34083-79	39	36962-67	63		51		61
	31	34084-80	39	36964-67	63	39974-84	51		69
32604-78	31	34085-79A	39	37071-79	43	39976-658	51		146
32606-82	19	34086-79	39	37077-68	47	39990-65	51	41124-81	146
	31	34087-79	39	37080-80	43	39992-65C	51	41125-81	59
33030-81A	41	34088-79	39	37081-80	43	39993-65	51		69
33042-80	103	34089-79	39	37083-80A	43	39996-65	51	41126-79	146
33043-80	41	34191-79C	39		47	39998-65	51	41191-74	43
	123	34193-79C	39	37084-79	43	40021-79B	51		49
	129	34195-79C	39		47	40025-77B	51		69
33114-79	41	34462-79A	41	37085-80	43	40026-77	51	41196-73	61
33115-79	41	34611-65	39		47	40028-15E	51	41521-79A	69
33119-79A	39	34715-80	15	37088-79	45	40029-15E	51	41521-81A	69
33120-79	33		41		47	40037-79	51	41521-82	69
33121-79	33	34730-79	41	37089-79	45	40052-65	51	41522-79A	69
33163-65B	47	34730-81	41		47	40053-65	51	41522-81A	69
33189-63	81	34737-82	41	37090-79	45	40055-39	51	41570-77	73
33205-80	39	34738-81	41		47	40066-12	51	41720-58	143
33206-80	39	34739-81	41	37091-80	43	40069-30	51	41731-82	55
33207-80	39	34740-81	41	37312-75	45	40070-28	51	41742-58A	143
33208-80	39	34901-79B	103		47	40091-15	51	41747-82	55
33209-80	39	34902-79A	103	37313-80	45	40092-15	51	41754-79A	63
33210-80	39	34903-79	103		47	40093-15	51	41755-83	65
33211-80	39	34904-79	41	37357-41	47	40094-15	51	41800-81A	65
33212-80	39	34906-79A	103	37361-41	47	40270-65A	51	41816-79	69
33320-79A	39	35025-79	45	37496-65	47	40271-65A	51	41835-58	143
33326-79	39	35026-79A	45	37503-41	47	40272-65A	51	41836-58	143
33332-79	39	35027-79A	45	37523-15A	47	40275-70	51	41837-58	143
33334-79	41	35028-79	45	37549-41	47	40280-70	51	41841-31	129
	51	35029-79	45	37550-41B	47	40282-70	51	41957-83	65
33335-79	41	35042-79	45	37566-58	47	40299-70	51	42269-70	27
	51	35064-79	45	37567-41A	47	40324-70	51		63
33336-83	41	35068-79	39	37574-44	47	40375-70	51		65
	51	35074-79A	41	37576-41	47	40384-70	51	42311-58	63
33640-83	39	35076-79	41	37581-47	47	40385-70	51		65
33709-82	39	35078-79	41	37583-41	47	40392-70	51		141
33710-79	39	35211-36	43	37585-41	47	40910-84A	61		143
	103		51	37702-70A	47	40920-79	63	42327-70	7
33712-79	39	35250-79	43		51		65		31
	103	35255-81	43	37850-68	47	40921-79	63		89

NUMERICAL INDEX

Part No.	Page	Part No.	Page	Part No.	Page	Part No.	Page	Part No.	Page
42374-77B	63	43937-79	59	45031-72	53	45855-77	71	47530-79	71
	65	43937-82	61	45031-82	55	45857-83	71	47538-79	73
42375-77	63	43938-79	59	45032-72	53	45858-77	71	47544-79	73
42376-77A	63	43940-79A	59	45032-82	49	45859-77	71	47551-79	73
	65	43941-79	59		55	45860-79	71	47552-79	73
42416-83	65	43942-79	57	45036-68	48	45860-83	71	47553-79A	73
42455-80	63	43943-79	57	45036-82	49	45861-79	57	47556-81	73
	65	43945-79	57	45039-68	48		71	47564-82	73
42510-83	65		67		49	45862-79	57	47900-83D	73
42534-82	65	43946-79	57	45042-82	55		71	47902-83	141
43157-83A	61		67	45044-82	49	45863-79	71	48152-82	83
	69	43947-79	57		55	45864-79	71		91
43290-82	61		67	45051-82	55	45867-79	71		131
	69	43950-79	57	45053-72	53	45870-79A	71	48300-60	71
43291-82	61	43951-79	57	45054-72	53	45870-83	71	48315-60	71
	69	43952-79	57	45055-72	53	45964-49	71		73
43292-82	61	43954-79	69	45056-77	53	46907-77	125	48333-80	71
	69	43955-79	69	45057-72	53	46908-77	125	48361-80	71
43293-82	61	43956-79	69	45057-82	55	46909-77	125	48365-48A	71
	69	43957-80	57	45059-72	53	46910-77	125	49117-77	81
43294-82	61	44034-80	67	45061-72A	53	46911-77	125	49131-79	81
	69	44037-80	67	45062-82	49	46912-77	125	49132-79	81
43299-82	69	44038-80	67	45063-72	53	47159-79A	15	49184-79B	75
43299-83	69	44039-80	67	45063-82A	55	47169-79	7	49187-79	133
43300-82	61	44040-80	67	45071-72	53	47213-79	9	49188-79	133
43303-82	61	44041-80	67	45092-66A	23		73	49193-79	133
43317-82	61	44042-80	67		25	47247-83	65	49194-79A	133
43331-79	53	44043-80	67	45405-75A	71		73	50011-30A	75
43331-82	55	44076-80	67	45406-75	71	47251-79	63	50015-74	75
43332-79	53	44108-72	57	45419-80	71		73	50074-79A	75
	55	44120-82A	57	45426-79	129		75	50075-79	75
43333-79	53	44146-77	57	45427-79	129		81	50075-81	75
	55		67	45430-79A	71	47251-82	63	50078-79	75
43334-79	53	44175-77	57	45430-83	71		73	50078-81	75
	55	44176-77	57	45431-79B	71		75	50517-80	9
43342-83	61	44181-77A	57	45435-79	71		81	50518-83	81
43345-83	61	44182-77	57	45435-83A	71	47311-77	117	50584-79B	81
43346-83	61	44185-77	57	45437-79	129	47313-79A	73	50585-79A	81
43349-83	55	44186-77	57	45437-81	129	47313-82	73	50614-66	81
43395-80	57	44187-77	57	45447-81	129	47349-83A	75	50619-74A	81
43559-73	61	44188-77A	57	45448-81	129	47365-83	81	50620-74	81
43567-79	61	44189-77	57	45494-79	129	47374-83	75	50621-79A	81
43578-35	15	44210-79	59	45718-60	71	47388-79	73	50622-79	81
43615-82	61		61	45733-48	71		133	50622-82	81
43644-81	59	44444-79	146	45825-77A	71	47510-80	73	50622-83A	81
	69	45012-72	53	45830-48	51	47511-80	73	50635-14A	81
43650-82	61	45012-82	55	45832-77A	71	47512-82	73	50635-82	81
	69	45013-72	53	45834-77	71	47513-80	73	50880-69	81
43652-82	69	45013-82A	55	45837-77	71	47514-80	73	50912-72	81
43653-82	69	45016-72	53	45838-77	71	47515-80A	73	50936-77	81
43667-82	69	45016-82	55	45842-77	71	47515-82A	73	50939-52	81
43668-82	61	45017-82A	49	45843-77	71	47519-72	69	50940-52	81
	69	45024-65A	48	45844-77	71	47519-83A	61	50946-52	81
43868-72	15	45024-72	53	45845-77	71		69	50963-74	81
	43	45031-65	48	45853-83	71		146	50964-74	81

NUMERICAL INDEX

Part No.	Page	Part No.	Page	Part No.	Page	Part No.	Page	Part No.	Page
50970-52	81		91	53478-80	83	56395-74	89	59082-79	99
50972-75	65		131	53479-80	83	56396-74A	89		143
	103	53161-80A	83	53492-79	77		127	59093-79	99
50973-65	81	53162-80	83	53513-81	83	56397-74C	89	59121-80	99
50983-75	81	53291-77	75	53513-82A	83		127	59122-80	99
52193-31	35	53293-79	83	53513-83	83	56492-83A	89	59159-80	99
	63	53294-77	75	53563-82	85		127	59166-80	99
52115-85	75		83	53564-82	85	56508-76	89	59173-81A	99
	79	53295-77	75	53579-82	85	57215-75	63	59180-80	99
52125-80	79	53296-77	75		131	57978-63	85		143
52147-80	79	53297-77	75	53580-82	77	58009-80A	91	59181-80	99
52148-80	79	53298-77A	75		91	58016-80A	91		143
52149-80	79	53306-69	83	53581-82	77	58031-80	91	59211-74	99
52150-80	79		91	53582-82	77	58049-50A	137		143
52151-79B	75		131		91	58132-66	137	59231-83	99
52151-80B	75	53306-80	83	53583-82	91	58151-83	95		143
52151-83	75		131	53584-82	77	58154-83	95	59232-79	99
52153-80	79	53307-69	75	53586-82	77	58164-65A	95		143
52154-80	79		83	54473-79	87	58171-69	95	59255-72	131
52156-80	79		91	54474-79	87	58181-78	95		143
52157-80	79		131	54475-79	87		95	59261-77	99
52158-80	79	53324-69	131	54532-79	87	58182-78	95	59579-79	99
52159-80	79	53326-69A	83	54532-81	87	58320-76	95	59579-81A	99
52160-80	79	53329-69A	83	54532-83	87	58400-80	91	59658-77	99
52162-80	79	53331-69	75	54623-81	87	58401-80	91	59938-72	141
52163-80	79		83	54623-83	87	58402-80	91	59988-72	77
52177-83	75	53332-69	83	54624-80	87	58410-80	91	59998-82	77
52201-83	75	53365-79	77	54624-83	87	58411-76	95	60519-80	39
52205-79	75	53366-79	77	54628-80A	87		95		103
52219-83	75	53367-79	77	55916-80	89	58412-76	95	60520-80	39
52419-81	79	53369-82	77	55916-82	89		95		103
52420-81	79	53399-86	77	55917-79	89	58414-83	95	60550-81	51
52510-80	79	53404-79	83	55918-79	89	58416-77	95		103
52514-77A	79	53410-83	77	55920-83A	89		95	60600-81B	103
52516-77A	79	53425-80	83	56062-73	89	58453-80A	91	60603-79	33
52516-78	79	53426-80	83		125	58459-80	91		103
52518-78	79	53427-80	83	56070-81	89	58460-80	91	60604-80	103
52528-80	79	53428-80A	83		127	58461-80	91	60605-79B	103
52530-80	75	53429-80	83	56140-80A	89	58466-80	91	60622-81	51
52543-79	75	53431-80	83	56141-80A	89	58473-80	91		51
52567-77	75	53433-80	83	56158-73	77	58477-80	91		103
	79	53434-80	83	56206-74	89	58482-79	91	60634-81B	103
52568-77	79	53435-80	83	56206-81A	89	58487-79	91	60637-83	103
52569-80	79	53437-79	83	56220-74	89	58489-84	91	60638-83	103
52580-77	79	53439-79	83	56220-81B	89	58498-86	91	60645-65	123
52581-77	79		99	56238-62	89	58499-86	91	60956-81	105
52617-80	75		143	56316-80	89	58520-79A	71	60957-81	105
52620-77	79	53440-79	83	56323-81A	89	58712-79A	93	60958-81	105
52622-77	79	53450-52	77	56324-81A	89	58713-79A	93	60962-82	105
52623-77	79	53454-52	77	56327-81B	89	58714-79	93	60964-82	105
52700-81	81	53455-52	77	56328-81B	89	58715-79	93	60969-82	105
52773-82	83	53456-52	77	56392-77	89	58716-79	93	61019-83A	105
53152-82A	83	53457-79	83	56393-74A	89	58717-79	93	61029-82	105
	131	53477-80	83	56394-74	89	58718-82	93	61072-79	105
53153-82	83	53477-80A	83		127	58719-82	93	61073-79	105

NUMERICAL INDEX

Part No.	Page	Part No.	Page	Part No.	Page	Part No.	Page	Part No.	Page
61075-79	105	63500-68	5	109	67712-83	95		145	
61077-80	105		27	111	67716-60A	95	68572-64A	97	
	129		51	65589-79	109	67717-65A	93	115	
61077-82	105		103	65590-79	109	67718-60A	95	145	
	129		107	65621-81	111	67724-71	95	68576-70	145
61078-80	105	63501-68	43	65627-81	111	67726-71	95	68586-63A	97
61082-79	105		105	65627-83	111	67732-71	95	145	
61083-79A	105	63526-57	9	65629-81	111	67749-77	95	68602-79	113
61084-79	105		19	65648-81	111	67753-70	95	115	
61093-79	105	63527-57A	9	65649-81	111	67755-81	95	129	
61115-82	95	63529-57	9	65650-81B	111	67775-79	93	68619-83	97
61252-84	106	63533-41	19	65651-81	111	67775-81	93	68627-62A	97
61321-80	105		21	65652-81	111	67778-60	95	68630-83	97
61322-80A	105		43	65834-68A	109	67780-60	95	68635-83	97
61325-79	106		103		111	67782-60A	95	68671-69	97
61326-79	106	63543-82	9	65837-79	109	67793-79A	95	68672-38	97
61327-79	106	63551-82	65	65838-79	109		113	68674-69	97
61328-79	106	63573-82	65	66010-79	133	67817-83	95	68690-69	97
61356-79	106	63580-66A	103	66010-82A	133	67830-59	81	68721-62	97
61357-79	106	63591-82	27	66014-79	133	67843-70	115	68725-62	97
61358-79	106		103	66029-80	73		129	69000-76	117
61359-79	106	63600-80	35	66039-79	73	67844-70	95	69016-76	117
61360-79	106		63	66040-79	73	68008-73A	115	69022-79	117
61649-80	105	63609-72	53	66048-81A	73		143	69022-82	117
61649-83	105	63796-77	43	66052-79	73		144	69025-79	117
61812-75	133	63805-80	43	66105-77	133	68025-73	115	69030-82	117
61900-81	106	64511-63	93	66303-81	73		144	69149-65	117
61901-81	106	65196-80	109	66308-80	133	68026-73	115	69504-80	101
61902-81	106	65197-80	109	66346-79	73		144	70005-70	119
61903-81	106	65199-80	15	66347-79	73	68034-77	115	70028-83	121
61904-81	106		109	66361-79	73		144	70033-79	119
61905-81	106	65274-81	111	66385-79	15	68046-79	99	70043-81	119
62161-75	105	65287-80	109		119	68047-79	99	70063-79	31
62162-75	105	65288-80	109	67000-79	113	68123-73	115	70100-79A	119
62166-81	105	65444-80	19	67000-81B	113		143	70128-79	115
62167-83	105		109	67023-80	113		144	70171-79	119
62170-81	105	65502-83A	111	67023-81B	113	68165-64	93	70175-79	119
62171-77	105	65519-52B	109	67071-79	59		115	70186-82	43
62172-75	105		111		113		144		
62375-57	5	65531-82	111	67072-79A	113	68481-73	115		
	43	65538-79C	109	67073-81	61	68482-73	115	70218-82	127
	103		111		113	68483-73	115	70219-82	127
62481-80	107	65539-79C	109	67230-80	113	68519-68	95	70233-79A	119
62484-81	9		111	67231-80	113	68521-63A	95	70243-79	119
62489-79A	107	65541-79	109	67232-80	113		145	70262-79	119
62557-80	73		111	67233-80B	113	68541-64A	115	70264-79	121
	107	65542-79	109	67234-80	113		129	70265-79	117
62557-81	73		111	67235-80	113	68543-64B	115	70266-81	121
	107	65542-82	111	67236-80	113		129	70266-82	121
62557-83	107	65543-79	109	67237-80	113	68552-70A	95	70267-79	121
62581-79	107		111	67238-80	113		145	70267-81	121
62584-79	107	65549-79	109	67696-81	95	68554-82	95	70267-82	121
62625-70A	107	65550-79	109	67697-81	95		145	70268-79	121
62783-66A	9	65551-79	109	67702-81	95	68561-79	129	70268-81	121
62785-66A	9	65555-80A	43	67704-83	95	68571-63A	97	70269-83	121

NUMERICAL INDEX

Part No.	Page	Part No.	Page	Part No.	Page	Part No.	Page	Part No.	Page
70276-79	119	71574-82	127	72278-74	119	87160-83	137	90759-79	131
70280-79	125	71626-62	85	72308-79B	129		141	90759-80	131
70280-81	125		93	72313-79	119	87166-83B	141	90759-82A	131
70284-79	125		131	74512-79A	29	87435-79	146	90759-83	131
70284-81	125	71774-77	119	74515-86	29	87435-83	137	90760-79	131
70286-79	125		121	74521-77	31	87444-33	137	90761-79	131
70286-81	125	71795-63A	119	74529-79	29		146	90762-79	131
70287-81	113		121	74536-77A	31	87672-76	143	90763-79	131
	119	71871-75	29		85	87700-79	146	90764-79A	131
	125	72001-69B	125		115	87701-79	137	90764-83	133
70288-81	119	72023-51A	63		119	87703-79	146	90765-79	115
70298-79	125		65		121	87704-79	146	90768-79	115
70298-81	125		129	74539-77A	31	87705-79	146	90767-79	115
70429-70	115	72028-83	119		85	87706-79	143	90770-79	115
	119		121		115		146	90771-79	85
70504-81	89	72029-83	119		119	87713-83	143		115
70576-68	119		121		121	87714-83	143		121
	121	72037-71	119	74539-83	119	87752-58A	143	90772-79	115
70584-69	121		121	74589-73	129	87776-83	141	90773-79	115
70643-79A	85	72038-71	101	74599-77A	129		143	90774-79	115
70644-79A	85		113	83162-51	19	87778-64A	143	90775-79A	115
70645-79	85		119		31	87901-83A	143	90779-79	133
	121		121	84850-67	77	88101-24A	137	90781-79A	133
70646-79	85		143		85	88172-25	137	90789-83	85
70908-82	73	72039-71	85		93	88174-37	137		131
	77		93		131	88261-36	137	90790-83	85
	85		97	86999-79	143	88264-36	137		131
	133		115	87053-79	137	88300-79	137	90791-83	85
70961-79A	65		119	87055-79	137	88301-79	137		131
	129		121	87056-83B	137		145	90797-80	131
71099-74	113		125		141	88302-79	137	90801-83	133
71304-82	106		127	87057-79	137		145	90940-79	133
71427-79A	129	72041-71	121	87058-79	137	88314-37	137	90941-79	133
71466-65	123	72043-71	119	87071-79	143		145	90964-63	85
71467-65	123		121	87073-79	143	88425-67	139		131
71484-72A	125		125	87113-83	65	88481-67	139	90965-63	73
71518-80	129		127		141	88487-67	139		77
71519-75	125	72044-71	119		143	88493-67	139		85
71526-80	129		121	87114-83	141	88528-67	139		131
71533-72	125		143	87117-36	137	88694-67	139		133
71534-72	125	72046-74	93	87120-79	137	88695-67	139	90967-64	131
71536-80	129		119		145	88698-67	139	91013-79	101
71536-82	129		121	87121-79	145	88862-67	139	91023-79	101
71546-75A	125	72051-77	31	87122-83	141	88883-67	139	91075-81	101
71547-75A	125	72052-79	85	87123-83	141	88885-67	139	91090-77A	101
71549-80	129		115	87131-83A	141	88895-67	139	91107-77	101
71549-82	129	72054-82	119	87132-83A	141	90633-82	131	91123-77	101
71563-82A	127	72055-82	119	87137-83	141	90648-82	131	91582-79	77
71564-82	127	72056-82	119	87140-83	141	90718-79	133	91583-83	77
71567-82	127	72275-74	85	87141-83	141	90720-79	133	91875-70B	117
71568-82A	127		119	87142-83	141	90722-79	133	91875-82	117
71570-82A	127		121	87148-83	141	90743-83	85	91892-82	117
71571-82	127		144	87156-83	141	90745-79A	131	94421-78	135
71572-82A	127	72276-74	93	87157-83	137	90747-79	131	94422-78	135
71573-82A	127		119	87159-83	137	90758-79A	131	94423-78	135

NUMERICAL INDEX

Part No.	Page	Part No.	Page	Part No.	Page	Part No.	Page	Part No.	Page
94424-78	135								
94425-78	135								
94428-78	135								
94429-78	135								
94432-78	135								
94436-82A	135								
94437-79	135								
94445-82	135								
94446-82	135								
94447-82	135								
94448-82	135								
94460-78	135								
95594-84	59								
	61								
	69								
	146								

NOTES

READERS COMMENTS

The Harley-Davidson Technical Communications Department maintains a continuous effort to improve the quality and usefulness of its publications. To do this effectively, we need user feedback — your critical evaluation of this manual.

Please comment on this manual's completeness, accuracy, organization, usability, and readability.

Should you find errors in this manual, please list the page, item and part number.

How can this manual be improved? _____

Occupation: _____

Name _____ Dealership _____

Street _____ Department _____

City _____ State _____ Zip _____

CUT HERE

