

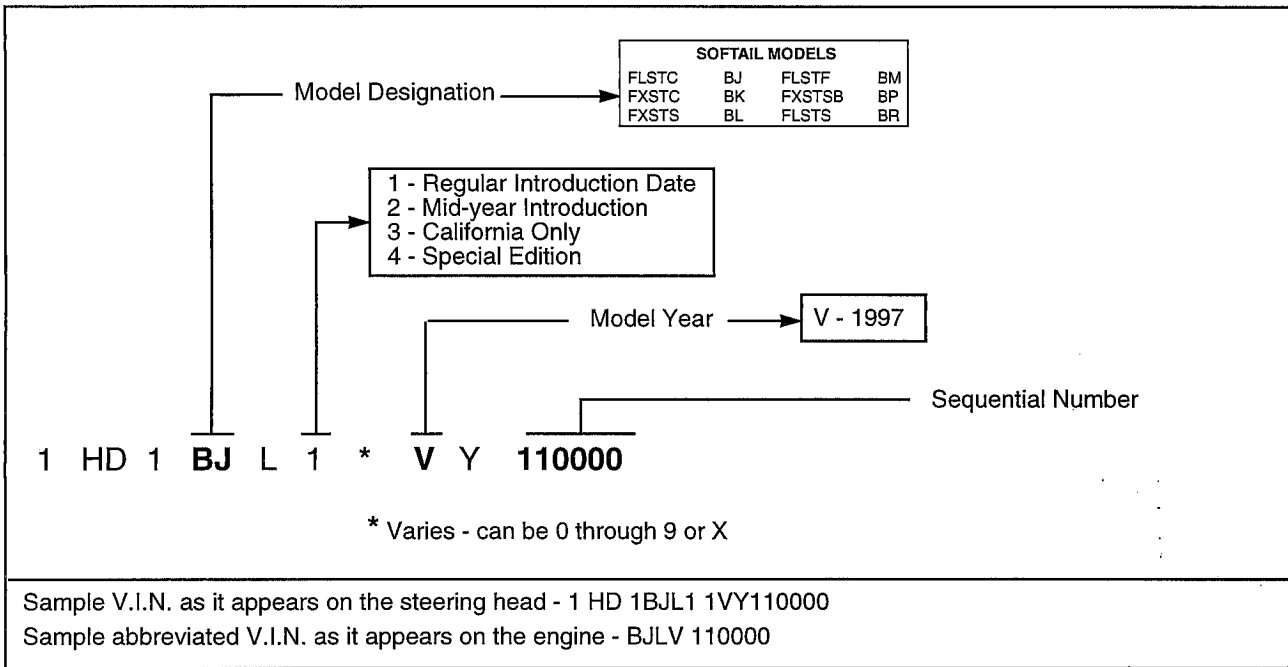
GENERAL INFORMATION

This Parts Catalog has been prepared for your convenience when ordering parts for the 1997 Softail model motorcycle. The Glossary at the end of the book for unfamiliar abbreviations. A complete Hardware Listing is also featured. Index numbers in the illustrations correspond to index numbers in parts lists. Consult the illustrations when ordering parts so you are sure the part required. The number in parenthesis following description of parts is the quantity needed for complete assembly. If no number in parenthesis, only one is used. Prices of parts in this catalog are published separately.

The following instructions should be followed carefully when ordering parts.

- The model usage column has a two character code, corresponding to the V.I.N. Model Designation. If the part fits all models, it will be in the model usage column. The Softail models are listed at the bottom of each right hand page.
- Specify the correct part number for each item. Check the "models" column of the parts list which shows the model on which the part fits. Whenever in doubt, refer to the Vehicle Identification Number (V.I.N.). A 17 digit V.I.N. is stamped on the front of the engine and frame right downtube label. An abbreviated V.I.N. is stamped on the left engine crankcase.

Always give one of these numbers when ordering parts or making any inquiry about your motorcycle.



- An asterisk (*) in the "Used On" column indicates part is used through the current model year.
- Orders may be placed via your computer, fax or phone for all parts except engines, crankcases and frames. Order form 99514-76, must be used for engines, crankcases and frames. All non-warranty replacement crankcase orders must have corresponding complete left crankcase half included with the order. All non-warranty replacement frame orders must have corresponding steering neck with V.I.N. included with the order.

PATENT NOTICE

Harley-Davidson products are manufactured under one or more of the following patents: U.S. Patents - 2986162, 2998809, 3116089, 3144631, 3144860, 3226994, 3229792, 3434887, 3559773, 3673359, 3709317, Des. 225,626.

To the best knowledge of Harley-Davidson Motor Company, the material contained herein is accurate as of the date this was approved for printing. Harley-Davidson Motor Company reserves the right to change specifications, equipment, or any time without notice and without incurring obligation.

READERS COMMENTS

The Harley-Davidson Technical Communications, Standards, and Graphics Department maintains a continuous effort to improve the quality and usefulness of its publications. To do this effectively we need user feedback — your critical evaluation of this manual.

Please comment on this manual's completeness, accuracy, organization, usability and readability.

Should you find errors in this manual, please list the page, item and part numbers.

How can this manual be improved?

Occupation:

Name

Dealership

Street

Department

City

State

Zip

1997
Softail Models
Parts Catalog
99455-97A

Clip out and mail to:
Technical Communications Department
Harley-Davidson Motor Company
P.O. Box 653
Milwaukee, WI 53201

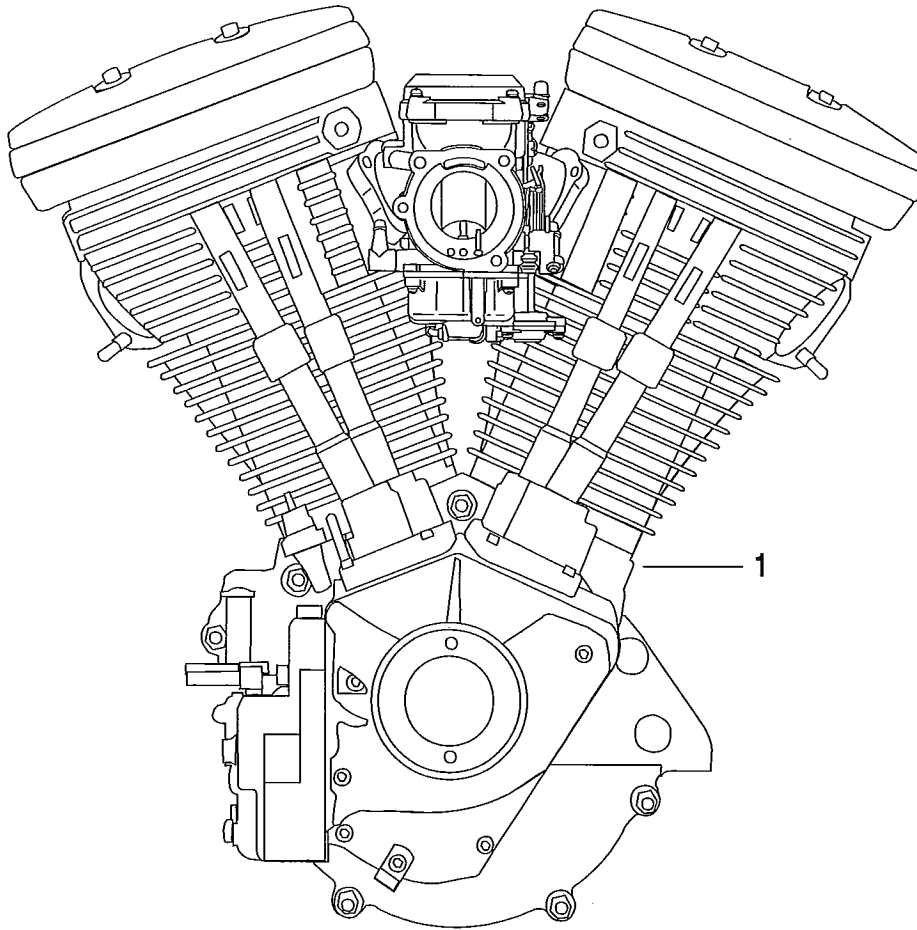
CMI - 2.5M - 6/98

CUT HERE

ALPHABETICAL INDEX

DESCRIPTION	PAGE	DESCRIPTION	PAGE
Air Cleaner.....	21	Hardware listing.....	155
Alternator.....	23	Head, cylinder.....	5
Battery.....	129	Headlamps.....	99-101
Battery cables.....	129	Horn.....	139
Belt, rear.....	45	Ignition coil.....	25
Belt guard.....	49	Ignition module.....	25
Brake caliper, front.....	53	Indicator lamps.....	131
Brake caliper, rear.....	63	Instruments.....	131
Brake control, front.....	51	Jiffy stand.....	81-83
Brake control, rear - FXST models.....	59	License plate bracket.....	115
Brake control, rear - FLST models.....	61	Mirrors.....	151
Brake disc, front.....	57	Module, ignition.....	25
Brake disc, rear.....	65	Module, turn signal canceller.....	145
Cam gears.....	13	Numerical index.....	159
Cam position sensor.....	27	Oil filters & mounts.....	123
Carburetor.....	17,19	Oil pump.....	15
Chain, primary.....	45	Oil tank.....	121
Circuit breakers.....	145	Passing lamps.....	103
Clutch.....	41	Pistons & piston rings.....	9
Clutch control.....	47	Primary housing.....	43
Coil, ignition.....	25	Push rods.....	7
Connecting rods.....	9	Regulator, voltage.....	23
Covers, rocker arm.....	7	Relay, starter.....	145
Crankcase.....	11	Rocker arms.....	7
Cylinders, engine.....	5	Rotor, ignition.....	27
Decals, fuel tank.....	119	Saddlebags - FXSTC.....	147
Engine.....	3	Saddlebags - FLSTS.....	149
Enrichener cable.....	21	Seats.....	85
Evaporative emissions kit.....	153	Seat - FLSTS.....	87
Exhaust systems.....	125	Sensor, cam position.....	27
Exhaust system, FLSTS.....	127	Shock absorbers - rear.....	91
Fenders, front - FXSTC,FLSTC, FLSTF.....	105	Sissy bar.....	85
Fenders, front - FXSTS, FXSTSB.....	107	Spark plugs.....	25
Fenders, front - FLSTS.....	109	Speedometer.....	131
Fenders & supports, rear - FXSTC, FXSTS, FXSTSB.....	111	Sprockets.....	45
Fenders & supports, rear - FLSTC, FLSTF, FLSTS.....	113	Starter motor.....	29
Flywheels.....	9	Switches, ignition.....	131
Footboards.....	89	Switches, handlebar.....	143
Footrests.....	89	Tail lamp.....	137
Fork, front - FXSTC.....	67	Tappets.....	7
Fork, front - FLSTC, FLSTF.....	69	Throttle control.....	95
Fork, front - FXSTS, FXSTSB.....	73	Transmission.....	39
Fork, front - FLSTS.....	75	Transmission housing.....	35-37
Fork rockers - FXSTS, FXSTSB.....	77	Turn signals, front.....	133
Fork rockers - FLSTS.....	79	Turn signals, front - FLSTC.....	103
Frame & rear fork.....	81-83	Turn signals, rear.....	135
Fuel gauge.....	117	Turn signal canceller.....	145
Fuel tanks.....	117	Vacuum switch.....	27
Fuel tank trim.....	119	Valves.....	5
Fuses.....	145	Wheels, front.....	55,57
Gear shifter.....	31-33	Wheels, rear.....	65
Gasket kits.....	5,7	Windshield - FLSTC.....	97
Glossary.....	154	Wiring harness, main.....	141
Handlebar.....	93		
Handlebar grips.....	95		

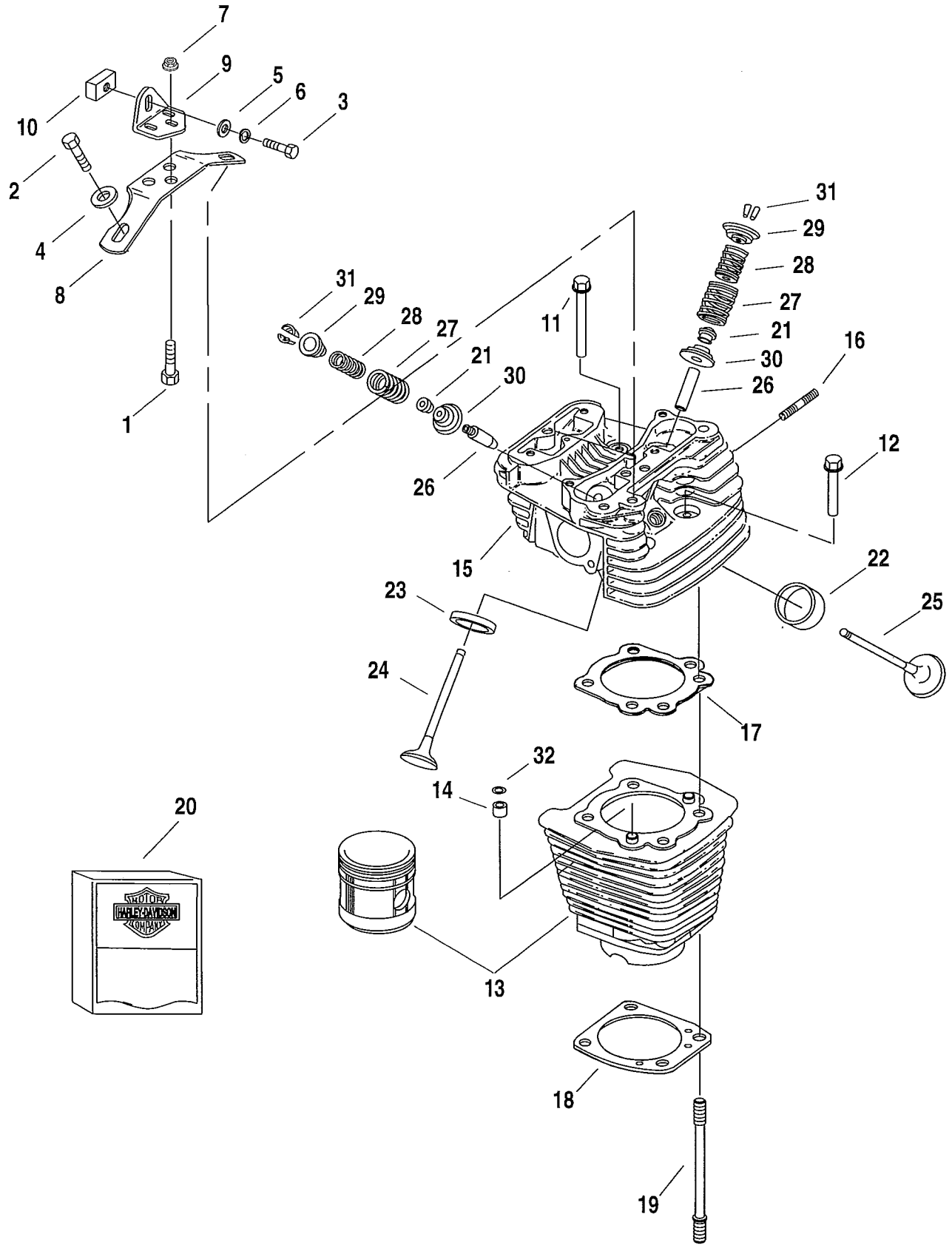
ENGINE ASSEMBLY - COMPLETE



INDEX NO.	PART NO.	DESCRIPTION	MODELS
1	16121-97	ENGINE ASM., complete (C & B)	97*-ALL
	16126-97	ENGINE ASM., complete (C & B)(Cal. only)	97*-ALL
		H-D INTERNATIONAL ONLY	
	16122-97	ENGINE ASM., complete (C & B)(HDI only)	97*-ALL

SOFTAIL MODELS			
FLSTC	BJ	FLSTF	BM
FXSTC	BK	FXSTSB	BP
FXSTS	BL	FLSTS	BR

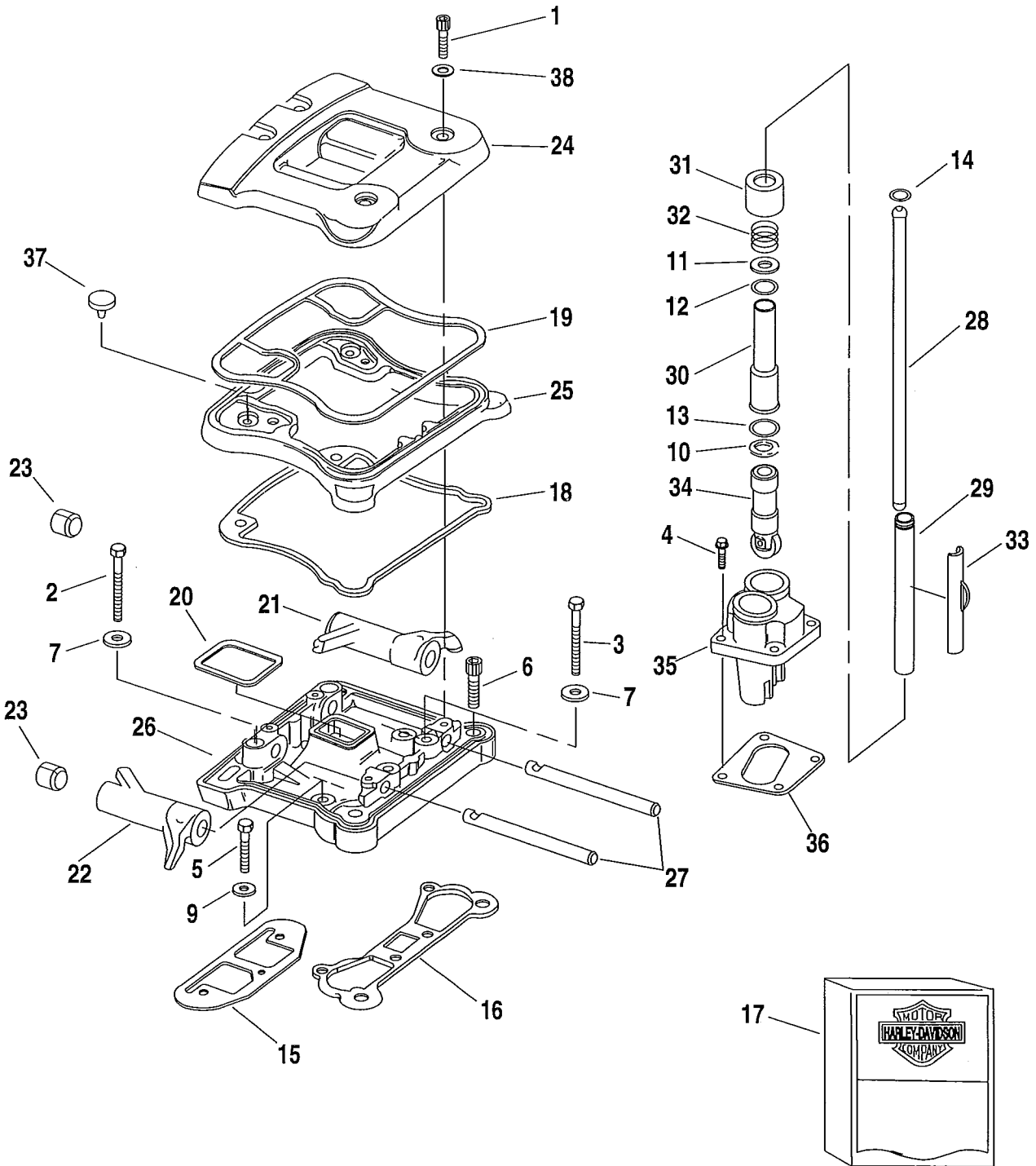
CYLINDERS, HEADS & VALVES V²™ - REAR SHOWN



INDEX NO.	PART NO.	DESCRIPTION	MODELS
1	2879W	BOLT (3)	97*-ALL
2	4716W	BOLT (2)	97*-ALL
3	4726	BOLT	97*-ALL
4	6019	WASHER (2)	97*-ALL
5	6516HW	WASHER	97*-ALL
6	7039	LOCKWASHER	97*-ALL
7	7601	NUT, flange (3)	97*-ALL
8	16242-90	BRACKET, engine mounting	97*-ALL
9	16247-91	BRACKET, engine mounting	97*-ALL
10	16284-84	MOUNTING BLOCK	97*-ALL
11	16478-85A	SCREW, internal thread (4)	97*-ALL
12	16480-92	SCREW, internal thread (4)	97*-ALL
13	16512-86A	CYLINDER w/ PISTON (black)(2)	97*-ALL
14	16573-83	INSERT, cylinder stud (4)	97*-ALL
15	16692-92	HEAD, front cylinder w/guides & seats (black)	97*-ALL
	16696-92A	HEAD, rear cylinder w/guides & seats (black)	97*-ALL
16	16715-83	STUD, exhaust port (4)	97*-ALL
17	16770-84C	GASKET, cylinder head (2)	97*-ALL
18	16774-86D	GASKET, cylinder base (2)	97*-ALL
19	16837-85C	STUD, cylinder base (8)	97*-ALL
20	17040-92A	GASKET KIT, top overhaul	97*-ALL
	17041-92A	GASKET KIT, engine overhaul	97*-ALL
21	18001-83B	SEAL, valve (4)	97*-ALL
22	18011-86	INSERT, exhaust valve seat (2)	97*-ALL
	18124-83	INSERT, exhaust valve seat - 0.005 O.S. (2)	97*-ALL
23	18020-83	INSERT, intake valve seat (2)	97*-ALL
	18134-83	INSERT, intake valve seat - 0.005 O.S. (2)	97*-ALL
24	18074-83A	INTAKE VALVE (2)	97*-ALL
	18076-83	INTAKE VALVE, 0.03 short(2)	97*-ALL
25	18082-83	EXHAUST VALVE (2)	97*-ALL
	18087-83	EXHAUST VALVE, 0.030 short (2)	97*-ALL
26	18112-92	VALVE GUIDE, int. & exh. (4)	97*-ALL
	18130-83C	VALVE GUIDE, int. & exh. - 0.001 O.S. (4)	97*-ALL
	18131-83C	VALVE GUIDE, int. & exh. - 0.003 O.S. (4)	97*-ALL
	18133-83A	VALVE GUIDE, int. & exh. - 0.002 O.S. (4)	97*-ALL
27	18201-83	VALVE SPRING, outer (4)	97*-ALL
28	18202-83	VALVE SPRING, inner (4)	97*-ALL
29	18219-83	COLLAR, valve spring - upper (4)	97*-ALL
30	18222-83	COLLAR, valve spring - lower (4)	97*-ALL
31	18229-83	RETAINER, valve collar (8)	97*-ALL
32	26432-76A	O-RING, cylinder stud insert (4)	97*-ALL

SOFTAIL MODELS			
FLSTC	BJ	FLSTF	BM
FXSTC	BK	FXSTSB	BP
FXSTS	BL	FLSTS	BR

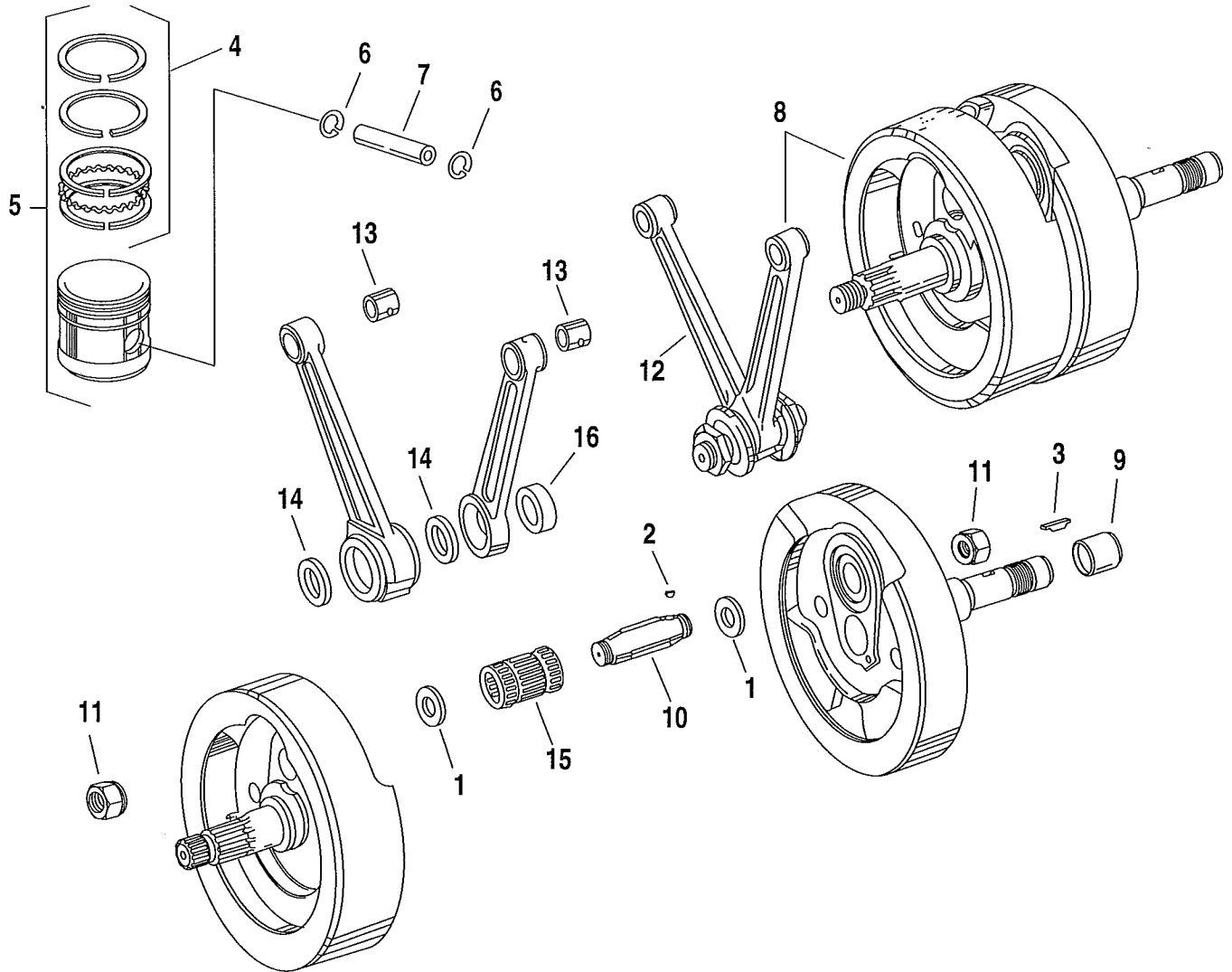
ROCKER ARMS, COVERS & PUSH RODS - V²™



INDEX NO.	PART NO.	DESCRIPTION	MODELS
1	882	SCREW (8)	97*-ALL
2	3500	BOLT (4)	97*-ALL
3	3501	BOLT (4)	97*-ALL
4	3770	SCREW (8)	97*-ALL
5	3997	BOLT (6)	97*-ALL
6	4718A	SCREW (4)	97*-ALL
7	6016	WASHER (8)	97*-ALL
9	6736	WASHER (6)	97*-ALL
10	6737	WASHER (4)	97*-ALL
11	6762B	WASHER (4)	97*-ALL
12	11132	O-RING, push rod cover (4)	97*-ALL
13	11145	O-RING, push rod cover (4)	97*-ALL
14	11157	O-RING (4)	97*-ALL
15	16778-84A	GASKET, cylinder head - right (2)	97*-ALL
16	16779-84B	GASKET, cylinder head - left (2)	97*-ALL
17	17042-92A	GASKET KIT, rocker boxes with #15, 16, 18, 19, 20, 37 & 38	97*-ALL
18	17355-92	GASKET, rocker cover - lower (2)	97*-ALL
19	17356-92	GASKET, rocker cover - upper (2)	97*-ALL
20	17358-84A	GASKET, rocker cover - inner (2)	97*-ALL
21	17360-83A	ROCKER ARM, front intake, rear exhaust (2)	97*-ALL
22	17375-83A	ROCKER ARM, rear intake, front exhaust (2)	97*-ALL
23	17428-57	BUSHING, rocker arm (8)	97*-ALL
24	17528-92	ROCKER COVER, outer (chrome)(2)	97*-ALL
25	17529-92	SPACER, rocker covers (chrome)(2)	97*-ALL
26	17530-92	ROCKER COVER, inner (chrome)(2)	97*-ALL
27	17611-83	SHAFT, rocker arm (4)	97*-ALL
28	17921-83	PUSH ROD, rear exhaust - 11.210" long	97*-ALL
	17924-83	PUSH ROD, rear intake - 11.045" long	97*-ALL
	17927-83	PUSH ROD, front exhaust - 11.325" long	97*-ALL
	17930-83	PUSH ROD, front intake - 11.090" long	97*-ALL
29	17935-79B	COVER, push rod - upper (4)	97*-ALL
30	17938-83	COVER, push rod - lower (4)	97*-ALL
31	17945-36B	CAP, cover spring (4)	97*-ALL
32	17947-36	SPRING, push rod cover (4)	97*-ALL
33	17950-66	RETAINER, spring cap (4)	97*-ALL
34	18523-86	TAPPET, with roller (4)	97*-ALL
35	18622-85B	TAPPET GUIDE, rear (black)	97*-ALL
	18623-85B	TAPPET GUIDE, front (black)	97*-ALL
36	18633-48D	GASKET, tappet guide - rear	97*-ALL
	18634-48C	GASKET, tappet guide - front	97*-ALL
37	26856-89	VALVE, umbrella	97*-ALL
38	63858-49	GASKET (8)	97*-ALL

SOFTAIL MODELS			
FLSTC	BJ	FLSTF	BM
FXSTC	BK	FXSTB	BP
FXSTS	BL	FLSTS	BR

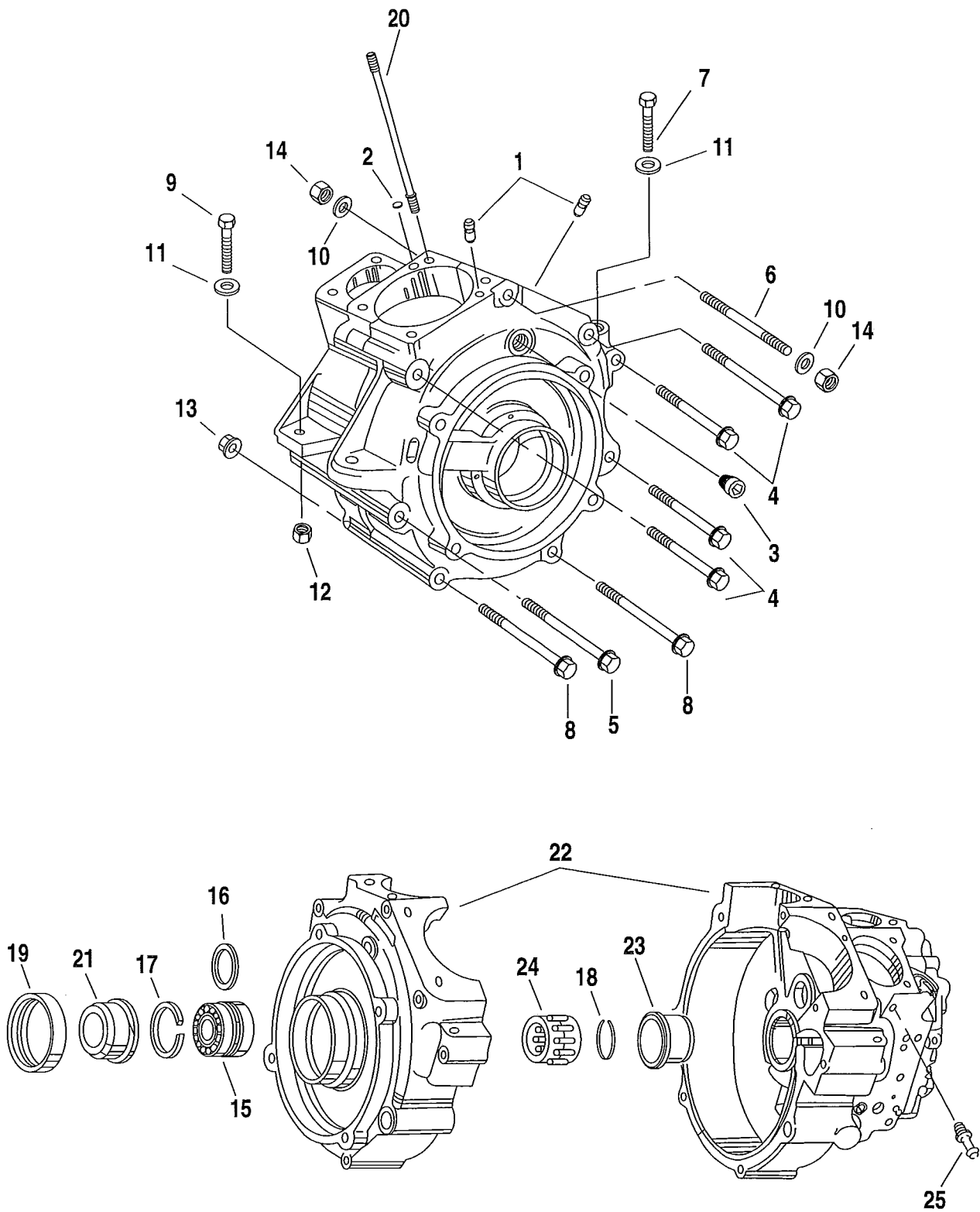
PISTONS, CONNECTING RODS & FLYWHEELS



INDEX NO.	PART NO.	DESCRIPTION	MODELS
1	6506	WASHER (bronze)(2)	97*-ALL
2	11218	KEY, crank pin & gearshaft	97*-ALL
3	11219	T-KEY	97*-ALL
4	21920-83	PISTON RING SET- std. (2)	97*-ALL
	21921-83	PISTON RING SET - 0.005" O.S.(2)	97*-ALL
	21922-83	PISTON RING SET - 0.010" O.S. (2)	97*-ALL
	21923-83	PISTON RING SET - 0.020" O.S. (2)	97*-ALL
	21924-83	PISTON RING SET - 0.030" O.S. (2)	97*-ALL
5	21940-83	PISTON AND RINGS ASM. - std. (2)	97*-ALL
	21941-83	PISTON AND RINGS ASM. - 0.005" O.S. (2)	97*-ALL
	21942-83	PISTON AND RINGS ASM. - 0.010" O.S. (2)	97*-ALL
	21943-83	PISTON AND RINGS ASM. - 0.020" O.S. (2)	97*-ALL
	21944-83	PISTON AND RINGS ASM. - 0.030" O.S. (2)	97*-ALL
6	22589-83A	LOCK RING, piston pin (4)	97*-ALL
7	22764-83	PISTON PIN (2)	97*-ALL
8	23906-93B	SET OF FLYWHEELS & SHAFT w/RODS	97*-ALL
9	23928-87	INNER RING	97*-ALL
10	23961-80A	CRANK PIN - std.	97*-ALL
	23974-87	CRANK PIN - 0.001" O.S.	97*-ALL
	23975-87	CRANK PIN - 0.002" O.S.	97*-ALL
11	23969-83	NUT, crank pin (2)	97*-ALL
12	24281-83	SET OF RODS w/BRGS. & CRANKPIN	97*-ALL
13	24334-36	BUSHING, piston pin - 0.002" O.S. (2)	97*-ALL
	24335-36	BUSHING, piston pin - 0.010" O.S. (2)	97*-ALL
14	24345-36A	BUSHING, rear conn. rod - lower (2)	97*-ALL
15	24346-87A	BEARING SET	97*-ALL
16	24356-36A	BUSHING, front conn. rod - lower	97*-ALL

SOFTAIL MODELS			
FLSTC	BJ	FLSTF	BM
FXSTC	BK	FXSTSB	BP
FXSTS	BL	FLSTS	BR

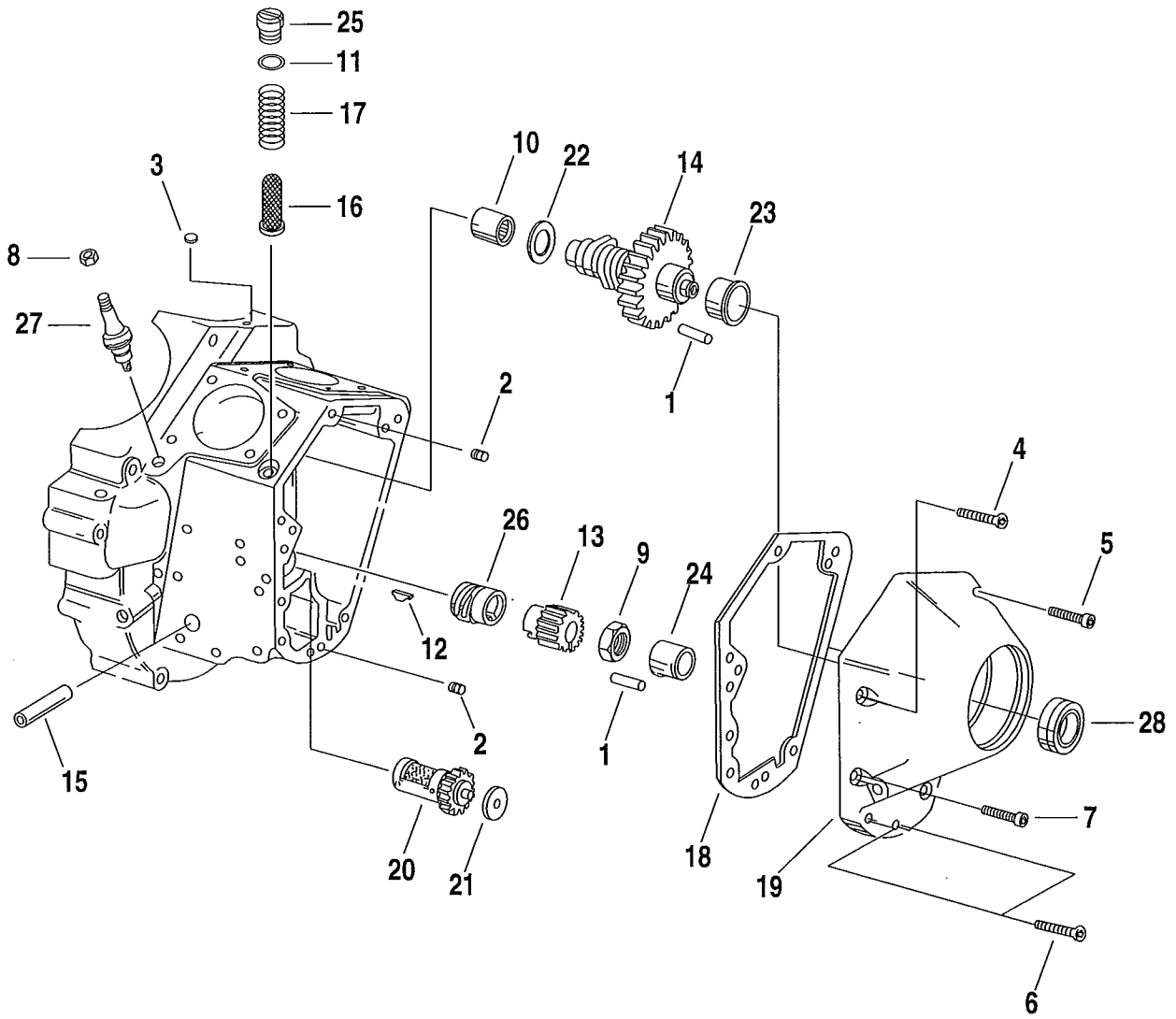
CRANKCASE



INDEX NO.	PART NO.	DESCRIPTION	MODELS
1	358	DOWEL PIN (2)	97*-ALL
2	653	EXPANSION PLUG	97*-ALL
3	720	PLUG, timing hole	97*-ALL
4	3398	BOLT (4)	97*-ALL
5	3504A	BOLT	97*-ALL
6	3506	STUD	97*-ALL
7	3512	BOLT (2)	97*-ALL
8	3613	BOLT (2)	97*-ALL
9	4416	BOLT (2)	97*-ALL
10	6016	WASHER (2)	97*-ALL
11	6019	WASHER (4)	97*-ALL
12	7506	LOCKNUT (4)	97*-ALL
13	7593	NUT, flange (3)	97*-ALL
14	7883	NUT (2)	97*-ALL
15	9028	BEARING ASM., sprocket shaft	97*-ALL
16	9110	SHIM, brg. asm. 0.0905 - .0895"	97*-ALL
	9120	SHIM, brg. asm. 0.0925 - .0915"	97*-ALL
	9121	SHIM, brg. asm. 0.0945 - .0935"	97*-ALL
	9122	SHIM, brg. asm. 0.0965 - .0955"	97*-ALL
	9123	SHIM, brg. asm. 0.0985 - .0975"	97*-ALL
	9124	SHIM, brg. asm. 0.1005 - .0995"	97*-ALL
	9125	SHIM, brg. asm. 0.1025 - .1015"	97*-ALL
	9126	SHIM, brg. asm. 0.1045 - .1035"	97*-ALL
	9127	SHIM, brg. asm. 0.1065 - .1055"	97*-ALL
	9128	SHIM, brg. asm. 0.1085 - .1075"	97*-ALL
	9129	SHIM, brg. asm. 0.1105 - .1095"	97*-ALL
	9130	SHIM, brg. asm. 0.1125 - .1115"	97*-ALL
	9131	SHIM, brg. asm. 0.1145 - .1135"	97*-ALL
	9132	SHIM, brg. asm. 0.1165 - .1155"	97*-ALL
	9133	SHIM, brg. asm. 0.1185 - .1175"	97*-ALL
	9134	SHIM, brg. asm. 0.1205 - .1195"	97*-ALL
17	11160A	RETAINING RING, brg. - left	97*-ALL
18	11177A	RETAINING RING, brg. - right	97*-ALL
19	12026B	OIL SEAL	97*-ALL
20	16837-85C	STUD, cylinder base (8)	97*-ALL
21	24002-70	SPACER, sprocket shaft	97*-ALL
22	24571-93	SET OF CRANKCASES (black)	97*-ALL
23	24599-93	BUSHING, right crankcase -std.	97*-ALL
	24600-58B	BUSHING, right crankcase - 0.002" O.S.O.D.	97*-ALL
	24601-58B	BUSHING, right crankcase - 0.005" O.S.O.D.	97*-ALL
24	24626-87A	BEARING SET, gear side (white/grey)	97*-ALL
	24628-87A	BEARING SET, gear side (green)	97*-ALL
	24641-87A	BEARING SET, gear side(red)	97*-ALL
	24643-87A	BEARING SET, gear side(blue)	97*-ALL
25	63533-41	FITTING, oil hose	97*-ALL

SOFTAIL MODELS			
FLSTC	BJ	FLSTF	BM
FXSTC	BK	FXSTSB	BP
FXSTS	BL	FLSTS	BR

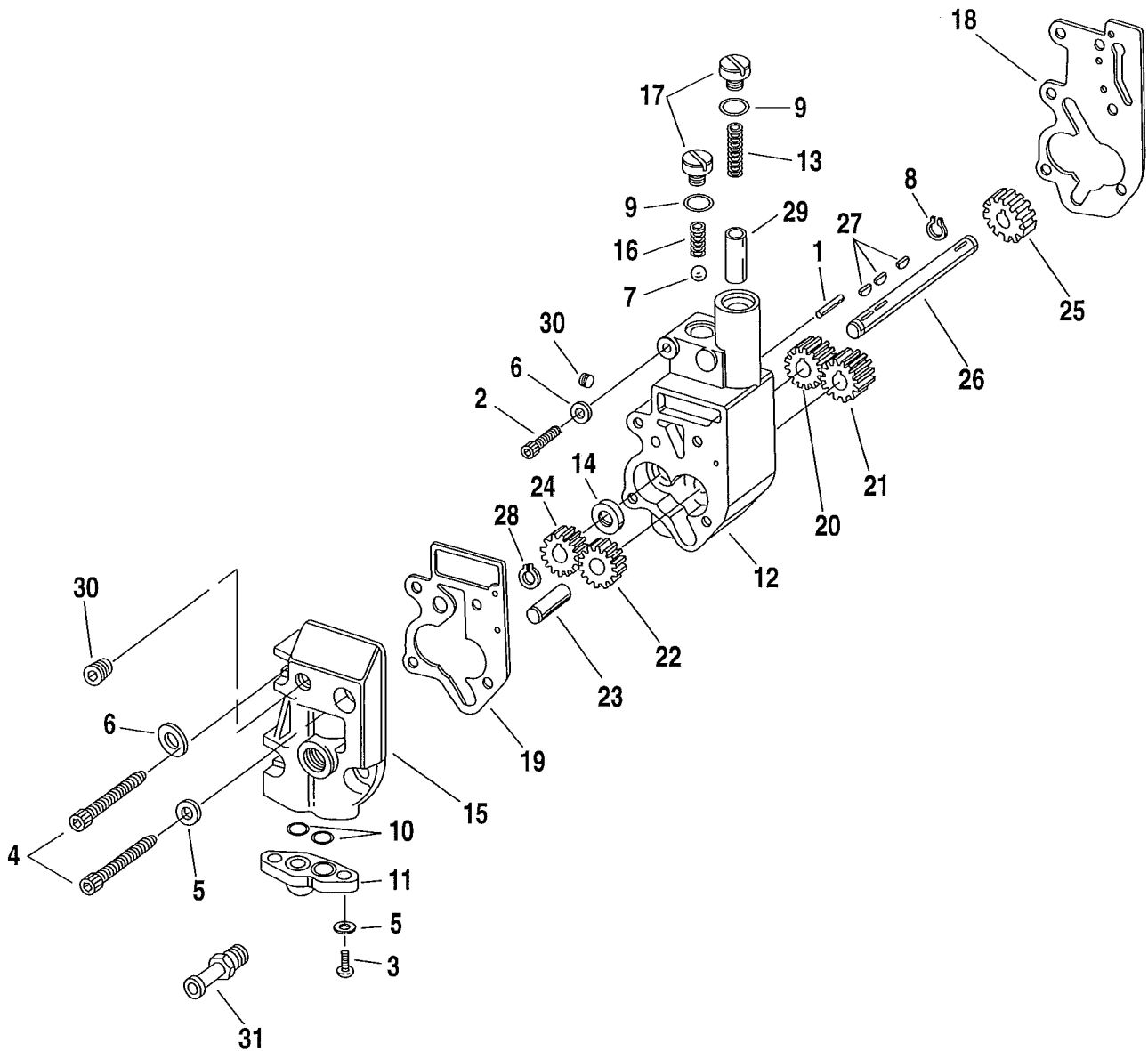
CRANKCASE - GEAR SIDE



INDEX NO.	PART NO.	DESCRIPTION	MODELS
1	275	DOWEL PIN (2 - as required)	97*-ALL
2	358	DOWEL PIN (2)	97*-ALL
3	653	PLUG, crankcase	97*-ALL
4	3480A	SCREW	97*-ALL
5	4813A	SCREW	97*-ALL
6	4718A	SCREW (2)	97*-ALL
7	4740A	SCREW	97*-ALL
8	7629	NUT	97*-ALL
9	7916A	NUT, gear shaft	97*-ALL
10	9058	NEEDLE BEARING, crankcase camcover	97*-ALL
11	11105	O-RING	97*-ALL
12	11219	T-KEY	97*-ALL
13	24040-93	PINION GEAR, 1.4850-53 p.d. (orange)	97*-ALL
	24041-93	PINION GEAR, 1.4846-49 p.d. (white)	97*-ALL
	24042-93	PINION GEAR, 1.4842-45 p.d. (yellow)	97*-ALL
	24043-93	PINION GEAR, 1.4838-41 p.d. (red)	97*-ALL
	24044-93	PINION GEAR, 1.4834-37 p.d. (blue)	97*-ALL
	24045-93	PINION GEAR, 1.4830-33 p.d. (green)	97*-ALL
	24046-93	PINION GEAR, 1.4826-29 p.d. (black)	97*-ALL
14	24586-93	SET OF CAM & PINION GEARS (matched)	97*-ALL
15	24641-36	BUSHING, oil pump shaft	97*-ALL
16	24981-70	OIL SCREEN, crankcase	97*-ALL
17	24982-70	SPRING, oil screen	97*-ALL
18	25225-93B	GASKET, gear cover	97*-ALL
19	25256-93A	GEAR COVER, (chrome)	97*-ALL
20	25310-82A	BREATHER VALVE GEAR	97*-ALL
21	25320-82	THRUST WASHER, brthr valve - 0.130" thk.	97*-ALL
	25321-82	THRUST WASHER, brthr valve - 0.135" thk.	97*-ALL
	25322-82	THRUST WASHER, brthr valve - 0.140" thk.	97*-ALL
	25323-82	THRUST WASHER, brthr valve - 0.145" thk.	97*-ALL
	25325-82	THRUST WASHER, brthr valve - 0.150" thk.	97*-ALL
	25326-82	THRUST WASHER, brthr valve - 0.155" thk.	97*-ALL
	25327-82	THRUST WASHER, brthr valve - 0.160" thk.	97*-ALL
	25328-82	THRUST WASHER, brthr valve - 0.165" thk.	97*-ALL
22	25550-57A	THRUST WASHER, cam gear	97*-ALL
23	25581-70	BUSHING, gear cover	97*-ALL
24	25582-93	BUSHING, gear cover pinion shaft	97*-ALL
25	26263-80	PLUG, oil screen	97*-ALL
26	26354-93	DRIVE GEAR, oil pump	97*-ALL
27	26561-84	OIL PRESSURE SWITCH	97*-ALL
28	83162-51	OIL SEAL, bearing	97*-ALL

SOFTAIL MODELS			
FLSTC	BJ	FLSTF	BM
FXSTC	BK	FXSTSB	BP
FXSTS	BL	FLSTS	BR

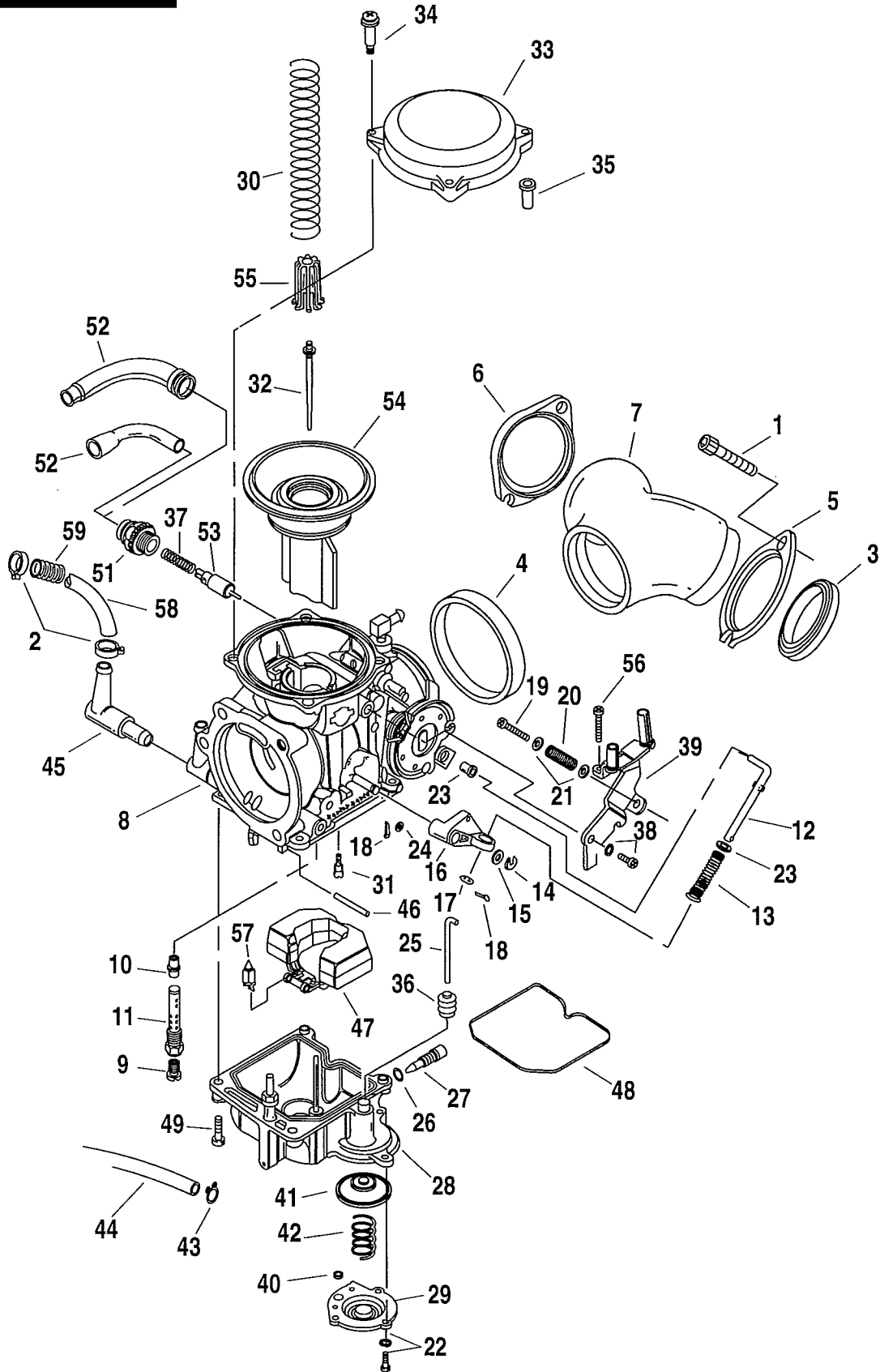
OIL PUMP



INDEX NO.	PART NO.	DESCRIPTION	MODELS
1	239	PIN, valve stop	97*-ALL
2	891	SCREW (2)	97*-ALL
3	942	SCREW (2)	97*-ALL
4	4742A	SCREW (4)	97*-ALL
5	6099	WASHER (2)	97*-ALL
6	6239	WASHER (4)	97*-ALL
7	8873	BALL, check valve - 3/8" dia.	97*-ALL
8	11002	RETAINING RING, oil pump	97*-ALL
9	11105	O-RING, check valve cover screw (2)	97*-ALL
10	11241	O-RING (2)	97*-ALL
11	26030-92A	END CAP (black)	97*-ALL
	26050-92	OIL PUMP (black)	97*-ALL
12	26226-92	BODY, oil pump (black)	97*-ALL
13	26207-83	SPRING, relief valve	97*-ALL
14	26227-58	OIL SEAL	97*-ALL
15	26267-92	COVER, oil pump (black)	97*-ALL
16	26262-80	SPRING, check valve	97*-ALL
17	26263-80	COVER SCREW, check & relief valves (2)	97*-ALL
18	26273-92	GASKET, body (paper)	97*-ALL
19	26276-92	GASKET, cover (paper)	97*-ALL
20	26315-68A	DRIVE GEAR	97*-ALL
21	26317-68A	IDLER GEAR	97*-ALL
22	26326-62A	DRIVE IDLER GEAR	97*-ALL
23	26327-68	SHAFT, idler gear	97*-ALL
24	26328-74	DRIVE GEAR	97*-ALL
25	26345-73	DRIVE GEAR, 24 T	97*-ALL
26	26346-70	DRIVE SHAFT	97*-ALL
27	26348-15	KEY, drive shaft (3)	97*-ALL
28	26348-36	RETAINING RING, drive shaft	97*-ALL
29	26400-82	VALVE, oil pump	97*-ALL
30	45830-48	PLUG (2)	97*-ALL
31	63533-41	FITTING, straight	97*-ALL

SOFTAIL MODELS			
FLSTC	BJ	FLSTF	BM
FXSTC	BK	FXSTSB	BP
FXSTS	BL	FLSTS	BR

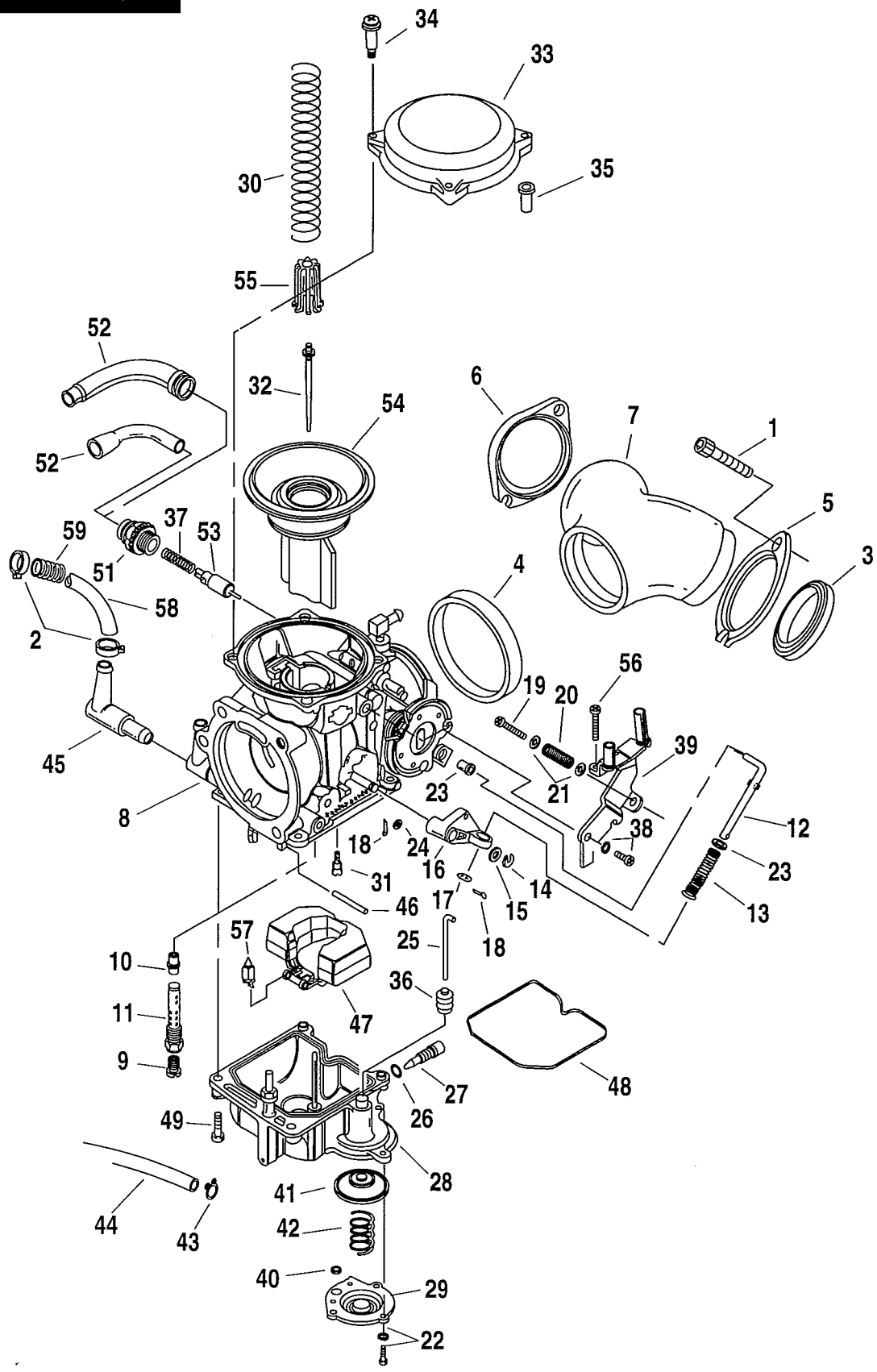
CARBURETOR



INDEX NO.	PART NO.	DESCRIPTION	MODELS
1	3275	SCREW (4)	97*-ALL
2	10014	CLAMP (2)	97*-ALL
3	26995-86A	SEAL, intake manifold (2)	97*-ALL
4	27002-89	SEAL RING	97*-ALL
5	27009-86A	FLANGE, mounting -front	97*-ALL
6	27010-86A	FLANGE, mounting - rear	97*-ALL
7	27019-89	MANIFOLD	97*-ALL
8	27492-96	CARBURETOR	97*-ALL
	27504-96	CARBURETOR (Cal. only)	97*-ALL
9	27090-89	MAIN JET, 1.75 mm (Cal. only)	97*-ALL
	27115-88	MAIN JET, 1.70 mm	97*-ALL
10	27100-88	NEEDLE JET	97*-ALL
11	27101-88	NEEDLE JET HOLDER	97*-ALL
12	27122-89	ROD	97*-ALL
13	27123-89	SPRING	97*-ALL
14	27124-89	E-CLIP	97*-ALL
15	27125-89	WASHER	97*-ALL
16	27126-89	LEVER	97*-ALL
17	27127-89	WASHER	97*-ALL
18	27128-89	PIN (2)	97*-ALL
19	27130-90	IDLE SCREW	97*-ALL
20	27136-90	SPRING	97*-ALL
21	27137-81	WASHER (3)	97*-ALL
22	27146-89	SCREW w/ WASHER (3)	97*-ALL
23	27147-89	COLLAR	97*-ALL
24	27148-89	WASHER	97*-ALL
25	27156-89	ROD	97*-ALL
26	27157-89	O-RING	97*-ALL
27	27158-89	DRAIN SCREW	97*-ALL
28	27159-92	FLOAT CHAMBER ASM.	97*-ALL
29	27160-89	PUMP HOUSING	97*-ALL
30	27162-89	SPRING	97*-ALL
31	27171-89	SLOW JET	97*-ALL
32	27253-96	JET NEEDLE	97*-ALL
	27254-96	JET NEEDLE (Cal. only)	97*-ALL
33	27261-96	TOP, carburetor	97*-ALL
34	27262-96	SCREW, top (3)	97*-ALL
35	27263-96	COLLAR	97*-ALL

SOFTAIL MODELS			
FLSTC	BJ	FLSTF	BM
FXSTC	BK	FXSTB	BP
FXSTS	BL	FLSTS	BR

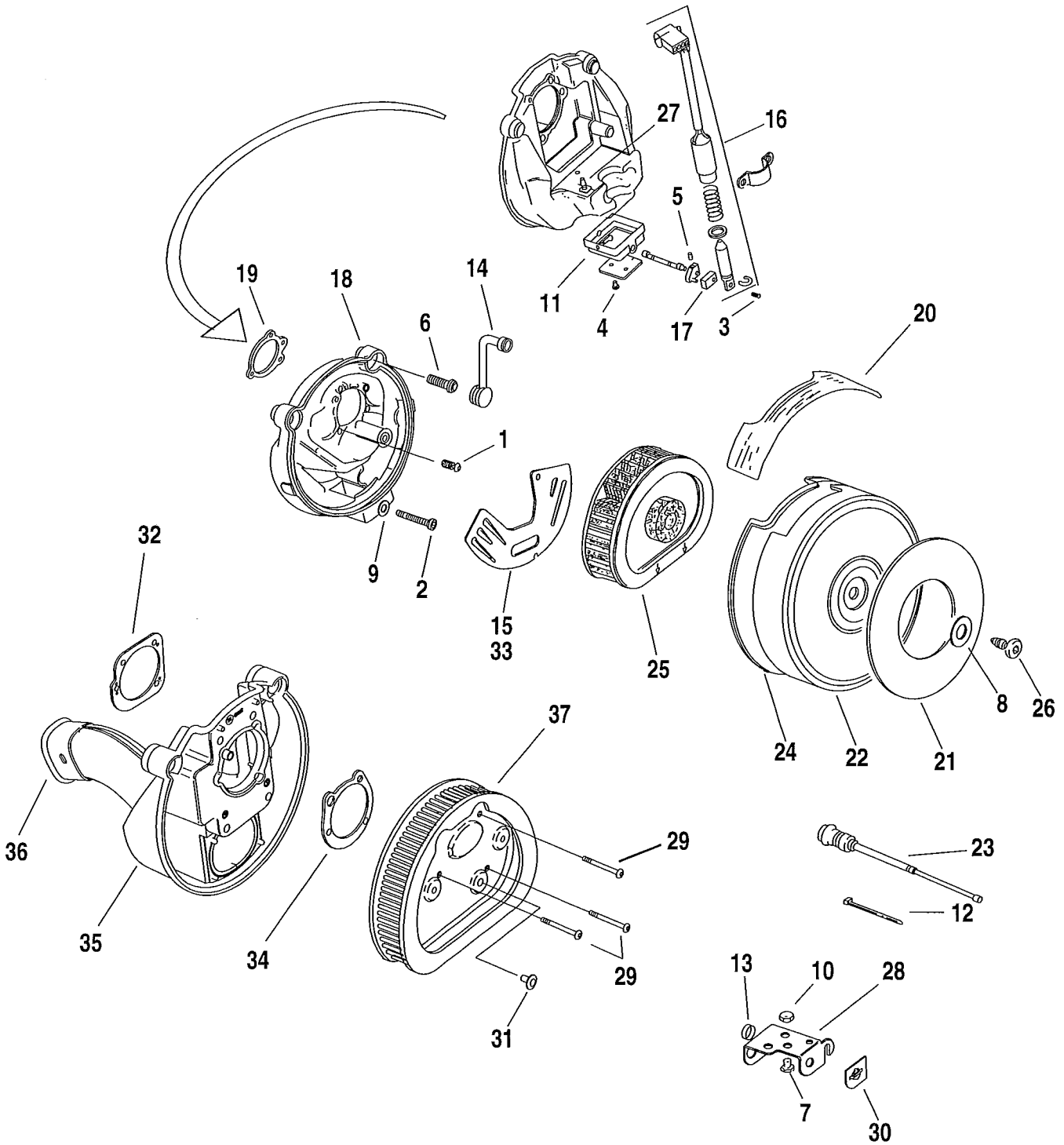
CARBURETOR



INDEX NO.	PART NO.	DESCRIPTION	MODELS
36	27311-76	BOOT, accelerator pump	97*-ALL
37	27315-88A	SPRING	97*-ALL
38	27317-88	SCREW	97*-ALL
39	27339-90	BRACKET, throttle cables	97*-ALL
40	27360-76	O-RING	97*-ALL
41	27361-76	DIAPHRAM, accelerator pump	97*-ALL
42	27362-76	SPRING, diaphragm	97*-ALL
43	27368-76	CLIP, overflow hose	97*-ALL
44	27369-76	HOSE, overflow with clip	97*-ALL
45	27371-76	FITTING	97*-ALL
46	27575-88A	PIN	97*-ALL
47	27576-92	FLOAT	97*-ALL
48	27577-92	O-RING, float chamber	97*-ALL
49	27579-88A	SCREW (4)	97*-ALL
50	27580-88	CABLE GUIDE	97*-ALL
51	27581-88	STARTER CAP	97*-ALL
52	27582-88	CABLE SEALING CAP	97*-ALL
53	27583-88	STARTER VALVE	97*-ALL
54	27585-88	VACUUM PISTON	97*-ALL
55	27586-88	SPRING SEAT	97*-ALL
56	27587-88	SCREW	97*-ALL
57	27886-78A	VALVE, with clip	97*-ALL
58	62356-95	FUEL HOSE, preformed	97*-ALL
		NOTE: Hose and insulator is sold only in bulk length under the following part numbers. Cut to length.	
59	63505-84	INSULATOR, 1/2 I.D. (nylon) (8 ft. lg.)	97*-ALL
		H-D INTERNATIONAL ONLY	
	27088-95	CARBURETOR (HDI only)	97*-ALL
9	27114-88	MAIN JET, 1.80 mm (HDI only)	97*-ALL
32	27239-95	JET NEEDLE (HDI only)	97*-ALL

SOFTAIL MODELS			
FLSTC	BJ	FLSTF	BM
FXSTC	BK	FXSTSB	BP
FXSTS	BL	FLSTS	BR

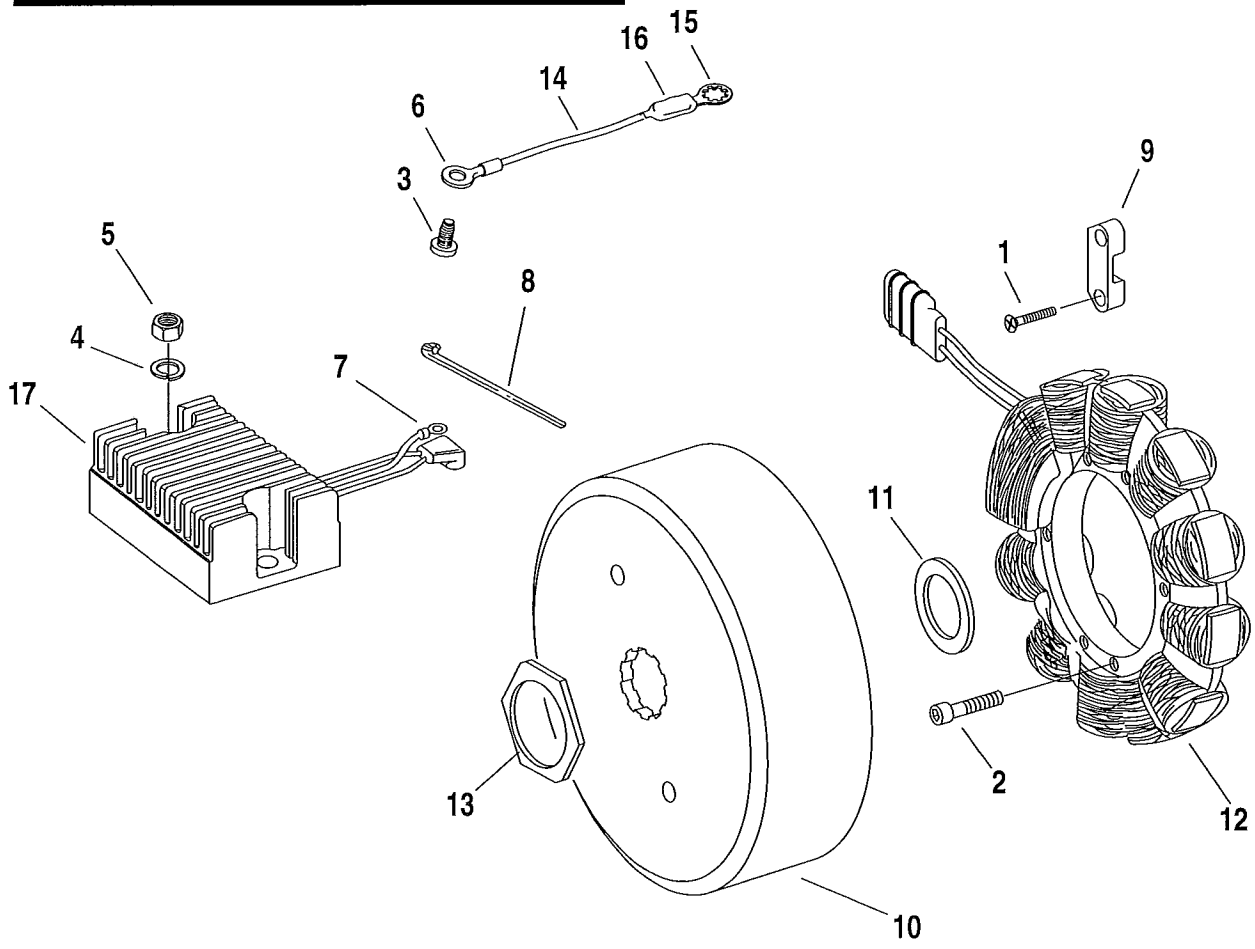
AIR CLEANER & ENRICHENER



INDEX NO.	PART NO.	DESCRIPTION	MODELS
1	864	SCREW (3)	97*-ALL
2	1795A	SCREW (Cal. only)(2)	97*-ALL
3	2711	SCREW (Cal. only)	97*-ALL
4	2737	SCREW (Cal. only)(2)	97*-ALL
5	3221	SET SCREW (Cal. only)	97*-ALL
6	3577	SCREW, breather (2)	97*-ALL
7	4713W	BOLT (2)	97*-ALL
8	6109	WASHER	97*-ALL
9	6253W	WASHER (Cal. only)(2)	97*-ALL
10	7601	NUT, flange (2)	97*-ALL
11	8535	RIVET (Cal. only)(2)	97*-ALL
12	10006	CABLE STRAP	97*-ALL
13	11460	GROMMET	97*-ALL
14	24922-93	BREATHER CONNECTOR (2)	97*-ALL
15	28823-89	BAFFLE PLATE ASSEMBLY (Cal. only)	97*-ALL
16	28827-96	SOLENOID ASSEMBLY (Cal. only)	97*-ALL
17	28842-89	LINK (Cal. only)	97*-ALL
18	29087-96	BACKPLATE ASSEMBLY w/solenoid (Cal. only)	97*-ALL
	29134-92	BACKPLATE ASSEMBLY	97*-ALL
19	29059-88A	GASKET	97*-ALL
20	29126-90	SAFETY LABEL	97*-ALL
21	29161-86	TRIM, - "HERITAGE SOFTAIL"	97*-BJ
	29162-95	TRIM, - "BAD BOY"	97*-BP
	29169-84	TRIM, - "SOFTAIL"	97*-BK
	29181-88	TRIM, - "SPRINGER SOFTAIL"	97*-BL
	29256-90	TRIM, - "FAT BOY"	97*-BM
	29366-97	TRIM, - "HERITAGE SPRINGER"	97*-BR
22	29165-89	COVER, air cleaner	97*-ALL
23	29229-88B	CABLE, enrichment	97*-ALL
24	29252-89	MOLDING	97*-ALL
25	29330-96	FILTER ELEMENT	97*-ALL
26	29283-93	SCREW	97*-ALL
27	61095-92	FITTING (Cal. only)	97*-ALL
28	69126-92	BRACKET, enrichment cable	97*-BJ/K/L/M/P
	69127-97	BRACKET, enrichment cable/passing lamp switch	97*-BR
H-D INTERNATIONAL ONLY			
29	946	SCREW (3) (HDI only)	97*-ALL
30	14340-90	DECAL, hole cover (HDI only)	97*-BR
31	24925-95	PLUG (2) (HDI only)	97*-ALL
32	29062-95	GASKET (HDI only)	97*-ALL
33	29070-89B	BAFFLE PLATE (HDI only)	97*-ALL
34	29313-95	GASKET (HDI only)	97*-ALL
35	29319-95	BACKPLATE with 29323-95 (Swiss only)	97*-ALL
36	29323-95	INLET, snorkle (HDI only)	97*-ALL
37	29325-95A	FILTER ELEMENT (HDI only)	97*-ALL

SOFTAIL MODELS			
FLSTC	BJ	FLSTF	BM
FXSTC	BK	FXSTSB	BP
FXSTS	BL	FLSTS	BR

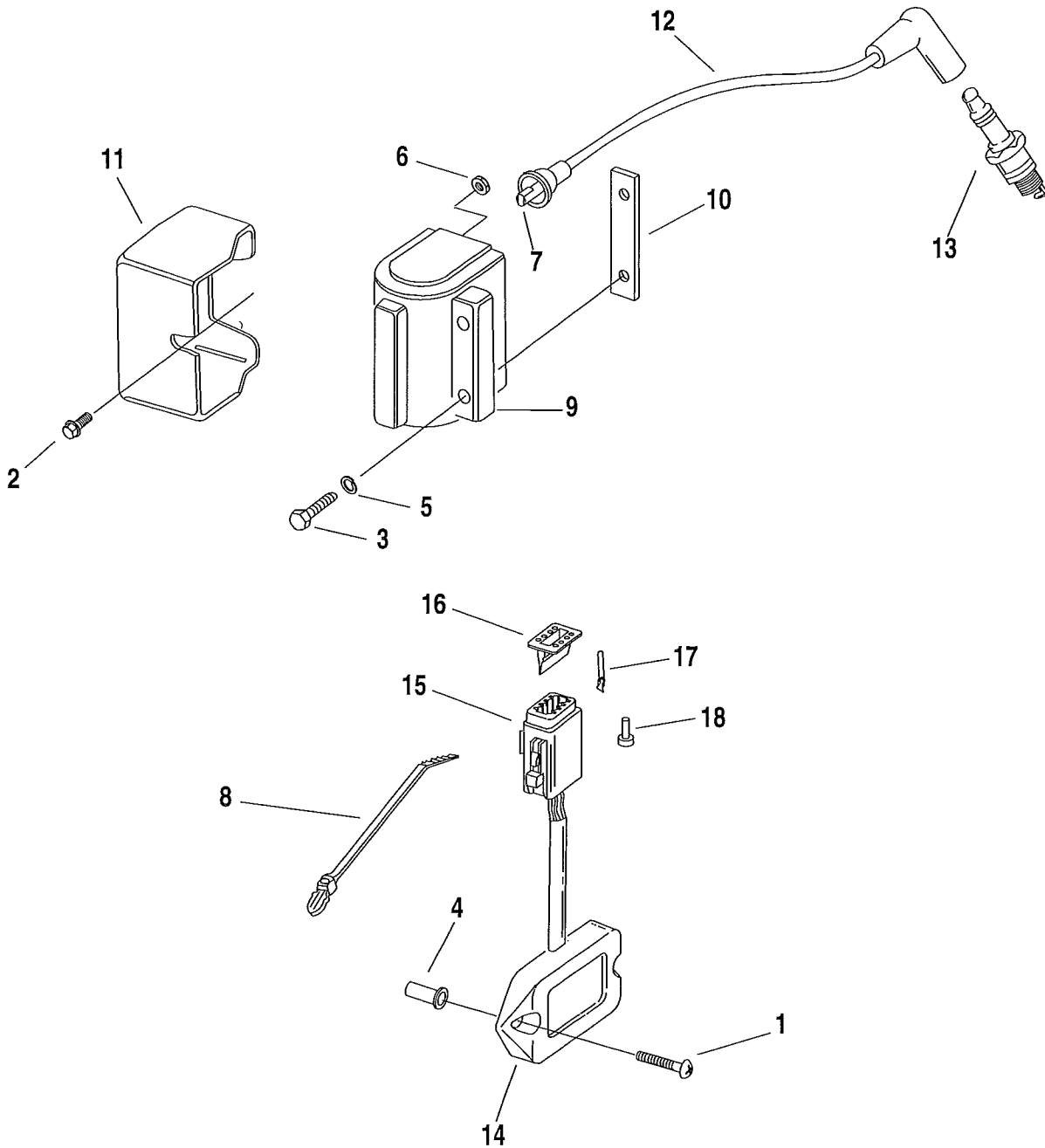
ALTERNATOR & REGULATOR



INDEX NO.	PART NO.	DESCRIPTION	MODELS
1	2273	SCREW (2)	97*-ALL
2	2720	SCREW (4)	97*-ALL
3	4134	SCREW	97*-ALL
4	7124	LOCKWASHER	97*-ALL
5	7688	LOCKNUT (2)	97*-ALL
6	9840	TERMINAL, #10 ring - 12 -14 ga.	97*-ALL
7	9866	WIRE TERMINAL, ring type	97*-ALL
8	10006	CABLE STRAP	97*-ALL
9	29954-71A	RETAINER, alternator plug	97*-ALL
10	29957-81B	ROTOR ASSEMBLY	97*-ALL
11	29961-85	SPACER	97*-ALL
12	29970-88C	STATOR	97*-ALL
13	35854-96	SPACER,. sprkt. sft. with hex O.D - 0.070 thk.	97*-ALL
14	70041-95	CABLE, regulator ground	97*-ALL
15	72242-94	TERMINAL, 1/4" ring - int. star 10-12 ga.	97*-ALL
16	72249-94	HEAT SHRINK TUBING, dual wall - .7 x 2"	97*-ALL
17	74519-88A	REGULATOR	97*-ALL

SOFTAIL MODELS			
FLSTC	BJ	FLSTF	BM
FXSTC	BK	FXSTSB	BP
FXSTS	BL	FLSTS	BR

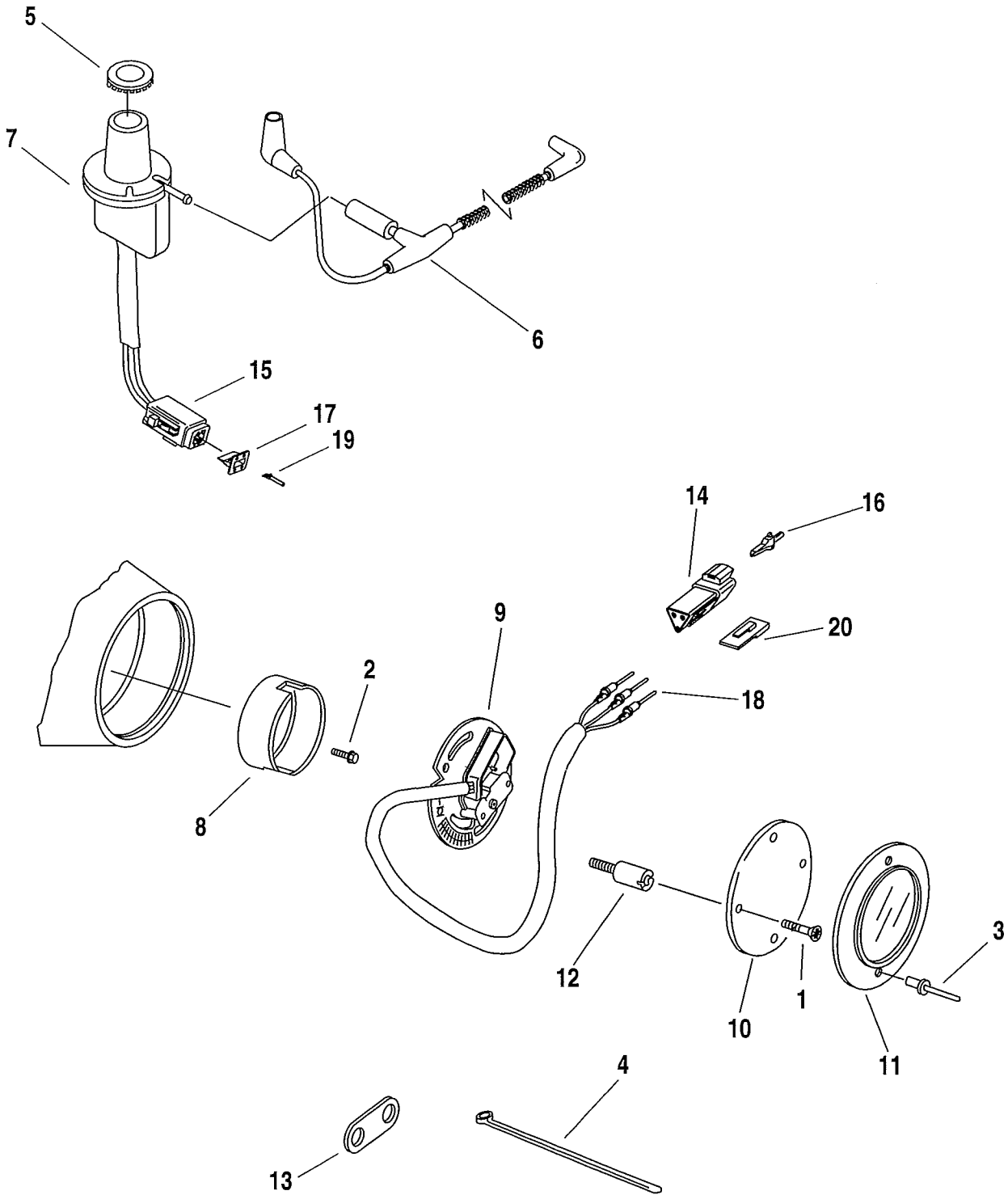
IGNITION MODULE & COIL



INDEX NO.	PART NO.	DESCRIPTION	MODELS
1	949	SCREW (2)	97*-ALL
2	3602A	SCREW with washer (2)	97*-ALL
3	3993	BOLT (2)	97*-ALL
4	5207	WELL NUT (2)	97*-ALL
5	7036	LOCKWASHER (2)	97*-ALL
6	7629	NUT (2)	97*-ALL
7	9908	TERMINAL, spark plug cable (2)	97*-ALL
8	10177	CABLE STRAP, with plug-in retainer	97*-ALL
9	31614-83A	IGNITION COIL	97*-ALL
10	31727-85	NUT PLATE	97*-ALL
11	31800-78A	IGNITION COIL COVER KIT (chrome)	97*-ALL
12	31983-71B	SPARK PLUG CABLE, rear cylinder	97*-ALL
	31985-91	SPARK PLUG CABLE, front cylinder	97*-ALL
13	32311-83	SPARK PLUG, No. 5R6A (2)	97*-ALL
14	32449-95A	IGNITION MODULE with connector asm.	97*-ALL
15	72118-94BK	PLUG, eight-way socket	97*-ALL
16	72158-94	SOCKET LOCK, eight-way	97*-ALL
17	72191-94	TERMINAL, socket (7)	97*-ALL
18	72195-94	SEAL PIN	97*-ALL
H-D INTERNATIONAL ONLY			
14	32484-96	IGNITION MODULE (Swiss only)	97*-ALL

SOFTAIL MODELS			
FLSTC	BJ	FLSTF	BM
FXSTC	BK	FXSTSB	BP
FXSTS	BL	FLSTS	BR

CAM POSITION SENSOR & VACUUM SWITCH

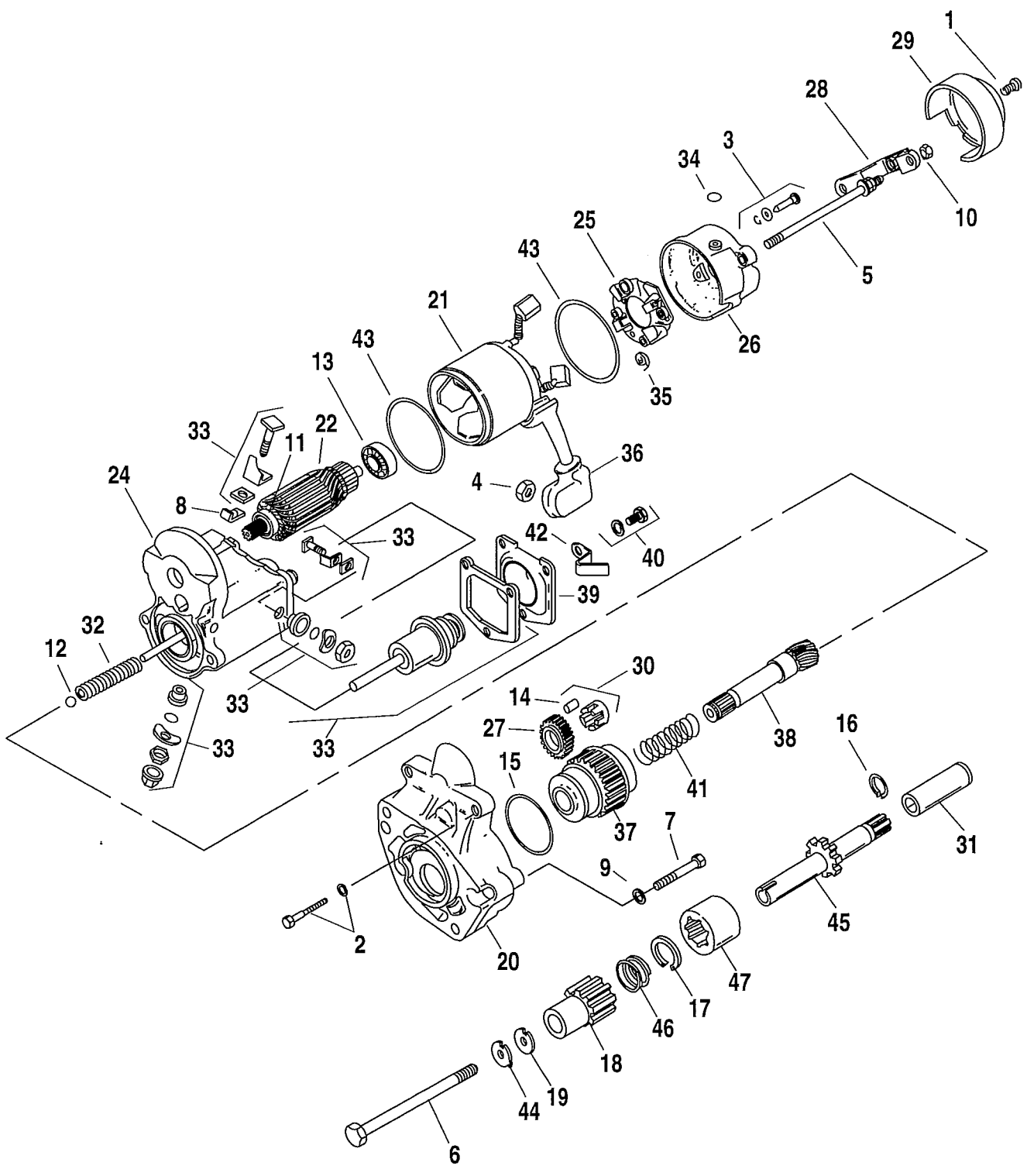


CAM POSITION SENSOR & VACUUM SWITCH

INDEX NO.	PART NO.	DESCRIPTION	MODELS
1	1601	SCREW (2)	97*-ALL
2	2611B	SCREW	97*-ALL
3	8699	RIVET, timer cover (2)	97*-ALL
4	10065	CABLE STRAP	97*-ALL
	10073	CABLE STRAP	97*-ALL
5	11192	RETAINING RING	97*-ALL
6	26563-95	VACUUM HOSE ASM.	97*-ALL
7	26566-96	VACUUM SWITCH with connector asm.	97*-ALL
8	32402-83	ROTOR	97*-ALL
9	32448-95A	SENSOR ASM., cam position/vehicle attitude	97*-ALL
10	32504-80	TIMER COVER, inner	97*-ALL
11	32524-83	TIMER COVER	97*-ALL
12	32606-82	SCREW, sensor plate (2)	97*-ALL
13	38711-93	RETAINER, sensor wire	97*-ALL
14	72103-94BK	RECEPTACLE - three-way	97*-ALL
15	72112-94BK	PLUG, two-way socket	97*-ALL
16	72143-94	SECONDARY LOCK, three-way receptacle	97*-ALL
17	72152-94	SOCKET LOCK, secondary, two-way	97*-ALL
18	72190-94	TERMINAL, pin (3)	97*-ALL
19	72191-94	TERMINAL, socket (2)	97*-ALL
20	72199-94	ATTACHMENT CLIP	97*-ALL

SOFTAIL MODELS			
FLSTC	BJ	FLSTF	BM
FXSTC	BK	FXSTSB	BP
FXSTS	BL	FLSTS	BR

STARTER MOTOR

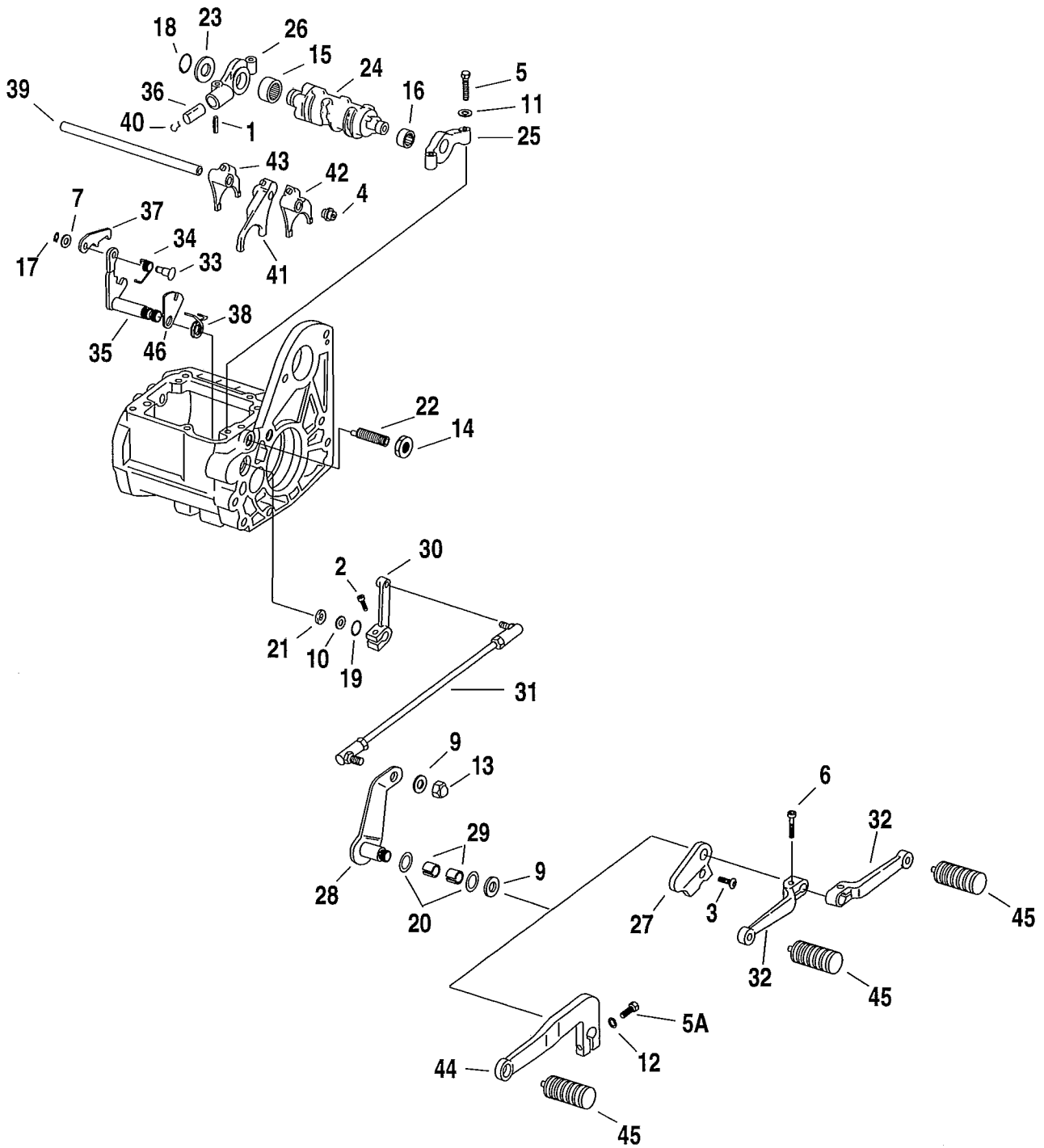


INDEX NO.	PART NO.	DESCRIPTION	MODELS
1	925	SCREW, cover	97*-ALL
2	928	BOLT, starter (2)	97*-ALL
3	929	SCREW w/ O-Ring (2)	97*-ALL
4	3403	NUT, flange	97*-ALL
5	3559	BOLT, starter (2)	97*-ALL
6	4358	SCREW	97*-ALL
7	4326A	SCREW (2)	97*-ALL
8	6217	WASHER	97*-ALL
9	7041	LOCKWASHER (2)	97*-ALL
10	7838	NUT, with washer (2)	97*-ALL
11	8871	BALL BEARING	97*-ALL
12	8879	BALL	97*-ALL
13	8883	BALL BEARING	97*-ALL
14	9077	CLUTCH ROLLER (5)	97*-ALL
15	11116	O-RING	97*-ALL
16	11182	RETAINING RING	97*-ALL
17	11248	RETAINING RING	97*-ALL
18	31342-94	PINION GEAR	97*-ALL
19	31430-94	WASHER, thrust	97*-ALL
20	31510-90	HOUSING, starter	97*-ALL
21	31514-90	YOKE ASSEMBLY, starter	97*-ALL
22	31515-90	ARMATURE ASSEMBLY	97*-ALL
	31516-94	CLUTCH ASSEMBLY, starter w/ #37, 38, & 41	97*-ALL
24	31517-90	SWITCH ASSEMBLY, magnetic w/ housing, #8, 33, 39, & 42	97*-ALL
25	31518-90	BRUSH HOLDER ASSEMBLY	97*-ALL
26	31519-90	FRAME, starter end	97*-ALL
27	31525-90	IDLER GEAR	97*-ALL
28	31527-90	BRACKET, cover	97*-ALL
29	31535-91	COVER (chrome)	97*-ALL
30	31530-90	RETAINER, idler gear	97*-ALL
31	31548-90	COUPLING	97*-ALL
	31553-94	STARTER, complete	97*-ALL
32	31600-90	SPRING, return	97*-ALL
33	31604-91	STARTER REPAIR KIT	97*-ALL
34	31660-90	DRAIN VENT	97*-ALL
35	31661-90	SPRING, brush (4)	97*-ALL
36	31662-90	BOOT, insulating	97*-ALL
37	31663-90	CLUTCH, starter	97*-ALL
38	31664-94	SHAFT, output	97*-ALL
39	31688-90	COVER, solenoid	97*-ALL
40	31689-90	BOLT w/ washer (3)	97*-ALL
41	31692-90	SPRING	97*-ALL
42	31693-90	CLIP, cable	97*-ALL
43	31695-90	O-RING (2)	97*-ALL
44	33126-94	LOCKPLATE	97*-ALL
45	33127-94	SHAFT, extension	97*-ALL
46	33449-94	SPRING, pinion gear	97*-ALL
47	60647-94	COUPLING	97*-ALL

SOFTAIL MODELS

FLSTC	BJ	FLSTF	BM
FXSTC	BK	FXSTSB	BP
FXSTS	BL	FLSTS	BR

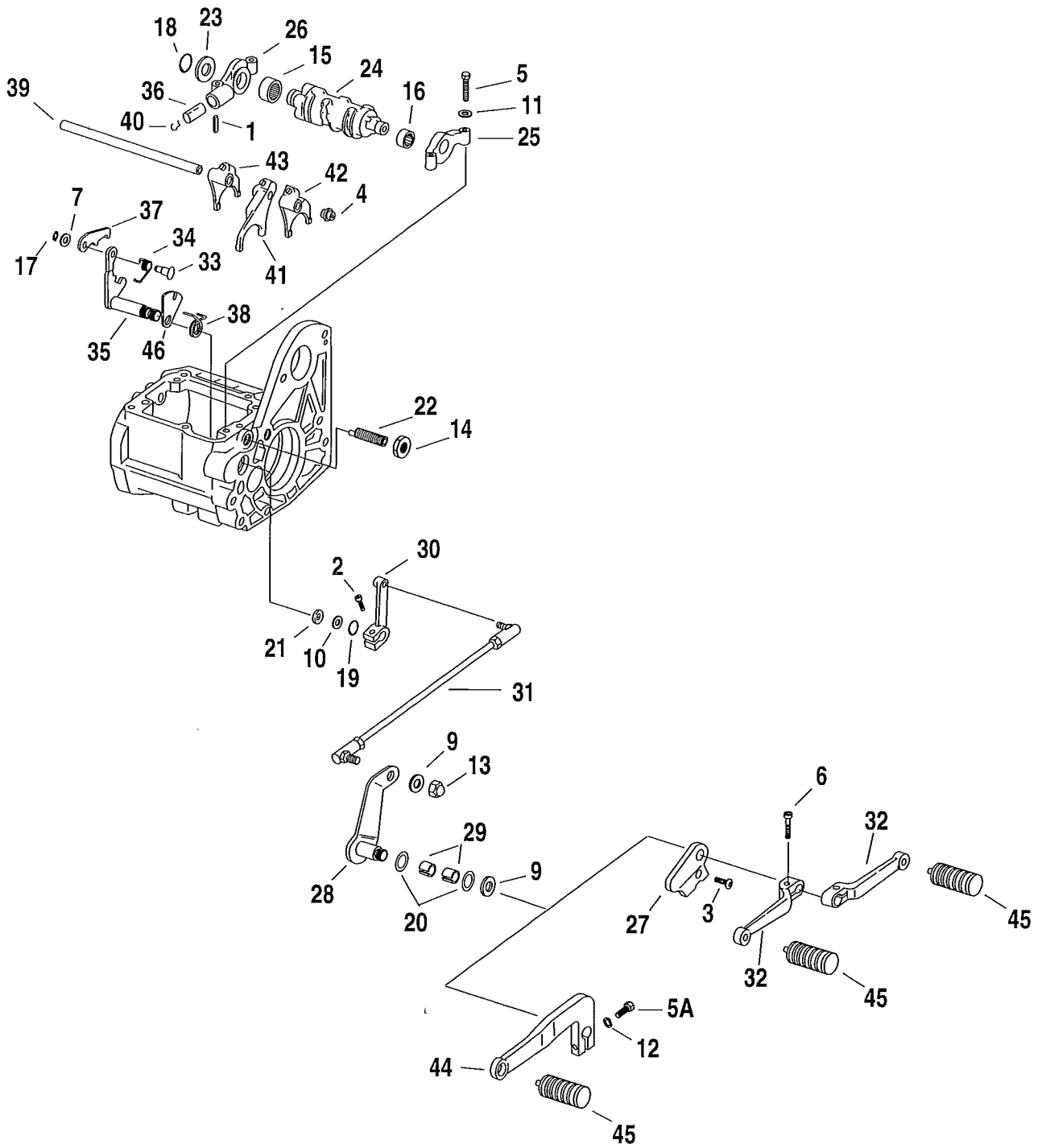
GEAR SHIFTER



INDEX NO.	PART NO.	DESCRIPTION	MODELS
1	601	ROLL PIN	97*-ALL
2	856A	SCREW	97*-ALL
3	1719W	SCREW	97*-BJ/M/R
4	3784	SET SCREW, shf. fork shaft - left	97*-ALL
5	3993	BOLT (4)	97*-ALL
5A	4017	SCREW	97*-BK/L/P
6	4069A	SCREW (2)	97*-BJ/M/R
7	6016	WASHER (as required)	97*-ALL
8	6057	WASHER, nylon	97*-ALL
9	6316HW	WASHER	97*-ALL
10	6497HW	WASHER	97*-ALL
11	6736	WASHER (4)	97*-ALL
12	7041	LOCKWASHER	97*-BK/L/P
13	7507	ACORN NUT	97*-ALL
14	7515	JAM NUT	97*-ALL
15	9114	NEEDLE BEARING	97*-ALL
16	9115	NEEDLE BEARING	97*-ALL
17	11016	RETAINING RING	97*-ALL
18	11083	RETAINING RING	97*-ALL
19	11150	RETAINING RING	97*-ALL
20	11191	O-RING (2)	97*-ALL
21	12045	SEAL	97*-ALL
22	33119-79B	ADJUSTING SCREW, shifter arm	97*-ALL
23	33205-80	THRUST WASHER, 0.017 thk. (as req'd)	97*-ALL
	33206-80	THRUST WASHER, 0.020 thk. (as req'd)	97*-ALL
	33207-80	THRUST WASHER, 0.022 thk. (as req'd)	97*-ALL
	33208-80	THRUST WASHER, 0.025 thk. (as req'd)	97*-ALL
	33209-80	THRUST WASHER, 0.028 thk. (as req'd)	97*-ALL
	33210-80	THRUST WASHER, 0.031 thk. (as req'd)	97*-ALL
	33211-80	THRUST WASHER, 0.035 thk. (as req'd)	97*-ALL
	33212-80	THRUST WASHER, 0.039 thk. (as req'd)	97*-ALL
24	33320-79D	SHIFTER CAM	97*-ALL
25	33326-79A	SUPPORT, shifter cam - left	97*-ALL
26	33332-79	SUPPORT, shifter cam - right	97*-ALL

SOFTAIL MODELS			
FLSTC	BJ	FLSTF	BM
FXSTC	BK	FXSTSB	BP
FXSTS	BL	FLSTS	BR

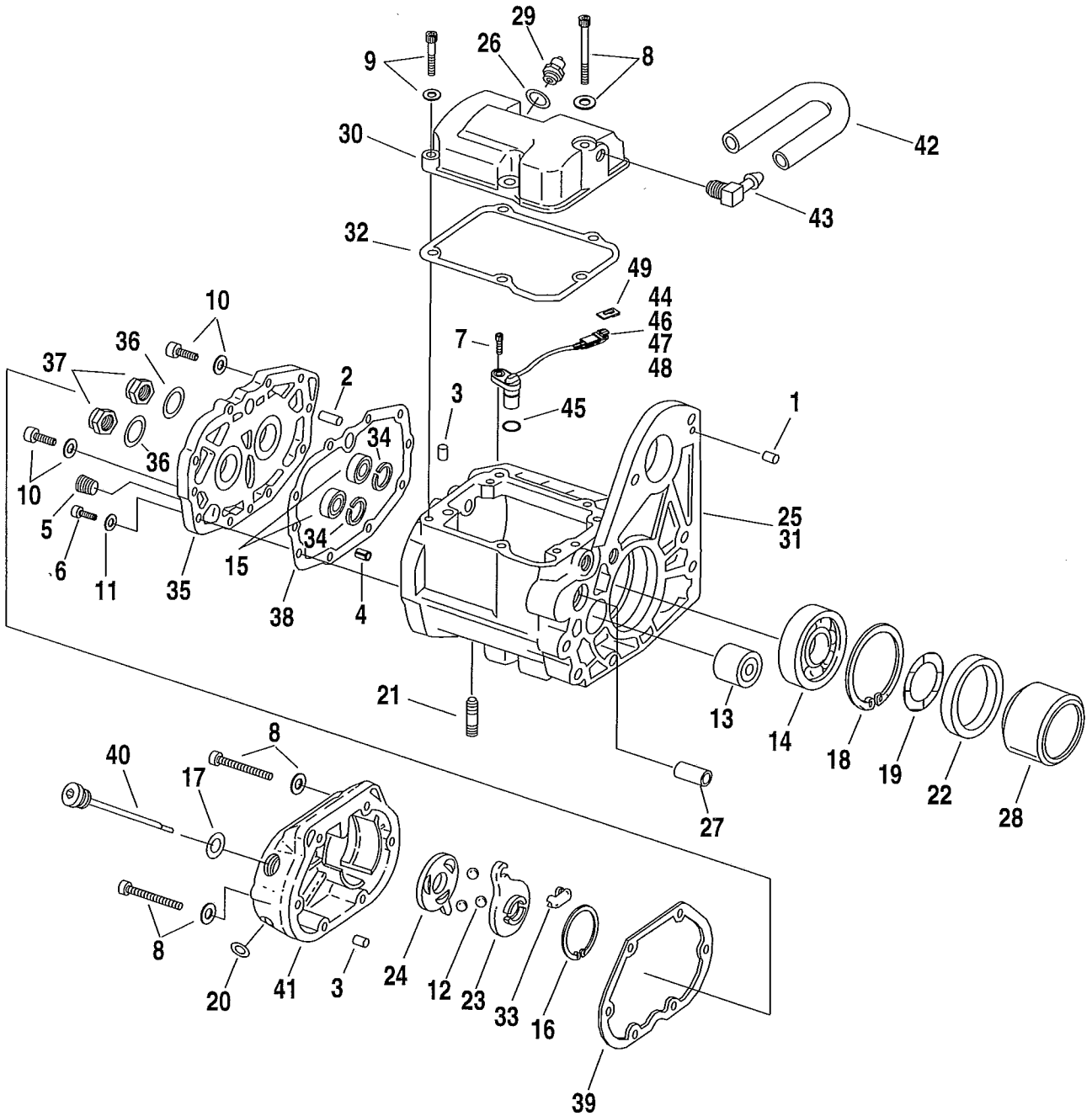
GEAR SHIFTER



INDEX NO.	PART NO.	DESCRIPTION	MODELS
27	33642-89	COVER ASSEMBLY, shifter (chrome)	97*-BJ/M/R
28	33660-90B	SHIFT LEVER (chrome)	97*-BK/L/P
	33668-90B	SHIFT LEVER (chrome)	97*-BJ/M/R
29	33708-94	BEARING SLEEVE (2)	97*-ALL
30	33715-85A	LEVER, shifter rod	97*-BJ/K/L/M/P
	33849-97	LEVER, shifter rod	97*-BR
31	33719-79A	SHIFTER ROD	97*-BJ/K/L/M/P
	33670-97	SHIFTER ROD	97*-BR
32	33895-82	SHIFTER LEVER, (chrome) (2)	97*-BJ/M/R
33	34082-79	PIN, shifter shaft lever	97*-ALL
34	34083-79	SPRING, shifter shaft lever	97*-ALL
35	34084-86	LEVER, shifter shaft w/#32 &33	97*-ALL
36	34085-79A	CAM FOLLOWER	97*-ALL
37	34086-79	PAWL, shifter cam	97*-ALL
38	34087-79A	SPRING, shifter shaft	97*-ALL
39	34088-87	SHAFT, shifter fork	97*-ALL
40	34089-79	SPRING	97*-ALL
41	34191-79D	SHIFTER FORK	97*-ALL
42	34193-79D	SHIFTER FORK	97*-ALL
43	34195-79D	SHIFTER FORK	97*-ALL
44	34564-90A	SHIFT LEVER (chrome)	97*-BK/L/P
45	34611-65	PEG, shift lever (2- BJ/M/R)	97*-ALL
46	35068-79	PLATE	97*-ALL
		H-D INTERNATIONAL ONLY	
	14270-92	DECAL, shift pattern (not illustrated)(Japan only)	97*-ALL

SOFTAIL MODELS			
FLSTC	BJ	FLSTF	BM
FXSTC	BK	FXSTSB	BP
FXSTS	BL	FLSTS	BR

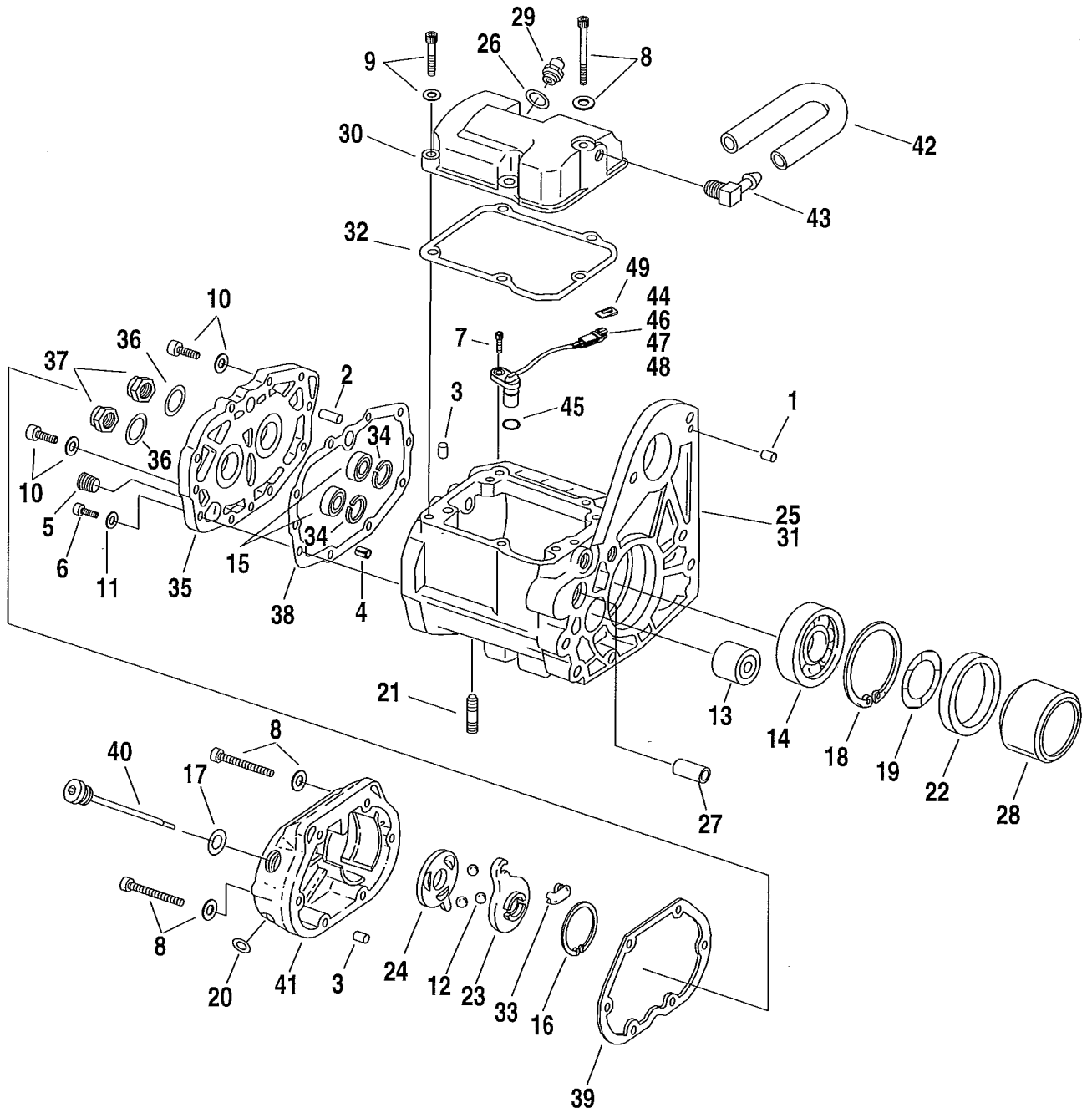
TRANSMISSION HOUSING



INDEX NO.	PART NO.	DESCRIPTION	MODELS
1	337	DOWEL PIN	97*-ALL
2	375	DOWEL PIN	97*-ALL
3	609	PIN (6)	97*-ALL
4	634	PIN	97*-ALL
5	739A	PLUG, magnetic	97*-ALL
6	3210A	SCREW (4 - BJ/K/L/M/P, 2 - BR)	97*-ALL
	3277	SCREW (2)	97*-BR
7	3594	SCREW	97*-ALL
8	4717A	SCREW (5)	97*-ALL
9	4741A	SCREW (4)	97*-ALL
10	4814A	SCREW (2)	97*-ALL
11	6016	WASHER (6)	97*-ALL
12	8873	BALL (3)	97*-ALL
13	8977	NEEDLE BEARING	97*-ALL
14	8996A	BALL BEARING, mainshaft - left side	97*-ALL
15	8998	BALL BEARING (2)	97*-ALL
16	10998	RETAINING RING	97*-ALL
17	11132	O-RING, filler plug	97*-ALL
18	11161	RETAINING RING, ball bearing	97*-ALL
19	11165	QUAD SEAL, ball bearing	97*-ALL
20	11179	O-RING, clutch cable	97*-ALL
21	11733	STUD (5)	97*-ALL
22	12067A	OIL SEAL, mainshaft - left side	97*-ALL
23	25452-87A	INNER RAMP	97*-ALL
24	25453-87A	OUTER RAMP	97*-ALL
25	33006-97	TRANSMISSION (chrome & black)	97*-BJ/K/L/M
	33007-97	TRANSMISSION (chrome & black)	97*-BR
	33051-97	TRANSMISSION (chrome & black)	97*-BP
26	33043-80	WASHER, neutral indicator switch	97*-ALL
27	33114-79	SPACER	97*-ALL
28	33344-94	SPACER, sprocket	97*-ALL
29	33900-59C	SWITCH, neutral indicator	97*-ALL
30	34468-86A	COVER, upper (chrome)	97*-ALL

SOFTAIL MODELS			
FLSTC	BJ	FLSTF	BM
FXSTC	BK	FXSTSB	BP
FXSTS	BL	FLSTS	BR

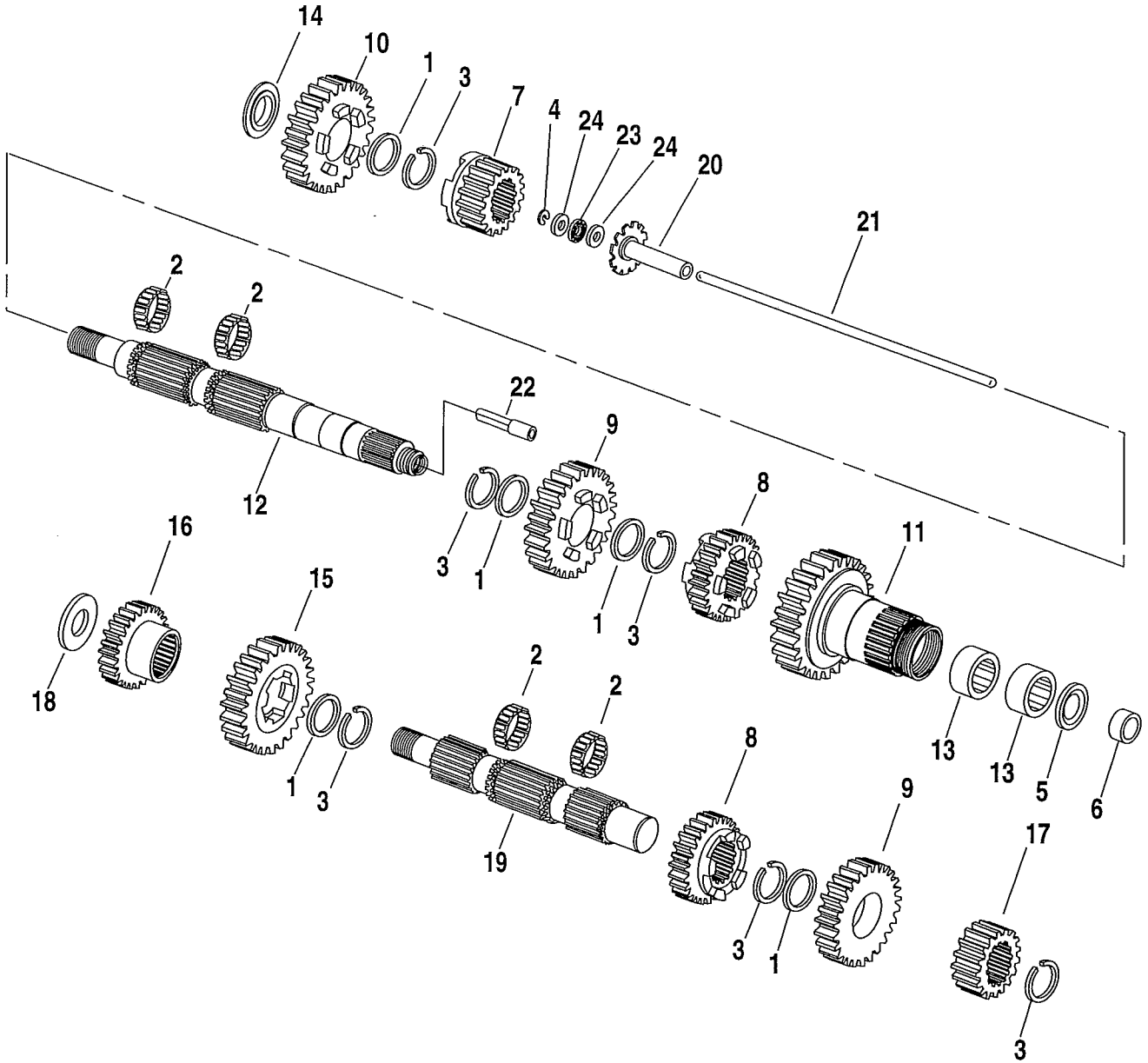
TRANSMISSION HOUSING



INDEX NO.	PART NO.	DESCRIPTION	MODELS
31	34732-96	HOUSING (black)	97*-ALL
32	34904-86A	GASKET, upper cover	97*-ALL
33	34920-86	COUPLING	97*-ALL
34	35021-89	RETAINING RING, bearing (2)	97*-ALL
35	35258-87C	BEARING HOUSING ASM. w/ #3,15 & 34 (black)	97*-ALL
36	35076-79	SPACER (2)	97*-ALL
37	35078-79	NUT, mainshaft & countershaft	97*-ALL
38	35652-79B	GASKET, bearing housing	97*-ALL
39	36801-87B	GASKET, right side cover	97*-ALL
40	37075-87	FILLER PLUG (chrome)	97*-ALL
41	37105-87A	CLUTCH RELEASE COVER (chrome)	97*-ALL
42	42533-91A	VENT HOSE	97*-ALL
43	62375-57	FITTING, upper cover	97*-ALL
44	74437-96	SENSOR, speedometer	97*-ALL
		includes the following:	
45	11140	O-RING	97*-ALL
46	72143-94	SECONDARY LOCK, three-way receptacle	97*-ALL
47	72163-94BK	RECEPTACLE, 3-way pin	97*-ALL
48	72190-94	TERMINAL, pin (3)	97*-ALL
49	72199-94	ATTACHMENT CLIP	97*-ALL

SOFTAIL MODELS			
FLSTC	BJ	FLSTF	BM
FXSTC	BK	FXSTSB	BP
FXSTS	BL	FLSTS	BR

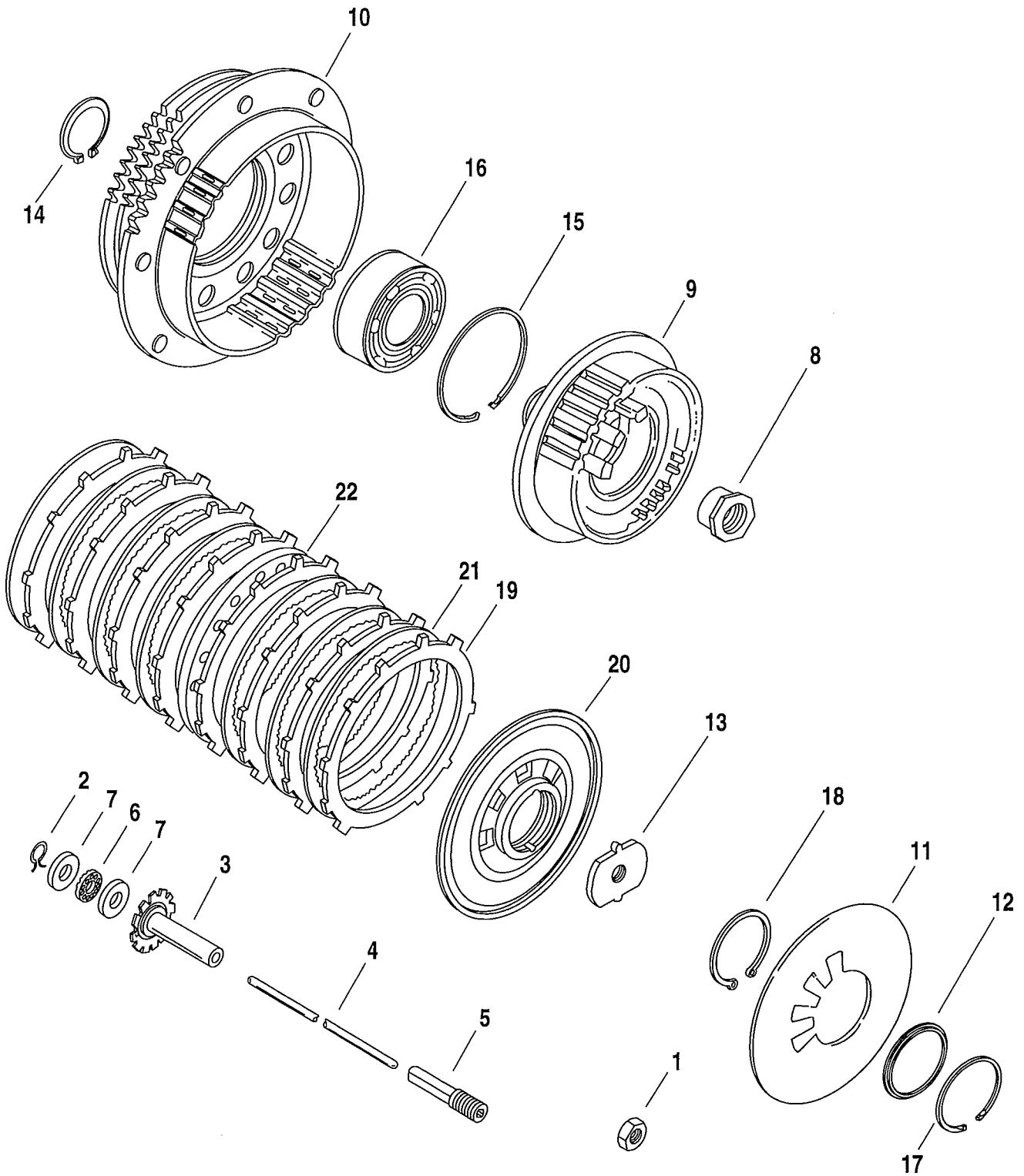
TRANSMISSION GEARS



INDEX NO.	PART NO.	DESCRIPTION	MODELS
1	6003	THRUST WASHER (5)	97*-ALL
2	8876A	BEARING (4)	97*-ALL
3	11067	RETAINING RING (6)	97*-ALL
4	11096	RETAINING RING	97*-ALL
5	12035A	OIL SEAL, mainshaft fifth gear	97*-ALL
6	34091-85	BEARING, inner race	97*-ALL
7	35025-79B	FIRST GEAR, mainshaft	97*-ALL
8	35026-94	GEAR, mainshaft 2nd & countershaft 3rd (2)	97*-ALL
9	35027-94	GEAR, mainshaft 3rd & countershaft 2nd (2)	97*-ALL
10	35028-94	FOURTH GEAR, mainshaft	97*-ALL
11	35029-94	FIFTH GEAR, mainshaft	97*-ALL
12	35042-91	MAINSHAFT	97*-ALL
13	35051-89	NEEDLE BEARING (2)	97*-ALL
14	35064-79	SPACER, mainshaft	97*-ALL
15	35622-79C	FIRST GEAR, countershaft	97*-ALL
16	35625-94	FOURTH GEAR, countershaft	97*-ALL
17	35626-94	FIFTH GEAR, countershaft	97*-ALL
18	35629-79	SPACER	97*-ALL
19	35632-79	COUNTERSHAFT	97*-ALL
20	37069-90	PUSH ROD END	97*-ALL
21	37088-90	PUSH ROD, clutch release (through mainshaft)	97*-ALL
22	37090-84A	END, clutch push rod - left side	97*-ALL
23	37312-75	BEARING	97*-ALL
24	37313-80	THRUST WASHER (2)	97*-ALL

SOFTAIL MODELS			
FLSTC	BJ	FLSTF	BM
FXSTC	BK	FXSTSB	BP
FXSTS	BL	FLSTS	BR

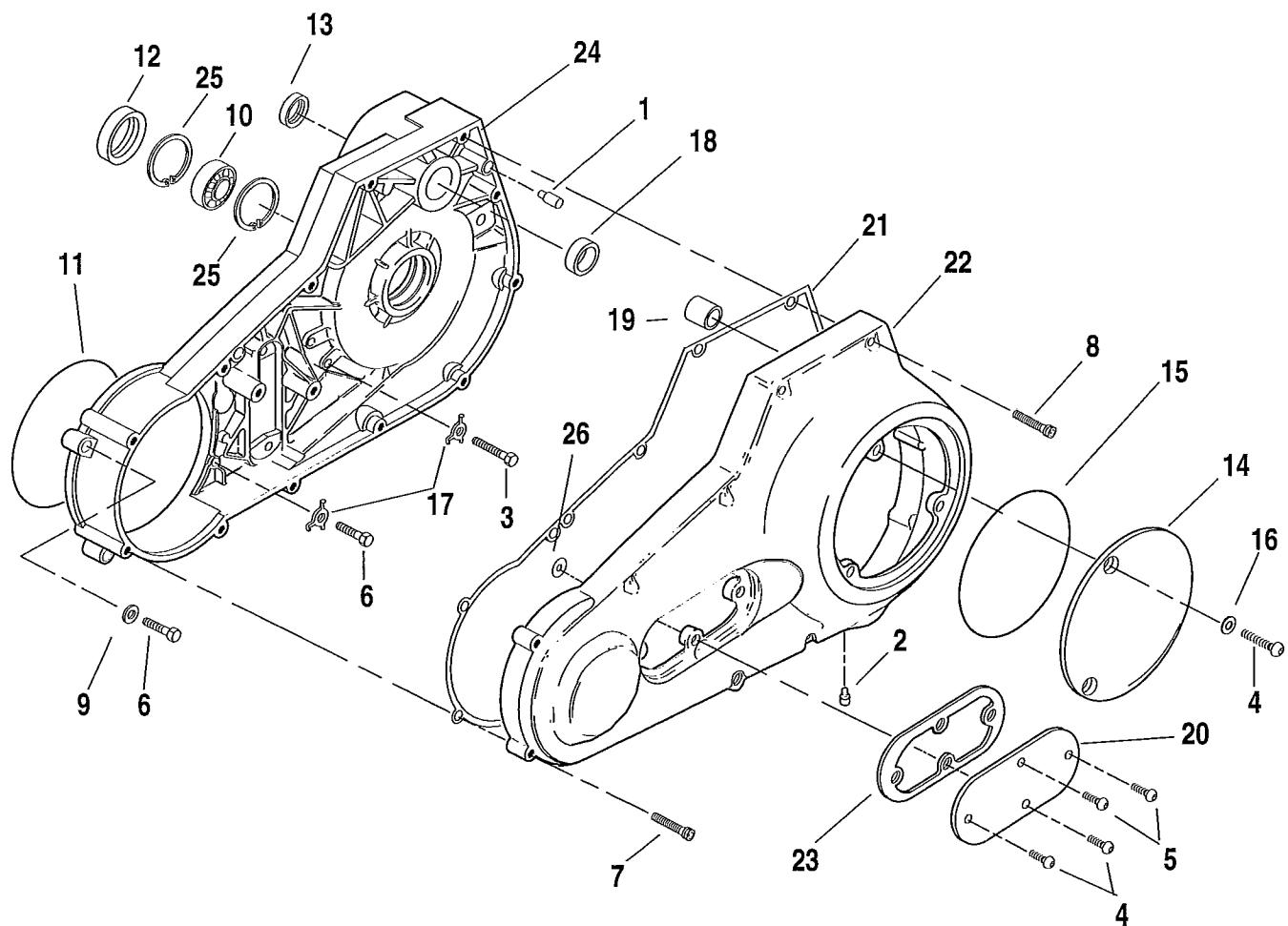
CLUTCH



INDEX NO.	PART NO.	DESCRIPTION	MODELS
1	7848W	LOCKNUT	97*-ALL
2	11096	RETAINING RING	97*-ALL
3	37069-90	PUSH ROD END	97*-ALL
4	37088-90	PUSH ROD, clutch release	97*-ALL
5	37090-84A	END, push rod - left	97*-ALL
6	37312-75	BEARING, push rod	97*-ALL
7	37313-80	THRUST WASHER (2)	97*-ALL
8	37496-90	NUT, mainshaft	97*-ALL
9	37550-90A	CLUTCH HUB	97*-ALL
10	37707-94	SHELL & SPROCKET w/ RING GEAR	97*-ALL
11	37871-90	SPRING, diaphragm	97*-ALL
12	37872-90	SEAT, clutch spring	97*-ALL
13	37903-90	RELEASE PLATE	97*-ALL
14	37904-90	RETAINING RING, external	97*-ALL
15	37905-90	RETAINING RING, internal	97*-ALL
16	37906-90	BEARING, ball - double row	97*-ALL
17	37908-90	RETAINING RING, internal	97*-ALL
18	37909-90	RETAINING RING, internal	97*-ALL
19	37911-90	FRICTION PLATE (paper) (Set of 8)	97*-ALL
20	37912-91	PRESSURE PLATE	97*-ALL
21	37913-90	STEEL PLATE (smooth) (6)	97*-ALL
22	37977-90	SPRING PLATE (smooth)	97*-ALL

SOFTAIL MODELS			
FLSTC	BJ	FLSTF	BM
FXSTC	BK	FXSTSB	BP
FXSTS	BL	FLSTS	BR

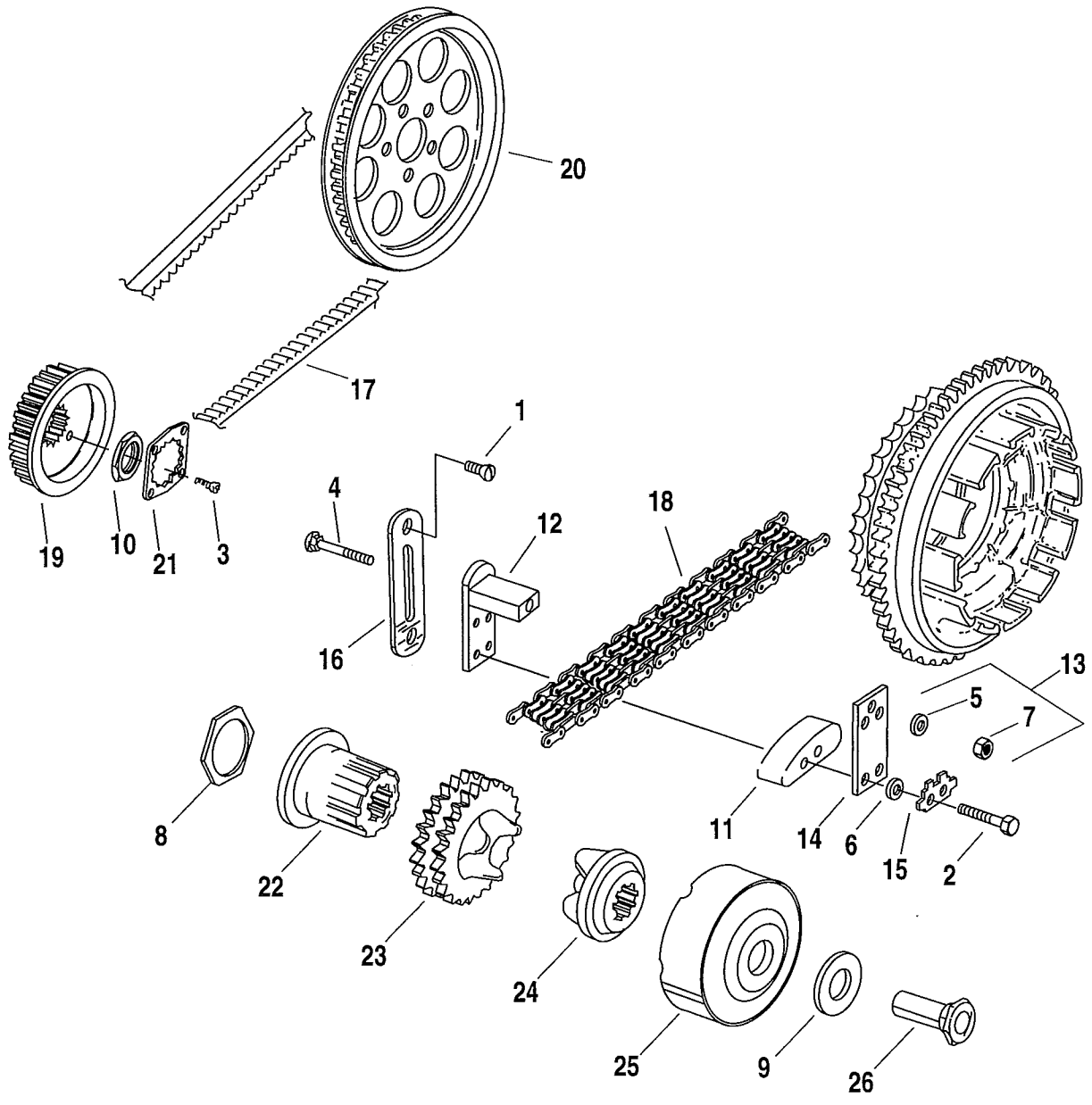
PRIMARY HOUSING



INDEX NO.	PART NO.	DESCRIPTION	MODELS
1	375	PIN	97*-ALL
2	739A	PLUG, magnetic	97*-ALL
3	858	SCREW (4)	97*-ALL
4	941	SCREW (5)	97*-ALL
5	945	SCREW (2)	97*-ALL
6	2932	SCREW (4)	97*-ALL
7	4740A	SCREW w/ washer (7)	97*-ALL
8	4820A	SCREW w/ washer (5)	97*-ALL
9	6016	WASHER (2)	97*-ALL
10	9135	BEARING	97*-ALL
11	11147	O-RING, housing cover	97*-ALL
12	12052	OIL SEAL	97*-ALL
13	12066	OIL SEAL	97*-ALL
14	60668-84B	COVER, clutch (chrome)	97*-ALL
15	25416-84	O-RING, clutch cover	97*-ALL
16	31433-84A	WASHER (nylon) (3)	97*-ALL
17	33318-85	LOCKING TAB (6)	97*-ALL
18	33445-94	BUSHING	97*-ALL
19	33446-94	BUSHING	97*-ALL
20	60572-86	COVER, inspection (chrome)	97*-ALL
21	60539-94	GASKET, primary cover	97*-ALL
22	60543-95	COVER ASSEMBLY, primary (chrome)	97*-ALL
23	60567-90A	GASKET, inspection cover	97*-ALL
24	60630-94A	PRIMARY HOUSING ASM. (black)	97*-ALL
25	60678-85	RETAINING RING (2)	97*-ALL
26	63859-95A	GASKET (2)	97*-ALL

SOFTAIL MODELS			
FLSTC	BJ	FLSTF	BM
FXSTC	BK	FXSTSB	BP
FXSTS	BL	FLSTS	BR

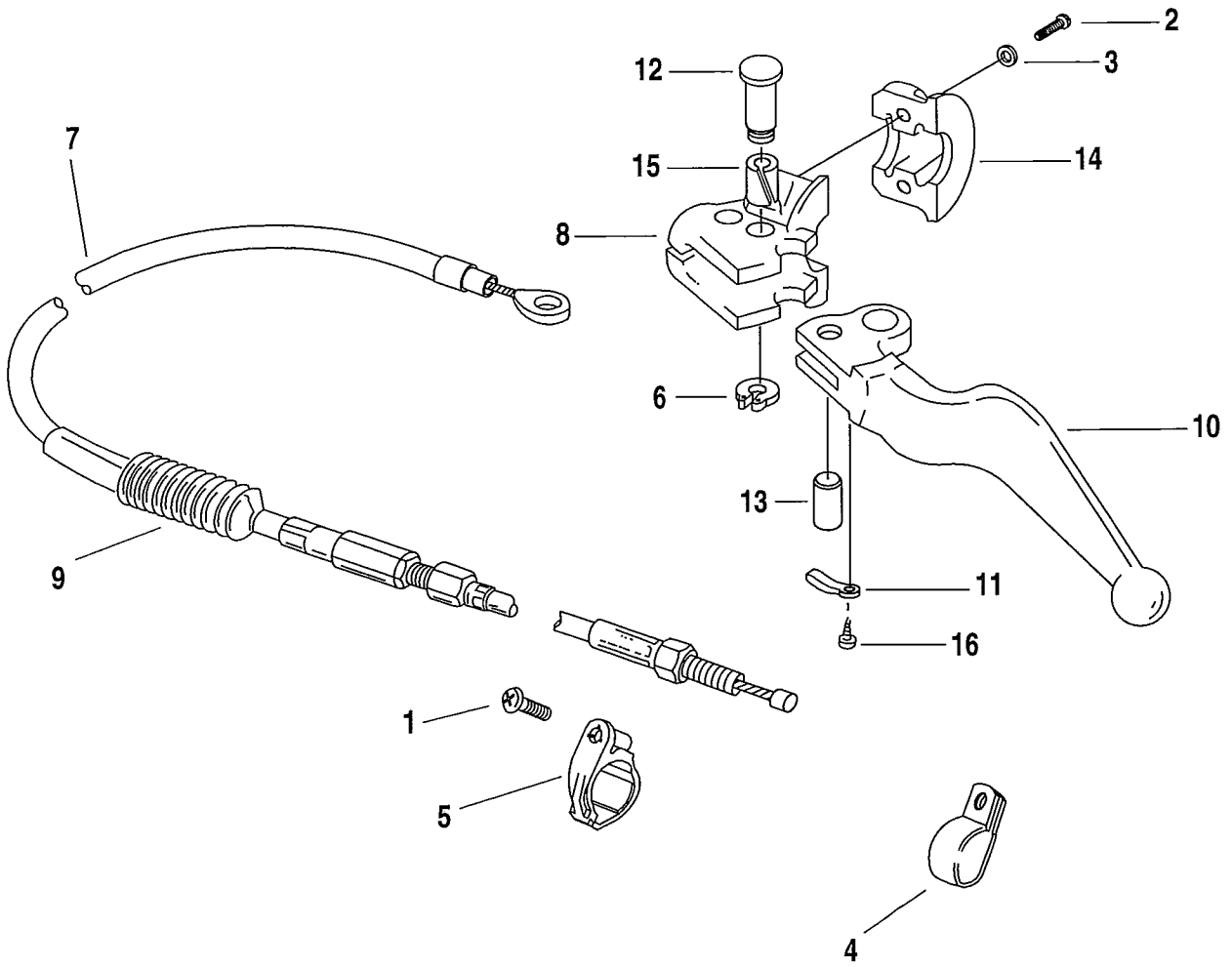
BELTS, CHAINS & SPROCKETS



INDEX NO.	PART NO.	DESCRIPTION	MODELS
1	1783	SCREW (2)	97*-ALL
2	2614	BOLT (2)	97*-ALL
3	3594	SCREW (2)	97*-ALL
4	5444	BOLT	97*-ALL
5	6400HB	WASHER	97*-ALL
6	6703	WASHER (2)	97*-ALL
7	7778	NUT	97*-ALL
8	35854-96	SPACER, sprkt. sft. with hex O.D - 0.070 thk.	97*-ALL
9	29960-91	SPACER	97*-ALL
10	35211-91A	NUT, sprocket	97*-ALL
11	39976-65B	PAD, chain tensioner	97*-ALL
12	39990-65	CHAIN TENSIONER	97*-ALL
13	39992-65C	CHAIN TENSIONER MTG. KIT, w/#4, 5 & 7	97*-ALL
14	39993-65	PLATE, chain tensioner	97*-ALL
15	39996-65	LOCKWASHER, chain tensioner plate	97*-ALL
16	39998-65	ANCHOR PLATE, chain tensioner	97*-ALL
17	40017-94	REAR BELT - 130 T	97*-ALL
18	40007-36A	PRIMARY CHAIN	97*-ALL
19	40250-94	SPROCKET, transmission, 32 T	97*-ALL
20	40311-94	SPROCKET, rear, 65 T - (silver)	97*-BK/M/P
	40312-94	SPROCKET, rear, 65 T - (black)	97*-BJ/L/R
21	40251-92	LOCKPLATE	97*-ALL
22	40266-85	SHAFT EXTENSION	97*-ALL
23	40308-94	COMPENSATING SPROCKET, 25 T	97*-ALL
24	40299-83A	SLIDING CAM	97*-ALL
25	40384-91	COVER ASSEMBLY, w/springs	97*-ALL
26	40392-91	NUT	97*-ALL

SOFTAIL MODELS			
FLSTC	BJ	FLSTF	BM
FXSTC	BK	FXSTSB	BP
FXSTS	BL	FLSTS	BR

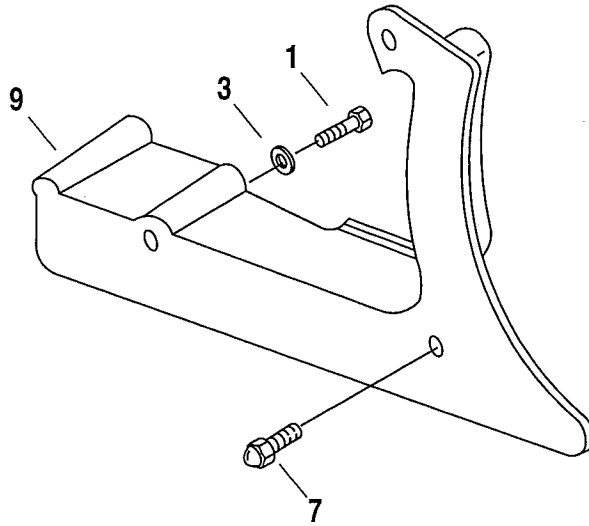
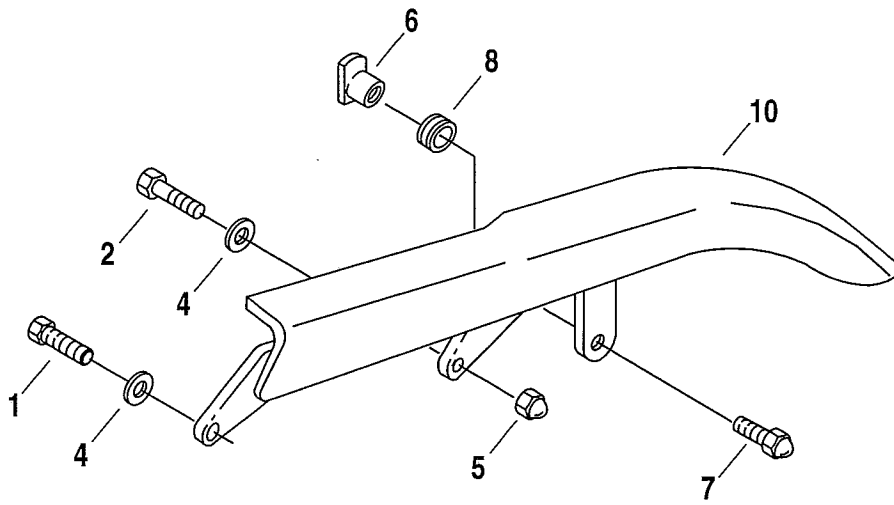
CLUTCH CONTROL



INDEX NO.	PART NO.	DESCRIPTION	MODELS
1	2562	SCREW	97*-ALL
2	4132	SCREW (2)	97*-ALL
3	6101	WASHER (2)	97*-ALL
4	9990W	CLAMP, clutch cable	97*-ALL
5	10124	CLAMP	97*-ALL
6	11143	RETAINING RING	97*-ALL
7	38607-87A	CABLE, clutch control	97*-BJ/K/L/M/R
	38617-95	CABLE, clutch control	97*-BP
8	38608-96	BRACKET, hand lever	97*-ALL
9	38630-88	BOOT, clutch cable	97*-ALL
10	45017-93	HAND LEVER	97*-ALL
11	45021-86	SPRING, anti-rattle	97*-ALL
12	45032-82	PIN, hand lever pivot	97*-ALL
13	45036-88	ANCHOR PIN	97*-ALL
14	45044-96	CLAMP, lever bracket	97*-ALL
15	45423-92	BUSHING	97*-ALL
16	90770-79	SCREW	97*-ALL

SOFTAIL MODELS			
FLSTC	BJ	FLSTF	BM
FXSTC	BK	FXSTSB	BP
FXSTS	BL	FLSTS	BR

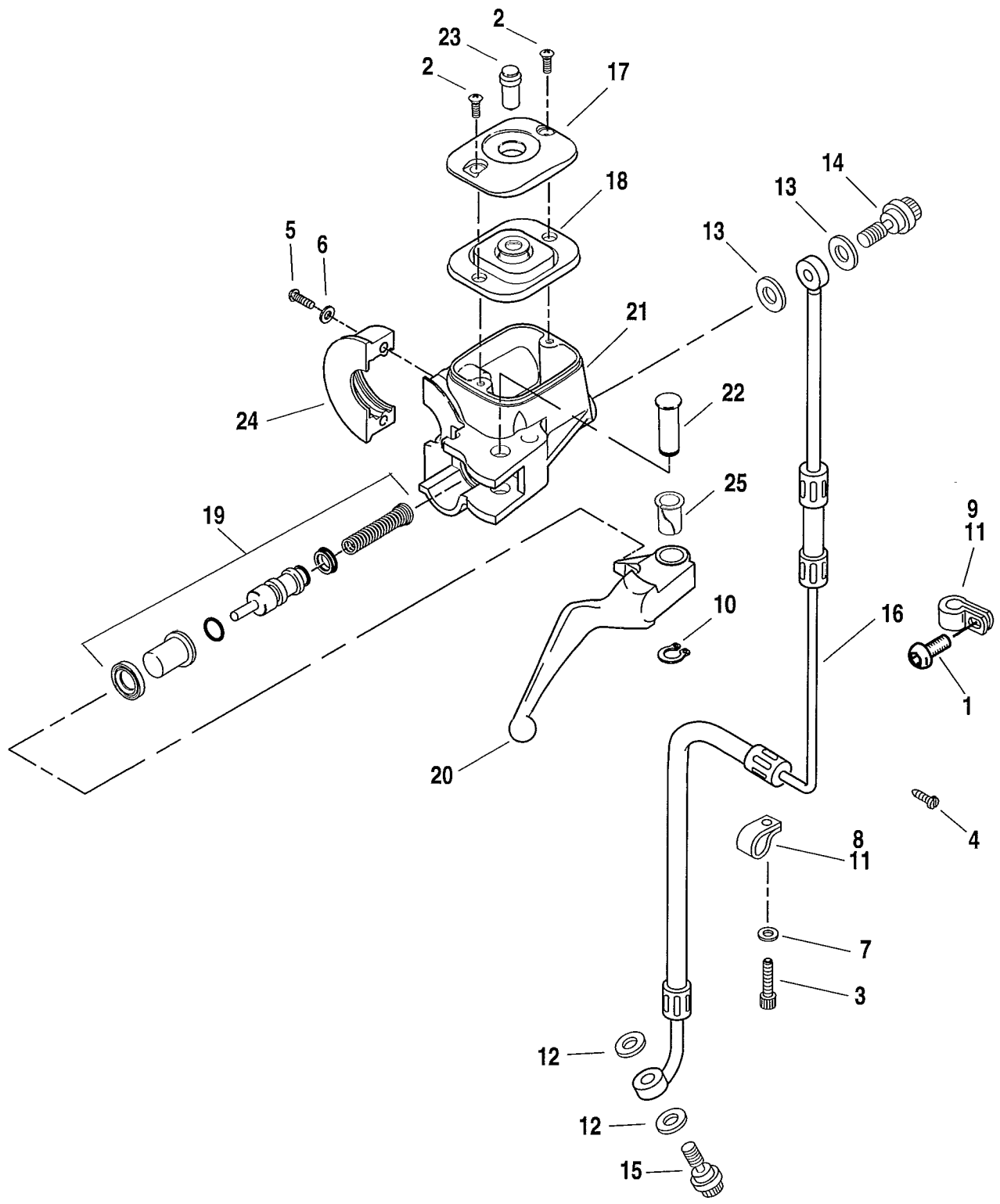
REAR BELT GUARD



INDEX NO.	PART NO.	DESCRIPTION	MODELS
1	2882W	BOLT (2)	97*-ALL
2	3987	BOLT	97*-ALL
3	6116	WASHER	97*-ALL
4	6702	WASHER (2)	97*-ALL
5	7507	ACORN NUT	97*-ALL
6	7669	TEE NUT	97*-ALL
7	7899A	BOLT, acorn (2)	97*-ALL
8	11413	GROMMET	97*-ALL
9	60415-89C	DEBRIS DEFLECTOR	97*-ALL
10	60537-89	BELT GUARD (chrome) w/ #1, 4, 6 & 8	97*-ALL

SOFTAIL MODELS			
FLSTC	BJ	FLSTF	BM
FXSTC	BK	FXSTSB	BP
FXSTS	BL	FLSTS	BR

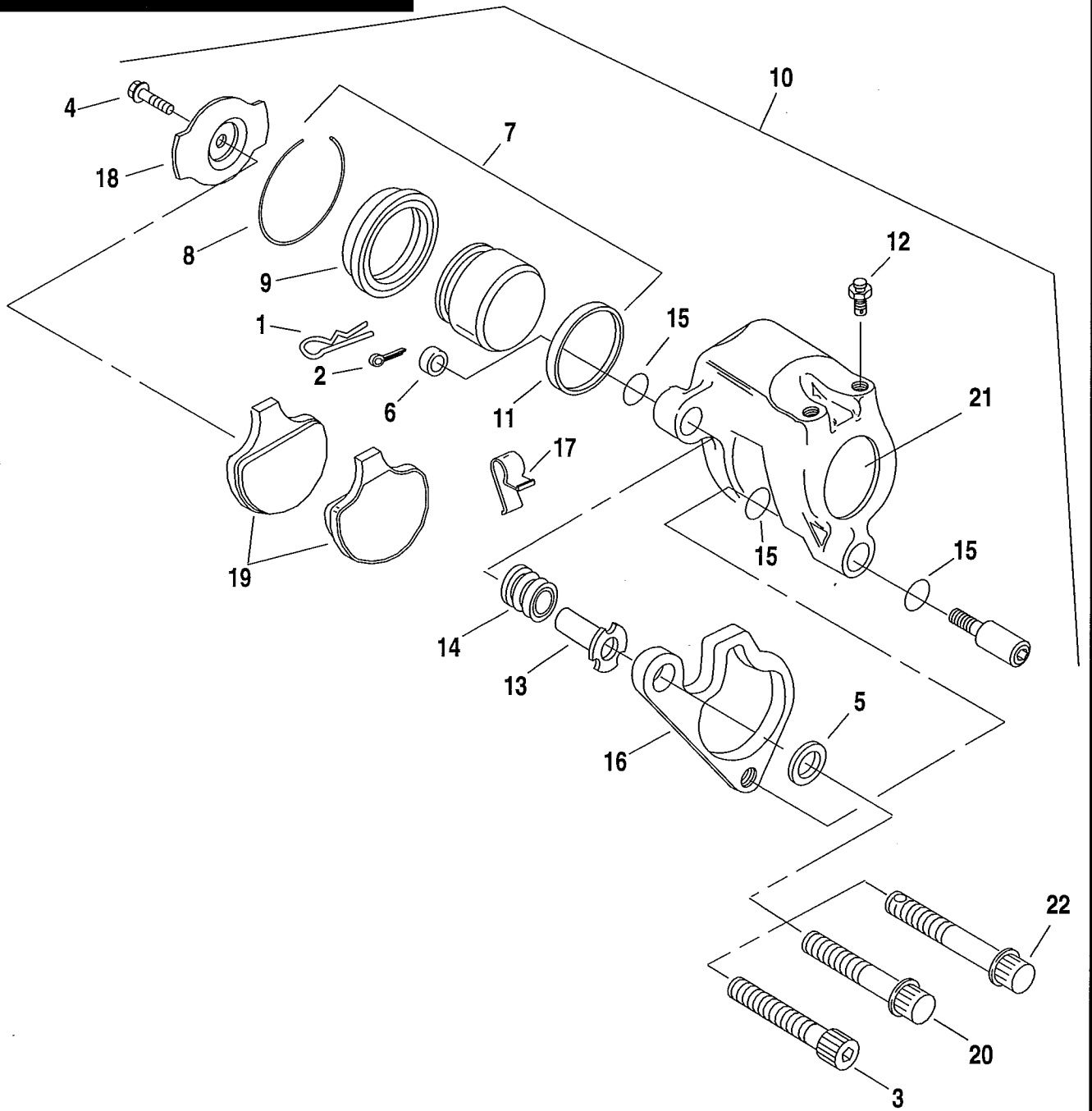
FRONT BRAKE CONTROL



INDEX NO.	PART NO.	DESCRIPTION	MODELS
1	923	SCREW (2)	97*-BJ/M
	3538	SCREW	97*-BL/P/R
2	2579A	SCREW (2)	97*-ALL
3	3444A	SCREW	97*-BJ/K/L/M/P
4	4091	SCREW	97*-BR
5	4132	SCREW (2)	97*-ALL
6	6101	WASHER (2)	97*-ALL
7	6703	WASHER	97*-BK/L/P/R
8	10053	CLAMP	97*-BJ/K/M
9	10076	CLAMP	97*-BL/P/R
10	11143	RETAINING RING	97*-ALL
11	41713-86	CLAMP (3)	97*-BJ/L/M/P
12	41731-88A	GASKET, (2)	97*-ALL
13	41733-88	GASKET, master cylinder - (2)	97*-ALL
14	41739-84A	FITTING, master cylinder	97*-ALL
15	41747-82A	FITTING	97*-ALL
16	42303-96	BRAKE LINE	97*-BM
	42305-96	BRAKE LINE	97*-BJ
	45091-97	BRAKE LINE	97*-BR
	45110-96	BRAKE LINE	97*-BL
	45112-96	BRAKE LINE	97*-BK
	45115-95	BRAKE LINE	97*-BP
17	45004-96	COVER, reservoir	97*-ALL
18	45005-96	GASKET, reservoir cover	97*-ALL
19	45006-96	REPAIR KIT, master cylinder (9/16" bore)	97*-ALL
20	45016-96	HAND LEVER	97*-ALL
21	45019-96	MASTER CYLINDER, w/hand lever (9/16" bore)	97*-ALL
22	45032-82	PIVOT PIN	97*-ALL
23	45042-96	SIGHT GLASS	97*-ALL
24	45044-96	CLAMP, handlebar control	97*-ALL
25	45423-96	BUSHING, lever pivot	97*-ALL

SOFTAIL MODELS			
FLSTC	BJ	FLSTF	BM
FXSTC	BK	FXSTSB	BP
FXSTS	BL	FLSTS	BR

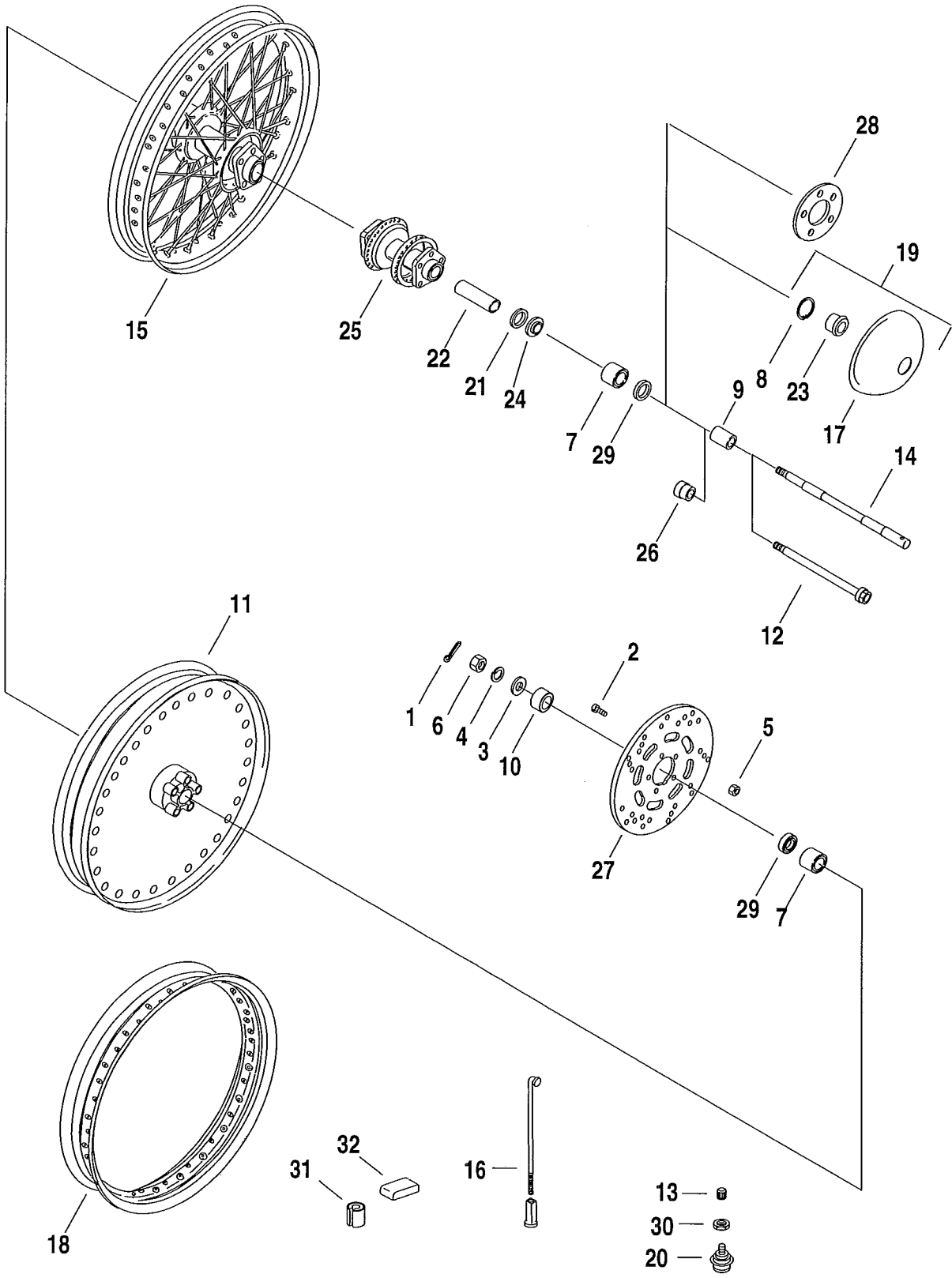
FRONT BRAKE CALIPER



INDEX NO.	PART NO.	DESCRIPTION	MODELS
1	509	SPRING PIN	97*-BR
2	534	COTTER PIN	97*-BL/P
3	855B	SCREW	97*-ALL
4	3562	SCREW	97*-ALL
5	6019	WASHER	97*-ALL
6	6758	WASHER	97*-BL/P
7	44020-83	PISTON REBUILD KIT, w/ #8, 9 & 11	97*-ALL
8	44021-83	RETAINING RING, piston	97*-ALL
9	44022-83	DUST BOOT, piston	97*-ALL
10	44046-84C	CALIPER ASSEMBLY, left	97*-BJ/K/M
	44077-88D	CALIPER ASSEMBLY, right	97*-BL
	44081-95	CALIPER ASSEMBLY, right	97*-BP
	44079-97	CALIPER ASSEMBLY, left	97*-BR
11	44047-83	SEAL, piston	97*-ALL
12	44048-83	BLEEDER FITTING	97*-ALL
13	44053-83B	GUIDE PIN KIT w/ #14, 15 & mtg. pins	97*-BL/P/R
	44053-92A	GUIDE PIN KIT w/ #14, 15 & mtg. pins	97*-BJ/K/M
14	44054-83	PIN BOOT	97*-ALL
15	44059-83	O-RING (3)	97*-ALL
16	44072-92A	BRACKET, caliper mounting	97*-BJ/K/M
	44074-88B	BRACKET, caliper mounting	97*-BL/P
	44097-97	BRACKET, caliper mounting	97*-BR
17	44061-83	SPRING CLIP	97*-ALL
18	44062-83	RETAINING PAD	97*-ALL
19	44063-83C	PAD SET, w/ #3	97*-ALL
20	44190-88	SCREW, flange	97*-BL/P
21	44197-77	LABEL	97*-ALL
22	44215-97	SCREW, flange	97*-BR

SOFTAIL MODELS			
FLSTC	BJ	FLSTF	BM
FXSTC	BK	FXSTSB	BP
FXSTS	BL	FLSTS	BR

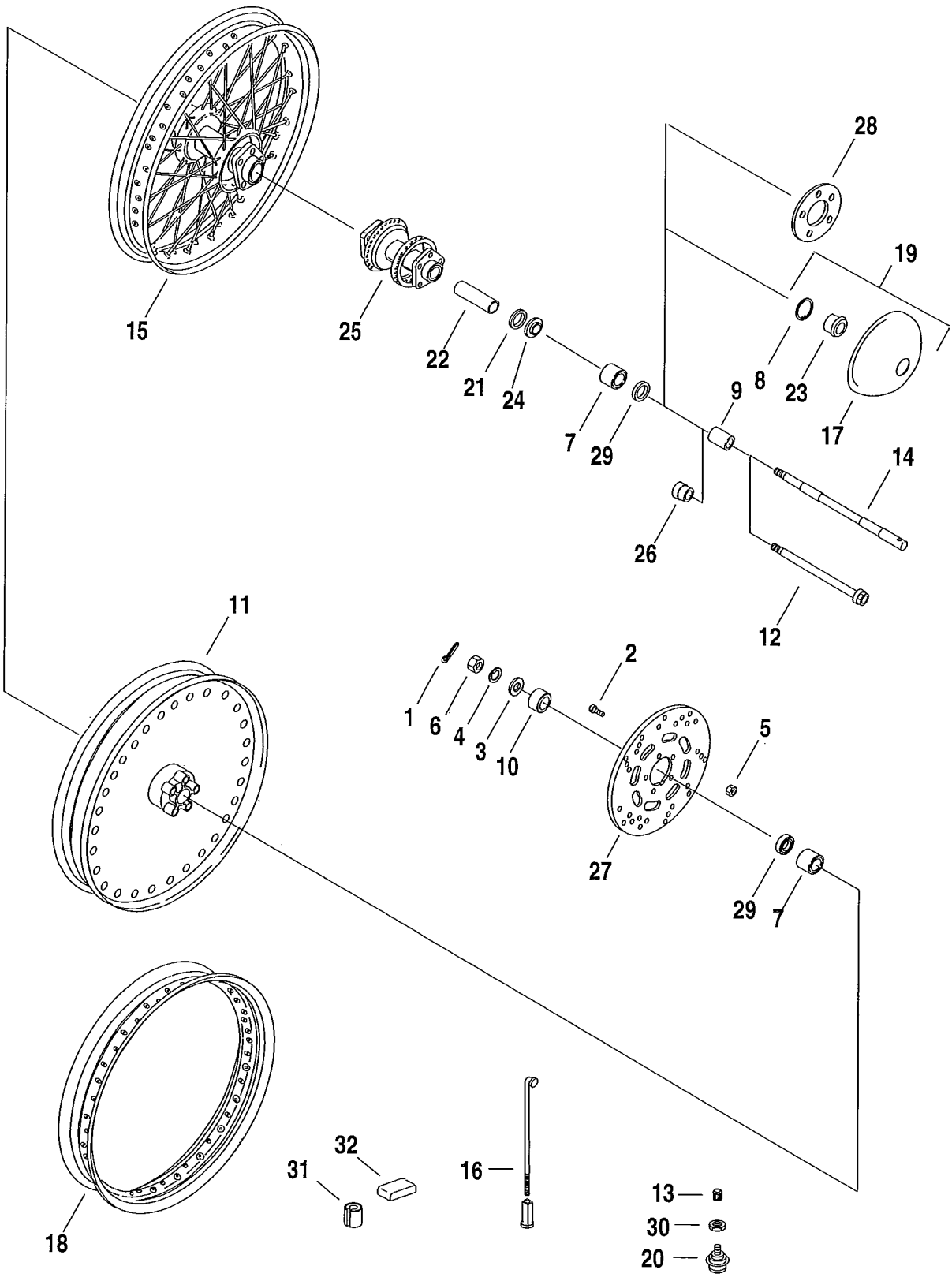
FRONT WHEEL



INDEX NO.	PART NO.	DESCRIPTION	MODELS
1	508	COTTER PIN	97*-BR
2	3655	SCREW (5; 10 - BM)	97*-ALL
3	6590HW	WASHER	97*-BJ/K/M
	6639	WASHER, left	97*-BL
4	7068	LOCKWASHER	97*-BJ/K/M
5	7739	LOCKNUT (5)	97*-ALL
6	7845	NUT	97*-BJ/K/M
	7987	CASTLE NUT	97*-BR
	7994	LOCKNUT	97*-BL/P
7	9052	ROLLER BEARING (2)	97*-ALL
8	11280	SNAP RING	97*-BJ
9	40910-84B	SPACER, right bearing	97*-BK
	43624-97	SPACER, right bearing	97*-BR
	43657-89	SPACER, right bearing	97*-BM
10	43360-97	SPACER, left	97*-BR
	43674-95	SPACER, left	97*-BM
	43683-97	SPACER, left	97*-BJ/K/L/P
11	41043-89A	DISC WHEEL ASSEMBLY, 16"	97*-BM
12	41109-88	AXLE	97*-BL/P
	41116-97	AXLE	97*-BR
13	41123-79	VALVE CAP	97*-ALL
14	41584-86A	AXLE	97*-BJ/M
	43346-83A	AXLE	97*-BK
15	43005-86A	WHEEL ASSEMBLY, 16" laced	97*-BJ
	43016-97	WHEEL ASSEMBLY, 16" laced	97*-BR
	43671-84A	WHEEL ASSEMBLY, 21" laced	97*-BK
	43676-88A	WHEEL ASSEMBLY, 21" laced	97*-BL/P
16	43032-40B	SPOKE & NIPPLE SET, 16" (40)	97*-BJ/R
	43057-80A	SPOKE & NIPPLE SET, 21" (40)	97*-BK/L
17	43067-97	CAP, hub (chrome)	97*-BJ
18	43085-97	RIM, 16" (chrome)	97*-BJ/R
	43662-80B	RIM, 21" (chrome)	97*-BK/L/P
19	43155-97	HUB CAP ASM., with snap ring, spacer & cap	97*-BJ
20	43157-83A	VALVE STEM	97*-BM
21	43290-82	SPACER, 0.032 thk.	97*-ALL
	43291-82	SPACER, 0.016 thk.	97*-ALL
	43292-82	SPACER, 0.008 thk.	97*-ALL
	43293-82	SPACER, 0.004 thk.	97*-ALL
	43294-82	SPACER, 0.002 thk.	97*-ALL

SOFTAIL MODELS			
FLSTC	BJ	FLSTF	BM
FXSTC	BK	FXSTSB	BP
FXSTS	BL	FLSTS	BR

FRONT WHEEL

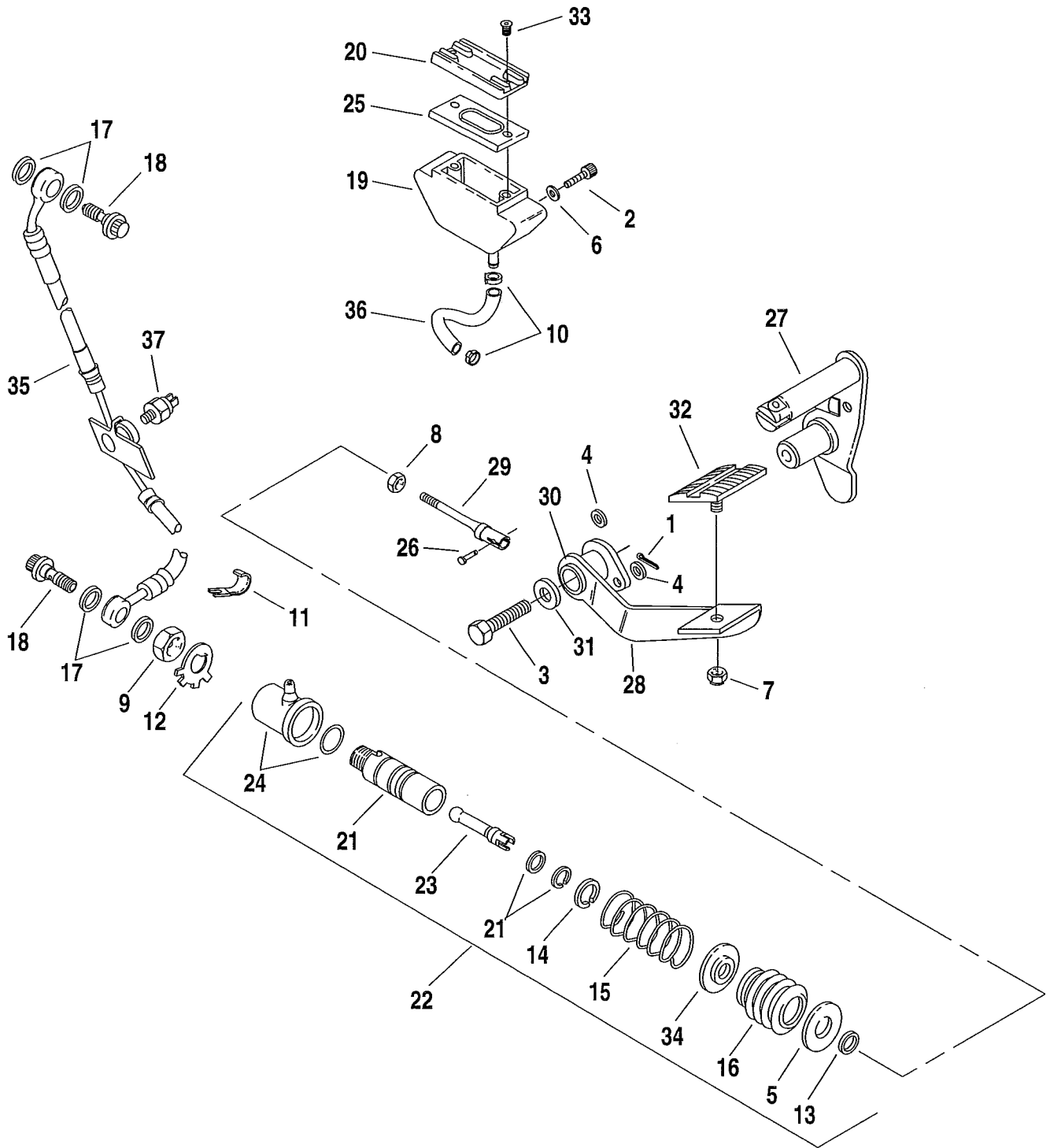


INDEX NO.	PART NO.	DESCRIPTION	MODELS
22	43608-82	SLEEVE	97*-BJ/K/L/P/R
	43612-92	SLEEVE	97*-BM
23	43614-97	HUB SPACER	97*-BJ
24	43650-82	SPACER WASHER	97*-ALL
25	43672-84A	HUB, w/ bearings & seals	97*-BJ/K/R
	43677-88A	HUB, w/ bearings & seals	97*-BL/P
26	44029-97	SPACER, hub - right	97*-BL/P
27	44136-92	BRAKE DISC	97*-BJ/K/L/M/R
	44138-95	BRAKE DISC, floating	97*-BP
28	44447-92	COVER, disc wheel	97*-BM
29	47519-83A	OIL SEAL (2)	97*-ALL
30	54321-85	NUT, valve stem	97*-BJ/K/L/P/R
31	95578-41	WEIGHT, 1/2 oz. - 0.275" I.D. - round	97*-BJ/K/L/P/R
	95581-47	WEIGHT, 3/4 oz. - 0.275" I.D. - round	97*-BJ/K/L/P/R
	95582-47	WEIGHT, 1 oz. - 0.275" I.D. - round	97*-BJ/K/L/P/R
32	95595-84	WEIGHT, 1/4 oz. for cast wheel (silver)	97*-BM

SOFTAIL MODELS

FLSTC	BJ	FLSTF	BM
FXSTC	BK	FXSTSB	BP
FXSTS	BL	FLSTS	BR

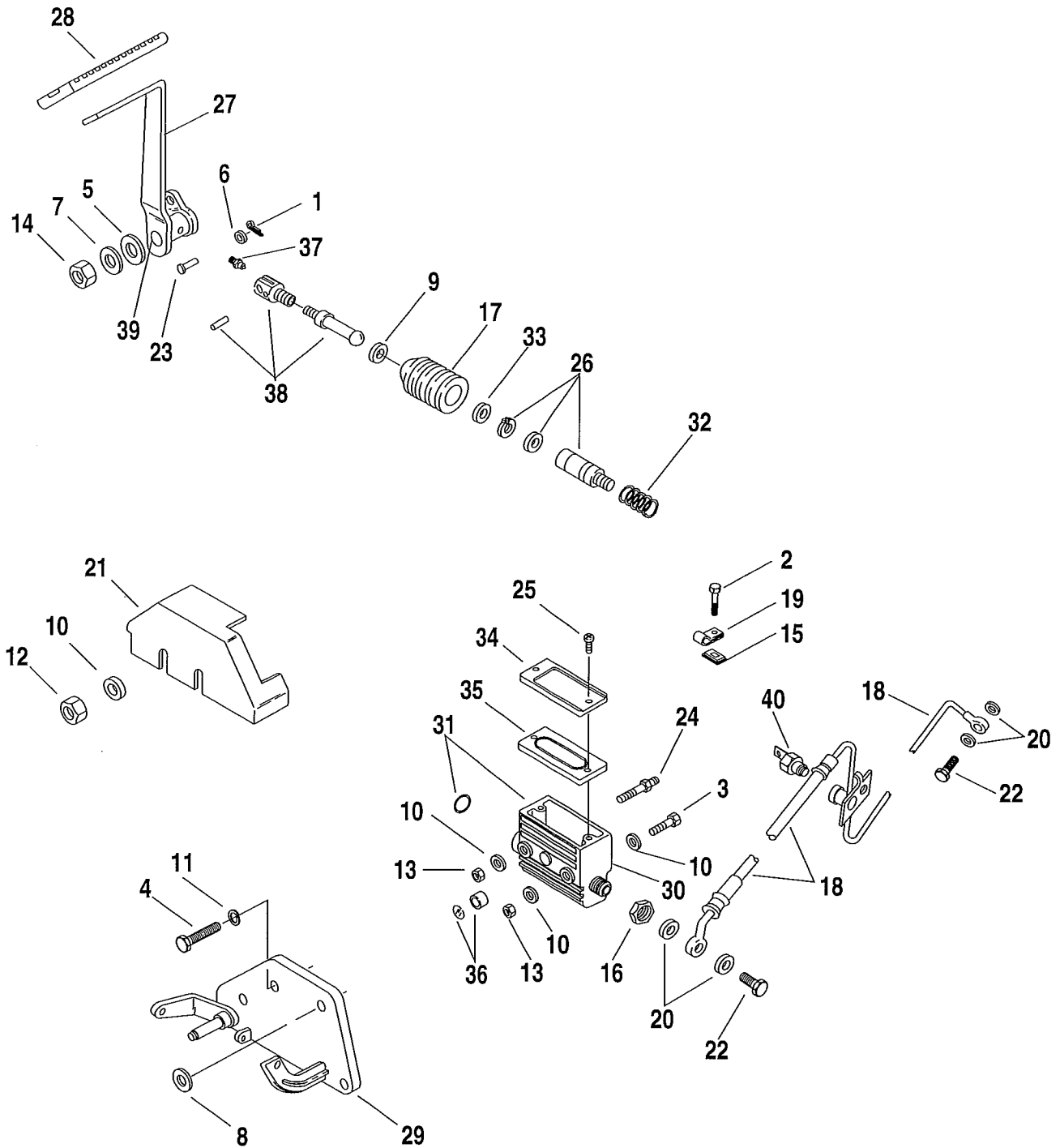
REAR BRAKE CONTROL - FXST



INDEX NO.	PART NO.	DESCRIPTION	MODELS
1	515	COTTER PIN	97*-BK/L/P
2	3473	BOLT (2)	97*-BK/L/P
3	3509	SCREW	97*-BK/L/P
4	6099	WASHER (2)	97*-BK/L/P
5	6366	WASHER	97*-BK/L/P
6	6716	WASHER (2)	97*-BK/L/P
7	7742	LOCKNUT	97*-BK/L/P
8	7744	JAM NUT	97*-BK/L/P
9	7855W	NUT	97*-BK/L/P
10	10038A	CLAMP, reservoir hose (2)	97*-BK/L/P
11	10122	CLIP	97*-BK/L/P
12	37503-41	LOCKWASHER	97*-BK/L/P
13	40903-87	RETAINING RING	97*-BK/L/P
14	40918-87	RETAINING RING	97*-BK/L/P
15	40920-87	SPRING, brake return	97*-BK/L/P
16	40922-87	BOOT, push rod	97*-BK/L/P
17	41731-88A	GASKET (4)	97*-BK/L/P
18	41747-82A	BOLT (2)	97*-BK/L/P
19	41804-84A	RESERVOIR, master cylinder	97*-BK/L/P
20	45057-82	COVER, reservoir	97*-BK/L/P
21	42382-87A	REPAIR KIT, master cylinder	97*-BK/L/P
22	42446-87A	MASTER CYLINDER ASSEMBLY	97*-BK/L/P
23	42448-87	PUSH ROD, master cylinder	97*-BK/L/P
24	42452-87	REPAIR KIT, master cylinder body	97*-BK/L/P
25	42455-80	GASKET, reservoir	97*-BK/L/P
26	42460-80B	PIN, rear brake rod clevis	97*-BK/L/P
27	42507-89A	BRACKET, brake lever & footrest	97*-BK/L/P
28	42515-82	LEVER, foot brake (chrome)	97*-BK/L/P
29	42522-87A	CLEVIS, brake rod	97*-BK/L/P
30	42524-82	BUSHING (2)	97*-BK/L/P
31	42531-87	WASHER	97*-BK/L/P
32	42532-82	PAD, brake lever	97*-BK/L/P
33	42534-90	SCREW (2)	97*-BK/L/P
34	44126-87	RETAINER, return spring	97*-BK/L/P
35	45156-89D	REAR BRAKE HOSE	97*-BK/L/P
36	63546-87	HOSE, reservoir	97*-BK/L/P
37	72023-51B	STOPLAMP SWITCH, rear	97*-BK/L/P

SOFTAIL MODELS			
FLSTC	BJ	FLSTF	BM
FXSTC	BK	FXSTSB	BP
FXSTS	BL	FLSTS	BR

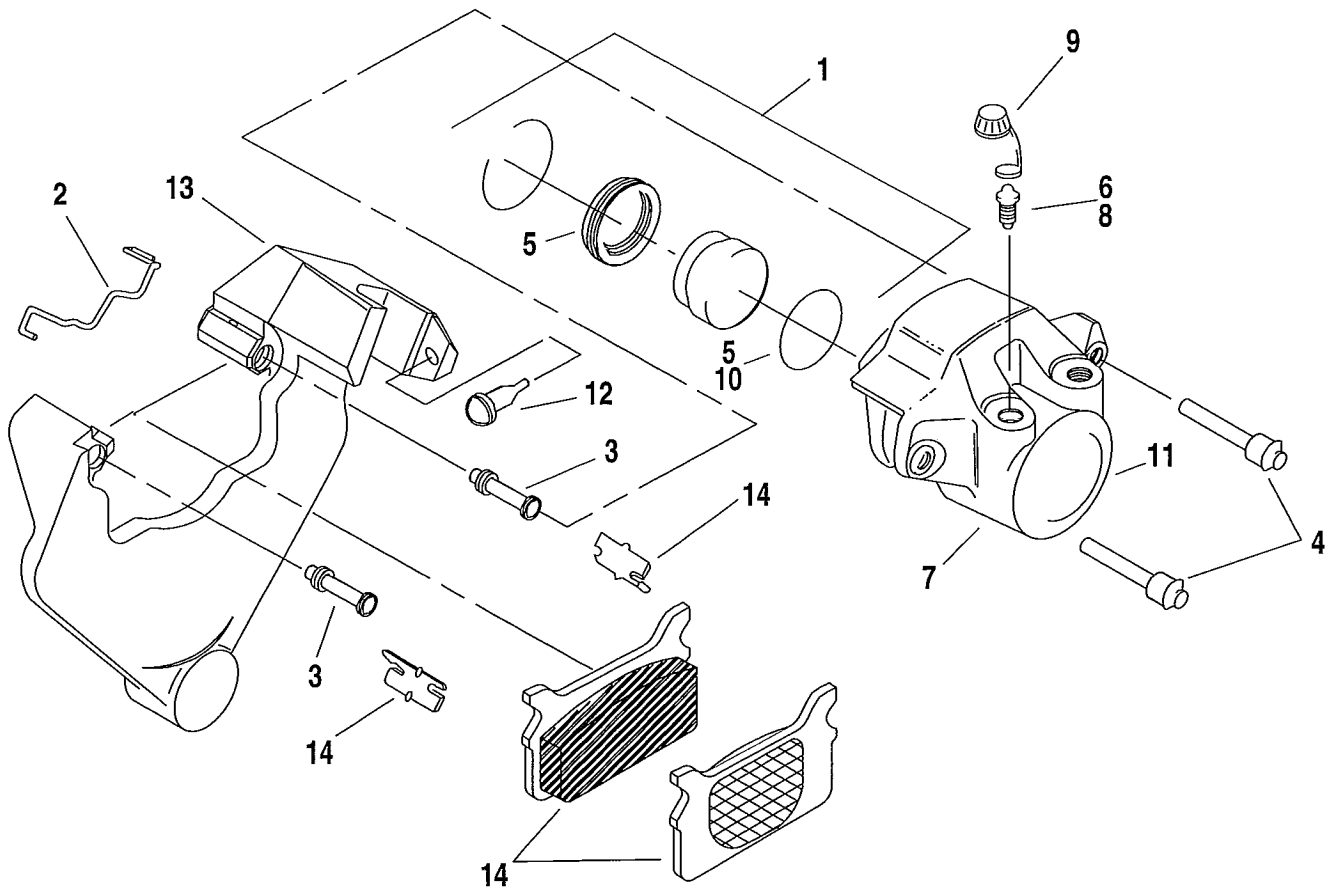
REAR BRAKE CONTROL - FLST



INDEX NO.	PART NO.	DESCRIPTION	MODELS
1	515	COTTER PIN	97*-BJ/M/R
2	3787	BOLT	97*-BJ/M/R
3	4068	BOLT	97*-BJ/M/R
4	4713W	BOLT	97*-BJ/M/R
5	5797A	SPACER	97*-BJ/M/R
6	6220W	WASHER	97*-BJ/M/R
7	6334	WASHER	97*-BJ/M/R
8	6352	WASHER	97*-BJ/M/R
9	6366	WASHER	97*-BJ/M/R
10	6702	WASHER (5)	97*-BJ/M/R
11	7038	LOCKWASHER	97*-BJ/M/R
12	7740	LOCKNUT (2)	97*-BJ/M/R
13	7748W	NUT (2)	97*-BJ/M/R
14	7825	LOCKNUT	97*-BJ/M/R
15	8108	CLIP NUT	97*-BJ/M/R
16	35078-79	LOCKNUT	97*-BJ/M/R
17	40922-87	BOOT, push rod	97*-BJ/M/R
18	40957-87B	BRAKE LINE	97*-BJ/M/R
19	41713-86	CLAMP, rear brake line	97*-BJ/M/R
20	41731-88A	GASKET (4)	97*-BJ/M/R
21	41745-79	COVER, master cylinder (chrome)	97*-BJ/M/R
22	41747-82A	BOLT (2)	97*-BJ/M/R
23	42269-30	PIN, rear brake rod clevis	97*-BJ/M/R
24	42301-87	STUD, master cylinder	97*-BJ/M/R
25	42375-87	SCREW, master cylinder cover (2)	97*-BJ/M/R
26	42382-87A	REPAIR KIT, master cylinder	97*-BJ/M/R
27	42407-87B	LEVER, foot brake (chrome)	97*-BJ/M/R
28	42416-83	PAD, brake lever	97*-BJ/M/R
29	42431-87A	SUPPORT, foot brake lever	97*-BJ/M/R
30	42468-87D	MASTER CYLINDER ASSEMBLY	97*-BJ/M/R
31	42473-87	REPAIR KIT, master cylinder body	97*-BJ/M/R
32	42479-90	SPRING	97*-BJ/M/R
33	44126-87	RETAINER, spring	97*-BJ/M/R
34	45004-85	COVER, master cylinder (black)	97*-BJ/M/R
35	45005-85	GASKET, cover	97*-BJ/M/R
36	45042-82	REPAIR KIT, sight glass	97*-BJ/M/R
37	50972-75	FITTING, lubrication	97*-BJ/M/R
38	50992-87A	ROD END, master cylinder	97*-BJ/M/R
39	57215-75	BUSHING, foot brake lever (2)	97*-BJ/M/R
40	72023-51B	STOPLAMP SWITCH, rear	97*-BJ/M/R

SOFTAIL MODELS			
FLSTC	BJ	FLSTF	BM
FXSTC	BK	FXSTSB	BP
FXSTS	BL	FLSTS	BR

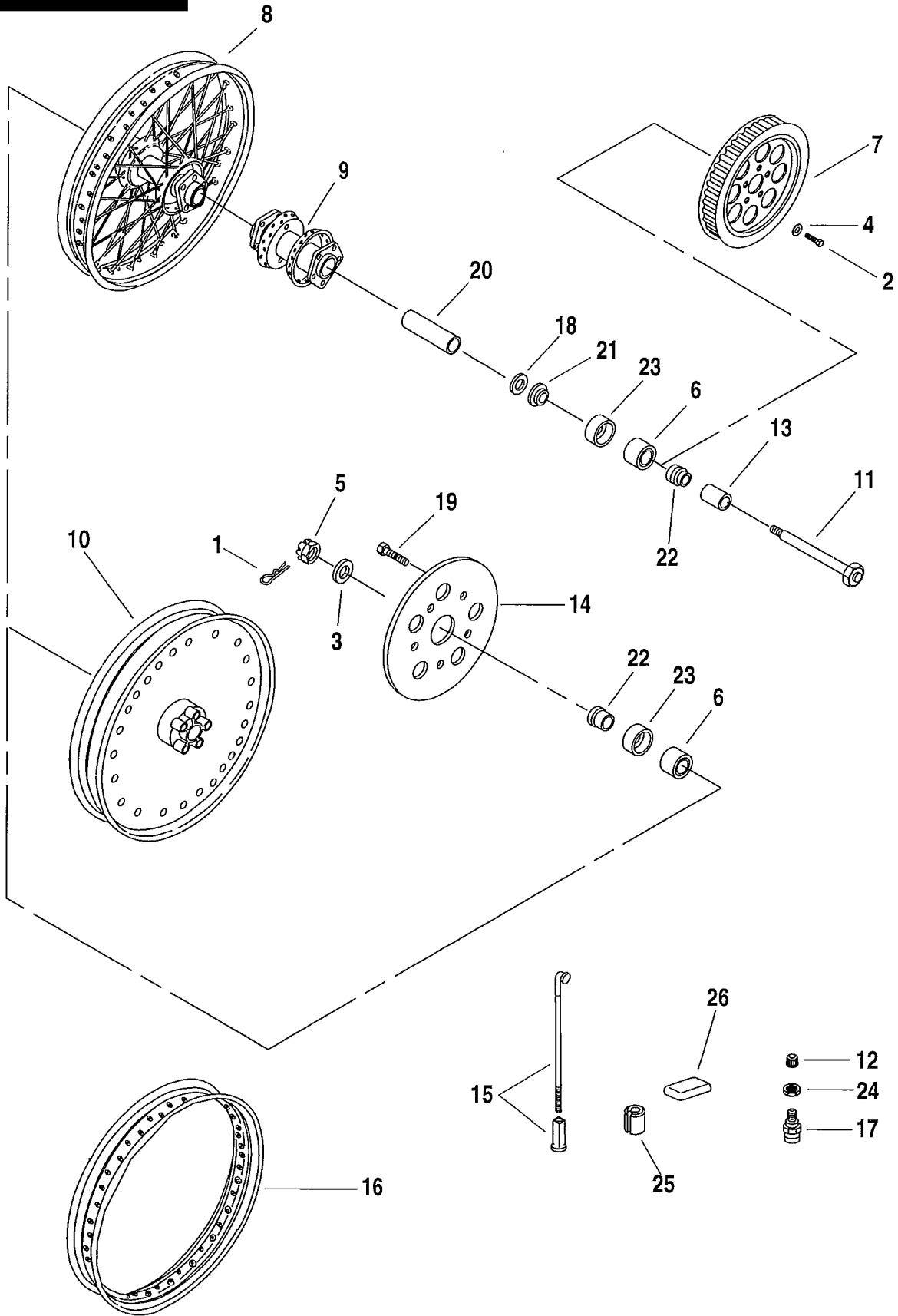
REAR BRAKE CALIPER



INDEX NO.	PART NO.	DESCRIPTION	MODELS
1	43946-86	PISTON KIT, w/# 10	97*-ALL
2	43960-86	RETAINER	97*-ALL
3	44035-86A	BUSHING (2)	97*-ALL
4	44039-86	MOUNTING KIT, w/ guide pins & bushings	97*-ALL
5	44045-87	SEAL & BOOT KIT	97*-ALL
6	44048-83	BLEEDER FITTING	97*-ALL
7	44050-87	CALIPER ASSEMBLY, without bracket	97*-BJ/K/L/M/R
	44142-95	CALIPER ASSEMBLY, without bracket	97*-BP
8	44146-77	BLEEDER FITTING	97*-ALL
9	44147-87	CAP, bleeder screw	97*-ALL
10	44152-77	SEAL, piston	97*-ALL
11	44198-87	LABEL	97*-ALL
12	44199-79	BUMPER	97*-ALL
13	44207-87	BRACKET, mounting w/ # 3, 12 & shims	97*-ALL
14	44209-87C	PAD SET w/ inserts	97*-ALL

SOFTAIL MODELS			
FLSTC	BJ	FLSTF	BM
FXSTC	BK	FXSTSB	BP
FXSTS	BL	FLSTS	BR

REAR WHEEL

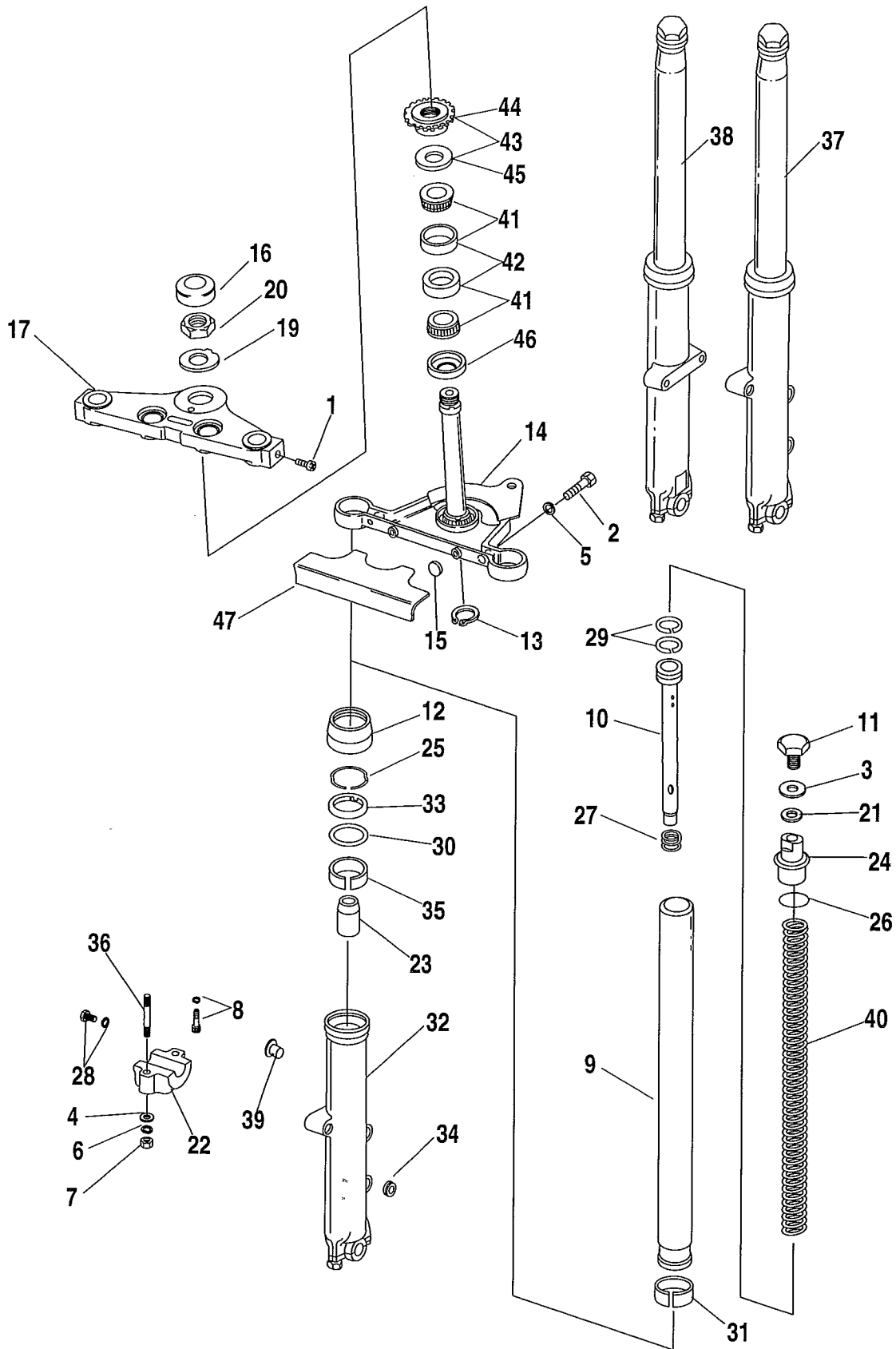


INDEX NO.	PART NO.	DESCRIPTION	MODELS
1	510	SPRING CLIP	97*-ALL
2	3730A	BOLT (5)	97*-ALL
3	5756	SPACER	97*-ALL
4	6516HW	WASHER (5)	97*-ALL
5	7987	CASTLE NUT	97*-ALL
6	9052	ROLLER BEARING (2)	97*-ALL
7	40311-94	SPROCKET, 65T (silver)	97*-BK/M/P
	40312-94	SPROCKET, 65T (black)	97*-BJ/L/R
8	40975-86A	WHEEL ASSEMBLY, 16" - laced (chrome)	97*-BJ/L/R
9	40976-86A	HUB ASSEMBLY, w/ spacer, bearings & seals	97*-BJ/L/R
10	41008-87A	WHEEL ASSEMBLY, 16" disc	97*-BK/M
	41017-95	WHEEL ASSEMBLY, 16" disc	97*-BP
11	41110-79A	AXLE ASSEMBLY	97*-ALL
12	41123-79	VALVE CAP	97*-ALL
13	41595-86	SPACER, rear axle - left	97*-ALL
14	41789-92	DISC, brake	97*-BJ/K/L/M/R
	41790-95	DISC, brake - floating	97*-BP
15	43032-40B	SPOKE & NIPPLE SET, 16" rim (40)	97*-BJ/L/R
16	43085-97	RIM, 16" (chrome)	97*-BJ/L/R
17	43157-83A	VALVE STEM ASSEMBLY	97*-BK/M/P
18	43290-82	SPACER, 0.032" thk.	97*-ALL
	43291-82	SPACER, 0.016" thk.	97*-ALL
	43292-82	SPACER, 0.008" thk.	97*-ALL
	43293-82	SPACER, 0.004" thk.	97*-ALL
	43294-82	SPACER, 0.002" thk.	97*-ALL
19	43567-92	SCREW (5)	97*-ALL
20	43608-82	SLEEVE	97*-ALL
21	43650-82	SPACER WASHER	97*-ALL
22	43654-86A	SPACER (2)	97*-ALL
23	47519-83A	OIL SEAL (2)	97*-ALL
24	54321-85	NUT, valve stem	97*-BJ/L/R
25	95578-41	WEIGHT, 1/2 oz. - 0.275" I.D. - round	97*-BJ/L/R
	95581-47	WEIGHT, 3/4 oz. - 0.275" I.D. - round	97*-BJ/L/R
	95582-47	WEIGHT, 1 oz. - 0.275" I.D. - round	97*-BJ/L/R
26	95595-84	WEIGHT, 1/4 oz. (silver)	97*-BK/M/P

SOFTAIL MODELS

FLSTC	BJ	FLSTF	BM
FXSTC	BK	FXSTSB	BP
FXSTS	BL	FLSTS	BR

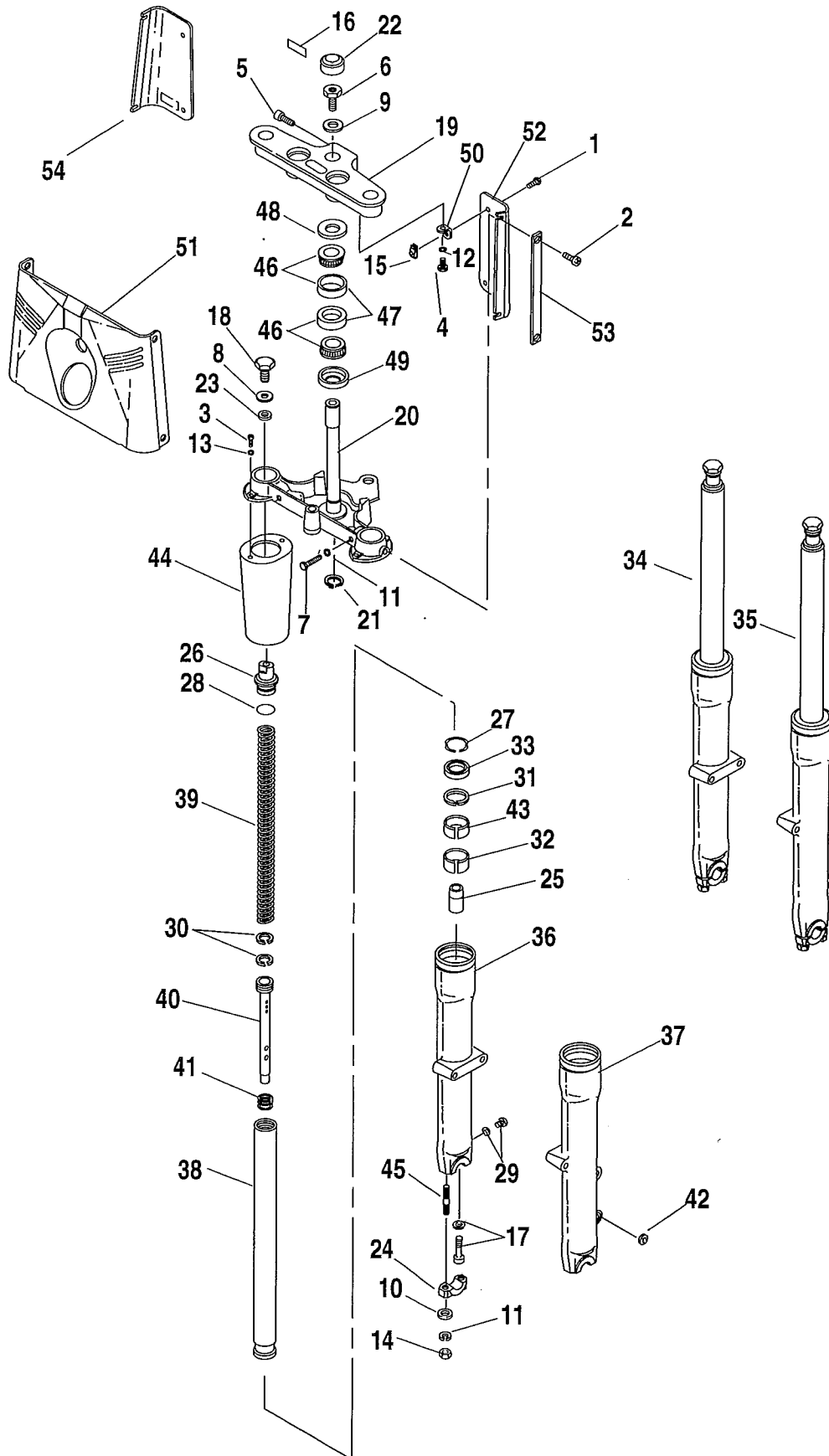
FRONT FORK - FXSTC



INDEX NO.	PART NO.	DESCRIPTION	MODELS
1	2823	SCREW (2)	97*-BK
2	4729	BOLT (2)	97*-BK
3	5710	SPACER (2)	97*-BK
4	6702	WASHER, right slider (2)	97*-BK
5	7039	LOCKWASHER (2)	97*-BK
6	7041	LOCKWASHER, right slider (2)	97*-BK
7	7962	NUT, right slider (2)	97*-BK
8	45405-75A	SCREW w/ washer, damper tube (2)	97*-BK
9	45417-84	SLIDER TUBE (2)	97*-BK
10	45418-84	DAMPER TUBE, complete (2)	97*-BK
11	45419-80	CAP, slider tube (2)	97*-BK
12	45420-80	DUST COVER (2)	97*-BK
13	45611-86	RETAINING RING	97*-BK
14	45640-88B	STEM & BRACKET, w/ bearing & shield	97*-BK
15	45648-85	PAD (felt) (2)	97*-BK
16	45670-80	CAP, fork stem	97*-BK
17	45672-80A	BRACKET, upper (chrome)	97*-BK
19	45717-63	LOCKWASHER, fork stem nut	97*-BK
20	45718-60	NUT, fork stem	97*-BK
21	45733-48	OIL SEAL, fork tube plug (2)	97*-BK
22	45832-77A	AXLE CAP, right slider	97*-BK
23	45834-77	LOWER STOP (2)	97*-BK
24	45838-77	PLUG, fork tube (2)	97*-BK
25	45842-77A	RETAINING RING, oil seal (2)	97*-BK
26	45845-77	O-RING, slider tube plug (2)	97*-BK
27	45855-77	SPRING, damper tube (2)	97*-BK
28	45858-77	DRAIN SCREW w/ washer (2)	97*-BK
29	45859-77A	RING, damper tube (4)	97*-BK
30	45865-84	WASHER, slider (2)	97*-BK
31	45866-84	BUSHING, slider tube (2)	97*-BK
32	45873-91A	SLIDER, left	97*-BK
	45874-91	SLIDER, right	97*-BK
33	45875-84A	OIL SEAL, slider (2)	97*-BK
34	45934-86	BUSHING, brake caliper	97*-BK
35	45940-84	BUSHING, slider	97*-BK
36	45998-73	STUD (2)	97*-BK
37	46004-91A	FORK SLIDER & TUBE ASSEMBLY, left	97*-BK
38	46006-91A	FORK SLIDER & TUBE ASSEMBLY, right	97*-BK
39	46020-84	BUSHING, upper - left slider - brake caliper	97*-BK
40	46048-84	SPRING (2)	97*-BK
41	48300-60	ROLLER BEARING w/ cup (2)	97*-BK
42	48315-60	BEARING CUP (2)	97*-BK
43	48330-48A	ADJUSTING NUT, upper - w/ shield	97*-BK
44	48332-48B	ADJUSTING NUT, upper	97*-BK
45	48361-80	DUST SHIELD, bearing - upper	97*-BK
46	48365-48A	DUST SHIELD, bearing - lower	97*-BK
47	67773-80A	MOUNTING PLATE, headlamp (chrome)	97*-BK
		H-D INTERNATIONAL ONLY	
	48140-84A	STEERING HEAD LOCK ASM. (HDI only) (not illustrated)	97*-BK

SOFTAIL MODELS			
FLSTC	BJ	FLSTF	BM
FXSTC	BK	FXSTSB	BP
FXSTS	BL	FLSTS	BR

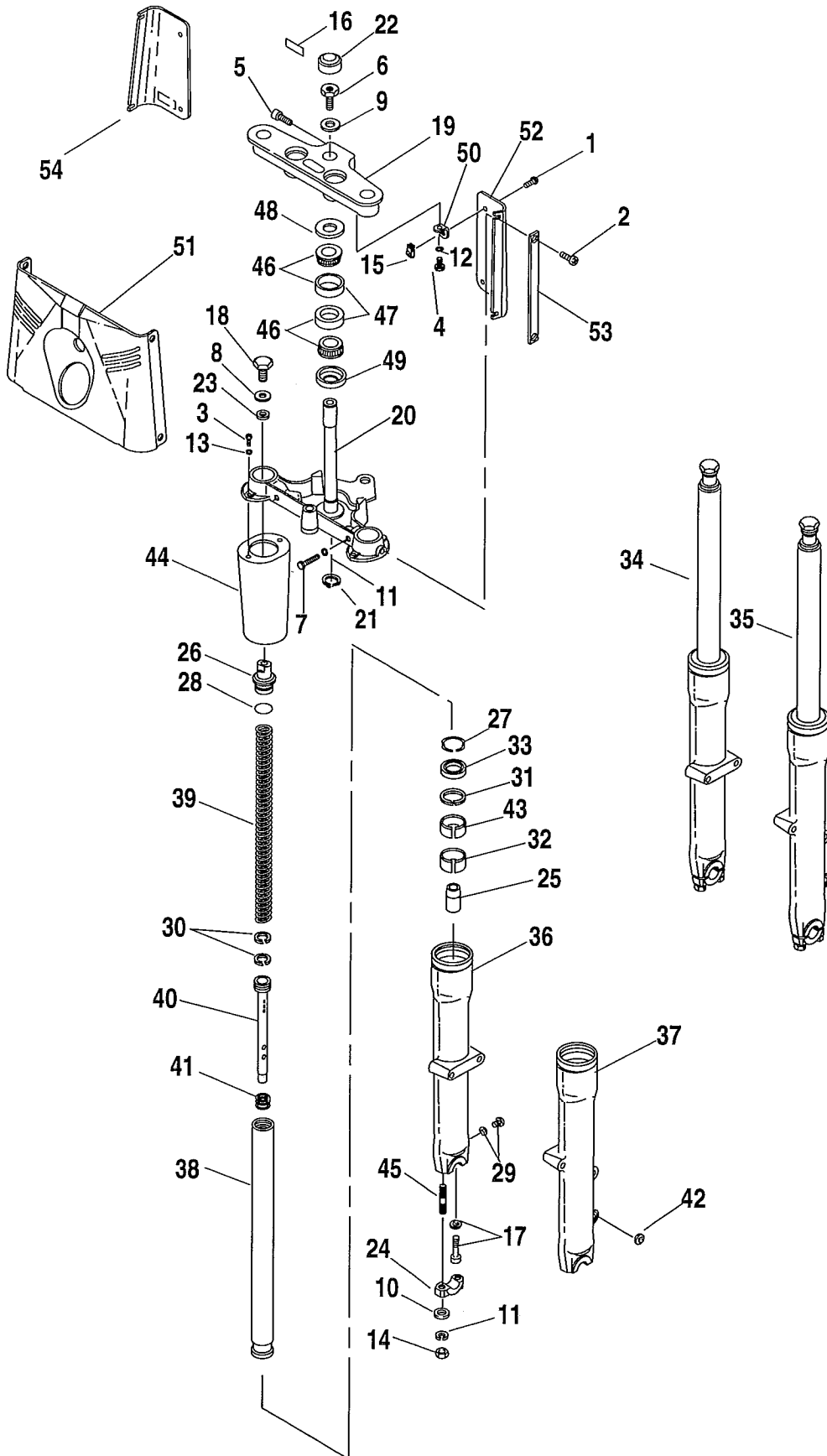
FRONT FORK - FLSTC/F



INDEX NO.	PART NO.	DESCRIPTION	MODELS
1	923	SCREW (4)	97*-BJ/M
2	3538	SCREW (4)	97*-BM
3	3739	SCREW (4)	97*-BJ/M
4	3953W	BOLT (2)	97*-BJ/M
5	4352	SCREW	97*-BJ/M
6	4453	BOLT	97*-BJ/M
7	4729	BOLT (2)	97*-BJ/M
8	5710	SPACER (2)	97*-BJ/M
9	6655	WASHER	97*-BJ/M
10	6702	WASHER (2)	97*-BJ/M
11	7039	LOCKWASHER (4)	97*-BJ/M
12	7041	LOCKWASHER (2)	97*-BJ/M
13	7124	LOCKWASHER (4)	97*-BJ/M
14	7748W	NUT (2)	97*-BJ/M
15	8108	CLIP NUT	97*-BJ/M
16	14150-86	WARNING LABEL	97*-BJ/M
17	45405-75A	SCREW w/ washer (2)	97*-BJ/M
18	45419-80	CAP, slider tube (2)	97*-BJ/M
19	45456-86A	BRACKET, upper	97*-BJ/M
20	45605-88	STEM & BRACKET	97*-BJ/M
21	45611-86	RETAINING RING, fork stem	97*-BJ/M
22	45670-80	CAP, fork stem	97*-BJ/M
23	45733-48	OIL SEAL, fork tube plug (2)	97*-BJ/M
24	45832-77A	AXLE CAP, right slider	97*-BJ/M
25	45834-77	LOWER STOP (2)	97*-BJ/M
26	45838-77	PLUG, fork tube (2)	97*-BJ/M
27	45842-77A	RETAINING RING, oil seal (2)	97*-BJ/M
28	45845-77	O-RING, slider tube plug (2)	97*-BJ/M
29	45858-77	DRAIN SCREW w/ washer, slider (2)	97*-BJ/M
30	45859-77A	RING, damper tube (4)	97*-BJ/M

SOFTAIL MODELS			
FLSTC	BJ	FLSTF	BM
FXSTC	BK	FXSTSB	BP
FXSTS	BL	FLSTS	BR

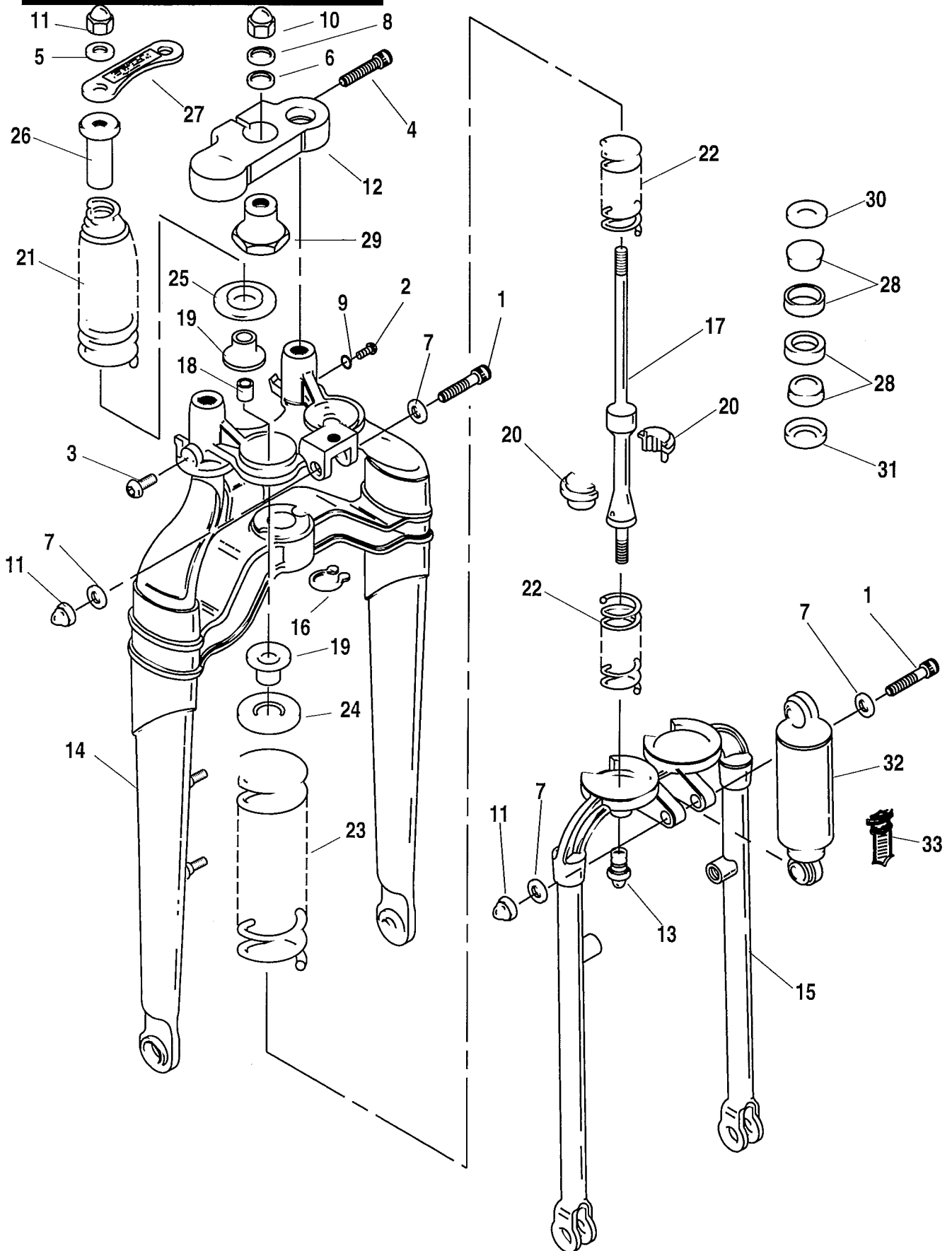
FRONT FORK - FLSTC/F



INDEX NO.	PART NO.	DESCRIPTION	MODELS
31	45865-84	WASHER, slider (2)	97*-BJ/M
32	45866-84	BUSHING, slider tube (2)	97*-BJ/M
33	45875-84A	OIL SEAL (2)	97*-BJ/M
34	45915-86	FORK SLIDER & TUBE ASSEMBLY, right	97*-BJ/M
35	45916-86	FORK SLIDER & TUBE ASSEMBLY, left	97*-BJ/M
36	45917-86	SLIDER, right	97*-BJ/M
37	45918-86	SLIDER, left	97*-BJ/M
38	45930-86	SLIDER TUBE (2)	97*-BJ/M
39	45931-86	SPRING (2)	97*-BJ/M
40	45932-86	DAMPER TUBE (2)	97*-BJ/M
41	45933-86	SPRING, damper tube (2)	97*-BJ/M
42	45934-86	BUSHING, brake caliper	97*-BJ/M
43	45940-84	BUSHING, slider (2)	97*-BJ/M
44	45964-86	COVER, slider (2)	97*-BJ/M
45	45998-73	STUD (2)	97*-BJ/M
46	48300-60	ROLLER BEARING, w/ cup (2)	97*-BJ/M
47	48315-60	BEARING CUP (2)	97*-BJ/M
48	48361-80	DUST SHIELD, bearing - upper	97*-BJ/M
49	48365-48A	DUST SHIELD, bearing - lower	97*-BJ/M
50	50991-86	BRACKET, front panel (2)	97*-BJ/M
51	67808-86	FRONT PANEL, (buffed stainless steel)	97*-BJ/M
52	67816-86	BACK PANEL, left - rear	97*-BJ
	67821-87	BACK PANEL, left - rear w/ switch hole	97*-BM
53	67819-86	TRIM STRIP, front panel (2)	97*-BM
54	67820-86	BACK PANEL, right - rear	97*-BJ/M
		H-D INTERNATIONAL ONLY	
	48140-84A	STEERING HEAD LOCK ASM. (HDI only) (not illustrated)	97*-BJ/M

SOFTAIL MODELS			
FLSTC	BJ	FLSTF	BM
FXSTC	BK	FXSTSB	BP
FXSTS	BL	FLSTS	BR

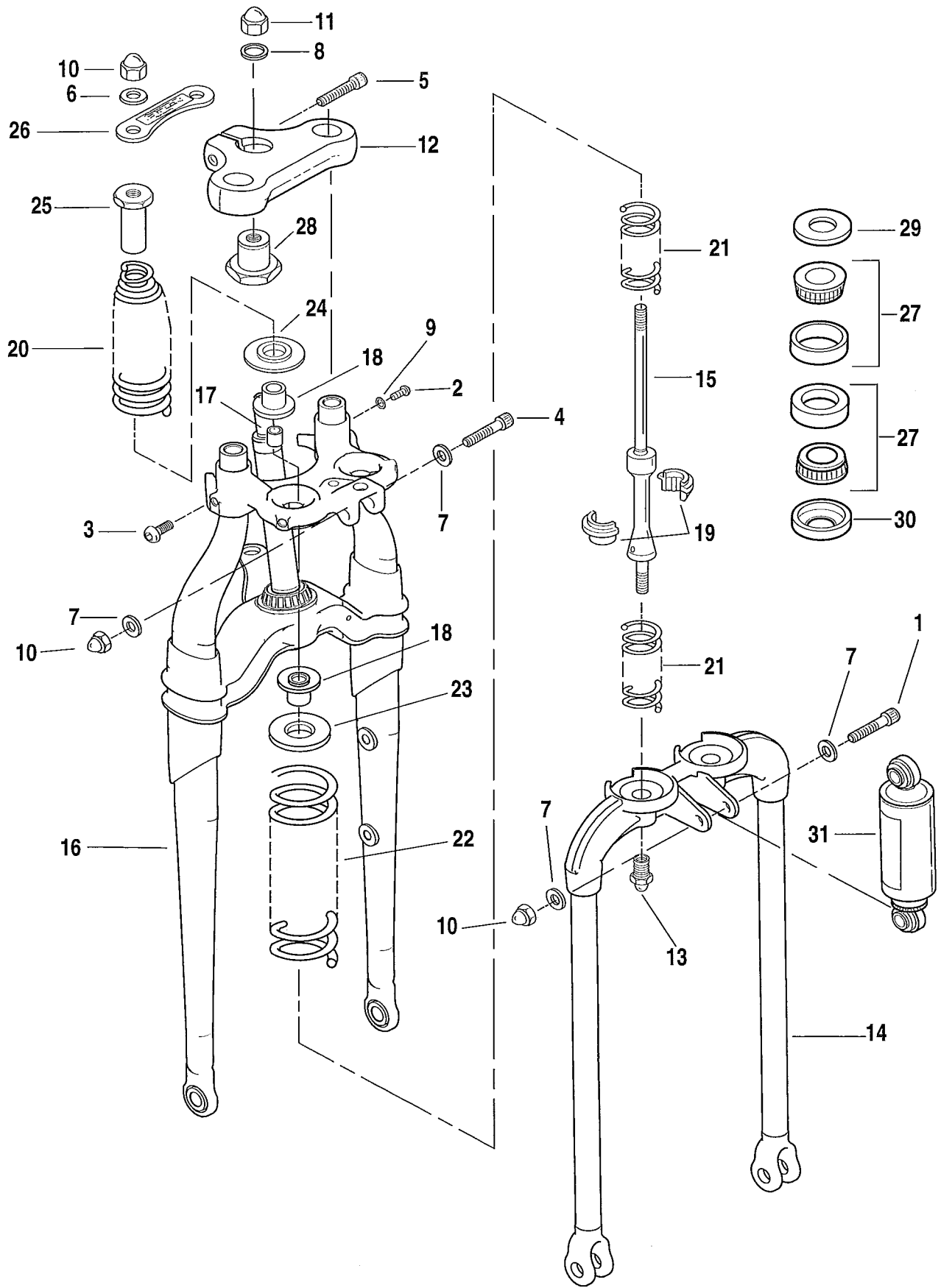
FRONT FORK - FXSTS/B



INDEX NO.	PART NO.	DESCRIPTION	MODELS
1	855B	SCREW, shock absorber mounting (2)	97*-BL/P
2	3533	SCREW, spring reaction bracket - right	97*-BL
3	3538	SCREW, spring reaction bracket - left	97*-BL/P
4	4350A	SCREW, upper triple clamp	97*-BL/P
5	6353	WASHER, spring rod (2)	97*-BL/P
6	6756	WASHER, steering stem	97*-BL/P
7	6812	WASHER, shock absorber mounting (4)	97*-BL/P
8	6829	WASHER, rubber	97*-BL/P
9	7232	LOCKWASHER, spring reaction bracket	97*-BL/P
10	7959	ACORN NUT, with washer - steering stem	97*-BL/P
11	7680W	ACORN NUT (4)	97*-BL/P
12	45473-88	UPPER TRIPLE CLAMP	97*-BL
	45485-95	UPPER TRIPLE CLAMP (black)	97*-BP
13	45567-88	ACORN NUT, lower spring rod (2)	97*-BL/P
14	45569-88B	RIGID FORK ASSEMBLY w/ stem, lower bearing & dust shield	97*-BL
	45600-95	RIGID FORK ASSEMBLY w/ stem, lower bearing & dust shield (black)	97*-BP
15	45607-93	SPRING FORK	97*-BL
	45612-95	SPRING FORK (black)	97*-BP
16	45611-86	RETAINING RING, fork stem	97*-BL/P
17	45628-92	SPRING ROD ASM. (2)	97*-BL/P
18	45935-88	BUSHING, spring rod (2)	97*-BL/P
19	45936-88	TRAVEL BUMPER (4)	97*-BL/P
20	45937-88	SPRING SEAT (4)	97*-BL/P
21	46053-88	SPRING, rebound - top (2)	97*-BL/P
22	46054-88	SPRING, compression - inner (4)	97*-BL/P
23	46055-88	SPRING, compression - outer (2)	97*-BL/P
24	46056-88	SPRING CUP, compression spring (2)	97*-BL/P
25	46057-88	SPRING CUP, rebound spring (2)	97*-BL/P
26	46060-88	SPRING RESTRAINT, upper (2)	97*-BL/P
27	46065-88	SPRING BRIDGE	97*-BL/P
28	48300-60	ROLLER BEARING w/ cup (2)	97*-BL/P
29	48306-88	BEARING RETAINER, steering head	97*-BL/P
30	48361-80	DUST SHIELD, bearing - upper	97*-BL/P
31	48365-48A	DUST SHIELD, bearing - lower	97*-BL/P
32	54485-97	FRONT SHOCK ABSORBER	97*-BL/P
33	66030-88	DECAL, shock absorber	97*-BL/P
H-D INTERNATIONAL ONLY			
	48140-84A	STEERING HEAD LOCK ASM. (HDI only) (not illustrated)	97*-BL/P

SOFTAIL MODELS			
FLSTC	BJ	FLSTF	BM
FXSTC	BK	FXSTSB	BP
FXSTS	BL	FLSTS	BR

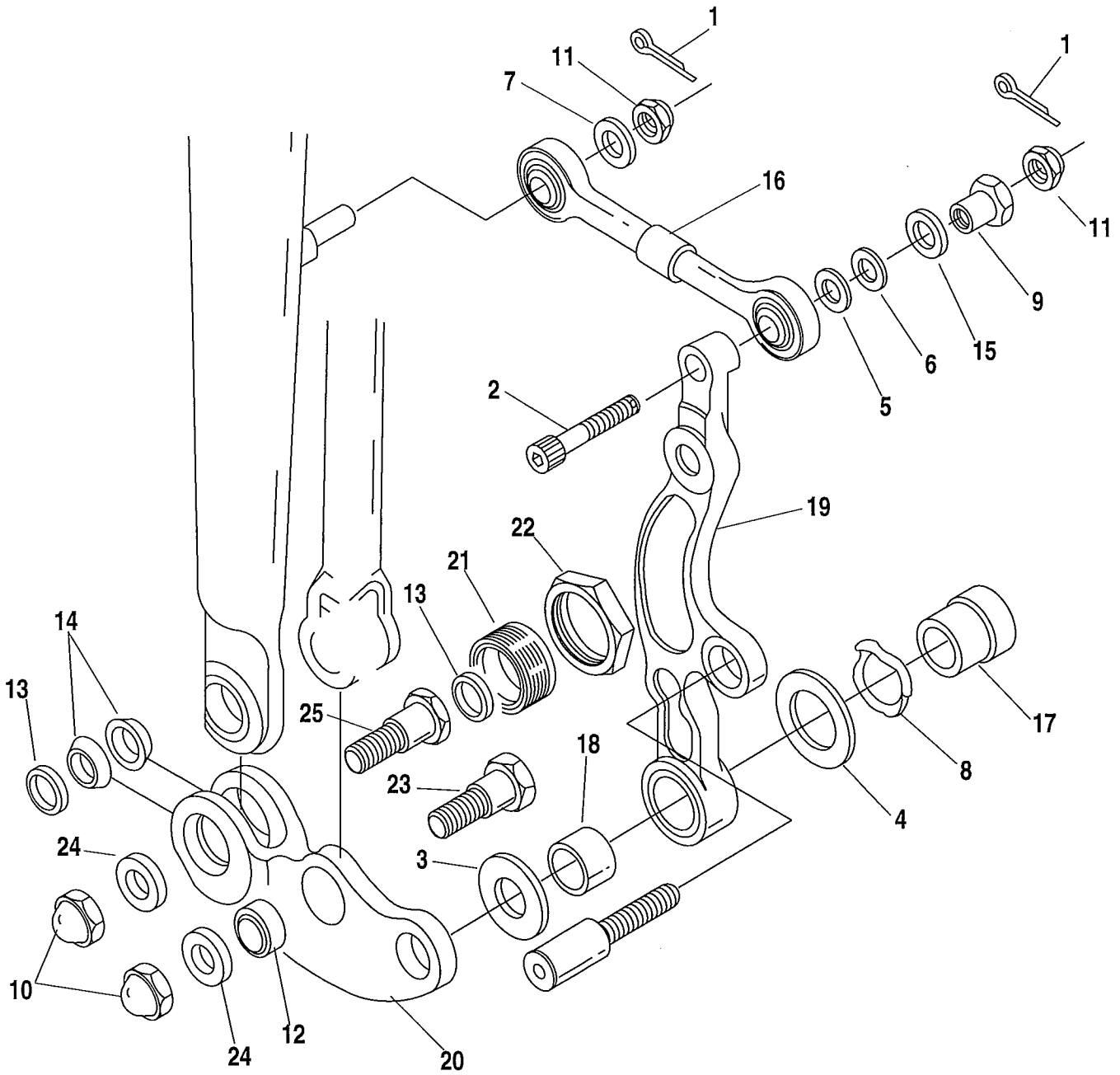
FRONT FORK - FLSTS



INDEX NO.	PART NO.	DESCRIPTION	MODELS
1	855B	SCREW	97*-BR
2	3533	SCREW	97*-BR
3	3538	SCREW	97*-BR
4	4029A	SCREW	97*-BR
5	4350A	SCREW, upper triple clamp	97*-BR
6	6353	WASHER, spring rod (2)	97*-BR
7	6812	WASHER (4)	97*-BR
8	6829	WASHER, rubber	97*-BR
9	7232	LOCKWASHER	97*-BR
10	7680W	ACORN NUT (4)	97*-BR
11	7959	ACORN NUT, with washer - steering stem	97*-BR
12	45491-97	UPPER TRIPLE CLAMP	97*-BR
13	45567-88	ACORN NUT, lower spring rod (2)	97*-BR
14	45619-97	SPRING FORK	97*-BR
15	45628-92	SPRING ROD ASM. (2)	97*-BR
16	45633-97	RIGID FORK ASSEMBLY w/ stem, lower bearing & dust shield	97*-BR
17	45935-88	BUSHING, spring rod (2)	97*-BR
18	45936-88	TRAVEL BUMPER (4)	97*-BR
19	45937-88	SPRING SEAT (4)	97*-BR
20	46053-88	SPRING, rebound - top (2)	97*-BR
21	46054-88	SPRING, compression - inner (4)	97*-BR
22	46055-88	SPRING, compression - outer (2)	97*-BR
23	46056-88	SPRING CUP, compression spring (2)	97*-BR
24	46057-88	SPRING CUP, rebound spring (2)	97*-BR
25	46060-88	SPRING RESTRAINT, upper (2)	97*-BR
26	46065-88	SPRING BRIDGE	97*-BR
27	48300-60	ROLLER BEARING w/ cup (2)	97*-BR
28	48306-88	BEARING RETAINER, steering head	97*-BR
29	48361-80	DUST SHIELD, bearing - upper	97*-BR
30	48365-48A	DUST SHIELD, bearing - lower	97*-BR
31	54484-97	FRONT SHOCK ABSORBER	97*-BR

SOFTAIL MODELS			
FLSTC	BJ	FLSTF	BM
FXSTC	BK	FXSTSB	BP
FXSTS	BL	FLSTS	BR

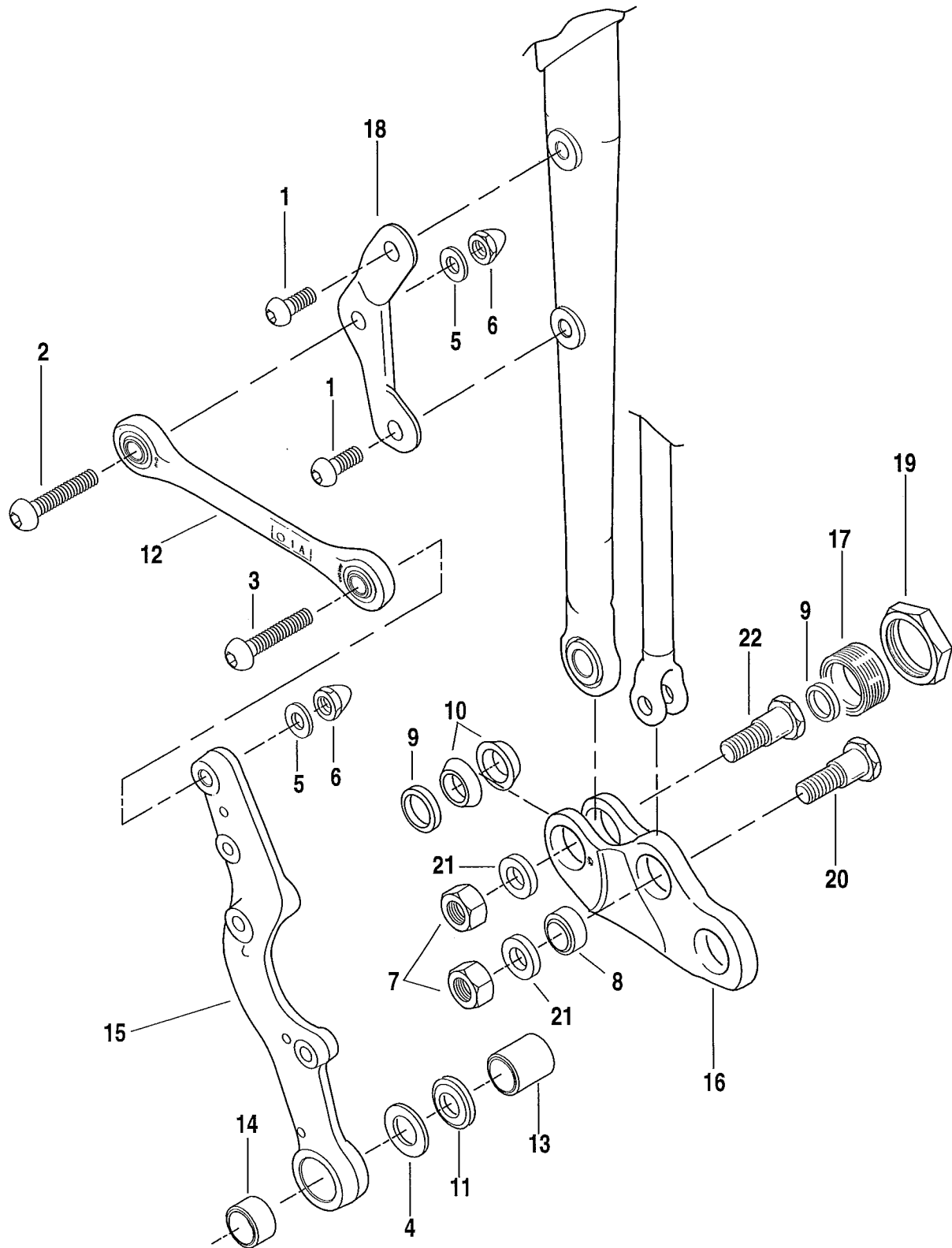
FORK ROCKERS & CALIPER MOUNTING - FXSTS/B



INDEX NO.	PART NO.	DESCRIPTION	MODELS
1	534	COTTER PIN, brake reaction link (2)	97*-BL/P
2	4747	SCREW, brake link to bracket	97*-BL/P
3	6040	WASHER, front axle - outside right	97*-BL/P
4	6042	WASHER, front axle - inside right	97*-BL/P
5	6371	WASHER	97*-BL/P
6	6498	WASHER	97*-BL/P
7	6812	WASHER, brake reaction link	97*-BL/P
8	7012	WAVE WASHER, front axle - right	97*-BL/P
9	7588	NUT, shaft	97*-BL/P
10	7627	ACORN NUT, rockers to forks (4)	97*-BL/P
11	7667	LOCKNUT, brake reaction link (2)	97*-BL/P
12	9139	BEARING, spherical - fork to rocker (2)	97*-BL/P
13	9140	RACE, spherical bearing - fork to rocker (4)	97*-BL/P
14	9141	BALL, spherical bearing - fork to rocker (4)	97*-BL/P
15	11244	SPACER (rubber)	97*-BL/P
16	41040-88B	BRAKE REACTION LINK	97*-BL/P
17	44029-88	SPACER, right	97*-BL/P
18	44030-88	BUSHING, caliper mounting	97*-BL/P
19	44044-88A	BRACKET, caliper mounting	97*-BL/P
20	45646-95	ROCKER, right (black)	97*-BP
	45647-95	ROCKER, left (black)	97*-BP
	45649-91	ROCKER, left	97*-BL
	45651-91	ROCKER, right	97*-BL
21	45655-88	BEARING RETAINER, rigid fork (2)	97*-BL/P
22	45659-88	JAM NUT, bearing retainer (2)	97*-BL/P
23	45660-88A	PIVOT STUD, spring fork to rocker (2)	97*-BL/P
24	45662-88	WASHER, rocker to fork leg (4)	97*-BL/P
25	45663-88A	PIVOT STUD, rigid fork to rocker (2)	97*-BL/P

SOFTAIL MODELS			
FLSTC	BJ	FLSTF	BM
FXSTC	BK	FXSTSB	BP
FXSTS	BL	FLSTS	BR

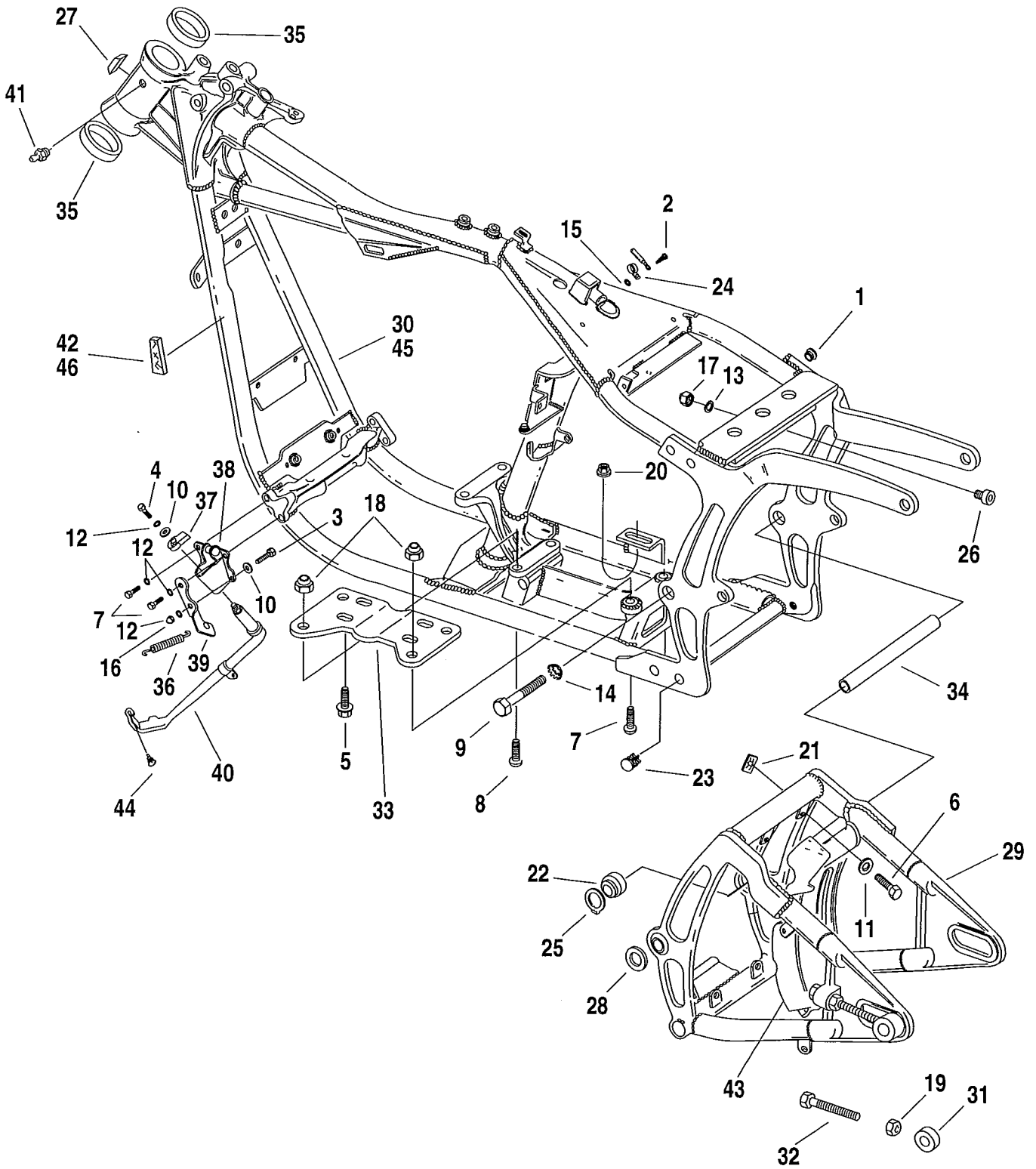
FORK ROCKERS & CALIPER MOUNTING - FLSTS



INDEX NO.	PART NO.	DESCRIPTION	MODELS
1	4163	SCREW (2)	97*-BR
2	4164	SCREW	97*-BR
3	4165	SCREW	97*-BR
4	6042	WASHER, front axle	97*-BR
5	6812	WASHER (2)	97*-BR
6	7862	ACORN LOCKNUT (2)	97*-BR
7	7880	NUT (4)	97*-BR
8	9139	BEARING, spherical - fork to rocker (2)	97*-BR
9	9140	RACE, spherical bearing - fork to rocker (4)	97*-BR
10	9141	BALL, spherical bearing - fork to rocker (4)	97*-BR
11	11260	RUBBER SPACER	97*-BR
12	41047-97	BRAKE REACTION LINK	97*-BR
13	44031-97	PIVOT SLEEVE, left	97*-BR
14	44086-97	BUSHING, caliper mounting	97*-BR
15	44236-97	BRACKET, caliper mounting	97*-BR
16	45629-97	FORK ROCKER, right	97*-BR
	45631-97	FORK ROCKER, left	97*-BR
17	45655-88	BEARING RETAINER, rigid fork (2)	97*-BR
18	45656-97	FORK LEG BRACKET	97*-BR
19	45659-88	JAM NUT, bearing retainer (2)	97*-BR
20	45660-88A	PIVOT STUD, spring fork to rocker (2)	97*-BR
21	45662-88	WASHER, rocker to fork leg (4)	97*-BR
22	45663-88A	PIVOT STUD, rigid fork to rocker (2)	97*-BR

SOFTAIL MODELS			
FLSTC	BJ	FLSTF	BM
FXSTC	BK	FXSTSB	BP
FXSTS	BL	FLSTS	BR

FRAME, REAR FORK & JIFFY STAND

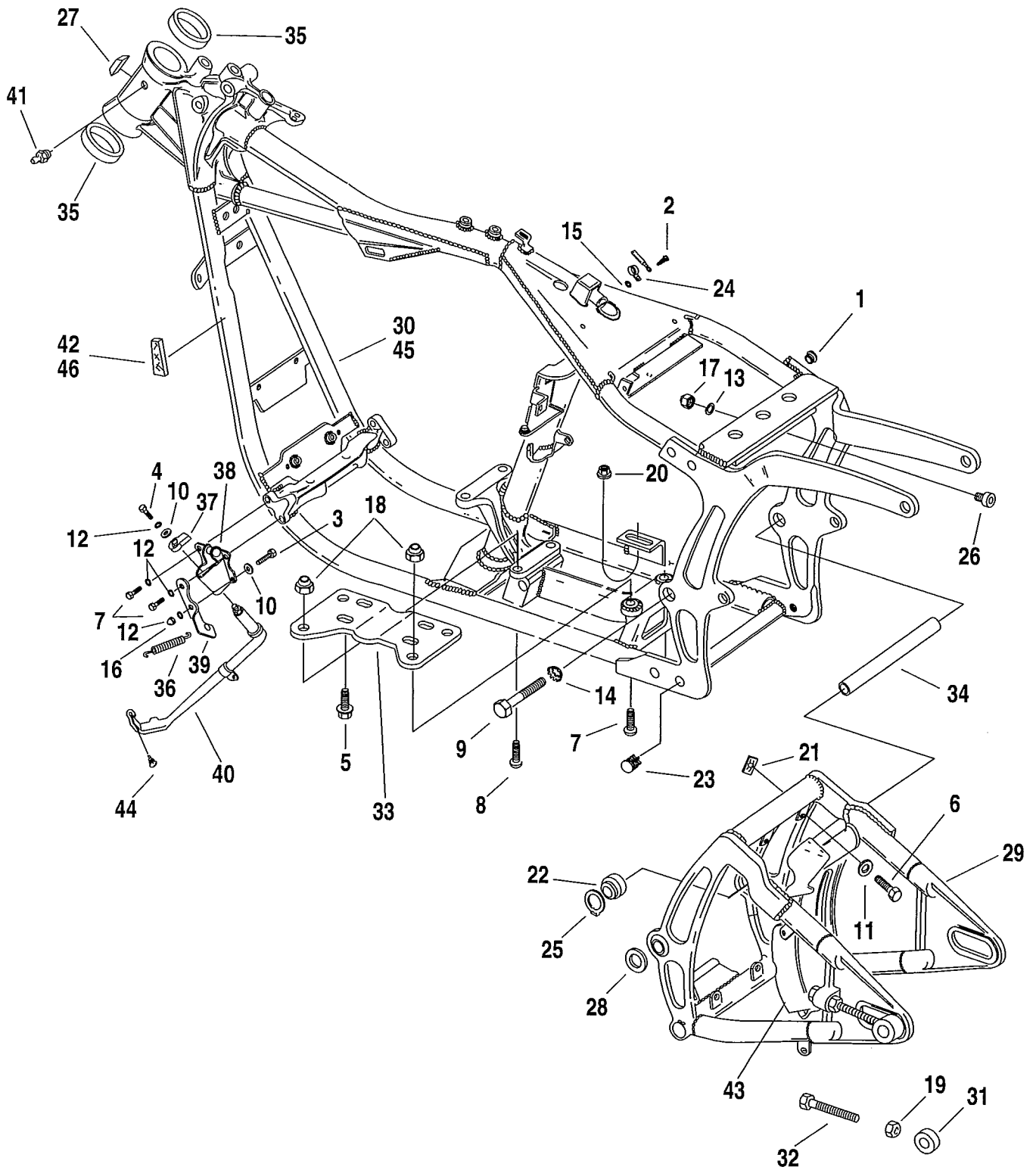


INDEX NO.	PART NO.	DESCRIPTION	MODELS
1	728	PLUG, frame side (2)	97*-BK/L/P
2	939	SCREW	97*-ALL
3	2871W	BOLT (2)	97*-BJ/M/R
	3987	BOLT (2)	97*-BK/L/P
4	2882W	BOLT	97*-ALL
5	3657	BOLT (4)	97*-ALL
6	3787	BOLT (4)	97*-ALL
7	3991	BOLT (2)	97*-ALL
8	4044	SCREW (4)	97*-ALL
9	4961	BOLT (2)	97*-ALL
10	6702	WASHER (2)	97*-ALL
11	6703	WASHER (4)	97*-ALL
12	7041	LOCKWASHER (4)	97*-ALL
13	7124	LOCKWASHER	97*-ALL
14	7142	LOCKWASHER (2)	97*-ALL
15	7230	LOCKWASHER	97*-ALL
16	7507	ACORN NUT (3)	97*-BK/L/P
	7748W	NUT (3)	97*-BJ/M/R
17	7742	LOCKNUT (2)	97*-ALL
18	7778	LOCKNUT (4)	97*-ALL
19	7783	NUT, rear axle adj. (2)	97*-ALL
20	7942	FLANGE LOCKNUT	97*-ALL
21	8108	SPEED NUT (4)	97*-ALL
22	9076	BEARING, rear fork pivot (2)	97*-ALL
23	10040	PLUG (2)	97*-BJ/K/L/M/P
24	10059A	CLAMP	97*-ALL
25	11158	RETAINING RING, fork bearing (2)	97*-ALL
26	11451	CUSHION (2)	97*-ALL
27	11456	BUMPER	97*-BL/P

SOFTAIL MODELS

FLSTC	BJ	FLSTF	BM
FXSTC	BK	FXSTSB	BP
FXSTS	BL	FLSTS	BR

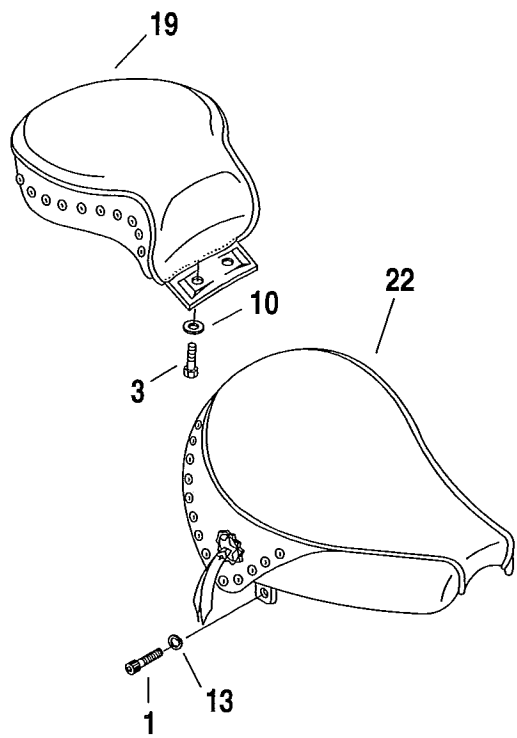
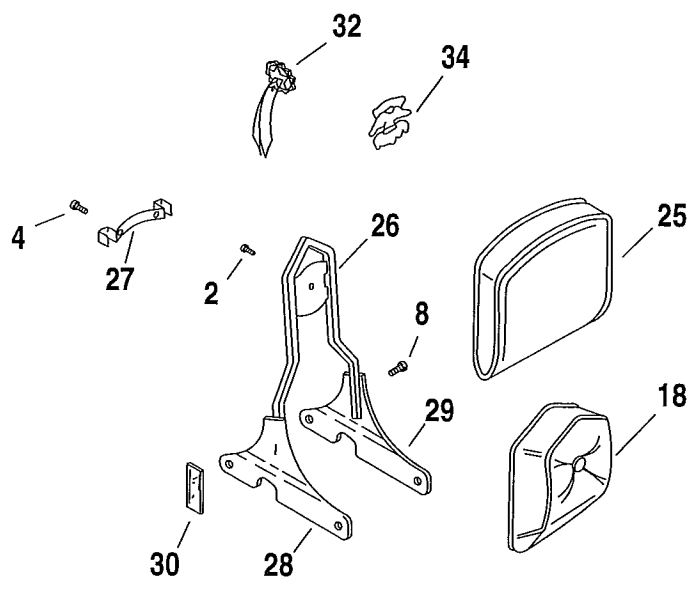
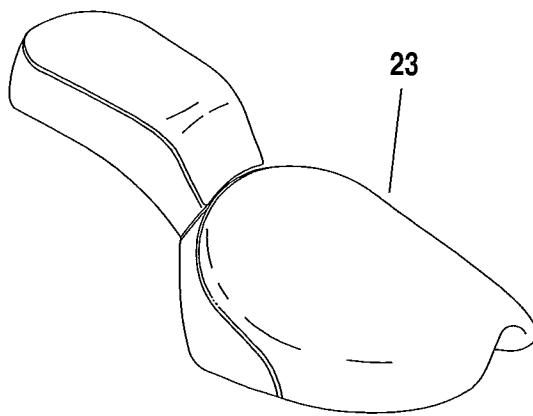
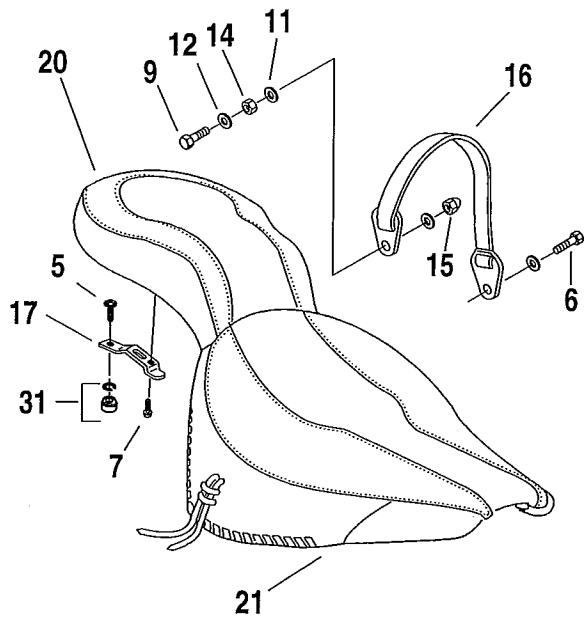
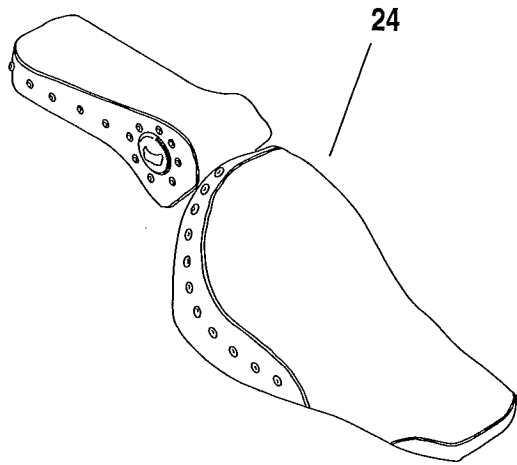
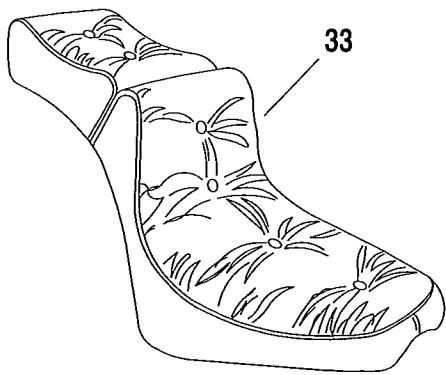
FRAME, REAR FORK & JIFFY STAND



INDEX NO.	PART NO.	DESCRIPTION	MODELS
28	43283-86	SPACER, rear fork pivot (2)	97*-ALL
29	47573-89B	REAR FORK, w/ #22 & 25	97*-ALL
30	47008-92B	FRAME	97*-ALL
31	47577-94	SPACER, rear axle adj. (2)	97*-ALL
32	47579-93	ADJUSTING SCREW, rear axle (2)	97*-ALL
33	47698-86B	TRANSMISSION MOUNTING PLATE	97*-ALL
34	48031-89A	SWING AXIS TUBE	97*-ALL
35	48315-60	BEARING CUP (2)	97*-ALL
36	50005-85A	SPRING, jiffy stand leg	97*-ALL
37	50015-74A	LEG STOP	97*-ALL
38	50018-85	LEG BRACKET, (chrome)	97*-ALL
39	50028-91	BRACKET, spring (chrome)	97*-ALL
40	50087-89A	LEG, jiffy stand (chrome)	97*-ALL
41	50972-75	FITTING, lubrication	97*-ALL
42	59258-91	REFLECTOR (amber) (2)	97*-ALL
43	60363-86C	REAR FENDER EXTENSION	97*-ALL
44	62123-66	BUMPER	97*-ALL
H-D INTERNATIONAL ONLY			
45	48130-92B	FRAME (HDI only)	97*-ALL
	48140-84A	STEERING HEAD LOCK (HDI only) (not illustrated)	97*-ALL
	50025-84	SPRING, jiffy stand (HDI only) (not illustrated)	97*-ALL
	50027-84	SPRING, jiffy stand (HDI only) (not illustrated)	97*-ALL
	50034-84	SPRING, jiffy stand (HDI only) (not illustrated)	97*-ALL
46	59265-90	REFLECTOR (amber) (2) (HDI only)	97*-BL/M

SOFTAIL MODELS			
FLSTC	BJ	FLSTF	BM
FXSTC	BK	FXSTSB	BP
FXSTS	BL	FLSTS	BR

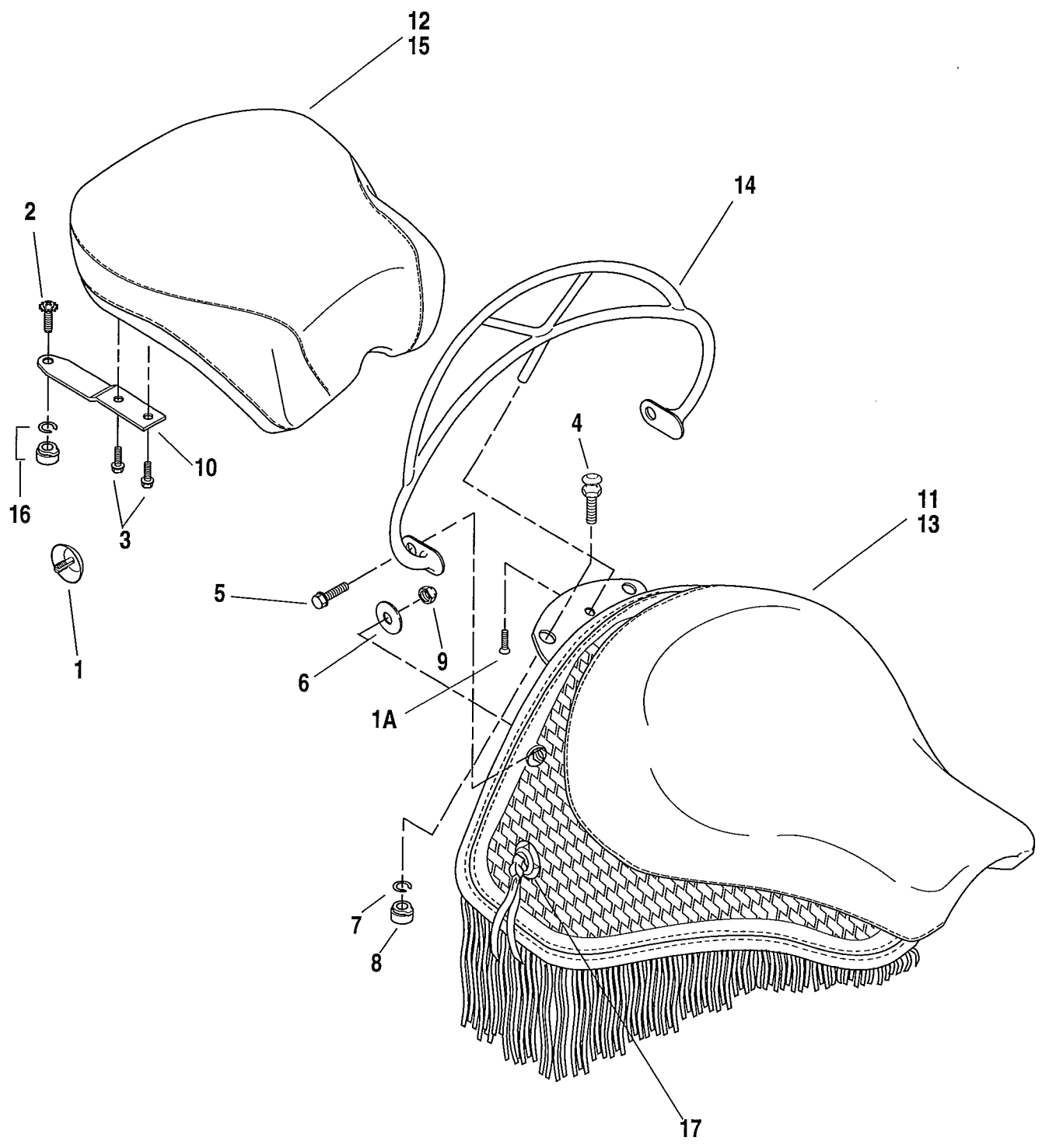
SEATS & SISSY BARS



INDEX NO.	PART NO.	DESCRIPTION	MODELS
1	868	SCREW (2)	97*-BJ/M
2	1357W	SCREW	97*-BJ/K
3	2534	BOLT (2)	97*-BM
4	3974HW	BOLT (2)	97*-BJ
	2538	SCREW (2)	97*-BJ
	2607	SCREW (2)	97*-BK
5	2952	SCREW	97*-BJ/K/L/M/P
6	2879W	BOLT (2)	97*-BJ/K
7	3574	BOLT (2)	97*-BJ/K/L/M/P
8	3793A	SCREW (4)	97*-BJ/K
9	4721	BOLT (2)	97*-BJ/M
10	6333	WASHER (2)	97*-BJ/M
11	6379W	WASHER (4)	97*-BJ/M
12	6701	WASHER (2)	97*-BJ/M
13	7068	LOCKWASHER (2)	97*-BJ/M
14	7643W	JAM NUT (2)	97*-BJ/K/L/M/P
15	7680W	ACORN NUT (2)	97*-BJ/M
16	51175-95	PASSENGER STRAP KIT (black)	97*-BK
17	51183-95A	PASSENGER STRAP	97*-BP
	51184-88A	PASSENGER STRAP (black)	97*-BL
	51185-90	PASSENGER STRAP (black)	97*-BJ
	51186-89B	PASSENGER STRAP (black)	97*-BM
18	51652-83B	BRACKET, seat	97*-BJ/K/L/M/P
19	52191-86	BACKREST	97*-BK
20	52208-96	SEAT KIT, passenger (black)	97*-BJ
21	52209-90C	SEAT KIT, passenger (w/ textured panel)	97*-BM
22	52217-90C	SEAT, front (w/ textured panel)	97*-BM
23	52236-86D	SEAT KIT, solo (black)	97*-BJ
24	52503-88E	SEAT	97*-BL
25	52510-95A	SEAT	97*-BP
26	52541-87	BACKREST KIT w/ concho (black)	97*-BJ
27	52735-85	UPRIGHT KIT, sissy bar with mounting screws	97*-BJ/K
28	52771-82	BRACKET, backrest	97*-BJ/K
29	52787-92	SIDE PLATE, right	97*-BJ/K
30	52788-92	SIDE PLATE, left	97*-BJ/K
31	59255-91	REFLECTOR (red) (2)	97*-BJ
32	59768-97	SEAT NUT KIT, with retention washer	97*-BJ/K/L/M/P
33	91768-85C	SEAT (black)	97*-BK
34	91850-87A	CONCHO	97*-BJ
34	99000-77	MEDALLION	97*-BK
H-D INTERNATIONAL ONLY			
33	59254-91	REFLECTOR (amber) (2) (HDI only)	97*-BJ/K/L

SOFTAIL MODELS			
FLSTC	BJ	FLSTF	BM
FXSTC	BK	FXSTSB	BP
FXSTS	BL	FLSTS	BR

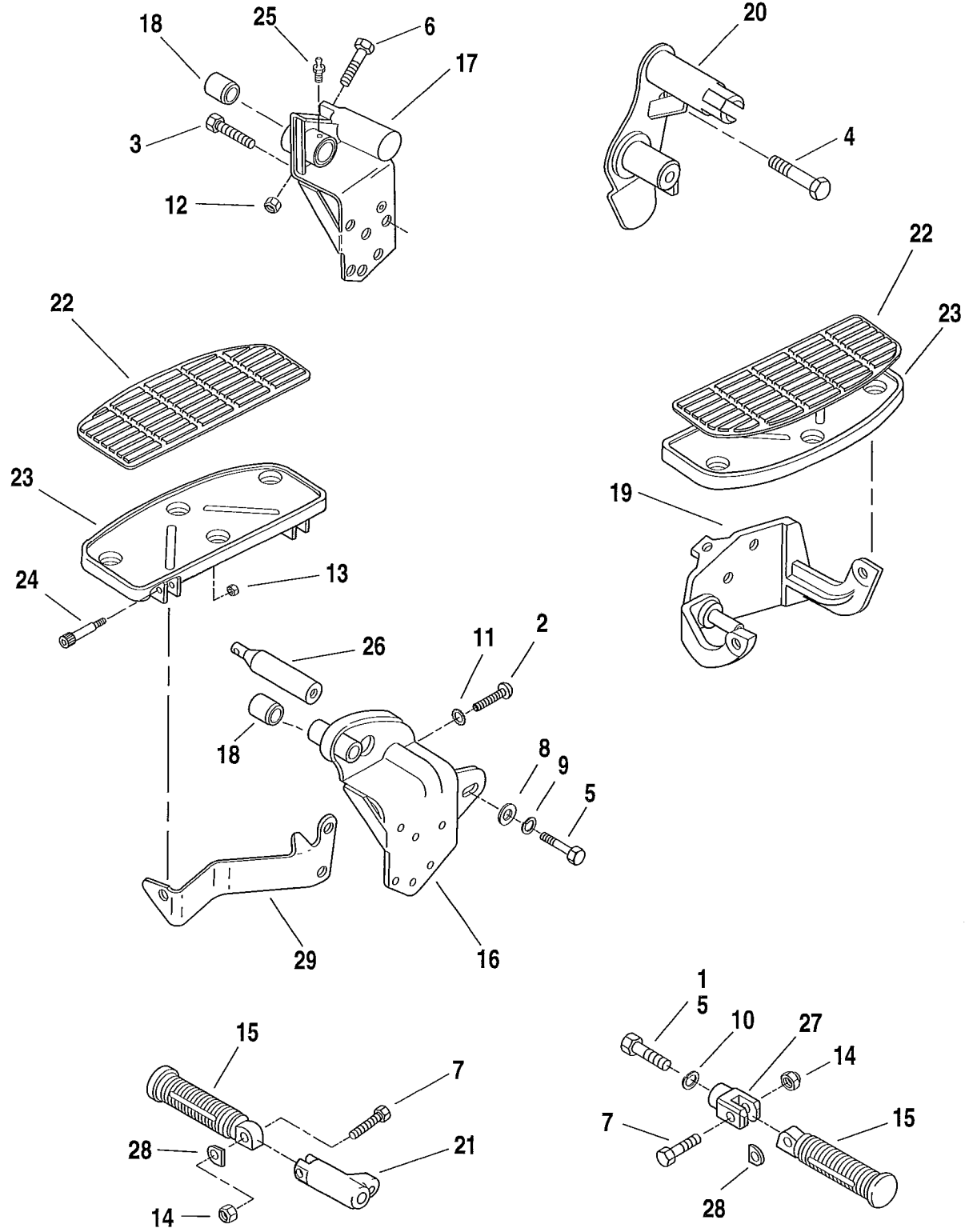
SEAT - FLSTS



INDEX NO.	PART NO.	DESCRIPTION	MODELS
1	762	CAP, plastic (chrome)	97*-BR
1A	2927	SCREW	97*-BR
2	2952	SCREW	97*-BR
3	3574	BOLT (2)	97*-BR
4	3662A	STUD, seat mounting (2)	97*-BR
5	3770	SCREW (2)	97*-BR
6	6036	WASHER (2)	97*-BR
7	7484	RETENTION WASHER, seat (2)	97*-BR
8	7485	RETENTION NUT, seat (2)	97*-BR
9	7686	LOCKNUT (2)	97*-BR
10	52152-97	BRACKET, passenger seat	97*-BR
11	52330-97	SEAT (black/blue)	97*-BR
	52331-97	SEAT (black/red)	97*-BR
12	52349-97	PASSENGER SEAT KIT, w/brkt. & bolts (black/blue)	97*-BR
	52607-97	PASSENGER SEAT KIT, w/brkt. & bolts (black/red)	97*-BR
13	52512-97	SEAT ASM. with grab rail (black/blue)	97*-BR
	52606-97	SEAT ASM. with grab rail (black/red)	97*-BR
14	52687-97	GRAB RAIL KIT, seat, with #1A, 5, 6, 9	97*-BR
15	52838-97	PASSENGER SEAT (black/red)	97*-BR
	52839-97	PASSENGER SEAT (black/blue)	97*-BR
16	59768-97	SEAT NUT KIT, with retention washer	97*-BR
17	91877-97	CONCHO (2)	97*-BR

SOFTAIL MODELS			
FLSTC	BJ	FLSTF	BM
FXSTC	BK	FXSTSB	BP
FXSTS	BL	FLSTS	BR

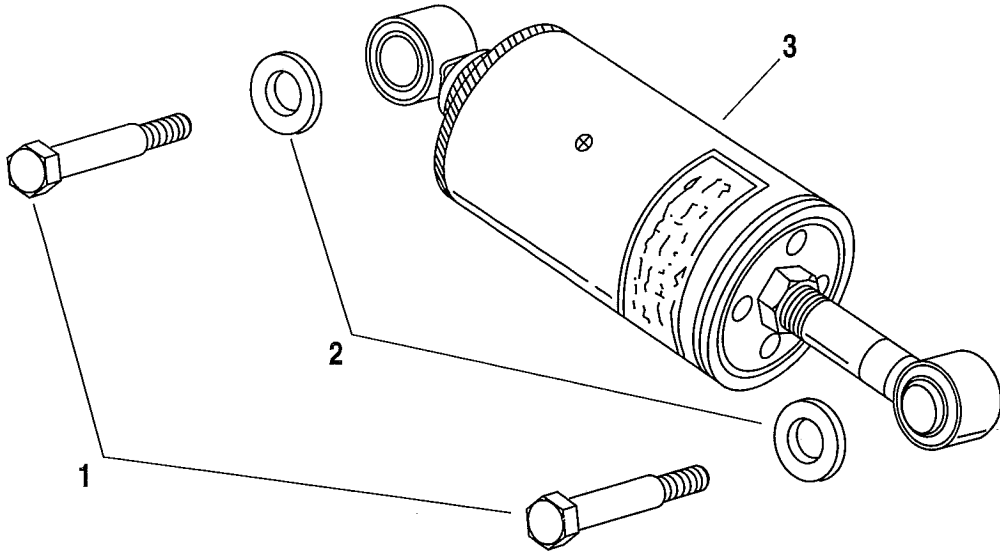
FOOTRESTS & FOOTBOARDS



INDEX NO.	PART NO.	DESCRIPTION	MODELS
1	872A	BOLT - right	97*-BM
2	2773	SCREW	97*-BJ/M/R
3	3440	BOLT	97*-ALL
4	3464	BOLT	97*-BK/L/P
5	3516A	BOLT (2)	97*-BK/L/M/P
	3549A	BOLT (2)	97*-BJ/R
6	4716W	SCREW	97*-BK/L/P
7	4721	BOLT (as required)	97*-ALL
8	6400HB	WASHER	97*-BJ/M/R
9	7038	LOCKWASHER	97*-BJ/M/R
10	7068	LOCKWASHER (as required)	97*-ALL
11	7230	LOCKWASHER	97*-BJ/M/R
12	7667	LOCKNUT	97*-BK/L/P
13	7716	LOCKNUT (4)	97*-BJ/M/R
14	7778	LOCKNUT (2)	97*-ALL
15	33048-72	FOOTREST w/ cover (2-BJ/M/R; 4-BK/L/P)	97*-ALL
	33189-63	COVER, (black) (2-BJ/M/R; 4-BK/L/P)	97*-ALL
16	33630-90A	BRACKET KIT, left	97*-BJ/M/R
17	33683-90A	BRACKET, shifter & footrest	97*-BK/L/P
18	33708-94	BEARING SLEEVE (2)	97*-ALL
19	42431-87A	BRACKET	97*-BJ/M/R
20	42507-89A	BRACKET, brake lever & footrest	97*-BK/L/P
21	49166-97	SUPPORT, passenger footrest - left	97*-BR
22	50614-91A	PAD (2)	97*-BJ/M/R
23	50621-79A	FOOTBOARD, w/# 22 (2)	97*-BJ/M/R
24	50635-82A	BOLT, footboard hinge (4)	97*-BJ/M/R
25	50972-75	FITTING, lubrication	97*-BK/L/P
26	50989-86	STUD, left front (chrome)	97*-BJ/M/R
27	50900-72	SUPPORT, passenger footrest (2)	97*-ALL
28	50912-72	SPRING WASHER (as required)	97*-ALL
29	50990-86B	SUPPORT BRACKET, left rear	97*-BJ/M/R

SOFTAIL MODELS			
FLSTC	BJ	FLSTF	BM
FXSTC	BK	FXSTSB	BP
FXSTS	BL	FLSTS	BR

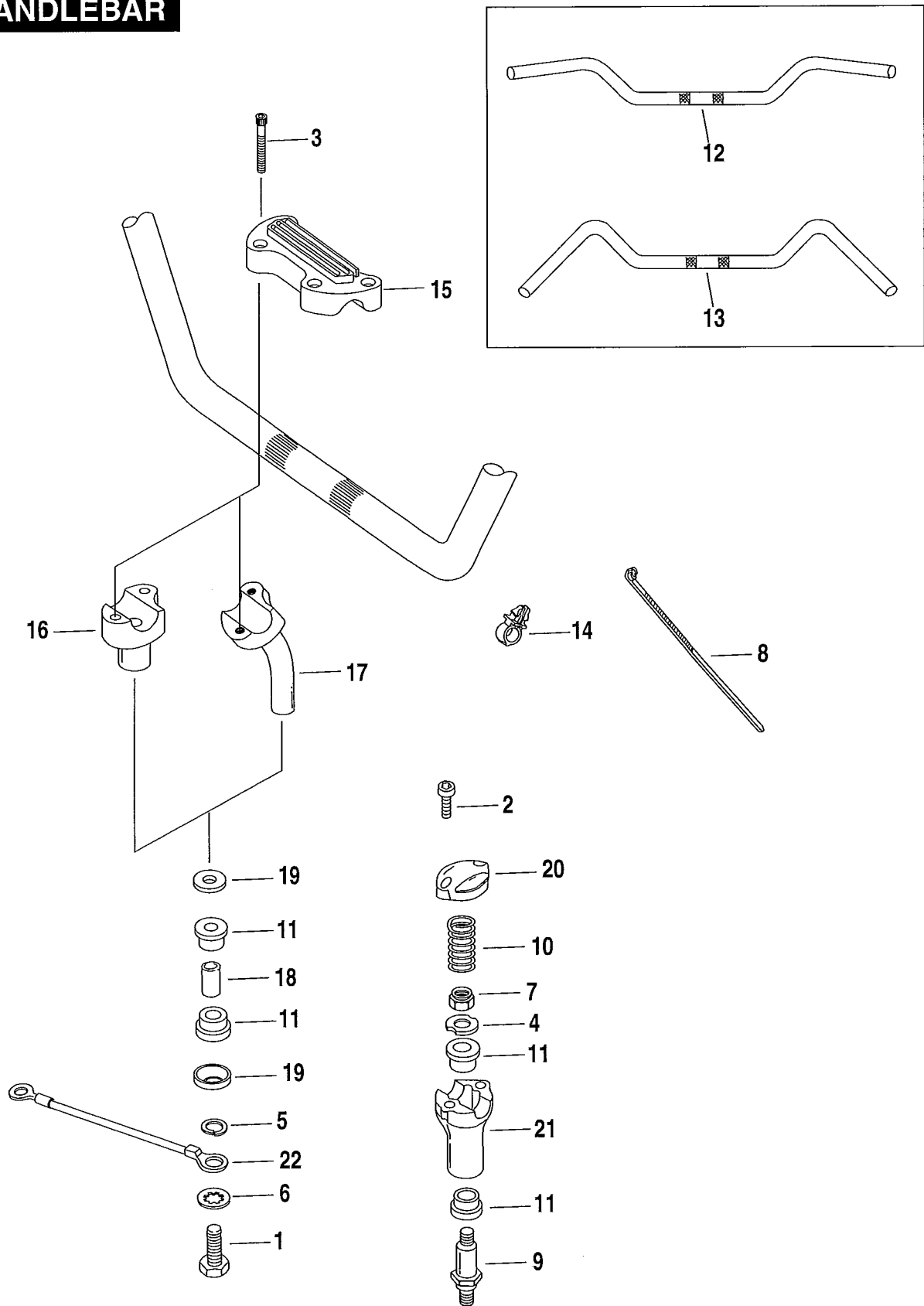
SHOCK ABSORBERS - REAR



INDEX NO.	PART NO.	DESCRIPTION	MODELS
1	4074	BOLT (4)	97*-ALL
2	6724	WASHER (4)	97*-ALL
3	54508-89A	SHOCK ABSORBER, complete (2)	97*-ALL

SOFTAIL MODELS			
FLSTC	BJ	FLSTF	BM
FXSTC	BK	FXSTSB	BP
FXSTS	BL	FLSTS	BR

HANDLEBAR



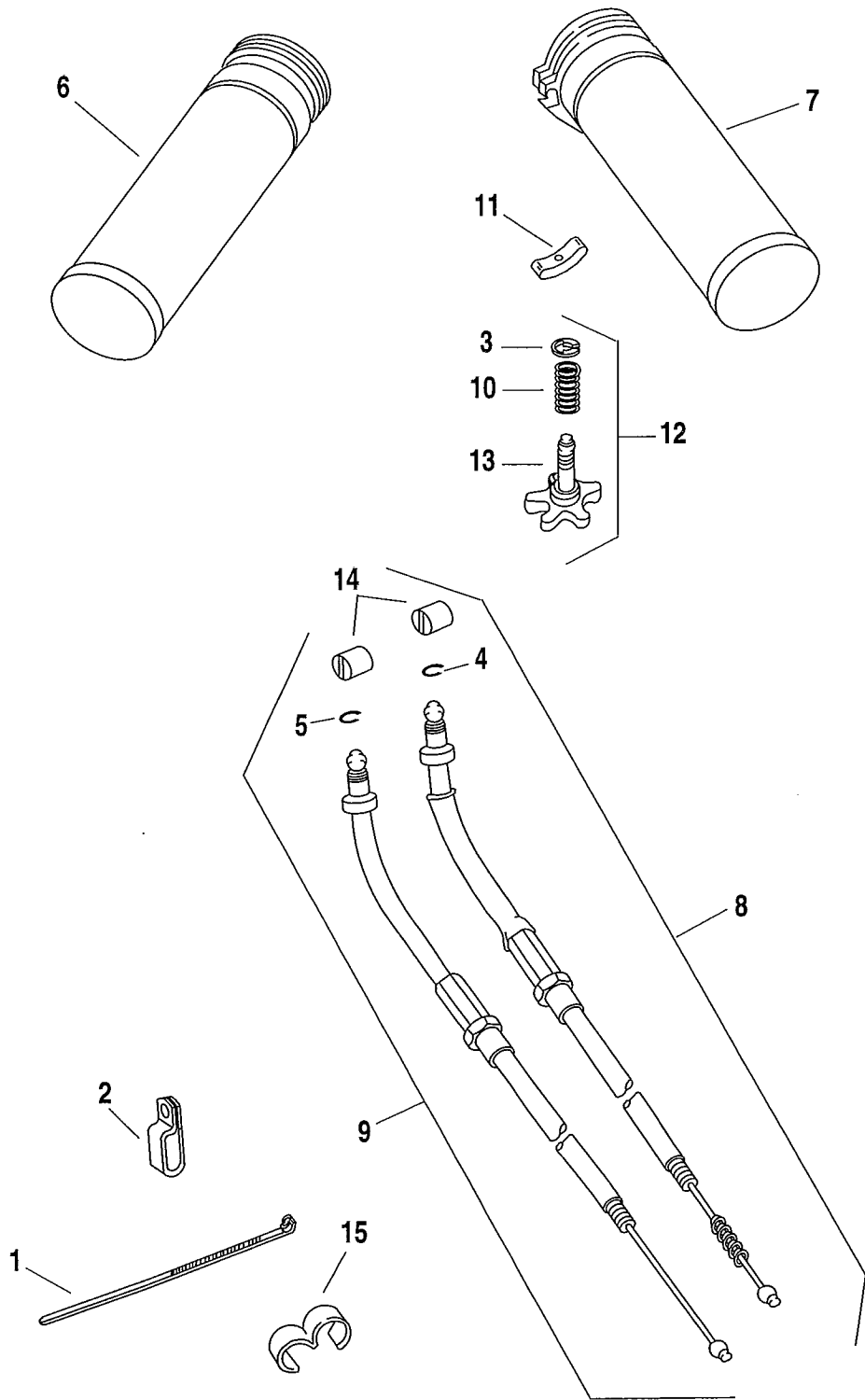
INDEX NO.	PART NO.	DESCRIPTION	MODELS
1	3471	BOLT (2)	97*-BJ/K/M
2	3494A	SCREW (4)	97*-BL/P/R
3	4816A	SCREW (4)	97*-BJ/K/M
4	6753	WASHER (2)	97*-BL/P
	6756	WASHER (2)	97*-BR
5	7068	LOCKWASHER (2)	97*-BJ/K/M
6	7129	LOCKWASHER, right side only	97*-BJ/M
7	7768W	LOCKNUT (2)	97*-BK/L/P/R
8	10065	CABLE STRAP (2)	97*-BL/P
9	45544-88	STUD, rigid fork leg (2)	97*-BL/P
	56550-97	STUD, rigid fork leg (2)	97*-BR
10	46059-90	SPRING	97*-BL/P
	46058-97	SPRING, right side only	97*-BR
11	53156-86	BUSHING (rubber) (4)	97*-BJ/K/L/M/P
	53157-97	BUSHING (rubber) (4)	97*-BR
12	55919-82	HANDLEBAR	97*-BM
	55933-97	HANDLEBAR	97*-BR
	56569-86	HANDLEBAR	97*-BJ
	56094-95	HANDLEBAR	97*-BP
13	56081-82A	HANDLEBAR	97*-BK
	56093-88A	HANDLEBAR	97*-BL
14	56073-83	RETAINER (4)	97*-ALL
15	56119-77A	CLAMP, upper	97*-BK
	56567-86A	CLAMP, upper (chrome)	97*-BJ/M
16	56541-86A	CLAMP, lower - left (chrome)	97*-BJ/M
	56542-86A	CLAMP, lower - right (chrome)	97*-BJ/M
17	56122-77	CLAMP, lower - left	97*-BK
	56124-77	CLAMP, lower - right	97*-BK
18	56153-73	SPACER (2)	97*-BJ/K/M
19	56159-73	CUP WASHER (4)	97*-BJ/K/M
20	56538-88	CLAMP (2)	97*-BL/R
	56547-95	CLAMP (2)	97*-BP
21	56540-88	RISER (2)	97*-BL
	56546-95	RISER (2)	97*-BP
	56548-97	RISER (2)	97*-BR
22	70197-86	CABLE, ground	97*-BJ/M

H-D INTERNATIONAL ONLY

2	3664	SCREW (4)	97*-BL
---	------	-----------	--------

SOFTAIL MODELS			
FLSTC	BJ	FLSTF	BM
FXSTC	BK	FXSTSB	BP
FXSTS	BL	FLSTS	BR

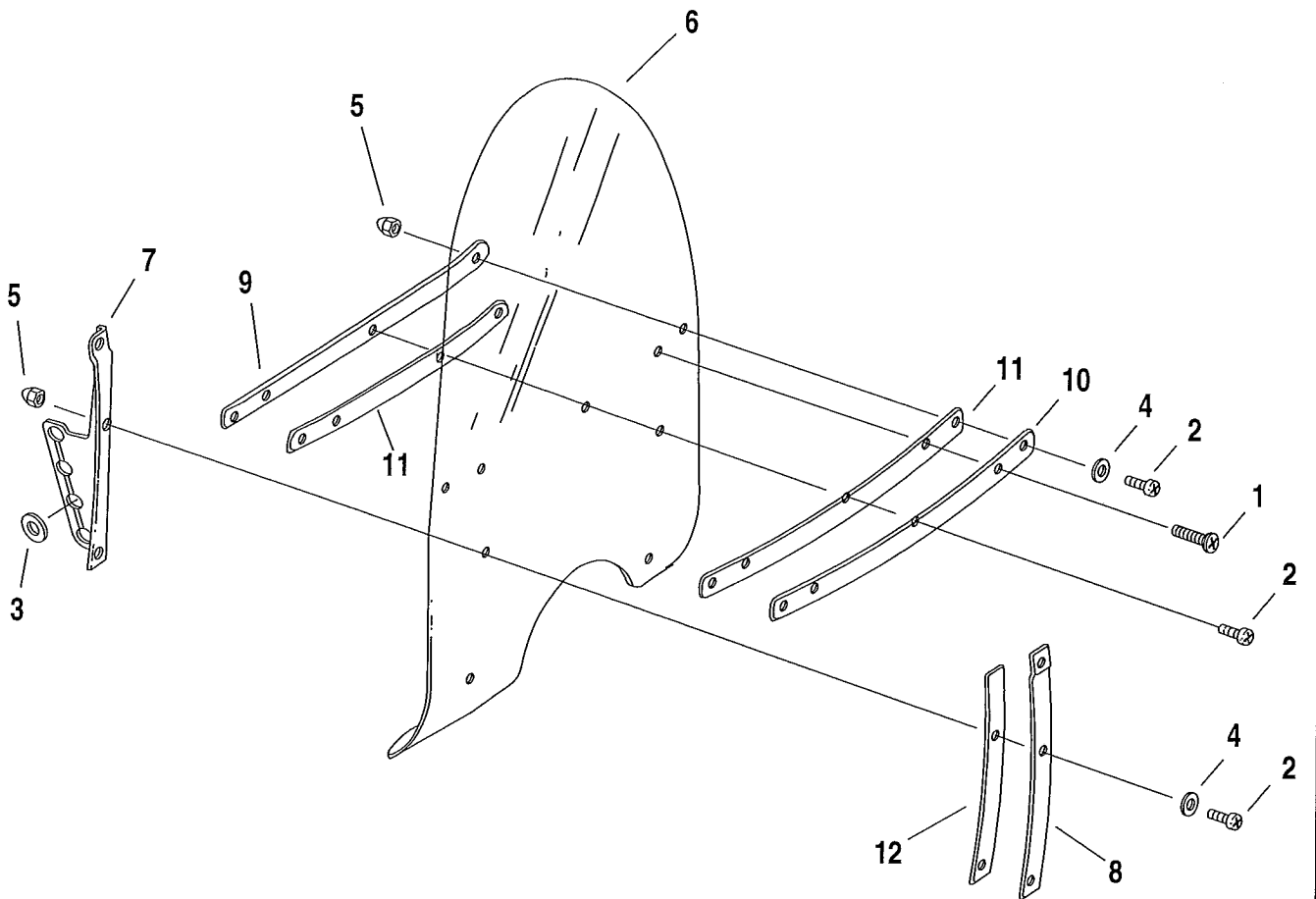
THROTTLE CONTROL



INDEX NO.	PART NO.	DESCRIPTION	MODELS
1	10006	CABLE STRAP	97*-ALL
2	10146	CLAMP, throttle cables	97*-BL/P
	10190	WIRE GUIDE, throttle cables (not illustrated)	97*-BR
3	11155	RETAINING RING	97*-ALL
4	11271	RETAINING RING, idle control	97*-ALL
5	11272	RETAINING RING, throttle control	97*-ALL
6	56206-96	GRIP, left	97*-ALL
7	56220-94A	GRIP & SLEEVE, throttle - right	97*-ALL
8	56305-96	IDLE CONTROL ASM.	97*-BL
	56342-96	IDLE CONTROL ASM.	97*-BJ/K/M/P/R
9	56306-96	THROTTLE CONTROL ASM.	97*-BL
	56343-96	THROTTLE CONTROL ASM.	97*-BJ/K/M/P/R
10	56394-74	SPRING, adjusting screw	97*-ALL
11	56396-74A	FRICITION SPRING, throttle	97*-ALL
12	56397-74C	ADJUSTING SCREW KIT	97*-ALL
13	56402-83A	ADJUSTING SCREW	97*-ALL
14	56508-76	FERRULE, control wire (2)	97*-ALL
15	70504-81	CLIP, throttle cables	97*-ALL

SOFTAIL MODELS			
FLSTC	BJ	FLSTF	BM
FXSTC	BK	FXSTSB	BP
FXSTS	BL	FLSTS	BR

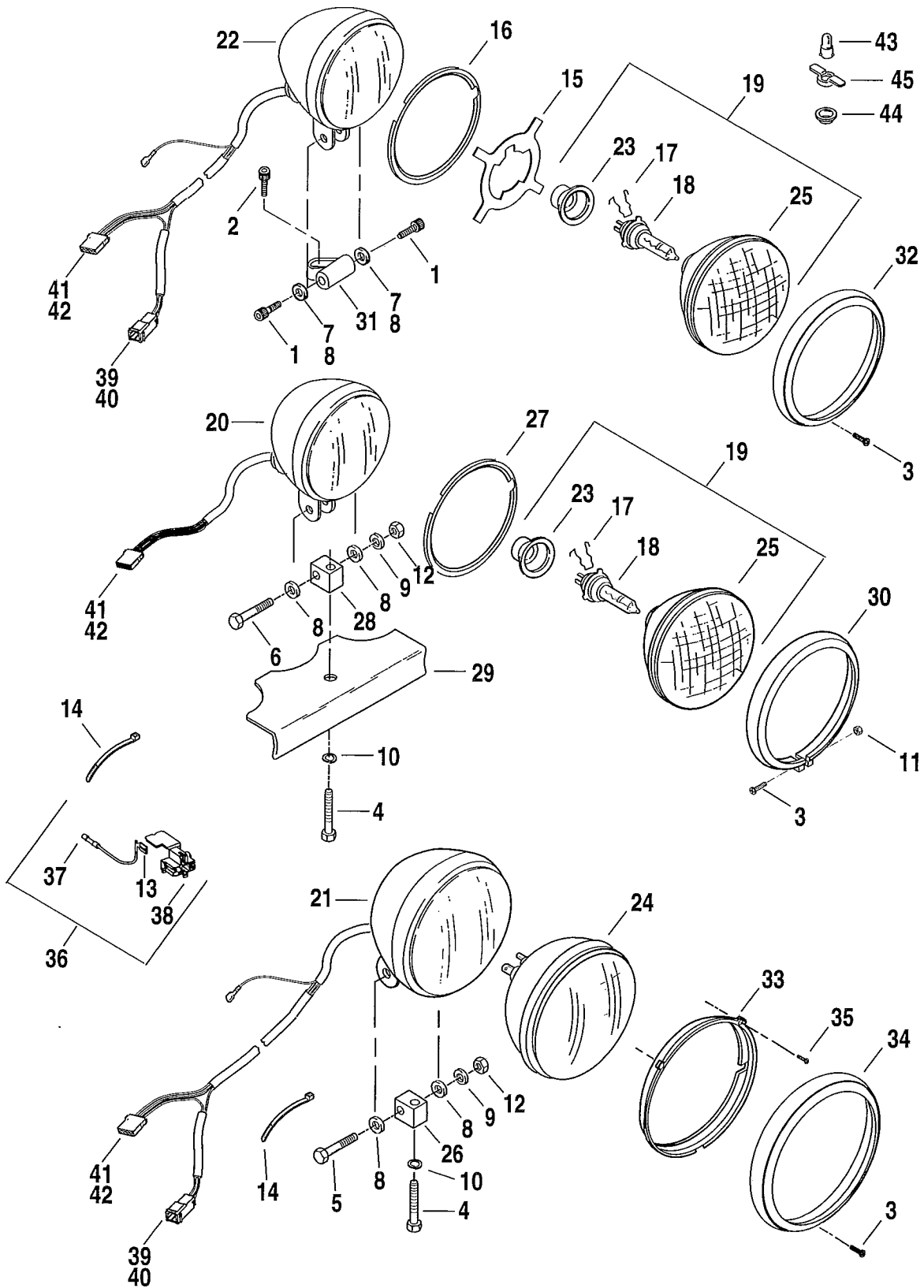
WINDSHIELD - FLSTC



INDEX NO.	PART NO.	DESCRIPTION	MODELS
1	2444	SCREW (2)	97*-BJ
2	2921	SCREW (7)	97*-BJ
3	6645	WASHER (4)	97*-BJ
4	7073	WASHER (9)	97*-BJ
5	7651	ACORN NUT (9)	97*-BJ
6	58450-97	WINDSHIELD ASSEMBLY, complete	97*-BJ
7	58078-49	ADJUSTING BRACKET, right	97*-BJ
	58079-49	ADJUSTING BRACKET, left	97*-BJ
8	58406-75A	BRACE, right	97*-BJ
	58408-75A	BRACE, left	97*-BJ
9	58411-76A	BRACE, inner	97*-BJ
10	58412-76A	BRACE, outer	97*-BJ
11	58416-77A	TAPE (2)	97*-BJ
12	58417-77	TAPE (2)	97*-BJ
H-D INTERNATIONAL ONLY			
6	58463-97	WINDSHIELD ASSEMBLY, complete	97*-BJ

SOFTAIL MODELS			
FLSTC	BJ	FLSTF	BM
FXSTC	BK	FXSTSB	BP
FXSTS	BL	FLSTS	BR

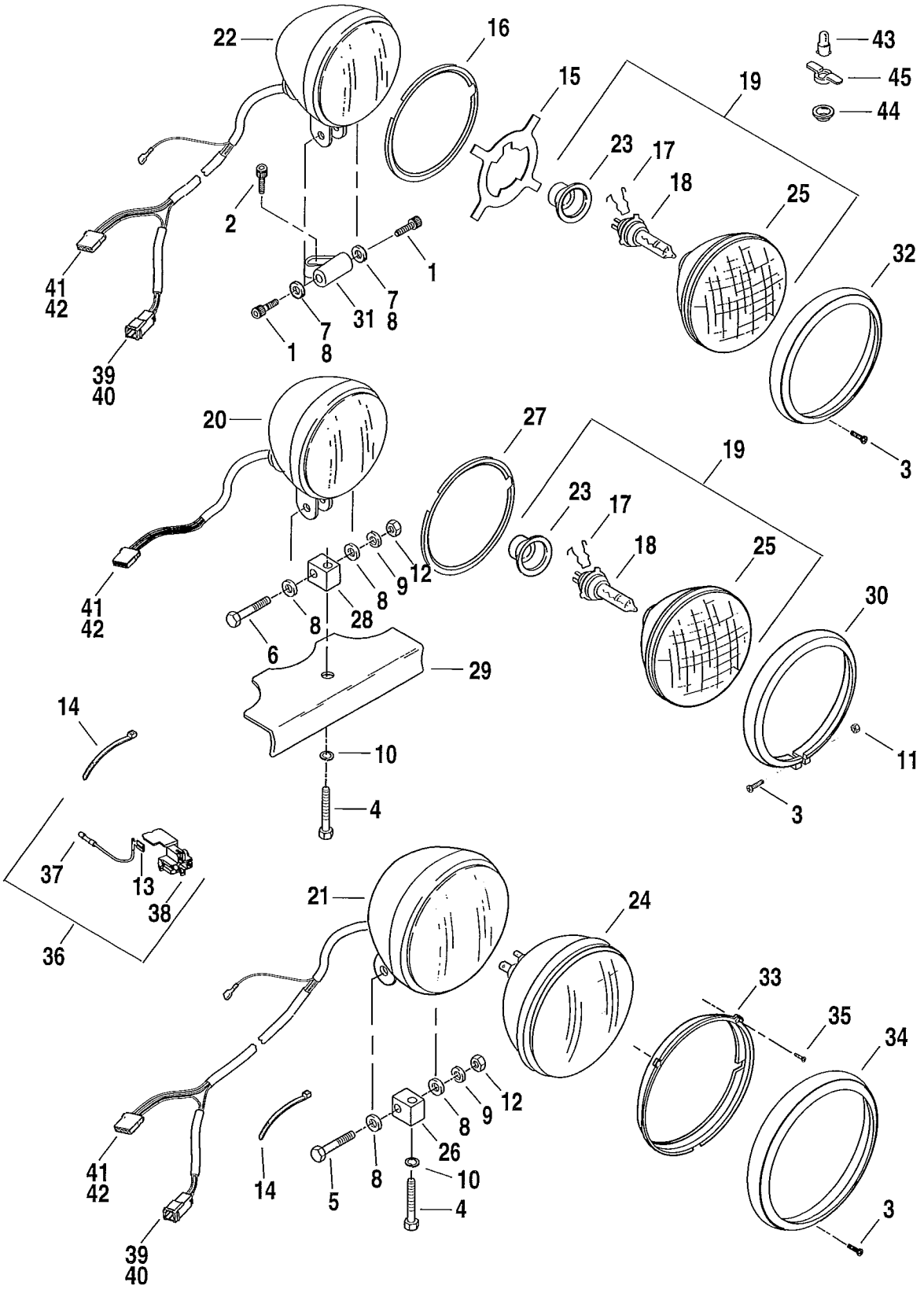
HEADLAMP



INDEX NO.	PART NO.	DESCRIPTION	MODELS
1	2917	SCREW (2)	97*-BL/P/R
2	3214	BOLT	97*-BL/P/R
3	3514	SCREW	97*-ALL
4	3419	BOLT	97*-BJ/K/M
5	4411	BOLT	97*-BJ/M
6	4724	BOLT	97*-BK
7	6379W	WASHER (2)	97*-BL/P
8	6701	WASHER (2)	97*-BJ/K/M/R
9	7038	LOCKWASHER	97*-BJ/K/M
10	7130W	LOCKWASHER	97*-BJ/K/M
11	7606	NUT	97*-BK
12	7800W	NUT	97*-BJ/K/M
13	9847	WIRE TERMINAL, female spade - R.H.	97*-ALL
	9848	WIRE TERMINAL, female spade - L.H. (2)	97*-ALL
14	10065	CABLE STRAP	97*-ALL
15	67601-94	GASKET, headlamp	97*-BL/P/R
16	67603-94	ADAPTER RING	97*-BL/P/R
17	67685-92	CLIP, bulb	97*-BK/L/P/R
18	67697-81	BULB, halogen-H-4	97*-BK/L/P/R
19	67698-81C	HEADLAMP ASM. w/ bulb, boot & clip - 5-3/4"	97*-BK/L/P/R
20	67770-96	HEADLAMP ASM. w/ housing & wiring - 5-3/4"	97*-BK
21	67824-96	HEADLAMP ASM. w/ housing & wiring - 7"	97*-BM
	67903-96	HEADLAMP ASM. w/ housing & wiring - 7"	97*-BJ
22	67841-96	HEADLAMP ASM. w/ housing & wiring - 5-3/4"	97*-BL/P
	67906-97	HEADLAMP ASM. w/ housing & wiring - 5-3/4"	97*-BR
23	67705-92	BOOT, connector	97*-BK/L/P/R
24	67713-86	SEALED BEAM UNIT - 7"	97*-BJ/M
25	67757-92	LENS w/ clip	97*-BK/L/P/R
26	67768-97	MOUNTING BLOCK	97*-BJ/M
27	67769-93	ADAPTER RING	97*-BK
28	67772-97	MOUNTING BLOCK	97*-BK
29	67773-80A	MOUNTING PLATE	97*-BK
30	67790-93	TRIM RING (chrome)	97*-BK
31	67892-93	MOUNTING BLOCK	97*-BL/P/R
32	67894-93	TRIM RING (chrome)	97*-BL/P/R
33	68050-93	RETAINING RING	97*-BJ/M
34	68051-93	TRIM RING (chrome)	97*-BJ/M
35	68052-93	SCREW (3)	97*-BJ/M

SOFTAIL MODELS			
FLSTC	BJ	FLSTF	BM
FXSTC	BK	FXSTSB	BP
FXSTS	BL	FLSTS	BR

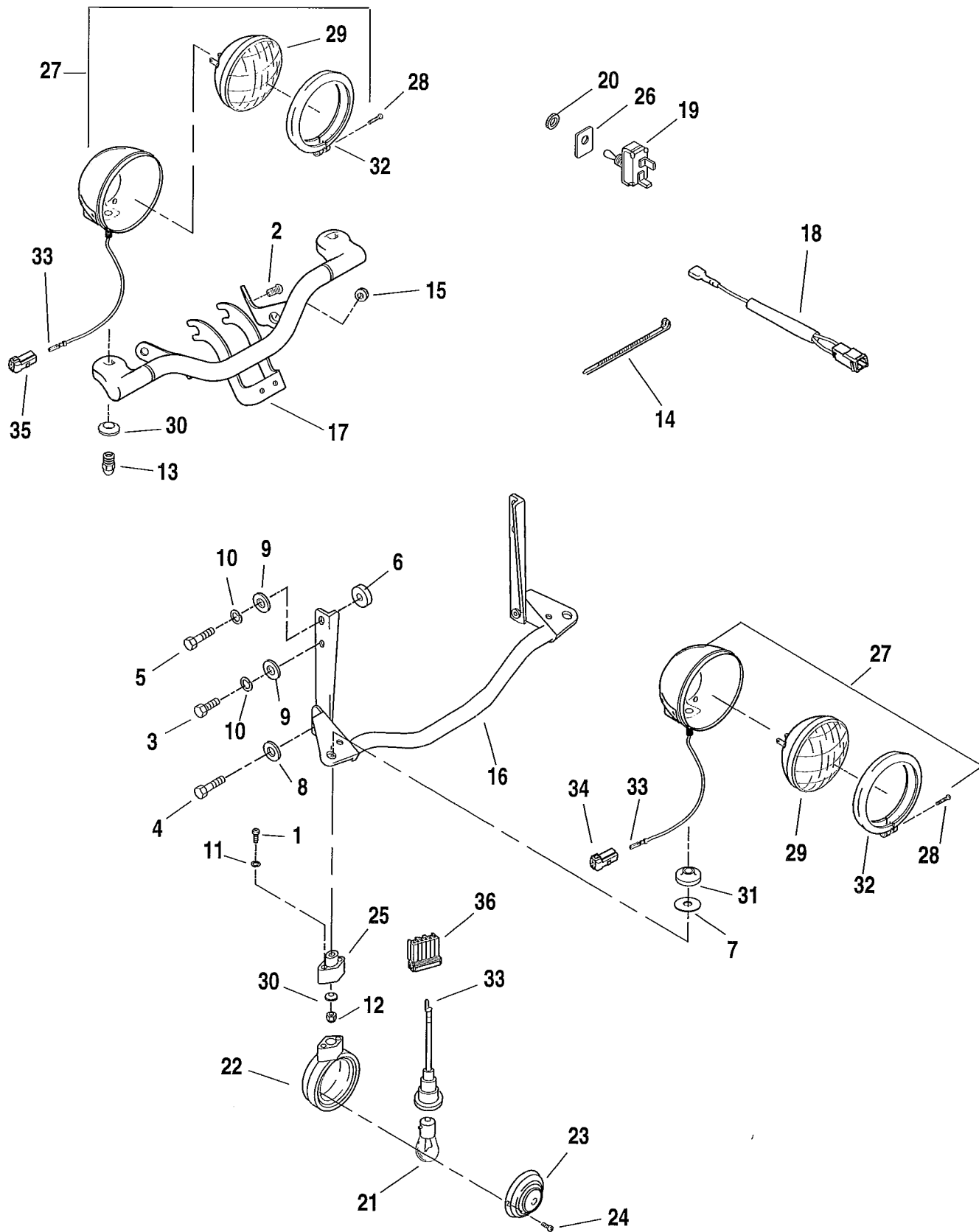
HEADLAMP



INDEX NO.	PART NO.	DESCRIPTION	MODELS
36	68705-93A	CONNECTOR ASM., headlamp - w/wires, terminals & splice connectors	97*-ALL
37	70586-93	CONNECTOR, butt splice, 16-22 ga. (4)	97*-ALL
38	72056-92	INSULATOR, spade terminal (three-way)	97*-ALL
39	73190-96	PIN TERMINAL, 16-20 ga. (2)	97*-BJ/R
40	73102-96BK	PIN HOUSING, 2-place	97*-BJ/R
41	73154-96BK	SOCKET HOUSING, 4-place	97*-ALL
42	73191-96	CONTACT SOCKET, 16-20 ga. (3)	97*-ALL
H-D INTERNATIONAL ONLY			
43	53438-92	BULB, position lamp	97*-ALL
15	67602-94	GASKET, headlamp	97*-BL/P/R
44	67691-92	GROMMET, position lamp	97*-ALL
19	67763-92	LENS ASM., w/ bulb & boot - R.H. Dip	97*-BK/L/P/R
	67781-92	LENS ASM., w/ bulb & boot - L.H. Dip	97*-BK/L/P/R
24	67793-92	LENS ASM., w/ bulb & boot - R.H. Dip	97*-BJ/M
	67801-92	LENS ASM., w/ bulb & boot - L.H. Dip	97*-BJ/M
23	67798-92	BOOT	97*-BJ/M
20	67656-96	HEADLAMP, complete w/wiring- 5-3/4" (L.H. dip)	97*-BK
	67653-96	HEADLAMP, complete w/wiring- 5-3/4" (R.H. dip)	97*-BK
22	67655-96	HEADLAMP, complete w/wiring- 5-3/4" (L.H. dip)	97*-BL/P/R
	67652-96	HEADLAMP, complete w/wiring- 5-3/4" (R.H. dip)	97*-BL/P/R
21	67904-96	HEADLAMP, complete w/wiring- 7" (R.H. dip)	97*-BJ
	67905-96	HEADLAMP, complete w/wiring- 7" (L.H. dip)	97*-BJ
	67920-96	HEADLAMP, complete w/wiring- 7" (Australia only) (L.H. dip)	97*-BJ
	67654-96	HEADLAMP, complete w/wiring 7" (R.H. dip)	97*-BM
	67659-96	HEADLAMP, complete w/wiring- 7" (L.H. dip)	97*-BM
45	68650-92	SOCKET, position lamp	97*-BK/L/P/R
	68654-92	SOCKET, position lamp	97*-BJ/M

SOFTAIL MODELS			
FLSTC	BJ	FLSTF	BM
FXSTC	BK	FXSTSB	BP
FXSTS	BL	FLSTS	BR

PASSING LAMPS - FLSTC & FLSTS, FRONT TURN SIGNALS - FLSTC



PASSING LAMPS - FLSTC & FLSTS, FRONT TURN SIGNALS - FLSTC

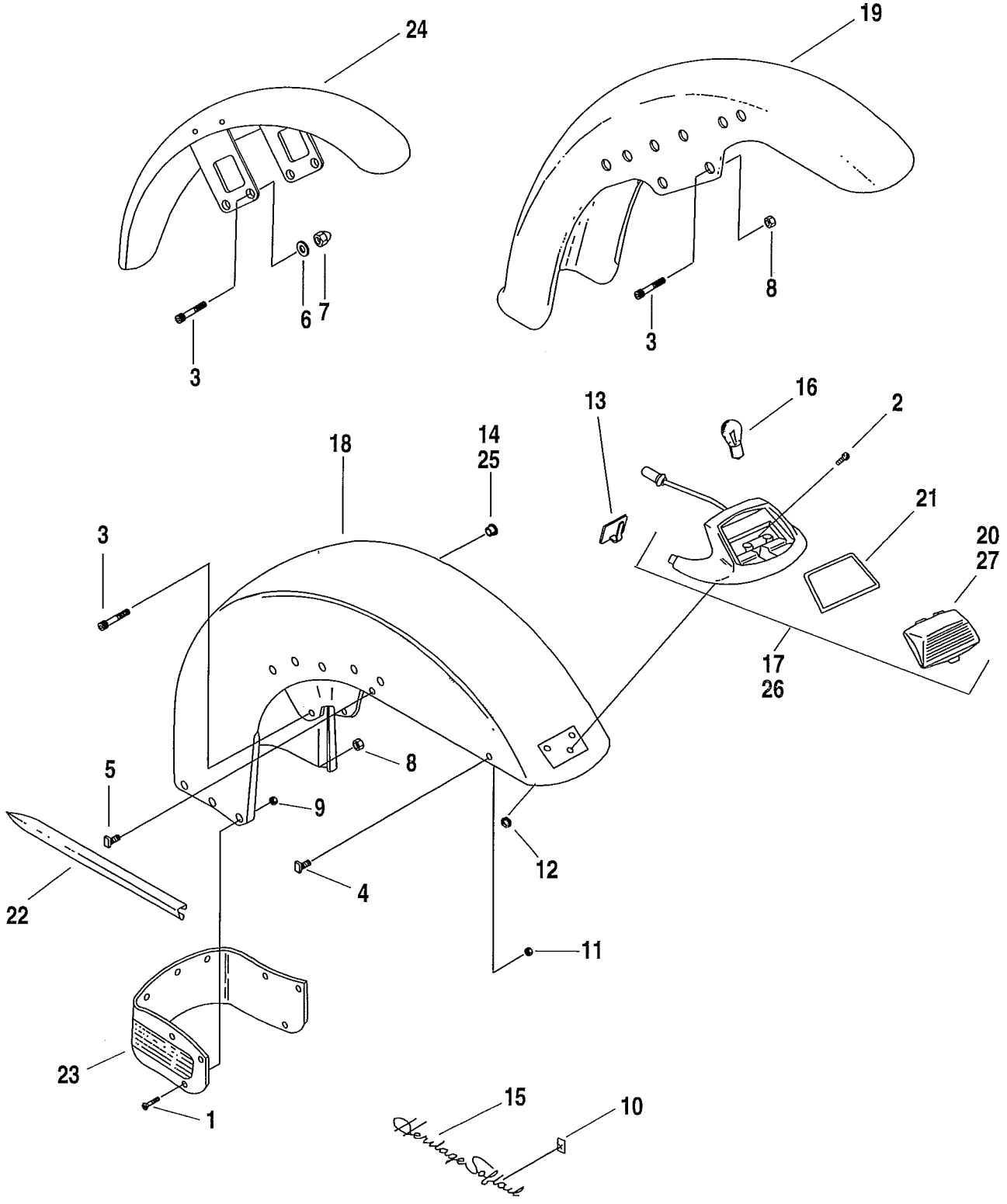
INDEX NO.	PART NO.	DESCRIPTION	MODELS
1	2647B	SCREW (4)	97*-BJ
2	3538	SCREW (2)	97*-BR
3	3960W	BOLT (2)	97*-BJ
4	4014W	SCREW (2)	97*-BJ
5	4036	BOLT (2)	97*-BJ
6	5885	SPACER (2)	97*-BJ
7	6072	WASHER, belleville (2)	97*-BJ
8	6109	WASHER (2)	97*-BJ
9	6645	WASHER (4)	97*-BJ
10	7041	LOCKWASHER (4; 6 - BJ)	97*-BJ
11	7069	LOCKWASHER (4)	97*-BJ
12	7778	LOCKNUT (2)	97*-BJ
13	7892	NUT, passing lamp(2)	97*-BR
14	10006	CABLE STRAP	97*-BJ
	10065	CABLE STRAP (2)	97*-BR
15	11410	GROMMET (2)	97*-BR
16	58082-87	BRACKET, passing lamps	97*-BJ
17	58089-97	BRACKET, passing lamps	97*-BR
18	67615-96	WIRING HARNESS, passing lamps	97*-BJ
19	67858-89	TOGGLE SWITCH, passing lamps	97*-BJ
	67915-97	TOGGLE SWITCH ASM., passing lamps, with wire harness	97*-BR
20	67846-70	NUT, toggle switch	97*-BJ/R
21	68168-89	BULB, turn signal (2)	97*-BJ
22	68766-94	TURN SIGNAL (2)	97*-BJ
23	68440-86	LENS, turn signal (amber) (2)	97*-BJ
24	68452-86	SCREW (4)	97*-BJ
25	68519-68	MOUNTING BRACKET (2)	97*-BJ
26	68619-83	LABEL, passing lamp switch	97*-BR
	68798-97	LABEL, passing lamp switch	97*-BJ
27	68671-69A	PASSING LAMP ASM. (2)	97*-BJ/R
28	68672-38	SCREW, passing lamp molding (2)	97*-BJ/R
29	68674-69	SEALED UNIT, passing lamps (2)	97*-BJ/R
30	68720-62	CLAMP BLOCK, passing lamps (2)	97*-BJ/R
31	68721-62	SWIVEL BLOCK, passing lamps (2)	97*-BJ
32	68725-62	MOLDING, passing lamps (2)	97*-BJ/R
33	73191-96	SOCKET CONTACT, 16-20 ga. (8)	97*-BJ/R
34	73152-96BK	SOCKET HOUSING, 2-place	97*-BJ
35	73152-96WE	SOCKET HOUSING, 2-place (white)	97*-BR
36	73156-96BK	SOCKET HOUSING, 6-place	97*-BJ

H-D INTERNATIONAL ONLY

21	68163-84	BULB, turn signal (2) (HDI only)	97*-BJ
22	68767-94	TURN SIGNAL, (2) (HDI only)	97*-BJ
23	68505-90	LENS, turn signal (amber) (2) (HDI only)	97*-BJ
29	68777-96	PASSING LAMP, non-functional (HDI only)(not illustrated) (2)	97*-BJ

SOFTAIL MODELS			
FLSTC	BJ	FLSTF	BM
FXSTC	BK	FXSTSB	BP
FXSTS	BL	FLSTS	BR

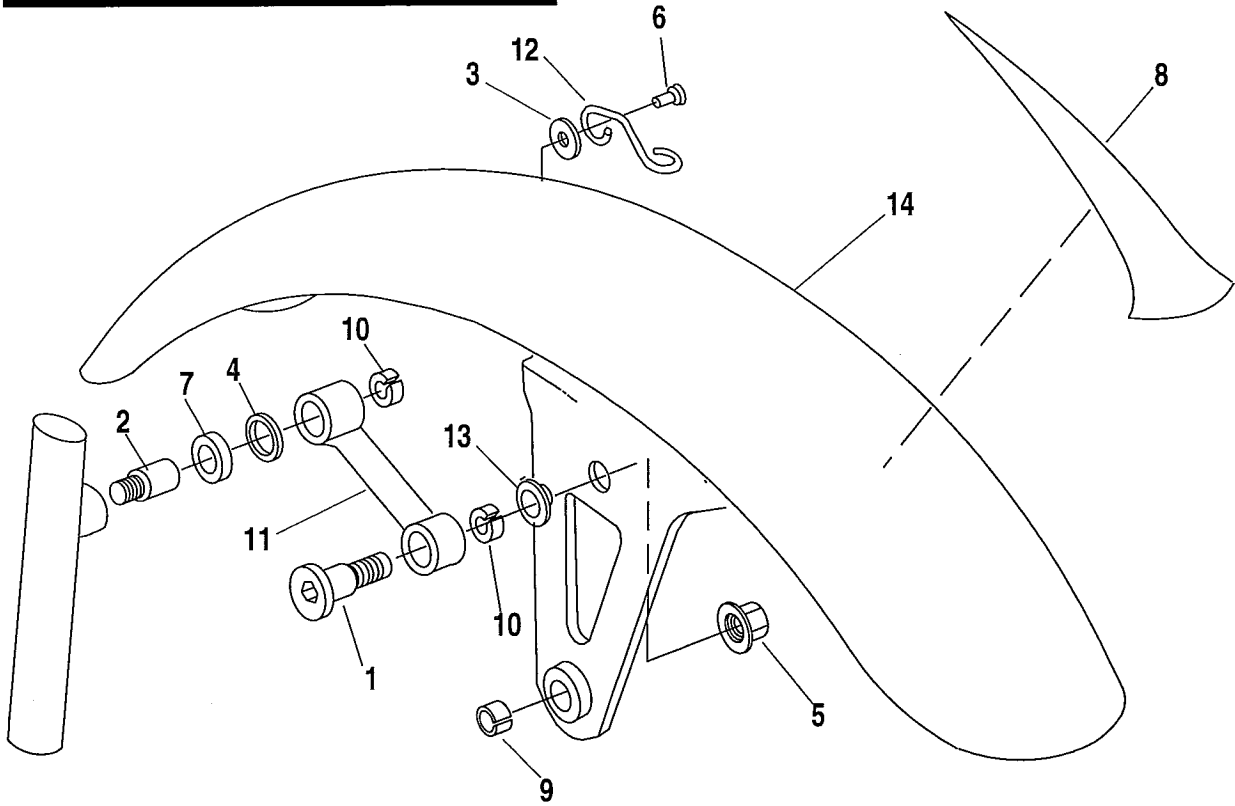
FRONT FENDER - FXSTC, FLSTC & FLSTF



INDEX NO.	PART NO.	DESCRIPTION	MODELS
NOTE: REFER TO PAINTED PARTS BOOK FOR PAINTED PART NUMBERS.			
1	2531	SCREW (8)	97*-BJ
2	2604	SCREW (2)	97*-BJ
3	3485A	SCREW (4)	97*-BJ/M/K
4	3560WA	TEE BOLT (2)	97*-BJ
5	3561WC	TEE BOLT (2)	97*-BJ
6	6702	WASHER (4)	97*-BK
7	7507	ACORN NUT (4)	97*-BK
8	7531	NUT (4)	97*-BJ/M
9	7600	NUT (8)	97*-BJ
10	7613A	PUSH NUT (6)	97*-BJ
11	7624	NUT (4)	97*-BJ
12	7629	NUT (2)	97*-BJ
13	10187	CLIP, self-adhesive	97*-BJ
14	11437	GROMMET	97*-BJ
15	14142-86	TRIM, "Heritage Softail" (2)	97*-BJ
16	53439-79	BULB, fender tip lamp	97*-BJ
17	59082-96	LAMP ASSEMBLY	97*-BJ
18	59129-86A	FENDER (prime)	97*-BJ
19	59139-97	FENDER (prime)	97*-BM
20	59180-80	LENS, fender lamp (amber)	97*-BJ
21	59181-80	GASKET, fender lamp lens	97*-BJ
22	59211-74	SIDE TRIM (2)	97*-BJ
23	59235-86	TRIM SKIRT, lower (black)	97*-BJ
24	59924-80A	FENDER (prime)	97*-BK
H-D INTERNATIONAL ONLY			
25	755	HOLE PLUG (HDI only)	97*-BJ
26	59116-96	FENDER TIP ASSEMBLY (HDI only)	97*-BJ
27	59201-96	LENS, fender tip (chrome) (HDI only)	97*-BJ

SOFTAIL MODELS			
FLSTC	BJ	FLSTF	BM
FXSTC	BK	FXSTSB	BP
FXSTS	BL	FLSTS	BR

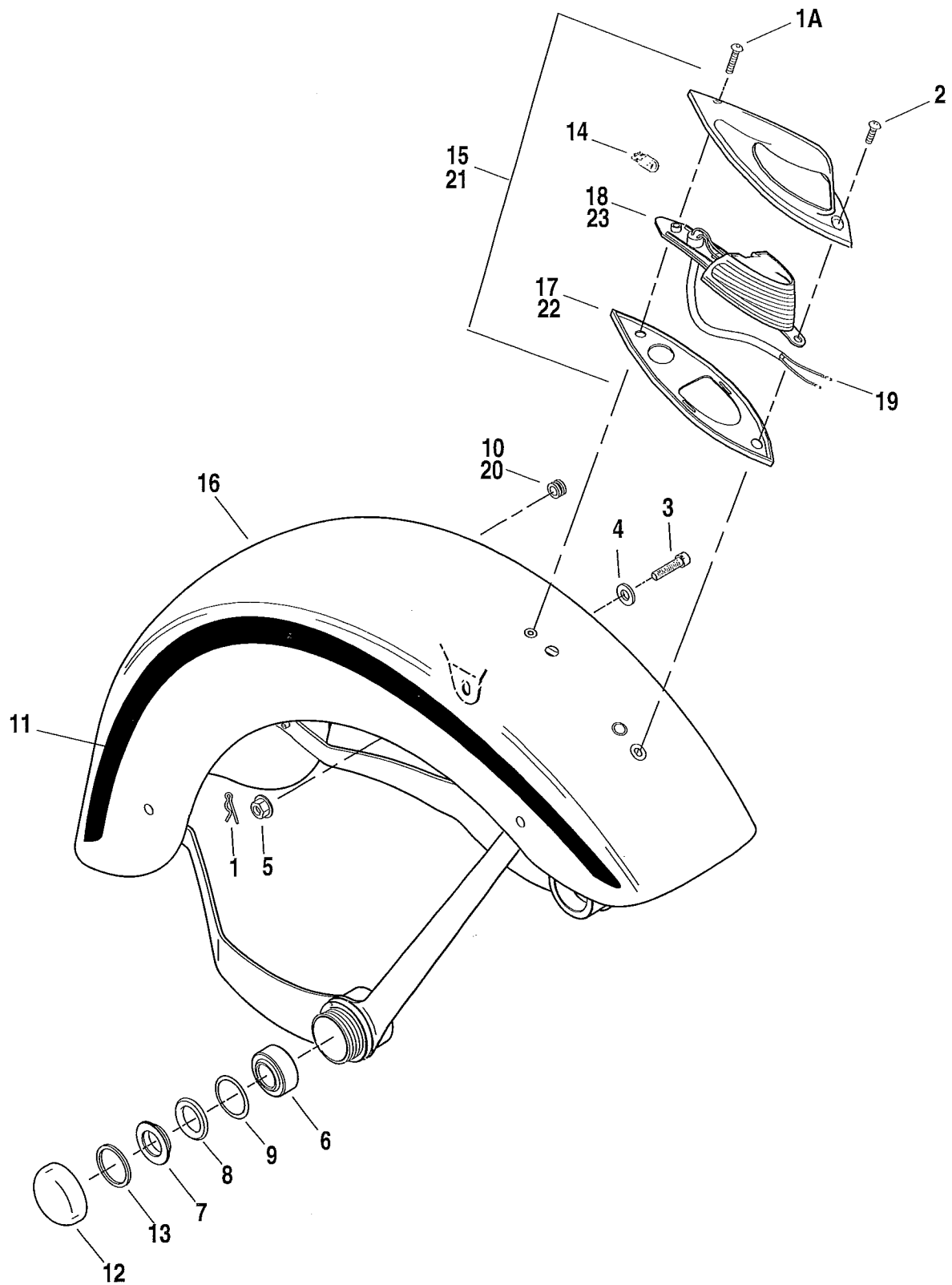
FRONT FENDER - FXSTS/B



INDEX NO.	PART NO.	DESCRIPTION	MODELS
NOTE: REFER TO PAINTED PARTS BOOK FOR PAINTED PART NUMBERS.			
1	2723	SCREW shoulder (2)	97*-BL/P
2	2738	PIVOT SHAFT (2)	97*-BL/P
3	6099	WASHER	97*-BL
	6220W	WASHER	97*-BP
4	6409	WASHER (2)	97*-BL/P
5	7531	LOCKNUT (2)	97*-BL/P
6	8505	RIVET	97*-BL/P
7	11244	SPACER (rubber) (2)	97*-BL/P
8	14673-97	DECAL (red)	97*-BP
	14674-97	DECAL (blue)	97*-BP
	14675-97	DECAL (silver)	97*-BP
9	33714-90	BEARING	97*-BL/P
10	33720-93	BEARING (4)	97*-BL/P
11	41042-93	PIVOT LINK (2) w/ #9	97*-BL/P
12	45085-88A	CABLE GUIDE	97*-BL/P
13	59043-93	INSERT, fender (2)	97*-BL/P
14	59176-96A	FENDER (prime)	97*-BL/P

SOFTAIL MODELS			
FLSTC	BJ	FLSTF	BM
FXSTC	BK	FXSTSB	BP
FXSTS	BL	FLSTS	BR

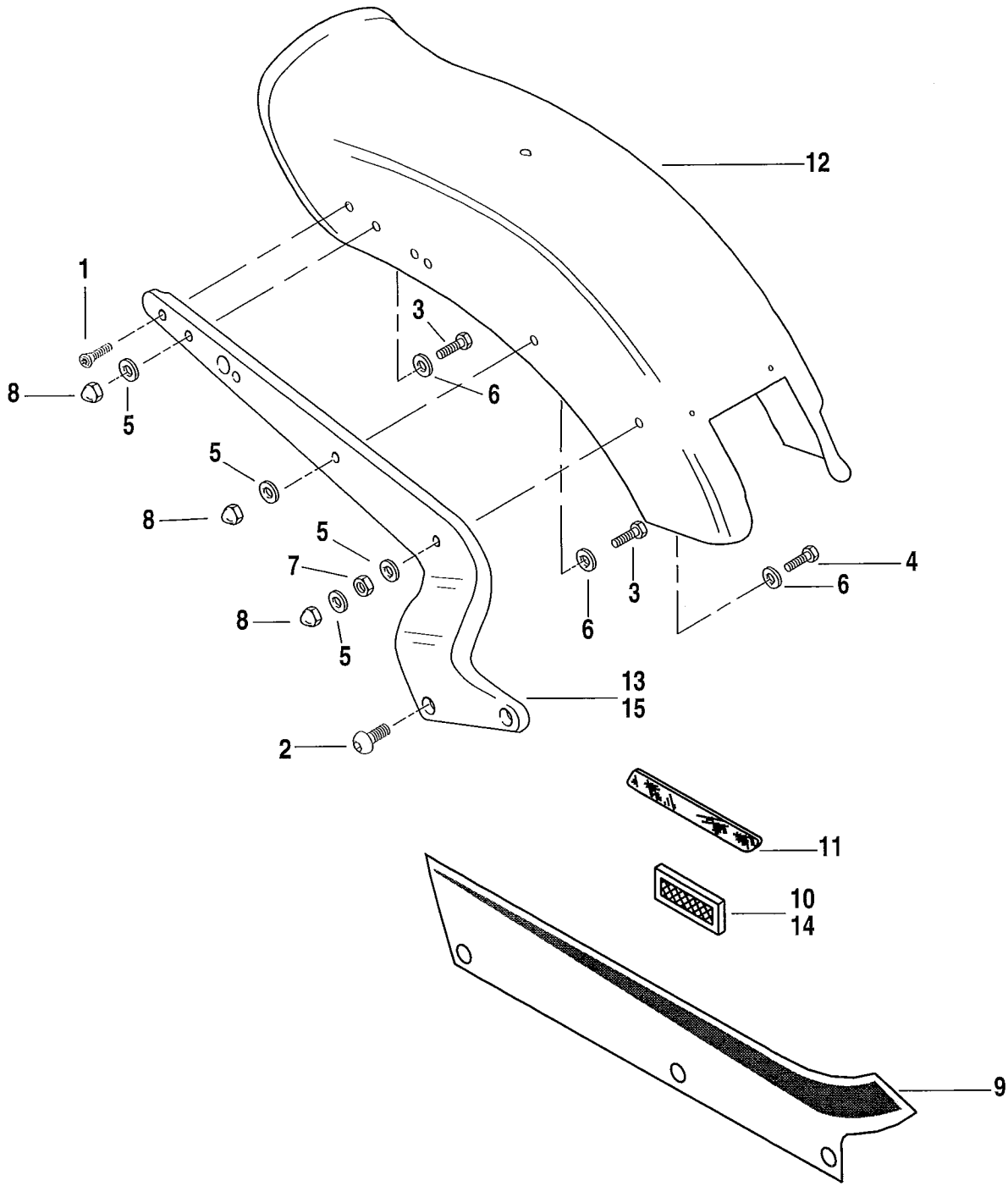
FRONT FENDER - FLSTS



INDEX NO.	PART NO.	DESCRIPTION	MODELS
NOTE: REFER TO PAINTED PARTS BOOK FOR PAINTED PART NUMBERS.			
1	509	SPRING PIN	97*-BR
1A	2447	SCREW	97*-BR
2	2448	SCREW	97*-BR
3	3268	SCREW, with hole for spring clip	97*-BR
4	6109	WASHER	97*-BR
5	7739	LOCKNUT	97*-BR
6	9194	SPHERICAL BEARING (2)	97*-BR
7	9196	SPACER, right	97*-BR
	9268	SPACER, left - axle nut (not illustrated)	97*-BR
8	9207	NYLON INSERT, with 11261 o-ring (2)	97*-BR
9	11261	O-RING (2)	97*-BR
10	11437	GROMMET	97*-BR
11	14505-97	DECAL, front fender - left (red)	97*-BR
	14506-97	DECAL, front fender - right (red)	97*-BR
	14507-97	DECAL, front fender - left (blue)	97*-BR
	14508-97	DECAL, front fender - right (blue)	97*-BR
12	43466-97	FENDER HUB CAP (2)	97*-BR
13	43467-97	SEAL, fender hub cap (2)	97*-BR
14	52441-95	BULB	97*-BR
15	59118-97	LAMP ASM. front fender	97*-BR
16	59164-97	FENDER (prime)	97*-BR
17	59355-97	MOUNTING PAD, fender lamp	97*-BR
18	59357-97	LENS ASM., fender lamp	97*-BR
19	73191-96	CONTACT SOCKET (2)	97*-BR
			97*-BR
		H-D INTERNATIONAL ONLY	97*-BR
20	755	PLUG	97*-BR
21	59122-97	DECORATIVE LENS ASM. (HDI only)	97*-BR
22	59356-97	MOUNTING PAD, fender lamp (HDI only)	97*-BR
23	59358-97	LENS, front fender (chrome) (HDI only)	97*-BR

SOFTAIL MODELS			
FLSTC	BJ	FLSTF	BM
FXSTC	BK	FXSTSB	BP
FXSTS	BL	FLSTS	BR

REAR FENDER & SUPPORTS - FXSTC, FXSTS & FXSTSB

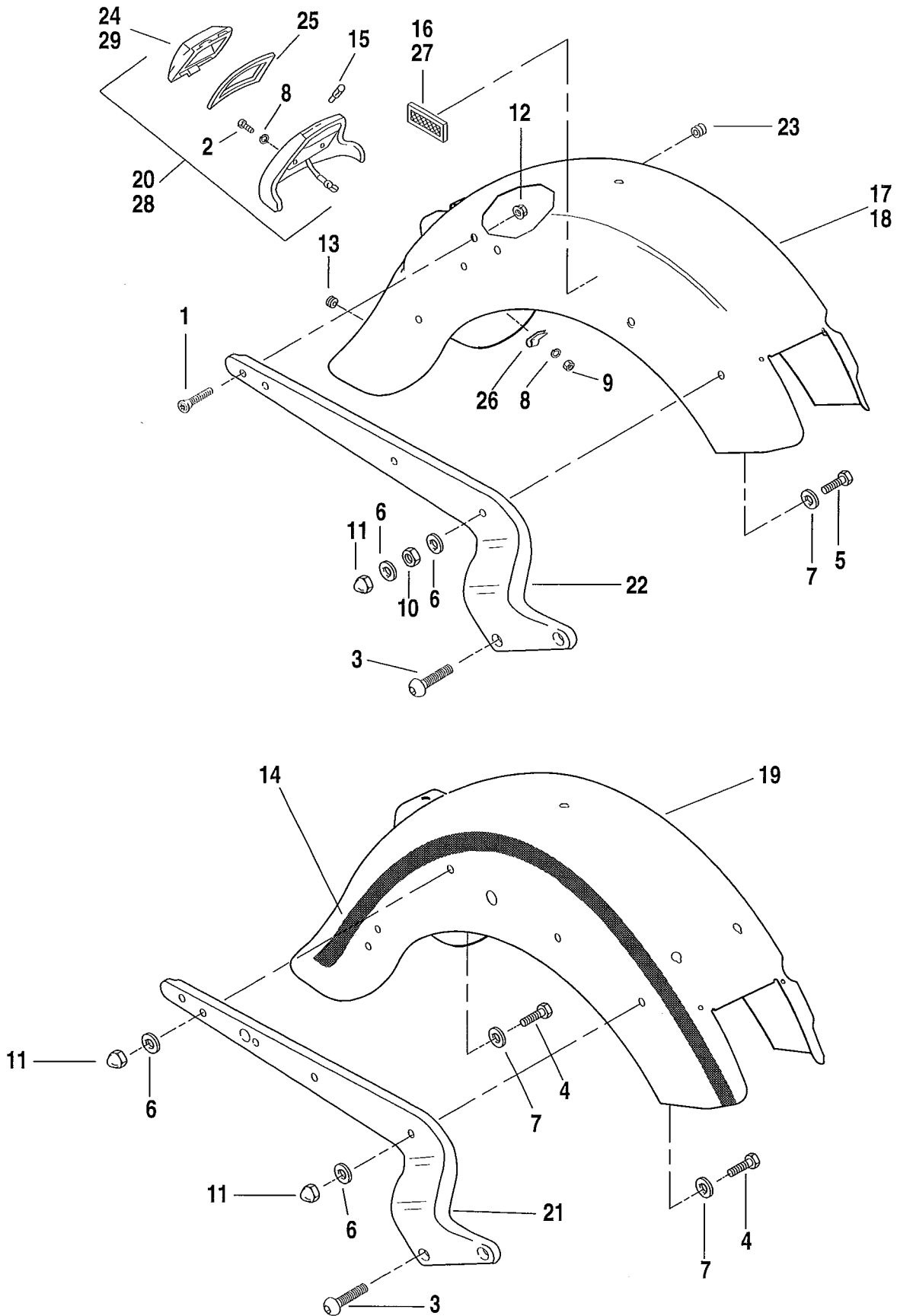


REAR FENDER & SUPPORTS - FXSTC, FXSTS & FXSTSB

INDEX NO.	PART NO.	DESCRIPTION	MODELS
NOTE: REFER TO PAINTED PARTS BOOK FOR PAINTED PART NUMBERS.			
1	2005	SCREW (4)	97*-BK/L/P
2	4013	SCREW (4)	97*-BK/L/P
3	4716W	BOLT (4)	97*-BK/L/P
4	4721	BOLT (2)	97*-BK/L/P
5	6379W	WASHER (6)	97*-BK/L/P
6	6701	WASHER (6)	97*-BK/L/P
7	7643W	NUT (2)	97*-BK/L/P
8	7680W	ACORN NUT (6)	97*-BK/L/P
9	14667-97	DECAL, left (red)	97*-BP
	14668-97	DECAL, right (red)	97*-BP
	14669-97	DECAL, left (blue)	97*-BP
	14670-97	DECAL, right (blue)	97*-BP
	14671-97	DECAL, left (silver)	97*-BP
	14672-97	DECAL, right (silver)	97*-BP
	10	59255-91	REFLECTOR, rectangular (red) (2)
11	59287-92	REFLECTOR, right (red)	97*-BP
	59288-92	REFLECTOR, left (red)	97*-BP
12	59753-97	FENDER ASM. (prime)	97*-BK/L/P
13	59880-95	SUPPORT, right (black)	97*-BP
	59955-86A	SUPPORT, right (chrome)	97*-BK/L
	59881-95	SUPPORT, left (black)	97*-BP
	59954-86A	SUPPORT, left (chrome)	97*-BK/L
H-D INTERNATIONAL ONLY			
14	59254-91	REFLECTOR (amber) (2)	97*-BL
	59289-92	REFLECTOR, right, (amber)	97*-BP
	59290-92	REFLECTOR, left, (amber)	97*-BP
15	59882-95	SUPPORT, right (black) (HDI only)	97*-BP
	59964-86A	SUPPORT, right (chrome)(HDI only)	97*-BK/L
	59883-95	SUPPORT, left (black) (HDI only)	97*-BP
	59969-86A	SUPPORT, left (chrome)(HDI only)	97*-BK/L

SOFTAIL MODELS			
FLSTC	BJ	FLSTF	BM
FXSTC	BK	FXSTSB	BP
FXSTS	BL	FLSTS	BR

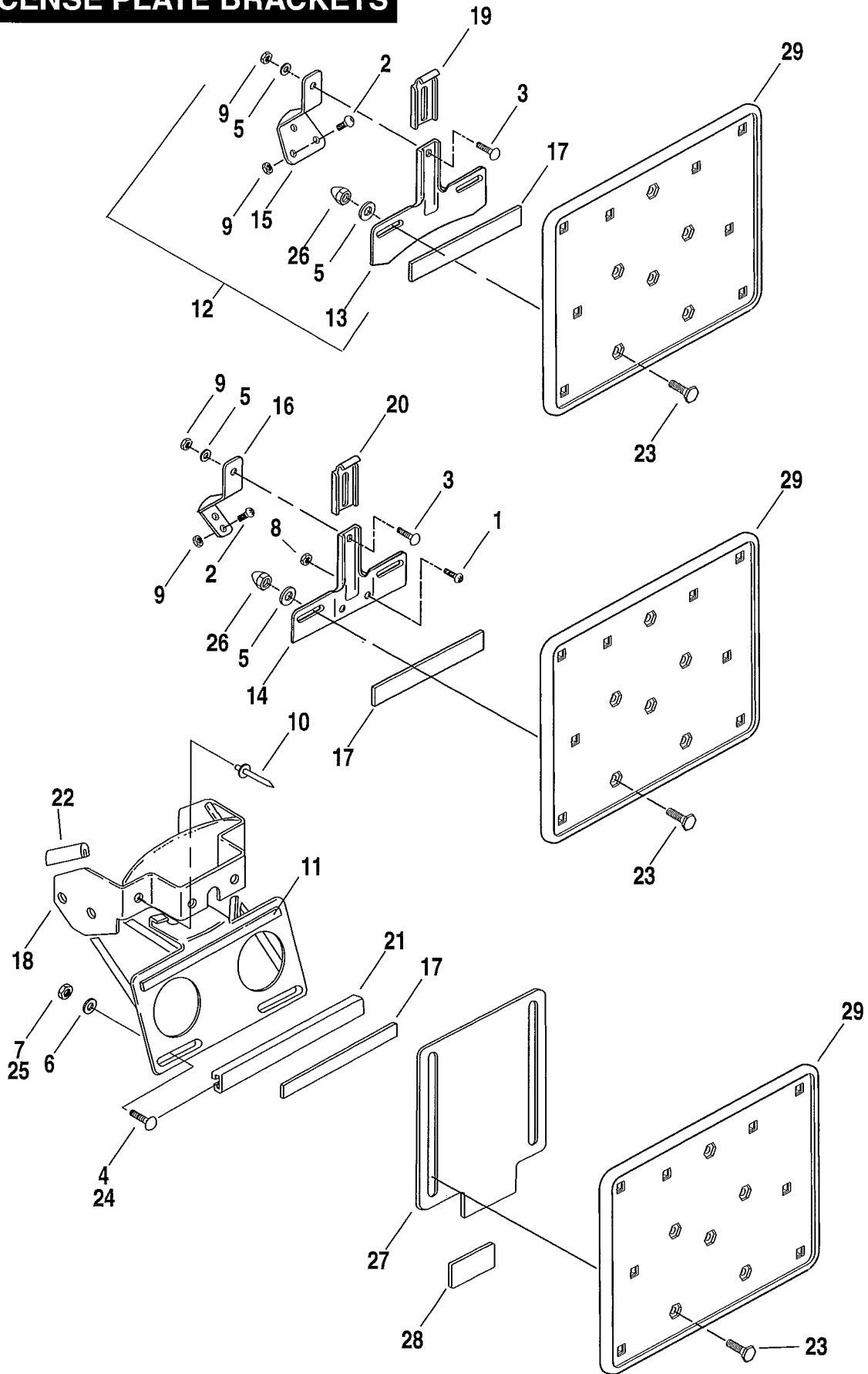
REAR FENDER & SUPPORTS - FLSTC, FLSTF & FLSTS



INDEX NO.	PART NO.	DESCRIPTION	MODELS
NOTE: REFER TO PAINTED PARTS BOOK FOR PAINTED PART NUMBERS.			
1	2005	SCREW (2)	97*-BJ/M
2	2604	SCREW (2)	97*-BJ
3	4013	SCREW (4)	97*-BJ/M/R
4	4716W	BOLT (4)	97*-BM/R
5	4721	BOLT (2)	97*-BJ/M
6	6379W	WASHER (4)	97*-BJ/M/R
7	6701	WASHER (2)	97*-BJ/M/R
8	7118	LOCKWASHER (2)	97*-BJ
9	7629	NUT (2)	97*-BJ
10	7643W	NUT (2)	97*-BJ/M
11	7680W	ACORN NUT (2-BJ; 4-BM/R)	97*-BJ/M/R
12	7775	NUT (2)	97*-BJ/M
13	11437	GROMMET	97*-BJ
14	14501-97	DECAL, rear fender - left (red)	97*-BR
	14502-97	DECAL, rear fender - right (red)	97*-BR
	14503-97	DECAL, rear fender - left (blue)	97*-BR
	14504-97	DECAL, rear fender - right (blue)	97*-BR
15	53439-79	BULB, fender tip lamp	97*-BJ
16	59255-91	REFLECTOR, rectangular (red) (2)	97*-BJ/M
17	59754-97	FENDER ASM. (primed)	97*-BM
18	59755-97	FENDER ASM. (primed)	97*-BJ
19	59757-97	FENDER ASM. (primed)	97*-BR
20	59659-96	LAMP ASSEMBLY, fender tip	97*-BJ
21	59955-86A	SUPPORT, right (chrome)	97*-BR
	59954-86A	SUPPORT, left (chrome)	97*-BR
22	59964-86A	SUPPORT, right (chrome)	97*-BJ/M
	59969-86A	SUPPORT, left (chrome)	97*-BJ/M
23	67055-92	GROMMET, turn signal	97*-BJ
24	68046-79	LENS, rear fender lamp	97*-BJ
25	68047-79	GASKET, rear fender lamp	97*-BJ
26	71795-63A	CLAMP	97*-BJ
H-D INTERNATIONAL ONLY			
	59251-90	REFLECTOR ASM., rear (red) w/ 59259-90 (not illustrated)	97*-BJ/M/R
27	59254-91	REFLECTOR (amber) (2)	97*-BM
	59259-90	REFLECTOR, red (not illustrated)	97*-BJ/M/R
28	59117-96	FENDER TIP ASSEMBLY (HDI only)	97*-BJ
29	68081-96	LENS, rear fender tip - chrome (HDI only)	97*-BJ

SOFTAIL MODELS			
FLSTC	BJ	FLSTF	BM
FXSTC	BK	FXSTSB	BP
FXSTS	BL	FLSTS	BR

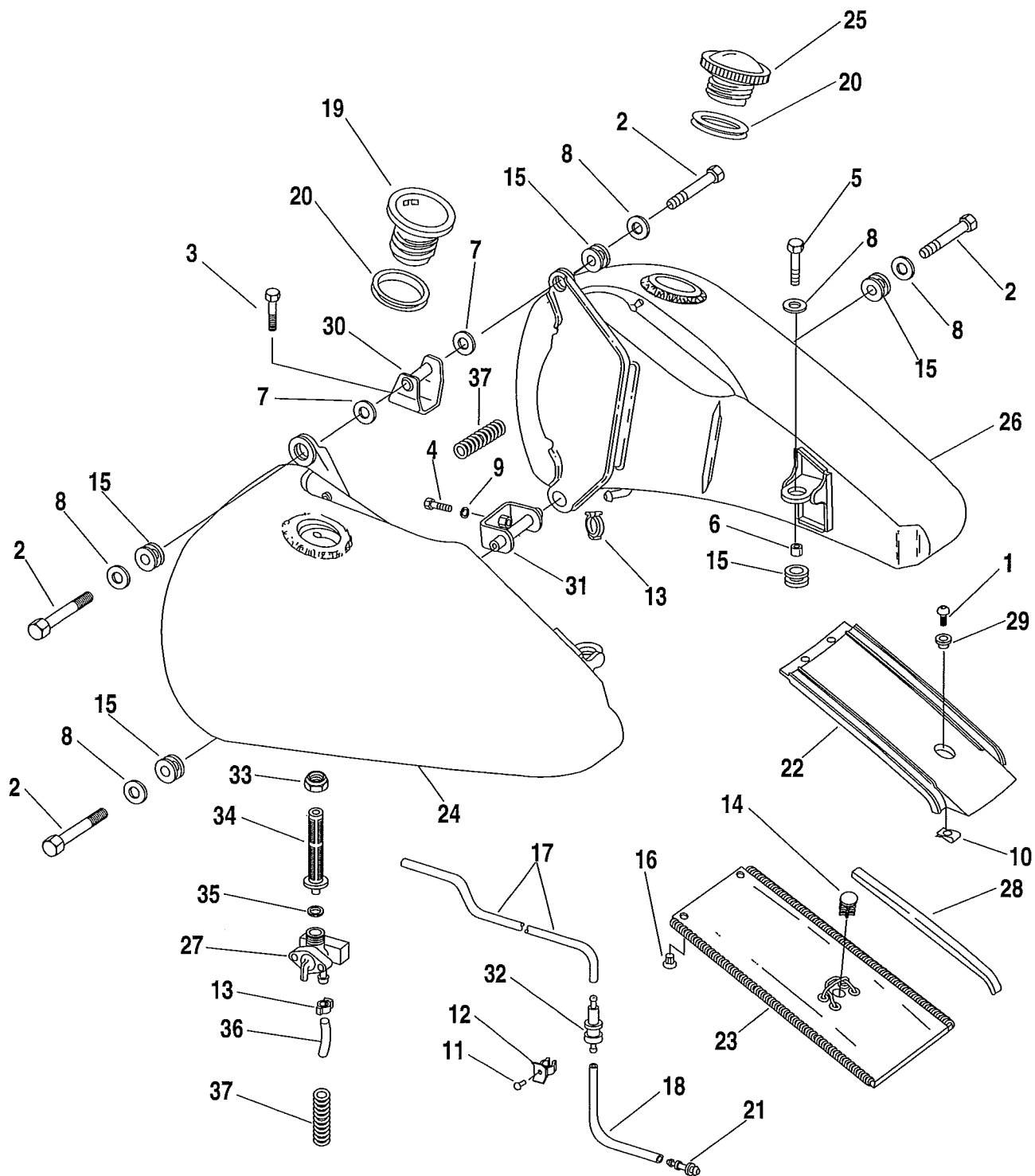
LICENSE PLATE BRACKETS



INDEX NO.	PART NO.	DESCRIPTION	MODELS
1	2604	SCREW (2)	97*-BR
2	2773	SCREW (3, 2 - BR)	97*-BJ/M/R
3	5403B	BOLT	97*-BJ/M/R
4	5465	CARRIAGE BOLT (2)	97*-BK/L/P
5	6703	WASHER (3-BJ/M/R, 5-BK/L/P)	97*-ALL
6	6716	WASHER (2)	97*-BK/L/P
7	7624	NUT (2)	97*-BK/L/P
8	7629	NUT (2)	97*-BR
9	7792	NUT (3 - BR, 4 - BJ/M, 5 - BK/L/P)	97*-ALL
10	8483	POP RIVET (2)	97*-BK/L/P
11	52092-77	FOAM TAPE	97*-BK/L/P
12	59626-84	LICENSE PLATE BRACKET ASM.	97*-BJ/M
13	59984-73	BRACKET, license plate	97*-BJ/M
14	60020-97	BRACKET, license plate	97*-BR
15	59986-75	SUPPORT, license plate	97*-BJ/M
16	60021-97	SUPPORT, license plate	97*-BR
17	59988-72	REFLECTOR	97*-ALL
18	59993-80B	LICENSE PLATE BRACKET ASM.	97*-BK/L/P
19	60001-55	CLAMP	97*-BJ/M
20	60003-89	CLAMP	97*-BR
21	60005-77	CLAMP	97*-BK/L/P
22	71309-92	MOULDING (2)	97*-BK/L/P
H-D INTERNATIONAL ONLY			
23	3689	BOLT (3-BJ/M/R, 5-BK/L/P)	97*-ALL
24	3767B	SCREW (2) (HDI only)	97*-BK/L/P
	7036	LOCKWASHER (2) (HDI only)	97*-BK/L/P
25	7688	NUT (2) (HDI only)	97*-BK/L/P
26	31589-80	ACORN NUT (3)	97*-BJ/M/R
27	59262-90B	REFLECTOR ASM., rear (red) includes bracket & reflector (HDI only)	97*-BK/L/P
28	59259-90	REFLECTOR, red	97*-BK/L/P
29	60026-97	LICENSE PLATE BRACKET (HDI only)	97*-ALL

SOFTAIL MODELS			
FLSTC	BJ	FLSTF	BM
FXSTC	BK	FXSTSB	BP
FXSTS	BL	FLSTS	BR

FUEL TANK

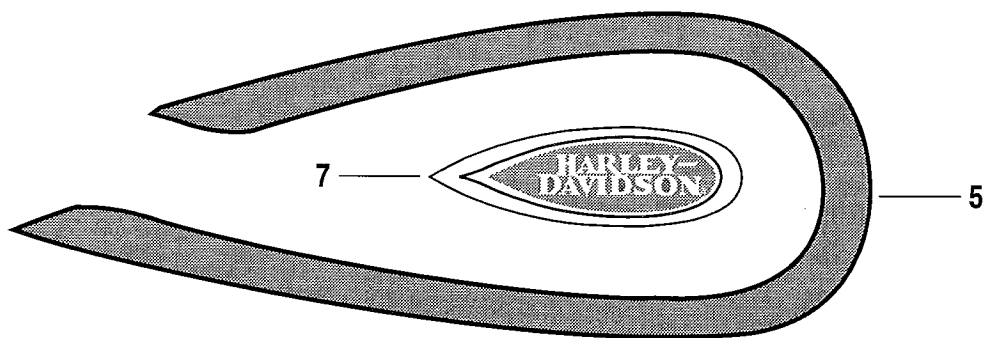
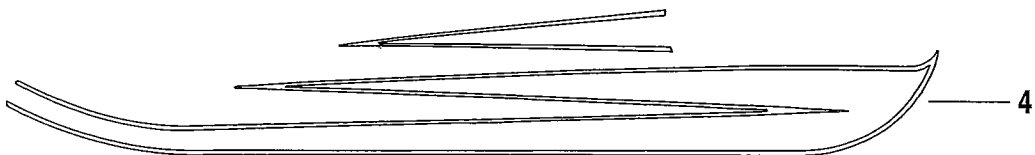
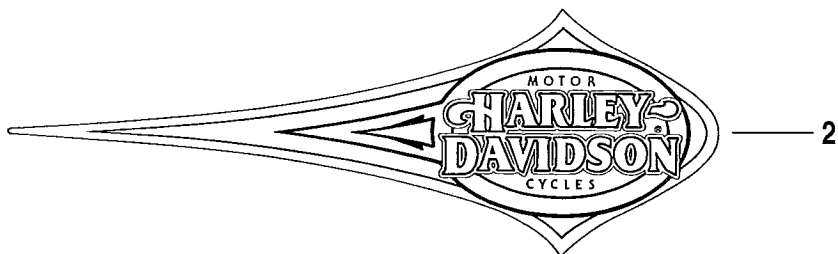


INDEX NO.	PART NO.	DESCRIPTION	MODELS
NOTE: REFER TO PAINTED PARTS BOOK FOR PAINTED PART NUMBERS.			
1	924	SCREW	97*-BJ/K/L/P
2	3445	BOLT (4)	97*-ALL
3	3664	SCREW	97*-97*-ALL
4	3987	BOLT (2)	97*-ALL
5	4014W	BOLT (2)	97*-ALL
6	5775	SPACER (2)	97*-ALL
7	6365	WASHER (2)	97*-ALL
8	6645	WASHER (6)	97*-ALL
9	7041	LOCKWASHER (2)	97*-ALL
10	8108	SPEED NUT	97*-BJ/K/L/P
11	8476	RIVET	97*-ALL
12	9890	CLIP, vapor valve	97*-ALL
13	10014	CLAMP, fuel hose (4)	97*-ALL
14	10040	CLIP	97*-BM/R
15	11447	GROMMET, fuel tank mounting (6)	97*-ALL
16	11717	FASTENING GROMMET (2)	97*-BM/1R
	14456-95	DECAL, unleaded fuel (Calif.)	97*-ALL
17	27093-92A	HOSE, tank to vapor valve	97*-ALL
18	27102-92	HOSE, valve to air	97*-ALL
19	61103-83B	CAP, fuel filler - left	97*-ALL
20	61109-85D	GASKET (2)	97*-ALL
21	61131-92	CONNECTION, ventline	97*-ALL
22	61155-84B	TRIM, fuel tank w/ #29	97*-BJ/K/L/P
23	61165-89B	TRIM PANEL w/ #14 & 16	97*-BM
	61173-97	TRIM PANEL, Blue w/ #14 & 16	97*-BR
	61254-97	TRIM PANEL, Red w/ #14 & 16	97*-BR
24	61228-97	FUEL TANK, left - 5 gal. (prime)	97*-BK
	61426-97	FUEL TANK, left - 3.5 gal. (prime)	97*-BJ/L/M/P/R
25	61272-92A	CAP, fuel filler - right	97*-ALL
26	61290-97	FUEL TANK, right- 3.5 gal. (prime)	97*-BJ/L/M/P/R
	61291-97	FUEL TANK, right- 5 gal. (prime)	97*-BK
27	61338-94A	FUEL VALVE, only	97*-ALL
	61450-95	FUEL FILLER RESTRICTOR KIT (not illus.) (Required with catalytic mufflers)	97*-ALL
28	61640-84	FOAM STRIP (2)	97*-ALL
29	61641-84	SPACER, trim	97*-BJ/K/L/P
30	61660-85	BRACKET, fuel tank mounting - upper	97*-ALL
31	61667-90A	BRACKET, fuel tank mounting - lower	97*-ALL
32	62150-85	VAPOR VALVE	97*-ALL
33	62161-75	NUT, fuel valve	97*-ALL
34	62166-81A	FILTER, fuel valve	97*-ALL
35	62172-75	GASKET, fuel valve	97*-ALL
36	62356-95	FUEL HOSE, preformed	97*-ALL
NOTE: Insulator is sold in bulk length under the following part number. Cut to length.			
37	63505-84	INSULATOR, 1/2" I.D. (nylon) (8 ft. lg.)	97*-ALL
	14456-95	DECAL, unleaded fuel (Calif., U.K. & Swiss)	97*-ALL

SOFTAIL MODELS

FLSTC	BJ	FLSTF	BM
FXSTC	BK	FXSTSB	BP
FXSTS	BL	FLSTS	BR

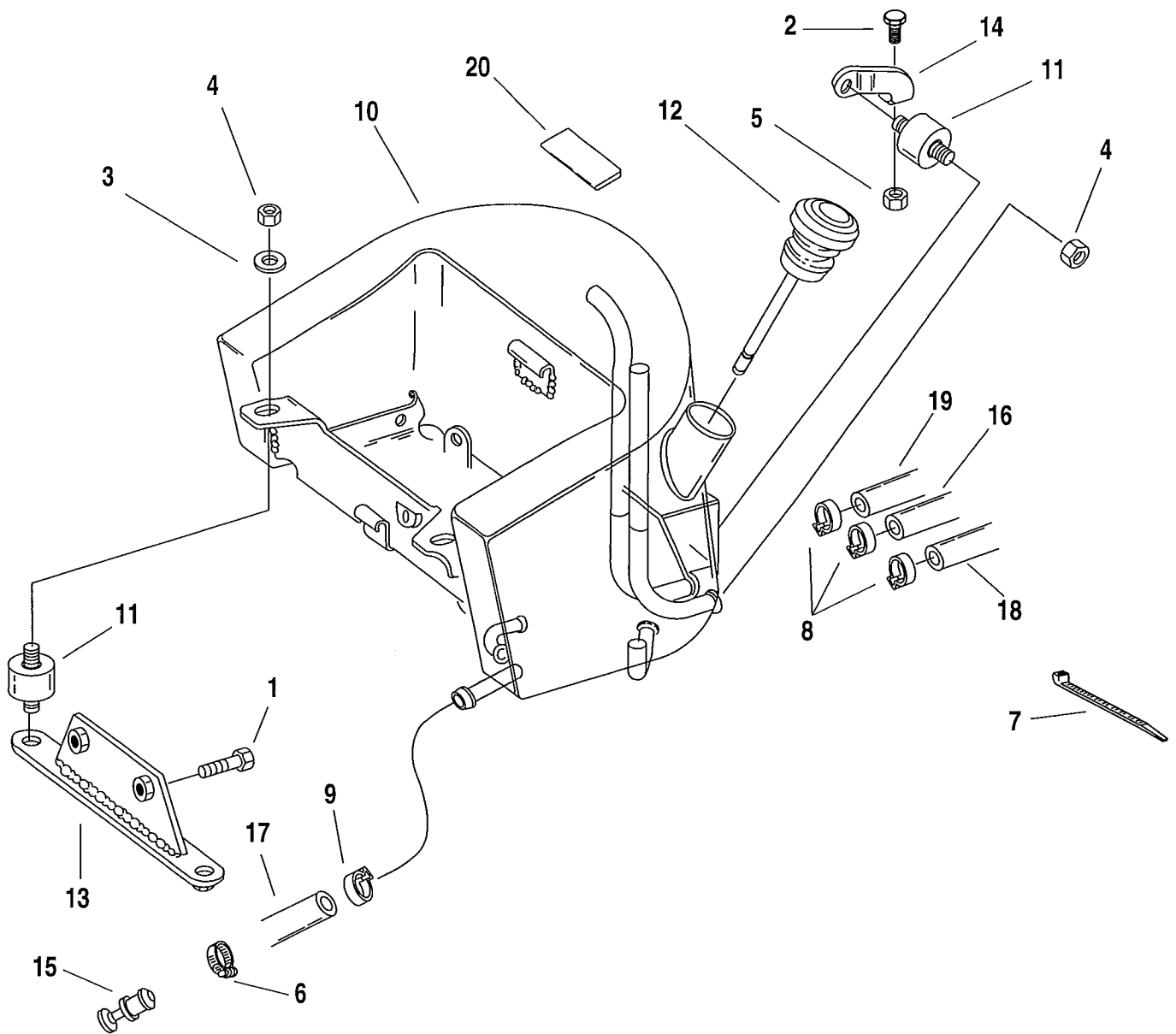
FUEL TANK TRIM



INDEX NO.	PART NO.	DESCRIPTION	MODELS
1	14469-95	DECAL, left (black/pale gold)	97*-BK/L
	14470-95	DECAL, right (black/pale gold)	97*-BK/L
	14526-96	DECAL, left (red pearl/pale gold)	97*-BK/L
	14527-96	DECAL, right (red pearl/pale gold)	97*-BK/L
	14528-96	DECAL, left (violet pearl/pale gold)	97*-BK/L
	14529-96	DECAL, right (violet pearl/pale gold)	97*-BK/L
	14530-96	DECAL, left (blue pearl/pale gold)	97*-BK/L
	14531-96	DECAL, right (blue pearl/pale gold)	97*-BK/L
	14532-96	DECAL, left (platinum silver/pale gold)	97*-BK/L
	14533-96	DECAL, right (platinum silver/pale gold)	97*-BK/L
	14640-97	DECAL, left (cobalt pearl/pale gold)	97*-BK/L
	14641-97	DECAL, right (cobalt pearl/pale gold)	97*-BK/L
	2	14546-96	DECAL, left (pale gold/red/burgundy)
14547-96		DECAL, right (pale gold/red/burgundy)	97*-BJ
14548-96		DECAL, left (pale gold/sky blue/dark blue)	97*-BJ
14549-96		DECAL, right (pale gold/sky blue/dark blue)	97*-BJ
3	14550-96	DECAL, (pale gold/red/burgundy) (2)	97*-BM
	14551-96	DECAL, (pale gold/sky blue/dark blue) (2)	97*-BM
4	14661-97	DECAL, left (red)	97*-BP
	14662-97	DECAL, right (red)	97*-BP
	14663-97	DECAL, left (blue)	97*-BP
	14664-97	DECAL, right (blue)	97*-BP
	14665-97	DECAL, left (silver)	97*-BP
	14666-97	DECAL, right (silver)	97*-BP
	5	14497-97	DECAL, left (red)
14498-97		DECAL, right (red)	97*-BR
14499-97		DECAL, left (blue)	97*-BR
14500-97		DECAL, right (blue)	97*-BR
6	61364-95	EMBLEM, right (black/blue)	97*-BP
	61365-95	EMBLEM, left (black/blue)	97*-BP
	61370-95	EMBLEM, right (black/red)	97*-BP
	61371-95	EMBLEM, left (black/red)	97*-BP
7	62793-97	EMBLEM, left (red)	97*-BR
	62794-97	EMBLEM, right (red)	97*-BR
	62795-97	EMBLEM, left (blue)	97*-BR
	62796-97	EMBLEM, right (blue)	97*-BR

SOFTAIL MODELS			
FLSTC	BJ	FLSTF	BM
FXSTC	BK	FXSTSB	BP
FXSTS	BL	FLSTS	BR

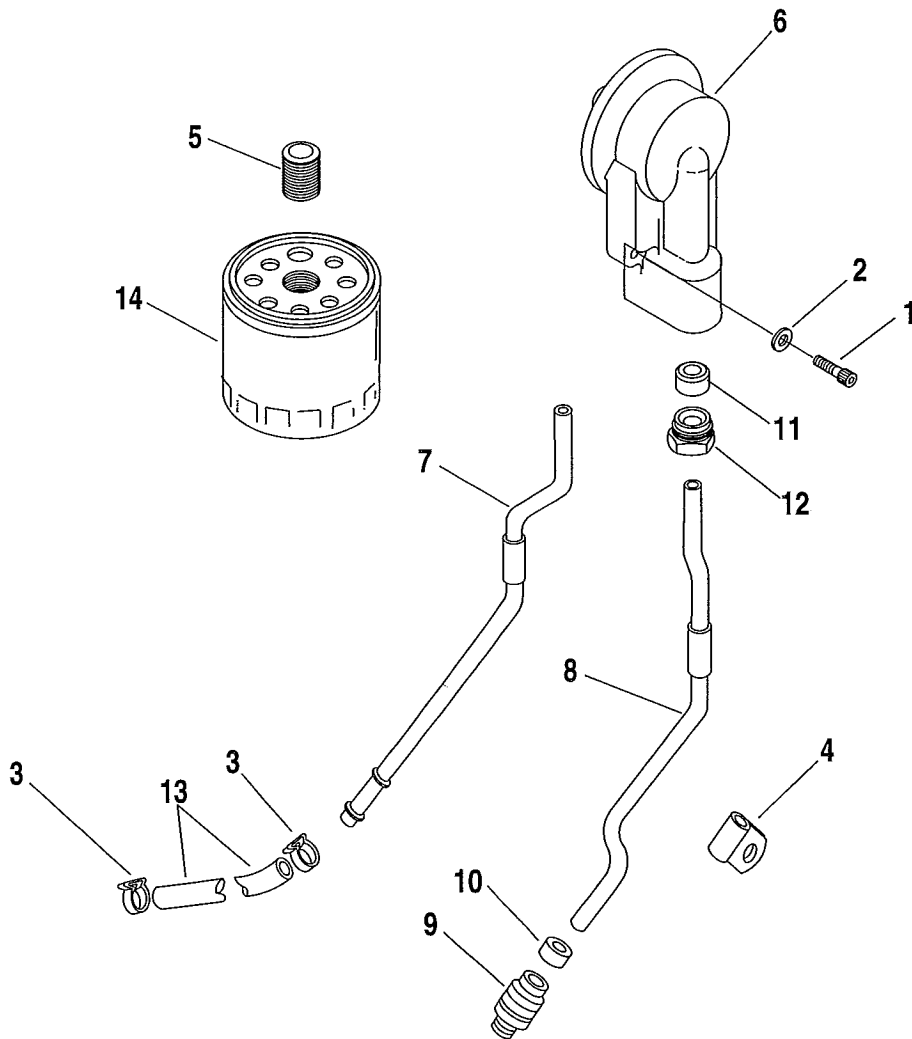
OIL TANK



INDEX NO.	PART NO.	DESCRIPTION	MODELS
1	3546	BOLT (2)	97*-ALL
2	3987	BOLT	97*-ALL
3	6703	WASHER (4)	97*-BP
4	7686	LOCKNUT (5)	97*-ALL
5	7531	NUT	97*-ALL
6	9969	CLAMP, drain hose	97*-ALL
7	10006	CABLE STRAP, oil hoses (as required)	97*-ALL
8	10080	CLAMP (6)	97*-ALL
9	10086	CLAMP, drain hose	97*-ALL
10	62491-95	OIL TANK (black)	97*-BP
	62498-91	OIL TANK (chrome)	97*-BJ/K/L/M/R
11	62563-65	RUBBER MOUNT (4)	97*-ALL
12	62634-84A	FILLER CAP, w/ dipstick	97*-ALL
13	62704-84A	BRACKET, rear	97*-ALL
14	62707-84	BRACKET, front - tank to frame	97*-ALL
15	62725-90	PLUG, oil drain	97*-ALL
16	63515-92	HOSE, tank to pump	97*-ALL
17	63553-91	HOSE, tank drain	97*-ALL
18	63556-87	HOSE, filter to tank	97*-ALL
19	63572-86	HOSE, tank vent	97*-ALL
20	66042-79A	WARNING LABEL	97*-ALL

SOFTAIL MODELS			
FLSTC	BJ	FLSTF	BM
FXSTC	BK	FXSTSB	BP
FXSTS	BL	FLSTS	BR

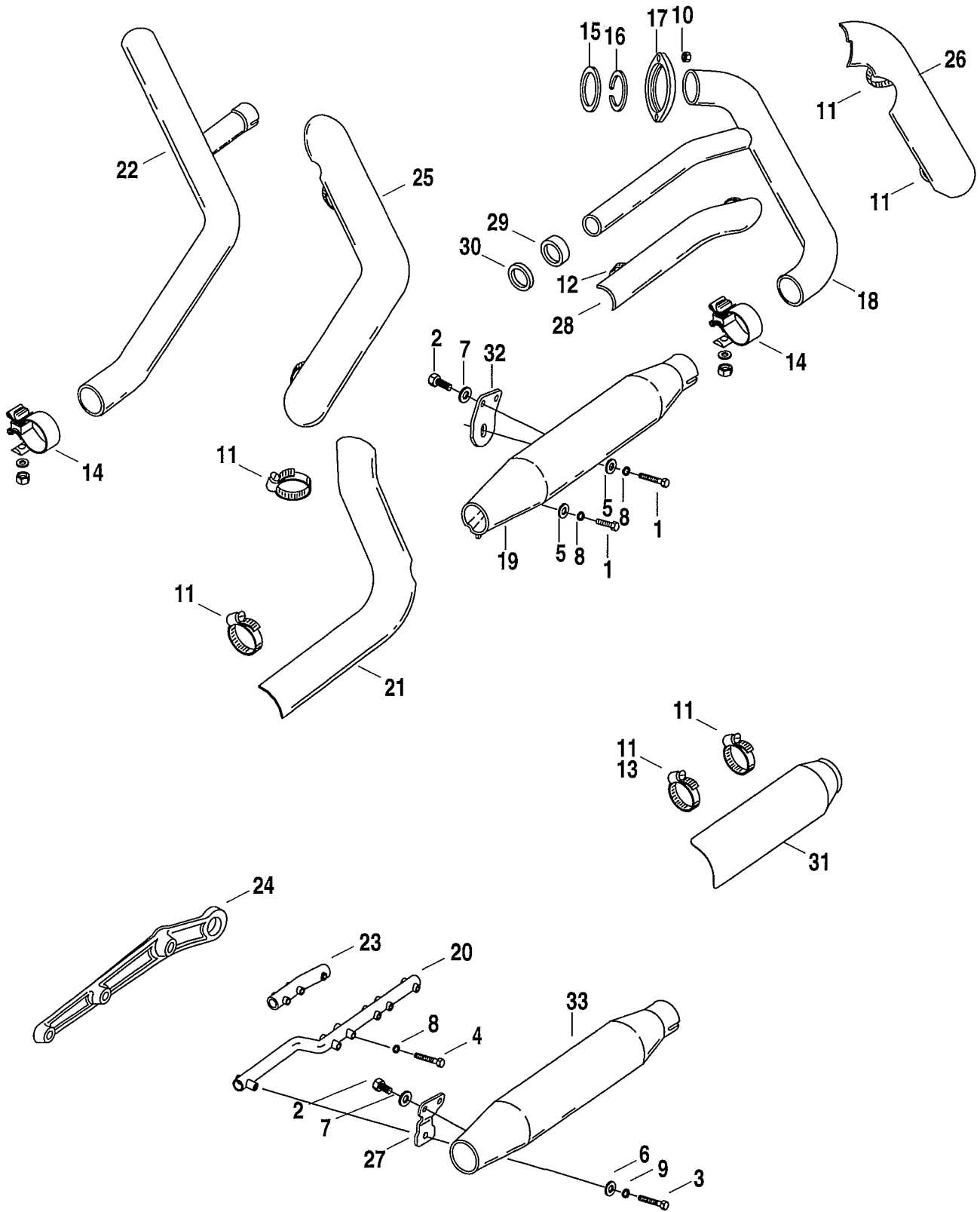
OIL FILTERS & MOUNTS



INDEX NO.	PART NO.	DESCRIPTION	MODELS
1	3210A	SCREW, socket head, (2)	97*-ALL
2	6771A	WASHER (2)	97*-ALL
3	10080	CLAMP (4)	97*-ALL
4	10112	CLAMP	97*-ALL
5	26352-95A	ADAPTOR, oil filter	97*-ALL
6	26378-92A	OIL FILTER MOUNT (black)	97*-ALL
7	33519-92A	TUBE, return	97*-ALL
8	33520-92	TUBE, feed	97*-ALL
9	63523-92A	FITTING, straight w/#10	97*-ALL
10	63525-92	SEAL	97*-ALL
11	63528-92	SEAL & FERRULE (2)	97*-ALL
12	63530-92	FITTING, male nut (2)	97*-ALL
13	63556-92	HOSE, filter line to tank	97*-ALL
14	63796-77A	OIL FILTER (chrome)	97*-ALL

SOFTAIL MODELS			
FLSTC	BJ	FLSTF	BM
FXSTC	BK	FXSTSB	BP
FXSTS	BL	FLSTS	BR

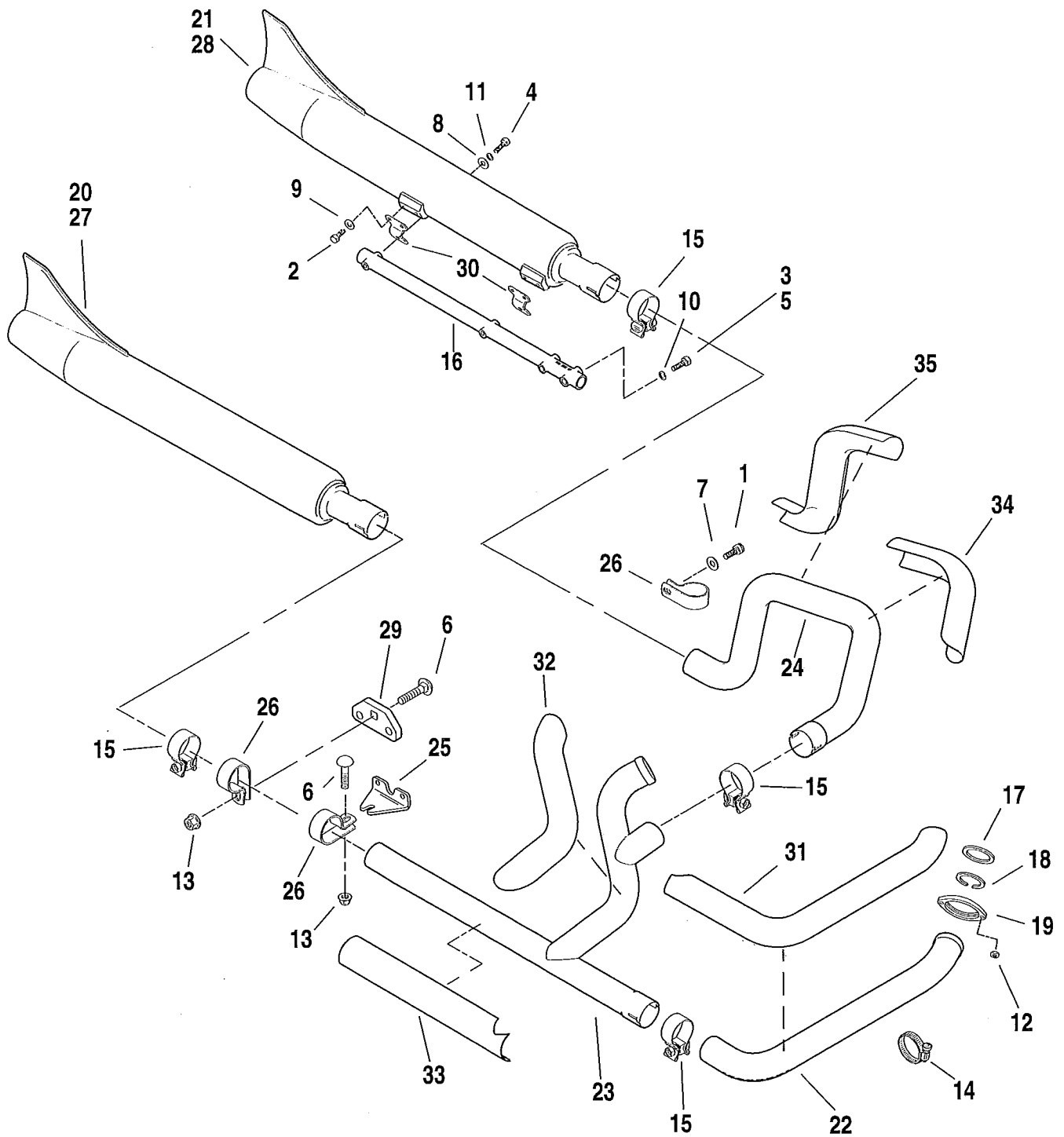
EXHAUST SYSTEM



INDEX NO.	PART NO.	DESCRIPTION	MODELS
1	2879W	SCREW (2-BJ/K/L/P)	97*-BJ/K/L/M/P
2	3728	BOLT (4-BM; 6)	97*-BJ/K/L/M/P
3	4017	BOLT	97*-BJ/K/L/M/P
4	4722	BOLT (2)	97*-BJ/K/L/M/P
5	6701	WASHER (2-BJ/K/L/P)	97*-BJ/K/L/M/P
6	6702	WASHER (2)	97*-BJ/K/L/M/P
7	6703	WASHER (4-BM; 6)	97*-BJ/K/L/M/P
8	7038	LOCKWASHER (3-BM; 4)	97*-BJ/K/L/M/P
9	7041	LOCKWASHER	97*-BJ/K/L/M/P
10	7593	NUT (4)	97*-BJ/K/L/M/P
11	9955	CLAMP (5 - BJ/M; 4 - BK/L)	97*-BJ/K/L/M/P
12	10048	CLAMP (2)	97*-BK/L
13	10074	CLAMP, shield (front - BJ; 2 - front & rear - BM)	97*-BJ/M
14	65283-94	CLAMP, muffler (2)	97*-BJ/K/L/M/P
15	65324-83A	GASKET, exhaust port	97*-BJ/K/L/M/P
16	65325-83	RETAINING RING, exhaust gasket (2)	97*-BJ/K/L/M/P
17	65328-83	CLAMP, exhaust manifold (2)	97*-BJ/K/L/M/P
18	65401-95	EXHAUST PIPE, front	97*-BJ/K/L/P
	65499-95	EXHAUST PIPE, front	97*-BM
19	65822-95	MUFFLER, front - catalytic (Calif.)	97*-BK/L/P
	65840-95	MUFFLER, front - catalytic - fishtail (Calif.)	97*-BJ
	65853-95	MUFFLER, front	97*-BK/L/P
	65855-95	MUFFLER, front - fishtail	97*-BJ
20	65459-95	SUPPORT TUBE	97*-BJ/K/L/P
21	65464-95	SHIELD, rear exhaust & muffler	97*-BM
22	65603-95	EXHAUST PIPE, rear	97*-BJ/K/L/P
	65503-95	EXHAUST PIPE, rear	97*-BM
23	65515-95	SUPPORT TUBE, front	97*-BM
24	65522-91	MUFFLER SUPPORT, rear	97*-BM
25	65702-95	SHIELD, rear exhaust	97*-BJ/K/L/P
26	65750-95	SHIELD, front exhaust	97*-BJ
	65732-95	SHIELD, front exhaust	97*-BK/L/P
	65761-95	SHIELD, front exhaust	97*-BM
27	65734-95	BRACKET, rear muffler	97*-BJ/K/L/M/P
28	65777-95	SHIELD, interconnect	97*-BJ/K/L/M/P
29	65781-82	GASKET, interconnect	97*-BJ/K/L/M/P
30	65782-82	WASHER, interconnect	97*-BJ/K/L/M/P
31	65813-95	HEAT SHIELD, muffler (2 used on all catalytic muffler equipped models)	97*-BJ/K/L/M/P
32	65887-95	BRACKET, front muffler (2 - BJ/K/L/P)	97*-BJ/K/L/M/P
33	65896-95	MUFFLER, rear (2 - front & rear - BM)	97*-BK/L/M/P
	65898-95	MUFFLER, rear - fishtail	97*-BJ
	65900-95	MUFFLER, rear - catalytic (Calif.) (2 - front & rear - BM)	97*-BK/L/M/P
	65902-95	MUFFLER, rear - catalytic - fishtail (Calif.)	97*-BJ
H-D INTERNATIONAL ONLY			
31	65864-95	HEAT SHIELD, muffler (2 - front & rear - BM; front - BJ)(HDI only)	97*-BJ/M
19	65682-97	MUFFLER, front - catalytic (Swiss only)	97*-BJ/K/L/P
	65885-97	MUFFLER, front (HDI only)	97*-BJ/K/L/P
33	65890-97	MUFFLER, rear (2 - front & rear - BM)(HDI only)	97*-BJ/K/L/M/P
	65892-97	MUFFLER, rear - catalytic (2 - front & rear - BM) (Swiss only)	97*-BJ/K/L/M/P

SOFTAIL MODELS			
FLSTC	BJ	FLSTF	BM
FXSTC	BK	FLSTN	BN
FXSTS	BL	FXSTSB	BP
		FLSTS	BR

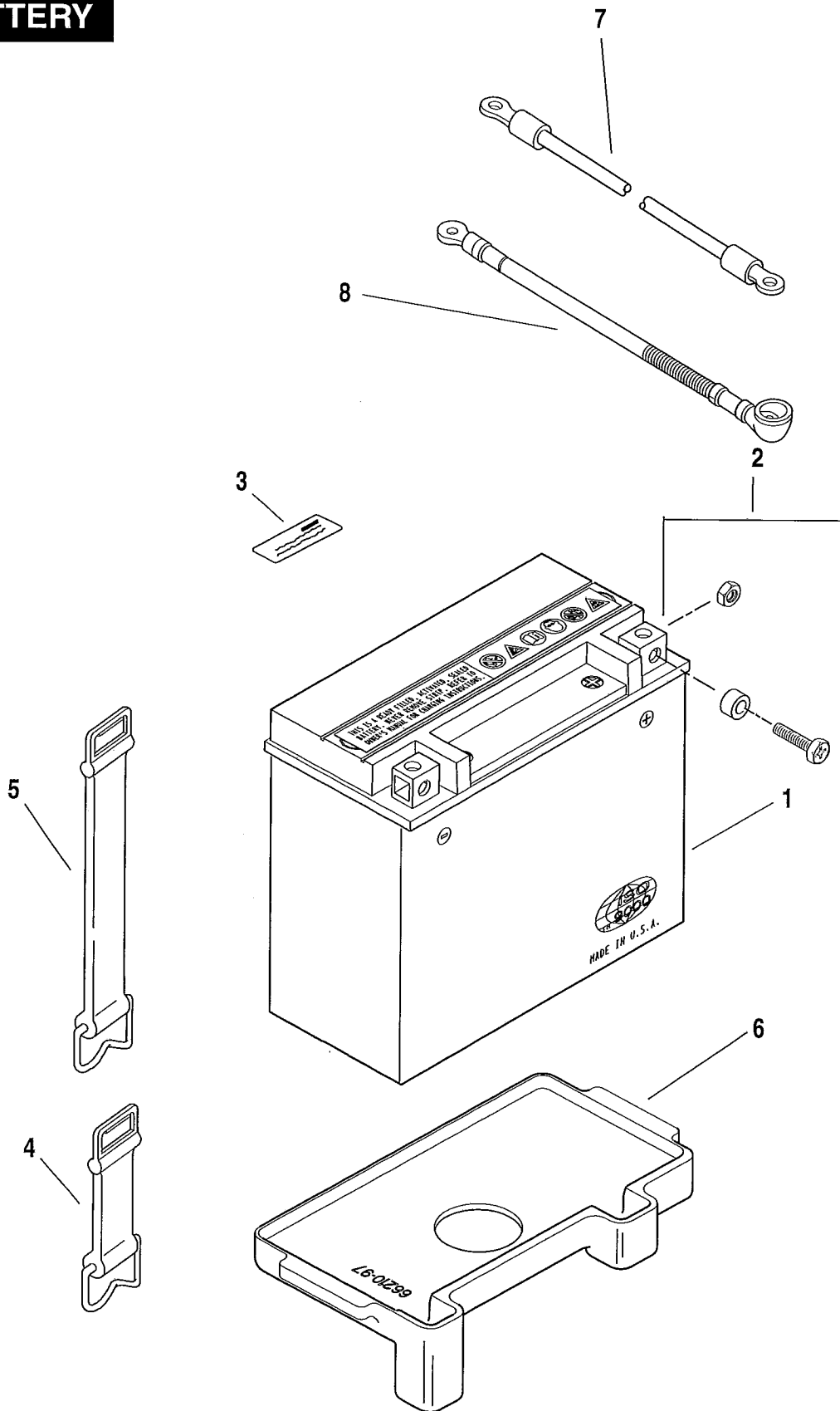
EXHAUST SYSTEM - FLSTS



INDEX NO.	PART NO.	DESCRIPTION	MODELS
1	861A	BOLT	97*-BR
2	3728	BOLT (8)	97*-BR
3	3775	BOLT (2)	97*-BR
4	4017	BOLT (4)	97*-BR
5	4719W	BOLT (2)	97*-BR
6	5416	CARRIAGE BOLT (2)	97*-BR
7	6701	WASHER	97*-BR
8	6702	WASHER (4)	97*-BR
9	6703	WASHER (8)	97*-BR
10	7038	LOCKWASHER (4)	97*-BR
11	7041	LOCKWASHER (4)	97*-BR
12	7593	NUT (4)	97*-BR
13	7601	LOCKNUT (2)	97*-BR
14	9955	CLAMP (11)	97*-BR
15	65283-94	CLAMP, muffler (4)	97*-BR
16	65311-97	SUPPORT TUBE, muffler (2)	97*-BR
17	65324-83A	GASKET, exhaust port	97*-BR
18	65325-83	RETAINING RING, exhaust gasket (2)	97*-BR
19	65328-83	CLAMP, exhaust manifold (2)	97*-BR
20	65364-97	MUFFLER, right - catalytic (Calif. only)	97*-BR
21	65366-97	MUFFLER, left - catalytic (Calif. only)	97*-BR
22	65494-97	EXHAUST PIPE, front	97*-BR
23	65513-97	EXHAUST PIPE, right - rear	97*-BR
24	65650-97	EXHAUST PIPE, left	97*-BR
25	65652-97	BRACKET, exhaust	97*-BR
26	65654-97	CLAMP, exhaust pipe (3)	97*-BR
27	65655-97	MUFFLER, right	97*-BR
28	65679-97	MUFFLER, left	97*-BR
29	65708-97	BRACKET, exhaust	97*-BR
30	65734-95	BRACKET, muffler (4)	97*-BR
31	65907-97	HEAT SHIELD, front	97*-BR
32	65908-97	HEAT SHIELD, rear	97*-BR
33	65909-97	HEAT SHIELD, right - lower - rear	97*-BR
34	65910-97	HEAT SHIELD, left - front	97*-BR
35	65911-97	HEAT SHIELD, left - rear	97*-BR
H-D INTERNATIONAL ONLY			
27	65785-97	MUFFLER, right (H.D.I, Australia, U.K.)	97*-BR
28	65793-97	MUFFLER, left (H.D.I, Australia, U.K.)	97*-BR
20	65806-97	MUFFLER, right - catalytic (Swiss)	97*-BR
21	65833-97	MUFFLER, left - catalytic (Swiss)	97*-BR

SOFTAIL MODELS			
FLSTC	BJ	FLSTF	BM
FXSTC	BK	FLSTN	BN
FXSTS	BL	FXSTSB	BP
		FLSTS	BR

BATTERY

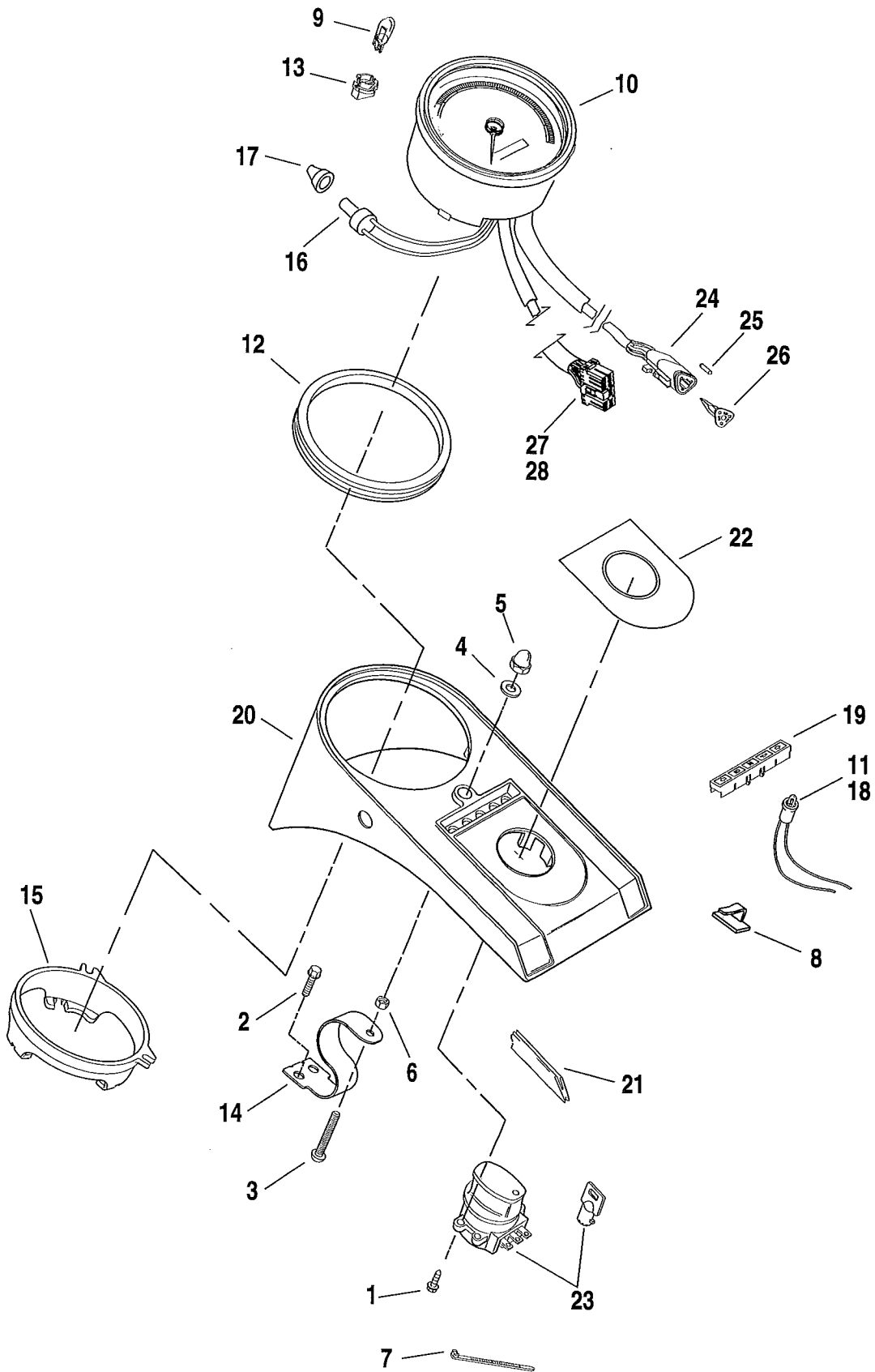


INDEX NO.	PART NO.	DESCRIPTION	MODELS
1	65989-97	BATTERY with terminal kit	97*-ALL
2	66020-97	BATTERY TERMINAL KIT	97*-ALL
3	66042-79A	WARNING LABEL	97*-ALL
4	66109-93	BATTERY STRAP, front	97*-ALL
5	66111-93	BATTERY STRAP, rear	97*-ALL
6	66210-97	CUSHION, rubber	97*-ALL
7	70060-92A	CABLE ASSEMBLY, battery negative	97*-ALL
8	70078-96	CABLE ASSEMBLY, battery positive	97*-ALL

SOFTAIL MODELS

FLSTC	BJ	FLSTF	BM
FXSTC	BK	FLSTN	BN
FXSTS	BL	FXSTSB	BP
		FLSTS	BR

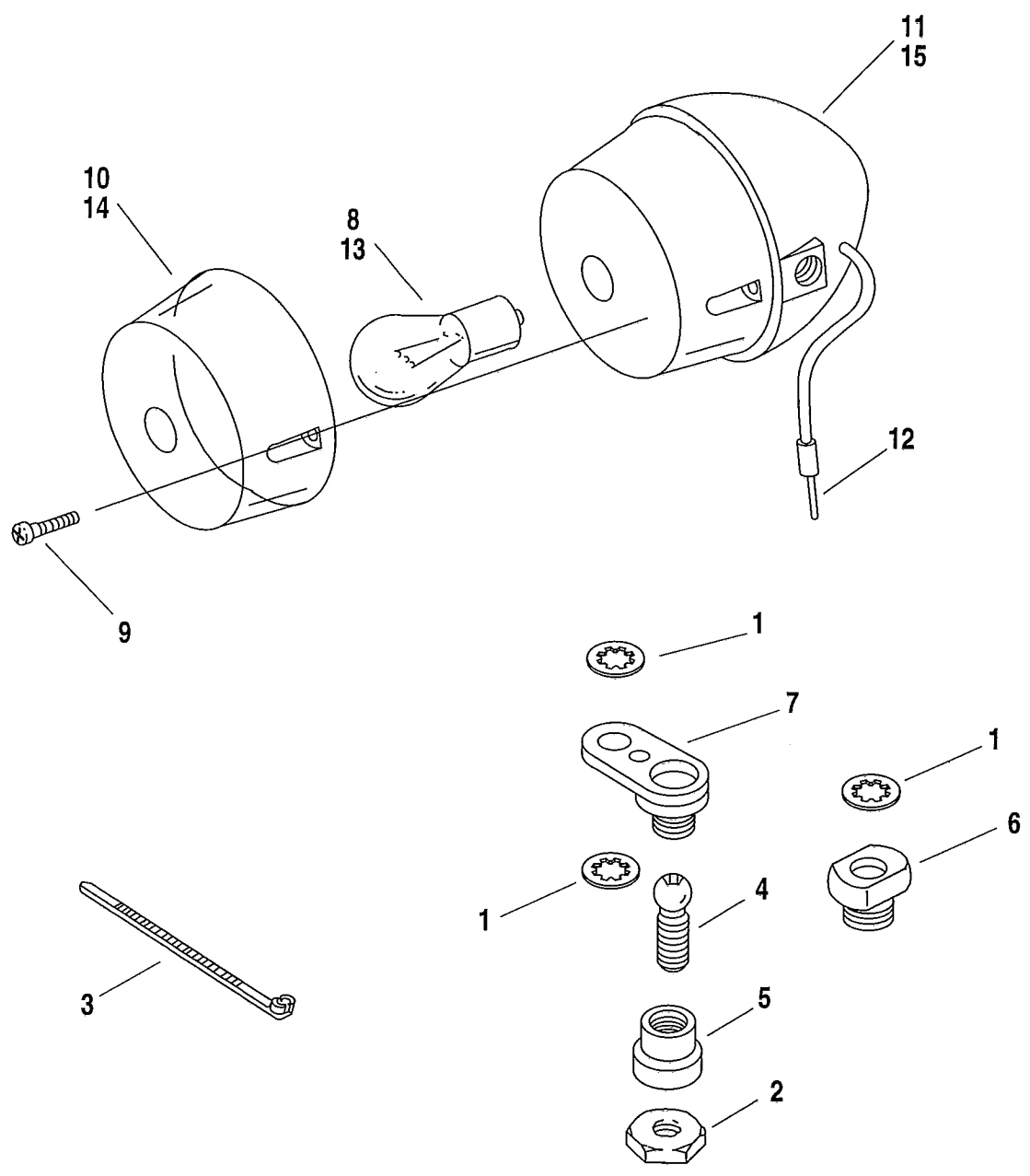
INSTRUMENTS



INDEX NO.	PART NO.	DESCRIPTION	MODELS
1	2501A	SCREW (4)	97*-ALL
2	3546	SCREW (2)	97*-ALL
3	4761	SCREW	97*-ALL
4	6121	WASHER	97*-ALL
5	7497	LOCKNUT, acorn	97*-ALL
6	7688	NUT	97*-ALL
7	10065	CABLE STRAP (2)	97*-ALL
8	10102	CLIP, adhesive back	97*-ALL
	10103	CLIP, adhesive back	97*-ALL
9	53439-79	BULB, backlight	97*-ALL
	67136-85	BULB, backlight	97*-ALL
10	67027-96A	SPEEDOMETER, mph	97*-ALL
11	67184-94	SOCKET, indicator lamps (5)	97*-ALL
12	67190-89	SEAL, speedometer	97*-ALL
13	67191-94	SOCKET, instrument bulbs (2)	97*-ALL
14	67260-96	BRACKET, instrument panel mtg.	97*-ALL
15	67271-94	BACK CLAMP	97*-ALL
16	67879-94	SWITCH, reset	97*-ALL
17	67880-94	BOOT, reset switch	97*-ALL
18	68024-94	BULB, indicator lamps (5)	97*-ALL
19	71146-94	LENS, indicator lamps	97*-ALL
20	71254-96	INSTRUMENT PANEL, with 10102 & 10103 clips	97*-BJ/K/L/M/R
	71255-96	INSTRUMENT PANEL, with 10102 & 10103 clips	97*-BP
21	71265-95	TRIM, instrument panel	97*-ALL
22	71302-93	NAMEPLATE, ignition switch	97*-ALL
23	71313-96	IGNITION SWITCH, with keys	97*-ALL
	71452-91A	KEY (specify key code)	97*-ALL
24	72113-94BK	PLUG, 3-way socket	97*-ALL
25	72191-94	TERMINAL, socket (3)	97*-ALL
26	72153-94	SOCKET LOCK, secondary, 3-way	97*-ALL
27	73162-96BK	CONNECTOR, 12-place	97*-ALL
28	73191-96	SOCKET CONTACT, 16-20 ga. (12)	97*-ALL
H-D INTERNATIONAL ONLY			
10	67030-96A	SPEEDOMETER, kph	97*-ALL
	67282-96A	SPEEDOMETER, mph/kph	97*-ALL

SOFTAIL MODELS			
FLSTC	BJ	FLSTF	BM
FXSTC	BK	FLSTN	BN
FXSTS	BL	FXSTSB	BP
		FLSTS	BR

FRONT TURN SIGNALS

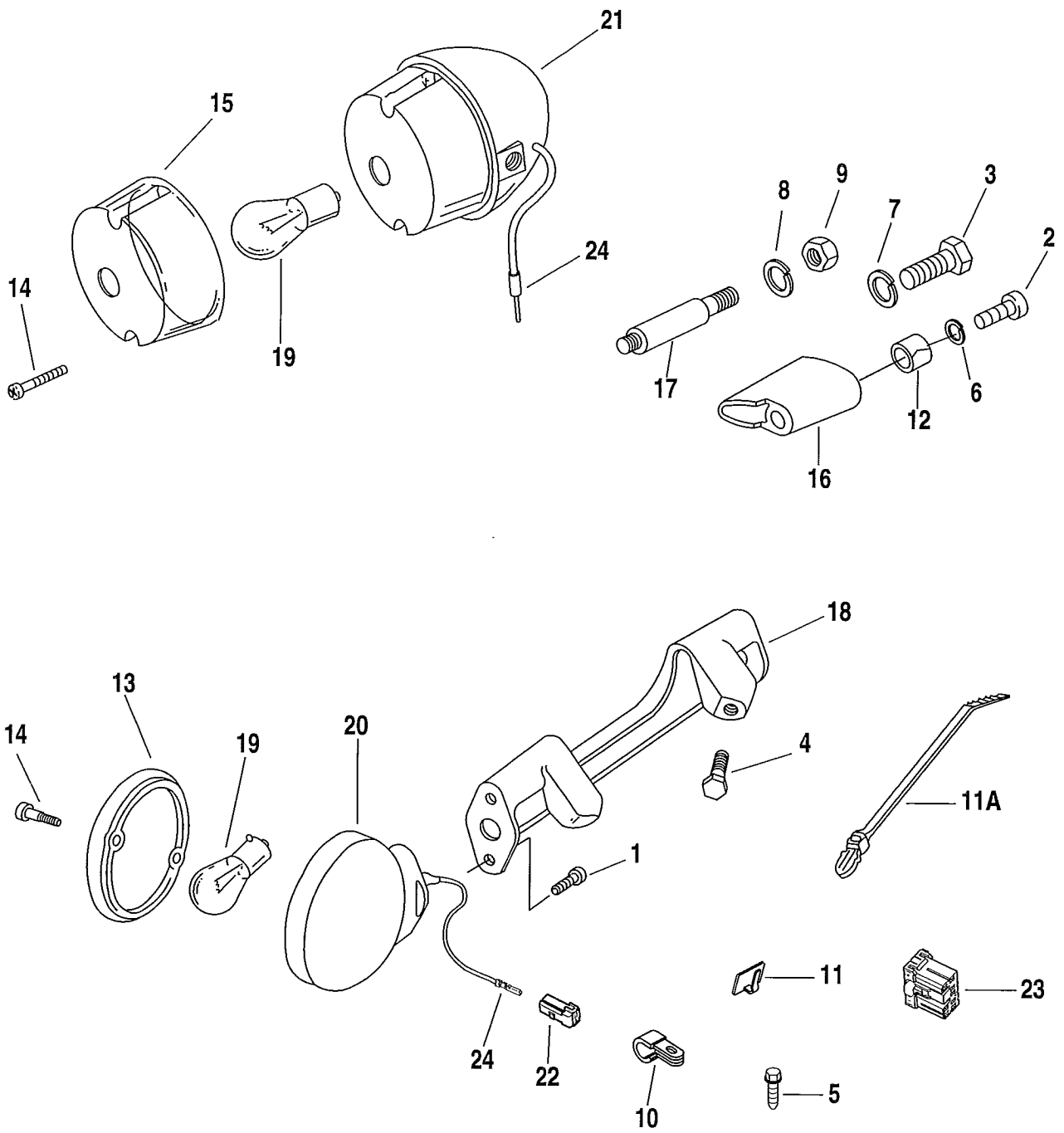


INDEX NO.	PART NO.	DESCRIPTION	MODELS
1	7127	LOCKWASHER (3)	97*-BK/L/M/P/R
2	7744	JAM NUT (2)	97*-BK/L/M/P/R
3	10006	CABLE STRAP (2)	97*-BK/L/M/P/R
	10065	CABLE STRAP	97*-BK/L/M/P/R
4	67822-88	BALL STUD (2)	97*-BK/L/M/P/R
5	67827-88A	CLAMP, ball stud (2)	97*-BK/L/M/P/R
6	67828-88A	RETAINER, right	97*-BK/L/M/P/R
7	67829-88	BALL RECEPTACLE, left	97*-BK/L/M/P/R
8	68168-89	BULB, front turn signals (2)	97*-BK/L/M/P/R
9	68452-86	SCREW, turn signal lens (4)	97*-BK/L/M/P/R
10	68457-86	LENS, turn signal (amber) (2)	97*-BK/L/M/P/R
11	68709-94	LAMP w/ wire, front (2)	97*-BK/L/M/P/R
12	73191-96	SOCKET CONTACT, 16-20 ga. (2)	97*-BK/L/M/P/R
H-D INTERNATIONAL ONLY			
13	68163-84	BULB (2) (HDI only)	97*-BK/L/M/P/R
14	68566-90	LENS, turn signal (amber) (2) (HDI only)	97*-BK/L/M/P/R
15	68710-94	LAMP w/ wire, front (2) (HDI only)	97*-BK/L/M/P/R

SOFTAIL MODELS

FLSTC	BJ	FLSTF	BM
FXSTC	BK	FLSTN	BN
FXSTS	BL	FXSTSB	BP
		FLSTS	BR

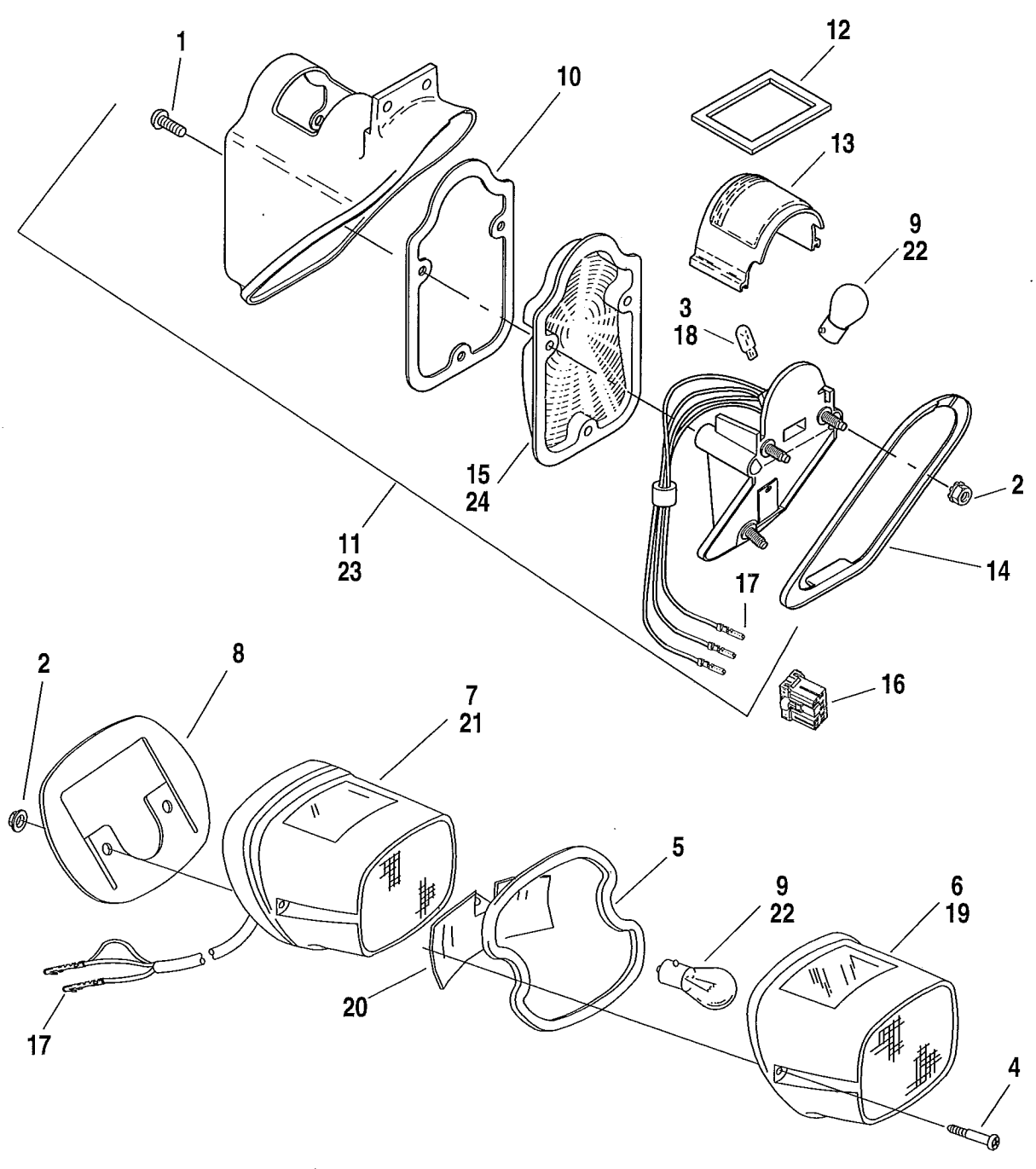
REAR TURN SIGNALS



INDEX NO.	PART NO.	DESCRIPTION	MODELS
1	2692WB	SCREW (4)	97*-BJ
2	2696	SCREW (2)	97*-BK/L/P
3	2904A	BOLT (2)	97*-BK/L/P
4	3576	BOLT (2)	97*-BJ
5	3893	SCREW, turn signal ground	97*-ALL
6	7042	LOCKWASHER (2)	97*-BK/L/P
7	7045	LOCKWASHER (2)	97*-ALL
8	7101	LOCKWASHER (2)	97*-BM
9	7800W	NUT (2)	97*-BM/R
10	10059A	CLIP	97*-BJ
11	10120	CLIP (2)	97*-BJ
	10183	CLIP, t-stud (6)	97*-ALL
	10184	CLIP, t-stud (2)	97*-ALL
	10113	CLIP, double	97*-ALL
11A	10177	CABLE STRAP, with plug-in retainer	97*-ALL
12	59959-86	SPACER	97*-BK/L/P
13	68440-86	LENS, turn signal (2)	97*-BJ
14	68452-86	SCREW (4)	97*-ALL
15	68457-86	LENS, turn signal	97*-BK/L/M/R
16	68480-73	SUPPORT, rear lamp mounting (2)	97*-BK/L/P
17	68493-90	SUPPORT, rear lamp mounting	97*-BM/R
18	68510-74B	BRACKET, rear turn signal	97*-BJ
19	68572-64B	BULB, rear turn signal (2)	97*-ALL
20	68713-94	LAMP w/ wire, rear (amber) (2)	97*-BJ
21	68760-94	LAMP w/ wire, rear (amber) (2)	97*-BK/L/P
	68802-95	LAMP w/ wire, rear (amber) (2)	97*-BM/R
22	73152-96BK	SOCKET HOUSING, 2-place (2)	97*-BJ
23	73158-96BK	SOCKET HOUSING, 8-place	97*-ALL
24	73191-96	CONTACT SOCKET, 16-20 ga. (4)	97*-ALL
H-D INTERNATIONAL ONLY			
8	7101	LOCKWASHER (2)(HDI only)	97*-BK/L/M/P/R
9	7800W	LOCKNUT (2)(HDI only)	97*-BK/L/M/P
17	68493-90	SUPPORT, turn signal (2)(HDI only)	97*-BK/L/M/P/R
21	68803-95	LAMP w/ wire, rear (amber) (2) (HDI only)	97*-BK/L/M/P/R
13	68506-92	LENS, turn signal (amber) (2) (HDI only)	97*-BJ
19	68163-84	BULB, rear turn signal (HDI only)	97*-ALL
21	68765-94	LAMP w/ wire, rear (amber) (2) (HDI only)	97*-BJ

SOFTAIL MODELS			
FLSTC	BJ	FLSTF	BM
FXSTC	BK	FLSTN	BN
FXSTS	BL	FXSTSB	BP
		FLSTS	BR

TAIL LAMP

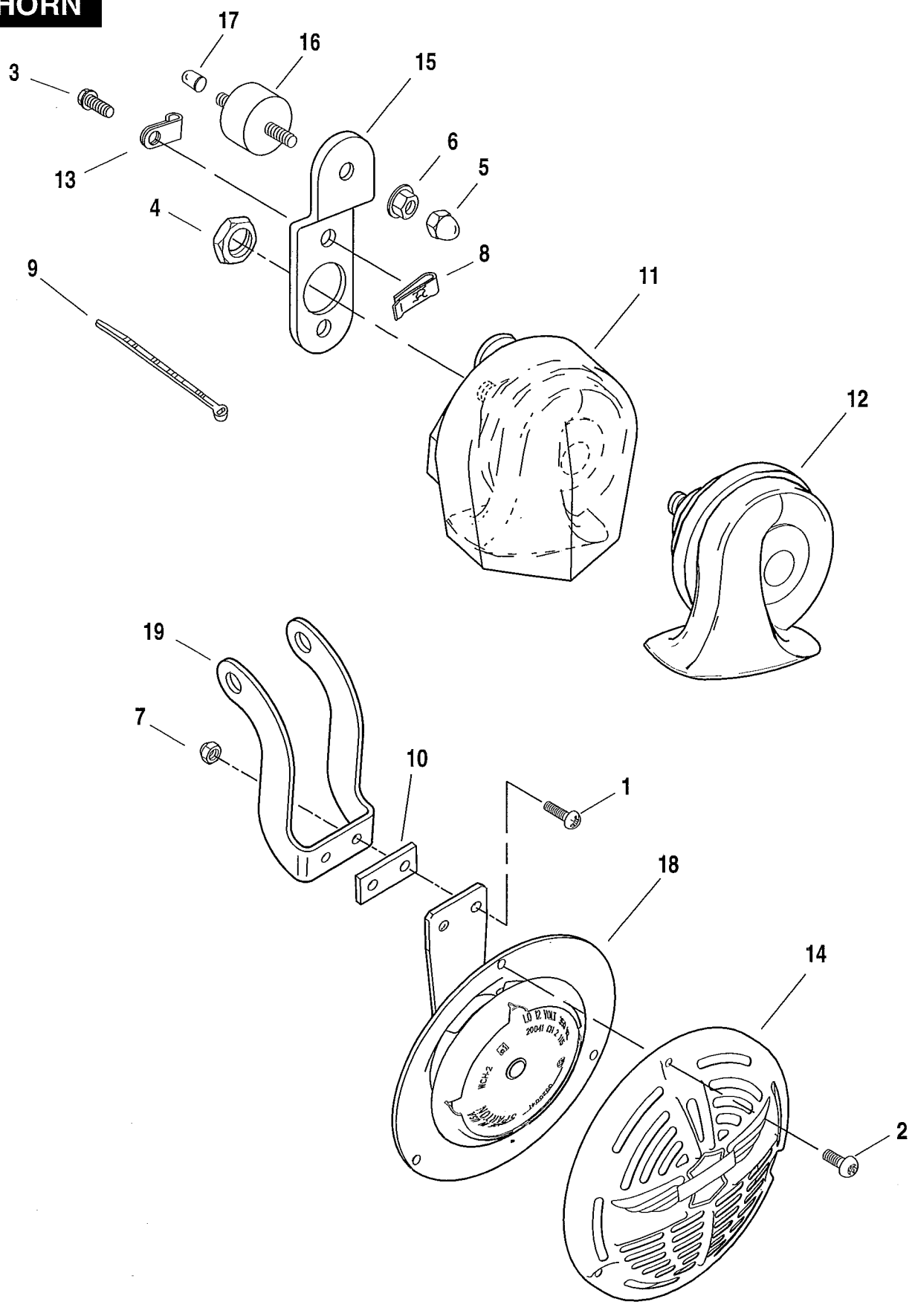


INDEX NO.	PART NO.	DESCRIPTION	MODELS
1	4166	SCREW (3)	97*-BR
2	7501	SPEED NUT (2, 3 - BR)	97*-ALL
3	52441-95	BULB, license lamp	97*-BR
4	68026-73	SCREW, tail lamp (2)	97*-BJ/K/L/M/P
5	68027-90	GASKET, tail lamp lens	97*-BJ/K/L/M/P
6	68033-90	LENS, tail lamp (red)	97*-BJ/K/L/M/P
7	68048-93B	TAIL LAMP ASSEMBLY	97*-BJ/K/L/M/P
8	68123-73	GASKET, tail lamp housing	97*-BJ/M
9	68168-89	BULB, tail lamp	97*-ALL
10	68226-97	GASKET, lens	97*-BR
11	68233-97	TAIL LAMP ASSEMBLY	97*-BR
12	68235-97	GASKET, license plate lens	97*-BR
13	68236-97	LENS, license plate	97*-BR
14	68237-97	PAD, mounting	97*-BR
15	68238-97	LENS	97*-BR
16	73158-96BK	SOCKET HOUSING, 8-place	97*-ALL
17	73191-96	CONTACT SOCKET, 16-20 ga. (3)	97*-ALL
H-D INTERNATIONAL ONLY			
18	53436-97	BULB, license lamp	97*-BR
19	68032-90	LENS, tail lamp (red) (HDI only)	97*-BJ/K/L/M/P
20	68036-91	REFLECTOR, tail lamp (HDI only)	97*-BJ/K/L/M/P
21	68049-93B	TAIL LAMP ASSEMBLY (HDI only)	97*-BJ/K/L/M/P
22	68169-90	BULB, tail lamp (HDI only)	97*-ALL
23	68234-97	TAIL LAMP ASSEMBLY (HDI only)	97*-BR
24	68239-97	LENS, tail lamp (red) (HDI only)	97*-BR

SOFTAIL MODELS

FLSTC	BJ	FLSTF	BM
FXSTC	BK	FLSTN	BN
FXSTS	BL	FXSTSB	BP
		FLSTS	BR

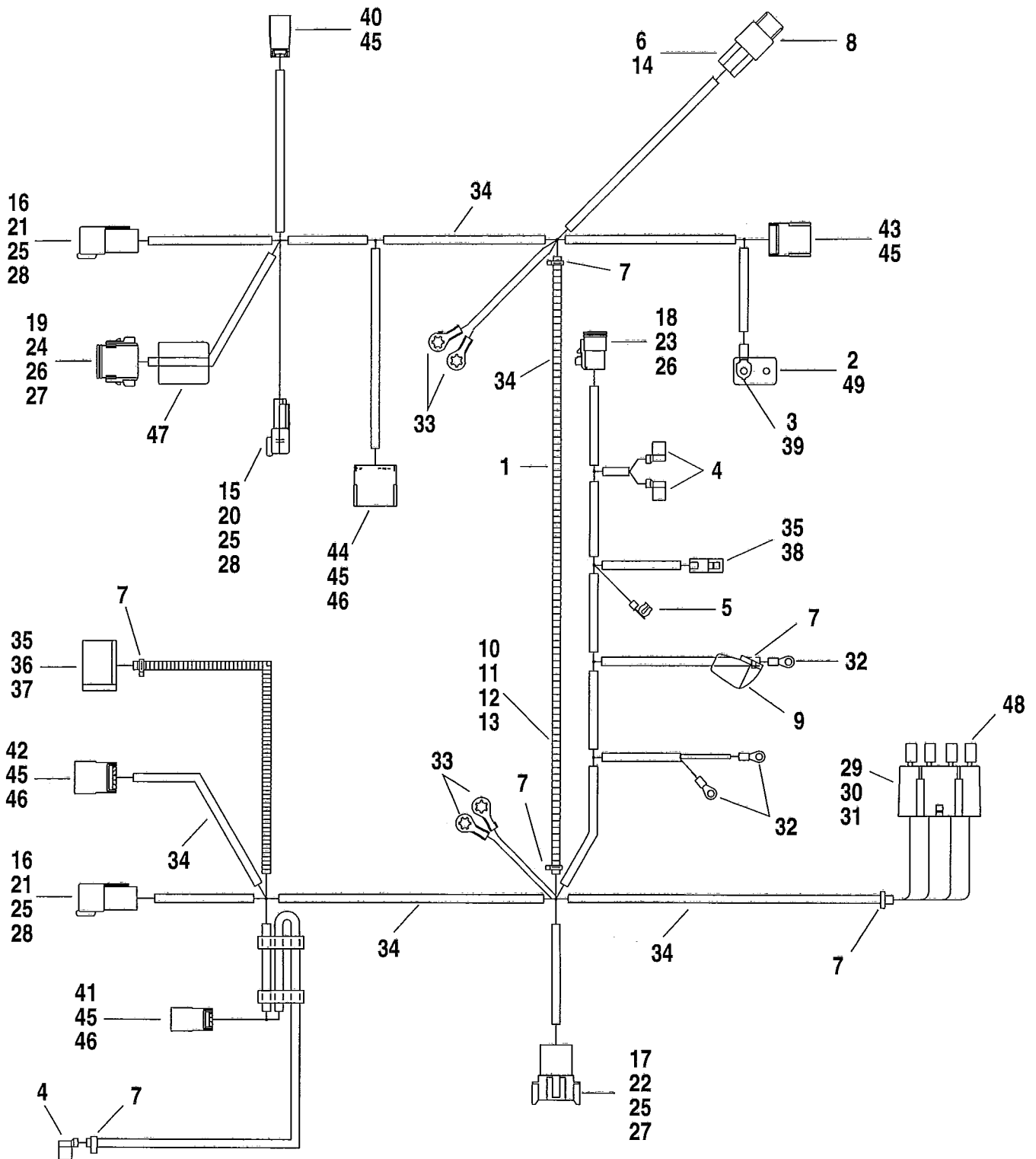
HORN



INDEX NO.	PART NO.	DESCRIPTION	MODELS
1	2447	SCREW (2)	97*-BR
2	2939	SCREW (3)	97*-BR
3	3588	SCREW (2)	97*-BJ/K/L/M/P
4	7495	NUT	97*-BJ/K/L/M/P
5	7507	ACORN NUT	97*-BJ/K/L/M/P
6	7576	NUT, flange	97*-BJ/K/L/M/P
7	7624	LOCKNUT (2)	97*-BR
8	8108	NUT, push (2)	97*-BJ/K/L/M/P
9	10006	CABLE STRAP	97*-BJ/K/L/M/P
10	68385-97	PAD, horn mounting	97*-BR
11	69012-93A	COVER, horn (chrome)	97*-BJ/K/L/M/P
12	69060-90C	HORN ASM. with #4	97*-BJ/K/L/M/P
13	69062-91A	CLAMP	97*-BJ/K/L/M/P
14	69069-97	HORN COVER	97*-BR
15	69120-91	BRACKET, horn	97*-BJ/K/L/M/P
16	69123-92	MOUNT, horn (rubber)	97*-BJ/K/L/M/P
17	89579-91	CAP, protective	97*-BJ/K/L/M/P
18	69070-97	HORN ASSEMBLY, with mounting pad	97*-BR
H-D INTERNATIONAL ONLY			
16	69122-95	MOUNT, horn (rubber) (HDI only)	97*-BJ/K/L/M/P
19	69151-97	BRACKET, horn mounting (HDI only)	97*-BR

SOFTAIL MODELS			
FLSTC	BJ	FLSTF	BM
FXSTC	BK	FLSTN	BN
FXSTS	BL	FXSTSB	BP
		FLSTS	BR

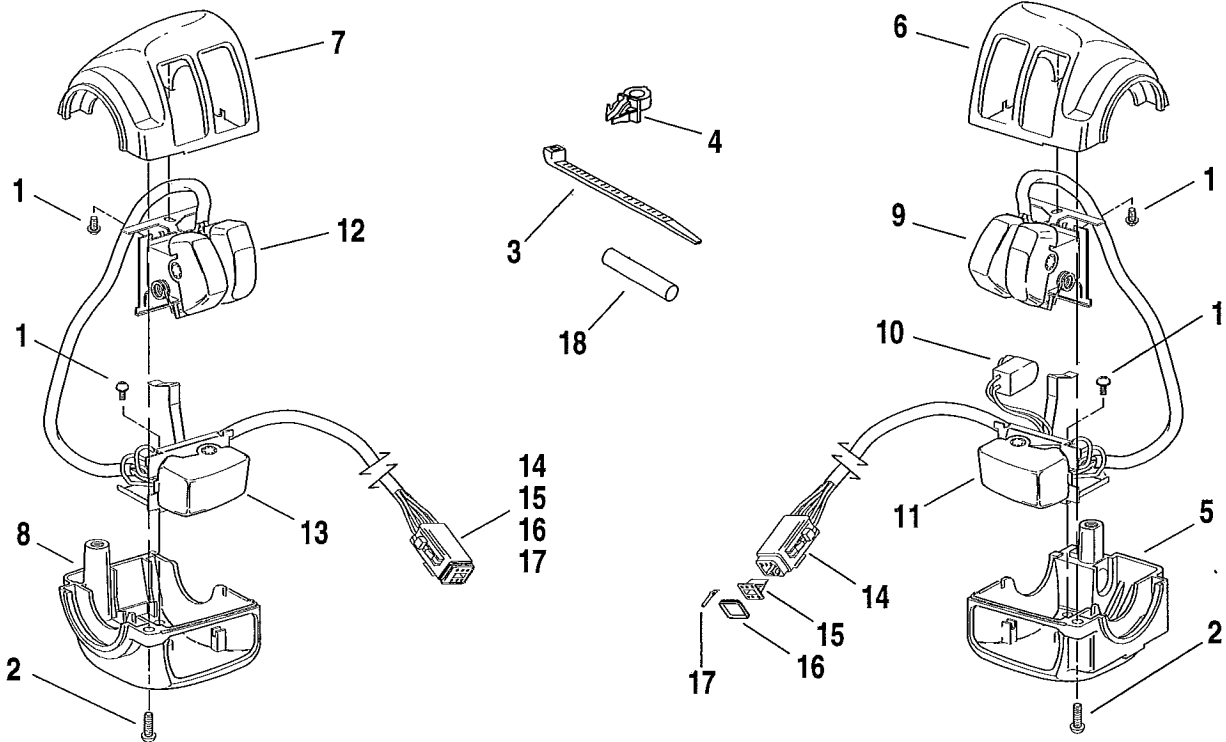
WIRING HARNESS, MAIN



INDEX NO.	PART NO.	DESCRIPTION	MODELS
1	70216-96	MAIN WIRING HARNESS includes the following:	97*-ALL
2	7629	NUT, with washer (2)	97*-ALL
3	9840	TERMINAL, ring type	97*-ALL
4	9898	TERMINAL, female flag, #14-16 wire (3)	97*-ALL
5	9905	TERMINAL, cap type, 1/4" dia.	97*-ALL
6	9937	TERMINAL, 1/4" female spade, 14-16 ga. (4)	97*-ALL
7	10065	CABLE STRAP (6)	97*-ALL
8	31504-91A	RELAY, with diode (starter)	97*-ALL
9	70579-65	BOOT, rubber	97*-ALL
10	72038-71A	SOCKET, single pin	97*-ALL
11	72039-71A	PIN, single socket	97*-ALL
12	72043-71A	CONNECTOR, single pin	97*-ALL
13	72044-71A	CONNECTOR, single socket	97*-ALL
14	72046-79	SOCKET HOUSING	97*-ALL
15	72102-94BK	RECEPTACLE, 2-way pin	97*-ALL
16	72106-94BK	RECEPTACLE, 6-way pin (2)	97*-ALL
17	72108-94BK	RECEPTACLE, 8-way pin	97*-ALL
18	72113-94BK	PLUG, 3-way socket	97*-ALL
19	72138-94GY	PLUG, 8-way socket	97*-ALL
20	72142-94	PIN LOCK, secondary, 2-way	97*-ALL
21	72146-94	PIN LOCK, secondary, 6-way (2)	97*-ALL
22	72148-94	PIN LOCK, secondary, 8-way	97*-ALL
23	72153-94	SOCKET LOCK, secondary, 3-way	97*-ALL
24	72158-94	SOCKET LOCK, 8-way	97*-ALL
25	72190-94	TERMINAL, pin (21)	97*-ALL
26	72191-94	TERMINAL, socket (10)	97*-ALL
27	72195-94	SEAL PIN (2)	97*-ALL
28	72199-94	ATTACHMENT CLIP (3)	97*-ALL
29	72216-94	FUSEBLOCK	97*-ALL
30	72217-94	TERMINAL, auto fuse, 18-20 ga. (4)	97*-ALL
31	72218-94	TERMINAL, auto fuse, 14-16 ga. (4)	97*-ALL
32	72241-94	TERMINAL, #10 ring 18-20 ga. (3)	97*-ALL
33	72255-94	TERMINAL, ring 1/4" (4)	97*-ALL
34	72266-94	HEAT SHRINK TUBE, dual wall, .3 x 2" (11)	97*-ALL
35	72291-94	TERMINAL, female spade - 14-16 ga. (3)	97*-ALL
36	72292-94	TERMINAL, female, 12 ga.	97*-ALL
37	72293-94	CONNECTOR, female, 3-place	97*-ALL
38	72295-94	HOUSING, starter connection	97*-ALL
39	72366-95	HEAT SHRINK TUBE, (yellow)	97*-ALL
40	73103-96BK	PIN HOUSING, 3-place	97*-ALL
41	73104-96BK	PIN HOUSING, 4-place	97*-ALL
42	73106-96BK	PIN HOUSING, 6-place	97*-ALL
43	73108-96BK	PIN HOUSING, 8-place	97*-ALL
44	73112-96BK	PIN HOUSING, 12-place	97*-ALL
45	73190-96	TERMINAL, pin 20-16 ga. (31)	97*-ALL
46	73199-96	ANCHOR, connector (3)	97*-ALL
47	74412-91	BOOT, turn signal module harness	97*-ALL
48	74587-94	CIRCUIT BREAKER, 15 amp. (4)	97*-ALL
49	74599-77B	CIRCUIT BREAKER, 30 amp.	97*-ALL

SOFTAIL MODELS			
FLSTC	BJ	FLSTF	BM
FXSTC	BK	FXSTSB	BP
FXSTS	BL	FLSTS	BR

HANDLEBAR SWITCHES

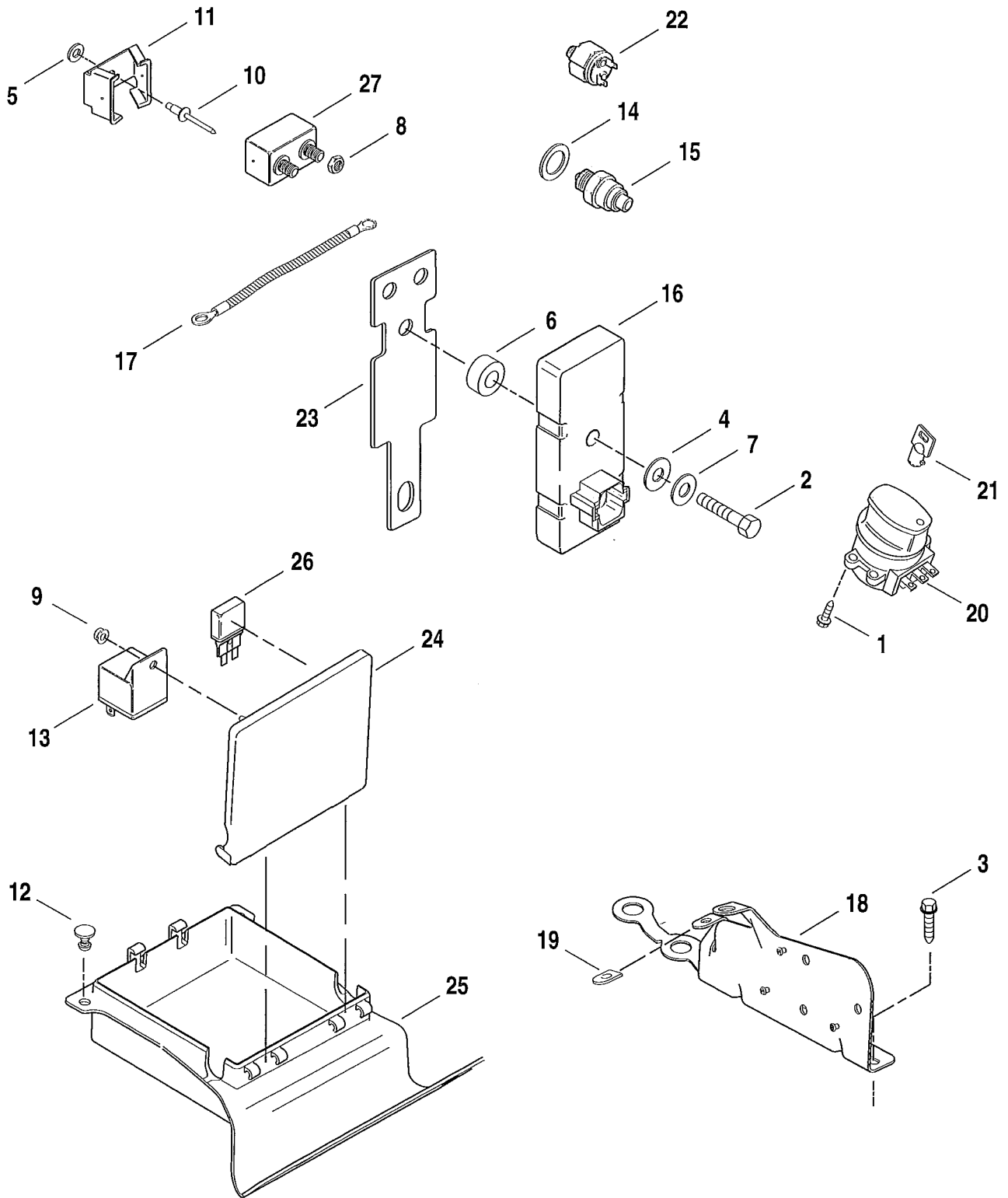


INDEX NO.	PART NO.	DESCRIPTION	MODELS
1	2558	SCREW (4)	97*-ALL
2	3658	SCREW (4)	97*-ALL
3	10181	CABLE STRAP (as req'd.)	97*-ALL
4	70345-84	RETAINER, wiring (4)	97*-ALL
5	71563-96	HOUSING, lower - right	97*-ALL
6	71564-96	HOUSING, upper - right	97*-ALL
7	71567-96	HOUSING, upper - left	97*-ALL
8	71568-96	HOUSING, lower - left	97*-ALL
9	71589-96A	SWITCH ASM., engine stop/start (w/# 3 & 18)	97*-ALL
10	71590-96	STOPLAMP SWITCH (w/# 3 & 18)	97*-ALL
11	71591-96	SWITCH ASM., right turn signal (w/# 3 & 18)	97*-ALL
12	71597-96A	SWITCH ASM., dimmer & horn (w/# 3 & 18)	97*-ALL
13	71598-96	SWITCH ASM., left turn signal (w/# 3 & 18)	97*-ALL
14	72116-94BK	PLUG, 6-way socket (2)	97*-ALL
15	72156-94	SOCKET LOCK, secondary, 6-way (2)	97*-ALL
16	72176-94	FRONT SEAL, 6-way plug (2)	97*-ALL
17	72191-94	TERMINAL, socket (as req'd.)	97*-ALL
18	72266-94	HEAT SHRINK TUBE, dual wall, .3 x 2"(as req'd.)	97*-ALL

SOFTAIL MODELS

FLSTC	BJ	FLSTF	BM
FXSTC	BK	FXSTSB	BP
FXSTS	BL	FLSTS	BR

SWITCHES & CIRCUIT BREAKERS

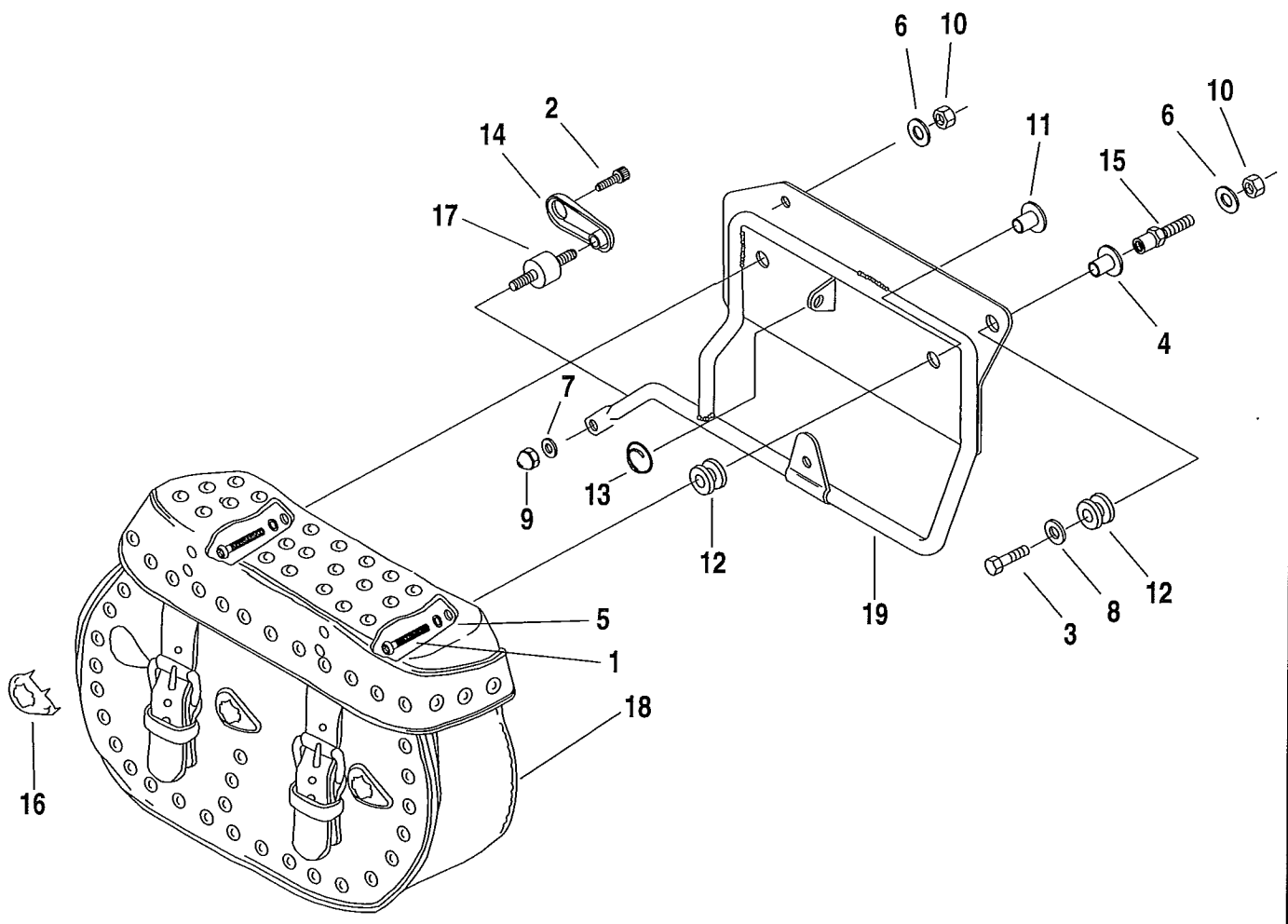


INDEX NO.	PART NO.	DESCRIPTION	MODELS
1	2501A	SCREW (4)	97*-ALL
2	2872W	SCREW	97*-ALL
3	4091	SCREW, self-tapping	97*-ALL
4	6035	WASHER, rubber	97*-ALL
5	6047	WASHER	97*-ALL
6	6084	SPACER, nylon	97*-ALL
7	6645	WASHER	97*-ALL
8	7629	NUT (2)	97*-ALL
9	7945	NUT, self-threading	97*-ALL
10	8483	RIVET, circuit breakers	97*-ALL
11	9989	CLIP, circuit breaker	97*-ALL
12	10151	FASTENER, nylon (2)	97*-ALL
13	31504-91A	STARTER RELAY with diode	97*-ALL
14	33043-80	WASHER, neutral indicator switch	97*-ALL
15	33900-59C	SWITCH, neutral indicator	97*-ALL
16	68540-96	MODULE, turn signal canceller	97*-ALL
17	70044-96	WIRE ASM., circuit breaker to starter	97*-ALL
18	70932-96A	BRACKET, electrical connector mtg.	97*-ALL
19	70940-96	BOOT, rubber - anti-rotational	97*-ALL
20	71313-96	IGNITION SWITCH, with keys	97*-ALL
21	71452-91A	KEY (specify key code)	97*-ALL
22	72023-51B	STOPLAMP SWITCH, rear	97*-ALL
23	72328-96	BRACKET, turn signal module	97*-ALL
24	72367-96	LID ASM., electrical box, with 10170	97*-ALL
25	72368-96	BOTTOM, electrical box	97*-ALL
26	74587-94	CIRCUIT BREAKER, 15 amp. (4)	97*-ALL
27	74599-77B	CIRCUIT BREAKER, 30 amp - battery	97*-ALL

NOTE: For additional fuse, relay and circuit breaker part number information see the main wiring harness page.

SOFTAIL MODELS			
FLSTC	BJ	FLSTF	BM
FXSTC	BK	FXSTSB	BP
FXSTS	BL	FLSTS	BR

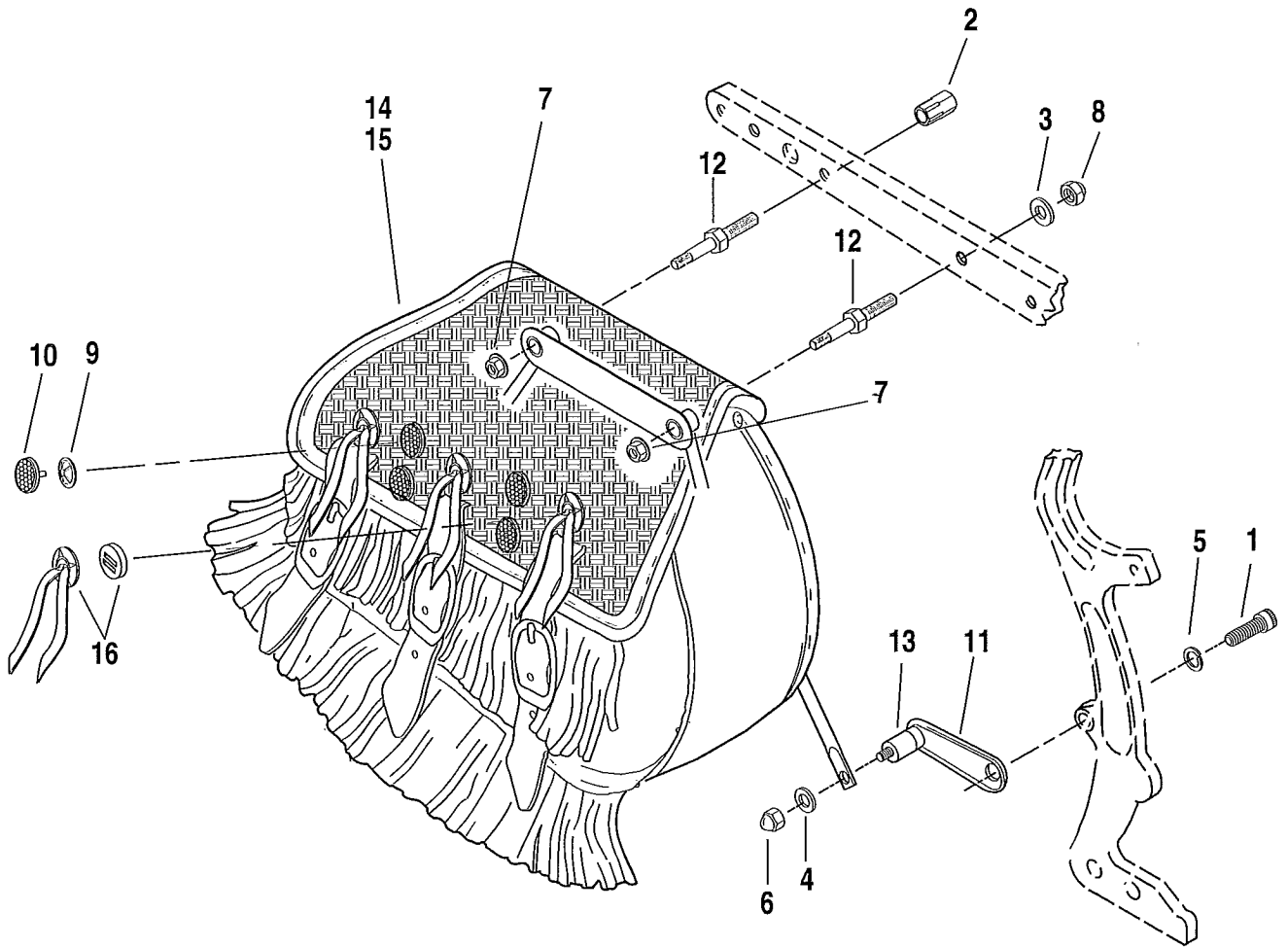
SADDLEBAGS - FLSTC



INDEX NO.	PART NO.	DESCRIPTION	MODELS
1	2602	BOLT (6)	97*-BJ
2	3549A	SCREW (2)	97*-BJ
3	4017	SCREW (4)	97*-BJ
4	5787	T-SPACER (4)	97*-BJ
5	6235	WASHER (6)	97*-BJ
6	6701	WASHER (4)	97*-BJ
7	6702	WASHER (2)	97*-BJ
8	6788	WASHER (4)	97*-BJ
9	7507	ACORN NUT (2)	97*-BJ
10	7778	LOCKNUT (4)	97*-BJ
11	7868	T-SPACER (6)	97*-BJ
12	11473	GROMMET (10)	97*-BJ
13	51923-86	COTTER CIRCLE (2)	97*-BJ
14	90346-94	SUPPORT, lower - front (2)	97*-BJ
15	90361-94	SUPPORT, upper (4)	97*-BJ
16	90470-90	ORNAMENT, teardrop-right (3)	97*-BJ
	90471-90	ORNAMENT, teardrop-left (3)	97*-BJ
17	90473-94	ISOLATOR (2)	97*-BJ
18	90476-93	SADDLEBAG, left	97*-BJ
	90477-93	SADDLEBAG, right	97*-BJ
19	90785-94	SUPPORT, right	97*-BJ
	90787-94	SUPPORT, left	97*-BJ

SOFTAIL MODELS			
FLSTC	BJ	FLSTF	BM
FXSTC	BK	FXSTSB	BP
FXSTS	BL	FLSTS	BR

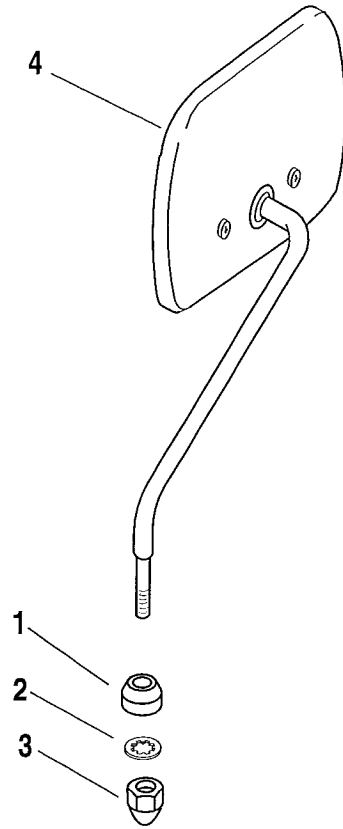
SADDLEBAGS - FLSTS



INDEX NO.	PART NO.	DESCRIPTION	MODELS
1	3549A	SCREW (2)	97*-BR
2	5807	NUT (2)	97*-BR
3	6701	WASHER (2)	97*-BR
4	6702	WASHER (2)	97*-BR
5	7068	LOCKWASHER (2)	97*-BR
6	7507	ACORN NUT (2)	97*-BR
7	7531	NUT (4)	97*-BR
8	7778	LOCKNUT (2)	97*-BR
9	7901	SPEED NUT (8)	97*-BR
10	59336-97	REFLECTOR, saddlebag - red (8)	97*-BR
11	90346-94	SUPPORT, lower front (2)	97*-BR
12	90367-97	STUD (4)	97*-BR
13	90473-94	ISOLATOR (2)	97*-BR
14	90993-97	SADDLEBAG, left (blue trim)	97*-BR
	90994-97	SADDLEBAG, right (blue trim)	97*-BR
	90995-97	SADDLEBAG, left (red trim)	97*-BR
	90996-97	SADDLEBAG, right (red trim)	97*-BR
15	90998-97	SADDLEBAG KIT, complete (red trim)	97*-BR
	91043-97	SADDLEBAG KIT, complete (blue trim)	97*-BR
16	91877-97	CONCHO (6)	97*-BR
H-D INTERNATIONAL ONLY			
	90467-97	ORNAMENT, saddlebag (not illustrated) (8)	97*-BR
	98837-97	SADDLEBAG REMOVAL KIT, includes four thread protector caps (not illustrated)	97*-BR

SOFTAIL MODELS			
FLSTC	BJ	FLSTF	BM
FXSTC	BK	FXSTSB	BP
FXSTS	BL	FLSTS	BR

MIRRORS

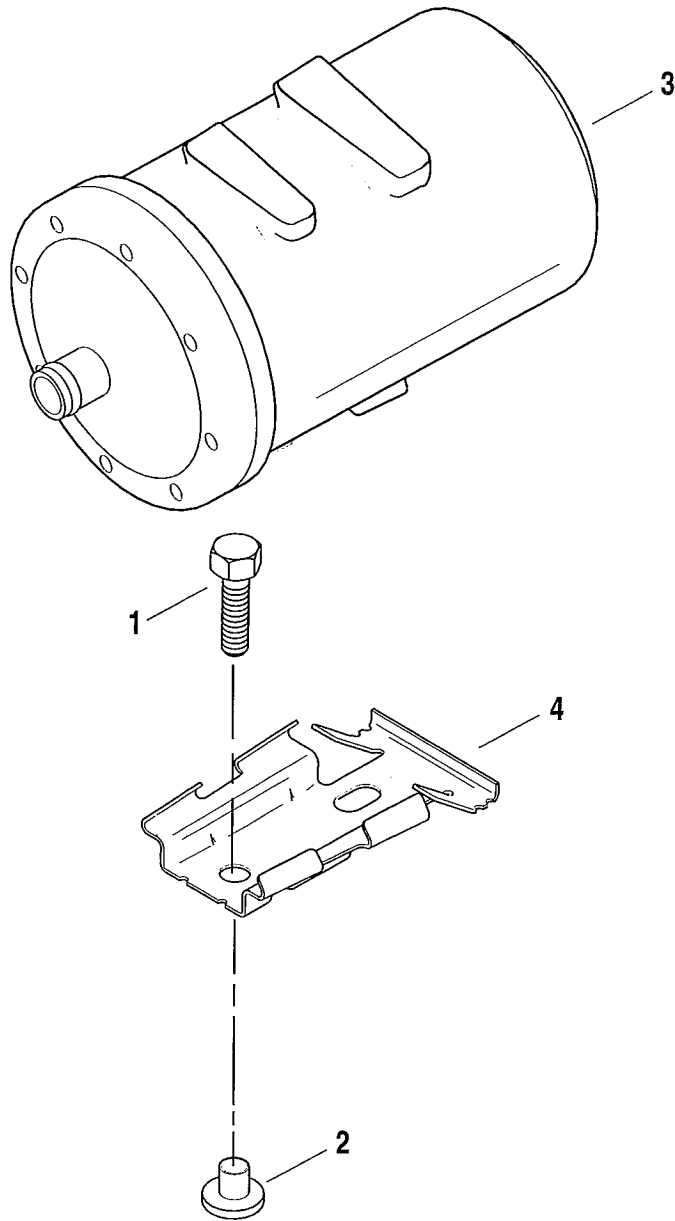


INDEX NO.	PART NO.	DESCRIPTION	MODELS
1	5774	SPACER (2)	97*-ALL
2	7127	LOCKWASHER (2)	97*-ALL
3	7736	ACORN NUT (2)	97*-ALL
4	91875-88	MIRROR KIT, short - right - convex	97*-ALL
	91892-88	MIRROR KIT, short - left - convex	97*-ALL

SOFTAIL MODELS

FLSTC	BJ	FLSTF	BM
FXSTC	BK	FXSTSB	BP
FXSTS	BL	FLSTS	BR

CALIFORNIA EVAPORATIVE EMISSIONS KIT



INDEX NO.	PART NO.	DESCRIPTION	MODELS
NOTE: These parts are for 1997 & later 1340 cc model motorcycles sold in the state of California.			
1	3574	SCREW (2)	97*-ALL
2	8099	WELL NUT (2)	97*-ALL
	9988	CLAMP (not illustrated)	97*-ALL
	10039	CABLE STRAP (not illustrated)	97*-ALL
3	27042-84A	CANISTER ASM.	97*-ALL
4	27047-84A	CANISTER BRACKET	97*-ALL
	27292-95	ELBOW, canister (not illustrated)	97*-ALL
	28884-95	EVAP. TUBE ASM. (not illustrated)	97*-ALL
	29312-95	CONNECTOR, evap. (not illustrated)	97*-ALL
	67239-83	CLIP, cable guide (not illustrated)	97*-ALL
	70933-90	PROTECTIVE TAPE (not illustrated)	97*-ALL
NOTE: Hose is sold in bulk length under the following part numbers. Cut to length.			
	26571-89	HOSE, 7/32" I.D. x 7/16" O.D. (rubber) (10' lg.)	97*-ALL
	27138-90	HOSE, 3/16" I.D. x 11/32" O.D. (rubber)(10' lg.) (Above hoses not illustrated)	97*-ALL

SOFTAIL MODELS

FLSTC	BJ	FLSTF	BM
FXSTC	BK	FXSTSB	BP
FXSTS	BL	FLSTS	BR

GLOSSARY

A

ACCY Accessory
ADJ Adjuster
AMP Amperage
ASM Assembly

B

BK Black
BRG Bearing
BRKR Breaker
BRKT Bracket
BRTHR Breather
BTRY/BATT Battery

C

C & B Chrome and Black
CAL California
CARB Carburetor
CONN Connecting/Connector
CTSK Countersink
CYL Cylinder

D

DIA Diameter

E

EVAP Evaporation
EXH Exhaust

F

FT Foot

G

GA Gauge
GAL Gallon

H

HD Head
HDI Harley-Davidson International
HSG Housing
HTM High Temperature

I

I.D. Inside Diameter
IGN Ignition
ILLUST Illustrated
INT Internal

K

KPH Kilometers Per Hour

L

L.H. left hand
LG Long

M

MM Millimeter
MPH Miles Per Hour
MTG Mounting

N

NEG Negative
NO Number

O

O.D. Outside Diameter
O.E.M Original Equipment Manufacturer
O.S. Over Size
OZ Ounce

P

P.D. Pitch Diameter
POS Positive

R

RD Round
REQD Required
RES Reservoir
R.H. Right Hand

S

SEC Secondary
SFT Shaft
SHF Shift
SOC Socket
SPEEDO Speedometer
SPRKT Sprocket
STD Standard
SW Switch

T

T Teeth
TACH Tachometer
TEMP Temperature
THD Thread
THK Thick
TM Trademark
TRANS Transmisson

U

U.K. United Kingdom

V

V Volt
VAC Vacuum

W

W/ With

HARDWARE LISTING

855B	SCREW, 3/8-16 X 2 knurled socket hd.	2614	BOLT, 1/4-28 X 2 hex. hd. (Grade 5 steel)
856A	SCREW, 5/16-24 X 1 knurled socket hd.	2647B	SCREW, No. 10-24 X 3/4 hex. socket (locking) (Grade 8 steel)
858	SCREW 5/16-18 X 2 3/4 hex hd	2692WB	SCREW, N0. 10-24 X 1/2 socket hd. (Grade 8 steel)
861A	SCREW, 3/8-16 X 1 knurled socket hd.(Grade 8 steel)	2696	SCREW, 5/16 X 18 X 3/4 socket hd. (Grade 8 steel)
864	SCREW, 1/4-20 X 3/4 hex socket button hd.	2711	SCREW, No. 4-40 X 3/8 pan hd. (self-tapping)
868	SCREW, 1/2-13 X 1/2 socket button hd.	2720	SCREW, No. 10-24 X 1 Torx hd. (w/ locking adhesive)
872A	SCREW, 1/2-20 X 3-1/4 knurled socket hd.	2737	SCREW, #4-40 X 1/4 machine pan head
882	SCREW, 1/4-20 X 7/8 knurled socket hd. w/washer (Grade 8 steel)	2773	SCREW, 1/4-20 X 1/2 Pozidriv pan hd. (Grade 2 steel)
891	SCREW, 1/4-20 X 1-3/4 socket hd. (Grade 8 steel)	2823	SCREW, 5/16-24 X 3/8 Pozidriv truss hd. (w/lockwasher)(Grade 2 steel)
923	SCREW, 1/4-20 X 21/32 socket pan hd.	2871W	BOLT, 5/16-18 X 1-1/4 hex. hd. (Grade 5 steel)
924	SCREW, 1/4-20 X 33/64 socket pan hd.	2872 W	SCREW, 1/3-20 X 1-1/2 hex hd. (Grade 5 steel)
925	SCREW, 1/4-28 X 5/8 socket button hd.	2879W	BOLT, 3/8-16 X 1 hex. hd. (Grade 5 steel)
928	BOLT, M5 X 0.8 X 35.2 (metric) hex	2882W	BOLT, 5/16-18 X 5/8 hex. hd. (Grade 5 steel)
939	SCREW, 1/4-20 X 1 w/washer (Grade 2 steel) (self tapping)	2904A	SCREW, 3/8-24 X 3/4 socket hd.
941	SCREW, 1/4-20 X 5/8 button hd. Torx	2917	SCREW, 3/8-16 X 3/4 knurled socket hd. (Grade 8 steel)
942	SCREW, 1/4-20 X 3/4 torx socket button hd (w/lockpatch)	2921	SCREW, No. 12 X 5/8 pan hd. Torx (locking)
945	SCREW, 1/4-20 X 2-1/2 button hd. Torx	2932	SCREW, 5/16-18 X 1 1/2 hex head
946	SCREW, 1/4-20 X 2 1/4 hex socket button head (w/lockpatch)	2939	SCREW, No. 8-32 X 5/16 pan hd.
949	SCREW #10-32 X 1 1/4 mach screw truss hd	2952	SCREW, 1/4-20 X 1/2 sem truss hd.
1357W	SCREW, 1/4-20 X 1 Phillips oval ctsk. hd. (stainless)	3210A	SCREW, 5/16-18 X 1-1/4 knurled soc. hd.
1601	SCREW, No. 8-32 X 1/2 Pozidriv flat ctsk. hd. (Grade 2 steel)	3214	SCREW, 3/8-16 X 1-1/4 socket hd. (thd. cutting)
1719W	SCREW, No. 8-32 X 5/8 Phillips truss hd.	3221	SET SCREW, No. 4-16 X 3/16(Grade 8 steel)
1783	SCREW, 5/16-18 X 7/8 Pozidriv flat ctsk. hd. (Grade 2 steel)	3268	SCREW, 5/16-18 X 1-1/4 socket hd. (Grade 8 steel)
1795A	SCREW, 1/4-20 X 3 hex socket head	3275	SCREW, 5/16-18 X 3/4 hex socket head cap
2005	SCREW, 3/8-24 X 15/16 Pozidriv oval ctsk. hd. (Grade 2 steel)(chrome)	3398	SCREW, 5/16-18 X 3-3/8 hex flange hd.
2273	SCREW, #4-24 X 1/2 self tapping	3403	LOCKNUT, M8 X 7 X 12mm hex.
2444	SCREW, #12-24 X 7/8 int. torx drive (w/lockpatch)	3419	BOLT, 5/16-18 X 2-1/4 hex. hd. (Grade 5 steel)
2447	SCREW, #10-24 X 5/8 button hd. (Grade 8 steel)	3440	BOLT, 3/8-16 X 1/2 hex. hd. (Grade 5 steel)
2448	SCREW, #10-24 X 1/2 button hd. (Grade 8 steel)	3444A	SCREW, 1/4-20 X 5/8 socket fillis. hd. (w/lockpatch)
2501A	SCREW, #8-32 X 3/8 hex washer head (self tapping)	3445	BOLT, 5/16-18 X 9/16 hex. hd. (w/lockpatch) (Grade 5 steel)
2531	SCREW, No. 10-40 X 5/16 pan hd. (Grade 8 steel)	3464	BOLT, 3/8-16 X 3/4 hex. hd. (Grade 8 steel)
2538	SCREW, 1/4-20 X 1 pan (Grade 2 steel)	3471	BOLT, 1/2-13 X 2-3/4 hex. hd. (Grade 5 steel)
2558	SCREW, #6-32 X 3/16 pan hd w/int washer	3473	BOLT, No. 10-32 X 1/2 hex. washer hd. Grade 2 steel)
2562	SCREW, No. 8 X 3/4 pan hd. (self-tapping)	3480A	SCREW, 1/4-20 X 1-3/4 knurled socket hd. (Grade 8 steel)
2579A	SCREW, #8-32 X 5/16 machine oval head	3485A	SCREW, 5/16-18 X 1-3/4 knurled socket hd. (Grade 8 steel)
2602	SCREW, 1/4-20 X 1-1/4 Pozidriv pan hd. (Grade 2 steel)	3494A	BOLT, 5/16-18 X 7/8 hex. hd.
2604	SCREW, No. 10-32 X 1/2 Pozidriv pan hd. (Grade 2 steel)	3500	BOLT, 5/16-18 X 2-3/4 hex. hd.(Grade 8 steel)
2607	SCREW, 1/4-20 X 3/4 Pozidriv pan hd. (Grade 2 steel)	3501	BOLT, 5/16-18 X 2-1/2 hex. hd.(Grade 8 steel)
2611B	BOLT, No. 10-32 X 3/4 hex. washer hd. (Grade 5 steel)	3504A	SCREW 5/16-24 X 5-3/8 hex flange hd.

HARDWARE LISTING

3506	STUD, 5/16-24 X 5-3/4 hex. hd.(Grade 5 steel)	4091	BOLT, No. 10-24 X 1/2 hex. washer hd. (self-tapping)
3509	BOLT, 3/8-16 X 2-3/4 hex. hd.(Grade 8 steel)	4132	SCREW, 1/4-20 X 1 1/8 hex socket button hd
3512	BOLT, 3/8-24 X 3-1/4 hex. hd. (chrome)	4134	SCREW, No. 10-24 X 3/8 soc. button hd.
3514	SCREW, No. 8-32 X 1 fillister hd.	4163	SCREW, 3/8-16 X 7/8 button hd. torx (Grade 8 steel)
3516A	SCREW, 1/2-20 X 1-1/4 knurled socket hd. (Grade 8 steel)	4164	SCREW, 3/8-16 X 1-1/4 button hd. torx (Grade 8 steel)
3533	SCREW, 5/16-24 X 3/8 socket button hd.	4165	SCREW, 3/8-16 X 1-5/8 button hd. torx (Grade 8 steel)
3538	SCREW, 5/16-24 X 1/2 hex. socket button hd.	4326A	SCREW, 5/16-18 X 2 hex. soc. hd.
3546	BOLT, 5/16-18 X 5/8 hex. hd. (flange lock)	4350A	SCREW, 3/8-16 X 1-1/2 hex. soc. hd.
3549A	SCREW, 1/2-20 X 1-1/2 knurled socket hd.	4352	SCREW, 3/8-16 X 1-1/2 Torx (self-tapping) (Grade 8 steel)
3562	SCREW, No.12 X 1/2 hex. washer hd. (self-tap)	4411	BOLT, 3/8-24 X 1-3/4 hex. hd.(Grade 5 steel)
3574	SCREW, 1/4-20 X 3/4 hex washer hd.	4416	BOLT, 3/8-24 X 1 hex. hd.(Grade 5 steel)
3576	SCREW, 5/16-18 X 1/2 hex washer hd.	4453	BOLT, 1/4-20 X 7/8 hex. hd.
3588	SCREW, 1/4-20 X 1/2 hex. flange hd.	4713W	BOLT, 3/8-16 X 3/4 hex. hd.(Grade 5 steel)
3594	SCREW, 1/4-20 X 5/8 hex socket head cap	4716W	BOLT, 3/8-16 X 1-1/4 hex. hd.(Grade 5 steel)
3602	SCREW, 5/16 X 1/2 hex. hd. (self-tapping)(sems)	4717A	SCREW, 1/4-20 X 2-1/4 knurled socket hd. (w/lockpatch)
3613	SCREW, 5/16-24 X 5-1/2 flange	4718A	SCREW, 1/4-20 X 1-1/2 knurled socket hd. w/ washer (w/lockpatch)
3655	SCREW, 5/16-18 X 7/8 torx drive pan hd.	4719W	BOLT, 3/8-16 X 2-1/2 hex. hd.(Grade 5 steel)
3657	SCREW, 7/16-16 X 7/8 flange (Grade 5 steel)	4721	BOLT, 3/8-16 X 1-1/2 hex. hd.(Grade 5 steel)
3658	SCREW, #10-24 X 1/2 hex socket button head	4722	BOLT, 3/8-16 X 2-1/4 hex. hd.(Grade 5 steel)
3664	SCREW, 5/16-18 X 5/8 (Grade 8 steel) hex socket hd.	4724	BOLT, 3/8-24 X 1-1/2 hex. hd.(Grade 5 steel)
3728	SCREW, 1/4-20 X 1/2 hex. hd.	4726	BOLT, 7/16-20 X 1-1/2 hex. hd.(Grade 5 steel)
3730A	BOLT, 7/16-14 X 1-3/4 hex. hd. (Grade 8 steel)	4729	BOLT, 7/16-20 X 1-1/4 hex. hd.(Grade 5 steel)
3739	SCREW, 1/4 X 5/8 hex. washer. hd. (self-tapping)	4740A	SCREW, 1/4-20 X 1-1/4 knurled socket hd. (w/lockpatch)
3767B	BOLT, 1/4-20 X 5/8 hex. hd.(Grade 5 steel)	4741A	SCREW, 1/4-20 X 1 hex. socket hd.(w/lockpatch)
3770	SCREW, 1/4-20 X 7/8 12 pt. hd.(Grade 5 steel)	4742A	SCREW, 1/4-20 X 2-1/4 knurled socket hd. (w/lockpatch)
3775	SCREW, 3/8-16 X 2 hex hd. (Grade 5 steel)	4747	SCREW, 3/8-16 X 2-5/8 knurled socket hd. (Grade 8 steel)
3784	SET SCREW, 1/2-20 X 1/2 socket hd. (w/lockpatch)	4761	SCREW, 1/4-20 X 2 hex socket butt head
3787	BOLT, 1/4-20 X 3/4 hex. hd.(Grade 5 steel)	4813A	SCREW, 1/4-20 X 1-3/8 knurled socket hd. (w/lockpatch)
3793	SCREW, 1/4-20 X 5/8 torx socket flat hd (w/lockpath)	4814A	SCREW, 1/4-20 X 1-1/8 knurled socket hd. (w/lockpatch)
3893	SCREW, 1/4-20 X 1/2 hex washer head (self tapping)	4816A	SCREW, 5/16-18 X 1-1/2 socket hd.
3953W	BOLT, 5/16-24 X 1/2 hex. hd.(Grade 5 steel)	4820A	SCREW, 1/4-20 X 2 hex. socket
3960W	BOLT, 5/16-24 X 1 hex. hd.(Grade 5 steel)	4961	BOLT, 3/4-16 X 1-5/8 hex. hd.(Grade 5 steel)
3974HW	BOLT, 5/16-24 X 3/4 hex. hd.(Grade 5 steel)	5403B	CARRIAGE BOLT, 1/4-20 X 3/8
3987	BOLT, 5/16-18 X 3/4 hex. hd.(Grade 5 steel)	5416	CARRIAGE BOLT, 3/8-16 X 1/8 (Grade 5 steel)
3991	BOLT, 5/16-18 X 7/8 hex. hd.(Grade 5 steel)	5444	CARRIAGE BOLT, 3/8-16 X 1(Grade 5 steel)
3993	BOLT, 1/4-20 X 1-1/4 hex. hd.(Grade 5 steel)	5465	CARRIAGE BOLT, No. 10-24 X 1/2
3997	BOLT, 1/4-20 X 1-1/4 hex. hd.	5710	WASHER, 63/64 X 1-1/2 X 5/64
4013	SCREW, 3/8-16 X 7/8 socket pan hd. (Grade 5 steel)	5756	WASHER, 21/32 X 1-5/16 X 5/8
4014W	BOLT, 5/16-24 X 1-1/4 hex. hd.(Grade 5 steel)	5775	WASHER, 11/32 X 1/2 X 31/64
4017	BOLT, 5/16-18 X 1 hex. hd.(Grade 5 steel)		
4029A	SCREW, 3/8-16 X 2-1/4 socket hd.(black)		
4036	BOLT, 5/16-24 X 1-1/2 hex. hd.(Grade 5 steel)		
4044	SCREW, 3/8-16 X 1 socket button hd.		
4068	BOLT, 5/16-18 X 1-7/8 hex. hd.(Grade 5 steel)		
4069A	SCREW, 1/4-20 X 3/4 knurled socket hd.		
4074	BOLT, 1/2-13 X 2 hex. hd. shoulder		

HARDWARE LISTING

6003	WASHER, 1-3/16 X 1-3/8 X 5/64	6812	WASHER, 13/32 X 11/16 X 1/16
6016	WASHER, 11/32 X 11/16 X 1/16	6829	WASHER, 31/64 X 1 X 7/64
6019	WASHER, 25/34 X 59/64 X 3/16 heat treated	7036	LOCKWASHER, 1/4
6035	WASHER, 1/4 X 1-1/4 X 1/8 (neoprene)	7038	LOCKWASHER, 3/8
6036	WASHER, 17/64 X 1 X 1/16	7039	LOCKWASHER, 7/16
6040	WASHER, 3/4 X 5/32 X 1/16	7041	LOCKWASHER, 5/16
6042	WASHER, 3/4 X 1-1/2 X 1/16	7042	LOCKWASHER, 5/16 (high collar)
6047	WASHER, 13/64X 13/64 X 3/64	7043	LOCKWASHER, 3/4
6057	WASHER, 1/2 X 7/8 X 3/16 (nylon)	7045	LOCKWASHER, 3/8(high collar)
6072	WASHER, 3/8 X 1 1/4 X 5/64	7068	LOCKWASHER, 1/2
6084	WASHER, 17/64 X 47/64 X19/64 (nylon)	7069	LOCKWASHER, No. 10
6099	WASHER, 1/4 X 7/16 X 1/16	7073	WASHER, 1/4 X 7/16 X 1/16
6101	WASHER, 17/64 X 27/64 X 1/16	7101	LOCKWASHER, 3/8 internal/external tooth
6109	WASHER, 5/16 X 11/16 X 1/8	7118	LOCKWASHER, No. 10 internal tooth
6116	WASHER, 5/16 X 13/16 X 1/8	7124	LOCKWASHER, 1/4 internal tooth
6121	WASHER, 3/8 X 9/16 X 1/32	7127	LOCKWASHER, 5/16 internal tooth
6220W	WASHER, 1/4 X 7/16 X 1/32	7128	LOCKWASHER, 9/32 internal tooth
6235	WASHER, 1/4 X 23/32 X 1/16	7129	LOCKWASHER, 1/2 internal tooth
6239	WASHER, 1/4 X 1/2 X 3/32	7130W	LOCKWASHER, 3/8 internal tooth
6253W	WASHER, 17/64 X 49/64 X1/16	7142	LOCKWASHER, 3/4 internal tooth
6316HW	WASHER, 5/16 X 5/8 X 1/16	7230	LOCKWASHER, 1/4 external tooth
6333	WASHER, 5/16 X 7/8 X 5/64	7232	LOCKWASHER, 5/16 external tooth
6334	WASHER, 7/16 X 29/32 X 1/16	7495	FLANGE NUT, M6
6352	WASHER, 5/16 X 7/8 X 3/32 (chrome)	7497	ACORN NUT, 1/4-20 X 3/4 X 9/16 hex (grade 2 steel) (chrome)
6353	WASHER, 3/8 X 13/16 X 1/16 (chrome)	7501	SPEED NUT, 1/4 dia. stud size(self threading)
6365	WASHER, 17/32 X 1-1/8 X 5/64	7506	LOCKNUT, No. 3/8-24 X 1/4 hex.(Grade 2 steel)
6366	WASHER, 1/2 X 1-1/4 X 3/32	7507	ACORN NUT, 5/16-18 X 11/16 X 1/2 hex. (Grade 2 steel)(chrome)
6371	WASHER, 25/64 X 1 X 3/32	7515	JAM NUT, 7/16 X 1/4 X 11/16(Grade 2 steel)
6379W	WASHER, 3/8 X 5/8 X 3/64	7531	FLANGE LOCKNUT, 5/16-18 X 9/32 X 1/2 hex.
6400HB	WASHER, 5/16 X 13/16 X 3/32	7576	FLANGE NUT, 3/8-16 X 9/16 hex (keps)
6409	WASHER, 1/2 X 3/4 X 1/32 (plastic)	7593	FLANGE NUT, 5/16-24
6497HW	WASHER, 7/16 X 1-1/8 X 3/64	7600	HEX NUT, No. 4-40 (keps)
6498	WASHER, 9/16 X 13/16 X 1/32 (nylon)	7601	FLANGE LOCKNUT, 3/8-16
6506	WASHER, 1-13/32 X 2-3/32 X 1/16 (bronze)	7606	LOCKNUT, No. 8-32 X 1/4 X 1/4 hex.(chrome)
6516HW	WASHER, 7/16 X 1-1/8 X 1/8	7613A	SPEED NUT, 1/8 dia. stud size
6590HW	WASHER, 1/2 X 1-1/8 X 3/32	7624	LOCKNUT, No. 10-24 X 1/4 X 3/8 hex.
6639	WASHER, 5/8 X 1-5/16 X 3/32 (chrome)	7627	ACORN NUT, 1/2-13 X 3/4 hex (chrome)
6645	WASHER, 11/32 X 1-1/32 X 1/8	7629	NUT, No. 10-32 X 3/8 hex (keps)
6655	WASHER, 5/8 X 1-1/2 X 3/32	7643W	JAM NUT, 3/8-16 X 7-32 X 9/16 hex.
6701	WASHER, 3/8 X 13/16 X 1/16	7651	ACORN NUT, No. 12-24 X 3/8 hex
6702	WASHER, 5/16 X 11/16 X 1/16	7667	NUT, 3/8-16 X 9/32 X 9/16 hex. (w/nylon insert)
6703	WASHER, 1/4 X 5/8 X 1 /16	7669	TEE NUT, 5/16-18
6716	WASHER, No. 10 X 1/2 X 3/64	7680W	ACORN NUT, 3/8-16 X 25/32 X 9/16 hex. (Grade 2 steel)(chrome)
6724	WASHER, 21/32 X 1-1/16 X 1/16	7686	LOCKNUT, 1/4-20 X 5/16 X 7/16 hex.
6736	WASHER, 9/32 X 5/8 X 1/16	7688	NUT, 1/4-20 X1-3/8 hex hd. (Grade 2 steel)
6737	WASHER, 57/64 X 1-3/64 X 1/32	7716	FLANGE LOCKNUT, 1/4-20 X 7/16 hex
6753	WASHER, 1/2 X 1-1/4 X 1/8 (notched)	7736	ACORN NUT, 5/16-24 X 19/32 X 1/2 hex. (Grade 2 steel)(chrome)
6756	WASHER, 1/2 X 1-1/16 X 3/32	7739	LOCKNUT, 5/16-18 X 11/32 X 1/2 hex.
6758	WASHER, 3/8 X 37/64 X 7/64		
6762B	WASHER, 11/16 X 29/32 X 1/32		
6771A	WASHER, 21/64 X 33/64 X 1/16		
6788	WASHER, 5/16 X 1 X 1/16		

HARDWARE LISTING

7740	LOCKNUT, 5/16-18 X 1/4 X 1/2 hex.
7742	LOCKNUT, 1/4-20 X 7/32 X 7/16 hex.
7744	JAM NUT, 5/16-24 X 3/16 X 1/2 hex. (Grade 2 steel)
7748W	NUT, 5/16-18 X 1/4 X 1/2 hex.(Grade 2 steel)
7768W	LOCKNUT, 1/2-13 X 19/32 X 3/4 hex.
7775	LOCKNUT, 3/8-24 X 7/16 X 9/16 hex.
7778	LOCKNUT, 3/8-16 X 7/16 X 9/16 hex.
7783	NUT, 3/8-16 X 5/16 X 9/16 hex.(Grade 2 steel)
7792	NUT, 1/4,-20 X 1/4 hex. (Grade 2 steel)
7800W	NUT, 3/8-24 X 5/16 X 9/16 hex.(Grade 2 steel)
7825	LOCKNUT, 7/16-20 X 7/16 X 5/8 hex.
7838	HEX NUT, No. 10-24 (keps)
7845	HEX NUT, 1/2-20 X 3/4
7848W	JAM NUT, 7/16-20 X 1/4 X 11/16 hex. (Grade 2 steel)
7855W	JAM NUT, 3/4-16 X 7/16 X 1-1/8 hex. (Grade 2 steel)
7862	ACORN NUT, 3/8-16 (locking)(chrome)
7880	NUT, 1/2-13 X 7/16 X 3/4 hex.(Grade 2 steel)
7883	NUT 5/16-24 X 1-1/16 hex
7916A	JAM NUT, 5/8-18 (locking)
7962	NUT, 5/16-18 X 1-11/16 hex
7987	CASTLE NUT, 5/8-18 X 15/16 hex
7994	LOCKNUT, 5/8-18 X 15/16 hex
8108	SPEED NUT, 11/32 dia.

NUMERICAL INDEX

Part No.	Page	Part No.	Page	Part No.	Page	Part No.	Page	Part No.	Page
10006	103	11143	51	14503-97	113	1719W	31	239	15
	121	11145	7	14504-97	113	17355-92	7	23906-93B	9
	133	11147	43	14505-97	109	17356-92	7	23928-87	9
	139	11150	31	14506-97	109	17358-84A	7	23961-80A	9
	21	11155	95	14507-97	109	17360-83A	7	23969-83	9
	23	11157	7	14508-97	109	17375-83A	7	23974-87	9
	95	11158	81	14526-96	119	17428-57	7	23975-87	9
10014	117	11160A	11	14527-96	119	17528-92	7	24002-70	11
	17	11161	35	14528-96	119	17529-92	7	24040-93	13
10038A	59	11165	35	14529-96	119	17530-92	7	24041-93	13
10039	153	11177A	11	14530-96	119	17611-83	7	24042-93	13
10040	117	11179	35	14531-96	119	1783	45	24043-93	13
	81	11182	29	14532-96	119	17921-83	7	24044-93	13
10048	125	11191	31	14533-96	119	17924-83	7	24045-93	13
10053	51	11192	27	14546-96	119	17927-83	7	24046-93	13
10059A	135	11218	9	14547-96	119	17930-83	7	24281-83	9
	81	11219	13	14548-96	119	17935-79B	7	24334-36	9
10065	103		9	14549-96	119	17938-83	7	24335-36	9
	131	11241	15	14550-96	119	17945-36B	7	24345-36A	9
	133	11244	107	14551-96	119	17947-36	7	24346-87A	9
	141		77	14640-97	119	17950-66	7	24356-36A	9
	27	11248	29	14641-97	119	1795A	21	2444	97
	93	11260	79	14661-97	119	18001-83B	5	2447	109
	99	11261	109	14662-97	119	18011-86	5		139
10073	27	11271	95	14663-97	119	18020-83	5	2448	109
10074	125	11272	95	14664-97	119	18074-83A	5	24571-93	11
10076	51	11280	55	14665-97	119	18076-83	5	24586-93	13
10080	121	11410	103	14666-97	119	18082-83	5	24599-93	11
	123	11413	49	14667-97	111	18087-83	5	24600-58B	11
10086	121	11437	105	14668-97	111	18112-92	5	24601-58B	11
10102	131		109	14669-97	111	18124-83	5	24626-87A	11
10103	131		113	14670-97	111	18130-83C	5	24628-87A	11
10112	123	11447	117	14671-97	111	18131-83C	5	24641-36	13
10113	135	11451	81	14672-97	111	18133-83A	5	24641-87A	11
10120	135	11456	81	14673-97	107	18134-83	5	24643-87A	11
10122	59	11460	21	14674-97	107	18201-83	5	24922-93	21
10124	47	11473	147	14675-97	107	18202-83	5	24925-95	21
10146	95	11717	117	1601	27	18219-83	5	24981-70	13
10151	145	11733	35	16121-97	3	18222-83	5	24982-70	13
10177	135	12026B	11	16122-97	3	18229-83	5	2501A	131
	25	12035A	39	16126-97	3	18523-86	7		145
10181	143	12045	31	16242-90	5	18622-85B	7	25225-93B	13
10183	135	12052	43	16247-91	5	18623-85B	7	25256-93A	13
10184	135	12066	43	16284-84	5	18633-48D	7	2531	105
10187	105	12067A	35	16478-85A	5	18634-48C	7	25310-82A	13
10190	95	1357W	85	16480-92	5	2005	111	25320-82	13
10998	35	14142-86	105	16512-86A	5	2005	113	25321-82	13
11002	15	14150-86	69	16573-83	5	21920-83	9	25322-82	13
11016	31	14270-92	33	16692-92	5	21921-83	9	25323-82	13
11067	39	14340-90	21	16696-92A	5	21922-83	9	25325-82	13
11083	31	14456-95	117	16715-83	5	21923-83	9	25326-82	13
11096	39		117	16770-84C	5	21924-83	9	25327-82	13
	41	14469-95	119	16774-86D	5	21940-83	9	25328-82	13
11105	13	14470-95	119	16778-84A	7	21941-83	9	2534	85
11105	15	14497-97	119	16779-84B	7	21942-83	9	2538	85
11116	29	14498-97	119	16837-85C	11	21943-83	9	25416-84	43
11132	35	14499-97	119	16837-85C	5	21944-83	9	25452-87A	35
	7	14500-97	119	17040-92A	5	22589-83A	9	25453-87A	35
11140	37	14501-97	113	17041-92A	5	2273	23	25550-57A	13
11143	47	14502-97	113	17042-92A	7	22764-83	9	2558	143

NUMERICAL INDEX

Part No.	Page	Part No.	Page	Part No.	Page	Part No.	Page	Part No.	Page
25581-70	13	27122-89	17	2871W	81	31530-90	29	33344-94	35
25582-93	13	27123-89	17	2872W	145	31535-91	29	33445-94	43
2562	47	27124-89	17	2879W	125	31548-90	29	33446-94	43
2579A	51	27125-89	17		5	31553-94	29	33449-94	29
2602	147	27126-89	17		85	31589-80	115	33519-92A	123
26030-92A	15	27127-89	17	28823-89	21	31600-90	29	33520-92	123
2604	105	27128-89	17	28827-96	21	31604-91	29	33630-90A	89
	113	27130-90	17	2882W	49	31614-83A	25	33642-89	33
	115	27136-90	17		81	31660-90	29	33660-90B	33
26050-92	15	27137-81	17	28842-89	21	31661-90	29	33668-90B	33
2607	85	27138-90	153	28884-95	153	31662-90	29	33670-97	33
2611B	27	27146-89	17	2904A	135	31663-90	29	33683-90A	89
2614	45	27147-89	17	29059-88A	21	31664-94	29	337	35
26207-83	15	27148-89	17	29062-95	21	31688-90	29	33708-94	33
26226-92	15	27156-89	17	29070-89B	21	31689-90	29	33708-94	89
26227-58	15	27157-89	17	29087-96	21	31692-90	29	33714-90	107
26262-80	15	27158-89	17	29126-90	21	31693-90	29	33715-85A	33
26263-80	13	27159-92	17	29134-92	21	31695-90	29	33719-79A	33
	15	27160-89	17	29161-86	21	31727-85	25	33720-93	107
26267-92	15	27162-89	17	29162-95	21	31800-78A	25	33849-97	33
26273-92	15	27171-89	17	29165-89	21	31983-71B	25	33895-82	33
26276-92	15	2720	23	29169-84	21	31985-91	25	33900-59C	145
26315-68A	15	2723	107	2917	99	3210A	123		35
26317-68A	15	27239-95	19	29181-88	21		35	3398	11
26326-62A	15	27253-96	17	2921	97	3214	99	3403	29
26327-68	15	27254-96	17	29229-88B	21	3221	21	34082-79	33
26328-74	15	27261-96	17	29252-89	21	32311-83	25	34083-79	33
26345-73	15	27262-96	17	29256-90	21	32402-83	27	34084-86	33
26346-70	15	27263-96	17	2927	87	32448-95A	27	34085-79A	33
26348-15	15	27292-95	153	29283-93	21	32449-95A	25	34086-79	33
26348-36	15	27311-76	19	29312-95	153	32484-96	25	34087-79A	33
26352-95A	123	27315-88A	19	29313-95	21	32504-80	27	34088-87	33
26354-93	13	27317-88	19	29319-95	21	32524-83	27	34089-79	33
26378-92A	123	27339-90	19	2932	43	32606-82	27	34091-85	39
26400-82	15	27360-76	19	29323-95	21	3268	109	3419	99
26432-76A	5	27361-76	19	29325-95A	21	3275	17	34191-79D	33
2647B	103	27362-76	19	29330-96	21	3277	35	34193-79D	33
26561-84	13	27368-76	19	29366-97	21	33006-97	35	34195-79D	33
26563-95	27	27369-76	19	2939	139	33007-97	35	3440	89
26566-96	27	2737	21	2952	85	33043-80	145	3444A	51
26571-89	153	27371-76	19		87	33043-80	35	3445	117
26856-89	7	2738	107	29954-71A	23	33048-72	89	34468-86A	35
2692WB	135	27492-96	17	29957-81B	23	33051-97	35	34564-90A	33
2696	135	275	13	29960-91	45	33114-79	35	34611-65	33
26995-86A	17	27504-96	17	29961-85	23	33119-79B	31	3464	89
27002-89	17	27575-88A	19	29970-88C	23	33126-94	29	3471	93
27009-86A	17	27576-92	19	31342-94	29	33127-94	29	3473	59
27010-86A	17	27577-92	19	31430-94	29	33189-63	89	34732-96	37
27019-89	17	27579-88A	19	31433-84A	43	33205-80	31	3480A	13
27042-84A	153	27580-88	19	31504-91A	141	33206-80	31	3485A	105
27047-84A	153	27581-88	19		145	33207-80	31	34904-86A	37
27088-95	19	27582-88	19	31510-90	29	33208-80	31	34920-86	37
27090-89	17	27583-88	19	31514-90	29	33209-80	31	3494A	93
27093-92A	117	27585-88	19	31515-90	29	33210-80	31	3500	7
27100-88	17	27586-88	19	31516-94	29	33211-80	31	3501	7
27101-88	17	27587-88	19	31517-90	29	33212-80	31	35021-89	37
27102-92	117	2773	115	31518-90	29	33318-85	43	35025-79B	39
2711	21		89	31519-90	29	33320-79D	31	35026-94	39
27114-88	19	27886-78A	19	31525-90	29	33326-79A	31	35027-94	39
27115-88	17	2823	67	31527-90	29	33332-79	31	35028-94	39

NUMERICAL INDEX

Part No.	Page	Part No.	Page	Part No.	Page	Part No.	Page	Part No.	Page
35029-94	39	37069-90	39	39990-65	45	4164	79	43291-82	55
35042-91	39		41	39992-65C	45	4165	79		65
3504A	11	37075-87	37	39993-65	45	4166	137	43292-82	55
35051-89	39	37088-90	39	39996-65	45	41713-86	51		65
3506	11		41	39998-65	45		61	43293-82	55
35064-79	39	37090-84A	39	40007-36A	45	41731-88A	51		65
35068-79	33		41	40017-94	45		59	43294-82	55
35076-79	37	37105-87A	37	4013	111		61		65
35078-79	37	3728	125		113	41733-88	51	43346-83A	55
	61		127	4014W	103	41739-84A	51	43360-97	55
3509	59	3730A	65		117	41745-79	61	43466-97	109
3512	11	37312-75	39	4017	125	41747-82A	51	43467-97	109
3514	99		41		127		59	4350A	73
3516A	89	37313-80	39		147		61		75
35211-91A	45		41		31	41789-92	65	4352	69
35258-87C	37	3739	69	40250-94	45	41790-95	65	43567-92	65
3533	73	37496-90	41	40251-92	45	41804-84A	59	4358	29
	75	375	35	40266-85	45	42269-30	61	43608-82	57
3538	103		43	40299-83A	45	42301-87	61		65
	51	37503-41	59	4029A	75	42303-96	51	43612-92	57
	69	37550-90A	41	40308-94	45	42305-96	51	43614-97	57
	73	3767B	115	40311-94	45	42375-87	61	43624-97	55
	75	3770	7		65	42382-87A	59	43650-82	57
3546	121		87	40312-94	45		61		65
	131	37707-94	41		65	42407-87B	61	43654-86A	65
3549A	147	3775	127	4036	103	42416-83	61	43657-89	55
	149	3784	31	40384-91	45	42431-87A	61	43662-80B	55
	89	3787	61	40392-91	45		89	43671-84A	55
3559	29		81	4044	81	42446-87A	59	43672-84A	57
3560WA	105	37871-90	41	4068	61	42448-87	59	43674-95	55
3561WC	105	37872-90	41	4069A	31	42452-87	59	43676-88A	55
3562	53	37903-90	41	4074	91	42455-80	59	43677-88A	57
35622-79C	39	37904-90	41	40903-87	59	42460-80B	59	43683-97	55
35625-94	39	37905-90	41	4091	145	42468-87D	61	43946-86	63
35626-94	39	37906-90	41		51	42473-87	61	43960-86	63
35629-79	39	37908-90	41	40910-84B	55	42479-90	61	44020-83	53
35632-79	39	37909-90	41	40918-87	59	42507-89A	59	44021-83	53
35652-79B	37	37911-90	41	40920-87	59		89	44022-83	53
3574	153	37912-91	41	40922-87	59	42515-82	59	44029-88	77
	85	37913-90	41		61	42522-87A	59	44029-97	57
	87	3793A	85	40957-87B	61	42524-82	59	44030-88	77
3576	135	37977-90	41	40975-86A	65	42531-87	59	44031-97	79
3577	21	38607-87A	47	40976-86A	65	42532-82	59	44035-86A	63
358	11	38608-96	47	41008-87A	65	42533-91A	37	44039-86	63
	13	38617-95	47	41017-95	65	42534-90	59	44044-88A	77
35854-96	23	38630-88	47	41040-88B	77	43005-86A	55	44045-87	63
	45	38711-93	27	41042-93	107	43016-97	55	44046-84C	53
3588	139	3893	135	41043-89A	55	43032-40B	55	44047-83	53
3594	35	3953W	69	41047-97	79		65	44048-83	53
	45	3960W	103	41109-88	55	43057-80A	55		63
3602A	25	3974HW	85	41110-79A	65	43067-97	55	44050-87	63
3613	11	3987	117	41116-97	55	43085-97	55	44053-83B	53
3655	55		121	41123-79	55		65	44053-92A	53
3657	81		49	41123-79	65	43155-97	55	44054-83	53
3658	143		81	4132	47	43157-83A	55	44059-83	53
3662A	87	3991	81		51		65	44061-83	53
3664	117	3993	25	4134	23	4326A	29	44062-83	53
	93		31	41584-86A	55	43283-86	83	44063-83C	53
36801-87B	37	3997	7	41595-86	65	43290-82	55	44072-92A	53
3689	115	39976-65B	45	4163	79		65	44074-88B	53

NUMERICAL INDEX

Part No.	Page	Part No.	Page	Part No.	Page	Part No.	Page	Part No.	Page
44077-88D	53	45491-97	75	45866-84	67	4721	85	50635-82A	89
44079-97	53	45544-88	93		71		89	508	55
44081-95	53	45567-88	73	45873-91A	67	4722	125	509	109
44086-97	79		75	45874-91	67	4724	99		53
44097-97	53	45569-88B	73	45875-84A	71	4726	5	50900-72	89
4411	99	45600-95	73		67	4729	67	50912-72	89
44126-87	59	45605-88	69	45915-86	71		69	50972-75	61
	61	45607-93	73	45916-86	71	4740A	13		83
44136-92	57	45611-86	67	45917-86	71		43		89
44138-95	57		69	45918-86	71	4741A	35	50989-86	89
44142-95	63		73	45930-86	71	4742A	15	50990-86B	89
44146-77	63	45612-95	73	45931-86	71	4747	77	50991-86	71
44147-87	63	45619-97	75	45932-86	71	47519-83A	57	50992-87A	61
44152-77	63	45628-92	73	45933-86	71		65	510	65
4416	11		75	45934-86	67	47573-89B	83	51175-95	85
44190-88	53	45629-97	79		71	47577-94	83	51183-95A	85
44197-77	53	45631-97	79	45935-88	73	47579-93	83	51184-88A	85
44198-87	63	45633-97	75		75	4761	131	51185-90	85
44199-79	63	45640-88B	67	45936-88	73	47698-86B	83	51186-89B	85
44207-87	63	45646-95	77		75	48031-89A	83	515	59
44209-87C	63	45647-95	77	45937-88	73	48130-92B	83		61
44215-97	53	45648-85	67		75	4813A	13	51652-83B	85
44236-97	79	45649-91	77	45940-84	67	48140-84A	67	51923-86	147
44447-92	57	45651-91	77		71		71	5207	25
4453	69	45655-88	77	45964-86	71		73	52092-77	115
45004-85	61		79	45998-73	67		83	52152-97	87
45004-96	51	45656-97	79		71	4814A	35	52191-86	85
45005-85	61	45659-88	77	46004-91A	67	4816A	93	52208-96	85
45005-96	51		79	46006-91A	67	4820A	43	52209-90C	85
45006-96	51	45660-88A	77	46020-84	67	48300-60	67	52217-90C	85
45016-96	51		79	46048-84	67		71	52236-86D	85
45017-93	47	45662-88	77	46053-88	73		73	52330-97	87
45019-96	51		79		75		75	52331-97	87
45021-86	47	45663-88A	77	46054-88	73	48306-88	73	52349-97	87
45032-82	47		79		75		75	52441-95	109
	51	45670-80	67	46055-88	73	48315-60	67		137
45036-88	47		69		75		71	52503-88E	85
45042-82	61	45672-80A	67	46056-88	73		83	52510-95A	85
45042-96	51	45717-63	67		75	48330-48A	67	52512-97	87
45044-96	47	45718-60	67	46057-88	73	48332-48B	67	52541-87	85
	51	45733-48	67		75	48361-80	67	52606-97	87
45057-82	59		69	46058-97	93		71	52607-97	87
45085-88A	107	45830-48	15	46059-90	93		73	52687-97	87
45091-97	51	45832-77A	67		73		75	52735-85	85
45110-96	51		69		75	48365-48A	67	52771-82	85
45112-96	51	45834-77	67	46065-88	73		71	52787-92	85
45115-95	51		69		75		73	52788-92	85
45156-89D	59	45838-77	67	47008-92B	83		75	52838-97	87
45405-75A	67		69	4713W	21	49166-97	89	52839-97	87
	69	45842-77A	69		61	4961	81	53156-86	93
45417-84	67		67	4716W	111	50005-85A	83	53157-97	93
45418-84	67	45845-77	67		113	50015-74A	83	534	53
45419-80	67		69		5	50018-85	83		77
	69	45855-77	67		89	50025-84	83	53436-97	137
45420-80	67	45858-77	67	4717A	35	50027-84	83	53438-92	101
45423-92	47		69	4718A	13	50028-91	83	53439-79	105
45423-96	51	45859-77A	69	4718A	7	50034-84	83		113
45456-86A	69		67	4719W	127	50087-89A	83		131
45473-88	73	45865-84	67	4721	111	50614-91A	89	5403B	115
45485-95	73		71		113	50621-79A	89	5416	127

NUMERICAL INDEX

Part No.	Page	Part No.	Page	Part No.	Page	Part No.	Page	Part No.	Page
54321-85	57	5885	103	59986-75	115	61290-97	117	6366	59
	65	59043-93	107	59988-72	115	61291-97	117		61
5444	45	59082-96	105	59993-80B	115	61338-94A	117	6371	77
54484-97	75	59116-96	105	60001-55	115	61364-95	119	63796-77A	123
54485-97	73	59117-96	113	60003-89	115	61365-95	119	6379W	111
54508-89A	91	59118-97	109	60005-77	115	61370-95	119		113
5465	115	59122-97	109	60020-97	115	61371-95	119		85
55919-82	93	59129-86A	105	60021-97	115	61426-97	117		99
55933-97	93	59139-97	105	60026-97	115	61450-95	117	63858-49	7
56073-83	93	59164-97	109	6003	39	61640-84	117	63859-95A	43
56081-82A	93	59176-96A	107	601	31	61641-84	117	6400HB	45
56093-88A	93	59180-80	105	6016	11	61660-85	117		89
56094-95	93	59181-80	105		31	61667-90A	117	6409	107
56119-77A	93	59201-96	105		35	62123-66	83	6497HW	31
56122-77	93	59211-74	105		43	62150-85	117	6498	77
56124-77	93	59235-86	105		7	62161-75	117	6506	9
56153-73	93	59251-90	113		11	62166-81A	117	6516HW	5
56159-73	93	59254-91	111		5	6217	29		65
56206-96	95		113		53	62172-75	117	65283-94	125
56220-94A	95		85	6035	145	6220W	107		127
56305-96	95	59255-91	111	6036	87		61	653	11
56306-96	95		113	60363-86C	83	6235	147	653	13
56342-96	95		85	6040	77	62356-95	117	65311-97	127
56343-96	95	59258-91	83	60415-89C	49		19	65324-83A	125
56394-74	95	59259-90	113	6042	77	62375-57	37		127
56396-74A	95		115		79	6239	15	65325-83	125
56397-74C	95	59262-90B	115	6047	145	62491-95	121		127
56402-83A	95	59265-90	83	60537-89	49	62498-91	121	65328-83	125
56508-76	95	59287-92	111	60539-94	43	6253W	21		127
56538-88	93	59288-92	111	60543-95	43	62563-65	121	65364-97	127
56540-88	93	59289-92	111	60567-90A	43	62634-84A	121	65366-97	127
56541-86A	93	59290-92	111	6057	31	62704-84A	121	65401-95	125
56542-86A	93	59336-97	149	60572-86	43	62707-84	121	65459-95	125
56546-95	93	59355-97	109	60630-94A	43	62725-90	121	65464-95	125
56547-95	93	59356-97	109	60647-94	29	62793-97	119	65494-97	127
56548-97	93	59357-97	109	60668-84B	43	62794-97	119	65499-95	125
56550-97	93	59358-97	109	60678-85	43	62795-97	119	65503-95	125
56567-86A	93	59626-84	115	6072	103	62796-97	119	65513-97	127
56569-86	93	59659-96	113	6084	145	6316HW	31	65515-95	125
5710	67	59753-97	111	609	35	6333	85	65522-91	125
	69	59754-97	113	6099	107	6334	61	65603-95	125
57215-75	61	59755-97	113		15	634	35	65650-97	127
5756	65	59757-97	113		59	63505-84	117	65652-97	127
5774	151	59768-97	85	6101	47		19	65654-97	127
5775	117	59768-97	87		51	63515-92	121	65655-97	127
5787	147	59880-95	111	6109	103	6352	61	65679-97	127
5797A	61	59881-95	111		109	63523-92A	123	65682-97	125
5807	149	59882-95	111		21	63525-92	123	65702-95	125
58078-49	97	59883-95	111	61095-92	21	63528-92	123	65708-97	127
58079-49	97	59924-80A	105	61103-83B	117	6353	73	65732-95	125
58082-87	103	59954-86A	111	61109-85D	117	6353	75	65734-95	125
58089-97	103		113	61131-92	117	63530-92	123		127
58406-75A	97	59955-86A	111	61155-84B	117	63533-41	11	65750-95	125
58408-75A	97		113	6116	49		15	65761-95	125
58411-76A	97	59959-86	135	61165-89B	117	63546-87	59	65777-95	125
58412-76A	97	59964-86A	111	61173-97	117	63553-91	121	65781-82	125
58416-77A	97		113	6121	131	63556-87	121	65782-82	125
58417-77	97	59969-86A	111	61228-97	117	63556-92	123	65785-97	127
58450-97	97		113	61254-97	117	63572-86	121	65793-97	127
58463-97	97	59984-73	115	61272-92A	117	6365	117	65806-97	127

NUMERICAL INDEX

Part No.	Page	Part No.	Page	Part No.	Page	Part No.	Page	Part No.	Page
65813-95	125		81	67828-88A	133	68480-73	135	7041	103
65822-95	125	67030-96A	131	67829-88	133	68493-90	135		117
65833-97	127	67055-92	113	67841-96	99	68493-90	135	7041	125
65840-95	125	67136-85	131	67846-70	103	68505-90	103		127
65853-95	125	6716	115	67858-89	103	68506-92	135		29
65855-95	125		59	67879-94	131	68510-74B	135		31
65864-95	125	67184-94	131	6788	147	68519-68	103		67
65885-97	125	67190-89	131	67880-94	131	68540-96	145		69
65887-95	125	67191-94	131	67892-93	99	68566-90	133		81
65890-97	125	67239-83	153	67894-93	99	68572-64B	135	7042	135
65892-97	125	6724	91	67903-96	99	68619-83	103	7045	135
65896-95	125	67260-96	131	67904-96	101	68650-92	101	70504-81	95
65898-95	125	67271-94	131	67905-96	101	68654-92	101	70579-65	141
65900-95	125	67282-96A	131	67906-97	99	68671-69A	103	70586-93	101
65902-95	125	6736	31	67915-97	103	68672-38	103	7068	149
65907-97	127		7	67920-96	101	68674-69	103		55
65908-97	127	6737	7	68024-94	131	68705-93A	101		85
	127	6753	93	68026-73	137	68709-94	133		89
6590HW	55	6756	73	68027-90	137	68710-94	133	7068	93
65910-97	127		93	68032-90	137	68713-94	135	7069	103
65911-97	127	6758	53	68033-90	137	68720-62	103	7073	97
65989-97	129	67601-94	99	68036-91	137	68721-62	103	70932-96A	145
66020-97	129	67602-94	101	68046-79	113	68725-62	103	70933-90	153
66030-88	73	67603-94	99	68047-79	113	68760-94	135	70940-96	145
66042-79A	121	67615-96	103	68048-93B	137	68765-94	135	7101	135
66042-79A	129	6762B	7	68049-93B	137	68766-94	103		135
66109-93	129	67652-96	101	68050-93	99	68767-94	103	71146-94	131
66111-93	129	67653-96	101	68051-93	99	68777-96	103	7118	113
66210-97	129	67654-96	101	68052-93	99	68798-97	103	7124	23
6639	55	67655-96	101	68081-96	113	68802-95	135		69
6645	103	67656-96	101	6812	73	68803-95	135		81
	117	67659-96	101		75	69012-93A	139	71254-96	131
	145	67685-92	99		77	69060-90C	139	71255-96	131
	97	67691-92	101		79	69062-91A	139	71265-95	131
6655	69	67697-81	99	68123-73	137	69069-97	139	7127	133
6701	111	67698-81C	99	68163-84	103	69070-97	139		151
	113	67705-92	99		133	69120-91	139	7129	93
	125	67713-86	99		135	69122-95	139	71302-93	131
	127	6771A	123	68168-89	103	69123-92	139	71309-92	115
	147	67757-92	99		133	69126-92	21	7130W	99
	149	67763-92	101		137	69127-97	21	71313-96	131
	85	67768-97	99	68169-90	137	69151-97	139	71313-96	145
	99	67769-93	99	68226-97	137	70041-95	23	7142	81
6702	105	67770-96	99	68233-97	137	70044-96	145	71452-91A	131
	125	67772-97	99	68234-97	137	70060-92A	129		145
	127	67773-80A	67	68235-97	137	70078-96	129	71563-96	143
	147		99	68236-97	137	7012	77	71564-96	143
	149	67781-92	101	68237-97	137	70197-86	93	71567-96	143
	49	67790-93	99	68238-97	137	70216-96	141	71568-96	143
	61	67793-92	101	68239-97	137	70345-84	143	71589-96A	143
	67	67798-92	101	6829	73	7036	115	71590-96	143
	69	67801-92	101		75		25	71591-96	143
	81	67808-86	71	68385-97	139	7038	125	71597-96A	143
67027-96A	131	67816-86	71	68440-86	103		127	71598-96	143
6703	115	67819-86	71		135		61	71795-63A	113
	121	67820-86	71	68452-86	103		89	720	11
	125	67821-87	71		133		99	72023-51B	145
	127	67822-88	133		135	7039	5		59
	45	67824-96	99	68457-86	133		67		61
	51	67827-88A	133		135		69	72038-71A	141

NUMERICAL INDEX

Part No.	Page	Part No.	Page	Part No.	Page	Part No.	Page	Part No.	Page
72039-71A	141	72367-96	145		127		99	90367-97	149
72043-71A	141	72368-96	145	7600	105	7825	61	90467-97	149
72044-71A	141	728	81	7601	127	7838	29	90470-90	147
72046-79	141	73102-96BK	101		21	7845	55	90471-90	147
72056-92	101	73103-96BK	141		5	7848W	41	90473-94	147
72102-94BK	141	73104-96BK	141	7606	99	7855W	59		149
72103-94BK	27	73106-96BK	141	7613A	105	7862	79	90476-93	147
72106-94BK	141	73108-96BK	141	7624	105	7868	147	90477-93	147
72108-94BK	141	73112-96BK	141		115	7880	79	9052	55
72112-94BK	27	73152-96BK	103		139	7883	11		65
	131		135	7627	77	7892	103	9058	13
72113-94BK	141	73152-96WE	103	762	87	7899A	49	9076	81
72116-94BK	143	73154-96BK	101	7629	105	7901	149	9077	29
72118-94BK	25	73156-96BK	103		113	7916A	13	90770-79	47
72138-94GY	141	73158-96BK	135		115	7942	81	90785-94	147
72142-94	141		137		13	7945	145	90787-94	147
	27	73162-96BK	131		141	7959	73	90993-97	149
72143-94	37	73190-96	101		145		75	90994-97	149
72146-94	141		141		25	7962	67	90995-97	149
72148-94	141	73191-96	101	7643W	111	7987	55	90996-97	149
72152-94	27		103		113		65	90998-97	149
72153-94	131		109		85	7994	55	91043-97	149
	141		131	7651	97	8099	153	9110	11
72156-94	143		133	7667	77	8108	117	9114	31
72158-94	141		135		89		139	9115	31
	25		137	7669	49		61	9120	11
72163-94BK	37	73199-96	141	7680W	111		69	9121	11
72176-94	143	739A	35		113		81	9122	11
72190-94	141		43		73	83162-51	13	9123	11
	27	74412-91	141		75	8476	117	9124	11
	37	74437-96	37		85	8483	115	9125	11
72191-94	131	74519-88A	23	7686	121		145	9126	11
	141	74587-94	141		87	8505	107	9127	11
	143		145		115	8535	21	9128	11
	25	74599-77B	141		131	855B	53	9129	11
	27		145		23		73	9130	11
72195-94	141	7484	87	7716	89		75	9131	11
	25	7485	87	7736	151	856A	31	9132	11
72199-94	141	7495	139	7739	109	858	43	9133	11
	27	7497	131		55	861A	127	9134	11
	37	7501	137	7740	61	864	21	9135	43
72216-94	141	7506	11	7742	59	868	85	9139	77
72217-94	141	7507	105		81	8699	27		79
72218-94	141		139	7744	133	872A	89	9140	77
72241-94	141		147		59	882	7		79
72242-94	23		149	7748W	61	8871	29	9141	77
72249-94	23		31		69	8873	15		79
72255-94	141		49		81		35	91768-85C	85
72266-94	141		81	7768W	93	8876A	39	91850-87A	85
	143	7515	31	7775	113	8879	29	91875-88	151
72291-94	141	7531	105	7778	103	8883	29	91877-97	149
72292-94	141		107		147	891	15		87
72293-94	141		121		149	89579-91	139	91892-88	151
72295-94	141		149		45	8977	35	9194	109
7230	81	755	105		81	8996A	35	9196	109
	89		109		89	8998	35	9207	109
7232	73	7576	139	7783	81	9028	11	923	51
	75	7588	77	7792	115	90346-94	147		69
72328-96	145	7593	11	7800W	135		149	924	117
72366-95	141		125		135	90361-94	147	925	29

NUMERICAL INDEX

Part No.	Page	Part No.	Page	Part No.	Page	Part No.	Page	Part No.	Page
9268	109								
928	29								
929	29								
939	81								
941	43								
942	15								
945	43								
946	21								
949	25								
95578-41	57								
	65								
95581-47	57								
	65								
95582-47	57								
	65								
95595-84	57								
	65								
9840	141								
	23								
9847	99								
9848	99								
9866	23								
98837-97	149								
9890	117								
9898	141								
99000-77	85								
9905	141								
9908	25								
9937	141								
9955	125								
	127								
9969	121								
9988	153								
9989	145								
9990W	47								