

## READERS COMMENTS

The Harley-Davidson Technical Communications Department maintains a continuous effort to improve the quality and usefulness of its publications. To do this effectively we need user feedback — your critical evaluation of this manual.

Please comment on this manual's completeness, accuracy, organization, usability and readability.

---

---

---

---

---

Should you find errors in this manual, please list the page, item and part number(s).

---

---

---

---

---

---

---

How can this manual be improved? \_\_\_\_\_

---

---

---

---

---

---

---

Occupation: \_\_\_\_\_

Name \_\_\_\_\_ Dealership \_\_\_\_\_

Street \_\_\_\_\_ Department \_\_\_\_\_

City \_\_\_\_\_ State \_\_\_\_\_ Zip \_\_\_\_\_

1991 - 1992  
1340cc  
Parts Catalog

Clip out and mail to:  
Technical Communications Department  
Harley-Davidson, Inc.  
P.O. Box 653  
Milwaukee, WI 53201

CUT HERE



# ALPHABETICAL INDEX

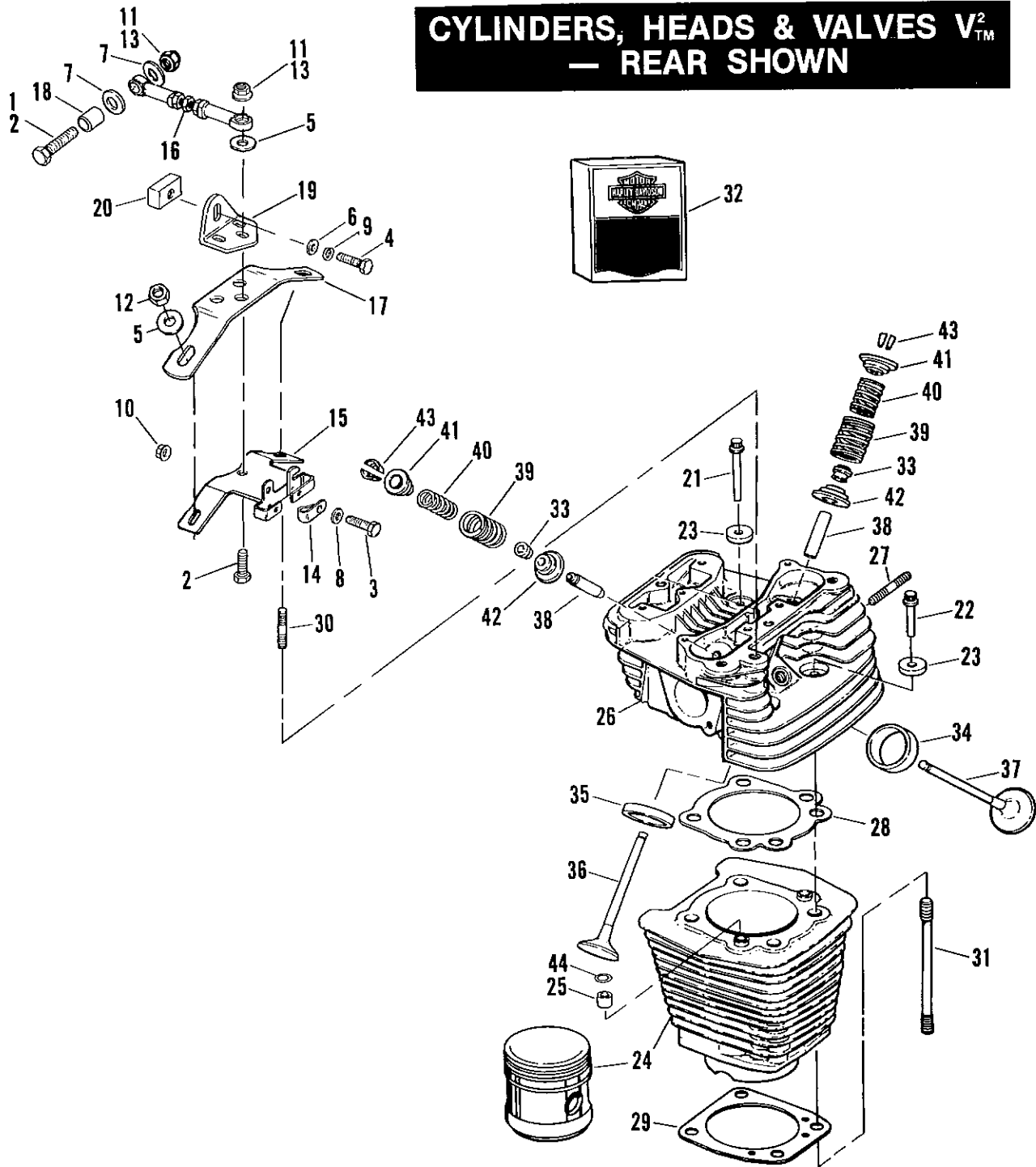
	Page		Page
Air Cleaner	31,33	Inner Fairing - FLHTC	169
Air Control, front fork	111,113	Instruments - FLT	169,237
Alternator	35	Instruments - FXR & DYNA	211, 239-245
Antenna Splitter	271	Instruments - Softail	247,249
Battery	233	Jiffy Stand	117,119,123,125
Battery Tray-DYNA	235	License Plate Bracket	127,195
Belt, rear	59	Luggage Carrier - FLT	127
Belt Guard	61	Mirrors	297
Brake Caliper, front	65	Module, ignition	39
Brake Caliper, rear	83,85	Numerical Index	332
Brake Control, front	63	Oil Filters & Mounts	223
Brake Control, rear	71-81	Oil Pump	23
Brake Disc	69,87	Oil Tank	219
C. B. System	271	Oil Tank - DYNA	51
Cam Gears	19	Passing Lamps	187
Carburetor	27	Pistons & Piston Rings	13
Chain, primary	59	Primary Housing	201,203
Circuit Breakers	279,281,283,285	Push Rods	11
Clutch	55	Regulator	35
Clutch Control	57	Rocker Arms	9
Coil, ignition	39	Rotor, ignition	39
Connecting Rods	13	Saddlebags	286-293
Covers, rocker arm	9	Saddlebag Guards	295
Crankcase	17	Seats	127-137
Cruise Control	159	Sensor Assembly	39
Cylinders, engine	5	Shock Absorbers	149,151
Engine	3,7	Sidecar	299-321
Engine Guard	117,119	Sissy Bar	131,133,135
Enrichener Cable	33	Sound System	267,269,321
Evaporative Emissions Kit	322	Spark Plugs	39
Exhaust Systems	225-231	Speakers	269,321
Fairing	161-167,173,175	Speaker Housing, rear	147
Fairing Lowers	181	Speedometer	237-247
Fenders	189-195,313	Sprockets	49,59,87
Fender Supports, rear	199	Stabilizer Link, engine	5,17
Flywheels	13	Starter Motor	41
Footboards	141	Switches, ignition	277,281,283,285
Footrests	137,139	Switches	21,159-169,187,277-285
Fork, front	91-107	Switchers, Handlebar	273,275
Fork Rockers	109	Tachometer	237,239,241,243,245
Frame & Rear Fork	115-125	Tail Lamp	255,314
Fuel Tanks	207-213	Tail Lamp - Tour-Pak	147
Fuel Tank Trim	215,217	Tappets	11
Fuse Board - C. B.	277	Throttle Control	157,273
Gear Shifter	43,45	Tools	287
Gasket Kits	5, 9	Tour-Pak	143-147
Glossary	323	Transmission	47-53
Handlebar	153,155	Turn Signals	163,175,187,251-255,315
Hardware Listing	324	Turn Signal Cancellor	277,281,283,285
Head, cylinder	5	Ultra Sidecar	319,321
Headlamps	163,165,175,183,185	Vacuum Switch	27
Horn	257	Valves	7
Ignition System	37,39	Wheels	67,69,87,317
Intercom System	271	Windshields	161,165,173-179,301,319
Indicator Lamps	237,239,241,243,245,249	Wiring	259-265

## PATENT NOTICE

Harley-Davidson products are manufactured under one or more of the following patents:  
 U.S. Patents — 2986162, 2987934, 2998809, 3116089, 3144631, 3144860, 3226994, 3229792,  
 3434887, 3559773, 3673359, 3709317, Des. 225,626.

To the best knowledge of Harley-Davidson, Inc., the material contained herein is accurate as of the date this publication was approved for printing. Harley-Davidson, Inc., reserves the right to change specifications, equipment, or designs at any time without notice and without incurring obligation.

# CYLINDERS, HEADS & VALVES V<sup>2</sup><sub>TM</sub> — REAR SHOWN





**CYLINDERS, VALVES & HEADS-V2™ EVOLUTION**

INDEX NO.	PART NO.	NAME	FLT MODELS	FXR MODELS	SOFTAIL MODELS	DYNA MODEL
1	855B	BOLT	--	--	--	91*-ALL
	4355A	BOLT	91*-ALL	--	--	--
	4721	BOLT (2 - FXR)	91*-ALL	91*-ALL	--	91*-ALL
2	2879W	BOLT (3)	--	--	91*-ALL	--
3	2882W	SCREW	--	91*-ALL	--	--
3A	4716W	BOLT (2)	92*-ALL	92*-ALL	92*-ALL	92*-ALL
4	4726	BOLT	--	--	91*-ALL	--
5	6019	WASHER (3)	91*-ALL	91*-ALL	--	91*-ALL
6	6516HW	WASHER	--	--	91*-ALL	--
7	6701	WASHER (2 - FXR)	--	91*-ALL	--	91*-ALL
8	6702	WASHER	--	91*-ALL	--	--
9	7039	LOCKWASHER	--	--	91*-ALL	--
10	7531	NUT	--	91*-ALL	--	--
11	7601	NUT, flange (3 - Softail; 2-FLT)	91*-ALL	91*-ALL	91*-ALL	91*-ALL
12	7775	LOCKNUT (2)	91-ALL	91-ALL	91-ALL	91-ALL
13	7778	LOCKNUT	--	91*-ALL	--	--
14	10003	CLAMP	--	91*-ALL	--	--
	16101-91	ENGINE ASM., complete (1340 cc)	91-FA	--	--	--
	16101-92	ENGINE ASM., complete (1340 cc)	92*-FA	--	--	--
	16103-91	ENGINE ASM., complete (1340 cc)(Cal. only)	91-FA	--	--	--
	16103-92	ENGINE ASM., complete (1340 cc)(Cal. only)	92*-FA	--	--	--
	16114-91	ENGINE ASM., complete (1340 cc)	--	91-EA	--	--
	16114-92	ENGINE ASM., complete (1340 cc)	--	92*-EA	--	--
	16121-91	ENGINE ASM., complete (1340 cc)(C & BW)	--	--	91-ALL	--
	16121-92	ENGINE ASM., complete (1340 cc)(C & BW)	--	--	92*-ALL	--
	16124-91	ENGINE ASM., complete (1340 cc)(C & BW)	--	91-EB/C/ G/L/M	--	--
	16124-92	ENGINE ASM., complete (1340 cc)(C & BW)	--	92*-EB/C/ G/L/M	--	--
	16125-91	ENGINE ASM., complete (1340 cc)(C & BW)	91-DB/J/ M/P	--	--	--
	16125-92	ENGINE ASM., complete (1340 cc)(C & BW)	92*-DJ/M/P	--	--	--
	16126-91	ENGINE ASM., complete (1340 cc)(C & BW) (Cal. only)	--	--	91-ALL	--
	16126-92	ENGINE ASM., complete (1340 cc)(C & BW) (Cal. only)	--	--	92*-ALL	--
	16127-91	ENGINE ASM., complete (1340 cc)(C & BW) (Cal. only)	91-DB/J/ M/P	--	--	--
	16127-92	ENGINE ASM., complete (1340 cc)(C & BW) (Cal. only)	92*-DJ/M/P	--	--	--
	16128-91	ENGINE ASM., complete (1340 cc)(Cal. only)	--	91-EA	--	--
	16128-92	ENGINE ASM., complete (1340 cc)(Cal. only)	--	92*-EA	--	--
	16131-91	ENGINE ASM., complete (1340 cc)(C & BW) (Cal. only)	--	91-EB/C/ G/L/M	--	--
	16131-92	ENGINE ASM., complete (1340 cc)(C & BW) (Cal. only)	--	92*-EB/C/ G/L/M	--	--

**FLT MODELS**

FLTC DB  
 FLHTC DJ  
 FLTC-U OM  
 FLHTC-U DP  
 FLHS FA

**FXR MODELS**

FXR EA  
 FXRS EB  
 FXRT EC  
 FXRS-SP EG  
 FXLR EL  
 FXRS-CON EM

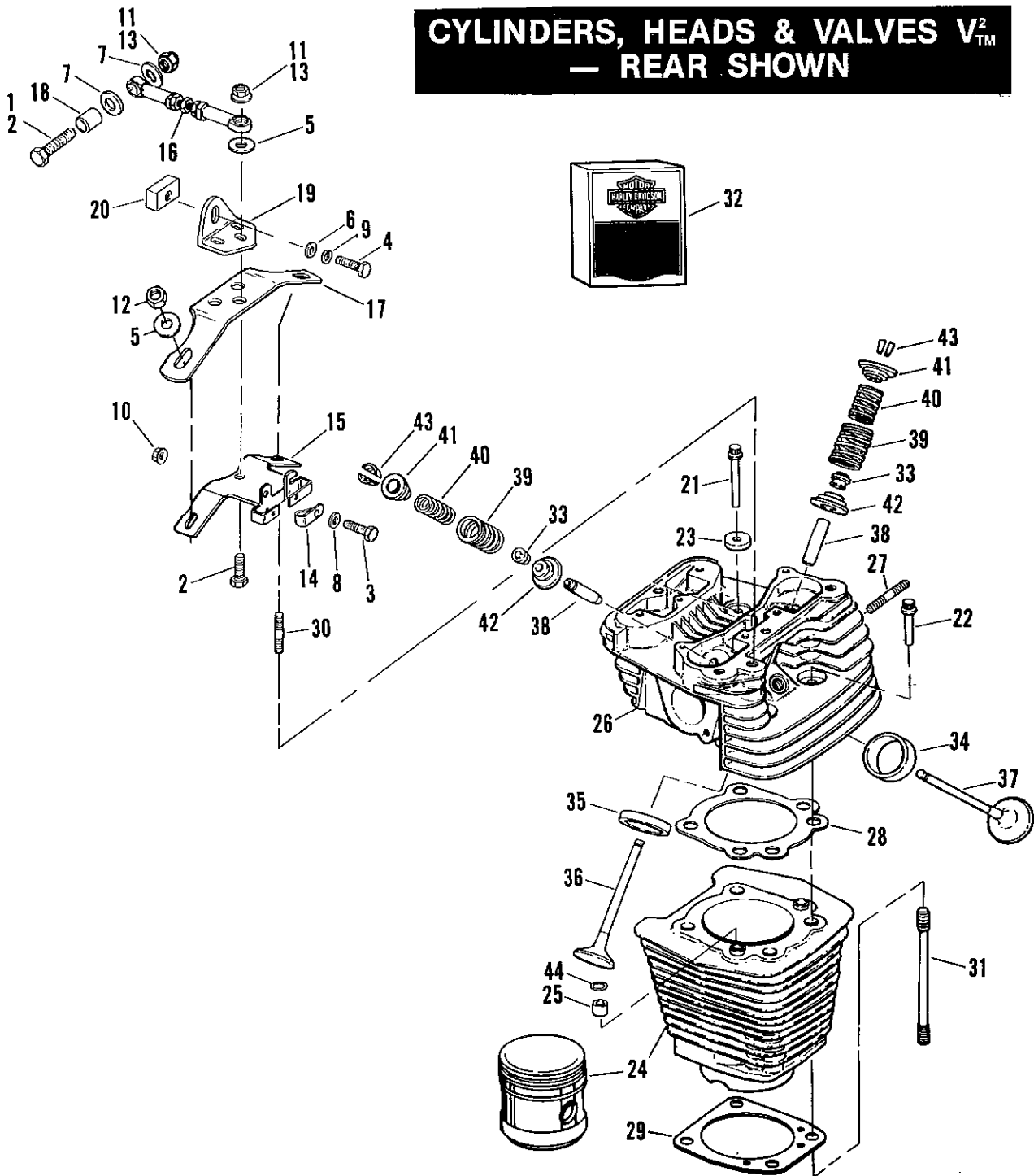
**SOFTAIL MODELS**

FLSTC BJ  
 FXSTC BK  
 FXSTS BL  
 FLSTF BM

**DYNA MODEL**

FXDB-D GA  
 FXDB-S GB  
 FXDC GC

# CYLINDERS, HEADS & VALVES V<sup>2</sup>™ — REAR SHOWN



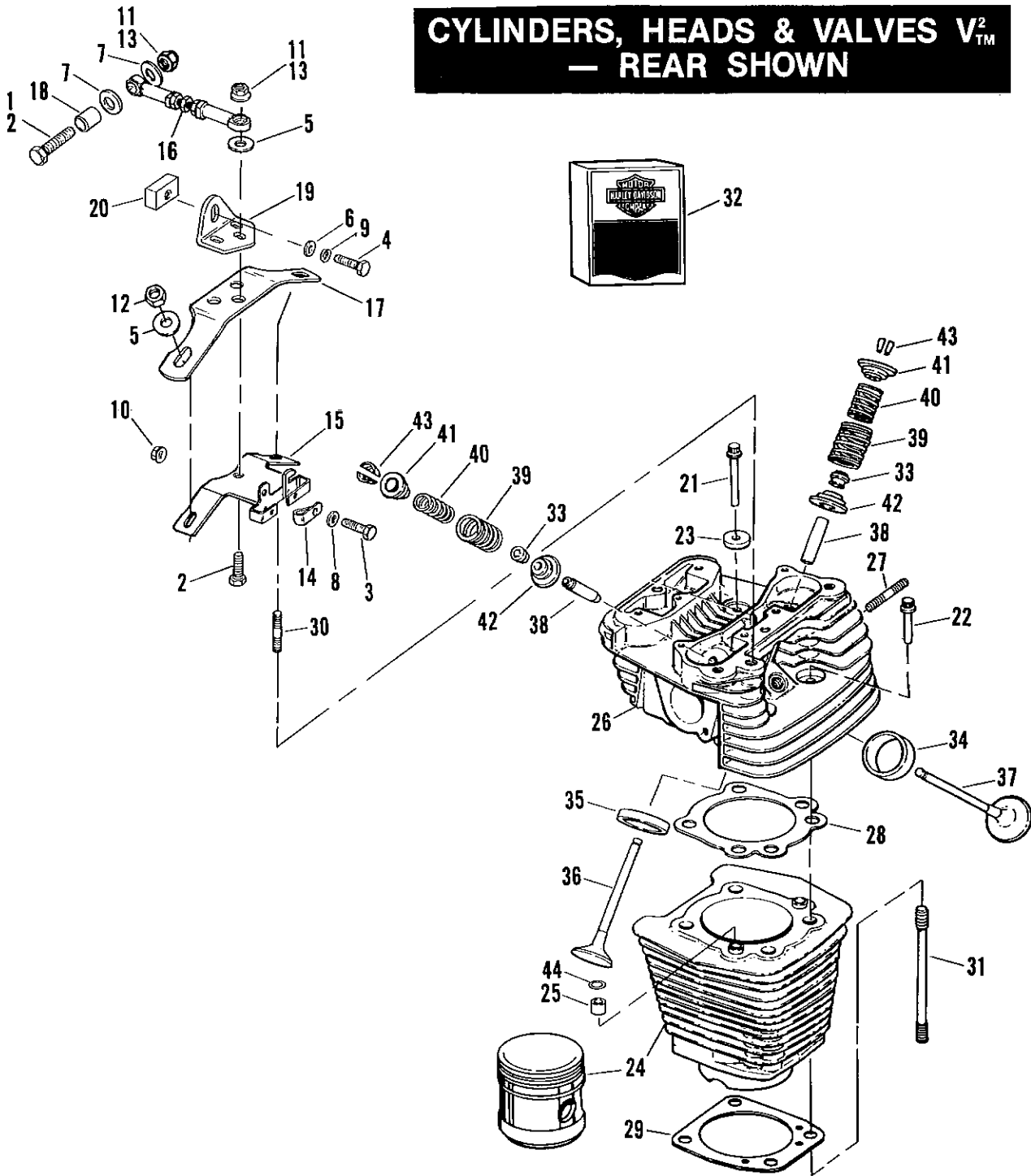
**CYLINDERS, VALVES & HEADS-V2™ EVOLUTION (CONT'D)**

**FA1-2**

INDEX NO.	PART NO.	NAME	FLT MODELS	FXR MODELS	SOFTAIL MODELS	DYNA MODEL
	16162-91	ENGINE ASM., complete (1340 cc)(black)	--	--	--	91-GB
	16163-91	ENGINE ASM., complete (1340 cc)(black) (Cal. only)	--	--	--	91-GB
	16165-92	ENGINE ASM., complete (1340 cc)(C & BW)	--	--	--	92*-GA
	16166-92	ENGINE ASM., complete (1340 cc)(C & BW) (Cal. only)	--	--	--	92*-GA
	16171-92	ENGINE ASM., complete (1340 cc)(chrome)	--	--	--	92*-GC
	16172-92	ENGINE ASM., complete (1340 cc)(chrome) (Cal. only)	--	--	--	92*-GC
15	16216-91	BRACKET, engine mounting	--	91*-ALL	--	--
16	16219-79A	STABILIZER LINK, top	91*-ALL	91*-ALL	--	91*-ALL
17	16238-90	BRACKET, engine mounting (black)	--	--	--	91-GB
	16242-90	BRACKET, engine mounting	91*-ALL	--	91*-ALL	92*-ALL
18	16241-90	SPACER	--	--	--	91*-ALL
19	16247-91	BRACKET, engine mounting	--	--	91*-ALL	--
20	16284-84	MOUNTING BLOCK	--	--	91*-ALL	--
21	16478-85A	SCREW, internal thread (4)	91*-ALL	91*-ALL	91*-ALL	91*-ALL
22	16480-85A	SCREW, internal thread (4)	91-ALL	91-ALL	91-ALL	91-GB
	16480-92	SCREW, internal thread (4)	92*-ALL	92*-ALL	92*-ALL	92*-ALL
24	16510-83A	CYLINDER W/PISTON (2)	91*-FA	91*-EA	--	92*-GC
	16512-86A	CYLINDER W/PISTON (black wrinkle)(2)	91*-DB/J/ M/P	91*-EB/C/ G/L/M	91*-ALL	91-GB, 92*-GA
25	16573-83	INSERT, cylinder stud (4)	91*-ALL	91*-ALL	91*ALL	91*-GB
26	16690-85B	HEAD, rear cylinder w/guides & seats	91-FA	91-EA	--	--
	16690-92	HEAD, rear cylinder w/guides & seats	92*-FA	92*-EA	--	92*-GC
	16691-85C	HEAD, front cylinder w/guides & seats	91-FA	91-EA	--	--
	16691-92	HEAD, front cylinder w/guides & seats	92*-FA	92*-EA	--	92*-GC
	16692-85C	HEAD, front cylinder w/guides & seats (blk wrkl)	91-DB/J/ M/P	91-EB/C/ G/L/M	91-ALL	91-GB
	16692-92	HEAD, front cylinder w/guides & seats (blk wrkl)	92*-DJ/M/P	92*-EB/C/ G/L/M	92*-ALL	92*-GA
	16696-85B	HEAD, rear cylinder w/guides & seats (blk wrkl)	91-DB/J/ M/P	91-EB/C/ G/L/M	91-ALL	91-GB
	16696-92	HEAD, rear cylinder w/guides & seats (blk wrkl)	92*-DJ/M/P	92*-EB/C/ G/L/M	92*-ALL	92*-GA
27	16715-83	STUD, exhaust port (4)	91*-ALL	91*-ALL	91*-ALL	91*-ALL
28	16770-84B	GASKET, cylinder head (2)	91*-ALL	91*-ALL	91*-ALL	91*-ALL
29	16774-86B	GASKET, cylinder base (2)	91*-ALL	91*-ALL	91*-ALL	91*-ALL
30	16830-29A	STUD, engine mounting bracket (2)	91-ALL	91-ALL	91-ALL	91-ALL
31	16837-85A	STUD, cylinder base (8)	91*-ALL	91*-ALL	91*-ALL	91*-ALL
32	17033-83A	GASKET KIT, top overhaul	91-ALL	91-ALL	91-ALL	91-GB
	17035-83B	GASKET KIT, engine overhaul	91-ALL	91-ALL	91-ALL	91-GB
	17040-92	GASKET KIT, top overhaul	92*-ALL	92*-ALL	92*-ALL	92*-ALL
	17041-92	GASKET KIT, engine overhaul	92*-ALL	92*-ALL	92*-ALL	92*-ALL
33	18001-83A	SEAL, valve (4)	91*-ALL	91*-ALL	91*-ALL	91*-ALL

FLT MODELS		FXR MODELS		SOFTAIL MODELS		DYNA MODEL	
FLTC	DB	FXR	EA	FLSTC	BJ	FXDB-D	GA
FLHTC	DJ	FXRS	EB	FXSTC	BK	FXDB-S	GB
FLTC-U	DM	FXRT	EC	FXSTS	BL	FXDC	GC
FLHTC-U	DP	FXRS-SP	EG	FLSTF	BM		
FLHS	FA	FXLR	EL				
		FXRS-CON	EM				

# CYLINDERS, HEADS & VALVES V<sup>2</sup><sub>TM</sub> — REAR SHOWN



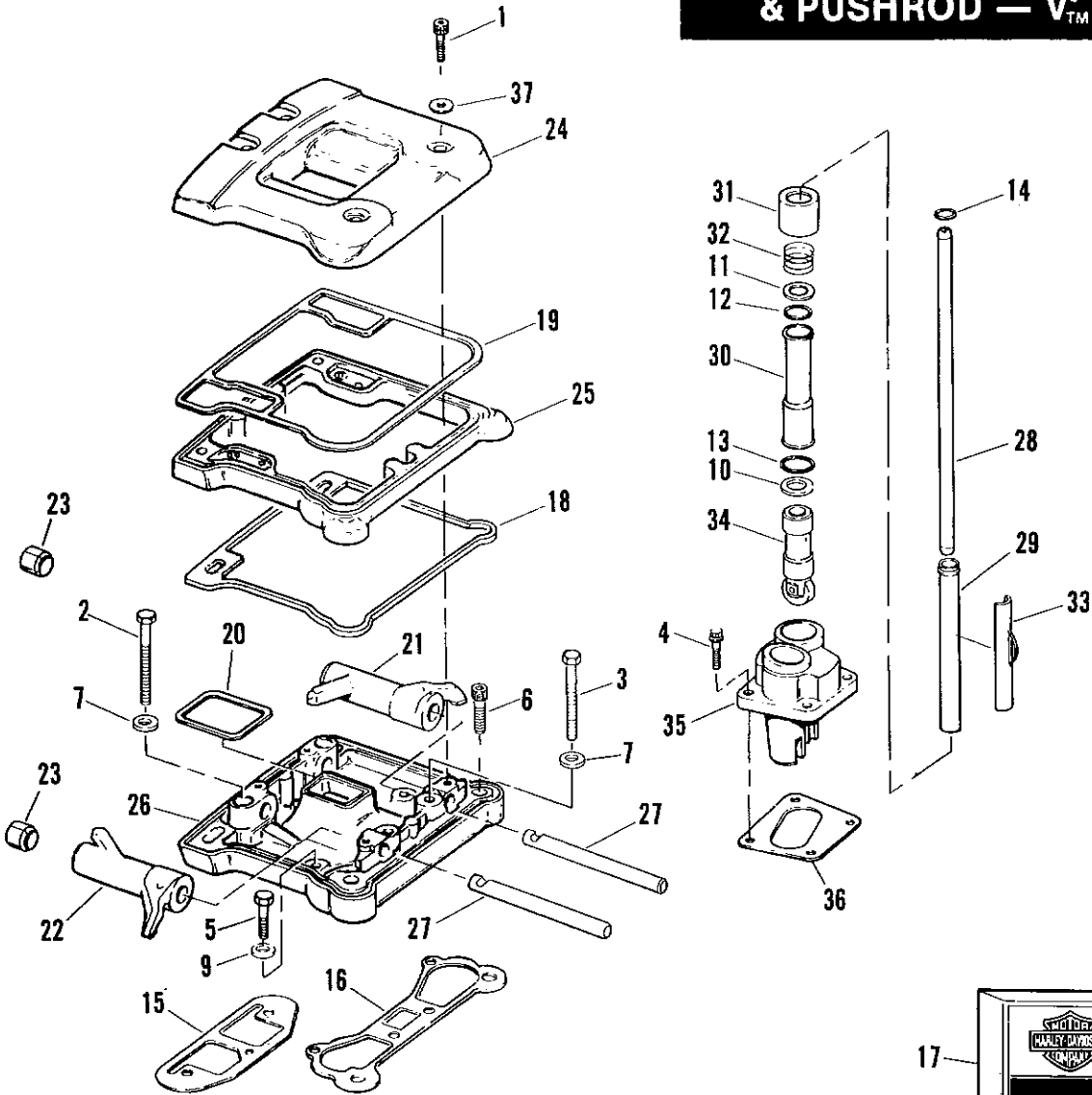
INDEX NO.	PART NO.	NAME	FLT MODELS	FXR MODELS	SOFTAIL MODELS	DYNA MODEL
34	18011-86	INSERT, exhaust valve seat (2)	91*-ALL	91*-ALL	91*-ALL	91*-ALL
	18124-83	INSERT, exhaust valve seat - 0.005 O.S. (2)	91*-ALL	91*-ALL	91*-ALL	91*-ALL
35	18020-83	INSERT, intake valve seat (2)	91*-ALL	91*-ALL	91*-ALL	91*-ALL
	18134-83	INSERT, intake valve seat - 0.005 O.S. (2)	91*-ALL	91*-ALL	91*-ALL	91*-ALL
36	18074-83A	INTAKE VALVE (2)	91*-ALL	91*-ALL	91*-ALL	91*-ALL
	18076-83	INTAKE VALVE, 0.03 short (2)	91*-ALL	91*-ALL	91*-ALL	91*-ALL
37	18082-83	EXHAUST VALVE (2)	91*-ALL	91*-ALL	91*-ALL	91*-ALL
	18087-83	EXHAUST VALVE, 0.030 short (2)	91*-ALL	91*-ALL	91*-ALL	91*-ALL
38	18101-83B	VALVE GUIDE, int. & exh. (4)	91*-ALL	91*-ALL	91*-ALL	91*-ALL
	18130-83C	VALVE GUIDE, int. & exh. - 0.001 O.S. (4)	91*-ALL	91*-ALL	91*-ALL	91*-ALL
	18131-83C	VALVE GUIDE, int. & exh. - 0.003 O.S. (4)	91*-ALL	91*-ALL	91*-ALL	91*-ALL
	18133-83A	VALVE GUIDE, int. & exh. - 0.002 O.S. (4)	91*-ALL	91*-ALL	91*-ALL	91*-ALL
39	18201-83	VALVE SPRING, outer (4)	91*-ALL	91*-ALL	91*-ALL	91*-ALL
40	18202-83	VALVE SPRING, inner (4)	91*-ALL	91*-ALL	91*-ALL	91*-ALL
41	18219-83	COLLAR, valve spring - upper (4)	91*-ALL	91*-ALL	91*-ALL	91*-ALL
42	18222-83	COLLAR,, valve spring - lower (4)	91*-ALL	91*-ALL	91*-ALL	91*-ALL
43	18229-83	RETAINER, valve collar (8)	91*-ALL	91*-ALL	91*-ALL	91*-ALL
44	26432-76A	O-RING, cylinder stud insert (4)	91*-ALL	91*-ALL	91*-ALL	91*-ALL

**H-D INTERNATIONAL ONLY**

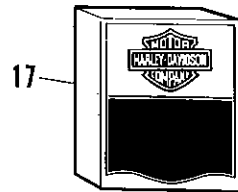
	16115-91	ENGINE ASM., complete (1340 cc)(HDI only)	--	91-EA	--	--
	16122-91	ENGINE ASM., complete (1340 cc)(C & BW) (HDI only)	--	--	91-ALL	--
	16122-92	ENGINE ASM., complete (1340 cc)(C & BW) (HDI only)	--	--	92*-ALL	--
	16131-91	ENGINE ASM., complete (1340 cc)(C & BW) (HDI only)	--	91-EB/C G/L/M	--	--
	16135-91	ENGINE ASM., complete (1340 cc)(HDI only)	91-FA	--	--	--
	16136-91	ENGINE ASM., complete (1340 cc)(C & BW) (HDI only)	91-DB/J/M/P	--	--	--
	16164-91	ENGINE ASM., complete (1340 cc) (black) ( HDI only)	--	--	--	91-GB
	16167-92	ENGINE ASM., complete (1340 cc) (C & BW) ( HDI only)	--	--	--	92*-GA
	16173-92	ENGINE ASM., complete (1340 cc) (chrome) ( HDI only)	--	--	--	92*-GC

FLT MODELS		FXR MODELS		SOFTAIL MODELS		DYNA MODEL	
FLTC	DB	FXR	EA	FLSTC	BJ	FXDB-D	GA
FLHTC	DJ	FXRS	EB	FXSTC	BK	FXDB-S	GB
FLTC-U	DM	FXRT	EC	FXSTS	BL	FXDC	GC
FLHTC-U	DP	FXRS-SP	EG	FLSTF	BM		
FLHS	FA	FXLR	EL				
		FXRS-CON	EM				

# ROCKER ARMS, COVER & PUSHROD — V<sup>2</sup><sub>TM</sub>



NOTE: PATENT PENDING



# ROCKER ARMS, COVERS & PUSH RODS-V2<sup>tm</sup> EVOLUTION

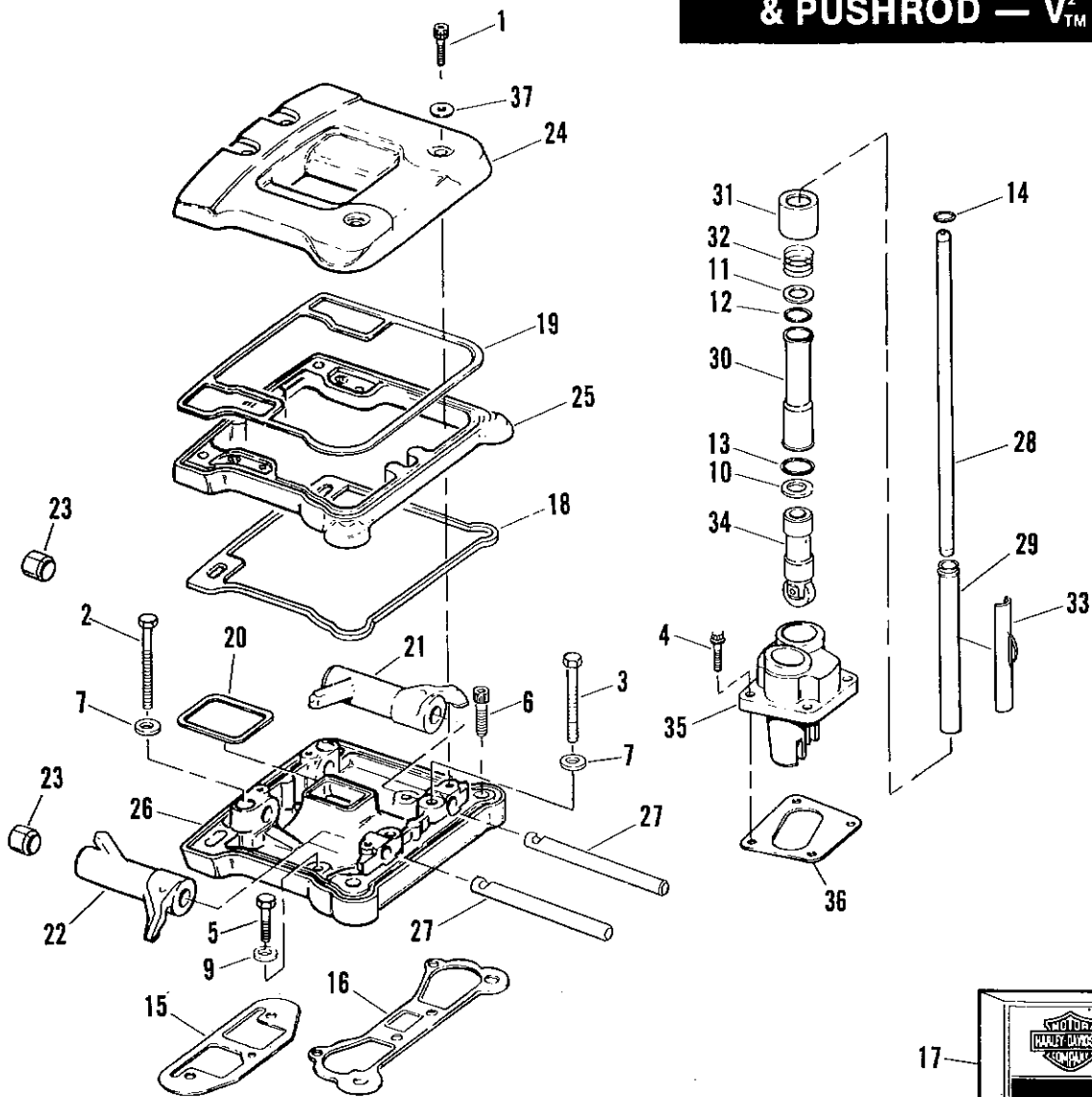
FA2-1

INDEX NO.	PART NO.	NAME	FLT MODELS	FXR MODELS	SOFTAIL MODELS	DYNA MODEL
1	882	SCREW (8)	91*-ALL	91*-ALL	91*-ALL	91*-ALL
2	3500	BOLT (4)	91*-ALL	91*-ALL	91*-ALL	91*-ALL
3	3501	BOLT (4)	91*-ALL	91*-ALL	91*-ALL	91*-ALL
4	3770	SCREW (8)	91*-ALL	91*-ALL	91*-ALL	91*-ALL
5	3997	BOLT (6)	91*-ALL	91*-ALL	91*-ALL	91*-ALL
6	4718A	SCREW (4)	91*-ALL	91*-ALL	91*-ALL	91*-ALL
7	6016	WASHER (8)	91*-ALL	91*-ALL	91*-ALL	91*-ALL
9	6736	WASHER (6)	91*-ALL	91*-ALL	91*-ALL	91*-ALL
10	6737	WASHER (4)	91*-ALL	91*-ALL	91*-ALL	91*-ALL
11	6762B	WASHER (4)	91*-ALL	91*-ALL	91*-ALL	91*-ALL
12	11132	O-RING, push rod cover (4)	91*-ALL	91*-ALL	91*-ALL	91*-ALL
13	11145	O-RING, push rod cover (4)	91*-ALL	91*-ALL	91*-ALL	91*-ALL
14	11157	O-RING (4)	91*-ALL	91*-ALL	91*-ALL	91*-ALL
15	16778-84A	GASKET, cylinder head - right (2)	91*-ALL	91*-ALL	91*-ALL	91*-ALL
16	16779-84A	GASKET, cylinder head - left (2)	91*-ALL	91*-ALL	91*-ALL	91*-ALL
17	17038-90	GASKET KIT, rocker boxes with #15, 16, 18, 19, 20 & 37	91-ALL	91-ALL	91-ALL	91-GB
	17042-92	GASKET KIT, rocker boxes with #15, 16, 18, 19, 20 & 37	92*-ALL	92*-ALL	92*-ALL	92*-ALL
18	17355-84A	GASKET, rocker cover - lower (2)	91-ALL	91-ALL	91-ALL	91-GB
	17355-92	GASKET, rocker cover - lower (2)	92*-ALL	92*-ALL	92*-ALL	92*-ALL
19	17356-84A	GASKET, rocker cover - upper (2)	91-ALL	91-ALL	91-ALL	91-GB
	17356-92	GASKET, rocker cover - upper (2)	92*-ALL	92*-ALL	92*-ALL	92*-ALL
20	17358-84A	GASKET, rocker cover - inner (2)	91-ALL	91-ALL	91-ALL	91-GB
21	17360-83	ROCKER ARM, front intake, rear exhaust (2)	91*-ALL	91*-ALL	91*-ALL	91*-ALL
22	17375-83	ROCKER ARM, rear intake, front exhaust (2)	91*-ALL	91*-ALL	91*-ALL	91*-ALL
23	17428-57	BUSHING, rocker arm (8)	91*-ALL	91*-ALL	91*-ALL	91*-ALL
24	17503-84B	ROCKER COVER, outer (2)	91-FA	91-EA	--	--
	17503-84B	ROCKER COVER, outer (2)	92*-FA	92*-EA	--	--
	17528-84A	ROCKER COVER, outer (chrome)(2)	91-DB/J/ M/P	91-EB/C/ G/L/M	91-ALL	--
	17528-84B	ROCKER COVER, outer (chrome)(2)	92*-DJ/M/P	92*-EB/C/ G/L/M	92*-ALL	92*-ALL
	17549-90	ROCKER COVER, outer (black wrinkle) (2)	--	--	--	91-GB
25	17510-84	SPACER, rocker covers (2)	91-FA	91-EA	--	--
	17510-92	SPACER, rocker covers (2)	92*-FA	92*-EA	--	--
	17529-84A	SPACER, rocker covers (chrome)(2)	91-DB/J/ M/P	91-EB/C/ G/L/M	91-ALL	--
	17529-92	SPACER, rocker covers (chrome)(2)	92*-DJ/M/P	92*-EB/C/ G/L/M	92*-ALL	92*-ALL
	17548-90	SPACER, rocker cover (black wrinkle) (2)	--	--	--	91-GB
26	17521-84B	ROCKER COVER, inner (2)	91-FA	91-EA	--	--
	17521-92	ROCKER COVER, inner (2)	92*-FA	92*-EA	--	--
	17530-84B	ROCKER COVER, inner (chrome)(2)	91-DB/J/ M/P	91-EB/C/ G/L/M	91-ALL	--
	17530-92	ROCKER COVER, inner (chrome)(2)	92*-DJ/M/P	92*-EB/C/ G/L/M	92*-ALL	92*-ALL
	17547-90	ROCKER COVER, inner (black wrinkle) (2)	--	--	--	91-GB

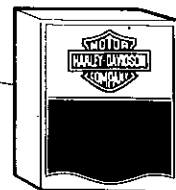
**NOTE: PATENT PENDING**

FLT MODELS		FXR MODELS		SOFTAIL MODELS		DYNA MODEL	
FLTC	DB	FXR	EA	FLSTC	BJ	FXDB-D	GA
FLHTC	DJ	FXRS	EB	FXSTC	BK	FXDB-S	GB
FLTC-U	DM	FXRT	EC	FXSTS	BL	FXDC	GC
FLHTC-U	DP	FXRS-SP	EG	FLSTF	BM		
FLHS	FA	FXLR	EL				
		FXRS-CON	EM				

# ROCKER ARMS, COVER & PUSHROD — V<sup>2</sup>™



NOTE: PATENT PENDING



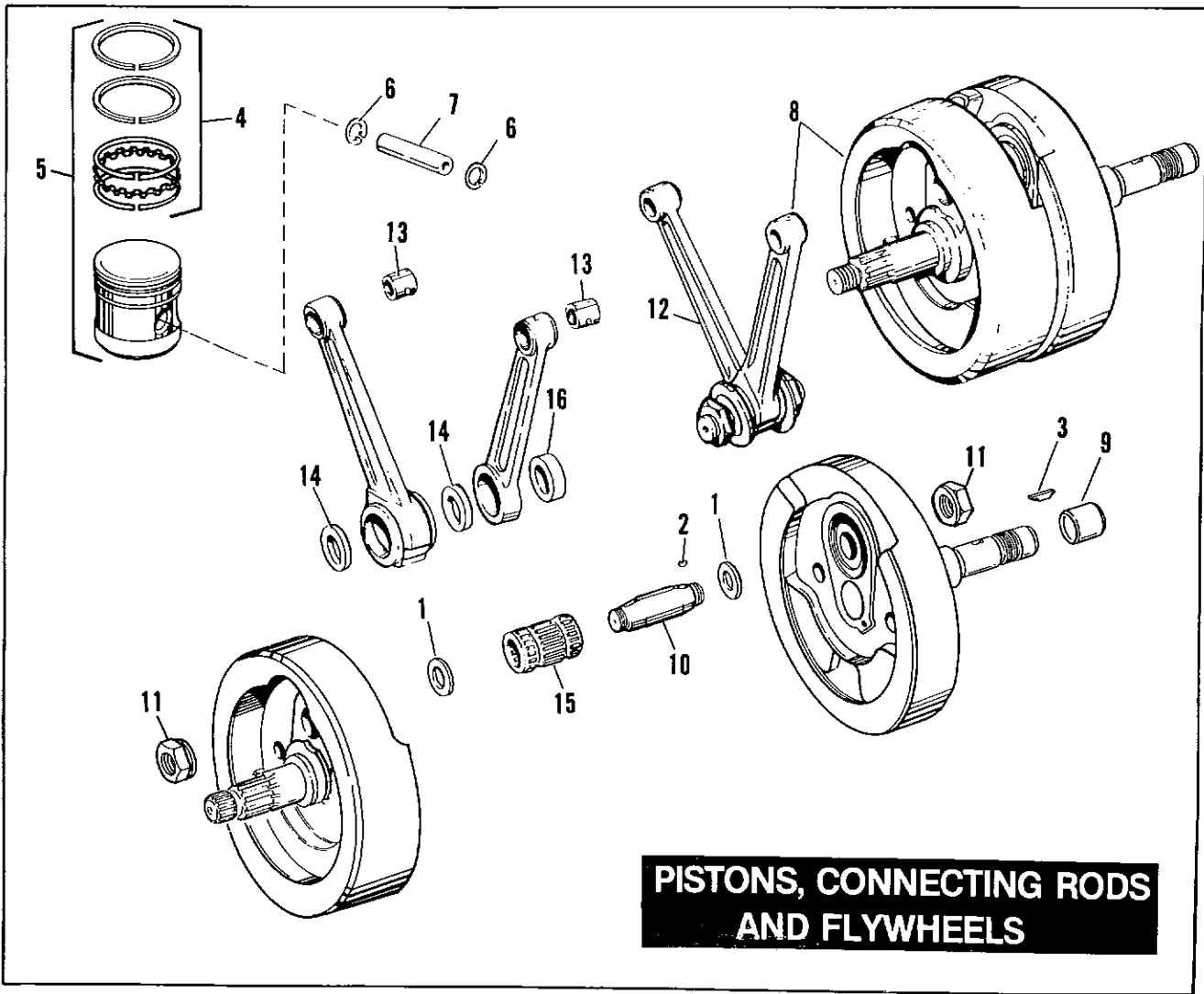


**ROCKER ARMS, COVERS & PUSH RODS-V2™ EVOLUTION (CONT'D)**

INDEX NO.	PART NO.	NAME	FLT MODELS	FXR MODELS	SOFTAIL MODELS	DYNA MODEL
27	17611-83	SHAFT, rocker arm (4)	91*-ALL	91*-ALL	91*-ALL	91*-ALL
28	17921-83	PUSH ROD, rear exhaust - 11.210" long	91*-ALL	91*-ALL	91*-ALL	91*-ALL
	17924-83	PUSH ROD, rear intake - 11.045" long	91*-ALL	91*-ALL	91*-ALL	91*-ALL
	17927-83	PUSH ROD, front exhaust - 11.325" long	91*-ALL	91*-ALL	91*-ALL	91*-ALL
	17930-83	PUSH ROD, front intake - 11.090" long	91*-ALL	91*-ALL	91*-ALL	91*-ALL
29	17935-79B	COVER, push rod - upper (4)	91*-ALL	91*-ALL	91*-ALL	91*-ALL
30	17938-83	COVER, push rod - lower (4)	91*-ALL	91*-ALL	91*-ALL	91*-ALL
31	17945-36B	CAP, cover spring (4)	91*-ALL	91*-ALL	91*-ALL	91*-ALL
32	17947-36	SPRING, push rod cover (4)	91*-ALL	91*-ALL	91*-ALL	91*-ALL
33	17950-66	RETAINER, spring cap (4)	91*-ALL	91*-ALL	91*-ALL	91*-ALL
34	18523-86	TAPPET, with roller (4)	91*-ALL	91*-ALL	91*-ALL	91*-ALL
35	18540-83A	TAPPET GUIDE, rear	91*-FA	91*-EA	--	92*-GC
	18622-85A	TAPPET GUIDE, rear (black wrinkle)	91*-DB/J/ M/P	91*-EB/C G/L/M	91*-ALL	91-GB;92*-GA
	18542-83A	TAPPET GUIDE, front	91*-FA	91*-EA	--	92*-GC
	18623-85A	TAPPET GUIDE, front (black wrinkle)	91*-DB/J/ M/P	91*-EB/C/ G/L/M	91*-ALL	91-GB;92*-GA
36	18633-48D	GASKET, tappet guide - rear	91*-ALL	91*-ALL	91*-ALL	91*-ALL
	18634-48C	GASKET, tappet guide - front	91*-ALL	91*-ALL	91*-ALL	91*-ALL
37	63858-49	WASHER (8)	91*-ALL	91*-ALL	91*-ALL	91*-ALL

**NOTE: PATENT PENDING**

FLT MODELS		FXR MODELS		SOFTAIL MODELS		DYNA MODEL	
FLTC	DB	FXR	EA	FLSTC	BJ	FXDB-D	GA
FLHTC	DJ	FXRS	EB	FXSTC	BK	FXDB-S	GB
FLTC-U	DM	FXRT	EC	FXSTS	BL	FXDC	GC
FLHTC-U	DP	FXRS-SP	EG	FLSTF	BM		
FLHS	FA	FXLR	EL				
		FXRS-CON	EM				



**PISTONS, CONNECTING RODS  
AND FLYWHEELS**

# PISTONS, CONNECTING RODS & FLYWHEELS

FA3

INDEX NO.	PART NO.	NAME	FLT MODELS	FXR MODELS	SOFTAIL MODELS	DYNA MODEL
1	6506	WASHER (bronze)(2)	91*-ALL	91*-ALL	91*-ALL	91*-ALL
2	11218	KEY, crank pin & gearshaft	91*-ALL	91*-ALL	91*-ALL	91*-ALL
3	11219	T-KEY	91*-ALL	91*-ALL	91*-ALL	91*-ALL
4	21920-83	PISTON RING SET- std. (2)	91*-ALL	91*-ALL	91*-ALL	91*-ALL
	21921-83	PISTON RING SET - 0.005" O.S. (2)	91*-ALL	91*-ALL	91*-ALL	91*-ALL
	21922-83	PISTON RING SET - 0.010" O.S. (2)	91*-ALL	91*-ALL	91*-ALL	91*-ALL
	21923-83	PISTON RING SET - 0.020" O.S. (2)	91*-ALL	91*-ALL	91*-ALL	91*-ALL
	21924-83	PISTON RING SET - 0.030" O.S. (2)	91*-ALL	91*-ALL	91*-ALL	91*-ALL
5	21940-83	PISTON RINGS ASM. - std. (2)	91*-ALL	91*-ALL	91*-ALL	91*-ALL
	21941-83	PISTON AND RINGS ASM. - 0.005" O.S. (2)	91*-ALL	91*-ALL	91*-ALL	91*-ALL
	21942-83	PISTON AND RINGS ASM. - 0.010" O.S. (2)	91*-ALL	91*-ALL	91*-ALL	91*-ALL
	21943-83	PISTON AND RINGS ASM. - 0.020" O.S. (2)	91*-ALL	91*-ALL	91*-ALL	91*-ALL
	21944-83	PISTON AND RINGS ASM. - 0.030" O.S. (2)	91*-ALL	91*-ALL	91*-ALL	91*-ALL
6	22589-83	LOCK RING, piston pin (4)	91*-ALL	91*-ALL	91*-ALL	91*-ALL
7	22764-83	PISTON PIN (2)	91*-ALL	91*-ALL	91*-ALL	91*-ALL
8	23906-90	SET OF FLYWHEELS & SHAFT W/RODS	91*-ALL	91*-ALL	91*-ALL	91*-ALL
9	23928-87	INNER RING	91*-ALL	91*-ALL	91*-ALL	91*-ALL
10	23961-80A	CRANK PIN - std.	91*-ALL	91*-ALL	91*-ALL	91*-ALL
	23974-87	CRANK PIN - 0.001" O.S.	91*-ALL	91*-ALL	91*-ALL	91*-ALL
	23975-87	CRANK PIN - 0.002" O.S.	91*-ALL	91*-ALL	91*-ALL	91*-ALL
11	23969-83	NUT, crank pin (2)	91*-ALL	91*-ALL	91*-ALL	91*-ALL
12	24281-83	SET OF RODS W/BRGS. & CRANK PIN	91*-ALL	91*-ALL	91*-ALL	91*-ALL
13	24334-36	BUSHING, piston pin - 0.002" O.S. (2)	91*-ALL	91*-ALL	91*-ALL	91*-ALL
	24335-36	BUSHING, piston pin - 0.010" O.S. (2)	91*-ALL	91*-ALL	91*-ALL	91*-ALL
14	24345-36A	BUSHING, rear conn. rod - lower (2)	91*-ALL	91*-ALL	91*-ALL	91*-ALL
15	24346-87A	BEARING SET	91*-ALL	91*-ALL	91*-ALL	91*-ALL
16	24356-36A	BUSHING, front conn. rod - lower	91*-ALL	91*-ALL	91*-ALL	91*-ALL

**FLT MODELS**

FLTC DB  
 FLHTC DJ  
 FLTC-U DM  
 FLHTC-U DP  
 FLHS FA

**FXR MODELS**

FXR EA  
 FXRS EB  
 FXRT EC  
 FXRS-SP EG  
 FXLR EL  
 FXRS-CON EM

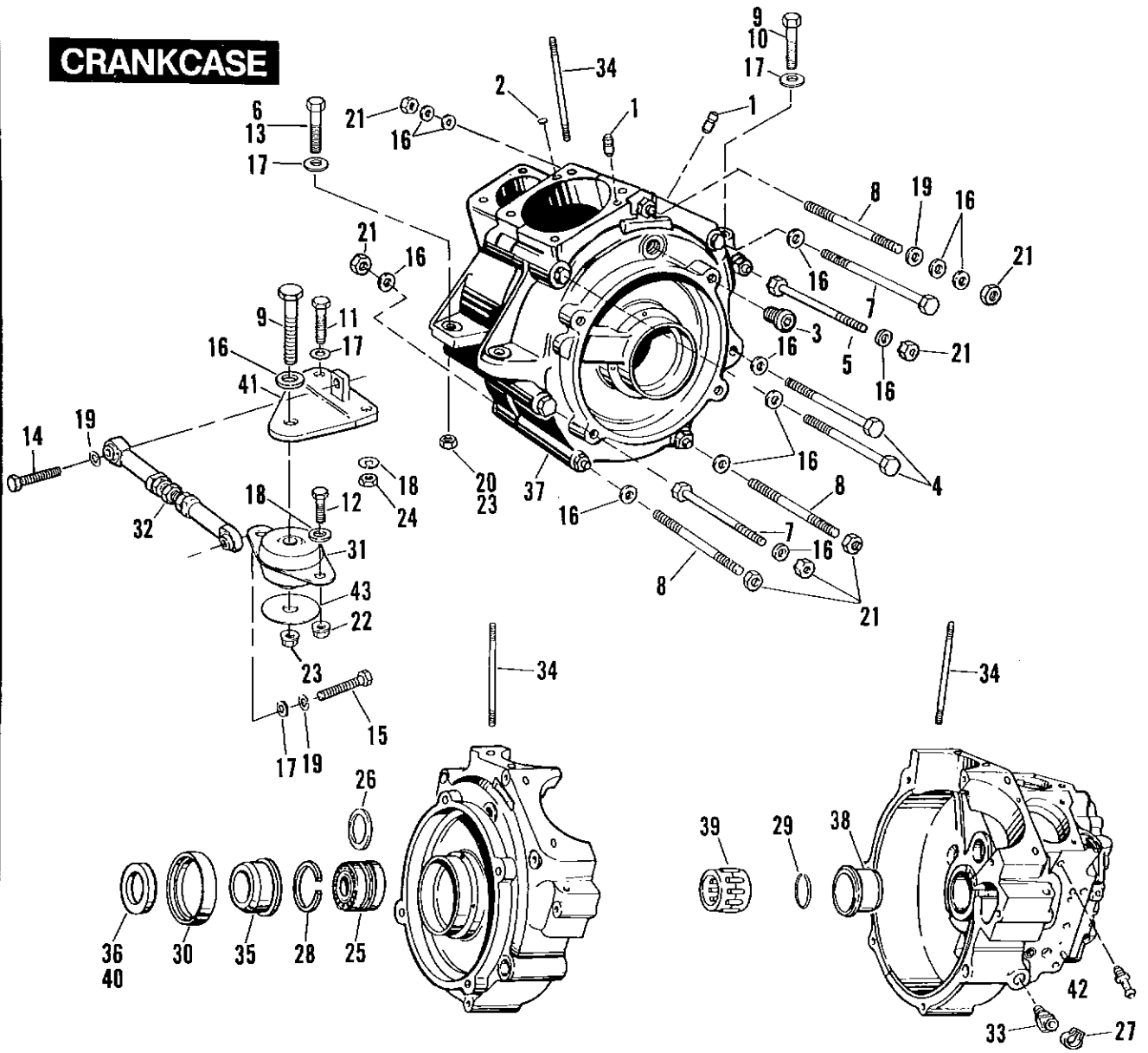
**SOFTAIL MODELS**

FLSTC BJ  
 FXSTC BK  
 FXSTS BL  
 FLSTF BM

**DYNA MODEL**

FXDB-D GA  
 FXDB-S GB  
 FXDC GC

# CRANKCASE



**CRANKCASE**

INDEX NO.	PART NO.	NAME	FLT MODELS	FXR MODELS	SOFTAIL MODELS	DYNA MODEL
1	358	DOWEL PIN (2)	91*-ALL	91*-ALL	91*-ALL	91*-ALL
2	653	EXPANSION PLUG	91*-ALL	91*-ALL	91*-ALL	91*-ALL
3	720	PLUG, timing hole	91*-ALL	91*-ALL	91*-ALL	91*-ALL
4	3427	BOLT (2)	91*-ALL	91*-ALL	91*-ALL	91*-ALL
5	3430	BOLT	91*-ALL	91*-ALL	91*-ALL	91*-ALL
6	3503	BOLT (2)	--	--	--	91*-ALL
7	3504	BOLT (2)	91*-ALL	91*-ALL	91*-ALL	91*-ALL
8	3506	STUD (3)	91*-ALL	91*-ALL	91*-ALL	91*-ALL
9	3512	BOLT (2-Softail)	91*-ALL	91*-ALL	91*-ALL	--
10	3528	BOLT (2)	91*-ALL	91*-ALL	--	91*-ALL
11	3554	BOLT (2)	91*-ALL	91*-ALL	91*-ALL	--
12	4319	BOLT (2)	91*-ALL	91*-ALL	--	--
13	4416	BOLT (2)	--	--	91*-ALL	--
14	4716W	BOLT	91*-ALL	91*-ALL	--	--
15	4721	BOLT	91*-ALL	91*-ALL	--	--
16	6016	WASHER (18; 16-Softail)	91*-ALL	91*-ALL	91*-ALL	91*-ALL
17	6019	WASHER (6; 2 - DYNA)	91*-ALL	91*-ALL	91*-ALL	91*-ALL
18	7038	LOCKWASHER (4)	91*-ALL	91*-ALL	--	--
19	7232	LOCKWASHER	91*-ALL	91*-ALL	91*-ALL	--
20	7506	LOCKNUT (4)	--	--	91*-ALL	--
21	7753	NUT (9)	91*-ALL	91*-ALL	91*-ALL	91*-ALL
22	7780	LOCKNUT (2)	91*-ALL	91*-ALL	--	--
23	7782	NUT (2 - DYNA)	91*-ALL	91*-ALL	--	91*-ALL
24	7783	NUT(2)	91*-ALL	91*-ALL	--	--
25	9028	BEARING ASM., sprocket shaft	91*-ALL	91*-ALL	91*-ALL	91*-ALL
26	9110	SHIM, brg. asm. 0.0905 - .0895"	91*-ALL	91*-ALL	91*-ALL	91*-ALL
	9120	SHIM, brg. asm. 0.0925 - .0915"	91*-ALL	91*-ALL	91*-ALL	91*-ALL
	9121	SHIM, brg. asm. 0.0945 - .0935"	91*-ALL	91*-ALL	91*-ALL	91*-ALL
	9122	SHIM, brg. asm. 0.0965 - .0955"	91*-ALL	91*-ALL	91*-ALL	91*-ALL
	9123	SHIM, brg. asm. 0.0985 - .0975"	91*-ALL	91*-ALL	91*-ALL	91*-ALL
	9124	SHIM, brg. asm. 0.1005 - .0995"	91*-ALL	91*-ALL	91*-ALL	91*-ALL
	9125	SHIM, brg. asm. 0.1025 - .1015"	91*-ALL	91*-ALL	91*-ALL	91*-ALL
	9126	SHIM, brg. asm. 0.1045 - .1035"	91*-ALL	91*-ALL	91*-ALL	91*-ALL
	9127	SHIM, brg. asm. 0.1065 - .1055"	91*-ALL	91*-ALL	91*-ALL	91*-ALL
	9128	SHIM, brg. asm. 0.1085 - .1075"	91*-ALL	91*-ALL	91*-ALL	91*-ALL
	9129	SHIM, brg. asm. 0.1105 - .1095"	91*-ALL	91*-ALL	91*-ALL	91*-ALL
	9130	SHIM, brg. asm. 0.1125 - .1115"	91*-ALL	91*-ALL	91*-ALL	91*-ALL
	9131	SHIM, brg. asm. 0.1145 - .1135"	91*-ALL	91*-ALL	91*-ALL	91*-ALL
	9132	SHIM, brg. asm. 0.1165 - .1155"	91*-ALL	91*-ALL	91*-ALL	91*-ALL
	9133	SHIM, brg. asm. 0.1185 - .1175"	91*-ALL	91*-ALL	91*-ALL	91*-ALL
	9134	SHIM, brg. asm. 0.1205 - .1195"	91*-ALL	91*-ALL	91*-ALL	91*-ALL
27	10080	CLAMP	91*-ALL	91*-ALL	91*-ALL	91*-ALL
28	11160A	RETAINING RING, brg. - left	91*-ALL	91*-ALL	91*-ALL	91*-ALL
29	11177	RETAINING RING, brg. - right	91*-ALL	91*-ALL	91*-ALL	91*-ALL
30	12026B	OIL SEAL	91*-ALL	91*-ALL	91*-ALL	91*-ALL

**FLT MODELS**

FLTC DB  
 FLHTC DJ  
 FLTC-U DM  
 FLHTC-U DP  
 FLHS FA

**FXR MODELS**

FXR EA  
 FXRS EB  
 FXRT EC  
 FXRS-SP EG  
 FXLR EL  
 FXRS-CON EM

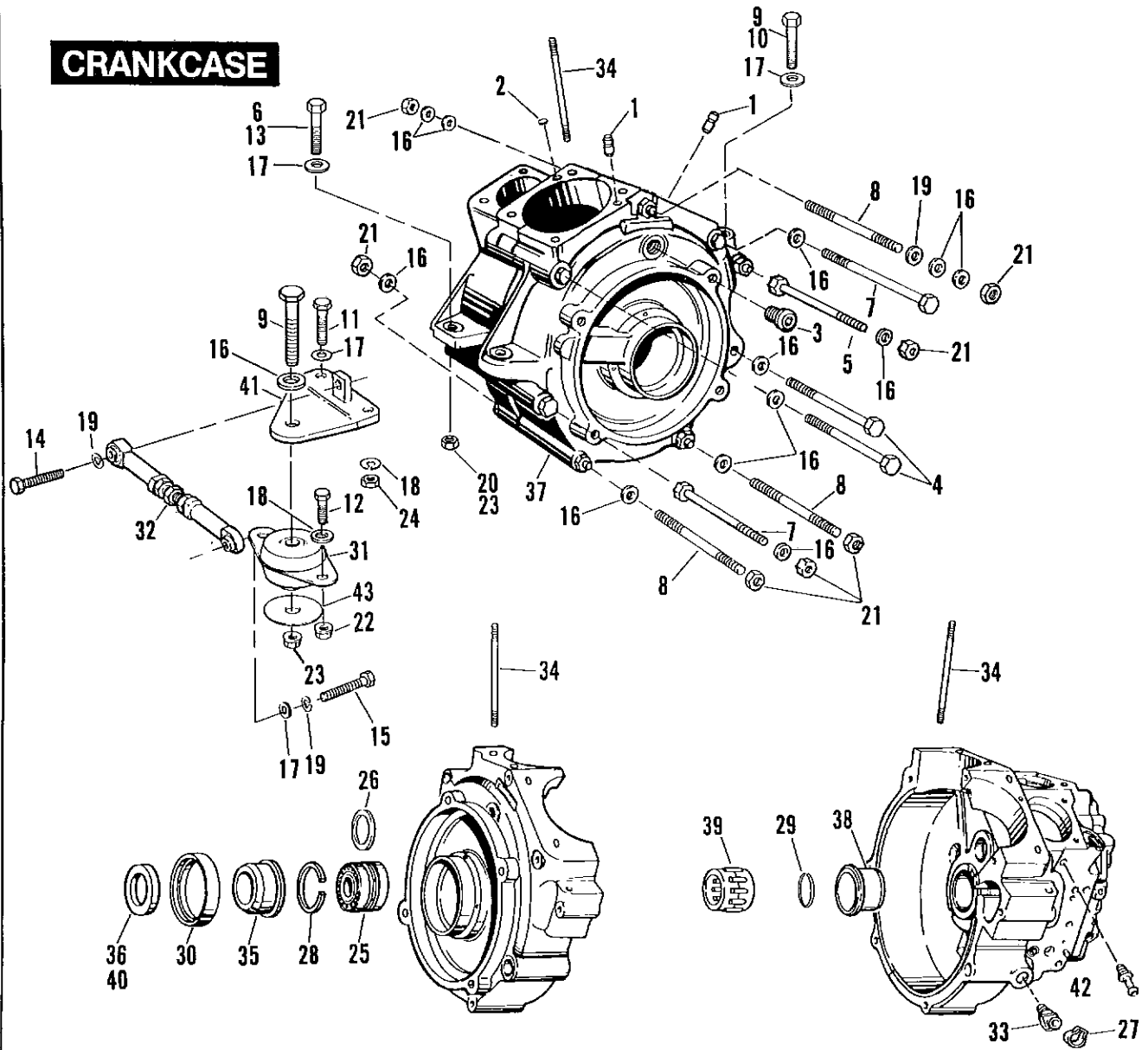
**SOFTAIL MODELS**

FLSTC BJ  
 FXSTC BK  
 FXSTS BL  
 FLSTF BM

**DYNA MODEL**

FXDB-D GA  
 FXDB-S GB  
 FXDC GC

# CRANKCASE

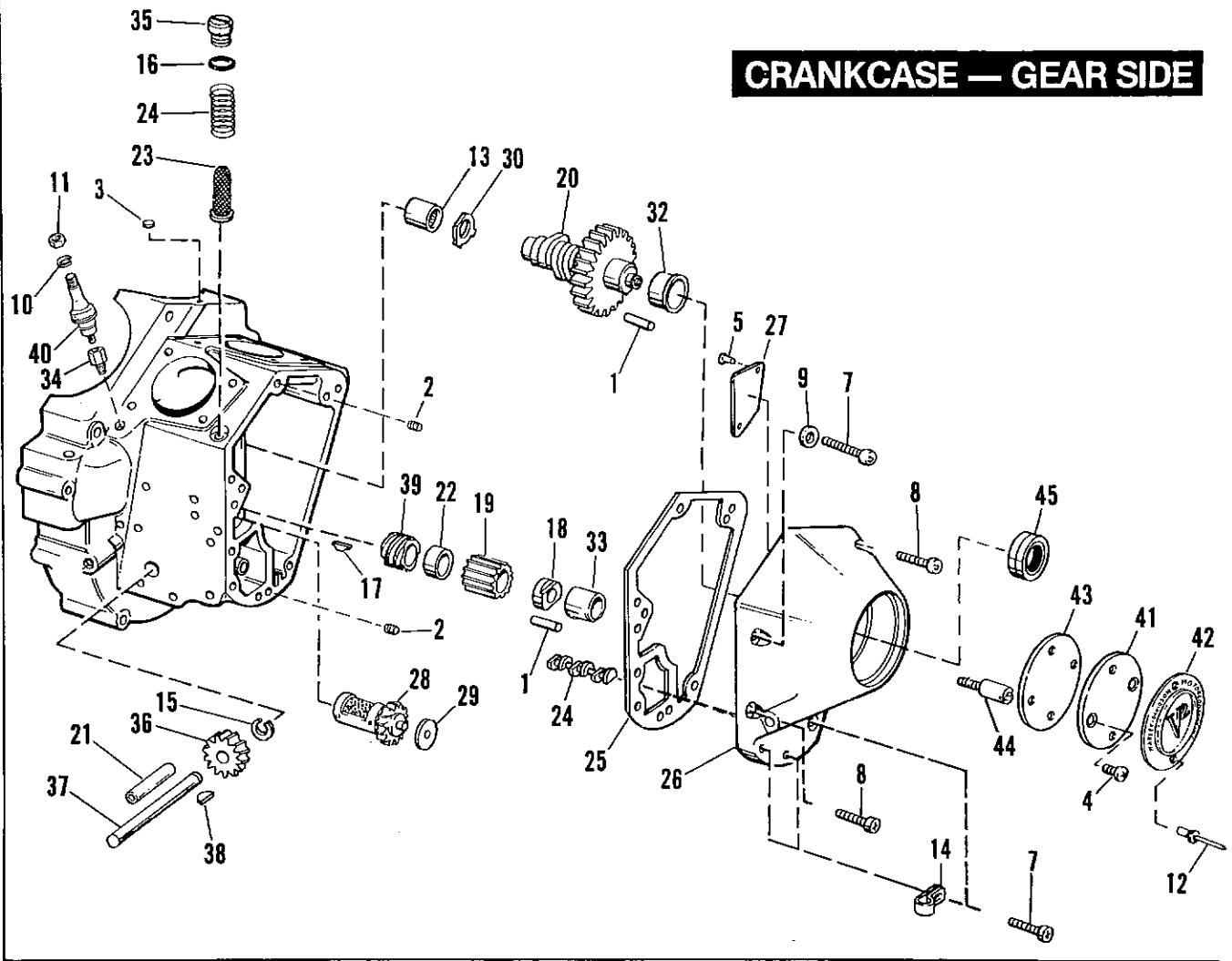


**CRANKCASE (CONT'D)**

INDEX NO.	PART NO.	NAME	FLT MODELS	FXR MODELS	SOFTAIL MODELS	DYNA MODEL
31	16207-79B	ENGINE MOUNT, front	91*-ALL	91*-ALL	--	--
32	16219-79A	STABILIZER LINK, lower	91*-ALL	91*-ALL	--	--
33	16302-81	FITTING, crankcase	--	--	91*-ALL	--
	16304-87	FITTING, crankcase	91*-ALL	91*-ALL	--	91*-ALL
34	16837-85A	STUD, cylinder base (8)	91*-ALL	91*-ALL	91*-ALL	91*-ALL
35	24002-70	SPACER, sprocket shaft	91*-ALL	91*-ALL	91*-ALL	91*-ALL
36	24032-70	SPACER, sprocket shaft - 0.060" thk.	91*-ALL	91*-ALL	91*-ALL	91*-ALL
	24033-70	SPACER, sprocket shaft - 0.090" thk.	91*-ALL	91*-ALL	91*-ALL	91*-ALL
	24034-70	SPACER, sprocket shaft - 0.120" thk.	91*-ALL	91*-ALL	91*-ALL	91*-ALL
	24035-70	SPACER, sprocket shaft - 0.150" thk.	91*-ALL	91*-ALL	91*-ALL	91*-ALL
	24036-70	SPACER, sprocket shaft - 0.180" thk.	91*-ALL	91*-ALL	91*-ALL	91*-ALL
	24037-70	SPACER, sprocket shaft - 0.210" thk.	91*-ALL	91*-ALL	91*-ALL	91*-ALL
37	24469-83C	SET OF CRANKCASES	91-FA	91-EA	--	--
	24473-85C	SET OF CRANKCASES (black wrinkle)	91-DB/J/ M/P	91-EB/C/ G/L/M	91-ALL	--
	24474-91A	SET OF CRANKCASES (black wrinkle)	--	--	--	91-GB
	24571-92	SET OF CRANKCASES (black wrinkle)	92*-DJ/M/P	92*-EB/C/ G/L/M	92*-ALL	92*-GA
	24572-92	SET OF CRANKCASES	92*-FA	92*-EA	--	92*-GC
38	24599-58A	BUSHING, right crankcase - std.	91*-ALL	91*-ALL	91*-ALL	91*-ALL
	24600-58A	BUSHING, right crankcase - 0.002" O.S. O.D.	91*-ALL	91*-ALL	91*-ALL	91*-ALL
	24601-58A	BUSHING, right crankcase - 0.005" O.S. O.D.	91*-ALL	91*-ALL	91*-ALL	91*-ALL
39	24626-87	BEARING SET, gear side (white/grey)	91*-ALL	91*-ALL	91*-ALL	91*-ALL
	24628-87	BEARING SET, gear side (green)	91*-ALL	91*-ALL	91*-ALL	91*-ALL
	24641-87	BEARING SET, gear side (red)	91*-ALL	91*-ALL	91*-ALL	91*-ALL
	24643-87	BEARING SET, gear side (blue)	91*-ALL	91*-ALL	91*-ALL	91*-ALL
40	35850-84	SPACER, sprocket shaft - 0.010" thk.	91*-ALL	91*-ALL	91*-ALL	91*-ALL
	35851-84	SPACER, sprocket shaft - 0.020" thk.	91*-ALL	91*-ALL	91*-ALL	91*-ALL
	35852-84	SPACER, sprocket shaft - 0.030" thk.	91*-ALL	91*-ALL	91*-ALL	91*-ALL
41	47159-79A	BRACKET, front engine mount	91*-ALL	91*-ALL	--	--
42	63533-41	FITTING, oil hose	91*-ALL	91*-ALL	91*-ALL	91*-ALL
43	96210-80	WASHER	91*-ALL	91*-ALL	--	--

FLT MODELS		FXR MODELS		SOFTAIL MODELS		DYNA MODEL	
FLTC	DB	FXR	EA	FLSTC	BJ	FXDB-D	GA
FLHTC	DJ	FXRS	EB	FXSTC	BK	FXDB-S	GB
FLTC-U	DM	FXRT	EC	FXSTS	BL	FXDC	GC
FLHTC-U	DP	FXRS-SP	EG	FLSTF	BM		
FLHS	FA	FXLR	EL				
		FXRS-CON	EM				

# CRANKCASE — GEAR SIDE



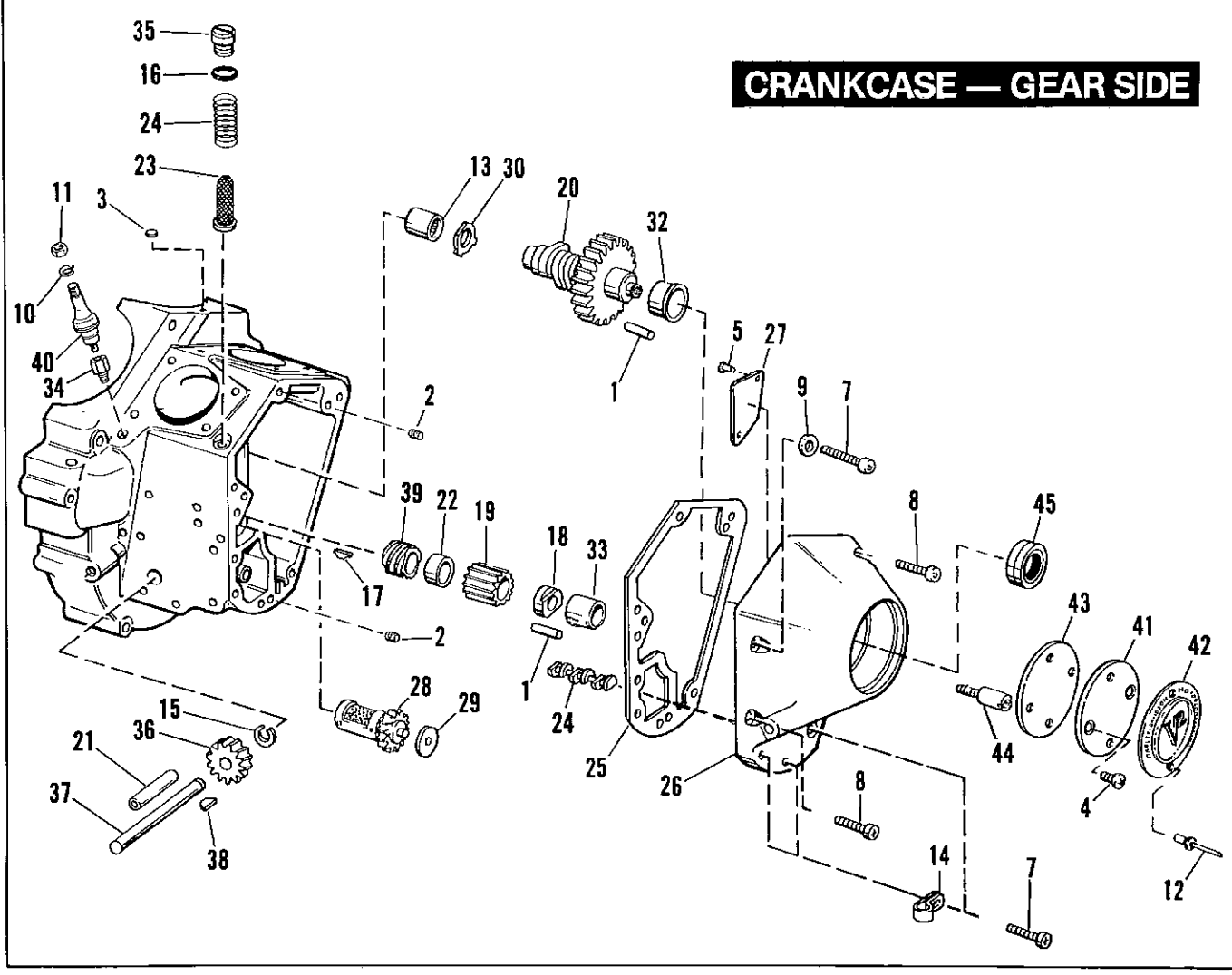


**CRANKCASE - GEAR SIDE**

INDEX NO.	PART NO.	NAME	FLT MODELS	FXR MODELS	SOFTAIL MODELS	DYNA MODEL
1	275	DOWEL PIN (2 - as required)	91*-ALL	91*-ALL	91*-ALL	--
2	358	DOWEL PIN (2)	91*-ALL	91*-ALL	91*-ALL	91*-ALL
3	653	PLUG, crankcase	91*-ALL	91*-ALL	91*-ALL	91*-ALL
4	1601	SCREW (2)	91*-ALL	91*-ALL	91*-ALL	91*-ALL
5	2511	SCREW (2)	91*-ALL	91*-ALL	91*-ALL	91*-ALL
6	3480A	SCREW	91*-ALL	91*-ALL	91*-ALL	91*-ALL
7	4718A	SCREW (3)	--	91*-ALL	--	91*-ALL
	4740A	SCREW (3)	91*-ALL	--	91*-ALL	--
8	4813A	SCREW (2)	91*-ALL	91*-ALL	91*-ALL	91*-ALL
10	7069	LOCKWASHER	--	91*-ALL	91*-ALL	91*-ALL
11	7634	NUT	--	91*-ALL	91*-ALL	91*-ALL
12	8692	RIVET (2)	--	--	--	91-GB
	8699	RIVET, ignition cover (2)	91*-ALL	91*-ALL	91*-ALL	92*-ALL
13	9058	NEEDLE BEARING, crankcase cam cover	91*-ALL	91*-ALL	91*-ALL	91*-ALL
14	10046	CLAMP, ignition wire	--	91*-ALL	--	92*-ALL
15	11002	RETAINING RING, oil pump drive shaft	91*-ALL	91*-ALL	91*-ALL	91*-ALL
16	11105	O-RING	91*-ALL	91*-ALL	--	91*-ALL
17	11219	T-KEY	91*-ALL	91*-ALL	91*-ALL	91*-ALL
18	24022-90	NUT, gear shaft	91*-ALL	91*-ALL	91*-ALL	91*-ALL
19	24040-90	PINION GEAR, 1.4850-53 pd. (orange)	91*-ALL	91*-ALL	91*-ALL	91*-ALL
	24041-90	PINION GEAR, 1.4846-49 pd. (white)	91*-ALL	91*-ALL	91*-ALL	91*-ALL
	24042-90	PINION GEAR, 1.4842-45 pd. (yellow)	91*-ALL	91*-ALL	91*-ALL	91*-ALL
	24043-90	PINION GEAR, 1.4838-41 pd. (red)	91*-ALL	91*-ALL	91*-ALL	91*-ALL
	24044-90	PINION GEAR, 1.4834-37 pd. (blue)	91*-ALL	91*-ALL	91*-ALL	91*-ALL
	24045-90	PINION GEAR, 1.4830-33 pd. (green)	91*-ALL	91*-ALL	91*-ALL	91*-ALL
	24046-90	PINION GEAR, 1.4826-29 pd. (black)	91*-ALL	91*-ALL	91*-ALL	91*-ALL
20	24581-90	SET OF CAM & PINION GEARS (matched) (Cal. only)	91*-ALL	91*-ALL	91*-ALL	91*-ALL
	24582-90	SET OF CAM & PINION GEARS (matched)	91-ALL	91-ALL	91-ALL	91-GB
	24583-92	SET OF CAM & PINION GEARS (matched)	92*-ALL	92*-ALL	92*-ALL	92*-ALL
21	24641-36	BUSHING, oil pump shaft	91*-ALL	91*-ALL	91*-ALL	91*-ALL
22	24704-90	SPACER, pinion gear shaft	91*-ALL	91*-ALL	91*-ALL	91*-ALL
23	24981-70	OIL SCREEN, crankcase	91*-ALL	91*-ALL	91*-ALL	91*-ALL
24	24982-70	SPRING, oil screen	91*-ALL	91*-ALL	91*-ALL	91*-ALL
25	25225-70B	GASKET, gear cover	91*-ALL	91*-ALL	91*-ALL	91*-ALL
26	25258-80B	GEAR COVER, w/#5, 27, & 45	91*-FA	91*-EA	--	--
	25268-84A	GEAR COVER, w/#5, 27, & 45 (chrome)	91*-DB/J/ M/P	91*-EB/C G/L/M	91*-ALL	92*-ALL
	25269-90	GEAR COVER, w/#5, 27, & 45 (black)	--	--	--	91-GB

FLT MODELS		FXR MODELS		SOFTAIL MODELS		DYNA MODEL	
FLTC	DB	FXR	EA	FLSTC	BJ	FXDB-D	GA
FLHTC	DJ	FXRS	EB	FXSTC	BK	FXDB-S	GB
FLTC-U	DM	FXRT	EC	FXSTS	BL	FXDC	GC
FLHTC-U	DP	FXRS-SP	EG	FLSTF	BM		
FLHS	FA	FXLR	EL				
		FXRS-CON	EM				

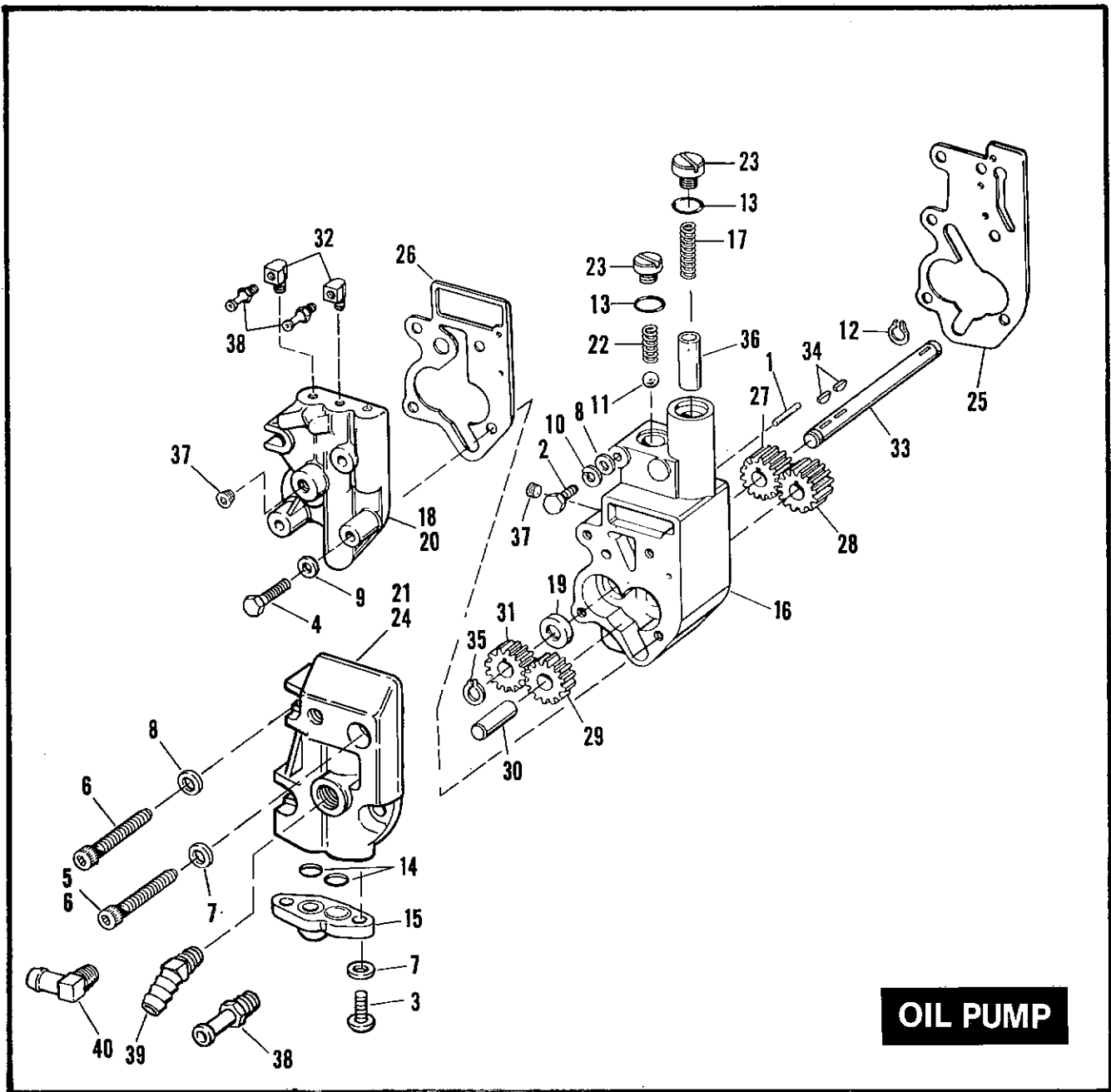
**CRANKCASE — GEAR SIDE**



**CRANKCASE - GEAR SIDE (CONT'D)**

INDEX NO.	PART NO.	NAME	FLT MODELS	FXR MODELS	SOFTAIL MODELS	DYNA MODEL
	25269-90	GEAR COVER, w/5, 27 & 45 (black)	--	--	--	91-GB
27	25275-82	COVER, breather valve	91*-ALL	91*-ALL	91*-ALL	--
28	25310-82A	BREATHER VALVE GEAR	92*-ALL	92*-ALL	92*-ALL	92*-ALL
	25311-90	BREATHER VALVE GEAR	91-ALL	91-ALL	91-ALL	91-GB
29	25320-82	THRUST WASHER, brthr valve - 0.130" thk.	91*-ALL	91*-ALL	91*-ALL	91*-ALL
	25321-82	THRUST WASHER, brthr valve - 0.135" thk.	91*-ALL	91*-ALL	91*-ALL	91*-ALL
	25322-82	THRUST WASHER, brthr valve - 0.140" thk.	91*-ALL	91*-ALL	91*-ALL	91*-ALL
	25323-82	THRUST WASHER, brthr valve - 0.145" thk.	91*-ALL	91*-ALL	91*-ALL	91*-ALL
	25325-82	THRUST WASHER, brthr valve - 0.150" thk.	91*-ALL	91*-ALL	91*-ALL	91*-ALL
	25326-82	THRUST WASHER, brthr valve - 0.155" thk.	91*-ALL	91*-ALL	91*-ALL	91*-ALL
	25327-82	THRUST WASHER, brthr valve - 0.160" thk.	91*-ALL	91*-ALL	91*-ALL	91*-ALL
	25328-82	THRUST WASHER, brthr valve - 0.165" thk.	91*-ALL	91*-ALL	91*-ALL	91*-ALL
29A	25329-91	AIR/OIL SEPERATOR	92*-ALL	92*-ALL	92*-ALL	92*-ALL
30	25550-57	LOCKWASHER, cam gear	91*-ALL	91*-ALL	91*-ALL	91*-ALL
32	25581-70	BUSHING, gear cover	91*-ALL	91*-ALL	91*-ALL	91*-ALL
33	25582-73	BUSHING, gear cover pinion shaft	91*-ALL	91*-ALL	91*-ALL	91*-ALL
34	26052-86	FITTING, oil pressure	91*-ALL	--	--	--
35	26263-80	PLUG, oil screen	91*-ALL	91*-ALL	91*-ALL	91*-ALL
36	26345-73	DRIVE GEAR, oil pump - 24T	91*-ALL	91*-ALL	91*-ALL	91*-ALL
37	26346-70	DRIVE SHAFT, oil pump	91*-ALL	91*-ALL	91*-ALL	91*-ALL
38	26348-15	KEY, drive shaft	91*-ALL	91*-ALL	91*-ALL	91*-ALL
39	26354-90	DRIVE GEAR, oil pump	91*-ALL	91*-ALL	91*-ALL	91*-ALL
40	26561-84	OIL PRESSURE SWITCH	91*-FA	91*-ALL	91*-ALL	91*-ALL
	74406-87	OIL PRESSURE SWITCH	91*-DB/J	--	--	--
			M/P			
41	32504-80	COVER, inner	91*-ALL	91*-ALL	91*-ALL	91*-ALL
42	32524-83	TIMER COVER	91*-ALL	91*-ALL	91*-ALL	92*-ALL
	32527-90	TIMER COVER (black)	--	--	--	91-GB
43	32591-80	GASKET, ignition cover	91*-ALL	91*-ALL	91*-ALL	91*-ALL
44	32606-82	SCREW (2)	91*-ALL	91*-ALL	91*-ALL	91*-ALL
45	83162-51	OIL SEAL, bearing	91*-ALL	91*-ALL	91*-ALL	91*-ALL

FLT MODELS		FXR MODELS		SOFTAIL MODELS		DYNA MODEL	
FLTC	DB	FXR	EA	FLSTC	BJ	FXDB-D	GA
FLHTC	DJ	FXRS	EB	FXSTC	BK	FXDB-S	GB
FLTC-U	DM	FXRT	EC	FXSTS	BL	FXDC	GC
FLHTC-U	DP	FXRS-SP	EG	FLSTF	BM		
FLHS	FA	FXLR	EL				
		FXRS-CON	EM				



**OIL PUMP**

INDEX NO.	PART NO.	NAME	FLT MODELS	FXR MODELS	SOFTAIL MODELS	DYNA MODEL
1	239	PIN, valve stop	91*-ALL	91*-ALL	91*-ALL	91*-ALL
2	891	SCREW (2)	92*-ALL	92*-ALL	92*-ALL	91*-ALL
	2872W	BOLT (2)	91-ALL	91-ALL	91-ALL	--
3	927A	SCREW (2)	92*-ALL	92*-ALL	92*-ALL	92*-ALL
4	3429	BOLT (4)	91-ALL	91-ALL	91-ALL	--
5	4717A	SCREW (2)	--	--	--	91-GB
6	4742A	SCREW (4)	92*-ALL	92*-ALL	92*-ALL	91*-ALL
7	6099	WASHER (2)	92*-ALL	92*-ALL	92*-ALL	91*-ALL
8	6239	WASHER (4)	92*-ALL	92*-ALL	92*-ALL	91*-ALL
9	6736	WASHER (4)	91*-ALL	91*-ALL	91*-ALL	--
10	7036	LOCKWASHER (2)	91-ALL	91-ALL	91-ALL	--
11	8873	BALL, check valve - 3/8" dia.	91*-ALL	91*-ALL	--	91*-ALL
12	11002	RETAINING RING, oil pump	91*-ALL	91*-ALL	91*-ALL	91*-ALL
13	11105	O-RING, check valve cover screw (2)	91*-ALL	91*-ALL	91*-ALL	91*-ALL
14	11241	O-RING	92*-ALL	92*-ALL	92*-ALL	92*-ALL
				G/L/M		
15	26030-92	END CAP (black wrinkle)	92*-ALL	92*-ALL	92*-ALL	92*-ALL
16	26051-92	OIL PUMP (blk wrkl)	92*-DJ/M/P	92*-EB/C	92*-ALL	92*-GA
				G/L/M		
	26068-92	OIL PUMP	92*-FA	92*-EA	--	92*-GC
	26190-73	OIL PUMP KIT	91-ALL	91-ALL	91-ALL	--
17	26207-83	SPRING, relief valve	91*-ALL	91*-ALL	91*-ALL	91*-ALL
18	26216-84	COVER, oil pump (for 26190-73 Pump)	91-ALL	91-ALL	91-ALL	--
19	26227-58	OIL SEAL	91*-ALL	91*-ALL	91*-ALL	91*-ALL
20	26242-84	COVER, oil pump	91-ALL	91-ALL	91-ALL	--
21	26267-92	COVER, oil pump (black wrinkle)	92*-DJ/M/P	92*-EB/C	92*-ALL	92*-GA
				G/L/M		
	26270-92	COVER, oil pump	92*-FA	92*-EA	--	92*-GC
22	26262-80	SPRING, check valve	91*-ALL	91*-ALL	91*-ALL	91*-ALL

**FLT MODELS**

FLTC DB  
 FLHTC DJ  
 FLTC-U DM  
 FLHTC-U DP  
 FLHS FA

**FXR MODELS**

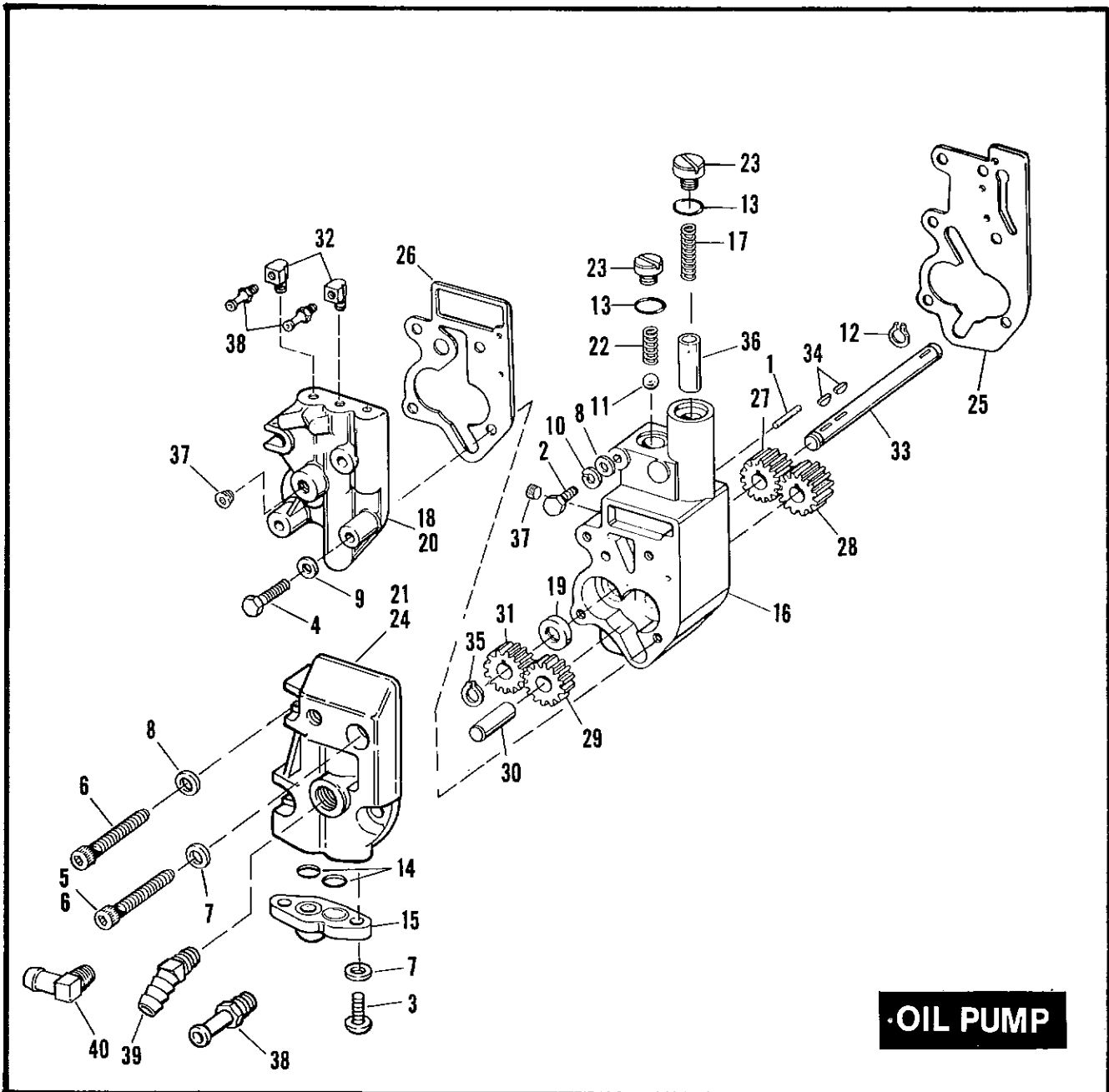
FXR EA  
 FXRS EB  
 FXRT EC  
 FXRS-SP EG  
 FXLR EL  
 FXRS-CON EM

**SOFTAIL MODELS**

FLSTC BJ  
 FXSTC BK  
 FXSTS BL  
 FLSTF BM

**DYNA MODEL**

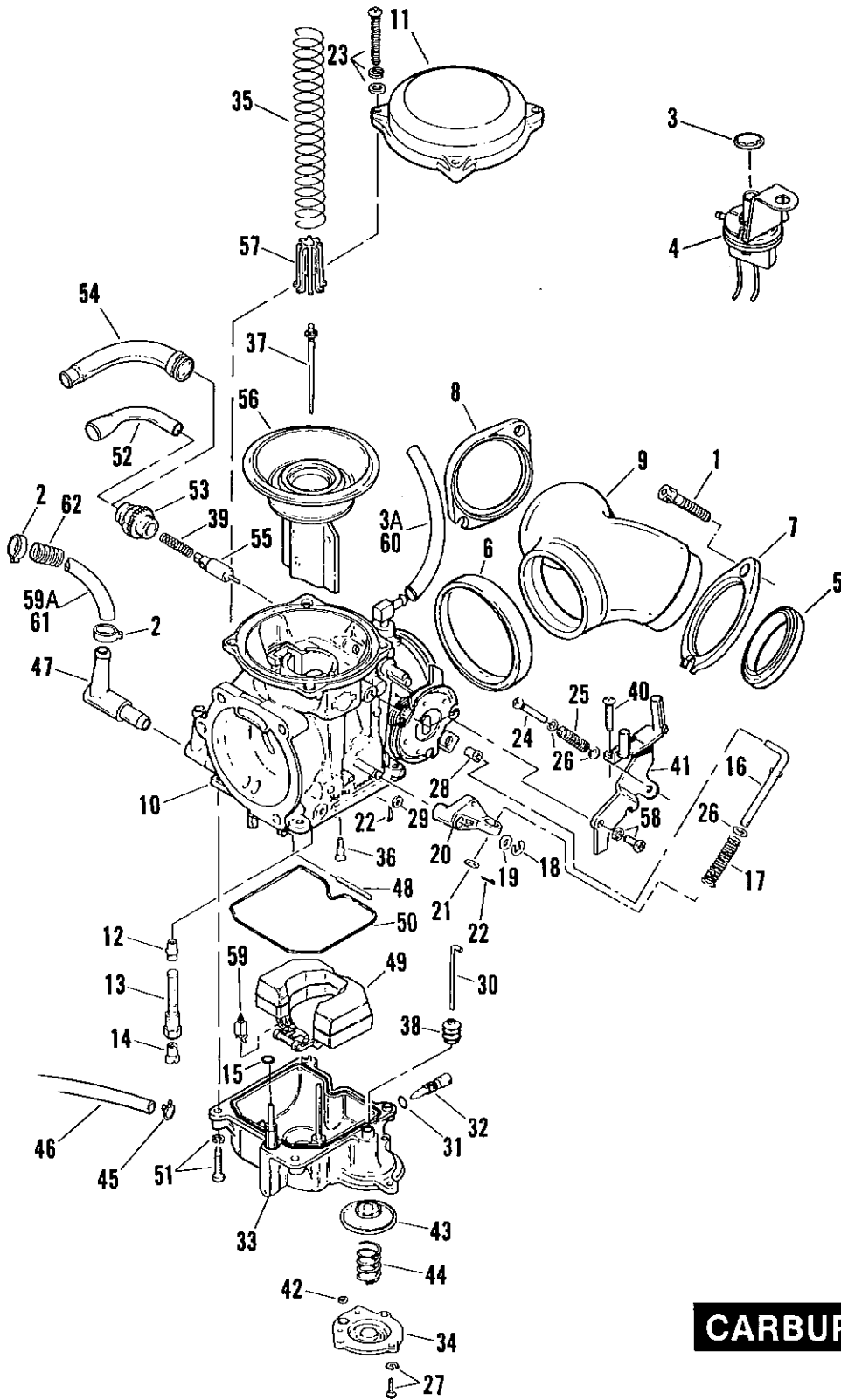
FXDB-D GA  
 FXDB-S GB  
 FXDC GC



**OIL PUMP (CONT'D)**

INDEX NO.	PART NO.	NAME	FLT MODELS	FXR MODELS	SOFTAIL MODELS	DYNA MODEL
23	26263-80	COVER SCREW, check & relief valves (2)	91*-ALL	91*-ALL	91*-ALL	91*-ALL
24	26268-90	COVER, oil pump (black wrinkle)	--	--	--	91-GB
25	26273-80B	GASKET, body (paper)	91-ALL	91-ALL	91-ALL	91-GB
	26273-92	GASKET, body (paper)	92*-ALL	92*-ALL	92*-ALL	92*-ALL
26	26276-80A	GASKET, cover (paper)	91-ALL	91-ALL	91-ALL	91-GB
	26276-92	GASKET, cover (paper)	92*-ALL	92*-ALL	92*-ALL	92*-ALL
27	26315-68A	DRIVE GEAR	91*-ALL	91*-ALL	91*-ALL	91*-ALL
28	26317-68A	IDLER GEAR	91*-ALL	91*-ALL	91*-ALL	91*-ALL
29	26326-62A	DRIVE IDLER GEAR	91*-ALL	91*-ALL	91*-ALL	91*-ALL
30	26327-68	SHAFT, idler gear	91*-ALL	91*-ALL	91*-ALL	91*-ALL
31	26328-74	DRIVE GEAR	91*-ALL	91*-ALL	91*-ALL	91*-ALL
32	26338-68	ELBOW, oil pump (2)	91*-ALL	91*-ALL	91*-ALL	--
33	26346-70	DRIVE SHAFT	91*-ALL	91*-ALL	91*-ALL	91*-ALL
34	26348-15	KEY, drive shaft (2)	91*-ALL	91*-ALL	91*-ALL	91*-ALL
35	26348-36	RETAINING RING, drive shaft	91*-ALL	91*-ALL	91*-ALL	91*-ALL
36	26400-82	VALVE, oil pump	91*-ALL	91*-ALL	91*-ALL	91*-ALL
37	45830-48	PLUG (2)	91*-ALL	91*-ALL	91*-ALL	91*-ALL
38	63533-41	FITTING, oil line hose (2 - FLT, FXR & Softail)	91*-ALL	91*-ALL	91*-ALL	91*-ALL
39	63540-62	FITTING, 45 degree elbow	92*-ALL	--	--	--
40	63554-90	FITTING, 90 degree elbow	--	92*-ALL	--	91*-ALL

FLT MODELS		FXR MODELS		SOFTAIL MODELS		DYNA MODEL	
FLTC	DB	FXR	EA	FLSTC	BJ	FXDB-D	GA
FLHTC	DJ	FXRS	EB	FXSTC	BK	FXDB-S	GB
FLTC-U	DM	FXRT	EC	FXSTS	BL	FXDC	GC
FLHTC-U	DP	FXRS-SP	EG	FLSTF	BM		
FLHS	FA	FXLR	EL				
		FXRS-CON	EM				



**CARBURETOR**

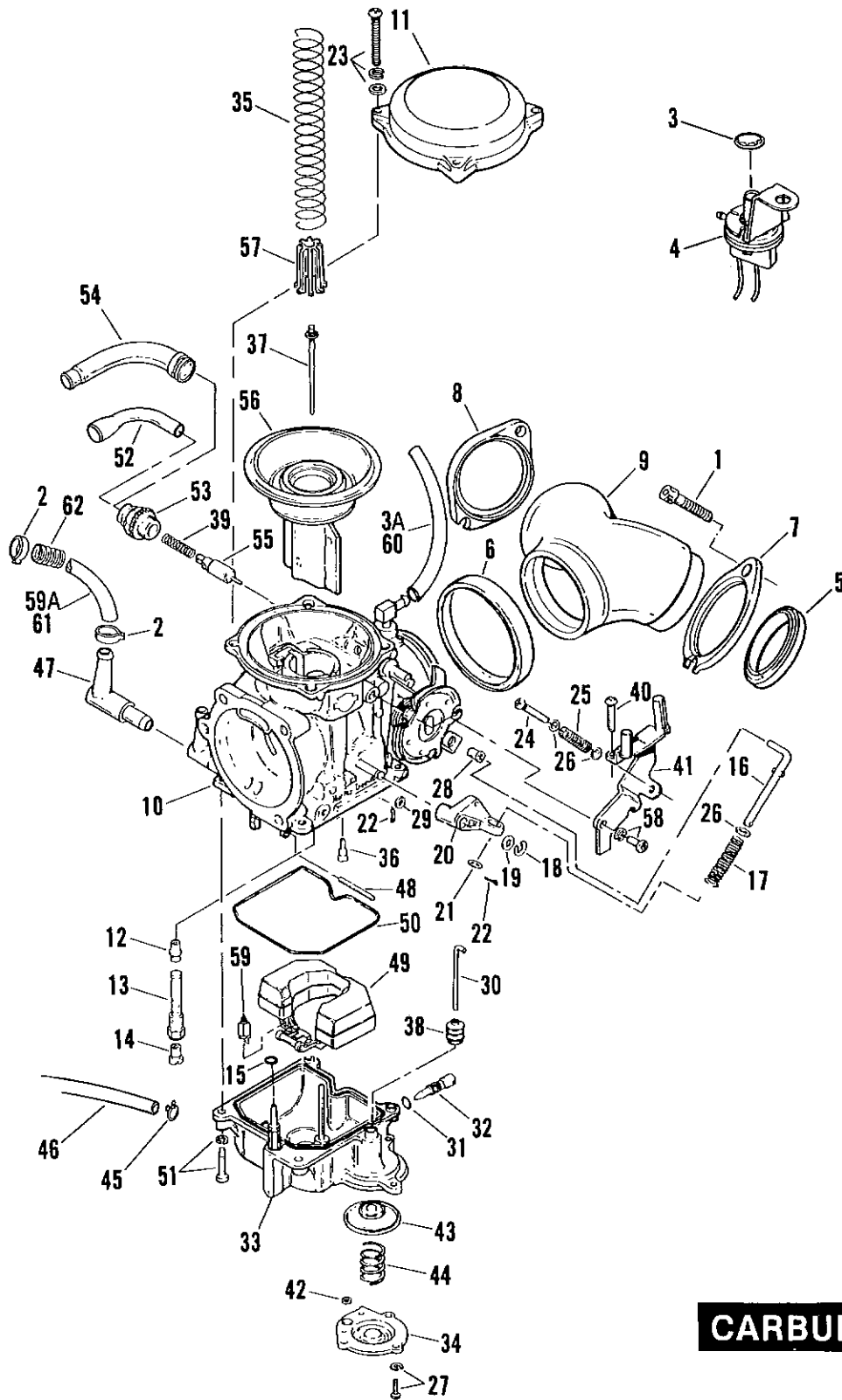


# CARBURETOR

FA7-1

INDEX NO.	PART NO.	NAME	FLT MODELS	FXR MODELS	SOFTAIL MODELS	DYNA MODEL
1	3201WA	SCREW (4)	91*-ALL	91*-ALL	91*-ALL	91*-ALL
2	10014	CLAMP (2)	91*-ALL	91*-ALL	91*-ALL	91*-ALL
3	11192	RETAINING RING	91*-ALL	91*-ALL	91*-ALL	91*-ALL
3A	26563-91A	VACUUM HOSE	91*-ALL	91*-ALL	91*-ALL	91*-ALL
4	26555-91	VACUUM SWITCH	91*-ALL	--	--	--
	26566-91	VACUUM SWITCH	--	91*-ALL	91*-ALL	91*-ALL
5	26995-86A	SEAL, intake manifold (2)	91*-ALL	91*-ALL	91*-ALL	91*-ALL
6	27002-89	SEAL RING	91*-ALL	91*-ALL	91*-ALL	91*-ALL
7	27009-86A	FLANGE, mounting - front	91*-ALL	91*-ALL	91*-ALL	91*-ALL
8	27010-86A	FLANGE, mounting - rear	91*-ALL	91*-ALL	91*-ALL	91*-ALL
9	27019-89	MANIFOLD	91*-ALL	91*-ALL	91*-ALL	91*-ALL
10	27026-90A	CARBURETOR (Cal. only)	91-ALL	--	--	--
	27026-92	CARBURETOR (Cal. only)	92*-ALL	--	--	--
	27035-90A	CARBURETOR (Cal. only)	--	91-ALL	91-ALL	91-GB
	27035-92	CARBURETOR (Cal. only)	--	92*-ALL	92*-ALL	92*-ALL
	27038-90A	CARBURETOR	--	91-ALL	91-ALL	91-GB
	27038-92	CARBURETOR	--	92*-ALL	92*-ALL	92*-ALL
	27039-90A	CARBURETOR	91-ALL	--	--	--
	27039-92	CARBURETOR	92*-ALL	--	--	--
11	27040-88	TOP, carburetor	91*-ALL	91*-ALL	91*-ALL	91*-ALL
	27116-88	MAIN JET, 1.65 mm (1991 Cal. only)	91-ALL	91*-ALL	91*-ALL	91*-ALL
	27152-89	MAIN JET, 1.60 mm	92*-ALL	92*-ALL	92*-ALL	92*-ALL
	27185-90	MAIN JET, 1.85 mm	91-ALL	91-ALL	91-ALL	91-GB
12	27100-88	NEEDLE JET	91*-ALL	91*-ALL	91*-ALL	91*-ALL
13	27101-88	NEEDLE JET HOLDER	91*-ALL	91*-ALL	91*-ALL	91*-ALL
14	27090-89	MAIN JET, 1.75 mm	92*-ALL	--	--	--
15	27121-89	O-RING	91-ALL	91-ALL	91-ALL	91-GB
16	27122-89	ROD	91*-ALL	91*-ALL	91*-ALL	91*-ALL
17	27123-89	SPRING	91*-ALL	91*-ALL	91*-ALL	91*-ALL
18	27124-89	E-CLIP	91*-ALL	91*-ALL	91*-ALL	91*-ALL
19	27125-89	WASHER	91*-ALL	91*-ALL	91*-ALL	91*-ALL
20	27126-89	LEVER	91*-ALL	91*-ALL	91*-ALL	91*-ALL
21	27127-89	WASHER	91*-ALL	91*-ALL	91*-ALL	91*-ALL
22	27128-89	PIN (2)	91*-ALL	91*-ALL	91*-ALL	91*-ALL
23	27129-88	SCREW, top (3)	91*-ALL	91*-ALL	91*-ALL	91*-ALL
24	27130-90	IDLE SCREW	91*-ALL	91*-ALL	91*-ALL	91*-ALL
25	27136-90	SPRING	91*-ALL	91*-ALL	91*-ALL	91*-ALL
26	27137-81	WASHER (3)	91*-ALL	91*-ALL	91*-ALL	91*-ALL
27	27146-89	SCREW W/WASHER (3)	91*-ALL	91*-ALL	91*-ALL	91*-ALL
28	27147-89	COLLAR	91*-ALL	91*-ALL	91*-ALL	91*-ALL
29	27148-89	WASHER	91*-ALL	91*-ALL	91*-ALL	91*-ALL
30	27156-89	ROD	91*-ALL	91*-ALL	91*-ALL	91*-ALL
31	27157-89	O-RING	91*-ALL	91*-ALL	91*-ALL	91*-ALL
32	27158-89	DRAIN SCREW	91*-ALL	91*-ALL	91*-ALL	91*-ALL
33	27159-89A	FLOAT CHAMBER ASM.	91-ALL	91-ALL	91-ALL	91-GB
	27159-92	FLOAT CHAMBER ASM.	92*-ALL	92*-ALL	92*-ALL	92*-ALL
34	27160-89	PUMP HOUSING	91*-ALL	91*-ALL	91*-ALL	91*-ALL
35	27162-89	SPRING	91*-ALL	91*-ALL	91*-ALL	91*-ALL
36	27170-89	SLOW JET	91-ALL	91-ALL	91-ALL	91-GB
	27171-89	SLOW JET (Cal. only)	91-ALL	91-ALL	91-ALL	91-ALL
	27281-92	SLOW JET	92*-ALL	92*-ALL	92*-ALL	92*-ALL

<b>FLT MODELS</b>	<b>FXR MODELS</b>	<b>SOFTAIL MODELS</b>	<b>DYNA MODEL</b>
FLTC DB	FXR EA	FLSTC BJ	FXDB-D GB
FLHTC DJ	FXRS EB	FXSTC BK	FXDB-S GB
FLTC-U DM	FXRT EC	FXSTS BL	FXDC GC
FLHTC-U DP	FXRS-SP EG	FLSTF BM	
FLHS FA	FXLR EL		
	FXRS-CON EM		



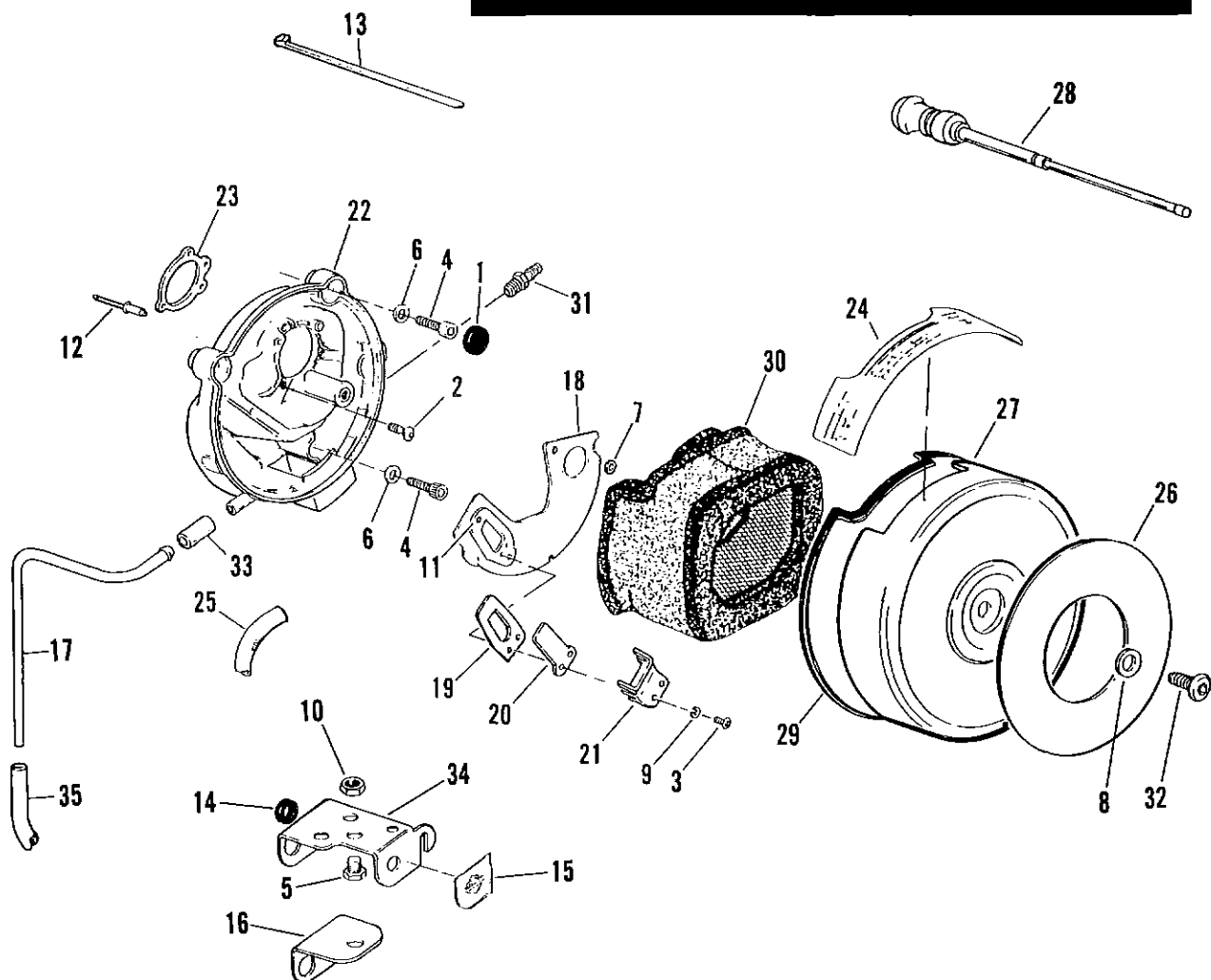
**CARBURETOR**

**CARBURETOR (CONT'D)**

INDEX NO.	PART NO.	NAME	FLT MODELS	FXR MODELS	SOFTAIL MODELS	DYNA MODEL
37	27175-90	JET NEEDLE	91-ALL	--	--	91-GB
	27176-90	JET NEEDLE (Cal. only)	91-ALL	--	--	
	27178-90	JET NEEDLE	--	91-ALL	91-ALL	91-GB
	27179-90	JET NEEDLE (Cal. only)	--	91-ALL	91-ALL	91-GB
	27184-92	JET NEEDLE	92*-ALL	--	--	--
	27186-92	JET NEEDLE	--	92*-ALL	92*-ALL	92*-ALL
	27280-92	JET NEEDLE (Cal. only)	--	92*-ALL	92*-ALL	92*-ALL
38	27311-76	CAP, accelerator pump	91*-ALL	91*-ALL	91*-ALL	91*-ALL
39	27315-88	SPRING	91*-ALL	91*-ALL	91*-ALL	91*-ALL
40	27317-88	SCREW	91*-ALL	91*-ALL	91*-ALL	91*-ALL
41	27339-90	BRACKET, throttle cables	--	91*-ALL	91*-ALL	91*-ALL
	27340-90	BRACKET, throttle cables	91*-ALL	--	--	--
42	27360-76	O-RING	91*-ALL	91*-ALL	91*-ALL	91*-ALL
43	27361-76	DIAPHRAM, accelerator pump	91*-ALL	91*-ALL	91*-ALL	91*-ALL
44	27362-76	SPRING, diaphragm	91*-ALL	91*-ALL	91*-ALL	91*-ALL
45	27368-76	CLIP, overflow hose	91*-ALL	91*-ALL	91*-ALL	91*-ALL
46	27369-76	HOSE, overflow	91*-ALL	91*-ALL	91*-ALL	91*-ALL
47	27371-76	FITTING	91*-ALL	91*-ALL	91*-ALL	91*-ALL
48	27575-88	PIN	91*-ALL	91*-ALL	91*-ALL	91*-ALL
49	27576-88	FLOAT	91-ALL	91-ALL	91-ALL	91-GB
	27576-92	FLOAT	92*-ALL	92*-ALL	92*-ALL	92*-ALL
50	27577-88	O-RING	91-ALL	91-ALL	91-ALL	91-GB
	27577-92	O-RING	92*-ALL	92*-ALL	92*-ALL	92*-ALL
51	27579-88	SCREW (4)	91*-ALL	91*-ALL	91*-ALL	91*-ALL
52	27580-88	CABLE GUIDE	91*-ALL	91*-ALL	91*-ALL	91*-ALL
53	27581-88	STARTER CAP	91*-ALL	91*-ALL	91*-ALL	91*-ALL
54	27582-88	CABLE SEALING CAP	91*-ALL	91*-ALL	91*-ALL	91*-ALL
55	27583-88	STARTER VALVE	91*-ALL	91*-ALL	91*-ALL	91*-ALL
56	27585-88	VACUUM PISTON	91*-ALL	91*-ALL	91*-ALL	91*-ALL
57	27586-88	SPRING SEAT	91*-ALL	91*-ALL	91*-ALL	91*-ALL
58	27587-88	SCREW	91*-ALL	91*-ALL	91*-ALL	91*-ALL
59	27886-78	VALVE W/CLIP	91-ALL	91-ALL	91-ALL	91-GB
	27886-78	VALVE W/CLIP	92*-ALL	92*-ALL	92*-ALL	92*-ALL
59A	62356-92	FUEL HOSE	92*-ALL	--	--	--
		NOTE: Hose is sold only in bulk length under the following part numbers. Cut to length.				
60	26570-84	HOSE, 3/16 I.D. (10 ft. lg.) (black)	--	91*-ALL	91*-ALL	91*-ALL
61	63501-68	HOSE, 1/4 I.D. (25 ft. lg.) (black)	91*-ALL	91*-ALL	91*-ALL	91*-ALL
62	63505-84	INSULATOR, 1/2 I.D. (nylon) (8 ft. lg.)	91*-ALL	91*-ALL	91*-ALL	91*-ALL
		<b>H-D INTERNATIONAL ONLY</b>				
9	26994-90	MANIFOLD (HDI only)	91*-ALL	91*-ALL	91*-ALL	91*-ALL
10	27025-90A	CARBURETOR (HDI only)	--	91-ALL	91-ALL	91-ALL
	27029-90A	CARBURETOR (HDI only)	91-ALL	--	--	--
14	27090-89	MAIN JET, 1.75 mm (HDI only)	--	91-ALL	91-ALL	91-ALL
36	27165-90	SLOW JET (HDI only)	--	91*-ALL	91*-ALL	91*-ALL
37	27177-90	JET NEEDLE (HDI only)	91-ALL	91-ALL	91-ALL	91-ALL

FLT MODELS		FXR MODELS		SOFTAIL MODELS		DYNA MODEL	
FLTC	DB	FXR	EA	FLSTC	BJ	FXDB-D	GA
FLHTC	DJ	FXRS	EB	FXSTC	BK	FXDB-S	GB
FLTC-U	DM	FXRT	EC	FXSTS	BL	FXDC	GC
FLHTC-U	DP	FXRS-SP	EG	FLSTF	BM		
FLHS	FA	FXLR	EL				
		FXRS-CON	EM				

# AIR CLEANER & ENRICHMENT CABLE



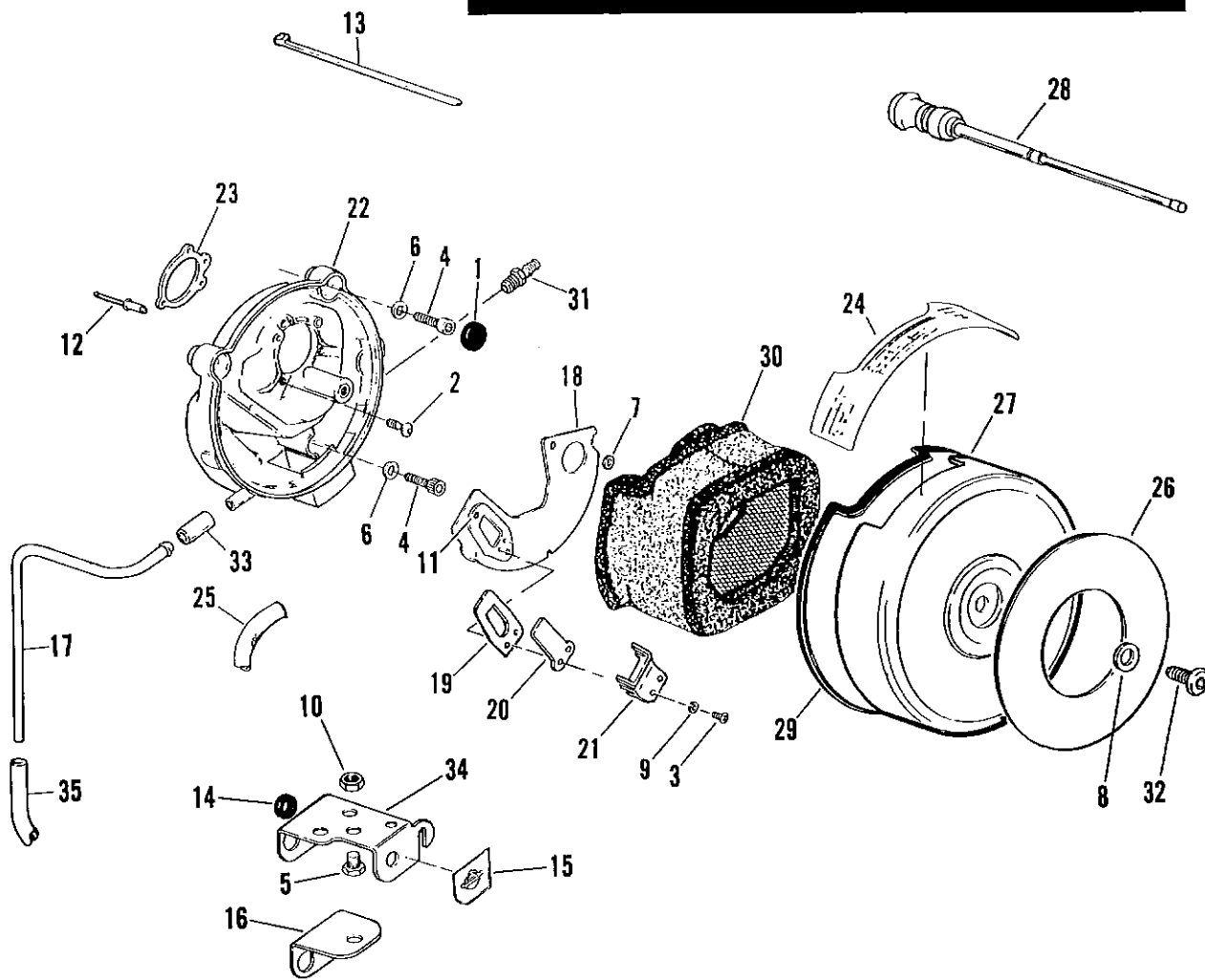
# AIR CLEANER AND ENRICHENER

FA8-1

INDEX NO.	PART NO.	NAME	FLT MODELS	FXR MODELS	SOFTAIL MODELS	DYNA MODEL
1	738	PLUG, air cleaner (2)	91-ALL	91-ALL	91-ALL	91-GB
2	864	SCREW (3)	91*-ALL	91*-ALL	91*-ALL	91*-ALL
2A	1795A	SCREW (Cal. only)(2)	92*-ALL	92*-ALL	92*-ALL	92*-ALL
2B	2711	SCREW (Cal. only)	92*-ALL	92*-ALL	92*-ALL	92*-ALL
3	2737	SCREW (Cal. only)(4; 2-1992 & Later)	91*-ALL	91*-ALL	91*-ALL	91*-GB
4	3210A	SCREW (2)	91-ALL	91-ALL	91-ALL	91-GB
4A	3221	SET SCREW (Cal. only)	92*-ALL	92*-ALL	92*-ALL	92*-ALL
4B	3603	BOLT (2)	92*-ALL	92*-ALL	92*-ALL	92*-ALL
5	4713W	BOLT (2)	91*-ALL	--	91*-ALL	91*-ALL
6	6016	WASHER (2)	91-ALL	91-ALL	91-ALL	91-GB
7	6048W	WASHER	91*-ALL	91*-ALL	91*-ALL	91*-ALL
8	6109	WASHER	91*-ALL	91*-ALL	91*-ALL	91*-ALL
8A	6253W	WASHER (Cal. only)(2)	92*-ALL	92*-ALL	92*-ALL	92*-ALL
9	6969	LOCKWASHER (Cal. only)(4)	91-ALL	91-ALL	91-ALL	91-GB
10	7601	NUT, flange (2)	91*-ALL	--	91*-ALL	91*-GB
10A	8535	RIVET (Cal. only)(2)	92*-ALL	92*-ALL	92*-ALL	92*-ALL
11	8536	RIVET (Cal. only)(2)	91-ALL	91-ALL	91-ALL	91-GB
12	8625	POP RIVET (Cal. only)(2)	91*-ALL	91*-ALL	91*-ALL	91*-ALL
12A	9894	CLIP, ground	--	--	91*-ALL	--
13	10006	CABLE STRAP	91*-ALL	91*-ALL	91*-ALL	--
	10065	CABLE STRAP	91*-ALL	--	--	--
13A	10080	CLAMP	91*-ALL	91*-ALL	91*-ALL	91*-ALL
14	11460	GROMMET	91*-ALL	91*-ALL	91*-ALL	91*-ALL
15	14340-90	DECAL	--	--	--	91*-ALL
16	16249-91	BRACKET, enrichment cable	--	91-ALL	--	--
	16249-92	BRACKET, enrichment cable	--	92*-ALL	--	--
17	24922-86	VENT TUBE (chrome)	91*-ALL	91*-ALL	91*-ALL	91*ALL
18	28816-90	BAFFLE PLATE ASSEMBLY (Cal. only)	91-ALL	91-ALL	91-ALL	91-GB
	28823-89	BAFFLE PLATE ASSEMBLY (Cal. only)	92*-ALL	92*-ALL	92*-ALL	92*-ALL
	29068-89	BAFFLE PLATE	91*-ALL	91*-ALL	91*-ALL	91*-ALL
19	28820-86	REED BOTTOM (Cal. only)	91-ALL	91-ALL	91-ALL	91-GB
20	28821-86	REED TOP (Cal. only)	91-ALL	91-ALL	91-ALL	91-GB
21	28825-86	REED STOP (Cal. only)	91-ALL	91-ALL	91-ALL	91-GB
21A	28841-89	SOLENOID (Cal. only)	92*-ALL	92*-ALL	92*-ALL	92*-ALL
21B	28842-89	LINK (Cal. only)	92*-ALL	92*-ALL	92*-ALL	92*-ALL
22	29017-90	BACKPLATE ASSEMBLY (Cal. only)	91-ALL	91-ALL	91-ALL	91-GB
	29089-92	BACKPLATE ASSEMBLY (Cal. only)	92*-ALL	92*-ALL	92*-ALL	92*-ALL
	29090-92	BACKPLATE ASSEMBLY	92*-ALL	92*-ALL	92*-ALL	92*-ALL
	29134-90	BACKPLATE ASSEMBLY	91-ALL	91-ALL	91-ALL	91-GB
23	29059-88A	GASKET	91*-ALL	91*-ALL	91*-ALL	91*-GB

FLT MODELS		FXR MODELS		SOFTAIL MODELS		DYNA MODEL	
FLTC	DB	FXR	EA	FLSTC	BJ	FXDB-D	GA
FLHTC	DJ	FXRS	EB	FXSTC	BK	FXDB-S	GB
FLTC-U	DM	FXRT	EC	FXSTS	BL	FXDC	GC
FLHTC-U	DP	FXRS-SP	EG	FLSTF	BM		
FLHS	FA	FXLR	EL				
		FXRS-CON	EM				

# AIR CLEANER & ENRICHMENT CABLE



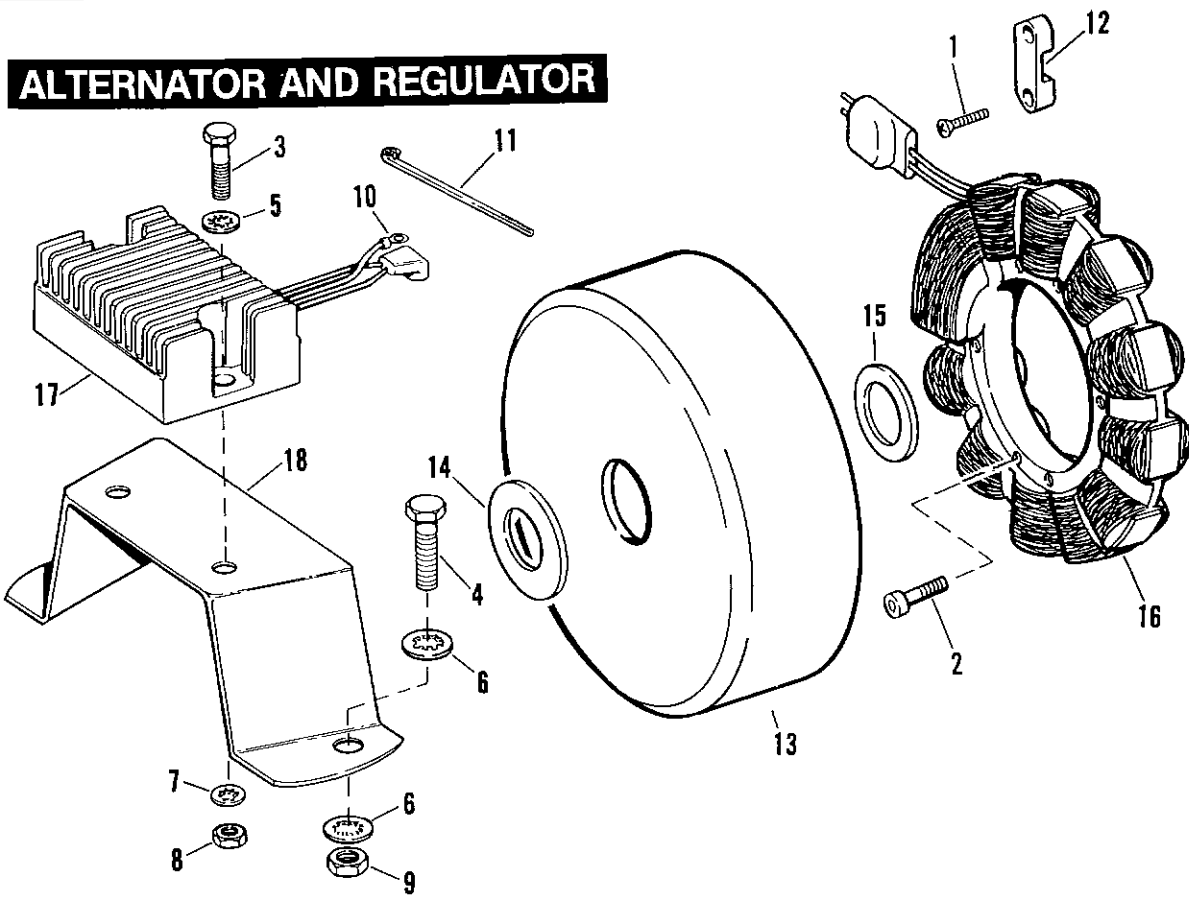
INDEX NO.	PART NO.	NAME	FLT MODELS	FXR MODELS	SOFTAIL MODELS	DYNA MODEL
24	29126-90	SAFETY LABEL	91*-ALL	91*-ALL	91*-ALL	92*-ALL
25	29145-86	HOSE, air cleaner to crankcase	--	--	91*-ALL	--
26	29140-92	TRIM, - "DYNAGLIDE™ CUSTOM"	--	--	--	92*-GC
	29143-90	TRIM, - "STURGIS"	--	--	--	91-GB
	29147-91	TRIM, "DAYTONA DYNA GLIDE™"	--	--	--	92*-GA
	29161-86	TRIM, - "HERITAGE™ SOFTAIL"	--	--	91*-BJ	--
	29164-87	TRIM, - "SPORT GLIDE™ CUSTOM"	--	91*-EL	--	--
	29166-86	TRIM, - "LOW RIDER™ SPORT"	--	91*-EG	--	--
	29169-84	TRIM, - "SOFTAIL"	--	--	91*-B/K	--
	29172-85	TRIM, - "LOW RIDER™"	--	91*-EB	--	--
	29174-85	TRIM, - "SPORT GLIDE™"	--	91*-EC	--	--
	29181-88	TRIM, - "SPRINGER SOFTAIL™"	--	--	91*-BL	--
	29256-90	TRIM, - "FAT BOY"	--	--	91*-BM	--
	29278-86	TRIM, - "TOUR GLIDE™"	91*-DB/M	--	--	--
	29279-86	TRIM, - "ELECTRA GUIDE™"	91*-DJ/P; FA	--	--	--
	90358-89	TRIM, - "LOW RIDER CONVERTIBLE"	--	91*-EM	--	--
27	29165-89	COVER, air cleaner	91*-ALL	91*-ALL	91*-ALL	92*-ALL
	29203-90	COVER, air cleaner (black)	--	--	--	91-GB
28	29229-88A	CABLE, enrichment	--	--	--	91*-ALL
	29236-90	CABLE, enrichment	91*-ALL	91*-ALL	91*-ALL	--
29	29252-89	SEAL STRIP	91*-ALL	91*-ALL	91*-ALL	91*-ALL
29A	29258-91	MOLDING	91*-ALL	91*-ALL	91*-ALL	91*-ALL
30	29259-91	FILTER ELEMENT	91*-ALL	91*-ALL	91*-ALL	91-GB
	29259-92	FILTER ELEMENT	92*-ALL	92*-ALL	92*-ALL	92*-ALL
31	29264-86	FITTING (rear-FLT) (Cal. only)	91*-ALL	91*-ALL	91*-ALL	--
32	29269-83	SCREW	91*-ALL	91*-ALL	91*-ALL	91*-ALL
32A	32441-92	WIRING HARNESS, butterfly (Cal. only)	92*-ALL	--	--	--
	32442-92	WIRING HARNESS, butterfly (Cal. only)	--	--	92*-ALL	--
	32443-92	WIRING HARNESS, butterfly (Cal. only)	--	92*-ALL	--	--
	70963-92	WIRING HARNESS, butterfly (Cal. only)	--	--	--	92*-ALL
32B	61095-92	FITTING (Cal. only)	92*-ALL	92*-ALL	92*-ALL	92*-ALL
33	63509-86A	BOOT	91*-ALL	91*-ALL	91*-ALL	91*-ALL
34	69126-91	BRACKET, enrichment cable	91-ALL	--	91-ALL	91-GB
	69126-92	BRACKET, enrichment cable	92*-ALL	--	91*-ALL	92*-ALL
34A	70291-89	HOUSING, four pin (Cal. only)	92*-ALL	92*-ALL	92*-ALL	92*-ALL
34B	72089-71	PIN (Cal Only)(4)	92*-ALL	92*-ALL	92*-ALL	92*-ALL

NOTE: Hose is sold only in bulk length under the following part number. Cut to length.

35	63500-68	HOSE, 3/8" I.D. (rubber) (25 ft. lg.)	91*-ALL	91*-ALL	91*-ALL	91*-ALL
<b>H-D INTERNATIONAL ONLY</b>						
18	29070-89	BAFFLE PLATE	91*-ALL	91*-ALL	91*-ALL	91*-ALL

FLT MODELS		FXR MODELS		SOFTAIL MODELS		DYNA MODEL	
FLTC	DB	FXR	EA	FLSTC	BJ	FXDB-D	GA
FLHTC	DJ	FXRS	EB	FXSTC	BK	FXDB-S	GB
FLTC-U	DM	FXRT	EC	FXSTS	BL	FXDC	GC
FLHTC-U	DP	FXRS-SP	EG	FLSTF	BM		
FLHS	FA	FXLR	EL				
		FXRS-CON	EM				

# ALTERNATOR AND REGULATOR





# ALTERNATOR & REGULATOR

FA9

INDEX NO.	PART NO.	NAME	FLT MODELS	FXR MODELS	SOFTAIL MODELS	DYNA MODEL
1	2216W	SCREW (2)	91*-ALL	91*-ALL	91*-ALL	91*-ALL
2	2720	SCREW (4)	91*-ALL	91*-ALL	91*-ALL	91*-ALL
3	3787	BOLT (2)	91*-ALL	91*-ALL	--	91-GB
	3574	SCREW (2)	--	--	--	92*-ALL
4	4382	BOLT (2)	91*-ALL	--	--	--
5	7124	LOCKWASHER (2)	91*-ALL	--	--	91-GB
6	7127	LOCKWASHER (4; 2-FLT)	--	91*-ALL	--	--
7	7229W	LOCKWASHER (2)	91*-ALL	91*-ALL	91*-ALL	91-GB
8	7716	NUT (2)	--	--	--	91-GB
	7688	NUT (2)	91*-ALL	91*-ALL	91*-ALL	--
	7792	LOCKNUT	--	--	--	92*-ALL
9	7753	LOCKNUT (2)	--	91*-ALL	--	--
10	9862	WIRE TERMINAL, ring type	91*-ALL	91*-ALL	91*-ALL	91*-ALL
11	10006	CABLE STRAP	91*-ALL	--	91*-ALL	--
12	29954-71A	RETAINER, alternator plug	91*-ALL	91*-ALL	91*-ALL	91*-ALL
13	29957-81B	ROTOR ASSEMBLY	91*-ALL	91*-ALL	91*-ALL	91*-ALL
14	29960-91	SPACER	91*-ALL	91*-ALL	91*-ALL	91*-ALL
15	29961-85	SPACER	91*-ALL	91*-ALL	91*-ALL	91*-ALL
16	29970-88A	STATOR	91*-ALL	91*-ALL	91*-ALL	91*-ALL
	74519-88	REGULATOR	91*-ALL	91*-ALL	91*-ALL	91*-ALL
17	74529-79	BRACKET, regulator mounting	91*-ALL	91*-ALL	--	--

**FLT MODELS**

FLTC DB  
 FLHTC DJ  
 FLTC-U DM  
 FLHTC-U DP  
 FLHS FA

**FXR MODELS**

FXR EA  
 FXRS EB  
 FXRT EC  
 FXRS-SP EG  
 FXLR EL  
 FXRS-CON EM

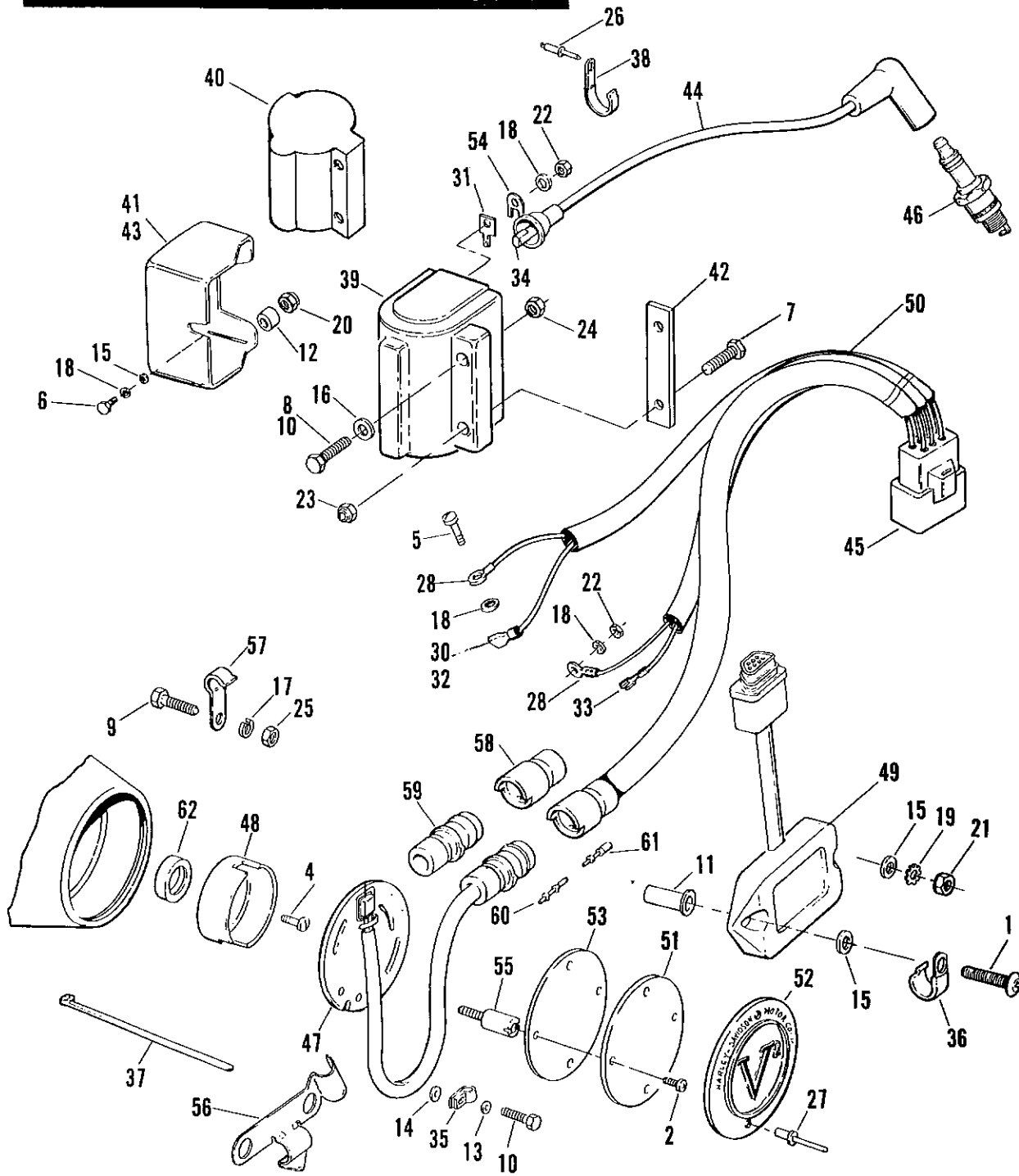
**SOFTAIL MODELS**

FLSTC BJ  
 FXSTC BK  
 FXSTS BL  
 FLSTF BM

**DYNA MODEL**

FXDB-D GA  
 FXDB-S GB  
 FXDC GC

# ELECTRONIC IGNITION SYSTEM



# ELECTRONIC IGNITION SYSTEM

FA10-1

INDEX NO.	PART NO.	NAME	FLT MODELS	FXR MODELS	SOFTAIL MODELS	DYNA MODEL
1	933	SCREW (2)	--	--	91*-ALL	--
2	1601	SCREW (2)	91*-ALL	91*-ALL	91*-ALL	91*-ALL
4	2611B	SCREW	91*-ALL	91*-ALL	91*-ALL	91*-ALL
5	2731W	SCREW	--	91*-ALL	91*-ALL	--
	4091	SCREW	91*-ALL	--	--	91*-ALL
6	3473	SCREW (2;3-DYNA)	--	91*-ALL	91*-ALL	91*-ALL
7	3826	BOLT (2)	91*-ALL	--	--	--
	4741A	SCREW (2)	--	--	--	91*-ALL
8	3993	BOLT (2)	--	--	91*-ALL	--
9	4391	BOLT	--	--	91*-ALL	--
10	4340A	BOLT (2 - FLT)	91*-ALL	--	91*-ALL	--
	4718A	SCREW (3)	--	91*-ALL	--	--
11	5207	WELL NUT (2)	--	--	91*-ALL	--
12	6058	SPACER (3)	91*-ALL	--	--	91*-ALL
13	6099	WASHER	--	--	91*-ALL	--
14	6242W	WASHER	--	--	91*-ALL	--
15	6716	WASHER (2)	91*-ALL	91*-ALL	91*-ALL	91*-ALL
16	7036	LOCKWASHER (2)	--	--	91*-ALL	--
17	7041	LOCKWASHER	--	--	91*-ALL	--
18	7069	LOCKWASHER (2)	--	--	91*-ALL	91*-ALL
	7118	LOCKWASHER (3)	--	91*-ALL	--	--
19	7220	LOCKWASHER	--	91*-ALL	--	--
20	7626W	NUT (3)	--	--	--	91*-ALL
21	7634	NUT (brass) (2)	91*-ALL	91*-ALL	--	91*-ALL
22	7638	NUT (2)	91*-ALL	91*-ALL	91*-ALL	--
23	7683	LOCKNUT (2)	91*-ALL	--	--	--
24	7686	LOCKNUT (2)	--	91*-ALL	91*-ALL	--
25	7753	NUT	--	--	91*-ALL	--
26	8483	RIVET, blind	91*-ALL	--	--	--
27	8692	RIVET, timer cover (2)	--	--	--	91--ALL
	8699	RIVET, timer cover (2)	91*-ALL	91*-ALL	91*-ALL	92*-ALL
28	9857	TERMINAL, ring type (2-FLT, FXR)	91*-ALL	91*-ALL	91*-ALL	91*-ALL
30	9863	TERMINAL, female spade type	--	--	91*-ALL	91*-ALL
31	9881	ADAPTOR, terminal	--	--	91*-ALL	--
32	9900	TERMINAL, female spade type	91*-ALL	91*-ALL	91*-ALL	--
33	9907	TERMINAL, female spade type	91*-ALL	91*-ALL	91*-ALL	91*-ALL
34	9908	TERMINAL, spark plug cable	--	--	91*-ALL	--
35	9990W	CLIP, module wire	91*-ALL	--	--	--
	10046	CLAMP, ignition wire	--	91*-ALL	91*-ALL	91*-ALL
36	9951	CLIP, sensor wire	--	--	--	91*-ALL
	10003	CLAMP	--	--	91*-ALL	--
37	10065	CABLE STRAP	--	91*-ALL	91*-ALL	91*-ALL

**FLT MODELS**

FLTC DB  
 FLHTC DJ  
 FLTC-U DM  
 FLHTC-U DP  
 FLHS FA

**FXR MODELS**

FXR EA  
 FXRS EB  
 FXRT EC  
 FXRS-SP EG  
 FXLR EL  
 FXRS-CON EM

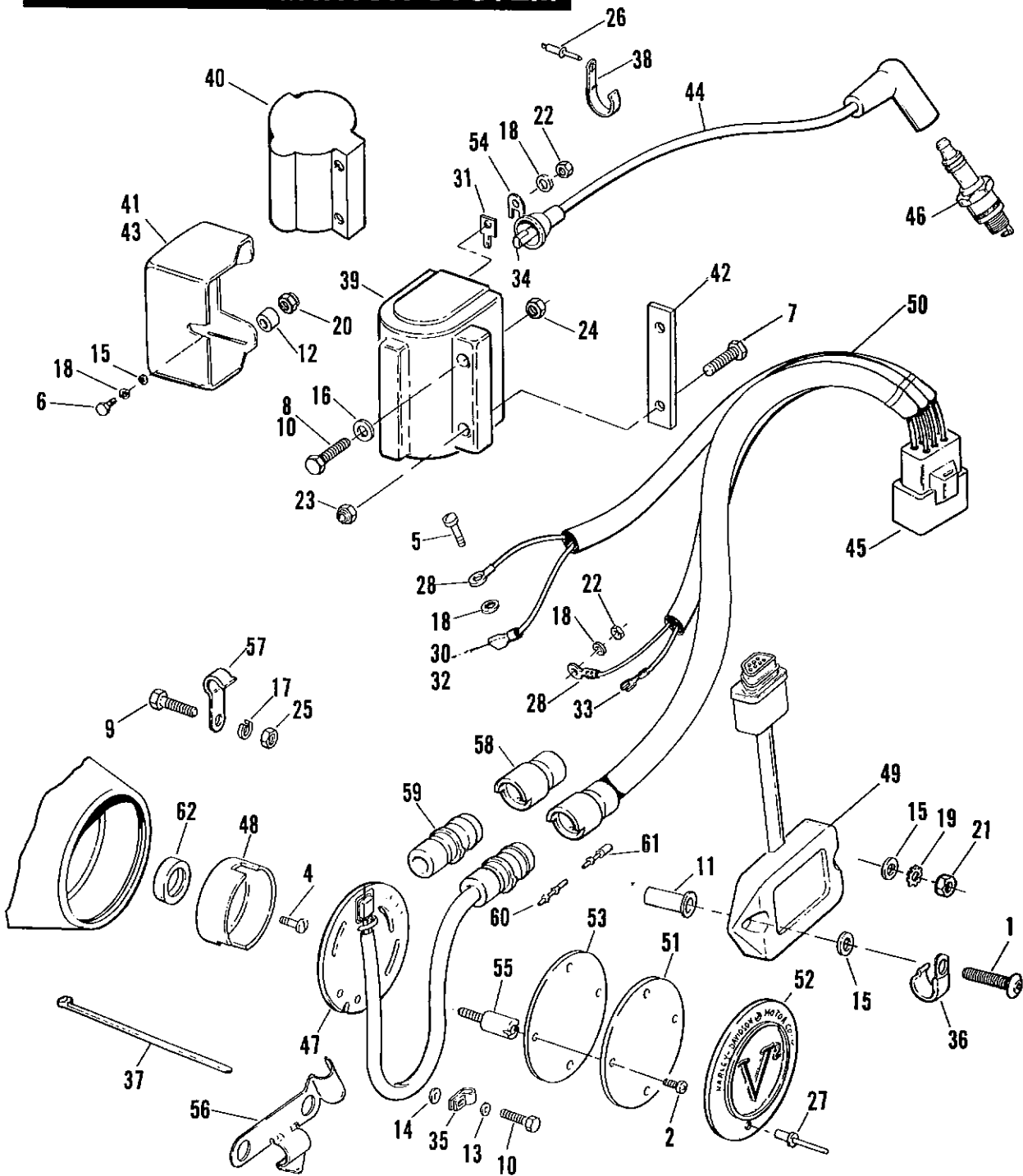
**SOFTAIL MODELS**

FLSTC BJ  
 FXSTC BK  
 FXSTS BL  
 FLSTF BM

**DYNA MODEL**

FXDB-D GA  
 FXDB-S GB  
 FXDC GC

# ELECTRONIC IGNITION SYSTEM



**ELECTRONIC IGNITION SYSTEM (CONT'D)**

**FA10-2**

INDEX NO.	PART NO.	NAME	FLT MODELS	FXR MODELS	SOFTAIL MODELS	DYNA MODEL
38	10092	CLAMP	91*-ALL	--	--	--
39	31614-83A	SPARK COIL	91*-ALL	91*-ALL	91*-ALL	91*-ALL
40	31625-82	COVER, coil	--	91*-ALL	--	--
41	31637-90	COVER, coil (black)	--	--	--	91-GB
	31640-91	COVER, coil (chrome)	--	--	--	92*-ALL
42	31727-85	PLATE, spark coil	--	--	91*-ALL	91*-ALL
43	31800-78A	SPARK COIL COVER KIT (chrome)	--	--	91*-ALL	--
44	31981-65B	SPARK PLUG CABLE, front cylinder	--	--	--	91*-ALL
	31983-71A	SPARK PLUG CABLE, rear cylinder	--	--	91*-ALL	91*-ALL
	31985-91	SPARK PLUG CABLE, front cylinder	--	--	91*-ALL	--
	31992-91	SPARK PLUG CABLE, rear cylinder	91*-ALL	--	--	--
	31994-91	SPARK PLUG CABLE, front cylinder	91*-ALL	--	--	--
	70187-82	SPARK PLUG CABLE (2)	--	91*-ALL	--	--
45	31998-91	INSULATOR, receptacle housing	91*-ALL	91*-ALL	91*-ALL	91*-ALL
46	32311-83	SPARK PLUG, No. 5R6A - 0.40 gap (2)	91*-ALL	91*-ALL	91*-ALL	91*-ALL
47	32400-80A	SENSOR ASSEMBLY w/o receptacle	91*-ALL	91*-ALL	91*-ALL	--
	32404-90	SENSOR ASSEMBLY w/o receptacle	--	--	--	91*-ALL
48	32402-83	ROTOR	91*-ALL	91*-ALL	91*-ALL	91*-ALL
49	32405-91	IGNITION MODULE	91*-ALL	91*-ALL	91*-ALL	91*-ALL
50	32435-91	WIRING HARNESS, ignition module	91*-ALL	--	--	--
	70339-91	WIRING HARNESS, ignition module	--	--	--	91*-ALL
51	32504-80	TIMER COVER, inner	91*-ALL	91*-ALL	91*-ALL	91*-ALL
52	32524-83	TIMER COVER	91*-ALL	91*-ALL	91*-ALL	92*-ALL
	32527-90	TIMER COVER	--	--	--	91-GB
53	32591-80	GASKET, timer cover	91*-ALL	91*-ALL	91*-ALL	91*-ALL
54	32604-78	TERMINAL ADAPTOR	91*-ALL	--	--	--
55	32606-82	SCREW, timer plate (2)	91*-ALL	91*-ALL	91*-ALL	91*-ALL
56	38713-87A	BRACKET, ignition wire	91*-ALL	--	91*-ALL	--
57	42327-70	BRACKET, ignition wire	91*-ALL	--	--	--
	67075-57A	BRACKET, spark plug cable	--	--	91*-ALL	--
58	72051-77	PLUG, female - module	91*-ALL	91*-ALL	91*-ALL	91*-ALL
59	74521-77	PLUG, male - sensor	91*-ALL	91*-ALL	91*-ALL	91*-ALL
60	74536-77A	PIN, single socket (10)	91*-ALL	91*-ALL	91*-ALL	91*-ALL
61	74539-77A	SOCKET, single pin (10)	91*-ALL	91*-ALL	91*-ALL	91*-ALL
62	83162-51	OIL SEAL	91*-ALL	91*-ALL	91*-ALL	91*-ALL

**FLT MODELS**

FLTC DB  
 FLHTC DJ  
 FLTC-U DM  
 FLHTC-U DP  
 FLHS FA

**FXR MODELS**

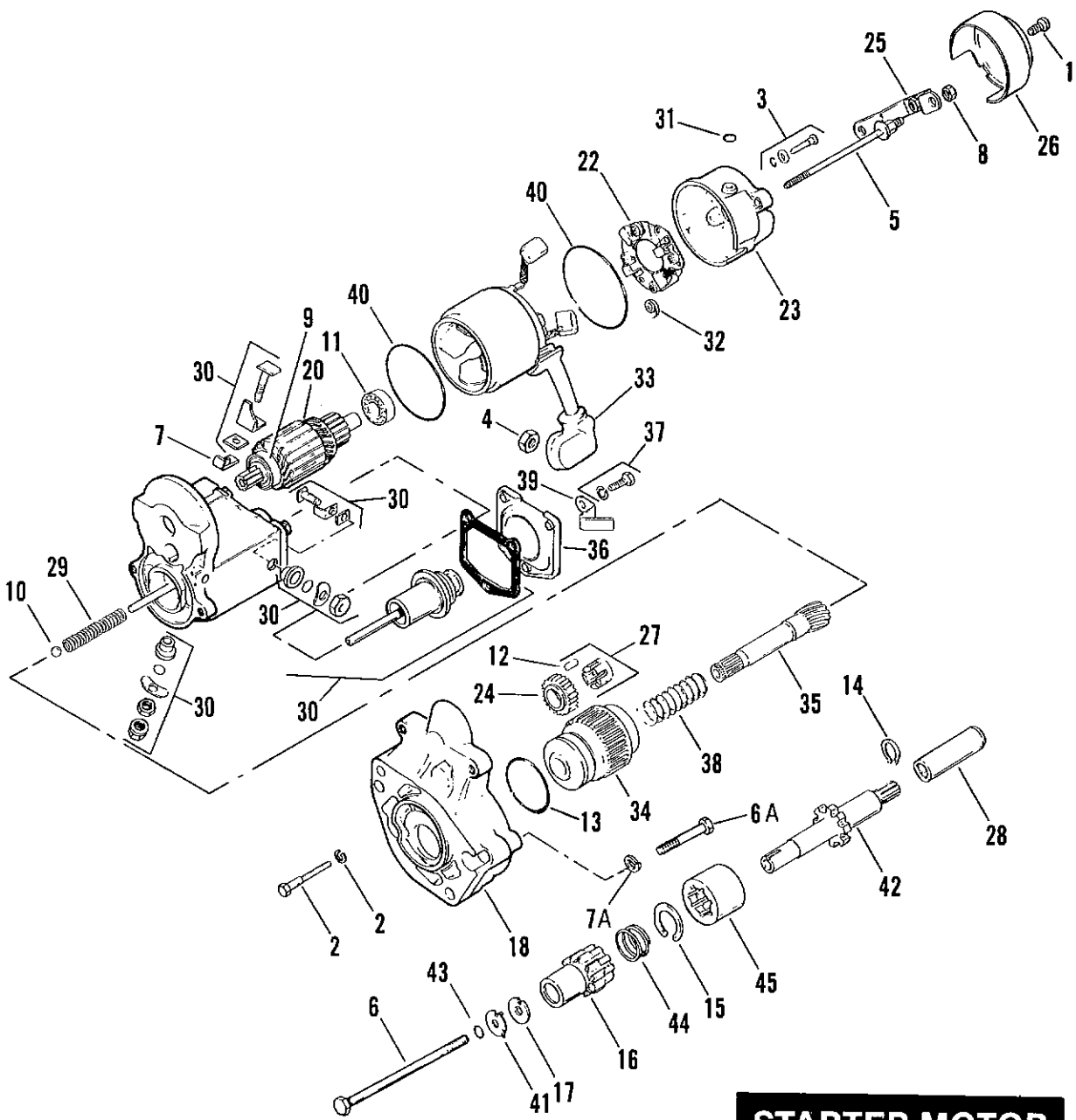
FXR EA  
 FXRS EB  
 FXRT EC  
 FXRS-SP EG  
 FXLR EL  
 FXRS-CON EM

**SOFTAIL MODELS**

FLSTC BJ  
 FXSTC BK  
 FXSTS BL  
 FLSTF BM

**DYNA MODEL**

FXDB-O GA  
 FXDB-S GB  
 FXDC GC



**STARTER MOTOR**

# STARTER MOTOR

FA11

INDEX NO.	PART NO.	NAME	FLT MODELS	FXR MODELS	SOFTAIL MODELS	DYNA MODEL
1	925	SCREW, cover	91*-ALL	91*-ALL	91*-ALL	91*-ALL
2	928	BOLT, starter (2)	91*-ALL	91*-ALL	91*-ALL	91*-ALL
3	929	SCREW with O-Ring (2)	91*-ALL	91*-ALL	91*-ALL	91*-ALL
4	3403	NUT, flange	91*-ALL	91*-ALL	91*-ALL	91*-ALL
5	3559	BOLT, starter (2)	91*-ALL	91*-ALL	91*-ALL	91*-ALL
6	4325	SCREW	91*-ALL	91*-ALL	91*-ALL	91*-ALL
6A	4326A	SCREW (2)	91*-ALL	91*-ALL	91*-ALL	91*-ALL
7	6217	WASHER	91*-ALL	91*-ALL	91*-ALL	91*-ALL
7A	7041	LOCKWASHER (2)	91*-ALL	91*-ALL	91*-ALL	91*-ALL
8	7838	NUT, keps (2)	91*-ALL	91*-ALL	91*-ALL	91*-ALL
9	8871	BALL BEARING	91*-ALL	91*-ALL	91*-ALL	91*-ALL
10	8879	BALL	91*-ALL	91*-ALL	91*-ALL	91*-ALL
11	8883	BALL BEARING	91*-ALL	91*-ALL	91*-ALL	91*-ALL
12	9077	CLUTCH ROLLER (5)	91*-ALL	91*-ALL	91*-ALL	91*-ALL
13	11116	O-RING	91*-ALL	91*-ALL	91*-ALL	91*-ALL
14	11182	RETAINING RING	91*-ALL	91*-ALL	91*-ALL	91*-ALL
15	11183	RETAINING RING	91*-ALL	91*-ALL	91*-ALL	91*-ALL
16	31342-90	PINION GEAR	91*-ALL	91*-ALL	91*-ALL	91*-ALL
17	31430-90	WASHER, thrust	91*-ALL	91*-ALL	91*-ALL	91*-ALL
18	31510-90	HOUSING, starter	91*-ALL	91*-ALL	91*-ALL	91*-ALL
19	31514-90	YOKE ASSEMBLY, starter	91*-ALL	91*-ALL	91*-ALL	91*-ALL
20	31515-90	ARMATURE ASSEMBLY	91*-ALL	91*-ALL	91*-ALL	91*-ALL
21	31516-90	CLUTCH ASSEMBLY, starter	91*-ALL	91*-ALL	91*-ALL	91*-ALL
	31517-90	SWITCH ASSEMBLY, magnetic with housing, #7, 30, 36, & 39	91*-ALL	91*-ALL	91*-ALL	91*-ALL
22	31518-90	BRUSH HOLDER ASSEMBLY	91*-ALL	91*-ALL	91*-ALL	91*-ALL
23	31519-90	FRAME, starter end	91*-ALL	91*-ALL	91*-ALL	91*-ALL
24	31525-90	IDLER GEAR	91*-ALL	91*-ALL	91*-ALL	91*-ALL
25	31527-90	BRACKET, cover	91*-ALL	91*-ALL	91*-ALL	91*-ALL
26	31528-90	COVER (black)	--	--	--	91-GB
	31535-91	COVER (chrome)	91*-ALL	91*-ALL	91*-ALL	92*-ALL
27	31530-90	RETAINER, idler gear	91*-ALL	91*-ALL	91*-ALL	91*-ALL
28	31548-90	COUPLING	91*-ALL	91*-ALL	91*-ALL	91*-ALL
	31553-90	STARTER, complete	91*-ALL	91*-ALL	91*-ALL	91*-ALL
29	31600-90	SPRING, return	91*-ALL	91*-ALL	91*-ALL	91*-ALL
30	31604-91	STARTER REPAIR KIT	91*-ALL	91*-ALL	91*-ALL	91*-ALL
31	31660-90	DRAIN VENT	91*-ALL	91*-ALL	91*-ALL	91*-ALL
32	31661-90	SPRING, brush (4)	91*-ALL	91*-ALL	91*-ALL	91*-ALL
33	31662-90	BOOT, insulating	91*-ALL	91*-ALL	91*-ALL	91*-ALL
34	31663-90	CLUTCH, starter	91*-ALL	91*-ALL	91*-ALL	91*-ALL
35	31664-90	SHAFT	91*-ALL	91*-ALL	91*-ALL	91*-ALL
36	31688-90	COVER, solenoid	91*-ALL	91*-ALL	91*-ALL	91*-ALL
37	31689-90	BOLT with washer (3)	91*-ALL	91*-ALL	91*-ALL	91*-ALL
38	31692-90	SPRING	91*-ALL	91*-ALL	91*-ALL	91*-ALL
39	31693-90	CLIP, cable	91*-ALL	91*-ALL	91*-ALL	91*-ALL
40	31695-90	O-RING (2)	91*-ALL	91*-ALL	91*-ALL	91*-ALL
41	33126-90	LOCKPLATE	91*-ALL	91*-ALL	91*-ALL	91*-ALL
42	33127-90	SHAFT, extension	91*-ALL	91*-ALL	91*-ALL	91*-ALL
43	33340-90	O-RING	91*-ALL	91*-ALL	91*-ALL	91*-ALL
44	33449-90	SPRING, pinion gear	91*-ALL	91*-ALL	91*-ALL	91*-ALL
45	60647-90	COUPLING	91*-ALL	91*-ALL	91*-ALL	91*-ALL

**FLT MODELS**

FLTC	DB
FLHTC	DJ
FLTC-U	DM
FLHTC-U	DP
FLHS	FA

**FXR MODELS**

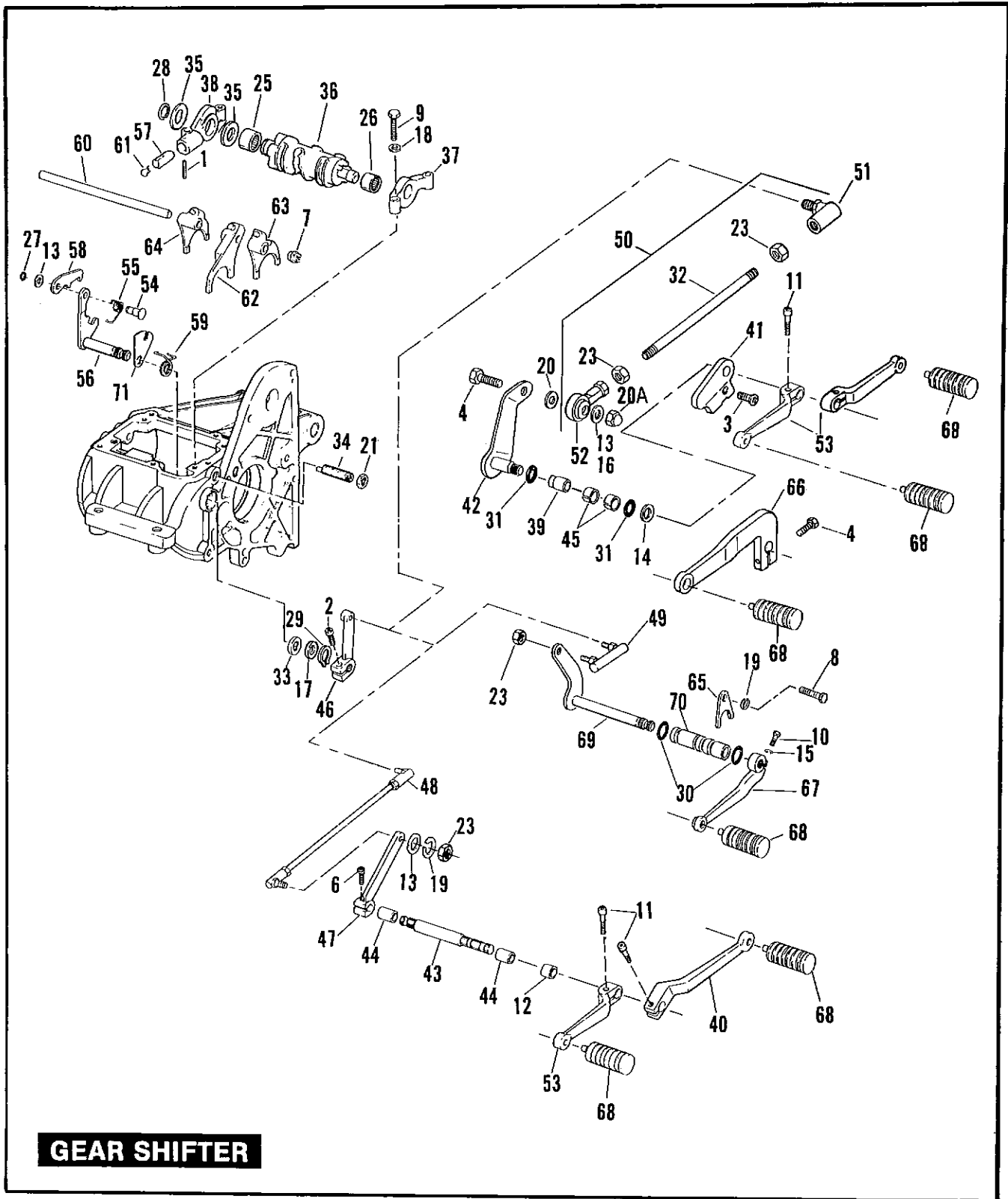
FXR	EA
FXRS	EB
FXRT	EC
FXRS-SP	EG
FXLR	EL
FXRS-CON	EM

**SOFTAIL MODELS**

FLSTC	BJ
FXSTC	BK
FXSTS	BL
FLSTF	BM

**DYNA MODEL**

FXDB-D	GA
FXDB-S	GB
FXDC	GC



**GEAR SHIFTER**

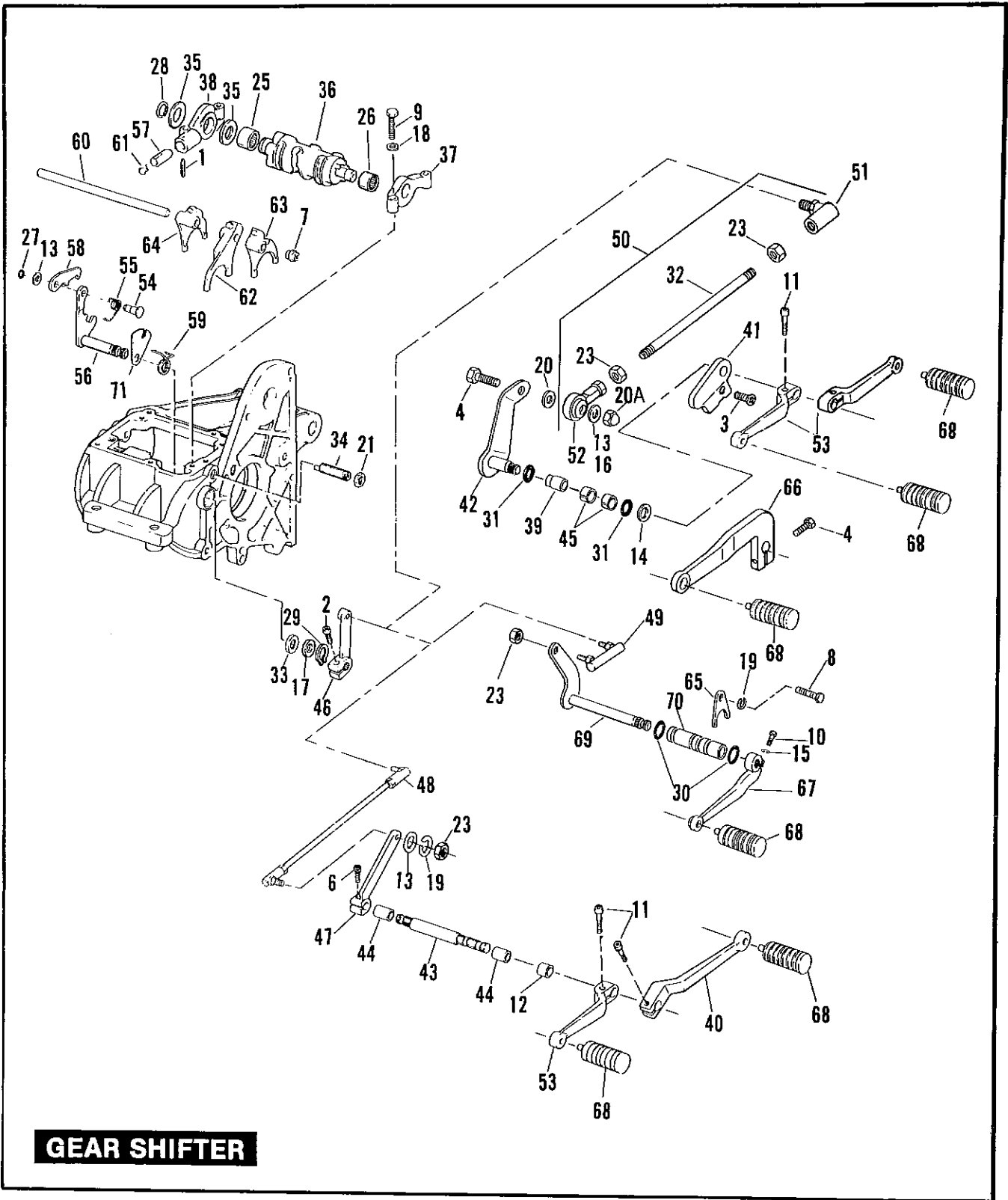


# GEAR SHIFTER

FA12-1

INDEX NO.	PART NO.	NAME	FLT MODELS	FXR MODELS	SOFTAIL MODELS	DYNA MODEL
1	601	ROLL PIN	91*-ALL	91*-ALL	91*-ALL	91*-ALL
2	856A	SCREW	91*-ALL	91*-ALL	91*-ALL	91*-ALL
3	1719W	SCREW	--	--	91*-BJ/M	--
4	4017	BOLT(2-BJ/K; DYNA)	--	--	91*-ALL	91*-ALL
6	3444A	SCREW	91*-ALL	--	--	--
7	3784	SET SCREW, shf. for shaft - left	91*-ALL	91*-ALL	91*-ALL	91*-ALL
8	3987	SCREW	--	--	--	91*-ALL
9	3993	BOLT (4)	91*-ALL	91*-ALL	91*-ALL	91*-ALL
10	4016	SCREW	--	91*-ALL	--	--
11	4069A	SCREW (2)	91*-ALL	--	91*-BJ/M	--
12	5702	SPACER	91*-ALL	91*-ALL	91*-ALL	--
13	6016	WASHER (as required)	91*-ALL	91*-ALL	91*-ALL	91*-ALL
14	6057	WASHER	--	--	91*-ALL	--
15	6314W	LOCKWASHER	--	91*-ALL	--	--
16	6316HW	WASHER	--	--	91*-ALL	--
17	6497HW	WASHER	91*-ALL	91*-ALL	91*-ALL	91*-ALL
18	6736	WASHER (4)	91*-ALL	91*-ALL	91*-ALL	91*-ALL
19	7041	LOCKWASHER	91*-ALL	--	91*-BK/L	91*-ALL
20	7230	LOCKWASHER	--	--	91*-BJ/M	--
20A	7507	ACORN NUT	--	--	91*-ALL	91*-ALL
21	7515	JAM NUT	91*-ALL	91*-ALL	91*-ALL	91*-ALL
23	7744	NUT (2 - FLT, FXR)	91*-ALL	91*-ALL	--	91*-ALL
25	9114	NEEDLE BEARING	91*-ALL	91*-ALL	91*-ALL	91*-ALL
26	9115	NEEDLE BEARING	91*-ALL	91*-ALL	91*-ALL	91*-ALL
27	11016	RETAINING RING	91*-ALL	91*-ALL	91*-ALL	91*-ALL
28	11083	RETAINING RING	91*-ALL	91*-ALL	91*-ALL	91*-ALL
29	11150	RETAINING RING	91*-ALL	91*-ALL	91*-ALL	91*-ALL
30	11117	O-RING, sleeve (2)	--	91*-ALL	--	91*-ALL
31	11191	O-RING (2)	--	--	91*-ALL	--
32	11729	STUD	--	--	91*-ALL	--
33	12045	SEAL	91*-ALL	91*-ALL	91*-ALL	91*-ALL
34	33119-79A	ADJUSTING SCREW, shifter arm	91*-ALL	91*-ALL	91*-ALL	91*-ALL
35	33205-80	THRUST WASHER, 0.017 thk. (as req'd)	91*-ALL	91*-ALL	91*-ALL	91*-ALL
	33206-80	THRUST WASHER, 0.020 thk. (as req'd)	91*-ALL	91*-ALL	91*-ALL	91*-ALL
	33207-80	THRUST WASHER, 0.022 thk. (as req'd)	91*-ALL	91*-ALL	91*-ALL	91*-ALL
	33208-80	THRUST WASHER, 0.025 thk. (as req'd)	91*-ALL	91*-ALL	91*-ALL	91*-ALL
	33209-80	THRUST WASHER, 0.028 thk. (as req'd)	91*-ALL	91*-ALL	91*-ALL	91*-ALL
	33210-80	THRUST WASHER, 0.031 thk. (as req'd)	91*-ALL	91*-ALL	91*-ALL	91*-ALL
	33211-80	THRUST WASHER, 0.035 thk. (as req'd)	91*-ALL	91*-ALL	91*-ALL	91*-ALL
	33212-80	THRUST WASHER, 0.039 thk. (as req'd)	91*-ALL	91*-ALL	91*-ALL	91*-ALL
36	33320-79C	SHIFTER CAM	91*-ALL	91*-ALL	91*-ALL	91*-ALL
37	33326-79A	SUPPORT, shifter cam - left	91*-ALL	91*-ALL	91*-ALL	91*-ALL
38	33332-79A	SUPPORT, shifter cam - right	91*-ALL	91*-ALL	91*-ALL	91*-ALL

FLT MODELS		FXR MODELS		SOFTAIL MODELS		DYNA MODEL	
FLTC	DB	FXR	EA	FLSTC	BJ	FXDB-D	GA
FLHTC	DJ	FXRS	EB	FXSTC	BK	FXDB-S	GB
FLTC-U	DM	FXRT	EC	FXSTS	BL	FXDC	GC
FLHTC-U	DP	FXRS-SP	EG	FLSTF	BM		
FLHS	FA	FXLR	EL				
		FXRS-CON	EM				



**GEAR SHIFTER (CONT'D)**

**FA12-2**

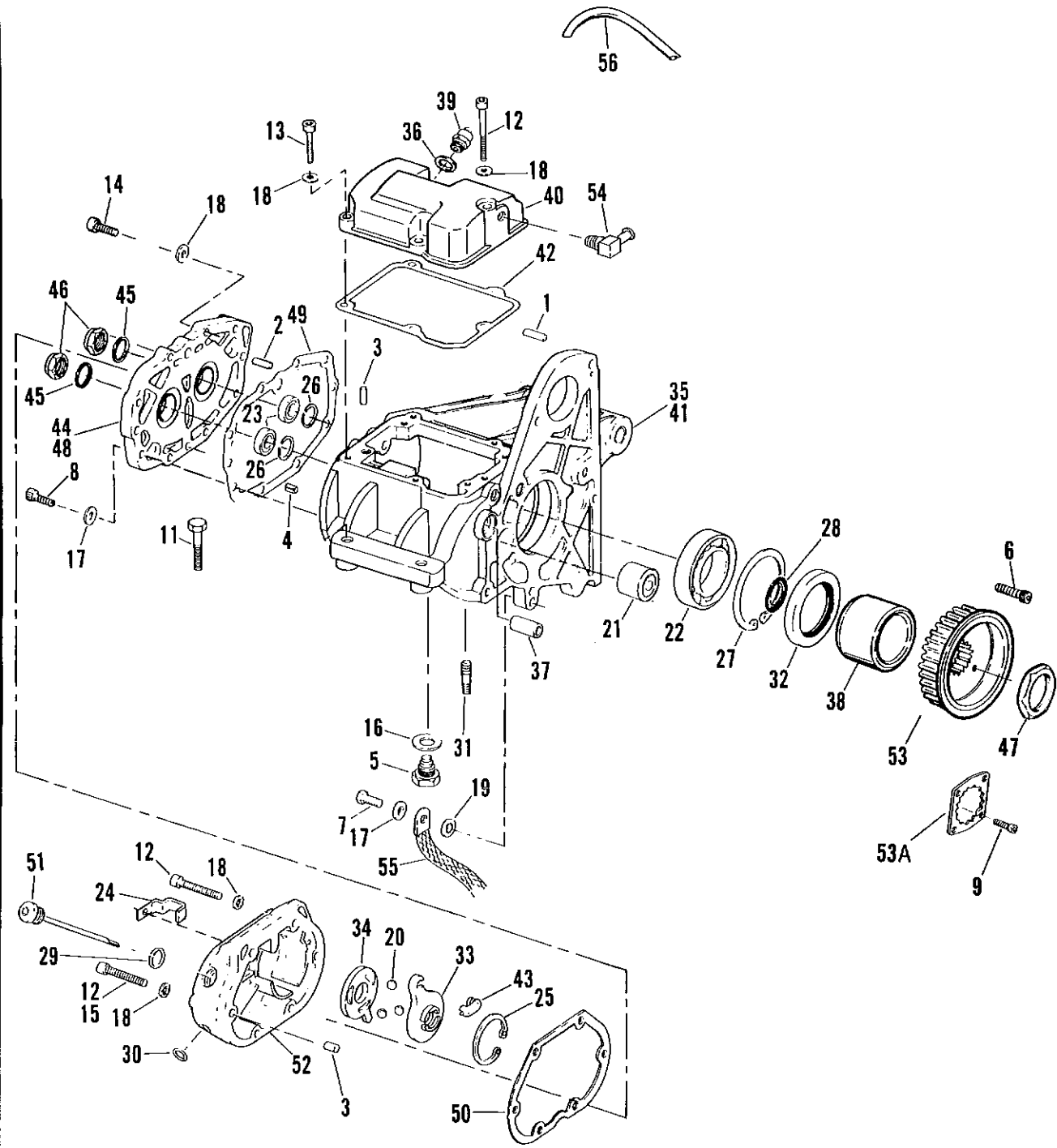
INDEX NO.	PART NO.	NAME	FLT MODELS	FXR MODELS	SOFTAIL MODELS	DYNA MODEL
39	33638-70	BUSHING, shift lever	--	--	91*-ALL	--
40	33640-83	SHIFT LEVER, heel	91*-ALL	--	--	--
41	33642-89	COVER ASSEMBLY, shifter (chrome)	--	--	91*-BJ/M	--
42	33660-90	SHIFT LEVER (chrome)	--	--	91*-BK/L	--
	33668-90	SHIFT LEVER (chrome)	--	--	91*-BJ	--
43	33709-82	SHAFT	91*-ALL	--	--	--
44	33713-85	BUSHING, shifter bracket (2)	91*-ALL	--	--	--
45	33714-90	BUSHING (2)	--	--	91*-ALL	--
46	33715-85	LEVER, shifter rod	91*-ALL	91*-ALL	91*-ALL	91*-ALL
47	33718-82	LEVER	91*-ALL	--	--	--
48	33719-79A	SHIFTER ROD	91*-ALL	--	--	--
49	33728-82A	BALL JOINT	--	91*-ALL	--	--
50	33728-90	SHIFTER ROD	--	--	--	91*-ALL
51	33729-82	BALL JOINT	--	--	91*-ALL	--
52	33871-85	END, shifter rod	--	--	91*-ALL	91*-ALL
53	33895-82	SHIFTER LEVER, (chrome) (2-BJ/M)	91*-ALL	--	91*-BJ/M	--
54	34082-79	PIN, shifter shaft lever	91*-ALL	91*-ALL	91*-ALL	91*-ALL
55	34083-79	SPRING, shifter shaft lever	91*-ALL	91*-ALL	91*-ALL	91*-ALL
56	34084-86	LEVER, shifter shaft w/#54 & 55	91*-ALL	91*-ALL	91*-ALL	91*-ALL
57	34085-79A	CAM FOLLOWER	91*-ALL	91*-ALL	91*-ALL	91*-ALL
58	34086-79	PAWL, shifter cam	91*-ALL	91*-ALL	91*-ALL	91*-ALL
59	34087-79	SPRING, shifter shaft	91*-ALL	91*-ALL	91*-ALL	91*-ALL
60	34088-87	SHAFT, shifter fork	91*-ALL	91*-ALL	91*-ALL	91*-ALL
61	34089-79	SPRING	91*-ALL	91*-ALL	91*-ALL	91*-ALL
62	34191-79C	SHIFTER FORK	91*-ALL	91*-ALL	91*-ALL	91*-ALL
63	34193-79C	SHIFTER FORK	91*-ALL	91*-ALL	91*-ALL	91*-ALL
64	34195-79C	SHIFTER FORK	91*-ALL	91*-ALL	91*-ALL	91*-ALL
65	34561-84	SLEEVE LOCATOR PLATE	--	91*-ALL	--	91*-ALL
66	34564-90A	SHIFT LEVER (chrome)	--	--	91*-BK/L	91*-ALL
67	34599-81	LEVER, shifter	--	91*-ALL	--	--
68	34611-65	PEG, shift lever (2-FLT, BJ/M)	91*-ALL	91*-ALL	91*-ALL	91*-ALL
69	34621-84	SHIFT LEVER	--	91*-ALL	--	--
	34621-90	SHIFT LEVER	--	--	--	91*-ALL
70	34632-84	SLEEVE, shift lever	-	91*-ALL	--	91*-ALL
71	35068-79	PLATE	91*-ALL	91*-ALL	91*-ALL	91*-ALL

**H-D INTERNATIONAL ONLY**

14270-92	DECAL, shift pattern (Japan only)	92*-ALL	92*-ALL	92*-ALL	92*-ALL
----------	-----------------------------------	---------	---------	---------	---------

FLT MODELS		FXR MODELS		SOFTAIL MODELS		DYNA MODEL	
FLTC	DB	FXR	EA	FLSTC	BJ	FXDB-D	GA
FLHTC	DJ	FXRS	EB	FXSTC	BK	FXDB-S	GB
FLTC-U	DM	FXRT	EC	FXSTS	BL	FXDC	GC
FLHTC-U	DP	FXRS-SP	EG	FLSTF	BM		
FLHS	FA	FXLR	EL				
		FXRS-CON	EM				

# TRANSMISSION HOUSING



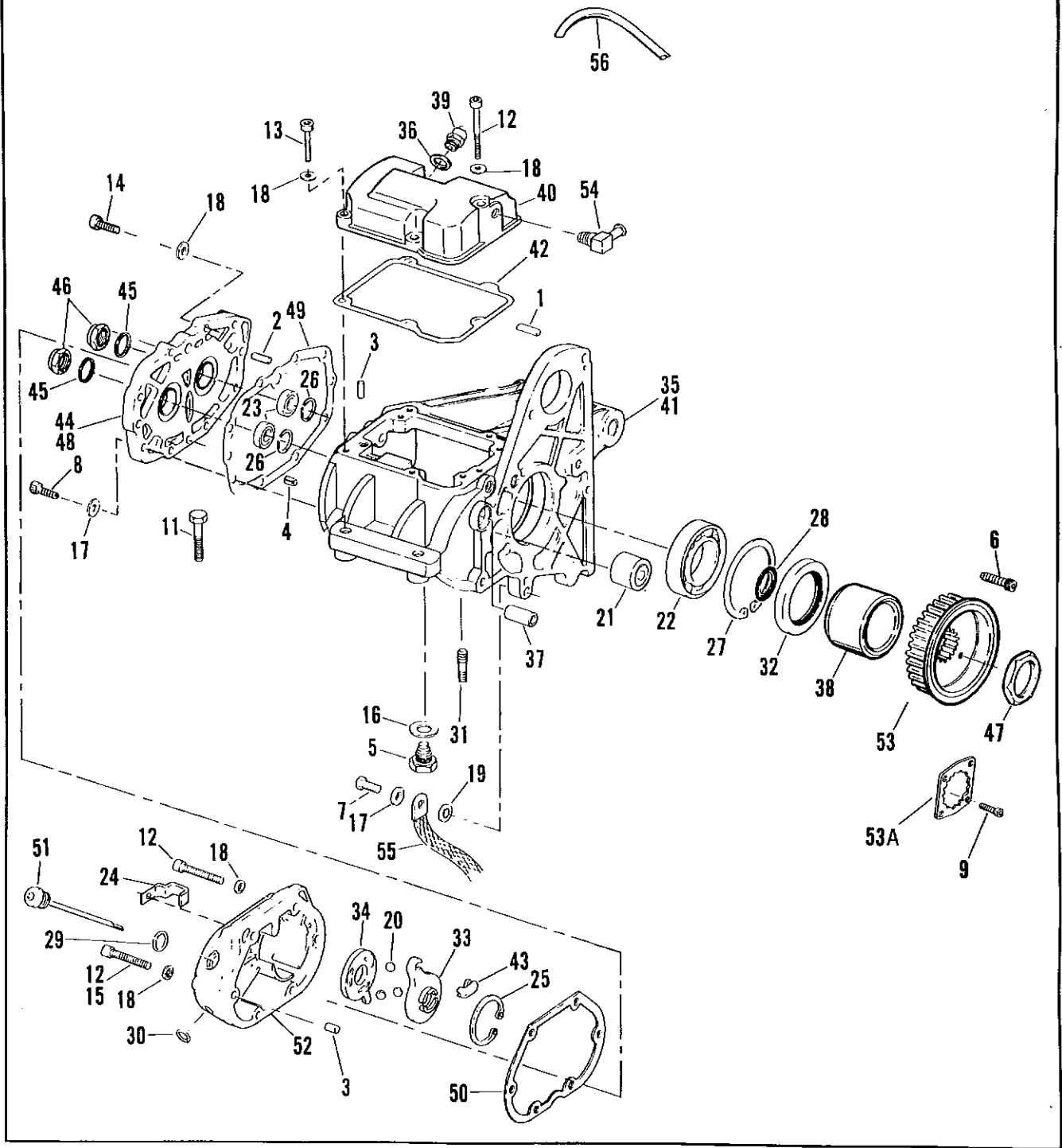
# TRANSMISSION HOUSING

FA13-1

INDEX NO.	PART NO.	NAME	FLT MODELS	FXR MODELS	SOFTAIL MODELS	DYNA MODEL
1	337	DOWEL PIN	91*-ALL	91*-ALL	91*-ALL	--
2	375	DOWEL PIN	91*-ALL	91*-ALL	91*-ALL	--
3	609	PIN (6)	91*-ALL	91*-ALL	91*-ALL	91*-ALL
4	634	PIN	91*-ALL	91*-ALL	91*-ALL	91*-ALL
5	722	PLUG	91*-ALL	91*-ALL	--	--
6	857	SCREW	91*-ALL	91*-ALL	91*-ALL	91-ALL
7	2871W	BOLT	91*-ALL	91*-ALL	--	--
8	3210A	SCREW (4)	91*-ALL	91*-ALL	91*-ALL	91*-ALL
9	3794	SCREW (2)	92*-ALL	92*-ALL	92*-ALL	92*-ALL
11	3528	BOLT (2)	91*-ALL	91*-ALL	--	--
12	4717	SCREW (7; 5-Softail)	91*-ALL	91*-ALL	91*-ALL	--
13	4741A	SCREW (4)	91*-ALL	91*-ALL	91*-ALL	--
14	4814	SCREW (2)	91*-ALL	91*-ALL	91*-ALL	91*-ALL
15	4825A	SCREW (2)	--	--	91*-ALL	--
16	6007	WASHER (nylon)	91*-ALL	91*-ALL	--	--
17	6016	WASHER (4; 5 - GB)	91*-ALL	91*-ALL	91*-ALL	91*-ALL
18	6099	WASHER (3; 8 - GB)	E91*-ALL	E91*-ALL	E91*-ALL	E91*-ALL
19	7100	LOCKWASHER	91*-ALL	91*-ALL	--	--
	7127	LOCKWASHER	91*-ALL	91*-ALL	91*-ALL	--
20	8873	BALL (3)	91*-ALL	91*-ALL	91*-ALL	91*-ALL
21	8977	NEEDLE BEARING	91*-ALL	91*-ALL	91*-ALL	--
22	8996	BALL BEARING, mainshaft - left side	91*-ALL	91*-ALL	91*-ALL	--
23	8998	BALL BEARING (2)	91*-ALL	91*-ALL	91*-ALL	91*-ALL
24	10084	CLAMP	--	91*-ALL	--	--
25	10998	RETAINING RING	91*-ALL	91*-ALL	91*-ALL	91*-ALL
26	11020	RETAINING RING, bearing (2)	91*-ALL	91*-ALL	91*-ALL	91*-ALL
27	11161	RETAINING RING, ball bearing	91*-ALL	91*-ALL	91*-ALL	--
28	11165	QUAD SEAL, ball bearing	91*-ALL	91*-ALL	91*-ALL	91*-ALL
29	11178	O-RING, filler plug	91*-ALL	91*-ALL	91*-ALL	91*-ALL
30	11179	O-RING, clutch cable	91*-ALL	91*-ALL	91*-ALL	91*-ALL
31	11733	STUD (5)	--	--	91*-ALL	--
32	12050	OIL SEAL, mainshaft - left side	91*-ALL	91*-ALL	91*-ALL	--
33	25452-87A	INNER RAMP	--	--	--	91*-ALL
34	25453-87	OUTER RAMP	91*-ALL	91*-ALL	91*-ALL	--
35	33006-91	TRANSMISSION (C & BW)	--	--	91-ALL	--
	33006-92	TRANSMISSION (C & BW)	--	--	92*-ALL	--
	33013-91	TRANSMISSION (C & BW)	91-DB/J/ M/P	--	--	--
	33013-92	TRANSMISSION (C & BW)	92*-DJ/M/P	--	--	--
	33017-91	TRANSMISSION	91-FA	--	--	--
	33017-92	TRANSMISSION	92*-FA	--	--	--
	33021-91	TRANSMISSION (C & BW)	--	91-EB/C/M	--	--
	33021-92	TRANSMISSION (C & BW)	--	92*-EB/C/M	--	--
	33022-91	TRANSMISSION	--	91-EA	--	--
	33022-92	TRANSMISSION	--	92*-EA	--	--
	33024-91	TRANSMISSION (C & BW)	--	91-EL	--	--
	33024-92	TRANSMISSION (C & BW)	--	92*-EL	--	--

FLT MODELS		FXR MODELS		SOFTAIL MODELS		DYNA MODEL	
FLTC	DB	FXR	EA	FLSTC	BJ	FXDB-D	GA
FLHTC	DJ	FXRS	EB	FXSTC	BK	FXDB-S	GB
FLTC-U	DM	FXRT	EC	FXSTS	BL	FXDC	GC
FLHTC-U	DP	FXRS-SP	EG	FLSTF	BM		
FLHS	FA	FXLR	EL				
		FXRS-CON	EM				

# TRANSMISSION HOUSING



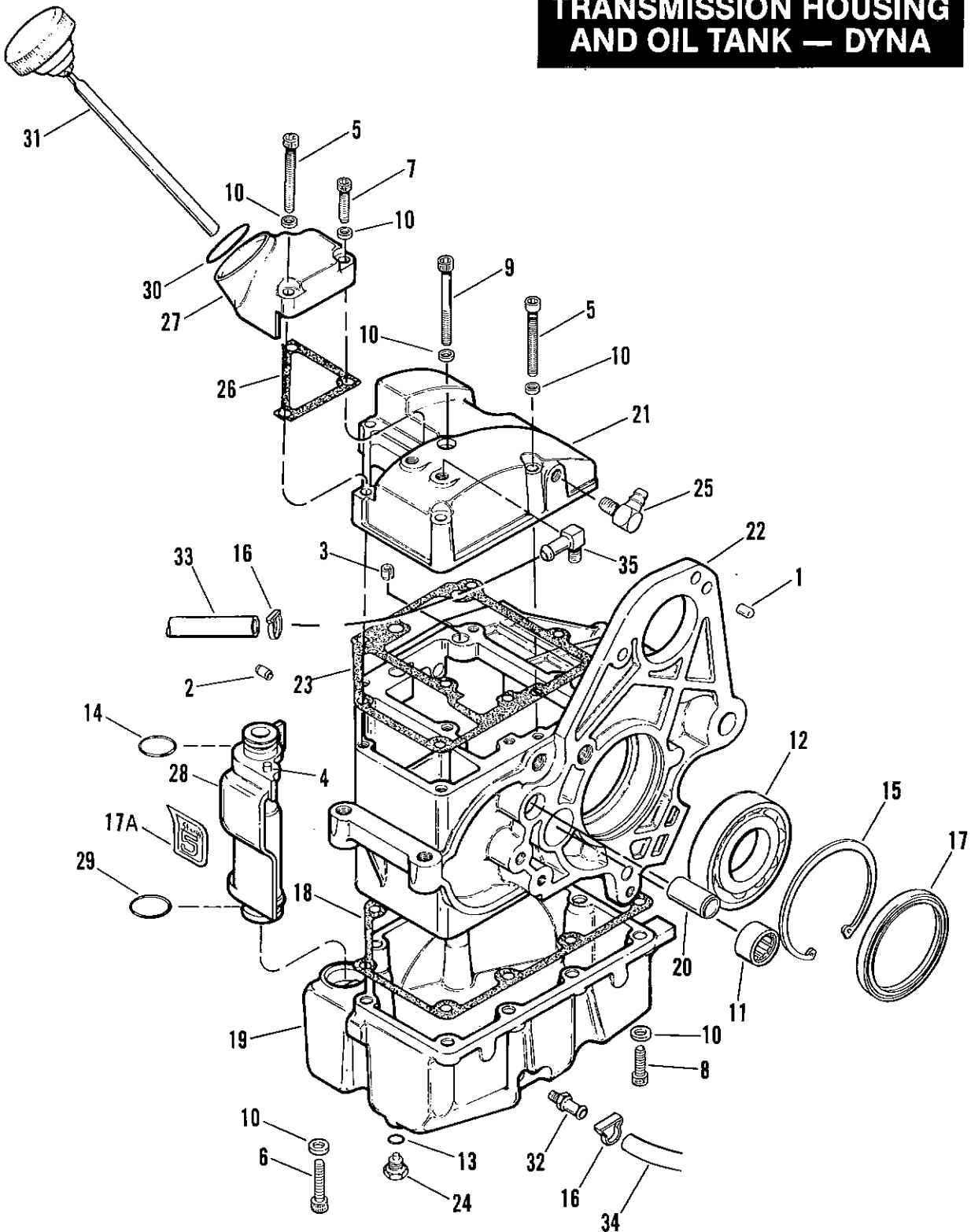
# TRANSMISSION HOUSING (CONT'D)

FA13-2

INDEX NO.	PART NO.	NAME	FLT MODELS	FXR MODELS	SOFTAIL MODELS	DYNA MODEL
	33037-91	TRANSMISSION (C & BW)	--	91-EG	--	--
	33037-92	TRANSMISSION (C & BW)	--	92*-EG	--	--
	33038-92	TRANSMISSION (C & BW)	--	--	--	92*-GA
	33041-92	TRANSMISSION (chrome)	--	--	--	92*-GC
36	33043-80	WASHER, neutral indicator switch	91*-ALL	91*-ALL	91*-ALL	91*-ALL
37	33114-79	SPACER	91*-ALL	91*-ALL	91*-ALL	
38	33334-85	SPACER, sprocket	91*-ALL	91*-ALL	91*-ALL	91*-ALL
39	33900-59	SWITCH, neutral indicator	91*-ALL	91*-ALL	91*-ALL	91*-ALL
40	34464-86A	COVER, upper (polished)	91*-FA	91*-EA	--	--
	34468-86A	COVER, upper (chrome)	91*-DB/J/ M/P	91*-EB/C G/L/M	91*-ALL	--
41	34700-89A	HOUSING (black wrinkle)	91*-DB/J/ M/P	91*-EB/C G/L/M	--	--
	34730-89A	HOUSING	91*-FA	91*-EA	--	--
	34732-89	HOUSING (black wrinkle)	--	--	91*-ALL	--
42	34904-86	GASKET, upper cover	91*-ALL	91*-ALL	91*-ALL	--
43	34920-86	COUPLING	91*-ALL	91*-ALL	91*-ALL	91*-ALL
44	35074-90A	BEARING HOUSING (polished)	91*-FA	91*-EA	--	--
45	35076-79	SPACER (2)	91*-ALL	91*-ALL	91*-ALL	91*-ALL
46	35078-79	NUT, mainshaft & countershaft	91*-ALL	91*-ALL	91*-ALL	91*-ALL
47	35211-36	NUT, sprocket	91*-ALL	91*-ALL	91*-ALL	91*-ALL
48	35259-87B	BEARING HOUSING (black wrinkle)	--	--	91*-ALL	--
	35261-90A	BEARING HOUSING (black wrinkle)	91*-DB/J/ M/P	91*-EB/C/ G/L/M	--	91*-ALL
49	35652-79A	GASKET, bearing housing	91*-ALL	91*-ALL	91*-ALL	91*-ALL
50	36801-87	GASKET, right side cover	91*-ALL	91*-ALL	91*-ALL	91*-ALL
51	37071-87	FILLER PLUG, (polished)	91*-FA	91*-EAL	--	--
	37075-87	FILLER PLUG (chrome)	91*-DB/J M/P	91*-EB/C/ G/L/M	91*-ALL	91*-ALL
52	37081-87A	CLUTCH RELEASE COVER (polished)	91*-FA	--	--	--
	37103-87A	CLUTCH RELEASE COVER (polished)	--	91*-EA	--	--
	37105-87A	CLUTCH RELEASE COVER (chrome)	91*-DB/J/ M/P	--	91*-ALL	--
	37109-87A	CLUTCH RELEASE COVER (chrome)	--	91*-EB/C/ G/L/M	--	--
	37115-90A	CLUTCH RELEASE COVER (black)	--	--	--	91*-ALL
53	40210-85B	SPROCKET, 32T	91*-ALL	91*-ALL	91*-ALL	91*-ALL
53A	40251-92	LOCK PLATE	92*-ALL	92*-ALL	92*-ALL	92*-ALL
54	62375-57	FITTING, upper cover	91*-ALL	91*-ALL	91*-ALL	--
55	70186-82	GROUND STRAP	91*-ALL	91*-ALL	--	--
NOTE: Hose is sold only in bulk length under the following part number. Cut to length.						
56	63501-68	HOSE, 1/4 I.D. (rubber) (25 ft. lg.)	91*-ALL	91*-ALL	91*-ALL	--

FLT MODELS		FXR MODELS		SOFTAIL MODELS		DYNA MODEL	
FLTC	DB	FXR	EA	FLSTC	BJ	FXDB-D	GA
FLHTC	DJ	FXRS	EB	FXSTC	BK	FXDB-S	GB
FLTC-U	DM	FXRT	EC	FXSTS	BL	FXDC	GC
FLHTC-U	DP	FXRS-SP	EG	FLSTF	BM		
FLHS	FA	FXLR	EL				
		FXRS-CON	EM				

# TRANSMISSION HOUSING AND OIL TANK — DYNA



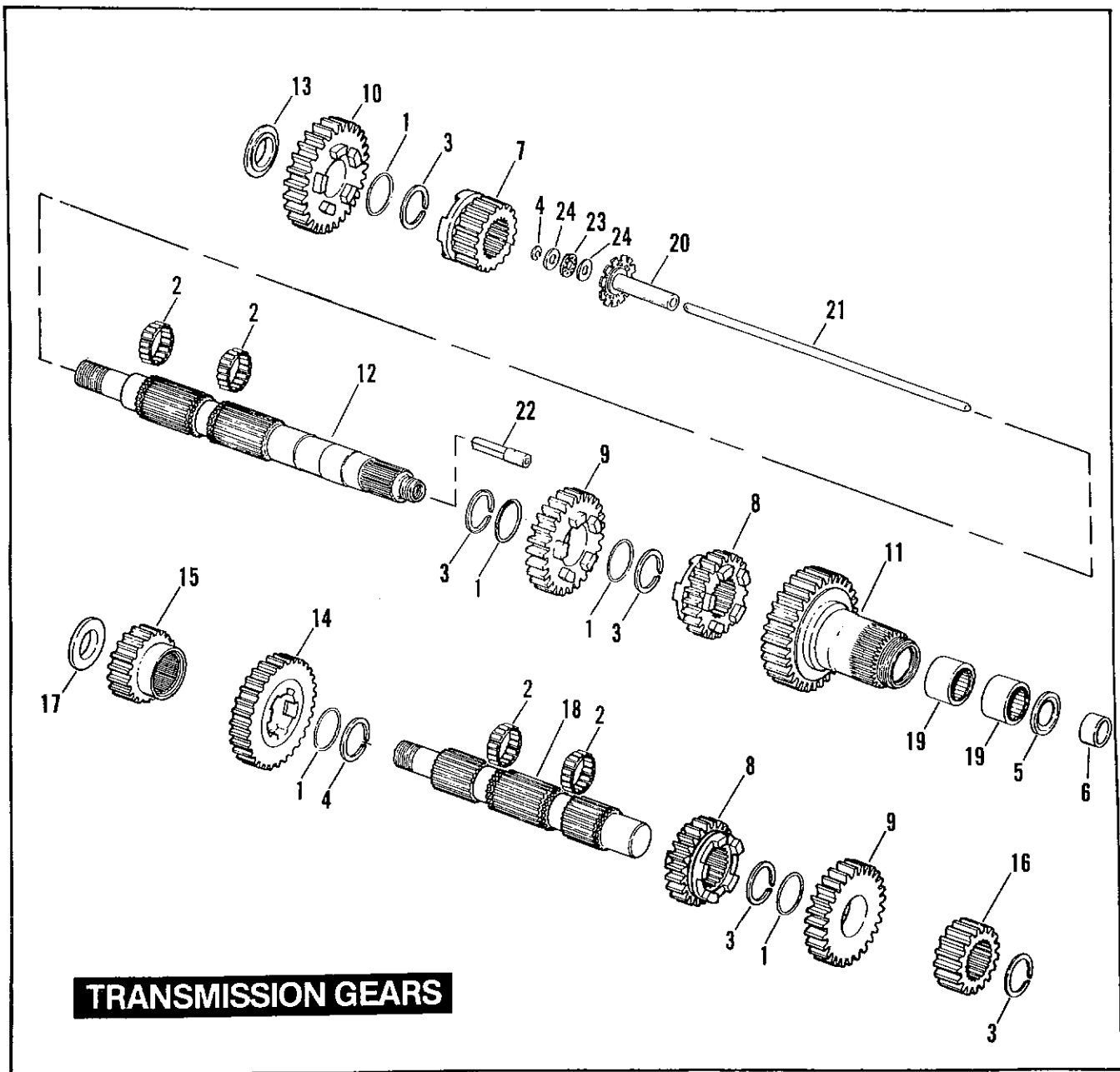


# TRANSMISSION HOUSING & OIL TANK

FA13A

INDEX NO.	PART NO.	NAME	FLT MODELS	FXR MODELS	SOFTAIL MODELS	DYNA MODEL
1	337	DOWEL PIN	--	--	--	91*-ALL
2	375	DOWEL PIN	--	--	--	91*-ALL
3	609	PIN, pillow block (2)	--	--	--	91*-ALL
4	631	ROLL PIN	--	--	--	91*-ALL
5	4717	SCREW (4)	--	--	--	91*-ALL
6	4718A	SCREW (2)	--	--	--	91*-ALL
7	4740A	SCREW	--	--	--	91*-ALL
8	4741A	SCREW (11)	--	--	--	91*-ALL
9	4822A	SCREW	--	--	--	91*-ALL
10	6099	WASHER (13)	--	--	--	91*-ALL
11	8977	BEARING	--	--	--	91*-ALL
12	8996	BEARING	--	--	--	91*-ALL
13	11105	O-RING (2)	--	--	--	91*-ALL
14	11132	O-RING	--	--	--	91*-ALL
15	11161	RETAINING RING	--	--	--	91*-ALL
16	10080	CLAMP, hose (5)	--	--	--	91*-ALL
17	12050	OIL SEAL	--	--	--	91*-ALL
17A	14256-90	DECAL, dipstick cover (Sturgis)	--	--	--	91-GB
	14263-91	DECAL, dipstick cover (black)	--	--	--	92*-GA
	14268-92	DECAL, dipstick cover (silver)	--	--	--	92*-GC
18	26072-90	GASKET, oil pan	--	--	--	91*-GB
19	26074-90	OIL PAN, (black wrinkle)	--	--	--	91*-GB
	33038-92	TRANSMISSION	--	--	--	92*-GA
	33040-91	TRANSMISSION	--	--	--	91-GB
	33041-92	TRANSMISSION	--	--	--	92*-GC
20	33114-79	SPACER	--	--	--	91*-GB
21	34460-90	COVER, upper (black)	--	--	--	91-GB
	34469-90	COVER, upper	--	--	--	92*-ALL
22	34746-91A	HOUSING	--	--	--	92*-GC
	34747-90A	HOUSING, (black wrinkle)	--	--	--	91-GB;92*-GA
23	34917-90	GASKET, transmission cover	--	--	--	91*-ALL
24	60348-65A	MAGNETIC PLUG (2)	--	--	--	91*-ALL
25	62375-57	FITTING, elbow	--	--	--	91*-ALL
26	62423-90	GASKET, oil spout	--	--	--	91*-ALL
27	62421-90	SPOUT, oil fill (chrome)	--	--	--	92*-ALL
	62425-90	SPOUT, oil fill (black)	--	--	--	91-GB
28	62647-90	DIPSTICK COVER	--	--	--	92*-GC
	62649-90	DIPSTICK COVER	--	--	--	91-GB;92*-GA
29	62672-90	O-RING	--	--	--	91*-ALL
30	62673-90	O-RING	--	--	--	91*-ALL
31	62679-90	FILLER CAP	--	--	--	91-GB
	62681-92	FILLER CAP	--	--	--	92*-ALL
32	63533-41	FITTING, oil hose	--	--	--	91*-GB
33	63534-90	HOSE, crankcase to tank vent	--	--	--	91*-GB
34	63535-90	HOSE, oil pan to pump (feed)	--	--	--	91*-GB
35	63554-90	FITTING, elbow (2)	--	--	--	91*-GB

FLT MODELS	FXR MODELS	SOFTAIL MODELS	DYNA MODEL
FLTC DB	FXR EA	FLSTC BJ	FXDB-D GA
FLHTC DJ	FXRS EB	FXSTC BK	FXDB-S GB
FLTC-U DM	FXRT EC	FXSTS BL	FXDC GC
FLHTC-U DP	FXRS-SP EG	FLSTF BM	
FLHS FA	FXLR EL		
	FXRS-CON EM		



# TRANSMISSION GEARS

FA14

INDEX NO.	PART NO.	NAME	FLT MODELS	FXR MODELS	SOFTAIL MODELS	DYNA MODEL
1	6003	THRUST WASHER (5)	91*-ALL	91*-ALL	91*-ALL	91*-ALL
2	8876A	BEARING (4)	91*-ALL	91*-ALL	91*-ALL	91*-ALL
3	11067	RETAINING RING (6)	91*-ALL	91*-ALL	91*-ALL	91*-ALL
4	11096	RETAINING RING	91*-ALL	91*-ALL	91*-ALL	91*-ALL
5	12035	OIL SEAL, mainshaft fifth gear	91*-ALL	91*-ALL	91*-ALL	91*-ALL
6	34091-85	BEARING, inner race	91*-ALL	91*-ALL	91*-ALL	91*-ALL
7	35025-79	FIRST GEAR, mainshaft	91*-ALL	91*-ALL	91*-ALL	91*-ALL
8	35026-79A	GEAR, mainshaft 2nd & countershaft 3rd (2)	91*-ALL	91*-ALL	91*-ALL	91*-ALL
9	35027-79A	GEAR, mainshaft 3rd & countershaft 2nd (2)	91*-ALL	91*-ALL	91*-ALL	91*-ALL
10	35028-79	FOURTH GEAR, mainshaft	91*-ALL	91*-ALL	91*-ALL	91*-ALL
11	35029-91	FIFTH GEAR, mainshaft	91*-ALL	91*-ALL	91*-ALL	91*-ALL
12	35042-91	MAINSHAFT	91*-ALL	91*-ALL	91*-ALL	91*-ALL
13	35064-79	SPACER, mainshaft	91*-ALL	91*-ALL	91*-ALL	91*-ALL
14	35622-79B	FIRST GEAR, countershaft	91*-ALL	91*-ALL	91*-ALL	91*-ALL
15	35625-79A	FOURTH GEAR, countershaft	91*-ALL	91*-ALL	91*-ALL	91*-ALL
16	35626-79A	FIFTH GEAR, countershaft	91*-ALL	91*-ALL	91*-ALL	91*-ALL
17	35629-79	SPACER	91*-ALL	91*-ALL	91*-ALL	91*-ALL
18	35632-79	COUNTERSHAFT	91*-ALL	91*-ALL	91*-ALL	91*-ALL
19	35051-89	NEEDLE BEARING (2)	91*-ALL	91*-ALL	91*-ALL	91*-ALL
20	37069-90	PUSH ROD END	91*-ALL	91*-ALL	91*-ALL	91*-ALL
21	37088-90	PUSH ROD, clutch release (through mainshaft)	91*-ALL	91*-ALL	91*-ALL	91*-ALL
22	37090-84A	END, clutch push rod - left side	91*-ALL	91*-ALL	91*-ALL	91*-ALL
23	37312-75	BEARING	91*-ALL	91*-ALL	91*-ALL	91*-ALL
24	37313-80	THRUST WASHER (2)	91*-ALL	91*-ALL	91*-ALL	91*-ALL

**FLT MODELS**

FLTC DB  
 FLHTC DJ  
 FLTC-U DM  
 FLHTC-U DP  
 FLHS FA

**FXR MODELS**

FXR EA  
 FXRS EB  
 FXRT EC  
 FXRS-SP EG  
 FXLR EL  
 FXRS-CON EM

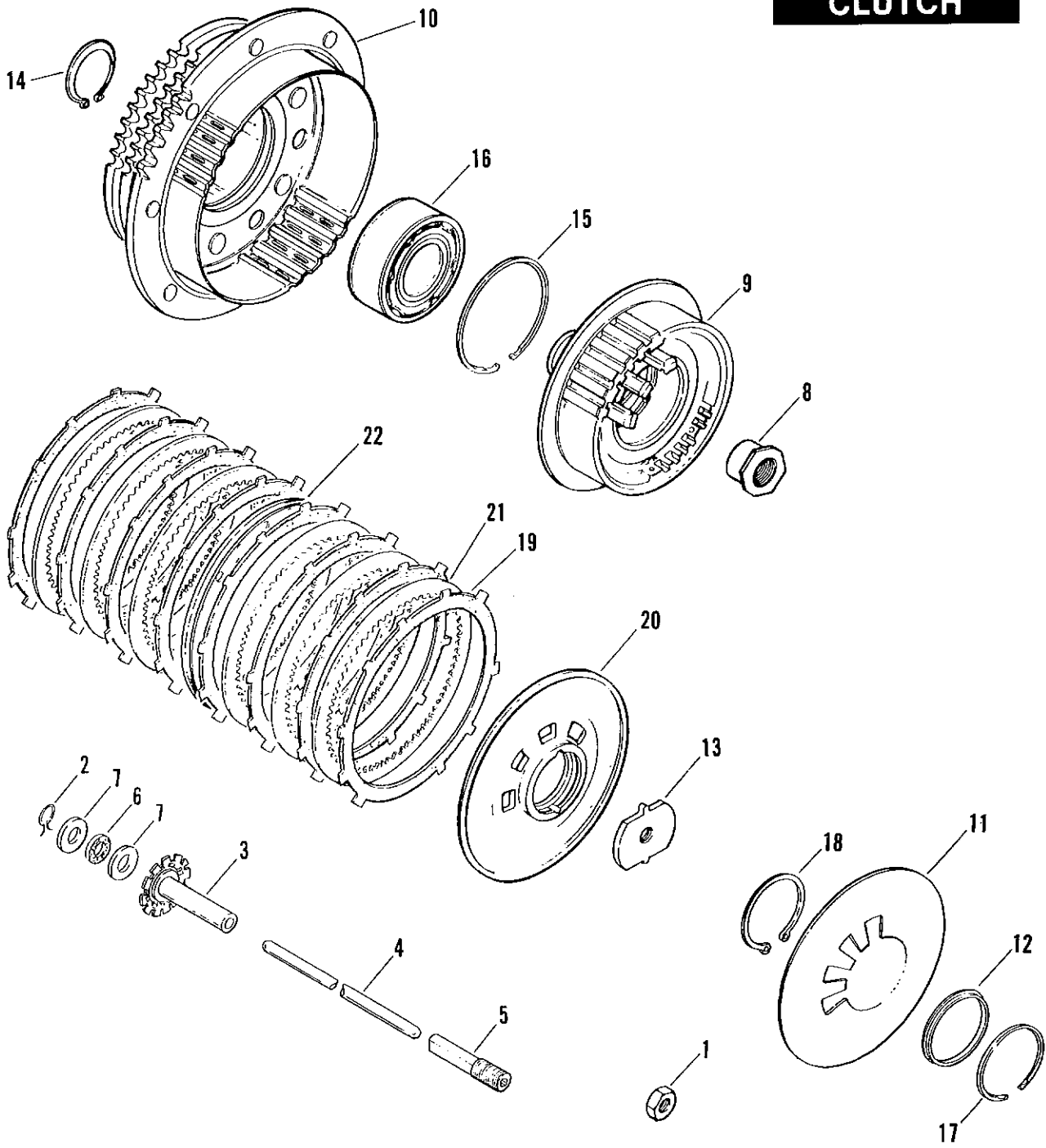
**SOFTAIL MODELS**

FLSTC BJ  
 FXSTC BK  
 FXSTS BL  
 FLSTF BM

**DYNA MODEL**

FXDB-D GA  
 FXDB-S GB  
 FXDC GC

# CLUTCH



# CLUTCH

INDEX NO.	PART NO.	NAME	FLT MODELS	FXR MODELS	SOFTAIL MODELS	DYNA MODEL
1	7848W	LOCKNUT	91*-ALL	91*-ALL	91*-ALL	91*-ALL
2	11096	RETAINING RING	91*-ALL	91*-ALL	91*-ALL	91*-ALL
3	37069-90	PUSH ROD END	91*-ALL	91*-ALL	91*-ALL	91*-ALL
4	37088-90	PUSH ROD, clutch release	91*-ALL	91*-ALL	91*-ALL	91*-ALL
5	37090-84A	END, push rod - left	91*-ALL	91*-ALL	91*-ALL	91*-ALL
6	37312-75	BEARING, push rod	91*-ALL	91*-ALL	91*-ALL	91*-ALL
7	37313-80	THRUST WASHER (2)	91*-ALL	91*-ALL	91*-ALL	91*-ALL
8	37496-90	NUT, mainshaft	91*-ALL	91*-ALL	91*-ALL	91*-ALL
9	37550-90A	CLUTCH HUB	91*-ALL	91*-ALL	91*-ALL	91*-ALL
10	37707-90	SHELL & SPROCKET W/RING GEAR	91*-ALL	91*-ALL	91*-ALL	91*-ALL
11	37871-90	SPRING, diaphragm	91*-ALL	91*-ALL	91*-ALL	91*-ALL
12	37872-90	SEAT, clutch spring	91*-ALL	91*-ALL	91*-ALL	91*-ALL
13	37903-90	RELEASE PLATE	91*-ALL	91*-ALL	91*-ALL	91*-ALL
14	37904-90	RETAINING RING, external	91*-ALL	91*-ALL	91*-ALL	91*-ALL
15	37905-90	RETAINING RING, internal	91*-ALL	91*-ALL	91*-ALL	91*-ALL
16	37906-90	BEARING, ball - double row	91*-ALL	91*-ALL	91*-ALL	91*-ALL
17	37908-90	RETAINING RING, internal	91*-ALL	91*-ALL	91*-ALL	91*-ALL
18	37909-90	RETAINING RING, internal	91*-ALL	91*-ALL	91*-ALL	91*-ALL
19	37911-90	FRICTION PLATE (paper) (Set of 8)	91*-ALL	91*-ALL	91*-ALL	91*-ALL
20	37912-91	PRESSURE PLATE	91*-ALL	91*-ALL	91*-ALL	91*-ALL
21	37913-90	STEEL PLATE (smooth) (6)	91*-ALL	91*-ALL	91*-ALL	91*-ALL
	37971-90	CLUTCH PLATE KIT w/#19, 21 & 22	91*-ALL	91*-ALL	91*-ALL	91*-ALL
22	37977-90	SPRING PLATE (smooth)	91*-ALL	91*-ALL	91*-ALL	91*-ALL

**FLT MODELS**

FLTC DB  
 FLHTC DJ  
 FLTC-U DM  
 FLHTC-U DP  
 FLHS FA

**FXR MODELS**

FXR EA  
 FXRS EB  
 FXRT EC  
 FXRS-SP EG  
 FXLR EL  
 FXRS-CON EM

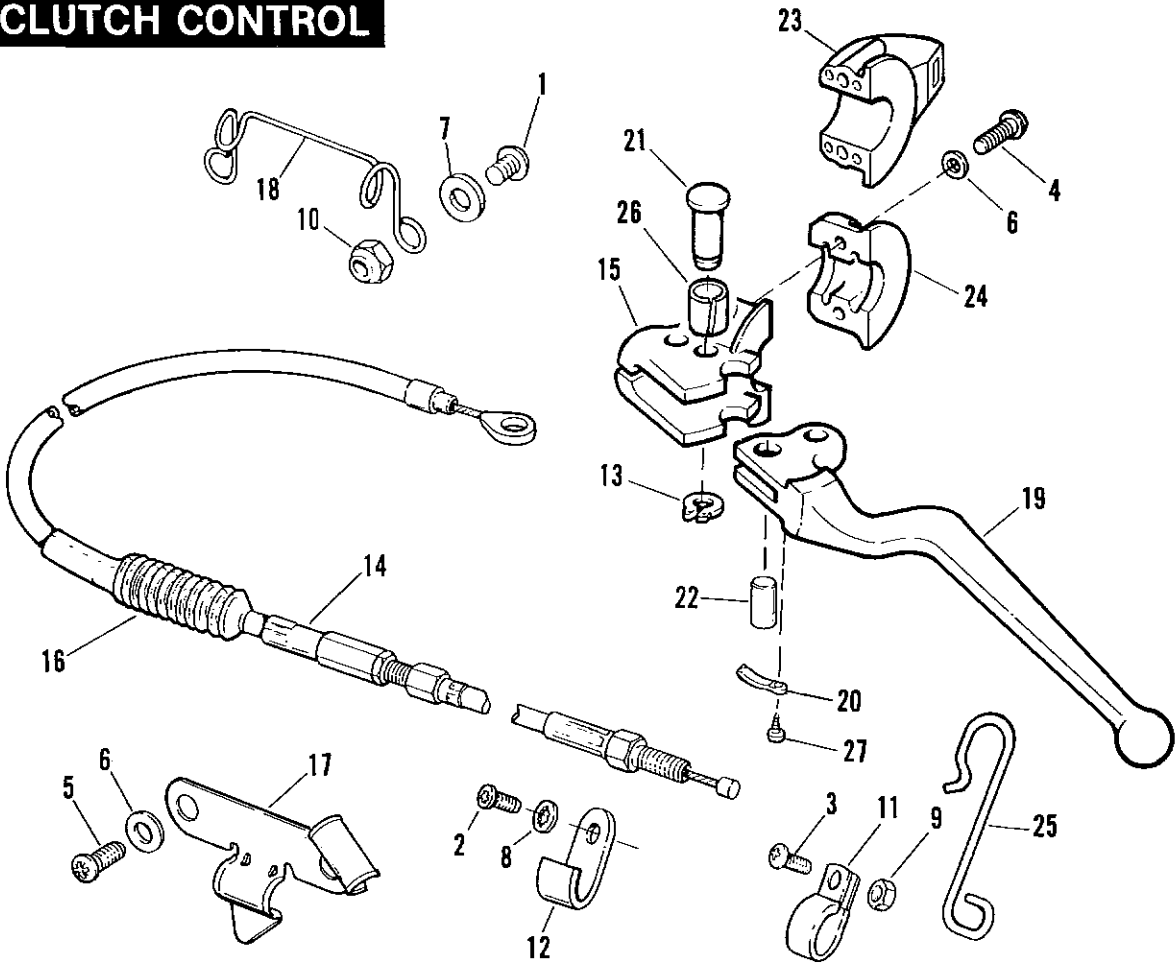
**SOFTAIL MODELS**

FLSTC BJ  
 FXSTC BK  
 FXSTS BL  
 FLSTF BM

**DYNA MODEL**

FXDB-D GA  
 FXDB-S GB  
 FXDC GC

# CLUTCH CONTROL



# CLUTCH CONTROL

FA16

INDEX NO.	PART NO.	NAME	FLT MODELS	FXR MODELS	SOFTAIL MODELS	DYNA MODEL
1	2417	SCREW (2)	91*-DB/M	--	--	--
2	2585	SCREW	--	--	91*-ALL	--
3	2665	SCREW	--	91*-ALL	--	--
4	4015	SCREW (2)	91*-DB/J,FA	91*-ALL	91*-ALL	91*-ALL
	4033	SCREW (2)	91*-DM/P	--	--	--
5	4740A	SCREW (2)	91*-ALL	--	--	--
6	6099	WASHER (2)	91*-ALL	91*-ALL	91*-ALL	91*-ALL
7	6703	WASHER (2)	91*-DB/M	--	--	--
8	7115	LOCKWASHER	--	--	91*-ALL	--
9	7624	LOCKNUT	--	91*-ALL	--	--
10	7682	LOCKNUT (2)	91*-DB/M	--	--	--
11	9990W	CLAMP	91*-FA	--	--	--
	10059A	CLAMP	--	91*-ALL	--	--
12	10088	CLAMP	--	--	91*-ALL	--
13	11143	RETAINING RING	91*-ALL	91*-ALL	91*-ALL	91*-ALL
14	36753-87A	CABLE, clutch control	--	91*-EL	--	--
	36755-87A	CABLE, clutch control	--	91*-EG	--	--
	38601-89	CABLE, clutch control	91*-ALL	--	--	--
	38602-92	CABLE, clutch control	--	--	--	92*-ALL
	38604-90A	CABLE, clutch control	--	--	--	91-GB
	38606-87A	CABLE, clutch control	--	91*-EA/B/ C/M	--	--
	38607-87A	CABLE, clutch control	--	--	91*-ALL	--
15	38608-82B	BRACKET, hand lever	91*-ALL	91*-ALL	91*-ALL	91*-ALL
16	38630-88	BOOT, clutch cable	91*-ALL	91*-ALL	91*-ALL	92*-ALL
17	38713-87A	CLAMP, clutch cable	91*-ALL	--	--	--
18	38715-85	CLIP	91*-DB/M	--	--	--
19	45017-88A	HAND LEVER	91*-ALL	91*-ALL	91*-ALL	91*-ALL
20	45021-86	SPRING, anti-rattle	91*-ALL	91*-ALL	91*-ALL	91*-ALL
21	45032-82	PIN, hand lever pivot	91*-ALL	91*-ALL	91*-ALL	91*-ALL
22	45036-88	ANCHOR PIN	91*-ALL	91*-ALL	91*-ALL	91*-ALL
23	45043-89	CLAMP w/switch housing	91*-DM/P	--	--	--
24	45044-82	CLAMP, lever bracket	91*-DB/J,FA	91*-ALL	91*-ALL	91*-ALL
25	45090-92	GUIDE, clutch cable	--	92*-ALL	--	92*-ALL
26	45423-92	BUSHING	92*-ALL	92*-ALL	92*-ALL	92*-ALL
27	90770-79	SCREW	91*-ALL	91*-ALL	91*-ALL	91*-ALL

**FLT MODELS**

FLTC DB  
 FLHTC DJ  
 FLTC-U DM  
 FLHTC-U DP  
 FLHS FA

**FXR MODELS**

FXR EA  
 FXRS EB  
 FXRT EC  
 FXRS-SP EG  
 FXLR EL  
 FXRS-CON EM

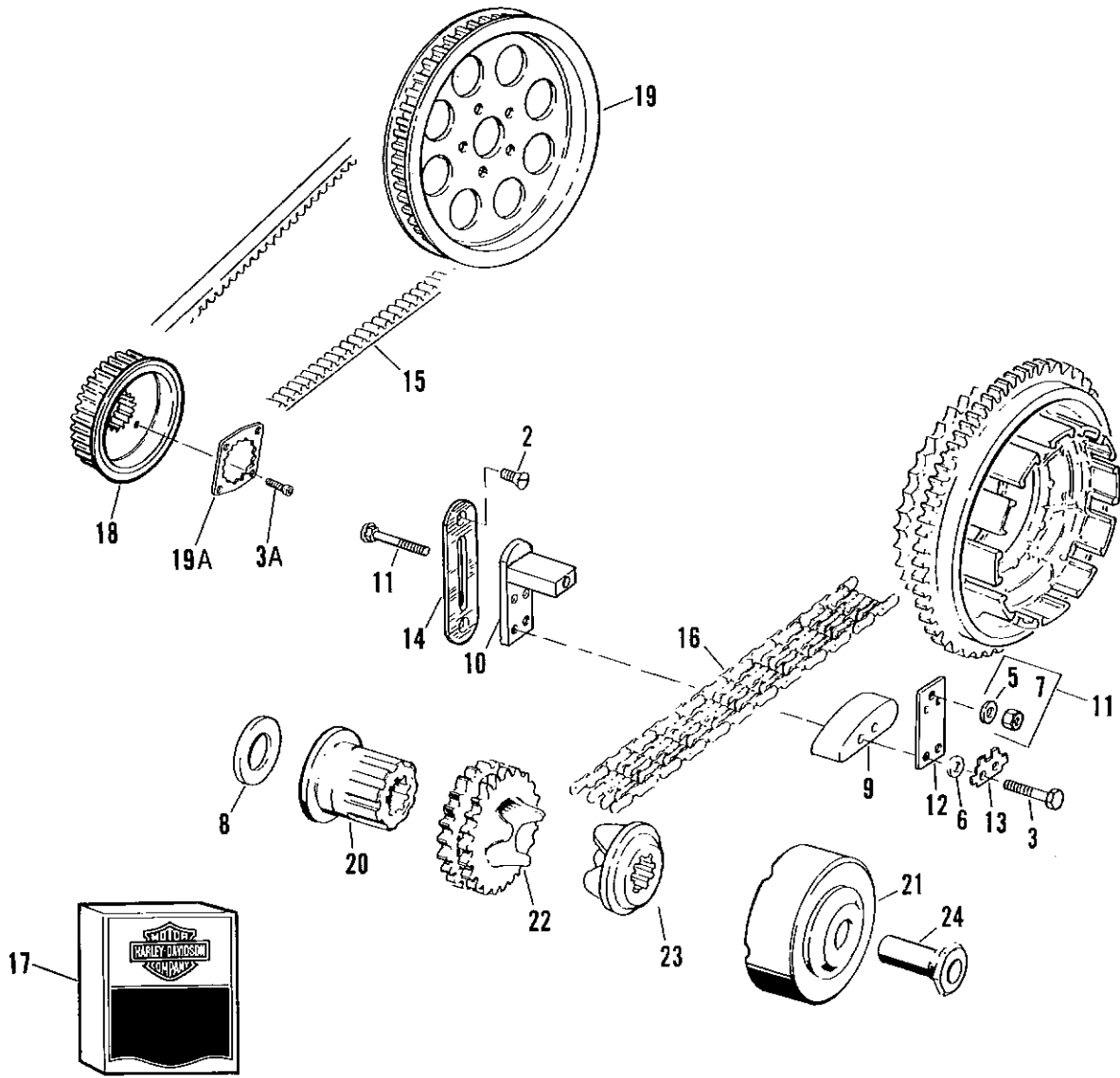
**SOFTAIL MODELS**

FLSTC BJ  
 FXSTC BK  
 FXSTS BL  
 FLSTF BM

**DYNA MODEL**

FXDB-D GA  
 FXDB-S GB  
 FXDC GC

# BELTS, CHAINS & SPROCKETS

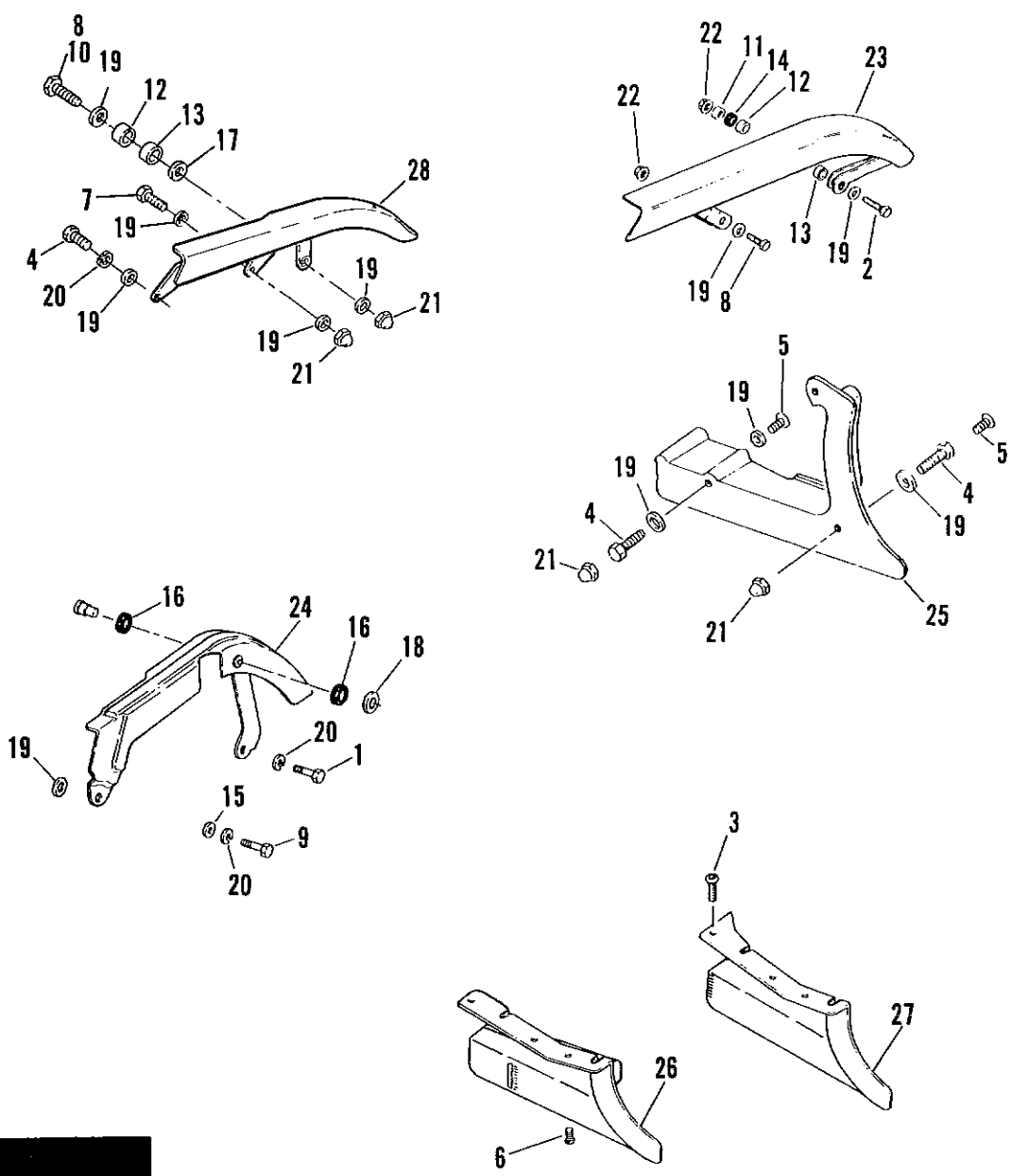




**BELTS, CHAINS AND SPROCKETS**

INDEX NO.	PART NO.	NAME	FLT MODELS	FXR MODELS	SOFTAIL MODELS	DYNA MODEL
1	857A	SCREW	91-ALL	91-ALL	91-ALL	91-GB
2	1783	SCREW (2)	91*-ALL	91*-ALL	91*-ALL	91*-ALL
3	2614	BOLT (2)	91*-ALL	91*-ALL	91*-ALL	91*-ALL
3A	3594	SCREW (2)	92*-ALL	92*-ALL	92*-ALL	92*-ALL
4	5444	BOLT	91*-ALL	91*-ALL	91*-ALL	91*-ALL
5	6400HB	WASHER	91*-ALL	91*-ALL	91*-ALL	91*-ALL
6	6703	WASHER (2)	91*-ALL	91*-ALL	91*-ALL	91*-ALL
7	7778	NUT	91*-ALL	91*-ALL	91*-ALL	91*-ALL
8	24032-70	SPACER, sprkt. sft. - 0.06 thk.	91*-ALL	91*-ALL	91*-ALL	91*-ALL
	24033-70	SPACER, sprkt. sft. - 0.09 thk.	91*-ALL	91*-ALL	91*-ALL	91*-ALL
	24034-70	SPACER, sprkt. sft. - 0.12 thk.	91*-ALL	91*-ALL	91*-ALL	91*-ALL
	24035-70	SPACER, sprkt. sft. - 0.15 thk.	91*-ALL	91*-ALL	91*-ALL	91*-ALL
	24036-70	SPACER, sprkt. sft. - 0.18 thk.	91*-ALL	91*-ALL	91*-ALL	91*-ALL
	24037-70	SPACER, sprkt. sft. - 0.21 thk.	91*-ALL	91*-ALL	91*-ALL	91*-ALL
	35850-84	SPACER, sprkt. sft. - 0.01 thk. (as req'd)	91*-ALL	91*-ALL	91*-ALL	91*-ALL
	35851-84	SPACER, sprkt. sft. - 0.02 thk. (as req'd)	91*-ALL	91*-ALL	91*-ALL	91*-ALL
	35852-84	SPACER, sprkt. sft. - 0.03 thk. (as req'd)	91*-ALL	91*-ALL	91*-ALL	91*-ALL
9	39976-65B	PAD, chain tensioner	91*-ALL	91*-ALL	91*-ALL	91*-ALL
10	39990-65	CHAIN TENSIONER	91*-ALL	91*-ALL	91*-ALL	91*-ALL
11	39992-65C	CHAIN TENSIONER MTG. KIT, w/#4, 5 & 7	91*-ALL	91*-ALL	91*-ALL	91*-ALL
12	39993-65	PLATE, chain tensioner	91*-ALL	91*-ALL	91*-ALL	91*-ALL
13	39996-65	LOCKWASHER, chain tensioner plate	91*-ALL	91*-ALL	91*-ALL	91*-ALL
14	39998-65	ANCHOR PLATE, chain tensioner	91*-ALL	91*-ALL	91*-ALL	91*-ALL
15	40001-85	REAR BELT - 136 T	91*-ALL	91*-ALL	--	--
	40015-90	REAR BELT - 133 T	--	--	--	91*-ALL
	40023-86	REAR BELT - 132 T	--	--	91*-ALL	--
16	40007-36A	PRIMARY CHAIN	--	--	91*-ALL	91*-ALL
	40037-79	PRIMARY CHAIN	91*-ALL	91*-ALL	--	--
17	40100-85	REPAIR KIT, belt drive - 136 T	91*-ALL	91*-ALL	--	--
	40109-86	REPAIR KIT, belt drive - 132 T	--	--	91*-ALL	--
18	40210-85B	SPROCKET, 32 T - belt	91-ALL	91-ALL	91-ALL	91-GB
	40250-92	SPROCKET, 32 T - belt	92*-ALL	92*-ALL	92*-ALL	92*-ALL
	40210-85C	SPROCKET KIT w/# 3A, 18, 19A & 24	91-ALL	91-ALL	91-ALL	91-GB
19	40221-85A	SPROCKET, rear, 70 T - belt (silver)	91*-ALL	91*-ALL	91*-ALL	91*-ALL
19A	40251-91	LOCKPLATE	92*-ALL	92*-ALL	92*-ALL	92*-ALL
20	40266-85	SHAFT EXTENSION	91*-ALL	91*-ALL	91*-ALL	91*-ALL
21	40384-91	COVER ASSEMBLY, w/springs	91*-ALL	91*-ALL	91*-ALL	91*-ALL
22	40269-85	COMPENSATING SPROCKET	91*-ALL	91*-ALL	91*-ALL	91*-ALL
23	40299-83	SLIDING CAM	91*-ALL	91*-ALL	91*-ALL	91*-ALL
24	40392-91	NUT	91*-ALL	91*-ALL	91*-ALL	91*-ALL
<b>H-D INTERNATIONAL ONLY</b>						
15	40010-89	REAR BELT - 127 T (HDI only)	--	--	91*-ALL	--
	40012-90	REAR BELT - 133 T (HDI only)	--	--	--	91*-ALL
	40023-86	REAR BELT - 132 T (HDI only)	91*-ALL	91*-ALL	--	--
19	40236-88A	SPROCKET, rear, 61 T (silver) (HDI only)	91*-ALL	91*-ALL	91*-ALL	91*-ALL

FLT MODELS		FXR MODELS		SOFTAIL MODELS		DYNA MODEL	
FLTC	DB	FXR	EA	FLSTC	BJ	FXDB-D	GA
FLHTC	DJ	FXRS	EB	FXSTC	BK	FXDB-S	GB
FLTC-U	DM	FXRT	EC	FXSTS	BL	FXDC	GC
FLHTC-U	DP	FXRS-SP	EG	FLSTF	BM		
FLHS	FA	FXLR	EL				
		FXRS-CON	EM				

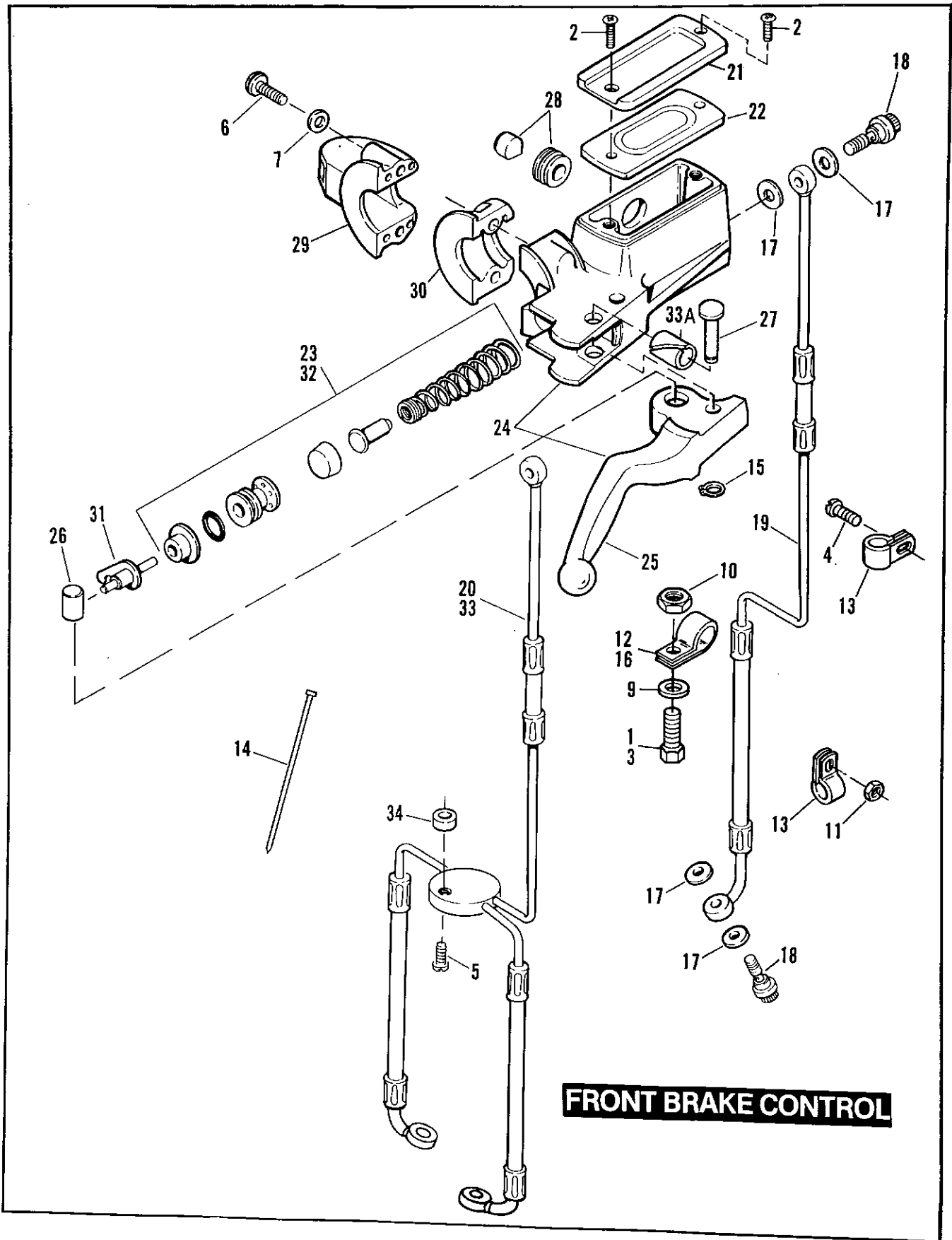


**REAR  
BELT GUARD**

**REAR BELT GUARD**

INDEX NO.	PART NO.	NAME	FLT MODELS	FXR MODELS	SOFTAIL MODELS	DYNA MODEL
1	2698A	SCREW	--	91*-ALL	--	--
2	2871W	BOLT	--	--	--	91*-ALL
4	2882W	BOLT	--	--	91*-ALL	--
3	3537	SCREW (3)	91*-ALL	91*-ALL	--	--
5	3540	SCREW (2)	--	--	91*-ALL	--
6	3579	SCREW (3)	--	--	--	91*-ALL
7	3987	BOLT	--	--	91*-ALL	--
8	3991	BOLT	--	--	91*-ALL	91*-ALL
9	4014W	BOLT	--	91*-ALL	--	--
10	4017	BOLT	--	--	91*-ALL	--
11	5883	SPACER	--	--	--	91*-ALL
12	5926B	SPACER	--	--	91*-ALL	91*-ALL
13	11411	GROMMET	--	--	91*-ALL	91*-ALL
14	11458	GROMMET	--	--	--	91*-ALL
15	6107B	WASHER	--	91*-ALL	--	--
16	6398	WASHER (rubber) (2)	--	91*-ALL	--	--
17	6109	WASHER	--	--	91*-ALL	--
18	6701	WASHER	--	91*-ALL	--	--
19	6702	WASHER (5; 2 - GB)	--	91*-ALL	91*-ALL	91*-ALL
20	7041	LOCKWASHER	--	91*-ALL	91*-ALL	--
21	7507	ACORN NUT (2)	--	--	91*-ALL	--
22	7531	LOCKNUT (2)	--	--	--	91*-ALL
23	60293-90	BELT GUARD (chrome)	--	--	--	92*-ALL
	60297-90	BELT GUARD	--	--	--	91-GB
24	60297-87	BELT GUARD	--	91*EA/B/ G/L/M	--	--
	60299-85	BELT GUARD	--	91*-EC	--	--
25	60362-86A	DEBRIS DEFLECTOR	--	--	91*-ALL	--
26	60395-90	DEBRIS DEFLECTOR	--	--	--	92*-GC
	60399-90	DEBRIS DEFLECTOR	--	--	--	91-GB;92*-GC
27	60397-85A	DEBRIS DEFLECTOR	91*-ALL	91*-ALL	--	--
28	60533-86	BELT GUARD (chrome)	--	--	91*-ALL	--
<b>H-D INTERNATIONAL ONLY</b>						
10	3787	SCREW (HDI only)	--	--	91*-ALL	--
	6109	WASHER (HDI only)	91*-ALL	91*-ALL	--	--
	6235	WASHER (HDI only)	--	91*-ALL	--	--
19	6703	WASHER (HDI only)	--	--	91*-ALL	--
	7669	TEE NUT (HDI only)	--	--	91*-ALL	--
23	60296-88	BELT GUARD (HDI only)	--	91*-EC	--	--
	60298-88	BELT GUARD (HDI only)	--	91*EA/B/ G/L/M	--	--
24	60294-90	BELT GUARD (HDI only)	--	--	--	91*-ALL
25	60415-89	DEBRIS DEFLECTOR (HDI only)	--	--	91*-ALL	--
28	60537-89	BELT GUARD KIT (HDI only)	--	--	91*-ALL	--

FLT MODELS		FXR MODELS		SOFTAIL MODELS		DYNA MODEL	
FLTC	DB	FXR	EA	FLSTC	BJ	FXDB-D	GA
FLHTC	DJ	FXRS	EB	FXSTC	BK	FXDB-S	GB
FLTC-U	DM	FXRT	EC	FXSTS	BL	FXDC	GC
FLHTC-U	DP	FXRS-SP	EG	FLSTF	BM		
FLHS	FA	FXLR	EL				
		FXRS-CON	EM				

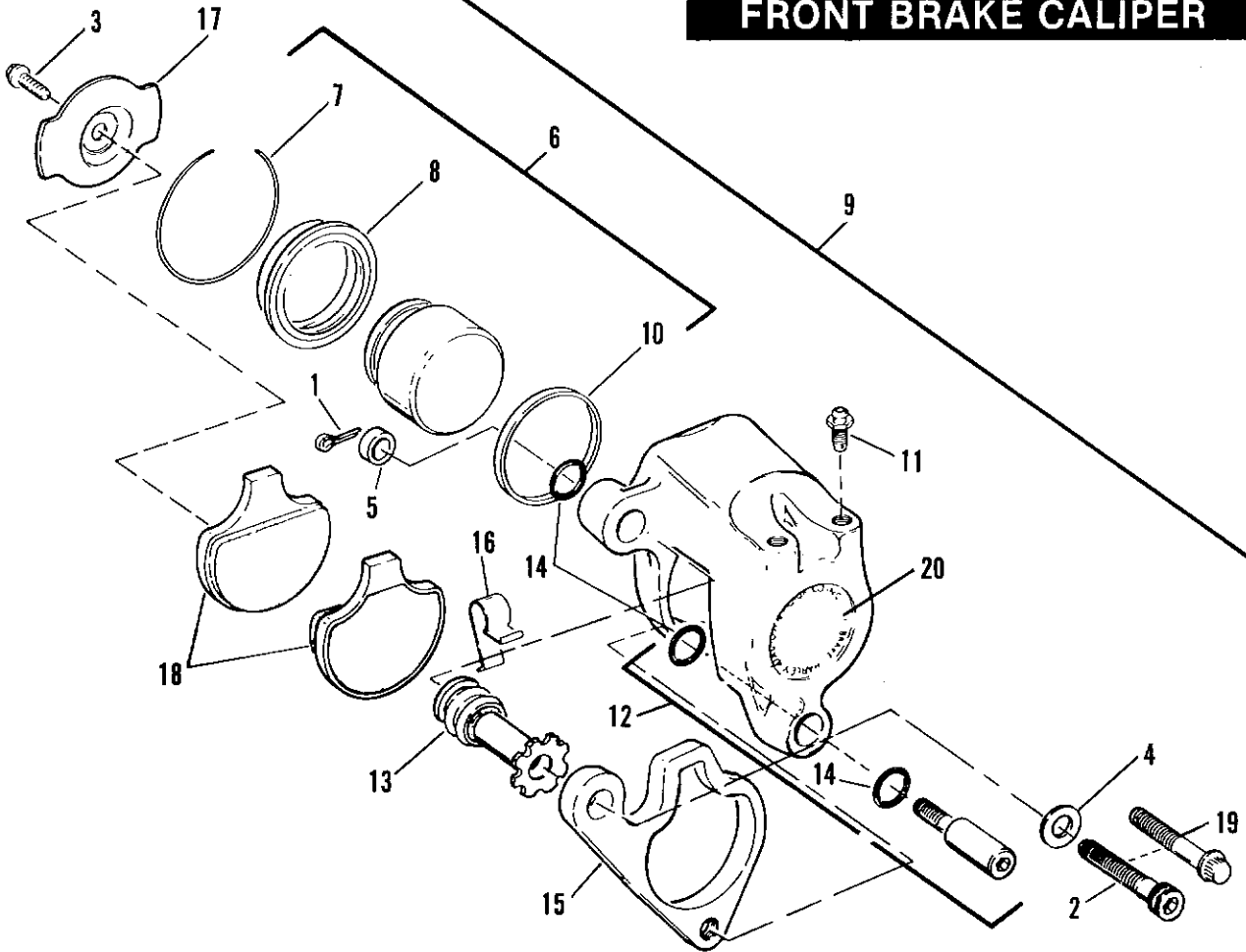


**FRONT BRAKE CONTROL**

INDEX NO.	PART NO.	NAME	FLT MODELS	FXR MODELS	SOFTAIL MODELS	DYNA MODEL
1	923	SCREW	--	--	91*-BJ/M	--
2	2579	SCREW (2)	91*-ALL	91*-ALL	91*-ALL	92*-ALL
3	2662W	SCREW	--	91*-ALL	91*-BK	91*-ALL
	3444A	SCREW	--	91*-EA/B/L	91*-BJ/L/M	--
4	3538	SCREW	--	--	91*-BL	--
5	3589	SCREW	91*-ALL	--	--	--
	4741A	SCREW	--	91*-EC/M	--	92*-ALL
6	4015	SCREW (2)	91*-DB/J,FA	91*-ALL	91*-ALL	91*-ALL
	4033	SCREW (2)	91*-DM/P	--	--	--
7	6099	WASHER (2)	91*-ALL	91*-ALL	91*-ALL	91*-ALL
9	6703	WASHER	--	91*-EC	91*-ALL	--
	7041	LOCKWASHER	91*-ALL	--	--	--
	7220	LOCKWASHER	--	91*-ALL	91*-ALL	91*-ALL
10	7686	LOCKNUT	--	--	91*-BJ/M	--
11	7739	LOCKNUT	--	--	91*-BL	--
12	10031	CLAMP, brake line	--	91*-ALL	91*-BK	91*-ALL
	10053	CLAMP, brake line	--	91*-EA	--	91*-GB
13	10076	CLAMP (2)	--	--	91*-BL	--
14	10081	CABLE STRAP, double loop	--	91*-ALL	91*-ALL	--
15	11143	RETAINING RING	91*-ALL	91*-ALL	91*-ALL	92*-ALL
16	41713-86	CLAMP, brake line (3 - BJ)	--	--	91*-BJ/L	--
17	41731-88	GASKET, (2; 6 - dual calipers)	91*-ALL	91*-ALL	91*-ALL	91*-ALL
	41733-88	GASKET, master cylinder - single disc (2)	--	91*-EA/B/L	91*-ALL	91*-GB
18	41739-84A	FITTING, master cylinder - single disc	--	91*-EA/B/L	91*-ALL	91*-GB
	41747-82A	FITTING, (3 - dual calipers)	91*-ALL	91*-ALL	91*-ALL	91*-ALL
19	42303-89A	BRAKE LINE	--	--	91*-BM	--
	42305-86A	BRAKE LINE	--	--	91*-BJ	--
	45110-88A	BRAKE LINE	--	--	91*-BL	--
	45112-84A	BRAKE LINE	--	--	91*-BK	--
	45121-88A	BRAKE LINE	--	91*-EA/B	--	--
	45141-87A	BRAKE LINE	--	91*-EL	--	--
	45145-90	BRAKE LINE	--	--	--	91*-GB
20	43349-84B	BRAKE LINE	91*-ALL	--	--	--
21	45004-85	COVER, master cylinder	91*-ALL	91*-ALL	91*-ALL	92*-ALL
22	45005-85	GASKET, master cylinder cover	91*-ALL	91*-ALL	91*-ALL	92*-ALL
23	45006-87A	REPAIR KIT, master cylinder	91*-ALL	91*-EC/G/M	--	92*-ALL
24	45013-85B	MASTER CYLINDER, w/ hand lever	91*-ALL	91*-EC/G/M	--	92*-ALL
	45019-85A	MASTER CYLINDER, w/ hand lever	--	91*-EA/B/L	91*-ALL	91*-GB
25	45016-82A	HAND LEVER	91*-ALL	91*-ALL	91*-ALL	91*-ALL
26	45031-82	PIN, stoplamp switch & pushrod	91*-ALL	91*-ALL	91*-ALL	91*-ALL
27	45032-82	PIN, hand lever pivot	91*-ALL	91*-ALL	91*-ALL	91*-ALL
28	45042-82	SIGHT GLASS REPAIR KIT	91*-ALL	91*-ALL	91*-ALL	91*-ALL
29	45043-89	CLAMP, w/ switch housing	91*-DM/P	--	--	--
30	45044-82	CLAMP, master cylinder	91*-DB/J,FA	91*-ALL	91*-ALL	91*-ALL
31	45051-82	PUSHROD, stoplamp switch	91*-ALL	91*-ALL	91*-ALL	91*-ALL
32	45072-87	REPAIR KIT, master cylinder	--	91*-EA/B/L	91*-ALL	91*-GB
33	45111-89	BRAKE LINE	--	91*-EM	--	92*-ALL
	45128-88	BRAKE LINE	--	91*-EC	--	--
	45140-87	BRAKE LINE	--	91*-EG	--	--
33A	45423-92	BUSHING	92*-ALL	92*-ALL	92*-ALL	92*-ALL
34	91089-58	SPACER	91*-ALL	--	--	--

FLT MODELS	FXR MODELS	SOFTAIL MODELS	DYNA MODEL
FLTC DB	FXR EA	FLSTC BJ	FXDB-D GA
FLHTC DJ	FXRS EB	FXSTC BK	FXDB-S GB
FLTC-U DM	FXRT EC	FXSTS BL	FXDC GC
FLHTC-U DP	FXRS-SP EG	FLSTF BM	
FLHS FA	FXLR EL		
	FXRS-CON EM		

# FRONT BRAKE CALIPER



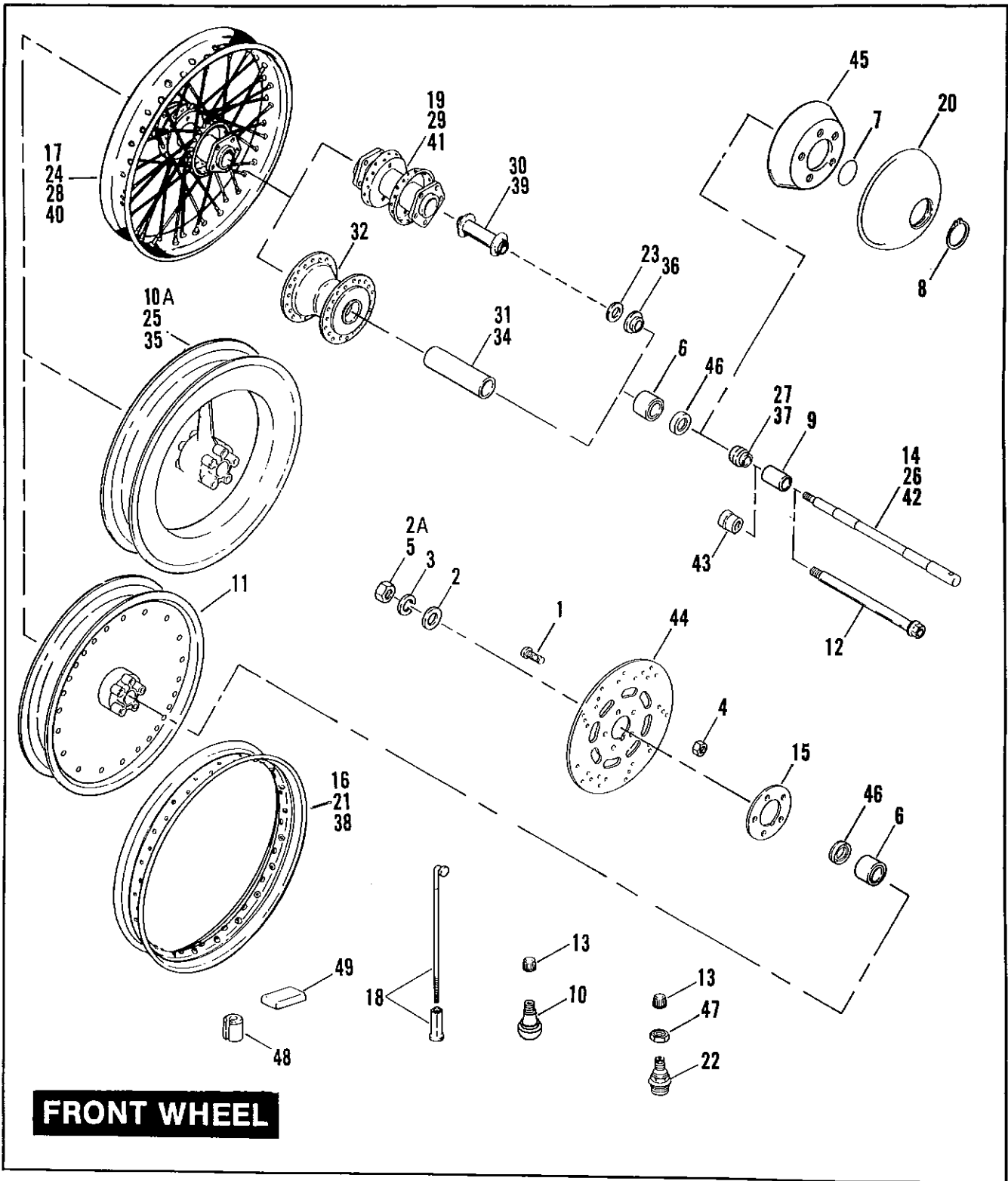
# FRONT BRAKE CALIPER

FA20

INDEX NO.	PART NO.	NAME	FLT MODELS	FXR MODELS	SOFTAIL MODELS	DYNA MODEL
1	534	COTTER PIN	--	--	91*-BL	--
2	855B	SCREW (2 - dual calipers)	91*-ALL	91*-ALL	91*-ALL	91*-ALL
3	3562	SCREW (2 - dual calipers)	91*-ALL	91*-ALL	91*-ALL	91*-ALL
4	6019	WASHER (2 - dual calipers)	91*-ALL	91*-ALL	91*-ALL	91*-ALL
5	6758	WASHER	--	--	91*-BL	--
6	44020-83	PISTON REBUILD KIT, with #8, 9 &10 (2 - dual calipers)	91*-ALL	91*-ALL	91*-ALL	91*-ALL
7	44021-83	RETAINING RING, piston (2 - dual calipers)	91*-ALL	91*-ALL	91*-ALL	91*-ALL
8	44022-83	DUST BOOT, piston (2 - dual calipers)	91*-ALL	91*-ALL	91*-ALL	91*-ALL
9	44023-83B	CALIPER ASSEMBLY, right	91*-ALL	91*- EC/G/M	--	92*-ALL
	44046-84B	CALIPER ASSEMBLY, left	91*-ALL	91*-ALL	91*-BJ/K/M	91*-ALL
	44077-88C	CALIPER ASSEMBLY, right	--	--	91*-BL	--
10	44047-83	SEAL, piston (2 - dual calipers)	91*-ALL	91*-ALL	91*-ALL	91*-ALL
11	44048-83	BLEEDER FITTING (2 - dual calipers)	91*-ALL	91*-ALL	91*-ALL	91*-ALL
12	44053-83A	GUIDE PIN KIT, with #13 ,14 & mounting pins (2 - dual calipers)	91*-ALL	91*-ALL	91*-ALL	91*-ALL
13	44054-83	PIN BOOT (2 - dual calipers)	91*-ALL	91*-ALL	91*-ALL	91*-ALL
14	44059-83	O-RING (3; 6 - dual calipers)	91*-ALL	91*-ALL	91*-ALL	91*-ALL
15	44060-83	BRACKET, caliper mounting (2 - dual calipers)	91-ALL	91-ALL	91-BJ/K/M	91-GB
	44072-92	BRACKET, caliper mounting (left)	92*-ALL	92*-ALL	92*-ALL	92*-ALL
	44073-92	BRACKET, caliper mounting, (right)	92*-ALL	92*-EC/G/M	92*-BJ/K/M	92*-ALL
	44074-88	BRACKET, caliper mounting	--	--	91*-BL	--
16	44061-83	SPRING CLIP (2 - dual calipers)	91*-ALL	91*-ALL	91*-ALL	91*-ALL
17	44062-83	RETAINING PAD (2 - dual calipers)	91*-ALL	91*-ALL	91*-ALL	91*-ALL
18	44063-83C	PAD SET, with #3 (2 - dual calipers)	91*-ALL	91*-ALL	91*-ALL	91*-ALL
19	44190-88	BOLT	--	--	91*-BL	--
20	44197-77	LABEL (2 - dual calipers)	91*-ALL	91*-ALL	91*-ALL	91*-ALL

**NOTE: FOR FXSTS CALIPER MOUNTING SEE SECTION FA25E.**

FLT MODELS		FXR MODELS		SOFTAIL MODELS		DYNA MODEL	
FLTC	DB	FXR	EA	FLSTC	BJ	FXDB-D	GA
FLHTC	DJ	FXRS	EB	FXSTC	BK	FXDB-S	GB
FLTC-U	DM	FXRT	EC	FXSTS	BL	FXDC	GC
FLHTC-U	DP	FXRS-SP	EG	FLSTF	BM		
FLHS	FA	FXLR	EL				
		FXRS-CON	EM				



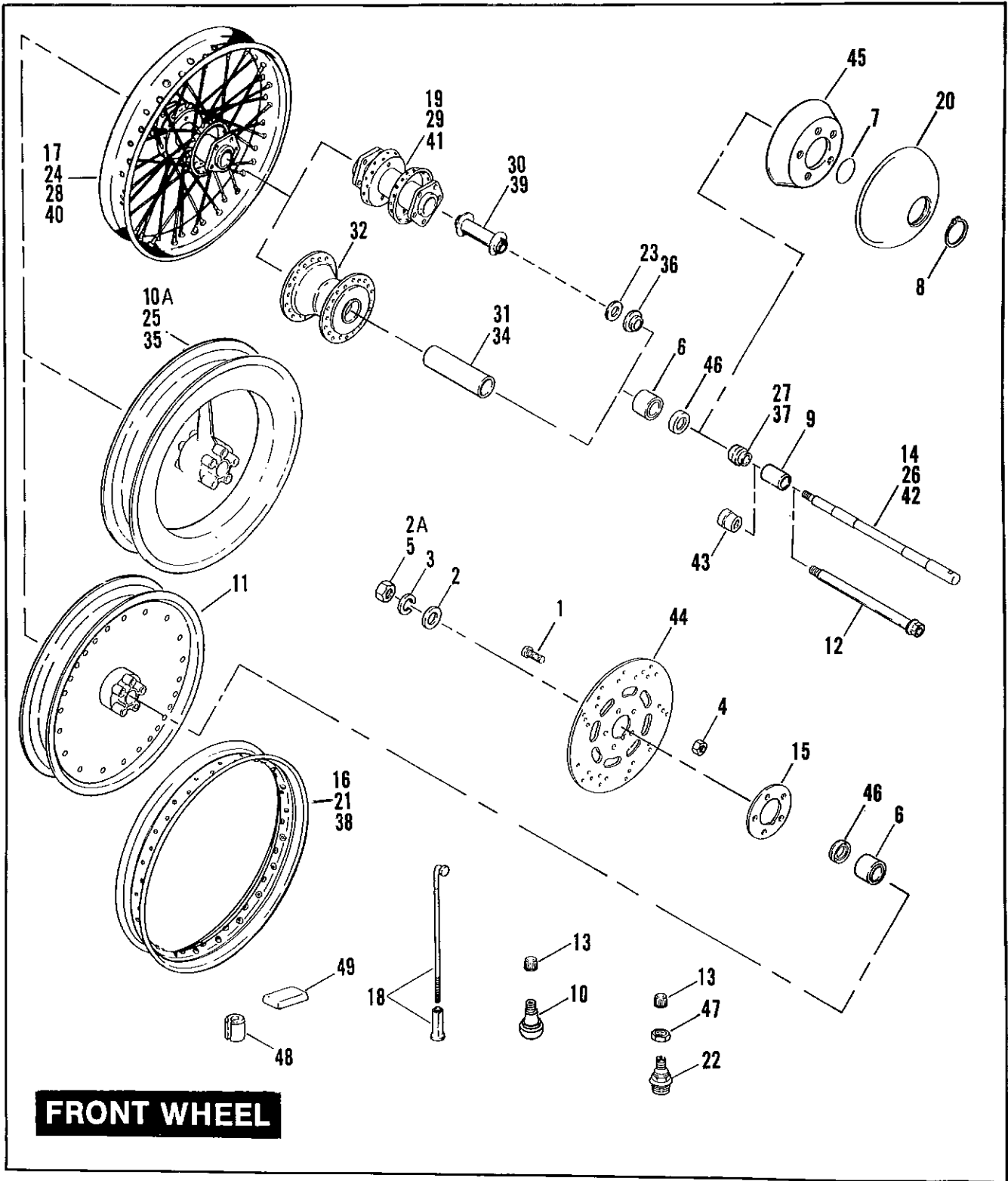


**FRONT WHEEL**

**FA21-1**

INDEX NO.	PART NO.	NAME	FLT MODELS	FXR MODELS	SOFTAIL MODELS	DYNA MODEL
1	3655	SCREW (5; 10 - FLT, EC/G; BM; DYNA)	91*-ALL	91*-ALL	91*-ALL	91*-ALL
2	6590HW	WASHER	--	91*-ALL	91*-BJ/K/M	91*-ALL
	6639	WASHER, left	--	--	91*-BL	--
	6653	WASHER	--	91*-ALL	--	--
2A	7038	LOCKWASHER (frontaxle)	--	91*-EA	--	--
3	7068	LOCKWASHER	91*-ALL	91*-ALL	91*-BJ/K/M	91*-ALL
4	7739	LOCKNUT (10; 5 - SOFTAIL)	91*-ALL	--	91*-ALL	--
5	7845	NUT	91*-ALL	91*-ALL	91*-BJ/K/M	91*-ALL
	7994	LOCKNUT	--	--	91*-BL	--
6	9052	ROLLER BEARING (2)	91*-ALL	91*-ALL	91*-ALL	91*-ALL
7	11173	O-RING	--	--	91*-BJ	--
8	11175	SNAP RING	--	--	91*-BJ	--
9	40910-84A	SPACER, right bearing	91*-ALL	--	91*-BK	--
	43657-89	SPACER, right bearing	--	--	91*-BM	--
10	40999-87	VALVE STEM	91*-ALL	--	--	--
10A	41036-92	WHEEL ASSEMBLY 19"-9 spoke (gold)	--	--	--	92*-GA
11	41043-89	DISC WHEEL ASSEMBLY, 16"	--	--	91*-BM	--
12	41109-88	AXLE	--	--	91*-BL	--
13	41123-79	VALVE CAP	91*-ALL	91*-ALL	91*-ALL	--
14	41584-86	AXLE	--	--	91*-BJ/M	--
15	41814-76A	HUB PLATE	--	91*-EL	--	--
	43355-84	HUB PLATE (black)	--	--	--	91*-GB
	43359-84	HUB PLATE	--	91*EA/B	--	--
16	43001-79	RIM, 19" (chrome)	--	91*EA/B/G/M	--	--
17	43005-86	WHEEL ASSEMBLY, 16" laced	--	--	91*-BJ	--
18	43020-87	SPOKE & NIPPLE SET, 21" short (20)	--	91*-EL	--	--
	43024-73B	SPOKE & NIPPLE SET, 19" short (20)	--	91*EA/B/G/M	--	--
	43025-73B	SPOKE & NIPPLE SET, 19" long (20)	--	91*EA/B/G/M	--	--
	43032-40B	SPOKE & NIPPLE SET, 16" (40)	91*-ALL	--	91*-BJ	--
	43035-87	SPOKE & NIPPLE SET, 21" long (20)	--	91*-EL	--	--
	43057-80A	SPOKE & NIPPLE SET, 21" (40)	--	--	91*-BK/L	--
19	43053-86	HUB, with bearings, seals & spacers	--	--	91*-BJ	--
20	43067-86	CAP, hub (chrome)	--	--	91*-BJ	--
21	43085-81	RIM, 16" (chrome)	91*-ALL	--	91*-BJ	--
22	43150-83	VALVE STEM	--	91*EA/B/C/G/M	--	91*-ALL
	43157-83A	VALVE STEM	91*-ALL	--	--	--
23	43290-82	SPACER, 0.032 thk.	91*-ALL	92*-ALL	92*-ALL	92*-ALL
	43291-82	SPACER, 0.016 thk.	91*-ALL	92*-ALL	92*-ALL	92*-ALL
	43292-82	SPACER, 0.008 thk.	91*-ALL	92*-ALL	92*-ALL	92*-ALL
	43293-82	SPACER, 0.004 thk.	91*-ALL	92*-ALL	92*-ALL	92*-ALL
	43294-82	SPACER, 0.002 thk.	91*-ALL	92*-ALL	92*-ALL	92*-ALL
24	43312-84	WHEEL ASSEMBLY, 19" laced	--	91*EA/B/G/M	--	--
25	43338-83	WHEEL ASSEMBLY, 19" - 9 spoke (silver)	--	91*-EB/G	--	92*-GC
	43628-91	WHEEL ASSEMBLY 19" - 9 spoke (red stripe)	--	--	--	91*-GB
	43345-87	WHEEL ASSEMBLY, 16" - 10 spoke (black)	91*-ALL	--	--	--
	43626-84	WHEEL ASSEMBLY, 19" - 9 spoke (black)	--	91*EA/C	--	--
26	43346-83	AXLE	91*-ALL	--	91*-BK	--
27	43358-83A	SPACER, bearing	--	91*-ALL	--	91*-ALL

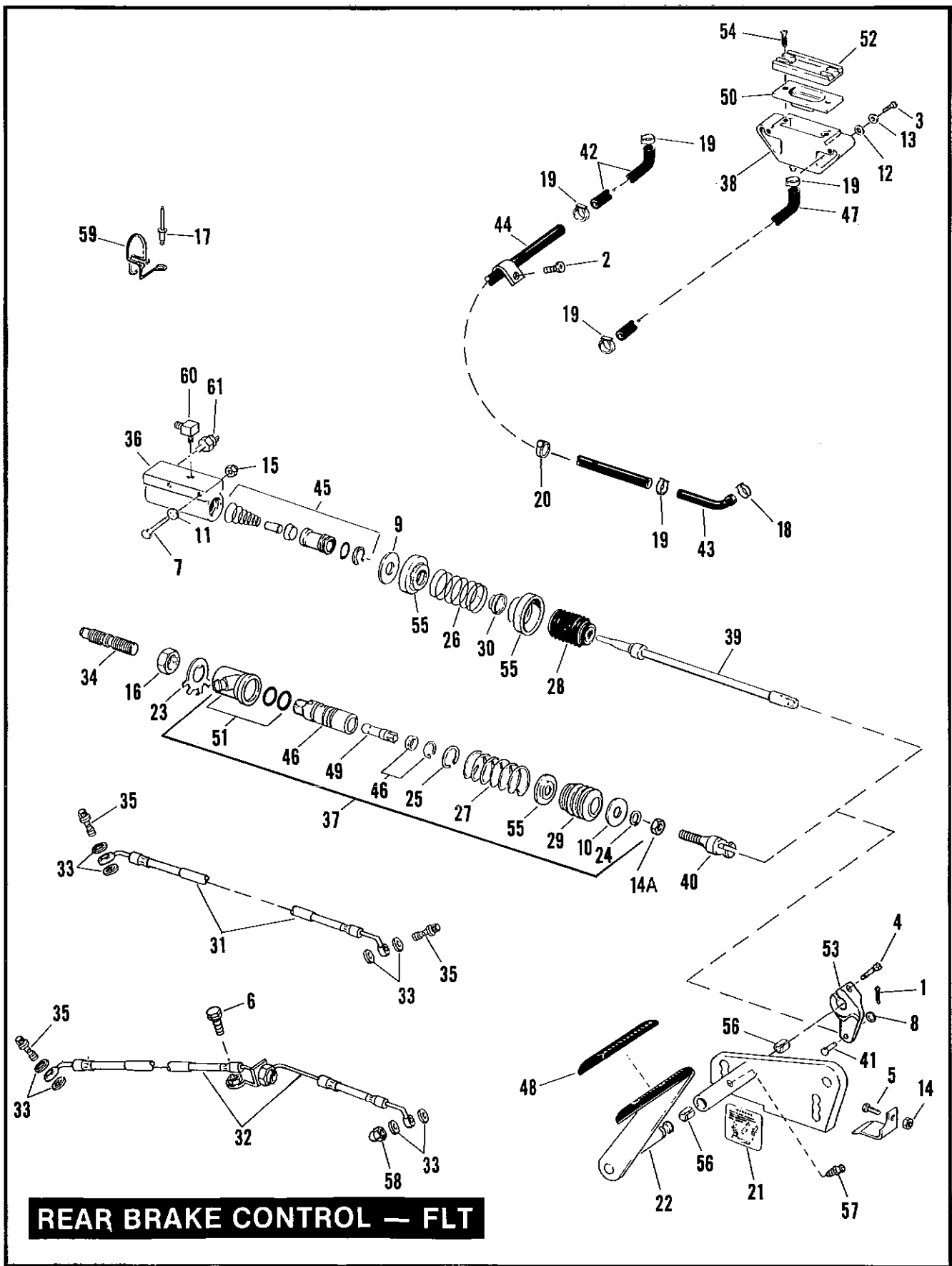
FLT MODELS	FXR MODELS	SOFTAIL MODELS	DYNA MODEL
FLTC DB	FXR EA	FLSTC BJ	FXDB-D GA
FLHTC DJ	FXRS EB	FXSTC BK	FXDB-S GB
FLTC-U DM	FXRT EC	FXSTS BL	FXDC GC
FLHTC-U DP	FXRS-SP EG	FLSTF BM	
FLHS FA	FXLR EL		
	FXRS-CON EM		



**FRONT WHEEL (CONT'D)**

INDEX NO.	PART NO.	NAME	FLT MODELS	FXR MODELS	SOFTAIL MODELS	DYNA MODEL
28	43403-87	WHEEL ASSEMBLY, 16" laced	91*-ALL	--	--	--
	43557-87	WHEEL ASSEMBLY, 21" laced	--	91*-EL	--	--
	43676-88	WHEEL ASSEMBLY, 21" laced	--	--	91*-BL	--
29	43404-87	HUB ASSEMBLY, with #31	91*-ALL	--	--	--
30	43601-78A	SPACER, with flanges - 4.420 (orange)	--	--	91-BJ/K/L	--
	43602-78A	SPACER, with flanges - 4.434 (yellow)	--	--	91-BJ/K/L	--
	43603-78A	SPACER, with flanges - 4.448 (white)	--	--	91-BJ/K/L	--
31	43608-82	SPACER, sleeve (1992-cast wheel only)	91*-ALL	--	--	--
32	43610-87	HUB, with bearings & seals	--	91*-EL	--	--
	43619-84	HUB, with bearings & seals	--	91*-EA/B G/M	--	--
34	43612-92	SLEEVE	--	--	92*-BM	--
	43613-92	SLEEVE	--	92*-ALL	--	91*-ALL
	43623-78	SLEEVE, between bearings - 2.564 (violet)	--	91-ALL	--	91-GB
	43624-78	SLEEVE, between bearings - 2.550 (pink)	--	91-ALL	--	91-GB
	43625-78	SLEEVE, between bearings - 2.536 (gold)	--	91-ALL	--	91-GB
	43637-89	SLEEVE, between bearings - 4.248 (yellow/blue)	--	--	91-BM	--
	43638-89	SLEEVE, between bearings - 4.234 (red/blue)	--	--	91-BM	--
	43658-89	SLEEVE, between bearings - 4.262 (white/blue)	--	--	91-BM	--
35	43628-91	WHEEL ASSEMBLY, 19" cast	--	--	--	91-GB
36	43650-82	SPACER WASHER	91*-ALL	92*-ALL	92*-ALL	92*-ALL
37	43654-86A	SPACER	91*-ALL	--	91*-BJ	--
38	43662-80B	RIM, 21" (chrome)	--	91*-EL	91*-BK/L	--
39	43668-82	SLEEVE, between bearings	91*-ALL	--	92*-BK/L	--
40	43671-84	WHEEL ASSEMBLY, 21" laced	--	--	91*-BK	--
41	43672-84	HUB, with bearings & seals	--	--	91*-BK	--
	43677-88	HUB, with bearings & seals	--	--	91*-BL	--
42	43895-87	AXLE	--	91*-ALL	--	91*-GB
43	44029-88	SPACER, hub - right	--	--	91*-BL	--
44	44136-84A	BRAKE DISC (2 - dual calipers)	91-ALL	91-ALL	91-ALL	91-GB
	44136-92	BRAKE DISC (2 - dual calipers)	92*-ALL	92*-ALL	92*-ALL	92*-ALL
45	44447-89	COVER, disc wheel	--	--	91*-BM	--
46	47519-83A	OIL SEAL (2)	91*-ALL	91*-ALL	91*-ALL	91*-GB
47	54321-85	NUT, valve stem	91*-ALL	91*-EL	--	--
48	95578-41	WEIGHT, 1/2 oz. - 0.275" I.D. - round	91*-ALL	91*-EA/B/ G/L/M	91*-BK/L	--
	95581-47	WEIGHT, 3/4 oz. - 0.275" I.D. - round	91*-ALL	91*-EA/B/ G/L/M	91*-BK/L	--
	95582-47	WEIGHT, 1 oz. - 0.275" I.D. - round	91*-ALL	91*-EA/B/ G/L/M	91*-BK/L	--
49	95594-84	WEIGHT, 1/4 oz. for cast wheel (black)	91*-ALL	91*-EA/C	--	91*-ALL
	95595-84	WEIGHT, 1/4 oz. for cast wheel (silver)	--	91*-EB/G/L	91*-BJ/M	--

FLT MODELS		FXR MODELS		SOFTAIL MODELS		DYNA MODEL	
FLTC	DB	FXR	EA	FLSTC	BJ	FXDB-D	GA
FLHTC	DJ	FXRS	EB	FXSTC	BK	FXDB-S	GB
FLTC-U	DM	FXRT	EC	FXSTS	BL	FXDC	GC
FLHTC-U	DP	FXRS-SP	EG	FLSTF	BM		
FLHS	FA	FXLR	EL				
		FXRS-CON	EM				



**REAR BRAKE CONTROL - FLT MODELS**

**FA22-1**

INDEX NO.	PART NO.	NAME	FLT MODELS	FXR MODELS	SOFTAIL MODELS	DYNA MODEL
1	515	COTTER PIN	91*-ALL	--	--	--
2	2523	SCREW (2)	92*-ALL	--	--	--
3	2604	SCREW (2)	91*-ALL	--	--	--
4	2708A	BOLT	91*-ALL	--	--	--
5	3825	BOLT	91-ALL	--	--	--
6	3588	SCREW	92*-ALL	--	--	--
7	4053W	BOLT (2)	91-ALL	--	--	--
8	6220W	WASHER	91*-ALL	--	--	--
9	6317	WASHER (nylon)	91-ALL	--	--	--
10	6366	WASHER	92*-ALL	--	--	--
11	6702	WASHER (2)	91-ALL	--	--	--
12	6716	WASHER (2)	91*-ALL	--	--	--
13	7118	LOCKWASHER (2)	91*-ALL	--	--	--
14	7676	NUT	91-ALL	--	--	--
14A	7744	NUT	92*-ALL	--	--	--
15	7725	LOCKNUT (2)	91-ALL	--	--	--
16	7855W	NUT, master cylinder	92*-ALL	--	--	--
17	8469	RIVET (2)	91-ALL	--	--	--
18	10014	CLAMP	92*-ALL	--	--	--
19	10038	CLAMP, brake hose (2-1991; 3)	91*-ALL	--	--	--
20	10106	CLAMP, reservoir hose	92*-ALL	--	--	--
21	14027-83	LABEL, pedal adjustment	91-ALL	--	--	--
	14027-92	LABEL, brake adjustment	92*-ALL	--	--	--
22	33882-83B	FOOT BRAKE LEVER	91*-ALL	--	--	--
23	37503-41	LOCKWASHER	92*-ALL	--	--	--
24	40903-87	RETAINING RING	92*-ALL	--	--	--
25	40918-87	RETAINING RING	92*-ALL	--	--	--
26	40920-79	SPRING, brake rod return	91-ALL	--	--	--
27	40920-87	SPRING, brake rod return	91-ALL	--	--	--
28	40922-79	BOOT, master cylinder	91-ALL	--	--	--
29	40922-87	BOOT, master cylinder	92*-ALL	--	--	--
30	40924-86	WASHER, brake rod spring	91-ALL	--	--	--
31	40971-86A	BRAKE HOSE, rear	91-ALL	--	--	--
32	40971-92	BRAKE HOSE, rear	92*-ALL	--	--	--
33	41731-88	GASKET (4)	91*-ALL	--	--	--
34	41741-92	STUD, master cylinder	92*-ALL	--	--	--
35	41747-82A	BOLT (2-1991)	91*-ALL	--	--	--
36	41755-86	MASTER CYLINDER	91-ALL	--	--	--
37	41755-92	MASTER CYLINDER	92*-ALL	--	--	--
38	41800-81A	RESERVOIR, master cylinder	91*-ALL	--	--	--

**FLT MODELS**

FLTC DB  
 FLHTC DJ  
 FLTC-U DM  
 FLHTC-U DP  
 FLHS FA

**FXR MODELS**

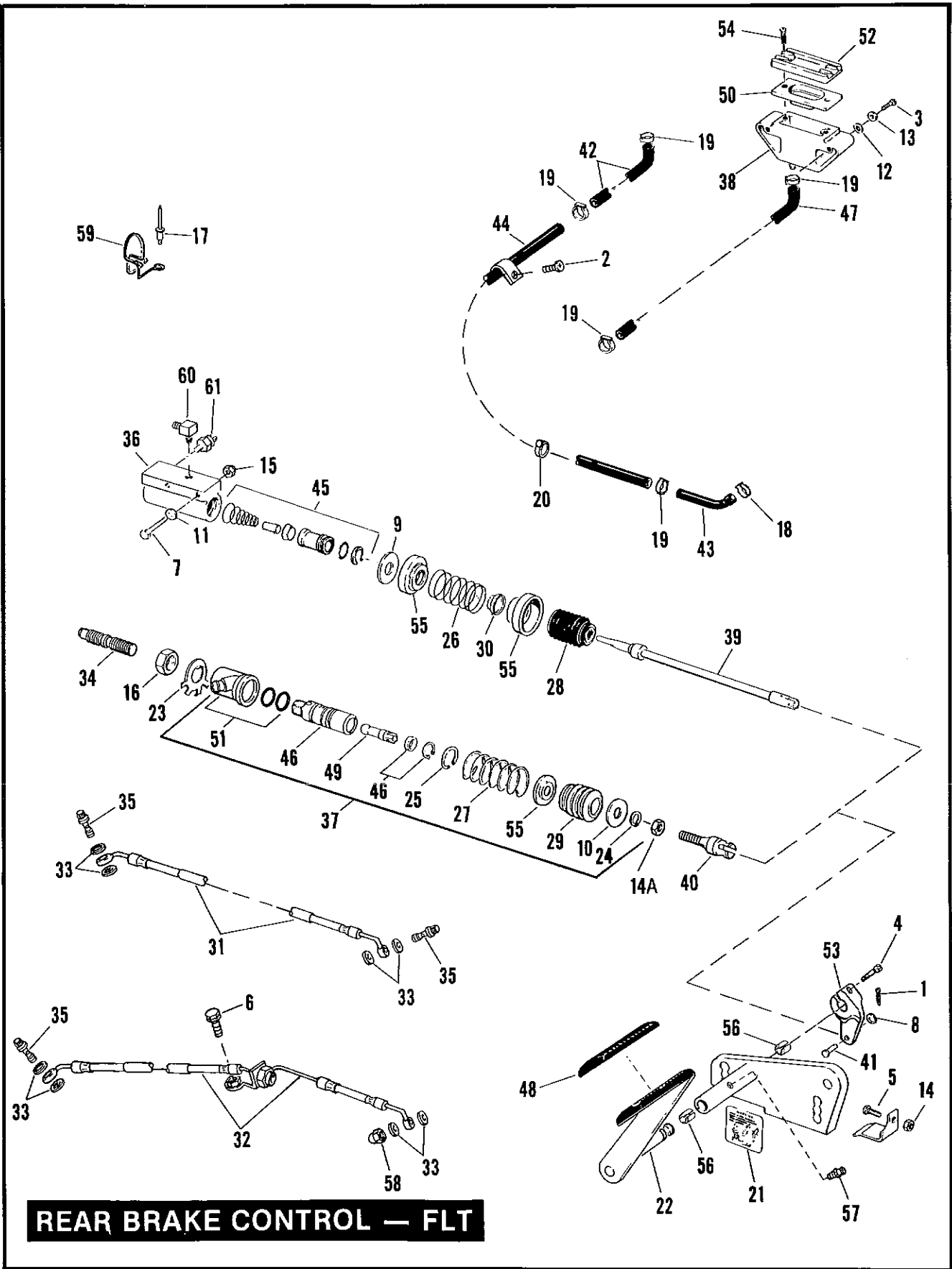
FXR EA  
 FXRS EB  
 FXRT EC  
 FXRS-SP EG  
 FXLR EL  
 FXRS-CON EM

**SOFTAIL MODELS**

FLSTC BJ  
 FXSTC BK  
 FXSTS BL  
 FLSTF BM

**DYNA MODEL**

FXDB-D GA  
 FXDB-S GB  
 FXDC GC



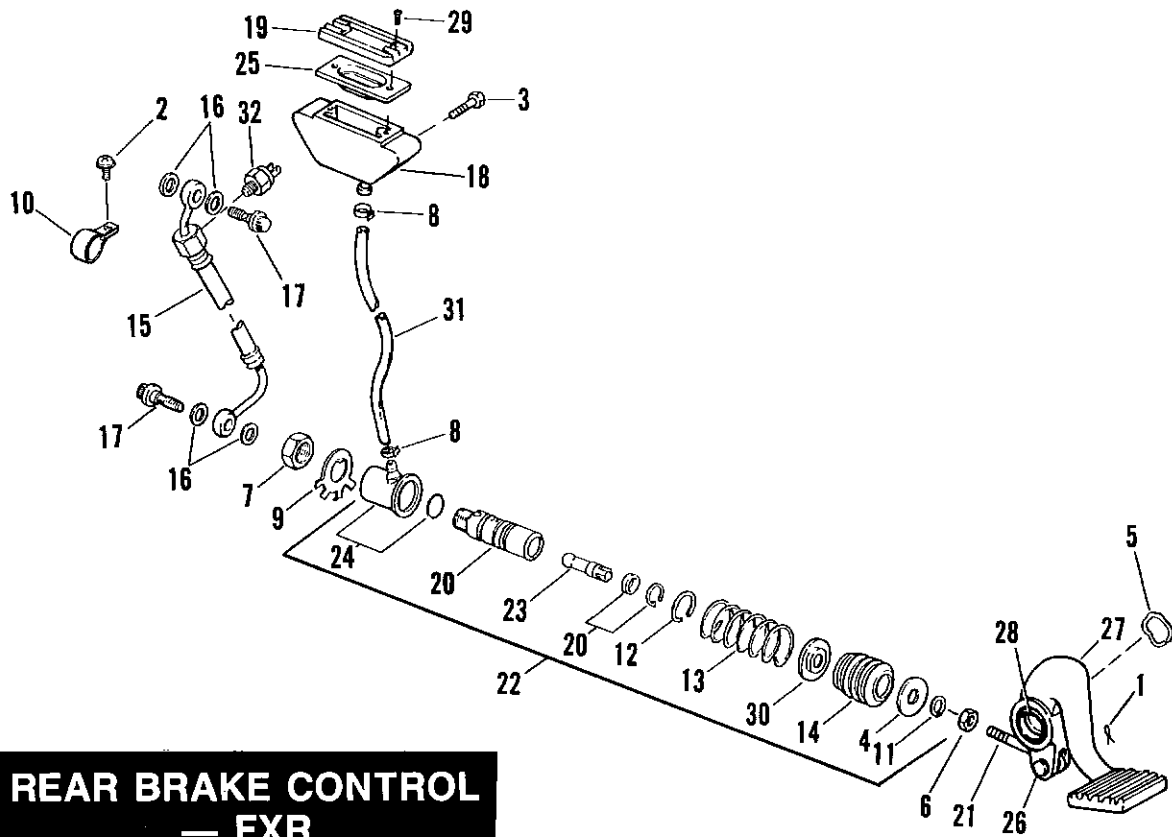
**REAR BRAKE CONTROL — FLT**

**REAR BRAKE CONTROL - FLT MODELS (CONT'D)**

**FA22-2**

INDEX NO.	PART NO.	NAME	FLT MODELS	FXR MODELS	SOFTAIL MODELS	DYNA MODEL
39	41957-86	ROD, master cylinder	91-ALL	--	--	--
40	41957-92	PUSH ROD	92*-ALL	--	--	--
41	42269-70	CLEVIS PIN	91-ALL	--	--	--
	42460-80B	CLEVIS PIN	92*-ALL	--	--	--
42	42310-92	HOSE, reservoir	92*-ALL	--	--	--
43	42315-92	HOSE, reservoir	92*-ALL	--	--	--
44	42322-92	TUBE, reservoir	92*-ALL	--	--	--
45	42374-86	REBUILD KIT, master cylinder	91-ALL	--	--	--
46	42382-87A	REBUILD KIT, master cylinder	92*-ALL	--	--	--
47	42315-85	HOSE, reservoir to master cylinder	91-ALL	--	--	--
48	42416-83	PAD, brake pedal	91*-ALL	--	--	--
49	42448-87	PUSH ROD	92*-ALL	--	--	--
50	42455-80	GASKET, master cylinder reservoir	91*-ALL	--	--	--
51	42457-92	REPAIR KIT, res. adaptor	92*-ALL	--	--	--
52	45057-82	COVER, reservoir	91*-ALL	--	--	--
53	42510-83	CLEVIS ASSEMBLY	91-ALL	--	--	--
	42510-92	CLEVIS ASSEMBLY	92*-ALL	--	--	--
54	42534-90	SCREW (2)	91*-ALL	--	--	--
55	44126-82	WASHER, brake return spring (2-1991)	91*-ALL	--	--	--
56	47247-83	BUSHING, hub foot brake (2)	91*-ALL	--	--	--
57	50972-75	FITTING, lubrication	91*-ALL	--	--	--
58	54307-92	ACORN NUT, brake	92*-ALL	--	--	--
59	62670-84	GUIDE, brake lines to frame	91-ALL	--	--	--
60	63551-82	FITTING	91-ALL	--	--	--
61	72023-51A	SWITCH, stoplamp	91*-ALL	--	--	--
<b>H-D INTERNATIONAL ONLY</b>						
38	41804-84A	RESERVOIR, master cylinder (HDI only)	91*-ALL	--	--	--

FLT MODELS		FXR MODELS		SOFTAIL MODELS		DYNA MODEL	
FLTC	DB	FXR	EA	FLSTC	BJ	FXDB-D	GA
FLHTC	DJ	FXRS	EB	FXSTC	BK	FXDB-S	GB
FLTC-U	DM	FXRT	EC	FXSTS	BL	FXDC	GC
FLHTC-U	DP	FXRS-SP	EG	FLSTF	BM		
FLHS	FA	FXLR	EL				
		FXRS-CON	EM				



**REAR BRAKE CONTROL  
— FXR**

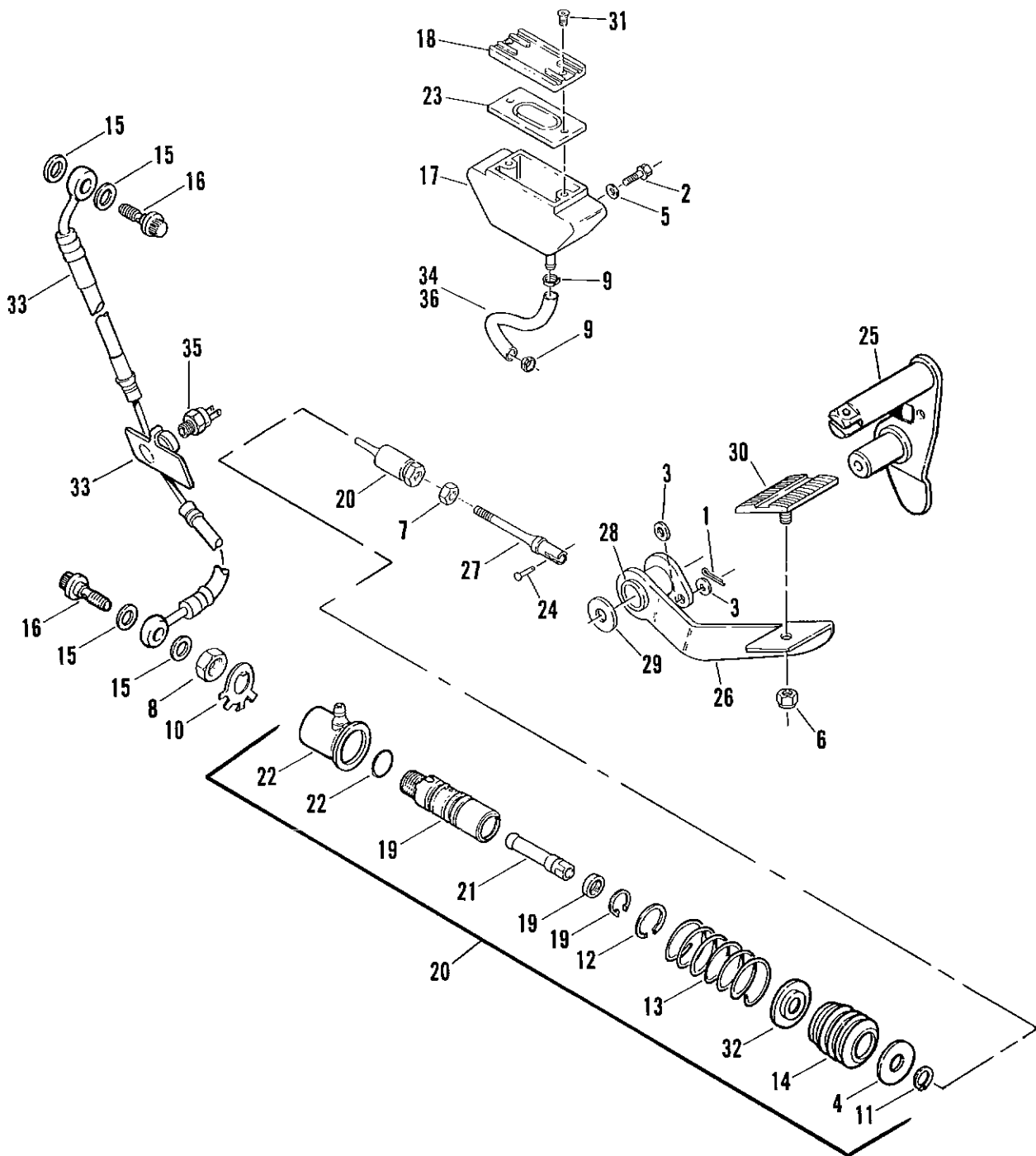


**REAR BRAKE CONTROL - FXR MODELS**

**FA22A**

INDEX NO.	PART NO.	NAME	FLT MODELS	FXR MODELS	SOFTAIL MODELS	DYNA MODEL
1	515	COTTER PIN	--	91*-ALL	--	--
2	2501	SCREW	--	91*-ALL	--	--
3	3473	BOLT (2)	--	91*-ALL	--	--
4	6366	WASHER	--	91*-ALL	--	--
5	7012	WASHER	--	91*-ALL	--	--
6	7744	NUT	--	91*-ALL	--	--
7	7855W	NUT	--	91*-ALL	--	--
8	10038	CLAMP (2)	--	91*-ALL	--	--
9	37503-41	LOCKWASHER	--	91*-ALL	--	--
10	38712-68	CLAMP	--	91*-ALL	--	--
11	40903-87	RETAINING RING	--	91*-ALL	--	--
12	40918-87	RETAINING RING	--	91*-ALL	--	--
13	40920-87	SPRING, brake return	--	91*-ALL	--	--
14	40922-87	BOOT, master cylinder	--	91*-ALL	--	--
15	40956-87	BRAKE LINE, rear	--	91*-ALL	--	--
16	41731-88	GASKET (4)	--	91*-ALL	--	--
17	41747-82A	BOLT (2)	--	91*-ALL	--	--
18	41800-81A	RESERVOIR, master cylinder	--	91*-ALL	--	--
19	45057-82	COVER, reservoir	--	91*-ALL	--	--
20	42382-87A	REPAIR KIT, master cylinder	--	91*-ALL	--	--
21	42437-87	ROD END	--	91*-ALL	--	--
22	42446-87A	MASTER CYLINDER, rear	--	91*-ALL	--	--
23	42448-87	PUSH ROD	--	91*-ALL	--	--
24	42452-87	REPAIR KIT, master cylinder body	--	91*-ALL	--	--
25	42455-80	GASKET, reservoir	--	91*-ALL	--	--
26	42460-80B	CLEVIS PIN	--	91*-ALL	--	--
27	42523-87	BRAKE PEDAL ASM., with #1, 21, 26 & 28	--	91*-ALL	--	--
28	42524-82	BUSHING (2)	--	91*-ALL	--	--
29	42534-90	SCREW (2)	--	91*-ALL	--	--
30	44126-87	RETAINER, brake return spring	--	91*-ALL	--	--
31	63561-87	HOSE, reservoir to master cylinder	--	91*-ALL	--	--
32	72023-51A	STOPLAMP SWITCH	--	91*-ALL	--	--
<b>H-D INTERNATIONAL ONLY</b>						
18	41804-84A	RESERVOIR, master cylinder (HDI only)	--	91*-ALL	--	--

FLT MODELS		FXR MODELS		SOFTAIL MODELS		DYNA MODEL	
FLTC	DB	FXR	EA	FLSTC	BJ	FXDB-D	GA
FLHTC	DJ	FXRS	EB	FXSTC	BK	FXDB-S	GB
FLTC-U	DM	FXRT	EC	FXSTS	BL	FXDC	GC
FLHTC-U	DP	FXRS-SP	EG	FLSTF	BM		
FLHS	FA	FXLR	EL				
		FXRS-CON	EM				



**REAR BRAKE CONTROL  
— FXST**

# REAR BRAKE CONTROL - FXST MODELS

FA22B

INDEX NO.	PART NO.	NAME	FLT MODELS	FXR MODELS	SOFTAIL MODELS	DYNA MODEL
1	515	COTTER PIN	--	--	91*-BK/L	--
2	3473	BOLT (2)	--	--	91*-BK/L	--
3	6099	WASHER (2)	--	--	91*-BK/L	--
4	6366	WASHER	--	--	91*-BK/L	--
5	6716	WASHER (2)	--	--	91*-BK/L	--
6	7742	LOCKNUT	--	--	91*-BK/L	--
7	7744	JAM NUT	--	--	91*-BK/L	--
8	7855W	NUT	--	--	91*-BK/L	--
9	10038	CLAMP, reservoir hose (2)	--	--	91*-BK/L	--
10	37503-41	LOCKWASHER	--	--	91*-BK/L	--
11	40903-87	RETAINING RING	--	--	91*-BK/L	--
12	40918-87	RETAINING RING	--	--	91*-BK/L	--
13	40920-87	SPRING, brake return	--	--	91*-BK/L	--
14	40922-87	BOOT, push rod	--	--	91*-BK/L	--
15	41731-88	GASKET (4)	--	--	91*-BK/L	--
16	41747-82A	BOLT (4)	--	--	91*-BK/L	--
17	41800-81A	RESERVOIR, master cylinder	--	--	91*-BK/L	--
18	45057-82	COVER, reservoir	--	--	91*-BK/L	--
19	42382-87A	REPAIR KIT, master cylinder	--	--	91*-BK/L	--
20	42446-87A	MASTER CYLINDER ASSEMBLY	--	--	91*-BK/L	--
21	42448-87	PUSH ROD, master cylinder	--	--	91*-BK/L	--
22	42452-87	REPAIR KIT, master cylinder body	--	--	91*-BK/L	--
23	42455-80	GASKET, reservoir	--	--	91*-BK/L	--
24	42460-80B	PIN, rear brake rod clevis	--	--	91*-BK/L	--
25	42507-89A	BRACKET, brake lever & footrest	--	--	91*-BK/L	--
26	42515-82	LEVER, foot brake (chrome)	--	--	91*-BK/L	--
27	42522-87	CLEVIS, brake rod	--	--	91*-BK/L	--
28	42524-82	BUSHING (2)	--	--	91*-BK/L	--
29	42531-87	WASHER	--	--	91*-BK/L	--
30	42532-82	PAD, brake lever	--	--	91*-BK/L	--
31	42534-90	SCREW (2)	--	--	91*-BK/L	--
32	44126-87	RETAINER, return spring	--	--	91*-BK/L	--
33	45156-87A	REAR BRAKE HOSE KIT	--	--	91*-BK/L	--
	45156-89C	REAR BRAKE HOSE	--	--	92*-BK/L	--
34	63546-87	HOSE, reservoir	--	--	91*-BK/L	--
35	72023-51A	STOPLAMP SWITCH, rear	--	--	91*-BK/L	--

NOTE: Hose is only sold in bulk length under the following part number. Cut to required length.

36	63573-82	HOSE, 5/16 in. I.D. (rubber) (25 ft. lg.)	--	--	91*-BK/L	--
----	----------	---	----	----	----------	----

### H-D INTERNATIONAL ONLY

17	41804-84A	RESERVOIR, master cylinder (HDI only)	--	--	91*-BK/L	--
----	-----------	---------------------------------------	----	----	----------	----

#### FLT MODELS

FLTC DB  
 FLHTC DJ  
 FLTC-U DM  
 FLHTC-U DP  
 FLHS FA

#### FXR MODELS

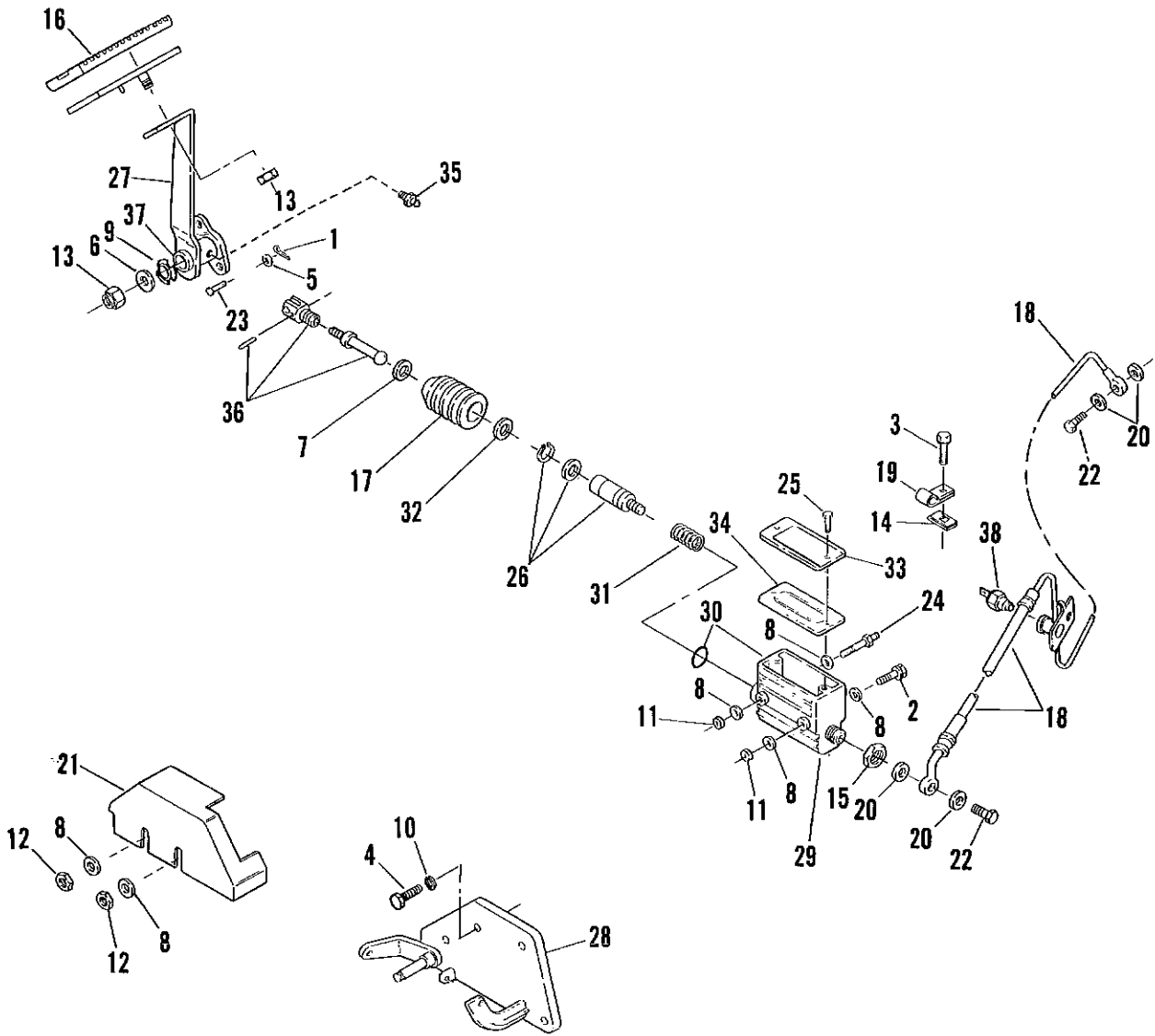
FXR EA  
 FXRS EB  
 FXRT EC  
 FXRS-SP EG  
 FXLR EL  
 FXRS-CON EM

#### SOFTAIL MODELS

FLSTC BJ  
 FXSTC BK  
 FXSTS BL  
 FLSTF BM

#### DYNA MODEL

FXDB-D GA  
 FXDB-S GB  
 FXDC GC



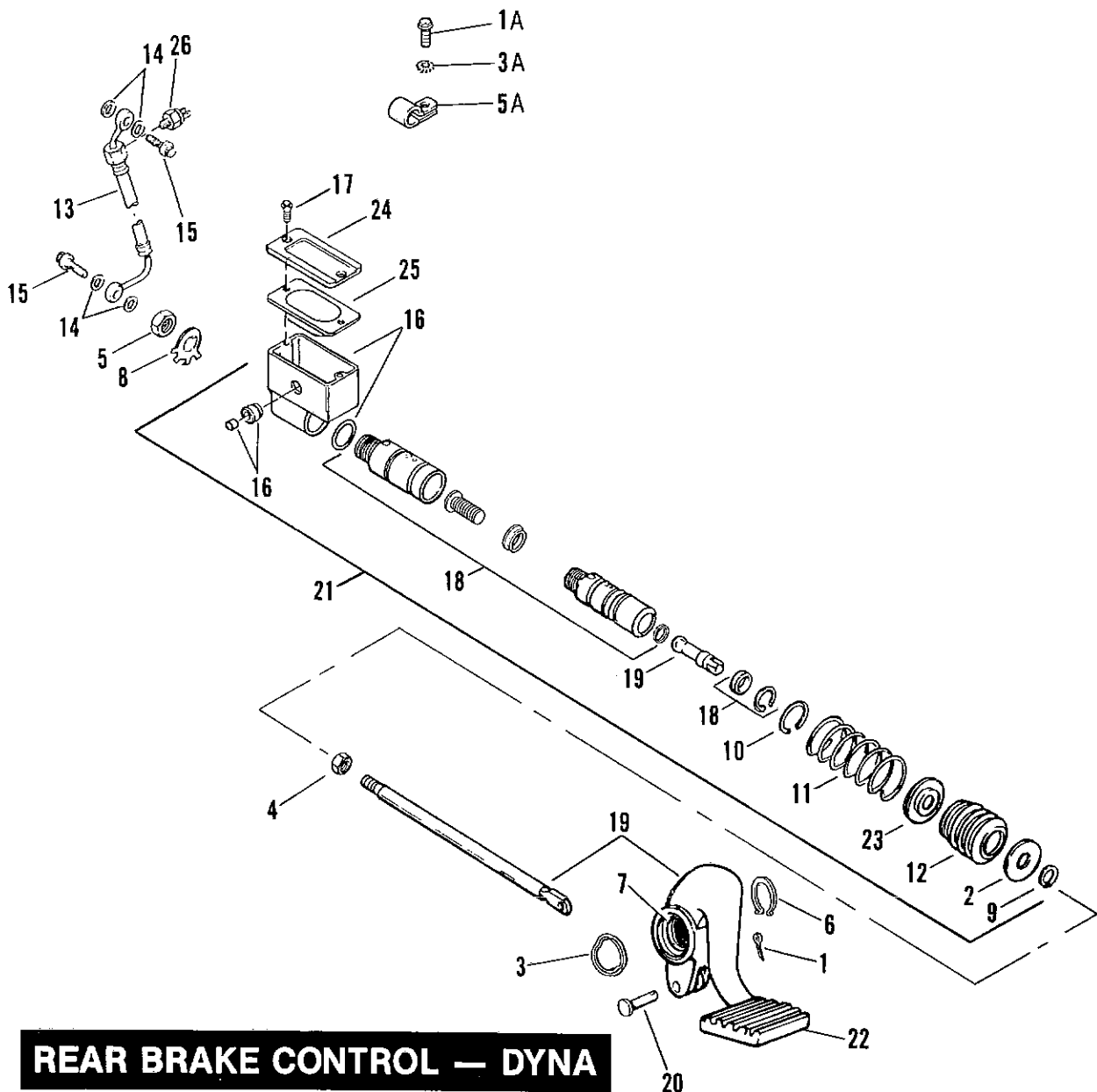
**REAR BRAKE CONTROL  
— FLST**

**REAR BRAKE CONTROL - FLST MODELS**

**FA22C**

INDEX NO.	PART NO.	NAME	FLT MODELS	FXR MODELS	SOFTAIL MODELS	DYNA MODEL
1	515	COTTER PIN	--	--	91*-BJ/M	--
2	4068	BOLT	--	--	91*-BJ/M	--
3	3787	BOLT	--	--	91*-BJ/M	--
4	4713W	BOLT	--	--	91*-BJ/M	--
5	6220W	WASHER	--	--	91*-BJ/M	--
6	6334	WASHER	--	--	91*-BJ/M	--
7	6366	WASHER	--	--	91*-BJ/M	--
8	6702	WASHER (3)	--	--	91*-BJ/M	--
9	7007	SPRING WASHER	--	--	91*-BJ/M	--
10	7038	LOCKWASHER	--	--	91*-BJ/M	--
11	7740	NUT (2)	--	--	91*-BJ/M	--
12	7748W	NUT (2)	--	--	91*-BJ/M	--
13	7825	LOCKNUT	--	--	91*-BJ/M	--
14	8108	CLIP NUT	--	--	91*-BJ/M	--
15	35078-79	LOCKNUT	--	--	91*-BJ/M	--
16	42416-83	PAD, brake lever	--	--	91*-BJ/M	--
17	40922-87	BOOT, push rod	--	--	91*-BJ/M	--
18	40957-87A	BRAKE LINE	--	--	91*-BJ/M	--
19	41713-86	CLAMP, rear brake line	--	--	91*-BJ/M	--
20	41731-88	GASKET (4)	--	--	91*-BJ/M	--
21	41745-79	COVER, master cylinder (chrome)	--	--	91*-BJ/M	--
22	41747-82A	BOLT (2)	--	--	91*-BJ/M	--
23	42269-70	PIN, rear brake rod clevis	--	--	91*-BJ/M	--
24	42301-87	STUD, master cylinder	--	--	91*-BJ/M	--
25	42375-87	SCREW, master cylinder cover (2)	--	--	91*-BJ/M	--
26	42382-87A	REPAIR KIT, master cylinder	--	--	91*-BJ/M	--
27	42407-87B	LEVER, foot brake (chrome)	--	--	91*-BJ/M	--
28	42431-87	SUPPORT, foot brake lever	--	--	91*-BJ/M	--
29	42467-87C	MASTER CYLINDER ASSEMBLY	--	--	91*-BJ/M	--
30	42471-87	REPAIR KIT, master cylinder body	--	--	91*-BJ/M	--
31	42479-90	SPRING	--	--	91*-BJ/M	--
32	44126-87	RETAINER, spring	--	--	91*-BJ/M	--
33	45004-85	COVER, master cylinder (black)	--	--	91*-BJ/M	--
34	45005-85	GASKET, cover	--	--	91*-BJ/M	--
35	50972-75	FITTING, lubrication	--	--	91*-BJ/M	--
36	50992-87	ROD END, master cylinder	--	--	91*-BJ/M	--
37	57215-75	BUSHING, foot brake lever (2)	--	--	91*-BJ/M	--
38	72023-51A	STOPLAMP SWITCH, rear	--	--	91*-BJ/M	--
<b>H-D INTERNATIONAL ONLY</b>						
30	42473-87	REPAIR KIT, master cylinder body (HDI only)	--	--	91*-BJ/M	--
	45042-82	REPAIR KIT, sight glass (HDI only)	--	--	91*-BJ/M	--

FLT MODELS		FXR MODELS		SOFTAIL MODELS		DYNA MODEL	
FLTC	DB	FXR	EA	FLSTC	BJ	FXDB-D	GA
FLHTC	DJ	FXRS	EB	FXSTC	BK	FXDB-S	GB
FLTC-U	DM	FXRT	EC	FXSTS	BL	FXDC	GC
FLHTC-U	DP	FXRS-SP	EG	FLSTF	BM		
FLHS	FA	FXLR	EL				
		FXRS-CON	EM				



**REAR BRAKE CONTROL — DYNA**

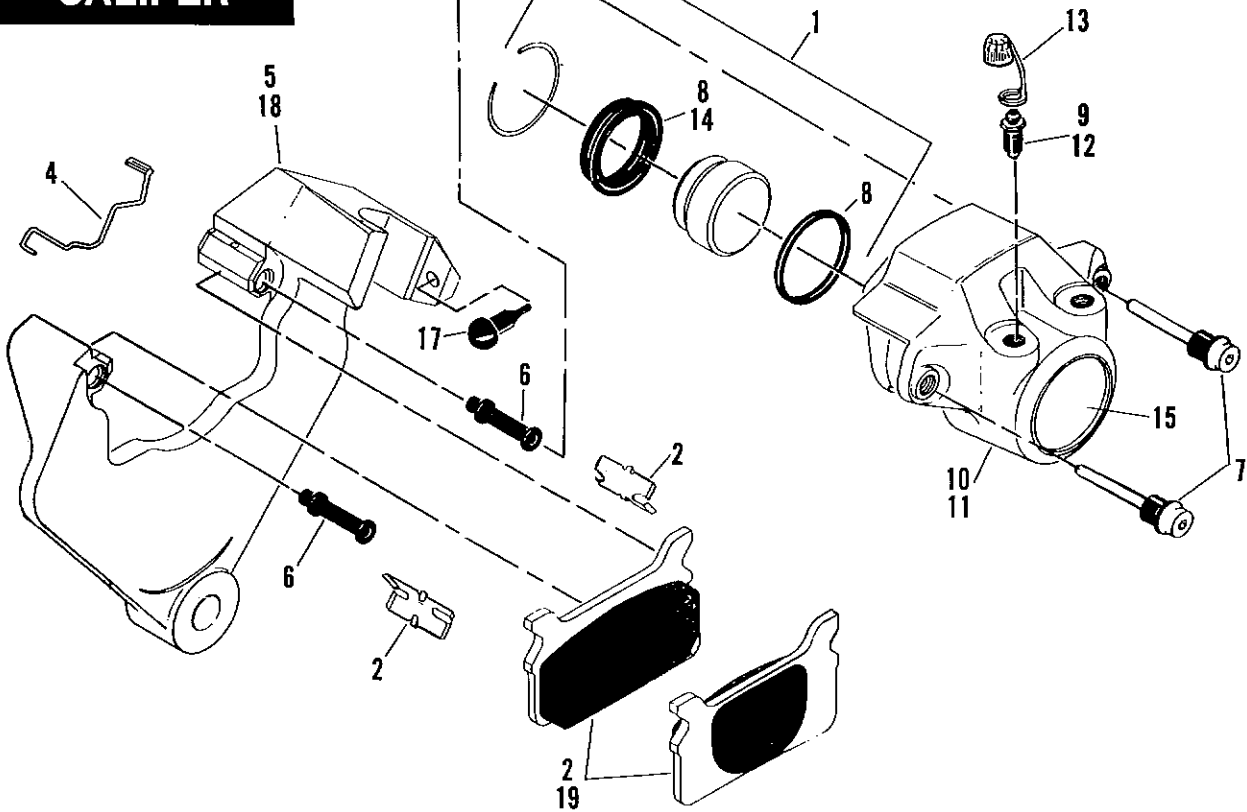
REAR BRAKE CONTROL - DYNA

FA22D

INDEX NO.	PART NO.	NAME	FLT MODELS	FXR MODELS	SOFTAIL MODELS	DYNA MODEL
1	515	COTTER PIN	--	--	--	91*-ALL
1A	3537	SCREW	--	--	--	91*-ALL
2	6366	WASHER	--	--	--	91*-ALL
3	7003	WASHER, spring	--	--	--	91*-ALL
3A	7229W	LOCKWASHER	--	--	--	91*-ALL
4	7744	NUT	--	--	--	91*-ALL
5	7855W	NUT	--	--	--	91*-ALL
5A	10053	CLAMP	--	--	--	91*-ALL
6	11005	RETAINING RING	--	--	--	91*-ALL
7	33714-90	BEARING (2)	--	--	--	91*-ALL
8	37503-41	LOCKWASHER	--	--	--	91*-ALL
9	40903-87	RETAINING RING	--	--	--	91*-ALL
10	40918-87	RETAINING RING	--	--	--	91*-ALL
11	40920-87	SPRING	--	--	--	91*-ALL
12	40922-87	BOOT	--	--	--	91*-ALL
13	40956-90	BRAKE LINE	--	--	--	91*-ALL
14	41731-88	GASKET (4)	--	--	--	91*-ALL
15	41747-82A	FITTING (2)	--	--	--	91*-ALL
16	41803-90	RESERVOIR ASSEMBLY	--	--	--	91*-ALL
17	42375-87	SCREW (2)	--	--	--	91*-ALL
18	42382-87	REPAIR KIT, master cylinder	--	--	--	91*-ALL
19	42448-87	PUSH ROD	--	--	--	91*-ALL
20	42460-80B	CLEVIS PIN	--	--	--	91*-ALL
21	42474-90	MASTER CYLINDER	--	--	--	91*-ALL
22	42502-90	BRAKE PEDAL ASSEMBLY	--	--	--	91*-ALL
23	44126-87	SPRING RETAINER	--	--	--	91*-ALL
24	45004-85	COVER, master cylinder	--	--	--	91*-ALL
25	45005-85	GASKET COVER	--	--	--	91*-ALL
26	72023-51A	STOPLAMP SWITCH	--	--	--	91*-ALL

FLT MODELS		FXR MODELS		SOFTAIL MODELS		DYNA MODEL	
FLTC	DB	FXR	EA	FLSTC	BJ	FXDB-D	GA
FLHTC	DJ	FXRS	EB	FXSTC	BK	FXDB-S	GB
FLTC-U	DM	FXRT	EC	FXSTS	BL	FXDC	GC
FLHTC-U	DP	FXRS-SP	EG	FLSTF	BM		
FLHS	FA	FXLR	EL				
		FXRS-CON	EM				

# REAR BRAKE CALIPER





# REAR BRAKE CALIPER

FA23

INDEX NO.	PART NO.	NAME	FLT MODELS	FXR MODELS	SOFTAIL MODELS	DYNA MODEL
1	43946-86	PISTON KIT, with #14	91*-ALL	91*-ALL	91*-ALL	--
2	43957-86D	PAD SET	91*-ALL	--	--	--
4	43960-86	RETAINER	91-ALL	91*-ALL	91*-ALL	--
5	44034-86	BRACKET, with #17	91*-ALL	--	--	--
6	44035-86A	BUSHING, (2)	91*-ALL	91*-ALL	91*-ALL	--
7	44039-86	MOUNTING KIT, with guide pins & bushings	91*-ALL	91*-ALL	91*-ALL	--
8	44045-87	SEAL & BOOT KIT	91*-ALL	91*-ALL	91*-ALL	--
9	44048-83	BLEEDER FITTING	91*-ALL	91*-ALL	91*-ALL	--
10	44050-87	CALIPER ASSEMBLY, without bracket	--	91*-ALL	91*-ALL	--
11	44076-86A	CALIPER ASSEMBLY, without bracket	91*-ALL	--	--	--
12	44146-77	BLEEDER FITTING	--	91*-ALL	91*-ALL	--
13	44147-87	CAP, bleeder screw	91*-ALL	91*-ALL	91*-ALL	--
14	44152-77	BOOT	91*-ALL	91*-ALL	91*-ALL	--
15	44197-77	LABEL	91-ALL	--	--	--
	44198-87	LABEL	--	91*-ALL	91*-ALL	--
17	44199-79	BUMPER	91*-ALL	91*-ALL	91*-ALL	--
18	44205-87	BRACKET, mounting with #6, 17 & shims	--	91*-ALL	--	--
	44207-87	BRACKET, mounting with #6, 17 & shims	--	--	91*-ALL	--
19	44209-87B	PAD SET	--	91*-ALL	91*-ALL	--

**FLT MODELS**

FLTC DB  
 FLHTC DJ  
 FLTC-U DM  
 FLHTC-U DP  
 FLHS FA

**FXR MODELS**

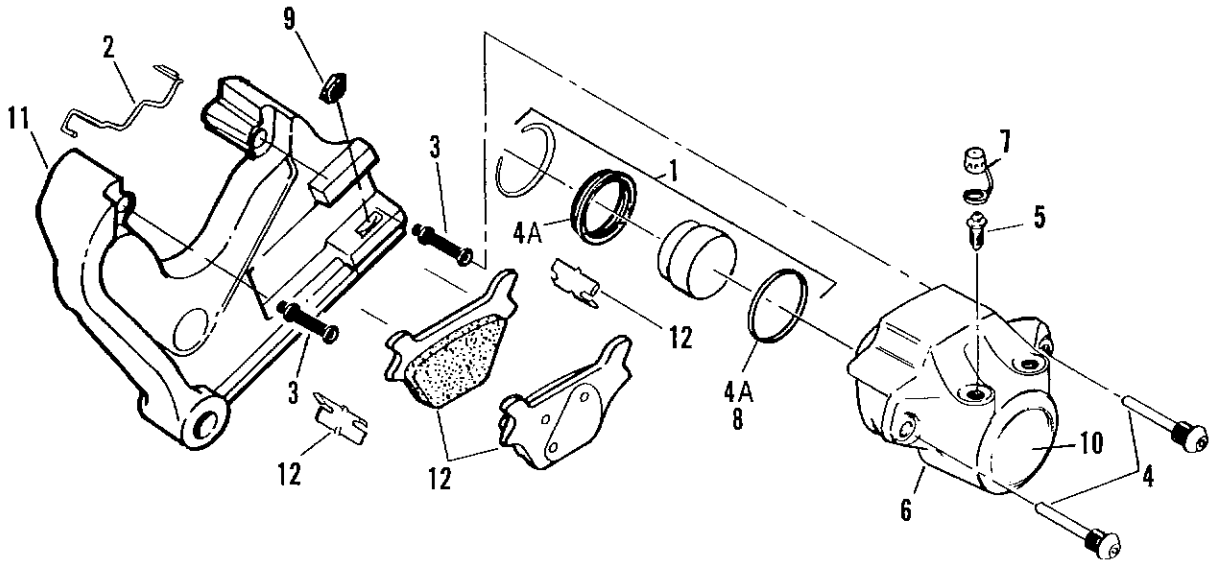
FXR EA  
 FXRS EB  
 FXRT EC  
 FXRS-SP EG  
 FXLR EL  
 FXRS-CON EM

**SOFTAIL MODELS**

FLSTC BJ  
 FXSTC BK  
 FXSTS BL  
 FLSTF BM

**DYNA MODEL**

FXDB-D GA  
 FXDB-S GB  
 FXDC GC



**REAR BRAKE CALIPER — DYNA**

**REAR BRAKE CALIPER - DYNA**

**FA23A**

INDEX NO.	PART NO.	NAME	FLT MODELS	FXR MODELS	SOFTAIL MODELS	DYNA MODEL
1	43946-86	PISTON KIT with #8	--	--	--	91*-ALL
2	43960-86	RETAINER	--	--	--	91*-ALL
3	44035-86A	BUSHING (2)	--	--	--	91*-ALL
4	44039-86	MOUNTING KIT with #11	--	--	--	91*-ALL
4A	44045-87	SEAL & BOOT KIT	--	--	--	91*-ALL
5	44048-83	SCREW, bleeder	--	--	--	91*-ALL
6	44076-86A	CALIPER ASSEMBLY, w/o bracket	--	--	--	91-GB
	44050-87	CALIPER ASSEMBLY, w/o bracket	--	--	--	92*-ALL
7	44147-87	CAP, bleeder screw	--	--	--	91*-ALL
8	44152-77	BOOT	--	--	--	91*-ALL
9	44196 -90	BUMPER	--	--	--	91*-ALL
10	44198-87	CALIPER INSERT	--	--	--	91*-ALL
11	44204-90	BRACKET, mounting with #3 & 9	--	--	--	91*-ALL
12	44209-87B	PAD SET	--	--	--	91*-ALL

**FLT MODELS**

FLTC DB  
 FLHTC DJ  
 FLTC-U DM  
 FLHTC-U DP  
 FLHS FA

**FXR MODELS**

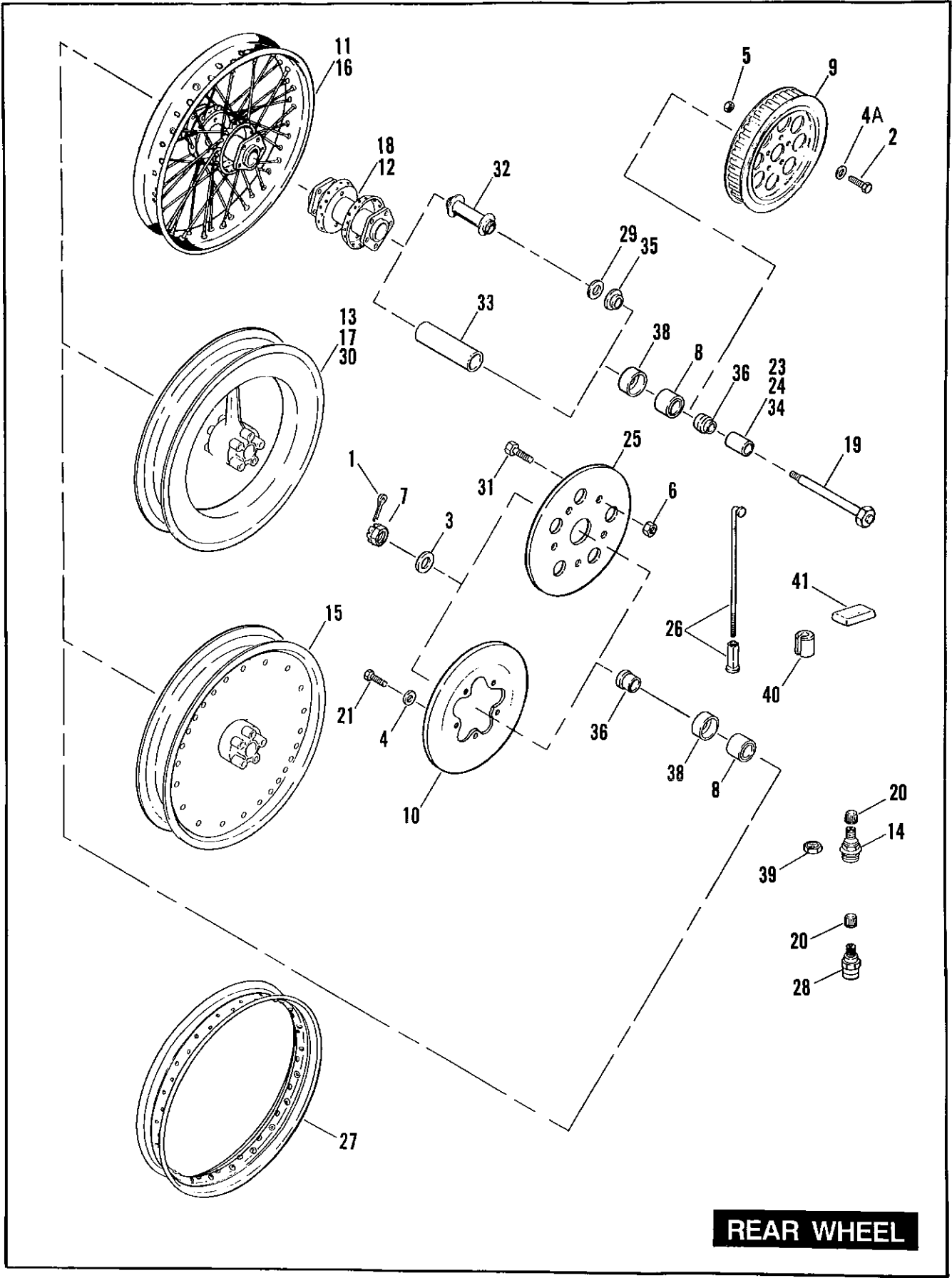
FXR EA  
 FXRS EB  
 FXRT EC  
 FXRS-SP EG  
 FXLR EL  
 FXRS-CON EM

**SOFTAIL MODELS**

FLSTC BJ  
 FXSTC BK  
 FXSTS BL  
 FLSTF BM

**DYNA MODEL**

FXDB-D GA  
 FXDB-S GB  
 FXDC GC

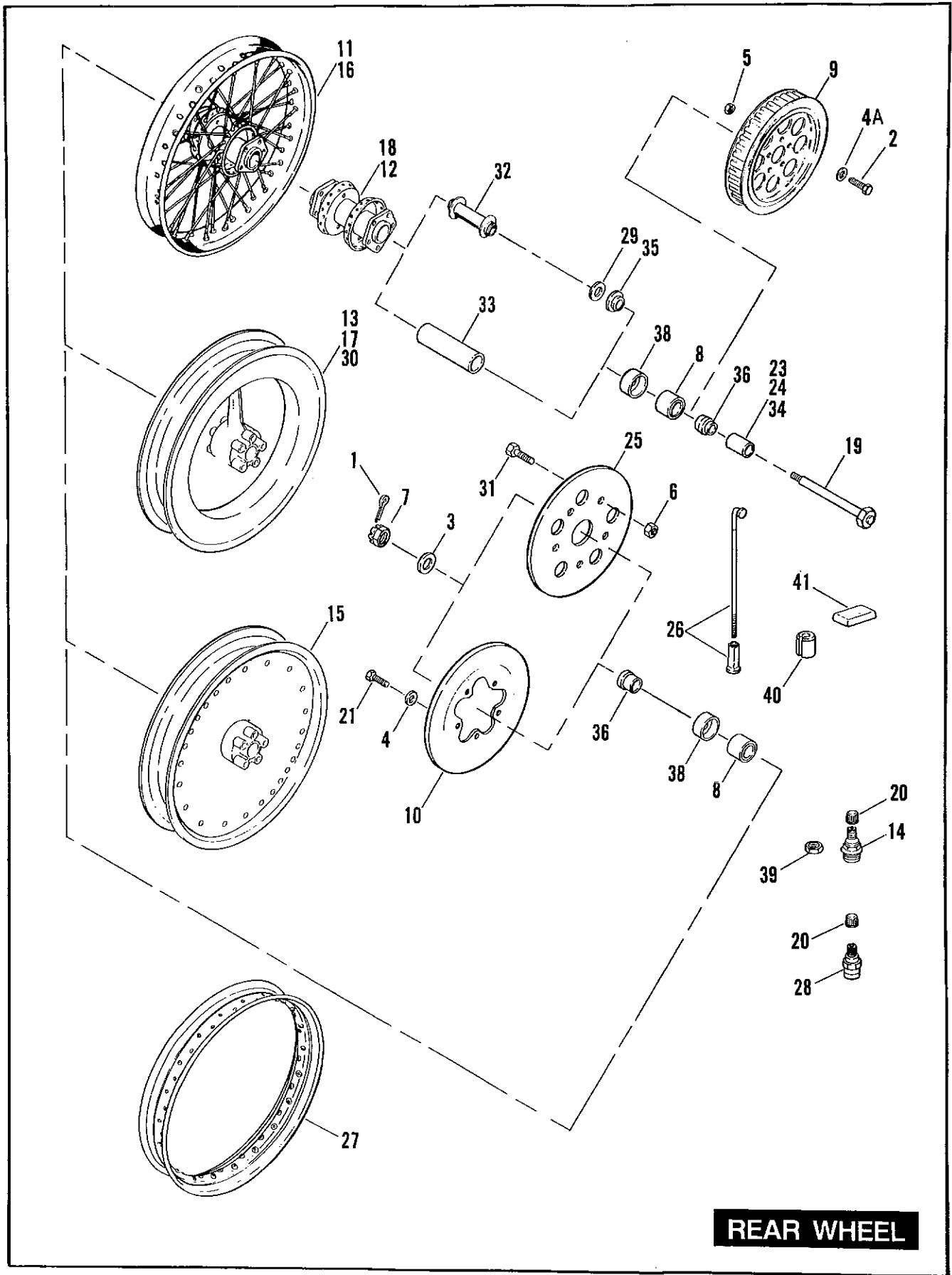


**REAR WHEEL**

**FA24-1**

INDEX NO.	PART NO.	NAME	FLT MODELS	FXR MODELS	SOFTAIL MODELS	DYNA MODEL
1	511	COTTER PIN	91*-ALL	91*-ALL	91*-ALL	91*-GB
2	3739A	BOLT (5) (cast wheels only)	91*-ALL	91*-ALL	91*-ALL	91*-ALL
2	4726	BOLT (5) (laced wheels only)	91*-ALL	91*-EB	91*-ALL	--
3	5756	SPACER	91*-ALL	91*-ALL	91*-ALL	91*-GB
4	6127	WASHER (5)	91*-ALL	--	91*-ALL	--
4A	6516AW	WASHER (5)	91*-ALL	--	91*-ALL	91*-ALL
5	7561	NUT (5)	91*-ALL	91*-EA/B/ G/M	91*-ALL	--
6	7778	LOCKNUT (5)	--	91*-EA/B/ G/M	91*-BJ/L	--
7	7987	CASTLE NUT	91*-ALL	91*-ALL	91*-ALL	91*-GB
8	9052	ROLLER BEARING (2)	91*-ALL	91*-ALL	91*-ALL	91*-GB
9	40221-85A	SPROCKET, 70T (silver)	91*-ALL	91*-ALL	91*-ALL	91*-ALL
10	40939-86	BRAKE DISC	91*-ALL	--	--	--
11	40975-86	WHEEL ASSEMBLY, 16" - laced (chrome)	--	91*-EA/B/ G/M	91*-BJ/L	--
12	40976-86	HUB ASSEMBLY, with spacer	--	91*-EA/B/ G/M	91*-BJ/L	--
13	40983-86	WHEEL ASSEMBLY, cast - 9 spoke (silver)	--	91*-EB/G	--	92*-GC
	41014-91	WHEEL ASSEMBLY, cast - 9 spoke (black)	--	--	--	91*-GB
	41035-88	WHEEL ASSEMBLY, cast - 9 spoke (gold)	--	--	--	91*-GA
14	40999-87	VALVE STEM	91*-ALL	--	--	--
15	41008-87A	DISC WHEEL	--	91*-EL	91*-BK/M	--
16	41010-86	WHEEL ASSEMBLY, 16" - laced	91*-ALL	--	--	--
17	41015-86	WHEEL ASSEMBLY, cast - 9 spoke (black)	--	91*-EA/C	--	--
18	41020-86	HUB ASSEMBLY, laced wheel, with spacer	91*-ALL	--	--	--
19	41110-79A	AXLE ASSEMBLY	91*-ALL	91*-ALL	91*-ALL	--
	41114-90	AXLE	--	--	--	91*-ALL
20	41123-79	VALVE CAP	91*-ALL	91*-ALL	91*-ALL	--
21	41198-73	BOLT (5)	91*-ALL	--	--	--
23	41591-81	SPACER, rear axle - left	--	91*-ALL	--	--
	41591-90	SPACER, rear axle - left	--	--	--	91*-ALL
24	41595-86	SPACER, rear axle - left	--	--	91*-ALL	--
25	41791-79A	DISC, brake	--	91*-ALL	91*-ALL	91*-GB
	41789-92	DISC, brake	--	92*-ALL	92*-ALL	92*-ALL
26	43032-40B	SPOKE & NIPPLE SET, 16" rim (40)	91*-ALL	91*-EA/B/ G/M	91*-BJ/L	--
27	43085-81	RIM, 16" (chrome)	91*-ALL	91*-EA/B/ G/M	91*-ALL	--
28	43157-83A	VALVE STEM ASSEMBLY	--	91*-ALL	91*-BK/M	91*-GB
29	43290-82	SPACER, 0.032" thk.	91*-ALL	--	--	--
	43291-82	SPACER, 0.016" thk.	91*-ALL	--	--	--
	43292-82	SPACER, 0.008" thk.	91*-ALL	--	--	--
	43293-82	SPACER, 0.004" thk.	91*-ALL	--	--	--
	43294-82	SPACER, 0.002" thk.	91*-ALL	--	--	--
30	43299-87	WHEEL ASSEMBLY, 16" - 10 spoke (black)	91*-ALL	--	--	--

FLT MODELS		FXR MODELS		SOFTAIL MODELS		DYNA MODEL	
FLTC	DB	FXR	EA	FLSTC	BJ	FXDB-D	GA
FLHTC	DJ	FXRS	EB	FXSTC	BK	FXDB-S	GB
FLTC-U	DM	FXRT	EC	FXSTS	BL	FXDC	GC
FLHTC-U	DP	FXRS-SP	EG	FLSTF	BM		
FLHS	FA	FXLR	EL				
		FXRS-CON	EM				

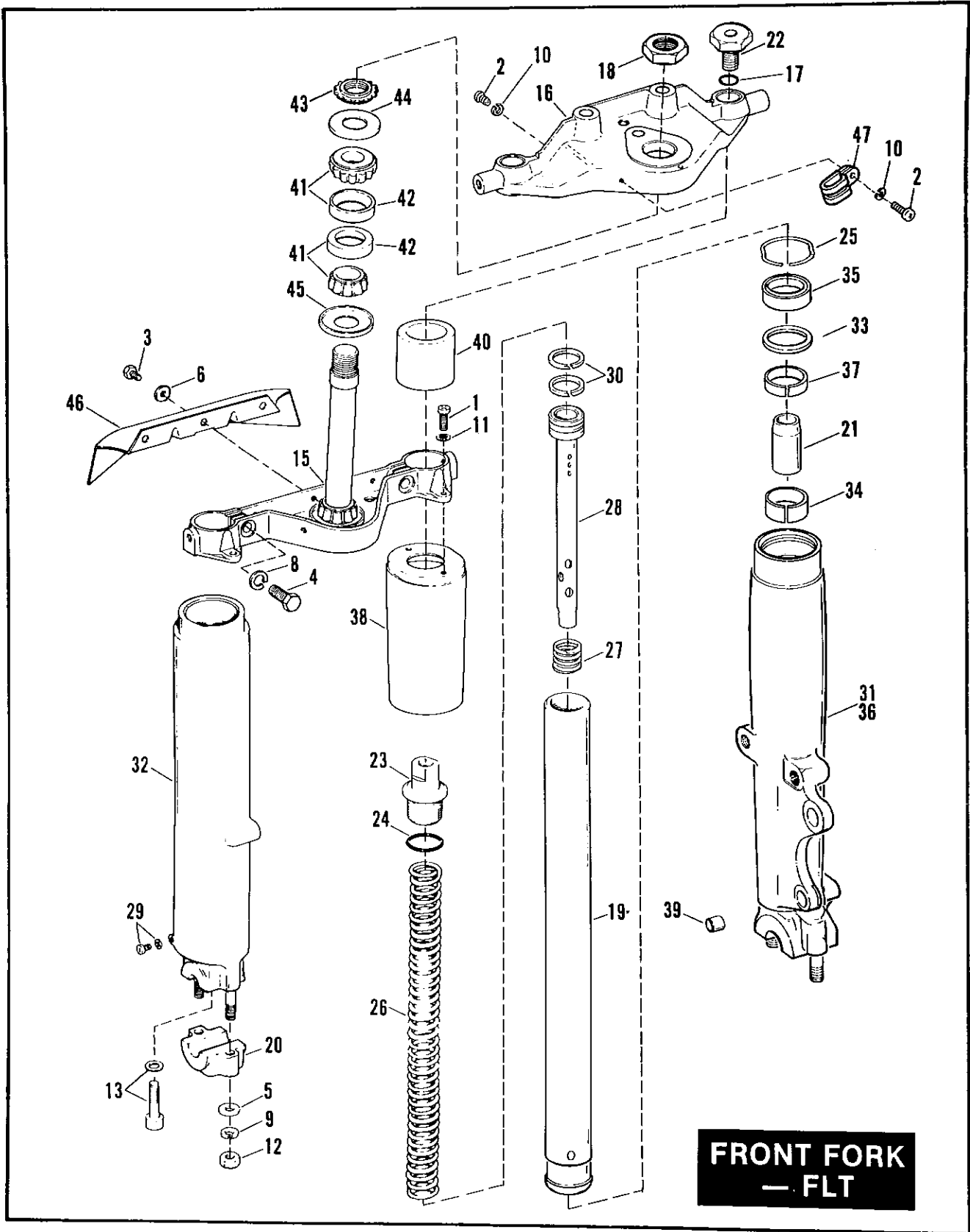


REAR WHEEL (CONT'D)

FA24-2

INDEX NO.	PART NO.	NAME	FLT MODELS	FXR MODELS	SOFTAIL MODELS	DYNA MODEL
31	43567-79	SCREW (5)	--	91-ALL	91-ALL	91-GB
	43567-92	SCREW (5)	92*-ALL	92*-ALL	92*-ALL	92*-ALL
32	43601-78A	SPACER, with flanges - 4.420 (orange)	--	91-EA/B/ G/M	91-BJ/L	--
	43602-78A	SPACER, with flanges - 4.434 (yellow)	--	91-EA/B/ G/M	91-BJ/L	--
	43603-78A	SPACER, with flanges - 4.448 (white)	--	91-EA/B/ G/M	91-BJ/L	--
33	43604-78	SPACER, without flanges - 4.420 (orange)	--	91-ALL	91-BK/M	91-GB
	43605-78	SPACER, without flanges - 4.434 (yellow)	--	91-ALL	91-BK/M	91-GB
	43606-78	SPACER, without flanges - 4.448 (white)	--	91-ALL	91-BK/M	91-GB
	43608-82	SPACER, (1991 -cast only)	91*-ALL	92*-ALL	92*-BK/M	92*-ALL
	43668-82	SPACER (laced only)	92*-ALL	92*-EA/B/ G/M	92*-BJ/L	--
34	43648-86	SPACER, left	91*-ALL	--	--	--
35	43650-82	SPACER WASHER	91*-ALL	92*-ALL	92*-ALL	92*-ALL
36	43654-86A	SPACER (2)	91*-ALL	91*-ALL	91*-ALL	91*-ALL
38	47519-83A	OIL SEAL (2)	91*-ALL	91*-ALL	91*-ALL	91*-ALL
39	54321-85	NUT, valve stem	91*-ALL	91*-EL	91*-BK/M	--
40	95578-41	WEIGHT, 1/2 oz. - 0.275" I.D. - round	91*-ALL	91*-EA/B/ G/M	91*-BJ/L	--
	95581-47	WEIGHT, 3/4 oz. - 0.275" I.D. - round	91*-ALL	91*-EA/B/ G/M	91*-BJ/L	--
	95582-47	WEIGHT, 1 oz. - 0.275" I.D. - round	91*-ALL	91*-EA/B/ G/M	91*-BJ/L	--
41	95594-84	WEIGHT, 1/4 oz. (black)	91*-ALL	91*-EA/C	--	91*-ALL
	95595-84	WEIGHT, 1/4 oz. (silver)	--	91*-EB/G/L	91*-BK/M	--
		<b>H-D INTERNATIONAL ONLY</b>				
	40236-88A	SPROCKET, 61T (silver) (2)	91*-ALL	91*-ALL	91*-ALL	91*-ALL

FLT MODELS		FXR MODELS		SOFTAIL MODELS		DYNA MODEL	
FLTC	DB	FXR	EA	FLSTC	BJ	FXDB-D	GA
FLHTC	DJ	FXRS	EB	FXSTC	BK	FXDB-S	GB
FLTC-U	DM	FXRT	EC	FXSTS	BL	FXDC	GC
FLHTC-U	DP	FXRS-SP	EG	FLSTF	BM		
FLHS	FA	FXLR	EL				
		FXRS-CON	EM				



**FRONT FORK  
— FLT**



**FRONT FORK - FLT MODELS**

INDEX NO.	PART NO.	NAME	FLT MODELS	FXR MODELS	SOFTAIL MODELS	DYNA MODEL
1	2417	SCREW (4)	91*-ALL	--	--	--
2	2592	SCREW	91*-ALL	--	--	--
	4091	SCREW	91*-ALL	--	--	--
3	3739	BOLT (2)	91*-ALL	--	--	--
4	4729	BOLT (2)	91*-ALL	--	--	--
5	6702	WASHER (2)	91*-ALL	--	--	--
6	6703	WASHER (2)	91*-ALL	--	--	--
7	7036	LOCKWASHER (2)	91*-ALL	--	--	--
8	7039	LOCKWASHER (2)	91*-ALL	--	--	--
9	7041	LOCKWASHER (2)	91*-ALL	--	--	--
10	7069	LOCKWASHER (2)	91*-ALL	--	--	--
11	7124	LOCKWASHER (4)	91*-ALL	--	--	--
12	7748W	NUT (2)	91*-ALL	--	--	--
13	45405-75A	SCREW WITH WASHER, damper tube (2)	91*-ALL	--	--	--
15	45431-85	FORK STEM & BRACKET	91*-DB/M	--	--	--
	45449-86	FORK STEM & BRACKET	91*-DJ/P, FA	--	--	--
16	45435-83A	BRACKET	91*-ALL	--	--	--
17	45443-86	O-RING (2)	91*-ALL	--	--	--
18	45718-60	NUT, fork stem	91*-ALL	--	--	--
19	45827-84	SLIDER TUBE (2)	91*-ALL	--	--	--
20	45832-77A	AXLE CAP, right slider	91*-ALL	--	--	--
21	45834-77	LOWER STOP (2)	91*-ALL	--	--	--
22	45839-84	CAP, upper bracket (2)	91*-ALL	--	--	--
23	45841-84	PLUG, fork tube (2)	91*-ALL	--	--	--
24	45845-77	O-RING, slider tube plug (2)	91*-ALL	--	--	--
25	45847-84	RETAINING RING, oil seal (2)	91*-ALL	--	--	--
26	45853-83	SPRING (2)	91*-ALL	--	--	--
27	45855-77	SPRING, slider tube (2)	91*-ALL	--	--	--
28	45857-83	DAMPER TUBE (2)	91*-ALL	--	--	--
29	45858-77	DRAIN SCREW, damper tube (2)	91*-ALL	--	--	--
30	45859-77	RING, damper tube (4)	91*-ALL	--	--	--
31	45860-84	SLIDER ASSEMBLY, left	91*-ALL	--	--	--
32	45863-84	FORK SLIDER, right (polished)	91*-ALL	--	--	--
	45864-84	FORK SLIDER, left (polished)	91*-ALL	--	--	--
33	45865-84	SPACER, slider (2)	91*-ALL	--	--	--
34	45866-84	BUSHING, slider (2)	91*-ALL	--	--	--
35	45875-84	OIL SEAL (2)	91*-ALL	--	--	--
36	45870-84	SLIDER ASSEMBLY, right	91*-ALL	--	--	--
37	45940-84	BUSHING, slider (2)	91*-ALL	--	--	--
38	45964-89	COVER, slider (stainless steel) (2)	91*-ALL	--	--	--
39	46020-84	BUSHING, brake caliper (2)	91*-ALL	--	--	--
40	47530-79A	FORK STOP (rubber) (2)	91*-ALL	--	--	--

**FLT MODELS**

FLTC DB  
 FLHTC DJ  
 FLTC-U DM  
 FLHTC-U DP  
 FLHS FA

**FXR MODELS**

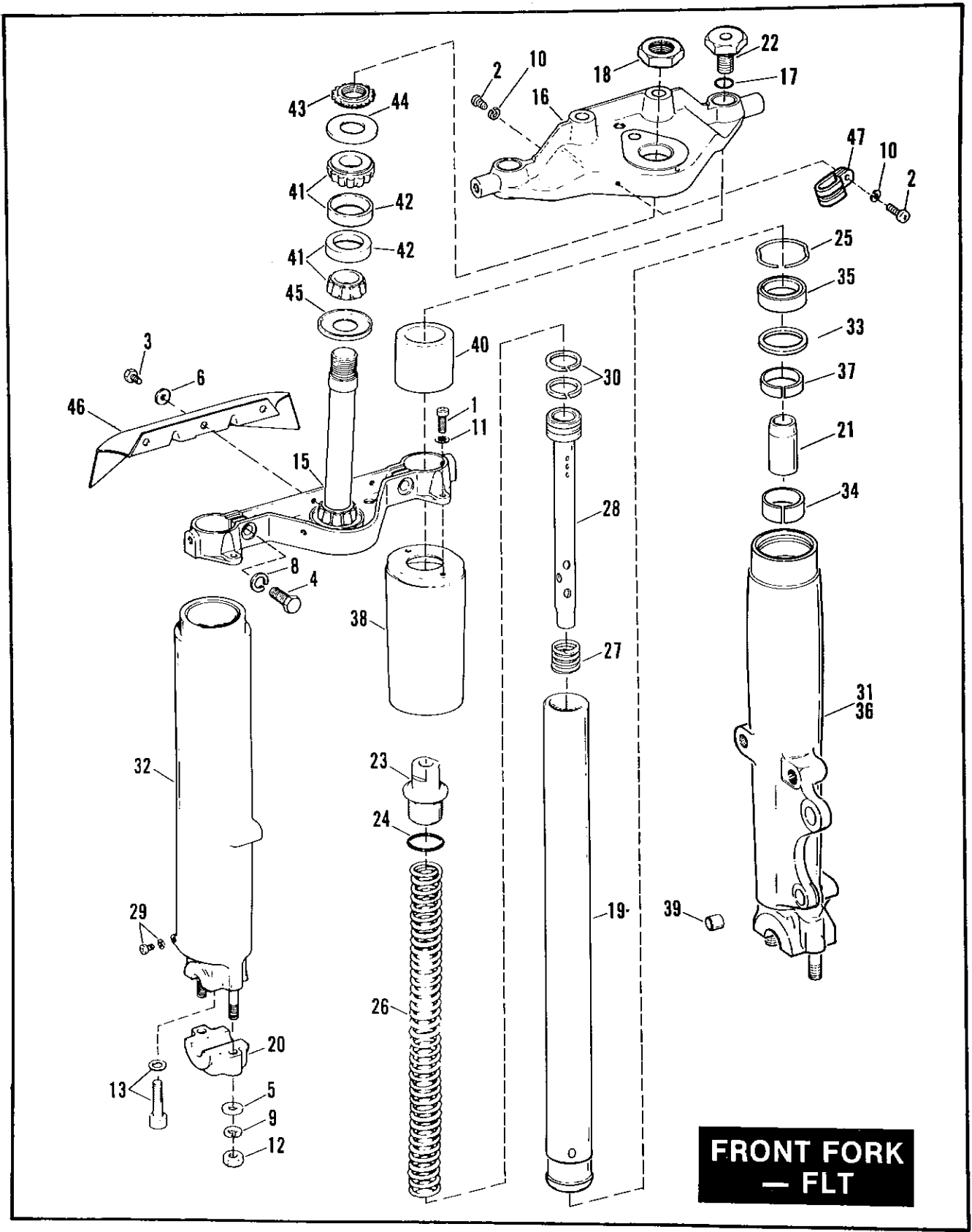
FXR EA  
 FXRS EB  
 FXRT EC  
 FXRS-SP EG  
 FXLR EL  
 FXRS-CON EM

**SOFTAIL MODELS**

FLSTC BJ  
 FXSTC BK  
 FXSTS BL  
 FLSTF BM

**DYNA MODEL**

FXDB-D GA  
 FXDB-S GB  
 FXDC GC



**FRONT FORK  
— FLT**

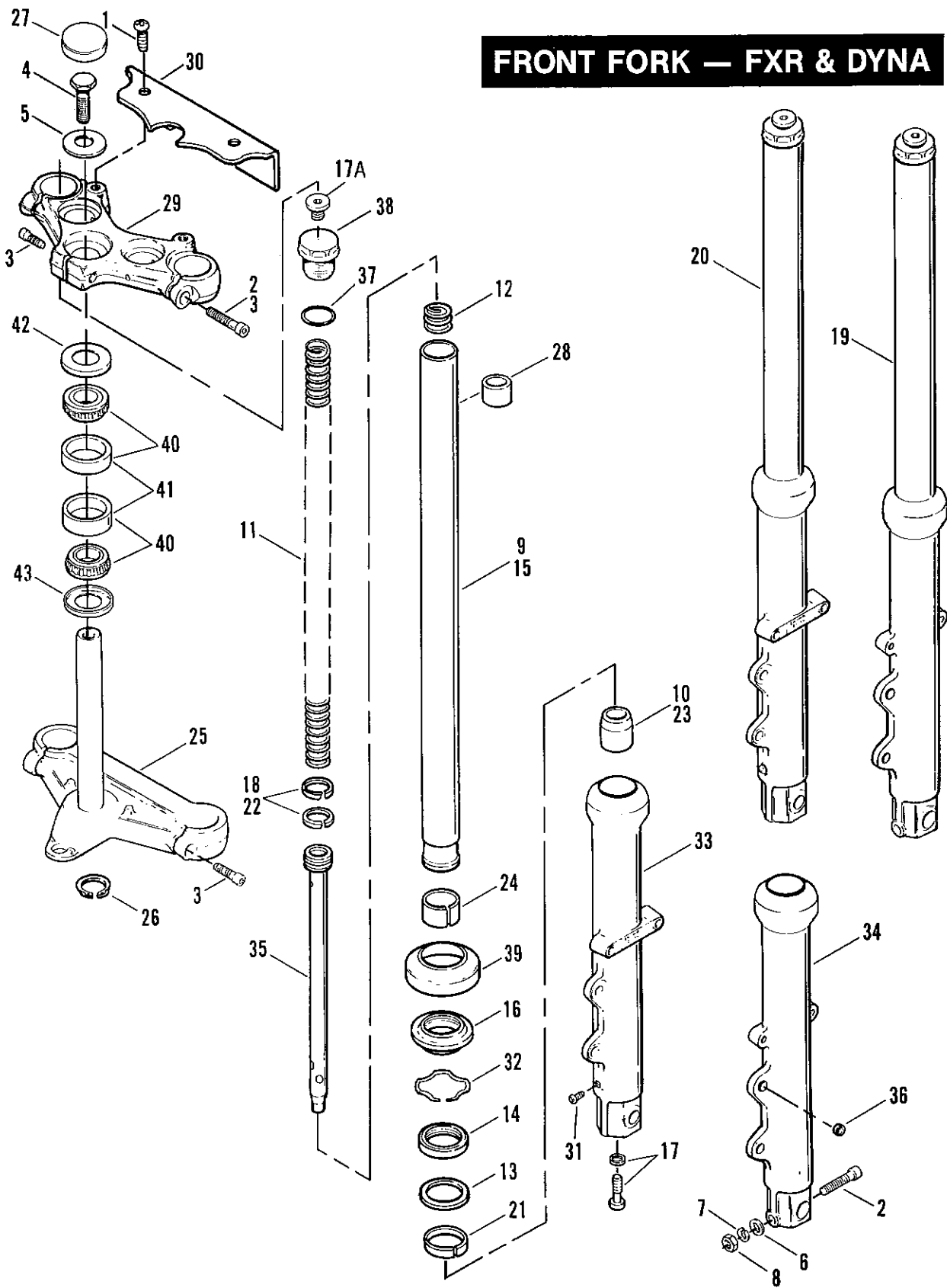
**FRONT FORK - FLT MODELS (CONT'D)**

**FA25-2**

INDEX NO.	PART NO.	NAME	FLT MODELS	FXR MODELS	SOFTAIL MODELS	DYNA MODEL
41	48300-60	ROLLER BEARING, with cup	91*-ALL	--	--	--
42	48315-60	CUP, bearing	91*-ALL	--	--	--
43	48333-80	BEARING ADJUSTER	91*-ALL	--	--	--
44	48361-80	DUST SHIELD, bearing - upper	91*-ALL	--	--	--
45	48365-48A	DUST SHIELD, bearing - lower	91*-ALL	--	--	--
46	58520-79A	BAFFLE	91*-ALL	--	--	--
47	68659-86	CLAMP	91*-ALL	--	--	--
<b>H-D INTERNATIONAL ONLY</b>						
15	45446-87	FORK STEM & BRACKET (HDI only)	91*-DJ/P,FA	--	--	--
	45534-87	FORK STEM & BRACKET (HDI only)	91*-DB/M	--	--	--
	48140-84	STEERING HEAD LOCK ASSEMBLY (HDI only)	91*-ALL	--	--	--

FLT MODELS		FXR MODELS		SOFTAIL MODELS		DYNA MODEL	
FLTC	DB	FXR	EA	FLSTC	BJ	FXDB-D	GA
FLHTC	DJ	FXRS	EB	FXSTC	BK	FXDB-S	GB
FLTC-U	DM	FXRT	EC	FXSTS	BL	FXDC	GC
FLHTC-U	DP	FXRS-SP	EG	FLSTF	BM		
FLHS	FA	FXLR	EL				
		FXRS-CON	EM				

# FRONT FORK — FXR & DYNA



**FRONT FORK - FXR AND DYNA MODELS**

**FA25A-1**

INDEX NO.	PART NO.	NAME	FLT MODELS	FXR MODELS	SOFTAIL MODELS	DYNA MODEL
1	2582	SCREW	--	91*-EL	--	--
2	4029A	SCREW (3 - EG/L)	--	91*-ALL	--	91*-ALL
3	4350A	SCREW (3; 5 - EA/B/C/L)	--	91*-ALL	--	91*-ALL
4	4453	SCREW	--	91*-EB/G/ L/M	--	91*-ALL
	4460	SCREW	--	91*-EA/C	--	--
5	6655	WASHER	--	91*-ALL	--	91*-ALL
6	6701	WASHER	--	91*-ALL	--	91*-ALL
7	7038	LOCKWASHER	--	91*-ALL	--	91*-ALL
8	7783	NUT	--	91*-ALL	--	91*-ALL
9	45360-90	SLIDER TUBE (2)	--	--	--	91*-ALL
10	45361-90	LOWER STOP (2)	--	--	--	91*-ALL
11	45362-90	SPRING (2)	--	--	--	91*-ALL
	45373-88	SPRING (2)	--	91*-EC/G/M	--	--
	45376-87	SPRING (2)	--	91*-EA/B/L	--	--
12	45374-87	SPRING, slider (2)	--	91*-ALL	--	91*-ALL
13	45377-87	SPACER, oil seal (2)	--	91*-ALL	--	91*-ALL
14	45378-87	OIL SEAL (2)	--	91*-ALL	--	91*-ALL
15	45381-87	SLIDER TUBE (2)	--	91*-EA/B	--	--
	45393-87	SLIDER TUBE (2)	--	91*-EC/M	--	--
16	45401-87	SEAL, dust (2)	--	91*-ALL	--	91*-ALL
17	45405-75A	SCREW WITH WASHER (2)	--	91*-ALL	--	--
17A	45546-90	SCREW WITH WASHER (2)	--	--	--	91*-ALL
18	45460-90	RING, damper tube (2)	--	--	--	91*-ALL
19	45793-88	FORK SLIDER & TUBE ASSEMBLY, right	--	91*-EC/G/M	--	--
	45949-92	FORK SLIDER & TUBE ASSEMBLY, right	--	--	--	92*-ALL
	45919-87	FORK SLIDER & TUBE ASSEMBLY, right	--	91*-EA/B/L	--	--
	45951-90	FORK SLIDER & TUBE ASSEMBLY, right	--	--	--	91-GB
20	45791-88	FORK SLIDER & TUBE ASSEMBLY, left	--	91*-EC/G/M	--	--
	45920-87	FORK SLIDER & TUBE ASSEMBLY, left	--	91*-EA/B/L	--	--
	45952-90	FORK SLIDER & TUBE ASSEMBLY, left	--	--	--	91*-ALL
21	45461-87	BUSHING, upper (2)	--	91*-ALL	--	91*-ALL
22	45462-87	RING, damper tube (4)	--	91*-ALL	--	--
23	45463-87	LOWER STOP (2)	--	91*-ALL	--	--
24	45465-87	BUSHING, slider tube (2)	--	91*-ALL	--	91*-ALL
25	45550-88	BRACKET, lower with stem	--	91*-EA/C	--	--
	45559-87	BRACKET, lower with stem	--	91*-EM	--	--
	45562-87	BRACKET, lower with stem	--	91*-EB/G	--	--
	45598-90A	BRACKET, lower with stem	--	--	--	91*-ALL
26	45611-86	RETAINING RING	--	91*-EG/L	--	91*-ALL
27	45668-90	CAP, fork stem	--	91*-EB/G/ L/M	--	91*-ALL
28	47530-79A	FORK STOP (rubber) (2)	--	91*-EC	--	--
29	45739-87	BRACKET, upper	--	91*-ALL	--	91*-GB
30	45750-87	COVER, upper bracket	--	91*-EL	--	--
31	45790-80	DRAIN SCREW, with washer (2)	--	91*-ALL	--	91*-ALL
32	45905-87	RETAINING RING, oil seal	--	91*-ALL	--	91*-ALL
33	45921-87	SLIDER ASSEMBLY, left	--	91*-ALL	--	91*-ALL

**FLT MODELS**

FLTC DB  
 FLHTC DJ  
 FLTC-U DM  
 FLHTC-U DP  
 FLHS FA

**FXR MODELS**

FXR EA  
 FXRS EB  
 FXRT EC  
 FXRS-SP EG  
 FXLR EL  
 FXRS-CON EM

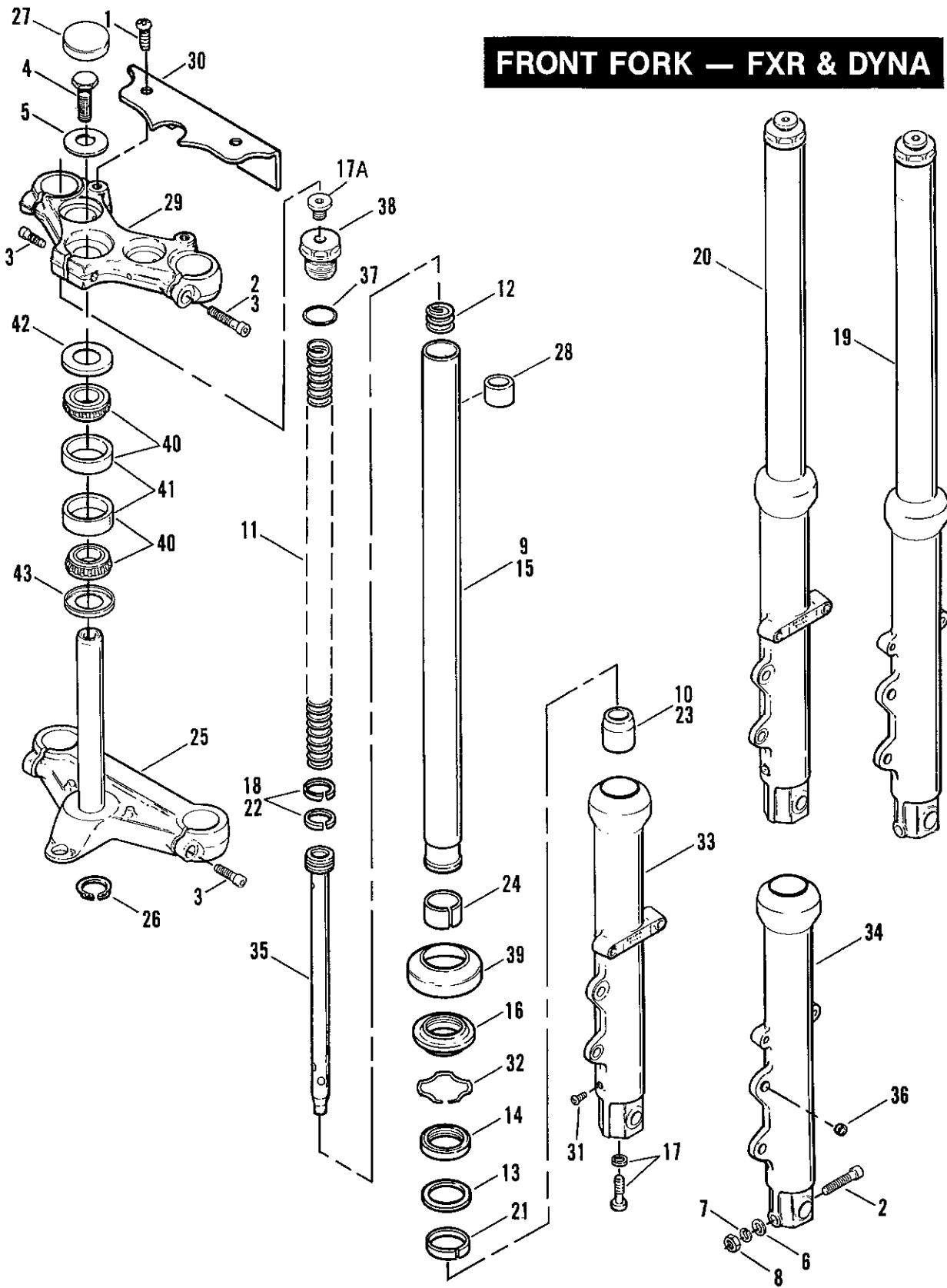
**SOFTAIL MODELS**

FLSTC BJ  
 FXSTC BK  
 FXSTS BL  
 FLSTF BM

**DYNA MODEL**

FXDB-D GA  
 FXDB-S GB  
 FXDC GC

# FRONT FORK — FXR & DYNA



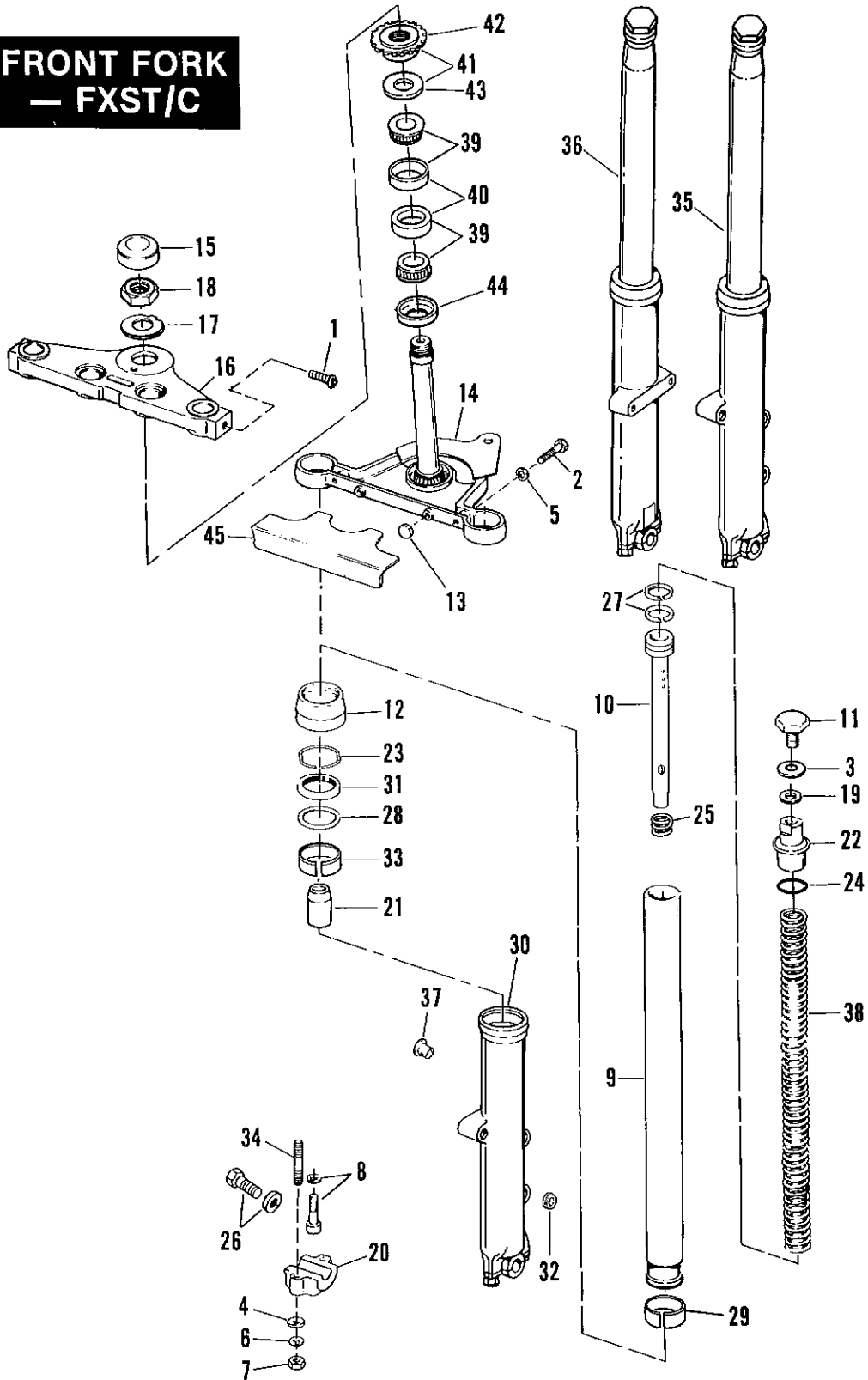
**FRONT FORK - FXR AND DYNA MODELS (CONT'D)**

**FA25A-2**

INDEX NO.	PART NO.	NAME	FLT MODELS	FXR MODELS	SOFTAIL MODELS	DYNA MODEL
34	45922-87	SLIDER ASSEMBLY, right	--	91*-EC/G/M	--	92*-ALL
	45923-87	SLIDER ASSEMBLY, right	--	91*-EA/B/L	--	91-GB
35	45924-87	DAMPER TUBE (2)	--	91*-EA/B/L	--	--
	45925-88	DAMPER TUBE (2)	--	91*-EC/G/M	--	--
	45926-90	DAMPER TUBE (2)	--	--	--	91*-ALL
36	45934-86	BUSHING (2 - EC/G & Dyna)	--	91*-ALL	--	91*-ALL
37	45984-87	O-RING (2)	--	91*-ALL	--	91*-ALL
38	45990-88	CAP, slider tube (2)	--	91*-EC/G/M	--	91*-ALL
	45996-87	CAP, slider tube (2)	--	91*-EA/B/L	--	--
39	46002-87	COVER, slider (2)	--	91*-ALL	--	91*-ALL
40	48300-60	ROLLER BEARING, with cup (2)	--	91*-ALL	--	91*-ALL
41	48315-60	BEARING CUP (2)	--	91*-ALL	--	91*-ALL
42	48361-80	DUST SHIELD, upper	--	91*-ALL	--	91*-ALL
43	48365-48A	DUST SHIELD, lower	--	91*-ALL	--	91*-ALL
<b>H-D INTERNATIONAL ONLY</b>						
25	45549-88	BRACKET, lower with stem	--	91*-EA/C	--	--
	45561-87	BRACKET, lower with stem	--	91*-EL/M	--	--
	45563-87	BRACKET, lower with stem	--	91*-EB/G	--	--
	48140-84	STEERING HEAD LOCK ASSEMBLY	--	91*-ALL	--	--

FLT MODELS		FXR MODELS		SOFTAIL MODELS		DYNA MODEL	
FLTC	DB	FXR	EA	FLSTC	BJ	FXDB-D	GA
FLHTC	DJ	FXRS	EB	FXSTC	BK	FXDB-S	GB
FLTC-U	DM	FXRT	EC	FXSTS	BL	FXDC	GC
FLHTC-U	DP	FXRS-SP	EG	FLSTF	BM		
FLHS	FA	FXLR	EL				
		FXRS-CON	EM				

# FRONT FORK — FXST/C





INDEX NO.	PART NO.	NAME	FLT MODELS	FXR MODELS	SOFTAIL MODELS	DYNA MODEL
1	2823	SCREW (2)	--	--	91*-BK	--
2	4729	BOLT (2)	--	--	91*-BK	--
3	5710	SPACER (2)	--	--	91*-BK	--
4	6702	WASHER, right slider (2)	--	--	91*-BK	--
5	7039	LOCKWASHER (2)	--	--	91*-BK	--
6	7041	LOCKWASHER, right slider (2)	--	--	91*-BK	--
7	7748W	NUT, right slider (2)	--	--	91*-BK	--
8	45405-75A	SCREW WITH WASHER, damper tube (2)	--	--	91*-BK	--
9	45417-84	SLIDER TUBE (2)	--	--	91*-BK	--
10	45418-84	DAMPER TUBE, complete (2)	--	--	91*-BK	--
11	45419-80	CAP, slider tube (2)	--	--	91*-BK	--
12	45420-80	DUST COVER (2)	--	--	91*-BK	--
13	45648-85	PAD (felt) (2)	--	--	91*-BK	--
14	45665-84B	STEM & BRACKET, with bearing & shield	--	--	91*-BK	--
15	45670-80	CAP, fork stem	--	--	91*-BK	--
16	45672-80	BRACKET, upper (chrome)	--	--	91*-BK	--
17	45717-63	LOCKWASHER, fork stem nut	--	--	91*-BK	--
18	45718-60	NUT, fork stem	--	--	91*-BK	--
19	45733-48	OIL SEAL, fork tube plug (2)	--	--	91*-BK	--
20	45832-77A	AXLE CAP, right slider	--	--	91*-BK	--
21	45834-77	LOWER STOP (2)	--	--	91*-BK	--
22	45838-77	PLUG, fork tube (2)	--	--	91*-BK	--
23	45842-77	RETAINING RING, oil seal (2)	--	--	91*-BK	--
24	45845-77	O-RING, slider tube plug (2)	--	--	91*-BK	--
25	45855-77	SPRING, damper tube (2)	--	--	91*-BK	--
26	45858-77	DRAIN SCREW WITH WASHER, slider (2)	--	--	91*-BK	--
27	45859-77	RING, damper tube (4)	--	--	91*-BK	--
28	45865-84	WASHER, slider (2)	--	--	91*-BK	--
29	45866-84	BUSHING, slider tube (2)	--	--	91*-BK	--
30	45873-91	SLIDER, left	--	--	91*-BK	--
	45874-91	SLIDER, right	--	--	91*-BK	--
31	45875-84	OIL SEAL, slider (2)	--	--	91*-BK	--
32	45934-86	BUSHING, brake caliper	--	--	91*-BK	--
33	45940-84	BUSHING, slider	--	--	91*-BK	--
34	45998-73	STUD (4)	--	--	91*-BK	--
35	46004-91	FORK SLIDER & TUBE ASSEMBLY, left	--	--	91*-BK	--
36	46006-91	FORK SLIDER & TUBE ASSEMBLY, right	--	--	91*-BK	--
37	46020-84	BUSHING, upper - left slider - brake caliper	--	--	91*-BK	--
38	46048-84	SPRING (2)	--	--	91*-BK	--

FLT MODELS

FLTC DB  
 FLHTC DJ  
 FLTC-U DM  
 FLHTC-U DP  
 FLHS FA

FXR MODELS

FXR EA  
 FXRS EB  
 FXRT EC  
 FXRS-SP EG  
 FXLR EL  
 FXRS-CON EM

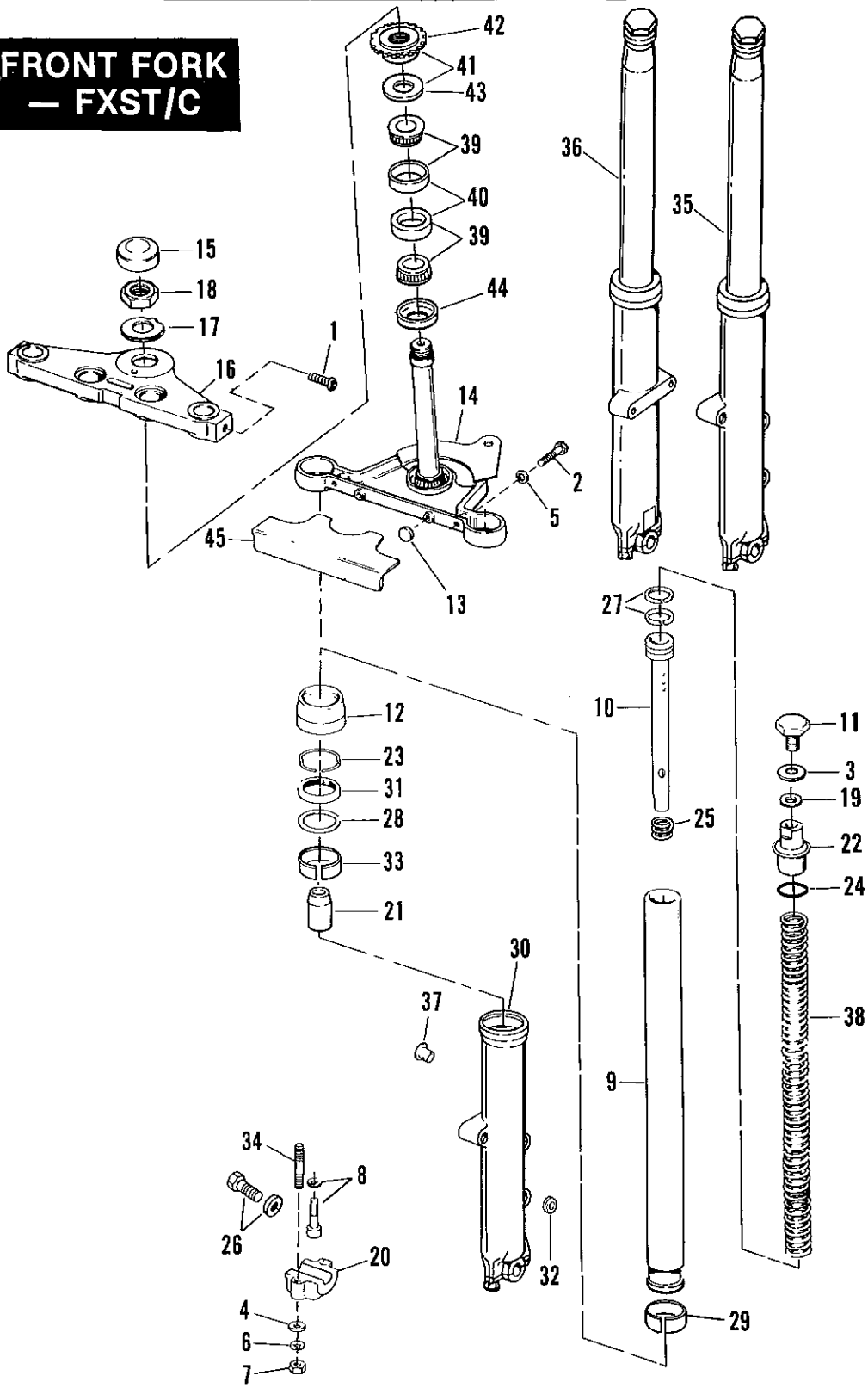
SOFTAIL MODELS

FLSTC BJ  
 FXSTC BK  
 FXSTS BL  
 FLSTF BM

DYNA MODEL

FXDB-D GA  
 FXDB-S GB  
 FXDC GC

# FRONT FORK — FXST/C



FRONT FORK - FXSTC (CONT'D)

FA25B-2

INDEX NO.	PART NO.	NAME	FLT MODELS	FXR MODELS	SOFTAIL MODELS	DYNA MODEL
39	48300-60	ROLLER BEARING WITH CUP (2)	--	--	91*-BK	--
40	48315-60	BEARING CUP (2)	--	--	91*-BK	--
41	48330-48A	ADJUSTING NUT, upper - with shield	--	--	91*-BK	--
42	48332-48B	ADJUSTING NUT, upper	--	--	91*-BK	--
43	48361-80	DUST SHIELD, bearing - upper	--	--	91*-BK	--
44	48365-48A	DUST SHIELD, bearing - lower	--	--	91*-BK	--
45	67773-80A	MOUNTING PLATE, headlamp (chrome)	--	--	91*-BK	--
<b>H-D INTERNATIONAL ONLY</b>						
14	45640-88	FORK STEM BRACKET (HDI only)	--	--	91*-BK	--
	48140-84	STEERING HEAD LOCK ASSEMBLY (HDI only)	--	--	91*-BK	--

FLT MODELS

FLTC DB  
 FLHTC DJ  
 FLTC-U DM  
 FLHTC-U DP  
 FLHS FA

FXR MODELS

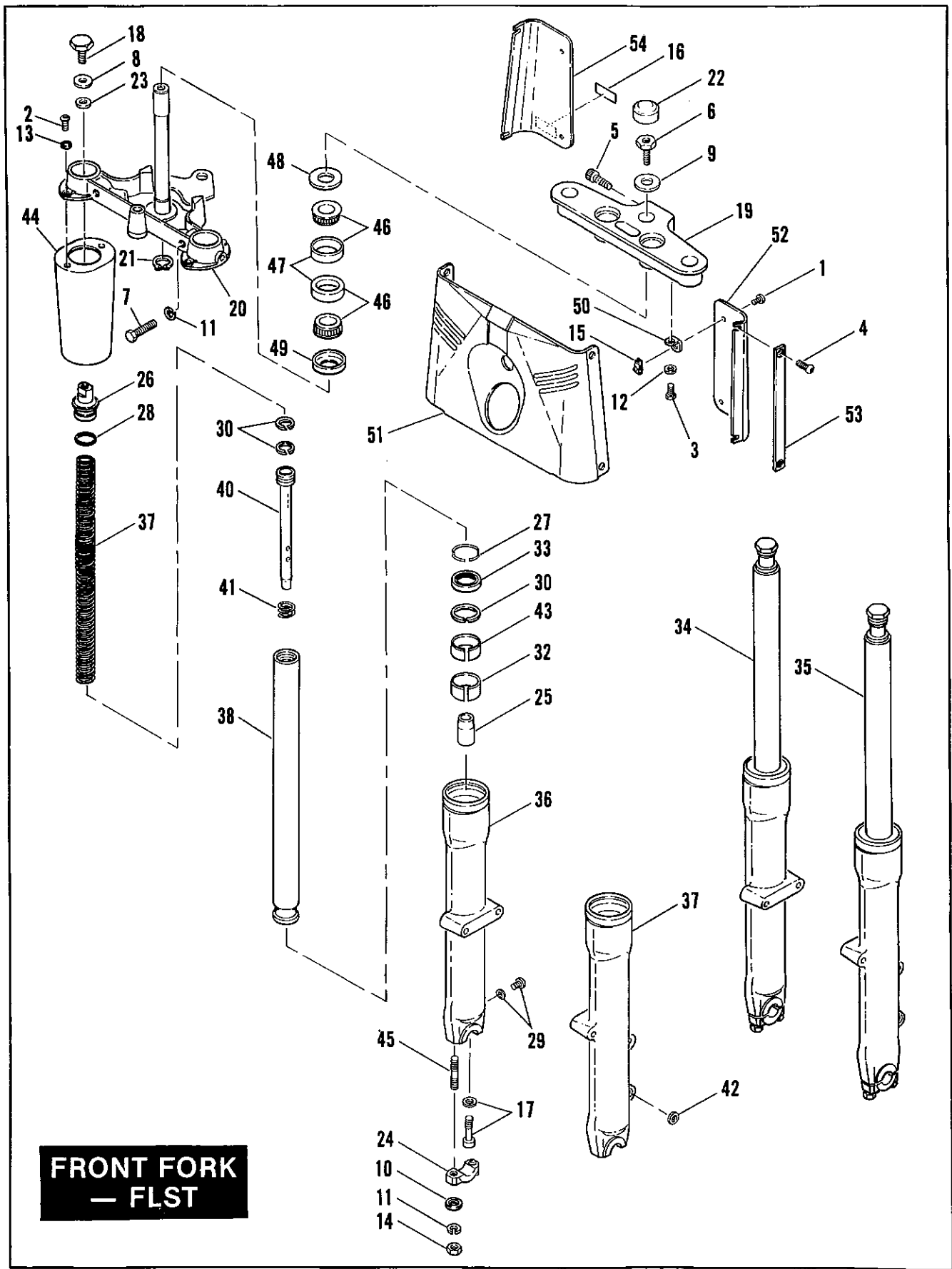
FXR EA  
 FXRS EB  
 FXRT EC  
 FXRS-SP EG  
 FXLR EL  
 FXRS-CON EM

SOFTAIL MODELS

FLSTC BJ  
 FXSTC BK  
 FXSTS BL  
 FLSTF BM

DYNA MODEL

FXDB-D GA  
 FXDB-S GB  
 FXDC GC



**FRONT FORK - FLST**

**FA25C-1**

INDEX NO.	PART NO.	NAME	FLT MODELS	FXR MODELS	SOFTAIL MODELS	DYNA MODEL
1	923	SCREW (4)	--	--	91*-BJ/M	--
2	2417	SCREW (4)	--	--	91*-BJ/M	--
3	3953W	BOLT (2)	--	--	91*-BJ/M	--
4	4095	SCREW (4)	--	--	91*-BJ/M	--
5	4371WA	SCREW	--	--	91*-BJ/M	--
6	4453	BOLT	--	--	91*-BJ/M	--
7	4729	BOLT (2)	--	--	91*-BJ/M	--
8	5710	SPACER (2)	--	--	91*-BJ/M	--
9	6655	WASHER	--	--	91*-BJ/M	--
10	6702	WASHER (2)	--	--	91*-BJ/M	--
11	7039	LOCKWASHER (2)	--	--	91*-BJ/M	--
12	7041	LOCKWASHER (2)	--	--	91*-BJ/M	--
13	7124	LOCKWASHER (4)	--	--	91*-BJ/M	--
14	7748W	NUT (2)	--	--	91*-BJ/M	--
15	8108	CLIP NUT	--	--	91*-BJ/M	--
16	14150-86	WARNING LABEL	--	--	91*-BJ/M	--
17	45405-75A	SCREW WITH WASHER (2)	--	--	91*-BJ/M	--
18	45419-80	CAP, slider tube (2)	--	--	91*-BJ/M	--
19	45456-86	BRACKET, upper	--	--	91*-BJ/M	--
20	45603-86	STEM & BRACKET	--	--	91*-BJ/M	--
21	45611-86	RETAINING RING, fork stem	--	--	91*-BJ/M	--
22	45670-80	CAP, fork stem	--	--	91*-BJ/M	--
23	45733-48	OIL SEAL, fork tube plug (2)	--	--	91*-BJ/M	--
	45762-86	FRONT FORK ASSEMBLY	--	--	91*-BJ/M	--
24	45832-77A	AXLE CAP, right slider	--	--	91*-BJ/M	--
25	45834-77	LOWER STOP (2)	--	--	91*-BJ/M	--
26	45838-77	PLUG, fork tube (2)	--	--	91*-BJ/M	--
27	45842-77	RETAINING RING, oil seal (2)	--	--	91*-BJ/M	--
28	45845-77	O-RING, slider tube plug (2)	--	--	91*-BJ/M	--
29	45858-77	DRAIN SCREW WITH WASHER, slider (2)	--	--	91*-BJ/M	--
30	45859-77	RING, damper tube (4)	--	--	91*-BJ/M	--
31	45865-84	WASHER, slider (2)	--	--	91*-BJ/M	--
32	45866-84	BUSHING, slider tube (2)	--	--	91*-BJ/M	--
33	45875-84	OIL SEAL (2)	--	--	91*-BJ/M	--
34	45915-86	FORK SLIDER & TUBE ASSEMBLY, right	--	--	91*-BJ/M	--
35	45916-86	FORK SLIDER & TUBE ASSEMBLY, left	--	--	91*-BJ/M	--
36	45917-86	SLIDER, right	--	--	91*-BJ/M	--
37	45918-86	SLIDER, left	--	--	91*-BJ/M	--
38	45930-86	SLIDER TUBE (2)	--	--	91*-BJ/M	--
39	45931-86	SPRING (2)	--	--	91*-BJ/M	--
40	45932-86	DAMPER TUBE (2)	--	--	91*-BJ/M	--
41	45933-86	SPRING, damper tube (2)	--	--	91*-BJ/M	--

**FLT MODELS**

FLTC DB  
 FLHTC DJ  
 FLTC-U DM  
 FLHTC-U DP  
 FLHS FA

**FXR MODELS**

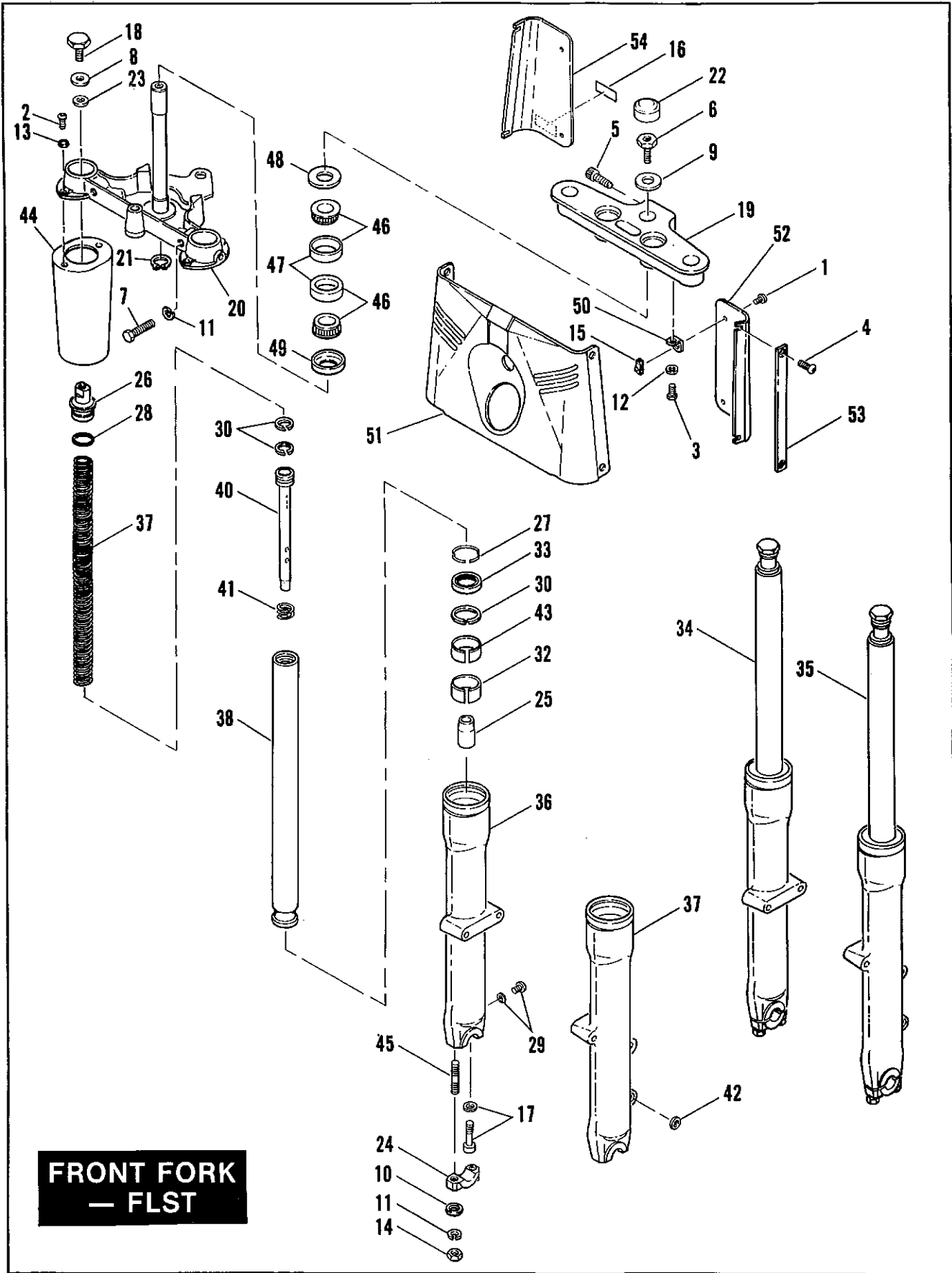
FXR EA  
 FXRS EB  
 FXRT EC  
 FXRS-SP EG  
 FXLR EL  
 FXRS-CON EM

**SOFTAIL MODELS**

FLSTC BJ  
 FXSTC BK  
 FXSTS BL  
 FLSTF BM

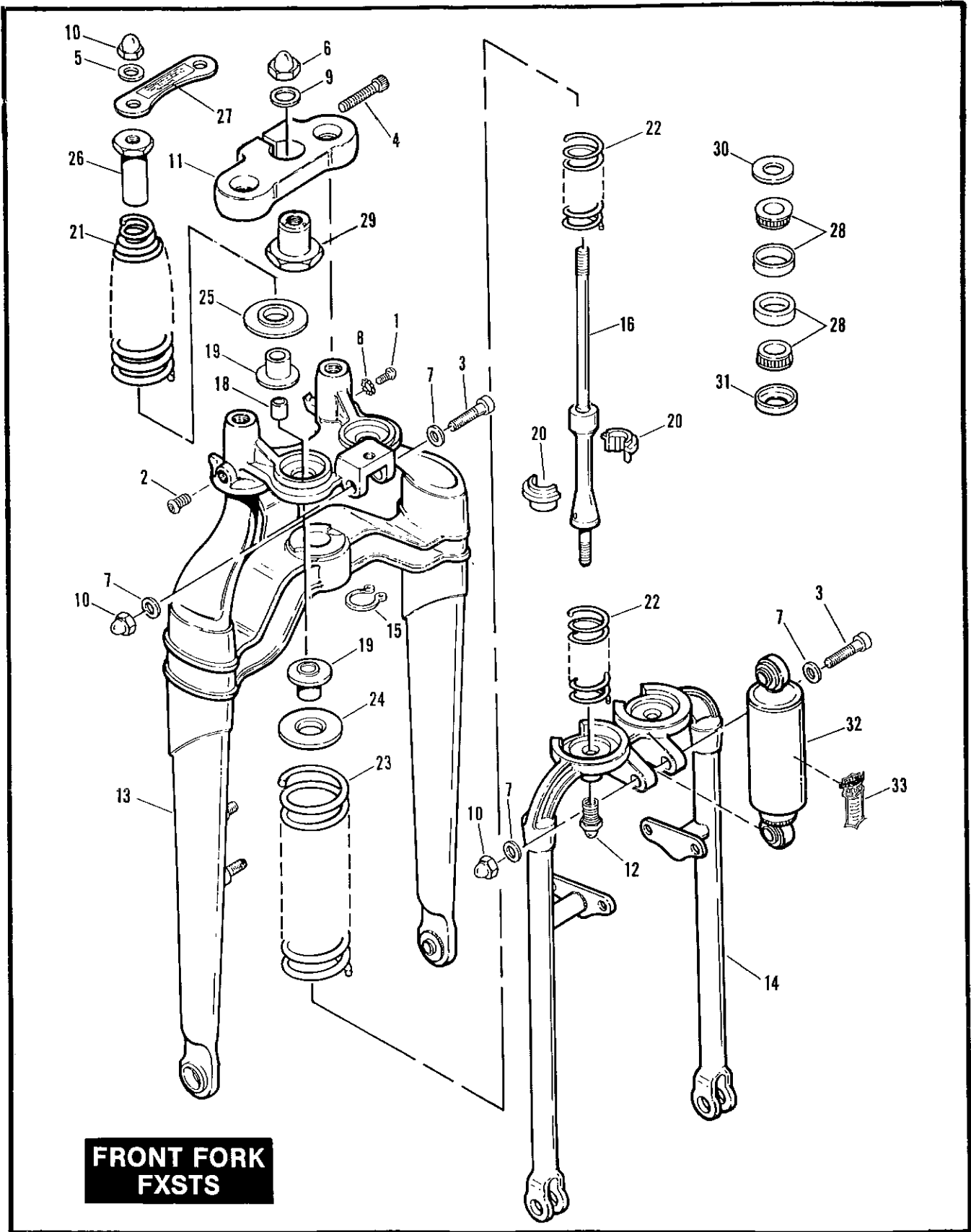
**DYNA MODEL**

FXDB-D GA  
 FXDB-S GB  
 FXDC GC



INDEX NO.	PART NO.	NAME	FLT MODELS	FXR MODELS	SOFTAIL MODELS	DYNA MODEL
42	45934-86	BUSHING, brake caliper	--	--	91*-BJ/M	--
43	45940-84	BUSHING, slider (2)	--	--	91*-BJ/M	--
44	45964-86	COVER, slider (2)	--	--	91*-BJ/M	--
45	45998-73	STUD (2)	--	--	91*-BJ/M	--
46	48300-60	ROLLER BEARING, with cup (2)	--	--	91*-BJ/M	--
47	48315-60	BEARING CUP (2)	--	--	91*-BJ/M	--
48	48361-80	DUST SHIELD, bearing - upper	--	--	91*-BJ/M	--
49	48365-48A	DUST SHIELD, bearing - lower	--	--	91*-BJ/M	--
50	50991-86	BRACKET, front panel (2)	--	--	91*-BJ/M	--
51	67808-86	FRONT PANEL, (buffed stainless steel)	--	--	91*-BJ/M	--
52	67816-86	BACK PANEL, left - rear	--	--	91*-BJ/M	--
	67821-87	BACK PANEL, left - rear with switch hole	--	--	91*-BJ/M	--
53	67819-86	TRIM STRIP, front panel (2)	--	--	91*-BJ/M	--
54	67820-86	BACK PANEL, right - rear	--	--	91*-BJ/M	--
<b>H-D INTERNATIONAL ONLY</b>						
	45605-88	STEM & BRACKET ASSEMBLY (HDI only)	--	--	91*-BJ/M	--
	48140-84	STEERING HEAD LOCK ASSEMBLY (HDI only)	--	--	91*-BJ/M	--

FLT MODELS		FXR MODELS		SOFTAIL MODELS		DYNA MODEL	
FLTC	OB	FXR	EA	FLSTC	BJ	FXDB-D	GA
FLHTC	DJ	FXRS	EB	FXSTC	BK	FXDB-S	GB
FLTC-U	DM	FXRT	EC	FXSTS	BL	FXDC	GC
FLHTC-U	DP	FXRS-SP	EG	FLSTF	BM		
FLHS	FA	FXLR	EL				
		FXRS-CON	EM				



**FRONT FORK  
FXSTS**

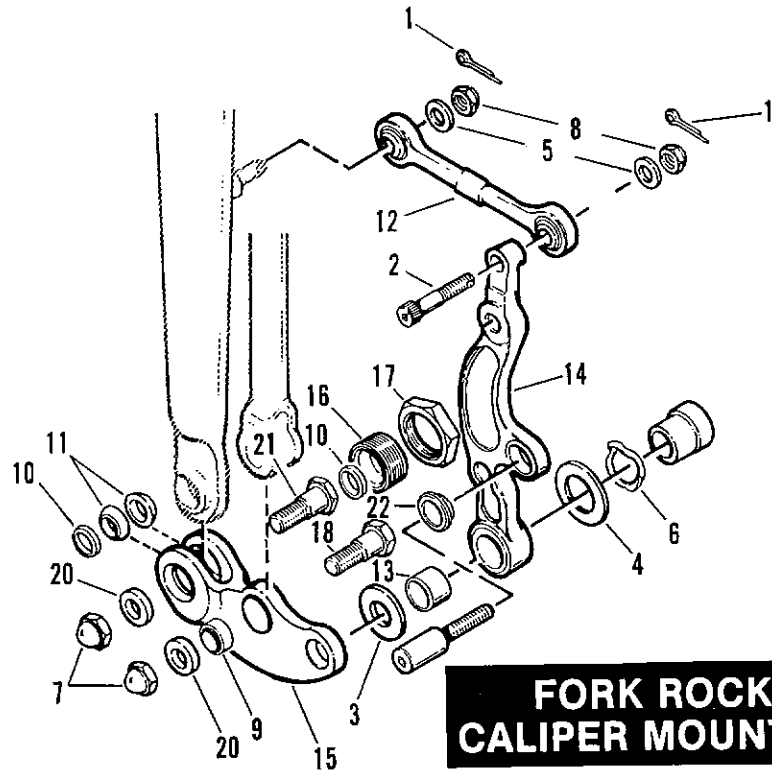


**FRONT FORK - FXSTS**

**FA25D**

INDEX NO.	PART NO.	NAME	FLT MODELS	FXR MODELS	SOFTAIL MODELS	DYNA MODEL
1	3533	SCREW, spring reaction bracket - right	--	--	91*-BL	--
2	3538	SCREW, spring reaction bracket - left	--	--	91*-BL	--
3	4029A	SCREW, shock absorber mounting (2)	--	--	91*-BL	--
4	4350A	SCREW, upper triple clamp	--	--	91*-BL	--
5	6353	WASHER, spring rod (2)	--	--	91*-BL	--
6	6756	WASHER, steering stem	--	--	91*-BL	--
7	6812	WASHER, shock absorber mounting (4)	--	--	91*-BL	--
8	7232	LOCKWASHER, spring reaction bracket	--	--	91*-BL	--
9	7627	ACORN NUT, steering stem	--	--	91*-BL	--
10	7680W	ACORN NUT (4)	--	--	91*-BL	--
11	45473-88	UPPER TRIPLE CLAMP	--	--	91*-BL	--
12	45567-88	ACORN NUT, lower spring rod (2)	--	--	91*-BL	--
13	45568-88	RIGID FORK ASSEMBLY with stem	--	--	91*-BL	--
14	45607-88	SPRING FORK	--	--	91*-BL	--
	46008-88	FORK ASSEMBLY, complete	--	--	91*-BL	--
15	45611-86	RETAINING RING, fork stem	--	--	91*-BL	--
16	45628-92	SPRING ROD ASM.	--	--	91*-BL	--
18	45935-88	BUSHING, spring rod (2)	--	--	91*-BL	--
19	45936-88	TRAVEL BUMPER (4)	--	--	91*-BL	--
20	45937-88	SPRING SEAT (4)	--	--	91*-BL	--
21	46053-88	SPRING, rebound - top (2)	--	--	91*-BL	--
22	46054-88	SPRING, compression - inner (4)	--	--	91*-BL	--
23	46055-88	SPRING, compression - outer (2)	--	--	91*-BL	--
24	46056-88	SPRING CUP, compression spring (2)	--	--	91*-BL	--
25	46057-88	SPRING CUP, rebound spring (2)	--	--	91*-BL	--
26	46060-88	SPRING RESTRAINT, upper (2)	--	--	91*-BL	--
27	46065-88	SPRING BRIDGE	--	--	91*-BL	--
28	48300-60	ROLLER BEARING WITH CUP	--	--	91*-BL	--
29	48306-88	BEARING RETAINER, steering head	--	--	91*-BL	--
30	48361-80	DUST SHIELD, bearing - upper	--	--	91*-BL	--
31	48365-48A	DUST SHIELD, bearing - lower	--	--	91*-BL	--
32	54483-88	FRONT SHOCK ABSORBER	--	--	91*-BL	--
33	66030-88	DECAL, shock absorber	--	--	91*-BL	--
<b>H-D INTERNATIONAL ONLY</b>						
13	45569-88	RIGID FORK ASSEMBLY with stem (HDI only)	--	--	91*-BL	--
	48140-84	STEERING HEAD LOCK ASSEMBLY (HDI only)	--	--	91*-BL	--

FLT MODELS		FXR MODELS		SOFTAIL MODELS		DYNA MODEL	
FLTC	DB	FXR	EA	FLSTC	BJ	FXDB-D	GA
FLHTC	DJ	FXRS	EB	FXSTC	BK	FXDB-S	GB
FLTC-U	DM	FXRT	EC	FXSTS	BL	FXDC	GC
FLHTC-U	DP	FXRS-SP	EG	FLSTF	BM		
FLHS	FA	FXLR	EL				
		FXRS-CON	EM				



**FORK ROCKERS AND CALIPER MOUNTING - FXSTS**

**FORK ROCKERS**

**FA25E**

INDEX NO.	PART NO.	NAME	FLT MODELS	FXR MODELS	SOFTAIL MODELS	DYNA MODEL
1	534	COTTER PIN, brake reaction link (2)	--	--	91*-BL	
2	4736	SCREW, brake link to bracket	--	--	91*-BL	
3	6040	WASHER, front axle - outside right	--	--	91*-BL	
4	6042	WASHER, front axle - inside right	--	--	91*-BL	
5	6812	WASHER, brake reaction link (2)	--	--	91*-BL	
6	7012	WAVE WASHER, front axle - right	--	--	91*-BL	
7	7627	ACORN NUT, rockers to forks (4)	--	--	91*-BL	
8	7667	LOCKNUT, brake reaction link (2)	--	--	91*-BL	
9	9139	BEARING, spherical - fork to rocker (2)	--	--	91*-BL	
10	9140	RACE, spherical bearing - fork to rocker (4)	--	--	91*-BL	
11	9141	BALL, spherical bearing - fork to rocker (4)	--	--	91*-BL	
12	41040-88A	BRAKE REACTION LINK	--	--	91*-BL	
13	44030-88	BUSHING, caliper mounting	--	--	91*-BL	
14	44044-88	BRACKET, caliper mounting	--	--	91*-BL	
15	45645-91	ROCKER KIT w/left & right rockers	--	--	E91-BL	
	45649-91	ROCKER, left	--	--	L91*-BL	
	45651-91	ROCKER, right	--	--	L91*-BL	
16	45655-88A	BEARING RETAINER, rigid fork (2)	--	--	91*-BL	
17	45659-88	JAM NUT, bearing retainer (2)	--	--	91*-BL	
18	45660-88A	PIVOT STUD, spring fork to rocker (2)	--	--	91*-BL	
20	45662-88	WASHER, rocker to fork leg (4)	--	--	91*-BL	
21	45663-88A	PIVOT STUD, rigid fork to rocker (2)	--	--	91*-BL	
22	46020-84	BUSHING, caliper mounting bolt	--	--	91*-BL	

**FLT MODELS**

FLTC DB  
 FLHTC DJ  
 FLTC-U DM  
 FLHTC-U DP  
 FLHS FA

**FXR MODELS**

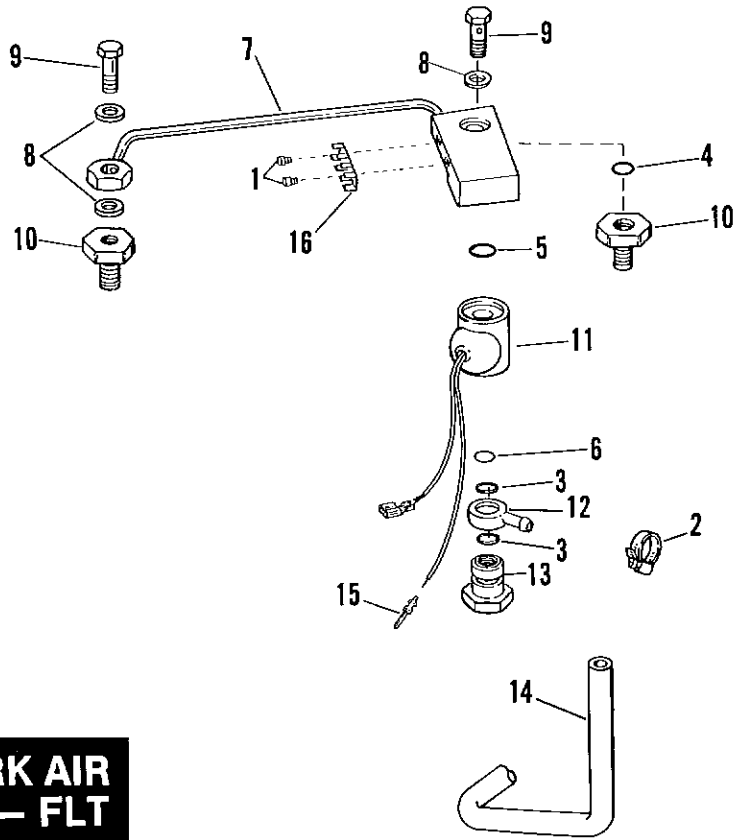
FXR EA  
 FXRS EB  
 FXRT EC  
 FXRS-SP EG  
 FXLR EL  
 FXRS-CON EM

**SOFTAIL MODELS**

FLSTC BJ  
 FXSTC BK  
 FXSTS BL  
 FLSTF BM

**DYNA MODEL**

FXDB-D GA  
 FXDB-S GB  
 FXDC GC

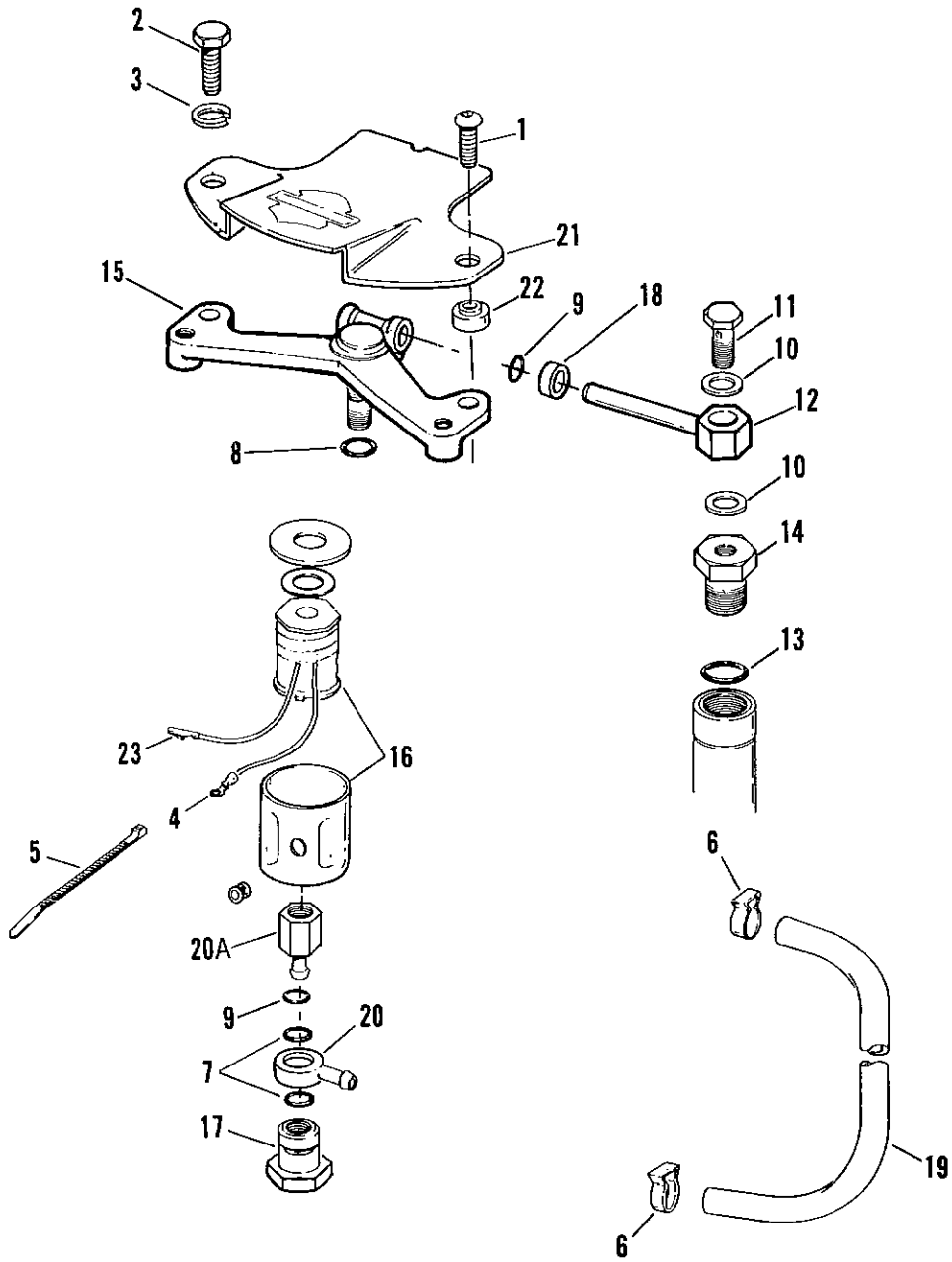


**FRONT FORK AIR CONTROL — FLT**

**FRONT FORK AIR CONTROL- FLT MODELS**

INDEX NO.	PART NO.	NAME	FLT MODELS	FXR MODELS	SOFTAIL MODELS	DYNA MODEL
1	1040	SCREW (2)	91*-ALL	--	--	--
2	9946	CLAMP (2)	91*-ALL	--	--	--
3	11132	O-RING (2)	91*-ALL	--	--	--
4	11140	O-RING	91*-ALL	--	--	--
5	11170	O-RING	91*-ALL	--	--	--
6	11171	O-RING	91*-ALL	--	--	--
7	42466-86	MANIFOLD	91*-ALL	--	--	--
8	45583-83	GASKET (3)	91*-ALL	--	--	--
9	45585-83	BOLT, drilled (2)	91*-ALL	--	--	--
10	45839-84	CAP, upper bracket (2)	91*-ALL	--	--	--
11	46452-85	VALVE OPERATOR ASSEMBLY	91*-ALL	--	--	--
12	46459-86	FITTING, banjo	91*-ALL	--	--	--
13	46461-86	BOLT, fitting	91*-ALL	--	--	--
14	49059-88A	HOSE	91*-ALL	--	--	--
15	72038-71	SOCKET, single pin	91*-ALL	--	--	--
16	72314-86	TERMINAL CONNECTOR, spade	91*-ALL	--	--	--

FLT MODELS		FXR MODELS		SOFTAIL MODELS		DYNA MODEL	
FLTC	DB	FXR	EA	FLSTC	BJ	FXDB-D	GA
FLHTC	DJ	FXRS	EB	FXSTC	BK	FXDB-S	GB
FLTC-U	DM	FXRT	EC	FXSTS	BL	FXDC	GC
FLHTC-U	DP	FXRS-SP	EG	FLSTF	BM		
FLHS	FA	FXLR	EL				
		FXRS-CON	EM				



**FRONT FORK AIR CONTROL  
— FXRT & FXRS-SP**

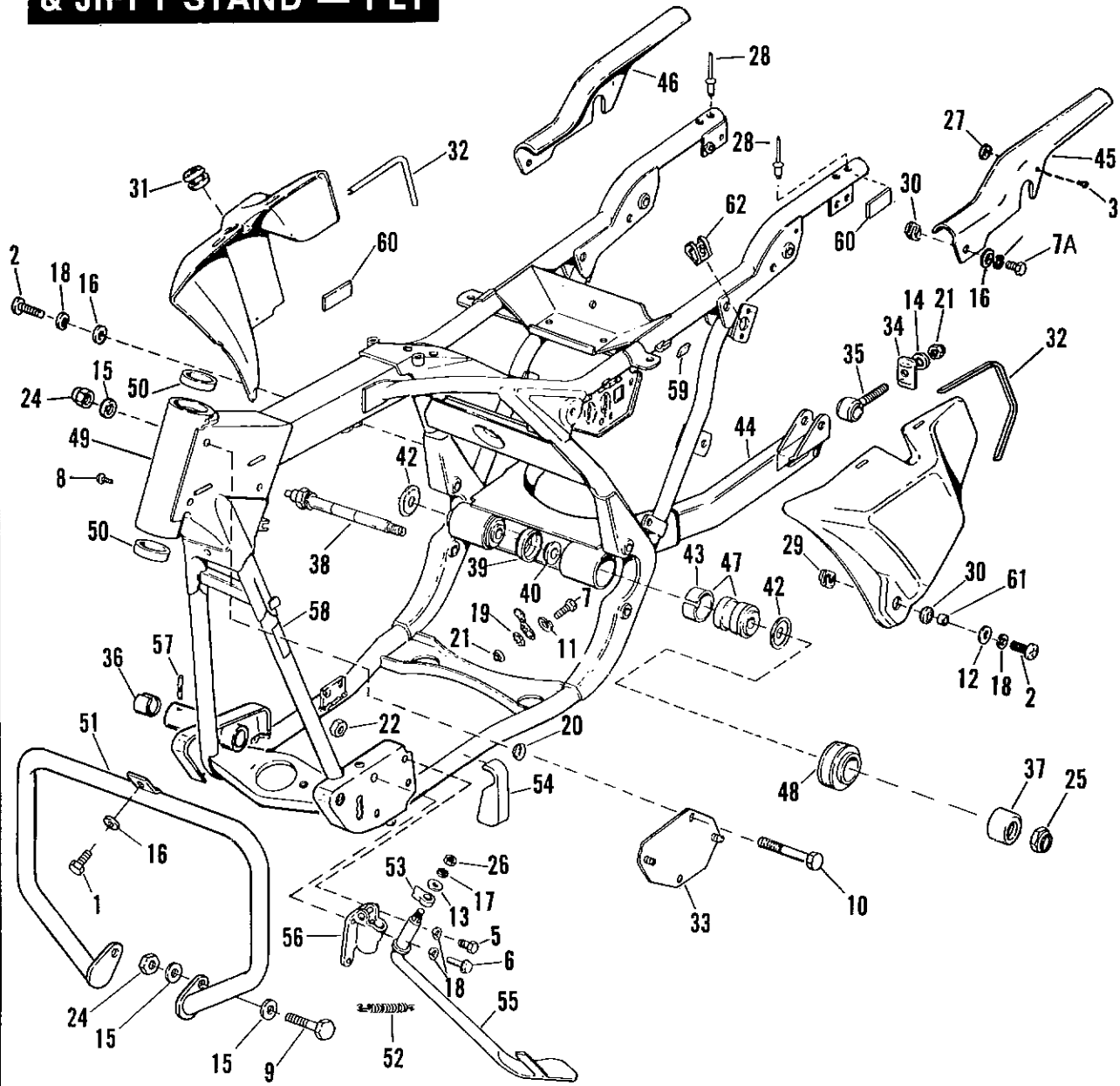
**FRONT FORK AIR CONTROL- FXRT & FXRS-SP**

**FA26A**

INDEX NO.	PART NO.	NAME	FLT MODELS	FXR MODELS	SOFTAIL MODELS	DYNA MODEL
1	4011	SCREW (2)	--	91*-EC/G/M	--	--
2	4017	BOLT (2)	--	91*-EG/M	--	--
3	7041	LOCKWASHER (2)	--	91*-EG/M	--	--
4	9857	TERMINAL, ring type, No. 10 hole	--	91*-EC/G/M	--	--
5	10006	CABLE STRAP	--	91*-EC	--	--
6	10080	CLAMP (2)	--	91*-EC/G/M	--	--
7	11132	O-RING (2)	--	91*-EC/G/M	--	--
8	11170	O-RING	--	91*-EC/G/M	--	--
9	11171	O-RING (3)	--	91*-EC/G/M	--	--
10	45583-83	GASKET (4)	--	91*-EC/G/M	--	--
11	45585-83	BOLT, drilled (2)	--	91*-EC/G/M	--	--
12	45587-88	TUBE (2)	--	91*-EC/G/M	--	--
13	45984-87	O-RING, fork slider tube (2)	--	91*-EC/G/M	--	--
14	45990-88	CAP, fork slider tube (2)	--	91*-EC/G/M	--	--
15	46451-88A	VALVE BODY	--	91*-EC/G/M	--	--
16	46452-85	VALVE OPERATOR ASSEMBLY	--	91*-EC/G/M	--	--
17	46461-86	BOLT, fitting	--	91*-EC/G/M	--	--
18	46462-88	SPACER (2)	--	91*-EC/G/M	--	--
19	46463-88	HOSE, anti-dive	--	91*-EC/G/M	--	--
	46463-92	HOSE, anti-dive	--	92*-EC/G/M	--	--
20	46459-86	FITTING	--	91*-EC/G/M	--	--
20A	46464-92	FITTING	--	92*-EC/G/M	--	--
21	46501-86	COVER, solenoid	--	91*-EC	--	--
22	46503-86	SPACER (2)	--	91*-EC	--	--
23	72038-71	SOCKET, single pin	--	91*-EC/G/M	--	--

FLT MODELS		FXR MODELS		SOFTAIL MODELS		DYNA MODEL	
FLTC	DB	FXR	EA	FLSTC	BJ	FXDB-D	GA
FLHTC	DJ	FXRS	EB	FXSTC	BK	FXDB-S	GB
FLTC-U	DM	FXRT	EC	FXSTS	BL	FXDC	GC
FLHTC-U	DP	FXRS-SP	EG	FLSTF	BM		
FLHS	FA	FXLR	EL				
		FXRS-CON	EM				

# FRAME, REAR FORK & JIFFY STAND — FLT





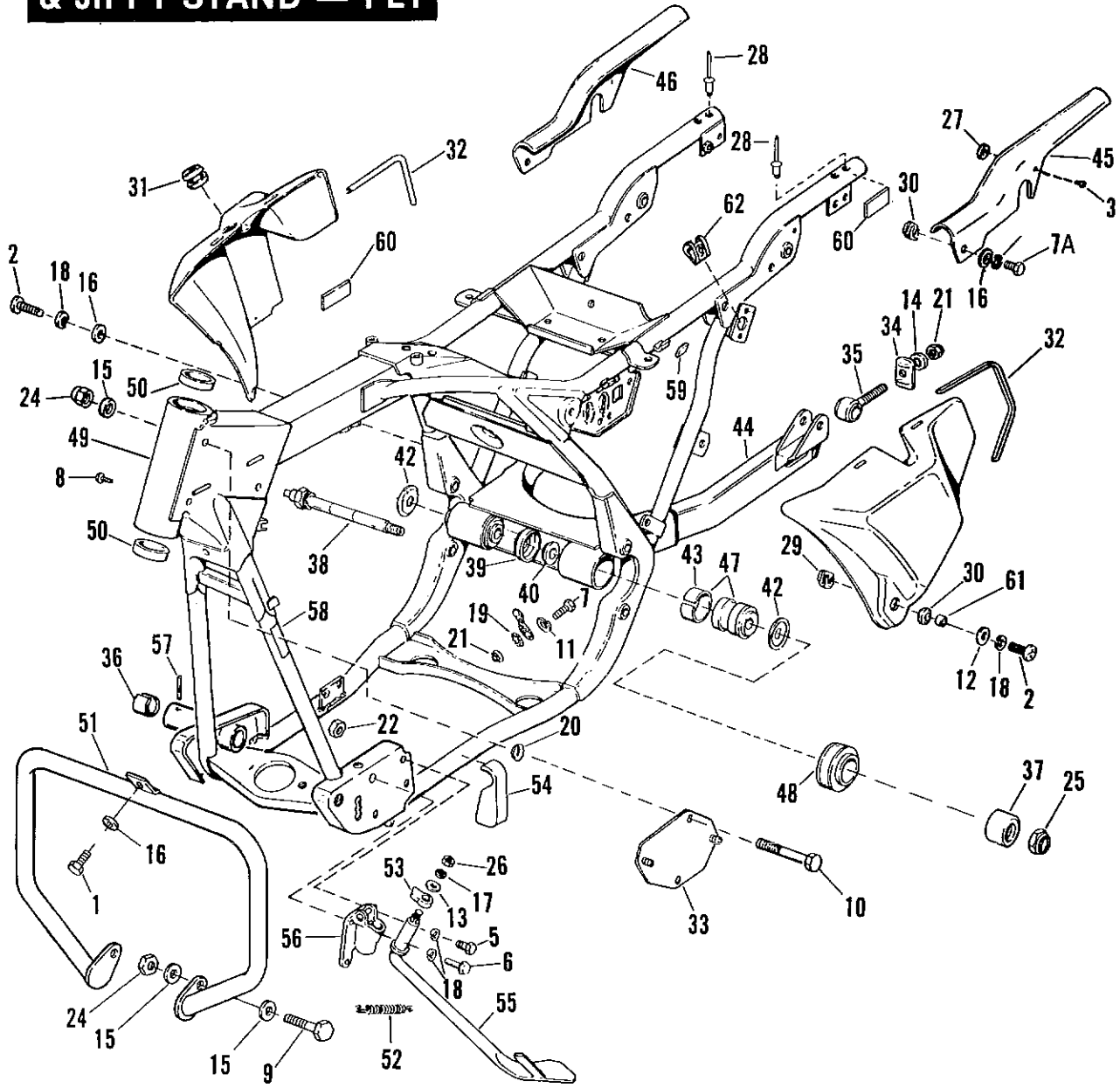
**FRAME, REAR FORK & JIFFY STAND - FLT MODELS**

**FA27-1**

INDEX NO.	PART NO.	NAME	FLT MODELS	FXR MODELS	SOFTAIL MODELS	DYNA MODEL
<b>NOTE: REFER TO DEALER ACCESSORY GUIDE FOR PAINTED PART NUMBERS.</b>						
1	2003	SCREW	91*-ALL	--	--	--
2	2582	SCREW	91*-ALL	--	--	--
3	2661W	SCREW (2)	91*-ALL	--	--	--
4	2708A	SCREW	91*-ALL	--	--	--
5	3960W	BOLT (2)	91*-ALL	--	--	--
6	3974HW	BOLT (2)	91*-ALL	--	--	--
7	3987	BOLT	91*-ALL	--	--	--
7A	3546	BOLT	91*-ALL	--	--	--
8	4091	SCREW	91*-ALL	--	--	--
9	4337W	BOLT (2)	91*-ALL	--	--	--
10	4435W	BOLT (2)	91*-ALL	--	--	--
11	6016	WASHER	91*-ALL	--	--	--
12	6333	WASHER	91*-ALL	--	--	--
13	6334	WASHER	91*-ALL	--	--	--
15	6701	WASHER (6)	91*-ALL	--	--	--
16	6702	WASHER (4)	91*-ALL	--	--	--
17	7039	LOCKWASHER	91*-ALL	--	--	--
18	7041	LOCKWASHER (7)	91*-ALL	--	--	--
19	7100	LOCKWASHER	91*-ALL	--	--	--
20	7101	LOCKWASHER	91*-ALL	--	--	--
21	7748W	NUT	91*-ALL	--	--	--
22	7753	NUT	91*-ALL	--	--	--
23	7772	LOCKNUT (2)	91*-ALL	--	--	--
24	7775	LOCKNUT (4)	91*-ALL	--	--	--
25	7824	LOCKNUT	91*-ALL	--	--	--
26	7837W	NUT	91*-ALL	--	--	--
27	8155	CLIP NUT (2)	91*-ALL	--	--	--
28	8307	RIVET (4)	91*-ALL	--	--	--
29	9959	CLIP NUT (3)	91*-ALL	--	--	--
30	11412	GROMMET, side cover (2)	91*-ALL	--	--	--
31	11436	GROMMET	91*-ALL	--	--	--
32	29276-81	MOLDING, side cover (2)	91*-ALL	--	--	--
33	32451-83	BRACKET, ignition module	91*-DJ/P,FA	--	--	--
34	41112-79	END COVER, rear fork (2)	91*-ALL	--	--	--
35	41573-84	ADJUSTER, rear axle (2)	91*-ALL	--	--	--
36	47247-83	BUSHING, foot brake hub (2)	91*-ALL	--	--	--
37	47491-89	CUP WASHER	91*-ALL	--	--	--
38	47492-89A	PIVOT SHAFT KIT with #25 & 37	91*-ALL	--	--	--
39	47510-80	RETAINING RING (plastic) (2)	91*-ALL	--	--	--
40	47511-80	SPACER (2)	91*-ALL	--	--	--
42	47513-80	SPACER, (nylon) (2)	91*-ALL	--	--	--

<b>FLT MODELS</b>	<b>FXR MODELS</b>	<b>SOFTAIL MODELS</b>	<b>DYNA MODEL</b>
FLTC DB	FXR EA	FLSTC BJ	FXDB-D GA
FLHTC DJ	FXRS EB	FXSTC BK	FXDB-S GB
FLTC-U DM	FXRT EC	FXSTS BL	FXDC GC
FLHTC-U DP	FXRS-SP EG	FLSTF BM	
FLHS FA	FXLR EL		
	FXRS-CON EM		

# FRAME, REAR FORK & JIFFY STAND — FLT

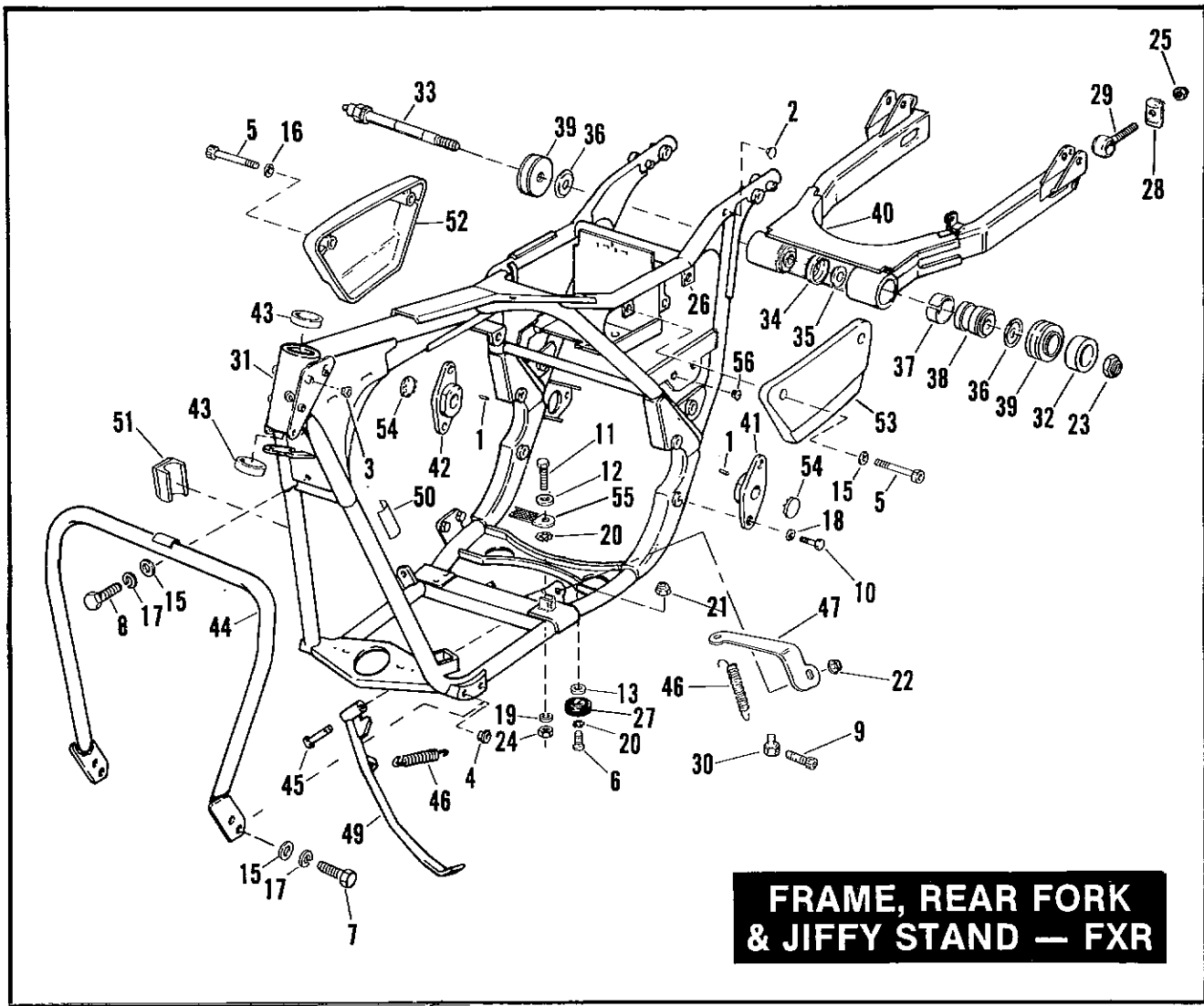


**FRAME, REAR FORK & JIFFY STAND - FLT MODELS (CONT'D)**

**FA27-2**

INDEX NO.	PART NO.	NAME	FLT MODELS	FXR MODELS	SOFTAIL MODELS	DYNA MODEL
43	47538-79	TOLERANCE RING, bushing (2)	91*-ALL	--	--	--
44	47544-85	REAR FORK	91*-ALL	--	--	--
45	47551-79A	COVER, left	91*-ALL	--	--	--
46	47552-79A	COVER, right	91*-ALL	--	--	--
47	47556-81	BUSHING ASSEMBLY, with #43 (2)	91*-ALL	--	--	--
48	47564-86	RUBBER MOUNT (2)	91*-ALL	--	--	--
49	47900-89A	FRAME (with sidecar mount)	91-ALL	--	--	--
	47900-92	FRAME (with sidecar mount)	92*-ALL	--	--	--
50	48315-60	BEARING CUP (2)	91*-ALL	--	--	--
51	49184-88	ENGINE GUARD	91*-ALL	--	--	--
52	50005-85A	SPRING, jiffy stand	91*-ALL	--	--	--
53	50015-74	LEG STOP	91*-ALL	--	--	--
54	50059-85	BUMPER, jiffy stand	91*-ALL	--	--	--
55	50075-91	LEG, jiffy stand	91*-ALL	--	--	--
56	50078-81	BRACKET, jiffy stand leg	91*-ALL	--	--	--
57	50972-75	FITTING, lubrication (2)	91*-ALL	--	--	--
58	53487-87	PAD, protection	91*-ALL	--	--	--
59	66029-80	RUBBER MOUNT, side cover (2)	91*-ALL	--	--	--
60	66600-84	PAD (3)	91*-ALL	--	--	--
61	67009-72	SPACER (2)	91*-ALL	--	--	--
62	70908-82	CLIP NUT (2)	91*-ALL	--	--	--
<b>H-D INTERNATIONAL ONLY</b>						
49	48165-89A	FRAME (with sidecar mount)	91-ALL	--	--	--
	48165-92	FRAME (with sidecar mount)	92*-ALL	--	--	--

FLT MODELS		FXR MODELS		SOFTAIL MODELS		DYNA MODEL	
FLTC	DB	FXR	EA	FLSTC	8J	FXDB-D	GA
FLHTC	DJ	FXRS	EB	FXSTC	8K	FXDB-S	GB
FLTC-U	DM	FXRT	EC	FXSTS	BL	fxdc	gc
FLHTC-U	DP	FXRS-SP	EG	FLSTF	BM		
FLHS	FA	FXLR	EL				
		FXRS-CON	EM				



**FRAME, REAR FORK & JIFFY STAND - FXR MODELS**

**FA27A-1**

INDEX NO.	PART NO.	NAME	FLT MODELS	FXR MODELS	SOFTAIL MODELS	DYNA MODEL
1	604	ROLL PIN (2)	--	91*-ALL	--	--
2	728	PLUG (2)	--	91*-EA/B/ C/G/L	--	--
3	735	PLUG, fairing mounting holes (4)	--	91*-EA/B/ G/L/M	--	--
4	740	PLUG	--	91*-EA/B	--	--
5	813A	SCREW (4)	--	91*-ALL	--	--
6	2538	SCREW	--	91*-ALL	--	--
7	2851	SCREW (4)	--	91*-EC	--	--
8	2879W	SCREW	--	91*-EC	--	--
9	3482A	SCREW	--	91*-ALL	--	--
10	3782	BOLT (2)	--	91*-ALL	--	--
11	3987	BOLT	--	91*-ALL	--	--
12	6016	WASHER	--	91*-ALL	--	--

**FRAME, REAR FORK & JIFFY STAND - FXR MODELS (CONT'D)**

**FA27A-2**

INDEX NO.	PART NO.	NAME	FLT MODELS	FXR MODELS	SOFTAIL MODELS	DYNA MODEL
13	6257W	WASHER	--	91*-ALL	--	--
15	6701	WASHER (6)	--	91*-EC	--	--
16	6703	WASHER (4)	--	91*-ALL	--	--
17	7038	LOCKWASHER (5)	--	91*-EC	--	--
18	7039	LOCKWASHER (4)	--	91*-ALL	--	--
19	7041	LOCKWASHER	--	91*-ALL	--	--
20	7100	LOCKWASHER (2)	--	91*-ALL	--	--
21	7686	LOCKNUT	--	91*-ALL	--	--
22	7716	LOCKNUT	--	91*-ALL	--	--
23	7824	LOCKNUT	--	91*-ALL	--	--
24	7748W	NUT	--	91*-ALL	--	--
25	7772	LOCKNUT (2)	--	91*-ALL	--	--
26	8099	WELL NUT (4)	--	91*-ALL	--	--
27	11469	BUMPER, jiffy stand	--	91*-ALL	--	--
28	41112-79	END COVER, rear fork (2)	--	91*-ALL	--	--
29	41570-77	ADJUSTER, rear fork (2)	--	91*-ALL	--	--
30	46995-91	ANCHOR, spring	--	91*-ALL	--	--
31	47205-91A	FRAME	--	91*-ALL	--	--
32	47491-89	CUP WASHER	--	91*-ALL	--	--
33	47492-89A	PIVOT SHAFT KIT with #23 & 32	--	91*-ALL	--	--
34	47510-80	RETAINING RING (plastic) (2)	--	91*-ALL	--	--
35	47511-80	SPACER (2)	--	91*-ALL	--	--
36	47513-80	WASHER (nylon) (2)	--	91*-ALL	--	--
37	47538-79	TOLERANCE RING, bushing (2)	--	91*-ALL	--	--
38	47556-81	BUSHING ASSEMBLY, with #37 (2)	--	91*-ALL	--	--
39	47564-86	MOUNT, rear fork (2)	--	91*-ALL	--	--
40	47820-81A	REAR FORK	--	91*-ALL	--	--
41	47825-81	END CAP, left	--	91*-ALL	--	--
42	47826-81	END CAP, right	--	91*-ALL	--	--
43	48315-60	BEARING CUP (2)	--	91*-ALL	--	--
44	49017-82A	ENGINE GUARD KIT with #7, 15 & 17	--	91*-EC	--	--
45	50009-91	PIN	--	91*-ALL	--	--
46	50005-85A	SPRING (2)	--	91*-ALL	--	--
47	50064-91	BRACKET, secondary spring	--	91*-ALL	--	--
49	50031-91	JIFFY STAND	--	91*-EA/B/L	--	--
	50069-91	JIFFY STAND	--	91*-EC/G/M	--	--
50	53487-87	PAD, protective	--	91*-ALL	--	--
51	59272-90	REFLECTOR (amber) (2)	--	91*-EA/B/ G/L/M	--	--
52	66349-84	SIDE COVER, right	--	91*-ALL	--	--
53	66350-84	SIDE COVER, left	--	91*-ALL	--	--
54	67830-59	PLUG (2)	--	91*-ALL	--	--
55	70186-82	GROUND STRAP	--	91*-ALL	--	--
56	90493-83	PLUG (2)	--	91*-ALL	--	--
<b>H-D INTERNATIONAL ONLY</b>						
31	47206-91A	FRAME (HDI only)	--	91*-ALL	--	--
	48140-84	STEERING HEAD LOCK, (HDI only)	--	91*-ALL	--	--
	50010-84	SPRING, jiffy stand (2) (HDI only)	--	91*-ALL	--	--

**FLT MODELS**

FLTC OB  
FLHTC DJ  
FLTC-U DM  
FLHTC-U DP  
FLHS FA

**FXR MODELS**

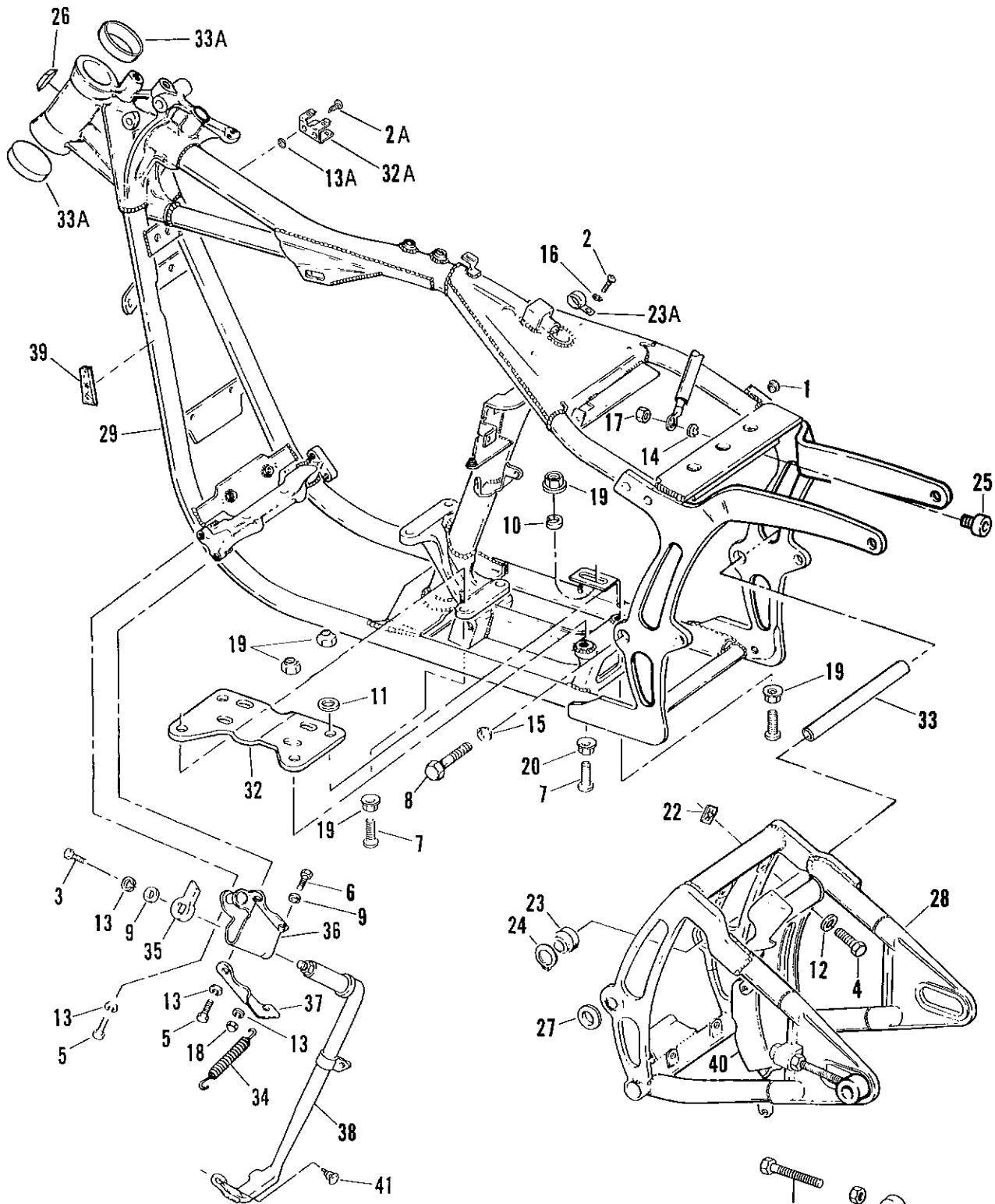
FXR EA  
FXRS EB  
FXRT EC  
FXRS-SP EG  
FXLR EL  
FXRS-CON EM

**SOFTAIL MODELS**

FLSTC BJ  
FXSTC BK  
FXSTS BL  
FLSTF BM

**DYNA MODEL**

FXDB-D GA  
FXDB-S GB  
FXDC GC



**FRAME, REAR FORK & JIFFY STAND — SOFTAIL**

**FRAME, REAR FORK & JIFFY STAND - SOFTAIL MODELS**

**FA27B-1**

INDEX NO.	PART NO.	NAME	FLT MODELS	FXR MODELS	SOFTAIL MODELS	DYNA MODEL
1	728	PLUG, frame side (2)	--	--	91*-BK/L	--
2	939	SCREW	--	--	91*-ALL	--
	2770WA	SCREW,	--	--	91*-ALL	--
2A	1046	SCREW	--	--	91*-ALL	--
3	2882W	BOLT	--	--	91*-ALL	--
4	3767B	BOLT (4)	--	--	91*-BJ	--
5	3960W	BOLT (3)	--	--	91*-ALL	--
6	3974HW	BOLT (2)	--	--	91*-ALL	--
7	4013	SCREW (4)	--	--	91*-ALL	--
8	4961	BOLT (2)	--	--	91*-ALL	--
9	6702	WASHER	--	--	91*-ALL	--
10	6474	WASHER	--	--	91*-BK	--
11	6701	WASHER	--	--	91*-ALL	--
12	6703	WASHER (4)	--	--	91*-BK/L	--
13	7041	LOCKWASHER (4; 5 - BJ/L)	--	--	91*-ALL	--
13A	7115	LOCKWASHER	--	--	91*-ALL	--
14	7124	LOCKWASHER	--	--	91*-ALL	--
15	7142	LOCKWASHER (2)	--	--	91*-ALL	--
16	7230	LOCKWASHER	--	--	91*-ALL	--
17	7689W	JAM NUT (2)	--	--	91*-ALL	--
18	7736	ACORN NUT (chrome) (3)	--	--	91*-BK/L	--
	7753	NUT, jiffy stand (3)	--	--	91*-BJ	--
19	7778	LOCKNUT (4)	--	--	91*-ALL	--
20	7782	FLANGE NUT (5)	--	--	91*-ALL	--
21	7783	NUT, rear axle adj. (2)	--	--	91*-ALL	--
22	8108	SPEED NUT (4)	--	--	91*-ALL	--
23	9076	BEARING, rear fork pivot (2)	--	--	91*-ALL	--
23A	10059	CLAMP	--	--	91*-ALL	--
24	11158	RETAINING RING, fork bearing (2)	--	--	91*-ALL	--
25	11451	CUSHION (2)	--	--	91*-ALL	--
26	11456	BUMPER	--	--	91*-BL	--

**FLT MODELS**

FLTC DB  
 FLHTC DJ  
 FLTC-U DM  
 FLHTC-U DP  
 FLHS FA

**FXR MODELS**

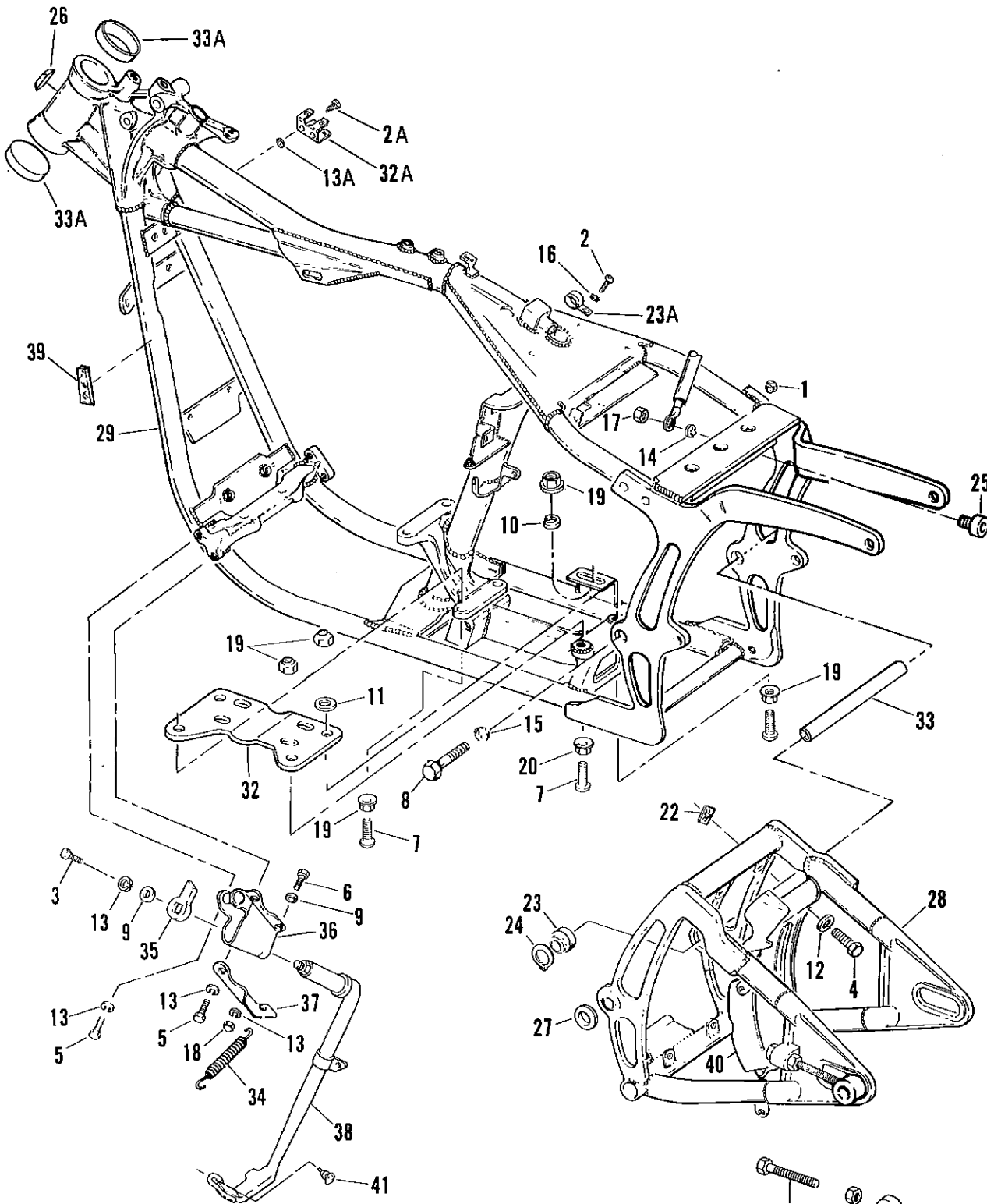
FXR EA  
 FXRS EB  
 FXRT EC  
 FXRS-SP EG  
 FXLR EL  
 FXRS-CON EM

**SOFTAIL MODELS**

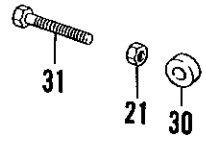
FLSTC BJ  
 FXSTC BK  
 FXSTS BL  
 FLSTF BM

**DYNA MODEL**

FXDB-D GA  
 FXDB-S GB  
 FXDC GC



**FRAME, REAR FORK & JIFFY STAND — SOFTAIL**



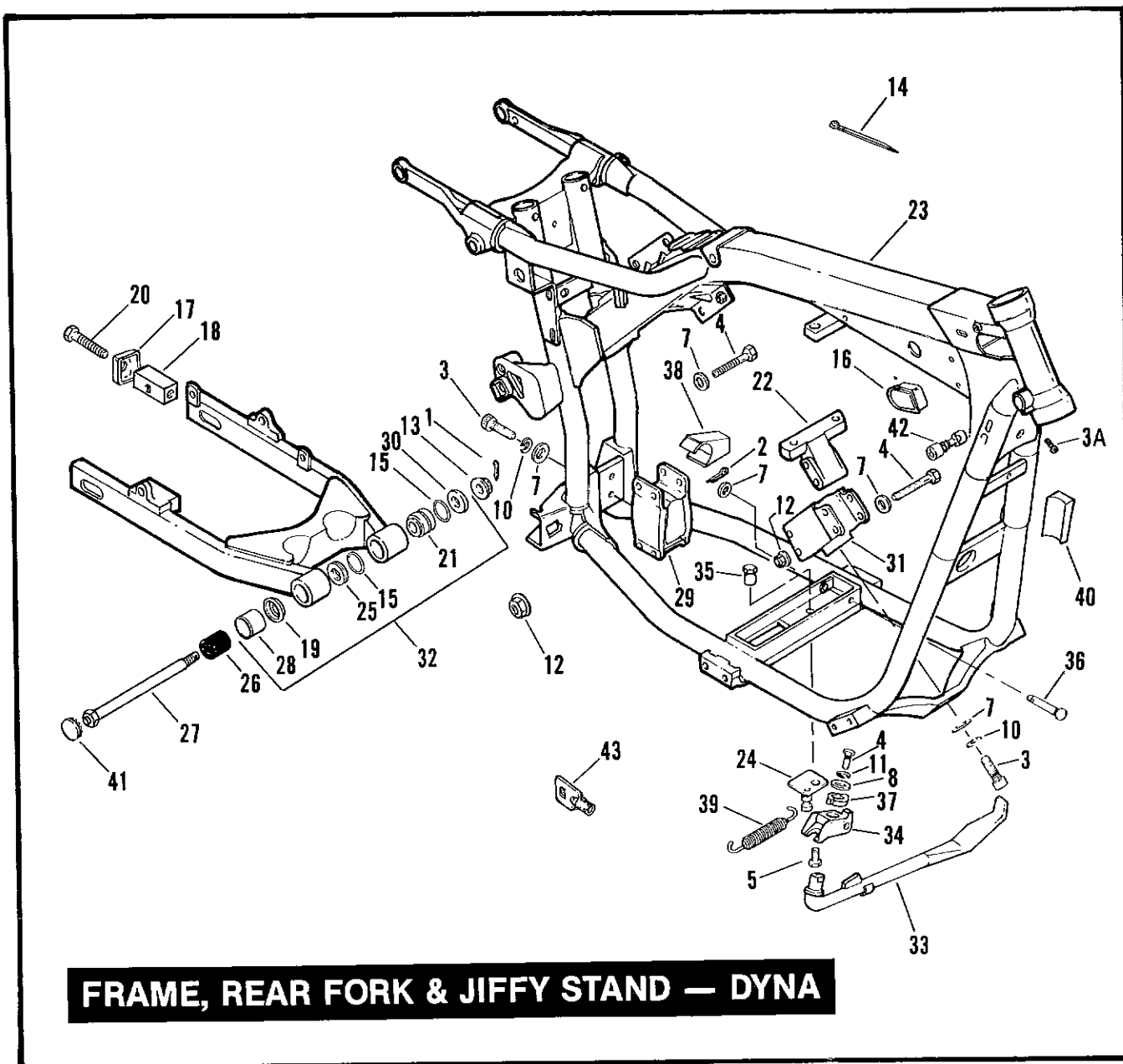


**FRAME, REAR FORK & JIFFY STAND - SOFTAIL MODELS**

**FA27B-2**

INDEX NO.	PART NO.	NAME	FLT MODELS	FXR MODELS	SOFTAIL MODELS	DYNA MODEL
27	43283-86	SPACER, rear fork pivot (2)	--	--	91*-ALL	--
28	47573-89A	REAR FORK, with #23 & 24 (black)	--	--	91*-ALL	--
29	47008-89B	FRAME	--	--	91*-ALL	--
	47008-92	FRAME	--	--	92*-ALL	--
30	47577-86	SPACER, rear axle adj. (2)	--	--	91*-ALL	--
31	47579-86	ADJUSTING SCREW, rear axle (2)	--	--	91*-ALL	--
32	47698-86B	TRANSMISSION MOUNTING PLATE	--	--	91*-ALL	--
32A	47712-91	TAB, electrical	--	--	91*-ALL	--
33	48031-89A	SWING AXIS TUBE	--	--	91*-ALL	--
33A	48315-60	BEARING CUP (2)	--	--	91*-ALL	--
34	50005-85A	SPRING, jiffy stand leg	--	--	91*-ALL	--
35	50015-74	LEG STOP	--	--	91*-ALL	--
36	50018-85	LEG BRACKET, (chrome)	--	--	91*-ALL	--
37	50028-91	BRACKET, spring (chrome)	--	--	91*-ALL	--
38	50087-89A	LEG, jiffy stand (chrome)	--	--	91*-ALL	--
39	59258-91	REFLECTOR (amber) (2)	--	--	91*-ALL	--
40	60363-86B	DEBRIS DEFLECTOR	--	--	91*-ALL	--
41	62123-66	BUMPER	--	--	91*-ALL	--
<b>H-D INTERNATIONAL ONLY</b>						
29	48130-89B	FRAME (HDI only)	--	--	91*-ALL	--
	47130-92	FRAME, (HDI,only)	--	--	91*-ALL	--
39	59265-90	REFLECTOR (amber) (2)	--	--	91*-BL/M	--

FLT MODELS		FXR MODELS		SOFTAIL MODELS		DYNA MODEL	
FLTC	DB	FXR	EA	FLSTC	BJ	FXDB-D	GA
FLHTC	DJ	FXRS	EB	FXSTC	BK	FXDB-S	GB
FLTC-U	DM	FXRT	EC	FXSTS	BL	FXDC	GC
FLHTC-U	DP	FXRS-SP	EG	FLSTF	BM		
FLHS	FA	FXLR	EL				
		FXRS-CON	EM				



**FRAME, REAR FORK & JIFFY STAND - DYNA MODELS**

**FA27C-1**

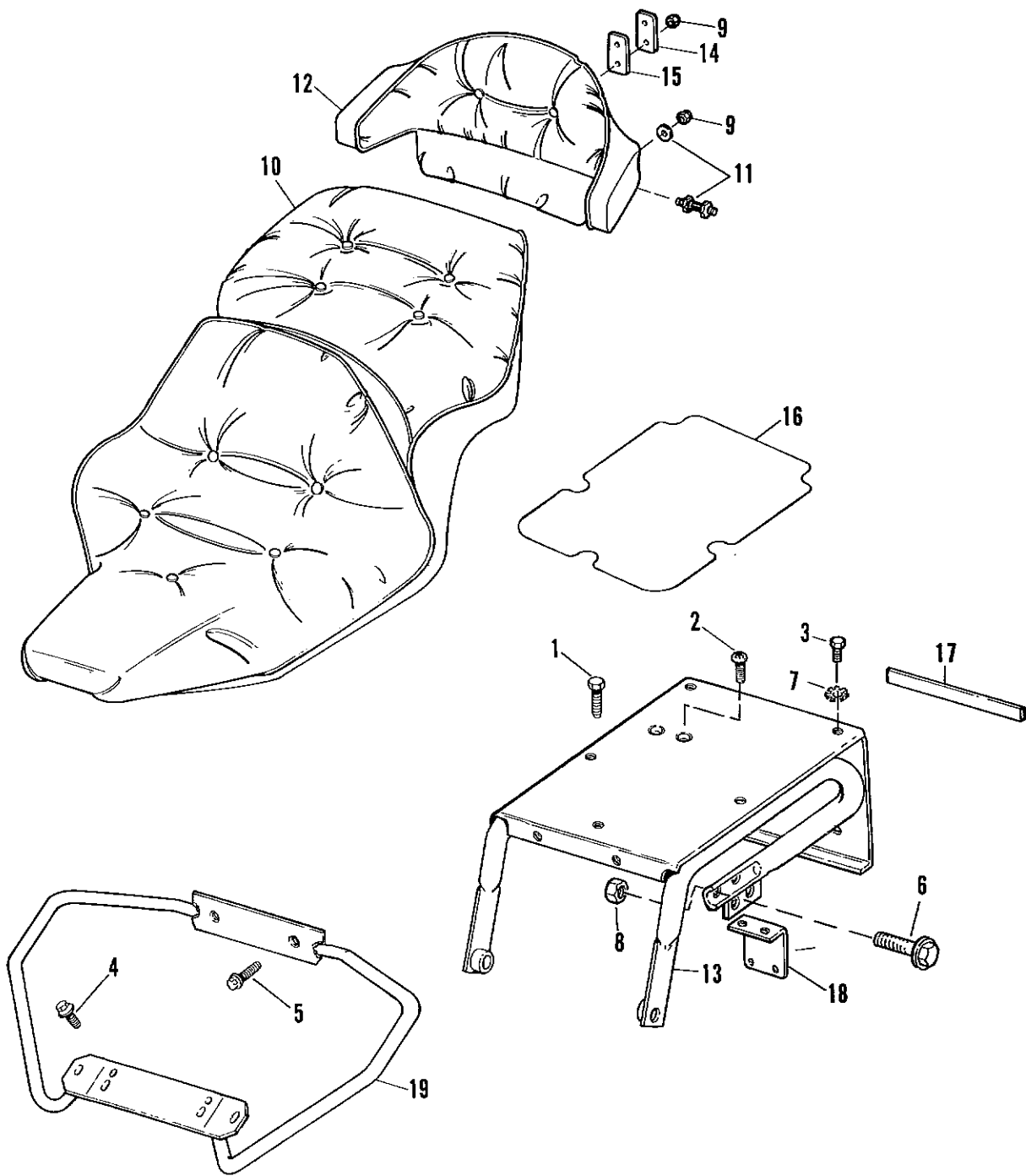
INDEX NO.	PART NO.	NAME	FLT MODELS	FXR MODELS	SOFTAIL MODELS	DYNA MODEL
1	534	COTTER PIN	--	--	--	91*-ALL
2	554	COTTER PIN	--	--	--	91*-ALL
3	3214	SCREW (4)	--	--	--	91*-ALL
3A	3233	SET SCREW (2)	--	--	--	91*-ALL
4	3487	SCREW	--	--	--	92*-ALL
	3974HW	SCREW	--	--	--	91-GB
5	3509	SCREW (4)	--	--	--	91*-ALL
6	3655	SCREW	--	--	--	91*-ALL
7	6701	WASHER (9)	--	--	--	91*-ALL
8	6702	WASHER	--	--	--	91-GB

**FRAME, REAR FORK & JIFFY STAND - DYNA MODELS (CONT'D)**

**FA27C-2**

INDEX NO.	PART NO.	NAME	FLT MODELS	FXR MODELS	SOFTAIL MODELS	DYNA MODEL
10	7038	LOCKWASHER (4)	--	--	--	91*-ALL
11	7041	LOCKWASHER	--	--	--	91-GB
12	7601	LOCKNUT (4)	--	--	--	91*-ALL
13	7734W	NUT, flanged - castle	--	--	--	91*-ALL
14	10039	CABLE STRAP	--	--	--	91*-ALL
15	11139	O-RING (2)	--	--	--	91*-ALL
16	11457	PLUG, steering head (grey)	--	--	--	91-GB; 92*-GA
	11462	PLUG, steering head	--	--	--	92*-GC
17	41113-90	PLATE (2)	--	--	--	91*-ALL
18	41575-90	BLOCK (2)	--	--	--	91*-ALL
19	41585-90	DUST SHIELD	--	--	--	91*-ALL
20	45992-90	SCREW (2)	--	--	--	91*-GB
21	47082-81	BEARING	--	--	--	91*-GB
22	47226-90	BRACKET, front engine	--	--	--	91-GB; 92*-GA
	47361-92	BRACKET, front engine	--	--	--	92*-GC
23	47237-91	FRAME	--	--	--	91-GB
	47427-92	FRAME (black)	--	--	--	92*-GA
	47429-92	FRAME (grey)	--	--	--	92*-Gc
	47303-90A	ANCHOR KIT w/6, 24, & 39	--	--	--	91-GB
24	47303-90	ANCHOR	--	--	--	92*-ALL
25	47496-90	SPACER, left	--	--	--	91*-ALL
26	47499-90	SPACER, right	--	--	--	91*-ALL
27	47515-90A	PIVOT BOLT	--	--	--	91*-ALL
28	47541-90	BUSHING	--	--	--	91*-ALL
29	47564-90	ISOLATOR, rear	--	--	--	91*-ALL
30	47565-90	WASHER	--	--	--	91*-ALL
31	47583-90	ISOLATOR, front	--	--	--	91*-ALL
32	47820-90	REAR FORK w/bearings	--	--	--	91-GB; 92*-GA
	47842-92	REAR FORK, w/bearingS (grey)	--	--	--	92*-GC
33	49704-90	LEG, jiffy stand	--	--	--	91*-ALL
34	49720-90	PIVOT BLOCK	--	--	--	91*-ALL
35	49723-90	THREADED SPACER	--	--	--	91*-ALL
36	50003-89A	PIN	--	--	--	91*-ALL
37	50053-90	CATCH	--	--	--	91*-ALL
38	50054-90	BUMPER	--	--	--	91*-ALL
39	50057-90	SPRING	--	--	--	91-GB
	50057-91	SPRING	--	--	--	92*-ALL
40	59272-90	REFLECTOR (amber) (2)	--	--	--	91*-ALL
41	67859-90	PLUG (chrome)	--	--	--	91*-ALL
42	71421-90	LOCKSET, fork & ignition w/key (not illustrated)	--	--	--	91-GB
43	71452-91A	KEY (specify code no.)	--	--	--	91*-ALL

FLT MODELS		FXR MODELS		SOFTAIL MODELS		DYNA MODEL	
FLTC	DB	FXR	EA	FLSTC	BJ	FXDB-D	GA
FLHTC	OJ	FXRS	EB	FXSTC	BK	FXDB-S	GB
FLTC-U	DM	FXRT	EC	FXSTS	BL	FXDC	GC
FLHTC-U	DP	FXRS-SP	EG	FLSTF	BM		
FLHS	FA	FXLR	EL				
		FXRS-CON	EM				

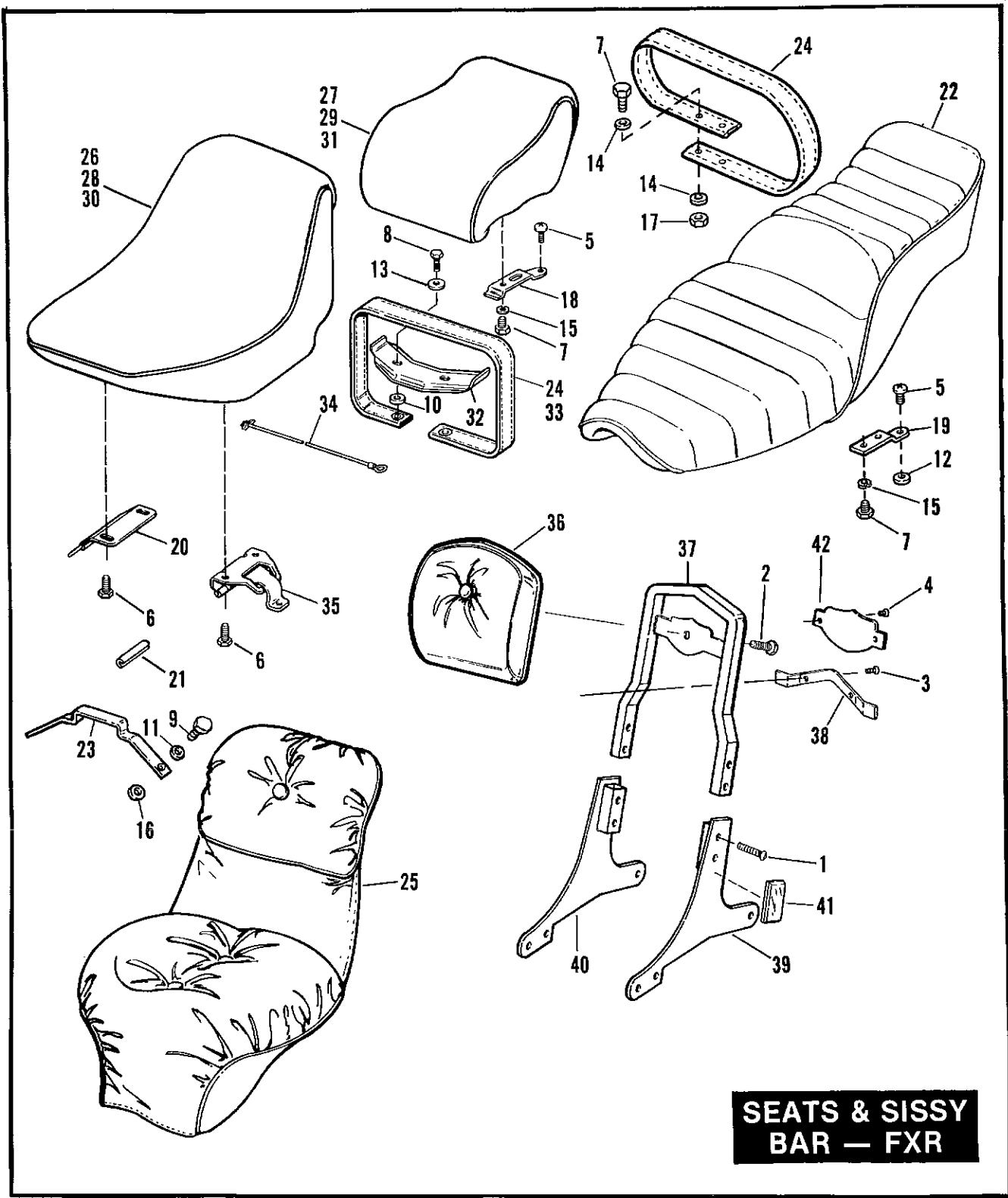


**SEAT & LUGGAGE  
RACK — FLT**

**SEATS & LUGGAGE RACK - FLT MODELS**

INDEX NO.	PART NO.	NAME	FLT MODELS	FXR MODELS	SOFTAIL MODELS	DYNA MODEL
1	2337W	SCREW	91*-ALL	--	--	--
2	2401	SCREW (2)	91*-DM/P	--	--	--
3	2773	SCREW (4)	91*-FA	--	--	--
4	3487	SCREW, flange (2)	91*-ALL	--	--	--
5	3574	SCREW (2)	91*-ALL	--	--	--
6	4327	SCREW (4)	92*-ALL	--	--	--
7	7234	LOCKWASHER	91*-DM/P	--	--	--
8	7594	LOCKNUT (4)	92*-ALL	--	--	--
9	7716	NUT, flange (6)	91*-DB/J	--	--	--
10	52151-91	SEAT (black)	91*-DB/M	--	--	--
	52164-91	SEAT (black)	91*-FA, -	--	--	--
			91*-DJ/P			
			92*-DJ/P			
	52155-92	SEAT, low (black)	92*-FA	--	--	--
11	52192-86A	SET OF ISOLATORS	91*-DB/J/ M/P	--	--	--
12	52201-86B	BACKREST KIT (black)	91*-DB/J/ M/P	--	--	--
13	53411-91	LUGGAGE CARRIER	91*-ALL	--	--	--
	53411-92	LUGGAGE RACK	92*-ALL	--	--	--
14	53515-86	BACKING PLATE	91*-DB/J/ M/P	--	--	--
			91*-DB/J/ M/P	--	--	--
15	53517-86	CUSHION PLATE	91*-DB/J/ M/P	--	--	--
16	53521-91	COVER, luggage rack	91*-FA	--	--	--
17	59988-72	REFLECTOR (red)	91*-ALL	--	--	--
18	76284-89	BRACKET, transceiver	91*-DM/P	--	--	--
19	91583-91	HANDRAIL, passenger	91*-ALL	--	--	--

FLT MODELS		FXR MODELS		SOFTAIL MODELS		DYNA MODEL	
FLTC	DB	FXR	EA	FLSTC	BJ	FXDB-D	GA
FLHTC	DJ	FXRS	EB	FXSTC	BK	FXDB-S	GB
FLTC-U	DM	FXRT	EC	FXSTS	BL	FXDC	GC
FLHTC-U	DP	FXRS-SP	EG	FLSTF	BM		
FLHS	FA	FXLR	EL				
		FXRS-CON	EM				



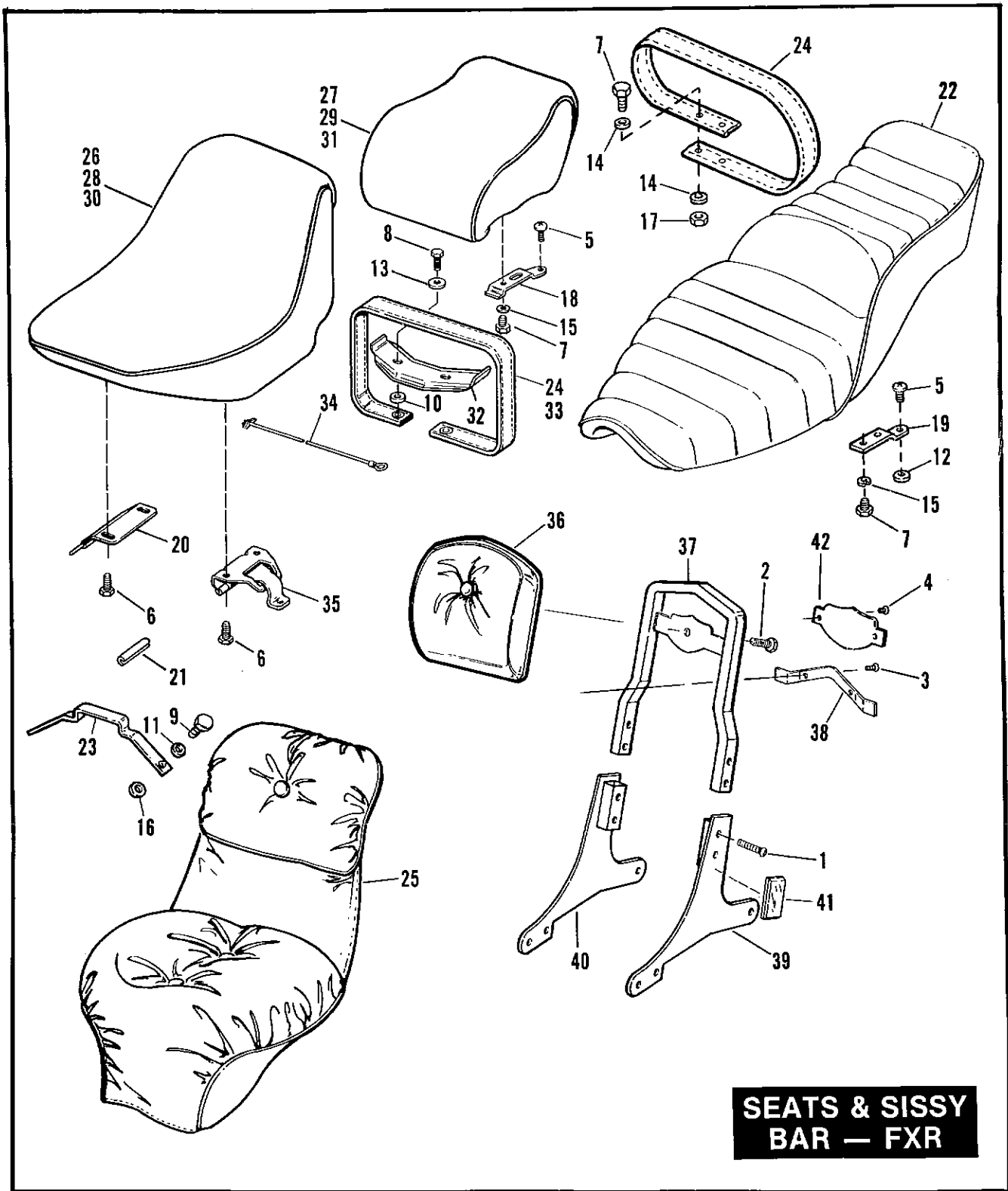
**SEATS & SISSY  
BAR — FXR**

## SEATS &amp; SISSY BAR - FXR MODELS

FA28A-1

INDEX NO.	PART NO.	NAME	FLT MODELS	FXR MODELS	SOFTAIL MODELS	DYNA MODEL
1	919	SCREW (4)	--	91*-EC/M	--	--
2	1602	SCREW	--	91*-EM	--	--
3	2607	SCREW (2)	--	91*-EC/M	--	--
4	2711	SCREW (2)	--	91*-EC/M	--	--
5	2733	SCREW	--	91*-EA	--	--
	2739	SCREW	--	91*-EB/C G/L/M	--	--
6	3487	BOLT (4)	--	91*-ALL	--	--
7	3767B	BOLT	--	91*-EA/B/ G/L/M	--	--
8	3960W	BOLT (2)	--	91*-EB/G L/M	--	--
	3996	BOLT (2)	--	91*-EC	--	--
9	3991	BOLT (2)	--	91*-EA	--	--
10	5724	SPACER (2)	--	EB/G/ L/M	--	--
11	6109	WASHER (2)	--	91*-EA	--	--
12	6410	WASHER	--	91*-EC	--	--
13	6645	WASHER (2)	--	91*-EB/G/ L/M	--	--
14	6703	WASHER (2)	--	91*-EA	--	--
15	7036	LOCKWASHER (2)	--	91*-EA/B/ G/L/M	--	--
16	7232	LOCKNUT (2)	--	91*-EA	--	--
17	7686	LOCKNUT	--	91*-EA	--	--
18	51651-79	BRACKET, rear seat	--	91*-EB/G/ L/M	--	--
19	51652-83	BRACKET, rear seat	--	91*-EAVC	--	--
20	52020-82	BRACKET ASSEMBLY	--	91*-EB/C/ G/L/M	--	--
21	52041-82	PIN, seat hinge	--	91*-EB/C/ G/L/M	--	--
22	52106-86	SEAT, ribbed (black vinyl)	--	91*-EA	--	--
23	52107-86	BRACKET, seat	--	91*-EA	--	--
24	52108-86	PASSENGER STRAP	--	91*-EA	--	--
25	52111-85A	SEAT, pillow-look - rear (black vinyl)	--	91*-EC	--	--
26	52128-87	SEAT, plain - front (black vinyl)	--	91*-EG	--	--
27	52133-87	SEAT, embossed - rear (black vinyl)	--	91*-EL	--	--
28	52134-87	SEAT, embossed - front (black vinyl)	--	91*-EL	--	--
29	52135-87	SEAT, plain - rear (black vinyl)	--	91*-EG	--	--
30	52138-82A	SEAT, pillow-look - front (black vinyl)	--	91*-EB/C/M	--	--
31	52139-82	SEAT, pillow-look - rear (black vinyl)	--	91*-EB/M	--	--
32	52141-82	BRACKET, passenger strap	--	91*-EB/G/ L/M	--	--
33	52142-82A	PASSENGER STRAP	--	91*-EB/GL	--	--
34	52213-82	CORD, seat stop	--	91*-EB/C/ G/L	--	--

FLT MODELS		FXR MODELS		SOFTAIL MODELS		DYNA MODEL	
FLTC	DB	FXR	EA	FLSTC	BJ	FXDB-D	GA
FLHTC	DJ	FXRS	EB	FXSTC	BK	FXDB-S	GB
FLTC-U	DM	FXRT	EC	FXSTS	BL	FXDC	GC
FLHTC-U	DP	FXRS-SP	EG	FLSTF	BM		
FLHS	FA	FXLR	EL				
		FXRS-CON	EM				



**SEATS & SISSY  
BAR — FXR**



**SEATS & SISSY BAR - FXR MODELS (CONT'D)**

**FA28A-2**

INDEX NO.	PART NO.	NAME	FLT MODELS	FXR MODELS	SOFTAIL MODELS	DYNA MODEL
35	52355-82	LATCH, seat	--	91*-EB/C/ G/L	--	--
36	52545-84	BACKREST KIT with #2 & 38	--	91*-EM	--	--
37	52739-83	SISSY BAR KIT with #1	--	91*-EM	--	--
	52766-85	SISSY BAR	--	91*-EC	--	--
38	52765-85	BRACKET, backrest	--	91*-EC	--	--
	52771-82	BRACKET, backrest	--	91*-EM	--	--
39	52797-87	SIDE PLATE, left	--	91*-EC/M	--	--
40	52798-87	SIDE PLATE, right	--	91*-EC/M	--	--
41	59267-83A	REFLECTOR (red) (2)	--	91*-EC/M	--	--
42	99013-82	MEDALLION	--	91*-EC/M	--	--
<b>H-D INTERNATIONAL ONLY</b>						
41	59270-84A	REFLECTOR (amber) (2) (HDI only)	--	91*-EC/M	--	--

**FLT MODELS**

FLTC DB  
 FLHTC DJ  
 FLTC-U DM  
 FLHTC-U DP  
 FLHS FA

**FXR MODELS**

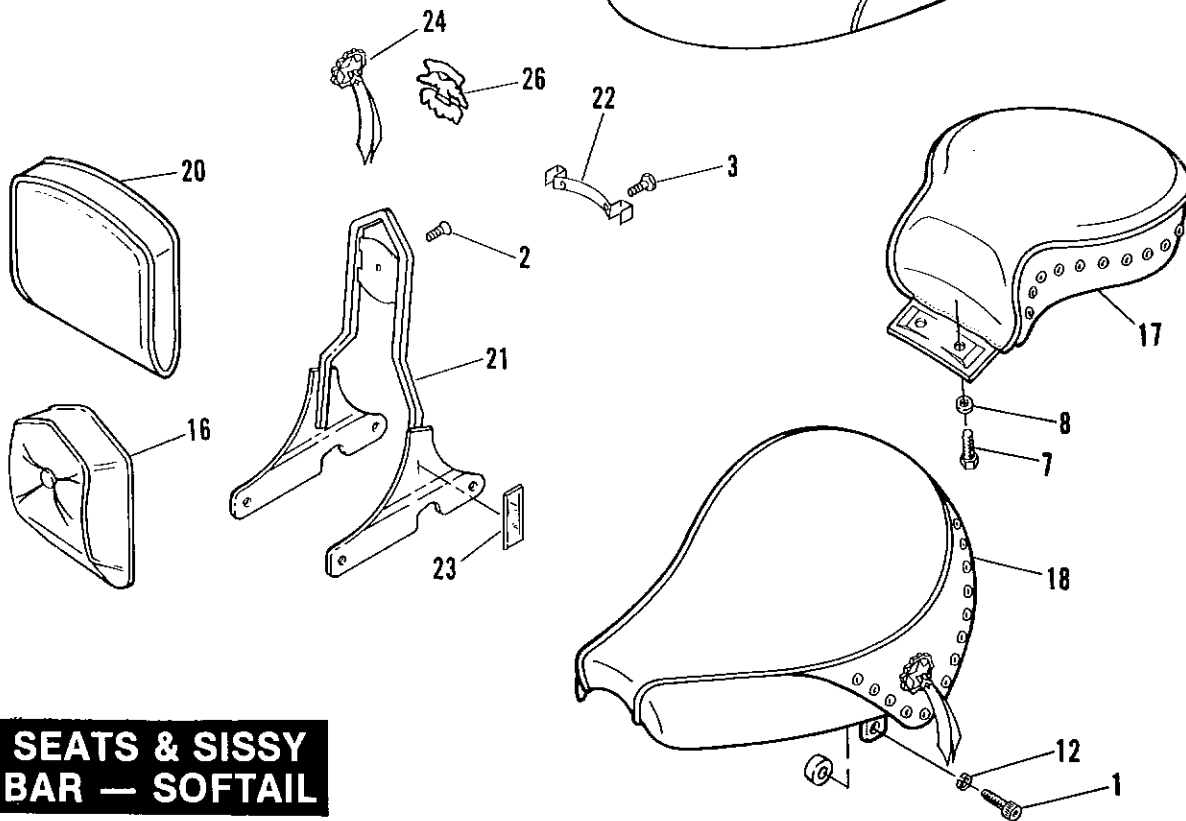
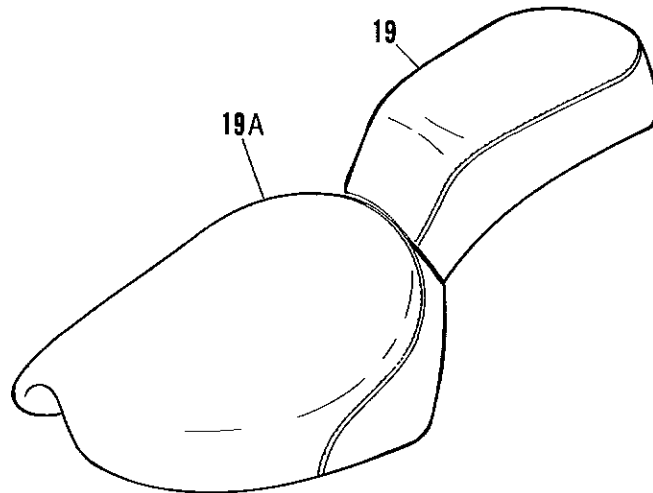
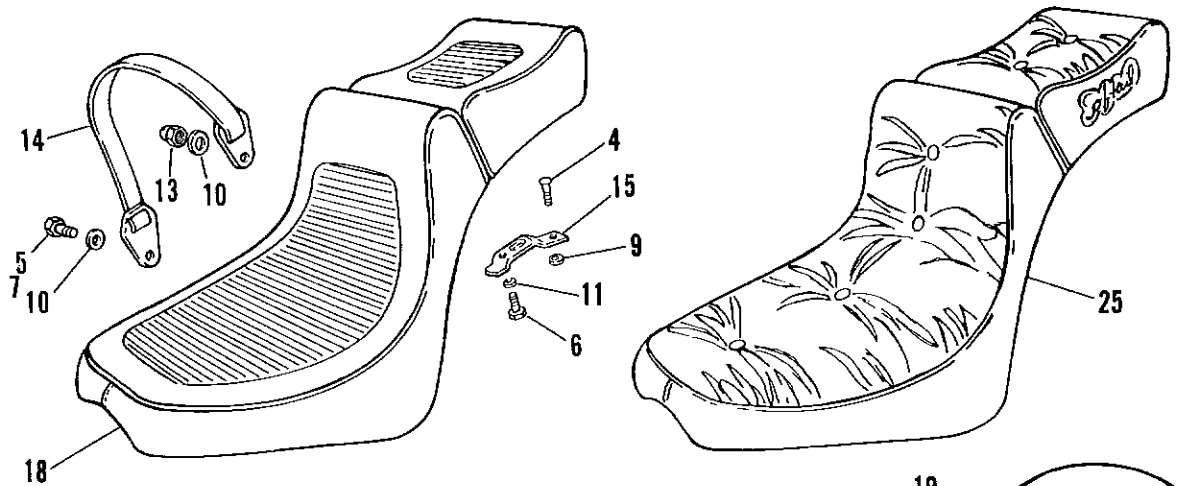
FXR EA  
 FXRS EB  
 FXRT EC  
 FXRS-SP EG  
 FXLR EL  
 FXRS-CON EM

**SOFTAIL MODELS**

FLSTC BJ  
 FXSTC BK  
 FXSTS BL  
 FLSTF BM

**DYNA MODEL**

FXDB-D GA  
 FXDB-S GB  
 FXDC GC



**SEATS & SISSY  
BAR — SOFTAIL**

**SEATS & SISSY BAR - SOFTAIL MODELS**

**FA28B**

INDEX NO.	PART NO.	NAME	FLT MODELS	FXR MODELS	SOFTAIL MODELS	DYNA MODEL
1	868	SCREW (2)	--	--	91*-BJ/M	--
2	1357W	SCREW	--	--	91*-BJ/K	--
3	2538	SCREW (2)	--	--	91*-BJ	--
	2607	SCREW (2)	--	--	91*-BK	--
4	2739	SCREW	--	--	91*-ALL	--
5	2879W	BOLT (2)	--	--	91*-BJ/K	--
6	3767B	BOLT (2)	--	--	91*-ALL	--
7	3974HW	BOLT (2)	--	--	91*-BJ	--
8	6333	WASHER (2)	--	--	91*-BJ	--
9	6410	WASHER (nylon)	--	--	91*-ALL	--
10	6701	WASHER (2)	--	--	91*-BJ/M	--
11	7036	LOCKWASHER (2)	--	--	91*-ALL	--
12	7068	LOCKWASHER (2)	--	--	91*-BJ/M	--
13	7680W	ACORN NUT (2)	--	--	91*-BJ/M	--
14	51184-88	PASSENGER STRAP (black)	--	--	91*-BL	--
	51185-90	PASSENGER STRAP (black)	--	--	91*-BJ	--
	51186-89	PASSENGER STRAP (black)	--	--	91*-BM	--
	51188-86	PASSENGER STRAP (black)	--	--	91*-BK	--
15	51652-83	BRACKET, seat	--	--	91*-ALL	--
16	52191-86	BACKREST	--	--	91*-BK	--
17	52208-86	SEAT KIT, passenger (black) (Classic)	--	--	91*-BJ	--
18	52236-86	SEAT KIT, solo (black) (Classic)	--	--	91*-BJ	--
19	52209-90	SEAT w/textured panel (rear)	--	--	91*-BM	--
19A	52217-90	SEAT, w/textured panel (front)	--	--	91*-BM	--
	52503-88	SEAT	--	--	91*-BL	--
20	52541-87	BACKREST KIT with concho (black)	--	--	91*-BJ	--
21	52658-86A	SISSY BAR ASM.	--	--	91*-BJ/K	--
22	52771-82	BRACKET, backrest	--	--	91*-BJ/K	--
23	59255-91	REFLECTOR (red) (2)	--	--	91*-BJ	--
24	91850-87	CONCHO	--	--	91*-BJ	--
25	91768-85	SEAT (black)	--	--	91*-BK	--
26	99000-77	MEDALLION	--	--	91*-BK	--
<b>H-D INTERNATIONAL ONLY</b>						
23	59254-91	REFLECTOR (amber) (2) HDI only)	--	--	91*-BK	--

**FLT MODELS**

FLTC DB  
 FLHTC DJ  
 FLTC-U DM  
 FLHTC-U DP  
 FLHS FA

**FXR MODELS**

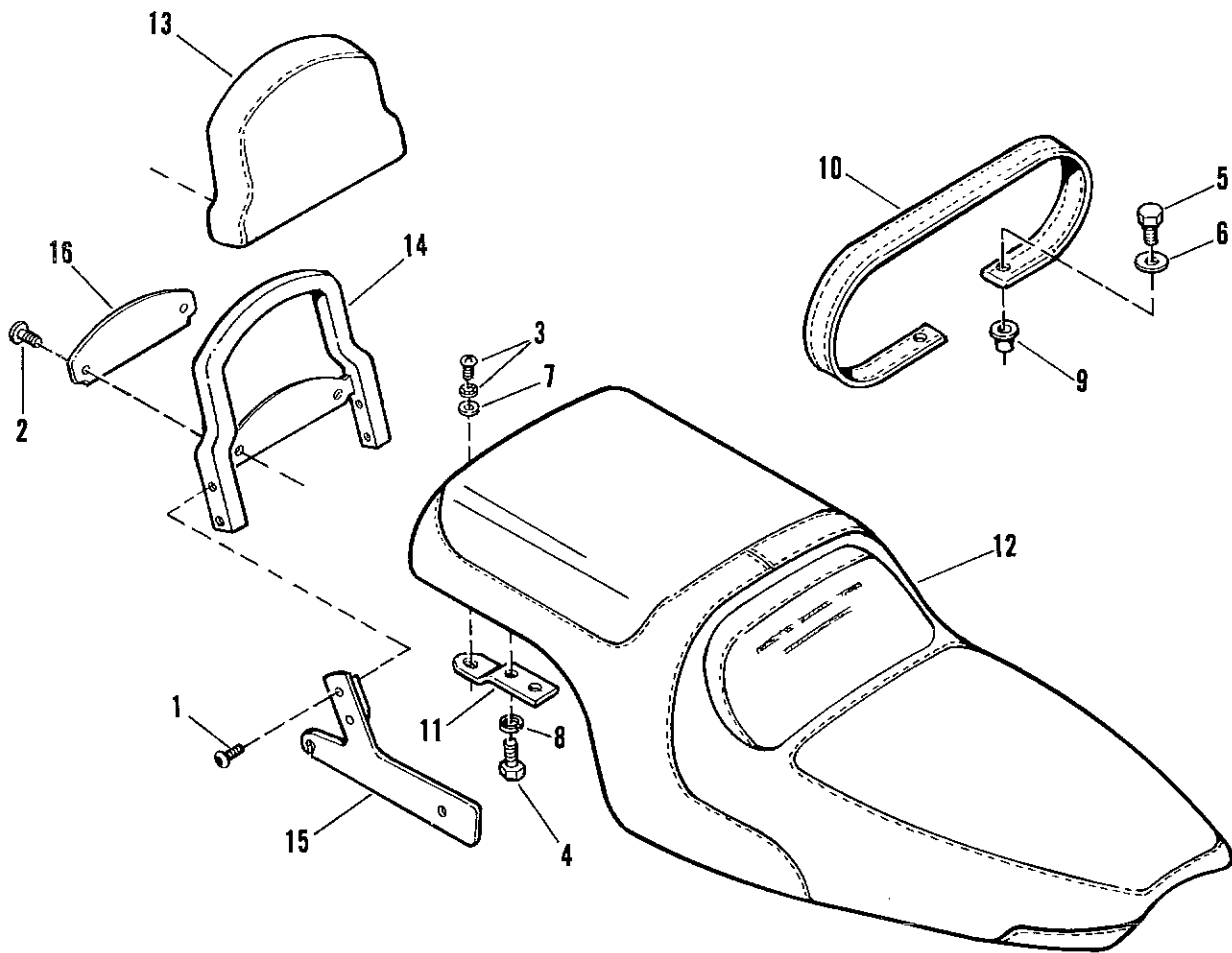
FXR EA  
 FXRS EB  
 FXRT EC  
 FXRS-SP EG  
 FXLR EL  
 FXRS-CON EM

**SOFTAIL MODELS**

FLSTC BJ  
 FXSTC BK  
 FXSTS BL  
 FLSTF BM

**DYNA MODEL**

FXDB-D GA  
 FXDB-S GB  
 FXDC GC



**SEAT & Sissy BAR — DYNA**

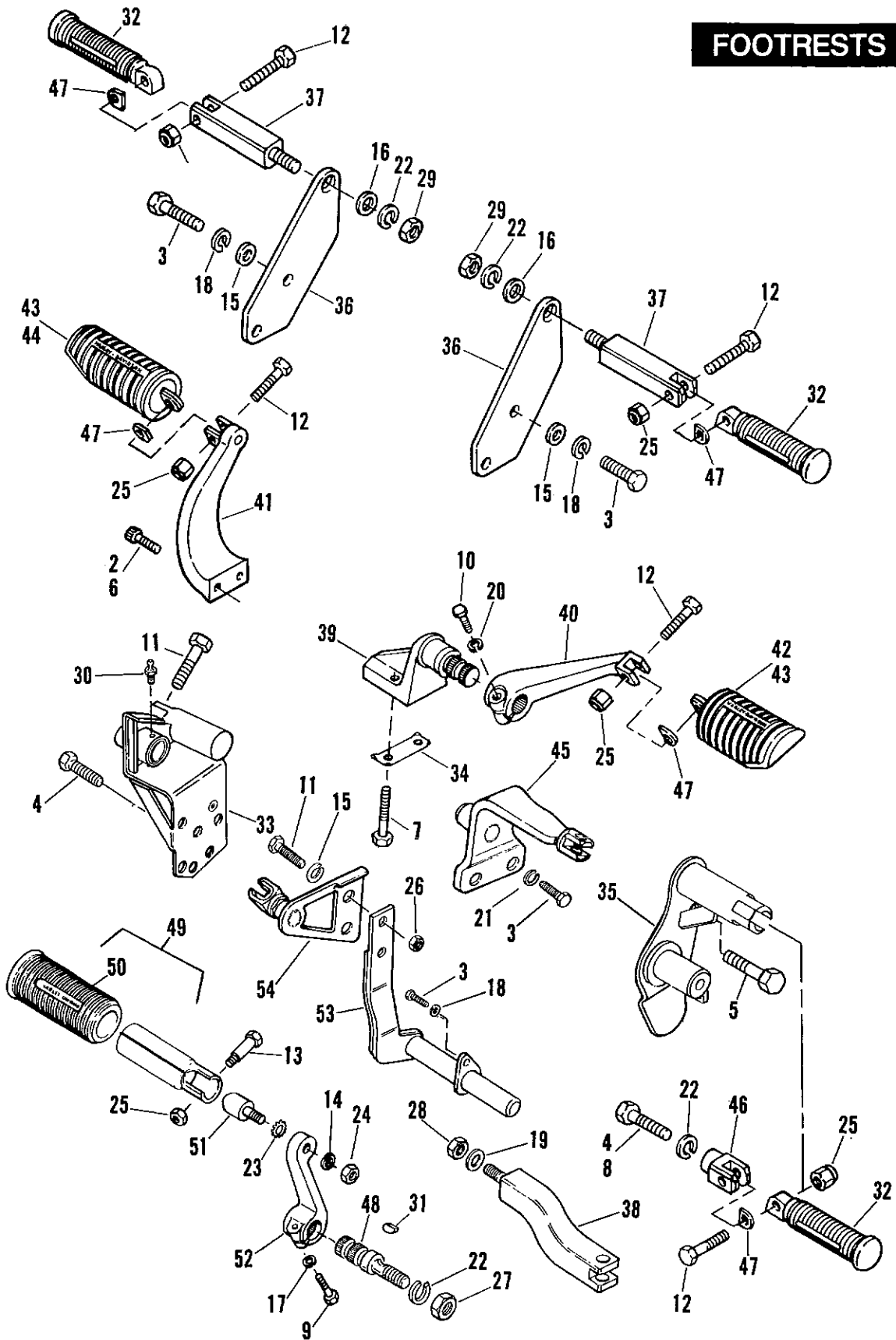
**SEATS & SISSY BAR - DYNA MODEL**

**FA28C**

INDEX NO.	PART NO.	NAME	FLT MODELS	FXR MODELS	SOFTAIL MODELS	DYNA MODEL
1	919	SCREW (4)	--	--	--	91*-GA/GB
2	1000	SCREW (2)	--	--	--	91*-GA/GB
3	2733	SCREW	--	--	--	91*-GA/GB
4	2871	SCREW	--	--	--	92*-ALL
	4017	SCREW (2)	--	--	--	91-GB
5	3574	SCREW (2)	--	--	--	91*-ALL
6	6235	WASHER (2)	--	--	--	91-GB
	6237	WASHER	--	--	--	92*-GA
7	6410	WASHER	--	--	--	91*-GA/GB
8	6702	WASHER	--	--	--	92*-GA
9	7036	LOCKWASHER (2)	--	--	--	91-GB
10	8097	RIVNUT (2)	--	--	--	91-GB
11	14259-90	DECAL, sissy bar	--	--	--	92*-GA
12	51188-84	PASSENGER STRAP	--	--	--	91*-GA/GB
13	51652-83	BRACKET, seat	--	--	--	91*-GA/GB
14	52167-91	SEAT	--	--	--	92*-GA
15	52170-90	SEAT	--	--	--	91-GB; 92*-GC
16	52173-90	BACKREST PAD KIT w/#2	--	--	--	91*-GA/GB
17	52764-90	SISSY BAR KIT w/#1	--	--	--	91*-GA/GB
18	52780-90	SIDEPLATE, right	--	--	--	91*-GA/GB
	52799-90	SIDEPLATE, left	--	--	--	91*-GA/GB
19	99017-90	MEDALLION	--	--	--	91-GB
	99015-91	MEDALLION	--	--	--	92*-GA

FLT MODELS		FXR MODELS		SOFTAIL MODELS		DYNA MODEL	
FLTC	DB	FXR	EA	FLSTC	BJ	FXDB-D	GA
FLHTC	DJ	FXRS	EB	FXSTC	BK	FXDB-S	GB
FLTC-U	DM	FXRT	EC	FXSTS	BL	FXDC	GC
FLHTC-U	DP	FXRS-SP	EQ	FLSTF	BM		
FLHS	FA	FXLR	EL				
		FXRS-CON	EM				

# FOOTRESTS

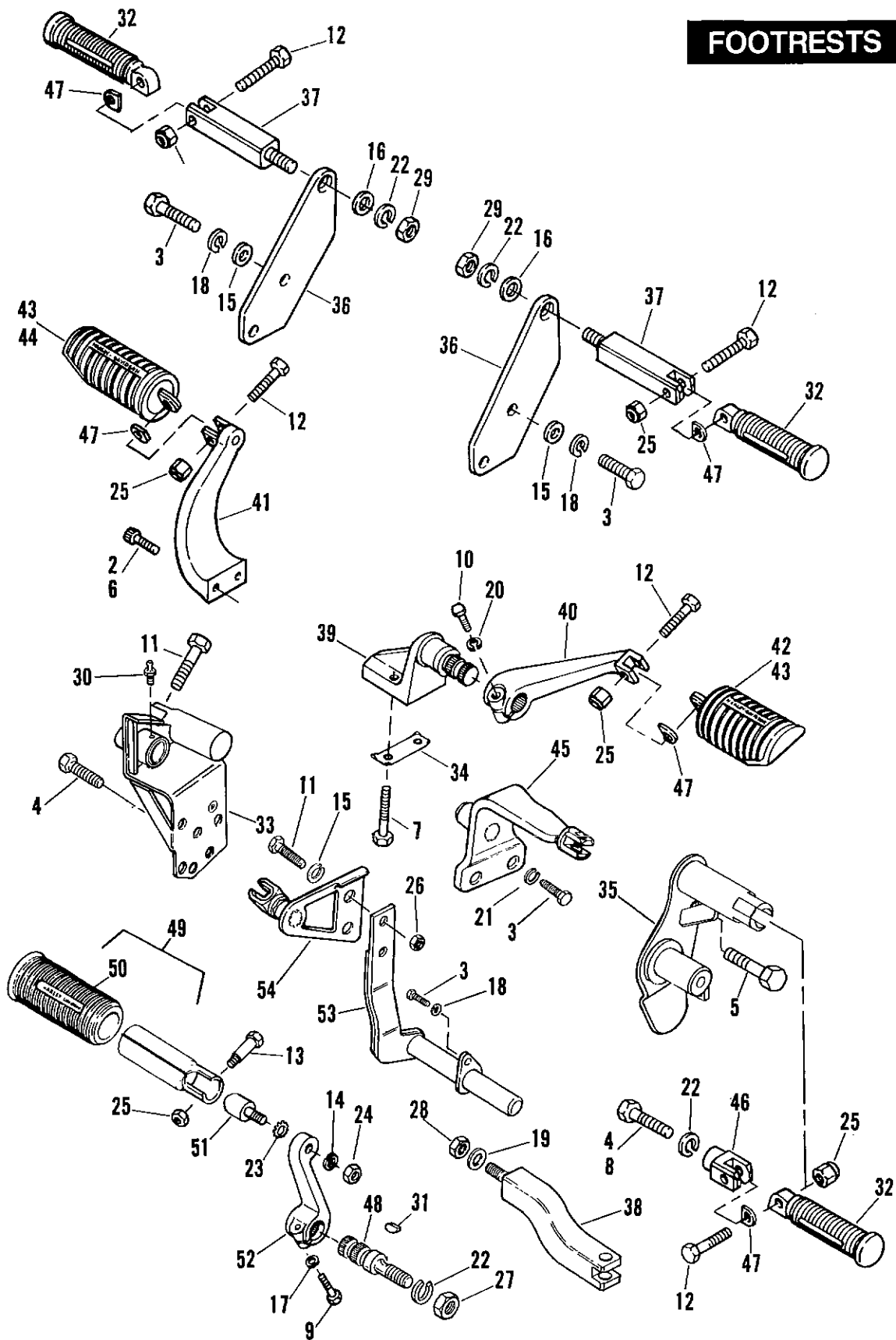


**FOOTRESTS**

INDEX NO.	PART NO.	NAME	FLT MODELS	FXR MODELS	SOFTAIL MODELS	DYNA MODEL
1	856A	SCREW (2)	--	91*-ALL	--	--
2	872A	BOLT - right	--	--	91*-BM	--
3	2851	BOLT (4 - EB/C/L/M)	--	91*-EB/C/ L/M	--	91*-ALL
	3214	BOLT (8)	--	--	--	91*-ALL
4	3440	BOLT	--	--	91*-ALL	--
5	3484	BOLT	--	91*-EA/B/ G/L	--	--
6	3486	BOLT (2)	--	91*-ALL	--	--
7	3503	BOLT (2)	--	91*-ALL	--	--
8	3516A	BOLT (2)	--	--	91*-BK/L/M	--
	3549A	BOLT (2) (Classic)	--	--	91*-BJ	--
9	3825	BOLT (2)	--	91*-EC	--	--
10	4014W	BOLT (2)	--	91*-ALL	--	--
11	4337W	BOLT	--	--	91*-BK/L	91*-ALL
12	4721	BOLT (as required)	--	91*-ALL	91*-ALL	91*-ALL
13	4724	BOLT (2)	--	91*-EC	--	--
14	6379W	WASHER (2)	--	91*-EC	--	--
15	6701	WASHER (4)	--	91*-EB/C/ L/M	--	91*-ALL
16	6718	WASHER (2)	--	91*-EB/C/ L/M	--	91*-ALL
17	7036	LOCKWASHER (2)	--	91*-EC	--	--
18	7038	LOCKWASHER (4 - EB/C/L/M)	--	91*-EB/C/ L/M	--	91*-ALL
19	7039	LOCKWASHER	--	--	--	91*-ALL
20	7041	LOCKWASHER	--	91*-ALL	--	--
21	7045	LOCKWASHER (4)	--	--	--	91*-ALL
22	7068	LOCKWASHER (as required)	--	91*-ALL	91*-ALL	91*-ALL
23	7145W	LOCKWASHER	--	91*-EC	--	--
24	7776W	LOCKNUT (2)	--	91*-EC	91*-BK/L	--
25	7778	LOCKNUT (4 - EB/C/L/M; 6 - Dyna)	--	91*-ALL	91*-BJ/M	91*-ALL
26	7782	LOCKNUT (2)	--	--	--	91*-ALL
27	7845	NUT (2)	--	91*-EC	--	--
28	7848W	LOCKNUT (2)	--	--	--	91*-ALL
29	7880	NUT (2)	--	91*-EB/C/ G/M	--	91*-ALL
30	50972-75	FITTING, lubrication	--	--	91*-BK/L	--
31	23985-18	KEY, footrest stud (2)	--	91*-EC	--	--
32	33048-72	FOOTREST WITH COVER (2; 4-BK,EB/C/L/M)	--	91*-ALL	91*-ALL	91*-ALL
	33189-63	COVER, (black) (2; 4-BK,EB/C/L/M)	--	91*-ALL	91*-ALL	--
33	33683-90	BRACKET, shifter	--	--	91*-BK/L	--
34	42334-82	LOCKPLATE, front	--	91*-ALL	--	--
35	42507-89A	BRACKET, brake lever & footrest	--	--	91*-BK/L	--
36	49126-77B	MOUNTING PLATE (2)	--	91*-EB/L/M	--	--
	49126-90	MOUNTING PLATE (2)	--	--	--	91*-ALL

FLT MODELS		FXR MODELS		SOFTAIL MODELS		DYNA MODEL
FLTC	DB	FXR	EA	FLSTC	BJ	FXDB-D GA
FLHTC	DJ	FXRS	EB	FXSTC	BK	FXDB-S GB
FLTC-U	DM	FXRT	EC	FXSTS	BL	FXDC GC
FLHTC-U	DP	FXRS-SP	EG	FLSTF	BM	
FLHS	FA	FXLR	EL			
		FXRS-CON	EM			

# FOOTRESTS





**FOOTRESTS (CONT'D)**

**FA29-2**

INDEX NO.	PART NO.	NAME	FLT MODELS	FXR MODELS	SOFTAIL MODELS	DYNA MODEL
37	49127-77A	FOOTREST SUPPORT (2)	--	91*-EB/C/L/M	--	91*-ALL
38	49165-90	FOOTREST SUPPORT	--	--	--	91*-ALL
39	50531-81	BRACKET, footrest - front	--	91*-ALL	--	--
40	50636-81A	BRACKET, right footrest - front	--	91*-ALL	--	--
41	50639-81	BRACKET, left footrest - front	--	91*-ALL	--	--
	50639-90	BRACKET, left footrest - front	--	--	--	91*-ALL
42	50643-82	FOOTREST with cover - right (2 - GB)	--	91*-ALL	--	91*-ALL
43	50646-82	COVER, only (black) (2; 4 - GB)	--	91*-ALL	--	91*-ALL
44	50647-82	FOOTREST, with cover - left	--	91*-ALL	--	91*-ALL
45	50649-90	BRACKET, right, footrest - front	--	--	--	91*-ALL
46	50900-72	SUPPORT, passenger footrest	--	91*-ALL	91*-ALL	--
47	50912-72	SPRING WASHER (as required)	--	91*-ALL	91*-ALL	91*-ALL
48	50921-83	STUD (2)	--	91*-EC	--	--
49	50939-52	FOOTREST with cover (2)	--	91*-EC	--	--
50	50940-052	COVER, only (black) (2)	--	91*-EC	--	--
51	50973-65	STUD (2)	--	91*-EC	--	--
52	52700-81	SUPPORT (2)	--	91*-EC	--	--
53	52720-92	UPRIGHT BRACKET, left (grey)	--	--	--	92*-GC
	52721-90	UPRIGHT BRACKET, left	--	--	--	91-GB; 92*-GA
54	52727-92	FOOTREST SUPPORT, left, (grey)	--	--	--	92*-GC
	52729-90	SUPPORT, left	--	--	--	91-GB; 92*-GA

**FLT MODELS**

FLTC DB  
 FLHTC DJ  
 FLTC-U DM  
 FLHTC-U DP  
 FLHS FA

**FXR MODELS**

FXR EA  
 FXRS EB  
 FXRT EC  
 FXRS-SP EG  
 FXLR EL  
 FXRS-CON EM

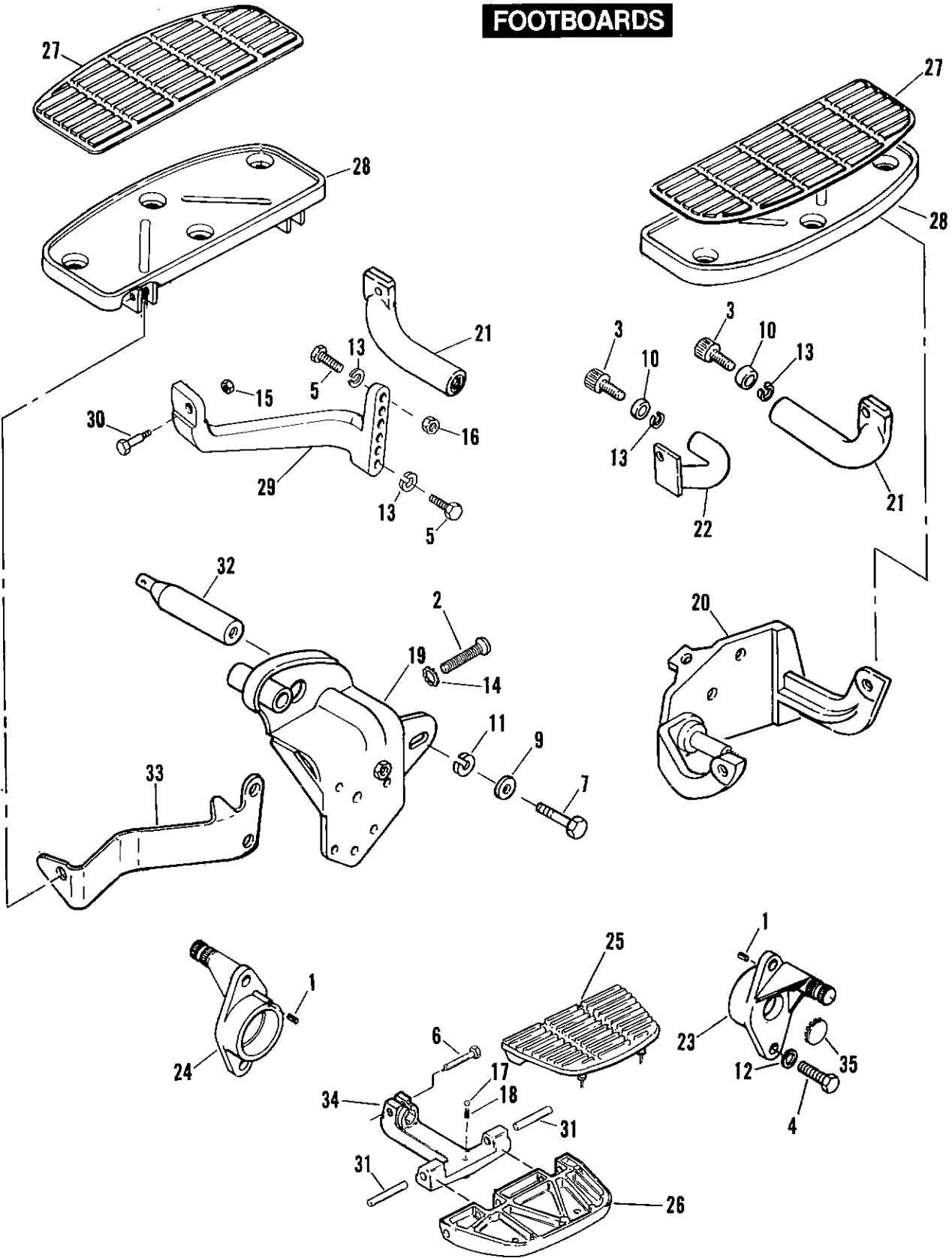
**SOFTAIL MODELS**

FLSTC BJ  
 FXSTC BK  
 FXSTS BL  
 FLSTF BM

**DYNA MODEL**

FXDB-D GA  
 FXDB-S G  
 FXDC GC

# FOOTBOARDS



# FOOTBOARDS

FA29A

INDEX NO.	PART NO.	NAME	FLT MODELS	FXR MODELS	SOFTAIL MODELS	DYNA MODEL
1	604	ROLL PIN (2)	91*-ALL	--	--	--
2	2773	SCREW	--	--	91*-BJ/M	--
3	3516A	SCREW (3)	91-ALL	--	--	--
	3599	SCREW (3)	92*-ALL	--	--	--
4	3782	BOLT (4)	91*-ALL	--	--	--
5	3960W	BOLT (2)	91-ALL	--	--	--
	4017	SCREW (2)	92*-ALL	--	--	--
6	3993	BOLT (2)	91*-ALL	--	--	--
7	4721	BOLT	--	--	91*-BJ/M	--
9	6400HB	WASHER	--	--	91*-BJ/M	--
10	6738	WASHER (3)	91*-ALL	--	--	--
11	7038	LOCKWASHER	--	--	91*-BJ/M	--
12	7039	LOCKWASHER (4)	91*-ALL	--	--	--
13	7041	LOCKWASHER (3)	91*-ALL	--	--	--
14	7230	LOCKWASHER	--	--	91*-BJ/M	--
15	7742	LOCKNUT (4)	91*-ALL	--	91*-BJ/M	--
16	7753	NUT	91*-ALL	--	--	--
17	8860	BALL (2)	91*-ALL	--	--	--
18	33085-74	SPRING (2)	91*-ALL	--	--	--
19	33630-90	BRACKET, left	--	--	91*-BJ/M	--
20	42431-87	BRACKET	--	--	91*-BJ/M	--
21	47365-83	BRACKET, front (2)	91-ALL	--	--	--
	47365-92	BRACKET, front (2)	92*-ALL	--	--	--
22	50518-83A	BRACKET, right rear	91*-ALL	--	--	--
23	50584-87	BRACKET, right	91*-ALL	--	--	--
24	50585-87	BRACKET, left	91*-ALL	--	--	--
25	50606-86A	PAD (2)	91*-ALL	--	--	--
26	50613-91	FOOTBOARD, passenger (2)	91*-ALL	--	--	--
27	50614-91	PAD (2)	91*-ALL	--	91*-BJ/M	--
28	50621-79A	FOOTBOARD, with #27	91*-ALL	--	91*-BJ/M	--
29	50622-83A	BRACKET, left rear	91-ALL	--	--	--
	50622-92	BRACKET, left rear	92*-ALL	--	--	--
30	50635-82	BOLT, footboard hinge (4)	91*-ALL	--	91*-BJ/M	--
31	50933-86	PIN, pivot (4)	91*-ALL	--	--	--
32	50989-86	STUD, left front (chrome)	--	--	91*-BJ/M	--
33	50990-86B	SUPPORT BRACKET, left rear	--	--	91*-BJ/M	--
34	52713-88	SUPPORT, footboard (black wrinkle)	91-ALL	--	--	--
	52713-91	SUPPORT, footboard (black wrinkle)	92*-ALL	--	--	--
35	67830-59	PLUG (2)	91*-ALL	--	--	--

### FLT MODELS

FLTC DB  
 FLHTC DJ  
 FLTC-U DM  
 FLHTC-U DP  
 FLHS FA

### FXR MODELS

FXR EA  
 FXRS EB  
 FXRT EC  
 FXRS-SP EG  
 FXLR EL  
 FXRS-CON EM

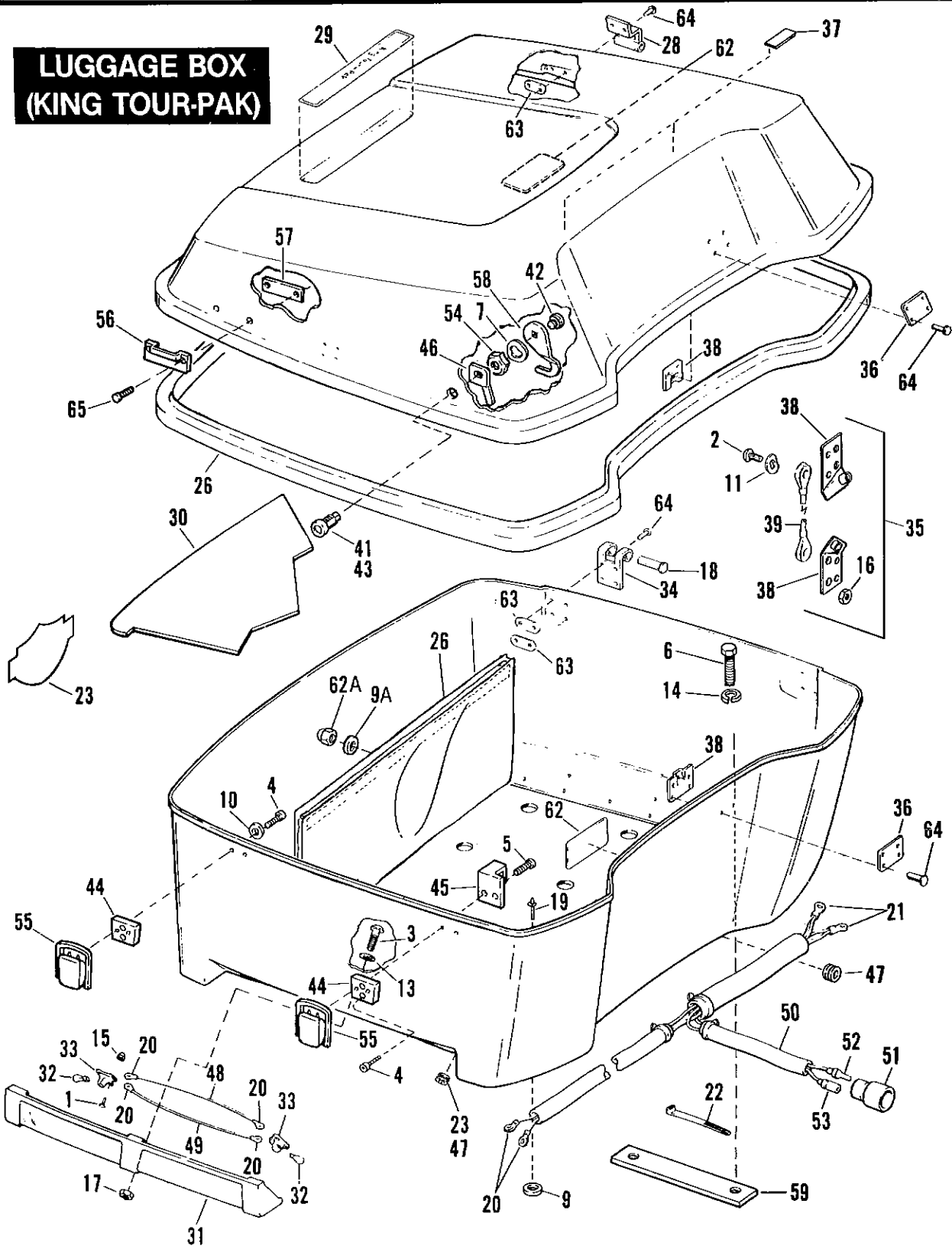
### SOFTAIL MODELS

FLSTC BJ  
 FXSTC BK  
 FXSTS BL  
 FLSTF BM

### DYNA MODEL

FXDB-D GA  
 FXDB-S GB  
 FXDC GC

# LUGGAGE BOX (KING TOUR-PAK)



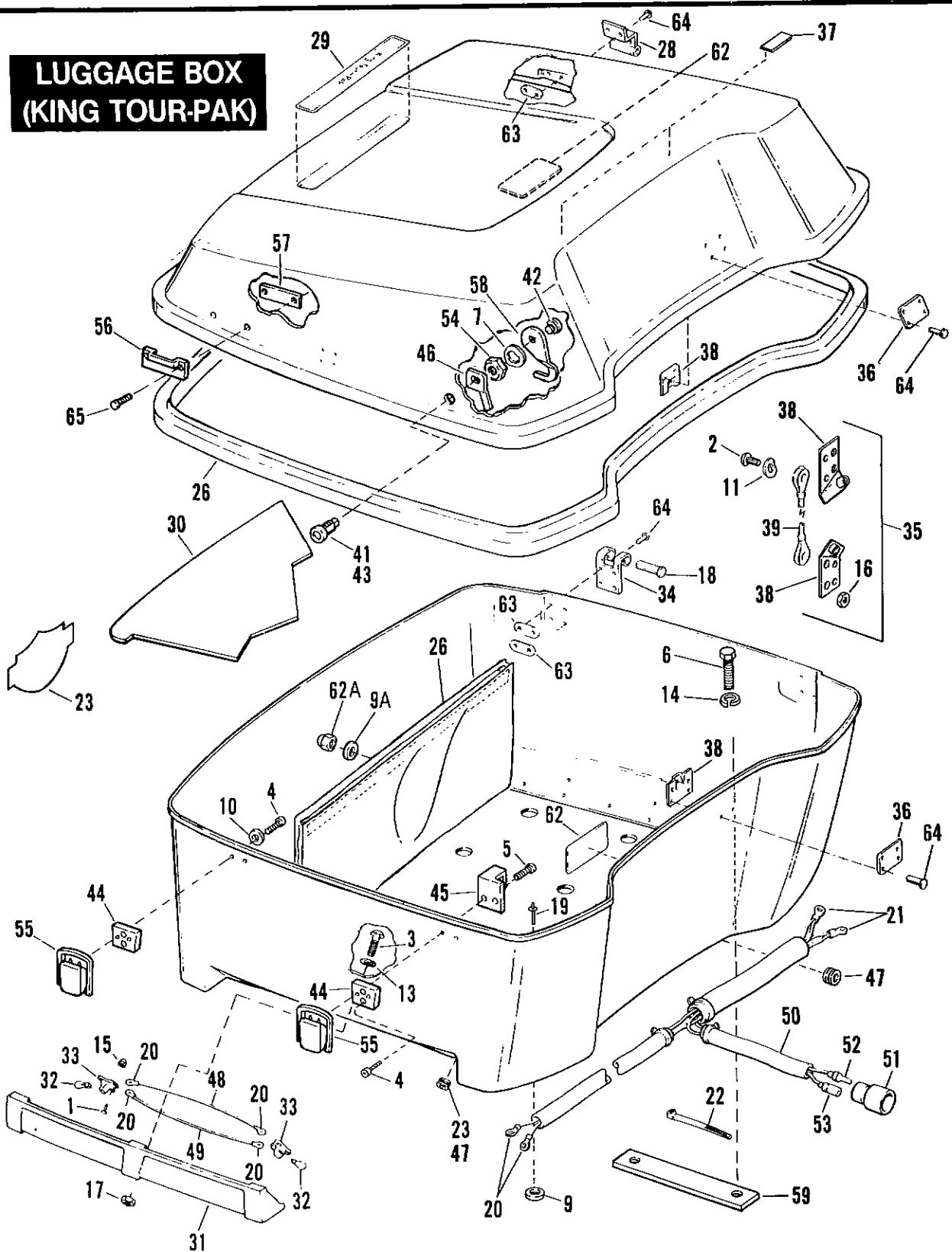
**LUGGAGE BOX (KING TOUR-PAK)**

**FA30-1**

INDEX NO.	PART NO.	NAME	FLT MODELS	FXR MODELS	SOFTAIL MODELS	DYNA MODEL
1	2724	SCREW, (2)	92*-DJ	--	--	--
1A	2804W	SCREW (8)	91*-DB/J/M/P	--	--	--
2	2831	SCREW (2)	91*-DB/J/M/P	--	--	--
3	2888	SCREW (6)	91*-DB/J/M/P	--	--	--
4	3597	SCREW (4)	91*-DB/J/M/P	--	--	--
5	3598	SCREW (2)	91*-DB/J/M/P	--	--	--
6	4702	BOLT (4)	91*-DB/J	--	--	--
7	6055	SPRING WASHER (4)	91*-DB/J/M/P	--	--	--
8	6703	WASHER (4)	91*-DB/J	--	--	--
9	6600	WASHER (10)	91*-DB/J/M/P	--	--	--
9A	6716	WASHER (2)	92*-DB/J/M/P	--	--	--
10	6717	WASHER (4)	91*-DB/J/M/P	--	--	--
11	6970	SPRING WASHER (2)	91*-DB/J/M/P	--	--	--
13	7115	LOCKWASHER (6)	91*-DB/J/M/P	--	--	--
14	7124	LOCKWASHER	91*-DB/J/M/P	--	--	--
14A	7128	LOCKWASHER	92*-DJ/M/P	--	--	--
15	7520	ACORN NUT (nylon) (8)	91*-DB/J/M/P	--	--	--
16	7590	NUT (8)	91*-DB/J	--	--	--
17	7608	LOCKNUT (6)	91*-DB/J/M/P	--	--	--
17A	7686	NUT	92*-DJ/M/P	--	--	--
18	8500	RIVET (2)	91*-DB/J/M/P	--	--	--
	8502	RIVET (2)	91*-DB/J	--	--	--
19	8700	RIVET (10)	91*-DB/J/M/P	--	--	--
20	9856	TERMINAL, ring type - No. 6 hole (10)	91*-DB/J	--	--	--
21	9871	TERMINAL, ring type - No. 6 hole (2)	91*-DB/J	--	--	--
22	10065	CABLE STRAP (3)	91*-DB/J	--	--	--
23	11410	GROMMET, side light wiring (2)	91*-DB/J	--	--	--
	48152-82	KEY (specify key No. 1 to 100)	91*-DB/J	--	--	--
25	52756-79	NAMEPLATE (gold & black)	91*-DB/J	--	--	--
	90971-79	NAMEPLATE (silver & black)	91*-DB/J/M/P	--	--	--
26	53165-89	POUCH	92*-DB/J/M/P	--	--	--
27	53415-83	GASKET, cover	91*-DB/J/M/P	--	--	--
28	53426-87	HINGE, cover - upper (2)	91*-DB/J/M/P	--	--	--
29	53434-80	NAMEPLATE, "KING TOUR-PAK" (black)	91*-DB/J	--	--	--
30	53435-88	MAT, luggage box	91*-DB/J	--	--	--
31	53437-79	LENS, side light (2)	91*-DB/J/M/P	--	--	--
32	53439-79	BULB, side light (4)	91*-DB/J/M/P	--	--	--
33	53440-79	SOCKET, side light (4)	91*-DB/J/M/P	--	--	--
34	53447-87	HINGE, lower (2)	91*-DB/J/M/P	--	--	--
36	53478-80	BACKING PLATE, brace (2)	91*-DB/J/M/P	--	--	--
37	53486-85	PAD (2)	91*-DB/J/M/P	--	--	--
38	53563-82	BRACKET, cable mounting (2)	91*-DB/J/M/P	--	--	--
	53570-89	BRACKET, cable mounting	91*-DB/J/M/P	--	--	--
39	53564-89	CABLE BRACE, cover	91*-DB/J/M/P	--	--	--
41	53580-82	LOCK	91*-DB/J/M/P	--	--	--
	53584-92	LOCK	92*-DJ/M/P	--	--	--
42	53582-82	SCREW w/washer	91*-DB/J	--	--	--

<b>FLT MODELS</b>	<b>FXR MODELS</b>	<b>SOFTAIL MODELS</b>	<b>DYNA MODEL</b>
FLTC    OB	FXR    EA	FLSTC    BJ	FXDB-D    GA
FLHTC    DJ	FXRS    EB	FXSTC    BK	FXDB-S    GB
FLTC-U    DM	FXRT    EC	FXSTS    BL	FXDC    GC
FLHTC-U    DP	FXRS-SP	FLSTF    BM	
FLHS    FA	FXLR    EL		
	FXRS-CON    EM		

# LUGGAGE BOX (KING TOUR-PAK)

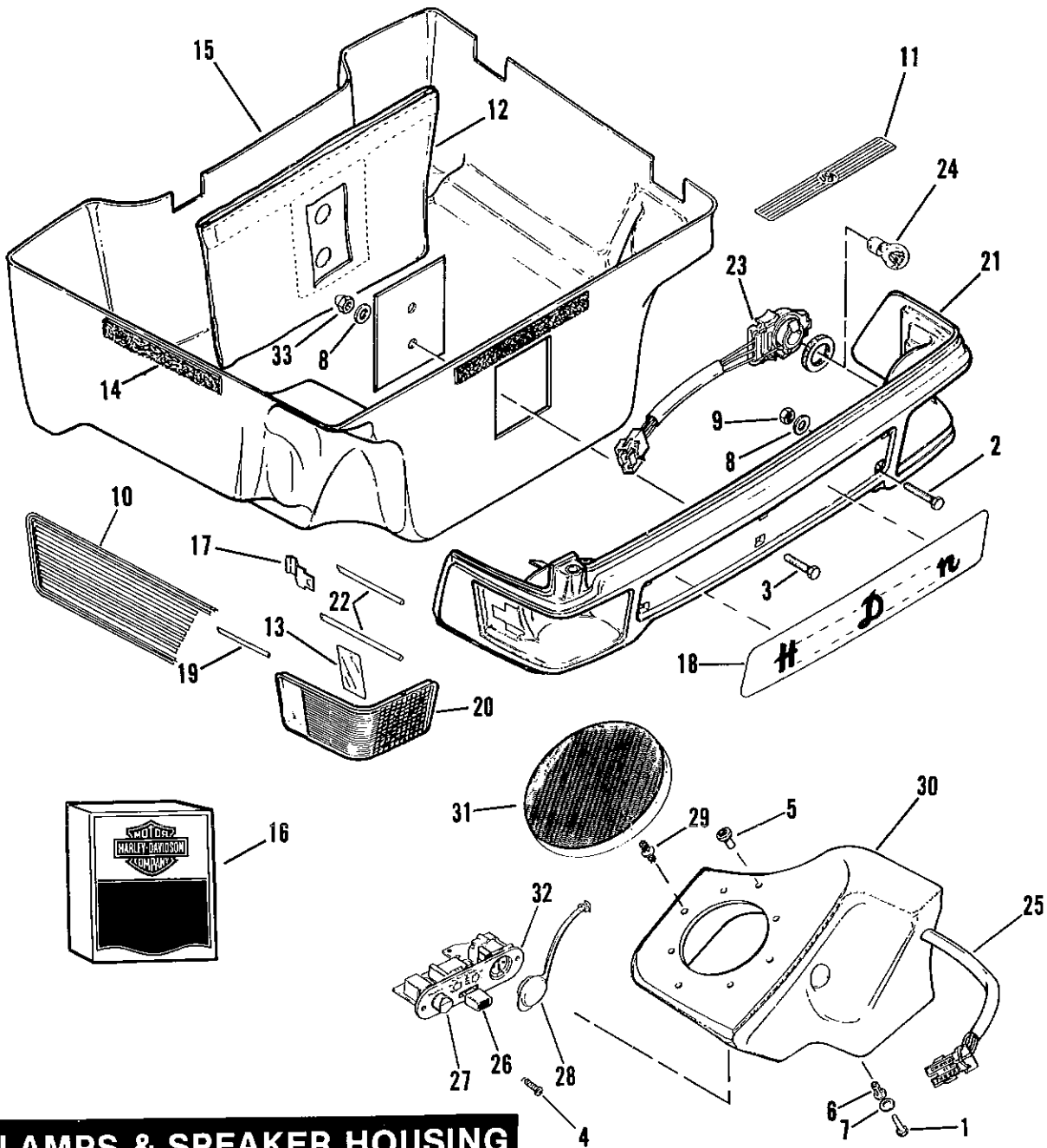


**LUGGAGE BOX (KING TOUR-PAK) (CONT'D)**

**FA30-2**

INDEX NO.	PART NO.	NAME	FLT MODELS	FXR MODELS	SOFTAIL MODELS	DYNA MODEL
43	53587-85	LOCK SET with key & #41, 42, & 54	91-DB/M	--	--	--
	53588-85	LOCK SET with key & #41, 42, & 54	91-DJ/P	--	--	--
	53590-84	LOCK SET with key & #41, 42, & 54	91*-FA	--	--	--
	53573-92	LOCK SET with key & #41, 42, & 54	92*-FA	--	--	--
	53574-92	LOCK SET with key & #41, 42, & 54	92*-DJ/P	--	--	--
	53575-92	LOCK SET with key & #41, 42, & 54	92*-DM	--	--	--
44	53615-85	SPACER (2)	91*-DB/J/M/P	--	--	--
45	53616-85	CATCH, lower	91*-DB/J/M/P	--	--	--
46	53617-85	GUIDE, lock	91*-DB/J	--	--	--
47	57978-63	GROMMET (3)	91*-DB/J/M/P	--	--	--
	58709-86	RIVET (2)	91*-DB/J/M/P	--	--	--
48	70643-79A	WIRE, side light (green) (2)	91*-DB/J/M/P	--	--	--
49	70644-79A	WIRE, side light (black) (2)	91*-DB/J/M/P	--	--	--
50	70646-90	WIRING HARNESS, side light	91*-DB/J	--	--	--
	70648-89	WIRING HARNESS, luggage box	91*-DM/P	--	--	--
51	72052-79	RECEPTACLE, side light wire	91*-DB/J	--	--	--
	74521-77	RECEPTACLE, luggage box	91*-DM/P	--	--	--
52	74536-77A	PIN, wiring harness	91*-DB/J/M/P	--	--	--
53	74539-77A	SOCKET, wiring harness (2-DM/P)	91*-DB/J/M/P	--	--	--
54	84850-67	NUT, lock	91*-DB/J	--	--	--
	84850-92	NUT, lock	91*-DJ/M/P	--	--	--
55	90649-85	BODY, catch (2)	91*-DB/J/M/P	--	--	--
56	90663-85	CATCH, upper (2)	91*-DB/J/M/P	--	--	--
56A	90686-92	CAM HOOK	91*-DJ/M/P	--	--	--
57	90688-85	BACKING PLATE (2)	91*-DB/J/M/P	--	--	--
58	90689-84	CAM HOOK	91*-DB/J/M/P	--	--	--
59	90743-88	GASKET (2)	91*-DB/J/M/P	--	--	--
62	90821-74A	LABLE, load limit	91*-DB/J/M/P	--	--	--
62A	90844-80	ACORN NUT	92*-DB/J/M/P	--	--	--
63	90964-63	BACKING PLATE (8)	91*-DB/J/M/P	--	--	--
64	90965-63	RIVET (24)	91*-DB/J/M/P	--	--	--
65	90967-64	RIVET (4)	91*-DB/J/M/P	--	--	--

FLT MODELS		FXR MODELS		SOFTAIL MODELS		DYNA MODEL	
FLTC	DB	FXR	EA	FLSTC	BJ	FXDB-D	GA
FLHTC	DJ	FXRS	EB	FXSTC	BK	FXDB-S	GB
FLTC-U	DM	FXRT	EC	FXSTS	BL	FXDC	GC
FLHTC-U	DP	FXRS-SP	EG	FLSTF	BM		
FLHS	FA	FXLR	EL				
		FXRS-CON	EM				



**LAMPS & SPEAKER HOUSING  
ULTRA TOUR-PAK**

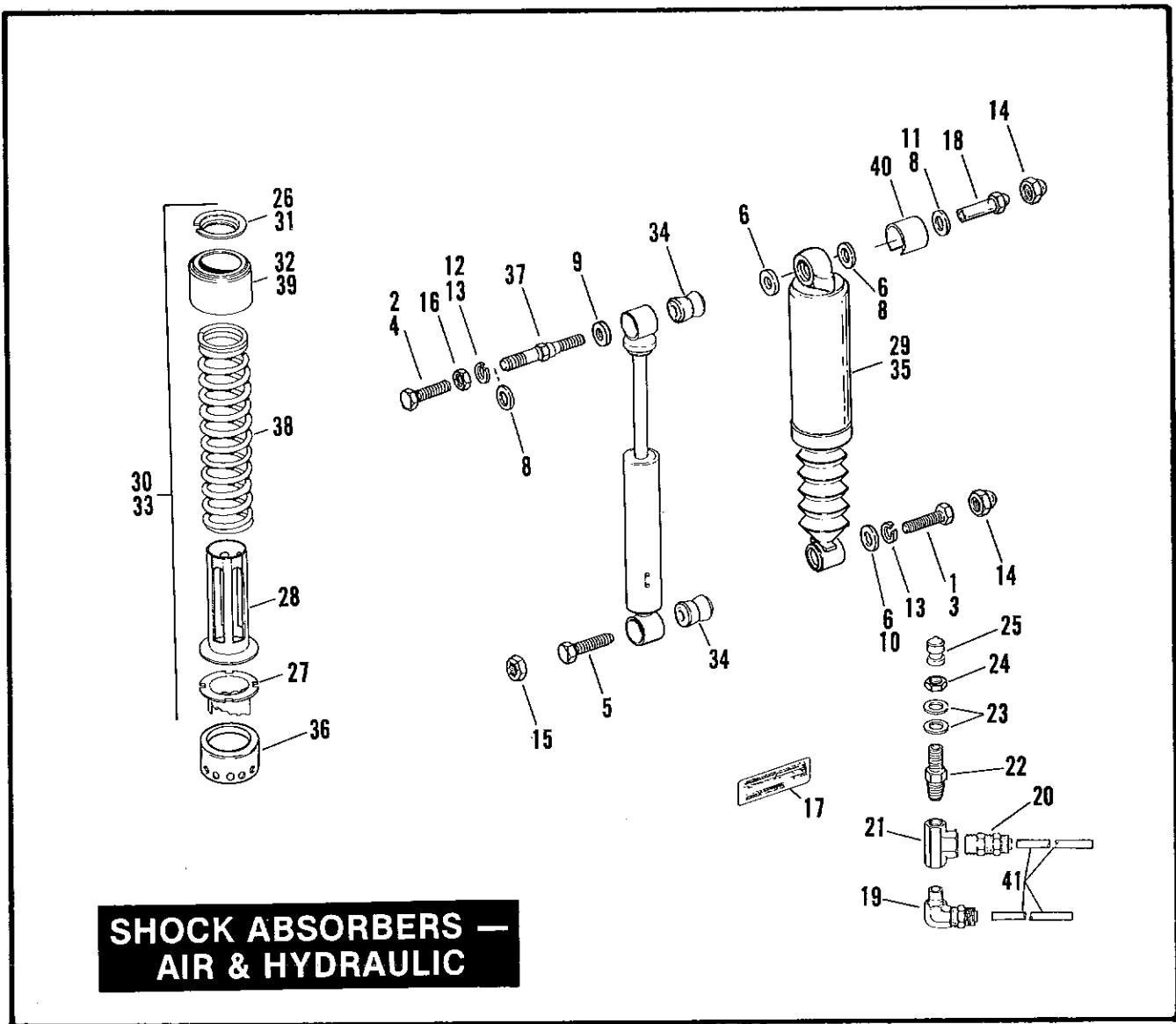


**LAMPS AND SPEAKER HOUSINGS - ULTRA TOUR-PAK**

**FA30A**

INDEX NO.	PART NO.	NAME	FLT MODELS	FXR MODELS	SOFTAIL MODELS	DYNA MODEL
1	2551W	BOLT (6)	91*-DM/P	--	--	--
2	3541	SCREW (4)	91*-DM/P	--	--	--
3	3545	SCREW (2)	91*-DM/P	--	--	--
4	3556A	SCREW (2)	91*-DM/P	--	--	--
5	5210	WELL NUT (8)	91*-DM/P	--	--	--
6	5211	NUT, crimp	91*-DM/P	--	--	--
7	6036	WASHER (6)	91*-DM/P	--	--	--
8	6716	WASHER (6)	91*-DM/P	--	--	--
9	7620W	NUT (4)	91*-DM/P	--	--	--
9A	10120	CLIP, antenna cable	92*-DM/P	--	--	--
10	14178-90	DECAL, right (sliver & blue)	91*-DM/P	--	--	--
	14179-90	DECAL, left (silver & blue)	91*-DM/P	--	--	--
	14246-90	DECAL, right (gold & red)	91*-DM/P	--	--	--
	14248-90	DECAL, left (gold & red)	91*-DM/P	--	--	--
11	14218-89	DECAL "USA" (silver)	91*-DM/P	--	--	--
	14251-90	DECAL "USA" (black)	91*-DM/P	--	--	--
12	53165-89	POUCH, owner's manual	91*-DM/P	--	--	--
13	53166-89	REFLECTOR (2)	91*-DM/P	--	--	--
14	53170-89	FASTENER (velcro) (5) (Cut to suit.)	91*-DM/P	--	--	--
15	53278-89A	LINER, molded	91*-DM/P	--	--	--
16	53598-88	LINER, removable	91*-DM/P	--	--	--
17	58380-89	CLIP, housing (2)	91*-DM/P	--	--	--
18	58381-89	NAMEPLATE	91*-DM/P	--	--	--
19	58382-89	SEAL, lamp lens (2)	91*-DM/P	--	--	--
20	58383-89	LENS, left	91*-DM/P	--	--	--
	58384-89	LENS, right	91*-DM/P	--	--	--
21	58385-89	HOUSING, lamp	91*-DM/P	--	--	--
22	58386-89	SEAL, lamp (as required)	91*-DM/P	--	--	--
23	58388-89	SOCKET ASSEMBLY (2)	91*-DM/P	--	--	--
24	68168-89	BULB, taillamps	91*-DM/P	--	--	--
25	70649-91	HARNES, rear speaker - right	91*-DM/P	--	--	--
26	71814-91	KNOB, function switch	91*-DM/P	--	--	--
27	71809-88	KNOB, volume control	91*-DM/P	--	--	--
28	72059-89A	PLUG, weather	91*-DM/P	--	--	--
29	76175-86	CLIP, double end (8)	91*-DM/P	--	--	--
30	76303-89	SPEAKER HOUSING, rear - left	91*-DM/P	--	--	--
	76304-91	SPEAKER HOUSING, rear - right	91*-DM/P	--	--	--
31	76307-89	SPEAKER GRILLE, rear (2)	91*-DM/P	--	--	--
32	76315-91	FACE PLATE	91*-DM/P	--	--	--
33	90844-80	ACORN NUT (2)	91*-DM/P	--	--	--

FLT MODELS		FXR MODELS		SOFTAIL MODELS		DYNA MODEL	
FLTC	DB	FXR	EA	FLSTC	BJ	FXDB-D	GA
FLHTC	DJ	FXRS	EB	FXSTC	BK	FXDB-S	GB
FLTC-U	DM	FXRT	EC	FXSTS	BL	FXDC	GC
FLHTC-U	DP	FXRS-SP	EG	FLSTF	BM		
FLHS	FA	FXLR	EL				
		FXRS-CON	EM				



**SHOCK ABSORBERS - AIR & HYDRAULIC**

**FA31-1**

INDEX NO.	PART NO.	NAME	FLT MODELS	FXR MODELS	SOFTAIL MODELS	DYNA MODEL
1	4081	BOLT (2)	--	91*-ALL	--	--
2	2879W	BOLT (2)	--	91*-EA/B/ C/G/M	--	--
	2906	BOLT (2)	--	91*-EL	--	--
3	3535	BOLT (2)	91*-ALL	--	--	--
4	3536	BOLT (2)	91*-ALL	--	--	--
5	3958	BOLT (2)	--	--	--	91*-ALL
6	6012	WASHER (6; 2-Dyna)	91*-ALL	--	--	91*-ALL
8	6113	WASHER (6)	--	--	--	91*-ALL
9	6530	WASHER (2)	--	91*-EA/B/ G/L/M	--	--
10	6718	WASHER (2)	--	91*-ALL	--	--
11	6738	WASHER (2)	--	91*-ALL	--	--

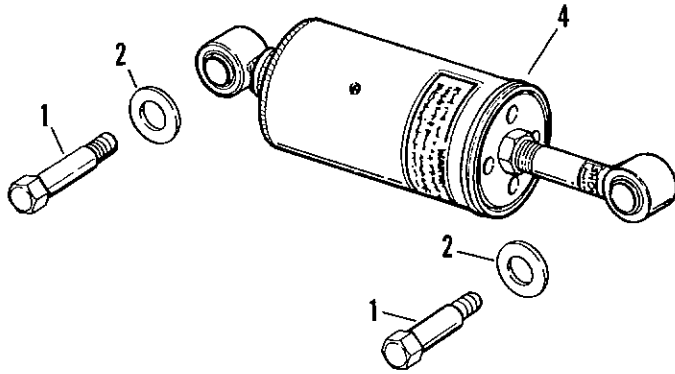
**SHOCK ABSORBERS - AIR & HYDRAULIC (CONT'D)**

**FA31-2**

INDEX NO.	PART NO.	NAME	FLT MODELS	FXR MODELS	SOFTAIL MODELS	DYNA MODEL
12	7038	LOCKWASHER (2)	--	91*-ALL	--	--
13	7068	LOCKWASHER (2)	--	91*-ALL	--	91*-ALL
14	7554	ACORN NUT (4)	--	--	--	91*-ALL
15	7824	LOCKNUT (2)	--	91*-ALL	--	--
16	7845	LOCKNUT (2)	--	--	--	91*-ALL
17	14112-88	DECAL, air suspension	91*-ALL	--	--	--
	14052-88	DECAL, air suspension	--	91*-EC	--	--
18	54310-83	ELBOW, male	91*-ALL	--	--	--
19	54312-91	SCREW, int. thd. (2)	91*-ALL	91*-ALL	--	--
20	54314-83	CONNECTOR, male	91*-ALL	--	--	--
21	54315-83	FITTING	91*-ALL	--	--	--
22	54317-85	VALVE, with #25	91*-ALL	--	--	--
23	54319-85	WASHER (2)	91*-ALL	--	--	--
24	54321-85	NUT	91*-ALL	--	--	--
25	54323-85	VALVE CAP	91*-ALL	--	--	--
26	54473-79	SPRING SEAT (2)	--	91*-EA/B/ G/L/M	--	91*-ALL
27	54474-79	ADJUSTER, spring (2)	--	91*-EA/B/ G/L/M	--	91*-ALL
28	54475-79	GUIDE, spring (2 - EA/B/G/L, Dyna)	--	91*-ALL	--	91*-ALL
29	54491-85	SHOCK ABSORBER, right - complete	--	91*-EC	--	--
30	54492-85	SHOCK ABSORBER, left - complete	--	91*-EC	--	--
31	54495-85	SPRING SEAT, upper (black)	--	91*-EC	--	--
32	54496-85	COVER, upper (black)	--	91*-EC	--	--
33	54502-87	SHOCK ABSORBER, complete (2)	--	91*-EA/B/L	--	--
	54506-87	SHOCK ABSORBER, complete (2)	--	91*-EG/M	--	--
	54512-90	SHOCK ABSORBER, complete (2)	--	--	--	91*-ALL
34	54523-82	BUSHING (4; 2 - EC)	--	91*-ALL	--	--
	54556-84	BUSHING (4)	--	--	--	91*-ALL
35	54532-85	SHOCK ABSORBER, complete (2)	91*-ALL	--	--	--
36	54569-84	CAM SLEEVE (2)	--	--	--	91*-ALL
37	54557-90	BOLT, shock mount (2)	--	--	--	91*-ALL
38	54585-87	SPRING (chrome) (2)	--	91*-EA/B/L	--	--
	54586-87	SPRING (chrome) (2)	--	91*-EG/M	--	--
39	54701-82	COVER, upper (chrome)	--	91*-EA/B/ G/L/M	--	--
	54710-84	COVER, upper (chrome)	--	--	--	91*-ALL
40	54705-81	COVER, stud (chrome)	--	91*-EA/B/ G/L/M	--	--
	54708-65A	COVER, shock bolt (2)	--	--	--	91*-ALL
		NOTE: Hose is sold only in bulk length under the following part number. Cut to length.				
41	54324-85	HOSE, 5/64 I.D. x 1/8 O.D. (25 ft. lg.)(black)	91*-All	--	--	--

FLT MODELS		FXR MODELS		SOFTAIL MODELS		DYNA MODEL	
FLTC	DB	FXR	EA	FLSTC	BJ	FXDB-D	GA
FLHTC	DJ	FXRS	EB	FXSTC	BK	FXDB-S	GB
FLTC-U	DM	FXRT	EC	FXSTS	BL	FXDC	GC
FLHTC-U	DP	FXRS-SP	EG	FLSTF	BM		
FLHS	FA	FXLR	EL				
		FXRS-CON	EM				

# SHOCK ABSORBERS — SOFTAIL



# SHOCK ABSORBERS - SOFTAIL MODELS

FA31A

INDEX NO.	PART NO.	NAME	FLT MODELS	FXR MODELS	SOFTAIL MODELS	DYNA MODEL
1	4074	BOLT (4)	--	--	91*-ALL	--
2	6724	WASHER (4)	--	--	91*-ALL	--
4	54508-89A	SHOCK ABSORBER, complete (2)	--	--	91*-ALL	--

**FLT MODELS**

FLTC DB  
 FLHTC DJ  
 FLTC-U DM  
 FLHTC-U DP  
 FLHS FA

**FXR MODELS**

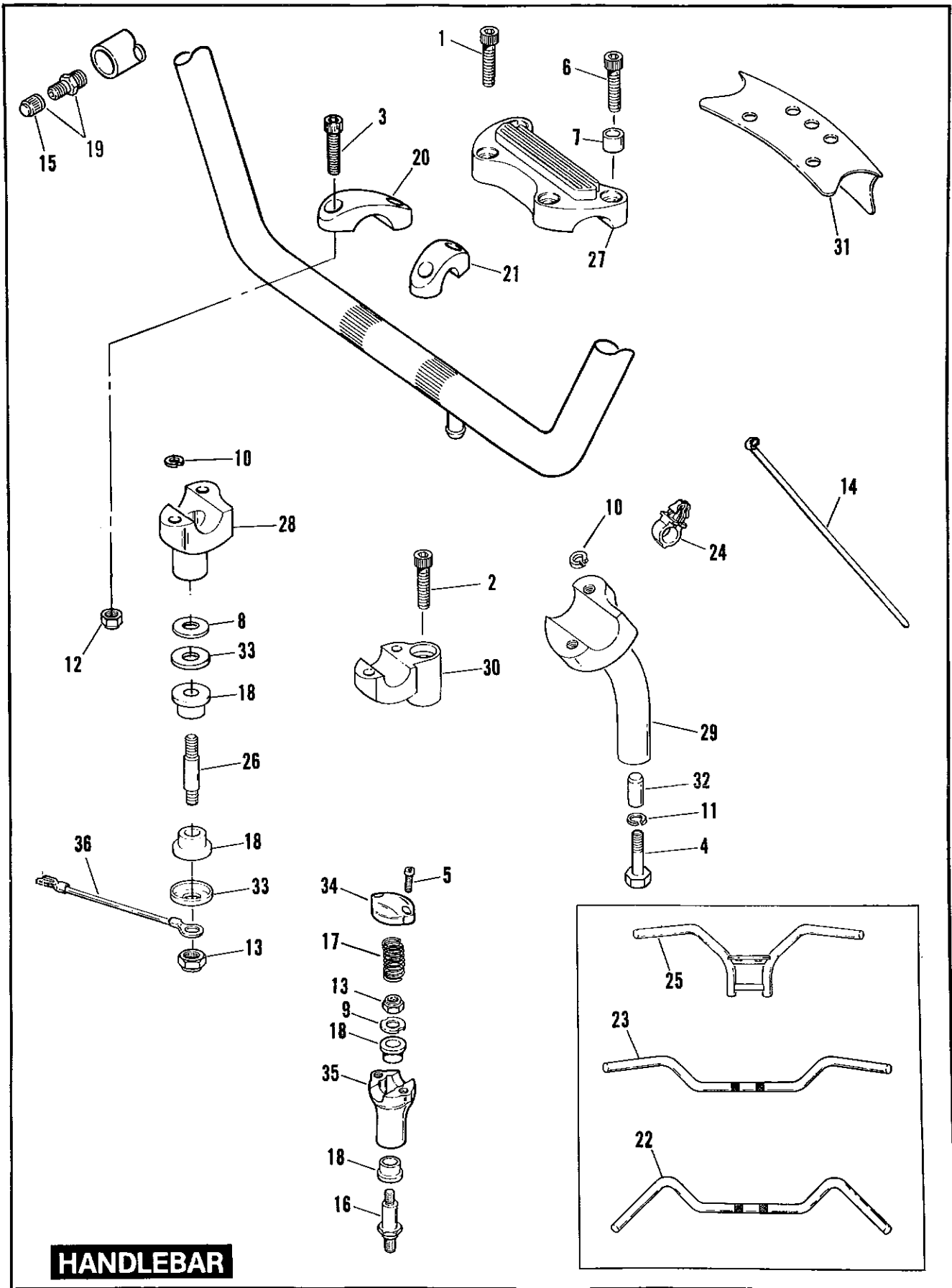
FXR EA  
 FXRS EB  
 FXRT EC  
 FXRS-SP EG  
 FXLR EL  
 FXRS-CON EM

**SOFTAIL MODELS**

FLSTC BJ  
 FXSTC BK  
 FXSTS BL  
 FLSTF BM

**DYNA MODEL**

FXDB-D GA  
 FXDB-S GB  
 FXDC GC



# HANDLEBAR

FA32-1

INDEX NO.	PART NO.	NAME	FLT MODELS	FXR MODELS	SOFTAIL MODELS	DYNA MODEL
1	853A	SCREW (2)	--	91*-EG/M	--	--
2	867A	SCREW (2)	--	91*-EC	--	--
3	3210A	SCREW (4)	91*-ALL	--	--	--
4	3450	BOLT (2)	--	--	91*-BK	--
	3471	BOLT (2)	--	91*-EL	--	91*-ALL
5	3494A	SCREW (4)	--	--	91*-BL	--
6	4816A	SCREW (4)	--	91*-EA/B/ C/G/M	91*BJ/F	91*-ALL
7	5736	SPACER (2)	--	91*-EG/M	--	--
8	6113	WASHER	91*-ALL	--	--	--
9	6753	WASHER	--	--	91*-ALL	--
10	7042	LOCKWASHER (2)	--	91*-EA/B/ C/G/M	--	91*-ALL
11	7068	LOCKWASHER (2)	--	91*-EL	91*-BK	91*-ALL
12	7739	LOCKNUT (4)	91*-ALL	91*-EA/B/ C/G/M	--	--
13	7768W	LOCKNUT (2)	--	91*-EA/B/ C/G/M	--	--
	7844	NUT (2)	91*-ALL	91*-EC	--	--
14	10065	CABLE STRAP (2)	--	--	91*-ALL	--
15	41123-79	VALVE CAP	91*-ALL	91*-EC/G/M	--	--
16	45544-88	STUD, rigid fork leg (2)	--	--	91*-BL	--
17	46059-90	SPRING	--	--	91*-BL	--
18	53156-86	BUSHING (rubber) (4; 2 - EC) (HARD)	--	91*-ALL	91*-ALL	91*-ALL
	56158-73	BUSHING (rubber) (4; 2 - EC)	--	91*-ALL	--	--
	56161-83	BUSHING (rubber ) (4)	91*-ALL	--	--	--
19	54316-83A	VALVE STEM ASSEMBLY	91*-ALL	91*-EC/G/M	--	--
20	55917-79	CLAMP, upper - right	91*-ALL	--	--	--
21	55918-79	CLAMP, upper - left	91*-ALL	--	--	--
22	55919-82	HANDLEBAR	--	--	91*-BM	--
	55934-89	HANDLEBAR	--	91*-EM	--	--
	55920-83B	HANDLEBAR	91*-ALL	--	--	--
	55936-88	HANDLEBAR	--	91-EC	--	--
	55936-92	HANDLEBAR	--	92*-EC	--	--
	56081-82	HANDLEBAR	--	91*-EA/B	91*-BK	92*-ALL
	56093-88	HANDLEBAR	--	--	91*-BL	--
	56569-86	HANDLEBAR	--	--	91*-BJ	--
23	55937-88	HANDLEBAR	--	91*-EG	--	--
	56082-83	HANDLEBAR	--	--	--	91-GB
24	56073-83	RETAINER (4)	--	91*-EA/C	91*-ALL	--

**FLT MODELS**

FLTC DB  
 FLHTC DJ  
 FLTC-U DM  
 FLHTC-U DP  
 FLHS FA

**FXR MODELS**

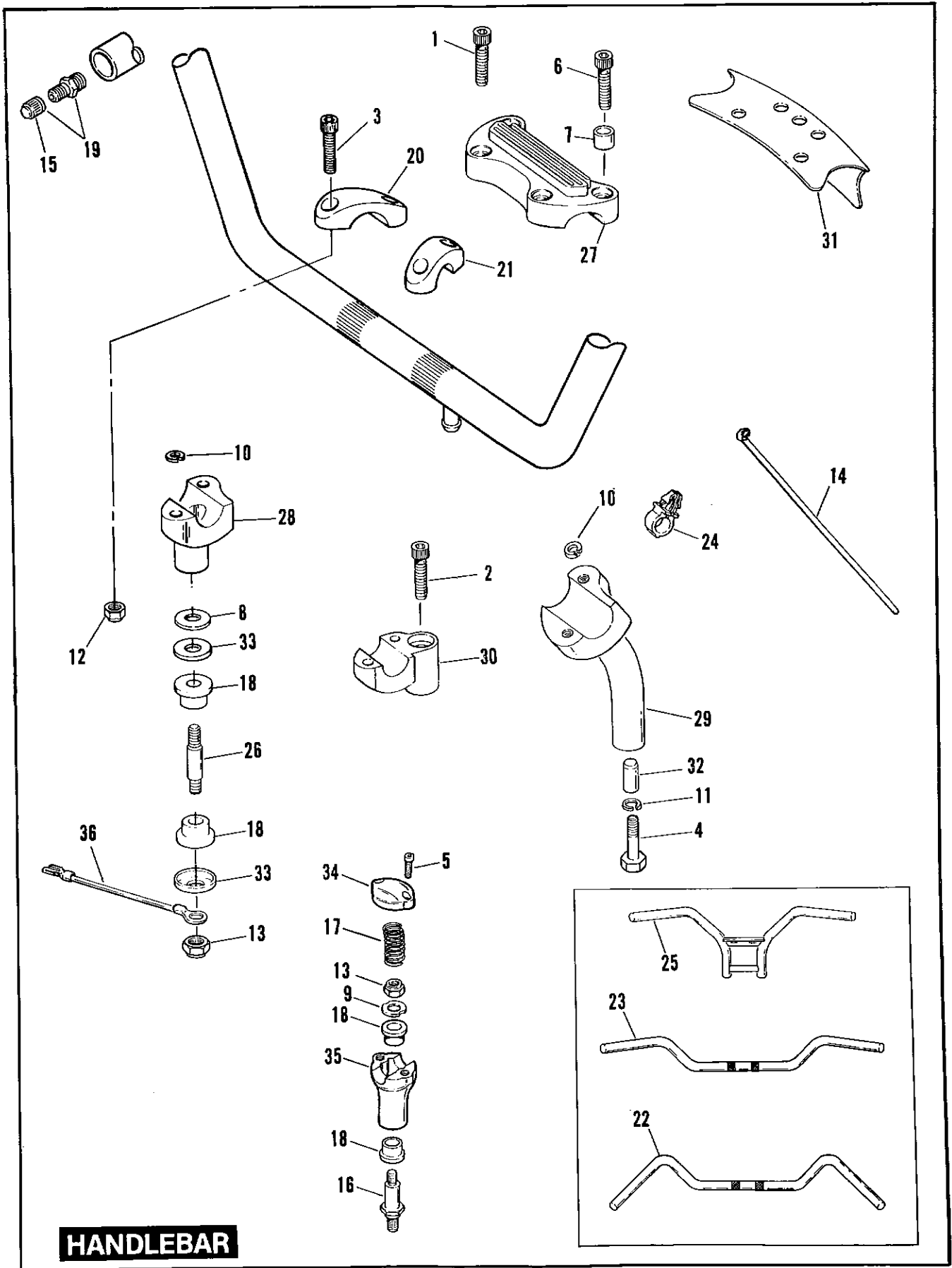
FXR EA  
 FXRS EB  
 FXRT EC  
 FXRS-SP EG  
 FXLR EL  
 FXRS-CON EM

**SOFTAIL MODELS**

FLSTC BJ  
 FXSTC BK  
 FXSTS BL  
 FLSTF BM

**DYNA MODEL**

FXDB-D GA  
 FXDB-S GB  
 FXDC GC



**HANDLEBAR**



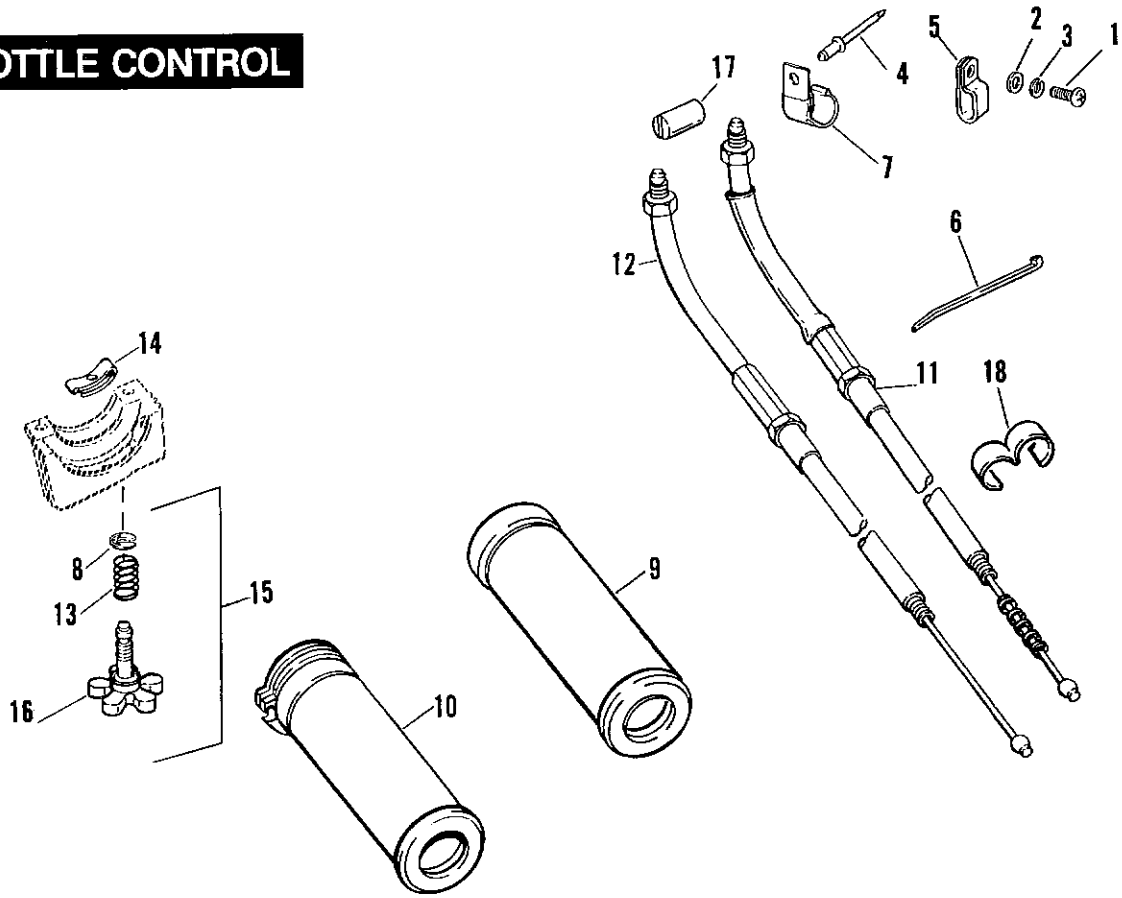
**HANDLEBAR (CONT'D)**

**FA32-2**

INDEX NO.	PART NO.	NAME	FLT MODELS	FXR MODELS	SOFTAIL MODELS	DYNA MODEL
25	56084-87A	HANDLEBAR	--	91*-EL	--	--
26	56105-84	STUD (2)	--	91*-EA/B/ G/M	91*-BJ/M	--
	56137-84A	STUD (2)	91*-ALL	--	--	--
27	56115-79B	CLAMP, upper	--	91*-EA/C/ G/M	--	91-GB
	56119-77A	CLAMP, upper	--	91*-EB	91*-BK	--
	56567-86A	CLAMP, upper (chrome)	--	--	91*-BJ/M	92*-ALL
28	56116-82A	CLAMP, lower - right (left - EA)	--	91*-EA/B G/M	--	--
	56117-82A	CLAMP, lower - left (right - EA)	--	91*-EA/B G/M	--	--
	56140-84A	CLAMP, lower - left	91*-DB/ M,FA	--	--	--
	56141-84A	CLAMP, lower - right	91*-DB/ M,FA	--	--	--
	56149-88A	CLAMP, lower - left	91*-DJ/P	--	--	--
	56151-88A	CLAMP, lower - right	91*-DJ/P	--	--	--
	56541-86A	CLAMP, lower - left (chrome)	--	--	91*-BJ/M	92*-ALL
	56542-86A	CLAMP, lower - right (chrome)	--	--	91*-BJ/M	92*-ALL
29	56122-77	CLAMP, lower - left	--	--	91*-BK	--
	56124-77	CLAMP, lower - right	--	--	91*-BK	--
	56126-80	CLAMP, lower - right	--	--	--	91-GB
	56127-80	CLAMP, lower - left	--	--	--	91-GB
30	56144-86	CLAMP, lower - right	--	91*-EC	--	--
	56146-86	CLAMP, lower - left	--	91*-EC	--	--
31	56148-87	COVER	--	91*-EL	--	--
32	56153-73	SPACER (2)	--	91*-EC/L	91*-BK	91*-ALL
33	56159-73	CUP WASHER (4)	91*-ALL	91*-ALL	91*-ALL	91*-ALL
34	56538-88	CLAMP (2)	--	--	91*-BL	--
35	56540-88	RISER (2)	--	--	91*-BL	--
36	70142-86	CABLE, ground	91*-ALL	--	--	--
	70191-73A	CABLE, ground	--	91*-ALL	91*-BK	--
	70197-86	CABLE, ground	--	--	91*-BJ/M	--
<b>H-D INTERNATIONAL ONLY</b>						
5	3531A	SCREW (4) (HDI only)	--	--	91*-BL	--

FLT MODELS		FXR MODELS		SOFTAIL MODELS		DYNA MODEL	
FLTC	DB	FXR	EA	FLSTC	BJ	FXDB-D	GA
FLHTC	DJ	FXRS	EB	FXSTC	BK	FXDB-S	GB
FLTC-U	DM	FXRT	EC	FXSTS	BL	FXDC	GC
FLHTC-U	DP	FXRS-SP	EG	FLSTF	BM		
FLHS	FA	FXLR	EL				
		FXRS-CON	EM				

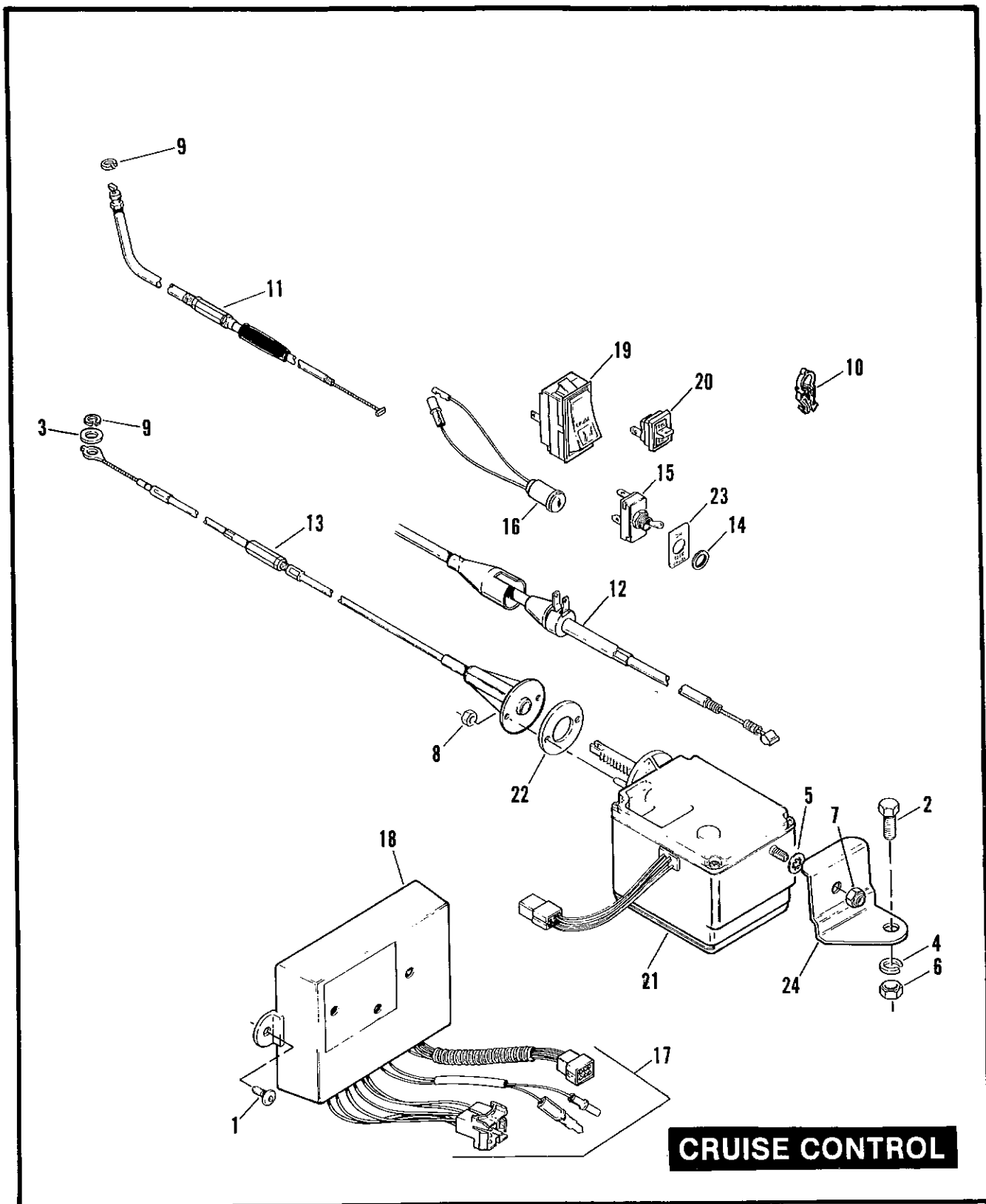
# THROTTLE CONTROL



# THROTTLE CONTROL

INDEX NO.	PART NO.	NAME	FLT MODELS	FXR MODELS	SOFTAIL MODELS	DYNA MODEL
1	2882W	SCREW	--	91*-EG	--	--
2	6702	WASHER	--	91*-EG	--	--
3	7041	LOCKWASHER	--	91*-EG	--	--
4	8483	RIVET	91*-ALL	--	--	--
5	9988	CLAMP, throttle cable	--	91*-ALL	91*-BL	--
	10003	CLAMP	91*-ALL	--	--	--
6	10006	CABLE STRAP	--	--	91*-ALL	--
	10007	CABLE STRAP	91*-ALL	--	--	--
7	10092	CLAMP	91*-ALL	--	--	--
8	11155	RETAINING RING	91*-ALL	91*-ALL	91*-ALL	91*-ALL
9	55915-88	GRIP, left	91*-ALL	91*-EC/G	--	--
	56206-81A	GRIP, left	--	91*-EA/B/L	91*-ALL	91*-ALL
10	56220-81B	GRIP & SLEEVE, throttle - right	91*-ALL	91*-ALL	91*-ALL	91*-ALL
11	56305-90	IDLE CONTROL	--	--	91*-BL	--
	56328-90	IDLE CONTROL	91*-DB/J,	--	--	--
			FA			
	56342-90	IDLE CONTROL	--	91*-ALL	91*-BJ/K/M	91-GB
	56355-92	IDLE CONTROL	--	--	--	92*-ALL
12	56306-90	THROTTLE CONTROL	--	--	91*-BL	--
	56327-90	THROTTLE CONTROL	91*-DB/J,	--	--	--
			FA			
	56343-90	THROTTLE CONTROL	--	91*-ALL	91*-BJ/K/M	91-GB
	56356-92	THROTTLE CONTROL	--	--	--	92*-ALL
13	56394-74	SPRING, adjusting screw	91*-DB/J,	91*-ALL	91*-ALL	91*-ALL
			FA			
14	56396-74A	FRICTION SPRING, throttle	91*-DB/J,	91*-ALL	91*-ALL	91*-ALL
			FA			
15	56397-74C	ADJUSTING SCREW KIT, with #3, 8 & 11	91*-DB/J,	91*-ALL	91*-ALL	91*-ALL
			FA			
16	56402-83A	ADJUSTING SCREW	91*-DB/J,	91*-ALL	91*-ALL	91*-ALL
			FA			
17	56508-76	FERRULE, control wire (2)	91*-ALL	91*-ALL	91*-ALL	91*-ALL
18	70504-81	CLIP, throttle cables	--	91*-ALL	91*-ALL	91*-ALL

FLT MODELS		FXR MODELS		SOFTAIL MODELS		DYNA MODEL	
FLTC	DB	FXR	EA	FLSTC	BJ	FXDB-D	GA
FLHTC	DJ	FXRS	EB	FXSTC	BK	FXDB-S	GB
FLTC-U	DM	FXRT	EC	FXSTS	BL	FXDC	GC
FLHTC-U	DP	FXRS-SP	EG	FLSTF	BM		
FLHS	FA	FXLR	EL				
		FXRS-CON	EM				



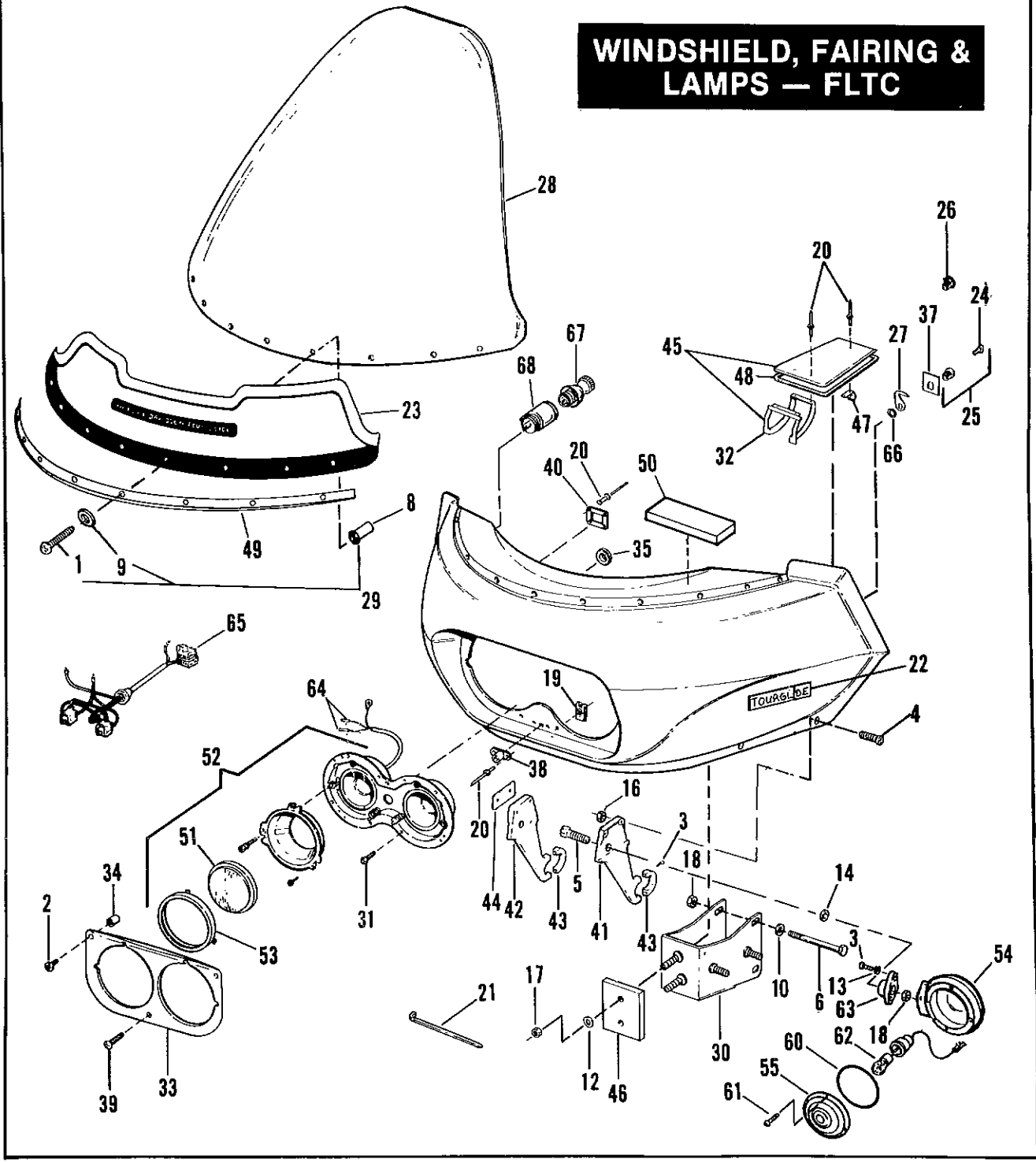
# CRUISE CONTROL

FA33A

INDEX NO.	PART NO.	NAME	FLT MODELS	FXR MODELS	SOFTAIL MODELS	DYNA MODEL
1	2501	SCREW (2)	91*-DM/P	--	--	--
2	3546	SCREW	91*-DM/P	--	--	--
3	6716	WASHER	91*-DM/P	--	--	--
5	7230	LOCKWASHER	91*-DM/P	--	--	--
6	7531	LOCKNUT	91*-DM/P	--	--	--
7	7569	LOCKNUT	91*-DM/P	--	--	--
8	7571	LOCKNUT (2)	91*-DM/P	--	--	--
9	11193	RETAINING RING (2)	91*-DM/P	--	--	--
10	56073-83	RETAINER (2)	91*-DM/P	--	--	--
	70345-84	RETAINER	91*-DM/P	--	--	--
11	56327-90	THROTTLE CONTROL	91*-DM/P	--	--	--
12	56351-90	IDLE CONTROL	91*-DM/P	--	--	--
13	56354-90	SERVO CONTROL	91*-DM/P	--	--	--
14	67846-70	NUT, toggle switch	91*-DM	--	--	--
15	67858-89	SWITCH, cruise control	91*-DM	--	--	--
16	68536-75	INDICATOR LAMP	91*-DM	--	--	--
	68688-89	LAMP ASSEMBLY, cruise indicator	91*-DM	--	--	--
	70141-91	HARNESSES, cruise control (not illustrated)	91*-DM/P	--	--	--
17	70316-91	WIRING HARNESSES	91*-DM/P	--	--	--
18	70958-90B	MODULE, cruise control	91*-DM/P	--	--	--
19	71513-89	SWITCH, cruise control	91*-DP	--	--	--
	71585-90	CABLE ASM., cruise set switch (not illustrated)	91*-DM/P	--	--	--
20	77101-90A	HANDLEBAR SWITCH, cruise set/resume	91*-DM/P	--	--	--
21	77106-89	SERVO MOTOR	91*-DM/P	--	--	--
22	77109-89	GASKET	91*-DM/P	--	--	--
23	77113-89	LABEL, cruise	91*-DM	--	--	--
24	77500-89	MOUNTING BRACKET, servo motor	91*-DM/P	--	--	--

FLT MODELS		FXR MODELS		SOFTAIL MODELS		DYNA MODEL	
FLTC	DB	FXR	EA	FLSTC	BJ	FXDB-D	GA
FLHTC	DJ	FXRS	EB	FXSTC	BK	FXDB-S	GB
FLTC-U	DM	FXRT	EC	FXSTS	BL	FXDC	GC
FLHTC-U	DP	FXRS-SP	EG	FLSTF	BM		
FLHS	FA	FXLR	EL				
		FXRS-CON	EM				

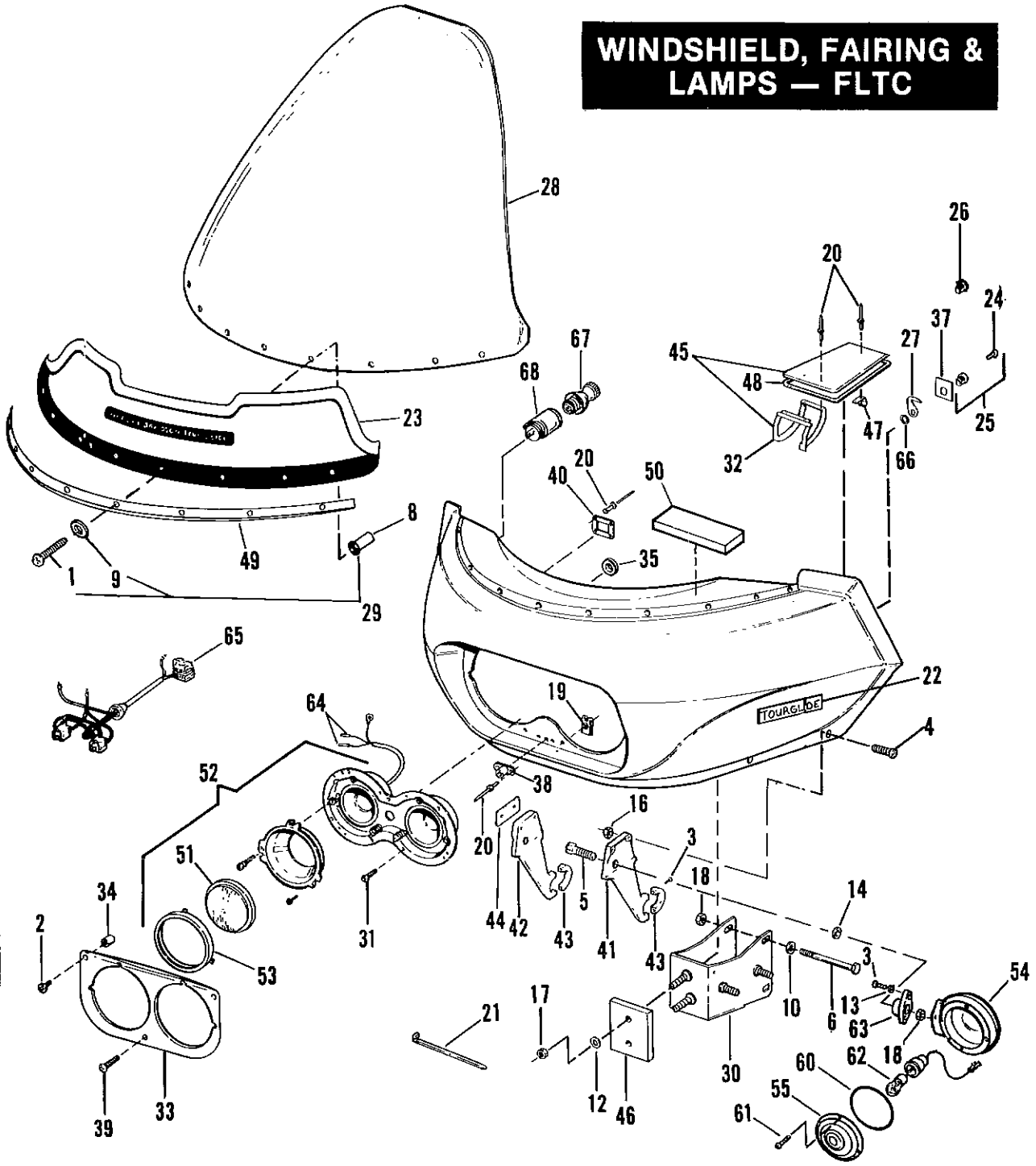
# WINDSHIELD, FAIRING & LAMPS — FLTC



INDEX NO.	PART NO.	NAME	FLT MODELS	FXR MODELS	SOFTAIL MODELS	DYNA MODEL
<b>NOTE: REFER TO DEALER ACCESSORY GUIDE FOR PAINTED PART NUMBERS.</b>						
1	933	SCREW (7)	91*-DB/M	--	--	--
2	2504	SCREW (2)	91*-DB/M	--	--	--
3	2647A	SCREW (8)	91*-DB/M	--	--	--
4	2648	SCREW (4)	91*-DB/M	--	--	--
5	4411	BOLT (2)	91*-DB/M	--	--	--
6	4435W	BOLT (2)	91*-DB/M	--	--	--
8	5207	WELL NUT (7)	91*-DB/M	--	--	--
9	6054	WASHER (7)	91*-DB/M	--	--	--
10	6701	WASHER (4)	91*-DB/M	--	--	--
12	6702	WASHER (2)	91*-DB/M	--	--	--
13	7069	LOCKWASHER (4)	91*-DB/M	--	--	--
13A	7128	LOCKWASHER (2)	92*-DM	--	--	--
14	7130W	LOCKWASHER (4)	91*-DB/M	--	--	--
14A	7586	NUT (2)	92*-DM	--	--	--
16	7686	LOCKNUT (4)	91*-DB/M	--	--	--
17	7725	LOCKNUT (2)	91*-DB/M	--	--	--
18	7775	LOCKNUT (4)	91*-DB/M	--	--	--
19	8107	CLIP NUT, headlamp mounting (4)	91*-DB/M	--	--	--
20	8692	POP RIVET (black aluminum) (22)	91*-DB/M	--	--	--
21	10006	CABLE STRAP (2)	91*-DB/M	--	--	--
	10065	CABLE STRAP (2)	91*-DB/M	--	--	--
22	14010-82	DECAL, "Tour Glide" (cream) (2)	91*-DB	--	--	--
	14011-82	DECAL, "Tour Glide" (silver) (2)	91*-DB	--	--	--
	14012-82A	DECAL, "Tour Glide" (gold) (2)	91*-DB	--	--	--
23	14224-89	DECAL, "Harley-Davidson" (silver)	91*-DM	--	--	--
24	48152-82	KEY, (specify key No. 1 to 100)	91-DB	--	--	--
	71452-91	KEY (specify key code number)	92*-DM	--	--	--
25	53575-92	LOCK SET w/#13A, 14A, 24, 25, 27, & 66	92*-DM	--	--	--
	53580-82	LOCK, fairing (2)	91-DB/M	--	--	--
	53584-92	LOCK, fairing (2)	92*-DM	--	--	--
	53587-85	LOCK SET, with #24 - 27 & 66	91-DB/M	--	--	--
26	53582-82	SCREW, with washer (2)	91-DB/M	--	--	--
27	53583-82	CAM HOOK (2)	91-DB/M	--	--	--
	53583-92	CAM HOOK (2)	92*-DM	--	--	--
28	58009-89A	WINDSHIELD ASSEMBLY, 2" tall. with #1, 8, 9, 23, & 49	91*-DB/M	--	--	--
	58016-89A	WINDSHIELD ASSEMBLY std. with #1, 8, 9, 23 & 49	91*-DB/M	--	--	--
	58453-89A	WINDSHIELD ASSEMBLY 3" short with #1, 8, 9, 23, & 49	91*-DB/M	--	--	--
29	58031-80	WINDSHIELD MOUNTING KIT, with #1, 8, & 9	91*-DB/M	--	--	--
30	58400-80	BRACKET, mounting - upper	91*-DB/M	--	--	--
31	58402-80	SCREW, headlamp mounting (4)	91*-DB/M	--	--	--
32	58459-80	HINGE, cover (2)	91*-DB/M	--	--	--
33	58460-80	TRIM PLATE, headlamp	91*-DB/M	--	--	--
34	58461-80	SPACER (2)	91*-DB/M	--	--	--

FLT MODELS		FXR MODELS		SOFTAIL MODELS		DYNA MODEL	
FLTC	DB	FXR	EA	FLSTC	BJ	FXDB-D	GA
FLHTC	DJ	FXRS	EB	FXSTC	BK	FXDB-S	GB
FLTC-U	DM	FXRT	EC	FXSTS	BL	FXDC	GC
FLHTC-U	DP	FXRS-SP	EG	FLSTF	BM		
FLHS	FA	FXLR	EL				
		FXRS-CON	EM				

# WINDSHIELD, FAIRING & LAMPS — FLTC





**WINDSHIELD, FAIRING & LAMPS - FLTC (CONT'D)**

**FA34-2**

INDEX NO.	PART NO.	NAME	FLT MODELS	FXR MODELS	SOFTAIL MODELS	DYNA MODEL
35	58462-89	GROMMET, slit	91*-DM	--	--	--
37	58466-80	WASHER PLATE (2)	91*-DB/M	--	--	--
38	58473-80	MOUNTING BRACKET (3)	91*-DB/M	--	--	--
39	58477-80	SCREW, headlamp trim plate	91*-DB/M	--	--	--
40	58482-86	MOUNTING PLATE	91*-DB/M	--	--	--
41	58484-89	SUPPORT BRACKET, left	91*-DB/M	--	--	--
42	58486-89	SUPPORT BRACKET, right	91*-DB/M	--	--	--
43	58487-79	CLAMP, mounting bracket (2)	91*-DB	--	--	--
	58826-89	CLAMP, mounting bracket (2)	91*-DM	--	--	--
44	58488-84	GASKET (2)	91*-DB/M	--	--	--
45	58712-79A	COVER, right (black)	91*-DB/M	--	--	--
	58713-79A	COVER, left (black)	91*-DB/M	--	--	--
46	58714-79	PAD (rubber)	91*-DB/M	--	--	--
47	58715-79	LATCH, cover (2)	91*-DB/M	--	--	--
48	58716-79	GASKET, cover (2)	91*-DB/M	--	--	--
49	58717-79	FOAM TAPE, windshield	91*-DB/M	--	--	--
50	66104-84	PAD (3)	91*-DB/M	--	--	--
51	67692-92	SEALED BEAM (2)	91*-DB/M	--	--	--
52	67775-81B	HEADLAMP ASSEMBLY	91*-DB/M	--	--	--
53	67746-85	RETAINING RING (2)	91*-DB/M	--	--	--
54	68398-88	LAMP WITH WIRE (2)	91*-DB/M	--	--	--
55	68440-86	LENS, turn signals (amber) (2)	91*-DB/M	--	--	--
60	68451-86	O-RING (2)	91*-DB/M	--	--	--
61	68452-86	SCREW with o-ring (4)	91*-DB/M	--	--	--
62	68168-89	BULB, turn signal (2)	91*-DB/M	--	--	--
63	68519-68	MOUNTING BRACKET (2)	91*-DB/M	--	--	--
64	72039-71	PIN, single socket (2)	91*-DB/M	--	--	--
65	72276-74	HOUSING, 12 pin	91*-DB/M	--	--	--
66	84850-67	NUT, locks (2)	91*-DB/M	--	--	--
	84850-92	NUT, lock (2)	92*-DM	--	--	--
67	91808-89	ELEMENT, cigarette lighter	91*-DM	--	--	--
68	91812-89	SOCKET, cigarette lighter	91*-DM	--	--	--
<b>H-D INTERNATIONAL ONLY</b>						
	3546	SCREW (2)	91*-DB/M	--	--	--
30	58398-84	BRACKET, mounting upper	91*-DB/M	--	--	--
55	68505-90	LENS, turn signals (amber) (2) (HDI only)	91*-DB/M	--	--	--
	68399-88A	LAMP WITH WIRE (2) (HDI only)	91*-DB/M	--	--	--
62	68163-84	BULB, turn signal (2) (HDI only)	91*-DB/M	--	--	--

**FLT MODELS**

FLTC DB  
 FLHTC DJ  
 FLTC-U DM  
 FLHTC-U DP  
 FLHS FA

**FXR MODELS**

FXR EA  
 FXRS EB  
 FXRT EC  
 FXRS-SP EG  
 FXLR EL  
 FXRS-CON EM

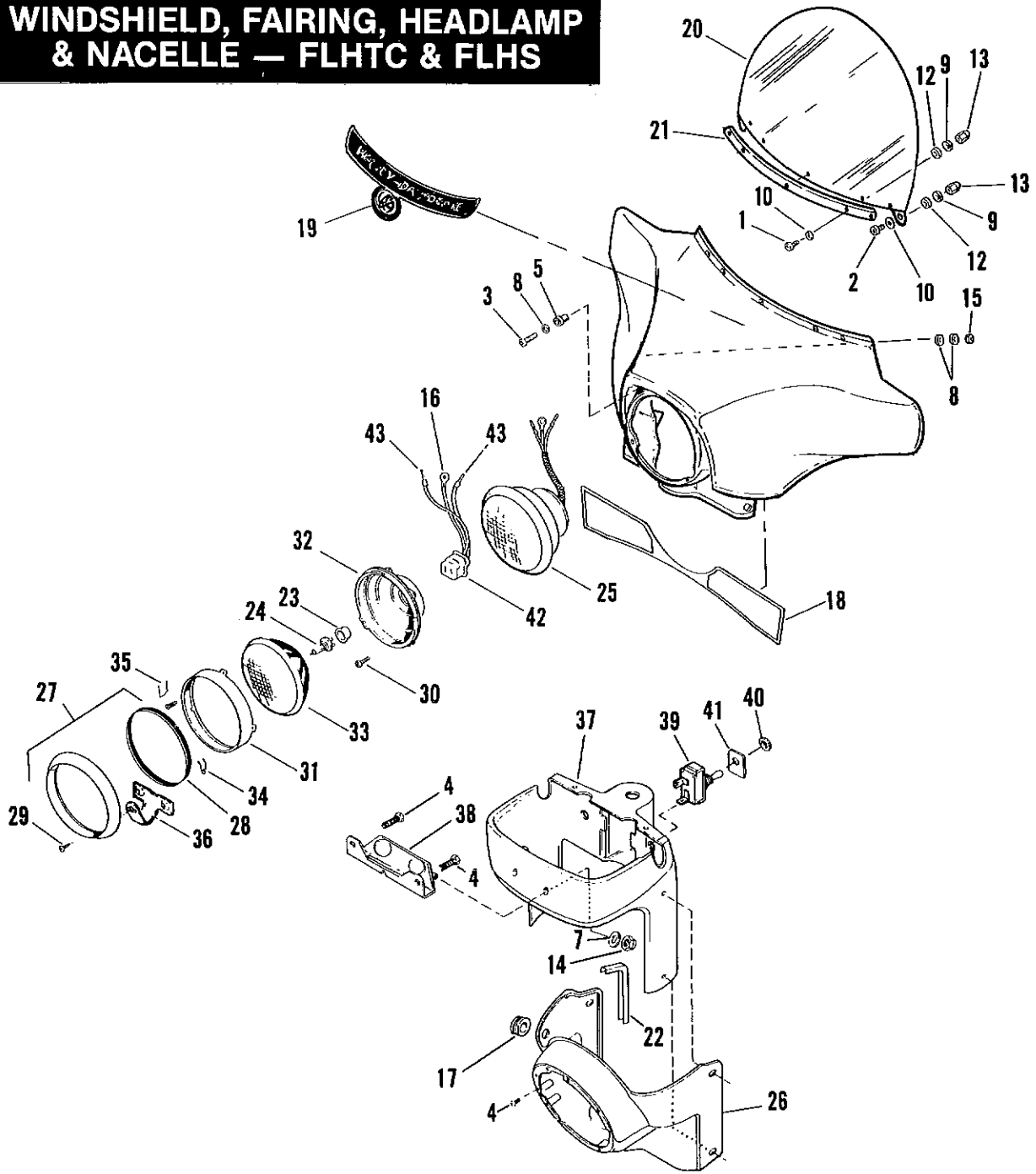
**SOFTAIL MODELS**

FLSTC BJ  
 FXSTC BK  
 FXSTS BL  
 FLSTF BM

**DYNA MODEL**

FXDB-D GA  
 FXDB-S GB  
 FXDC GC

# WINDSHIELD, FAIRING, HEADLAMP & NACELLE — FLHTC & FLHS



INDEX NO.	PART NO.	NAME	FLT MODELS	FXR MODELS	SOFTAIL MODELS	DYNA MODEL
1	2432	SCREW (5)	91*-DJ/P	--	--	--
2	2726	SCREW (2)	91*-DJ/P	--	--	--
3	2806	SCREW (5)	91*-DJ/P	--	--	--
4	5209	SCREW, hi-lo (9)	91*-FA	--	--	--
5	5210	WELL NUT (5)	91*-DJ/P	--	--	--
6	6036	WASHER (3)	91*-DJ/P	--	--	--
7	6703	WASHER (2)	91*-FA	--	--	--
8	6717	WASHER (5)	91*-DJ/P	--	--	--
9	7005	LOCKWASHER (7)	91*-DJ/P	--	--	--
9A	7008	WASHER (5)	91*-DJ/P	--	--	--
10	7017	WASHER (nylon) (5)	91*-DJ/P	--	--	--
12	7018	WASHER (7)	91*-DJ/P	--	--	--
13	7653	ACORN NUT (7)	91*-DJ/P	--	--	--
14	7682	LOCKNUT (2)	91*-FA	--	--	--
15	7686	LOCKNUT (4)	91*-DJ/P	--	--	--
16	9857	TERMINAL, ring type	91*-DJ/P, FA	--	--	--
17	11412	GROMMET, cable routing	91*-FA	--	--	--
18	14128-86A	TRIM, lower fairing	91*-DJ/P	--	--	--
19	14217-89	DECAL "U.S.A." (silver)	91*-DP	--	--	--
	14250-90	DECAL "U.S.A." (gold)	91*-DP	--	--	--
20	58187-86	WINDOW, fairing	91*-DJ/P	--	--	--
21	58247-86	CUSHION TAPE, outer fairing	91*-DJ/P	--	--	--
22	61117-86	TRIM, rubber	91*-FA	--	--	--
23	67696-81	BOOT, halogen headlamp	91*-DJ/P, FA	--	--	--
24	67697-81	BULB, 12V. (halogen)	91*-DJ/P, FA	--	--	--
25	67702-81A	HEADLAMP, complete - 12V. (halogen)	91*-DJ/P, FA	--	--	--
26	67704-83	NACELLE, headlamp	91*-FA	--	--	--
27	67712-83	DOOR ASSEMBLY, with spring (chrome)	91*-DJ/P, FA	--	--	--
28	67716-60A	GASKET, headlamp door	91*-DJ/P, FA	--	--	--
29	67718-60A	SCREW, headlamp door	91*-DJ/P, FA	--	--	--
30	67724-71	ADJUSTING SCREW, headlamp (2)	91*-DJ/P, FA	--	--	--
31	67726-71	RETAINING RING, headlamp	91*-DJ/P, FA	--	--	--
32	67732-71A	MOUNTING RING, headlamp	91*-DJ/P, FA	--	--	--
33	67755-81	HEADLAMP, less bulb - with boot	91*-DJ/P, FA	--	--	--

FLT MODELS

FLTC DB  
FLHTC DJ  
FLTC-U DM  
FLHTC-U DP  
FLHS FA

FXR MODELS

FXR EA  
FXRS EB  
FXRT EC  
FXRS-SP EG  
FXLR EL  
FXRS-CON EM

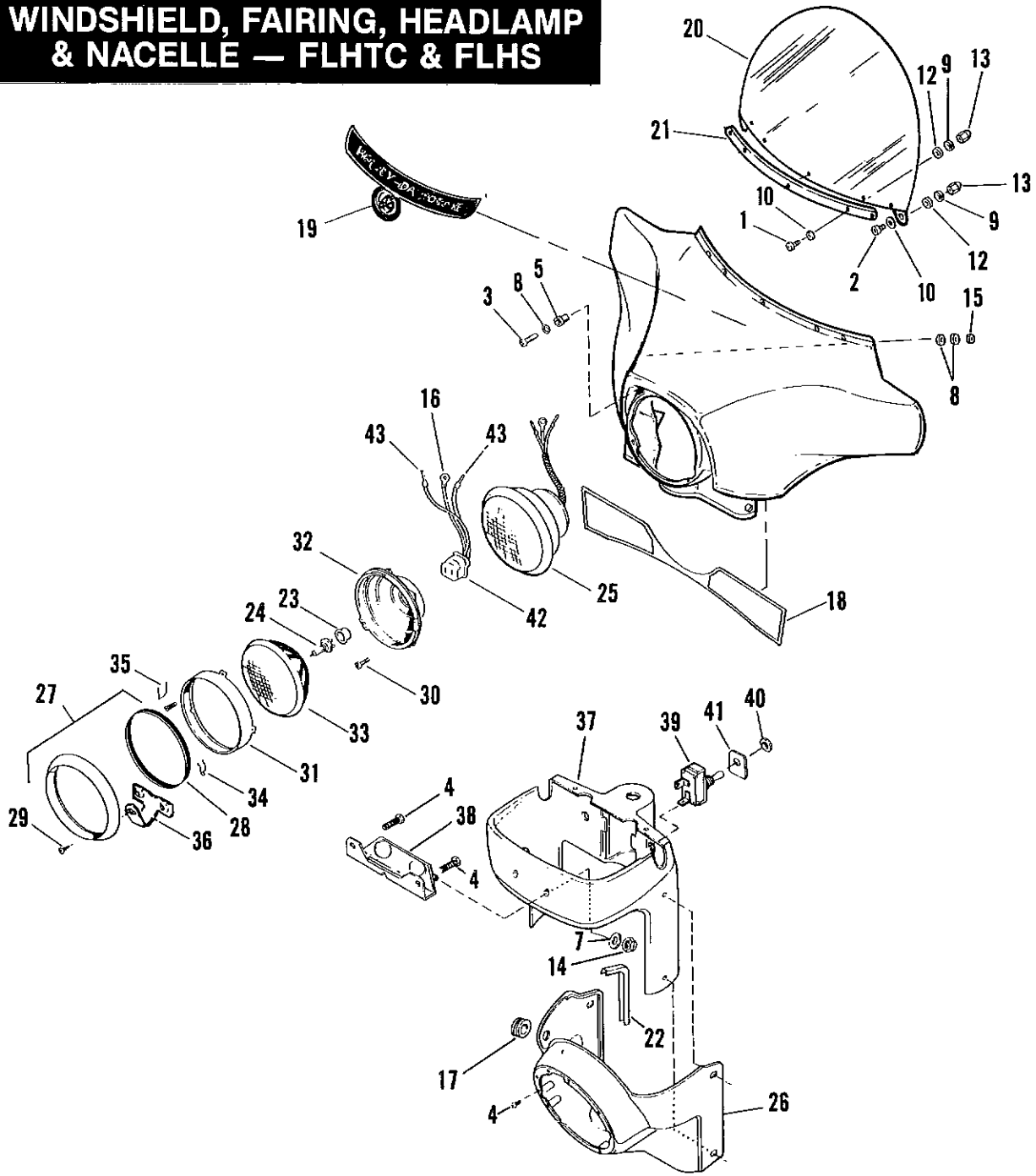
SOFTAIL MODELS

FLSTC BJ  
FXSTC BK  
FXSTS BL  
FLSTF BM

DYNA MODEL

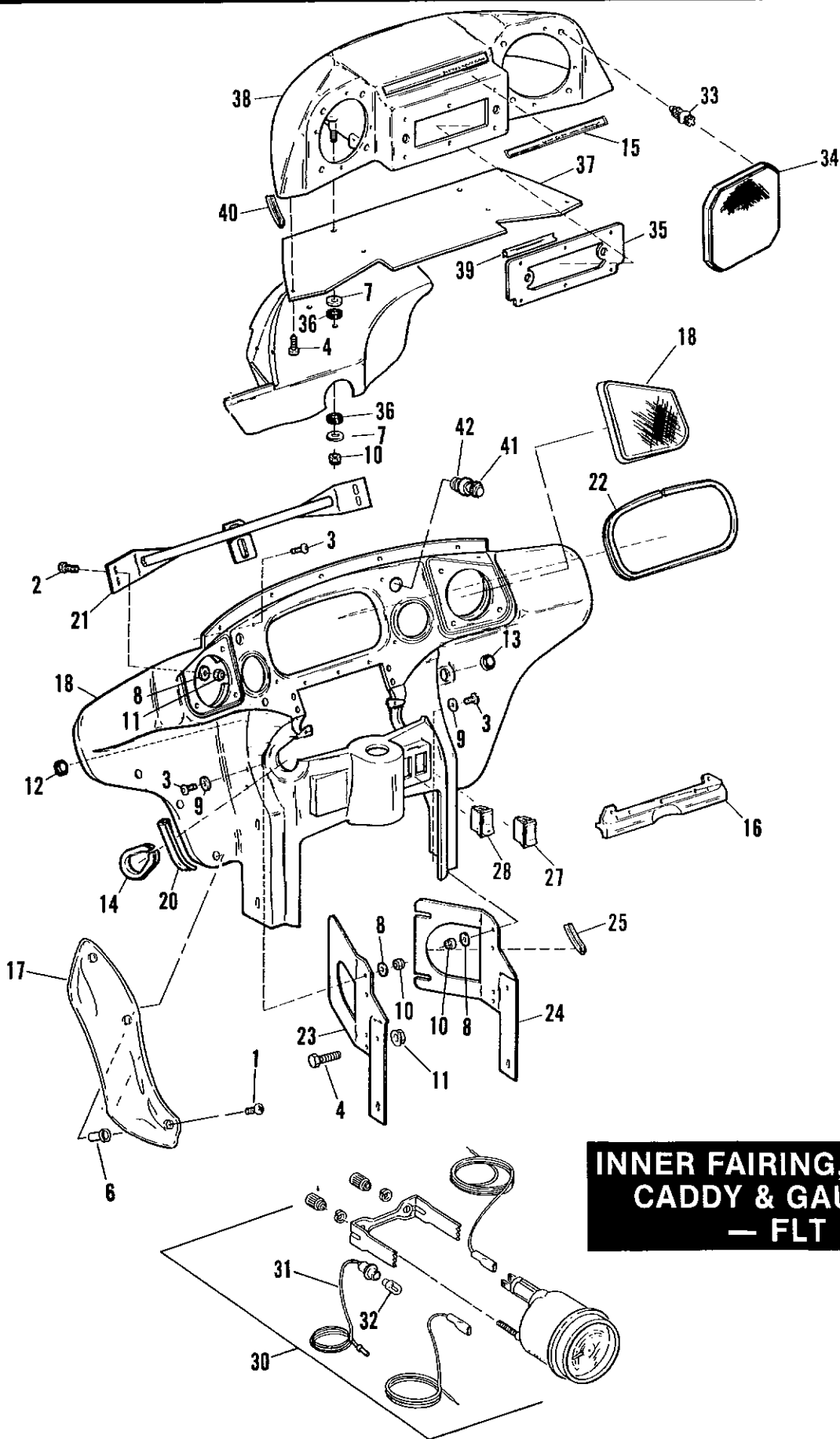
FXDB-D GA  
FXDB-S GB  
FXDC GC

# WINDSHIELD, FAIRING, HEADLAMP & NACELLE — FLHTC & FLHS



INDEX NO.	PART NO.	NAME	FLT MODELS	FXR MODELS	SOFTAIL MODELS	DYNA MODEL
34	67778-60	TOP SPRING, headlamp door	91*-DJ/P, FA	--	--	--
35	67780-60	BOTTOM SPRING, headlamp door (2)	91*-DJ/P, FA	--	--	--
36	67782-60A	BRACKET, headlamp door (2)	91*-DJ/P, FA	--	--	--
37	67795-85A	DASH PANEL SUPPORT KIT	91*-FA	--	--	--
38	67817-83	BRACKET, headlamp door	91*-FA	--	--	--
39	67858-89	TOGGLE SWITCH, passing lamps	91*-FA	--	--	--
40	67846-70	NUT, toggle switch (2)	91*-FA	--	--	--
41	68619-83	LABEL, passing lamps	91*-FA	--	--	--
42	68634-86	LAMP WIRING & CONNECTOR, headlamp	91*-DJ/P, FA	--	--	--
43	72039-71	PIN, single socket	91*-DJ/P, FA	--	--	--
<b>H-D INTERNATIONAL ONLY</b>						
	14019-83	LABEL, passing & parking lamps (HDI only)	91*-FA	--	--	--
39	67858-89	TOGGLE SWITCH, parking lamps (HDI only)	91*-FA	--	--	--

FLT MODELS		FXR MODELS		SOFTAIL MODELS		DYNA MODEL	
FLTC	DB	FXR	EA	FLSTC	BJ	FXOB-D	GA
FLHTC	DJ	FXRS	EB	FXSTC	BK	FXOB-S	GB
FLTC-U	DM	FXRT	EC	FXSTS	BL	FXOC	GC
FLHTC-U	DP	FXRS-SP	EG	FLSTF	BM		
FLHS	FA	FXLR	EL				
		FXRS-CON	EM				



**INNER FAIRING, RADIO  
CADDY & GAUGES  
— FLT**

# INNER FAIRING, RADIO CADDY & GAUGES - FLT MODELS

FA34B-1

INDEX NO.	PART NO.	NAME	FLT MODELS	FXR MODELS	SOFTAIL MODELS	DYNA MODEL
1	922	SCREW (6)	91*-DP	--	--	--
2	924	SCREW (4)	91*-DJ/P	--	--	--
3	2513	SCREW (8)	91*-DJ/P	--	--	--
4	2623W	SCREW (4)	91*-DB/M	--	--	--
4A	3574	BOLT (4)	91*-DJ/P	--	--	--
5	3787	BOLT	91*-D/J/P	--	--	--
6	5210	WELL NUT (6)	91*-DP	--	--	--
7	6253W	WASHER (8)	91*-DB/M	--	--	--
8	6703	WASHER (12)	91*-DJ/P	--	--	--
9	7018	WASHER (4)	91*-DJ/P	--	--	--
10	7686	LOCKNUT (4)	91*-ALL	--	--	--
11	7716	LOCKNUT (8)	91*-DJ/P	--	--	--
12	11445	GROMMET, clutch cable	91*-DJ/P	--	--	--
13	11422	GROMMET, throttle cables	91*-DJ/P	--	--	--
14	11453	GROMMET (2)	91*-ALL	--	--	--
15	14120-86	DECAL, radio caddy	91*-DB	--	--	--
	14223-89	DECAL, radio caddy	91*-DM	--	--	--
16	56109-88	HANDLEBAR COVER (black)	91*-DJ/P	--	--	--
17	58128-89	AIR DEFLECTOR, right	91*-DP	--	--	--
	58129-89	AIR DEFLECTOR, left	91*-DP	--	--	--
18	58184-86	SPEAKER GRILLE, left	91*-DJ/P	--	--	--
	58186-86	SPEAKER GRILLE, right	91*-DJ/P	--	--	--
20	58311-86	MOLDING, inner fairing	91*-DJ/P	--	--	--
21	58322-88	CROSS BRACE	91*-DJ/P	--	--	--
	58323-86	CROSS BRACE	91*-DJ	--	--	--
22	58415-86A	SEAL, instrument panel	91*-DJ/P	--	--	--
23	58478-86	BRACKET, left	91*-DJ/P	--	--	--
24	58479-86	BRACKET, right	91*-DJ/P	--	--	--
	58480-88	WIRING HARNESS, gauges (not illustrated)	91*-DJ/P	--	--	--
25	61648-85	MOLDING	91*-D/J/P	--	--	--
27	70158-89	HARNESS, lighter (not illustrated)	91*-DP	--	--	--
	70349-89	HARNESS, speakers (not illustrated)	91*-DP	--	--	--
28	71505-89	SWITCH, passing lamps	91*-DJ/P	--	--	--
30	74526-86	VOLTMETER	91*-DJ/P	--	--	--
	74527-86	VOLTMETER	91*-DB/M	--	--	--
	75032-87	GAUGE, oil pressure	91*-DB/J/	--	--	--
			M/P			
31	75044-84	SOCKET, with wires (2)	91*-DB/J/P	--	--	--
32	75045-84	BULB, 12 V. (2)	91*-DB/J/P	--	--	--

**FLT MODELS**

FLTC DB  
 FLHTC DJ  
 FLTC-U DM  
 FLHTC-U DP  
 FLHS FA

**FXR MODELS**

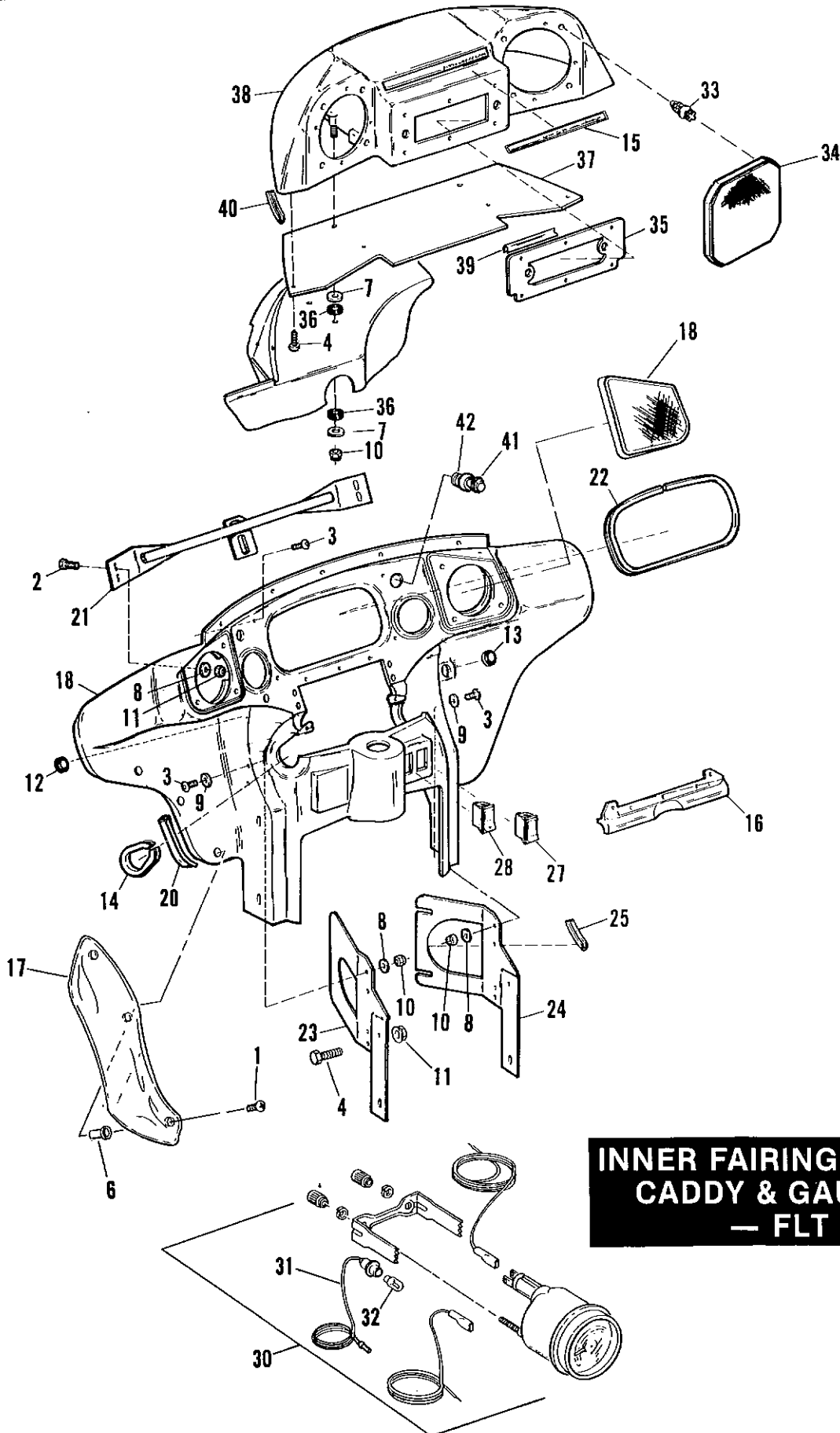
FXR EA  
 FXRS EB  
 FXRT EC  
 FXRS-SP EG  
 FXLR EL  
 FXRS-CON EM

**SOFTAIL MODELS**

FLSTC BJ  
 FXSTC BK  
 FXSTS BL  
 FLSTF BM

**DYNA MODEL**

FXDB-D GA  
 FXDB-S GB  
 FXDC GC



**INNER FAIRING, RADIO  
CADDY & GAUGES  
— FLT**



**INNER FAIRING, RADIO CADDY & GAUGES - FLT MODELS (CONT'D)**

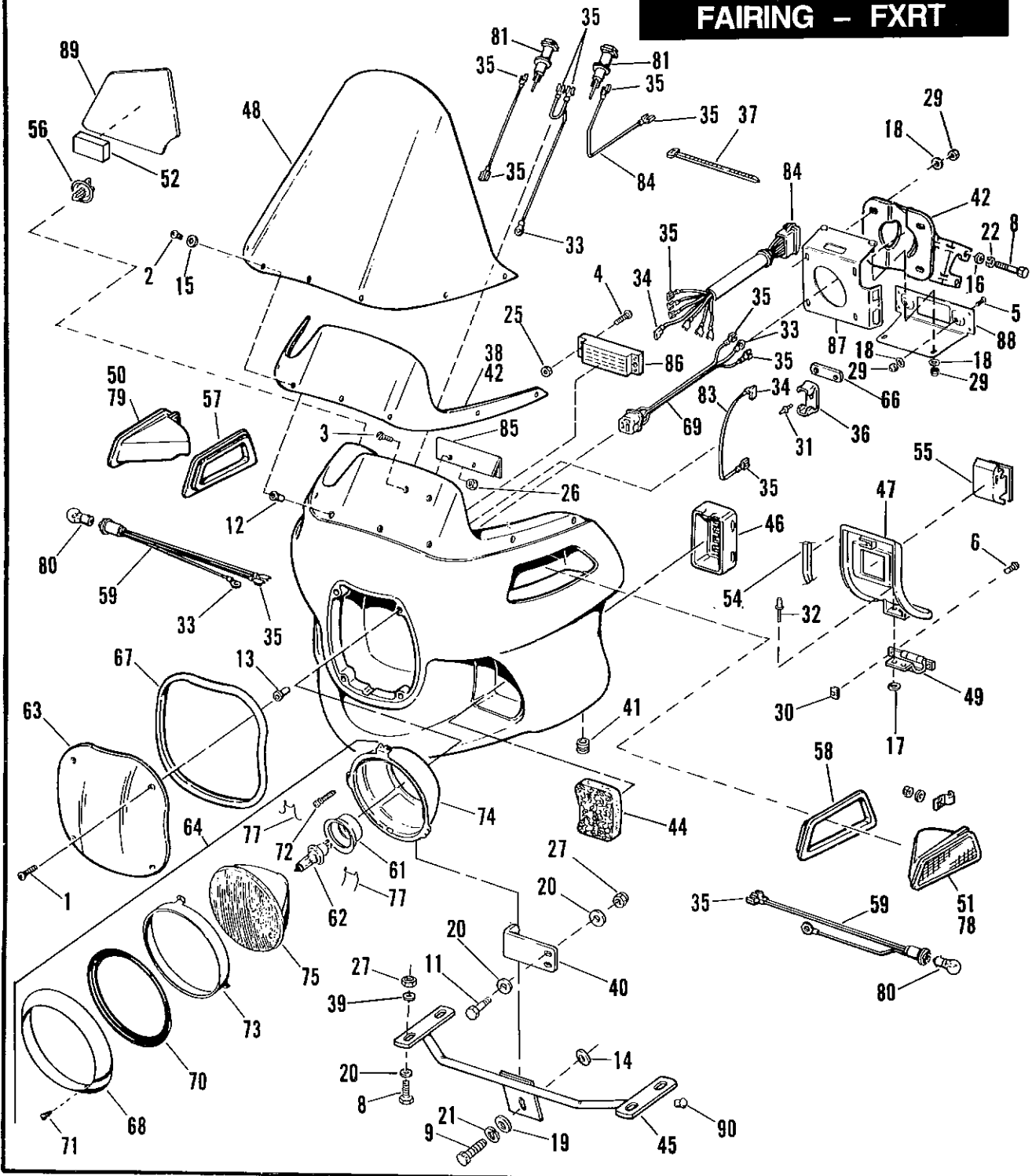
**FA34B-2**

INDEX NO.	PART NO.	NAME	FLT MODELS	FXR MODELS	SOFTAIL MODELS	DYNA MODEL
33	76175-86	CLIP, double end (8)	91*-DB/M	--	--	--
34	76176-86	SPEAKER GRILLE	91*-DB/M	--	--	--
35	76238-86	BRACKET, radio - front	91*-DB/M	--	--	--
36	77004-80	WASHER (rubber) (8)	91*-DB/M	--	--	--
37	77036-86	BOTTOM, radio caddy	91*-DB/M	--	--	--
38	77070-88A	RADIO CADDY (black)	91*-DB/M	--	--	--
39	77060-86	MOLDING, radio caddy	91*-DB/M	--	--	--
40	91721-82	MOLDING, radio caddy	91*-DB/M	--	--	--
41	91808-89	ELEMENT, cigarette lighter	91*-DM/P	--	--	--
42	91812-89	SOCKET, cigarette lighter	91*-DM/P	--	--	--

FLT MODELS		FXR MODELS		SOFTAIL MODELS		DYNA MODEL	
FLTC	DB	FXR	EA	FLSTC	BJ	FXDB-D	GA
FLHTC	DJ	FXRS	EB	FXSTC	BK	FXDB-S	GB
FLTC-U	DM	FXRT	EC	FXSTS	BL	FXDC	GC
FLHTC-U	DP	FXRS-SP	EG	FLSTF	BM		
FLHS	FA	FXLR	EL				
		FXRS-CON	EM				

NOTE: PATENT PENDING

# WINDSHIELD AND FAIRING - FXRT

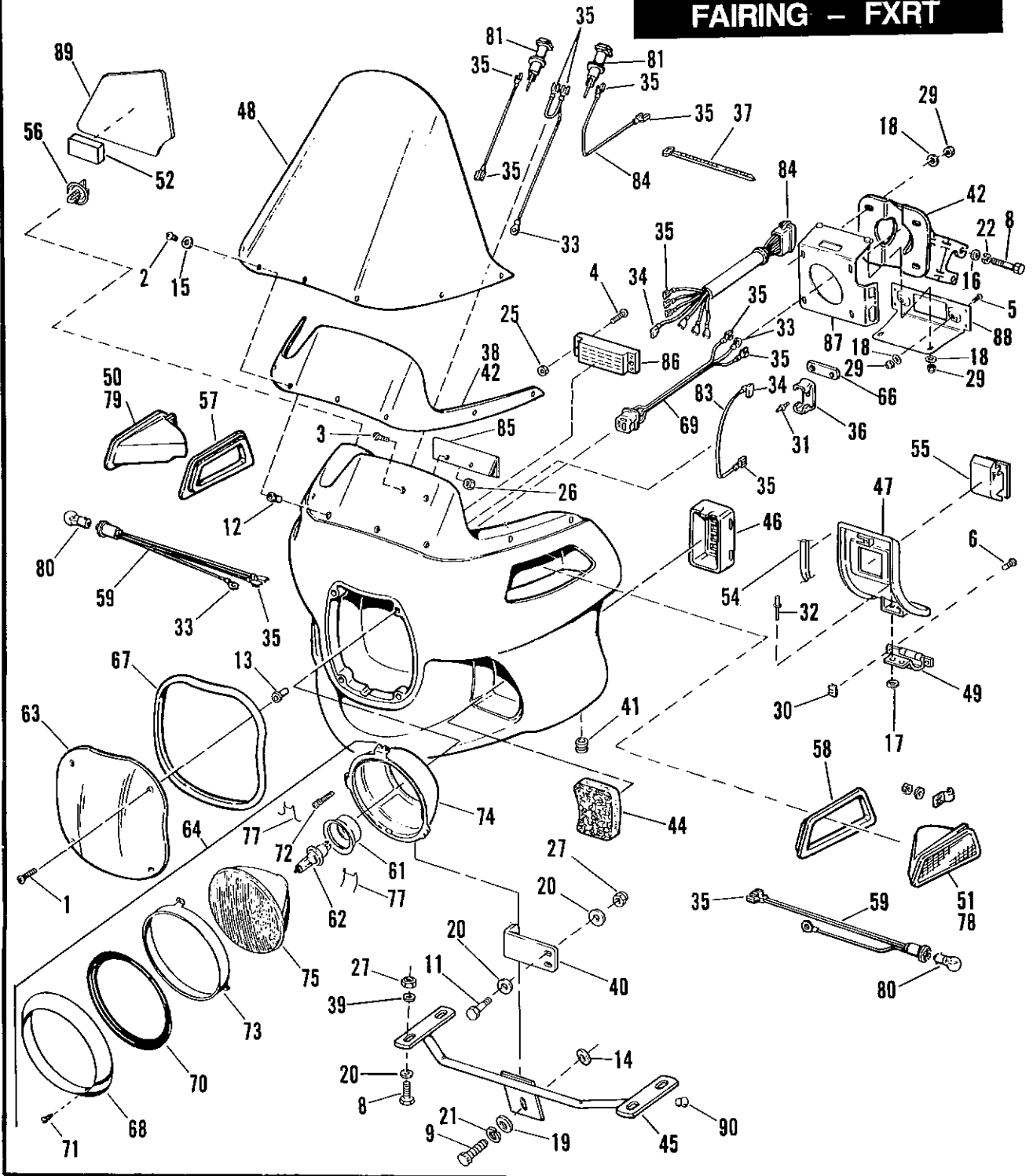


INDEX NO.	PART NO.	NAME	FLT MODELS	FXR MODELS	SOFTAIL MODELS	DYNA MODEL
<b>NOTE: REFER TO DEALER ACCESSORY GUIDE FOR PAINTED PART NUMBERS</b>						
1	922	SCREW (4)	--	91*-EC	--	--
2	933	SCREW (7)	--	91*-EC	--	--
3	1611	SCREW (2)	--	91*-EC	--	--
4	2779	SCREW (4)	--	91*-EC	--	--
5	2784	SCREW (2)	--	91*-EC	--	--
6	2508	SCREW (4)	--	91*-EC	--	--
7	2648	SCREW (4)	--	91*-EC	--	--
8	3987	SCREW (8)	--	91*-EC	--	--
9	4371WA	SCREW	--	91*-EC	--	--
11	3802W	BOLT (4)	--	91*-EC	--	--
12	5207	WELL NUT (7)	--	91*-EC	--	--
13	5210	WELL NUT (4)	--	91*-EC	--	--
14	6019	WASHER	--	91*-EC	--	--
15	6053	WASHER (7)	--	91*-EC	--	--
16	6109	WASHER (4)	--	91*-EC	--	--
17	6182W	WASHER (4)	--	91*-EC	--	--
18	6333	WASHER (6)	--	91*-EC	--	--
19	6701	WASHER	--	91*-EC	--	--
20	6703	WASHER (12)	--	91*-EC	--	--
21	7038	LOCKWASHER	--	91*-EC	--	--
22	7041	LOCKWASHER (4)	--	91*-EC	--	--
26	7626W	LOCKNUT (2)	--	91*-EC	--	--
27	7686	LOCKNUT (8)	--	91*-EC	--	--
29	7739	LOCKNUT (6)	--	91*-EC	--	--
30	8151	SPEED NUT (4)	--	91*-EC	--	--
32	8687	RIVET (4)	--	91*-EC	--	--
33	9859	TERMINAL, ring type - 5/16" dia. hole	--	91*-EC	--	--
34	9898	TERMINAL, flag type - #14 - 16 wire	--	91*-EC	--	--
35	9930	TERMINAL, female spade (4)	--	91*-EC	--	--
37	10006	CABLE STRAP (as required)	--	91*-EC	--	--
38	14114-86	DECAL, windshield	--	91*-EC	--	--
39	53433-80	WASHER (nylon) (8)	--	91*-EC	--	--
40	57807-86	BRACKET, fairing support - right	--	91*-EC	--	--
	57808-86	BRACKET, fairing support - left	--	91*-EC	--	--
41	57980-87	GROMMET	--	91*-EC	--	--
42	58223-86	SEAL, windshield	--	91*-EC	--	--
43	58042-86	BRACKET, fairing mounting	--	91*-EC	--	--
44	58147-86	FILTER, vent (2)	--	91*-EC	--	--
45	57809-86	SUPPORT ASSEMBLY	--	91*-EC	--	--
46	58190-86	VENT LOUVER (2)	--	91*-EC	--	--

FLT MODELS		FXR MODELS		SOFTAIL MODELS		DYNA MODEL	
FLTC	DB	FXR	EA	FLSTC	BJ	FXDB-D	GA
FLHTC	DJ	FXRS	EB	FXSTC	BK	FXDB-S	GB
FLTC-U	DM	FXRT	EC	FXSTS	BL	FXDC	GC
FLHTC-U	DP	FXRS-SP	EG	FLSTF	BM		
FLHS	FA	FXLR	EL				
		FXRS-CGN	EM				

NOTE: PATENT PENDING

# WINDSHIELD AND FAIRING - FXRT

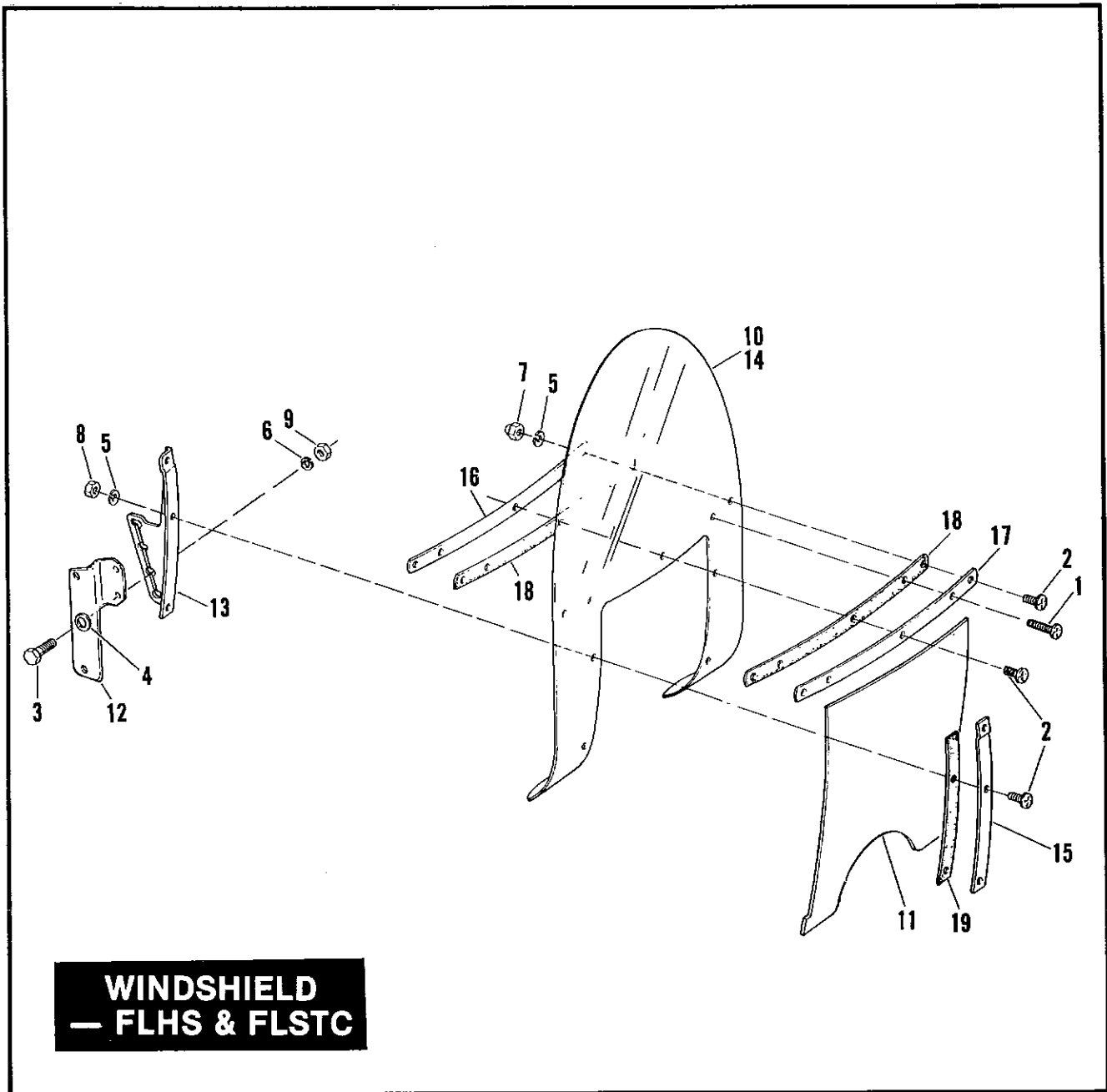


**WINDSHIELD & FAIRING - FXRT (CONT'D)**

**FA34C-2**

INDEX NO.	PART NO.	NAME	FLT MODELS	FXR MODELS	SOFTAIL MODELS	DYNA MODEL
47	58212-86	DOOR, fairing	--	91*-EC	--	--
48	58218-86A	WINDSHIELD, 17" high	--	91*-EC	--	--
	58219-86A	WINDSHIELD, 22" high	--	91*-EC	--	--
	58220-86A	WINDSHIELD, 19.5" high	--	91*-EC	--	--
49	58454-86	HINGE, fairing door	--	91*-EC	--	--
50	58498-86	TURN SIGNAL, right (amber)	--	91*-EC	--	--
51	58499-86	TURN SIGNAL, left (amber)	--	91*-EC	--	--
52	58702-86	CUSHION (8)	--	91*-EC	--	--
54	58703-86	GASKET, fairing door (2)	--	91*-EC	--	--
55	58706-86	LATCH, door (2)	--	91*-EC	--	--
56	58708-86	CLIP, speaker grille (4)	--	91*-EC	--	--
57	58722-84	GASKET, right turn signal	--	91*-EC	--	--
58	58723-84	GASKET, left turn signal	--	91*-EC	--	--
59	67636-86	SOCKET ASSEMBLY	--	91*-EC	--	--
61	67696-81	BOOT, headlamp	--	91*-EC	--	--
62	67697-81	BULB, halogen - 12V	--	91*-EC	--	--
63	67700-83	COVER, headlamp	--	91*-EC	--	--
64	67701-83B	HEADLAMP ASM., complete (halogen)	--	91*-EC	--	--
67	67710-83	SEAL, headlamp cover	--	91*-EC	--	--
68	67712-83	DOOR ASM., w/spring (chrome)	--	91*-EC	--	--
69	67715-86	WIRING HARNESS, headlamp	--	91*-EC	--	--
70	67716-60A	GASKET, headlamp door	--	91*-EC	--	--
71	67718-60A	SCREW, headlamp door	--	91*-EC	--	--
72	67724-71	ADJUSTING SCREW (2)	--	91*-EC	--	--
73	67726-71	RETAINING RING	--	91*-EC	--	--
74	67732-71A	MOUNTING RING	--	91*-EC	--	--
75	67755-81	HEADLAMP, less bulb - with boot	--	91*-EC	--	--
76	67778-60	TOP SPRING, headlamp door	--	91*-EC	--	--
77	67780-60	BOTTOM SPRING, headlamp door	--	91*-EC	--	--
78	68089-80	LENS, left turn signal (amber)	--	91*-EC	--	--
79	68092-80	LENS, right turn signal (amber)	--	91*-EC	--	--
80	68168-89	BULB, turn signal (2)	--	91*-EC	--	--
81	68465-83	INDICATOR LAMP, turn signal (2)	--	91*-EC	--	--
83	69512-83	WIRE, terminal block to flasher (orange)	--	91*-EC	--	--
	70147-86	WIRING HARNESS, instr. to terminal board	--	91*-EC	--	--
	70150-86	WIRING HARNESS, terminal board to radio	--	91*-EC	--	--
84	72278-74	HOUSING, socket terminal	--	91*-EC	--	--
85	72310-70	BRACKET, terminal block	--	91*-EC	--	--
86	72312-73	TERMINAL BLOCK	--	91*-EC	--	--
87	76170-86	BRACKET, radio support	--	91*-EC	--	--
88	76173-86	BRACKET, radio mounting	--	91*-EC	--	--
89	76234-86	SPEAKER GRILLE, right	--	91*-EC	--	--
	76236-86	SPEAKER GRILLE, left	--	91*-EC	--	--
90	90493-83	PLUG (2)	--	91*-EC	--	--

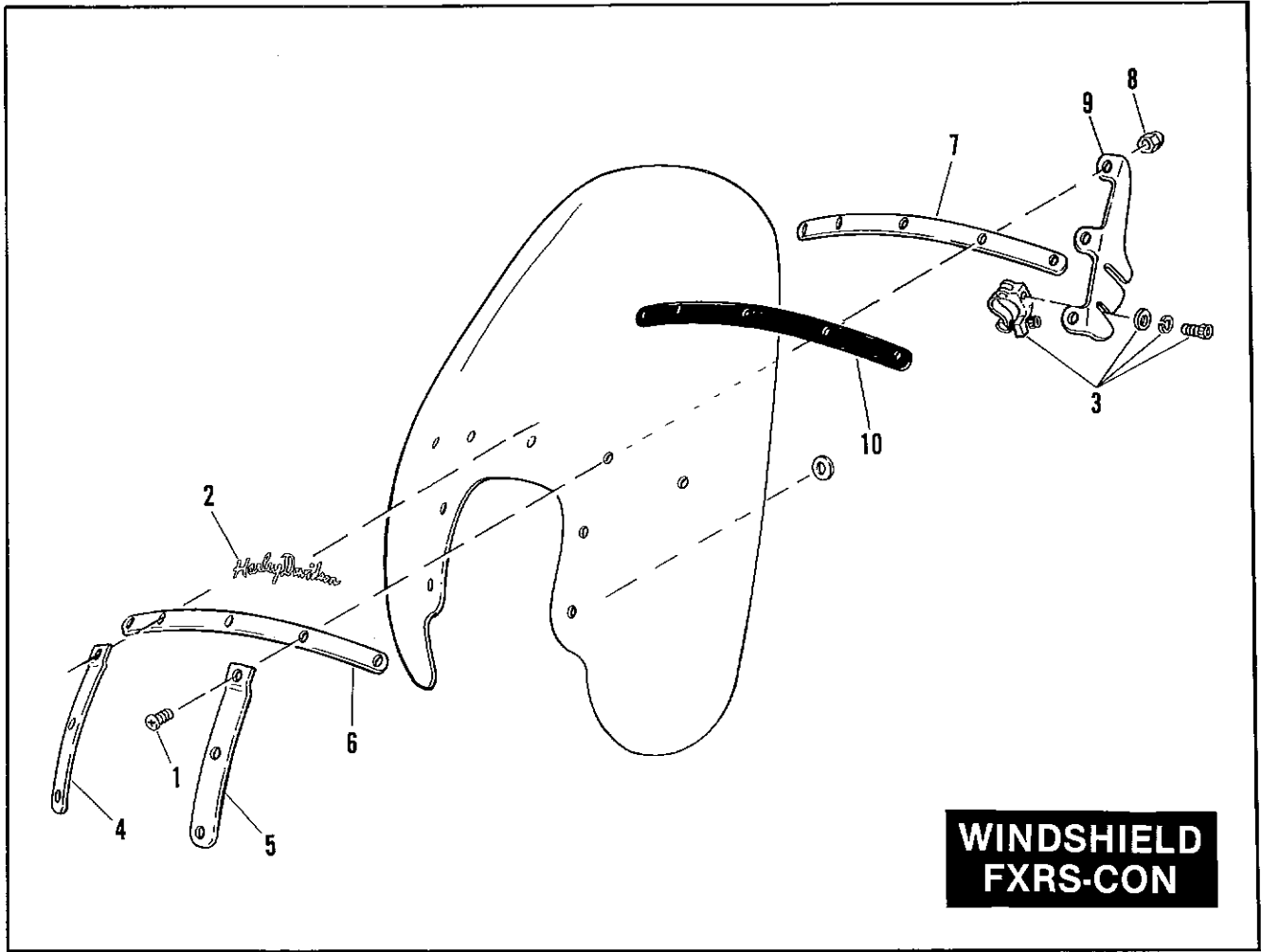
FLT MODELS		FXR MODELS		SOFTAIL MODELS		DYNA MODEL	
FLTC	DB	FXR	EA	FLSTC	BJ	FXDB-d	GA
FLHTC	DJ	FXRS	EB	FXSTC	BK	FXDB-S	GB
FLTC-U	DM	FXRT	EC	FXSTS	BL	FXDC	GC
FLHTC-U	DP	FXRS-SP	EG	FLSTF	BM		
FLHS	FA	FXLR	EL				
		FXRS-CON	EM				



**WINDSHIELD  
— FLHS & FLSTC**

INDEX NO.	PART NO.	NAME	FLT MODELS	FXR MODELS	SOFTAIL MODELS	DYNA MODEL
1	2430	SCREW (2)	91*-FA	--	91*-BJ	--
2	2725	SCREW (7)	91*-FA	--	91*-BJ	--
3	3974HW	BOLT (4)	91*-FA	--	--	--
4	6333	WASHER (4)	91*-FA	--	--	--
	6645	WASHER(4)	--	--	91*-BJ	--
5	7030W	LOCKWASHER (9)	91*-FA	--	91*-BJ	--
6	7041	LOCKWASHER (4)	91*-FA	--	--	--
7	7651	ACORN NUT	91*-FA	--	91*-BJ	--
8	7654W	NUT (4)	91*-FA	--	91*-BJ	--
9	7744	NUT (4)	91*-FA	--	--	--
10	57997-83	WINDSHIELD ASSEMBLY, complete	91*-FA	--	--	--
	58018-86	WINDSHIELD ASSEMBLY, complete	--	--	91*-BJ	--
11	58036-83	WINDOW, adjustable	91*-FA	--	--	--
	58075-86	WINDOW, adjustable	--	--	91*-BJ	--
12	58067-83	WINDSHIELD BRACKET, left	91*-FA	--	--	--
	58068-83	WINDSHIELD BRACKET, right	91*-FA	--	--	--
13	58078-49	ADJUSTING BRACKET, right	--	--	91*-BJ	--
	58079-49	ADJUSTING BRACKET, left	--	--	91*-BJ	--
	58080-83	ADJUSTING BRACKET, right	91*-FA	--	--	--
	58081-83	ADJUSTING BRACKET, left	91*-FA	--	--	--
14	58183-78	WINDOW REPLACEMENT KIT	91*-FA	--	91*-BJ	--
15	58406-75	BRACE, right	91*-FA	--	91*-BJ	--
	58408-75	BRACE, left	91*-FA	--	91*-BJ	--
16	58411-76	BRACE, inner	91*-FA	--	91*-BJ	--
17	58412-76	BRACE, outer	91*-FA	--	91*-BJ	--
18	58416-77	TAPE (2)	91*-FA	--	91*-BJ	--
19	58417-77	TAPE (2)	91*-FA	--	91*-BJ	--

FLT MODELS		FXR MODELS		SOFTAIL MODELS		DYNA MODEL	
FLTC	DB	FXR	EA	FLSTC	BJ	FXDB-D	GA
FLHTC	DJ	FXRS	EB	FXSTC	BK	FXDB-S	GB
FLTC-U	DM	FXRT	EC	FXSTS	BL	FXDC	GC
FLHTC-U	DP	FXRS-SP	EG	FLSTF	BM		
FLHS	FA	FXLR	EL				
		FXRS-CON	EM				



**WINDSHIELD  
FXRS-CON**



INDEX NO.	PART NO.	NAME	FLT MODELS	FXR MODELS	SOFTAIL MODELS	DYNA MODEL
1	932	SCREW (9)	--	91*-EM	--	--
2	14227-88	DECAL "Harley-Davidson"	--	91*-EM	--	--
3	58109-88A	WINDSHIELD CLAMP (4)	--	91*-EM	--	--
4	58419-88	BRACE, right (chrome)	--	91*-EM	--	--
5	58420-88	BRACE, left (chrome)	--	91*-EM	--	--
6	58421-88	BRACE, outer (chrome)	--	91*-EM	--	--
7	58422-88	BRACE, inner	--	91*-EM	--	--
8	58423-88	ACORN NUT (9)	--	91*-EM	--	--
9	58424-88	MOUNTING BRACKET, right	--	91*-EM	--	--
	58425-88	MOUNTING BRACKET, left	--	91*-EM	--	--
10	58426-88	CUSHION TAPE, (2 - Cut to suit.)	--	91*-EM	--	--
	91849-85A	WINDSHIELD, complete	--	91*-EM	--	--

FLT MODELS

FLTC DB  
 FLHTC DJ  
 FLTC-U DM  
 FLHTC-U DP  
 FLHS FA

FXR MODELS

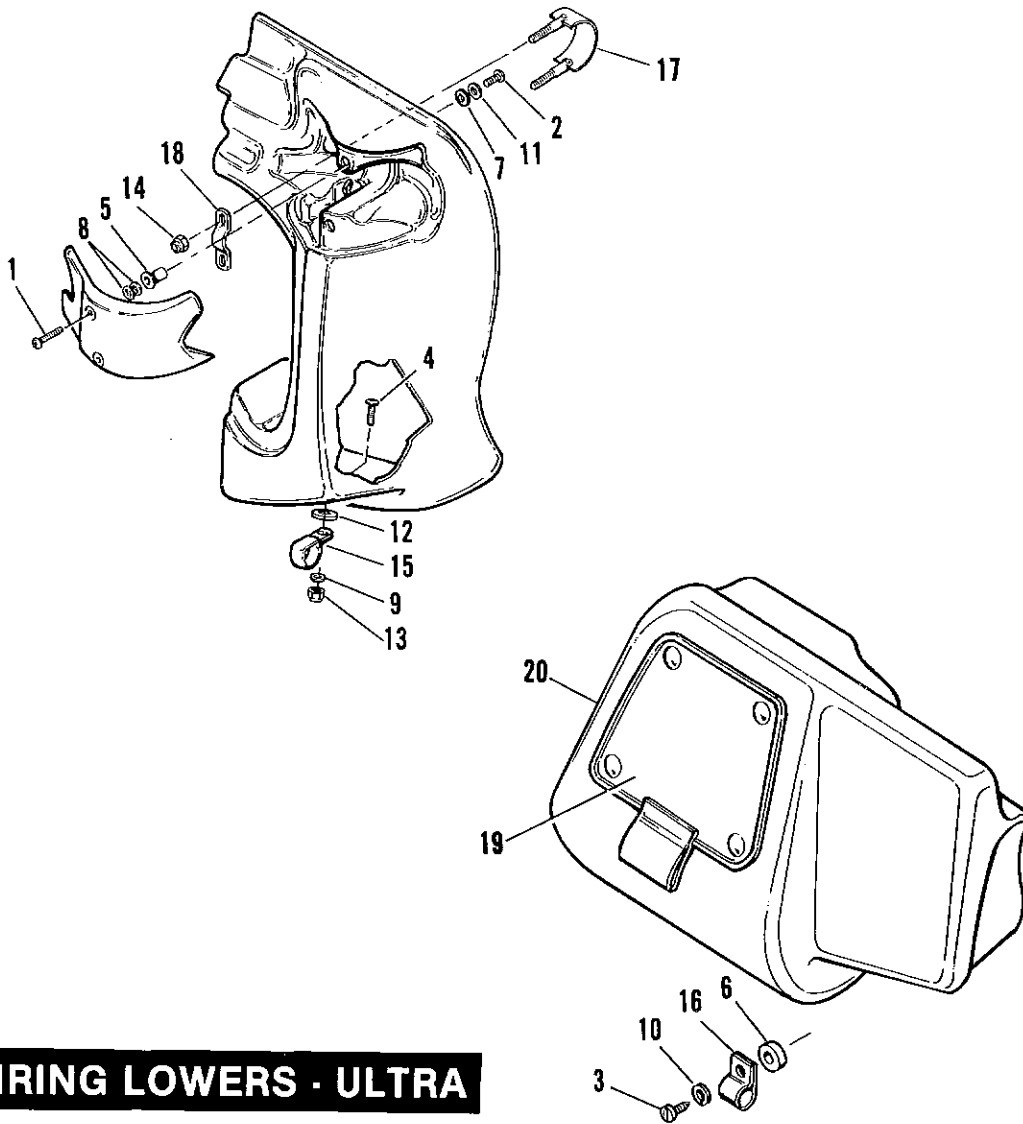
FXR EA  
 FXRS EB  
 FXRT EC  
 FXRS-SP EG  
 FXLR EL  
 FXRS-CON EM

SOFTAIL MODELS

FLSTC 8J  
 FXSTC 8K  
 FXSTS 8L  
 FLSTF 8M

DYNA MODEL

FXDB-D GA  
 FXDB-S GB  
 FXDC GC

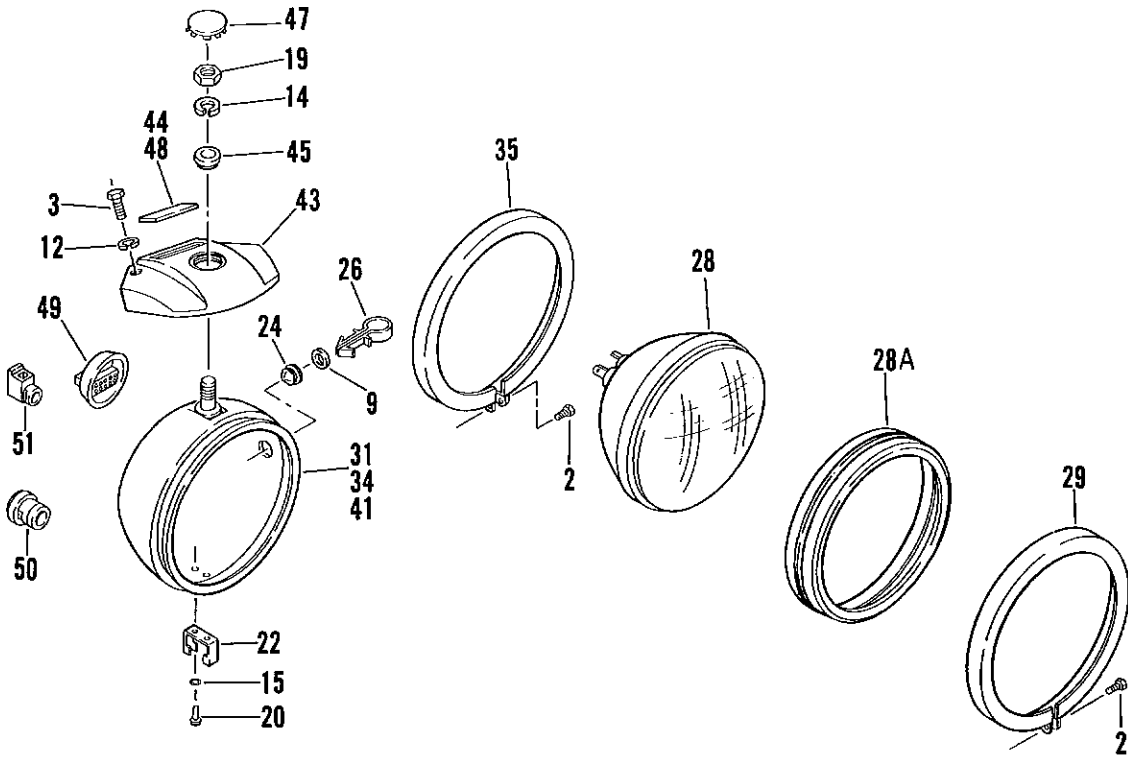
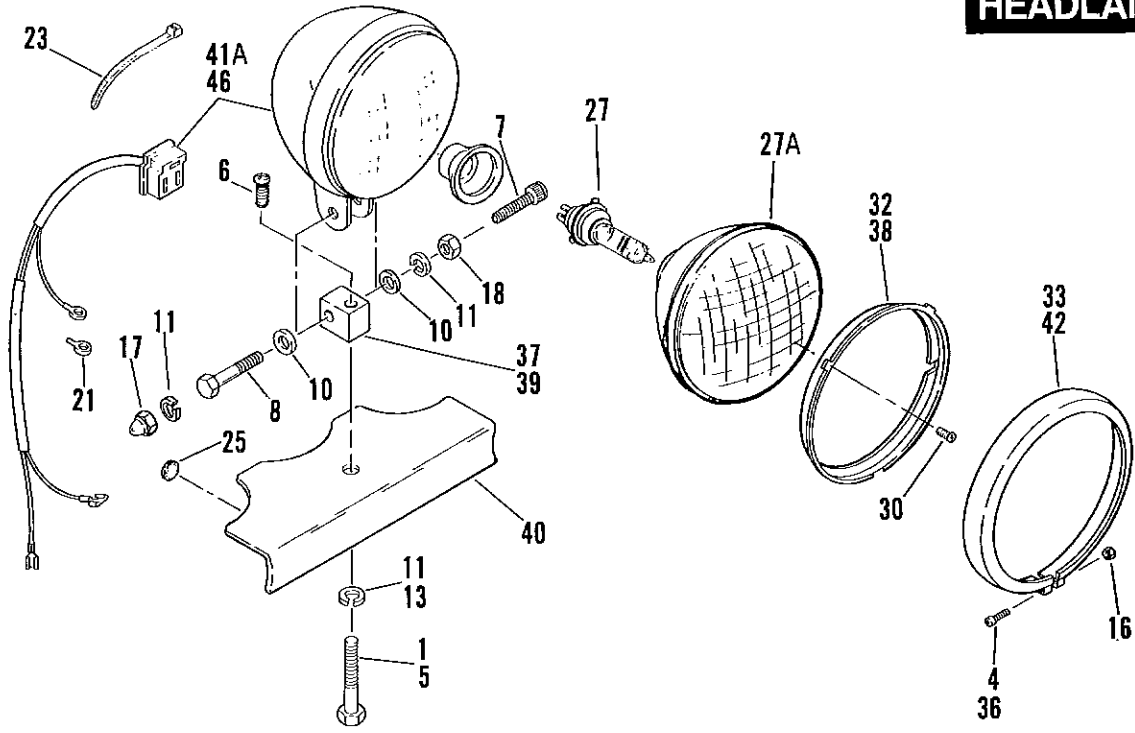


**FAIRING LOWERS - ULTRA**

INDEX NO.	PART NO.	NAME	FLT MODELS	FXR MODELS	SOFTAIL MODELS	DYNA MODEL
<b>NOTE: REFER TO DEALER ACCESSORY GUIDE FOR PAINTED PART NUMBERS.</b>						
1	922	SCREW (4)	91*-DM/P	--	--	--
2	2420	SCREW (2)	91*-DM	--	--	--
3	2592	SCREW	91*-DM	--	--	--
4	2784	SCREW (2)	91*-DM/P	--	--	--
5	5212	NUT, crimp (4)	91*-DM/P	--	--	--
6	5989	SPACER	91*-DM	--	--	--
7	6235	WASHER (2)	91*-DM	--	--	--
9	6717	WASHER (8)	91*-DP	--	--	--
10	7220	LOCKWASHER	91*-DM	--	--	--
11	7230	LOCKWASHER (2)	91*-DM	--	--	--
12	7415A	WASHER (rubber) (2)	91*-DM/P	--	--	--
13	7531	NUT, flange (4)	91*-DM/P	--	--	--
14	7716	NUT, flange (4)	91*-DP	--	--	--
15	27048-84	CLAMP (2)	91*-DM/P	--	--	--
16	38712-68	CLAMP	91*-DM	--	--	--
17	58493-89	U-BOLT (2)	91*-DP	--	--	--
18	58494-89	RETAINER, U-bolt (2)	91*-DP	--	--	--
19	58679-90	DOOR, right	91*-DP	--	--	--
	58681-90	DOOR, left	91*-DP	--	--	--
20	58683-89A	STORAGE BOX - left	91*-DP	--	--	--
	58687-89	STORAGE BOX - left	91*-DM	--	--	--
	58684-89A	STORAGE BOX - right	91*-DP	--	--	--
	58688-89	STORAGE BOX - right	91*-DM	--	--	--
<b>FAIRING LOWER FOR SIDECAR UNIT</b>						
	922	SCREW (4)	91*-DM/P	--	--	--
	5212	NUT, crimp (4)	91*-DM/P	--	--	--
	6717	WASHER (6)	91*-DM/P	--	--	--
	7716	NUT, flange (2)	91*-DM/P	--	--	--
	58493-89	U-BOLT	91*-DM/P	--	--	--
	58494-89	RETAINER, U-bolt	91*-DM/P	--	--	--

FLT MODELS		FXR MODELS		SOFTAIL MODELS		DYNA MODEL	
FLTC	DB	FXR	EA	FLSTC	BJ	FXDB-D	GA
FLHTC	DJ	FXRS	EB	FXSTC	BK	FXDB-S	GB
FLTC-U	DM	FXRT	EC	FXSTS	BL	FXDC	GC
FLHTC-U	DP	FXRS-SP	EG	FLSTF	BM		
FLHS	FA	FXLR	EL				
		FXRS-CON	EM				

# HEADLAMP



# HEADLAMP

FA35-1

INDEX NO.	PART NO.	NAME	FLT MODELS	FXR MODELS	SOFTAIL MODELS	DYNA MODEL
1	854A	SCREW	--	91*-EL	--	--
2	1203	SCREW (2)	--	91*-EA/B/ G/M	--	--
3	2871W	BOLT (2)	--	91*-EA/B/ G/M	--	--
	4017	SCREW (2)	--	91*-EA/B/ G/M	--	91*-ALL
4	3514	SCREW	--	91*-EL	91*-BK/L	91*-ALL
5	3945	BOLT	--	--	91*-B/K/M	--
6	4013	SCREW	--	--	91*-BL	--
7	4371WA	SCREW	--	--	91*-BL	--
8	4411	BOLT	--	--	91*-BM	--
	4724	BOLT	--	--	91*-BK	--
9	6261	WASHER	--	91*-EB/G/M	--	--
10	6701	WASHER (2)	--	--	91*-BK/M	--
	6812	WASHER (2)	--	--	91*-BL	--
11	7038	LOCKWASHER (2 - BK)	--	--	91*-ALL	--
12	7041	LOCKWASHER (2)	--	91*-EA/B/ G/M	--	91*-ALL
13	7045	LOCKWASHER	--	91*-EL	--	--
14	7068	LOCKWASHER	--	91*-EA/B/ G/M	--	91*-ALL
15	7220	LOCKWASHER	--	91*-EA/B/ G/M	--	--
16	7606	NUT	--	91*-EL	91*-BK/L	91*-ALL
17	7680W	ACORN NUT	--	--	91*-BL	--
18	7800W	NUT	--	--	91*-BK/M	--
19	7880	NUT	--	91*-EA/B/ G/M	--	91*-ALL
20	8536	RIVET	--	91*-EA/B/ G/M	--	--
21	9857	TERMINAL, headlamp harness - ring type	--	--	91*-ALL	--
22	9952	CLIP	--	91*-EA/B/ G/M	--	--
23	10065	CABLE STRAP	--	--	91*-ALL	--
24	11448	PLUG	--	91*-EA/B	--	--
25	45648-85	PAD (2)	--	--	91*-BK	--
26	56073-83	RETAINER, cable	--	91*-EB/G/M	--	--
27	67697-81	BULB,halogen-H-4	92*-EA/B/ G/L/M	92*-BK/L	--	92*-ALL
27A	67698-81B	SEALED BEAM UNIT, 5"	--	91*-EA/B/ G/L/M	91*-BK/L	91*-ALL
28	67713-86	SEALED BEAM UNIT, 6"	--	--	91*-BJ/M	--
28A	67719-63	MOUNTING RING	--	91*-EA/B/ G/M	--	--
29	67725-63	MOLDING, outer	--	91*-EA/B/ G/M	--	--

**FLT MODELS**

FLTC DB  
 FLHTC DJ  
 FLTC-U DM  
 FLHTC-U DP  
 FLHS FA

**FXR MODELS**

FXR EA  
 FXRS EB  
 FXRT EC  
 FXRS-SP EG  
 FXLR EL  
 FXRS-COON EM

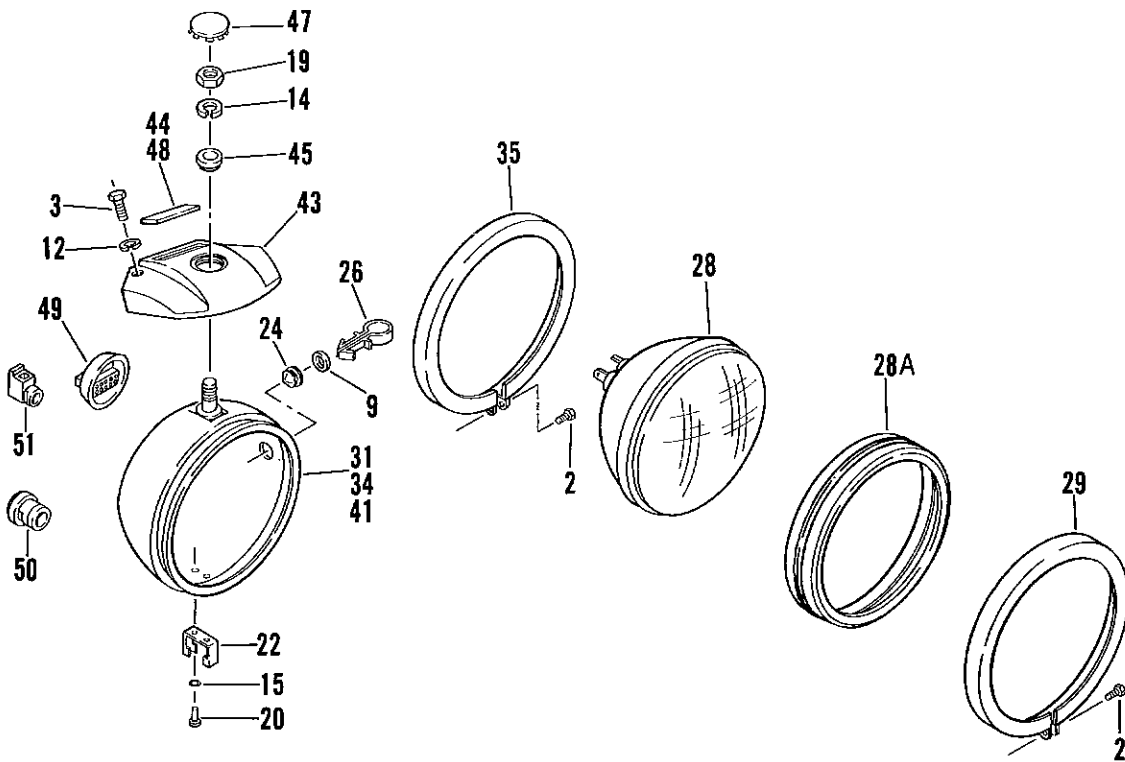
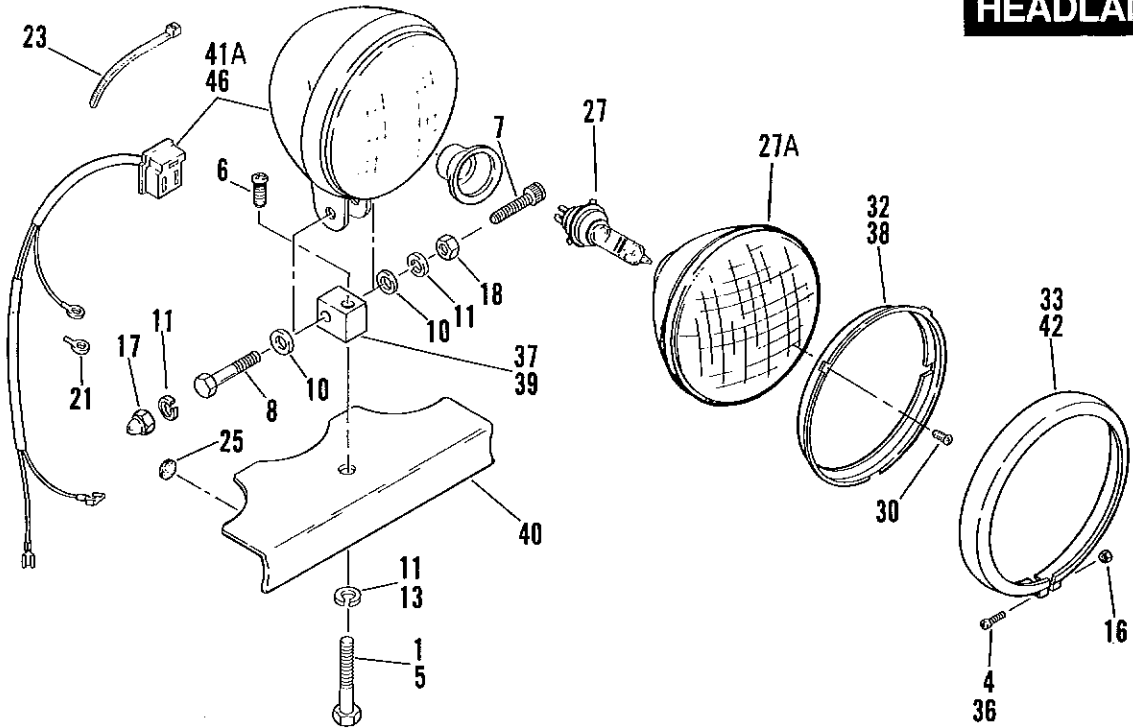
**SOFTAIL MODELS**

FLSTC BJ  
 FXSTC BK  
 FXSTS BL  
 FLSTF BM

**DYNA MODEL**

FXDB-D GA  
 FXDB-S GB  
 FXDC GC

# HEADLAMP



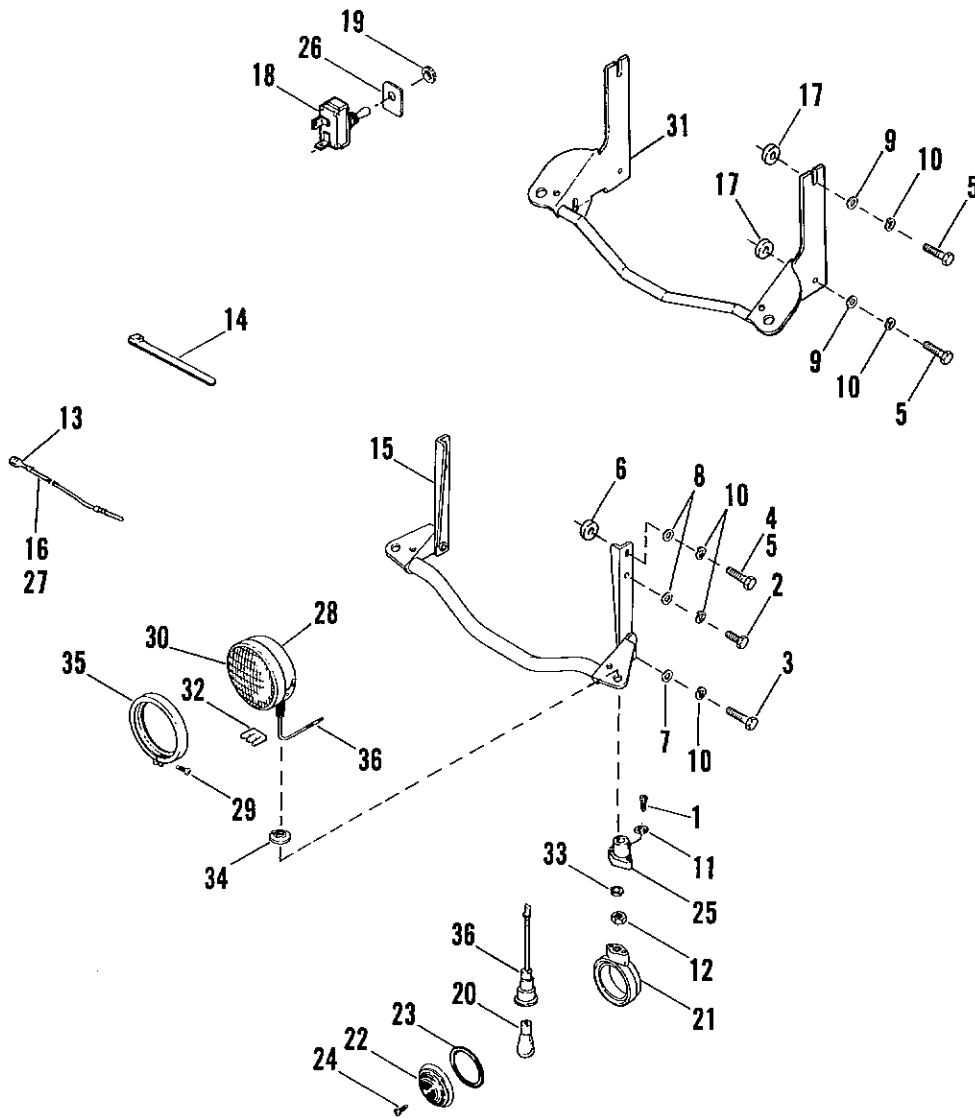
# HEADLAMP (CONT'D)

FA35-2

INDEX NO.	PART NO.	NAME	FLT MODELS	FXR MODELS	SOFTAIL MODELS	DYNA MODEL
30	67727-87	SCREW, headlamp retainer (4)	--	--	91*-BJ/M	--
31	67730-91	HOUSING, headlamp (black)	--	--	--	91-GB
32	67731-87	RETAINING RING	--	--	91*-BJ/M	--
33	67740-87	DOOR (chrome)	--	--	91*-BJ/M	--
34	67743-84	HOUSING, headlamp (black)	--	91*-EA/B/ G/M	--	--
	67757-92	HOUSING, headlamp	--	--	--	92*-ALL
35	67744-75	MOLDING, inner	--	91*-EA/B/	--	--
36	67748-87	SCREW, door (chrome)	--	--	91*-BJ/M	--
37	67762-87	MOUNTING BLOCK	--	91*-EL	--	--
	67768-86	MOUNTING BLOCK	--	--	91*-BJ/M	--
	67771-88	MOUNTING BLOCK	--	--	91*-BL	--
38	67769-82	MOUNTING RING	--	91*-EL	91*-BK/L	91*-ALL
39	67772-80	MOUNTING BLOCK	--	--	91*-BK	--
40	67773-80A	MOUNTING PLATE	--	--	91*-BK	--
41	67777-80A	HEADLAMP, complete with wiring - 5"	--	91*-EL	91*BK/L	--
41A	68789-91	HEADLAMP, complete with wiring, 6"	--	--	91*-BJ/M	--
42	67790-82	TRIM RING (chrome)	--	91*-EL	91*-BK/L	91*-ALL
	67805-92	BRACKET	--	92*EA/B/ G/M	--	92*-ALL
	67863-90	BRACKET (black)	--	--	--	91-GB
43	67805-86A	BRACKET	--	91-EA/B/ G/M	--	--
44	67807-86	TRIM, warning lights	--	91-EA/B	--	92*GA
	67807-92	TRIM, warning lights	--	92*EA/B	--	92*ALL
45	67815-59A	WASHER	--	91*-EA/B/ G/M	--	91*-ALL
46	67824-87	HEADLAMP, complete with wiring - 6"	--	--	91*-BJ/M	--
47	67831-80	PLUG, headlamp bracket (black)	--	--	--	91-GB
	67865-89	PLUG, headlamp bracket	--	91*-EA/B/ G/M	--	92*-ALL
48	67834-83	TRIM, headlamp bracket	--	91*-EB/G/M	--	--
	68516-92	TRIM, warning lights	--	--	--	92*ALL
48A	67850	GASKET, headlamp	--	--	--	92*-ALL
	67876-90	TRIM, warning lights	--	--	--	91-GB
49	67839-74	BOOT, headlamp connector	--	91*-EA/B/ G/M	--	--
51	72501-74	BUSHING, straight	--	91*-EA/B/ G/M	--	--
52	72502-74	BUSHING, angle (2)	--	91*-EA/B/ G/M	--	--
<b>H-D INTERNATIONAL ONLY</b>						
41	67872-89	HEADLAMP, complete with wiring - 5" (Less bulb) (HDI only)	--	91*-EL	91*-BK/L	--

FLT MODELS		FXR MODELS		SOFTAIL MODELS		DYNA MODEL	
FLTC	DB	FXR	EA	FLSTC	BJ	FXDB-D	GA
FLHTC	DJ	FXRS	EB	FXSTC	BK	FXDB-S	GB
FLTC-U	DM	FXRT	EC	FXSTS	BL	FXDC	GC
FLHTC-U	DP	FXRS-SP	EG	FLSTF	BM		
FLHS	FA	FXLR	EL				
		FXRS-CON	EM				

# PASSING LAMPS & FRONT TURN SIGNALS — FLHTC, FLHS & FLSTC





**PASSING LAMPS & FRONT TURN SIGNALS - FLHT/C, FLHS, FLSTC**

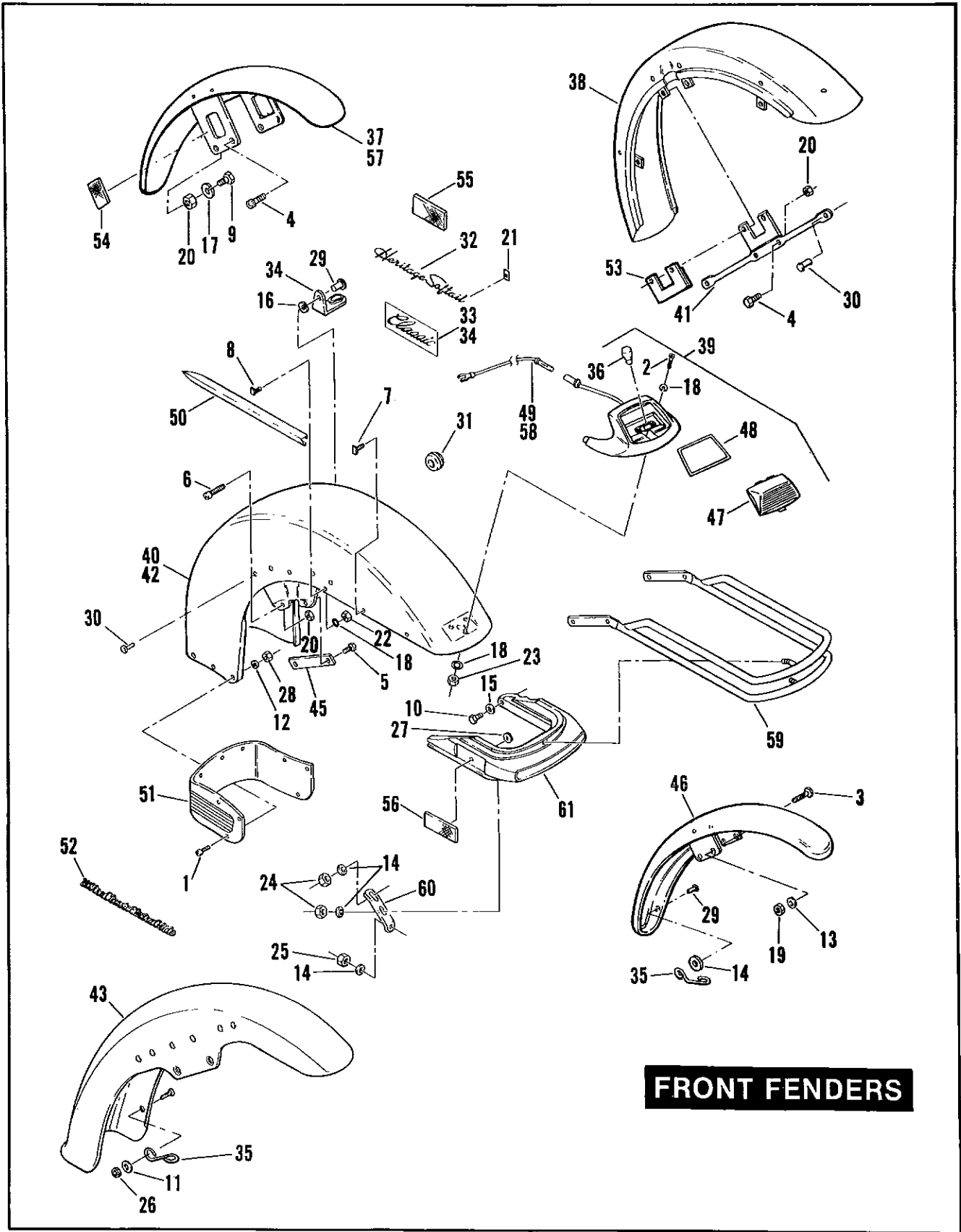
**FA35A**

INDEX NO.	PART NO.	NAME	FLT MODELS	FXR MODELS	SOFTAIL MODELS	DYNA MODEL
1	2647A	SCREW (4)	91*-DJ/P,FA	--	91*BJ	--
2	3960W	BOLT (2)	--	--	91*BJ	--
3	4014W	SCREW (2)	--	--	91*BJ	--
5	4036	BOLT (4 - DJ, FA; 2 - BJ)	91*-DJ/P,FA	--	91*BJ	--
6	5885	SPACER (2)	--	--	91*BJ	--
7	6109	WASHER (2)	--	--	91*BJ	--
8	6645	WASHER (4)	--	--	91*BJ	--
9	6702	WASHER (4 - DJ, FA)	91*-DJ/P,FA	--	--	--
10	7041	LOCKWASHER (4 - DJ, FA; 6 - BJ)	91*-DJ/P,FA	--	91*BJ	--
11	7069	LOCKWASHER (4)	91*-DJ/P,FA	--	91*BJ	--
12	7778	LOCKNUT (2)	91*-DJ/P,FA	--	91*BJ	--
13	9900	CONNECTOR, passing lamp wire (2)	--	--	91*BJ	--
	9907	CONNECTOR, passing lamp wire (2)	91*-FA	--	--	--
14	10006	CABLE STRAP	--	--	91*BJ	--
15	58082-87	BRACKET, passing lamps	--	--	91*BJ	--
	67615-89	WIRING HARNESS, passing lamps (not illust.)	--	--	91*BJ	--
16	67668-89	CABLE ASSEMBLY, passing lamps	91*-FA	--	--	--
17	67749-77	SPACER (4)	91*-DJ/P,FA	--	--	--
18	67858-89	TOGGLE SWITCH, passing lamps	91*-FA	--	91*BJ	--
19	67846-70	NUT, toggle switch	91*-FA	--	91*BJ	--
20	68168-89	BULB, turn signal (2)	91*-DJ/P,FA	--	91*BJ	--
21	68400-86	TURN SIGNAL (2)	91*-DJ/P,FA	--	--	--
	68661-87	TURN SIGNAL, left	--	--	91*BJ	--
	68668-87	TURN SIGNAL, right	--	--	91*BJ	--
22	68440-86	LENS, turn signal (amber) (2)	91*-DJ/P,FA	--	91*BJ	--
23	68451-86	O-RING	91*-DJ/P,FA	--	91*BJ	--
24	68452-86	SCREW WITH O-RING (4)	91*-DJ/P,FA	--	91*BJ	--
25	68519-68	MOUNTING BRACKET (2)	91*-DJ/P,FA	--	91*BJ	--
26	68619-83	LABEL, passing lamp switch	91*-FA	--	91*BJ	--
28	68671-69	PASSING LAMP (2)	91*-DJ/P,FA	--	91*BJ	--
29	68672-38	SCREW, passing lamp molding (2)	91*-DJ/P,FA	--	91*BJ	--
30	68674-69	SEALED UNIT, passing lamps (2)	91*-FA	--	91*BJ	--
31	68684-86	BRACKET, passing lamps	91*-DJ/P,FA	--	--	--
32	68690-69	CLIP, wire (2)	91*-DJ/P,FA	--	91*BJ	--
33	68720-62	CLAMP BLOCK, passing lamps (2)	91*-DJ/P,FA	--	91*BJ	--
34	68721-62	SWIVEL BLOCK, passing lamps (2)	91*-DJ/P,FA	--	91*BJ	--
35	68725-62	MOLDING, passing lamps (2)	91*-DJ/P,FA	--	91*BJ	--
36	72039-71	PIN, single socket (4)	91*-DJ/P,FA	--	91*BJ	--

**H-D INTERNATIONAL ONLY**

26	14019-83	LABEL, park lamp (HDI only)	91*-FA	--	--	--
18	67858-39	TOGGLE SWITCH, park lamp (HDI only)	91*-FA	--	--	--
21	68401-90	TURN SIGNAL, (2) (HDI only)	91*-DJ/P,FA	--	91*BJ	--
22	68505-90	LENS, turn signal (amber) (2)	91*-DJ/P,FA	--	91*BJ	--
27	68633-89	LAMP WIRING, passing lamp (HDI only)	91*-FA	--	--	--

FLT MODELS		FXR MODELS		SOFTAIL MODELS		DYNA MODEL	
FLTC	DB	FXR	EA	FLSTC	BJ	FXDB-D	GA
FLHTC	DJ	FXRS	EB	FXSTC	BK	FXDB-S	GB
FLTC-U	DM	FXRT	EC	FXSTS	BL	FXDC	GC
FLHTC-U	DP	FXRS-SP	EG	FLSTF	BM		
FLHS	FA	FXLR	EL				
		FXRS-CON	EM				

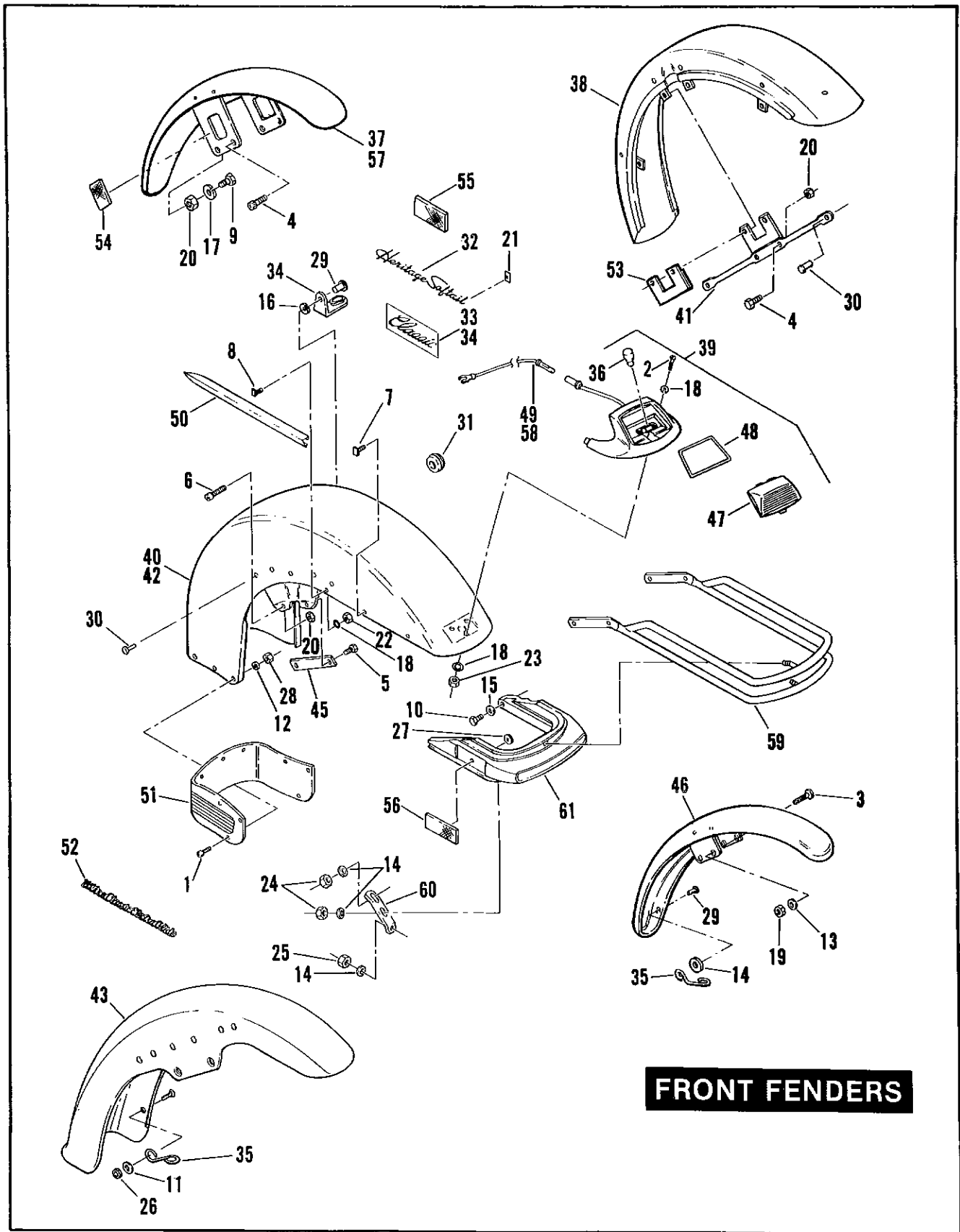


**FRONT FENDER**

**FA36-1**

INDEX NO.	PART NO.	NAME	FLT MODELS	FXR MODELS	SOFTAIL MODELS	DYNA MODEL
<b>NOTE: REFER TO DEALER ACCESSORY GUIDE FOR PAINTED NUMBERS.</b>						
1	2531	SCREW (6; 8 - BJ)	91*-ALL	--	91*-BJ	--
2	2604	SCREW (2)	91*-ALL	--	91*-BJ	--
3	2882W	SCREW (4)	--	--	91*-BL	--
4	3210A	SCREW (4)	--	91*-ALL	--	91*-ALL
5	3462	BOLT (4)	91*-ALL	--	--	--
6	3485A	SCREW (4)	--	--	91*-BJ/M/K	--
7	3560W	TEE BOLT (2)	91*-ALL	--	91*-BJ	--
8	3561WB	TEE BOLT (2)	91*-ALL	--	91*-BJ	--
10	4091	SCREW (2)	91*-DB/J/ M/P	--	--	--
11	6220W	LOCKWASHER	--	--	91*-BM	--
12	6335	WASHER (6; 8 - BJ)	91*-ALL	--	91*-BJ	--
13	6702	WASHER (4)	--	--	91*-BL	--
14	6703	WASHER (3 - FLT)	91*-DB/J/ M/P	--	--	--
15	6716	WASHER (2)	91*-DB/D/ J/M/P	--	--	--
16	7036	WASHER	91*-ALL	--	91*-BJ-	--
17	7041	LOCKWASHER (4)	--	--	91*-BK	--
18	7220	LOCKWASHER (4)	91*-ALL	--	91*-BJ	--
19	7507	ACORN NUT (4)	--	--	91*-BL	--
20	7531	NUT (4)	--	91*-ALL	91*-BJ	91*-ALL
21	7613A	SCREW (6)	91*-DM/P	--	91*-BJ	--
22	7624	NUT (4)	91*-ALL	--	91*-BJ	--
23	7629	NUT (2)	91*-ALL	--	91*-BJ	--
24	7682	LOCKNUT (2)	91*-DB/D/ J/M/P	--	--	--
25	7683	LOCKNUT	91*-DB/D/ J/M/P	--	--	--
26	7689W	NUT	--	--	91*-BM	--
27	8126	SPEED NUT, reflector (2)	91*-DB/D/ J/M/P	--	--	--
28	8131W	NUT (6; 8 - BJ)	91*-ALL	--	91*-BJ	--
29	8505	RIVET	91*-ALL	--	91*-BJ/L	91*-ALL
30	8519	RIVET (10; 8 - GB; 4 - GA/C)	91*-ALL	--	--	91*-ALL
30A	8520	RIVET	--	--	--	92*-ALL
31	11437	GROMMET, wiring harness	91*-ALL	--	--	--
32	14142-86	TRIM, "Heritage Softail" (2)	--	--	91*-BJ	--

FLT MODELS		FXR MODELS		SOFTAIL MODELS		DYNA MODEL	
FLTC	DB	FXR	EA	FLSTC	BJ	FXDB-D	GA
FLHTC	DJ	FXRS	EB	FXSTC	BK	FXDB-S	GB
FLTC-U	DM	FXRT	EC	FXSTS	BL	FXDC	GC
FLHTC-U	DP	FXRS-SP	EG	FLSTF	BM		
FLHS	FA	FXLR	EL				
		FXRS-CON	EM				



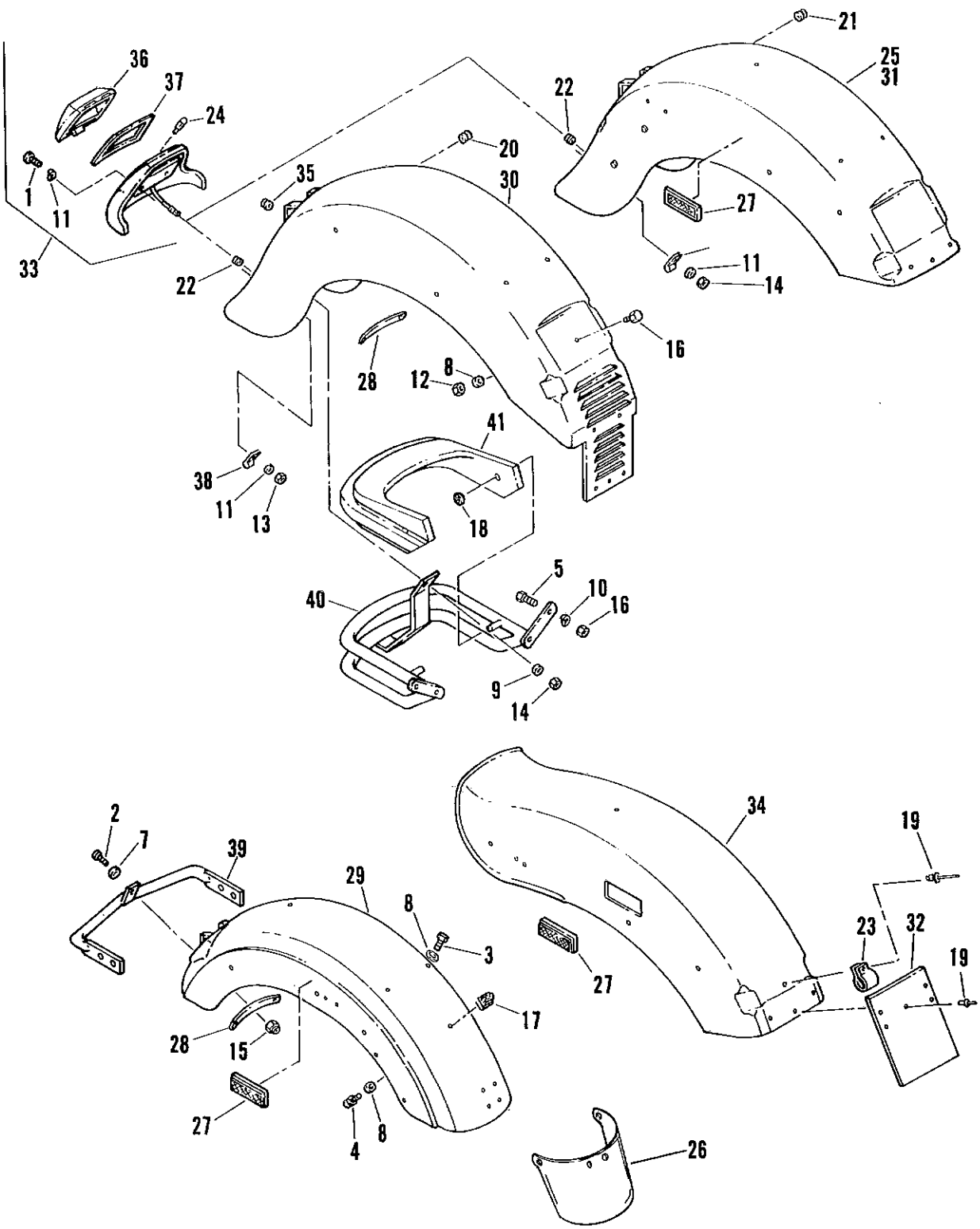
**FRONT FENDER (CONT'D)**

**FA36-2**

INDEX NO.	PART NO.	NAME	FLT MODELS	FXR MODELS	SOFTAIL MODELS	DYNA MODEL
33	14159-87	DECAL, "Classic"(red) (2)	91*-DB/D/J	--	--	--
	14331-90	DECAL, "Classic" (gold) (2)	91*-DM/P	--	--	--
34	38622-87	GUIDE, speedometer cable	91*-ALL	--	91*-BJ	91-GB
35	45085-88	CABLE GUIDE	--	--	91*-BL/M	--
36	53439-79	BULB, finder tip lamp	91*-ALL	--	91*-BJ	--
37	58998-83	FENDER (prime)	--	91*-EA/B/ G/L/M	--	92*-ALL
38	59006-90	FENDER (prime)	--	--	--	91-GB
	59007-84	FENDER (prime)	--	91*-EC	--	--
39	59082-79	LAMP ASSEMBLY	91*-ALL	--	91*-BJ	--
40	59093-87	FENDER (prime)	91*-DB/J;FA	--	--	--
	59094-89	FENDER,(prime)	91*DM/P	--	--	--
41	59111-74	FENDER BRACE	--	91*EC	--	91-GB
42	59129-86	FENDER (prime)	--	--	91*-BJ	--
43	59139-89	FENDER (prime)	--	--	91*-BM	--
44	59159-80	DECAL, "Classic" (silver) (2)	91*-DB/J	--	--	--
	59173-81A	DECAL, "Classic" (gold) (2)	91*-DB/J	--	--	--
45	59166-80	LOCKPLATE (2)	91*-ALL	--	--	--
46	59176-88	FENDER (prime)	--	--	91*-BL	--
47	59180-80	LENS, fender lamp	91*-ALL	--	91*-BJ	--
48	59181-80	GASKET, fender lamp lens	91*-ALL	--	91*-BJ	--
49	59197-87	WIRE ASSEMBLY, fender lamp	--	--	91*-BJ	--
50	59211-74	SIDE TRIM (2)	91*-ALL	--	91*-BJ	--
51	59231-86	TRIM SKIRT, lower	91*-ALL	--	-	--
	59235-86	TRIM SKIRT, lower (black)	--	--	91*-BJ	--
52	59236-89	NAMEPLATE (2)	91*-DP	--	--	--
	59246-89	NAMEPLATE (2)	91*-DM	--	--	--
53	59250-91	MOUNT, reflector (2)	--	91*-EC	--	--
54	59256-84A	REFLECTOR (amber) (4)	--	91*-EC	--	91-GB
55	59254-91	REFLECTOR (amber) (2)	91*-FA	--	91*-BJ	--
56	59261-77	REFLECTOR (amber) (2)	91*-DB/J/ M/P	--	--	--
57	59924-80	FENDER (prime)	--	--	91*-BK	--
	59944-83	BRACKET,fender	--	--	--	92*-ALL
58	69505-89	WIRE ASSEMBLY, front fender	91*-ALL	--	--	--
	70196-86	WIRE ASSEMBLY, fender lamp	91*-ALL	--	91*-BJ	--
59	91085-83B	BUMPER ASSEMBLY	91*-DB/J/ M/P	--	--	--
60	91090-77A	BRACKET, bumper	91*-DB/J/ M/P	--	--	--
61	91107-77	CUSHION, bumper	91*-DB/J/ M/P	--	--	--
<b>H-D INTERNATIONAL ONLY</b>						
39	68594-84	LAMP ASSEMBLY (HDI only)	91*-ALL	--	91*-BJ	--
59	91086-90	BUMPER ASSEMBLY (HDI only)	91*DB/J/ M/P	--	--	--

FLT MODELS		FXR MODELS		SOFTAIL MODELS		DYNA MODEL	
FLTC	DB	FXR	EA	FLSTC	BJ	FXDB-S	GB
FLHTC	DJ	FXRS	EB	FXSTC	BK	FXDB-S	GB
FLTC-U	DM	FXRT	EC	FXSTS	BL	FXDC	GC
FLHTC-U	DP	FXRS-SP	EG	FLSTF	BM		
FLHS	FA	FXLR	EL				
		FXRS-CON	EM				

# REAR FENDERS



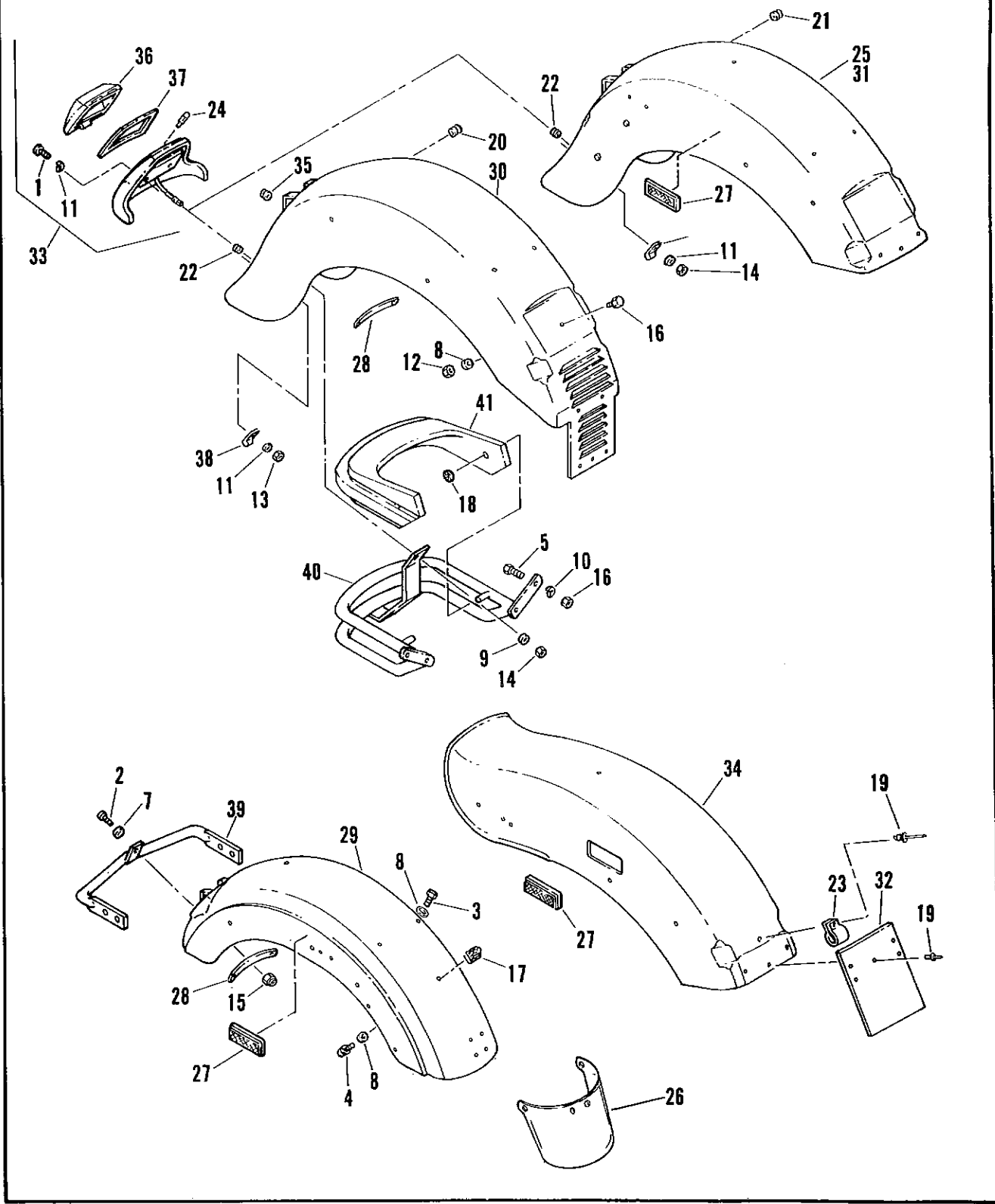
**REAR FENDER**

**FA36A-1**

INDEX NO.	PART NO.	NAME	FLT MODELS	FXR MODELS	SOFTAIL MODELS	DYNA MODEL
<b>NOTE: REFER TO DEALER ACCESSORY GUIDE FOR PAINTED PART NUMBERS.</b>						
1	2604	SCREW (2)	91*-ALL	--	91*-BJ	--
2	2607	SCREW	--	91*-EC	--	--
3	2824W	SCREW (2)	--	91*-EA	--	--
4	3445	BOLT	--	91*-ALL	--	91*-ALL
5	3974HW	BOLT (2)	91*-ALL	--	--	--
6	3546	BOLT	91*-ALL	--	--	--
7	6410	WASHER	--	91*-EC	--	--
8	6702	WASHER (3 - FXR)	91*-ALL	91*ALL	--	91*-ALL
9	6703	WASHER	91*-ALL	--	--	--
10	7041	WASHER (2)	91*-ALL	--	--	--
11	7118	LOCKWASHER (2)	91*-ALL	--	91*-BJ	--
12	7531	LOCKNUT	91*-ALL	--	--	--
13	7629	NUT (2)	91*-ALL	--	91*-BJ	--
14	7683	NUT	91*-ALL	--	--	--
15	7686	LOCKNUT	--	91*-EC	--	--
16	7753	NUT (2)	91*-ALL	--	--	--
17	8102	CAGE NUT	--	91*-ALL	--	91*-ALL
18	8135B	SPEED NUT (2)	91*-ALL	--	--	--
19	8483	POP RIVETS	--	--	91*-ALL	--
20	11400	GROMMET	91*-ALL	--	--	91*-ALL
21	11430	GROMMET	--	--	91*-BJ	--
22	11437	GROMMET	91*-ALL	--	91*-BJ	--
23	38712-68	CLAMP	--	--	91*-BK	--
24	53439-79	BULB, fender tip lamp	91*-ALL	--	91*-BJ	--
25	59126-86B	FENDER (prime)	--	--	91*-BJ	--
26	59150-90	PLUG, fender	--	--	--	91*-ALL
27	59255-72	REFLECTOR (red) (2)	--	--	91*-BK/L/M	--
	59259-90	REFLECTOR (red) (2)	--	91-EA/B/G/L	--	91-GB
	59287-92	REFLECTOR, right, (red)	--	92-EA/B/G/L	--	92*-ALL
	59288-92	REFLECTOR, left, (red)	--	92-EA/B/G/L	--	92*-ALL
	59289-92	REFLECTOR, right, (amber)	--	--	--	92*-GA
	52290-92	REFLECTOR, left, (amber)	--	--	--	92*-GA
28	59569-83	REINFORCEMENT	91*-ALL	91*-EC	--	--
29	59573-83	FENDER (prime)	--	91*-EC	--	--
	59634-81A	FENDER (prime)	--	91*EA/ B/G/L/M	--	--
	59634-90	FENDER (prime)	--	--	--	91*-GB
30	59579-91	FENDER, louvered (prime)	91*-ALL	--	--	--
31	59596-89	FENDER (prime)	--	--	91*-BM	--
32	59648-84A	DEBRIS DEFLECTOR, upper	--	--	91*-ALL	--
33	59658-79	LAMP ASSEMBLY	91*-ALL	--	91*-BJ	--
34	59914-86A	FENDER (prime)	--	--	91*-BK/L	--
35	67070-76	GROMMET	91*-ALL	--	--	--
36	68046-79	LENS, rear fender lamp	91*-ALL	--	91*-BJ	--
37	68047-79	GASKET, rear fender lamp	91*-ALL	--	91*-BJ	--
38	71795-63A	CLAMP	91*-ALL	--	91*-BJ	--
39	90488-83	SUPPORT BRACKET, saddlebags	--	91*-EC	--	--

FLT MODELS		FXR MODELS		SOFTAIL MODELS		DYNA MODEL	
FLTC	OB	FXR	EA	FLSTC	BJ	FXDB-D	GA
FLHTC	DJ	FXRS	EB	FXSTC	BK	FXDB-S	GB
FLTC-U	DM	FXRT	EC	FXSTS	BL	FXDC	GC
FLHTC-U	DP	FXRS-SP	EG	FLSTF	BM		
FLHS	FA	FXLR	EL				
		FXRS-CON	EM				

# REAR FENDERS



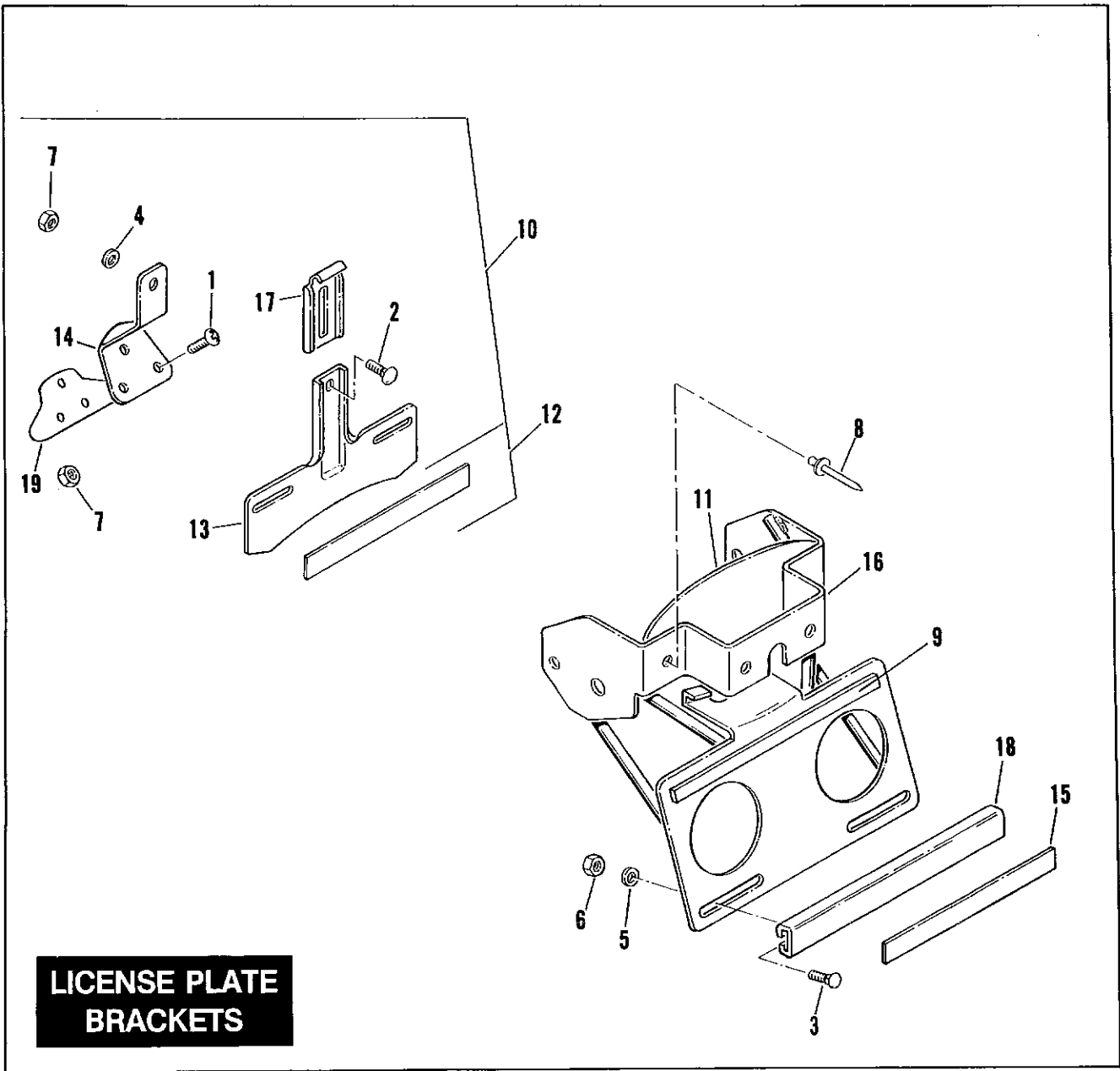


REAR FENDER (CONT'D)

FA36A-2

INDEX NO.	PART NO.	NAME	FLT MODELS	FXR MODELS	SOFTAIL MODELS	DYNA MODEL
40	91013-79	REAR BUMPER ASSEMBLY	91*-ALL	--	--	--
	91023-79	RAIL, rear bumper	91*-ALL	--	--	--
41	91123-77	BUMPER CUSHION, rear	91*-ALL	--	--	--
<b>H-D INTERNATIONAL ONLY</b>						
	59251-90	REFLECTOR rear (red) (HDI only)	91*-ALL	91-ALL	91-ALL	91*-GB
27	59254-91	REFLECTOR (amber) (2)	--	91*-EA/ B/G/L	91*-ALL	--
	59289-92	REFLECTOR, right, (amber)	92*-EA/B/ G/L	--	--	92*-ALL
	59290-92	REFLECTOR, left, (amber)	92*-EA/B/ G/L	--	--	92*-ALL

FLT MODELS		FXR MODELS		SOFTAIL MODELS		DYNA MODEL	
FLTC	DB	FXR	EA	FLSTC	BJ	FXDD-D	GA
FLHTC	DJ	FXRS	EB	FXSTC	BK	FXDB-S	GB
FLTC-U	DM	FXRT	EC	FXSTS	BL	FXDC	GC
FLHTC-U	DP	FXRS-SP	EG	FLSTF	BM		
FLHS	FA	FXLR	EL				
		FXRS-CON	EM				

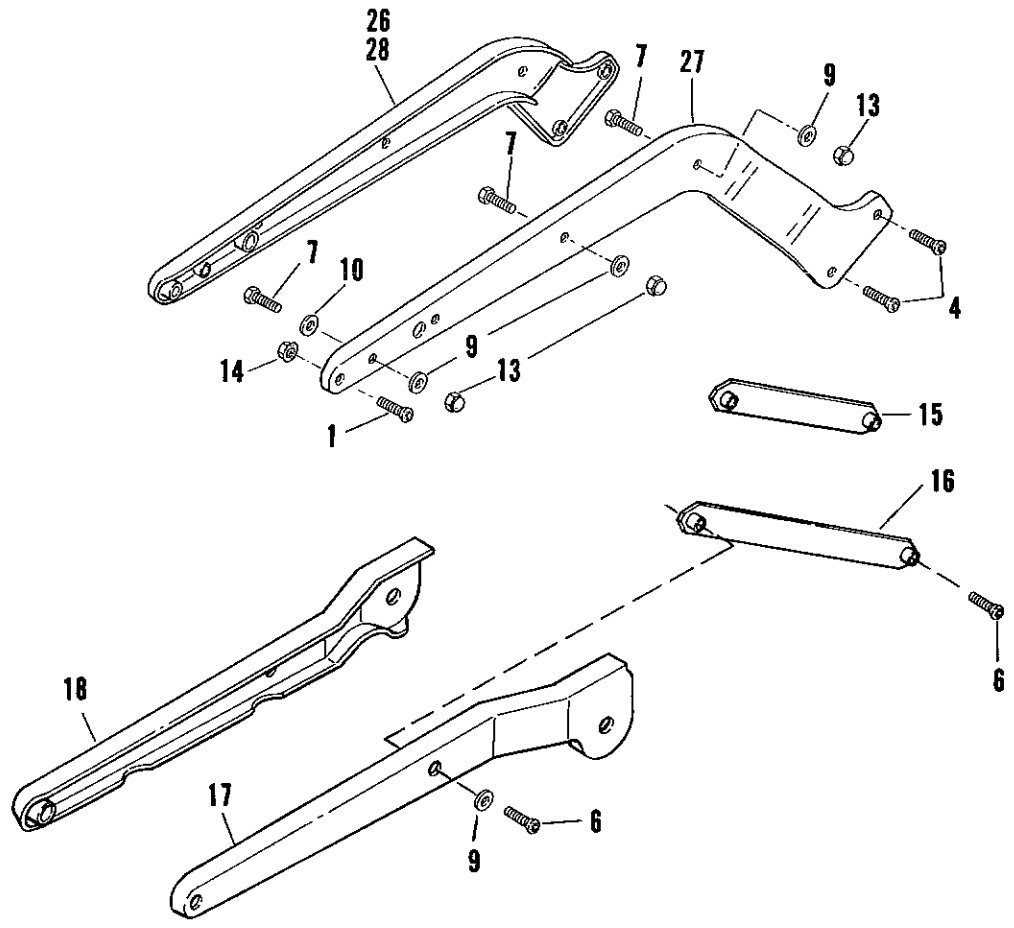
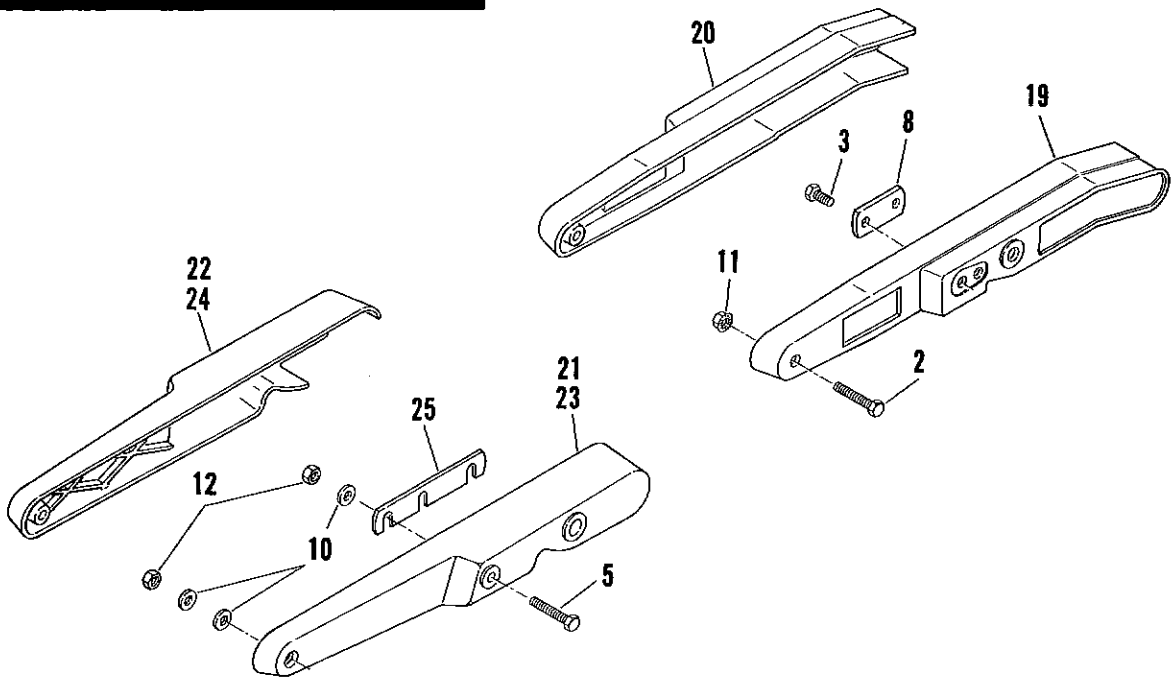


**LICENSE PLATE BRACKET**

INDEX NO.	PART NO.	NAME	FLT MODELS	FXR MODELS	SOFTAIL MODELS	DYNA MODEL
1	2773	SCREW (3; 1 - EM)	--	91*-ALL	91*-BJ/M	91*-ALL
2	5403B	BOLT	--	91*-ALL	91*-BJ/M	91*-ALL
3	5465	CARRIAGE BOLT (2)	--	--	91*-BK/L	--
4	6703	WASHER	--	91*-ALL	91*-BJ/M	91*-ALL
5	6716	WASHER (2)	--	--	91*-BK/L	--
6	7624	NUT (2)	--	--	91*-BK/L	--
7	7792	NUT (4)	--	91*-ALL	91*-BJ/M	91*-ALL
8	8483	POP RIVET (2)	--	--	91*-BK/L	--
9	52092-77	FOAM TAPE	--	--	91*-BK/L	--
10	59626-84	LICENSE PLATE BRACKET ASSEMBLY	--	EA/B/ C/G/L	91*-BJ/M	91*-ALL
11	59971-80	SPLASH SHIELD (rubber)	--	--	91*-BK/L	--
12	59983-75	LICENSE PLATE BRACKET ASSEMBLY With/ #10 & 15	--	91*-EA/B/ C/G/L	91*-BJ	--
	60004-89	LICENSE PLATE BRACKET ASM. (chrome)	--	91*-EM	--	--
13	59984-73	BRACKET	--	91*-ALL	91*-BJ/M	91*-ALL
14	59986-75	SUPPORT	--	91*-ALL	91*-BJ/M	91*-ALL
15	59988-72	REFLECTOR	91*-ALL	91*-ALL	91*-ALL	91*-ALL
16	59993-80A	LICENSE PLATE BRACKET ASSEMBLY	--	--	91*-BK/L	91*-ALL
17	60001-55	CLAMP	--	91*-ALL	91*-BJ/M	91*-ALL
18	60005-77	CLAMP	--	--	91*-BK/L	--
19	68456-89	PAD	--	91*-EM	--	--
		<b>H-D INTERNATIONAL ONLY</b>				
	59262-90	REFLECTOR, rear (red) (HDI only)	--	--	91*-BK/L	--

FLT MODELS		FXR MODELS		SOFTAIL MODELS		DYNA MODEL	
FLTC	DB	FXR	EA	FLSTC	BJ	FXDB-D	GA
FLHTC	DJ	FXRS	EB	FXSTC	BK	FXDB-S	GB
FLTC-U	DM	FXRT	EC	FXSTS	BL	FXDC	GC
FLHTC-U	DP	FXRS-SP	EG	FLSTF	BM		
FLHS	FA	FXLR	EL				
		FXRS-CON	EM				

# REAR FENDER SUPPORTS

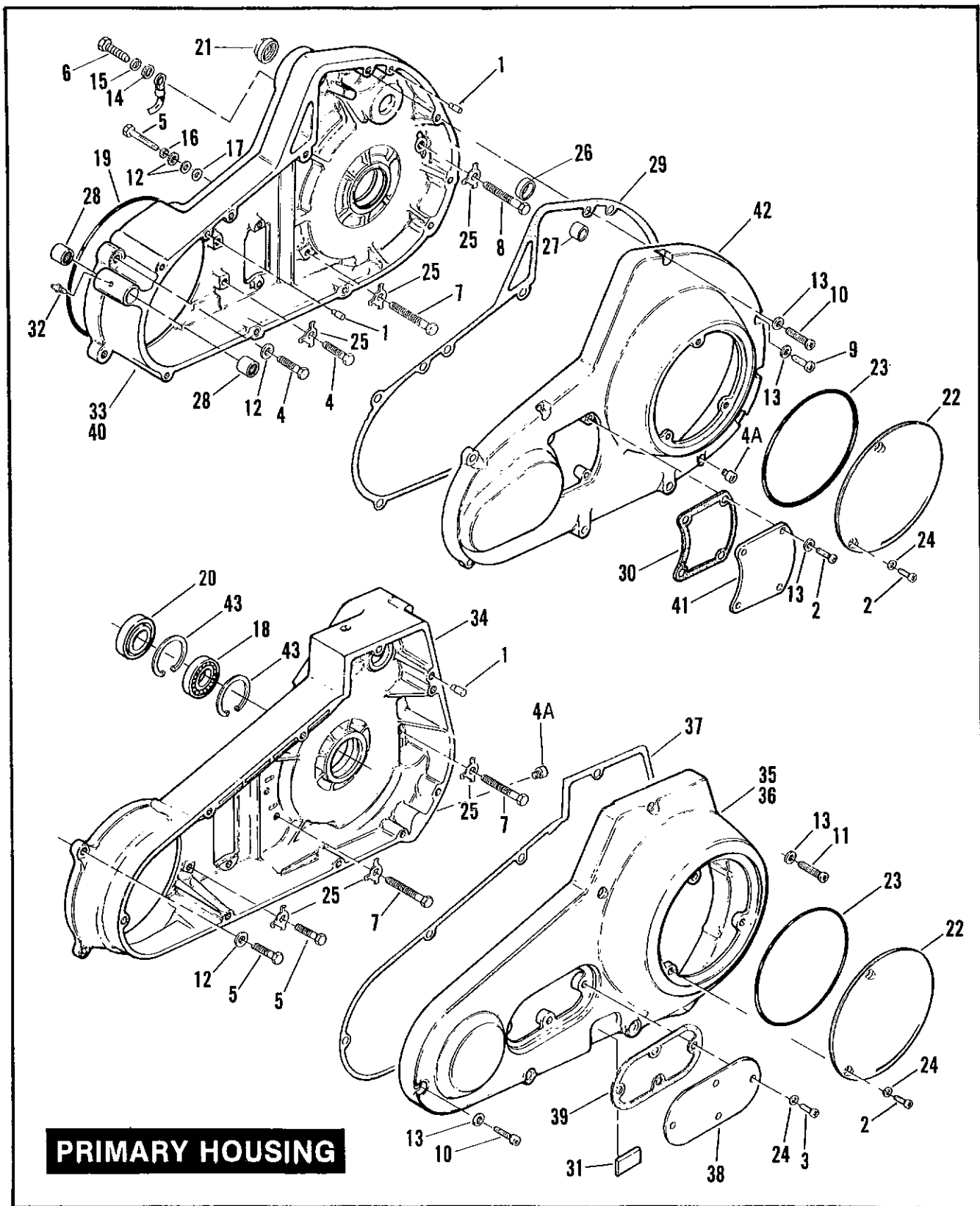


# REAR FENDER SUPPORTS

FA38

INDEX NO.	PART NO.	NAME	FLT MODELS	FXR MODELS	SOFTAIL MODELS	DYNA MODEL
1	2005	SCREW (2)	--	--	91*-ALL	--
2	2887W	BOLT (2)	--	91*-EC	--	--
3	2906	BOLT (2)	--	91*-EC	--	--
4	4013	SCREW (4)	--	--	91*-ALL	--
5	4030	SCREW (2)	--	91-EA/B/ G/L/M	--	--
6	4044	SCREW (4)	--	--	--	91*-ALL
7	4716W	BOLT (6; 4 - BJ/M)	--	--	91*-ALL	--
	4721	BOLT (2)	--	--	91*-BJ/M	--
8	5713	SPACER (2)	--	91*-EC	--	--
9	6379W	WASHER (6)	--	--	91*-ALL	91*-ALL
10	6701	WASHER (6 -91;2)	--	91*-EA/B/ G/L	--	--
11	7531	NUT (2)	--	91*-EC	--	--
12	7628	LOCKNUT (4)	--	91*-EA/B/ G/L/M	--	--
13	7643W	NUT (2)	--	--	91*-BJ/M	--
14	7775	NUT (2)	--	--	91*-ALL	--
15	59112-90	STRUT, left	--	--	--	91*-ALL
16	59113-90	STRUT, right	--	--	--	91*-ALL
17	59138-90	SUPPORT, right	--	--	--	91*-ALL
18	59171-90	SUPPORT, left	--	--	--	91*-ALL
19	59504-84	SUPPORT, right (black)	--	91*-EC	--	--
20	59505-84	SUPPORT, left (black)	--	91*-EC	--	--
21	59542-87	SUPPORT, right (chrome)	--	91*-EB/L	--	--
22	59544-87	SUPPORT, left (chrome)	--	91*-EB/L	--	--
23	59548-87	SUPPORT, right	--	91*-EA/B/ G/M	--	--
24	59558-87	SUPPORT, left	--	91*-EA/B/ G/M	--	--
25	59591-87	SPACER (2)	--	91*-EA/B/ G/M	--	--
26	59954-86	SUPPORT, left (chrome)	--	--	91*-BK/L	--
27	59955-86	SUPPORT, right (chrome)	--	--	91*-BK/L	--
	59964-86	SUPPORT, right (chrome)	--	--	91*-BJ	--
	59977-89	SUPPORT, right (silver)	--	--	91*-BM	--
28	59969-86	SUPPORT, left (chrome)	--	--	91*-BJ	--
	59978-89	SUPPORT, left (silver)	--	--	91*-BM	--
<b>H-D INTERNATIONAL ONLY</b>						
27	59964-86	SUPPORT, right (chrome)	--	--	91*-ALL	--
28	59969-86	SUPPORT, left (chrome)	--	--	91*-ALL	--

FLT MODELS		FXR MODELS		SOFTAIL MODELS		DYNA MODEL	
FLTC	DB	FXR	EA	FLSTC	BJ	FXDB-D	GA
FLHTC	DJ	FXRS	EB	FXSTC	BK	FXDB-S	GB
FLTC-U	DM	FXRT	EC	FXSTS	BL	FXDC	GC
FLHTC-U	DP	FXRS-SP	EG	FLSTF	BM		
FLHS	FA	FXLR	EL				
		FXRS-CON	EM				

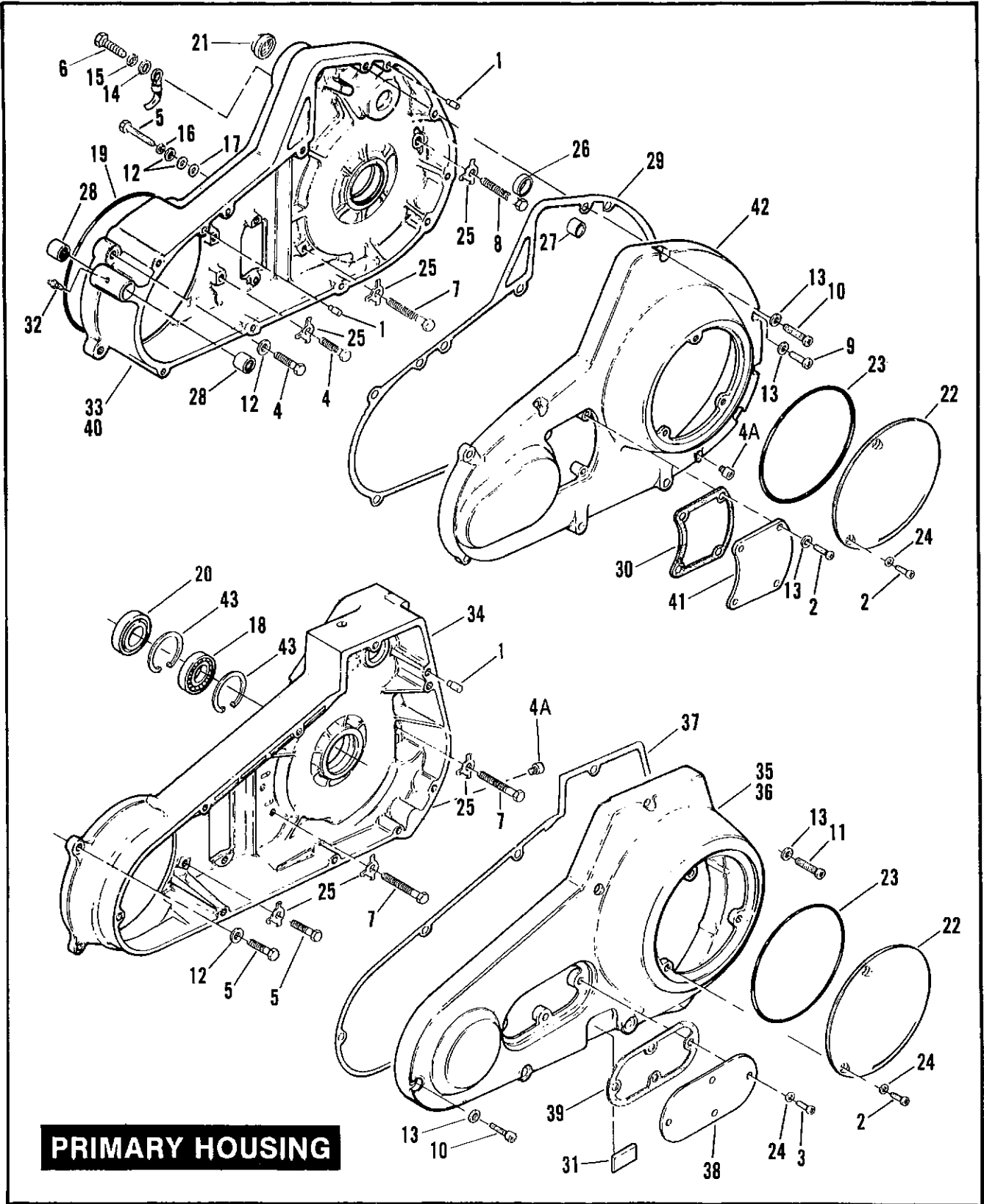


**PRIMARY HOUSING**

**FA39-1**

INDEX NO.	PART NO.	NAME	FLT MODELS	FXR MODELS	SOFTAIL MODELS	DYNA MODEL
1	221	PIN (2)	91*-ALL	91*-ALL	--	--
	375	PIN ( 2 - Dyna)	--	--	91*-ALL	91*-ALL
2	923	SCREW (7; 3 - Softail & Dyna)	91*-ALL	91*-ALL	91*-ALL	91*-ALL
3	924	SCREW (4)	--	--	91*-ALL	91*-ALL
4	2818	SCREW (4)	91*-ALL	91*-ALL	--	--
4A	739	PLUG, magnetic	91*-ALL	91*-ALL	91*-ALL	91*-ALL
5	2871W	BOLT (4)	91*-ALL	91*-ALL	91*-ALL	91*-ALL
6	3767B	BOLT	--	91*-ALL	--	--
7	4068	BOLT (4 - Softail; 2 - Dyna)	91*-ALL	91*-ALL	91*-ALL	91*-ALL
8	4086	BOLT	91*-ALL	91*-ALL	--	91-ALL
9	4718A	WASHER (5)	91*-ALL	91*-ALL	--	--
10	4740A	SCREW (5; 7 - Softail & GB)	91*-ALL	91*-ALL	91*-ALL	91*-ALL
11	4820A	BOLT (5)	--	--	91*-ALL	91*-ALL
12	6016	WASHER (3; 2 - Softail & Dyna)	91*-ALL	91*-ALL	91*-ALL	91*-GB
13	6099	WASHER (5; 7 - Softail)	91*-ALL	91*-ALL	91*-ALL	91*-ALL
14	6703	WASHER	--	91*-ALL	--	--
15	7036	LOCKWASHER	--	91*-ALL	--	--
16	7100	LOCKWASHER	--	--	91*-ALL	--
17	7127	LOCKWASHER	91*-ALL	91*-ALL	--	--
18	9135	BEARING	91*-ALL	91*-ALL	91*-ALL	91*-ALL
19	11147	O-RING, housing cover	91*-ALL	91*-ALL	91*-ALL	91*-ALL
20	12052	OIL SEAL	91*-ALL	91*-ALL	91*-ALL	91*-ALL
21	12053	OIL SEAL	91*-ALL	91*-ALL	91*-ALL	91*-ALL
22	25414-70A	COVER, clutch	91*-FA	91*-EA	--	--
	25420-90	COVER, clutch (black/orange)	--	--	--	91-GB
	60668-84B	COVER, clutch (chrome)	91*-DB/J/ M/P	91*-EB/C/ G/L/M	91*-ALL	92*-ALL
23	25416-84	O-RING, clutch cover	91*-ALL	91*-ALL	91*-ALL	91*-ALL
24	31433-84A	WASHER (nylon) (3; 7 - Softail)	91*-ALL	91*-ALL	91*-ALL	91*-ALL
25	33318-85	LOCKING TAB (4; 6 - Softail)	91*-ALL	91*-ALL	--	91*-ALL
26	33445-89	BUSHING	91*-ALL	91*-ALL	91*-ALL	91*-ALL
27	33446-89	BUSHING	91*-ALL	91*-ALL	91*-ALL	--
28	33713-85	BUSHING (2)	91*-ALL	--	--	--
29	34901-85	GASKET, cover	91*-ALL	91*-ALL	--	--
30	34906-85	GASKET, inspection cover	91*-ALL	91*-ALL	--	--
31	50100-70	BUMPER, jiffy stand	--	--	91*-ALL	--
32	50972-75	FITTING, lubrication	91*-ALL	--	--	--
33	60432-90	PRIMARY HOUSING ASSEMBLY (black wrinkle)	91*-DB/J/ M/P	--	--	--
34	60616-90	PRIMARY HOUSING ASSEMBLY (black wrinkle)	--	--	--	91-GB; 92*-GA
	60630-90	PRIMARY HOUSING ASSEMBLY (black wrinkle)	--	--	91*-ALL	--
	60663-90	PRIMARY HOUSING ASSEMBLY	--	--	--	92*-GC
35	60543-89	COVER ASSEMBLY, primary (chrome)	--	--	91*-ALL	92*-ALL
36	60561-90	COVER ASSEMBLY, primary (black)	--	--	--	91-GB
	60529-90	COVER ASSEMBLY	--	--	--	92*-GC
37	60539-89	GASKET, primary cover	--	--	91*-ALL	91*-ALL

FLT MODELS		FXR MODELS		SOFTAIL MODELS		DYNA MODEL	
FLTC	DB	FXR	EA	FLSTC	BJ	FXBD-D	GA
FLHTC	DJ	FXRS	EB	FXSTC	BK	FXDB-S	GB
FLTC-U	DM	FXRT	EC	FXSTS	BL	FXDC	GC
FLHTC-U	DP	FXRS-SP	EG	FLSTF	BM		
FLHS	FA	FXLR	EL				
		FXRS-CON	EM				



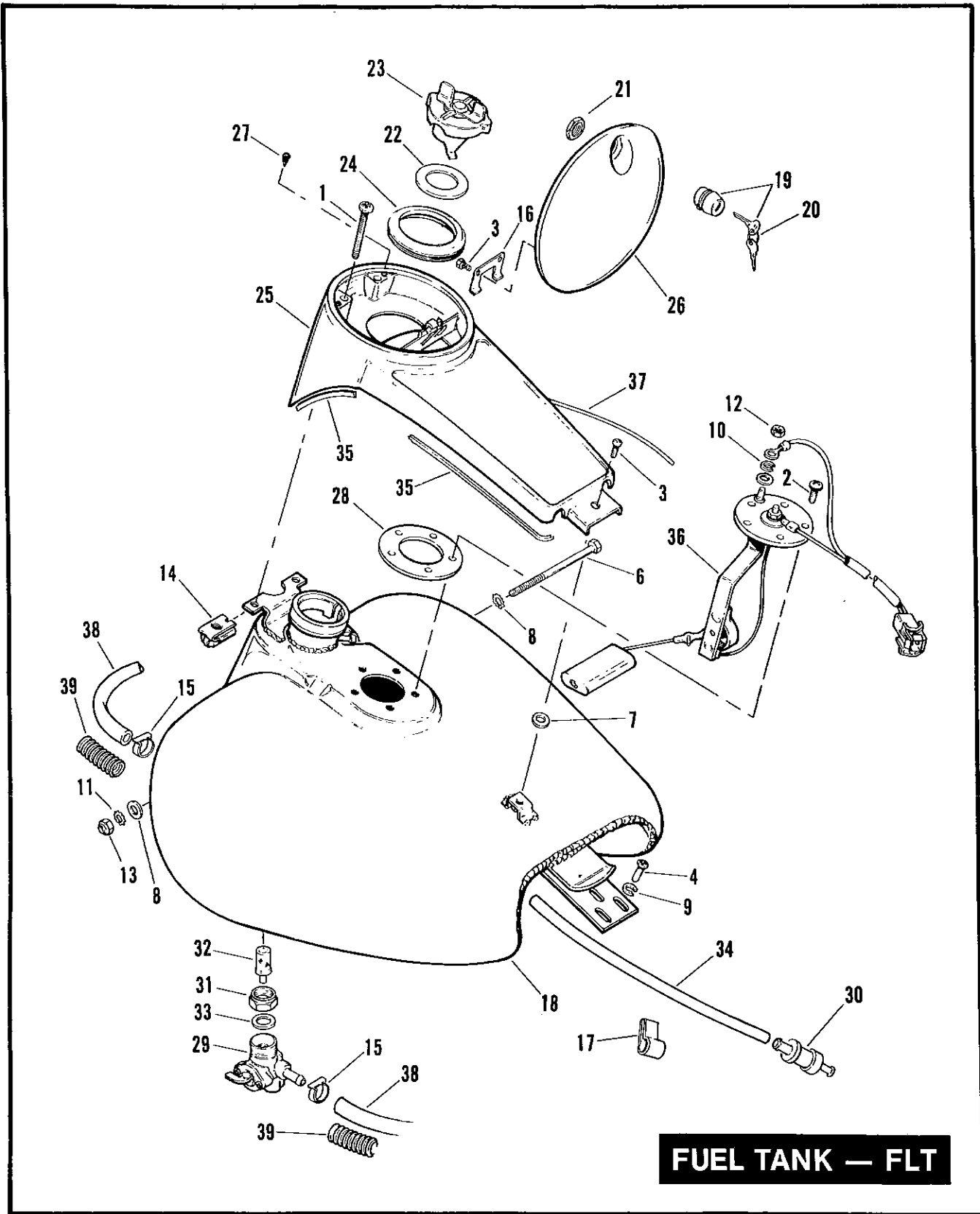


**PRIMARY HOUSING (CONT'D)**

**FA39-2**

INDEX NO.	PART NO.	NAME	FLT MODELS	FXR MODELS	SOFTAIL MODELS	DYNA MODEL
38	60529-90	COVER, inspection (chrome)	--	--	--	92*-ALL
	60565-90	COVER, inspection (black)	--	--	--	91-GB
	60572-86	COVER, inspection (chrome)	--	--	91*-ALL	--
39	60567-90	GASKET, inspection cover	--	--	91*-ALL	91*-ALL
40	60612-90	PRIMARY HOUSING ASSEMBLY (black wrinkle)	--	91*-EB/C/ G/L/M	--	--
	60661-90	PRIMARY HOUSING ASSEMBLY	91*-FA	--	--	--
41	60662-90	PRIMARY HOUSING ASSEMBLY	--	91*-EA	--	--
	60642-85	COVER, inspection	--	91*-EA	--	--
	60667-85	COVER, inspection (chrome)	--	91*-EB/C/ G/L/M	--	--
	60670-85	COVER, inspection (chrome)	91*-DB/J/ M/P	--	--	--
42	60673-85	COVER, inspection	91*-FA	--	--	--
	60664-89	COVER ASSEMBLY, primary	91*-FA	91*-EA	--	--
	60665-89	COVER ASSEMBLY, primary (chrome)	91*-DB/J/ M/P	91*-EB/C/ G/L/M	--	--
43	60678-85	RETAINING RING (2)	91*-ALL	91*-ALL	91*-ALL	91*-ALL

FLT MODELS		FXR MODELS		SOFTAIL MODELS		DYNA MODEL	
FLTC	DB	FXR	EA	FLSTC	BJ	FXDB-D	GA
FLHTC	DJ	FXRS	EB	FXSTC	BK	FXDB-S	GB
FLTC-U	DM	FXRT	EC	FXSTS	BL	FXDC	GC
FLHTC-U	DP	FXRS-SP	EG	FLSTF	BM		
FLHS	FA	FXLR	EL				
		FXRS-CON	EM				



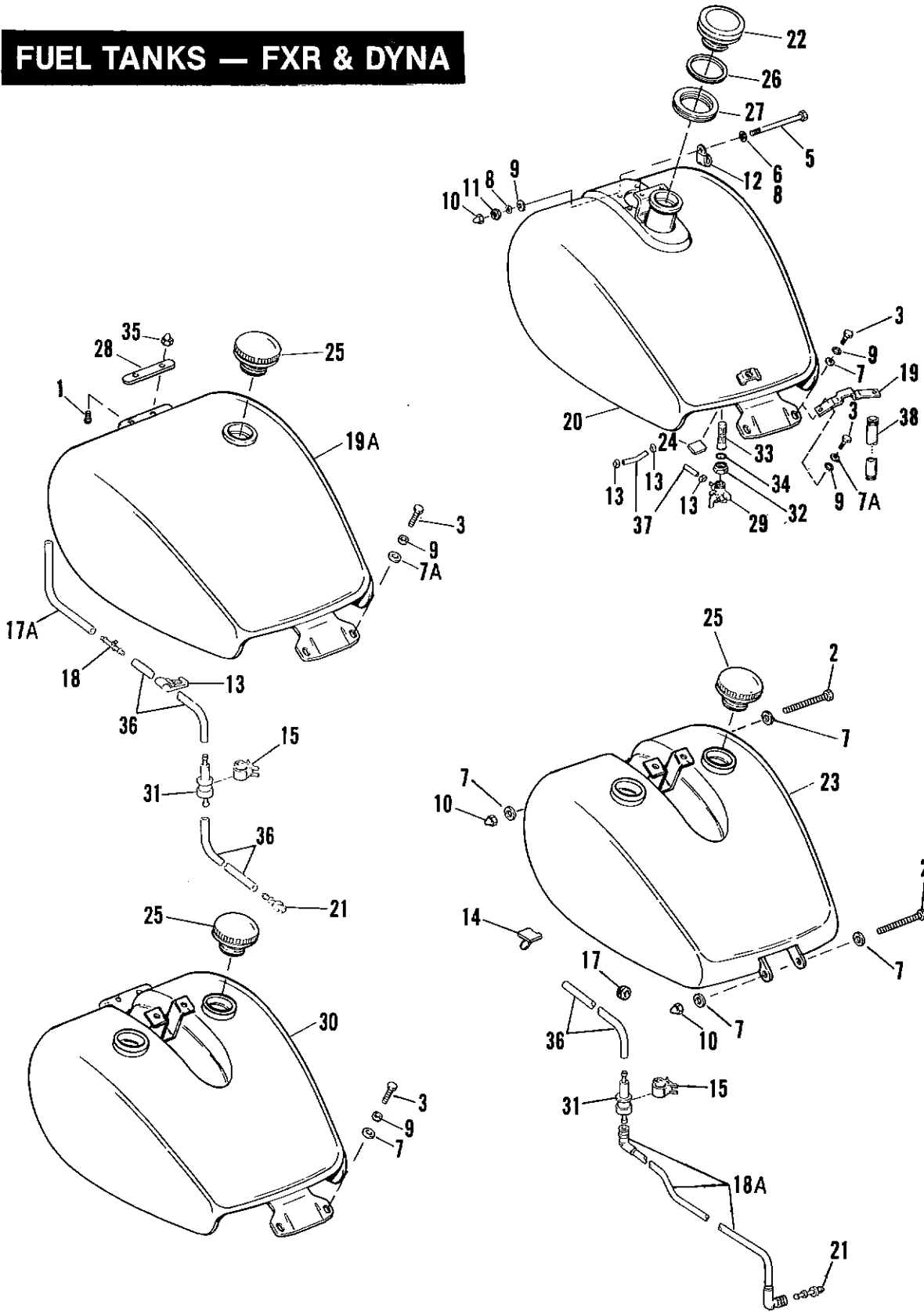
**FUEL TANK — FLT**

**FUEL TANK - FLT MODELS**

INDEX NO.	PART NO.	NAME	FLT MODELS	FXR MODELS	SOFTAIL MODELS	DYNA MODEL
<b>NOTE: REFER TO DEALER ACCESSORY GUIDE FOR PAINTED PART NUMBERS.</b>						
1	939	SCREW (2)	91*-ALL	--	--	--
2	1309B	SCREW, sealing (5)	91*-ALL	--	--	--
3	3529	SCREW (2)	91*-ALL	--	--	--
4	3652	SCREW	91*-ALL	--	--	--
5	4033	SCREW (2)	91*-ALL	--	--	--
6	4061	SCREW	91*-ALL	--	--	--
7	6109	WASHER	91*-ALL	--	--	--
8	6702	WASHER (2)	91*-ALL	--	--	--
9	6703	WASHER (2)	91*-ALL	--	--	--
10	7069	LOCKWASHER	91*-ALL	--	--	--
11	7232	LOCKWASHER	91*-ALL	--	--	--
12	7638	NUT, (brass)	91*-ALL	--	--	--
13	7739	LOCKNUT	91*-ALL	--	--	--
14	7743	CLIP NUT (2)	91*-ALL	--	--	--
15	10014	CLAMP (4)	91*-ALL	--	--	--
16	10089	CLIP	91-ALL	--	--	--
	10105	CLIP	92*-ALL	--	--	--
17	10106	CLIP, tube	92*-ALL	--	--	--
18	61019-89B	FUEL TANK KIT (prime) w#3,16,19,23,24,26,&30	91-ALL	--	--	--
	61019-92	FUEL TANK (prime)	92*ALL	--	--	--
19	61029-82	LOCK, door with keys	91-ALL	--	--	--
	61029-92	LOCK door with keys	92*-ALL	--	--	--
20	61077-82	KEYSET, door (Specify key #.)	91-ALL	--	--	--
	71452-91	KEYSET (specify 4 digit key code no.)	92*-ALL	--	--	--
21	61078-80	NUT, lock	91-ALL	--	--	--
	84850-92	NUT, lock	92*-ALL	--	--	--
22	61109-85C	GASKET, filler cap	91*-ALL	--	--	--
23	61091-88	FILLER CAP	91-ALL	--	--	--
	61274-92	FILLER CAP, vac. vent	92*-ALL	--	--	--
24	61112-82A	BOOT	91*-ALL	--	--	--
25	61270-88	CONSOLE	91*-ALL	--	--	--
26	61278-88	DOOR, console	91-ALL	--	--	--
	61278-92	DOOR, console	92*-ALL	--	--	--
27	61313-88	BUMPER, cover (2)	91*-ALL	--	--	--
28	61322-80B	GASKET, fuel sending unit	91*-ALL	--	--	--
	62167-81	FUEL VALVE BODY	91-ALL	--	--	--
	61338-82	FUEL VALVE BODY	92*-ALL	--	--	--
30	62150-85	VAPOR VALVE	92*-ALL	--	--	--
31	62161-75	NUT, fuel valve	91*-ALL	--	--	--
32	62170-81A	FILTER, fuel valve	91*-ALL	--	--	--
33	62172-75	GASKET, fuel valve	91*-ALL	--	--	--
34	63591-92	TUBE, tank to valve	92*-ALL	--	--	--
35	71294-89	MOLDING, (rubber)	91*-ALL	--	--	--
36	75040-88	SENDING UNIT, fuel gauge	91*-ALL	--	--	--
NOTE: Hose or insulator is sold in bulk length under the following part numbers. Cut to length.						
37	27138-90	HOSE, 3/16" I.D. x 11/32" O.D. (rubber)(10 ft. lg.)	91*-ALL	--	--	--
38	63501-68	HOSE, 1/4" I.D. x 5/8" O.D. (rubber) (25 ft. lg.)	91*-ALL	--	--	--
39	63505-84	INSULATOR, 1/2" I.D. (nylon) (8 ft. lg.)	91*-ALL	--	--	--

FLT MODELS		FXR MODELS		SOFTAIL MODELS		DYNA MODEL	
FLTC	DB	FXR	EA	FLSTC	BJ	FXDB-D	GA
FLHTC	DJ	FXRS	EB	FXSTC	BK	FXDB-S	GB
FLTC-U	DM	FXRT	EC	FXSTS	BL	FXDC	GC
FLHTC-U	DP	FXRS-SP	EG	FLSTF	BM		
FLHS	FA	FXLR	EL				
		FXRS-CON	EM				

# FUEL TANKS — FXR & DYNA



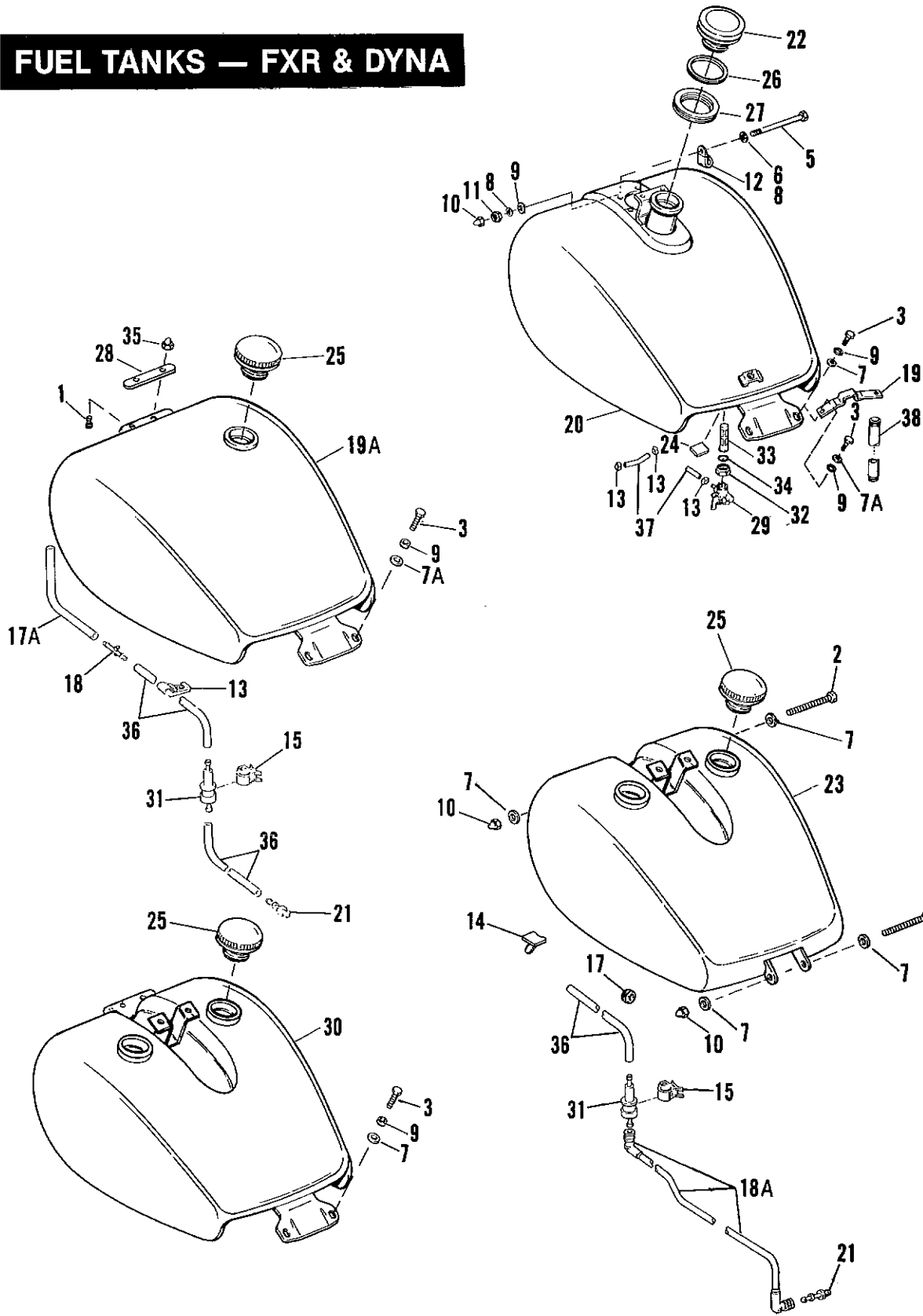
**FUEL TANK - FXR & DYNA MODELS**

**FA40B-1**

INDEX NO.	PART NO.	NAME	FLT MODELS	FXR MODELS	SOFTAIL MODELS	DYNA MODEL
<b>NOTE: REFER TO DEALER ACCESORY GUIDE FOR PAINTED PART NUMBERS.</b>						
1	2665	SCREW (2)	--	91*-EC	--	--
2	3530	BOLT (2)	--	--	--	91*-ALL
3	4017	BOLT (2)	--	91*-ALL	--	--
5	4067	BOLT	--	91*-EC	--	--
	4100HW	BOLT	--	91*-EA/B/ G/L/M	--	--
6	6019	WASHER	--	91*-EL	--	--
7	6109	WASHER (2; 4 - Dyna)	--	91*-EA	--	91*-ALL
7A	6237	WASHER (2)	--	91*-EB/C/ G/L/M	--	--
				91*-ALL		
8	6702	WASHER (2 -EC)	--	91*-ALL	--	--
9	7232	LOCKWASHER (2)	--	91*-EA/B/ G/L/M	--	--
				91*-ALL		
10	7507	ACORN NUT (chrome) (2 - Dyna)	--	91*-ALL	--	91*-ALL
11	7739	LOCKNUT	--	91*-EC	--	--
12	9988	CLIP, throttle cables	--	91*-ALL	--	--
13	10014	CLAMP, (4)	--	91*-ALL	--	91*-ALL
14	10102	CLIP	--	--	--	91*-ALL
15	10108	CLIP, vapor valve	--	92*-ALL	--	92*-ALL
16	10114	CLIP, vapor valve hose	--	92*-ALL	--	92*-ALL
17	11412	GROMMET, fuel hose	--	--	--	91*-ALL
17A	27120-92	HOSE, tank to conn.	--	92*-EL	--	--
	27198-92	HOSE, tank to conn.	--	92*-EA/B/ C/G/M	--	--
18	27196-92	CONNECTOR, vent	--	92*-ALL	--	--
18A	27296-92	HOSE	--	--	--	92*-ALL
19	52107-86	BRACKET, seat	--	91*-EA	--	--
19A	61006-87A	FUEL TANK KIT (prime)	--	91-EL	--	--
	61006-92	FUEL TANK (prime)	--	92*-EL	--	--
20	61044-82C	FUEL TANK KIT (prime)	--	91-EA/C/ G/M	--	--
	61265-92	FUEL TANK (prime)	--	92*-EA/C/ G/M	--	--
21	61131-92	CONNECTOR, vent line	--	92*-ALL	--	92*-ALL
22	61060-82A	FILLER CAP	--	91-EA/C/ G/M	--	--
	61273-92	FILLER CAP, vac. vent	--	92*-EA/C/ G/M	--	--
23	61266-92	FUEL TANK KIT (prime)	--	--	--	92*-ALL
	61271-91A	FUEL TANK KIT (prime)	--	--	--	91-GB
24	61079-82	PAD	--	91*-ALL	--	--
25	61102-83B	FILLER CAP	--	91-EB/L	--	91-GB
	61272-92	FILLER CAP, vac. vent	--	92*-EB/L	--	92*-ALL

FLT MODELS		FXR MODELS		SOFTAIL MODELS		DYNA MODEL	
FLTC	DB	FXR	EA	FLSTC	BJ	FXDB-D	GA
FLHTC	DJ	FXRS	EB	FXSTC	BK	FXDB-S	GB
FLTC-U	DM	FXRT	EC	FXSTS	BL	FCRC	GC
FLHTC-U	DP	FXRS-SP	EG	FLSTF	BM		
FLHS	FA	FXLR	EL				
		FXRS-CON	EM				

# FUEL TANKS — FXR & DYNA

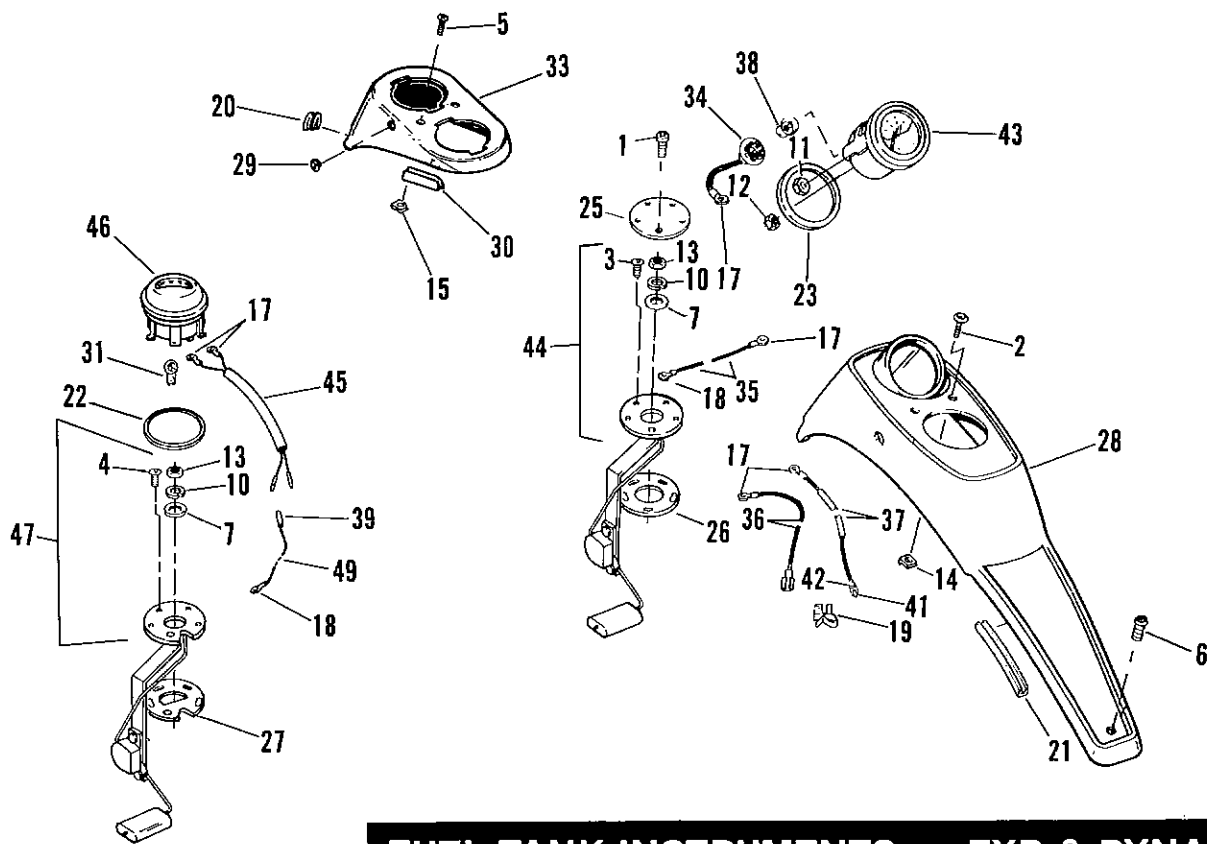


**FUEL TANK - FXR & DYNA MODELS (CONT'D)**

**FA40B-2**

INDEX NO.	PART NO.	NAME	FLT MODELS	FXR MODELS	SOFTAIL MODELS	DYNA MODEL
26	61109-85C	GASKET, filler cap	--	91*-EA/B/ C/G/M	--	91*-ALL
27	61112-82A	BOOT	--	91*-EA/C/ G/M	--	--
28	61137-87	BRACKET, trim strap	--	91*-EL	--	--
29	61335-83	VALVE, body	--	91*-ALL	--	--
	62167-81	VALVE, body	--	--	--	91*-ALL
30	61421-88A	FUEL TANK KIT (prime)	--	91*-EB	--	--
	61421-92	FUEL TANK (prime)	--	92*-EB	--	--
31	62150-85	VAPOR VALVE	--	92*-ALL	--	92*-ALL
32	62161-75	NUT	--	91*-ALL	--	91*-ALL
33	62166-81A	FILTER	--	91*-ALL	--	--
	62170-81	FILTER	--	--	--	91*-ALL
34	62172-75	GASKET, fuel filter	--	91*-ALL	--	91*-ALL
35	90844-80	ACORN NUT (2)	--	91*-ALL	--	--
NOTE: Hose or insulator is sold in bulk length under the following part numbers. Cut to length.						
36	27138-90	HOSE 3/16" I.D. x 11/32" O.D. (rubber) (10 ft. lg.)	--	92*-ALL	--	--
37	63501-68	HOSE, 1/4" I.D. x 5/8" O.D. (rubber) (25 ft. lg.)	--	91*-ALL	--	91*-ALL
38	63505-84	INSULATOR, 1/2" I.D. (nylon) (8 ft. lg.)	--	91*-ALL	--	--
<b>H-D INTERNATIONAL ONLY</b>						
	14260-91	DECAL (Swiss only)	--	--	--	91*-ALL

FLT MODELS		FXR MODELS		SOFTAIL MODELS		DYNA MODEL	
FLTC	DB	FXR	EA	FLSTC	BJ	FXDB-D	GA
FLHTC	DJ	FXRS	EB	FXSTC	BK	FXDB-S	GB
FLTC-U	DM	FXRT	EC	FXSTS	BL	FXDC	GC
FLHTC-U	DP	FXRS-SP	EG	FLSTF	BM		
FLHS	FA	FXLR	EL				
		FXRS-CON	EM				



## FUEL TANK INSTRUMENTS — FXR & DYNA

### FUEL TANK INSTRUMENTS - FXR & DYNA MODELS

FA40C-1

INDEX NO.	PART NO.	NAME	FLT MODELS	FXR MODELS	SOFTAIL MODELS	DYNA MODEL
1	907	SCREW (5)	--	91*-EA	--	--
2	923	SCREW (2)	--	91*-EC/G/M	--	--
3	1309B	SCREW (5)	--	91*-EA/C/ G/M	--	--
4	1311	SCREW (5)	--	91*-EB	--	91*-ALL
5	2519	SCREW (2)	--	91*-EB	--	91*-ALL
6	3652	SCREW	--	91*-EA/C/ G/M	--	--
7	6716	WASHER	--	91*-EA/C/ G/M	--	--
10	7069	LOCKWASHER	--	91*-EA/C/ G/M	--	--
11	7590	NUT (3)	--	91*-EA/C/ G/M	--	--
12	7608	NUT (2)	--	91*-EA/C/ G/M	--	--
13	7638	NUT	--	91*-EA/C/ G/M	--	--
14	7743	CLIP NUT (2)	--	91*-EA/C/ G/M	--	--



**FUEL TANK INSTRUMENTS - FXR & DYNA MODELS (CONT'D)**

**FA40C-2**

INDEX NO.	PART NO.	NAME	FLT MODELS	FXR MODELS	SOFTAIL MODELS	DYNA MODEL
15	8108	CLIP NUT (2)	--	91*-EB	--	91*-ALL
17	9856	TERMINAL, ring type - #6 hole (4; 2 - EB)	--	91*-EA/B/ C/G/M	--	91*-ALL
18	9857	TERMINAL, ring type - #10 hole	--	91*-EA/B/ C/G/M	--	91*-ALL
19	9894	CLIP, ground wire	--	91*-EA/C/ G/M	--	--
20	11452	GROMMET	--	91*-EB	--	91*-ALL
21	61117-86	TRIM (2)	--	91*-EA/C/ G/M	--	--
22	61192-88	GASKET, cap gauge	--	91*-EB	--	91*-ALL
23	61311-82	GASKET, fuel gauge	--	91*-EA/C/ G/M	--	--
25	61321-80	PLATE, cover	--	91*-EA	--	--
26	61322-80B	GASKET, fuel sending unit	--	91*-EA/C/ G/M	--	--
27	61324-88	GASKET, fuel sending unit	--	91*-EB	--	91*-ALL
28	61411-82	CONSOLE, fuel tank (chrome)	--	91*-EA/C/ G/M	--	--
	61413-86	CONSOLE, fuel tank (black wrinkle)	--	91*-EA	--	--
29	67086-85	GROMMET	--	91*-EB	--	91*-ALL
30	67119-85	TRIM	--	91*-EB	--	91*-ALL
31	67136-85	BULB, fuel gauge	--	91*-EB	--	91*-ALL
33	67185-88	INSTRUMENT HOUSING (black wrinkle)	--	91*-EB	--	91*-ALL
34	69540-78	SOCKET with wire	--	91*-EA/C/ G/M	--	--
35	69617-82	WIRE, sending unit to gauge	--	91*-EC/G/M	--	--
36	69618-82A	WIRE, fuel gauge - ground	--	91*-EC/G/M	--	--
37	69619-82	WIRE, fuel gauge to harness	--	91*-EC/G/M	--	--
38	71099-74	BULB, fuel gauge	--	91*-EC/G/M	--	--
39	72038-71	SOCKET, single pin	--	91*-EB	--	91*-ALL
41	72039-71	PIN, single socket (2 - EB, GB)	--	91*-EC/G/M	--	91*-ALL
42	72043-71	CONNECTOR, single pin	--	91*-EC/G/M	--	91*-ALL
43	75039-86	FUEL GAUGE	--	91*-EC/G/M	--	--
44	75034-82	SENDING UNIT	--	91*-EC/G/M	--	--
45	75047-88	HARNESS, fuel gauge	--	91*-EB	--	91*-ALL
46	75049-88	FUEL GAUGE	--	91*-EB	--	91*-ALL
47	75057-88	SENDING UNIT	--	91*-EB	--	--
	75062-90	SENDING UNIT	--	--	--	91*-ALL
49	75058-88	WIRE, fuel gauge - ground	--	91*-EB	--	91*-ALL

**FLT MODELS**

FLTC DB  
 FLHTC DJ  
 FLTC-U DM  
 FLHTC-U DP  
 FLHS FA

**FXR MODELS**

FXR EA  
 FXRS EB  
 FXRT EC  
 FXRS-SP EG  
 FXLR EL  
 FXRS-CON EM

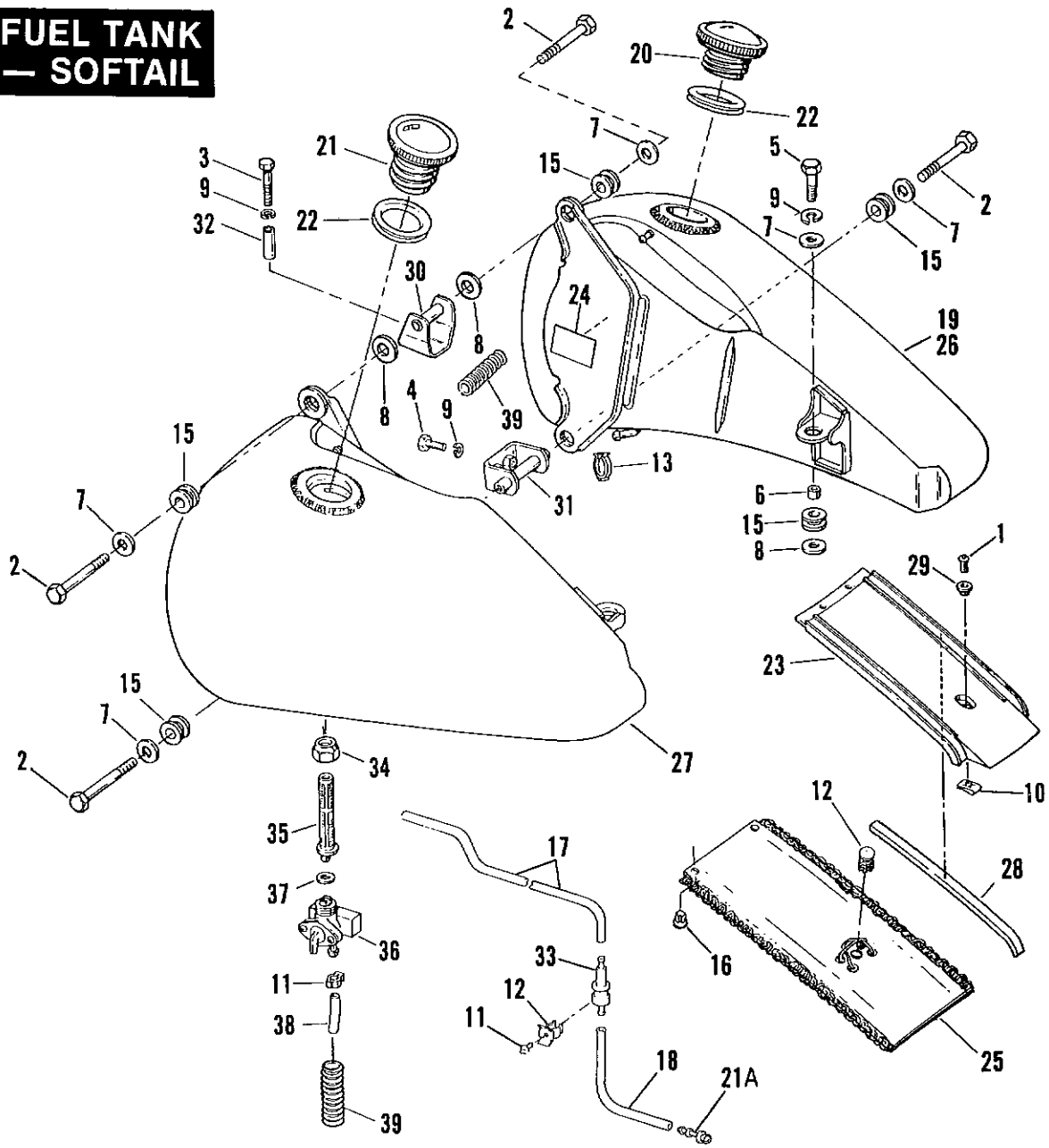
**SOFTAIL MODELS**

FLSTC BJ  
 FXSTC BK  
 FXSTS BL  
 FLSTF BM

**DYNA MODEL**

FXDB-D GA  
 FXDB-S GB  
 FXDC GC

# FUEL TANK — SOFTTAIL

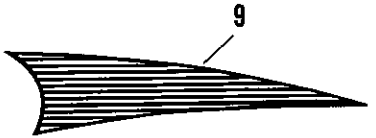
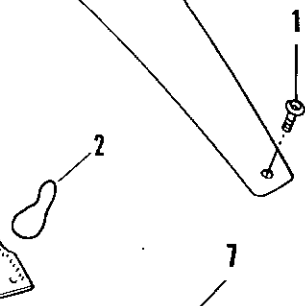
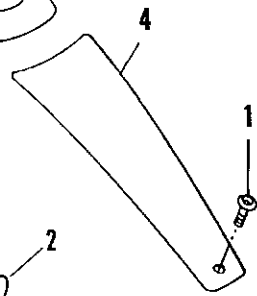
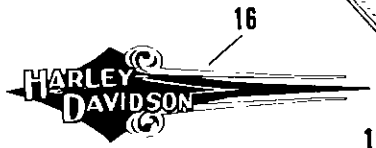
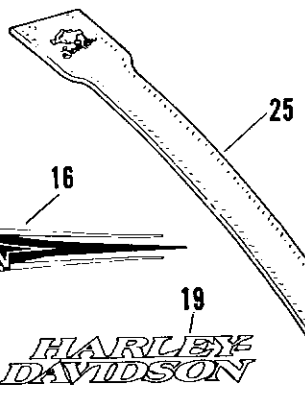
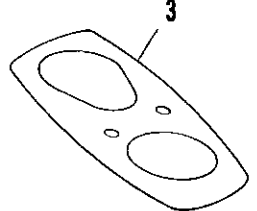
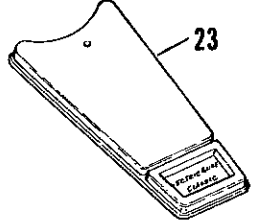
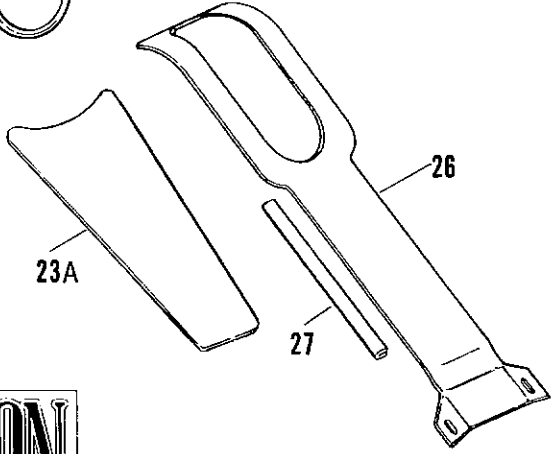
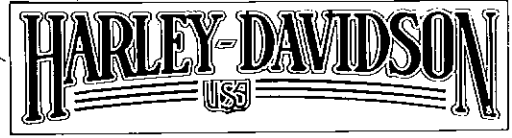
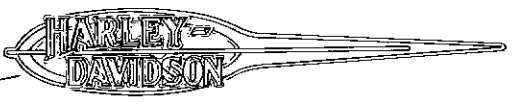
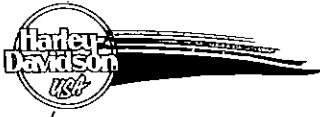


**FUEL TANK - SOFTAIL MODELS**

INDEX NO.	PART NO.	NAME	FLT MODELS	FXR MODELS	SOFTAIL MODELS	DYNA MODEL
<b>NOTE: REFER TO DEALER ACCESSORY GUIDE FOR PAINTED PART NUMBERS.</b>						
1	924	SCREW	--	--	91*-BJ/K/L	--
2	3445	BOLT (4)	--	--	91*-ALL	--
3	3419	SCREW	--	--	91*-ALL	--
4	3987	BOLT (2)	--	--	91*-ALL	--
5	4014W	BOLT (2)	--	--	91*-ALL	--
6	5775	SPACER (2)	--	--	91*-ALL	--
7	6237	WASHER (6)	--	--	91*-ALL	--
8	6365	WASHER (4)	--	--	91*-ALL	--
9	7041	LOCKWASHER (4)	--	--	91*-ALL	--
10	8108	SPEED NUT	--	--	91*-BJ/K/L	--
11	8476	RIVET	--	--	92*-ALL	--
12	9890	CLIP, vapor valve	--	--	92*-ALL	--
13	10014	CLAMP, fuel hose (3)	--	--	91*-ALL	--
14	10040	CLIP	--	--	91*-BM	--
15	11447	GROMMET, fuel tank mounting (6)	--	--	91*-ALL	--
16	11717	FASTENING GROMMET (2)	--	--	91*-BM	--
17	27093-92	HOSE, tank to vapor valve	--	--	92*-ALL	--
18	27102-92	HOSE, valve to air	--	--	92*-ALL	--
19	61052-92	FUEL TANK, right-3.5 gal. (prime)	--	--	92*-BJ/L/M	--
	61053-92	FUEL TANK, right-5 gal. (prime)	--	--	92*-BK	--
20	61102-83B	CAP, fuel filler - right (vented)	--	--	91*-ALL	--
	61272-92	CAP, fuel filler - right	--	--	92*-ALL	--
21	61103-83A	CAP, fuel filler - left	--	--	91*-ALL	--
21A	61132-92	CONNECTION, ventline	--	--	92*-ALL	--
22	61109-85C	GASKET (2)	--	--	91*-ALL	--
23	61155-84	TRIM, fuel tank	--	--	91*-BJ/K/L	--
24	61157-87	PAD, protective (2)	--	--	91*-ALL	--
25	61165-89	TRIM PANEL	--	--	91*-BM	--
26	61211-84B	FUEL TANK, KIT right - 5 gal. (prime)	--	--	91*-BK	--
	61218-85B	FUEL TANK, KIT, right - 3.5 gal. (prime)	--	--	91*-BJ/L/M	--
27	61237-91A	FUEL TANK, left - 3.5 gal. (prime)	--	--	91*-BJ/L/M	--
	61238-91A	FUEL TANK, left - 5 gal. (prime)	--	--	91*-BK	--
28	61640-84	FOAM STRIP (2)	--	--	91*-ALL	--
29	61641-84	SPACER, trim	--	--	91*-BJ/K/L	--
30	61660-85	BRACKET, fuel tank mounting - upper	--	--	91*-ALL	--
	61661-84	BRACKET, fuel tank mounting - upper	--	--	91*-ALL	--
31	61667-90A	BRACKET, fuel tank mounting - lower	--	--	91*-ALL	--
32	62043-81A	SPACER	--	--	91*-ALL	--
33	62150-85	VAPOR VALVE	--	--	92*-ALL	--
34	62161-75	NUT, fuel valve	--	--	91*-ALL	--
35	62166-81A	FILTER, fuel valve	--	--	91*-ALL	--
36	62167-81	FUEL VALVE, only	--	--	91*-ALL	--
37	62172-75	GASKET, fuel valve	--	--	91*-ALL	--
NOTE: Hose or insulator is sold in bulk length under the following part numbers. Cut to length.						
38	63501-68	HOSE, 1/4" I.D. x 5/8" O.D. (rubber) (25 ft. lg.)	--	--	91*-ALL	--
39	63505-84	INSULATOR, 1/2" I.D. (nylon) (8 ft. lg.)	--	--	91*-ALL	--

FLT MODELS		FXR MODELS		SOFTAIL MODELS		DYNA MODEL	
FLTC	DB	FXR	EA	FLSTC	BJ	FXDB-D	GA
FLHTC	DJ	FXRS	EB	FXSTC	BK	FXDB-S	GB
FLTC-U	DM	FXRT	EC	FXSTS	BL	FXDC	GC
FLHTC-U	DP	FXRS-SP	EG	FLSTF	BM		
FLHS	FA	FXLR	EL				
		FXRS-CON	EM				

FUEL TANK TRIM



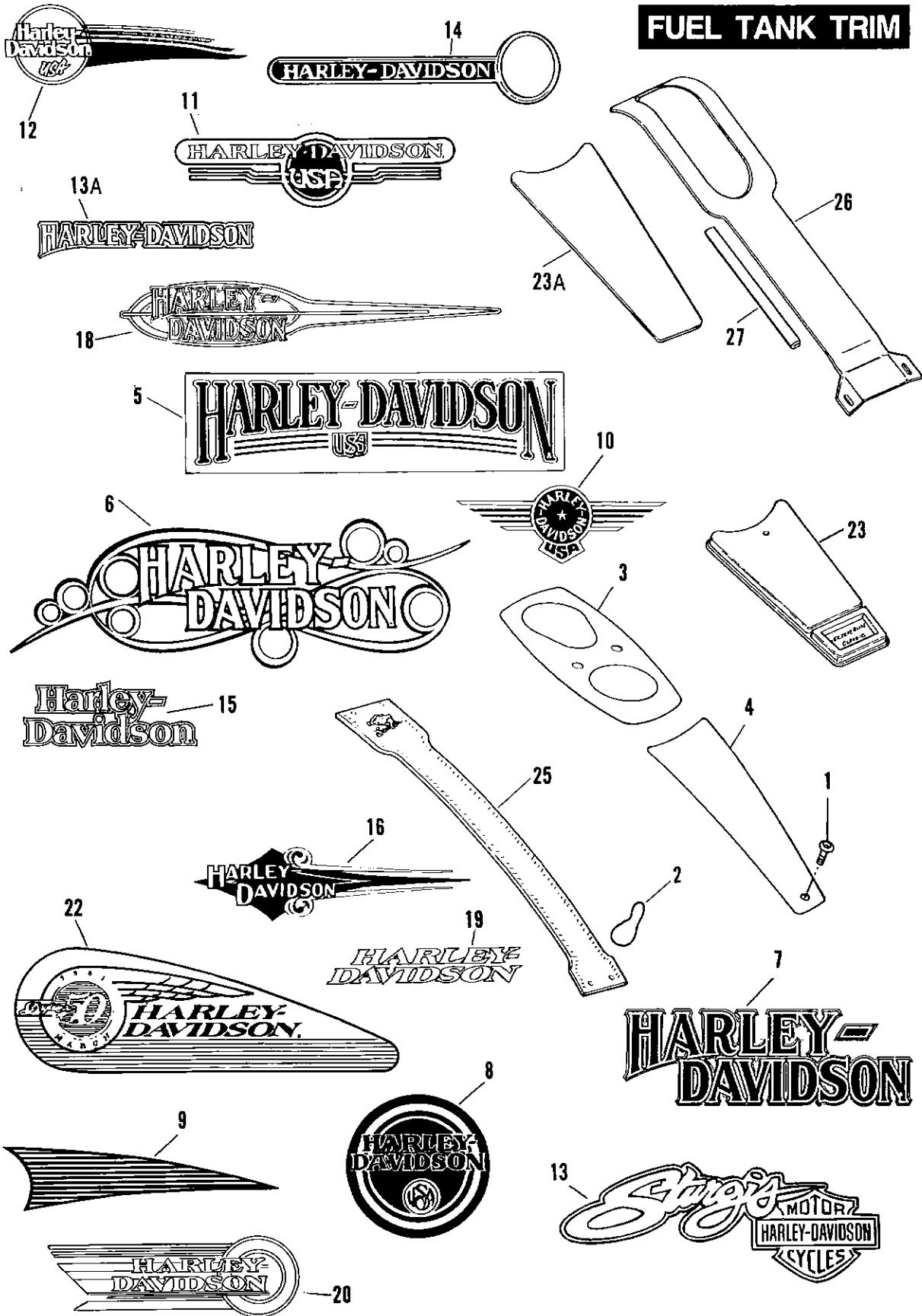
**FUEL TANK TRIM**

**FA40E-1**

INDEX NO.	PART NO.	NAME	FLT MODELS	FXR MODELS	SOFTAIL MODELS	DYNA MODEL
1	3652	SCREW	--	91*-ALL	--	--
2	11174	O-RING	--	91*-EL	--	--
3	14055-84	TRIM, upper console (black)	--	91*-EC/G	--	--
4	14056-84	TRIM, lower console (black)	--	91*-EC/G	--	--
5	14143-86	DECAL (silver & red) (2)	--	--	91*-BJ	--
	14163-87	DECAL (gold & red) (2)	--	--	91*-BJ	--
6	14161-87	DECAL, left (gold, brandywine & crimson)	--	--	91*-BK	--
	14162-87	DECAL, right (gold, brandywine & crimson)	--	--	91*-BK	--
7	14171-87	DECAL (brandywine, gold & black) (2)	--	91*-EL	--	--
8	14214-90	DECAL (black, gold & red) (2)	91*-DM/P	--	--	--
	14240-90	DECAL (silver & blue) (2)	91*-DM/P	--	--	--
	14375-92	DECAL (white, red, & meteor) (2)	92*-DM/P	--	--	--
9	14215-89	DECAL, left (silver)	91*-DM/P	--	--	--
	14216-89	DECAL, right (silver)	91*-DM/P	--	--	--
	14242-90	DECAL, left (red)	91*-DM/P	--	--	--
	14244-90	DECAL, right (red)	91*-DM/P	--	--	--
	14373-92	DECAL, left (candy saph.& dk candy saph.)	92*-DM/P	--	--	--
	14374-92	DECAL, right (candy saph.& dk candy saph.)	92*-DM/P	--	--	--
	14376-92	DECAL, left (wineberry & bt. wineberry)	92*-DMP	--	--	--
	14377-92	DECAL, right (wineberry & bt. wineberry)	92*-DM/P	--	--	--
10	14228-91	DECAL (silver, gray & orange) (2)	--	--	91*-BM	--
	14363-92	DECAL, (yellow, red, gray) (2)	--	--	92*-BM	--
	14364-92	DECAL, (turquoise, black, creme) (2)	--	--	92*-BM	--
11	14262-91	DECAL (2)	--	--	--	92*-GC
12	14306-90	DECAL, left (blue & gray)	--	91*-EB/G/ L/M	--	--
	14307-90	DECAL, left (black, gold & red)	--	91*-EB/G/ L/M	--	--
	14311-90	DECAL, right (blue & gray)	--	91*-EB/G/ L/M	--	--
	14312-90	DECAL, right (black, gold & red)	--	91*-EB/G/ L/M	--	--
13	14314-90	DECAL, right	--	--	--	91-GB
	14315-90	DECAL, left	--	--	--	91-GB
13A	14316-90	DECAL (gray/red) (2)	--	--	91*-BK/L	--
	14317-90	DECAL (dark red/red) (2)	--	--	91*-BK/L	--
	14318-90	DECAL (dark blue/blue) (2)	--	--	91*-BK/L	--
14	14319-90	DECAL, left (black, silver & gray)	--	91*-EA/C	--	--
	14320-90	DECAL, left (red, silver & gold)	--	91*-EA/C	--	--
	14321-90	DECAL, right (red, silver & gold)	--	91*-EA/C	--	--
	14322-90	DECAL, right (black, silver & gray)	--	91*-EA/C	--	--

FLT MODELS		FXR MODELS		SOFTAIL MODELS		DYNA MODEL	
FLTC	DB	FXR	EA	FLSTC	BJ	FXDB-D	GA
FLHTC	DJ	FXRS	EB	FXSTC	BK	FXDB-S	GB
FLTC-U	DM	FXRT	EC	FXSTS	BL	FXDC	GC
FLHTC-U	DP	FXRS-SP	EG	FLSTF	BM		
FLHS	FA	FXLR	EL				
		FXRS-CON	EM				

FUEL TANK TRIM

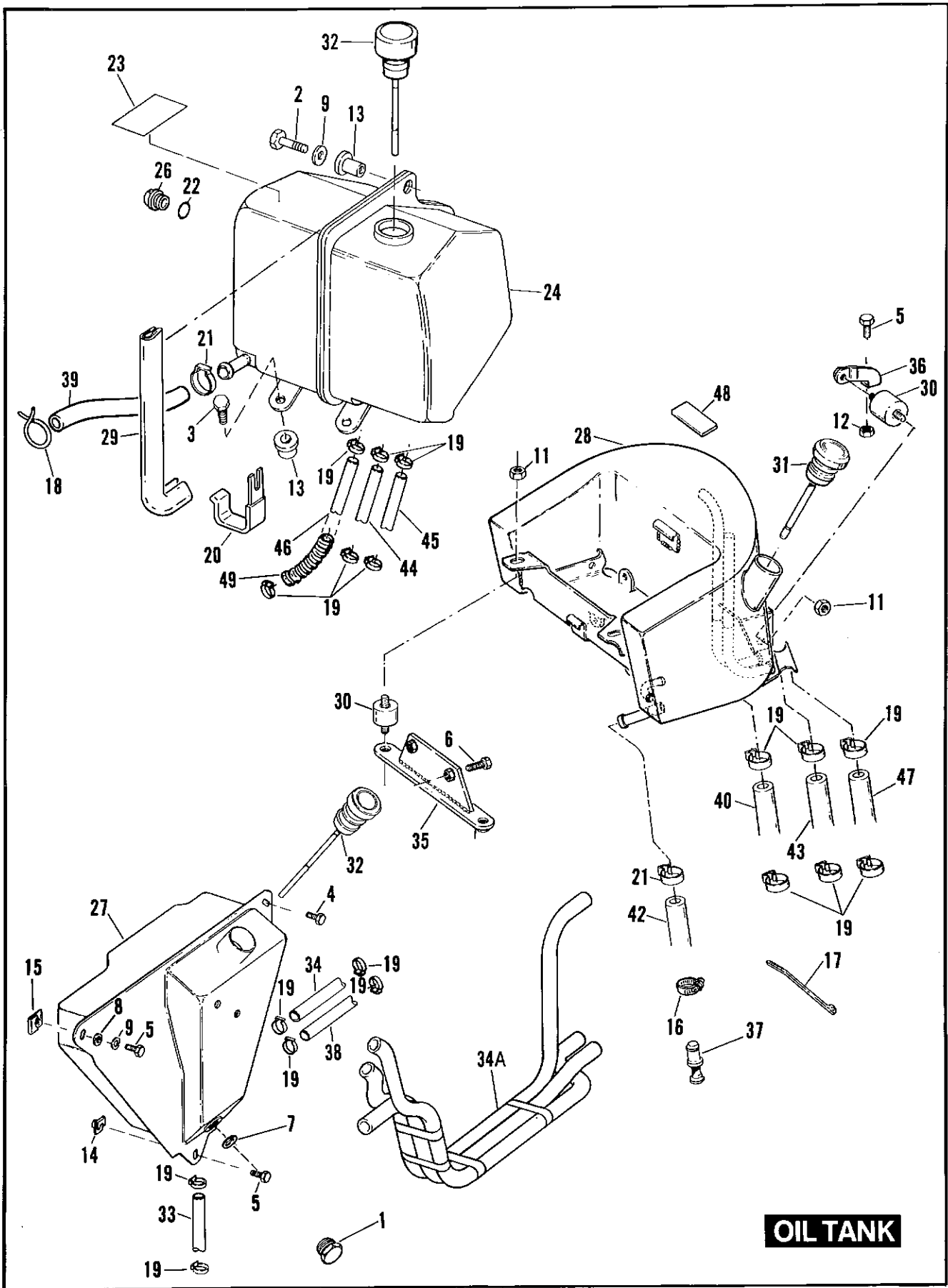


FUEL TANK TRIM

FA40E-2

INDEX NO.	PART NO.	NAME	FLT MODELS	FXR MODELS	SOFTAIL MODELS	DYNA MODEL
15	14328-90	DECAL (silver, gray & black) (2)	91*-DB/J,FA	--	--	--
	14329-90	DECAL (black, gold & red) (2)	91*-DB/J,FA	--	--	--
16	14333-90	DECAL, left (silver, burgundy & red)	--	--	91*-BJ	--
	14335-90	DECAL, left (gold, red & orange)	--	--	91*-BJ	--
	14337-90	DECAL, right (silver, burgundy & red)	--	--	91*-BJ	--
	14339-90	DECAL, right (gold, red & orange)	--	--	91*-BJ	--
	14361-92	DECAL, left (turquoise, pale gold, & orange)	--	--	92*-BJ	--
	14362-92	DECAL, right (turquoise, pale gold, & orange)	--	--	92*-BJ	--
18	14348-92	DECAL, left (gold, black, & creme)	--	92*-EA/B/ C/G/L/M	--	--
	14349-92	DECAL right (gold, black, & creme)	--	92*-EA/B/ C/G/L/M	--	--
	14351-92	DECAL, left (silver, blue & creme)	--	92*-EA/B/ G/L/M	--	--
	14352-92	DECAL, right (silver, blue, & creme)	--	92*-EA/B/ G/L/M	--	--
19	14353-92	DECAL, left (black & red)	--	--	92*-BK/L	--
	14354-92	DECAL, right (black & red)	--	--	92*-BK/L	--
	14355-92	DECAL, left (black & orange)	--	--	92*-BK/L	--
	14356-92	DECAL, right (black & orange)	--	--	92*-BK/L	--
	14357-92	DECAL, left (wineberry & silver)	--	--	92*-BK/L	--
	14358-92	DECAL, right (wineberry & silver)	--	--	92*-BK/L	--
	14359-92	DECAL, left (dark candy sapphire & silver)	--	--	92*-BK/L	--
	14360-92	DECAL, right (dark candy sapphire & silver)	--	--	92*-BK/L	--
20	14365-92	DECAL, left (burgundy, orange, & gold)	92*-FA	--	--	--
	14366-92	DECAL, right (burgundy, orange, & gold)	92*-FA	--	--	--
	14369-92	DECAL, left (dark blue, red, gray)	92*-FA	--	--	--
	14370-92	DECAL, right (dark blue, red, gray)	92*-FA	--	--	--
	14371-92	DECAL, left (brown, red, & orange)	92*-FA	--	--	--
	14372-92	DECAL, right (brown, red, & orange)	92*-FA	--	--	--
22	14378-92	DECAL, left (silver, pink, blue)	--	--	--	92*-GA
	14379-92	DECAL, right (silver, pink, blue)	--	--	--	92*-GA
23	60957-89	INSERT, console panel (black)	91*-FA	--	--	--
	60971-90	INSERT, console panel (black)	91*-DB	--	--	--
	60973-90	INSERT, console panel (black)	91*-DJ	--	--	--
25	61134-88	STRAP, laced (leather)	--	91*-EL	--	--
26	61643-88	TRIM PANEL	--	91*-EB	--	--
	61651-90	TRIM PANEL	--	--	--	91*-ALL
27	61648-85	MOLDING	--	91*-EB	--	--

FLT MODELS		FXR MODELS		SOFTAIL MODELS		DYNA MODEL	
FLTC	DB	FXR	EA	FLSTC	BJ	FXDB-D	GA
FLHTC	DJ	FXRS	EB	FXSTC	BK	FXDB-S	GB
FLTC-U	DM	FXRT	EC	FXSTS	BL	FXDC	GC
FLHTC-U	DP	FXRS-SP	EG	FLSTF	BM		
FLHS	FA	FXLR	EL				
		FXRS-CON	EM				





**OIL TANK**

**FA41-1**

INDEX NO.	PART NO.	NAME	FLT MODELS	FXR MODELS	SOFTAIL MODELS	DYNA MODEL
1	706A	DRAIN PLUG	91*-ALL	--	--	--
2	2551W	BOLT (2)	--	91*-ALL	--	--
3	2607	SCREW (2)	--	91*-ALL	--	--
4	3546	BOLT	91*-ALL	--	--	--
5	3987	BOLT	91*-ALL	--	91*-ALL	--
6	4391	BOLT (2)	--	--	91*-ALL	--
7	6113	WASHER	91*-ALL	--	--	--
8	6702	WASHER	91*-ALL	--	--	--
9	6703	WASHER	--	91*-ALL	--	--
11	7686	LOCKNUT (5)	--	--	91*-ALL	--
12	7531	NUT	--	--	91*-ALL	--
13	8099	WELL NUT (3)	--	91*-ALL	--	--
14	8101	CLIP NUT	91*-ALL	--	--	--
15	9959	CLIP NUT	91*-ALL	--	--	--
16	9969	CLAMP, drain hose	--	--	91*-ALL	--
17	10006	CABLE STRAP, oil hoses (as required)	91*-ALL	--	91*-ALL	--
18	10049	CLAMP, drain hose	--	91*-ALL	--	--
19	10080	CLAMP (6)	91*-ALL	91*-ALL	91*-ALL	--
20	10084	CLIP (2 - FLT)	91*-ALL	91*-ALL	--	--
21	10086	CLAMP, drain hose (3 - Softail)	--	91*-ALL	91*-ALL	--
22	11132	O-RING	--	91*-ALL	--	--
23	14101-84	LABEL, instruction	--	91*-ALL	--	--
24	62414-91	OIL TANK (black)	--	91*-ALL	--	--
26	62460-86	SIGHT GLASS, oil level	--	91*-ALL	--	--
27	62489-79C	OIL TANK	91*-ALL	--	--	--
28	62498-91	OIL TANK (chrome)	--	--	91*-ALL	--
29	62540-83	TRIM STRIP	--	91*-ALL	--	--
30	62563-65	RUBBER MOUNT (4)	--	--	91*-ALL	--
31	62634-84	FILLER CAP, with dipstick	--	--	91*-ALL	--
32	62637-84	FILLER CAP, with dipstick	91*-ALL	91*-ALL	--	--
32A	62662-92	OIL HOSE ASSEMBLY	92*-ALL	--	--	--
33	62663-84	HOSE, tank to pump	91-ALL	--	--	--
34	62665-89	HOSE, filter to tank	91-ALL	--	--	--
35	62704-84	BRACKET, rear	--	--	91*-ALL	--
36	62707-84	BRACKET, front - tank to frame	--	--	91*-ALL	--
37	62725-90	PLUG, oil drain	--	--	91*-ALL	--
38	63502-89	HOSE, crankcase to oil tank	91-ALL	--	--	--

**FLT MODELS**

FLTC DB  
 FLHTC DJ  
 FLTC-U DM  
 FLHTC-U DP  
 FLHS FA

**FXR MODELS**

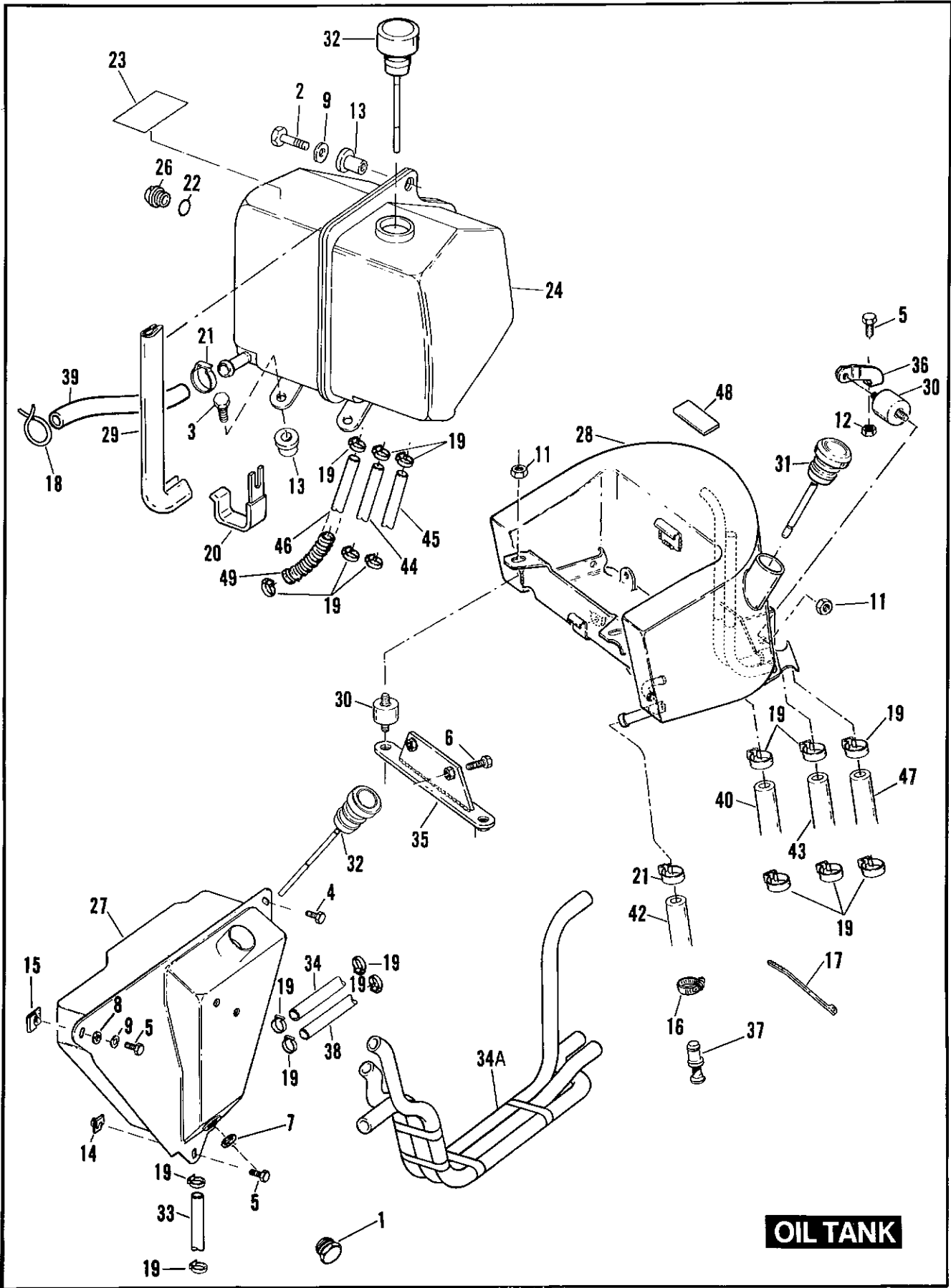
FXR EA  
 FXRS EB  
 FXRT EC  
 FXRS-SP EG  
 FXLR EL  
 FXRS-CON EM

**SOFTAIL MODELS**

FLSTC BJ  
 FXSTC BK  
 FXSTS BL  
 FLSTF BM

**DYNA MODEL**

FXDB-D GA  
 FXDB-S GB  
 FXDC GC



**OIL TANK**

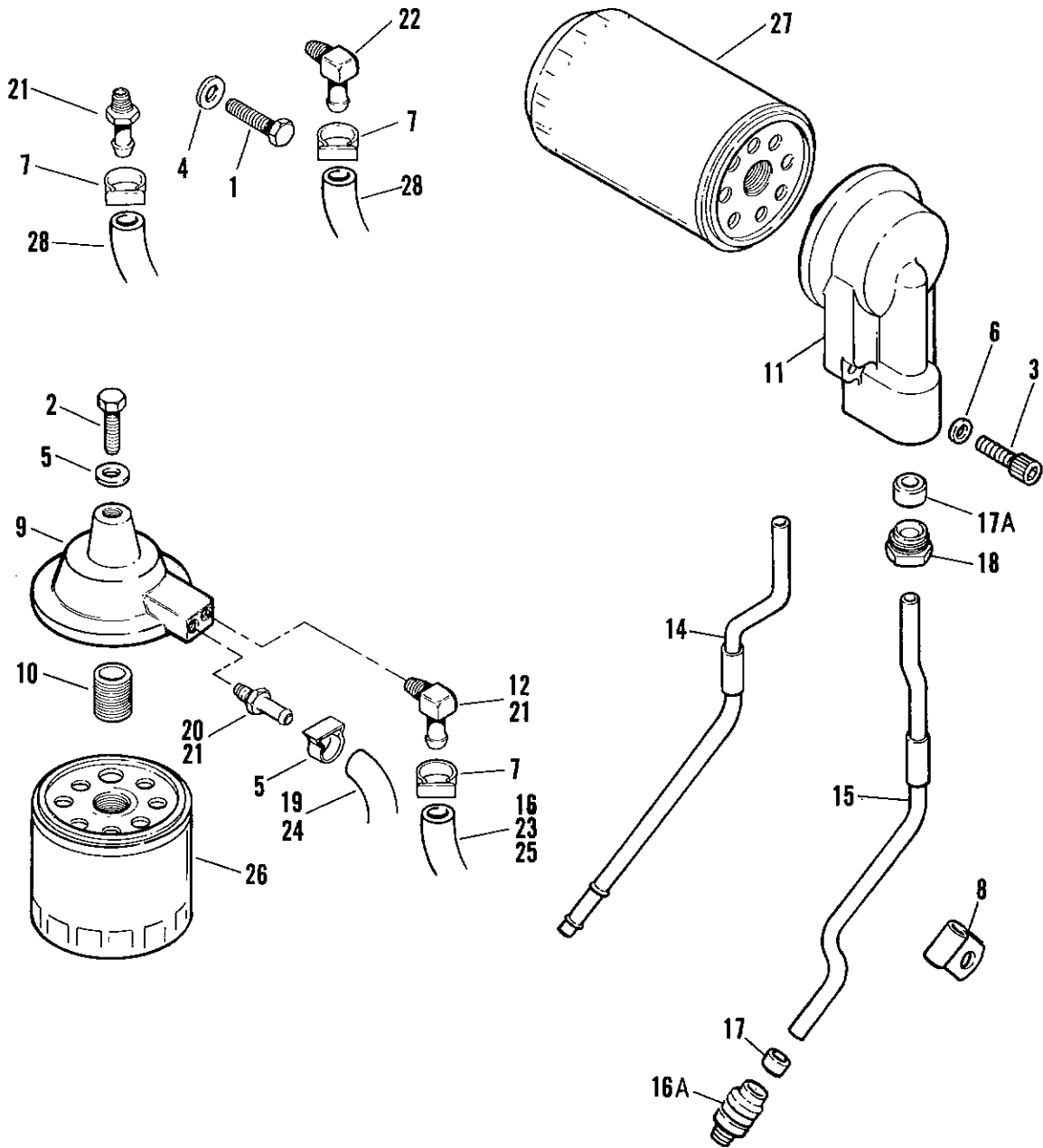
**OIL TANK (CONT'D)**

**FA41-2**

INDEX NO.	PART NO.	NAME	FLT MODELS	FXR MODELS	SOFTAIL MODELS	DYNA MODEL
39	63513-88R	HOSE, tank drain	--	91*-ALL	--	--
40	63515-91	HOSE, tank to pump	--	--	91-ALL	--
	63515-92	HOSE, tank to pump	--	--	92*-ALL	--
42	63553-91	HOSE, tank drain	--	--	91*-ALL	--
43	63556-87	HOSE, filter to tank	--	--	91*-ALL	--
44	63557-91	HOSE, tank to pump	--	91-ALL	--	--
	63557-92	HOSE, tank to pump	--	92*-ALL	--	--
45	63559-91	HOSE, crankcase to tank vent	--	91*-ALL	--	--
46	63563-85A	HOSE, filter to tank vent	--	91*-ALL	--	--
47	63572-86	HOSE, tank vent	--	--	91*-ALL	--
48	66042-79A	WARNING LABEL	--	91*ALL	91*-ALL	--
		NOTE: Isulator is sold in bulk length under the following part number. Cut to length.				
49	63497-89	INSULATOR, 5/8 I.D. (nylon) (8 ft. lg.)	--	91*-ALL	91*-ALL	--

FLT MODELS		FXR MODELS		SOFTAIL MODELS		DYNA MODEL	
FLTC	DB	FXR	EA	FLSTC	BJ	FXDB-D	GA
FLHTC	DJ	FXRS	EB	FXSTC	BK	FXDB-S	GB
FLTC-U	DM	FXRT	EC	FXSTS	BL	FXDC	GC
FLHTC-U	DP	FXRS-SP	EG	FLSTF	BM		
FLHS	FA	FXLR	EL				
		FXRS-CON	EM				

# OIL FILTERS & MOUNTS



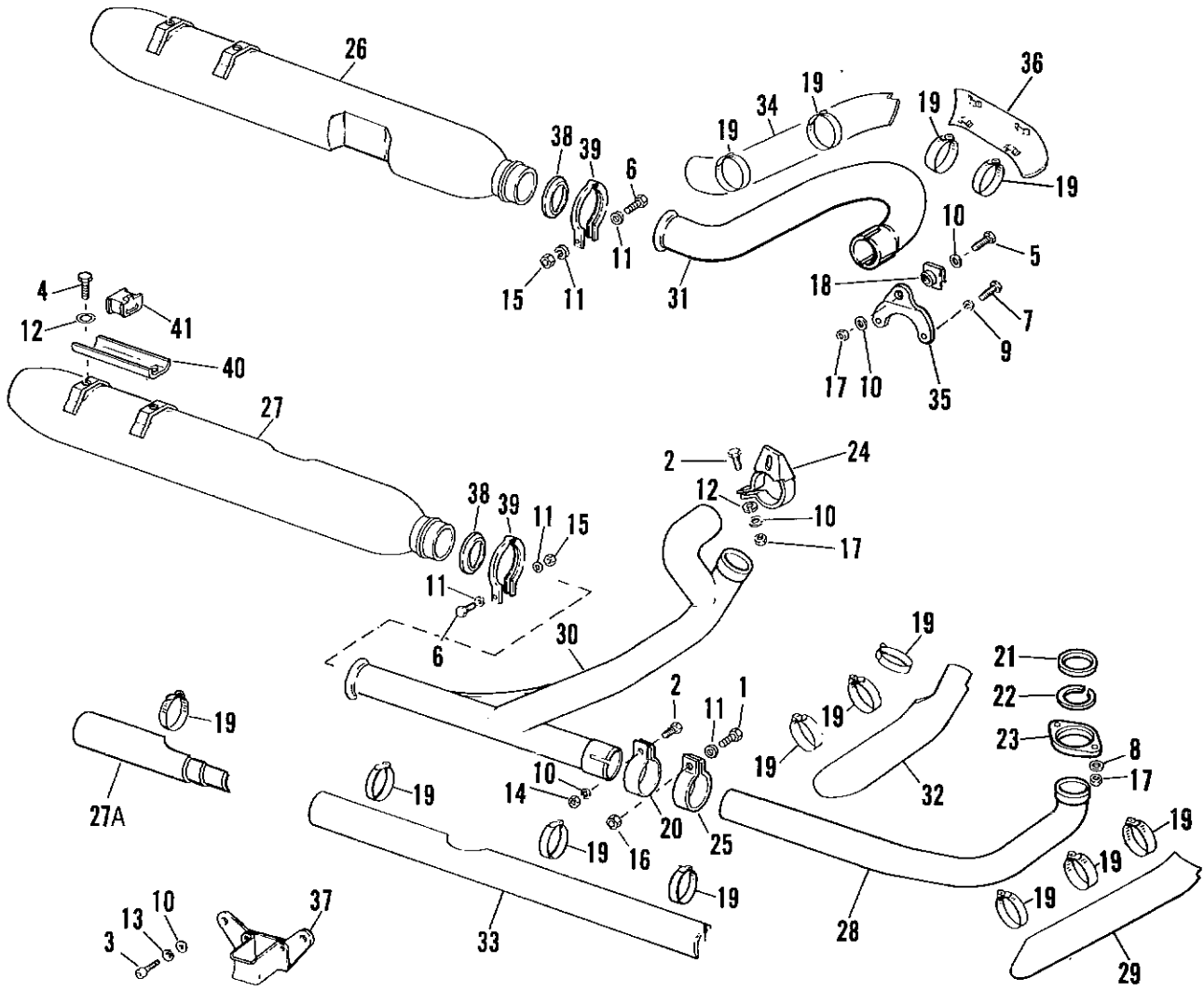
# OIL FILTERS AND MOUNTS

FA41A

INDEX NO.	PART NO.	NAME	FLT MODELS	FXR MODELS	SOFTAIL MODELS	DYNA MODEL
1	2818	BOLT (2)	--	--	--	91-GB
2	2913	SCREW	91-ALL	91-ALL	--	--
	2914	SCREW	--	--	91-ALL	--
3	3210A	SCREW, socket head, (2)	92*-ALL	92*-ALL	92*-ALL	92*-ALL
4	6016	WASHER (2)	--	--	--	91-GB
5	6019	WASHER	91-ALL	91-ALL	--	--
	6519	WASHER	--	--	91-ALL	--
6	6771A	WASHER (2)	92*-ALL	92*-ALL	92*-ALL	92*-ALL
7	10080	CLAMP (4)	91*-ALL	91*-ALL	91*-ALL	91*-ALL
8	10112	CLAMP	92*-ALL	92*-ALL	92*-ALL	92*-ALL
9	26347-91	MOUNT, oil filter	91-ALL	91-ALL	91-ALL	--
10	26352-85	ADAPTOR, oil filter	91*-ALL	91*-ALL	91*-ALL	91*-ALL
11	26358-90	MOUNT, oil filter	--	--	--	91-GB
	26378-92	OIL FILTER MOUNT (black)	92*-D/J/M/P	92*-EB/CG/M	--	92*-ALL
	26381-92	OIL FILTER MOUNT (silver)	92*-FA	92*-EA	--	92*-GC
12	26496-75	FITTING, oil filter	91*-ALL	91*-ALL	--	--
14	33518-92	TUBE, return	92*-ALL	92*-ALL	--	92*-ALL
	33519-92A	TUBE, return	--	--	92*-ALL	--
15	33520-92	TUBE, feed	92*-ALL	92*-ALL	92*-ALL	92*-ALL
16	62665-89	HOSE, filter to tank	91*-ALL	--	--	--
16A	63523-92	FITTING, straight w/#17	92*-ALL	92*-ALL	92*-ALL	92*-ALL
17	63525-92	SEAL	92*-ALL	92*-ALL	92*-ALL	92*-ALL
17A	63528-92	SEAL & FERRULE	92*-ALL	92*-ALL	92*-ALL	92*-ALL
18	63530-92	FITTING, male nut	92*-ALL	92*-ALL	92*-ALL	92*-ALL
19	63531-87	HOSE, pump to filter inlet	--	--	91-ALL	--
20	63533-41	FITTING (feed)	91-ALL	91-ALL	--	91-GB
21	63540-62	FITTING (2)	--	--	91-ALL	--
22	63554-90	FITTING (return)	--	--	--	91-GB
23	63556-87	HOSE, filter to tank	--	--	91-ALL	--
	63556-92	HOSE, filter liner to tank	--	--	92*-ALL	--
	53538-92	HOSE, filter Line to tank	--	--	--	92*-ALL
	63562-92	HOSE, filter line to tank	--	92*-ALL	--	--
24	63558-85	HOSE, oil pump to filter	91-ALL	91-ALL	--	--
25	63563-85A	HOSE, filter to tank	--	91-ALL	--	--
26	63796-77A	OIL FILTER (chrome)	92*-ALL	92*-ALL	91*-ALL	--
	63805-80A	OIL FILTER (black)	91-ALL	91-ALL	--	--
27	63812-90	OIL FILTER	--	--	--	91-GB
	63813-90	OIL FILTER (chrome)	--	--	--	92*-ALL
NOTE: Hose is sold only in bulk length under the following part number. Cut to length.						
28	63500-68	HOSE, 3/8" I.D. (rubber) (25 ft. lg.)	--	--	--	91-GB

FLT MODELS		FXR MODELS		SOFTAIL MODELS		DYNA MODEL	
FLTC	DB	FXR	EA	FLSTC	BJ	FXDB-D	GA
FLHTC	DJ	FXRS	EB	FXSTC	BK	FXDB-S	GB
FLTC-U	DM	FXRT	EC	FXSTS	BL	FXDC	GC
FLHTC-U	DP	FXRS-SP	EG	FLSTF	BM		
FLHS	FA	FXLR	EL				
		FXRS-CON	EM				

# EXHAUST SYSTEM — FLT



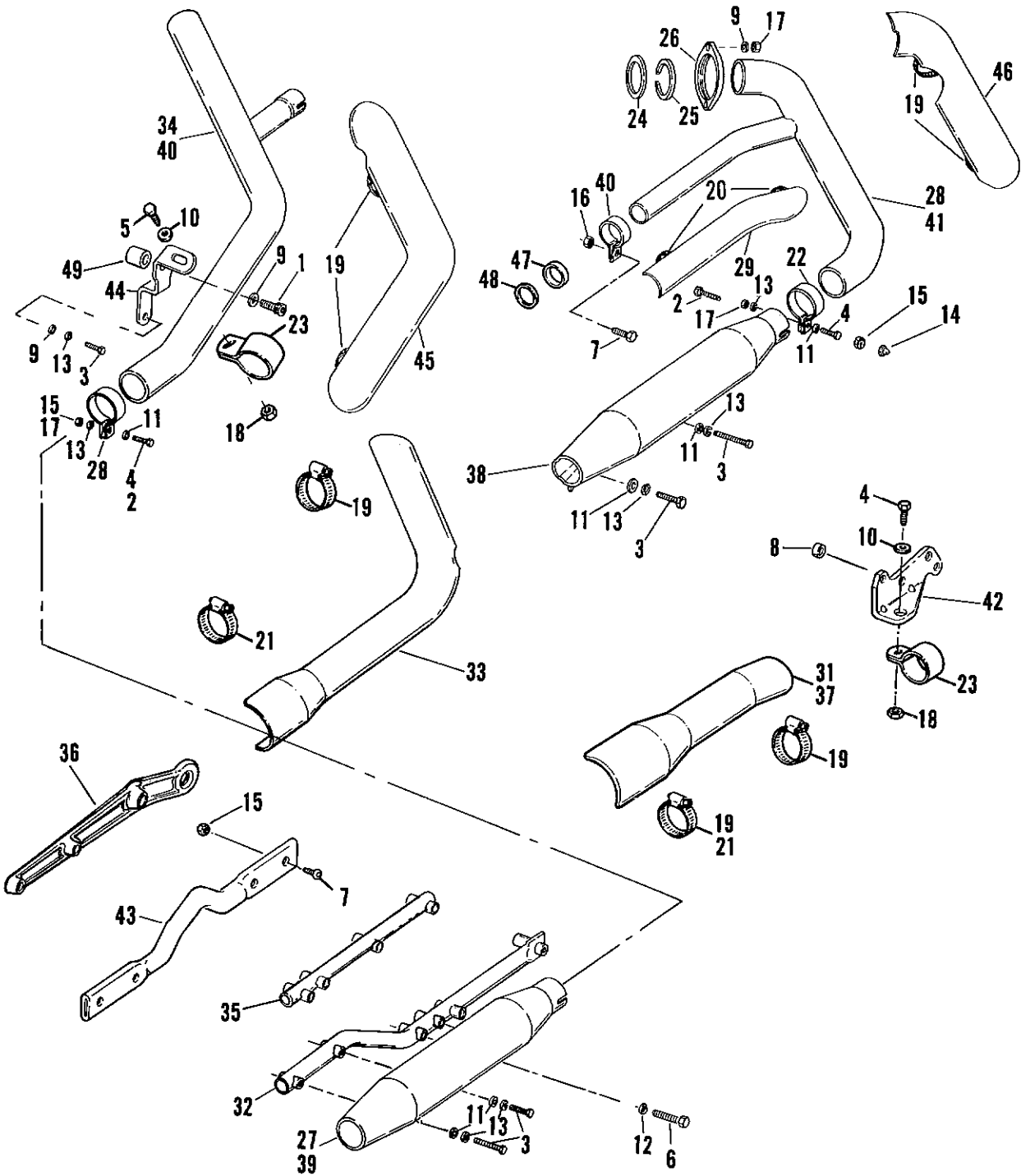
# EXHAUST SYSTEM - FLT MODELS

FA42

INDEX NO.	PART NO.	NAME	FLT MODELS	FXR MODELS	SOFTAIL MODELS	DYNA MODEL
1	2551W	BOLT	91*-ALL	--	--	--
2	2818	BOLT (2)	91*-ALL	--	--	--
3	3210A	SCREW (4)	91*-ALL	--	--	--
4	3953W	BOLT (4)	91*-ALL	--	--	--
5	3987	BOLT	91*-ALL	--	--	--
6	3993	BOLT (2)	91*-ALL	--	--	--
7	4326A	SCREW (2)	91*-ALL	--	--	--
9	6099	WASHER (4)	91*-ALL	--	--	--
10	6702	WASHER (3)	91*-ALL	--	--	--
11	6703	WASHER (5)	91*-ALL	--	--	--
12	7041	LOCKWASHER (5)	91*-ALL	--	--	--
13	7127	LOCKWASHER (4)	91*-ALL	--	--	--
14	7531	LOCKNUT (2)	91*-ALL	--	--	--
15	7686	LOCKNUT (2)	91*-ALL	--	--	--
16	7742	LOCKNUT	91*-ALL	--	--	--
17	7577	NUT (4)	91*-ALL	--	--	--
18	8101	CLIP NUT	91*-ALL	--	--	--
19	9955	CLAMP, shield (12)	91*-ALL	--	--	--
20	65276-62	MUFFLER CLAMP	91*-ALL	--	--	--
21	65324-83A	GASKET, exhaust port (2)	91*-ALL	--	--	--
22	65325-83	RETAINING RING, exhaust gasket (2)	91*-ALL	--	--	--
23	65328-83	CLAMP, exhaust manifold	91*-ALL	--	--	--
24	65502-89	CLAMP, left exhaust pipe	91*-ALL	--	--	--
25	65519-52B	CLAMP, pipe to bracket	91*-ALL	--	--	--
26	65538-85	MUFFLER, left	91*-ALL	--	--	--
27	65539-86	MUFFLER, right	91*-ALL	--	--	--
27A	65611-92	SHIELD, right exhaust pipe-rear	92*-ALL	--	--	--
28	65621-83	EXHAUST PIPE, right	91*-ALL	--	--	--
29	65630-83A	SHIELD, front exhaust pipe	91*-ALL	--	--	--
30	65626-85	EXHAUST PIPE, right - rear	91*-ALL	--	--	--
31	65627-85	EXHAUST PIPE, left	91*-ALL	--	--	--
32	65632-83A	SHIELD, rear exhaust pipe	91*-ALL	--	--	--
33	65634-81B	SHIELD KIT, right exhaust pipe, w/19 & 27A,	91*-ALL	--	--	--
	65634-92	SHIELD, right exhaust pipe-front	92*-ALL	--	--	--
34	65636-85	SHIELD, left exhaust pipe	91*-ALL	--	--	--
35	65645-89	BRACKET, left - rear exhaust pipe	91*-ALL	--	--	--
36	65647-83	SHIELD, left exhaust pipe	91*-ALL	--	--	--
37	65678-85A	BRACKET, rear exhaust pipe	91*-ALL	--	--	--
38	65721-85	GASKET, muffler clamp (2)	91*-ALL	--	--	--
39	65722-85	MUFFLER CLAMP (2)	91*-ALL	--	--	--
40	65723-85	MOUNTING BRACKET (2)	91*-ALL	--	--	--
41	65724-85	MOUNT (rubber) (2)	91*-ALL	--	--	--
<b>H-D INTERNATIONAL ONLY</b>						
26	65682-89	MUFFLER, left (HDI only)	91*-ALL	--	--	--
	65862-91	MUFFLER, left (catalytic) (Swiss only)	91*-ALL	--	--	--
27	65680-89	MUFFLER, right (HDI only)	91*-ALL	--	--	--
	65863-91	MUFFLER, right (catalytic) (Swiss only)	91*-ALL	--	--	--

FLT MODELS		FXR MODELS		SOFTAIL MODELS		DYNA MODEL	
FLTC	DB	FXR	EA	FLSTC	BJ	FXDB-D	GA
FLHTC	DJ	FXRS	EB	FXSTC	BK	FXDB-S	GB
FLTC-U	DM	FXRT	EC	FXSTS	BL	FXDC	GC
FLHTC-U	DP	FXRS-SP	EG	FLSTF	BM		
FLHS	FA	FXLR	EL				
		FXRS-CON	EM				

# EXHAUST SYSTEM — FXR, SOFTAIL





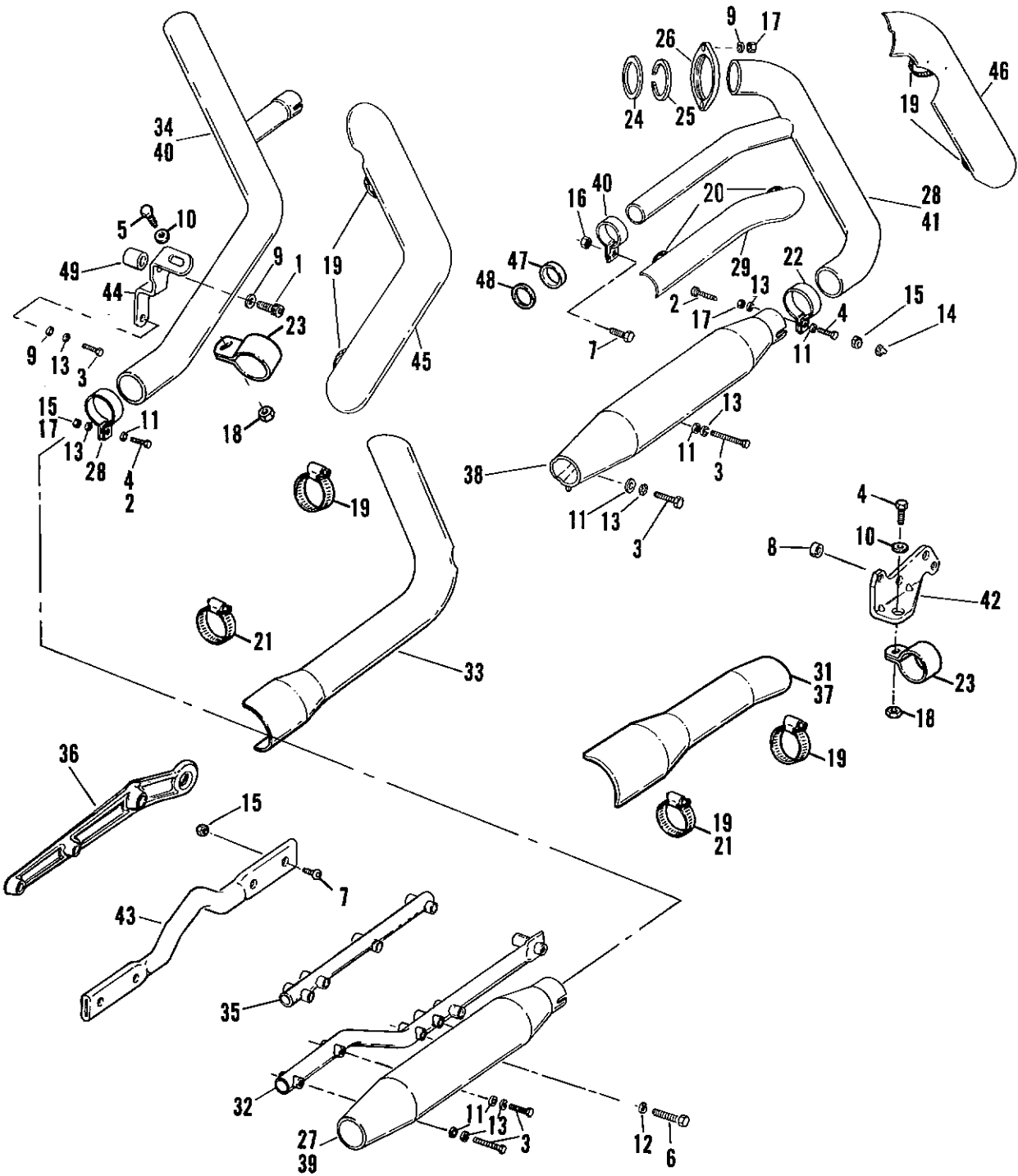
**EXHAUST SYSTEM - FXR & SOFTAIL MODELS**

**FA42A-1**

INDEX NO.	PART NO.	NAME	FLT MODELS	FXR MODELS	SOFTAIL MODELS	DYNA MODEL
1	3485A	SCREW	--	91*-ALL	--	--
2	2818	SCREW (2)	--	91*-ALL	91*-ALL	--
3	4017	BOLT (4 - Softail)	--	91*-ALL	91*-ALL	--
4	4036	BOLT	--	91*-ALL	--	--
5	4337W	BOLT (2)	--	91*-ALL	--	--
6	4722	BOLT (2)	--	--	91*-ALL	--
7	5411	BOLT	--	--	91*-BJ/K/L	--
	5445W	BOLT (4)	--	91*-ALL	--	--
8	5887	SPACER	--	91*-ALL	--	--
9	6016	WASHER	--	91*-ALL	91*-ALL	--
10	6701	WASHER (2)	--	91*-ALL	--	--
11	6702	WASHER (2; 6 - Softail)	--	91*-ALL	91*-ALL	--
12	7038	LOCKWASHER (2)	--	--	91*-ALL	--
13	7041	LOCKWASHER (3 - FXR; 4 - Softail)	--	91*-ALL	91*-ALL	--
14	7507	ACORN NUT	--	--	91*-ALL	--
15	7531	LOCKNUT (4; 2 - Softail)	--	91*-ALL	91*-ALL	--
16	7748W	BOLT	--	--	91*-BJ/K/L	--
17	7577	NUT (4)	--	91*-ALL	91*-ALL	--
18	7782	NUT (2)	--	91*-ALL	--	--
19	9955	CLAMP (6; 5 - BJ; 4 - BK/L)	--	91*-ALL	91*-ALL	--
20	10048	CLAMP (2)	--	91*-ALL	91*-BK/L	--
21	10074	CLAMP, shield (front - BJ; rear - BM)	--	--	91*-BJ/M	--
22	65276-62	CLAMP, muffler (2)	--	91*-ALL	91*-ALL	--
23	65302-82	CLAMP, exhaust pipe (2)	--	91*-ALL	--	--
24	65324-83	GASKET, exhaust port	--	91*-ALL	91*-ALL	--
25	65325-83	RETAINING RING, exhaust gasket (2)	--	91*-ALL	91*-ALL	--
26	65328-83	CLAMP, exhaust manifold (2)	--	91*-ALL	91*-ALL	--
27	65380-85	MUFFLER, rear	--	--	91*-BL	--
	65380-90	MUFFLER (rear - BK; 2 - BM)	--	--	91*-BK/M	--
	65381-89	MUFFLER, rear - fishtail	--	--	91*-BJ	--
28	65401-86	EXHAUST PIPE, front	--	--	91*-BJ/K/L	--
	65483-89	EXHAUST PIPE, front	--	--	91*-BM	--
29	65410-83	SHIELD, crossover pipe	--	91*-ALL	91*-BJ/K/L	--
	65475-89	SHIELD, crossover pipe	--	--	91*-BM	--
30	65411-80A	CLAMP, crossover pipe	--	--	91*-BJ/K/L	--
31	65432-89	SHIELD, front muffler	--	--	91*-BM	--
	65447-86	SHIELD, front muffler	--	--	91*-BJ	--
32	65459-84A	SUPPORT TUBE	--	--	91*-ALL	--
33	65464-89	SHIELD, rear exhaust & muffler	--	--	91*-BM	--
34	65487-89	EXHAUST PIPE, rear	--	--	91*-BM	--
	65603-86	EXHAUST PIPE, rear	--	--	91*-BJ/K/L	--
35	65492-91	SUPPORT TUBE	--	--	91*-BM	--
36	65522-91	MUFFLER SUPPORT, rear	--	--	91*-BM	--
37	65571-82	SHIELD, front muffler	--	91*-ALL	--	--

FLT MODELS		FXR MODELS		SOFTAIL MODELS		DYNA MODEL	
FLTC	DB	FXR	EA	FLSTC	BJ	FXDB-D	GA
FLHTC	DJ	FXRS	EB	FXSTC	BK	FXDB-S	GB
FLTC-U	DM	FXRT	EC	FXSTS	BL	FXDC	GC
FLHTC-U	DP	FXRS-SP	EG	FLSTF	BM		
FLHS	FA	FXLR	EL				
		FXRS-CON	EM				

# EXHAUST SYSTEM — FXR, SOFTAIL



**EXHAUST SYSTEM - FXR & SOFTAIL MODELS (CONT'D)**

**FA42A-2**

INDEX NO.	PART NO.	NAME	FLT MODELS	FXR MODELS	SOFTAIL MODELS	DYNA MODEL
38	65689-89	MUFFLER, front - fishtail	--	--	91*-BJ	--
	65699-86	MUFFLER, front	--	--	91*-BJ/L	--
	65699-90	MUFFLER, front	--	--	91*-BK	--
	65747-87	MUFFLER, front	--	91*-ALL	--	--
39	65657-87	MUFFLER, rear	--	91*-ALL	--	--
40	65668-87	EXHAUST PIPE, rear (chrome)	--	91*-ALL	--	--
41	65669-87	EXHAUST PIPE, front (chrome)	--	91*-ALL	--	--
42	65670-82B	BRACKET, front exhaust	--	91*-ALL	--	--
43	65674-87	SUPPORT, muffler	--	91*-ALL	--	--
44	65675-87	BRACKET, rear exhaust	--	91*-ALL	--	--
45	65702-86	SHIELD, rear exhaust	--	91*-ALL	91*-BJ/K/L	--
46	65732-86	SHIELD, front exhaust	--	91*ALL	91*-ALL	--
47	65781-82	GASKET	--	91*-ALL	91*-BM	--
48	65782-82	WASHER, exhaust	--	91*-ALL	91*-BM	--
49	65802-90	SPACER	--	91*-ALL	--	--
<b>H-D INTERNATIONAL ONLY</b>						
	52103-31	SPACER, muffler extension (HDI only)	--	--	91*-ALL	--
	65190-84	EXTENSION, front muffler (HDI only)	--	--	91*-ALL	--
27	65382-89A	MUFFLER, rear (HDI only)	--	--	91*-ALL	--
	65716-91	TAPE, catalytic muffler (Swiss only)	--	--	91*-ALL	--
	65867-91	MUFFLER, rear (catalytic) (Swiss only) (2 - BM)	--	--	91*-BJ/K/ L/M	--
39	65739-89	MUFFLER, rear (HDI only)	--	91*-ALL	--	--
38	65395-89	MUFFLER, front (HDI only)	--	--	91*-ALL	--
	65738-89	MUFFLER, front (HDI only)	--	91*-ALL	--	--
	65866-91	MUFFLER, front (catalytic) (Swiss only)	--	--	91*-BJ/K/L	--
	65813-91	HEAT SHIELD (2 - BJ/L)	--	--	91*-BJ/K/L	--
	65814-91	HEAT SHIELD (2 - BM)	--	--	91*-BJ/M	--
	65821-90	EXHAUST SHIELD KIT (Germany)	--	--	91*-BM	--

**FLT MODELS**

FLTC DB  
 FLHTC DJ  
 FLTC-U DM  
 FLHTC-U DP  
 FLHS FA

**FXR MODELS**

FXR EA  
 FXRS EB  
 FXRT EC  
 FXRS-SP EG  
 FXLR EL  
 FXRS-CON EM

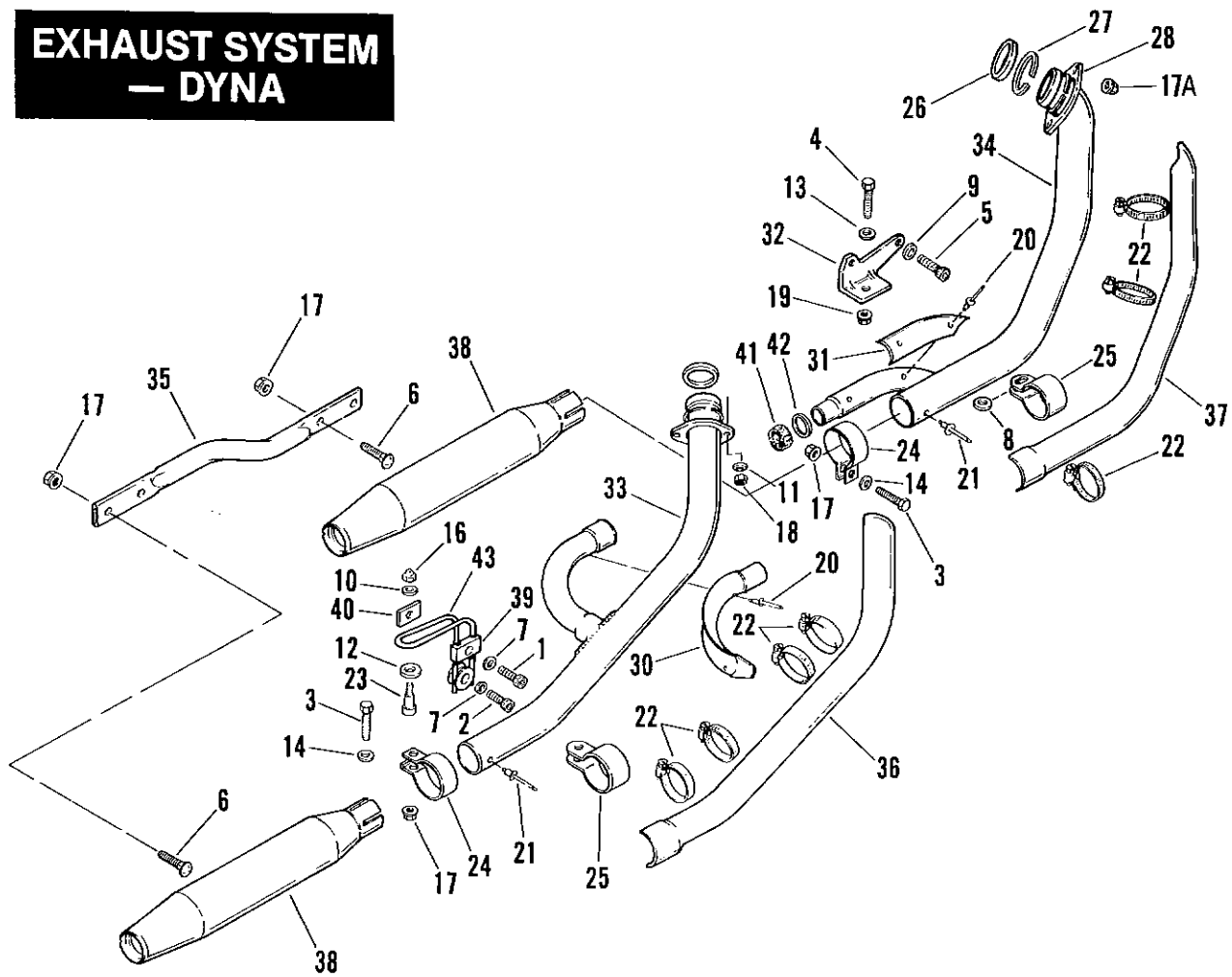
**SOFTAIL MODELS**

FLSTC BJ  
 FXSTC BK  
 FXSTS BL  
 FLSTF BM

**DYNA MODEL**

FXDB-D GA  
 FXDB-S GB  
 FXDC GC

# EXHAUST SYSTEM — DYNA



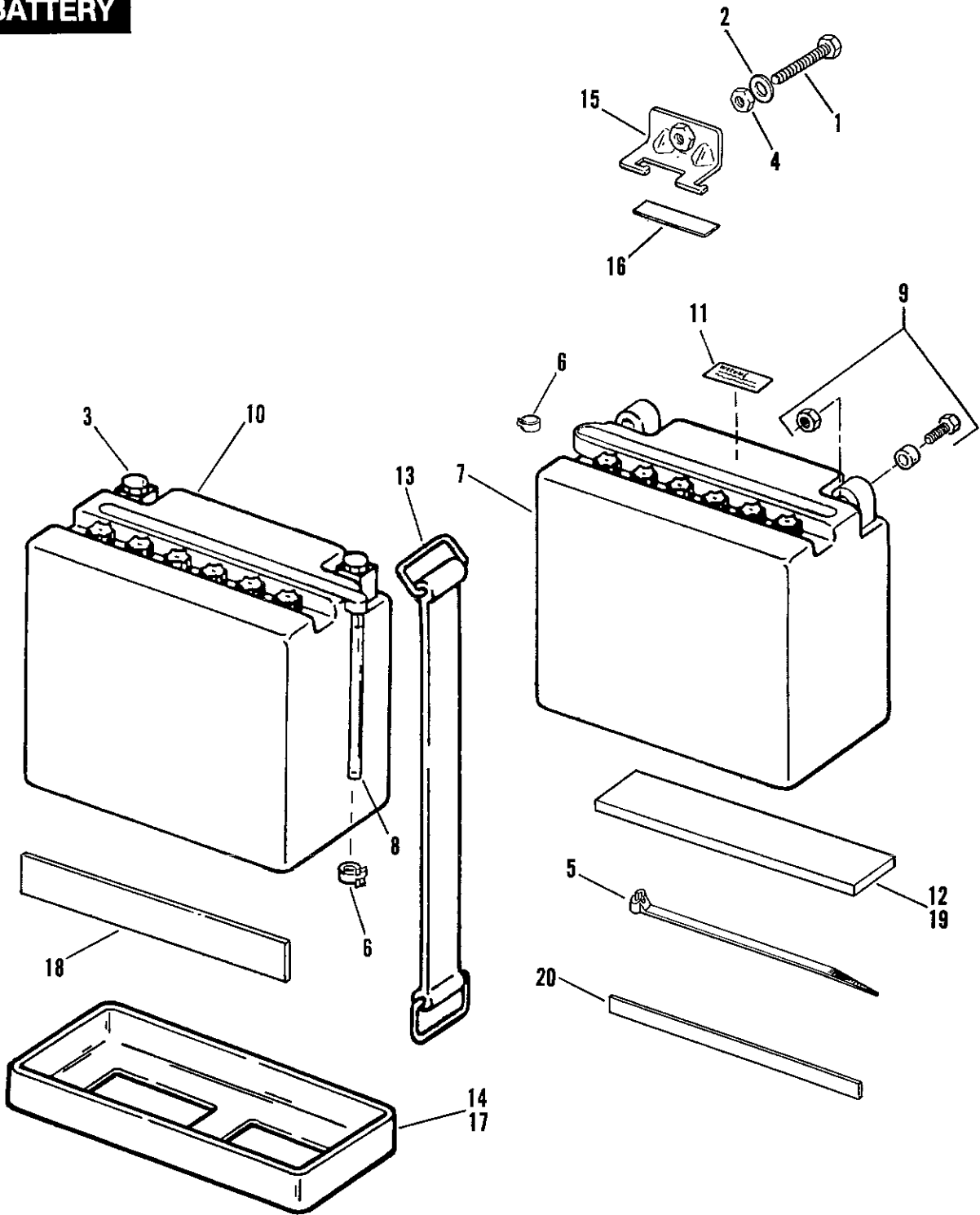
**EXHAUST SYSTEM - DYNA**

**FA42B**

INDEX NO.	PART NO.	NAME	FLT MODELS	FXR MODELS	SOFTAIL MODELS	DYNA MODEL
1	3210A	SCREW	--	--	--	91*-ALL
2	3485A	SCREW	--	--	--	91*-ALL
3	4036	SCREW (2)	--	--	--	91*-ALL
4	4337W	SCREW	--	--	--	91*-ALL
5	4718A	SCREW, w/washer (3)	--	--	--	91*-ALL
6	5411	SCREW (4)	--	--	--	91*-ALL
7	6016	WASHER (2)	--	--	--	91*-ALL
8	6019	WASHER	--	--	--	91*-ALL
9	6099	WASHER (3)	--	--	--	91*-ALL
10	6235	WASHER	--	--	--	91*-ALL
11	6316HW	WASHER (4)	--	--	--	91*-ALL
12	6333	WASHER	--	--	--	91*-ALL
13	6701	WASHER	--	--	--	91*-ALL
14	6702	WASHER (2)	--	--	--	91*-ALL
16	7507	ACORN NUT	--	--	--	91*-ALL
17	7531	NUT, flange (6)	--	--	--	91*-ALL
17A	7577	NUT, flange lock (4)	--	--	--	91*-ALL
18	7753	NUT (4)	--	--	--	91*-ALL
19	7782	NUT	--	--	--	91*-ALL
20	8204	RIVET (4)	--	--	--	91*-ALL
21	8672	RIVET (2)	--	--	--	91*-ALL
22	9955	CLAMP (8)	--	--	--	91*-ALL
23	65192-90	BOLT, shoulder	--	--	--	91*-ALL
24	65276-62	CLAMP, muffler (2)	--	--	--	91*-ALL
25	65302-82	CLAMP, exhaust pipe (2)	--	--	--	91*-ALL
26	65324-83	GASKET, exhaust port (2)	--	--	--	91*-ALL
27	65325-83	RETAINING RING, exhaust gasket (2)	--	--	--	91*-ALL
28	65328-83	FLANGE, exhaust manifold	--	--	--	91*-ALL
30	65376-91	SHIELD, rear cross-over	--	--	--	91*-ALL
31	65379-91	SHIELD, front cross-over	--	--	--	91*-ALL
32	65616-90	EXHAUST BRACKET, front	--	--	--	91-GB
	65670-90	EXHAUST BRACKET, front	--	--	--	92*-ALL
33	65660-92	SUPPORT, MUFFLER (grey)	--	--	--	92*-GC
	65674-90	SUPPORT, muffler	--	--	--	91-GB;92*-GA
34	65668-90	EXHAUST PIPE, rear	--	--	--	91-ALL
35	65669-90	EXHAUST PIPE, front	--	--	--	91*-ALL
36	65701-90	SHIELD, rear exhaust	--	--	--	91*-ALL
37	65746-90	SHIELD, front exhaust	--	--	--	91*-ALL
38	65747-90	MUFFLER (2)	--	--	--	91*-ALL
39	65824-90	CLAMP BLOCK	--	--	--	91*-ALL
40	65825-90	CLAMP PLATE	--	--	--	91*-ALL
41	65826-90	GASKET, inter connect	--	--	--	91*-ALL
42	65827-90	RING, gasket retaining	--	--	--	91*-ALL
43	65828-90	BRACKET, rear exhaust	--	--	--	91*-ALL
<b>H-D INTERNATIONAL ONLY</b>						
38	65374-90	MUFFLER (2) (HDI only)	--	--	--	91*-ALL
	65868-91	MUFFLER (catalytic) (2) (Swiss only)	--	--	--	91*-GB/C
	65716-91	TAPE, catalytic muffler (Swiss only)	--	--	--	91*-GB/C

FLT MODELS		FXR MODELS		SOFTAIL MODELS		DYNA MODEL	
FLTC	DB	FXR	EA	FLSTC	BJ	FXDB-D	GA
FLHTC	DJ	FXRS	EB	FXSTC	BK	FXDB-S	GB
FLTC-U	DM	FXRT	EC	FXSTS	BL	FXDC	GC
FLHTC-U	DP	FXRS-SP	EG	FLSTF	BM		
FLHS	FA	FXLR	EL				
		FXRS-CON	EM				

# BATTERY



**BATTERY**

INDEX NO.	PART NO.	NAME	FLT MODELS	FXR MODELS	SOFTAIL MODELS	DYNA MODEL
1	2796W	BOLT	--	91*-ALL	--	--
2	6703	WASHER	--	91*-ALL	--	--
3	7229W	LOCKWASHER (2)	91*-ALL	--	--	--
4	7689W	NUT	--	91*-ALL	--	--
5	10039	CABLE STRAP	--	91*-ALL	--	--
6	10067	CLAMP	91*-ALL	91*-ALL	91*-ALL	--
7	65991-82A	BATTERY	--	91*-ALL	--	--
	65989-90A	BATTERY	--	--	91*-ALL	91*-ALL
8	65995-88A	VENT TUBE	91*-ALL	91*-ALL	91*-ALL	91*-ALL
9	66000-80	BATTERY TERMINAL KIT	--	91*-ALL	91*-ALL	91*-ALL
10	66010-82A	BATTERY	91*-ALL	--	--	--
11	66042-79A	WARNING LABEL	--	--	91*-ALL	91*-ALL
12	66104-84	CUSHION (2)	--	91*-ALL	--	--
13	66105-77	BATTERY STRAP	91*-ALL	--	91*-ALL	--
	66108-91	BATTERY STRAP	--	--	92*-ALL	--
14	66106-86	CUSHION	91*-ALL	--	--	--
15	66183-82	BRACKET, battery tie down	--	91*-ALL	--	--
16	66188-82A	CUSHION	--	91*-ALL	--	--
17	66210-85A	CUSHION	--	--	91*-ALL	--
18	66308-80	PAD	91*-ALL	--	--	--
19	66309-84	CUSHION	--	--	91*-ALL	--
20	67067-76	ISOLATOR	--	91*-ALL	--	--

**FLT MODELS**

FLTC DB  
 FLHTC OJ  
 FLTC-U DM  
 FLHTC-U DP  
 FLHS FA

**FXR MODELS**

FXR EA  
 FXRS EB  
 FXRT EC  
 FXRS-SP EG  
 FXLR EL  
 FXRS-CON EM

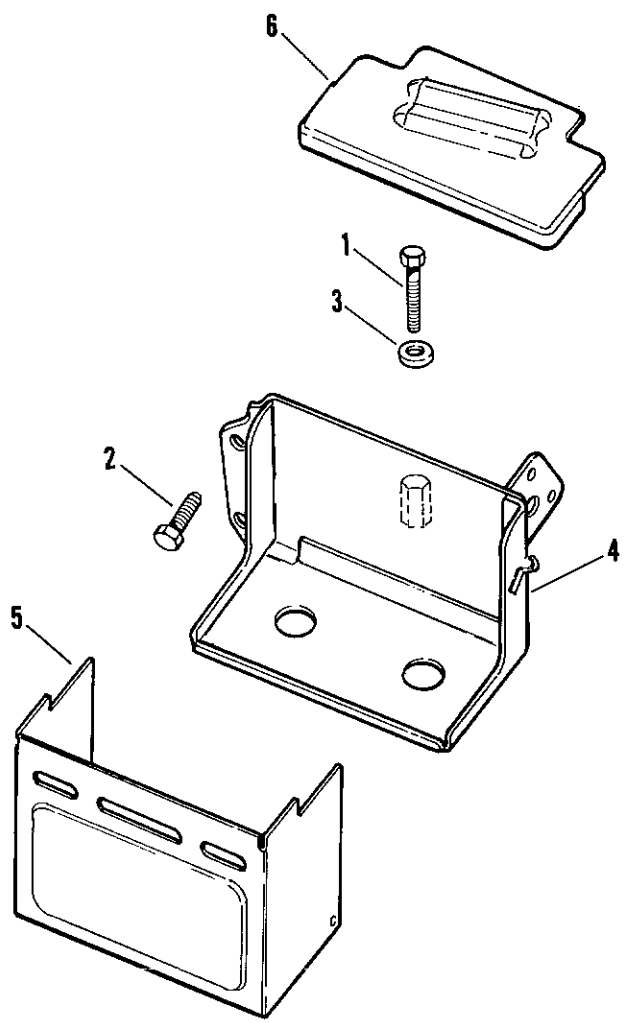
**SOFTAIL MODELS**

FLSTC BJ  
 FXSTC BK  
 FXSTS BL  
 FLSTF BM

**DYNA MODEL**

FXDB-D GA  
 FXDB-S GB  
 FXDC GC

# BATTERY TRAY — DYNA





**BATTERY TRAY - DYNA**

**FA43A**

INDEX NO.	PART NO.	NAME	FLT MODELS	FXR MODELS	SOFTAIL MODELS	DYNA MODEL
1	4086	SCREW	--	--	--	91*-ALL
2	4383	SCREW (2)	--	--	--	91*-ALL
3	6016	WASHER	--	--	--	91*-ALL
4	47132-90A	TRAY, battery	--	--	--	91*-ALL
5	66346-91	SIDE COVER, battery	--	--	--	91-GB
	66347-91	SIDE COVER, battery (chrome)	--	--	--	92*-ALL
6	66366-90	TOP COVER, battery (black)	--	--	--	91-GB
	66368-90	TOP COVER, battery (chrome)	--	--	--	92*-ALL

**FLT MODELS**

FLTC DB  
 FLHTC DJ  
 FLTC-U DM  
 FLHTC-U DP  
 FLHS FA

**FXR MODELS**

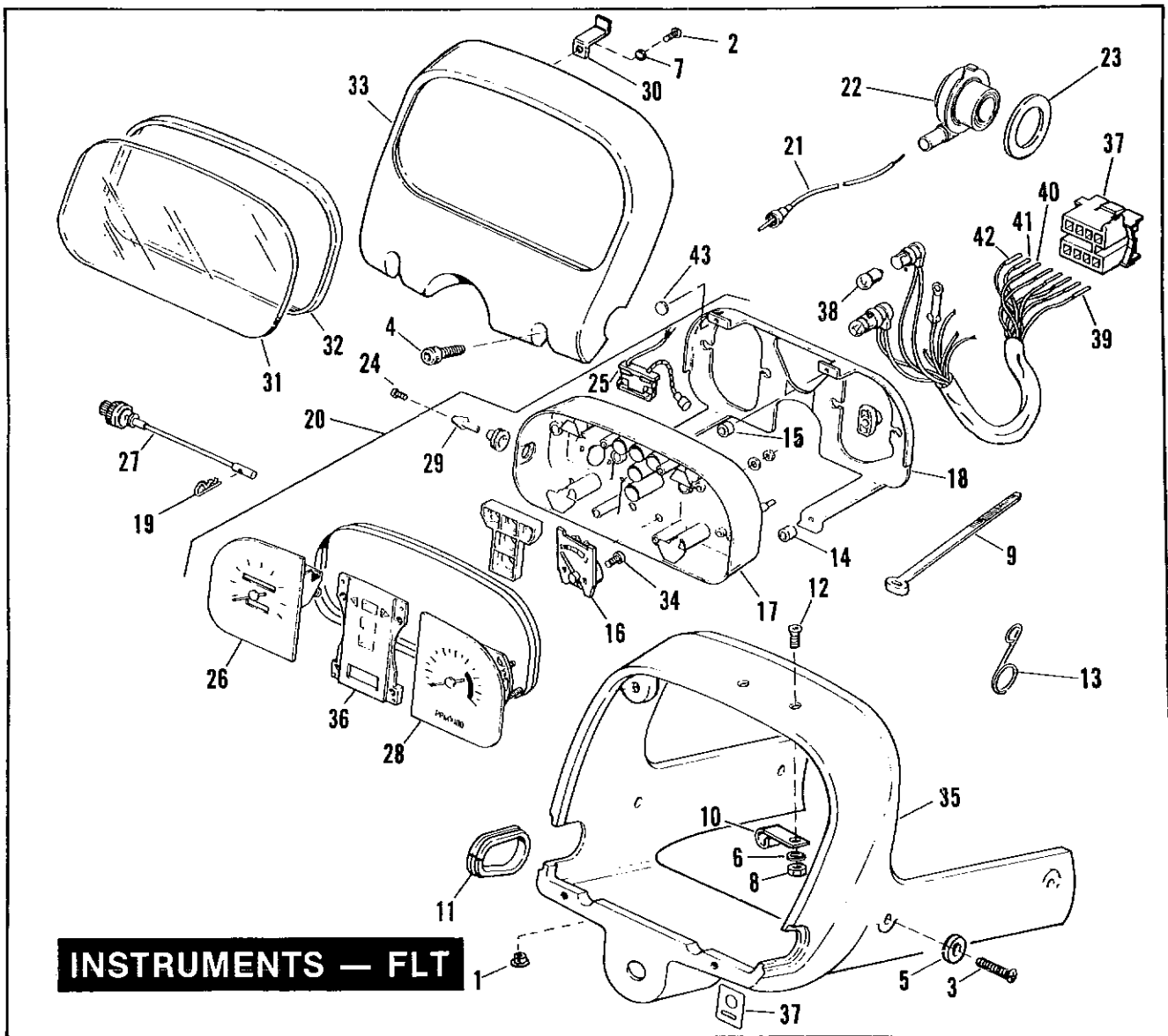
FXR EA  
 FXRS EB  
 FXRT EC  
 FXRS-SP EG  
 FXLR EL  
 FXRS-CON EM

**SOFTAIL MODELS**

FLSTC BJ  
 FXSTC BK  
 FXSTS BL  
 FLSTF BM

**DYNA MODEL**

FXDB-D GA  
 FXDB-S GB  
 FXDC GC



**INSTRUMENTS FLT**

**FA44-1**

INDEX NO.	PART NO.	NAME	FLT MODELS	FXR MODELS	SOFTAIL MODELS	DYNA MODEL
1	729	PLUG (3)	91*-DB/M,FA--	--	--	--
2	2585	SCREW (3)	91*-DB/M,FA--	--	--	--
3	3996	SCREW (4)	91*-DB/M	--	--	--
4	4069A	SCREW (2)	91*-DB/M,FA--	--	--	--
5	6702	WASHER (4)	91*-DB/M	--	--	--
	7069	LOCKWASHER	91*-DB/M,FA--	--	--	--
7	7115	LOCKWASHER (3)	91*-DB/M	--	--	--
8	7638	NUT (2)	91*-DB/M,FA--	--	--	--
9	10065	CABLE STRAP	91*-DB	--	--	--
10	10091	CLIP (2)	91*-DB/M,FA--	--	--	--
11	11454	GROMMET, handlebar (2)	91*-DB/M,FA--	--	--	--
12	42534-82	SCREW (2)	91*-DB/M,FA--	--	--	--

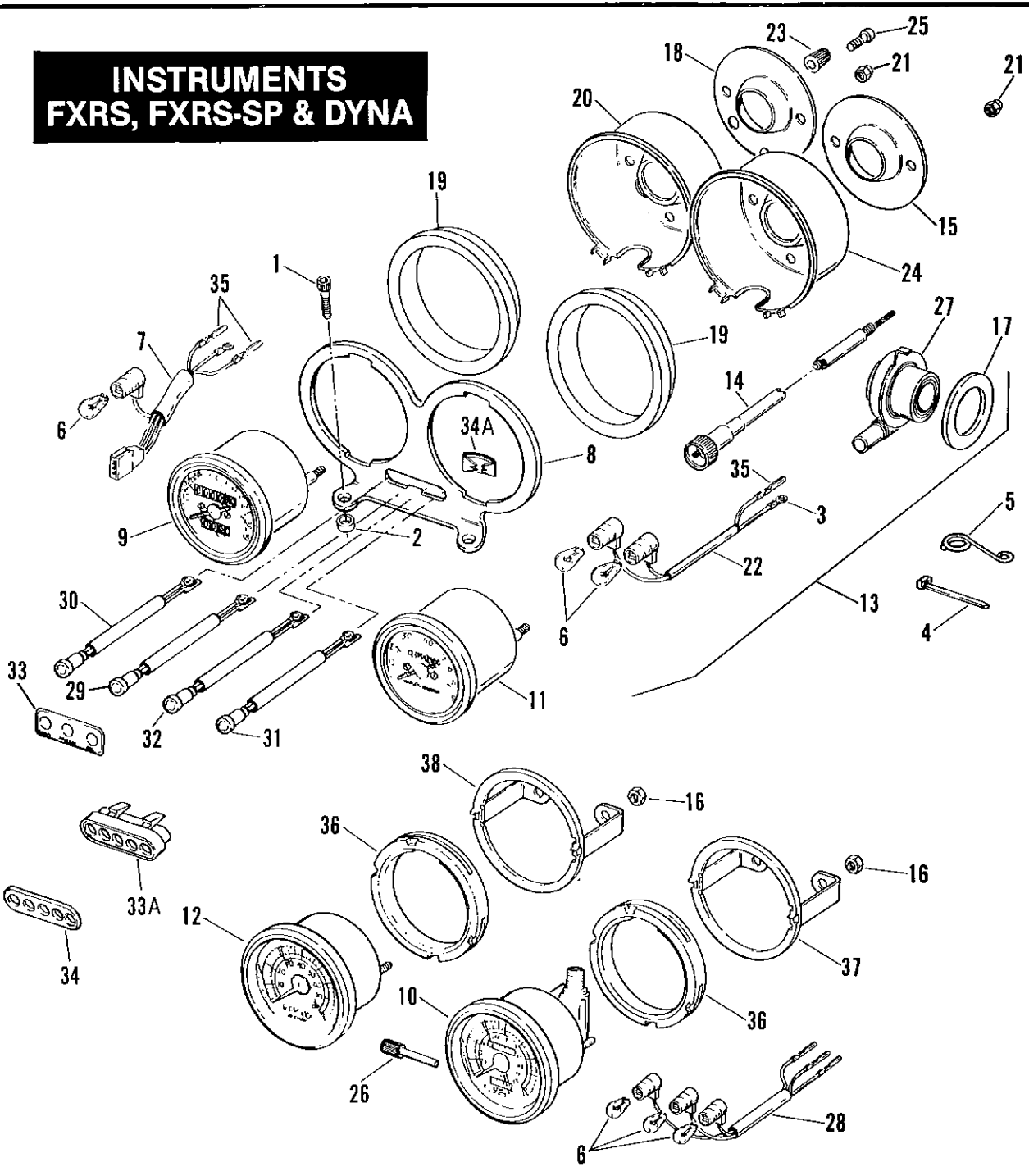
**INSTRUMENTS - FLT (CONT'D)**

**FA44-2**

INDEX NO.	PART NO.	NAME	FLT MODELS	FXR MODELS	SOFTAIL MODELS	DYNA MODEL
13	45092-66A	GUIDE, speedometer cable	91*-DB/M	--	--	--
14	58355-86	SPACER (2)	91*-DJ/P	--	--	--
15	58356-86	SPACER (2)	91*-DJ/P	--	--	--
16	61631-84	FUEL GAUGE	91*-ALL	--	--	--
17	66997-86	CASE, instrument	91*-DJ/P	--	--	--
18	66998-86	BRACKET, instrument mounting	91*D/J/P	--	--	--
19	66999-86	CLIP	91*-DJ/P	--	--	--
20	67000-85C	INSTRUMENT PANEL ASSEMBLY, mph	91*-DB/M,FA--	--	--	--
	67003-86B	INSTRUMENT PANEL ASSEMBLY, mph	91*-DJ/P	--	--	--
21	67060-87A	CABLE ASSEMBLY, speedometer	91*-DJ/P	--	--	--
	67072-87B	CABLE ASSEMBLY, speedometer	91*-DB/M,FA--	--	--	--
22	67073-87A	DRIVE UNIT, speedometer	91*-ALL	--	--	--
23	67096-87	SEAL, drive unit	91*-ALL	--	--	--
24	67117-85	SCREW	91*-DB/M,FA--	--	--	--
25	67123-86	REED SWITCH	91*-ALL	--	--	--
26	67211-86	SPEEDOMETER, mph	91*D/J/P	--	--	--
	67232-85	SPEEDOMETER, mph	91*-DB/M,FA--	--	--	--
27	67219-86	RESET CABLE, odometer	91*-DJ/P	--	--	--
28	67229-85	TACHOMETER	91*-ALL	--	--	--
29	67234-84	RESET KNOB, odometer	91*-DB/M,FA--	--	--	--
30	67235-80	CLIP (3)	91*-DB/M,FA--	--	--	--
31	67236-80	LENS	91*-DB/M,FA--	--	--	--
	67608-86	LENS	91*-DJ/P	--	--	--
32	67237-80	GASKET	91*-DB/M,FA--	--	--	--
33	67238-80	CASE	91*-DB/M,FA--	--	--	--
34	67243-84	SCREW (4-DJ/P)	91*-ALL	--	--	--
35	67795-85A	DASH PANEL SUPPORT KIT	91*-DB/M,FA--	--	--	--
36	68459-84B	PANEL, instrument panel	91*-DB/M,FA--	--	--	--
37	70287-81	CONNECTOR, eight socket	91*-ALL	--	--	--
38	71099-74	BULB, instrument panel (4)	91*-ALL	--	--	--
39	72038-71	SOCKET, single pin (8)	91*-ALL	--	--	--
40	72039-71	PIN, single socket	91*-ALL	--	--	--
41	72043-71	CONNECTOR, single pin	91*-ALL	--	--	--
42	72044-71	CONNECTOR, single socket	91*-ALL	--	--	--
43	75101-82	SPACER (rubber) (2)	91*-ALL	--	--	--
<b>H-D INTERNATIONAL ONLY</b>						
20	67028-86A	INSTRUMENT PANEL ASM., kph (HDI only)	91*-DJ/P	--	--	--
26	67216-86A	SPEEDOMETER, kph (HDI only)	91*-DB/M,FA--	--	--	--
	67233-80C	SPEEDOMETER, kph (HDI only)	91*-DJ/P	--	--	--

FLT MODELS		FXR MODELS		SOFTAIL MODELS		DYNA MODEL	
FLTC	DB	FXR	EA	FLSTC	BJ	FXDB-D	GA
FLHTC	DJ	FXRS	EB	FXSTC	BK	FXDB-S	GB
FLTC-U	DM	FXRT	EC	FXSTS	BL	FXDC	GC
FLHTC-U	DP	FXRS-SP	EG	FLSTF	BM		
FLHS	FA	FXLR	EL				
		FXRS-CON	EM				

# INSTRUMENTS FXRS, FXRS-SP & DYNA



INDEX NO.	PART NO.	NAME	FLT MODELS	FXR MODELS	SOFTAIL MODELS	DYNA MODEL
1	853A	SCREW (2)	--	91*-EG/M	--	--
2	5736	SPACER (2)	--	91*-EG/M	--	--
3	9857	TERMINAL, ring type #10 hole (2)	--	91*-EG/M	--	--
4	10081	CABLE STRAP, double loop	--	91*-EG/M	--	--
5	45092-66A	GUIDE, cable	--	91*-EG/M	--	--
6	53439-79	BULB (3)	--	91*-EB/G	--	91*-ALL
7	67034-83	BULB & SOCKET, with terminals - tachometer	--	91*-EG/M	--	--
8	67036-86	BRACKET, mounting	--	91*-EG/M	--	--
	67110-92	BRACKET, mounting	--	92*-EG/M	--	--
9	67037-91	SPEEDOMETER - mph	--	91*-EG/M	--	--
10	67168-88A	SPEEDOMETER - mph	--	91*-EB	--	91*-ALL
11	67042-85	TACHOMETER, with wiring	--	91*-EG/M	--	--
12	67171-88	TACHOMETER, with wiring	--	91*-EB	--	91*-ALL
13	67046-86A	SPEEDOMETER & TACHOMETER ASSEMBLY with bracket - mph	--	91*-EG/M	--	--
	71014-88A	SPEEDOMETER & TACHOMETER ASSEMBLY with housing - mph	--	91*-EB	--	91*-ALL
14	67048-83A	CABLE ASSEMBLY, speedometer	--	91*-EG/M	--	--
	67186-88	CABLE ASSEMBLY, speedometer	--	91*-EB	--	91*-ALL
15	67085-83	TRIM, tachometer (chrome)	--	91*-EG/M	--	--
16	67094-85	NUT (4)	--	91*-EB	--	91*-ALL
17	67098-87	SEAL, drive unit	--	91*-EG/M	--	--
18	67103-91	TRIM, speedometer (chrome)	--	91*-EG/M	--	--
19	67104-83	CUSHION, speedometer & tachometer mtg. (2)	--	91*-EG/M	--	--
	67121-92	CUSHION, speedometer & tachometer mounting	--	92*-EG/M	--	--
20	67105-91A	COVER, speedometer - lower (black)	--	91*-EG/M	--	--
21	67106-83	ACORN NUT (4)	--	91*-EG/M	--	--
22	67107-83	BULB & SOCKET, with terminals - speedometer	--	91*-EG/M	--	--
23	67108-83	RESET KNOB, odometer (chrome)	--	91*-EG/M	--	--
24	67112-83	COVER, tachometer - lower (black)	--	91*-EG/M	--	--
25	67117-85	SCREW, reset knob	--	91*-EG/M	--	--
26	67122-85	RESET KNOB, odometer (chrome)	--	91*-EB	--	91*-ALL
27	67127-84A	DRIVE UNIT, speedometer	--	91*-EG/M	--	91*-ALL
28	67172-88A	WIRING HARNESS	--	91*-ALL	--	91*-ALL
29	67851-86	INDICATOR LAMP, neutral (green)	--	91*-EB	--	--
	67869-90	INDICATOR LAMP, neutral (green)	--	--	--	91-GB
	68024-92	INDICATOR LAMP, neutral (green)	--	91*-EB/G/M	--	92*-ALL
	68574-86	INDICATOR LAMP, neutral (green)	--	91*-EG/M	--	--

**FLT MODELS**

FLTC DB  
 FLHTC DJ  
 FLTC-U DM  
 FLHTC-U DP  
 FLHS FA

**FXR MODELS**

FXR EA  
 FXRS EB  
 FXRT EC  
 FXRS-SP EG  
 FXLR EL  
 FXRS-CON EM

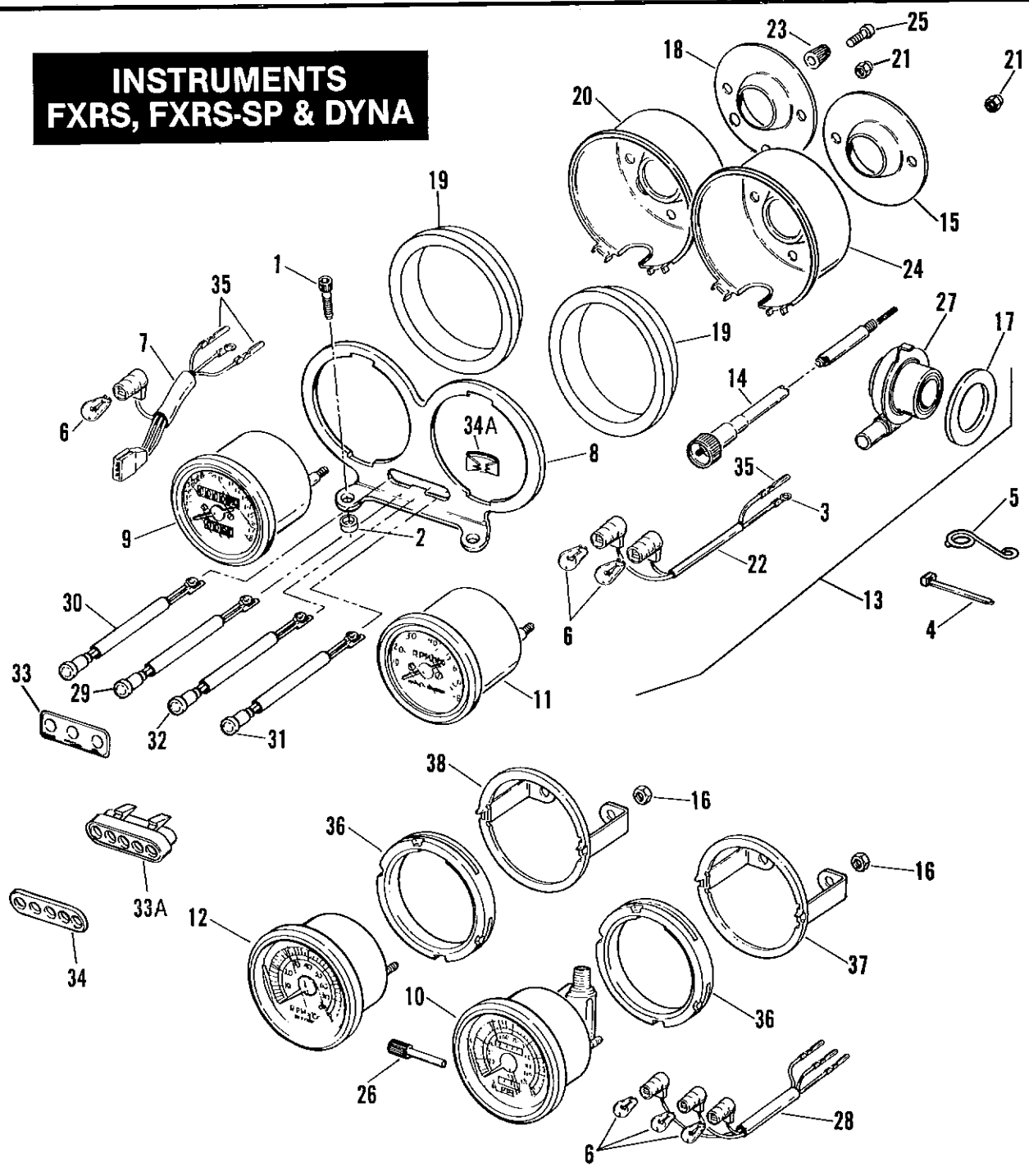
**SOFTAIL MODELS**

FLSTC BJ  
 FXSTC BK  
 FXSTS BL  
 FLSTF BM

**DYNA MODEL**

FXDB-D GA  
 FXDB-S GB  
 FXDC GC

# INSTRUMENTS FXRS, FXRS-SP & DYNA

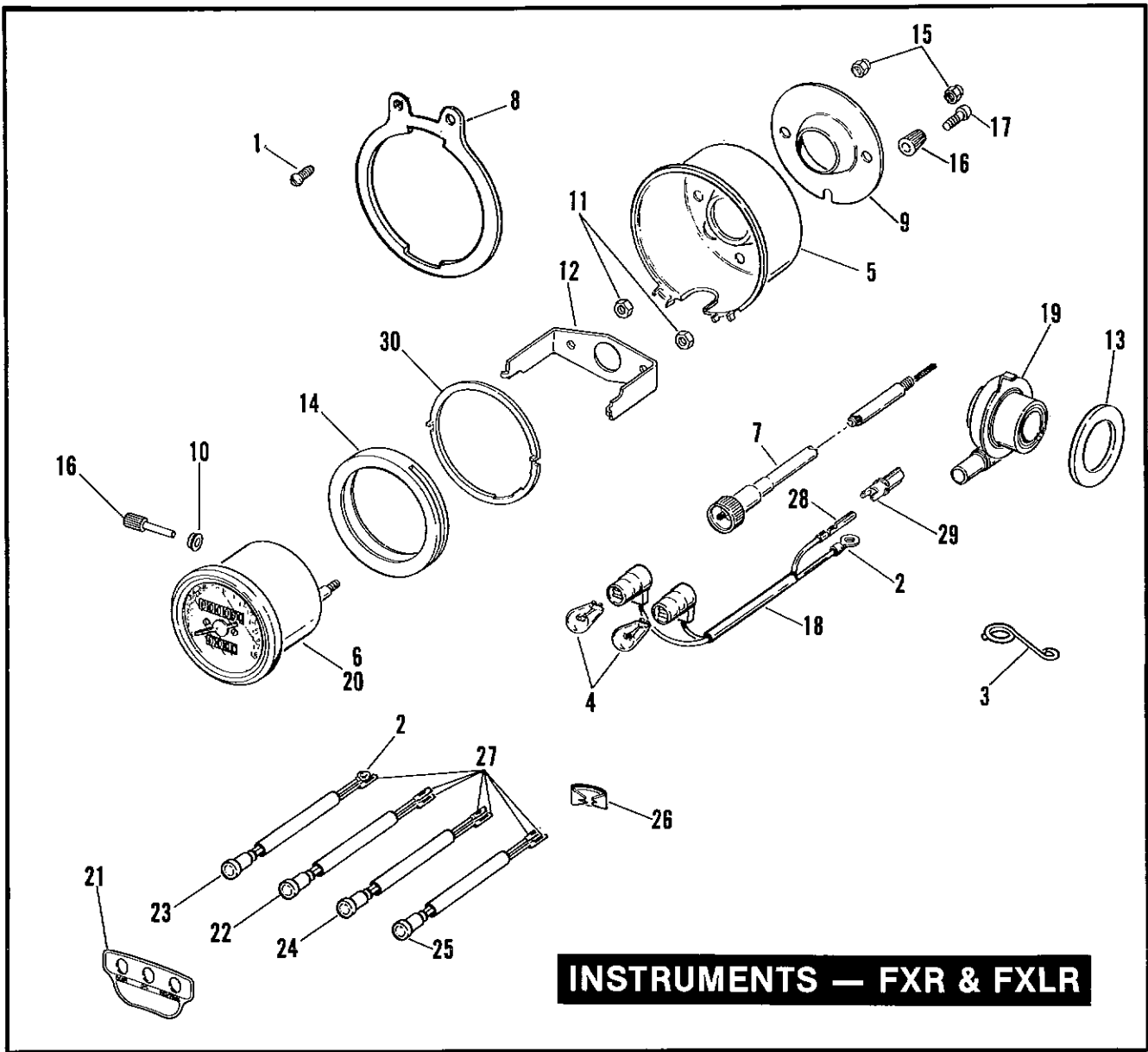


**INSTRUMENTS - FXRS, FXRS-SP & DYNA (CONT'D)**

**FA44A-2**

INDEX NO.	PART NO.	NAME	FLT MODELS	FXR MODELS	SOFTAIL MODELS	DYNA MODEL
30	67862-86	INDICATOR LAMP, high beam (blue)	--	91*-EB	--	--
	68597-86	INDICATOR LAMP, high beam (blue)	--	91*-EG/M	--	--
	67877-90	INDICATOR LAMP, high beam (blue)	--	--	--	91-GB
	68023-92	INDICATOR LAMP, high beam (blue)	--	92*-EB/G/M	--	92*-ALL
31	67864-86	INDICATOR LAMP, turn signal (amber)	--	91*-EB	--	--
	67867-90	INDICATOR LAMP, turn signal (green)	--	--	--	91*-GB
	68021-92	INDICATOR LAMP, turn signal (green) (2)	--	91*-EB/G/M	--	92*-ALL
	68468-86	INDICATOR LAMP, turn signal (amber)	--	91*-EG/M	--	--
	68473-88A	INDICATOR LAMP, turn signal green)	--	91*-EG/M	--	--
32	67878-90	INDICATOR LAMP, oil pressure (red)	--	--	--	91-GB
	68020-92	INDICATOR LAMP, oil pressure (red)	--	92*-EB/G/M	--	92*-ALL
	68022-92	INDICATOR LAMP, oil pressure (red)	--	91-EGM	--	92-GB
	68489-86	INDICATOR LAMP, oil pressure (red)	--	91*-EG/M	--	--
	68536-86	INDICATOR LAMP, oil pressure (red)	--	91*-EB	--	--
33	68464-86	TRIM, indicator lamps (black)	--	91*-EG/M	--	--
33A	68513-92	BEZEL, indicator lamps	--	92*-EB/G/M	--	92*-ALL
34	68516-92	TRIM, indicator lamps	--	92-EB/GR	--	92*-ALL
34A	68608-83	SPEED NUT (4)	--	91*-EG/M	--	91*-ALL
35	72038-71	SOCKET, single pin (7)	--	91*-EG/M	--	91*-ALL
36	92061-83	CUSHION, speedometer & tachometer mtg. (2)	--	91*-EB	--	91*-ALL
37	92079-88	BRACKET, speedometer	--	91*-EB	--	91*-ALL
38	92080-88	BRACKET, tachometer	--	91*-EB	--	91*-ALL
<b>H-D INTERNATIONAL</b>						
9	67041-91	SPEEDOMETER - kph (HDI only)	--	91*-EG/M	--	--
11	67042-83	TACHOMETER, with wiring - kph (HDI only)	--	91*-EG/M	--	--
13	67047-86B	SPEEDOMETER & TACHOMETER ASSEMBLY, with bracket - kph (HDI only)	--	91*-EG/M	--	--
10	67169-88A	SPEEDOMETER - kph (HDI only)	--	91*-EB	--	91*-ALL
27	67187-88	DRIVE UNIT, speedometer (HDI only)	--	91*-EB	--	91*-ALL

FLT MODELS		FXR MODELS		SOFTAIL MODELS		DYNA MODEL	
FLTC	DB	FXR	EA	FLSTC	BJ	FXDB-C	GA
FLHTC	DJ	FXRS	EB	FXSTC	BK	FXDB-S	GB
FLTC-U	DM	FXRT	EC	FXSTS	BL	FXDC	GC
FLHTC-U	DP	FXRS-SP	EG	FLSTF	BM		
FLHS	FA	FXLR	EL				
		FXRS-CON	EM				

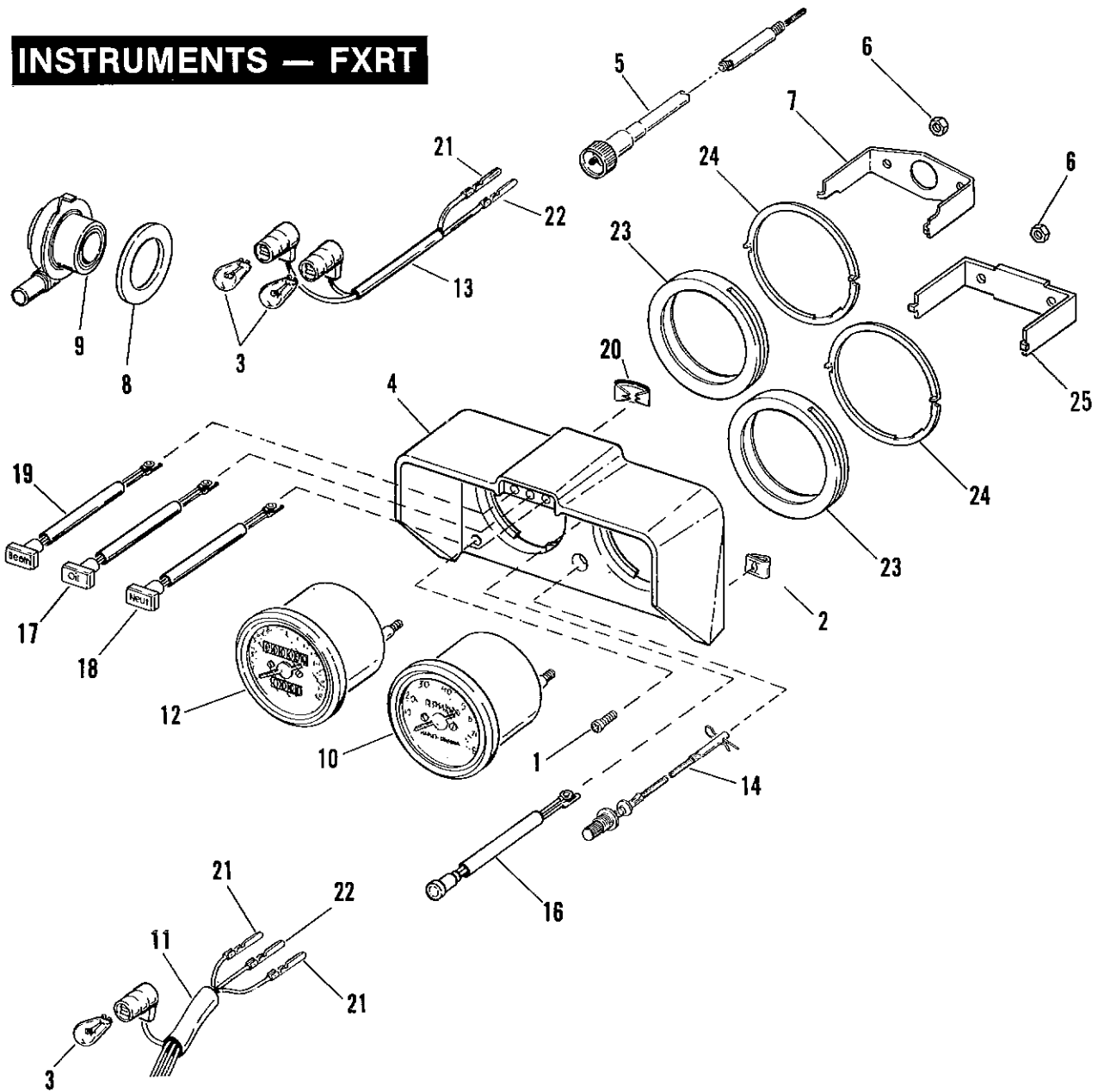




INDEX NO.	PART NO.	NAME	FLT MODELS	FXR MODELS	SOFTAIL MODELS	DYNA MODEL
1	923	SCREW (2)	--	91*-EL	--	--
2	9857	TERMINAL, ring type #10 hole	--	91*-EA	--	--
3	45092-66A	GUIDE, cable (2)	--	91*-EA/L	--	--
4	53439-79	BULB (2)	--	91*-EA/L	--	--
	67013-87A	SPEEDOMETER ASM-MPH, w/5,6,8,13A,14,&15	--	91-EL	--	--
5	67014-91	COVER, speedometer (chrome)	--	91*-EL	--	--
6	67020-85A	SPEEDOMETER - mph	--	91*-EA	--	--
	67025-91	SPEEDOMETER, with wiring - mph	--	91*-EL	--	--
7	67078-85A	CABLE ASSEMBLY, speedometer	--	91*-EA/L	--	--
8	67080-87	MOUNTING BRACKET, speedometer	--	91*-EL	--	--
9	67085-83	TRIM, speedometer	--	91*-EL	--	--
	67103-91	ORNAMENT, speedometer	--	91*-EL	--	--
10	67086-85	GROMMET	--	91*-EA	--	--
11	67094-85	NUT (2)	--	91*-EA	--	--
12	67095-85	BRACKET, mounting	--	91*-EA	--	--
13	67098-87	SEAL, drive unit	--	91*-EA/L	--	--
14	67104-83	GASKET, speedometer mounting	--	91*-EL	--	--
	92061-83	GASKET, speedometer mounting	--	91*-EA	--	--
15	67106-83	ACORN NUT (2)	--	91*-EL	--	--
16	67108-83	RESET KNOB, odometer	--	91*-EL	--	--
	67122-85	RESET KNOB, odometer	--	91*-EA	--	--
17	67117-85	SCREW, reset knob	--	91*-EL	--	--
18	67126-91	BULB & SOCKET	--	91*-EL	--	--
	67202-86	BULB & SOCKET, with terminals	--	91*-EA	--	--
19	67127-84A	DRIVE UNIT, speedometer	--	91*-EA	--	--
	67132-85A	DRIVE UNIT, speedometer	--	91*-EL	--	--
20	67200-86A	SPEEDOMETER, with wiring - mph	--	91*-EA	--	--
21	67826-87	TRIM, indicator lamps	--	91-EL	--	--
	67826-92	TRIM, indicator lamps	--	92*-EL	--	--
22	67851-86	INDICATOR LAMP, neutral (green)	--	91-EA	--	--
	68024-92	INDICATOR LAMP, neutral (green)	--	92*-EA/L	--	--
	68419-87	INDICATOR LAMP, neutral (green)	--	91-EL	--	--
23	67862-86	INDICATOR LAMP, high beam (blue)	--	91-EA	--	--
	68023-92	INDICATOR LAMP, high beam (blue)	--	92*-EA/L	--	--
	68421-87	INDICATOR LAMP, high beam (blue)	--	91-EL	--	--
24	67864-86	INDICATOR LAMP, turn signals (amber)	--	91-EA	--	--
	68021-92	INDICATOR LAMP, turn signal (green) (2)	--	92*-EA/L	--	--
25	68020-92	INDICATOR LAMP oil pressure (red)	--	92*-EA/L	--	--
25	68420-87	INDICATOR LAMP, oil pressure (red)	--	91-EL	--	--
	68536-86	INDICATOR LAMP, oil pressure (red)	--	91-EA	--	--
26	68608-83	SPEED NUT (4; 3 - EL)	--	91*-EA/L	--	--
27	72038-71	SOCKET, single pin	--	91*-EA	--	--
28	72039-71	PIN, single socket	--	91*-EA	--	--
29	72043-71	CONNECTOR, single pin	--	91*-EA	--	--
30	92070-86	PLATE, mounting	--	91*-EA	--	--
<b>H-D INTERNATIONAL ONLY</b>						
6	67018-91	SPEEDOMETER, with wiring - kph (HDI only)	--	91*-EL	--	--
	67021-85B	SPEEDOMETER - kph (HDI only)	--	91*-EA	--	--

FLT MODELS		FXR MODELS		SOFTAIL MODELS		DYNA MODEL	
FLTC	DB	FXR	EA	FLSTC	BJ	FXDB-D	GA
FLHTC	DJ	FXRS	EB	FXSTC	BK	FXDB-S	GB
FLTC-U	DM	FXRT	EC	FXSTS	BL	FXDC	GC
FLHTC-U	DP	FXRS-SP	EG	FLSTF	BM		
FLHS	FA	FXLR	EL				
		FXRS-CON	EM				

# INSTRUMENTS — FXRT



INDEX NO.	PART NO.	NAME	FLT MODELS	FXR MODELS	SOFTAIL MODELS	DYNA MODEL
1	3766	SCREW (4)	--	91*-EC	--	--
2	8107	SPEEDNUT (4)	--	91*-EC	--	--
3	53439-79	BULB (2 - speedometer; 1 - tachometer)	--	91*-EC	--	--
4	67029-86A	VISOR	--	91*-EC	--	--
5	67054-83B	CABLE, speedometer	--	91*-EC	--	--
6	67094-85	NUT (4)	--	91*-EC	--	--
7	67097-86	BRACKET, speedometer mounting	--	91*-EC	--	--
8	67098-87	SEAL, drive unit	--	91*-EC	--	--
9	67127-84A	DRIVE UNIT, speedometer	--	91*-EC	--	--
10	67152-86	TACHOMETER	--	91*-EC	--	--
11	67153-86	SOCKET & BULB, tachometer	--	91*-EC	--	--
12	67154-86	SPEEDOMETER (mph)	--	91*-EC	--	--
	67157-86A	SPEEDOMETER (kph)	--	91*-EC	--	--
13	67155-86	SOCKET & BULBS, speedometer	--	91*-EC	--	--
14	67156-86A	CABLE, odometer reset	--	91*-EC	--	--
16	68020-92	INDICATOR LAMP, oil pressure (red)	--	92*-EC	--	--
	68489-83	INDICATOR LAMP, oil pressure (red)	--	91-EC	--	--
17	68021-92	INDICATOR LAMP, turn signal (green)	--	92*-EC	--	--
	68465-86	INDICATOR LAMP, turn signal (amber) (2)	--	91-EC	--	--
18	68023-92	INDICATOR LAMP, high beam (blue)	--	92*-EC	--	--
	68588-86	INDICATOR LAMP, high beam (blue)	--	91-EC	--	--
19	68024-92	INDICATOR LAMP, neutral (green)	--	92*-EC	--	--
	68574-83	INDICATOR LAMP, neutral (green)	--	91-EC	--	--
20	68608-83	SPEED NUT (5)	--	91*-EC	--	--
21	72038-71	SOCKET, single pin (7)	--	91*-EC	--	--
22	72039-71	PIN, single socket (9)	--	91*-EC	--	--
23	92061-83	GASKET, instrument mounting	--	91*-EC	--	--
24	92068-83	PLATE, mounting (2)	--	91*-EC	--	--
25	92077-83	BRACKET, tachometer mounting	--	91*-EC	--	--

**FLT MODELS**

FLTC DB  
 FLHTC DJ  
 FLTC-U DM  
 FLHTC-U DP  
 FLHS FA

**FXR MODELS**

FXR EA  
 FXRS EB  
 FXRT EC  
 FXRS-SP EG  
 FXLR EL  
 FXRS-CON EM

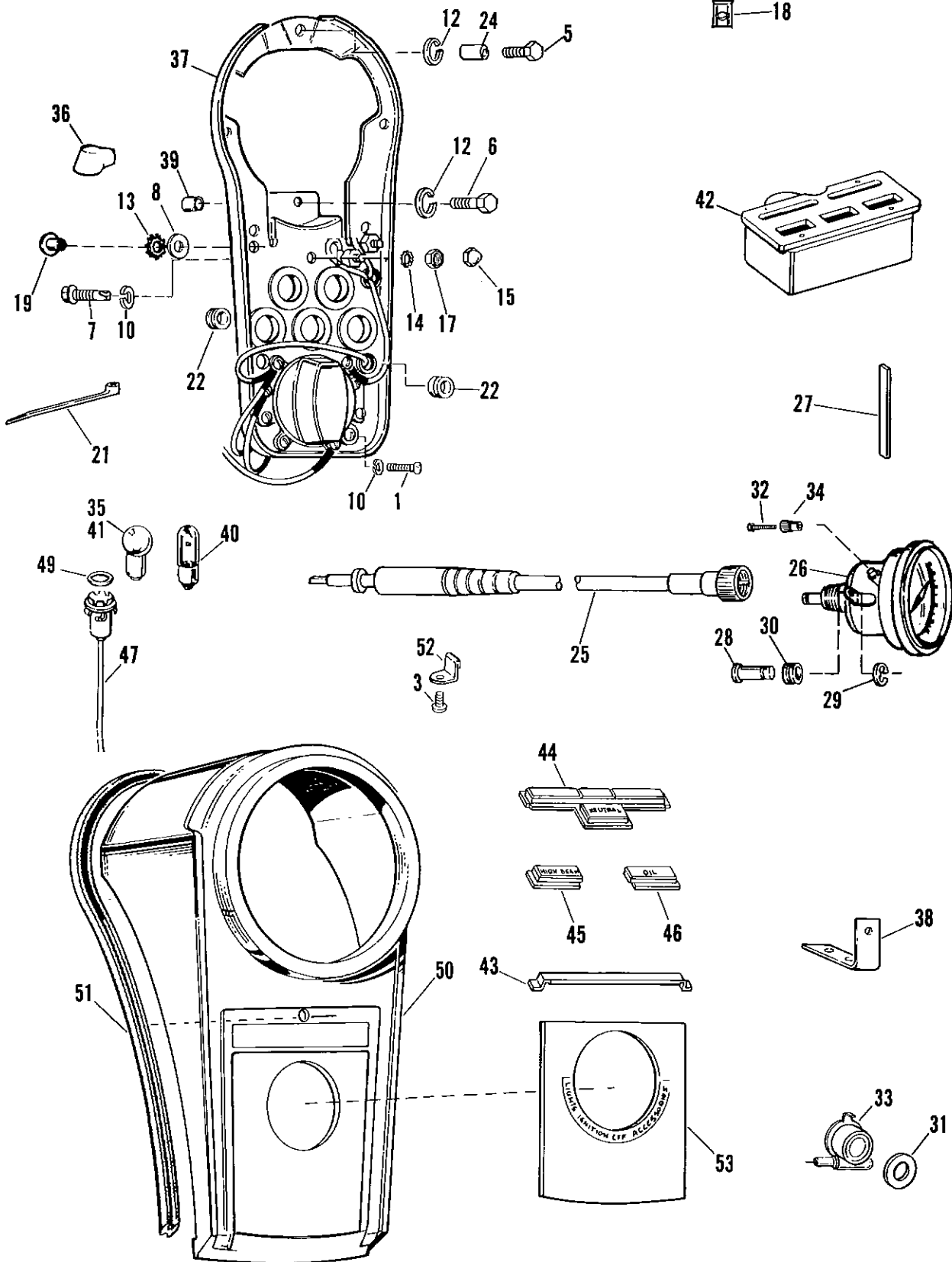
**SOFTAIL MODELS**

FLSTC BJ  
 FXSTC BK  
 FXSTS BL  
 FLSTF BM

**DYNA MODEL**

FXDB-D GA  
 FXDB-S GB  
 FXDC GC

# INSTRUMENTS — SOFTAIL



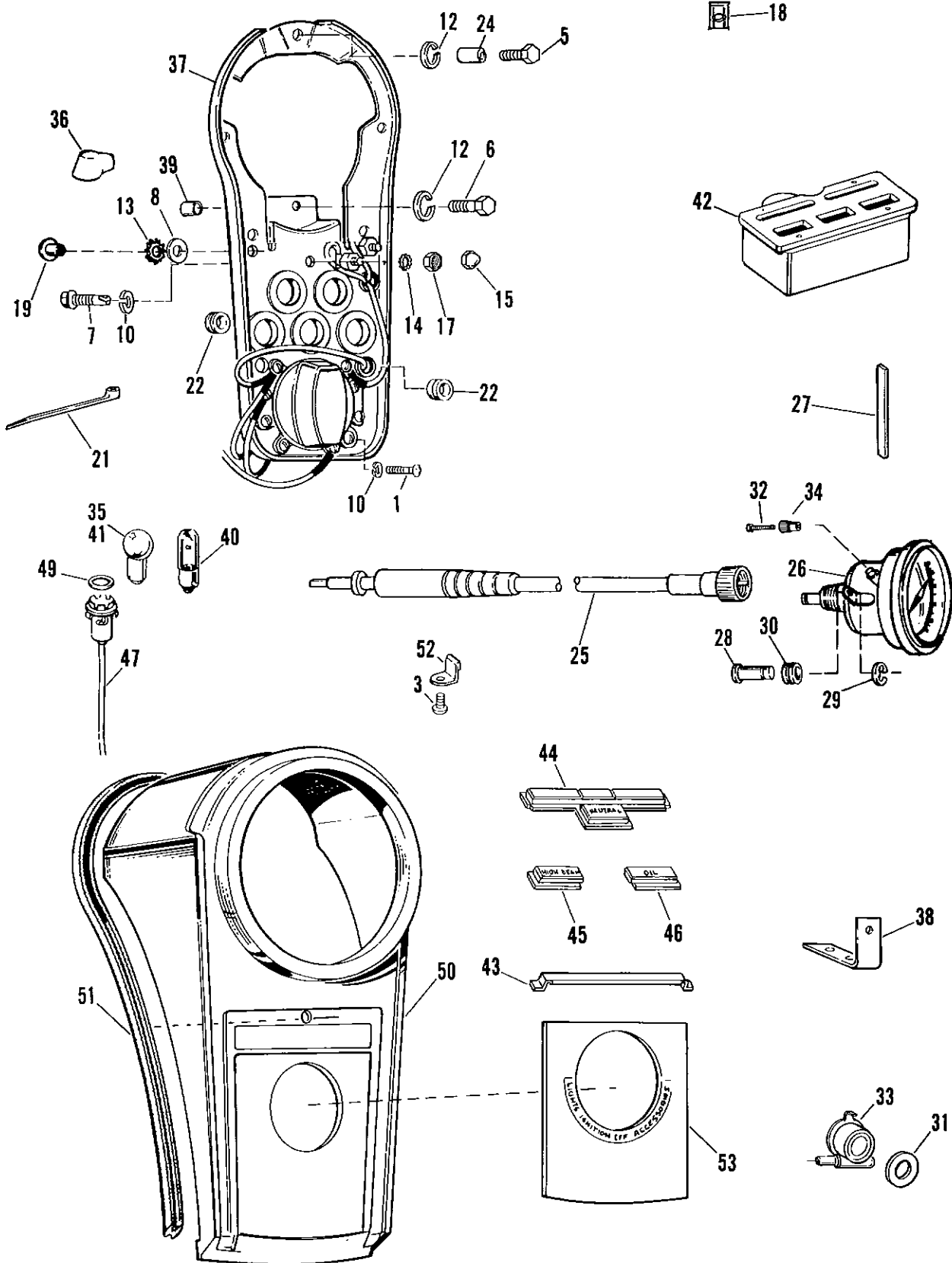
**INSTRUMENTS - SOFTAIL MODELS**

**FA44D-1**

INDEX NO.	PART NO.	NAME	FLT MODELS	FXR MODELS	SOFTAIL MODELS	DYNA MODEL
1	2574WA	SCREW (6)	--	--	91*-ALL	--
3	2630W	SCREW (2)	--	--	91*-ALL	--
5	3419	BOLT	--	--	91*-ALL	--
6	4068	BOLT (2)	--	--	91*-ALL	--
7	4739	BOLT	--	--	91*-ALL	--
8	6192	WASHER (4)	--	--	91*-ALL	--
10	6702	WASHER	--	--	91*-ALL	--
12	7041	LOCKWASHER (3)	--	--	91*-ALL	--
13	7229W	LOCKWASHER (3)	--	--	91*-ALL	--
14	7232	LOCKWASHER	--	--	91*-ALL	--
15	7549	ACORN NUT	--	--	91*-ALL	--
17	7763W	NUT	--	--	91*-ALL	--
18	8155	SPEED NUT (2)	--	--	91*-ALL	--
19	8536	RIVET	--	--	91*-ALL	--
21	10065	CABLE STRAP (6)	--	--	91*-ALL	--
22	11430	GROMMET, instrument panel (2)	--	--	91*-ALL	--
24	62043-81A	SPACER, panel mounting	--	--	91*-ALL	--
25	67024-84A	CABLE ASSEMBLY, speedometer	--	--	91*-BK/L	--
	67079-86A	CABLE ASSEMBLY, speedometer	--	--	91*-BJ/M	--
26	67027-91A	SPEEDOMETER - mph	--	--	91*-ALL	--
27	67067-76	ISOLATOR STRIP (black)	--	--	91*-ALL	--
28	67068-76	PIN, speedometer mounting (2)	--	--	91*-ALL	--
29	67069-76	RETAINING RING, speedometer mounting (2)	--	--	91*-ALL	--
30	67070-76	GROMMET, speedometer mounting (2)	--	--	91*-ALL	--
31	67098-87	SEAL, drive unit	--	--	91*-BL	--
31A	67115-91	SUPPORT, speedometer	--	--	91*-ALL	--
32	67117-85	SCREW	--	--	91*-ALL	--
33	67120-84B	DRIVE UNIT, speedometer	--	--	91*-BK	--
	67125-86A	DRIVE UNIT, speedometer	--	--	91*-BJ/M	--
	67166-88	DRIVE UNIT, speedometer	--	--	91*-BL	--
34	67215-89	KNOB, odometer reset	--	--	91*-ALL	--
35	68462-64	BULB, indicator lamps (4)	--	--	91*-ALL	--
36	70579-65	INSULATING BOOT	--	--	91*-ALL	--
37	70936-91	INSTRUMENT PANEL BASE	--	--	91*-ALL	--
38	70939-84A	BRACKET, circuit breakers	--	--	91*-ALL	--
39	70941-84A	SPACER, instrument panel mounting	--	--	91*-ALL	--
40	71090-64	BULB, speedometer	--	--	91*-ALL	--
41	71092-68A	BULB, high beam	--	--	91*-ALL	--

FLT MODELS		FXR MODELS		SOFTAIL MODELS		DYNA MODEL	
FLTC	DB	FXR	EA	FLSTC	BJ	FXDB-D	GA
FLHTC	DJ	FXRS	EB	FXSTC	BK	FXDB-S	GB
FLTC-U	DM	FXRT	EC	FXSTS	BL	FXDC	GC
FLHTC-U	DP	FXRS-SP	EG	FLSTF	BM		
FLHS	FA	FXLR	EL				
		FXRS-CON	EM				

# INSTRUMENTS — SOFTAIL

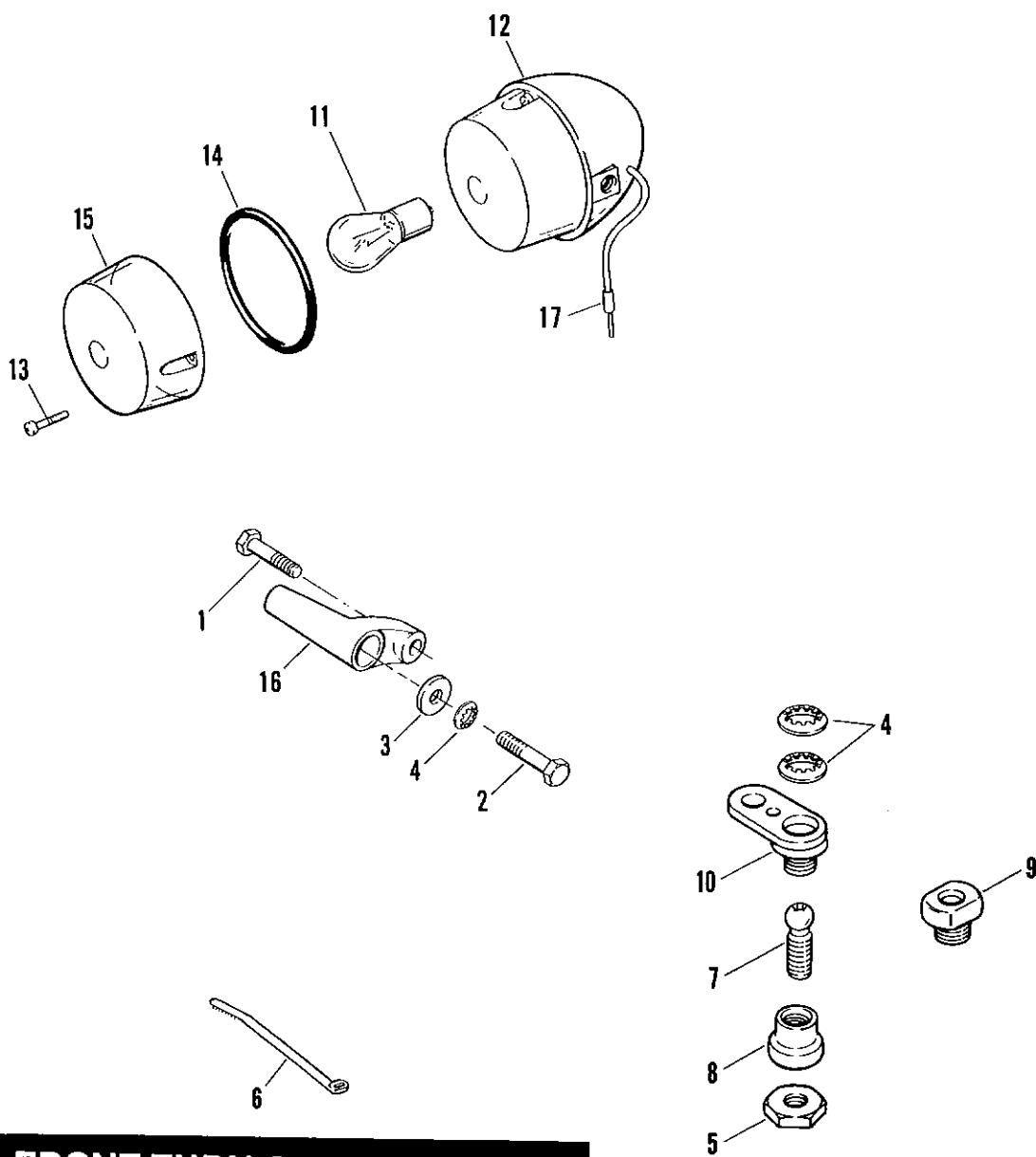


**INSTRUMENTS - SOFTAIL MODELS (CONT'D)**

**FA44D-2**

INDEX NO.	PART NO.	NAME	FLT MODELS	FXR MODELS	SOFTAIL MODELS	DYNA MODEL
42	71134-68	SUPPORT, indicator lamp lens	--	--	91*-ALL	--
43	71141-68	RETAINER, indicator lamp lens	--	--	91*-ALL	--
44	71143-90	LENS, neutral (green)	--	--	91*-ALL	--
45	71144-75A	LENS, high beam (blue)	--	--	91*-ALL	--
	71151-92	LENS, high beam (blue)	--	--	92*-All	
46	71145-75	LENS, oil pressure (red)	--	--	91*-ALL	--
47	71158-86A	SOCKET, speedometer lamp	--	--	91-ALL	--
	71158-91	SOCKET, speedometer lamp	--	--	92*-ALL	--
49	71182-47A	WASHER, signal lamp socket (4)	--	--	91*-ALL	--
50	71241-91	COVER, instrument panel (chrome)	--	--	91*-ALL	--
51	71295-68	GASKET, instrument panel cover (2)	--	--	91*-ALL	--
52	71297-68	CLIP, lens support (2)	--	--	91*-ALL	--
53	71300-79	PLATE, ignition switch (chrome)	--	--	91*-ALL	--
<b>H-D INTERNATIONAL ONLY</b>						
26	67030-91A	SPEEDOMETER - kph (HDI only)	--	--	91*-ALL	--
44	71150-92	LENS, neutral (green)	--	--	92*-ALL	--
45	71151-92	LENS, high beam (blue)	--	--	92*-ALL	--
46	71152-92	LENS, oil pressure (red)	--	--	92*-ALL	--

FLT MODELS		FXR MODELS		SOFTAIL MODELS		DYNA MODEL	
FLTC	DB	FXR	EA	FLSTC	BJ	FXDB-D	GA
FLHTC	DJ	FXRS	EB	FXSTC	BK	FXDB-S	GB
FLTC-U	DM	FXRT	EC	FXSTS	BL	FXDC	GC
FLHTC-U	DP	FXRS-SP	EG	FLSTF	BM		
FLHS	FA	FXLR	EL				
		FXRS-CON	EM				



**FRONT TURN SIGNALS — FXR,  
FXRS, FXLR, SOFTAIL & DYNA**



**FRONT TURN SIGNALS - FXR, FXRS, FXLR, SOFTAIL & DYNA MODELS**

**FA45**

INDEX NO.	PART NO.	NAME	FLT MODELS	FXR MODELS	SOFTAIL MODELS	DYNA MODEL
1	4029A	SCREW (2)	--	91*-EG/M	--	91*-GB
2	2698A	SCREW (2)	--	91*-EG/M	--	91-GB
				B/G/L/M		
3	7042	WASHER (2)	--	91*-EG/M	--	91-GB
4	7127	LOCKWASHER (3)	--	91*-EA/B/L	91*-ALL	91-GB
5	7744	JAM NUT (2)	--	91*-EA/B/L	91*-ALL	92*-ALL
6	10006	CABLE STRAP (2)	--	91*-EA/	91*-ALL	91-GB
				B/G/L/M		
	10065	CABLE STRAP	--	91*-EC	91*-ALL	--
7	67822-88	BALL STUD (2)	--	91*-EA/B/L	91*-ALL	92*-ALL
8	67827-88	CLAMP, ball stud (2)	--	91*-EA/B/L	91*-ALL	92*-ALL
9	67828-88	RETAINER, right	--	91*-EA/B/L	91*-ALL	92*-ALL
10	67829-88	BALL RECEPTACLE, left	--	91*-EA/B/L	91*-ALL	92*-ALL
11	68168-89	BULB, front turn signals (2)	--	91*-ALL	91*-ALL	91*-ALL
12	68406-86C	LAMP WITH WIRE, front (2)	--	91*-EA/	91*-ALL	91*-ALL
				B/G/L/M		
13	68452-86	SCREW WITH O-RING, turn signal lens (4)	--	91*-EA/	91*-ALL	91*-ALL
				B/G/L/M		
14	68455-86	O-RING, turn signal (2)	--	91*-EA/	91*-ALL	91*-ALL
				B/G/L/M		
15	68457-86	LENS, turn signal (amber) (2)	--	91*-EA/	--	--
				B/G/L/M	--	--
16	68555-87	SUPPORT, front turn signal (2)	--	91*-EG/L	--	--
	68577-90A	SUPPORT, front turn signal (2)	--	91*-EM	--	91-GB
17	72039-71	PIN, single socket (2)	--	91*-ALL	91*-ALL	--
<b>H-D INTERNATIONAL ONLY</b>						
11	68163-84	BULB (2) (HDI only)	--	91*-EA/	91*-ALL	91*-ALL
				B/G/L/M		
12	68408-86C	LAMP WITH WIRE, front (HDI only)	--	91*-EA/	91*-ALL	91*-ALL
				B/G/L/M		
15	68566-90	LENS, turn signal (amber) (2) (HDI only)	--	91*-EA/	91*-ALL	91*-ALL
				B/G/L/M		

**FLT MODELS**

FLTC DB  
 FLHTC DJ  
 FLTC-U DM  
 FLHTC-U DP  
 FLHS FA

**FXR MODELS**

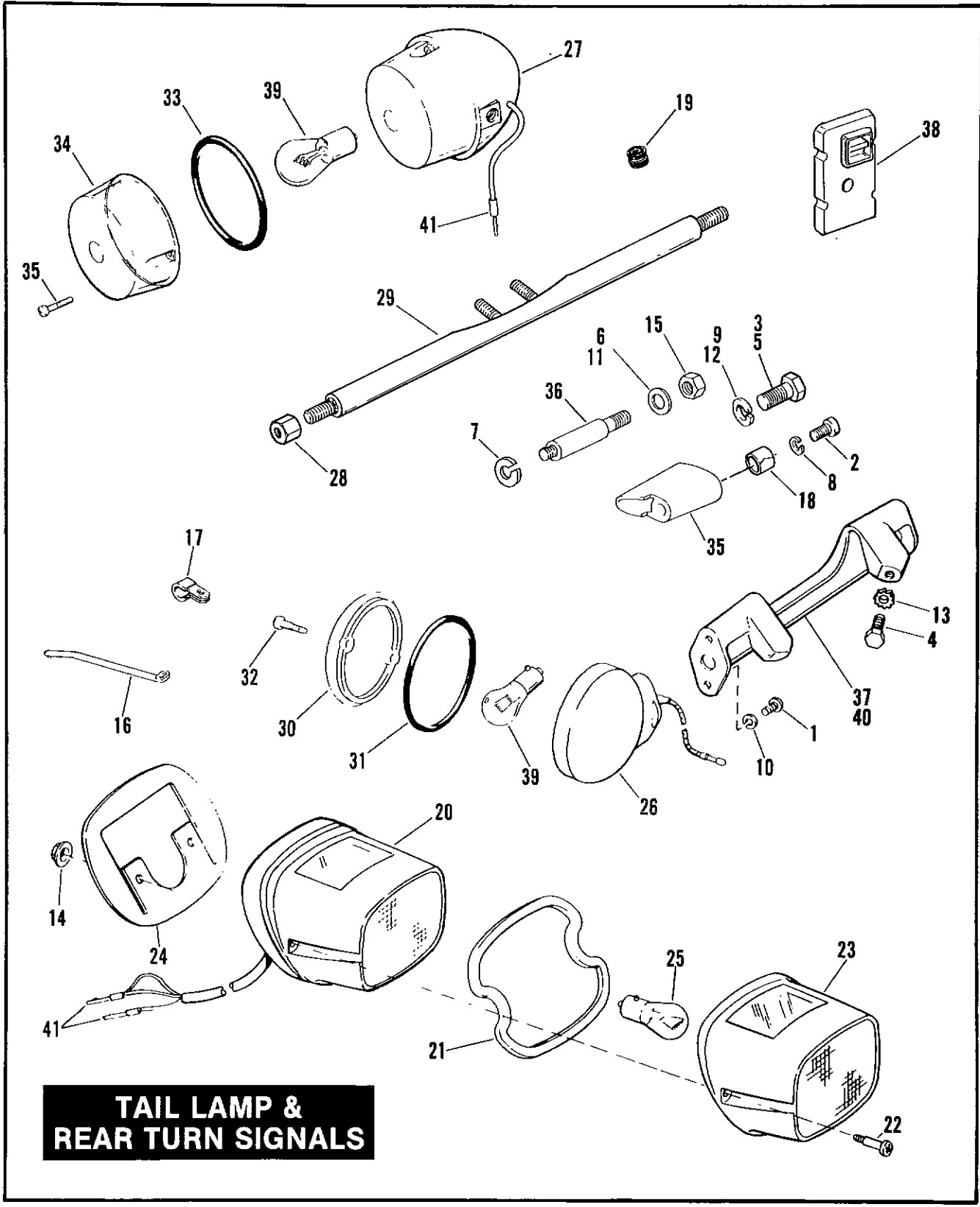
FXR EA  
 FXRS EB  
 FXRT EC  
 FXRS-SP EG  
 FXLR EL  
 FXRS-CON EM

**SOFTAIL MODELS**

FLSTC BJ  
 FXSTC BK  
 FXSTS BL  
 FLSTF BM

**DYNA MODEL**

FXDB-D GA  
 FXDB-S GB  
 DXDC GC



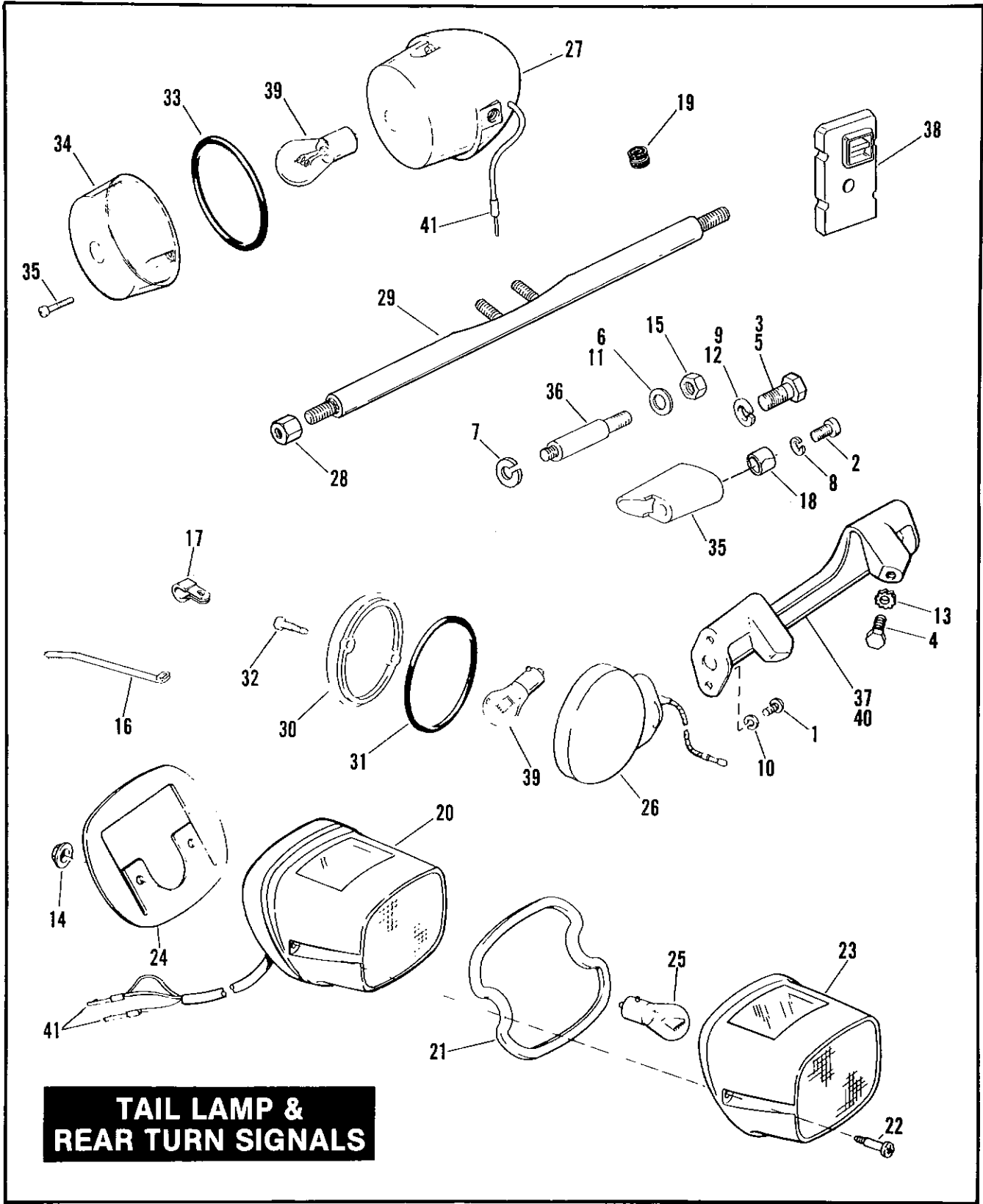
**TAIL LAMP & REAR TURN SIGNALS**

**TAIL LAMP & REAR TURN SIGNALS**

**FA45A-1**

INDEX NO.	PART NO.	NAME	FLT MODELS	FXR MODELS	SOFTAIL MODELS	DYNA MODEL
1	2692WA	SCREW (4)	91*-ALL	91*-EC	91*-BJ	--
2	2698A	SCREW (2)	--	--	91*-BK/L	--
3	2904A	BOLT (2)	--	--	91*-ALL	--
4	3576	BOLT (2)	91*-ALL	--	91*-BJ	--
5	4412	BOLT (2)	--	91*-EA/B/ G/L	--	--
6	6701	WASHER (2)	--	91*-EA/B/ G/L	--	91*-ALL
7	7041	LOCKWASHER (2)	--	--	--	91*-ALL
8	7042	LOCKWASHER (2)	--	--	91*-BK/L	--
9	7045	LOCKWASHER (2)	--	--	91*-ALL	--
10	7069	LOCKWASHER (4)	91*-ALL	91*-EC	91*-BJ	--
11	7101	LOCKWASHER (2)	--	--	91*-BM	--
12	7130W	LOCKWASHER (2)	--	91*-EA/B/ G/L	--	--
13	7230	LOCKWASHER	91*-ALL	91*-EC	--	--
14	7501	SPEED NUT (2)	91*-ALL	91*-ALL	91*-ALL	91*-ALL
15	7667	LOCKNUT (2)	--	91*-EA/B/	--	--
	7628	NUT, flange (2)	--	--	--	92*-ALL
	7776W	LOCKNUT (2)	--	--	--	91-GB
	7800W	NUT (2)	--	--	91*-BM	--
16	10065	CABLE STRAP	--	91*-EC	91*-ALL	--
17	10033	CLIP	91*-ALL	91*-EC	91*-BJ/M	--
18	59959-86	SPACER	--	--	91*-ALL	--
19	67070-76	GROMMET, rear fender	--	91*-EM	--	--
20	68008-73B	TAIL LAMP ASSEMBLY	91*-ALL	91*-ALL	91*-ALL	91*-ALL
21	68027-90	GASKET, tail lamp lens	91*-ALL	91*-ALL	91*-ALL	91*-ALL
22	68026-73	SCREW, tail lamp (2)	91*-ALL	91*-ALL	91*-ALL	91*-ALL
23	68033-90	LENS, tail lamp (red)	91*-ALL	91*-ALL	91*-ALL	91*-ALL
24	68123-73	GASKET, tail lamp housing	91*-ALL	91*-ALL	--	91*-ALL
25	68168-89	BULB, tail lamp	91*-ALL	91*-ALL	91*-ALL	91*-ALL
26	68402-86	LAMP WITH WIRE, rear (amber) (2)	91*-ALL	91*EC	91*-BJ	--
27	68407-86	LAMP WITH WIRE, rear (amber) (2)	--	--	91*-BK/L	--
	68410-87B	LAMP WITH WIRE, rear (amber) (2)	--	91*-EA/B/ G/L/M	91*-BM	91*-ALL
28	68424-89	NUT (2)	--	91*-EM	--	--
29	68430-89	TURN SIGNAL BAR	--	91*-EM	--	--
30	68440-86	LENS, turn signal (2)	91*-ALL	91*-EC	91*-BJ	--
31	68451-86	O-RING, turn signal lens (2)	91*-ALL	91*-EC	91*-BJ	--
32	68452-86	SCREW WITH O-RING (4)	91*-ALL	91*-ALL	91*-ALL	91*-ALL
33	68455-86	O-RING, turn signal (2)	--	91*-EA/B/ G/L/M	91*-BK/L/ M	91*-ALL
34	68457-86	LENS, turn signal	--	91*-EA/B/ G/L/M	91*-BK/L/ M	91*-ALL
35	68480-73	SUPPORT, rear lamp mounting (2)	--	--	91*-BK/L	--

FLT MODELS		FXR MODELS		SOFTAIL MODELS		DYNA MODEL	
FLTC	DB	FXR	EA	FLSTC	BJ	FXDB-D	GA
FLHTC	DJ	FXRS	EB	FXSTC	BK	FXDB-S	GB
FLTC-U	DM	FXRT	EC	FXSTS	BL	FXDC	GC
FLHTC-U	DP	FXRS-SP	EG	FLSTF	BM		
FLHS	FA	FXLR	EL				
		FXRS-CON	EM				



**TAIL LAMP &  
REAR TURN SIGNALS**

# TAIL LAMP & REAR TURN SIGNALS (CONT'D)

FA45A-2

INDEX NO.	PART NO.	NAME	FLT MODELS	FXR MODELS	SOFTAIL MODELS	DYNA MODEL
36	68493-87	STUD, rear turn signal	--	91*-EA/B/ G/L	--	--
	68493-90	SUPPORT, rear lamp mounting	--	--	91*-BM	91*-GB
37	68510-74B	BRACKET, rear turn signal	91*-ALL	--	91*-BJ	--
38	68537-89C	TURN SIGNAL CANCELLER	91*-ALL	91*-ALL	91*-ALL	91*-GB
39	68572-64B	BULB, rear turn signal (2)	91*-ALL	91*-ALL	91*-ALL	91*-GB
40	68643-83B	BRACKET, rear turn signal	--	91*-EC	--	--
41	72039-71	PIN, single socket (2)	91*-ALL	91*-ALL	91*-ALL	91*-GB
<b>H-D INTERNATIONAL ONLY</b>						
	59710-84	COVER, rear turn signal hole (2) (HDI only)	--	--	91*-BK/L	--
23	68032-90	LENS, tail lamp (red) (HDI only)	91*-ALL	91*-ALL	91*-ALL	--
25	68169-90	BULB, tail lamp (HDI only)	91*-ALL	91*-ALL	91*-ALL	--
26	68392-91	LAMP WITH WIRE, rear (amber) (2) (HDI only)	91*-ALL	91*-EC	91*-BJ	--
27	68403-86A	LAMP WITH WIRE, rear (amber) (2) (HDI only)	--	91*-EA/B/ G/L/M	91*-BK/L/ M	91*-GB
30	68506-90	LENS, turn signal (amber) (2) (HDI only)	91*-ALL	91*-EC	91*-BJ	--
34	68507-90	LENS, turn signal (amber) (2) (HDI only)	--	91*-EA/B/ G/L/M	91*-BK/L/ M	91*-GB
38	68384-91	TURN SIGNAL CANCELLER (HDI only)	91*-ALL	91*-ALL	91*-ALL	91*-GB
39	68163-84	BULB, rear turn signal (HDI only)	--	91*-EA/B G/L/M	91*-BK/L/ M	--
	68506-90	BULB, rear turn signal (HDI only)	91*-ALL	91*-EC	91*-BJ	--
	68392-91	LAMP, rear (amber)(2)(HDI only)	91*-ALL	91*-EC	91*-BJ	--

**FLT MODELS**

FLTC DB  
 FLHTC DJ  
 FLTC-U DM  
 FLHTC-U DP  
 FLHS FA

**FXR MODELS**

FXR EA  
 FXRS EB  
 FXRT EC  
 FXRS-SP EG  
 FXLR EL  
 FXRS-CON EM

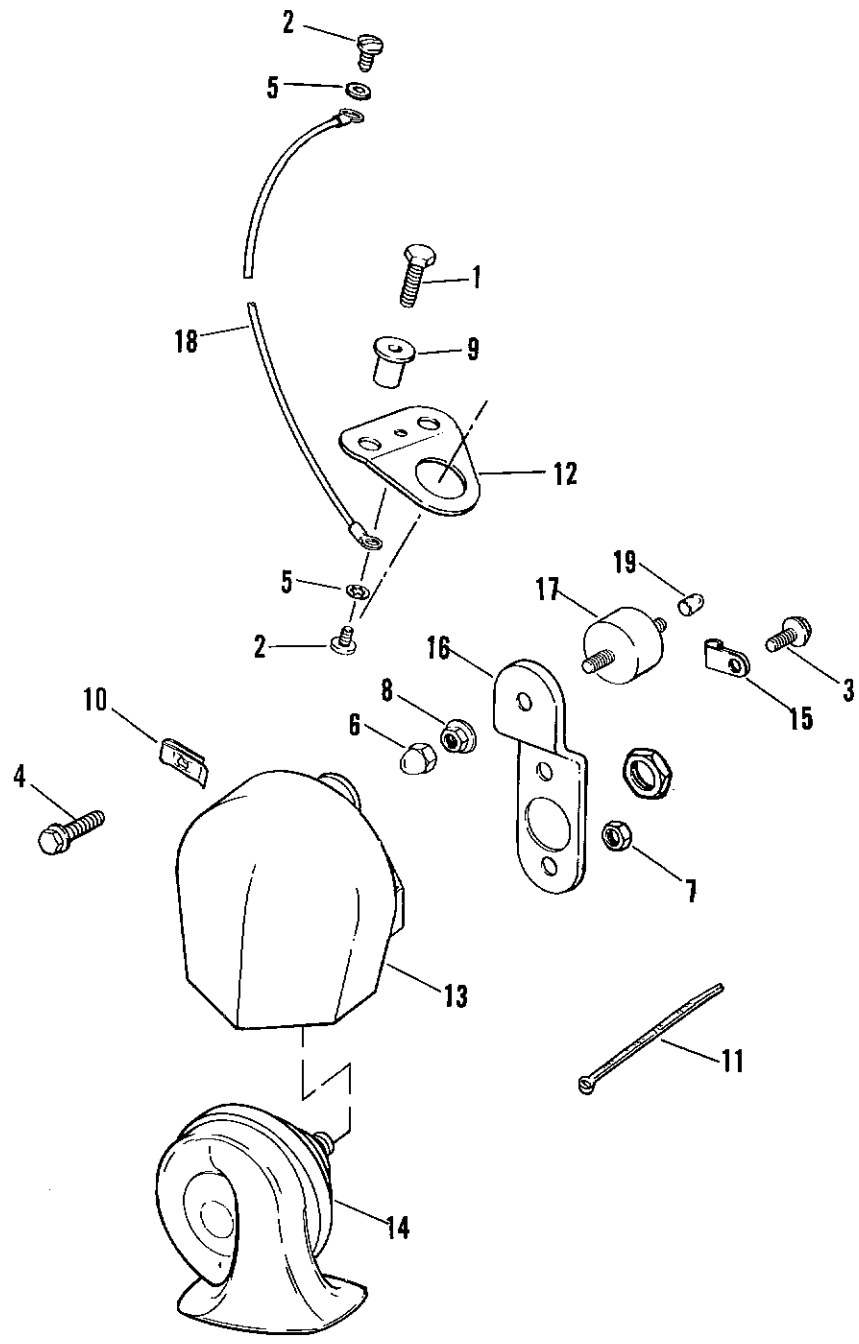
**SOFTAIL MODELS**

FLSTC BJ  
 FXSTC BK  
 FXSTS BL  
 FLSTF BM

**DYNA MODEL**

FXDB-D GA  
 FXDB-S GB  
 FXDC GC

# HORN



INDEX NO.	PART NO.	NAME	FLT MODELS	FXR MODELS	SOFTAIL MODELS	DYNA MODEL
1	2339	BOLT (2)	--	91*-ALL	--	--
2	2731W	SCREW (2)	--	91*-ALL	--	--
3	3563	SCREW (2)	91*-ALL	--	91*-ALL	--
4	3767B	SCREW (3)	--	--	--	91*-GB
5	7118	LOCKWASHER (2)	--	91*-ALL	--	--
6	7507	ACORN NUT	91*-ALL	--	91*-ALL	--
7	7531	NUT (3)	--	--	--	91*-GB
8	7576	NUT, flange	91*-ALL	--	91*-ALL	--
9	8098	WELL NUT (2)	--	91*-ALL	--	--
10	8108	NUT, push (2)	91*-ALL	--	91*-ALL	--
11	10006	CABLE STRAP	--	--	91*-ALL	--
12	69006-84A	BRACKET, horn mounting	--	91*-ALL	--	--
13	69012-86A	COVER, horn (chrome)	91*-ALL	--	91*-ALL	--
	69114-90	COVER, horn (black)	--	--	--	91*-GB
14	69060-90	HORN	91*-ALL	91*-ALL	91*-ALL	91*-GB
15	69062-91	CLAMP	91*-ALL	--	91*-ALL	--
16	69120-91	BRACKET, horn	91*-ALL	--	91*-ALL	--
	68126-91	BRACKET, horn	--	--	--	91-ALL
	69126-92	BRACKET, horn	--	--	--	92*-ALL
17	69125-65	MOUNT, horn (rubber)	91*-ALL	--	91*-ALL	--
18	69606--82	WIRE, horn ground	--	91*-ALL	--	--
19	89579-91	CAP, protective	91*-ALL	--	91*-ALL	--

FLT MODELS

FLTC DB  
 FLHTC DJ  
 FLTC-U DM  
 FLHTC-U DP  
 FLHS FA

FXR MODELS

FXR EA  
 FXRS EB  
 FXRT EC  
 FXRS-SP EG  
 FXLR EL  
 FXRS-CON EM

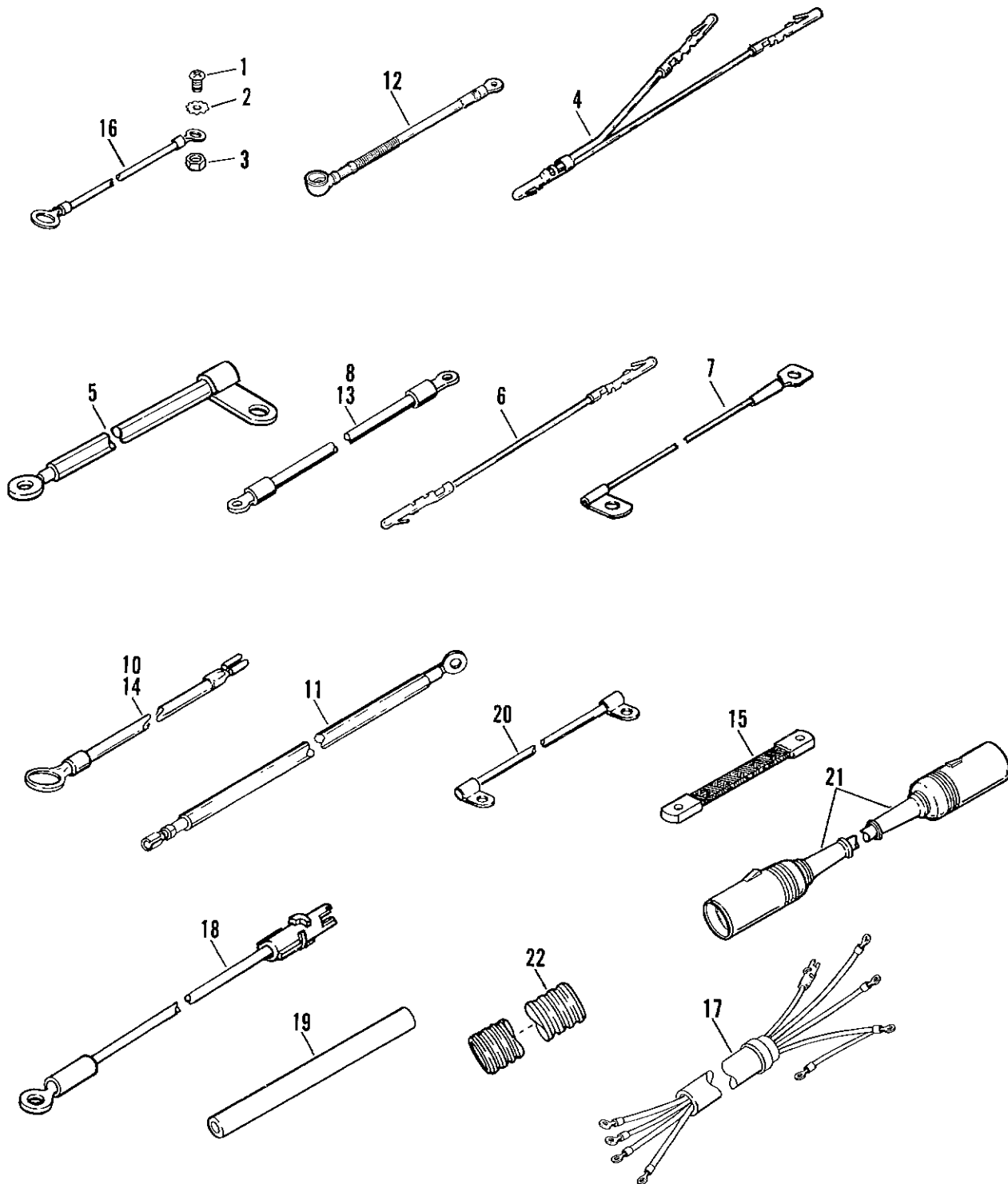
SOFTAIL MODELS

FLSTC BJ  
 FXSTC BK  
 FXSTS BL  
 FLSTF BM

DYNA MODEL

FXDB-D GA  
 FXDB-S GB  
 FXDC GC

# WIRING



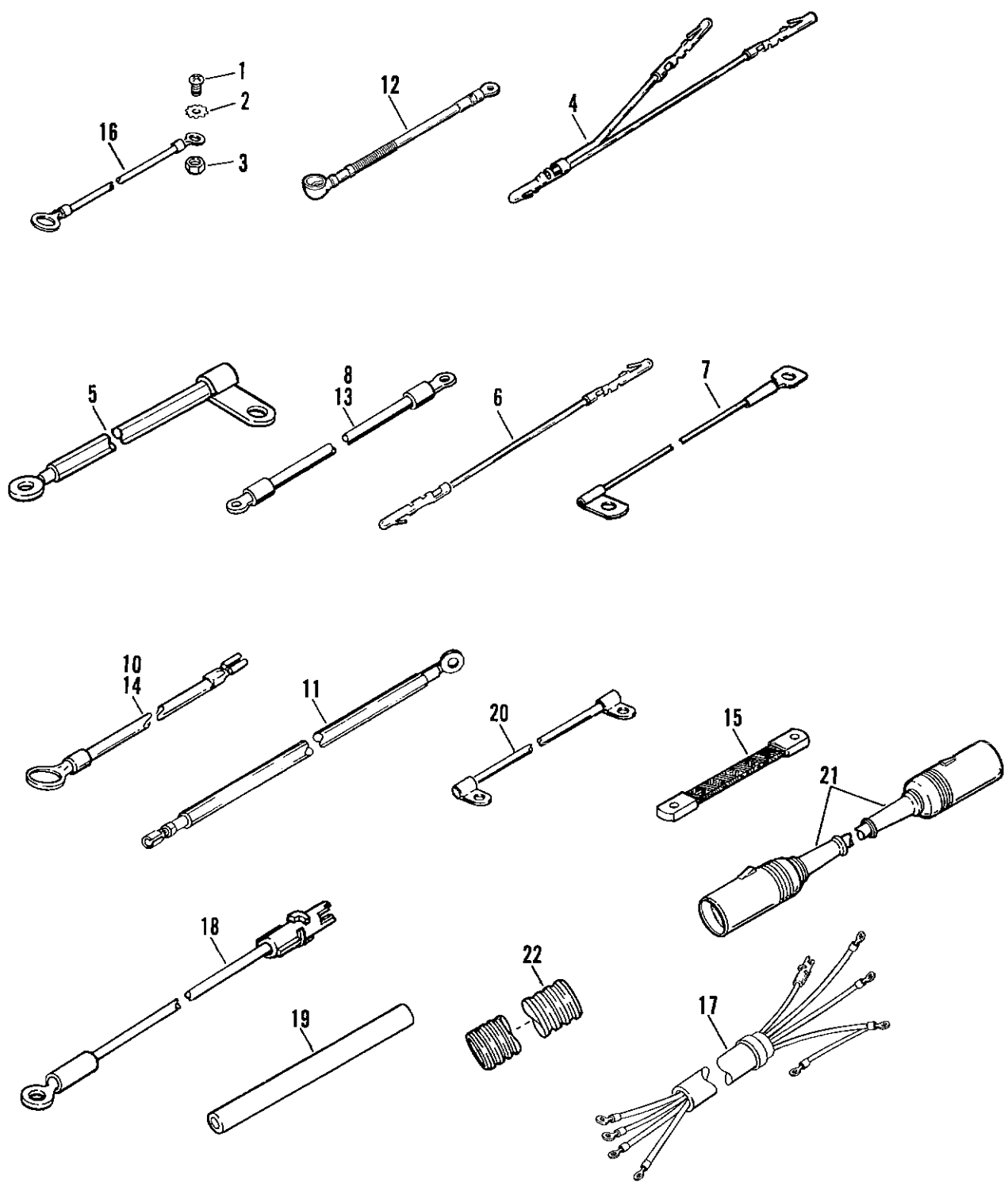


**WIRING**

INDEX NO.	PART NO.	NAME	FLT MODELS	FXR MODELS	SOFTAIL MODELS	DYNA MODEL
1	2582	SCREW, headlamp ground	--	--	91*-ALL	--
	2662W	SCREW, handlebar ground	--	91*-ALL	91*-ALL	91*-ALL
2	7220	LOCKWASHER	--	--	91*-ALL	91*-ALL
	7230	LOCKWASHER, battery ground	--	--	91*-ALL	--
3	7531	LOCKNUT, battery ground (2)	--	--	--	91*-ALL
4	58480-88A	CABLE ASSEMBLY, gauges	91*-DB	--	--	--
	69545-91A	MAIN WIRING HARNESS	--	91*-EC	--	--
	69551-90	MAIN WIRING HARNESS,	--	--	--	91-ALL
	69551-91A	MAIN WIRING HARNESS	--	91*-EA/B/ G/M	--	--
	69555-91	MAIN WIRING HARNESS	--	91-EL	--	--
	69555-92	MAIN WIRING HARNESS	--	92*-EL	--	--
5	70008-86	WIRE ASSEMBLY, starter relay to ground (black)	--	--	91*-ALL	--
6	70022-83	WIRE ASSEMBLY, left front turn signal	--	91*-EA/B/ G/M	--	--
	70027-83	WIRE ASSEMBLY, right front turn signal	--	91*-EA/B/ G/M	--	--
	70029-90	WIRE ASSEMBLY, AVC	91*-DJ	--	--	--
	70032-90	WIRING HARNESS, electrical panel	--	--	--	91*-ALL
	70963-92	WIRING HARNESS, air cleaner	--	--	--	92*-ALL
7	70033-89	CABLE ASSEMBLY, battery (black) (2)	91*-ALL	--	--	--
	70083-89	CABLE ASSEMBLY, battery negative	--	91*-ALL	--	--
8	70034-82	CABLE ASM. battery positive to C.B. (r & gn)--	91*-ALL	--	--	--
10	70050-83A	WIRE ASSEMBLY, headlamp ground (black)	--	91*-EA/B/ G/M	--	--
11	70060-92	WIRE ASSEMBLY, battery negative (black)	--	91*-ALL	91*-ALL	--
12	70078-91	CABLE ASSEMBLY, battery positive	--	--	91*-ALL	--
13	70102-90	CABLE ASSEMBLY, battery positive	--	--	--	91*-ALL
	70103-90	CABLE ASSEMBLY, battery negative	--	--	--	91*-ALL
	70107-90	CABLE ASSEMBLY, battery negative	--	--	--	91*-ALL
14	70132-89	WIRING HARNESS, lighter	91*-DM	--	--	--
	70142-86	WIRE ASSEMBLY, module ground (black)	91*-ALL	--	--	--
	70158-89	WIRING HARNESS, lighter	91*-DP	--	--	--
	70172-89	WIRING HARNESS, fairing	91*-DB/M	--	--	--
	70943-90	INSTRUMENT PANEL HARNESS	--	91*-EB	--	--
15	70186-82	STRAP, ground	91*-ALL	91*-ALL	--	--
16	70191-73A	WIRE ASSEMBLY, handlebar ground	--	91*-ALL	91*-ALL	91*-ALL
	70216 -91A	MAIN WIRING HARNESS	--	--	91*-ALL	--
	70232-89	WIRING HARNESS, front section	91*-DJ/DP	--	--	--
	70245-89A	MAIN WIRING HARNESS	91-FA	--	--	--
	70285-89	WIRING HARNESS, front section	91*-FA	--	--	--
	70985-89A	MAIN WIRING HARNESS	91-DB/J/ M/P	--	--	--
17	70277-89	CABLE ASSEMBLY, ignition switch	91*-DB/J/ M/P	--	--	--
	70283-89	CABLE ASSEMBLY, ignition switch	91*-FA	--	--	--

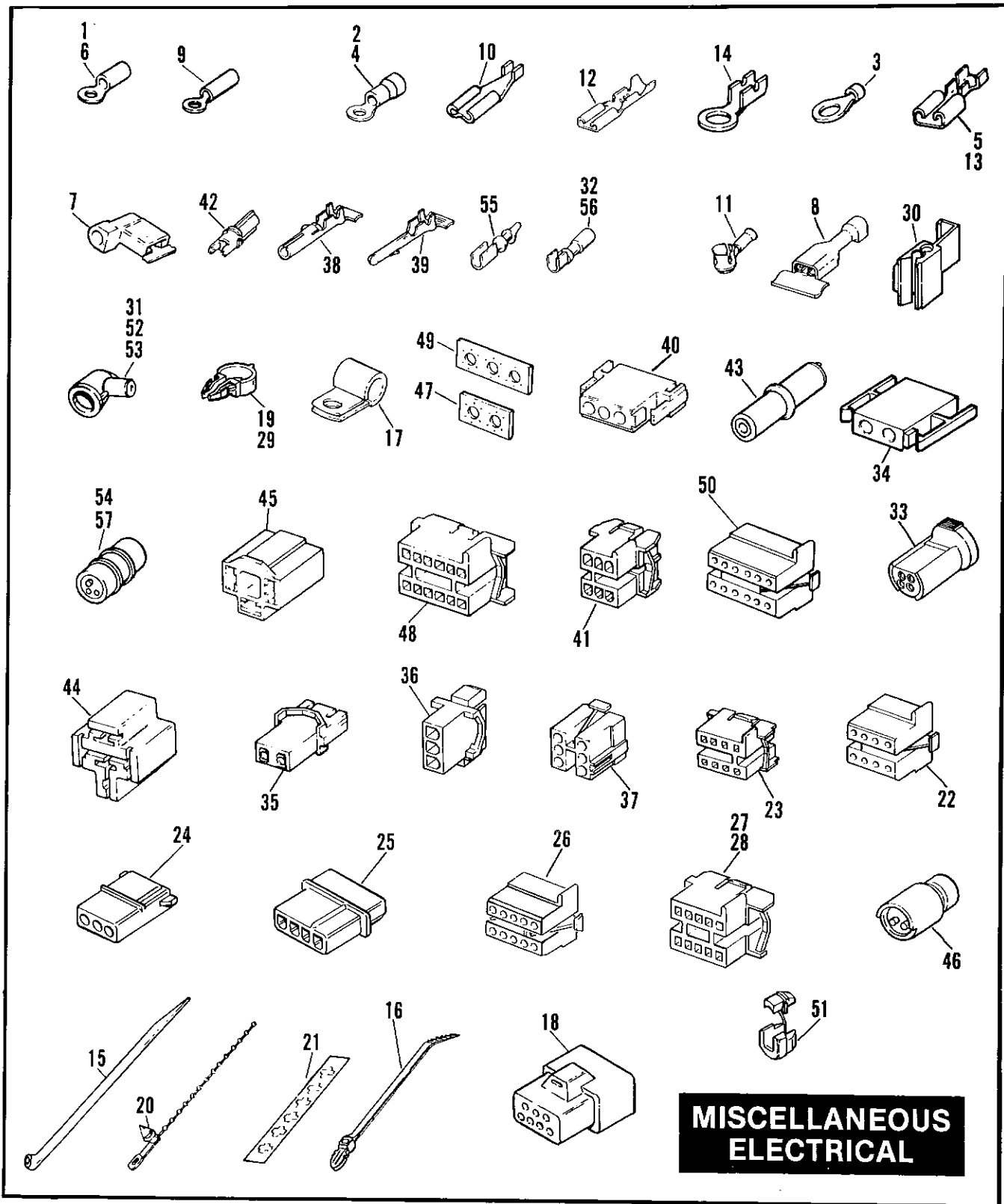
FLT MODELS		FXR MODELS		SOFTAIL MODELS		DYNA MODEL	
FLTC	DB	FXR	EA	FLSTC	BJ	FXDB-D	GA
FLHTC	DJ	FXRS	EB	FXSTC	BK	FXDB-S	GB
FLTC-U	DM	FXRT	EC	FXSTS	BL	FXDC	GC
FLHTC-U	DP	FXRS-SP	EG	FLSTF	BM		
FLHS	FA	FXLR	EL				
		FXRS-CON	EM				

# WIRING



INDEX NO.	PART NO.	NAME	FLT MODELS	FXR MODELS	SOFTAIL MODELS	DYNA MODEL
17	70282-89	WIRING HARNESS, front section	91*-DB/M	--	--	--
	70296-89	CABLE ASSEMBLY, fuse board	91*-DM/P	--	--	--
18	70328-84	WIRE ASM. fuel sending unit (yellow/white)	91*-ALL	--	--	--
	70342-90	WIRING HARNESS, front section	--	--	--	91-GB
19	70551-69	CONDUIT, 1/8" I.D. - hmt. (black)	--	91*-ALL	91*-ALL	--
	70552-69	CONDUIT, 3/8" I.D. (black)	--	91*-ALL	91*-ALL	--
	70553-69	CONDUIT, 7/16" I.D. (black)	--	91*-ALL	91*-ALL	--
	70554-69	CONDUIT, 1/4" I.D. (black)	--	91*-ALL	91*-ALL	--
	70555-69	CONDUIT, 1/4" I.D. - htm. (black)	--	91*-ALL	91*-ALL	--
	70556-71	CONDUIT, 5/16" I.D. (black)	--	91*-ALL	91*-ALL	--
	70558-71	CONDUIT, 1/2" I.D. (black)	--	91*-ALL	91*-ALL	--
	70559-71	CONDUIT, 1/8" I.D. (black)	--	91*-ALL	91*-ALL	--
20	70966-84	WIRE ASM., battery positive to relay (black)	91*-ALL	--	--	--
21	76292-89	CABLE ASSEMBLY, console to radio	91*-DM/P	--	--	--
	70292-92	CABLE, ASSEMBLY, console to radio	92*-DM/P	--	--	--
	70436-92	CABLE, ground ext.	92*-DM/P	--	--	--
		NOTE: Insulator is sold only in bulk length under the following part number. Cut to length.				
22	63505-84	INSULATOR, 1/2" I.D. (nylon) (8 ft. lg.)	91*-ALL	91*-ALL	91*-ALL	--
		<b>H-D INTERNATIONAL ONLY</b>				
	69556-89	HARNESS, pass & park lamps (HDI only)	91*-DJ/P	--	--	--
	70281-89	HARNESS, park lamps (HDI only)	91*-DB/M	--	--	--
	70321-89	MAIN WIRING HARNESS (HDI only)	--	--	91*-BJ	--

FLT MODELS		FXR MODELS		SOFTAIL MODELS		DYNA MODEL	
FLTC	DB	FXR	EA	FLSTC	BJ	FXDB-D	GA
FLHTC	DJ	FXRS	EB	FXSTC	BK	FXDB-S	GB
FLTC-U	DM	FXRT	EC	FXSTS	BL	FXDC	GC
FLHTC-U	DP	FXRS-SP	EG	FLSTF	BM		
FLHS	FA	FXLR	EL				
		FXRS-CON	EM				



MISCELLANEOUS ELECTRICAL

FA47A-1

INDEX NO.	PART NO.	NAME	FLT MODELS	FXR MODELS	SOFTAIL MODELS	DYNA MODEL
1	9856	TERMINAL, ring type - #6 hole	--	--	91*-ALL	--
	9857	TERMINAL, ring type - #10 hole	91*-ALL	91*-ALL	91*-ALL	91-GB
	9858	TERMINAL, ring type - 1/4" dia. hole	91*-ALL	91*-EA/B/ G/M	--	91*-ALL
	9859	TERMINAL, ring type - 3/8" dia. hole	91*-ALL	--	--	--
	9860	TERMINAL, ring type -3/8" dia. hole	91*-ALL	--	91*-ALL	--
2	9862	TERMINAL, ring type - #10 hole	--	91*-ALL	91*-ALL	91*-ALL
	9863	TERMINAL, ring type - 1/4" dia. hole	91*-ALL	91*-EA/B/ G/M	91*-ALL	91*-ALL
	9864	TERMINAL, ring type - 5/16" dia. hole	91*-ALL	--	91*-ALL	--
	9865	TERMINAL, ring type - 3/8" dia. hole	91*-ALL	--	--	--
3	9866	TERMINAL, ring type - #10 hole	91*-ALL	91*-ALL	91*-ALL	--
	9868	TERMINAL, ring type - 5/16" dia. hole	91*-ALL	--	--	--
4	9871	TERMINAL, ring type - #6 hole	--	--	91*-ALL	--
5	9875	TERMINAL, female spade - 5/16" slot	--	91*-EA/B/ G/M	91*-ALL	--
6	9892	TERMINAL, ring type - 1/2" dia. hole	91*-ALL	--	--	--
7	9898	TERMINAL, female flag - #14-16 wire	91*-ALL	91*-ALL	91*-ALL	91*-ALL
8	9900	TERMINAL, connector	91*-ALL	91*-ALL	91*-ALL	--
	9907	TERMINAL, conncector	91*-ALL	--	--	91*-ALL
10	9904	TERMINAL, female spade - 1/8" slot	91*-ALL	--	--	--
11	9905	TERMINAL, cap type - 1/4" dia.	91*-ALL	91*-ALL	91*-ALL	91*-ALL
12	9930	TERMINAL, female spade - 3/16" slot	91*-ALL	--	--	--
13	9937	TERMINAL, female spade - 1/4" slot	91*-ALL	91*-ALL	--	92*-ALL
	9938	TERMINAL, female spade - 1/4" slot	91*-DM	--	--	--
14	9945	TERMINAL, ring type - 5/16" dia. hole	91*-ALL	--	--	--
15	10006	CABLE STRAP (black)	91*-ALL	91*-ALL	91*-ALL	91*-ALL
	10007	CABLE STRAP (white)	91*-ALL	--	91*-ALL	--
	10039	CABLE STRAP	91*-ALL	91*-EB/G/M	91*-ALL	91*-ALL
	10065	CABLE STRAP	91*-ALL	91*-ALL	91*-ALL	91*-ALL
	10076	CABLE STRAP (2)	--	--	--	91*-ALL
16	10073	CABLE STRAP (4)	91*-ALL	--	91*-ALL	91*-ALL
17	10077	CLAMP, wiring harness (3)	91*-ALL	--	--	--
	38712-68	CLAMP, wiring harness (2)	91*-ALL	--	--	--
	68659-86	CLAMP	91*-ALL	--	--	--
18	31998-91	INSULATOR, receptacle housing (module conn.)	91*-ALL	91*-ALL	91*-ALL	91*-ALL
19	56073-83	RETAINER	91*-ALL	--	91*-ALL	--
20	70005-70	CABLE STRAP	91*-ALL	91*-ALL	91*-ALL	--
21	70043-81	LABEL, battery - positive	91*-ALL	91*-ALL	91*-ALL	91*-ALL
22	70287-81	CONNECTOR, eight socket (2)	91*-ALL	91*-EC/L	--	91*-ALL
23	70288-81	CONNECTOR, eight pin (2)	91*-ALL	91*-EC/L	--	--
24	70289-89	CONNECTOR, three socket	91*-DM/P	--	--	--
25	70291-89	CONNECTOR, four pin	91*-DM	--	--	91*-ALL
	70292-89	CONNECTOR, four pin	91*-DM/P	--	--	91*-ALL

FLT MODELS

FLTC DB  
 FLHTC DJ  
 FLTC-U DM  
 FLHTC-U DP  
 FLHS FA

FXR MODELS

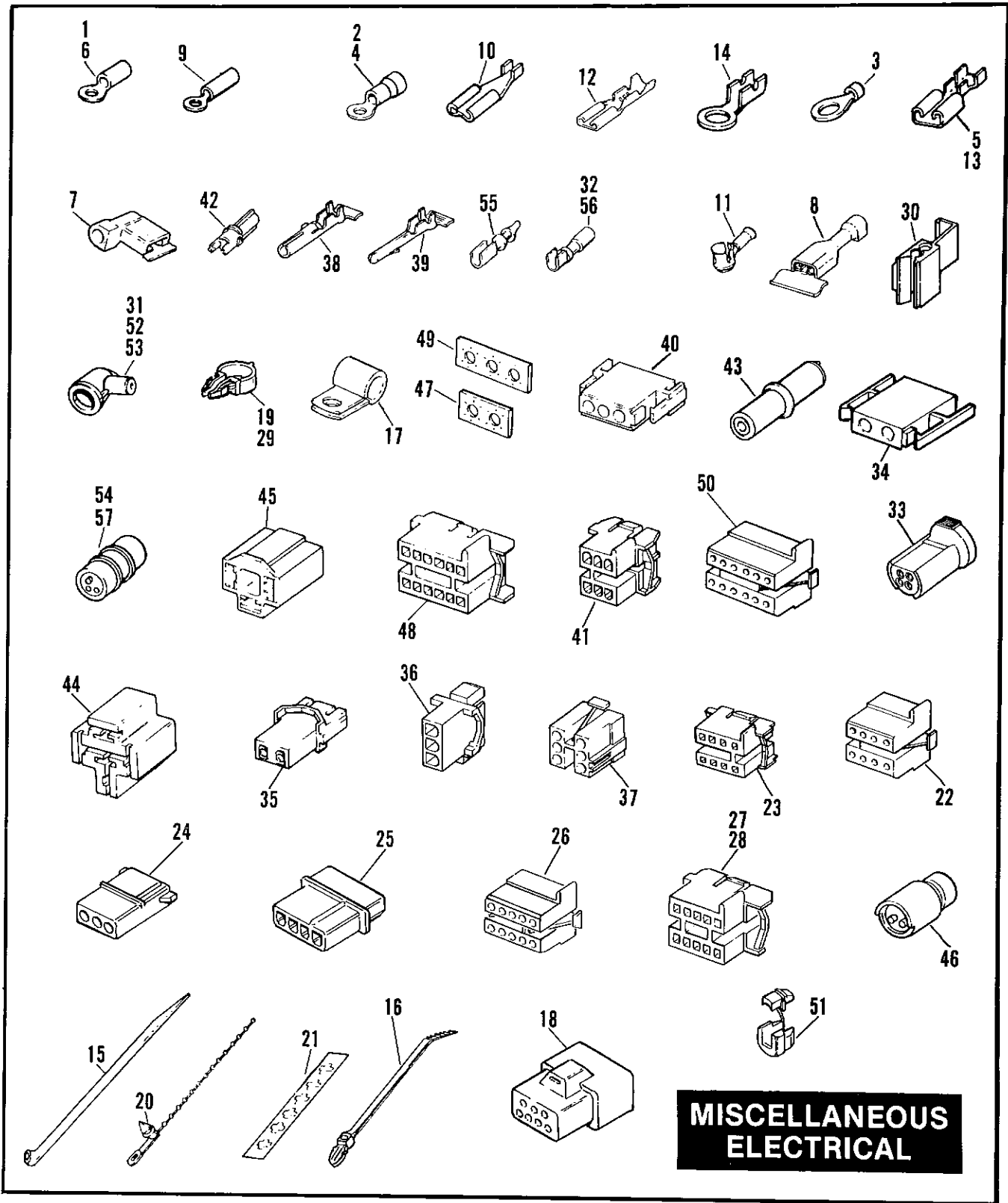
FXR EA  
 FXRS EB  
 FXRT EC  
 FXRS-SP EG  
 FXLR EL  
 FXRS-CON EM

SOFTAIL MODELS

FLSTC BJ  
 FXSTC BK  
 FXSTS BL  
 FLSTF BM

DYNA MODEL

FXDB-D GA  
 FXDB-S GB  
 FXDC GC



MISCELLANEOUS ELECTRICAL (CONT'D)

FA47A-2

INDEX NO.	PART NO.	NAME	FLT MODELS	FXR MODELS	SOFTAIL MODELS	DYNA MODEL
26	70293-87	CONNECTOR , ten socket (2)	91*-ALL	--	--	91*-ALL
27	70294-87	CONNNECTOR, ten pin	91*-DM/P	--	--	--
	70302-90	CONNECTOR, eight pin	--	--	--	91*-ALL
28	70305-90	CONNECTOR, ten pin	--	--	--	91*-ALL
29	70345-84	RETAINER, wiring harness	91*-ALL	91*-ALL	--	--
	70347-84	RETAINER, wiring harness	--	--	--	91*-ALL
30	70576-68	CONNECTOR, wire	--	91*-EA	--	--
31	70578-89	BOOT, insulating	91*-ALL	91*-ALL	91*-ALL	91*ALL
	70579-65	BOOT, insulating	91*-FA	91*-ALL	91*-ALL	--
	70580-89	BOOT, insulating (2)	--	--	--	91*-ALL
32	72028-83	SOCKET	91*-ALL	--	--	--
33	72029-84	PLUG, four wire	91*-ALL	--	--	--
34	72034-71	CONNECTOR, two pin	--	91*-EA/B/ G/M	91*-BJ	--
35	72035-71	CONNECTOR, two socket	--	91*-EA/B/ G/M	91*-BJ	92*-ALL
	72045-90	CONNECTOR, two socket	91*-DM/P	--	--	--
36	72036-71	CONNECTOR, three pin	91*-DB/J	--	--	--
	72048-90	CONNECTOR, three pin	91*-DM/P	--	--	--
37	72037-71	CONNECTOR, six socket	91*-ALL	91*-ALL	91*-ALL	--
38	72038-71	SOCKET, single pin	91*-ALL	91*-ALL	91*-ALL	91*-ALL
39	72039-71	PIN, single socket	91*-ALL	91*-ALL	91*-ALL	91*-ALL
40	72040-71	CONNECTOR, three socket	91*-DB/J	--	--	--
41	72041-71	CONNECTOR, six pin	91*-ALL	91*-ALL	--	--
42	72043-71	CONNECTOR, single pin	91*-ALL	91*-ALL	91*-ALL	91*-ALL
43	72044-71	CONNECTOR, single socket	91*-ALL	91*-EA/B/ G/L/M	--	91*-ALL
44	72046-79	INSULATOR, spade terminals	91*-ALL	91*-ALL	91*-ALL	92*-ALL
45	72047-71	INSULATOR, spade terminals	--	91*-EA/B/ G/L/M	--	--
46	72051-77	CONNECTOR, three socket	91*-ALL	91*-ALL	91*-ALL	92*-ALL
47	72275-74	CONNECTOR TAB, two terminal	91*-ALL	91*-ALL	91*-BJ	--
48	72276-74	CONNECTOR, twelve pin	91*-ALL	91*-EA/B/ C/G/M	91*-BJ	92*-ALL
49	72277-74	CONNECTOR TAB, three terminal	91*-ALL	91*-EA/B/ C/G/M	91*-BJ	--
50	72278-74	CONNECTOR, twelve socket	91*-ALL	91*-EA/B/ C/G/M	91*-ALL	--
51	72503-90	CABLE RESTRAINT	--	--	--	91*-ALL
52	74407-86	BOOT, oil sending unit	91*-ALL	--	--	--
53	74412-91	BOOT, module harness	--	--	91*-ALL	--
54	74521-77	CONNECTOR, pin & socket	--	91*-ALL	91*-ALL	--
55	74536-77A	SOCKET, single pin	91*-ALL	91*-ALL	91*-ALL	92*-ALL
56	74539-77A	PIN, single socket	91*-ALL	91*-ALL	91*-ALL	92*-ALL
57	90771-79	PLUG, wirng harness	91*-ALL	--	--	--

FLT MODELS

FLTC DB  
 FLHTC DJ  
 FLTC-U DM  
 FLHTC-U DP  
 FLHS FA

FXR MODELS

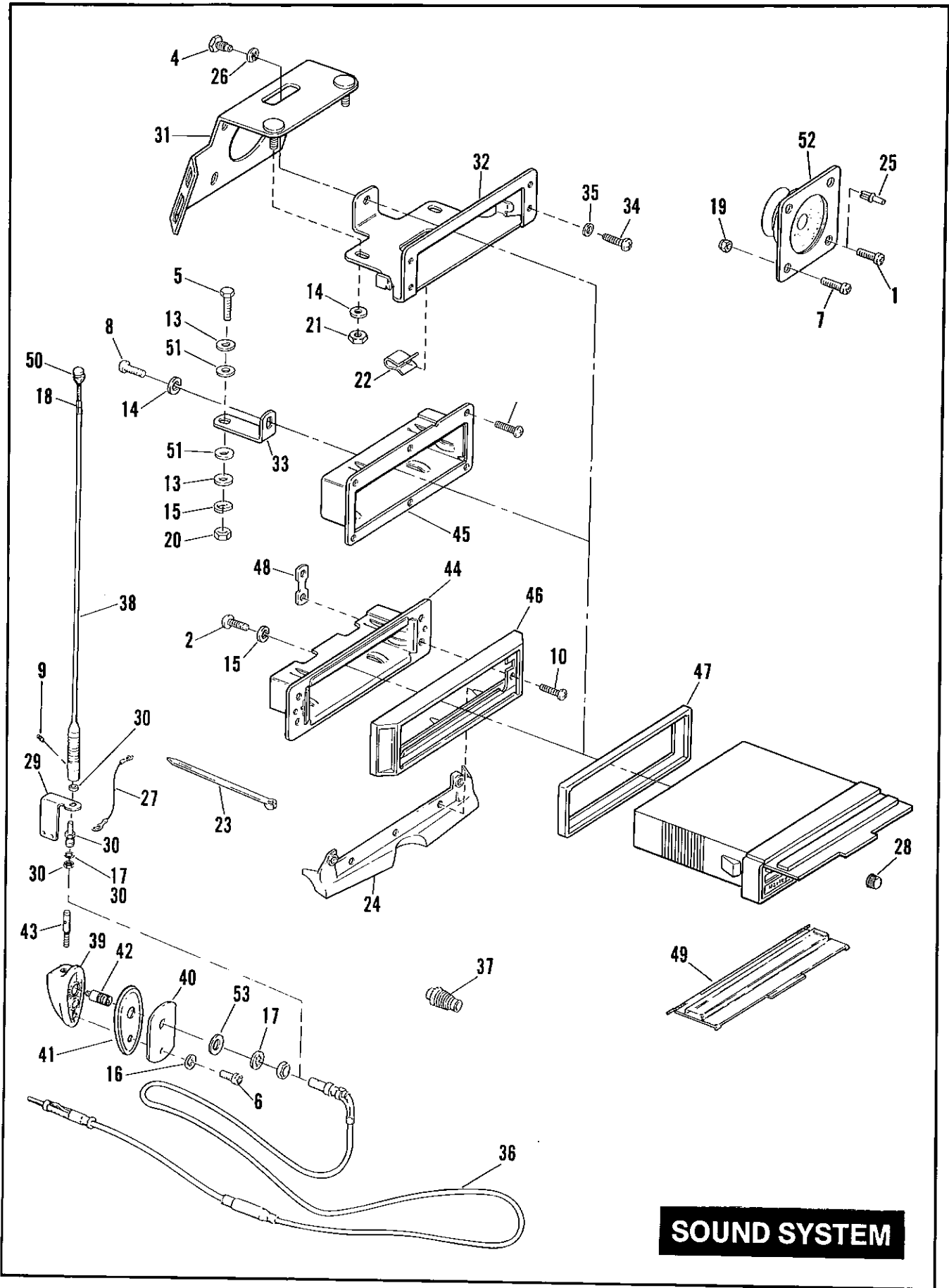
FXR EA  
 FXRS EB  
 FXRT EC  
 FXRS-SP EG  
 FXLR EL  
 FXRS-CON EM

SOFTAIL MODELS

FLSTC BJ  
 FXSTC BK  
 FXSTS BL  
 FLSTF BM

DYNA MODEL

FXDB-D GA  
 FXDB-S GB  
 FXDC GC



**SOUND SYSTEM**



**SOUND SYSTEM**

**FA48-1**

INDEX NO.	PART NO.	NAME	FLT MODELS	FXR MODELS	SOFTAIL MODELS	DYNA MODEL
1	922	SCREW, speaker mounting - rear (8)	91*-DM/P	--	--	--
2	924	SCREW	91*-DJ/P	--	--	--
3	2508	SCREW (6)	91*-DB/M	--	--	--
4	2537	SCREW, radio mounting	--	91*-EC	--	--
5	2551W	SCREW	91*-DB/M	--	--	--
6	2576	SCREW	91*-DB/J/ M/P	--	--	--
7	2646	SCREW, speaker mounting - front (8)	91*-DB/M	--	--	--
8	2774	SCREW	91*-DB/M	--	--	--
9	3216	SET SCREW	91*-DM/P	--	--	--
10	4015	SCREW (4)	91*-DJ/P	--	--	--
13	6235	WASHER (2)	91*-DB/M	--	--	--
14	6333	WASHER (2)	--	91*-EC	--	--
15	7036	LOCKWASHER (2 - DB)	91*-DB/J	--	--	--
16	7118	LOCKWASHER	91*-DB/J	--	--	--
17	7129	LOCKWASHER (2)	91*-DB/J/ M/P	91*-EC	--	--
18	7566	LOCKNUT	91*-DM/P	--	--	--
19	7609W	LOCKNUT (8)	91*-DB/M	--	--	--
20	7686	LOCKNUT	91*-DB/M	--	--	--
21	7739	LOCKNUT (2)	--	91*-EC	--	--
22	8128	U-FASTENER	--	91*-EC	--	--
23	10039	CABLE STRAP	--	91*-EC	--	--
24	56107-88	HANDLEBAR COVER (black)	91*-DJ/P	--	--	--
	56109-88	HANDLEBAR COVER (brown)	91*-DJ	--	--	--
25	58709-86	RIVET (8)	--	91*-EC	--	--
26	67069-76	RETAINING RING	--	91*-EC	--	--
27	70015-87	WIRE ASSEMBLY, antenna ground	--	91*-EC	--	--
	70465-86	WIRE ASSEMBLY, antenna ground	91*-DB/J/ M/P	91*-EC	--	--
	70160-91	WIRING HARNESS, audio (not illustrated)	91*-DM/P	--	--	--
	70168-89	WIRING ASSEMBLY, radio ground (not illustr.)	91*-DM	--	--	--
	70296-89	WIRING HARNESS, power (not illustrated)	91*-DM/P	--	--	--
	70341-89	WIRING ASSEMBLY, radio ground (not illustr.)	91*-DJ/P	--	--	--
	70349-89	WIRING HARNESS, radio speaker (not illustr.)	91*-DP	--	--	--
	70650-91	CABLE, PTT (not illustrated)	91*-DM/P	--	--	--
	77026-89	WIRING HARNESS, radio speaker (not illustr.)	91*-DM	--	--	--
28	71809-88	CONTROL KNOB (2)	91*-DB/J/ M/P	91*-EC	--	--
29	76163-87	BRACKET, antenna mounting	--	91*-EC	--	--
30	76164-87	BASE, antenna	--	91*-EC	--	--
31	76170-88	BRACKET, support	--	91*-EC	--	--
32	76173-88	BRACKET, mounting	--	91*-EC	--	--
33	76240-88	BRACKET, rear	91*-DB/M	--	--	--
34	76243-86	SCREW (4)	--	91*-EC	--	--
35	76244-86	WASHER (4)	--	91*-EC	--	--
36	76248-86	CABLE, antenna	91*-DB/J	91*-EC	--	--

**FLT MODELS**

FLTC DB  
 FLHTC DJ  
 FLTC-U DM  
 FLHTC-U DP  
 FLHS FA

**FXR MODELS**

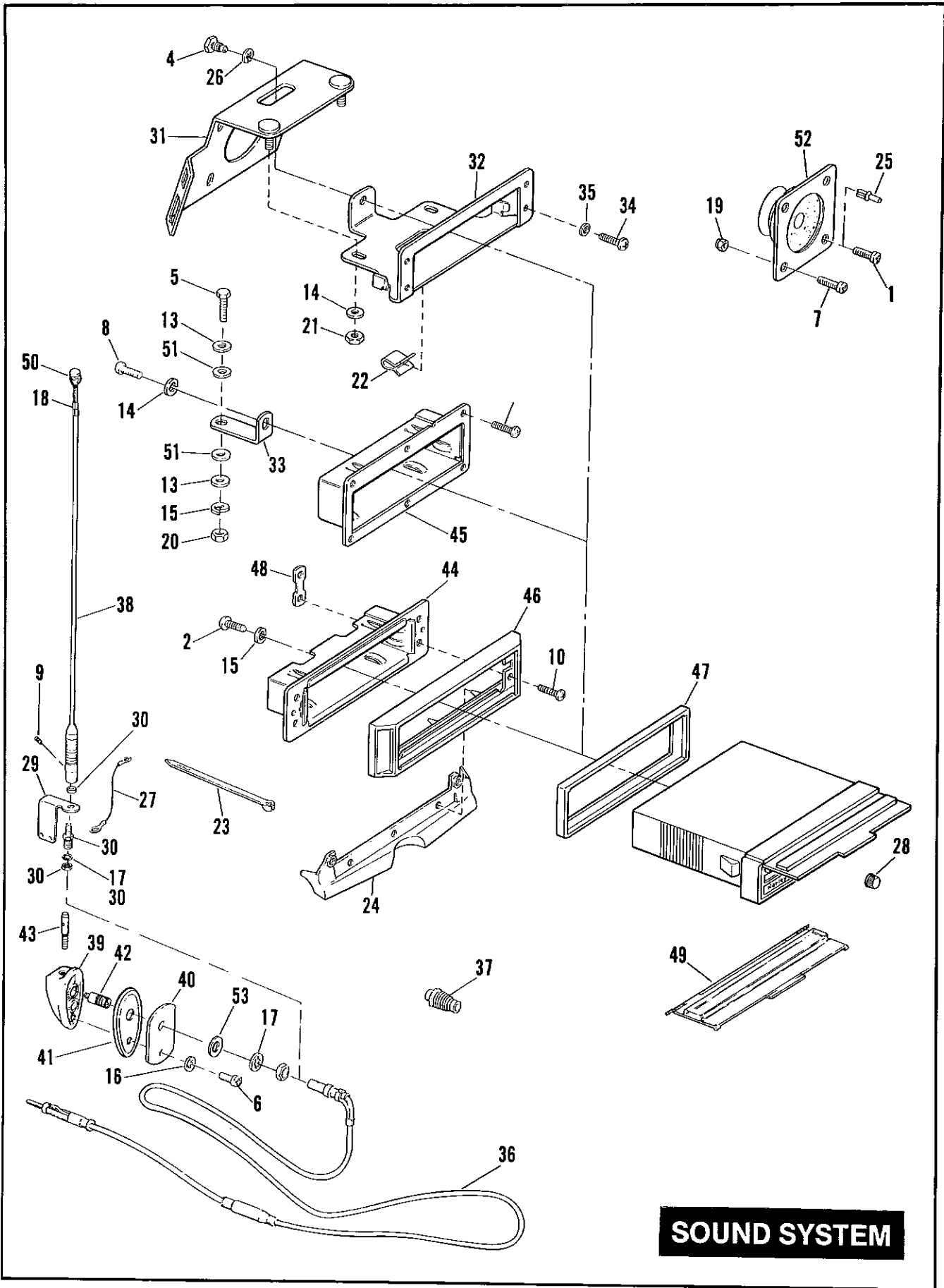
FXR EA  
 FXRS EB  
 FXRT EC  
 FXRS-SP EG  
 FXLR EL  
 FXRS-CON EM

**SOFTAIL MODELS**

FLSTC BJ  
 FXSTC BK  
 FXSTS BL  
 FLSTF BM

**DYNA MODEL**

FXDB-D GA  
 FXDB-S GB  
 FXDC GC



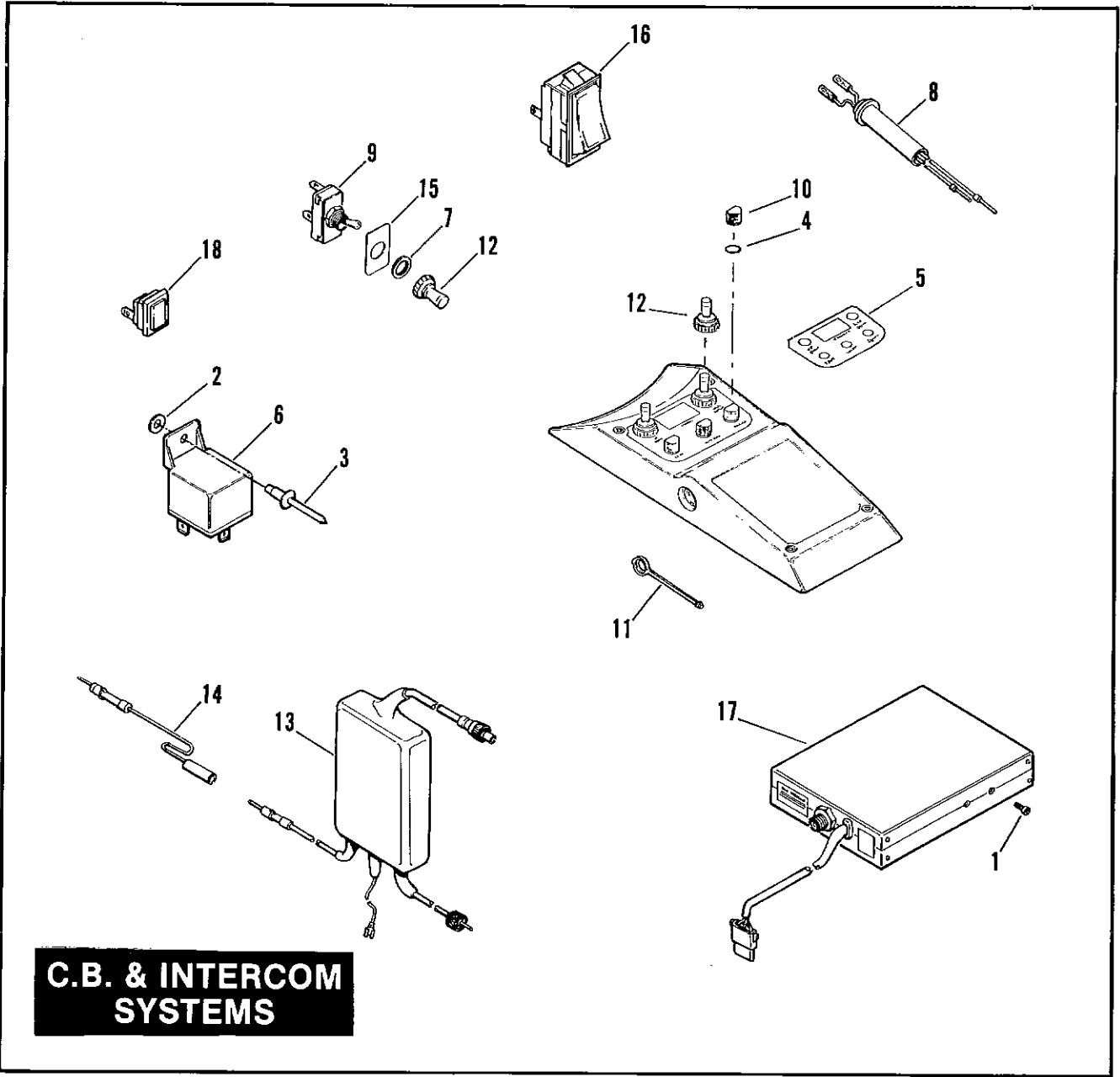
**SOUND SYSTEM (CONT'D)**

**FA48-2**

INDEX NO.	PART NO.	NAME	FLT MODELS	FXR MODELS	SOFTAIL MODELS	DYNA MODEL
36	76295-89A	CABLE, antenna	91*-DM/P	--	--	--
37	76249-86	GROMMET, split (2 - DB)	91*-DB/J/ M/P	91*-EC	--	--
38	76250-86A	ANTENNA, radio	91*-DB/J	91*-EC	--	--
	76296-89	ANTENNA, radio & C.B.	91*-DM/P	--	--	--
39	76252-86	BASE, antenna	91*-DB/J	--	--	--
40	76253-86	REINFORCEMENT PLATE	91*-DB/J	--	--	--
41	76255-86	GASKET, base	91*-DB/J	--	--	--
42	76258-86	PLUG ASSEMBLY	91*-DB/J/ M/P	--	--	--
43	76260-89	ANTENNA ADAPTOR	91*-DM/P	--	--	--
44	76274-88	BRACKET, mounting	91*-DJ/P	--	--	--
45	76277-88	BRACKET, mounting	91*-DB/M	--	--	--
46	76280-88	NOSE SEAL	91*-DJ/P	--	--	--
47	76281-88	NOSE SEAL	91*-DB/M	91*-EC	--	--
48	76282-88	NUT PLATE (2)	91*-DJ/P	--	--	--
49	76283-89	FRONT COVER	91*-DB/J/ M/P	91*-EC	--	--
50	76298-89	TIP ASSEMBLY	91*-DM/P	--	--	--
51	77004-80	WASHER (rubber) (2)	91*-DB/M	--	--	--
52	77029-86	SPEAKER, (2; 4 - DM/P)	91*-DB/J/ M/P	91*EC	--	--
53	90763-79	WASHER	91*-DM/P	--	--	--

**NOTE:** For all service and warranty claims on the radio chassis, contact:  
**RADIO SOUND, INC.**  
 1031 West Main Street  
 Louisville, KY 40202  
 Phone: (502) 589-9946

FLT MODELS		FXR MODELS		SOFTAIL MODELS		DYNA MODEL	
FLTC	DB	FXR	EA	FLSTC	BJ	FXDB-D	GA
FLHTC	DJ	FXRS	EB	FXSTC	BK	FXDB-S	GB
FLTC-U	DM	FXRT	EC	FXSTS	BL	FXDC	GC
FLHTC-U	DP	FXRS-SP	EG	FLSTF	BM		
FLHS	FA	FXLR	EL				
		FXRS-CON	EM				



**C.B. & INTERCOM  
SYSTEMS**

INDEX NO.	PART NO.	NAME	FLT MODELS	FXR MODELS	SOFTAIL MODELS	DYNA MODEL
1	2787	SCREW, C.B. mounting (4)	91*-DM/P	--	--	--
2	6716	WASHER (2)	91*-DM	--	--	--
3	8498	RIVET (2)	91*-DM	--	--	--
4	11176	O-RING (2)	91*-DM/P	--	--	--
5	14303-91	TRIM, C.B. console	91*-DM/P	--	--	--
6	31506-79B	RELAY (2)	91*-DM/P	--	--	--
7	67846-70	NUT	91*-DM	--	--	--
8	70642-89	CABLE ASSEMBLY, P.T.T. - C.B.	91*-DM/P	--	--	--
	70642-91	CABLE ASSEMBLY P.T.T.-CB	L91*-DM/P	--	--	--
	70650-91	JUMPER CABLE, P.T.T. TO PRG	L91*-DM	--	--	--
	70651-91	JUMPER CABLE, frg to radio	L91*-DM	--	--	--
9	71521-89	SWITCH, speakers	91*-DM	--	--	--
10	71813-89	KNOB, radio	91*-DM/P	--	--	--
11	72059-89A	PLUG, weather	91*-DM/P	--	--	--
12	74408-89	BOOT, toggle switch (4)	91*-DM/P	--	--	--
13	76294-89	SPLITTER & CABLES, antenna	91*-DM/P	--	--	--
14	76295-89	CABLE ASSEMBLY, splitter to radio	91*-DM/P	--	--	--
15	76297-89	LABEL, speaker	91*-DM	--	--	--
16	77092-89	SWITCH, speaker control (on fairing)	91*-DP	--	--	--
17	77093-89	C.B. CHASSIS ASSEMBLY	91*-DM/P	--	--	--
18	77100-89A	HANDLEBAR SWITCH, P.T.T.	91*-DM/P	--	--	--

**H-D INTERNATIONAL ONLY**

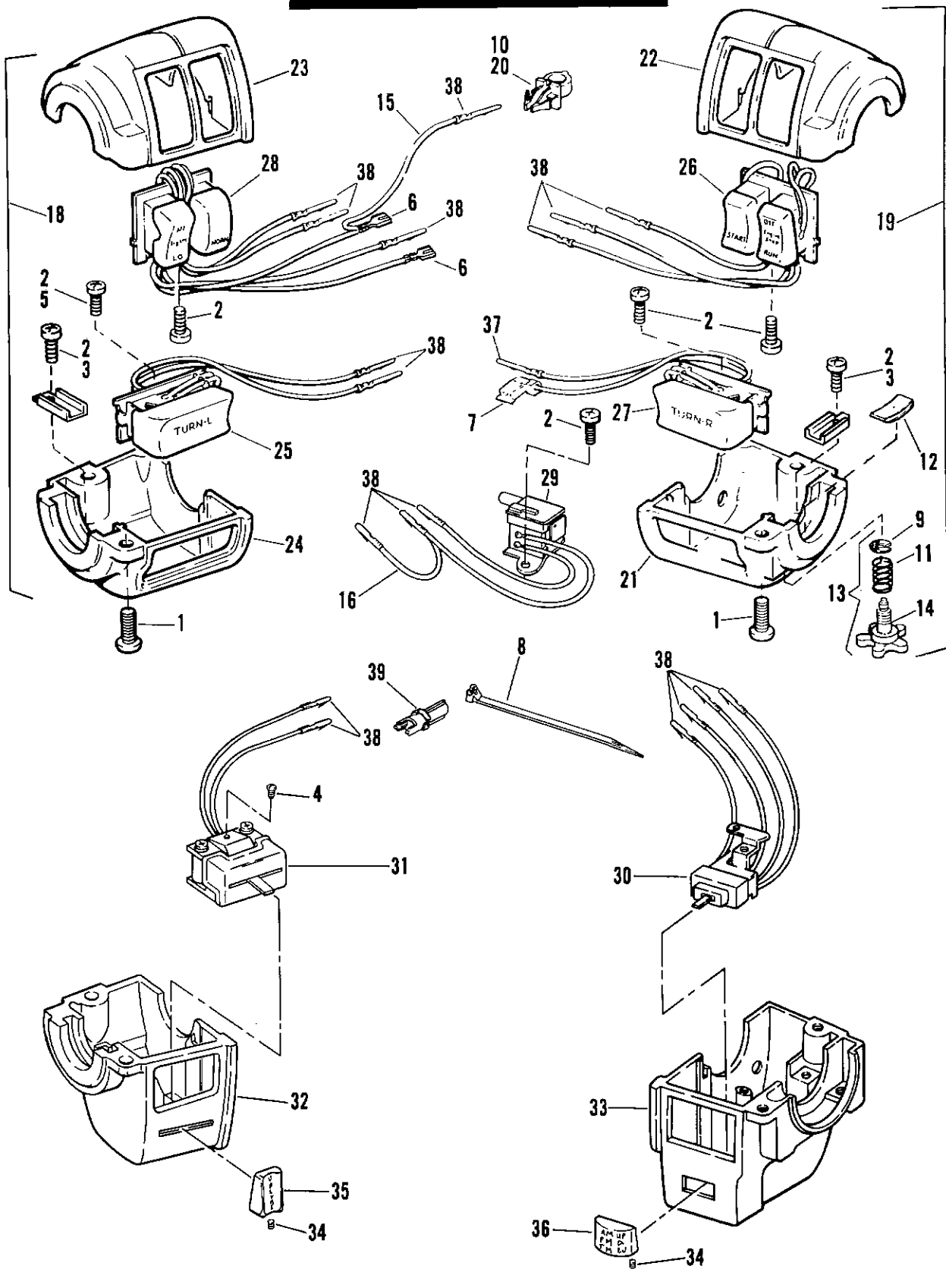
5	14304-91	TRIM, intercom. console (Japan only)	91*-DM/P	--	--	--
	14305-90	TRIM, console (Japan only)	91*-DM/P	--	--	--
	76157-90	CABLE EXTENSION (Japan only)	91*-DM/P	--	--	--

**NOTE:** For all service and warranty claims on the C.B. intercom. pod or C.B. chassis, contact:

**RADIO SOUND, INC.**  
 1031 West Main Street  
 Louisville, KY 40202  
 Phone: (502) 589-9946

FLT MODELS		FXR MODELS		SOFTAIL MODELS		DYNA MODEL	
FLTC	DB	FXR	EA	FLSTC	BJ	FXDB-D	GA
FLHTC	DJ	FXRS	EB	FXSTC	BK	FXDB-S	GB
FLTC-U	DM	FXRT	EC	FXSTS	BL	FXDC	GC
FLHTC-U	DP	FXRS-SP	EG	FLSTF	BM		
FLHS	FA	FXLR	EL				
		FXRS-CON	EM				

# HANDLEBAR SWITCHES



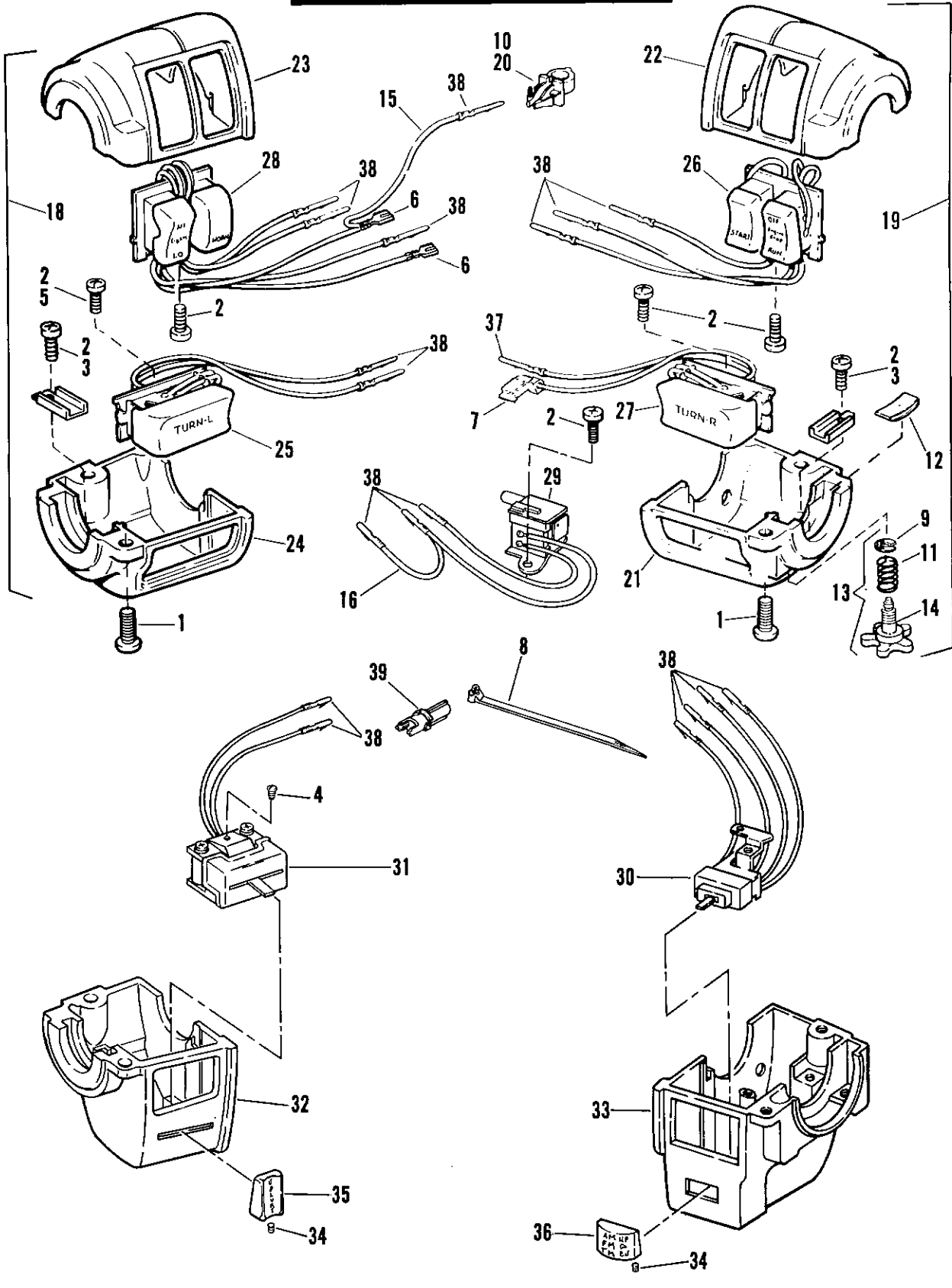
# HANDLEBAR SWITCHES

FA49-1

INDEX NO.	PART NO.	NAME	FLT MODELS	FXR MODELS	SOFTAIL MODELS	DYNA MODEL
1	2508	SCREW (4)	91*-ALL	91*-ALL	91*-ALL	91*-ALL
2	2907	SCREW (7; 4 - radio equipped)	91*-ALL	91*-ALL	91*-ALL	--
3	2908	SCREW (2)	91*-DB/J/ M/P	91*-EC	--	--
4	2909	SCREW	91*-DB/J/ M/P	91*-EC	--	--
5	2910	SCREW	91*-DB/J/ M/P	91*-EC	--	--
6	9875	TERMINAL, female spade (2)	91*-ALL	91*-ALL	91*-ALL	91*-ALL
7	9898	TERMINAL, flag	91*-ALL	91*-ALL	91*-ALL	91*-ALL
8	10065	CABLE STRAP (2)	--	91*-ALL	91*-ALL	91*-ALL
9	11155	RETAINING RING	91*-ALL	91*-ALL	91*-ALL	91*-ALL
10	56073-83	RETAINER, wiring harness (4)	--	91*-EA/B/ G/L/M	91*-ALL	91*-ALL
11	56394-74	SPRING, adjusting screw	91*-ALL	91*-ALL	91*-ALL	91*-ALL
12	56396-74A	SPRING, throttle grip	91*-ALL	91*-ALL	91*-ALL	91*-ALL
13	56397-74C	ADJUSTING SCREW KIT with #9, 11 & 14	91*-ALL	91*-ALL	91*-ALL	91*-ALL
14	56402-83A	SCREW, throttle adjusting	91*-ALL	91*-ALL	91*-ALL	91*-ALL
15	70047-82	WIRE ASSEMBLY, 5" lg. (white)	91*-ALL	91*-ALL	91*-ALL	91*-ALL
16	70082-82	WIRE ASSEMBLY, 3" lg (orange)	--	--	91*-ALL	--
18	70218-87	SWITCH ASSEMBLY KIT, complete - left	91*-FA	91*-EA/ B/G/L/M	91*-ALL	91*-ALL
19	70219-87	SWITCH ASSEMBLY KIT, complete - right	91*-FA	91*-EA/ B/G/L/M	91*-ALL	91*-ALL
20	70345-84	RETAINER (4)	91*-ALL	--	--	--
21	71563-82A	HOUSING, lower - right	91*-FA	91*-EA/ B/G/L/M	91*-ALL	91*-ALL
22	71564-82A	HOUSING, upper - right	91*-ALL	91*-ALL	91*-ALL	91*-ALL
23	71567-82	HOUSING, upper - left	91*-ALL	91*-ALL	91*-ALL	91*-ALL
24	71568-82A	HOUSING, lower - left	91*-FA	91*-EA/ B/G/L/M	91*-ALL	91*-ALL
25	71570-82A	SWITCH ASSEMBLY, left turn signal	91*-ALL	91*-ALL	91*-ALL	91*-ALL
26	71571-82	SWITCH ASSEMBLY, engine stop/start	91*-ALL	91*-ALL	91*-ALL	91*-ALL
27	71572-82A	SWITCH ASSEMBLY, right turn signal	91*-ALL	91*-ALL	91*-ALL	91*-ALL
28	71573-82A	SWITCH ASSEMBLY, dimmer & horn	91*-ALL	91*-ALL	91*-ALL	91*-ALL
29	71574-82	STOPLAMP SWITCH	91*-ALL	91*-ALL	91*-ALL	91*-ALL
30	71592-88	3-WAY FUNCTIONAL SWITCH	91*-DB/J/ M/P	91*-EC	--	--
31	71593-88	VOLUME CONTROL	91*-DB/J/ M/P	91*-EC	--	--
32	71594-88	HOUSING, lower - left	91*-DB/J/ M/P	91*-EC	--	--
33	71595-86	HOUSING, lower - right	91*-DB/J/ M/P	91*-EC	--	--
34	71805-88	SET SCREW (2)	91*-DB/J/ M/P	91*-EC	--	--

FLT MODELS		FXR MODELS		SOFTAIL MODELS		DYNA MODEL	
FLTC	DB	FXR	EA	FLSTC	BJ	FX0B-D	GA
FLHTC	DJ	FXRS	EB	FXSTC	BK	FXDB-S	GB
FLTC-U	DM	FXRT	EC	FXSTS	BL	FXDC	GC
FLHTC-U	DP	FXRS-SP	EG	FLSTF	BM		
F..HS	FA	FXLR	EL				
		FXRS-CON	EM				

# HANDLEBAR SWITCHES





# HANDLEBAR SWITCHES (CONT'D)

FA49-2

INDEX NO.	PART NO.	NAME	FLT MODELS	FXR MODELS	SOFTAIL MODELS	DYNA MODEL
35	71806-88	KNOB, volume	91*-DB/J/ M/P	91*-EC	--	--
36	71807-88	KNOB, am/fm/wb	91*-DB/J/ M/P	91*-EC	--	--
37	72038-71	SOCKET, single pin	91*-ALL	91*-ALL	91*-ALL	91*-ALL
38	72039-71	PIN, single socket (2)	91*-ALL	91*-ALL	91*-ALL	91*-ALL
39	72043-71	CONNECTOR, single pin	91*-ALL	91*-ALL	91*-ALL	91*-ALL

**FLT MODELS**

FLTC D8  
 FLHTC DJ  
 FLTC-U DM  
 FLHTC-U DP  
 FLHS FA

**FXR MODELS**

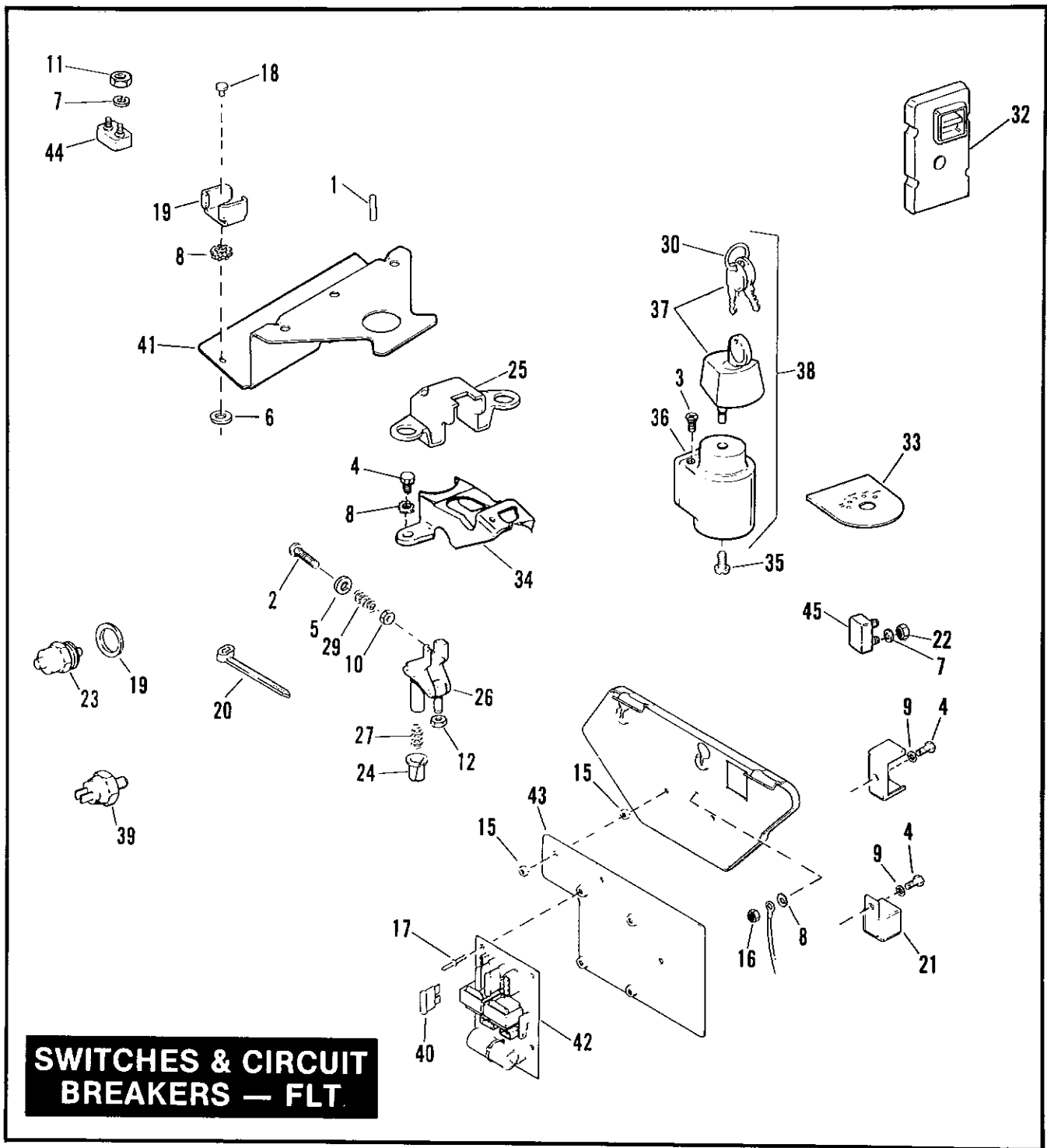
FXR EA  
 FXRS EB  
 FXRT EC  
 FXRS-SP EG  
 FXLR EL  
 FXRS-CON EM

**SOFTAIL MODELS**

FLSTC BJ  
 FXSTC BK  
 FXSTS BL  
 FLSTF BM

**DYNA MODEL**

FXDB-D GA  
 FXDB-S GB  
 FXDC GC



**SWITCHES & CIRCUIT BREAKERS - FLT MODELS**

**FA50-1**

INDEX NO.	PART NO.	NAME	FLT MODELS	FXR MODELS	SOFTAIL MODELS	DYNA MODEL
1	608	ROLL PIN	91*-ALL	--	--	--
2	909	SCREW	91*-ALL	--	--	--
3	1601	SCREW (2)	91*-ALL	--	--	--
4	3581	SCREW (2)	91*-ALL	--	--	--
4A	4391	SCREW (2)	91*-ALL	--	--	--
5	6150W	WASHER	91*-ALL	--	--	--
6	6192	WASHER (4)	91*-ALL	--	--	--
7	7069	LOCKWASHER (10)	91*-ALL	--	--	--
8	7127	LOCKWASHER (2)	91*-ALL	--	--	--
9	7220	LOCKWASHER (2)	91*-ALL	--	--	--
10	7620W	NUT	91*-ALL	--	--	--
11	7638	NUT (11)	91*-ALL	--	--	--
12	7686	LOCKNUT	91*-ALL	--	--	--
15	7688	LOCKNUT (4)	91*-ALL	--	--	--
16	7716	NUT (4 DM/P)	91*-DB/J/ M/P	--	--	--
17	8498	RIVET (4)	91*-DM/P	--	--	--
18	8536	RIVET (4)	91*-ALL	--	--	--
19	9952	CLIP, C.B. (3)	91*-ALL	--	--	--
20	10039	CABLE STRAP	91*-DM/P	--	--	--
21	31504-91	BRAKE LIGHT RELAY	91*-DB/J/ M/P	--	--	--
	31506-79B	STARTER RELAY	91*-ALL	--	--	--
22	33043-80	WASHER, neutral indicator switch	91*-ALL	--	--	--
23	33900-59	SWITCH, neutral indicator	91*-ALL	--	--	--
24	45426-79	SLEEVE, fork lock	91*-ALL	--	--	--
25	45427-79	SHIELD, fork lock	91*-DB/M,FA	--	--	--
26	45437-81	LEVER ASSEMBLY, fork lock #1	91*-ALL	--	--	--
27	45447-81	SPRING	91*-ALL	--	--	--
29	45494-79	SPRING, fork lock	91*-ALL	--	--	--
30	61077-82	KEYSET, ignition switch & door (Specify key #.)	91*-ALL	--	--	--
32	68537-89C	TURN SIGNAL CANCELLER	91*-ALL	--	--	--
33	71427-79A	DECAL, ignition switch	91*-DP	--	--	--
34	71517-86	SHIELD, fork lock	91*-DJ/P	--	--	--
35	71518-80	SCREW with washer (4)	91*-ALL	--	--	--
36	71526-80	HOUSING, ignition switch	91*-ALL	--	--	--
37	71536-82A	KNOB, ignition switch	91*-ALL	--	--	--
38	71549-82A	IGNITION SWITCH - with #35, 36 & 37	91*-ALL	--	--	--

**FLT MODELS**

FLTC DB  
 FLHTC DJ  
 FLTC-U DM  
 FLHTC-U DP  
 FLHS FA

**FXR MODELS**

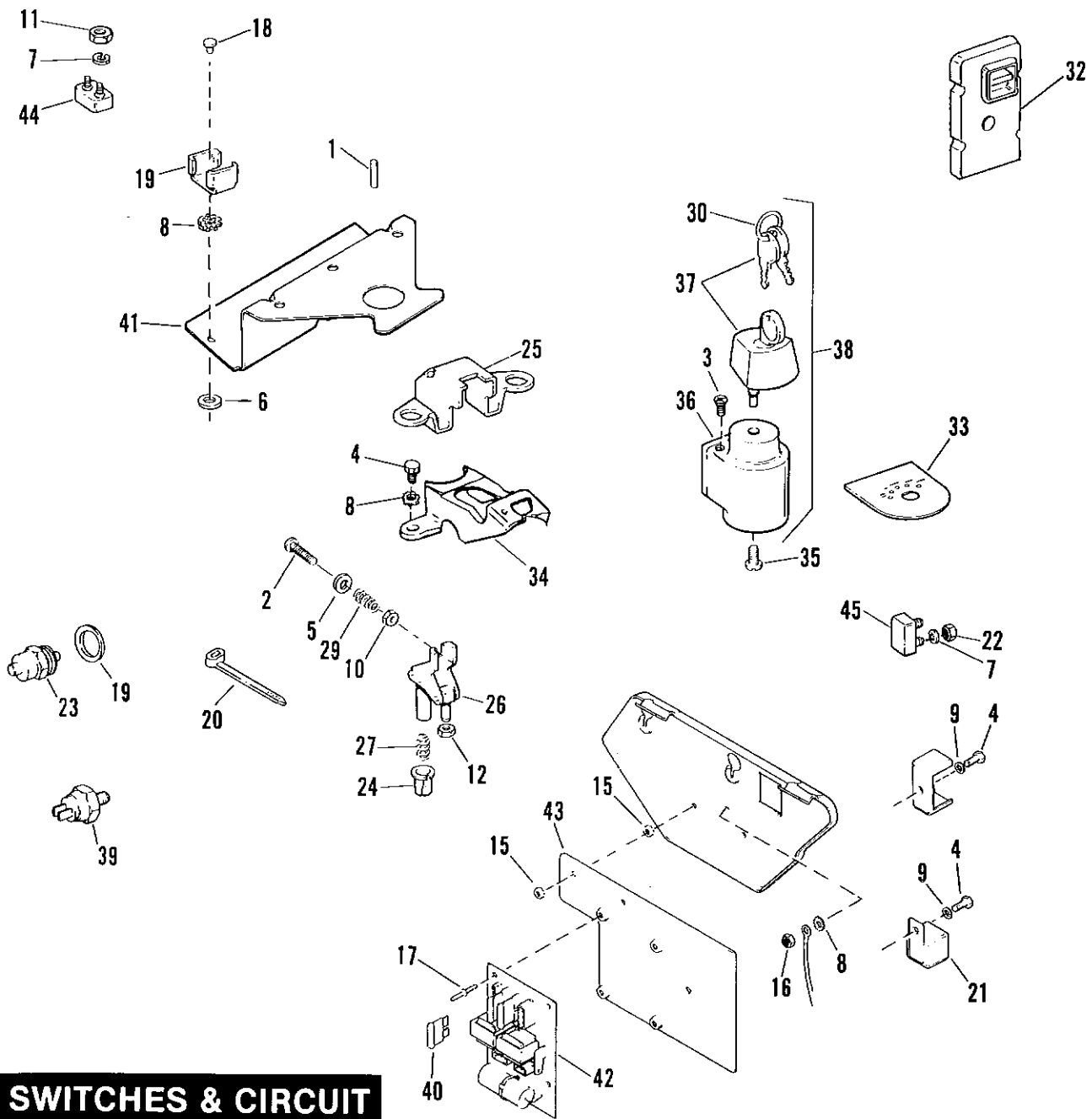
FXR EA  
 FXRS EB  
 FXRT EC  
 FXRS-SP EG  
 FXLR EL  
 FXRS-CON EM

**SOFTAIL MODELS**

FLSTC BJ  
 FXSTC BK  
 FXSTS BL  
 FLSTF BM

**DYNA MODEL**

FXDB-D GA  
 FXDB-S GB  
 FXDC GC



**SWITCHES & CIRCUIT BREAKERS — FLT.**

**SWITCHES & CIRCUIT BREAKERS - FLT MODELS (CONT'D)**

**FA50-2**

INDEX NO.	PART NO.	NAME	FLT MODELS	FXR MODELS	SOFTAIL MODELS	DYNA MODEL
39	72023-51A	STOPLIGHT SWITCH, rear	91*-ALL	--	--	--
40	72300-89	FUSE, 1 amp	91*-DM/P	--	--	--
	72301-89	FUSE, 3 amp	91*-DM/P	--	--	--
	72302-89	FUSE, 5 amp	91*-DM/P	--	--	--
41	72306-88	MOUNTING BRACKET	91*-ALL	--	--	--
42	72316-89	FUSE BOARD	91*-DM/P	--	--	--
43	72320-89	MOUNTING PLATE	91*-DM/P	--	--	--
44	74589-73	CIRCUIT BREAKER (4)	91*-ALL	--	--	--
45	74599-77A	CIRCUIT BREAKER, battery	91*-ALL	--	--	--
<b>H-D INTERNATIONAL ONLY</b>						
	6182W	WASHER (7 - DB) (HDI only)	91*-ALL	--	--	--
	6192	WASHER (HDI only)	91*-ALL	--	--	--
	8483	RIVET (HDI only)	91*-DJ/P	--	--	--
	8498	RIVET (HDI only)	91*-DB	--	--	--
	8536	RIVET (HDI only)	91*-ALL	--	--	--
	9952	CLIP, C.B. (HDI only)	91*-ALL	--	--	--
	31506-79B	RELAY, parking lamps (HDI only)	91*-ALL	--	--	--
	67858-89	SWITCH, parking lamps (HDI only)	91*-DB/M	--	--	--
29	68384-91	TURN SIGNAL CANCELLER (HDI only)	91*-ALL	--	--	--
	71512-89	SWITCH, parking lamps (HDI only)	91*-DJ/P	--	--	--

**FLT MODELS**

FLTC DB  
 FLHTC DJ  
 FLTC-U DM  
 FLHTC-U DP  
 FLHS FA

**FXR MODELS**

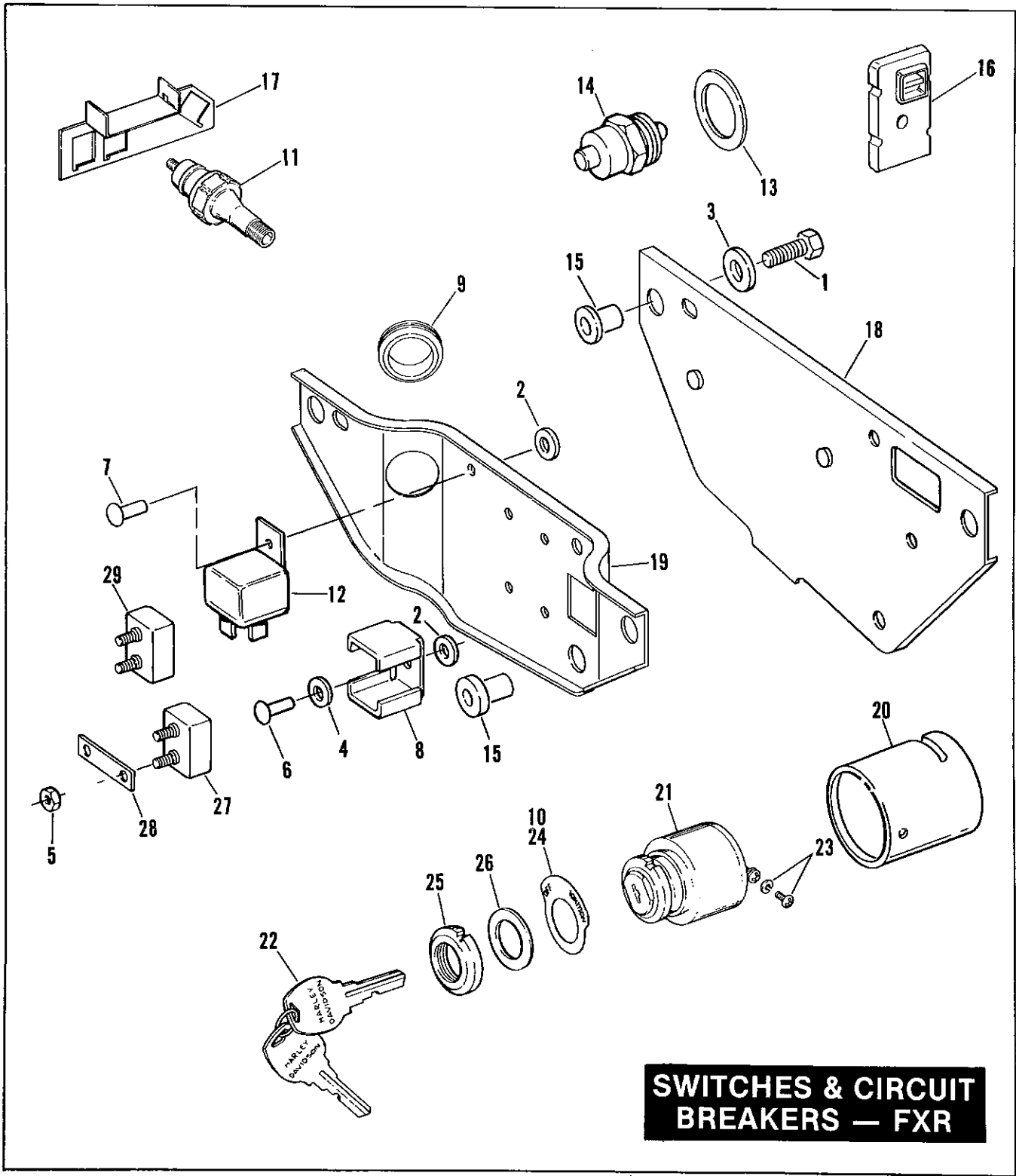
FXR EA  
 FXRS EB  
 FXRT EC  
 FXRS-SP EG  
 FXLR EL  
 FXRS-CON EM

**SOFTAIL MODELS**

FLSTC BJ  
 FXSTC BK  
 FXSTS BL  
 FLSTF BM

**DYNA MODEL**

FXDB-D GA  
 FXDB-S GB  
 FXDC GC



**SWITCHES & CIRCUIT BREAKERS - FXR MODELS**

**FA50A**

INDEX NO.	PART NO.	NAME	FLT MODELS	FXR MODELS	SOFTAIL MODELS	DYNA MODEL
1	3787	BOLT (6)	--	91*-ALL	--	--
2	6192	WASHER (8; 10 - EG)	--	91*-ALL	--	--
3	6703	WASHER (6)	--	91*-ALL	--	--
4	7229W	LOCKWASHER (4; 5 - EC)	--	91*-ALL	--	--
5	7629	NUT (8; 12 - EC)	--	91*-ALL	--	--
6	8536	RIVET (4; 5 - EC)	--	91*-ALL	--	--
7	8872	RIVET (2 - EC)	--	91*-ALL	--	--
8	9952	CLIP, circuit breakers (4)	--	91*-ALL	--	--
9	11440	GROMMET	--	91*-ALL	--	--
10	14116-86	LABEL, ignition switch	--	91*-EC	--	--
11	26561-84	OIL PRESSURE SWITCH	--	91*-ALL	--	--
12	31506-79B	STARTER RELAY	--	91*-ALL	--	--
13	33043-80	WASHER, neutral indicator switch	--	91*-ALL	--	--
14	33900-59	SWITCH, neutral indicator	--	91*-ALL	--	--
15	64511-63	WELL NUT (6)	--	91*-ALL	--	--
16	68537-89C	TURN SIGNAL CANCELLER	--	91*-ALL	--	--
17	70199-87A	BRACKET, connectors	--	91-EL	--	--
	70199-92	BRACKET, connectors	--	91*-EL	--	--
18	70970-91	IGNITION PANEL	--	91*-ALL	--	--
19	70979-86	ELECTRICAL PANEL	--	91*-ALL	--	--
20	71424-83	BOOT, ignition switch	--	91*-ALL	--	--
21	71425-77	IGNITION SWITCH	--	91*-ALL	--	--
22	71451-78	KEYSET, ignition switch (Specify key #.)	--	91*-ALL	--	--
23	71518-80	SCREW with washer	--	91*-ALL	--	--
24	71550-75	LABEL, ignition switch	--	91*-EA/B/ G/L/M	--	--
25	71552-75	FACE NUT, ignition switch	--	91*-ALL	--	--
26	71554-75	WASHER, ignition switch	--	91*-ALL	--	--
27	74589-73	CIRCUIT BREAKER (3; 5 - EC)	--	91*-ALL	--	--
28	74598-73	CONNECTOR BAR, circuit breaker (2 - EC)	--	91*-ALL	--	--
29	74599-77A	CIRCUIT BREAKER, battery	--	91*-ALL	--	--

**H-D INTERNATIONAL ONLY**

16	68384-91	TURN SIGNAL CANCELLER (HDI only)	--	91*-ALL	--	--
----	----------	----------------------------------	----	---------	----	----

**FLT MODELS**

FLTC DB  
 FLHTC DJ  
 FLTC-U DM  
 FLHTC-U DP  
 FLHS FA

**FXR MODELS**

FXR EA  
 FXRS EB  
 FXRT EC  
 FXRS-SP EG  
 FXLR EL  
 FXRS-CON EM

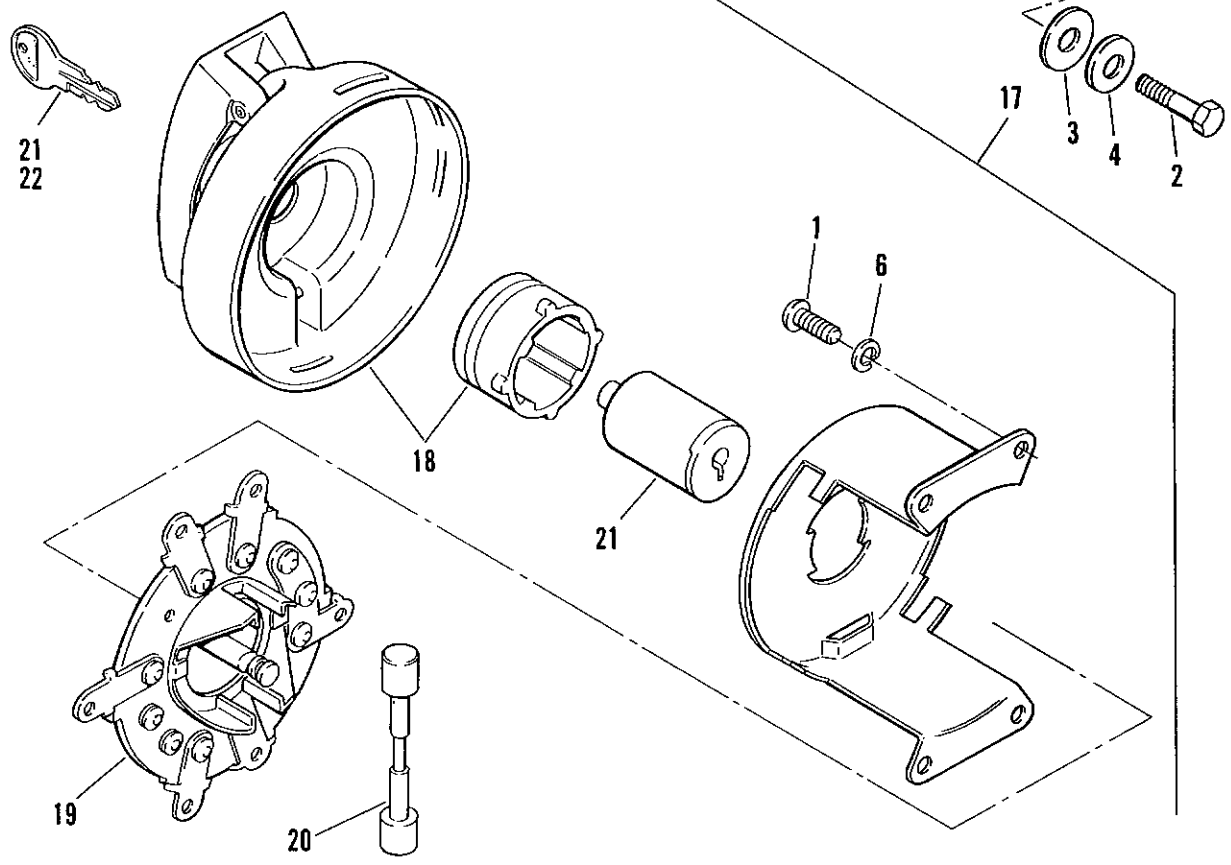
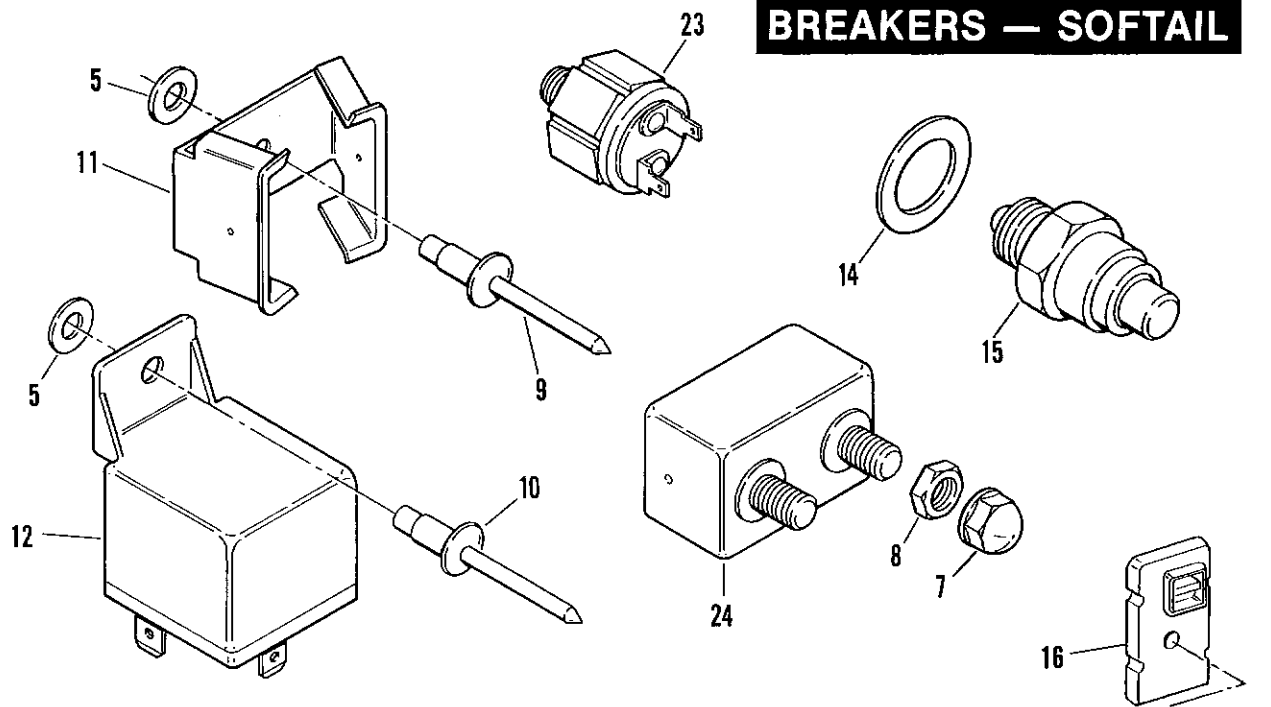
**SOFTAIL MODELS**

FLSTC BJ  
 FXSTC BK  
 FXSTS BL  
 FLSTF BM

**DYNA MODEL**

FXDB-D GA  
 FXDB-S GB  
 FXDC GC

# SWITCHES & CIRCUIT BREAKERS — SOFTAIL





**SWITCHES & CIRCUIT BREAKERS - SOFTAIL MODELS**

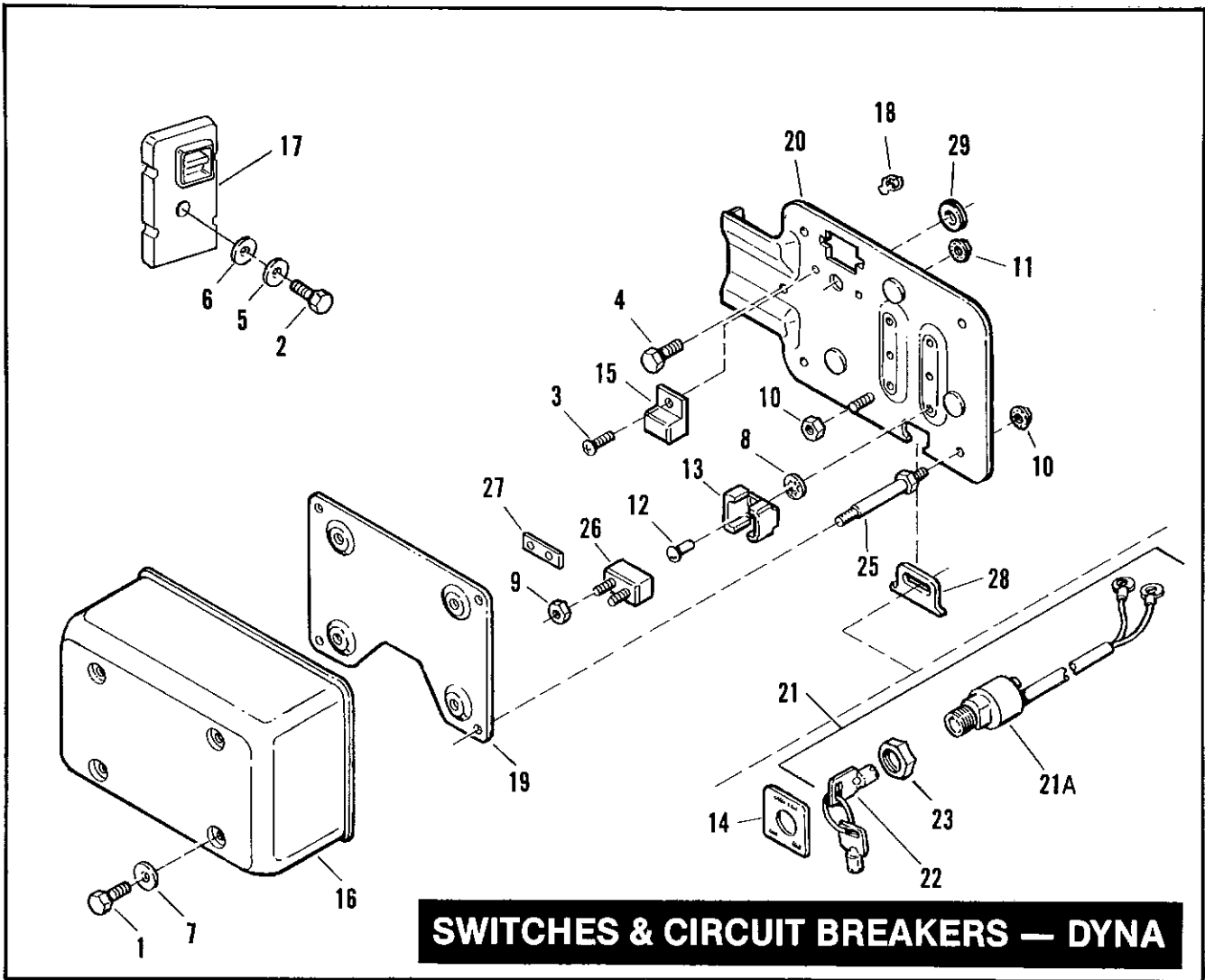
**FA50B**

INDEX NO.	PART NO.	NAME	FLT MODELS	FXR MODELS	SOFTAIL MODELS	DYNA MODEL
1	2594A	SCREW (4)	--	--	91*-ALL	--
2	3993	SCREW	--	--	91*-ALL	--
3	6035	WASHER (rubber)	--	--	91*-ALL	--
4	6036	WASHER	--	--	91*-ALL	--
5	6047	WASHER (3)	--	--	91*-ALL	--
6	7015	LOCKWASHER (4)	--	--	91*-ALL	--
7	7602	CAP NUT (6)	--	--	91*-ALL	--
8	7629	NUT (8)	--	--	91*-ALL	--
9	8483	RIVET, circuit breakers	--	--	91*-ALL	--
10	8687	RIVET, starter relay	--	--	91*-ALL	--
11	9952	CLIP, circuit breaker (4)	--	--	91*-ALL	--
12	31506-79B	STARTER RELAY	--	--	91*-ALL	--
14	33043-80	WASHER, neutral indicator switch	--	--	91*-ALL	--
15	33900-59	SWITCH, neutral indicator	--	--	91*-ALL	--
16	68537-89C	TURN SIGNAL CANCELLER	--	--	91*-ALL	--
17	71501-73A	IGNITION SWITCH	--	--	91*-ALL	--
18	71506-84	SWITCH COVER	--	--	91*-ALL	--
19	71541-84	PLATE, switch mounting	--	--	91*-ALL	--
20	71560-84	CONTACT ROLLER	--	--	91*-ALL	--
21	71580-84	SWITCH LOCK & KEY	--	--	91*-ALL	--
22	71583-85	KEYSET, ignition switch (Specify key #.)	--	--	91*-ALL	--
23	72023-51A	STOPLAMP SWITCH, rear	--	--	91*-ALL	--
24	74589-73	CIRCUIT BREAKER (3)	--	--	91*-ALL	--
	74599-77A	CIRCUIT BREAKER, battery	--	--	91*-ALL	--

**H-D INTERNATIONAL ONLY**

16	68384-91	TURN SIGNAL CANCELLER (HDI only)	--	--	91*-ALL	--
----	----------	----------------------------------	----	----	---------	----

FLT MODELS		FXR MODELS		SOFTAIL MODELS		DYNA MODEL	
FLTC	DB	FXR	EA	FLSTC	BJ	FXDB-D	GA
FLHTC	DJ	FXRS	EB	FXSTC	BK	FXDB-S	GB
FLTC-U	DM	FXRT	EC	FXSTS	BL	FXDC	GC
FLHTC-U	DP	FXRS-SP	EG	FLSTF	BM		
FLHS	FA	FXLR	EL				
		FXRS-CON	EM				



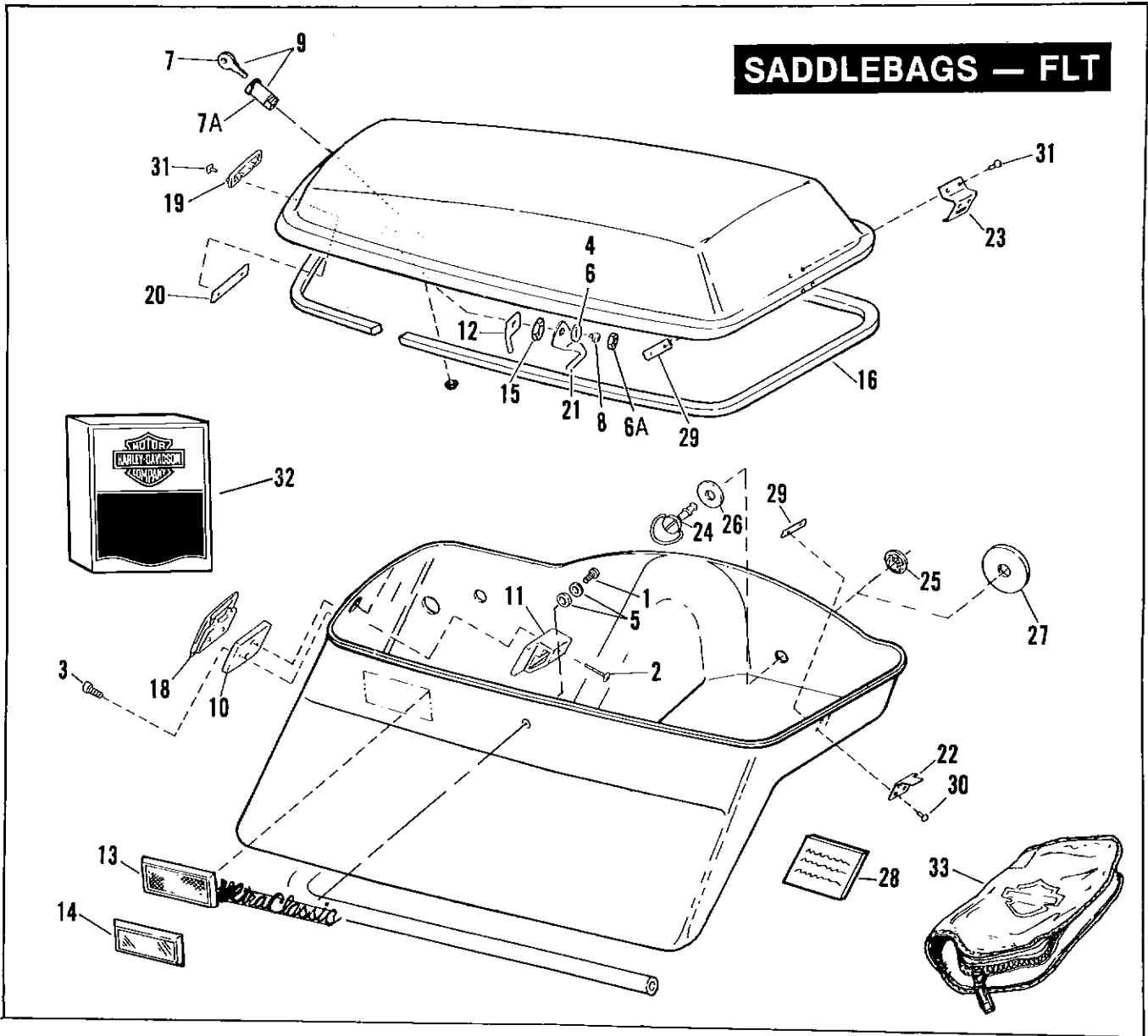
**SWITCHES AND CIRCUIT BREAKERS - DYNA MODEL**

**FA50C**

INDEX NO.	PART NO.	NAME	FLT MODELS	FXR MODELS	SOFTAIL MODELS	DYNA MODEL
1	3444-A	SCREW (4)	--	--	--	91*-ALL
2	3826	SCREW	--	--	--	91*-ALL
3	4091	SCREW	--	--	--	91*-ALL
4	4384	SCREW	--	--	--	91*-ALL
5	6035	WASHER	--	--	--	91*-ALL
6	6036	WASHER (rubber)	--	--	--	91*-ALL
7	6099	WASHER (4)	--	--	--	91*-ALL
8	7229W	LOCKWASHER (4)	--	--	--	91-ALL
9	7629	NUT, keps (8)	--	--	--	91-ALL
10	7716	NUT (9)	--	--	--	91-ALL
11	7796	NUT (3)	--	--	--	91*-ALL
12	8536	RIVET (4)	--	--	--	91*-ALL
13	9952	CLIP (4)	--	--	--	91*-ALL
14	14117-90	DECAL, ignition switch	--	--	--	91-GB
15	31506-79B	RELAY, starter	--	--	--	91*-ALL
16	66361-90	COVER, electrical panel	--	--	--	91-GB
	66333-90	COVER, electrical panel (chrome)	--	--	--	92*-ALL
17	68537-89C	TURN SIGNAL CANCELLER	--	--	--	91*-ALL
18	70347-84	RETAINER, wire	--	--	--	91*-ALL
19	70984-90A	BRACKET, ignition module	--	--	--	91*-ALL
20	70987-90	ELECTRICAL PANEL	--	--	--	91*-ALL
21	71421-90	LOCK SET (fork & ignition w/key)	--	--	--	91*-ALL
21A	71428-90A	IGNITION SWITCH	--	--	--	91*-ALL
22	71452-91A	KEY (specify 4 digit key no.)	--	--	--	91*-ALL
23	71555-90	FACE NUT	--	--	--	91*-ALL
25	72342-90	STAND OFF (4)	--	--	--	91*-ALL
26	74589-73	CIRCUIT BREAKER (3)	--	--	--	91*-ALL
	74599-77A	CIRCUIT BREAKER, battery	--	--	--	91*-ALL
27	74598-73	CONNECTOR BAR (2)	--	--	--	91*-ALL
28	90474-90	GROMMET	--	--	--	91*-ALL
29	90483-85	GROMMET	--	--	--	91*-ALL
<b>H-D INTERNATIONAL ONLY</b>						
14	14121-90	DECAL, ignition switch (HDI only)	--	--	--	91-GB
17	68384-91	TURN SIGNAL CANCELLER (HDI only)	--	--	--	91*-ALL

FLT MODELS		FXR MODELS		SOFTAIL MODELS		DYNA MODEL	
FLTC	DB	FXR	EA	FLSTC	BJ	FXDB-D	GA
FLHTC	DJ	FXRS	EB	FXSTC	BK	FXDB-S	GB
FLTC-U	DM	FXRT	EC	FXSTS	BL	FXDC	GC
FLHTC-U	DP	FXRS-SP	EG	FLSTF	BM		
FLHS	FA	FXLR	EL				
		FXRS-CON	EM				

# SADDLEBAGS — FLT



## SADDLEBAGS - FLT MODELS

FA51-1

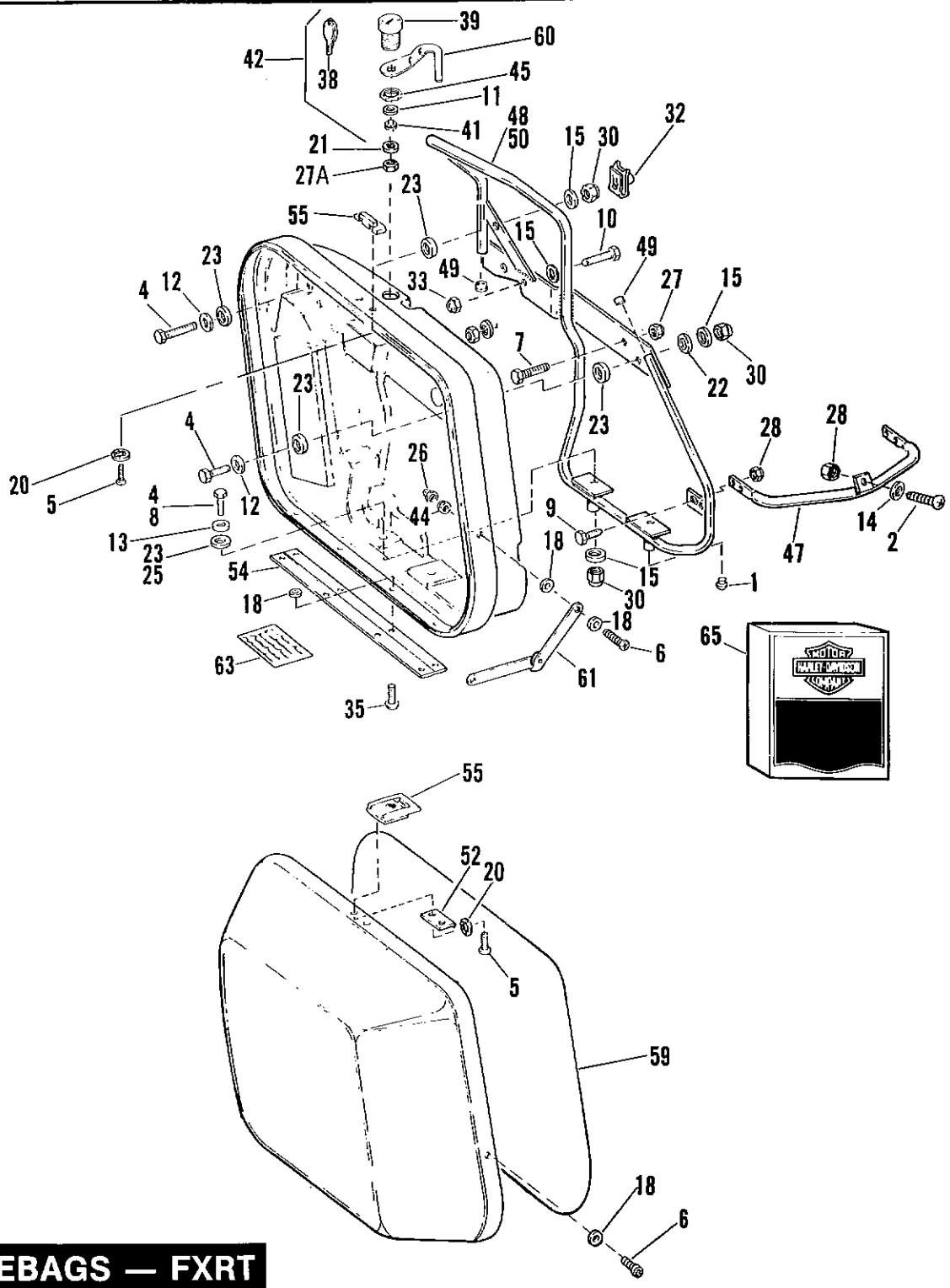
INDEX NO.	PART NO.	NAME	FLT MODELS	FXR MODELS	SOFTAIL MODELS	DYNA MODEL
NOTE: REFER TO DEALER ACCESSORY GUIDE FOR PAINTED PART NUMBERS.						
1	2589	SCREW (6)	91*-DM/P	--	--	--
2	3597	SCREW (4)	91*-ALL	--	--	--
3	3598	SCREW (4)	91*-ALL	--	--	--
4	6055	WASHER (2)	91*-ALL	--	--	--
5	6717	WASHER (6)	91*-DM/P	--	--	--
6	7128	LOCKWASHER (2)	92*-ALL	--	--	--
6A	7586	NUT (2)	92*-ALL	--	--	--
7	48152-82	KEY (Specify key #.)	91*-ALL	--	--	--
	71452-91A	KEY (Specify 4 diget key code)	92*-ALL	--	--	--
7A	53580-82	LOCK (2)	91*-ALL	--	--	--
	53584-92	LOCK (2)	92*-ALL	--	--	--

**SADDLEBAGS - FLT MODELS**

**FA51-2**

INDEX NO.	PART NO.	NAME	FLT MODELS	FXR MODELS	SOFTAIL MODELS	DYNA MODEL
8	53582-82	SCREW (2)	91-ALL	--	--	--
9	53587-85	LOCK SET, with #6, 7, 8 & 15	91-DB/M	--	--	--
	53573-92	LOCK SET, w#6, 6A, 7, 7A, 15 & 21	92*-FA	--	--	--
	53574-92	LOCK SET with #6, 7, 8 & 15 & 21	92*-DJ/P	--	--	--
	53575-92	LOCK SET with #6, 7, 8 & 15 & 21	92*-DM	--	--	--
	53588-85	LOCK SET, with #6, 7, 8 & 15	91-DJ/P	--	--	--
	53590-84	LOCK SET, with #6, 7, 8 & 15	91-FA	--	--	--
10	53615-85	SPACER (2)	91*-ALL	--	--	--
11	53616-85	CATCH (2)	91*-ALL	--	--	--
12	53617-85	GUIDE (2)	91*-ALL	--	--	--
13	59244-90	NAMEPLATE, left	91*-DM/P	--	--	--
	59245-90	NAMEPLATE, right	91*-DM/P	--	--	--
14	59255-72	REFLECTOR (red) (2)	91*-DB/J,FA	--	--	--
	59259-90	REFLECTOR (red) (2)	91*-DM/P	--	--	--
15	84850-67	NUT, lock (2)	91-ALL	--	--	--
	84850-92	NUT (2)	92*-ALL	--	--	--
16	90633-82A	GASKET, cover (2)	91*-ALL	--	--	--
18	90649-85	BODY, catch (2)	91*-ALL	--	--	--
19	90663-85	CATCH, upper (2)	91*-ALL	--	--	--
20	90688-85	BACKING PLATE (2)	91*-ALL	--	--	--
21	90689-84	CAM HOOK (2)	91-ALL	--	--	--
	90686-92	CAM HOOK (2)	92*-ALL	--	--	--
22	90745-79A	HINGE CLIP (2)	91*-ALL	--	--	--
23	90747-79	HINGE (2)	91*-ALL	--	--	--
24	90789-83	BAIL HEAD STUD (4)	91*-ALL	--	--	--
25	90790-83	RETAINER (4)	91*-ALL	--	--	--
26	90791-83	WASHER, reinforcement (4)	91*-ALL	--	--	--
27	90797-80	WASHER (rubber) (4)	91*-ALL	--	--	--
28	90820-74A	LABEL, load limits	91*-ALL	--	--	--
29	90964-63	BACKING PLATE (8)	91*-ALL	--	--	--
30	90965-63	RIVET, 5/16" long (16)	91*-ALL	--	--	--
31	90967-64	RIVET (4)	91*-ALL	--	--	--
32	91851-88	LINER, right	91*-DM/P	--	--	--
	91852-88	LINER, left	91*-DM/P	--	--	--
33	94435-82B	TOOL KIT	91*-ALL	--	--	--
<b>H-D INTERNATIONAL ONLY</b>						
	2551W	BOLT, saddlebag mounting (4) (HDI only)	91*-ALL	--	--	--
	7743	CLIP NUT, saddlebag mounting (4) (HDI only)	91*-ALL	--	--	--
14	59254-91	REFLECTOR (amber) (2) (HDI only)	91*-ALL	--	--	--

FLT MODELS	FXR MODELS	SOFTAIL MODELS	DYNA MODEL
FLTC DB	FXR EA	FLSTC BJ	FXDB-D GA
FLHTC DJ	FXRS EB	FXSTC BK	FXDB-S GB
FLTC-U DM	FXRT EC	FXSTS BL	FXDC GC
FLHTC-U DP	FXRS-SP EG	FLSTF BM	
FLHS FA	FXLR EL		
	FXRS-CON EM		



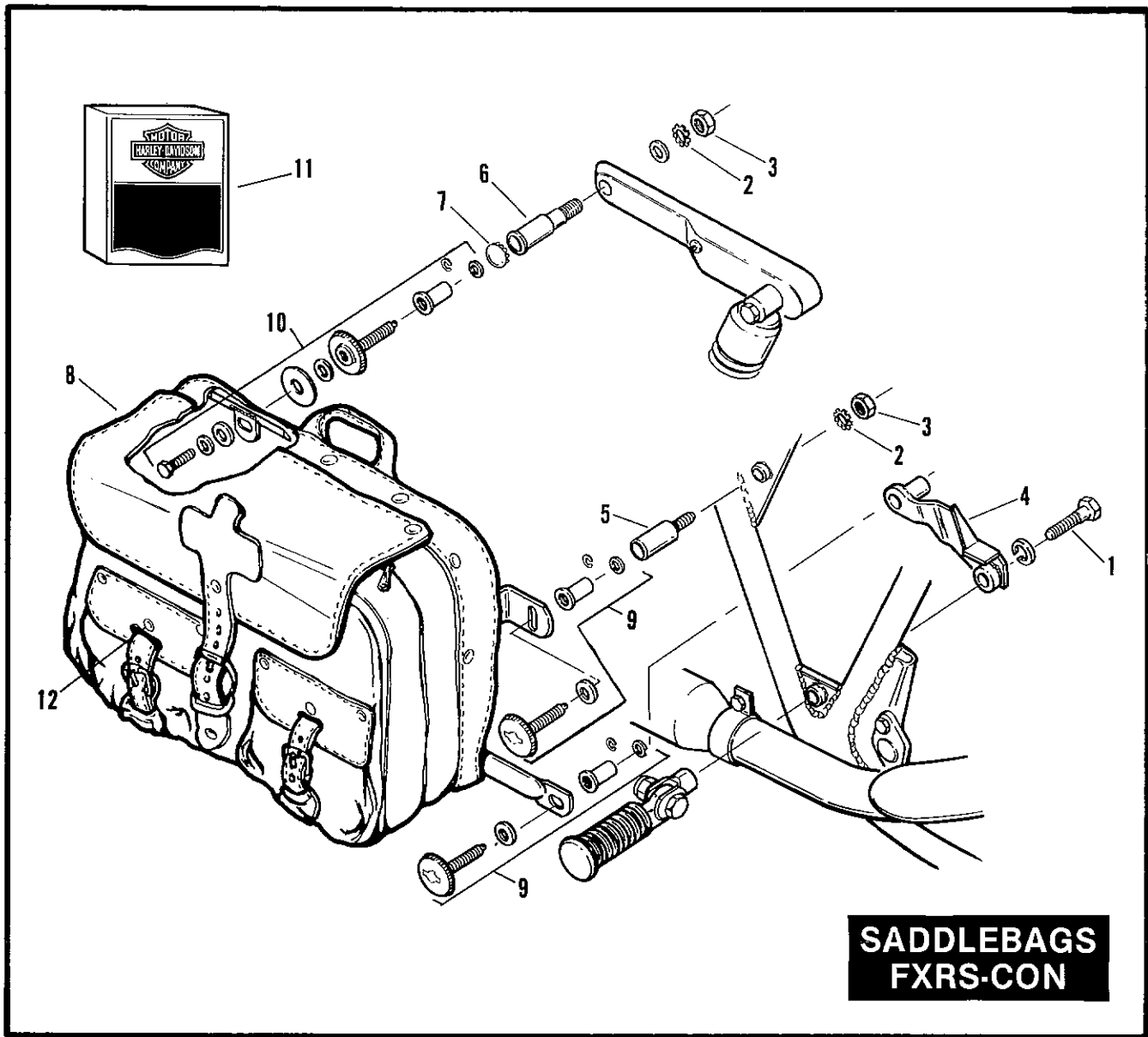
**SADDLEBAGS — FXRT**

**SADDLEBAGS - FXRT**

**FA51A**

INDEX NO.	PART NO.	NAME	FLT MODELS	FXR MODELS	SOFTAIL MODELS	DYNA MODEL
<b>NOTE: REFER TO DEALER ACCESSORY GUIDE FOR PAINTED PART NUMBERS.</b>						
1	735	PLUG, saddlebag bracket (4)	--	91*-EC	--	--
2	2607	SCREW	--	91*-EC	--	--
4	2790A	BOLT with lockpatch (4)	--	91*-EC	--	--
5	2804W	SCREW (8)	--	91*-EC	--	--
6	2806	SCREW (4)	--	91*-EC	--	--
7	2887W	BOLT (2)	--	91*-EC	--	--
8	3445	SCREW (4)	--	91*-EC	--	--
9	3787	BOLT (4)	--	91*-EC	--	--
10	4412	BOLT (2)	--	91*-EC	--	--
11	6055	WAVE WASHER (2)	--	91*-EC	--	--
12	6229W	WASHER (7)	--	91*-EC	--	--
13	6333	WASHER (2)	--	91*-EC	--	--
14	6410	WASHER	--	91*-EC	--	--
15	6701	WASHER (2)	--	91*-EC	--	--
18	6717	WASHER (24)	--	91*-EC	--	--
20	7112	LOCKWASHER (8)	--	91-EC	--	--
21	7128	LOCKWASHER (2)	--	92*-EC	--	--
22	7130W	LOCKWASHER (2)	--	91*-EC	--	--
23	7415A	WASHER (15)	--	91*-EC	--	--
25	7419	WASHER (left side only)	--	91*-EC	--	--
26	7520	ACORN NUT (4)	--	91*-EC	--	--
27	7531	NUT (2)	--	91*-EC	--	--
27A	7586	NUT (2)	--	92*-EC	--	--
28	7686	LOCKNUT (5)	--	91*-EC	--	--
30	7739	LOCKNUT (8)	--	91*-EC	--	--
32	7752	SPEED NUT (4)	--	91*-EC	--	--
33	7776W	LOCKNUT (2)	--	91*-EC	--	--
35	8533	RIVET (6)	--	91*-EC	--	--
38	48152-82	KEY (Specify key number 1 to 100.)	--	91-EC	--	--
	71452-91A	KEY (specufy 4 digit code)	--	92*-EC	--	--
39	53580-82	LOCK (2)	--	91-EC	--	--
	53584-92	LOCK (2)	--	92*-EC	--	--
41	53582-82	SCREW (2)	--	91-EC	--	--
42	53590-84	LOCK SET, with #38, 39, 41 & 45	--	91-EC	--	--
44	60031-61	NUT (4)	--	91*-EC	--	--
45	84850-67	NUT, lock bracket (2)	--	91-EC	--	--
	84850-02	NUT (2)	--	92*-EC	--	--
47	90488-83	CROSS BRACE	--	91*-EC	--	--
48	90492-85B	SUPPORT, saddlebag - left	--	91*-EC	--	--
49	90493-83	PLUG (4)	--	91*-EC	--	--
50	90499-83B	SUPPORT, saddlebag - right	--	91*-EC	--	--
52	90655-83	CATCH, lock (2)	--	91*-EC	--	--
54	90657-84	HINGE (2)	--	91*-EC	--	--
55	90658-84	CATCH, lock (2)	--	91*-EC	--	--
59	90685-83	SEAL, cover (2)	--	91*-EC	--	--
60	90686-92	CAM HOOK (2)	--	92*-EC	--	--
	90689-84	CAM HOOK (2)	--	91-EC	--	--
61	90699-83	RETAINER ARM, cover (2)	--	91*-EC	--	--
63	90820-74A	LABEL, load limit (2)	--	91*-EC	--	--
65	91836-82	TRAVEL BAG, large (2)	--	91*-EC	--	--

<b>FLT MODELS</b>	<b>FXR MODELS</b>	<b>SOFTAIL MODELS</b>	<b>DYNA MODEL</b>
FLTC DB	FXR EA	FLSTC BJ	FXDB-D GA
FLHTC DJ	FXRS EB	FXSTC BK	FXDB-S GB
FLTC-U DM	FXRT EC	FXSTS BL	FXDC GC
FLHTC-U DP	FXRS-SP EG	FLSTF BM	
FLHS FA	FXLR EL		
	FXRS-CON EM		





**SADDLEBAGS - FXRS - CON**

**FA51B**

INDEX NO.	PART NO.	NAME	FLT MODELS	FXR MODELS	SOFTAIL MODELS	DYNA MODEL
1	4081	BOLT (2)	--	91*-EM	--	--
2	7145W	LOCKWASHER (4)	--	91*-EM	--	--
3	7643W	NUT (4)	--	91*-EM	--	--
4	90350-89	MOUNTING BRACKET, lower - right	--	91*-EM	--	--
	90351-89	MOUNTING BRACKET, lower - right	--	91*-EM	--	--
5	90359-89	WELL NUT RECEPTACLE, - upper - front (2)	--	91*-EM	--	--
6	90360-89	WELL NUT STUD (2)	--	91*-EM	--	--
7	90357-89	HOLE PLUG (chrome) (2)	--	91*-EM	--	--
8	90702-89	SADDLEBAG, left	--	91*-EM	--	--
	90703-89	SADDLEBAG, right	--	91*-EM	--	--
9	90712-89	ATTACHMENT KIT, front (2)	--	91*-EM	--	--
10	90714-89	ATTACHMENT KIT, rear	--	91*-EM	--	--
11	90706-89	RAINCOAT, left	--	91*-EM	--	--
	90708-89	RAINCOAT, right	--	91*-EM	--	--
12	90731-89	RIVET REPAIR KIT	--	91*-EM	--	--

**FLT MODELS**

FLTC DB  
 FLHTC OJ  
 FLTC-U DM  
 FLHTC-U DP  
 FLHS FA

**FXR MODELS**

FXR EA  
 FXRS EB  
 FXRT EC  
 FXRS-SP EG  
 FXLR EL  
 FXRS-CON EM

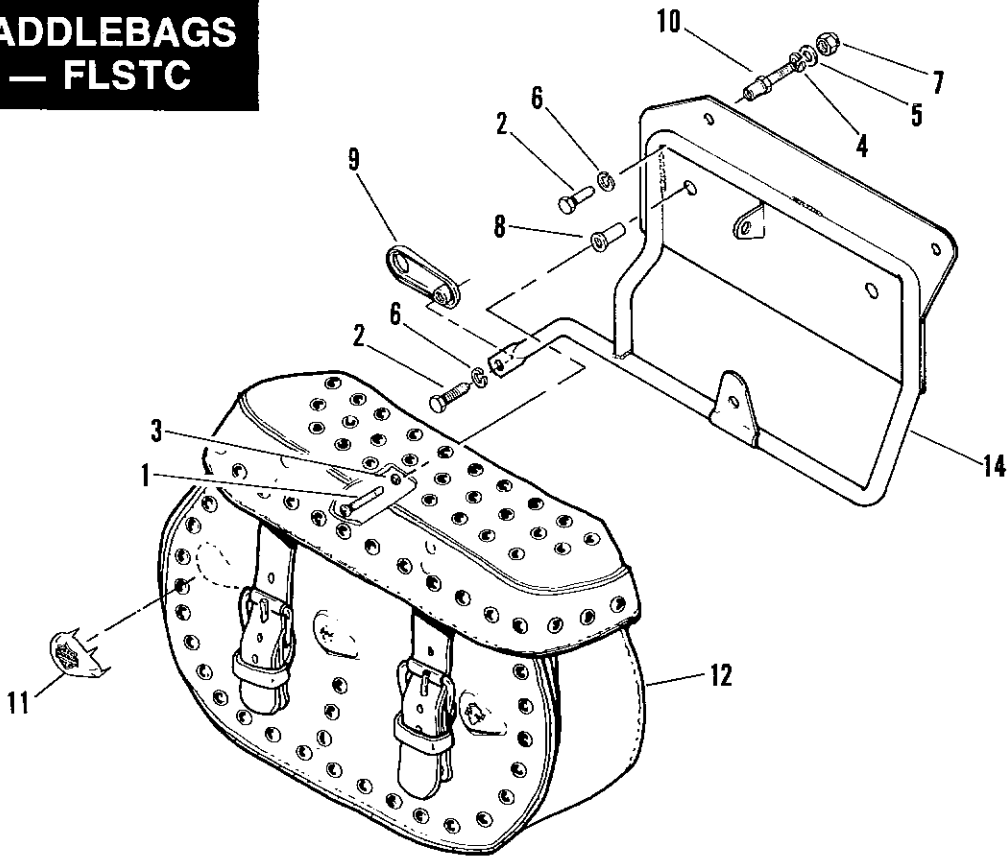
**SOFTAIL MODELS**

FLSTC BJ  
 FXSTC BK  
 FXSTS BL  
 FLSTF BM

**DYNA MODEL**

FXDB-D GA  
 FXDB-S GB  
 FXDC GC

**SADDLEBAGS  
— FLSTC**

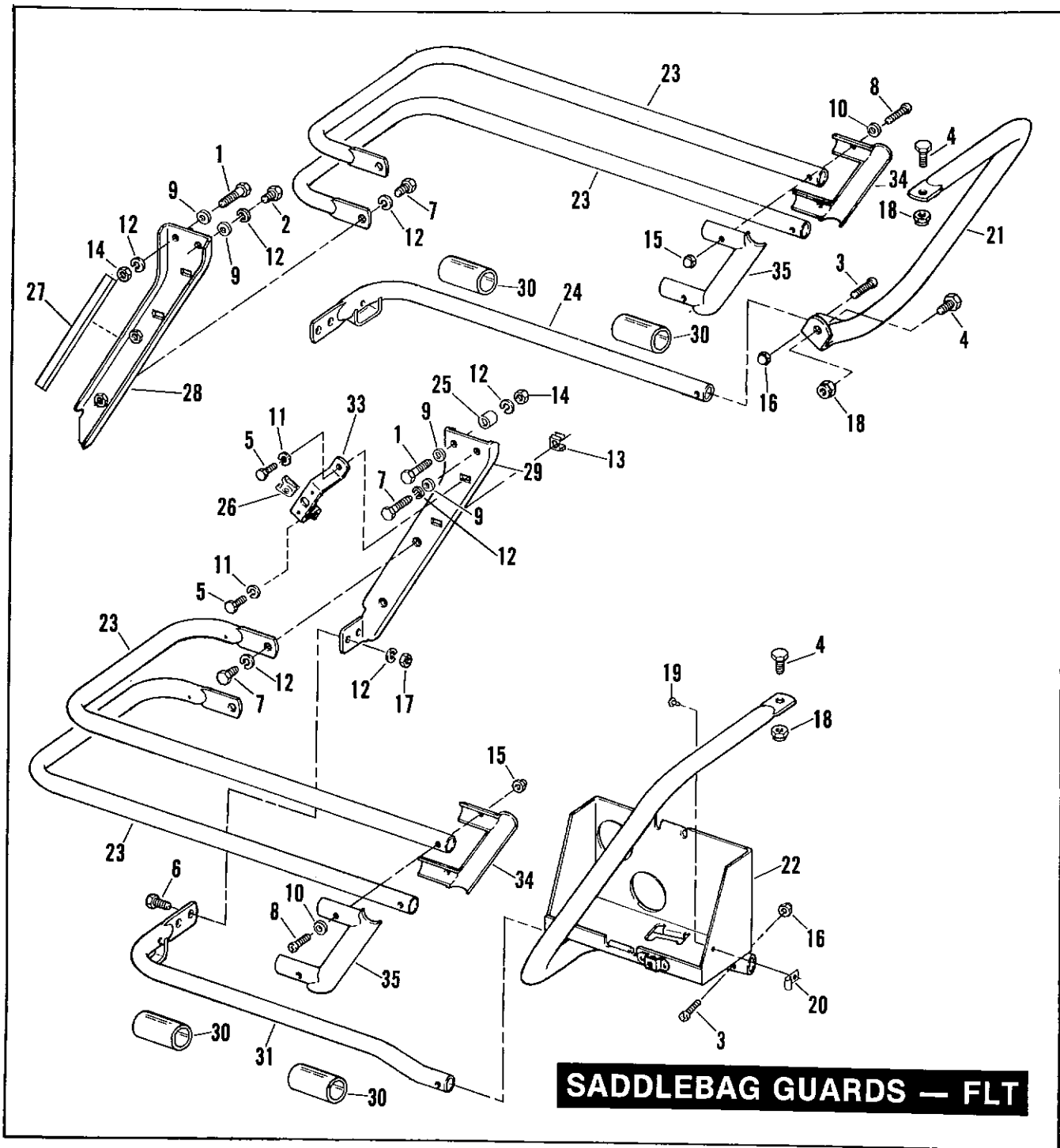


**SADDLEBAGS - FLSTC**

**FA51C**

INDEX NO.	PART NO.	NAME	FLT MODELS	FXR MODELS	SOFTAIL MODELS	DYNA MODEL
1	2602	BOLT (6)	--	--	91*-BJ	--
2	2882W	BOLT (6)	--	--	91*-BJ	--
3	6235	WASHER (4)	--	--	91*-BJ	--
4	6379W	WASHER (4)	--	--	91*-BJ	--
5	6701	WASHER (4)	--	--	91*-BJ	--
6	7041	LOCKWASHER (8)	--	--	91*-BJ	--
7	7778	LOCKNUT (4)	--	--	91*-BJ	--
8	8099	WELL NUT (6)	--	--	91*-BJ	--
9	90346-90	SUPPORT, lower - front (2)	--	--	91*-BJ	--
10	90361-90	SUPPORT, upper, (4)	--	--	91*-BJ	--
11	90470-90	ORNAMENT, tear drop-right (3)	--	--	91*-BJ	--
	90471-90	ORNAMENT, tear drop-left (3)	--	--	91*-BJ	--
12	00476-90A	SADDLEBAG, left	--	--	92*-BJ	--
	90477-90A	SADDLEBAG, right	--	--	92*-BJ	--
14	90785-90	SUPPORT, right	--	--	91*-BJ	--
	90787-90	SUPPORT, left	--	--	91*-BJ	--
	90835-90	SADDLEBAG ASSEMBLY, complete	--	--	91*-BJ	--

FLT MODELS		FXR MODELS		SOFTAIL MODELS		DYNA MODEL	
FLTC	DB	FXR	EA	FLSTC	BJ	FXDB-D	GA
FLHTC	DJ	FXRS	EB	FXSTC	BK	FXDB-S	GB
FLTC-U	DM	FXRT	EC	FXSTS	BL	FXDC	GC
FLHTC-U	DP	FXRS-SP	EG	FLSTF	BM		
FLHS	FA	FXLR	EL				
		FXRS-CON	EM				



**SADDLEBAG GUARDS - FLT MODELS**

INDEX NO.	PART NO.	NAME	FLT MODELS	FXR MODELS	SOFTAIL MODELS	DYNA MODEL
1	2818	BOLT (2)	91*-ALL	--	--	--
2	2882W	BOLT (2)	91*-DB/J/ M/P	--	--	--
3	2841W	SCREW (3)	91*-ALL	--	--	--
4	2889	BOLT (3)	91*-ALL	--	--	--
5	3765	BOLT (4)	91*-ALL	--	--	--
6	3987	SCREW (4)	91*-ALL	--	--	--
7	4391	BOLT (4)	91*-DB/J/ M/P	--	--	--
8	4800	SCREW (4)	91*-DB/J/ M/P	--	--	--
9	6702	WASHER (4)	91*-ALL	--	--	--
10	6703	WASHER (4)	91*-DB/J/ M/P	--	--	--
11	7036	LOCKWASHER (4)	91*-ALL	--	--	--
12	7041	LOCKWASHER (2)	91*-ALL	--	--	--
13	7510	CLIP NUT (4)	91*-ALL	--	--	--
14	7531	LOCKNUT (6)	91*-ALL	--	--	--
15	7737W	ACORN NUT (4)	91*-DB/J/ M/P	--	--	--
16	7683	LOCKNUT (3)	91*-ALL	--	--	--
18	7776W	LOCKNUT (3)	91*-ALL	--	--	--
19	8672	RIVET	91*-ALL	--	--	--
20	10034	CLIP	91*-ALL	--	--	--
21	49187-79	GUARD, left	91*-ALL	--	--	--
22	49188-79	GUARD, right with battery support	91*-ALL	--	--	--
23	49193-79	GUARD, saddlebags (4)	91*-DB/J/ M/P	--	--	--
24	49194-85	SUPPORT, saddlebag - left	91*-ALL	--	--	--
25	59059-86	SPACER (2)	91*-ALL	--	--	--
	59060-92	SPACER (2)	92*-ALL	--	--	--
26	70908-82	RECEPTACLE (4)	91*-ALL	--	--	--
27	90594-85	CUSHION (2)	91*-ALL	--	--	--
28	90718-79	SUPPORT BRACKET, left	91*-ALL	--	--	--
29	90720-79	SUPPORT BRACKET, right	91*-ALL	--	--	--
30	90764-83	PAD, saddlebag mounting (4)	91*-ALL	--	--	--
31	90781-85	SUPPORT, saddlebag - right	91*-ALL	--	--	--
33	90801-83	BRACKET, saddlebag mounting (2)	91*-ALL	--	--	--
34	90940-79	CLAMP, saddlebag guard - left (2)	91*-DB/J/ M/P	--	--	--
35	90941-79	CLAMP, saddlebag guard - right (2)	91*-DB/J/ M/P	--	--	--

**FLT MODELS**

FLTC DB  
 FLHTC DJ  
 FLTC-U DM  
 FLHTC-U DP  
 FLHS FA

**FXR MODELS**

FXR EA  
 FXRS EB  
 FXRT EC  
 FXRS-SP EG  
 FXLR EL  
 FXRS-CON EM

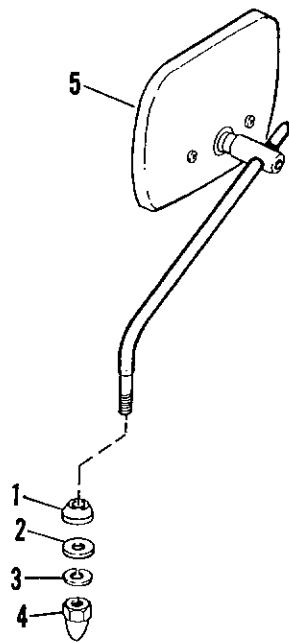
**SOFTAIL MODELS**

FLSTC BJ  
 FXSTC BK  
 FXSTS BL  
 FLSTF BM

**DYNA MODEL**

FXDB-D GA  
 FXDB-S GB  
 FXDC GC

**MIRRORS**



**MIRRORS**

INDEX NO.	PART NO.	NAME	FLT MODELS	FXR MODELS	SOFTAIL MODELS	DYNA MODEL
1	5774	SPACER (2)	91*-ALL	91*-ALL	91*-ALL	91*ALL
2	6781	WASHER (2)	--	91*-ALL	--	--
3	7127	LOCKWASHER (2)	91*-ALL	91*-ALL	91*-ALL	91*ALL
4	7736	ACORN NUT (2)	91*-ALL	91*-ALL	91*-ALL	91*ALL
5	91875-88	MIRROR KIT, short - right - convex	91*-ALL	91*-EA/ B/C/M	91*-ALL	92*-ALL
	91892-88	MIRROR KIT, short - left - convex	91*-ALL	91*-EA/B/ B/C/M	91*-ALL	92*-ALL
	91902-88	MIRROR KIT, long - left - convex	--	91*-EG/L	--	--
	91904-88	MIRROR KIT, long - right - convex	--	91*-EG/L	--	--
	91909-90	MIRROR KIT, long - right - convex (black)	--	--	--	91-GB
	91910-91	MIRROR KIT, long - left - convex (black)	--	--	--	91-GB

**FLT MODELS**

FLTC DB  
 FLHTC DJ  
 FLTC-U DM  
 FLHTC-U DP  
 FLHS FA

**FXR MODELS**

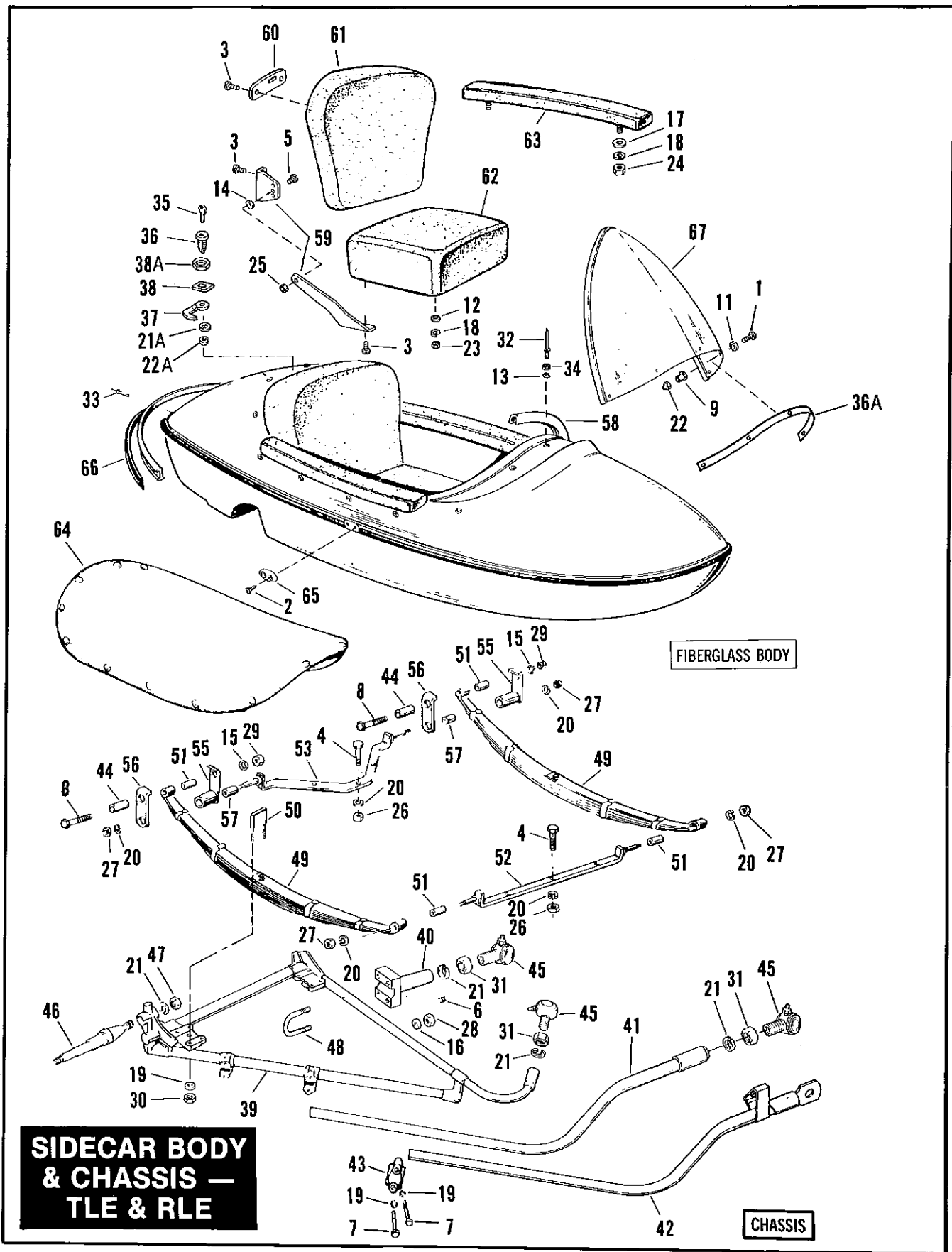
FXR EA  
 FXRS EB  
 FXRT EC  
 FXRS-SP EG  
 FXLR EL  
 FXRS-CON EM

**SOFTAIL MODELS**

FLSTC BJ  
 FXSTC BK  
 FXSTS BL  
 FLSTF BM

**DYNA MODEL**

FXDB-D GA  
 FXDB-S GB  
 FXDC GC





**SIDECAR BODY & CHASSIS - TLE & RLE**

**FA54-1**

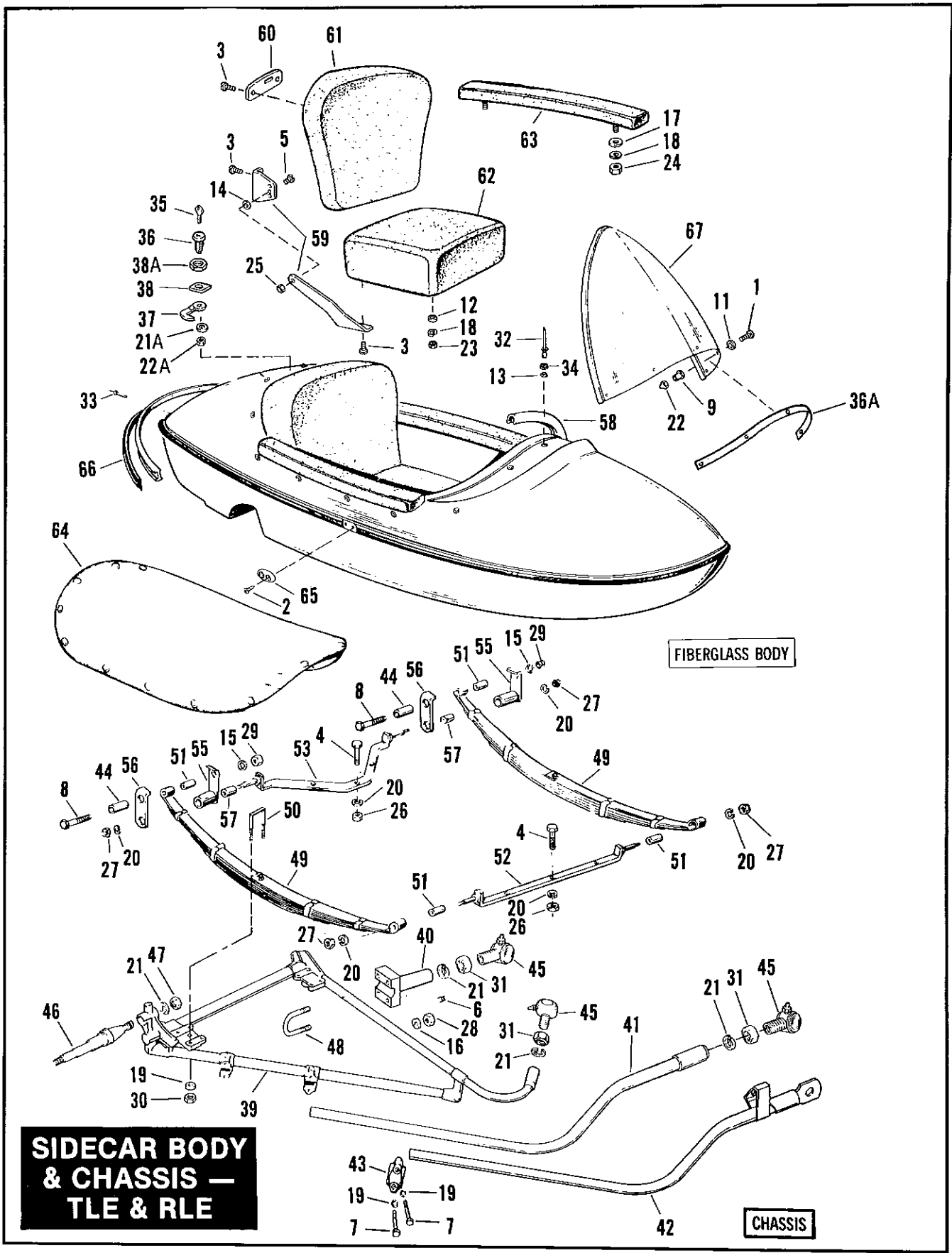
INDEX NO.	PART NO.	NAME	FLT MODELS	FXR MODELS	SOFTAIL MODELS	DYNA MODEL
1	933	SCREW (7)	91*-GX	91*-HX	--	--
2	2216W	SCREW (2)	91*-GX,KX	91*-HX	--	--
3	2420	SCREW (10)	91*-GX	91*-HX	--	--
4	2667	BOLT (6)	91*-GX,KX	91*-HX	--	--
5	2773	SCREW (2)	91*-GX	91*-HX	--	--
6	3233	SET SCREW (2)	91*-GX,KX	91*-HX	--	--
7	3946	BOLT (4)	91*-GX,KX	91*-HX	--	--
8	4401W	BOLT (2)	91*-GX,KX	91*-HX	--	--
9	5207	WELL NUT (7)	91*-GX	91*-HX	--	--
11	6054	WASHER (7)	91*-GX	91*-HX	--	--
12	6237	WASHER (4)	91*-GX,KX	91*-HX	--	--
13	6335	WASHER (16)	91*-GX,KX	91*-HX	--	--
14	6410	WASHER (2)	91*-GX	91*-HX	--	--
15	6416	WASHER (2)	91*-GX,KX	91*-HX	--	--
16	6701	WASHER (4)	91*-GX,KX	91*-HX	--	--
17	6703	WASHER (6)	91*-GX	91*-HX	--	--
18	7036	LOCKWASHER (10)	91*-GX	91*-HX	--	--
19	7039	LOCKWASHER (12)	91*-GX,KX	91*-HX	--	--
20	7041	LOCKWASHER (10)	91*-GX,KX	91*-HX	--	--
21	7043	LOCKWASHER (3;4-HX)	91*-GX,KX	91*-HX	--	--
21A	7128	LOCKWASHER	92*-GX	92*-HX	--	--
22	7568	ACORN NUT (7)	91*-GX	91*-HX	--	--
22A	7586	NUT	92*-GX	92*-HX	--	--
23	7688	NUT (4)	91*-GX	91*-HX	--	--
24	7737W	ACORN NUT (6)	91*-GX	91*-HX	--	--
25	7686	LOCKNUT (2)	91*-GX	91*-HX	--	--
26	7748W	NUT (6)	91*-GX,KX	91*-HX	--	--
27	7736	ACORN NUT (4)	92*-GX,KX	92*-HX	--	--
28	7775	LOCKNUT (4)	91*-GX,KX	91*-HX	--	--
29	7780	LOCKNUT (2)	91*-GX,KX	91*-HX	--	--
30	7837W	NUT (8)	92*-GX,KX	92*-HX	--	--
	16602-30	NUT (8)	91*-GX,KX	91*-HX	--	--
31	7855W	JAM NUT (2;3-HX)	91*-GX,KX	91*-HX	--	--
32	8696	RIVET (16)	91*-GX,KX	92*-HX	--	--
33	8700	POP RIVET (50)	91*-GX,KX	91*-HX	--	--
34	47076-72	SNAP BASE	91*-GX,KX	91*-HX	--	--
35	48152-82	KEY (Specify key number)	91-GX	91-HX	--	--
	71452-91A	KEY, (specify 4 digit key code)	92*-GX	92*-HX	--	--
36	53580-82	LOCK	91-GX	91-HX	--	--
	53584-92	LOCK	92*-GX	92*-HX	--	--
	53593-92	LOCK ASM. w/keys, #21, 22A, 37, 38A	92*-GX,KX	92-HX	--	--
36A	58717-79	FOAM STRIP	91*-GX	91*-HX	--	--

**FLT MODELS**

TLE GX  
TLE-ULTRA KX

**FXR MODELS**

RLE HX



**SIDECAR BODY & CHASSIS - TLE & RLE (CONT'D)**

**FA54-2**

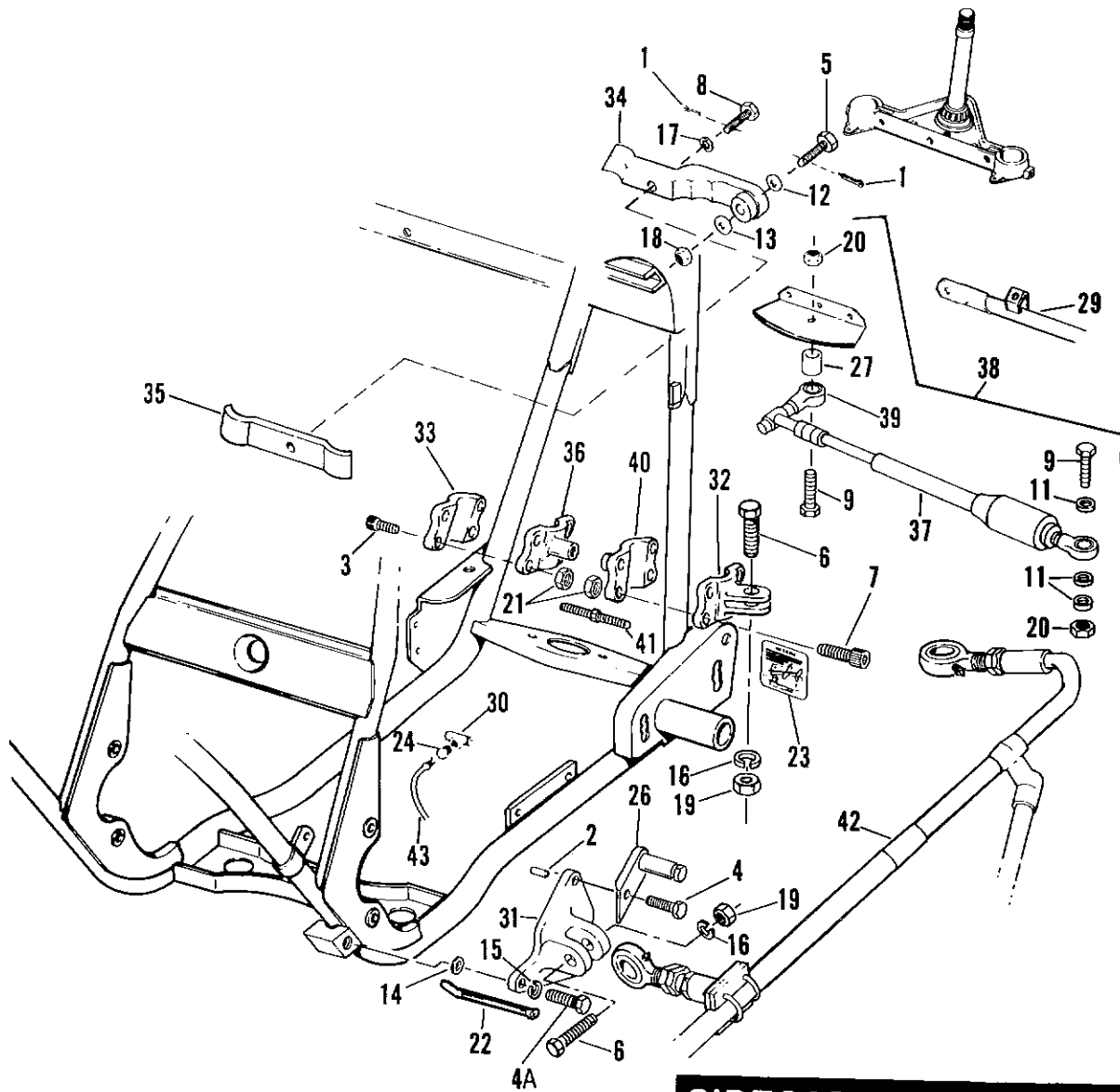
INDEX NO.	PART NO.	NAME	FLT MODELS	FXR MODELS	SOFTAIL MODELS	DYNA MODEL
37	53583-82	CAM HOOK	91-GX	91-GX	--	--
	53583-92	CAM HOOK	92*GX	92*HX	--	--
38	58466-80	WASHER PLATE	91*GX	91*HX	--	--
38A	84850-92	NUT	92*GX	92*HX	--	--
39	87006-85	FRAME ASSEMBLY, sidecar	--	91*HX	--	--
	87160-83	FRAME ASSEMBLY, sidecar	91*GX,KX	--	--	--
40	87014-85	REAR MOUNTING ASSEMBLY	--	91*HX	--	--
	87157-87	REAR MOUNTING ASSEMBLY	91*GX,KX	--	--	--
41	87030-85	BRACE, sidecar frame	--	91*HX	--	--
42	87056-83B	BRACE, sidecar frame	91*GX,KX	--	--	--
43	87117-36	LOWER CLAMP (2)	91*GX,KX	91*HX	--	--
44	87120-79	SPACER, turn signal & spring shackle (2)	91*GX,KX	91*HX	--	--
45	87159-83	ROD END, sidecar mounting (2; 3 - HX)	91*GX,KX	91*HX	--	--
46	87435-83	AXLE	91*GX,KX	91*HX	--	--
47	87444-33	AXLE NUT, inside sidecar frame	91*GX,KX	91*HX	--	--
48	87701-79	U-BOLT, rear mounting bracket	91*GX,KX	91*HX	--	--
49	88100-24A	SIDECAR SPRING (2)	91*GX,KX	91*HX	--	--
50	88172-25	U-BOLT, springs (4)	91*GX,KX	91*HX	--	--
51	88174-37	SPRING BUSHING (4)	91*GX,KX	91*HX	--	--
52	88261-36	SUPPORT ROD, front	91*GX,KX	91*HX	--	--
53	88264-36	SUPPORT ROD, rear	91*GX,KX	91*HX	--	--
55	88301-79	SHACKLE PLATE with bushing, spring (2)	91*GX,KX	91*HX	--	--
56	88302-79	SHACKLE PLATE, spring-outer (2)	91*GX,KX	91*HX	--	--
57	88314-37	BUSHING, shackle plate (2)	91*GX,KX	91*HX	--	--
58	88425-67	TRIM STRIP, body top (black)	91*GX	91*HX	--	--
59	88426-91	HINGE ASSEMBLY, seat - right	91*GX	91*HX	--	--
	88427-91	HINGE ASSEMBLY, seat - left	91*GX	91*HX	--	--
60	88428-91	LOCKPLATE	91*GX	91*HX	--	--
61	88481-91	BACK CUSHION	91*GX	91*HX	--	--
62	88487-91	SEAT CUSHION	91*GX	91*HX	--	--
63	88503-91	ARM REST CUSHION - left	91*GX	91*HX	--	--
	88504-91	ARM REST CUSHION - right	91*GX	91*HX	--	--
	88526-91	CARPET, top front (Not illustrated.)	91*GX	91*HX	--	--
	88527-91	CARPET, top rear (Not illustrated.)	91*GX	91*HX	--	--
	88531-91	CARPET, nose (Not illustrated.)	91*GX	91*HX	--	--
	88536-91	CARPET, front floor (Not illustrated.)	91*GX	91*HX	--	--
	88537-91	CARPET, side left (Not illustrated.)	91*GX	91*HX	--	--
	88538-91	CARPET, side right (Not illustrated.)	91*GX	91*HX	--	--
	88539-91	CARPET, rear floor (Not illustrated.)	91*GX	91*HX	--	--
64	88528-91	COVER, sidecar body	91*GX	91*HX	--	--
65	88695-67	RETAINER CLIP, sidecar trim strip	91*GX	91*HX	--	--
66	88698-67	CHANNEL INSERT, trim strip (black vinyl)	91*GX,KX	91*HX	--	--
67	88862-91	WINDSHIELD, only	91*GX	91*HX	--	--

**FLT MODELS**

TLE GX  
TLE-ULTRA KX

**FXR MODELS**

RLE HX



**SIDECAR CONNECTION  
KIT — TLE**

**SIDECAR CONNECTION KIT - TLE**

**FA55-1**

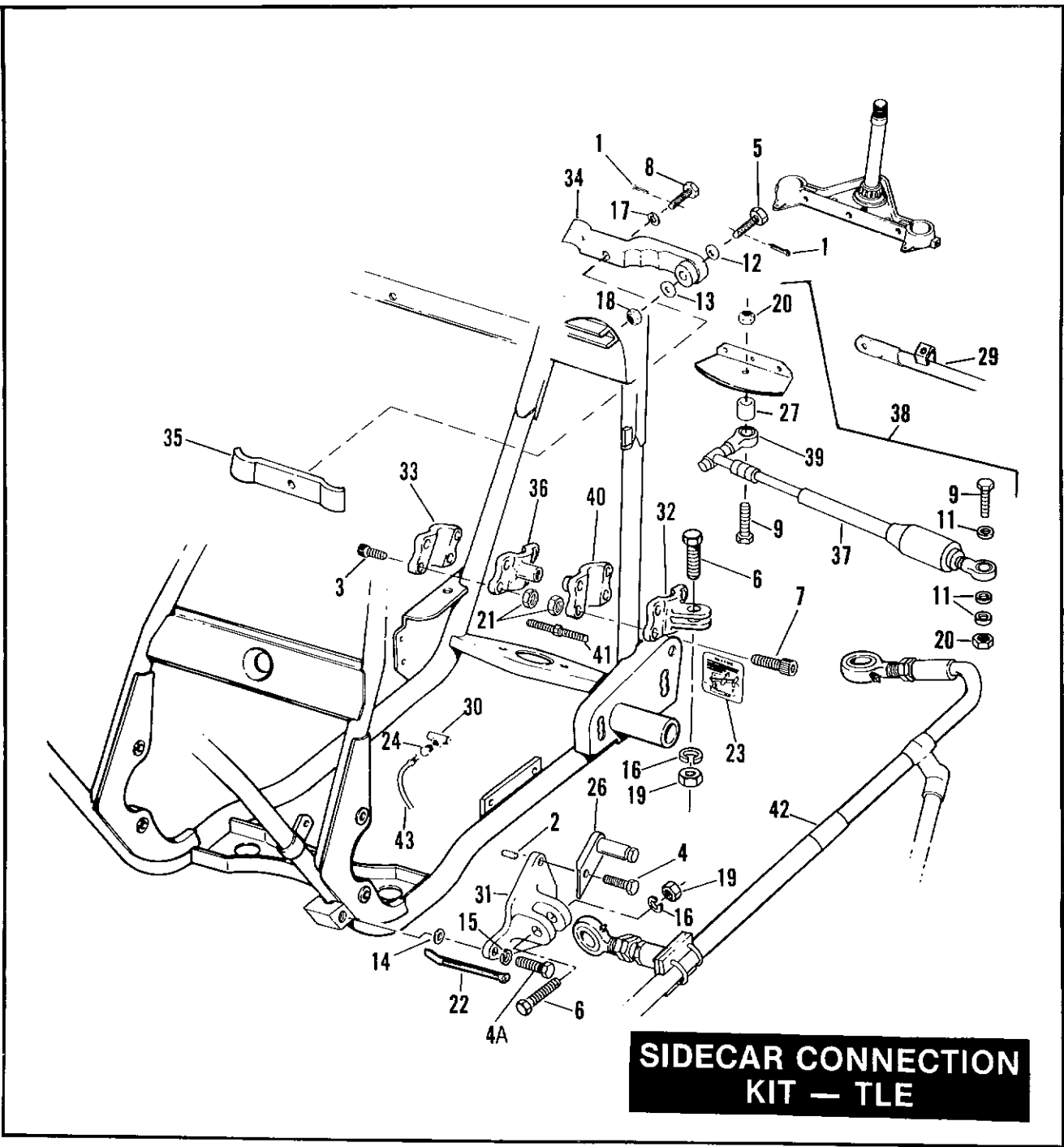
INDEX NO.	PART NO.	NAME	FLT MODELS	FXR MODELS	SOFTAIL MODELS	DYNA MODEL
1	559	COTTER PIN	91*-GX, KX	--	--	--
2	604	ROLLER PIN	91*-GX, KX	--	--	--
3	855B	SCREW (4)	91-GX, KX	--	--	--
4	4356A	BOLT (4)	92*-GX, KX	--	--	--
	3764	BOLT	91*-GX, KX	--	--	--
	3946	BOLT	92*-KX	--	--	--
4A	3782	BOLT	92*GX, KX	--	--	--
	4729	BOLT	91-GX, KX	--	--	--
5	3973	BOLT	91-GX, KX	--	--	--
6	4028A	BOLT (2)	91-GX, KX	--	--	--
	4045	BOLT (2)	92*-GX, KX	--	--	--
7	4029A	BOLT (2)	91-GX, KX	--	--	--
	4357	BOLT (4)	92*-GX,KX	--	--	--
8	4081	BOLT	91-GX, KX	--	--	--
	4052	BOLT	92*-GX, KX	--	--	--
9	4411	BOLT (2)	91*-GX, KX	--	--	--
11	6701	WASHER (3)	91*-GX, KX	--	--	--
12	6718	WASHER	91*-GX, KX	--	--	--
13	6723	WASHER	91*-GX, KX	--	--	--
14	6960	SHIM, 0.004" thick (as required)	91*-GX, KX	--	--	--
	6961	SHIM, 0.007" thick (as required)	91*-GX, KX	--	--	--
	6962	SHIM, 0.015" thick (as required)	91*-GX, KX	--	--	--
	6963	SHIM, 0.031" thick (as required)	91*-GX, KX	--	--	--
15	7039	LOCKWASHER	91*-GX, KX	--	--	--
	3949	BOLT	92*-GX, KX	--	--	--
16	7043	LOCKWASHER (2)	91*-GX, KX	--	--	--
17	7068	LOCKWASHER	91*-GX, KX	--	--	--
18	7734W	CASTLE NUT	91-GX, KX	--	--	--
	7843	CASTLE NUT	92*-GX, KX	--	--	--
19	7652	NUT (2)	91-GX, KX	--	--	--
	7598	NUT (2)	92*-GX, KX	--	--	--
20	7775	NUT (2)	91*-GX, KX	--	--	--
21	7778	LOCKNUT (8)	91*-GX, KX	--	--	--
22	10006	CABLE STRAP (8)	91*-GX, KX	--	--	--
23	10036	CLAMP	92*-GX, KX	--	--	--
24	42311-58	PLUG, brake line (2) (with sidecar removed)	91*-GX, KX	--	--	--

**FLT MODELS**

TLE GX  
TLE-ULTRA KX

**FXR MODELS**

RLE HX



**SIDECAR CONNECTION KIT - TLE (CONT'D)**

**FA55-2**

INDEX NO.	PART NO.	NAME	FLT MODELS	FXR MODELS	SOFTAIL MODELS	DYNA MODEL
26	50594-87	MOUNT, passenger footboard	91*-GX, KX	--	--	--
27	59938-72	SPACER, mounting	91*-GX, KX	--	--	--
28	87032-85	FITTING, union	91*-GX, KX	--	--	--
29	87056-83B	BRACE, sidecar frame	91*-GX, KX	--	--	--
30	87113-83	TEE, brake line	91*-GX, KX	--	--	--
31	87114-83	BRACKET ASSEMBLY, rear with #1	91*-GX, KX	--	--	--
32	87122-83	MOUNTING BRACKET, lower front - right	91*-GX, KX	--	--	--
33	87123-83	MOUNTING BRACKET, lower front - left	91*-GX, KX	--	--	--
34	87131-83B	UPPER CONNECTION, front	91*-GX, KX	--	--	--
35	87132-83B	UPPER CONNECTION, rear	91-GX, KX	--	--	--
	87132-92	UPPER CONNECTION, rear	92*-GX, KX	--	--	--
36	87137-83	STABILIZER BRACKET, left	91-GX, KX	--	--	--
	87137-92	STABILIZER BRACKET, rear	92*-GX, KX	--	--	--
37	87141-83	STEERING DAMPER	91*-GX, KX	--	--	--
38	87142-83	DAMPER MOUNTING KIT with #9, 11, 20 & 27	91*-GX, KX	--	--	--
39	87144-83	ROD END BALL JOINT	91*-GX, KX	--	--	--
40	87148-83	STABILIZER BRACKET, right	91*-GX, KX	--	--	--
	87148-92	STABILIZER BRACKET, right	92*-GX, KX	--	--	--
41	87156-83	STABILIZER, front	91*-GX, KX	--	--	--
42	87160-83	FRAME ASSEMBLY	91-GX, KX	--	--	--
	87166-83C	CONNECTION KIT, sidecar	91*-GX, KX	--	--	--
	87166-92	CONNECTION KIT, sidecar	92*-GX, KX	--	--	--
43	87776-83	BRAKE LINE, sidecar	91-GX, KX	--	--	--
	87776-92	BRAKE LINE, sidecar	92*-GX, KX	--	--	--

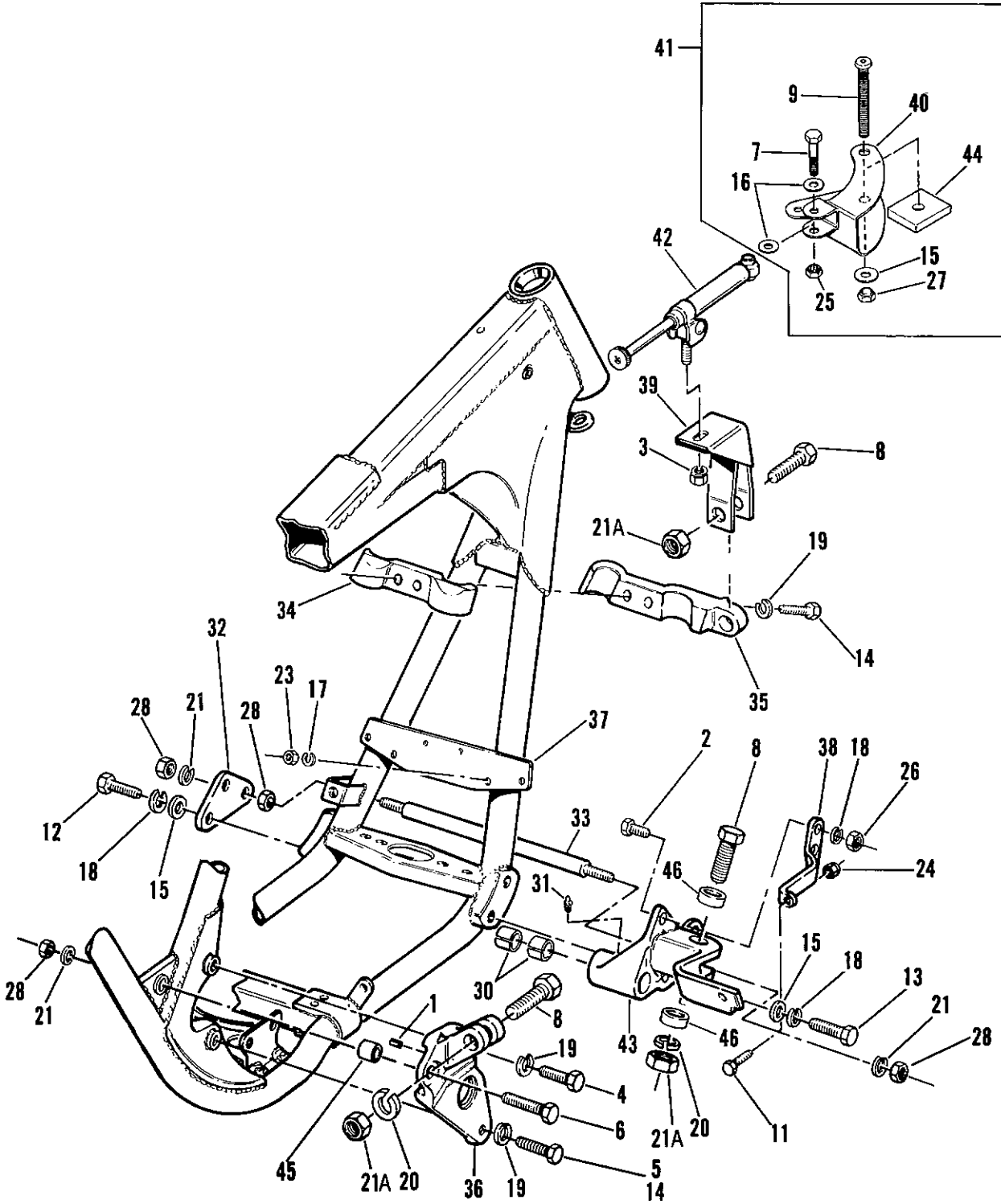
**FLT MODELS**

TLE      GX  
TLE-ULTRA    KX

**FXR MODELS**

RLE      HX

# SIDECAR CONNECTION KIT — RLE



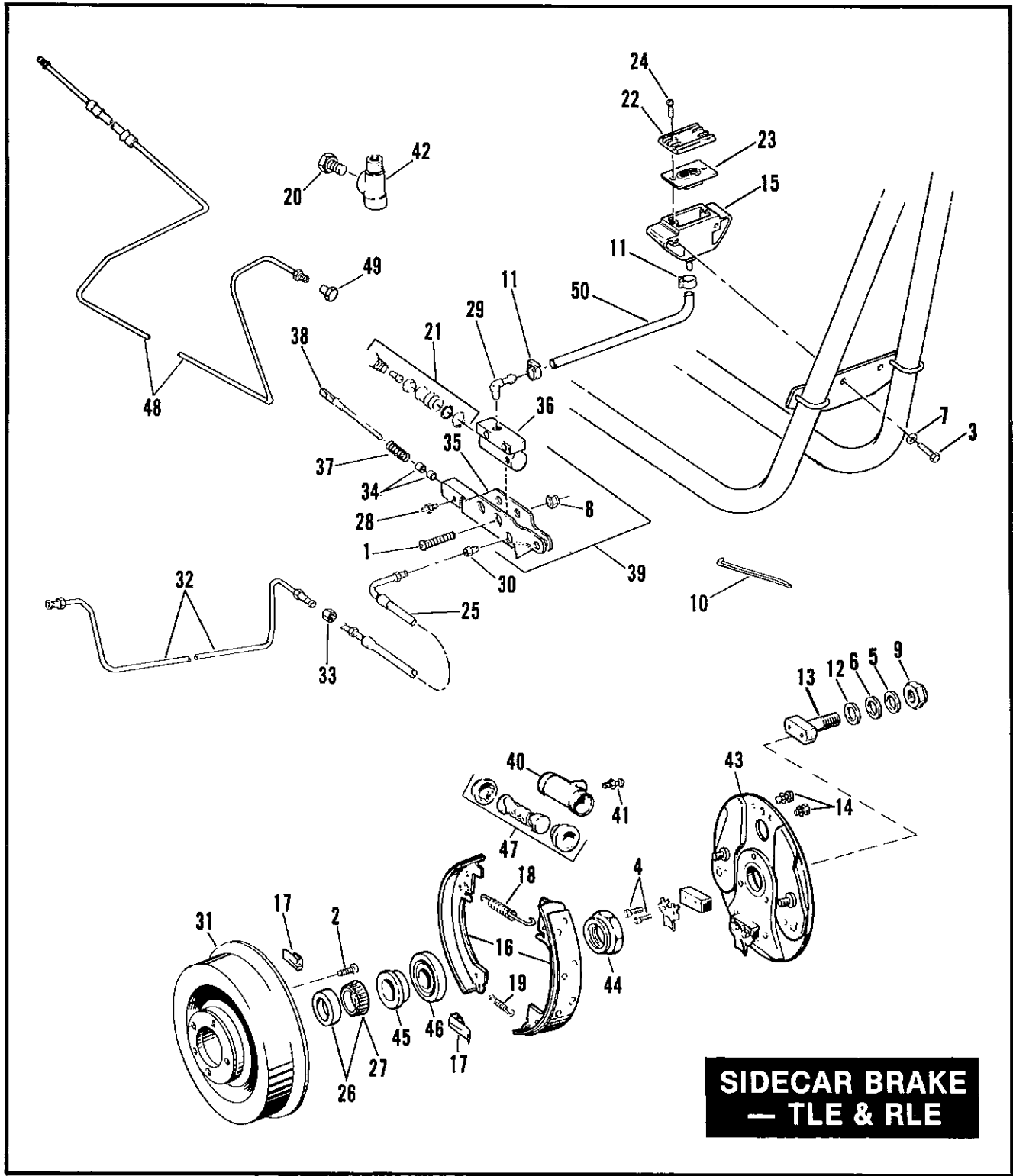


**SIDECAR CONNECTION KIT - RLE**

**FA55A**

INDEX NO.	PART NO.	NAME	FLT MODELS	FXR MODELS	SOFTAIL MODELS	DYNA MODEL
1	604	ROLL PIN	--	91*-HX	--	--
2	2879W	BOLT	--	91*-HX	--	--
3	3403	LOCKNUT	--	91*-HX	--	--
4	3764	BOLT	--	91-HX	--	--
	3946	BOLT	--	92*-HX	--	--
5	3771	BOLT	--	91-HX	--	--
	3769	BOLT	--	92*-HX	--	--
6	3958	BOLT	--	91*-HX	--	--
7	4041W	BOLT	--	91*-HX	--	--
8	4045	BOLT (3)	--	92*-HX	--	--
9	4030	SCREW	--	91*-HX	--	--
11	4701	BOLT	--	91*-HX	--	--
	7725	NUT	--	92*-HX	--	--
12	4716W	BOLT (2)	--	91*-HX	--	--
13	4721	BOLT (2)	--	91*-HX	--	--
14	4726	BOLT (2)	--	91*-HX	--	--
15	6701	WASHER (4)	--	91*-HX	--	--
16	6702	WASHER (2)	--	91*-HX	--	--
17	7036	LOCKWASHER (4)	--	91*-HX	--	--
18	7038	LOCKWASHER (5)	--	91*-HX	--	--
19	7039	LOCKWASHER (4)	--	91*-HX	--	--
20	7043	LOCKWASHER (3)	--	91*-HX	--	--
21	7068	LOCKWASHER (3)	--	91*-HX	--	--
21A	7598	NUT (3)	--	92*-HX	--	--
22	7652	NUT (2)	--	91*-HX	--	--
23	7688	NUT (4)	--	91*-HX	--	--
24	7725	LOCKNUT	--	91*-HX	--	--
25	7727	LOCKNUT	--	91*-HX	--	--
26	7778	LOCKNUT	--	91*-HX	--	--
27	7783	NUT	--	91*-HX	--	--
28	7845	NUT (4)	--	91*-HX	--	--
	45452-87	FORK BRACE (chrome)	--	91*-HX	--	--
30	47247-83	BUSHING (2)	--	91*-HX	--	--
31	50972-75	FITTING, lubrication	--	91*-HX	--	--
32	87007-85	ADJUSTER PLATE, left front	--	91*-HX	--	--
	87008-88	SIDECAR CONNECTION KIT	--	91*-HX	--	--
33	87010-85	STABLIZER, front	--	91*-HX	--	--
34	87011-85	UPPER CONNECTION rear	--	91*-HX	--	--
35	87013-85	UPPER CONNECTION, front	--	91*-HX	--	--
36	87015-85	BRACKET ASSEMBLY, rear with #1	--	91*-HX	--	--
37	87018-85	BRACKET, brake reservoir	--	91*-HX	--	--
38	87019-85	BRACKET, brake stop	--	91*-HX	--	--
39	87020-85	BRACKET, steering damper	--	91*-HX	--	--
40	87022-88	MOUNTING BRACKET	--	91*-HX	--	--
41	87023-88	DAMPER MOUNTING KIT	--	91*-HX	--	--
42	87024-85	STEERING DAMPER	--	91*-HX	--	--
43	87025-85A	BRACKET, lower front - rear with #30, 31 & 46	--	91*-HX	--	--
44	87048-88	SPACER	--	91*-HX	--	--
45	90480-85	SPACER, rear mount	--	91*-HX	--	--
46	90481-91	SPACER	--	92*-HX	--	--

**FLT MODELS**  
 TLE GX  
 TLE-ULTRA KX  
**FXR MODELS**  
 RLE HX



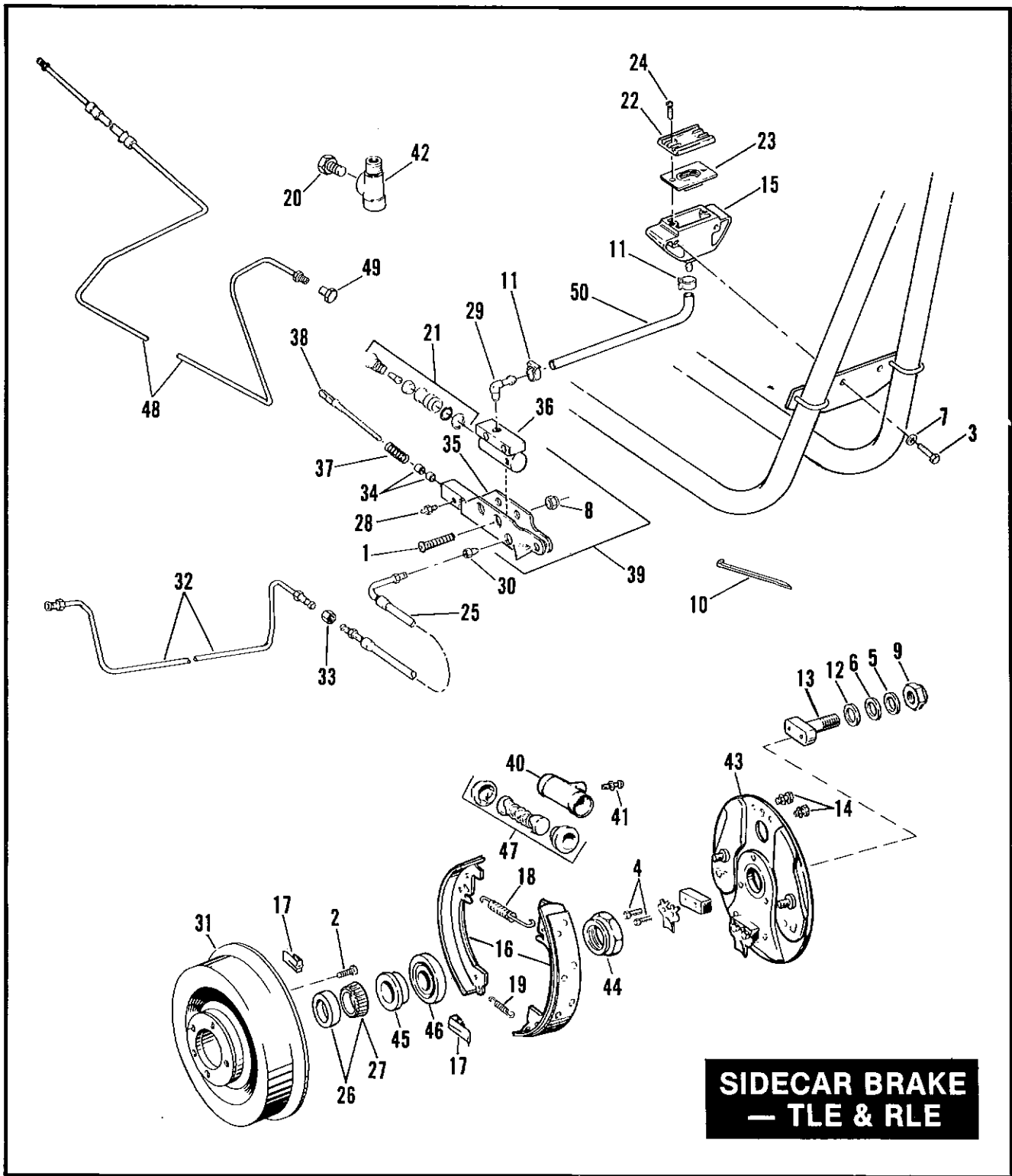
**SIDECAR BRAKE - TLE & RLE**

**FA56-1**

INDEX NO.	PART NO.	NAME	FLT MODELS	FXR MODELS	SOFTAIL MODELS	DYNA MODEL
1	1610	SCREW (2)	--	91*-HX	--	--
2	1643	SCREW (5)	91*-GX,KX	91*-HX	--	--
3	3473	BOLT (2)	--	91*-HX	--	--
4	4020W	BOLT (2)	91*-GX,KX	91*-HX	--	--
5	6700B	WASHER (as required)	91*-GX,KX	91*-HX	--	--
6	6712B	WASHER (as required)	91*-GX,KX	91*-HX	--	--
7	6716	WASHER (2)	--	91*-HX	--	--
8	7729	LOCKNUT (2)	--	91*-HX	--	--
9	7993	LOCKNUT	91*-GX,KX	91*-HX	--	--
10	10006	CABLE STRAP (5)	91*-GX,KX	91*-HX	--	--
11	10038	CLAMP (2)	--	91*-HX	--	--
12	18268-48	WASHER (as required)	91*-GX,KX	91*-HX	--	--
13	41720-58	ANCHOR STUD	91*-GX,KX	91*-HX	--	--
14	41742-58A	SCREW & LOCKWASHER, brake cylinder (2)	91*-GX,KX	91*-HX	--	--
15	41800-81A	RESERVOIR, master cylinder	--	91*-HX	--	--
16	41801-58A	SET OF BRAKE SHOES & LININGS	91*-GX,KX	91*-HX	--	--
17	41835-58	HOLD DOWN, spring (2)	91*-GX,KX	91*-HX	--	--
18	41836-58	BRAKE SHOE SPRING, upper	91*-GX,KX	91*-HX	--	--
19	41837-58	BRAKE SHOE SPRING, lower	91*-GX,KX	91*-HX	--	--
20	42311-58	PLUG, brake line tee	91*-GX,KX	--	--	--
21	42374-77B	REPAIR KIT, master cylinder	--	91*-HX	--	--
22	45057-82	COVER, reservoir	--	91*-HX	--	--
23	42455-80	GASKET, reservoir	--	91*-HX	--	--
24	42534-90	SCREW (2)	--	91*-HX	--	--
25	45114-77	HOSE, brake line	--	91*-HX	--	--
26	48302-85	BEARING, brake drum	91*-GX,KX	91*-HX	--	--
27	48315-60	BEARING CUP, brake drum	91*-GX,KX	91*-HX	--	--
28	50972-75	FITTING, lubrication	--	91*-HX	--	--
29	63551-82	FITTING, reservoir hose	--	91*-HX	--	--
30	63609-72	FITTING, brake hose	--	91*-HX	--	--
31	87002-83	BRAKE DRUM ASSEMBLY	91*-GX,KX	91*-HX	--	--
32	87029-85	BRAKE LINE	--	91*-HX	--	--
33	87032-85	FITTING, brake line	--	91*-HX	--	--

FLT MODELS  
TLE GX  
TLE-ULTRA KX

FXR MODELS  
RLE HX



**SIDECAR BRAKE  
— TLE & RLE**

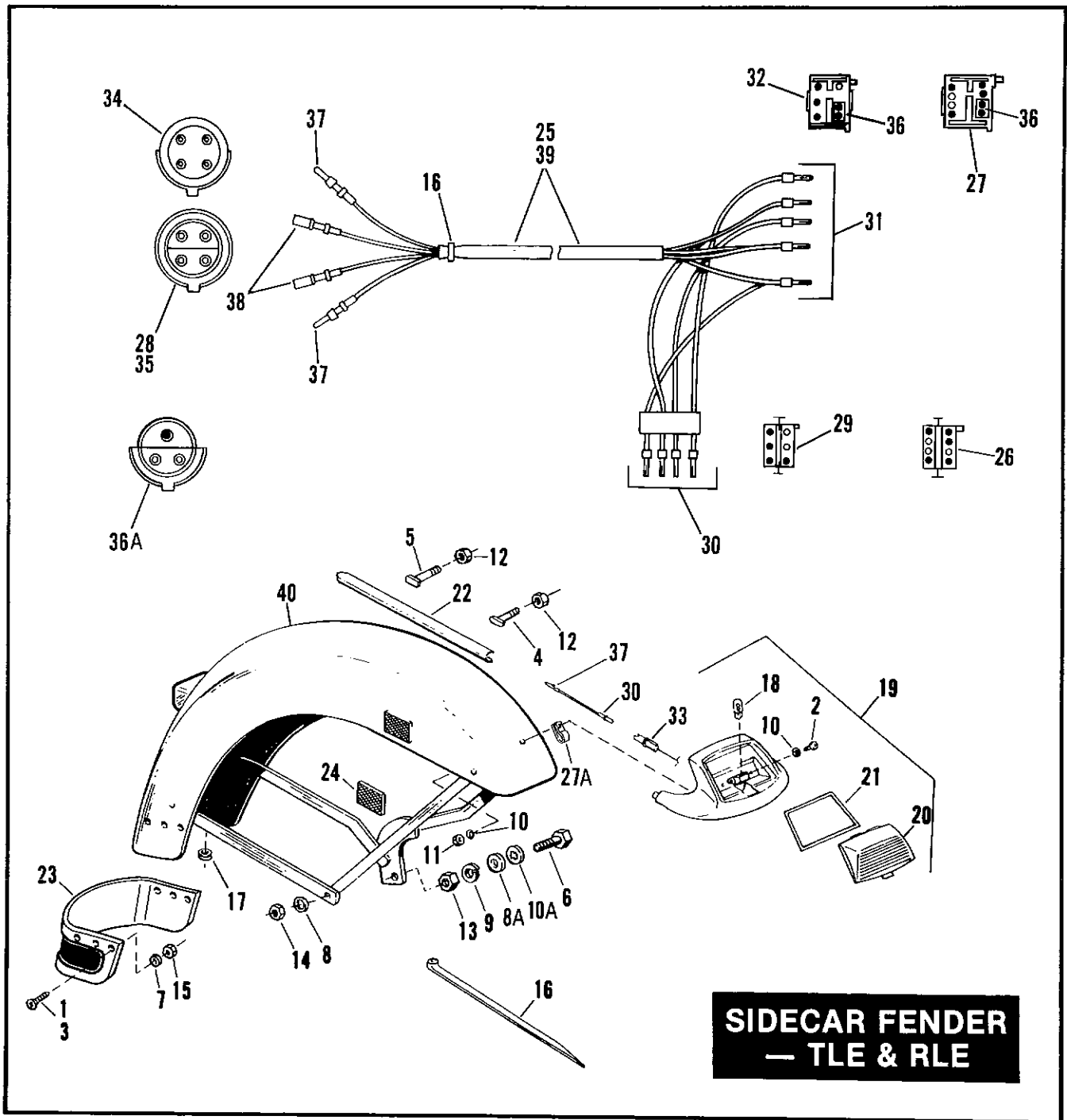
**SIDECAR BRAKE - TLE & RLE (CONT'D)**

**FA56-2**

INDEX NO.	PART NO.	NAME	FLT MODELS	FXR MODELS	SOFTAIL MODELS	DYNA MODEL
34	87038-85	BUSHING, housing (2)	--	91*-HX	--	--
35	87039-85	HOUSING, master cylinder	--	91*-HX	--	--
36	87040-85	MASTER CYLINDER	--	91*-HX	--	--
37	87041-85	SPRING, brake rod	--	91*-HX	--	--
38	87042-85	ROD, brake	--	91*-HX	--	--
39	87043-85	MASTER CYLINDER & HOUSING ASSEMBLY	--	91*-HX	--	--
40	87071-89	BRAKE CYLINDER, wheel (5/8")	91*-GX,KX	91*-HX	--	--
41	87073-79	BLEEDER FITTING, brake cylinder	91*-GX,KX	91*-HX	--	--
42	87113-83	TEE, sidecar brake line	91*-GX,KX	--	--	--
43	87672-76	SIDE PLATE	91*-GX,KX	91*-HX	--	--
44	87706-83	LOCKNUT, axle shaft	91*-GX,KX	91*-HX	--	--
45	87713-83	SPACER	91*-GX,KX	91*-HX	--	--
46	87714-83	OIL SEAL	91*-GX,KX	91*-HX	--	--
47	87752-89	REPAIR KIT, brake cylinder (5/8")	91*-GX,KX	91*-HX	--	--
48	87776-83	BRAKE LINE	91*-GX,KX	--	--	--
	87776-92	BRAKE LINE	92*-GX,KX	--	--	--
49	87778-64A	CAP, sidecar brake line	91*-GX,KX	--	--	--
		NOTE: Hose is sold in bulk length under the following part number. Cut to length.				
50	63573-82	HOSE, 5/16 I.D. (rubber) (25 ft. lg.)	--	91*-HX	--	--

FLT MODELS  
TLE GX  
TLE-ULTRA KX

FXR MODELS  
RLE HX



**SIDECAR FENDER - TLE & RLE**

**FA57**

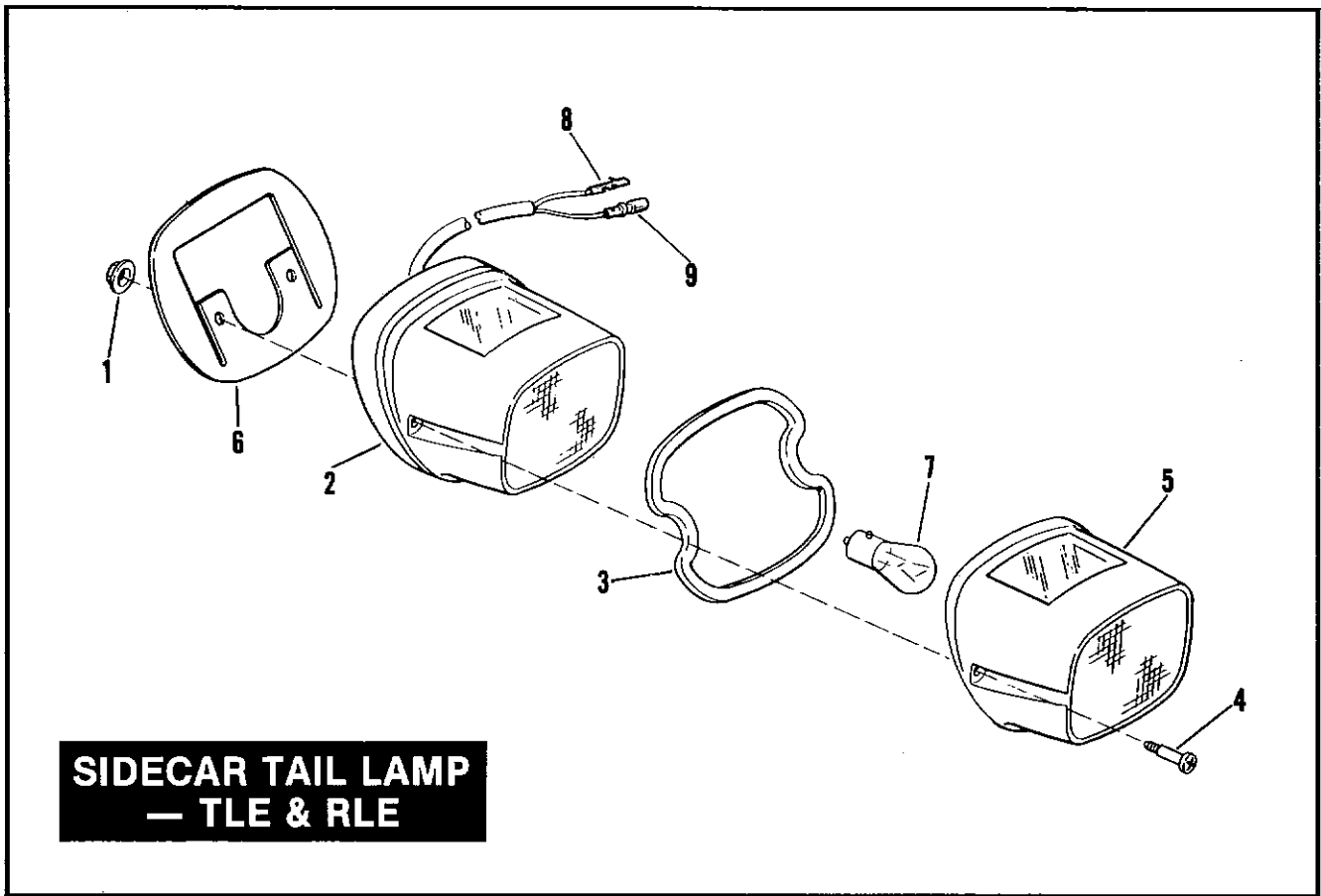
INDEX NO.	PART NO.	NAME	FLT MODELS	FXR MODELS	SOFTAIL MODELS	DYNA MODEL
<b>NOTE: REFER TO DEALER ACCESSORY FOR PAINTED PART NUMBERS.</b>						
1	2531	SCREW (6)	91*-GX,KX	--	--	--
2	2604	SCREW (2)	91*-GX,KX	91*-HX	--	--
3	2710C	SCREW (4)	91*-GX,KX	--	--	--
4	3560W	TEE BOLT (2)	91*-GX,KX	91*-HX	--	--
5	3561WB	TEE BOLT (2)	91*-GX,KX	91*-HX	--	--
6	4721	BOLT	91*-GX,KX	91*-HX	--	--
7	6335	WASHER (6)	91*-GX,KX	--	--	--
8	6653	WASHER	91*-GX,KX	91*-HX	--	--
8A	6701	WASHER	92*-GX,KX	--	--	--
9	7038	LOCKWASHER	91*-GX,KX	91*-HX	--	--
10	7118	LOCKWASHER (2)	91*-GX,KX	91*-HX	--	--
10A	7130	LOCKWASHER	92*-GX,KX	91*-HX	--	--
11	7629	NUT (2)	91*-GX,KX	91*-HX	--	--
12	7624	LOCKNUT (4)	91*-GX,KX	91*-HX	--	--
13	7783	NUT	91*-GX,KX	91*-HX	--	--
14	7823	CASTLE NUT	91*-GX,KX	91*-HX	--	--
15	8131W	LOCKNUT (6)	91*-GX,KX	--	--	--
16	10006	CABLE STRAP (as required)	91*-GX,KX	91*-HX	--	--
	10065	CABLE STRAP	91*-GX,KX	91*-HX	--	--
17	11410	GROMMET, tail lamp wiring	91*-GX,KX	91*-HX	--	--
18	53439-79	BULB, fender tip lamp	91*-GX,KX	91*-HX	--	--
19	59067-90	LAMP ASSEMBLY, fender tip	91*-GX,KX	91*-HX	--	--
20	59180-80	LENS, fender tip lamp	91*-GX,KX	91*-HX	--	--
21	59181-80	GASKET, fender tip lamp lens	91*-GX,KX	91*-HX	--	--
22	59211-74	SIDE TRIM STRIP (2)	91*-GX,KX	91*-HX	--	--
23	59231-86	TRIM, lower	91*-GX,KX	91*-HX	--	--
24	59255-72	REFLECTOR (red)	91*-GX,KX	91*-HX	--	--
25	70028-85A	WIRING HARNESS	91*-GX,KX	--	--	--
26	70287-81	CONNECTOR, eight socket	91*-GX,KX	--	--	--
27	70288-81	CONNECTOR, eight pin	91*-GX,KX	--	--	--
27A	71795-63A	CLAMP	91*-GX,KX	91*-HX	--	--
28	72029-84	PLUG, four terminal	--	91*-HX	--	--
29	72037-71	CONNECTOR, six socket	--	91*-HX	--	--
30	72038-71	SOCKET, single pin (as required)	91*-GX,KX	91*-HX	--	--
31	72039-71	PIN, single socket (5; 6 - GX, KX)	91*-GX,KX	91*-HX	--	--
32	72041-71	CONNECTOR, six pin	--	91*-HX	--	--
33	72044-71	CONNECTOR, single socket	91*-GX,KX	91*-HX	--	--
34	72054-84	PLUG RECEPTACLE	91*-GX,KX	91*-HX	--	--
35	72057-84	PROTECTIVE PLUG (with sidecar removed)	91*-GX,KX	91*-HX	--	--
36	72275-74	CONNECTOR TAB, two terminal	91*-GX,KX	91*-HX	--	--
36A	74521-77	PLUG RECEPTACLE	92*-GX,KX	91*-HX	--	--
37	74536-77A	PIN, single socket (3)	91*-GX,KX	91*-HX	--	--
38	74539-77A	SOCKET, single pin (2)	91*-GX,KX	91*-HX	--	--
39	87027-85	WIRING HARNESS	--	91*-HX	--	--
40	87901-83A	FENDER, sidecar (prime)	91*-GX,KX	91*-HX	--	--

**FLT MODELS**

TLE GX  
TLE-ULTRA KX

**FXR MODELS**

RLE HX

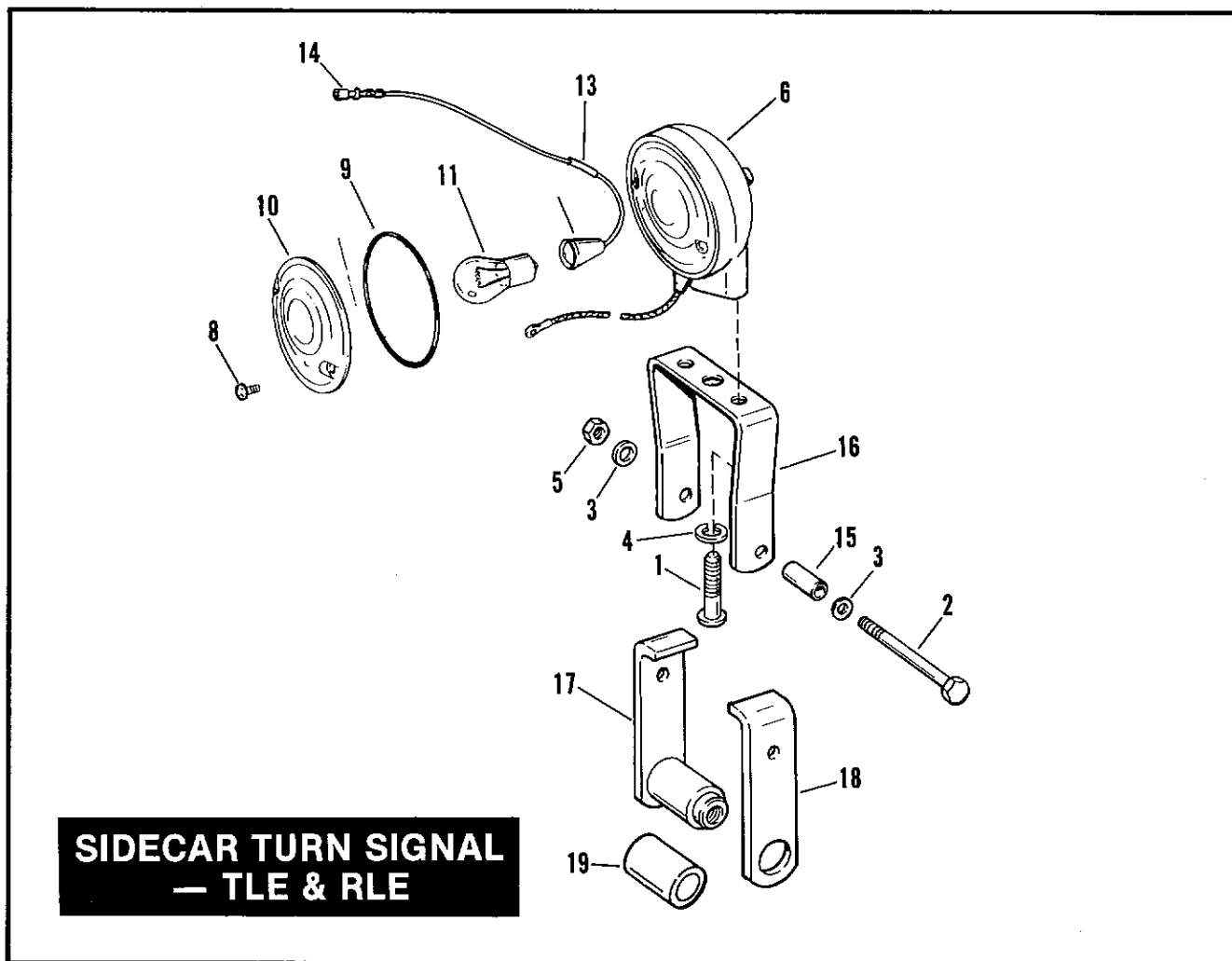


**SIDECAR TAIL LAMP - TLE & RLE**

**FA58**

INDEX NO.	PART NO.	NAME	FLT MODELS	FXR MODELS	SOFTAIL MODELS	DYNA MODEL
1	7501	SPEED NUT (2)	91*-GX,KX	91*-HX	--	--
2	68008-73B	TAIL LAMP ASSEMBLY	91*-GX,KX	91*-HX	--	--
3	68027-90	GASKET, tail lamp lens	91*-GX,KX	91*-HX	--	--
4	68026-73	SCREW, tail lamp lens	91*-GX,KX	91*-HX	--	--
5	68033-90	LENS, tail lamp (red)	91*-GX,KX	91*-HX	--	--
6	68123-73	GASKET, tail lamp housing	91*-GX,KX	91*-HX	--	--
7	68168-89	BULB, tail lamp - 12V.	91*-GX,KX	91*-HX	--	--
8	74536-77A	PIN, single socket (2)	91*-GX,KX	91*-HX	--	--
9	74539-77A	SOCKET, single pin	91*-GX,KX	91*-HX	--	--

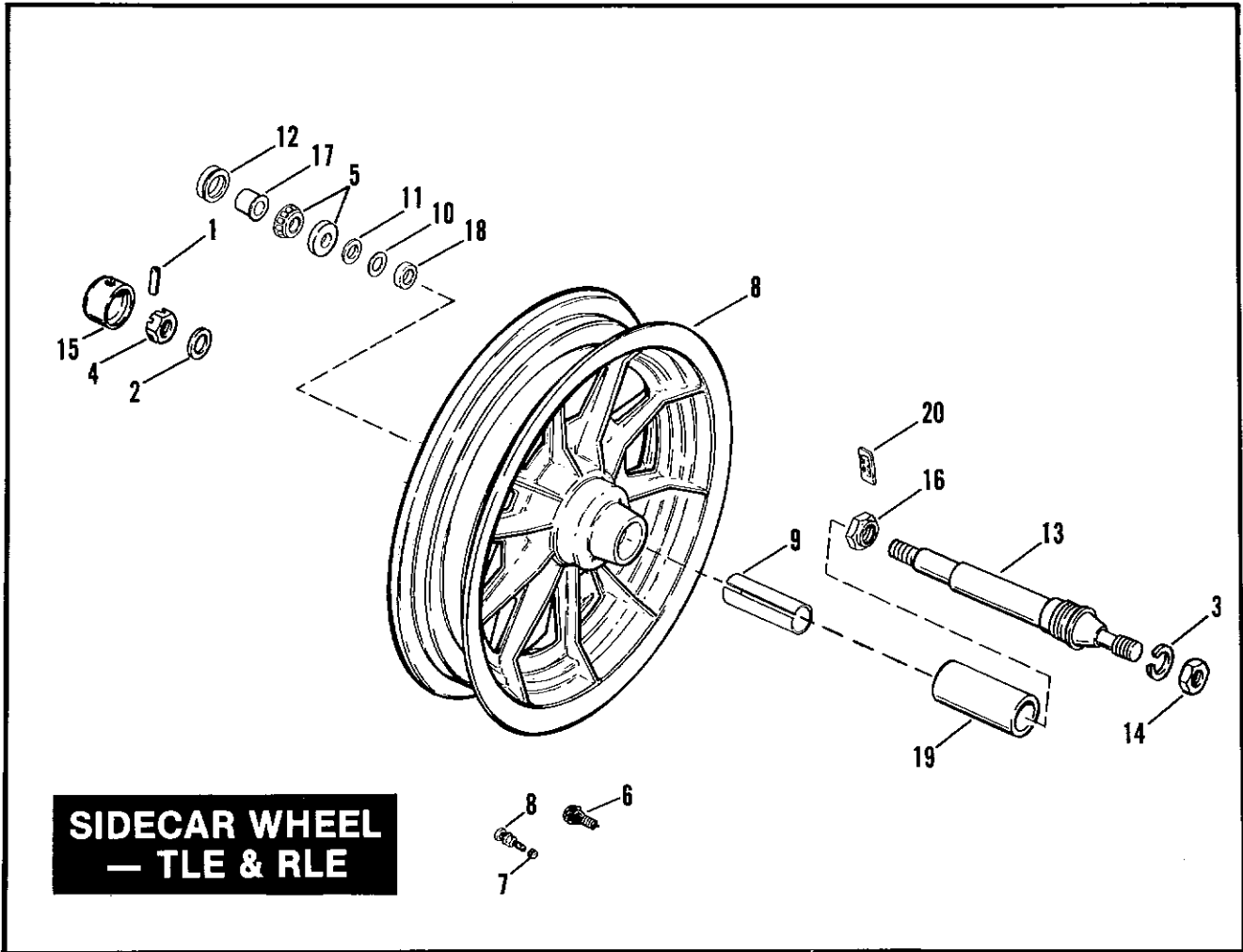




**SIDECAR TURN SIGNAL - TLE & RLE**

**FA59**

INDEX NO.	PART NO.	NAME	FLT MODELS	FXR MODELS	SOFTAIL MODELS	DYNA MODEL
1	2664	SCREW (2)	91*-GX, KX	91*-HX	--	--
2	4401W	BCLT	91*-GX, KX	91*-HX	--	--
3	6416	WASHER (2)	91*-GX, KX	91*-HX	--	--
4	7069	LOCKWASHER (2)	91*-GX, KX	91*-HX	--	--
5	7780	LOCKNUT	91*-GX, KX	91*-HX	--	--
6	68402-86	LAMP WITH WIRE, turn signal (amber)	91*-GX, KX	91*-HX	--	--
8	68440-86	LENS, turn signal	91*-GX, KX	91*-HX	--	--
9	68451-86	O-RING, turn signal lens	91*-GX, KX	91*-HX	--	--
10	68452-86	SCREW WITH O-RING (2)	91*-GX, KX	91*-HX	--	--
11	68572-64B	BULB, turn signal	91*-GX, KX	91*-HX	--	--
13	70581-73	CONNECTOR	91*-GX, KX	91*-HX	--	--
14	74539-77A	SOCKET, single pin	91*-GX, KX	91*-HX	--	--
15	87120-79	SPACER, turn signal & spring shackle	91*-GX, KX	91*-HX	--	--
16	87121-79	BRACKET, turn signal	91*-GX, KX	91*-HX	--	--
17	88301-79	SHACKLE PLATE w/bushing-turn signal & spring	91*-GX, KX	91*-HX	--	--
18	88302-79	SHACKLE PLATE, turn signal & spring	91*-GX, KX	91*-HX	--	--
19	88314-37	BUSHING, shackle plate	91*-GX, KX	91*-HX	--	--



**SIDECAR WHEEL - TLE & RLE**

**FA60**

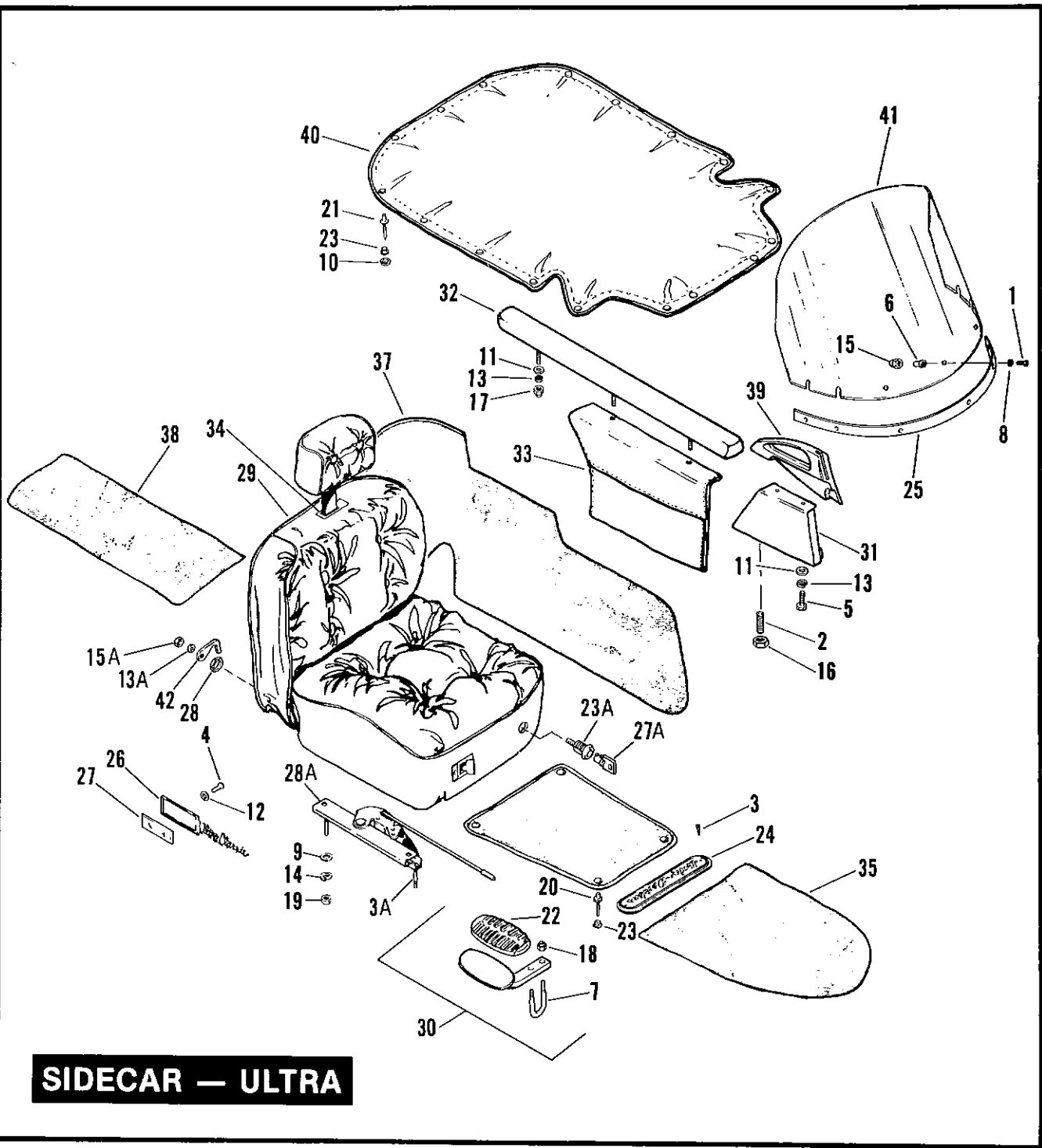
INDEX NO.	PART NO.	NAME	FLT MODELS	FXR MODELS	SOFTAIL MODELS	DYNA MODEL
1	601	ROLL PIN	91*-GX, KX	91*-HX	--	--
1A	3243W	SET SCREW	91*-GX, KX	91*-HX	--	--
2	6653	WASHER	91*-GX, KX	91*-HX	--	--
3	7043	LOCKWASHER	91*-GX, KX	91*-HX	--	--
4	7823	CASTLE NUT	91*-GX, KX	91*-HX	--	--
	7855	NUT	92*-GX, KX	92*-HX	--	--
5	9052	ROLLER BEARING with cup	91*-GX, KX	91*-HX	--	--
6	40999-87	VALVE STEM	91*-GX, KX	91*-HX	--	--
7	41123-79	VALVE CAP	91*-GX, KX	91*-HX	--	--
8	41157-87	WHEEL ASSEMBLY, 16" - 10 spoke (black)	91*-GX, KX	91*-HX	--	--
9	43288-82	SLEEVE	91*-GX, KX	91*-HX	--	--
10	43290-82	SPACER, 0.032"	91*-GX, KX	91*-HX	--	--
	43291-82	SPACER, 0.016"	91*-GX, KX	91*-HX	--	--
	43292-82	SPACER, 0.008"	91*-GX, KX	91*-HX	--	--
	43293-82	SPACER, 0.004"	91*-GX, KX	91*-HX	--	--
	43294-82	SPACER, 0.002"	91*-GX, KX	91*-HX	--	--
11	43650-82	SPACER WASHER	91*-GX, KX	91*-HX	--	--
12	47519-83A	OIL SEAL	91*-GX, KX	91*-HX	--	--
13	87435-83	AXLE	91*-GX, KX	91*-HX	--	--
14	87444-33	AXLE NUT, inside sidecar frame	91*-GX, KX	91*-HX	--	--
15	87705-79	CAP, axle end	91*-GX, KX	91*-HX	--	--
16	87706-83	NUT	91*-GX, KX	91*-HX	--	--
17	87710-83	SPACER	91*-GX, KX	91*-HX	--	--
18	87711-83	SPACER	91*-GX, KX	91*-HX	--	--
19	87712-83	SLEEVE, bearing spacer	91*-GX, KX	91*-HX	--	--
20	95594-84	WHEEL WEIGHT, 1/4 oz. (black)	91*-GX, KX	91*-HX	--	--
	95595-84	WHEEL WEIGHT, 1/4 oz (plain)	91*-GX, KX	91*-HX	--	--

**FLT MODELS**

TLE GX  
TLE-ULTRA KX

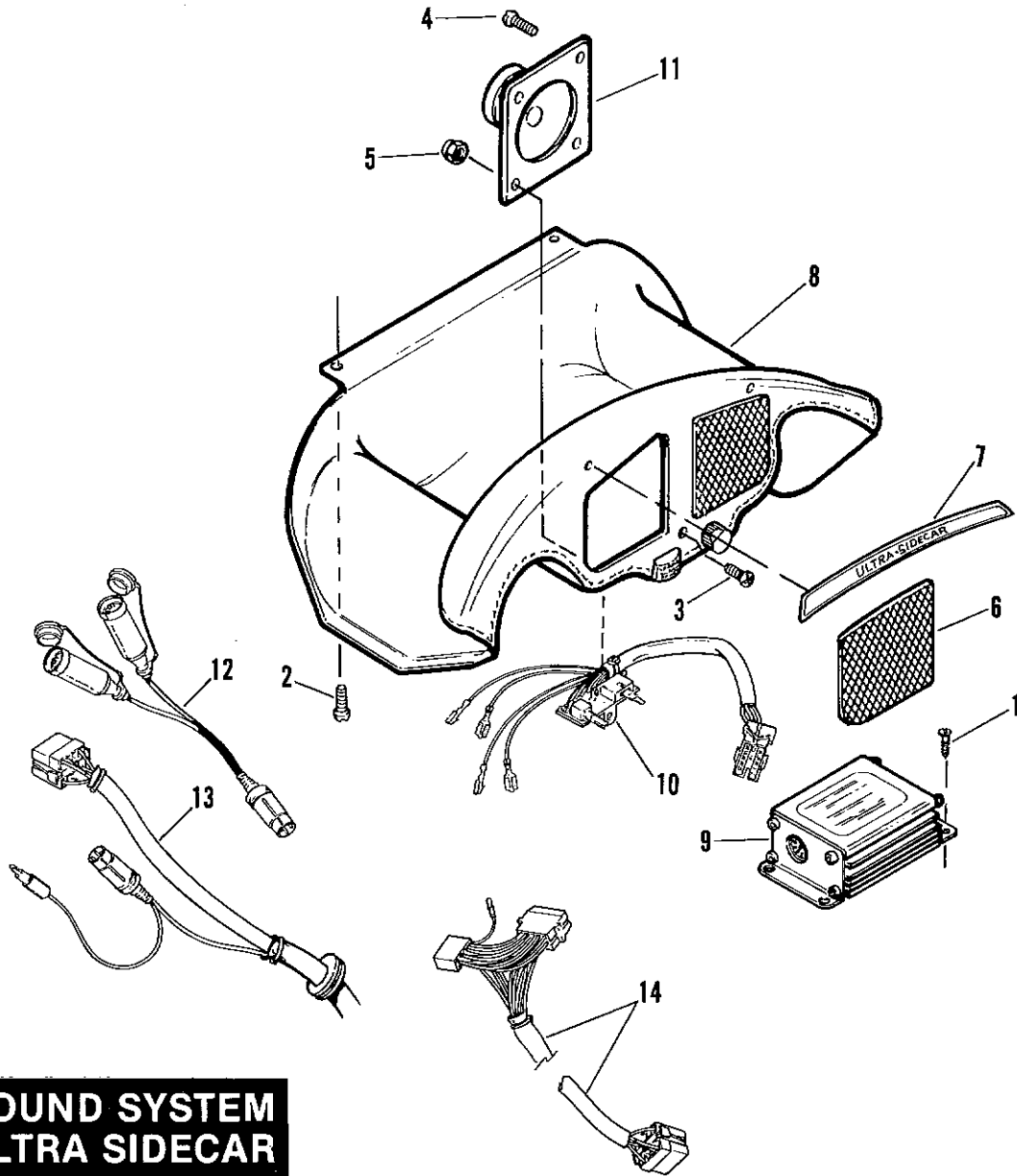
**FXR MODELS**

RLE HX



**SIDE CAR — ULTRA**

INDEX NO.	PART NO.	NAME	FLT MODELS	FXR MODELS	SOFTAIL MODELS	DYNA MODEL
1	933	SCREW (7)	91*-KX	--	--	--
2	2522	STUD (4)	91*-KX	--	--	--
3A	2731W	SCREW, (2)	91*-KX	--	--	--
4	2589	SCREW (3)	91*-KX	--	--	--
5	3787	SCREW (4)	91*-KX	--	--	--
6	5207	WELL NUT (7)	91*-KX	--	--	--
7	5252	U-BOLT	91*-KX	--	--	--
8	6054	WASHER (nylon) (7)	91*-KX	--	--	--
9	6332B	WASHER (4)	91*-KX	--	--	--
10	6335	WASHER (16)	91*-KX	--	--	--
11	6703	WASHER (6)	91*-KX	--	--	--
12	6717	WASHER (6)	91*-KX	--	--	--
13	7036	LOCKWASHER (6)	91*-KX	--	--	--
13A	7128	LOCKWASHER	92*-KX	--	--	--
14	7041	LOCKWASHER (4)	91*-KX	--	--	--
	7232	LOCKWASHER	92*-KX	--	--	--
15	7568	ACORN NUT (7)	91*-KX	--	--	--
15A	7586	NUT	92*-KX	--	--	--
16	7688	NUT (2)	91*-KX	--	--	--
17	7737W	ACORN NUT (6)	91*-KX	--	--	--
18	7739	LOCKNUT (2)	91*-KX	--	--	--
19	7748W	NUT (4)	91*-KX	--	--	--
20	8316	POP RIVET (5)	91*-KX	--	--	--
	36760-89	CABLE, seat recline (not illustrated)	91*-KX	--	--	--
22	36964-67	PAD, sidecar step	91*-KX	--	--	--
23	47076-72	SNAP BASE (21)	91*-KX	--	--	--
23A	53584-92	LOCK	92*-KX	--	--	--
24	58378-89	NAMEPLATE, footrest "Harley-Davidson"	91*-KX	--	--	--
25	58717-79	FOAM TAPE, windshield	91*-KX	--	--	--
26	59245-90	NAMEPLATE, fender	91*-KX	--	--	--
27	59259-90	REFLECTOR, fender (red)	91*-KX	--	--	--
27A	71452-91A	KEY (specify 4 diget code)	92*-KX	--	--	--
28	84850-92	NUT	92*-KX	--	--	--
28A	88483-49	SEAT SLIDE, right	91*-KX	--	--	--
	88484-89	SEAT SLIDE, left	91*-KX	--	--	--
29	88489-89C	SEAT ASSEMBLY (black)	91*-KX	--	--	--
30	88490-88A	SIDECAR STEP KIT with 7, 18 & 22	91*-KX	--	--	--
31	88494-89	KNEE BOLSTER, right	91*-KX	--	--	--
	88495-89	KNEE BOLSTER, left	91*-KX	--	--	--
32	88496-89	ARM REST CUSHION, right	91*-KX	--	--	--
	99497-89	ARM REST CUSHION, left	91*-KX	--	--	--
33	88500-89	MAP POCKET, right	91*-KX	--	--	--
	88501-89	MAP POCKET, left	91*-KX	--	--	--
34	88506-89	INSERT, headrest	91*-KX	--	--	--
35	88540-89	CARPET, front	91*-KX	--	--	--
36	88541-89	CARPET, floor with snaps	91*-KX	--	--	--
37	88542-89	CARPET, side - left	91*-KX	--	--	--
	88543-89	CARPET, side - right	91*-KX	--	--	--
38	88544-89	CARPET, rear	91*-KX	--	--	--
39	88545-89	HANDHOLD, left	91*-KX	--	--	--
	88546-89	HANDHOLD, right	91*-KX	--	--	--
40	88530-89A	COVER, sidecar body (black)	91*-KX	--	--	--
41	88865-89	WINDSHIELD, only	91*-KX	--	--	--
42	90686-92	CAM HOOK	92*-KX	--	--	--



**SOUND SYSTEM  
ULTRA SIDECAR**

**SOUND SYSTEM - ULTRA SIDECAR**

**FA62**

INDEX NO.	PART NO.	NAME	FLT MODELS	FXR MODELS	SOFTAIL MODELS	DYNA MODEL
2	2731W	SCREW, wood (6)	91*-KX	--	--	--
3	2625	SCREW	91*-KX	--	--	--
4	5209	SCREW (2)	91*-KX	--	--	--
5	7608	NUT (6)	91*-KX	--	--	--
6	58184-86	SPEAKER GRILLE, left	91*-KX	--	--	--
	58186-86	SPEAKER GRILLE, right	91*-KX	--	--	--
7	58379-89	NAMEPLATE, "Ultra Sidecar"	91*-KX	--	--	--
8	60954-89	CONSOLE	91*-KX	--	--	--
9	76192-89	AMPLIFIER	91-KX	--	--	--
	76192-89	AMPLIFIER	92*KX	--	--	--
	76192-92	AMPLIFIER	92*-KX	--	--	--
10	76299-89	SWITCH, function control/volume	91*-KX	--	--	--
11	77029-86	SPEAKER (2)	91*-KX	--	--	--
12	77032-89	WIRING HARNESS, intercom	91*-KX	--	--	--
13	88403-91	WIRING HARNESS, cycle to sidecar	91-KX	--	--	--
	88403-92	WIRING HARNESS, cycle to sidecar	92*-KX	--	--	--
14	88404-92	WIRING HARNESS, amplifier to speakers	91*-KX	--	--	--

**FLT MODELS**

TLE GX  
TLE-ULTRA KX

**FXR MODELS**

RLE HX

CALIFORNIA EVAPORATIVE EMISSIONS KIT

FA63

INDEX NO.	PART NO.	NAME	FLT MODELS	FXR MODELS	SOFTAIL MODELS	DYNA MODEL
NOTE: These kits for 1991 and later 1340 cc model motorcycles in the state of California.						
	2501	SCREW	91*-ALL	--	--	--
	3574W	BOLT (2)	--	--	91*-ALL	--
	3787	BOLT (2)	--	91*-ALL	--	--
	3953W	BOLT	91*-ALL	--	--	--
	4391	SCREW	91*-ALL	--	--	--
	5758	SPACER	91*-ALL	--	--	--
	6702	WASHER	91*-ALL	--	--	--
	6703	WASHER (6 ; 4-FXR;8-Softail)	--	91*-ALL	--	--
	7127	LOCKWASHER (5)	91*-ALL	--	--	--
	7686	LOCKWASHER 4-FXR; 7-Softail)	--	91*-ALL	--	--
	8099	WELL NUT (2)	--	--	91*-ALL	--
	8476	RIVET	--	--	91*-ALL	--
	9890	CLIP, valve mounting	--	--	91*-ALL	--
	9893	CLAMP, valve mounting	91*-ALL	--	--	91*-ALL
	9988	CLAMP	--	--	91*-ALL	--
	10006	CABLE STRAP (as required)	91*-ALL	91*-ALL	91*-ALL	--
	10014	CLAMP	--	--	91*-ALL	--
	10039	CABLE STRAP	--	--	91*-ALL	--
	27014-90	HOSE, canister	91*-ALL	--	--	--
	27018-85	CLAMP	--	91*-EA/C/ G/M	--	--
	27078-91	FITING,canister hose-male	91*-ALL	--	--	--
	27082-91	FITTING, canister hose-female	91*ALL	--	--	--
	27138-90	HOSE, 3/16" x .34 x 10 ft.	91*-ALL	91*-ALL	91*-ALL	--
	27028-90	VENT VALVE TUBE ASSEMBLY (V.O.V.S.)	91*-ALL	91*-ALL	91*-ALL	--
	27030-85	BRACKET, hold-down	91*-ALL	--	--	--
	27042-84	CANISTER	--	--	--	91*-ALL
	27043-87	CANISTER	--	91*-ALL	--	--
	27188-90	TUBE, valve to tank	--	--	--	91*-ALL
	27189-90	TUBE, canister to tank	--	--	--	91-GB
	27189-92	TUBE, tank to canister	--	--	--	92*-ALL
	27190-90	TUBE, canister to carburetor	--	--	--	91-GB
	27190-90A	TUBE, canister to caeburetor	--	--	--	92*-ALL
	27047-84	BRACKET, canister mounting	--	91*-ALL	91*-ALL	--
	27048-84	CLAMP, canister down tube	--	91*-ALL	--	--
	27049-88	CLAMP, canister	--	--	91*-ALL	--
	27180-90	CANISTER	91*-ALL	91*-ALL	91*-ALL	--
	28829-87	BRACKET, canister mounting	--	--	91*-ALL	--
	28855-90	HOSE, canister	--	--	91*-ALL	--
	28878-90	HOSE, canister	--	91*-ALL	--	--
	28884-90	EVAP. TUBE ASM.	--	--	--	91*-ALL
	28886-90	UPTUBE ASM.	--	--	--	91*-ALL
	62150-85	VAPOR VALVE	91*-ALL	91*-ALL	91*-ALL	91*-ALL
	67239-83	CABLE GUIDE (2)	--	--	91*-ALL	--
	70933-90	PROTECTIVE TAPE	--	--	91*-ALL	--
NOTE: Hose is sold in bulk length under the following part numbers. Cut to length.						
	26571-89	HOSE, 7/32" I.D. x 7/16" O.D. (rubber) (10 ft. lg.)	91*-ALL	91*-ALL	91*-ALL	--
	27138-90	HOSE, 3/16" I.D. x 11/32" O.D. (rubber)(10 ft. lg.)	91*-ALL	91*-ALL	91*-ALL	--



# GLOSSARY

## A

ADJ. .... Adjuster  
 ARM. .... Armature  
 AS REQ'D .... As Required  
 ASSY. .... Assembly

## B

BK. .... Black  
 BK. .... Brake  
 BLK. .... Black  
 BLK. .... Block  
 BLU. .... Blue  
 BRG. .... Bearing  
 BRKR. .... Breaker  
 BRKT. .... Bracket  
 BRTHR. .... Breather  
 BSHG. .... Bushing  
 BTRY. .... Battery

## C

CARB. .... Carburetor  
 CB. .... Circuit Breaker  
 CKT. .... Circuit  
 CL. .... Clutch  
 CLNR. .... Cleaner  
 CLPR. .... Caliper  
 COMM. .... Commutator  
 COMP. .... Complete  
 COMPL. .... Complete  
 CONN. .... Connecting  
 COV. .... Cover  
 CRKC. .... Crankcase  
 CTSHFT .... Countershaft  
 CYL. .... Cylinder

## D

DR. .... Door  
 DR. .... Drive

## E

EXH. .... Exhaust

## F

FR. .... Front  
 FT. .... Foot

## G

GND. .... Ground  
 GRN. .... Green

## H

HD. .... Head  
 HDLBR. .... Handlebar  
 HDLMP. .... Headlamp  
 HTM. .... High Temperature

## I

I.D. .... Inside Diameter  
 IGN. .... Ignition  
 ILLUS. .... Illustration  
 INSTR. .... Instruments  
 INT. .... Intake  
 INT. .... Internal

## K

KPH. .... Kilometer Per Hour

## L

L. .... Left  
 LG. .... Long  
 LT. .... Light  
 LVR. .... Lever

## M

MAINSFT. .... Mainshaft  
 MM. .... Millimeter  
 MPH. .... Mile Per Hour  
 MTG. .... Mounting

## N

NEG. .... Negative  
 NEUT. .... Neutral  
 NO. .... Number

## O

O.S. .... Over Size  
 OIL PMP. .... Oil Pump  
 ORN. .... Orange

## P

P.D. .... Pitch Diameter  
 PASS. .... Passenger  
 PIN. .... Pinion  
 PLSTC. .... Plastic  
 POS. .... Positive  
 PRI. .... Primary

## R

R. .... Right  
 RLSE. .... Release  
 RLY. .... Relay  
 RR. .... Rear

## S

SCR. .... Screw  
 SFT. .... Shaft  
 SHF. .... Shift  
 SIG. .... Signal  
 SOL. .... Solenoid  
 SPCR. .... Spacer  
 SPEEDO. .... Speedometer  
 SPRKT. .... Sprocket  
 START. .... Starter  
 STD. .... Standard  
 SW. .... Switch

## T

T. .... Teeth  
 THK. .... Thick  
 THROT. .... Throttle  
 TURN SIG. .... Turn Signal

## V

V. .... Volt  
 V. .... Valve

## W

W/. .... With  
 WHT. .... White  
 WRKL. .... Wrinkle  
 WRN. .... Warning

## Y

YEL. .... Yellow

# HARDWARE LISTING

812	SCREW, 1/4-20 X 1-1/2 knurled socket hd. (chrome)	1203	SCREW, No. 8-32 X 7/8 Pozidriv fillister hd. (Grade 2 steel)
813	SCREW, 1/4-20 X 1-3/4 knurled socket hd. (chrome)	1205	SCREW, No. 10-24 X 3/4 Pozidriv fillister hd.
852	SCREW, 1/4-20 X 1 knurled socket hd.	1309B	SCREW, No. 10-32 X 1/2 Phillips Truss hd. (self-sealing)
853A	SCREW, 5/16-18 X 12-1/4 knurled socket hd	1311A	SCREW, No. 8-32 X 1/2 Truss hd. (self-sealing)
854A	SCREW, 5/16-18 X 2-1/4 socket hd. (Grade 2 steel).	1357W	SCREW, 1/4-20 X 1 Phillips oval ctsk. hd. (stainless)
854	SCREW, 3/8-24 X 2 knurled socket hd.	1601	SCREW, No. 8-32 X 1/2 Pozidriv flat ctsk. hd. (Grade 2 steel)
855B	SCREW, 3/8-16 X 2 knurled socket hd.	1602	SCREW, 1/4-20 X 3/4 flat hd. (Grade 2 steel)
856A	SCREW, 5/16-24 X 1 knurled socket hd.	1610	SCREW, 5/16-24 X 1-1/2 Pozidriv flat ctsk. hd. (Grade 2 steel)
857A	SCREW, No. 10-24 X 3/8 knurled socket hd. (black)	1611	SCREW, No. 10-32 X 3/4 Pozidriv flat ctsk. hd. (Grade 2 steel)
860	SCREW, 3/8-16 X 2 knurled socket hd. (black)	1614	BOLT, 1/2-20 X 1-1/2 hex. hd. (chrome)
864	SCREW, 1/4-20 X 7/16 socket pan hd.	1643	SCREW, 7/16-14 X 1-1/4 flat socket ctsk. hd. (w/lockpatch)
866	SCREW, 5/16-18 X 1-1/8 knurled socket hd.	1719W	SCREW, No. 8-32 X 5/8 Phillips truss hd.
867A	SCREW, 1/2-13 X 3-1/2 knurled socket hd. (black)	1783	SCREW, 5/16-18 X 7/8 Pozidriv flat ctsk. hd. (Grade 2 steel)
868	SCREW, 1/2-13 X 1/2 socket button hd.	1795A	SCREW, 1/4-20 X 3 socket hd. (Grade 8 steel)
872A	SCREW, 1/2-20 X 3-1/4 knurled socket hd.	2003	SCREW, 5/16-18 X 1 Pozidriv pan hd. (Grade 2 steel)
875	SCREW, 5/16-18 X 1 knurled socket hd.	2005	SCREW, 3/8-24 X 15/16 Pozidriv oval ctsk. hd. (Grade 2 steel)(chrome)
882	SCREW, 1/4-20 X 7/8 socket hd. (Grade 8 steel)	2216W	SCREW, No. 4-24 X 1/2 Phillips oval ctsk. hd. (self-tapping)
883	SCREW, 3/8-16 X 1-1/4 knurled socket hd.	2339	BOLT, No. 10-24 X 3/4 hex. hd. (Grade 2 steel)
884	SCREW, 1/4-20 X 7/8 knurled socket hd.	2401	SCREW, No. 10-24 X 5/8 oval hd. (Grade 2 steel)
891	SCREW, 1/4-20 X 1-3/4 socket hd. (Grade 8 steel)	2417	SCREW, 1/4-28 X 5/8 Pozidriv truss hd. (Grade 2 steel)
904	SCREW, 1/4-20 X 7/8 hex washer hd.	2420	SCREW, 1/4-20 X 3/4 Pozidriv truss hd. (Grade 2 steel)
907	SCREW, No. 10-32 X 7/16 Pozidriv fillister hd. (w/lockpatch)(Grade 2 steel)	2430	SCREW, No. 12-24 X 7/8 knurled socket hd.
909	SCREW, No. 10-24 X 1-1/4 Pozidriv pan hd. (w/lockpatch)(Grade 2 steel)	2432	SCREW, No. 12-24 X 7/8 Phillips truss hd. (black)
919	SCREW, 1/4-28 X 3/4 socket hd.	2501	SCREW, No. 8-32 X 3/8 socket hd. (self-tapping)
920	SCREW, 5/16-24 X 7/8 knurled socket hd.(w/lockpatch)	2504	SCREW, No. 10-16 X 1-1/8 Pozidriv oval ctsk. hd. (self-tapping)
922	SCREW, No. 6-32 X 3/4 Phillips hd. (black)	2507	SCREW, No. 6-32 X 7/16 Pozidriv pan hd. (Grade 2 steel)
923	SCREW, 1/4-20 X 21/32 socket pan hd.	2508	SCREW, No. 10-32 X 1/2 socket rd. hd. (black)
924	SCREW, 1/4-20 X 33/64 socket pan hd.	2511	SCREW, No. 10-24 X 7/16 pan hd. (self-tapping)
925	SCREW, 1/4-28 X 5/8 socket button hd.	2513	SCREW, 1/4-20 X 1-1/4 socket rd. hd. (black)
927A	SCREW, 1/4-20 X 3/4 button hd. (grade 8 steel)		
932	SCREW, 1/4-20 X 1/2 truss hd. (chrome)		
933	SCREW, No. 10-32 X 15/16 Pozidriv truss hd. (Grade 2 steel)		
939	SCREW, 1/4-20 X 1 w/washer (Grade 2 steel) (self tapping)		
1000	SCREW, 1/4-20 X 5/16 pan hd. (Grade 2 steel) (Chrome)		
1040	SCREW, No. 8-32 X 1/4 fillister hd.		

# HARDWARE LISTING

2519	SCREW, 1/4-20 X 1-1/2 Socket button hd. (black)	2648	SCREW, 1/4-20 X 1 Pozidriv truss hd. (Grade 2 steel)
2523	SCREW, No. 8-32 X 1/2 hex washer hd. (self-tapping)	2652	SCREW, No. 10-16 X 3/8 hex. washer hd. (self-tapping)
2530	SCREW, No. 4-40 X 3/8 pan hd.	2661W	SCREW, No. 10-24 X 1/2 Phillips rd. hd. (self-tapping)
2531	SCREW, No. 4-40 X 5/16 Pozidriv pan hd. (Grade 2 steel)	2662W	SCREW, No. 10-24 X 3/8 Phillips rd. hd. (self-tapping)
2537	SCREW, 1/4-20 X 1/2 hex. (Grade 1 steel)	2664	SCREW, No. 10-24 X 7/16 Pozidriv pan hd. (Grade 2 steel)
2538	SCREW, 1/4-20 X 1 Pozidriv pan hd. (Grade 2 steel)	2665	SCREW, No. 10-24 X 5/8 Pozidriv pan hd. (Grade 2 steel)
2551W	BOLT, 1/4-20 X 1 hex. hd. (Grade 5 steel)	2667	BOLT, 5/16-18 X 2 hex. hd. (Grade 5 steel)
2568	SCREW, No. 12-24 X 3/4 round hd. (wood)	2682	SCREW, No. 10-32 X 3/8 Phillips truss hd. (stainless steel)
2574WA	SCREW, No. 6-32 X 1/4 oval hd.(w/ lockwasher)	2692WA	SCREW, No. 10-24 X 1/2 socket fillis. hd.
2576	SCREW, No. 10-32 X 3/4 Pan Hd.(Grade 2 steel)	2698A	SCREW, 5/16-18 X 9/16 socket fillis. hd.
2579	SCREW, No. 8-32 X 5/8 Pozidriv oval ctsk. hd. (Grade 2 steel)	2708A	SCREW, 5/16-18 X 1 socket hd.
2581	SCREW, No. 10-24 X 1-5/8 Pozidriv pan hd. (Grade 2 steel)	2710C	SCREW, No. 4-40 X 3/8 Phillips oval ctsk. hd. (chrome)
2582	SCREW, 5/16-18 X 3/4 Pozidriv pan hd. (Grade 2 steel)	2711	SCREW, No. 4-40 X 3/8 pan hd. (self-tapping)
2583	SCREW, No. 10-32 X 5/16 Pozidriv pan hd. (Grade 2 steel)	2712	SCREW, No. 10-24 X 9/16 Torx drive (w/lockpatch)
2585	SCREW, No. 8-32 X 5/16 Pozidriv pan hd. (Grade 2 steel)	2718	BOLT, 1/4-20 X 1-5/8 hex. hd. (Grade 5 steel)
2587	SCREW, No. 10-32 X 1/4 Pozidriv pan hd. (Grade 2 steel)	2720	SCREW, no. 10-24 X 1 Torx hd. (w/ locking adhesive)
2589	SCREW, No. 6-32 X 1/4 Phillips pan hd. (Grade 2 steel)	2724	SCREW, No. 10-16 X 1/2 (Grade 2 steel) (chrome)
2592	SCREW, No. 10-24 X 1/2 Pozidriv pan hd. (Grade 2 steel)	2725	SCREW, No. 12-24 X 5/8 phillips rd. hd.
2594A	SCREW, No. 8-32 X 1/4 Pozidriv pan hd. (w/ lockwasher)(Grade 2 steel)	2726	SCREW, No. 12-24 X 21/32 Phillips truss hd. (chrome)
2599	SCREW, 1/4-20 X 1-3/4 Pozidriv pan hd. (Grade 2 steel)	2731W	SCREW, No. 10 X 3/8 Phillips truss hd. (self-tapping)
2602	SCREW, 1/4-20 X 1-1/4 Pozidriv pan hd. (Grade 2 steel)	2733	SCREW, 1/4-28 X 1/2 slotted rd. hd. (w/lockwasher)(chrome)
2604	SCREW, No. 10-32 X 1/2 Pozidriv pan hd. (Grade 2 steel)	2737	SCREW, No. 4-40 X 1/4 Pozidriv pan hd. (Grade 2 steel)
2607	SCREW, 1/4-20 X 3/4 Pozidriv pan hd. (Grade 2 steel)	2739	SCREW, 1/4-28 X 1/2 Phillips truss hd. (w/lockwasher)(chrome)
2611B	BOLT, No. 10-32 X 3/4 hex. washer hd. (Grade 5 steel)	2757W	SCREW, 1/4-28 X 7/16 Phillips truss hd. (w/lockwasher)(chrome)
2614	BOLT, 1/4-28 X 2 hex. hd. (Grade 5 steel)	2770W	SCREW, 1/4-20 X 3/4 hex. hd. (self-tapping)
2623W	SCREW, No. 8-15 X 5/8 pan hd. (self-tapping)(Grade 1 steel)	2773	SCREW, 1/4-20 X 1/2 Pozidriv pan hd. (Grade 2 steel)
2625	SCREW, No. 8-32 X 5/8 Pozidriv pan hd. (Grade 2 steel)	2774	SCREW, 1/4-20 X 5/8 Pozidriv pan hd. (Grade 2 steel)
2630W	SCREW, No. 8-32 X 5/16 rd. hd. (self-tapping)	2779	SCREW, No. 6-32 X 15/16 pan hd. (self-tapping)
2646	SCREW, No. 8-32 X 3/4 Pozidriv pan hd. (Grade 2 steel)	2784	SCREW, 5/16-18 X 7/8 Pozidriv truss hd. (Grade 2 steel)
2647	SCREW, No. 10-24 X 3/4 socket hd.	2787	SCREW, 5mm-.8 pt. X 10mm pan hd. (Grade 2 steel)

# HARDWARE LISTING

2790A	BOLT, 5/16-18 X 7/8 hex. hd. (w/lockpatch)(Grade 5 steel)	3409	BOLT, 5/16-24 X 3-1/2 hex. hd. (Grade 5 steel)
2796W	SCREW, 1/4-20 X 1-1/2 hex. slot hd. (w/lockpatch)	3415	BOLT, 5/16-24X 1 hex. hd. (w/lockpatch)(Grade 5 steel)
2804W	SCREW, No. 6-32 X 1/2 Pozidriv pan hd.	3419	BOLT, 5/16-18 X 2-1/4 hex. hd. (Grade 5 steel)
2806	SCREW, No. 6-32 X 3/4 Pozidriv pan hd. (Grade 2 steel)	3427	BOLT, 5/16-18 X 3-1/2 hex. hd. (Grade 5 steel)
2818	BOLT, 5/16-18 X 1-1/2 hex. hd. (Grade 5 steel)	3429	BOLT, 1/4-20 X 2-3/4 hex. hd. (Grade 5 steel)
2823	SCREW, 5/16-24 X 3/8 Pozidriv truss hd. (w/lockwasher)(Grade 2 steel)	3430	BOLT, 5/16-24 X 5 hex. hd. (Grade 5 steel)
2824W	SCREW, 5/16-24 X 9/16 Phillips hd.	3440	BOLT, 3/8-16 X 1/2 hex. hd. (Grade 5 steel)
2831	SCREW, No. 6-32 X 3/8 Pozidriv truss hd. (Grade 2 steel)	3441	SCREW, 1/4-20 X 3/4 socket fillis. hd. (w/lockpatch)
2841W	SCREW, 1/4-28 X 1-7/32 Phillips hd.	3444A	SCREW, 1/4-20 X 5/8 socket fillis. hd. (w/lockpatch)
2851	BOLT, 3/8-16 X 7/8 hex. hd. (Grade 5 steel)	3445	BOLT, 5/16-18 X 9/16 hex. hd. (w/lockpatch)(Grade 5 steel)
2871W	BOLT, 5/16-18 X 1-1/4 hex. hd. (Grade 5 steel)	3450	BOLT, 1/2-13 X 2-1/2 hex. hd. (Grade 5 steel)
2872W	BOLT, 1/4-20 X 1-1/2 hex. hd. (Grade 5 steel)	3461	BOLT, 3/8-16 X 1-5/8 hex. hd. (Grade 8 steel)
2879W	BOLT, 3/8-16 X 1 hex. hd. (Grade 5 steel)	3462	BOLT, 5/16-18 X 1-1/4 hex. hd. (Grade 8 steel)
2881W	BOLT, 1/4-20 X 2 hex. hd. (Grade 5 steel)	3471	BOLT, 1/2-13 X 2-3/4 (Grade 5 steel)
2882W	BOLT, 5/16-18 X 5/8 hex. hd. (Grade 5 steel)	3473	BOLT, No. 10-32 X 1/2 hex. washer hd. Grade 2 steel)
2887W	BOLT, 5/16-18 X 1-3/4 hex. hd. (Grade 5 steel)	3479	SCREW, 1/4-20 X 2-1/4 knurled socket hd.
2888	SCREW, No. 8-32 X 1/2 Pozidriv truss hd. (Grade 2 steel)	3480A	SCREW, 1/4-20 X 1-3/4 (Grade 8 steel)
2889	BOLT, 3/8-24 X 3/4 hex. hd. (Grade 5 steel)	3481	SCREW, 1/4-20 X 1-1/2 knurled socket hd.
2896	SCREW, 3/8-16 X 7/8 button hd. (self- locking)	3484	BOLT, 5/16-18 X 1/2 hex. hd. (w/lockpatch)(Grade 5 steel)
2904A	SCREW, 3/8-24 X 3/4 socket hd.	3485A	SCREW, 5/16-18 X 1-3/4 socket hd.
2906	BOLT, 3/8-16 X 7/8 hex. hd (w/lockpatch)(Grade 5 steel)	3486	BOLT, 1/2-20 X 1-1/4 hex. hd.
2907	SCREW, M3 X .05 X 8mm cross recess pan hd. (self-tapping)	3487	BOLT, 5/16-24 X 5/8 hex. locking hd.
2908	SCREW, M3 X .05 X 12mm cross recess pan hd. (self-tapping)	3494A	BOLT, 5/16-18 X 7/8 hex. hd.
2909	SCREW, M3 X .05 X 25mm cross recess pan hd. (self-tapping)	3500	BOLT, 5/16-18 X 2-3/4 hex. hd. (Grade 8 steel)
2910	SCREW, M3 X 1.058 X 8mm cross recess pan hd. (self-tapping)	3501	BOLT, 5/16-18 X 2-1/2 hex. hd. (Grade 8 steel)
2911	SCREW, M3 X .5 x 20mm pan hd.	3503	BOLT, 5/16-24 X 2 hex. hd. (Grade 8 steel)
2913	SCREW, 3/8-16 X 1 hex hd. (L.H. thd.)	3504	BOLT, 5/16-24 X 5-3/8 hex. hd. (Grade 5 steel)
2914	SCREW, 3/8-16 X 7/8 hex hd. (L.H. thd.)	3506	STUD, 5/16-24 X 5-3/4 hex. hd. (Grade 5 steel)
3201WA	SCREW, 5/16-18 X 1-1/4 knurled soc. hd.	3509	BOLT, 3/8-16 X 2-3/4 hex. hd. (Grade 8 steel)
3210A	SCREW, 5/16-18 X 1-1/4 knurled soc. hd.	3512	BOLT, 3/8-24 X 3-1/4 hex. hd. (chrome)
3214	SCREW, 3/8-16 X 1-1/4 socket hd. (thd. cutting)	3513	BOLT, 3/8-24 X 3-1/2 hex. hd.
3221	SCREW, No. 4-16 X 3/16 set screw (Grade 8 steel)	3514	SCREW, No. 8-32 X 1 Filister hd.
3233	SET SCREW, 1/4-28 X 1/4 socket hd.		
3234W	SET SCREW, 1/4-20 X 5/16 slot hd.		
3403	LOCKNUT, M8 X 7 X 12mm hex.		

# HARDWARE LISTING

3516A	SCREW, 1/2-20 X 1-1/4 knurled socket hd.	3660	SCREW, 5/16-18 X 3/4 Torx drive pan hd.(w/lockpatch)(SAE J429 Grade B steel)
3517	BOLT, No. 10-32 X 1/2 hex. washer hd. (black)	3603	BOLT, 1/2-13 X 1-1/2 socket (Grade 8 steel)
3523	SCREW, No. 6-32 X 5/8 Pozidriv pan hd.	3730A	BOLT, 7/16-14 X 1-3/4 hex. (Grade 8 steel)
3524	SCREW, No. 6-32 X 3/4 Pozidriv pan hd.	3738	BOLT, 1/4-28 X 1/2 hex. hd.(Grade 5 steel)
3528	BOLT, 3/8-16 X 3-1/4 hex hd.(Grade 8 steel)	3764	BOLT, 7/16-14 X 2 hex. hd. (Grade 5 steel)
3529	SCREW, No. 10-32 X 1/4 slot hex washer hd. (self-tapping)	3765	BOLT, 1/4-28 X 5/8 hex. hd.(Grade 5 steel)
3531	SCREW, 5/16-18 X 3/8 knurled socket hd.	3766	SCREW, No. 10-16 X 15/16 Phillips pan hd.(self-tapping)(black)
3533	SCREW, 5/16-24 X 3/8 socket button hd.	3767B	BOLT, 1/4-20 X 5/8 hex. hd.(Grade 5 steel)
3535	BOLT, 1/2-20 X 2 hex. hd.(chrome)	3769	BOLT, 7/16-14 X 1-1/2 hex. hd. (Grade 5 steel)
3536	BOLT, 3/8-16 X 1-1/4 hex hd.(Grade 8 steel)	3770	SCREW, 1/4-20 X 7/8 12 pt. hd.(Grade 5 steel)
3537	SCREW, 1/4-28 X 1/2. flange lock	3771	BOLT, 7/16-14 X 1-1/2 hex. hd. (Grade 5 steel)(w/lockpatch)(chrome)
3538	SCREW, 5/16-24 X 1/2 hex. socket button hd.	3782	BOLT, 7/16-14 X 1-1/4 hex. hd. (Grade 5 steel)
3540	SCREW, 5/16-18 X 5/8 hex. soc. button hd.	3784	SET SCREW, 1/2-20 X 1/2 socket hd.(w/lockpatch)
3541	BOLT, No. 10-24 X 5/8 hex. hd. (Grade 2 steel)	3785	BOLT, 3/8-24 X 3/4 hex. hd. (w/lockpatch)(Grade 5 steel)
3545	BOLT, No. 10-24 X 13/16 hex. washer hd(Grade 18-8 stainless steel)	3787	BOLT, 1/4-20 X 3/4 hex. hd.(Grade 5 steel)
3546	BOLT, 5/16-18 X 5/8 hex. hd. (flange lock)	3802W	BOLT, 1/4-20 X 7/8 hex. hd.(Grade 5 steel)
3549A	SCREW, 1/2-20 X 1-1/2 knurled socket hd.	3825	BOLT, 1/4-28 X 1 hex. hd.(Grade 5 steel)
3554	BOLT, 3/8-16 X 1-3/4 hex hd.	3826	BOLT, 1/4-28 X 1-1/4 hex. hd.(Grade 5 steel)
3556A	SCREW, No.8-32 X 1/2 knurled socket hd.	3945	BOLT, 3/8-24 X 2-1/4 hex. hd.(Grade 5 steel)
3567	SCREW, 5/16-24 X 1 socket fillis. hd.	3946	BOLT, 7/16-20 X 2 hex. hd.(Grade 5 steel)
3574	SCREW, 1/4-20 X 3/4 hex washer hd.	3949	BOLT, 1/2-13 X 2-1/2 hex. (Grade 5 steel)
3576	SCREW, 5/16-18 X 1/2 hex washer hd.	3950	BOLT, 1/2-20 X 4 hex. hd.(Grade 5 steel)
3579	SCREW, 1/2-13 X 5/8 (Grade 2 steel) (self tapping)	3953W	BOLT, 5/16-24 X 1/2 hex. hd.(Grade 5 steel)
3581	BOLT, No. 10-24 X 3/8 hex. hd.(Grade 2 steel)	3958	BOLT, 1/2-20 X 2-1/4 hex. hd.(Grade 5 steel)
3589	SCREW, 5/16-24 X 1-1/4 socket hd. (chrome)	3960W	BOLT, 5/16-24 X 1 hex. hd.(Grade 5 steel)
3594A	SCREW, 1/4-20 X 5/8 socket hd. (Grade 8 steel)	3973	BOLT, 1/2-20 X 1-1/4 hex. hd. (drilled)(Grade 5 steel)
3597	SCREW, No. 6-32 X 9/16 Torx pan hd.(thread cutting)	3974HW	BOLT, 5/16-24 X 3/4 hex. hd.(Grade 5 steel)
3598	SCREW, No. 6-32 X 3/4 Torx pan hd.(thread cutting)	3987	BOLT, 5/16-18 X 3/4 hex. hd.(Grade 5 steel)
3603	BOLT, 1/2-13 X 1-1/2 socket (Grade 8 steel)		
3651	SCREW, 1/4-20 X 1/4 socket rd. hd.		
3652	SCREW, 1/4-20 X 3/8 socket hd.(chrome)		
3653	SCREW, 1/4-20 X 19/32 socket pan hd.(chrome)		
3655	SCREW, 5/16-18 X 7/8 pan hd.		

# HARDWARE LISTING

3991	BOLT, 5/16-18 X 7/8 hex. hd.(Grade 5 steel)	4319	BOLT, 3/8-24 X 1 hex. hd.(Grade 5 steel)
3993	BOLT, 1/4-20 X 1-1/4 hex. hd.(Grade 5 steel)	4325	BOLT, 1/4-20 X 5-1/2 hex hd.(Grade 8 steel)
3996	BOLT, 5/8-24 X 7/8 hex. hd.(Grade 5 steel)	4326A	SCREW, 5/16-18 X 2 hex. soc. hd.
3997	BOLT, 1/4-20 X 1-1/4 hex. hd.	4327	SCREW, 5/16-18 X 2 hex. soc. hd.
4011	SCREW, 5/16-18 X 1-1/4 socket pan hd.(Grade 5 steel)(black)	4337W	BOLT, 3/8-24 X 1-1/4 hex. hd.(Grade 5 steel)
4013	SCREW, 3/8-16 X 7/8 socket pan hd.(Grade 5 steel)	4340A	SCREW, 5/16-18 X 4-1/4 socket fillister. hd.
4014W	BOLT, 5/16-24 X 1-1/4 hex. hd.(Grade 5 steel)	4350A	SCREW, 3/8-16 X 1-1/2 hex. soc. hd.
4015	SCREW, 1/4-20 X 7/8 socket rd. hd.(black)	4355A	SCREW, 3/8-16 X 1-3/4 knurled socket hd.
4016	SCREW, 5/16-18 X 7/8 socket rd. hd.	4371W	SCREW, 3/8-16 X 1-5/8 socket fillister. hd.
4017	BOLT, 5/16-18 X 1 hex. hd.(Grade 5 steel)	4382	SCREW, 5/16-24 X 3/4 hex. hd.(self-tapping)
4020W	BOLT, 5/16-24 X 1-3/8 hex. hd.(Grade 5 steel)	4383	SCREW, 5/16-18 X 5/8 washer (Grade 2 steel)
4028	BOLT, 3/4-16 X 2-1/2 hex.hd.	4384	SCREW, 5/16-18 X 1 hex washer hd. (self-threading)
4029A	SCREW, 3/8-16 X 2-1/4 socket hd.(black)	4391	BOLT, 5/16-24 X 5/8 hex. hd.(Grade 5 steel)
4030	SCREW, 3/8-16 X 2-7/16 socket pan hd.	4401W	BOLT, 3/8-24 X 2-3/4 hex. hd.(Grade 5 steel)
4033	SCREW, 1/4-20 X 1-5/8 hex. soc. button hd.	4411	BOLT, 3/8-24 X 1-3/4 hex. hd.(Grade 5 steel)
4036	BOLT, 5/16-24 X 1-1/2 hex. hd.(Grade 5 steel)	4412	BOLT, 3/8-24 X 2-1/2 hex. hd.(Grade 5 steel)
4041W	SCREW, 5/16-24 X 1-5/8 hex hd.	4416W	BOLT, 3/8-24 X 1 hex. hd.(Grade 5 steel)
4044	SCREW, 3/8-16 X 1 socket button hd.	4435W	BOLT, 3/8-24 X 3-1/2 hex. hd.(Grade 5 steel)
4045	BOLT, 3/4-10 X 2-3/4 hex. (Grade 8 steel)	4453	BOLT, 1/4-20 X 7/8 hex. hd.
4052	BOLT, 1/2-13 X 1-3/4 hex. (Grade 5 steel)	4460	BOLT, 5/8-18 X 1 hex. hd.(Grade 5 steel)
4053W	BOLT, 5/16-24 X 2 hex. hd.(Grade 5 steel)	4701	BOLT, 5/16-24 X 1-1/2 hex. hd.(Grade 5 steel)
4061	BOLT, 5/16-18 X 5 hex. hd.(Grade 5 steel)	4702A	BOLT, 1/4-20 X 3/4 hex. (Grade 5 steel)
4067	BOLT, 5/16-18 X 4-1/2 hex. hd.(Grade 5 steel)	4713W	BOLT, 3/8-16 X 3/4 hex. hd.(Grade 5 steel)
4068	BOLT, 5/16-18 X 1-7/8 hex. hd.(Grade 5 steel)	4716W	BOLT, 3/8-16 X 1-1/4 hex. hd.(Grade 5 steel)
4069A	SCREW, 1/4-20 X 3/4 knurled socket hd.	4717	SCREW, 1/4-20 X 2-1/4 knurled socket hd.(w/lockpatch)
4070	SCREW, 5/16-24 X 2-1/4 socket hd.(chrome)	4718A	SCREW, 1/4-20 X 1-1/2 knurled socket hd.(w/lockpatch)
4074	BOLT, 1/2-13 X 2 hex. hd. shoulder	4720W	BOLT, 3/8-16 X 1-3/4 hex. hd.(Grade 5 steel)
4079A	BOLT, 1/2-13 X 2 hex. hd.(Grade 8 steel)	4721	BOLT, 3/8-16 X 1-1/2 hex. hd.(Grade 5 steel)
4081	BOLT, 1/2-20 X 1-3/4 hex. hd. (Grade 5 steel)	4722	BOLT, 3/8-16 X 2-1/4 hex. hd.(Grade 5 steel)
4086	BOLT, 5/16-18 X 3 hex. hd.(Grade 5 steel)	4724	BOLT, 3/8-24 X 1-1/2 hex. hd.(Grade 5 steel)
4091	BOLT, No. 10-24 X 1/2 hex. washer hd.(self-tapping)	4726	BOLT, 7/16-20 X 1-1/2 hex. hd.(Grade 5 steel)
4094	SCREW, No. 10-32 X 1 Pozidriv pan hd.(Grade 2 steel)	4729	BOLT, 7/16-20 X 1-1/4 hex. hd.(Grade 5 steel)
4095	SCREW, 5/16-24 X 7/16 socket hd. (w/lockpatch)		
4100HW	BOLT, 5/16-18 X 4 hex. hd.(Grade 5 steel)		

# HARDWARE LISTING

4736	SCREW, 3/8-16 X 1-5/8 socket hd. (drilled)	6057	WASHER, 1/2 X 7/8 X 3/16 (nylon)
4739	BOLT, 5/16-18 X 1-3/4 hex. hd. tap	6099	WASHER, 1/4 X 7/16 X 1/16
4740A	SCREW, 1/4-20 X 1-1/4 knurled socket hd.(w/lockpatch)	6107B	WASHER, 5/16 X 11/16 X 1/8
4741	SCREW, 1/4-20 X 1 hex. socket hd.(w/lockpatch)	6109	WASHER, 5/16 X 11/16 X 1/8
4742A	SCREW, 1/4-20 X 2-1/4 knurled socket hd.(w/lockpatch)	6113	WASHER, 1/2 X 13/16 X 1/32
4800	SCREW, 1/4-20 X 1-1/8 socket pan hd.(w/lockpatch)(Grade 8 steel)	6114	WASHER, 9/32 X 5/8 X 1/32
4809	SCREW, 5/16-18 X 1-3/8 socket hd.(black)	6115	WASHER, 13/32 X 23/32 X 1/16
4810	SCREW, 1/4-20 X 1-3/4 knurled socket hd.(w/lockpatch)	6127	WASHER, 13/32 X 13/16 X 5/64
4812	SCREW, 1/4-20 X 3/4 knurled socket hd.(w/lockpatch)	6150W	WASHER, 3/16 X 3/8 X 1/16
4813A	SCREW, 1/4-20 X 1-3/8 knurled socket hd.(w/lockpatch)	6182W	WASHER, 3/16 X 7/16 X 1/32
4814A	SCREW, 1/4-20 X 1-1/8 knurled socket hd.(w/lockpatch)	6192	WASHER, No. 8 X 7/16 X 3/64
4816A	SCREW, 5/16-18 X 1-1/2 socket hd.	6220W	WASHER, 1/4 X 7/16 X 1/32
4820A	SCREW, 1/4-20 X 2 hex. socket	6228W	WASHER, 1/4 X 1/2 X 3/64
4822A	SCREW, 1/4-20 X 2-3/4 knurled socket hd.(w/lockpatch)	6229W	WASHER, 5/16 X 1-1/16 X 3/64
4825A	SCREW, 1/4-20 X 1-3/4 socket pan hd.(w/lockpatch)(Grade 8 steel)	6235	WASHER, 1/4 X 23/32 X 1/16
4961	BOLT, 3/4-16 X 1-5/8 hex. hd.(Grade 5 steel)	6237	WASHER, 5/16 X 1-1/8 X 5/64
5209	SCREW, No. 12-16 X 5/8 Pozidriv pan hd.	6239	WASHER, 1/4 X 1/2 X 3/32
5403B	CARRIAGE BOLT, 1/4-20 X 3/8	6242W	WASHER, 1/4 X 9/16 X 1/32
5411	SCREW, 5/16-18 X 7/8 socket rd. hd.(square neck)(Grade 5 steel)	6253W	WASHER, 1/4 X 3/4 X 3/64
5444	CARRIAGE BOLT, 3/8-16 X 1(Grade 5 steel)	6261	WASHER, 1/4 X 3/4 X 3/32(rubber)
5445W	BOLT, 5/16 X 1-1/4 carriage bolt (Grade 5 steel)	6314W	WASHER, 21/64 X 9/16 X 1/8
5465	CARRIAGE BOLT, No. 10-24 X 1/2	6316HW	WASHER, 5/16 X 5/8 X 1/16
6002	WASHER, 5/16 X 5/8 X 1/16(black)	6317	WASHER, 3/4 X 1-1/2 X 1/32(nylon)
6003	WASHER, 1-3/16 X 1-3/8 X 5/64	6324W	WASHER, 5/16 X 11/16 X 1/16
6007	WASHER, 5/8 X 5/16 X 3/32(nylon)	6332B	WASHER, 5/16 X 15/16 X 3/64
6012	WASHER, 1/2 X 1-3/16 X 1/16	6333	WASHER, 5/16 X 7/8 X 5/64
6016	WASHER, 11/32 X 11/16 X 1/16	6334	WASHER, 7/16 X 29/32 X 1/16
6019	WASHER, 3/8 X 29/32 X 1/16	6335	WASHER, No. 4 X 5/16 X 1/32
6029	WASHER, 5/32 X 3/8 X 1/32	6336B	WASHER, 5/16 X 15/16 X 3 16
6035	WASHER, 1/4 X 1-1/4 X 1/8 (neoprene)	6340	WASHER, 13/16 X 1-15/32 X 1/8
6036	WASHER, 17/64 X 1 X 1/16	6341B	WASHER, 5/16 X 1-1/8 X 3/64
6040	WASHER, 3/4 X 1-1/2 X 1/16	6353	WASHER, 3/8 X 13/16 X 1/16 (chrome)
6047	WASHER, 5/8 X 13/64 X 3/64	6365	WASHER, 17/32 X 1-1/8 X 5/64
6048W	WASHER, 1/8 X 1/4 X 1/32	6366	WASHER, 1/2 X 1-1/4 X 3/32
6053	WASHER, 3/16 X 7/16 X 1/16(nylon) (black)	6375B	WASHER, 3/8 X 9/16 X 1/32
6054	WASHER, 3/16 X 9/16 X 1/16(nylon) (black)	6379W	WASHER, 3/8 X 5/8 X 3/64
6055	WASHER, 25/64 X 47/64 X 1/8(spring)	6398	WASHER, 3/8 X 13/16 X 3/32(rubber)
		6400HB	WASHER, 5/16 X 13/16 X 3/32
		6410	WASHER, 1/4 X 9/16 X 1/16(nylon)
		6416	WASHER, 3/8 X 1 X 5/64
		6448HB	13/32 X 13/16 X 3 /32
		6474	WASHER, 3/8 X 13/16 X 5/32
		6497HW	WASHER, 7/16 X 1-1/8 X 3/64
		6506	WASHER, 1-13/32 X 2-3/32 X 1/16 (bronze)
		6516HW	WASHER, 15/16 X 1-1/8 X 1/8
		6530	WASHER, 1/2 X 1 X 3/16
		6590HW	WASHER, 1/2 X 1-1/8 X 3/32
		6639	WASHER, 5/8 X 1-5/16 X 3/32 (chrome)
		6645	WASHER, 11/32 X 1-1/32 X 1/8
		6653	WASHER, 5/8 X 1-5/16 X 3/32
		6655	WASHER, 5/8 X 1-1/2 X 3/32
		6700B	WASHER, 5/8 X 13/16 X 1/32
		6701	WASHER, 3/8 X 13/16 X 1/16
		6702	WASHER, 5/16 X 11/16 X 1/16
		6703	WASHER, 1/4 X 5/8 X 1/16

# HARDWARE LISTING

6712B	WASHER, 5/8 X 15/16 X 3/32	7230	LOCKWASHER, 1/4 external tooth
6716	WASHER, No. 10 X 1/2 X 3/64	7232	LOCKWASHER, 5/16 external tooth
6717	WASHER, No. 6 X 3/8 X 3/64	7234	LOCKWASHER, No.10 external tooth
6718	WASHER, 1/2 X 1-1/16 X 3/32	7415A	WASHER, 11/32 X 7/8 X 1/8(rubber)
6723	WASHER, 17/32 X 1-1/2 X 9/64	7419	WASHER, 11/32 X 11/16 X 1/8(rubber)
6724	WASHER, 21/32 X 1-1/16 X 1/16	7501	SPEED NUT, 1/4 dia. stud size(self threading)
6734	WASHER, 19/64 X 41/64 X 5/64(black)	7506	NUT, No. 4-48 X 3/32 X 1/4 hex.(Grade 2 steel)
6736	WASHER, 9/32 X 5/8 X 1/16	7507	ACORN NUT, 5/16-18 X 11/16 X 1/2 hex.(Grade 2 steel)(chrome)
6737	WASHER, 57/64 X 1-3/64 X 1/32	7510	CLIP NUT, 1/4-28
6738	WASHER, 17/32 X 7/8 X 7/64	7513	ACORN NUT, 5/16-24 X 19/32 X 1/2 hex.
6753	WASHER, 1/2 X 1-1/4 X 1/8 (notched)	7515	JAM NUT, 7/16 X 1/4 X 11/16(Grade 2 steel)
6756	WASHER, 1/2 X 1-1/16 X 3/32	7520	ACORN NUT, No. 6-32 X 1/4 X 1/4 hex.(nylon)
6758	WASHER, 3/8 X 37/64 X 7/64	7531	LOCKNUT, 5/16-18 X 9/32 X 1/2 hex.
6759	WASHER, 3/16 X 3/8 X 1/32(nylon)	7549	ACORN NUT, 5/16-18 X 9/16 X 1/2 hex.
6762B	WASHER, 11/16 X 29/32 X 1/32	7561	NUT, 7/16-20 X 7/16 X 11/16 hex.
6771	WASHER, 21/64 X 33/64 X 1/16	7569	NUT, M6 X 10mm hex (keps)
6774	WASHER, 3/8 X 5/8 X 3/64	7571	NUT, M6 X 7mm hex (keps)
6781	WASHER, 5/16 X 37/64 X 5/64	7576	FLANGE NUT, 3/8-16 X 9/16 hex (keps)
6960	WASHER, 1/2 X 3/4 X .004	7590	NUT, No. 6-32 X 1/8 X 5/16 hex.(Grade 2 steel)
6961	WASHER, 1/2 X 3/4 X .007	7594	LOCKNUT, 5/16-18 X 1/2 (nylon locking)
6962	WASHER, 1/2 X 3/4 X .015	7602	ACORN NUT, No. 10-32 X 5/16 X 23/64 hex.(nylon-locking)
6963	WASHER, 1/2 X 3/4 X .031	7606	LOCKNUT, No. 8-32 X 1/4 X 1/4 hex.(chrome)
6969	LOCKWASHER, No. 4	7608	NUT, No. 8-32 X 1/8 X 11/32 hex.(Grade 2 steel)
7005	LOCKWASHER, 15/64(black)	7609W	LOCKNUT, No. 8-32 X 3/16 X 5/16 hex.
7010	LOCKWASHER, No. 6	7613A	SPEED NUT, 1/8 dia. stud size
7015	LOCKWASHER, No. 8	7620W	NUT, No. 10-24 X 1/8 X 3/8 hex.(Grade 2 steel)
7017	WASHER, 17/64 X 33/64 X 5/64(black)	7624	LOCKNUT, No. 10-24 X 1/4 X 3/8 hex.
7018	WASHER, 17/64 X 37/64 X 5/64(black)	7626W	LOCKNUT, No. 10-32 X 3/16 X 3/8 hex.
7022	LOCKWASHER, 5/8	7627	ACORN NUT, 1/2-13 X 3/4 hex (chrome)
7030W	LOCKWASHER, No. 12	7629	NUT, No. 10-32 X 3/8 hex (keps)
7036	LOCKWASHER, 1/4	7634	NUT, No. 10-32 X 1/8 X 5/16 hex.(brass)
7038	LOCKWASHER, 3/8	7635W	NUT, No. 10-32 X 13/32 X 3/8 hex.
7039	LOCKWASHER, 7/16	7638	NUT, No. 10-32 X 1/8 X 3/8 hex.(Grade 2 steel)
7041	LOCKWASHER, 5/16	7643W	JAM NUT, 3/8-16 X 7-32 X 9/16 hex.
7042	LOCKWASHER, 5/16(high collar)	7652	NUT, 3/4-16 X 1-1/8 hex.(chrome)
7043	LOCKWASHER, 3/4	7651	ACORN NUT, No. 12-24 X 3/8 hex
7045	LOCKWASHER, 3/8(high collar)	7653	ACORN NUT, No. 12-24 X 7/16 X 3/8 hex.(black)
7068	LOCKWASHER, 1/2	7654W	NUT, No. 12-24 X 5/32 X 7/16 hex.
7069	LOCKWASHER, No. 10	7667	NUT, 3/8-16 X 9/32 X 9/16 hex. (w/nylon insert)
7100	LOCKWASHER, 5/16 internal/external tooth	7676	NUT, 1/4-28 X 7/32 X 7/16 hex.(Grade 2 steel)
7101	LOCKWASHER, 3/8 internal/external tooth	7669	TEE NUT, 5/16-18
7112	LOCKWASHER, No. 6 internal tooth		
7115	LOCKWASHER, No. 8 internal tooth		
7118	LOCKWASHER, No. 10 internal tooth		
7124	LOCKWASHER, 1/4 internal tooth		
7127	LOCKWASHER, 5/16 internal tooth		
7129	LOCKWASHER, 1/2 internal tooth		
7130W	LOCKWASHER, 3/8 internal tooth		
7142	LOCKWASHER, 3/4 internal tooth		
7145W	LOCKWASHER, 3/8 external tooth		
7150	LOCKWASHER, 7/8 internal tooth		
7220	LOCKWASHER, No. 10 external tooth		
7229W	LOCKWASHER, 1/4 internal/external tooth		



## HARDWARE LISTING

7680W	ACORN NUT, 3/8-16 X 25/32 X 9/16 hex. (Grade 2 steel)(chrome)	7783	NUT, 3/8-16 X 5/16 X 9/16 hex.(Grade 2 steel)
7682	LOCKNUT, 1/4-28 X 3/16 X 7/16 hex.	7792	NUT, 1/4,-20 X 1/4 hex. (Grade 2 steel)
7683	LOCKNUT, 1/4-28 X 5/16 X 7/16 hex.	7796	NUT, 5/16-18 X 1/4 hex. (Grade 2 steel)
7686	LOCKNUT, 1/4-20 X 5/16 X 7/16 hex.	7800W	NUT, 3/8-24 X 5/16 X 9/16 hex.(Grade 2 steel)
7688	NUT, 1/4-20 X 7/32 X 7/16 hex.(Grade 2 steel)	7812W	LOCKNUT, 1/2-20 X 5/16 X 3/4 hex.
7689W	JAM NUT, 1/4-20 X 5/32 X 7/16 hex. (Grade 2 steel)	7813	NUT, 5/8-18 X 9/16 X 15/16 hex.(Grade 2 steel)
7715	LOCKNUT, 5/16-18 X 17/64 X 1/2 hex.	7823	CASTLE NUT, 5/8-18 X 3/8 X 15/16 hex. (Grade 2 steel)
7716	NUT, 1/4-20 X 7/16 hex	7824	LOCKNUT, 1/2-20 X 1/4 hex. (Grade 2 steel)
7725	LOCKNUT, 5/16-24 X 11/32 X 1/2 hex.	7825	LOCKNUT, 7/16-20 X 7/16 X 5/8 hex.
7727	LOCKNUT, 5/16-24 X 1/4 X 1/2 hex.	7837W	NUT, 7/16-20 X 3/8 X 11/16 hex.(Grade 2 steel)
7729	LOCKNUT, 5/16-24 X 1/4 X 1/2 hex.	7844	LOCKNUT, 1/2-13 X 5/16 X 3/4 hex.
7734W	CASTLE NUT, 1/2-20 X 9/16 X 3/4 hex. (Grade 5 steel)	7845	NUT, 1/2-20 X 7/16 X 3/4 hex.(Grade 2 steel)
7736	ACORN NUT, 5/16-24 X 19/32 X 1/2 hex. (Grade 2 steel)(chrome)	7848W	JAM NUT, 7/16-20 X 1/4 X 11/16 hex. (Grade 2 steel)
7737W	ACORN NUT, 1/4-20 X 15/32 X 7/16 hex. (Grade 2 steel)	7855W	JAM NUT, 3/4-16 X 7/16 X 1-1/8 hex. (Grade 2 steel)
7739	LOCKNUT, 5/16-18 X 11/32 X 1/2 hex.	7880	NUT, 1/2-13 X 7/16 X 3/4 hex.(Grade 2 steel)
7740	LOCKNUT, 5/16-18 X 1/4 X 1/2 hex.	7986	NUT, 5/8-18 X 5/8 X 1-1/16 hex.(Grade 5 steel)
7741	LOCKNUT, 1/2-20 X 1/2 X 3/4 hex.	7987	CASTLE NUT 5/8-18 X 15/16 hex
7742	LOCKNUT, 1/4-20 X 7/32 X 7/16 hex.	7993	LOCKNUT, 5/8-18 X 15/16 hex.
7743	SPEED NUT, for 1/4-20 bolt	7994	LOCKNUT, 5/8-18 X 15/16 hex
7744	JAM NUT, 5/16-24 X 3/16 X 1/2 hex. (Grade 2 steel)	8101	SPEED NUT, for 5/16-18 bolt
7748W	NUT, 5/16-18 X 1/4 X 1/2 hex.(Grade 2 steel)	8102	SPEED NUT, for 5/16-18 screw
7752	SPEED NUT, for 5/16-18 screw	8107	SPEED NUT, for No. 10-A or Z thread screws
7753	NUT, 5/16-24 X 1/4 X 1/2 hex.(Grade 2 steel)	8108	SPEED NUT, 11/32 dia.
7763W	JAM NUT, 5/16-18 X 3/16 X 1/2	8125	SPEED NUT, for 8-32 bolt
7768W	LOCKNUT, 1/2-13 X 19/32 X 3/4 hex.	8126	SPEED NUT, 3/16 dia. stud size
7772	LOCKNUT, 5/16-24 X 3/8 Filster (Grade 2 steel)	8131W	LOCKNUT, No. 4-40 X 1/8 X 1/4 hex.
7775	LOCKNUT, 3/8-24 X 7/16 X 9/16 hex.	8135B	SPEED NUT, 1/4 dia. stud size
7776W	LOCKNUT, 3/8-24 X 9/32 X 9/16 hex.	8151	SPEED NUT, for No. 10-32 screw
7778	LOCKNUT, 3/8-16 X 7/16 X 9/16 hex.	8155	SPEED NUT, for No. 8-32 screw
7780	LOCKNUT, 3/8-24 X 13/32 X 11/16 hex.		
7782	LOCKNUT, 3/8-24 X 3/8 X 9/16 hex. (Grade 8 steel)		

## NUMERICAL INDEX

Part No.	Page	Part No.	Page	Part No.	Page	Part No.	Page	Part No.	Page
221	201	868	133	2401	127	2623	W 169		227
239	23	872	A 137	2417	57	2625	321		295
275	19	882	9		91	2630	W 247	2823	99
337	47	891	23		103	2646	267	2824	W 193
	51	907	210	2420	181	2647	A 161	2831	143
358	15	919	129		299		187	2841	W 295
	19		135	2430	177	2648	161	2851	118
375	47	922	169	2432	165		173		137
	51		173	2501	75	2661	W 115	2871	135
	201		181		159	2662	W 63	2871	W 47
511	87		181		322		259		61
515	71	923	63	2504	161	2664	315		183
	75		103	2508	173	2665	57		201
	77		201		267		207		319
	79		210		273	2667	299	2872	W 23
	81		243	2511	19	2692	WA 253	2879	W 3
534	65	924	169	2513	169	2698	A 61		118
	109		201	2519	210		251		133
	124		213	2522	319		253		148
554	124	925	41	2523	71	2708	A 71		307
559	303	927	A 23	2531	169		115	2882	W 3
601	43	928	41		313	2710	C 313		61
	317	929	41	2537	267	2711	31		121
604	118	932	179	2538	118		129		157
	141	933	37		133	2720	35		189
	303		161	2551	W 147	2724	143		293
	307		173		219	2725	177		295
606-9	47		299		225	2726	165	2887	W 199
609	51		319		267	2731	W 37		289
631	51	939	121		287		257	2888	143
634	47		205	2574	WA 247		321	2889	295
653	15	1000	135	2576	267	2733	129	2904	A 253
	19	1040	111	2579	63		135	2906	148
706	A 219	1046	121	2582	95	2737	31		199
720	15	1203	183		115	2739	129	2907	273
722	47	1309	B 205		259		133	2908	273
728	118		210	2585	57	2770	WA 121	2909	273
	121	1311	210		236	2773	127	2910	273
735	118	1357	W 133	2589	286		141	2913	223
	289	1601	19		319		197	2914	223
738	31		37	2592	91		299	3201	WA 27
739	201		277		181	2774	267	3210	A 31
740	118	1602	129	2594	A 283	2779	173		47
813	A 118	1610	309	2602	293	2784	173		153
853	A 153	1611	173	2604	71		181		189
854	A 183	1643	309		189	2787	271		223
855	B 3	1719	W 43		193	2790	A 289		225
	65	1783	59		313	2796	W 233		231
	303	1795	A 31	2607	129	2804	W 143	3214	124
856	A 43	2003	115		133		289		137
	137	2005	199		193	2806	165	3216	267
857	47	2216	W 35		219		289	3221	31
857	A 59		299		289	2818	201	3233	124
864	31	2337	W 127	2611	B 37		223		299
867	A 153	2339	257	2614	59		225	3243	W 317

## NUMERICAL INDEX

Part No.	Page	Part No.	Page	Part No.	Page	Part No.	Page	Part No.	Page
3403	41	3540	61		141	3996	129	4091	37
	307	3541	147		303		236		91
3419	213	3545	147	3784	43	3997	9		115
	247	3546	115	3787	35	4011	113		189
3427	15		159		61	4013	121		285
3429	23		163		79		183	4095	103
3430	15		193		169		199	4100 HW	207
3440	137		219		281	4014 W	61	4319	15
3444 A	43	3549 A	137		289		137	4325	41
	63	3554	15		319		187	4326 A	41
	285	3555 A	147		322		213		225
3445	193	3559	41	3794	47	4016	57	4327	127
	213	3560 W	189	3802 W	173		63	4337 W	115
	289		313	3825	71		267		137
3450	153	3561 WB	189		137	4016	43		227
3462	189		313	3826	37	4017	61		231
3471	153	3562	65		285		113	4340 A	37
3473	37	3563	257	3945	183		135	4350 A	95
	75	3574	35	3946	299		141		107
	77		127		303		183	4355 A	3
	309		135		307		207	4356 A	303
3480 A	19		169	3949	303		227	4357	303
3482 A	118	3574 W	322	3953 W	103	4020 W	309	4371 WA	103
3484	137	3576	253		225	4028 A	303		173
3485 A	189	3579	61		322	4029 A	95		183
	227	3581	277	3958	148		107	4382	35
	231	3588	71		307		251	4383	235
3486	137	3589	63	3960 W	115		303	4384	285
3487	124	3594	59		121	4030	199	4391	37
	127	3597	143		129		307		219
	129		286		141	4033	57		277
3494 A	153	3598	143		187		63		295
3500	9		286	3973	303		205		322
3501	9	3599	141	3974 HW	115	4036	187	4401 W	299
3503	15	3603	31		121		227		315
	137	3652	205		124		231	4411	161
3504	15		210		133	4041 W	307		183
3506	15		215		177	4044	199		303
3509	124	3655	67		193	4045	303	4412	253
3512	15		124	3987	43		307		289
3514	183	3739	91		61	4052	303	4416	15
3516 A	137	3739 A	87		115	4053 W	71	4435 W	115
	141	3764	303		118	4061	205		161
3528	15		307		173	4067	207	4453	95
	47	3765	295		213	4068	79		103
3529	205	3766	245		219		201	4460	95
3530	207	3767 B	121		225		247	4701	307
3531 A	155		129		295	4069 A	43	4702	143
3533	107		133	3991	61		236	4713 W	31
3535	148		201		129	4074	151		79
3536	148		257	3993	37	4081	148	4716 W	3
3537	61	3769	307		43		291		15
	81	3770	9		141		303		199
3538	63	3771	307		225	4086	201		307
	107	3782	118		283		235	4717	47

# NUMERICAL INDEX

Part No.	Page	Part No.	Page	Part No.	Page	Part No.	Page	Part No.	Page
	51	5211	147	6042	109	6237	135	6530	148
4717 A	23	5212	181	6047	283		207	6590 HW	67
4718 A	9		181	6048 W	31		213	6600	143
	19	5252	319	6053	173		299	6639	67
	37	5403 B	197	6054	161	6239	23	6645	129
	51	5411	227		299	6242 W	37		177
	201		231		319	6253 W	31		187
	231	5444	59	6055	143		169	6653	67
4721	3	5445 W	227		286	6257 W	119		313
	15	5465	197		289	6261	183		317
	137	5702	43	6057	43	6314 W	43	6655	95
	141	5710	99	6058	37	6316 HW	45		103
	199		103	608	277		231	6700 B	309
	307	5713	199	6099	23	6317	71	6701	3
	313	5724	129		37	6332 B	319		61
4722	227	5736	153		47	6333	115		95
4724	137		239		51		133		115
	183	5756	87		57		173		119
4725	3	5758	322		63		177		121
	87	5774	297		77		231		124
	307	5775	213		201		267		133
4729	91	5883	61		225		289		137
	99	5885	187		231	6334	79		161
	103	5887	227		285		115		173
	303	5926 B	61	6107 B	61	6335	189		183
4736	109	5989	181	6109	31		299		199
4739	247	6003	53		61		313		227
4740 A	19	6007	47		61		319		231
	51	6012	148		129	6353	107		253
	57	6016	9		173	6365	213		289
	201		15		187	6366	71		293
4741 A	47		31		205		75		299
	51		43		207		77		303
	63		47	6113	148		79		307
4741 W	37		115		153		81		313
4742 A	23		118		219	6379 W	137	6702	3
4800	295		201	6127	87		199		61
4813 A	19		223	6150 W	277		293		71
4814	47		227	6182 W	173	6398	61		79
4816 A	153		231		279	6400 HB	59		91
4820 A	201		235	6192	247		141		99
4822 A	51	6019	3		277	6410	129		103
4825 A	47		15		279		133		115
4961	121		65		281		135		121
5207	37		173	6217	41		193		124
	161		207	6220 W	71		289		135
	173		223		79		299		157
	299		231		189	6416	299		161
	319	6035	283	6229 W	289		315		187
5209	165		285	6235	61	6474	121		189
	321	6036	147		135	6497 HW	43		193
5210	147		165		181	6506	13		205
	165		283		231	6516 AW	87		207
	169		285		267	6516 HW	3		219
	173	6040	109		293	6519	223		225

## NUMERICAL INDEX

Part No.	Page	Part No.	Page	Part No.	Page	Part No.	Page	Part No.	Page
	227	6724	151		141		317		286
	231	6736	9		149	7045	137		289
	236		23		173		183		299
	247		43		183		253		319
	295	6737	9		227	7068	67	7129	267
	307	6738	141		307		133	7130	313
	322		148		313		137	7130 W	161
6703	57	6753	153	7039	3		149		253
	59	6756	107		91		153		289
	61	6758	65		99		183	7142	121
	63	6762 B	9		103		303	7145 W	137
	91	6771 A	223		115		307		291
	119	6781	297		119	7069	19	7220	37
	121	6812	107		137		37		63
	129		109		141		91		181
	143		183		299		161		183
	165	6960	303		303		187		189
	169	6961	303		307		205		259
	173	6962	303	7041	37		210		277
	189	6963	303		41		236	7229 W	35
	193	6969	31		43		253		61
	197	6970	143		61		277		233
	201	7003	81		63		315		247
	205	7005	165		91	7100	47		261
	219	7007	79		99		115		285
	225	7008	165		103		119	7230	43
	233	7012	75		113		201		121
	281		109		115	7101	115		141
	295	7015	283		119		253		159
	299	7017	43		121	7112	289		181
	319		165		125	7115	57		253
	322	7018	165		137		121		259
6712 B	309		169		141		143	7232	15
6716	37	7030 W	177		157		236		107
	77	7036	23		173	7118	37		129
	143		37		177		71		205
	147		91		183		193		207
	159		129		187		257		247
	189		133		189		267		319
	197		135		193		313	7234	127
	210		137		213	7124	35	729	236
	271		189		225		91	7415 A	181
	309		201		227		103		289
6717	143		267		247		121	7419	289
	165		295		253		143	7501	253
	181		299		293	7127	35		314
	181		307		295		47	7506	15
	236		319		299		201	7507	43
	289	7038	15		319		225		61
	319		67	7042	153		251		189
6718	71		79		251		277		207
	137		95		253		297		227
	148		119	7043	299		322		231
	303		125		303	7128	143		257
6723	303		137		307		161	7510	295

## NUMERICAL INDEX

Part No.	Page	Part No.	Page	Part No.	Page	Part No.	Page	Part No.	Page
7515	43		313		289		251		197
7520	143	7626 W	37		299	7748 W	79	7796	285
	289		173		322		91	7800 W	183
7531	3	7627	107	7688	35		99		253
	61		109		277		103	7823	313
	159	7628	199		299		115		317
	181		253		307		119	7824	119
	189	7629	189		319		227		149
	193		193	7689 W	121		299	7825	79
	199		281		189		319	7837 W	115
	219		283		233	7752	289		299
	225		285	7716	35	7753	15	7838	41
	227		313		119		35	7843	303
	231	7634	19		127		37	7844	153
	257		37		169		115	7845	67
	259	7638	37		181		141		137
	289		205		181		193		149
	295		210		277		231		307
7549	247		236		285	7763 W	247	7848 W	55
7554	149		277	7725	71	7768 W	153		137
7561	87	7643 W	199		161	7772	115	7855	317
7566	267		291		307		119	7855 W	71
7568	299	7651	177		307	7775	3		75
	319	7652	303	7727	307		115		77
7569	159		307	7729	309		161		81
7571	159	7653	165	7734 W	125		199	7880	137
7576	257	7654 W	177		303		299		183
7577	225	7667	109	7736	121		303	7987	87
	227		253		297	7776 W	137	7993	309
	231	7669	61		299		253	7994	67
7586	161	7676	71	7737 W	295		289	8097	135
	286	7680 W	107		299		295	8098	257
	289		133		319	7778	3	8099	119
	299		183	7739	63		59		219
	319	7682	57		67		87		293
7590	143		165		153		121		322
	210		189		173		137	8101	219
7594	127	7683	37		205		187		225
7598	303		189		207		293	8102	193
	307		193		267		303	8107	161
7601	3		295		289		307		245
	31	7686	37		319	7780	15	8108	79
	125		63	7740	79		299		103
7602	283		119	7742	77		315		121
7606	183		129		141	7782	15		211
7608	143		143		225		121		213
	210		161	7743	205		137		257
	321		165		210		227	8126	189
7609 W	267		169		287		231	8128	267
7613 A	189		173	7744	43	7783	15	8131 W	189
7620 W	147		193		71		95		313
	277		219		75		121	8135 B	193
7624	57		225		77		307	8151	173
	189		267		81		313	8155	115
	197		277		177	7792	35		247

## NUMERICAL INDEX

Part No.	Page	Part No.	Page	Part No.	Page	Part No.	Page	Part No.	Page
8204	231	9052	67		263		161	10073	263
8307	115		87	9875	263		173	10074	227
8316	319		317		273		187	10076	63
8469	71	9058	19	9881	37		219		263
8476	213	9076	121	9890	213		251	10077	263
	322	9077	41		322		257	10080	15
8483	37	909	277	9892	263		263		31
	157	9110	15	9893	322		303		51
	193	9114	43	9894	31		309		113
	197	9115	43		211		313		219
	279	9120	15	9898	173		322		223
	283	9121	15		263	10007	157	10081	63
8498	271	9122	15		273		263		239
	277	9123	15	9900	37	10014	27	10084	47
	279	9124	15		187		71		219
8500	143	9125	15		263		205	10086	219
8502	143	9126	15	9904	263		207	10088	57
8505	189	9127	15	9905	263		213	10089	205
8519	189	9128	15	9907	37		322	10091	236
8520	189	9129	15		37	10031	63	10092	39
853 A	239	9130	15		187	10033	253		157
8533	289	9131	15		263	10034	295	10102	207
8535	31	9132	15	9908	37	10036	303	10105	205
8536	31	9133	15	9930	173	10038	71	10106	71
	183	9134	15		263		75		205
	247	9135	201	9937	263		77	10108	207
	277	9139	109	9938	263		309	10112	223
	279	9140	109	9945	263	10039	125	10114	207
	281	9141	109	9946	111		233	10120	147
	285	922	267	9951	37		263	10920-87	71
8625	31	924	267	9952	183		267	10998	47
8672	231	9856	143		277		277	11002	19
	281		211		279		322		23
	295		263		281	10040	213	11005	81
8687	173	9857	37		283	10046	19	11016	43
	283		113		285		37	11020	47
8692	19		165	9955	225	10048	227	11053	81
	37		183		227	10049	219	11067	53
	161		211		231	10053	63	11083	43
8699	19		239	9959	115	10059	121	11096	53
	37		243		219	10059 A	57		55
8700	143		263	9969	219	10065	31	11105	19
8860	141	9858	263	9988	157		37		23
8871	41	9859	173		207		143		51
8873	23		263		322		153	11116	41
	47	9860	263	9990 W	37		161	11117	43
8876 A	53	9862	35		57		183	11132	9
8879	41		263	0047b-90A	293		236		51
8883	41	9863	37	10003	3		247		111
8977	47		263		37		251		113
	51	9864	263		157		253		219
8996	47	9865	263	10006	31		263	11139	125
	51	9866	263		35		273	11140	111
8998	47	9868	263		113		313	11143	57
9028	15	9871	143		157	10067	233		63

## NUMERICAL INDEX

Part No.	Page	Part No.	Page	Part No.	Page	Part No.	Page	Part No.	Page
11145	9	11460	31	14250-90	165	14373-92	215	16478-85A	5
11147	201	11462	125	14251-90	147	14374-92	215	16480-85A	5
11150	43	11469	119	14256-90	51	14375-92	215	16480-92	5
11155	157	11717	213	14259-90	135	14376-92	215	16510-85A	5
	273	11729	43	14260-91	209	14377-92	215	16512-86A	5
11157	9	11733	47	14262-91	215	14378-92	217	16573-83	5
11158	121	12026 B	15	14263-91	51	14379-92	217	16602-30	299
11160 A	15	12035	53	14268-92	51	16101-91	3	16690-85B	5
11161	47	12045	43	14270-92	45	16101-92	3	16690-92	5
	51	12050	47	14303-91	271	16103-91	3	16691-85C	5
11165	47		51	14304-91	271	16103-92	3	16691-92	5
11170	111	12052	201	14305-90	271	16114-91	3	16692-85C	5
	113	12053	201	14306-90	215	16114-92	3	16692-92	5
11171	111	14010-82	161	14307-90	215	16115-91	7	16696-85B	5
	113	14011-82	161	14311-90	215	16121-91	3	16696-92	5
11173	67	14012-82A	161	14312-90	215	16121-92	3	16715-83	5
11174	215	14019-83	167	14314-90	215	16122-91	7	16770-84B	5
11175	67		187	14315-90	215	16122-92	7	16774-86B	5
11176	271	14027-83	71	14316-90	215	16124-91	3	16778-84A	9
11177	15	14027-92	71	14317-90	215	16124-92	3	16779-84A	9
11178	47	14052-88	149	14318-90	215	16125-91	3	16830-29A	5
11179	47	14055-84	215	14319-90	215	16125-92	3	16837-85A	5
11182	41	14056-84	215	14320-90	215	16126-91	3		17
11183	41	14101-84	219	14321-90	215	16126-92	3	17033-83A	5
11191	43	14112-88	149	14322-90	215	16127-91	3	17035-83B	5
11192	27	14114-86	173	14328-90	217	16127-92	3	17038-90	9
11193	159	14116-86	281	14329-90	217	16128-91	3	17040-92	5
11218	13	14117-90	285	14331-90	191	16128-92	3	17041-92	5
11219	13	14120-86	169	14333-90	217	16131-91	3	17042-92	9
	19	14121-90	285	14335-90	217		7	17355-84A	9
11241	23	14128-86A	165	14337-90	217	16131-92	3	17355-92	9
11400	193	14142-86	189	14339-90	217	16136-91	7	17356-84A	9
11410	143	14143-86	215	14340-90	31	16136-91	7	17356-92	9
	313	14150-86	103	14348-92	217	16162-91	5	17358-84A	9
11411	61	14159-87	191	14349-92	217	16163-91	5	17360-83	9
11412	115	14161-87	215	14351-92	217	16164-91	7	17375-83	9
	165	14162-87	215	14352-92	217	16165-92	5	17428-57	9
	207	14163-87	215	14353-92	217	16166-92	5	17503-84B	9
11422	169	14171-87	215	14354-92	217	16167-92	7		9
11430	193	14178-90	147	14355-92	217	16171-92	5	17510-84	9
	247	14179-90	147	14356-92	217	16172-92	5	17510-92	9
11436	115	14214-90	215	14357-92	217	16173-92	7	17521-84B	9
11437	189	14215-89	215	14358-92	217	16207-79B	17	17521-92	9
	193	14216-89	215	14359-92	217	16216-91	5	17528-84A	9
11440	281	14217-89	165	14360-92	217	16219-79A	5	17528-84B	9
11445	169	14218-89	147	14361-92	217		17	17529-84A	9
11447	213	14223-89	169	14362-92	217	16238-90	5	17529-92	9
11448	183	14224-89	161	14363-92	215	16241-90	5	17530-84B	9
11451	121	14227-88	179	14364-92	215	16242-90	5	17530-92	9
11452	211	14228-91	215	14365-92	217	16247-91	5	17547-90	9
11453	169	14240-90	215	14366-92	217	16249-91	31	17548-90	9
11454	236	14242-90	215	14369-92	217	16249-92	31	17549-90	9
11456	121	14244-90	215	14370-92	217	16284-84	5	17611-83	11
11457	125	14246-90	147	14371-92	217	16302-81	17	17921-83	11
11458	61	14248-90	147	14372-92	217	16304-87	17	17924-83	11



## NUMERICAL INDEX

Part No.	Page	Part No.	Page	Part No.	Page	Part No.	Page	Part No.	Page
17930-83	11		59	25325-82	21	26555-91	27	27137-81	27
17935-798	11	24033-70	17	25326-82	21	26561-84	21	27138-90	205
17938-83	11		59	25327-82	21		281		209
17945-36B	11	24034-70	17	25328-82	21	26563-91A	27		322
17947-36	11		59	25329-91	21	26566-91	27		322
17950-66	11	24035-70	17	25414-70A	201	26570-84	29	27146-89	27
18001-83A	5		59	25416-84	201	26571-89	322	27147-89	27
18011-86	7	24036-70	17	25420-90	201	26994-90	29	27148-89	27
18020-83	7		59	25452-87A	47	26995-86A	27	27152-89	27
18074-83A	7	24037-70	17	25453-87	47	27002-89	27	27156-89	27
18076-83	7		59	25550-57	21	27009-86A	27	27157-89	27
18082-83	7	24040-90	19	25581-70	21	27010-86A	27	27158-89	27
18087-83	7	24041-90	19	25582-73	21	27014-90	322	27159-89A	27
18101-83B	7	24042-90	19	26030-92	23	27018-85	322	27159-92	27
18124-83	7	24043-90	19	26051-92	23	27019-89	27	27160-89	27
18130-83C	7	24044-90	19	26052-86	21	27025-90A	29	27162-89	27
18131-83C	7	24045-90	19	26068-92	23	27026-90A	27	27165-90	29
18133-83A	7	24046-90	19	26072-90	51	27026-92	27	27170-89	27
18134-83	7	24281-83	13	26074-90	51	27028-90	322	27171-89	27
18201-83	7	24334-36	13	26190-73	23	27029-90A	29	27175-90	29
18202-83	7	24335-36	13	26207-83	23	27030-85	322	27176-90	29
18219-83	7	24345-36A	13	26216-84	23	27035-90A	27	27177-90	29
18222-83	7	24346-87A	13	26227-58	23	27035-92	27	27178-90	29
18229-83	7	24356-36A	13	26242-84	23	27038-90A	27	27179-90	29
18268-48	309	24469-83C	17	26262-80	23	27038-92	27	27180-90	322
18523-86	11	24473-85C	17	26263-80	21	27039-90A	27	27184-92	29
18540-83A	11	24474-91A	17		25	27039-92	27	27185-90	27
18542-83A	11	24571-92	17	26267-92	23	27040-88	27	27186-92	29
18622-85A	11	24572-92	17	26268-90	25	27042-84	322	27188-90	322
18623-85A	11	24581-90	19	26270-92	23	27043-87	322	27189-90	322
18633-48D	11	24582-90	19	26273-80B	25	27047-84	322	27189-92	322
18634-48C	11	24583-92	19	26273-92	25	27048-84	181	27190-90	322
19727-83	11	24599-58A	17	26276-80A	25		322	27190-90A	322
21920-83	13	24600-58A	17	26276-92	25	27049-88	322	27196-92	207
21921-83	13	24601-58A	17	26315-68A	25	27078-91	322	27198-92	207
21922-83	13	24628-87	17	26317-68A	25	27082-91	322	27280-92	29
21923-83	13	24641-36	19	26326-62A	25	27090-89	27	27281-92	27
21924-83	13	24641-87	17	26327-68	25		29	27296-92	207
21940-83	13	24643-87	17	26328-74	25	27093-92	213	27311-76	29
21941-83	13	24704-90	19	26338-68	25	27100-88	27	27315-88	29
21942-83	13	24922-86	31	26345-73	21	27101-88	27	27317-88	29
21943-83	13	24981-70	19	26346-70	21	27102-92	213	27339-90	29
21944-83	13	24982-70	19		25	27116-88	27	27340-90	29
22589-83	13	25225-70B	19	26347-91	223	27120-92	207	27360-76	29
22764-83	13	25258-80B	19	26348-15	21	27121-89	27	27361-76	29
23906-90	13	25268-84A	19		25	27122-89	27	27362-76	29
23928-87	13	25269-90	19	26348-36	25	27123-89	27	27368-76	29
23961-80A	13		21	26352-85	223	27124-89	27	27369-76	29
23969-83	13	25275-82	21	26354-90	21	27125-89	27	27371-76	29
23974-87	13	25310-82A	21	26358-90	223	27126-89	27	27575-88	29
23975-87	13	25311-90	21	26378-92	223	27127-89	27	27576-88	29
23985-18	137	25320-82	21	26381-92	223	27128-89	27	27576-92	29
24002-70	17	25321-82	21	26400-82	25	27129-88	27	27577-88	29
24022-90	19	25322-82	21	26432-76A	7	27130-90	27	27577-92	29
24032-70	17	25323-82	21	26496-75	223	27136-90	27	27579-88	29

## NUMERICAL INDEX

Part No.	Page	Part No.	Page	Part No.	Page	Part No.	Page	Part No.	Page
27580-88	29	29957-81B	35	32402-83	39	33210-80	43	34469-90	51
27581-88	29	29960-91	35	32404-90	39	33211-80	43	34561-84	45
27582-88	29	29961-85	35	32405-91	39	33212-80	43	34564-90A	45
27583-88	29	29970-88A	35	32435-91	39	33318-85	201	34599-81	45
27585-88	29	31342-90	41	32441-92	33	33320-79C	43	34611-65	45
27586-88	29	31430-90	41	32442-92	33	33326-79A	43	34621-84	45
27587-88	29	31433-84A	201	32443-92	33	33332-79A	43	34621-90	45
27886-78	29	31504-91	277	32451-83	115	33334-85	49	34632-84	45
	29	31506-79B	271	32504-80	21	33340-90	41	34700-89A	49
28816-90	31		277		39	33445-89	201	34730-89A	49
28820-86	31		279	32524-83	21	33446-89	201	34732-89	49
28821-86	31		281		39	33449-90	41	34746-91A	51
28823-89	31		283	32527-90	21	33518-92	223	34747-90A	51
28825-86	31		285		39	33519-92A	223	34901-85	201
28829-87	322	31510-90	41	32591-80	21	33520-92	223	34904-86	49
28841-89	31	31514-90	41		39	33630-90	141	34906-85	201
28842-89	31	31515-90	41	32604-78	39	33638-70	45	34917-90	51
28855-90	322	31516-90	41	32606-82	21	33640-83	45	34920-86	49
28878-90	322	31517-90	41		39	33642-89	45	35025-79	53
28884-90	322	31518-90	41	33006-91	47	33660-90	45	35026-79A	53
28886-90	322	31519-90	41	33006-92	47	33668-90	45	35027-79A	53
29017-90	31	31525-90	41	33013-91	47	33683-90	137	35028-79	53
29059-88A	31	31527-90	41	33013-92	47	33709-82	45	35029-91	53
29058-89	31	31528-90	41	33017-91	47	33713-85	45	35042-91	53
29070-89	33	31530-90	41	33017-92	47		201	35051-89	53
29089-92	31	31535-91	41	33021-91	47	33714-90	45	35064-79	53
29090-92	31	31548-90	41	33021-92	47		81	35068-79	45
29126-90	33	31553-90	41	33022-91	47	33715-85	45	35074-90A	49
29140-92	33	31600-90	41	33022-92	47	33718-82	45	35076-79	49
29143-90	33	31604-91	41	33024-91	47	33719-79A	45	35078-79	49
29145-86	33	31614-83A	39	33024-92	47	33728-82A	45		79
29147-91	33	31625-82	39	33037-91	49	33728-90	45	35211-36	49
29149-0	31	31637-90	39	33037-92	49	33729-82	45	35259-87B	49
29161-86	33	31640-91	39	33038-92	49	33871-85	45	35261-90A	49
29164-87	33	31660-90	41		51	33882-83B	71	35622-79B	53
29165-89	33	31661-90	41	33040-91	51	33895-82	45	35625-79A	53
29166-86	33	31662-90	41	33041-92	49	33900-59	49	35626-79A	53
29169-84	33	31663-90	41		51		277	35629-79	53
29172-85	33	31664-90	41	33043-80	49		281	35632-79	53
29174-85	33	31688-90	41		277		283	35652-79A	49
29181-88	33	31689-90	41		281	34082-79	45	35850-84	17
29203-90	33	31692-90	41		283	34083-79	45		59
29229-88A	33	31693-90	41	33048-72	137	34084-86	45	35851-84	17
29236-90	33	31695-90	41	33085-74	141	34085-79A	45		59
29252-89	33	31727-85	39	33114-79	49	34086-79	45	35852-84	17
29256-90	33	31800-78A	39		51	34087-79	45		59
29258-91	33	31981-65B	39	33119-79A	43	34088-87	45	36753-87A	57
29259-91	33	31983-71A	39	33126-90	41	34089-79	45	36755-87A	57
29259-92	33	31985-91	39	33127-90	41	34091-85	53	36760-89	319
29264-86	33	31992-91	39	33189-63	137	34191-79C	45	36801-87	49
29269-83	33	31994-91	39	33205-80	43	34193-79C	45	36964-67	319
29276-81	115	31998-91	39	33206-80	43	34195-79C	45	37069-90	53
29278-86	33		263	33207-80	43	34460-90	51		55
29279-86	33	32311-83	39	33208-80	43	34464-86A	49	37071-87	49
29954-71A	35	32400-80A	39	33209-80	43	34468-86A	49	37075-87	49

## NUMERICAL INDEX

Part No.	Page	Part No.	Page	Part No.	Page	Part No.	Page	Part No.	Page
37081-87A	49	40007-36A	59		317		75	42460-80B	73
37088-90	53	40010-89	59	41008-87A	87		77		75
	55	40012-90	59	41010-86	87		309		81
37090-84A	53	40015-90	59	41014-91	87	41801-58A	309	42466-86	111
	55	40023-86	59	41015-86	87	41803-90	81	42467-87C	79
37103-87A	49		59	41020-86	87	41804-84A	73	42471-87	79
37105-87A	49	40037-79	59	41035-88	87		75	42473-87	79
37109-87A	49	40100-85	59	41036-92	67		77	42474-90	81
37115-90A	49	40109-86	59	41040-88A	109	41814-76A	67	42479-90	79
37312-75	53	40210-85B	49	41043-89	67	41835-58	309	42502-90	81
	55		59	41109-88	67	41836-58	309	42507-89A	77
37313-80	53	40210-85C	59	41110-79A	87	41837-58	309		137
	55	40221-85A	59	41112-79	115	41957-86	73	42510-83	73
37496-90	56		87	41113-90	125	41957-92	73	42510-92	73
37503-41	71	40236-88A	59	41114-90	87	42269-70	73	42515-82	77
	75		89	41123-79	67		79	42522-87	77
	77	40250-92	59		87	42301-87	79	42523-87	75
	81	40251-91	59		153	42303-89A	63	42524-82	75
37550-90A	55	40251-92	49		317	42305-86A	63		77
37707-90	55	40266-85	59	41157-87	317	42310-92	73	42531-87	77
37871-90	55	40269-85	59	41198-73	87	42311-58	303	42532-82	77
37872-90	55	40299-83	59	41570-77	119		309	42534-82	236
37903-90	55	40384-91	59	41573-84	115	42315-85	73	42534-90	73
37904-90	55	40392-91	59	41575-90	125	42315-92	73		75
37905-90	55	40903-87	71	41584-86	67	42322-92	73		77
37906-90	55		75	41585-90	125	42327-70	39		309
37908-90	55		77	41591-81	87	42334-82	137	42640-80B	77
37909-90	55		81	41591-90	87	42374-77B	309	43001-79	67
37911-90	55	40910-84A	67	41595-86	87	42374-86	73	43005-86	67
37912-91	55	40918-87	71	41713-86	63	42375-87	79	43020-87	67
37913-90	55		75		79		81	43024-73B	67
37971-90	55		77	41720-58	309	42382-87	81	43025-73B	67
37977-90	55		81	41731-88	63	42382-87A	73	43032-40B	67
38601-89	57	40920-79	71		71		75		87
38602-92	57	40920-87	75		75		77	43035-87	67
38604-90A	57		77		75		79	43053-86	67
38606-87A	57		81		77	42407-87B	79	43057-80A	67
38607-87A	57	40922-79	71		79	42416-83	73	43067-86	67
38608-82B	57	40922-87	71		81		79	43085-81	67
38622-87	191		75	41733-88	63	42431-87	79		87
38630-88	57		77	41739-84A	63		141	43150-83	67
38712-68	75		79	41741-92	71	42437-87	75	43157-83A	67
	181		81	41742-58A	309	42446-87A	75		87
	193	40924-86	71	41745-79	79		77	43283-86	123
	263	40939-86	87	41747-82A	63	42448-87	73	43288-82	317
38713-87A	39	40956-87	75		71		75	43290-82	67
	57	40956-90	81		75		77		87
38715-85	57	40957-87A	79		77		81		317
39976-65B	59	40971-86A	71		79	42452-87	75	43291-82	67
39990-65	59	40971-92	71		81		77		87
39992-65C	59	40975-86	87	41755-86	71	42455-80	73		317
39993-65	59	40976-86	87	41755-92	71		75	43292-82	67
39996-65	59	40983-86	87	41789-92	87		77		87
39998-65	59	40999-87	67	41791-79A	87		309		317
40001-85	59		87	41800-81A	71	42457-92	73	43293-82	67

## NUMERICAL INDEX

Part No.	Page	Part No.	Page	Part No.	Page	Part No.	Page	Part No.	Page
	87	43676-88	69	44196-90	85	45156-89C	77		113
	317	43677-88	69	44197-77	65	45360-90	95	45587-88	113
43294-82	67	43895-87	69		83	45361-90	95	45598-90A	95
	87	43946-86	83	44198-87	83	45362-90	95	45603-86	103
	317		85		85	45373-88	95	45605-88	105
43299-87	87	43957-86D	83	44199-79	83	45376-87	95	45607-88	107
43312-84	67	43960-86	83	44204-90	85	45377-87	95	45611-86	95
43338-83	67		85	44205-87	83	45378-87	95		103
43345-87	67	44020-83	65	44207-87	83	45381-87	95		107
43346-83	67	44021-83	65	44209-87B	83	45393-87	95	45628-92	107
43349-84B	63	44022-83	65		85	45401-87	95	45640-88	101
43355-84	67	44023-83B	65	44447-89	69	45405-75A	91	45645-91	109
43358-83A	67	44029-88	69	45004-85	63		95	45648-85	99
43359-84	67	44030-88	109		79		99		183
43403-87	69	44034-86	83		81		103	45649-91	109
43404-87	69	44035-86A	83	45005-85	63	45417-84	99	45651-91	109
43557-87	69		85		79	45418-84	99	45655-88A	109
43564-86A	89	44039-86	83		81	45419-80	99	45659-88	109
43567-79	89		85	45006-87A	63		103	45660-88A	109
43567-92	89	44044-88	109	45013-85B	63	45420-80	99	45662-88	109
43601-78A	69	44045-87	83	45016-82A	63	45423-92	57	45663-88A	109
	89		85	45017-88A	57		63	45665-84B	99
43602-78A	69	44046-84B	65	45019-85A	63	45426-79	277	45668-90	95
	89	44047-83	65	45021-86	57	45427-79	277	45670-80	99
43603-78A	69	44048-83	65	45031-82	63	45431-85	91		103
	89		83	45032-82	57	45435-83A	91	45672-80	99
43604-78	89		85		63	45437-81	277	45717-63	99
43605-78	89	44050-87	83	45036-88	57	45443-86	91	45718-60	91
43606-78	89		85	45042-82	63	45446-87	93		99
43608-82	69	44053-83A	65		79	45447-81	277	45733-48	99
	89	44054-83	65	45043-89	57	45449-86	91		103
43610-87	69	44059-83	65		63	45452-87	307	45739-87	95
43612-92	69	44060-83	65	45044-82	57	45456-86	103	45750-87	95
43613-92	69	44061-83	65		63	45460-90	95	45762-86	103
43619-84	69	44062-83	65	45051-82	63	45461-87	95	45790-80	95
43623-78	69	44063-83C	65	45057-82	73	45462-87	95	45791-88	95
43624-78	69	44072-92	65		75	45463-87	95	45793-88	95
43625-78	69	44073-92	65		77	45465-87	95	45827-84	91
43626-84	67	44074-88	65		309	45473-88	107	45830-48	25
43628-91	67	44076-86A	83	45072-87	63	45494-79	277	45832-77A	91
	69		85	45085-88	191	45534-87	93		99
43637-89	69	44077-88C	65	45090-92	57	45544-88	153		103
43638-89	69	44126-82	73	45092-66A	237	45546-90	95	45834-77	91
43648-86	89	44126-87	75		239	45549-88	97		99
43650-82	69		77		243	45550-88	95		103
	89		79	45110-88A	63	45559-87	95	45838-77	99
	317		81	45111-89	63	45561-87	97		103
43654-86A	69	44136-84A	69	45112-84A	63	45562-87	95	45839-84	91
43657-89	67	44136-92	69	45114-77	309	45563-87	97		111
43658-89	69	44146-77	83	45121-88A	63	45567-88	107	45841-84	91
43662-80B	69	44147-87	83	45128-88	63	45568-88	107	45842-77	99
43668-82	69		85	45140-87	63	45569-88	107		103
	89	44152-77	83	45141-87A	63	45583-83	111	45845-77	91
43671-84	69		85	45145-90	63		113		99
43672-84	69	44190-88	65	45156-87A	77	45585-83	111		103

## NUMERICAL INDEX

Part No.	Page	Part No.	Page	Part No.	Page	Part No.	Page	Part No.	Page
45847-84	91	45964-86	105	47303-90	125		105		123
45853-83	91	45964-89	91	47303-90A	125		107	50009-91	119
45855-77	91	45984-87	97	47361-92	125		119	50010-84	119
	99		113	47365-83	141	48152-82	143	50015-74	117
45857-83	91	45990-88	97	47365-92	141		161		123
45858-77	91		113	47427-92	125		286	50018-85	123
	99	45992-90	125	47429-92	125		289	50028-91	123
	103	45996-87	97	47491-89	115		299	50031-91	119
45859-77	91	45998-73	99		119	48165-89A	117	50053-90	125
	99		105	47492-89A	115	48165-92	117	50054-90	125
	103	46002-87	97		119	48300-60	93	50057-90	125
45860-84	91	46004-91	99	47496-90	125		97	50057-91	125
45863-84	91	46006-91	99	47499-90	125		101	50059-85	117
45864-84	91	46008-88	107	47510-80	115		105	50064-91	119
45865-84	91	46020-84	91		119		107	50069-91	119
	99		99	47511-80	115	48302-85	309	50075-91	117
	103		109		119	48306-88	107	50078-81	117
45866-84	91	46048-84	99	47513-80	115	48315-60	93	50087-89A	123
	99	46053-88	107		119		97	50100-70	201
	103	46054-88	107	47515-90A	125		101	50518-83A	141
45870-84	91	46055-88	107	47519-83A	69		105	50531-81	139
45873-91	99	46056-88	107		89		117	50584-87	141
45874-91	99	46057-88	107		317		119	50585-87	141
45875-84	91	46059-90	153	47530-79A	91		123	50594-87	305
	99	46060-88	107		95		309	50606-86A	141
	103	46065-88	107	47538-79	117	48330-48A	101	50613-91	141
45905-87	95	46451-88A	113		119	48332-48B	101	50614-91	141
45915-86	103	46452-85	111	47541-90	125	48333-80	93	50621-79A	141
45916-86	103		113	47544-85	117	48361-80	93	50622-83A	141
45917-86	103	46459-86	111	47551-79A	117		97	50622-92	141
45918-86	103		113	47552-79A	117		101	50635-82	141
45919-87	95	46461-86	111	47556-81	117		105	50636-81A	139
45920-87	95		113		119		107	50639-81	139
45921-87	95	46462-88	113	47564-86	117	48365-48A	93	50639-90	139
45922-87	97	46463-88	113		119		97	50643-82	139
45923-87	97	46463-92	113	47564-90	125		101	50646-82	139
45924-87	97	46464-92	113	47565-90	125		105	50647-82	139
45925-88	97	46501-86	113	47573-89A	123		107	50649-90	139
45926-90	97	46503-86	113	47577-86	123	49017-82A	119	50900-72	139
45930-86	103	46995-91	119	47579-86	123	49059-88A	111	50912-72	139
45931-86	103	47008-89B	123	47583-90	125	49126-77B	137	50921-83	139
45932-86	103	47008-92	123	47698-86B	123	49126-90	137	50933-86	141
45933-86	103	47076-72	299	47712-91	123	49127-77A	139	50939-52	139
45934-86	97		319	47820-81A	119	49165-90	139	50940-52	139
	99	47082-81	125	47820-90	125	49184-88	117	50972-75	73
	105	47130-92	123	47825-81	119	49187-79	295		79
45935-88	107	47132-90A	235	47826-81	119	49188-79	295		117
45936-88	107	47159-79A	17	47842-92	125	49193-79	295		137
45937-88	107	47205-91A	119	47900-89A	117	49194-85	295		201
45940-84	91	47206-91A	119	47900-92	117	49704-90	125		307
	99	47226-90	125	48031-89A	123	49720-90	125		309
	105	47237-91	125	48130-89B	123	49723-90	125	50973-65	139
45949-92	95	47247-83	73	48140-84	93	50003-89A	125	50989-86	141
45951-90	95		115		97	50005-85A	117	50990-86B	141
45952-90	95		307		101		119	50991-86	105

## NUMERICAL INDEX

Part No.	Page	Part No.	Page	Part No.	Page	Part No.	Page	Part No.	Page
50992-87	79	52756-79	143		299	54508-89A	151	56206-81A	157
51184-88	133	52764-90	135	53582-82	143	54512-90	149	56220-81B	157
51185-90	133	52765-85	131		161	54523-82	149	56305-90	157
51186-89	133	52766-85	131		287	54532-85	149	56306-90	157
51188-84	135	52771-82	131		289	54556-84	149	56327-90	157
51188-86	133		133	53583-82	161	54557-90	149		159
51651-79	129	52780-90	135		301	54569-84	149	56328-90	157
51652-83	129	52797-87	131	53583-92	161	54585-87	149	56342-90	157
	133	52798-87	131		301	54586-87	149	56343-90	157
	135	52799-90	135	53584-92	143	54701-82	149	56351-90	159
52020-82	129	53156-86	153		161	54705-81	149	56354-90	159
52041-82	129	53165-89	143		286	54708-65A	149	56355-92	157
52092-77	197		147		289	54710-84	149	56356-92	157
52103-31	229	53166-89	147		299	55915-88	157	56394-74	157
52106-86	129	53170-89	147		319	55917-79	153		273
52107-86	129	53278-89A	147	53587-85	145	55918-79	153	56396-74A	157
	207	53411-91	127		161	55919-82	153		273
52108-86	129	53411-92	127		287	55920-83B	153	56397-74C	157
52111-85A	129	53415-83	143	53588-85	145	55934-89	153		273
52128-87	129	53426-87	143		287	55936-88	153	56402-83A	157
52133-87	129	53433-80	173	53590-84	145	55936-92	153		273
52134-87	129	53434-80	143		287	55937-88	153	56508-76	157
52135-87	129	53435-88	143		289	56073-83	153	56538-88	155
52138-82A	129	53437-79	143	53593-92	299		159	56540-88	155
52139-82	129	53439-79	143	53598-88	147		183	56541-86A	155
52141-82	129		191	53615-85	145		263	56542-86A	155
52142-82A	129		193		287		273	56567-86A	155
52151-91	127		239	53616-85	145	56081-82	153	56569-86	153
52155-92	127		243		287	56082-83	153	57215-75	79
52164-91	127		245	53617-85	145	56084-87A	155	57807-86	173
52167-91	135		313		287	56093-88	153	57808-86	173
52170-90	135	53440-79	143	54307-92	73	56105-74	155	57809-86	173
52173-90	135	53447-87	143	54310-83	149	56107-88	267	57978-63	145
52191-86	133	53478-80	143	54312-91	149	56109-88	169	57980-87	173
52192-86A	127	53486-85	143	54314-83	149		267	57997-83	177
52201-86B	127	53487-87	117	54315-83	149	56115-79B	155	58009-89A	161
52208-86	133		119	54316-83A	153	56116-82A	155	58016-89A	161
52209-90	133	53515-86	127	54317-85	149	56117-82A	155	58018-86	177
52213-82	129	53517-86	127	54319-85	149	56119-77A	155	58031-80	161
52217-90	133	53521-91	127	54321-85	69	56122-77	155	58036-83	177
52236-86	133	53538-92	223		89	56124-77	155	58042-86	173
52290-92	193	53563-82	143		149	56126-80	155	58067-83	177
52355-82	131	53564-89	143	54323-85	149	56127-80	155	58068-83	177
52503-88	133	53570-89	143	54324-85	149	56137-84A	155	58075-86	177
52541-87	133	53573-92	145	54374-87	95	56140-84A	155	58078-49	177
52545-84	131		287	54473-79	149	56141-84A	155	58079-49	177
52658-86A	133	53574-92	145	54474-79	149	56144-86	155	58080-83	177
52700-81	139		287	54475-79	149	56146-86	155	58081-83	177
52713-88	141	53575-92	145	54483-88	107	56148-87	155	58082-87	187
52713-91	141		161	54491-85	149	56149-88A	155	58109-88A	179
52720-92	139		287	54492-85	149	56151-88A	155	58128-89	169
52721-90	139	53580-82	143	54495-85	149	56153-73	155	58129-89	169
52727-92	139		161	54496-85	149	56158-73	153	58147-86	173
52729-90	139		286	54502-87	149	56159-73	155	58183-78	177
52739-83	131		289	54506-87	149	56161-83	153	58184-86	169

## NUMERICAL INDEX

Part No.	Page	Part No.	Page	Part No.	Page	Part No.	Page	Part No.	Page
	321	58479-86	169	59159-80	191	59579-91	193	60565-90	203
58186-86	169	58480-88	169	59166-80	191	59591-87	199	60567-90	203
	321	58480-88A	259	59171-90	199	59596-89	193	60572-86	203
58187-86	165	58482-86	163	59173-81A	191	59626-84	197	60612-90	203
58190-86	173	58484-89	163	59176-88	191	59634-81A	193	60616-90	201
58212-86	175	58486-89	163	59180-80	191	59634-90	193	60630-90	201
58218-86A	175	58487-79	163		313	59648-84A	193	60642-85	203
58219-86A	175	58488-84	163	59181-80	191	59658-79	193	60647-90	41
58220-86A	175	58493-89	181		313	59710-84	255	60661-90	203
58223-86	173		181	59197-87	191	59914-86A	193	60662-90	203
58247-86	165	58494-89	181	59211-74	191	59924-80	191	60663-90	201
58311-86	169		181		313	59938-72	305	60664-89	203
58322-88	169	58498-86	175	59231-86	191	59944-83	191	60665-89	203
58323-86	169	58499-86	175		313	59954-86	199	60667-85	203
58355-86	237	58520-79A	93	59235-86	191	59955-86	199	60668-84B	201
58356-86	237	58679-90	181	59236-89	191	59959-86	253	60670-85	203
58378-89	319	58681-90	181	59244-90	287	59964-86	199	60673-85	203
58379-89	321	58683-89A	181	59245-90	287		199	60678-85	203
58380-89	147	58684-89A	181		319	59969-86	199	60954-89	321
58381-89	147	58687-89	181	59246-89	191		199	60957-89	217
58382-89	147	58688-89	181	59250-91	191	59971-80	197	60971-90	217
58383-89	147	58702-86	173	59251-90	195	59977-89	199	60973-90	217
58384-89	147	58703-86	175	59254-91	133	59978-89	199	61006-87A	207
58385-89	147	58706-86	175		191	59983-75	197	61006-92	207
58386-89	147	58708-86	175		195	59984-73	197	61019-89B	205
58388-89	147	58709-86	145		287	59986-75	197	61019-92	205
58398-84	163		267	59255-72	193	59988-72	127	61029-82	205
58400-80	161	58712-79A	163		287		197	61029-92	205
58402-80	161	58713-79A	163		313	59993-80A	197	61044-82C	207
58406-75	177	58714-79	163	59255-91	133	60001-55	197	61052-92	213
58408-75	177	58715-79	163	59256-84A	191	60004-89	197	61053-92	213
58411-76	177	58716-79	163	59258-91	123	60005-77	197	61060-82A	207
58412-76	177	58717-79	163	59259-90	193	60031-61	289	61077-82	205
58415-86A	169		299		287	60293-90	61		277
58416-77	177		319		319	60294-90	61	61078-80	205
58417-77	177	58722-84	175	59261-77	191	60296-88	61	61079-82	207
58419-88	179	58723-84	175	59262-90	197	60297-87	61	61091-88	205
58420-88	179	58826-89	163	59265-90	123	60297-90	61	61095-92	33
58421-88	179	58998-83	191	59267-83A	131	60298-88	61	61102-83B	207
58422-88	179	59006-90	191	59270-84A	131	60299-85	61		213
58423-88	179	59007-84	191	59272-90	119	60348-65A	51	61103-83A	213
58424-88	179	59059-86	295		125	60362-86A	61	61109-85C	205
58425-88	179	59060-92	295	59287-92	193	60363-86B	123		209
58426-88	179	59067-90	313	59288-92	193	60395-90	61		213
58453-89A	161	59082-79	191	59289-92	193	60397-85A	61	61112-82A	205
58454-86	175	59093-87	191		195	60399-90	61		209
58459-80	161	59094-89	191	59290-92	195	60415-89	61	61117-86	165
58460-80	161	59111-74	191	59504-84	199	60432-90	201		211
58461-80	161	59112-90	199	59505-84	199	60529-90	201	61131-92	207
58462-89	163	59113-90	199	59542-87	199		203	61132-92	213
58466-80	163	59126-86B	193	59544-87	199	60533-86	61	61134-88	217
	301	59129-86	191	59548-87	199	60537-89	61	61137-87	209
58473-80	163	59138-90	199	59558-87	199	60539-89	201	61155-84	213
58477-80	163	59139-89	191	59569-83	193	60543-89	201	61157-87	213
58478-86	169	59150-90	193	59573-83	193	60561-90	201	61165-89	213

## NUMERICAL INDEX

Part No.	Page	Part No.	Page	Part No.	Page	Part No.	Page	Part No.	Page
61192-88	211		209		51	65380-90	227	65721-85	225
61211-84B	213		213		223	65381-89	227	65722-85	225
61218-85B	213	62356-92	29	63534-90	51	65382-89A	229	65723-85	225
61237-91A	213	62375-57	49	63535-90	51	65395-89	229	65724-85	225
61238-91A	213		51	63540-62	25	65401-86	227	65732-86	229
61265-92	207	62414-91	219		223	65410-83	227	65738-89	229
61266-92	207	62421-90	51	63546-87	77	65411-80A	227	65739-89	229
61270-88	205	62423-90	51	63551-82	73	65432-89	227	65746-90	231
61271-91A	207	62425-90	51		309	65447-86	227	65747-87	229
61272-92	207	62460-86	219	63553-91	221	65459-84A	227	65747-90	231
	213	62489-79C	219	63554-90	25	65464-89	227	65781-82	229
61273-92	207	62498-91	219		51	65475-89	227	65782-82	229
61274-92	205	62540-83	219		223	65483-89	227	65802-90	229
61278-88	205	62563-65	219	63556-87	221	65487-89	227	65813-91	229
61278-92	205	62634-84	219		223	65492-91	227	65814-91	229
61311-82	211	62637-84	219	63556-92	223	65502-89	225	65821-90	229
61313-88	205	62647-90	51	63557-91	221	65519-52B	225	65824-90	231
61321-80	211	62649-90	51	63557-92	221	65522-91	227	65825-90	231
61322-80B	205	62662-92	219	63558-85	223	65538-85	225	65826-90	231
	211	62663-84	219	63559-91	221	65539-86	225	65827-90	231
61324-88	211	62665-89	219	63561-87	75	65571-82	227	65828-90	231
61335-83	209		223	63562-92	223	65603-86	227	65862-91	225
61338-82	205	62670-84	73	63563-85A	221	65611-92	225	65863-91	225
61411-82	211	62672-90	51		223	65616-90	231	65866-91	229
61413-86	211	62673-90	51	63572-86	221	65621-83	225	65867-91	229
61421-88A	209	62679-90	51	63573-82	77	65626-85	225	65868-91	231
61421-92	209	62681-92	51		311	65627-85	225	65989-90A	233
61631-84	237	62704-84	219	63591-92	205	65630-83A	225	65991-82A	233
61640-84	213	62707-84	219	63609-72	309	65632-83A	225	65995-88A	233
61641-84	213	62725-90	219	63796-77A	223	65634-81B	225	66000-80	233
61643-88	217	63497-89	221	63805-80A	223	65634-92	225	66010-82A	233
61648-85	169	63500-68	33	63812-90	223	65636-85	225	66029-80	117
	217		223	63813-90	223	65645-89	225	66030-88	107
61651-90	217	63501-68	29	63858-49	11	65647-83	225	66042-79A	221
61660-85	213		49	64511-63	281	65657-87	229		233
61661-84	213		205	65190-84	229	65660-92	231	66104-84	163
61667-90A	213		209	65192-90	231	65668-87	229		233
62043-81A	213		213	65276-62	225	65668-90	231	66105-77	233
	247	63502-89	219		227	65669-87	229	66106-86	233
62123-86	123	63505-84	29		231	65669-90	231	66108-91	233
62150-85	205		205	65302-82	227	65670-82B	229	66183-82	233
	209		209		231	65670-90	231	66188-82A	233
	213		213	65324-83	227	65674-87	229	66210-85A	233
	322		261		231	65674-90	231	66308-80	233
62161-75	205	63509-86A	33	65324-83A	225	65675-87	229	66309-84	233
	209	63513-88R	221	65325-83	225	65678-85A	225	66333-90	285
	213	63515-91	221		227	65680-89	225	66346-91	235
62166-81A	209	63515-92	221		231	65682-89	225	66347-91	235
	213	63523-92	223	65328-83	225	65689-89	229	66349-84	119
62167-81	205	63525-92	223		227	65699-86	229	66350-84	119
	209	63528-92	223		231	65699-90	229	66361-80	285
	213	63530-92	223	65374-90	231	65701-90	231	66366-90	235
62170-81	209	63531-87	223	65376-91	231	65702-86	229	66368-90	235
62170-81A	205	63533-41	17	65379-91	231	65716-91	229	66600-84	117
62172-75	205		25	65380-85	227		231	66997-86	237



## NUMERICAL INDEX

Part No.	Page	Part No.	Page	Part No.	Page	Part No.	Page	Part No.	Page
66998-86	237	67103-91	239	67236-80	237		185	67872-89	185
66999-86	237		243	67237-80	237	67775-81b	163	67876-90	185
67000-85C	237	67104-83	239	67238-80	237	67777-80A	185	67877-90	241
67003-83B	237		243	67239-83	322	67778-60	167	67878-90	241
67009-72	117	67105-91A	239	67243-84	237		175	68008-73b	253
67013-87A	243	67106-83	239	67608-86	237	67780-60	167		314
67014-91	243		243	67615-89	187		175	68020-92	241
67018-91	243	67107-83	239	67636-86	175	67782-60A	167		243
67020-85A	243	67108-83	239	67668-89	187	67790-82	185		245
67021-85B	243		243	67692-92	163	67795-85A	167	68021-92	241
67024-84A	247	67110-92	239	67696-81	165		237		243
67025-91	243	67112-83	239		175	67805-86A	185		245
67027-91A	247	67115-91	247	67697-81	165	67805-92	185	68022-92	241
67028-86A	237	67117-85	237		175	67807-86	185	68023-92	241
67029-86A	245		239	67697-81b	183	67807-92	185		243
67030-91A	249		243	67698-81b	183	67808-86	105		245
67034-83	239		247	67700-83	175	67815-59A	185	68024-92	239
67036-86	239	67119-85	211	67701-83B	175	67816-86	105		243
67037-91	239	67120-84B	247	67702-81A	165	67817-83	167		245
67041-91	241	67121-92	239	67704-83	165	67819-86	105	68026-73	253
67042-83	241	67122-85	239	67710-83	175	67820-86	105		314
67042-85	239		243	67712-83	165	67821-87	105	68027-90	253
67046-86A	239	67123-86	237		175	67822-88	251		314
67047-86b	241	67125-86A	247	67713-86	183	67824-87	185	68032-90	255
67048-83A	239	67126-91	243	67715-86	175	67826-87	243	68033-90	253
67054-83B	245	67127-84A	239	67716-60A	165	67826-92	243		314
67060-87A	237		243		175	67827-88	251	68046-79	193
67067-76	233		245	67718-60A	165	67828-88	251	68047-79	193
	247	67132-85A	243		175	67829-88	251	68089-80	175
67068-76	247	67136-85	211	67719-63	183	67830-59	119	68092-80	175
67069-76	247	67152-86	245	67724-71	165		141	68123-73	253
	267	67153-86	245		175	67831-80	185		314
67070-76	193	67154-86	245	67725-63	183	67834-83	185	68126-91	257
	247	67155-86	245	67726-71	165	67839-74	185	68163-84	163
	253	67156-86A	245		175	67846-70	159		251
67072-87b	237	67157-86A	245	67727-87	185		167	68163-94	255
67073-87A	237	67166-88	247	67730-91	185		271	68168-89	147
67075-57A	39	67168-88A	239	67731-87	185	67850	185		163
67078-85A	243	67169-88A	241	67732-71A	165	67851-86	239		175
67079-86A	247	67171-88	239		175		243		187
67080-87	243	67172-88A	239	67740-87	185	67858-39	187		251
67085-83	239	67185-88	211	67743-84	185	67858-89	159		253
	243	67186-88	239	67744-75	185		167		314
67086-85	211	67187-88	241	67746-85	163		167	68169-90	255
	243	67200-86A	243	67748-87	185		187	68384-91	255
67094-85	239	67202-86	243	67749-77	187		279		279
	243	67211-86	237	67755-81	165	67859-90	125		281
	245	67215-89	247		175	67862-86	241		283
67095-85	243	67216-86A	237	67757-92	185		243		285
67096-87	237	67219-86	237	67762-87	185	67863-90	185	68392-91	255
67097-86	245	67229-85	237	67768-86	185	67864-86	241		255
67098-87	239	67232-85	237	67769-82	185		243	68398-88	163
	243	67233-80C	237	67771-88	185	67865-89	185	68399-88A	163
	245	67234-84	237	67772-80	185	67867-90	241	68400-86	187
	247	67235-80	237	67773-80A	101	67869-90	239	68401-90	187

## NUMERICAL INDEX

Part No.	Page	Part No.	Page	Part No.	Page	Part No.	Page	Part No.	Page
68402-86	253		243	69555-91	259	70281-89	261	70648-89	145
	315	68537-89C	255	69555-92	259	70282-89	261	70649-91	147
68403-86A	255		277	69556-89	261	70283-89	259	70650-91	267
68406-86C	251		281	69558-92	259	70285-89	259		271
68407-86	253		283	69606-92	257	70287-81	237	70651-91	271
68408-86C	251		285	69617-82	211		263	70908-82	117
68410-87B	253	68555-87	251	69618-82A	211		313		295
68419-87	243	68566-90	251	69619-82	211	70288-81	263	70933-90	322
68420-87	243	68572-64B	255	70005-70	263		313	70936-91	247
68421-87	243		315	70008-86	259	70289-89	263	70939-84A	247
68424-89	253	68574-83	245	70015-87	267	70291-89	33	70941-84A	247
68430-89	253	68574-86	239	70022-83	259		263	70943-90	259
68440-86	163	68577-90A	251	70027-83	259	70292-89	263	70958-90B	159
	187	68588-86	245	70028-85A	313	70292-92	261	70963-92	33
	253	68594-84	191	70029-90	259	70293-87	265		259
	315	68597-86	241	70032-90	259	70294-87	265	70966-84	261
68451-86	163	68608-83	241	70033-89	259	70296-89	261	70970-91	281
	187		243	70034-82	259		267	70979-86	281
	253		245	70043-81	263	70302-90	265	70984-90A	285
	315	68619-83	167	70047-82	273	70305-90	265	70985-89A	259
68452-86	163		187	70050-83A	259	70316-91	159	70987-90	285
	187	68633-89	187	70064-89	259	70321-89	261	71014-88A	239
	251	68634-86	167	70078-91	259	70328-84	261	71090-64	247
	253	68643-83B	255	70082-82	273	70339-91	39	71092-68A	247
	315	68659-86	93	70083-89	259	70341-89	267	71099-74	211
68455-86	251		263	70102-90	259	70342-90	261		237
	253	68661-87	187	70103-90	259	70345-84	159	71134-68	249
68456-89	197	68668-87	187	70107-90	259		265	71141-68	249
68457-86	251	68671-69	187	70132-89	259		273	71143-90	249
	253	68672-38	187	70141-91	159	70347-84	265	71144-75A	249
68459-84B	237	68674-69	187	70142-86	155		285	71145-75	249
68462-64	247	68684-86	187		259	70349-89	169	71150-92	249
68464-86	241	68688-89	159	70147-86	175		267	71151-92	249
68465-83	175	68690-69	187	70150-86	175	70436-92	261		249
68465-86	245	68720-62	187	70158-89	169	70465-86	267	71152-92	249
68468-86	241	68721-62	187		259	70504-81	157	71158-86A	249
68473-88A	241	68725-62	187	70160-91	267	70551-69	261	71158-91	249
68480-73	253	68746-70	187	70168-89	267	70552-69	261	71182-47A	249
68489-83	245	68789-91	185	70172-89	259	70553-69	261	71241-91	249
68489-86	241	69006-84A	257	70186-82	49	70554-69	261	71294-89	205
68493-87	255	69012-86A	257		119	70555-69	261	71295-68	249
68493-90	255	69060-90	257		259	70556-71	261	71297-68	249
68505-90	163	69062-91	257	70187-82	39	70558-71	261	71300-79	249
	187	69114-90	257	70191-73A	155	70559-71	261	71421-90	125
68506-90	255	69120-91	257		259	70576-68	265		285
	255	69125-65	257	70196-86	191	70578-89	265	71424-83	281
68507-90	255	69126-91	33	70197-86	155	70579-65	247	71425-77	281
68510-74B	255	69126-92	33	70199-87A	281		265	71427-79A	277
68513-92	241		257	70199-92	281	70580-89	265	71428-90A	285
68516-92	185	69505-89	191	70216-91A	259	70581-73	315	71451-78	281
	241	69512-83	175	70218-87	273	70642-89	271	71452-91	161
68519-68	163	69540-78	211	70219-87	273	70642-91	271		205
	187	69545-91A	259	70232-89	259	70643-79A	145	71452-91A	125
68536-75	159	69551-90	259	70245-89A	259	70644-79A	145		285
68536-86	241	69551-91A	259	70277-89	259	70646-90	145		286

## NUMERICAL INDEX

Part No.	Page	Part No.	Page	Part No.	Page	Part No.	Page	Part No.	Page
	289		313	72277-74	265	75047-88	211	77029-86	269
	299	72034-71	265	72278-74	175	75049-88	211		321
	319	72035-71	265		265	75057-88	211	77032-89	321
71501-73A	283	72036-71	265	72300-89	279	75058-88	211	77036-86	171
71505-89	169	72037-71	265	72301-89	279	75062-90	211	77060-86	171
71506-84	283		313	72302-89	279	75101-82	237	77070-88A	171
71512-89	279	72038-71	111	72306-88	279	76157-90	271	77092-89	271
71513-89	159		113	72310-70	175	76163-87	267	77093-89	271
71517-86	277		211	72312-73	175	76164-87	267	77100-89A	271
71518-80	277		237	72314-86	111	76170-86	175	77101-90A	159
	281		241	72316-89	279	76170-88	267	77106-89	159
71521-89	271		243	72320-89	279	76173-86	175	77109-89	159
71526-80	277		245	72342-90	285	76173-88	267	77113-89	159
71536-82A	277		265	72501-74	185	76175-86	147	77500-89	159
71541-84	283		275	72502-74	185		171	7855 W	299
71549-82A	277		313	72503-90	265	76176-86	171	83162-51	21
71550-75	281	72039-71	163	74406-87	21	76192-89	321		39
71552-75	281		167	74407-86	265		321	84850-02	289
71554-75	281		187	74408-89	271	76192-92	321	84850-67	145
71555-90	285		211	74412-91	265	76234-86	175		163
71560-84	283		237	74519-88	35	76236-86	175		287
71563-82A	273		243	74521-77	39	76238-86	171		289
71564-82A	273		245		145	76240-88	267	84850-92	145
71567-82	273		251		265	76243-86	267		163
71568-82A	273		255		313	76244-86	267		205
71570-82A	273		265	74526-86	169	76248-86	267		287
71571-82	273		275	74527-86	169	76249-86	269		301
71572-82A	273		313	74529-79	35	76250-86A	269		319
71573-82A	273	72040-71	265	74536-77A	39	76252-86	269	8695	299
71574-82	273	72041-71	265		145	76253-86	269	8700	299
71580-84	283		313		265	76255-86	269	87002-83	309
71583-85	283	72043-71	211		313	76258-86	269	87006-85	301
71585-90	159		237		314	76260-89	269	87007-85	307
71592-88	273		243	74539-77A	39	76274-88	269	87008-88	307
71593-88	273		265		145	76277-88	269	87010-85	307
71594-88	273		275		265	76280-88	269	87011-85	307
71595-86	273	72044-71	237		313	76281-88	269	87013-85	307
71795-63A	193		265		314	76282-88	269	87014-85	301
	313		313		315	76283-89	269	87015-85	307
71805-88	273	72045-90	265	74589-73	279	76284-89	127	87018-85	307
71806-88	275	72046-79	265		281	76292-89	261	87019-85	307
71807-88	275	72047-71	265		283	76294-89	271	87020-85	307
71809-88	147	72048-90	265		285	76295-89	271	87022-88	307
	267	72051-77	39	74598-73	281	76295-89A	269	87023-88	307
71813-89	271		265		285	76296-89	269	87024-85	307
71814-91	147	72052-79	145	74599-77A	279	76297-89	271	87025-85A	307
72023-51A	73	72054-84	313		281	76298-89	269	87027-85	313
	75	72057-84	313		283	76299-89	321	87029-85	309
	77	72059-89A	147		285	76303-89	147	87030-85	301
	79		271	75032-87	169	76304-91	147	87032-85	305
	81	72089-71	33	75034-82	211	76307-89	147		309
	279	72275-74	265	75039-86	211	76315-91	147	87038-85	311
	283		313	75040-88	205	77004-80	171	87039-85	311
72028-83	265	72276-74	163	75044-84	169		269	87040-85	311
72029-84	265		265	75045-84	169	77026-89	267	87041-85	311

## NUMERICAL INDEX

Part No.	Page	Part No.	Page	Part No.	Page	Part No.	Page	Part No.	Page
87042-85	311	88100-24A	301	90351-89	291	90771-79	265	92070-86	243
87043-85	311	88172-25	301	90357-89	291	90781-85	295	92077-83	245
87048-88	307	88174-37	301	90358-89	33	90785-90	293	92079-88	241
87056-83B	301	88261-36	301	90359-89	291	90787-90	293	92080-88	241
	305	88264-36	301	90360-89	291	90789-83	287	94435-82B	287
87071-89	311	88301-79	301	90361-90	293	90790-83	287	95578-41	69
87073-79	311		315	90470-90	293	90791-83	287		89
87113-83	305	88302-79	301	90471-90	293	90797-80	287	95581-47	69
	311	88314-37	301	90474-90	285	90801-83	295		89
87114-83	305		315	90477-90A	293	90820-74A	287	95582-47	69
87117-36	301	88403-91	321	90480-85	307		289		89
87120-79	301	88403-92	321	90481-91	307	90821-74A	145	95594-84	69
	315	88404-92	321	90483-85	285	90835-90	293		89
87121-79	315	88425-67	301	90488-83	193	90844-80	145		317
87122-83	305	88426-91	301		289		147	95595-84	69
87123-83	305	88427-91	301	90492-85B	289		209		89
87131-83B	305	88428-91	301	90493-83	119	90940-79	295		317
87132-83B	305	88481-91	301		175	90941-79	295	96210-80	17
87132-92	305	88483-49	319		289	90964-63	145	99000-77	133
87137-83	305	88484-89	319	90499-83B	289		287	99013-82	131
87137-92	305	88487-91	301	90594-85	295	90965-63	145	99015-91	135
87141-83	305	88489-89C	319	90633-82A	287		287	99017-90	135
87142-83	305	88490-88A	319	90649-85	145	90967-64	145		
87144-83	305	88494-89	319		287		287		
87148-83	305	88495-89	319	90655-83	289	90971-79	143		
87148-92	305	88496-89	319	90657-84	289	91013-79	195		
87156-83	305	88497-89	319	90658-84	289	91023-79	195		
87157-87	301	88500-89	319	90663-85	145	91085-83B	191		
87159-83	301	88501-89	319		287	91086-90	191		
87160-83	301	88503-91	301	90685-83	289	91089-58	63		
	305	88504-91	301	90686-92	145	91090-77A	191		
87166-83C	305	88506-89	319		287	91107-77	191		
87166-92	305	88526-91	301		289	91123-77	195		
87435-83	301	88527-91	301		319	91583-91	127		
	317	88528-91	301	90688-85	145	91721-82	171		
87444-33	301	88530-89A	319		287	91768-85	133		
	317	88531-91	301	90689-84	145	91808-89	163		
87672-76	311	88536-91	301		287		171		
87701-79	301	88537-91	301		289	91812-89	163		
87705-79	317	88538-91	301	90699-83	289		171		
87706-83	311	88539-91	301	90702-89	291	91836-82	289		
	317	88540-89	319	90703-89	291	91849-85A	179		
87710-83	317	88541-89	319	90706-89	291	91850-87	133		
87711-83	317	88542-89	319	90708-89	291	91851-88	287		
87712-83	317	88543-89	319	90712-89	291	91852-88	287		
87713-83	311	88544-89	319	90714-89	291	91875-88	297		
87714-83	311	88545-89	319	90718-79	295	91892-88	297		
87752-89	311	88546-89	319	90720-79	295	91902-88	297		
87776-83	305	88695-67	301	90731-89	291	91904-88	297		
	311	88698-67	301	90743-88	145	91909-90	297		
87776-92	305	88862-91	301	90745-79A	287	91910-91	297		
	311	88865-89	319	90747-79	287	92061-83	241		
87778-64A	311	89579-91	257	90763-79	269		243		
87901-83A	313	90346-90	293	90764-83	295		245		
88032-79	315	90350-89	291	90770-79	57	92068-83	245		