

## READERS COMMENTS

The Harley-Davidson Technical Communications Department maintains a continuous effort to improve the quality and usefulness of its publications. To do this effectively we need user feedback — your critical evaluation of this manual.

Please comment on this manual's completeness, accuracy, organization, usability and readability.

---

---

---

---

---

Should you find errors in this manual, please list the page, item and part number(s).

---

---

---

---

---

---

---

---

How can this manual be improved? \_\_\_\_\_

---

---

---

---

---

---

---

---

Occupation: \_\_\_\_\_

Name \_\_\_\_\_ Dealership \_\_\_\_\_

Street \_\_\_\_\_ Department \_\_\_\_\_

City \_\_\_\_\_ State \_\_\_\_\_ Zip \_\_\_\_\_

1987 - 1990  
1340cc  
Parts Catalog

Clip out and mail to:  
Technical Communications Department  
Harley-Davidson, Inc.  
P.O. Box 653  
Milwaukee, WI 53201

CMI-5M-08/09

CUT HERE



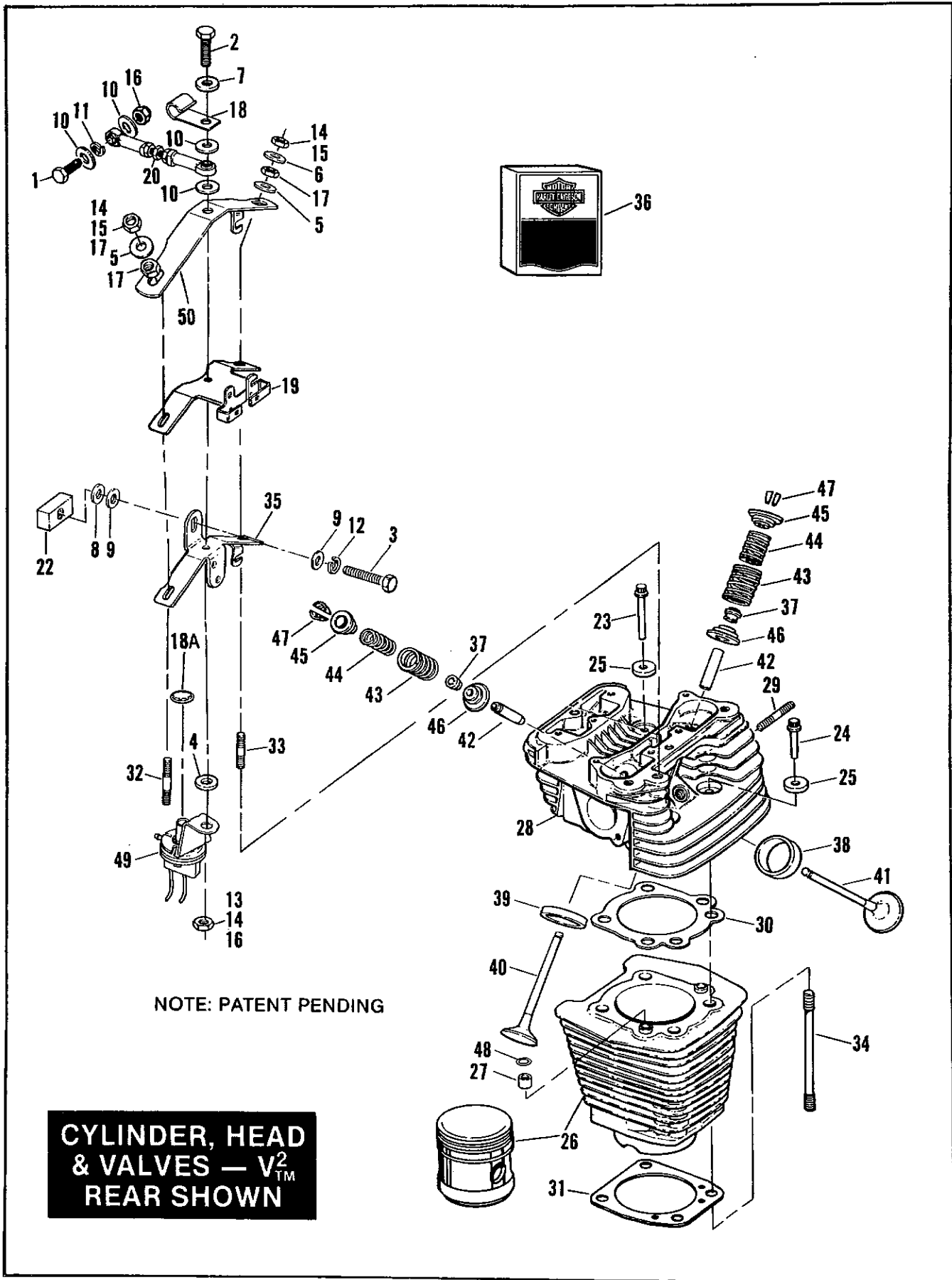
# ALPHABETICAL INDEX

	Page		Page
Air Cleaner	31,33	Instruments - FLT	167,227
Air Control, front fork	119,121	Instruments - FXR	207,229,231,233
Alternator	35	Instruments - Softail	235,237
Antenna Splitter	261	Jiffy Stand	125,127,131
Battery	225	License Plate Bracket	133,193
Belt, rear	65	Luggage Carrier - FLT	133
Belt Guard	67	Mirrors	245
Brake Caliper, front	73	Module, ignition	37
Brake Caliper, rear	93	Numerical Index	322
Brake Control, front	69,71	Oil Filters	55
Brake Control, rear	79-91	Oil Pump	21
Brake Disc	77,95	Oil Tank	215,217
C. B. System	261	Passing Lamps	185
Cam Gears	17	Pistons & Piston Rings	11
Carburetor	23-29	Primary Housing	197,199
Chain, primary	65	Push Rods	9
Choke	33	Radio	255,257,259
Chrome Drive Train - FLT, 1987	311	Regulator	35
Circuit Breakers	271,273,275	Rocker Arms	9
Clutch & Control	59,61,63	Rotor, ignition	37
Coil, ignition	37	Saddlebags	277-283
Connecting Rods	11	Saddlebag Guards	285
Covers, rocker arm	9	Seats	133-137
Crankcase	13-19	Sensor Assembly	37
Cruise Control	159	Shock Absorbers	149,151
Cylinders, engine	3	Sidecar	289-307
85th Anniversary Editions	312	Sissy Bar	135,137
Engine	3,7	Sound System	255-259,307
Engine Guard	119,125,127	Spark Plugs	37
Evaporative Emissions Kit	308,309	Speakers	255,259,307
Exhaust Systems	219,221,223	Speaker Housing, rear	147
Fairing	161-165,171,173	Speedometer	227-237
Fairing Lower	179	Sprockets	65,95,97
Fenders	187-191,299	Stabilizer Link, engine	3,15
Fender Supports, rear	195	Starter Motor	43,45
Flasher	239,243,269	Starter Shaft & Housing-	
Flywheels	11	1987 & 1988	41
Footboards	141	Starter Solenoid - 1987 & 1988	263
Footrests	139	Switches, ignition	271,273,275
Fork, front	99-115	Switches	19,159,167,185,261,265,275
Fork Rockers	117	Switchers, Handlebar	265,267
Frame & Rear Fork	123-131	Tachometer	227,229,233
Fuel Tanks	201,203,205,209	Tail Lamp	241,300
Fuel Tank Trim	211,213	Tail Lamp - Tour-Pak	147
Fuse Board - C. B.	271	Tappets	9
FXRC, 1987	310	Throttle Control	157,265
Gear Shifter	47,49	Tools	287
Gasket Kits	5, 9	Tour-Pak	143,145
Glossary	313	Transmission	51-57
Handlebar	153,155	Turn Signals	163,171,185,239,241,301
Hardware Listing	314	Turn Signal Cancellor	243,269
Head, cylinder	5	Ultra Sidecar	305,307
Headlamps	163,165,173,181	Vacuum Switch	5,23
Horn	245	Valves	3,5
Ignition System	37,39	Wheels	75,77,95,97,303
Intercom System	261	Windshields	161,165,171,175,177,291
Indicator Lamps	227-237	Wiring	247,249,251,253
Inner Fairing - FLHT/C	167		

## PATENT NOTICE

Harley-Davidson products are manufactured under one or more of the following patents:  
 U.S. Patents — 2986162, 2987934, 2998809, 3116089, 3144631, 3144860, 3226994, 3229792,  
 3434887, 3559773, 3673359, 3709317, Des. 225,626.

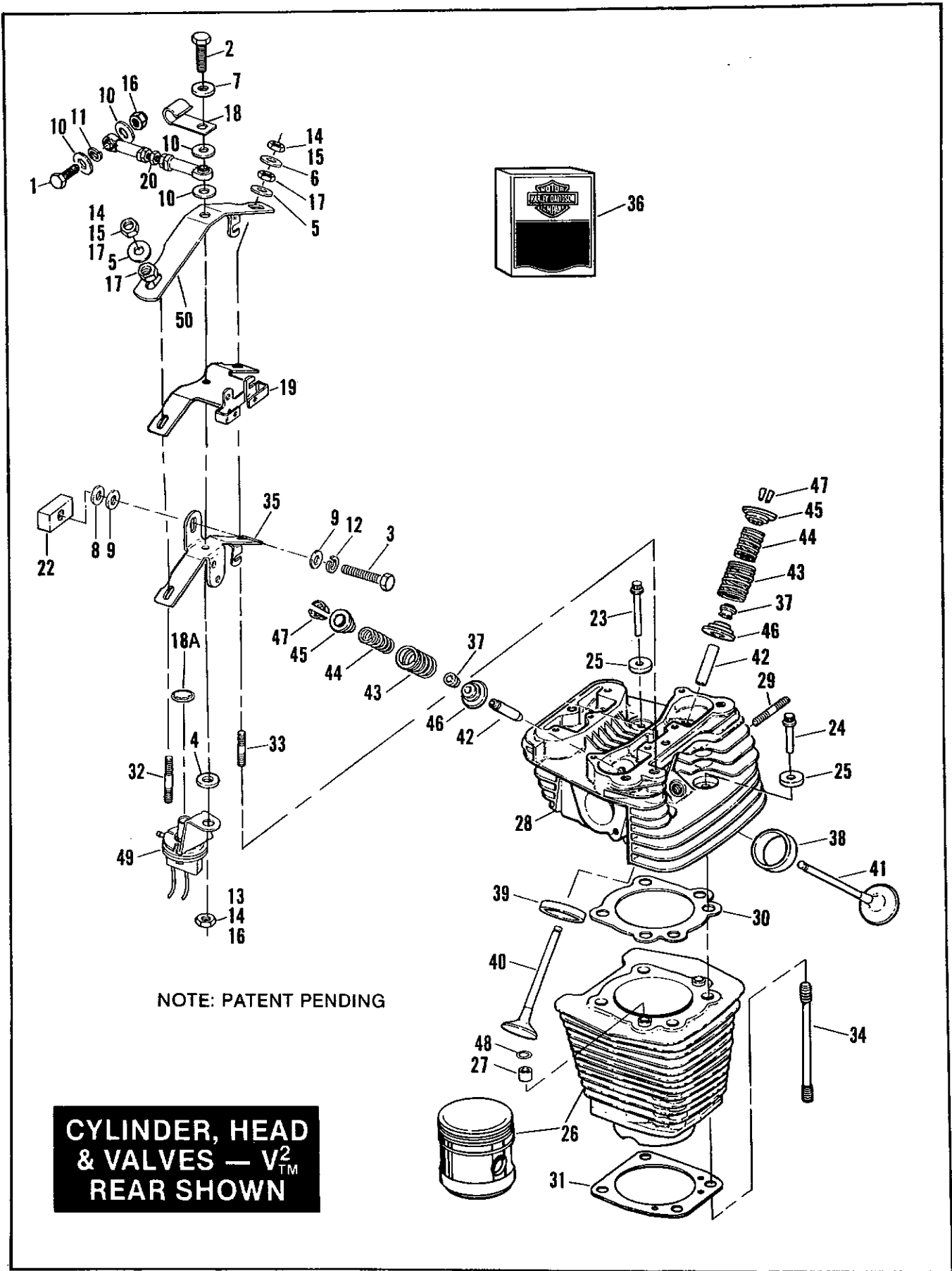
To the best knowledge of Harley-Davidson, Inc., the material contained herein is accurate as of the date this publication was approved for printing. Harley-Davidson, Inc., reserves the right to change specifications, equipment, or designs at any time without notice and without incurring obligation.





INDEX NO.	PART NO.	NAME	FLT MODELS	FXR MODELS	SOFTAIL MODELS
1	4337W	BOLT	87 to 89-ALL	--	--
	4355	BOLT	90*-ALL	--	--
2	4411	BOLT	87*-ALL	--	--
	4721	BOLT (2)	--	87*-ALL	--
3	4726	BOLT	--	--	87*-ALL
4	6016	WASHER	--	--	87*-ALL
5	6019	WASHER (2)	87*-ALL	87*-ALL	87*-ALL
6	6379W	WASHER	87*-ALL	87*-ALL	--
7	6400HB	WASHER	--	87*-ALL	--
8	6497HW	WASHER (as req'd)	--	--	87*-ALL
9	6516HW	WASHER (as req'd)	--	--	87*-ALL
10	6701	WASHER (2; 3-1990 & Later)	87*-ALL	87*-ALL	--
11	7038	LOCKWASHER	87 to 89 -ALL	--	--
12	7039	LOCKWASHER	--	--	87*-ALL
13	7739	LOCKNUT	--	--	87*-ALL
14	7775	LOCKNUT (2-FLT)	87*-ALL	87*-ALL	87*-ALL
15	7776W	LOCKNUT	87*-ALL	87*-ALL	87*-ALL
16	7778	LOCKNUT (2-FXR)	90*-ALL	87*-ALL	--
17	7800W	LOCKNUT (2-Softail)	87*-ALL	87*-ALL	87*-ALL
18	10003	CLAMP	87 to 89 -ALL	90*-ALL	--
18A	11192	RETAINING RING	90*-ALL	--	--
	16101-90	ENGINE ASSY. comp.(1340 cc)	N/A 90*-FA	--	--
	16103-90	ENGINE ASSY. comp.(1340 cc)(Cal. only)	N/A 90*-FA	--	--
	16105-90	ENGINE ASSY. comp.(1340 cc)	N/A --	--	90*-BM
	16106-90	ENGINE ASSY. comp.(1340 cc)(Cal. only)	N/A --	--	90*-BM
	16108-90	ENGINE ASSY. comp.(1340 cc)	--	--	90*-BH/J
	16109-90	ENGINE ASSY. comp.(1340 cc)(Cal. only)	N/A --	--	90*-BH/J
	16114-90	ENGINE ASSY. comp.(1340 cc)	--	90*-EA/C/G/M	--
	16121-90	ENGINE ASSY. comp.(1340 cc)(C & BW)	N/A --	--	90*-BJ/K/L
	16124-90	ENGINE ASSY. comp.(1340 cc)(C & BW)	N/A --	90*-EB/L	--
	16125-90	ENGINE ASSY. comp.(1340 cc)(C & BW)	N/A 90*-DB/J/M/P	--	--
	16126-90	ENGINE ASSY. comp.(1340 cc)(C & BW)	N/A (Cal. only)	--	90*-BJ/K/L
	16127-90	ENGINE ASSY. comp.(1340 cc)(C & BW)	N/A 90*-DB/J/M/P (Cal. only)	--	--
	16128-90	ENGINE ASSY. comp.(1340 cc)(C & BW)	N/A (Cal. only)	90*-EA/C/G/M	--
	16131-90	ENGINE ASSY. comp.(1340 cc)(C & BW)	N/A (Cal. only)	90*-EB/L	--
19	16216-83D	BRACKET, engine mounting	--	87 to 89 -ALL	--
	16216-90	BRACKET, engine mounting	--	90*-ALL	--
20	16219-79A	STABLIZER LINK, top	87*-ALL	87*-ALL	--
22	16284-84	MOUNTING BLOCK	--	--	87*-ALL
23	16478-85A	SCREW, internal thread (4)	87*-ALL	87*-ALL	87*-ALL
24	16480-85A	SCREW, internal thread (4)	87*-ALL	87*-ALL	87*-ALL
25	16482-85	WASHER (8)	87-ALL	87-ALL	87-ALL
26	16510-83A	CYLINDER W/PISTON (2)	87*-ALL	87-EB; 87*-EA/C/G/M	87*-BH/J/M
	16512-86A	CYLINDER W/PISTON (blk wrinkle)(2)	87*-DB/J/M/P	87*-EL;88*-EB	87*-BJ/K/L
27	16573-83	INSERT, cylinder stud (4)	87*-ALL	87*-ALL	87*-ALL

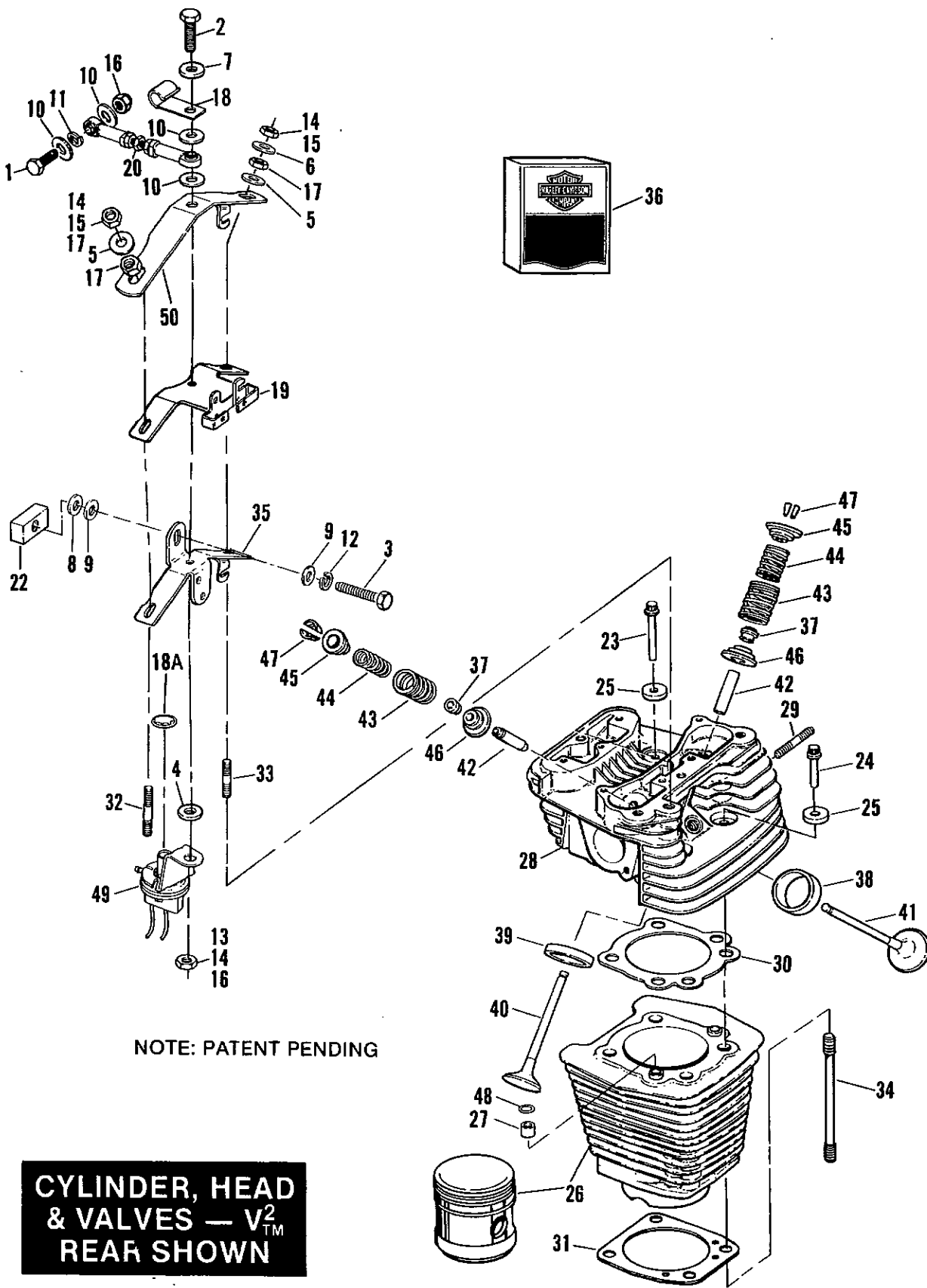
FLT MODELS		FXR MODELS		SOFTAIL MODELS	
FLTC	DB	FXR	EA	FXST	BH
FLHT	DD	FXRS	EB	FLST/C	BJ
FLHTC	DJ	FXRT	EC	FXSTC	BK
FLTC-U	DM	FXRS-SP	EG	FXSTS	BL
FLHTC-U	DP	FXLR	EL	FLSTF	BM
FLHS	FA	FXRS-CON	EM		



**CYLINDERS, VALVES & HEADS-V2™ EVOLUTION (CONT'D)**

INDEX NO.	PART NO.	NAME	FLT MODELS	FXR MODELS	SOFTAIL MODELS
28	16690-85B	HEAD, rear cyl. w/guides & seats	87*-ALL	87-EB; 87*-EAC/G/M	87*-BH/J/M
	16691-85C	HEAD, front cyl. w/guides & seats	87*-ALL	87-EB; 87*-EAC/G/M	87*-BH/J/M
	16692-85C	HEAD, front cyl. w/guides & seats (blk wrkl)	87*-DB/J/M/P	87*-EL;88*-EB	87*-BJ/K/L
	16696-85B	HEAD, rear cyl. w/guides & seats (blk wrkl)	87*-DB/J/M/P	87*-EL;88*-EB	87*-BJ/K/L
29	16715-83	STUD, exhaust port (4)	87*-ALL	87*-ALL	87*-ALL
30	16770-84B	GASKET, cylinder head (2)	87*-ALL	87*-ALL	87*-ALL
31	16774-86B	GASKET, cylinder base (2)	87*-ALL	87*-ALL	87*-ALL
32	16830-29A	STUD, eng. mtg. bracket (short)	87*-ALL	87*-ALL	87*-ALL
33	16831-83	STUD, eng. mtg. bracket (long)	87*-ALL	87*-ALL	87*-ALL
34	16837-85A	STUD, cylinder base (8)	87*-ALL	87*-ALL	87*-ALL
35	16852-83A	BRACKET, engine mounting	--	--	87 to 89-ALL
	16852-90	BRACKET, engine mounting	--	--	90*-ALL
36	17033-83A	GASKET KIT, top overhaul	87*-ALL	87*-ALL	87*-ALL
	17035-83B	GASKET KIT, engine overhaul	87*-ALL	87*-ALL	87*-ALL
37	18001-83A	SEAL, valve (4)	87*-ALL	87*-ALL	87*-ALL
38	18011-86	INSERT, exhaust valve seat (2)	87*-ALL	87*-ALL	87*-ALL
	18124-83	INSERT, exhaust valve seat - 0.005 O.S. (2)	87*-ALL	87*-ALL	87*-ALL
39	18020-83	INSERT, intake valve seat (2)	87*-ALL	87*-ALL	87*-ALL
	18134-83	INSERT, intake valve seat - 0.005 O.S. (2)	87*-ALL	87*-ALL	87*-ALL
40	18074-83A	INTAKE VALVE (2)	87*-ALL	87*-ALL	87*-ALL
	18076-83	INTAKE VALVE, 0.03 short (2)	87*-ALL	87*-ALL	87*-ALL
41	18082-83	EXHAUST VALVE (2)	87*-ALL	87*-ALL	87*-ALL
	18087-83	EXHAUST VALVE, 0.03 short (2)	87*-ALL	87*-ALL	87*-ALL
42	18130-83C	VALVE GUIDE, int. & exh. - 0.001 O. S. (4)	87*-ALL	87*-ALL	87*-ALL
	18131-83C	VALVE GUIDE, int. & exh. - 0.003 O. S. (4)	87*-ALL	87*-ALL	87*-ALL
	18133-83A	VALVE GUIDE, int. & exh. - 0.002 O. S. (4)	87*-ALL	87*-ALL	87*-ALL
43	18201-83	VALVE SPRING, outer (4)	87*-ALL	87*-ALL	87*-ALL
44	18202-83	VALVE SPRING, inner (4)	87*-ALL	87*-ALL	87*-ALL
45	18219-83	COLLAR, valve spring - upper (4)	87*-ALL	87*-ALL	87*-ALL
46	18222-83	COLLAR, valve spring - lower (4)	87*-ALL	87*-ALL	87*-ALL
47	18229-83	RETAINER, valve collar (8)	87*-ALL	87*-ALL	87*-ALL
48	26432-76A	O-RING, cylinder stud insert (4)	87*-ALL	87*-ALL	87*-ALL
49	26555-84	VACUUM SWITCH, carburetor	87 to 89-ALL	--	--
	26555-90	VACUUM SWITCH, carburetor	90*-ALL	--	--
	26557-83	VACUUM SWITCH, carburetor	--	87*-ALL	--
	26558-84	VACUUM SWITCH, carburetor	--	--	87*-ALL
50	47169-83A	BRACKET, engine mounting	87 to 89-ALL	--	--
	47169-90	BRACKET, engine mounting	90*-ALL	--	--

FLT MODELS		FXR MODELS		SOFTAIL MODELS	
FLTC	DB	FXR	EA	FXST	BH
FLHT	DD	FXRS	EB	FLST/C	BJ
FLHTC	OJ	FXRT	EC	FXSTC	BK
FLTC-U	DM	FXRS-SP	EG	FXSTS	BL
FLHTC-U	DP	FXLR	EL	FLSTF	BM
FLHS	FA	FXRS-CON	EM		



INDEX NO.	PART NO.	NAME	FLT MODELS	FXR MODELS	SOFTAIL MODELS
<b>H-D INTERNATIONAL ONLY</b>					
	16107-90	ENGINE ASSY. comp.(1340 cc)(HDI only)N/A	--	--	90*-BH/J
	16115-90	ENGINE ASSY. comp.(1340 cc)(HDI only)N/A	--	90*-EA/C/G/M	--
	16120-90	ENGINE ASSY. comp.(1340 cc)(HDI only)N/A	--	--	90*-BM
	16122-90	ENGINE ASSY. comp.(1340 cc)(C & BW)N/A (HDI only)	--	--	90*-BJ/K/L
	16123-90	ENGINE ASSY. comp.(1340 cc)(C & BW)N/A (HDI only)	--	90*-EB/L	--
	16135-90	ENGINE ASSY. comp.(1340 cc)(HDI only)N/A	90*-FA	--	--
	16136-90	ENGINE ASSY. comp.(1340 cc)(C & BW)N/A (HDI only)	90*-DB/J/M/P	--	--

**FLT MODELS**

FLTC DB  
 FLHT DD  
 FLHTC DJ  
 FLTC-U DM  
 FLHTC-U DP  
 FLHS FA

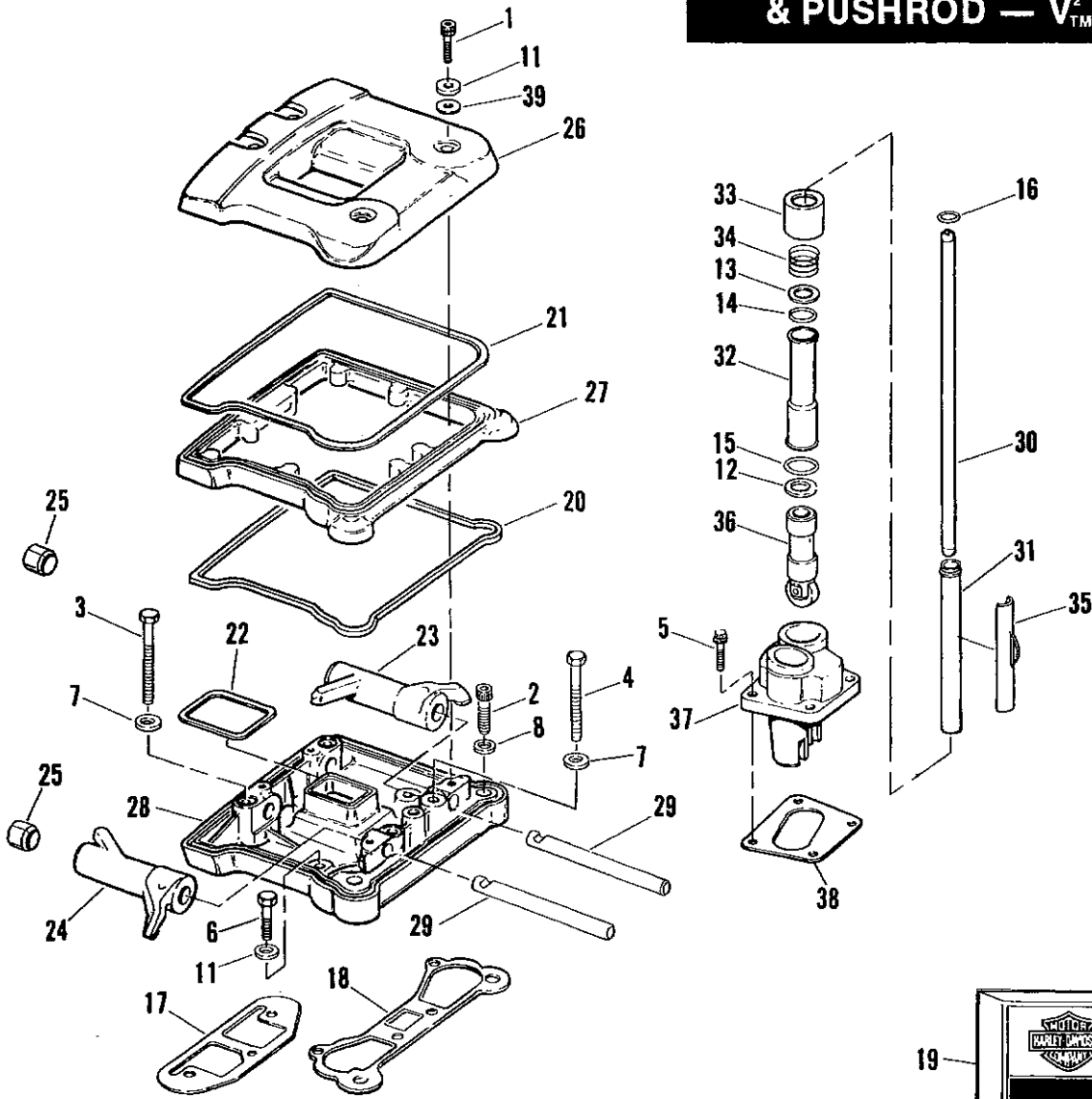
**FXR MODELS**

FXR EA  
 FXRS EB  
 FXRT EC  
 FXRS-SP EG  
 FXLR EL  
 FXRS-CON EM

**SOFTAIL MODELS**

FXST BH  
 FLST/C BJ  
 FXSTC BK  
 FXSTS BL  
 FLSTF BM

# ROCKER ARMS, COVER & PUSHROD — V<sup>2</sup><sub>TM</sub>



NOTE: PATENT PENDING

## ROCKER ARMS, COVERS & PUSH RODS - V<sup>2</sup><sub>tm</sub> EVOLUTION

F2-1

INDEX NO.	PART NO.	NAME	FLT MODELS	FXR MODELS	SOFTAIL MODELS
1	852	SCREW (8)	87*-ALL	87*-ALL	87*-ALL
2	3481	SCREW (4)	87*-ALL	87*-ALL	87*-ALL
3	3500	BOLT (4)	87*-ALL	87*-ALL	87*-ALL
4	3501	BOLT (4)	87*-ALL	87*-ALL	87*-ALL
5	3770	SCREW (8)	87*-ALL	87*-ALL	87*-ALL
6	3997	BOLT (6)	87*-ALL	87*-ALL	87*-ALL
7	6016	WASHER (8)	87*-ALL	87*-ALL	87*-ALL
8	6099	WASHER (4)	87*-ALL	87*-ALL	87*-ALL
11	6736	WASHER (14)	87*-ALL	87*-ALL	87*-ALL

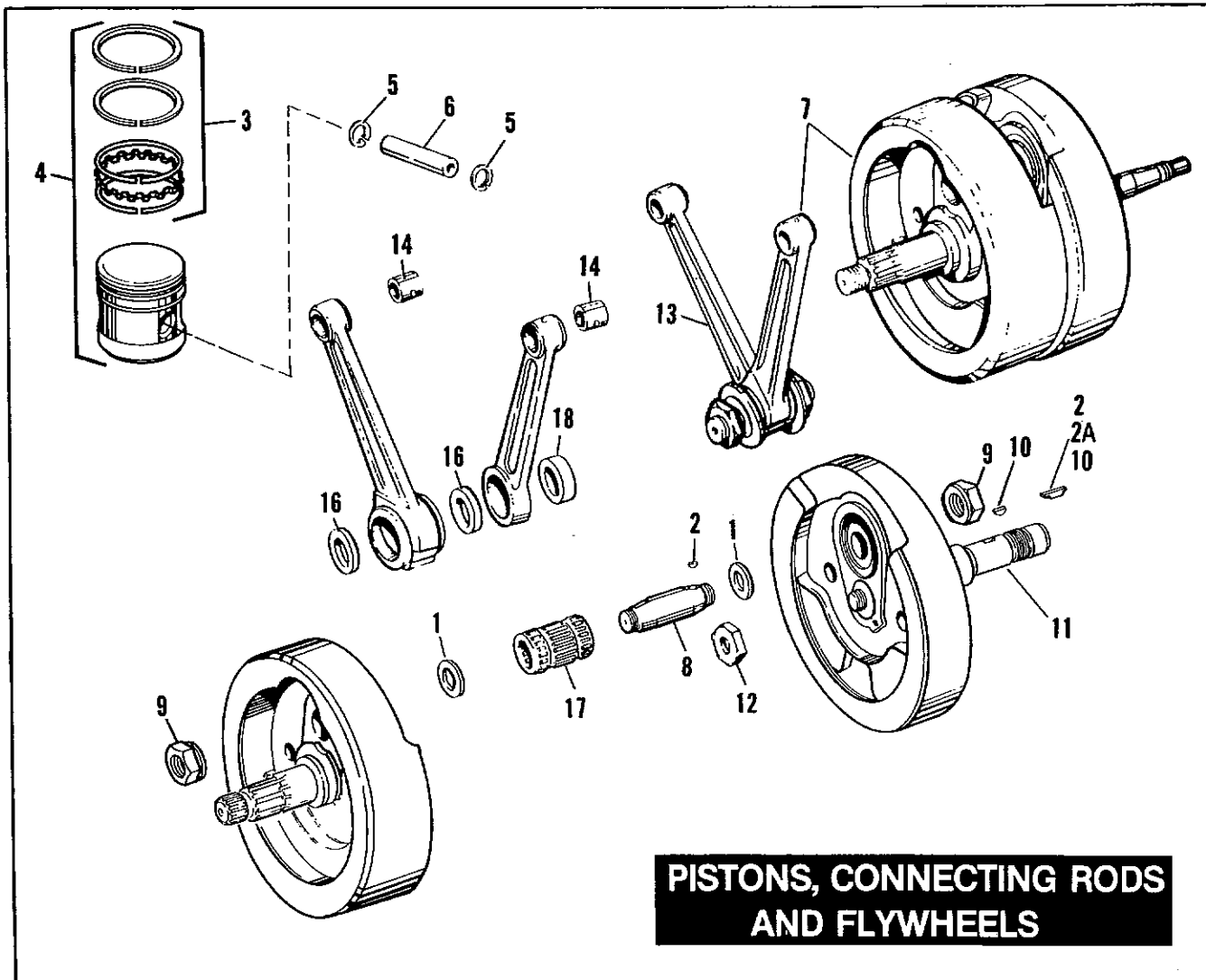
NOTE: PATENT PENDING

**ROCKER ARMS, COVERS & PUSH RODS - V2™ EVOLUTION (CONT'D)**

INDEX NO.	PART NO.	NAME	FLT MODELS	FXR MODELS	SOFTAIL MODELS
12	6737	WASHER	87*-ALL	87*-ALL	87*-ALL
13	6762B	WASHER (4)	87*-ALL	87*-ALL	87*-ALL
14	11132	O-RING, push rod cover	87*-ALL	87*-ALL	87*-ALL
15	11145	QUAD SEAL, push rod cover	87*-ALL	87*-ALL	87*-ALL
16	11157	O-RING	87*-ALL	87*-ALL	87*-ALL
17	16778-84A	GASKET, cylinder head-right (2)	87*-ALL	87*-ALL	87*-ALL
18	16779-84A	GASKET, cylinder head-left (2)	87*-ALL	87*-ALL	87*-ALL
19	17033-83A	GASKET KIT, top overhaul	87*-ALL	87*-ALL	87*-ALL
	17035-83B	GASKET KIT, engine overhaul	87*-ALL	87*-ALL	87*-ALL
20	17355-84A	GASKET, rocker cover-lower (2)	87*-ALL	87*-ALL	87*-ALL
21	17356-84A	GASKET, rocker cover-upper (2)	87*-ALL	87*-ALL	87*-ALL
22	17358-84A	GASKET, rocker cover-inner (2)	87*-ALL	87*-ALL	87*-ALL
23	17360-83	ROCKER ARM, front intake, rear exhaust (2)	87*-ALL	87*-ALL	87*-ALL
24	17375-83	ROCKER ARM, rear intake, front exhaust (2)	87*-ALL	87*-ALL	87*-ALL
25	17428-57	BUSHING, rocker arm (8)	87*-ALL	87*-ALL	87*-ALL
26	17503-84B	ROCKER COVER, outer (2)	87*-ALL	87-EA/B/C/G 88*-EA/C/G/M	87*-BH/J
	17528-84A	ROCKER COVER, outer (chrome)(2)	87*-DB/J/M/P	87*-EL;88*-EB	87*-BJ/K/L/M
27	17510-84	SPACER, rocker covers (2)	87*-ALL	87-EA/B/C/G 88*-EA/C/G/M	87*-BH/J
	17529-84A	SPACER, rocker covers (chrome)(2)	87*-DB/J/M/P	87*-EL;88*-EB	87*-BJ/K/L
	17539-90	SPACER, rocker covers (yellow)(2)	--	--	90*-BM
28	17521-84B	ROCKER COVER, inner (2)	87*-ALL	87-EA/B/C/G 88*-EA/C/G/M	87*-BH/J
	17530-84B	ROCKER COVER, inner (chrome)(2)	87*-DB/J/M/P	87*-EL;88*-EB	87*-BJ/K/L/M
29	17611-83	SHAFT, rocker arm (4)	87*-ALL	87*-ALL	87*-ALL
30	17921-83	PUSH ROD, rear exhaust-11.210" long	87*-ALL	87*-ALL	87*-ALL
	17924-83	PUSH ROD, rear intake-11.045" long	87*-ALL	87*-ALL	87*-ALL
	17927-83	PUSH ROD, front exhaust-11.325" long	87*-ALL	87*-ALL	87*-ALL
	17930-83	PUSH ROD, front intake-11.090" long	87*-ALL	87*-ALL	87*-ALL
31	17935-79B	COVER, push rod- upper (4)	87*-ALL	87*-ALL	87*-ALL
32	17938-83	COVER, push rod- lower (4)	87*-ALL	87*-ALL	87*-ALL
33	17945-36B	CAP, cover spring (4)	87*-ALL	87*-ALL	87*-ALL
34	17947-36	SPRING, push rod cover (4)	87*-ALL	87*-ALL	87*-ALL
35	17950-66	RETAINER, spring cap (4)	87*-ALL	87*-ALL	87*-ALL
36	18523-86	TAPPET, w/roller (4)	87*-ALL	87*-ALL	87*-ALL
37	18540-83A	TAPPET GUIDE, rear	87*-ALL	87-EA/B/C/G 88*-EA/C/G/M	87*-BH/J/M
	18622-85A	TAPPET GUIDE, rear (black wrinkle)	87*-DB/J/M/P	87*-EL;88*-EB	87*-BJ/K/L
	18542-83A	TAPPET GUIDE, front	87*-ALL	87-EA/B/C/G 88*-EA/C/G/M	87*-BH/J/M
	18623-85A	TAPPET GUIDE, front (black wrinkle)	87*-DB/J/M/P	87*-EL;88*-EB	87*-BJ/K/L
38	18633-48D	GASKET, tappet guide-rear	87*-ALL	87*-ALL	87*-ALL
	18634-48C	GASKET, tappet guide-front	87*-ALL	87*-ALL	87*-ALL
39	63858-49	WASHER (8)	87*-ALL	87*-ALL	87*-ALL

**NOTE: PATENT PENDING**

FLT MODELS		FXR MODELS		SOFTAIL MODELS	
FLTC	DB	FXR	EA	FXST	BH
FLHT	DD	FXRS	EB	FLST/C	BJ
FLHTC	DJ	FXRT	EC	FXSTC	BK
FLTC-U	DM	FXRS-SP	EG	FXSTS	BL
FLHTC-U	DP	FXLR	EL	FLSTF	BM
FLHS	FA	FXRS-CON	EM		



**PISTONS, CONNECTING RODS  
AND FLYWHEELS**



# PISTONS, CONNECTING RODS & FLYWHEELS

F3

INDEX NO.	PART NO.	NAME	FLT MODELS	FXR MODELS	SOFTAIL MODELS
1	6506	WASHER (bronze)(2)	87*-ALL	87*-ALL	87*-ALL
2	11218	KEY, crank pin & gearshaft (2-1987 & 1988)	87*-ALL	87*-ALL	87*-ALL
2A	11219	T-KEY	90*-ALL	90*-ALL	90*-ALL
3	21920-83	PISTON RING SET-std. (2)	87*-ALL	87*-ALL	87*-ALL
	21921-83	PISTON RING SET-0.005" O.S. (2)	87*-ALL	87*-ALL	87*-ALL
	21922-83	PISTON RING SET-0.010" O.S. (2)	87*-ALL	87*-ALL	87*-ALL
	21923-83	PISTON RING SET-0.020" O.S. (2)	87*-ALL	87*-ALL	87*-ALL
	21924-83	PISTON RING SET-0.030" O.S. (2)	87*-ALL	87*-ALL	87*-ALL
4	21940-83	PISTON AND RINGS ASSY.-std. (2)	87*-ALL	87*-ALL	87*-ALL
	21941-83	PISTON AND RINGS ASSY.-0.005" O.S. (2)	87*-ALL	87*-ALL	87*-ALL
	21942-83	PISTON AND RINGS ASSY.-0.010" O.S. (2)	87*-ALL	87*-ALL	87*-ALL
	21943-83	PISTON AND RINGS ASSY.-0.020" O.S. (2)	87*-ALL	87*-ALL	87*-ALL
	21944-83	PISTON AND RINGS ASSY.-0.030" O.S. (2)	87*-ALL	87*-ALL	87*-ALL
5	22589-83A	LOCK RING, piston pin (4)	87*-ALL	87*-ALL	87*-ALL
6	22764-83	PISTON PIN (2)	87*-ALL	87*-ALL	87*-ALL
7	23906-87A	SET OF FLYWHEELS & SHAFTS W/RODS	87 to 89-ALL	87 to 89-ALL	87 to 89-ALL
	23906-90	SET OF FLYWHEELS & SHAFTS W/RODS	90*-ALL	90*-ALL	90*-ALL
8	23961-80A	CRANK PIN-std.	87*-ALL	87*-ALL	87*-ALL
	23974-87	CRANK PIN-0.001" O.S.	87*-ALL	87*-ALL	87*-ALL
	23975-87	CRANK PIN-0.002" O.S.	87*-ALL	87*-ALL	87*-ALL
9	23969-83	NUT, crank pin (2)	87*-ALL	87*-ALL	87*-ALL
10	23985-54	KEY, gear shaft pinion (2-1989)	87 to 89-ALL	87 to 89-ALL	87 to 89-ALL
11	24006-87	GEAR SHAFT-std.	87&88-ALL	87&88-ALL	87&88-ALL
	24020-87	GEAR SHAFT-0.001" O.S.	87&88-ALL	87&88-ALL	87&88-ALL
	24021-87	GEAR SHAFT-0.002" O.S.	87&88-ALL	87&88-ALL	87&88-ALL
12	24016-80	NUT, gear shaft	87&88-ALL	87&88-ALL	87&88-ALL
13	24281-83	SET OF RODS W/BRGS. & CRANK PIN	87*-ALL	87*-ALL	87*-ALL
14	24334-36	BUSHING, piston pin-0.002" O.S. (2)	87*-ALL	87*-ALL	87*-ALL
	24335-36	BUSHING, piston pin-0.010" O.S. (2)	87*-ALL	87*-ALL	87*-ALL
16	24345-36A	BUSHING, rear conn. rod - lower (2)	87*-ALL	87*-ALL	87*-ALL
17	24346-87A	BEARING SET	87*-ALL	87*-ALL	87*-ALL
18	24356-36A	BUSHING, front conn. rod - lower	87*-ALL	87*-ALL	87*-ALL

**FLT MODELS**

FLTC DB  
 FLHT DD  
 FLHTC DJ  
 FLTC-U DM  
 FLHTC-U DP  
 FLHS FA

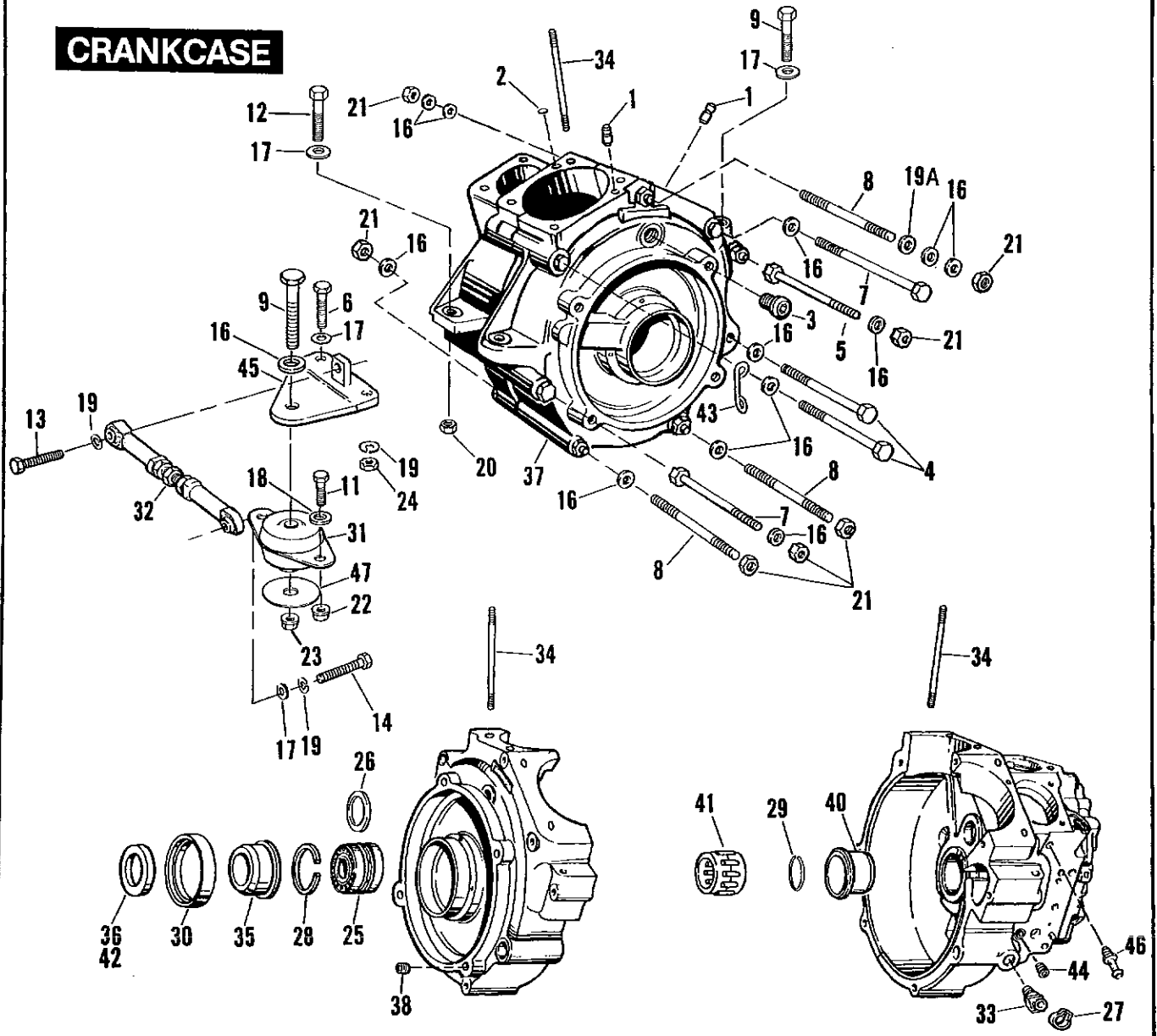
**FXR MODELS**

FXR EA  
 FXRS EB  
 FXRT EC  
 FXRS-SP EG  
 FXLR EL  
 FXRS-CON EM

**SOFTAIL MODELS**

FXST BH  
 FLST/C BJ  
 FXSTC BK  
 FXSTS BL  
 FLSTF BM

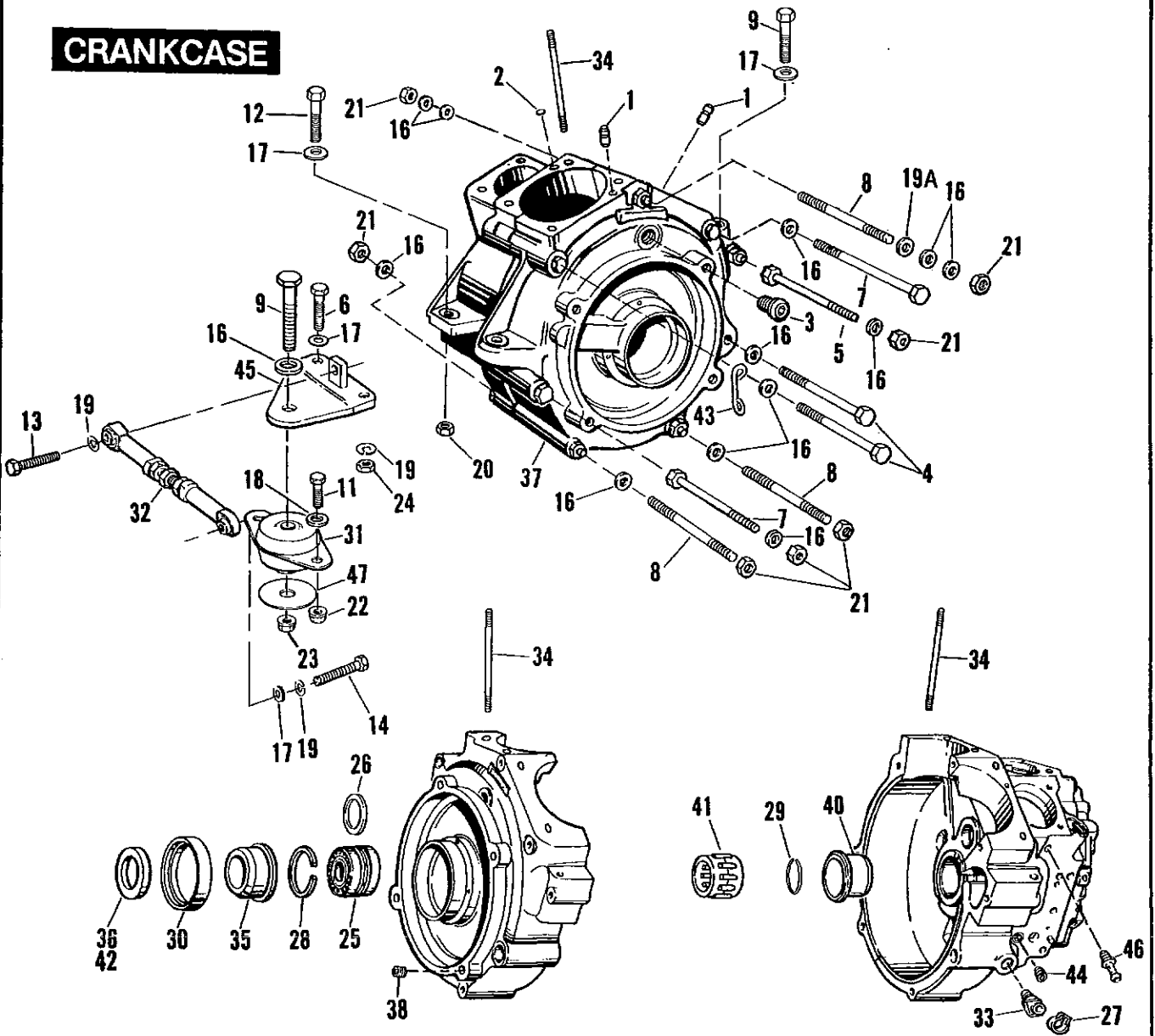
# CRANKCASE



INDEX NO.	PART NO.	NAME	FLT MODELS	FXR MODELS	SOFTAIL MODELS
1	358	DOWEL PIN (2)	87*-ALL	87*-ALL	87*-ALL
2	653	EXPANSION PLUG	87*-ALL	87*-ALL	87*-ALL
3	720	PLUG, timing hole	87*-ALL	87*-ALL	87*-ALL
4	3427	BOLT (2)	87*-ALL	87*-ALL	87*-ALL
5	3430	BOLT	87*-ALL	87*-ALL	87*-ALL
7	3504	BOLT (2)	87*-ALL	87*-ALL	87*-ALL
8	3506	STUD (3)	87*-ALL	87*-ALL	87*-ALL
9	3512	BOLT (2)	87*-ALL	87*-ALL	87*-ALL
	3528	BOLT (2)	88*-ALL	88*-ALL	--
10	3554	BOLT (2)	87*-ALL	87*-ALL	87*-ALL
11	4319	BOLT (2)	87*-ALL	87*-ALL	--
12	4416	BOLT (2)	--	--	87*-ALL
13	4716W	BOLT	87*-ALL	87*-ALL	--
14	4721	BOLT	89*-ALL	87*-ALL	--
	4724	BOLT	87&88- ALL	--	--
16	6016	WASHER (18;16-Softail)	87*-ALL	87*-ALL	87*-ALL
17	6019	WASHER (6)	87*-ALL	87*-ALL	87*-ALL
19	7038	LOCKWASHER (4)	87*-ALL	87*-ALL	--
19A	7232	LOCKWASHER	88*-ALL	88*-ALL	88*-ALL
20	7506	LOCKNUT (4)	--	--	87*-ALL
21	7753	NUT (9)	87*-ALL	87*-ALL	87*-ALL
22	7780	LOCKNUT (2)	87*-ALL	87*-ALL	--
23	7782	NUT	87*-ALL	87*-ALL	--
24	7783	NUT (2)	87*-ALL	87*-ALL	--
25	9028	BEARING ASSY., sprocket shaft	87*-ALL	87*-ALL	87*-ALL
26	9110	SHIM, brg. assy. 0.0905-.0895"	87*-ALL	87*-ALL	87*-ALL
	9120	SHIM, brg. assy. 0.0925-.0915"	87*-ALL	87*-ALL	87*-ALL
	9121	SHIM, brg. assy. 0.0945-.0935"	87*-ALL	87*-ALL	87*-ALL
	9122	SHIM, brg. assy. 0.0965-.0955"	87*-ALL	87*-ALL	87*-ALL
	9123	SHIM, brg. assy. 0.0985-.0975"	87*-ALL	87*-ALL	87*-ALL
	9124	SHIM, brg. assy. 0.1005-.0995"	87*-ALL	87*-ALL	87*-ALL
	9125	SHIM, brg. assy. 0.1025-.1015"	87*-ALL	87*-ALL	87*-ALL
	9126	SHIM, brg. assy. 0.1045-.1035"	87*-ALL	87*-ALL	87*-ALL
	9127	SHIM, brg. assy. 0.1065-.1055"	87*-ALL	87*-ALL	87*-ALL
	9128	SHIM, brg. assy. 0.1085-.1075"	87*-ALL	87*-ALL	87*-ALL
	9129	SHIM, brg. assy. 0.1105-.1095"	87*-ALL	87*-ALL	87*-ALL
	9130	SHIM, brg. assy. 0.1125-.1115"	87*-ALL	87*-ALL	87*-ALL
	9131	SHIM, brg. assy. 0.1145-.1135"	87*-ALL	87*-ALL	87*-ALL
	9132	SHIM, brg. assy. 0.1165-.1155"	87*-ALL	87*-ALL	87*-ALL
	9133	SHIM, brg. assy. 0.1185-.1175"	87*-ALL	87*-ALL	87*-ALL
	9134	SHIM, brg. assy. 0.1205-.1195"	87*-ALL	87*-ALL	87*-ALL
27	10080	CLAMP	87*-ALL	87*-ALL	87*-ALL
28	11160A	RETAINING RING brg.-left	87*-ALL	87*-ALL	87*-ALL
29	11177	RETAINING RING brg.-right	87*-ALL	87*-ALL	87*-ALL
30	12028B	OIL SEAL	87*-ALL	87*-ALL	87*-ALL

FLT MODELS		FXR MODELS		SOFTAIL MODELS	
FLTC	DB	FXR	EA	FXST	BH
FLHT	DD	FXRS	EB	FLST/C	BJ
FLHTC	DJ	FXRT	EC	FXSTC	BK
FLTC-U	DM	FXRS-SP	EG	FXSTS	BL
FLHTC-U	DP	FXLR	EL	FLSTF	BM
FLHS	FA	FXRS-CON	EM		

# CRANKCASE

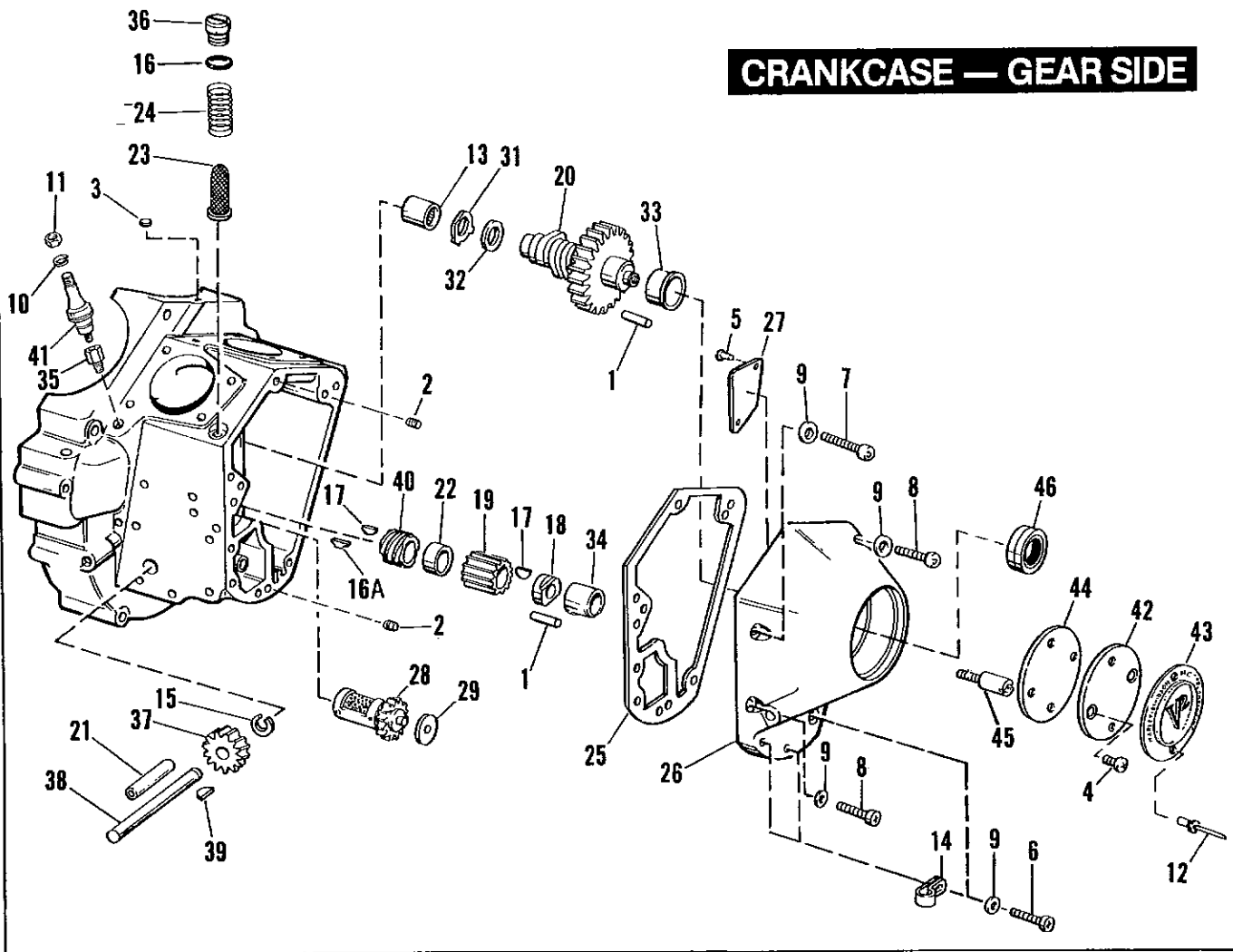


**CRANKCASE (CONT'D)**

INDEX NO.	PART NO.	NAME	FLT MODELS	FXR MODELS	SOFTAIL MODELS
31	16207-79B	ENGINE MOUNT, front	87*-ALL	87*-ALL	--
32	16219-79A	STABILIZER LINK, lower	87*-ALL	87*-ALL	--
33	16302-81	FITTING, crankcase	--	--	87*-ALL
	16304-87	FITTING, crankcase	87*-ALL	87*-ALL	--
34	16837-85A	STUD, cylinder base (8)	87*-ALL	87*-ALL	87*-ALL
35	24002-70	SPACER, sprocket shaft	87*-ALL	87*-ALL	87*-ALL
36	24032-70	SPACER, sprocket shaft-0.060" thk.	87*-ALL	87*-ALL	87*-ALL
	24033-70	SPACER, sprocket shaft-0.090" thk.	87*-ALL	87*-ALL	87*-ALL
	24034-70	SPACER, sprocket shaft-0.120" thk.	87*-ALL	87*-ALL	87*-ALL
	24035-70	SPACER, sprocket shaft-0.150" thk.	87*-ALL	87*-ALL	87*-ALL
	24036-70	SPACER, sprocket shaft-0.180" thk.	87*-ALL	87*-ALL	87*-ALL
	24037-70	SPACER, sprocket shaft-0.210" thk.	87*-ALL	87*-ALL	87*-ALL
37	24473-85B	SET OF CRANKCASES (black wrinkle)	87*-DB/J/M/P	87*-EL;88*-EB	87*-BJ/K
	24469-83B	SET OF CRANKCASES	87*-ALL	87*-EA/B/C/G; 88*-EA/C/G/M	87*-BH/J/M
38	24553-83	INSERT, left crankcase (4)	N/A	87*-ALL	87*-ALL
40	24599-58A	BUSHING, right crankcase-std.	87*-ALL	87*-ALL	87*-ALL
	24600-58A	BUSHING, right crankcase-0.002" O.S. O.D.	87*-ALL	87*-ALL	87*-ALL
	24601-58A	BUSHING, right crankcase-0.005" O.S. O.D.	87*-ALL	87*-ALL	87*-ALL
41	24626-87	BEARING SET, gear side (white/grey)	87*-ALL	87*-ALL	87*-ALL
	24628-87	BEARING SET, gear side (green)	87*-ALL	87*-ALL	87*-ALL
	24641-87	BEARING SET, gear side (red)	87*-ALL	87*-ALL	87*-ALL
	24643-87	BEARING SET, gear side (blue)	87*-ALL	87*-ALL	87*-ALL
42	35850-84	SPACER, sprocket shaft-0.010" thk.	87*-ALL	87*-ALL	87*-ALL
	35851-84	SPACER, sprocket shaft-0.020" thk.	87*-ALL	87*-ALL	87*-ALL
	35852-84	SPACER, sprocket shaft-0.030" thk.	87*-ALL	87*-ALL	87*-ALL
43	45095-85	RETAINER, connector plug	87&88-ALL	87&88-ALL	87&88-ALL
44	45830-48	PLUG, crankcase oil line	87&88-ALL	87&88-ALL	87&88-ALL
45	47159-79A	BRACKET, front engine mount	87*-ALL	87*-ALL	--
46	63533-41	FITTING, oil hose	87*-ALL	87*-ALL	87*-ALL
47	96210-80	WASHER	87*-ALL	87*-ALL	--

FLT MODELS		FXR MODELS		SOFTAIL MODELS	
FLTC	DB	FXR	EA	FXST	BH
FLHT	DD	FXRS	EB	FLST/C	BJ
FLHTC	DJ	FXRT	EC	FXSTC	BK
FLTC-U	DM	FXRS-SP	EG	FXSTS	BL
FLHTC-U	DP	FXLR	EL	FLSTF	BM
FLHS	FA	FXRS-CON	EM		

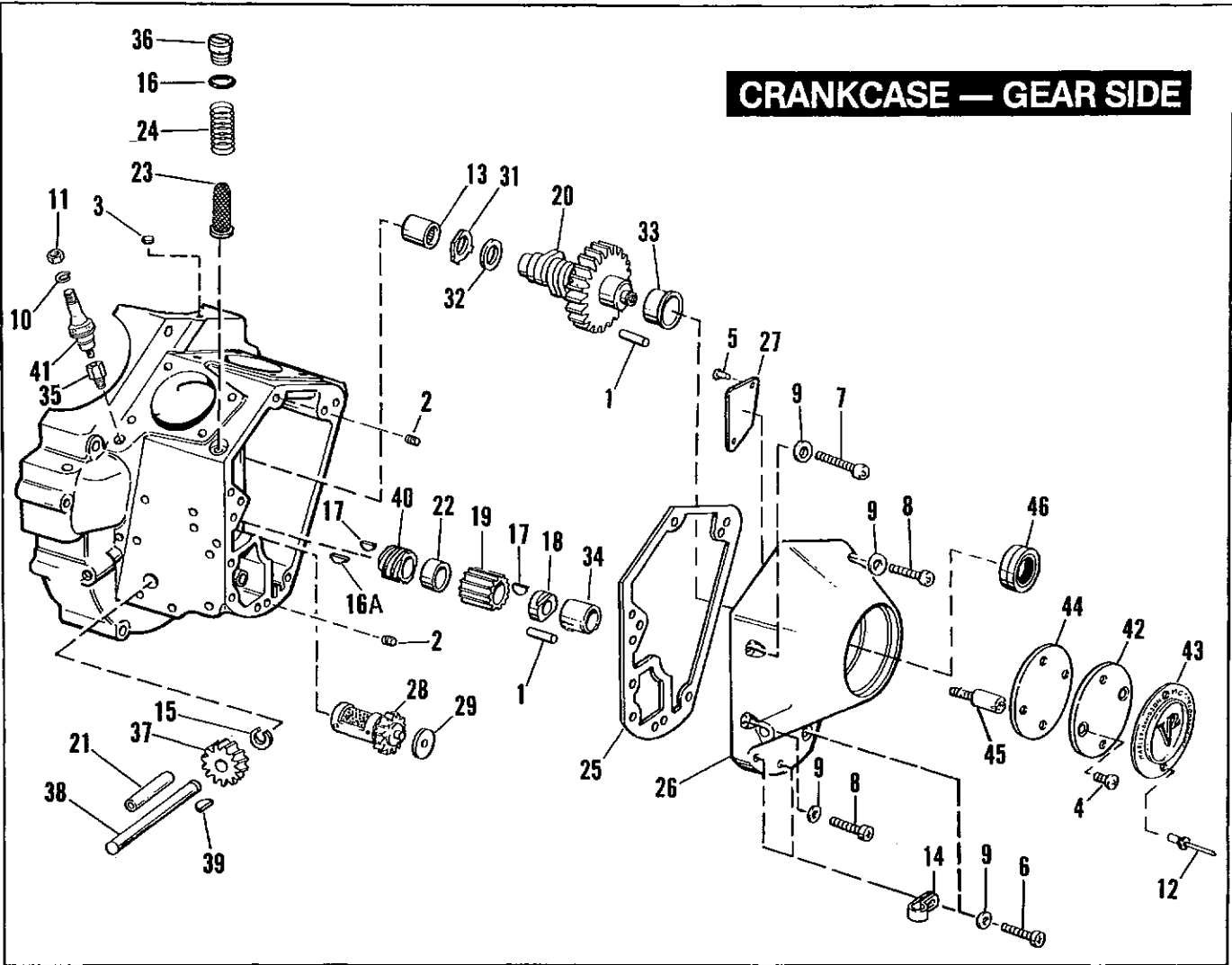
# CRANKCASE — GEAR SIDE



INDEX NO.	PART NO.	NAME	FLT MODELS	FXR MODELS	SOFTAIL MODELS
1	275	DOWEL PIN (2-as req'd)	87*-ALL	87*-ALL	87*-ALL
2	358	DOWEL PIN (2)	87*-ALL	87*-ALL	87*-ALL
3	653	PLUG, crankcase	87*-ALL	87*-ALL	87*-ALL
4	1601	SCREW (2)	87*-ALL	87*-ALL	87*-ALL
5	2511	SCREW (2)	87*-ALL	87*-ALL	87*-ALL
6	4718A	SCREW (3)	--	87*-ALL	--
	4740A	SCREW (3)	87*-ALL	--	87*-ALL
7	4810	SCREW	87*-ALL	87*-ALL	87*-ALL
8	4813A	SCREW (2)	87*-ALL	87*-ALL	87*-ALL
9	6099	WASHER (6)	87*-ALL	87*-ALL	87*-ALL
10	7069	LOCKWASHER	--	87*-ALL	87*-ALL
11	7634	NUT	--	87*-ALL	87*-ALL
12	8699	RIVET, ignition cover (2)	87*-ALL	87*-ALL	87*-ALL
13	9058	NEEDLE BEARING, crkc. cam cover	87*-ALL	87*-ALL	87*-ALL
14	10046	CLAMP, ignition wire	--	87*-ALL	--
15	11002	RETAINING RING, oil pump drive shaft.	87*-ALL	87*-ALL	87*-ALL
16	11105	O-RING	87*-ALL	87*-ALL	87*-ALL
16A	11219	T-KEY	90*-ALL	90*-ALL	90*-ALL
17	23985-54	KEY, gear shaft (2)	87 to 89-ALL	87 to 89-ALL	87 to 89-ALL
18	24022-90	NUT, gear shaft	90*-ALL	90*-ALL	90*-ALL
	24023-54	NUT, gear shaft	87 to 89-ALL	87 to 89-ALL	87 to 89-ALL
19	24040-78	PINION GEAR, 1.4751-56 pd. (orn.)	87 to 89-ALL	87 to 89-ALL	87 to 89-ALL
	24040-90	PINION GEAR, 1.4850-53 pd. (orn.)	90*-ALL	90*-ALL	90*-ALL
	24041-78	PINION GEAR, 1.4745-51 pd. (wht.)	87 to 89-ALL	87 to 89-ALL	87 to 89-ALL
	24041-90	PINION GEAR, 1.4846-49 pd. (wht.)	90*-ALL	90*-ALL	90*-ALL
	24042-78	PINION GEAR, 1.4737-45 pd. (yel.)	87 to 89-ALL	87 to 89-ALL	87 to 89-ALL
	24042-90	PINION GEAR, 1.4842-45 pd. (yel.)	90*-ALL	90*-ALL	90*-ALL
	24043-78	PINION GEAR, 1.4729-37 pd. (red)	87 to 89-ALL	87 to 89-ALL	87 to 89-ALL
	24043-90	PINION GEAR, 1.4838-41 pd. (red)	90*-ALL	90*-ALL	90*-ALL
	24044-78	PINION GEAR, 1.4721-29 pd. (blue)	87 to 89-ALL	87 to 89-ALL	87 to 89-ALL
	24044-90	PINION GEAR, 1.4834-37 pd. (blue)	90*-ALL	90*-ALL	90*-ALL
	24045-78	PINION GEAR, 1.4715-21 pd. (grn.)	87 to 89-ALL	87 to 89-ALL	87 to 89-ALL
	24045-90	PINION GEAR, 1.4830-33 pd. (grn.)	90*-ALL	90*-ALL	90*-ALL
	24046-78	PINION GEAR, 1.4710-15 pd. (blk.)	87 to 89-ALL	87 to 89-ALL	87 to 89-ALL
	24046-90	PINION GEAR, 1.4826-29 pd. (blk.)	90*-ALL	90*-ALL	90*-ALL
20	24581-88	SET OF CAM & PINION GEARS (matched) (Cal. only)	87 to 89-ALL	87 to 89-ALL	87 to 89-ALL
	24581-90	SET OF CAM & PINION GEARS (matched) (Cal. only)	90*-ALL	90*-ALL	90*-ALL
	24582-83A	SET OF CAM & PINION GEARS (matched)	87-ALL	87-ALL	87-ALL
	24582-88	SET OF CAM & PINION GEARS (matched)	87 to 89-ALL	87 to 89-ALL	87 to 89-ALL
	24582-90	SET OF CAM & PINION GEARS (matched)	90*-ALL	90*-ALL	90*-ALL
21	24641-36	BUSHING, oil pump shaft	87*-ALL	87*-ALL	87*-ALL
22	24703-54B	SPACER, pinion gear shaft	87 to 89-ALL	87 to 89-ALL	87 to 89-ALL
	24704-90	SPACER, pinion gear shaft	90*-ALL	90*-ALL	90*-ALL
23	24981-70	OIL SCREEN, crankcase	87*-ALL	87*-ALL	87*-ALL
24	24982-70	SPRING, oil screen	87*-ALL	87*-ALL	87*-ALL
25	25225-70B	GASKET, gear cover	87*-ALL	87*-ALL	87*-ALL
26	25258-80B	GEAR COVER, w/#5,27&46	87*-ALL	87-EA/B/C/G; 88*-EA/C/G/M	87*-BH/J
	25268-84A	GEAR COVER, w/#5,27&46 (chrome)	87*-DB/J/M/P	87*-EL;88*-EB	87*-BJ/K/L/M
27	25275-82	COVER, breather valve	87*-ALL	87*-ALL	87*-ALL

FLT MODELS		FXR MODELS		SOFTAIL MODELS	
FLTC	DB	FXR	EA	FXST	BH
FLHT	DD	FXRS	EB	FLST/C	BJ
FLHTC	DJ	FXRT	EC	FXSTC	BK
FLTC-U	DM	FXRS-SP	EG	FXSTS	BL
FLHTC-U	DP	FXLR	EL	FLSTF	BM
FLHS	FA	FXRS-CON	EM		

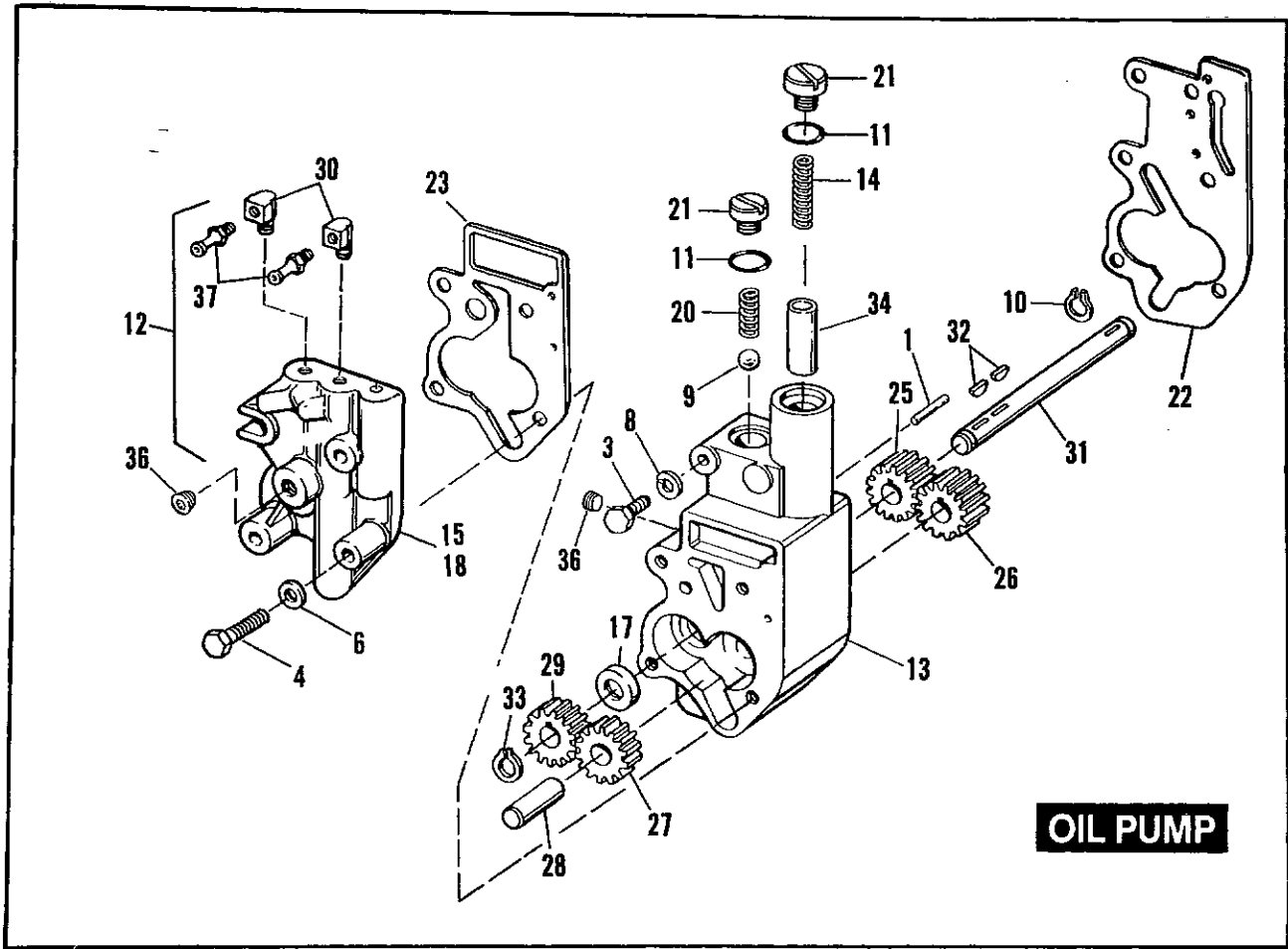
# CRANKCASE — GEAR SIDE





INDEX NO.	PART NO.	NAME	FLT MODELS	FXR MODELS	SOFTAIL MODELS
28	25310-82A	BREATHER VALVE W/GEAR	87*-ALL	87*-ALL	87*-ALL
29	25320-82	THRUST WASHER, brthr valve-0.130" thk.	87*-ALL	87*-ALL	87*-ALL
	25321-82	THRUST WASHER, brthr valve-0.135" thk.	87*-ALL	87*-ALL	87*-ALL
	25322-82	THRUST WASHER, brthr valve-0.140" thk.	87*-ALL	87*-ALL	87*-ALL
	25323-82	THRUST WASHER, brthr valve-0.145" thk.	87*-ALL	87*-ALL	87*-ALL
	25325-82	THRUST WASHER, brthr valve-0.150" thk.	87*-ALL	87*-ALL	87*-ALL
	25326-82	THRUST WASHER, brthr valve-0.155" thk.	87*-ALL	87*-ALL	87*-ALL
	25327-82	THRUST WASHER, brthr valve-0.160" thk.	87*-ALL	87*-ALL	87*-ALL
	25328-82	THRUST WASHER, brthr valve-0.165" thk.	87*-ALL	87*-ALL	87*-ALL
31	25550-57	LOCKWASHER, cam gear	87*-ALL	87*-ALL	87*-ALL
32	25555-84	THRUST WASHER, cam gear-0.045" thk.	87-ALL	87-ALL	87-ALL
	25550-36	THRUST WASHER, cam gear-0.050" thk.	87-ALL	87-ALL	87-ALL
	25551-36	THRUST WASHER, cam gear-0.055" thk.	87-ALL	87-ALL	87-ALL
	25552-36	THRUST WASHER, cam gear-0.060" thk.	87-ALL	87-ALL	87-ALL
	25553-36	THRUST WASHER, cam gear-0.065" thk.	87-ALL	87-ALL	87-ALL
	25554-36	THRUST WASHER, cam gear-0.070" thk.	87-ALL	87-ALL	87-ALL
	25555-36	THRUST WASHER, cam gear-0.075" thk.	87-ALL	87-ALL	87-ALL
	25556-79	THRUST WASHER, cam gear-0.080" thk.	87-ALL	87-ALL	87-ALL
	25557-79	THRUST WASHER, cam gear-0.085" thk.	87-ALL	87-ALL	87-ALL
	25558-79	THRUST WASHER, cam gear-0.090" thk.	87-ALL	87-ALL	87-ALL
	25559-79	THRUST WASHER, cam gear-0.095" thk.	87-ALL	87-ALL	87-ALL
33	25581-70	BUSHING, gear cover	87*-ALL	87*-ALL	87*-ALL
34	25582-73	BUSHING, gear cover pinion shaft	87*-ALL	87*-ALL	87*-ALL
35	26052-86	FITTING, oil pressure	87*-ALL	--	--
36	26263-80	PLUG, oil screen	87*-ALL	87*-ALL	87*-ALL
37	26345-73	DRIVE GEAR, oil pump-24T	87*-ALL	87*-ALL	87*-ALL
38	26346-70	DRIVE SHAFT, oil pump	87*-ALL	87*-ALL	87*-ALL
39	26348-15	KEY, drive shaft	87*-ALL	87*-ALL	87*-ALL
40	26349-84	DRIVE GEAR, oil pump	87 to 89-ALL	87 to 89-ALL	87 to 89-ALL
	26354-90	DRIVE GEAR, oil pump	90*-ALL	90*-ALL	90*-ALL
41	26561-84	OIL PRESSURE SWITCH	87*-FA	87*-ALL	87*-ALL
	74406-87	OIL PRESSURE SWITCH	87*-DB/D/J/M/P	--	--
42	32504-80	COVER, inner	87*-ALL	87*-ALL	87*-ALL
43	32524-83	TIMER COVER	87*-ALL	87*-ALL	87*-BH/J/K/L
	32525-89	TIMER COVER	--	--	90*-BM
44	32591-80	GASKET, ignition cover	87*-ALL	87*-ALL	87*-ALL
45	32606-82	SCREW (2)	87*-ALL	87*-ALL	87*-ALL
46	83162-51	OIL SEAL, bearing	87*-ALL	87*-ALL	87*-ALL

FLT MODELS		FXR MODELS		SOFTAIL MODELS	
FLTC	DB	FXR	EA	FXST	BH
FLHT	DD	FXRS	EB	FLST/C	BJ
FLHTC	DJ	FXRT	EC	FXSTC	BK
FLTC-U	DM	FXRS-SP	EG	FXSTS	BL
FLHTC-U	DP	FXLR	EL	FLSTF	BM
FLRS	FA	FXRS-CON	EM		



INDEX NO.	PART NO.	NAME	FLT MODELS	FXR MODELS	SOFTAIL MODELS
1	239	PIN, valve stop	87*-ALL	87*-ALL	87*-ALL
3	2872W	BOLT (2)	87*-ALL	87*-ALL	87*-ALL
4	3429	BOLT (4)	87*-ALL	87*-ALL	87*-ALL
6	6738	WASHER (4)	87*-ALL	87*-ALL	87*-ALL
8	7036	LOCKWASHER (2)	87*-ALL	87*-ALL	87*-ALL
9	8873	BALL, check valve-3/8" dia.	87*-ALL	87*-ALL	87*-ALL
10	11002	RETAINING RING, oil pump	87*-ALL	87*-ALL	87*-ALL
11	11105	O-RING, check valve cover screw (2)	87*-ALL	87*-ALL	87*-ALL
12	26058-84	COVER ASSY., oil pump w/#18,30&37	N/A --	87*-ALL	--
13	26190-73	OIL PUMP KIT	87*-ALL	87*-ALL	87*-ALL
14	26207-83	SPRING, relief valve	87*-ALL	87*-ALL	87*-ALL
15	26216-84	COVER, oil pump	87*-ALL	87*-ALL	87*-ALL
17	26227-58	OIL SEAL	87*-ALL	87*-ALL	87*-ALL
18	26234-84	COVER KIT, oil pump w/ #30 & 37	87*-ALL	87*-ALL	87*-ALL
	26242-84	COVER, oil pump	87*-ALL	87*-ALL	87*-ALL
20	26262-80	SPRING, check valve	87*-ALL	87*-ALL	87*-ALL
21	26263-80	COVER SCREW, check & relief valves	87*-ALL	87*-ALL	87*-ALL
22	26273-80B	GASKET, body (paper)	87*-ALL	87*-ALL	87*-ALL
23	26276-80A	GASKET, cover (paper)	87*-ALL	87*-ALL	87*-ALL
24	26277-84	COVER ASSY., oil pump w/#18,30&37	N/A --	--	87*-ALL
	26285-82A	COVER ASSY., oil pump w/#18,30&37	N/A 87*-ALL	--	--
25	26315-68A	DRIVE GEAR	87*-ALL	87*-ALL	87*-ALL
26	26317-68A	IDLER GEAR	87*-ALL	87*-ALL	87*-ALL
27	26326-62A	DRIVE IDLER GEAR	87*-ALL	87*-ALL	87*-ALL
28	26327-68	IDLER GEAR	87*-ALL	87*-ALL	87*-ALL
29	26328-74	DRIVE GEAR	87*-ALL	87*-ALL	87*-ALL
30	26338-68	ELBOW, oil pump (2)	87*-ALL	87*-ALL	87*-ALL
31	26346-70	DRIVE SHAFT	87*-ALL	87*-ALL	87*-ALL
32	26348-15	KEY, drive shaft (2)	87*-ALL	87*-ALL	87*-ALL
33	26348-36	RETAINING RING, drive shaft	87*-ALL	87*-ALL	87*-ALL
34	26400-82	VALVE, oil pump	87*-ALL	87*-ALL	87*-ALL
36	45830-48	PLUG (2)	87*-ALL	87*-ALL	87*-ALL
37	63533-41	FITTING, oil line hose (2)	87*-ALL	87*-ALL	87*-ALL

## FLT MODELS

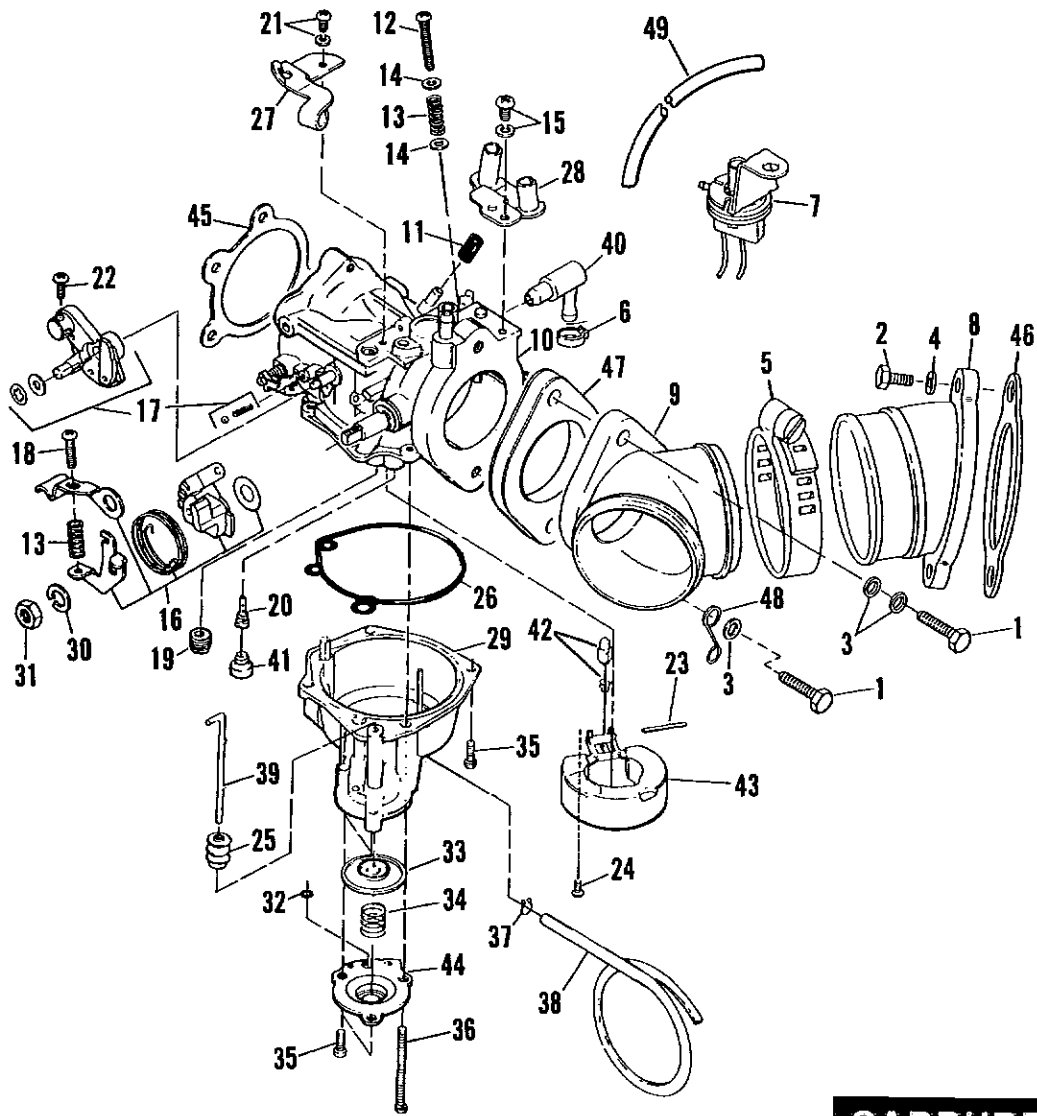
FLTC DB  
 FLHT DD  
 FLHTC DJ  
 FLTC-U DM  
 FLHTC-U DP  
 FLHS FA

## FXR MODELS

FXR EA  
 FXRS EB  
 FXRT EC  
 FXRS-SP EG  
 FXLR EL  
 FXRS-CON EM

## SOFTAIL MODELS

FXST BH  
 FLST/C BJ  
 FXSTC BK  
 FXSTS BL  
 FLSTF BM



**CARBURETOR  
1987 TO 1989**

<b>INDEX NO.</b>	<b>PART NO.</b>	<b>NAME</b>	<b>FLT MODELS</b>	<b>FXR MODELS</b>	<b>SOFTAIL MODELS</b>
1	2818	BOLT	89-ALL	89-ALL	89-ALL
	2871W	BOLT (2-1987 & 1988)	87 to 89-ALL	87 to 89-ALL	87 to 89-ALL
2	3494	BOLT (4)	87 to 89-ALL	87 to 89-ALL	87 to 89-ALL
3	6016	WASHER (3)	87 to 89-ALL	87 to 89-ALL	87 to 89-ALL
4	6771	WASHER (4)	87 to 89-ALL	87 to 89-ALL	87 to 89-ALL
5	9991A	CLAMP, compliance fitting	87 to 89-ALL	87 to 89-ALL	87 to 89-ALL
6	10014	CLAMP, fuel hose (2)	87 to 89-ALL	87 to 89-ALL	87 to 89-ALL
7	26555-84	VACUUM SWITCH	87 to 89-ALL	--	--
	26557-83	VACUUM SWITCH	--	87 to 89-ALL	--
	26558-84	VACUUM SWITCH	--	--	87 to 89-ALL
8	27008-83A	COMPLIANCE FITTING, front cyl. hd.	87 to 89-ALL	87 to 89-ALL	87 to 89-ALL
	27012-83A	COMPLIANCE FITTING, rear cyl. hd.	87 to 89-ALL	87 to 89-ALL	87 to 89-ALL
9	27019-83	INTAKE MANIFOLD	87 to 89-ALL	87 to 89-ALL	87 to 89-ALL
10	27026-88A	CARBURETOR (F59B)(Cal. only)	88&89-ALL	88&89-ALL	88&89-ALL
	27029-86B	CARBURETOR (02BR)	--	87-ALL	87-ALL
	27029-88	CARBURETOR (F58A)	88&89-ALL	88&89-ALL	88&89-ALL
	27034-86B	CARBURETOR (B88R)	87-ALL	--	--
11	27079-84	CAP, evaporative port	87-ALL	87-ALL	87-ALL
12	27130-81	SCREW, throttle stop	87 to 89-ALL	87 to 89-ALL	87 to 89-ALL
13	27136-81	SPRING, throt. stop & fast idle scr. (2)	87 to 89-ALL	87 to 89-ALL	87 to 89-ALL
14	27137-81	WASHER, throt. stop screw	87 to 89-ALL	87 to 89-ALL	87 to 89-ALL
15	27139-81	SCREW W/WASHER, throt. cable brkt.	87 to 89-ALL	87 to 89-ALL	87 to 89-ALL
16	27143-81	LEVER KIT, accelerator pump	87 to 89-ALL	87 to 89-ALL	87 to 89-ALL
17	27144-86A	CHOKE LEVER KIT	87 to 89-ALL	87 to 89-ALL	87 to 89-ALL
18	27145-81	SCREW, fast idle	87 to 89-ALL	87 to 89-ALL	87 to 89-ALL
19	27301-86	MAIN JET, 1.70 mm	87-ALL	--	--
	27616-88	MAIN JET, 1.40 mm (Cal. only)	88&89-ALL	88&89-ALL	88&89-ALL
	27898-78	MAIN JET, 1.65 mm	88&89-ALL	87 to 89-ALL	87 to 89-ALL
20	27302-84	LOW SPEED JET, 0.50 mm	87-ALL	87-ALL	87-ALL
	27329-83	LOW SPEED JET, 0.52 mm	88&89-ALL	88&89-ALL	88&89-ALL
	27383-88	LOW SPEED JET, 0.42 mm (Cal. only)	88&89-ALL	88&89-ALL	88&89-ALL

**FLT MODELS**

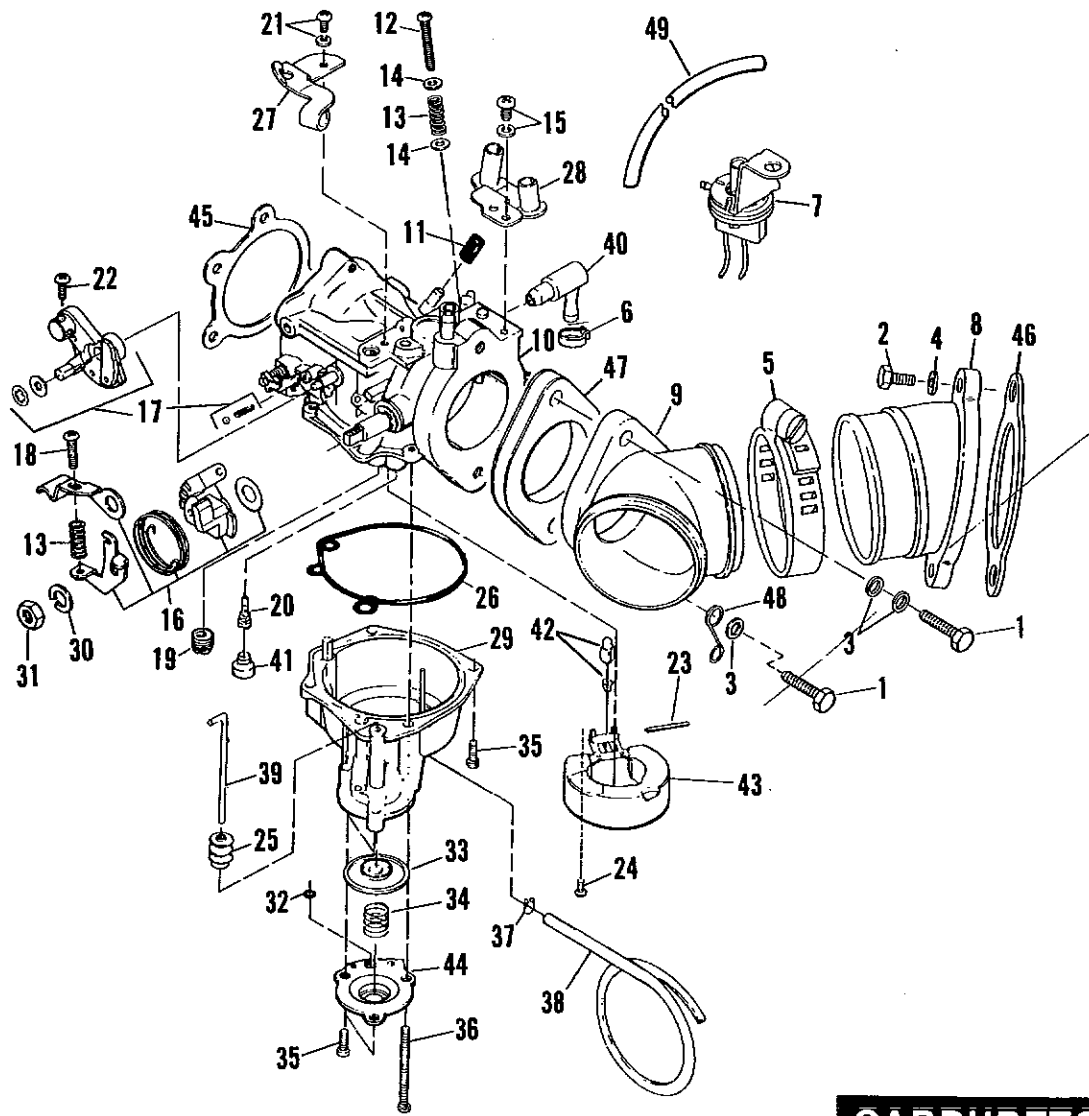
FLTC DB  
 FLHT DD  
 FLHTC DJ  
 FLTC-U DM  
 FLHTC-U DP  
 FLHS FA

**FXR MODELS**

FXR EA  
 FXRS EB  
 FXRT EC  
 FXRS-SP EG  
 FXLR EL  
 FXRS-CON EM

**SOFTAIL MODELS**

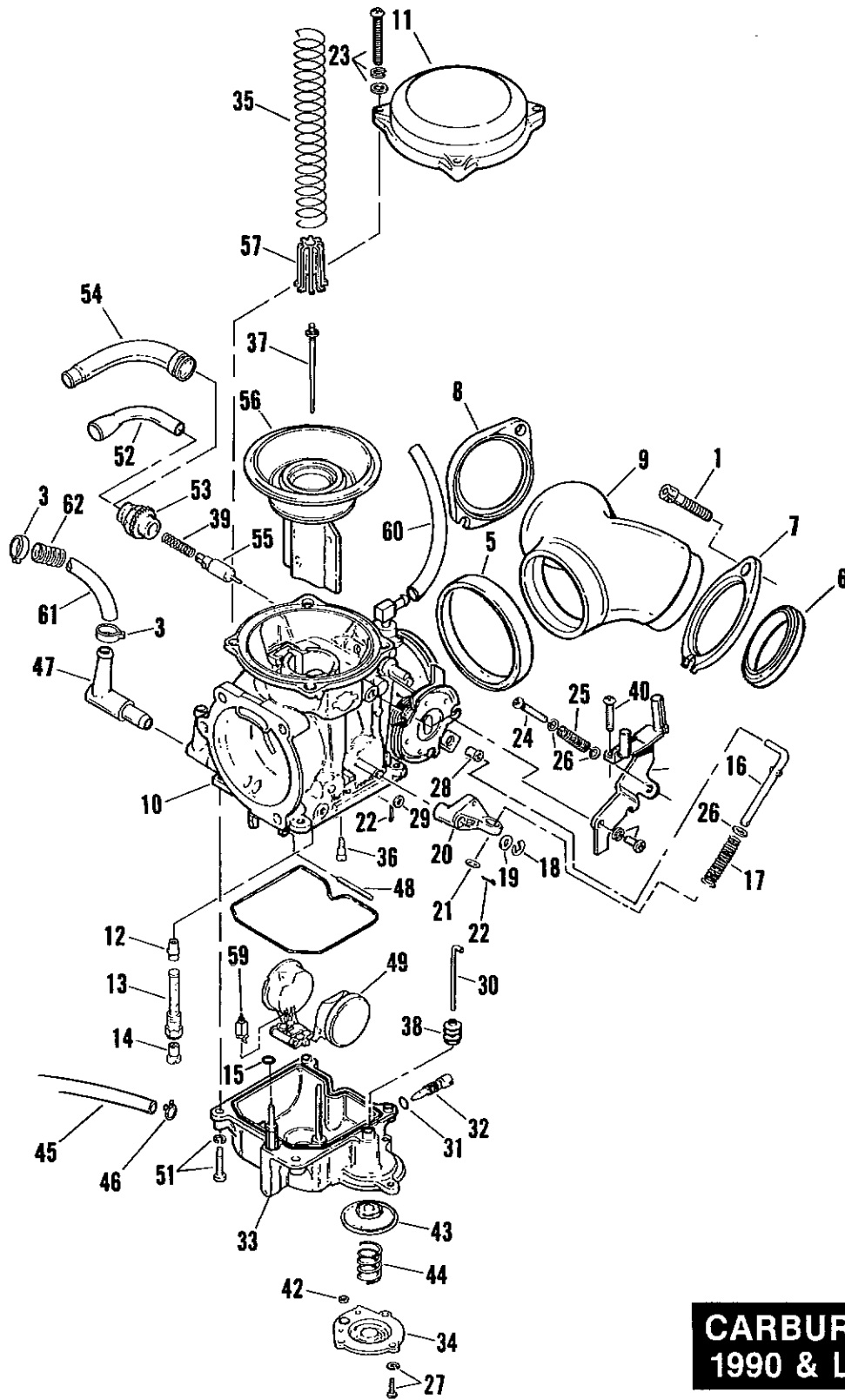
FXST BH  
 FLST/C BJ  
 FXSTC BK  
 FXSTS BL  
 FLSTF BM



**CARBURETOR  
1987 TO 1989**

INDEX NO.	PART NO.	NAME	FLT MODELS	FXR MODELS	SOFTAIL MODELS
21	27304-76	SCREW W/WASHER, choke cable brkt.	87 to 89-ALL	87 to 89-ALL	87 to 89-ALL
22	27307-76	SCREW, wire block	87 to 89-ALL	87 to 89-ALL	87 to 89-ALL
23	27308-76	PIN, float	87 to 89-ALL	87 to 89-ALL	87 to 89-ALL
24	27309-76	SCREW, float pin	87 to 89-ALL	87 to 89-ALL	87 to 89-ALL
25	27311-76	CAP, accelerator pump (rubber)	87 to 89-ALL	87 to 89-ALL	87 to 89-ALL
26	27324-83	O-RING, bowl	87 to 89-ALL	87 to 89-ALL	87 to 89-ALL
27	27325-86	BRACKET, choke cable	87 to 89-ALL	87 to 89-ALL	87 to 89-ALL
28	27327-83	BRACKET, throt. cable	87 to 89-ALL	87 to 89-ALL	87 to 89-ALL
29	27330-83	BOWL (02BH)	87 to 89-ALL	87 to 89-ALL	87 to 89-ALL
30	27333-76	LOCKWASHER, throt. lever	87 to 89-ALL	87 to 89-ALL	87 to 89-ALL
31	27335-76	NUT, throt. lever	87 to 89-ALL	87 to 89-ALL	87 to 89-ALL
32	27360-76	O-RING	87 to 89-ALL	87 to 89-ALL	87 to 89-ALL
33	27361-76	DIAPHRAGM, accelerator pump	87 to 89-ALL	87 to 89-ALL	87 to 89-ALL
34	27362-76	SPRING, diaphragm	87 to 89-ALL	87 to 89-ALL	87 to 89-ALL
35	27366-76	SCREW (5)	87 to 89-ALL	87 to 89-ALL	87 to 89-ALL
36	27367-76	SCREW	87 to 89-ALL	87 to 89-ALL	87 to 89-ALL
37	27368-76	CLIP, overflow hose	87 to 89-ALL	87 to 89-ALL	87 to 89-ALL
38	27369-76	HOSE, overflow	87 to 89-ALL	87 to 89-ALL	87 to 89-ALL
39	27370-83	ROD, accelerator pump	87 to 89-ALL	87 to 89-ALL	87 to 89-ALL
40	27371-76	FITTING, fuel hose	87 to 89-ALL	87 to 89-ALL	87 to 89-ALL
41	27385-76	PLUG, low speed jet	87 to 89-ALL	87 to 89-ALL	87 to 89-ALL
42	27886-78A	FLOAT VALVE, w/clip	87 to 89-ALL	87 to 89-ALL	87 to 89-ALL
43	27887-78	FLOAT	87 to 89-ALL	87 to 89-ALL	87 to 89-ALL
44	27891-80	HOUSING, accelerator pump	87 to 89-ALL	87 to 89-ALL	87 to 89-ALL
45	29058-77	GASKET, air cleaner to carb.	87 to 89-ALL	87 to 89-ALL	87 to 89-ALL
46	29242-83	GASKET, compliance fitting (2)	87 to 89-ALL	87 to 89-ALL	87 to 89-ALL
47	29250-78A	INSULATING SPACER	87 to 89-ALL	87 to 89-ALL	87 to 89-ALL
48	45092-66A	CABLE GUIDE	87 to 89-ALL	87 to 89-ALL	87 to 89-ALL
		NOTE: Hose is sold only in bulk length under the following part number. Cut to length.			
49	26570-84	HOSE, 3/16" I.D. (10 ft.)(black)	87 to 89-ALL	87 to 89-ALL	87 to 89-ALL
		<b>H-D INTERNATIONAL ONLY</b>			
10	27026-88A	CARBURETOR (F59B) (Swiss only)	88&89-ALL	88&89-ALL	88&89-ALL
20	27383-88	LOW SPEED JET, 0.42 mm (Swiss only)	88&89-ALL	88&89-ALL	88&89-ALL
19	27616-88	MAIN JET, 1.40 mm (Swiss only)	88&89-ALL	88&89-ALL	88&89-ALL

FLT MODELS		FXR MODELS		SOFTAIL MODELS	
FLTC	DB	FXR	EA	FXST	BH
FLHT	DD	FXRS	EB	FLST/C	BJ
FLHTC	DJ	FXRT	EC	FXSTC	BK
FLTC-U	DM	FXRS-SP	EG	FXSTS	BL
FLHTC-U	DP	FXLR	EL	FLSTF	BM
FLHS	FA	FXRS-CON	EM		



**CARBURETOR  
1990 & LATER**

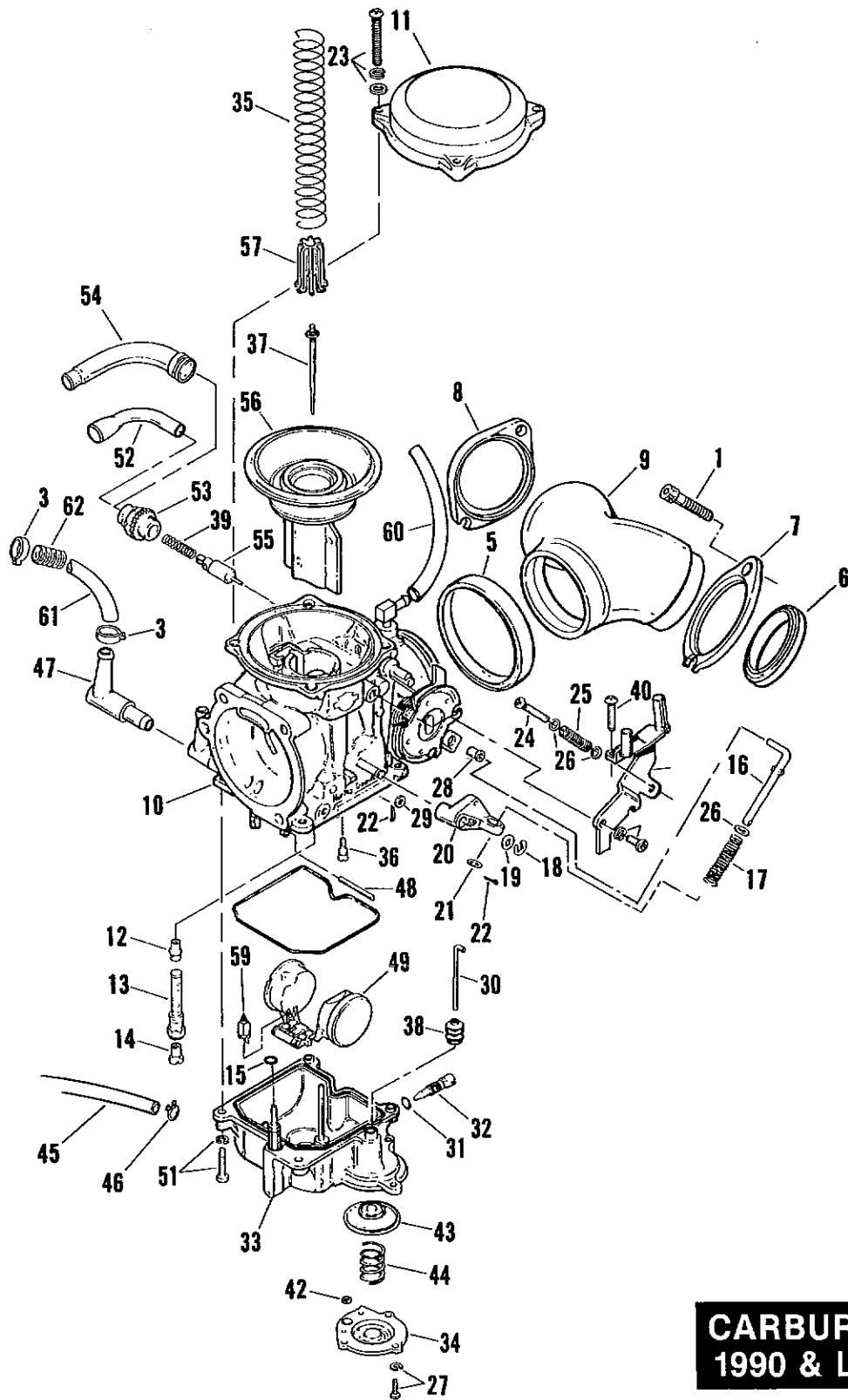


**CARBURETOR - 1990 & LATER**

**F7A-1**

INDEX NO.	PART NO.	NAME	FLT MODELS	FXR MODELS	SOFTAIL MODELS
1	3201W	SCREW (4)	90*-ALL	90*-ALL	90*-ALL
3	10014	CLAMP (2)	90*-ALL	90*-ALL	90*-ALL
5	26995-86A	SEAL, intake manifold	90*-ALL	90*-ALL	90*-ALL
6	27002-89	SEAL RING	90*-ALL	90*-ALL	90*-ALL
7	27009-86A	FLANGE, mtg. - front	90*-ALL	90*-ALL	90*-ALL
8	27010-86A	FLANGE, mtg. - rear	90*-ALL	90*-ALL	90*-ALL
9	27019-89	MANIFOLD	90*-ALL	90*-ALL	90*-ALL
10	27026-90	CARBURETOR (Cal. only)	90*-ALL	--	--
	27035-90A	CARBURETOR (Cal. only)	--	90*-ALL	90*-ALL
	27038-90A	CARBURETOR	--	90*-ALL	90*-ALL
	27039-90A	CARBURETOR	90*-ALL	--	--
11	27040-88	TOP, carburetor	90*-ALL	90*-ALL	90*-ALL
12	27100-88	NEEDLE JET	90*-ALL	90*-ALL	90*-ALL
13	27101-88	NEEDLE JET HOLDER	90*-ALL	90*-ALL	90*-ALL
14	27116-88	MAIN JET, 1.65 mm (Cal. only)	90*-ALL	90*-ALL	90*-ALL
	27185-90	MAIN JET, 1.85 mm	90*-ALL	90*-ALL	90*-ALL
15	27121-89	O-RING	90*-ALL	90*-ALL	90*-ALL
16	27122-89	ROD	90*-ALL	90*-ALL	90*-ALL
17	27123-89	SPRING	90*-ALL	90*-ALL	90*-ALL
18	27124-89	E-CLIP	90*-ALL	90*-ALL	90*-ALL
19	27125-89	WASHER	90*-ALL	90*-ALL	90*-ALL
20	27126-89	LEVER	90*-ALL	90*-ALL	90*-ALL
21	27127-89	WASHER	90*-ALL	90*-ALL	90*-ALL
22	27128-89	PIN (2)	90*-ALL	90*-ALL	90*-ALL
23	27129-88	SCREW, top (3)	90*-ALL	90*-ALL	90*-ALL
24	27130-81	IDLE SCREW	90*-ALL	90*-ALL	90*-ALL
25	27136-81	SPRING	90*-ALL	90*-ALL	90*-ALL
26	27137-81	WASHER (3)	90*-ALL	90*-ALL	90*-ALL
27	27146-89	SCREW W/WASHER (3)	90*-ALL	90*-ALL	90*-ALL
28	27147-89	COLLAR	90*-ALL	90*-ALL	90*-ALL
29	27148-89	WASHER	90*-ALL	90*-ALL	90*-ALL
30	27156-89	ROD	90*-ALL	90*-ALL	90*-ALL
31	27157-89	O-RING	90*-ALL	90*-ALL	90*-ALL
32	27158-89	DRAIN SCREW	90*-ALL	90*-ALL	90*-ALL
33	27159-89	FLOAT CHAMBER ASM.	90*-ALL	90*-ALL	90*-ALL
34	27160-89	PUMP HOUSING	90*-ALL	90*-ALL	90*-ALL
35	27162-89	SPRING	90*-ALL	90*-ALL	90*-ALL
36	27170-89	SLOW JET	90*-ALL	90*-ALL	90*-ALL
	27171-89	SLOW JET (Cal. only)	90*-ALL	90*-ALL	90*-ALL
37	27175-90	JET NEEDLE	90*-ALL	--	--
	27176-90	JET NEEDLE (Cal. only)	90*-ALL	--	--
	27178-90	JET NEEDLE	--	90*-ALL	90*-ALL
	27179-90	JET NEEDLE (Cal. only)	--	90*-ALL	90*-ALL
38	27311-76	CAP, accelerator pump	90*-ALL	90*-ALL	90*-ALL
39	27315-88	SPRING	90*-ALL	90*-ALL	90*-ALL
40	27317-88	SCREW	90*-ALL	90*-ALL	90*-ALL
41	27339-90	BRACKET, throttle cables	--	90*-ALL	90*-ALL
	27340-90	BRACKET, throttle cables	90*-ALL	--	--
42	27360-76	O-RING	90*-ALL	90*-ALL	90*-ALL
43	27361-76	DIAPHRAGM, accelerator pump	90*-ALL	90*-ALL	90*-ALL
44	27362-76	SPRING, diaphragm	90*-ALL	90*-ALL	90*-ALL
45	27363-88	HOSE, overflow	90*-ALL	90*-ALL	90*-ALL
46	27368-76	CLIP, overflow hose	90*-ALL	90*-ALL	90*-ALL

FLT MODELS		FXR MODELS		SOFTAIL MODELS	
FLTC	DB	FXR	EA	FXST	BH
FLHT	DD	FXRS	EB	FLST/C	BJ
FLHTC	DJ	FXRT	EC	FXSTC	BK
FLTC-U	DM	FXRS-SP	EG	FXSTS	BL
FLHTC-U	DP	FXLR	EL	FLSTF	BM
FLHS	FA	FXRS-CON	EM		

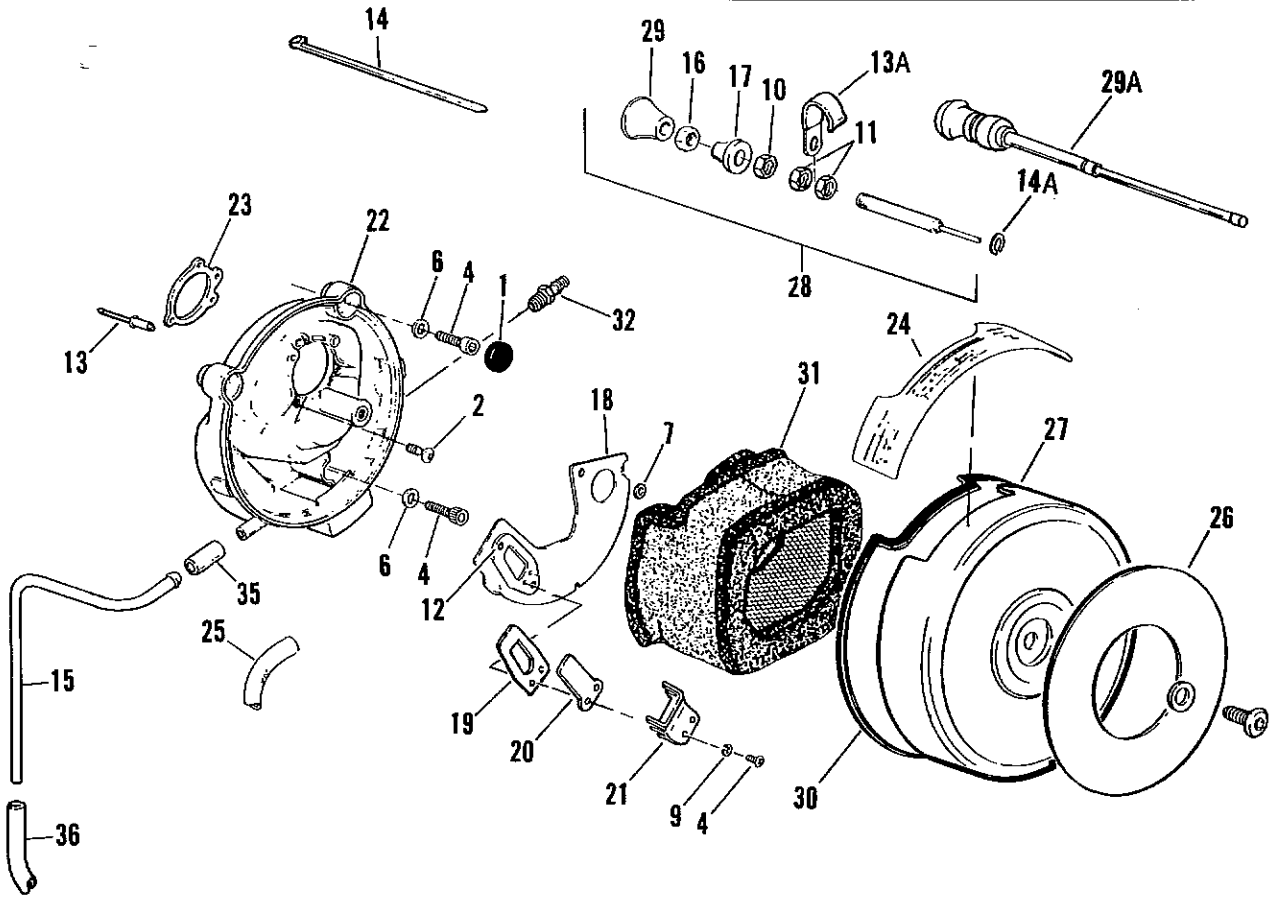


**CARBURETOR  
1990 & LATER**

INDEX NO.	PART NO.	NAME	FLT MODELS	FXR MODELS	SOFTAIL MODELS
47	27371-76	FITTING	90*-ALL	90*-ALL	90*-ALL
48	27575-88	PIN	90*-ALL	90*-ALL	90*-ALL
49	27576-88	FLOAT	90*-ALL	90*-ALL	90*-ALL
50	27577-88	O-RING	90*-ALL	90*-ALL	90*-ALL
51	27579-88	SCREW (4)	90*-ALL	90*-ALL	90*-ALL
52	27580-88	CABLE GUIDE	90*-ALL	90*-ALL	90*-ALL
53	27581-88	STARTER CAP	90*-ALL	90*-ALL	90*-ALL
54	27582-88	CABLE SEALING CAP	90*-ALL	90*-ALL	90*-ALL
55	27583-88	STARTER VALVE	90*-ALL	90*-ALL	90*-ALL
56	27585-88	VACUUM PISTON	90*-ALL	90*-ALL	90*-ALL
57	27586-88	SPRING SEAT	90*-ALL	90*-ALL	90*-ALL
58	27587-88	SCREW	90*-ALL	90*-ALL	90*-ALL
59	27886-78A	VALVE W/CLIP	90*-ALL 90*-ALL	90*-ALL 90*-ALL	90*-ALL 90*-ALL
NOTE: Hose is sold only in bulk length under the following part number. Cut to length.					
60	26570-84	HOSE, 3/16 I.D. (10 ft.lg.)(black)	90*-ALL	90*-ALL	90*-ALL
61	63501-68	HOSE, 1/4 I.D. (25 ft. lg.) (black)	90*-ALL	90*-ALL	90*-ALL
62	63505-84	INSULATOR, 1/2 I.D. (nylon)(8 ft. lg.)	90*-ALL	90*-ALL	90*-ALL
<b>H-D INTERNATIONAL ONLY</b>					
9	26994-90	MANIFOLD (HDI only)	90*-ALL	90*-ALL	90*-ALL
10	27025-90A	CARBURETOR (HDI only)	--	90*-ALL	90*-ALL
	27029-90A	CARBURETOR (HDI only)	90*-ALL	--	--
14	27115-88	MAIN JET 1.70 mm (HDI only)	--	90*-ALL	90*-ALL
37	27177-90	JET NEEDLE (HDI only)	90*-ALL	90*-ALL	90*-ALL

FLT MODELS		FXR MODELS		SOFTAIL MODELS	
FLTC	DB	FXR	EA	FXST	BH
FLHT	DD	FXRS	EB	FLST/C	BJ
FLHTC	DJ	FXRT	EC	FXSTC	BK
FLTC-U	DM	FXRS-SP	EG	FXSTS	BL
FLHTC-U	DP	FXLR	EL	FLSTF	BM
FLHS	FA	FXRS-CON	EM		

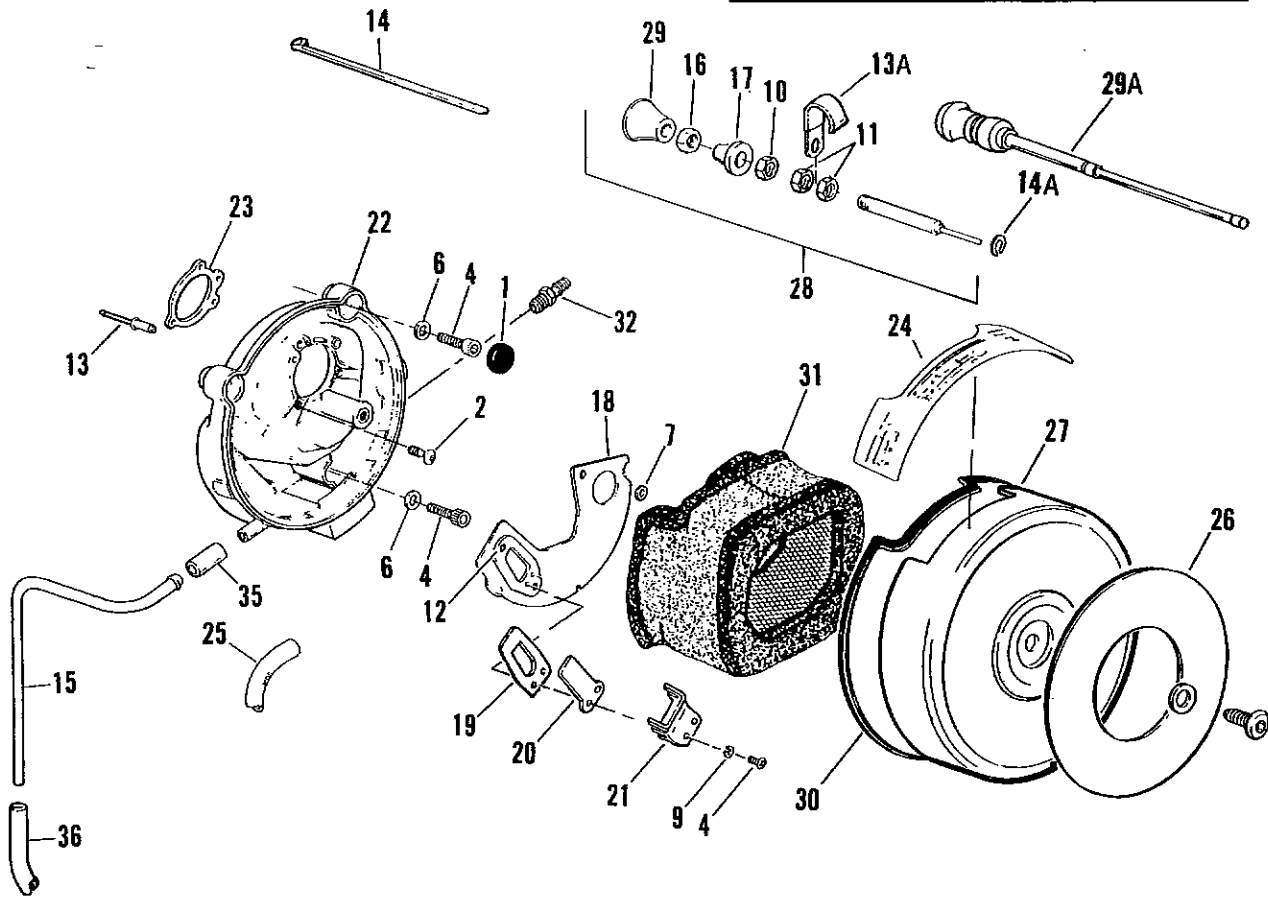
# AIR CLEANER AND CHOKE



INDEX NO.	PART NO.	NAME	FLT MODELS	FXR MODELS	SOFTAIL MODELS
1	738	PLUG, air cleaner (2)	87*-ALL	87*-ALL	87*-ALL
2	864	SCREW (3)	87*-ALL	87*-ALL	87*-ALL
4	2737	SCREW (Cal. only)(4)	N/A 88*-ALL	88*-ALL	88*-ALL
5	3210	SCREW (2)	87*-ALL	87*-ALL	87*-ALL
6	6016	WASHER (2)	87*-ALL	87*-ALL	87*-ALL
7	6048W	WASHER (Cal. only).(2)	88*-ALL	88*-ALL	88*-ALL
8	6109	WASHER	87*-ALL	87*-ALL	87*-ALL
9	6969	LOCKWASHER (Cal. only)(4)	N/A 88*-ALL	88*-ALL	88*-ALL
10	7638	NUT	87 to 89-ALL	87 to 89-ALL	87 to 89-ALL
11	7744	JAM NUT (2)	87 to 89-ALL	87 to 89-ALL	87 to 89-ALL
12	8519	RIVET (Cal. only)(2)	88*-ALL	88*-ALL	88*-ALL
13	8625	POP RIVET (Cal. only)(2)	88*-ALL	88*-ALL	88*-ALL
13A	10003	CLAMP, coil wire	--	88&89-ALL	--
14	10006	CABLE STRAP	87*-ALL	87*-ALL	87*-ALL
	10065	CABLE STRAP	87*-ALL	--	--
14A	11013	RETAINING RING	--	--	87 to 89-ALL
15	24922-86	VENT TUBE (chrome)	87*-ALL	90*-ALL	90*-ALL
16	27450-82	NUT	--	--	87 to 89-ALL
17	27451-82	GROMMET (black)	--	--	87 to 89-ALL
18	28816-86	BAFFLE PLATE ASSY. (Cal. only)	N/A 88&89-ALL	88&89-ALL	88&89-ALL
	28816-90	BAFFLE PLATE ASSY. (Cal. only)	90*-ALL	90*-ALL	90*-ALL
	29068-86	BAFFLE PLATE	87 to 89-ALL	87 to 89-ALL	87 to 89-ALL
	29068-89	BAFFLE PLATE	90*-ALL	90*-ALL	90*-ALL
19	28820-86	REED BOTTOM (Cal. only)	88*-ALL	88*-ALL	88*-ALL
20	28821-86	REED TOP (Cal. only)	88*-ALL	88*-ALL	88*-ALL
21	28825-86	REED STOP (Cal. only)	88*-ALL	88*-ALL	88*-ALL
22	29016-88	BACKPLATE ASSY. (Cal. only)	88&89-ALL	--	--
	29017-88	BACKPLATE ASSY. (Cal. only)	--	88&89-ALL	88&89-ALL
	29017-90	BACKPLATE ASSY. (Cal. only)	90*-ALL	90*-ALL	90*-ALL
	29134-86	BACKPLATE	87 to 89-ALL	87 to 89-ALL	87 to 89-ALL
	29134-90	BACKPLATE ASSY.	90*-ALL	90*-ALL	90*-ALL
23	29058-77	GASKET	87 to 89-ALL	87 to 89-ALL	87 to 89-ALL
	29059-88	GASKET	90*-ALL	90*-ALL	90*-ALL
24	29126-90	SAFETY LABEL	87*-ALL	87*-ALL	87*-ALL
25	29145-86	HOSE, air cleaner to crankcase	--	--	87*-ALL
26	29161-86	TRIM, -"HERITAGE™ SOFTAIL"	--	--	87*-BJ
	29164-87	TRIM, -"SPORT GLIDE™ CUSTOM"	--	87*-EL	--
	29166-86	TRIM, -"LOW RIDER™ SPORT"	--	87*-EG	--
	29169-84	TRIM, -"SOFTAIL"	--	--	87*-BH/K
	29172-85	TRIM, -"LOW RIDER™"	--	87*-EB	--
	29174-85	TRIM, -"SPORT GLIDE™"	--	87*-EC	--
	29181-88	TRIM, -"SPRINGER SOFTAIL™"	--	--	88*-BL
	29256-90	TRIM, -"FAT BOY"	--	--	90*-BM
	29278-86	TRIM, -"TOUR GLIDE™"	87*-DB/M	--	--
	29279-86	TRIM, -"ELECTRA GLIDE™"	87*-DD/J/P,FA	--	--
	90358-89	TRIM, -"LOW RIDER CONVERTIBLE™"	--	L89*-EM	--

FLT MODELS		FXR MODELS		SOFTAIL MODELS	
FLTC	DB	FXR	EA	FXST	BH
FLHT	DD	FXRS	EB	FLST/C	BJ
FLHTC	DJ	FXRT	EC	FXSTC	BK
FLTC-U	DM	FXRS-SP	EG	FXSTS	BL
FLHTC-U	DP	FXLR	EL	FLSTF	BM
FLHS	FA	FXRS-CON	EM		

# AIR CLEANER AND CHOKE



INDEX NO.	PART NO.	NAME	FLT MODELS	FXR MODELS	SOFTAIL MODELS
27	29165-83A	COVER, air cleaner	87 to 89-ALL	87 to 89-ALL	87 to 89-ALL
	29165-89	COVER, air cleaner	90*-ALL	90*-ALL	90*-ALL
28	29209-86	CONTROL CABLE, choke	87 to 89-ALL	--	--
	29210-86	CONTROL CABLE, choke	--	87 to 89-ALL	--
	29211-86	CONTROL CABLE, choke	--	--	87 to 89-ALL
29	29214-71	KNOB, choke cable	--	--	87 to 89-ALL
	29228-80	KNOB, choke cable	87 to 89-ALL	87 to 89-ALL	--
29A	29236-90	CABLE, enrichment	90*-ALL	90*-ALL	90*-ALL
30	29252-86B	SEAL STRIP	87 to 89-ALL	87 to 89-ALL	87 to 89-ALL
	29252-89	SEAL STRIP	90*-ALL	90*-ALL	90*-ALL
31	29259-86	FILTER ELEMENT	87 to 89-ALL	87 to 89-ALL	87 to 89-ALL
	29259-89	FILTER ELEMENT	90*-ALL	90*-ALL	90*-ALL
	29293-86	FILTER ELEMENT (foam only)	87 to 89-ALL	87 to 89-ALL	87 to 89-ALL
32	29264-86	FITTING (rear-FLT)(Cal. only)	88*-ALL	88*-ALL	88*-ALL
33	29269-83	SCREW	87*-ALL	87*-ALL	87*-ALL
35	63509-86A	BOOT	87*-ALL	90*-ALL	90*-ALL

NOTE: Hose is sold only in bulk length under the following part number. Cut to length.

36	63500-68	HOSE, 3/8" I.D. (rubber)(25 ft. lg.)	87*-ALL	87*-ALL	90*-ALL
----	----------	--------------------------------------	---------	---------	---------

**H-D INTERNATIONAL ONLY**

18	28816-86	BAFFLE PLATE ASSY. (Swiss. only)	N/A 89-ALL	89-ALL	89-ALL
----	----------	----------------------------------	------------	--------	--------

**FLT MODELS**

FLTC DB  
 FLHT DD  
 FLHTC DJ  
 FLTC-U DM  
 FLHTC-U DP  
 FLHS FA

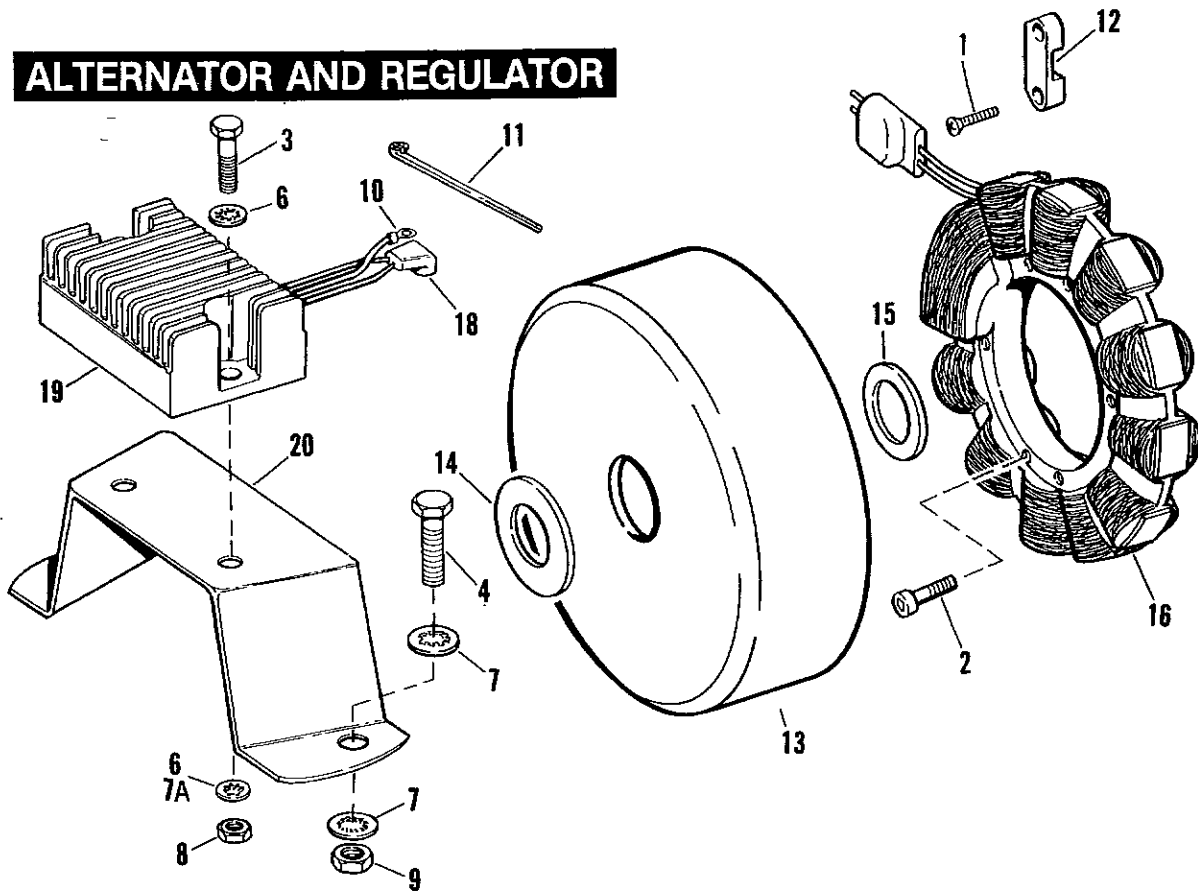
**FXR MODELS**

FXR EA  
 FXRS EB  
 FXRT EC  
 FXRS-SP EG  
 FXLR EL  
 FXRS-CON EM

**SOFTAIL MODELS**

FXST BH  
 FLST/C BJ  
 FXSTC BK  
 FXSTS BL  
 FLSTF BM

# ALTERNATOR AND REGULATOR





# ALTERNATOR & REGULATOR

F9

INDEX NO.	PART NO.	NAME	FLT MODELS	FXR MODELS	SOFTAIL MODELS
1	2216W	SCREW (2)	87*-ALL	87*-ALL	87*-ALL
2 -	2712	SCREW (4)	87&88-ALL	87&88-ALL	87&88-ALL
-	2720	SCREW (4)	89*-ALL	89*-ALL	89*-ALL
3	3787	BOLT (2)	87*-ALL	87*-ALL	--
4	4382	BOLT (2)	89*-ALL	--	--
	4391	BOLT (2)	87&88-ALL	87*-ALL	--
6	7124	LOCKWASHER (4; 2-Softail, 1989 &Later - FLT & FXR)	87*-ALL	87*-ALL	--
7	7127	LOCKWASHER (4; 2-FLT)	87&88-ALL	87*-ALL	--
7A	7229W	LOCKWASHER (2)	89*-ALL	89*-ALL	89*-ALL
8	7688	NUT (2)	87*-ALL	87*-ALL	87*-ALL
9	7753	LOCKNUT (2)	--	87*-ALL	--
10	9862	WIRE TERMINAL, ring type	87*-ALL	87*-ALL	87*-ALL
11	10006	CABLE STRAP	87*-ALL	--	87*-ALL
12	29954-71A	RETAINER, alternator plug	87*-ALL	87*-ALL	87*-ALL
13	29957-81B	ROTOR ASSEMBLY	87*-ALL	87*-ALL	87*-ALL
14	29960-85	SPACER	87*-ALL	87*-ALL	87*-ALL
15	29961-85	SPACER	87*-ALL	87*-ALL	87*-ALL
16	29965-81A	STATOR	87&88-ALL	87&88-ALL	87&88-ALL
	29970-88A	STATOR	89*-ALL	89*-ALL	89*-ALL
18	71875-81	CONNECTOR, plug	87&88-ALL	87&88-ALL	87&88-ALL
19	74516-86	REGULATOR	87&88-ALL	87&88-ALL	87&88-ALL
	74519-88	REGULATOR	89*-ALL	89*-ALL	89*-ALL
20	74529-79	BRACKET, regulator mtg.	87*-ALL	87*-ALL	--

**FLT MODELS**

FLTC DB  
 FLHT DD  
 FLHTC DJ  
 FLTC-U DM  
 FLHTC-U DP  
 FLHS FA

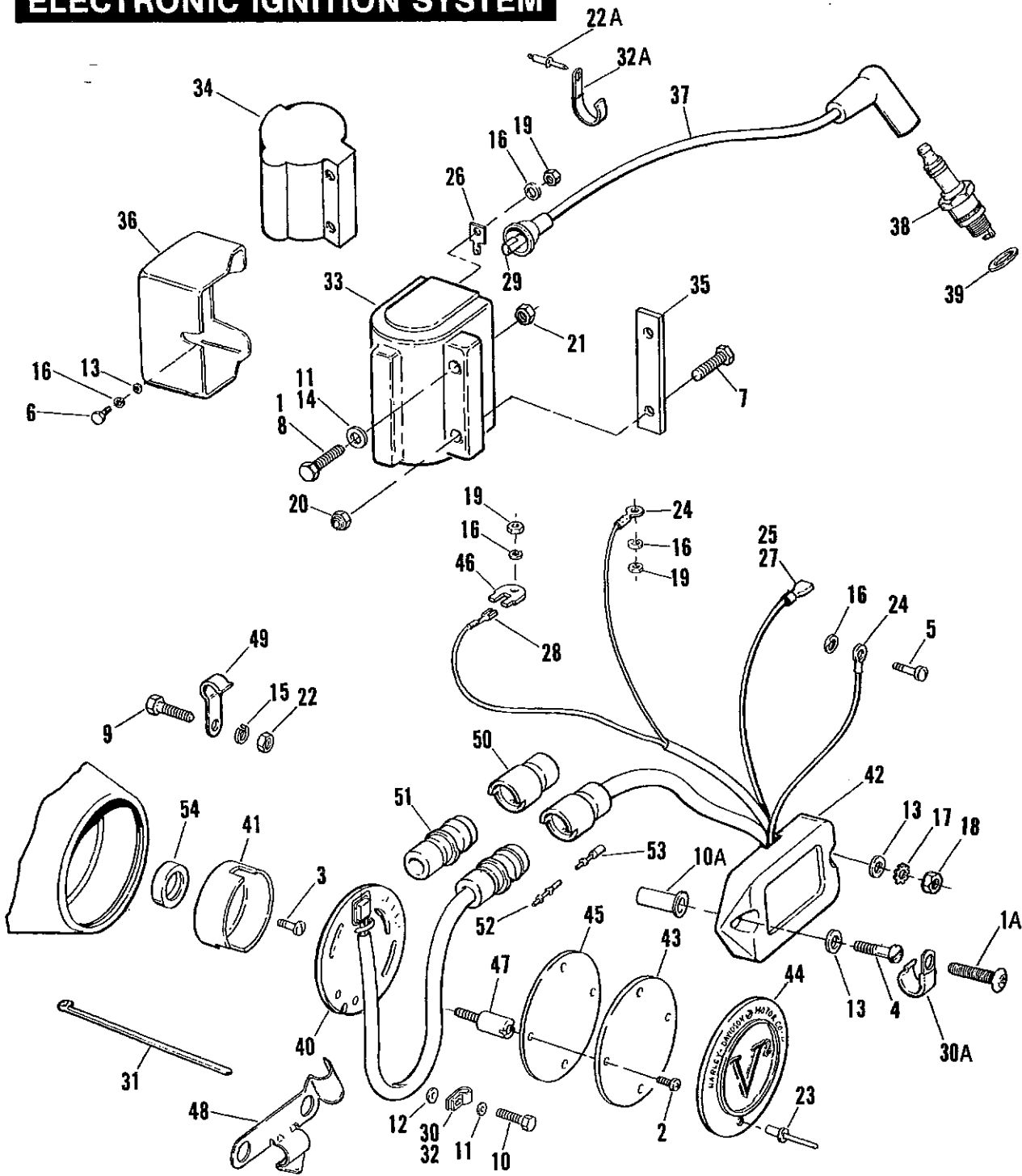
**FXR MODELS**

FXR EA  
 FXRS EB  
 FXRT EC  
 FXRS-SP EG  
 FXLR EL  
 FXRS-CON EM

**SOFTAIL MODELS**

FXST BH  
 FLST/C BJ  
 FXSTC BK  
 FXSTS BL  
 FLSTF BM

# ELECTRONIC IGNITION SYSTEM



INDEX NO.	PART NO.	NAME	FLT MODELS	FXR MODELS	SOFTAIL MODELS
1	812	SCREW (2)	--	87*-ALL	--
1A	933	SCREW (2)	--	--	89*-ALL
2	1601	SCREW (2)	87*-ALL	87*-ALL	87*-ALL
3	2611B	SCREW	87*-ALL	87*-ALL	87*-ALL
4	2665	SCREW (2)	--	--	87&88-ALL
5	2731W	SCREW	87*-ALL	87*-ALL	87*-ALL
6	3473	SCREW (2)	--	87*-ALL	89*-ALL
7	3826	BOLT (2)	87*-ALL	--	--
8	3993	BOLT (2)	--	--	87*-ALL
9	4391	BOLT	--	--	87*-ALL
10	4340	BOLT (2 - FLT)	87*-ALL	--	87*-ALL
	4718A	SCREW	--	87*-ALL	--
10A	5207	WELL NUT (2)	--	--	89*-ALL
11	6099	WASHER (2 - FLT; 3 - Softail)	87*-ALL	87*-ALL	87*-ALL
12	6242W	WASHER	--	--	87*-ALL
13	6716	WASHER (2)	87*-ALL	87*-ALL	87*-ALL
14	7036	LOCKWASHER (2)	--	--	87*-ALL
15	7041	LOCKWASHER	--	--	87*-ALL
16	7069	LOCKWASHER (2)	--	--	89*-ALL
	7118	LOCKWASHER (3)	87*-ALL	87*-ALL	87&88-ALL
17	7220	LOCKWASHER	--	87*-ALL	--
18	7634	NUT (brass) (2)	87*-ALL	87*-ALL	87&88-ALL
19	7638	NUT (2)	87*-ALL	87*-ALL	87*-ALL
20	7683	LOCKNUT (2)	87*-ALL	--	--
21	7686	LOCKNUT (2)	--	87*-ALL	87*-ALL
22	7753	NUT	--	--	87*-ALL
23	8699	RIVET, ign. module (2)	87*-ALL	87*-ALL	87*-ALL
24	9857	TERMINAL, ring type (2-FLT, FXR)	87*-ALL	87*-ALL	87*-ALL
25	9860	TERMINAL, female spade type	--	--	87*-ALL
26	9881	ADAPTOR, terminal	--	--	87*-ALL
27	9885	TERMINAL, female spade type	87*-ALL	87*-ALL	87*-ALL
28	9900	TERMINAL, female spade type	87*-ALL	87*-ALL	87*-ALL
29	9908	TERMINAL, spark plug cable	--	--	87*-ALL
30	9990W	CLIP, module wire	87*-ALL	--	87*-BJ
30A	10003	CLAMP (2-1987 & 1988)	--	--	89*-ALL
31	10006	CABLE STRAP	--	87*-ALL	87*-ALL
32	10046	CLAMP, ignition wire	--	87*-ALL	87*-ALL
33	31614-83A	SPARK COIL	87*-ALL	87*-ALL	87*-ALL
34	31625-82	COVER, coil	--	87*-ALL	--
35	31727-85	PLATE, spark coil	--	--	87*-ALL
36	31800-78A	SPARK COIL COVER KIT (chrome)	--	--	87*-ALL
37	31981-65B	SPARK PLUG CABLE, fr. cyl.	--	--	87*-ALL
	31983-71A	SPARK PLUG CABLE, rr. cyl.	--	--	87*-ALL
	31992-85	SPARK PLUG CABLE, rr. cyl.	87*-ALL	--	--
	31994-85	SPARK PLUG CABLE, fr. cyl.	87*-ALL	--	--
	70187-82	SPARK PLUG CABLE (2)	--	87*-ALL	--
38	32311-83	SPARK PLUG, No. 5R6A - 0.040 gap (2)	87*-ALL	87*-ALL	87*-ALL
39	32342-58	GASKET, spark plug (2)	N/A 87*-ALL	87*-ALL	87*-ALL
40	32400-80A	SENSOR ASSEMBLY w/o receptacle	87*-ALL	87*-ALL	87*-ALL
41	32402-83	ROTOR	87*-ALL	87*-ALL	87*-ALL
42	32405-88A	IGNITION MODULE	87*-ALL	87*-ALL	87*-ALL

## FLT MODELS

FLTC DB  
 FLHT DD  
 FLHTC DJ  
 FLTC-U DM  
 FLHTC-U DP  
 FLHS FA

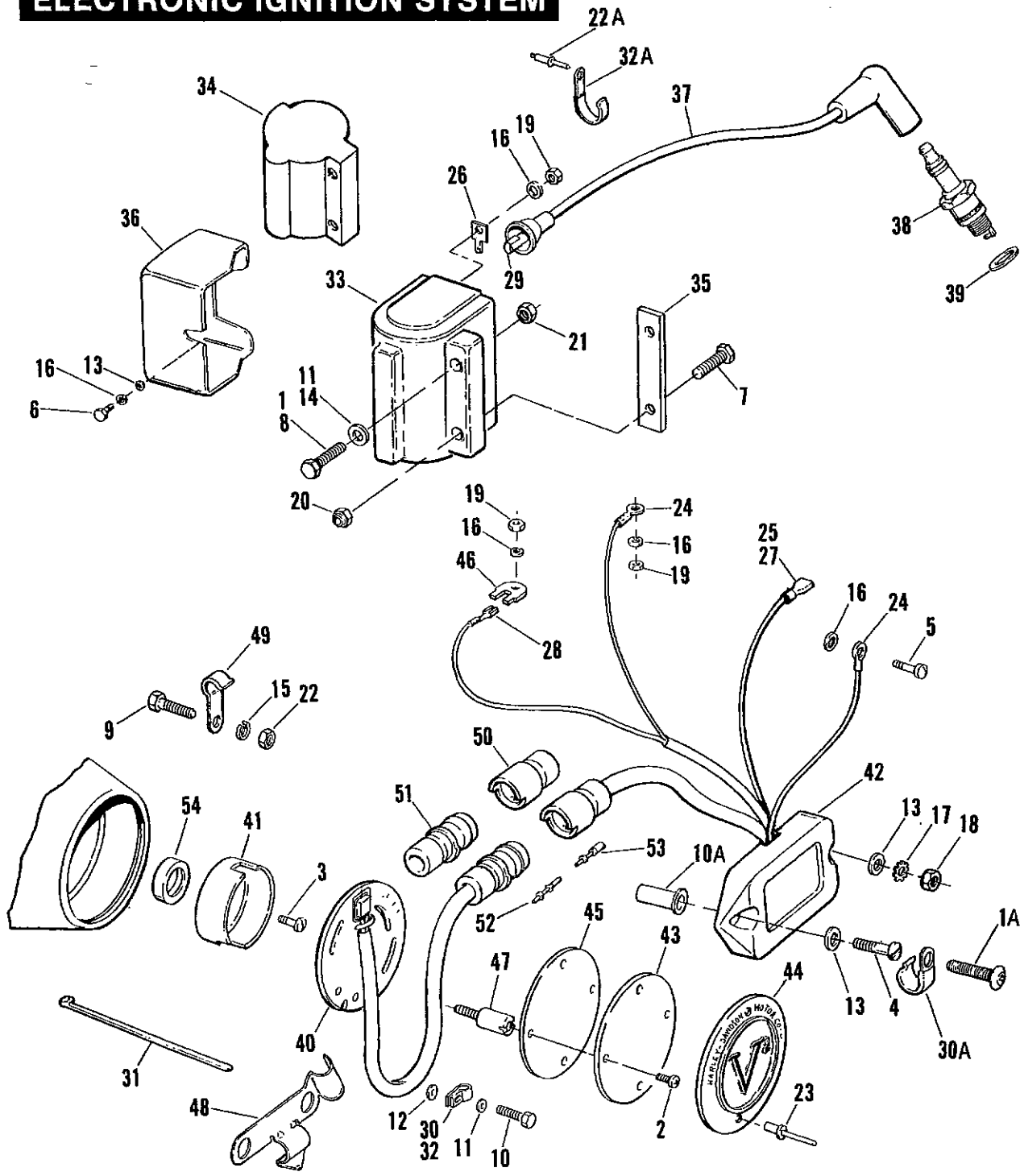
## FXR MODELS

FXR EA  
 FXRS EB  
 FXRT EC  
 FXRS-SP EG  
 FXLR EL  
 FXRS-CON EM

## SOFTAIL MODELS

FXST BH  
 FLST/C BJ  
 FXSTC BK  
 FXSTS BL  
 FLSTF BM

# ELECTRONIC IGNITION SYSTEM



INDEX NO.	PART NO.	NAME	FLT MODELS	FXR MODELS	SOFTAIL MODELS
43	32504-80	TIMER COVER, inner	87*-ALL	87*-ALL	87*-ALL
44	32524-83	TIMER COVER,	87*-ALL	87*-ALL	87*-BH/J/K/L
	32525-89	TIMER COVER	--	--	90*-BM
45	32591-80	GASKET, timer cover	87*-ALL	87*-ALL	87*-ALL
46	32604-78	TERMINAL ADAPTOR	87*-ALL	87*-ALL	--
47	32606-82	SCREW, timer plate (2)	87*-ALL	87*-ALL	87*-ALL
48	38713-87A	BRACKET, ignition wire	87*-ALL	--	87*-ALL
49	42327-70	BRACKET, ignition wire	89*-ALL	--	--
	67075-57A	BRACKET, spark plug cable	--	--	87*-ALL
50	72051-77	PLUG, female - module	87*-ALL	87*-ALL	87*-ALL
51	74521-77	PLUG, male - sensor	87*-ALL	87*-ALL	87*-ALL
52	74536-77A	PIN, single socket (3)	87*-ALL	87*-ALL	87*-ALL
53	74539-77A	SOCKET, single pin (3)	87*-ALL	87*-ALL	87*-ALL
54	83162-51	OIL SEAL	87*-ALL	87*-ALL	87*-ALL

## FLT MODELS

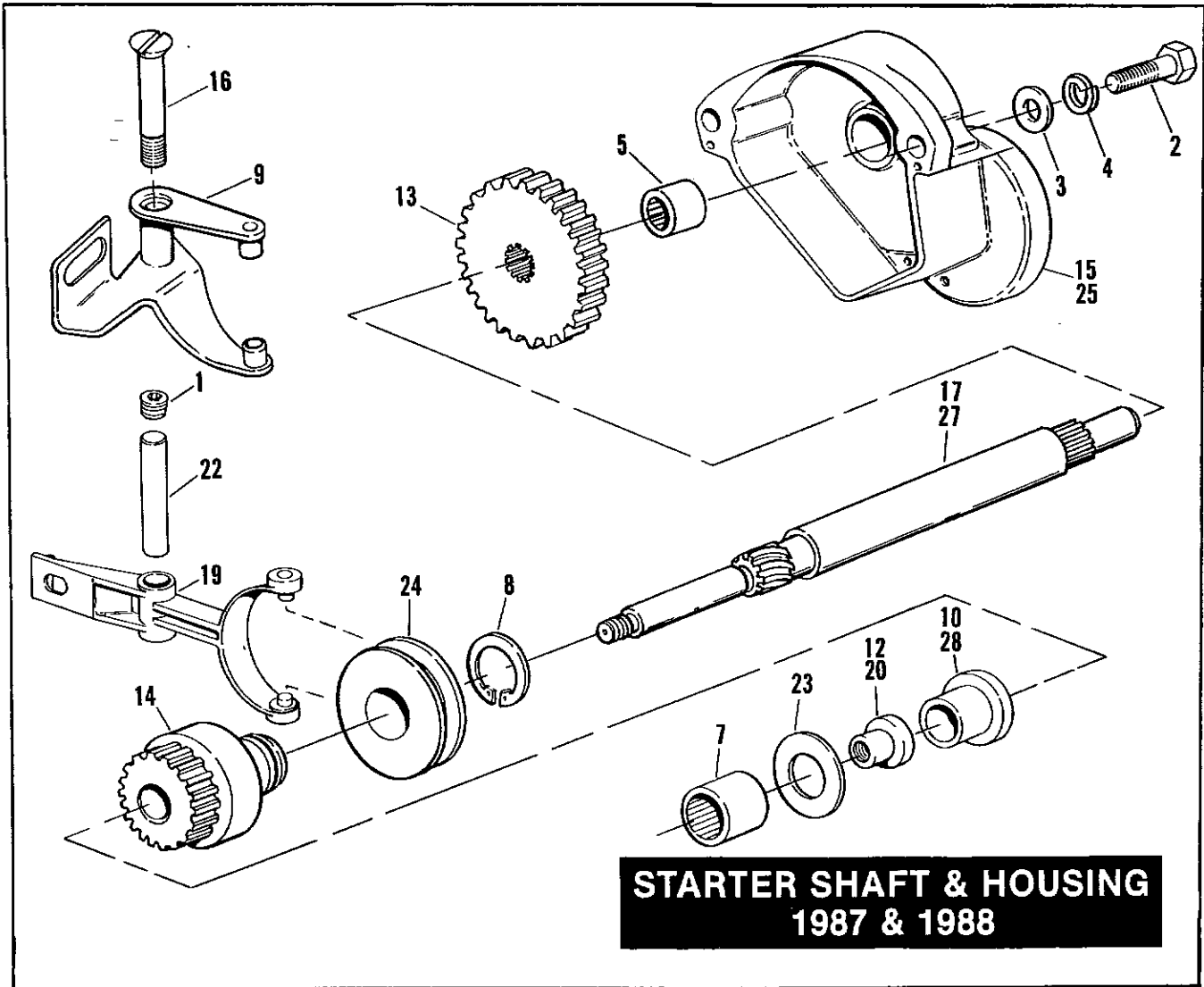
FLTC DB  
 FLHT DD  
 FLHTC DJ  
 FLTC-U DM  
 FLHTC-U DP  
 FLHS FA

## FXR MODELS

FXR EA  
 FXRS EB  
 FXRT EC  
 FXRS-SP EG  
 FXLR EL  
 FXRS-CON EM

## SOFTAIL MODELS

FXST BH  
 FLST/C BJ  
 FXSTC BK  
 FXSTS BL  
 FLSTF BM



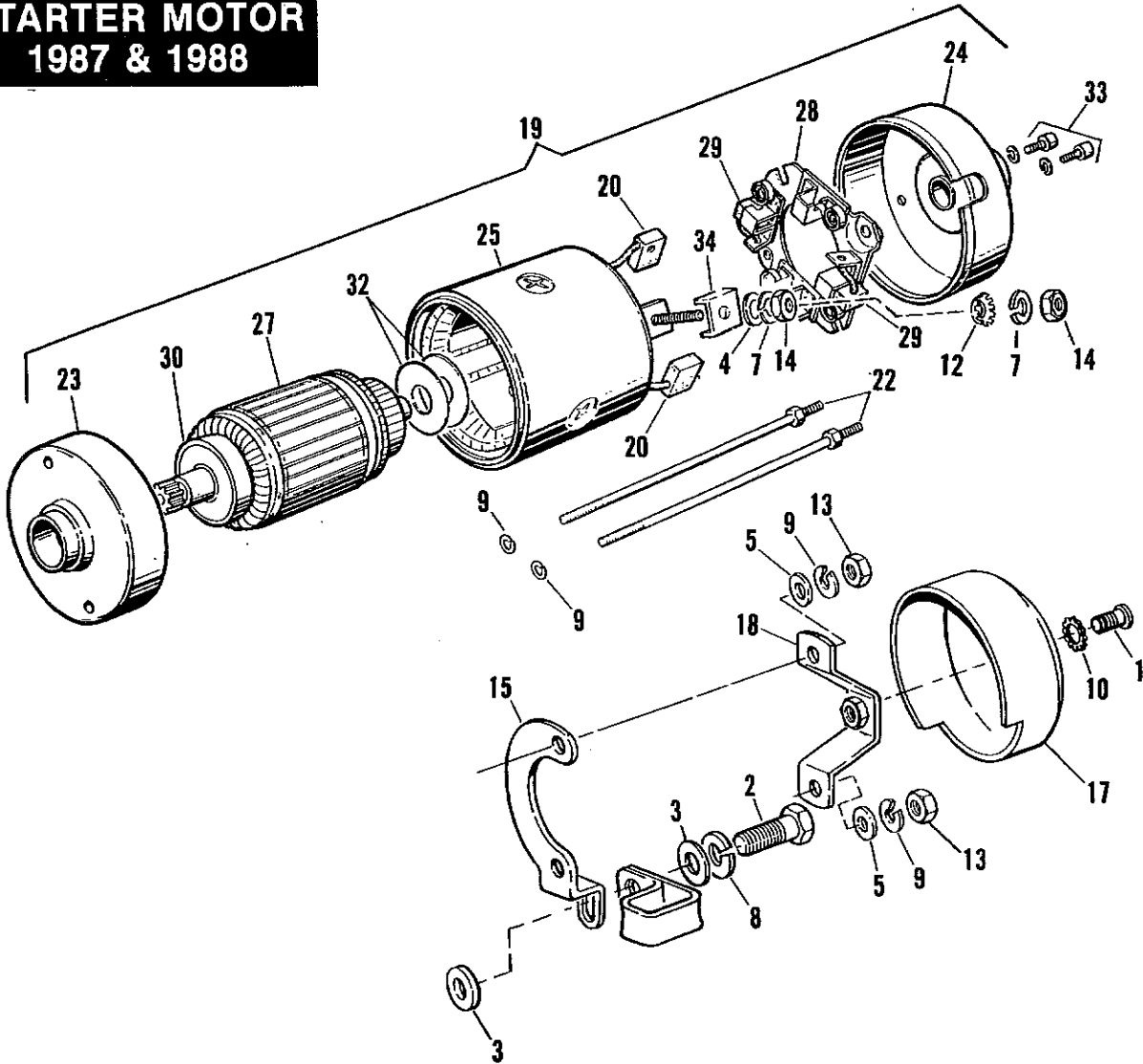
**STARTER SHAFT & HOUSING  
1987 & 1988**

**STARTER SHAFT AND HOUSING-1987 & 1988**

INDEX NO.	PART NO.	NAME	FLT MODELS	FXR MODELS	SOFTAIL MODELS
1	721	PLUG, pivot pin	87&88-ALL	87&88-ALL	--
	727	PLUG, pivot pin	--	--	87&88-ALL
2	2887W	BOLT (2)	87&88-ALL	--	87&88-ALL
	3485	SCREW (2)	--	87&88-ALL	--
3	6016	WASHER	87&88-ALL	87&88-ALL	87&88-ALL
4	7041	LOCKWASHER (2)	--	87&88-ALL	87&88-ALL
5	9062	NEEDLE BEARING, housing	87&88-ALL	87&88-ALL	--
7	9063	NEEDLE BEARING, primary cov.	87&88-ALL	87&88-ALL	--
8	11039	RETAINING RING, shifter collar	87&88-ALL	87&88-ALL	87&88-ALL
9	31300-84	SHIFTER LEVER, starter gear	--	--	87&88-ALL
10	31311-80	SPACER, starter shaft	--	--	87&88-ALL
12	31312-80	NUT, starter shaft	--	--	87&88-ALL
13	31340-80	GEAR, starter shaft	87&88-ALL	87&88-ALL	87&88-ALL
14	31443-65A	STARTER DRIVE GEAR UNIT	87&88-ALL	87&88- EA/B/C/G	87&88-ALL
15	31447-86	STARTER SHAFT HOUSING, w/#5 (blk.wrkl.)	87&88-ALL	87-EJ/L; 88-EB/L	--
16	31473-86	PIVOT PIN, shift lever	--	--	87&88-ALL
17	31482-86	STARTER SHAFT	--	--	87&88-ALL
19	31491-79	SHIFTER LEVER, starter gear	87&88-ALL	87&88-ALL	--
20	31493-67	NUT, starter shaft	87&88-ALL	87&88-ALL	--
22	31495-79	PIVOT PIN, shift lever	87&88-ALL	87&88-ALL	--
23	31502-65	THRUST WASHER, primary cov.	87&88-ALL	87&88-ALL	87&88-ALL
24	31503-65	SHIFTER COLLAR	87&88-ALL	87&88-ALL	87&88-ALL
25	31572-86	STARTER SHAFT HOUSING, w/#5	87&88-ALL	87&88-ALL	87&88-ALL
27	33120-85	STARTER SHAFT	87&88-ALL	87&88-ALL	--
28	33121-79	SPACER, starter shaft	87&88-ALL	87&88-ALL	--

FLT MODELS		FXR MODELS		SOFTAIL MODELS	
FLTC	DB	FXR	EA	FXST	BH
FLHT	DD	FXRS	EB	FLST/C	BJ
FLHTC	DJ	FXRT	EC	FXSTC	BK
FLTC-U	DM	FXRS-SP	EG	FXSTS	BL
FLHTC-U	DP	FXLR	EL	FLSTF	BM
FLHS	FA	FXRS-CON	EM		

# STARTER MOTOR 1987 & 1988

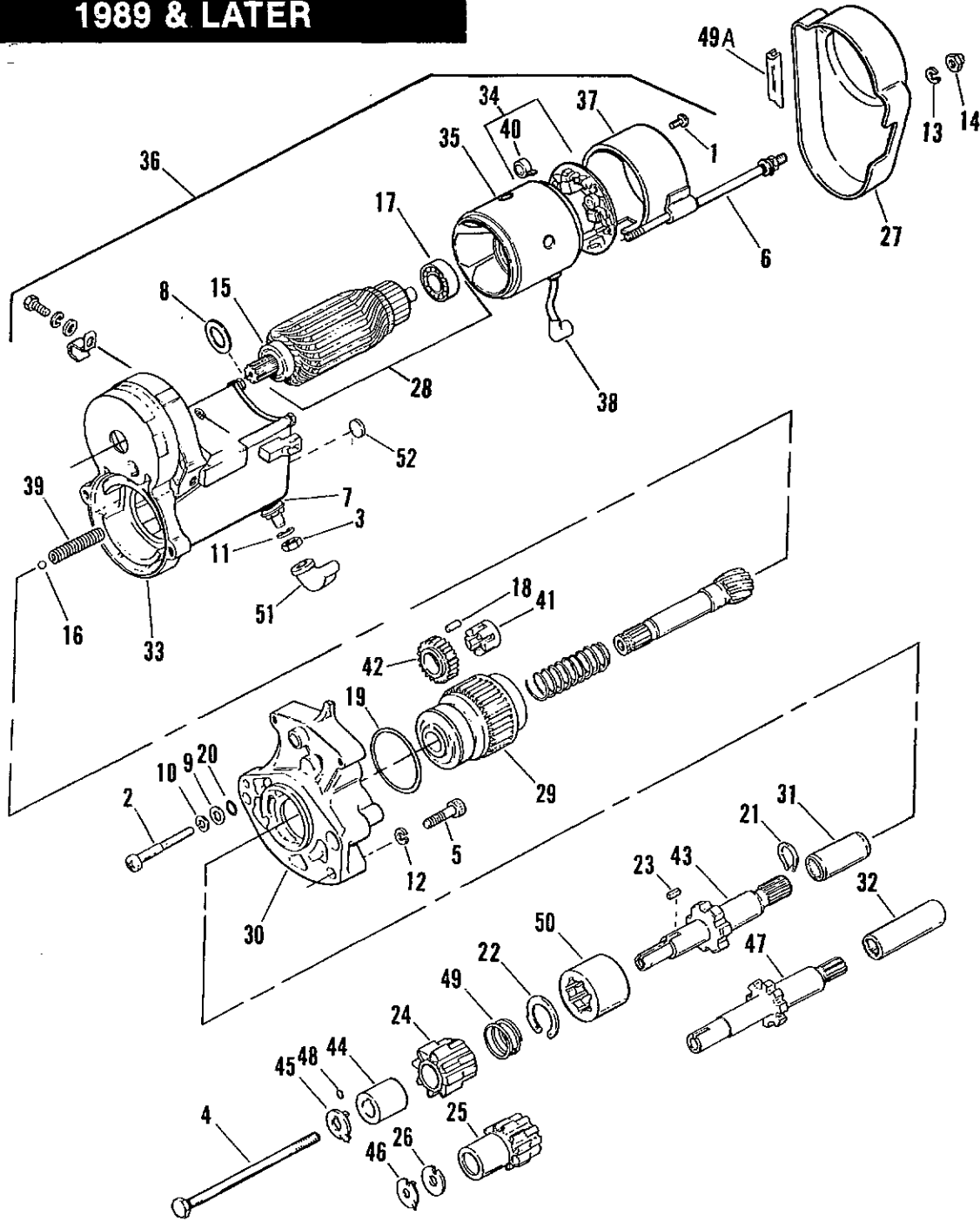




INDEX NO.	PART NO.	NAME	FLT MODELS	FXR MODELS	SOFTAIL MODELS
1	2682	SCREW	87&88-ALL	87&88-ALL	87&88-ALL
2	4017	BOLT	87&88-ALL	87&88-ALL	87&88-ALL
3	6016	WASHER (2)	87&88-ALL	87&88-ALL	87&88-ALL
4	6703	WASHER	87&88-ALL	87&88-ALL	87&88-ALL
5	6716	WASHER (2)	87&88-ALL	87&88-ALL	87&88-ALL
7	7036	LOCKWASHER (2)	87&88-ALL	87&88-ALL	87&88-ALL
8	7041	LOCKWASHER	87&88-ALL	87&88-ALL	87&88-ALL
9	7069	LOCKWASHER (4)	87&88-ALL	87&88-ALL	87&88-ALL
10	7220	LOCKWASHER	87&88-ALL	87&88-ALL	87&88-ALL
12	7230	LOCKWASHER	87&88-ALL	87&88-ALL	87&88-ALL
13	7620W	NUT (2)	87&88-ALL	87&88-ALL	87&88-ALL
14	7688	NUT (2)	87&88-ALL	87&88-ALL	87&88-ALL
15	31479-83	BRACKET, starter mtg.	87&88-ALL	87&88-ALL	87&88-ALL
17	31524-80	COVER, starter motor (chrome)	87&88-ALL	87&88-ALL	87&88-ALL
18	31564-83	BRACKET, end cover	87&88-ALL	87&88-ALL	87&88-ALL
19	31570-73	STARTER MOTOR	87&88-ALL	87&88-ALL	87&88-ALL
20	31575-73	BRUSH, field coil mtd. (2)	87&88-ALL	87&88-ALL	87&88-ALL
22	31576-73	SET OF THRU-BOLTS	87&88-ALL	87&88-ALL	87&88-ALL
23	31577-73	COVER, drive end	N/A 87&88-ALL	87&88-ALL	87&88-ALL
24	31578-73	COVER, commutator end w/bushing	87&88-ALL	87&88-ALL	87&88-ALL
25	31579-73	FRAME & FIELD COILS w/2 brushes	87&88-ALL	87&88-ALL	87&88-ALL
27	31580-73	ARMATURE w/ball bearing	87&88-ALL	87&88-ALL	87&88-ALL
28	31581-73	BRUSH HOLDER w/4 springs & 2 brushes	87&88-ALL	87&88-ALL	87&88-ALL
29	31582-73	BRUSH (2)	87&88-ALL	87&88-ALL	87&88-ALL
30	31583-73	BALL BEARING, armature drive end	87&88-ALL	87&88-ALL	87&88-ALL
32	31584-73	SET OF THRUST WASHERS, comm. end	87&88-ALL	87&88-ALL	87&88-ALL
33	31585-73	SCREW w/ lockwasher (2)	87&88-ALL	87&88-ALL	87&88-ALL
34	31586-73	INSULATOR, terminal	87&88-ALL	87&88-ALL	87&88-ALL

FLT MODELS		FXR MODELS		SOFTAIL MODELS	
FLTC	DB	FXR	EA	FXST	BH
FLHT	DD	FXRS	EB	FLST/C	BJ
FLHTC	DJ	FXRT	EC	FXSTC	BK
FLTC-U	DM	FXRS-SP	EG	FXSTS	BL
FLHTC-U	DP	FXLR	EL	FLSTF	BM
FLHS	FA	FXRS-CON	EM		

# STARTER MOTOR AND SHAFT 1989 & LATER



STARTER MOTOR AND SHAFT - 1989 & LATER

F12A-1

INDEX NO.	PART NO.	NAME	FLT MODELS	FXR MODELS	SOFTAIL MODELS
1	910	SCREW (2)	89*-ALL	89*-ALL	89*-ALL
2	917	SCREW (2)	89*-ALL	89*-ALL	89*-ALL
3	3402	NUT	89*-ALL	89*-ALL	89*-ALL
4	4325	BOLT	89*-ALL	89*-ALL	89*-ALL
5	4326A	BOLT (2)	89*-ALL	89*-ALL	89*-ALL
6	3555	SCREW W/WASHER (2)	89*-ALL	89*-ALL	89*-ALL

**STARTER MOTOR AND SHAFT - 1989 & LATER (CONT'D)**

**F12A-2**

INDEX NO.	PART NO.	NAME	FLT MODELS	FXR MODELS	SOFTAIL MODELS
7	3557	NUT W/WASHER	89*-ALL	89*-ALL	89*-ALL
8	6005	WASHER (felt)	89*-ALL	89*-ALL	89*-ALL
9	6236B	WASHER (2)	89*-ALL	89*-ALL	89*-ALL
10	7036	LOCKWASHER (2)	89*-ALL	89*-ALL	89*-ALL
11	7041	LOCKWASHER	89*-ALL	89*-ALL	89*-ALL
12	7045	LOCKWASHER (2)	89*-ALL	89*-ALL	89*-ALL
13	7124	LOCKWASHER (2)	89*-ALL	89*-ALL	89*-ALL
14	7737W	ACORN NUT (2)	89*-ALL	89*-ALL	89*-ALL
15	8877	BALL BEARING	89*-ALL	89*-ALL	89*-ALL
16	8879	BALL	89*-ALL	89*-ALL	89*-ALL
17	8882	BALL BEARING	89*-ALL	89*-ALL	89*-ALL
18	9077	ROLLER, bearing (5)	89*-ALL	89*-ALL	89*-ALL
19	11116	O-RING	89*-ALL	89*-ALL	89*-ALL
20	11171	O-RING (2)	89*-ALL	89*-ALL	89*-ALL
21	11182	RETAINING RING	89*-ALL	89*-ALL	89*-ALL
22	11183	RETAINING RING	89*-ALL	89*-ALL	89*-ALL
23	11220	KEY	89-ALL	89-ALL	89-ALL
24	31340-89	PINION GEAR	89-ALL	89-ALL	89-ALL
25	31342-90	PINION GEAR	90*-ALL	90*-ALL	90*-ALL
26	31430-90	THRUST WASHER	90*-ALL	90*-ALL	90*-ALL
	31487-90	JACKSHAFT ASM. KIT W/ OIL SEAL	89*-ALL	89*-ALL	89*-ALL
27	31535-89	COVER, starter	89*-ALL	89*-ALL	--
	31536-89	COVER, starter	--	--	89*-ALL
28	31543-90	ARMATURE ASSEMBLY	89*-ALL	89*-ALL	89*-ALL
29	31544-90	CLUTCH ASSEMBLY, clutch	89*-ALL	89*-ALL	89*-ALL
30	31545-90	HOUSING, starter	89*-ALL	89*-ALL	89*-ALL
31	31547-89	COUPLING	89-ALL	89-ALL	89-ALL
32	31548-90	COUPLING	90*-ALL	90*-ALL	90*-ALL
33	31549-90	SWITCH ASSEMBLY, magnetic	89*-ALL	89*-ALL	89*-ALL
34	51550-90	BRUSH HOLDER ASSEMBLY	89*-ALL	89*-ALL	89*-ALL
35	31551-90	YOKE ASSEMBLY, starter	89*-ALL	89*-ALL	89*-ALL
36	31552-89A	STARTER MOTOR, complete	89-ALL	89-ALL	89-ALL
37	31554-90	FRAME, starter end	89*-ALL	89*-ALL	89*-ALL
38	31555-90	CAP, starter terminal	89*-ALL	89*-ALL	89*-ALL
39	31557-81	SPRING, compression	89*-ALL	89*-ALL	89*-ALL
40	31593-81	SPRING, brush (4)	89*-ALL	89*-ALL	89*-ALL
41	31597-81	RETAINER, roller	89*-ALL	89*-ALL	89*-ALL
42	31598-89	IDLER GEAR	89*-ALL	89*-ALL	89*-ALL
43	33120-89	SHAFT	89-ALL	89-ALL	89-ALL
44	33121-89	SLEEVE	89-ALL	89-ALL	89-ALL
45	33125-89	LOCKPLATE	89*-ALL	89*-ALL	89*-ALL
46	33126-90	LOCKPLATE	90*-ALL	90*-ALL	90*-ALL
47	33127-90	SHAFT	90*-ALL	90*-ALL	90*-ALL
48	33340-90	O-RING	90*-ALL	90*-ALL	90*-ALL
	33345-89	O-RING	89-ALL	89-ALL	89-ALL
49	33447-89	SPRING, pinion gear	89-ALL	89-ALL	89-ALL
	33449-90	SPRING, pinion gear	90*-ALL	90*-ALL	90*-ALL
49A	58704-86	MOLDING	--	90*-ALL	--
50	60646-89	COUPLING	89*-ALL	89*-ALL	89*-ALL
	60647-90	COUPLING	90*-ALL	90*-ALL	90*-ALL
51	70578-89	BOOT	89*-ALL	89*-ALL	89*-ALL
52	75101-82	SPACER (rubber)	89*-ALL	89*-ALL	89*-ALL

**FLT MODELS**

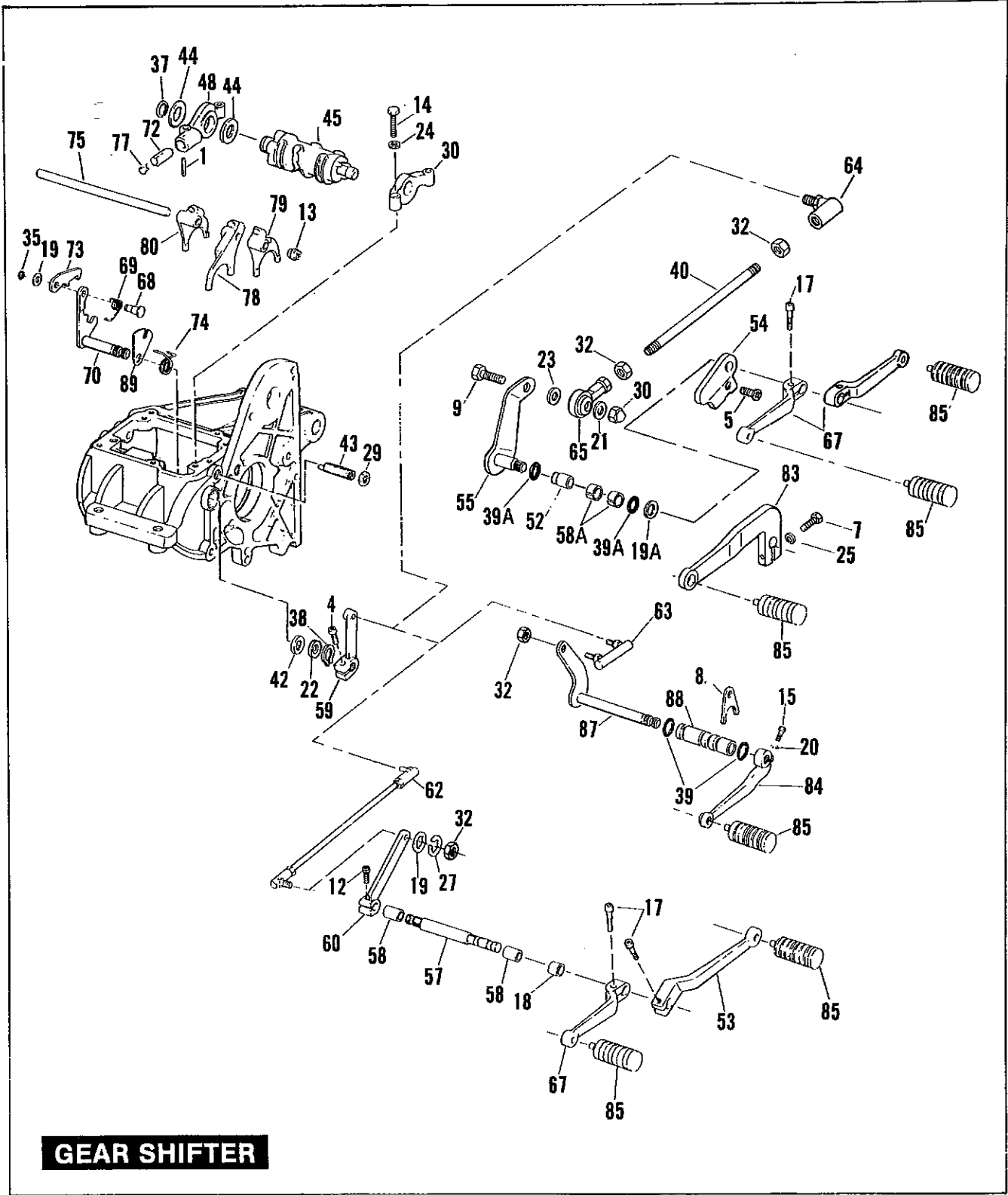
FLTC DB  
 FLHT DD  
 FLHTC DJ  
 FLTC-U DM  
 FLHTC-U DP  
 FLHS FA

**FXR MODELS**

FXR EA  
 FXRS EB  
 FXRT EC  
 FXRS-SP EG  
 FXLR EL  
 FXRS-CON EM

**SOFTAIL MODELS**

FXST BH  
 FLST/C BJ  
 FXSTC BK  
 FXSTS BL  
 FLSTF BM



**GEAR SHIFTER**

INDEX NO.	PART NO.	NAME	FLT MODELS	FXR MODELS	SOFTAIL MODELS
1	601	ROLL PIN	87*-ALL	87*-ALL	87*-ALL
4	856A	SCREW	87*-ALL	87*-ALL	87*-ALL
5	1719W	SCREW	--	--	87*-BJ/M
7	2551W	BOLT	--	--	87 to 89-BH/K/L
	4017	BOLT	--	--	90*-BH/J/K
8	2773	SCREW	--	--	87*-BJ/M
9	3415	BOLT	--	--	87*-ALL
12	3444A	SCREW	87*-ALL	--	--
13	3784	SET SCREW, shf. fork shaft-left	87*-ALL	87*-ALL	87*-ALL
14	3993	BOLT (4)	87*-ALL	87*-ALL	87*-ALL
15	4016	SCREW	--	87*-ALL	--
17	4069A	SCREW (2)	87*-ALL	--	87*-BJ/M
18	5702	SPACER	87*-ALL	87*-ALL	87*-ALL
19	6016	WASHER (as req'd)	87*-ALL	87*-ALL	87*-ALL
19A	6057	WASHER	--	--	90*-ALL
20	6314W	LOCKWASHER	--	87*-ALL	--
21	6316HW	WASHER	--	--	89*-ALL
22	6497HW	WASHER	87*-ALL	87*-ALL	87*-ALL
23	6702	WASHER	--	--	87&88-ALL
24	6736	WASHER (4)	87*-ALL	87*-ALL	87*-ALL
25	7036	LOCKWASHER	--	--	87 to 89-BH/K/L
27	7041	LOCKWASHER	87*-ALL	--	90*-BH/K/L
28	7230	LOCKWASHER	--	--	87*-BJ/M
29	7515	JAM NUT	87*-ALL	87*-ALL	87*-ALL
30	7736	ACORN NUT (2)	--	--	87*-ALL
32	7744	NUT (2)	87*-ALL	87*-ALL	--
33	7753	NUT	87*-ALL	--	--
35	11016	RETAINING RING	87*-ALL	87*-ALL	87*-ALL
37	11083	RETAINING RING	87*-ALL	87*-ALL	87*-ALL
38	11150	RETAINING RING	87*-ALL	87*-ALL	87*-ALL
39	11117	O-RING, sleeve (2)	--	87*-ALL	--
39A	11191	O-RING (2)	--	--	90*-ALL
40	11729	STUD	--	--	87*-ALL
42	12045	SEAL	87*-ALL	87*-ALL	87*-ALL
43	33119-79A	ADJUSTING SCREW, shifter. arm	87*-ALL	87*-ALL	87*-ALL
44	33205-80	THRUST WASHER, 0.017 thk. (as req'd)	87*-ALL	87*-ALL	87*-ALL
	33206-80	THRUST WASHER, 0.020 thk. (as req'd)	87*-ALL	87*-ALL	87*-ALL
	33207-80	THRUST WASHER, 0.022 thk. (as req'd)	87*-ALL	87*-ALL	87*-ALL
	33208-80	THRUST WASHER, 0.025 thk. (as req'd)	87*-ALL	87*-ALL	87*-ALL
	33209-80	THRUST WASHER, 0.028 thk. (as req'd)	87*-ALL	87*-ALL	87*-ALL
	33210-80	THRUST WASHER, 0.031 thk. (as req'd)	87*-ALL	87*-ALL	87*-ALL
	33211-80	THRUST WASHER, 0.035 thk. (as req'd)	87*-ALL	87*-ALL	87*-ALL
	33212-80	THRUST WASHER, 0.039 thk. (as req'd)	87*-ALL	87*-ALL	87*-ALL
45	33320-79C	SHIFTER CAM	87*-ALL	87*-ALL	87*-ALL
47	33326-79	SUPPORT, shifter cam-left	87*-ALL	87*-ALL	87*-ALL
48	33332-79	SUPPORT, shifter cam-right	87*-ALL	87*-ALL	87*-ALL

## FLT MODELS

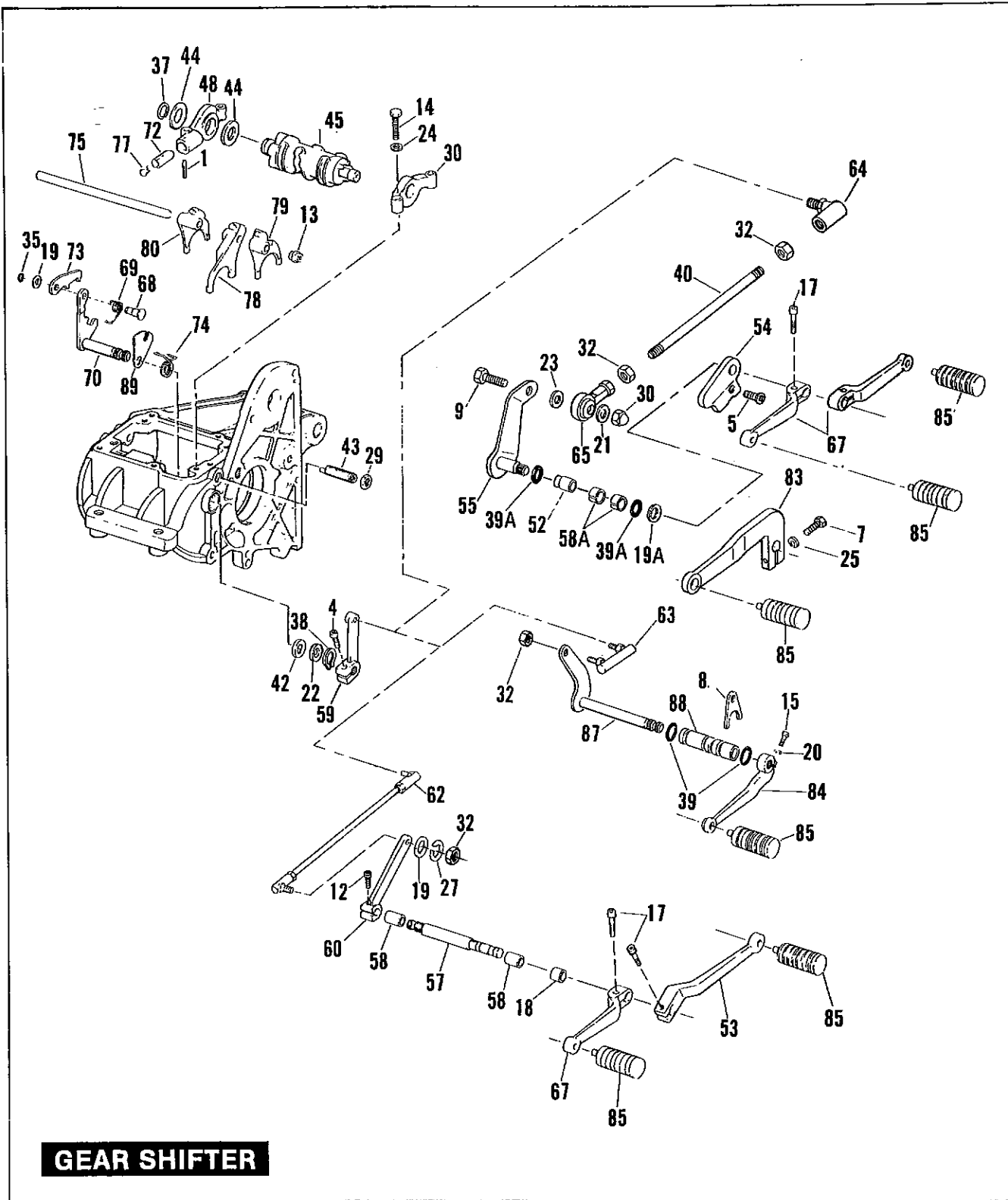
FLTC DB  
 FLHT DD  
 FLHTC DJ  
 FLTC-U DM  
 FLHTC-U DP  
 FLHS FA

## FXR MODELS

FXR EA  
 FXRS EB  
 FXRT EC  
 FXRS-SP EG  
 FXLR EL  
 FXRS-CON EM

## SOFTAIL MODELS

FXST BH  
 FLST/C BJ  
 FXSTC BK  
 FXSTS BL  
 FLSTF BM



**GEAR SHIFTER**

**GEAR SHIFTER (CONT'D)**

INDEX NO.	PART NO.	NAME	FLT MODELS	FXR MODELS	SOFTAIL MODELS
52	33638-70	BUSHING, shift lever	--	--	87*-ALL
53	33640-83	SHIFT LEVER, heel	87*-ALL	--	--
54	33642-86	COVER ASSY., shifter (chrome)	N/A --	--	87&88-BJ
	33642-89	COVER ASSY., shifter (chrome)	--	--	89*-BJ/M
55	33660-85	SHIFT LEVER (chrome)	--	--	87 to 89-BH/K/L
	33660-90	SHIFT LEVER (chrome)	--	--	90*-BH/K/L
	33668-86	SHIFT LEVER (chrome)	--	--	87 to 89-BJ
	33668-90	SHIFT LEVER (chrome)	--	--	90*-BJ
57	33709-82	SHAFT	87*-ALL	--	--
58	33713-85	BUSHING, shifter brkt. (2)	87*-ALL	--	--
58A	33714-90	BUSHING (2)	--	--	90*-ALL
59	33715-85	LEVER, shifter rod	87*-ALL	87*-ALL	87*-ALL
60	33718-82	LEVER	87*-ALL	--	--
62	33719-79A	SHIFTER ROD	87*-ALL	--	--
63	33728-82A	BALL JOINT	--	87*-ALL	--
64	33729-82	BALL JOINT	--	--	87*-ALL
65	33871-85	END, shifter rod	--	--	87*-ALL
67	33895-82	SHIFT LEVER (chrome) (2-BJ/M)	87*-ALL	--	87*-BJ/M
68	34082-79	PIN, shifter shaft lever	87*-ALL	87*-ALL	87*-ALL
69	34083-79	SPRING, shifter shaft lever	87*-ALL	87*-ALL	87*-ALL
70	34084-86	LEVER, shifter shaft w/#68 & 69	87*-ALL	87*-ALL	87*-ALL
72	34085-79A	CAM FOLLOWER	87*-ALL	87*-ALL	87*-ALL
73	34086-79	PAWL, shifter cam	87*-ALL	87*-ALL	87*-ALL
74	34087-79	SPRING, shifter shaft	87*-ALL	87*-ALL	87*-ALL
75	34088-87	SHAFT, shifter fork	87*-ALL	87*-ALL	87*-ALL
77	34089-79	SPRING	87*-ALL	87*-ALL	87*-ALL
78	34191-79C	SHIFTER FORK	87*-ALL	87*-ALL	87*-ALL
79	34193-79C	SHIFTER FORK	87*-ALL	87*-ALL	87*-ALL
80	34195-79C	SHIFTER FORK	87*-ALL	87*-ALL	87*-ALL
82	34561-84	SLEEVE LOCATOR PLATE	--	87*-ALL	--
83	34564-74B	SHIFT LEVER (chrome)	--	--	87 to 89-BH/K/L
	34564-90A	SHIFT LEVER (chrome)	--	--	90*-BH/K/L
84	34599-81	LEVER, shifter	--	87*-ALL	--
85	34611-65	PEG, shift lever (2-FLT,BJ/M)	87*-ALL	87*-ALL	87*-ALL
87	34621-84	SHIFT LEVER	--	87*-ALL	--
88	34632-84	SLEEVE, shift lever	--	87*-ALL	--
89	35068-79	PLATE	87*-ALL	87*-ALL	87*-ALL

**FLT MODELS**

FLTC DB  
 FLHT DD  
 FLHTC DJ  
 FLTC-U DM  
 FLHTC-U DP  
 FLHS FA

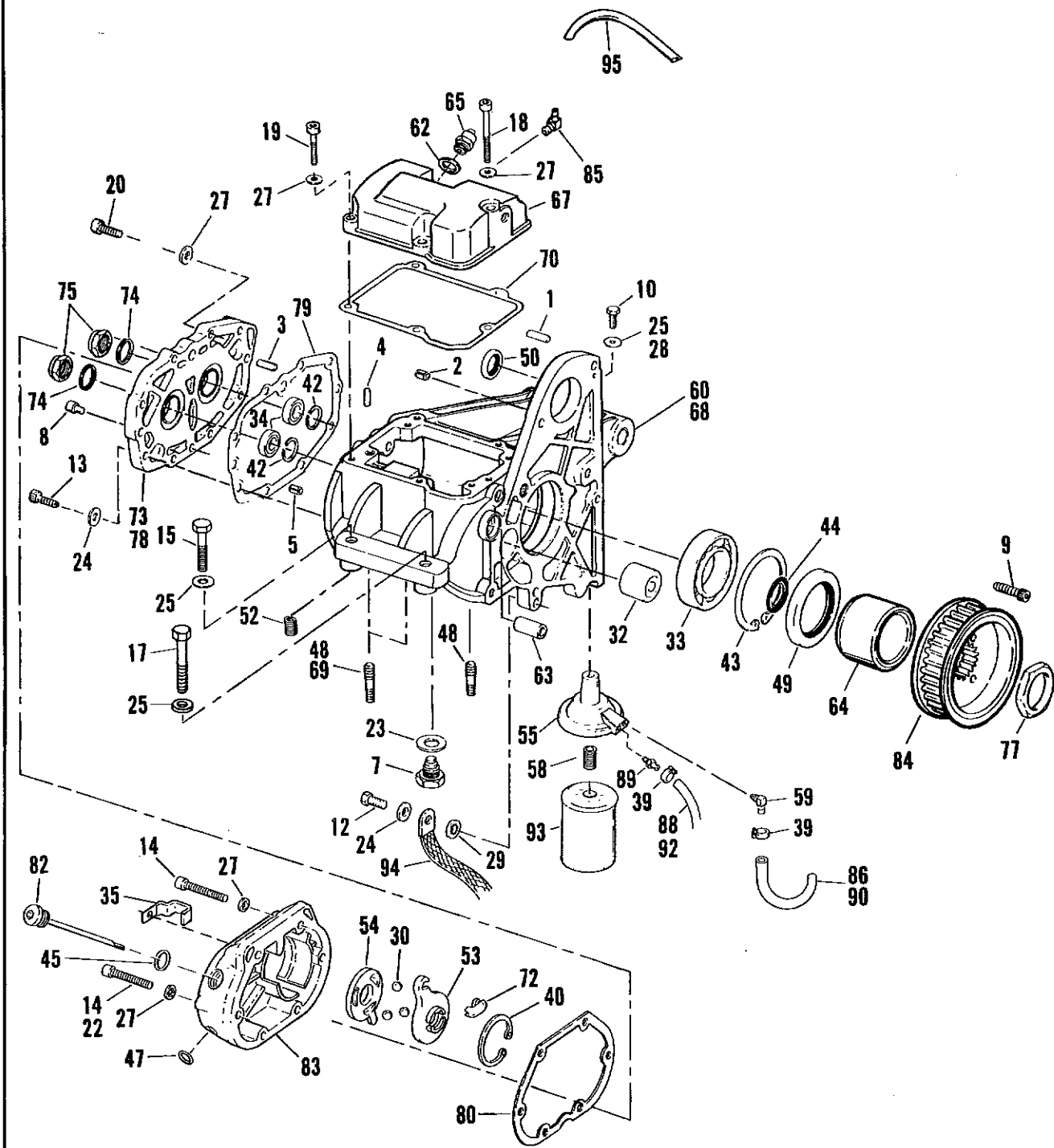
**FXR MODELS**

FXR EA  
 FXRS EB  
 FXRT EC  
 FXRS-SP EG  
 FXLR EL  
 FXRS-CON EM

**SOFTAIL MODELS**

FXST BH  
 FLST/C BJ  
 FXSTC BK  
 FXSTS BL  
 FLSTF BM

# TRANSMISSION HOUSING





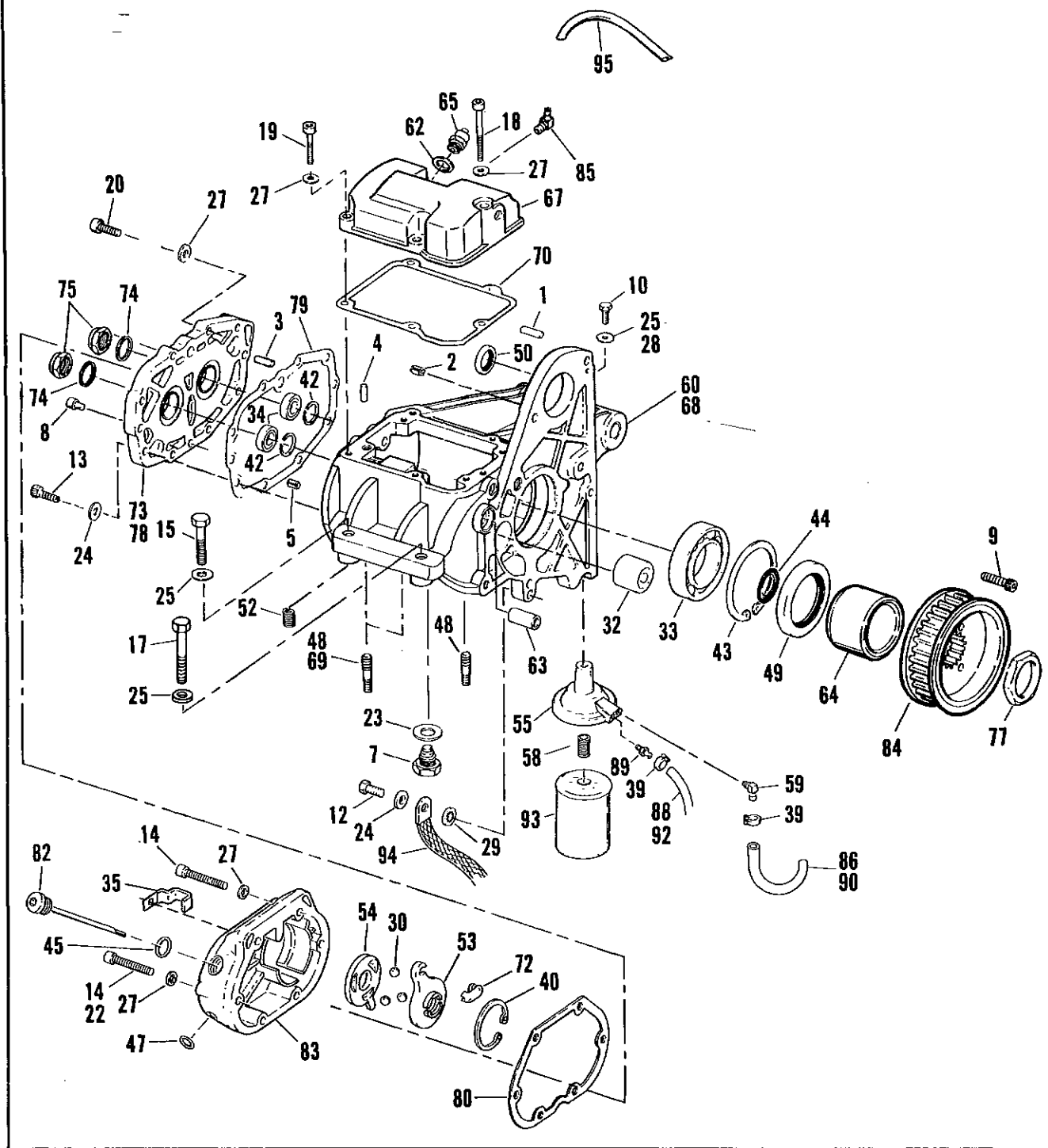
# TRANSMISSION HOUSING

F14-1

INDEX NO.	PART NO.	NAME	FLT MODELS	FXR MODELS	SOFTAIL MODELS
1	335	DOWEL PIN	87&88-ALL	87&88-ALL	87&88-ALL
	337	DOWEL PIN	89*-ALL		89*-ALL
2	336	ROLL PIN	87&88-ALL	87&88-ALL	87&88-ALL
3	375	DOWEL PIN (2-1987 & 1988)	87*-ALL	87*-ALL	87*-ALL
4	609	PIN (2)	87*-ALL	87*-ALL	87*-ALL
5	634	PIN	87*-ALL	87*-ALL	87*-ALL
7	722	PLUG	87*-ALL	87*-ALL	--
8	739	PLUG	--	--	87 to 89-ALL
9	857	SCREW	87*-ALL	87*-ALL	87*-ALL
10	2851	SCREW	--	--	88*-ALL
	2879W	BOLT	87*-ALL	87*-ALL	--
12	2871W	BOLT	87*-ALL	87*-ALL	--
13	3210	SCREW (4)	87*-ALL	87*-ALL	87*-ALL
14	3479	SCREW (6;4-Softail)	87*-ALL	87*-ALL	87*-ALL
15	3512	BOLT (2)	87-ALL	87-ALL	87*-ALL
	3528	BOLT (2)	87*-ALL	87*-ALL	--
18	4717	SCREW	87*-ALL	87*-ALL	87*-ALL
19	4718A	SCREW (4)	87-ALL	87-ALL	87-ALL
	4741	SCREW (4)	88*-ALL	88*-ALL	88*-ALL
20	4814	SCREW (2)	87*-ALL	87*-ALL	87*-ALL
22	4825A	SCREW (2)	--	--	87*-ALL
23	6007	WASHER (nylon)	87*-ALL	87*-ALL	--
24	6016	WASHER (4)	87*-ALL	87*-ALL	87*-ALL
25	6019	WASHER (3)	87*-ALL	87*-ALL	--
27	6099	WASHER (13)	87*-ALL	87*-ALL	87*-ALL
28	6516HW	WASHER	--	--	87*-ALL
29	7100	LOCKWASHER	89*-ALL	89*-ALL	--
	7127	LOCKWASHER	87&88-ALL	87&88-ALL	87*-ALL
30	8873	BALL (3)	87*-ALL	87*-ALL	87*-ALL
32	8977	NEEDLE BEARING	87*-ALL	87*-ALL	87*-ALL
33	8996	BALL BEARING, mainshaft-left side	87*-ALL	87*-ALL	87*-ALL
34	8998	BALL BEARING (2)	87*-ALL	87*-ALL	87*-ALL
35	10069	CLAMP	--	87 to 89-ALL	--
	10084	CLAMP	--	90*-ALL	--
39	10080	CLAMP (4;2-Softail)	87*-ALL	87*-ALL	87*-ALL
40	10998	RETAINING RING	87*-ALL	87*-ALL	87*-ALL
42	11020	RETAINING RING, brg. (2)	87*-ALL	87*-ALL	87*-ALL
43	11161	RETAINING RING, ball brg.	87*-ALL	87*-ALL	87*-ALL
44	11165	QUAD SEAL, ball brg.	87*-ALL	87*-ALL	87*-ALL
45	11178	O-RING, filler plug	87*-ALL	87*-ALL	87*-ALL
47	11179	O-RING, clutch cable	87*-ALL	87*-ALL	87*-ALL
48	11733	STUD (5-1989 & Later)	--	--	87*-ALL
49	12050	OIL SEAL, mainshaft-left side	87*-ALL	87*-ALL	87*-ALL
50	12051	OIL SEAL, transmission to starter	87&88-ALL	87&88-ALL	87&88-ALL
52	24557-87	INSERT, threaded (2)	87-ALL	87-ALL	--
53	25452-87A	INNER RAMP	87 to 89-ALL	87 to 89-ALL	87 to 89-ALL
	25452-90	INNER RAMP	90*-ALL	90*-ALL	90*-ALL
54	25453-87	OUTER RAMP	87 to 89-ALL	87 to 89-ALL	87 to 89-ALL
	25453-90	OUTER RAMP	90*-ALL	90*-ALL	90*-ALL
55	26350-85A	MOUNTING BRACKET, oil filter	87*-ALL	87*-ALL	87*-ALL
58	26352-85	ADAPTOR, oil filter	87*-ALL	87*-ALL	87*-ALL
59	26496-75	FITTING, oil filter hose	87*-ALL	87*-ALL	--
	63540-62	FITTING, oil filter hose (2)	--	--	87*-ALL

FLT MODELS		FXR MODELS		SOFTAIL MODELS	
FLTC	DB	FXR	EA	FXST	BH
FLHT	DD	FXRS	EB	FLST/C	BJ
FLHTC	DJ	FXRT	EC	FXSTC	BK
FLTC-U	DM	FXRS-SP	EG	FXSTS	BL
FLHTC-U	DP	FXLR	EL	FLSTF	BM
FLHS	FA	FXRS-CON	EM		

# TRANSMISSION HOUSING

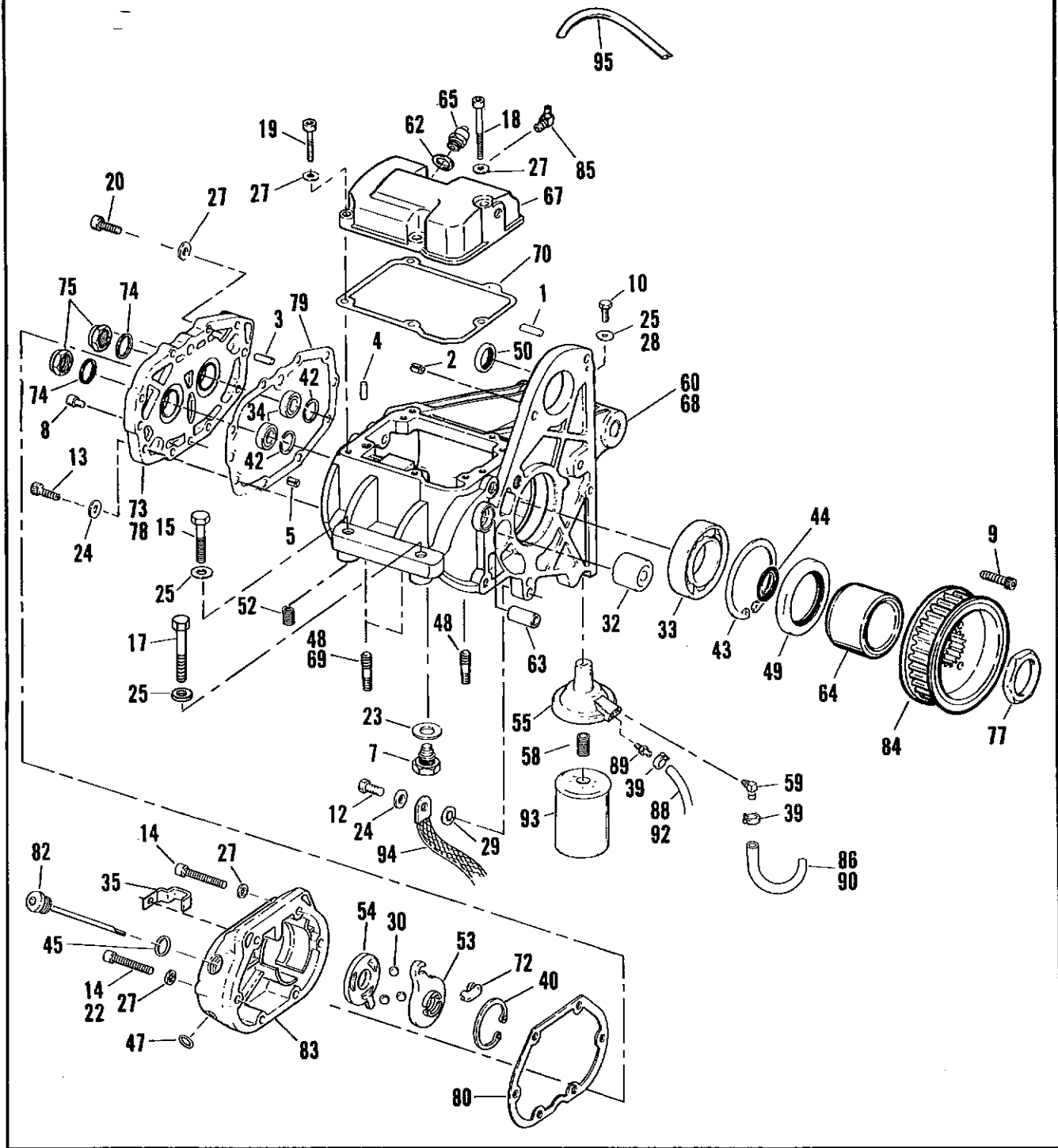


**TRANSMISSION HOUSING (CONT'D)**

INDEX NO.	PART NO.	NAME	FLT MODELS	FXR MODELS	SOFTAIL MODELS
60	33005-90	TRANSMISSION	N/A --	--	90*-BH/J
	33006-90	TRANSMISSION (C & BW)	N/A --	--	90*-BJ/K/L
	33008-90	TRANSMISSION	N/A --	--	90*-BM
	33013-90	TRANSMISSION (C & BW)	N/A 90*-DB/J/M/P	--	--
	33017-90	TRANSMISSION	N/A 90*-FA	--	--
	33021-90	TRANSMISSION (C & BW)	N/A --	90*-EB	--
	33022-90	TRANSMISSION	N/A --	90*-EA/C/M	--
	33024-90	TRANSMISSION (C & BW)	N/A --	90*-EL	--
	33036-90	TRANSMISSION	N/A --	90*-EG	--
62	33043-80	WASHER, neutral indicator switch	87*-ALL	87*-ALL	87*-ALL
63	33114-79	SPACER	87*-ALL	87*-ALL	87*-ALL
64	33334-85	SPACER, sprocket	87*-ALL	87*-ALL	87*-ALL
65	33900-59B	SWITCH, neutral indicator	87*-ALL	87*-ALL	87*-ALL
67	34464-86A	COVER, upper (polished)	87*-ALL	87*-ALL	87*-ALL
	34468-86A	COVER, upper (chrome)	87*-DB/J/M/P	87*-EL;88*-EB	87*-BJ/K/L
68	34700-87	HOUSING (black wrinkle)	N/A 87-DB/J	87-EL	--
	34700-88	HOUSING (black wrinkle)	88-DB/J	88*-EB/L	--
	34700-89A	HOUSING (black wrinkle)	89*-DB/J/M/P	89*-EB/L	--
	34730-87	HOUSING	N/A 87-ALL	87-ALL	--
	34730-88	HOUSING	88-ALL	88-ALL	--
	34730-89A	HOUSING	89*-FA	89*-EA/C/G/M	--
	34731-86A	HOUSING	--	--	87&88-ALL
	34731-89	HOUSING	--	--	89*-ALL
	34732-86A	HOUSING (black wrinkle)	--	--	87&88-BJ/K/L
	34732-89A	HOUSING (black wrinkle)	--	--	89*-BJ/K/L
69	34725-84	STUD (4)	--	--	87&88-ALL
70	34904-86	GASKET, upper cover	87*-ALL	87*-ALL	87*-ALL
72	34920-86	COUPLING	87*-ALL	87*-ALL	87*-ALL
73	35074-87	BEARING HOUSING (polished)	87 to 89-ALL	87 to 89-ALL	--
	35074-90A	BEARING HOUSING (polished)	90*-FA	90*-EA/C/G/M	--
	35077-87	BEARING HOUSING (polished)	--	--	87 to 89-ALL
	35077-90	BEARING HOUSING (polished)	--	--	90*-BH/J/M
74	35076-79	SPACER (2)	87*-ALL	87*-ALL	87*-ALL
75	35078-79	NUT, mainshaft & countershaft	87*-ALL	87*-ALL	87*-ALL
77	35211-36	NUT, sprocket	87*-ALL	87*-ALL	87*-ALL
78	35259-87B	BEARING HOUSING (black wrinkle)	--	--	87*-BJ/K/L
	35261-87	BEARING HOUSING (black wrinkle)	87 to 89-DB/J/M/P	87to 89-EL; 88&89-EB	--
	35261-90A	BEARING HOUSING (black wrinkle)	90*-DB/J/M/P	90*-EB/L	--
79	35652-79A	GASKET, bearing housing	87*-ALL	87*-ALL	87*-ALL
80	36801-87A	GASKET, right side cover	87*-ALL	87*-ALL	87*-ALL
82	37071-87	FILLER PLUG (polished)	87*-ALL	87*-ALL	87*-ALL
	37075-87	FILLER PLUG (chrome)	87*-DB/J	87*-EL;88*-EB	87*-BJ/K/L/M
83	37081-87A	CLUTCH RELEASE COVER (polished)	87*-ALL	--	87*-ALL
	37103-87A	CLUTCH RELEASE COVER (polished)	--	87*-ALL	--
	37105-87A	CLUTCH RELEASE COVER (chrome)	87*-DB/J/M/P	--	87*-BJ/K/L/M
	37109-87A	CLUTCH RELEASE COVER (chrome)	--	87*-EL;88*-EB	--
84	40210-85C	SPROCKET, 32T.	87*-ALL	87*-ALL	87*-ALL
85	62375-57	FITTING, upper cover	87*-ALL	87*-ALL	87*-ALL

FLT MODELS		FXR MODELS		SOFTAIL MODELS	
FLTC	DB	FXR	EA	FXST	BH
FLHT	DD	FXRS	EB	FLST/C	BJ
FLHTC	DJ	FXRT	EC	FXSTC	BK
FLTC-U	DM	FXRS-SP	EG	FXSTS	BL
FLHTC-U	DP	FXLR	EL	FLSTF	BM
FLHS	FA	FXRS-CON	EM		

# TRANSMISSION HOUSING



<b>INDEX NO.</b>	<b>PART NO.</b>	<b>NAME</b>	<b>FLT MODELS</b>	<b>FXR MODELS</b>	<b>SOFTAIL MODELS</b>
86	62665-85	HOSE, filter to tank	87&88-ALL	--	--
	62665-89	HOSE, filter to tank	89*-ALL	--	--
88	63531-87	HOSE, pump to filter inlet	--	--	87*-ALL
89	63533-41	FITTING, oil filter mtg. bracket	87*-ALL	87*-ALL	--
90	63556-87	HOSE, filter to tank	--	--	87*-ALL
92	63558-85	HOSE, oil pump to filter	87*-ALL	87*-ALL	--
93	63796-77A	OIL FILTER (chrome)	--	--	87*-BJ/K/L/M
	63805-80A	OIL FILTER, std. (black)	87*-ALL	87*-ALL	87*-ALL
94	70186-82	GROUND STRAP	87*-ALL	87*-ALL	--

NOTE; Hose is sold only in bulk length under the following part number. Cut to length.

95	63501-68	HOSE, 1/4 I.D. (rubber)(25 ft. lg.)	87*-ALL	87*-ALL	87*-ALL
----	----------	-------------------------------------	---------	---------	---------

**FLT MODELS**

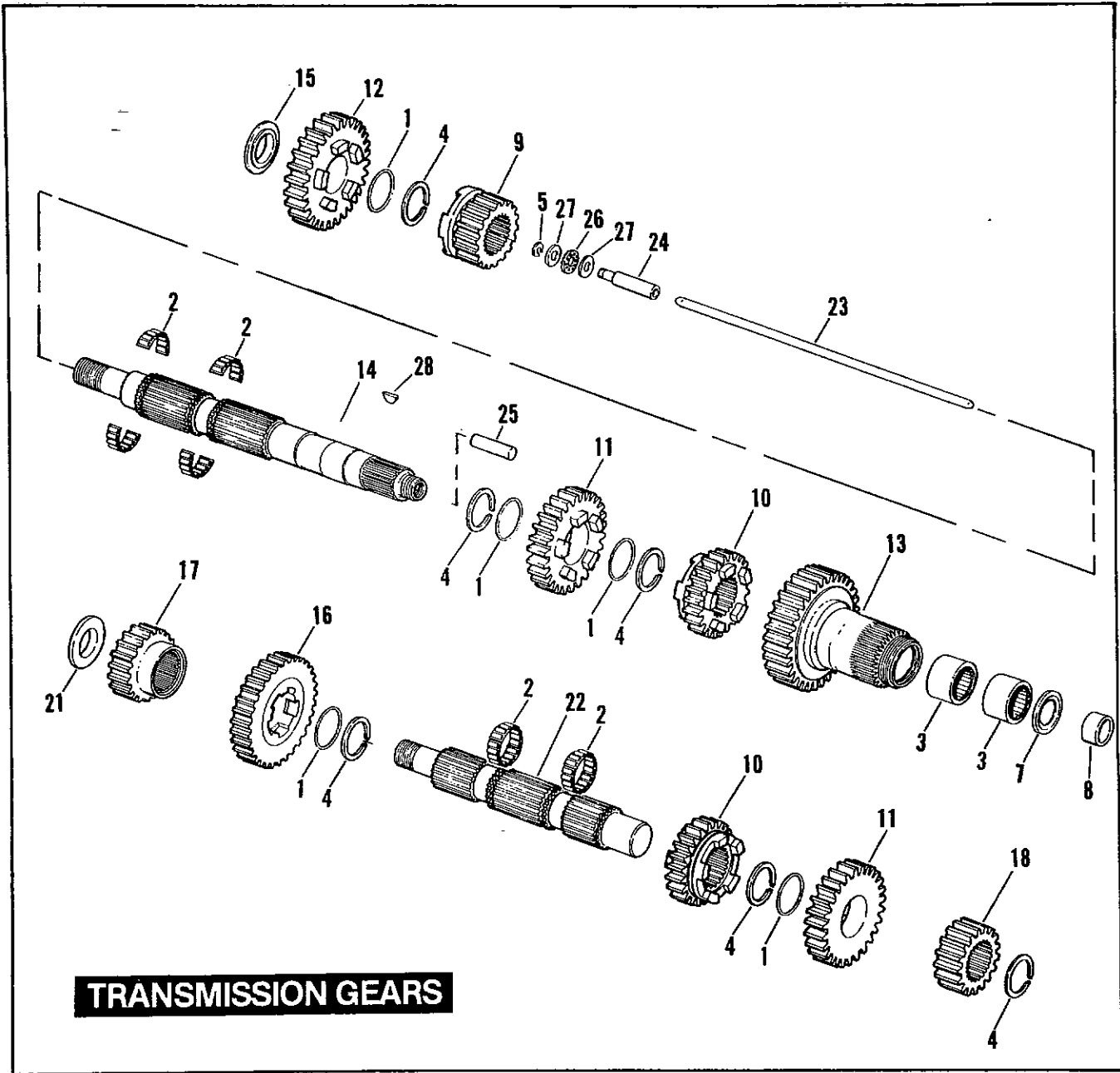
FLTC OB  
 FLHT DD  
 FLHTC DJ  
 FLTC-U DM  
 FLHTC-U DP  
 FLHS FA

**FXR MODELS**

FXR EA  
 FXRS EB  
 FXRT EC  
 FXRS-SP EG  
 FXLR EL  
 FXRS-CON EM

**SOFTAIL MODELS**

FXST BH  
 FLST/C BJ  
 FXSTC BK  
 FXSTS BL  
 FLSTF BM



INDEX NO.	PART NO.	NAME	FLT MODELS	FXR MODELS	SOFTAIL MODELS
1	6003	THRUST WASHER (5)	87*-ALL	87*-ALL	87*-ALL
2	8876A	BEARING (4)	87*-ALL	87*-ALL	87*-ALL
3	8904	NEEDLE BEARING, mainshaft fifth gear (2)	87*-ALL	87*-ALL	87*-ALL
4	11067	RETAINING RING (6)	87*-ALL	87*-ALL	87*-ALL
5	11096	RETAINING RING	87*-ALL	87*-ALL	87*-ALL
7	12013A	OIL SEAL, mainshaft fifth gear	87*-ALL	87*-ALL	87*-ALL
8	34091-85	BEARING, inner race	87*-ALL	87*-ALL	87*-ALL
9	35025-79	FIRST GEAR, mainshaft	87*-ALL	87*-ALL	87*-ALL
10	35026-79A	GEAR, mainsft. second & ctshft. third (2)	87*-ALL	87*-ALL	87*-ALL
11	35027-79A	GEAR, mainsft. third & ctshft. second (2)	87*-ALL	87*-ALL	87*-ALL
12	35028-79	FOURTH GEAR, mainshaft	87*-ALL	87*-ALL	87*-ALL
13	35029-85A	FIFTH GEAR, mainshaft	87*-ALL	87*-ALL	87*-ALL
14	35042-85	MAINSHAFT	87 to 89-ALL	87 to 89-ALL	87 to 89-ALL
	35042-90	MAINSHAFT	90*-ALL	90*-ALL	90*-ALL
15	35064-79	SPACER, mainshaft	87*-ALL	87*-ALL	87*-ALL
16	35622-79B	FIRST GEAR, countershaft	87*-ALL	87*-ALL	87*-ALL
17	35625-79A	FOURTH GEAR, countershaft	87*-ALL	87*-ALL	87*-ALL
18	35626-79A	FIFTH GEAR, countershaft	87*-ALL	87*-ALL	87*-ALL
21	35629-79	SPACER	87*-ALL	87*-ALL	87*-ALL
22	35632-79	COUNTERSHAFT	87*-ALL	87*-ALL	87*-ALL
23	37088-87	PUSH ROD, clutch release (thru mainsft.)	87 to 89-ALL	87 to 89-ALL	87 to 89-ALL
	37088-90	PUSH ROD, clutch release (thru mainsft.)	90*-ALL	90*-ALL	90*-ALL
24	37089-84	END, clutch push rod - right side	87*-ALL	87*-ALL	87*-ALL
25	37090-84A	END, clutch push rod - left side	87*-ALL	87*-ALL	87*-ALL
26	37312-75	BEARING	87*-ALL	87*-ALL	87*-ALL
27	37313-80	THRUST WASHER (2)	87*-ALL	87*-ALL	87*-ALL
28	37523-85	KEY, clutch	87 to 89-ALL	87 to 89-ALL	87 to 89-ALL

**H-D INTERNATIONAL ONLY**

9	35023-86	GEAR, ctshft. second (87 & 88 HDI only & 89 Swiss only)	87 to 89-ALL	87 to 89-ALL	87 to 89-ALL
10	35024-86	GEAR, mainsft. second (87 & 88 HDI only & 89 Swiss only)	87 to 89-ALL	87 to 89-ALL	87 to 89-ALL

**FLT MODELS**

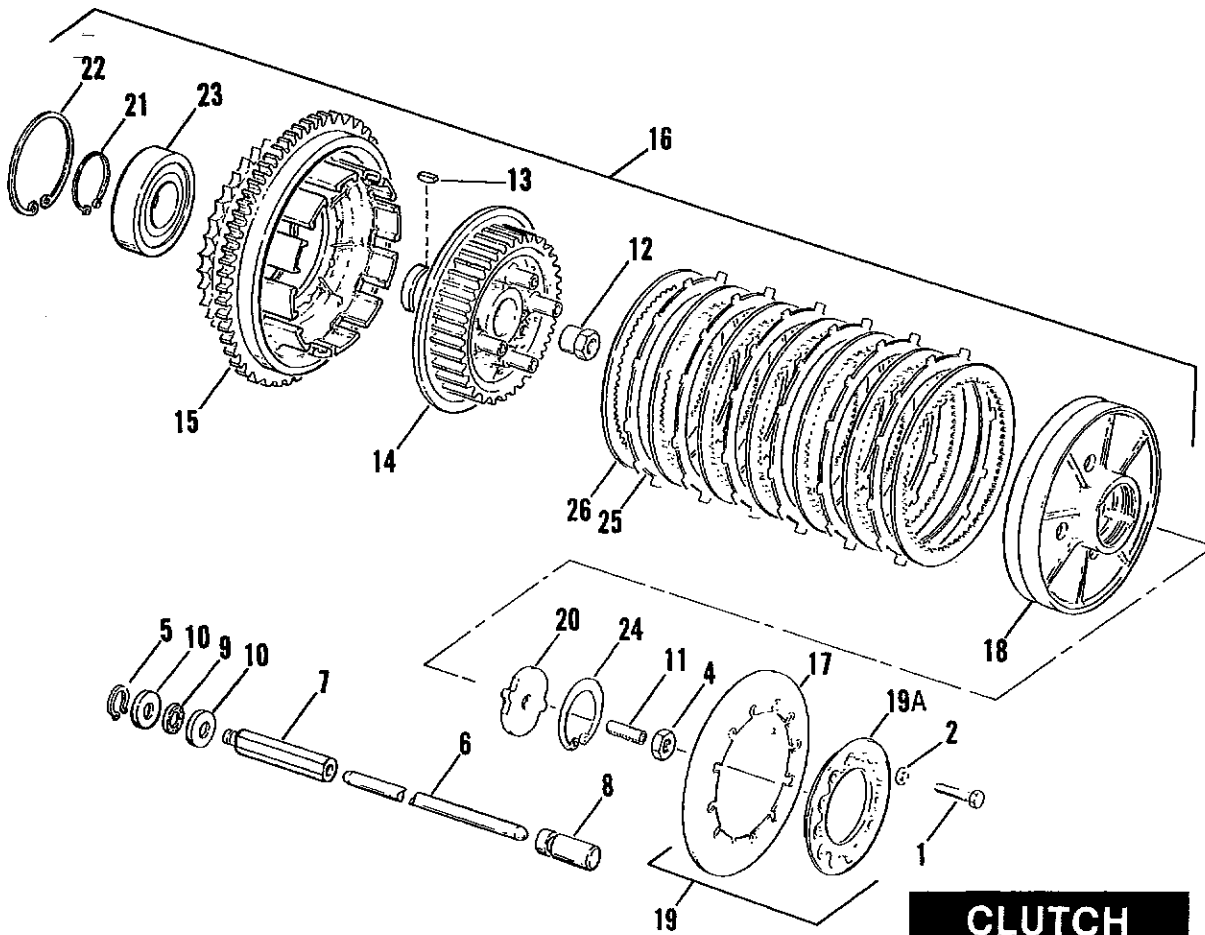
FLTC DB  
 FLHT DD  
 FLHTC DJ  
 FLTC-U DM  
 FLHTC-U DP  
 FLHS FA

**FXR MODELS**

FXR EA  
 FXRS EB  
 FXRT EC  
 FXRS-SP EG  
 FXLR EL  
 FXRS-CON EM

**SOFTAIL MODELS**

FXST BH  
 FLST/C BJ  
 FXSTC BK  
 FXSTS BL  
 FLSTF BM



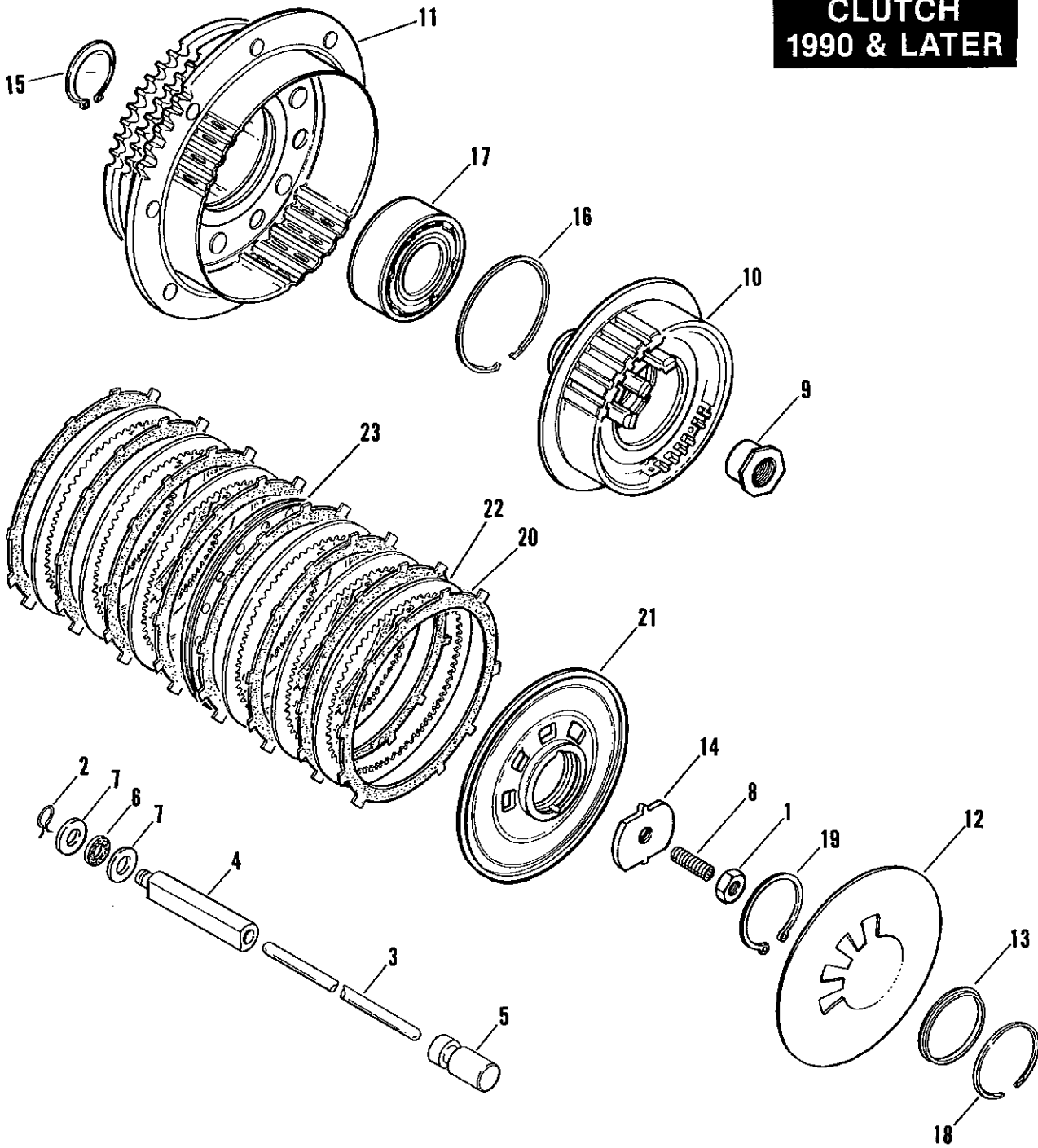
**CLUTCH  
1987 TO 1989**



INDEX NO.	PART NO.	NAME	FLT MODELS	FXR MODELS	SOFTAIL MODELS
1	2881W	BOLT (4)	87 to 89-ALL	87 to 89-ALL	87 to 89-ALL
2	6242W	WASHER (4)	87 to 89-ALL	87 to 89-ALL	87 to 89-ALL
4	7848W	NUT	87 to 89-ALL	87 to 89-ALL	87 to 89-ALL
5	11096	RETAINING RING	87 to 89-ALL	87 to 89-ALL	87 to 89-ALL
6	37088-87	PUSH ROD, clutch release	87 to 89-ALL	87 to 89-ALL	87 to 89-ALL
7	37089-84	END, push rod-right side	87 to 89-ALL	87 to 89-ALL	87 to 89-ALL
8	37090-84A	END, push rod-left side	87 to 89-ALL	87 to 89-ALL	87 to 89-ALL
9	37312-75	BEARING, push rod	87 to 89-ALL	87 to 89-ALL	87 to 89-ALL
10	37313-80	THRUST WASHER (2)	87 to 89-ALL	87 to 89-ALL	87 to 89-ALL
11	37357-84	ADJUSTING STUD, push rod	87 to 89-ALL	87 to 89-ALL	87 to 89-ALL
12	37496-84	NUT, mainshaft-clutch side	87 to 89-ALL	87 to 89-ALL	87 to 89-ALL
13	37523-85	KEY, clutch	87 to 89-ALL	87 to 89-ALL	87 to 89-ALL
14	37550-84A	CLUTCH HUB, inner	87 to 89-ALL	87 to 89-ALL	87 to 89-ALL
15	37707-84	CLUTCH SHELL & SPROCKET, w/ring gear	87 to 89-ALL	87 to 89-ALL	87 to 89-ALL
16	37800-84	CLUTCH ASSY.	N/A 87 to 89-ALL	87 to 89-ALL	87 to 89-ALL
17	37871-84	DIAPHRAGM SPRING PLATE	87 to 89-ALL	87 to 89-ALL	87 to 89-ALL
18	37901-84	PRESSURE PLATE	87 to 89-ALL	87 to 89-ALL	87 to 89-ALL
19	37902-84A	ADJUSTER PLATE w/#17 & 19A	N/A 87 to 89-ALL	87 to 89-ALL	87 to 89-ALL
19A	37902-82	ADJUSTER PLATE	87 to 89-ALL	87 to 89-ALL	87 to 89-ALL
20	37903-84	RELEASE PLATE, center	87 to 89-ALL	87 to 89-ALL	87 to 89-ALL
21	37904-84	RETAINING RING, external-bearing	87 to 89-ALL	87 to 89-ALL	87 to 89-ALL
22	37905-84	RETAINING RING, internal-bearing	N/A 87 to 89-ALL	87 to 89-ALL	87 to 89-ALL
23	37906-84	BEARING, clutch assy.	N/A 87 to 89-ALL	87 to 89-ALL	87 to 89-ALL
24	37907-84	RETAINING RING, pressure plate	87 to 89-ALL	87 to 89-ALL	87 to 89-ALL
25	37931-84	FRICTION DISC (6)	87 to E89-ALL	87 to E89-ALL	87 to E89-ALL
	37930-84A	FRICTION DISC (6)	L89-ALL	L89-ALL	L89-ALL
26	37975-84A	DRIVE DISC (7)	87 to 89-ALL	87 to 89-ALL	87 to 89-ALL

FLT MODELS		FXR MODELS		SOFTAIL MODELS	
FLTC	DB	FXR	EA	FXST	BH
FLHT	DD	FXRS	EB	FLST/C	BJ
FLHTC	DJ	FXRT	EC	FXSTC	BK
FLTC-U	DM	FXRS-SP	EG	FXSTS	BL
FLHTC-U	DP	FXLR	EL	FLSTF	BM
FLHS	FA	FXRS-CON	EM		

# CLUTCH 1990 & LATER



**CLUTCH - 1990 & LATER**

**F16A**

INDEX NO.	PART NO.	NAME	FLT MODELS	FXR MODELS	SOFTAIL MODELS
1	7848W	LOCKNUT	90*-ALL	90*-ALL	90*-ALL
2	11096	RETAINING RING	90*-ALL	90*-ALL	90*-ALL
3	37088-90	PUSH ROD, clutch release	90*-ALL	90*-ALL	90*-ALL
4	37089-84	END, push rod - right	90*-ALL	90*-ALL	90*-ALL
5	37090-84A	END, push rod - left	90*-ALL	90*-ALL	90*-ALL
6	37312-75	BEARING, push rod	90*-ALL	90*-ALL	90*-ALL
7	37313-80	THRUST WASHER (2)	90*-ALL	90*-ALL	90*-ALL
8	37357-84	ADJUSTING SCREW, push rod	90*-ALL	90*-ALL	90*-ALL
9	37496-90	NUT, mainshaft	90*-ALL	90*-ALL	90*-ALL
10	37550-90A	CLUTCH HUB	90*-ALL	90*-ALL	90*-ALL
11	37707-90	SHELL & SPROCKET W/RING GEAR	90*-ALL	90*-ALL	90*-ALL
12	37871-90	SPRING, diaphragm	90*-ALL	90*-ALL	90*-ALL
13	37872-90	SEAT, clutch spring	90*-ALL	90*-ALL	90*-ALL
14	37903-90	RELEASE PLATE	90*-ALL	90*-ALL	90*-ALL
15	37904-90	RETAINING RING, external	90*-ALL	90*-ALL	90*-ALL
16	37905-90	RETAINING RING, internal	90*-ALL	90*-ALL	90*-ALL
17	37906-90	BEARING, ball - double row	90*-ALL	90*-ALL	90*-ALL
18	37908-90	RETAINING RING, internal	90*-ALL	90*-ALL	90*-ALL
19	37909-90	RETAINING RING, internal	90*-ALL	90*-ALL	90*-ALL
20	37910-90	FRICTION PLATE (cork)(Set of 8)(Std.) (Use w/ 37975-90 & 37976-90)	N/A 90*-ALL	90*-ALL	90*-ALL
	37911-90	FRICTION PLATE (paper)(Set of 8) (Use w/ 37913-90 & 37977-90)	90*-ALL	90*-ALL	90*-ALL
21	37912-90	PRESSURE PLATE	90*-ALL	90*-ALL	90*-ALL
22	37913-90	STEEL PLATE (smooth)(6) (Use w/ 37911-90 & 37977-90)	90*-ALL	90*-ALL	90*-ALL
	37975-90	STEEL PLATE (textured)(6)(Std.) (Use w/ 37910-90 & 37976-90)	N/A 90*-ALL	90*-ALL	90*-ALL
23	37976-90	SPRING PLATE (textured)(Std.) (Use w/ 37910-90 & 37975-90)	90*-ALL	90*-ALL	90*-ALL
	37977-90	SPRING PLATE (smooth) (Use w/ 37911-90 & 37913-90)	90*-ALL	90*-ALL	90*-ALL

**FLT MODELS**

FLTC DB  
 FLHT DD  
 FLHTC DJ  
 FLTC-U DM  
 FLHTC-U DP  
 FLHS FA

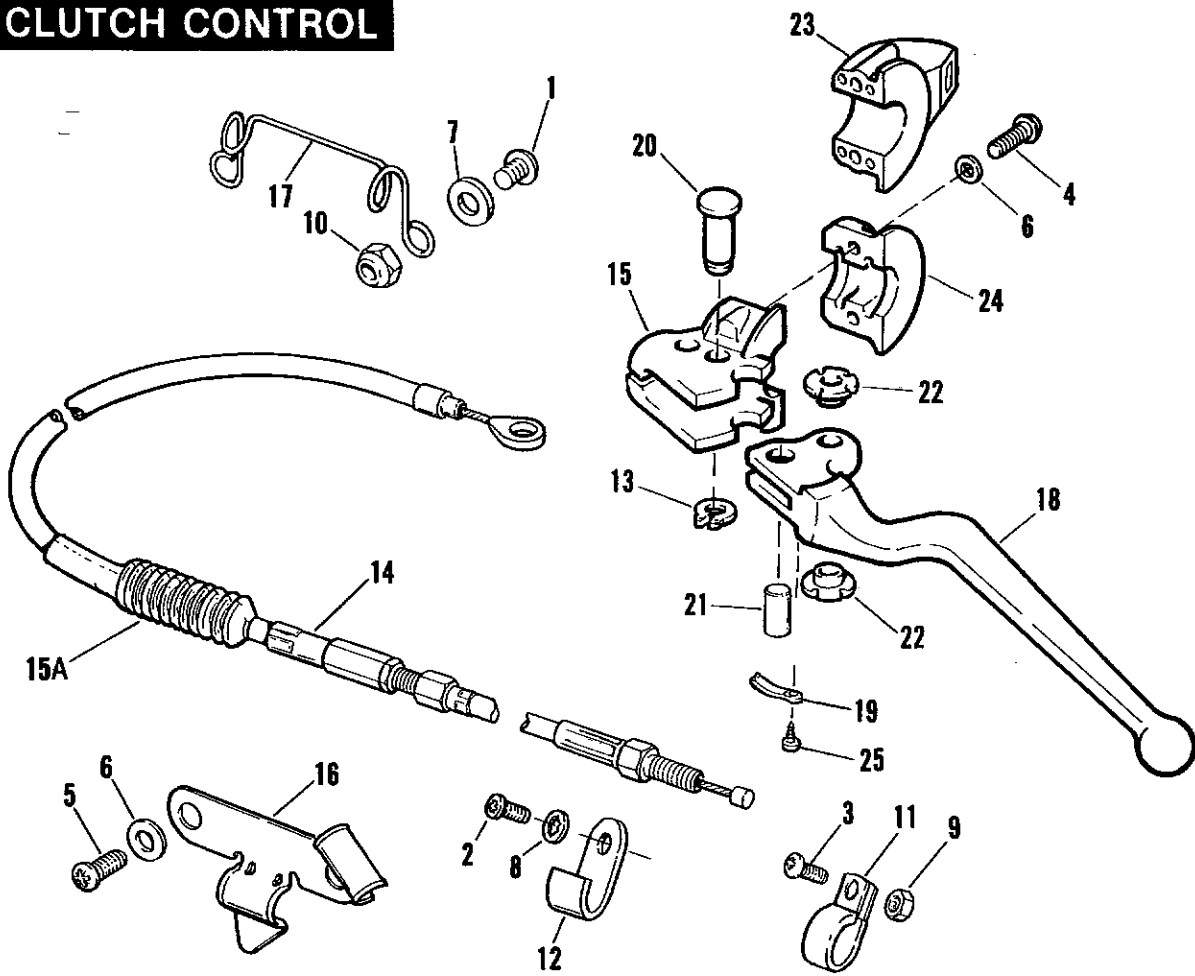
**FXR MODELS**

FXR EA  
 FXRS EB  
 FXRT EC  
 FXRS-SP EG  
 FXLR EL  
 FXRS-CON EM

**SOFTAIL MODELS**

FXST BH  
 FLST/C BJ  
 FXSTC BK  
 FXSTS BL  
 FLSTF BM

# CLUTCH CONTROL

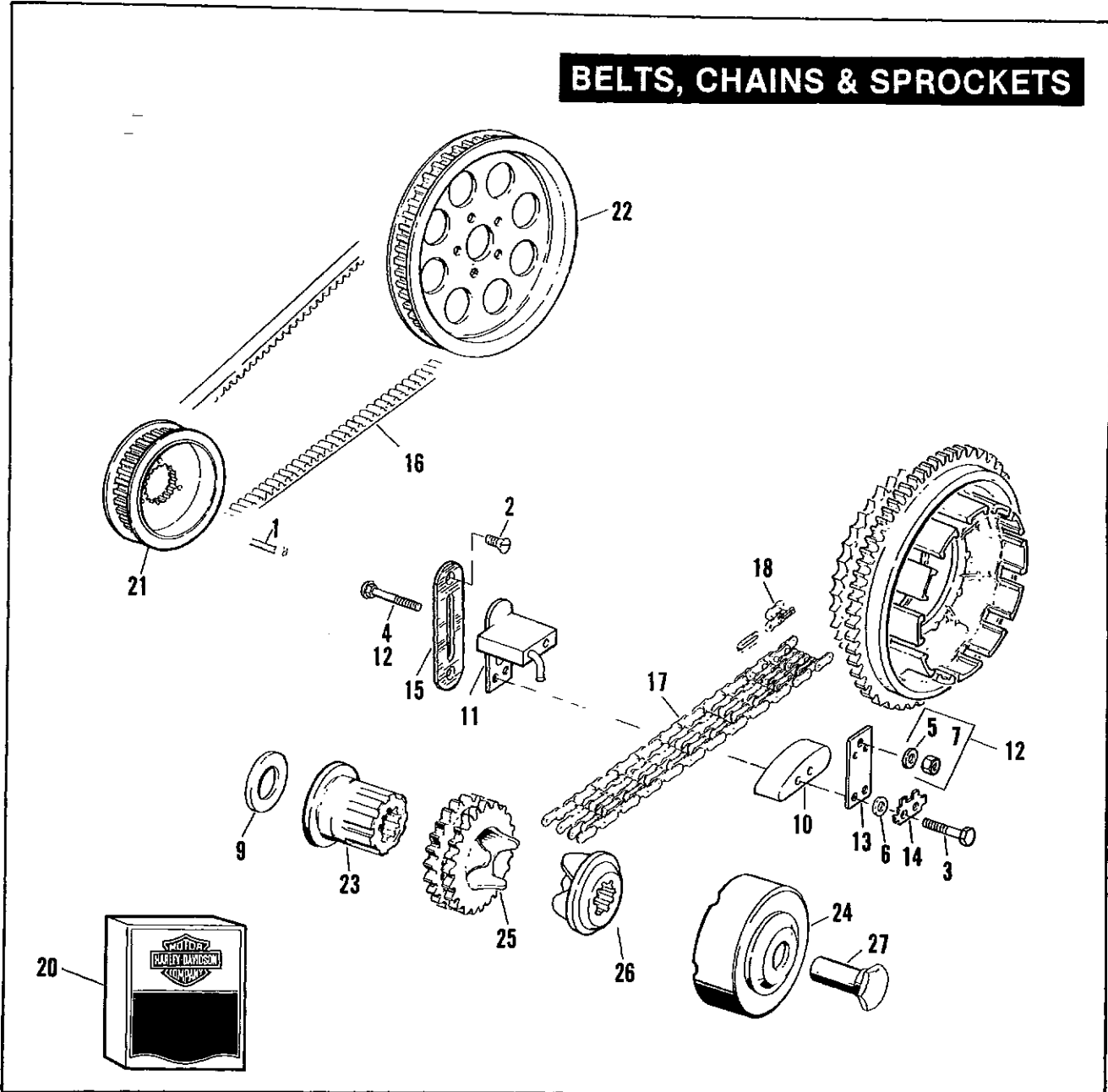


# CLUTCH CONTROL

INDEX NO.	PART NO.	NAME	FLT MODELS	FXR MODELS	SOFTAIL MODELS
1	2417	SCREW (2)	87*-DB	--	--
2	2585	SCREW	--	--	87*-ALL
3	2665	SCREW	--	87*-ALL	--
4	4015	SCREW (2)	87&88 ALL; 89*-DB/J,FA	87*-ALL	87*-ALL
	4033	SCREW (2)	89*-DM/P	--	--
5	4740A	SCREW (2)	87*-ALL	--	--
6	6099	WASHER (2; 4-DB)	87*-ALL	87*-ALL	87*-ALL
7	6703	WASHER (2)	87*-DB/M	--	--
8	7115	LOCKWASHER	--	--	87*-ALL
9	7624	LOCKNUT	--	87*-ALL	--
10	7682	LOCKNUT (2)	87*-DB/M	--	--
11	9990W	CLAMP	87*-FA	--	--
	10059A	CLAMP	--	87*-ALL	--
12	10088	CLAMP	--	--	87*-ALL
13	11143	RETAINING RING	87*-ALL	87*-ALL	87*-ALL
14	36753-87A	CABLE, clutch control	--	87*-EL	--
	36755-87A	CABLE, clutch control	--	87*-EG	--
	38601-89	CABLE, clutch control	89*-ALL	--	--
	38606-87A	CABLE, clutch control	--	87*-EA/B/C/M	--
	38607-87A	CABLE, clutch control	87&88-ALL	--	87*-ALL
15	38608-82B	BRACKET, hand lever	87*-ALL	87*-ALL	87*-ALL
15A	38630-88	BOOT, clutch cable	--	88*-ALL	88*-ALL
16	38713-87A	CLAMP, clutch cable	87*-ALL	--	--
17	38715-85	CLIP	87*-DB/M	--	--
18	45017-82A	HAND LEVER, only	87*-ALL	87*-ALL	87*-ALL
	45017-88A	HAND LEVER, only	88*-ALL	88*-ALL	88*-ALL
19	45021-86	SPRING, anti-rattle	87*-ALL	87*-ALL	87*-ALL
20	45032-82	PIN, hand lever pivot	87*-ALL	87*-ALL	87*-ALL
21	45036-82	ANCHOR PIN	87*-ALL	87*-ALL	87*-ALL
	45036-88	ANCHOR PIN	88*-ALL	88*-ALL	88*-ALL
22	45039-88	BUSHING, anchor pin (plastic) (2)	87*-ALL	87*-ALL	87*-ALL
23	45043-89	CLAMP w/switch housing	89*-DM/P	--	--
24	45044-82	CLAMP, lever bracket	87&88-ALL; 89*-DB/J,FA	87*-ALL	87*-ALL
25	90770-79	SCREW	87*-ALL	87*-ALL	87*-ALL

FLT MODELS		FXR MODELS		SOFTAIL MODELS	
FLTC	DB	FXR	EA	FXST	BH
FLHT	DD	FXRS	EB	FLST/C	BJ
FLHTC	DJ	FXRT	EC	FXSTC	BK
FLTC-U	DM	FXRS-SP	EG	FXSTS	BL
FLHTC-U	DP	FXLR	EL	FLSTF	BM
FLHS	FA	FXRS-CON	EM		

# BELTS, CHAINS & SPROCKETS

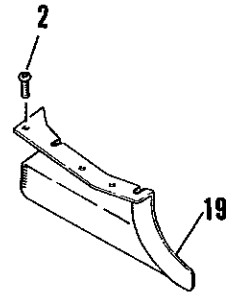
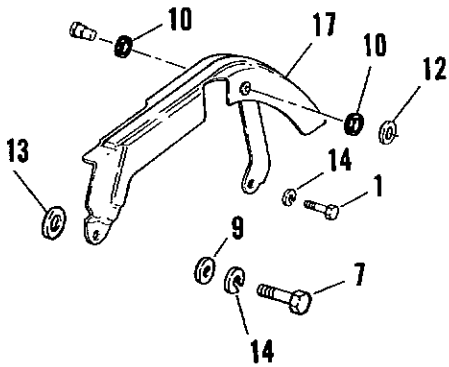
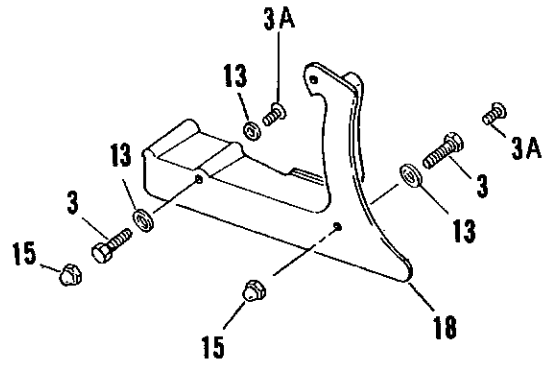
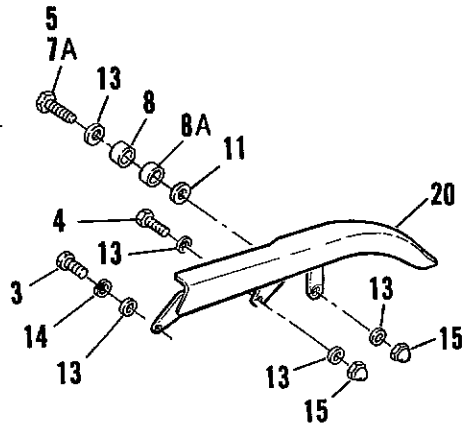


INDEX NO.	PART NO.	NAME	FLT MODELS	FXR MODELS	SOFTAIL MODELS
1	857A	SCREW	87*-ALL	87*-ALL	87*-ALL
2	1783	SCREW (2)	87*-ALL	87*-ALL	87*-ALL
3	2614	BOLT (2)	87*-ALL	87*-ALL	87*-ALL
4	5444	BOLT	87*-ALL	87*-ALL	87*-ALL
5	6400HB	WASHER	87*-ALL	87*-ALL	87*-ALL
6	6703	WASHER (2)	87*-ALL	87*-ALL	87*-ALL
7	7778	NUT	87*-ALL	87*-ALL	87*-ALL
9	24032-70	SPACER, sprkt. sft. - 0.06 thk.	87*-ALL	87*-ALL	87*-ALL
	24033-70	SPACER, sprkt. sft. - 0.09 thk.	87*-ALL	87*-ALL	87*-ALL
	24034-70	SPACER, sprkt. sft. - 0.12 thk.	87*-ALL	87*-ALL	87*-ALL
	24035-70	SPACER, sprkt. sft. - 0.15 thk.	87*-ALL	87*-ALL	87*-ALL
	24036-70	SPACER, sprkt. sft. - 0.18 thk.	87*-ALL	87*-ALL	87*-ALL
	24037-70	SPACER, sprkt. sft. - 0.21 thk.	87*-ALL	87*-ALL	87*-ALL
	35850-84	SPACER, sprkt. sft. - 0.01 thk. (as req'd)	87*-ALL	87*-ALL	87*-ALL
	35851-84	SPACER, sprkt. sft. - 0.02 thk. (as req'd)	87*-ALL	87*-ALL	87*-ALL
	35852-84	SPACER, sprkt. sft. - 0.03 thk. (as req'd)	87*-ALL	87*-ALL	87*-ALL
10	39976-65B	PAD, chain tensioner	87*-ALL	87*-ALL	87*-ALL
11	39990-65	CHAIN TENSIONER SHOE	87*-ALL	87*-ALL	87*-ALL
12	39992-65C	CHAIN TENSIONER MTG. KIT, w/#4, 5 & 7	87*-ALL	87*-ALL	87*-ALL
13	39993-65	PLATE, chain tensioner	87*-ALL	87*-ALL	87*-ALL
14	39996-65	LOCKWASHER, chain tensioner plate	87*-ALL	87*-ALL	87*-ALL
15	39998-65	ANCHOR PLATE, chain tensioner	87*-ALL	87*-ALL	87*-ALL
16	40001-85	REAR BELT, 136 T	87*-ALL	87*-ALL	--
	40023-86	REAR BELT, 132 T	--	--	87*-ALL
17	40007-36A	FRONT CHAIN	--	--	87*-ALL
	40037-79	FRONT CHAIN	87*-ALL	87*-ALL	--
18	40055-39	CONNECTING LINK, fr. chain	N/A 87*-ALL	87*-ALL	87*-ALL
20	40100-85	REPAIR KIT, belt drive - 136 T	87*-ALL	87*-ALL	--
	40109-86	REPAIR KIT, belt drive - 132 T	--	--	87*-ALL
21	40210-85C	SPROCKET, 32 T - belt	87*-ALL	87*-ALL	87*-ALL
22	40221-85A	SPROCKET, rear, 70 T - belt (silver)	87*-ALL	87*-ALL	87*-ALL
23	40266-85	SHAFT EXTENSION	87*-ALL	87*-ALL	--
	40375-70	SHAFT EXTENSION	--	--	87*-ALL
24	40267-85	COVER ASSEMBLY, w/springs	87*-ALL	87*-ALL	--
	40384-83A	COVER ASSEMBLY, w/springs	--	--	87*-ALL
25	40269-85	COMPENSATING SPROCKET	87*-ALL	87*-ALL	--
	40275-83	COMPENSATING SPROCKET	--	--	87*-ALL
26	40299-83	SLIDING CAM	87*-ALL	87*-ALL	87*-ALL
27	40392-70	NUT	87*-ALL	87*-ALL	87*-ALL

**H-D INTERNATIONAL ONLY**

16	40010-89	REAR BELT, 127T. (HDI only)	--	--	89*-ALL
	40023-86	REAR BELT, 132T. (HDI only)	89*-ALL	89*-ALL	--
22	40236-88A	SPROCKET, Rear, 61T. (silver) (HDI only)	89*-ALL	89*-ALL	89*-ALL

FLT MODELS		FXR MODELS		SOFTAIL MODELS	
FLTC	DB	FXR	EA	FXST	BH
FLHT	DD	FXRS	EB	FLST/C	BJ
FLHTC	DJ	FXRT	EC	FXSTC	BK
FLTC-U	DM	FXRS-SP	EG	FXSTS	BL
FLHTC-U	DP	FXLR	EL	FLSTF	BM
FLHS	FA	FXRS-CON	EM		

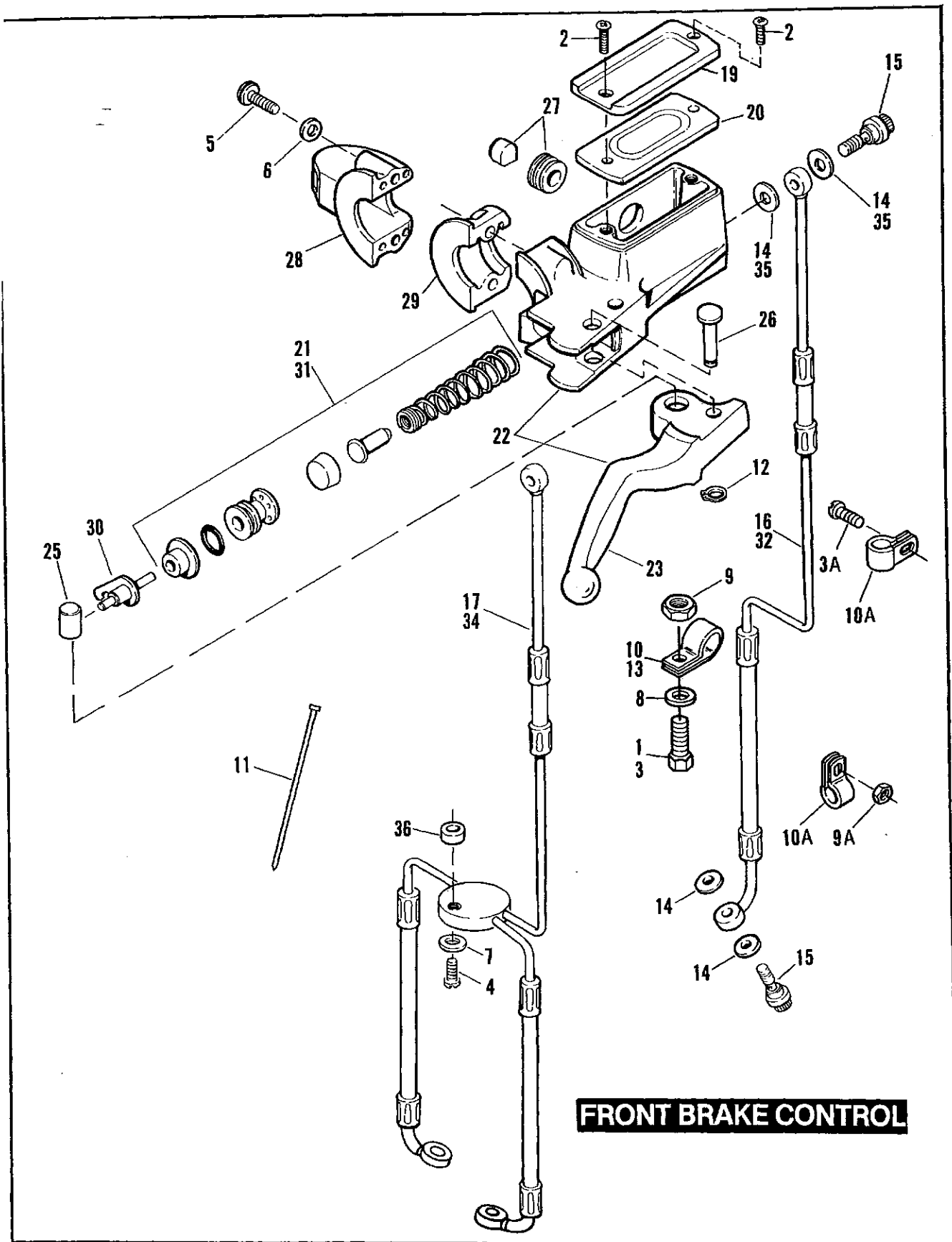


**REAR  
BELT GUARD**



INDEX NO.	PART NO.	NAME	FLT MODELS	FXR MODELS	SOFTAIL MODELS
1	2698	SCREW	--	87*-ALL	--
2	2757W	SCREW (3)	87-ALL	87-ALL	87*-ALL
	3537	SCREW (3)	88*-ALL	88*-ALL	--
3	2882W	BOLT (3-1987 & 1988 Softail)	--	--	87*-ALL
3A	3540	SCREW (2)	--	--	88*-ALL
4	3987	BOLT	--	--	87*-ALL
5	3991	BOLT	--	--	87-ALL
7	4014W	BOLT	--	87*-ALL	--
7A	4017	BOLT	--	--	88*-ALL
8	5926B	SPACER	--	87*-ALL	87*-ALL
8A	11411	GROMMET	--	--	88*-ALL
9	6107B	WASHER	--	87*-ALL	--
10	6398	WASHER (rubber) (2)	--	87*-ALL	--
11	6109	WASHER	--	--	L88*-ALL
12	6701	WASHER	--	87*-ALL	--
13	6702	WASHER (5;6-1988 Softail)	--	87*-ALL	87*-ALL
14	7041	LOCKWASHER (2-1987 & 1988)	--	87*-ALL	87*-ALL
15	7507	ACORN NUT (2; 4-1988 & Later)	--	--	87*-ALL
17	60297-87A	BELT GUARD	--	87*-EA/B/G/L/M	--
	60299-85	BELT GUARD	--	87*-EC	--
18	60362-86A	DEBRIS DEFLECTOR, lower	--	--	87*-ALL
19	60397-85A	DEBRIS DEFLECTOR	87*-ALL	87*-ALL	--
20	60533-86	BELT GUARD (chrome)	--	--	87*-ALL
<b>H-D INTERNATIONAL ONLY</b>					
7A	3787	SCREW (HDI only)	--	--	L88*-ALL
	6109	WASHER (HDI only)	89*-ALL	89*-ALL	--
	6235	WASHER (HDI only)	--	89*-ALL	--
13	6703	WASHER (HDI only)	--	--	L88*-ALL
	7669	TEE NUT (HDI only)	--	--	L88*-ALL
17	60296-88	BELT GUARD (HDI only)	--	L88*-EC	--
	60298-88A	BELT GUARD (HDI only)	--	L88*-EA/B/G/L/M	--
18	60415-89	DEBRIS DEFLECTOR (HDI only)	--	--	L88*-ALL
20	60537-89	BELT GUARD KIT (HDI only)	--	--	L88*-ALL
	64511-63	WELL NUT (HDI only)	--	--	L88*-ALL

FLT MODELS		FXR MODELS		SOFTAIL MODELS	
FLTC	DB	FXR	EA	FXST	BH
FLHT	DD	FXRS	EB	FLST/C	BJ
FLHTC	DJ	FXRT	EC	FXSTC	BK
FLTC-U	DM	FXRS-SP	EG	FXSTS	BL
FLHTC-U	DP	FXLR	EL	FLSTF	BM
FLHS	FA	FXRS-COM	EM		



**FRONT BRAKE CONTROL**

**F20-1**

INDEX NO.	PART NO.	NAME	FLT MODELS	FXR MODELS	SOFTAIL MODELS
1	923	SCREW	--	--	87*-BJ/M
2	2579	SCREW (2)	87*-ALL	87*-ALL	87*-ALL
3	2662W	SCREW	--	87*-ALL	87*-BH/K
	3444	SCREW	--	87*-EA/B/L	87*-BJ/L/M
3A	3538	SCREW	--	--	L88*-BL
4	3589	SCREW	87*-ALL	--	--
	4741	SCREW, w/lockpatch	--	87*-EC/M	--
5	4015	SCREW (2)	87&88-ALL; 89*-DB/J,FA	87*-ALL	87*-ALL
	4033	SCREW (2)	89*-DM/P	--	--
6	6099	WASHER (2)	87*-ALL	87*-ALL	87*-ALL
7	6336B	WASHER	--	87*-EC	--
8	6703	WASHER	--	87*-EC	87*-ALL
	7041	LOCKWASHER	87*-ALL	--	--
	7220	LOCKWASHER	--	87*-ALL	87*-ALL
9	7686	LOCKNUT	--	--	87*-BJ/M
9A	7739	LOCKNUT	--	--	L88*-BL
10	10031	CLAMP, brake line	--	87*-ALL	87*-BH/K
	10053	CLAMP, brake line	--	87*-EA	--
10A	10076	CLAMP (2)	--	--	L88*-BL
11	10081	CABLE STRAP, double loop	--	87*-ALL	87*-ALL
12	11143	RETAINING RING	87*-ALL	87*-ALL	87*-ALL
13	41713-86	CLAMP, brake line (3 - BJ)	--	--	87*-BJ/L
14	41731-82	GASKET, (2; 6 - dual calipers)	87 to 89-ALL	87 to 89-ALL	87 to 89-ALL
	41731-88	GASKET, (2; 6 - dual calipers)	90*-ALL	90*-ALL	90*-ALL
	41733-88	GASKET, master cylinder -single disc (2)	--	90*-EA/B/L	90*-ALL
15	41739-84A	FITTING, brake line	--	87 to 89- EA/B/L	87 to 89-ALL
	41739-84A	FITTING, master cylinder -single disc (2)	--	90*-EA/B/L	90*-ALL
	41747-82A	FITTING, (3 - dual calipers)	87*-ALL	87*-ALL	87*-ALL
16	42303-89A	BRAKE LINE (use with 41733-88 gaskets & 41739-84A fitting at front master cylinder.)	--	--	90*-BM
	42305-86	BRAKE LINE	N/A --	--	87 to 89-BJ
	42305-86A	BRAKE LINE (use with 41733-88 gaskets & 41739-84A fitting at front master cylinder.)	--	--	90*-BJ
17	43349-87	BRAKE LINE	N/A 87*-ALL	--	--
19	45004-85	COVER, master cylinder	87*-ALL	87*-ALL	87*-ALL
20	45005-85	GASKET, master cylinder cover	87*-ALL	87*-ALL	87*-ALL
21	45006-87A	REPAIR KIT, master cylinder	87*-ALL	87*-EC/G/M	--
22	45013-85A	MASTER CYLINDER, w/hand lever	87*-ALL	87*-EC/G/M	--
	45019-85A	MASTER CYLINDER, w/hand lever	--	87*-EA/B/L	87*-ALL

**FLT MODELS**

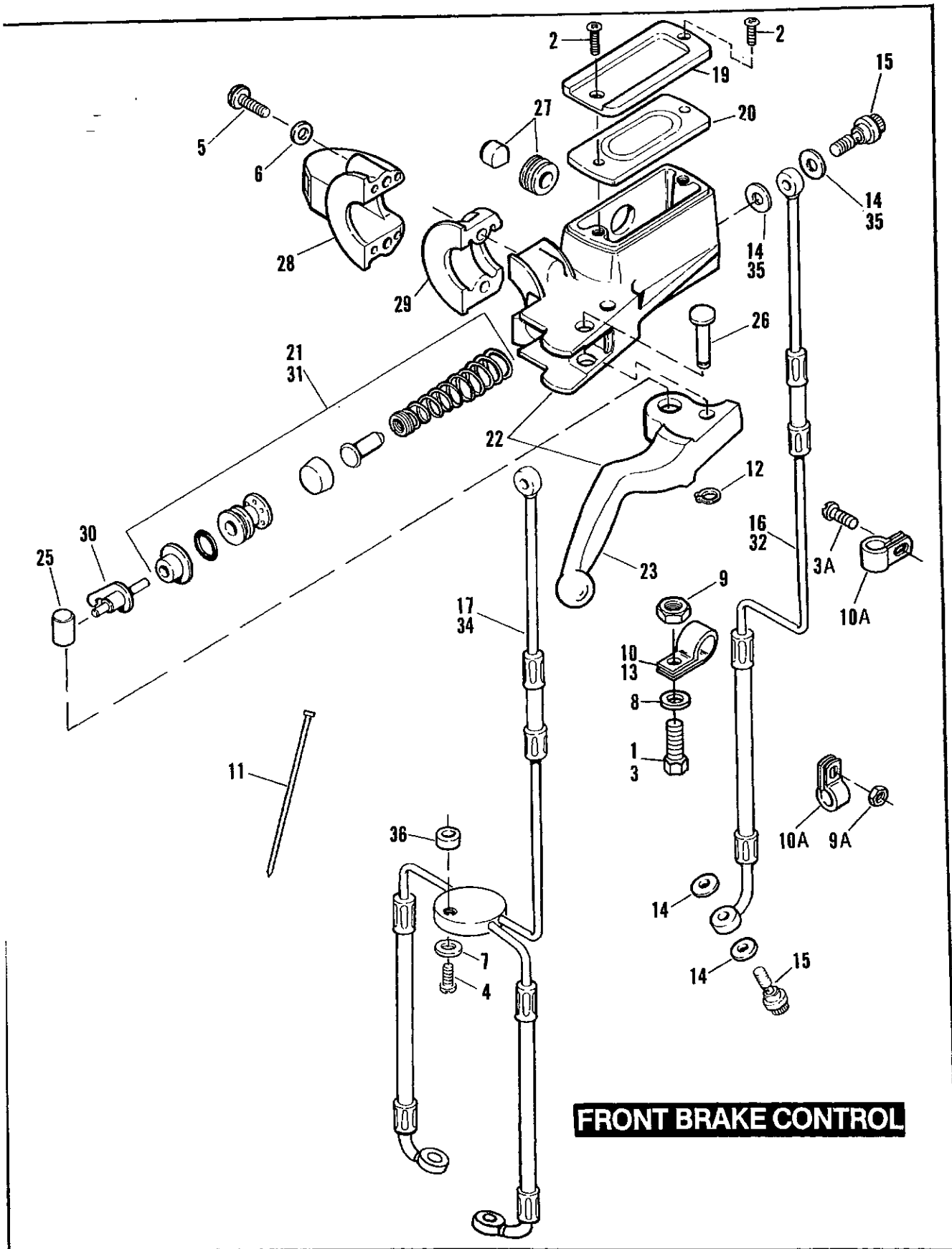
FLTC DB  
 FLHT DD  
 FLHTC DJ  
 FLTC-U DM  
 FLHTC-U DP  
 FLHS FA

**FXR MODELS**

FXR EA  
 FXRS EB  
 FXRT EC  
 FXRS-SP EG  
 FXLR EL  
 FXRS-CON EM

**SOFTAIL MODELS**

FXST BH  
 FLST/C BJ  
 FXSTC BK  
 FXSTS BL  
 FLSTF BM

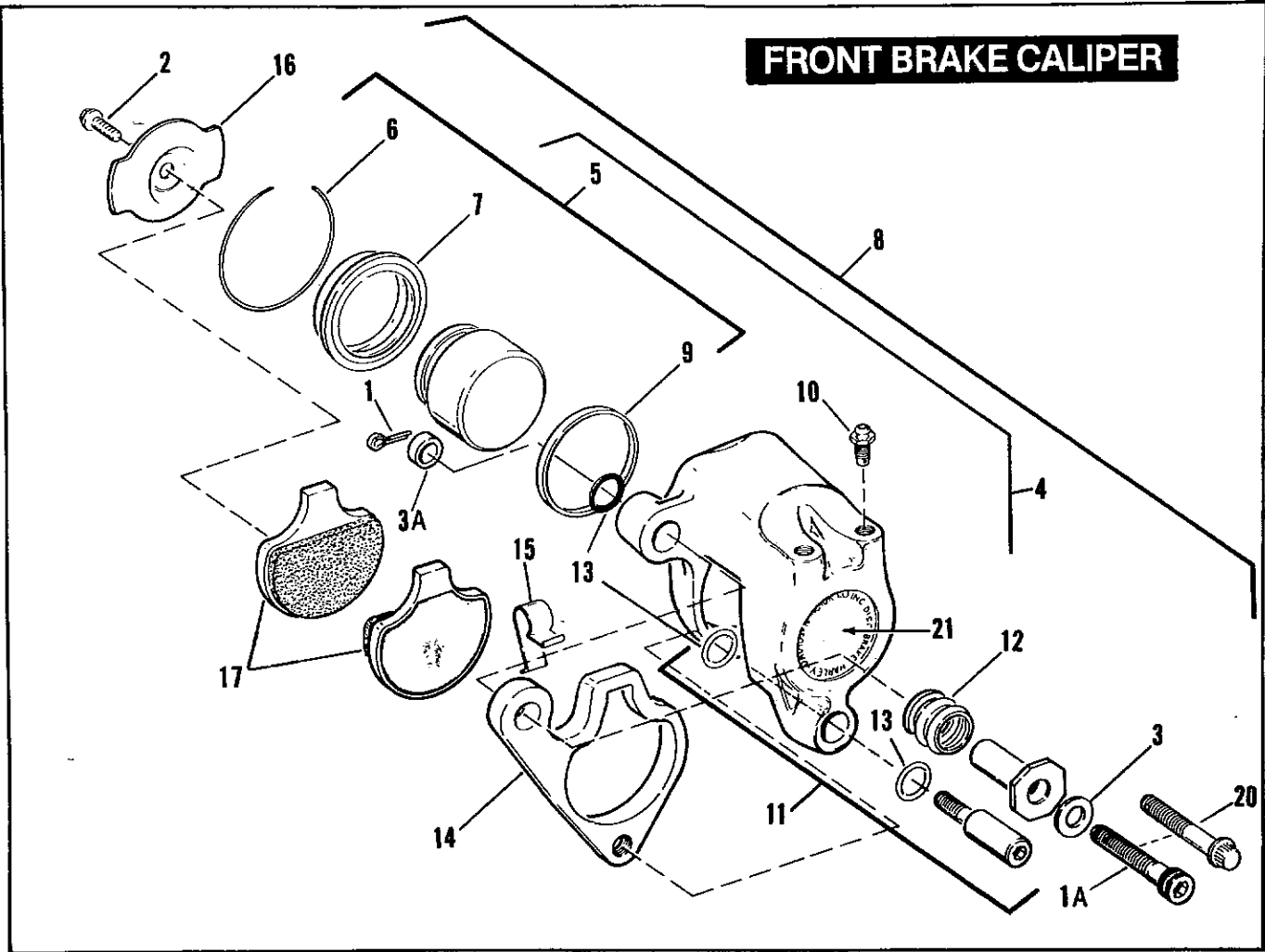


**FRONT BRAKE CONTROL (CONT'D)**

INDEX NO.	PART NO.	NAME	FLT MODELS	FXR MODELS	SOFTAIL MODELS
23	45016-82A	HAND LEVER	87*-ALL	87*-ALL	87*-ALL
25	45031-82	PIN, stoplamp switch & pushrod	87*-ALL	87*-ALL	87*-ALL
26	45032-82	PIN, hand lever pivot	87*-ALL	87*-ALL	87*-ALL
27	45042-82	SIGHT GLASS REPAIR KIT	87*-ALL	87*-ALL	87*-ALL
28	45043-89	CLAMP, w/switch housing	89*-DM/P	--	--
29	45044-82	CLAMP, master cylinder	87&88-ALL; 89*-DB/J,FA	87*-ALL	87*-ALL
30	45051-82	PUSHROD, stoplamp switch	87*-ALL	87*-ALL	87*-ALL
31	45072-87	REPAIR KIT, master cylinder	--	87*-EA/B/L	87*-ALL
32	45110-88	BRAKE LINE	N/A --	--	L88&89-BL
	45110-88A	BRAKE LINE (use with 41733-88 gaskets & 41739-84A fitting at front master cylinder.)	--	--	90*-BL
	45111-89	BRAKE LINE	--	L89*-EM	--
	45112-84	BRAKE LINE	N/A --	--	87 to 89-BH/K
	45112-84A	BRAKE LINE (use with 41733-88 gaskets & 41739-84A fitting at front master cylinder.)	--	--	90*-BH/K
	45121-84	BRAKE LINE	N/A --	87-EA/B	--
	45121-88	BRAKE LINE	N/A --	88&89-EA/B	--
	45121-88A	BRAKE LINE (use with 41733-88 gaskets & 41739-84A fitting at front master cylinder.)	--	90*-EA/B	--
	45141-87	BRAKE LINE	N/A --	87 to 89-EL	--
	45141-87A	BRAKE LINE (use with 41733-88 gaskets & 41739-84A fitting at front master cylinder.)	--	90*-EL	--
34	45128-86	BRAKE LINE	N/A --	87-EC	--
	45128-88	BRAKE LINE	--	88*-EC	--
	45140-87	BRAKE LINE	--	87*-EG	--
35	45583-83	GASKET, master cylinder-single disc (2)	--	87 to 89-EA/B/L	87 to 89-ALL
36	91089-58	SPACER	88*-ALL	--	--

FLT MODELS		FXR MODELS		SOFTAIL MODELS	
FLTC	DB	FXR	EA	FXST	BH
FLHT	DD	FXRS	EB	FLST/C	BJ
FLHTC	DJ	FXRT	EC	FXSTC	BK
FLTC-U	DM	FXRS-SP	EG	FXSTS	BL
FLHTC-U	DP	FXLR	EL	FLSTF	BM
FLHS	FA	FXRS-CON	EM		

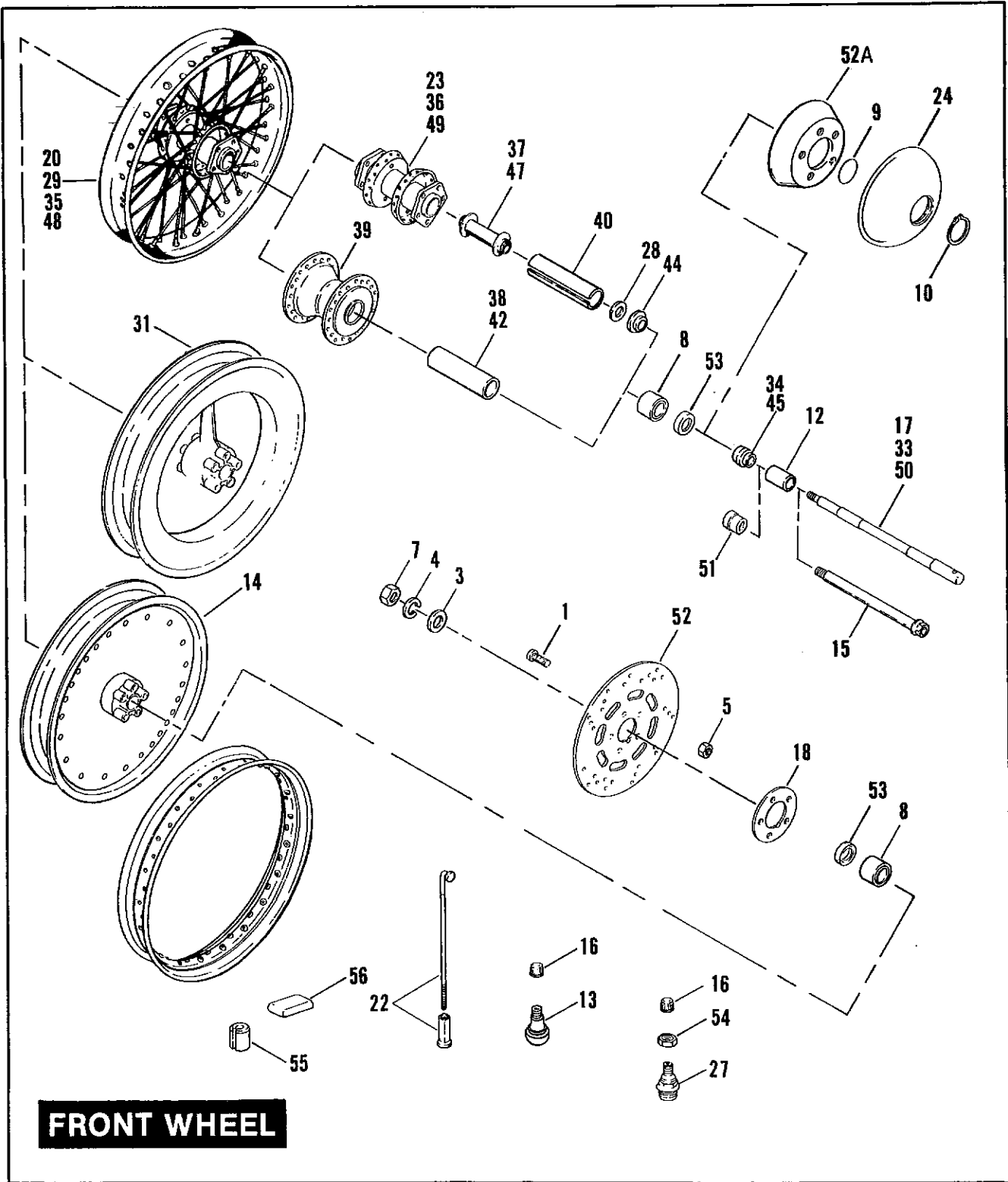
# FRONT BRAKE CALIPER



INDEX NO.	PART NO.	NAME	FLT MODELS	FXR MODELS	SOFTAIL MODELS
1	534	COTTER PIN	--	--	L88*-BL
1A-	855A	SCREW (2 - dual calipers)	87*-ALL	87*-ALL	87*-ALL
2 -	3517	SCREW (2 - dual calipers)	87*-ALL	87*-ALL	87*-ALL
3	6019	WASHER (2 - dual calipers)	87*-ALL	87*-ALL	87*-ALL
3A	6758	WASHER	--	--	L88*-BL
4	44019-83	CALIPER REBUILD KIT, right w/#6, 10 & clpr. body	N/A 87*-ALL	87*-EC/G/M	--
5	44020-83	PISTON REBUILD KIT, w/#7, 8 & 9 (2 - dual calipers)	87*-ALL	87*-ALL	87*-ALL
6	44021-83	RETAINING RING, piston (2 - dual calipers)	87*-ALL	87*-ALL	87*-ALL
7	44022-83	DUST BOOT, piston (2 - dual calipers)	87*-ALL	87*-ALL	87*-ALL
8	44023-83A	CALIPER ASSEMBLY, right	87*-ALL	87*-EC/G/M	--
	44046-84A	CALIPER ASSEMBLY, left	87*-ALL	87*-ALL	87*-BH/J/K/M
	44077-88B	CALIPER ASSEMBLY, right	--	--	L88*-BL
9	44047-83	SEAL, piston (2 - dual calipers)	87*-ALL	87*-ALL	87*-ALL
10	44048-83	BLEEDER FITTING (2 - dual calipers)	87*-ALL	87*-ALL	87*-ALL
11	44053-83A	GUIDE PIN KIT, w/#12, 13 & mtg. pins (2 - dual calipers)	87*-ALL	87*-ALL	87*-ALL
12	44054-83	PIN BOOT (2 - dual calipers)	87*-ALL	87*-ALL	87*-ALL
13	44059-83	O-RING (3; 6 - dual calipers)	87*-ALL	87*-ALL	87*-ALL
14	44060-83	BRACKET, caliper mtg. (2 - dual calipers)	87*-ALL	87*-ALL	87*-BH/J/K/M
	44074-88	BRACKET, caliper mtg.	--	--	L88*-BL
15	44061-83	SPRING CLIP (2 - dual calipers)	87*-ALL	87*-ALL	87*-ALL
16	44062-83	RETAINING PAD (2 - dual calipers)	87*-ALL	87*-ALL	87*-ALL
17	44063-83C	PAD SET, includes item 2 (2 - dual clprs)	87*-ALL	87*-ALL	87*-ALL
19	44065-83	CALIPER REBUILD KIT, left w/#6, 10 & clpr. body	N/A 87*-ALL	87*-ALL	87*-BH/J/K/M
20	44190-88	BOLT	--	--	L88*-BL
21	44197-77	LABEL (2 - dual calipers)	87*-ALL	87*-ALL	87*-ALL

**NOTE: FOR FXSTS CALIPER MOUNTING  
SEE SEE SECTION F26G**

FLT MODELS		FXR MODELS		SOFTAIL MODELS	
FLTC	DB	FXR	EA	FXST	BH
FLHT	DD	FXRS	EB	FLST/C	BJ
FLHTC	DJ	FXRT	EC	FXSTC	BK
FLTC-U	DM	FXRS-SP	EG	FXSTS	BL
FLHTC-U	DP	FXLR	EL	FLSTF	BM
FLHS	FA	FXRS-CON	EM		



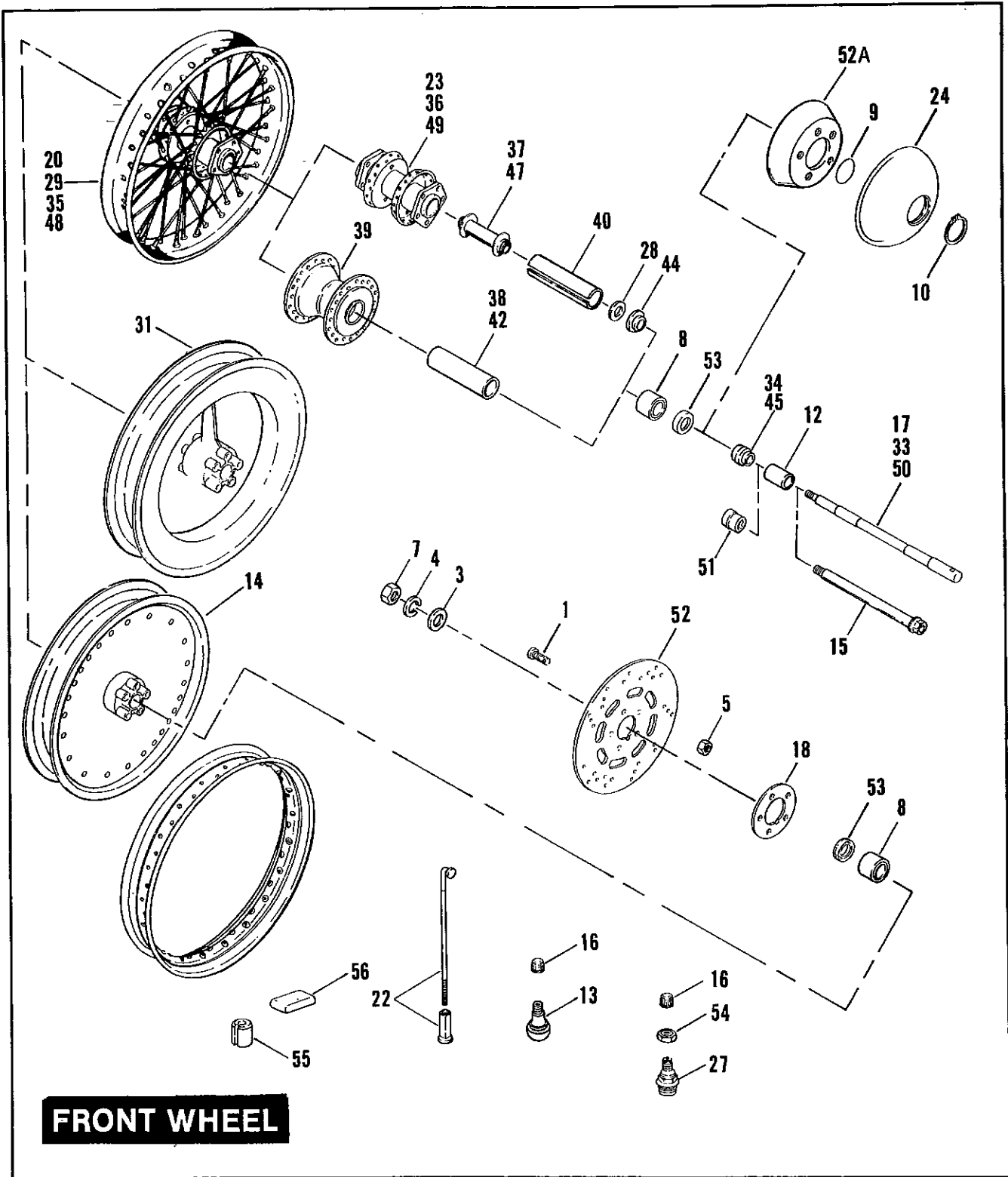


**FRONT WHEEL**

**F22-1**

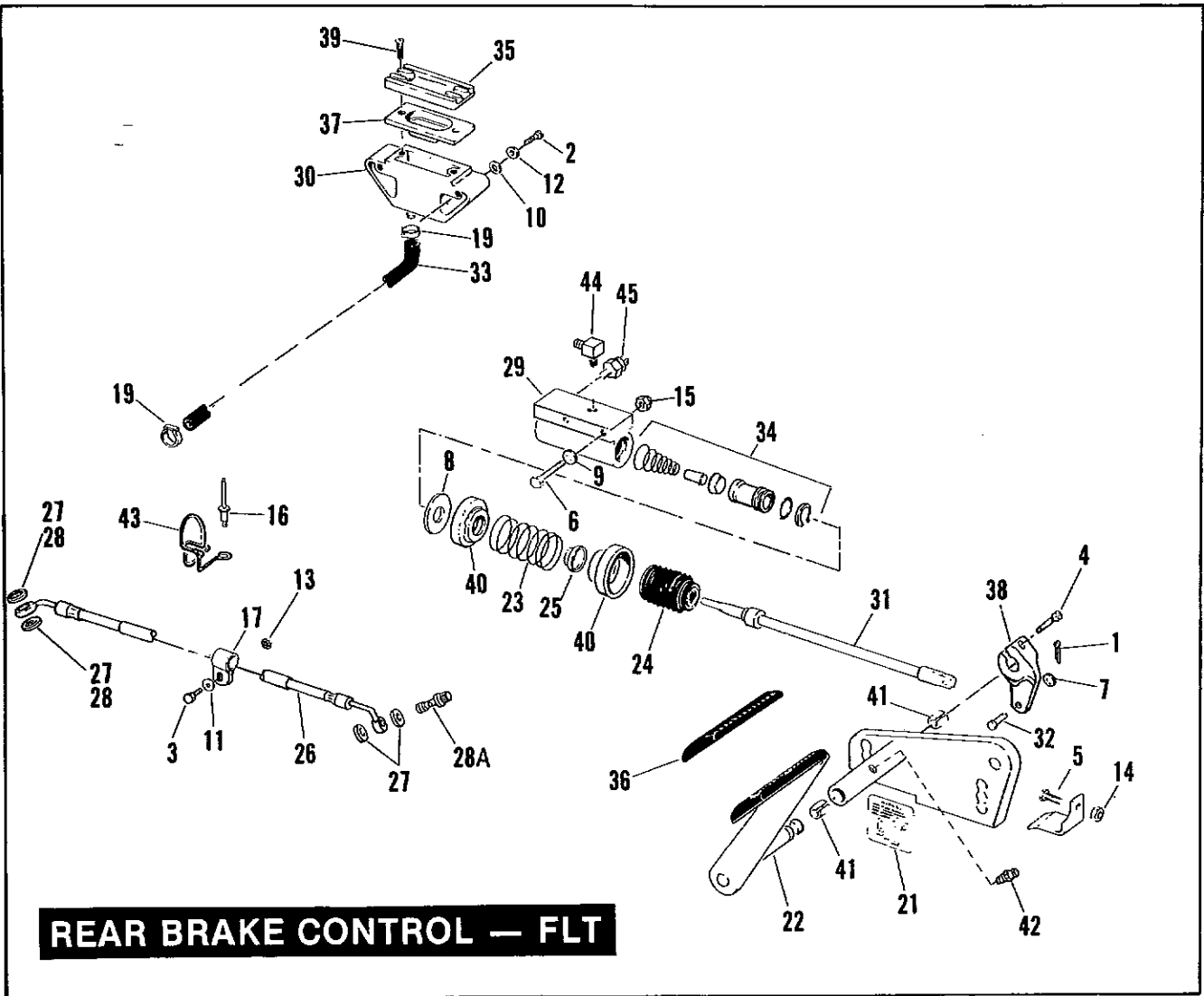
INDEX NO.	PART NO.	NAME	FLT MODELS	FXR MODELS	SOFTAIL MODELS
1	3655	SCREW (5;10-FLT,EC/G)	87*-ALL	87*-ALL	87*-ALL
3	6590HW	WASHER	--	87-EG/L; 88*-ALL	87*-BH/J/K/M
	6639	WASHER, left	--	--	L88*-BL
	6653	WASHER	--	87-ALL	--
4	7022	LOCKWASHER	--	87-ALL	--
	7068	LOCKWASHER	87*-ALL	88*-ALL	87*-BH/J/K/M
5	7739	LOCKNUT (10;5-SOFTAIL)	87*-ALL	--	87*-ALL
7	7813	NUT	--	87-EA/B/C	--
	7845	NUT	87*-ALL	87-EG/L; 88*ALL	87*-BH/J/K/M
	7994	LOCKNUT	--	--	L88*-BL
8	9052	ROLLER BEARING (2)	87*-ALL	87*-ALL	87*-ALL
9	11173	O-RING	--	--	87*-BJ
10	11175	SNAP RING	--	--	87*-BJ
12	40910-84A	SPACER, right bearing	87*-ALL	--	87*-BH/K
	43657-89	SPACER, right bearing	--	--	90*-BM
13	40999-87	VALVE STEM	L87*-ALL	--	--
14	41043-89	DISC WHEEL ASM., 16"	--	--	90*-BM
15	41109-88	AXLE	--	--	L88*-BL
16	41123-79	VALVE CAP	87*-ALL	87*-ALL	87*-ALL
17	41584-86	AXLE	--	--	87*-BJ/M
18	41814-76A	HUB PLATE	--	87*-EA/B/L	--
19	43001-79	RIM, 19" (chrome)	--	87*-EA/B/G	--
20	43005-86	WHEEL ASSY., 16" laced	--	--	87*-BJ
22	43020-87	SPOKE & NIPPLE SET, 21" short (20)	--	87*-EL	--
	43024-73B	SPOKE & NIPPLE SET, 19" short (20)	--	87*-EA/B/G/M	--
	43025-73B	SPOKE & NIPPLE SET, 19" long (20)	--	87*-EA/B/G/M	--
	43032-40B	SPOKE & NIPPLE SET, 16" (40)	87*-ALL	--	87*-BJ
	43035-87	SPOKE & NIPPLE SET, 21" long (20)	--	87*-EL	--
	43057-80A	SPOKE & NIPPLE SET, 21" (40)	--	--	87*-BH/K/L
23	43053-86	HUB, w/bearings, seals & spacers	--	--	87*-BJ
24	43067-86	CAP, hub (chrome)	--	--	87*-BJ
25	43085-81	RIM, 16" (chrome)	87*-ALL	--	87*-BJ
27	43150-83	VALVE STEM	--	87*- EA/B/C/G/M	--
	43157-83A	VALVE STEM	E87-ALL	--	--
28	43290-82	SPACER, 0.032 thk.	87*-ALL	--	--
	43291-82	SPACER, 0.016 thk.	87*-ALL	--	--
	43292-82	SPACER, 0.008 thk.	87*-ALL	--	--
	43293-82	SPACER, 0.004 thk.	87*-ALL	--	--
	43294-82	SPACER, 0.002 thk.	87*-ALL	--	--
29	43312-84	WHEEL ASSY., 19" laced	--	87*-EA/B/G/M	--
31	43338-83	WHEEL ASSY., 19" - 9 spoke (silver)	--	87*-EB/G	--
	43345-84A	WHEEL ASSY., 16" - 16 spoke (black)	N/A E87-ALL	--	--
	43345-87	WHEEL ASSY., 16" - 10 spoke (black)	L87*-ALL	--	--
	43626-84	WHEEL ASSY., 19" - 9 spoke (black)	--	87*-EA/C	--
33	43346-83	AXLE	87*-ALL	--	87*-BH/K
34	43358-83A	SPACER, brg.	--	87*-ALL	--

FLT MODELS		FXR MODELS		SOFTAIL MODELS	
FLTC	DB	FXR	EA	FXST	BH
FLHT	DD	FXRS	EB	FLST/C	BJ
FLHTC	DJ	FXRT	EC	FXSTC	BK
FLTC-U	DM	FXRS-SP	EG	FXSTS	BL
FLHTC-U	DP	FXLR	EL	FLSTF	BM
FLHS	FA	FXRS-CON	EM		



INDEX NO.	PART NO.	NAME	FLT MODELS	FXR MODELS	SOFTAIL MODELS
35	43403-87	WHEEL ASSY., 16" laced	87*-ALL	--	--
	43557-87	WHEEL ASSY., 21" laced	--	87*-EL	--
	43676-88	WHEEL ASSY., 21" laced	--	--	L88*-BL
36	43404-87	HUB ASSY., w/38	87*-ALL	--	--
37	43601-78A	SPACER, w/flanges - 4.420 (orange)	--	--	87*-BH/J/K/L
	43602-78A	SPACER, w/flanges - 4.434 (yellow)	--	--	87*-BH/J/K/L
	43603-78A	SPACER, w/flanges - 4.448 (white)	N/A	--	87*-BH/J/K/L
38	43608-82	BEARING SPACER, sleeve	87*-ALL	--	--
39	43610-87	HUB w/bearings & seals	--	87*-EL	--
	43619-84	HUB w/bearings & seals	--	87*-EA/B/G/M	--
40	43615-82	SLEEVE (plastic)	87*-ALL	--	--
42	43623-78	SLEEVE, between brgs.-2.564 (violet)	--	87*-ALL	--
	43624-78	SLEEVE, between brgs.-2.550 (pink)	N/A	87*-ALL	--
	43625-78	SLEEVE, between brgs.-2.536 (gold)	--	87*-ALL	--
	43637-89	SLEEVE, between brgs.-4.248 (yellow/blue)	--	--	90*-BM
	43638-89	SLEEVE, between brgs.-4.234 (red/blue)	--	--	90*-BM
	43658-89	SLEEVE, between brgs.-4.262 (white/blue)	--	--	90*-BM
	44	43650-82	SPACER WASHER	87*-ALL	--
45	43654-86A	SPACER	--	--	87*-BJ
46	43662-80B	RIM, 21" (chrome)	--	87*-EL	87*-BH/K/L
47	43668-82	SLEEVE, between brgs.	87*-ALL	--	--
48	43671-84	WHEEL ASSY, 21; laced	--	--	87*-BH/K
49	43672-84	HUB w/bearings & seals	--	--	87*-BH/K
	43677-88	HUB w/bearings & seals	--	--	L88*-BL
50	43883-84	AXLE	--	87-EA/B/C	--
	43895-87	AXLE	--	87-EG/L; 88*-ALL	--
51	44029-88	SPACER, hub-right	--	--	L88*-BL
52	44136-92	BRAKE DISC (2-dual calipers)	87*-ALL	87*-ALL	87*-ALL
52A	44447-89	COVER, disc wheel	--	--	90*-BM
53	47519-83A	OIL SEAL (2)	87*-ALL	87*-ALL	87*-ALL
54	54321-85	NUT, valve stem	87*-ALL	87*-EL	--
55	95578-41	WEIGHT, 1/2 oz.-0.275" I.D.-round	87*-ALL	87*-EA/B/G/L/M	87*-BH/K/L
	95581-47	WEIGHT, 3/4 oz.-0.275" I.D.-round	87*-ALL	87*-EA/B/G/L/M	87*-BH/K/L
	95582-47	WEIGHT, 1 oz.-0.275" I.D.-round	87*-ALL	87*-EA/B/G/L/M	87*-BH/K/L
56	95594-84	WEIGHT, 1/4 oz. for cast whl. (black)	87*-ALL	87*-EA/C	--
	95595-84	WEIGHT, 1/4 oz. for cast whl. (silver)	--	87*-EB/G/L	87*-BJ/M

FLT MODELS		FXR MODELS		SOFTAIL MODELS	
FLTC	DB	FXR	EA	FXST	BH
FLHT	DD	FXRS	EB	FLST/C	BJ
FLHTC	DJ	FXRT	EC	FXSTC	BK
FLTC-U	DM	FXRS-SP	EG	FXSTS	BL
FLHTC-U	DP	FXLR	EL	FLSTF	BM
FLHS	FA	FXRS-CON	EM		



**REAR BRAKE CONTROL — FLT**

INDEX NO.	PART NO.	NAME	FLT MODELS	FXR MODELS	SOFTAIL MODELS
1	515	COTTER PIN	87*-ALL	--	--
2	2604	SCREW (2)	87*-ALL	--	--
3	2664	SCREW	87&88-ALL	--	--
4	2708	BOLT	87*-ALL	--	--
5	3825	BOLT	87*-ALL	--	--
6	4053W	BOLT (2)	87*-ALL	--	--
7	6220W	WASHER	87*-ALL	--	--
8	6317	WASHER (nylon)	87*-ALL	--	--
9	6702	WASHER (2)	87*-ALL	--	--
10	6716	WASHER (2)	87*-ALL	--	--
11	7069	LOCKWASHER	87&88-ALL	--	--
12	7118	LOCKWASHER (2)	87*-ALL	--	--
13	7220	LOCKWASHER	87&88-ALL	--	--
14	7676	NUT	87*-ALL	--	--
15	7725	LOCKNUT (2)	87*-ALL	--	--
16	8469	RIVET (2)	87*-ALL	--	--
17	10031	CLIP, brake hose to swing arm	87&88-ALL	--	--
19	10038	CLAMP, brake hose (2)	87*-ALL	--	--
21	14027-83	LABEL, pedal adjustment	87*-ALL	--	--
22	33882-83B	FOOT BRAKE LEVER	87*-ALL	--	--
23	40920-79	SPRING, brake rod return	87*-ALL	--	--
24	40922-79	BOOT, master cylinder	87*-ALL	--	--
25	40924-86	WASHER, brake rod spring	87*-ALL	--	--
26	40971-86A	BRAKE HOSE, rear	87*-ALL	--	--
27	41731-82	GASKET (4)	87&88-ALL	--	--
28	41731-88	GASKET (2; 4-1989 & Later)	89*-ALL	--	--
28A	41747-82A	BOLT (2)	87*-ALL	--	--
29	41755-86	MASTER CYLINDER	87*-ALL	--	--
30	41800-81A	RESERVOIR, master cylinder	87*-ALL	--	--
31	41957-86	ROD, master cylinder	87*-ALL	--	--
32	42269-70	CLEVIS PIN	87*-ALL	--	--
33	42315-85	HOSE, reservoir to master cylinder	87*-ALL	--	--
34	42374-86	REBUILD KIT, master cylinder	87*-ALL	--	--
35	42376-77A	COVER, master cylinder reservoir	N/A 87 to 89-ALL	--	--
	45057-82	COVER, master cylinder reservoir	90*-ALL	--	--
36	42416-83	PAD, brake pedal	87*-ALL	--	--
37	42455-80	GASKET, master cylinder reservoir	87*-ALL	--	--
38	42510-83	CLEVIS ASSEMBLY	87*-ALL	--	--
39	42534-82	SCREW (2)	87*-ALL	--	--
40	44126-82	WASHER, brake return spring (2)	87*-ALL	--	--
41	47247-83	BUSHING, hub foot brake (2)	87*-ALL	--	--
42	50972-75	FITTING, lubrication	87*-ALL	--	--
43	62670-84	GUIDE, brake lines to frame	87*-ALL	--	--
44	63551-82	FITTING	87*-ALL	--	--
45	72023-51A	SWITCH, stoplamp	87*-ALL	--	--

**H-D INTERNATIONAL ONLY**

30	41804-84A	RESERVOIR, master cylinder (HDI Only)	87*-ALL	--	--
----	-----------	---------------------------------------	---------	----	----

**FLT MODELS**

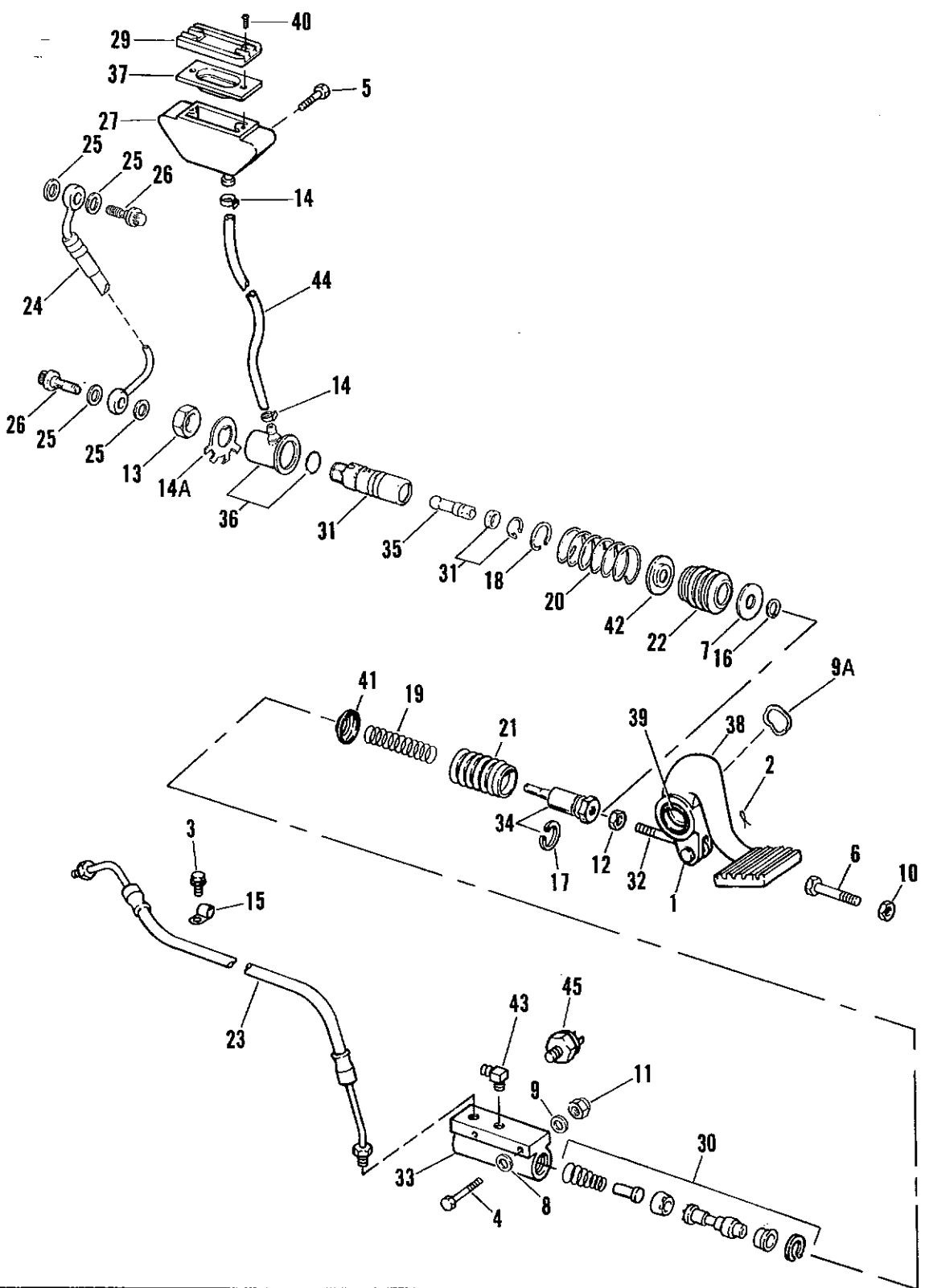
FLTC DB  
 FLHT DD  
 FLHTC DJ  
 FLTC-U DM  
 FLHTC-U DP  
 FLHS FA

**FXR MODELS**

FXR EA  
 FXRS EB  
 FXRT EC  
 FXRS-SP EG  
 FXLR EL  
 FXRS-CON EM

**SOFTAIL MODELS**

FXST BH  
 FLST/C BJ  
 FXSTC BK  
 FXSTS BL  
 FLSTF BM



**REAR BRAKE CONTROL — FXR**

**REAR BRAKE CONTROL-FXR MODELS**

**F23A-1**

INDEX NO.	PART NO.	NAME	FLT MODELS	FXR MODELS	SOFTAIL MODELS
1	222	CLEVIS PIN	--	87*-ALL	--
2	515	COTTER PIN	--	87*-ALL	--
3	2501	SCREW	--	L87*-ALL	--
	2652	SCREW	--	E87-ALL	--
4	2887W	BOLT (2)	--	E87-ALL	--
5	3473	BOLT (2)	--	87*-ALL	--
6	3802W	SCREW, lever stop	--	E87-ALL	--
7	6366	WASHER	--	L87*-ALL	--
8	6702	WASHER	--	E87-ALL	--
9	6716	WASHER (2)	--	E87-ALL	--
9A	7012	WASHER	--	90*-ALL	--
10	7689W	NUT	--	E87-ALL	--
11	7740	LOCKNUT (2)	--	E87-ALL	--
12	7744	NUT	--	87*-ALL	--
13	7855W	NUT	--	L87*-ALL	--
14	10038	CLAMP (2)	--	87*-ALL	--
14A	37503-41	LOCKWASHER	--	L87*-ALL	--
15	38712-68	CLAMP	--	87*-ALL	--
16	40903-87	RETAINING RING	--	L87*-ALL	--
17	40918-82	RETAINING RING	--	E87-ALL	--
18	40918-87	RETAINING RING	--	L87*-ALL	--
19	40920-82	SPRING, brake return	--	E87-ALL	--
20	40920-87	SPRING, brake return	--	L87*-ALL	--
21	40922-79	BOOT, master cylinder	--	E87-ALL	--
22	40922-87	BOOT, master cylinder	--	L87*-ALL	--
23	40956-82	HOSE, rear brake	--	E87-ALL	--
24	40956-87	BRAKE LINE, rear	--	L87*-ALL	--
25	41731-82	GASKET (4)	--	L87&88-ALL	--
	41731-88	GASKET (4)	--	89*-ALL	--
26	41747-82A	BOLT (2)	--	L87*-ALL	--
27	41800-81A	RESERVOIR, master cylinder	--	87*-ALL	--
29	42376-77A	COVER, reservoir	N/A	87 to 89-ALL	--
	45057-82	COVER, reservoir	--	90*-ALL	--

**FLT MODELS**

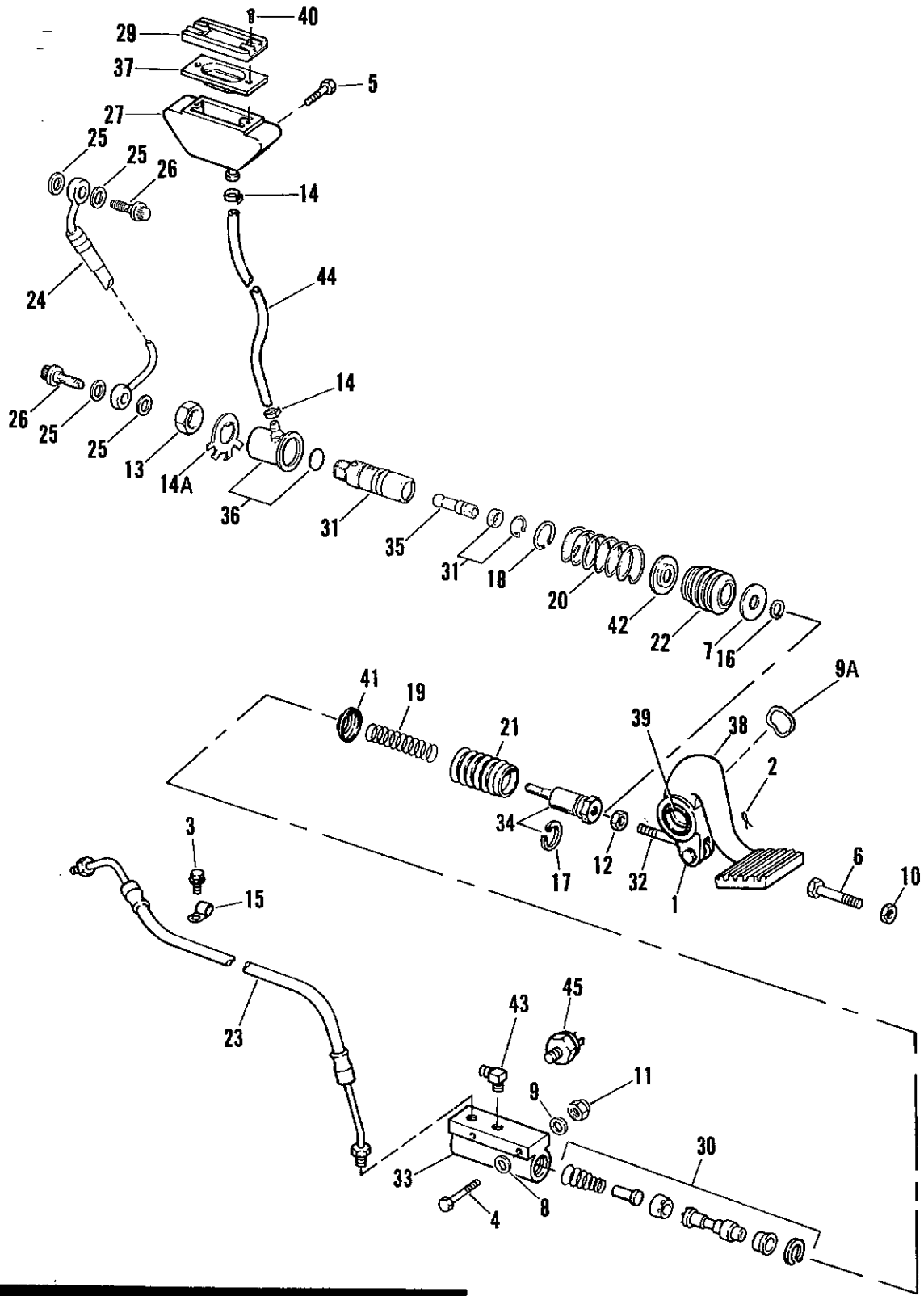
FLTC DB  
 FLHT DD  
 FLHTC DJ  
 FLTC-U DM  
 FLHTC-U DP  
 FLHS FA

**FXR MODELS**

FXR EA  
 FXRS EB  
 FXRT EC  
 FXRS-SP EG  
 FXLR EL  
 FXRS-CON EM

**SOFTAIL MODELS**

FXST BH  
 FLST/C BJ  
 FXSTC BK  
 FXSTS BL  
 FLSTF BM



**REAR BRAKE CONTROL — FXR**



**REAR BRAKE CONTROLS-FXR MODELS (CONT'D)**

**F23A-2**

INDEX NO.	PART NO.	NAME	FLT MODELS	FXR MODELS	SOFTAIL MODELS
30	42382-82A	REPAIR KIT, master cylinder	--	F87-ALL	--
31	42382-87A	REPAIR KIT, master cylinder	--	L87*-ALL	--
32	42437-81	ROD END	--	E87-ALL	--
	42437-87	ROD END	--	L87*-ALL	--
33	42446-82A	MASTER CYLINDER, rear	--	E87-ALL	--
	42446-87A	MASTER CYLINDER, rear	--	L87*-ALL	--
34	42448-82A	PLUNGER, brake w/retaining ring	--	E87-ALL	--
35	42448-87	PUSH ROD	--	L87*-ALL	--
36	42452-87	REPAIR KIT, master cylinder body	--	L87*-ALL	--
37	42455-80	GASKET, reservoir	--	87*-ALL	--
38	42523-82	BRAKE PEDAL ASSY. w/#1,2,32,& 39	--	E87-ALL	--
	42523-87	BRAKE PEDAL ASSY. w/#1,2,32,& 39	--	L87*-ALL	--
39	42524-82	BUSHING (2)	--	87*-ALL	--
40	42534-82	SCREW (2)	--	87*-ALL	--
41	44126-82	WASHER, brake return spring	--	E87-ALL	--
42	44126-87	RETAINER, brake return spring	--	L87*-ALL	--
43	63551-82	FITTING, reservoir hose	--	E87-ALL	--
44	63561-84	HOSE, reservoir to master cylinder	--	E87-ALL	--
	63561-87	HOSE, reservoir to master cylinder	--	L87*-ALL	--
45	72023-51A	STOPLAMP SWITCH	--	87*-ALL	--
<b>H-D INTERNATIONAL ONLY</b>					
27	41804-84A	RESERVOIR, master cylinder(HDI only)	--	87*-ALL	--

**FLT MODELS**

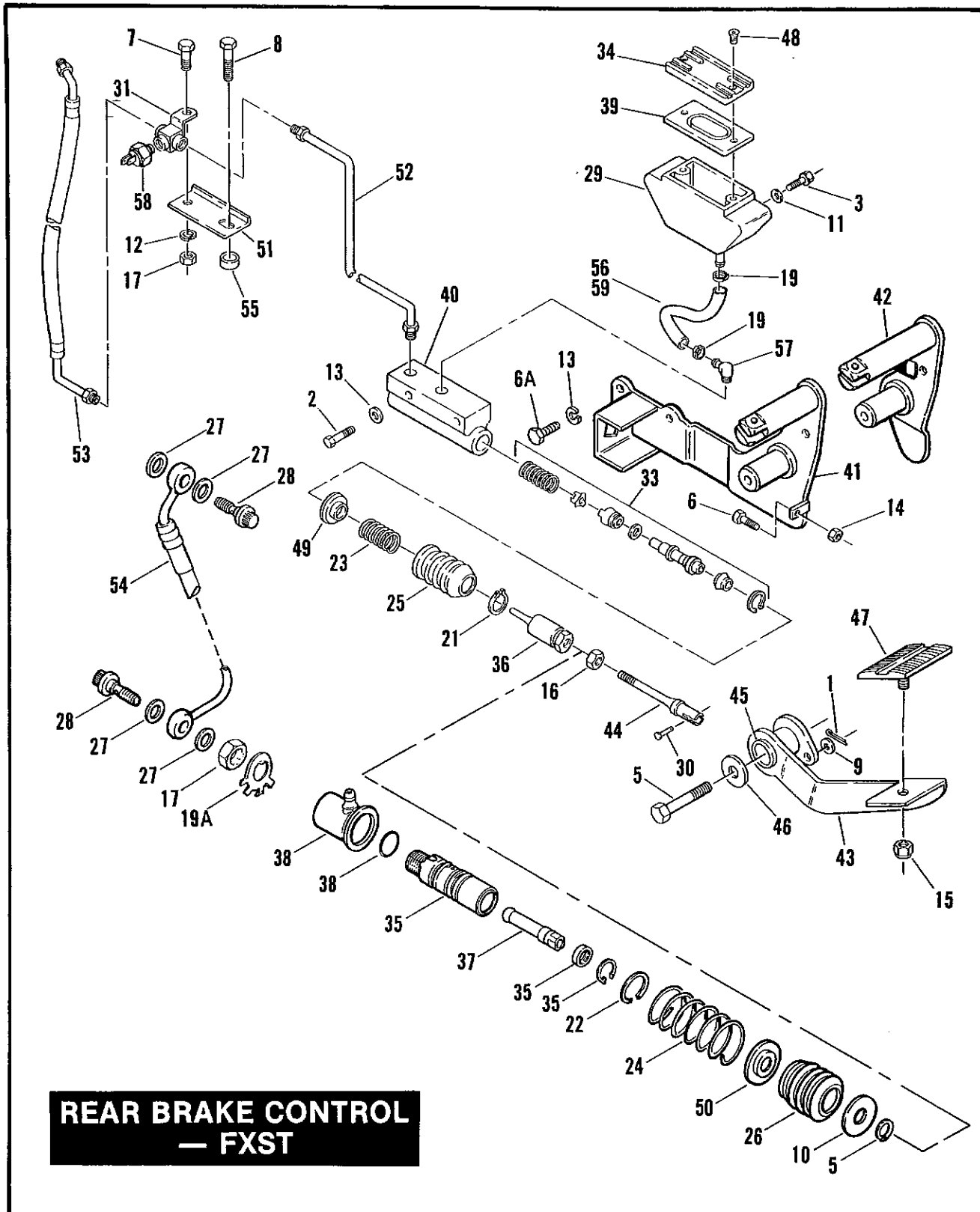
FLTC DB  
 FLHT DD  
 FLHTC DJ  
 FLTC-U DM  
 FLHTC-U DP  
 FLHS FA

**FXR MODELS**

FXR EA  
 FXRS EB  
 FXRT EC  
 FXRS-SP EG  
 FXLR EL  
 FXRS-CON EM

**SOFTAIL MODELS**

FXST BH  
 FLST/C BJ  
 FXSTC BK  
 FXSTS BL  
 FLSTF BM

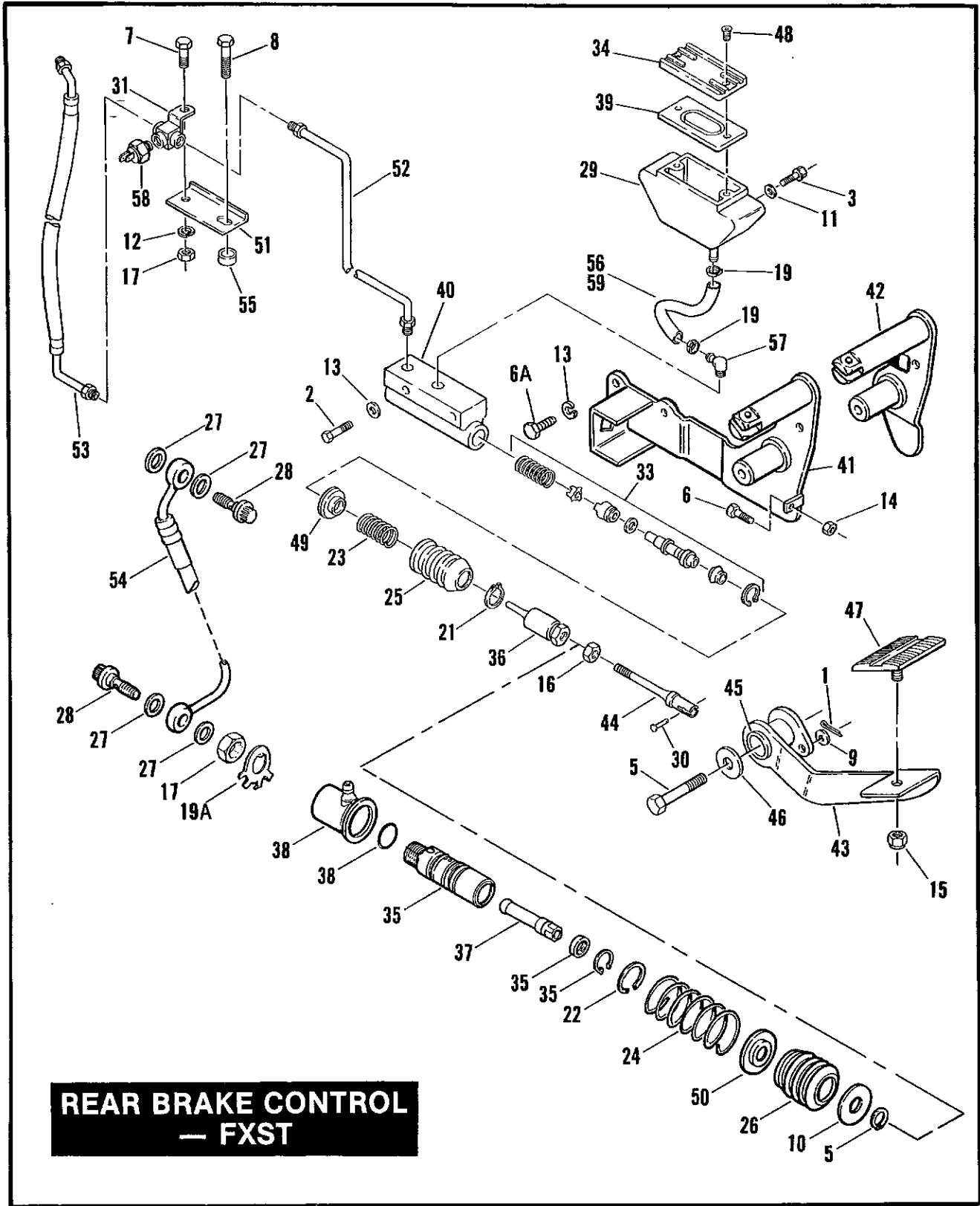


# REAR BRAKE CONTROL-FXST MODELS

F23B-1

INDEX NO.	PART NO.	NAME	FLT MODELS	FXR MODELS	SOFTAIL MODELS
1	515	COTTER PIN	--	--	87*-BH/K/L
2	2667	BOLT (2)	--	--	E87-BH/K
3	3473	BOLT (2)	--	--	87*-BH/K/L
5	3509	BOLT	--	--	E87-BH/K; 89*-BH/K/L
	3526	BOLT	--	--	L87 & 88-BH/K
6	3825	BOLT	--	--	E87-BH/K
6A	3987	BOLT (2)	---	---	L87 & 88-BH/K/L
7	4713W	BOLT	--	--	E87-BH/K
8	4724	BOLT	--	--	E87-BH/K
9	6220W	WASHER	--	--	87*-BH/K/L
10	6366	WASHER	--	--	L87*-BH/K/L
11	6716	WASHER (2)	--	--	87*-BH/K/L
12	7038	LOCKWASHER	--	--	E87-BH/K
13	7127	LOCKWASHER (4)	--	--	87 & 88-BH/K/L
14	7683	LOCKNUT	--	--	E87-BH/K
15	7742	LOCKNUT	--	--	87*-BH/K/L
16	7744	JAM NUT	--	--	87*-BH/K/L
17	7783	NUT	--	--	E87-BH/K
18	7855W	NUT	--	--	L87*-BH/K/L
	9990W	CLAMP, rear brake line	--	--	89*-BH/K/L
19	10038	CLAMP, reservoir hose (2)	--	---	87*-BH/K/L
19A	37503-41	LOCKWASHER	--	---	L87*-BH/K/L
20	40903-87	RETAINING RING	--	---	L87*-BH/K/L
21	40918-82	RETAINING RING, boot	--	---	E87-BH/K
22	40918-87	RETAINING RING	--	---	L87*-BH/K/L
23	40920-82	SPRING, brake return	--	---	E87-BH/K
24	40920-87	SPRING, brake return	--	---	L87*-BH/K/L
25	40922-79	BOOT, push rod	--	---	E87-BH/K
26	40922-87	BOOT, push rod	--	---	L87*-BH/K/L
27	41731-82	GASKET (4)	--	---	L87-BH/K/L
	41731-88	GASKET (4)	--	---	88*-BH/K/L
28	41747-82A	BOLT (2)	--	---	L87*-BH/K/L
29	41800-81A	RESERVOIR, master cylinder	--	---	87*-BH/K/L
30	42268-90	PIN, rear brake rod clevis	--	---	90*-BH/K/L
	42269-30	PIN, rear brake rod clevis	--	---	87 to 89-BH/K/L
31	42309-70	BRAKE LINE TEE	--	---	E87-BH/K/L
32	42331-87	LOCKPLATE	--	---	L87-BH/K/L
33	42374-82B	REPAIR KIT, master cylinder	--	---	E87-BH/K
34	42376-77A	COVER, reservoir	N/A	---	87 to 89-BH/K/L
	45057-82	COVER, reservoir	--	---	90*-BH/K/L
35	42382-87	REPAIR KIT, master cylinder	--	---	L87*-BH/K/L
36	42448-82A	PLUNGER, master cylinder	--	---	E87-BH/K
37	42448-87	PUSH ROD, master cylinder	--	---	L87*-BH/K/L
38	42452-87A	REPAIR KIT, master cylinder body	--	---	L87*-BH/K/L
39	42455-80	GASKET, reservoir	--	---	87*-BH/K/L
40	42470-82B	MASTER CYLINDER	--	---	E87-BH/K
41	42507-86	BRACKET, brake lever & footrest	--	---	E87-BH/K
	42507-87A	BRACKET, brake lever & footrest	--	---	L87 & 88-BH/K/L
42	42507-89A	BRACKET, brake lever & footrest	--	---	89*-BH/K/L
43	42515-82	LEVER, foot brake (chrome)	--	---	87*-BH/K/L

FLT MODELS		FXR MODELS		SOFTAIL MODELS	
FLTC	DB	FXR	EA	FXST	BH
FLHT	DD	FXRS	EB	FLST/C	BJ
FLHTC	DJ	FXRT	EC	FXSTC	BK
FLTC-U	DM	FXRS-SP	EG	FXSTS	BL
FLHTC-U	DP	FXLR	EL	FLSTF	BM
FLHS	FA	FXRS-CON	EM		



**REAR BRAKE CONTROL-FXST MODELS (CONT'D)**

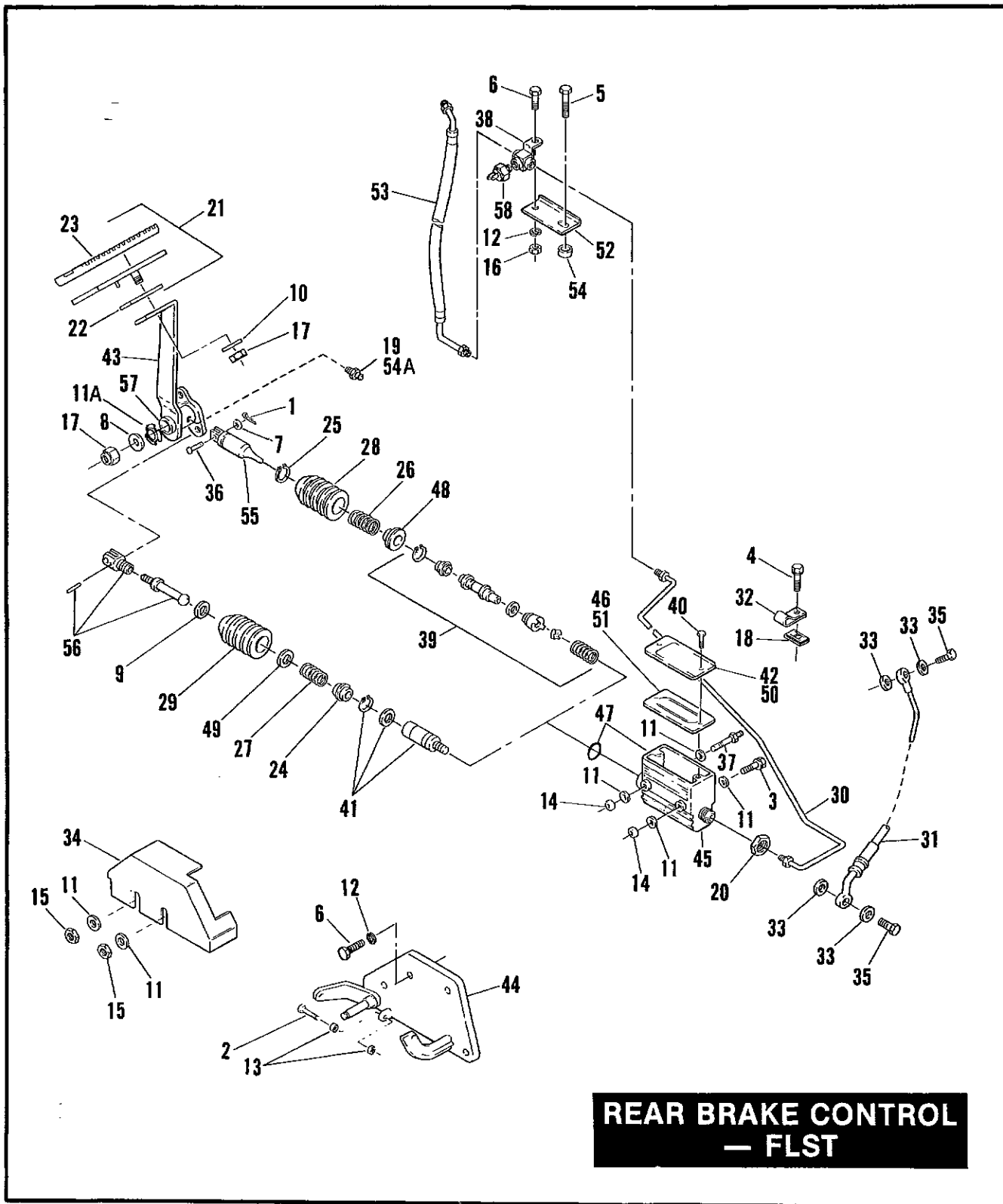
**F23B-2**

INDEX NO.	PART NO.	NAME	FLT MODELS	FXR MODELS	SOFTAIL MODELS
44	42522-82	CLEVIS, brake rod	--	--	E87-BH/K
	42522-87	CLEVIS, brake rod	--	--	L87*-BH/K/L
45	42524-82	BUSHING (2)	--	--	87*-BH/K
46	42531-87	WASHER	--	--	87*-BH/K/L
47	42532-82	PAD, brake lever	--	--	87*-BH/K/L
48	42534-82	SCREW (2)	--	--	87*-BH/K/L
49	44126-82	WASHER, brake return spring	--	--	E87-BH/K
50	44126-87	RETAINER, return spring	--	--	L87*-BH/K/L
51	45152-78A	BRACKET, brake line tee	--	--	E87-BH/K
52	45154-84	REAR BRAKE TUBE	--	--	E87-BH/K
53	45156-84	REAR BRAKE HOSE	--	--	E87-BH/K
54	45156-87A	REAR BRAKE LINE	--	--	L87 & 88-BH/K/L
	45156-89B	REAR BRAKE HOSE	--	--	89*-BH/K/L
55	47716-86	SPACER, brake tee	--	--	E87-BH/K
56	63546-87	HOSE, reservoir	--	--	L87*-BH/K/L
57	63551-82	FITTING, reservoir hose (brass)	--	--	E87-BH/K
58	72023-51A	STOPLAMP SWITCH, rear	--	--	87*-BH/K/L
		NOTE: Hose is sold only in bulk length under the following part number. Cut to required length.			
59	63573-82	HOSE, 5/16 in. I.D. (rubber) (25 ft. lg.)	--	--	L87-BH/K/L

**H-D INTERNATIONAL ONLY**

29	41804-84A	RESERVOIR, master cylinder (HDI only)	--	--	87*-BH/K/L
40	42476-87	MASTER CYLINDER (HDI only)	N/A	--	E87-BH/K

FLT MODELS		FXR MODELS		SOFTAIL MODELS	
FLTC	DB	FXR	EA	FXST	BH
FLHT	DD	FXRS	EB	FLST/C	BJ
FLHTC	DJ	FXRT	EC	FXSTC	BK
FLTC-U	DM	FXRS-SP	EG	FXSTS	BL
FLHTC-U	DP	FXHR	EL	FLSTF	BM
FLHS	FA	FXRS-CON	EM		



**REAR BRAKE CONTROL - FLST MODELS**

**F23C-1**

INDEX NO.	PART NO.	NAME	FLT MODELS	FXR MODELS	SOFTAIL MODELS
1	515	COTTER PIN	--	--	87*-BJ/M
2	2718	BOLT	--	--	E87-BJ
3	3419	BOLT	--	--	E87-BJ
	4068	BOLT	--	--	L87*-BJ/M
4	3787	BOLT	--	--	87*-BJ/M
5	4411	BOLT	--	--	E87-BJ
6	4713W	BOLT	--	--	E87-BJ; 90*-BJ/M
7	6220W	WASHER	--	--	87*-BJ/M
8	6334	WASHER	--	--	87*-BJ/M
9	6366	WASHER	--	--	L87*-BJ/M
10	6516HW	WASHER	--	--	E87-BJ
11	6702	WASHER (4;3-L1987 & Later)	--	--	87*-BJ/M
11A	7007	SPRING WASHER	--	--	89*-BJ
12	7038	LOCKWASHER	--	--	E87-BJ; 90*-BJ/M
13	7688	LOCKNUT (2)	--	--	E87-BJ
14	7740	NUT (2)	--	--	87*-BJ/M
15	7748W	NUT (2)	--	--	L87*-BJ/M
16	7783	NUT	--	--	E87-BJ
17	7825	LOCKNUT (2-E1987)	--	--	87*-BJ/M
18	8108	CLIP NUT	--	--	87*-BJ/M
19	9851A	FITTING, lubrication	--	--	E87-BJ
20	35078-79	LOCKNUT	--	--	L87*-BJ/M
21	36956-65A	BRAKE PEDAL KIT	--	--	E87-BJ
22	36962-67	SPACER	--	--	E87-BJ
23	36964-67	PAD, brake lever	--	--	E87-BJ
	42416-83	PAD, brake lever	--	--	L87*-BJ/M
24	40902-87	ADAPTOR, spring	N/A	--	L87 to 89-BJ
	42479-90	SPRING	--	--	90*-BJ/M
25	40918-82	RETAINING RING, boot	--	--	E87-BJ
26	40920-82	SPRING, brake return	--	--	E87-BJ
27	40920-87	SPRING, brake return	--	--	L87 to 89-BJ
28	40922-79	BOOT, push rod	--	--	E87-BJ
29	40922-87	BOOT, push rod	--	--	L87*-BJ/M
30	40957-86	BRAKE LINE	--	--	E87-BJ
31	40957-87A	BRAKE LINE	--	--	L87*-BJ/M
32	41713-86	CLAMP, rear brake line	--	--	87*-BJ
33	41731-82	GASKET (4)	--	--	L87&88-BJ
	41731-88	GASKET (4)	--	--	89*-BJ/M
34	41745-79	COVER, master cylinder (chrome)	--	--	87*-BJ/M
35	41747-82A	BOLT (2)	--	--	L87*-BJ/M
36	42269-70	PIN, rear brake rod clevis	--	--	87*-BJ/M
37	42301-79A	STUD, master cylinder	--	--	E87-BJ
	42301-87	STUD, master cylinder	--	--	L87*-BJ/M
38	42309-70	BRAKE LINE TEE	--	--	E87-BJ
39	42374-82B	REPAIR KIT, master cylinder	--	--	E87-BJ
40	42375-82	BOLT, master cylinder cover (2)	--	--	E87-BJ
	42375-87	SCREW, master cylinder cover (2)	--	--	L87*-BJ/M
41	42382-87A	REPAIR KIT, master cylinder	--	--	L87*-BJ/M
42	42381-82	COVER, master cylinder (polished)	--	--	E87-BJ
43	42407-86		--	--	

**FLT MODELS**

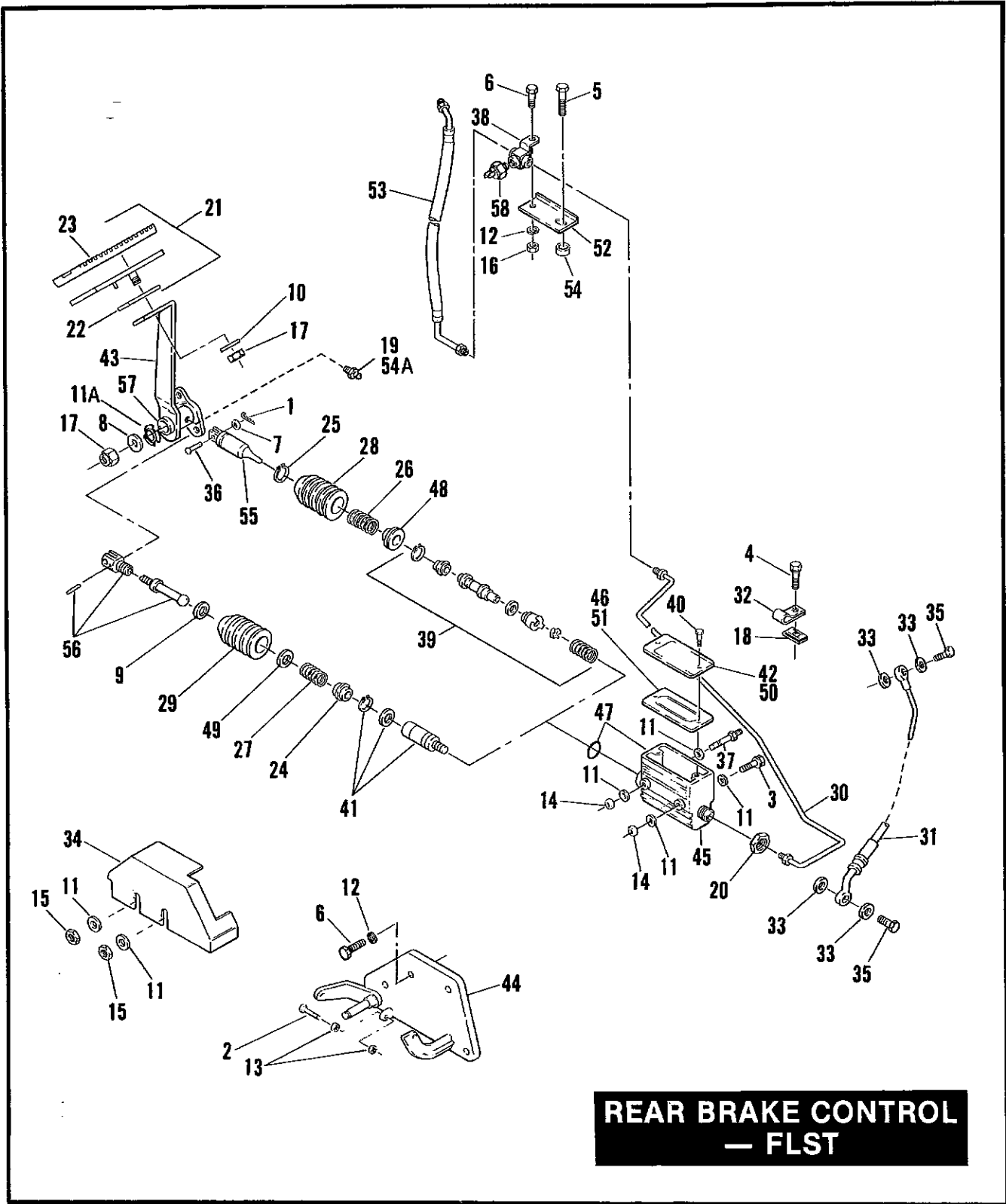
FLTC DB  
 FLHT DD  
 FLHTC DJ  
 FLTC-U DM  
 FLHTC-U DP  
 FLHS FA

**FXR MODELS**

FXR EA  
 FXRS EB  
 FXRT EC  
 FXRS-SP EG  
 FXLR EL  
 FXRS-CON EM

**SOFTAIL MODELS**

FXST BH  
 FLST/C BJ  
 FXSTC BK  
 FXSTS BL  
 FLSTF BM



**REAR BRAKE CONTROL  
— FLST**



**REAR BRAKE CONTROL (CONT'D) - FLST MODELS**

**F23C-2**

INDEX NO.	PART NO.	NAME	FLT MODELS	FXR MODELS	SOFTAIL MODELS
43	42407-88	LEVER, foot brake (chrome)	--	--	E87-BJ
	42407-87B	LEVER, foot brake (chrome)	--	--	L87*-BJ/M
44	42431-86	SUPPORT, foot brake lever	--	--	E87-BJ
	42431-87	SUPPORT, foot brake lever	--	--	L87*-BJ/M
45	42453-82A	MASTER CYLINDER ASSY.			E87-BJ
	42467-87C	MASTER CYLINDER ASSY.			L87*-BJ/M
46	42455-82	GASKET, master cylinder	--	--	E87-BJ
47	42471-87	REPAIR KIT, master cylinder body			L87*-BJ/M
48	44126-82	WASHER, brake return spring	--	--	E87-BJ
49	44126-87	RETAINER, spring	--	--	L87*-BJ/M
50	45004-85	COVER, master cylinder (black)	--	--	L87*-BJ/M
51	45005-85	GASKET, cover	--	--	L87*-BJ/M
52	45152-78A	BRACKET, brake line tee	--	--	E87-BJ
53	45156-84	REAR BRAKE HOSE	--	--	E87-BJ
54	47716-86	SPACER, brake tee	--	--	E87-BJ
54A	50972-75	FITTING, lubrication	--	--	L87*-BJ/M
55	50992-86	ROD END, master cylinder	--	--	E87-BJ
56	50992-87	ROD END, master cylinder	--	--	L87*-BJ/M
57	57215-75	BUSHING, foot brake lever (2)	--	--	87*-BJ/M
58	72023-51A	STOPLAMP SWITCH, rear	--	--	87*-BJ/M
<b>H-D INTERNATIONAL ONLY</b>					
47	42473-87	REPAIR KIT, master cylinder body (HDI only)	--	--	L87*-BJ/M
	45042-82	REPAIR KIT, sight glass (HDI only)	--	--	L87*-BJ/M

**FLT MODELS**

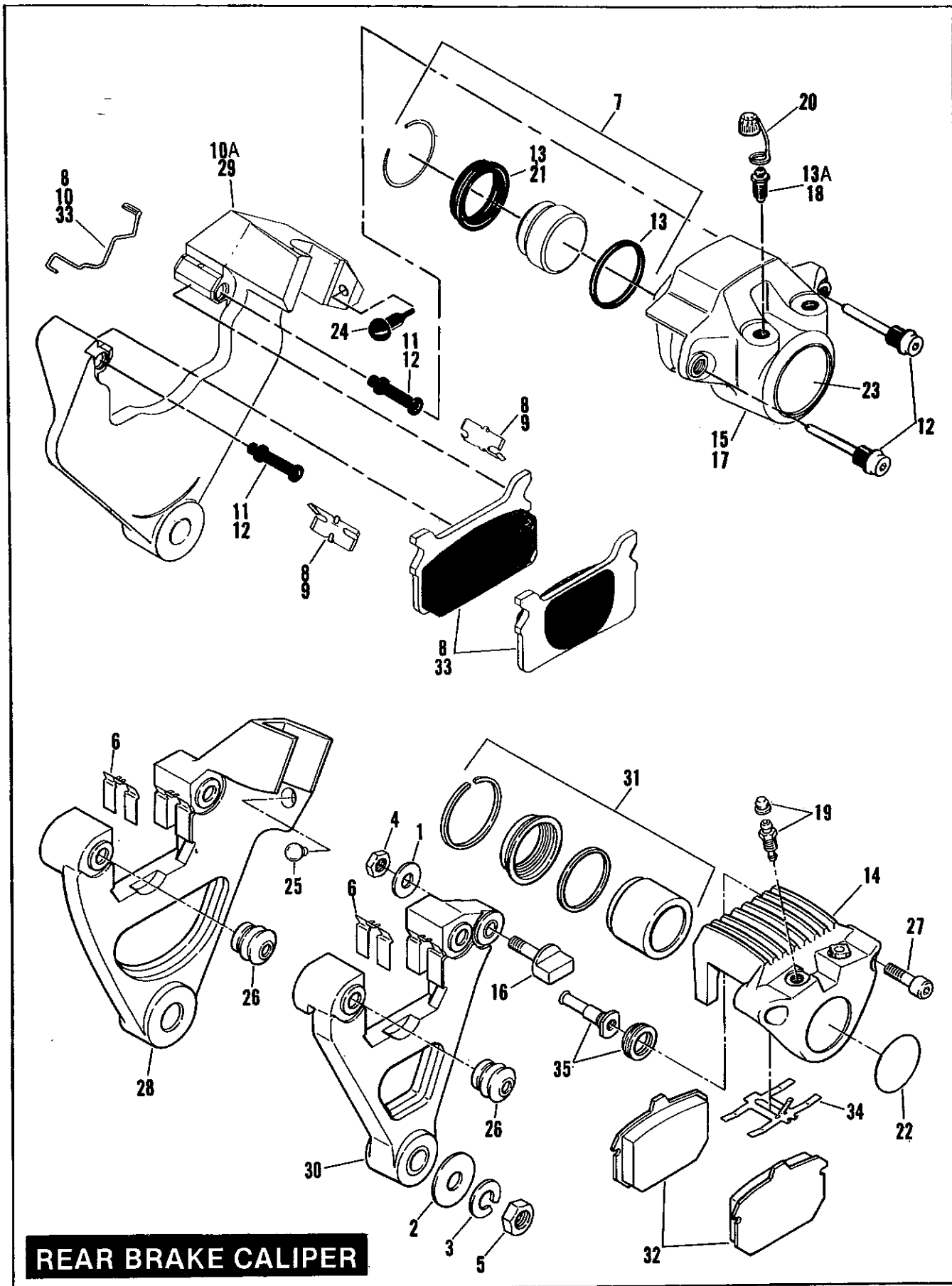
FLTC DB  
 FLHT DD  
 FLHTC DJ  
 FLTC-U DM  
 FLHTC-U DP  
 FLHS FA

**FXR MODELS**

FXR EA  
 FXRS EB  
 FXRT EC  
 FXRS-SP EG  
 FXLR EL  
 FXRS-CON EM

**SOFTAIL MODELS**

FXST BH  
 FLST/C BJ  
 FXSTC BK  
 FXSTS BL  
 FLSTF BM



INDEX NO.	PART NO.	NAME	FLT MODELS	FXR MODELS	SOFTAIL MODELS
1	6115	WASHER	--	--	E87-ALL
2	6655	WASHER	--	--	E87-ALL
3	7022	LOCKWASHER	--	--	E87-ALL
4	7776W	LOCKNUT	--	--	E87-ALL
5	7986	NUT	--	--	E87-ALL
6	41665-82	ABUTMENT SHIM (2)	--	E87-ALL	E87-ALL
7	43946-86	PISTON KIT, w/#21	87*-ALL	L87*-ALL	L87*-ALL
8	43957-86E	PAD SET	87*-ALL	--	--
9	43959-86	ABUTMENT SHIM (2)	N/A 87*-ALL	L87*-ALL	L87*-ALL
10	43960-86	RETAINER	87*-ALL	L87*-ALL	L87*-ALL
10A	44034-86	BRACKET, w/#24	87*-ALL	--	--
11	44035-86A	BUSHING (2)	87*-ALL	L87*-ALL	L87*-ALL
12	44039-86	MOUNTING KIT, w/guide pins & bushings	87*-ALL	L87*-ALL	L87*-ALL
13	44045-87	SEAL & BOOT KIT	87*-ALL	L87*-ALL	L87*-ALL
13A	44048-83	BLEEDER FITTING	87*-ALL	--	--
14	44050-82A	BODY ASSY., w/#19,31 & 34	--	E87-ALL	E87-ALL
15	44050-87	CALIPER ASSY.,w/o bracket	--	L87*-ALL	L87*-ALL
16	44069-84	PIN, mounting	--	--	E87-ALL
17	44076-86A	CALIPER ASSY.,w/o bracket	87*-ALL	--	--
18	44146-77	BLEEDER FITTING	--	L87*-ALL	L87*-ALL
19	44146-82	BLEEDER FITTING & COVER	--	E87-ALL	E87-ALL
20	44147-87	CAP, bleeder screw	87*-ALL	L87*-ALL	L87*-ALL
21	44152-77	BOOT	87*-ALL	L87*-ALL	L87*-ALL
22	44197-77	LABEL	87*-ALL	E87-ALL	E87-ALL
23	44198-87	LABEL	--	L87*-ALL	L87*-ALL
24	44199-79	BUMPER	87*-ALL	L87*-ALL	L87*-ALL
25	44199-82	BUMPER (rubber)	--	E87-ALL	--
26	44200-82	PIN BOOT (2)	--	E87-ALL	E87-ALL
27	44201-82	BOLT, mounting (2)	--	E87-ALL	E87-ALL
28	44205-82	BRACKET, mounting - w/#6,25 & 35	--	E87-ALL	--
29	44205-87	BRACKET, mounting - w/#11,24 & shims	--	L87*-ALL	--
	44207-87	BRACKET, mounting - w/#11,24 & shims	--	--	L87*-ALL
30	44207-82	BRACKET, mounting - w/#6 & 35	--	--	E87-ALL
31	44208-82	REPAIR KIT	--	E87-ALL	E87-ALL
32	44209-82A	PAD SET	--	E87-ALL	E87-ALL
33	44209-87C	PAD SET, w/retainer	--	L87*-ALL	L87*-ALL
34	44211-82	PAD SPRING	--	E87-ALL	E87-ALL
35	44212-82	GUIDE PIN KIT, w/#26 & 27	--	E87-ALL	E87-ALL

FLT MODELS

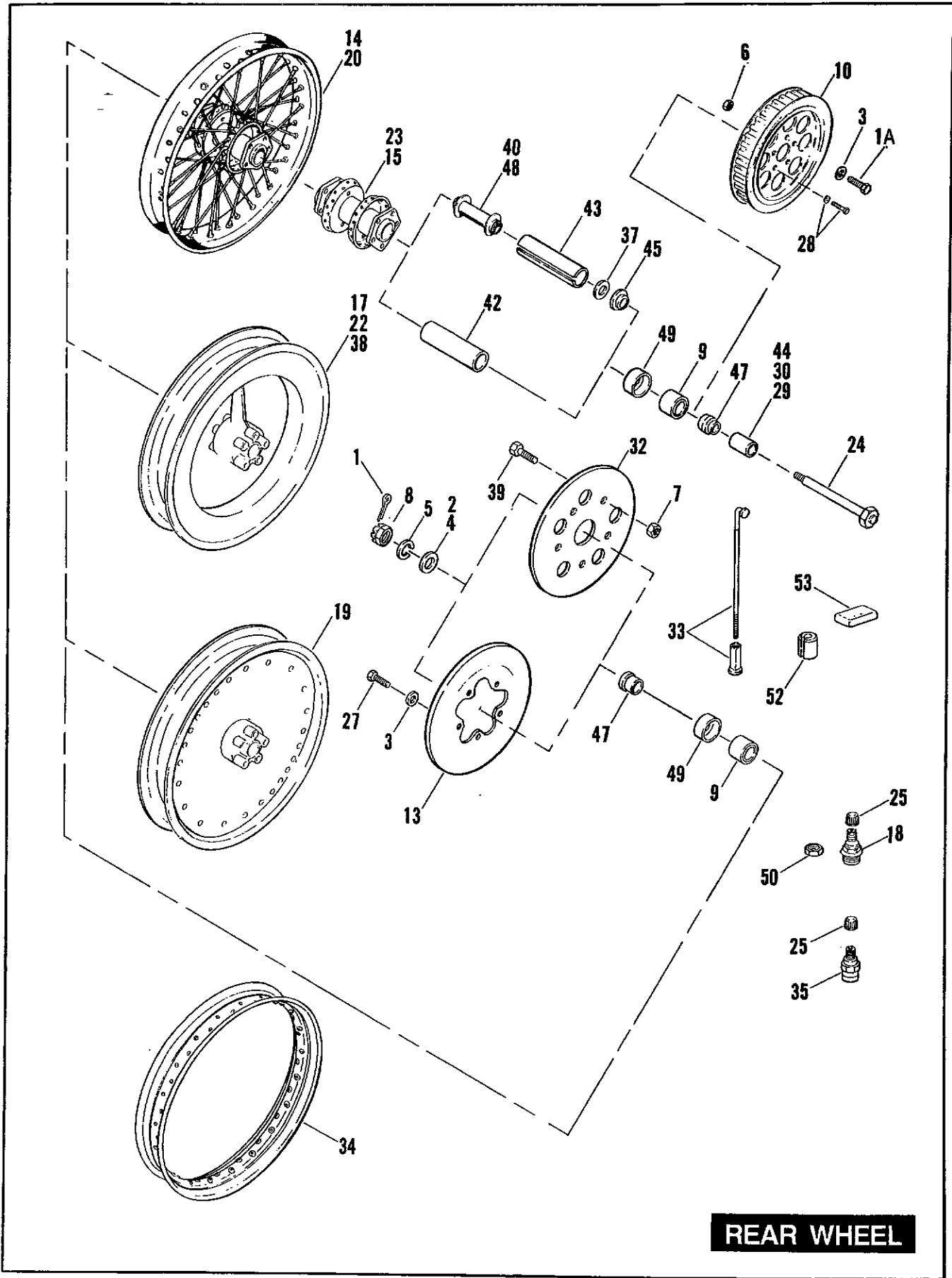
FLTC DB  
 FLHT DD  
 FLHTC DJ  
 FLTC-U DM  
 FLHTC-U DP  
 FLHS FA

FXR MODELS

FXR EA  
 FXRS EB  
 FXRT EC  
 FXRS-SP EG  
 FXLR EL  
 FXRS-CON EM

SOFTAIL MODELS

FXST BH  
 FLST/C BJ  
 FXSTC BK  
 FXSTS BL  
 FLSTF BM



**REAR WHEEL**

INDEX NO.	PART NO.	NAME	FLT MODELS	FXR MODELS	SOFTAIL MODELS
1	511	COTTER PIN	89*ALL	89*ALL	89*ALL
1A	4726	BOLT (5)	87*-ALL	87*-EB	87*-ALL
2	5756	SPACER	89*-ALL	89*-ALL	89*-ALL
3	6127	WASHER (5)	87*-ALL	--	87*-ALL
4	6655	WASHER	87&88-ALL	87&88-ALL	87&88-ALL
5	7022	LOCKWASHER	87&88-ALL	87&88-ALL	87&88-ALL
6	7561	NUT (5)	87*-ALL	87*-EA/B/G/M	87*-ALL
7	7778	LOCKNUT (5)	--	87*-EA/B/G/M	87*-BH/J/L
8	7986	NUT	87&88-ALL	87&88-ALL	87&88-ALL
	7987	CASTLE NUT	89*-ALL	89*-ALL	89*-ALL
9	9052	ROLLER BEARING (2)	87*-ALL	87*-ALL	87*-ALL
10	40221-85A	SPROCKET, 70T (silver)	87*-ALL	87*-ALL	87*-ALL
13	40939-86A	BRAKE DISC	87*-ALL	--	--
14	40975-86	WHEEL ASSY., 16"-laced (chrome)	--	87*-EA/B/G/M	87*-BH/J/L
15	40976-86	HUB ASSY., w/spacer	--	87*-EA/B/G/M	87*-BH/J/L
17	40983-86	WHEEL ASSY., cast-9 spoke (silver)	--	87*-EB/G	--
18	40999-87	VALVE STEM	L87*-ALL	--	--
19	41008-87A	DISC WHEEL	--	87*-EL	87*-BK/M
20	41010-86	WHEEL ASSY., 16"-laced	87*-ALL	--	--
22	41015-86	WHEEL ASSY., cast-9 spoke (black)	--	87*-EA/C	--
23	41020-86	HUB ASSY., laced wheel, w/spacer	87*-ALL	--	87*-ALL
24	41110-79A	AXLE ASSY	87*-ALL	87*-ALL	87*-ALL
25	41123-79	VALVE CAP	87*-ALL	87*-ALL	87*-ALL
27	41198-73	BOLT (5)	87*-ALL	--	--
28	41465-86	SPROCKET FASTENER KIT (For cast wheels only)	87*-ALL	87*-ALL	87*-ALL
29	41591-81	SPACER, rear axle-left	--	87*-ALL	--
30	41595-86	SPACER, rear axle-left	--	--	87*-ALL
32	41791-79A	DISC, brake	--	87*-ALL	87*-ALL
33	43032-40B	SPOKE & NIPPLE SET, 16" rim (40)	87*-ALL	87*-EA/B/G/M	87*-BH/J/L
34	43085-81	RIM, 16" (chrome)	87*-ALL	87*-EA/B/G/M	87*-ALL
35	43157-83A	VALVE STEM ASSY.	E87-ALL	87*-ALL	87*-BK/M
37	43290-82	SPACER, 0.032" thk.	87*-ALL	--	--
	43291-82	SPACER, 0.016" thk.	87*-ALL	--	--
	43292-82	SPACER, 0.008" thk.	87*-ALL	--	--
	43293-82	SPACER, 0.004" thk.	87*-ALL	--	--
	43294-82	SPACER, 0.002" thk.	87*-ALL	--	--
38	43299-87	WHEEL ASSY., 16"-10 spoke (black)	87*-ALL	--	--
39	43567-79	SCREW (5)	--	87*-ALL	87*-ALL

**FLT MODELS**

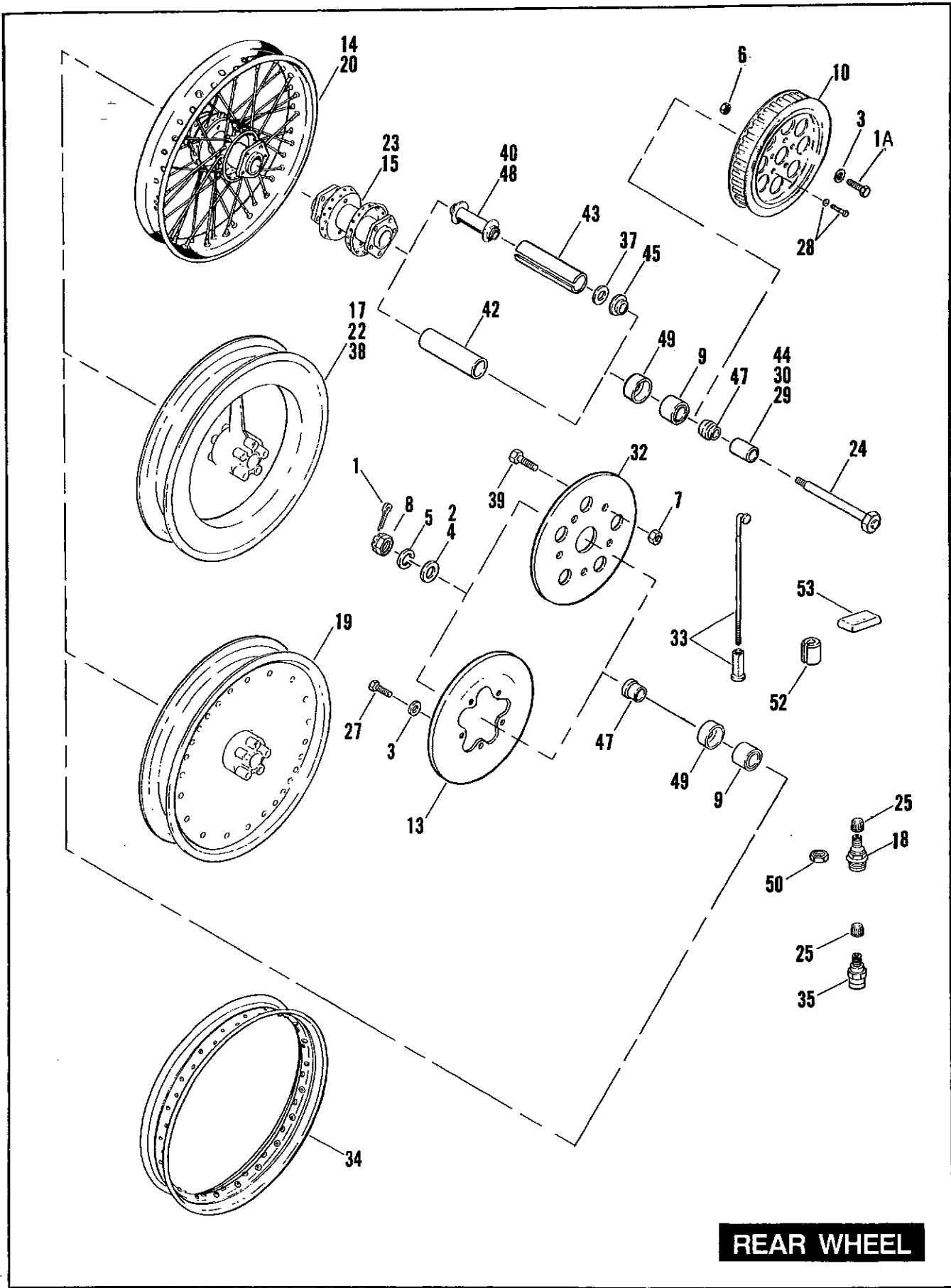
FLTC DB  
 FLHT DD  
 FLHTC DJ  
 FLTC-U DM  
 FLHTC-U DP  
 FLHS FA

**FXR MODELS**

FXR EA  
 FXRS EB  
 FXRT EC  
 FXRS-SP EG  
 FXLR EL  
 FXRS-CON EM

**SOFTAIL MODELS**

FXST BH  
 FLST/C BJ  
 FXSTC BK  
 FXSTS BL  
 FLSTF BM



INDEX NO.	PART NO.	NAME	FLT MODELS	FXR MODELS	SOFTAIL MODELS
40	43601-78A	SPACER, w/flanges - 4.420 (orange)	--	87*-EA/B/G/M	87*-BH/J/L
	43602-78A	SPACER, w/flanges - 4.434 (yellow)	--	87*-EA/B/G/M	87*-BH/J/L
	43603-78A	SPACER, w/flanges - 4.448 (white)	N/A --	87*-EA/B/G/M	87*-BH/J/L
42	43604-78	SPACER, w/o flanges - 4.420 (orange)	N/A --	87*-ALL	87*-BK/M
	43605-78	SPACER, w/o flanges - 4.434 (yellow)	--	87*-ALL	87*-BK/M
	43606-78	SPACER, w/o flanges - 4.448 (white)	--	87*-ALL	87*-BK/M
	43608-82	SPACER, sleeve	87*-ALL	--	--
43	43615-82	SLEEVE (plastic)	87*-ALL	--	--
44	43648-86	SPACER, left	87*-ALL	--	--
45	43650-82	SPACER WASHER	87*-ALL	--	--
47	43654-86A	SPACER (2)	87*-ALL	87*-ALL	87*-ALL
48	43668-82	SPACER, between brgs.	87*-ALL	--	--
49	47519-83A	OIL SEAL (2)	87*-ALL	87*-ALL	87*-ALL
50	54321-85	NUT, valve stem	87*-ALL	87*-EL	87*-BK/M
52	95578-41	WEIGHT, 1/2 oz.-0.275" I.D.-round	87*-ALL	87*-EA/B/G/M	87*-BH/J/L
	95581-47	WEIGHT, 3/4 oz.-0.275" I.D.-round	87*-ALL	87*-EA/B/G/M	87*-BH/J/L
	95582-47	WEIGHT, 1 oz.-0.275" I.D.-round	87*-ALL	87*-EA/B/G/M	87*-BH/J/L
53	95594-84	WEIGHT, 1/4 oz. (black)	87*-ALL	87*-EA/C	--
	95595-84	WEIGHT, 1/4 oz. (silver)	--	87*-EB/G/L	87*-BK/M
<b>H-D INTERNATIONAL ONLY</b>					
10	40236-88A	SPROCKET, 61T. (silver)(HDI Only)	89-ALL	89-ALL	89-ALL

**FLT MODELS**

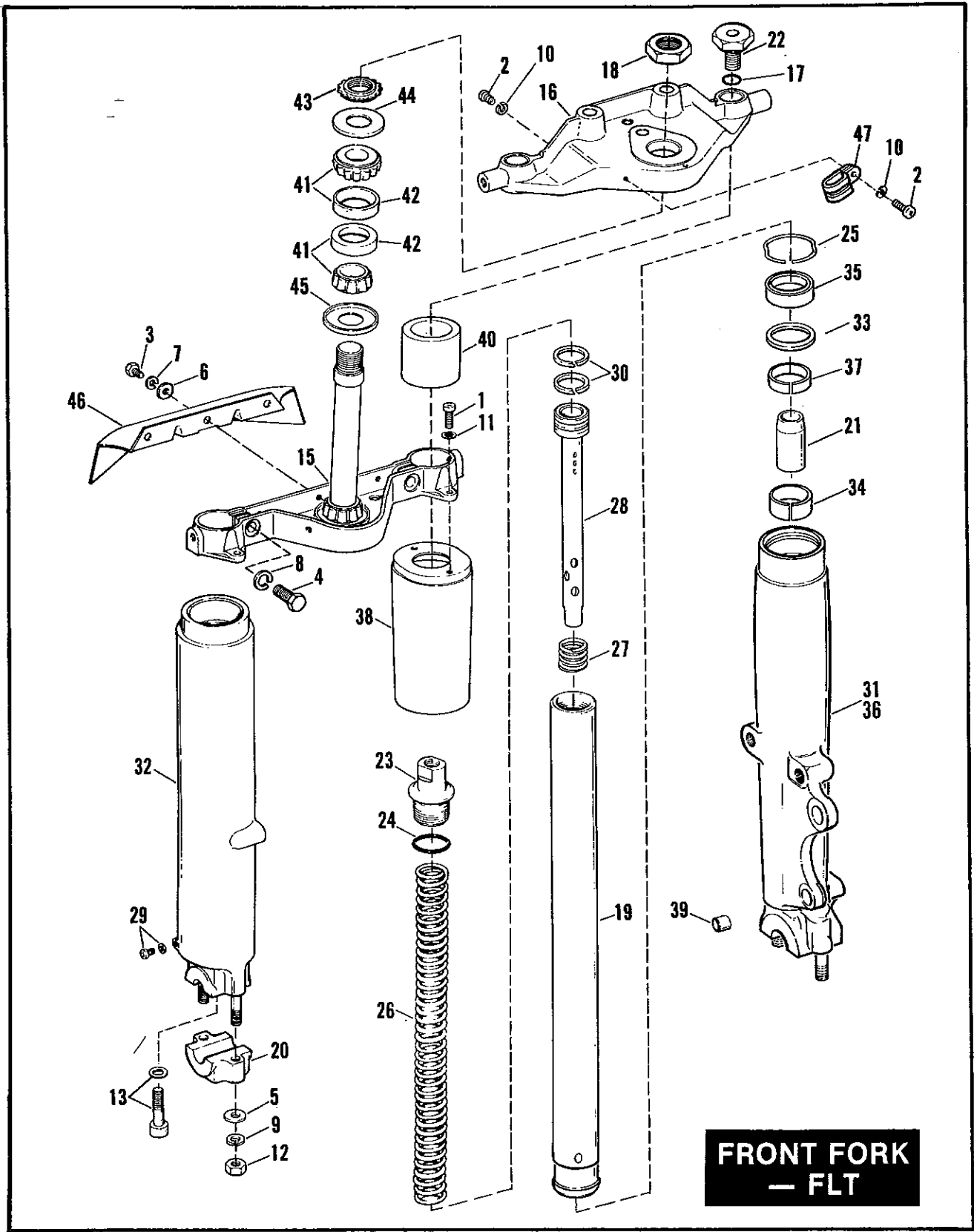
FLTC DB  
 FLHT DD  
 FLHTC DJ  
 FLTC-U DM  
 FLHTC-U DP  
 FLHS FA

**FXR MODELS**

FXR EA  
 FXRS EB  
 FXRT EC  
 FXRS-SP EG  
 FXLR EL  
 FXRS-CON EM

**SOFTAIL MODELS**

FXST BH  
 FLST/C BJ  
 FXSTC BK  
 FXSTS BL  
 FLSTF BM



**FRONT FORK  
— FLT**



INDEX NO.	PART NO.	NAME	FLT MODELS	FXR MODELS	SOFTAIL MODELS
1	2417	SCREW (4)	87*-ALL	--	--
2	2592	SCREW (2-1987 &1988)	87*-ALL	--	--
	2661W	SCREW	89*-ALL	--	--
3	3738	BOLT (2)	87*-ALL	--	--
4	4729	BOLT (2)	87*-ALL	--	--
5	6702	WASHER (2)	87*-ALL	--	--
6	6703	WASHER (2)	87*-ALL	--	--
7	7036	LOCKWASHER (2)	87*-ALL	--	--
8	7039	LOCKWASHER (2)	87*-ALL	--	--
9	7041	LOCKWASHER (2)	87*-ALL	--	--
10	7069	LOCKWASHER (2)	87*-ALL	--	--
11	7124	LOCKWASHER (4)	87*-ALL	--	--
12	7748W	NUT (2)	87*-ALL	--	--
13	45405-75A	SCREW WITH WASHER, damper tube (2)	87*-ALL	--	--
15	45431-85	FORK STEM & BRACKET	87*-DB/M	--	--
	45449-86	FORK STEM & BRACKET	87*-DD/J/P,FA	--	--
16	45435-83A	BRACKET	87*-ALL	--	--
17	45443-86	O-RING (2)	87*-ALL	--	--
18	45718-60	NUT, fork stem	87*-ALL	--	--
19	45827-84	SLIDER TUBE (2)	87*-ALL	--	--
20	45832-77A	AXLE CAP, right slider	87*-ALL	--	--
21	45834-77	LOWER STOP (2)	87*-ALL	--	--
22	45839-84	CAP, upper bracket (2)	87*-ALL	--	--
23	45841-84	PLUG, fork tube (2)	87*-ALL	--	--
24	45845-77	O-RING, slider tube plug (2)	87*-ALL	--	--
25	45847-84	RETAINING RING, oil seal (2)	87*-ALL	--	--
26	45853-83	SPRING (2)	87*-ALL	--	--
27	45855-77	SPRING, slider tube (2)	87*-ALL	--	--
28	45857-83	DAMPER TUBE (2)	87*-ALL	--	--
29	45858-77	DRAIN SCREW, damper tube (2)	87*-ALL	--	--
30	45859-77	RING, damper tube (4)	87*-ALL	--	--
31	45860-84	SLIDER ASSEMBLY, left	87*-ALL	--	--
32	45863-84	FORK SLIDER, right (polished)	87*-ALL	--	--
	45864-84	FORK SLIDER, left (polished)	87*-ALL	--	--
33	45865-84	SPACER, slider (2)	87*-ALL	--	--
34	45866-84	BUSHING, slider (2)	87*-ALL	--	--
35	45875-84	OIL SEAL (2)	87*-ALL	--	--
36	45870-84	SLIDER ASSEMBLY, right	87*-ALL	--	--
37	45940-84	BUSHING, slider (2)	87*-ALL	--	--
38	45964-49	COVER, slider (stainless steel) (2)	87&88-ALL	--	--
	45964-89	COVER, slider (stainless steel) (2)	89*-ALL	--	--
39	46020-84	BUSHING,brake caliper (2)	87*-ALL	--	--
40	47530-79A	FORK STOP, (rubber) (2)	87*-ALL	--	--
41	48300-60	ROLLER BEARING, with cup	87*-ALL	--	--
42	48315-60	CUP, bearing	87*-ALL	--	--
43	48333-80	BEARING ADJUSTER	87*-ALL	--	--
44	48361-80	DUST SHIELD, bearing-upper	87*-ALL	--	--
45	48365-48A	DUST SHIELD, bearing-lower	87*-ALL	--	--
46	58520-79A	BAFFLE	87*-ALL	--	--
47	68659-86	CLAMP	87*-ALL	--	--
		<b>H-D INTERNATIONAL ONLY</b>			
	45446-87	FORK STEM & BRACKET (HDI only)	87*-DD/J/P,FA	--	--
15	45534-87	FORK STEM & BRACKET (HDI only)	87*-DB/M	--	--
	48140-84	STEERING HEAD LOCK ASSY (HDI only)	87*-ALL	--	--

FLT MODELS

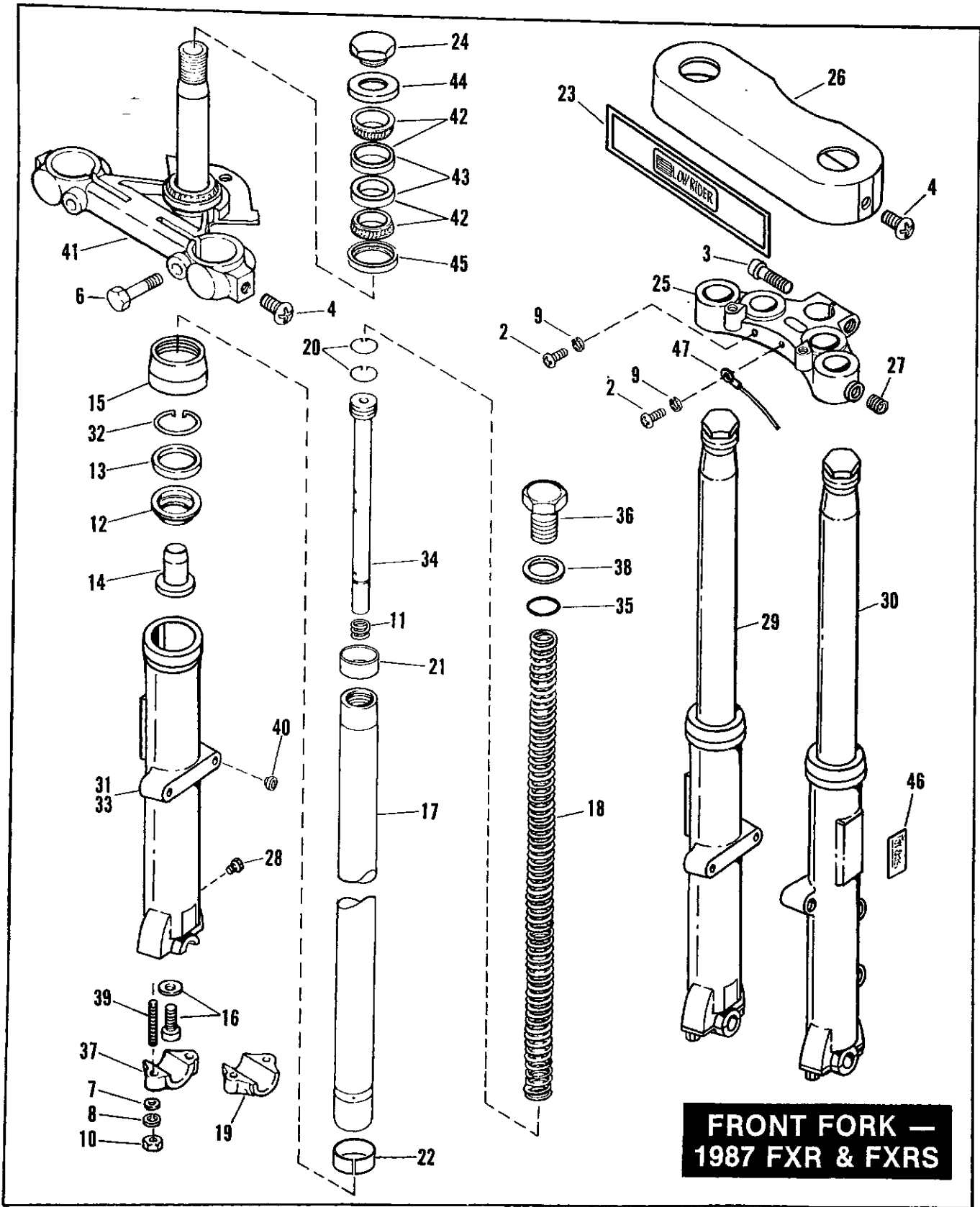
FLTC	DB
FLHT	DD
FLHTC	DJ
FLTC-U	DM
FLHTC-U	DP
FLHS	FA

FXR MODELS

FXR	EA
FXRS	EB
FXRT	EC
FXRS-SP	EG
FXLR	EL
FXRS-CON	EM

SOFTAIL MODELS

FXST	BH
FLST/C	BJ
FXSTC	BK
FXSTS	BL
FLSTF	BM



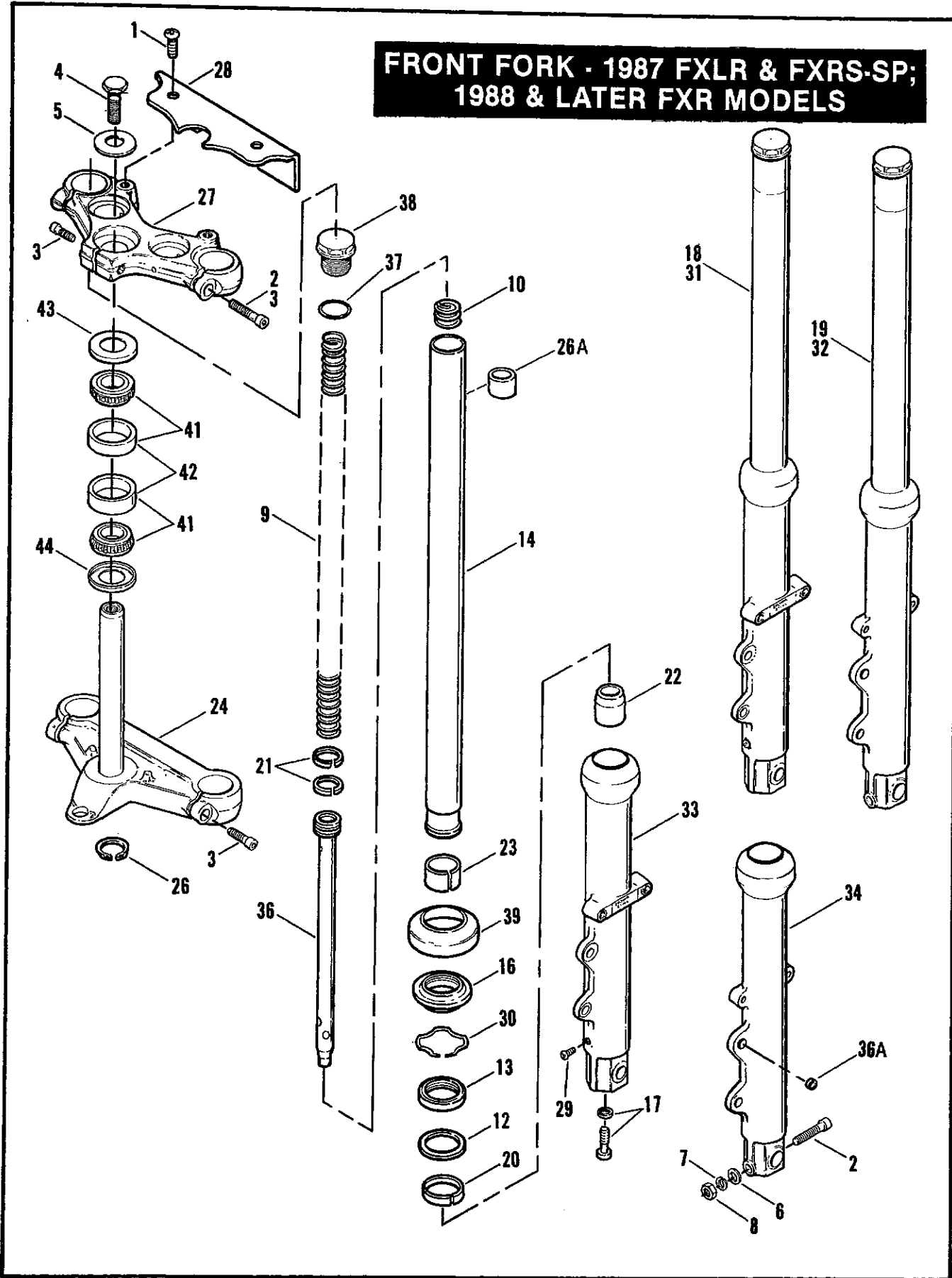
INDEX NO.	PART NO.	NAME	FLT MODELS	FXR MODELS	SOFTAIL MODELS
1	854	SCREW (2)	--	87-EA	--
2	2661W	SCREW	--	87-EA/B	--
3	2662W	SCREW	--	87-EA/B	--
4	2823	SCREW (4)	--	87-EB	--
5	4371WA	BOLT	--	87-EA/B	--
6	4411	BOLT (2)	--	87-EB	--
7	6702	WASHER (4)	--	87-EA/B	--
8	7041	LOCKWASHER (4)	--	87-EA/B	--
9	7220	LOCKWASHER (2)	--	87-EA/B	--
10	7748W	NUT (4)	--	87-EA/B	--
11	45382-83	SPRING, slider (2)	--	87-EA/B	--
12	45386-83	SPACER, seal (2)	--	87-EA/B	--
13	45387-83	OIL SEAL, slider (2)	--	87-EA/B	--
14	45403-84	LOWER STOP (2)	--	87-EA/B	--
15	45404-75	DUST COVER (2)	--	87-EA/B	--
16	45405-75A	SCREW & WASHER, damper tube (2)	--	87-EA/B	--
17	45407-86	SLIDER TUBE (2)	--	87-EA/B	--
18	45408-84	SPRING (2)	--	87-EA/B	--
19	45410-84	AXLE CAP, left slider	--	87-EA/B	--
20	45412-75	RING, damper tube (4)	--	87-EA/B	--
21	45413-84	BUSHING, upper - fork slider (2)	--	87-EA/B	--
22	45416-84	BUSHING, lower - fork slider (2)	--	87-EA/B	--
23	45429-86	NAMEPLATE "Low Rider®"	--	87-EB	--
24	45718-71	NUT, fork stem	--	87-EA/B	--
25	45736-78B	BRACKET, upper	--	87-EA/B	--
26	45751-71A	COVER, fork	--	87-EB	--
27	45782-72A	SCREW INSERT (2)	--	87-EB	--
28	45790-80	DRAIN SCREW, slider (2)	--	87-EA/B	--
29	45903-84A	FORK SLIDER & TUBE ASSY., right	--	87-EA/B	--
30	45904-84A	FORK SLIDER & TUBE ASSY., left	--	87-EA/B	--
31	45906-84	SLIDER, right	--	87-EA/B	--
32	45908-80	RETAINING RING, oil seal (2)	--	87-EA/B	--
33	45912-84	SLIDER, left	--	87-EA/B	--
34	45914-84	DAMPER TUBE, complete (2)	--	87-EA/B	--
35	45982-73	O-RING, slider tube cap (2)	--	87-EA/B	--
36	45993-86	CAP, slider tube (2)	--	87-EA/B	--
37	45994-84	AXLE CAP, right slider	--	87-EA/B	--
38	45997-73	WASHER, slider tube cap (2)	--	87-EA/B	--
39	45998-73	STUD (4)	--	87-EA/B	--
40	46020-84	BUSHING, brake caliper - left slider	--	87-EA/B	--
41	47693-84	BRACKET, lower - w/shield	--	87-EB	--
	47694-84	BRACKET, lower - w/shield	--	87-EA	--
42	48300-60	ROLLER BEARING, w/cup (2)	--	87-EA/B	--
43	48315-60	BEARING CUP (2)	--	87-EA/B	--
44	48361-80	DUST SHIELD, bearing - upper	--	87-EA/B	--
45	48365-48A	DUST SHIELD, bearing - lower	--	87-EA/B	--
46	59254-72	REFLECTOR (amber) (2)	--	87-EA/B	--
47	70191-73A	CABLE	--	87-EA/B	--

**H-D INTERNATIONAL ONLY**

25	45743-84	BRACKET, lower (HDI only)	--	87-EA	--
	45746-84	BRACKET, lower (HDI only)	--	87-EB	--
	48140-84	STEERING HEAD LOCK ASSY (HDI only)	--	87-EA/B	--

FLT MODELS		FXR MODELS		SOFTAIL MODELS	
FLTC	DB	FXR	EA	FXST	BH
FLHT	DD	FXRS	EB	FLST/C	BJ
FLHTC	DJ	FXRT	EC	FXSTC	BK
FLTC-U	DM	FXRS-SP	EG	FXSTS	BL
FLHTC-U	DP	FXLR	EL	FLSTF	BM
FLHS	FA	FXRS-CON	EM		

**FRONT FORK - 1987 FXLR & FXRS-SP;  
1988 & LATER FXR MODELS**



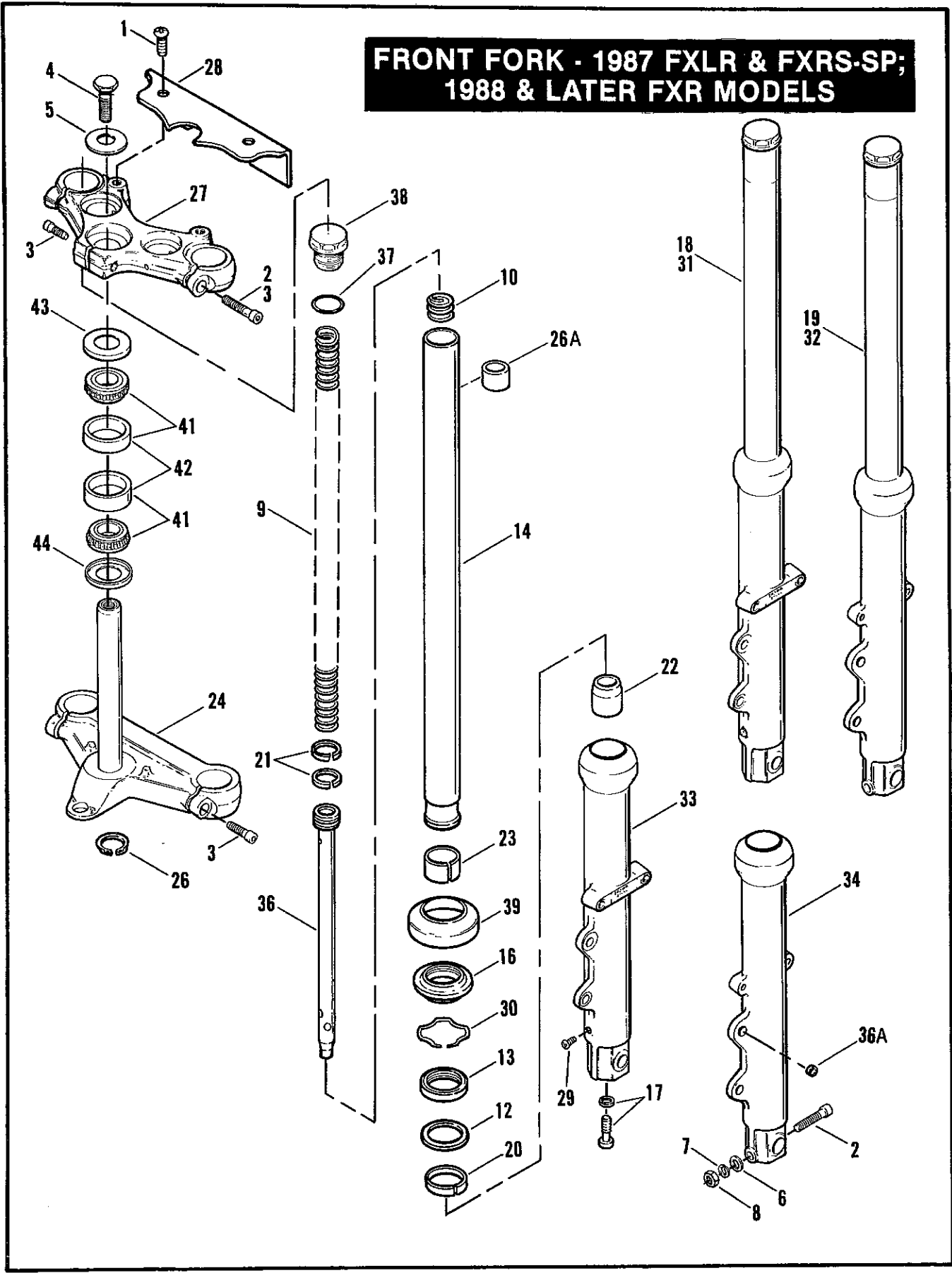
**FRONT FORK - 1987 FXLR, FXRS-SP & 1988 & LATER FXR MODELS**

**F26B-1**

INDEX NO.	PART NO.	NAME	FLT MODELS	FXR MODELS	SOFTAIL MODELS
1	2582	SCREW	--	87*-EL	--
2	4029	SCREW (3-EG/L)	--	87-EG/L;88*-ALL	--
3	4350A	SCREW (3;5-EA/B/C/L)	--	87-EG/L;88*-ALL	--
4	4460	SCREW	--	87-EG/L;88*-ALL	--
5	6655	WASHER	--	87-EG/L;88*-ALL	--
6	6701	WASHER	--	87-EG/L;88*-ALL	--
7	7038	LOCKWASHER	--	87-EG/L;88*-ALL	--
8	7783	LOCKWASHER	--	87-EG/L;88*-ALL	--
9	45373-88	SPRING (2)	--	88*-EC/G/M	--
	45375-87	SPRING (2)	--	87-EG	--
	45376-87	SPRING (2)	--	87-EL;88*-EA/B	--
10	45374-87	SPRING, slider (2)	--	87-EG/L;88*-ALL	--
12	45377-87	SPACER, oil seal (2)	--	87-EG/L;88*-ALL	--
13	45378-87	OIL SEAL (2)	--	87-EG/L;88*-ALL	--
14	45381-87	SLIDER TUBE (2)	--	87*-EL;88*-EA/B	--
	45393-87	SLIDER TUBE (2)	--	87-EG;88*-EC/M	--
16	45401-87	SEAL, dust (2)	--	87-EG/L;88*-ALL	--
17	45405-75A	SCREW W/WASHER (2)	--	87-EG/L;88*-ALL	--
18	45424-87	FORK SLIDER & TUBE ASSY., right	--	87-EG	--
	45793-88	FORK SLIDER & TUBE ASSY., right	--	88*-EC/G/M	--
19	45425-87	FORK SLIDER & TUBE ASSY., left	--	87-EG	--
	45791-88	FORK SLIDER & TUBE ASSY., left	--	88*-EC/G/M	--
20	45461-87	BUSHING, upper (2)	--	87-EG/L;88*-ALL	--
21	45462-87	RING, damper tube (4)	--	87-EG/L;88*-ALL	--
22	45463-87	LOWER STOP (2)	--	87-EG/L;88*-ALL	--
23	45465-87	BUSHING, slider tube (2)	--	87-EG/L;88*-ALL	--
24	45550-88	BRACKET, lower w/stem	--	88*-EA/C	--
	45559-87	BRACKET, lower w/stem	--	87*-EL;L89*-EM	--
	45562-87	BRACKET, lower w/stem	--	87*-EG;88*-EB	--
26	45611-86	RETAINING RING	--	87*-EG/L	--
26A	47530-79A	FORK STOP (rubber)(2)	--	88*-EC	--
27	45739-87	BRACKET, upper	--	87-EG/L;88*-ALL	--
28	45750-87	COVER, upper bracket	--	87*-EL	--
29	45790-80	DRAIN SCREW, w/washer (2)	--	87-EG/L;88*-ALL	--
30	45905-87	RETAINING RING, oil seal	--	87-EG/L;88*-ALL	--
31	45919-87	FORK SLIDER & TUBE ASSY., right	--	87*-EL;88*-EA/B	--
32	45920-87	FORK SLIDER & TUBE ASSY., left	--	87*-EL;88*-EA/B	--
33	45921-87	SLIDER ASSY.,left	--	87-EG/L;88*-ALL	--
34	45922-87	SLIDER ASSY., right	--	87*-EG;88*-EC	--
	45923-87	SLIDER ASSY., right	--	87*-EL;88*-EA/B	--
			--		--

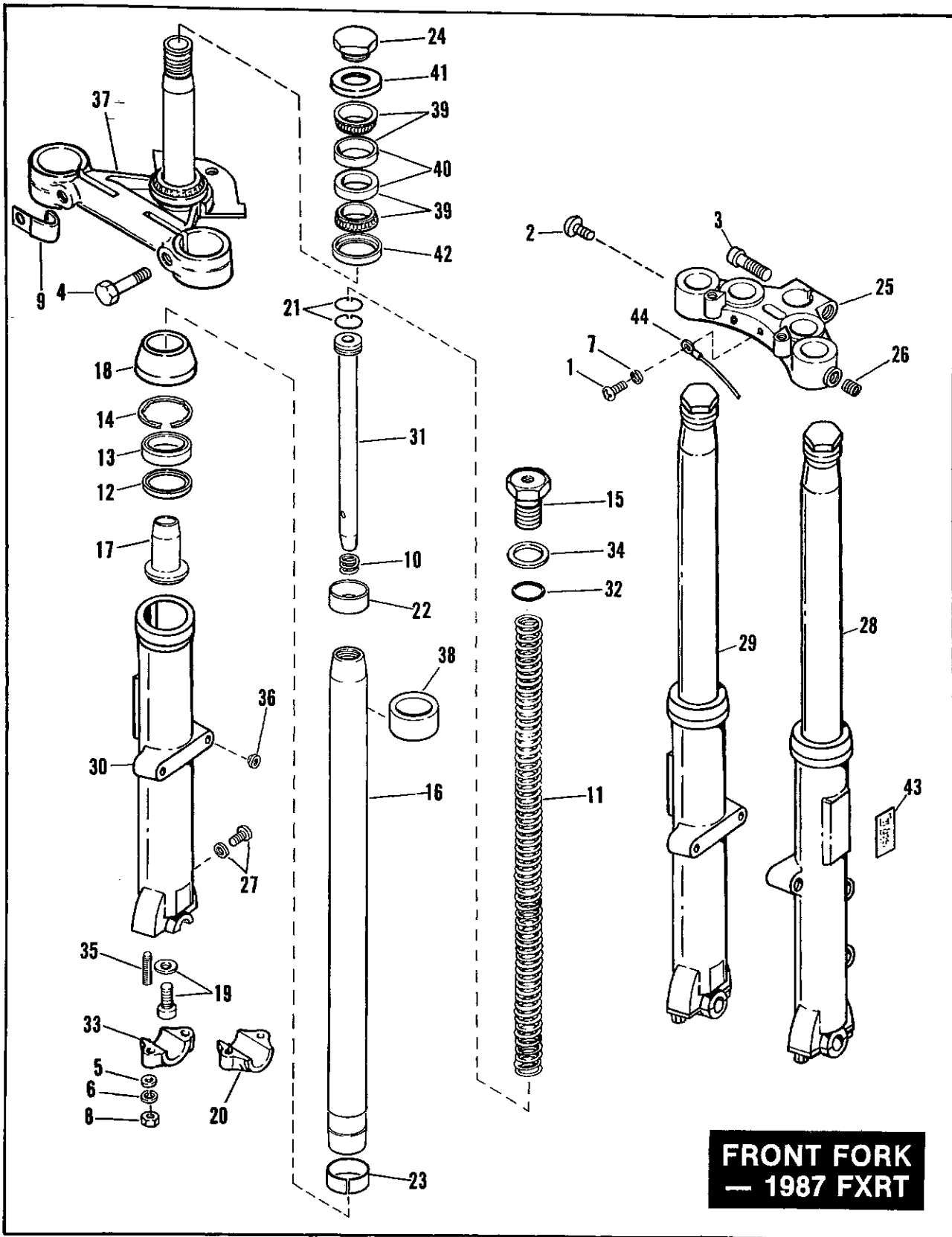
FLT MODELS		FXR MODELS		SOFTAIL MODELS	
FLTC	DB	FXR	EA	FXST	BH
FLHT	DD	FXRS	EB	FLST/C	BJ
FLHTC	DJ	FXRT	EC	FXSTC	BK
FLTC-U	DM	FXRS-SP	EG	FXSTS	BL
FLHTC-U	DP	FXLR	EL	FLSTF	BM
FLHS	FA	FXRS-CON	EM		

**FRONT FORK - 1987 FXLR & FXRS-SP;  
1988 & LATER FXR MODELS**



INDEX NO.	PART NO.	NAME	FLT MODELS	FXR MODELS	SOFTAIL MODELS
36	45924-87	DAMPER TUBE (2)	--	87-EG/L;88*-EA/B/L	--
	45925-88	DAMPER TUBE (2)	--	88*-EC/G/M	--
36A	45934-86	BUSHING (2-EC/G)	--	87*-EG/L;88*-ALL	--
37	45984-87	O-RING (2)	--	87-EG/L;88*-ALL	--
38	45990-88	CAP, slider tube (2)	--	88*-EC/G/M	--
	45996-87	CAP, slider tube (2)	--	87-EG/L;88*-EA/B/L	--
39	46002-87	COVER, slider (2)	--	87-EG/L;88*-ALL	--
41	48300-60	ROLLER BEARING, w/cup (2)	--	87-EG/L;88*-ALL	--
42	48315-60	BEARING CUP (2)	--	87-EG/L;88*-ALL	--
43	48361-80	DUST SHIELD, upper	--	87-EG/L;88*-ALL	--
44	48365-48A	DUST SHIELD, lower	--	87-EG/L;88*-ALL	--
<b>H-D INTERNATIONAL ONLY</b>					
24	45549-88	BRACKET, lower w/ stem	--	88*-EAC	--
	45563-87	BRACKET, lower w/ stem	--	87*-EB/G	--
	45561-87	BRACKET, lower w/ stem	--	87*-EL/M	--
	48140-84	STEERING HEAD LOCK ASSY	--	87*-EG/L;88*-ALL	--

FLT MODELS		FXR MODELS		SOFTAIL MODELS	
FLTC	DB	FXR	EA	FXST	BH
FLHT	DD	FXRS	EB	FLST/C	BJ
FLHTC	DJ	FXRT	EC	FXSTC	BK
FLTC-U	DM	FXRS-SP	EG	FXSTS	BL
FLHTC-U	DP	FXLR	EL	FLSTF	BM
FLHS	FA	FXRS-CON	EM		



**FRONT FORK  
— 1987 FXRT**



INDEX NO.	PART NO.	NAME	FLT MODELS	FXR MODELS	SOFTAIL MODELS
1	2661W	SCREW (2)	--	87-EC	--
3	4371W	BOLT	--	87-EC	--
4	4411	BOLT (2)	--	87-EC	--
5	6702	WASHER (4)	--	87-EC	--
6	7041	LOCKWASHER (4)	--	87-EC	--
7	7220	LOCKWASHER (4)	--	87-EC	--
8	7748W	NUT (4)	--	87-EC	--
9	10003	CLAMP	--	87-EC	--
10	45382-83	SPRING, slider (2)	--	87-EC	--
11	45384-83	SPRING (2)	N/A --	87-EC	--
12	45386-83	SPACER, seal (2)	--	87-EC	--
13	45387-83	OIL SEAL, slider (2)	--	87-EC	--
14	45388-83	RETAINING RING, oil seal (2)	--	87-EC	--
15	45389-86	CAP, slider tube (2)	--	87-EC	--
16	45392-86	SLIDER TUBE (2)	--	87-EC	--
17	45403-84	LOWER STOP (2)	--	87-EC	--
18	45404-75	DUST COVER (2)	--	87-EC	--
19	45405-75A	SCREW W/WASHER, damper tube (2)	--	87-EC	--
20	45410-84	AXLE CAP, left slider	--	87-EC	--
21	45412-75	RING, damper tube (4)	--	87-EC	--
22	45413-84	BUSHING, upper - fork slider (2)	--	87-EC	--
23	45416-84	BUSHING, lower - fork slider (2)	--	87-EC	--
24	45718-71	NUT, fork stem	--	87-EC	--
25	45736-78B	BRACKET, upper	--	87-EC	--
26	45782-72A	SCREW INSERT (2)	--	87-EC	--
27	45790-80	DRAIN SCREW, slider (2)	--	87-EC	--
28	45791-84A	FORK SLIDER & TUBE ASSY, left	N/A --	87-EC	--
29	45793-85A	FORK SLIDER & TUBE ASSY, right	--	87-EC	--
30	45909-83	SLIDER, right	--	87-EC	--
	45912-84	SLIDER, left	--	87-EC	--
31	45913-84	DAMPER TUBE, w/#21 (2)	--	87-EC	--
32	45982-73	O-RING, slider tube cap (2)	--	87-EC	--
33	45994-84	AXLE CAP, right slider	--	87-EC	--
34	45997-73	WASHER slider tube cap (2)	--	87-EC	--
35	45998-73	STUD (4)	--	87-EC	--
36	46020-84	BUSHING, brake caliper	--	87-EC	--
37	47692-84	BRACKET, lower - w/shield	--	87-EC	--
38	47830-86	FORK STOP (2)	N/A --	87-EC	--
39	48300-60	ROLLER BEARING, w/cup (2)	--	87-EC	--
40	48315-60	BEARING CUP (2)	--	87-EC	--
41	48361-80	DUST SHIELD, bearing - upper	--	87-EC	--
42	48365-48A	DUST SHIELD, bearing - lower	--	87-EC	--
43	59254-72	REFLECTOR (amber) (2)	--	87-EC	--
44	70191-73A	CABLE	--	87-EC	--
<b>H-D INTERNATIONAL ONLY</b>					
37	45589-84	BRACKET, lower (HDI only)	N/A --	87-EC	--
	48140-84	STEERING HEAD LOCK ASSY	--	87-EC	--

FLT MODELS

FLTC DB  
 FLHT DD  
 FLHTC DJ  
 FLTC-U DM  
 FLHTC-U DP  
 FLMS FA

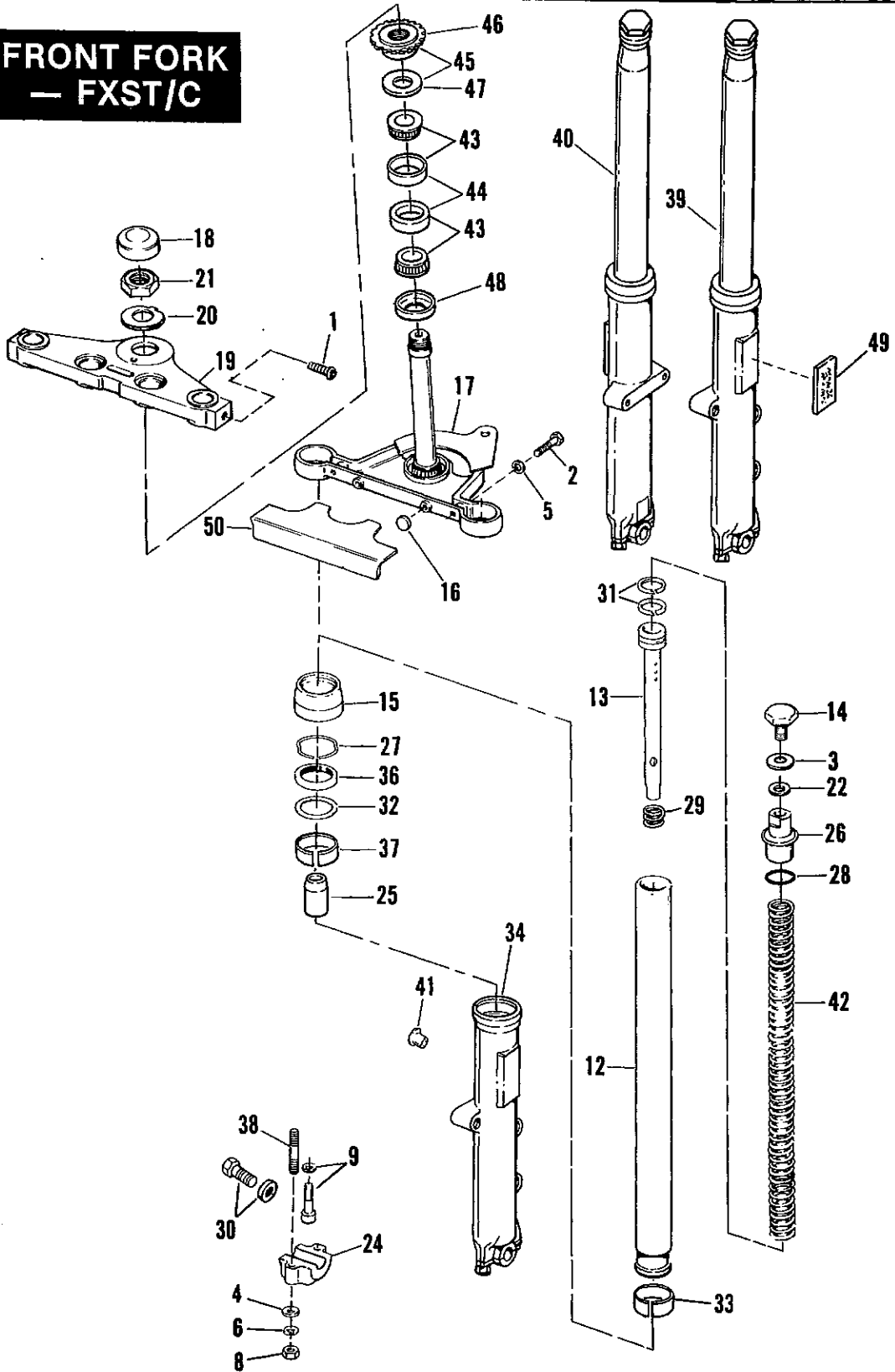
FXR MODELS

FXR EA  
 FXRS EB  
 FXRT EC  
 FXRS-SP EG  
 FXLR EL  
 FXRS-CON EM

SOFTAIL MODELS

FXST BH  
 FLST/C BJ  
 FXSTC BK  
 FXSTS BL  
 FLSTF BM

# FRONT FORK — FXST/C



INDEX NO.	PART NO.	NAME	FLT MODELS	FXR MODELS	SOFTAIL MODELS
1	2823	SCREW (2)	--	--	87*-BH/K
2	4729	BOLT (2)	--	--	87*-BH/K
3	5710	SPACER (2)	--	--	87*-BH/K
4	6702	WASHER, right slider (2)	--	--	87*-BH/K
5	7039	LOCKWASHER (2)	--	--	87*-BH/K
6	7041	LOCKWASHER, right slider (2)	--	--	87*-BH/K
8	7748W	NUT, right slider (2)	--	--	87*-BH/K
9	45405-75A	SCREW W/WASHER, damper tube (2)	--	--	87*-BH/K
12	45417-84	SLIDER TUBE (2)	--	--	87*-BH/K
13	45418-84	DAMPER TUBE, complete (2)	--	--	87*-BH/K
14	45419-80	CAP, slider tube (2)	--	--	87*-BH/K
15	45420-80	DUST COVER (2)	--	--	87*-BH/K
16	45648-85	PAD (felt)(2)	--	--	87*-BH/K
17	45665-84B	STEM & BRACKET, w/bearing & shield	--	--	87*-BH/K
18	45670-80	CAP, fork stem	--	--	87*-BH/K
19	45672-80	BRACKET, upper (chrome)	--	--	87*-BH/K
20	45717-63	LOCKWASHER, fork stem nut	--	--	87*-BH/K
21	45718-60	NUT, fork stem	--	--	87*-BH/K
22	45733-48	OIL SEAL, fork tube plug (2)	--	--	87*-BH/K
24	45832-77A	AXLE CAP, right slider	--	--	87*-BH/K
25	45834-77	LOWER STOP (2)	--	--	87*-BH/K
26	45838-77	PLUG, fork tube (2)	--	--	87*-BH/K
27	45842-77	RETAINING RING, oil seal (2)	--	--	87*-BH/K
28	45845-77	O-RING, slider tube plug (2)	--	--	87*-BH/K
29	45855-77	SPRING, damper tube (2)	--	--	87*-BH/K
30	45858-77	DRAIN SCREW W/WASHER, slider (2)	--	--	87*-BH/K
31	45859-77	RING, damper tube (4)	--	--	87*-BH/K
32	45865-84	WASHER, slider (2)	--	--	87*-BH/K
33	45866-84	BUSHING, slider tube (2)	--	--	87*-BH/K
34	45873-84	SLIDER, left	--	--	87*-BH/K
	45874-84	SLIDER, right	--	--	87*-BH/K
36	45875-84	OIL SEAL, slider (2)	--	--	87*-BH/K
37	45940-84	BUSHING, slider (2)	--	--	87*-BH/K
38	45998-73	STUD (4)	--	--	87*-BH/K
39	46004-84	FORK SLIDER & TUBE ASSY. left	--	--	87*-BH/K
40	46006-84	FORK SLIDER & TUBE ASSY. right	--	--	87*-BH/K
41	46020-84	BUSHING, upper-left slider-brake caliper	--	--	87*-BH/K
42	46048-84	SPRING (2)	--	--	87*-BH/K
43	48300-60	ROLLER BEARING W /CUP (2)	--	--	87*-BH/K
44	48315-60	BEARING CUP (2)	--	--	87*-BH/K
45	48330-48A	ADJUSTING NUT, upper-w/shield	--	--	87*-BH/K
46	48332-48B	ADJUSTING NUT, upper	--	--	87*-BH/K
47	48361-80	DUST SHIELD, bearing-upper	--	--	87*-BH/K
48	48365-48A	DUST SHIELD, bearing-lower	--	--	87*-BH/K
49	59254-72	REFLECTOR (amber)(2)	--	--	87 to 89-BH/K
	59256-84A	REFLECTOR (amber)(2)	--	--	90*-BH/K
50	67773-80A	MOUNTING PLATE, headlamp (chrome)	--	--	87*-BH/K
<b>H-D INTERNATIONAL ONLY</b>					
17	45640-84B	FORK STEM BRACKET (HDI only)	--	--	87-BH/K
	45640-88	FORK STEM BRACKET (HDI only)	--	--	88*-BH/K
	48140-84	STEERING HEAD LOCK ASSY (HDI only)	--	--	87*-BH/K

**FLT MODELS**

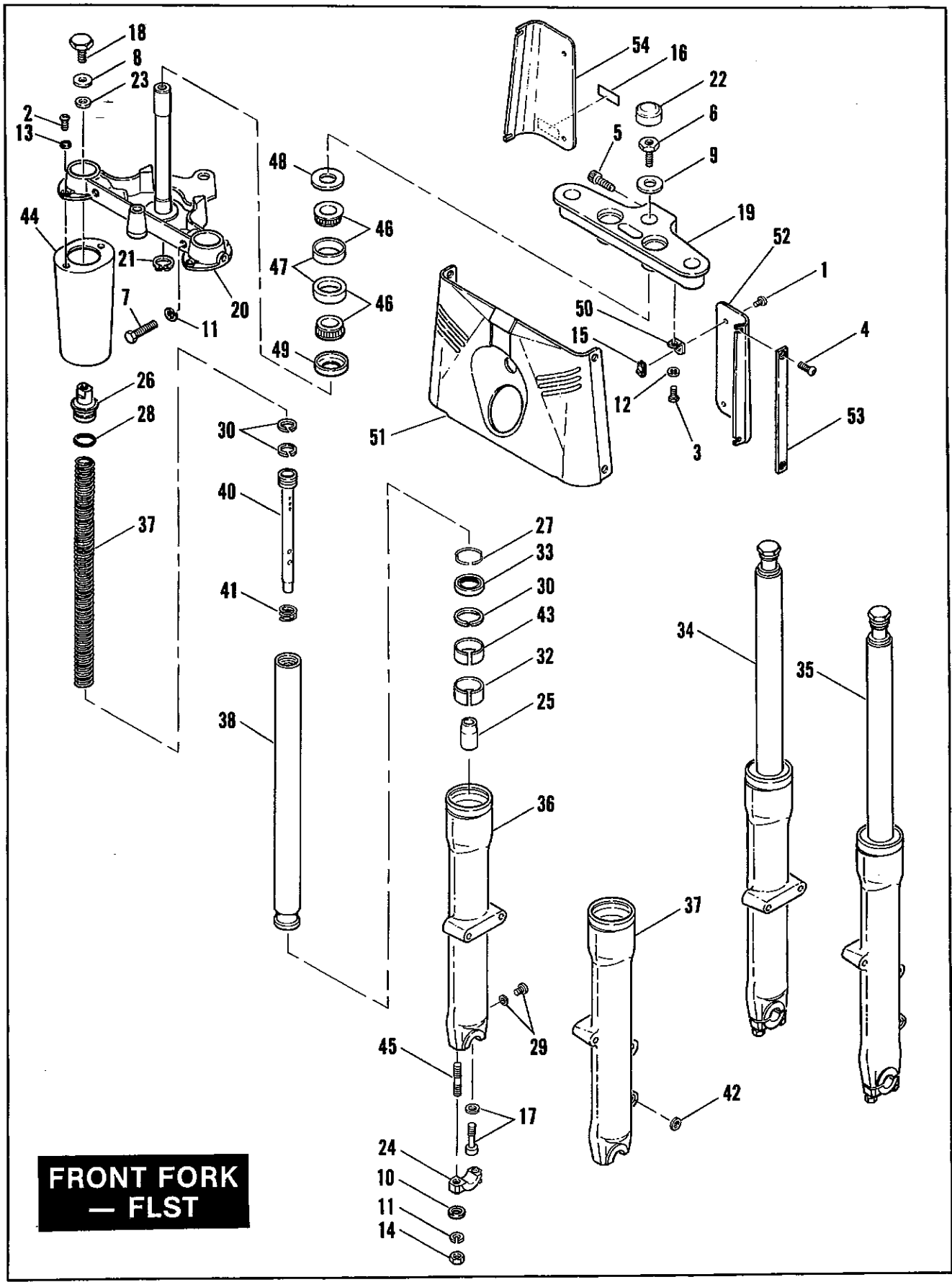
FLTC DB  
 FLHT DD  
 FLHTC DJ  
 FLTC-U DM  
 FLHTC-U DP  
 FLHS FA

**FXR MODELS**

FXR EA  
 FXRS EB  
 FXRT EC  
 FXRS-SP EG  
 FXLR EL  
 FXRS-CON EM

**SOFTAIL MODELS**

FXST BH  
 FLST/C BJ  
 FXSTC BK  
 FXSTS BL  
 FLSTF BM



**FRONT FORK - FLST**

**F26E-1**

INDEX NO.	PART NO.	NAME	FLT MODELS	FXR MODELS	SOFTAIL MODELS
1	923	SCREW (4)	--	--	87*-BJ/M
2	2417	SCREW (4)	--	--	87*-BJ/M
3	3953W	BOLT (2)	--	--	87*-BJ/M
4	4095	SCREW (4)	--	--	87*-BJ/M
5	4371WA	SCREW	--	--	87*-BJ/M
6	4453	BOLT	--	--	87*-BJ/M
7	4729	BOLT (2)	--	--	87*-BJ/M
8	5710	SPACER (2)	--	--	87*-BJ/M
9	6655	WASHER	--	--	87*-BJ/M
10	6702	WASHER (2)	--	--	87*-BJ/M
11	7039	LOCKWASHER (2)	--	--	87*-BJ/M
12	7041	LOCKWASHER (2)	--	--	87*-BJ/M
13	7124	LOCKWASHER (4)	--	--	87*-BJ/M
14	7748W	NUT (2)	--	--	87*-BJ/M
15	8108	CLIP NUT	--	--	87*-BJ/M
16	14150-86	WARNING LABEL	--	--	87*-BJ/M
17	45405-75A	SCREW W/WASHER (2)	--	--	87*-BJ/M
18	45419-80	CAP, slider tube (2)	--	--	87*-BJ/M
19	45456-86	BRACKET, upper	--	--	87*-BJ/M
20	45603-86	STEM & BRACKET	--	--	87*-BJ/M
21	45611-86	RETAINING RING, fork stem	--	--	87*-BJ/M
22	45670-80	CAP, fork stem	--	--	87*-BJ/M
23	45733-48	OIL SEAL, fork tube plug (2)	--	--	87*-BJ/M
	45762-86	FRONT FORK ASSEMBLY	--	--	87*-BJ/M
24	45832-77A	AXLE CAP, right slider	--	--	87*-BJ/M
25	45834-77	LOWER STOP (2)	--	--	87*-BJ/M
26	45838-77	PLUG, fork tube (2)	--	--	87*-BJ/M
27	45842-77	RETAINING RING, oil seal (2)	--	--	87*-BJ/M
28	45845-77	O-RING, slider tube plug (2)	--	--	87*-BJ/M
29	45858-77	DRAIN SCREW W/WASHER, slider (2)	--	--	87*-BJ/M
30	45859-77	RING, damper tube (4)	--	--	87*-BJ/M
31	45865-84	WASHER, slider (2)	--	--	87*-BJ/M
32	45866-84	BUSHING, slider tube (2)	--	--	87*-BJ/M
33	45875-84	OIL SEAL (2)	--	--	87*-BJ/M
34	45915-86	FORK SLIDER & TUBE ASSY. right	--	--	87*-BJ/M
35	45916-86	FORK SLIDER & TUBE ASSY. left	--	--	87*-BJ/M
36	45917-86	SLIDER, right	--	--	87*-BJ/M
37	45918-86	SLIDER, left	--	--	87*-BJ/M
38	45930-86	SLIDER TUBE (2)	--	--	87*-BJ/M
39	45931-86	SPRING (2)	--	--	87*-BJ/M
40	45932-86	DAMPER TUBE (2)	--	--	87*-BJ/M
41	45933-86	SPRING, damper tube (2)	--	--	87*-BJ/M
42	45934-86	BUSHING, brake caliper	--	--	87*-BJ/M
43	45940-84	BUSHING, slider (2)	--	--	87*-BJ/M
44	45964-86	COVER, slider (2)	--	--	87*-BJ/M
45	45998-73	STUD (2)	--	--	87*-BJ/M
46	48300-60	ROLLER BEARING, w/cup (2)	--	--	87*-BJ/M
47	48315-60	BEARING CUP (2)	--	--	87*-BJ/M
48	48361-80	DUST SHIELD, brg.- upper	--	--	87*-BJ/M
49	48365-48A	DUST SHIELD, brg.- lower	--	--	87*-BJ/M
50	50991-86	BRACKET, front panel (2)	--	--	87*-BJ/M

**FLT MODELS**

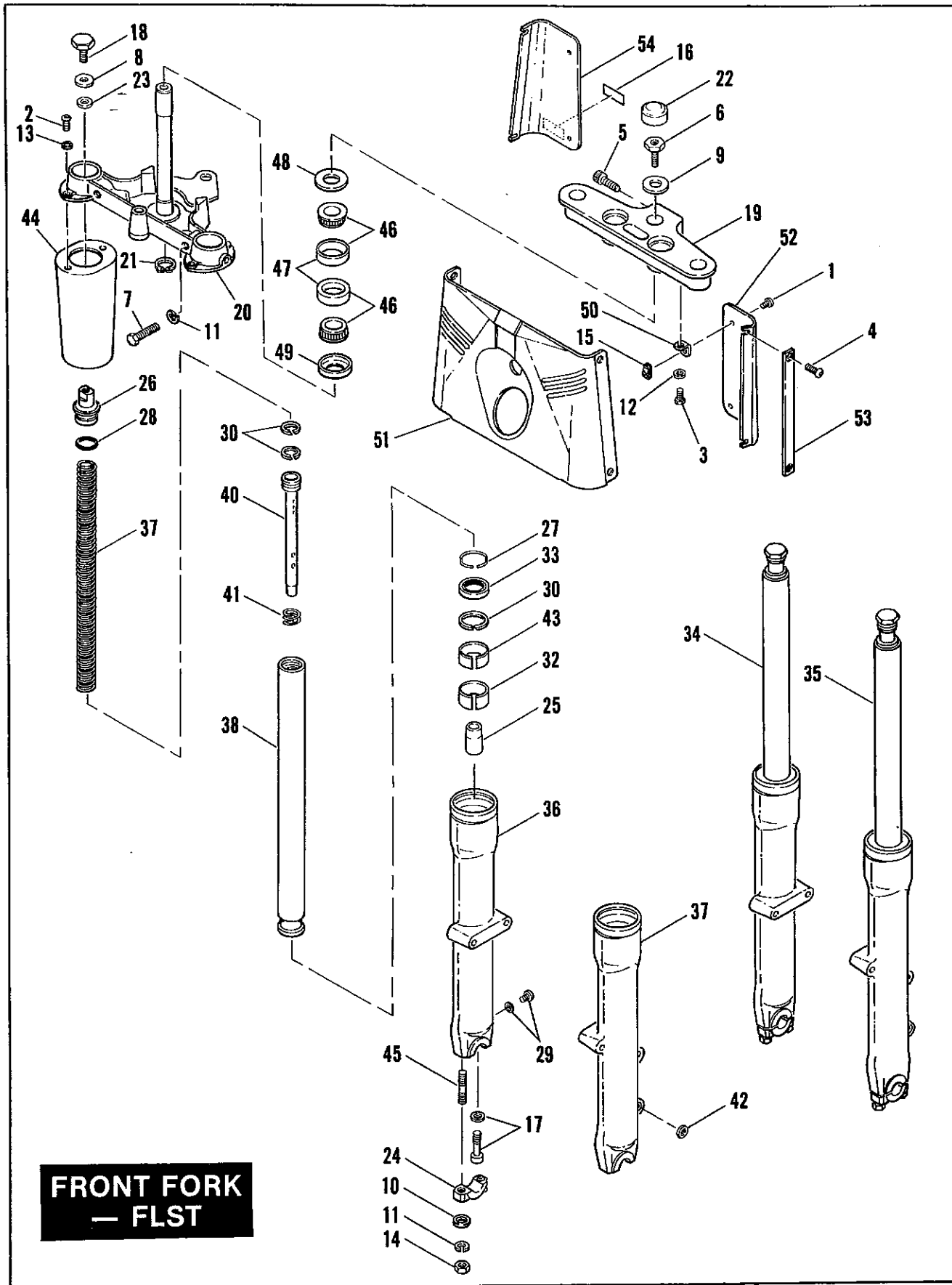
FLTC DB  
 FLHT DD  
 FLHTC DJ  
 FLTC-U DM  
 FLHTC-U DP  
 FLHS FA

**FXR MODELS**

FXR EA  
 FXRS EB  
 FXRT EC  
 FXRS-SP EG  
 FXLR EL  
 FXRS-CON EM

**SOFTAIL MODELS**

FXST BH  
 FLST/C BJ  
 FXSTC BK  
 FXSTS BL  
 FLSTF BM



INDEX NO.	PART NO.	NAME	FLT MODELS	FXR MODELS	SOFTAIL MODELS
51	67808-86	FRONT PANEL (buffed stainless steel)	--	--	87*-BJ/M
52	67816-86	BACK PANEL, left-rear	--	--	87*-BJ/M
	67821-87	BACK PANEL, left-rear w/ switch hole	--	--	87*-BJ/M
53	67819-86	TRIM STRIP, front panel (2)	--	--	87*-BJ/M
54	67820-86	BACK PANEL, right-rear	--	--	87*-BJ/M
<b>H-D INTERNATIONAL (ONLY)</b>					
	45605-88	STEM & BRACKET (HDI only)	--	--	88*-BJ/M
	45640-88	FORK STEM & BRACKET ASSY (HDI only)	--	--	88*-BJ/M
	48140-84	STEERING HEAD LOCK ASSY (HDI only)			87*-BJ/M

**FLT MODELS**

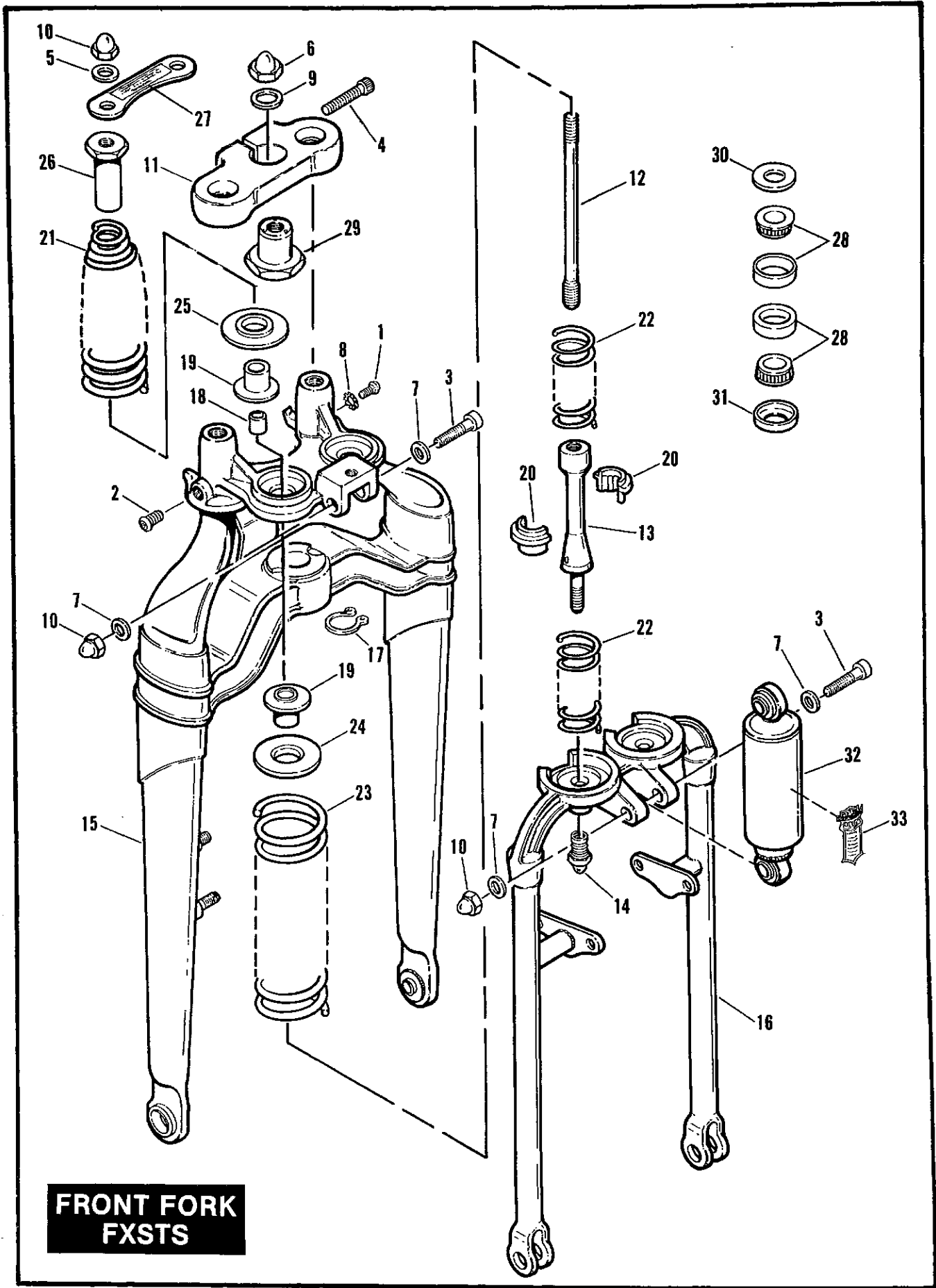
FLTC DB  
 FLHT DD  
 FLHTC DJ  
 FLTC-U DM  
 FLHTC-U DP  
 FLHS FA

**FXR MODELS**

FXR EA  
 FXRS EB  
 FXRT EC  
 FXRS-SP EG  
 FXLR EL  
 FXRS-CON EM

**SOFTAIL MODELS**

FXST BH  
 FLST/C BJ  
 FXSTC BK  
 FXSTS BL  
 FLSTF BM





INDEX NO.	PART NO.	NAME	FLT MODELS	FXR MODELS	SOFTAIL MODELS
1	3533	SCREW, spring reaction bracket - right	--	--	L88*-BL
2	3538	SCREW, spring reaction bracket - left	--	--	L88*-BL
3	4029	SCREW, shock absorber mounting (2)	--	--	L88*-BL
4	4350A	SCREW, upper triple clamp	--	--	L88*-BL
5	6353	WASHER, spring rod (2)	--	--	L88*-BL
6	6756	WASHER, steering stem	--	--	L88*-BL
7	6812	WASHER, shock absorber mounting (4)	--	--	L88*-BL
8	7232	LOCKWASHER, spring reaction bracket	--	--	L88*-BL
9	7627	ACORN NUT, steering stem	--	--	L88*-BL
10	7680W	ACORN NUT (4)	--	--	L88*-BL
11	45473-88	UPPER TRIPLE CLAMP	--	--	L88*-BL
12	45543-88	SPRING ROD, upper (2)	--	--	L88*-BL
13	45566-88	SPRING ROD, lower (2)	--	--	L88*-BL
14	45567-88	ACORN NUT, lower spring rod (2)	--	--	L88*-BL
15	45568-88	RIGID FORK ASSEMBLY w/stem	--	--	L88*-BL
16	45607-88	SPRING FORK	--	--	L88*-BL
	46008-88	FORK ASSEMBLY, complete	--	--	L88*-BL
17	45611-86	RETAINING RING, fork stem	--	--	L88*-BL
18	45935-88	BUSHING, spring rod (2)	--	--	L88*-BL
19	45936-88	TRAVEL BUMPER (4)	--	--	L88*-BL
20	45937-88	SPRING SEAT (4)	--	--	L88*-BL
21	46053-88	SPRING, rebound - top (2)	--	--	L88*-BL
22	46054-88	SPRING, compression - inner (4)	--	--	L88*-BL
23	46055-88	SPRING, compression - outer (2)	--	--	L88*-BL
24	46056-88	SPRING CUP, compression spring (2)	--	--	L88*-BL
25	46057-88	SPRING CUP, rebound spring (2)	--	--	L88*-BL
26	46060-88	SPRING RESTRAINT, upper (2)	--	--	L88*-BL
27	46065-88	SPRING BRIDGE	--	--	L88*-BL
28	48300-60	ROLLER BEARING W/ CUP (2)	--	--	L88*-BL
29	48306-88	BEARING RETAINER, steering head	--	--	L88*-BL
30	48361-80	DUST SHIELD, bearing-upper	--	--	L88*-BL
31	48365-48A	DUST SHIELD, bearing-lower	--	--	L88*-BL
32	54483-88	FRONT SHOCK ABSORBER	--	--	L88*-BL
33	66030-88	DECAL, shock absorber	--	--	L88*-BL
<b>H-D INTERNATIONAL ONLY</b>					
15	45569-88	RIGID FORK ASSEMBLY w/stem	--	--	L88*-BL

FLT MODELS

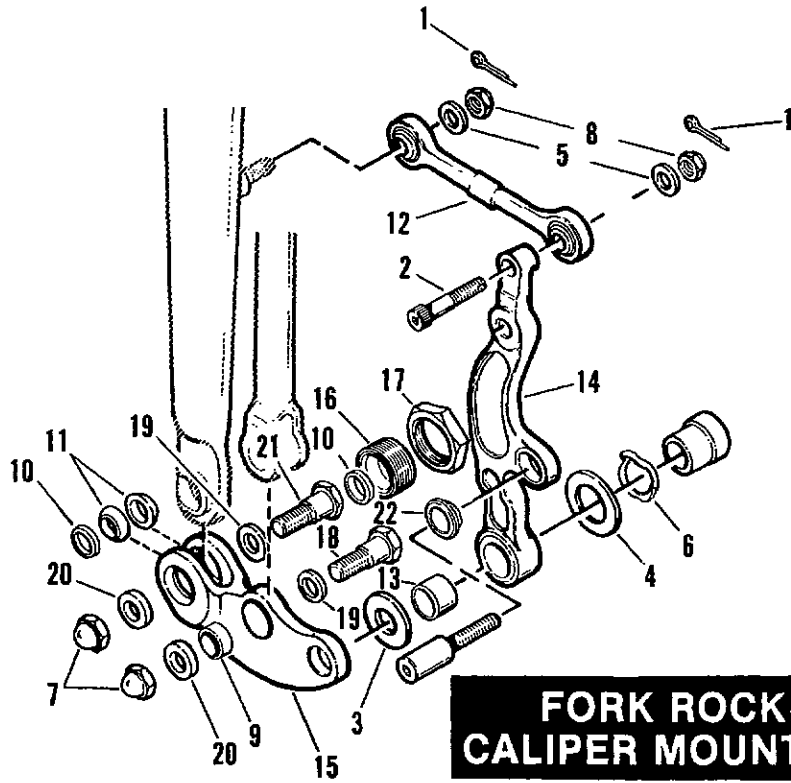
FLTC DB  
 FLHT DD  
 FLHTC DJ  
 FLTC-U DM  
 FLHTC-U DP  
 FLHS FA

FXR MODELS

FXR EA  
 FXRS EB  
 FXRT EC  
 FXRS-SP EG  
 FXLR EL  
 FXRS-CON EM

SOFTAIL MODELS

FXST BH  
 FLST/C BJ  
 FXSTC BK  
 FXSTS BL  
 FLSTF BM



**FORK ROCKERS AND  
CALIPER MOUNTING - FXSTS**

INDEX NO.	PART NO.	NAME	FLT MODELS	FXR MODELS	SOFTAIL MODELS
1	534	COTTER PIN, brake reaction link (2)	--	--	L88*-BL
2	4736	SCREW, brake link to bracket	--	--	L88*-BL
3	6040	WASHER, front axle - outside right	--	--	L88*-BL
4	6042	WASHER, front axle - inside right	--	--	L88*-BL
5	6812	WASHER, brake reaction link (2)	--	--	L88*-BL
6	7012	WAVE WASHER, front axle - right	--	--	L88*-BL
7	7627	ACORN NUT, rockers to forks (4)	--	--	L88*-BL
8	7667	LOCKNUT, brake reaction link (2)	--	--	L88*-BL
9	9139	BEARING, spherical - fork to rocker (2)	--	--	L88*-BL
10	9140	RACE, spherical brg. - fork to rocker (4)	--	--	L88*-BL
11	9141	BALL, spherical brg. - fork to rocker (4)	--	--	L88*-BL
12	41040-88	BRAKE REACTION LINK	--	--	L88*-BL
13	44030-88	BUSHING, caliper mtg.	--	--	L88*-BL
14	44044-88	BRACKET, caliper mtg.	--	--	L88*-BL
15	45649-88	ROCKER, left	--	--	L88*-BL
	45651-88	ROCKER, right	--	--	L88*-BL
16	45655-88	BEARING RETAINER, rigid fork (2)	--	--	L88*-BL
17	45659-88	JAM NUT, bearing retainer (2)	--	--	L88*-BL
18	45660-88A	PIVOT STUD, spring fork to rocker (2)	--	--	L88*-BL
19	45661-88	WASHER, rocker to fork leg (4)	--	--	L88*-BL
20	45662-88	WASHER, rocker to fork leg (4)	--	--	L88*-BL
21	45663-88A	PIVOT STUD, rigid fork to rocker (2)	--	--	L88*-BL
22	46020-84	BUSHING, caliper mtg. bolt	--	--	L88*-BL

FLT MODELS

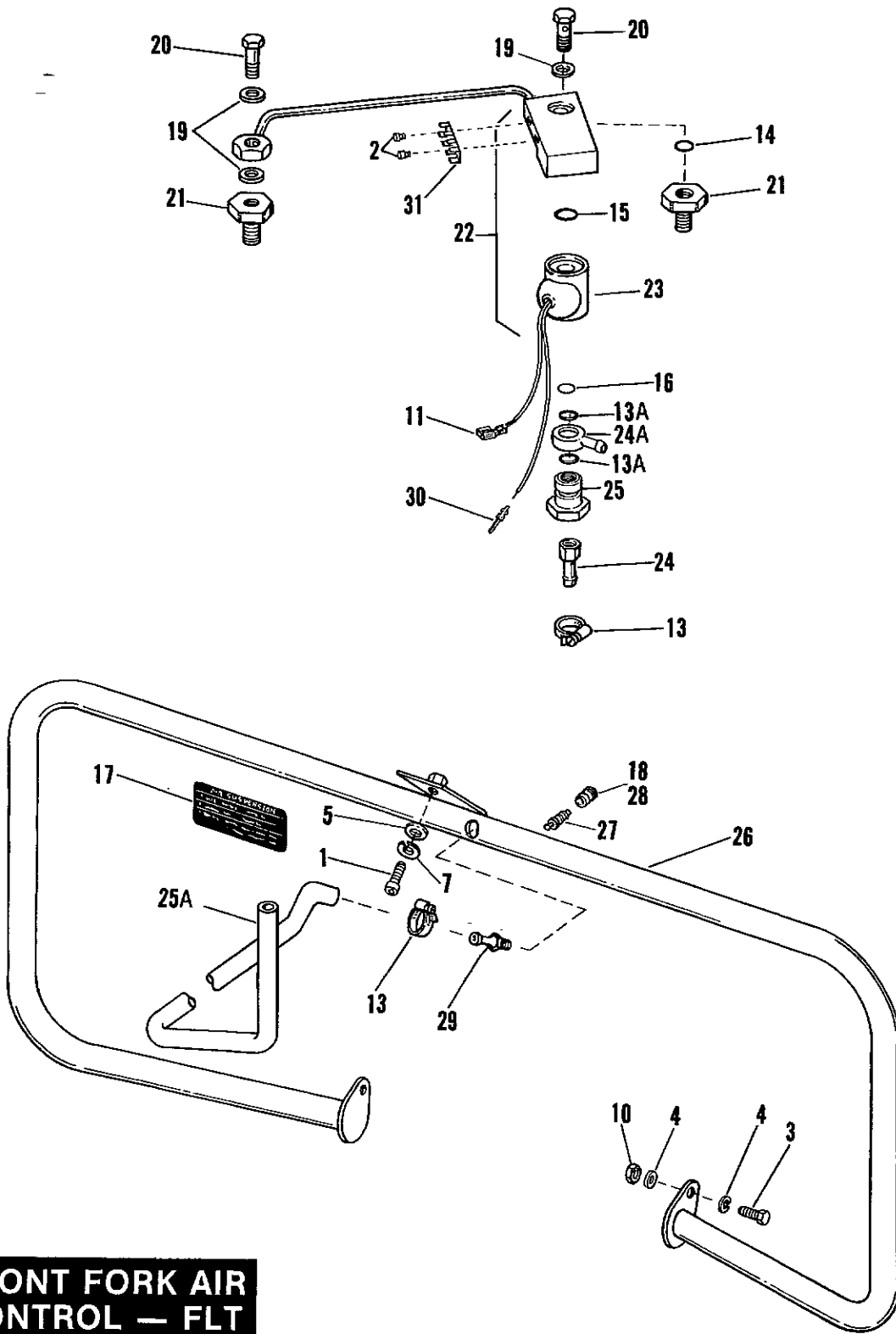
FLTC DB  
 FLHT DD  
 FLHTC DJ  
 FLTC-U DM  
 FLHTC-U DP  
 FLHS FA

FXR MODELS

FXR EA  
 FXRS EB  
 FXRT EC  
 FXRS-SP EG  
 FXLR EL  
 FXRS-CON EM

SOFTAIL MODELS

FXST BH  
 FLST/C BJ  
 FXSTC BK  
 FXSTS BL  
 FLSTF BM



INDEX NO.	PART NO.	NAME	FLT MODELS	FXR MODELS	SOFTAIL MODELS
1	856A	SCREW	87-ALL	--	--
2	1040	SCREW (2)	87*-ALL	--	--
3	4337W	BOLT (2)	87-ALL	--	--
4	6701	WASHER (4)	87-ALL	--	--
5	6702	WASHER	87-ALL	--	--
7	7041	LOCKWASHER	87-ALL	--	--
10	7775	NUT (2)	87-ALL	--	--
11	9914	TERMINAL, female spade	87-ALL	--	--
13	9946	CLAMP (2)	87*-ALL	--	--
13A	11132	O-RING (2)	88*-ALL	--	--
14	11140	O-RING	87*-ALL	--	--
15	11170	O-RING	87*-ALL	--	--
16	11171	O-RING	87*-ALL	--	--
17	14082-84	DECAL, air suspension	87-ALL	--	--
18	41123-79	VALVE CAP	87-ALL	--	--
19	45583-83	GASKET (3)	87*-ALL	--	--
20	45585-83	BOLT, drilled (2)	87*-ALL	--	--
21	45839-84	CAP, upper bracket (2)	87*-ALL	--	--
22	46440-84B	VALVE ASSEMBLY	N/A 87-ALL	--	--
23	46452-85	VALVE OPERATOR ASSEMBLY	87*-ALL	--	--
24	46455-85	FITTING, solenoid	87-ALL	--	--
24A	46459-86	FITTING, banjo	88*-ALL	--	--
25	46461-86	BOLT, fitting	88*-ALL	--	--
25A	49059-84	HOSE	87-ALL	--	--
	49059-88A	HOSE	88*-ALL	--	--
26	49184-84A	ENGINE GUARD, pressurized accumulator	87-ALL	--	--
27	54316-83A	VALVE ASSEMBLY	87-ALL	--	--
28	54323-85	VALVE CAP	87-ALL	--	--
29	63533-41	FITTING	87-ALL	--	--
30	72038-71	SOCKET, single pin	87*-ALL	--	--
31	72314-86	TERMINAL CONNECTOR, spade	87*-ALL	--	--

FLT MODELS

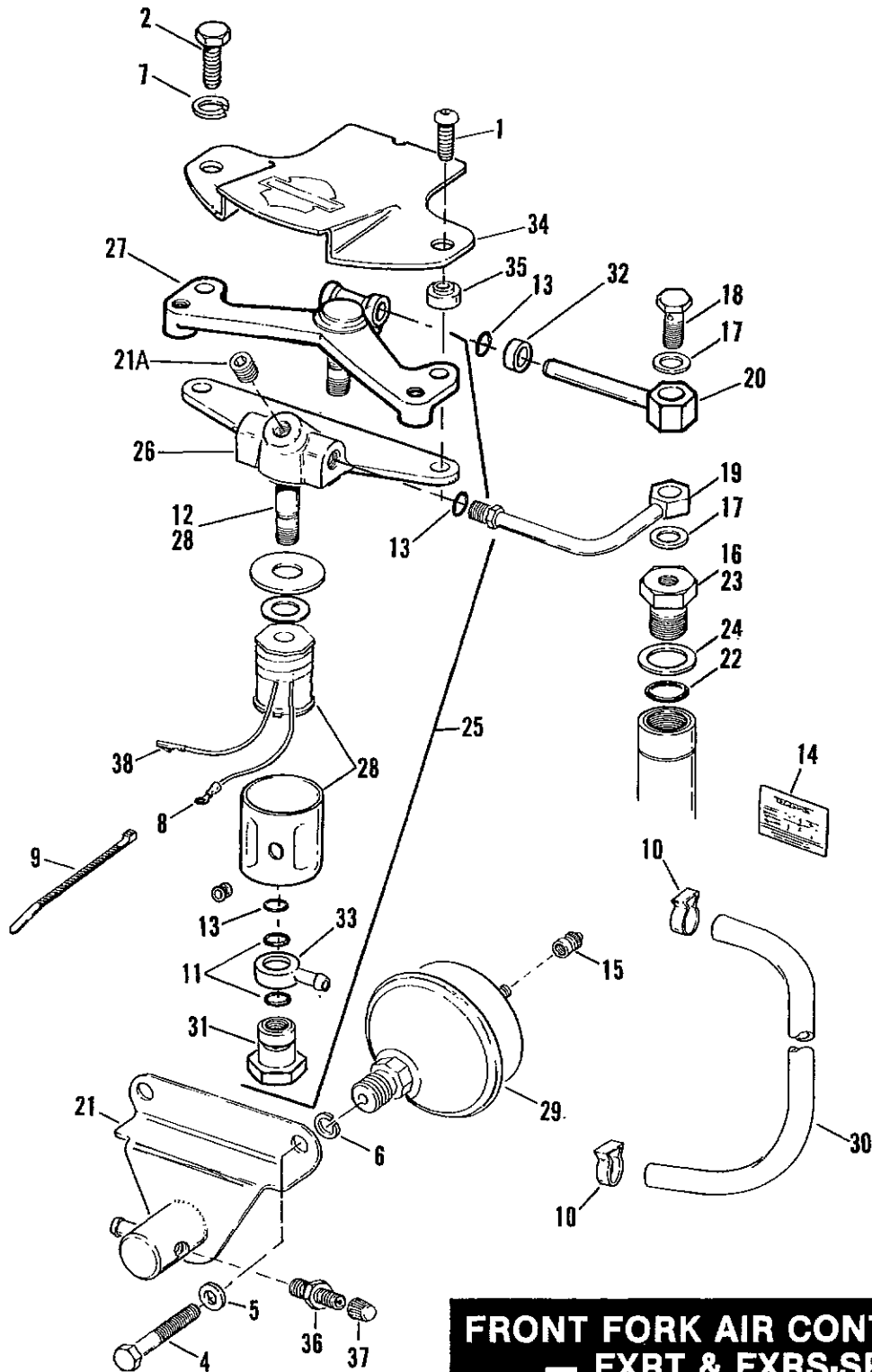
FLTC DB  
 FLHT DD  
 FLHTC DJ  
 FLTC-U DM  
 FLHTC-U DP  
 FLHS FA

FXR MODELS

FXR EA  
 FXRS EB  
 FXRT EC  
 FXRS-SP EG  
 FXLR EL  
 FXRS-CON EM

SOFTAIL MODELS

FXST BH  
 FLST/C BJ  
 FXSTC BK  
 FXSTS BL  
 FLSTF BM



**FRONT FORK AIR CONTROL  
— FXRT & FXRS-SP**

INDEX NO.	PART NO.	NAME	FLT MODELS	FXR MODELS	SOFTAIL MODELS
1	4011	SCREW (2)	--	87*-EC;88*-EG/M	--
2	4017	BOLT (2)	--	88*-EG/M	--
4	4724	BOLT (2)	--	87*-EC	--
5	6701	WASHER (2)	--	87*-EC	--
6	7038	LOCKWASHER (2)	--	87*-EC	--
7	7041	LOCKWASHER (2)	--	88*-EG/M	--
8	9857	TERMINAL, ring type, No. 10 hole	--	87*-EC;88*-EG/M	--
9	10006	CABLE STRAP	--	87*-EC	--
10	10080	CLAMP (2)	--	87*-EC;88*-EG/M	--
11	11132	O-RING (2)	--	87*-EC;88*-EG/M	--
12	11170	O-RING	--	87*-EC;88*-EG/M	--
13	11171	O-RING (3)	--	87*-EC;88*-EG/M	--
14	14052-85	LABEL, air suspension	--	87-EC	--
15	41123-79	VALVE CAP	--	87-EC	--
16	45389-86	CAP, fork slider tube (2)	--	87-EC	--
17	45583-83	GASKET (4)	--	87*-EC;88*-EG/M	--
18	45585-83	BOLT, drilled (2)	--	87*-EC;88*-EG/M	--
19	45587-83A	TUBE (2)	--	87-EC	--
20	45587-88	TUBE (2)	--	88*-EC/G/M	--
21	45621-83A	BRACKET	--	87-EC	--
21A	45830-48	PLUG	--	87-EC	--
22	45982-73	O-RING, fork slider tube cap (2)	--	87-EC	--
	45984-87	O-RING, fork slider tube cap (2)	--	88*-EC/G/M	--
23	45990-88	CAP, fork slider tube (2)	--	88*-EC/G/M	--
24	45997-73	WASHER, fork slider tube cap (2)	--	87-EC	--
25	46450-86	VALVE ASSEMBLY, complete	N/A --	87-EC	--
	46450-88	VALVE ASSEMBLY, complete	N/A --	88*-EC/G/M	--
26	46451-85	VALVE BODY	--	87-EC	--
27	46451-88A	VALVE BODY	--	88*-EC/G/M	--
28	46452-85	VALVE OPERATOR ASSY.	--	87*-EC;88*-EG/M	--
29	46454-83	ACCUMULATOR	--	87-EC	--
30	46457-86	HOSE, fitting to valve	N/A --	87-EC	--
31	46461-86	BOLT, fitting	--	87*-EC;88*-EG/M	--
32	46462-88	SPACER (2)	--	88*-EC/G/M	--
33	46459-86	FITTING	--	87*-EC;88*-EG/M	--
34	46501-86	COVER, solenoid	--	87*-EC	--
35	46503-86	SPACER (2)	--	87-EC	--
36	54316-83A	VALVE STEM ASSY.	--	87-EC	--
37	54323-85	VALVE CAP	--	87-EC	--
38	72038-71	SOCKET, single pin	--	88*-EC/G/M	--

FLT MODELS

FLTC DB  
 FLHT DD  
 FLHTC DJ  
 FLTC-U DM  
 FLHTC-U DP  
 FLHS FA

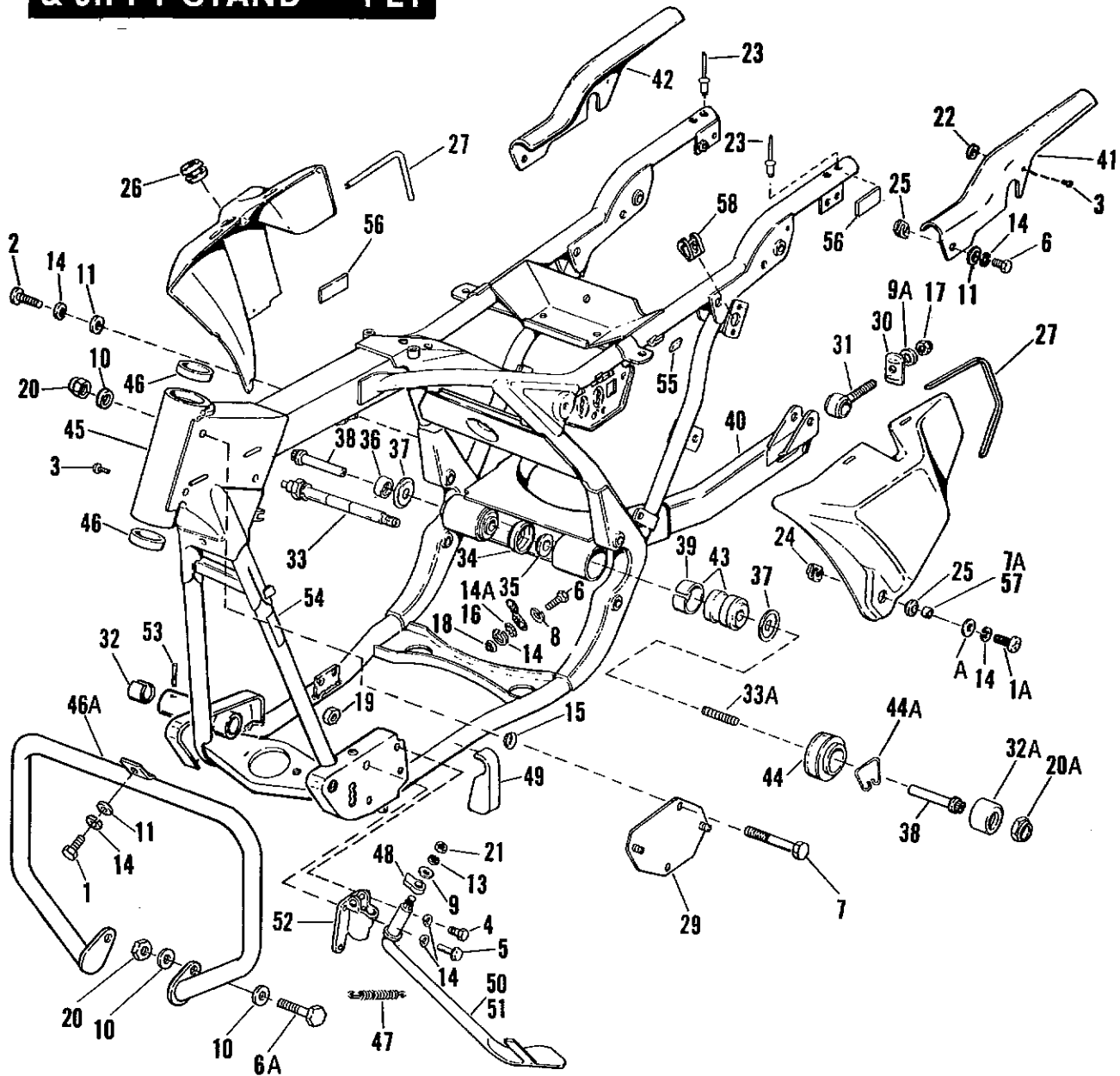
FXR MODELS

FXR EA  
 FXRS EB  
 FXRT EC  
 FXRS-SP EG  
 FXLR EL  
 FXRS-CON EM

SOFTAIL MODELS

FXST BH  
 FLST/C BJ  
 FXSTC BK  
 FXSTS BL  
 FLSTF BM

# FRAME, REAR FORK & JIFFY STAND — FLT





INDEX NO.	PART NO.	NAME	FLT MODELS	FXR MODELS	SOFTAIL MODELS
<b>NOTE: REFER TO DEALER ACCESSORY GUIDE FOR PAINTED PART NUMBERS.</b>					
1	856A	SCREW	87*-ALL	--	--
1A	2003	SCREW	87*-ALL	--	--
2	2582	SCREW	87*-ALL	--	--
3	2661W	SCREW (2)	87*-ALL	--	--
4	3960W	BOLT (2)	87*-ALL	--	--
5	3974HW	BOLT (2)	87*-ALL	--	--
6	3987	BOLT (3)	87*-ALL	--	--
6A	4337W	BOLT (2)	87*-ALL	--	--
7	4435W	BOLT (2)	87*-ALL	--	--
7A	5965B	SPACER (2)	N/A 87&88-ALL	--	--
8	6016	WASHER	89*-ALL	--	--
8A	6333	WASHER	87*-ALL	--	--
9	6334	WASHER	87*-ALL	--	--
9A	6645	WASHER (2)	90*-ALL	--	--
10	6701	WASHER (6)	87*-ALL	--	--
11	6702	WASHER (4)	87*-ALL	--	--
13	7039	LOCKWASHER	87*-ALL	--	--
14	7041	LOCKWASHER (10)	87*-ALL	--	--
14A	7100	LOCKWASHER	89*-ALL	--	--
15	7101	LOCKWASHER	89*-ALL	--	--
	7130W	LOCKWASHER	87&88-ALL	--	--
16	7232	LOCKWASHER	87&88-ALL	--	--
17	7725	LOCKNUT (2)	87*-ALL	--	--
18	7748W	NUT	87*-ALL	--	--
19	7753	NUT	87*-ALL	--	--
20	7775	LOCKNUT (4)	87*-ALL	--	--
20A	7824	LOCKNUT	89*-ALL	--	--
21	7837W	NUT	87 to 89-ALL	--	--
22	8155	CLIP NUT (2)	87*-ALL	--	--
23	8307	RIVET (4)	87*-ALL	--	--
24	9959	CLIP NUT (3)	87*-ALL	--	--
25	11412	GROMMET, side cover (2)	87*-ALL	--	--
26	11436	GROMMET	87*-ALL	--	--
27	29276-81	MOLDING, side cover (2)	87*-ALL	--	--
29	32451-83	BRACKET, ignition module	87*-ALL	--	--
30	41112-79	END COVER, rear fork (2)	87*-ALL	--	--
31	41573-84	ADJUSTER, rear axle (2)	87*-ALL	--	--
32	47247-83	BUSHING,foot brake hub (2)	87*-ALL	--	--
32A	47491-89	CUP WASHER	89*-ALL	--	--
33	47492-89A	PIVOT SHAFT KIT w/# 20A & 32A	89*-ALL	--	--
33A	47505-86	STUD, pivot	N/A 87&88-ALL	--	--
34	47510-80	RETAINING RING (plastic)(2)	87*-ALL	--	--
35	47511-80	SPACER (2)	87*-ALL	--	--
36	47512-82	SPACER, pivot shaft-right	89*-ALL	--	--
37	47513-80	WASHER (nylon)(2)	87*-ALL	--	--
38	47515-86	BOLT, pivot (2)	N/A 87&88-ALL	--	--
39	47538-79	TOLERANCE RING, bushing (2)	87*-ALL	--	--
40	47544-85	REAR FORK	87*-ALL	--	--
41	47551-79A	COVER, left	87*-ALL	--	--

**FLT MODELS**

FLTC DB  
 FLHT DD  
 FLHTC DJ  
 FLTC-U DM  
 FLHTC-U DP  
 FLHS FA

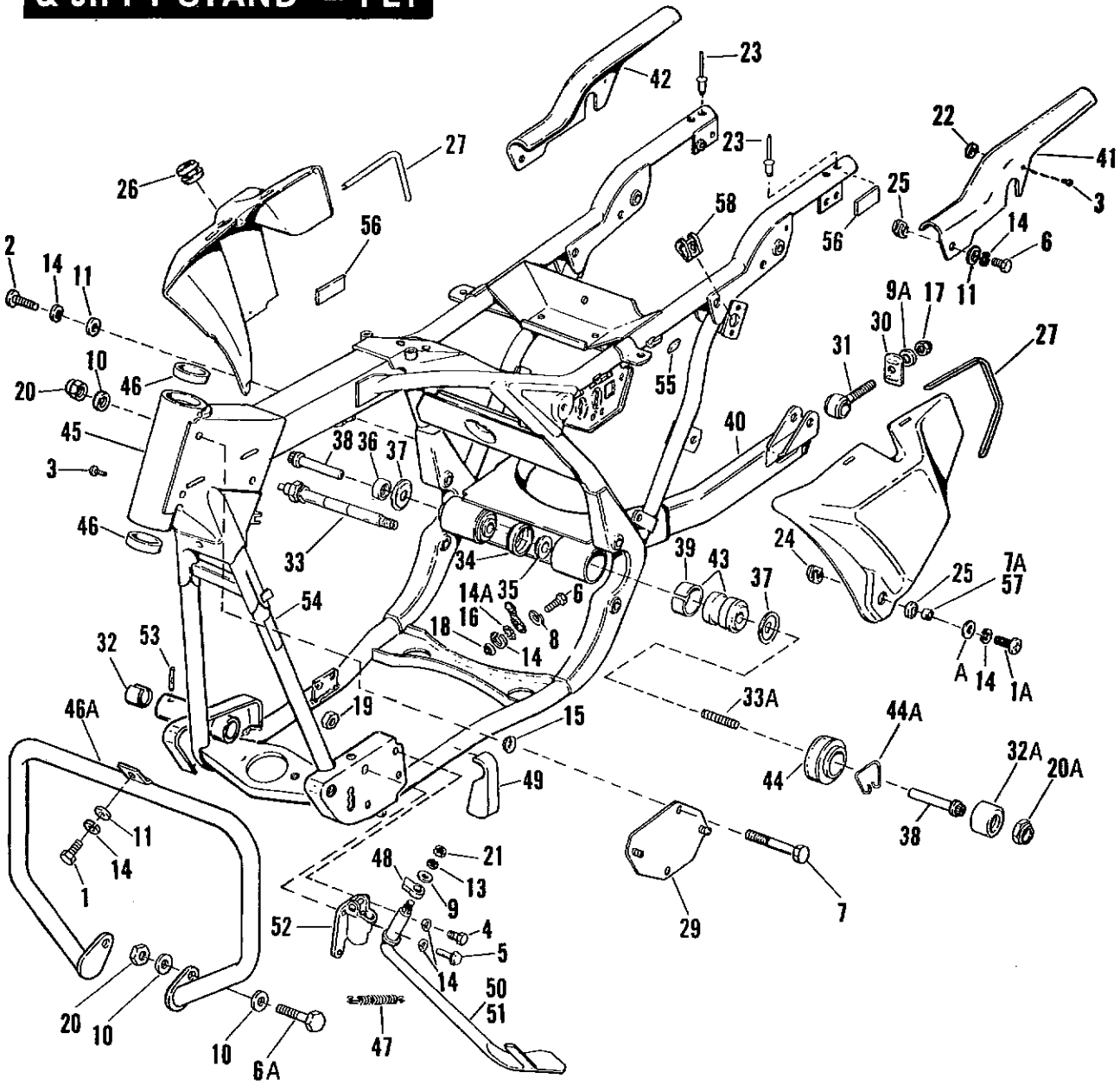
**FXR MODELS**

FXR EA  
 FXRS EB  
 FXRT EC  
 FXRS-SP EG  
 FXLR EL  
 FXRS-CON EM

**SOFTAIL MODELS**

FXST BH  
 FLST/C BJ  
 FXSTC BK  
 FXSTS BL  
 FLSTF BM

# FRAME, REAR FORK & JIFFY STAND — FLT



INDEX NO.	PART NO.	NAME	FLT MODELS	FXR MODELS	SOFTAIL MODELS
42	47552-79A	COVER, right	87*-ALL	--	--
43	47556-81	BUSHING ASSY., w/#39 (2)	87*-ALL	--	--
44	47564-86	RUBBER MOUNT (2)	87*-ALL	--	--
44A	47819-87	RETAINING RING (2)	87&88-ALL	--	--
45	47900-83D	FRAME (w/sidecar mount)	87&88-ALL	--	--
	47900-89A	FRAME (w/sidecar mount)	89*-ALL	--	--
46	48315-60	BEARING CUP (2)	87*-ALL	--	--
46A	49184-88	ENGINE GUARD	88*-ALL	--	--
47	50011-30A	SPRING, jiffy stand	87*-ALL	--	--
48	50015-74	LEG STOP	87*-ALL	--	--
49	50059-85	BUMPER, jiffy stand	87*-ALL	--	--
50	50074-83	JIFFY STAND ASSY.	N/A 87*-ALL	--	--
51	50075-83A	LEG, jiffy stand	87*-ALL	--	--
52	50078-81	BRACKET, jiffy stand leg	87*-ALL	--	--
53	50972-75	FITTING, lubrication	87*-ALL	--	--
54	53487-87	PAD, protective	87*-ALL	--	--
55	66029-80	RUBBER MOUNT, side cover (2)	87*-ALL	--	--
56	66600-84	PAD (3)	87*-ALL	--	--
57	67009-72	SPACER (2)	89*-ALL	--	--
58	70908-82	CLIP NUT (2)	87*-ALL	--	--
<b>H-D INTERNATIONAL ONLY</b>					
	48165-87	FRAME (w/sidecar mount)	87&88-ALL	--	--
	48165-89A	FRAME (w/sidecar mount)	89*-ALL	--	--
	50025-84	SPRING, jiffy stand-inner (HDI only)	87*-ALL	--	--
	50027-84	SPRING, jiffy stand-outer (HDI only)	87*-ALL	--	--
	50050-84	BRACKET, jiffy stand (HDI only)	87*-ALL	--	--

**FLT MODELS**

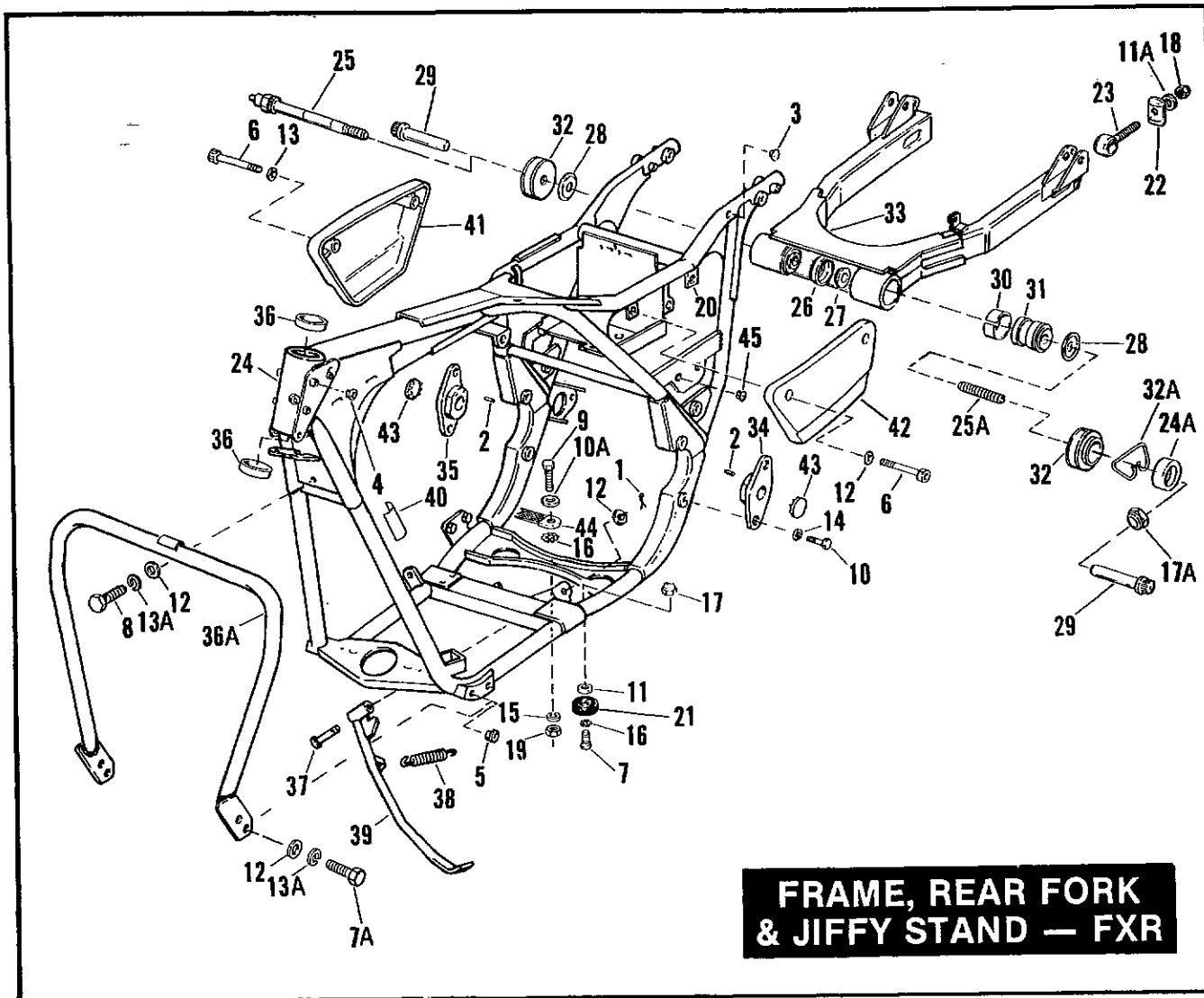
FLTC DB  
 FLHT DD  
 FLHTC DJ  
 FLTC-U DM  
 FLHTC-U DP  
 FLHS FA

**FXR MODELS**

FXR EA  
 FXRS EB  
 FXRT EC  
 FXRS-SP EG  
 FXLR EL  
 FXRS-CON EM

**SOFTAIL MODELS**

FXST BH  
 FLST/C BJ  
 FXSTC BK  
 FXSTS BL  
 FLSTF BM



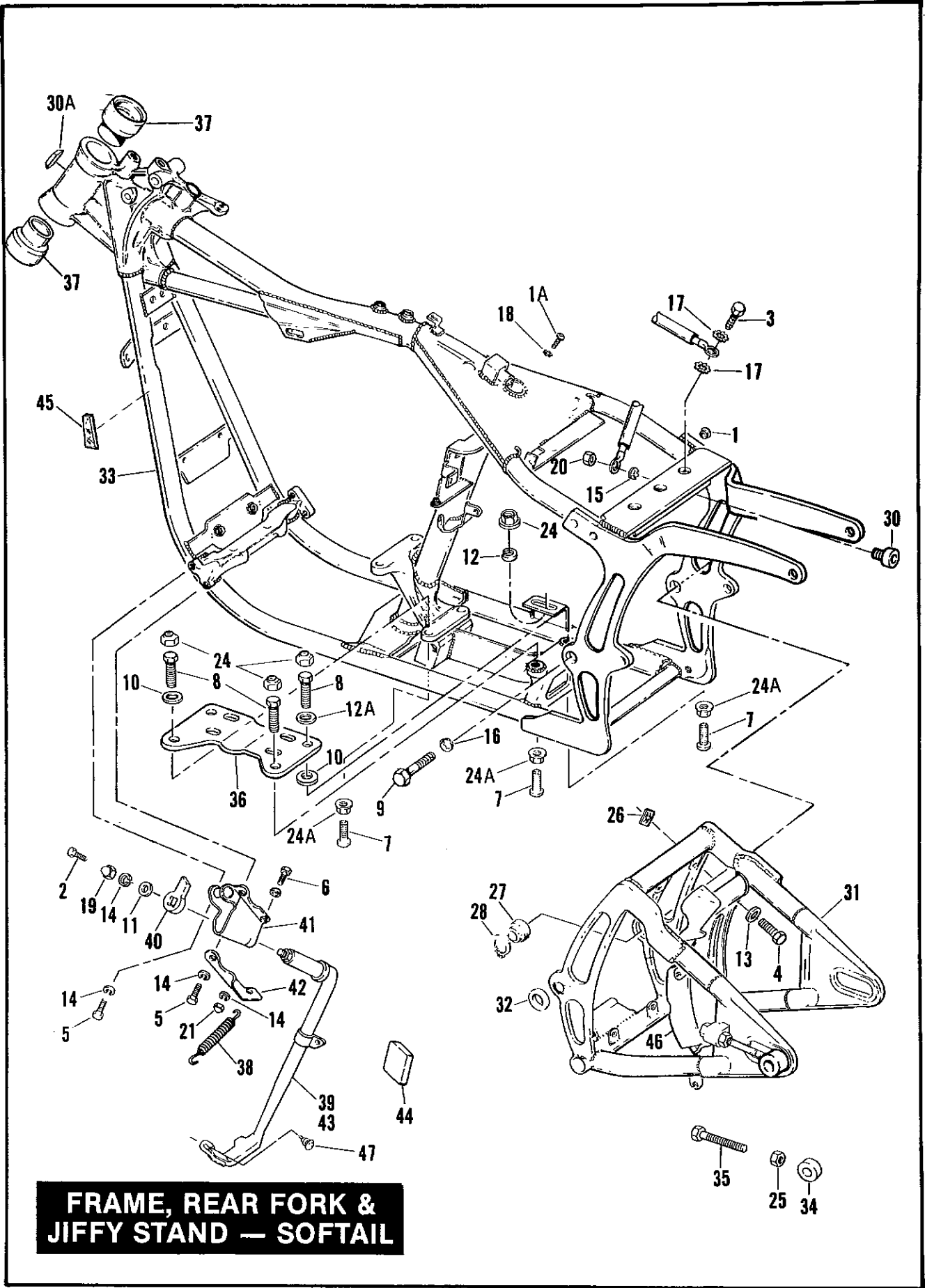
## FRAME, REAR FORK & JIFFY STAND - FXR MODELS

F28A-1

INDEX NO.	PART NO.	NAME	FLT MODELS	FXR MODELS	SOFTAIL MODELS
1	520W	COTTER PIN	--	87*-ALL	--
2	604	ROLL PIN (2)	--	87*-ALL	--
3	728	PLUG (2)	--	87*-EA/B/C/G/L	--
4	735	PLUG, fairing mtg. holes (4)	--	87*-EA/B/G/L/M	--
5	740	PLUG (4)	--	87*-EA/B	--
6	813	SCREW (4)	--	87*-ALL	--
7	2538	SCREW	--	87*-ALL	--
7A	2851	SCREW (4)	--	89*-EC	--
8	2879W	SCREW	--	89*-EC	--
9	3987	BOLT	--	87*-ALL	--
10	4729	BOLT (4)	--	87*-ALL	--
10A	6016	WASHER	--	89*-ALL	--
11	6257W	WASHER	--	87*-ALL	--
11A	6645	WASHER (2)	--	90*-ALL	--
12	6701	WASHER (6-1989 & Later - EC)	--	87*-ALL	--
13	6703	WASHER (4)	--	87*-ALL	--
13A	7038	LOCKWASHER (5)	--	89*-EC	--
14	7039	LOCKWASHER (4)	--	87*-ALL	--

INDEX NO.	PART NO.	NAME	FLT MODELS	FXR MODELS	SOFTAIL MODELS
15	7041	LOCKWASHER	--	87*-ALL	--
16	7100	LOCKWASHER	--	89*-ALL	--
	7232	LOCKWASHER	--	87&88-ALL	--
17	7686	LOCKNUT	--	87*-ALL	--
17A	7824	LOCKNUT	--	89*-ALL	--
18	7725	LOCKNUT (2)	--	87*-ALL	--
19	7748W	NUT	--	87*-ALL	--
20	8099	WELL NUT (4)	--	87*-ALL	--
21	11451	BUMPER, jiffy stand	--	87*-ALL	--
22	41112-79	END COVER, rear fork (2)	--	87*-ALL	--
23	41570-77	ADJUSTER, rear fork	--	87*-ALL	--
24	47005-87	FRAME	--	E87-EA/B/C	--
	47201-87	FRAME	--	E87-EG/L	--
	47203-87	FRAME	--	L87-EA/B/C	--
	47205-87B	FRAME	--	L87*-EG/L; 88*-EA/B/C	--
24A	47491-89	CUP WASHER	--	89*-ALL	--
25	47492-89A	PIVOT SHAFT KIT w/# 17A & 24A	--	89*-ALL	--
25A	47505-86	STUD, pivot	N/A	87&88-ALL	--
26	47510-80	RETAINING RING (plastic)(2)	--	87*-ALL	--
27	47511-80	SPACER (2)	--	87*-ALL	--
28	47513-80	WASHER (nylon)(2)	--	87*-ALL	--
29	47515-86	BOLT, pivot (2)	N/A	87&88-ALL	--
30	47538-79	TOLERANCE RING, bushing (2)	--	87*-ALL	--
31	47556-81	BUSHING ASSY., w/#30 (2)	--	87*-ALL	--
32	47564-86	MOUNT, rear fork (2)	--	87*-ALL	--
32A	47819-87	RETAINING RING (2)	--	87&88-ALL	--
33	47820-81A	REAR FORK	--	87*-ALL	--
34	47825-81	END CAP, left	--	87*-ALL	--
35	47826-81	END CAP, right	--	87*-ALL	--
36	48315-60	BEARING CUP (2)	--	87*-ALL	--
36A	49017-82A	ENGINE GUARD KIT w/7A,12 & 13A	--	89*-EC	--
37	50009-82	PIN	--	87*-ALL	--
38	50011-30A	SPRING	--	87*-ALL	--
39	50031-84A	JIFFY STAND	--	87-EA/B/L	--
	50069-86	JIFFY STAND	--	87*-EC/G/M	--
40	53487-87	PAD, protective	--	87*-ALL	--
41	66349-84	SIDE COVER, right	--	87*-ALL	--
42	66350-84	SIDE COVER, left	--	87*-ALL	--
43	67865-89	PLUG (2)	--	87*-ALL	--
44	70186-82	GROUND STRAP	--	87*-ALL	--
45	90493-83	PLUG (2)	--	87*-ALL	--
<b>H-D INTERNATIONAL ONLY</b>					
24	47202-87	FRAME (HDI only)	--	E87-EG/L	--
	47204-87	FRAME (HDI only)	--	L87-EA/B/C	--
	47206-87B	FRAME (HDI only)	--	L87-EG/L; 88*-ALL	--
	48036-87	FRAME (HDI only)	--	E87-EA/B/C	--
	50010-84	SPRING, jiffy stand (2)(HDI only)	--	87*-ALL	--

FLT MODELS		FXR MODELS		SOFTAIL MODELS	
FLTC	DB	FXR	EA	FXST	BH
FLHT	DD	FXRS	EB	FLST/C	BJ
FLHTC	DJ	FXRT	EC	FXSTC	BK
FLTC-U	DM	FXRS-SP	EG	FXSTS	BL
FLHTC-U	DP	FXLR	EL	FLSTF	BM
FLHS	FA	FXRS-CON	EM		



INDEX NO.	PART NO.	NAME	FLT MODELS	FXR MODELS	SOFTAIL MODELS
1	728	PLUG, frame side (2)	--	--	87 to 89-ALL; 90°-BH/K/L
1A	2770W	SCREW, ground wire	--	--	89°-All
2	2882W	BOLT	--	--	87&88-BJ; 89°-ALL
3	3440	BOLT	--	--	87&88-BJ
4	3767B	BOLT (4)	--	--	87°-BJ
5	3960W	BOLT (3)	--	--	87°-ALL
6	3974HW	BOLT (2)	--	--	87°-ALL
7	4013	SCREW (4)	--	--	89°-ALL
8	4337W	SCREW (4)	--	--	87&88°-ALL
9	4961	BOLT (2)	--	--	87°-ALL
10	6019	WASHER	--	--	87&88-ALL
11	6334	WASHER	--	--	87&88-BH/K
	6702	WASHER	--	--	87&88-BJ/L; 89°-ALL
12	6474	WASHER	--	--	87°-BH/K
12A	6701	WASHER	--	--	87°-ALL
13	6703	WASHER (4)	--	--	87°-BH/K/L
14	7039	LOCKWASHER	--	--	87&88-BH/K
	7041	LOCKWASHER (4;5-BJ/L)	--	--	87°-ALL
15	7124	LOCKWASHER	--	--	87°-ALL
16	7142	LOCKWASHER (2)	--	--	87°-ALL
17	7145W	LOCKWASHER (2)	--	--	87&88-ALL
18	7230	LOCKWASHER	--	--	89°-ALL
19	7513	ACORN NUT	--	--	87&88-BH/K
20	7689W	JAM NUT (2)	--	--	87°-ALL
21	7736	ACORN NUT (chrome) (3)	--	--	87°-BH/K/L
	7753	NUT, jiffy stand (3)	--	--	87°-BJ
24	7778	LOCKNUT (4)	--	--	89°-ALL
24A	7782	FLANGE NUT (5-1987 & 1988)	--	--	87°-ALL
25	7783	NUT, rear axle adj. (2)	--	--	87°-ALL
26	8108	SPEED NUT (4)	--	--	87°-ALL
27	9076	BEARING, rear fork pivot (2)	--	--	87°-ALL
28	11158	RETAINING RING, fork bearing (2)	--	--	87°-ALL
30	11451	CUSHION (2)	--	--	87°-ALL
30A	11456	BUMPER	--	--	89°-BL
31	41549-87A	REAR FORK, w/#27 & 28 (red)	--	--	L87&88-BK
	41549-89	REAR FORK, w/#27 & 28 (red)	N/A	--	89°-BK
	41556-87	REAR FORK, w/#27 & 28 (blue)	--	--	E87-BK
	41559-87	REAR FORK, w/# 27 & 28 (red)	N/A	--	E87-BK
	47573-86	REAR FORK, w/# 27 & 28 (black)	--	--	E87-ALL
	47573-87A	REAR FORK, w/# 27 & 28 (black)	--	--	L87&88-BK/L
	47573-89A	REAR FORK, w/# 27 & 28 (black)	--	--	89°-ALL
	47813-89	REAR FORK, w/# 27 & 28 (silver)	--	--	90°-BM
	47815-87A	REAR FORK, w/#27 & 28 (blue)	N/A	--	L87&88-BK
	47815-89	REAR FORK, w/#27 & 28 (blue)	--	--	89°-BK
32	43283-86	SPACER, rear fork pivot (2)	--	--	87°-ALL

FLT MODELS

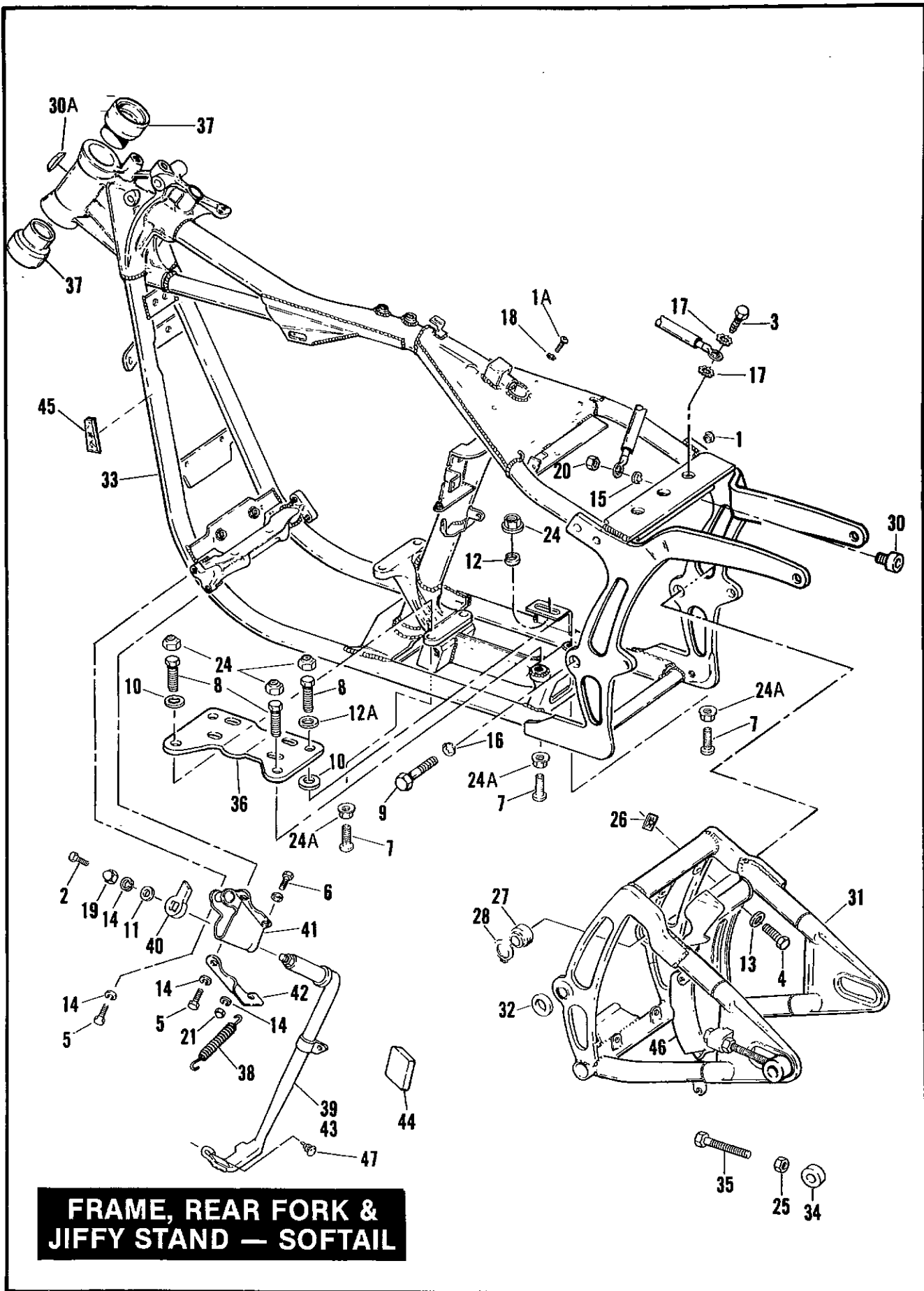
FLTC DB  
FLHT DD  
FLHTC DJ  
FLTC-U DM  
FLHTC-U DP  
FLHS FA

FXR MODELS

FXR EA  
FXRS EB  
FXRT EC  
FXRS-SP EG  
FXLR EL  
FXRS-CON EM

SOFTAIL MODELS

FXST BH  
FLST/C BJ  
FXSTC BK  
FXSTS BL  
FLSTF BM



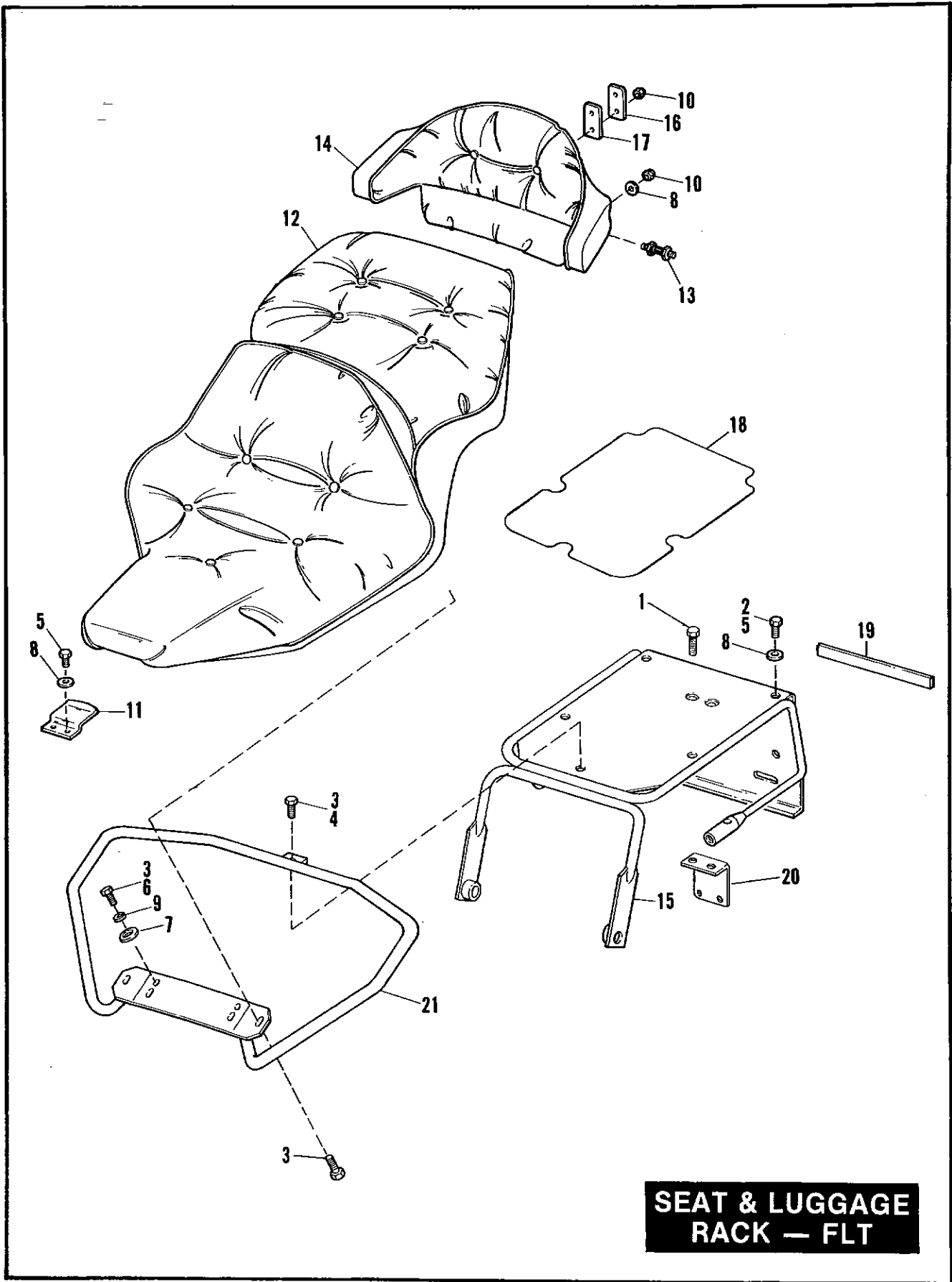


INDEX NO.	PART NO.	NAME	FLT MODELS	FXR MODELS	SOFTAIL MODELS
33	47008-87A	FRAME (black)	--	--	87&88-ALL
	47008-89A	FRAME (black)	--	--	89*-ALL
	47175-87A	FRAME (red)	--	--	87&88-BK
	47175-89A	FRAME (red)	--	--	89*-BK
	47176-87A	FRAME (blue)	--	--	87&88-BK
	47176-89A	FRAME (blue)	--	--	89*-BK
	47279-89	FRAME (silver)	--	--	90*-BM
34	47577-86	SPACER, rear axle adj. (2)	--	--	87*-ALL
35	47579-86	ADJUSTING SCREW, rear axle (2)	--	--	87*-ALL
36	47698-86B	TRANSMISSION MOUNTING PLATE	--	--	87*-ALL
37	48311-60	BEARING CUP, frame (2)	--	--	87&88-ALL
	48315-60	BEARING CUP (2)	--	--	87*-ALL
38	50005-85A	SPRING, jiffy stand leg	--	--	87*-ALL
39	50007-86	JIFFY STAND ASSY., (chrome)	N/A	--	87&88-BJ/L
40	50015-74	LEG STOP	--	--	87*-ALL
41	50018-85	LEG BRACKET (chrome)	--	--	87&88-BJ/L; 89*-ALL
	50041-85	LEG BRACKET (chrome)	--	--	87&88-BH/K
42	50028-74A	BRACKET, spring (chrome)	--	--	87*-ALL
43	50061-85	LEG, jiffy stand (chrome)	--	--	87&88-BH/K
	50087-86	LEG, jiffy stand (chrome)	--	--	87&88-BJ/L
	50087-89A	LEG, jiffy stand (chrome)	--	--	89*-ALL
44	50100-70	BUMPER, jiffy stand	--	--	87&88-ALL
45	59258-88	REFLECTOR (amber) (2)	--	--	L88*-BL
	59265-90	REFLECTOR (amber) (2)	--	--	90*-BL/M
46	60363-86A	DEBRIS DEFLECTOR	--	--	87&88-ALL
	60363-86B	DEBRIS DEFLECTOR	--	--	89*-ALL
47	62123-66	BUMPER	--	--	89*-ALL

**H-D INTERNATIONAL ONLY**

33	47173-87A	FRAME KIT W/LWR FORK BKT (red) (HDI only)	N/A	--	87-BK
	47173-88A	FRAME (red) (HDI only)	N/A	--	88-BK
	47173-89A	FRAME (red) (HDI only)	--	--	89*-BK
	47174-87A	FRAME KIT W/LWR FORK BKT (blue) (HDI only)	N/A	--	87-BK
	47174-88A	FRAME (blue) (HDI only)	--	--	88-BK
	47174-89A	FRAME (blue) (HDI only)	N/A	--	89*-BK
	47280-89	FRAME (silver) (HDI only)	--	--	90*-BM
	48130-87A	FRAME KIT W/LWR FORK BKT (black) (HDI only)	--	--	87-BH/K
	48130-88A	FRAME (black) (HDI only)	N/A	--	88-ALL
	48130-89A	FRAME (black) (HDI only)	--	--	89*-BH/J/K/L
	48131-87	FRAME KIT W/LWR FORK BKT (HDI)	N/A	--	87-BJ
	50025-84	SPRING, jiffy stand-inner (HDI only)	--	--	87*-ALL
	50027-84	SPRING, jiffy stand-outer (HDI only)	--	--	87*-ALL
	50034-84	BRACKET, jiffy stand (HDI only)	--	--	87*-ALL

FLT MODELS		FXR MODELS		SOFTAIL MODELS	
FLTC	DB	FXR	EA	FXST	BH
FLHT	DD	FXRS	EB	FLST/C	BJ
FLHTC	DJ	FXRT	EC	FXSTC	BK
FLTC-U	DM	FXRS-SP	EG	FXSTS	BL
FLHTC-U	DP	FXLR	EL	FLSTF	BM
FLHS	FA	FXRS-CON	EM		



**SEAT & LUGGAGE  
RACK — FLT**

INDEX NO.	PART NO.	NAME	FLT MODELS	FXR MODELS	SOFTAIL MODELS
1	2401	SCREW (2)	89*-DM/P	--	--
2	2773	SCREW (4)	87*-FA	--	--
3	3487	SCREW, flange (2;5-1989 & Later)	87*-ALL	--	--
4	2882W	BOLT	87*-ALL	--	--
5	3787	SCREW (6; 4-1989 & later)	87*-ALL	--	--
6	4391	BOLT (2)	87*-ALL	--	--
7	6702	WASHER (2)	87*-ALL	--	--
8	6703	WASHER (10;2-FA)	87&88-ALL	--	--
9	7232	LOCKWASHER (4)	87&88-ALL	--	--
10	7686	LOCKNUT (6)	87*-DB/D/J	--	--
11	47374-83A	BRACKET, seat mtg.- front	87*-ALL	--	--
12	52151-86A	SEAT (black)	87&88-DB	--	--
	52151-89	SEAT (black)	89*-DB/M		
	52164-86A	SEAT (black)	87&88-DD/J,FA	--	--
	52164-89	SEAT (black)	89*-DJ/P, FA		
	52177-86A	SEAT (brown)	87&88-DB	--	--
	52177-89	SEAT (brown)	89*-DB		
	52231-86A	SEAT (brown)	87&88-DJ	--	--
	52231-89	SEAT (brown)	89-DJ		
13	52192-86A	ISOLATOR, backrest (set of 3)	87*-DB/D/J/M/P	--	--
14	52201-86B	BACKREST KIT (black)	87*-DB/D/J/M/P	--	--
	52219-86B	BACKREST KIT (brown)	87*-DB/J	--	--
15	53411-86A	LUGGAGE CARRIER	87*-ALL	--	--
16	53515-86	BACKING PLATE	87*-DB/D/J/M/P	--	--
17	53517-86	CUSHION PLATE	87*-DB/D/J/M/P	--	--
18	53521-87A	COVER, luggage rack	87*-FA	--	--
19	59988-72	REFLECTOR (red)	87*-ALL	--	--
20	76284-89	BRACKET, transceiver	89*-DM/P		
21	91583-86	HANDRAIL, passenger	87*-ALL	--	--

## FLT MODELS

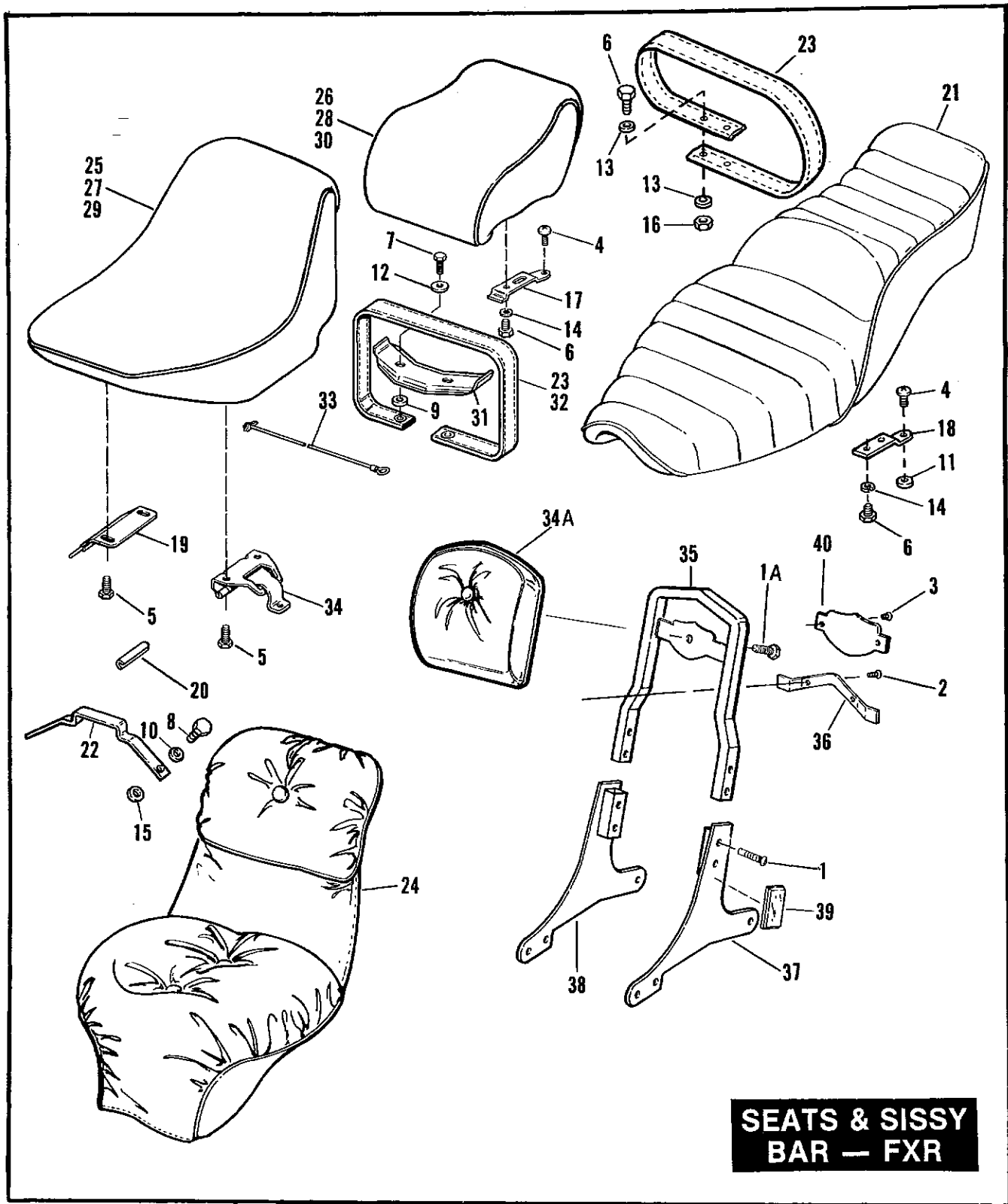
FLTC DB  
 FLHT DD  
 FLHTC DJ  
 FLTC-U DM  
 FLHTC-U DP  
 FLHS FA

## FXR MODELS

FXR EA  
 FXRS EB  
 FXRT EC  
 FXRS-SP EG  
 FXLR EL  
 FXRS-CON EM

## SOFTAIL MODELS

FXST BH  
 FLST/C BJ  
 FXSTC BK  
 FXSTS BL  
 FLSTF BM



## SEATS &amp; SISSY BAR - FXR MODELS

F29A

INDEX NO.	PART NO.	NAME	FLT MODELS	FXR MODELS	SOFTAIL MODELS
1	919	SCREW (4)	--	87*-EC/M	--
1A	1602	SCREW	--	L89*-EM	--
2	2607	SCREW (2)	--	87*-EC/M	--
3	2711	SCREW (2)	--	87*-EC/M	--
4	2733	SCREW	--	87*-EA	--
	2739	SCREW	--	90*-EB/C/G/L/M	--
	2757W	SCREW	--	87 to 89-EB/C/G/L/M	--
5	3487	BOLT (4)	--	87*-ALL	--
6	3767B	BOLT (2)	--	87*-EA/B/G/L/M	--
7	3960W	BOLT (2)	--	87*-EB/G/L/M	--
	3996	BOLT (2)	--	87*-EC	--
8	3991	BOLT (2)	--	87*-EA	--
9	5724	SPACER (2)	--	87*-EB/G/L/M	--
10	6109	WASHER (2)	--	87*-EA	--
11	6410	WASHER	--	87*-EC	--
12	6645	WASHER (2)	--	87*-EB/G/L/M	--
13	6703	WASHER (2)	--	87*-EA	--
14	7036	LOCKWASHER (2)	--	87*-EA/B/G/L/M	--
15	7232	LOCKNUT (2)	--	87*-EA	--
16	7686	LOCKNUT	--	87*-EA	--
17	51651-79	BRACKET, rear seat	--	87*-EB/G/L/M	--
18	51652-83	BRACKET, rear seat	--	87*-EA/C	--
19	52020-82	BRACKET ASSY.	--	87*-EB/C/G/L/M	--
20	52041-82	PIN, seat hinge	--	87*-EB/C/G/L/M	--
21	52106-86	SEAT, ribbed (black vinyl)	--	87*-EA	--
22	52107-86	BRACKET, seat	--	87*-EA	--
23	52108-86	PASSENGER STRAP	--	87*-EA	--
24	52111-85A	SEAT, pillow-look - rear (black vinyl)	--	87*-EC	--
25	52128-87	SEAT, plain - front (black vinyl)	--	87*-EG	--
26	52133-87	SEAT, embossed - rear (black vinyl)	--	87*-EL	--
27	52134-87	SEAT, embossed - front (black vinyl)	--	87*-EL	--
28	52135-87	SEAT, plain - rear (black vinyl)	--	87*-EG	--
29	52138-82A	SEAT, pillow-look - front (black vinyl)	--	87*-EB/C/M	--
30	52139-82	SEAT, pillow-look - rear (black vinyl)	--	87*-EB/M	--
31	52141-82	BRACKET, passenger strap	--	87*-EB/G/L/M	--
32	52142-82A	PASSENGER STRAP	--	87*-EB/G/L	--
33	52213-82	CORD, seat stop	--	87*-EB/C/G/L	--
34	52355-82	LATCH, seat	--	87*-EB/C/G/L	--
34A	52545-84	BACKREST KIT w/#1A & 36	--	L89*-EM	--
35	52739-83	SISSY BAR KIT w/#1	--	L89*-EM	--
	52766-85	SISSY BAR	--	87*-EC	--
36	52765-85	BRACKET, backrest	--	87*-EC	--
	52771-82	BRACKET, backrest	--	L89*-EM	--
37	52797-87	SIDE PLATE, left	--	87*-EC/M	--
38	52798-87	SIDE PLATE, right	--	87*-EC/M	--
39	59267-83A	REFLECTOR (red)(2)	--	87*-EC/M	--
40	99013-82	MEDALLION	--	87*-EC/M	--
		<b>H-D INTERNATIONAL ONLY</b>			
39	59270-84A	REFLECTOR (amber)(2)(HDI only)	--	87*-EC/M	--

## FLT MODELS

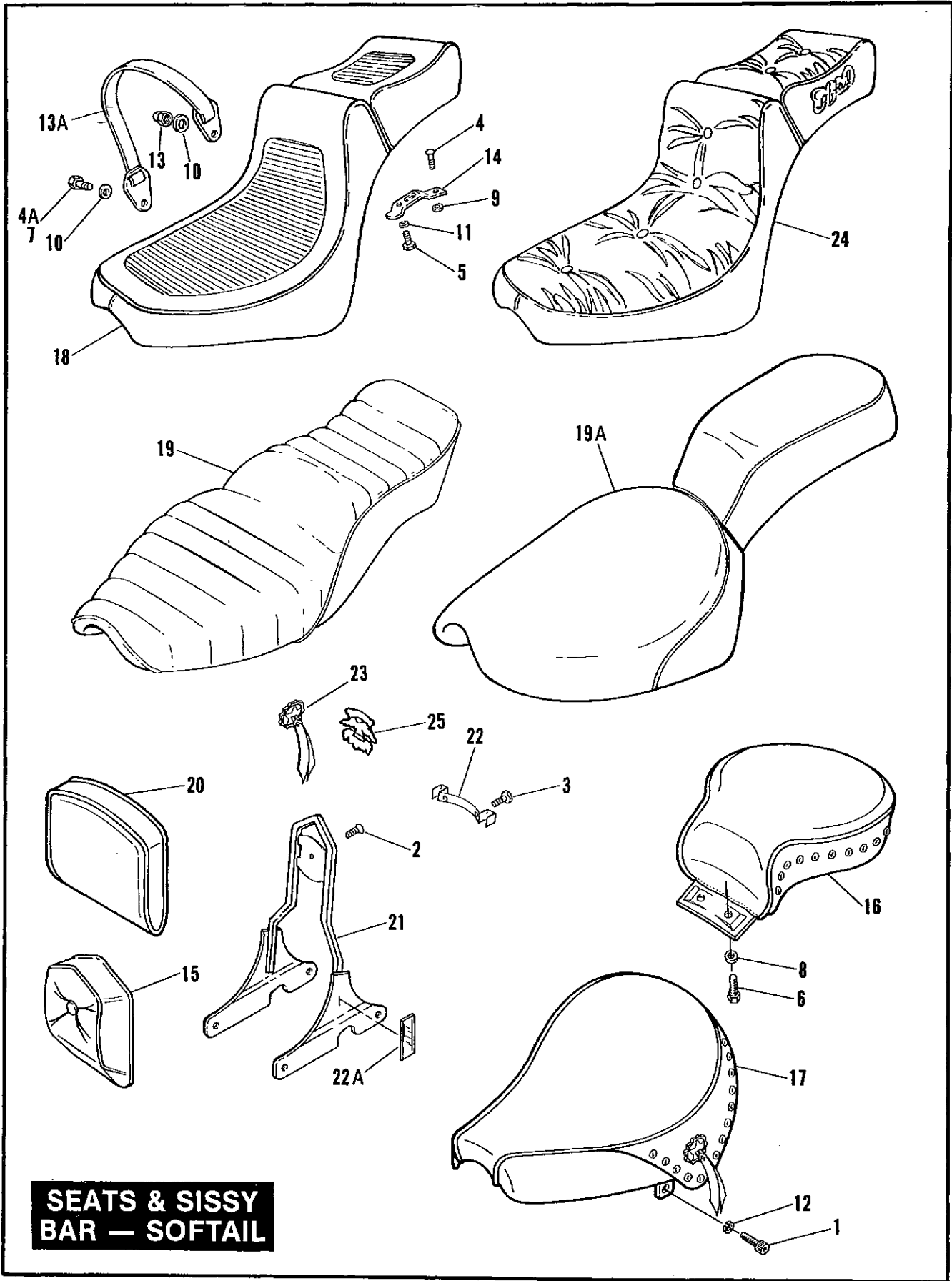
FLTC DB  
 FLHT DD  
 FLHTC DJ  
 FLTC-U DM  
 FLHTC-U DP  
 FLHS FA

## FXR MODELS

FXR EA  
 FXRS EB  
 FXRT EC  
 FXRS-SP EG  
 FXLR EL  
 FXRS-CON EM

## SOFTAIL MODELS

FXST BH  
 FLST/C BJ  
 FXSTC BK  
 FXSTS BL  
 FLSTF BM



**SEATS & SISSY  
BAR — SOFTAIL**

**SEATS & SISSY BAR - SOFTAIL MODELS**

**F29B**

INDEX NO.	PART NO.	NAME	FLT MODELS	FXR MODELS	SOFTAIL MODELS
1	868	SCREW (2)	--	--	87*-BJ/M
2	1357W	SCREW	--	--	87*-BJ
	1602	SCREW	--	--	87*-BK
3	2538	SCREW (2)	--	--	90*-BJ
	2607	SCREW (2)	--	--	87 to 89-BJ; 87*-BK
4	2739	SCREW	--	--	90*-ALL
	2757W	SCREW	--	--	87 to 89-ALL
4A	2879W	BOLT (2)	--	--	90*-BH/J/K
5	3767B	BOLT (2)	--	--	87*-ALL
6	3974HW	BOLT (2)	--	--	87*-BJ
7	4319	BOLT (2)	--	--	87 to 89-ALL
8	6333	WASHER (2)	--	--	87*-BJ
9	6410	WASHER (nylon)	--	--	87*-ALL
10	6516HW	WASHER (2)	--	--	87 to 89-BJ
	6701	WASHER (2)	--	--	90*-BJ/M
11	7036	LOCKWASHER (2)	--	--	87*-ALL
12	7068	LOCKWASHER (2)	--	--	87*-BJ/M
13	7680W	ACORN NUT (2)	--	--	90*-BJ/M
13A	51184-88	PASSENGER STRAP (black)	--	--	L88*-BL
	51185-87	PASSENGER STRAP (black)	--	--	87 to 89-BJ
	51185-90	PASSENGER STRAP (black) (Classic)	--	--	90*-BJ
	51186-89	PASSENGER STRAP (black)	--	--	90*-BM
	51188-86	PASSENGER STRAP (black)	--	--	87*-BH/J/K
14	51652-83	BRACKET, seat	--	--	87*-ALL
15	52191-86	BACKREST	--	--	87*-BK
16	52208-86	SEAT KIT, passenger (black) (Classic)	--	--	87*-BJ
17	52236-86	SEAT KIT, solo (black) (Classic)	--	--	87*-BJ
18	52501-84	SEAT, 2-piece (black)	--	--	87*-BH
19	52502-86	SEAT (black)	--	--	87*-BJ
19A	52503-88	SEAT	--	--	L88 to 89-BL
	52503-88B	SEAT	--	--	90*-BL
	52504-89	SEAT W/ TEXTURED PANEL (black)	N/A	--	90*-BM
20	52541-87	BACKREST KIT w/concho (black)	--	--	87*-BJ
21	52658-86	SISSY BAR ASSY,	--	--	87*-BJ/K
22	52771-82	BRACKET, backrest	--	--	87*-BJ/K
22A	59255-72	REFLECTOR (red) (2)	--	--	90*-BJ
23	91850-87	CONCHO	--	--	87*-BJ
24	91768-85	SEAT (black)	--	--	87*-BK
25	99000-77	MEDALLION	--	--	87*-BK

**FLT MODELS**

FLTC DB  
 FLHT DD  
 FLHTC DJ  
 FLTC-U DM  
 FLHTC-U DP  
 FLHS FA

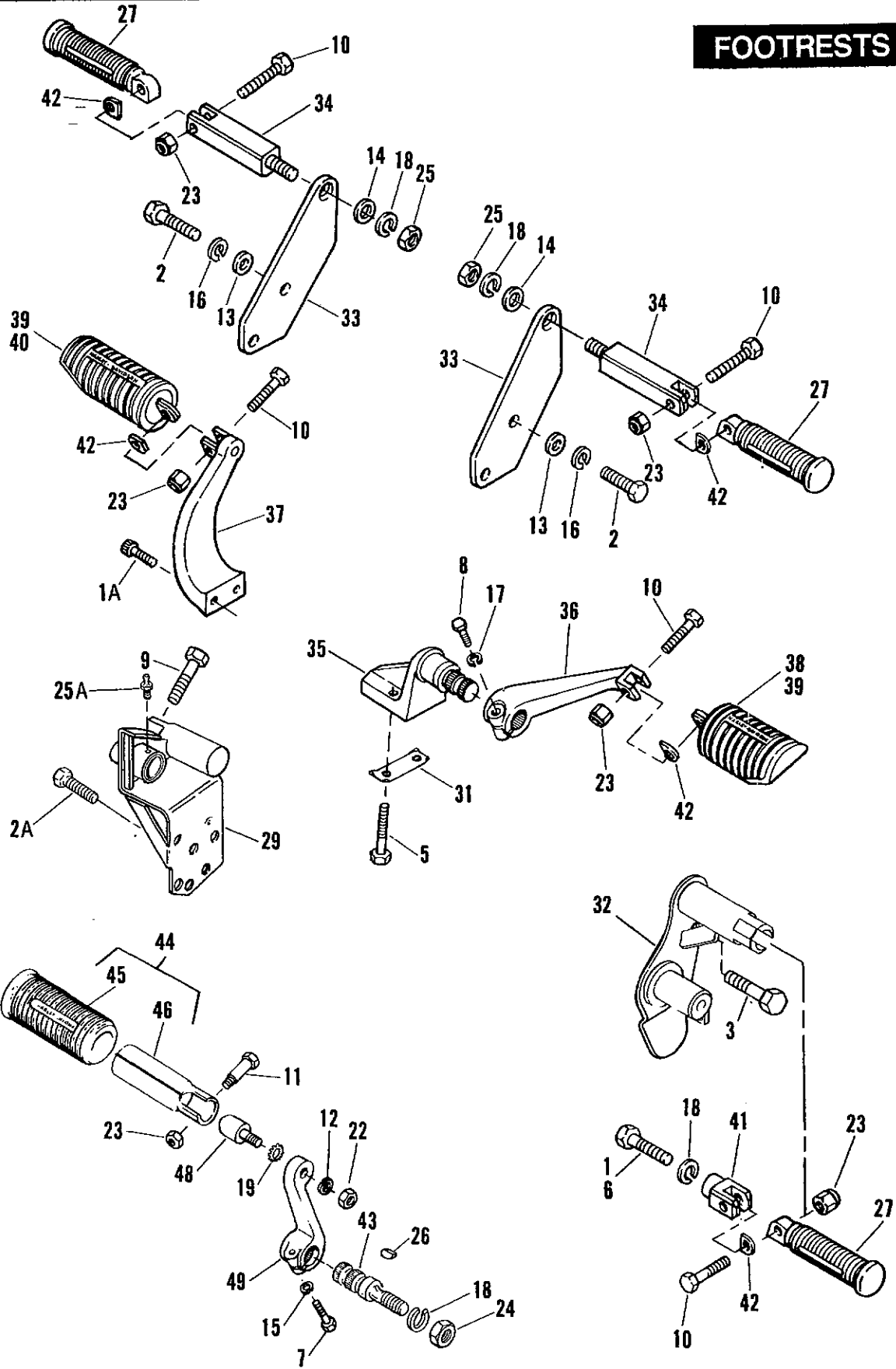
**FXR MODELS**

FXR EA  
 FXRS EB  
 FXRT EC  
 FXRS-SP EG  
 FXLR EL  
 FXRS-CON EM

**SOFTAIL MODELS**

FXST BH  
 FLSTC BJ  
 FXSTC BK  
 FXSTS BL  
 FLSTF BM

# FOOTRESTS





INDEX NO.	PART NO.	NAME	FLT MODELS	FXR MODELS	SOFTAIL MODELS
1	872	BOLT-right	--	--	90*-BM
1A-	920	SCREW (2)	--	87*-ALL	--
2	2851	BOLT (4)	--	87*-EB/C/L/M	--
2A	3440	BOLT	--	--	88*-ALL
3	3464	BOLT	--	--	87*-ALL
4	3486	BOLT (2)	--	87*-ALL	--
5	3503	BOLT (2)	--	87*-ALL	--
6	3516A	BOLT (2)	--	--	87*-ALL
	3549A	BOLT (2) (Classic)	--	--	90*-BJ
7	3825	BOLT (2)	--	87*-EC	--
8	4014W	BOLT (2)	--	87*-ALL	--
9	4337W	BOLT	--	--	87*-BH/K/L
10	4721	BOLT (as req'd)	--	87*-ALL	87*-ALL
11	4724	BOLT (2)	--	87*-EC	--
12	6379W	WASHER (2)	--	87*-EC	--
13	6701	WASHER (4)	--	87*-EB/C/L/M	--
14	6718	WASHER (2)	--	87*-EB/C/L/M	--
15	7036	LOCKWASHER (2)	--	87*-EC	--
16	7038	LOCKWASHER (4)	--	87*-EB/C/L/M	87*-BJ/M
17	7041	LOCKWASHER	--	87*-ALL	--
18	7068	LOCKWASHER (as req'd)	--	87*-ALL	87*-ALL
19	7145W	LOCKWASHER	--	87*-EC	--
22	7776W	LOCKNUT (2)	--	87*-EC	87*-BH/K/L
23	7778	LOCKNUT (4;6-EB/C/L/M)	--	87*-ALL	87*-BJ/M
24	7845	NUT (2)	--	87*-EC	--
25	7880	NUT (2)	--	87*-EB/C/G/M	--
25A	9851A	FITTING, lubrication	--	--	90*-BH/K/L
26	23985-18	KEY, footrest stud (2)	--	87*-EC	--
27	33048-72	FOOTREST W/ CVR. (2;4-BH/K,EB/C/L/M)	--	87*-ALL	87*-ALL
	33189-63	COVER (black)(2;4-BH/K,EB/C/L/M)	--	87*-ALL	87*-ALL
29	33683-87A	BRACKET, shifter	--	--	87 to 89- BH/K/L
	33683-90	BRACKET, shifter	--	--	90*-BH/K/L
31	42334-82	LOCKPLATE, front	--	87*-ALL	--
32	42507-86	BRACKET, brake lever & footrest	--	--	E87-BH/K
	42507-87A	BRACKET, brake lever & footrest	--	--	L87&88-BH/K/L
	42507-89A	BRACKET, brake lever & footrest	--	--	89*-BH/K/L
33	49126-77B	MOUNTING PLATE (2)	--	87&88-EB/C/L; 89*-EB/L/M	--
34	49127-77A	FOOTREST SUPPORT (2)	--	87*-EB/C/L/M	--
35	50531-81	BRACKET, footrest - front	--	87*-ALL	--
36	50636-81A	BRACKET, right footrest - front	--	87*-ALL	--
37	50639-81	BRACKET, left footrest - front	--	87*-ALL	--
38	50643-82	FOOTREST w/cover - right	--	87*-ALL	--
39	50646-82	COVER, only (black)(2)	--	87*-ALL	--
40	50647-82	FOOTREST w/cover - left	--	87*-ALL	--
41	50900-72	SUPPORT, pass. footrest (2)	--	87*-ALL	87*-ALL
42	50912-72	SPRING WASHER (as req'd)	--	87*-ALL	87*-ALL
43	50921-83	STUD (2)	--	87*-EC	--
44	50939-52	FOOTREST w/cover (2)	--	87*-EC	--
45	50940-52	COVER, only (black)(2)	--	87*-EC	--
48	50973-85	STUD (2)	--	87*-EC	--
49	52700-81	SUPPORT (2)	--	87*-EC	--

FLT MODELS

FLTC DB  
 FLHT DD  
 FLHTC DJ  
 FLTC-U DM  
 FLHTC-U DP  
 FLHS FA

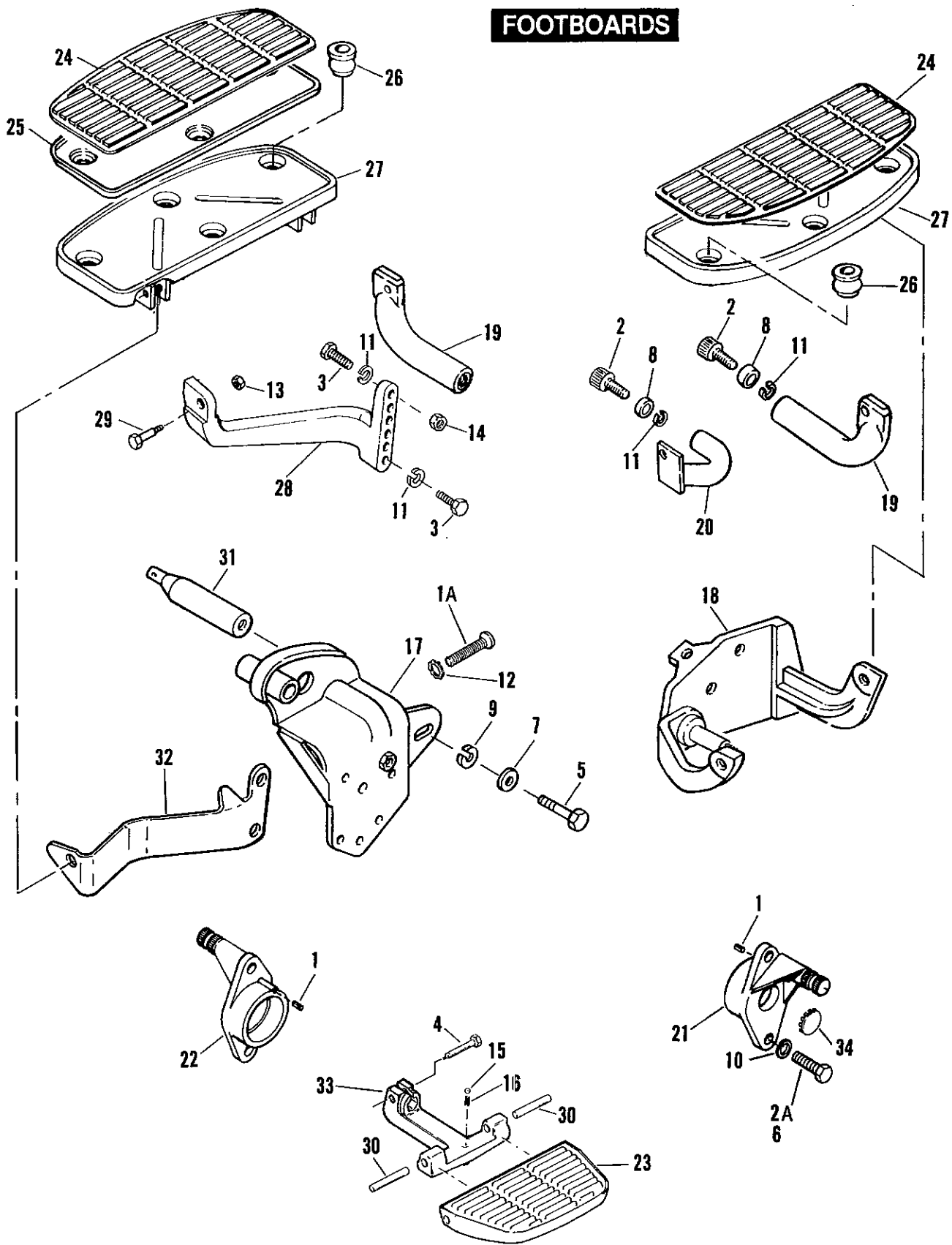
FXR MODELS

FXR EA  
 FXRS EB  
 FXRT EC  
 FXRS-SP EG  
 FXLR EL  
 FXRS-CON EM

SOFTAIL MODELS

FXST BH  
 FLST/C BJ  
 FXSTC BK  
 FXSTS BL  
 FLSTF BM

# FOOTBOARDS



**FOOTBOARDS**

INDEX NO.	PART NO.	NAME	FLT MODELS	FXR MODELS	SOFTAIL MODELS
1	604	ROLL PIN (2)	87*-ALL	--	--
1A	2773	SCREW	--	--	90*-BJ/M
2	3516A	SCREW (2)	87*-ALL	--	--
2A	3782	BOLT (4)	89*-ALL	--	--
3	3960W	BOLT (2)	87*-ALL	--	--
4	3993	BOLT (2)	87*-ALL	--	--
5	4721	BOLT	--	--	87*-BJ/M
6	4729	BOLT (4)	87 to 89-ALL	--	--
7	6400HB	WASHER	--	--	87*-BJ/M
8	6738	WASHER (3)	87*-ALL	--	--
9	7038	LOCKWASHER	--	--	87*-BJ/M
10	7039	LOCKWASHER (4)	87*-ALL	--	--
11	7041	LOCKWASHER (3)	87*-ALL	--	--
12	7230	LOCKWASHER	--	--	90*-BJ/M
13	7742	LOCKNUT (4)	87*-ALL	--	87*-BJ/M
14	7753	NUT	87*-ALL	--	--
15	8860	BALL (2)	87*-ALL	--	--
16	33085-74	SPRING (2)	87*-ALL	--	--
17	33630-87	BRACKET, left	--	--	87 to 87-BJ/M
	33630-90	BRACKET, left	--	--	90*-BJ/M
18	42431-86	BRACKET, right	--	--	87*-BJ/M
19	47365-83A	BRACKET, front (2)	87*-ALL	--	--
20	50518-83A	BRACKET, right rear	87*-ALL	--	--
21	50584-87	BRACKET, right	87*-ALL	--	--
22	50585-87	BRACKET, left	87*-ALL	--	--
23	50606-86A	PAD (2)	87*-ALL	--	--
	50613-86	FOOTBOARD, passenger (2)	87*-ALL	--	--
24	50614-66	PAD (2)	87*-ALL	--	87*-BJ/M
25	50619-74A	PLATE w/o pad (2)	N/A 87*-ALL	--	87*-BJ/M
26	50620-74	RUBBER MOUNT (8)	87*-ALL	--	87*-BJ/M
27	50621-79A	FOOTBOARD, w/#24, 25 & 26	87*-ALL	--	87*-BJ/M
28	50622-83A	BRACKET, left rear	87*-ALL	--	--
29	50635-82	BOLT, footboard hinge (4)	87*-ALL	--	87*-BJ/M
30	50933-86	PIN, pivot (4)	87*-ALL	--	--
31	50989-86	STUD, left front (chrome)	--	--	87*-BJ/M
32	50990-86B	SUPPORT BRACKET, left rear	--	--	87*-BJ/M
33	52713-87	SUPPORT, footboard (black wrinkle)	87-ALL	--	--
	52713-91	SUPPORT, footboard (black wrinkle)	88*-ALL	--	--
34	67865-89	PLUG (2)	87*-ALL	--	--

**FLT MODELS**

FLTC DB  
 FLHT DD  
 FLHTC DJ  
 FLTC-U DM  
 FLHTC-U DP  
 FLHS FA

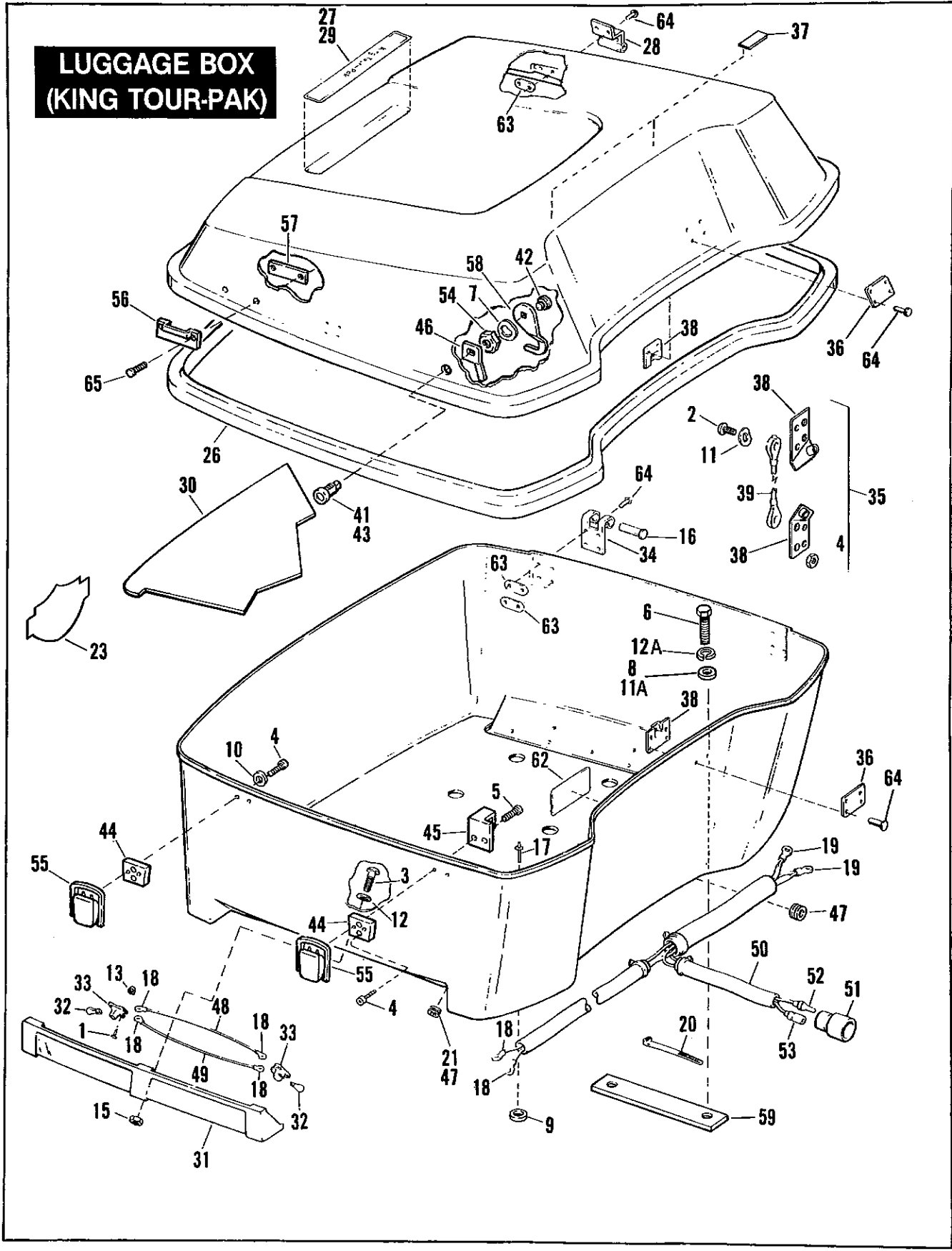
**FXR MODELS**

FXR EA  
 FXRS EB  
 FXRT EC  
 FXRS-SP EG  
 FXLR EL  
 FXRS-CON EM

**SOFTAIL MODELS**

FXST BH  
 FLST/C BJ  
 FXSTC BK  
 FXSTS BL  
 FLSTF BM

# LUGGAGE BOX (KING TOUR-PAK)



**LUGGAGE BOX (KING TOUR-PAK)**

INDEX NO.	PART NO.	NAME	FLT MODELS	FXR MODELS	SOFTAIL MODELS
1	2804W	SCREW (8)	87*-DB/D/J/M/P	--	--
2	2831	SCREW (2)	87*-DB/D/J/M/P	--	--
3	2888	SCREW (6)	87*-DB/D/J/M/P	--	--
4	3597	SCREW (4)	87*-DB/D/J/M/P	--	--
5	3598	SCREW (2)	87*-DB/D/J/M/P	--	--
6	3787	BOLT (4)	87*-DB/D/J	--	--
7	6055	SPRING WASHER (4)	87*-DB/D/J/M/P	--	--
8	6703	WASHER (4)	87-DB/D/J	--	--
9	6716	WASHER (10)	87*-DB/D/J/M/P	--	--
10	6717	WASHER (4)	87*-DB/D/J/M/P	--	--
11	6970	SPRING WASHER (2)	87*-DB/D/J/M/P	--	--
11A	7036	LOCKWASHER (4)	88*-DB/J	--	--
12	7115	LOCKWASHER (6)	87*-DB/D/J/M/P	--	--
12A	7124	LOCKWASHER	89*-DB/J/M/P	--	--
13	7520	ACORN NUT (nylon)(8)	87*-DB/D/J/M/P	--	--
14	7590	NUT (8)	87*-DB/D/J	--	--
15	7608	LOCKNUT (6)	87*-DB/D/J/M/P	--	--
16	8500	RIVET (2)	88*-DB/D/J/M/P	--	--
	8502	RIVET (2)	87-DB/D/J	--	--
17	8688	RIVET (10)	87*-DB/D/J/M/P	--	--
18	9856	TERMINAL, ring type-No.6 hole (10)	87*-DB/D/J	--	--
19	9871	TERMINAL, ring type-No.6 hole (2)	87*-DB/D/J	--	--
20	10065	CABLE STRAP (3)	87*-DB/D/J	--	--
21	11410	GROMMET, side light wiring (2)	87&88-DB/D/J	--	--
22	48152-82	KEY (specify key no.1 to 100)	87*-DB/D/J	--	--
23	52756-79	NAMEPLATE (gold & black)	87-DB/D/J	--	--
	90971-79	NAMEPLATE (silver & black)	87-DB/D/J	--	--
26	53415-83	GASKET, cover	87*-DB/D/J/M/P	--	--
27	53424-79	NAMEPLATE, "KING TOUR-PAK" (brown)	87*-DB/D/J	--	--
28	53426-80	HINGE, cover-upper (2)	87-DB/D/J	--	--
	53426-87	HINGE, cover-upper (2)	88*-DB/J/M/P	--	--
29	53434-80	NAMEPLATE, "KING TOUR-PAK" (black)	87*-DB/D/J	--	--
30	53435-88	MAT, luggage box	87*-DB/D/J	--	--
31	53437-79	LENS, side light (2)	87*-DB/D/J/M/P	--	--
32	53439-79	BULB, side light (4)	87*-DB/D/J/M/P	--	--
33	53440-79	SOCKET, side light (4)	87*-DB/D/J/M/P	--	--
34	53447-83A	HINGE, lower (2)	87-DB/D/J	--	--
	53447-87	HINGE, lower (2)	88*-DB/J/M/P	--	--
35	53477-80A	BRACE ASSY. luggage box	87*-DB/D/J	--	--
36	53478-80	BACKING PLATE, brace (2)	87*-DB/D/J/M/P	--	--
37	53486-85	PAD (2)	87*-DB/D/J/M/P	--	--
38	53563-82	BRACKET, cable mtg. (2-1987 to 1989)	87*-DB/D/J/M/P	--	--
	53570-89	BRACKET, cable mtg.	90*-DB/J/M/P	--	--
39	53564-82	CABLE BRACE, cover	87 to 89-DB/J/M/P	--	--
	53564-89	CABLE BRACE, cover	90*-DB/J/M/P	--	--
41	53580-82	CAM LOCK	87*-DB/D/J/M/P	--	--
42	53582-82	SCREW W/WASHER	87*-DB/D/J	--	--
43	53587-85	LOCK SET, W/#22,41,42 & 54	87*-DB/M	--	--
	53588-85	LOCK SET, W/#22,41,42 & 54	87*-DD/J/P	--	--

**FLT MODELS**

FLTC DB  
 FLHT DD  
 FLHTC DJ  
 FLTC-U DM  
 FLHTC-U DP  
 FLHS FA

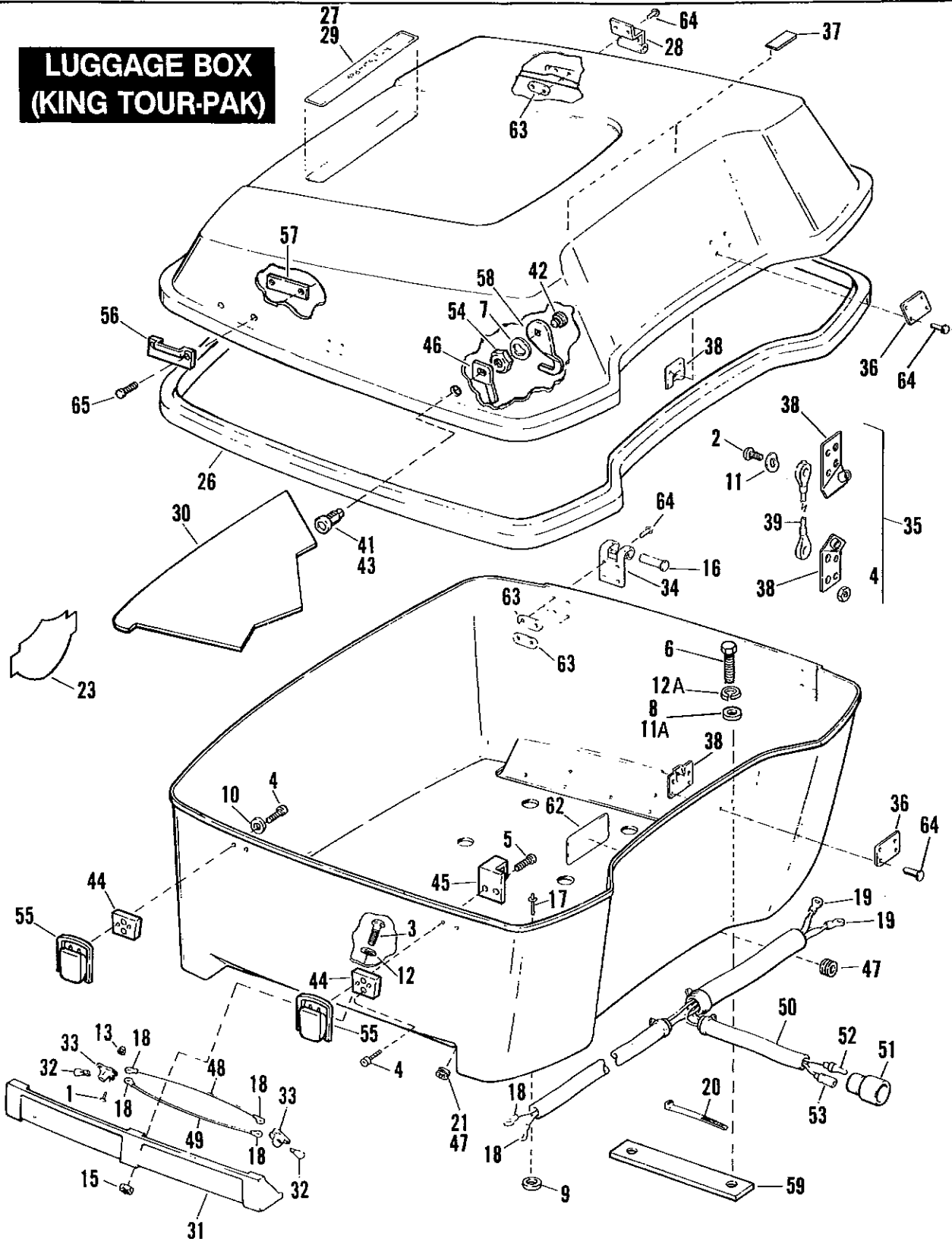
**FXR MODELS**

FXR EA  
 FXRS EB  
 FXRT EC  
 FXRS-SP EG  
 FXLR EL  
 FXRS-CON EM

**SOFTAIL MODELS**

FXST BH  
 FLST/C BJ  
 FXSTC BK  
 FXSTS BL  
 FLSTF BM

**LUGGAGE BOX  
(KING TOUR-PAK)**



**LUGGAGE BOX (KING TOUR-PAK)(CONT'D)**

**F31-2**

INDEX NO.	PART NO.	NAME	FLT MODELS	FXR MODELS	SOFTAIL MODELS
44	53615-85	SPACER (2)	87*-DB/D/J/M/P	--	--
45	53616-85	CATCH, lower	87*-DB/D/J/M/P	--	--
46	53617-85	GUIDE, lock	87*-DB/D/J/M/P	--	--
47	57978-63	GROMMET (3-1989 & Later)	87*-DB/D/J/M/P	--	--
48	70643-79A	WIRE, side light (green)(2)	87*-DB/D/J/M/P	--	--
49	70644-79A	WIRE, side light (black)(2)	87*-DB/D/J/M/P	--	--
50	70646-79	WIRING HARNESS, side light	87*-DB/D/J	--	--
	70646-88	WIRING HARNESS, side light	88*-DB/J	--	--
	70648-89	WIRING HARNESS, luggage box	89*-DM/P	--	--
51	72052-79	RECEPTACLE, side light wire	87*-DB/D/J	--	--
	74521-77	RECEPTACLE, luggage box	89*-DM/P	--	--
52	74536-77A	PIN, wiring harness	87*-DB/D/J/M/P	--	--
53	74539-77A	SOCKET, wiring harness (2-DM/P)	87*-DB/D/J/M/P	--	--
54	84850-67	NUT, lock	87*-DB/D/J	--	--
55	90649-85	BODY, catch (2)	87*-DB/D/J/M/P	--	--
56	90663-85	CATCH, upper (2)	87*-DB/D/J/M/P	--	--
57	90688-85	BACKING PLATE (2)	87*-DB/D/J/M/P	--	--
58	90689-84	CAM HOOK	87*-DB/D/J/M/P	--	--
59	90743-88	GASKET (2)	87*-DB/D/J/M/P	--	--
62	90821-74A	LABEL, load limit	87*-DB/D/J/M/P	--	--
63	90964-63	BACKING PLATE (8)	87*-DB/D/J/M/P	--	--
64	90965-63	RIVET (20)	87*-DB/D/J/M/P	--	--
65	90967-64	RIVET (4)	87*-DB/D/J/M/P	--	--

**FLT MODELS**

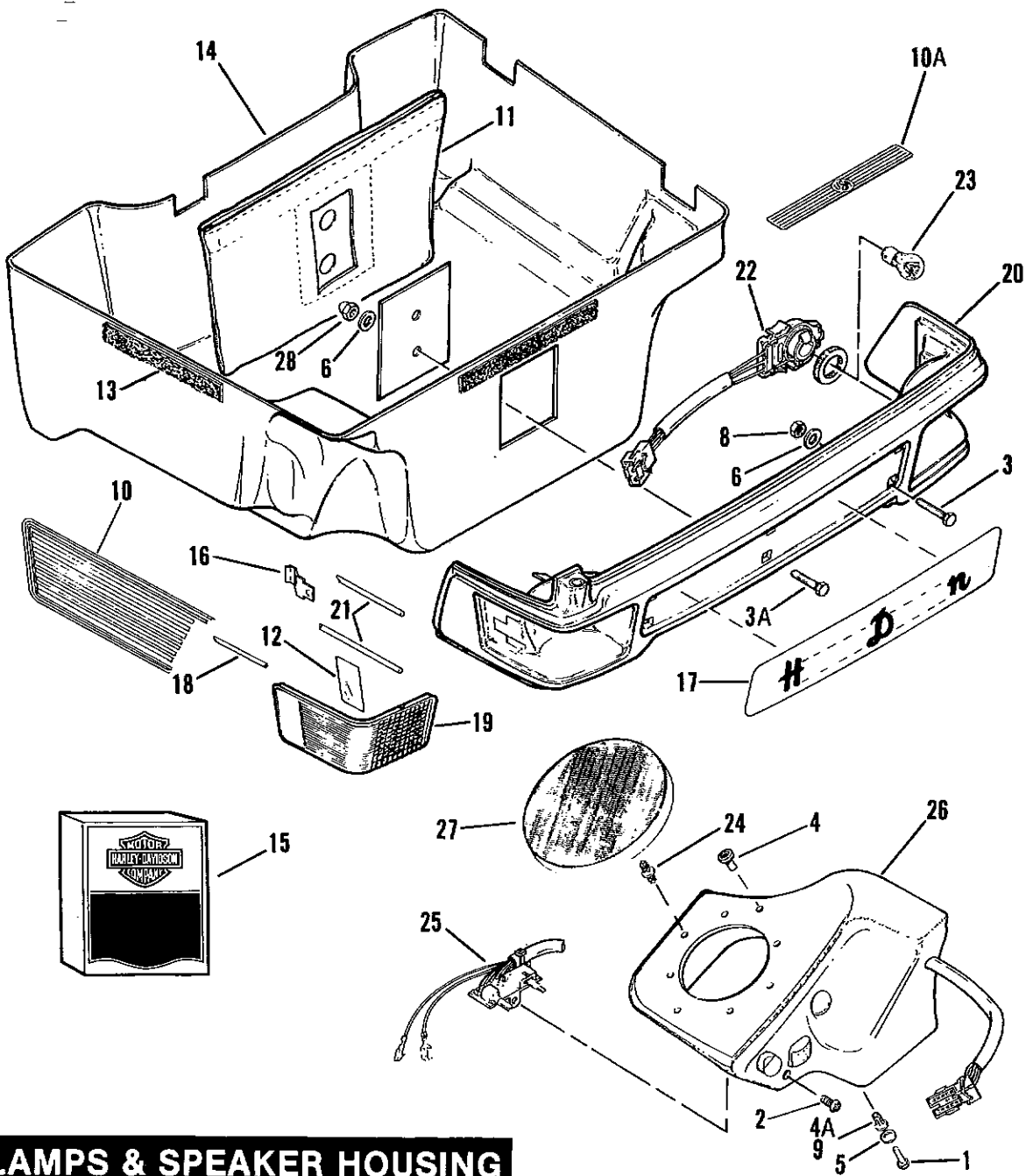
FLTC DB  
 FLHT DD  
 FLHTC DJ  
 FLTC-U DM  
 FLHTC-U DP  
 FLHS FA

**FXR MODELS**

FXR EA  
 FXRS EB  
 FXRT EC  
 FXRS-SP EG  
 FXLR EL  
 FXRS-CON EM

**SOFTAIL MODELS**

FXST BH  
 FLST/C BJ  
 FXSTC BK  
 FXSTS BL  
 FLSTF BM



**LAMPS & SPEAKER HOUSING  
ULTRA TOUR-PAK**



INDEX NO.	PART NO.	NAME	FLT MODELS	FXR MODELS	SOFTAIL MODELS
1	2551W	BOLT (6)	89*-DM/P	--	--
2	2625	SCREW	89*-DM/P	--	--
3	3541	SCREW (4)	89*-DM/P	--	--
3A	3545	SCREW (2)	89*-DM/P	--	--
4	5210	WELL NUT (8)	L89*-DM/P	--	--
4A	5211	NUT, crimp (6)	L89*-DM/P	--	--
5	6036	WASHER (6)	89*-DM/P	--	--
6	6716	WASHER (6)	89*-DM/P	--	--
7	7036	LOCKWASHER (16)	89*-DM/P	--	--
7A	7118	LOCKWASHER (6)	89*-DM/P	--	--
8	7620W	NUT (4)	89*-DM/P	--	--
9	8099	WELL NUT (6)	E89*-DM/P	--	--
9A	10205	STAPLE (20)	N/A 89&E90-DM/P	--	--
10	14178-89	DECAL, right (silver & red)	89*-DM/P	--	--
	14178-90	DECAL, right (silver & blue)	90*-DM/P	--	--
	14179-89	DECAL, left (silver & red)	89*-DM/P	--	--
	14179-90	DECAL, left (silver & blue)	90*-DM/P	--	--
	14246-90	DECAL, right (gold & red)	90*-DM/P	--	--
10A	14248-90	DECAL, left (gold & red)	90*-DM/P	--	--
	14218-89	DECAL "USA" (red)	89*-DM/P	--	--
	14251-90	DECAL "USA" (black)	90*-DM/P	--	--
11	53165-89	POUCH, owners manual	89*-DM/P	--	--
12	53166-89	REFLECTOR (2)	89*-DM/P	--	--
13	53170-89	FASTENER (velcro)(5)(cut to suit)	89*-DM/P	--	--
14	53266-88	LINER, molded	89&E90-DM/P	--	--
	53278-89	LINER, molded	L90*-DM/P	--	--
15	53598-88	LINER, removable	89*-DM/P	--	--
16	58380-89	CLIP, housing (2)	89*-DM/P	--	--
17	58381-89	NAMEPLATE	89*-DM/P	--	--
18	58382-89	SEAL, lamp lens (2)	89*-DM/P	--	--
19	58383-89	LENS, left	89*-DM/P	--	--
	58384-89	LENS, right	89*-DM/P	--	--
20	58385-89	HOUSING, lamp	89*-DM/P	--	--
21	58386-89	SEAL, lamp (as req'd)	N/A 89*-DM/P	--	--
22	58388-89	SOCKET ASSEMBLY (2)	89*-DM/P	--	--
23	68168-89	BULB, taillamps	89*-DM/P	--	--
24	76175-86	CLIP, double end (8)	89*-DM/P	--	--
25	76290-89	SWITCH, function control & volume/P.T.T.	89*-DM/P	--	--
26	76303-89	SPEAKER HOUSING, rear - left	89*-DM/P	--	--
	76304-89	SPEAKER HOUSING, rear - right	89*-DM/P	--	--
27	76307-89	SPEAKER GRILLE, rear (2)	89*-DM/P	--	--
28	90844-80	ACORN NUT (2)	89*-DM/P	--	--

FLT MODELS

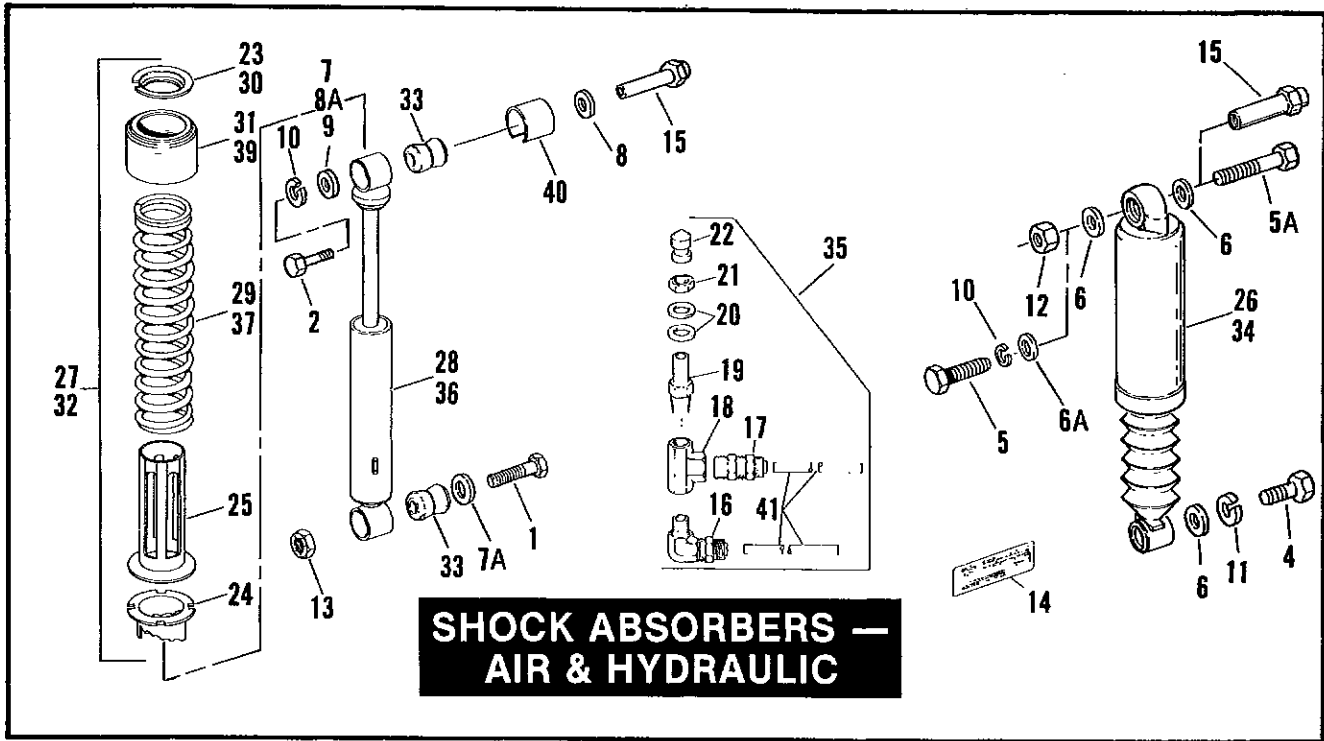
FLTC DB  
 FLHT DD  
 FLHTC DJ  
 FLTC-U DM  
 FLHTC-U DP  
 FLHS FA

FXR MODELS

FXR EA  
 FXRS EB  
 FXRT EC  
 FXRS-SP EG  
 FXLR EL  
 FXRS-CON EM

SOFTAIL MODELS

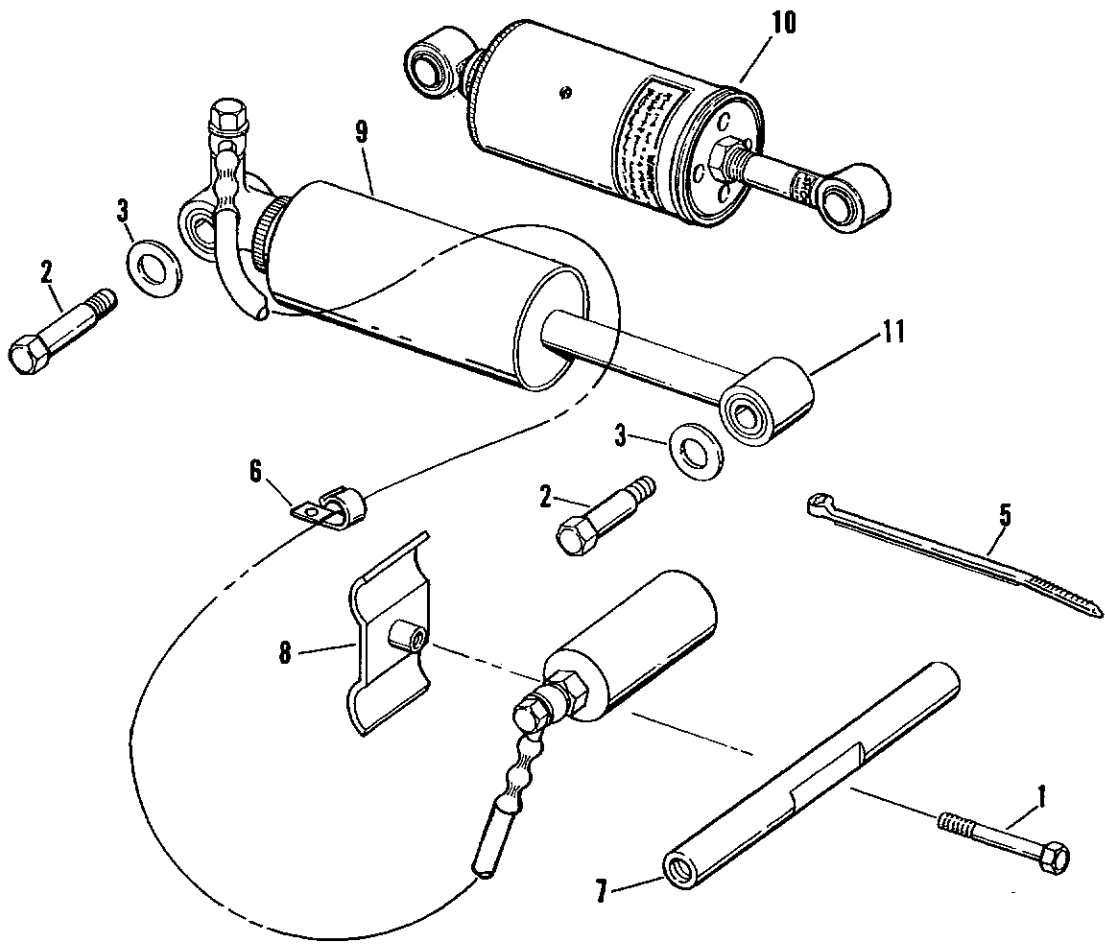
FXST BH  
 FLST/C BJ  
 FXSTC BK  
 FXSTS BL  
 FLSTF BM



INDEX NO.	PART NO.	NAME	FLT MODELS	FXR MODELS	SOFTAIL MODELS
1	1614	BOLT (2)	--	87&88-ALL	--
	4081	BOLT (2)	--	89*-ALL	--
2	2879W	BOLT (2)	--	87*-EA/B/C/G/M	--
	2906	BOLT (2)	--	87*-EL	--
4	3535	BOLT (2)	87*-ALL	--	--
5	3536	BOLT (2)	88*-ALL	--	--
5A	3950	BOLT (2)	87*-ALL	--	--
6	6012	WASHER (6)	87*-ALL	--	--
6A	6019	WASHER (2)	88*-ALL	--	--
7	6530	WASHER (2)	--	87*-EA/B/G/L/M	--
7A	6718	WASHER (2)	--	89*-ALL	--
8	6738	WASHER (2)	--	87*-ALL	--
9	6962	WASHER (2)	--	87&88-EC	--
10	7038	LOCKWASHER (2)	--	87*-ALL	--
11	7068	LOCKWASHER (2)	--	87*-ALL	--
12	7741	LOCKNUT (2)	87*-ALL	--	--
13	7824	LOCKNUT (2)	--	87*-ALL	--
14	14112-85	DECAL, air suspension	87*-ALL	--	--
	14112-88	DECAL, air suspension	88*-ALL	--	--
	14052-85	DECAL, air suspension	--	87-EC	--
	14052-88	DECAL, air suspension	N/A --	88*-EC	--
15	54309-87	SCREW, int. thd.	88*-ALL	87*-ALL	--
16	54310-83	ELBOW, male	87*-ALL	--	--
17	54314-83	CONNECTOR, male	87*-ALL	--	--
18	54315-83	FITTING	87*-ALL	--	--
19	54317-85	VALVE, w/#22	87*-ALL	--	--
20	54319-85	WASHER (2)	87*-ALL	--	--
21	54321-85	NUT	87*-ALL	--	--
22	54323-85	VALVE CAP	87*-ALL	--	--
23	54473-79	SPRING SEAT (2)	--	87*-EA/B/G/L/M	--
24	54474-79	ADJUSTER, spring (2)	--	87*-EA/B/G/L/M	--
25	54475-79	GUIDE, spring (2 - EA/B/G/L)	--	87*-ALL	--
26	54491-85	SHOCK ABSORBER, right - complete	--	87*-EC	--
27	54492-85	SHOCK ABSORBER, left - complete	--	87*-EC	--
28	54493-85	SHOCK ABSORBER, only	N/A --	87*-EC	--
29	54494-85	SPRING (black)	N/A	87*-EC	--
30	54495-85	SPRING SEAT, upper (black)	N/A --	87*-EC	--
31	54496-85	COVER, upper (black)	--	87*-EC	--
32	54502-87	SHOCK ABSORBER, complete (2)	--	87*-EA/B/L	--
	54506-87	SHOCK ABSORBER, complete (2)	--	87*-EG/M	--
33	54523-82	BUSHING (4; 2 - EC)	--	87*-ALL	--
34	54532-85	SHOCK ABSORBER, complete (2)	87*-ALL	--	--
35	54536-85	VALVE ASSEMBLY, complete	N/A 87*-ALL	--	--
36	54547-87	SHOCK ABSORBER, only (2)	N/A	87*-EA/B/L	--
	54548-87	SHOCK ABSORBER, only (2)	N/A --	87*-EG/M	--
37	54585-87	SPRING (chrome) (2)	--	87*-EA/B/L	--
	54586-87	SPRING (chrome) (2)	--	87*-EG/M	--
39	54701-82	COVER, upper (chrome)	--	87*-EA/B/G/L/M	--
40	54705-81	COVER, stud (chrome)	--	87*-EA/B/G/L/M	--
NOTE: Hose is sold only in bulk length under the following part number. Cut to length.					
41	54324-85	HOSE, 5/64 I.D. x 1/8 O.D. (25 ft. lg.) (black)	87*-ALL	--	--

FLT MODELS		FXR MODELS		SOFTAIL MODELS	
FLTC	DB	FXR	EA	FXST	BH
FLHT	DD	FXRS	EB	FLST/C	BJ
FLHTC	DJ	FXRT	EC	FXSTC	BK
FLTC-U	DM	FXRS-SP	EG	FXSTS	BL
FLHTC-U	DP	FXLR	EL	FLSTF	BM
FLHS	FA	FXRS-CON	EM		

# SHOCK ABSORBERS — SOFTAIL



# SHOCK ABSORBERS - SOFTAIL MODELS

F32A

INDEX NO.	PART NO.	NAME	FLT MODELS	FXR MODELS	SOFTAIL MODELS
1	2887W	BOLT	--	--	87&88-ALL
2	4074	BOLT (4)	--	--	87*-ALL
3	6724	WASHER (4)	--	--	87*-ALL
5	10006	CABLE STRAP, hose-left shock absorber	--	--	87&88-ALL
6	10072	CLAMP, left shock hose	--	--	87&88-ALL
7	48030-86	BRACKET, cannister mounting-rear	--	--	87&88-ALL
	48031-89A	SWING AXIS TUBE	--	--	89*-ALL
8	48033-84	BRACKET, cannister mounting-front	--	--	87&88-ALL
9	54508-86A	SHOCK ABSORBER, complete-left	--	--	87&88-ALL
	54520-86	SHOCK ABSORBER, complete-right	--	--	87&88-ALL
10	54508-89	SHOCK ABSORBER complete (2)	--	--	89*-ALL
11	54551-86	ROD EYE (2)	--	--	87&88-ALL

**FLT MODELS**

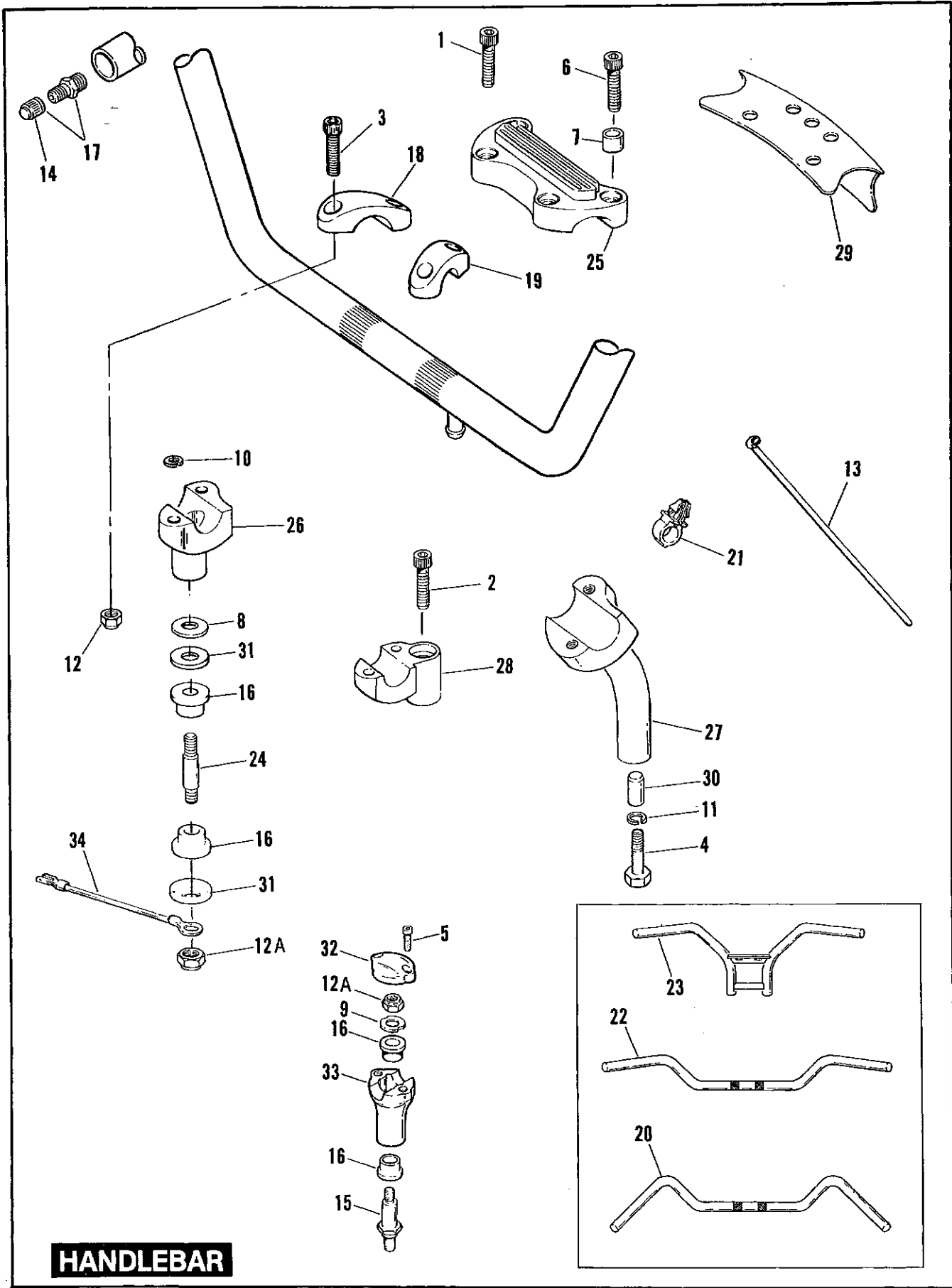
FLTC DB  
 FLHT DD  
 FLHTC DJ  
 FLTC-U DM  
 FLHTC-U DP  
 FLHS FA

**FXR MODELS**

FXR EA  
 FXRS EB  
 FXRT EC  
 FXRS-SP EG  
 FXLR EL  
 FXRS-CON EM

**SOFTAIL MODELS**

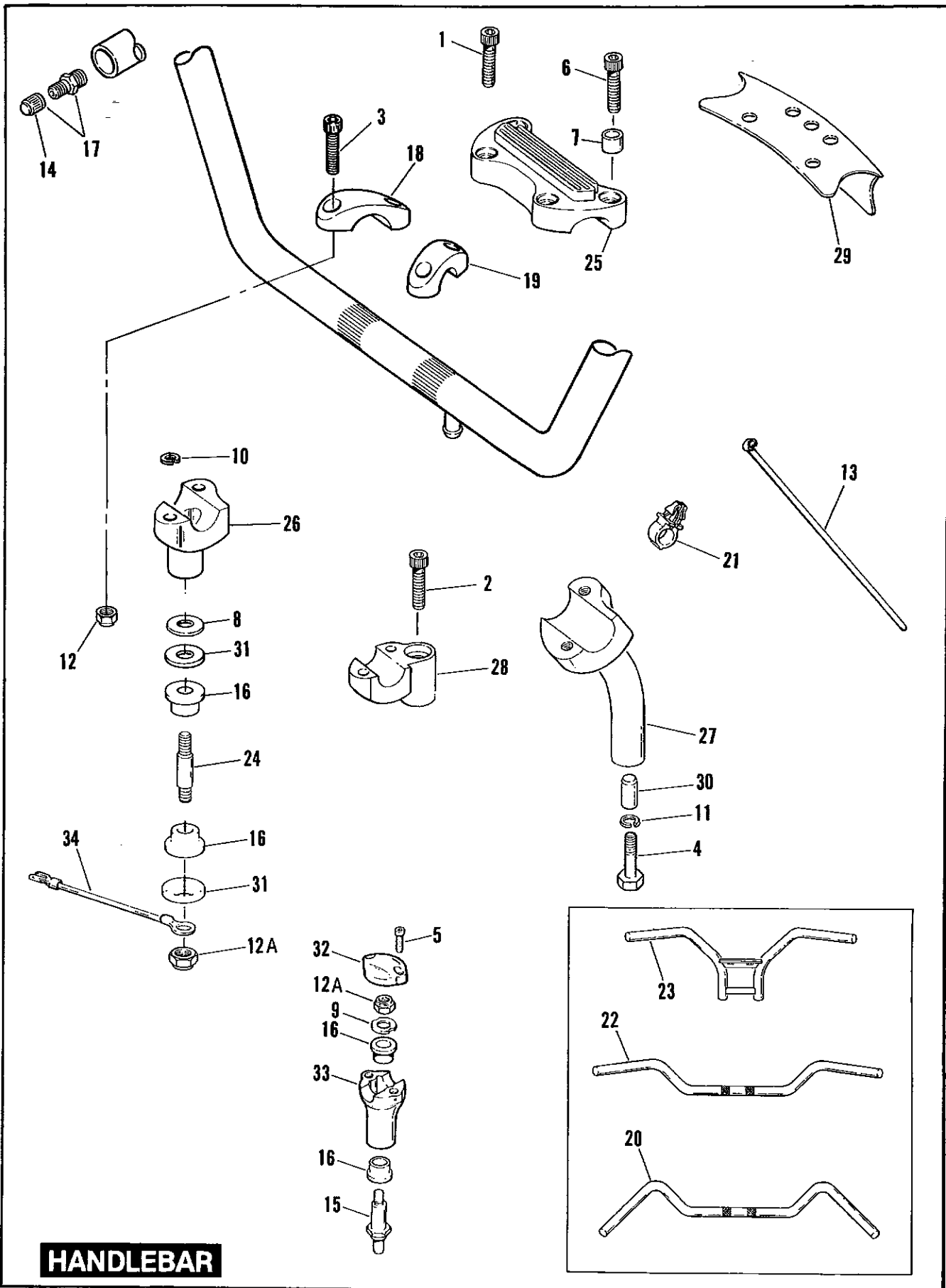
FXST BH  
 FLST/C BJ  
 FXSTC BK  
 FXSTS BL  
 FLSTF BM



**HANDLEBAR**

INDEX NO.	PART NO.	NAME	FLT MODELS	FXR MODELS	SOFTAIL MODELS
1	853A	SCREW (2)	--	87-EB;87-EG/M	--
	4809	SCREW (4)	--	87-EC	--
2	867A	SCREW (2)	--	87-EC	--
3	3210	SCREW (4)	87*-ALL	--	--
4	3450	BOLT (2)	--	--	87*-BH/K
	3471	BOLT (2)	--	87*-EL	--
5	3494	SCREW (4)	--	--	L88*-BL
6	4816A	SCREW (4)	--	87*-EA/B/G/M	--
7	5736	SPACER (2)	--	87-EB/J;87*-EG/M	--
8	6113	WASHER	87*-ALL	--	--
9	6753	WASHER (2)	--	--	L88*-BL
10	7042	LOCKWASHER (2)	--	87*-EA/B/G/M	--
11	7068	LOCKWASHER (2)	--	87*-EL	87*-BH/K
12	7739	LOCKNUT (4)	87*-ALL	87*-EA/B/C/G/M	--
12A	7768W	LOCKNUT (2)	--	87*-EA/B/C/G/M	87*-BJ/L/M
	7844	NUT (2)	87*-ALL	87*-EC	--
13	10065	CABLE STRAP (2)	--	--	87*-ALL
14	41123-79	VALVE CAP	88*-ALL	88*-EC/G/M	--
15	45544-88	STUD, rigid fork leg (2)	--	--	L88*-BL
16	53156-86	BUSHING (rubber) (4)	--	--	87*-ALL
	56158-73	BUSHING (rubber) (4)	--	87*-ALL	--
17	56161-83	BUSHING (rubber) (4)	87*-ALL	--	--
	54316-83A	VALVE STEM ASSY.	88*-ALL	87*-EC/G/M	--
18	55917-79	CLAMP, upper - right	87*-ALL	--	--
19	55918-79	CLAMP, upper - left	87*-ALL	--	--
20	55919-82	HANDLEBAR	--	--	90*-BM
	55920-83A	HANDLEBAR	N/A 87-ALL	--	--
	55934-89	HANDLEBAR	--	L89*-EM	--
	55920-83B	HANDLEBAR	88*-ALL	--	--
	55936-88	HANDLEBAR	--	88*-EC	--
	55937-88	HANDLEBAR	--	88*-EG	--
	56081-82	HANDLEBAR	--	87*-EA/B	87*-BH/K
	56087-86	HANDLEBAR	--	87-EC	--
	56093-88	HANDLEBAR	--	--	L88*-BL
	56569-86	HANDLEBAR	--	--	87*-BJ
21	56073-83	RETAINER (4)	--	87-ALL;88*-EA/C	87*-ALL
	70345-84	RETAINER (4)	87-ALL	--	--
22	56082-83	HANDLEBAR	--	87-EG	--
23	56084-87A	HANDLEBAR	--	87*-EL	--
24	56105-84	STUD (2)	--	87*-EA/B/G/M	87*-BJ/M
	56137-84A	STUD (2)	87*-ALL	--	--
25	56115-79B	CLAMP, upper	--	87-EB;	--
				87*-EA/C/G/M	
	56119-77A	CLAMP, upper	--	88*-EB	87*-BH/K
	56567-86A	CLAMP, upper (chrome)	--	--	87*-BJ/M

FLT MODELS		FXR MODELS		SOFTAIL MODELS	
FLTC	DB	FXR	EA	FXST	BH
FLHT	DD	FXRS	EB	FLST/C	BJ
FLHTC	DJ	FXRT	EC	FXSTC	BK
FLTC-U	DM	FXRS-SP	EG	FXSTS	BL
FLHTC-U	DP	FXLR	EL	FLSTF	BM
FLHS	FA	FXRS-CON	EM		



**HANDLEBAR**



# HANDLEBAR

INDEX NO.	PART NO.	NAME	FLT MODELS	FXR MODELS	SOFTAIL MODELS
26	56116-82A	CLAMP, lower - right (left - EA)	--	87*-EA/B/G/M	--
	56117-82A	CLAMP, lower - left (right - EA)	--	87*-EA/B/G/M	--
	56140-84A	CLAMP, lower - left	87-ALL; 88*-DB/M,FA	--	--
	56141-84A	CLAMP, lower - right	87-ALL; 88*-DB/M,FA	--	--
	56149-88	CLAMP, lower-left	88*-DJ/P	--	--
	56151-88A	CLAMP, lower-right	88*-DJ/P	--	--
	56541-86A	CLAMP, lower - left (chrome)	--	--	87*-BJ/M
	56542-86A	CLAMP, lower - right (chrome)	--	--	87*-BJ/M
27	56122-77	CLAMP, lower - left	--	--	87*-BH/K
	56124-77	CLAMP, lower - right	--	--	87*-BH/K
28	56144-86	CLAMP, lower - right	--	87*-EC	--
	56146-86	CLAMP, lower - left	--	87*-EC	--
29	56148-87	COVER	--	87*-EL	--
30	56153-73	SPACER (2)	--	87*-EC/L	87*-BH/K
31	56159-73	CUP WASHER (4)	87*-ALL	87*-ALL	87*-ALL
32	56538-88	CLAMP (2)	--	--	L88*-BL
33	56540-88	RISER (2)	--	--	L88*-BL
34	70142-86	CABLE, ground	87*-ALL	--	--
	70191-73A	CABLE, ground	--	87*-ALL	87*-BH/K
	70197-86	CABLE, ground	--	--	87*-BJ/M
5	3531	<b>H-D INTERNATIONAL ONLY</b> SCREW (4) (HDI only)	--	--	L88*-BL

**FLT MODELS**

FLTC DB  
 FLHT DD  
 FLHTC DJ  
 FLTC-U DM  
 FLHTC-U DP  
 FLHS FA

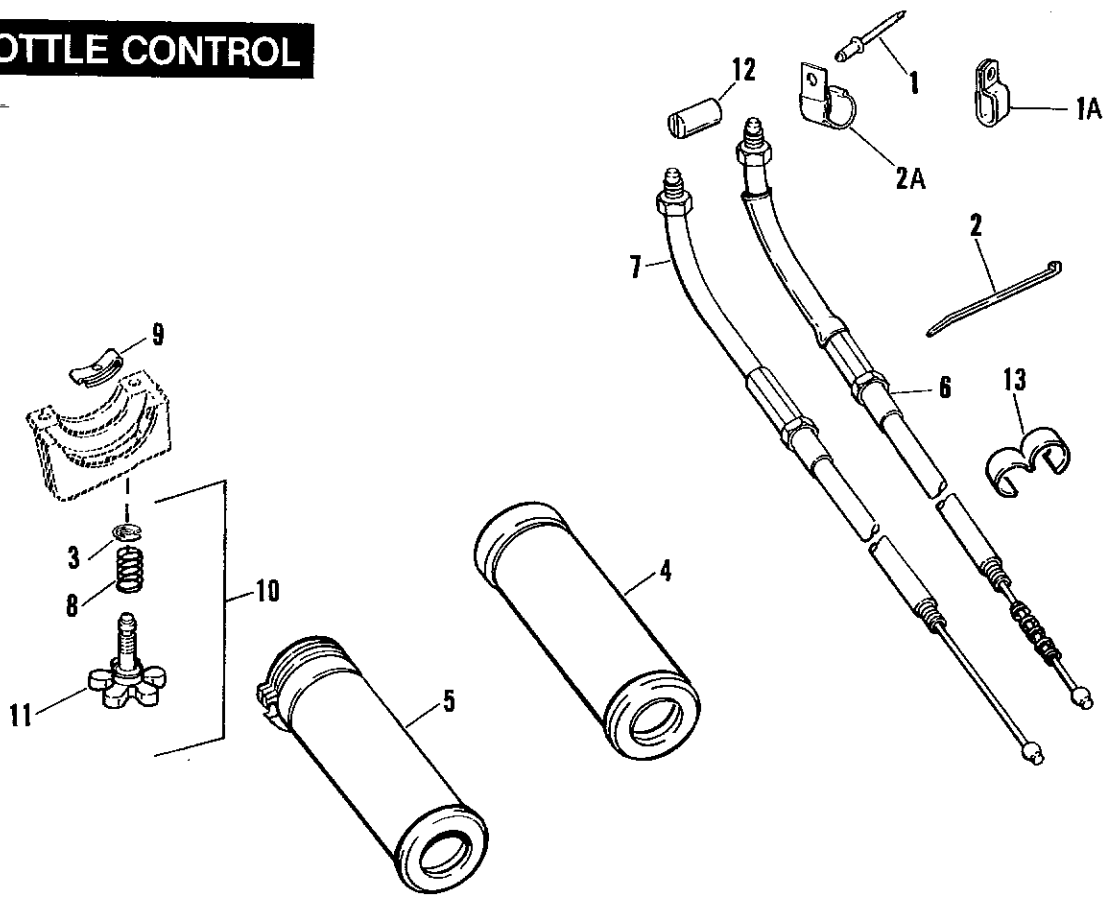
**FXR MODELS**

FXR EA  
 FXRS EB  
 FXRT EC  
 FXRS-SP EG  
 FXLR EL  
 FXRS-CON EM

**SOFTAIL MODELS**

FXST BH  
 FLST/C BJ  
 FXSTC BK  
 FXSTS BL  
 FLSTF BM

# THROTTLE CONTROL



# THROTTLE CONTROL

INDEX NO.	PART NO.	NAME	FLT MODELS	FXR MODELS	SOFTAIL MODELS
1	8483	RIVET	90*-ALL	--	--
1A	9988	CLAMP, throttle cable	--	87*-ALL	L88&89-BL
	10003	CLAMP	87*-ALL	--	--
2	10006	CABLE STRAP	--	--	87*-ALL
	10007	CABLE STRAP	87*-ALL	--	--
2A	10092	CLAMP	90*-ALL	--	--
3	11155	RETAINING RING	87*-ALL	87*-ALL	87*-ALL
4	55915-88	GRIP, left	88*-ALL	88*-EC/G	--
	56206-81A	GRIP, left	87*-ALL	87*-ALL; 88*-EA/B/L	87*-ALL
5	56220-81B	GRIP & SLEEVE, throttle-right	87*-ALL	87*-ALL	87*-ALL
6	56305-88	IDLE CONTROL	--	--	L88&89-BL
	56305-90	IDLE CONTROL	--	--	90*-BL
	56323-81C	IDLE CONTROL	--	87*-EA/B	87 to 89- BH/J/K
	56328-81B	IDLE CONTROL	87&88 ALL; 89-DB/J,FA	--	--
	56328-90	IDLE CONTROL	90*-DB/J,FA	--	--
	56337-83	IDLE CONTROL	--	87-EL; 87*-EC/G	--
	56342-88	IDLE CONTROL	--	88*-EL	--
	56342-90	IDLE CONTROL	--	90*-ALL	90*-BH/J/K/M
7	56306-88	THROTTLE CONTROL	--	--	L88&89-BL
	56306-90	THROTTLE CONTROL	--	--	90*-BL
	56324-81C	THROTTLE CONTROL	--	87*-EA/B	87 to 89- BH/J/K
	56327-81B	THROTTLE CONTROL	87&88 ALL; 89-DB/J,FA	--	--
	56327-90	THROTTLE CONTROL	90*-DB/J,FA	--	--
	56336-83	THROTTLE CONTROL	--	87-EL; 87*-EC/G	--
	56343-88	THROTTLE CONTROL	--	88*-EL	--
	56343-90	THROTTLE CONTROL	--	90*-ALL	90*-BH/J/K/M
8	56394-74	SPRING, adjusting screw	87&88-ALL; 89-DB/J,FA	87*-ALL	87*-ALL
9	56396-74A	FRICTION SPRING, throttle	87&88-ALL; 89-DB/J,FA	87*-ALL	87*-ALL
10	56397-74C	ADJUSTING SCREW KIT, w/3,8 & II	87&88-ALL; 89-DB/J,FA	87*-ALL	87*-ALL
11	56402-83A	ADJUSTING SCREW	87&88-ALL; 89-DB/J,FA	87*-ALL	87*-ALL
12	56508-76	FERRULE, control wire (2)	87*-ALL	87*-ALL	87*-ALL
13	70504-81	CLIP, throttle cables	--	87*-ALL	87*-ALL

**FLT MODELS**

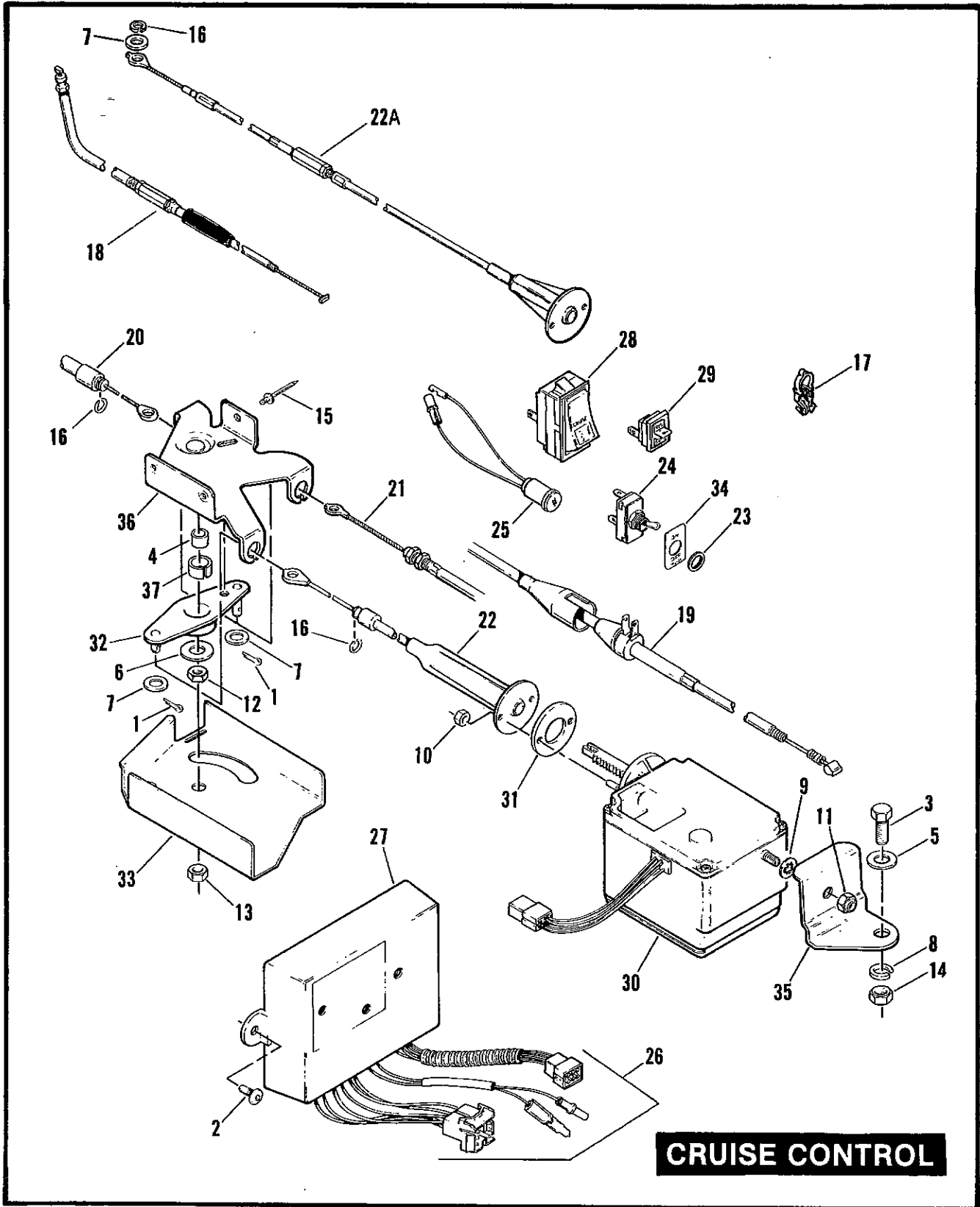
FLTC DB  
 FLHT DD  
 FLHTC DJ  
 FLTC-U DM  
 FLHTC-U DP  
 FLHS FA

**FXR MODELS**

FXR EA  
 FXRS EB  
 FXRT EC  
 FXRS-SP EG  
 FXLR EL  
 FXRS-CON EM

**SOFTAIL MODELS**

FXST BH  
 FLST/C BJ  
 FXSTC BK  
 FXSTS BL  
 FLSTF BM



**CRUISE CONTROL**

INDEX NO.	PART NO.	NAME	FLT MODELS	FXR MODELS	SOFTAIL MODELS
1	551	COTTER PIN (2)	89-DM/P	--	--
2	2501	SCREW (2)	89*-DM/P	--	--
3	3987	BOLT	89*-DM/P	--	--
4	5758	SPACER	89-DM/P	--	--
5	6702	WASHER	89*-DM/P	--	--
6	6703	WASHER	89-DM/P	--	--
7	6716	WASHER (2-1989)	89*-DM/P	--	--
8	7041	LOCKWASHER	89*-DM/P	--	--
9	7230	LOCKWASHER	89*-DM/P	--	--
10	7609W	LOCKNUT (2)	89*-DM/P	--	--
11	7686	LOCKNUT	89-DM/P	--	--
12	7689W	NUT	89-DM/P	--	--
13	7742	LOCKNUT	89-DM/P	--	--
14	7748W	NUT	89*-DM/P	--	--
15	8325	RIVET (3)	89-DM/P	--	--
16	11013	RETAINING RING (2)	89-DM/P	--	--
	11193	RETAINING RING (2)	90*-DM/P	--	--
17	56073-83	RETAINER (2)	90*-DM/P	--	--
18	56327-90	THROTTLE CONTROL	90*-DM/P	--	--
19	56351-89A	IDLE CONTROL	89-DM/P	--	--
	56351-90	IDLE CONTROL	90*-DM/P	--	--
20	56352-89	THROTTLE CONTROL (long)	89-DM/P	--	--
21	56353-89	THROTTLE CONTROL (short)	89-DM/P	--	--
22	56354-89	SERVO CONTROL	89-DM/P	--	--
22A	56354-90	SERVO CONTROL	90*-DM/P	--	--
23	67846-70	NUT, toggle switch	89*-DM	--	--
24	67858-89	SWITCH, cruise control	89*-DM	--	--
25	68536-75	INDICATOR LAMP	89*-DM	--	--
	68688-89	LAMP ASSEMBLY, cruise indicator	89*-DM	--	--
	70141-89	HARNES, cruise control (not illus.)	89-DM/P	--	--
	70141-90	HARNES, cruise control (not illus.)	90*-DM/P	--	--
26	70312-89	WIRING HARNES	89-DM/P	--	--
	70316-90	WIRING HARNES	90*-DM/P	--	--
27	70955-89	MODULE w/harness - cruise control	N/A 89-DM/P	--	--
	70956-90	MODULE w/harness - cruise control	N/A 90*-DM/P	--	--
	70958-89A	MODULE, cruise control	89-DM/P	--	--
	70958-90A	MODULE, cruise control	90*-DM/P	--	--
28	71513-89	SWITCH, cruise control	89*-DP	--	--
	71585-89	CABLE ASY., cruise set switch (not illus.)	89-DM/P	--	--
	71585-90	CABLE ASY., cruise set switch (not illus.)	90*-DM/P	--	--
29	77101-89	HANDLEBAR SWITCH, cruise set	89-DM/P	--	--
	77101-90A	HANDLEBAR SWITCH, cruise set/resume	90*-DM/P	--	--
30	77106-89	SERVO MOTOR	89*-DM/P	--	--
31	77109-89	GASKET	89*-DM/P	--	--
32	77111-89	LEVER	89-DM/P	--	--
33	77112-89	COVER, lever assembly	89-DM/P	--	--
34	77113-89	LABEL, cruise	89*-DM	--	--
35	77500-89	MOUNTING BRACKET, servo motor	89*-DM/P	--	--
36	77503-89	BRACKET	89-DM/P	--	--
37	77508-89	BUSHING	89-DM/P	--	--
		<b>H-D INTERNATIONAL ONLY</b>			
	77135-89	CRUISE CONTROL CUT-OUT (HDI only)	89-DM/P	--	--

**FLT MODELS**

FLTC DB  
 FLHT DD  
 FLHTC DJ  
 FLTC-U DM  
 FLHTC-U DP  
 FLHS FA

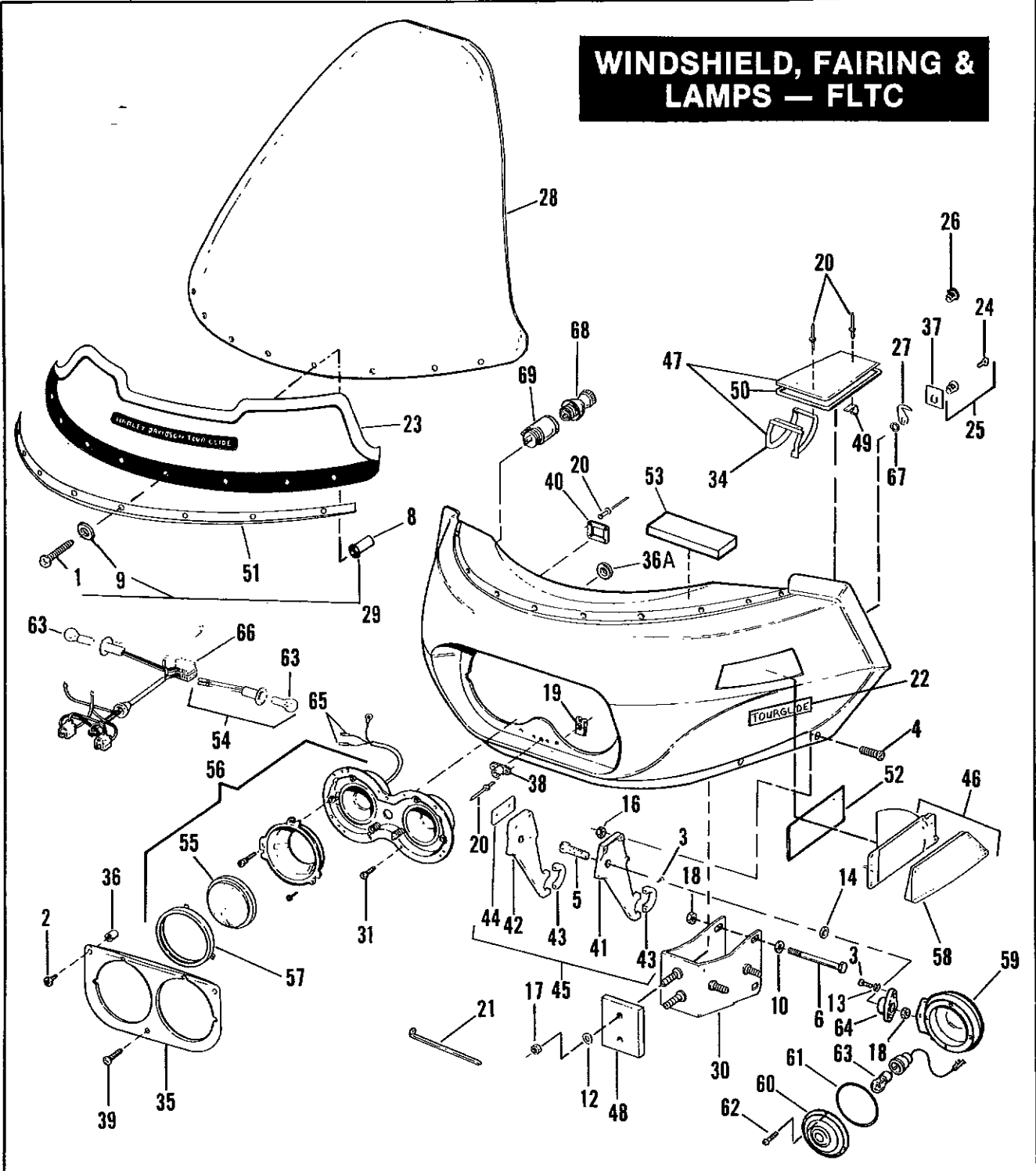
**FXR MODELS**

FXR EA  
 FXRS EB  
 FXRT EC  
 FXRS-SP EG  
 FXLR EL  
 FXRS-CON EM

**SOFTAIL MODELS**

FXST BH  
 FLST/C BJ  
 FXSTC BK  
 FXSTS BL  
 FLSTF BM

# WINDSHIELD, FAIRING & LAMPS — FLTC



INDEX NO.	PART NO.	NAME	FLT MODELS	FXR MODELS	SOFTAIL MODELS
<b>NOTE: REFER TO DEALER ACESSORY GUIDE FOR PAINTED PART NUMBERS</b>					
1	933	SCREW (7)	87*-DB/M	--	--
2	2504	SCREW (2)	87*-DB/M	--	--
3	2647A	SCREW (4;8-1988 & Later)	87*-DB/M	--	--
4	2648	SCREW (4)	87*-DB/M	--	--
5	4411	BOLT (2)	88*-DB/M	--	--
6	4435W	BOLT (2)	87*-DB/M	--	--
8	5207	WELL NUT (7)	87*-DB/M	--	--
9	6053	WASHER (7)	87*-DB/M	--	--
10	6701	WASHER (4)	87*-DB/M	--	--
12	6702	WASHER (2)	87*-DB/M	--	--
13	7069	LOCKWASHER (4)	88*-DB/M	--	--
14	7130W	LOCKWASHER (4)	88*-DB/M	--	--
16	7686	LOCKNUT (4)	87*-DB/M	--	--
17	7725	LOCKNUT (2)	87*-DB/M	--	--
18	7775	LOCKNUT (2;4-1988 & Later)	87*-DB/M	--	--
19	8107	CLIP NUT, headlamp mtg. (4)	87*-DB/M	--	--
20	8692	POP RIVET (black aluminum)(22)	87*-DB/M	--	--
21	10006	CABLE STRAP (2)	88*-DB/M	--	--
	10065	CABLE STRAP (2)	90*-DB/M		
22	14010-82	DECAL, "Tour Glide" (cream)(2)	87*-DB	--	--
	14011-82	DECAL, "Tour Glide" (silver)(2)	87*-DB	--	--
	14012-82A	DECAL, "Tour Glide" (gold)(2)	87*-DB	--	--
	14158-87	DECAL, "Tour Glide" (red)(2)	N/A 87&88-DB	--	--
23	14048-86	DECAL, "Tour Glide" (grey)	N/A 87&88-DB	--	--
	14224-89	DECAL, "Harley-Davidson" (silver)	89*-DM	--	--
24	48152-82	KEY (specify key no. 1 to 100)	87*-DB	--	--
25	53580-82	CAM LOCK, fairing (2)	87*-DB/M	--	--
26	53582-82	SCREW, w/washer (2)	87*-DB/M	--	--
27	53583-82	CAM HOOK (2)	87*-DB/M	--	--
	53587-85	LOCK SET, w/#24 - 27 & 67	87*-DB/M	--	--
28	58009-83B	WINDSHIELD ASSEMBLY, 2" over std. w/#1,8,9,23 &51	N/A 87&88-DB	--	--
	58009-89A	WINDSHIELD ASSEMBLY, 2" over std. w/#1,8,9,23 &51	89*-D/M	--	--
	58016-83B	WINDSHIELD ASSEMBLY std. w/#1,8,9,23 &51	N/A 87&88-DB	--	--
	58016-89A	WINDSHIELD ASSEMBLY std. w/#1,8,9,23 &51	89*-D/M	--	--
	58453-83B	WINDSHIELD ASSEMBLY 3" under std. w/#1,8,9,23 &51	N/A 87&88-DB	--	--
	58453-89A	WINDSHIELD ASSEMBLY 3" under std. w/#1,8,9,23 &51	89*-D/M	--	--
29	58031-80	WINDSHIELD MTG. KIT, w/&1,8 & 9	87*-DB/M	--	--
30	58400-80	BRACKET, mtg. - upper	87*-DB/M	--	--
31	58402-80	SCREW, headlamp mtg. (4)	87*-DB/M	--	--
34	58459-80	HINGE, cover (2)	87*-DB/M	--	--
35	58460-80	TRIM PLATE, headlamp	87*-DB/M	--	--
36	58461-80	SPACER (2)	87*-DB/M	--	--
36A	58462-89	GROMMET, slit	89*-DM	--	--
37	58466-80	WASHER PLATE (2)	87*-DB/M	--	--
38	58473-80	MOUNTING BRACKET (3)	87*-DB/M	--	--
39	58477-80	SCREW, headlamp trim plate	87*-DB/M	--	--

**FLT MODELS**

FLTC	DB
FLHT	DD
FLHTC	DJ
FLTC-U	DM
FLHTC-U	DP
FLHS	FA

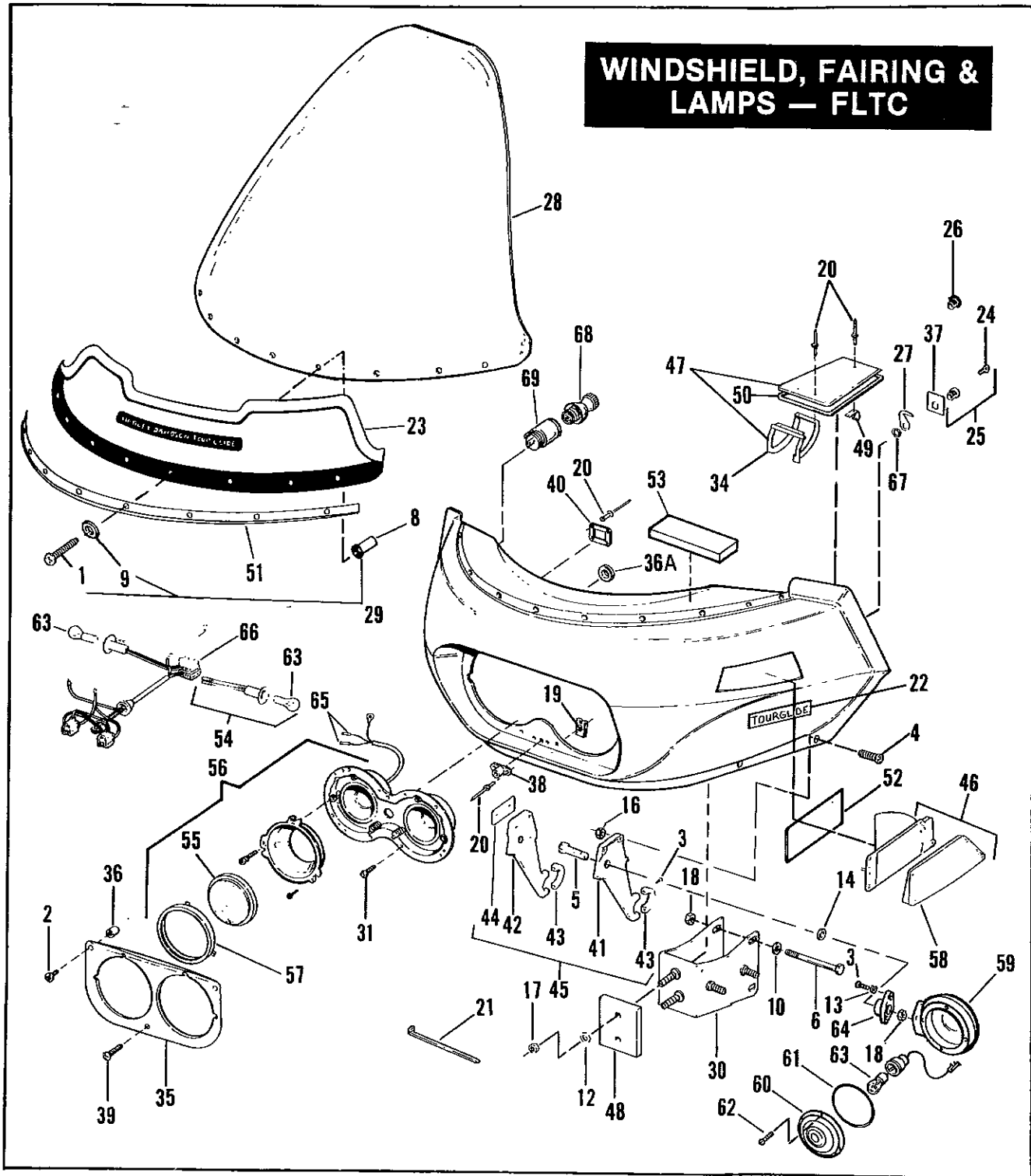
**FXR MODELS**

FXR	EA
FXRS	EB
FXRT	EC
FXRS-SP	EG
FXLR	EL
FXRS-CON	EM

**SOFTAIL MODELS**

FXST	BH
FLST/C	BJ
FXSTC	BK
FXSTS	BL
FLSTF	BM

# WINDSHIELD, FAIRING & LAMPS — FLTC





INDEX NO.	PART NO.	NAME	FLT MODELS	FXR MODELS	SOFTAIL MODELS
40	58482-86	MOUNTING PLATE	87*-DB/M	--	--
41	58484-84	SUPPORT BRACKET, left	N/A 87-DB	--	--
	58484-84A	SUPPORT BRACKET, left	N/A 88-DB	--	--
	58484-89	SUPPORT BRACKET, left	89*-DB/M	--	--
42	58486-84	SUPPORT BRACKET, right	N/A 87-DB	--	--
	58486-84A	SUPPORT BRACKET, right	N/A 88-DB	--	--
	58486-89	SUPPORT BRACKET, right	89*-DB/M	--	--
43	58487-79	CLAMP, mounting bracket (2)	87*-DB	--	--
	58826-89	CLAMP, mounting bracket (2)	89*-DM	--	--
44	58488-84	GASKET (2)	87*-DB/M	--	--
45	58489-84	SUPPORT BRACKET KIT	87-DB	--	--
46	58498-86	TURN SIGNAL, right (amber)	87-DB	--	--
	58499-86	TURN SIGNAL, left (amber)	87-DB	--	--
47	58712-79A	COVER, right (black)	87*-DB/M	--	--
	58713-79A	COVER, left (black)	87*-DB/M	--	--
	58729-82	COVER, left (brown)	87*-DB	--	--
	58730-82	COVER, right (brown)	87*-DB	--	--
48	58714-79	PAD (rubber)	87*-DB/M	--	--
49	58715-79	LATCH, cover (2)	87*-DB/M	--	--
50	58716-79	GASKET, cover (2)	87*-DB/M	--	--
51	58717-79	FOAM TAPE, windshield	87*-DB/M	--	--
52	58718-82	GASKET, turn signal - left	87-DB	--	--
	58719-82	GASKET, turn signal - right	87-DB	--	--
53	66104-84	PAD (3)	87*-DB/M	--	--
54	67636-86	SOCKET ASSEMBLY (2)	87-DB	--	--
55	67717-65A	SEALED BEAM (2)	87*-DB/M	--	--
56	67775-81A	HEADLAMP ASSEMBLY	87*-DB/M	--	--
57	67746-85	RETAINING RING (2)	87*-DB/M	--	--
58	68089-80	LENS, left turn signal (amber)	87-DB	--	--
	68092-80	LENS, right turn signal (amber)	87-DB	--	--
59	68398-88	LAMP W/WIRE (2)	88*-DB/M	--	--
60	68440-86	LENS, turn signals (amber)(2)	88*-DB/M	--	--
61	68451-86	O-RING (2)	88*-DB/M	--	--
62	68452-86	SCREW W/O-RING (4)	88*-DB/M	--	--
63	68168-89	BULB, turn signal (2)	87*-DB/M	--	--
64	68519-68	MOUNTING BRACKET (2)	88*-DB/M	--	--
65	72039-71	PIN single socket (2)	87*-DB/M	--	--
66	72276-74	HOUSING, 12 pin	87*-DB/M	--	--
67	84850-67	NUT, locks (2)	87*-DB/M	--	--
68	91808-89	ELEMENT, cigarette lighter	89*-DM	--	--
69	91812-89	SOCKET, cigarette lighter	89*-DM	--	--
<b>H-D INTERNATIONAL ONLY</b>					
30	58398-84	BRACKET, mtg. upper	87-DB/M	--	--
58	68505-90	LENS, turn signals (amber)(2)(HDI only)	90*-DB/M	--	--
	68399-88A	LAMP W/WIRE (2)(HDI only)	88*-DB/M	--	--
63	68163-84	BULB, turn signal (2)(HDI only)	88*-DB/M	--	--

**FLT MODELS**

FLTC DB  
 FLHT DD  
 FLHTC DJ  
 FLTC-U DM  
 FLHTC-U DP  
 FLHS FA

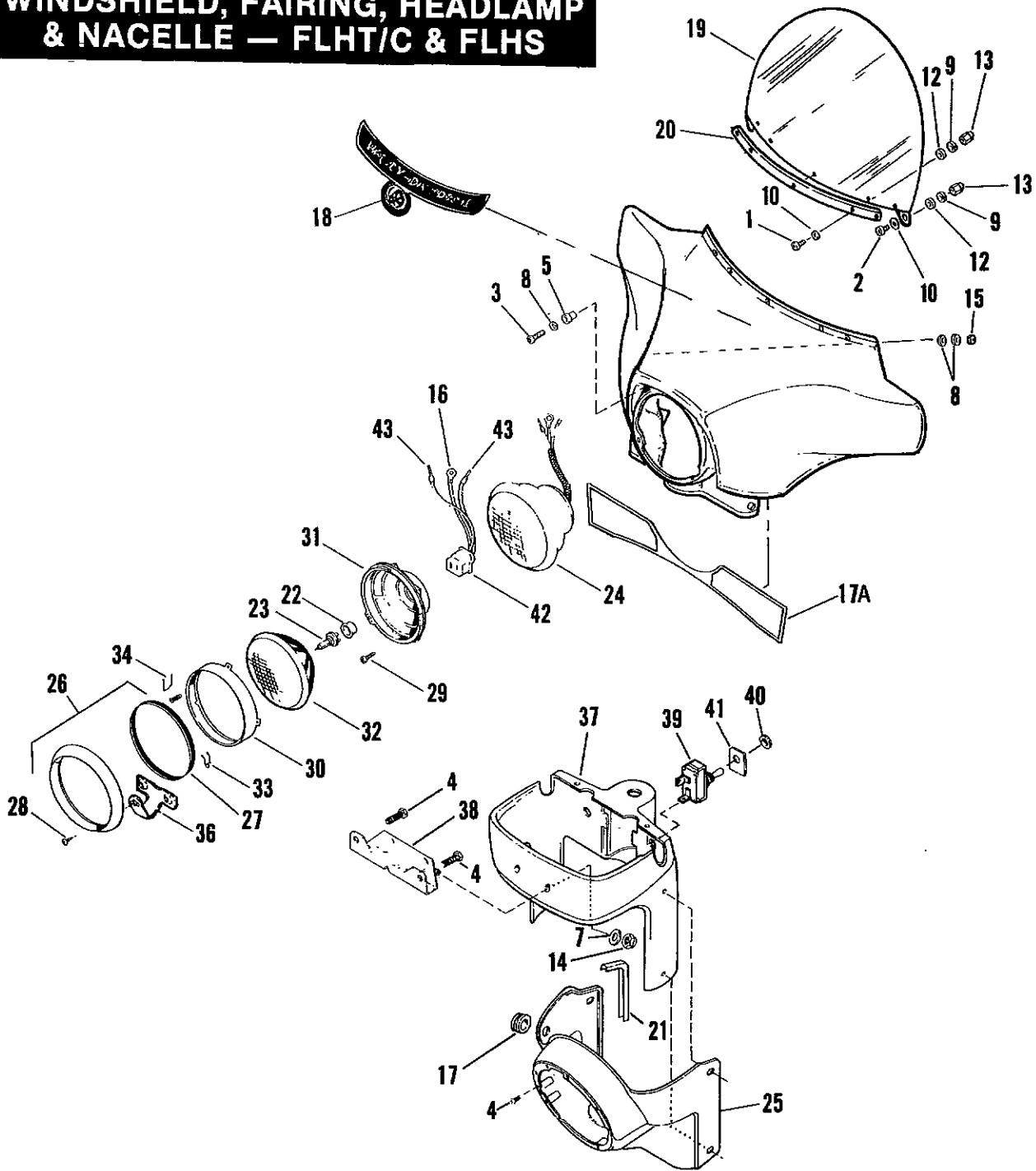
**FXR MODELS**

FXR EA  
 FXRS EB  
 FXRT EC  
 FXRS-SP EG  
 FXLR EL  
 FXRS-CON EM

**SOFTAIL MODELS**

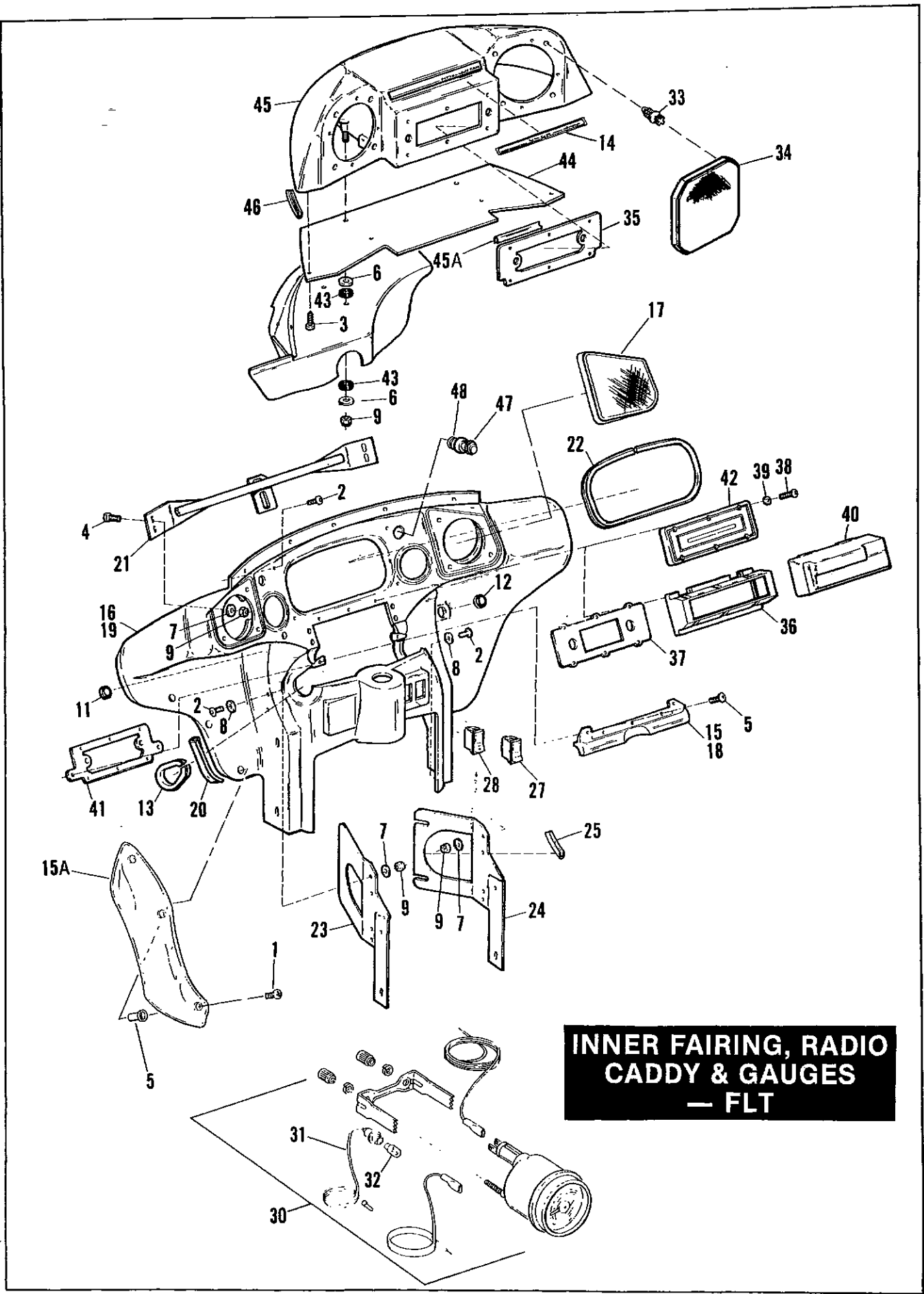
FXST BH  
 FLST/C BJ  
 FXSTC BK  
 FXSTS BL  
 FLSTF BM

# WINDSHIELD, FAIRING, HEADLAMP & NACELLE — FLHT/C & FLHS



INDEX NO.	PART NO.	NAME	FLT MODELS	FXR MODELS	SOFTAIL MODELS
1	2432	SCREW (5)	87*-DD/J/P	--	--
2	2726	SCREW (2)	87*-DD/J/P	--	--
3	2806	SCREW (5)	87*-DD/J/P	--	--
4	5209	SCREW, hi-lo (9)	87*-FA	--	--
5	5210	WELL NUT (5)	87*-DD/J/P	--	--
6	6036	WASHER (8)	87*-DD/J/P	--	--
7	6703	WASHER (2)	87*-FA	--	--
8	6717	WASHER (5)	87*-DD/J/P	--	--
9	7005	LOCKWASHER (7)	87*-DD/J/P	--	--
10	7017	WASHER (nylon) (5)	87*-DD/J/P	--	--
12	7018	WASHER (7)	87*-DD/J/P	--	--
13	7653	ACORN NUT (7)	87*-DD/J/P	--	--
14	7682	LOCKNUT (2)	87*-FA	--	--
15	7686	LOCKNUT (4)	87*-DD/J/P	--	--
16	9857	TERMINAL, ring type	87*-DD/J/P,FA	--	--
17	11412	GROMMET, cable routing	87*-FA	--	--
17A	14128-86A	TRIM, lower fairing	87*-DD/J/P	--	--
18	14217-89	DECAL "U.S.A." (silver)	89*-DP	--	--
	14250-90	DECAL "U.S.A." (gold)	90*-DP	--	--
19	58187-86	WINDOW, fairing	87*-DD/J/P	--	--
20	58247-86	CUSHION TAPE, outer fairing	87*-DD/J/P	--	--
21	61117-86	TRIM, rubber	87*-FA	--	--
22	67696-81	BOOT, halogen headlamp	87*-DD/J/P,FA	--	--
23	67697-81	BULB, 12V. (halogen)	87*-DD/J/P,FA	--	--
24	67702-81A	HEADLAMP, complete-12V. (halogen)	87*-DD/J/P,FA	--	--
25	67704-83	NACELLE, headlamp	87*-FA	--	--
26	67712-83	DOOR ASSY., w/spring (chrome)	87*-DD/J/P,FA	--	--
27	67716-60A	GASKET, headlamp door	87*-DD/J/P,FA	--	--
28	67718-60A	SCREW, headlamp door	87*-DD/J/P,FA	--	--
29	67724-71	ADJUSTING SCREW, headlamp (2)	87*-DD/J/P,FA	--	--
30	67726-71	RETAINING RING, headlamp	87*-DD/J/P,FA	--	--
31	67732-71A	MOUNTING RING, headlamp	87*-DD/J/P,FA	--	--
32	67755-81A	HEADLAMP, less bulb-w/boot	87*-DD/J/P,FA	--	--
33	67778-60	TOP SPRING, headlamp door	87*-DD/J/P,FA	--	--
34	67780-60	BOTTOM SPRING, headlamp door (2)	87*-DD/J/P,FA	--	--
36	67782-60A	BRACKET, headlamp door (2)	87*-DD/J/P,FA	--	--
37	67795-85A	DASH PANEL SUPPORT KIT	87*-FA	--	--
38	67817-83	BRACKET, headlamp door	87*-FA	--	--
39	67843-70	TOGGLE SWITCH, hazard warning lamps	87&88-FA	--	--
	67844-70	TOGGLE SWITCH, passing lamps	87&88-FA	--	--
	67858-89	TOGGLE SWITCH, passing lamps	89*-FA	--	--
40	67846-70	NUT, toggle switch (2)	87*-FA	--	--
41	68602-79	LABEL, hazard warning lamps	87&88-FA	--	--
	68619-83	LABEL, passing lamps	87*-FA	--	--
42	68634-86	LAMP WIRING & CONNECTOR, headlamp	87*-DD/J/P,FA	--	--
43	72039-71	PIN, single socket	87*-DD/J/P,FA	--	--
<b>H-D INTERNATIONAL ONLY</b>					
	14019-83	LABEL, pass. & park. lamps (HDI only)	89*-FA	--	--
39	67858-89	TOGGLE SWITCH, parking lamps (HDI only)	89*-FA	--	--

FLT MODELS	FXR MODELS	SOFTAIL MODELS
FLTC DB	FXR EA	FXST BH
FLHT DD	FXRS EB	FLST/C BJ
FLHTC DJ	FXRT EC	FXSTC BK
FLTC-U DM	FXRS-SP EG	FXSTS BL
FLHTC-U DP	FXLR EL	FLSTF BM
FLHS PA	FXRS-CON EM	



**INNER FAIRING, RADIO  
CADDY & GAUGES  
— FLT**

**INNER FAIRING, RADIO CADDY & GAUGES - FLT MODELS**

**F35B-1**

INDEX NO.	PART NO.	NAME	FLT MODELS	FXR MODELS	SOFTAIL MODELS
1	922	SCREW (6)	89*DP	--	--
2	2513	SCREW (8)	87*-DD/J/P	--	--
3	2623W	SCREW (4)	87*-DB/M	--	--
4	3787	BOLT (4)	87&88-DD/J/P	--	--
	4015	SCREW (4)	89*-DJ/P	--	--
5	5210	WELL NUT (6)	89*-DP	--	--
6	6253W	WASHER (8)	87*-DB/M	--	--
7	6703	WASHER (16)	87*-DD/J/P	--	--
8	7018	WASHER (4)	87*-DD/J/P	--	--
9	7686	LOCKNUT (12;4-DB/M)	87*-ALL	--	--
11	11411	GROMMET, clutch cable	87-DD/J/P	--	--
	11445	GROMMET, clutch cable	88*-DJ/P	--	--
12	11422	GROMMET, throttle cables	87*-DD/J/P	--	--
13	11453	GROMMET (2)	87*-ALL	--	--
14	14120-86	DECAL, radio caddy	87*-DB	--	--
	14223-89	DECAL, radio caddy	89*-DM	--	--
15	56107-88	HANDLEBAR COVER (brown)	88*-DJ	--	--
	56109-88	HANDLEBAR COVER (black)	88*-DJ/P	--	--
	56114-86	HANDLEBAR COVER (black)	87-DD/J	--	--
15A	58128-89	AIR DEFLECTOR, right	89*-DP	--	--
	58129-89	AIR DEFLECTOR, left	89*-DP	--	--
16	58196-86	INNER FAIRING (black)	87-DD/J	--	--
	58196-88	INNER FAIRING (black)	88-DJ	--	--
17	58184-86	SPEAKER GRILLE, left	87*-DD/J/P	--	--
	58186-86	SPEAKER GRILLE, right	87*-DD/J/P	--	--
18	58207-86	HANDLEBAR COVER (brown)	N/A 87*-DJ	--	--
19	58210-86	INNER FAIRING (brown)	87-DJ	--	--
	58210-88	INNER FAIRING (brown)	88-DJ	--	--
20	58311-86	MOLDING, inner fairing (2)	87*-DD/J/P	--	--
21	58322-88	CROSS BRACE	88*-DJ/P	--	--
	58323-86	CROSS BRACE	87-DD/J	--	--
22	58415-86A	SEAL, instrument panel	87*-DD/J/P	--	--
23	58478-86	BRACKET, left	87*-DD/J/P	--	--
24	58479-86	BRACKET, right	87*-DD/J/P	--	--
	58480-86	WIRING HARNESS, gauges (not illus.)	N/A 87-DD/J	--	--
	58480-88	WIRING HARNESS, gauges (not illus.)	88*-DJ/P	--	--
25	61648-85	MOLDING	87*-DD/J/P	--	--
27	67838-85	SWITCH, hazard warning	87&88-DD/J	--	--
	70158-89	HARNESS, lighter (not illus.)	89*-DP	--	--
	70349-89	HARNESS, speakers (not illus.)	89*-DP	--	--
28	71502-86	SWITCH, passing lamps	87&88-DD/J	--	--
	71505-89	SWITCH, passing lamps	89*-DJ/P	--	--
30	74526-86	VOLTMETER	87*-DD/J/P	--	--
	74527-86	VOLTMETER	87*-DB/M	--	--
	75013-86	CLOCK, quartz	87-DB/D/J	--	--
	75031-86	GAUGE, oil temperature	87-DB/D/J	--	--
	75032-87	GAUGE, oil pressure	87*-DB/D/J/M/P	--	--

**FLT MODELS**

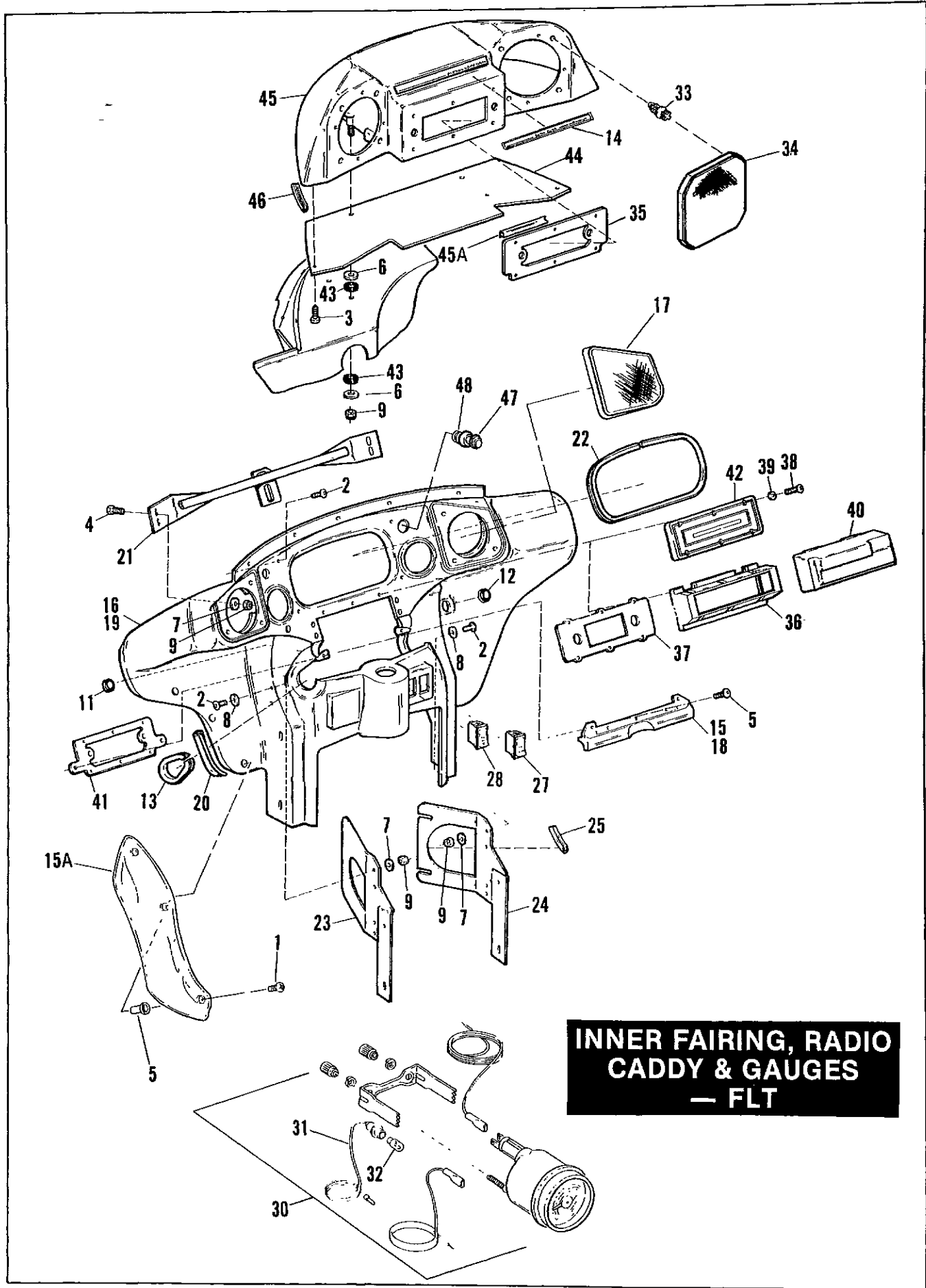
FLTC DB  
 FLHT DD  
 FLHTC DJ  
 FLTC-U DM  
 FLHTC-U DP  
 FLHS FA

**FXR MODELS**

FXR EA  
 FXRS EB  
 FXRT EC  
 FXRS-SP EG  
 FXLR EL  
 FXRS-CON EM

**SOFTAIL MODELS**

FXST BH  
 FLST/C BJ  
 FXSTC BK  
 FXSTS BL  
 FLSTF BM



**INNER FAIRING, RADIO  
CADDY & GAUGES  
— FLT**

**INNER FAIRING, RADIO CADDY & GAUGES - FLT MODELS (CONT'D)**

**F35B-2**

INDEX NO.	PART NO.	NAME	FLT MODELS	FXR MODELS	SOFTAIL MODELS
31	75044-84	SOCKET, w/wires (4;2-1988 & Later)	87*-DB/D/J/P	--	--
32	75045-84	BULB - 12V. (4;2-1988 & Later)	87*-DB/D/J/P	--	--
33	76175-86	CLIP, double end (8)	87*-DB/M	--	--
34	76176-86	SPEAKER GRILLE (2)	87*-DB/M	--	--
35	76238-86	BRACKET, radio-front	87*-DB/M	--	--
36	76241-86	HOOD, radio	87-DB/J/M/P	--	--
37	76242-86	BRACKET, hood	87-DB/J	--	--
38	76243-86	SCREW (6)	87-DB/D/J	--	--
39	76244-86	WASHER (6)	87-DB/D/J	--	--
40	76245-86	COVER, radio	87-DB/J	--	--
41	76246-86	BRACKET, radio-front	87-DD/J	--	--
42	76247-86	COVER, radio opening	N/A 87-DD	--	--
43	77004-80	WASHER (rubber)(8)	87*-DB/M	--	--
44	77036-86	BOTTOM, radio caddy	87*-DB/M	--	--
45	77042-86	RADIO CADDY (black)	87-DB	--	--
	77043-86	RADIO CADDY (brown)	N/A 87-DB	--	--
	77070-88A	RADIO CADDY (black)	88*-DB/M	--	--
	77071-88A	RADIO CADDY (brown)	88*-DB	--	--
45A	77060-86	MOLDING, radio caddy	87*-DB/M	--	--
46	91721-82	MOLDING, radio caddy	87*-DB/M	--	--
47	91808-89	ELEMENT, cigarette lighter	89*-DM/P	--	--
48	91812-89	SOCKET, cigarette lighter	89*-DM/P	--	--

**FLT MODELS**

FLTC DB  
 FLHT DD  
 FLHTC DJ  
 FLTC-U DM  
 FLHTC-U DP  
 FLHS FA

**FXR MODELS**

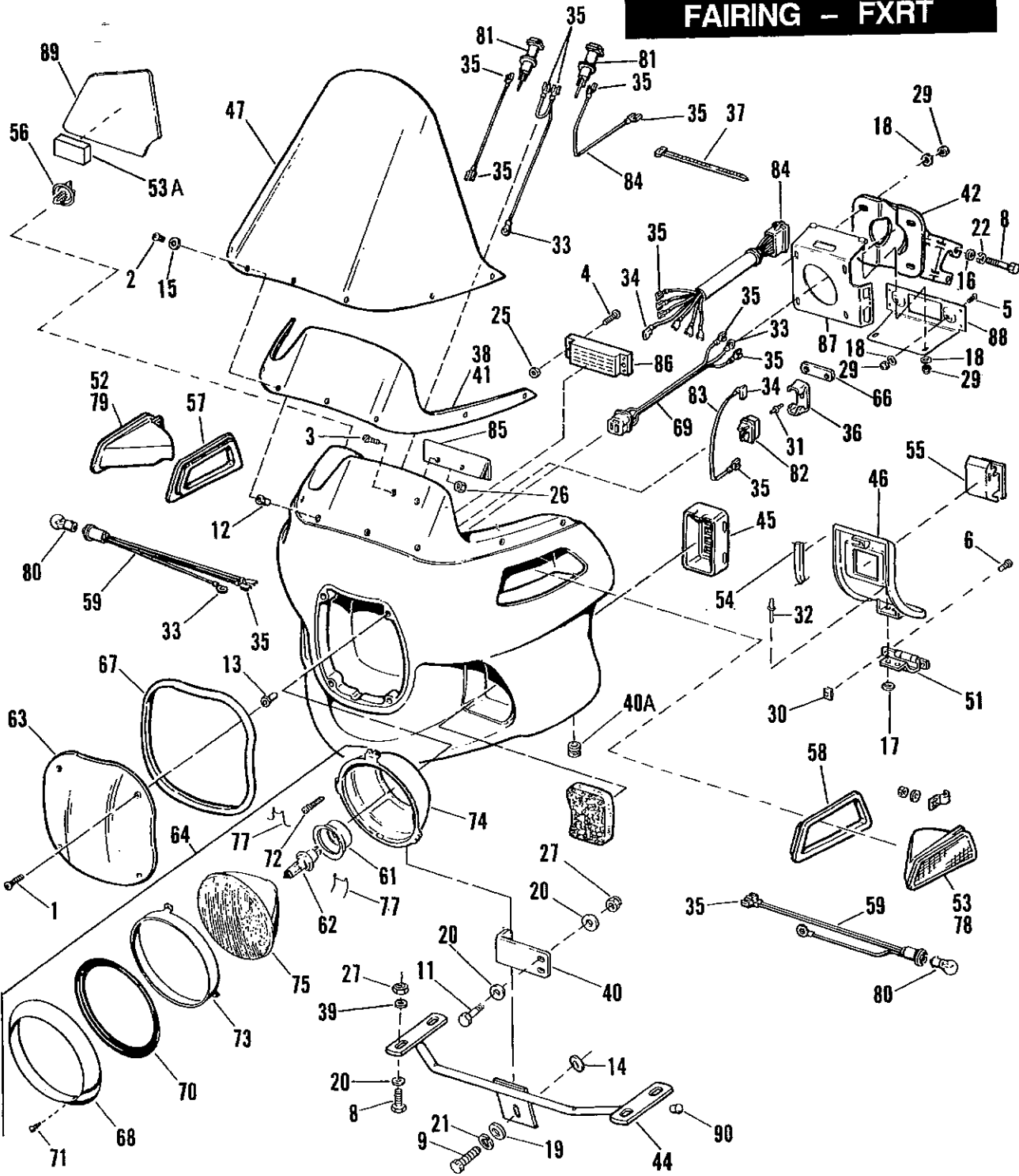
FXR EA  
 FXRS EB  
 FXRT EC  
 FXRS-SP EG  
 FXLR EL  
 FXRS-CON EM

**SOFTAIL MODELS**

FXST BH  
 FLST/C BJ  
 FXSTC BK  
 FXSTS BL  
 FLSTF BM

NOTE: PATENT PENDING

# WINDSHIELD AND FAIRING - FXRT



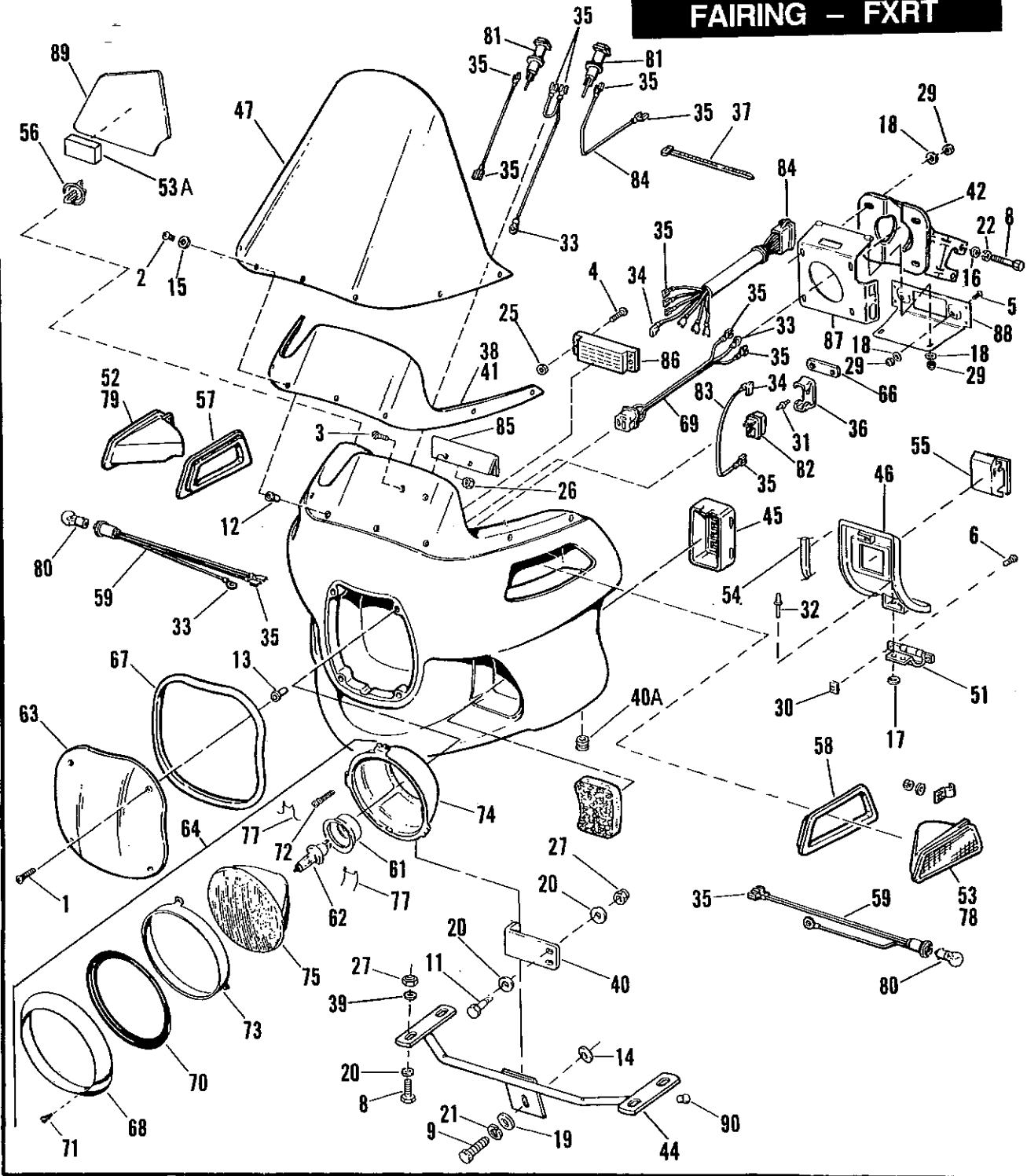


INDEX NO.	PART NO.	NAME	FLT MODELS	FXR MODELS	SOFTAIL MODELS
<b>NOTE; REFER TO DEALER ACCESSORY GUIDE FOR PAINTED PART NUMBERS.</b>					
1	922	SCREW (4)	--	87*-EC	--
2	933	SCREW (7)	--	87*-EC	--
3	1611	SCREW (2)	--	87*-EC	--
4	2779	SCREW (4)	--	87*-EC	--
5	2784	SCREW (2)	--	87*-EC	--
6	2508	SCREW (4)	--	87*-EC	--
7	2648	SCREW (4)	--	87*-EC	--
8	3987	SCREW (4)	--	87*-EC	--
9	4371W	SCREW	--	87*-EC	--
11	3802W	BOLT (4)	--	87*-EC	--
12	5207	WELL NUT (7)	--	87*-EC	--
13	5210	WELL NUT (4)	--	87*-EC	--
14	6019	WASHER	--	87*-EC	--
15	6053	WASHER (7)	--	87*-EC	--
16	6109	WASHER (4)	--	87*-EC	--
17	6182W	WASHER (4)	--	87*-EC	--
18	6333	WASHER (8;6-1988 & Later)	--	87*-EC	--
19	6701	WASHER	--	87*-EC	--
20	6703	WASHER (12)	--	87*-EC	--
21	7038	LOCKWASHER	--	87*-EC	--
22	7041	LOCKWASHER (4)	--	87*-EC	--
26	7626W	LOCKNUT (2)	--	87*-EC	--
27	7686	LOCKNUT (8)	--	87*-EC	--
29	7739	LOCKNUT (8;6-1988 & Later)	--	87*-EC	--
30	8151	SPEED NUT (4)	--	87*-EC	--
31	8483	POP RIVET, flasher clip	--	87*-EC	--
32	8687	RIVET (4)	--	87*-EC	--
33	9859	TERMINAL, ring type-5/16" dia. hole	--	87*-EC	--
34	9898	TERMINAL, flag type-#14-16 wire	--	87*-EC	--
35	9930	TERMINAL, female spade (4)	--	87*-EC	--
36	9952	CLIP, flasher	--	87*-EC	--
37	10006	CABLE STRAP (as req'd)	--	87*-EC	--
38	14114-86	DECAL, windshield	--	87*-EC	--
39	53433-80	WASHER (nylon)(8)	--	87*-EC	--
40	57807-86	BRACKET, fairing support-right	--	87*-EC	--
	57808-86	BRACKET, fairing support-left	--	87*-EC	--
40A	57980-87	GROMMET	--	87*-EC	--
41	58223-86	SEAL, windshield	--	87*-EC	--
42	58042-86	BRACKET, fairing mounting	--	87*-EC	--
43	58147-86	FILTER, vent (2)	--	87*-EC	--
44	57809-86	SUPPORT ASSY.	--	87*-EC	--
45	58190-86	VENT LOUVER (2)	--	87*-EC	--
46	58212-86	DOOR, fairing (2)	--	87*-EC	--
47	58218-86A	WINDSHIELD, 17" high	--	87*-EC	--
	58219-86A	WINDSHIELD, 22" high	--	87*-EC	--
	58220-86A	WINDSHIELD, 19.5" high	--	87*-EC	--
51	58454-86	HINGE, fairing door (2)	--	87*-EC	--
52	58498-86	TURN SIGNAL, right (amber)	--	87*-EC	--
53	58499-86	TURN SIGNAL, left (amber)	--	87*-EC	--
53A	58702-86	CUSHION (8)	--	87*-EC	--

FLT MODELS		FXR MODELS		SOFTAIL MODELS	
FLTC	DB	FXR	EA	FXST	BH
FLHT	DD	FXRS	EB	FLST/C	BJ
FLHTC	DJ	FXRT	EC	FXSTC	BK
FLTC-U	DM	FXRS-SP	EG	FXSTS	BL
FLHTC-U	DP	FXLR	EL	FLSTF	BM
FLHS	FA	FXRS-CON	EM		

NOTE: PATENT PENDING

**WINDSHIELD AND FAIRING - FXRT**



INDEX NO.	PART NO.	NAME	FLT MODELS	FXR MODELS	SOFTAIL MODELS
54	58703-86	GASKET, fairing door (2)	--	87*-EC	--
55	58706-86	LATCH, door (2)	--	87*-EC	--
56	58708-86	CLIP, speaker grille (4)	--	87*-EC	--
57	58722-84	GASKET, right turn signal	--	87*-EC	--
58	58723-84	GASKET, left turn signal	--	87*-EC	--
59	67636-86	SOCKET ASSY. (2)	--	87*-EC	--
61	67696-81	BOOT, headlamp	--	87*-EC	--
62	67697-81	BULB, halogen-12V	--	87*-EC	--
63	67700-83	COVER, headlamp	--	87*-EC	--
64	67701-83B	HEADLAMP ASSY., complete (halogen)	--	87*-EC	--
66	67709-83	BRACKET, flasher mounting	--	87*-EC	--
67	67710-83	SEAL, headlamp cover	--	87*-EC	--
68	67712-83	TRIM RING	--	87*-EC	--
69	67715-86	WIRING HARNESS, headlamp	--	87*-EC	--
70	67716-80A	GASKET, headlamp door	--	87*-EC	--
71	67718-80A	SCREW, headlamp door	--	87*-EC	--
72	67724-71	ADJUSTING SCREW (2)	--	87*-EC	--
73	67726-71	RETAINING RING	--	87*-EC	--
74	67732-71A	MOUNTING DISC	--	87*-EC	--
75	67755-81A	HEADLAMP, less bulb-w/boot	--	87*-EC	--
76	67778-60	TOP SPRING, headlamp door	--	87*-EC	--
77	67780-60	BOTTOM SPRING, headlamp door	--	87*-EC	--
78	68089-80	LENS, left turn signal (amber)	--	87*-EC	--
79	68092-80	LENS, right turn signal (amber)	--	87*-EC	--
80	68168-89	BULB, turn signal (2)	--	87*-EC	--
81	68465-83	INDICATOR LAMP, turn signal (2)	--	87*-EC	--
82	68543-64B	FLASHER, turn signal	--	87*-EC	--
83	69512-83	WIRE, term. blk. to flasher (orange)	--	87*-EC	--
	70147-86	WIRING HARNESS, instr. to term. board	--	87*-EC	--
	70150-86	WIRING HARNESS, term. board to radio	--	87*-EC	--
84	72278-74	HOUSING, socket terminal	--	87*-EC	--
85	72310-70	BRACKET, terminal block	--	87*-EC	--
86	72312-73	TERMINAL BLOCK	--	87*-EC	--
87	76170-86	BRACKET, radio support	--	87*-EC	--
88	76173-86	BRACKET, radio mounting	--	87*-EC	--
89	76234-86	SPEAKER GRILLE, right	--	87*-EC	--
	76236-86	SPEAKER GRILLE, left	--	87*-EC	--
90	90493-83	PLUG (2)	--	87*-EC	--

		<b>H-D INTERNATIONAL ONLY</b>			
82	68550-83	FLASHER, turn signal (HDI only)	--	87*-EC	--

**FLT MODELS**

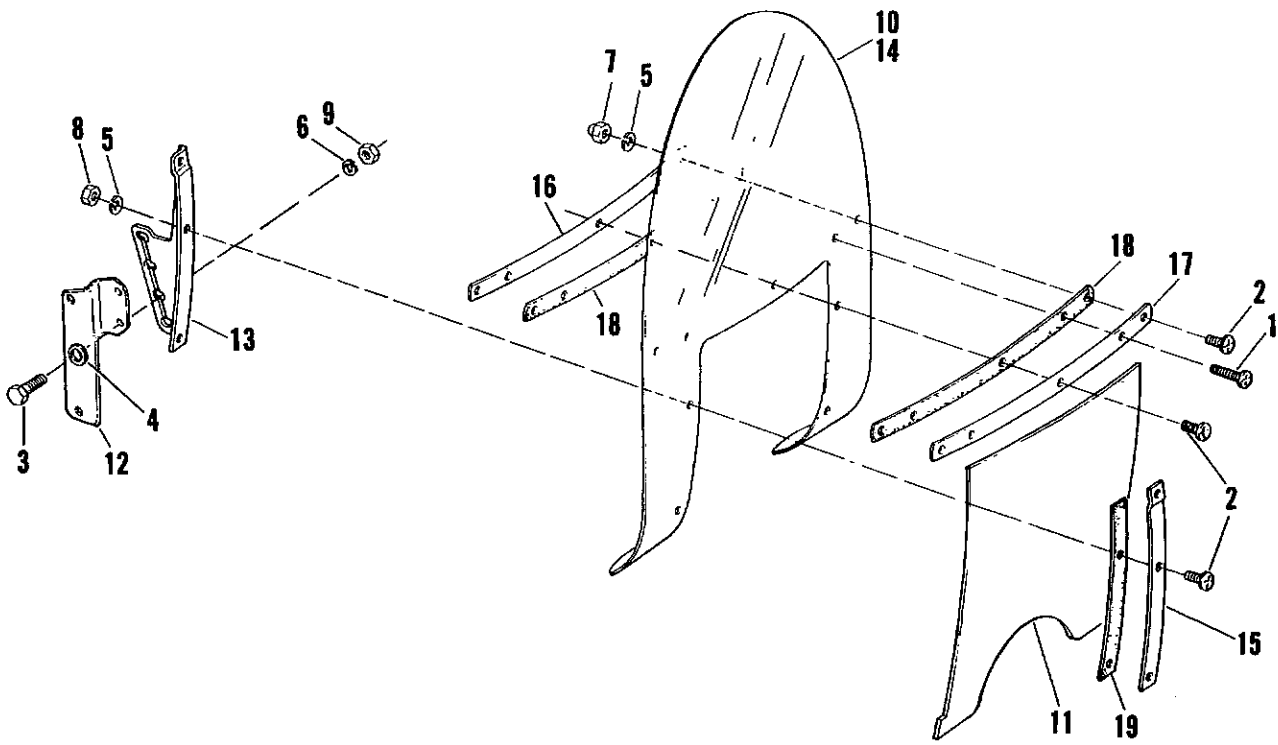
FLTC DB  
 FLHT DD  
 FLHTC DJ  
 FLTC-U DM  
 FLHTC-U DP  
 FLHS FA

**FXR MODELS**

FXR EA  
 FXRS EB  
 FXRT EC  
 FXRS-SP EG  
 FXLR EL  
 FXRS-CON EM

**SOFTAIL MODELS**

FXST BH  
 FLST/C BJ  
 FXSTC BK  
 FXSTS BL  
 FLSTF BM



**WINDSHIELD  
— FLHS & FLSTC**

INDEX NO.	PART NO.	NAME	FLT MODELS	FXR MODELS	SOFTAIL MODELS
1	2430	SCREW (2)	L87*-FA	--	L87*-BJ
2	2725	SCREW (7)	L87*-FA	--	L87*-BJ
3	3974HW	BOLT (4)	L87*-FA	--	--
4	6333	WASHER (4)	L87*-FA	--	--
5	7030W	LOCKWASHER (9)	L87*-FA	--	L87*-BJ
6	7041	LOCKWASHER (4)	L87*-FA	--	--
7	7651	ACORN NUT	L87*-FA	--	L87*-BJ
8	7654W	NUT (4)	L87*-FA	--	L87*-BJ
9	7744	NUT (4)	L87*-FA	--	--
10	57997-83	WINDSHIELD ASSEMBLY, complete	L87*-FA	--	--
	58018-86	WINDSHIELD ASSEMBLY, complete	--	--	L87*-BJ
11	58036-83	WINDOW, adjustable	L87*-FA	--	--
	58075-86	WINDOW, adjustable	--	--	L87*-BJ
12	58067-83	WINDSHIELD BRACKET, left	L87*-FA	--	--
	58068-83	WINDSHIELD BRACKET, right	L87*-FA	--	--
13	58078-49	ADJUSTING BRACKET, right	--	--	L87*-BJ
	58079-49	ADJUSTING BRACKET, left	--	--	L87*-BJ
	58080-83	ADJUSTING BRACKET, right	L87*-FA	--	--
	58081-83	ADJUSTING BRACKET, left	L87*-FA	--	--
14	58183-78	WINDOW REPLACEMENT KIT	L87*-FA	--	L87*-BJ
15	58406-75	BRACE, right	L87*-FA	--	L87*-BJ
	58408-75	BRACE, left	L87*-FA	--	L87*-BJ
16	58411-76	BRACE, inner	L87*-FA	--	L87*-BJ
17	58412-76	BRACE, outer	L87*-FA	--	L87*-BJ
18	58416-77	TAPE, (2)	L87*-FA	--	L87*-BJ
19	58417-77	TAPE, (2)	L87*-FA	--	L87*-BJ

FLT MODELS

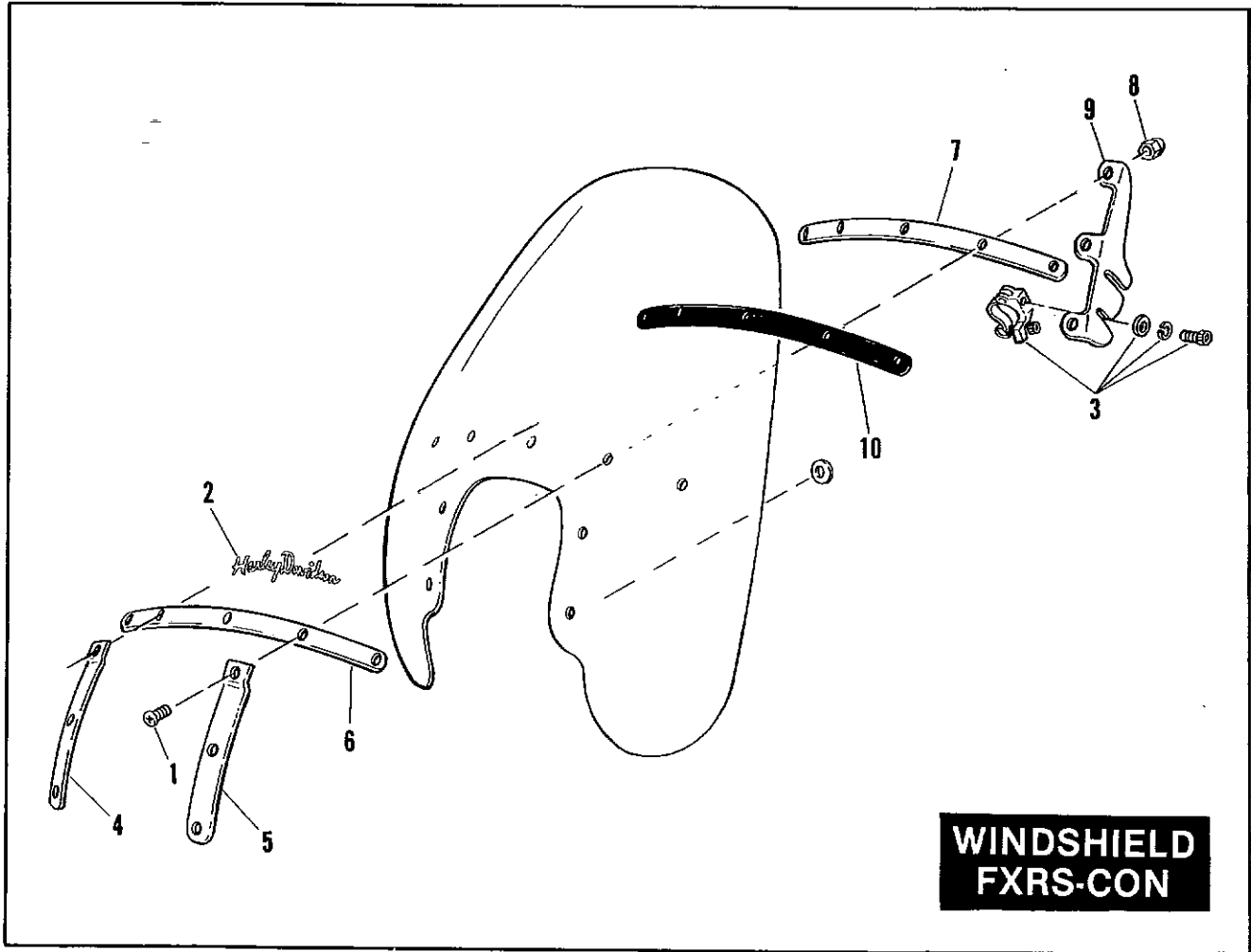
FLTC OB  
 FLHT DD  
 FLHTC DJ  
 FLTC-U DM  
 FLHTC-U DP  
 FLHS FA

FXR MODELS

FXR EA  
 FXRS EB  
 FXRT EC  
 FXRS-SP EG  
 FXLR EL  
 FXRS-CON EM

SOFTAIL MODELS

FXST BH  
 FLST/C BJ  
 FXSTC BK  
 FXSTS BL  
 FLSTF BM



**WINDSHIELD  
FXRS-CON**

INDEX NO.	PART NO.	NAME	FLT MODELS	FXR MODELS	SOFTAIL MODELS
1	932	SCREW (9)	--	L89*-EM	--
2	14227-88	DECAL "Harley-Davidson"	--	L89*-EM	--
3	58109-88A	WINDSHIELD CLAMP (4)	--	L89*-EM	--
4	58419-88	BRACE, right (chrome)	--	L89*-EM	--
5	58420-88	BRACE, left (chrome)	--	L89*-EM	--
6	58421-88	BRACE, outer (chrome)	--	L89*-EM	--
7	58422-88	BRACE, inner	--	L89*-EM	--
8	58423-88	ACORN NUT (9)	--	L89*-EM	--
9	58424-88	MOUNTING BRACKET, right	--	L89*-EM	--
	58425-88	MOUNTING BRACKET, left	--	L89*-EM	--
10	58426-88	CUSHION TAPE (2-cut to suit)	--	L89*-EM	--
	91849-85A	WINDSHIELD, complete	--	L89*-EM	--

FLT MODELS

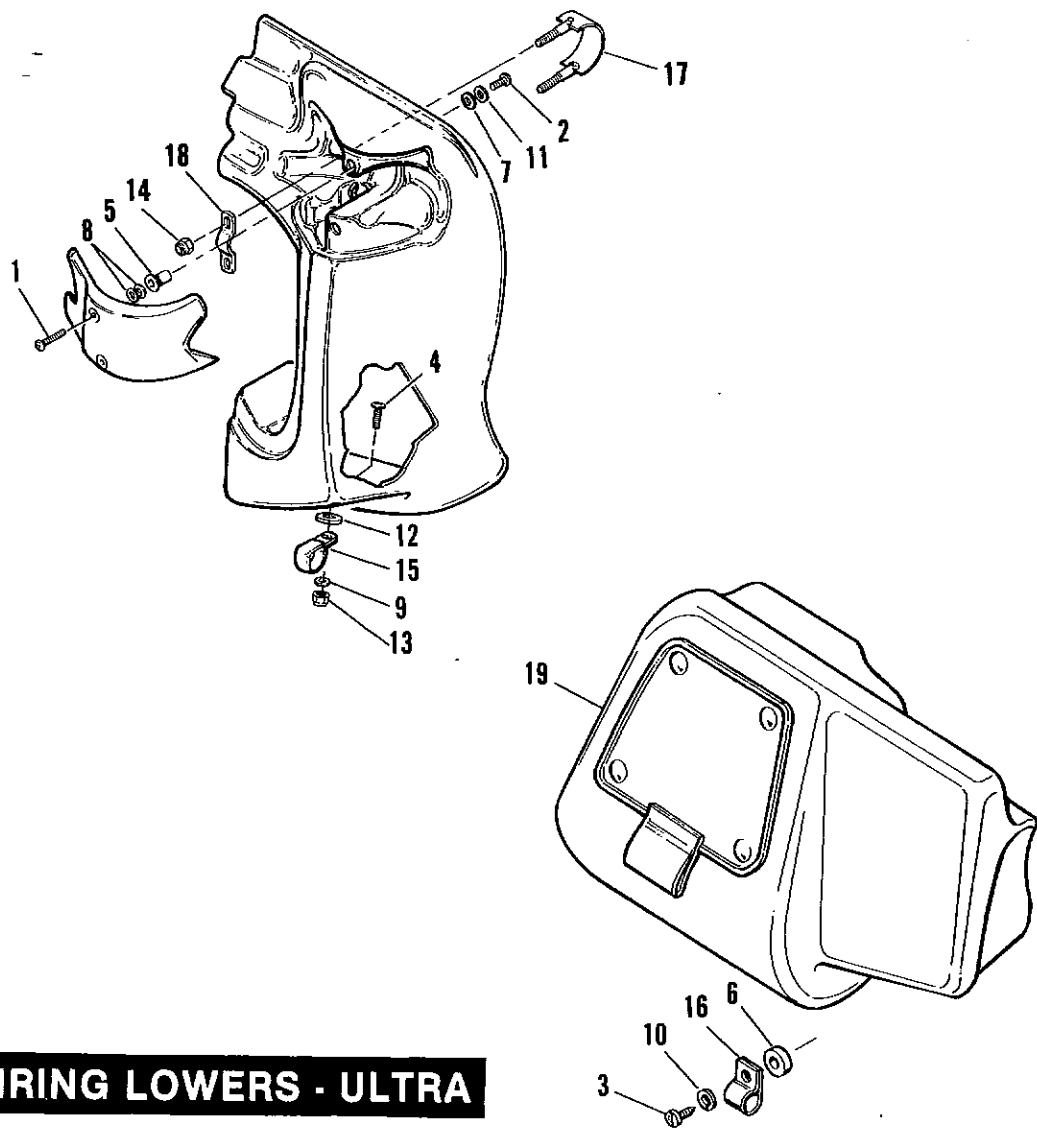
FLTC DB  
 FLHT DD  
 FLHTC DJ  
 FLTC-U DM  
 FLHTC-U DP  
 FLHS FA

FXR MODELS

FXR EA  
 FXRS EB  
 FXRT EC  
 FXRS-SP EG  
 FXLR EL  
 FXRS-CON EM

SOFTAIL MODELS

FXST BH  
 FLST/C BJ  
 FXSTC BK  
 FXSTS BL  
 FLSTF BM



**FAIRING LOWERS - ULTRA**



INDEX NO.	PART NO.	NAME	FLT MODELS	FXR MODELS	SOFTAIL MODELS
<b>NOTE: Refer to Dealer Accessory Guide for painted part numbers.</b>					
1	922	SCREW (4)	89*-DM/P	--	--
2	2420	SCREW (2)	89*-DM	--	--
3	2592	SCREW	89*-DM	--	--
4	2784	SCREW (2)	89*-DM/P	--	--
5	5210	WELL NUT (4)	89*-DM/P	--	--
	5212	NUT, crimp (4)	90*-DM/P	--	--
6	5989	SPACER	89*-DM	--	--
7	6235	WASHER (2)	89*-DM	--	--
9	6717	WASHER (8)	89*-DP	--	--
10	7220	LOCKWASHER	89*-DM	--	--
11	7230	LOCKWASHER (2)	89*-DM	--	--
12	7415A	WASHER (rubber)(2)	89*-DM/P	--	--
13	7531	NUT, flange (4)	89*-DM/P	--	--
14	7716	NUT, flange (4)	89*-DP	--	--
15	27048-84	CLAMP (2)	89*-DM/P	--	--
16	38712-68	CLAMP	89*-DM	--	--
17	58493-89	U-BOLT (2)	89*-DP	--	--
18	58494-89	RETAINER, U-bolt (2)	89*-DP	--	--
19	58683-89	STORAGE BOX - left	89*-DP	--	--
	58687-89	STORAGE BOX - left	89*-DM	--	--
	58684-89	STORAGE BOX - right	89*-DP	--	--
	58688-89	STORAGE BOX - right	89*-DM	--	--
<b>FAIRING LOWER FOR SIDECAR UNIT</b>					
	922	SCREW (4)	89*-DM/P	--	--
	5210	WELL NUT (4)	89*-DM/P	--	--
	5212	NUT, crimp (4)	90*-DM/P	--	--
	6717	WASHER (6)	89*-DM/P	--	--
	7716	NUT, flange (2)	89*-DM/P	--	--
	58493-89	U-BOLT	89*-DM/P	--	--
	58494-89	RETAINER, U-bolt	89*-DM/P	--	--

**FLT MODELS**

FLTC DB  
 FLHT DD  
 FLHTC DJ  
 FLTC-U DM  
 FLHTC-U DP  
 FLHS FA

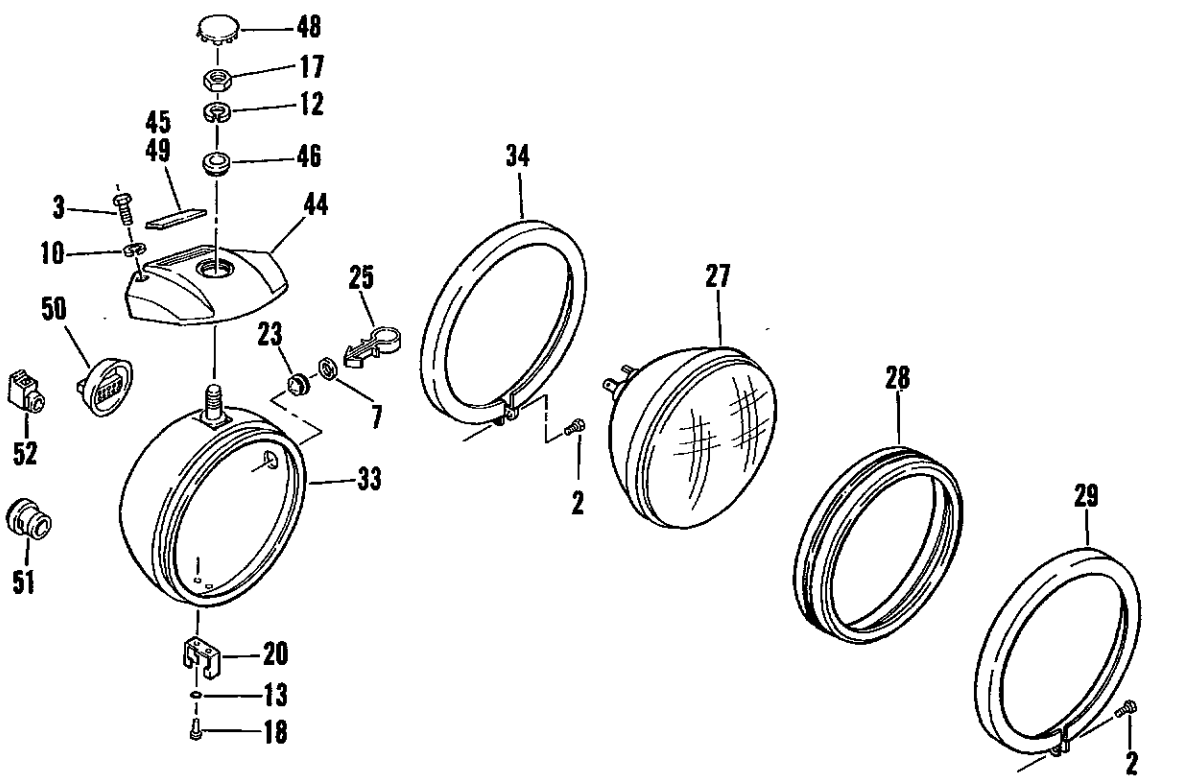
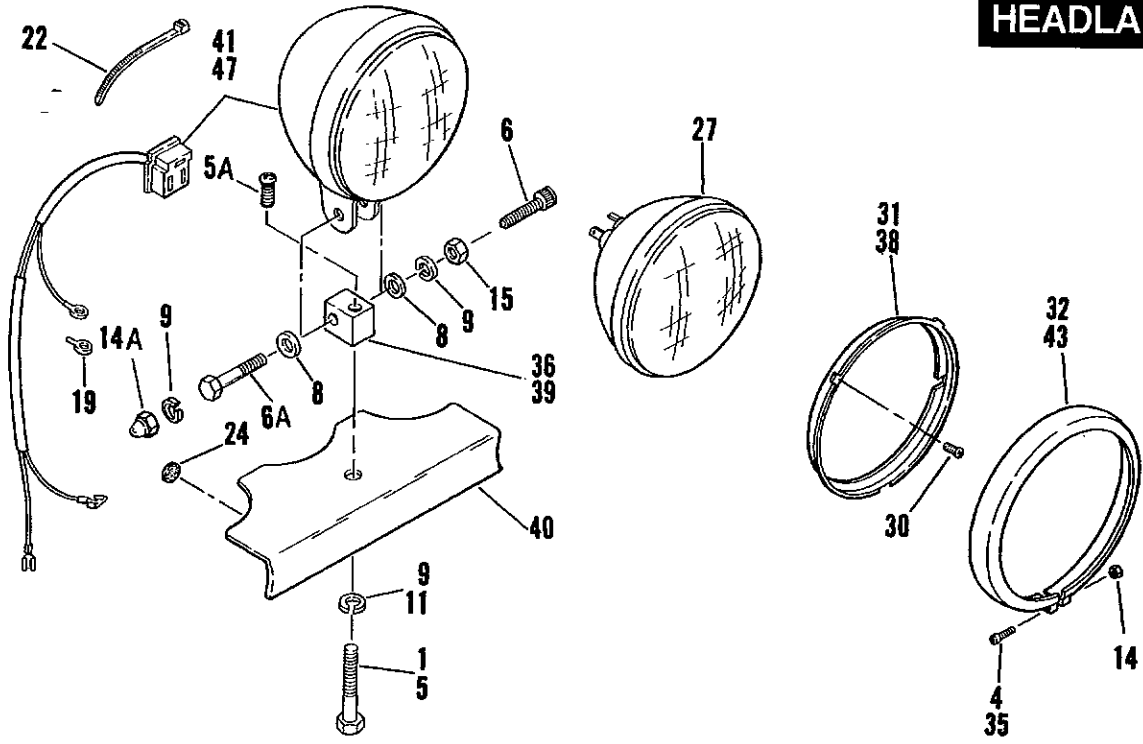
**FXR MODELS**

FXR EA  
 FXRS EB  
 FXRT EC  
 FXRS-SP EG  
 FXLR EL  
 FXRS-CON EM

**SOFTAIL MODELS**

FXST BH  
 FLST/C BJ  
 FXSTC BK  
 FXSTS BL  
 FLSTF BM

# HEADLAMP



# HEADLAMP

F36-1

INDEX NO.	PART NO.	NAME	FLT MODELS	FXR MODELS	SOFTAIL MODELS
1	854	SCREW	--	87*-EL	--
2	1203	SCREW (2)	--	87*-EA/B/G/M	--
3	2871W	BOLT (2)	--	87*-EA/B/G/M	--
	4017	SCREW (2)	--	88*-EA/B/G/M	--
4	3514	SCREW	--	87*-EL	87*-BH/K
5	3945	BOLT	--	--	87*-BH/K/M
5A	4013	SCREW	--	--	L88*-BL
6	4371WA	SCREW	--	--	L88*-BL
6A	4411	BOLT	--	--	90*-BM
	4724	BOLT	--	--	87*-BH/K
7	6261	WASHER	--	87*-EB/G/M	--
8	6701	WASHER (2)	--	--	87*-BH/K/M
	6812	WASHER (2)	--	--	L88*-BL
9	7038	LOCKWASHER (2-BH/K)	--	--	87*-ALL
10	7041	LOCKWASHER (2)	--	87*-EA/B/G/M	--
11	7045	LOCKWASHER	--	87*-EL	--
	7130W	LOCKWASHER	--	--	87 & 88-BH/K
12	7068	LOCKWASHER	--	87*-EA/B/G/M	--
13	7220	LOCKWASHER	--	87*-EA/B/G/M	--
14	7606	NUT	--	87*-EL	87*-BH/K
14A	7680W	ACORN NUT	--	--	L88*-BL
15	7800W	NUT	--	--	87*-BH/K/M
17	7880	NUT	--	87*-EA/B/G/M	--
18	8519	RIVET	--	87*-EA/B/G/M	--
19	9857	TERMINAL, headlamp harness-ring type	--	--	87*-ALL
20	9952	CLIP	--	87*-EA/B/G/M	--
22	10065	CABLE STRAP	--	--	87*-ALL
23	11448	PLUG	--	87*-EA;88*-EB	--
24	45648-85	PAD (2)	--	--	87*-BH/K
25	56073-83	RETAINER, cable	--	87*-EB/G/M	--
27	67698-81B	SEALED BEAM UNIT, 5"	--	87*-EA/B/G/L/M	87*-BH/K/L
	67713-86	SEALED BEAM UNIT, 6"	--	--	87*-BJ/M
28	67719-63	MOUNTING RING	--	87*-EA/B/G/M	--
29	67725-63	MOLDING, outer	--	87*-EA/B/G/M	--
30	67727-87	SCREW, headlamp retainer (4)	--	--	87*-BJ/M
31	67731-87	RETAINING RING	--	--	87*-BJ/M
32	67740-87	DOOR (chrome)	--	--	87*-BJ/M
33	67743-84	HOUSING, headlamp (black)	--	87*-EA/B/G/M	--
34	67744-75	MOLDING, inner	--	87*-EA/B/G/M	--
35	67748-87	SCREW, door (chrome)	--	--	87*-BJ/M
36	67762-87	MOUNTING BLOCK	--	87*-EL	--
	67768-86	MOUNTING BLOCK	--	--	87*-BJ/M
	67771-88	MOUNTING BLOCK	--	--	L88*-BL
38	67769-82	MOUNTING RING	--	87*-EL	87*-BH/K

**FLT MODELS**

FLTC DB  
 FLHT DD  
 FLHTC DJ  
 FLTC-U DM  
 FLHTC-U DP  
 FLHS FA

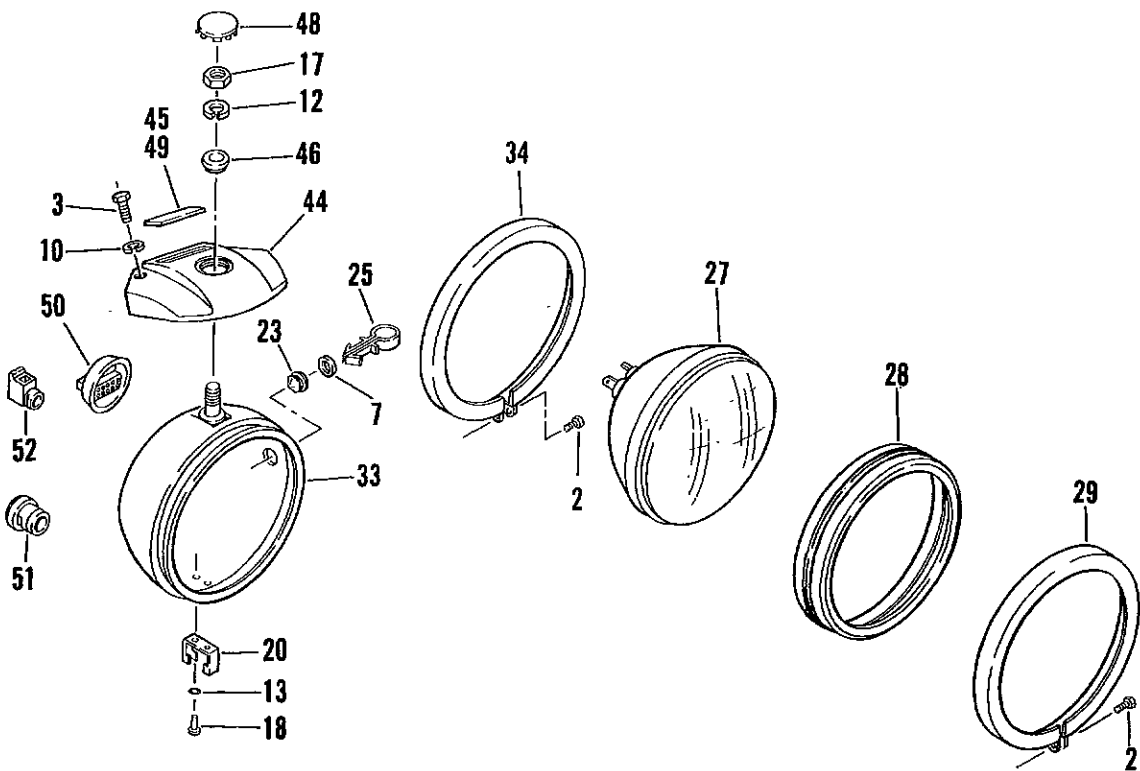
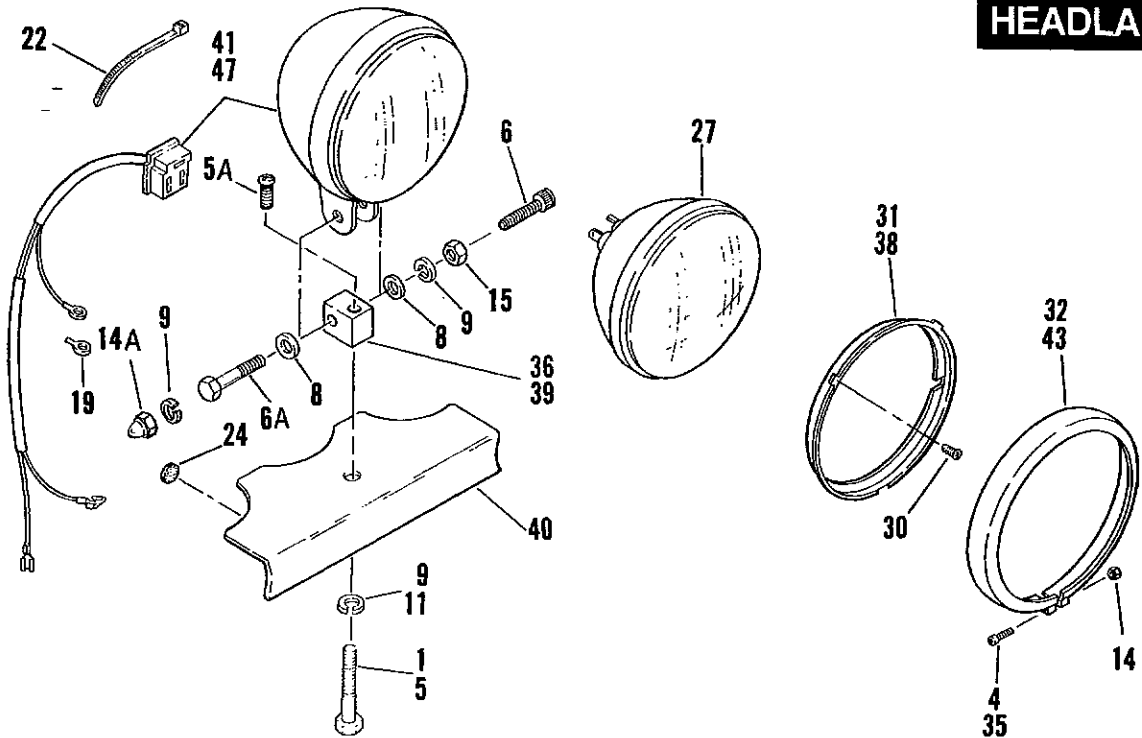
**FXR MODELS**

FXR EA  
 FXRS EB  
 FXRT EC  
 FXRS-SP EG  
 FXLR EL  
 FXRS-CON EM

**SOFTAIL MODELS**

FXST BH  
 FLST/C BJ  
 FXSTC BK  
 FXSTS BL  
 FLSTF BM

# HEADLAMP



# HEADLAMP

INDEX NO.	PART NO.	NAME	FLT MODELS	FXR MODELS	SOFTAIL MODELS
39	67772-80	MOUNTING BLOCK	--	--	87*-BH/K
40	67773-80A	MOUNTING PLATE	--	--	87*-BH/K
41	67777-80A	HEADLAMP, comp. w/wiring-5"	--	87*-EL	87*-BH/K/L
43	67790-82	TRIM RING (chrome)	--	87*-EL	87*-BH/K
44	67805-86A	BRACKET	--	87*-EA/B/G/M	--
45	67807-86	TRIM, warning lights	--	87*-EA; 88*-EB	--
46	67815-59A	WASHER	--	87*-EA/B/G/M	--
47	67789-91	HEADLAMP, comp. w/wiring-6"	--	--	87*-BJ/M
48	67865-89	PLUG, headlamp bracket	--	87*-EA/B/G/M	--
49	67834-83	TRIM, headlamp bracket	--	87*-EB/G/M	--
50	67839-74	BOOT, headlamp connector	--	87*-EA/B/G/M	--
51	72501-74	BUSHING, straight	--	87*-EA/B/G/M	--
52	72502-74	BUSHING, angle (2)	--	87*-EA/B/G/M	--
<b>H-D INTERNATIONAL ONLY</b>					
41	67872-89A	HEADLAMP, comp. w/wiring-5" (Less bulb) (HDI only)	--	89*-EL	89*-BH/K/L

**FLT MODELS**

FLTC DB  
 FLHT DD  
 FLHTC DJ  
 FLTC-U DM  
 FLHTC-U DP  
 FLNS FA

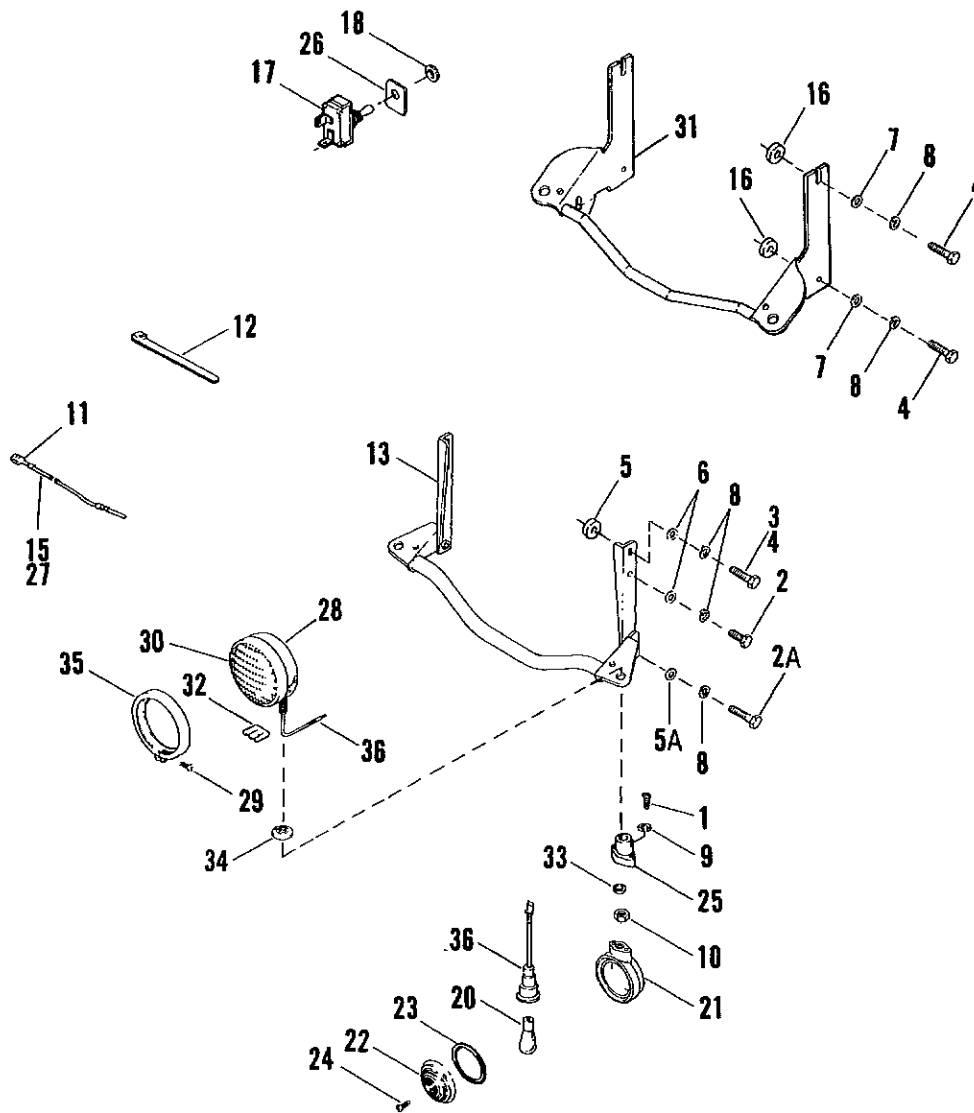
**FXR MODELS**

FXR EA  
 FXRS EB  
 FXRT EC  
 FXRS-SP EG  
 FXLR EL  
 FXRS-CON EM

**SOFTAIL MODELS**

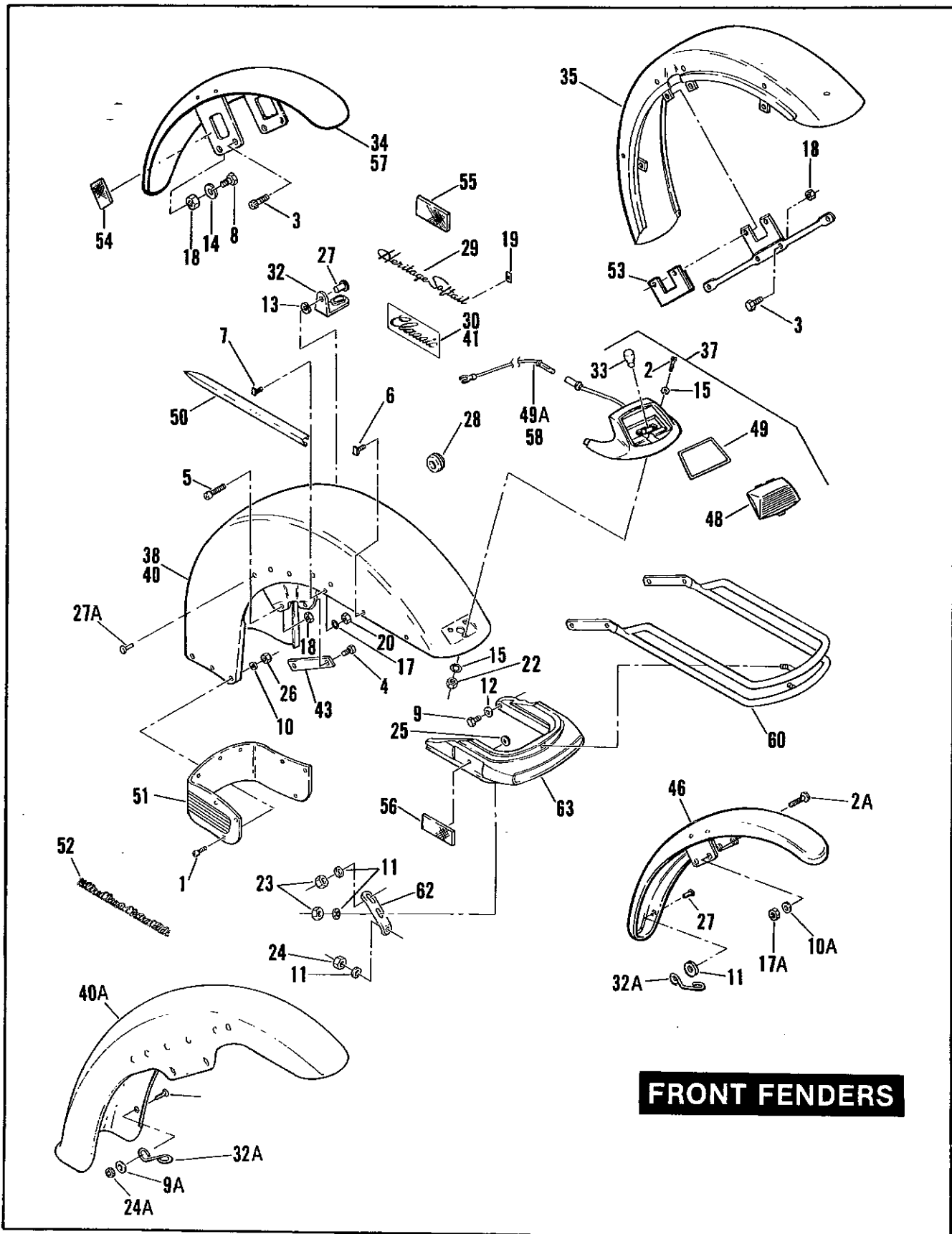
FXST BH  
 FLST/C BJ  
 FXSTC BK  
 FXSTS BL  
 FLSTF BM

# PASSING LAMPS & FRONT TURN SIGNALS — FLHT/C, FLHS & FLSTC



INDEX NO.	PART NO.	NAME	FLT MODELS	FXR MODELS	SOFTAIL MODELS
1	2647A	SCREW (4)	87-DD/J/P,FA	--	87-BJ
2	3960W	BOLT (2)	--	--	87-BJ
2A	4014W	SCREW (2)	--	--	L87-BJ
3	4020W	BOLT (2)	--	--	87 to 89-BJ
4	4036	BOLT (4-DD/J,FA;2-BJ)	87-DD/J/P,FA	--	90-BJ
5	5885	SPACER (2)	--	--	87-BJ
5A	6109	WASHER (2)	--	--	L87-BJ
6	6645	WASHER (4)	--	--	87-BJ
7	6702	WASHER (4-DD/J,FA)	87-DD/J/P,FA	--	--
8	7041	LOCKWASHER (4-DD/J,FA;6-BJ)	87-DD/J/P,FA	--	87-BJ
9	7069	LOCKWASHER (4)	87-DD/J/P,FA	--	87-BJ
10	7778	LOCKNUT (2)	87-DD/J/P,FA	--	87-BJ
11	9900	CONNECTOR, passing lamp wire (2)	87&88-FA	--	87-BJ
	9907	CONNECTOR, passing lamp wire (2)	89-FA	--	--
12	10006	CABLE STRAP	87-FA	--	87-BJ
13	58082-87	BRACKET, passing lamps	--	--	87-BJ
	67615-87	WIRING HARNESS, pass. lamps (not illus.)	--	--	87&88-BJ
	67615-89	WIRING HARNESS, pass. lamps (not illus.)	--	--	89-BJ
15	67668-83	CABLE ASSEMBLY, passing lamps	87&88-FA	--	--
	67668-89	CABLE ASSEMBLY, passing lamps	89-FA	--	--
16	67749-77	SPACER (4)	87-DD/J/P,FA	--	--
17	67843-70	TOGGLE SWITCH, hazard warning	87&88-FA	--	--
	67844-70	TOGGLE SWITCH, passing lamps	87&88-FA	--	87&88-BJ
	67858-89	TOGGLE SWITCH, passing lamps	89-FA	--	89-BJ
18	67846-70	NUT, toggle switch (2-1987 & 1988 FA)	87-FA	--	87-BJ
20	68168-89	BULB, turn sig. (2)	87-DD/J/P,FA	--	87-BJ
21	68400-86	TURN SIGNAL (2)	87-DD/J/P,FA	--	--
	68661-87	TURN SIGNAL, left	--	--	87-BJ
	68668-87	TURN SIGNAL, right	--	--	87-BJ
22	68440-86	LENS, turn sig. (amber) (2)	87-DD/J/P,FA	--	87-BJ
23	68451-86	O-RING (2)	87-DD/J/P,FA	--	87-BJ
24	68452-86	SCREW W/O-RING (4)	87-DD/J/P,FA	--	87-BJ
25	68519-68	MOUNTING BRACKET (2)	87-DD/J/P,FA	--	87-BJ
26	68602-79	LABEL, hazard warning	87&88-FA	--	--
	68619-83	LABEL, passing lamp switch	87-FA	--	87-BJ
27	68633-83	LAMP WIRING, pass. lamp (2)	N/A 87-FA	--	--
28	68671-69	PASSING LAMP (2)	87-DD/J/P,FA	--	87-BJ
29	68672-38	SCREW, pass. lamp molding (2)	87-DD/J/P,FA	--	87-BJ
30	68674-69	SEALED UNIT, pass. lamps (2)	87-DD/J/P,FA	--	87-BJ
31	68684-86	BRACKET, passing lamps	87-DD/J/P,FA	--	--
32	68690-69	CLIP, wire (2)	87-DD/J/P,FA	--	87-BJ
33	68720-82	CLAMP BLOCK, pass. lamps (2)	87-DD/J/P,FA	--	87-BJ
34	68721-62	SWIVEL BLOCK, pass. lamps (2)	87-DD/J/P,FA	--	87-BJ
35	68725-62	MOLDING, pass. lamps (2)	87-DD/J/P,FA	--	87-BJ
36	72039-71	PIN, single socket (4)	87-DD/J/P,FA	--	87-BJ
<b>H-D INTERNATIONAL ONLY</b>					
26	14019-83	LABEL, park lamp (HDI only)	89-FA	--	--
17	67858-89	TOGGLE SWITCH, park. lamp (HDI only)	89-FA	--	--
20	68163-84	BULB, turn sig. (2)(HDI only)	87-DD/J/P,FA	--	87 to 89-BJ
21	68401-90	TURN SIGNAL (2)(HDI only)	87-DD/J/P,FA	--	87-BJ
22	68505-90	LENS, turn sig. (amber) (2)	90-DJ/P,FA	--	90-BJ
27	68633-89	LAMP WIRING, pass. lamp (HDI only)(2)	89-FA	--	--

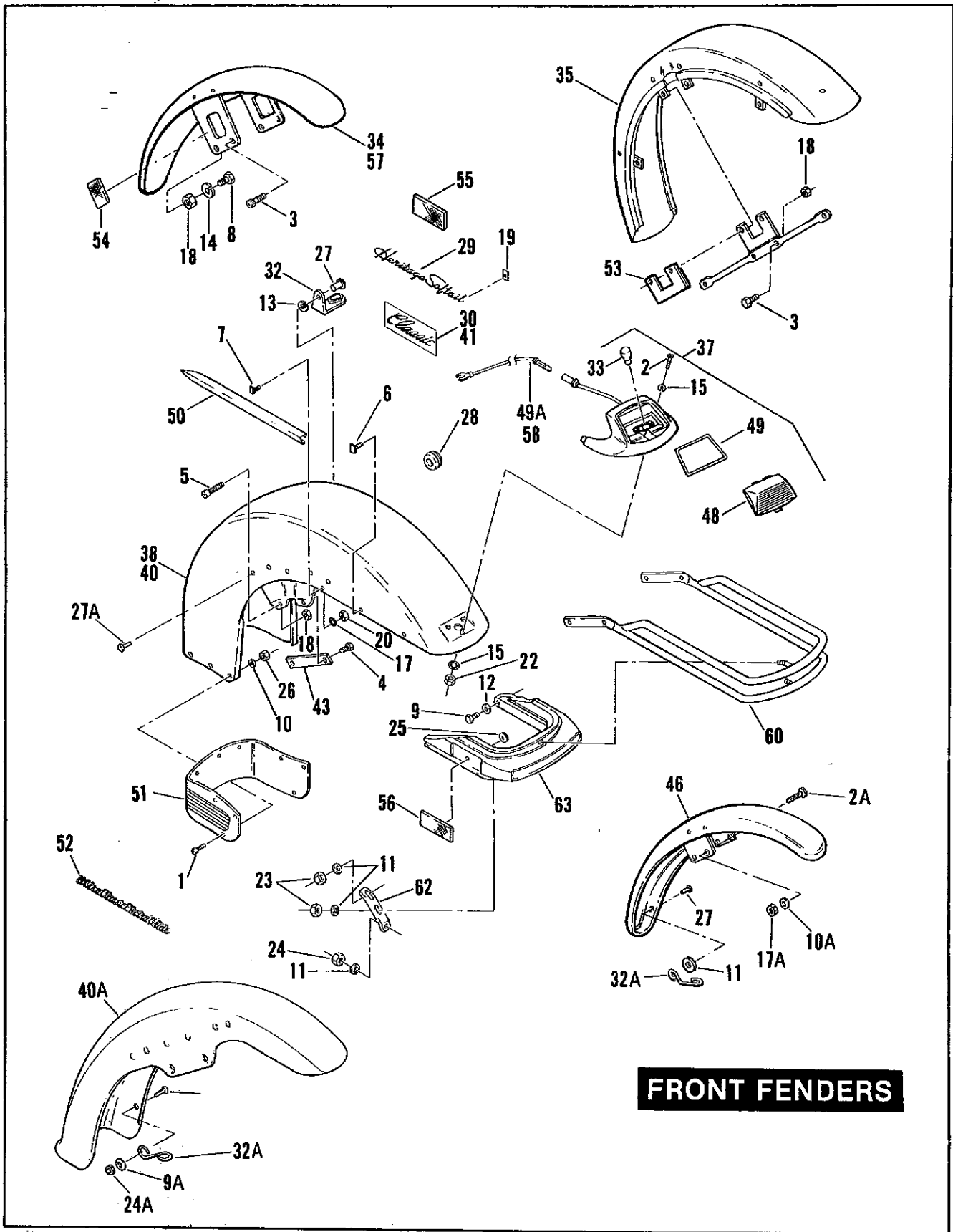
FLT MODELS		FXR MODELS		SOFTAIL MODELS	
FLTC	DB	FXR	EA	FXST	BH
FLHT	DD	FXRS	EB	FLST/C	BJ
FLHTC	DJ	FXRT	EC	FXSTC	BK
FLTC-U	DM	FXRS-SP	EG	FXSTS	BL
FLHTC-U	DP	FXLR	EL	FLSTF	BM
FLHS	FA	FXRS-CON	EM		





INDEX NO.	PART NO.	NAME	FLT MODELS	FXR MODELS	SOFTAIL MODELS
<b>NOTE: REFER TO DEALER ACESSORY GUIDE FOR PAINTED PART NUMBERS.</b>					
1	2531	SCREW (6;8-BJ)	87*-ALL	--	87*-BJ
2	2604	SCREW (2)	87*-ALL	--	87*-BJ
2A	2882W	SCREW (4)	--	--	L88*-BL
3	3210	SCREW (4)	--	87*-ALL	--
4	3462	BOLT (4)	87*-ALL	--	--
5	3485	SCREW (4)	--	--	87*-BJ/M
6	3560W	TEE BOLT (2)	87*-ALL	--	87*-BJ
7	3561WB	TEE BOLT (2)	87*-ALL	--	87*-BJ
8	3991	SCREW (4)	--	--	87*-BH/K
9	4091	SCREW (2)	87*-DB/D/J/M/P	--	--
9A	6220W	LOCKWASHER	--	--	90*-BM
10	6335	WASHER (6;8-BJ)	87*-ALL	--	87*-BJ
10A	6702	WASHER (4)	--	--	L88*-BL
11	6703	WASHER (3-FLT)	87*-DB/D/J/M/P	--	L88&89-BL
12	6716	WASHER (2)	87*-DB/D/J/M/P	--	--
13	7036	WASHER	87*-ALL	--	87*-BJ
14	7041	LOCKWASHER (4)	--	--	87*-BH/K
15	7118	LOCKWASHER (4)	87*-ALL	--	87*-BJ
17	7220	LOCKWASHER (4)	87*-ALL	--	87*-BJ
17A	7507	ACORN NUT (4)	--	--	L88*-BL
18	7531	NUT (4)	--	87*-EC	--
19	7613A	SCREW (6)	89*-DM/P	--	87*-BJ
20	7624	NUT (4)	87*-ALL	--	87*-BJ
22	7638	NUT (2)	87*-ALL	--	87*-BJ
23	7682	LOCKNUT (2)	87*-DB/D/J/M/P	--	--
24	7683	LOCKNUT	87*-DB/D/J/M/P	--	--
24A	7689W	NUT	--	--	90*-BM
25	8126	SPEED NUT, reflector (2)	87*-DB/D/J/M/P	--	--
26	8131W	NUT (6;8-BJ)	87*-ALL	--	87*-BJ
27	8505	RIVET	87*-ALL	--	87*-BJ/L
27A	8519	RIVET (10)	87*-ALL	--	--
28	11437	GROMMET, wiring harness	87*-ALL	--	--
29	14142-86	TRIM, "Heritage Softail" (2)	--	--	87*-BJ
30	14159-87	DECAL, "Classic" (red)(2)	87*-DB/D/J	--	--
	14331-90	DECAL, "Classic" (gold)(2)	90*-DM/P	--	--
32	38622-87	GUIDE, speedometer cable	87*-ALL	--	87*-BJ
32A	45085-88	CABLE GUIDE	--	--	L88*-BL/M
33	53439-79	BULB, fender tip lamp	87*-ALL	--	87*-BJ
34	58998-83	FENDER (prime)	--	87*-EA/B/G/L/M	--

FLT MODELS		FXR MODELS		SOFTAIL MODELS	
FLTC	DB	FXR	EA	FXST	BH
FLHT	DD	FXRS	EB	FLST/C	BJ
FLHTC	DJ	FXRT	EC	FXSTC	BK
FLTC-U	DM	FXRS-SP	EG	FXSTS	BL
FLHTC-U	DP	FXLR	EL	FLSTF	BM
FLHS	FA	FXRS-CON	EM		



**FRONT FENDERS**

INDEX NO.	PART NO.	NAME	FLT MODELS	FXR MODELS	SOFTAIL MODELS
35	59007-84	FENDER (prime)	--	87*-EC	--
37	59082-79	LAMP ASSY.	87*-ALL	--	87*-BJ
38	59093-87	FENDER (prime)	87*-ALL	--	--
39	59111-74	FENDER BRACE	--	87*-EC	--
40	59129-86	FENDER (prime)	--	--	87*-BJ
40A	59139-89	FENDER (prime)	--	--	90*-BM
41	59159-80	DECAL, "Classic" (silver)(2)	87*-DB/D/J	--	--
	59173-81A	DECAL, "Classic" (gold)(2)	87*-DB/D/J	--	--
43	59166-80	LOCKPLATE (2)	87*-ALL	--	--
46	59176-88	FENDER (prime)	--	--	88*-BL
48	59180-80	LENS, fender lamp	87*-ALL	--	87*-BJ
49	59181-80	GASKET, fender lamp lens	87*-ALL	--	87*-BJ
49A	59197-87	WIRE ASSY. fender lamp	--	--	87*-BJ
50	59211-74	SIDE TRIM (2)	87*-ALL	--	87*-BJ
51	59231-86	TRIM SKIRT, lower	87*-ALL	--	--
	59235-86	TRIM SKIRT, lower (black)	--	--	87*-BJ
52	59236-89	NAMEPLATE (2)	89*-DP	--	--
	59246-89	NAMEPLATE (2)	89*-DM	--	--
53	59250-88	MOUNT, reflector (2)	--	88*-EC	--
54	59253-87	REFLECTOR (amber)(4)	--	87*-EG/L/M; 88*-EA/B/C	--
55	59254-72	REFLECTOR (amber)(2)	87*-FA	--	87*-BJ
56	59261-77	REFLECTOR (amber)(2)	87*-DB/D/J/M/P	--	--
57	59924-80	FENDER (prime)	--	--	87*-BH/K
58	69504-80	WIRE ASSY., fender lamp	87&88-ALL	--	--
	69505-89	WIRE ASSY., front fender	89*-ALL	--	--
	70196-86	WIRE ASSY., fender lamp	89*-ALL	--	87*-BJ
60	91085-83B	BUMPER ASSY.	87*-DB/D/J/M/P	--	--
62	91090-77A	BRACKET, bumper	87*-DB/D/J/M/P	--	--
63	91107-77	CUSHION, bumper	87*-DB/D/J/M/P	--	--
<b>H-D INTERNATIONAL ONLY</b>					
37	68594-84	LAMP ASSY. (HDI only)	87*-ALL	--	87*-BJ
48	59182-84	LENS, fender lamp (HDI only)	87*-ALL	--	87*-BJ
	59256-84A	REFLECTOR (amber)(2)(HDI only)	90*-ALL	90*-EA/B/G/L/M	90*-BJ
60	91086-90	BUMPER ASSY. (HDI only)	90*-DB/J/M/P	--	--

**FLT MODELS**

FLTC DB  
 FLHT DD  
 FLHTC DJ  
 FLTC-U DM  
 FLHTC-U DP  
 FLHS FA

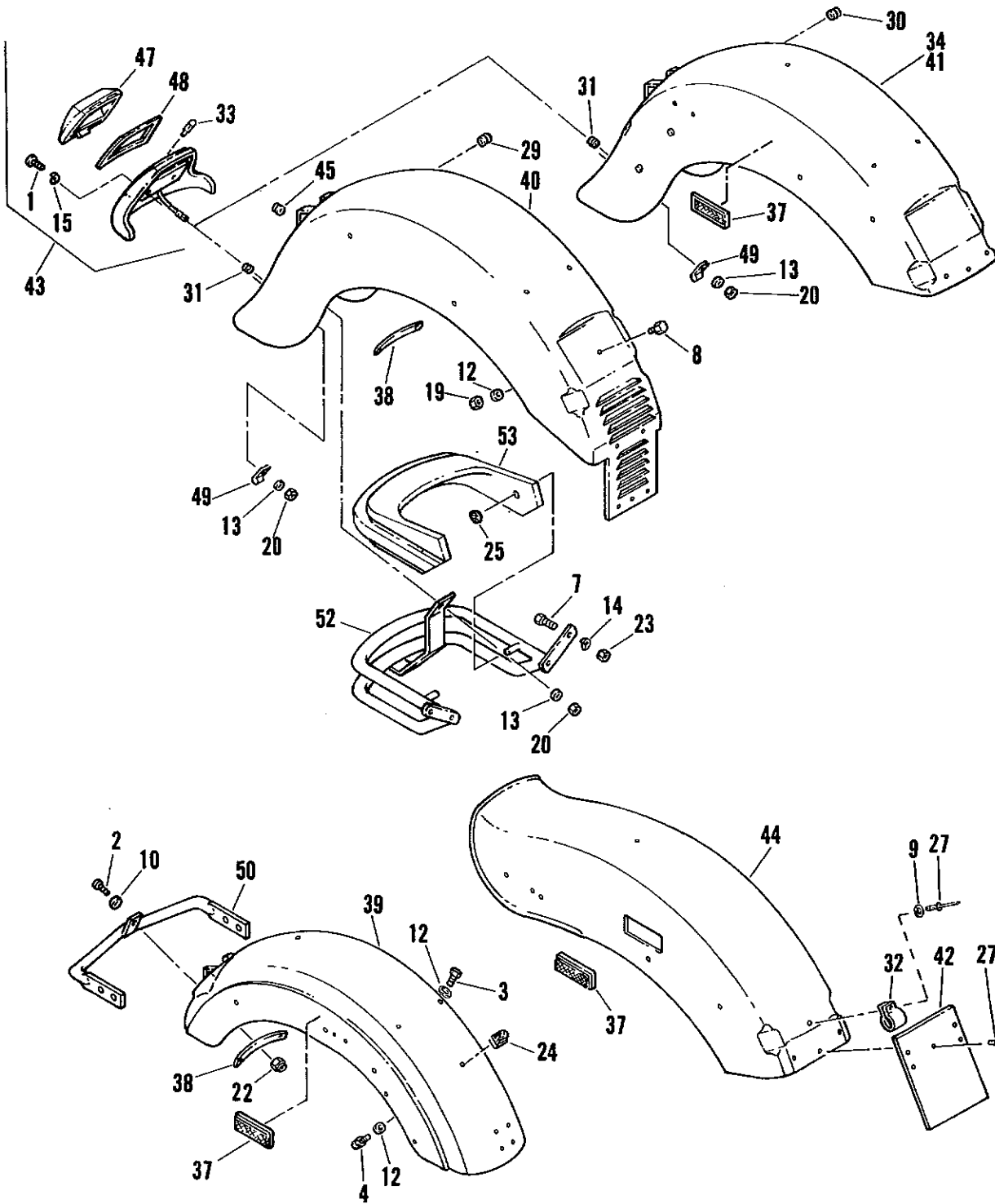
**FXR MODELS**

FXR EA  
 FXRS EB  
 FXRT EC  
 FXRS-SP EG  
 FXLR EL  
 FXRS-CON EM

**SOFTAIL MODELS**

FXST BH  
 FLST/C BJ  
 FXSTC BK  
 FXSTS BL  
 FLSTF BM

# REAR FENDERS



**REAR FENDER**

**F37A**

INDEX NO.	PART NO.	NAME	FLT MODELS	FXR MODELS	SOFTAIL MODELS
<b>NOTE; REFER TO DEALER ACCESSORY GUIDE FOR PAINTED PART NUMBERS.</b>					
1	2604	SCREW (2)	87*-ALL	--	87*-BJ
2	2607	SCREW	--	87*-EC	--
3	2824W	SCREW (2)	--	87*-EA	--
4	3445	BOLT	--	87*-ALL	--
7	3974HW	BOLT (2)	87*-ALL	--	--
8	3987	BOLT	87*-ALL	--	--
9	6029	WASHER	--	--	87&88-BH/K
10	6410	WASHER	--	87*-EC	--
12	6702	WASHER (3-FXR)	87*-ALL	87*-ALL	--
13	6703	WASHER (3)	87*-ALL	--	--
14	7041	WASHER (2)	87*-ALL	--	--
15	7118	LOCKWASHER (4)	87*-ALL	--	87*-BJ
19	7531	LOCKNUT	87*-ALL	--	--
20	7638	LOCKNUT (3)	87*-ALL	--	87*-BJ
22	7686	LOCKNUT	--	87*-EC	--
23	7753	NUT (2)	87*-ALL	--	--
24	8102	CAGE NUT	--	87*-ALL	--
25	8135B	SPEED NUT (2)	87*-ALL	--	--
26	8483	POP RIVET (3;2-1987)	--	--	87*-ALL
27	8692	POP RIVET (4)	--	--	87&88-ALL
29	11400	GROMMET	87*-ALL	--	--
30	11430	GROMMET	--	--	87*-BJ
31	11437	GROMMET	87*-ALL	--	87*-BJ
32	38712-68	CLAMP	--	--	87&88-BH/K
33	53439-79	BULB, fender tip lamp	87*-ALL	--	87*-BJ
34	59126-86B	FENDER (prime)	--	--	87*-BJ
37	59255-72	REFLECTOR (red) (2)	--	--	87*-ALL
	59263-79	REFLECTOR (red) (2)	--	87*-EA/B/G/L	--
38	59569-83	REINFORCEMENT	87*-ALL	87*-EC	--
39	59573-83	FENDER (prime)	--	87*-EC	--
	59634-81A	FENDER (prime)	--	87*EA/B/G/L/M	--
40	59579-85	FENDER, louvered (prime)	87*-ALL	--	--
41	59596-89	FENDER (prime)	--	--	90*-BM
42	59648-84A	DEBRIS DEFLECTOR, upper	--	--	87*-ALL
43	59658-79	LAMP ASSEMBLY	87*-ALL	--	87*-BJ
44	59914-86A	FENDER (prime)	--	--	87*-BH/K/L
45	67070-76	GROMMET	87*-ALL	--	--
47	68046-79	LENS, rear fender lamp	87*-ALL	--	87*-BJ
48	68047-79	GASKET, rear fender lamp	87*-ALL	--	87*-BJ
49	71795-63A	CLAMP	87*-ALL	--	87*-BJ
50	90488-83	SUPPORT BRKT., saddlebags	--	87*-EC	--
52	91013-79	REAR BUMPER ASSY.	87*-ALL	--	--
	91023-79	RAIL, rear bumper	87*-ALL	--	--
53	91123-77	BUMPER CUSHION, rear	87*-ALL	--	--
<b>H-D INTERNATIONAL ONLY</b>					
37	59254-72	REFLECTOR (amber)(2)	--	--	87 to 89-ALL
	59256-84A	REFLECTOR (amber)(2)	--	87 to 89-ALL 90*-EA/B/G/L	90*-ALL
	59251-90	REFLECTOR, rear (red)(HDI only)	90*-ALL	90*-ALL	90*-ALL

**FLT MODELS**

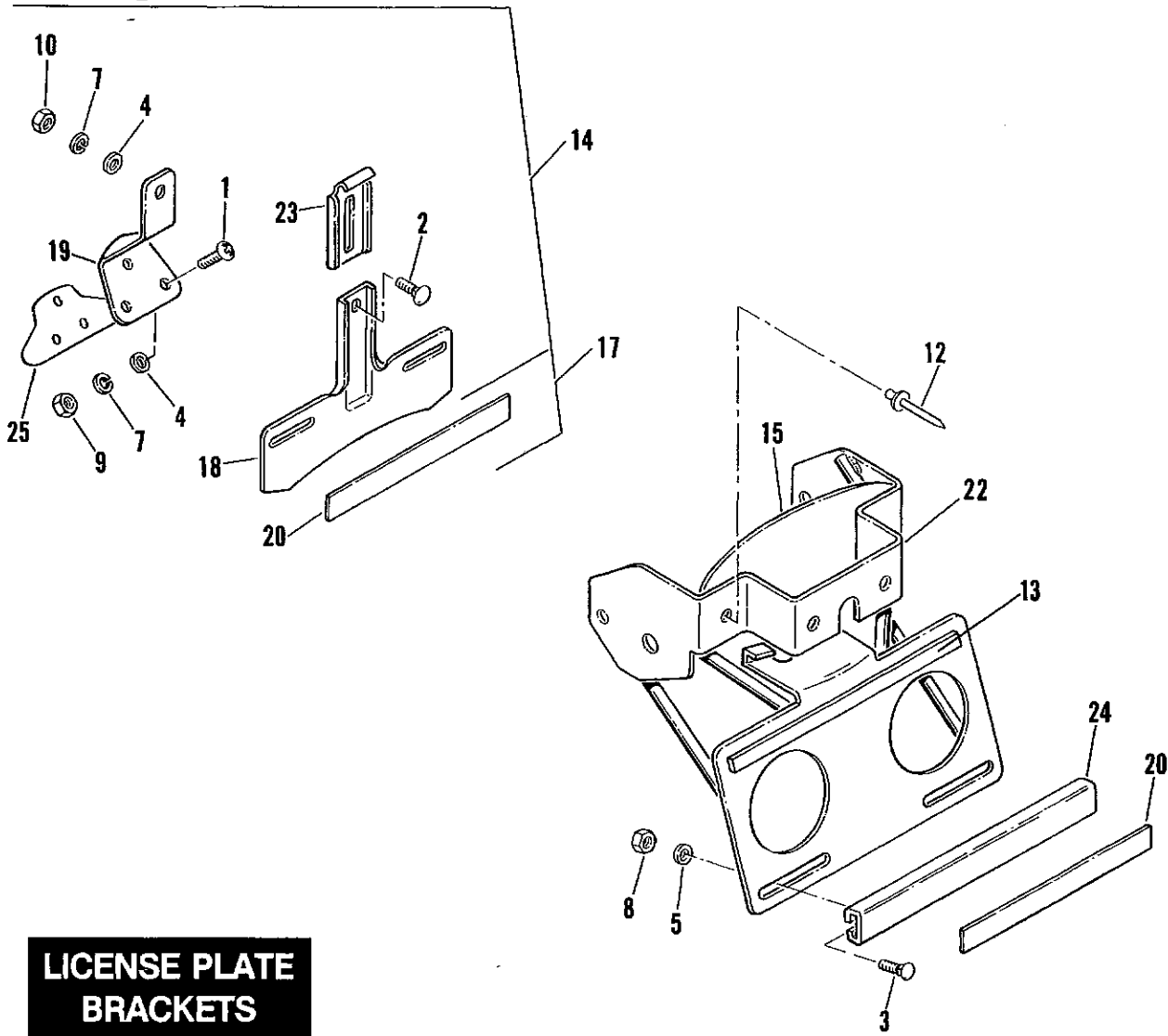
FLTC DB  
FLHT DD  
FLHTC DJ  
FLTC-U DM  
FLHTC-U DP  
FLHS FA

**FXR MODELS**

FXR EA  
FXRS EB  
FXRT EC  
FXRS-SP EG  
FXLR EL  
FXRS-CON EM

**SOFTAIL MODELS**

FXST BH  
FLST/C BJ  
FXSTC BK  
FXSTS BL  
FLSTF BM



**LICENSE PLATE  
BRACKETS**

**LICENSE PLATE BRACKET**

**F37B**

INDEX NO.	PART NO.	NAME	FLT MODELS	FXR MODELS	SOFTAIL MODELS
1	2774	SCREW (3)	--	87*-ALL	87*-BJ/M
2	5403B	BOLT	--	87*-ALL	87*-BJ/M
3	5465	CARRIAGE BOLT (2)	--	--	87*-BH/K/L
4	6703	WASHER (4)	--	87*-ALL	--
5	6716	WASHER (2)	--	--	87*-BH/K/L
7	7036	LOCKWASHER (4)	--	87*-EA/B/C/G/L	87*-BJ/M
	7230	LOCKWASHER (3)	--	L89*-EM	--
8	7624	NUT (2)	--	--	87*-BH/K/L
9	7686	LOCKNUT (3)	--	L89*-EM	--
	7688	NUT (3)	--	87*-EA/B/C/G/L	87*-BJ/M
10	7689W	NUT	--	87*-ALL	--
12	8483	POP RIVET (2)	--	--	87*-BH/K/L
13	52092-77	FOAM TAPE	--	--	87*-BH/K/L
14	59626-84	LICENSE PLATE BKT. ASM.	--	87*-ALL	87*-BJ
15	59971-80	SPLASH SHIELD (rubber)	--	--	87*-BH/K/L
17	59983-75	LICENSE PLATE BKT. ASM.W/#14 & 20	--	87*-EA/B/C/G/L	87*-BJ
18	59984-73	BRACKET	--	87*-ALL	87*-BJ
19	59986-75	SUPPORT	--	87*-ALL	87*-BJ
20	59988-72	REFLECTOR	87*-ALL	87*-ALL	87*-ALL
22	59993-80A	LICENSE PLATE BKT. ASM.	--	--	87*-BH/K/L
23	60001-55	CLAMP	--	87*-ALL	87*-BJ
24	60005-77	CLAMP	--	--	87*-BH/K/L
25	68456-89	PAD	--	89*-EM	--
		<b>H-D INTERNATIONAL ONLY</b>			
	59262-90	REFLECTOR, rear (red)(HDI only)	--	--	90*-BH/K/L

**FLT MODELS**

FLTC DB  
 FLHT DD  
 FLHTC DJ  
 FLTC-U DM  
 FLHTC-U DP  
 FLHS FA

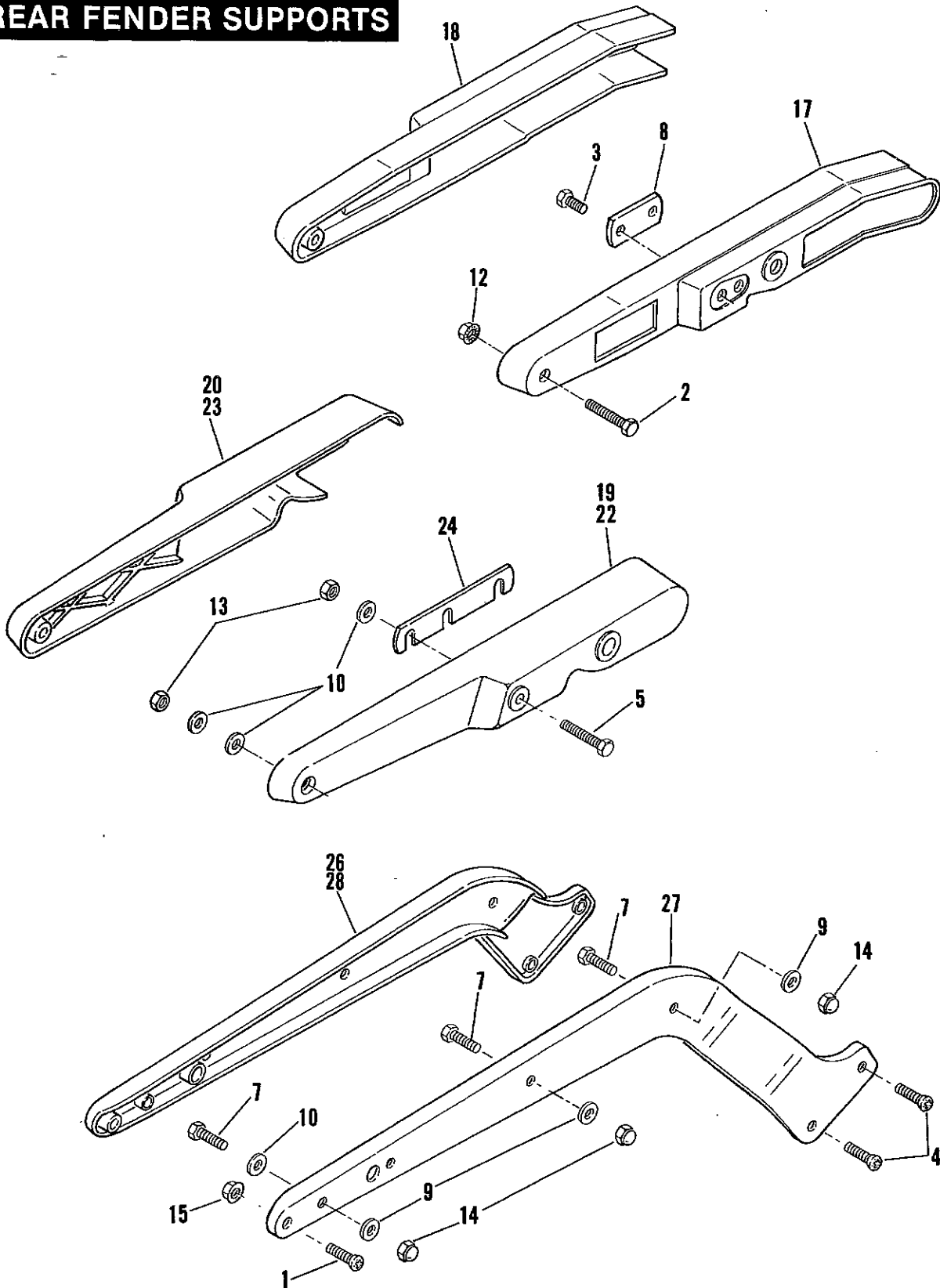
**FXR MODELS**

FXR EA  
 FXRS EB  
 FXRT EC  
 FXRS-SP EQ  
 FXLR EL  
 FXRS-CON EM

**SOFTAIL MODELS**

FXST BH  
 FLST/C BJ  
 FXSTC BK  
 FXSTS BL  
 FLSTF BM

# REAR FENDER SUPPORTS





# REAR FENDER SUPPORTS

F37C

INDEX NO.	PART NO.	NAME	FLT MODELS	FXR MODELS	SOFTAIL MODELS
1	2005	SCREW (2)	--	--	87*-ALL
2	2887W	BOLT (2)	--	87*-EC	--
3	2906	BOLT (2)	--	87*-EC	--
4	4013	SCREW (4)	--	--	87*-ALL
5	4030	SCREW (2)	--	87*-EA/B/G/L/M	--
7	4716W	BOLT (6;4-BJ/M-1990 & Later)	--	--	87*-ALL
	4721	BOLT (2)	--	--	90*-BJ/M
8	5713	SPACER (2)	--	87*-EC	--
9	6379W	WASHER (6)	--	--	87*-ALL
10	6701	WASHER (6)	--	87*-EA/B/G/L	--
12	7531	NUT (2)	--	87*-EC	--
13	7667	LOCKNUT (4)	--	87*-EA/B/G/L/m	--
14	7643W	NUT (2)	--	--	90*-BJ/M
	7680W	ACORN NUT (6;4-BM)	--	--	87 to 89-ALL; 90*-BH/J/K
15	7775	NUT (2)	--	--	87*-ALL
17	59504-84	SUPPORT, right (black)	--	87*-EC	--
18	59505-84	SUPPORT, left (black)	--	87*-EC	--
19	59542-87	SUPPORT, right (chrome)	--	87*-EL;88*-EB	--
20	59544-87	SUPPORT, left (chrome)	--	87*-EL;88*-EB	--
22	59548-87	SUPPORT, right	--	87*-EA/B/G/M	--
23	59558-87	SUPPORT, left	--	87*-EA/B/G/M	--
24	59591-87	SPACER (2)	--	87*-EA/B/G/M	--
26	59954-86	SUPPORT, left (chrome)	--	--	87*-BH/K/L
27	59955-86	SUPPORT, right (chrome)	--	--	87*-BH/K/L
	59964-86	SUPPORT, right (chrome)	--	--	87*-BJ
	59977-89	SUPPORT, right (silver)	--	--	90*-BM
28	59969-86	SUPPORT, left (chrome)	--	--	87*-BJ
	59978-89	SUPPORT, left (silver)	--	--	90*-BM
<b>H-D INTERNATIONAL ONLY</b>					
27	59964-86	SUPPORT, right (chrome)	--	--	87*-ALL
28	59969-86	SUPPORT, left (chrome)	--	--	87*-ALL

**FLT MODELS**

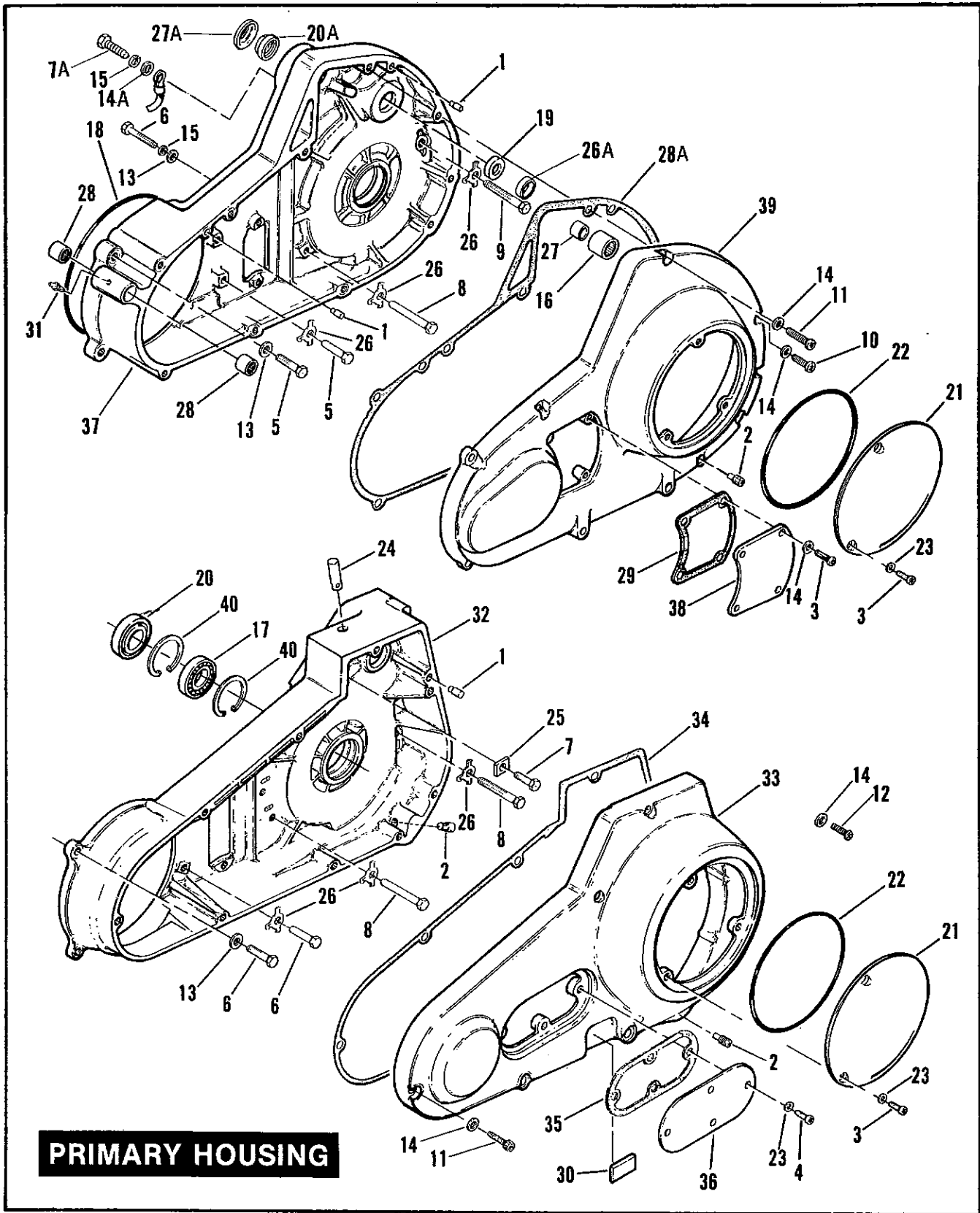
FLTC DB  
 FLHT DD  
 FLHTC DJ  
 FLTC-U DM  
 FLHTC-U DP  
 FLHS FA

**FXR MODELS**

FXR EA  
 FXRS EB  
 FXRT EC  
 FXRS-SP EG  
 FXLR EL  
 FXRS-CON EM

**SOFTAIL MODELS**

FXST BH  
 FLST/C BJ  
 FXSTC BK  
 FXSTS BL  
 FLSTF BM



**PRIMARY HOUSING**

INDEX NO.	PART NO.	NAME	FLT MODELS	FXR MODELS	SOFTAIL MODELS
1	221	PIN (2)	87*-ALL	87*-ALL	--
	375	PIN	--	--	87*-ALL
2	739	PLUG, magnetic	87*-ALL	87*-ALL	87*-ALL
3	923	SCREW (7; 3-Softail)	87*-ALL	87*-ALL	87*-ALL
4	924	SCREW (4)	--	--	87*-ALL
5	2818	SCREW (4)	87*-ALL	87*-ALL	--
6	2871W	BOLT (4)	87*-ALL	87*-ALL	87*-ALL
7	3545	BOLT	--	--	87&88-ALL
7A	3767B	BOLT	--	90*-ALL	--
8	4068	BOLT (4-Softail)	87*-ALL	87*-ALL	87*-ALL
9	4086	BOLT	87*-ALL	87*-ALL	--
10	4718A	SCREW (5)	87*-ALL	87*-ALL	--
11	4740A	SCREW (5;7-89 & later Softail)	87*-ALL	87*-ALL	87*-ALL
12	4813A	SCREW (9)	--	--	87&89-ALL
12A	4820	BOLT (5)	--	--	89*-ALL
13	6016	WASHER (2)	87*-ALL	87*-ALL	87*-ALL
14	6099	WASHER (10;12-Softail)	87*-ALL	87*-ALL	87*-ALL
14A	6703	WASHER	--	90*-ALL	--
15	7036	LOCKWASHER	--	90*-ALL	--
15A	7127	LOCKWASHER	87*-ALL	87*-ALL	--
16	9063	NEEDLE BEARING	87&88-ALL	87&88-ALL	87&88-ALL
17	9135	BEARING	87*-ALL	87*-ALL	87*-ALL
18	11147	O-RING, housing cover	87*-ALL	87*-ALL	87*-ALL
19	12051	OIL SEAL	87&88-ALL	87&88-ALL	87&88-ALL
20	12052	OIL SEAL	87*-ALL	87*-ALL	87*-ALL
20A	12053	OIL SEAL	89*-ALL	89*-ALL	89*-ALL
21	25414-70A	COVER, clutch	87*-ALL	87-EB; 87*-EA/C/G/M	87*-BH/J
	25418-89	COVER, clutch	--	--	90*-BM
	60668-84B	COVER, clutch (chrome)	88*-DB/J/M/P	87*-EL;88*-EB	87*-BK/L/J
22	25416-84	O-RING, clutch cover	87*-ALL	87*-ALL	87*-ALL
23	31433-84A	WASHER (nylon)(3;7-Softail)	87*-ALL	87*-ALL	87*-ALL
24	31473-86	PIVOT SHAFT, actuator	--	--	87*-ALL
25	31474-86	LOCKPLATE	--	--	87*-ALL
26	33318-85	LOCKING TAB (4;6-Softail)	87*-ALL	87*-ALL	87&88-ALL
26A	33445-89	BUSHING	89*-ALL	89*-ALL	89*-ALL
27	33446-89	BUSHING	89*-ALL	89*-ALL	89*-ALL
27A	33448-89	SCRAPER	N/A 89-ALL	89-ALL	89-ALL
28	33713-85	BUSHING (2)	87*-ALL	--	--
28A	34901-85	GASKET, cover	87*-ALL	87*-ALL	--
29	34906-85	GASKET, inspection cover	87*-ALL	87*-ALL	--
30	50100-70	BUMPER, jiffy stand	--	--	87*-ALL
31	50972-75	FITTING, lubrication	87*-ALL	--	--
32	60432-86	PRIMARY HOUSING ASSY. (black wrinkle)	87&88-DB/J	--	--
	60432-89	PRIMARY HOUSING ASSY. (black wrinkle)	89-DB/J/M/P	--	--
	60432-90	PRIMARY HOUSING ASSY. (black wrinkle)	90*-DB/J/M/P	--	--
	60441-86A	PRIMARY HOUSING ASSY.	--	--	87&88-BH/J
	60441-89	PRIMARY HOUSING ASSY.	--	--	89-BH/J
	60441-90	PRIMARY HOUSING ASSY.	--	--	90*-BH/J/M
	60630-86A	PRIMARY HOUSING ASSY. (black wrinkle)	--	--	87&88-BK
	60630-89	PRIMARY HOUSING ASSY. (black wrinkle)	--	--	89-BJ/K/L
	60630-90	PRIMARY HOUSING ASSY. (black wrinkle)	--	--	90*-BJ/K/L

FLT MODELS

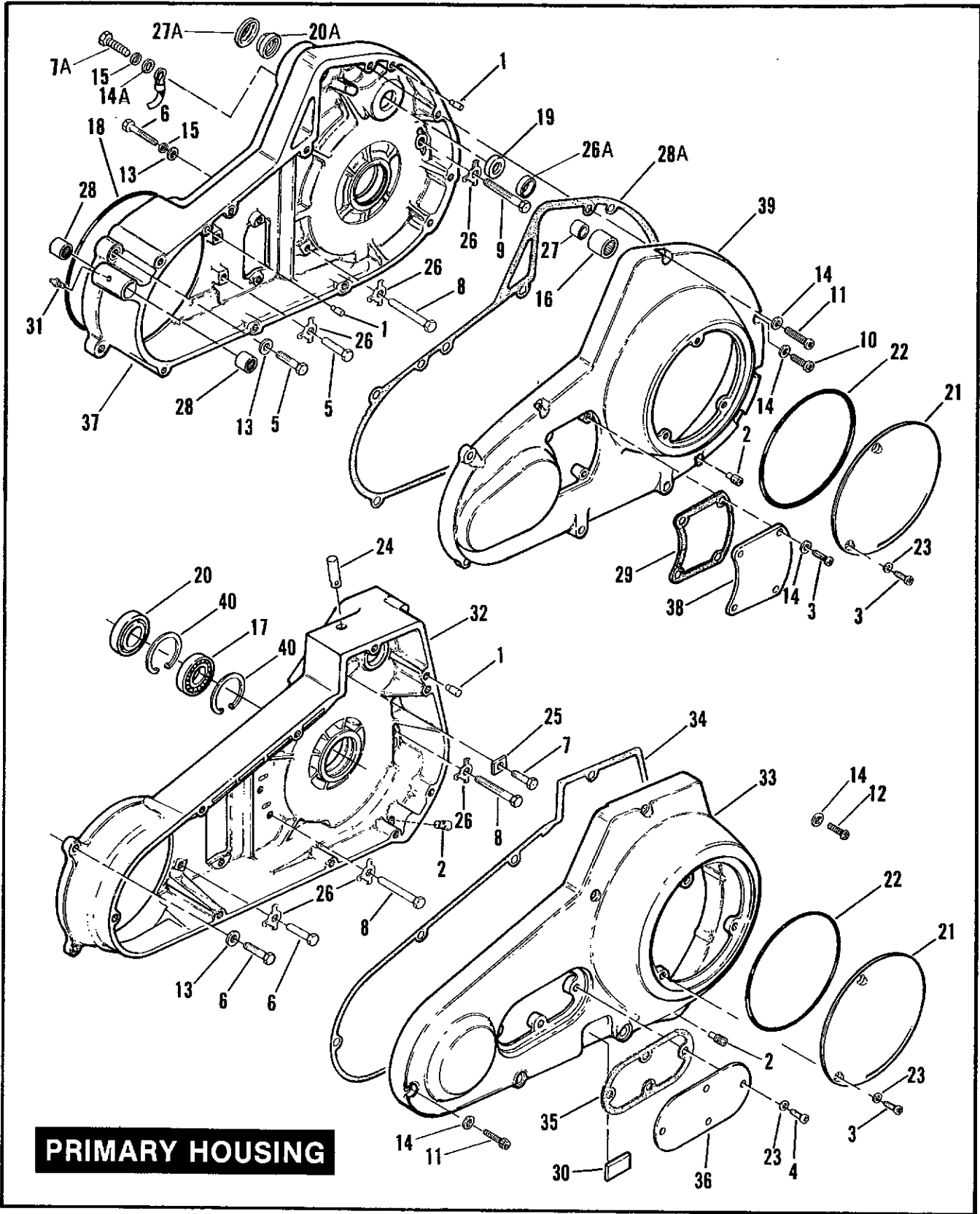
FLTC DB  
 FLHT DD  
 FLHTC DJ  
 FLTC-U DM  
 FLHTC-U DP  
 FLHS FA

FXR MODELS

FXR EA  
 FXRS EB  
 FXRT EC  
 FXRS-SP EG  
 FXLR EL  
 FXRS-CON EM

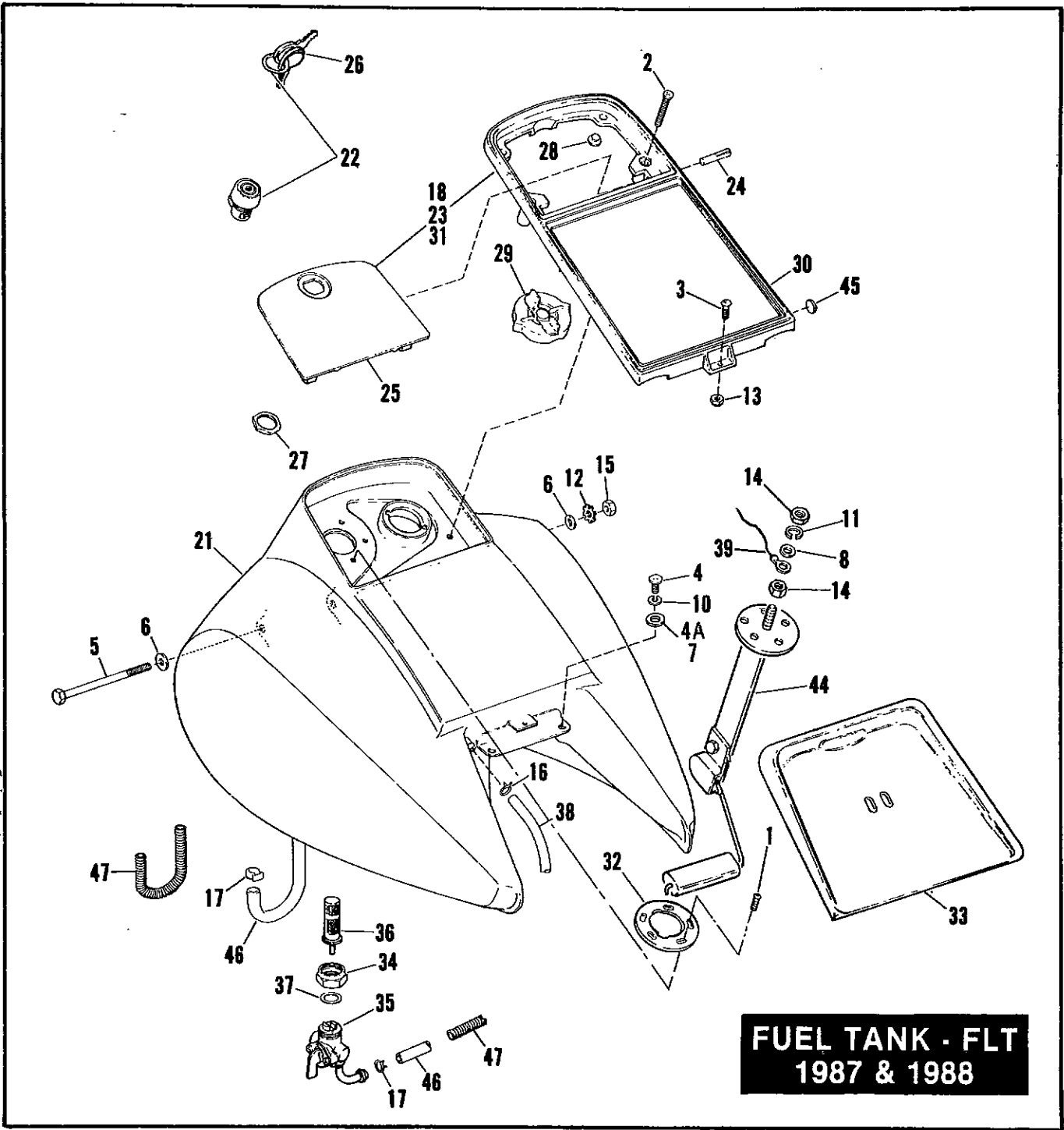
SOFTAIL MODELS

FXST BH  
 FLST/C BJ  
 FXSTC BK  
 FXSTS BL  
 FLSTF BM



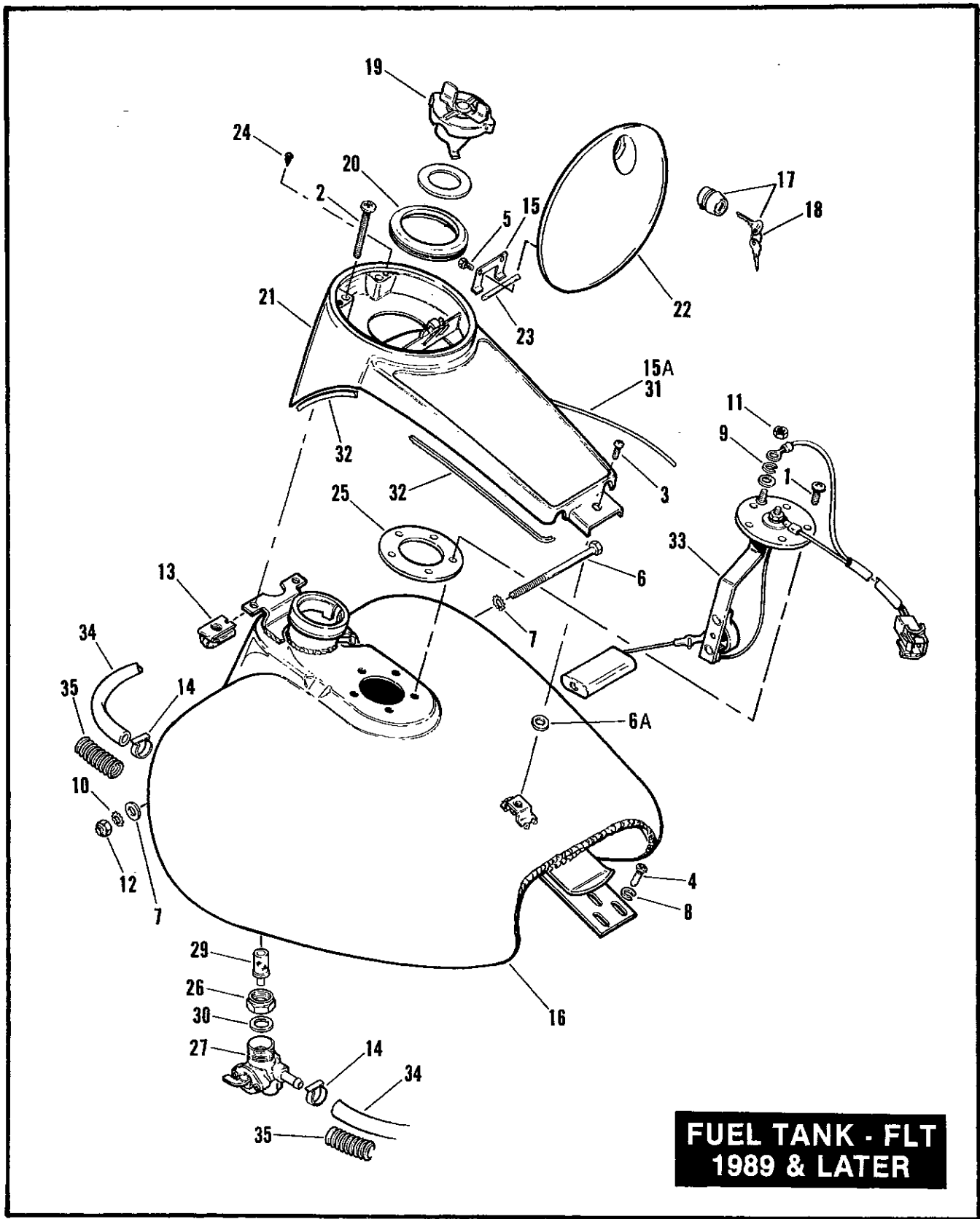
INDEX NO.	PART NO.	NAME	FLT MODELS	FXR MODELS	SOFTAIL MODELS
33	60507-86A	COVER ASSY., primary	--	--	87&88-BH/J
	60507-89	COVER ASSY., primary	--	--	89*-BH/J
	60543-86A	COVER ASSY., primary (chrome)	--	--	87&88-BJ/K/L
34	60543-89	COVER ASSY., primary (chrome)	--	--	89*-BJ/K/L/M
	60539-86	GASKET, primary cover	--	--	87&88-ALL
	60539-89	GASKET, primary cover	--	--	89*-ALL
35	60567-90	GASKET, inspection cover	--	--	87*-ALL
36	60572-86	COVER, inspection (chrome)	--	--	87*-ALL
37	60612-86	PRIMARY HOUSING ASSY. (black wrinkle)	--	87&88-EL; 88-EB	--
	60612-89	PRIMARY HOUSING ASSY. (black wrinkle)	--	89-EB/L	--
	60612-90	PRIMARY HOUSING ASSY. (black wrinkle)	--	90*-EB/L	--
	60661-86A	PRIMARY HOUSING ASSY.	87&88-ALL	--	--
	60661-89	PRIMARY HOUSING ASSY.	89-FA	--	--
	60661-90	PRIMARY HOUSING ASSY.	90*-FA	--	--
	60662-86A	PRIMARY HOUSING ASSY.	--	87-EB; 87 & 88-EA/C/G	--
	60662-89	PRIMARY HOUSING ASSY.	--	89-EA/C/G	--
	60662-90	PRIMARY HOUSING ASSY.	--	90*-EA/C/G/M	--
	38	60642-85	COVER, inspection	--	87-EB; 87*-EA/C/G
60667-85		COVER, inspection (chrome)	--	87*-EL,88*-EB	--
60670-85		COVER, inspection (chrome)	87*-ALL	--	--
60673-85		COVER, inspection	87*-ALL	--	--
39	60664-85B	COVER ASSY., primary	87&88-ALL	87-EA/B/C/G; 88-EA/C/G	--
	60664-89	COVER ASSY., primary	89*-FA	89*-EA/C/G	--
	60665-85B	COVER ASSY., primary (chrome)	88-DB/J	87-EL; 88-EB/L	--
	60665-89	COVER ASSY., primary (chrome)	89*-DB/J/M/P	89*-EB/L	--
40	60678-85	RETAINING RING (2)	87&88-ALL	87*-ALL	87*-ALL

FLT MODELS		FXR MODELS		SOFTAIL MODELS	
FLTC	DB	FXR	EA	FXST	BH
FLHT	DD	FXRS	EB	FLST/C	BJ
FLHTC	DJ	FXRT	EC	FXSTC	BK
FLTC-U	DM	FXRS-SP	EG	FXSTS	BL
FLHTC-U	DP	FXLR	EL	FLSTF	BM
FLHS	FA	FXRS-CON	EM		



INDEX NO.	PART NO.	NAME	FLT MODELS	FXR MODELS	SOFTAIL MODELS
<b>NOTE; REFER TO DEALER ACCESSORY GUIDE FOR PAINTED PART NUMBERS.</b>					
1	1309B	SCREW (5)	87&88-ALL	--	--
2	2581	SCREW (2)	87&88-ALL	--	--
3	2612	SCREW	87&88-ALL	--	--
4	2774	SCREW (2)	87&88-ALL	--	--
4A	6235	WASHER (2)	88-ALL	--	--
5	4067	BOLT	87&88-ALL	--	--
6	6702	WASHER (2)	87&88-ALL	--	--
7	6703	WASHER (2)	87&88-ALL	--	--
8	6716	WASHER	87&88-ALL	--	--
10	7036	LOCKWASHER (2)	87&88-ALL	--	--
11	7069	LOCKWASHER	87&88-ALL	--	--
12	7232	LOCKWASHER	87&88-ALL	--	--
13	7609W	LOCKNUT	87&88-ALL	--	--
14	7638	NUT (2)	87&88-ALL	--	--
15	7739	LOCKNUT	87&88-ALL	--	--
16	9996	CLAMP, overflow hose	87&88-ALL	--	--
17	10014	CLAMP (3)	87&88-ALL	--	--
18	60958-81	PANEL & DOOR ASSY. (black)	N/A 87&88-DB	--	--
	60962-82	PANEL & DOOR ASSY. (brown)	N/A 87&88-DB	--	--
21	61019-83A	FUEL TANK (prime)	87&88-ALL	--	--
22	61029-82A	LOCK, tank door-w/keys	87&88-ALL	--	--
23	61072-79	PANEL & DOOR ASSY. (black)	N/A 87-DD;88-FA	--	--
24	61073-79	PIN, door hinge (2)	87&88-ALL	--	--
25	61075-79	DOOR, fuel tank	87&88-ALL	--	--
26	61077-82	KEYSET, ign. sw. & door (specify key no.)	87&88-ALL	--	--
27	61078-80	NUT	87&88-ALL	--	--
28	61082-79	BUMPER, tank door (2)	87&88-ALL	--	--
29	61083-79A	FILLER CAP	87&88-ALL	--	--
30	61084-79	PANEL, tank door	87&88-ALL	--	--
31	61086-83	PANEL & DOOR ASSY. (brown)	N/A 87&88-DJ	--	--
	61095-83	PANEL & DOOR ASSY. (black)	N/A 87&88-DJ	--	--
32	61322-80B	GASKET	87&88-ALL	--	--
33	61649-83	PANEL, fuel tank	87&88-ALL	--	--
34	62161-75	NUT, fuel valve	87&88-ALL	--	--
35	62167-83	FUEL VALVE	87&88-ALL	--	--
36	62170-81A	FILTER, fuel valve	87&88-ALL	--	--
37	62172-75	GASKET, fuel valve	87&88-ALL	--	--
38	63592-89	HOSE, overflow	87&88-ALL	--	--
39	70328-84	WIRE, sending unit to fuel gauge	87&88-ALL	--	--
40	71518-80	SCREW, ign. sw. housing (4)	87&88-ALL	--	--
44	75037-84	SENDING UNIT, fuel gauge	87&88-ALL	--	--
45	75101-82	SPACER (4)	87&88-ALL	--	--
<b>NOTE; Hose or insulator is sold in bulk length under the following part numbers. Cut to length.</b>					
46	63501-68	HOSE, 1/4" I.D. x 5/8" O.D.(rubber)(25 ft. lg.)	87&88-ALL	--	--
47	63505-84	INSULATOR, 1/2" I.D. (nylon)(8 ft. lg.)	87&88-ALL	--	--

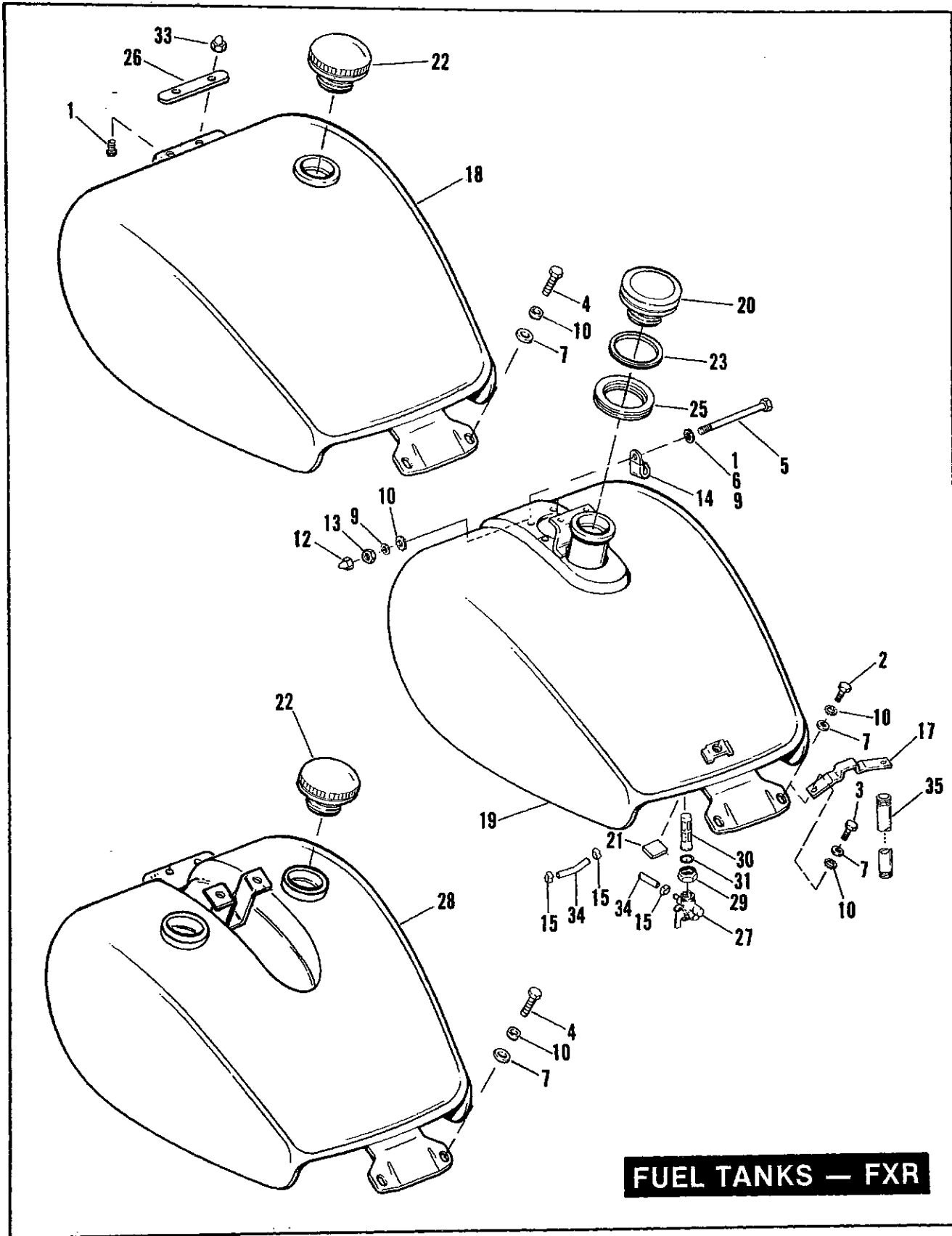
FLT MODELS		FXR MODELS		SOFTAIL MODELS	
FLTC	DB	FXR	EA	FXST	BH
FLHT	DD	FXRS	EB	FLST/C	BJ
FLHTC	DJ	FXRT	EC	FXSTC	BK
FLTC-J	DM	FXRS-SP	EG	FXSTS	BL
FLHTC-U	DP	FXLR	EL	FLSTP	BM
FLHS	FA	FXRS-CON	EM		





INDEX NO.	PART NO.	NAME	FLT MODELS	FXR MODELS	SOFTAIL MODELS
<b>NOTE: REFER TO DEALER ACCESSORY GUIDE FOR PAINTED PART NUMBERS.</b>					
1	1309B	SCREW, sealing (5)	89*-ALL	--	--
2	2599	SCREW (2)	89*-ALL	--	--
3	2773	SCREW	89*-ALL	--	--
4	2774	SCREW (2)	89*-ALL	--	--
5	3529	SCREW (2)	89*-ALL	--	--
6	4061	SCREW	89*-ALL	--	--
6A	6109	WASHER	89*-ALL	--	--
7	6702	WASHER (2)	89*-ALL	--	--
8	7036	LOCKWASHER (2)	89*-ALL	--	--
9	7069	LOCKWASHER	89*-ALL	--	--
10	7232	LOCKWASHER	89*-ALL	--	--
11	7638	NUT (brass)	89*-ALL	--	--
12	7739	LOCKNUT	89*-ALL	--	--
13	7743	CLIP NUT (2)	89*-ALL	--	--
14	10014	CLAMP (4)	89*-ALL	--	--
15	10089	CLIP	89*-ALL	--	--
15A	27085-90	HOSE, overflow	N/A	90*-ALL	--
16	61019-89A	FUEL TANK (prime)	89*-ALL	--	--
17	61029-82A	LOCK, door w/keys	89*-ALL	--	--
18	61077-82	KEYSET, door & ign. sw. (specify key no.)	89*-ALL	--	--
19	61091-88	FILLER CAP	89*-ALL	--	--
20	61112-82	BOOT	89*-ALL	--	--
21	61270-88	CONSOLE	89*-ALL	--	--
22	61278-88	DOOR, console	89*-ALL	--	--
23	61279-88	PIN, door hinge	89*-ALL	--	--
24	61313-88	BUMPER, cover (2)	89*-ALL	--	--
25	61322-80B	GASKET, fuel sending unit	89*-ALL	--	--
26	62161-75	NUT, fuel valve	89*-ALL	--	--
27	62167-81	FUEL VALVE BODY	89*-ALL	--	--
29	62170-81A	FILTER, fuel valve	89*-ALL	--	--
30	62172-75	GASKET, fuel valve	89*-ALL	--	--
31	63592-89	HOSE, overflow	89*-ALL	--	--
32	71294-89	MOLDING (rubber)	89*-ALL	--	--
33	75040-88	SENDING UNIT, fuel gauge	89*-ALL	--	--
<b>NOTE; Hose or insulator is sold in bulk length under the following part numbers. Cut to length.</b>					
34	63501-68	HOSE, 1/4" I.D. x 5/8" O.D.(rubber)(25 ft. lg.)	89*-ALL	--	--
35	63505-84	INSULATOR, 1/2" I.D. (nylon)(8 ft. lg.)	89*-ALL	--	--

FLT MODELS		FXR MODELS		SOFTAIL MODELS	
FLTC	DB	FXR	EA	FXST	BH
FLHT	DD	FXRS	EB	FLST/C	BJ
FLHTC	DJ	FXRT	EC	FXSTC	BK
FLTC-U	DM	FXRS-SP	EG	FXSTS	BL
FLHTC-U	DP	FXLR	EL	FLSTF	BM
FLHS	FA	FXRS-CON	EM		



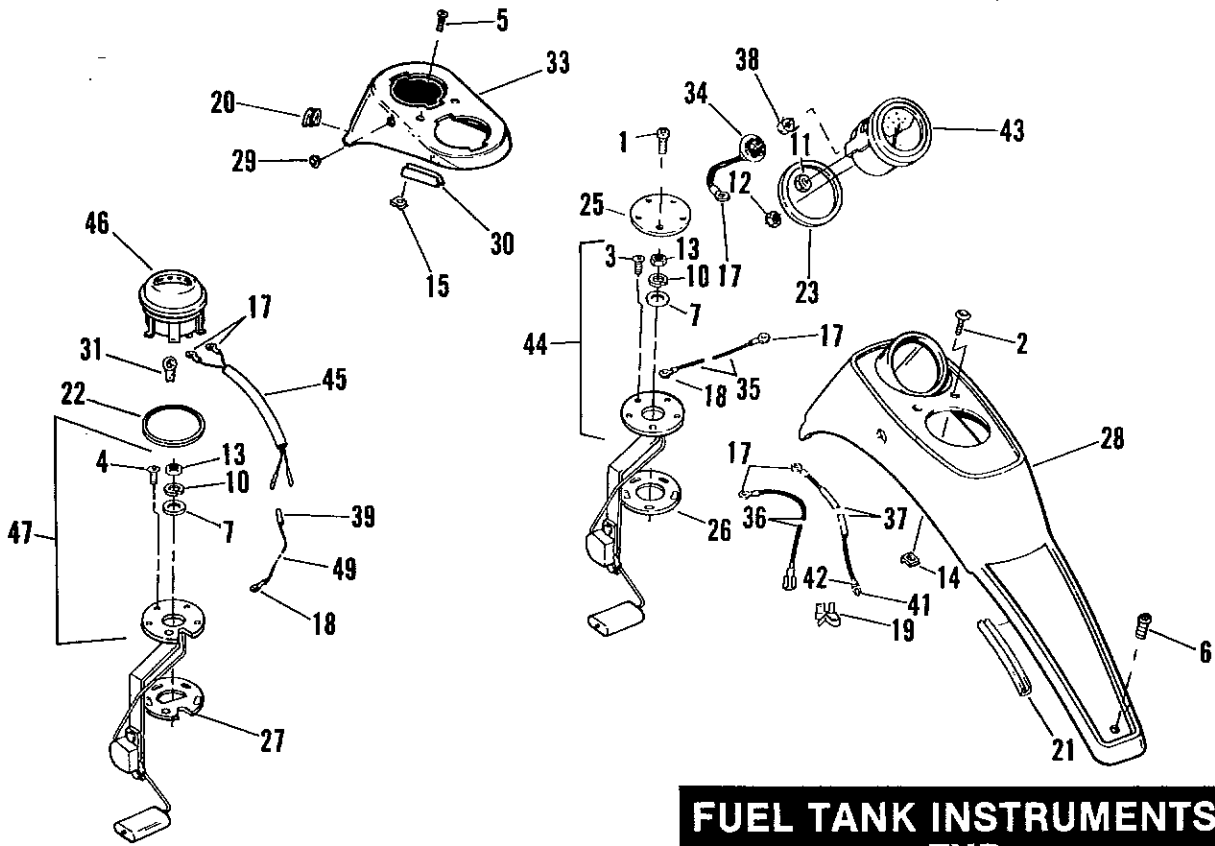
**FUEL TANKS — FXR**

INDEX NO.	PART NO.	NAME	FLT MODELS	FXR MODELS	SOFTAIL MODELS
<b>NOTE; REFER TO DEALER ACCESSORY GUIDE FOR PAINTED PART NUMBERS.</b>					
1	2665	SCREW (2)	--	87*-EL	--
2	3987	BOLT (2)	--	87*-EB/C/G/L/M	--
3	3991	BOLT	--	87*-EA	--
4	4017	BOLT (2)	--	87*-EB/C/G/L/M	--
5	4067	BOLT	--	87*-EC	--
	4100HW	BOLT	--	87*-EA/B/G/L/M	--
6	6019	WASHER	--	87*-EL	--
7	6109	WASHER (3)	--	87*-EA/B/G/M	--
	6237	WASHER (2)	--	87*-EG/L/M	--
9	6702	WASHER (2-EC))	--	87*-ALL	--
10	7232	LOCKWASHER (2)	--	87*-EA/B/G/L/M	--
12	7507	ACORN NUT (chrome)	--	87*-ALL	--
13	7739	LOCKNUT	--	87*-EC	--
14	9988	CLIP, throttle cables	--	87*-ALL	--
15	10014	CLAMP (4;3-EL)	--	87*-ALL	--
17	52107-86	BRACKET, seat	--	87*-EA	--
18	61006-87A	FUEL TANK (prime)	--	87*-EL	--
19	61044-82C	FUEL TANK (prime)	--	87*-EB 87*-EA/C/G/M	--
20	61060-82A	FILLER CAP	--	87*-EB 87*-EA/C/G/M	--
21	61079-82	PAD	--	87*-ALL	--
22	61102-83B	FILLER CAP	--	87*-EL;88*-EB	--
23	61109-85A	GASKET, filler cap	--	87*-EA/B/C/G/M	--
25	61112-82	BOOT	--	87*-EB 87*-EA/C/G/M	--
26	61137-87	BRACKET, trim strap	--	87*-EL	--
27	61335-83	VALVE, body	--	87*-ALL	--
28	61421-88A	FUEL TANK (prime)	--	88*-EB	--
29	62161-75	NUT	--	87*-ALL	--
30	62166-81A	FILTER	--	87*-ALL	--
31	62172-75	GASKET, fuel filter	--	87*-ALL	--
33	90844-80	ACORN NUT (2)	--	87*-ALL	--

NOTE; Hose or insulator is sold in bulk length under the following part numbers. Cut to length.

34	63501-68	HOSE, 1/4" I.D. x 5/8" O.D. (25 ft. lg.)	--	87*-ALL	--
35	63505-84	INSULATOR, 1/2" I.D. (nylon)(8 ft. lg.)	--	87*-ALL	--

FLT MODELS		FXR MODELS		SOFTAIL MODELS	
FLTC	DB	FXR	EA	FXST	BH
FLHT	DD	FXRS	EB	FLST/C	BJ
FLHTC	DJ	FXRT	EC	FXSTC	BK
FLTC-U	DM	FXRS-SP	EG	FXSTS	BL
FLHTC-U	DP	FXLR	EL	FLSTF	BM
FLHS	FA	FXRS-CON	EM		

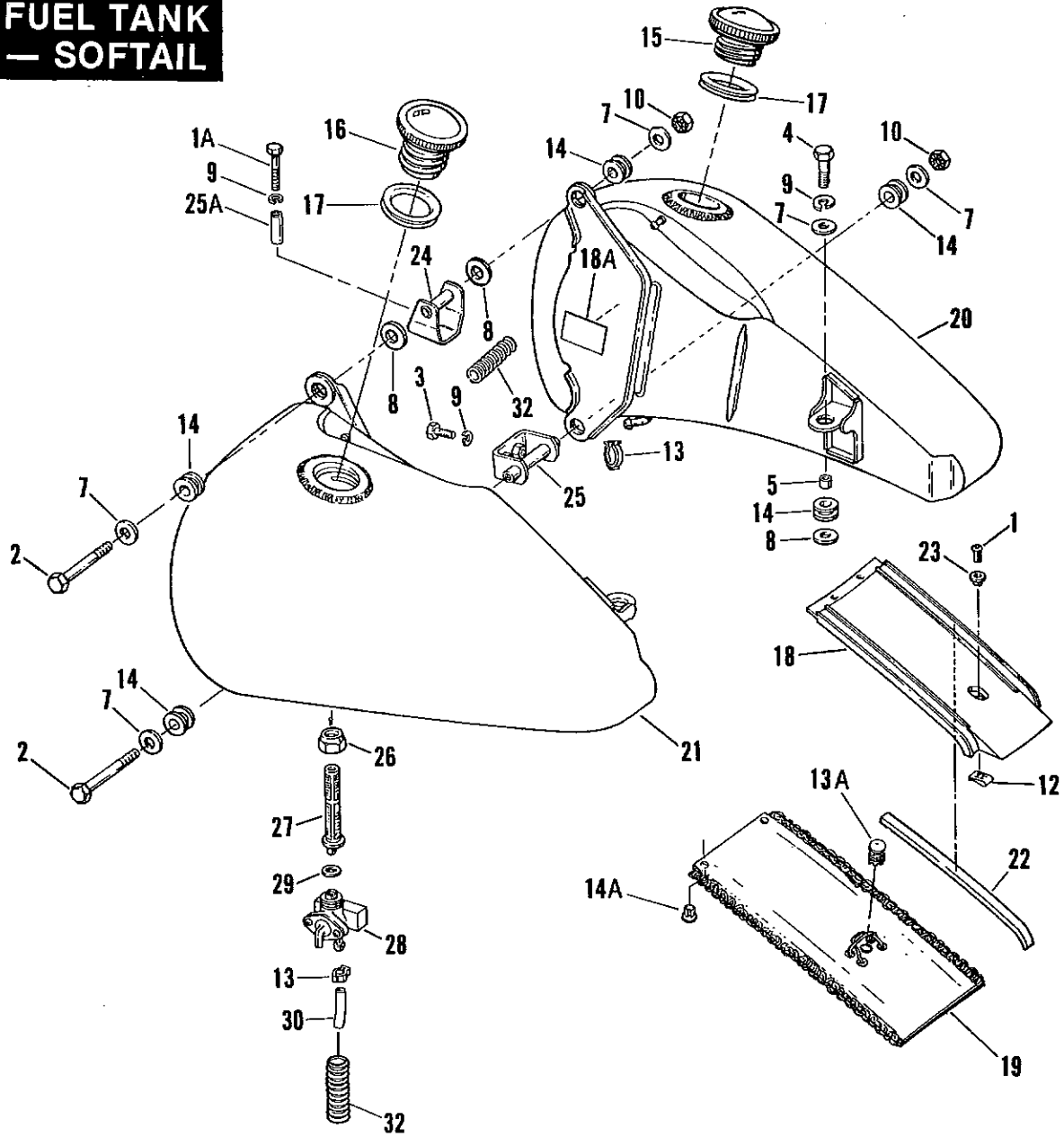


**FUEL TANK INSTRUMENTS  
— FXR**

INDEX NO.	PART NO.	NAME	FLT MODELS	FXR MODELS	SOFTAIL MODELS
1	907	SCREW (5)	--	87*-EA	--
2	923	SCREW (2)	--	87-EB;87*-EC/G/M	--
3	1309B	SCREW (5)	--	87-EB;87*-EA/C/G/M	--
4	1311	SCREW (5)	--	88*-EB	--
5	2519	SCREW (2)	--	88*-EB	--
6	3652	SCREW	--	87-EB;87*-EA/C/G/M	--
7	6716	WASHER	--	87-EB;87*-EA/C/G/M	--
10	7069	LOCKWASHER	-	87-EB;87*-EA/C/G/M	-
11	7590	NUT (3)	--	87-EB;87*-EA/C/G/M	--
12	7608	NUT (2)	--	87-EB;87*-EA/C/G/M	--
13	7638	NUT	--	87-EB;87*-EA/C/G/M	--
14	7743	CLIP NUT (2)	--	87-EB;87*-EA/C/G/M	--
15	8108	CLIP NUT (2)	--	88*-EB	--
17	9856	TERMINAL, ring type-#6 hole(4;2-88 EB)	--	87*-EA/B/C/G/M	--
18	9857	TERMINAL, ring type-#10 hole	--	87*-EA/B/C/G/M	--
19	9894	CLIP, ground wire	--	87-EB;87*-EA/C/G/M	--
20	11452	GROMMET	--	88*-EB	--
21	61117-86	TRIM (2)	--	87*-EA; 87*-EA/C/G/M	--
22	61192-88	GASKET, cap gauge	--	88*-EB	--
23	61311-82	GASKET, fuel gauge	--	87-EB;87*-EA/C/G/M	--
25	61321-80	PLATE, cover	--	87*-EA	--
26	61322-80B	GASKET, fuel sending unit	--	87-EB;87*-EA/C/G/M	--
27	61324-88	GASKET, fuel sending unit	--	88*-EB	--
28	61411-82	CONSOLE, fuel tank (chrome)	--	87-EB;87*-EA/C/G/M	--
	61413-86	CONSOLE, fuel tank (black wrinkle)	--	87*-EA	--
29	67086-85	GROMMET	--	88*-EB	--
30	67119-85	TRIM	--	88*-EB	--
31	67136-85	BULB, fuel gauge	--	88*-EB	--
33	67185-88	INSTRUMENT HOUSING (black wrinkle)	--	88*-EB	--
34	69540-78	SOCKET w/wire	--	87-EB;87*-EA/C/G/M	--
35	69617-82	WIRE, sending unit to gauge	--	87-EB;87*-EC/G/M	--
36	69618-82A	WIRE, fuel gauge - ground	--	87-EB;87*-EC/G/M	--
37	69619-82	WIRE, fuel gauge to harness	--	87-EB;87*-EC/G/M	--
38	71099-74	BULB, fuel gauge	--	87-EB;87*-EC/G/M	--
39	72038-71	SOCKET, single pin	--	88*-EB	--
41	72039-71	PIN, single socket (2-1988 EB)	--	87*-EB/C/G/M	--
42	72043-71	CONNECTOR, single pin	--	87*-EB/C/G/M	--
43	75039-86	FUEL GAUGE	--	87-EB;87*-EC/G/M	--
44	75034-82	SENDING UNIT	--	87-EB;87*-EC/G/M	--
45	75047-88	HARNESS, fuel gauge	--	88*-EB	--
46	75049-88	FUEL GAUGE	--	88*-EB	--
47	75057-88	SENDING UNIT	--	88*-EB	-
49	75058-88	WIRE, fuel gauge - ground	--	88*-EB	--

FLT MODELS		FXR MODELS		SOFTAIL MODELS	
FLTC	DB	FXR	EA	FXST	BH
FLHT	DD	FXRS	EB	FLST/C	BJ
FLHTC	DJ	FXRT	EC	FXSTC	BK
FLTC-U	DM	FXRS-SP	EG	FXSTS	BL
FLHTC-U	DP	FXLR	EL	FLSTF	BM
FLHS	FA	FXRS-CON	EM		

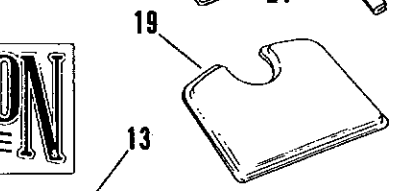
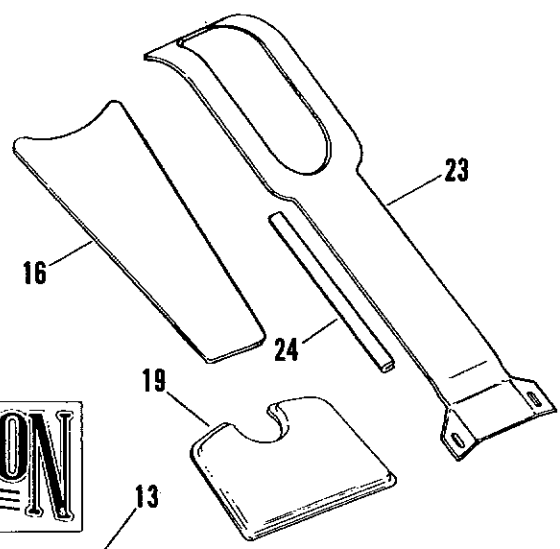
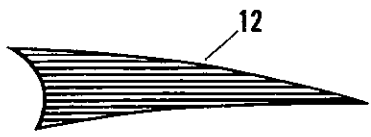
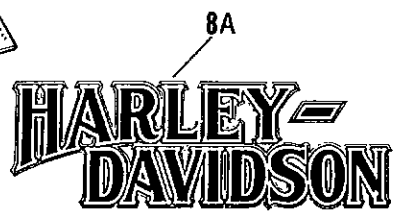
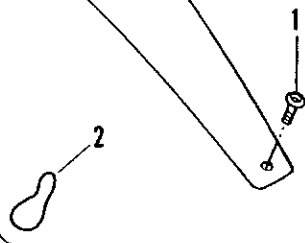
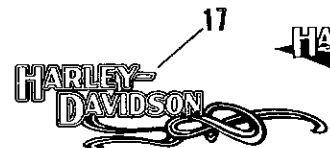
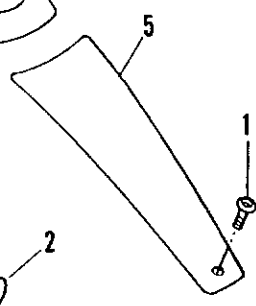
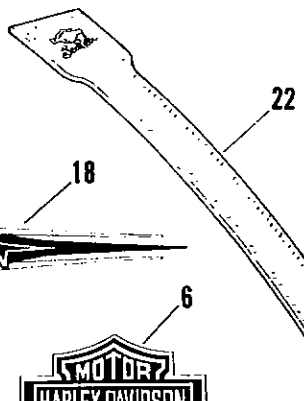
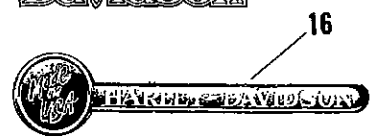
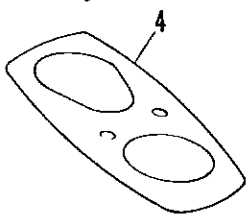
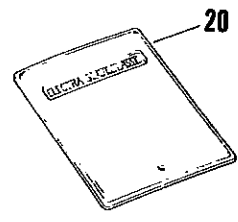
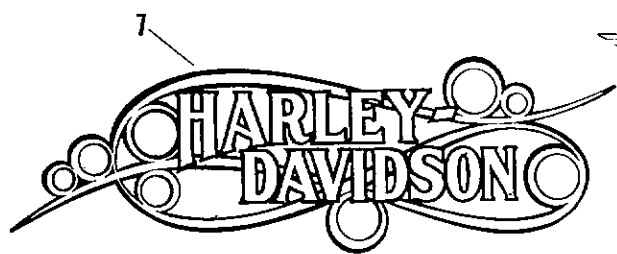
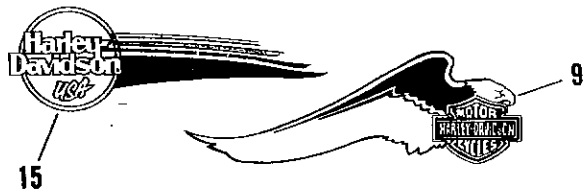
# FUEL TANK — SOFTAIL



INDEX NO.	PART NO.	NAME	FLT MODELS	FXR MODELS	SOFTAIL MODELS
<b>NOTE; REFER TO DEALER ACCESSORY GUIDE FOR PAINTED PART NUMBERS.</b>					
1	924	SCREW	--	--	87*-BH/J/K/L
2	3409	BOLT (2)	--	--	87*-ALL
2A	3419	SCREW	--	--	87*-ALL
3	3987	BOLT (2)	--	--	87*-ALL
4	4014W	BOLT (2)	--	--	87*-ALL
5	5775	SPACER (2)	--	--	87*-ALL
7	6237	WASHER (6)	--	--	87*-ALL
8	6365	WASHER (4)	--	--	87*-ALL
9	7041	LOCKWASHER (4)	--	--	87*-ALL
10	7725	LOCKNUT (2)	--	--	87*-ALL
12	8108	SPEED NUT	--	--	87*-BH/J/K/L
13	10014	CLAMP, fuel hose (3)	--	--	87*-ALL
13A	10040	CLIP	--	--	90*-BM
14	11447	GROMMET, fuel tank mounting (6)	--	--	87*-ALL
14A	11717	FASTENING GROMMET	--	--	90*-BM
15	61102-83B	CAP, fuel filler - right (vented)	--	--	87*-ALL
16	61103-83A	CAP, fuel filler - left	--	--	87*-ALL
17	61109-85A	GASKET (2)	--	--	87*-ALL
18	61155-84	TRIM, fuel tank	--	--	87*-BH/J/K/L
18A	61157-87	PAD, protective (2)	--	--	87*-ALL
19	61165-89	TRIM PANEL	--	--	90*-BM
20	61211-84B	FUEL TANK, right - 5 gal. (prime)	--	--	87*-BH/K
	61218-85B	FUEL TANK, right - 3-1/2 gal. (prime)	--	--	87*-BJ/L/M
21	61237-91	FUEL TANK, left - 3-1/2 gal. (prime)	--	--	87*-BJ/L/M
	61238-90	FUEL TANK, left - 5 gal. (prime)	--	--	87*-BH/K
22	61640-82	FOAM STRIP (2)	--	--	87*-ALL
23	61641-84	SPACER, trim	--	--	87*-BH/J/K/L
24	61661-84	BRACKET, fuel tank mounting - upper	--	--	87*-ALL
25	61667-84	BRACKET, fuel tank mounting - lower	--	--	87*-ALL
25A	62043-81A	SPACER	--	--	87*-ALL
26	62161-75	NUT, fuel valve	--	--	87*-ALL
27	62166-81A	FILTER, fuel valve	--	--	87*-ALL
28	62167-81	FUEL VALVE, only	--	--	87*-ALL
29	62172-75	GASKET, fuel valve	--	--	87*-ALL
<b>NOTE: Hose or insulator is sold in bulk length under the following part numbers. Cut to length.</b>					
30	63501-68	HOSE, 1/4 I.D. x 1/2 O.D., rubber (25 ft. lg.)	--	--	87*-ALL
32	63505-84	INSULATOR, 1/2 I.D. (nylon) (8 ft. lg.)	--	--	87*-ALL

FLT MODELS		FXR MODELS		SOFTAIL MODELS	
FLTC	DB	FXR	EA	FXST	BH
FLHT	DD	FXRS	EB	FLST/C	BJ
FLHTC	DJ	FXRT	EC	FXSTC	BK
FLTC-U	DM	FXRS-SP	EG	FXSTS	BL
FLHTC-U	DP	FXLR	EL	FLSTF	BM
FLHS	FA	FXRS-CON	EM		

FUEL TANK TRIM





**FUEL TANK TRIM**

**F39E-1**

INDEX NO.	PART NO.	NAME	FLT MODELS	FXR MODELS	SOFTAIL MODELS
1	3652	SCREW	--	87*-ALL	--
2	11174	O-RING	--	87*-EL	--
3	14031-87	DECAL (silver & blue)(2)	--	87-EB/G	--
	14164-87	DECAL (brown, gold and orange)(2)	--	87-EB/G	--
	14165-87	DECAL (brandywine, gold & orange)(2)	--	87-EB/G	--
4	14055-84	TRIM, upper console (black)	--	87-EB 87*-EC/G	--
5	14056-84	TRIM, lower console (black)	--	87-EB 87*-EC/G	--
6	14072-86	TRIM, right (gold & black)	--	87-EC	--
	14072-88	TRIM, right (gold & orange)	--	88&89-EC	--
	14073-86	TRIM, left (gold & black)	--	87-EC	--
	14073-88	TRIM, left (gold & orange)	--	88&89-EC	--
	14105-86	TRIM, left (silver & black)	--	87-EC	--
	14105-88	TRIM, left (silver & orange)	--	88&89-EC	--
	14106-86	TRIM, right (silver & black)	--	87-EC	--
	14106-88	TRIM, right (silver & orange)	--	88&89-EC	--
	14107-86	TRIM, left (gold & black)	87-ALL	--	--
	14107-88	TRIM, left (gold & orange)	88-ALL	--	--
	14108-86	TRIM, right (gold & black)	87-ALL	--	--
	14108-88	TRIM, right (gold & orange)	88-ALL	--	--
	14109-86	TRIM, left (silver & black)	87-ALL	--	--
	14109-88	TRIM, left (silver & orange)	88-ALL	--	--
	14110-86	TRIM, right (silver & black)	87-ALL	--	--
	14110-88	TRIM, right (silver & orange)	88-ALL	--	--
7	14126-86	DECAL, left (burgundy, gold & red)	--	--	87 to 89-BK
	14127-86	DECAL, right (burgundy, gold & red)	--	--	87 to 89-BK
	14145-86	DECAL, left (blue, silver & burgundy)	--	--	87 to 89-BK
	14146-86	DECAL, right (blue, silver & burgundy)	--	--	87 to 89-BK
	14161-87	DECAL, left (gold, brandywine & crimson)	--	--	87*-BK
	14162-87	DECAL, right (gold, brandywine & crimson)	--	--	87*-BK
8	14143-86	DECAL, (silver & red)(2)	--	--	87-BJ
	14163-87	DECAL, (gold & red)(2)	--	--	87*-BJ
8A	14171-87	DECAL (brandywine, gold & black)(2)	--	87*-EL	--
	14172-87	DECAL (root beer, gold & black)(2)	--	87-EL	--
	14186-88	DECAL (silver, blue & dark blue)(2)	--	88&89-EL	--
9	14200-88	DECAL, left (silver, grey & orange)	--	--	88&89-BL
	14201-88	DECAL, left (silver, white & orange)	--	--	88&89-BL
	14202-88	DECAL, right (silver, grey & orange)	--	--	88&89-BL
	14203-88	DECAL, right (silver, white & orange)	--	--	88&89-BL
10	14204-88	DECAL (burgundy & silver)(2)	--	88&89-EB/G	--
	14205-88	DECAL (blue & silver)(2)	--	88&89-EB/G	--
11	14214-89	DECAL (red, silver & black)(2)	89-DM/P	--	--
	14214-90	DECAL (black, gold & red)	90*-DM/P	--	--
	14240-90	DECAL (silver & blue)(2)	90*-DM/P	--	--
12	14215-89	DECAL, left (silver)	89*-DM/P	--	--
	14242-90	DECAL, left (red)	90*-DM/P	--	--
	14244-90	DECAL, right (red)	90*-DM/P	--	--
	14216-89	DECAL, right (silver)	89*-DM/P	--	--
13	14228-89	DECAL (silver, grey & yellow)	--	--	90*-BM

**FLT MODELS**

FLTC DB  
 FLHT DD  
 FLHTC DJ  
 FLTC-U DM  
 FLHTC-U DP  
 FLHS FA

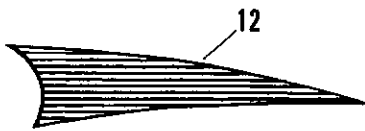
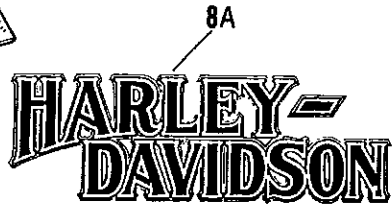
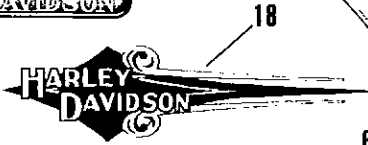
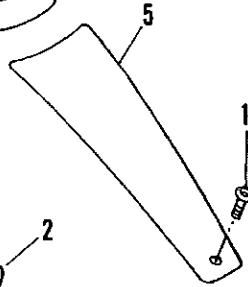
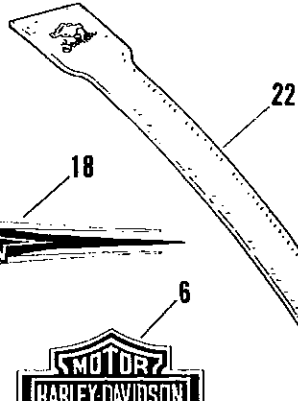
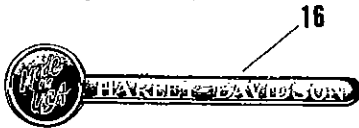
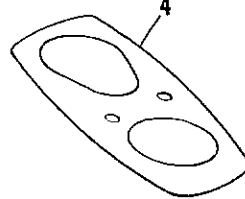
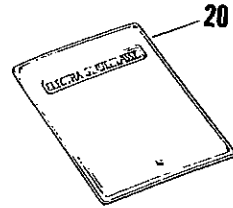
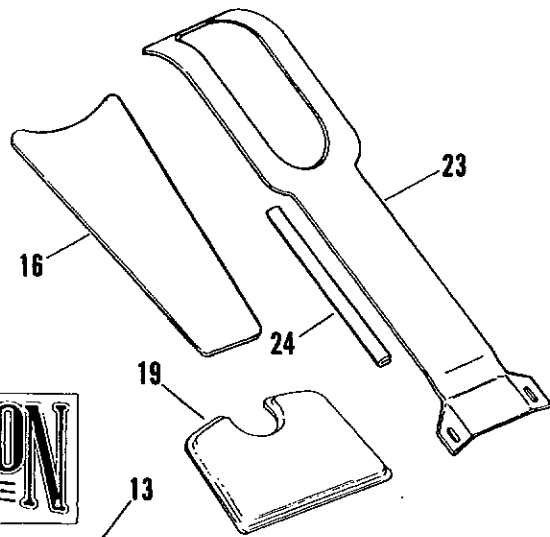
**FXR MODELS**

FXR EA  
 FXRS EB  
 FXRT EC  
 FXRS-SP EG  
 FXLR EL  
 FXRS-CON EM

**SOFTAIL MODELS**

FXST BH  
 FLST/C BJ  
 FXSTC BK  
 FXSTS BL  
 FLSTF BM

**FUEL TANK TRIM**

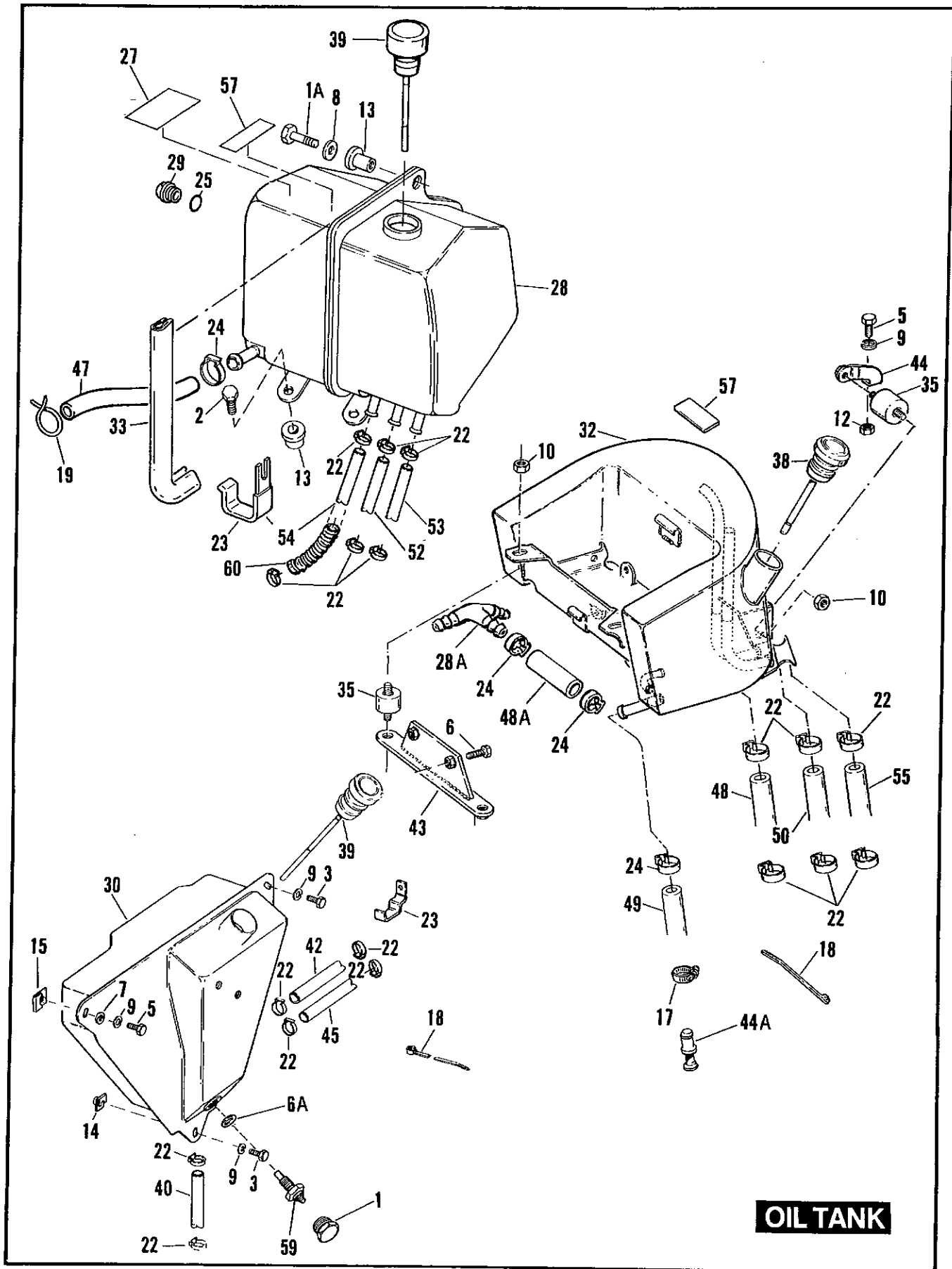


**FUEL TANK TRIM**

**F39E-2**

INDEX NO.	PART NO.	NAME	FLT MODELS	FXR MODELS	SOFTAIL MODELS
14	14328-90	DECAL (silver, grey & black)(2)	90*-DB/J,FA	--	--
	14329-90	DECAL (black, gold & red)(2)	90*-DB/J,FA	--	--
15	14306-90	DECAL, left (blue & grey)	--	90*-EB/G/L/M	--
	14307-90	DECAL, left (black, gold & red)	--	90*-EB/G/L/M	--
	14311-90	DECAL, right (blue & grey)	--	90*-EB/G/L/M	--
	14312-90	DECAL, right (black, gold & red)	--	90*-EB/G/L/M	--
16	14319-90	DECAL, left (black, silver & grey)	--	90*-EA/C	--
	14320-90	DECAL, left (red, silver & gold)	--	90*-EA/C	--
	14321-90	DECAL, right (red, silver & gold)	--	90*-EA/C	--
17	14322-90	DECAL, right (black, silver & grey)	N/A	90*-EA/C	--
	14323-90	DECAL, left (red)	--	--	90*-BH
	14324-90	DECAL, left (silver)	--	--	90*-BH
	14325-90	DECAL, right (red)	--	--	90*-BH
	14326-90	DECAL, right (silver)	--	--	90*-BH
18	14333-90	DECAL, left (silver, burgundy & red)	--	--	90*-BJ
	14335-90	DECAL, left (gold, red & orange)	--	--	90*-BJ
	14337-90	DECAL, right (silver, burgundy & red)	--	--	90*-BJ
	14339-90	DECAL, right (gold, red & orange)	--	--	90*-BJ
19	60956-81	INSERT, door (black)	87&88-DB/J,FA	--	--
	60964-82	INSERT, door (brown)	87&88-DB/J	--	--
20	60957-81	INSERT, door panel (black)	87&88-DB	--	--
	60969-82	INSERT, door panel (brown)	87&88-DB	--	--
	61089-83	INSERT, door panel (brown)	87&88-DJ	--	--
	61093-79	INSERT, door panel (black)	87&88-DD,FA	--	--
	61120-83	INSERT, door panel (black)	87&88-DJ	--	--
21	60957-89	INSERT, console panel (black)	89-DB/J, 89*-FA	--	--
	60969-89	INSERT, console panel (brown)	89-DB/J	--	--
	60971-90	INSERT, console panel (black)	90*-DB	--	--
	60972-90	INSERT, console panel (brown)	90*-DB	--	--
	60973-90	INSERT, console panel (black)	90*-DJ	--	--
	60974-90	INSERT, console panel (brown)	90*-DJ	--	--
	61134-87	STRAP, laced (leather)	--	87-EL	--
22	61134-88	STRAP, laced (leather)	--	88*-EL	--
	61643-88	TRIM PANEL	--	88*-EB	--
23	61643-88	TRIM PANEL	--	88*-EB	--
24	61648-85	MOLDING	--	88*-EB	--

FLT MODELS		FXR MODELS		SOFTAIL MODELS	
FLTC	DB	FXR	EA	FXST	BH
FLHT	DD	FXRS	EB	FLST/C	BJ
FLHTC	DJ	FXRT	EC	FXSTC	BK
FLTC-U	DM	FXRS-SP	EG	FXSTS	BL
FLHTC-U	DP	FXLR	EL	FLSTF	BM
FLHS	FA	FXRS-CON	EM		



**OIL TANK**

**F40-1**

INDEX NO.	PART NO.	NAME	FLT MODELS	FXR MODELS	SOFTAIL MODELS
1	706A	DRAIN PLUG	87*-FA; 88*ALL	--	--
1A	2551W	BOLT (2)	--	87*-ALL	--
2	2607	SCREW (2)	--	87*-ALL	--
3	2882W	BOLT (2-1987)	87*-ALL	--	--
5	3987	BOLT (2-1987 & Later)	87*-ALL	--	87*-ALL
6	4391	BOLT (2)	--	--	87*-ALL
6A	6113	WASHER	87*-ALL	--	--
7	6702	WASHER	87*-ALL	--	--
8	6703	WASHER	--	87*-ALL	--
9	7041	LOCKWASHER (3-FLT)	87*-ALL	--	87*-ALL
10	7686	LOCKNUT (5)	--	--	87*-ALL
12	7748W	NUT	--	--	87*-ALL
13	8099	WELL NUT (3)	--	87*-ALL	--
14	8101	CLIP NUT	87*-ALL	--	--
15	9959	CLIP NUT	87*-ALL	--	--
17	9969	CLAMP, drain hose	--	--	87*-ALL
18	10006	CABLE STRAP, oil hoses (as req'd)	87*-ALL	--	87*-ALL
19	10049	CLAMP, drain hose	--	87*-ALL	--
22	10080	CLAMP (6)	87*-ALL	87*-ALL	87*-ALL
23	10084	CLIP (2)	87*-ALL	--	--
24	10086	CLAMP, drain hose (3-Softail)	--	87*-ALL	89*-ALL
25	11132	O-RING	--	87*-EA	--
27	14101-84	LABEL, instruction	--	87*-ALL	--
28	62406-86	OIL TANK (black)	--	87*-EA	--
	62414-86	OIL TANK (black)	--	87*-EB/C/G/L/M	--
28A	62493-89	TEE, oil drain	--	--	89*-ALL
29	62460-86	SIGHT GLASS, oil level	--	87*-EA	--
30	62489-79C	OIL TANK	87*-ALL	--	--
32	62495-89A	OIL TANK (silver)	--	--	90*-BM
	62498-86A	OIL TANK (chrome)	--	--	87&88-ALL
	62498-89A	OIL TANK (chrome)	--	--	89*-BH/J/K/L
33	62540-83	TRIM STRIP	--	87*-ALL	--
35	62563-65	RUBBER MOUNT (4)	--	--	87*-ALL
38	62634-84	FILLER CAP, with dipstick	--	--	87*-ALL
39	62637-84	FILLER CAP, with dipstick	87*-ALL	87*-ALL	--
40	62663-84	HOSE, tank to pump	87*-ALL	--	--
42	62665-85	HOSE, filter to tank	87*-ALL	--	--
	62665-89	HOSE, filter to tank	89*-ALL	--	--
43	62704-84	BRACKET, rear	--	--	87*-ALL
44	62707-84	BRACKET, front - tank to frame	--	--	87*-ALL
44A	62725-90	PLUG, oil drain	--	--	90*-ALL
45	63502-84	HOSE, crankcase to oil tank	N/A 87&88-ALL	--	--
	63502-89	HOSE, crankcase to oil tank	89*-ALL	--	--

**FLT MODELS**

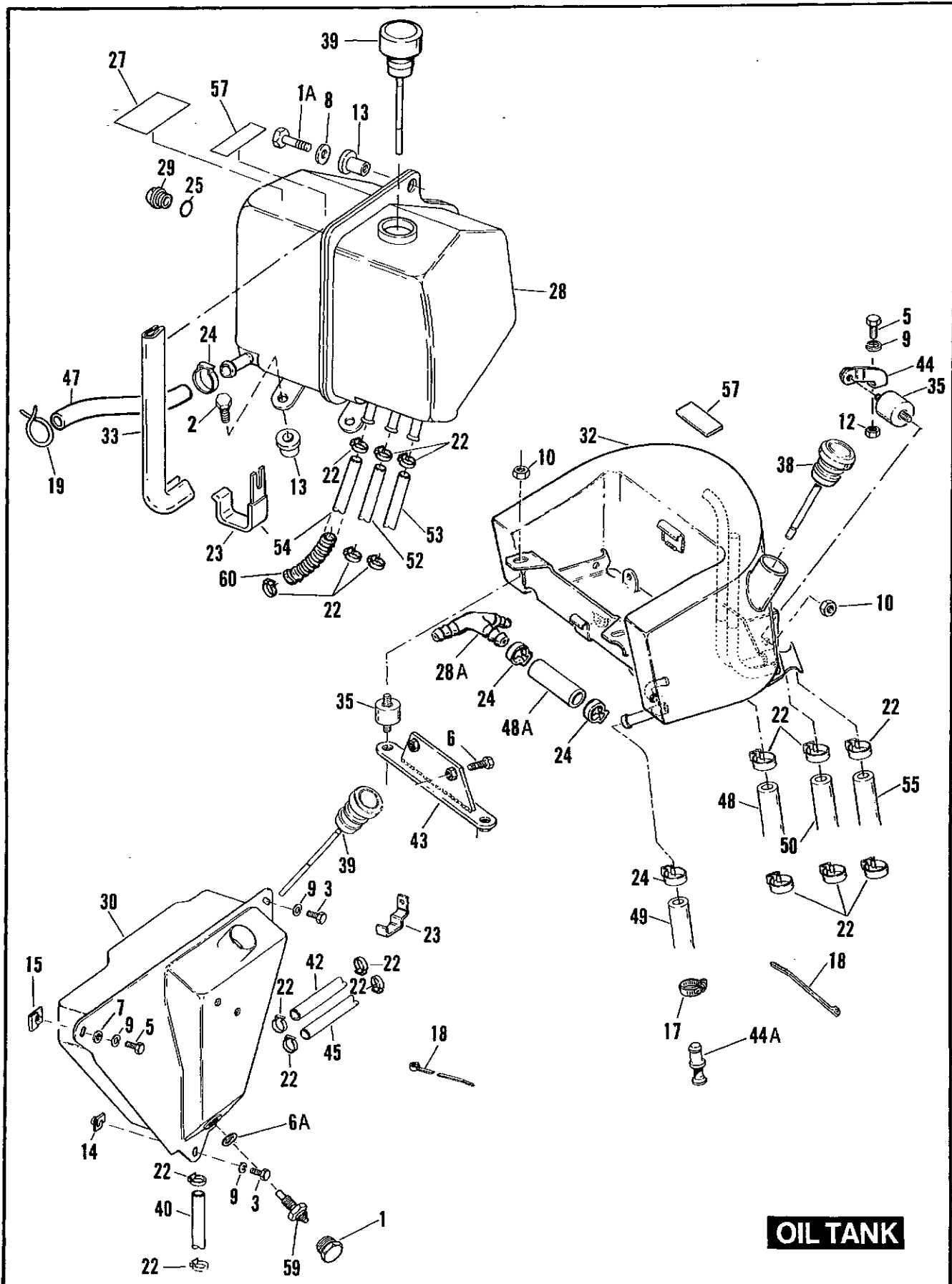
FLTC DB  
 FLHT DD  
 FLHTC DJ  
 FLTC-U DM  
 FLHTC-U DP  
 FLHS FA

**FXR MODELS**

FXR EA  
 FXRS EB  
 FXRT EC  
 FXRS-SP EG  
 FXLR EL  
 FXRS-CON EM

**SOFTAIL MODELS**

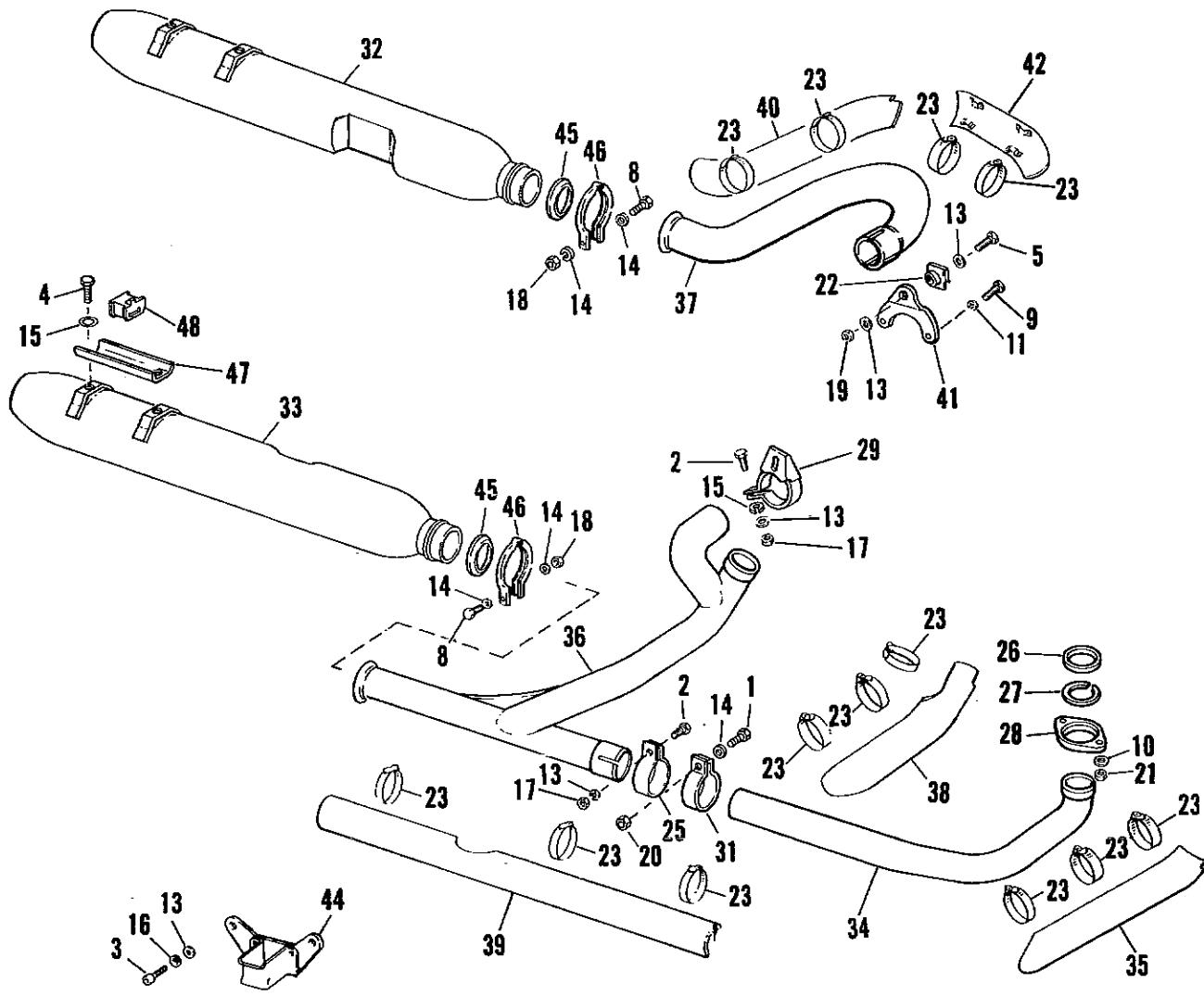
FXST BH  
 FLST/C BJ  
 FXSTC BK  
 FXSTS BL  
 FLSTF BM



INDEX NO.	PART NO.	NAME	FLT MODELS	FXR MODELS	SOFTAIL MODELS
47	63504-83	HOSE, tank drain	N/A --	87*-ALL	--
48	63515-86	HOSE, tank to pump	--	--	87*-ALL
48A	63550-89	HOSE, tank to tee	--	--	89*-ALL
49	63553-86	HOSE, tank drain	--	--	87&88-ALL
	63553-89	HOSE, tank drain	--	--	89-ALL
	63553-90	HOSE, tank drain	--	--	90*-ALL
50	63556-87	HOSE, filter to tank	--	--	87*-ALL
52	63557-84	HOSE, tank to pump	--	87 to 89-ALL	--
	63557-90	HOSE, tank to pump	--	90*-ALL	--
53	63559-84	HOSE, crankcase to tank vent	--	87&88-ALL	--
	63559-89	HOSE, crankcase to tank vent	--	89-ALL	--
	63599-90	HOSE, crankcase to tank vent	--	90*-ALL	--
54	63563-85A	HOSE, filter to tank vent	--	87*-ALL	--
55	63572-86	HOSE, tank vent	--	--	87*-ALL
57	66042-79A	WARNING LABEL	--	87*-ALL	87*-BJ/K
	66047-80A	WARNING LABEL	--	--	87*-BH/J/M
59	74405-86	SENDER, oil temperature	87-DB/D/J	--	--
NOTE: Insulator is sold in bulk length under the following part number. Cut to length.					
60	63497-89	INSULATOR, 5/8 ID (nylon)(8 ft.lg.)	--	--	89*-ALL

FLT MODELS		FXR MODELS		SOFTAIL MODELS	
FLTC	DB	FXR	EA	FXST	BH
FLHT	DD	FXRS	EB	FLST/C	BJ
FLHTC	DJ	FXRT	EC	FXSTC	BK
FLTC-U	DM	FXRS-SP	EG	FXSTS	BL
FLHTC-U	DP	FXLR	EL	FLSTF	BM
FLHS	FA	FXRS-CON	EM		

# EXHAUST SYSTEM — FLT





**EXHAUST SYSTEM - FLT MODELS**

INDEX NO.	PART NO.	NAME	FLT MODELS	FXR MODELS	SOFTAIL MODELS
1	2551W	BOLT	87*-ALL	--	--
2	2818	BOLT (2)	87*-ALL	--	--
3	3210	SCREW (4)	87*-ALL	--	--
4	3953W	BOLT (4)	87*-ALL	--	--
5	4036	BOLT	87*-ALL	--	--
8	3993	BOLT (2)	87*-ALL	--	--
9	4326A	SCREW (2)	87*-ALL	--	--
10	6016	WASHER (4)	87*-ALL	--	--
11	6099	WASHER (4)	87*-ALL	--	--
13	6702	WASHER (4; 3-1989 & Later)	87*-ALL	--	--
14	6703	WASHER (5)	87*-ALL	--	--
15	7041	LOCKWASHER (5)	87*-ALL	--	--
16	7127	LOCKWASHER (4)	87*-ALL	--	--
17	7531	LOCKNUT (2)	87*-ALL	--	--
18	7686	LOCKNUT (2)	87*-ALL	--	--
19	7729	LOCKNUT	87&88-ALL	--	--
20	7742	LOCKNUT	87*-ALL	--	--
21	7753	NUT (8)	87*-ALL	--	--
22	8101	CLIP NUT	89*-ALL	--	--
23	9955	CLAMP, shield (11)	87*-ALL	--	--
25	65276-62	MUFFLER CLAMP	87*-ALL	--	--
26	65324-83A	GASKET, exhaust port (2)	87*-ALL	--	--
27	65325-83	RETAINING RING, exh. gasket (2)	87*-ALL	--	--
28	65328-83	CLAMP, exh. manifold	87*-ALL	--	--
29	65502-83A	CLAMP, left exh. pipe	87&88-ALL	--	--
	65502-89	CLAMP, left exh. pipe	89*-ALL	--	--
31	65519-52B	CLAMP, pipe to bracket	87*-ALL	--	--
32	65538-85	MUFFLER, left	87*-ALL	--	--
33	65539-86	MUFFLER, right	87*-ALL	--	--
34	65621-83	EXHAUST PIPE, right	87*-ALL	--	--
35	65630-83A	SHIELD, front exh. pipe	87*-ALL	--	--
36	65626-85	EXHAUST PIPE, right-rear	87*-ALL	--	--
37	65627-85	EXHAUST PIPE, left	87*-ALL	--	--
38	65632-83A	SHIELD, rear exh. pipe	87*-ALL	--	--
39	65634-81C	SHIELD KIT, right exh. pipe (2 piece)	87*-ALL	--	--
40	65636-85	SHIELD, left exh. pipe	87*-ALL	--	--
41	65645-85	BRACKET, left-rear exh. pipe	87&88-ALL	--	--
	65645-89	BRACKET, left-rear exh. pipe	89*-ALL	--	--
42	65647-83	SHIELD, left exh. pipe	87*-ALL	--	--
44	65678-85A	BRACKET, rear exh. pipe	87*-ALL	--	--
45	65721-85	GASKET, muffler clamp (2)	87*-ALL	--	--
46	65722-85	MUFFLER CLAMP (2)	87*-ALL	--	--
47	65723-85	MOUNTING BRACKET (2)	87*-ALL	--	--
48	65724-85	MOUNT (rubber)(2)	87*-ALL	--	--
<b>H-D INTERNATIONAL ONLY</b>					
32	65682-85	MUFFLER, left (HDI only)	87&88-ALL	--	--
	65682-89A	MUFFLER, left (HDI only)	89*-ALL	--	--
33	65680-85	MUFFLER, right (HDI only)	87&88-ALL	--	--
	65680-89A	MUFFLER, right (HDI only)	89*-ALL	--	--

**FLT MODELS**

FLTC	DB
FLHT	DD
FLHTC	DJ
FLTC-U	DM
FLHTC-U	DP
FLHS	FA

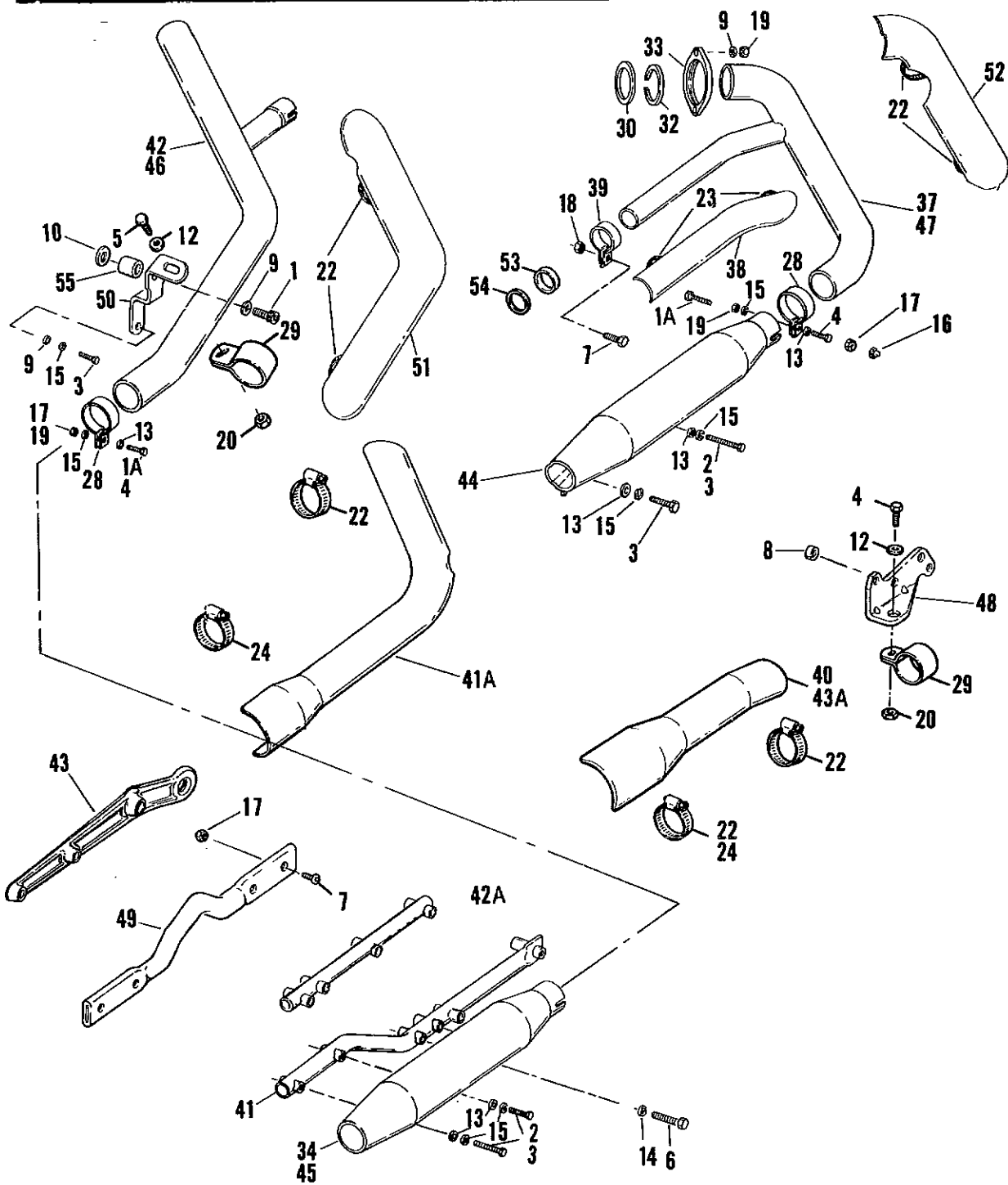
**FXR MODELS**

FXR	EA
FXRS	EB
FXRT	EC
FXRS-SP	EG
FXLR	EL
FXRS-CON	EM

**SOFTAIL MODELS**

FXST	BH
FLST/C	BJ
FXSTC	BK
FXSTS	BL
FLSTF	BM

# EXHAUST SYSTEM — FXR, SOFTAIL



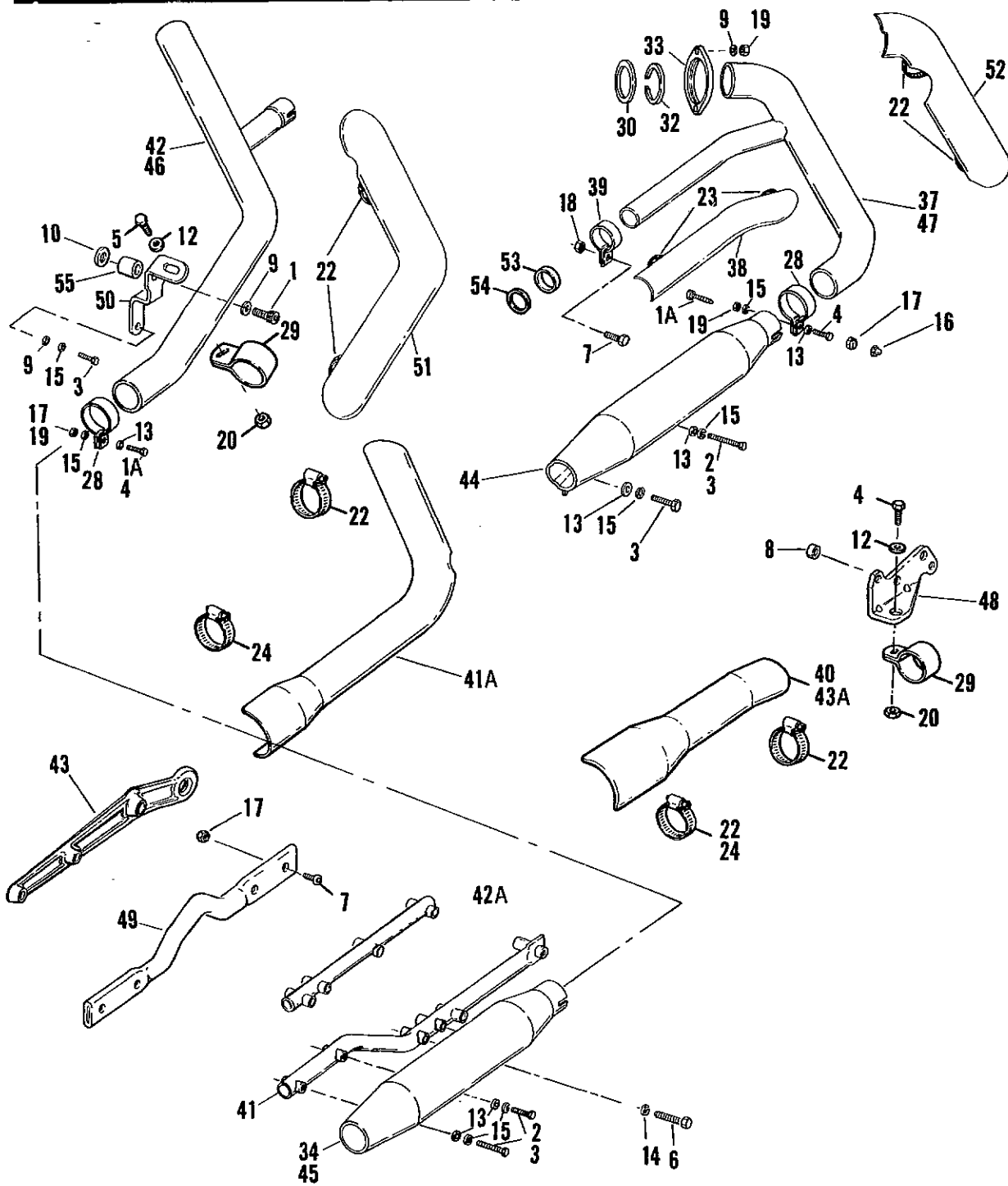
**EXHAUST SYSTEM - FXR & SOFTAIL MODELS**

**F41A-1**

INDEX NO.	PART NO.	NAME	FLT MODELS	FXR MODELS	SOFTAIL MODELS
1	2708	SCREW	--	89-ALL	--
	3485	SCREW	--	90*-ALL	--
1A	2818	SCREW (2)	--	88*-ALL	88*-ALL
2	3987	BOLT (3)	--	--	87-ALL
3	4017	BOLT (4-Softail-1988 & Later)	--	87*-ALL	87*-ALL
4	4036	BOLT (2-1987)	--	87*-ALL	87-ALL
5	4319	BOLT	--	87*-ALL	--
6	4722	BOLT (2)	--	--	87*-ALL
7	5411	BOLT (4-FXR)	--	87*-ALL	87-BH/J/K/L
8	5887	SPACER	--	87*-ALL	--
9	6016	WASHER (5-FXR;4-Softail)	--	87*-ALL	87*-ALL
10	6109	WASHER	--	89-ALL	--
12	6701	WASHER (2)	--	87*-ALL	--
13	6702	WASHER (2;6-Softail)	--	87*-ALL	87*-ALL
14	7038	LOCKWASHER (2)	--	--	87*-ALL
15	7041	LOCKWASHER (3-1987 FXR;4-Softail)	--	87*-ALL	87*-ALL
16	7507	ACORN NUT	--	--	88*-ALL
17	7531	LOCKNUT (4;2-Softail)	--	87*-ALL	87*-ALL
18	7748W	BOLT	--	--	87*-BH/J/K/L
19	7753	NUT (6;4-1988 & Later)	--	87*-ALL	87*-ALL
20	7782	NUT (2)	--	87*-ALL	--
22	9955	CLAMP (6;5-BJ;4-BH/K/L)	--	87*-ALL	87*-ALL
23	10048	CLAMP (2)	--	87*-ALL	87*-BH/K/L
24	10074	CLAMP, shield (front-BJ; rear-BM)	--	--	87*-BJ/M
28	65276-62	CLAMP, muffler (2)	--	87*-ALL	87*-ALL
29	65302-82	CLAMP, exhaust pipe (2)	--	87*-ALL	--
30	65324-83A	GASKET, exhaust port	--	87*-ALL	87*-ALL
31	65325-83	RETAINING RING, exhaust gasket (2)	--	87*-ALL	87*-ALL
33	65328-83	CLAMP, exh. manifold (2)	--	87*-ALL	87*-ALL
34	65380-85	MUFFLER, rear	--	--	87 to 89-ALL; 90*-BH/J/L
	65380-90	MUFFLER (rear-BK;2-BM)	--	--	90*-BK/M
	65381-89	MUFFLER, rear - fishtail	--	--	89*-BJ
37	65401-86	EXHAUST PIPE, front	--	--	87*-BH/J/K/L
	65483-89	EXHAUST PIPE, front	--	--	90*-BM
38	65410-83	SHIELD, crossover pipe	--	87*-ALL	87*-BH/J/K/L
	65475-89	SHIELD, crossover pipe	--	--	90*-BM
39	65411-80A	CLAMP, crossover pipe	--	--	87*-BH/J/K/L
40	65432-89	SHIELD, front muffler	--	--	90*-BM
	65447-86	SHIELD, front muffler	--	--	87*-BJ
41	65458-86A	SUPPORT TUBE (blue)	--	--	87*-BK
	65459-84A	SUPPORT TUBE (black)	--	--	87*-ALL
	65460-87A	SUPPORT TUBE (red)	--	--	87*-BK
41A	65464-89	SHIELD, rear exhaust & muffler	--	--	90*-BM
42	65487-89	EXHAUST PIPE, rear	--	--	90*-BM
	65603-86	EXHAUST PIPE, rear	--	--	87*-BH/J/K/L
42A	65492-89	SUPPORT TUBE (silver)	--	--	90*-BM
43	65522-89	MUFFLER SUPPORT, rear	--	--	90*-BM
43A	65571-82	SHIELD, front muffler	--	87*-ALL	--

FLT MODELS		FXR MODELS		SOFTAIL MODELS	
FLTC	DB	FXR	EA	FXST	BH
FLHT	DD	FXRS	EB	FLST/C	BJ
FLHTC	DJ	FXRT	EC	FXSTC	BK
FLTC-U	DM	FXRS-SP	EG	FXSTS	BL
FLHTC-U	DP	FXLR	EL	FLSTF	BM
FLHS	FA	FXRS-CON	EM		

# EXHAUST SYSTEM — FXR, SOFTAIL



**EXHAUST SYSTEM - FXR & SOFTAIL MODELS (CONT'D)**

**F41A-2**

INDEX NO.	PART NO.	NAME	FLT MODELS	FXR MODELS	SOFTAIL MODELS
44	65689-89	MUFFLER, front - fishtail	--	--	89*-BJ
	65699-86	MUFFLER, front	--	--	87 to 89-ALL; 90*-BH/J/L
	65699-90	MUFFLER, front	--	--	90*-BK
	65747-87	MUFFLER, front	--	87*-ALL	--
45	65657-87	MUFFLER, rear	--	87*-ALL	--
46	65668-87	EXHAUST PIPE, rear (chrome)	--	87*-ALL	--
47	65669-87	EXHAUST PIPE, front (chrome)	--	87*-ALL	--
48	65670-82B	BRACKET, front exhaust	--	87*-ALL	--
49	65674-87	SUPPORT, muffler	--	87*-ALL	--
50	65675-87	BRACKET, rear exhaust	--	87*-ALL	--
51	65702-86	SHIELD, rear exh.	--	87*-ALL	87*-BH/J/K/L
52	65732-86	SHIELD, front exh.	--	87*-ALL	87*-ALL
53	65781-82	GASKET	--	87*-ALL	90*-BM
54	65782-82	WASHER, exhaust	--	87*-ALL	90*-BM
55	65802-90	SPACER	--	90*-ALL	--
<b>H-D INTERNATIONAL ONLY</b>					
	52103-31	SPACER, muffler extension (HDI only)	--	--	87*-ALL
	65185-84	EXTENSION, front muffler (HDI only)	--	87*-ALL	--
	65190-84	EXTENSION, front muffler (HDI only)	--	--	87*-ALL
34	65382-86	MUFFLER, rear (HDI only)	--	--	87&88-ALL
	65382-89A	MUFFLER, rear (HDI only)	--	--	89*-ALL
45	65739-87	MUFFLER, rear (HDI only)	--	87&88-ALL	--
	65739-89A	MUFFLER, rear (HDI only)	--	89*-ALL	--
44	65395-86	MUFFLER, front (HDI only)	--	--	87&88-ALL
	65395-89A	MUFFLER, front (HDI only)	--	--	89*-ALL
	65738-87	MUFFLER, front (HDI only)	--	87&88-ALL	--
	65738-89A	MUFFLER, front (HDI only)	--	89*-ALL	--

**FLT MODELS**

FLTC DB  
FLHT OD  
FLHTC DJ  
FLTC-U DM  
FLHTC-U DP  
FLHS FA

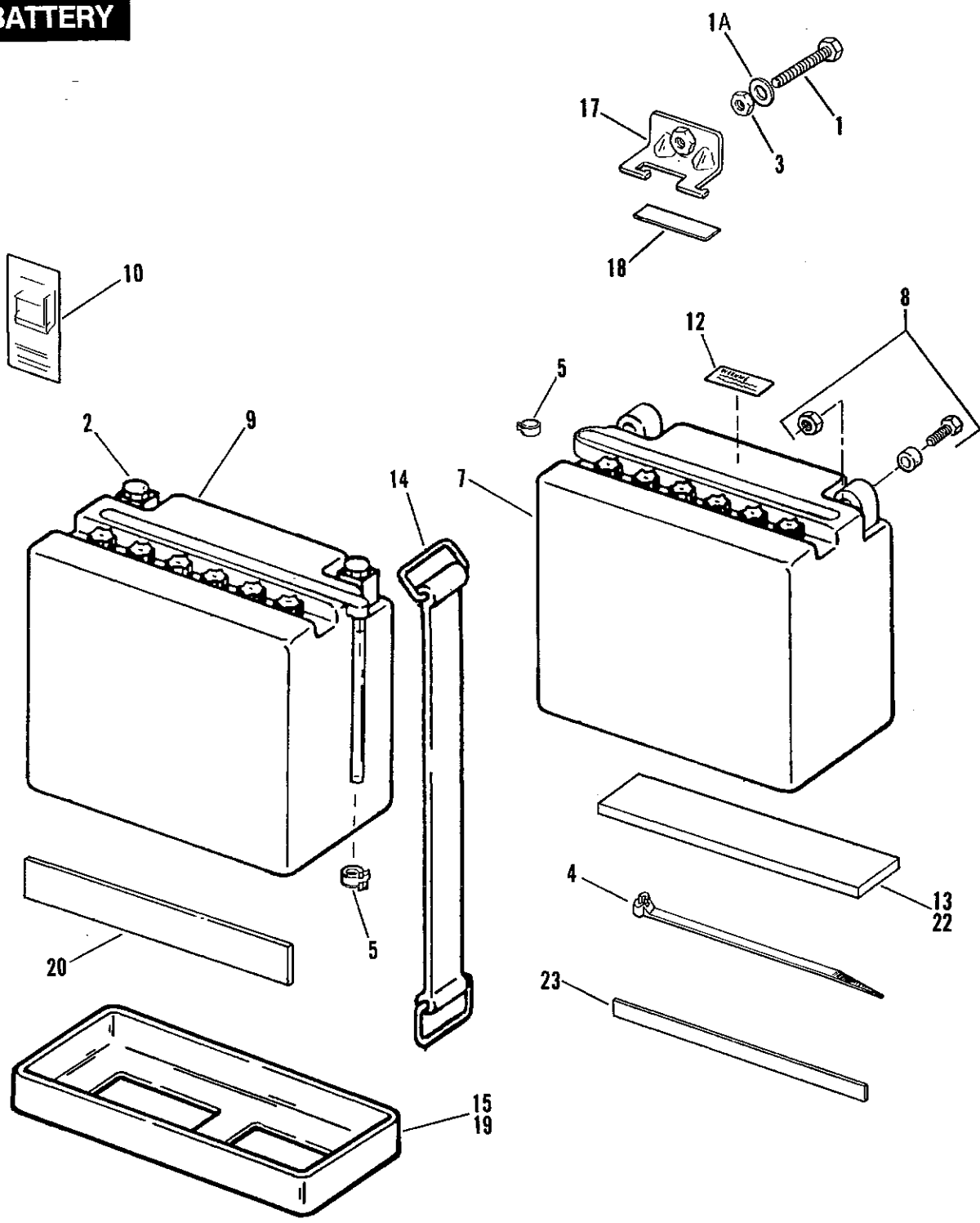
**FXR MODELS**

FXR EA  
FXRS EB  
FXRT EC  
FXRS-SP EG  
FXLR EL  
FXRS-CON EM

**SOFTAIL MODELS**

FXST BH  
FLST/C BJ  
FXSTC BK  
FXSTS BL  
FLSTF BM

# BATTERY



**BATTERY**

INDEX NO.	PART NO.	NAME	FLT MODELS	FXR MODELS	SOFTAIL MODELS
1	2796W	BOLT	--	87*-ALL	--
1A	6703	WASHER	--	90*-ALL	--
2	7229W	LOCKWASHER (2)	87*-ALL	--	--
3	7689W	NUT	--	87*-ALL	--
4	10039	CABLE STRAP	--	87*-ALL	--
5	10067	CLAMP	87*-ALL	87*-ALL	87*-ALL
7	65991-82A	BATTERY, w/#4 & 8	--	87*-ALL	87*-ALL
8	66000-80	BATTERY TERMINAL KIT	--	87*-ALL	87*-ALL
9	66010-82A	BATTERY	87*-ALL	--	--
10	66014-79	DECAL, battery installation	87*-ALL	--	--
12	66042-79A	WARNING LABEL	--	--	87*-BJ/K/L/M
13	66104-84	CUSHION (2)	--	87*-ALL	--
14	66105-77	BATTERY STRAP	87*-ALL	--	87*-ALL
15	66106-86	CUSHION	87*-ALL	--	--
17	66183-82	BRACKET, battery tie down	--	87*-ALL	--
18	66188-82A	CUSHION	--	87*-ALL	--
19	66210-85A	CUSHION	--	--	87*-ALL
20	66308-80	PAD	87*-ALL	--	--
22	66309-84	CUSHION	--	--	87*-ALL
23	67067-76	ISOLATOR	--	87*-ALL	--

**FLT MODELS**

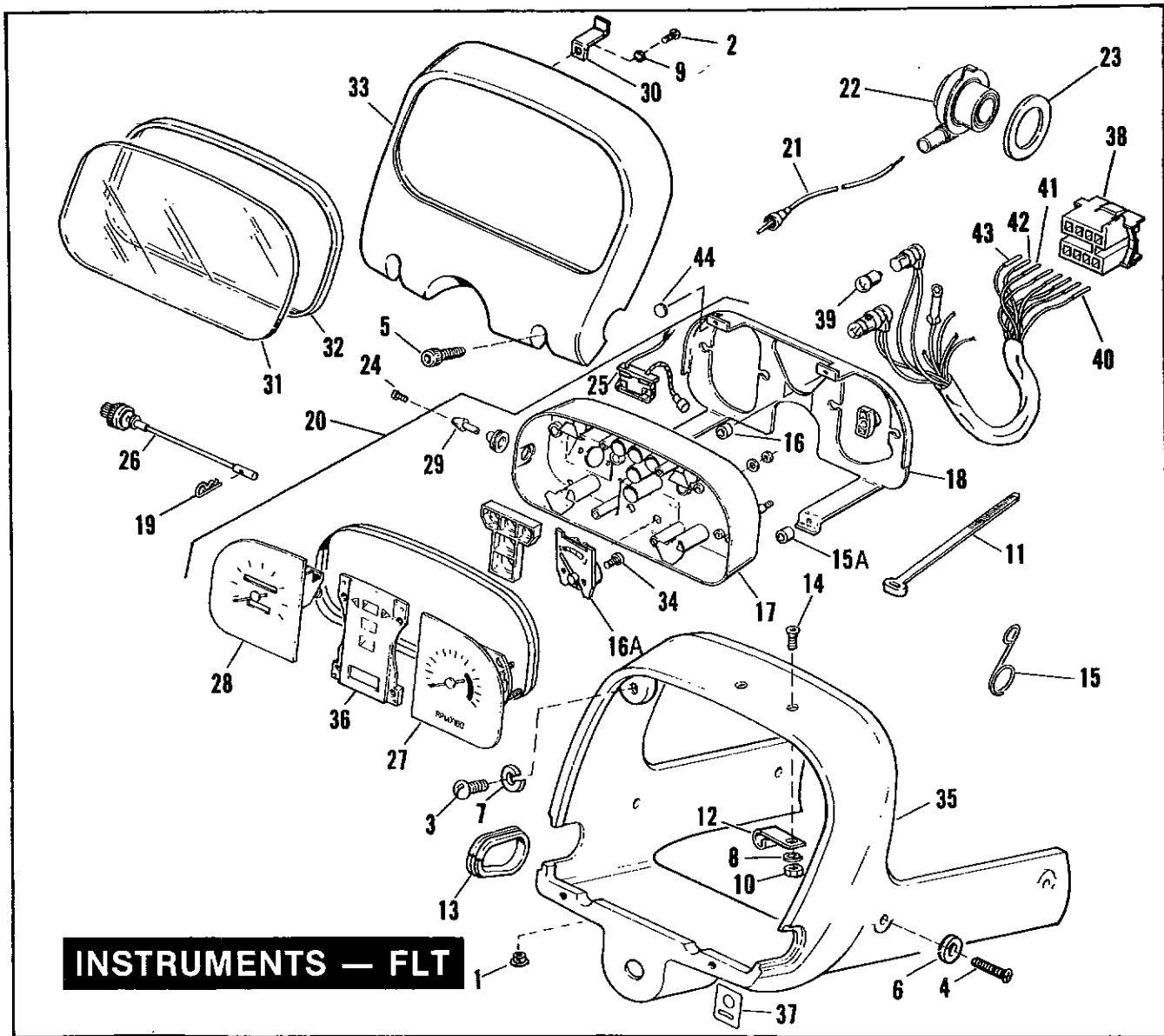
FLTC DB  
 FLHT DD  
 FLHTC DJ  
 FLTC-U DM  
 FLHTC-U DP  
 FLHS FA

**FXR MODELS**

FXR EA  
 FXRS EB  
 FXRT EC  
 FXRS-SP EG  
 FXLR EL  
 FXRS-CON EM

**SOFTAIL MODELS**

FXST BH  
 FLST/C BJ  
 FXSTC BK  
 FXSTS BL  
 FLSTF BM



**INSTRUMENTS-FLT MODELS**

**F43-1**

INDEX NO.	PART NO.	NAME	FLT MODELS	FXR MODELS	SOFTAIL MODELS
1	729	PLUG (3)	87*-DB/M,FA	--	--
2	2585	SCREW (3)	87*-DB/M,FA	--	--
3	2625	SCREW (2)	87&88-DB,FA	--	--
4	3996	SCREW (4)	87*-DB/M	--	--
5	4069A	SCREW (2)	87*-DB/M,FA	--	--
6	6702	WASHER (4)	87*-DB/M	--	--
7	7015	LOCKWASHER (2)	87&E88-DB,FA	--	--
8	7069	LOCKWASHER (2)	L88*-DB/M,FA	--	--
9	7115	LOCKWASHER (3)	87*-DB/M	--	--
10	7638	NUT (2)	L88*-DB/M,FA	--	--
11	10065	CABLE STRAP	87*-DB	--	--
12	10091	CLIP (2)	L88*-DB/M,FA	--	--



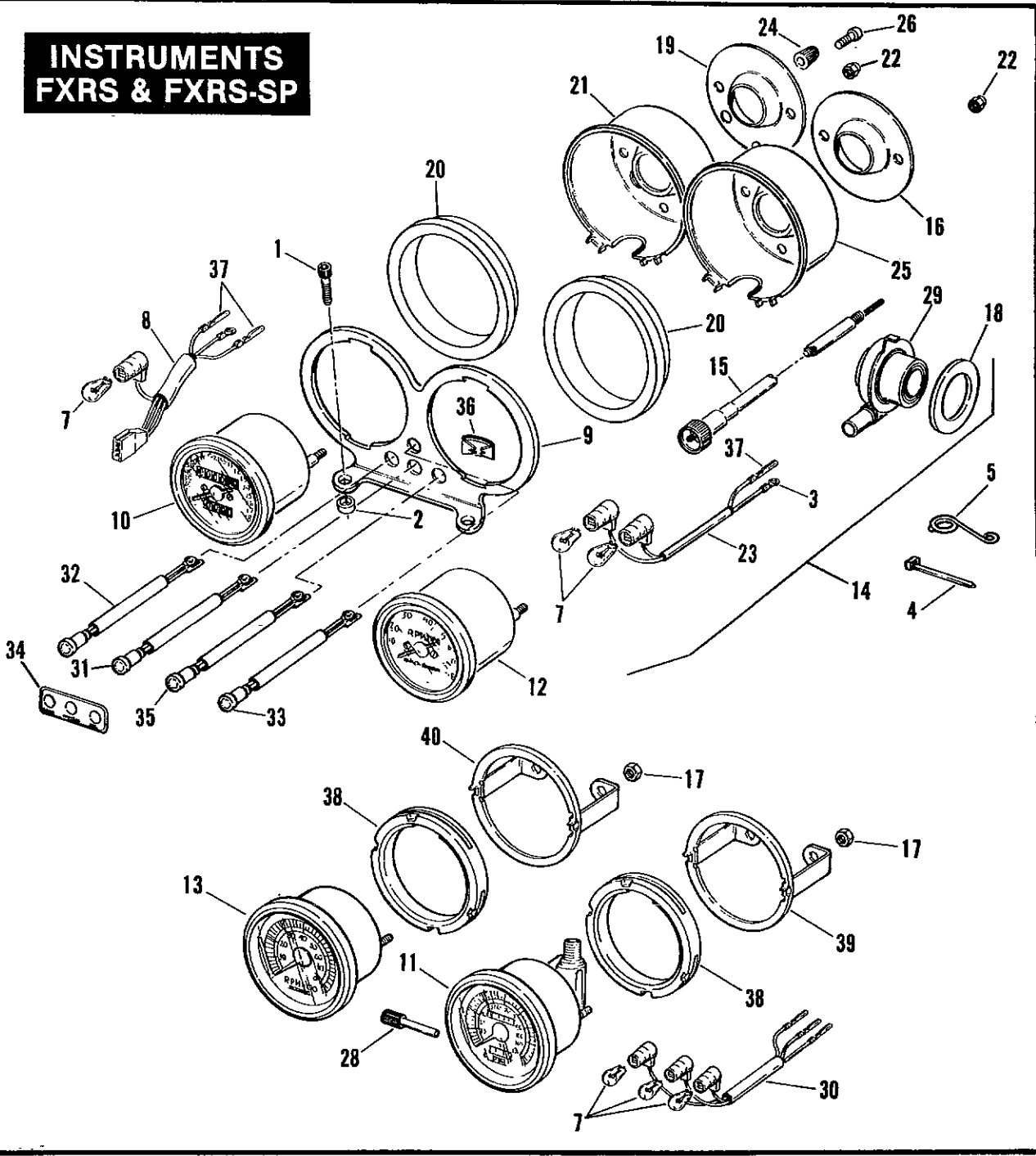
**INSTRUMENTS-FLT MODELS (CONT'D)**

**F43-2**

INDEX NO.	PART NO.	NAME	FLT MODELS	FXR MODELS	SOFTAIL MODELS
13	11435	GROMMET, handlebar (2)	87&E88-DB,FA	--	--
	11454	GROMMET, handlebar (2)	L88*-DB/M,FA	--	--
14	42534-82	SCREW (2)	L88*-DB/M,FA	--	--
15	45092-66A	GUIDE, speedometer cable	87*-DB/M	--	--
15A	58355-86	SPACER (2)	87*-DD/J/P	--	--
16	58356-86	SPACER (2)	87*-DD/J/P	--	--
16A	61631-84	FUEL GAUGE	87*-ALL	--	--
17	66997-86	CASE, instrument	87*-DD/J/P	--	--
18	66998-86	BRACKET, inst. mtg.	87*-DD/J/P	--	--
19	66999-86	CLIP	87*-DD/J/P	--	--
20	67000-85B	INSTRUMENT PANEL ASSY., mph	87*-DB/M,FA	--	--
	67003-86A	INSTRUMENT PANEL ASSY., mph	87*-DD/J/P	--	--
21	67060-87A	CABLE ASSEMBLY, speedometer	87*-DD/J/P	--	--
	67072-87B	CABLE ASSEMBLY, speedometer	87*-DB/M,FA	--	--
22	67073-87A	DRIVE UNIT, speedometer	87*-ALL	--	--
23	67096-87	SEAL, drive unit	87*-ALL	--	--
24	67117-85	SCREW	87*-DB/M,FA	--	--
25	67123-86	REED SWITCH	87*-ALL	--	--
26	67219-86	RESET CABLE, odometer	87*-DD/J/P	--	--
27	67229-85	TACHOMETER	87*-ALL	--	--
28	67211-86	SPEEDOMETER, mph	87*-DD/J/P	--	--
	67232-85	SPEEDOMETER, mph	87*-DB/M,FA	--	--
29	67234-84	RESET KNOB, odometer	87*-DB/M,FA	--	--
30	67235-80	CLIP (3)	87*-DB/M,FA	--	--
31	67236-80	LENS	87*-DB/M,FA	--	--
	67608-86	LENS	87*-DD/J/P	--	--
32	67237-80	GASKET	87*-DB/M,FA	--	--
33	67238-80	CASE	87*-DB/M,FA	--	--
34	67243-84	SCREW	87*-ALL	--	--
35	67795-85A	DASH PANEL SUPPORT KIT	87*-DB/M,FA	--	--
36	68459-84A	PANEL, instr. panel	87*-DB/M,FA	--	--
37	68602-79	LABEL, flasher switch	87&88-DB	--	--
38	70287-81	CONNECTOR, eight socket	87*-ALL	--	--
39	71099-74	BULB, instr. panel (4)	87*-ALL	--	--
40	72038-71	SOCKET, single pin (8)	87*-ALL	--	--
41	72039-71	PIN, single socket	87*-ALL	--	--
42	72043-71	CONNECTOR, single pin	87*-ALL	--	--
43	72044-71	CONNECTOR, single socket	87*-ALL	--	--
44	75101-82	SPACER (rubber)(2)	88*-ALL	--	--
<b>H-D INTERNATIONAL ONLY</b>					
28	67216-86A	SPEEDOMETER, kph (HDI only)	87*-DB/M,FA	--	--
	67233-80C	SPEEDOMETER, kph (HDI only)	87*-DD/J/P	--	--

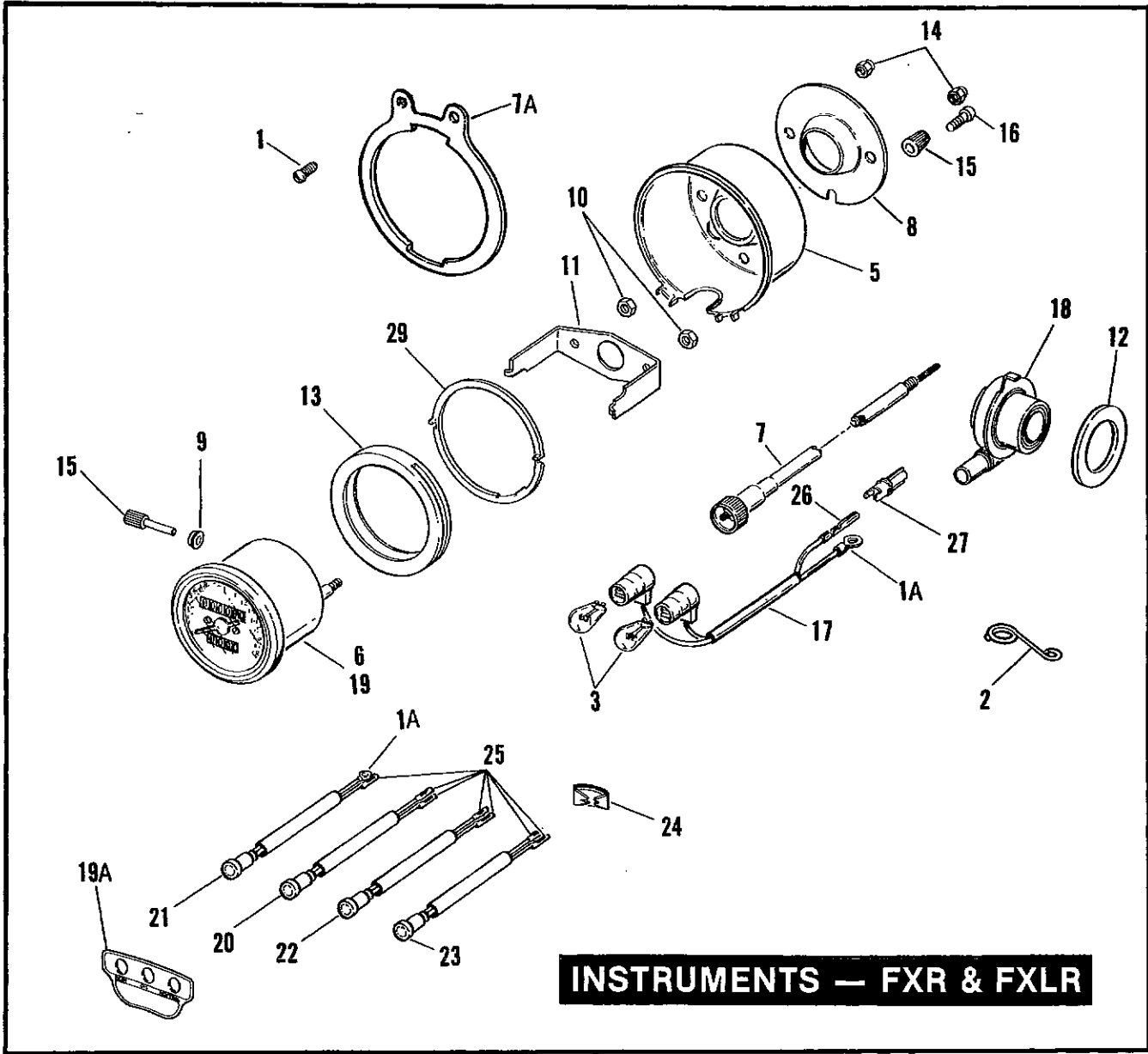
FLT MODELS		FXR MODELS		SOFTAIL MODELS	
FLTC	DB	FXR	EA	FXST	BH
FLHT	DD	FXRS	EB	FLST/C	BJ
FLHTC	DJ	FXRT	EC	FXSTC	BK
FLTC-U	DM	FXRS-SP	EG	FXSTS	BL
FLHTC-U	DP	FXLR	EL	FLSTF	BM
FLHS	FA	FXRS-CON	EM		

# INSTRUMENTS FXRS & FXRS-SP



INDEX NO.	PART NO.	NAME	FLT MODELS	FXR MODELS	SOFTAIL MODELS
1	853A	SCREW (2)	--	87-EB;87-EG/M	--
2	5736	SPACER (2)	--	87-EB;87-EG/M	--
3	9857	TERMINAL, ring type #10 hole (2)	--	87-EB;87-EG/M	--
4	10081	CABLE STRAP, double loop	--	87-EB;87-EG/M	--
5	45092-66A	GUIDE, cable	--	87-EB;87-EG/M	--
7	53439-79	BULB (3)	--	87*-EB/G	--
8	67034-83A	BULB & SOCKET, w/terminals-tach.	--	87-EB;87-EG/M	--
9	67036-86	BRACKET, mounting	--	87-EB;87-EG/M	--
10	67037-85A	SPEEDOMETER-mpH	--	87-EB;87-EG/M	--
11	67168-88A	SPEEDOMETER-mpH	--	88*-EB	--
12	67042-85	TACHOMETER, w/wiring-mpH	--	87-EB;87-EG/M	--
13	67171-88	TACHOMETER, w/wiring	--	88*-EB	--
14	67046-86A	SPEEDOMETER & TACHOMETER ASSY., w/bracket-mpH	--	87-EB;87-EG/M	--
15	67048-83A	CABLE ASSY. speedometer	--	87*-EG/M	--
	67052-78B	CABLE ASSY. speedometer	--	87-EB	--
	67186-88	CABLE ASSY. speedometer	--	88*-EB	--
16	67085-83	TRIM, tachometer (chrome)	--	87-EB;87-EG/M	--
17	67094-85	NUT (4)	--	88*-EB	--
18	67098-87	SEAL, drive unit	--	87-EB;87-EG/M	--
19	67103-83	TRIM, speedometer (chrome)	--	87-EB;87-EG/M	--
20	67104-83	CUSHION, speedo & tach. mtg. (2)	--	87-EB;87-EG/M	--
21	67105-83	COVER, speedo.-lower (black)	--	87-EB;87-EG/M	--
22	67106-83	ACORN NUT (4)	--	87-EB;87-EG/M	--
23	67107-83	BULB & SOCKET, w/terminals-speedo.	--	87-EB;87-EG/M	--
24	67108-83	RESET KNOB, odometer (chrome)	--	87-EB;87-EG/M	--
25	67112-83	COVER, tach.-lower (black)	--	87-EB;87-EG/M	--
26	67117-85	SCREW, reset knob	--	87-EB;87-EG/M	--
28	67122-85	RESET KNOB, odometer (chrome)	--	88*-EB	--
29	67127-84A	DRIVE UNIT, speedometer	--	87*-EB/G/M	--
30	67172-88A	WIRING HARNESS	--	88*-EB	--
31	67851-86	INDICATOR LAMP, neutral (green)	--	88*-EB	--
	68574-86	INDICATOR LAMP, neutral (green)	--	87-EB;87-EG/M	--
32	67862-86	INDICATOR LAMP, high beam (blue)	--	88*-EB	--
	68597-86	INDICATOR LAMP, high beam (blue)	--	87-EB;87-EG/M	--
33	67864-86	INDICATOR LAMP, turn signal (amber)	--	88*-EB	--
	68740-91	INDICATOR LAMP, turn signal (amber)	--	87-EB;87-EG/M	--
	68473-88A	INDICATOR LAMP, turn signal (amber)	--	88*-EG	--
34	68464-86	TRIM, indicator lamps (black)	--	87-EB;87-EG/M	--
35	68022-91	INDICATOR LAMP, oil pressure (red)	--	87-EB;87-EG/M	--
	68536-86	INDICATOR LAMP, oil pressure (red)	--	88*-EB	--
36	68608-83	SPEED NUT (4)	--	87*-EB/G/M	--
37	72038-71	SOCKET, single pin (7)	--	87*-EB/G/M	--
38	92061-83	CUSHION, speedo & tach. mtg. (2)	--	88*-EB	--
39	92079-88	BRACKET, speedometer	--	88*-EB	--
40	92080-88	BRACKET, tachometer	--	88*-EB	--
<b>H-D INTERNATIONAL</b>					
10	67041-83A	SPEEDOMETER-kph (HDI only)	--	87-EB;87-EG/M	--
12	67042-83	TACHOMETER, w/wiring-kph (HDI only)	--	87-EB;87-EG/M	--
11	67169-88A	SPEEDOMETER-kph (HDI only)	--	88*-EB	--
29	67187-88	DRIVE UNIT, speedometer (HDI only)	--	88*-EB	--

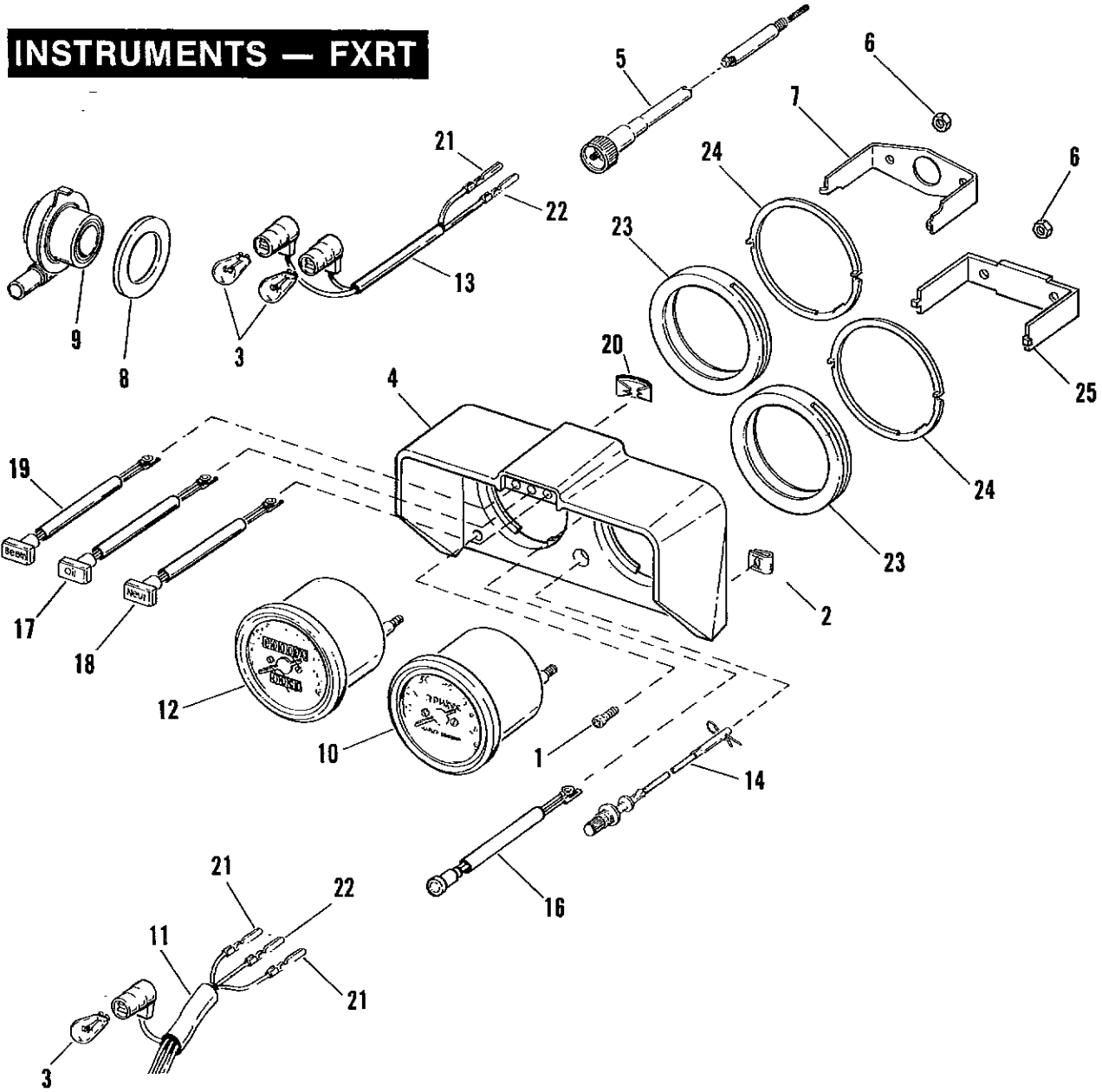
FLT MODELS		FXR MODELS		SOFTAIL MODELS	
FLTC	DB	FXR	EA	FXST	BH
FLHT	DD	FXRS	EB	FLST/C	BJ
FLHTC	DJ	FXRT	EC	FXSTC	BK
FLTC-U	DM	FXRS-SP	EG	FXSTS	BL
FLHTC-U	DP	FXLR	EL	FLSTF	BM
FLHS	FA	FXRS-CON	EM		



INDEX NO.	PART NO.	NAME	FLT MODELS	FXR MODELS	SOFTAIL MODELS
1	923	SCREW (2)	--	87-EL	--
1A	9857	TERMINAL, ring type-#10 hole	--	87-EA	--
2	45092-66A	GUIDE, cable	--	87-EA/L	--
3	53439-79	BULB (2)	--	87-EA/L	--
5	67014-87	COVER, speedometer (chrome)	--	87-EL	--
6	67020-85A	SPEEDOMETER-mpg	--	87-EA	--
	67025-87	SPEEDOMETER, w/wiring-mpg	--	87-EL	--
7	67078-85A	CABLE ASSY., speedometer	--	87-EA/L	--
7A	67080-87	MOUNTING BRACKET, speedometer	--	87-EL	--
8	67085-83	TRIM, speedometer	--	87-EL	--
9	67086-85	GROMMET	--	87-EA	--
10	67094-85	NUT (2)	--	87-EA	--
11	67095-85	BRACKET, mounting	--	87-EA	--
12	67098-87	SEAL, drive unit	--	87-EA/L	--
13	67104-83	GASKET, speedometer mtg.	--	87-EL	--
	92061-83	GASKET, speedometer mtg.	--	87-EA	--
14	67106-83	ACORN NUT (2)	--	87-EL	--
15	67108-83	RESET KNOB, odometer	--	87-EL	--
	67122-85	RESET KNOB, odometer	--	87-EA	--
16	67117-85	SCREW, reset knob	--	87-EL	--
17	67126-87	BULB & SOCKET	--	87-EL	--
	67202-86	BULB & SOCKET, w/terminals	--	87-EA	--
18	67127-84A	DRIVE UNIT, speedometer	--	87-EA	--
	67132-85A	DRIVE UNIT, speedometer	--	87-EL	--
19	67200-86A	SPEEDOMETER, w/wiring-mpg	--	87-EA	--
19A	67826-87	TRIM, indicator lamps	--	87-EL	--
20	67851-86	INDICATOR LAMP, neutral (green)	--	87-EA	--
	68419-87	INDICATOR LAMP, neutral (green)	--	87-EL	--
21	67862-86	INDICATOR LAMP, high beam (blue)	--	87-EA	--
	68421-87	INDICATOR LAMP, high beam (blue)	--	87-EL	--
22	67864-86	INDICATOR LAMP, turn signals (amber)	--	87-EA	--
23	68420-87	INDICATOR LAMP, oil pressure (red)	--	87-EL	--
	68536-86	INDICATOR LAMP, oil pressure (red)	--	87-EA	--
24	68608-83	SPEED NUT (4;3-EL)	--	87-EA/L	--
25	72038-71	SOCKET, single pin	--	87-EA	--
26	72039-71	PIN, single socket	--	87-EA	--
27	72043-71	CONNECTOR, single pin	--	87-EA	--
29	92070-86	PLATE, mounting	--	87-EA	--
<b>H-D INTERNATIONAL ONLY</b>					
4	67015-87A	SPEEDOMETER ASSY.-kph (HDI only)	--	87-EL	--
6	67018-87A	SPEEDOMETER, w/wiring-kph (HDI only)	--	87-EL	--
	67021-85B	SPEEDOMETER-kph (HDI only)	--	87-EA	--
19	67201-86A	SPEEDOMETER, w/wiring-kph (HDI only)	--	87-EA	--

FLT MODELS		FXR MODELS		SOFTAIL MODELS	
FLTC	DB	FXR	EA	FXST	BH
FLHT	DD	FXRS	EB	FLST/C	BJ
FLHTC	DJ	FXRT	EC	FXSTC	BK
FLTC-U	DM	FXRS-SP	EG	FXSTS	BL
FLHTC-U	DP	FXLR	EL	FLSTF	BM
FLHS	FA	FXRS-CON	EM		

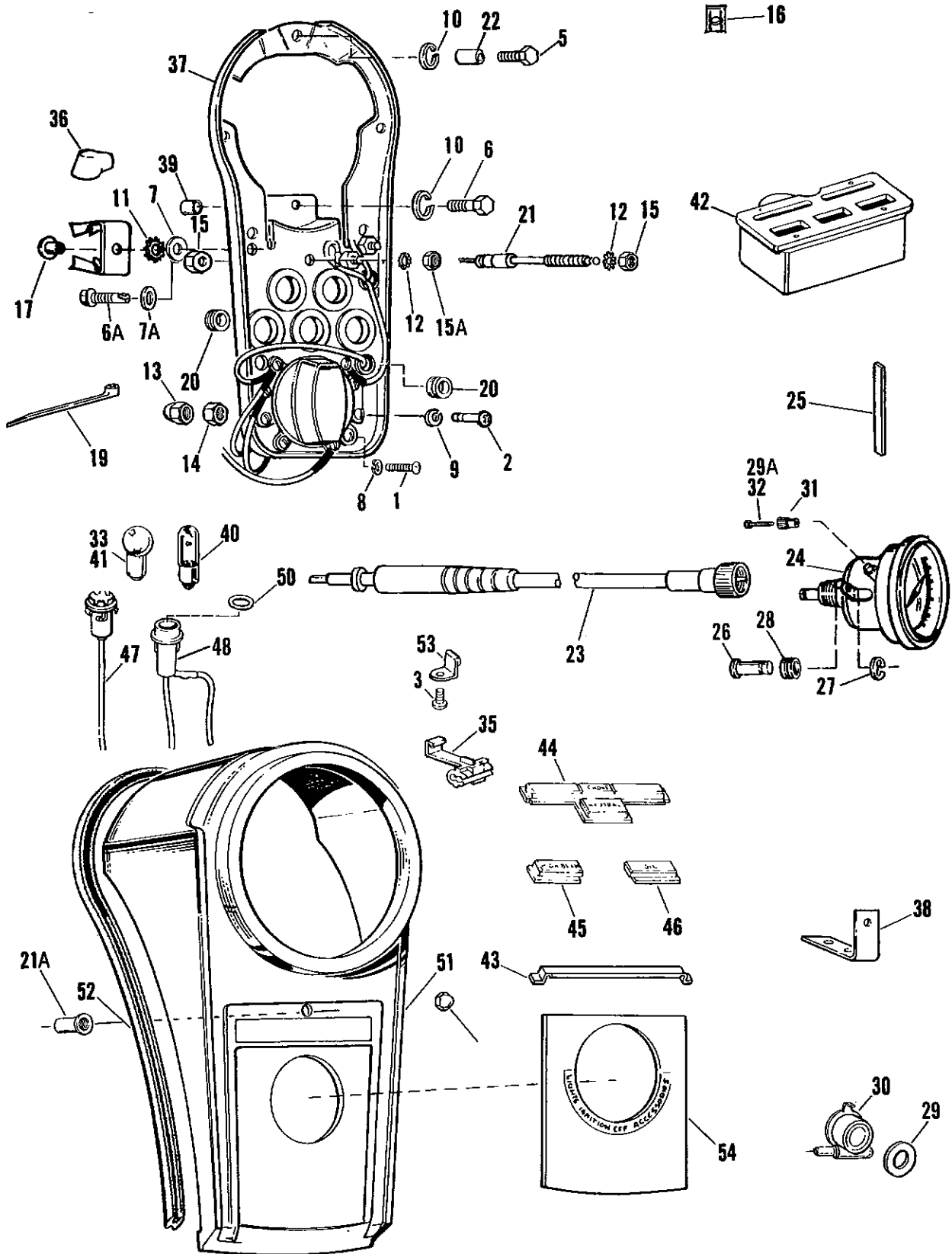
# INSTRUMENTS — FXRT



<b>INDEX NO.</b>	<b>PART NO.</b>	<b>NAME</b>	<b>FLT MODELS</b>	<b>FXR MODELS</b>	<b>SOFTAIL MODELS</b>
1	3766	SCREW (4)	--	87-EC	--
2	8107	SPEEDNUT (4)	--	87-EC	--
3	53439-79	BULB (2 - speedometer; 1 - tachometer)	--	87-EC	--
4	67029-86A	VISOR	--	87-EC	--
5	67054-83B	CABLE, speedometer	--	87-EC	--
6	67094-85	NUT (4)	--	87-EC	--
7	67097-86	BRACKET, speedometer mounting	--	87-EC	--
8	67098-87	SEAL, drive unit	--	87-EC	--
9	67127-84A	DRIVE UNIT, speedometer	--	87-EC	--
10	67152-86	TACHOMETER	--	87-EC	--
11	67153-86	SOCKET & BULB, tachometer	--	87-EC	--
12	67154-86	SPEEDOMETER (mph)	--	87-EC	--
	67157-86	SPEEDOMETER (kph)	N/A --	87-EC	--
13	67155-86	SOCKET & BULBS, speedometer	--	87-EC	--
14	67156-86A	CABLE, odometer reset	--	87-EC	--
16	68465-86	INDICATOR LAMP, turn signal (amber) (2)	--	87-EC	--
17	68489-83	INDICATOR LAMP, oil pressure (red)	--	87-EC	--
18	68574-83	INDICATOR LAMP, neutral (green)	--	87-EC	--
19	68588-86	INDICATOR LAMP, high beam (blue)	--	87-EC	--
20	68608-83	SPEEDNUT (5)	--	87-EC	--
21	72038-71	SOCKET , single pin (7)	--	87-EC	--
22	72039-71	PIN, single socket (9)	--	87-EC	--
23	92061-83	GASKET, inst. mtg.	--	87-EC	--
24	92068-83	PLATE, mounting (2)	--	87-EC	--
25	92077-83	BRACKET, tachometer mounting	--	87-EC	--

<b>FLT MODELS</b>		<b>FXR MODELS</b>		<b>SOFTAIL MODELS</b>	
FLTC	DB	FXR	EA	FXST	BH
FLHT	DD	FXRS	EB	FLST/C	BJ
FLHTC	DJ	FXRT	EC	FXSTC	BK
FLTC-U	DM	FXRS-SP	EG	FXSTS	BL
FLHTC-U	DP	FXLR	EL	FLSTF	BM
FLHS	FA	FXRS-CON	EM		

# INSTRUMENTS — SOFTAIL





**INSTRUMENTS - SOFTAIL MODELS**

**F43D-1**

INDEX NO.	PART NO.	NAME	FLT MODELS	FXR MODELS	SOFTAIL MODELS
1	2574WA	SCREW (6)	--	--	87*-ALL
2	2594A	SCREW (4)	--	--	87*-ALL
3	2630W	SCREW (2)	--	--	87*-ALL
5	3419	BOLT	--	--	87*-ALL
6	4068	BOLT (2)	--	--	87*-ALL
6A	4739	BOLT	--	--	90*-ALL
7	6192	WASHER (4)	--	--	87*-ALL
7A	6701	WASHER	--	--	90*-ALL
10	7041	LOCKWASHER (3)	--	--	87*-ALL
11	7229W	LOCKWASHER (3)	--	--	87*-ALL
12	7232	LOCKWASHER	--	--	87*-ALL
12A	7549	ACORN NUT	--	--	90*-ALL
13	7602	ACORN NUT, locking (6)	--	--	87*-ALL
14	7638	NUT (6)	--	--	87*-ALL
15	7744	NUT (2)	--	--	87 to 89-ALL
15A	7763W	NUT	--	--	90*-ALL
16	8155	SPEED NUT (2)	--	--	87*-ALL
17	8672	POP RIVET (4)	--	--	87*-ALL
18	9952	CLIP, circuit breaker (4)	--	--	87*-ALL
19	10065	CABLE STRAP (6)	--	--	87*-ALL
20	11430	GROMMET, instrument panel (2)	--	--	87*-ALL
21	29211-86	CONTROL CABLE, choke	--	--	87*-ALL
21A	61644-88	BUSHING	--	--	87 to 89-ALL
22	62043-81A	SPACER, panel mounting	--	--	87*-ALL
23	67024-84A	CABLE ASSY., speedometer	--	--	87*-BH/K
	67079-86A	CABLE ASSY., speedometer	--	--	87*-BJ
24	67027-81C	SPEEDOMETER-mpH	--	--	87*-ALL
25	67067-76	ISOLATOR STRIP (black)	--	--	87*-ALL
26	67068-76	PIN, speedometer mounting (2)	--	--	87*-ALL
27	67069-76	RETAINING RING, speedometer mtg. (2)	--	--	87*-ALL
28	67070-76	GROMMET, speedometer mtg. (2)	--	--	87*-ALL
29	67098-87	SEAL, drive unit	--	--	L88*-BL
	67118-87	SEAL, drive unit	--	--	87*-BH/J/K/M
29A	67117-85	SCREW	--	--	90*-ALL
30	67120-84B	DRIVE UNIT, speedometer	--	--	87*-BH/K/M
	67125-86A	DRIVE UNIT, speedometer	--	--	87*-BJ
	67166-88	DRIVE UNIT, speedometer	--	--	L88*-BL
31	67215-68	KNOB, odometer reset	--	--	87 to 89-ALL
	67215-89	KNOB, odometer reset	--	--	90*-ALL
32	67217-68	SCREW, reset knob	--	--	87 to 89-ALL
33	68462-64	BULB, indicator lamps (4)	--	--	87*-ALL
35	70576-68	CONNECTOR	--	--	87&88-ALL
36	70579-65	INSULATING BOOT	--	--	87*-ALL
37	70936-87	INSTRUMENT PANEL BASE	--	--	87*-ALL
38	70939-84A	BRACKET, circuit breakers	--	--	87*-ALL
39	70941-84A	SPACER, instrument panel mounting	--	--	87*-ALL
40	71090-64	BULB, speedometer	--	--	87*-ALL
41	71092-68A	BULB, high beam	--	--	87*-ALL

**FLT MODELS**

FLTC DB  
 FLHT DD  
 FLHTC DJ  
 FLTC-U DM  
 FLHTC-U DP  
 FLHS FA

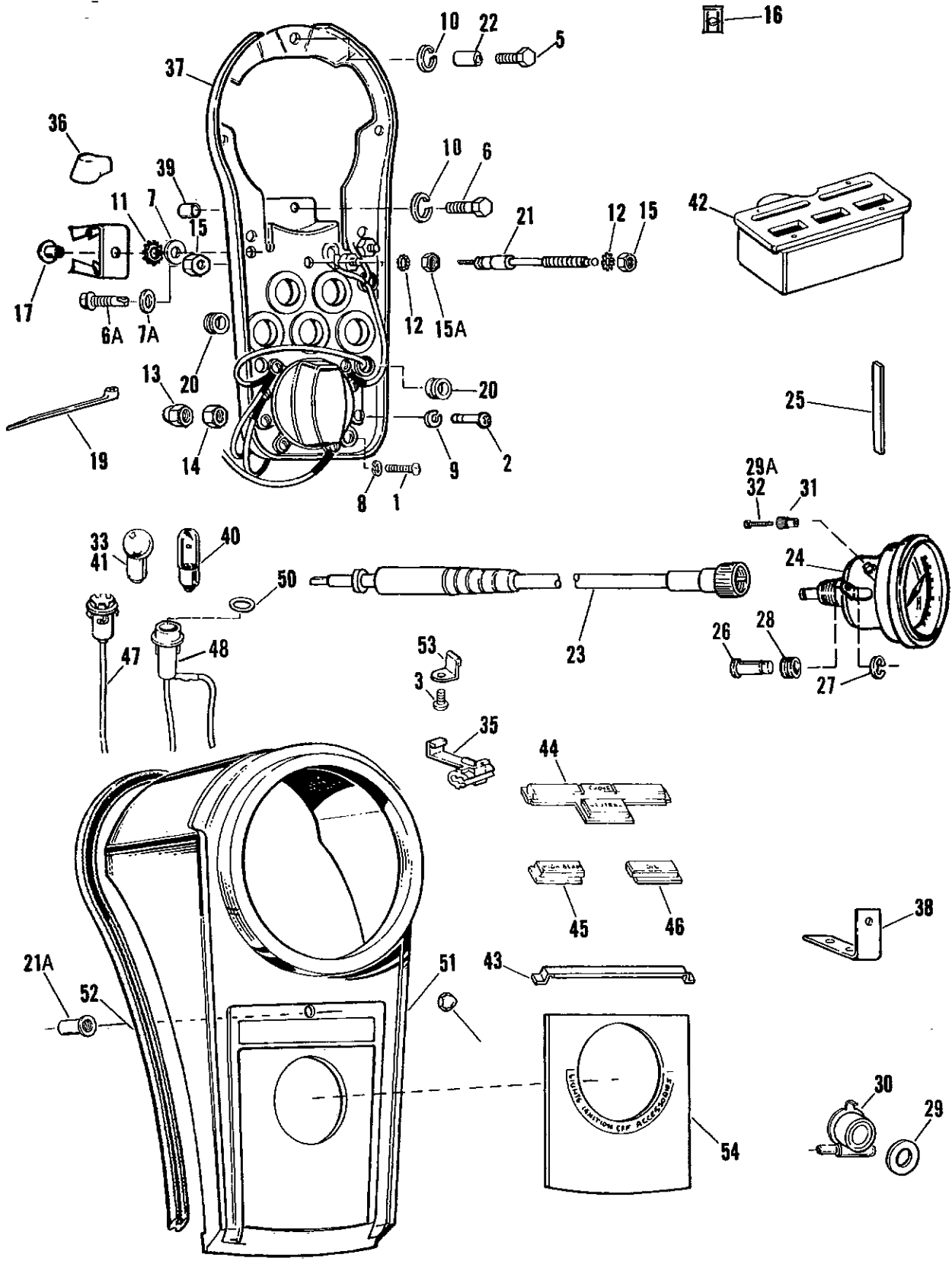
**FXR MODELS**

FXR EA  
 FXRS EB  
 FXRT EC  
 FXRS-SP EG  
 FXLR EL  
 FXRS-CON EM

**SOFTAIL MODELS**

FXST BH  
 FLST/C BJ  
 FXSTC BK  
 FXSTS BL  
 FLSTF BM

# INSTRUMENTS — SOFTAIL



**INSTRUMENTS - SOFTAIL MODELS (CONT'D)**

**F43D-2**

<b>INDEX NO.</b>	<b>PART NO.</b>	<b>NAME</b>	<b>FLT MODELS</b>	<b>FXR MODELS</b>	<b>SOFTAIL MODELS</b>
42	71134-68	SUPPORT, indicator lamp lens	--	--	87*-ALL
43	71141-68	RETAINER, indicator lamp lens	--	--	87*-ALL
44	71143-75	LENS, neutral (green)	--	--	87 to 89-ALL
	71143-90	LENS, neutral (green)	--	--	90*-ALL
45	71144-75A	LENS, high beam (blue)	--	--	87*-ALL
46	71145-75	LENS, oil pressure (red)	--	--	87*-ALL
47	71158-86	SOCKET, speedometer lamp	--	--	87*-ALL
48	71162-70	SOCKET (3)	--	--	87*-ALL
50	71182-47A	WASHER, signal lamp socket	--	--	87*-ALL
51	71241-68B	COVER, instrument panel (chrome)	--	--	87*-ALL
52	71295-68	GASKET, instrument panel cover	--	--	87*-ALL
53	71297-68	CLIP, lens support (2)	--	--	87*-ALL
54	71298-89	PLATE, ignition switch (chrome)	--	--	90*-BM
	71300-79	PLATE, ignition switch (chrome)	--	--	87*-BH/J/K/L
		<b>H-D INTERNATIONAL ONLY</b>			
24	67030-81D	SPEEDOMETER-kph (HDI only)	--	--	87*-ALL

**FLT MODELS**

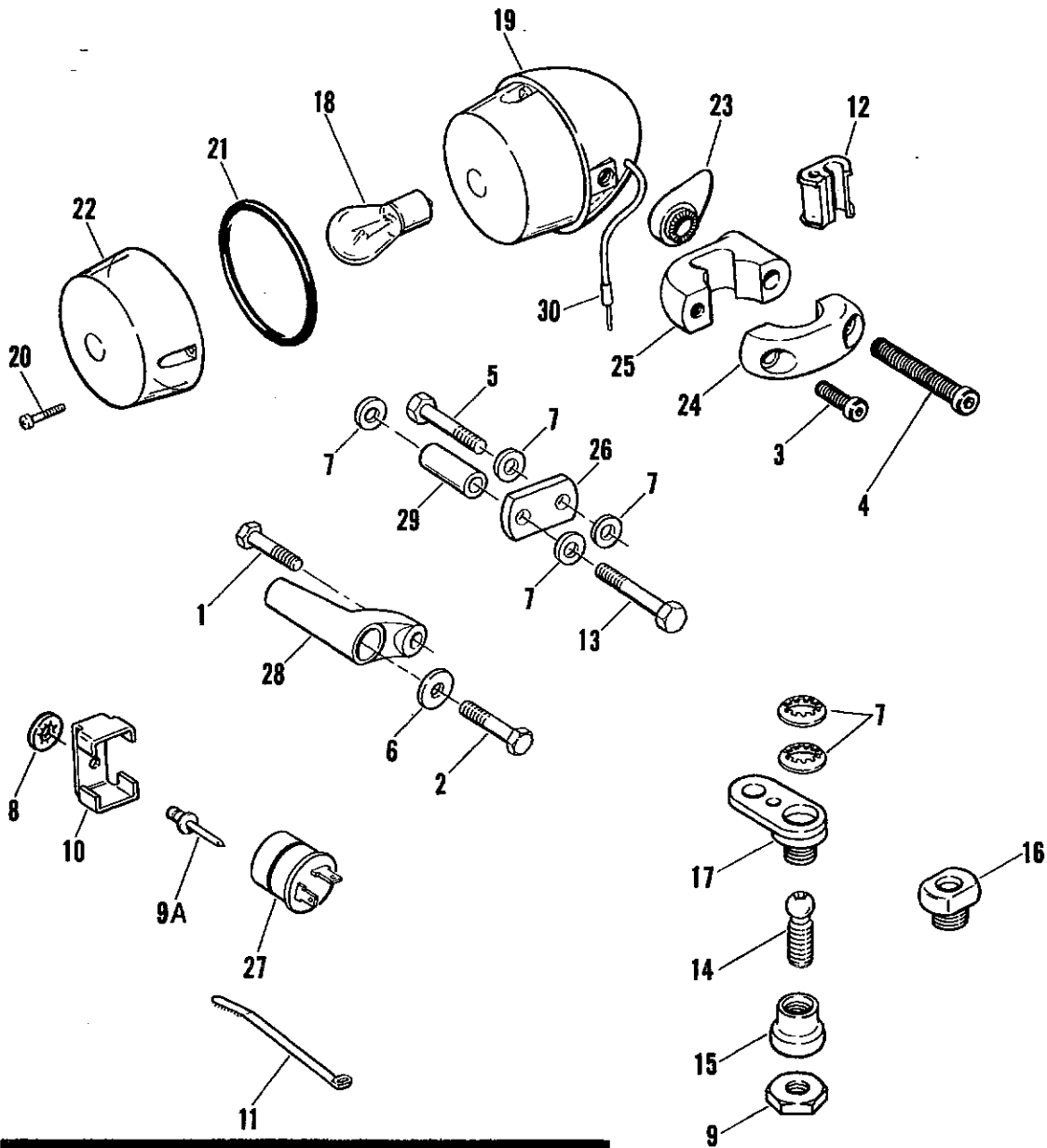
FLTC DB  
 FLHT DD  
 FLHTC DJ  
 FLTC-U DM  
 FLHTC-U DP  
 FLHS FA

**FXR MODELS**

FXR EA  
 FXRS EB  
 FXRT EC  
 FXRS-SP EQ  
 FXLR EL  
 FXRS-CON EM

**SOFTAIL MODELS**

FXST BH  
 FLST/C BJ  
 FXSTC BK  
 FXSTS BL  
 FLSTF BM



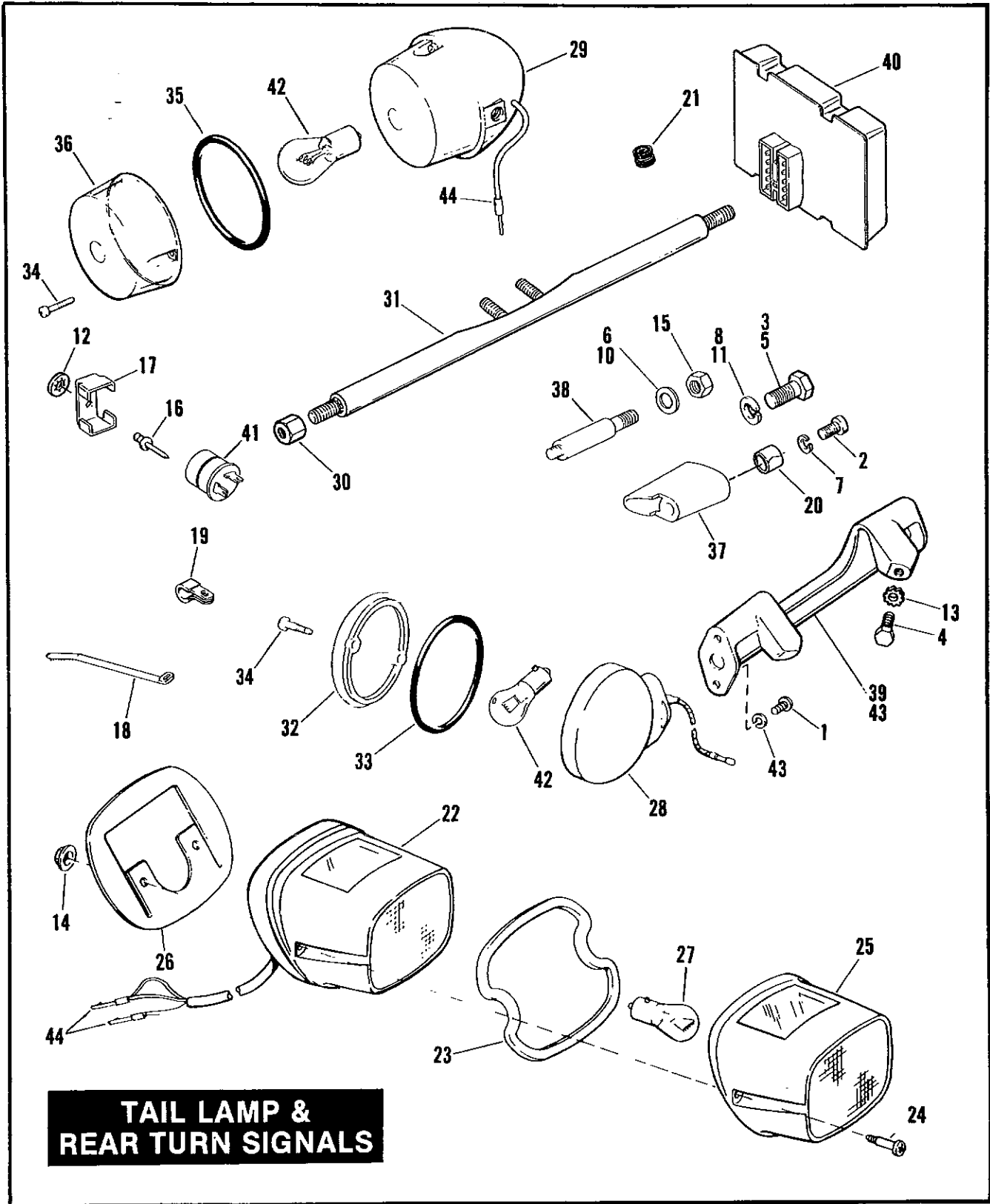
**FRONT TURN SIGNALS  
— FXR, FXRS, FXLR & SOFTAIL**

**FRONT TURN SIGNALS - FXR, FXRS, FXLR & SOFTAIL MODELS**

INDEX NO.	PART NO.	NAME	FLT MODELS	FXR MODELS	SOFTAIL MODELS
1	4029	SCREW (2)	--	87-EL;87-EG/M	--
2	2698	SCREW, (2)	--	87-EL;87-EG/M	--
3	4069A	SCREW (2)	--	87-EA/B/G/L/M	87*-ALL
4	4070	SCREW, (2)	--	--	87*-ALL
5	4391	BOLT	--	87-EA	--
6	7042	WASHER (2)	--	87-EL;87-EG/M	--
7	7127	LOCKWASHER, (8; 3-1988 & later)	--	87-EA; 88*-EA/B/L	88*-ALL
8	7229W	LOCKWASHER	--	--	87*-BH/K
9	7744	JAM NUT (2)	--	88*-EA/B/L	88*-ALL
9A	8672	POP RIVET	--	--	87*-BH/K
10	9952	CLIP	--	--	87*-BH/K
11	10006	CABLE STRAP (2)	--	87*-EA/B/G/L/M	--
	10065	CABLE STRAP	--	87*-EC	87*-ALL
12	11449	GROMMET, (2)	--	87-EB/G/L	87*-ALL
13	30013-71	BOLT, (2)	--	87-EA	--
14	67822-88	BALL STUD (2)	--	88*-EA/B/L	88*-ALL
15	67827-88	CLAMP, ball stud (2)	--	88*-EA/B/L	88*-ALL
16	67828-88	RETAINER, right	--	88*-EA/B/L	88*-ALL
17	67829-88	BALL RECEPTACLE, left	--	88*-EA/B/L	88*-ALL
18	68168-89	BULB, fr. turn signals (2)	--	87*-ALL	87*-ALL
19	68406-86C	LAMP WITH WIRE, front (2)	--	87*-EA/B/G/L/M	87*-ALL
20	68452-86	SCREW W/O-RING, turn sig. lens (4)	--	87*-EA/B/G/L/M	87*-ALL
21	68455-86	O-RING, turn sig. (2)	--	87*-EA/B/G/L/M	87*-ALL
22	68457-86	LENS, turn sig. (amber)(2)	--	87*-EA/B/G/L/M	87*-ALL
23	68477-73	BRACKET, clamp to lamp (2)	--	87*-EB	87*-ALL
24	68486-82A	CLAMP, upper - handlebar (2)	--	87*-EB	87*-ALL
25	68487-82	CLAMP, lower - handlebar (2)	--	87*-EB	87*-ALL
26	68504-83	BRACKET, (2)	--	87-EA	--
27	68543-64B	FLASHER, turn signal	--	87*-ALL	87*-ALL
28	68555-87	SUPPORT, front turn signal (2)	--	87-EL;87-EG/M	--
29	68559-87	SPACER, front turn signal (2)	--	87-EA	--
30	72039-71	PIN, single socket, (2)	--	87*-ALL	87*-ALL
<b>H-D INTERNATIONAL ONLY</b>					
18	68163-84	BULB (2) (HDI only)	--	87*-EA/B/G/L/M	89*-ALL
19	68408-86C	LAMP WITH WIRE, front (2)(HDI only)	--	87*-EA/B/G/L/M	87*-ALL
22	68566-90	LENS, turn sig. (amber)(2)(HDI only)	--	89*-EA/B/G/L/M	87*-ALL
27	68550-83	FLASHER, turn signal (HDI only)	--	87*-ALL	87*-ALL

**NOTE: FOR HERITAGE CLASSIC  
SEE SECTION F36A**

FLT MODELS		FXR MODELS		SOFTAIL MODELS	
FLTC	DB	FXR	EA	FXST	BH
FLHT	DD	FXRS	EB	FLST/C	BJ
FLHTC	DJ	FXRT	EC	FXSTC	BK
FLTC-U	DM	FXRS-SP	EG	FXSTS	BL
FLHTC-U	DP	FXLR	EL	FLSTF	BM
FLHS	FA	FXRS-CON	EM		



**TAIL LAMP &  
REAR TURN SIGNALS**

**TAIL LAMP & REAR TURN SIGNALS**

**F44A-1**

INDEX NO.	PART NO.	NAME	FLT MODELS	FXR MODELS	SOFTAIL MODELS
1	2692W	SCREW (4)	87*-ALL	87*-EC	87*-BJ
2	2698	SCREW (2)	--	--	87*-BH/K/L
3	2904	BOLT (2)	--	--	87*-ALL
4	3546	BOLT (2)	--	--	90*-BJ
	3767B	BOLT (2)	87*-ALL	--	87 to 89-BJ
5	4412	BOLT (2)	--	87*-EA/B/G/L	--
6	6701	WASHER (2)	--	87*-EA/B/G/L	--
7	7042	LOCKWASHER (2)	--	--	87*-BH/K/L
8	7045	LOCKWASHER (2)	--	--	87*-ALL
9	7069	LOCKWASHER (4)	87*-ALL	87*-EC	87*-BJ
10	7101	LOCKWASHER (2)	--	--	90*-BM
11	7130W	LOCKWASHER (2)	--	87*-EA/B/G/L	--
12	7229W	LOCKWASHER	--	--	87*-BH/K/L
13	7230	LOCKWASHER (2)	87*-ALL	87*-EC	87 to 89-BJ
14	7501	SPEED NUT (2)	87*-ALL	87*-ALL	87*-ALL
15	7667	LOCKNUT (2)	--	87*-EA/B/G/L	--
	7800W	NUT (2)	--	--	90*-BM
16	8672	POP RIVET	--	--	87*-BH/K/L
17	9952	CLIP	--	--	87*-BH/K/L
18	10065	CABLE STRAP	--	87*-EC	87*-ALL
19	10033	CLIP	87*-ALL	87*-EC	87*-BJ/M
20	59959-86	SPACER	--	--	87*-ALL
21	67070-76	GROMMET, rear fender	--	L89*-EM	--
22	68008-73B	TAIL LAMP ASSEMBLY	87*-ALL	87*-ALL	87*-ALL
23	68027-90	GASKET, tail lamp lens	87*-ALL	87*-ALL	87*-ALL
24	68026-73	SCREW, tail lamp (2)	87*-ALL	87*-ALL	87*-ALL
25	68033-90	LENS, tail lamp	87*-ALL	87*-ALL	87*-ALL
26	68123-73	GASKET, tail lamp housing	87*-ALL	87*-ALL	--
27	68168-89	BULB, tail lamp	87*-ALL	87*-ALL	87*-ALL
28	68402-86	LAMP WITH WIRE, rear (amber) (2)	87*-ALL	87*-EC	87*-BJ
29	68407-86	LAMP WITH WIRE, rear (amber) (2)	--	--	87*-BH/K/K
	68410-87B	LAMP WITH WIRE, rear (amber) (2)	--	87*-EA/B/G/L/M	90*-BM
30	68424-89	NUT (2)	--	L89*-EM	--
31	68430-89	TURN SIGNAL BAR	--	L89*-EM	--
32	68440-86	LENS, turn signal (2)	87*-ALL	87*-EC	87*-BJ
33	68451-86	O-RING, turn sig. lens (2)	87*-ALL	87*-EC	87*-BJ
34	68452-86	SCREW W/O-RING (4)	87*-ALL	87*-ALL	87*-ALL
35	68455-86	O-RING, turn sig. (2)	--	87*-EA/B/G/L/M	87*-BH/K/L/M
36	68457-86	LENS, turn sig. (2)	--	87*-EA/B/G/L/M	87*-BH/K/L/M
37	68480-73	SUPPORT, rear lamp mtg. (2)	--	--	87*-BH/K/L
38	68493-87	STUD, rear turn sig. (2)	--	87*-EA/B/G/L	--
	68493-90	SUPPORT, rear lamp mtg. (2)	--	--	90*-BM
39	68510-74B	BRACKET, rear turn sig.	--	--	87*-BJ

**FLT MODELS**

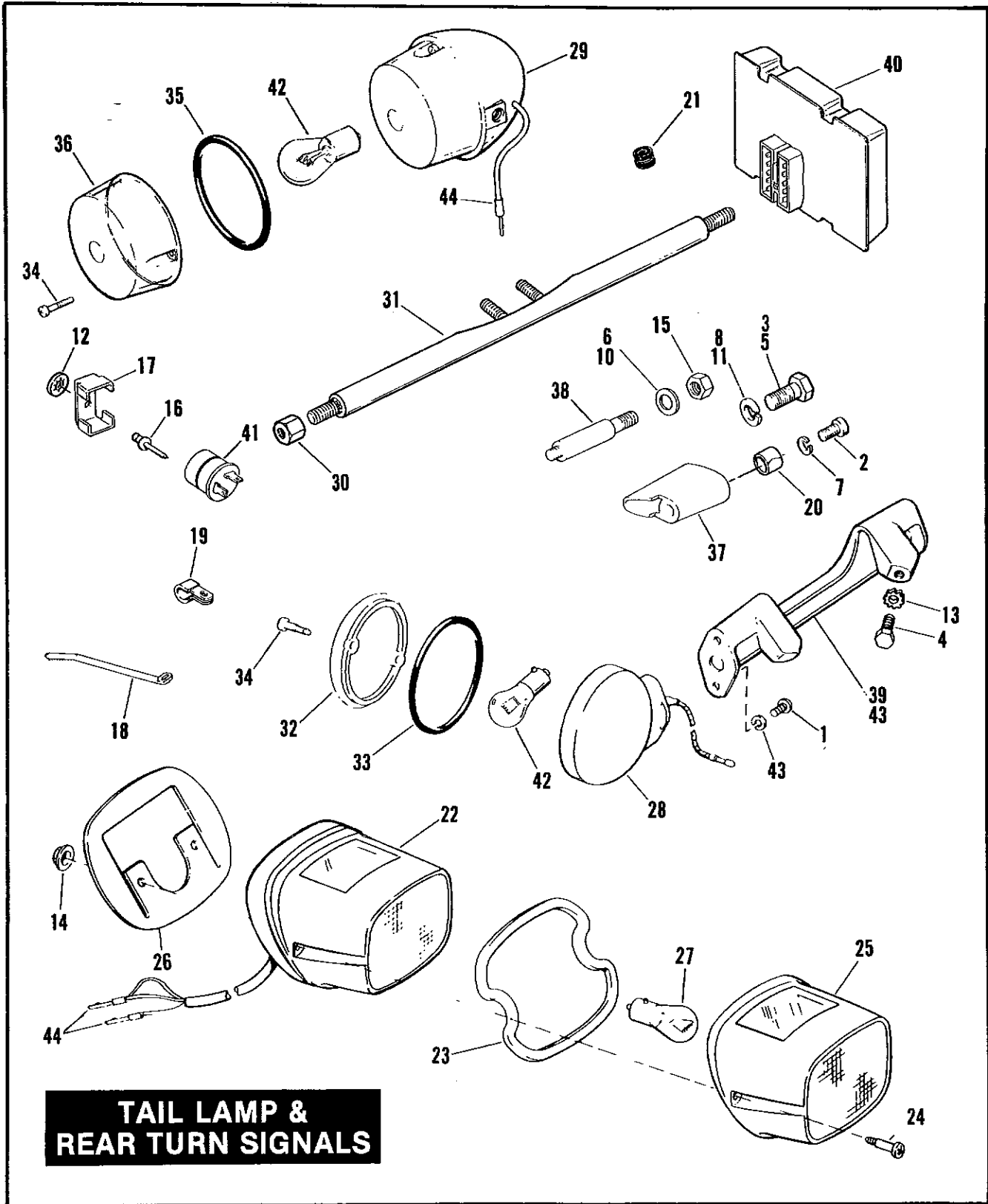
FLTC DB  
 FLHT DD  
 FLHTC DJ  
 FLTC-U DM  
 FLHTC-U DP  
 FLHS FA

**FXR MODELS**

FXR EA  
 FXRS EB  
 FXRT EC  
 FXRS-SP EG  
 FXLR EL  
 FXRS-CON EM

**SOFTAIL MODELS**

FXST BH  
 FLST/C BJ  
 FXSTC BK  
 FXSTS BL  
 FLSTF BM



**TAIL LAMP & REAR TURN SIGNALS**

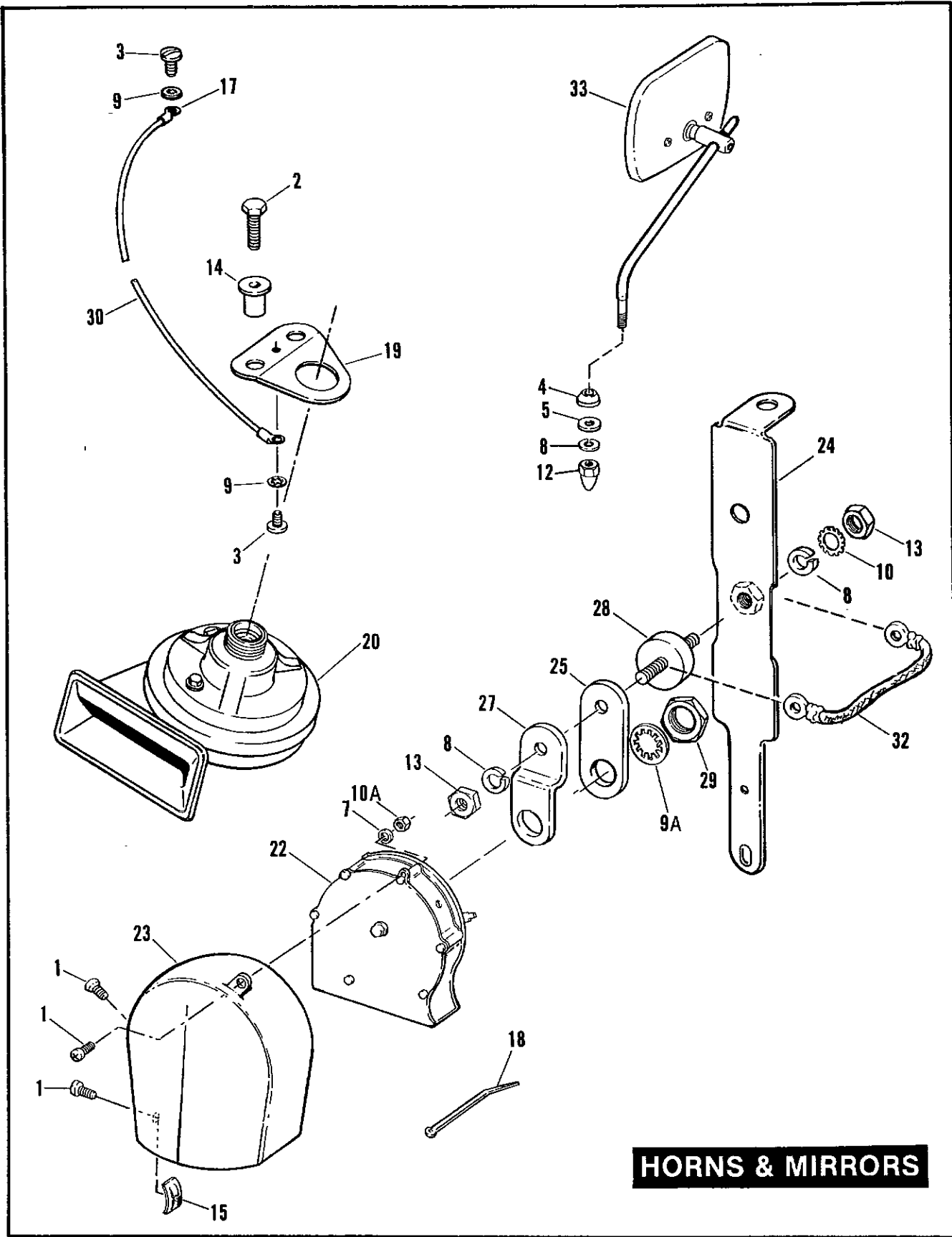


**TAIL LAMP & REAR TURN SIGNALS (CONT'D)**

**F44A-2**

INDEX NO.	PART NO.	NAME	FLT MODELS	FXR MODELS	SOFTAIL MODELS
40	68537-89C	TURN SIGNAL CANCELLER	87*-ALL	--	--
41	68543-64B	FLASHER, turn sig.	87&88-ALL	87*-ALL	87*-ALL
42	68572-64B	BULB, rear turn sig.(2)	87*-ALL	87*-ALL	87*-ALL
43	68643-83B	BRACKET, rear turn sig.	87*-ALL	87*-EC	--
44	72039-71	PIN, single socket (2)	87*-ALL	87*-ALL	87*-ALL
<b>H-D INTERNATIONAL ONLY</b>					
	59257-84A	REFLECTOR KIT (HDI only)	N/A 87 to 89-ALL	87 to 89-ALL	87 to 89-ALL
	59710-84	COVER, rear. turn sig. hole (HDI only)	--	--	87*-BH/K/L
27	68163-84	BULB, tail lamp (HDI only)	N/A 87*-ALL	87*-ALL	87*-ALL
28	68392-90	LAMP W/ WIRE, rear (amber) (2)(HDI only)	90*-ALL	90*-EC	90*-BJ
	68401-90	LAMP W/ WIRE, rear (amber) (2)(HDI only)	87 to 89-ALL	87 to 89-EC	87*-BJ
29	68403-86A	LAMP W/ WIRE, rear (amber) (2)(HDI only)	--	87*-EA/B/G/L/M	87*-BH/K/L/M
32	68506-90	LENS, turn sig. (amber) (2)(HDI only)	90*-ALL	90*-EC	90*-BJ
36	68507-90	LENS, turn sig. (amber) (2)(HDI only)	--	90*-EA/B/G/L/M	90*-BH/K/L/M
41	68550-83	FLASHER, turn sig.(HDI only)	87&88-ALL	87*-ALL	87*-ALL
	68559-87	SPACER, rear (2)(HDI only)	--	--	87*-BH/K/L
	68578-84A	SUPPORT, rear. turn sig. (HDI only)(2)	--	--	87*-BH/K/L
42	68163-84	BULB, rear. turn sig. (HDI only)	87*-ALL	87*-ALL	87*-ALL

FLT MODELS		FXR MODELS		SOFTAIL MODELS	
FLTC	DB	FXR	EA	FXST	BH
FLHT	DD	FXRS	EB	FLST/C	BJ
FLHTC	DJ	FXRT	EC	FXSTC	BK
FLTC-U	DM	FXRS-SP	EG	FXSTS	BL
FLHTC-U	DP	FXLR	EL	FLSTF	BM
FLHS	FA	FXRS-CON	EM		



**HORNS & MIRRORS**

INDEX NO.	PART NO.	NAME	FLT MODELS	FXR MODELS	SOFTAIL MODELS
1	1719W	SCREW (3)	87*-ALL	--	87*-ALL
2	2339	BOLT (2)	--	87*-ALL	--
3	2731W	SCREW (2)	--	87*-ALL	--
4	5714	SPACER (2)	87*-ALL	87*-ALL	87*-ALL
5	6702	WASHER (2)	87 to 89 -ALL	87 to -ALL	87 to -ALL
	6781	WASHER (2)	90*-ALL	90*-ALL	90*-ALL
7	7015	LOCKWASHER	87*-ALL	--	87*-ALL
8	7041	LOCKWASHER (4,3-1990 & Later; 2-FXR)	87*-ALL	87*-ALL	87*-ALL
	7127	LOCKWASHER (3)	--	88*-EA/B/L	88*-ALL
9	7118	LOCKWASHER (2)	--	87*-ALL	--
9A	7150	LOCKWASHER	--	--	89*-ALL
10	7232	LOCKWASHER	90*-ALL	--	--
10A	7608	NUT	87*-ALL	--	87*-ALL
12	7736	ACORN NUT (chrome)(2)	87*-ALL	87*-ALL	87*-ALL
13	7748W	NUT (2)	87*-ALL	--	87*-ALL
14	8098	WELL NUT (2)	--	87*-ALL	--
15	8125	SPEED NUT	87*-ALL	--	87*-ALL
17	9857	TERMINAL, ring type (2)	--	87*-ALL	--
18	10006	CABLE STRAP	--	--	87*-ALL
19	69006-84	BRACKET, horn mounting	--	87*-ALL	--
20	69007-84	HORN	--	87*-ALL	--
22	69016-76	HORN	87*-ALL	--	87*-ALL
23	69017-76	COVER, horn	87*-ALL	--	87*-ALL
24	69031-83A	BRACKET, horn and choke	87 to 89-ALL	--	--
	69031-90	BRACKET, horn	90*-ALL	--	--
25	69117-65	BRACKET, horn mtg.	87*-ALL	--	--
27	69118-84	BRACKET, horn mtg.	--	--	87*ALL
28	69125-65	MOUNT, horn (rubber)	87*-ALL	--	87*-ALL
29	69149-65	NUT, horn mtg.	87*-ALL	--	87*-ALL
30	69606-82	GROUND STRAP, horn	--	87*-ALL	--
32	70016-65A	GROUND STRAP, horn	87*-ALL	--	87*-ALL
33	91875-82	MIRROR KIT, short-right	87-ALL	87-EA/B/C	87*-ALL
	91875-88	MIRROR KIT, short-right-convex	88*-ALL	88*-EA/B/C/M	88*-ALL
	91892-82	MIRROR KIT, short-left	87-ALL	87-EA/B/C	87*-ALL
	91892-88	MIRROR KIT,short-left-convex	88*-ALL	88*-EA/B/C/M	88*-ALL
	91902-86	MIRROR KIT, long-left	--	87-EG/L	--
	91902-88	MIRROR KIT, long-left-convex	--	88*-EG/L	--
	91904-86	MIRROR KIT, long-right	--	87-EG/L	--
	91904-88	MIRROR KIT, long-right-convex	--	88*-EG/L	--

**FLT MODELS**

FLTC DB  
 FLHT DD  
 FLHTC DJ  
 FLTC-U DM  
 FLHTC-U DP  
 FLHS FA

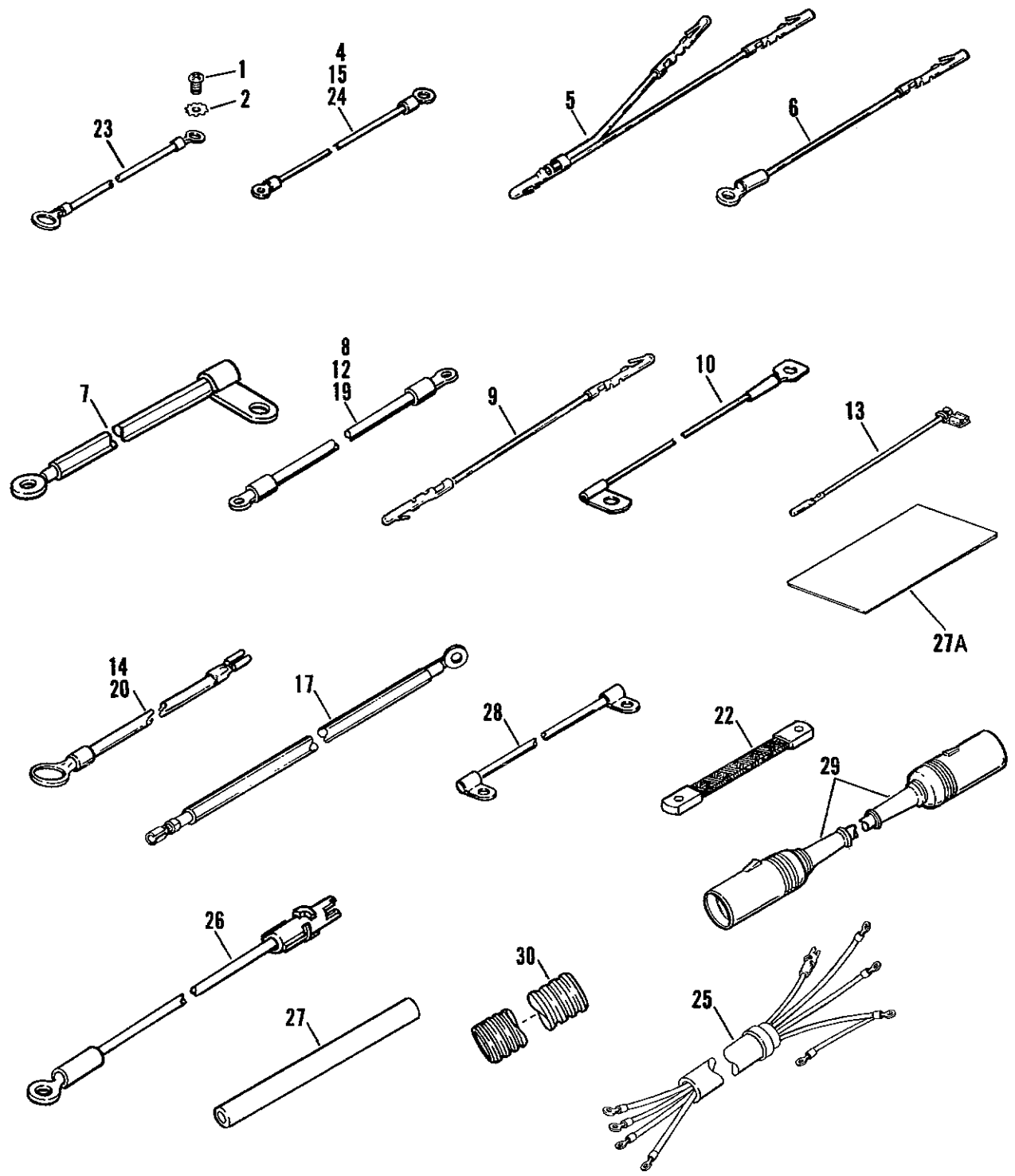
**FXR MODELS**

FXR EA  
 FXRS EB  
 FXRT EC  
 FXRS-SP EG  
 FXLR EL  
 FXRS-CON EM

**SOFTAIL MODELS**

FXST BH  
 FLST/C BJ  
 FXSTC BK  
 FXSTS BL  
 FLSTF BM

# WIRING



INDEX NO.	PART NO.	NAME	FLT MODELS	FXR MODELS	SOFTAIL MODELS
1	2582	SCREW, headlamp ground	--	--	87*-ALL
	2662W	SCREW, handlebar ground	--	90*-ALL	87*-ALL
	2770WA	SCREW, batt grd.	--	--	89*-ALL
2	7220	LOCKWASHER	--	--	87*-ALL
	7230	LOCKWASHER, batt grd.	--	--	89*-ALL
3	58480-88	CABLE ASSY., gauges	88*-DB	--	--
	69545-86	MAIN WIRING HARNESS	--	87&88-EC	--
	69545-89	MAIN WIRING HARNESS	--	89*-EC	--
	69551-85	MAIN WIRING HARNESS	--	87&88-EA/B/G	--
	69551-89	MAIN WIRING HARNESS	--	89*-EA/B/G /M	--
	69555-87	MAIN WIRING HARNESS	--	87&88-EL	--
	69555-89	MAIN WIRING HARNESS	--	89*-EL	--
	69600-89	WIRING HARNESS, front section	89-DJ	--	--
4	69620-86	WIRE ASSY., light to access. cb.(gn)	N/A --	87*-EC	--
5	70003-83	WIRE ASSY., access. to instr. conn.(o)	N/A --	87*-EA/B/G/M	--
6	70004-83	WIRE ASSY., access. to fairing (bk)	N/A --	87*-EC	--
7	70008-86	WIRE ASSY., starter rly. to gnd.(bk)	--	--	87-ALL
8	70011-84B	WIRE ASSY., battery ground (bk)	--	--	87&88-ALL
	70011-89	WIRE ASSY., starter rly. to gnd.(bk)	N/A --	--	89*-ALL
9	70019-86	WIRE ASSY., indicator lamp (be)	N/A --	87*- EA/B/C/G/M	--
	70022-83	WIRE ASSY., left fr. turn sig.	--	87*-EA/B/G/M	--
	70027-83	WIRE ASSY., right fr. turn sig.	--	87*-EA/B/G/M	--
	70029-90	WIRE ASSY., AVC	90*-DJ	--	--
	70033-79A	CABLE ASSY., battery (bk)(2)	87&88-ALL	--	--
10	70033-89	CABLE ASSY., battery (bk)(2)	89*-ALL	--	--
	70083-89	CABLE ASSY., batt. neg.	--	89*-ALL	--
12	70034-82	CABLE ASSY., btry. pos. to cb.(r & gn)	--	87*-ALL	--
13	70049-83	WIRE ASSY., flasher connection (o)	--	87*-EA/B/G/M	--
14	70050-83	WIRE ASSY., hdlamp. gnd. (bk)	--	87*-EA/B/G/M	--
15	70062-85	WIRE ASSY., battery negative (bk)	--	87&88-ALL	--
	70069-85B	WIRE ASSY., battery positive (bk)	--	87&88-ALL	87&88-ALL
	70073-89	WIRE ASSY., battery pos. (bk)	--	89*-ALL	--
	70064-84A	WIRE ASSY., battery positive (bk)	--	--	87&88-ALL
17	70268-92	WIRE ASSY., battery (bk)(2)	--	--	89*-ALL
	70100-79A	WIRE ASSY., sol. to start.(bk)	87&88-ALL	87&88-ALL	--
20	70106-86	WIRE ASSY., start. to rly. (bk)	N/A 87-ALL	--	--
	70132-89	WIRING HARNESS, lighter	89*-DM	--	--
	70142-86	WIRE ASSY., module gnd.(bk)	87*-ALL	--	--
	70158-89	WIRING HARNESS, lighter	89*-DP	--	--
	70172-86	WIRING HARNESS, fairing	87-DB	--	--
	70172-89	WIRING HARNESS, fairing	88*-DB/M	--	--
	70253-88	WIRE ASSY., solenoid	N/A 88-ALL	--	--
	22	70186-82	STRAP, ground	87*-ALL	87*-ALL
23	70191-73A	WIRE ASSY., hdlbar gnd.	--	87*-ALL	87*-ALL
	70216-87A	MAIN WIRING HARNESS	--	--	87&88-ALL
	70216-89	MAIN WIRING HARNESS	--	--	89*-ALL
	70232-89	WIRING HARNESS, front section	89*-DP;90*D	--	--

FLT MODELS

FLTC DB  
 FLHT DD  
 FLHTC DJ  
 FLTC-U DM  
 FLHTC-U DP  
 FLHS FA

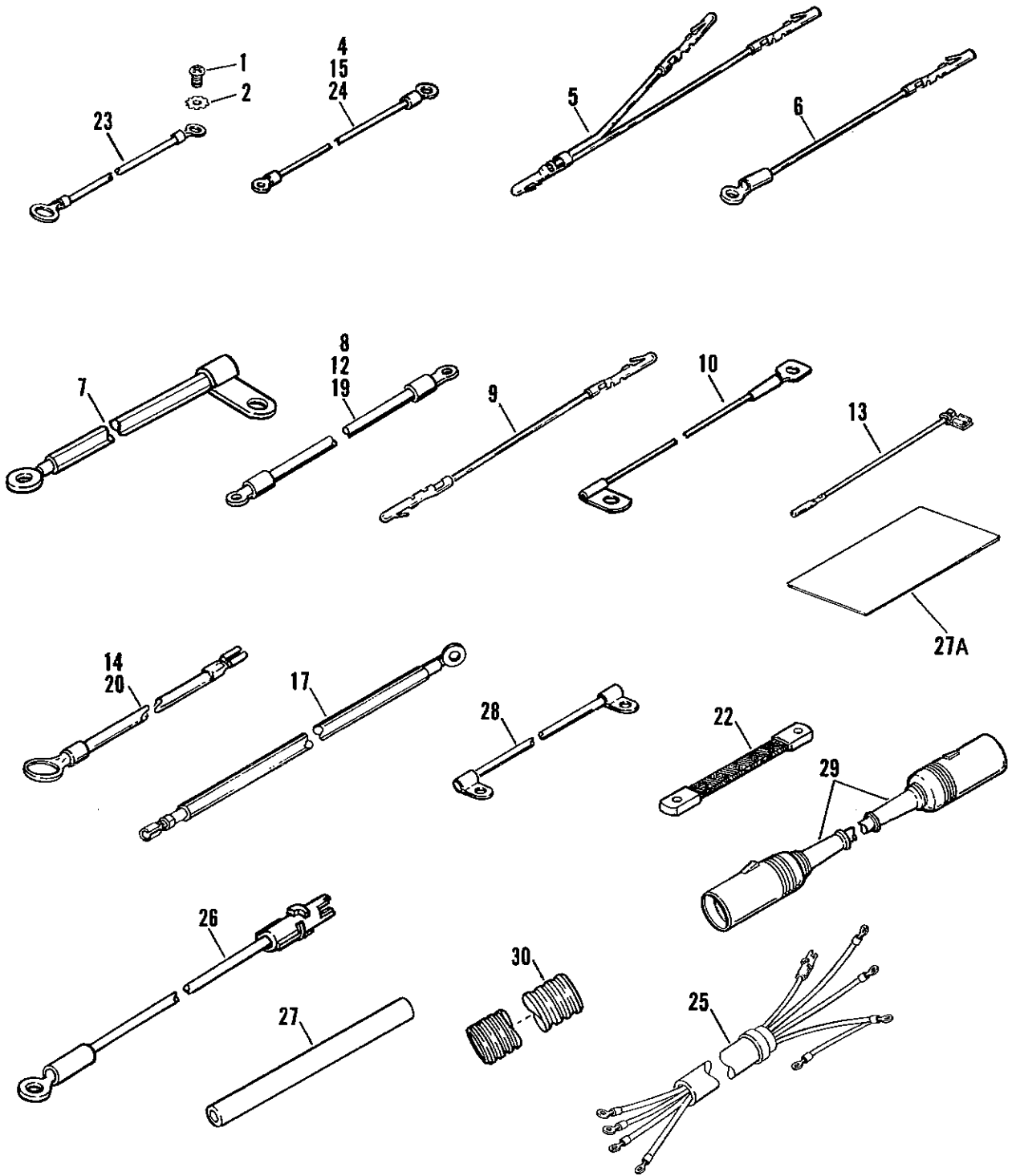
FXR MODELS

FXR EA  
 FXRS EB  
 FXRT EC  
 FXRS-SP EG  
 FXLR EL  
 FXRS-CON EM

SOFTAIL MODELS

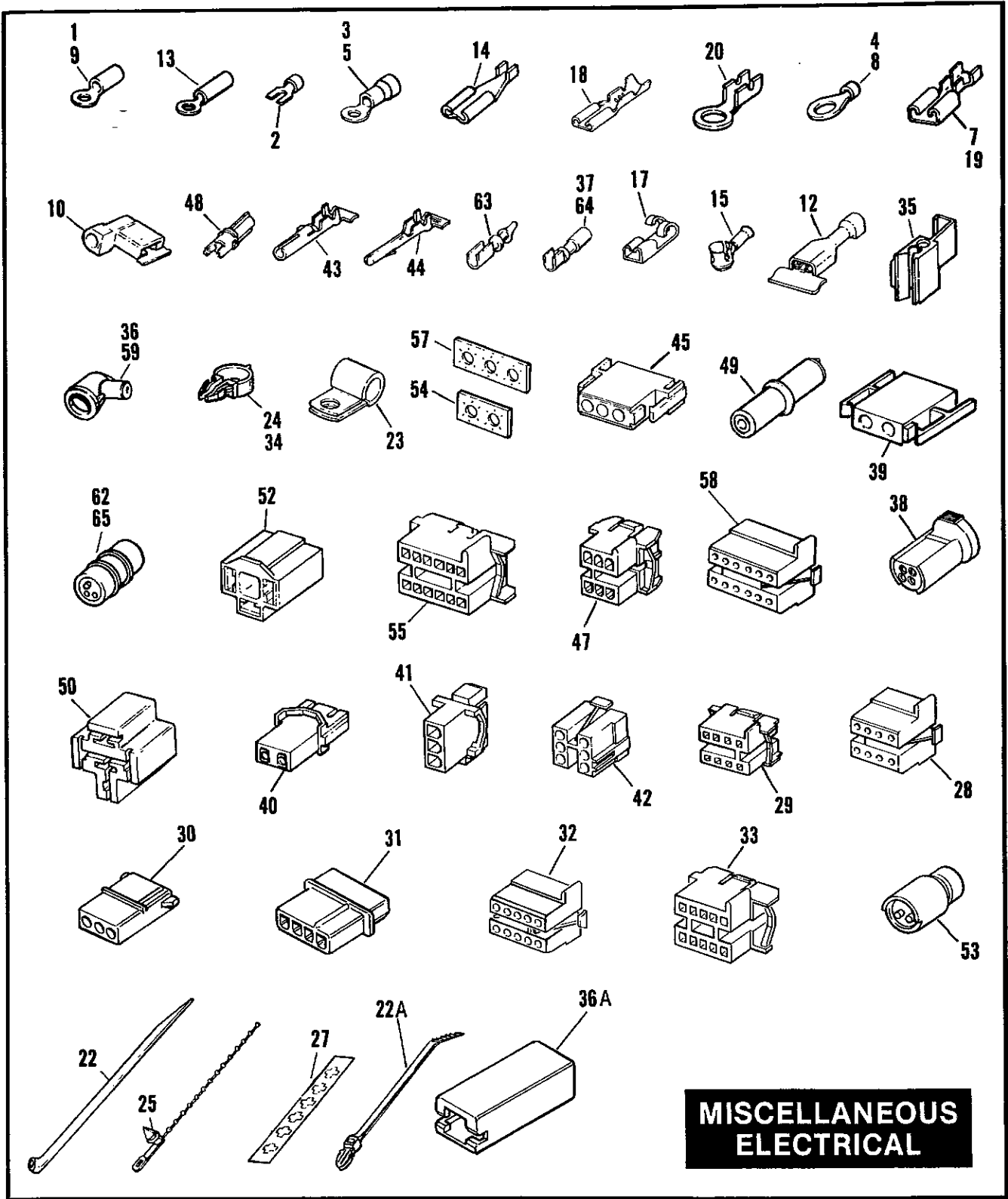
FXST BH  
 FLST/C BJ  
 FXSTC BK  
 FXSTS BL  
 FLSTF BM

# WIRING



INDEX NO.	PART NO.	NAME	FLT MODELS	FXR MODELS	SOFTAIL MODELS
	70236-87	MAIN WIRING HARNESS	87-DD	--	--
	70245-89A	MAIN WIRING HARNESS	90*-FA	--	--
	70285-87	WIRING HARNESS, front section	87&88-FA	--	--
	70285-89	WIRING HARNESS, front section	89*-FA	--	--
	70980-87	MAIN WIRING HARNESS	87-FA	--	--
	70980-88	MAIN WIRING HARNESS	88-FA	--	--
	70980-89	MAIN WIRING HARNESS	89-FA	--	--
	70985-89A	MAIN WIRING HARNESS	89*-DB/J/M/P	--	--
24	70262-79	WIRE ASSY., sol. to cb.	N/A 87*-ALL	--	--
	70263-87	MAIN WIRING HARNESS	87-DB/J	--	--
	70263-88	MAIN WIRING HARNESS	88-DB/J	--	--
25	70277-86	CABLE ASSY., ignition switch	N/A 87&88-ALL	--	--
	70277-89	CABLE ASSY., ignition switch	89*-DB/J/M/P	--	--
	70283-89	CABLE ASSY., ignition switch	89*-FA	--	--
	70282-86	WIRING HARNESS, front section	87-DB	--	--
	70282-88	WIRING HARNESS, front section	88-DB	--	--
	70282-89	WIRING HARNESS, front section	89*-DB/M	--	--
	70296-89	CABLE ASSY., fuse board	89*-DM/P	--	--
26	70328-84	WIRE ASSY., fuel sending unit (y/w)	87*-ALL	--	--
27	70550-85	CONDUIT, No. 7-htm. (black)	N/A 87*-ALL	--	--
	70551-69	CONDUIT, 1/8" I.D.-htm. (black)	--	87*-ALL	87*-ALL
	70552-69	CONDUIT, 3/8" I.D. (black)	--	87*-ALL	87*-ALL
	70553-69	CONDUIT, 7/16" I.D. (black)	--	87*-ALL	87*-ALL
	70554-69	CONDUIT, 1/4" I.D. (black)	--	87*-ALL	87*-ALL
	70555-69	CONDUIT, 1/4" I.D.-htm. (black)	--	87*-ALL	87*-ALL
	70556-71	CONDUIT, 5/16" I.D. (black)	--	87*-ALL	87*-ALL
	70558-71	CONDUIT, 1/2" I.D. (black)	--	87*-ALL	87*-ALL
	70559-71	CONDUIT, 1/8" I.D. (black)	--	87*-ALL	87*-ALL
27A	70937-90	PROTECTIVE TAPE, pos. batt. cable	--	--	89*-ALL
28	70966-84	WIRE ASSY., btry. pos. to rly.(black)	87*-ALL	--	--
29	76292-89	CABLE ASSY., console to radio	89*-DM/P	--	--
NOTE: Insulator is sold only in bulk length under the following part number. Cut to length.					
30	63505-84	INSULATOR, 1/2" I.D. (nylon)(8 ft. lg.)	87*-ALL	87*-ALL	87*-ALL
<b>H-D INTERNATIONAL ONLY</b>					
	69556-89	HARNESS, pass & park lamps (HDI only)	89*-DJ/P	--	--
	70245-89A	MAIN WIRING HARNESS (HDI only)	89*-FA	--	--
	70281-89	HARNESS, park lamps (HDI only)	89*-DB/M	--	--
	70321-89	MAIN WIRING HARNESS (HDI only)	--	--	89*-BJ

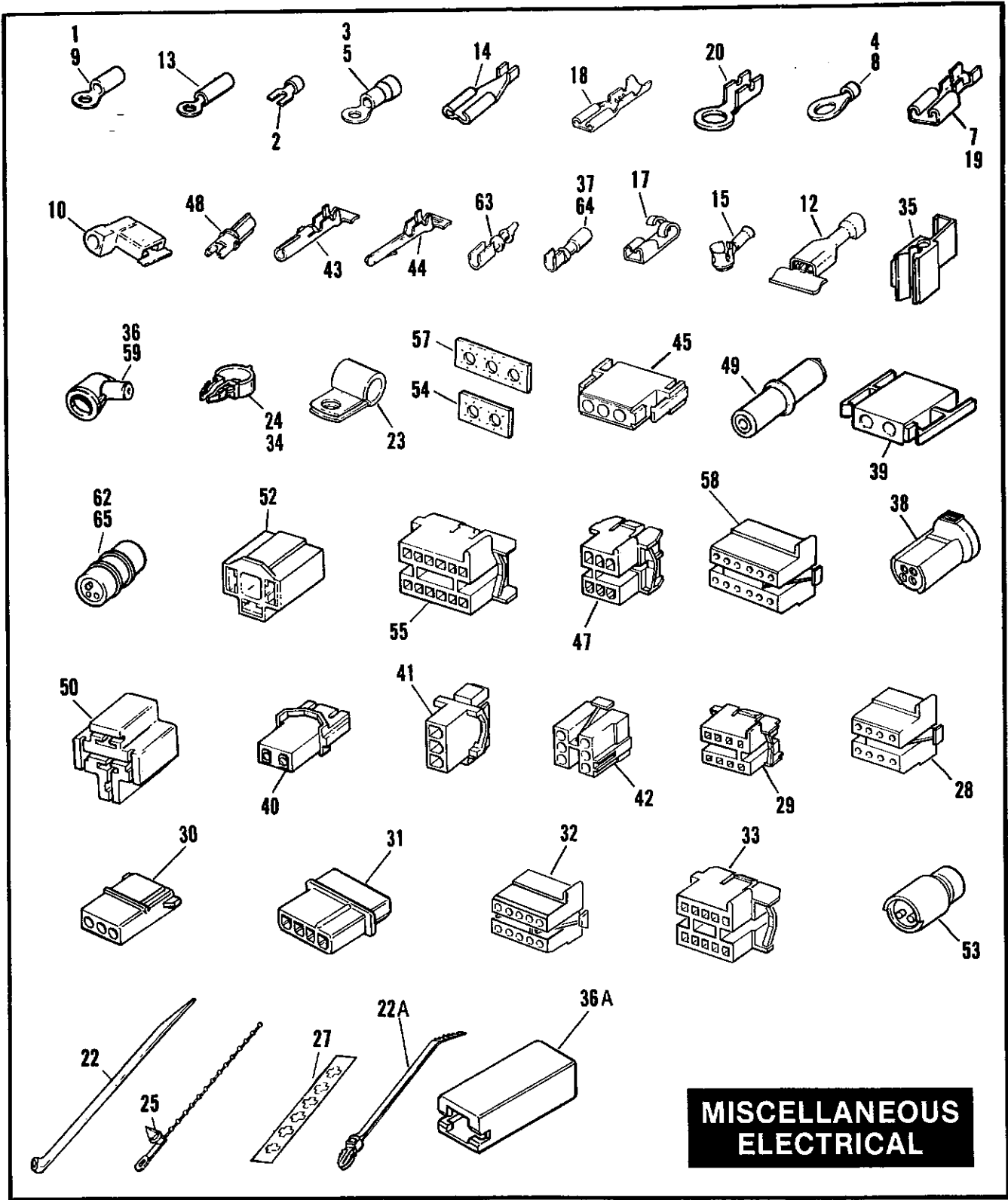
FLT MODELS		FXR MODELS		SOFTAIL MODELS	
FLTC	DB	FXR	EA	FXST	BH
FLHT	DD	FXRS	EB	FLST/C	BJ
FLHTC	DJ	FXRT	EC	FXSTC	BK
FLTC-U	DM	FXRS-SP	EG	FXSTS	BL
FLHTC-U	DP	FXLR	EL	FLSTF	BM
FLHS	FA	FXRS-CON	EM		





INDEX NO.	PART NO.	NAME	FLT MODELS	FXR MODELS	SOFTAIL MODELS
1	9856	TERMINAL, ring type-#6 hole	--	--	87*ALL
	9857	TERMINAL, ring type-#10 hole	87*-ALL	87*-ALL	87*-ALL
	9858	TERMINAL, ring type-1/4" dia. hole	87*-ALL	87*-EA/B/G/M	--
	9859	TERMINAL, ring type-3/8" dia. hole	89*-ALL	--	--
	9860	TERMINAL, ring type-3/8" dia. hole	87*-ALL	--	87*-ALL
2	9861	TERMINAL, slotted tongue-#10 slot	87&88-ALL	--	--
3	9862	TERMINAL, ring type-#10 hole	87&88-ALL	87*-ALL	87*-ALL
	9863	TERMINAL, ring type-1/4" dia. hole	87*-ALL	87*-EA/B/G	87*-ALL
	9864	TERMINAL, ring type-5/16" dia. hole	87*-ALL	--	87*-ALL
	9865	TERMINAL, ring type-3/8" dia. hole	87*-ALL	--	--
	9869	TERMINAL, ring type-3/8" dia. hole	88-ALL	--	--
4	9866	TERMINAL, ring type-#10 hole	87*-ALL	87*-ALL	87*-ALL
	9868	TERMINAL, ring type-5/16" dia. hole	89*-ALL	--	--
5	9871	TERMINAL, ring type-#6 hole	--	--	87*-ALL
7	9875	TERMINAL, female spade-5/16" slot	--	87*-EA/B/G/M	87*-ALL
8	9879	TERMINAL, ring type-17/64" dia. hole	N/A --	87*ALL	--
9	9892	TERMINAL, ring type-1/2" dia. hole	87*ALL	--	--
10	9898	TERMINAL, female flag-#14-16 wire	87*ALL	87*ALL	87*ALL
12	9900	TERMINAL, connector	87*ALL	87*ALL	87*ALL
	9907	TERMINAL, connector	89*-ALL	--	--
13	9903	TERMINAL, ring type-1/8" dia. hole	N/A 87*ALL	--	--
14	9904	TERMINAL, female spade-1/8" slot	87*ALL	--	--
15	9905	TERMINAL, cap type-1/4" dia.	87*ALL	87*ALL	87*ALL
17	9928	TERMINAL, female flag-1/4" slot	87*ALL	--	--
18	9930	TERMINAL, female spade-3/16" slot	87*ALL	--	--
19	9937	TERMINAL, female spade-1/4" slot	89*-ALL	87*ALL	--
	9938	TERMINAL, female spade-1/4" slot	89*DM	--	--
20	9945	TERMINAL, ring type-5/16" dia. hole	87*ALL	--	--
22	10006	CABLE STRAP (black)	87*-ALL	87*ALL	87*ALL
	10007	CABLE STRAP (white)	87*-ALL	--	87*-ALL
	10039	CABLE STRAP	87*-ALL	87*-EB/G/M	87*-ALL
	10065	CABLE STRAP	87*-ALL	87*-ALL	87*-ALL
22A	10073	CABLE STRAP (4)	87*-ALL	--	87*-ALL
23	10077	CLAMP, wiring harness (3)	87*-ALL	--	--
	38712-68	CLAMP, wiring harness (2)	87*-ALL	--	--
	68659-86	CLAMP	89*-ALL	--	--
24	56073-83	RETAINER	87*-ALL	--	87*-ALL
25	70005-70	CABLE STRAP	87*-ALL	87*-ALL	87*-ALL
27	70043-81	LABEL, battery-positive	87*-ALL	87*-ALL	89*-ALL
28	70287-81	CONNECTOR, eight socket (2)	87*-ALL	87*-EC/L	--
29	70288-81	CONNECTOR, eight pin (2)	87*-ALL	87*-EC/L	--
30	70289-89	CONNECTOR, three socket	89*-DM/P	--	--
31	70291-89	CONNECTOR, four pin	89*-DM	--	--
	70292-89	CONNECTOR, four pin	89*-DM/P	--	--
32	70293-87	CONNECTOR, ten socket (2)	89*-ALL	--	87&88-ALL
33	70294-87	CONNECTOR, ten pin	89*-DM/P	--	87&88-ALL
34	70345-84	RETAINER, wiring harness	87*-ALL	87*-ALL	--
35	70576-68	CONNECTOR, wire	--	87*-EA	--
36	70578-89	BOOT, insulating	89*-ALL	89*-ALL	89*-ALL
	70579-65	BOOT, insulating	87*-FA	87*-ALL	87*-ALL
36A	71774-77	INSULATOR	N/A 88-DJ	--	--

FLT MODELS		FXR MODELS		SOFTAIL MODELS	
FLTC	DB	FXR	EA	FXST	BH
FLHT	DD	FXRS	EB	FLST/C	BJ
FLHTC	DJ	FXRT	EC	FXSTC	BK
FLTC-U	DM	FXRS-SP	EG	FXSTS	BL
FLHTC-U	DP	FXLR	EL	FLSTF	BM
FLHS	FA	FXRS-CON	EM		



INDEX NO.	PART NO.	NAME	FLT MODELS	FXR MODELS	SOFTAIL MODELS
37	72028-83	SOCKET, ignition module	87*-ALL	--	--
38	72029-84	PLUG, four wire	87*-ALL	--	--
39	72034-71	CONNECTOR, two pin	--	87*-EA/B/G/M	87*-BJ
40	72035-71	CONNECTOR, two socket	89*-ALL	87*-EA/B/G/M	87*-BJ
	72045-90	CONNECTOR, two socket	90*-DM/P	--	--
41	72036-71	CONNECTOR, three pin	88*-DB/J	--	--
	72048-90	CONNECTOR, three pin	90*-DM/P	--	--
42	72037-71	CONNECTOR, six socket	87*-ALL	87*-ALL	87*-ALL
43	72038-71	SOCKET, single pin	87*-ALL	87*-ALL	87*-ALL
44	72039-71	PIN, single socket	87*-ALL	87*-ALL	87*-ALL
45	72040-71	CONNECTOR, three socket	87*-DB/J	--	--
47	72041-71	CONNECTOR, six pin	87*-ALL	87*-ALL	--
48	72043-71	CONNECTOR, single pin	87*-ALL	87*-ALL	87*-ALL
49	72044-71	CONNECTOR, single socket	87*-ALL	87*-EA/B/G/L/M	--
50	72046-79	INSULATOR, spade terminals	87*-ALL	87*-ALL	87*-ALL
52	72047-71	INSULATOR, spade terminals	--	87*-EA/B/G/L/M	--
53	72051-77	CONNECTOR, three socket	89*-ALL	87*-ALL	87*-ALL
54	72275-74	CONNECTOR TAB, two terminal	87*-ALL	87*-ALL	87*-BJ
55	72276-74	CONNECTOR, twelve pin	87*-ALL	87*-EA/B/C/G/M	87*-BJ
57	72277-74	CONNECTOR TAB, three terminal	87*-ALL	87*-EA/B/C/G/M	87*-BJ
58	72278-74	CONNECTOR, twelve socket	87*-ALL	87*-EA/B/C/G/M	87*-BJ
59	74407-86	BOOT, oil sending unit	87*-ALL	--	--
62	74521-77	CONNECTOR, pin & socket	--	87*-ALL	87*-ALL
63	74536-77A	SOCKET, single pin	87*-ALL	87*-ALL	87*-ALL
64	74539-77A	PIN, single socket	87*-ALL	87*-ALL	87*-ALL
65	90771-79	PLUG, wiring harness	87*-ALL	--	--

FLT MODELS

FLTC DB  
 FLHT DD  
 FLHTC DJ  
 FLTC-U DM  
 FLHTC-U DP  
 FLHS FA

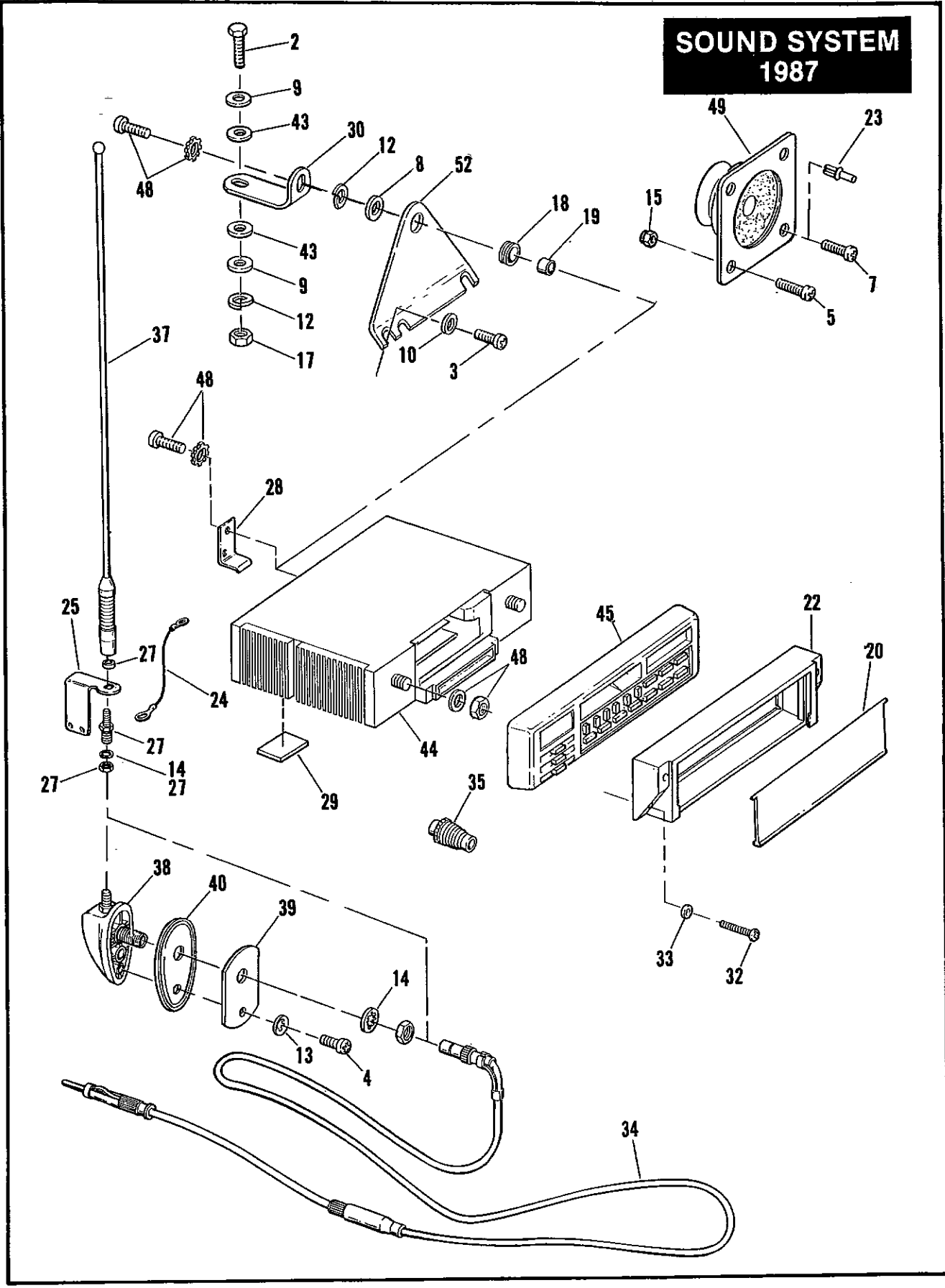
FXR MODELS

FXR EA  
 FXRS EB  
 FXRT EC  
 FXRS-SP EG  
 FXLR EL  
 FXRS-CON EM

SOFTAIL MODELS

FXST BH  
 FLST/C BJ  
 FXSTC BK  
 FXSTS BL  
 FLSTF BM

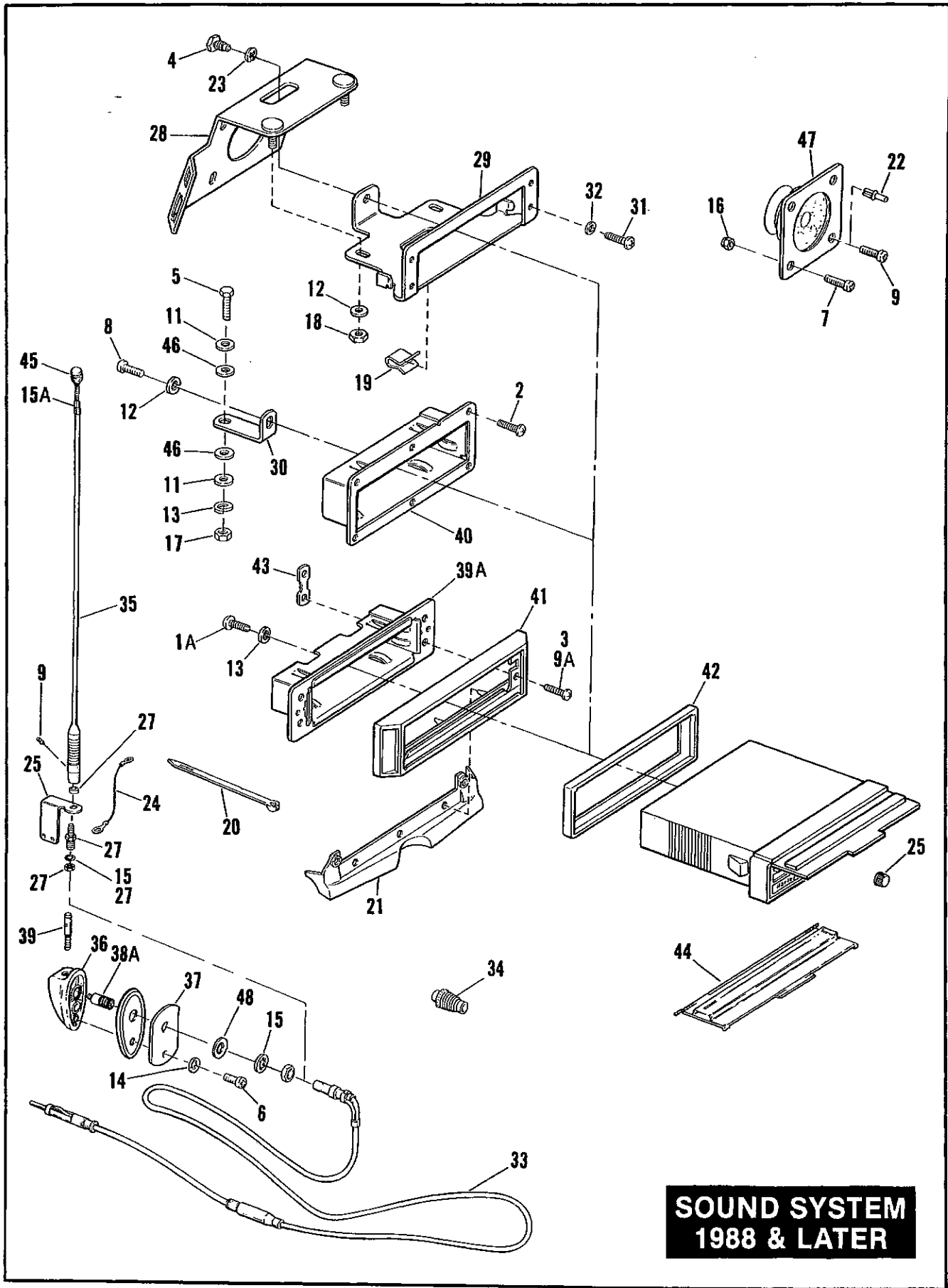
# SOUND SYSTEM 1987



INDEX NO.	PART NO.	NAME	FLT MODELS	FXR MODELS	SOFTAIL MODELS
2	2551W	BOLT	87-DB	--	--
3	2583	SCREW	87-DJ	--	--
4	2587	SCREW	87-DB/J	--	--
5	2646	SCREW (8)	87-DB	--	--
7	5209	SCREW (6)	87-DJ	--	--
8	6036	WASHER	87-DJ	--	--
9	6235	WASHER (2)	87-DB	--	--
10	6716	WASHER (2)	87-DJ	--	--
12	7036	LOCKWASHER (2)	87-DB/J	--	--
13	7118	LOCKWASHER	87-DB/J	--	--
14	7129	LOCKWASHER	87-DB/J	87-EC	--
15	7609W	LOCKNUT (8)	87-DB	--	--
17	7686	LOCKNUT	87-DB	--	--
18	11412	GROMMET	87-DJ	--	--
19	58315-86	SPACER	87-DJ	--	--
20	58661-86	DOOR, radio	--	87-EC	--
22	58662-86	HOOD, radio	--	87-EC	--
23	58709-86	RIVET (8)	--	87-EC	--
24	70015-87	CABLE ASSY., antenna ground	--	87-EC	--
	70149-86	WIRING HARNESS, radio (not illus.)	N/A	87-EC	--
	70465-86	WIRE ASSY., antenna ground	87-DB/J	87-EC	--
25	76163-87	BRACKET, antenna mtg.	--	87-EC	--
27	76164-87	ANTENNA BASE	--	87-EC	--
28	76171-86	BRACKET, radio - rear	--	87-EC	--
29	76172-86	PAD, radio - rear	--	87-EC	--
30	76240-86	BRACKET, radio - rear	87-DB	--	--
32	76243-86	SCREW (6; 4-EC)	87-DB/J	87-EC	--
33	76244-86	WASHER (6; 4-EC)	87-DB/J	87-EC	--
34	76248-86	CABLE, antenna	87-DB/J	87-EC	--
35	76249-86	GROMMET, split (2-DB)	87-DB/J	87-EC	--
37	76250-86A	ANTENNA, radio	87-DB/J	87-EC	--
38	76252-86	ANTENNA BASE	87-DB/J	--	--
39	76253-86	REINFORCEMENT PLATE	87-DB/J	--	--
40	76255-86	GASKET, base	87-DB/J	--	--
43	77004-80	WASHER, (rubber) (2)	87-DB	--	--
44	77008-86A	CHASSIS, radio	N/A	87-DB/J	87-EC
45	77025-86	CONTROL PANEL, w/case	N/A	87-DB/J	87-EC
48	77028-86	MOUNTING KIT (2)	87-DB/J	87-EC	--
49	77029-86	SPEAKER (2)	87-DB/J	87-EC	--
52	77035-86	BRACKET, radio - rear	87-DJ	--	--

NOTE: See F35B for hood & door assy.-FLHT/C

FLT MODELS		FXR MODELS		SOFTAIL MODELS	
FLTC	DB	FXR	EA	FXST	BH
FLHT	DD	FXRS	EB	FLST/C	BJ
FLHTC	DJ	FXRT	EC	FXSTC	BK
FLTC-U	DM	FXRS-SP	EG	FXSTS	BL
FLHTC-U	DP	FXLR	EL	FLSTF	BM
FLHS	FA	FXRS-CON	EM		



INDEX NO.	PART NO.	NAME	FLT MODELS	FXR MODELS	SOFTAIL MODELS
1	922	SCREW, spkr. mtg. - rear (8)	L89*-DM/P	--	--
1A	924	SCREW	88*-DJ/P	--	--
2	2508	SCREW (6)	88*-DB/M	--	--
3	2513	SCREW (4)	88-DJ/P	--	--
4	2537	SCREW, radio mtg.	--	88*-EC	--
5	2551W	SCREW	88*-DB/M	--	--
6	2576	SCREW	88*-DB/J/M/P	--	--
7	2625	SCREW, spkr. mtg. - rear (8)	E89-DM/P	--	--
	2646	SCREW, spkr. mtg. - front (8)	88*-DB/M	--	--
8	2774	SCREW	88*-DB/M	--	--
9	3216	SET SCREW	89*-DM/P	--	--
9A	4015	SCREW (4)	89*-DJ/P	--	--
10	5209	SCREW (6)	88*-DJ/P	--	--
11	6235	WASHER (2)	88*-DB/M	--	--
12	6333	WASHER (2)	--	88*-EC	--
13	7036	LOCKWASHER (2-DB)	88*-DB/J	--	--
14	7118	LOCKWASHER	88*-DB/J	--	--
15	7129	LOCKWASHER (2)	88*-DB/J/M/P	88*-EC	--
15A	7566	LOCKNUT	89*-DM/P	--	--
16	7609W	LOCKNUT (8)	88*-DB/M	--	--
17	7686	LOCKNUT	88*-DB/M	--	--
18	7739	LOCKNUT (2)	--	88*-EC	--
19	8128	U-FASTENER	N/A	88*-EC	--
20	10039	CABLE STRAP	--	88*-EC	--
21	56107-88	HANDLEBAR COVER (black)	88*-DJ/P	--	--
	56109-88	HANDLEBAR COVER (brown)	88*-DJ	--	--
22	58709-86	RIVET (8)	--	88*-EC	--
23	67069-76	RETAINING RING	--	88*-EC	--
24	70015-87	WIRE ASSY., antenna ground	--	88*-EC	--
	70465-86	WIRE ASSY., antenna ground	88*-DB/J/M/P	88*-EC	--
	70160-89	WIRING HARNESS, audio (not illus.)	89*-DM/P	--	--
	70168-89	WIRE ASSY. radio ground (not illus.)	89*-DM	--	--
	70296-89	WIRING HARNESS, power (not illus.)	89*-DM/P	--	--
	70341-89	WIRE ASSY. radio ground (not illus.)	89*-DJ/P	--	--
	70349-89	WIRING HARNESS, radio spkr. (not illus.)	89*-DP	--	--
	77026-89	WIRING HARNESS, radio spkrs. (not illus.)	89*-DM	--	--
25	71809-88	CONTROL KNOB (2)	88*-DB/J/M/P	88*-EC	--
26	76163-87	BRACKET, antenna mounting	--	88*-EC	--
27	76164-87	BASE, antenna	--	88*-EC	--
28	76170-88	BRACKET, support	--	88*-EC	--
29	76173-88	BRACKET, mtg.	--	88*-EC	--

## FLT MODELS

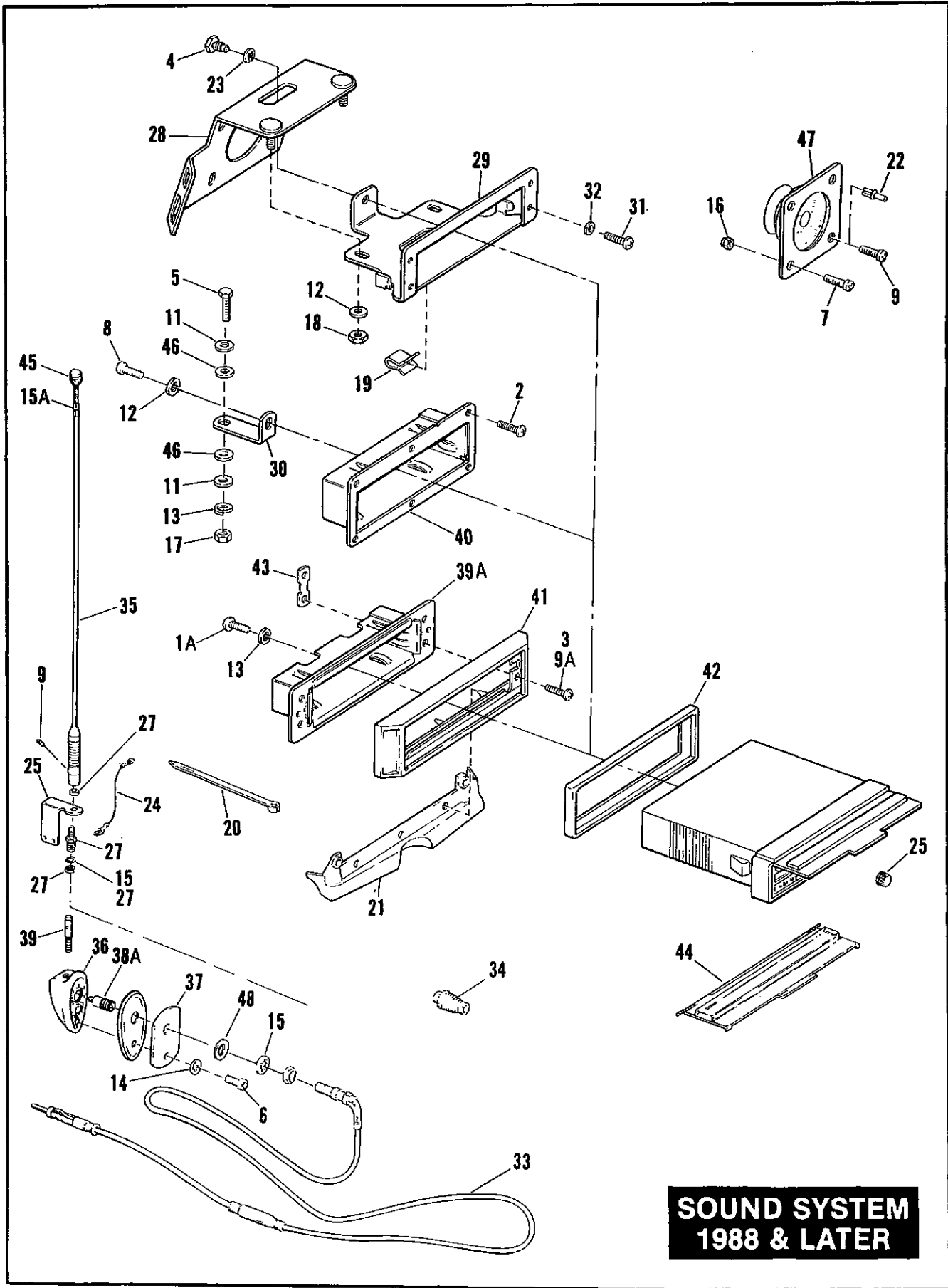
FLTC DB  
 FLHT DD  
 FLHTC DJ  
 FLTC-U DM  
 FLHTC-U DP  
 FLHS FA

## FXR MODELS

FXR EA  
 FXRS EB  
 FXRT EC  
 FXRS-SP EG  
 FXLR EL  
 FXRS-CON EM

## SOFTAIL MODELS

FXST BH  
 FLST/C BJ  
 FXSTC BK  
 FXSTS BL  
 FLSTF BM





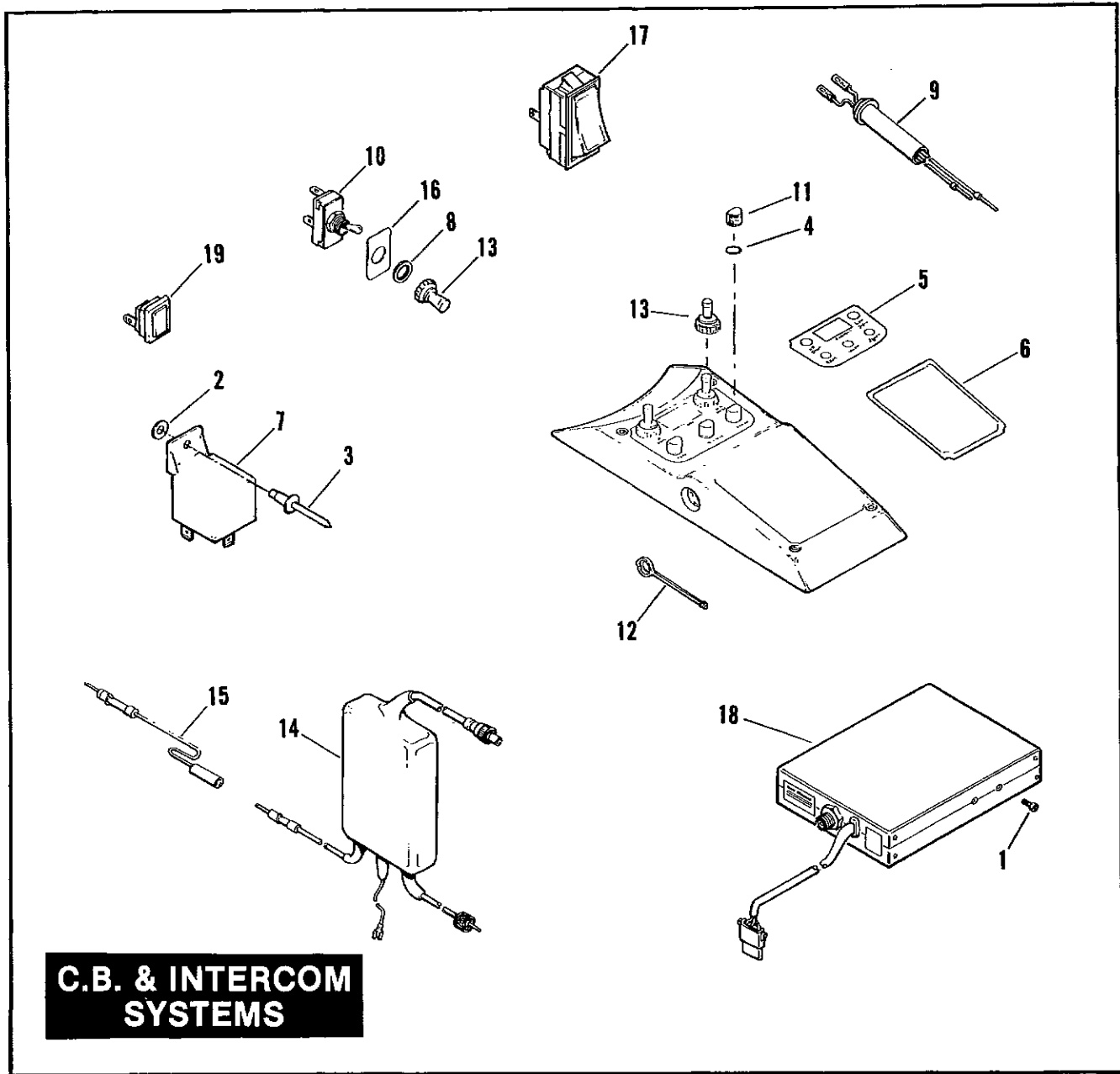
**SOUND SYSTEM - 1988 & LATER (CONT'D)**

**F47A-2**

INDEX NO.	PART NO.	NAME	FLT MODELS	FXR MODELS	SOFTAIL MODELS
30	76240-88	BRACKET, rear	88*-DB/M	--	--
31	76243-86	SCREW (4)	--	88*-EC	--
32	76244-86	WASHER (4)	--	88*-EC	--
33	76248-86	CABLE, antenna	88*-DB/J	88*-EC	--
	76295-89	CABLE, antenna	89*-DM/P	--	--
34	76249-86	GROMMET, split (2-DB)	88*-DB/J/M/P	88*-EC	--
35	76250-86A	ANTENNA, radio	88*-DB/J	88*-EC	--
	76296-89	ANTENNA, radio & C.B.	89*-DM/P	--	--
36	76252-86	BASE, antenna	88*-DB/J	--	--
37	76253-86	REINFORCEMENT PLATE	88*-DB/J	--	--
38	76255-86	GASKET, base	88*-DB/J	--	--
38A	76258-86	PLUG ASSY.	88*-DB/J/M/P	--	--
39	76260-89	ANTENNA ADAPTOR	89*-DM/P	--	--
39A	76274-88	BRACKET, mtg.	88*-DJ/P	--	--
40	76277-88	BRACKET, mtg.	88*-DB/M	--	--
41	76280-88	NOSE SEAL	88*-DJ/P	--	--
42	76281-88	NOSE SEAL	88*-DB/M	88*-EC	--
43	76282-88	NUT PLATE (2)	88*-DJ/P	--	--
44	76283-88	FRONT COVER	E88-DB/J/M/P	E88-EC	--
	76283-89	FRONT COVER	L88*-DB/J/M/P	L88*-EC	--
45	76298-89	TIP ASSEMBLY	89*-DM/P	--	--
46	77004-80	WASHER (rubber)(2)	88*-DB/M	--	--
47	77029-86	SPEAKER (2; 4-DM/P)	88*-DB/J/M/P	88*-EC	--
48	90763-79	WASHER	89*-DM/P	--	--

**NOTE:** For all service and warranty claims on the radio chassis. Contact;  
**RADIO SOUND, INC.**  
 1031 West Main  
 Louisville, KY 40202  
 Phone: (502) 589-9946

FLT MODELS		FXR MODELS		SOFTAIL MODELS	
FLTC	DB	FXR	EA	FXST	BH
FLHT	DD	FXRS	EB	FLST/C	BJ
FLHTC	DJ	FXRT	EC	FXSTC	BK
FLTC-U	DM	FXRS-SP	EG	FXSTS	BL
FLHTC-U	DP	FXLR	EL	FLSTF	BM
FLHS	FA	FXRS-CON	EM		

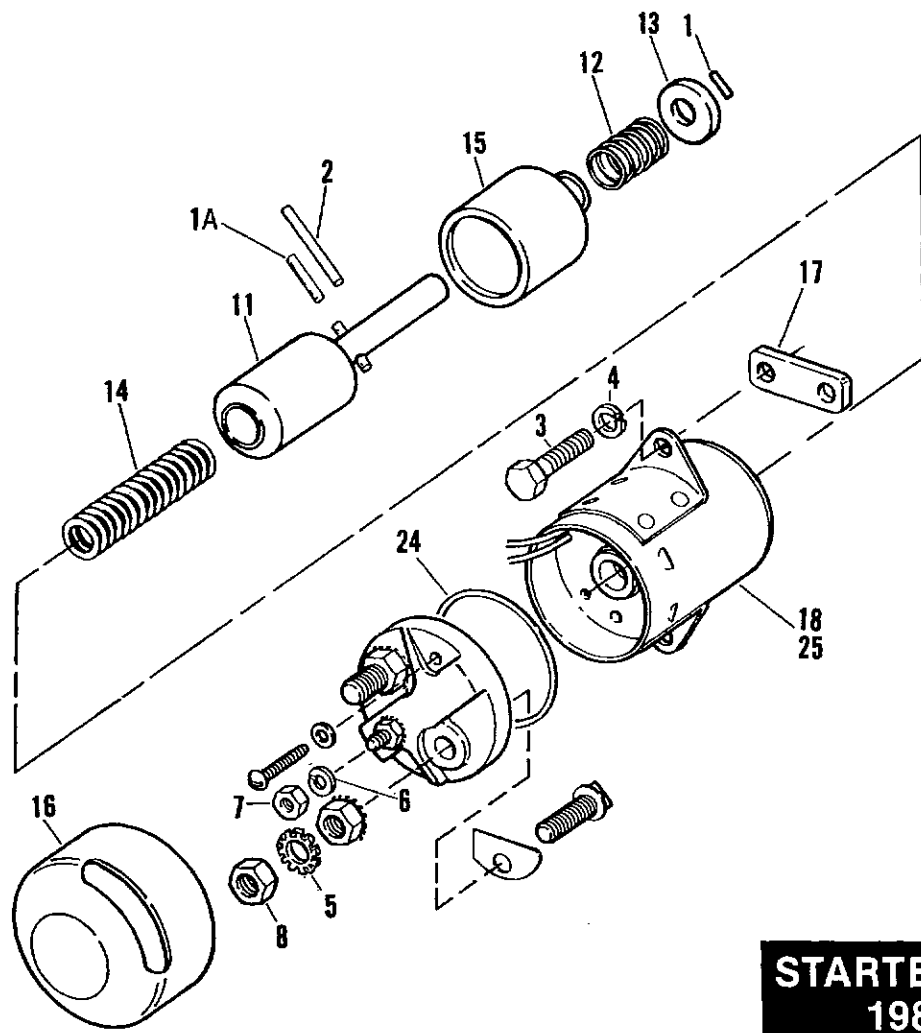


**C.B. & INTERCOM SYSTEMS**

INDEX NO.	PART NO.	NAME	FLT MODELS	FXR MODELS	SOFTAIL MODELS
1	2787	SCREW, C.B. mtg. (4)	89*-DM/P	--	--
2	6716	WASHER (2)	89*-DM	--	--
3	8498	RIVET (2)	89*-DM	--	--
4	11176	O-RING (2)	N/A 89*-DM/P	--	--
5	14303-90	TRIM, C.B. console	90*-DM/P	--	--
7	31506-79B	RELAY (2)	89*-DM/P	--	--
8	67846-70	NUT	89*-DM	--	--
9	70642-89	CABLE ASSEMBLY, P.T.T.- C.B.	89*-DM/P	--	--
10	71521-89	SWITCH, speakers	89*-DM	--	--
11	71813-89	KNOB, radio	89*-DM/P	--	--
12	72059-89A	PLUG, weather	89*-DM/P	--	--
13	74408-89	BOOT, toggle switch (4)	89*-DM/P	--	--
14	76294-89	SPLITTER & CABLES, antenna	89*-DM/P	--	--
15	76295-89	CABLE ASSEMBLY, splitter to radio	89*-DM/P	--	--
16	76297-89	LABEL, speaker	89*-DM	--	--
17	77092-89	SWITCH, spkr. control (on fairing)	89*-DP	--	--
18	77093-89	C.B. CHASSIS ASSEMBLY	89*-DM/P	--	--
19	77100-89A	HANDLEBAR SWITCH, P.T.T.	89*-DM/P	--	--
<b>H-D INTERNATIONAL ONLY</b>					
5	14304-90	TRIM, intercom console (Japan only)	90*-DM/P	--	--
6	14305-90	TRIM, console (Japan only)	90*-DM/P	--	--

**NOTE:** For all service and warranty claims on the C.B./intercom pod or C.B. chassis. Contact;  
**RADIO SOUND, INC.**  
 1031 West Main  
 Louisville, KY 40202  
 Phone: (502) 589-9946

FLT MODELS		FXR MODELS		SOFTAIL MODELS	
FLTC	DB	FXR	EA	FXST	BH
FLHT	DD	FXRS	EB	FLST/C	BJ
FLHTC	DJ	FXRT	EC	FXSTC	BK
FLTC-U	DM	FXRS-SP	EG	FXSTS	BL
FLHTC-U	DP	FXLR	EL	FLSTF	BM
FLHS	FA	FXRS-CON	EM		



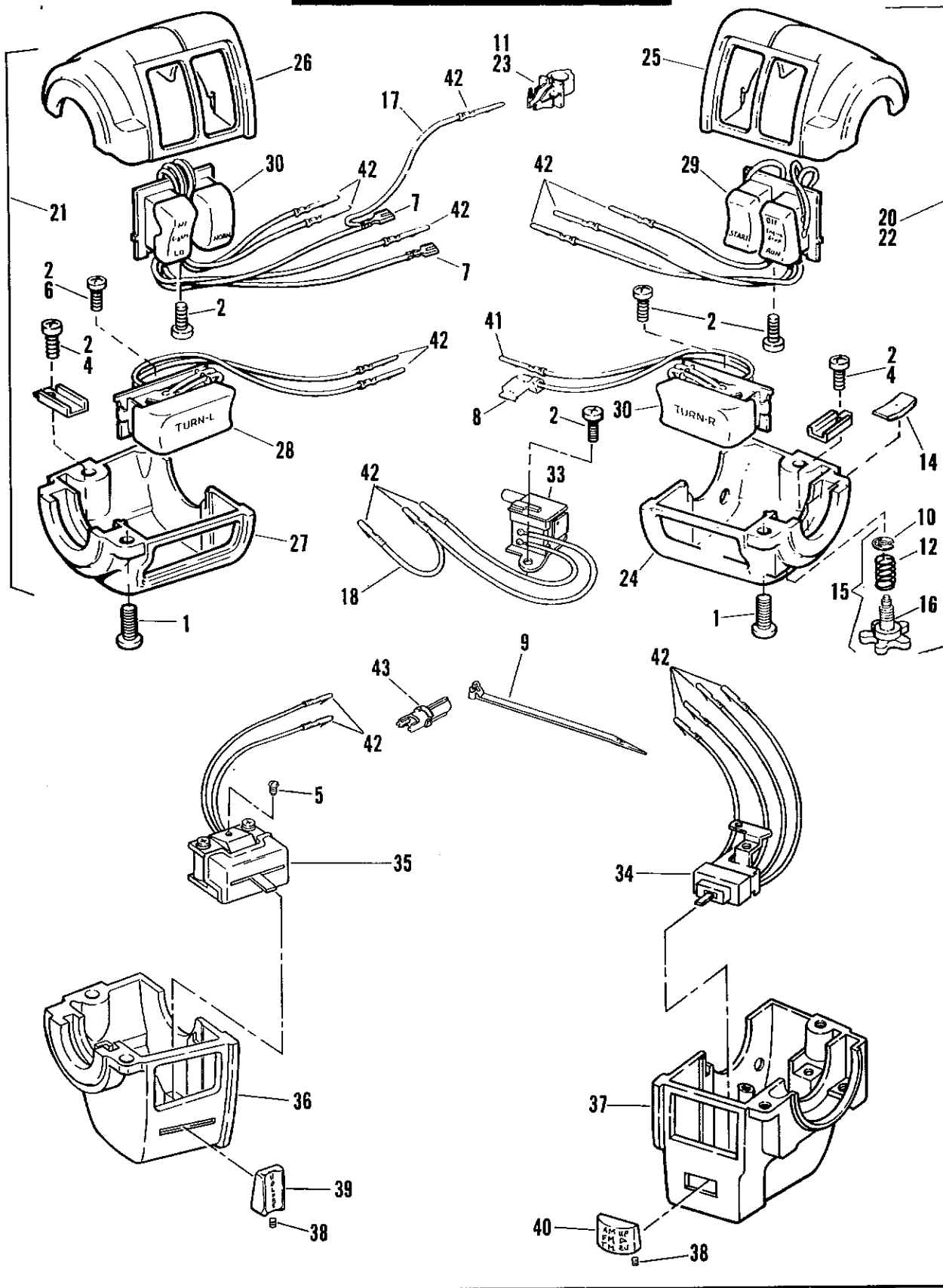
**STARTER SOLENOID  
1987 & 1988**

**STARTER SOLENOID - 1987 & 1988**

INDEX NO.	PART NO.	NAME	FLT MODELS	FXR MODELS	SOFTAIL MODELS
1	257	PIN	87&88-ALL	87&88-ALL	87&88-ALL
1A	600	ROLL PIN	87&88-ALL	87&88-ALL	87&88-ALL
2	613	ROLL PIN	--	--	87&88-ALL
	614	ROLL PIN	87&88-ALL	87&88-ALL	--
3	3767B	BOLT (2)	--	87&88-ALL	--
	3787	BOLT (2)	87&88-ALL	--	--
	3802W	BOLT (2)	--	--	87&88-ALL
4	7036	LOCKWASHER (2)	87&88-ALL	87&88-ALL	87&88-ALL
5	7145W	LOCKWASHER (2)	87&88-ALL	87&88-ALL	87&88-ALL
6	7220	LOCKWASHER	87&88-ALL	87&88-ALL	87&88-ALL
7	7638	NUT	87&88-ALL	87&88-ALL	87&88-ALL
8	7667	LOCKNUT (2)	87&88-ALL	87&88-ALL	87&88-ALL
11	31435-65B	PLUNGER ASSEMBLY, solenoid	87&88-ALL	87&88-ALL	87&88-ALL
12	31438-65A	OVER-RUN SPRING	87&88-ALL	87&88-ALL	87&88-ALL
13	31439-84	RETAINER, over-run spring	87&88-ALL	87&88-ALL	87&88-ALL
14	31440-65	RETURN SPRING, plunger	87&88-ALL	87&88-ALL	87&88-ALL
15	31441-65A	BOOT, solenoid plunger (rubber)	87&88-ALL	87&88-ALL	87&88-ALL
16	31444-65A	COVER, solenoid (grey)	87&88-ALL	87-EB; 87&88-EA/C/G	87&88-BH/J
	31475-77	COVER, solenoid (black)	--	87&88-EL; 88-EB	87&88-BK/L
17	31452-65A	SPACER	--	--	87&88-ALL
18	31489-79B	STARTER SOLENOID	87&88-ALL	87-EB; 87&88-EA/C/G	--
	31526-81B	STARTER SOLENOID (black wrinkle)	--	87&88-EL; 88-EB	--
24	71467-65	GASKET, solenoid	87&88-ALL	87&88-ALL	87&88-ALL
25	71469-65B	STARTER SOLENOID	--	--	87&88-BH/J
	71473-77B	STARTER SOLENOID (black wrinkle)	--	--	87&88-BK/L

FLT MODELS		FXR MODELS		SOFTAIL MODELS	
FLTC	DB	FXR	EA	FXST	BH
FLHT	DD	FXRS	EB	FLST/C	BJ
FLHTC	DJ	FXRT	EC	FXSTC	BK
FLTC-U	DM	FXRS-SP	EG	FXSTS	BL
FLHTC-U	DP	FXLR	EL	FLSTF	BM
FLHS	FA	FXRS-CON	EM		

# HANDLEBAR SWITCHES



# HANDLEBAR SWITCHES

F49-1

INDEX NO.	PART NO.	NAME	FLT MODELS	FXR MODELS	SOFTAIL MODELS
1	2508	SCREW (4)	87*-ALL	87*-ALL	87*-ALL
2	2907	SCREW (7;4-radio equipped)	87*-ALL	87*-ALL	87*-ALL
4	2908	SCREW (2)	87*-DB/J/M/P	87*-EC	--
5	2909	SCREW	87*-DB/J/M/P	87*-EC	--
6	2910	SCREW	87*-DB/J/M/P	87*-EC	--
7	9875	TERMINAL, female spade (2)	87*-ALL	87*-ALL	87*-ALL
8	9898	TERMINAL, flag	87*-ALL	87*-ALL	87*-ALL
9	10065	CABLE STRAP (2)	--	87*-ALL	87*-ALL
10	11155	RETAINING RING	87*-ALL	87*-ALL	87*-ALL
11	56073-83	RETAINER, wiring harness (4)	--	87*-ALL	87*-ALL
12	56394-74	SPRING, adjusting screw	87*-ALL	87*-ALL	87*-ALL
14	56396-74A	SPRING, throttle grip	87*-ALL	87*-ALL	87*-ALL
15	56397-74C	ADJUSTING SCREW KIT w/#10, 12 & 16	87*-ALL	87*-ALL	87*-ALL
16	56402-83A	SCREW, throttle adjusting	87*-ALL	87*-ALL	87*-ALL
17	70047-82	WIRE ASSY., 5" lg. (white)	87*-ALL	87*-ALL	87*-ALL
18	70082-82	WIRE ASSY., 3" lg. (orange)	--	--	87*-ALL
20	70180-87	SWITCH ASSY. KIT, complete-right	N/A 87-DB/J	87-EC	--
	70180-88	SWITCH ASSY. KIT, complete-right	N/A 88*-DB/J	88*-EC	--
21	70181-87	SWITCH ASSY. KIT, complete-left	87-DB/J	87-EC	--
	70181-88	SWITCH ASSY. KIT, complete-left	N/A 88*-DB/J	88*-EC	--
	70218-87	SWITCH ASSY. KIT, complete-left	87*-DD,FA	87*-EA/B/G/L/M	87*-ALL
22	70219-87	SWITCH ASSY. KIT, complete-right	87*-DD,FA	87*-EA/B/G/L/M	87*-ALL
23	70345-84	RETAINER (4)	87*-ALL	--	--
24	71563-82A	HOUSING, lower-right	87*-DD,FA	87*-EA/B/G/L/M	87*-ALL
25	71564-82A	HOUSING, upper-right	87*-ALL	87*-ALL	87*-ALL
26	71567-82	HOUSING, upper-left	87*-ALL	87*-ALL	87*-ALL
27	71568-82A	HOUSING, lower-left	87*-DD,FA	87*-EA/B/G/L/M	87*-ALL
28	71570-82A	SWITCH ASSY., left turn signal	87*-ALL	87*-ALL	87*-ALL
29	71571-82	SWITCH ASSY., engine stop/start	87*-ALL	87*-ALL	87*-ALL
30	71572-82A	SWITCH ASSY., right turn signal	87*-ALL	87*-ALL	87*-ALL
31	71573-82A	SWITCH ASSY., dimmer & horn	87*-ALL	87*-ALL	87*-ALL
33	71574-82	STOPLAMP SWITCH	87*-ALL	87*-ALL	87*-ALL
34	71592-86	3-WAY FUNCTIONAL SWITCH	87-DB/J	87-EC	--
	71592-88	3-WAY FUNCTIONAL SWITCH	88*-DB/J/M/P	88*-EC	--
35	71593-86	VOLUME CONTROL	87-DB/J	87-EC	--
	71593-88	VOLUME CONTROL	88*-DB/J/M/P	88*-EC	--
36	71594-86	HOUSING, lower-left	87-DB/J	87-EC	--
	71594-88	HOUSING, lower-left	88*-DB/J/M/P	88*-EC	--
37	71595-86	HOUSING, lower-right	87*-DB/J/M/P	87*-EC	--
38	71805-88	SET SCREW (2)	87*-DB/J/M/P	87*-EC	--

**FLT MODELS**

FLTC DB  
 FLHT DD  
 FLHTC DJ  
 FLTC-U DM  
 FLHTC-U DP  
 FLHS FA

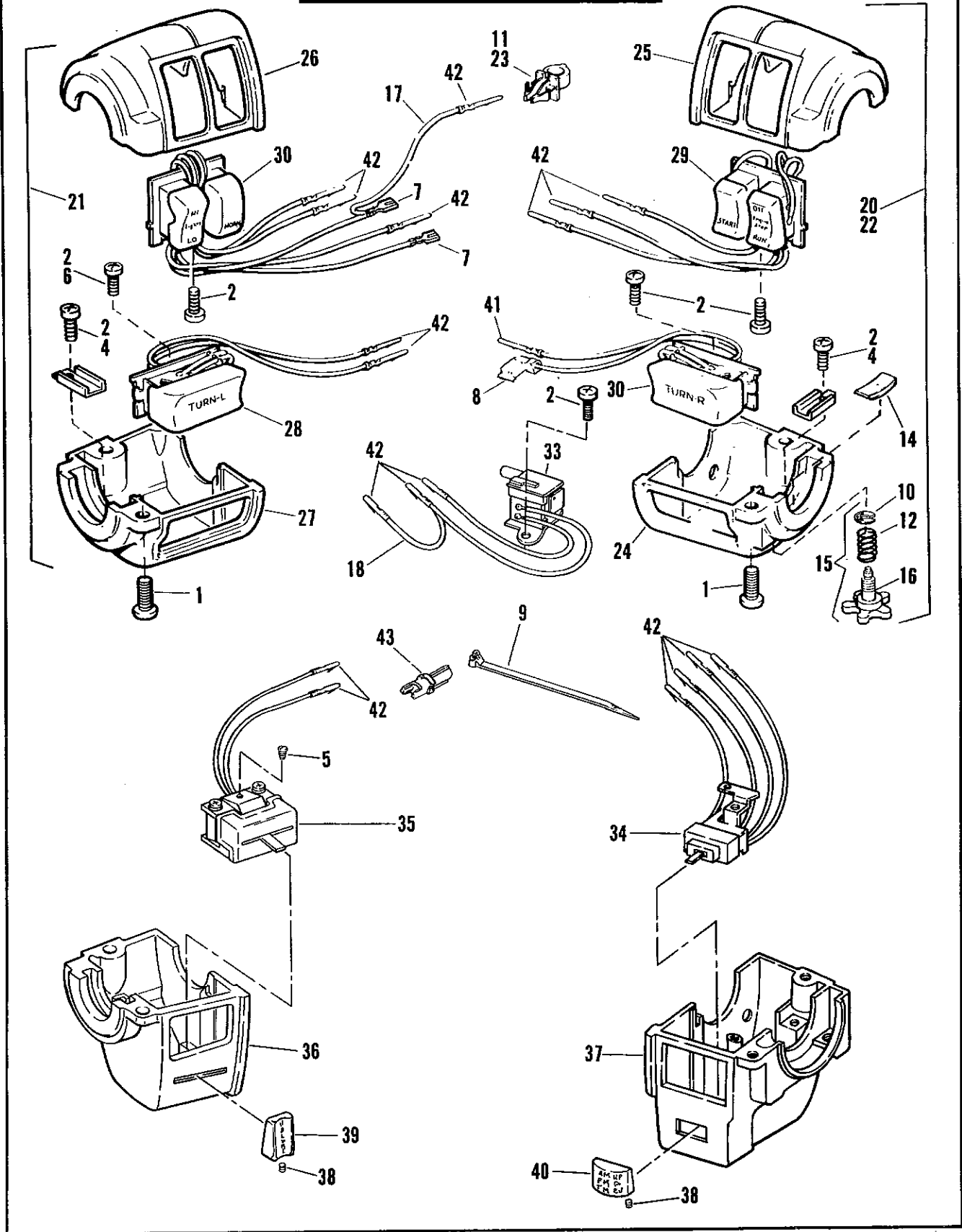
**FXR MODELS**

FXR EA  
 FXRS EB  
 FXRT EC  
 FXRS-SP EG  
 FXLR EL  
 FXRS-CON EM

**SOFTAIL MODELS**

FXST BH  
 FLST/C BJ  
 FXSTC BK  
 FXSTS BL  
 FLSTF BM

# HANDLEBAR SWITCHES



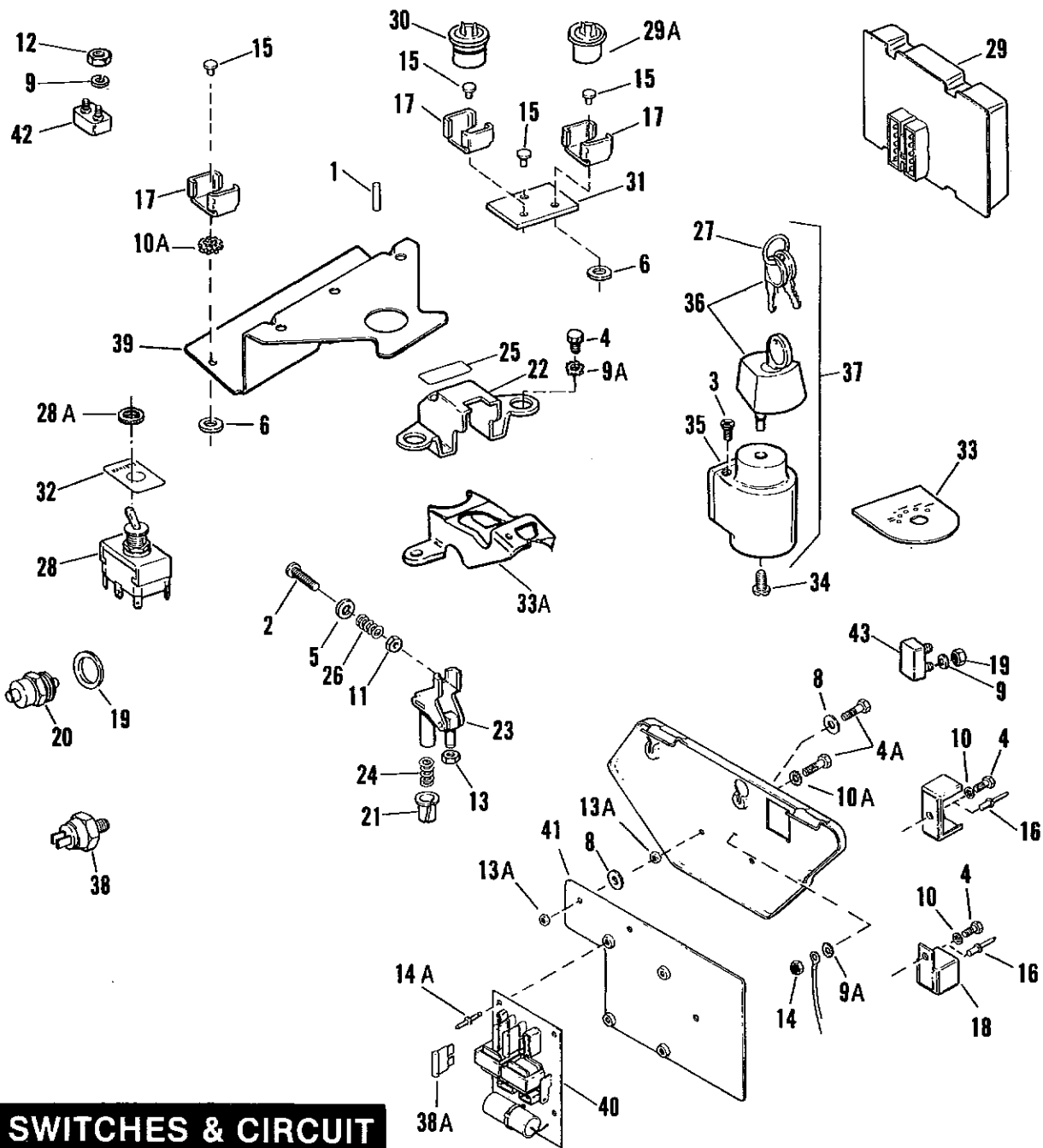


# HANDLEBAR SWITCHES (CONT'D)

F49-2

INDEX NO.	PART NO.	NAME	FLT MODELS	FXR MODELS	SOFTAIL MODELS
39	71806-86	KNOB, volume	87-DB/J	87-EC	--
	71806-88	KNOB, volume	88*-DB/J/M/P	88*-EC	--
40	71807-86	KNOB, am/fm/tm	87-DB/J	87-EC	--
	71807-88	KNOB, am/fm/wb	88*-DB/J/M/P	88*-EC	--
41	72038-71	SOCKET, single pin	87*-ALL	87*-ALL	87*-ALL
42	72039-71	PIN, single socket (12)	87*-ALL	87*-ALL	87*-ALL
43	72043-71	CONNECTOR, single pin	87*-ALL	87*-ALL	87*-ALL
<b>H-D INTERNATIONAL ONLY</b>					
20	70094-87	SWITCH ASSY. KIT, complete-right	87&88-DD,FA	87*EA/B/G/L/M	87*-ALL
	70098-87	SWITCH ASSY. KIT, complete-right	87-DB/J	87-EC	--
	70098-88	SWITCH ASSY. KIT, complete-right	88-DB/J	88*-EC	--
21	70095-87	SWITCH ASSY. KIT, complete-right	87&88-DD,FA	87*EA/B/G/L/M	87*-ALL
	70099-87	SWITCH ASSY. KIT, complete-right	87-DB/J	87-EC	--
	70099-88	SWITCH ASSY. KIT, complete-right	88-DB/J	88*-EC	--
28	71581-82A	SWITCH ASSY., left turn signal (rocker type)	87&88-ALL	87*-ALL	87*-ALL
30	71579-82A	SWITCH ASSY., right turn signal(rocker type)	87&88-ALL	87*-ALL	87*-ALL

FLT MODELS		FXR MODELS		SOFTAIL MODELS	
FLTC	DB	FXR	EA	FXST	BH
FLHT	DD	FXRS	EB	FLST/C	BJ
FLHTC	DJ	FXRT	EC	FXSTC	BK
FLTC-U	DM	FXRS-SP	EG	FXSTS	BL
FLHTC-U	DP	FXLR	EL	FLSTF	BM
FLHS	FA	FXRS-CON	EM		



**SWITCHES & CIRCUIT  
BREAKERS — FLT**

**SWITCHES & CIRCUIT BREAKERS - FLT MODELS**

INDEX NO.	PART NO.	NAME	FLT MODELS	FXR MODELS	SOFTAIL MODELS
1	608	ROLL PIN	87*-ALL	--	--
2	909	SCREW	87*-ALL	--	--
3	1601	SCREW (2)	87*-ALL	--	--
4	3581	SCREW (2-1989 & Later)	87*-ALL	--	--
4A	3767B	SCREW (2 DM/P)	87-ALL	--	--
5	6150W	WASHER	87*-ALL	--	--
6	6192	WASHER (7;4-1989 & Later)	87*-ALL	--	--
7	6324W	WASHER (2)	87*-ALL	--	--
8	6703	WASHER (2-89 DM/P)	87-DB/D/J/M/P	--	--
9	7069	LOCKWASHER (10)	87*-ALL	--	--
9A	7127	LOCKWASHER (2)	87*-ALL	--	--
10	7220	LOCKWASHER (4)	88*-ALL	--	--
10A	7229W	LOCKWASHER (6)	87-DB/D/J/M/P	--	--
11	7620W	NUT	87*-ALL	--	--
12	7638	NUT (11)	87*-ALL	--	--
13	7686	LOCKNUT	87*-ALL	--	--
13A	7688	NUT (4)	89*-DM/P	--	--
14	7742	LOCKNUT	87*-DB/D/J	--	--
14A	8498	RIVET (4)	89*-DM/P	--	--
15	8519	RIVET (7;4-1989 & Later)	87*-ALL	--	--
16	8672	POP RIVET	87-ALL	--	--
17	9952	CLIP, flashers & cb. (7;4 - 1989 & Later)	87*-ALL	--	--
17A	10039	CABLE STRAP	89*-DM/P	--	--
18	31506-79B	STARTER RELAY	87*-ALL	--	--
19	33043-80	WASHER, neut. ind. sw.	87*-ALL	--	--
20	33900-59B	SWITCH, neut. ind.	87*-ALL	--	--
21	45426-79	SLEEVE, fork lock	87*-ALL	--	--
22	45427-79	SHIELD, fork lock	87*-DB	--	--
23	45437-81	LEVER ASSY., fork lock w/#1	87*-ALL	--	--
24	45447-81	SPRING	87*-ALL	--	--
25	45448-81	LABEL, "Warning"	N/A 87*-ALL	--	--
26	45494-79	SPRING, fork lock	87*-ALL	--	--
27	61077-82	KEYSET, ign. sw. & door (specify key no.)	87*-ALL	--	--
28	67843-70	TOGGLE SWITCH, hazard wrn. flasher	87&88-DB, FA	--	--
28A	67846-70	NUT, toggle switch	87*-DB/M,FA	--	--
29	68537-89C	TURN SIGNAL CANCELLER	89*-ALL	--	--
29A	68541-64A	FLASHER, hazard wrn.	87&88-ALL	--	--
30	68543-64B	FLASHER, turn signal	87&88-ALL	--	--
31	68561-79	PAD, flasher clip mtg.	N/A 87&88-ALL	--	--
32	68602-79	LABEL, hazard wrn. flasher sw.	87&88-DB, FA	--	--
33	71426-87	DECAL, ignition switch	L88*-DB/M,FA	--	--
	71427-79A	DECAL, ignition switch	87&E88-ALL; L88*-DD/P	--	--
33A	71517-86	SHIELD, fork lock	87*-DD/JP	--	--

**FLT MODELS**

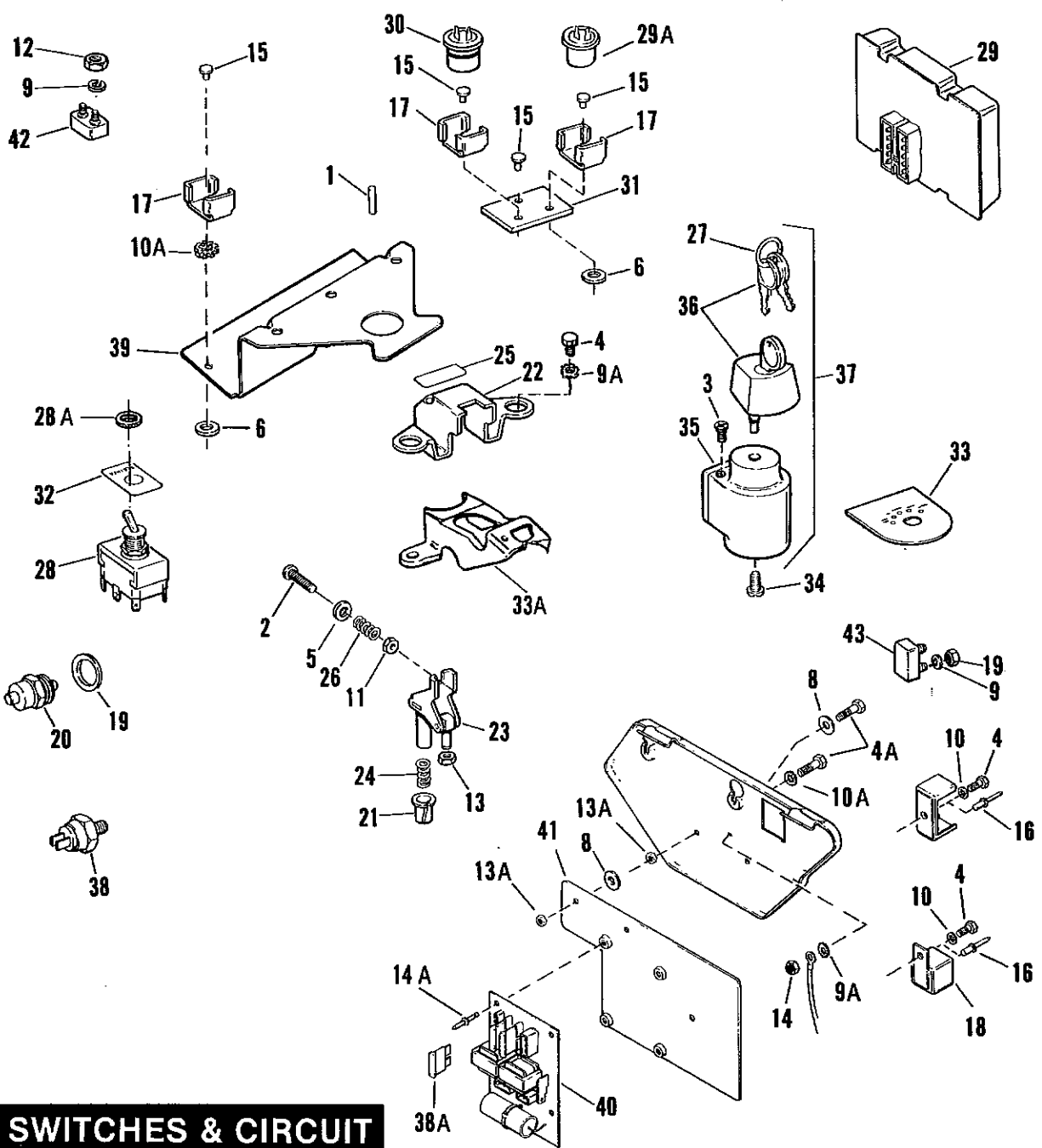
FLTC DB  
 FLHT DD  
 FLHTC DJ  
 FLTC-U DM  
 FLHTC-U DP  
 FLHS FA

**FXR MODELS**

FXR EA  
 FXRS EB  
 FXRT EC  
 FXRS-SP EG  
 FXLR EL  
 FXRS-CON EM

**SOFTAIL MODELS**

FXST BH  
 FLST/C BJ  
 FXSTC BK  
 FXSTS BL  
 FLSTF BM



**SWITCHES & CIRCUIT BREAKERS — FLT**

INDEX NO.	PART NO.	NAME	FLT MODELS	FXR MODELS	SOFTAIL MODELS
34	71518-80	SCREW w/washer (4)	87*-ALL	--	--
35	71526-80	HOUSING, ignition switch	87*-ALL	--	--
36	71536-82A	KNOB, ign. sw.	87*-ALL	--	--
37	71549-82A	IGNITION SWITCH - w/#34, 35 & 36	87*-ALL	--	--
38	72023-51A	STOPLIGHT SWITCH, rear	87*-ALL	--	--
38A	72300-89	FUSE, 1 amp	89*-DM/P	--	--
	72301-89	FUSE, 3 amp	89*-DM/P	--	--
	72302-89	FUSE, 5 amp	89*-DM/P	--	--
39	72306-88	MOUNTING BRACKET	89*-ALL	--	--
	72309-79B	MOUNTING BRACKET	87&88-ALL	--	--
40	72316-89	FUSE BOARD	89*-DM/P	--	--
41	72320-89	MOUNTING PLATE	89*-DM/P	--	--
42	74589-73	CIRCUIT BREAKER (4)	87*-ALL	--	--
43	74599-77B	CIRCUIT BREAKER, battery	87*-ALL	--	--
<b>H-D INTERNATIONAL ONLY</b>					
	6182W	WASHER (7-DB) (HDI only)	89*-ALL	--	--
	6192	WASHER (HDI only)	87*-ALL	--	--
	7229W	LOCKWASHER (HDI only)	87&88-ALL	--	--
	8483	RIVET (HDI only)	89*-DJ/P	--	--
	8498	RIVET (HDI only)	89*-DB	--	--
	8519	RIVET (HDI only)	87*-ALL	--	--
	9952	CLIP, cb. (HDI only)	87*-ALL	--	--
	31506-79B	RELAY, parking lamps (HDI only)	87*-ALL	--	--
	67858-89	SWITCH, parking lamps (HDI only)	89*-DB/M	--	--
30	68550-83	FLASHER, turn signal (HDI only)	87&88-ALL	--	--
	71512-89	SWITCH, parking lamps (HDI only)	89*-DJ/P	--	--

**FLT MODELS**

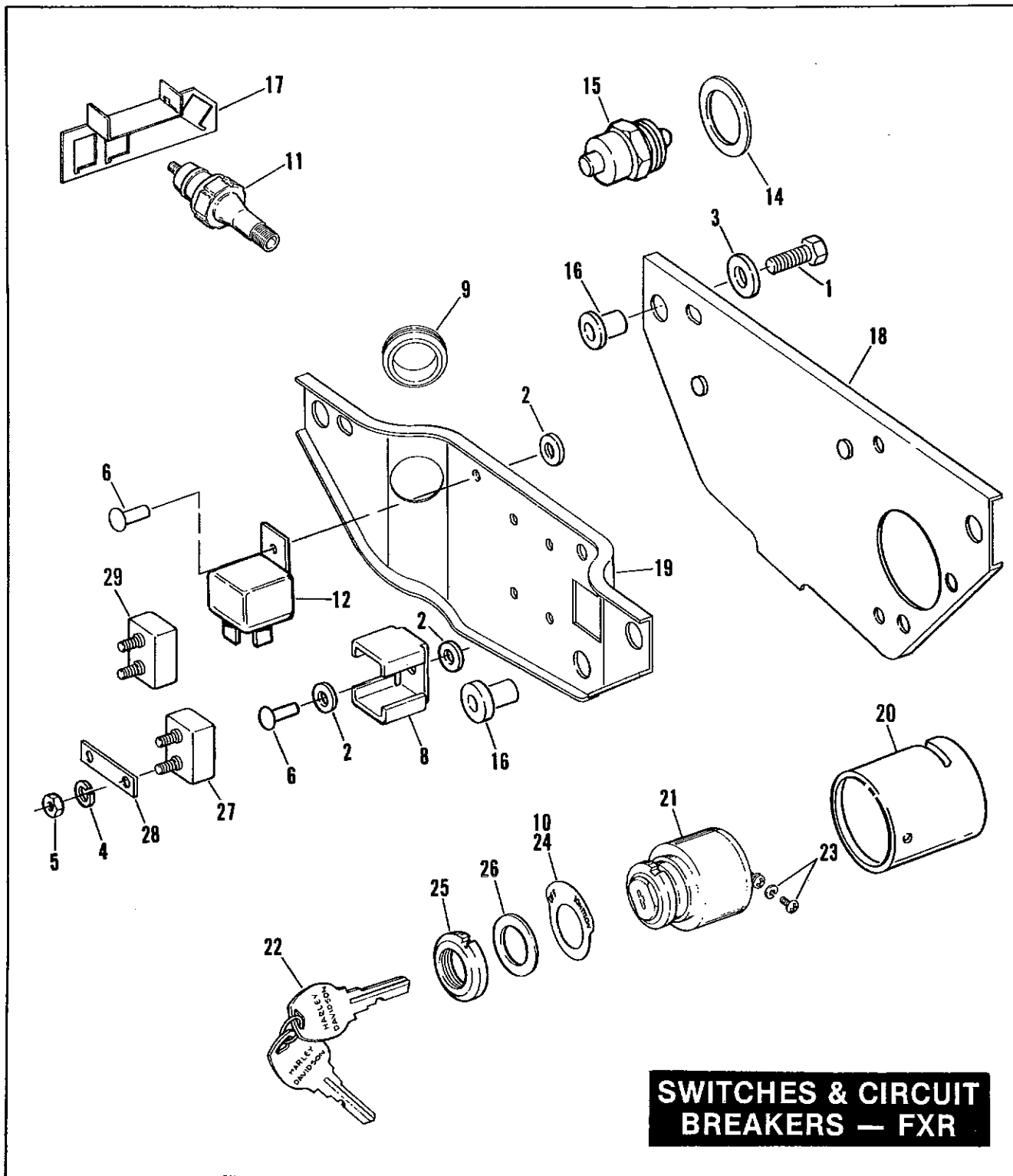
FLTC DB  
 FLHT DD  
 FLHTC DJ  
 FLTC-U DM  
 FLHTC-U DP  
 FLHS FA

**FXR MODELS**

FXR EA  
 FXRS EB  
 FXRT EC  
 FXRS-SP EG  
 FXLR EL  
 FXRS-CON EM

**SOFTAIL MODELS**

FXST BH  
 FLST/C BJ  
 FXSTC BK  
 FXSTS BL  
 FLSTF BM



**SWITCHES & CIRCUIT BREAKERS - FXR MODELS**

**F50A**

INDEX NO.	PART NO.	NAME	FLT MODELS	FXR MODELS	SOFTAIL MODELS
1	3787	BOLT (6)	--	87*-ALL	--
2	6192	WASHER (8;10-EC)	--	87*-ALL	--
3	6703	WASHER (6)	--	87*-ALL	--
4	7069	WASHER (9;11-EC)	--	87*-ALL	--
5	7638	NUT (8;10-EC)	--	87*-ALL	--
6	8672	RIVET (5;6-EC)	--	87*-ALL	--
8	9952	CLIP, circuit breakers (4;5-EC)	--	87*-ALL	--
9	11440	GROMMET	--	87*-ALL	--
10	14116-86	LABEL, ignition switch	--	87*-EC	--
11	26561-84	OIL PRESSURE SWITCH	--	87*-ALL	--
12	31506-79B	STARTER RELAY	--	87*-ALL	--
14	33043-80	WASHER, neutral indicator switch	--	87*-ALL	--
15	33900-59B	SWITCH, neutral indicator	--	87*-ALL	--
16	64511-63	WELL NUT (6)	--	87*-ALL	--
17	70199-87A	BRACKET, connectors	--	87*-EL	--
18	70970-82C	IGNITION PANEL	--	87*-ALL	--
19	70979-86	ELECTRICAL PANEL	--	87*-ALL	--
20	71424-83	BOOT, ignition switch	--	87*-ALL	--
21	71425-77	IGNITION SWITCH	--	87*-ALL	--
22	71451-78	KEYSET, ignition switch (specify key no.)	--	87*-ALL	--
23	71518-80	SCREW w/washer	--	87*-ALL	--
24	71550-75	LABEL, ignition switch	--	87*-EA/B/G/L/M	--
25	71552-75	FACE NUT, ignition switch	--	87*-ALL	--
26	71554-75	WASHER, ignition switch	--	87*-ALL	--
27	74589-73	CIRCUIT BREAKER (3 ;5-EC)	--	87*-ALL	--
28	74598-73	CONNECTOR BAR, circuit breaker (2-EC)	--	87*-ALL	--
29	74599-77B	CIRCUIT BREAKER, battery	--	87*-ALL	--

**FLT MODELS**

FLTC DB  
 FLHT DD  
 FLHTC DJ  
 FLTC-U DM  
 FLHTC-U DP  
 FLHS FA

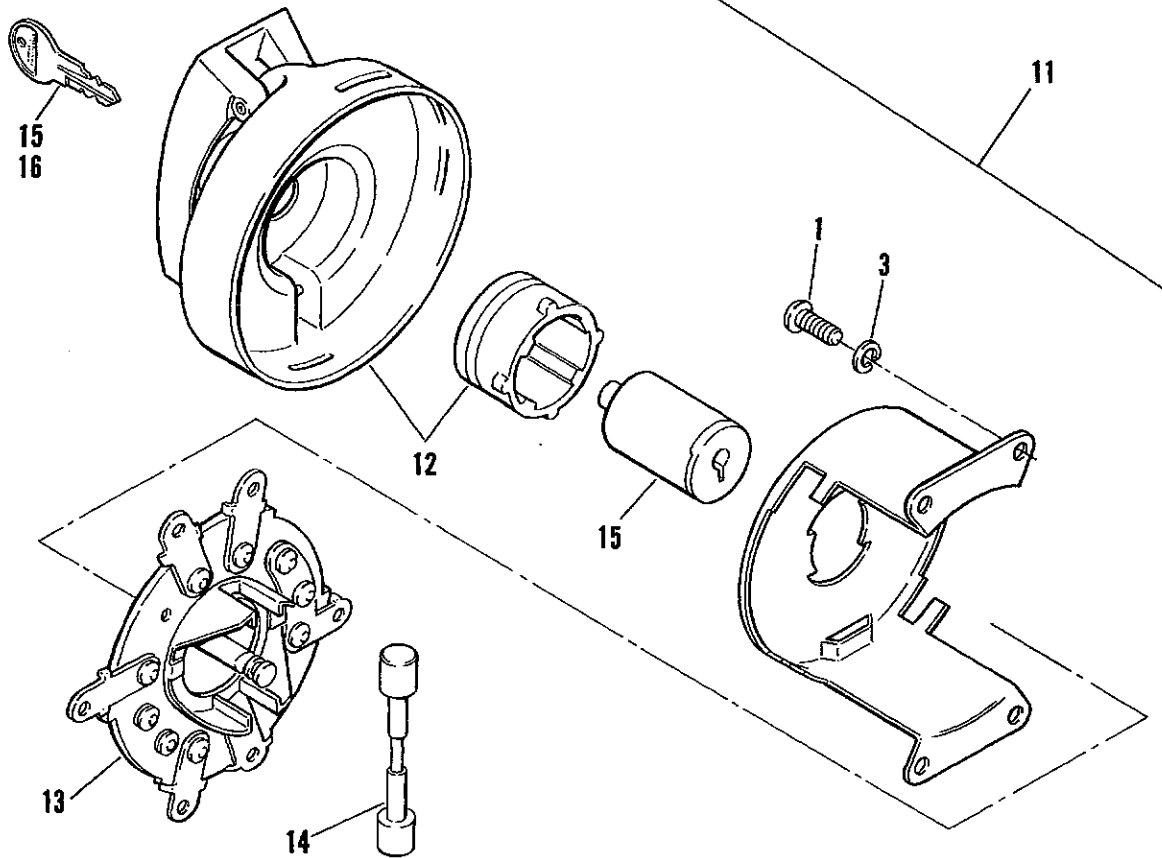
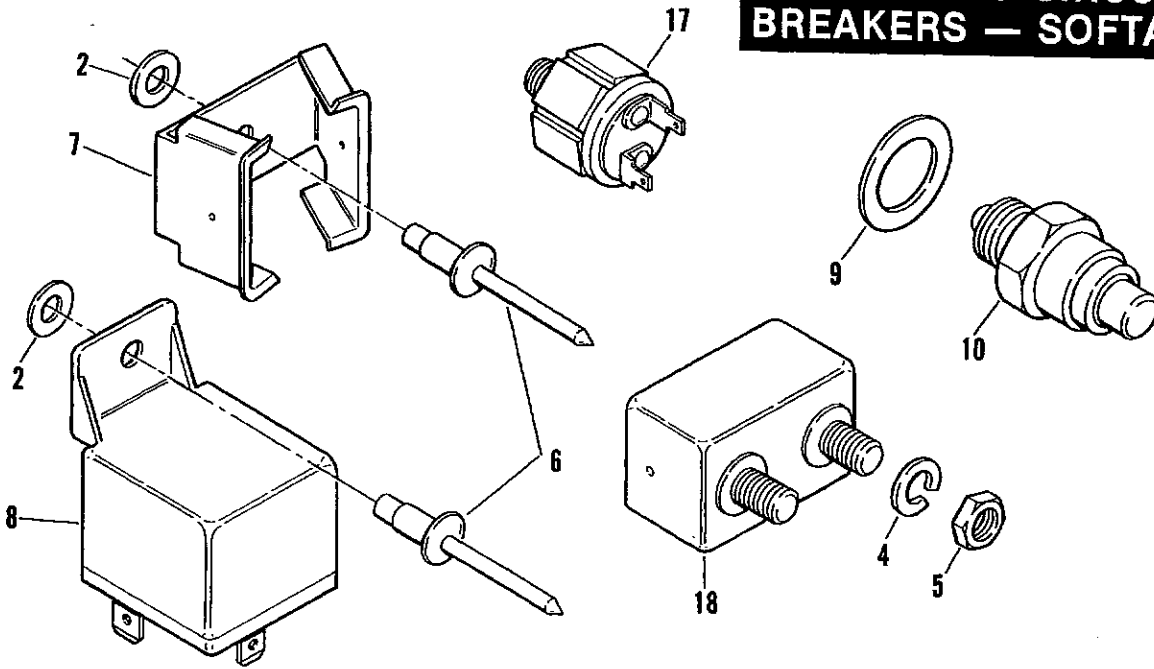
**FXR MODELS**

FXR EA  
 FXRS EB  
 FXRT EC  
 FXRS-SP EG  
 FXLR EL  
 FXRS-CON EM

**SOFTAIL MODELS**

FXST BH  
 FLST/C BJ  
 FXSTC BK  
 FXSTS BL  
 FLSTF BM

# SWITCHES & CIRCUIT BREAKERS — SOFTAIL





**SWITCHES & CIRCUIT BREAKERS - SOFTAIL MODELS**

**F50B**

INDEX NO.	PART NO.	NAME	FLT MODELS	FXR MODELS	SOFTAIL MODELS
1	2594	SCREW (4)	--	--	87*-ALL
2	6047	WASHER (2)	--	--	88*-ALL
3	7015	LOCKWASHER (4)	--	--	87*-ALL
4	7069	LOCKWASHER (6)	--	--	87*-ALL
5	7638	NUT (6)	--	--	87*-ALL
6	8483	RIVET, circuit breakers (4)	--	--	89*-ALL
	8687	RIVET, starter relay	--	--	89*-ALL
	8672	RIVET (4)	--	--	87 & 88-ALL
7	9952	CLIP, circuit breaker (4)	--	--	87*-ALL
8	31506-79B	STARTER RELAY	--	--	87*-ALL
9	33043-80	WASHER, neutral indicator switch	--	--	87*-ALL
10	33900-59B	SWITCH, neutral indicator	--	--	87*-ALL
11	71501-73A	IGNITION SWITCH	--	--	87*-ALL
12	71506-84	SWITCH COVER	--	--	87*-ALL
13	71541-84	PLATE, switch mounting	--	--	87*-ALL
14	71560-84	CONTACT ROLLER	--	--	87*-ALL
15	71580-84	SWITCH LOCK & KEY	--	--	87*-ALL
16	71583-85	KEYSET, ignition switch (specify key no.)	--	--	87*-ALL
17	72023-51A	STOPLAMP SWITCH, rear	--	--	87*-ALL
18	74589-73	CIRCUIT BREAKER (3)	--	--	87*-ALL
	74599-77B	CIRCUIT BREAKER, battery	--	--	87*-ALL

**FLT MODELS**

FLTC DB  
 FLHT DD  
 FLHTC DJ  
 FLTC-U DM  
 FLHTC-U DP  
 FLHS FA

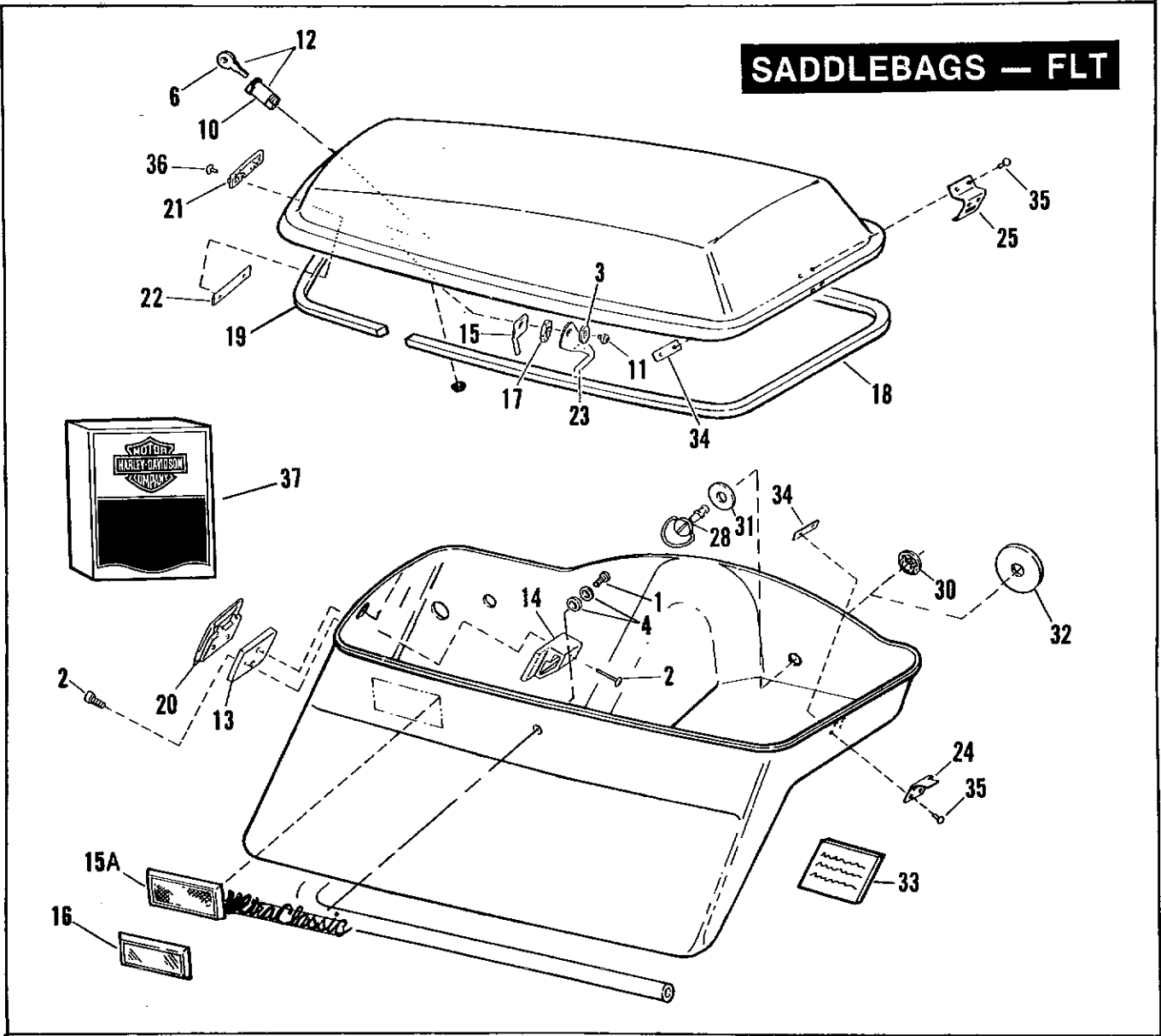
**FXR MODELS**

FXR EA  
 FXRS EB  
 FXRT EC  
 FXRS-SP EG  
 FXLR EL  
 FXRS-CON EM

**SOFTAIL MODELS**

FXST BH  
 FLST/C BJ  
 FXSTC BK  
 FXSTS BL  
 FLSTF BM

# SADDLEBAGS — FLT



INDEX NO.	PART NO.	NAME	FLT MODELS	FXR MODELS	SOFTAIL MODELS
<b>NOTE: REFER TO DEALER ACCESSORY GUIDE FOR PAINTED PART NUMBERS.</b>					
1	2589	SCREW (6)	89*-DM/P	--	--
1A	3597	SCREW (4)	87*-ALL	--	--
2	3598	SCREW (4)	87*-ALL	--	--
3	6055	WASHER (2)	87*-ALL	--	--
4	6717	WASHER (6)	89*-DM/P	--	--
6	48152-82	KEY (specify key no.)	87*-ALL	--	--
10	53580-82	CAM LOCK (2)	87*-ALL	--	--
11	53582-82	SCREW (2)	87*-ALL	--	--
12	53587-85	LOCK SET, w/#6, 10, 11 & 17	87*-DB/M	--	--
	53588-85	LOCK SET, w/#6, 10, 11 & 17	87*-DD/J/P	--	--
	53590-84	LOCK SET, w/#6, 10, 11 & 17	87*-FA	--	--
13	53615-85	SPACER (2)	87*-ALL	--	--
14	53616-85	CATCH (2)	87*-ALL	--	--
15	53617-85	GUIDE (2)	87*-ALL	--	--
15A	59244-89	NAMEPLATE, left	89-DM/P	--	--
	59244-90	NAMEPLATE, left	90*-DM/P	--	--
	59245-89	NAMEPLATE, right	N/A 89-DM/P	--	--
	59245-90	NAMEPLATE, right	90*-DM/P	--	--
16	59255-72	REFLECTOR (red)(2)	87&88 -ALL; 89*-DB/J, FA	--	--
	59259-90	REFLECTOR (red)(2)	90*-DM/P	--	--
	59263-79	REFLECTOR (red)(2)	89-DM/P	--	--
17	84850-67	NUT, lock (2)	87*-ALL	--	--
18	90633-82	GASKET, cover - 46" (2)	87*-ALL	--	--
19	90648-82	GASKET, cover - 11-1/2" (2)	87*-ALL	--	--
20	90649-85	BODY, catch (2)	87*-ALL	--	--
21	90663-85	CATCH, upper (2)	87*-ALL	--	--
22	90688-85	BACKING PLATE (2)	87*-ALL	--	--
23	90689-84	CAM HOOK (2)	87*-ALL	--	--
24	90745-79A	HINGE CLIP (2)	87*-ALL	--	--
25	90747-79	HINGE (2)	87*-ALL	--	--
28	90789-83	BAIL HEAD STUD (4)	87*-ALL	--	--
30	90790-83	RETAINER (4)	87*-ALL	--	--
31	90791-83	WASHER, reinforcement (4)	87*-ALL	--	--
32	90797-80	WASHER (rubber) (4)	87*-ALL	--	--
33	90820-74A	LABEL, load limits	87*-ALL	--	--
34	90964-63	BACKING PLATE (8)	87*-ALL	--	--
35	90965-63	RIVET, 5/16" long (16)	87*-ALL	--	--
36	90967-64	RIVET (4)	87*-ALL	--	--
37	91851-88	LINER, right	89*-DM/P	--	--
	91852-88	LINER, left	89*-DM/P	--	--
<b>H-D INTERNATIONAL ONLY</b>					
	2551W	BOLT, saddlebag mtg. (4)(HDI only)	90*-ALL	--	--
	7743	CLIP NUT, saddlebag mtg. (4)(HDI only)	90*-ALL	--	--
16	59256-84A	REFLECTOR (amber)(2)(HDI only)	87*-ALL	--	--

**FLT MODELS**

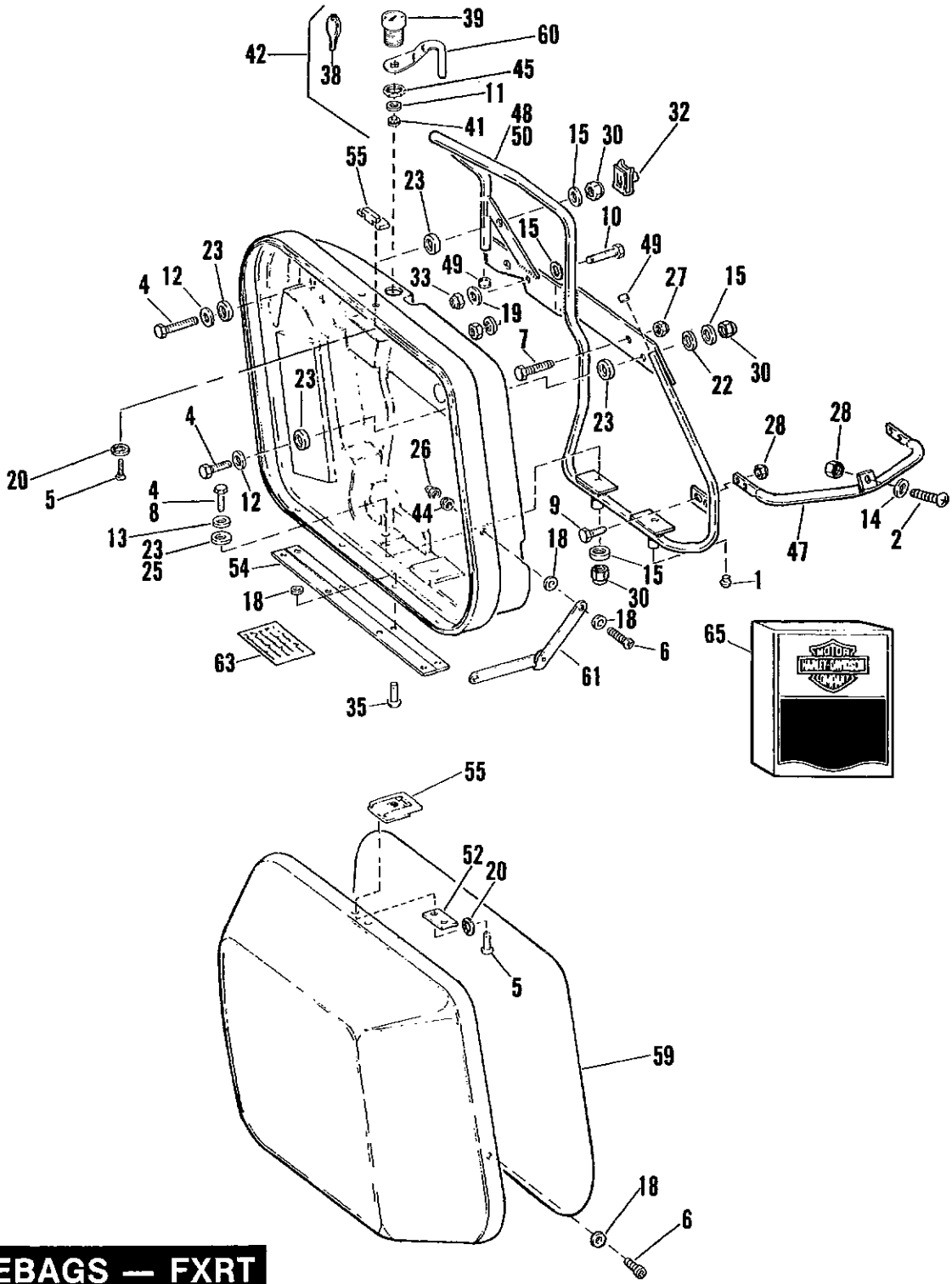
FLT C DB  
 FLHT DD  
 FLHTC DJ  
 FLTC-U DM  
 FLHTC-U DP  
 FLHS FA

**FXR MODELS**

FXR EA  
 FXRS EB  
 FXRT EC  
 FXRS-SP EG  
 FXLR EL  
 FXRS-CON EM

**SOFTAIL MODELS**

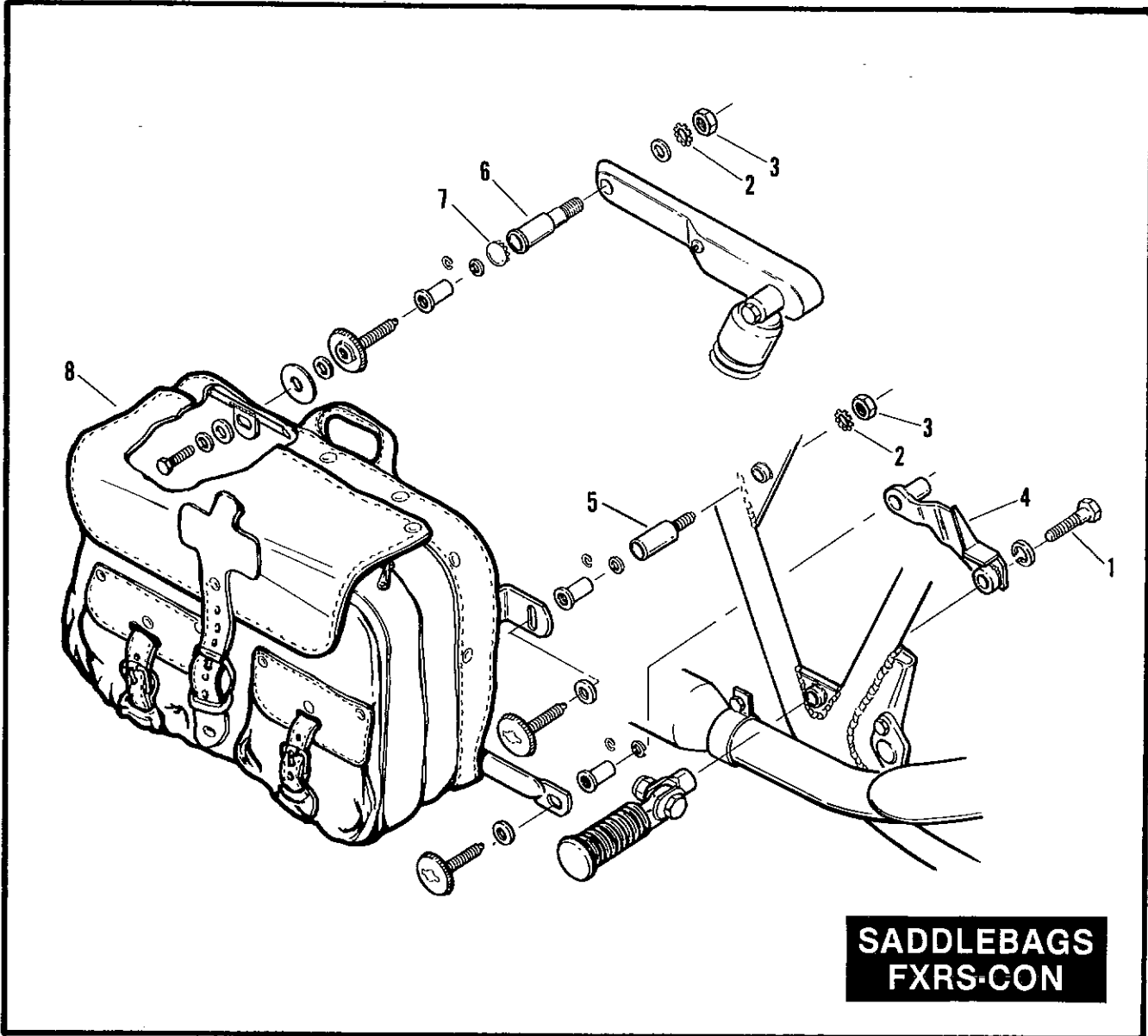
FXST BH  
 FLST/C BJ  
 FXSTC BK  
 FXSTS BL  
 FLSTF BM



**SADDLEBAGS — FXRT**

INDEX NO.	PART NO.	NAME	FLT MODELS	FXR MODELS	SOFTAIL MODELS
<b>NOTE; REFER TO DEALER ACCESSORY GUIDE FOR PAINTED PART NUMBERS.</b>					
1	735	PLUG, saddlebag bracket (4)	--	87*-EC	--
2	2607	SCREW	--	87*-EC	--
4	2790A	BOLT w/lockpatch (4)	--	87*-EC	--
5	2804W	SCREW (8)	--	87*-EC	--
6	2806	SCREW (4)	--	87*-EC	--
7	2887W	BOLT (2)	--	87*-EC	--
8	3445	SCREW (4)	--	87*-EC	--
9	3787	BOLT (4)	--	87*-EC	--
10	4412	BOLT (2)	--	87*-EC	--
11	6055	WAVE WASHER (2)	--	87*-EC	--
12	6229W	WASHER (7)	--	87*-EC	--
13	6333	WASHER (2)	--	87*-EC	--
14	6410	WASHER	--	87*-EC	--
15	6701	WASHER (2)	--	89*-EC	--
18	6717	WASHER (24)	--	87*-EC	--
19	6774	WASHER (2)	--	87&88-EC	--
20	7112	LOCKWASHER (8)	--	87*-EC	--
22	7130W	LOCKWASHER (2)	--	87*-EC	--
23	7415A	WASHER (15)	--	87*-EC	--
25	7419	WASHER (left side only)	--	87*-EC	--
26	7520	ACORN NUT (4)	--	87*-EC	--
27	7531	NUT (2)	--	87*-EC	--
28	7686	LOCKNUT (5)	--	87*-EC	--
30	7739	LOCKNUT (8)	--	87*-EC	--
32	7752	SPEED NUT (4)	--	87*-EC	--
33	7776W	LOCKNUT (2)	--	87*-EC	--
35	8533	RIVET (16)	--	87*-EC	--
38	48152-82	KEY (specify key no. 1 to 100)	--	87*-EC	--
39	53580-82	LOCK (2)	--	87*-EC	--
41	53582-82	SCREW (2)	--	87*-EC	--
42	53590-84	LOCK SET, w/#38, 39, 41 & 45	--	87*-EC	--
44	60031-61	NUT (4)	--	87*-EC	--
45	84850-67	NUT, lock bracket (2)	--	87*-EC	--
47	90488-83	CROSS BRACE	--	87*-EC	--
48	90492-85B	SUPPORT, saddlebag-left	--	87*-EC	--
49	90493-83	PLUG (4)	--	87*-EC	--
50	90499-83B	SUPPORT, saddlebag-right	--	87*-EC	--
52	90655-83	CATCH, lock (2)	--	87*-EC	--
54	90657-84	HINGE, (2)	--	87*-EC	--
55	90658-84	CATCH (2)	--	87*-EC	--
59	90685-83	SEAL, cover (2)	--	87*-EC	--
60	90689-84	LOCKING HOOK (2)	--	87*-EC	--
61	90699-83	RETAINER ARM, cover (2)	--	87*-EC	--
63	90820-74A	LABEL, load limit (2)	--	87*-EC	--
65	91836-82	TRAVEL BAG, large (2)	--	87*-EC	--

FLT MODELS		FXR MODELS		SOFTAIL MODELS	
FLTC	DB	FXR	EA	FXST	BH
FLHT	DD	FXRS	EB	FLST/C	BJ
FLHTC	DJ	FXRT	EC	FXSTC	BK
FLTC-U	DM	FXRS-SP	EG	FXSTS	BL
FLHTC-U	DP	FXLR	EL	FLSTF	BM
FLHS	FA	FXRS-CON	EM		



**SADDLEBAGS  
FXRS-CON**

INDEX NO.	PART NO.	NAME	FLT MODELS	FXR MODELS	SOFTAIL MODELS
1	4081	BOLT (2)	--	L89*-EM	--
2	7145W	LOCKWASHER (4)	--	L89*-EM	--
3	7643W	NUT (4)	--	L89*-EM	--
4	90350-89	MOUNTING BRACKET, lower - right	--	L89*-EM	--
	90351-89	MOUNTING BRACKET, lower - left	--	L89*-EM	--
5	90359-89	WELL NUT RECEPTACLE, upper - front (2)	--	L89*-EM	--
6	90360-89	WELL NUT STUD (2)	--	L89*-EM	--
7	90357-89	HOLE PLUG (chrome)(2)	--	L89*-EM	--
8	90702-89	SADDLEBAG, left	--	L89*-EM	--
	90703-89	SADDLEBAG, right	--	L89*-EM	--

FLT MODELS

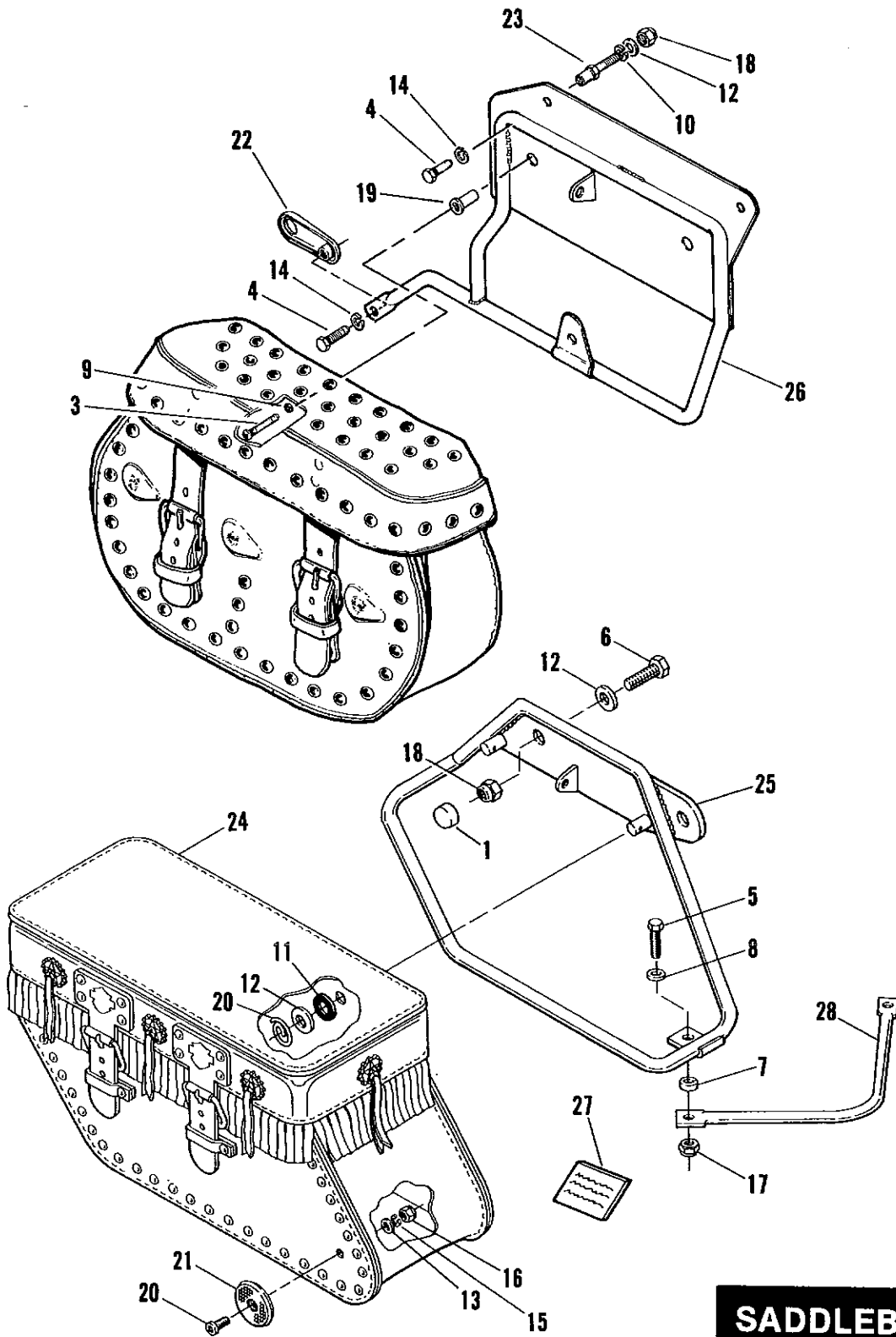
FLTC DB  
 FLHT DD  
 FLHTC DJ  
 FLTC-U DM  
 FLHTC-U DP  
 FLHS FA

FXR MODELS

FXR EA  
 FXRS EB  
 FXRT EC  
 FXRS-SP EG  
 FXLR EL  
 FXRS-CON EM

SOFTAIL MODELS

FXST BH  
 FLST/C BJ  
 FXSTC BK  
 FXSTS BL  
 FLSTF BM

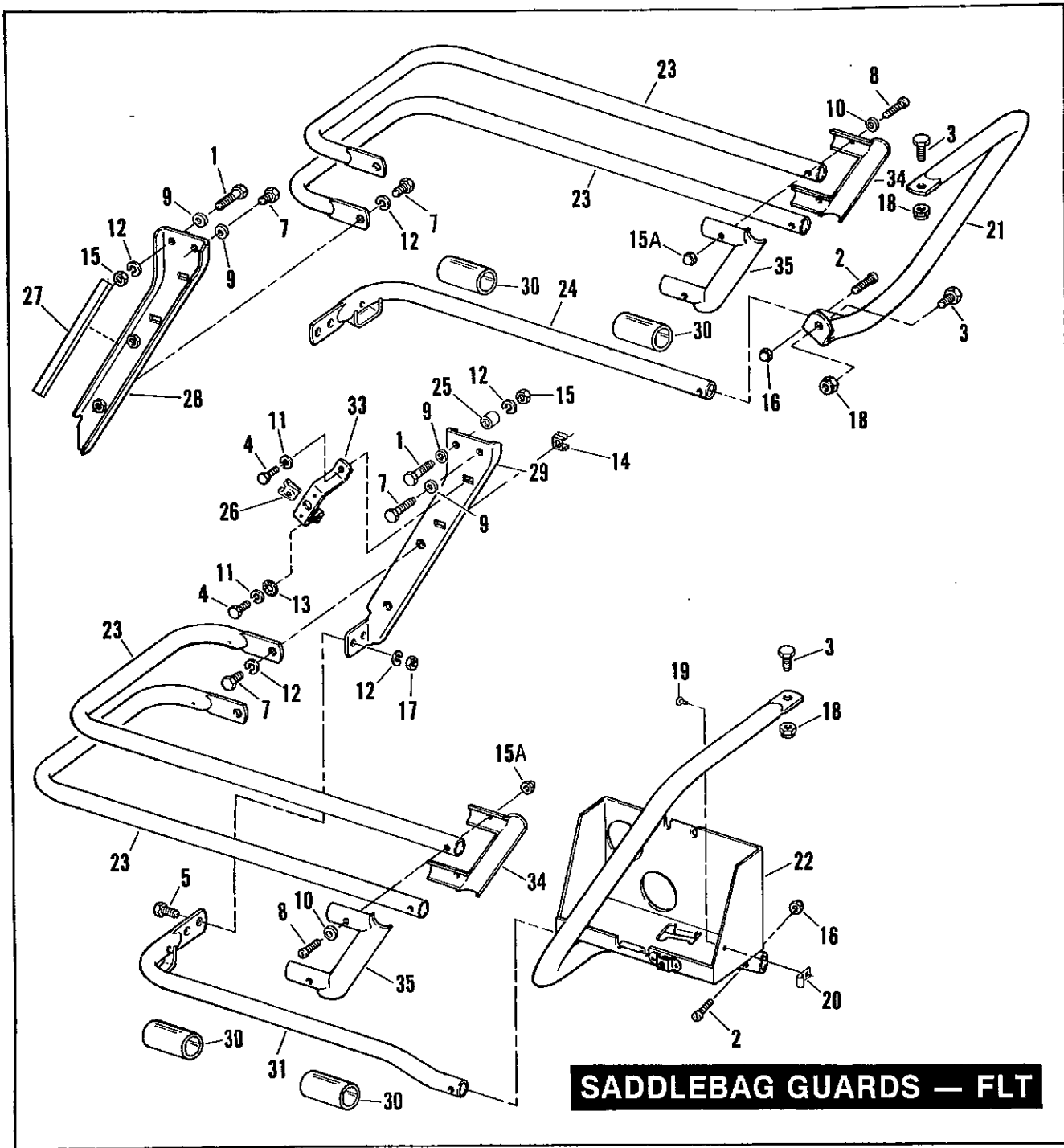


**SADDLEBAGS  
FLSTC**



INDEX NO.	PART NO.	NAME	FLT MODELS	FXR MODELS	SOFTAIL MODELS
1	741	CAP, plastic (4)	--	--	L87 to 89-BJ
2	1205	SCREW (2)	--	--	89-BJ
	2665	SCREW (2)	--	--	L87&88-BJ
3	2602	BOLT (6)	--	--	90*-BJ
4	2882W	BOLT (6)	--	--	90*-BJ
5	2887W	BOLT (2)	--	--	L87 to 89-BJ
6	4720W	BOLT (4)	--	--	L87 to 89-BJ
7	5940	SPACER (2)	N/A	--	L87 to 89-BJ
8	6109	WASHER (2)	--	--	L87 to 89-BJ
9	6235	WASHER (4)	--	--	90*-BJ
10	6379W	WASHER (4)	--	--	90*-BJ
11	6398	WASHER (rubber) (4)	--	--	L87 to 89-BJ
12	6701	WASHER (8; 4-1990 & Later)	--	--	L87*-BJ
13	6716	WASHER (2)	--	--	L87 to 89-BJ
15	7069	LOCKWASHER (2)	--	--	88&89-BJ
14	7041	LOCKWASHER (8)	--	--	90*-BJ
16	7626W	LOCKNUT (2)	--	--	L87-BJ
	90844-80	ACORN NUT (2)	--	--	88&89-BJ
17	7739	LOCKNUT (2)	--	--	L87 to 89-BJ
18	7778	LOCKNUT (4)	--	--	L87 to 89-BJ
19	8099	WELL NUT (6)	--	--	90*-BJ
20	51923-86	CIRCLE COTTER (4)	--	--	L87 to 89-BJ
21	59264-86	REFLECTOR (red) (2)	--	--	L87 to 89-BJ
22	90346-90	SUPPORT, lower-front (2)	--	--	90*-BJ
23	90361-90	SUPPORT, upper (4)	--	--	90*-BJ
24	90640-86	SADDLEBAG, left	--	--	L87 to 89-BJ
	90644-86	SADDLEBAG, right	--	--	L87 to 89-BJ
25	90785-86	SUPPORT, right	--	--	L87 to 89-BJ
	90787-86	SUPPORT, left	--	--	L87 to 89-BJ
26	90785-90	SUPPORT, right	--	--	90*-BJ
	90787-90	SUPPORT, left	--	--	90*-BJ
27	90820-74A	LABEL, load limit (2)	--	--	L87 to 89-BJ
	90835-90	SADDLEBAG ASM.,complete	--	--	90*-BJ
28	90989-63	BRACE, saddlebag	--	--	L87 to 89-BJ
<b>H-D INTERNATIONAL ONLY</b>					
	1205	SCREW (2)(HDI only)	--	--	87 to 89-BJ
	6716	WASHER (2)(HDI only)	--	--	87 to 89-BJ
	7069	LOCKWASHER (2)(HDI only)	--	--	87 to 89-BJ
	59252-87	REFLECTOR, round (amber)(2)(HDI only)	--	--	87 to 89-BJ
	90844-80	ACORN NUT (2)(HDI only)	--	--	87 to 89-BJ

FLT MODELS		FXR MODELS		SOFTAIL MODELS	
FLTC	DB	FXR	EA	FXST	BH
FLHT	DD	FXRS	EB	FLST/C	BJ
FLHTC	DJ	FXRT	EC	FXSTC	BK
FLTC-U	DM	FXRS-SP	EG	FXSTS	BL
FLHTC-U	DP	FXLR	EL	FLSTF	BM
FLHS	FA	FXRS-CON	EM		



**SADDLEBAG GUARDS - FLT MODELS**

INDEX NO.	PART NO.	NAME	FLT MODELS	FXR MODELS	SOFTAIL MODELS
1	2818	BOLT (2)	87*-ALL	--	--
1A	2882W	BOLT (2)	90*-DB/J/M/P	--	--
2	2841W	SCREW (3)	87*-ALL	--	--
3	2889	BOLT (3)	87*-ALL	--	--
4	3765	BOLT (4)	87*-ALL	--	--
5	3974HW	BOLT (4)	87*-ALL	--	--
7	4391	BOLT (2)	87 to 89- DB/D/J/M/P	--	--
8	4800	SCREW (4)	87*-DB/D/J/M/P	--	--
9	6702	WASHER (4)	87*-ALL	--	--
10	6703	WASHER (4)	87*-DB/D/J/M/P	--	--
11	7036	LOCKWASHER (4)	87*-ALL	--	--
12	7041	LOCKWASHER (10; 6-FA)	87*-ALL	--	--
13	7230	LOCKWASHER	87*-ALL	--	--
14	7510	CLIP NUT (4)	87*-ALL	--	--
15	7531	LOCKNUT (2)	87*-ALL	--	--
15A	7737W	ACORN NUT (4)	87*-DB/D/J/M/P	--	--
16	7683	LOCKNUT (3)	87*-ALL	--	--
17	7753	NUT (4)	87*-ALL	--	--
18	7776W	LOCKNUT (3)	87*-ALL	--	--
19	8672	RIVET	87*-ALL	--	--
20	10034	CLIP	87*-ALL	--	--
21	49187-79	GUARD, left	87*-ALL	--	--
22	49188-79A	GUARD, right, with battery support	87*-ALL	--	--
23	49193-79	GUARD, saddlebags (4)	87*-DB/D/J/M/P	--	--
24	49194-85	SUPPORT, saddlebag - left	87*-ALL	--	--
25	59059-86	SPACER (2)	87*-ALL	--	--
26	70908-82	RECEPTACLE (4)	87*-ALL	--	--
27	90594-85	CUSHION (2)	87*-ALL	--	--
28	90718-79	SUPPORT BRACKET, left	87*-ALL	--	--
29	90720-79	SUPPORT BRACKET, right	87*-ALL	--	--
30	90764-83	PAD, saddlebag mounting (4)	87*-ALL	--	--
31	90781-85	SUPPORT, saddlebag - right	87*-ALL	--	--
33	90801-83	BRACKET, saddlebag mounting (2)	87*-ALL	--	--
34	90940-79	CLAMP, saddlebag guard - left (2)	87*-DB/D/J/M/P	--	--
35	90941-79	CLAMP, saddlebag guard - right (2)	87*-DB/D/J/M/P	--	--

**FLT MODELS**

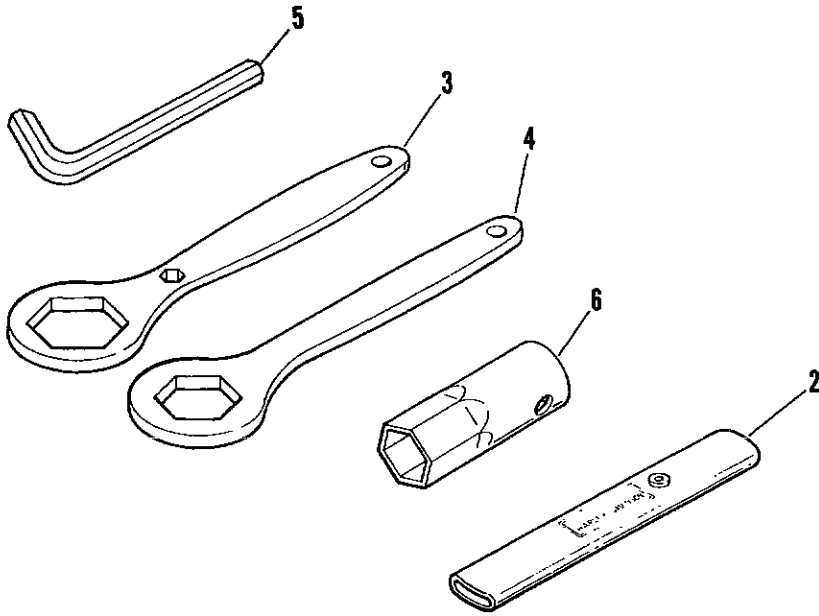
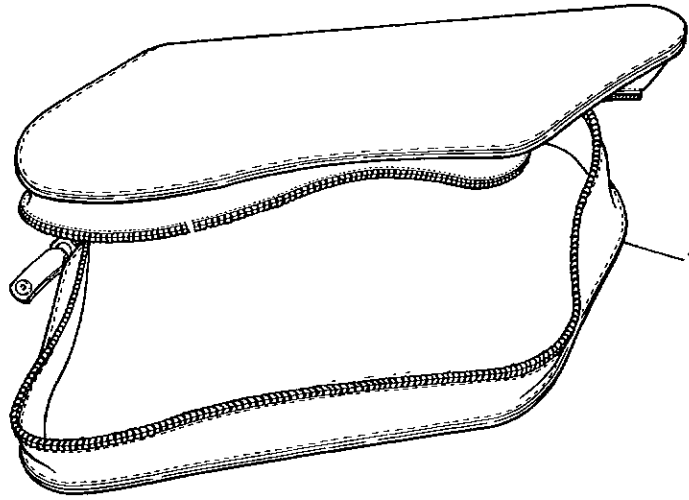
FLTC DB  
 FLHT DD  
 FLHTC DJ  
 FLTC-U DM  
 FLHTC-U DP  
 FLHS FA

**FXR MODELS**

FXR EA  
 FXRS EB  
 FXRT EC  
 FXRS-SP EG  
 FXLR EL  
 FXRS-CON EM

**SOFTAIL MODELS**

FXST BH  
 FLST/C BJ  
 FXSTC BK  
 FXSTS BL  
 FLSTF BM



**RIDER TOOLS — FLT**

INDEX NO.	PART NO.	NAME	FLT MODELS	FXR MODELS	SOFTAIL MODELS
1	94436-82A	POUCH	N/A 87*-DB/D/J/M/P	--	--
2	94443-82	EXTENSION HANDLE	N/A 87 to 89- DB/D/J/M/P	--	--
3	94445-82	WRENCH, rear axle	87 to 89- DB/D/J/M/P	--	--
4	94447-82	WRENCH, front axle - 3/4	87 to 89- DB/D/J/M/P	--	--
5	94452-85	HEX WRENCH - 3/8	87*-DB/D/J/M/P	--	--
	94453-85	HEX WRENCH - 5/16	87*-DB/D/J/M/P	--	--
6	94515-68A	SPARK PLUG SOCKET	87*-DB/D/J/M/P	--	--

FLT MODELS

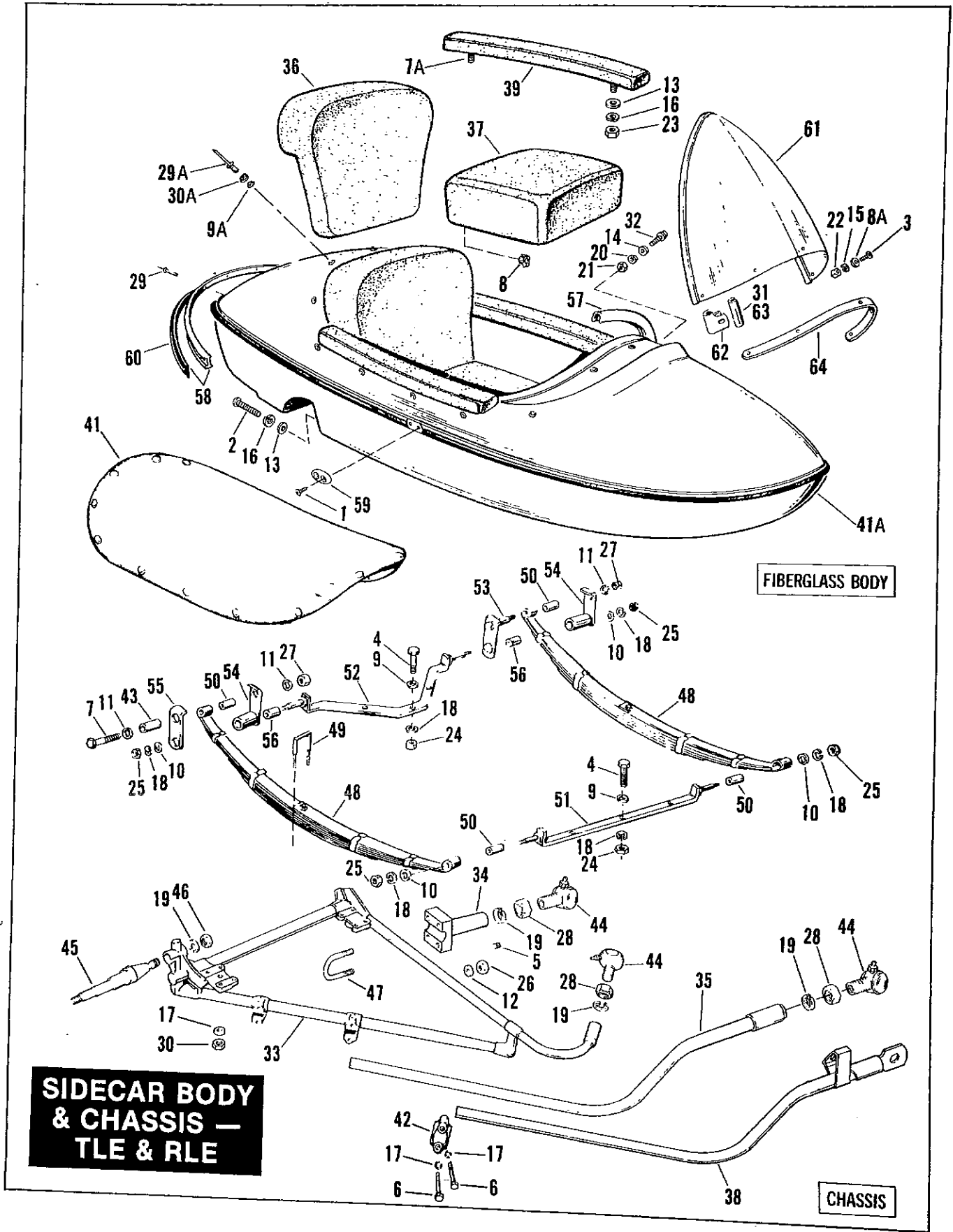
FLTC DB  
 FLHT DD  
 FLHTC DJ  
 FLTC-U DM  
 FLHTC-U DP  
 FLHS FA

FXR MODELS

FXR EA  
 FXRS EB  
 FXRT EC  
 FXRS-SP EG  
 FXLR EL  
 FXRS-CON EM

SOFTAIL MODELS

FXST BH  
 FLST/C BJ  
 FXSTC BK  
 FXSTS BL  
 FLSTF BM



**SIDECAR BODY & CHASSIS - TLE & RLE**

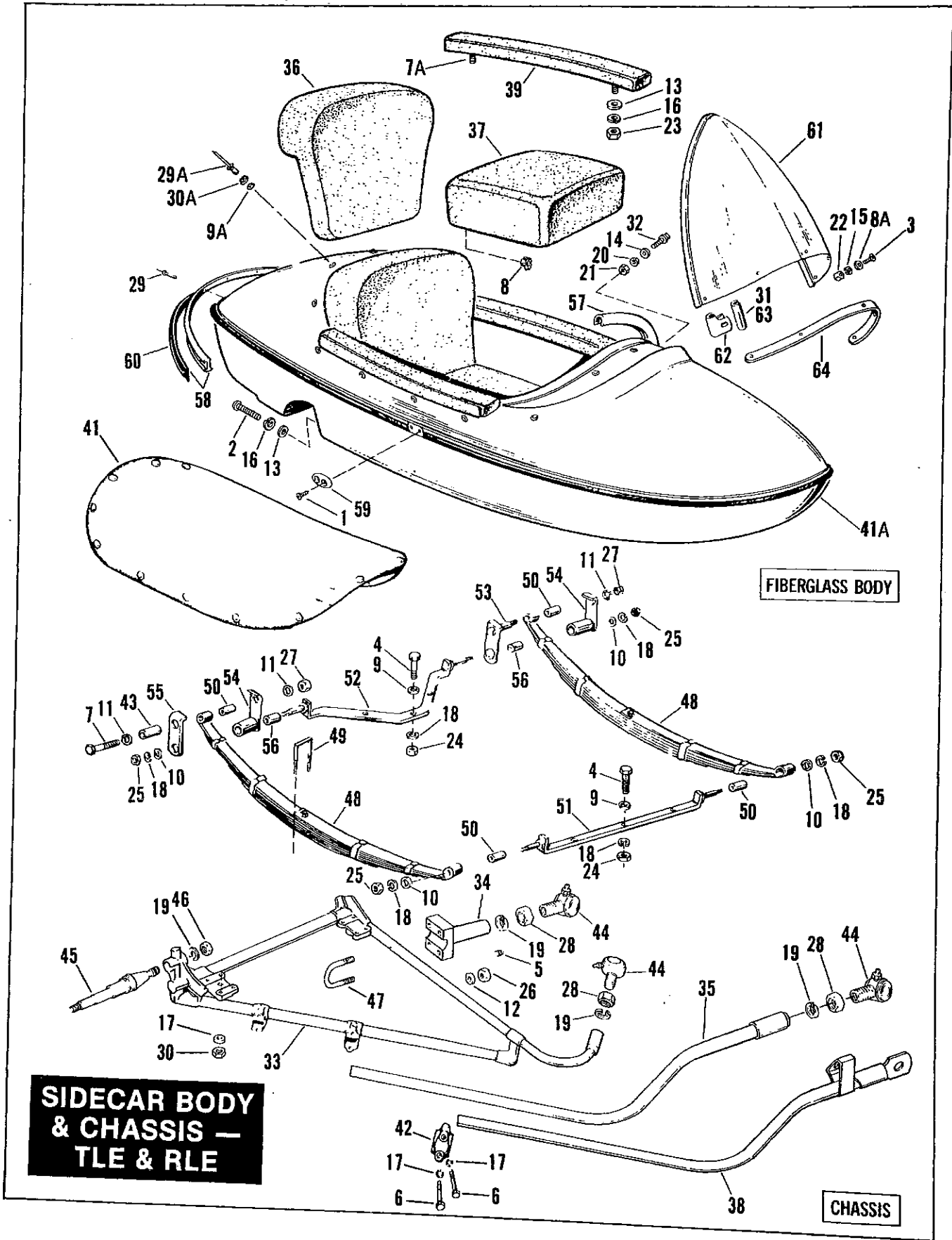
**F54-1**

INDEX NO.	PART NO.	NAME	FLT MODELS	FXR MODELS	SOFTAIL MODELS
1	2216W	SCREW (2)	87*-GX,KX	87*-HX	--
2	2599	SCREW (2)	87*-GX	87*-HX	--
3	2726	SCREW (5)	87*-GX	87*-HX	--
4	2887W	BOLT (6)	87*-GX,KX	87*-HX	--
5	3233	SET SCREW (2)	87*-GX,KX	87*-HX	--
6	3946	BOLT (4)	87*-GX,KX	87*-HX	--
7	4401W	BOLT	87*-GX,KX	87*-HX	--
7A	5406B	BOLT (4)	N/A 87*-GX	87*-HX	--
8	5486W	TEE NUT (2)	N/A 87*-GX	87*-HX	--
8A	6228W	WASHER (5)	87*-GX	87*-HX	--
9	6332B	WASHER (6)	87*-GX,KX	87*-HX	--
9A	6335	WASHER (16)	90*-GX,KX	90*-HX	--
10	6237	WASHER (4)	87*-GX,KX	87*-HX	--
11	6416	WASHER (2)	87*-GX,KX	87*-HX	--
12	6701	WASHER (4)	87*-GX,KX	87*-HX	--
13	6703	WASHER (6)	87*-GX	87*-HX	--
14	6716	WASHER (16)	87 to 89-GX	87 to 89-HX	--
15	7030W	LOCKWASHER (5)	87*-GX	87*-HX	--
16	7036	LOCKWASHER (6)	87*-GX	87*-HX	--
17	7039	LOCKWASHER (12)	87*-GX,KX	87*-HX	--
18	7041	LOCKWASHER (10)	87*-GX,KX	87*-HX	--
19	7043	LOCKWASHER (4)	87*-GX,KX	87*-HX	--
20	7069	LOCKWASHER (16)	87 to 89-GX	87 to 89-HX	--
21	7638	NUT (16)	87 to 89-GX	87 to 89-HX	--
22	7654W	NUT (5)	87*-GX	87*-HX	--
23	7688	NUT (4)	87*-GX	87*-HX	--
24	7748W	NUT (6)	87*-GX,KX	87*-HX	--
25	7753	NUT (4)	87*-GX,KX	87*-HX	--
26	7775	LOCKNUT (4)	87*-GX,KX	87*-HX	--
27	7780	LOCKNUT (2)	87*-GX,KX	87*-HX	--
28	7855W	JAM NUT (3)	87*-GX,KX	87*-HX	--
29	8688	POP RIVET (29)	87*-GX,KX	87*-HX	--
29A	8696	POP RIVET (16)	90*-GX,KX	90*-HX	--
30	16602-30	NUT (8)	87*-GX,KX	87*-HX	--
30A	47076-72	SNAP BASE	90*-GX,KX	90*-HX	--
31	58049-50A	BUSHING, windshield molding (2)	N/A 87*-GX	87*-HX	--
32	58132-66	SNAP STUD, body cover (16)	N/A 87 to 89-GX	87 to 89-HX	--
33	87006-85	FRAME ASSY., sidecar	--	87*-HX	--
	87160-83	FRAME ASSY., sidecar	87*-GX,KX	--	--
34	87014-85	REAR MOUNTING ASSY.	--	87*-HX	--
	87157-83	REAR MOUNTING ASSY.	E87-GK	--	--
	87157-87	REAR MOUNTING ASSY.	L87*-GX,KX	--	--
35	87030-85	BRACE, sidecar frame	--	87*-HX	--
36	87053-79	BACK CUSHION (brown)	87*-GX	--	--
	88481-67	BACK CUSHION (black)	87*-GX	87*-HX	--
37	87055-79	SEAT CUSHION (brown)	87*-GX	--	--
	88487-67	SEAT CUSHION (black)	87*-GX	87*-HX	--
38	87056-83B	BRACE, sidecar frame	87*-GX,KX	--	--
39	87057-79	ARM REST CUSHION (brown)(2)	87*-GX	--	--
	88493-67	ARM REST CUSHION (black)(2)	87*-GX	87*-HX	--
41	87058-79	COVER, sidecar body (brown)	87*-GX	--	--
	88528-67	COVER, sidecar body (black)	87*-GX	87*-HX	--

FLT MODELS  
TLE  
TLE-ULTRA

GX  
KX

FXR MODELS  
RLE  
HX





**SIDECAR BODY & CHASSIS - TLE & RLE (CONT'D)**

**F54-2**

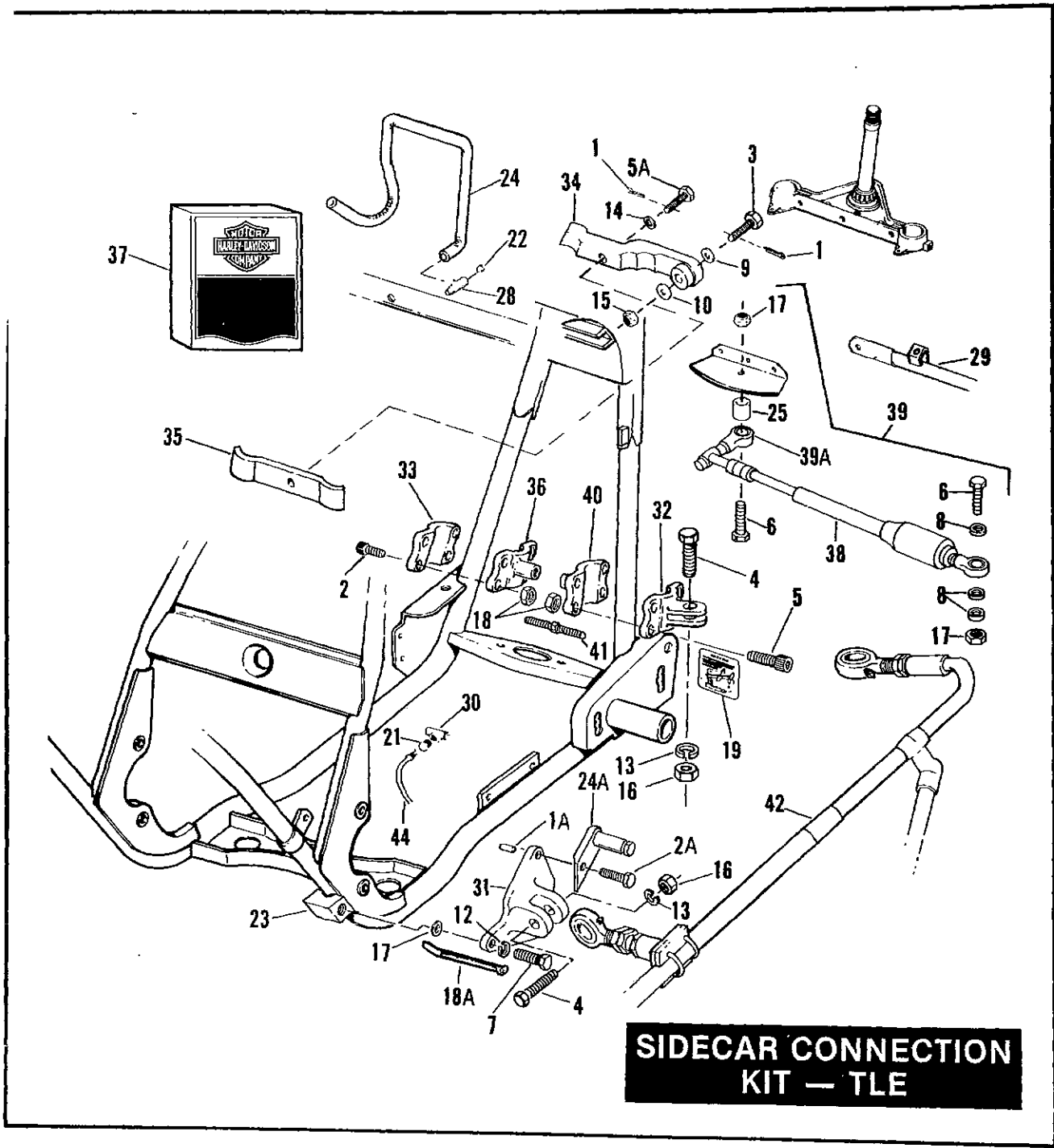
INDEX NO.	PART NO.	NAME	FLT MODELS	FXR MODELS	SOFTAIL MODELS
41A	87068-87	SIDECAR BODY (candy two-tone)	87*-GX	87*-HX	--
	87075-87	SIDECAR BODY (single color)	87*-GX	87*-HX	--
	87078-87	SIDECAR BODY (two-tone)	87*-GX	87*-HX	--
	87079-87	SIDECAR BODY (single candy color)	87*-GX	87*-HX	--
42	87117-36	LOWER CLAMP (2)	87*-GX,KX	87*-HX	--
43	87120-79	SPACER, turn signal & spring shackle	87*-GX,KX	87*-HX	--
44	87159-83	ROD END, sidecar mounting (2;3-HX)	87*-GX,KX	87*-HX	--
45	87435-83	AXLE	87*-GX,KX	87*-HX	--
46	87444-33	AXLE NUT, inside sidecar frame	87*-GX,KX	87*-HX	--
47	87701-79	U-BOLT, rear mounting bracket	87*-GX,KX	87*-HX	--
48	88100-24A	SIDECAR SPRING (2)	87*-GX,KX	87*-HX	--
49	88172-25	U-BOLT, springs (4)	87*-GX,KX	87*-HX	--
50	88174-37	SPRING BUSHING (4)	87*-GX,KX	87*-HX	--
51	88261-36	SUPPORT ROD, front	87*-GX,KX	87*-HX	--
52	88264-36	SUPPORT ROD, rear	87*-GX,KX	87*-HX	--
53	88300-79	SHACKLE PLATE w/stud, inner-spring	N/A 87*-GX,KX	87*-HX	--
54	88301-79	SHACKLE PLATE w/bushing, spring (2)	87*-GX,KX	87*-HX	--
55	88302-79	SHACKLE PLATE, spring-outer	87*-GX,KX	87*-HX	--
56	88314-37	BUSHING, shackle plate (2)	87*-GX,KX	87*-HX	--
57	88425-67	TRIM STRIP, body top (black)	87*-GX	87*-HX	--
58	88694-67	TRIM STRIP w/fittings	N/A 87*-GX,KX	87*-HX	--
59	88695-67	RETAINER CLIP, sidecar trim strip	87*-GX,KX	87*-HX	--
60	88698-67	CHANNEL INSERT, trim strip (blk vinyl)	87*-GX,KX	87*-HX	--
61	88862-67	WINDSHIELD, only	87*-GX	87*-HX	--
62	88883-67	CLAMP, windshield molding (2)	87*-GX	87*-HX	--
63	88885-67	BUSHING, windshield molding (2)	N/A 87*-GX	87*-HX	--
64	88895-67	WINDSHIELD BRACE	87*-GX	87*-HX	--

FLT MODELS  
TLE  
TLE-ULTRA

GX  
KX

FXR MODELS  
RLE

HX



INDEX NO.	PART NO.	NAME	FLT MODELS	FXR MODELS	SOFTAIL MODELS
1	559	COTTER PIN	87*-GX,KX	--	--
1A	604	ROLL PIN	87*-GX,KX	--	--
2	855A	SCREW (4)	87*-GX,KX	--	--
2A	3764	BOLT	90*-GX,KX	--	--
	3946	BOLT	L87 to 89-GX	--	--
3	3973	BOLT	87*-GX,KX	--	--
4	4028	BOLT (2)	87*-GX,KX	--	--
5	4029	SCREW (4)	87*-GX,KX	--	--
5A	4081	BOLT	87*-GX,KX	--	--
6	4411	BOLT (2)	87*-GX,KX	--	--
7	4729	BOLT	87*-GX,KX	--	--
8	6701	WASHER (3)	87*-GX,KX	--	--
9	6718	WASHER	87*-GX,KX	--	--
10	6723	WASHER	87*-GX,KX	--	--
11	6960	SHIM, 0.004" thick (as req'd)	87*-GX,KX	--	--
	6961	SHIM, 0.007" thick (as req'd)	87*-GX,KX	--	--
	6962	SHIM, 0.015" thick (as req'd)	87*-GX,KX	--	--
	6963	SHIM, 0.031" thick (as req'd)	87*-GX,KX	--	--
12	7039	LOCKWASHER	87*-GX,KX	--	--
13	7043	LOCKWASHER (2)	87*-GX,KX	--	--
14	7068	LOCKWASHER	87*-GX,KX	--	--
15	7734W	CASTLE NUT	87*-GX,KX	--	--
16	7652	NUT (2)	87*-GX,KX	--	--
17	7775	NUT (2)	87*-GX,KX	--	--
18	7778	LOCKNUT (8)	87*-GX,KX	--	--
19	10006	CABLE STRAP (8)	87*-GX,KX	--	--
20	14027-83	LABEL, footboard & brake pedal adj.	87*-GX,KX	--	--
21	42311-58	PLUG, brake line (w/sidecar removed)	87*-GX,KX	--	--
22	45830-48	PLUG, front fork air control	87-GX	--	--
23	47902-83	MOUNTING BLOCK, rear	87*-GX,KX	--	--
24	49060-84	HOSE, front fork air control	87-GX	--	--
24A	50594-87	MOUNT, passenger footboard	L87*-GX,KX	--	--
25	59938-72	SPACER, mounting	87*-GX,KX	--	--
28	74423-68	FITTING, front fork air control	87-GX	--	--
29	87056-83B	BRACE, sidecar frame	87*-GX,KX	--	--
30	87113-83	TEE, brake line	87*-GX,KX	--	--
31	87114-83	BRACKET ASSY., rear w/#1	87*-GX,KX	--	--
32	87122-83	MOUNTING BRACKET, lower front-right	87*-GX,KX	--	--
33	87123-83	MOUNTING BRACKET, lower front-left	87*-GX,KX	--	--
34	87131-83B	UPPER CONNECTION, front	87*-GX,KX	--	--
35	87132-83B	UPPER CONNECTION, rear	87*-GX,KX	--	--
36	87137-83	STABILIZER BRACKET, left	87*-GX,KX	--	--
37	87140-83	STEERING DAMPER KIT	N/A 87*-GX,KX	--	--
38	87141-83	STEERING DAMPER	87*-GX,KX	--	--
39	87142-83	DAMPER MOUNTING KIT	87*-GX,KX	--	--
39A	87144-83	ROD END BALL JOINT	87*-GX,KX	--	--
40	87148-83	STABILIZER BRACKET, right	87*-GX,KX	--	--
41	87156-83	STABILIZER, front	87*-GX,KX	--	--
42	87160-83	FRAME ASSY.	87*-GX,KX	--	--
	87166-83C	CONNECTION KIT, sidecar	87*-GX,KX	--	--
44	87776-83	BRAKE LINE, sidecar	87*-GX,KX	--	--

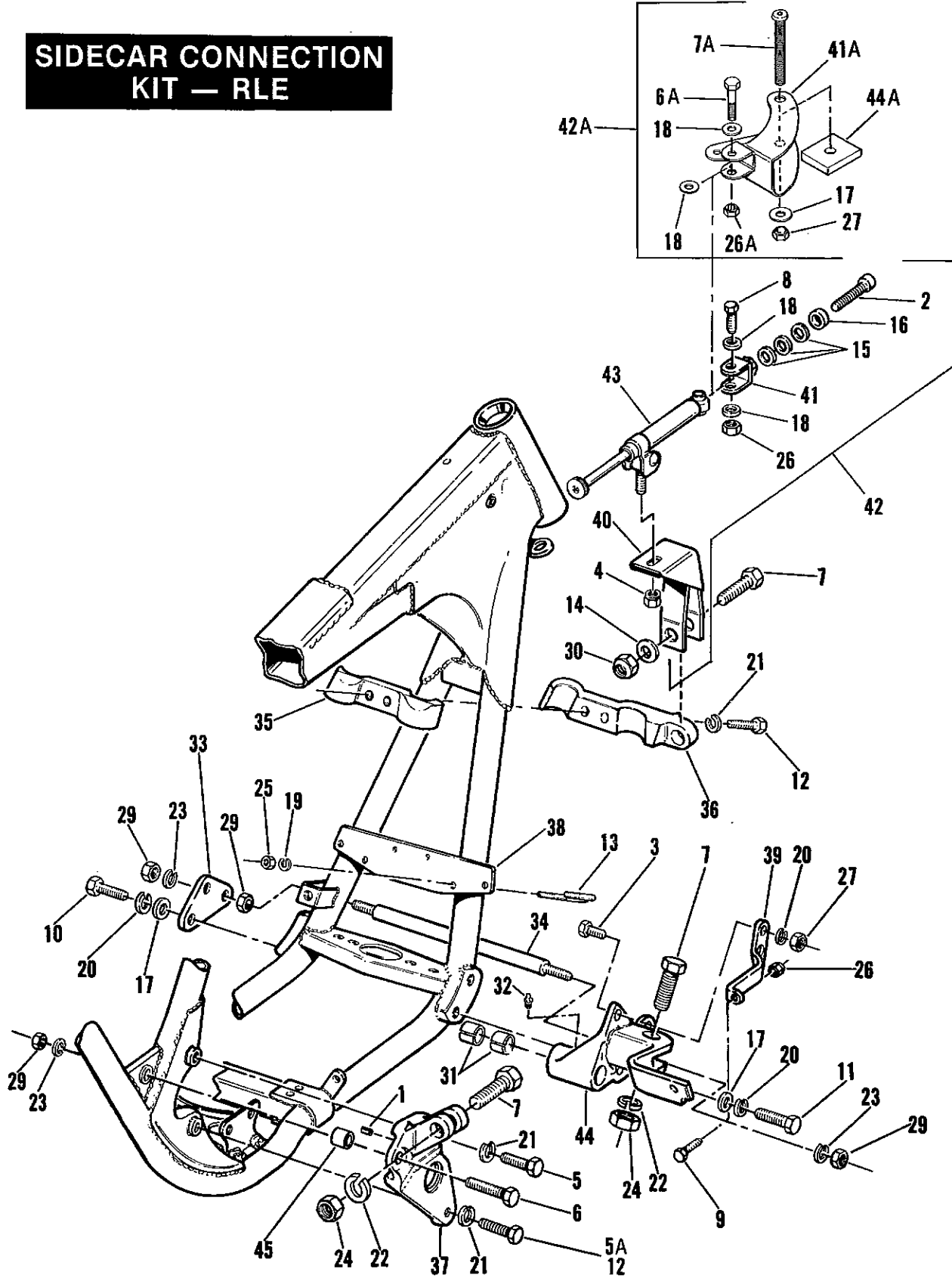
FLT MODELS  
TLE  
TLE-ULTRA

GX  
KX

FXR MODELS

RLE HX

# SIDECAR CONNECTION KIT — RLE



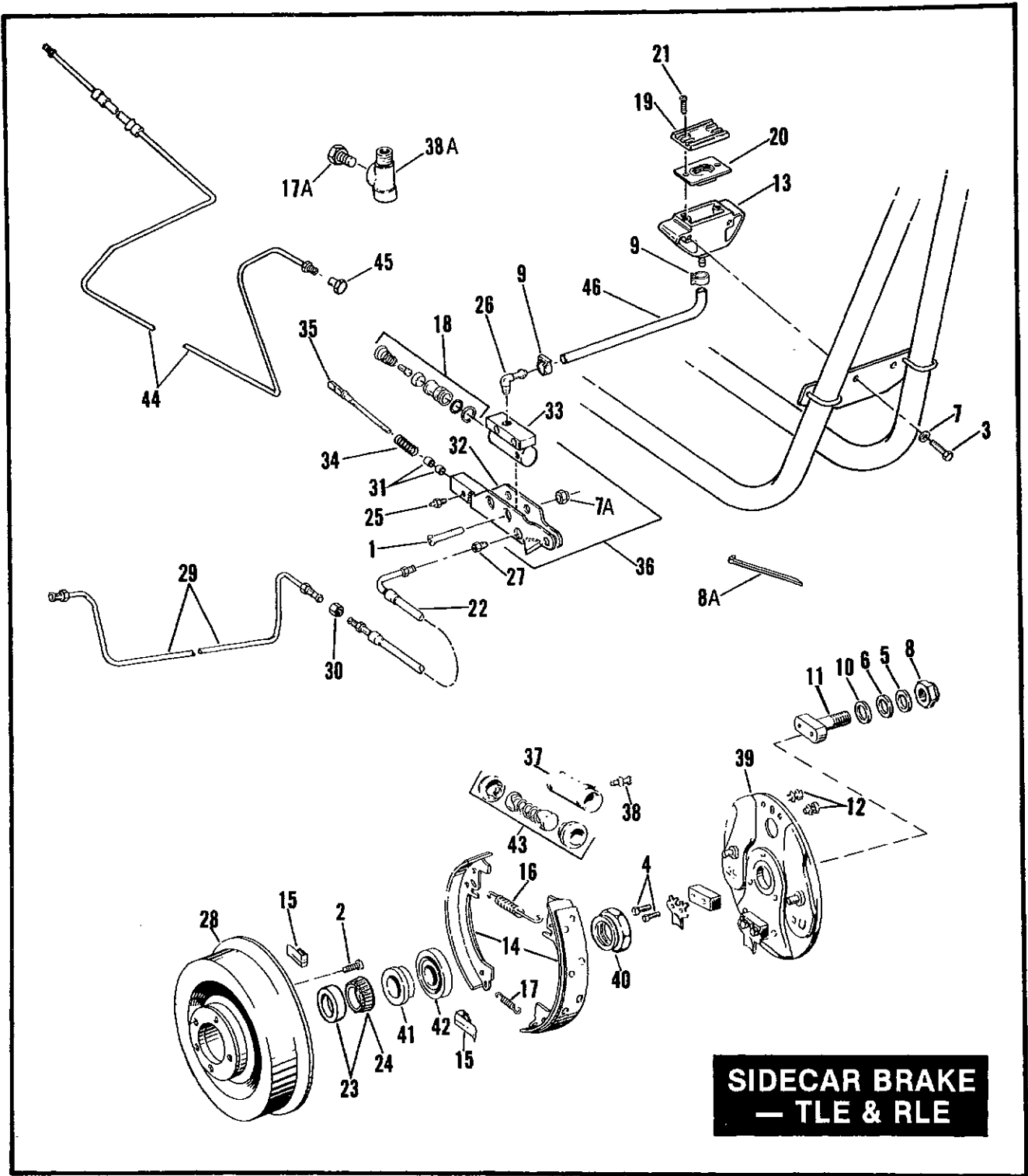
**SIDECAR CONNECTION KIT - RLE**

**F55A**

INDEX NO.	PART NO.	NAME	FLT MODELS	FXR MODELS	SOFTAIL MODELS
1	604	ROLL PIN	--	87*-HX	--
2	883	SCREW	--	87-HX	--
3	2879W	BOLT	--	87*-HX	--
4	3403	LOCKNUT	--	87*-HX	--
5	3764	BOLT	--	90*-HX	--
5A	3771	BOLT	--	90*-HX	--
	3946	BOLT	--	87 to 89-HX	--
6	3958	BOLT	--	87*-HX	--
6A	4014W	BOLT	--	88*-HX	--
7	4028	BOLT (3)	--	87*-HX	--
7A	4030	SCREW	--	88*-HX	--
8	4036	BOLT	--	87-HX	--
9	4701	BOLT	--	87*-HX	--
10	4716W	BOLT (2)	--	87*-HX	--
11	4721	BOLT (2)	--	87*-HX	--
12	4726	BOLT (3; 2-1990 & Later)	--	87*-HX	--
13	5251	U-BOLT (2)	N/A --	87*-HX	--
14	6340	WASHER	N/A --	87*-HX	--
15	6375B	WASHER (3)	--	87-HX	--
16	6379W	WASHER	--	87-HX	--
17	6701	WASHER (4)	--	87*-HX	--
18	6702	WASHER (2)	--	87*-HX	--
19	7036	LOCKWASHER (4)	--	87*-HX	--
20	7038	LOCKWASHER (5)	--	87*-HX	--
21	7039	LOCKWASHER (4)	--	87*-HX	--
22	7043	LOCKWASHER (2)	--	87*-HX	--
23	7068	LOCKWASHER (3)	--	87*-HX	--
24	7652	NUT (2)	--	87*-HX	--
25	7688	NUT (4)	--	87*-HX	--
26	7725	NUT (2)	--	87*-HX	--
26A	7727	LOCKNUT	--	88*-HX	--
27	7778	LOCKNUT	--	88*-HX	--
27A	7783	NUT	--	87*-HX	--
29	7845	NUT (4)	--	87*-HX	--
30	35078-79	LOCKNUT	--	87*-HX	--
	45421-84	FORK BRACE (chrome)	--	87-HX	--
	45452-87	FORK BRACE (chrome)	--	88*-HX	--
31	47247-83	BUSHING (2)	--	87*-HX	--
32	50972-75	FITTING, lubrication	--	87*-HX	--
33	87007-85	ADJUSTER PLATE, left front	--	87*-HX	--
	87008-85	SIDECAR CONNECTION KIT	N/A --	87-HX	--
	87008-88	SIDECAR CONNECTION KIT	--	88*-HX	--
34	87010-85	STABILIZER, front	--	87*-HX	--
35	87011-85	UPPER CONNECTION, rear	--	87*-HX	--
36	87013-85	UPPER CONNECTION, front	--	87*-HX	--
37	87015-85	BRACKET ASSY., rear w/#1	--	87*-HX	--
38	87018-85	BRACKET, brake reservoir	--	87*-HX	--
39	87019-85	BRACKET, brake stop	--	87*-HX	--
40	87020-85	BRACKET, steering damper	--	87*-HX	--
41	87022-85	U-BRACKET, steering damper	--	87-HX	--
41A	87022-88	MOUNTING BRACKET	--	88*-HX	--
42	87023-85	DAMPER MOUNTING KIT w/o damper	N/A --	87-HX	--
42A	87023-88	DAMPER MOUNTING KIT	--	88*-HX	--
43	87024-85	STEERING DAMPER	--	87*-HX	--
44	87025-85A	BRACKET, lower front-rear w/#31 & 32	--	87*-HX	--
44A	87048-88	SPACER	--	88*-HX	--
45	90480-85	SPACER, rear mount	--	87*-HX	--

FLT MODELS  
TLE  
TLE-ULTRA

FXR MODELS  
GX  
KX  
RLE  
HX



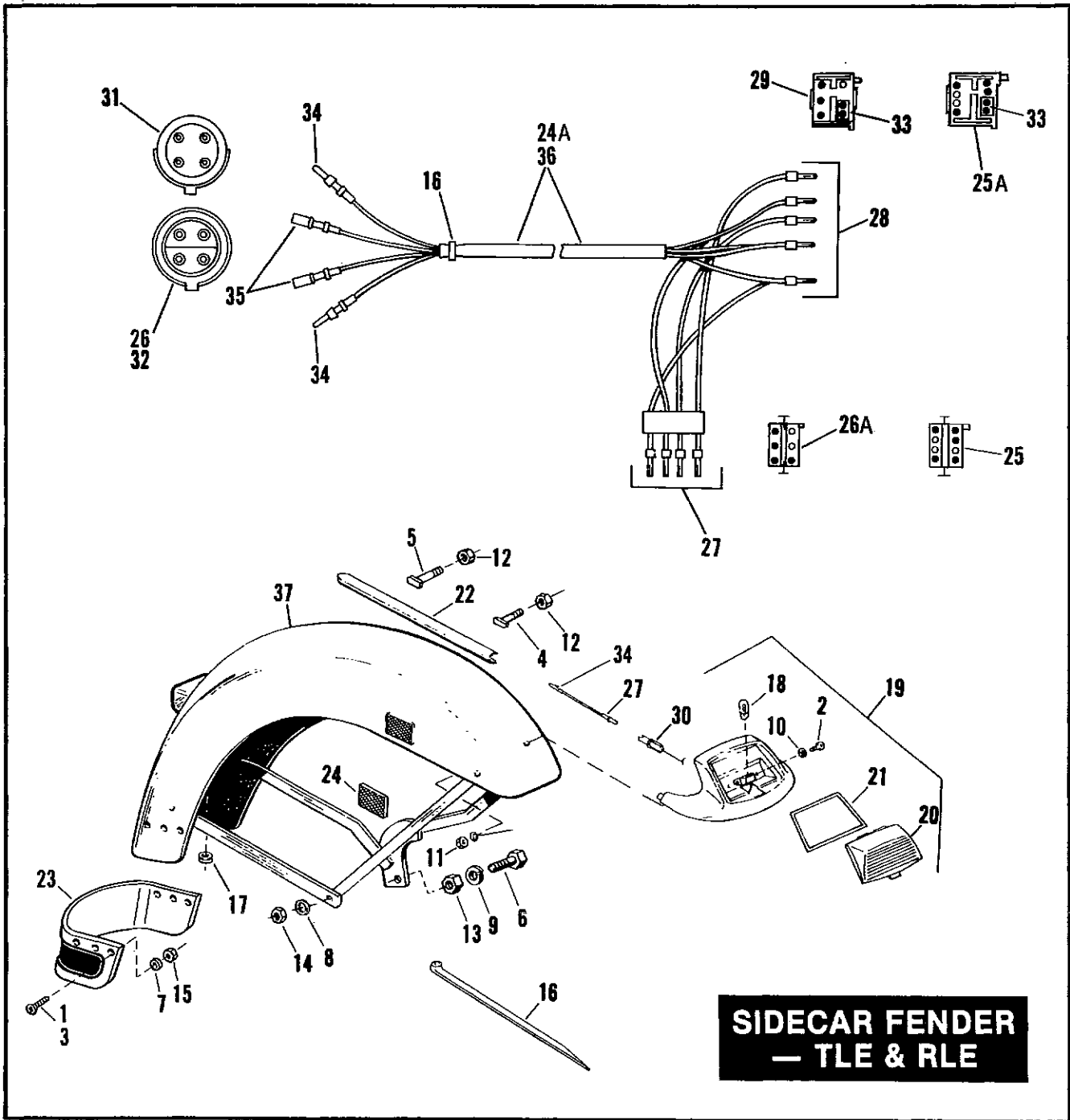
**SIDECAR BRAKE  
— TLE & RLE**

INDEX NO.	PART NO.	NAME	FLT MODELS	FXR MODELS	SOFTAIL MODELS
1	1610	SCREW (2)	--	87*-HX	--
2	1643	SCREW (5)	87*-GX,KX	87*-HX	--
3	3473	BOLT (2)	--	87*-HX	--
4	4020W	BOLT (2)	87*-GX,KX	87*-HX	--
5	6700B	WASHER (as req'd)	87*-GX,KX	87*-HX	--
6	6712B	WASHER (as req'd)	87*-GX,KX	87*-HX	--
7	6716	WASHER (2)	--	87*-HX	--
7A	7729	LOCKNUT (2)	--	87*-HX	--
8	7993	LOCKNUT	87*-GX,KX	87*-HX	--
8A	10006	CABLE STRAP (5)	87*-GX,KX	87*-HX	--
9	10038	CLAMP (2)	--	87*-HX	--
10	18268-48	WASHER (as req'd)	87*-GX,KX	87*-HX	--
11	41720-58	ANCHOR STUD	87*-GX,KX	87*-HX	--
12	41742-58A	SCREW & LOCKWASHER, brake cyl. (2)	87*-GX,KX	87*-HX	--
13	41800-81A	RESERVOIR, master cylinder	--	87*-HX	--
14	41801-58A	SET OF BRAKE SHOES & LININGS	87*-GX,KX	87*-HX	--
15	41835-58	HOLD DOWN, spring (2)	87*-GX,KX	87*-HX	--
16	41836-58	BRAKE SHOE SPRING, upper	87*-GX,KX	87*-HX	--
17	41837-58	BRAKE SHOE SPRING, lower	87*-GX,KX	87*-HX	--
17A	42311-58	PLUG, brake line tee	87*-GX,KX	--	--
18	42374-77B	REPAIR KIT, master cylinder	--	87*-HX	--
19	42376-77A	COVER, reservoir	N/A --	87 to 89-HX	--
	45057-82	COVER, reservoir	--	90*-HX	--
20	42455-80	GASKET, reservoir	--	87*-HX	--
21	42534-82	SCREW (2)	--	87*-HX	--
22	45114-77	HOSE, brake line	--	87*-HX	--
23	48302-85	BEARING, brake drum	87*-GX,KX	87*-HX	--
24	48315-60	BEARING CUP, brake drum	87*-GX,KX	87*-HX	--
25	50972-75	FITTING, lubrication	--	87*-HX	--
26	63551-82	FITTING, reservoir hose	--	87*-HX	--
27	63609-72	FITTING, brake hose	--	87*-HX	--
28	87002-83	BRAKE DRUM ASSY.	87*-GX,KX	87*-HX	--
29	87029-85	BRAKE LINE	--	87*-HX	--
30	87032-85	FITTING, brake line	--	87*-HX	--
31	87038-85	BUSHING, housing (2)	--	87*-HX	--
32	87039-85	HOUSING, master cylinder	--	87*-HX	--
33	87040-85	MASTER CYLINDER	--	87*-HX	--
34	87041-85	SPRING, brake rod	--	87*-HX	--
35	87042-85	ROD, brake	--	87*-HX	--
36	87043-85	MASTER CYLINDER & HOUSING ASSY.	--	87*-HX	--
37	87071-89	BRAKE CYLINDER, wheel	87*-GX,KX	87*-HX	--
38	87073-79	BLEEDER FITTING, brake cylinder	87*-GX,KX	87*-HX	--
38A	87113-83	TEE, sidecar brake line	87*-GX,KX	--	--
39	87672-76	SIDE PLATE	87*-GX,KX	87*-HX	--
40	87706-83	LOCKNUT, axle shaft	87*-GX,KX	87*-HX	--
41	87713-83	SPACER	87*-GX,KX	87*-HX	--
42	87714-83	OIL SEAL	87*-GX,KX	87*-HX	--
43	87752-58A	REPAIR KIT, brake cylinder (3/4" dia.)	87*-GX	87*-HX	--
	87752-89	REPAIR KIT, brake cylinder (5/8" dia.)	87*-GX,KX	87*-HX	--
44	87776-83	BRAKE LINE	87*-GX,KX	--	--
45	87778-64A	CAP, sidecar brake line	87*-GX,KX	--	--
NOTE: Hose is sold in bulk length under the following part number. Cut to length.					
46	63573-82	HOSE, 5/16 I.D. (rubber)(25 ft. lg.)	--	87*-HX	--

FLT MODELS  
TLE  
TLE-ULTRA

GX  
KX

FXR MODELS  
RLE  
HX

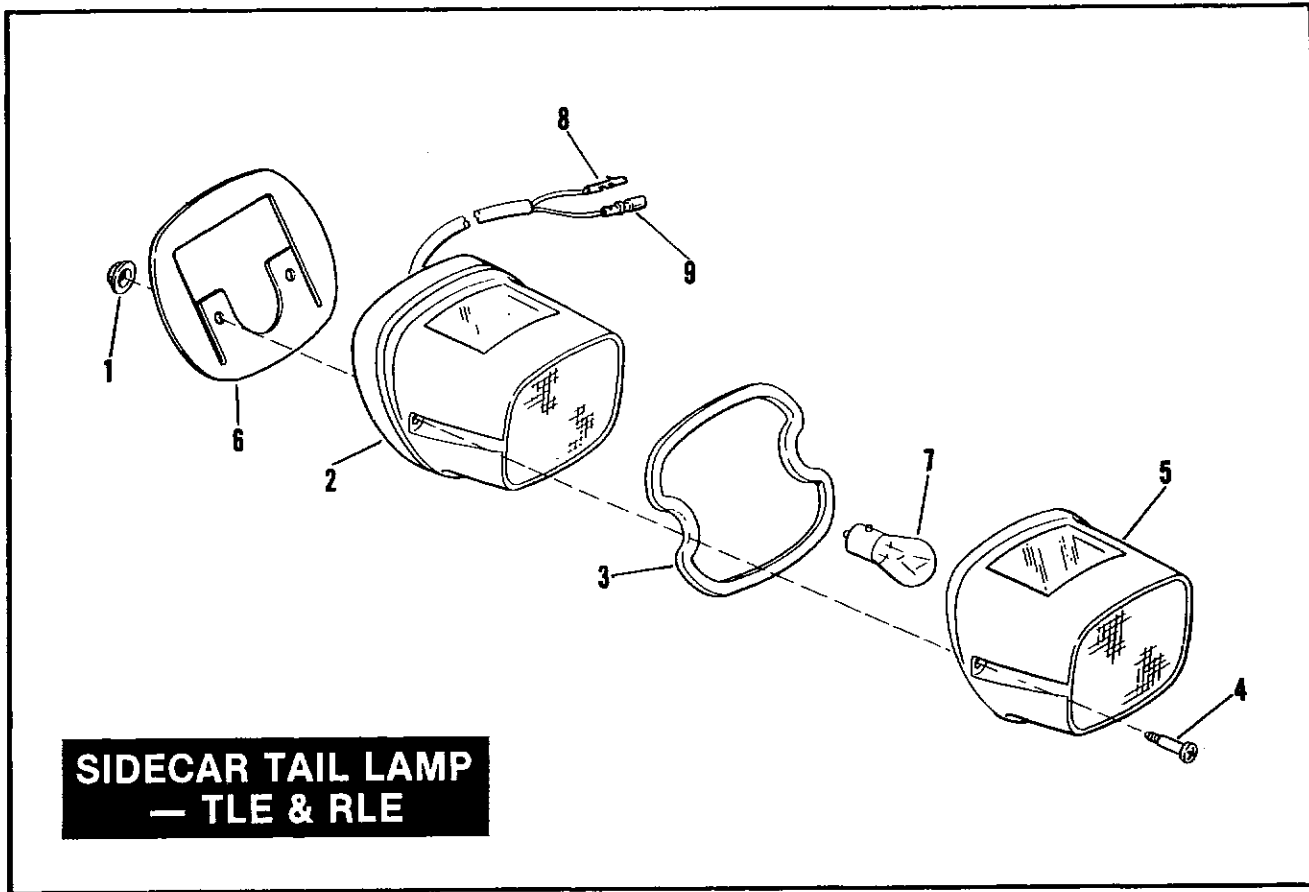




INDEX NO.	PART NO.	NAME	FLT MODELS	FXR MODELS	SOFTAIL MODELS
<b>NOTE; REFER TO DEALER ACCESSORY FOR PAINTED PART NUMBERS</b>					
1	2531	SCREW (6)	87*-GX,KX	--	--
2	2604	SCREW (2)	87*-GX,KX	87*-HX	--
3	2710C	SCREW (4)	87*-GX,KX	--	--
4	3560W	TEE BOLT (2)	87*-GX,KX	87*-HX	--
5	3561WB	TEE BOLT (2)	87*-GX,KX	87*-HX	--
6	4721	BOLT	87*-GX,KX	87*-HX	--
7	6335	WASHER (6)	87*-GX,KX	--	--
8	6653	WASHER	87*-GX,KX	87*-HX	--
9	7038	LOCKWASHER	87*-GX,KX	87*-HX	--
10	7118	LOCKWASHER (4)	87*-GX,KX	87*-HX	--
11	7638	NUT (2)	87*-GX,KX	87*-HX	--
12	7624	LOCKNUT (4)	87*-GX,KX	87*-HX	--
13	7783	NUT	87*-GX,KX	87*-HX	--
14	7823	CASTLE NUT	87*-GX,KX	87*-HX	--
15	8131W	LOCKNUT (6)	87*-GX,KX	--	--
16	10006	CABLE STRAP (as req'd)	87*-GX,KX	87*-HX	--
	10065	CABLE STRAP	87*-GX,KX	87*-HX	--
17	11410	GROMMET, tail lamp wiring	87*-GX,KX	87*-HX	--
18	53439-79	BULB, fender tip lamp	87*-GX,KX	87*-HX	--
19	59082-79	LAMP ASSY., fender tip	87*-GX,KX	87*-HX	--
20	59180-80	LENS, fender tip lamp	87*-GX,KX	87*-HX	--
21	59181-80	GASKET, fender tip lamp lens	87*-GX,KX	87*-HX	--
22	59211-74	SIDE TRIM STRIP (2)	87*-GX,KX	87*-HX	--
23	59231-86	TRIM, lower	87*-GX,KX	87*-HX	--
24	59255-72	REFLECTOR (red)	87*-GX	87*-HX	--
24A	70028-85A	WIRING HARNESS	87*-GX,KX	--	--
25	700287-81	CONNECTOR, eight socket	87*-GX,KX	--	--
25A	70288-81	CONNECTOR, eight pin	87*-GX,KX	--	--
26	72029-84	PLUG, four terminal	--	87*-HX	--
26A	72037-71	CONNECTOR, six socket	--	87*-HX	--
27	72038-71	SOCKET, single pin (as req'd)	87*-GX,KX	87*-HX	--
28	72039-71	PIN, single socket (5; 6-GX,KX)	87*-GX,KX	87*-HX	--
29	72041-71	CONNECTOR, six pin	--	87*-HX	--
30	72044-71	CONNECTOR, single socket	87*-GX,KX	87*-HX	--
31	72054-84	PLUG RECEPTACLE	87*-GX,KX	87*-HX	--
32	72057-84	PROTECTIVE PLUG (w/sidecar removed)	87*-GX,KX	87*-HX	--
33	72275-74	CONNECTOR TAB, two terminal	87*-GX,KX	87*-HX	--
34	74536-77A	PIN, single socket (3)	87*-GX,KX	87*-HX	--
35	74539-77A	SOCKET, single pin (2)	87*-GX,KX	87*-HX	--
36	87027-85	WIRING HARNESS	--	87*-HX	--
37	87901-83A	FENDER, sidecar (prime)	87*-GX,KX	87*-HX	--

FLT MODELS  
TLE  
TLE-ULTRA

FXR MODELS  
RLE  
HX

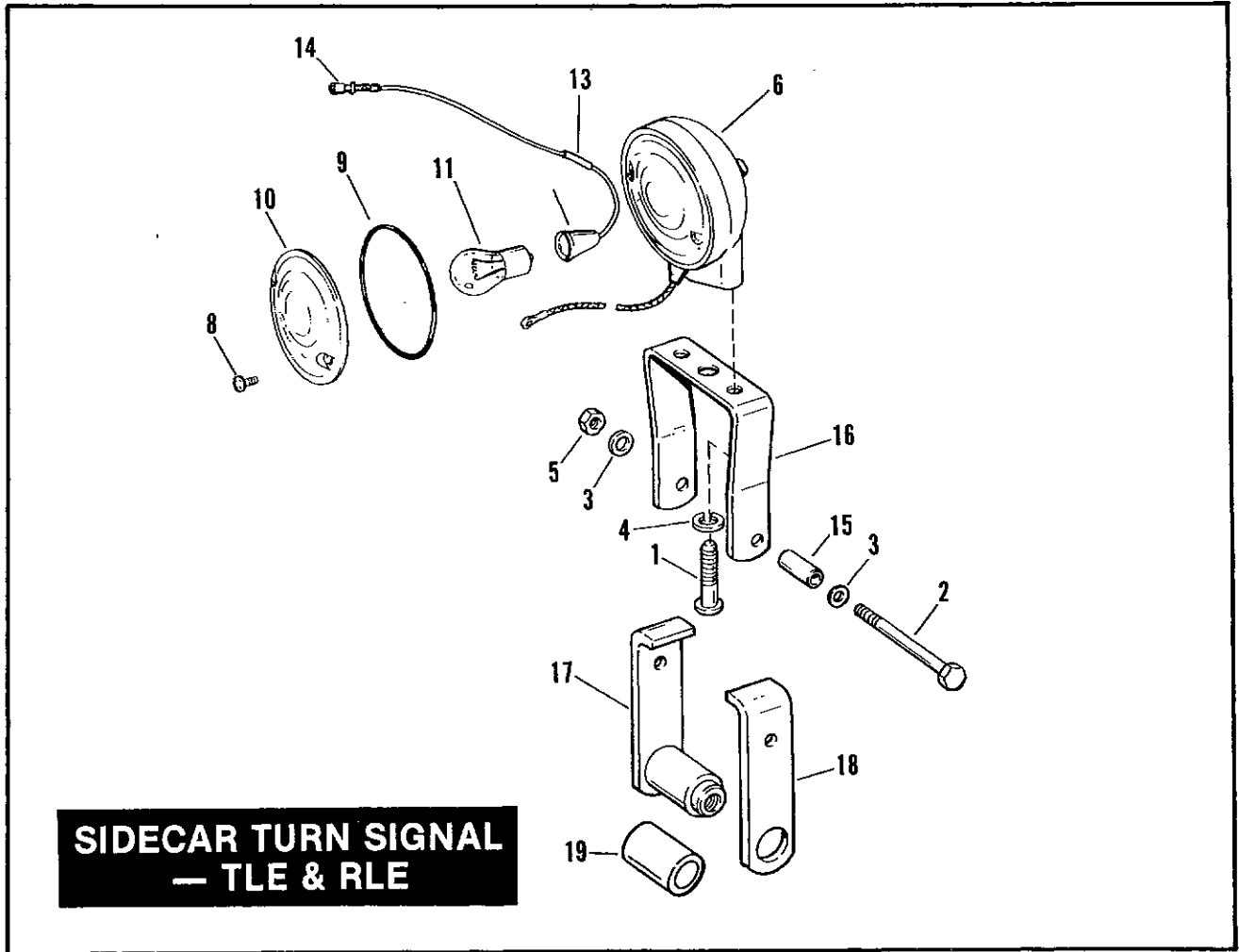


**SIDECAR TAIL LAMP  
— TLE & RLE**

**SIDECAR TAIL LAMP - TLE & RLE**

F58

INDEX NO.	PART NO.	NAME	FLT MODELS	FXR MODELS	SOFTAIL MODELS
1	7501	SPEED NUT (2)	87*-GX,KX	87*-HX	--
2	68008-73B	TAIL LAMP ASSY.	87*-GX,KX	87*-HX	--
3	68025-73	GASKET, tail lamp lens	87*-GX,KX	87*-HX	--
4	68027-90	SCREW, tail lamp lens	87*-GX,KX	87*-HX	--
5	68033-90	LENS, tail lamp	87*-GX,KX	87*-HX	--
6	68123-73	GASKET, tail lamp housing	87*-GX,KX	87*-HX	--
7	68168-89	BULB, tail lamp-12V.	87*-GX,KX	87*-HX	--
8	74536-77A	PIN, single socket (2)	87*-GX,KX	87*-HX	--
9	74539-77A	SOCKET, single pin	87*-GX,KX	87*-HX	--



**SIDECAR TURN SIGNAL - TLE & RLE**

**F59**

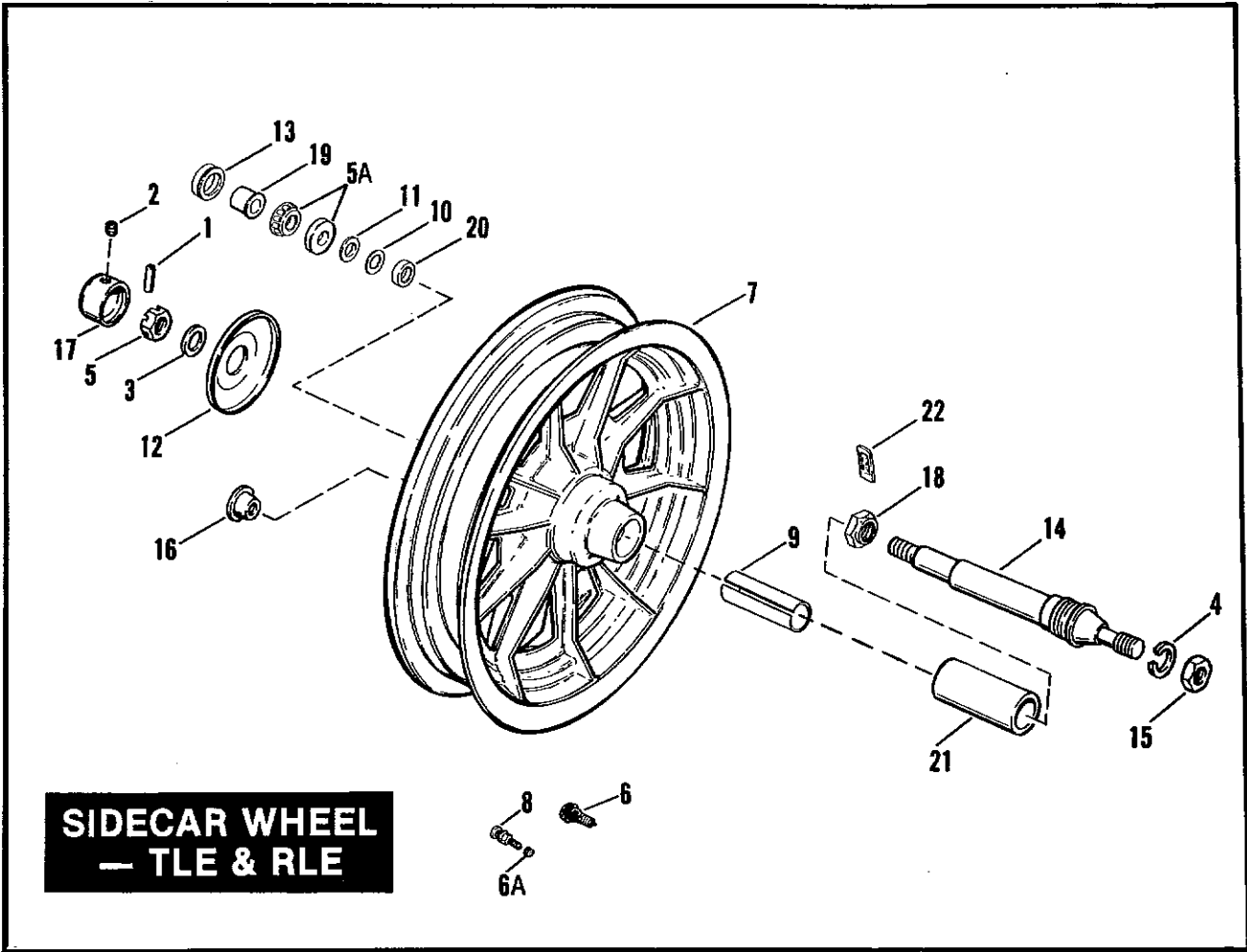
INDEX NO.	PART NO.	NAME	FLT MODELS	FXR MODELS	SOFTAIL MODELS
1	2664	SCREW (2)	87*-GX,KX	87*-HX	--
2	4401W	BOLT	87*-GX,KX	87*-HX	--
3	6416	WASHER (2)	87*-GX,KX	87*-HX	--
4	7069	LOCKWASHER (2)	87*-GX,KX	87*-HX	--
5	7780	LOCKNUT	87*-GX,KX	87*-HX	--
6	68402-86	LAMP WITH WIRE, turn signal (amber)	87*-GX,KX	87*-HX	--
8	68440-86	SCREW W/O-RING (2)	87*-GX,KX	87*-HX	--
9	68451-86	O-RING, turn signal lens	87*-GX,KX	87*-HX	--
10	68452-86	LENS, turn signal	87*-GX,KX	87*-HX	--
11	68572-64B	BULB, turn signal	87*-GX,KX	87*-HX	--
13	70581-73	CONNECTOR	87*-GX,KX	87*-HX	--
14	74539-77A	SOCKET, single pin	87*-GX,KX	87*-HX	--
15	87120-79	SPACER, turn signal & spr. shackle	87*-GX,KX	87*-HX	--
16	87121-79	BRACKET, turn signal	87*-GX,KX	87*-HX	--
17	88301-79	SHACKLE PLATE w/bshg. - turn sig. & spr.	87*-GX,KX	87*-HX	--
18	88302-79	SHACKLE PLATE, turn signal & spring	87*-GX,KX	87*-HX	--
19	88314-37	BUSHING, shackle plate	87*-GX,KX	87*-HX	--

**FLT MODELS**

TLE           GX  
TLE-ULTRA   KX

**FXR MODELS**

RLE           HX

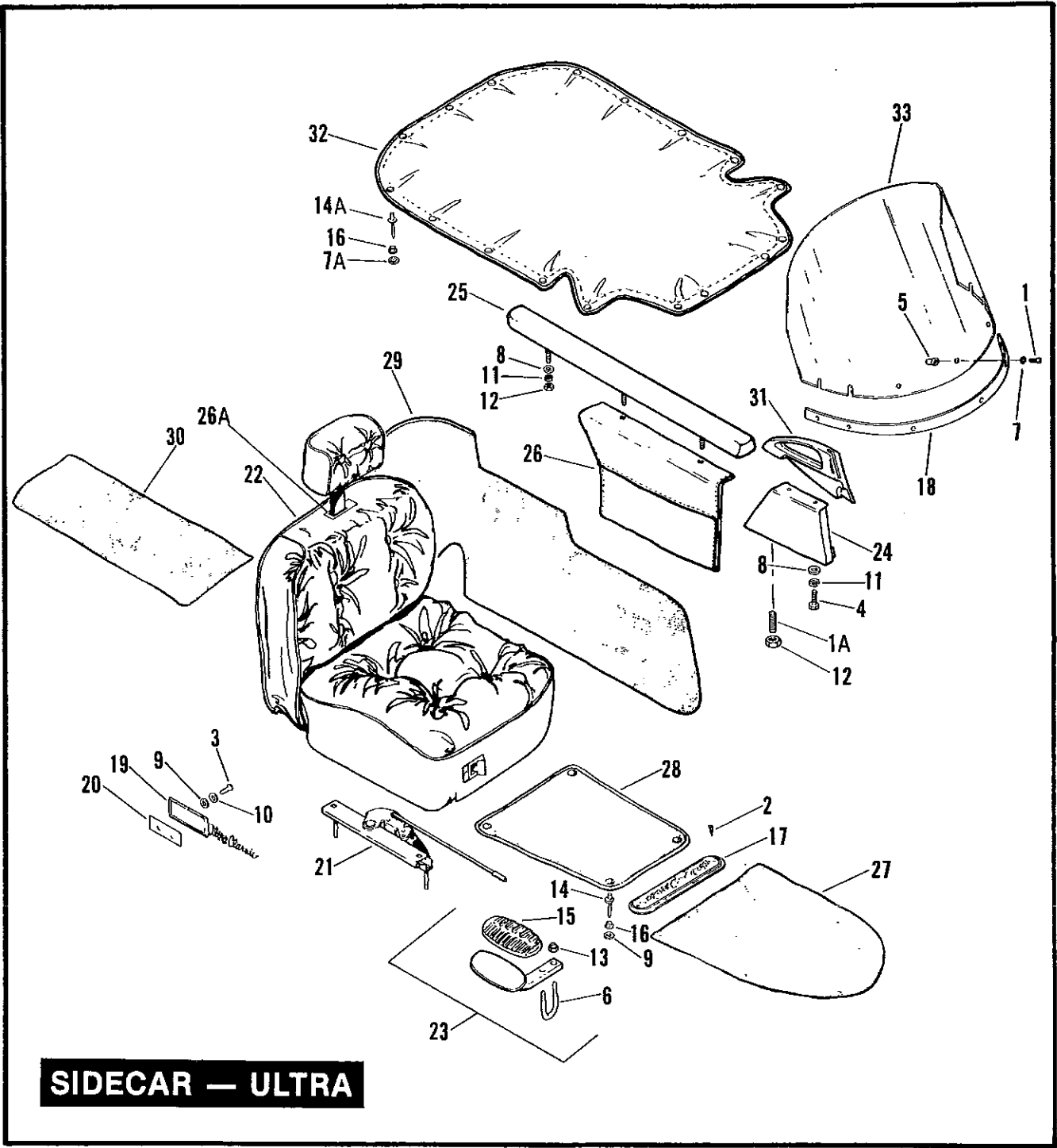


INDEX NO.	PART NO.	NAME	FLT MODELS	FXR MODELS	SOFTAIL MODELS
1	601	ROLL PIN	87*-GX,KX	87*-HX	--
2	3234W	SET SCREW (2)	E87-GX	87-HX	--
3	6653	WASHER	87*-GX,KX	87*-HX	--
4	7043	LOCKWASHER	87*-GX,KX	87*-HX	--
5	7823	CASTLE NUT	87*-GX,KX	87*-HX	--
5A	9052	ROLLER BEARING w/cup	87*-GX,KX	87*-HX	--
6	40999-87	VALVE STEM	L87*-GX,KX	87*-HX	--
6A	41123-79	VALVE CAP	87*-GX,KX	87*-HX	--
7	41157-83	WHEEL ASSY., 16" - 16 spoke (black)	N/A E87-GX	--	--
	41157-87	WHEEL ASSY., 16" - 10 spoke (black)	L87*-GX,KX	87*-HX	--
8	43157-83A	VALVE STEM	E87-GX	--	--
9	43288-82	SLEEVE	87*-GX,KX	87*-HX	--
10	43290-82	SPACER, 0.032"	87*-GX,KX	87*-HX	--
	43291-82	SPACER, 0.016"	87*-GX,KX	87*-HX	--
	43292-82	SPACER, 0.008"	87*-GX,KX	87*-HX	--
	43293-82	SPACER, 0.004"	87*-GX,KX	87*-HX	--
	43294-82	SPACER, 0.002"	87*-GX,KX	87*-HX	--
11	43650-82	SPACER WASHER	87*-GX,KX	87*-HX	--
12	44444-79	HUB CAP, sidecar (chrome)	E87-GX	--	--
13	47519-83A	OIL SEAL	87*-GX,KX	87*-HX	--
14	87435-83	AXLE	87*-GX,KX	87*-HX	--
15	87444-33	AXLE NUT, inside sidecar frame	87*-GX,KX	87*-HX	--
16	87700-79	CAP, sidecar wheel-outer (plastic)(5)	E87-GX	--	--
17	87705-79	CAP, axle end	87*-GX,KX	87*-HX	--
18	87706-79	NUT	87*-GX,KX	87*-HX	--
19	87710-83	SPACER	87*-GX,KX	87*-HX	--
20	87711-83	SPACER	87*-GX,KX	87*-HX	--
21	87712-83	SLEEVE, bearing spacer	87*-GX,KX	87*-HX	--
22	95594-84	WHEEL WEIGHT, 1/4 oz. (black)	87*-GX,KX	87*-HX	--

FLT MODELS  
TLE  
TLE-ULTRA

GX  
KX

FXR MODELS  
RLE  
HX



**SIDECAR — ULTRA**

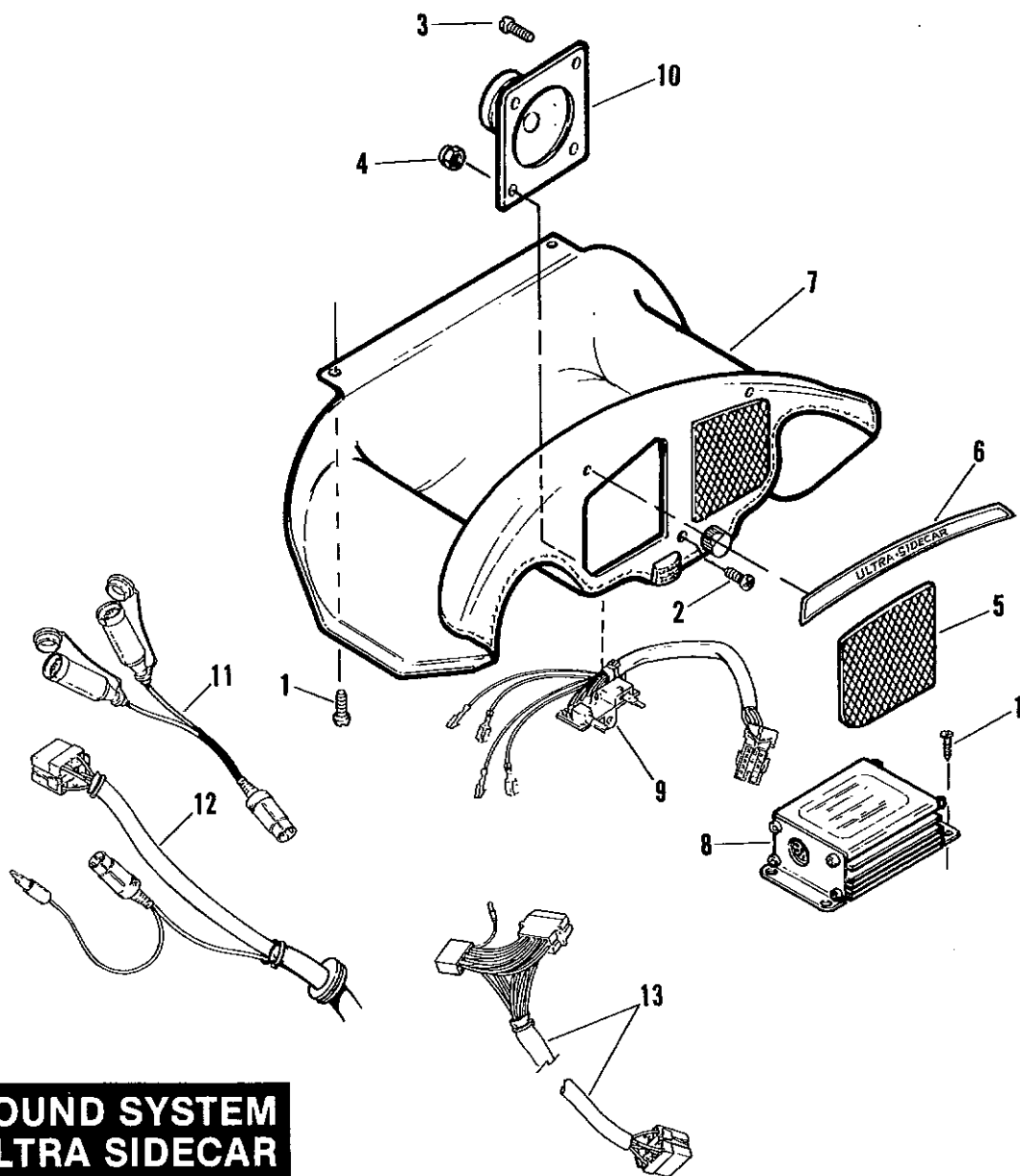
INDEX NO.	PART NO.	NAME	FLT MODELS	FXR MODELS	SOFTAIL MODELS
1	933	SCREW (7)	89*-KX	--	--
1A	2522	STUD (4)	90*-KX	--	--
2	2568	SCREW, wood (2)	89*-KX	--	--
3	2803W	SCREW (3)	89*-KX	--	--
4	3787	SCREW (4)	89-KX	--	--
5	5207	WELL NUT (7)	89*-KX	--	--
6	5252	U-BOLT	N/A 89*-KX	--	--
7	6053	WASHER (nylon)(7)	89*-KX	--	--
7A	6335	WASHER (16)	90*-KX	--	--
8	6703	WASHER (10-1989;6)	89*-KX	--	--
9	6716	WASHER (24,8-1990 & Later)	89*-KX	--	--
10	6717	WASHER (6)	89*-KX	--	--
11	7036	LOCKWASHER (10-1989;6)	89*-KX	--	--
12	7688	NUT (6-1989;8)	89*-KX	--	--
13	7739	LOCKNUT (2)	89*-KX	--	--
14	8316	POP RIVET (21,5-1990 & Later)	89*-KX	--	--
14A	8696	POP RIVET (16)	90*-KX	--	--
	36756-89	CABLE, seat recline (not illustrated)	E89-KX	--	--
	36760-89	CABLE, seat recline (not illustrated)	L89*-KX	--	--
15	36964-67	PAD, sidecar step	89*-KX	--	--
16	47076-72	SNAP BASE (21)	89*-KX	--	--
17	58378-89	NAMEPLATE, footrest "Harley-Davidson"	89*-KX	--	--
18	58717-79	FOAM TAPE, windshield	89*-KX	--	--
19	59245-90	NAMEPLATE, fender	89*-KX	--	--
20	59263-79	REFLECTOR, fender (red)	89-KX	--	--
	59259-90	REFLECTOR, fender (red)	90*-KX	--	--
21	88483-89	SEAT SLIDE, right	89*-KX	--	--
	88484-89	SEAT SLIDE, left	98*-KX	--	--
22	88489-89A	SEAT ASSEMBLY (black)	89*-KX	--	--
23	88490-88A	SIDECAR STEP KIT w/6,13 & 15	89*-KX	--	--
24	88494-89	KNEE BOLSTER, right	89*-KX	--	--
	88495-89	KNEE BOLSTER, left	89*-KX	--	--
25	88496-89	ARM REST CUSHION, right	89*-KX	--	--
	88497-89	ARM REST CUSHION, left	89*-KX	--	--
26	88500-89	MAP POCKET, right	89*-KX	--	--
	88501-89	MAP POCKET, left	89*-KX	--	--
26A	88506-89	INSERT, headrest	89*-KX	--	--
27	88540-89	CARPET, front	89*-KX	--	--
28	88541-89	CARPET, floor w/snaps	89*-KX	--	--
29	88542-89	CARPET, side - left	89*-KX	--	--
	88543-89	CARPET, side - right	89*-KX	--	--
30	88544-89	CARPET, rear	89*-KX	--	--
31	88545-89	HANDHOLD, left	89*-KX	--	--
	88546-89	HANDHOLD, right	89*-KX	--	--
32	88530-89A	COVER, sidecar body (black)	89*-KX	--	--
33	88865-89	WINDSHIELD, only	89*-KX	--	--

FLT MODELS

TLE GX  
TLE-ULTRA KX

FXR MODELS

RLE HX



**SOUND SYSTEM  
ULTRA SIDECAR**



INDEX NO.	PART NO.	NAME	FLT MODELS	FXR MODELS	SOFTAIL MODELS
1	2623W	SCREW (4)	90*-KX	----	----
	2568	SCREW, wood (6;2-1990 & Later)	89*-KX		
2	2625	SCREW	89*-KX	--	--
3	5209	SCREW (2)	89*-KX	--	--
4	7608	NUT (6)	89*-KX	--	--
5	58184-86	SPEAKER GRILLE, left	89*-KX	--	--
	58186-86	SPEAKER GRILLE, right	89*-KX	--	--
6	58379-89	NAMEPLATE, "Ultra Sidecar"	89*-KX	--	--
7	60954-89	CONSOLE	89*-KX	--	--
8	76192-89	AMPLIFIER	89*-KX	--	--
9	76299-89	SWITCH, function control/volume	89*-KX	--	--
10	77029-86	SPEAKER (2)	89*-KX	--	--
11	77032-89	WIRING HARNESS, intercom	89*-KX	--	--
12	88403-89	WIRING HARNESS, cycle to sidecar	89*-KX	--	--
13	88404-89	WIRING HARNESS, amp. to spkrs.	89*-KX	--	--

FLT MODELS  
TLE  
TLE-ULTRA

GX  
KX

FXR MODELS  
RLE HX

**CALIFORNIA EVAPORATIVE EMISSIONS KIT**

**F63-1**

INDEX NO.	PART NO.	NAME	FLT MODELS	FXR MODELS	SOFTAIL MODELS
		NOTE: These kits are for 1987 and later 1340 cc model motorcycles in the state of California.			
	2501	SCREW	87*-ALL	--	--
	2551W	BOLT (2)	--	--	90*-ALL
	3787	BOLT (4-FXR;5-Softail;2-1988)	--	87*-ALL	87 to 89-ALL
	3953W	BOLT (5; 4-1988 & LATER	87*-ALL	--	--
	4391	SCREW	88*-ALL	--	--
	4094	SCREW	N/A 87*-ALL	--	--
	5728	SPACER (2)	87&88-ALL	--	--
	5758	SPACER	89*-ALL	--	--
	6235	WASHER (2)	--	89788-ALL	--
	6702	WASHER	87*-ALL	--	--
	6703	WASHER (6-1987;4-FXR;8-Softail)	--	87*-ALL	87 to 89-ALL
	7036	LOCKWASHER (2)	--	--	90*-ALL
	7127	LOCKWASHER (5)	87*-ALL	--	--
	7686	LOCKWASHER (4-FXR;7-Softail)	--	87*-ALL	87 to 89-ALL
	8099	WELL NUT	--	--	90*-ALL
	8476	RIVET	--	--	90*-ALL
	9890	CLIP, valve mtg.	--	--	90*-ALL
	9893	CLAMP, valve mtg.	87*-ALL	--	--
	9988	CLAMP	--	--	90*-ALL
	10006	CABLE STRAP (as req'd)	87*-ALL	87*-ALL	87*-ALL
	10014	CLAMP	--	--	87*-ALL
	10039	CABLE STRAP	--	--	90*-ALL
	27014-86A	HOSE, canister to air cleaner	87 to 89-ALL	--	--
	27014-90	HOSE, canister	90*-ALL	--	--
	27017-87	EVAPORATIVE EMISSION KIT, complete	87-ALL	--	--
	27018-85	CLAMP	--	87-ALL; 88*EA/C/G/M	87-ALL

INDEX NO.	PART NO.	NAME	FLT MODELS	FXR MODELS	SOFTAIL MODELS
	27028-88	VENT VALVE TUBE ASSY. (V.O.V.S.)	88&89-ALL	88&89-ALL	88&89-ALL
	27028-90	VENT VALVE TUBE ASSY. (V.O.V.S.)	90*-ALL	90*-ALL	90*-ALL
	27030-85	BRACKET, hold-down	87*-ALL	--	--
	27042-84	CANISTER	87*-ALL	--	87*-ALL
	27043-87	CANISTER	--	87*-ALL	--
	27047-84	BRACKET, canister mtg.	--	87*-ALL	87*-ALL
	27048-84	CLAMP, canister down tube	--	87*-ALL	--
	27049-88	CLAMP, canister	--	--	88&89-ALL
	27052-84	BRACKET, canister	N/A 87*-ALL	--	--
	27056-84	BRACKET, canister	N/A 87*-ALL	--	--
	27069-89	HOSE, canister to carburetor	88*-ALL	--	--
	27301-86	MAIN JET, 1.70 mm.	--	87-ALL	87-ALL
	27303-84	MAIN JET, 1.75 mm.	87-ALL	--	--
	27496-87	CARBURETOR SERVICE KIT	N/A 87-ALL	--	--
	27497-87	CARBURETOR SERVICE KIT	--	87-ALL	87-ALL
	27506-87	CALIBRATION KIT	N/A 87-ALL	--	--
	27507-87	CALIBRATION KIT	N/A --	87-ALL	87-ALL
	28801-85A	CLAMP, valve mtg.	N/A --	--	87*-ALL
	28813-87	EVAPORATIVE EMISSION KIT, comp.	N/A --	87-ALL	--
	28815-86A	HOSE, canister to air cleaner	--	87-ALL	87 to 89-ALL
	28827-87	EVAPORATIVE EMISSION KIT, comp.	N/A --	--	87-ALL
	28829-87	BRACKET, canister mtg.	--	--	87*-ALL
	28855-90	HOSE, canister	--	--	90*-ALL
	28878-90	HOSE, canister	--	90*-ALL	--
	29121-84	CAP, overflow	87-ALL	87-ALL	87-ALL
	29264-86	FITTING, air cleaner backplate	87-ALL	87-ALL	87-ALL
	62150-85	VAPOR VALVE	87*-ALL	87*-ALL	87*-ALL
	62563-65	MOUNT (rubber)	--	--	87 to 89-ALL
	67239-83	CABLE GUIDE (3)	--	--	90*-ALL
	70933-90	PROTECTIVE TAPE	--	--	90*-ALL

NOTE; Hose is sold in bulk length under the following part number. Cut to length.

26571-90	HOSE, 7/32 I.D. X 7/16 O.D.(rubber)(10 ft. lg.)	87*-ALL	87*-ALL	87*-ALL
----------	---	---------	---------	---------

FLT MODELS

FLTC DB  
 FLHT DD  
 FLHTC DJ  
 FLTC-U DM  
 FLHTC-U DP  
 FLHS FA

FXR MODELS

FXR EA  
 FXRS EB  
 FXRT EC  
 FXRS-SP EG  
 FXLR EL  
 FXRS-CON EM

SOFTAIL MODELS

FXST BH  
 FLST/C BJ  
 FXSTC BK  
 FXSTS BL  
 FLSTF BM

INDEX NO.	PART NO.	NAME	USED ON
<b>REAR BELT GUARD</b>			
	60295-87	REAR BELT GUARD (chrome)	N/A 87-FXRC
<b>REAR WHEEL</b>			
	41029-87	WHEEL ASSEMBLY, disc (black)	87-FXRC
<b>FRAME, REAR FORK &amp; JIFFY STAND</b>			
	45547-87	REAR FORK (blue)	87-FXRC
	47218-87	FRAME (blue)	N/A 87-FXRC
	47219-87	FRAME (blue) (HDI ONLY)	87-FXRC
	47220-87	FRAME (blue)	N/A Late 87-FXRC
	47221-87	FRAME (blue) (HDI ONLY)	N/A Late 87-FXRC
	47302-86	TRIM "BELT DRIVE"	87-FXRC
	47831-87	END CAP, left (blue)	N/A 87-FXRC
	47832-87	END CAP, right (blue)	N/A 87-FXRC
<b>SEATS</b>			
	52187-87	SEAT, rear	N/A 87-FXRC
	52188-87	SEAT, front	N/A 87-FXRC

INDEX NO.	PART NO.	NAME	USED ON
<b>CYLINDER HEADS &amp; VALVES - V<sup>2</sup>tm</b>			
	16512-86A	CYLINDER w/ PISTON (black wrinkle)(2)	87-FLTC,FLHTC
	16692-85B	HEAD, front cylinder (black wrinkle)	87-FLTC,FLHTC
	16696-85B	HEAD, rear cylinder (black wrinkle)	87-FLTC,FLHTC
<b>ROCKER ARMS, COVERS &amp; PUSHRODS - V<sup>2</sup>tm</b>			
	17528-84A	ROCKER COVER, outer (chrome) (2)	87-FLTC,FLHTC
	17529-84A	SPACER, rocker cover (chrome) (2)	87-FLTC,FLHTC
	17530-84B	ROCKER COVER, inner (chrome) (2)	87-FLTC,FLHTC
	18622-85	TAPPET GUIDE, rear (black wrinkle)	N/A 87-FLTC,FLHTC
	18623-85	TAPPET GUIDE, front (black wrinkle)	N/A 87-FLTC,FLHTC
<b>CRANKCASE</b>			
	24473-85	CRANKCASE SET (black wrinkle)	N/A 87-FLTC,FLHTC
	25268-84A	GEAR COVER (chrome)	87-FLTC,FLHTC
		Consists of besides gear cover:	
	2511	SCREW (2)	
	25275-82	COVER, breather	
	83162-51	OIL SEAL, bearing	
<b>STARTER SHAFT &amp; HOUSING</b>			
	31447-86	STARTER SHAFT HOUSING, w/ 9062 bearing (black wrinkle)	87-FLTC,FLHTC
<b>TRANSMISSION</b>			
	34468-86A	COVER, upper (chrome)	87-FLTC,FLHTC
	34700-87	HOUSING, transmission (black wrinkle)	N/A 87-FLTC,FLHTC
	35261-87	HOUSING, bearing (black wrinkle)	87-FLTC,FLHTC
	37075-87	DIPSTICK, (chrome)	87-FLTC,FLHTC
	37105-87A	CLUTCH RELEASE COVER ASSEMBLY, (chrome)	87-FLTC,FLHTC
<b>FAIRING</b>			
	14158-87	DECAL, "TOUR GLIDE" (tomato red)(2)	N/A 87-FLTC,FLHTC
<b>FRONT FENDER</b>			
	14159-87	DECAL, "CLASSIC" (tomato red) (2)	87-FLTC,FLHTC
<b>PRIMARY HOUSING</b>			
	60432-86	PRIMARY HOUSING ASSEMBLY, (black wrinkle)	87-FLTC,FLHTC
	60665-85B	COVER ASSEMBLY, (chrome)	87-FLTC,FLHTC
	60668-84B	CLUTCH COVER, (chrome)	87-FLTC,FLHTC
	60670-85	INSPECTION COVER, (chrome)	87-FLTC,FLHTC
<b>STARTER SWITCHES</b>			
	31475-77	COVER, solenoid (black)	87-FLTC,FLHTC
	31526-81B	STARTER SOLENOID (black wrinkle)	87-FLTC,FLHTC

INDEX NO.	PART NO.	NAME	USED ON
<b>BELTS AND SPROCKETS</b>			
	40218-88	FINAL DRIVE SPROCKET, 70T (gold)	N/A 88-FLTC,FLHTC,FXRS
<b>FRONT WHEEL</b>			
	41036-88	WHEEL ASSEMBLY, 19" (gold)	88-FXRS
	43464-88	WHEEL ASSEMBLY, 16" (gold)	N/A 88-FLTC,FLHTC
<b>REAR WHEEL</b>			
	41035-88	WHEEL ASSEMBLY, 16" (gold)	88-FXRS
	43465-88	WHEEL ASSEMBLY, 16" (gold)	88-FLTC,FLHTC
<b>FAIRING</b>			
	14158-87	DECAL, "TOUR GLIDE "(tomato red)(2)	N/A 88-FLTC
<b>FRONT FENDER</b>			
	14000-88	DECAL, 85th Anniversary	88-FXRS,FXSTS
	14189-88	DECAL, 85th Anniversary	88-FLTC,FLHTC
	59173-81A	DECAL, "CLASSIC"(gold)(2)	88-FLTC,FLHTC
<b>FUEL TANK</b>			
	14187-88	DECAL, 85th Anniversary - left	88-FLTC,FLHTC,FXRS
	14188-88	DECAL, 85th Anniversary - right	88-FLTC,FLHTC,FXRS
	14221-88	DECAL, 85th Anniversary - left	88-FXSTS
	14222-88	DECAL, 85th Anniversary - right	88-FXSTS
<b>LUGGAGE BOX (KING TOUR-PAK)</b>			
	14219-88	DECAL, 85th Anniversary	88-FLTC,FLHTC

# GLOSSARY

## A

ADJ. .... Adjuster  
 ARM. .... Armature  
 AS REQ'D .... As Required  
 ASSY. .... Assembly

## B

BK. .... Black  
 BK. .... Brake  
 BLK. .... Black  
 BLK. .... Block  
 BLU. .... Blue  
 BRG. .... Bearing  
 BRKR. .... Breaker  
 BRKT. .... Bracket  
 BRTHR. .... Breather  
 BSHG. .... Bushing  
 BTRY. .... Battery

## C

CARB. .... Carburetor  
 CB. .... Circuit Breaker  
 CKT. .... Circuit  
 CL. .... Clutch  
 CLNR. .... Cleaner  
 CLPR. .... Caliper  
 COMM. .... Commutator  
 COMP. .... Complete  
 COMPL. .... Complete  
 CONN. .... Connecting  
 COV. .... Cover  
 CRKC. .... Crankcase  
 CTSHFT .... Countershaft  
 CYL. .... Cylinder

## D

DR. .... Door  
 DR. .... Drive

## E

EXH. .... Exhaust

## F

FR. .... Front  
 FT. .... Foot

## G

GND. .... Ground  
 GRN. .... Green

## H

HD. .... Head  
 HDLBR. .... Handlebar  
 HDLMP. .... Headlamp  
 HTM. .... High Temperature

## I

I.D. .... Inside Diameter  
 IGN. .... Ignition  
 ILLUS. .... Illustration  
 INSTR. .... Instruments  
 INT. .... Intake  
 INT. .... Internal

## K

KPH. .... Kilometer Per Hour

## L

L. .... Left  
 LG. .... Long  
 LT. .... Light  
 LVR. .... Lever

## M

MAINSFT. .... Mainshaft  
 MM .... Millimeter  
 MPH. .... Mile Per Hour  
 MTG. .... Mounting

## N

NEG. .... Negative  
 NEUT. .... Neutral  
 NO. .... Number

## O

O.S. .... Over Size  
 OIL PMP. .... Oil Pump  
 ORN. .... Orange

## P

P.D. .... Pitch Diameter  
 PASS. .... Passenger  
 PIN. .... Pinion  
 PLSTC. .... Plastic  
 POS. .... Positive  
 PRI. .... Primary

## R

R. .... Right  
 RLSE. .... Release  
 RLY. .... Relay  
 RR. .... Rear

## S

SCR. .... Screw  
 SFT. .... Shaft  
 SHF. .... Shift  
 SIG. .... Signal  
 SOL. .... Solenoid  
 SPCR. .... Spacer  
 SPEEDO. .... Speedometer  
 SPRKT. .... Sprocket  
 START. .... Starter  
 STD. .... Standard  
 SW. .... Switch

## T

T. .... Teeth  
 THK. .... Thick  
 THROT. .... Throttle  
 TURN SIG. .... Turn Signal

## V

V. .... Volt  
 V. .... Valve

## W

W. .... With  
 WHT. .... White  
 WRKL. .... Wrinkle  
 WRN. .... Warning

## Y

YEL. .... Yellow

# HARDWARE LISTING

812	SCREW, 1/4-20 X 1-1/2 knurled socket hd. (chrome)	1203	SCREW, No. 8-32 X 7/8 Pozidriv fillister hd. (Grade 2 steel)
813	SCREW, 1/4-20 X 1-3/4 knurled socket hd. (chrome)	1205	SCREW, No. 10-24 X 3/4 Pozidriv fillister hd.
852	SCREW, 1/4-20 X 1 knurled socket hd.	1309B	SCREW, No. 10-32 X 1/2 Phillips Truss hd. (self-sealing)
853A	SCREW, 5/16-18 X 12-1/4 knurled socket hd	1311A	SCREW, No. 8-32 X 1/2 Truss hd. (self-sealing)
854A	SCREW, 5/16-18 X 2-1/4 socket hd. (Grade 2 steel).	1357W	SCREW, 1/4-20 X 1 Phillips oval ctsk. hd. (stainless)
854	SCREW, 3/8-24 X 2 knurled socket hd.	1601	SCREW, No. 8-32 X 1/2 Pozidriv flat ctsk. hd. (Grade 2 steel)
855B	SCREW, 3/8-16 X 2 knurled socket hd.	1602	SCREW, 1/4-20 X 3/4 flat hd. (Grade 2 steel)
856A	SCREW, 5/16-24 X 1 knurled socket hd.	1610	SCREW, 5/16-24 X 1-1/2 Pozidriv flat ctsk. hd. (Grade 2 steel)
857A	SCREW, No. 10-24 X 3/8 knurled socket hd. (black)	1611	SCREW, No. 10-32 X 3/4 Pozidriv flat ctsk. hd. (Grade 2 steel)
860	SCREW, 3/8-16 X 2 knurled socket hd. (black)	1614	BOLT, 1/2-20 X 1-1/2 hex. hd. (chrome)
864	SCREW, 1/4-20 X 7/16 socket pan hd.	1643	SCREW, 7/16-14 X 1-1/4 flat socket ctsk. hd. (w/lockpatch)
866	SCREW, 5/16-18 X 1-1/8 knurled socket hd.	1719W	SCREW, No. 8-32 X 5/8 Phillips truss hd.
867A	SCREW, 1/2-13 X 3-1/2 knurled socket hd. (black)	1783	SCREW, 5/16-18 X 7/8 Pozidriv flat ctsk. hd. (Grade 2 steel)
868	SCREW, 1/2-13 X 1/2 socket button hd.	1795A	SCREW, 1/4-20 X 3 socket hd. (Grade 8 steel)
872A	SCREW, 1/2-20 X 3-1/4 knurled socket hd.	2003	SCREW, 5/16-18 X 1 Pozidriv pan hd. (Grade 2 steel)
875	SCREW, 5/16-18 X 1 knurled socket hd.	2005	SCREW, 3/8-24 X 15/16 Pozidriv oval ctsk. hd. (Grade 2 steel)(chrome)
882	SCREW, 1/4-20 X 7/8 socket hd. (Grade 8 steel)	2216W	SCREW, No. 4-24 X 1/2 Phillips oval ctsk. hd. (self-tapping)
883	SCREW, 3/8-16 X 1-1/4 knurled socket hd.	2339	BOLT, No. 10-24 X 3/4 hex. hd. (Grade 2 steel)
884	SCREW, 1/4-20 X 7/8 knurled socket hd.	2401	SCREW, No. 10-24 X 5/8 oval hd. (Grade 2 steel)
891	SCREW, 1/4-20 X 1-3/4 socket hd. (Grade 8 steel)	2417	SCREW, 1/4-28 X 5/8 Pozidriv truss hd. (Grade 2 steel)
904	SCREW, 1/4-20 X 7/8 hex washer hd.	2420	SCREW, 1/4-20 X 3/4 Pozidriv truss hd. (Grade 2 steel)
907	SCREW, No. 10-32 X 7/16 Pozidriv fillister hd. (w/lockpatch)(Grade 2 steel)	2430	SCREW, No. 12-24 X 7/8 knurled socket hd.
909	SCREW, No. 10-24 X 1-1/4 Pozidriv pan hd. (w/lockpatch)(Grade 2 steel)	2432	SCREW, No. 12-24 X 7/8 Phillips truss hd. (black)
919	SCREW, 1/4-28 X 3/4 socket hd.	2501	SCREW, No. 8-32 X 3/8 socket hd. (self-tapping)
920	SCREW, 5/16-24 X 7/8 knurled socket hd.(w/lockpatch)	2504	SCREW, No. 10-16 X 1-1/8 Pozidriv oval ctsk. hd. (self-tapping)
922	SCREW, No. 6-32 X 3/4 Phillips hd. (black)	2507	SCREW, No. 6-32 X 7/16 Pozidriv pan hd. (Grade 2 steel)
923	SCREW, 1/4-20 X 21/32 socket pan hd.	2508	SCREW, No. 10-32 X 1/2 socket rd. hd. (black)
924	SCREW, 1/4-20 X 33/64 socket pan hd.	2511	SCREW, No. 10-24 X 7/16 pan hd. (self-tapping)
925	SCREW, 1/4-28 X 5/8 socket button hd.	2513	SCREW, 1/4-20 X 1-1/4 socket rd. hd. (black)
927A	SCREW, 1/4-20 X 3/4 button hd. (grade 8 steel)		
932	SCREW, 1/4-20 X 1/2 truss hd. (chrome)		
933	SCREW, No. 10-32 X 15/16 Pozidriv truss hd. (Grade 2 steel)		
939	SCREW, 1/4-20 X 1 w/washer (Grade 2 steel) (self tapping)		
1000	SCREW, 1/4-20 X 5/16 pan hd. (Grade 2 steel) (Chrome)		
1040	SCREW, No. 8-32 X 1/4 fillister hd.		



# HARDWARE LISTING

2519	SCREW, 1/4-20 X 1-1/2 Socket button hd. (black)	2648	SCREW, 1/4-20 X 1 Pozidriv truss hd. (Grade 2 steel)
2523	SCREW, No. 8-32 X 1/2 hex washer hd. (self-tapping)	2652	SCREW, No. 10-16 X 3/8 hex. washer hd. (self-tapping)
2530	SCREW, No. 4-40 X 3/8 pan hd.	2661W	SCREW, No. 10-24 X 1/2 Phillips rd. hd. (self-tapping)
2531	SCREW, No. 4-40 X 5/16 Pozidriv pan hd. (Grade 2 steel)	2662W	SCREW, No. 10-24 X 3/8 Phillips rd. hd. (self-tapping)
2537	SCREW, 1/4-20 X 1/2 hex. (Grade 1 steel)	2664	SCREW, No. 10-24 X 7/16 Pozidriv pan hd. (Grade 2 steel)
2538	SCREW, 1/4-20 X 1 Pozidriv pan hd. (Grade 2 steel)	2665	SCREW, No. 10-24 X 5/8 Pozidriv pan hd. (Grade 2 steel)
2551W	BOLT, 1/4-20 X 1 hex. hd. (Grade 5 steel)	2667	BOLT, 5/16-18 X 2 hex. hd. (Grade 5 steel)
2568	SCREW, No. 12-24 X 3/4 round hd. (wood)	2682	SCREW, No. 10-32 X 3/8 Phillips truss hd. (stainless steel)
2574WA	SCREW, No. 6-32 X 1/4 oval hd.(w/ lockwasher)	2692WA	SCREW, No. 10-24 X 1/2 socket fillis. hd.
2576	SCREW, No. 10-32 X 3/4 Pan Hd.(Grade 2 steel)	2698A	SCREW, 5/16-18 X 9/16 socket fillis. hd.
2579	SCREW, No. 8-32 X 5/8 Pozidriv oval ctsk. hd. (Grade 2 steel)	2708A	SCREW, 5/16-18 X 1 socket hd.
2581	SCREW, No. 10-24 X 1-5/8 Pozidriv pan hd. (Grade 2 steel)	2710C	SCREW, No. 4-40 X 3/8 Phillips oval ctsk. hd. (chrome)
2582	SCREW, 5/16-18 X 3/4 Pozidriv pan hd. (Grade 2 steel)	2711	SCREW, No. 4-40 X 3/8 pan hd. (self-tapping)
2583	SCREW, No. 10-32 X 5/16 Pozidriv pan hd. (Grade 2 steel)	2712	SCREW, No. 10-24 X 9/16 Torx drive (w/lockpatch)
2585	SCREW, No. 8-32 X 5/16 Pozidriv pan hd. (Grade 2 steel)	2718	BOLT, 1/4-20 X 1-5/8 hex. hd. (Grade 5 steel)
2587	SCREW, No. 10-32 X 1/4 Pozidriv pan hd. (Grade 2 steel)	2720	SCREW, no. 10-24 X 1 Torx hd. (w/ locking adhesive)
2589	SCREW, No. 6-32 X 1/4 Phillips pan hd. (Grade 2 steel)	2724	SCREW, No. 10-16 X 1/2 (Grade 2 steel) (chrome)
2592	SCREW, No. 10-24 X 1/2 Pozidriv pan hd. (Grade 2 steel)	2725	SCREW, No. 12-24 X 5/8 phillips rd. hd.
2594A	SCREW, No. 8-32 X 1/4 Pozidriv pan hd. (w/ lockwasher)(Grade 2 steel)	2726	SCREW, No. 12-24 X 21/32 Phillips truss hd. (chrome)
2599	SCREW, 1/4-20 X 1-3/4 Pozidriv pan hd. (Grade 2 steel)	2731W	SCREW, No. 10 X 3/8 Phillips truss hd. (self-tapping)
2602	SCREW, 1/4-20 X 1-1/4 Pozidriv pan hd. (Grade 2 steel)	2733	SCREW, 1/4-28 X 1/2 slotted rd. hd. (w/lockwasher)(chrome)
2604	SCREW, No. 10-32 X 1/2 Pozidriv pan hd. (Grade 2 steel)	2737	SCREW, No. 4-40 X 1/4 Pozidriv pan hd. (Grade 2 steel)
2607	SCREW, 1/4-20 X 3/4 Pozidriv pan hd. (Grade 2 steel)	2739	SCREW, 1/4-28 X 1/2 Phillips truss hd. (w/lockwasher)(chrome)
2611B	BOLT, No. 10-32 X 3/4 hex. washer hd. (Grade 5 steel)	2757W	SCREW, 1/4-28 X 7/16 Phillips truss hd. (w/lockwasher)(chrome)
2614	BOLT, 1/4-28 X 2 hex. hd. (Grade 5 steel)	2770W	SCREW, 1/4-20 X 3/4 hex. hd. (self-tapping)
2623W	SCREW, No. 8-15 X 5/8 pan hd. (self-tapping)(Grade 1 steel)	2773	SCREW, 1/4-20 X 1/2 Pozidriv pan hd. (Grade 2 steel)
2625	SCREW, No. 8-32 X 5/8 Pozidriv pan hd. (Grade 2 steel)	2774	SCREW, 1/4-20 X 5/8 Pozidriv pan hd. (Grade 2 steel)
2630W	SCREW, No. 8-32 X 5/16 rd. hd. (self-tapping)	2779	SCREW, No. 6-32 X 15/16 pan hd. (self-tapping)
2646	SCREW, No. 8-32 X 3/4 Pozidriv pan hd. (Grade 2 steel)	2784	SCREW, 5/16-18 X 7/8 Pozidriv truss hd. (Grade 2 steel)
2647	SCREW, No. 10-24 X 3/4 socket hd.	2787	SCREW, 5mm-.8 pt. X 10mm pan hd. (Grade 2 steel)

# HARDWARE LISTING

2790A	BOLT, 5/16-18 X 7/8 hex. hd. (w/lockpatch)(Grade 5 steel)	3409	BOLT, 5/16-24 X 3-1/2 hex. hd. (Grade 5 steel)
2796W	SCREW, 1/4-20 X 1-1/2 hex. slot hd. (w/lockpatch)	3415	BOLT, 5/16-24X 1 hex. hd. (w/lockpatch)(Grade 5 steel)
2804W	SCREW, No. 6-32 X 1/2 Pozidriv pan hd.	3419	BOLT, 5/16-18 X 2-1/4 hex. hd. (Grade 5 steel)
2806	SCREW, No. 6-32 X 3/4 Pozidriv pan hd. (Grade 2 steel)	3427	BOLT, 5/16-18 X 3-1/2 hex. hd. (Grade 5 steel)
2818	BOLT, 5/16-18 X 1-1/2 hex. hd. (Grade 5 steel)	3429	BOLT, 1/4-20 X 2-3/4 hex. hd. (Grade 5 steel)
2823	SCREW, 5/16-24 X 3/8 Pozidriv truss hd. (w/lockwasher)(Grade 2 steel)	3430	BOLT, 5/16-24 X 5 hex. hd. (Grade 5 steel)
2824W	SCREW, 5/16-24 X 9/16 Phillips hd.	3440	BOLT, 3/8-16 X 1/2 hex. hd. (Grade 5 steel)
2831	SCREW, No. 6-32 X 3/8 Pozidriv truss hd. (Grade 2 steel)	3441	SCREW, 1/4-20 X 3/4 socket fillis. hd.(w/lockpatch)
2841W	SCREW, 1/4-28 X 1-7/32 Phillips hd.	3444A	SCREW, 1/4-20 X 5/8 socket fillis. hd.(w/lockpatch)
2851	BOLT, 3/8-16 X 7/8 hex. hd. (Grade 5 steel)	3445	BOLT, 5/16-18 X 9/16 hex. hd. (w/lockpatch)(Grade 5 steel)
2871W	BOLT, 5/16-18 X 1-1/4 hex. hd. (Grade 5 steel)	3450	BOLT, 1/2-13 X 2-1/2 hex. hd. (Grade 5 steel)
2872W	BOLT, 1/4-20 X 1-1/2 hex. hd. (Grade 5 steel)	3461	BOLT, 3/8-16 X 1-5/8 hex. hd. (Grade 8 steel)
2879W	BOLT, 3/8-16 X 1 hex. hd. (Grade 5 steel)	3462	BOLT, 5/16-18 X 1-1/4 hex. hd. (Grade 8 steel)
2881W	BOLT, 1/4-20 X 2 hex. hd. (Grade 5 steel)	3471	BOLT, 1/2-13 X 2-3/4 (Grade 5 steel)
2882W	BOLT, 5/16-18 X 5/8 hex. hd. (Grade 5 steel)	3473	BOLT, No. 10-32 X 1/2 hex. washer hd. Grade 2 steel)
2887W	BOLT, 5/16-18 X 1-3/4 hex. hd. (Grade 5 steel)	3479	SCREW, 1/4-20 X 2-1/4 knurled socket hd.
2888	SCREW, No. 8-32 X 1/2 Pozidriv truss hd. (Grade 2 steel)	3480A	SCREW, 1/4-20 X 1-3/4 (Grade 8 steel)
2889	BOLT, 3/8-24 X 3/4 hex. hd. (Grade 5 steel)	3481	SCREW, 1/4-20 X 1-1/2 knurled socket hd.
2896	SCREW, 3/8-16 X 7/8 button hd. (self- locking)	3484	BOLT, 5/16-18 X 1/2 hex. hd. (w/lockpatch)(Grade 5 steel)
2904A	SCREW, 3/8-24 X 3/4 socket hd.	3485A	SCREW, 5/16-18 X 1-3/4 socket hd.
2906	BOLT, 3/8-16 X 7/8 hex. hd (w/lockpatch)(Grade 5 steel)	3486	BOLT, 1/2-20 X 1-1/4 hex. hd.
2907	SCREW, M3 X .05 X 8mm cross recess pan hd. (self-tapping)	3487	BOLT, 5/16-24 X 5/8 hex. locking hd.
2908	SCREW, M3 X .05 X 12mm cross recess pan hd. (self-tapping)	3494A	BOLT, 5/16-18 X 7/8 hex. hd.
2909	SCREW, M3 X .05 X 25mm cross recess pan hd. (self-tapping)	3500	BOLT, 5/16-18 X 2-3/4 hex. hd.(Grade 8 steel)
2910	SCREW, M3 X 1.058 X 8mm cross recess pan hd. (self-tapping)	3501	BOLT, 5/16-18 X 2-1/2 hex. hd.(Grade 8 steel)
2911	SCREW, M3 X .5 x 20mm pan hd.	3503	BOLT, 5/16-24 X 2 hex. hd.(Grade 8 steel)
2913	SCREW, 3/8-16 X 1 hex hd. (L.H. thd.)	3504	BOLT, 5/16-24 X 5-3/8 hex. hd.(Grade 5 steel)
2914	SCREW, 3/8-16 X 7/8 hex hd. (L.H. thd.)	3506	STUD, 5/16-24 X 5-3/4 hex. hd.(Grade 5 steel)
3201WA	SCREW, 5/16-18 X 1-1/4 knurled soc. hd.	3509	BOLT, 3/8-16 X 2-3/4 hex. hd.(Grade 8 steel)
3210A	SCREW, 5/16-18 X 1-1/4 knurled soc. hd.	3512	BOLT, 3/8-24 X 3-1/4 hex. hd. (chrome)
3214	SCREW, 3/8-16 X 1-1/4 socket hd. (thd. cutting)	3513	BOLT, 3/8-24 X 3-1/2 hex. hd.
3221	SCREW, No. 4-16 X 3/16 set screw (Grade 8 steel)	3514	SCREW, No. 8-32 X 1 Filister hd.
3233	SET SCREW, 1/4-28 X 1/4 socket hd.		
3234W	SET SCREW, 1/4-20 X 5/16 slot hd.		
3403	LOCKNUT, M8 X 7 X 12mm hex.		

# HARDWARE LISTING

3516A	SCREW, 1/2-20 X 1-1/4 knurled socket hd.	3660	SCREW, 5/16-18 X 3/4 Torx drive pan hd.(w/lockpatch)(SAE J429 Grade B steel)
3517	BOLT, No. 10-32 X 1/2 hex. washer hd. (black)	3603	BOLT, 1/2-13 X 1-1/2 socket (Grade 8 steel)
3523	SCREW, No. 6-32 X 5/8 Pozidriv pan hd.	3730A	BOLT, 7/16-14 X 1-3/4 hex. (Grade 8 steel)
3524	SCREW, No. 6-32 X 3/4 Pozidriv pan hd.	3738	BOLT, 1/4-28 X 1/2 hex. hd.(Grade 5 steel)
3528	BOLT, 3/8-16 X 3-1/4 hex hd.(Grade 8 steel)	3764	BOLT, 7/16-14 X 2 hex. hd. (Grade 5 steel)
3529	SCREW, No. 10-32 X 1/4 slot hex washer hd. (self-tapping)	3765	BOLT, 1/4-28 X 5/8 hex. hd.(Grade 5 steel)
3531	SCREW, 5/16-18 X 3/8 knurled socket hd.	3766	SCREW, No. 10-16 X 15/16 Phillips pan hd.(self-tapping)(black)
3533	SCREW, 5/16-24 X 3/8 socket button hd.	3767B	BOLT, 1/4-20 X 5/8 hex. hd.(Grade 5 steel)
3535	BOLT, 1/2-20 X 2 hex. hd.(chrome)	3769	BOLT, 7/16-14 X 1-1/2 hex. hd. (Grade 5 steel)
3536	BOLT, 3/8-16 X 1-1/4 hex hd.(Grade 8 steel)	3770	SCREW, 1/4-20 X 7/8 12 pt. hd.(Grade 5 steel)
3537	SCREW, 1/4-28 X 1/2. flange lock	3771	BOLT, 7/16-14 X 1-1/2 hex. hd. (Grade 5 steel)(w/lockpatch)(chrome)
3538	SCREW, 5/16-24 X 1/2 hex. socket button hd.	3782	BOLT, 7/16-14 X 1-1/4 hex. hd. (Grade 5 steel)
3540	SCREW, 5/16-18 X 5/8 hex. soc. button hd.	3784	SET SCREW, 1/2-20 X 1/2 socket hd.(w/lockpatch)
3541	BOLT, No. 10-24 X 5/8 hex. hd. (Grade 2 steel)	3785	BOLT, 3/8-24 X 3/4 hex. hd. (w/lockpatch)(Grade 5 steel)
3545	BOLT, No. 10-24 X 13/16 hex. washer hd(Grade 18-8 stainless steel)	3787	BOLT, 1/4-20 X 3/4 hex. hd.(Grade 5 steel)
3546	BOLT, 5/16-18 X 5/8 hex. hd. (flange lock)	3802W	BOLT, 1/4-20 X 7/8 hex. hd.(Grade 5 steel)
3549A	SCREW, 1/2-20 X 1-1/2 knurled socket hd.	3825	BOLT, 1/4-28 X 1 hex. hd.(Grade 5 steel)
3554	BOLT, 3/8-16 X 1-3/4 hex hd.	3826	BOLT, 1/4-28 X 1-1/4 hex. hd.(Grade 5 steel)
3556A	SCREW, No.8-32 X 1/2 knurled socket hd.	3945	BOLT, 3/8-24 X 2-1/4 hex. hd.(Grade 5 steel)
3567	SCREW, 5/16-24 X 1 socket fillis. hd.	3946	BOLT, 7/16-20 X 2 hex. hd.(Grade 5 steel)
3574	SCREW, 1/4-20 X 3/4 hex washer hd.	3949	BOLT, 1/2-13 X 2-1/2 hex. (Grade 5 steel)
3576	SCREW, 5/16-18 X 1/2 hex washer hd.	3950	BOLT, 1/2-20 X 4 hex. hd.(Grade 5 steel)
3579	SCREW, 1/2-13 X 5/8 (Grade 2 steel) (self tapping)	3953W	BOLT, 5/16-24 X 1/2 hex. hd.(Grade 5 steel)
3581	BOLT, No. 10-24 X 3/8 hex. hd.(Grade 2 steel)	3958	BOLT, 1/2-20 X 2-1/4 hex. hd.(Grade 5 steel)
3589	SCREW, 5/16-24 X 1-1/4 socket hd. (chrome)	3960W	BOLT, 5/16-24 X 1 hex. hd.(Grade 5 steel)
3594A	SCREW, 1/4-20 X 5/8 socket hd. (Grade 8 steel)	3973	BOLT, 1/2-20 X 1-1/4 hex. hd. (drilled)(Grade 5 steel)
3597	SCREW, No. 6-32 X 9/16 Torx pan hd.(thread cutting)	3974HW	BOLT, 5/16-24 X 3/4 hex. hd.(Grade 5 steel)
3598	SCREW, No. 6-32 X 3/4 Torx pan hd.(thread cutting)	3987	BOLT, 5/16-18 X 3/4 hex. hd.(Grade 5 steel)
3603	BOLT, 1/2-13 X 1-1/2 socket (Grade 8 steel)		
3651	SCREW, 1/4-20 X 1/4 socket rd. hd.		
3652	SCREW, 1/4-20 X 3/8 socket hd.(chrome)		
3653	SCREW, 1/4-20 X 19/32 socket pan hd.(chrome)		
3655	SCREW, 5/16-18 X 7/8 pan hd.		

# HARDWARE LISTING

3991	BOLT, 5/16-18 X 7/8 hex. hd.(Grade 5 steel)	4319	BOLT, 3/8-24 X 1 hex. hd.(Grade 5 steel)
3993	BOLT, 1/4-20 X 1-1/4 hex. hd.(Grade 5 steel)	4325	BOLT, 1/4-20 X 5-1/2 hex hd.(Grade 8 steel)
3996	BOLT, 5/8-24 X 7/8 hex. hd.(Grade 5 steel)	4326A	SCREW, 5/16-18 X 2 hex. soc. hd.
3997	BOLT, 1/4-20 X 1-1/4 hex. hd.	4327	SCREW, 5/16-18 X 2 hex. soc. hd.
4011	SCREW, 5/16-18 X 1-1/4 socket pan hd.(Grade 5 steel)(black)	4337W	BOLT, 3/8-24 X 1-1/4 hex. hd.(Grade 5 steel)
4013	SCREW, 3/8-16 X 7/8 socket pan hd.(Grade 5 steel)	4340A	SCREW, 5/16-18 X 4-1/4 socket fillister. hd.
4014W	BOLT, 5/16-24 X 1-1/4 hex. hd.(Grade 5 steel)	4350A	SCREW, 3/8-16 X 1-1/2 hex. soc. hd.
4015	SCREW, 1/4-20 X 7/8 socket rd. hd.(black)	4355A	SCREW, 3/8-16 X 1-3/4 knurled socket hd.
4016	SCREW, 5/16-18 X 7/8 socket rd. hd.	4371W	SCREW, 3/8-16 X 1-5/8 socket fillister. hd.
4017	BOLT, 5/16-18 X 1 hex. hd.(Grade 5 steel)	4382	SCREW, 5/16-24 X 3/4 hex. hd.(self-tapping)
4020W	BOLT, 5/16-24 X 1-3/8 hex. hd.(Grade 5 steel)	4383	SCREW, 5/16-18 X 5/8 washer (Grade 2 steel)
4028	BOLT, 3/4-16 X 2-1/2 hex.hd.	4384	SCREW, 5/16-18 X 1 hex washer hd. (self-threading)
4029A	SCREW, 3/8-16 X 2-1/4 socket hd.(black)	4391	BOLT, 5/16-24 X 5/8 hex. hd.(Grade 5 steel)
4030	SCREW, 3/8-16 X 2-7/16 socket pan hd.	4401W	BOLT, 3/8-24 X 2-3/4 hex. hd.(Grade 5 steel)
4033	SCREW, 1/4-20 X 1-5/8 hex. soc. button hd.	4411	BOLT, 3/8-24 X 1-3/4 hex. hd.(Grade 5 steel)
4036	BOLT, 5/16-24 X 1-1/2 hex. hd.(Grade 5 steel)	4412	BOLT, 3/8-24 X 2-1/2 hex. hd.(Grade 5 steel)
4041W	SCREW, 5/16-24 X 1-5/8 hex hd.	4416W	BOLT, 3/8-24 X 1 hex. hd.(Grade 5 steel)
4044	SCREW, 3/8-16 X 1 socket button hd.	4435W	BOLT, 3/8-24 X 3-1/2 hex. hd.(Grade 5 steel)
4045	BOLT, 3/4-10 X 2-3/4 hex. (Grade 8 steel)	4453	BOLT, 1/4-20 X 7/8 hex. hd.
4052	BOLT, 1/2-13 X 1-3/4 hex. (Grade 5 steel)	4460	BOLT, 5/8-18 X 1 hex. hd.(Grade 5 steel)
4053W	BOLT, 5/16-24 X 2 hex. hd.(Grade 5 steel)	4701	BOLT, 5/16-24 X 1-1/2 hex. hd.(Grade 5 steel)
4061	BOLT, 5/16-18 X 5 hex. hd.(Grade 5 steel)	4702A	BOLT, 1/4-20 X 3/4 hex. (Grade 5 steel)
4067	BOLT, 5/16-18 X 4-1/2 hex. hd.(Grade 5 steel)	4713W	BOLT, 3/8-16 X 3/4 hex. hd.(Grade 5 steel)
4068	BOLT, 5/16-18 X 1-7/8 hex. hd.(Grade 5 steel)	4716W	BOLT, 3/8-16 X 1-1/4 hex. hd.(Grade 5 steel)
4069A	SCREW, 1/4-20 X 3/4 knurled socket hd.	4717	SCREW, 1/4-20 X 2-1/4 knurled socket hd.(w/lockpatch)
4070	SCREW, 5/16-24 X 2-1/4 socket hd.(chrome)	4718A	SCREW, 1/4-20 X 1-1/2 knurled socket hd.(w/lockpatch)
4074	BOLT, 1/2-13 X 2 hex. hd. shoulder	4720W	BOLT, 3/8-16 X 1-3/4 hex. hd.(Grade 5 steel)
4079A	BOLT, 1/2-13 X 2 hex. hd.(Grade 8 steel)	4721	BOLT, 3/8-16 X 1-1/2 hex. hd.(Grade 5 steel)
4081	BOLT, 1/2-20 X 1-3/4 hex. hd. (Grade 5 steel)	4722	BOLT, 3/8-16 X 2-1/4 hex. hd.(Grade 5 steel)
4086	BOLT, 5/16-18 X 3 hex. hd.(Grade 5 steel)	4724	BOLT, 3/8-24 X 1-1/2 hex. hd.(Grade 5 steel)
4091	BOLT, No. 10-24 X 1/2 hex. washer hd.(self-tapping)	4726	BOLT, 7/16-20 X 1-1/2 hex. hd.(Grade 5 steel)
4094	SCREW, No. 10-32 X 1 Pozidriv pan hd.(Grade 2 steel)	4729	BOLT, 7/16-20 X 1-1/4 hex. hd.(Grade 5 steel)
4095	SCREW, 5/16-24 X 7/16 socket hd. (w/lockpatch)		
4100HW	BOLT, 5/16-18 X 4 hex. hd.(Grade 5 steel)		

# HARDWARE LISTING

4736	SCREW, 3/8-16 X 1-5/8 socket hd. (drilled)	6057	WASHER, 1/2 X 7/8 X 3/16 (nylon)
4739	BOLT, 5/16-18 X 1-3/4 hex. hd. tap	6099	WASHER, 1/4 X 7/16 X 1/16
4740A	SCREW, 1/4-20 X 1-1/4 knurled socket hd.(w/lockpatch)	6107B	WASHER, 5/16 X 11/16 X 1/8
4741	SCREW, 1/4-20 X 1 hex. socket hd.(w/lockpatch)	6109	WASHER, 5/16 X 11/16 X 1/8
4742A	SCREW, 1/4-20 X 2-1/4 knurled socket hd.(w/lockpatch)	6113	WASHER, 1/2 X 13/16 X 1/32
4800	SCREW, 1/4-20 X 1-1/8 socket pan hd.(w/lockpatch)(Grade 8 steel)	6114	WASHER, 9/32 X 5/8 X 1/32
4809	SCREW, 5/16-18 X 1-3/8 socket hd.(black)	6115	WASHER, 13/32 X 23/32 X 1/16
4810	SCREW, 1/4-20 X 1-3/4 knurled socket hd.(w/lockpatch)	6127	WASHER, 13/32 X 13/16 X 5/64
4812	SCREW, 1/4-20 X 3/4 knurled socket hd.(w/lockpatch)	6150W	WASHER, 3/16 X 3/8 X 1/16
4813A	SCREW, 1/4-20 X 1-3/8 knurled socket hd.(w/lockpatch)	6182W	WASHER, 3/16 X 7/16 X 1/32
4814A	SCREW, 1/4-20 X 1-1/8 knurled socket hd.(w/lockpatch)	6192	WASHER, No. 8 X 7/16 X 3/64
4816A	SCREW, 5/16-18 X 1-1/2 socket hd.	6220W	WASHER, 1/4 X 7/16 X 1/32
4820A	SCREW, 1/4-20 X 2 hex. socket	6228W	WASHER, 1/4 X 1/2 X 3/64
4822A	SCREW, 1/4-20 X 2-3/4 knurled socket hd.(w/lockpatch)	6229W	WASHER, 5/16 X 1-1/16 X 3/64
4825A	SCREW, 1/4-20 X 1-3/4 socket pan hd.(w/lockpatch)(Grade 8 steel)	6235	WASHER, 1/4 X 23/32 X 1/16
4961	BOLT, 3/4-16 X 1-5/8 hex. hd.(Grade 5 steel)	6237	WASHER, 5/16 X 1-1/8 X 5/64
5209	SCREW, No. 12-16 X 5/8 Pozidriv pan hd.	6239	WASHER, 1/4 X 1/2 X 3/32
5403B	CARRIAGE BOLT, 1/4-20 X 3/8	6242W	WASHER, 1/4 X 9/16 X 1/32
5411	SCREW, 5/16-18 X 7/8 socket rd. hd.(square neck)(Grade 5 steel)	6253W	WASHER, 1/4 X 3/4 X 3/64
5444	CARRIAGE BOLT, 3/8-16 X 1(Grade 5 steel)	6261	WASHER, 1/4 X 3/4 X 3/32(rubber)
5445W	BOLT, 5/16 X 1-1/4 carriage bolt (Grade 5 steel)	6314W	WASHER, 21/64 X 9/16 X 1/8
5465	CARRIAGE BOLT, No. 10-24 X 1/2	6316HW	WASHER, 5/16 X 5/8 X 1/16
6002	WASHER, 5/16 X 5/8 X 1/16(black)	6317	WASHER, 3/4 X 1-1/2 X 1/32(nylon)
6003	WASHER, 1-3/16 X 1-3/8 X 5/64	6324W	WASHER, 5/16 X 11/16 X 1/16
6007	WASHER, 5/8 X 5/16 X 3/32(nylon)	6332B	WASHER, 5/16 X 15/16 X 3/64
6012	WASHER, 1/2 X 1-3/16 X 1/16	6333	WASHER, 5/16 X 7/8 X 5/64
6016	WASHER, 11/32 X 11/16 X 1/16	6334	WASHER, 7/16 X 29/32 X 1/16
6019	WASHER, 3/8 X 29/32 X 1/16	6335	WASHER, No. 4 X 5/16 X 1/32
6029	WASHER, 5/32 X 3/8 X 1/32	6336B	WASHER, 5/16 X 15/16 X 3 16
6035	WASHER, 1/4 X 1-1/4 X 1/8 (neoprene)	6340	WASHER, 13/16 X 1-15/32 X 1/8
6036	WASHER, 17/64 X 1 X 1/16	6341B	WASHER, 5/16 X 1-1/8 X 3/64
6040	WASHER, 3/4 X 1-1/2 X 1/16	6353	WASHER, 3/8 X 13/16 X 1/16 (chrome)
6047	WASHER, 5/8 X 13/64 X 3/64	6365	WASHER, 17/32 X 1-1/8 X 5/64
6048W	WASHER, 1/8 X 1/4 X 1/32	6366	WASHER, 1/2 X 1-1/4 X 3/32
6053	WASHER, 3/16 X 7/16 X 1/16(nylon) (black)	6375B	WASHER, 3/8 X 9/16 X 1/32
6054	WASHER, 3/16 X 9/16 X 1/16(nylon) (black)	6379W	WASHER, 3/8 X 5/8 X 3/64
6055	WASHER, 25/64 X 47/64 X 1/8(spring)	6398	WASHER, 3/8 X 13/16 X 3/32(rubber)
		6400HB	WASHER, 5/16 X 13/16 X 3/32
		6410	WASHER, 1/4 X 9/16 X 1/16(nylon)
		6416	WASHER, 3/8 X 1 X 5/64
		6448HB	13/32 X 13/16 X 3/32
		6474	WASHER, 3/8 X 13/16 X 5/32
		6497HW	WASHER, 7/16 X 1-1/8 X 3/64
		6506	WASHER, 1-13/32 X 2-3/32 X 1/16 (bronze)
		6516HW	WASHER, 15/16 X 1-1/8 X 1/8
		6530	WASHER, 1/2 X 1 X 3/16
		6590HW	WASHER, 1/2 X 1-1/8 X 3/32
		6639	WASHER, 5/8 X 1-5/16 X 3/32 (chrome)
		6645	WASHER, 11/32 X 1-1/32 X 1/8
		6653	WASHER, 5/8 X 1-5/16 X 3/32
		6655	WASHER, 5/8 X 1-1/2 X 3/32
		6700B	WASHER, 5/8 X 13/16 X 1/32
		6701	WASHER, 3/8 X 13/16 X 1/16
		6702	WASHER, 5/16 X 11/16 X 1/16
		6703	WASHER, 1/4 X 5/8 X 1/16

# HARDWARE LISTING

6712B	WASHER, 5/8 X 15/16 X 3/32	7230	LOCKWASHER, 1/4 external tooth
6716	WASHER, No. 10 X 1/2 X 3/64	7232	LOCKWASHER, 5/16 external tooth
6717	WASHER, No. 6 X 3/8 X 3/64	7234	LOCKWASHER, No. 10 external tooth
6718	WASHER, 1/2 X 1-1/16 X 3/32	7415A	WASHER, 11/32 X 7/8 X 1/8(rubber)
6723	WASHER, 17/32 X 1-1/2 X 9/64	7419	WASHER, 11/32 X 11/16 X 1/8(rubber)
6724	WASHER, 21/32 X 1-1/16 X 1/16	7501	SPEED NUT, 1/4 dia. stud size(self threading)
6734	WASHER, 19/64 X 41/64 X 5/64(black)	7506	NUT, No. 4-48 X 3/32 X 1/4 hex.(Grade 2 steel)
6736	WASHER, 9/32 X 5/8 X 1/16	7507	ACORN NUT, 5/16-18 X 11/16 X 1/2 hex.(Grade 2 steel)(chrome)
6737	WASHER, 57/64 X 1-3/64 X 1/32	7510	CLIP NUT, 1/4-28
6738	WASHER, 17/32 X 7/8 X 7/64	7513	ACORN NUT, 5/16-24 X 19/32 X 1/2 hex.
6753	WASHER, 1/2 X 1-1/4 X 1/8 (notched)	7515	JAM NUT, 7/16 X 1/4 X 11/16(Grade 2 steel)
6756	WASHER, 1/2 X 1-1/16 X 3/32	7520	ACORN NUT, No. 6-32 X 1/4 X 1/4 hex.(nylon)
6758	WASHER, 3/8 X 37/64 X 7/64	7531	LOCKNUT, 5/16-18 X 9/32 X 1/2 hex.
6759	WASHER, 3/16 X 3/8 X 1/32(nylon)	7549	ACORN NUT, 5/16-18 X 9/16 X 1/2 hex.
6762B	WASHER, 11/16 X 29/32 X 1/32	7561	NUT, 7/16-20 X 7/16 X 11/16 hex.
6771	WASHER, 21/64 X 33/64 X 1/16	7569	NUT, M6 X 10mm hex (keps)
6774	WASHER, 3/8 X 5/8 X 3/64	7571	NUT, M6 X 7mm hex (keps)
6781	WASHER, 5/16 X 37/64 X 5/64	7576	FLANGE NUT, 3/8-16 X 9/16 hex (keps)
6960	WASHER, 1/2 X 3/4 X .004	7590	NUT, No. 6-32 X 1/8 X 5/16 hex.(Grade 2 steel)
6961	WASHER, 1/2 X 3/4 X .007	7594	LOCKNUT, 5/16-18 X 1/2 (nylon locking)
6962	WASHER, 1/2 X 3/4 X .015	7602	ACORN NUT, No. 10-32 X 5/16 X 23/64 hex.(nylon-locking)
6963	WASHER, 1/2 X 3/4 X .031	7606	LOCKNUT, No. 8-32 X 1/4 X 1/4 hex.(chrome)
6969	LOCKWASHER, No. 4	7608	NUT, No. 8-32 X 1/8 X 11/32 hex.(Grade 2 steel)
7005	LOCKWASHER, 15/64(black)	7609W	LOCKNUT, No. 8-32 X 3/16 X 5/16 hex.
7010	LOCKWASHER, No. 6	7613A	SPEED NUT, 1/8 dia. stud size
7015	LOCKWASHER, No. 8	7620W	NUT, No. 10-24 X 1/8 X 3/8 hex.(Grade 2 steel)
7017	WASHER, 17/64 X 33/64 X 5/64(black)	7624	LOCKNUT, No. 10-24 X 1/4 X 3/8 hex.
7018	WASHER, 17/64 X 37/64 X 5/64(black)	7626W	LOCKNUT, No. 10-32 X 3/16 X 3/8 hex.
7022	LOCKWASHER, 5/8	7627	ACORN NUT, 1/2-13 X 3/4 hex (chrome)
7030W	LOCKWASHER, No. 12	7629	NUT, No. 10-32 X 3/8 hex (keps)
7036	LOCKWASHER, 1/4	7634	NUT, No. 10-32 X 1/8 X 5/16 hex.(brass)
7038	LOCKWASHER, 3/8	7635W	NUT, No. 10-32 X 13/32 X 3/8 hex.
7039	LOCKWASHER, 7/16	7638	NUT, No. 10-32 X 1/8 X 3/8 hex.(Grade 2 steel)
7041	LOCKWASHER, 5/16	7643W	JAM NUT, 3/8-16 X 7-32 X 9/16 hex.
7042	LOCKWASHER, 5/16(high collar)	7652	NUT, 3/4-16 X 1-1/8 hex.(chrome)
7043	LOCKWASHER, 3/4	7651	ACORN NUT, No. 12-24 X 3/8 hex
7045	LOCKWASHER, 3/8(high collar)	7653	ACORN NUT, No. 12-24 X 7/16 X 3/8 hex.(black)
7068	LOCKWASHER, 1/2	7654W	NUT, No. 12-24 X 5/32 X 7/16 hex.
7069	LOCKWASHER, No. 10	7667	NUT, 3/8-16 X 9/32 X 9/16 hex. (w/nylon insert)
7100	LOCKWASHER, 5/16 internal/external tooth	7676	NUT, 1/4-28 X 7/32 X 7/16 hex.(Grade 2 steel)
7101	LOCKWASHER, 3/8 internal/external tooth	7669	TEE NUT, 5/16-18
7112	LOCKWASHER, No. 6 internal tooth		
7115	LOCKWASHER, No. 8 internal tooth		
7118	LOCKWASHER, No. 10 internal tooth		
7124	LOCKWASHER, 1/4 internal tooth		
7127	LOCKWASHER, 5/16 internal tooth		
7129	LOCKWASHER, 1/2 internal tooth		
7130W	LOCKWASHER, 3/8 internal tooth		
7142	LOCKWASHER, 3/4 internal tooth		
7145W	LOCKWASHER, 3/8 external tooth		
7150	LOCKWASHER, 7/8 internal tooth		
7220	LOCKWASHER, No. 10 external tooth		
7229W	LOCKWASHER, 1/4 internal/external tooth		

# HARDWARE LISTING

7680W	ACORN NUT, 3/8-16 X 25/32 X 9/16 hex. (Grade 2 steel)(chrome)	7783	NUT, 3/8-16 X 5/16 X 9/16 hex.(Grade 2 steel)
7682	LOCKNUT, 1/4-28 X 3/16 X 7/16 hex.	7792	NUT, 1/4,-20 X 1/4 hex. (Grade 2 steel)
7683	LOCKNUT, 1/4-28 X 5/16 X 7/16 hex.	7796	NUT, 5/16-18 X 1/4 hex. (Grade 2 steel)
7686	LOCKNUT, 1/4-20 X 5/16 X 7/16 hex.	7800W	NUT, 3/8-24 X 5/16 X 9/16 hex.(Grade 2 steel)
7688	NUT, 1/4-20 X 7/32 X 7/16 hex.(Grade 2 steel)	7812W	LOCKNUT, 1/2-20 X 5/16 X 3/4 hex.
7689W	JAM NUT, 1/4-20 X 5/32 X 7/16 hex. (Grade 2 steel)	7813	NUT, 5/8-18 X 9/16 X 15/16 hex.(Grade 2 steel)
7715	LOCKNUT, 5/16-18 X 17/64 X 1/2 hex.	7823	CASTLE NUT, 5/8-18 X 3/8 X 15/16 hex. (Grade 2 steel)
7716	NUT, 1/4-20 X 7/16 hex	7824	LOCKNUT, 1/2-20 X 1/4 hex. (Grade 2 steel)
7725	LOCKNUT, 5/16-24 X 11/32 X 1/2 hex.	7825	LOCKNUT, 7/16-20 X 7/16 X 5/8 hex.
7727	LOCKNUT, 5/16-24 X 1/4 X 1/2 hex.	7837W	NUT, 7/16-20 X 3/8 X 11/16 hex.(Grade 2 steel)
7729	LOCKNUT, 5/16-24 X 1/4 X 1/2 hex.	7844	LOCKNUT, 1/2-13 X 5/16 X 3/4 hex.
7734W	CASTLE NUT, 1/2-20 X 9/16 X 3/4 hex. (Grade 5 steel)	7845	NUT, 1/2-20 X 7/16 X 3/4 hex.(Grade 2 steel)
7736	ACORN NUT, 5/16-24 X 19/32 X 1/2 hex. (Grade 2 steel)(chrome)	7848W	JAM NUT, 7/16-20 X 1/4 X 11/16 hex. (Grade 2 steel)
7737W	ACORN NUT, 1/4-20 X 15/32 X 7/16 hex. (Grade 2 steel)	7855W	JAM NUT, 3/4-16 X 7/16 X 1-1/8 hex. (Grade 2 steel)
7739	LOCKNUT, 5/16-18 X 11/32 X 1/2 hex.	7880	NUT, 1/2-13 X 7/16 X 3/4 hex.(Grade 2 steel)
7740	LOCKNUT, 5/16-18 X 1/4 X 1/2 hex.	7986	NUT, 5/8-18 X 5/8 X 1-1/16 hex.(Grade 5 steel)
7741	LOCKNUT, 1/2-20 X 1/2 X 3/4 hex.	7987	CASTLE NUT 5/8-18 X 15/16 hex
7742	LOCKNUT, 1/4-20 X 7/32 X 7/16 hex.	7993	LOCKNUT, 5/8-18 X 15/16 hex.
7743	SPEED NUT, for 1/4-20 bolt	7994	LOCKNUT, 5/8-18 X 15/16 hex
7744	JAM NUT, 5/16-24 X 3/16 X 1/2 hex. (Grade 2 steel)	8101	SPEED NUT, for 5/16-18 bolt
7748W	NUT, 5/16-18 X 1/4 X 1/2 hex.(Grade 2 steel)	8102	SPEED NUT, for 5/16-18 screw
7752	SPEED NUT, for 5/16-18 screw	8107	SPEED NUT, for No. 10-A or Z thread screws
7753	NUT, 5/16-24 X 1/4 X 1/2 hex.(Grade 2 steel)	8108	SPEED NUT, 11/32 dia.
7763W	JAM NUT, 5/16-18 X 3/16 X 1/2	8125	SPEED NUT, for 8-32 bolt
7768W	LOCKNUT, 1/2-13 X 19/32 X 3/4 hex.	8126	SPEED NUT, 3/16 dia. stud size
7772	LOCKNUT, 5/16-24 X 3/8 Filster (Grade 2 steel)	8131W	LOCKNUT, No. 4-40 X 1/8 X 1/4 hex.
7775	LOCKNUT, 3/8-24 X 7/16 X 9/16 hex.	8135B	SPEED NUT, 1/4 dia. stud size
7776W	LOCKNUT, 3/8-24 X 9/32 X 9/16 hex.	8151	SPEED NUT, for No. 10-32 screw
7778	LOCKNUT, 3/8-16 X 7/16 X 9/16 hex.	8155	SPEED NUT, for No. 8-32 screw
7780	LOCKNUT, 3/8-24 X 13/32 X 11/16 hex.		
7782	LOCKNUT, 3/8-24 X 3/8 X 9/16 hex. (Grade 8 steel)		

## NUMERICAL INDEX

Part No.	Page	Part No.	Page	Part No.	Page	Part No.	Page	Part No.	Page
221	197	853 A	153	1719 W	47	2594	275	2713	89
222	81		229		245	2594 A	235	2720	35
239	21	854	101	1783	65	2599	203	2725	175
257	263		181	2003	123		289	2726	165
275	17	855 A	73	2005	195	2602	283		289
335	51		293	2216 W	35	2604	79	2731 W	37
336	51	856	123		289		187		245
337	51	856 A	47	2339	245		191	2733	135
358	13		119	2401	133		299	2737	31
	17	857	51	2417	63	2607	135	2757 W	67
375	51	857 A	65		99		137		135
	197	864	31		111		191		137
511	95	867 A	153	2420	179		215	2770 W	129
515	79	868	137	2430	175		279	2770 WA	247
	81	872	139	2432	165	2611 B	37	2773	47
	85	883	295	2501	81	2612	201		133
	89	907	207		159	2614	65		141
520 W	126	909	269		308	2623 W	167		203
534	73	919	135	2504	161	2625	147	2774	193
	117	920	139	2508	171		226		201
551	159	922	167		257		257		203
559	293		171		265		307		257
600	263		179	2511	17	2630 W	235	2779	171
601	47		179		311	2646	255	2784	171
	303		257	2513	167		257		179
604	126	923	69		257	2647 A	161	2787	261
	141		111	2519	207		185	2790 A	279
	293		197	2522	305	2648	161	2796 W	225
	295		207	2531	187		171	2803 W	305
608	269		231		299	2652	81	2804 W	143
609	51	924	197	2537	257	2661 W	69		279
613	263		209	2538	126		99	2806	165
614	263		257	2551 W	47		101		279
634	51	932	177		147		107	2818	23
653	13	933	37		215		123		197
	17		161		219	2662 W	69		219
706 A	215		171		255		101		221
720	13		305		257		247		285
721	41	1040	119		308	2664	79	2823	101
722	51	1203	181	2568	305		301		109
727	41	1205	263		307	2665	37	2824 W	191
728	126	1309 B	201	2574 WA	235		63	2831	143
	129		203	2576	257		205	2841 W	285
729	226		207	2579	69		283	2851	51
735	126	1311	207	2581	201	2667	85		126
	279	1357 W	137	2582	103	2682	43		139
738	31	1601	17		123	2692 W	241	2871 W	23
739	51		37		247	2698	67		51
	197		269	2583	255		239		181
740	126	1602	135	2585	63		241		197
741	283		137		226	2708	79	2872 W	21
812	37	1610	297	2587	255		221	2879 W	51
813	126	1611	171	2589	277	2710 C	299		126
852	8	1614	149	2592	99	2711	135		137
		1643	297		179	2712	35		149



## NUMERICAL INDEX

Part No.	Page	Part No.	Page	Part No.	Page	Part No.	Page	Part No.	Page
	295		81	3652	207		191		69
2881	W 59		85		211		285	4036	185
2882	W 67		297	3655	75	3987	67		219
	129	3479	51	3735	99		85		221
	133	3481	8	3764	293		123		295
	187	3485	41		295		126	4053	W 79
	215		187	3765	285		159	4061	203
	283		221	3766	233		171	4067	201
	285	3486	139	3767	B 129		191		205
2887	W 41	3487	133		135		205	4068	89
	81		135		137		209		197
	151	3494	23		241		215		235
	195		153		263		221	4069	A 47
	279	3500	8		269	3991	67		226
	283	3501	8	3769	295		135		239
	289	3503	139	3770	8		187	4070	239
2888	143	3504	13	3782	141		205	4074	151
2889	285	3505	13	3784	47	3993	37	4081	281
2904	241	3509	85	3787	35		47		293
2906	149	3512	13		67		141	4086	197
	195		51		89		219	4091	187
2907	265	3514	181		133	3996	135	4094	308
2908	265	3516	A 139		143	3997	8	4095	111
2909	265		141		167	4011	121	4100	HW 205
2910	265	3517	73		263	4013	129	4319	13
3201	W 27	3523-90	277		273		181		137
3210	31	3524-90	277		279		195		221
	51	3526	85		305	4014	W 67	4325	45
	153	3528	13		308		139	4326	A 45
	187		51	3802	W 81		185		219
	219	3529	203		171		209	4337	W 3
3216	257	3531	155		263		295		119
3233	289	3533	115	3825	79	4015	63		123
3234	W 303	3535	149		85		69		129
3403	295	3536	149		139		167		139
3409	209	3537	67	3826	37		257	4340	37
3415	47	3538	69	3945	181	4016	47	4350	A 103
	226		115	3946	289	4017	43		115
3419	89	3540	67		293		47	4355	3
	209	3541	147		295		67	4371	W 171
	235	3545	147	3950	149		121	4371	WA 101
3427	13		197	3953	W 111		181		107
3429	21	3546	241		219		205		111
3430	13	3549	A 139		308		221		181
3440	129	3554	13	3958	295	4020	W 185	4382	35
	139	3560	W 187	3960	W 123		297	4391	35
3444	69		299		129	4028	293		37
3444	A 47	3561	WB 187		135		295		133
3445	191		299		141	4029	103		215
	279	3581	269		185		115		239
3450	153	3587	277	3973	293		239		285
3462	187	3589	69	3974	HW 123		293		308
3464	139	3597	143		129	4030	195	4401	W 289
3471	153	3598	143		137		295		301
3473	37		277		175	4033	63	4411	3

## NUMERICAL INDEX

Part No.	Page	Part No.	Page	Part No.	Page	Part No.	Page	Part No.	Page
	89	4810	17	6016	3		221		85
	101	4813 A	17		8		283		89
	107		197		13	6113	153	6375 B	295
	161	4814	51		23		215	6379 W	3
	293	4816 A	153		31	6115	93		139
4412	241	4820	197		41	6127	95		195
	279	4825 A	51		43	6150 W	269		283
4416	13	4961	129		47	6182 W	171		295
4435 W	123	5207	37		51		271	6398	67
	161		161		123	6192	235		283
4453	111		171		126		269	6400 HB	3
4460	103		305		197		271		65
4701	295	5209	165		219		273		141
4713 W	85		255		221	6220 W	79	6410	135
	89		257	6019	3		85		137
4716 W	13		307		13		89		191
	195	5210	147		51		187		279
	295		165		67	6228 W	289	6416	289
4717	51		167		73	6229 W	279		301
4718 A	17		171		129	6235	67	6474	129
	37		179		149		179	6497 HW	3
	51		179		171		201		47
	197	5211	147		205		255	6506	11
4720 W	283	5212	179	6029	191		257	6516 HW	3
4721	3		179	6036	147		283		51
	13	5251	295		165		308		89
	139	5252	305		255	6237	205		137
	141	5403 B	193	6040	117		209	6530	149
	195	5406 B	289	6042	117		289	6590 HW	75
	295	5411	221	6047	275	6242 W	37	6639	75
	299	5444	65	6048 W	31		59	6645	123
4722	221	5465	193	6053	161	6253 W	167		126
4724	13	5486 W	289		171	6257 W	126		135
	85	5702	47		305	6261	181		185
	121	5710	109	6055	143	6314 W	47		221
	139		111		277	6316 HW	47	6653	75
	181	5713	195		279	6317	79		299
4726	3	5714	245	6057	47	6324 W	269		303
	95	5724	135	6099	8	6332 B	289	6655	93
	295	5728	308		17	6333	123		95
4729	99	5736	153		37		137		103
	109		229		51		171		111
	111	5756	95		63		175	6700 B	297
	126	5758	159		69		257	6701	3
	141		308		197		279		67
	293	5775	209		219	6334	89		103
4736	117	5885	185	6107 B	67		123		119
4739	235	5887	221	6109	31		129		121
4740 A	17	5926 B	67		67	6335	187		123
	63	5940	283		67		299		126
	197	5965 B	123		135	6336 B	69		129
4741	51	5989	179		171	6340	295		137
	69	6003	57		185	6353	115		139
4800	285	6007	51		203	6365	209		161
4809	153	6012	149		205	6366	81		171

## NUMERICAL INDEX

Part No.	Page	Part No.	Page	Part No.	Page	Part No.	Page	Part No.	Page
	181		171	6774	279		139		239
	195		187	6781	245		141		241
	221		191	6812	115		149	7043	289
	235		193		117		171		293
	241		201		181		181		295
	279		215	6960	293		221		303
	283		219	6961	293		295	7045	45
	289		225	6962	149		299		181
	293		269		293	7039	3		241
	295		273	6963	293		99	7068	75
6702	47		285	6969	31		109		137
	67		289	6970	143		111		139
	79		305	7005	165		123		149
	81		308	7007	89		126		153
	89	6712 B	297	7012	81		129		181
	99	6716	37		117		141		293
	101		43	7015	226		255		295
	107		79		245		289	7069	17
	109		81		275		293		37
	111		85	7017	165		295		43
	119		143	7018	165	7041	37		79
	123		147		167		41		99
	129		159	7022	75		43		161
	133		187		93		47		185
	159		193		95		67		201
	161		201	7030 W	175		69		203
	179		207		289		99		207
	185		255	7036	21		101		226
	187		261		37		107		241
	191		283		43		109		269
	201		289		47		111		273
	203		297		99		119		275
	205		305		135		121		283
	215	6717	143		137		123		289
	219		165		139		127		301
	221		179		143		129	7100	51
	226		179		147		139		123
	245		277		187		141		127
	285		279		193		159	7101	123
	295		305		201		171		241
	308	6718	139		203		175	7112	279
6703	43		293		257		181	7115	63
	63	6723	293		263		185		143
	65	6724	151		285		187		226
	67	6736	8		289		191	7118	37
	69		47		295		209		79
	99	6737	9		305		215		147
	126	6738	21		308		219		187
	129		141	7038	3		221		191
	133		149		13		235		245
	135	6753	153		85		245		255
	143	6756	115		89		283		257
	159	6758	73		103		285		299
	165	6762 B	9		121		289	7124	35
	167	6771	23		126	7042	153		45

## NUMERICAL INDEX

Part No.	Page	Part No.	Page	Part No.	Page	Part No.	Page	Part No.	Page
	99		115		283		191	7741	149
	111		123	7627	115		193	7742	85
	129		127		117		215		141
	143		133	7634	17		219		159
7127	35		135		37		255		219
	51		201	7638	31		257		269
	85		203		37		269	7743	203
	197		205		187		279		207
	219		235		191		308	7744	31
	239	7415 A	179		201	7688	35		47
	245		279		203		43		81
	269	7419	279		207		69		85
	308	7501	241		226		193		175
7129	255		300		236		269		235
	257	7506	13		263		289		239
7130 W	123	7507	67		269		295	7746 W	89
	161		187		273		305		99
	181		205		275	7689 W	81		101
	241		221		289		129		107
	279	7510	285		299		159		109
7142	129	7513	129	7643 W	195		187		111
7145 W	129	7515	47		281		193		123
	139	7520	143	7651	175		225		127
	263		279	7652	293	7716	179		159
	281	7531	187		295		179		215
7150	245		191	7653	165	7725	79		221
7220	37		195	7654 W	175		123		245
	43		219		289		127		289
	69		221	7667	117		161	7752	279
	101		279		195		209	7753	13
	107		285		241		295		35
	179	7549	235		263	7727	295		37
	181	7561	95	7669	67	7729	219		47
	187	7566	257	7676	79		297		123
	247	7590	143	7680 W	115	7734 W	293		129
	263		207		137	7736	47		141
	269	7602	235		181		129		191
7229 W	35	7606	181		195		245		219
	225	7608	143	7682	63	7737 W	45		221
	235		207		165		285		285
	239		245		187	7739	3		289
	241		307	7693	37		69	7763 W	235
	269	7609 W	159		85		75	7768 W	153
	271		201		187		153	7775	3
7230	43		255		285		171		119
	47		257	7686	37		179		123
	129	7613 A	187		69		201		161
	141	7620 W	43		127		203		195
	159		147		133		205		289
	179		269		135		257		293
	193	7624	63		159		279	7776 W	3
	241		187		161		283		93
	247		193		165		305		139
	285		299		167	7740	81		279
7232	13	7626 W	171		171		89		285

## NUMERICAL INDEX

Part No.	Page	Part No.	Page	Part No.	Page	Part No.	Page	Part No.	Page
7773	3	8101	215	8692	161	9853	251		221
	65		219		191	9859	171	9959	123
	95	8102	191	8699	17		251		215
	129	8107	161		37	9860	37	9969	215
	139		233	8860	141		251	9988	157
	185	8108	89	8873	21	9861	251		205
	203		111		51	9862	35		308
	293		129	8876 A	57		251	9990 W	37
	295		207	8904	57	9863	251		63
7780	13		209	8977	51	9864	251	9991 A	23
	289	8125	245	8996	51	9865	251	9996	201
	301	8126	187	8998	51	9866	251	10003	3
7782	13	8128	257	9028	13	9868	251		31
	129	8131 W	187	9052	75	9869	251		37
	221		299		95	9871	143		107
7783	13	8135 B	191		303		251		157
	85	8151	171	9058	17	9875	251	10006	31
	89	8155	123	9062	41		265		35
	103		235	9063	41	9879	251		37
	129	8307	123		197	9881	37		121
	295	8316	305	9076	129	9885	37		151
	299	8325	159	9110	13	9890	308		157
7800 W	3	8469	79	9120	13	9892	251		161
	181	8476	308	9121	13	9893	308		171
	241	8483	157	9122	13	9894	207		185
7813	75		171	9123	13	9898	171		215
7823	299		191	9124	13		251		239
	303		193	9125	13		265		245
7824	123		271	9126	13	9900	37		251
	127		275	9127	13		185		293
	149	8498	261	9128	13		251		297
7825	89		269	9129	13	9903	251		299
7837 W	123		271	9130	13	9904	251		308
7844	153	8500	143	9131	13	9905	251	10007	157
7845	75	8502	143	9132	13	9907	185		251
	139	8505	187	9133	13		251	10014	23
	295	8519	31	9134	13	9908	37		27
7843 W	59		181	9135	197	9914	119		201
	61		187	9139	117	9928	251		203
7855 W	81		269	9140	117	9930	171		205
	85		271	9141	117		251		209
	289	8533	279	9851 A	89	9937	251		308
7880	139	8625	31		139	9938	251	10031	69
	181	8672	235	9856	143	9945	251		79
7986	93		239		207	9946	119	10033	241
	95		241		251	9952	171	10034	285
7987	95		269	9857	37		181	10038	79
7993	297		273		121		235		81
7994	75		275		165		239		85
8098	245		285		181		241		297
8099	127	8686	289		207		269	10039	225
	147	8687	171		229		271		251
	215		275		231		273		257
	283	8688	143		245		275		269
	308		289		251	9955	219		308

## NUMERICAL INDEX

Part No.	Page	Part No.	Page	Part No.	Page	Part No.	Page	Part No.	Page
10046	17		121	11452	207	14123-86A	165	14312-90	213
	37		215	11453	167	14142-86	187	14319-90	213
10049	215	11140	119	11454	227	14143-86	211	14320-90	213
10053	69	11143	63	11456	129	14145-86	211	14321-90	213
10059 A	63		69	11717	209	14146-86	211	14322-90	213
10065	31	11145	9	11729	47	14150-86	111	14323-90	213
	143	11147	197	11733	51	14158-87	161	14324-90	213
	153	11150	47	12013 A	57		311	14325-90	213
	161	11155	157	12026 B	13		312	14326-90	213
	181		265	12045	47	14159-87	187	14328-90	213
	226	11158	129	12050	51		311	14329-90	213
	235	11160 A	13	12051	51	14161-87	211	14331-90	187
	239	11161	51		197	14162-87	211	14332-90	213
	241	11165	51	12052	197	14163-87	211	14333-90	213
	251	11170	119	12053	197	14164-87	211	14335-90	213
	265		121	14000-88	312	14165-87	211	14337-90	213
	299	11171	119	14010-82	161	14171-87	211	14339-90	213
10067	225		121	14011-82	161	14172-87	211	16101-90	3
10069	51	11173	75	14012-82A	161	14173-89	147	16103-90	3
10072	151	11174	211	14019-83	165	14178-90	147	16105-90	3
10073	251	11175	75		185	14179-89	147	16106-90	3
10074	221	11176	261	14027-83	79	14179-90	147	16107-90	7
10076	69	11177	13		293	14186-88	211	16108-90	3
10077	251	11178	51	14031-87	211	14187-88	312	16109-90	3
10080	13	11179	51	14048-86	161	14188-88	312	16114-90	3
	51	11182	45	14052-85	121	14189-88	312	16115-90	7
	121	11183	45		149	14200-88	211	16120-90	7
	215	11191	47	14052-88	149	14201-88	211	16121-90	3
10081	69	11192	3	14055-84	211	14202-88	211	16122-90	7
	229	11218	11	14056-84	211	14203-88	211	16123-90	7
10084	215	11219	11	14072-86	211	14204-88	211	16124-90	3
10085	215		17	14072-88	211	14205-88	211	16125-90	3
10088	63	11220	45	14073-86	211	14214-89	211	16126-90	3
10089	203	11400	191	14073-88	211	14214-90	211	16127-90	3
10091	226	11410	143	14082-84	119	14215-89	211	16128-90	3
10092	157		299	14101-84	215	14216-89	211	16131-90	3
10205	147	11411	67	14105-86	211	14217-89	165	16135-90	7
10998	51		167	14105-88	211	14218-89	147	16136-90	7
11002	17	11412	123	14106-86	211	14219-88	312	16207-79B	15
	21		165	14106-88	211	14221-88	312	16216-83D	3
11013	31		255	14107-86	211	14222-88	312	16216-90	3
	159	11422	167	14107-88	211	14223-89	167	16219-79A	3
11016	47	11430	191	14108-86	211	14224-89	161		15
11020	51		235	14108-88	211	14227-88	177	16284-84	3
11039	41	11435	227	14109-86	211	14228-89	211	16302-81	15
11067	57	11436	123	14109-88	211	14240-90	211	16304-87	15
11083	47	11437	187	14110-86	211	14242-90	211	16478-85A	3
11096	57		191	14110-88	211	14244-90	211	16480-85A	3
	59	11440	273	14112-85	149	14246-90	147	16482-85	3
	61	11445	167	14112-88	149	14248-90	147	16510-83A	3
11105	17	11447	209	14114-86	171	14250-90	165	16512-86A	3
	21	11448	181	14116-86	273	14251-90	147		311
11117	47	11449	239	14120-86	167	14306-90	213	16573-83	3
11132	9	11451	127	14126-86	211	14307-90	213	16602-30	289
	119		129	14127-86	211	14311-90	213	16690-85B	5

## NUMERICAL INDEX

Part No.	Page	Part No.	Page	Part No.	Page	Part No.	Page	Part No.	Page
16691-85C	5	18131-83C	5		65	25322-82	19	26350-85A	51
16692-85B	5	18133-83A	5	24037-70	15	25323-82	19	26352-85	51
	311	18134-83	5		65	25325-82	19	26354-90	19
16696-85B	5	18201-83	5	24040-78	17	25326-82	19	26400-82	21
	311	18202-83	5	24040-90	17	25327-82	19	26432-76A	5
16715-83	5	18219-83	5	24041-78	17	25328-82	19	26496-75	51
16770-84B	5	18222-83	5	24041-90	17	25414-70A	197	26555-84	5
16774-86B	5	18229-83	5	24042-78	17	25416-84	197		23
16778-84A	9	18268-48	297	24042-90	17	25418-89	197	26555-90	5
16779-84A	9	18523-86	9	24043-78	17	25452-87A	51	26557-83	5
16830-29A	5	18540-83A	9	24043-90	17	25452-90	51		23
16831-83	5	18542-83A	9	24044-78	17	25453-87	51	26558-84	5
16837-85A	5	18622-85	311	24044-90	17	25453-90	51		23
	15	18622-85A	9	24045-78	17	25550-36	19	26561-84	19
16852-83A	5	18623-85	311	24045-90	17	25550-57	19		273
16852-90	5	18623-85A	9	24046-78	17	25551-36	19	26570-84	25
17033-83A	5	18633-48D	9	24046-90	17	25552-36	19		29
	9	18634-48C	9	24281-83	11	25553-36	19		29
17035-83B	5	21920-83	11	24334-36	11	25554-36	19	26995-86A	27
	9	21921-83	11	24335-36	11	25555-36	19	27002-89	27
17355-84A	9	21922-83	11	24345-36A	11	25555-84	19	27008-83A	23
17356-84A	9	21923-83	11	24346-87A	11	25556-79	19	27009-86A	27
17358-84A	9	21924-83	11	24356-36A	11	25557-79	19	27010-86A	27
17360-83	9	21940-83	11	24469-83B	15	25558-79	19	27012-83A	23
17375-83	9	21941-83	11	24473-85B	15	25559-79	19	27014-86A	308
17428-57	9	21942-83	11	24493-85B	311	25581-70	19	27014-90	308
17503-84B	9	21943-83	11	24553-83	15	25582-73	19	27017-87	308
17510-84	9	21944-83	11	24557-87	51	26052-86	19	27018-85	308
17521-84B	9	22589-83A	11	24581-88	17	26058-84	21	27019-83	23
17528-84A	9	22764-83	11	24581-90	17	26190-73	21	27019-89	27
	311	23906-87A	11	24582-83A	17	26207-83	21	27025-90	29
17529-84A	9	23906-90	11	24582-88	17	26216-84	21	27025-90A	29
	311	23961-80A	11	24582-90	17	26227-58	21	27026-88A	23
17530-84B	9	23969-83	11	24599-58A	15	26234-84	21		25
	311	23974-87	11	24600-58A	15	26242-84	21	27026-90	27
17539-90	9	23975-87	11	24601-58A	15	26262-80	21	27028-88	309
17611-83	9	23985-18	139	24626-87	15	26263-80	19	27028-90	309
17921-83	9	23985-54	11	24628-87	15		21	27029-86B	23
17924-83	9		17	24641-36	17	26273-80B	21	27029-88	23
17927-83	9	24002-70	15	24641-87	15	26276-80A	21	27029-90	29
17930-83	9	24006-87	11	24643-87	15	26277-84	21	27029-90A	29
17935-79B	9	24016-80	11	24703-54B	17	26285-82A	21	27030-85	309
17938-83	9	24020-87	11	24704-90	17	26315-68A	21	27034-86B	23
17945-36B	9	24021-87	11	24922-86	31	26317-68A	21	27035-90A	27
17947-36	9	24022-90	17	24981-70	17	26326-62A	21	27038-90A	27
17950-66	9	24023-54	17	24982-70	17	26327-68	21	27039-90A	27
18001-83A	5	24032-70	15	25225-70B	17	26328-74	21	27040-88	27
18011-86	5		65	25258-80B	17	26338-68	21	27042-84	309
18020-83	5	24033-70	15	25268-84A	17	26345-73	19	27043-87	309
18074-83A	5		65		311	26346-70	19	27047-84	309
18076-83	5	24034-70	15	25275-82	17		21	27048-84	179
18082-83	5		65		311	26348-15	19		309
18087-83	5	24035-70	15	25310-82A	19		21	27049-88	309
18124-83	5		65	25320-82	19	26348-36	21	27052-84	309
18130-83C	5	24036-70	15	25321-82	19	26349-84	19	27056-84	309

## NUMERICAL INDEX

Part No.	Page	Part No.	Page	Part No.	Page	Part No.	Page	Part No.	Page
27069-89	309	27309-76	25		29	29236-90	33		269
27073-84A	309	27311-76	25	27585-88	29	29242-83	25		271
27074-84	309		27		29	29250-78A	25		273
27079-84	23	27315-88	27	27586-88	29	29252-86B	33		275
27085-90	203	27317-88	27		29	29252-89	33	31524-80	43
27089-89	309	27324-83	25	27587-88	29	29256-90	31	31526-81B	263
27100-88	27	27325-86	25		29	29259-86	33		311
27101-88	27	27327-83	25	27616-88	23	29259-89	33	31535-89	45
27115-88	29	27329-83	23		25	29264-86	33	31536-89	45
	29	27330-83	25	27886-78	29		309	31547-89	45
27116-88	27	27333-76	25	27886-78A	25	29269-83	33	31548-90	45
27121-89	27	27335-76	25		29	29276-81	123	31552-89A	45
27122-89	27	27339-90	27	27887-78	25	29278-86	31	31564-83	43
27123-89	27	27340-90	27	27891-80	25	29279-86	31	31570-73	43
27124-89	27	27360-76	25	27898-78	23	29293-86	33	31572-86	41
27125-89	27		27	28801-85A	309	29954-71A	35	31575-73	43
27126-89	27	27361-76	25	28813-87	309	29957-81B	35	31576-73	43
27127-89	27		27	28815-86A	309	29960-85	35	31577-73	43
27128-89	27	27362-76	25	28816-86	31	29961-85	35	31578-73	43
27129-88	27		27		33	29965-81A	35	31579-73	43
27130-81	23	27363-88	27	28816-90	31	29970-88A	35	31580-73	43
	27	27366-76	25	28820-86	31	30013-71	239	31581-73	43
27136-81	23	27367-76	25	28821-86	31	31300-84	41	31582-73	43
	27	27368-76	25	28825-86	31	31311-80	41	31583-73	43
27137-81	23		25	28827-87	309	31312-80	41	31584-73	43
	27		27	28829-87	309	31340-80	41	31585-73	43
27139-81	23	27369-76	25	28855-90	309	31340-89	45	31586-73	43
27143-81	23	27370-83	25	28878-90	309	31342-90	45	31598-89	45
27144-86A	23	27371-76	25	29016-88	31	31430-90	45	31614-83A	37
27145-81	23		29	29017-88	31	31433-84A	197	31625-82	37
27146-89	27		29	29017-90	31	31435-65B	263	31727-85	37
27147-89	27	27383-88	23	29058-77	25	31438-65A	263	31800-76A	37
27148-89	27		25		31	31439-84	263	31981-65B	37
27156-89	27	27385-76	25	29059-88	31	31440-65	263	31983-71A	37
27157-89	27	27450-82	31	29068-86	31	31441-65A	263	31992-85	37
27158-89	27	27451-82	31	29121-84	309	31443-65A	41	31994-85	37
27159-89	27	27496-87	309	29126-90	31	31444-65A	263	32311-83	37
27160-89	27	27497-87	309	29134-86	31	31447-86	41	32342-58	37
27162-89	27	27505-87	309	29134-90	31		311	32400-83A	37
27170-89	27	27507-87	309	29145-86	31	31452-65A	263	32402-83	37
27171-89	27	27575-88	29	29161-86	31	31473-86	41	32405-88A	37
27175-90	27		29	29164-87	31		197	32451-83	123
27176-90	27	27576-88	29	29165-83A	33	31474-86	197	32504-80	19
27177-90	29		29	29165-89	33	31475-77	263		39
	29	27577-88	29	29166-86	31		311	32524-83	19
27178-90	27		29	29169-84	31	31479-83	43		39
27179-90	27	27579-88	29	29172-85	31	31482-86	41	32525-89	19
27185-90	27		29	29174-85	31	31487-90	45		39
27301-86	23	27580-88	29	29181-88	31	31489-79B	263	32591-80	19
	309		29	29209-86	33	31491-79	41		39
27302-84	23	27581-88	29	29210-86	33	31493-67	41	32604-78	39
27303-84	309		29	29211-86	33	31495-79	41	32606-82	19
27304-76	25	27582-88	29		235	31502-65	41		39
27307-76	25		29	29214-71	33	31503-65	41	33005-90	53
27308-76	25	27583-88	29	29228-80	33	31506-79B	261	33006-90	53



# NUMERICAL INDEX

Part No.	Page	Part No.	Page	Part No.	Page	Part No.	Page	Part No.	Page
33008-90	53	33709-82	49	35025-79	57		59		61
33013-90	53	33713-85	49	35026-79A	57		61		61
33017-90	53		197	35027-79A	57	37103-87A	53	37976-90	61
33021-90	53	33714-90	49	35028-79	57	37105-87A	53		61
33022-90	53	33715-85	49	35029-85A	57		311		61
33024-90	53	33718-82	49	35042-85	57	37109-87A	53	37977-90	61
33035-90	53	33719-79A	49	35042-90	57	37312-75	57		61
33043-80	53	33728-82A	49	35064-79	57		59		61
	269	33729-82	49	35068-79	49		61	38601-89	63
	273	33871-85	49	35074-87	53	37313-80	57	38606-87A	63
	275	33882-83B	79	35074-90A	53		59	38607-87A	63
33048-72	139	33895-82	49	35076-79	53		61	38608-82B	63
33085-74	141	33900-59B	53	35077-87	53	37357-84	59	38622-87	187
33114-79	53		269	35077-90	53		61	38630-88	63
33119-79A	47		273	35078-79	53	37496-84	59	38712-68	81
33120-85	41		275		89	37496-90	61		179
33120-89	45	34082-79	49		295	37503-41	81		191
33121-79	41	34083-79	49	35211-36	53		85		251
33121-89	45	34084-86	49	35259-87B	53	37523-85	57	38713-87A	39
33125-89	45	34085-79A	49	35261-87	53		59		63
33126-90	45	34086-79	49		311	37550-84A	59	38715-85	63
33127-90	45	34087-79	49	35261-90A	53	37550-90A	61	39713-90	61
33189-63	139	34088-87	49	35622-79B	57	37707-84	59	39976-65B	65
33205-80	47	34089-79	49	35625-79A	57	37707-90	61	39990-65	65
33206-80	47	34091-85	57	35626-79A	57	37800-84	59	39992-65C	65
33207-80	47	34191-79C	49	35629-79	57	37871-84	59	39993-65	65
33208-80	47	34193-79C	49	35632-79	57	37871-90	61	39996-65	65
33209-80	47	34195-79C	49	35652-79A	53	37872-90	61	39998-65	65
33210-80	47	34464-86A	53	35850-84	15	37901-84	59	40001-85	65
33211-80	47	34468-86A	53		65	37902-84A	59	40007-36A	65
33212-80	47		311	35851-84	15	37902-85	59	40010-89	65
33318-85	197	34561-84	49		65	37903-84	59	40023-86	65
33320-79C	47	34564-74B	49	35852-84	15	37903-90	61		65
33325-79	47	34564-90A	49		65	37904-84	59	40037-79	65
33332-79	47	34599-81	49	36753-87A	63	37904-90	61	40055-39	65
33334-85	53	34611-65	49	36755-87A	63	37905-84	59	40100-85	65
33340-90	45	34621-84	49	36756-89	305	37905-90	61	40109-86	65
33345-89	45	34632-84	49	36760-89	305	37906-84	59	40210-85C	53
33445-89	197	34700-87	53	36801-87A	53	37906-90	61		65
33446-89	197		311	36956-65A	89	37907-84	59	40218-88	312
33447-89	45	34700-88	53	36962-67	89	37908-90	61	40221-85	65
33448-89	197	34700-89A	53	36964-67	89	37909-90	61	40221-85A	95
33449-90	45	34730-87A	53		305	37910-90	61	40236-88A	65
33630-87	141	34730-88	53	37071-87	53		61		97
33630-90	141	34730-89	53	37075-87	53		61	40266-85	65
33638-70	49	34731-86A	53		311	37911-90	61	40267-85	65
33640-83	49	34731-89	53	37081-87A	53		61	40269-85	65
33642-86	49	34732-86A	53	37088-87	57		61	40275-83	65
33642-89	49	34732-89A	53		59	37912-90	61	40299-83	65
33660-85	49	34901-85	197	37088-90	57	37913-90	61	40375-70	65
33660-90	49	34904-86	53		61		61	40384-83A	65
33668-86	49	34906-85	197	37089-84	57	37930-84A	59	40392-70	65
33668-90	49	34920-86	53		59	37931-84	59	40902-87	89
33683-87A	139	35023-86	57		61	37975-84A	59	40903-87	81
33683-90	139	35024-86	57	37090-84A	57	37975-90	61		85

## NUMERICAL INDEX

Part No.	Page	Part No.	Page	Part No.	Page	Part No.	Page	Part No.	Page
40910-84A	75	41198-73	95	42301-87	89		139	43312-84	75
40918-82	81	41465-86	95	42303-89A	69	42507-87A	85	43338-83	75
	85	41549-87A	129	42305-86	69		139	43345-84A	75
	89	41549-89	129	42305-86A	69	42507-89A	85	43345-87	75
40918-87	81	41556-87	129	42309-70	89		139	43346-83	75
	85	41559-87	129	42311-58	293	42510-83	79	43349-87	69
40920-79	79	41570-77	127		297	42515-82	85	43358-83A	75
40920-82	81	41573-84	123	42315-85	79	42522-87	87	43403-87	77
	85	41584-86	75	42327-70	39	42523-82	83	43404-87	77
	89	41591-81	95	42334-82	139	42523-87	83	43464-88	312
40920-87	81	41595-86	95	42374-77B	297	42524-82	83	43465-88	312
	85	41665-82	93	42374-82B	85		87	43557-87	77
	89	41713-86	69		89	42531-87	87	43567-79	95
40922-79	79		89	42374-86	79	42532-82	87	43601-78A	77
	81	41720-58	297	42375-82	89	42534-82	79		97
	85	41731-82	69	42375-87	89		83	43602-78A	77
	89		79	42376-77A	79		87		97
40922-87	81		81		81		227	43603-78A	77
	85		85		85		297		97
	89		89		297	42552-82	87	43604-78	97
40924-86	79	41731-88	69	42381-82	89	43001-79	75	43605-78	97
40939-86A	95		79	42382-82A	83	43005-86	75	43606-78	97
40956-82	81		81	42382-87A	83	43020-87	75	43608-82	77
40956-87	81		85		85	43024-73B	75		97
40957-86	89		89		89	43025-73B	75	43610-87	77
40957-87A	89	41733-88	69	42407-86	91	43032-40B	75	43615-82	77
40971-86A	79	41739-84A	69	42407-87B	91		95		97
40975-86	95		69	42416-83	79	43035-87	75	43619-84	77
40976-86	95	41742-58A	297		89	43053-86	75	43623-78	77
40983-86	95	41745-79	89	42431-86	91	43057-80A	75	43624-78	77
40999-87	75	41747-82A	69		141	43067-86	75	43625-78	77
	95		79	42431-87	91	43085-81	75	43626-84	75
	303		81	42437-81	83		95	43637-89	77
41008-87A	95		85	42437-87	83	43150-83	75	43638-89	77
41010-86	95		89	42446-82A	83	43157-83A	75	43648-86	97
41015-86	95	41755-86	79	42446-87A	83		95	43650-82	77
41020-86	95	41791-79A	95	42448-82A	83		303		97
41029-87	310	41800-81A	79		85	43283-86	129		303
41035-88	312		81	42448-87	83	43288-82	303	43654-86A	77
41036-88	312		85		85	43290-82	75		97
41040-88	117		297	42452-87	83		95	43657-89	75
41043-89	75	41801-58A	297		85		303	43658-89	77
41109-88	75	41804-84A	79	42453-82A	91	43291-82	75	43662-80B	77
41110-79A	95		83	42455-80	79		95	43668-82	77
	95		87		83		303		97
41112-79	123	41814-76A	75		85	43292-82	75	43671-84	77
	127	41835-58	297		297		95	43672-84	77
41123-79	75	41836-58	297	42455-82	91		303	43676-88	77
	95	41837-58	297	42467-87C	91	43293-82	75	43677-88	77
	119	41957-86	79	42470-82B	85		95	43883-84	77
	121	42268-90	85	42471-87	91		303	43895-87	77
	153	42269-30	85	42473-87	91	43294-82	75	43946-86	93
	303	42269-70	79	42476-87	87		95	43957-86E	93
41157-83	303		89	42479-90	89		303	43959-86	93
41157-87	303	42301-79A	89	42507-86	85	43299-87	95	43960-86	93

## NUMERICAL INDEX

Part No.	Page	Part No.	Page	Part No.	Page	Part No.	Page	Part No.	Page
44019-83	73	44209-82A	93		91	45435-83A	99	45662-88	117
44020-83	73	44209-87C	93	45156-87A	87	45437-81	269	45663-88A	117
44021-83	73	44211-82	93	45156-89A	87	45443-86	99	45665-84B	109
44022-83	73	44212-82	93	45373-88	103	45446-87	99	45670-80	109
44023-83A	73	44444-79	303	45374-87	103	45447-81	269		111
44029-88	77	44447-89	77	45375-87	103	45448-81	269	45672-80	109
44030-88	117	45004-85	69	45376-87	103	45449-86	99	45717-63	109
44034-86	93		91	45377-87	103	45452-87	295	45718-60	99
44035-86A	93	45005-85	69	45378-87	103	45456-86	111		109
44039-86	93		91	45381-87	103	45461-87	103	45718-71	101
44044-88	117	45006-87A	69	45382-83	101	45462-87	103		107
44045-87	93	45013-85A	69		107	45463-87	103	45733-48	109
44046-84A	73	45016-82A	71	45384-83	107	45465-87	103		111
44047-83	73	45017-82A	63	45386-83	101	45473-88	115	45736-78B	101
44048-83	73	45017-88A	63		107	45494-79	269		107
	93	45019-85A	69	45387-83	101	45534-87	99	45739-87	103
44050-82A	93	45021-86	63		107	45543-88	115	45743-84	101
44050-87	93	45031-82	71	45388-83	107	45544-88	153	45746-84	101
44053-83A	73	45032-82	63	45389-86	107	45547-87	310	45750-87	103
44054-83	73		71		121	45549-88	105	45751-71A	101
44059-83	73	45036-82	63	45392-86	107	45550-88	103	45762-86	111
44060-83	73	45036-88	63	45393-87	103	45559-87	103	45782-72A	101
44061-83	73	45039-68	63	45401-87	103	45561-87	105		107
44062-83	73	45042-82	71	45403-84	101	45562-87	103	45790-80	101
44063-83C	73		91		107	45563-87	105		103
44065-83	73	45043-89	63	45404-75	101	45566-88	115		107
44069-84	93		71		107	45567-88	115	45791-84A	107
44074-88	73	45044-82	63	45405-75A	99	45568-88	115	45791-88	103
44076-86A	93		71		101	45569-88	115	45793-85A	107
44077-88B	73	45051-82	71		103	45583-83	71	45793-88	103
44126-82	79	45072-87	71		107		119	45827-84	99
	83	45085-88A	187		109		121	45830-48	15
	87	45092-66A	25		111	45585-83	119		21
	91		227	45407-86	101		121		121
44126-87	83		229	45408-84	101	45587-83A	121		293
	87		231	45410-84	101	45587-88	121	45832-77A	99
	91	45095-85	15		107	45589-84	107		109
44136-92	77	45110-88	71	45412-75	101	45603-86	111		111
44146-77	93	45110-88A	71		107	45605-88	113	45834-77	99
44146-82	93	45111-89	71	45413-84	101	45607-88	115		109
44147-87	93	45112-84	71		107	45611-86	103		111
44152-77	93	45112-84A	71	45416-84	101		111	45838-77	109
44190-88	73	45114-77	297		107		115		111
44197-77	73	45121-84	71	45417-84	109	45621-83A	121	45839-84	99
	93	45121-88	71	45418-84	109	45640-84B	109		119
44198-87	93	45121-88A	71	45419-80	109	45640-88	109	45841-84	99
44199-79	93	45128-86	71		111		113	45842-77	109
44199-82	93	45128-88	71	45420-80	109	45648-85	109		111
44200-82	93	45140-87	71	45421-84	295		181	45845-77	99
44201-82	93	45141-87	71	45424-87	103	45649-88	117		109
44205-82	93	45141-87A	71	45425-87	103	45651-88	117		111
44205-87	93	45152-78A	87	45426-79	269	45655-88	117	45847-84	99
44207-82	93		91	45427-79	269	45659-88	117	45853-83	99
44207-87	93	45154-84	87	45429-86	101	45660-88A	117	45855-77	99
44208-82	93	45156-84	87	45431-85	99	45661-88	117		109

## NUMERICAL INDEX

Part No.	Page	Part No.	Page	Part No.	Page	Part No.	Page	Part No.	Page
45857-83	99	45964-49	99	47008-87A	131		127		107
45858-77	99	45964-86	111	47008-89A	131	47544-85	123		109
	109	45964-89	99	47075-72	305	47551-79A	123		111
	111	45982-73	101	47159-79A	15	47552-79A	125		115
45859-77	99		107	47169-83A	5	47556-81	125	48302-85	297
	109		121	47169-90	5		127	48305-88	115
	111	45984-87	105	47173-87A	131	47564-86	125	48310-88A	131
45860-84	99		121	47173-88A	131		127	48311-60	131
45863-84	99	45990-88	105	47173-89A	131	47573-86	129	48315-60	99
45864-84	99		121	47174-87A	131	47573-87A	129		101
45865-84	99	45993-86	101	47174-88A	131	47573-89A	129		105
	109	45994-84	101	47174-89A	131	47577-86	131		107
	111		107	47175-87A	131	47579-86	131		109
45866-84	99	45996-87	105	47175-89A	131	47692-84	107		111
	109	45997-73	101	47176-87A	131	47693-84	101		125
	111		107	47176-89	131	47694-84	101		127
45870-84	99		121	47201-87	127	47698-86B	131		131
45873-84	109	45998-73	101	47202-87	127	47716-86	87		297
45874-84	109		107	47203-87	127		91	48330-48A	109
45875-84	99		109	47204-87	127	47813-89	129	48332-48B	109
	109		111	47205-87B	127	47815-87A	129	48333-80	99
	111	46002-87	105	47206-87B	127	47815-89	129	48361-80	99
45903-84A	101	46004-84	109	47218-87	310	47819-87	125		101
45904-84A	101	46006-84	109	47219-87	310		127		105
45905-87	103	46008-88	115	47220-87	310	47820-81A	127		107
45906-84	101	46020-84	99	47221-87	310	47825-81	127		109
45908-80	101		101	47247-83	79	47826-81	127		111
45909-83	107		107		123	47830-86	107		115
45912-84	101		109		295	47831-87	310	48365-48A	99
	107		117	47279-89	131	47832-87	310		101
45913-84	107	46048-84	109	47280-89	131	47900-83D	125		105
45914-84	101	46053-88	115	47302-86	310	47900-89A	125		107
45915-86	111	46054-88	115	47365-83A	141	47902-83	293		109
45916-86	111	46055-88	115	47374-83A	133	48030-86	151		111
45917-86	111	46056-88	115	47491-89	123	48031-89A	151		115
45918-86	111	46057-88	115		127	48033-84	151	48832-48B	109
45919-87	103	46065-88	115	47492-89A	123	48036-87	127	49017-82A	127
45920-87	103	46440-84B	119		127	48130-87A	131	49059-84	119
45921-87	103	46450-86	121	47505-86	123	48130-89A	131	49059-88A	119
45922-87	103	46450-88	121		127	48131-87	131	49060-84	293
45923-87	103	46451-85	121	47510-80	123	48140-84	99	49126-77B	139
45924-87	105	46451-88A	121		127		101	49127-77A	139
45925-88	105	46452-85	119	47511-80	123		105	49184-84A	119
45930-86	111		121		127		107	49184-88	125
45931-86	111	46454-83	121	47512-82	123		109	49187-79	285
45932-86	111	46455-85	119	47513-80	123		113	49193-79	285
45933-86	111	46457-86	121		127	48152-82	143	49194-85	285
45934-86	105	46459-86	119	47515-86	123		161	50005-85A	131
	111		121		127		277	50007-86	131
45935-88	115	46461-86	119	47519-83A	77		279	50009-82	127
45936-88	115		121		97	48165-87	125	50011-30A	125
45937-88	115	46462-88	121		303	48165-89A	125		127
45940-84	99	46501-86	121	47530-79A	99	48300-60	99	50015-74	125
	109	46503-86	121		103		101		131
	111	47005-87	127	47538-79	123		105	50018-85	131

# NUMERICAL INDEX

Part No.	Page	Part No.	Page	Part No.	Page	Part No.	Page	Part No.	Page
50028-74A	131	51652-83	135	52798-87	135	53615-85	145	56073-83	153
50031-84A	127		137	53156-86	153		277		159
50041-85	131	51923-86	283	53165-89	147	53616-85	145		181
50059-85	125	52020-82	135	53166-89	147		277		251
50061-85	131	52041-82	135	53170-89	147	53617-85	145		265
50069-86	127	52092-77	193	53266-88	147		277	56081-82	153
50074-83	125	52106-86	135	53278-89	147	54309-87	149	56082-83	153
50075-83A	125	52107-86	135	53411-86A	133	54310-83	149	56084-87A	153
50078-81	125		205	53415-83	143	54314-83	149	56087-86	153
50087-86	131	52108-86	135	53424-79	143	54315-83	149	56093-88	153
50087-89A	131	52111-85A	135	53426-80	143	54316-83A	119	56105-84	153
50100-70	131	52128-87	135	53426-87	143		121	56107-88	167
	197	52133-87	135	53433-80	171		153		257
50518-83A	141	52134-87	135	53434-80	143	54317-85	149	56109-88	167
50531-81	139	52135-87	135	53435-88	143	54319-85	149		257
50584-87	141	52138-82A	135	53437-79	143	54321-85	77	56114-86	167
50585-87	141	52139-82	135	53439-79	143		97	56115-79B	153
50594-87	293	52141-82	135		187		149	56116-82A	155
50606-86A	141	52142-82A	135		191	54323-85	119	56117-82A	155
50613-86	141	52151-86A	133		229		121	56119-77A	153
50614-66	141	52151-89	133		231		149	56122-77	155
50619-74A	141	52164-86A	133		233	54324-85	149	56124-77	155
50620-74	141	52164-89	133		299	54473-79	149	56137-84A	153
50621-79A	141	52177-86A	133	53440-79	143	54474-79	149	56140-84A	155
50622-83A	141	52177-89	133	53447-83A	143	54475-79	149	56141-84A	155
50635-82	141	52187-87	310	53447-87	143	54483-88	115	56144-86	155
50636-81A	139	52188-87	310	53477-80A	143	54491-85	149	56146-86	155
50639-81	139	52191-86	137	53478-80	143	54492-85	149	56148-87	155
50643-82	139	52192-86A	133	53486-85	143	54493-85	149	56149-88	155
50646-82	139	52201-86B	133	53487-87	125	54494-85	149	56151-88A	155
50647-82	139	52208-86	137		127	54495-85	149	56153-73	155
50900-72	139	52213-82	135	53515-86	133	54496-85	149	56158-73	153
50912-72	139	52219-86B	133	53517-86	133	54502-87	149	56159-73	155
50921-83	139	52231-86A	133	53521-87A	133	54506-87	149	56161-83	153
50933-86	141	52231-89	133	53563-82	143	54508-86A	151	56206-81A	157
50939-52	139	52236-86	137	53564-82	143	54508-89	151	56220-81B	157
50940-52	139	52355-82	135	53564-89	143	54520-86	151	56305-88	157
50972-75	79	52501-84	137	53570-89	143	54523-82	149	56305-90	157
	91	52502-86	137	53580-82	143	54532-85	149	56306-88	157
	125	52503-88	137		161	54536-85	149	56306-90	157
	197	52503-88B	137		277	54547-87	149	56323-81C	157
	295	52504-89	137		279	54548-87	149	56324-81C	157
	297	52541-87	137	53582-82	143	54585-87	149	56327-81B	157
50973-65	139	52545-84	135		161	54586-87	149	56327-90	157
50989-86	141	52658-86	137		277	54701-82	149		159
50990-86B	141	52700-81	139		279	54705-81	149	56328-81B	157
50991-86	111	52713-87	141	53583-82	161	55915-88	157	56328-90	157
50992-86	91	52713-91	141	53587-85	143	55917-79	153	56336-83	157
50992-87	91	52739-83	135		161	55918-79	153	56337-83	157
51184-88	137	52756-79	143		277	55919-82	153	56342-88	157
51185-87	137	52765-85	135	53588-85	143	55920-83B	153	56342-90	157
51185-90	137	52766-85	135		277		153	56343-88	157
51186-89	137	52771-82	135	53590-84	277	55934-89	153	56343-90	157
51188-86	137		137		279	55936-88	153	56351-89A	159
51651-79	135	52797-87	135	53598-88	147	55937-88	153	56351-90	159

## NUMERICAL INDEX

Part No.	Page	Part No.	Page	Part No.	Page	Part No.	Page	Part No.	Page
56352-89	159	58207-86	167	58480-86	167	59126-86B	191	59504-84	195
56353-89	159	58210-86	167	58480-88	167	59129-86	189	59505-84	195
56354-89	159	58210-88	167		247	59139-89	189	59542-87	195
56354-90	159	58212-86	171	58482-86	163	59159-80	189	59544-87	195
56394-74	157	58218-86A	171	58484-84	163	59166-80	189	59548-87	195
	265	58219-86A	171	58484-84A	163	59173-81A	189	59558-87	195
56396-74A	157	58220-86A	171	58484-89	163		312	59569-83	191
	265	58223-86	171	58486-84	163	59176-88	189	59573-83	191
56397-74C	157	58247-86	165	58486-84A	163	59180-80	189	59579-85	191
	265	58311-86	167	58486-89	163		299	59591-87	195
56402-83A	157	58315-86	255	58487-79	163	59181-80	189	59596-89	191
	265	58322-88	167	58488-84	163		299	59626-84	193
56508-76	157	58323-86	167	58489-84	163	59182-84	189	59634-81A	191
56538-88	155	58355-86	227	58493-89	179	59197-87	189	59648-84A	191
56540-88	155	58356-86	227		179	59211-74	189	59658-79	191
56541-86A	155	58378-89	305	58494-89	179		299	59710-84	243
56542-86A	155	58379-89	307		179	59231-86	189	59914-86A	191
56567-86A	153	58380-89	147	58498-86	163		299	59924-80	189
56569-86	153	58381-89	147		171	59235-86	189	59938-72	293
57215-75	91	58382-89	147	58499-86	163	59236-89	189	59954-86	195
57807-86	171	58383-89	147		171	59244-89	277	59955-86	195
57808-86	171	58384-89	147	58520-79A	99	59244-90	277	59959-86	241
57809-86	171	58385-89	147	58661-86	255	59245-89	277	59964-86	195
57978-63	145	58386-89	147	58662-86	255	59245-90	277		195
57980-87	171	58388-89	147	58683-89	179		305	59969-86	195
57997-83	175	58398-84	163	58684-89	179	59246-89	189		195
58009-83B	161	58400-80	161	58687-89	179	59250-88	189	59971-80	193
58009-89A	161	58402-80	161	58688-89	179	59251-90	191	59977-89	195
58016-83B	161	58406-75	175	58702-86	171	59253-87	189	59978-89	195
58016-89A	161	58408-75	175	58703-86	173	59254-72	101	59983-75	193
58018-86	175	58411-76	175	58706-86	173		107	59984-73	193
58031-80	161	58412-76	175	58708-86	173		109	59986-75	193
58036-83	175	58415-86A	167	58709-86	255		189	59988-72	133
58042-86	171	58415-77	175		257		191		193
58049-50A	289	58417-77	175	58712-79A	163	59255-72	137	59993-80A	193
58067-83	175	58419-88	177	58713-79A	163		191	60001-55	193
58068-83	175	58420-88	177	58714-79	163		277	60005-77	193
58075-86	175	58421-88	177	58715-79	163		299	60031-61	279
58078-49	175	58422-88	177	58716-79	163	59256-84A	109	60295-87	310
58079-49	175	58423-88	177	58717-79	163		189	60296-88	67
58080-83	175	58424-88	177		305		191	60297-87A	67
58081-83	175	58425-88	177	58718-82	163		277	60298-88A	67
58082-87	185	58426-88	177	58719-82	163	59257-84A	243	60299-85	67
58109-86A	177	58453-83B	161	58722-84	173	59258-88	131	60362-86A	67
58128-89	167	58453-89A	161	58723-84	173	59259-90	277	60363-86B	131
58132-66	289	58454-86	171	58729-82	163		305		131
58147-86	171	58459-80	161	58730-82	163	59261-77	189	60397-85A	67
58183-78	175	58460-80	161	58826-89	163	59262-90	193	60415-89	67
58184-86	167	58461-80	161	58998-83	187	59263-79	191	60432-86	197
	307	58462-89	161	59007-84	189		277		311
58185-86	167	58466-80	161	59059-86	285		305	60432-89	197
	307	58473-80	161	59082-79	189	59264-86	283	60432-90	197
58187-86	165	58477-80	161		299	59265-90	131	60441-86A	197
58190-86	171	58478-86	167	59093-87	189	59267-83A	135	60441-89	197
58196-86	167	58479-86	167	59111-74	189	59270-84A	135	60441-90	197

## NUMERICAL INDEX

Part No.	Page	Part No.	Page	Part No.	Page	Part No.	Page	Part No.	Page
60507-86A	197		203	61640-84	209		203		221
60507-89	197	61044-82C	205	61641-84	209		205	65325-83	219
60533-86	67	61060-82A	205	61643-88	213		209		221
60537-89	67	61072-79	201	61644-88	235	63502-84	215	65328-83	219
60539-86	199	61073-79	201	61648-85	167	63502-89	215		221
60539-89	199	61075-79	201		213	63504-83	217	65380-85	221
60543-86A	197	61077-82	201	61649-83	201	63505-84	29	65380-90	221
60543-89	197		203	61661-84	209		201	65381-89	221
60567-90	199		269	61667-84	209		203	65382-86	223
60572-86	199	61078-80	201	62043-81A	209		205	65382-89	223
60612-86	199	61079-82	205		235		209	65395-86	223
60612-89	199	61082-79	201	62123-66	131		217	65395-89A	223
60612-90	199	61083-79A	201	62150-85	309		249	65401-86	221
60630-86A	197	61084-79	201	62161-75	201	63509-86A	33	65410-83	221
60630-89	197	61086-83	201		203	63515-86	217	65411-80A	221
60630-90	197	61089-83	213		205	63531-87	55	65432-89	221
60642-85	199	61091-88	203		209	63533-41	15	65447-86	221
60646-89	45	61093-79	213	62166-81A	205		21	65458-86A	221
60647-90	45	61095-83	201		209		55	65459-84A	221
60661-86A	199	61102-83B	205	62167-81	203		119	65460-87A	221
60661-89	199		209		209	63540-62	51	65464-89	221
60661-90	199	61103-83A	209	62167-83	201	63546-87	87	65475-89	221
60662-86A	199	61109-85A	205	62170-81A	201	63550-89	217	65483-89	221
60662-89	199		209		203	63551-82	79	65487-89	221
60662-90	199	61112-82	203	62172-75	201		83	65502-83A	219
60664-85B	199		205		203		87	65502-89	219
	199	61117-86	165		205		297	65519-52B	219
60664-89	199		207		209	63553-86	217	65522-89	221
60665-85B	199	61120-83	213	62375-57	53	63553-89	217	65538-85	219
	311	61134-87	213	62406-86	215	63553-90	217	65539-86	219
60665-89	199	61134-88	213	62414-86	215	63556-87	55	65571-82	221
60667-85	199	61137-87	205	62460-86	215		217	65603-86	221
60668-84B	197	61155-84	209	62489-79C	215	63557-84	217	65621-83	219
	311	61157-87	209	62493-89	215	63558-85	55	65626-85	219
60670-85	199	61165-89	209	62495-89A	215	63559-84	217	65627-85	219
	311	61192-88	207	62498-86A	215	63559-89	217	65630-83A	219
60673-85	199	61211-84B	209	62498-89A	215	63561-84	83	65632-83A	219
60678-85	199	61218-85B	209	62540-83	215	63561-87	83	65634-81C	219
60954-89	307	61237-91	209	62563-65	215	63563-85A	217	65636-85	219
60956-81	213	61238-91	209		309	63572-86	217	65645-85	219
60957-81	213	61270-88	203	62634-84	215	63573-82	87	65645-89	219
60957-89	213	61278-88	203	62637-84	215		297	65647-83	219
60958-81	201	61279-88	203	62663-84	215	63592-89	201	65657-87	223
60962-82	201	61311-82	207	62665-85	55		203	65668-87	223
60964-82	213	61313-88	203		215	63609-72	297	65669-87	223
60969-82	213	61321-80	207	62665-89	55	63796-77A	55	65670-82B	223
60969-89	213	61322-80B	201		215	63805-80A	55	65674-87	223
60971-90	213		203	62670-84	79	63858-49	9	65675-87	223
60972-90	213		207	62704-84	215	64060-88	115	65678-85A	219
60973-90	213	61324-88	207	62707-84	215	64511-63	57	65680-85	219
60974-90	213	61335-83	205	62725-90	215		273	65680-89A	219
61006-87A	205	61411-82	207	63500-68	33	65276-62	219	65682-85	219
61019-83A	201	61413-86	207	63501-68	29		221	65682-89A	219
61019-89A	203	61421-88A	205		55	65302-82	221	65689-89	223
61029-82A	201	61631-84	227		201	65324-83A	219	65699-86	223

## NUMERICAL INDEX

Part No.	Page	Part No.	Page	Part No.	Page	Part No.	Page	Part No.	Page
65699-90	223	67037-85A	229	67125-86A	235	67709-83	173	67821-87	113
65702-86	223	67041-83A	229	67126-87	231	67710-83	173	67822-88	239
65721-85	219	67042-85	229	67127-84A	229	67712-83	165	67826-87	231
65722-85	219	67046-86A	229		231		173	67827-88	239
65723-85	219	67048-83A	229		233	67713-86	181	67828-88	239
65724-85	219	67052-78B	229	67132-85A	231	67715-86	173	67829-88	239
65732-86	223	67054-83B	233	67136-85	207	67716-60A	165	67834-83	183
65738-87	223	67060-87A	227	67152-86	233		173	67838-85	167
65738-89A	223	67067-76	225	67153-86	233	67717-65A	163	67839-74	183
65739-87	223		235	67154-86	233	67718-60A	165	67843-70	165
65739-89A	223	67068-76	235	67155-86	233		173		185
65747-87	223	67069-76	235	67156-86A	233	67719-63	181		269
65781-82	223		257	67157-86	233	67724-71	165	67844-70	165
65782-82	223	67070-76	191	67166-88	235		173		185
65802-90	223		235	67168-88A	229	67725-63	181	67846-70	159
65991-82A	225		241	67169-88A	229	67726-71	165		165
66000-80	225	67072-87B	227	67171-88	229		173		185
66010-82A	225	67073-87A	227	67172-88A	229	67727-87	181		261
66014-79	225	67075-57A	39	67185-88	207	67731-87	181		269
66029-80	125	67078-85A	231	67186-88	229	67732-71A	165	67851-86	229
66030-88	115	67079-86A	235	67187-88	229		173		231
	115	67080-87	231	67200-86A	231	67740-87	181	67856-89	141
66042-79A	217	67085-83	229	67201-86A	231	67743-84	181	67858-89	159
	225		231	67202-86	231	67744-75	181		165
66047-80A	217	67086-85	207	67211-86	227	67746-85	163		165
66104-84	163		231	67215-68	235	67748-87	181		185
	225	67094-85	229	67215-89	235	67749-77	185		185
66105-77	225		231	67216-86A	227	67755-81A	165		271
66106-86	225		233	67217-68	235		173	67862-85	229
66183-82	225	67095-85	231	67219-86	227	67762-87	181		231
66188-82A	225	67097-86	233	67229-85	227	67763-86	181	67864-86	229
66210-85A	225	67098-87	229	67232-85	227	67769-82	181		231
66308-80	225		231	67233-80C	227	67771-88	181	67865-89	127
66309-84	225		233	67234-84	227	67772-80	183		183
66349-84	127		235	67235-80	227	67773-80A	109	67872-89	183
66350-84	127	67103-83	229	67236-80	227		183	68008-73B	241
66600-84	125	67104-83	229	67237-80	227	67775-81A	163		300
66997-86	227		231	67238-80	227	67777-80A	183	68022-92	229
66998-86	227	67105-83	229	67243-84	227	67778-60	165	68025-73	300
66999-86	227	67106-83	229	67608-86	227		173	68026-73	241
67000-85B	227		231	67615-87	185	67780-60	165	68027-90	241
67003-86A	227	67107-83	229	67615-89	185		173		300
67009-72	125	67108-83	229	67636-86	163	67782-60A	165	68033-90	241
67014-87	231		231		173	67789-91	183		300
67015-87A	231	67112-83	229	67668-83	185	67790-82	183	68046-79	191
67018-87A	231	67117-85	227	67668-89	185	67795-85A	165	68047-79	191
67020-85A	231		229	67696-81	165		227	68089-80	163
67021-85B	231		231		173	67805-86A	183		173
67024-84A	235		235	67697-81	165	67807-86	183	68092-80	163
67025-87	231	67118-87	235		173	67808-86	113		173
67027-81C	235	67119-85	207	67698-81B	181	67815-59A	183	68123-73	241
67029-86A	233	67120-84B	235	67700-83	173	67816-86	113		300
67030-81D	237	67122-85	229	67701-83B	173	67817-83	165	68163-84	163
67034-83	229		231	67702-81A	165	67819-86	113		185
67036-86	229	67123-86	227	67704-83	165	67820-86	113		239



## NUMERICAL INDEX

Part No.	Page	Part No.	Page	Part No.	Page	Part No.	Page	Part No.	Page
	243	68487-82	239	68668-87	185	70043-81	251		249
	243	68489-83	233	68671-69	185	70047-82	265	70253-88	247
68168-89	147	68493-87	241	68672-38	185	70049-83	247	70262-79	249
	163	68493-90	241	68674-69	185	70050-83	247	70263-87	249
	173	68504-83	239	68684-86	185	70062-85	247	70263-88	249
	185	68505-90	163	68688-89	159	70064-84A	247	70268-92	247
	239		185	68690-69	185	70069-65B	247	70277-86	249
	241	68506-90	243	68720-62	185	70073-89	247	70277-89	249
	300	68507-90	243	68721-62	185	70082-82	265	70281-89	249
68392-90	243	68510-74B	241	68725-62	185	70083-89	247	70282-86	249
68398-88	163		241	68740-91	229	70094-87	267	70282-88	249
68399-88A	163	68519-68	163	69006-84	245	70095-87	267	70282-89	249
	163		185	69007-84	245	70098-87	267	70283-89	249
68400-86	185	68536-75	159	69016-76	245	70098-88	267	70285-87	249
68401-90	185	68536-86	229	69017-76	245	70099-87	267	70285-89A	249
	243		231	69031-83A	245	70099-88	267	70287-81	227
68402-86	241	68537-89C	243	69031-90	245	70100-79A	247		251
	301		269	69117-65	245	70105-86	247	70288-81	251
68403-86A	243	68541-64A	269	69118-84	245	70132-89	247	70289-89	251
68406-86C	239	68543-64B	173	69125-65	245	70141-89	159	70291-89	251
68407-86	241		239	69149-65	245	70141-90	159	70292-89	251
68408-86C	239		243	69504-80	189	70142-86	155	70293-87	251
68410-87B	241		269	69505-89	189		247	70294-87	251
68419-87	231	68550-83	173	69512-83	173	70147-86	173	70296-89	249
68420-87	231		239	69540-78	207	70149-86	255		257
68421-87	231		243	69545-86	247	70150-86	173	70312-89	159
68424-89	241		271	69545-89	247	70158-89	167	70316-90	159
68430-89	241	68555-87	239	69551-85	247		247	70321-89	249
68440-86	163	68559-87	239	69551-89	247	70160-89	257	70328-84	201
	185		243	69555-87	247	70168-89	257		249
	241	68561-79	269	69555-89	247	70172-86	247	70341-89	257
	301	68566-90	239	69556-89	249	70172-89	247	70345-84	153
68451-86	163	68572-64B	243	69600-89	247	70180-87	265		251
	185		301	69606-82	245	70180-88	265		265
	241	68574-83	233	69617-82	207	70181-87	265	70349-89	167
	301	68574-86	229	69618-82A	207	70181-88	265		257
68452-86	163	68578-84A	243	69619-82	207	70186-82	55	70465-86	255
	185	68588-86	233	69620-86	247		127		257
	239	68594-84	189	70003-83	247		247	70504-81	157
	241	68597-86	229	70004-83	247	70187-82	37	70550-85	249
	301	68602-79	165	70005-70	251	70191-73A	101	70551-89	249
68455-86	239		185	70008-86	247		107	70552-69	249
	241		227	70011-84B	247		155	70553-69	249
68456-89	193		269	70011-89	247		247	70554-69	249
68457-86	239	68608-83	229	70015-87	255	70196-86	189	70555-69	249
	241		231		257	70197-86	155	70556-71	249
68459-84A	227		233	70016-65A	245	70199-87A	273	70558-71	249
68462-64	235	68619-83	165	70019-86	247	70216-87A	247	70559-71	249
68464-86	229		185	70022-83	247	70216-89	247	70576-68	235
68465-83	173	68633-83	185	70027-83	247	70218-87	265		251
68465-86	233	68633-89	185	70028-85A	293	70219-87	265	70578-89	45
68473-88	229	68634-86	165	70029-90	247	70232-89	247		251
68477-73	239	68643-83B	243	70033-79A	247	70236-87	249	70579-65	235
68480-73	241	68659-86	99	70033-89	247	70239-88	249		251
68486-82A	239	68661-87	185	70034-82	247	70245-89A	249	70581-73	301

## NUMERICAL INDEX

Part No.	Page	Part No.	Page	Part No.	Page	Part No.	Page	Part No.	Page
70642-89	261	71512-89	271	72028-83	253	72309-89	271	75058-88	207
70643-79A	145	71513-89	159	72029-84	253	72301-89	271	75101-82	45
70644-79A	145	71517-86	269		299	72302-89	271		201
70646-79	145	71518-80	201	72034-71	253	72306-88	271		227
70646-88	145		271	72035-71	253	72309-79B	271	76163-87	255
70648-89	145		273	72036-71	253	72310-70	173		257
70908-82	125	71521-89	261	72037-71	253	72312-73	173	76164-87	255
	285	71526-80	271		299	72314-86	119		257
70936-87	235	71536-82A	271	72038-71	119	72316-89	271	76170-86	173
70937-90	249		271		121	72320-89	271	76170-88	257
70939-84A	235	71541-84	275		207	72501-74	183	76171-86	255
70941-84A	235	71549-82A	271		227	72502-74	183	76172-86	255
70955-89	159		271		229	74405-86	217	76173-86	173
70956-90	159	71550-75	273		231	74406-87	19	76173-88	257
70958-89A	159	71552-75	273		233	74407-86	253	76175-86	147
70958-90A	159	71554-75	273		253	74408-89	261		169
70966-84	249	71560-84	275		267	74423-68	293	76176-86	169
70970-82C	273	71563-82A	265		299	74516-86	35	76192-89	307
70979-86	273	71564-82A	265	72039-71	163	74519-88	35	76234-86	173
70980-87	249	71567-82	265		165	74521-77	39	76236-86	173
70980-88	249	71568-82A	265		185		145	76238-86	169
70980-89	249	71570-82A	265		207		253	76240-86	255
70985-89	249	71571-82	265		227	74526-86	167	76240-88	259
	249	71572-82A	265		233	74527-86	167	76241-86	169
71090-64	235	71573-82A	265		239	74529-79	35	76242-86	169
71092-68A	235	71574-82	265		243	74536-77A	39	76243-86	169
71099-74	207	71579-82A	267		253		145		255
	227	71580-84	275		267		253		259
71134-68	237	71581-82A	267		299		299	76244-86	169
71141-68	237	71583-85	275	72040-71	253		300		255
71143-75	237	71585-89	159	72041-71	253	74539-77A	39		259
71143-90	237	71585-90	159		299		145	76245-86	169
71144-75A	237	71592-86	265	72043-71	207		253	76246-86	169
71145-75	237	71592-88	265		227		299	76247-86	169
71158-86	237	71593-86	265		231		300	76248-86	255
71162-70	237	71593-88	265		253		301		259
71182-47A	237	71594-86	265		267	74589-73	271	76249-86	255
71241-68B	237	71594-88	265	72044-71	227		273		259
71294-89	203	71595-86	265		253		275	76250-86A	255
71295-68	237	71774-77	251		299	74598-73	273		259
71297-68	237	71795-63A	191	72046-79	253	74599-77B	271	76252-86	255
71298-89	237	71805-88	265	72047-71	253		273		259
71300-79	237	71806-86	267	72051-77	39		275	76253-86	255
71424-83	273	71806-88	267		253	75013-86	167		259
71425-77	273	71807-86	267	72052-79	145	75031-86	167	76255-86	255
71426-87	269	71807-88	267	72054-84	299	75032-87	167		259
71427-79A	269	71809-88	257	72057-84	299	75034-82	207	76258-86	259
71451-78	273	71813-89	261	72059-89A	261	75037-84	201	76260-89	259
71467-65	263	71875-81	35	72275-74	253	75039-86	207	76274-88	259
71469-65B	263	72023-51A	79		299	75040-88	203	76277-88	259
71473-77B	263		83	72276-74	163	75044-84	169	76280-88	259
71501-73A	275		87		253	75045-84	169	76281-88	259
71502-86	167		91	72277-74	253	75047-88	207	76282-88	259
71505-89	167		271	72278-74	173	75049-88	207	76283-88	259
71506-84	275		275		253	75057-88	207	76283-89	259

## NUMERICAL INDEX

Part No.	Page	Part No.	Page	Part No.	Page	Part No.	Page	Part No.	Page
76284-89	133	87008-88	295	87156-83	293	88500-89	305	90702-89	281
76290-89	147	87010-85	295	87157-83	289	88501-89	305	90703-89	281
76292-89	249	87011-85	295	87157-87	289	88506-89	305	90718-79	285
76294-89	261	87013-85	295	87159-85	291	88528-67	289	90720-79	285
76295-89	259	87014-85	289	87160-83	289	88530-89A	305	90743-88	145
	261	87015-85	295		293	88540-89	305	90745-79A	277
76296-89	259	87018-85	295	87166-83C	293	88541-89	305	90747-79	277
76297-89	261	87019-85	295	87435-83	291	88542-89	305	90763-79	259
76298-89	259	87020-85	295		303	88543-89	305	90764-83	285
76299-89	307	87022-85	295	87444-33	291	88544-89	305	90770-79	63
76303-89	147	87022-88	295		303	88545-89	305	90771-79	253
76304-89	147	87023-85	295	87672-76	297	88546-89	305	90781-85	285
76307-89	147	87023-88	295	87700-79	303	88694-67	291	90785-86	283
77004-80	169	87024-85	295	87701-79	291	88695-67	291	90785-90	283
	255	87025-85A	295	87705-79	303	88698-67	291	90787-86	283
	259	87027-85	299	87706-79	303	88662-67	291	90787-90	283
77008-86A	255	87029-85	297	87706-83	297	88665-89	305	90789-83	277
77025-86	255	87030-85	289	87710-83	303	88883-67	291	90790-83	277
77026-89	257	87032-85	297	87711-83	303	88885-67	291	90791-83	277
77028-86	255	87033-85	297	87712-83	303	88895-67	291	90797-80	277
77029-86	255	87039-85	297	87713-83	297	90346-90	283	90801-83	285
	259	87040-85	297	87714-83	297	90350-89	281	90820-74A	277
	307	87041-85	297	87752-53A	297	90351-89	281		279
77032-89	307	87042-85	297	87752-89	297	90357-89	281		283
77035-86	255	87043-85	297	87776-83	293	90358-89	31	90821-74A	145
77036-86	169	87048-88	295		297	90359-89	281	90835-90	283
77042-86	169	87053-79	289	87778-64A	297	90360-89	281	90844-80	147
77043-86	169	87055-79	289	87901-83A	299	90361-90	283		205
77060-86	169	87056-83B	289	88100-24A	291	90480-85	295		283
77070-88A	169		293	88172-25	291	90488-83	191	90940-79	285
77071-88A	169	87057-79	289	88174-37	291		279	90941-79	285
77092-89	261	87058-79	289	88261-36	291	90492-85B	279	90964-63	145
77100-89A	261	87068-87	289	88264-36	291	90493-83	127		277
77101-89	159	87071-89	297	88300-79	291		173	90965-63	145
77101-90A	159	87073-79	297	88301-79	291		279		277
77106-89	159	87075-87	289		301	90499-83B	279	90967-64	145
77109-89	159	87078-87	289	88302-79	291	90594-85	285		277
77111-89	159	87079-87	289		301	90633-82	277	90971-79	143
77112-89	159	87113-83	293	88314-37	291	90640-86	283	90989-63	283
77113-89	159		297		301	90644-86	283	91013-79	191
77135-89	159	87114-83	293	88403-89	307	90648-82	277	91023-79	191
77500-89	159	87117-36	291	88404-89	307	90649-85	145	91085-83B	189
77503-89	159	87120-79	291	88425-67	291		277	91089-58	71
77508-89	159		301	88481-67	289	90655-83	279	91090-77A	189
83162-51	19	87121-79	301	88483-89	305	90657-84	279	91107-77	189
	39	87122-83	293	88484-89	305	90658-84	279	91123-77	191
	311	87123-83	293	88487-67	289	90663-85	145	91583-86	133
84850-67	145	87131-83B	293	88489-88A	305		277	91721-82	169
	163	87132-83B	293	88489-89	305	90685-83	279	91768-85	137
	277	87137-83	293	88490-88A	305	90688-85	145	91806-89	163
	279	87140-83	293	88493-67	289		277		169
87002-83	297	87141-83	293	88494-89	305	90689-84	145	91812-89	163
87006-85	289	87142-83	293	88495-89	305		277		169
87007-85	295	87144-83	293	88496-89	305		279	91836-82	279
87008-85	295	87148-83	293	88497-89	305	90699-83	279	91849-85A	177

## NUMERICAL INDEX

Part No.	Page	Part No.	Page	Part No.	Page	Part No.	Page
91850-87	137						
91851-88	277						
91852-88	277						
91875-82	245						
91875-88	245						
91892-82	245						
91892-88	245						
91902-86	245						
91902-88	245						
91904-86	245						
91904-88	245						
92061-83	229						
	231						
	233						
92068-83	233						
92070-86	231						
92077-83	233						
92079-88	229						
92080-88	229						
94436-82A	287						
94443-82	287						
94445-82	287						
94447-82	287						
94452-85	287						
94453-85	287						
94515-68A	287						
95578-41	77						
	97						
95581-47	97						
95582-47	77						
	97						
95594-84	77						
	97						
	303						
95595-84	77						
	97						
96210-80	15						
99000-77	137						
99013-82	135						