

ALPHABETICAL INDEX

	Page		
Air Cleaner	29	Indicator Lamps	120, 121
Alternator	35	Jiffy Stand	87, 89
Anniversary Edition — Parts	144	Kick Starter	47
Axle — rear	63, 65	License Plate Bracket	101
Axle — front	73, 75	Master Cylinder — front	79, 81
Battery	110	Master Cylinder — rear	69, 71
Brake Caliper — front	76, 77	Mirror	119
Brake Caliper — rear	66, 67	Muffler	111, 113
Brake Control — front	79, 81	Numerical Index	145 - 156
Brake Control — rear	69, 70, 71	Oil Filter	109
Brake Disc	73, 75	Oil Pressure Switch	21
Breather Valve	109	Oil Pump	21
Cam Gears	17	Oil Tank	109
Carburetor	23, 25, 27	Pistons and Rings	8, 9
Chain	61	Push Rods and Covers	3, 5
Chain Guard — rear	99	Regulator	31, 33
Chain Case — front	13, 15	Relay — starter	129
Choke	29	Rocker Arms and Covers	7
Circuit Breaker	130	Seat	91
Clutch — 1979 to Early 1984	55	Shifter	53
Clutch — Late 1984 & Later	57	Shock Absorbers	95
Clutch Control	59	Sissy Bay	91
Coil	37, 39	Solenoid	129
Connecting Rods and Bearings	8, 9	Spark Coil	37, 39
Crankcase	13, 15	Spark Plugs	37, 39
Cylinder	3, 5	Speedometer	115, 117
Cylinder Head	3, 5	Sprocket Cover	47, 49, 51
Electrical	125, 127	Sprockets	61, 63, 65
Engine	3, 5, 7	Starter Shaft and Housing	41
Exhaust System	111, 113	Starter, kick	47
Fender — front	99	Starter Motor	43, 45
Fender — rear	101	Switches	130, 131, 133
Flywheels	11	Switches, handlebar	131, 133
Footrests	93	Switches, ignition	130
Fork — front	83, 85	Switches, starter	129
Fork — rear	87, 89	Tachometer	115, 117
Frame	87, 89	Tail Lamp	120, 121
Fuel Tank	103, 105	Tanks	103, 105, 109
Fuel Tank Trim	107	Tappets	3, 5
Gasket Set	3, 5, 7	Throttle Control	97
Gearcase	17, 19	Timer	37, 39
Generator	31, 33	Transmission	48, 49, 50, 51
Handlebar	97	Turn Signals	120, 121
Handrail	91	Valves and Guides	3, 5
Heads	3, 5	Voltage Regulator	31, 33, 35
Headlamp	119	Wheel — front	73, 75
Horn	123	Wheel — rear	63, 65
Ignition Module	37, 39	Wiring	125, 127
Ignition Switch	130	XR-1000 — Parts	135 - 143

NOTICE

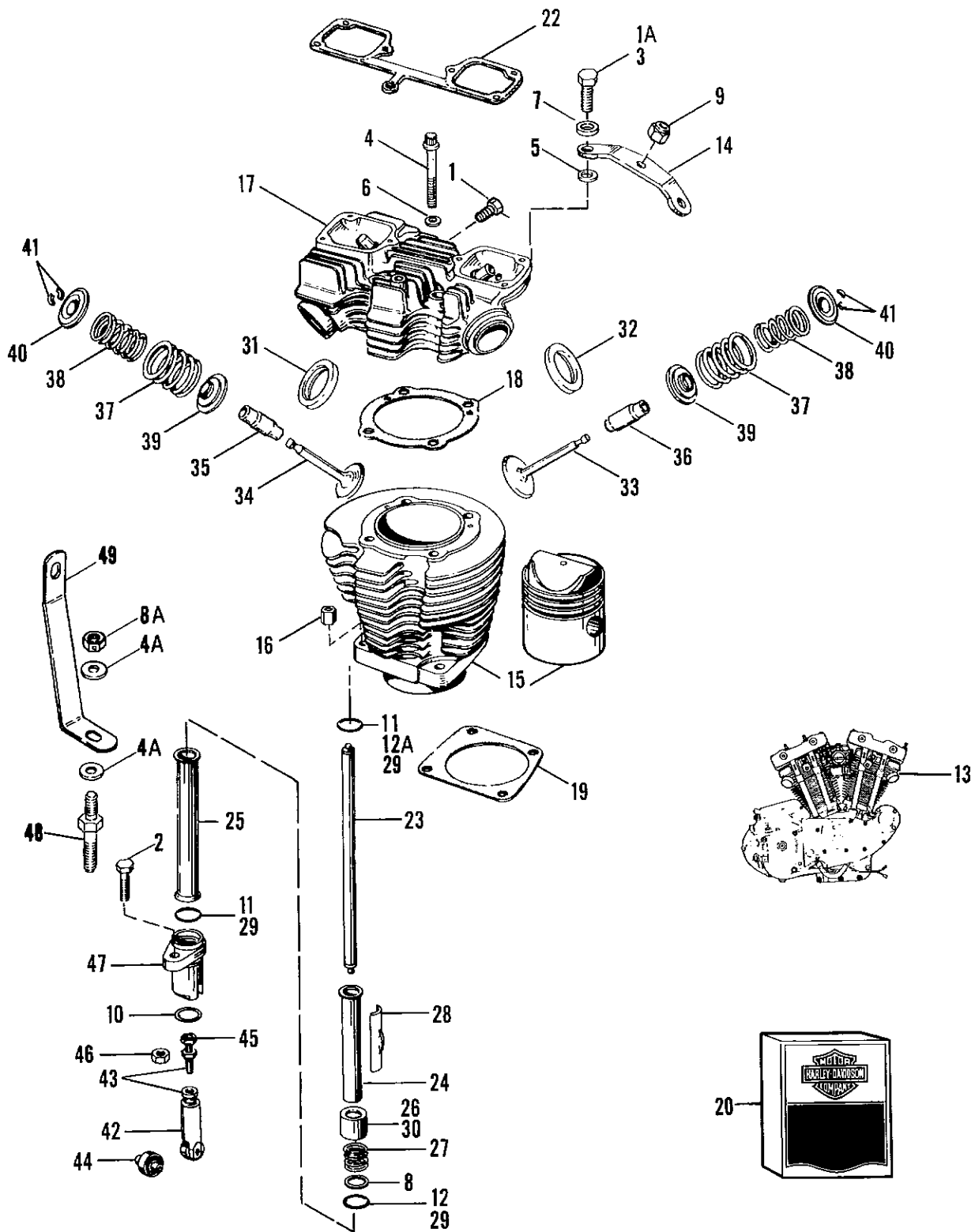
Harley-Davidson products are manufactured under one or more of the following patents: U.S. Patents — 2986162, 2987934, 2998809, 3116089, 3144631, 3144860, 3226994, 3229792, 3434887, 3559773, 3673359, 3709317, Des. 225, 626.

To the best knowledge of Harley-Davidson Motor Co., Inc., the material contained herein is accurate as of the date this publication was approved for printing. Harley-Davidson Motor Co., Inc., reserves the right to change specifications, equipment, or designs at any time without notice and without incurring obligation.

HARLEY-DAVIDSON, INC.

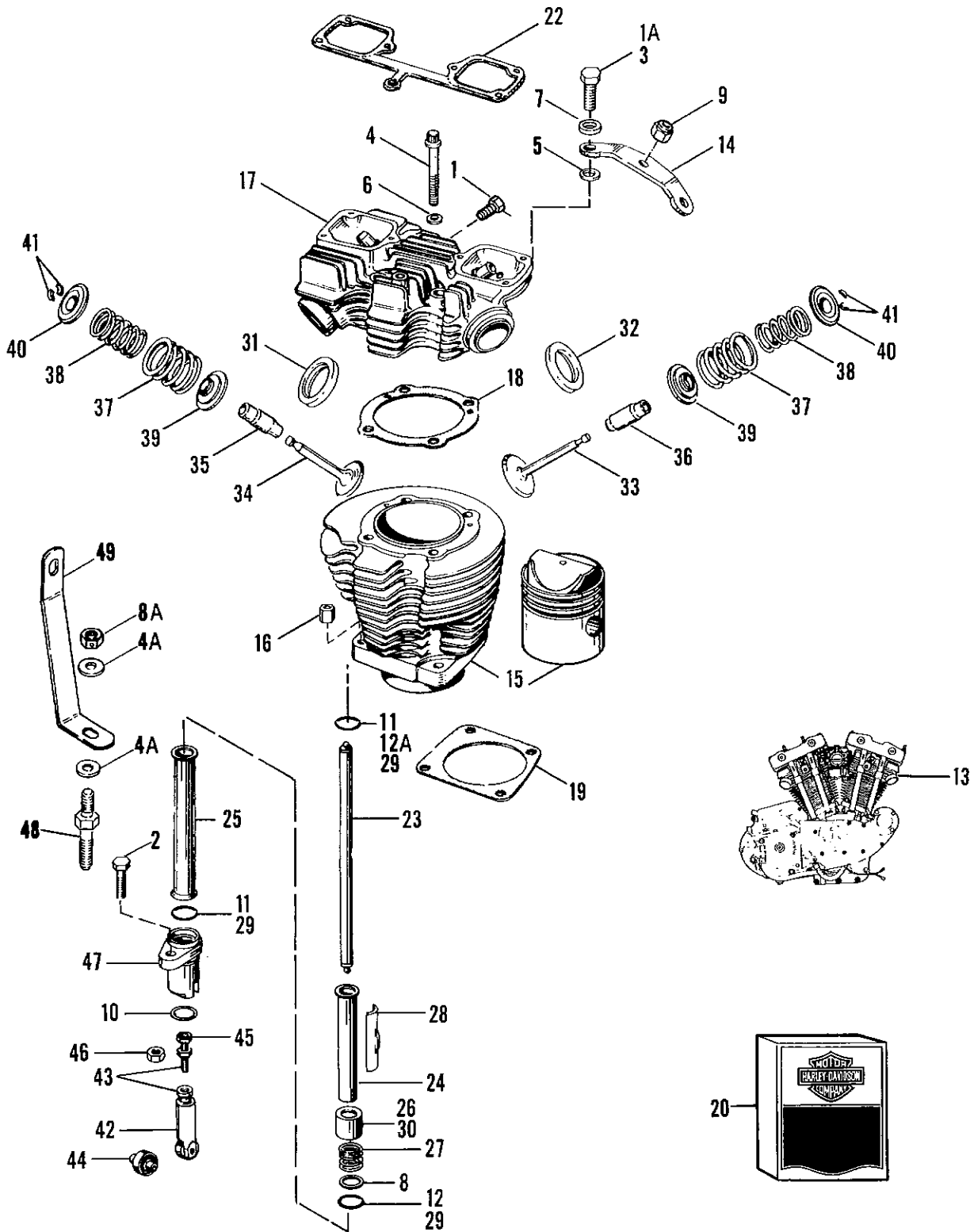
Milwaukee, Wisconsin 53201

CYLINDER, HEAD, VALVES AND TAPPET



RETAIL PRICE	INDEX NO.	PART NO.	N A M E	USED ON
	1	3413	SCREW, 5/16-18 x 5/8 (2)	84 — XL, XLS, XLX
	1A	3470	BOLT, 7/16-20 x 7/8 hex. hd. (2)	N/A Early 79 — XLS
		3474	BOLT, 7/16-20 x 1 (2)	Late 79 to * — XLS
	2	4017	BOLT, 5/16-18 x 1 hex. hd. (4; 3 — 83 & Later)	79 to * — XL, XLCH, XLS
	3	4640	BOLT, 7/16-20 x 1 hex. hd. (2)	79 to * — XL, XLCH, XLX
	4	4709	SCREW, 7/16-20 x 3-1/2 12 pt. hd. (8)	79 to * — XL, XLCH, XLS, XLX
	4A	6327B	WASHER, 5/16 x 3/4 x 3/64 (2)	83 to * — XL, XLS, XLX
	5	6334	WASHER, 7/16 x 15/16 x 1/8 (2)	79 to * — XL, XLCH, XLX
		6420	WASHER, 7/16 x 15/16 x 1/8 (2)	N/A Late 79 to * — XLS
	6	6469HW	WASHER, 7/16 x 3/4 x 1/8 (8)	79 to * — XL, XLCH, XLS, XLX
	7	6495HW	WASHER (2)	83 to * — XL, XLS, XLX
	8	6762B	WASHER, 11/16 x 29/32 x 1/32 (4)	79 to 81; 83 to * — XL, XLCH, XLS, XLX
		6780	WASHER, 11/16 x 29/32 x 1/16 (4)	82 — XL, XLS
	8A	7729	LOCKNUT, (2-way) 5/16-24 x 1/4 x 1/2 hex.	83 to * — XL, XLS, XLX
	9	7775	LOCKNUT, 3/8-24 x 7/16 x 9/16 hex.	79 to * — XL, XLCH, XLS, XLX
	10	11100	O-RING, tappet guide (4)	79 to * — XL, XLCH, XLS, XLX
	11	11101	O-RING, push rod cover, lower (8; 4 — 84 & later)	79 to * — XL, XLCH, XLS, XLX
	12	11132	O-RING, push rod cover (4)	Late 79 to * — XL, XLCH, XLS, XLX
	12A	11157	O-RING, push rod cover, upper (4)	84 to * — XL, XLS, XLX
	13	16058—84	ENGINE ASSEMBLY	Late 84 — XLX
	14	16250—57	BRACKET, motor support (black)	79 to * — XL, XLCH, XLX; Late 81 to * — XLS
		16276—79	BRACKET, motor support (chrome)	N/A 79 to Early 81 — XLS
	15	16464—73C	FRONT CYLINDER AND PISTON	79 to * — XL, XLCH, XLS, XLX
		16465—73C	REAR CYLINDER AND PISTON	79 to * — XL, XLCH, XLS, XLX
	16	16603—72	NUT, 3/8-24 x 1/2 x 9/16 hex. (8)	79 to * — XL, XLCH, XLS, XLX
	17	16673—73D	FRONT CYLINDER HEAD	79 to Early 85 — XL, XLCH, XLS, XLX
		16673—84	FRONT CYLINDER HEAD	Late 85 to * — XL, XLS, XLX
		16674—73D	REAR CYLINDER HEAD	79 to Early 85 — XL, XLCH, XLS, XLX
		16674—84	REAR CYLINDER HEAD	Late 85 to * — XL, XLS, XLX
	18	16769—73	HEAD GASKET (2)	79 to 81; 83 to * — XL, XLCH, XLS, XLX
		16769—82	HEAD GASKET, low compression (2)	79 to 82 — XL, XLS
	19	16774—72	BASE GASKET (2)	79 to * — XL, XLCH, XLS, XLX
	20	17024—71	GASKET SET, engine	79 to * — XL, XLCH, XLS, XLX
		17037—60	TOP OVERHAUL GASKET SET	79 to * — XL, XLCH, XLS, XLX
	22	17536—70	GASKET, rocker arm cover (2)	79 to * — XL, XLCH, XLS, XLX
	23	17904—57	PUSH ROD (4)	79 to * — XL, XLCH, XLS, XLX
	24	17935—48B	COVER, push rod, upper (4) — use 17955—36 WASHER	Early 79 — XL, XLCH
		17935—79B	COVER, push rod, upper (4) — use 11157 O-RING	Late 79 to * — XL, XLCH, XLS, XLX
	25	17936—79	COVER, push rod, lower (4) — use 11101 O-RING	Early 79 — XLS
		17937—57B	COVER, push rod, lower (4) — use 17955—36 WASHER	Early 79 — XL, XLCH
		17937—79	COVER, push rod, lower (4) — use 11101 O-RING	Late 79 to * — XL, XLCH, XLS
	26	17945—36B	SPRING RETAINER, push rod (4)	79 to * — XL, XLCH, XLX; 83 to * — XLS
	27	17947—36	SPRING, push rod cover (4)	79 to * — XL, XLCH, XLS, XLX
	28	17950—48	SPRING KEEPER, push rod cover (4)	79 to * — XL, XLCH, XLX; 83 to * — XLS
		17952—79	SPRING KEEPER, push rod cover (black) (4)	79 to 82 — XLS
	29	17955—36	CORK WASHER, push rod cover (12)	Early 79 — XL, XLCH
	30	17955—79	SPRING RETAINER, push rod (black) (4)	N/A 79 to 82 — XLS
	32	18055—70	INSERT, intake valve seat (repair) (2)	79 to * — XL, XLCH, XLS, XLX
	33	18027—80	VALVE, intake — standard (Nittan) (2)	79 to * — XL, XLS, XLX
		18028—80	VALVE, intake — standard (Eaton) (2)	79 to * — XL, XLS, XLX
	34	18033—80	VALVE, exhaust — standard (Nittan) (2)	79 to * — XL, XLS, XLX
		18036—80	VALVE, exhaust — standard (Eaton) (2)	79 to * — XL, XLS, XLX

CYLINDER, HEAD, VALVES AND TAPPET

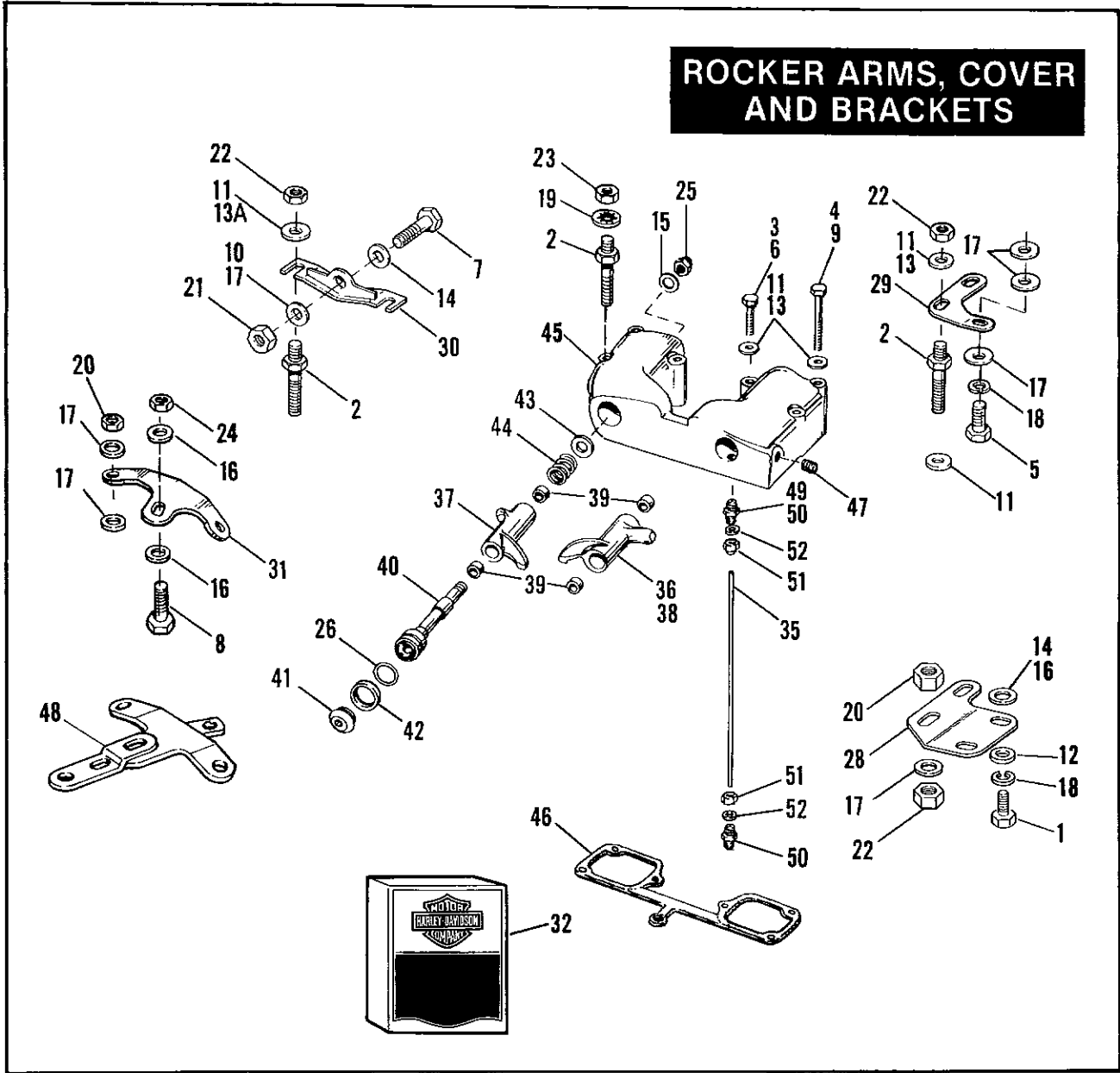


CYLINDER, HEAD, VALVES AND TAPPETS (CONT'D)

XL1-2

RETAIL PRICE	INDEX NO.	PART NO.	N A M E	USED ON
	35	18168-79A	VALVE GUIDE, exhaust — 0.004" O.S. O.D. (2)	79 to * — XL, XLCH, XLS, XLX
		18170-57B	VALVE GUIDE, exhaust — standard (2)	79 to * — XL, XLCH, XLS, XLX
		18171-57B	VALVE GUIDE, exhaust — 0.002" O.S. O.D. (2)	79 to * — XL, XLCH, XLS, XLX
		18172-57B	VALVE GUIDE, exhaust — 0.001" O.S. O.D. (2)	79 to * — XL, XLCH, XLS, XLX
	36	18176-57C	VALVE GUIDE, intake — standard (2)	79 to * — XL, XLCH, XLS, XLX
		18179-57C	VALVE GUIDE, intake — 0.001" O.S. O.D. (2)	79 to * — XL, XLCH, XLS, XLX
		18180-57C	VALVE GUIDE, intake — 0.002" O.S. O.D. (2)	79 to * — XL, XLCH, XLS, XLX
		18191-79A	VALVE GUIDE, intake — 0.004" O.S. O.D. (2)	79 to * — XL, XLCH, XLS, XLX
	37	18203-57A	VALVE SPRING, outer (4)	79 to Early 83 — XL, XLCH, XLS, XLX
		18203-83	VALVE SPRING, outer (4)	Late 83 to * — XL, XLS, XLX
	38	18204-57A	VALVE SPRING, inner (4)	79 to Early 83 — XL, XLCH, XLS, XLX
		18204-83	VALVE SPRING, inner (4)	Late 83 to * — XL, XLS, XLX
	39	18220-57	COLLAR, valve spring lower (4)	79 to Early 81 — XL, XLCH, XLS, XLX
		18220-81	COLLAR, valve spring lower (4)	Late 81 to Early 83 — XL, XLS, XLX
		18220-83	COLLAR, valve spring lower (4)	Late 83 to * — XL, XLS, XLX
	40	18221-57B	COLLAR, valve spring upper (4)	79 to * — XL, XLCH, XLS, XLX
	41	18228-30	VALVE KEY (pair) (4)	79 to * — XL, XLCH, XLS, XLX
	42	18508-52B	TAPPET ASSEMBLY, complete — less screw and nut (4)	79 to * — XL, XLCH, XLS, XLX
	43	18515-58A	TAPPET ASSEMBLY, complete — with screw and nut (4)	79 to * — XL, XLCH, XLS, XLX
	44	18534-29A	TAPPET ROLLER KIT (4)	79 to * — XL, XLCH, XLS, XLX
	45	18554-57	TAPPET SCREW AND NUT (4)	79 to * — XL, XLCH, XLS, XLX
	46	18570-38	NUT, tappet screw (4)	79 to * — XL, XLCH, XLS, XLX
	47	18607-57B	TAPPET GUIDE (4)	79 to * — XL, XLCH, XLS, XLX
	48	24827-66A	STUD, front intake tappet block only	83 to * — XL, XLS, XLX
	49	27434-83	BRACKET, air cleaner to crankcase	83 to * — XL, XLS, XLX

ROCKER ARMS, COVER AND BRACKETS



ROCKER ARMS, COVER AND BRACKETS

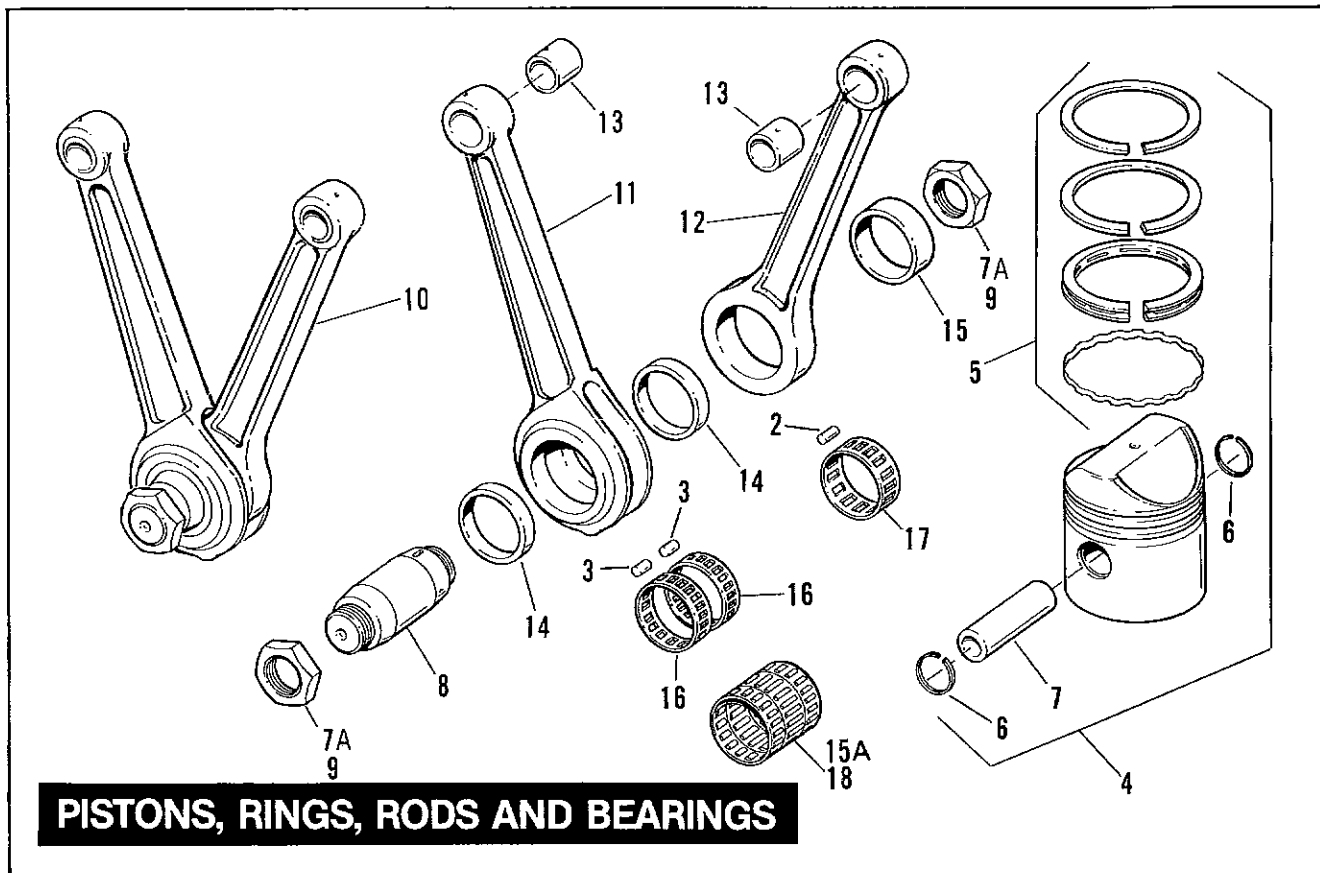
XL2-1

RETAIL PRICE	INDEX NO.	PART NO.	NAME	USED ON
	1	2871W	BOLT, 5/16-18 x 1-1/4 hex. hd. (2)	82 to * - XL, XLS, XLX
	2	3412	STUD (black) (4; 5 - 81, 83 & Later)	79 to * - XL, XLCH, XLX; 81 to * - XLS
		3417	STUD (4)	N/A 79 - XLS
	3	3467	BOLT, 5/16-24 x 1-1/4 hex. hd.	N/A 79 to * - XLS
	4	3468	BOLT, 5/16-24 x 2-1/4 hex. hd. (8)	N/A 79 to * - XLS
	5	3991	BOLT, 5/16-18 x 7/8 hex. hd.	79 to * - XL, XLCH, XLS, XLX
	6	4014W	BOLT, 5/16-24 x 1-1/4 hex. hd. (2)	79 to * - XL, XLCH, XLX
	7	4068	BOLT, 5/16-18 x 2-1/2 hex. hd.	79 to 81 - XL, XLCH, XLS
	8	4319	BOLT, 3/8-24 x 1 hex. hd.	82 - XL, XLS
		4337W	BOLT, 3/8-24 x 1-1/4 hex. hd.	83 to * - XL, XLS, XLX
	9	4710	BOLT, 5/16-24 x 2-1/4 hex. hd. (8; 7 - 81, 83 & Later)	79 to * - XL, XLCH, XLS, XLX
	10	6001	WASHER, 7/16 x 3/4 x 1/32 (black)	N/A 79 to * - XLS

ROCKER ARMS, COVER AND BRACKETS (CONT'D)

XL2-2

RETAIL PRICE	INDEX NO.	PART NO.	N A M E	USED ON
	11	6002	WASHER, 5/16 x 5/8 x 1/16 (black) (14)	79 — XLS
		6016	WASHER, 11/32 x 11/16 x 1/16 (15)	Late 83 to * — XL, XLS, XLX
	12	6109	WASHER, 5/16 x 11/16 x 1/8 (2)	84 to * — XL, XLS, XLX
	13	6316HW	WASHER, 5/16 x 5/8 x 1/16 (15)	79 to Early 83 — XL, XLCH
	13A	6324W	WASHER, 5/16 x 11/16 x 3/32 (2)	79 to 81 — XL, XLCH, XLS
	14	6333	WASHER, 5/16 x 7/8 x 5/64 (as req.)	79 to Early 84 — XL, XLCH, XLS, XLX
	15	6466W	WASHER, 7/16 x 3/4 x 1/64 (4)	79 to * — XL, XLCH, XLX
	16	6701	WASHER, 13/32 x 13/16 x 1/16 (2; 4 — 84 & Later)	82 to * — XL, XLS, XLX
	17	6702	WASHER, 5/16 x 11/16 x 1/16 (2; 6 — 82)	79 to * — XL, XLCH, XLS, XLX
	18	7041	LOCKWASHER, 5/16 (2 — 82)	79 to * — XL, XLCH, XLS, XLX
	19	7127	LOCKWASHER, 5/16 internal tooth	81 to * — XL, XLS, XLX
	20	7531	LOCKNUT, 5/16-18 x 9/32 x 1/2 (2)	82 to * — XL, XLS, XLX
	21	7739	LOCKNUT, 5/16-18 x 11/32 x 1/2 hex.	79 to 81 — XL, XLCH, XLS
	22	7740	LOCKNUT, 5/16-18 x 1/4 x 1/2 hex. (4)	79 to * — XL, XLCH, XLS, XLX
	23	7748W	NUT, 5/16-18 x 1/4 x 1/2 hex.	81 to * — XL, XLS, XLX
	24	7775	LOCKNUT, 3/8-24 x 7/16 x 9/16 hex.	82 to * — XL, XLS, XLX
	25	7875	ACORN NUT (4)	79 to * — XL, XLCH, XLS, XLX
	26	11101	O-RING, rocker arm shaft (4)	79 to * — XL, XLCH, XLS, XLX
	28	16214—81	BRACKET, engine mounting — upper front	82 to * — XL, XLS, XLX
	29	16265—76	BRACKET, engine mounting — upper front	79 to 81 — XL, XLCH, XLS
	30	16266—76	BRACKET, engine mounting — rear	79 to 81 — XL, XLCH, XLS
	31	16277—81	BRACKET, motor support	82 & Early 83 — XL, XLX; Early 83 — XLS
		16277—81A	BRACKET, motor support	Late 83 to * — XL, XLS, XLX
	32	17024—71	GASKET SET, engine	79 to * — XL, XLCH, XLS, XLX
		17037—60	TOP OVERHAUL GASKET SET	79 to * — XL, XLCH, XLS, XLX
	35	17324—57B	OIL LINE (2)	79 to * — XL, XLCH, XLS, XLX
	36	17394—57A	ROCKER ARM, front exhaust	79 to * — XL, XLCH, XLS, XLX
	37	17395—57A	ROCKER ARM, rear exhaust	79 to * — XL, XLCH, XLS, XLX
		17396—57A	ROCKER ARM, front intake	79 to * — XL, XLCH, XLS, XLX
	38	17397—57A	ROCKER ARM, rear intake	79 to * — XL, XLCH, XLS, XLX
	39	17428—57	BUSHING, rocker arm (4)	79 to * — XL, XLCH, XLS, XLX
	40	17435—57B	SHAFT, rocker arm (2)	79 to * — XL, XLCH, XLS, XLX
	41	17448—71A	SCREW, rocker arm shaft end (2)	79 to * — XL, XLCH, XLS, XLX
	42	17450—73	WASHER, rocker arm shaft (as req.)	73 to 81 — XL, XLS
	43	17451—57	SPACER, rocker arm (2)	79 to * — XL, XLCH, XLS, XLX
	44	17483—57	SPRING, rocker arm (2)	79 to * — XL, XLCH, XLS, XLX
	45	17514—71	ROCKER ARM COVER, front (polished)	79 to * — XL, XLCH; 79 to * — XLS
		17515—71	ROCKER ARM COVER, rear (polished)	79 to * — XL, XLCH; 79 to * — XLS
		17524—83	ROCKER ARM COVER, front	83 to * — XLX
		17525—83	ROCKER ARM COVER, rear	83 to * — XLX
	46	17536—70	GASKET, rocker arm cover (2)	79 to * — XL, XLCH, XLS, XLX
	47	45830—48	PLUG, rocker arm cover	79 to * — XL, XLCH, XLS, XLX
	48	61021—82	BRACKET, motor support	82 — XLS; Early 83 — XL
	49	62484—81	CONNECTOR, oil line — upper (2)	82 to * — XL, XLS, XLX
	50	63526—57	CONNECTOR, oil line (4 — 79-81; 2)	79 to * — XL, XLCH, XLS, XLX
	51	63527—57A	NUT, oil line (2)	79 to * — XL, XLCH, XLS, XLX
	52	63529—57	RUBBER SLEEVE, oil line (2)	79 to * — XL, XLCH, XLS, XLX



PISTONS, RINGS, RODS AND BEARINGS

PISTONS, RINGS, RODS AND BEARINGS

XL3-1

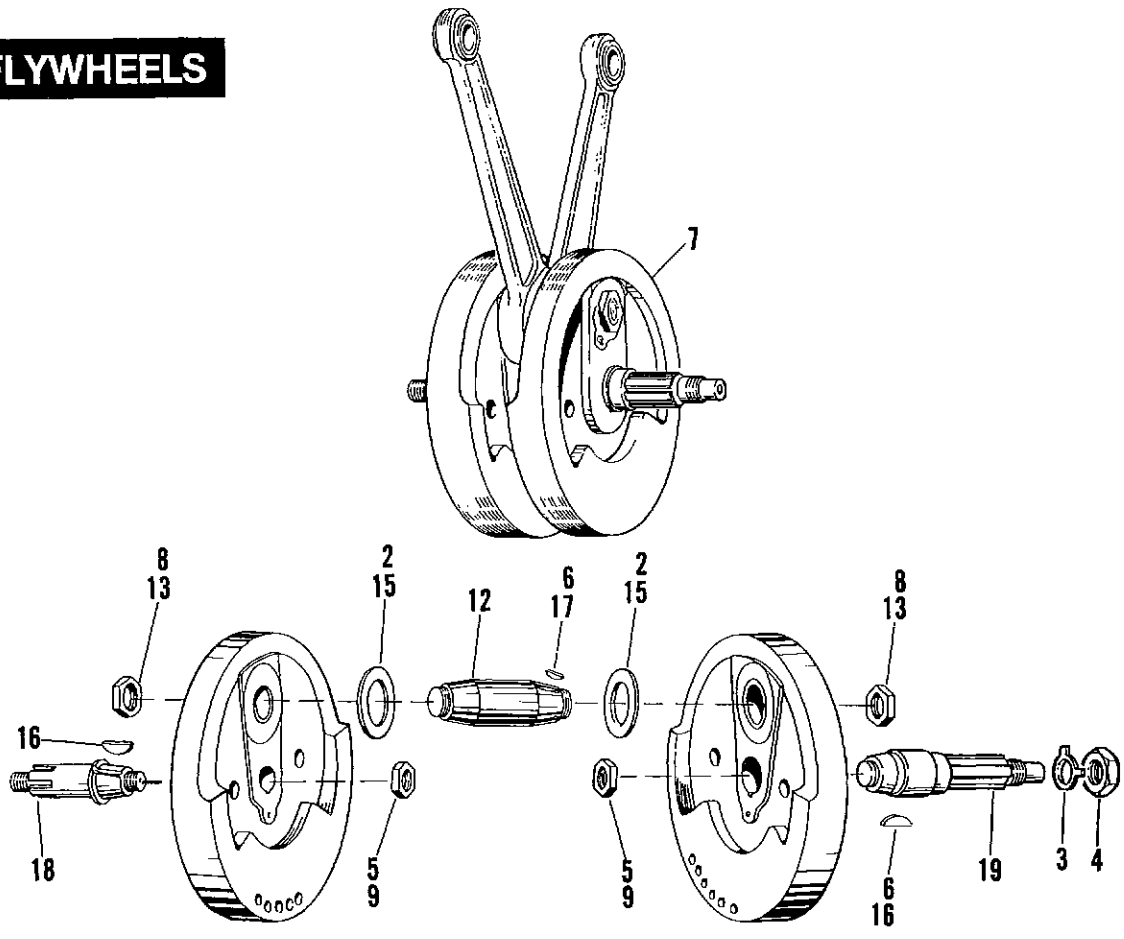
RETAIL PRICE	INDEX NO.	PART NO.	N A M E	USED ON
	2	9150A	ROLLER, crank pin, 0.1875 x 0.48" lg. — standard (17)	79 to * — XL, XLCH, XLS, XLX
		9152A	ROLLER, crank pin — 0.0002" O.S. (17)	79 to * — XL, XLCH, XLS, XLX
		9154A	ROLLER, crank pin — 0.0004" O.S. (17)	79 to * — XL, XLCH, XLS, XLX
		9156A	ROLLER, crank pin — 0.0006" O.S. (17)	79 to * — XL, XLCH, XLS, XLX
		9158A	ROLLER, crank pin — 0.0008" O.S. (17)	79 to * — XL, XLCH, XLS, XLX
		9160A	ROLLER, crank pin — 0.0010" O.S. (17)	79 to * — XL, XLCH, XLS, XLX
		9416	ROLLER, crank pin — 0.0015" O.S. (17)	79 to * — XL, XLCH, XLS, XLX
		9417	ROLLER, crank pin — 0.0020" O.S. (17)	79 to * — XL, XLCH, XLS, XLX
		9161	ROLLER, crank pin — 0.0002" U.S. (17)	79 to * — XL, XLCH, XLS, XLX
	3	9441A	ROLLER, crank pin, 0.1875 x 0.294" lg. — standard (34)	79 to * — XL, XLCH, XLS, XLX
		9442A	ROLLER, crank pin — 0.0002" O.S. (34)	79 to * — XL, XLCH, XLS, XLX
		9443A	ROLLER, crank pin — 0.0004" O.S. (34)	79 to * — XL, XLCH, XLS, XLX
		9444A	ROLLER, crank pin — 0.0006" O.S. (34)	79 to * — XL, XLCH, XLS, XLX
		9445A	ROLLER, crank pin — 0.0008" O.S. (34)	79 to * — XL, XLCH, XLS, XLX
		9446A	ROLLER, crank pin — 0.0010" O.S. (34)	N/A 79 to * — XL, XLCH, XLS, XLX
		9415	ROLLER, crank pin — 0.0015" O.S. (34)	79 to * — XL, XLCH, XLS, XLX
		9418	ROLLER, crank pin — 0.0020" O.S. (34)	79 to * — XL, XLCH, XLS, XLX
		9450A	ROLLER, crank pin — 0.0002" U.S. (34)	79 to * — XL, XLCH, XLS, XLX
	4	22258—73A	PISTON AND RINGS ASSEMBLY — 0.06" O.S.	N/A 79 to 82 — XL, XLCH, XLS
		22259—73A	PISTON AND RINGS ASSEMBLY — 0.07" O.S.	N/A 79 to 82 — XL, XLCH, XLS
		22251—83A	PISTON AND RINGS ASSEMBLY — standard	79 to * — XL, XLCH, XLS, XLX
		22252—85	PISTON AND RINGS ASSEMBLY — 0.005 O.S.	79 to * — XL, XLS, XLX
		22253—83A	PISTON AND RINGS ASSEMBLY — 0.01 O.S.	79 to * — XL, XLCH, XLS, XLX
		22254—83A	PISTON AND RINGS ASSEMBLY — 0.02 O.S.	79 to * — XL, XLCH, XLS, XLX
		22255—83A	PISTON AND RINGS ASSEMBLY — 0.03 O.S.	79 to * — XL, XLS, XLX
		22256—83A	PISTON AND RINGS ASSEMBLY — 0.04 O.S.	79 to * — XL, XLCH, XLS, XLX
		22257—83	PISTON AND RINGS ASSEMBLY — 0.05 O.S.	N/A 79 to Early 85 — XL, XLCH, XLS, XLX
		22258—83	PISTON AND RINGS ASSEMBLY — 0.06 O.S.	N/A 83 to Early 85 — XL, XLS, XLX
		22259—83	PISTON AND RINGS ASSEMBLY — 0.07 O.S.	N/A 83 to Early 85 — XL, XLS, XLX

PISTONS, RINGS, RODS AND BEARINGS

XL3-2

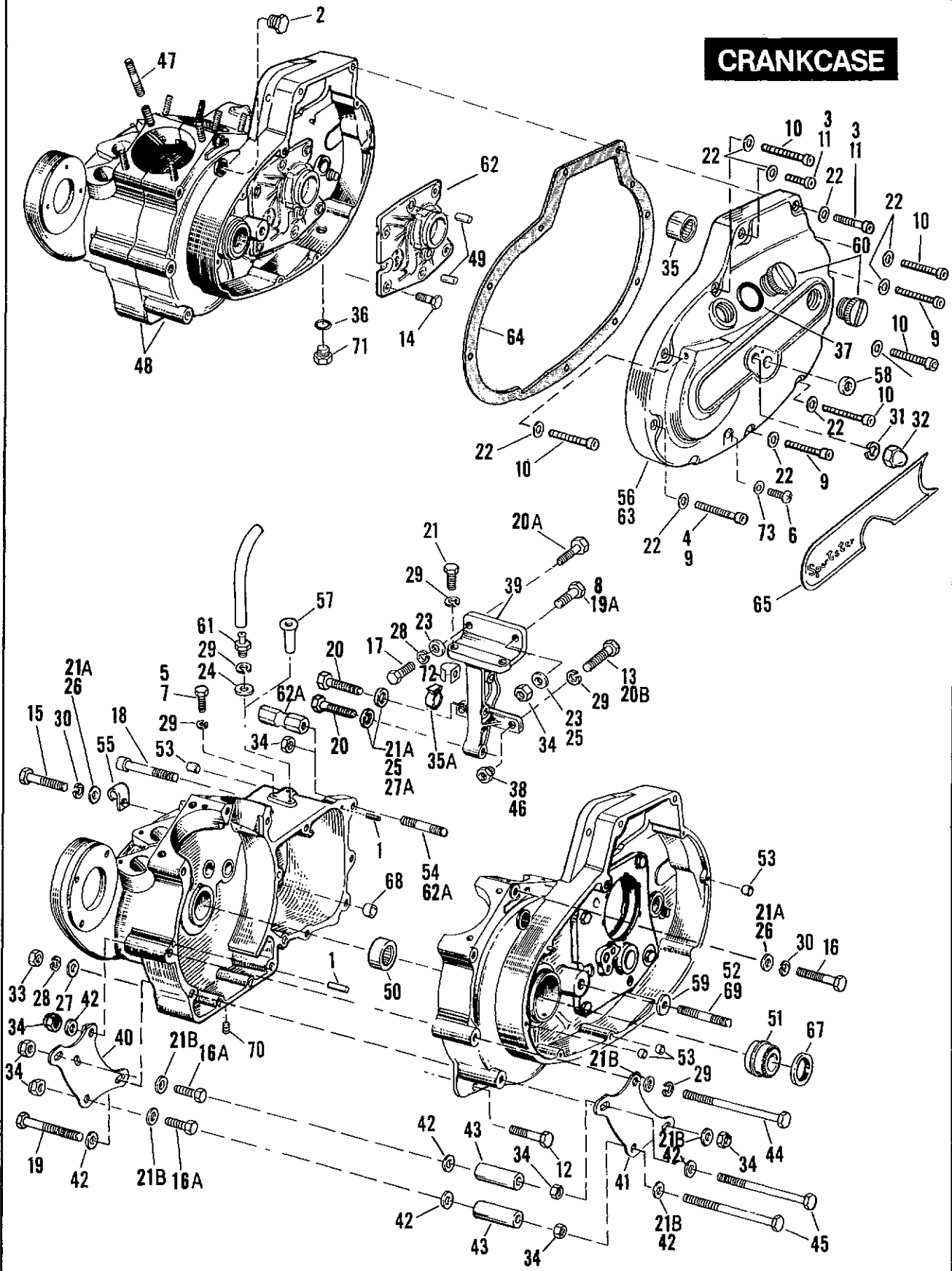
RETAIL PRICE	INDEX NO.	PART NO.	N A M E	USED ON
	5	22260-83	PISTON RING SET — standard	Late 85 to * — XL, XLS, XLX
		22261-83	PISTON RING SET — 0.01 O.S.	Late 85 to * — XL, XLS, XLX
		22262-83	PISTON RING SET — 0.02 O.S.	Late 85 to * — XL, XLS, XLX
		22263-83	PISTON RING SET — 0.03 O.S.	Late 85 to * — XL, XLS, XLX
		22264-83	PISTON RING SET — 0.04 O.S.	Late 85 to * — XL, XLS, XLX
		22265-83	PISTON RING SET — 0.005 O.S.	Late 85 to * — XL, XLS, XLX
		22363-73	PISTON RING SET — 0.07 O.S.	79 to 82 — XL, XLCH, XLS
		22355-72A	PISTON RING SET — standard	79 to Early 85 — XL, XLCH, XLS, XLX
		22357-72A	PISTON RING SET — 0.01 O.S.	79 to Early 85 — XL, XLCH, XLS, XLX
		22358-72A	PISTON RING SET — 0.02 O.S.	79 to Early 85 — XL, XLCH, XLS, XLX
		22359-72A	PISTON RING SET — 0.03 O.S.	79 to Early 85 — XL, XLS, XLX
		22360-73A	PISTON RING SET — 0.04 O.S.	79 to Early 85 — XL, XLCH, XLS, XLX
		22361-73A	PISTON RING SET — 0.05 O.S.	79 to Early 85 — XL, XLCH, XLS, XLX
		22362-73A	PISTON RING SET — 0.06 O.S.	79 to Early 85 — XL, XLCH, XLS, XLX
	6	22588-78	LOCK RING, piston pin (2)	79 to Early 85 — XL, XLCH, XLS
		22589-83	LOCK RING, piston pin (2)	Late 85 to * — XL, XLS, XLX
	7	22719-52A	PISTON PIN — standard	79 to Early 85 — XL, XLCH, XLS, XLX
		22719-85	PISTON PIN (2)	Late 85 to * — XL, XLS, XLX
		22723-52	PISTON PIN — 0.004" O.S.	79 to Early 85 — XL, XLCH, XLS, XLX
	7A	23901-81	NUT, crankpin (commonized taper) (2)	Late 81 to * — XL, XLS, XLX
	8	23960-54	CRANK PIN	79 to Early 81 — XL, XLCH, XLS
		23960-80A	CRANK PIN (commonized taper)	Late 81 to * — XL, XLS, XLX
	9	23967-54A	NUT, crank pin (2)	79 to Early 81 — XL, XLCH, XLS
	10	24275-57A	SET OF CONNECTING RODS, with bearings and crank pin.	79 to Early 81 — XL, XLCH, XLS
		24275-80A	SET OF CONNECTING RODS, with bearings, crank pin and nuts (commonized taper)	Late 81 to * — XL, XLS
	11	24290-57	CONNECTING ROD, rear	79 to * — XL, XLCH, XLS, XLX
	12	24294-52	CONNECTING ROD, front	79 to * — XL, XLCH, XLS, XLX
	13	24331-36	BUSHING, piston pin, standard (2)	79 to * — XL, XLCH, XLS, XLX
		24332-36	BUSHING, piston pin, 0.01" O.S. (2)	79 to * — XL, XLCH, XLS, XLX
	14	24341-52A	BEARING RACE, rear connecting rod — lower (2)	79 to * — XL, XLCH, XLS, XLX
	15	24352-52A	BEARING RACE, front connecting rod — lower	79 to * — XL, XLCH, XLS, XLX
	15A	24354-87	BEARING SET	79 to * — XL, XLCH, XLS, XLX
	16	24362-54A	RETAINER, rear (2)	79 to * — XL, XLCH, XLS, XLX
	17	24364-54A	RETAINER, front	79 to * — XL, XLCH, XLS, XLX
	18	24371-52B	ROLLER SET, with retainers — 0.0002" O.S.	79 to * — XL, XLCH, XLS, XLX
		24372-52B	ROLLER SET, with retainers — 0.0004" O.S.	79 to * — XL, XLCH, XLS, XLX
		24373-52B	ROLLER SET, with retainers — 0.0006" O.S.	79 to * — XL, XLCH, XLS, XLX
		24374-52B	ROLLER SET, with retainers — 0.0008" O.S.	79 to * — XL, XLCH, XLS, XLX
		24375-52B	ROLLER SET, with retainers — 0.0010" O.S.	79 to * — XL, XLCH, XLS, XLX
		24379-76	ROLLER SET, with retainers — 0.0002" O.S.	79 to * — XL, XLCH, XLS, XLX

FLYWHEELS



RETAIL PRICE	INDEX NO.	PART NO.	N A M E	USED ON
	2	6506	WASHER, for bearing w/alum. retainer (2)	Late 79 to * — XL, XLCH, XLS, XLX
		6508	WASHER, for bearing w/steel retainer (2)	Late 79 to * — XL, XLCH, XLS, XLX
	3	7044A	LOCKWASHER, pinion gear nut	79 to * — XL, XLCH, XLS, XLX
	4	7913	NUT, pinion gear, 5/8-18 x 7/32 x 15/16 hex.	79 to * — XL, XLCH, XLS, XLX
	5	8011	NUT, 11/16-18 x 1/4 x 1-3/16 hex. (2)	79 to Early 81 — XL, XLCH, XLS
	6	11218	KEY, crankpin & gear shaft (commonized taper) (2)	Late 81 to * — XL, XLS, XLX
	7	23900—75B	SET OF FLYWHEELS, with shafts & rods	79 to * — XL, XLS, XLX
	8	23901—81	NUT, crankpin (commonized taper) (2)	Late 81 to * — XL, XLS, XLX
	9	23902—81	NUT, sprocket & gear shafts (commonized taper) (2)	Late 81 to * — XL, XLS, XLX
	12	23960—54	CRANK PIN	79 to Early 81 — XL, XLCH, XLS
		23960—80A	CRANK PIN (commonized taper)	Late 81 to * — XL, XLS
	13	23967—54A	NUT, crank pin (2)	79 to Early 81 — XL, XLCH, XLS
	15	23972—72	WASHER, crank pin boss (2)	Early 79 — XL, XLCH
	16	23985—12	KEY, gear shaft and sprocket shaft (2)	79 to Early 81 — XL, XLCH, XLS
	17	23985—18	KEY, crank pin	79 to Early 81 — XL, XLCH, XLS
	18	24000—75	SPROCKET SHAFT	79 to Early 81 — XL, XLCH, XLS
		24000—80	SPROCKET SHAFT (commonized taper)	Late 81 to * — XL, XLS, XLX
	19	24005—75	GEAR SHAFT, without sleeve	79 to Early 81 — XL, XLCH, XLS
		24005—80	GEAR SHAFT (commonized taper)	Late 81 to * — XL, XLS, XLX
		24008—75	GEAR SHAFT, with sleeve	79 to Early 81 — XL, XLCH, XLS

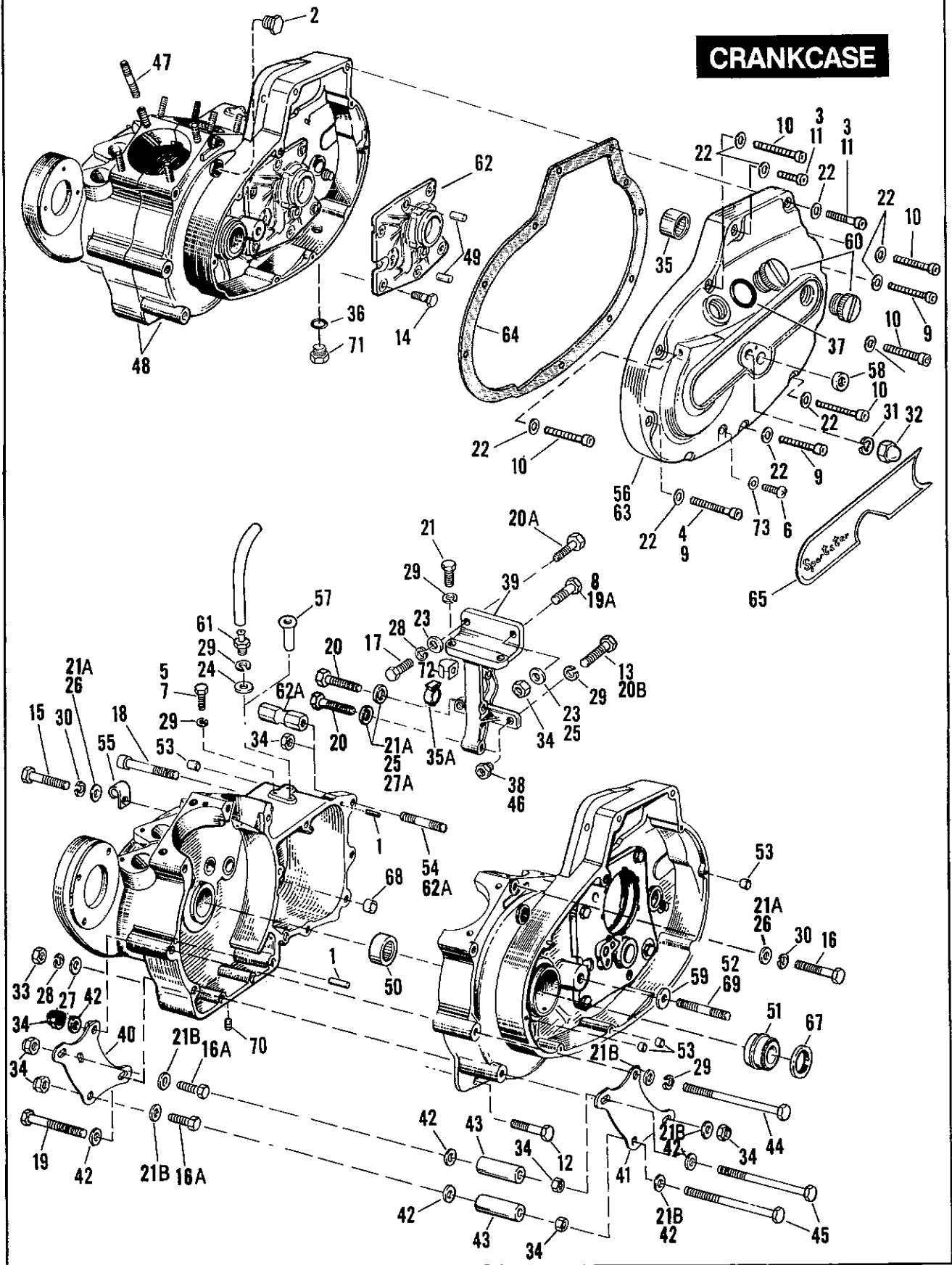
CRANKCASE



CRANKCASE

RETAIL PRICE	INDEX NO.	PART NO.	N A M E	USED ON
	1	215	PIN, right crankcase (2)	85 to * — XL, XLS, XLX
		358	DOWEL PIN (2)	79 to * — XL, XLCH, XLS, XLX
	2	720	PLUG, 5/8-18	79 to * — XL, XLCH, XLS, XLX
	3	908	SCREW, 1/4-20 x 1-1/2 Pozidriv (2)	80 — XL, XLS
		913	SCREW, 1/4-20 x 1-1/2 Pozidriv hd. (black) (2)	79 & 80 — XLS
	4	914	SCREW, 1/4-20 x 2-1/4 Pozidriv hd. (4)	79 & 80 — XLS
		1381	SCREW, 1/4-20 x 2-1/4 Pozidriv hd. (8)	79 & 80 — XL, XLCH
	5	2879W	BOLT, 3/8-16 x 1 hex. hd. (2 — 81 & Later)	79 to * — XL, XLS, XLX
	6	2420	SCREW, 1/4-20 x 3/4 Pozidriv truss hd.	79 to * — XL, XLCH, XLS, XLX
	7	3440	BOLT, 3/8-16 x 1/2 hex. hd.	79 & 80 — XL, XLCH, XLS
	8	3455	BOLT, 3/8-24 x 3-3/4 hex. hd. (2 - 82 & Early 83)	82 to * — XL, XLS, XLX
	9	3478	SCREW, 1/4-20 x 2-1/2 socket hd. (3; 2 — 82 & Later)	81 to * — XL, XLS, XLX
	10	3479	SCREW, 1/4-20 x 2-1/4 socket hd. (5; 6 — 82 & Later)	81 to * — XL, XLS, XLX
	11	3481	SCREW, 1/4-20 x 1-1/2 socket hd. (2)	81 to * — XL, XLS, XLX
	12	3768	BOLT, 1/4-20 x 2-1/2 hex. hd. (3)	79 to * — XL, XLCH, XLS, XLX
	13	3945	BOLT, 3/8-24 x 2-1/4 hex. hd. (2)	79 — XL, XLCH, XLS
	14	3991	BOLT, 5/16-18 x 7/8 hex. hd. (4)	79 to * — XL, XLCH, XLS, XLX
	15	4067	BOLT, 5/16-18 x 4-1/2 hex. hd. (3)	79 to * — XL, XLCH, XLS, XLX
	16	4086	BOLT, 5/16-18 x 3 hex. hd. (3)	79 to * — XL, XLCH, XLS, XLX
	16A	4319	BOLT, 3/8-24 x 1 hex. hd. (4)	Late 84 to * — XL, XLS, XLX
	17	4336W	BOLT, 3/8-24 x 1-1/8 hex. hd.	79 to 81 — XL, XLCH, XLS
	18	4340	SCREW, 5/16-18 x 4-1/4 socket fil. hd.	79 to * — XL, XLCH, XLS, XLX
	19	4413	BOLT, 3/8-24 x 5-1/2 hex. hd.	79 to * — XL, XLCH, XLS, XLX
	19A	4415	BOLT, 3/8-24 x 3 hex. hd.	79 to 81 — XL, XLCH, XLS
	20	4420	BOLT (2)	Late 82 to * — XL, XLS, XLX
	20A	4434W	BOLT, 3/8-24 x 3-1/4	Late 83 to * — XL, XLS, XLX
	20B	4435W	BOLT, 3/8-24 x 3-1/2 (2)	Late 83 to * — XL, XLS, XLX
	21	4716W	BOLT, 3/8-16 x 1-1/4 hex. hd. (2)	79 to * — XL, XLCH, XLS, XLX
	21A	6016	WASHER, 11/32 x 11/16 x 1/16 (6)	Late 83 to * — XL, XLS, XLX
	21B	6026	WASHER, 3/8 x 7/8 x 1/8 (6)	Late 84 to * — XL, XLS, XLX
	22	6099	WASHER, 1/4 x 7/16 x 1/16 (10)	81 to * — XL, XLS, XLX
	23	6388HB	WASHER, 3/8 x 23/32 x 1/16 (2)	79 to 81 — XL, XLCH, XLS
	24	6397B	WASHER, 13/32 x 13/16 x 1/8	79 & 80 — XL, XLCH, XLS
	25	6701	WASHER, 3/8 x 13/16 x 1/16 (4; 2 — Early 84; 6 — Late 84 & Later)	82 to * — XL, XLS, XLX
	26	6702	WASHER, 5/16 x 11/16 x 1/16 (6)	79 to Early 83 — XL, XLCH, XLS, XLX
	27	6703	WASHER, 1/4 x 5/8 x 1/16 (3)	79 to Early 83 — XL, XLCH, XLS, XLX
		6736	WASHER, 1/4 x 5/8 x 1/16 (3)	Late 83 to * — XL, XLS, XLX
	27A	6812	WASHER, 3/8 x 11/16 x 1/16 (2)	84 to * — XL, XLS, XLX
	28	7036	LOCKWASHER, 1/4 (4)	79 to * — XL, XLCH, XLS, XLX
	29	7038	LOCKWASHER, 3/8 (5)	79 to * — XL, XLCH, XLS, XLX
	30	7041	LOCKWASHER, 5/16 (3)	79 to * — XL, XLCH, XLS, XLX
	31	7068	LOCKWASHER, 1/2	79 to * — XL, XLCH, XLS, XLX
	32	7627	ACORN NUT, 1/2-13 x 3/4 hex.	79 to * — XL, XLCH, XLS, XLX
	33	7688	NUT, 1/4-20 x 7/32 x 7/16 hex. (3)	79 to * — XL, XLCH, XLS, XLX
	34	7775	LOCKNUT, 3/8-24 x 7/16 x 9/16 hex. (4)	79 to 81 — XL, XLCH, XLS
		7780	LOCKNUT, 3/8-24 x 13/32 x 11/16 hex. (5)	Late 84 to * — XL, XLS, XLX
		7800W	NUT, 3/8-24 x 5/16 x 9/16 hex.	82 to Early 84 — XL, XLS
	35	9063	NEEDLE BEARING, chain cover	79 & 80 — XL, XLS
	35A	10080	CLAMP	Late 83 — XL, XLS, XLX
	36	11105	O-RING, drain plug	79 to * — XL, XLCH, XLS, XLX
	37	11139	O-RING, filler cap (2)	79 to * — XL, XLCH, XLS, XLX
	38	16202—62	NUT, engine rear mounting (2)	79 to * — XL, XLCH, XLS, XLX
	39	16203—67	REAR MOUNTING, engine	79 to 81 — XL, XLCH, XLS
		16203—82A	REAR MOUNTING, engine	82 to * — XL, XLS, XLX
	40	16210—77	PLATE, engine front mounting — lower right (chrome)	79 to 81 — XL, XLCH, XLS
		16210—79	PLATE, engine front mounting — lower right (black)	79 to 81 — XL, XLCH, XLS
		16210—81	PLATE, engine front mounting — lower right	82 & Early 84 — XL, XLS, XLX
		16210—84A	PLATE, engine front mounting — lower right	Late 84 to * — XL, XLS, XLX
	41	16212—84	PLATE, engine front mounting — lower left	Late 84 to * — XL, XLS, XLX
		16213—77	PLATE, engine front mounting — lower left (chrome)	79 to 81 — XL, XLCH, XLS
		16213—79	PLATE, front engine mounting — lower left (black)	79 to 81 — XL, XLCH, XLS
		16213—81	PLATE, engine front mounting — lower left	82 & Early 84 — XL, XLS, XLX

CRANKCASE

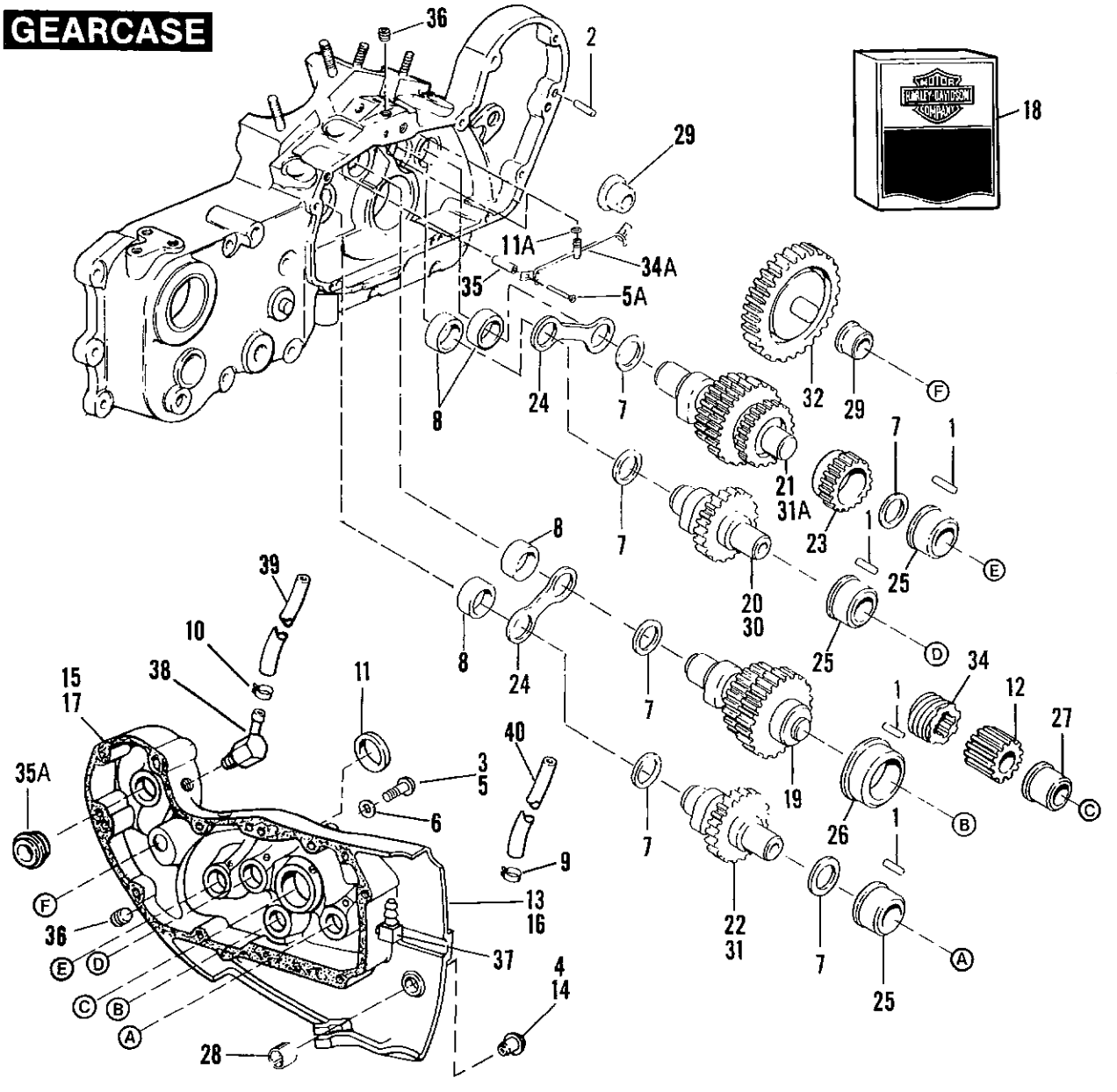


CRANKCASE (CONT'D)

XL5-2

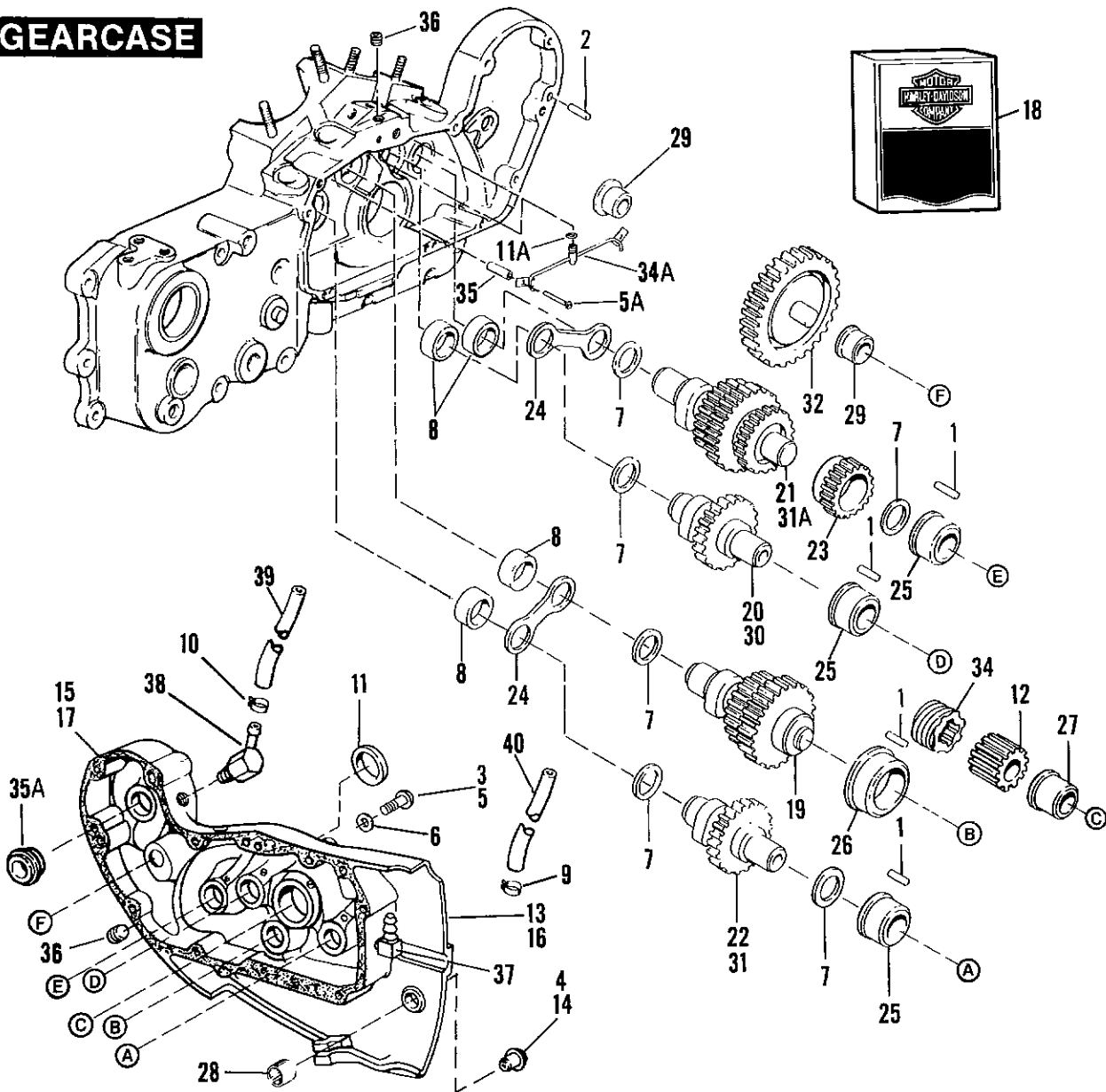
RETAIL PRICE	INDEX NO.	PART NO.	N A M E	USED ON
	42	16218-52	WASHER, engine front mounting - lower (6; 7 - 82 & Later)	79 to Early 84 — XL, XLCH, XLS, XLX
	43	16230-52	SPACER, engine front mounting — lower (2)	79 to 81 — XL, XLCH, XLS
		16230-81A	SPACER, engine front mounting — lower (2)	82 to Early 84 — XL, XLS, XLX
	44	16235-52A	BOLT, engine front mounting — upper, 5-1/4 long	79 to * — XL, XLCH, XLS, XLX
	45	16237-57	BOLT, engine front mounting — front, 6-13/16 long (2)	79 to Early 84 — XL, XLCH, XLS, XLX
	46	16240-82	BUSHING (2)	82 to * — XL, XLS, XLX
	47	16830-72	STUD, cylinder base, 2-11/32 long (8)	79 to * — XL, XLCH, XLS, XLX
	48	24480-84A	CRANKCASE SET	Late 84 — XL, XLS, XLX
		24480-85A	CRANKCASE SET	Early 85 — XL, XLS, XLX
		24484-85	CRANKCASE SET	Late 85 to * — XL, XLS, XLX
		24490-79A	CRANKCASE SET	79 & 80 — XLS
		24490-81A	CRANKCASE SET	81 & 82 — XLS
		24527-75B	CRANKCASE SET	79 & 80 — XL, XLCH
NOTE: To use the following on 81 vehicles use 16203-67A rear engine mount; on 82 & 83 vehicles use 16203-82A rear engine mount.				
		24527-81A	CRANKCASE SET	81 — XL
		24527-82A	CRANKCASE SET	82 to Early 84 — XL, XLS, XLX
	49	24578-57	DOWEL PIN (2)	79 to * — XL, XLCH, XLS, XLX
	50	24648-77	ROLLER BEARING AND INNER RACE, gear shaft	79 to * — XL, XLCH, XLS, XLX
	51	24729-74	ROLLER BEARING, sprocket shaft	79 to * — XL, XLCH, XLS, XLX
	52	24752-75	STUD, left footrest	79 — XL, XLCH, XLS
	53	24754-75	DOWEL BUSHING (4 — 79 & 80)	79 to * — XL, XLCH, XLS, XLX
	54	24817-52	STUD (3)	79 to Early 82 — XL, XLCH, XLS
		24825-82	STUD	83 to * — XL, XLS, XLX
	55	24920-67	CLAMP, oil hose	79 to * — XL, XLCH, XLS, XLX
	56	25424-80	CHAIN COVER (black)	80 — XLS
		25424-81	CHAIN COVER (black)	81 & 82 — XLS
		25430-81	CHAIN COVER (polished)	79 to Early 84 — XL; 79, 83 & Early 84 — XLS; 79 & 80 XLCH
		25430-84	CHAIN COVER (polished)	Late 84 to * — XL, XLS
		25433-83	CHAIN COVER (aluminum finish)	83 & Early 84 — XLX
		25433-84	CHAIN COVER (aluminum finish)	Late 84 to * — XLX
	57	26272-81	FITTING, oiler	81 to * — XL, XLS, XLX
	58	34035-52	SEAL, shifter lever shaft	79 to * — XL, XLCH, XLS, XLX
	59	34624-77	GASKET, left footrest stud boss	79 to * — XL, XLCH, XLS, XLX
	60	34742-77B	CAP, transmission filler & clutch adjustment (2)	79 to * — XL, XLCH, XLS, XLX
	61	34744-77	FITTING, crankcase vent	79 & 80 — XL, XLCH, XLS
	62	34841-84	COVER, transmission	N/A Late 79 to Early 84 — XL, XLCH, XLS
		34844-57B	COVER, transmission	Early 79 — XL, XLCH, XLS
		34847-79	COVER ASSY., transmission	Late 79 to Early 84 — XL, XLCH, XLS
		34847-84	COVER, transmission	Late 84 to * — XL, XLS, XLX
	62A	34880-77B	STUD, mounting kit	83 to * — XL, XLS, XLX
		34886-82	MOUNTING STUD	83 to * — XL, XLS, XLX
	64	34955-75	GASKET, chain cover	79 to * — XL, XLCH; 79, 80 to * — XLS, XLX
	65	34961-77	TRANSFER, "Sportster"	N/A 79 & 80 — XL, XLCH
		34962-79	TRANSFER, "1000"	79 & 80 — XLS
	67	35151-74	OIL SEAL, sprocket shaft	79 to * — XL, XLCH, XLS, XLX
	68	40520-63	BUSHING, shifter shaft (in right crankcase)	79 to * — XL, XLCH, XLS, XLX
	69	42449-80	STUD, left footrest	80 to * — XL, XLS
	70	45830-48	PIPE PLUG	79 to * — XL, XLCH, XLS, XLX
	71	60348-65A	DRAIN PLUG, 1/2-20 (magnetic)	79 to * — XL, XLCH, XLS, XLX
	72	62661-67	CLAMP, oil hose	79 to Early 83 — XL, XLCH, XLS
	73	63858-49	GASKET, oil level screw	79 to * — XL, XLCH, XLS, XLX

GEARCASE



RETAIL PRICE	INDEX NO.	PART NO.	N A M E	USED ON
	1	275	DOWEL PIN, 1/8 x 1/4 (6)	79 to * — XL, XLCH, XLS, XLX
	2	375	DOWEL PIN, cover	79 to * — XL, XLCH, XLS, XLX
	3	911	SCREW, 1/4-20 x 1-3/4 Pozidriv hd. (black) (3)	N/A 79 — XLS
		912	SCREW, 1/4-20 x 1-1/4 Pozidriv hd. (black)	N/A 79 — XLS
		914	SCREW, 1/4-20 x 2-1/4 Pozidriv hd. (4)	N/A 79 — XLS
		1316W	SCREW, 1/4-20 x 1-3/4 Pozidriv hd. (3)	79 & 80 — XL, XLCH
		1317W	SCREW, 1/4-20 x 1-1/4 Pozidriv hd.	79 & 80 — XL, XLCH
		1370W	SCREW, 1/4-20 x 2-1/4 Pozidriv hd.	79 & 80 — XL, XLCH; 80 — XLS
	4	2506	PLUG, gearcase	Late 81 to * — XL, XLS, XLX
	5	3479	SCREW, 1/4-20 x 2-1/4 hex. socket hd. (4)	81 to * — XL, XLS, XLX
		3480	SCREW, 1/4-20 x 1-3/4 hex. socket hd. (3)	81 to * — XL, XLS, XLX
		3482	SCREW, 1/4-20 x 1-1/4 hex. socket hd.	81 to * — XL, XLS, XLX
	5A	4819	BOLT, No. 10-24 x 1-5/8 hex. hd. (2)	Late 85 to * — XL, XLS, XLX
	6	6099	WASHER, 1/4 x 7/16 x 1/16 (9)	81 to * — XL, XLS, XLX
	7	6769	SHIM, camshaft 0.007" thick (as required)	79 to * — XL, XLCH, XLS, XLX
		6770	SHIM, camshaft 0.005" thick (as required)	79 to * — XL, XLCH, XLS, XLX
	8	9057	NEEDLE BEARING, cam gear shaft (4)	79 to * — XL, XLCH, XLS, XLX
	9	10014	CLAMP, vent hose	79 to * — XL, XLCH, XLS, XLX
	10	10080	CLAMP, breather hose	79 to * — XL, XLCH, XLS, XLX
	11	11124	SEAL, timer compartment	79 to * — XL, XLCH, XLS, XLX
		11204	KEY, rear intake cam gear	80 to Early 84 — XL, XLS, XLX
	11A	11172	O-RING	Late 85 to * — XL, XLS, XLX
	12	24055-74	PINION GEAR, flywheel gear shaft (brown)	79 to * — XL, XLCH, XLS, XLX
		24056-74	PINION GEAR, flywheel gear shaft (blue)	79 to * — XL, XLCH, XLS, XLX
		24057-74	PINION GEAR, flywheel gear shaft (red)	79 to * — XL, XLCH, XLS, XLX
		24058-74	PINION GEAR, flywheel gear shaft (white)	79 to * — XL, XLCH, XLS, XLX
		24059-74	PINION GEAR, flywheel gear shaft (green)	79 to * — XL, XLCH, XLS, XLX
		24060-74	PINION GEAR, flywheel gear shaft (yellow)	79 to * — XL, XLCH, XLS, XLX
		24061-74	PINION GEAR, flywheel gear shaft (black)	79 to * — XL, XLCH, XLS, XLX
	13	25201-79A	CRANKCASE COVER KIT, includes 25262-80 (polished)	79 & 80 — XL
		25205-79A	CRANKCASE COVER KIT, includes 25262-80 (gray)	79 — XLS
		25207-83	CRANKCASE COVER KIT (aluminum finish)	83 to * — XLX
		25207-84A	COVER, gearcase (black)	Late 84, 85 to * — XLX
		25208-81	COVER, gearcase (polished)	82 to Early 84 — XL; 83 & Early 84 — XLS, XLX
		25208-84A	COVER, gearcase (polished)	84 to * — XL, XLS
		25209-80	COVER, gearcase (vivid black)	80 — XLS
		25209-81	COVER, gearcase (black)	82 — XLS
		25219-86	COVER, gearcase (polished)	Late 84 to * — XL, XLS
	14	25221-77	BUMPER STEM	79 to Early 81 — XL, XLS
	15	25224-52A	GASKET, cover	79 to 81 — XL, XLCH, XLS
	16	25227-81	COVER, gearcase (polished)	81 — XL, XLS
	17	25263-81	GASKET, cover	82 to * — XL, XLS, XLX
	18	25482-75	CAM GEAR SET (matched)	N/A 79 — XL, XLCH, XLS
		25482-80	CAM GEAR SET (matched)	80 — XL, XLS
		25482-81	CAM GEAR SET (matched)	81 to Early 84 — XL, XLS, XLX
		25482-84	CAM GEAR SET (matched)	Late 84 to * — XL, XLS, XLX
	19	25485-71	CAM GEAR, rear intake	79 — XL, XLCH, XLS
		25485-80	CAM GEAR, rear intake	80 to * — XL, XLS, XLX
	20	25501-59	CAM GEAR, front intake	79 — XL, XLCH, XLS
	21	25503-71	CAM GEAR, front exhaust	79 — XL, XLCH, XLS
		25503-80	CAM GEAR, front exhaust	N/A 80 — XL, XLS, XLX
		25503-81	CAM GEAR, front exhaust	81 to Early 84 — XL, XLS, XLX

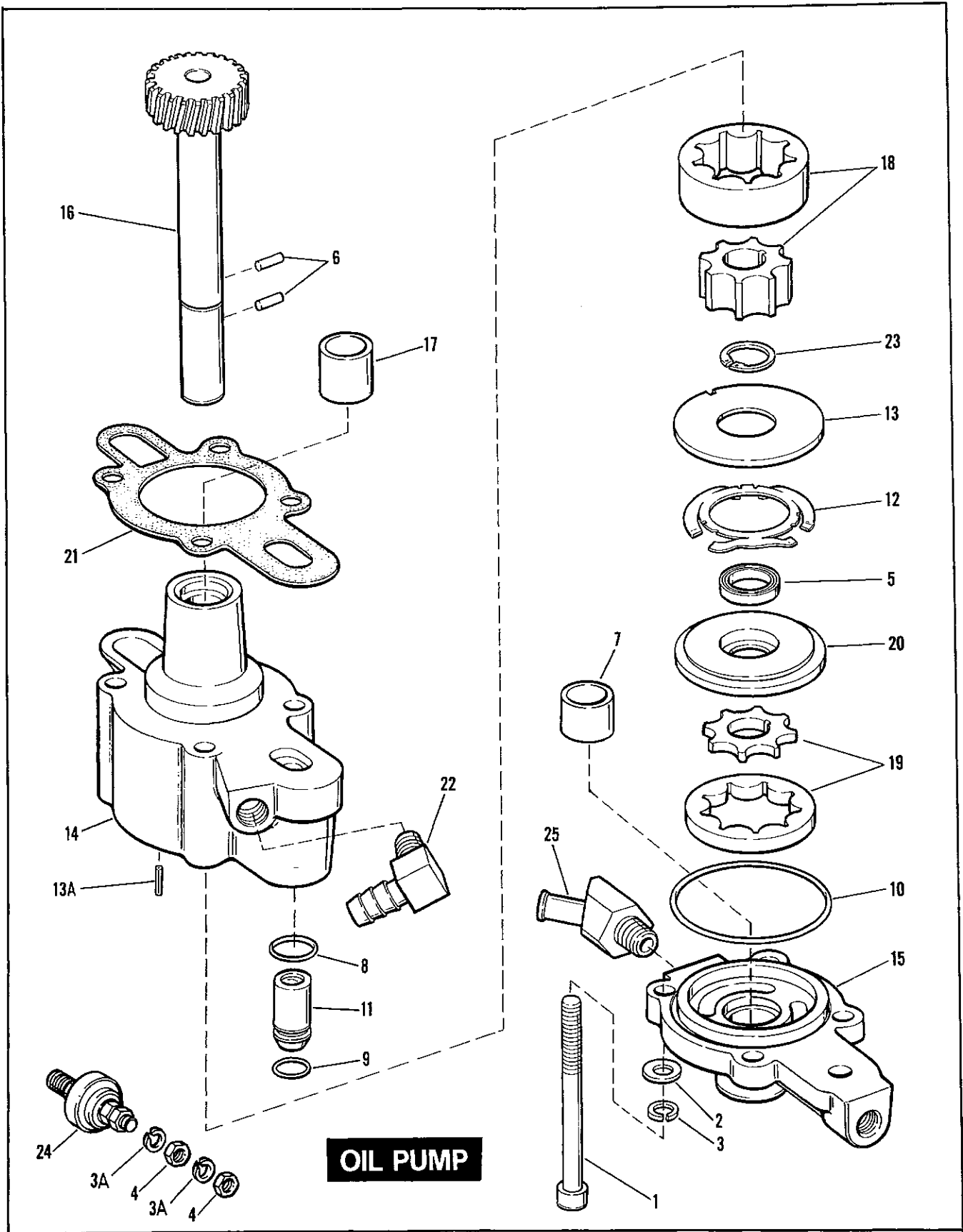
GEARCASE



GEARCASE (CONT'D)

XL6-2

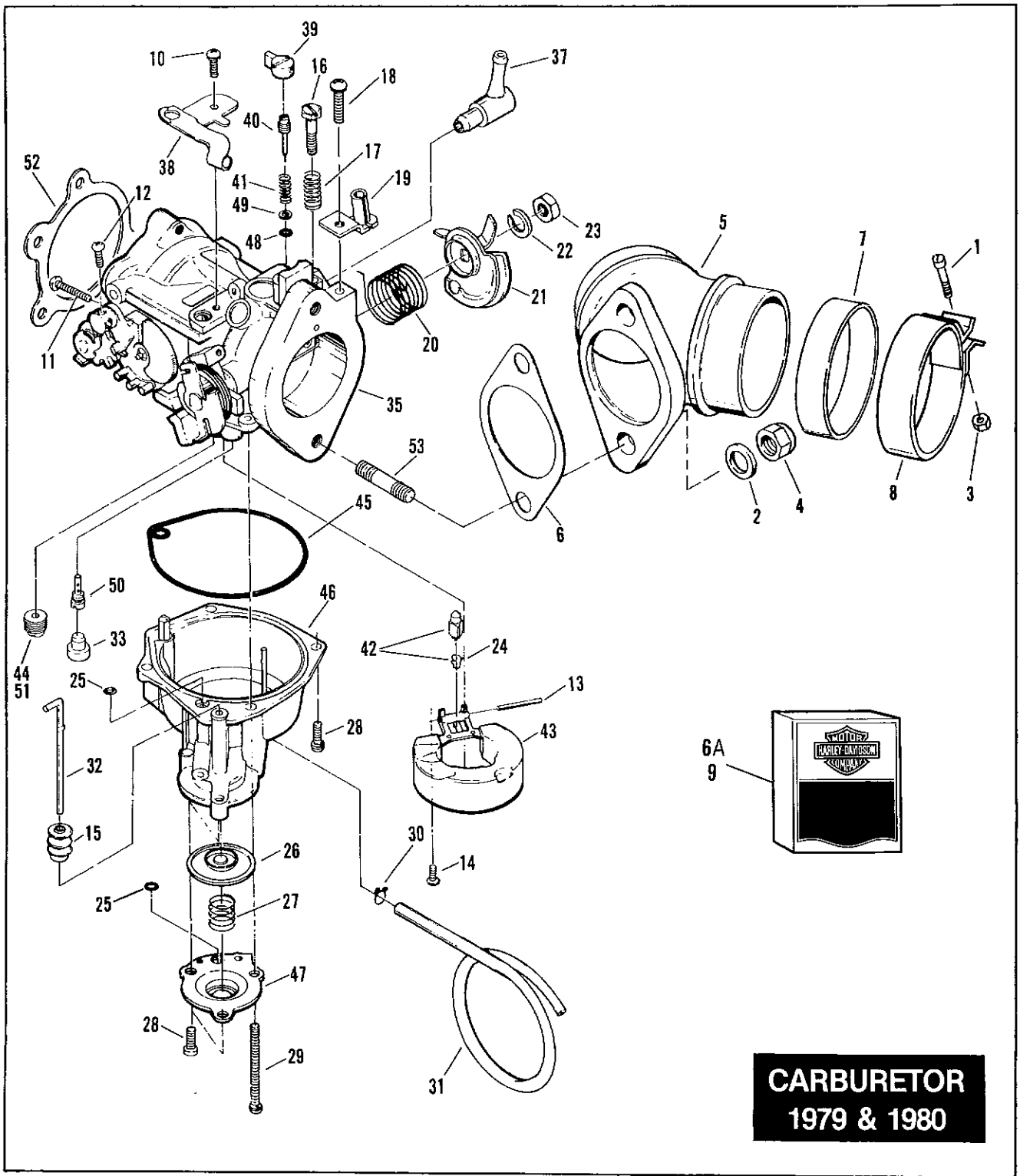
RETAIL PRICE	INDEX NO.	PART NO.	N A M E	USED ON
	22	25504-59	CAM GEAR, rear exhaust	79 — XL, XLCH, XLS
	23	25517-71	DRIVE GEAR, tachometer	79 & 80 — XL, XLCH, XLS
	24	25551-58	PLATE, cam gear (2)	79 to * — XL, XLCH, XLS, XLX
	25	25586-37	BUSHING, cam gear shaft (3)	79 to * — XL, XLCH, XLS, XLX
	26	25588-57	BUSHING, rear intake cam gear shaft	79 to * — XL, XLCH, XLS, XLX
	27	25593-74	BUSHING, flywheel gear shaft	79 to * — XL, XLCH, XLS, XLX
	28	25594-75	BUSHING, brake pedal operating shaft	79 to Early 81 — XL, XLCH, XLS
	29	25597-57	BUSHING, idler gear shaft (2)	79 to Early 84 — XL, XLCH, XLS, XLX
	30	25640-80	CAM GEAR, front intake (brown)	80 to * — XL, XLS, XLX
		25641-80	CAM GEAR, front intake (blue)	80 to * — XL, XLS, XLX
		25642-80	CAM GEAR, front intake (red)	80 to * — XL, XLS, XLX
		25643-80	CAM GEAR, front intake (white)	80 to * — XL, XLS, XLX
		25644-80	CAM GEAR, front intake (green)	80 to * — XL, XLS, XLX
		25645-80	CAM GEAR, front intake (yellow)	80 to * — XL, XLS, XLX
		25646-80	CAM GEAR, front intake (black)	80 to * — XL, XLS, XLX
	31	25650-80	CAM GEAR, rear exhaust (brown)	80 to * — XL, XLS, XLX
		25651-80	CAM GEAR, rear exhaust (blue)	80 to * — XL, XLS, XLX
		25652-80	CAM GEAR, rear exhaust (red)	80 to * — XL, XLS, XLX
		25653-80	CAM GEAR, rear exhaust (white)	80 to * — XL, XLS, XLX
		25654-80	CAM GEAR, rear exhaust (green)	80 to * — XL, XLS, XLX
		25655-80	CAM GEAR, rear exhaust (yellow)	80 to * — XL, XLS, XLX
		25656-80	CAM GEAR, rear exhaust (black)	80 to * — XL, XLS, XLX
	31A	25660-84	CAM GEAR, front exhaust (brown)	Late 84 to * — XL, XLS, XLX
		25661-84	CAM GEAR, front exhaust (blue)	Late 84 to * — XL, XLS, XLX
		25662-84	CAM GEAR, front exhaust (red)	Late 84 to * — XL, XLS, XLX
		25663-84	CAM GEAR, front exhaust (white)	Late 84 to * — XL, XLS, XLX
		25664-84	CAM GEAR, front exhaust (green)	Late 84 to * — XL, XLS, XLX
		25665-84	CAM GEAR, front exhaust (yellow)	Late 84 to * — XL, XLS, XLX
		25666-84	CAM GEAR, front exhaust (black)	Late 84 to * — XL, XLS, XLX
	32	25776-57	IDLER GEAR AND SHAFT	79 to Early 84 — XL, XLCH, XLS, XLX
	34	26318-75	DRIVE GEAR, oil pump	79 to * — XL, XLCH, XLS, XLX
	34A	26505-85	OILER, cam gear	Late 85 to * — XL, XLS, XLX
	35	26509-85	SPACER, oiler mounting (2)	Late 85 to * — XL, XLS, XLX
	35A	26909-79A	REED VALVE ASSEMBLY	79 to Early 82 — XL, XLCH, XLS
		26909-82	CHECK VALVE ASSEMBLY	Late 82 to * — XL, XLS, XLX
	36	45830-48	PIPE PLUG, gearcase cover (2 — Late 85)	79 to * — XL, XLCH, XLS, XLX
	37	62375-57	FITTING, oil vent hose	79 to * — XL, XLCH, XLS, XLX
	38	62570-79	FITTING, gearcase to air cleaner hose	79 to 82 — XL, XLCH, XLS
		62570-83	FITTING, gearcase to air cleaner hose	83 to * — XL, XLS, XLX
NOTE: Hoses are sold only in bulk lengths under the following part numbers. Cut to required lengths.				
	39	63500-68	HOSE, 3/8 I.D. x 5/8 O.D. reinforced (25 ft.)	79 to * — XL, XLCH, XLS, XLX
	40	63501-68	HOSE, 1/4 I.D. x 1/2 O.D. reinforced (25 ft.)	79 to * — XL, XLS, XLX



OIL PUMP

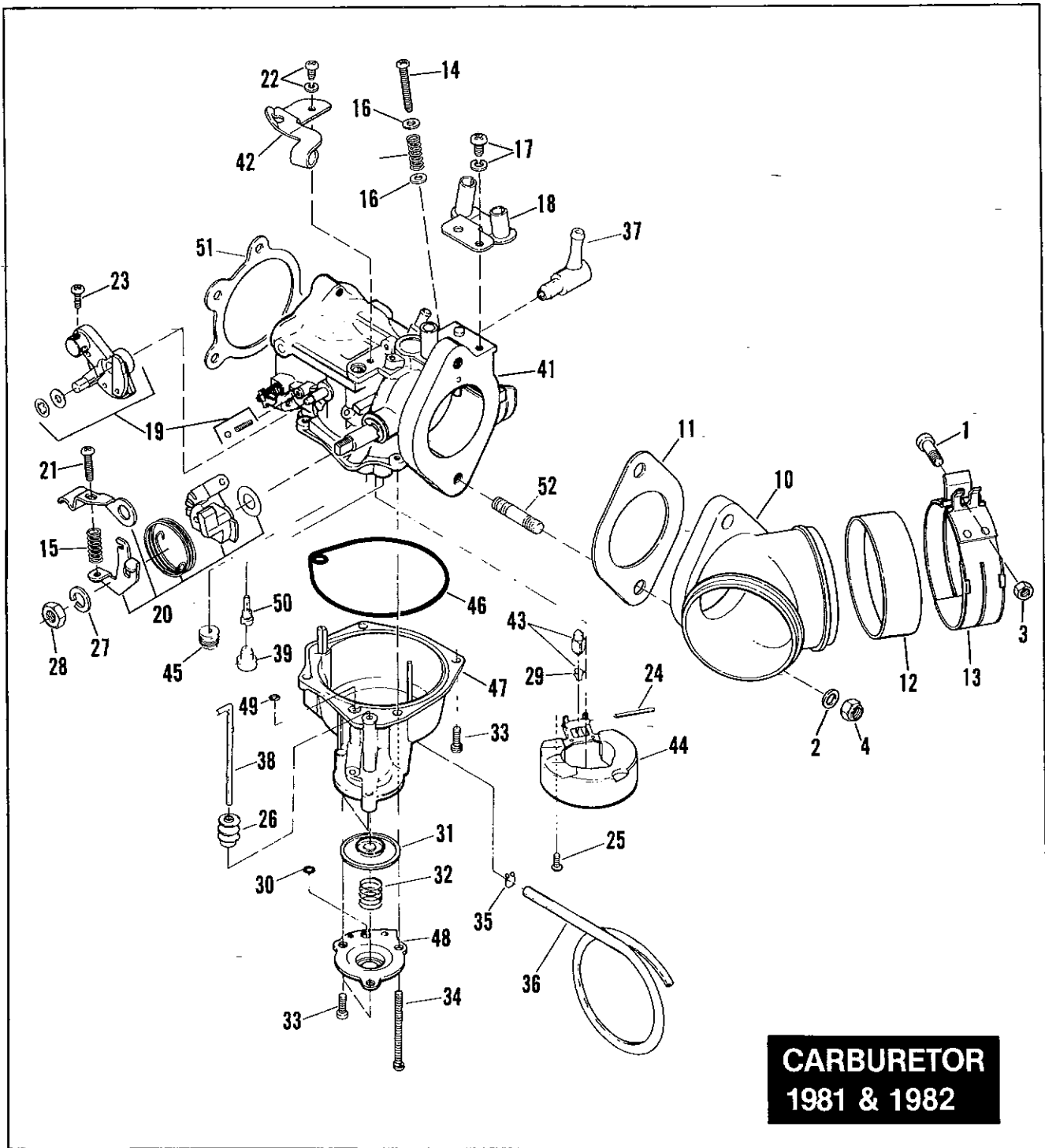
XL7

RETAIL PRICE	INDEX NO.	PART NO.	N A M E	USED ON
	1	3478	SCREW, 1/4-20 x 2-1/2 hex. socket hd. (4)	79 to * — XL, XLCH, XLS, XLX
	2	6242W	WASHER, 1/4 x 9/16 x 1/32 (4)	79 to * — XL, XLCH, XLS, XLX
	3	7036	LOCKWASHER, 1/4 (4)	79 to * — XL, XLCH, XLS, XLX
	3A	7069	LOCKWASHER, No. 10 (2)	79 to * — XL, XLCH, XLS, XLX
	4	7638	NUT, No. 10-32 x 1/8 x 3/8 hex.	79 to * — XL, XLCH, XLS, XLX
	5	12036	OIL SEAL, outer plate	79 to 82 — XL, XLCH, XLS
		12036A	OIL SEAL, outer plate	83 to * — XL, XLS, XLX
		26197-83	OIL PUMP	79 to * — XL, XLCH, XLS, XLX
	6	26430-76	PIN, gear shaft (2)	79 to * — XL, XLCH, XLS, XLX
	7	26431-76	BUSHING, pump cover	79 to * — XL, XLCH, XLS, XLX
	8	26432-76A	O-RING, body	79 to * — XL, XLCH, XLS, XLX
	9	26433-77	O-RING, on check valve	79 to * — XL, XLCH, XLS, XLX
	10	26434-76A	O-RING, cover	79 to * — XL, XLCH, XLS, XLX
	11	26435-76A	CHECK VALVE	79 to * — XL, XLCH, XLS, XLX
	12	26461-77	SPRING WASHER	79 to * — XL, XLCH, XLS, XLX
	13	26463-77	PLATE, inner	79 to * — XL, XLCH, XLS, XLX
	13A	26480-77	ROLL PIN	79 to * — XL, XLCH, XLS, XLX
	14	26484-75A	BODY, oil pump	79 to * — XL, XLCH, XLS, XLX
	15	26486-75A	COVER, oil pump	79 to * — XL, XLCH, XLS, XLX
	16	26488-75	GEAR SHAFT	79 to * — XL, XLCH, XLS, XLX
	17	26489-75	BUSHING, pump body	79 to * — XL, XLCH, XLS, XLX
	18	26491-75	GEROTOR SET, return (thick)	N/A 79 to 81 — XL, XLCH, XLS, XLX
		26491-83	GEROTOR SET, return	82 to * — XL, XLS, XLX
	19	26492-75	GEROTOR SET, feed (thin)	N/A 79 to 81 — XL, XLCH, XLS, XLX
		26492-83	GEROTOR SET, feed	82 to * — XL, XLS, XLX
	20	26493-75A	PLATE, outer	79 to * — XL, XLCH, XLS, XLX
	21	26495-75	GASKET, pump mounting	79 to * — XL, XLCH, XLS, XLX
	22	26496-75	FITTING, 90° (return; 83 & later — 2, feed)	79 to 81; Late 83 to * — XL, XLCH, XLS, XLX
	23	26497-75	RETAINING RING	79 to * — XL, XLCH, XLS, XLX
	24	26554-77	SWITCH, oil pressure indicator	79 to * — XL, XLCH, XLS, XLX
	25	63540-62	FITTING, 45° (feed; 82 & Early 83 — 2, return)	79 to Early 83 — XL, XLCH, XLS, XLX



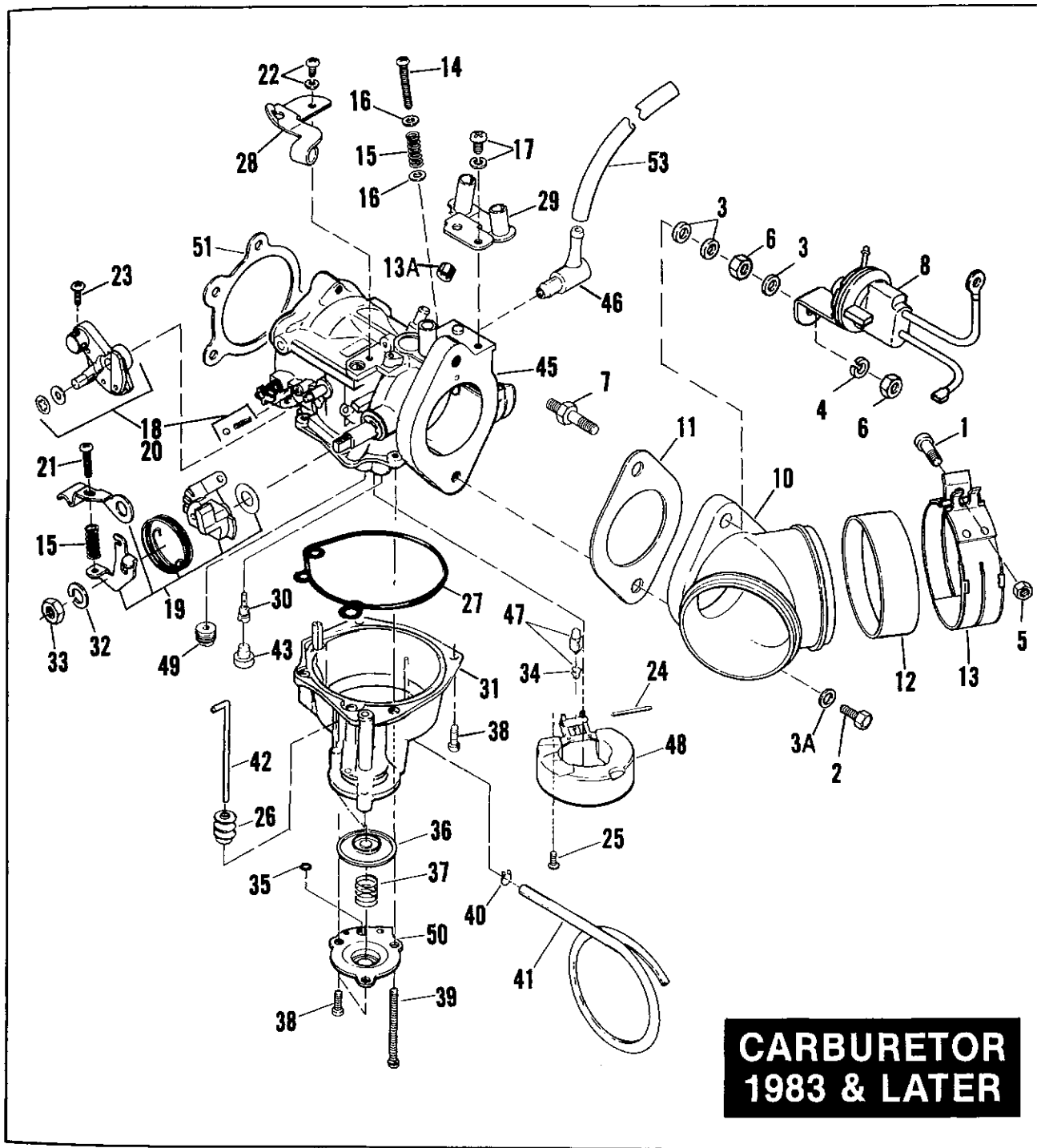
**CARBURETOR
1979 & 1980**

RETAIL PRICE	INDEX NO.	PART NO.	N A M E	USED ON
	1	930	SCREW, No. 10-24 x 1-1/4 Pozidriv fil. hd. (2)	79 & 80 — XL, XLCH, XLS
	2	6702	WASHER, 5/16 x 11/16 x 1/16 (2)	79 & 80 — XL, XLCH, XLS
	3	7620W	NUT, No. 10-24 x 1/8 x 3/8 hex. (2)	79 & 80 — XL, XLCH, XLS
	4	7739	LOCKNUT, 5/16-18 x 11/32 x 1/2 hex. (2)	79 & 80 — XL, XLCH, XLS
	5	27021—78	INTAKE MANIFOLD	79 & 80 — XL, XLCH, XLS
	6	27023—71	GASKET, carburetor to intake manifold	79 & 80 — XL, XLCH, XLS
	6A	27045—78	CARBURETOR CHOKE SHAFT KIT Consists of: Choke lever, shaft, washer, clip, screws (2) and disc	79 & 80 — XL, XLCH, XLS
		27046—78	CARBURETOR, plastic parts kit Consists of: Springs (3), clips (2), cam choke lever, washers, ball & wiring	79 & 80 — XL, XLCH, XLS
	7	27062—78	SEAL, intake manifold clamp (2)	79 & 80 — XL, XLCH, XLS
	8	27063—78	CLAMP, intake manifold — with screw & nut (2)	79 & Early 80 — XL, XLCH, XLS
		27063—80	CLAMP, intake manifold — with screw & nut (2)	Late 80 — XL, XLS
	9	27096—79	HIGH ALTITUDE KIT (over 4000 ft.)	79 & 80 — XL, XLCH, XLS
	10	27304—76	SCREW, choke cable bracket	79 & 80 — XL, XLCH, XLS
	11	27306—76	SCREW, fast idle cam & Hi Altitude accel. pump stop	79 & 80 — XL, XLCH, XLS
	12	27307—76	SCREW, wire block	79 & 80 — XL, XLCH, XLS
	13	27308—76	PIN, float	79 & 80 — XL, XLCH, XLS
	14	27309—76	SCREW, float pin	79 & 80 — XL, XLCH, XLS
	15	27311—76	RUBBER CAP, accelerator pump	79 & 80 — XL, XLCH, XLS
	16	27313—76	SCREW, throttle stop	79 & 80 — XL, XLCH, XLS
	17	27314—76	SPRING, throttle stop screw	79 & 80 — XL, XLCH, XLS
	18	27320—76	SCREW, throttle cable bracket	79 & 80 — XL, XLCH, XLS
	19	27321—76	BRACKET, throttle cable	79 & 80 — XL, XLCH, XLS
	20	27322—76	SPRING, throttle lever	79 & 80 — XL, XLCH, XLS
	21	27328—76	THROTTLE LEVER	79 & 80 — XL, XLCH, XLS
	22	27333—76	LOCKWASHER, throttle lever	79 & 80 — XL, XLCH, XLS
	23	27335—76	NUT, throttle lever	79 & 80 — XL, XLCH, XLS
	24	27338—76	CLIP, float valve	79 & 80 — XL, XLCH, XLS
	25	27360—76	O-RING, (2)	79 & 80 — XL, XLCH, XLS
	26	27361—76	DIAPHRAGM, accelerator pump	79 & 80 — XL, XLCH, XLS
	27	27362—76	SPRING, diaphragm	79 & 80 — XL, XLCH, XLS
	28	27366—76	SCREW (5)	79 & 80 — XL, XLCH, XLS
	29	27367—76	SCREW	79 & 80 — XL, XLCH, XLS
	30	27368—76	CLIP, overflow hose	79 & 80 — XL, XLCH, XLS
	31	27369—76	HOSE, overflow	79 & 80 — XL, XLCH, XLS
	32	27373—76	ROD, accelerator pump (860B), 59.5 mm	79 & 80 — XL, XLCH, XLS
	33	27385—76	PLUG, low speed jet	79 & 80 — XL, XLCH, XLS
	35	27469—78A	CARBURETOR (B83A)	N/A 79 — XL, XLCH, XLS
		27469—80A	CARBURETOR (B83D)	N/A 80 — XL, XLS
	37	27594—76	FITTING	79 & 80 — XL, XLCH, XLS
	38	27882—78	BRACKET, choke cable	79 & 80 — XL, XLCH, XLS
	39	27883—78	CAP, low speed mixture screw	N/A 79 — XL, XLCH, XLS
	40	27884—78	SCREW, low speed mixture	N/A 79 — XL, XLCH, XLS
	41	27885—78	SPRING, low speed mixture adjusting screw	N/A 79 — XL, XLCH, XLS
	42	27886—78	FLOAT VALVE, with clip	79 & 80 — XL, XLCH, XLS
	43	27887—78	FLOAT	79 & 80 — XL, XLCH, XLS
	44	27888—78	MAIN JET, 1.60 mm. (Hi Altitude over 4000 ft.)	79 & 80 — XL, XLCH, XLS
	45	27889—78	O-Ring, bowl	79 & 80 — XL, XLCH, XLS
	46	27890—78	BOWL	79 & 80 — XL, XLCH, XLS
	47	27891—80	HOUSING, accelerator pump	79 & 80 — XL, XLCH, XLS
	48	27892—78	O-RING, low speed mixture adjusting screw	79 — XL, XLCH, XLS
	49	27893—78	WASHER, low speed mixture adjusting screw	N/A 79 — XL, XLCH, XLS
	50	27896—79	LOW SPEED JET, 0.65 mm.	79 & 80 — XL, XLCH, XLS
	51	27898—78	MAIN JET, 1.65 mm. (Std.)	79 & 80 — XL, XLCH, XLS
	52	29058—77	GASKET, air cleaner to carburetor	79 & 80 — XL, XLCH, XLS
	53	29254—78	STUD, 5/16-18 x 1-1/4 (2)	N/A 79 & 80 — XL, XLCH, XLS



CARBURETOR
1981 & 1982

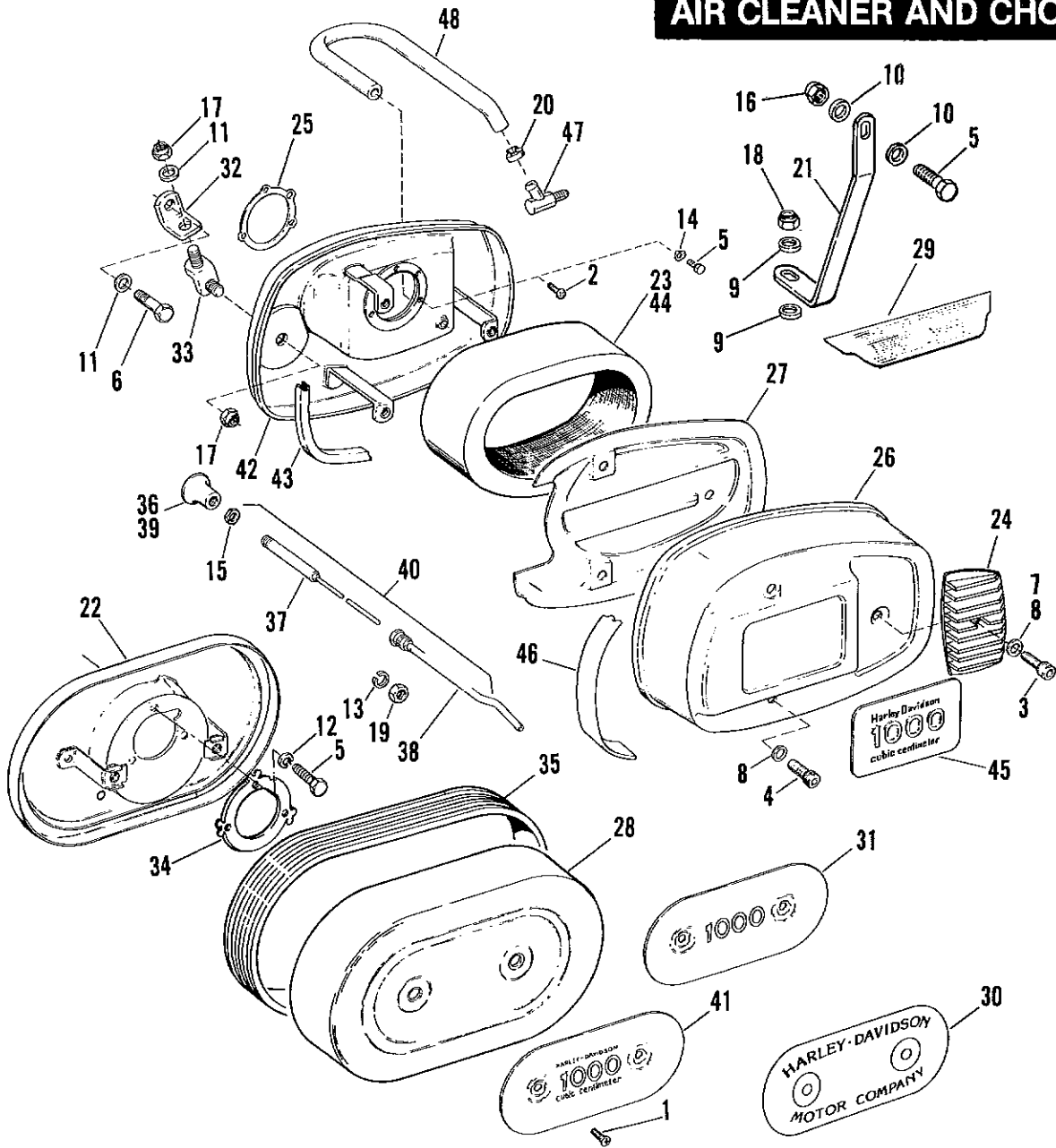
RETAIL PRICE	INDEX NO.	PART NO.	N A M E	USED ON
	1	930	SCREW, No. 10-24 x 1-1/4 Pozidriv fil. hd. (2)	81 & 82 — XL, XLS
	2	6702	WASHER, 5/16 x 11/16 x 1/16 (2)	81 & 82 — XL, XLS
	3	7504	NUT, No. 10-24 x 5/16 hex. (2)	Early 81 — XL, XLS
		7620W	NUT, No. 10-24 x 1/8 x 3/8 hex. (2)	Late 81 & 82 — XL, XLS
	4	7739	LOCKNUT, 5/16-18 x 11/32 x 1/2 hex. (2)	81 & 82 — XL, XLS
	10	27021-78	INTAKE MANIFOLD	81 & 82 — XL, XLS
	11	27023-71	GASKET, carburetor to intake manifold	81 & 82 — XL, XLS
	12	27062-78	SEAL, intake manifold clamp (2)	81 & 82 — XL, XLS
	13	27063-80	CLAMP, intake manifold — with screw & nut (2)	81 & 82 — XL, XLS
		27087-80	MAIN JET, 1.50 mm (use w/B83G carb.)	Late 82 — XL, XLS
	14	27130-81	SCREW, throttle stop	81 & 82 — XL, XLS
	15	27136-81	SPRING, throttle stop screw & fast idle screw (2)	81 & 82 — XL, XLS
	16	27137-81	WASHER, throttle stop screw (2)	81 & 82 — XL, XLS
	17	27139-81	SCREW WITH WASHER, throttle cable bracket	81 & 82 — XL, XLS
	18	27141-81	BRACKET, throttle cable	81 & 82 — XL, XLS
	19	27142-81	CHOKE LEVER KIT	81 & 82 — XL, XLS
	20	27143-81	LEVER KIT, accelerator pump	81 & 82 — XL, XLS
	21	27145-81	SCREW, fast idle	81 & 82 — XL, XLS
	22	27304-76	SCREW WITH WASHER, choke cable bracket	81 & 82 — XL, XLS
	23	27307-76	SCREW, wire block	81 & 82 — XL, XLS
	24	27308-76	PIN, float	81 & 82 — XL, XLS
	25	27309-76	SCREW, float pin	81 & 82 — XL, XLS
	26	27311-76	RUBBER CAP, accelerator pump	81 & 82 — XL, XLS
	27	27333-76	LOCKWASHER, throttle lever	81 & 82 — XL, XLS
	28	27335-76	NUT, throttle lever	81 & 82 — XL, XLS
	29	27338-76	CLIP, float valve	81 & 82 — XL, XLS
	30	27360-76	O-RING	81 & 82 — XL, XLS
	31	27361-76	DIAPHRAGM, accelerator pump	81 & 82 — XL, XLS
	32	27362-76	SPRING, diaphragm	81 & 82 — XL, XLS
	33	27366-76	SCREW (5)	81 & 82 — XL, XLS
	34	27367-76	SCREW	81 & 82 — XL, XLS
	35	27368-76	CLIP, overflow hose	81 & 82 — XL, XLS
	36	27369-76	HOSE, overflow	81 & 82 — XL, XLS
	37	27371-76	FITTING	81 & 82 — XL, XLS
	38	27373-76	ROD, accelerator pump	81 & 82 — XL, XLS
	39	27385-76	PLUG, low speed jet	81 & 82 — XL, XLS
	41	27469-81A	CARBURETOR (B83F)	81 to Early 82 — XL, XLS
		27469-82	CARBURETOR (B83G)	N/A Late 82 — XL, XLS
	42	27882-78	BRACKET, choke cable	81 & 82 — XL, XLS
	43	27886-78	FLOAT VALVE, with clip	81 & 82 — XL, XLS
	44	27887-78	FLOAT	81 & 82 — XL, XLS
	45	27888-78	MAIN JET, 1.60 mm. (std.)	81 & 82 — XL, XLS
	46	27889-78	O-RING, bowl	81 & 82 — XL, XLS
	47	27890-78	BOWL (B78A)	81 & 82 — XL, XLS
	48	27891-80	HOUSING, accelerator pump	81 & 82 — XL, XLS
	49	27892-78	O-RING	81 & 82 — XL, XLS
	50	27894-78	LOW SPEED JET, 0.68 mm.	81 & 82 — XL, XLS
	51	29058-77	GASKET, air cleaner to carburetor	81 & 82 — XL, XLS
	52	29254-78	STUD, 5/16-18 x 1-1/4 (2)	N/A 81 & 82 — XL, XLS



**CARBURETOR
1983 & LATER**

RETAIL PRICE	INDEX NO.	PART NO.	N A M E	USED ON
	1	930	SCREW, No. 10-24 x 1-1/4 Pozidriv pan hd. (2)	83 to * — XL, XLS, XLX
	2	3991	BOLT, 5/16-24 x 7/8 hex. hd.	83 to * — XL, XLS, XLX
	3	6016	WASHER, 11/32 x 11/16 x 1/16 (2; 3 — Late 83; 4 — 84 & Later)	83 to * — XL, XLS, XLX
	3A	6702	WASHER, 5/16 x 11/16 x 1/16	Early 83 — XL, XLS, XLX
	4	7041	LOCKWASHER, 5/16	83 to * — XL, XLS, XLX
	5	7620W	NUT, 10-24 x 1/8 x 3/8 (2)	83 to * — XL, XLS, XLX
	6	7753	NUT, 5/16-24 x 1/4 x 1/2 (2)	83 to * — XL, XLS, XLX
	7	24827--66A	STUD, upper	83 to * — XL, XLS, XLX
	8	26557-83	VACUUM SWITCH ASSEMBLY	83 to * — XL, XLS, XLX
	10	27021-78	INTAKE MANIFOLD	83 to * — XL, XLS, XLX
	11	27023-71	GASKET, carburetor to intake manifold	83 to * — XL, XLS, XLX
	12	27062-78	SEAL, intake manifold clamp (2)	83 to * — XL, XLS, XLX
	13	27063-80	CLAMP, intake manifold — includes screws & nuts (2)	83 to * — XL, XLS, XLX
	13A	27079-84	CAP, evaporative port	85 to * — XL, XLS, XLX
	14	27130-81	SCREW, throttle stop	83 to * — XL, XLS, XLX
	15	27136-81	SPRING, throttle stop & fast idle screws (2)	83 to * — XL, XLS, XLX
	16	27137-81	WASHER, throttle stop screw (2)	83 to * — XL, XLS, XLX
	17	27139-81	SCREW WITH WASHER, throttle cable bracket	83 to * — XL, XLS, XLX
	18	27142-81	CHOKE LEVER KIT	Early 83 — XL, XLS, XLX
	19	27143-81	LEVER KIT, accelerator pump	83 to * — XL, XLS, XLX
	20	27144-83	CHOKE LEVER KIT	Late 83 to * — XL, XLS, XLX
	21	27145-81	SCREW, fast idle	83 to * — XL, XLS, XLX
	22	27304-76	SCREW WITH WASHER, choke cable bracket	83 to * — XL, XLS, XLX
	23	27307-76	SCREW, wire block	83 to * — XL, XLS, XLX
	24	27308-76	PIN, float	83 to * — XL, XLS, XLX
	25	27309-76	SCREW, float pin	83 to * — XL, XLS, XLX
	26	27311-76	RUBBER CAP, accelerator pump	83 to * — XL, XLS, XLX
	27	27324-83	O-RING, bowl	83 to * — XL, XLS, XLX
	28	27325-83	BRACKET, choke cable	83 to * — XL, XLS, XLX
	29	27327-83	BRACKET, throttle cable	83 to * — XL, XLS, XLX
	30	27329-83	LOW SPEED JET, 0.52 mm.	83 to * — XL, XLS, XLX
	31	27331-83	BOWL (B83H)	83 to * — XL, XLS, XLX
	32	27333-76	LOCKWASHER, throttle lever	83 to * — XL, XLS, XLX
	33	27335-76	NUT, throttle lever	83 to * — XL, XLS, XLX
	34	27338-76	CUP, float valve	83 to * — XL, XLS, XLX
	35	27360-76	O-RING	83 to * — XL, XLS, XLX
	36	27361-76	DIAPHRAGM, accelerator pump	83 to * — XL, XLS, XLX
	37	27362-76	SPRING, diaphragm	83 to * — XL, XLS, XLX
	38	27366-76	SCREW (5)	83 to * — XL, XLS, XLX
	39	27367-76	SCREW	83 to * — XL, XLS, XLX
	40	27368-76	CLIP, overflow hose	83 to * — XL, XLS, XLX
	41	27369-76	HOSE, overflow	83 to * — XL, XLS, XLX
	42	27370-83	ROD, accelerator pump	Late 83 to * — XL, XLS, XLX
		27373-76	ROD, accelerator pump	Early 83 — XL, XLS, XLX
	43	27385-76	PLUG, low speed jet	83 to * — XL, XLS, XLX
	45	27469-83C	CARBURETOR (B83K)	83 to * — XL, XLS, XLX
	46	27594-76	FITTING	83 to * — XL, XLS, XLX
	47	27886-78	FLOAT VALVE, with clip	83 to * — XL, XLS, XLX
	48	27887-78	FLOAT	83 to * — XL, XLS, XLX
	49	27888-78	MAIN JET, 1.60 mm (std.)	83 to * — XL, XLS, XLX
	50	27891-80	HOUSING, accelerator pump	83 to * — XL, XLS, XLX
	51	29058-77	GASKET, air cleaner to carburetor	83 to * — XL, XLS, XLX
	53	26570-84	NOTE: Hose is sold in bulk length under the following part number. Cut to required length. HOSE, 3/16 I.D. x 3/8 O.D. reinforced rubber (10 ft. lg.)	83 to * — XL, XLS, XLX

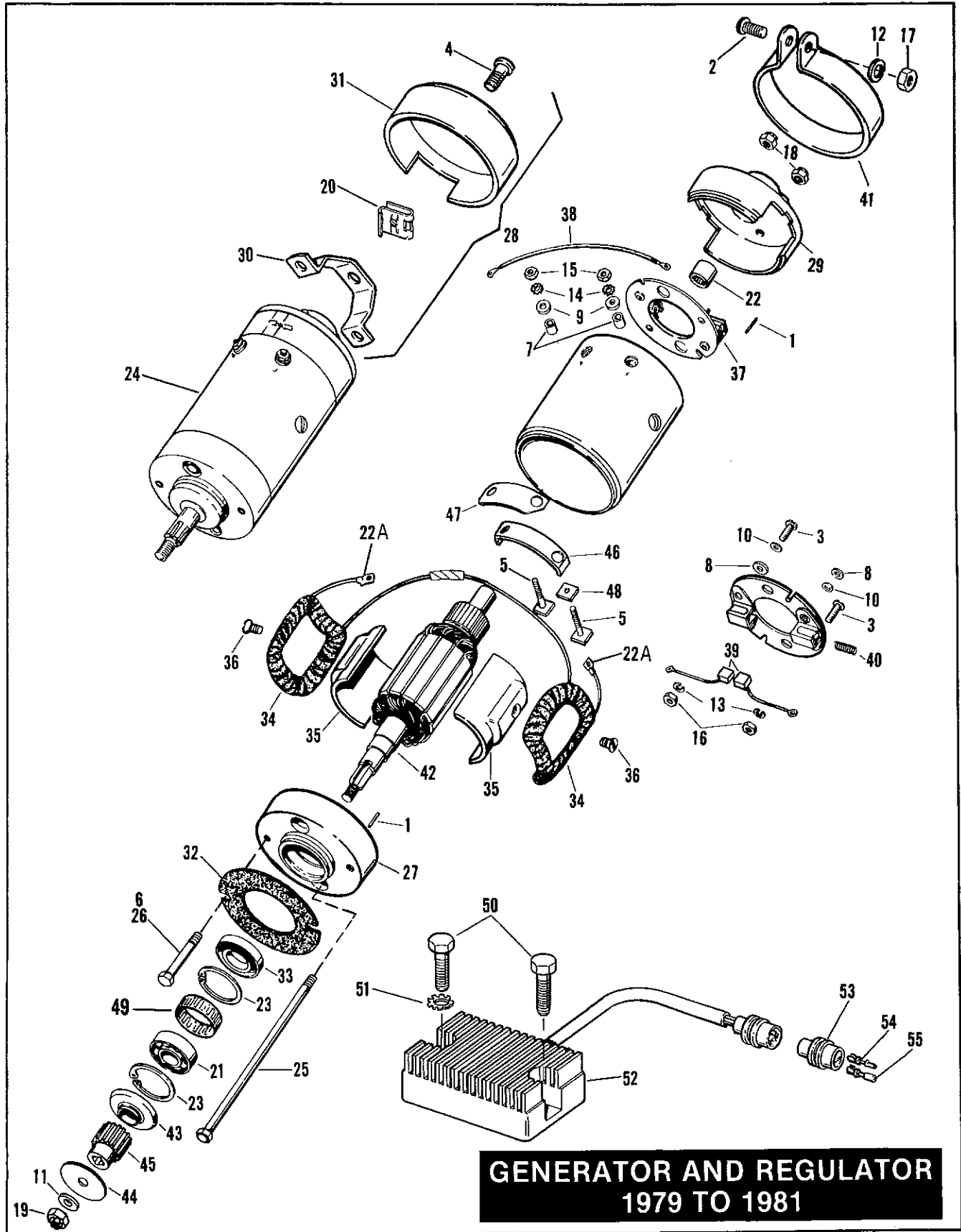
AIR CLEANER AND CHOKE



RETAIL PRICE	INDEX NO.	PART NO.	N A M E	USED ON
	1	2402W	SCREW, 5/16-24 x 11/16 Phil. oval ctsk. hd. (chrome) (2)	83 to * — XL, XLS, XLX
	2	2774	SCREW, 1/4-20 x 5/8 Pozidriv pan hd. (3)	Early 79 — XL, XLCH, XLS
	3	3458	SCREW, 5/16-18 x 1 socket hd.	79 to Early 82 — XL, XLCH, XLS
	4	3413	SCREW, 5/16 x 5/8 socket hd. (2)	79 to 81; Late 82 — XL, XLCH, XLS
	5	3767B	BOLT, 1/4-20 x 5/8 hex. (3; 4 — 83 & 84)	Late 79 to Early 84 — XL, XLCH, XLS, XLX
		3787	BOLT (4)	Late 84 to * — XL, XLS, XLX
	6	3987	BOLT, 5/16-18 x 3/4 hex. hd. (2)	79 to 82 — XL, XLCH, XLS
	7	6046	WASHER, 5/16 x 9/16 x 1/32 (black)	79 to 82 — XL, XLCH, XLS
	8	6095	WASHER, 5/16 x 5/8 x 1/8 (3)	79 to 82 — XL, XLCH, XLS
	9	6327B	WASHER, 5/16 x 3/4 x 3/64 (2)	83 to * — XL, XLS, XLX
	10	6703	WASHER, 1/4 x 5/8 x 1/16 (2)	83 to * — XL, XLS, XLX
	11	6702	WASHER, 5/16 x 11/16 x 1/16 (4)	79 to * — XL, XLCH, XLS, XLX
	12	7036	LOCKWASHER, 1/4 (3)	83 to * — XL, XLS, XLX
	13	7038	LOCKWASHER, 3/8	79 & Early 80 — XL, XLCH, XLS
	14	7230	LOCKWASHER, 1/4 external tooth (3)	Late 79 to 82 — XL, XLCH, XLS
	15	7608	NUT, No. 8-32 x 1/8 x 11/32 hex.	79 & Early 80 — XL, XLCH, XLS
	16	7686	LOCKNUT, 1/4-20 x 5/16 x 7/16 hex.	83 to * — XL, XLS, XLX
	17	7710W	LOCKNUT, 5/16-18 x 1/4 x 1/2 hex. (4)	79 to 82 — XL, XLCH, XLS
	18	7725	LOCKNUT, 5/16-24 x 11/32 x 1/2 hex.	84 to * — XL, XLS
		7729	LOCKNUT, (2-way) 5/16-24 x 1/4 x 1/2 hex.	83 — XL, XLS, XLX
	19	7851W	NUT, 3/8-24 x 7/32 x 9/16 hex.	79 to * — XL, XLCH, XLS, XLX
	20	10080	CLAMP	79 to * — XL, XLCH, XLS, XLX
	21	27434-83	BRACKET, air cleaner to crankcase	83 to * — XL, XLS, XLX
	22	29009-83	BACK PLATE, air cleaner	83 & 84 — XL, XLS, XLX
		29009-83A	BACK PLATE, air cleaner	85 to * — XL, XLS, XLX
	23	29036-72	FILTER ELEMENT	83 to * — XL, XLS, XLX
	24	29057-78A	GRILL, air intake	79 to 82 — XL, XLCH, XLS
	25	29058-77	GASKET, air cleaner to carburetor	79 to * — XL, XLCH, XLS, XLX
	26	29061-78	COVER, air cleaner (chrome)	79 to 82 — XL, XLCH
		29062-78	COVER, air cleaner (black)	79 to 82 — XLS
	27	29064-78	BAFFLE	79 to 82 — XL, XLCH, XLS
	28	29084-73	COVER, air cleaner (chrome)	83 to * — XL, XLS, XLX
	29	29071-79	LABEL, personal safety warning	79 to 82 — XL, XLCH, XLS
	30	29103-83	TRIM, air cleaner, "H-D Motor Co."	83 to * — XLX
	31	29111-83	TRIM, air cleaner, "1000" (brushed aluminum)	83 to * — XLS
	32	29124-79	BRACKET, air cleaner to cylinder head (2)	79 to * — XL, XLCH, XLS
	33	29125-79	BRACKET, with studs (2)	79 to 82 — XL, XLCH, XLS
	34	29168-83A	LOCKPLATE	Late 84 to * — XL, XLS, XLX
	35	29144-77	TRIM STRIP, cover	83 to * — XL, XLS, XLX
	36	29214-67A	CHOKE CONTROL KNOB, No. 8-32 thread	79 & Early 80 — XL, XLCH, XLS
	37	29219-78	CHOKE WIRE	79 & Early 80 — XL, XLCH, XLS
	38	29226-79	TUBE, choke control	N/A 79 & Early 80 — XL, XLCH, XLS
	39	29228-80	CHOKE CONTROL KNOB, No. 10-32 thread	Late 80 to * — XL, XLS, XLX
	40	29229-80A	CHOKE CONTROL	Late 80 to * — XL, XLS, XLX
	41	29237-78	TRIM, air cleaner, "H-D 1000cc" (clear aluminum)	83 to * — XL
	42	29239-78	BACK PLATE, air cleaner	79 to 82 — XL, XLCH, XLS
	43	29252-78	SEAL STRIP, air cleaner backing plate	79 to 81 — XL, XLCH, XLS
		29252-79	SEAL, air cleaner	82 — XL, XLS
	44	29255-78	FILTER ELEMENT	79 to 82 — XL, XLCH, XLS
		29295-78	FILTER ELEMENT, foam only	79 to 82 — XL, XLCH, XLS
	45	29273-79	TRIM, air cleaner, "1000" (black)	79 to 82 — XL, XLCH; 80 to 82 — XLS
		29274-79	TRIM, air cleaner, "1000" (clear aluminum)	79 — XLS
	46	29299-78	TRIM STRIP, cover	79 to 82 — XL, XLCH
	47	62570-79	FITTING, gearcase cover to air cleaner hose	79 to 82 — XL, XLCH, XLS, XLX
		62570-83	FITTING, gearcase to air cleaner hose	83 to * — XL, XLS

NOTE: Hose is sold only in bulk lengths under the following Part No. Cut to required length.

48	63500-68	HOSE, 3/8 I.D. x 5/8 O.D. reinforced rubber (25 ft. lg.)	79 to * — XL, XLCH, XLS, XLX
----	----------	--	------------------------------

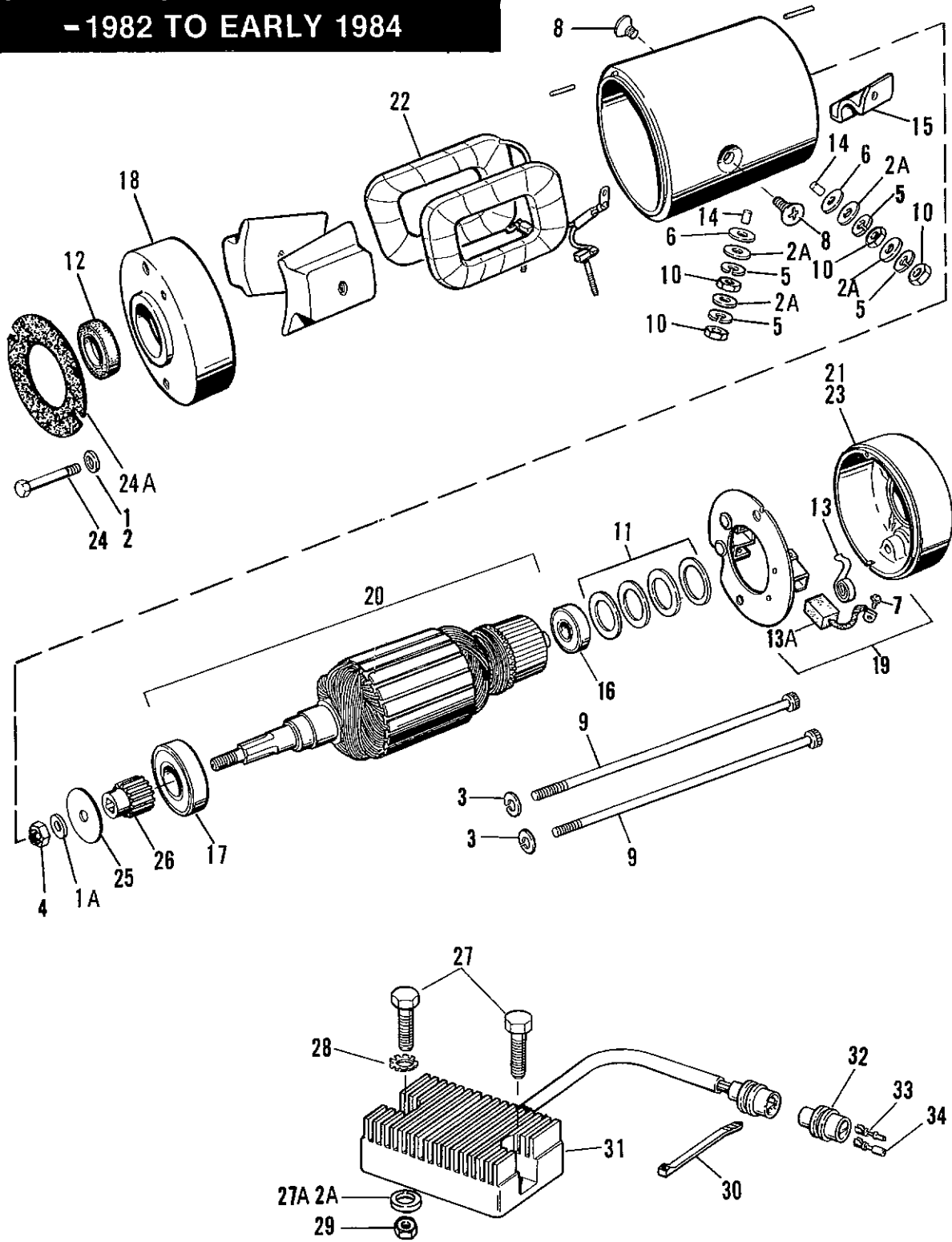


RETAIL PRICE	INDEX NO.	PART NO.	N A M E	USED ON
	1	603	ROLL PIN	79 to 81 — XL, XLCH, XLS
	2	1374	SCREW, 1/4-28 x 3/4 Pozidriv pan hd.	79 to 81 — XL, XLCH, XLS
	3	2587	SCREW, No. 10-32 x 5/8 Pozidriv pan hd. (2)	79 to 81 — XL, XLCH, XLS
	4	2656W	SCREW, No. 10 x 3/8 self tapping pan hd.	79 to 81 — XL, XLCH, XLS
	5	2690W	SCREW, No. 10-32 x 7/8 sq. hd. (2)	79 to 81 — XL, XLCH, XLS
	6	3469	BOLT, 5/16-24 x 3-1/4 hex. hd. (2)	N/A 79 to 81 — XLS
	7	5911	INSULATING BUSHING (2)	79 to 81 — XL, XLCH, XLS
	8	6165W	WASHER, 3/16 x 3/8 x 1/16 (3)	N/A 79 to 81 — XL, XLCH, XLS
	9	6186	WASHER, No. 10 x 1/2 (fiber) (2)	79 to 81 — XL, XLCH, XLS
	10	6193	WASHER, No. 10 x 15/32 x 1/32 (2)	79 to 81 — XL, XLCH, XLS
	11	6327B	WASHER, 5/16 x 3/4 x 1/16.	79 to 81 — XL, XLCH, XLS
	12	7036	LOCKWASHER, 1/4.	79 to 81 — XL, XLCH, XLS
	13	7069	LOCKWASHER, No. 10 (2)	79 to 81 — XL, XLCH, XLS
	14	7220	LOCKWASHER, No. 10 external tooth (2)	79 to 81 — XL, XLCH, XLS
	15	7634	NUT, No. 10-32 x 1/8 x 5/16 hex. (brass) (2)	79 to 81 — XL, XLCH, XLS
	16	7638	NUT, No. 10-32 x 1/8 x 3/8 hex. (2)	79 to 81 — XL, XLCH, XLS
	17	7676	NUT, 1/4-28 x 3/16 x 7/16 hex.	79 to 81 — XL, XLCH, XLS
	18	7683	LOCKNUT, 1/4-28 x 5/16 x 7/16 hex. (2)	79 to 81 — XL, XLCH, XLS
	19	7725	LOCKNUT, 5/16-24 x 11/32 x 1/2 hex.	79 to 81 — XL, XLCH, XLS
	20	8115B	SPEED NUT, cover	79 to 81 — XL, XLCH, XLS
	21	9007	BEARING, armature shaft	79 to 81 — XL, XLCH, XLS
	22	9088	NEEDLE BEARING, end cover	79 to 81 — XL, XLCH, XLS
	22A	9921	TERMINAL	79 to 81 — XL, XLCH, XLS
	23	11004	RETAINING RING (2)	79 to 81 — XL, XLCH, XLS
	24	29975—65B	GENERATOR, less drive gear	79 to 81 — XL, XLCH, XLS
	25	30012—58	FRAME SCREW (2)	79 to 81 — XL, XLCH, XLS
	26	30013—71	BOLT, generator mounting (2)	79 to 81 — XL, XLCH
	27	30095—61	END PLATE	79 to 81 — XL, XLCH, XLS
	28	30131—59	COVER KIT (chrome)	79 to 81 — XL, XLCH, XLS
	29	30132—61A	END COVER, commutator	79 to 81 — XL, XLCH, XLS
	30	30136—59	BRACKET, cover	79 to 81 — XL, XLCH, XLS
	31	30137—80	COVER, generator (gloss black)	80 to 81 — XLS
	32	30143—58	GASKET	79 to 81 — XL, XLCH, XLS
	33	30145—46A	SEAL	79 to 81 — XL, XLCH, XLS
	34	30201—65	FIELD COILS	79 to 81 — XL, XLCH, XLS
	35	30276—58	POLE SHOE (2)	79 to 81 — XL, XLCH, XLS
	36	30280—58	SCREW, pole shoe (2)	79 to 81 — XL, XLCH, XLS
	37	30350—66	BRUSH HOLDER PLATE ASSEMBLY	79 to 81 — XL, XLCH, XLS
	38	30421—58A	WIRE, positive brush	79 to 81 — XL, XLCH, XLS
	39	30426—58	PAIR OF GENERATOR BRUSHES	79 to 81 — XL, XLCH, XLS
	40	30453—58	BRUSH SPRING (2)	79 to 81 — XL, XLCH, XLS
	41	30475—66	BRUSH COVER	79 to 81 — XL, XLCH, XLS
	42	30851—65A	ARMATURE	79 to 81 — XL, XLCH, XLS
	43	31035—58	OIL DEFLECTOR	79 to 81 — XL, XLCH, XLS
	44	31067—63	WASHER	N/A 79 to 81 — XL, XLCH, XLS
	45	31073—63A	DRIVE GEAR	79 to 81 — XL, XLCH, XLS
	46	31096—58	CLIP, terminal bolt (2)	79 to 81 — XL, XLCH, XLS
	47	31097—58	INSULATOR, terminal	79 to 81 — XL, XLCH, XLS
	48	31098—58	INSULATOR, terminal bracket	79 to 81 — XL, XLCH, XLS
	49	30014—80	TOLERANCE RING, ball bearing	79 to 81 — XL, XLS

REGULATOR

	50	3787	BOLT, 1/4-20 x 3/4 hex. hd. (2)	79 to 81 — XL, XLCH, XLS
	51	7230	LOCKWASHER, 1/4 external tooth	79 to 81 — XL, XLCH, XLS
	52	74504—78	REGULATOR	79 to 81 — XL, XLCH, XLS
	53	74521—77	PLUG, regulator wiring harness	79 to 81 — XL, XLCH, XLS
	54	74536—77A	PIN, regulator wiring harness	79 to 81 — XL, XLCH, XLS
	55	74539—77A	SOCKET, regulator wiring harness (2)	79 to 81 — XL, XLCH, XLS

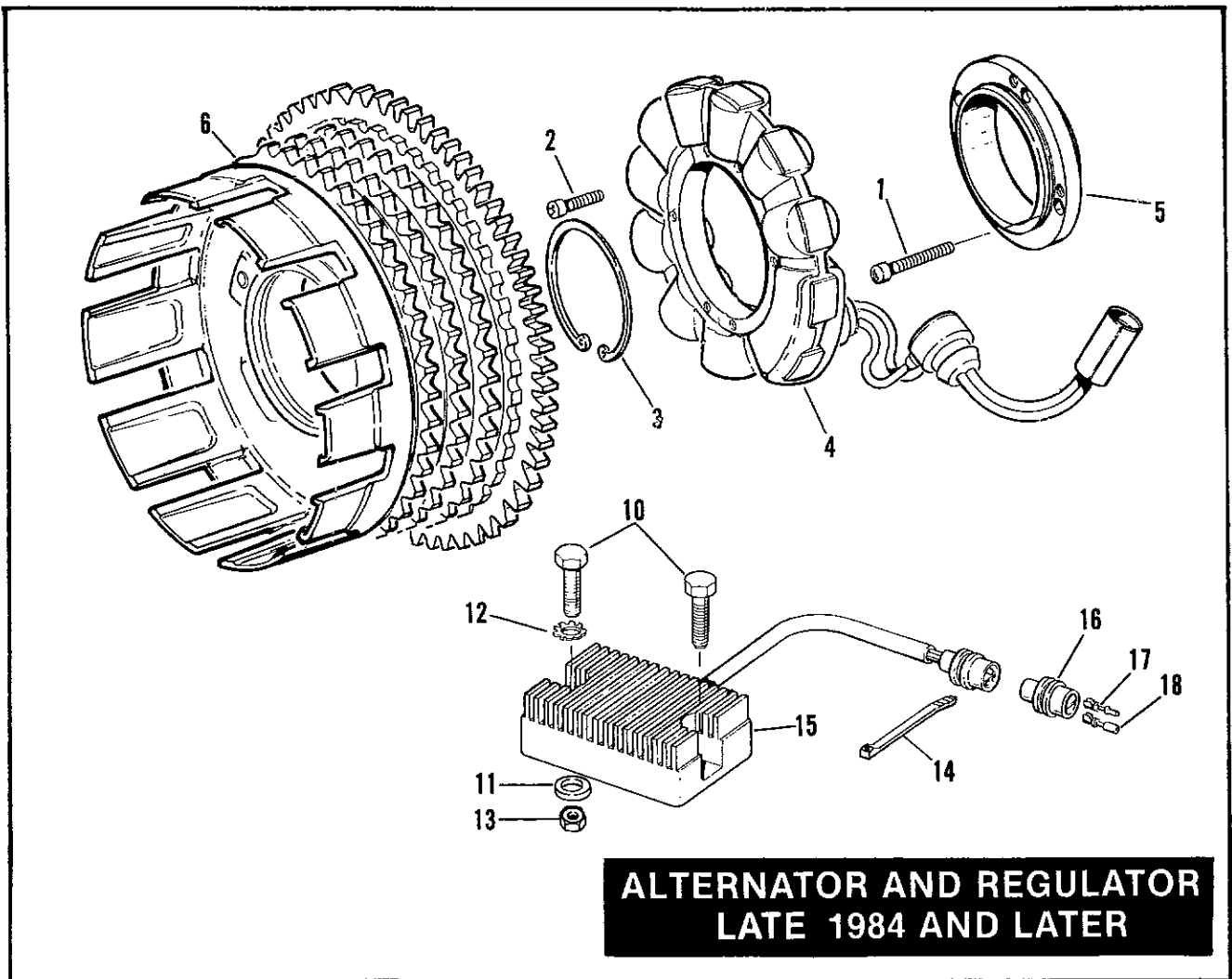
GENERATOR AND REGULATOR -1982 TO EARLY 1984



RETAIL PRICE	INDEX NO.	PART NO.	N A M E	USED ON
	1	6016	WASHER, 11/32 x 11/16 x 1/16 (2)	Late 83 & Early 84 — XL, XLS, XLX
	1A	6327B	WASHER, 5/6 x 3/4 x 1/16	82 & Early 83 — XL, XLS, XLX
	2	6702	WASHER (2)	Early 83 — XL, XLS, XLX
	2A	6716	WASHER No. 10 x 1/2 x 3/64 (6)	82 to Early 84 — XL, XLS, XLX
	3	7036	SPRING WASHER, 1/4 (2)	82 to Early 84 — XL, XLS, XLX
	4	7546	LOCKNUT, 5/16-24 x 3/8 x 1/2 hex. hd.	Late 83 & Early 84 — XL, XLS, XLX
		7725	LOCKNUT, 5/16-24 x 11/32 x 1/2 hex.	82 & Early 83 — XL, XLS, XLX
	5	29901—82	LOCKWASHER (4)	82 to Early 84 — XL, XLS, XLX
	6	29902—82	INSULATOR, washer (2)	82 to Early 84 — XL, XLS, XLX
	7	29903—82	SCREW, with washer (2)	82 to Early 84 — XL, XLS, XLX
	8	29904—82	SCREW, pole core set (2)	82 to Early 84 — XL, XLS, XLX
	9	29905—82	SCREW (2)	82 to Early 84 — XL, XLS, XLX
	10	29906—82	NUT (4)	82 to Early 84 — XL, XLS, XLX
	11	29907—82	WASHER, thrust, .004" (as req.)	82 to Early 84 — XL, XLS, XLX
		29908—82	WASHER, thrust, .010" (as req.)	82 to Early 84 — XL, XLS, XLX
		29909—82	WASHER, thrust, .020" (as req.)	82 to Early 84 — XL, XLS, XLX
		29910—82	WASHER, thrust, .039" (as req.)	82 to Early 84 — XL, XLS, XLX
	12	29911—82	OIL SEAL	82 to Early 84 — XL, XLS, XLX
	13	29912—82	BRUSH SPRING (3)	82 to Early 84 — XL, XLS, XLX
	13A	29913—82	BRUSH	82 to Early 84 — XL, XLS, XLX
	14	29914—82	INSULATOR (2)	82 to Early 84 — XL, XLS, XLX
	15	29915—82	MOUNT, field coil	82 to Early 84 — XL, XLS, XLX
	16	29916—82	BALL BEARING, end cover	82 to Early 84 — XL, XLS, XLX
	17	29917—82	BALL BEARING, front cover	82 to Early 84 — XL, XLS, XLX
	18	29918—82	FRONT COVER ASSEMBLY, with seal	82 to Early 84 — XL, XLS, XLX
	19	29919—82	BRUSH HOLDER ASSEMBLY, includes index nos. 7, 13, 13A & brush plate	82 to Early 84 — XL, XLS, XLX
	20	29920—82	ARMATURE, with 29916—82 & 29917—82 BEARINGS	82 to Early 84 — XL, XLS, XLX
	21	29921—82	END COVER	82 — XLS
	22	29922—82	FIELD COIL	82 to Early 84 — XL, XLS, XLX
	23	29923—82	END COVER	82 to Early 84 — XL; 83 & Early 84 — XLS, XLX
		29975—65B	GENERATOR, less drive gear (buffed end cover)	82 to Early 84 — XL; 83 & Early 84 — XLS
		29978—77A	GENERATOR, less drive gear (black end cover)	82 — XLS, XLX
	24	30013—71	BOLT (2)	82 to Early 84 — XL, XLS, XLX
	24A	30143—58	GASKET	82 to Early 84 — XL, XLS, XLX
	25	31066—82	WASHER, oil separator	82 to Early 84 — XL, XLS, XLX
	26	31073—63A	DRIVE GEAR	82 to Early 84 — XL, XLS, XLX

REGULATOR — 1982 TO EARLY 1984

	27	1205	SCREW, No. 10-24 x 3/4 Pozidriv fil. hd. (2)	82 to Early 84 — XL, XLS, XLX
	27A	6716	WASHER, No. 10 x 1/2 x 3/64 (2)	82 to Early 84 — XL, XLS, XLX
	28	7220	LOCKWASHER No. 10 (4)	82 to Early 84 — XL, XLS, XLX
	29	7624	LOCKNUT, No. 10-24 x 1/4 x 3/8 hex. (2)	82 to Early 84 — XL, XLS, XLX
	30	10006	STRAP, cable	82 to Early 84 — XL, XLS, XLX
	31	74504—82	REGULATOR	82 to Early 84 — XL, XLS, XLX
	32	74521—77	PLUG, regulating wire harness	82 to Early 84 — XL, XLS, XLX
	33	74536—77A	PIN, regulating wire harness	82 to Early 84 — XL, XLS, XLX
	34	74539—77A	SOCKET, regulating wire harness (2)	82 to Early 84 — XL, XLS, XLX



**ALTERNATOR AND REGULATOR
LATE 1984 AND LATER**

ALTERNATOR — LATE 1984 AND LATER

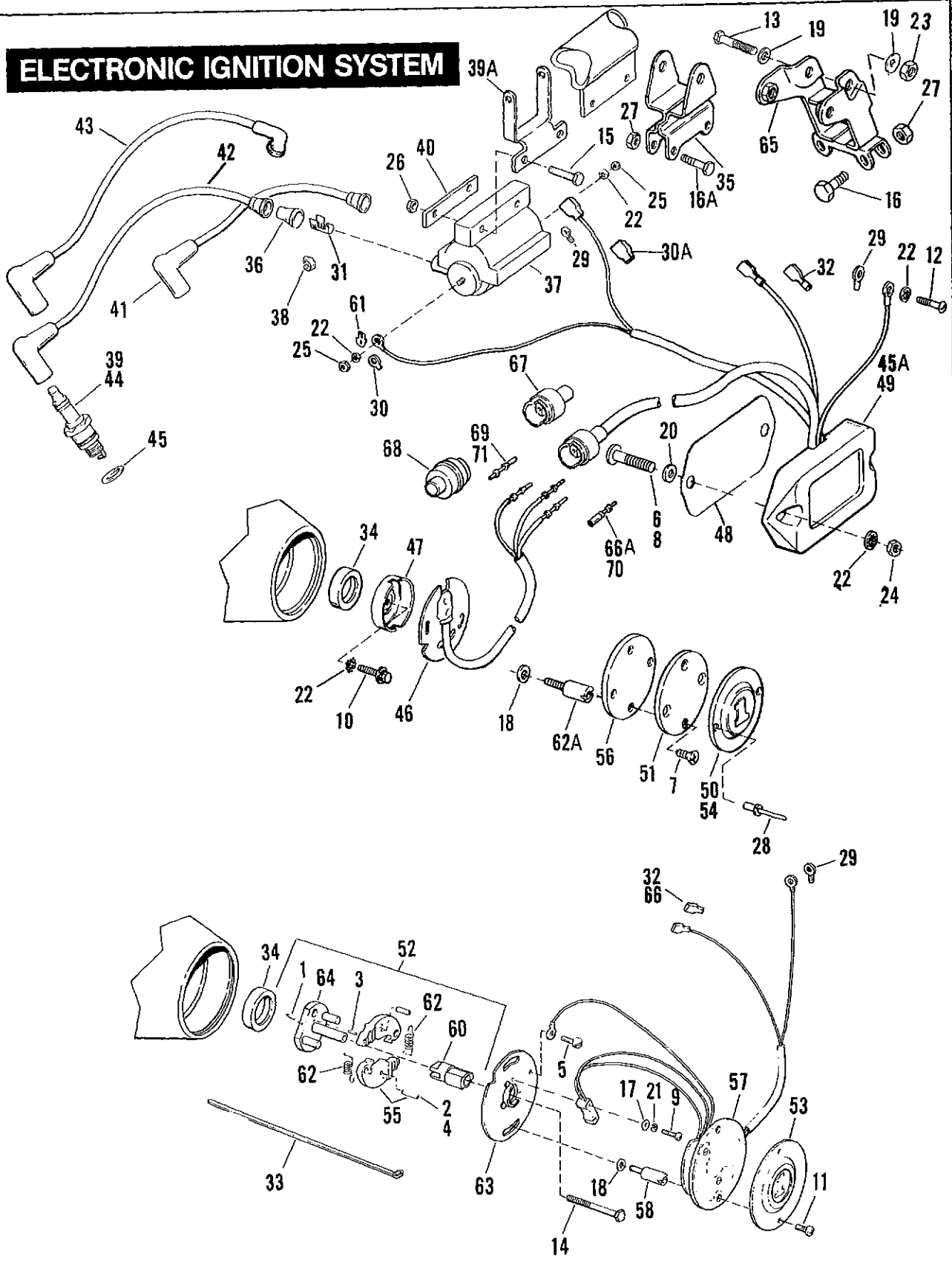
XL10B

RETAIL PRICE	INDEX NO.	PART NO.	N A M E	USED ON
	1	2647	SCREW, No. 10-24 x 3/8" socket hd. (4)	Late 84 — XL, XLS, XLX
	2	2653	SCREW, No. 10-24 x 7/8" fil. hd. (4)	Late 84 — XL, XLS, XLX
		2712	SCREW (4)	85 to * — XL, XLS, XLX
	3	11006	RETAINING RING	85 to * — XL, XLS, XLX
	4	29966—84	STATOR (8 hole mount)	Late 84 — XL, XLS, XLX
		29967—84	STATOR (4 hole mount)	85 to * — XL, XLS, XLX
	5	29968—84	STATOR MOUNT	Late 84 — XL, XLS, XLX
	6	36791—84	ROTOR (clutch shell)	Late 84 to * — XL, XLS, XLX

REGULATOR

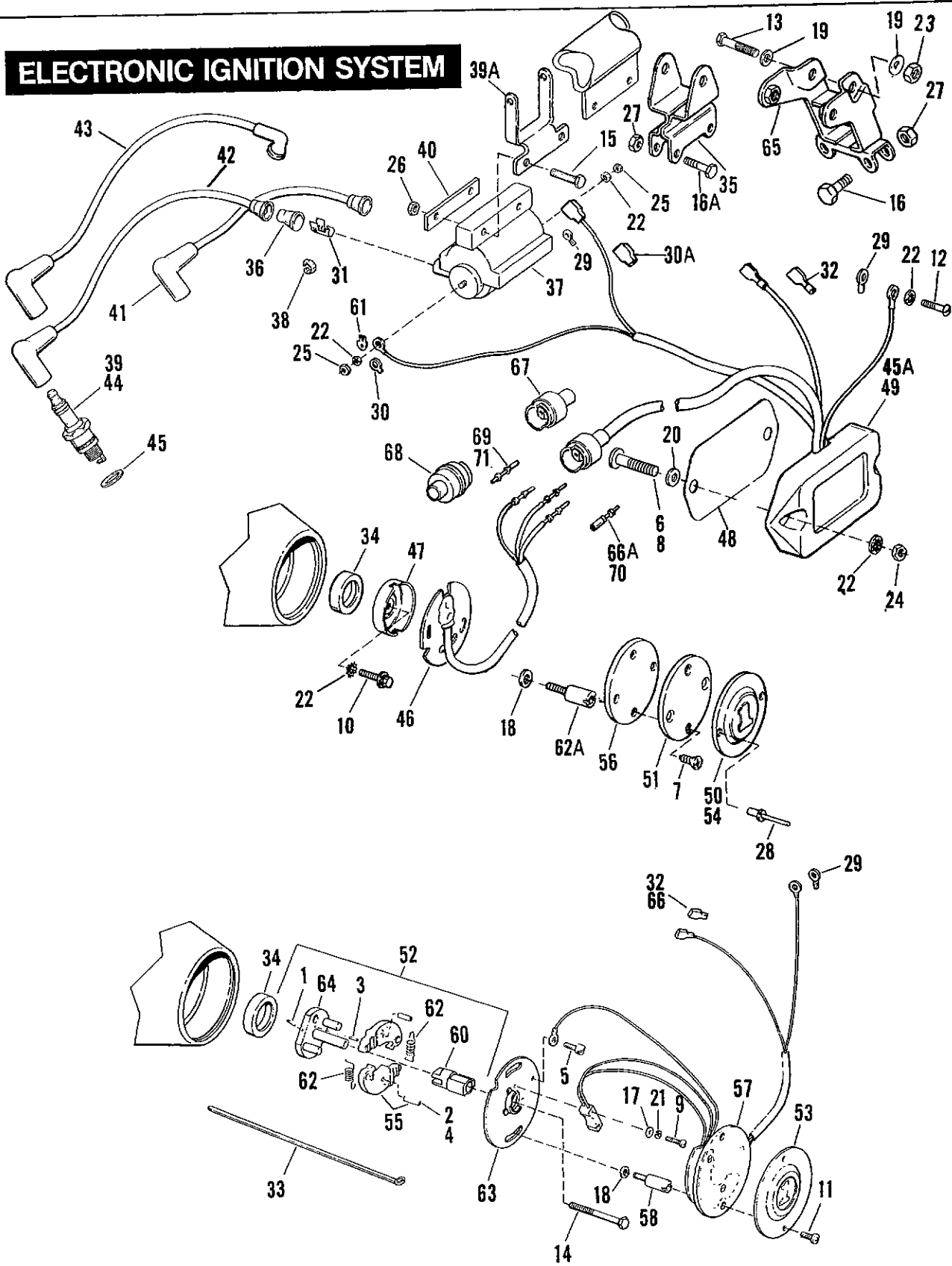
	10	1205	SCREW, No. 10-24 x 3/4 Pozidriv fil. hd. (2)	Late 84 to * — XL, XLS, XLX
	11	6716	WASHER, No. 10 x 1/2 x 3/64 (2)	Late 84 to * — XL, XLS, XLX
	12	7220	LOCKWASHER, No. 10 (4)	Late 84 to * — XL, XLS, XLX
	13	7624	LOCKNUT, No. 10-24 x 1/4 x 3/8 hex. (2)	Late 84 to * — XL, XLS, XLX
	14	10006	STRAP, cable	Late 84 to * — XL, XLS, XLX
	15	74523—84	REGULATOR	Late 84 to * — XL, XLS, XLX
	16	74521—77	PLUG, regulating wire harness	Late 84 to * — XL, XLS, XLX
	17	74536—77A	PIN, regulating wire harness	Late 84 to * — XL, XLS, XLX
	18	74539—77A	SOCKET, regulating wire harness (2)	Late 84 to * — XL, XLS, XLX

ELECTRONIC IGNITION SYSTEM

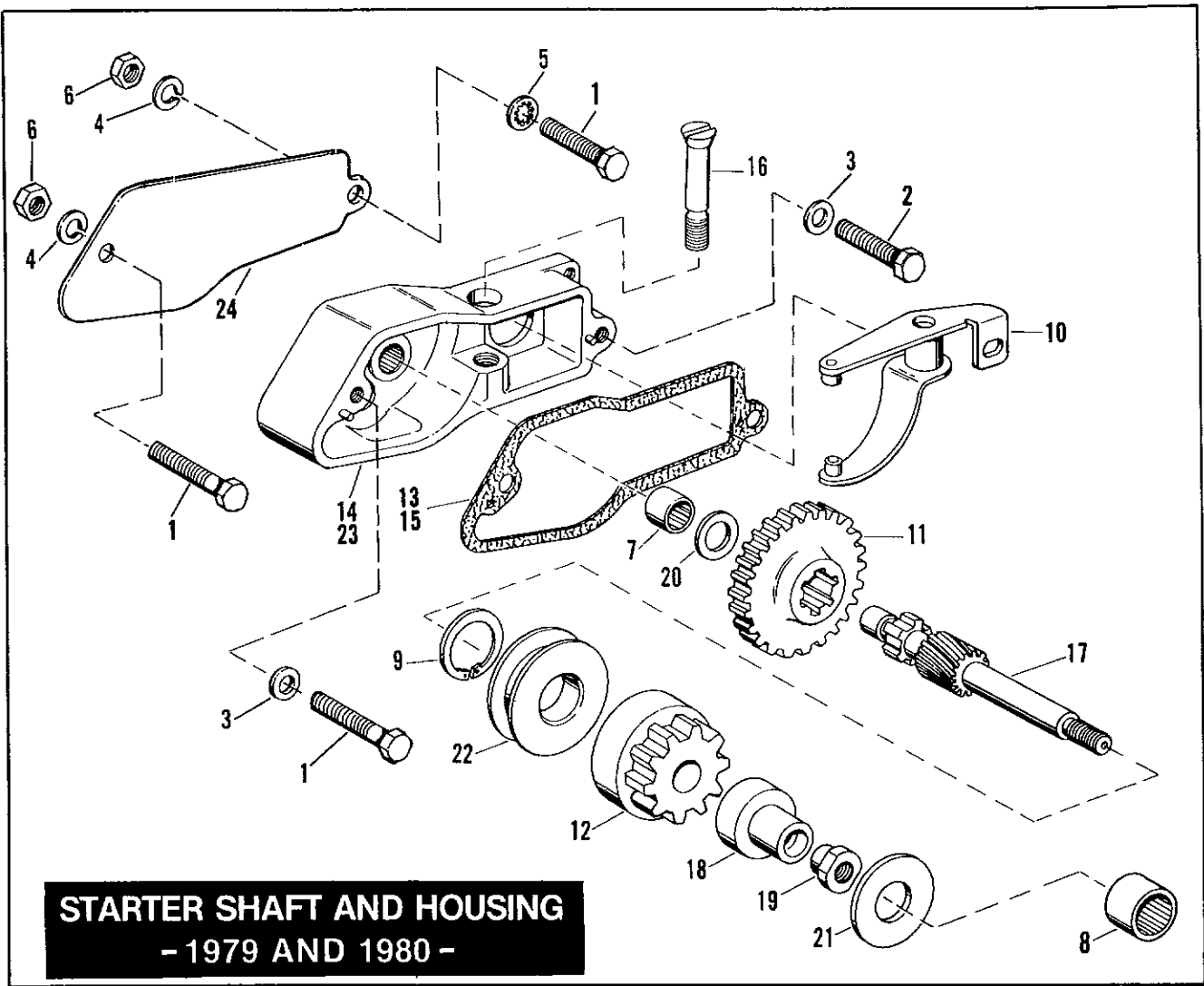


RETAIL PRICE	INDEX NO.	PART NO.	N A M E	USED ON
	1	615	ROLL PIN, breaker plate	79 — XL, XLCH, XLS
	2	620	ROLL PIN, breaker weight (2)	79 — XL, XLCH, XLS
	3	623	ROLL PIN, breaker plate	79 — XL, XLCH, XLS
	4	635	PIN, timer weight (use with 32522—80 teflon) (2)	79 — XL, XLCH, XLS
	5	1047	SCREW, No. 8-36 x 1/4 fil. hd. (2)	79 — XL, XLCH, XLS
	6	1205	SCREW, No. 10-24 x 3/4 Pozidriv fil. hd. (2)	82 to * — XL, XLS
	7	1601	SCREW, No. 8-32 x 1/2 flat hd. (2)	80 to * — XL, XLS
	8	1611	SCREW, No. 10-32 x 3/4 flat hd. (2)	80 to * — XL, XLS
	9	2554	SCREW, No. 4-40 x 5/8 Pozidriv pan hd. (2)	79 — XL, XLCH, XLS
	10	2611B	SCREW, No. 10-32 x 3/4 hex. hd.	80 to * — XL, XLS
	11	2646	SCREW, No. 8-32 x 3/4 Pozidriv pan hd. (2)	79 to * — XL, XLS
	12	2661W	SCREW, No. 10-24 x 1/2 self tapping phillips rd. hd.	80 to 83 — XL, XLS
		2662W	SCREW, No. 10-24 x 3/8 self tapping phillips rd. hd.	84 to * — XL, XLS
	13	2667	BOLT, 5/16-18 x 2 hex. hd.	Early 82 — XL; 82 to * — XLS
	14	3570T	BOLT, No. 10-32 x 2 hex. hd.	79 — XL, XLCH, XLS
	15	3826	BOLT, 1/4-28 x 1-1/4 hex. hd. (2)	79 to 81 — XL, XLCH, XLS; Late 82 to * — XL; 83 to * — XLS, XLX
	16	3993	BOLT, 1/4-20 x 1-1/4 hex. hd. (2)	82 to * — XL, XLS
	16A	4086	BOLT, 5/16-18 x 3 hex. hd.	Late 82 — XL
	17	6006	WASHER, No. 4 x 1/4 x 1/32 (2)	N/A 79 — XL, XLCH, XLS
	18	6192	WASHER, No. 8 x 7/16 x 3/64 (4)	79 to * — XL, XLCH, XLS
	19	6702	WASHER, 5/16 x 11/16 x 1/16 (2)	82 to * — XL, XLS
	20	6716	WASHER, 3/8 x 1/2 x 1/16 (2)	82 to * — XL, XLS, XLX
	21	6969	LOCKWASHER, No. 4 (2)	79 to * — XL, XLCH, XLS
	22	7118	LOCKWASHER, No. 10 internal tooth (2; 4 — 80 & 81)	79 to * — XL, XLCH, XLS
		7220	LOCKWASHER, No. 10 external tooth (2)	82 to * — XL, XLS
	23	7531	LOCKNUT, 5/16-18 x 9/32 x 1/2 hex.	82 to * — XL, XLS
	24	7624	NUT, 10-24 x 1/4 x 3/8 hex. (2)	82 to * — XL, XLS
		7634	NUT, No. 10-32 x 1/8 x 5/16 hex. brass (2)	80 & 81 — XL, XLS
	25	7638	NUT, No. 10-32 x 1/8 x 3/8 hex. (2)	79 to * — XL, XLCH, XLS
	26	7683	LOCKNUT, 1/4-28 x 5/16 x 7/16 hex. (2)	79 to 81 — XL, XLCH, XLS; Late 82 to * — XL; 83 to * — XLS, XLX
	27	7686	LOCKNUT, 1/4-20 x 5/16 x 7/16 hex. (2)	82 — XL, XLS
	28	8699	POP RIVET, 3/16 x 3/8 x 3/8 dia. hd. (2)	80 to * — XL, XLS, XLX
	29	9857	WIRE TERMINAL, ring type - No. 10 hole - #16-22 wire	79 to * — XL, XLCH, XLS
	30	9881	TERMINAL ADAPTER, spark coil	79 & 80 — XL, XLCH, XLS
	30A	9885	TERMINAL	83 to * — XL, XLS
	31	9908	TERMINAL, spark plug (2)	Late 81 to * — XL; Late 81 & 82 — XLS
	32	9931	WIRE TERMINAL, female spade type - 3/16 slot - #16-20 wire	79 — XL, XLCH, XLS
	33	10006	CABLE STRAP	79 to * — XL, XLCH, XLS; Late 85 to * — XLX
	34	11124	SEAL	79 to * — XL, XLCH, XLS
	35	31602—82	BRACKET, spark coil mounting	82 — XLS
	36	31607—64	RUBBER CAP, spark plug cable (2)	79 to * — XL, XLCH, XLS
	37	31609—65A	SPARK COIL	79 — XL, XLCH, XLS
		31609—80	SPARK COIL	80 to 84 — XL, XLS, XLX
		31614—83	SPARK COIL	85 to * — XL, XLS, XLX
	38	31620—47	TERMINAL, spark plug cable (2)	N/A 79 to Early 81 — XL, XLCH, XLS
	39	31629—78	SPARK PLUG, No. 4R (radio static suppression) (2)	79 to * — XL, XLCH, XLS
	39A	31723—71A	BRACKET, spark coil mounting	Late 82 to * — XL; 83 to * — XLS, XLX
	40	31727—72	PLATE, spark coil mounting	79 to 81 — XL, XLCH, XLS; Late 82 to 84 — XL; 83 to * — XLS; 83 & 84 — XLX
		31727—85	PLATE, spark coil mounting	85 to * — XL, XLX
	41	31983—71A	CABLE, spark plug — 7"	79 to Early 84 — XL, XLCH, XLX; 79 to 82 — XLS
		31984—83	CABLE, spark plug — 12"	83 to Early 85 — XLS
	42	31986—65C	CABLE, spark plug — 20"	79 to * — XL, XLX; 79 to 82 — XLS
	43	31995—83	CABLE, spark plug — 20"	83 to * — XLS
		31996—83	CABLE, spark plug — 5-1/2"	Late 84 to * — XL, XLX; Late 85 to * — XLS
	44	32301—78A	SPARK PLUG, No. 4-5 (0.04 gap) (2)	79 — XL, XLCH, XLS
		32301—80	SPARK PLUG, No. 4R5 (0.04 gap) (resistor type) (2)	80 to * — XL, XLS, XLX
	45	32342—58	GASKET, spark plug (2)	79 to * — XL, XLCH, XLS, XLX

ELECTRONIC IGNITION SYSTEM



RETAIL PRICE	INDEX NO.	PART NO.	N A M E	USED ON
	45A	32399-84	IGNITION MODULE	80 to 82 — XL, XLS
	46	32400-80A	SENSOR ASSEMBLY	80 to 82; 84 to * — XL, XLS, XLX
		32400-83A	SENSOR ASSEMBLY	83 — XL, XLS, XLX
	47	32401-80	TRIGGER ROTOR	80 to 82 — XL, XLS
		32402-83	TRIGGER ROTOR	83 to * — XL, XLS, XLX
	48	32409-82	IGNITION MODULE PLATE	82 to * — XL, XLS, XLX
	49	32410-83	IGNITION MODULE	83 — XL, XLS, XLX
		32410-84	IGNITION MODULE	84 to * — XL, XLS, XLX
	50	32503-77	COVER	80 to 82 — XL, 82 — XLS
	51	32504-80	INNER COVER	80 to * — XL, XLS, XLX
	52	32505-78A	ROTOR & WEIGHT ASSEMBLY (Teflon coated)	79 — XL, XLCH, XLS
	53	32506-83	COVER, timer "H-D Motor Co."	83 to * — XL, XLS, XLX
		32511-78	COVER	79 — XL, XLCH, XLS
	54	32520-80	COVER	80 & 81 — XLS
	55	32522-70	WEIGHT AND PIN, breaker assembly (2)	N/A 79 — XL, XLCH, XLS
		32522-80	WEIGHT AND PIN, use with 32629-80 (Teflon) (2)	79 — XL, XLCH, XLS
	56	32591-80	GASKET, ignition	80 to * — XL, XLS, XLX
	57	32592-78	IGNITION MODULE ASSEMBLY	79 — XL, XLCH, XLS
	58	32601-78	STUD, timer plate (2)	79 — XL, XLCH, XLS
	60	32602-78	TRIGGER ROTOR	N/A 79 — XL, XLCH, XLS
		32602-80	TRIGGER ROTOR, use with 32629-80 (Teflon)	79 — XL, XLCH, XLS
	61	32604-78	TERMINAL, spark coil	81 to * — XL, XLS, XLX
	62	32605-70	SPRING, timer weight (2)	79 — XL, XLCH, XLS
	62A	32606-82	STUD, timer plate (2)	80 to * — XL, XLS, XLX
	63	32610-78	PLATE, timer	N/A 79 — XL, XLCH, XLS
	64	32629-70	SHAFT AND PLATE	N/A 79 — XL, XLCH, XLS
		32629-80	SHAFT AND PLATE (Teflon coated)	79 — XL, XLCH, XLS
	65	61100-82	MOUNTING BRACKET, coil & gas tank	Early 82 — XL; 82 — XLS
	66	71774-77	INSULATOR, female spade terminal	N/A 79 — XL, XLCH, XLS
	66A	72028-83	SOCKET, ignition module (3)	83 to * — XL, XLS, XLX
	67	72051-77	CONNECTOR, 2 pin and 1 socket (2 — 82 & Earlier)	80 to * — XL, XLS, XLX
		72051-83	CONNECTOR, 3 socket, ignition module	83 — XL, XLS, XLX
	68	74521-77	CONNECTOR, 1 pin & 2 socket (2 — 82 & Earlier)	80 to * — XL, XLS, XLX
		74521-83	RECEPTACLE, sensor, 3 pin	83 — XL, XLS, XLX
	69	74536-77A	PIN, ignition module (2)	80 to 82 — XL, XLS
	70	74539-77A	SOCKET, ignition module (6; 3 — 83 & Later)	80 to * — XL, XLS, XLX
	71	74539-83	PIN, ignition sensor (3)	83 to * — XL, XLS, XLX



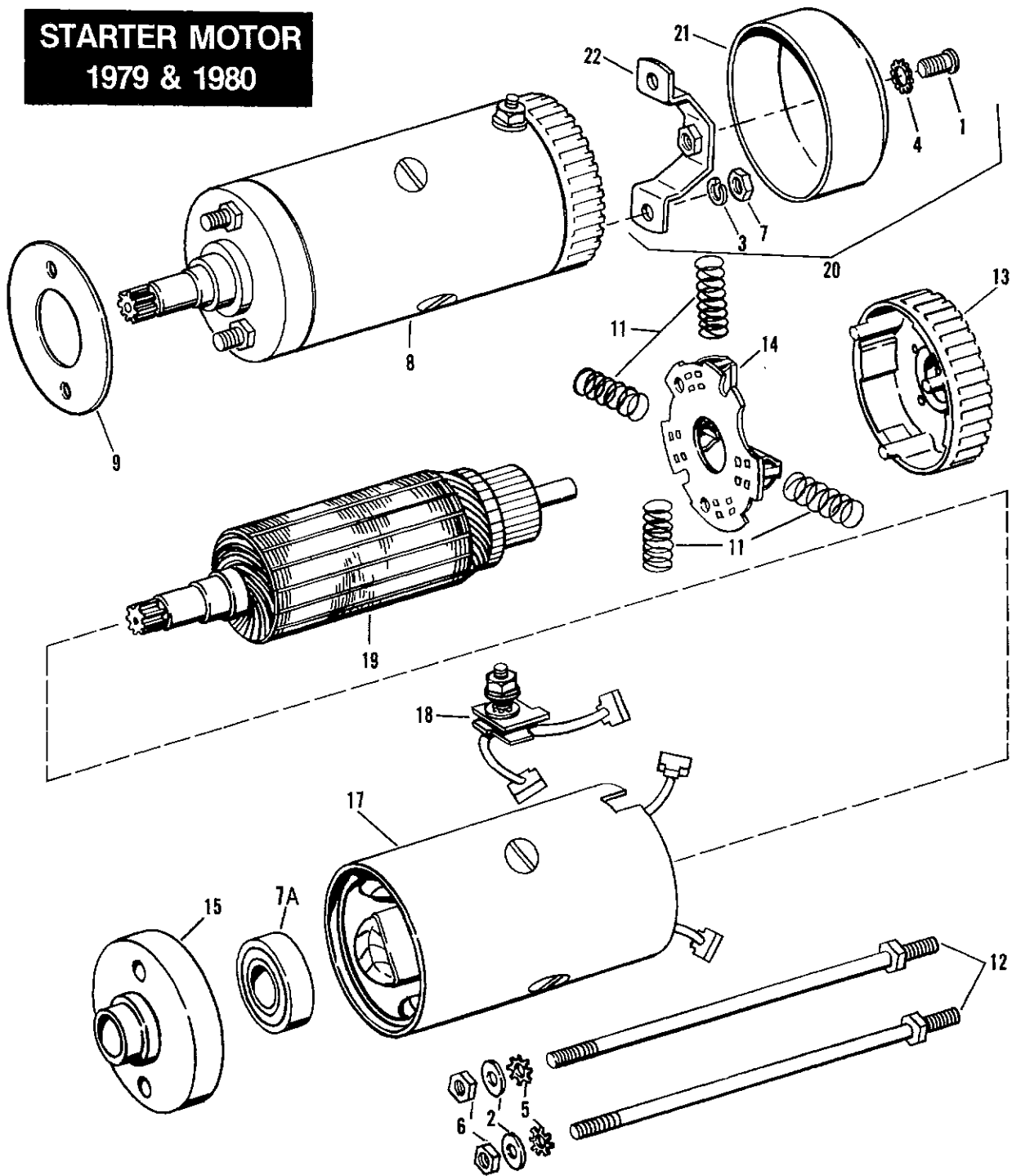
STARTER SHAFT AND HOUSING
 - 1979 AND 1980 -

STARTER SHAFT AND HOUSING — 1979 & 1980

XL12

RETAIL PRICE	INDEX NO.	PART NO.	N A M E	USED ON
	1	2871W	BOLT, 5/16-18 x 1-1/4 hex. hd. (2 — XLCH)	79 & 80 — XL, XLCH, XLS
	2	4017	BOLT, 5/16-18 x 1 hex. hd.	79 & 80 — XL, XLS
	3	6316HW	WASHER, 5/16 x 5/8 x 1/16 (2)	79 & 80 — XL, XLS
	4	7041	LOCKWASHER, 5/16 (2)	Early 79 — XLCH
	5	7127	LOCKWASHER, 5/16 internal tooth	Early 79 — XLCH
	6	7748W	NUT, 5/16-18 x 1/4 x 1/2 hex. (2)	Early 79 — XLCH
	7	9062	NEEDLE BEARING, motor housing	79 & 80 — XL, XLS
	8	9063	NEEDLE BEARING, chain cover	79 & 80 — XL, XLS
	9	11039	RETAINING RING	79 & 80 — XL, XLS
	10	31424—67	SHIFT LEVER, starter gear	79 & 80 — XL, XLS
	11	31429—67	GEAR, starter shaft	79 & 80 — XL, XLS
	12	31443—65A	STARTER DRIVE GEAR UNIT	79 & 80 — XL, XLS
	13	31461—70	GASKET, starter hole cover plate	Early 79 — XLCH
	14	31462—67	HOUSING, starter motor (Prestolite)	79 & 80 — XL
	15	31471—67A	GASKET, housing	79 & 80 — XL, XLS
	16	31478—67	PIVOT BOLT, shift lever	79 & 80 — XL, XLS
	17	31483—67	STARTER SHAFT	79 & 80 — XL, XLS
	18	31490—67	SPACER, starter shaft	79 & 80 — XL, XLS
	19	31493—67	NUT, starter shaft	79 & 80 — XL, XLS
	20	31501—65	THRUST WASHER	79 & 80 — XL, XLS
	21	31502—65	THRUST WASHER	79 & 80 — XL, XLS
	22	31503—65	SHIFTER COLLAR	79 & 80 — XL, XLS
	23	31504—79	HOUSING, starter motor (Prestolite)	79 & 80 — XLS
	24	31550—79	COVER PLATE, starter hole	N/A Early 79 — XLCH

STARTER MOTOR 1979 & 1980

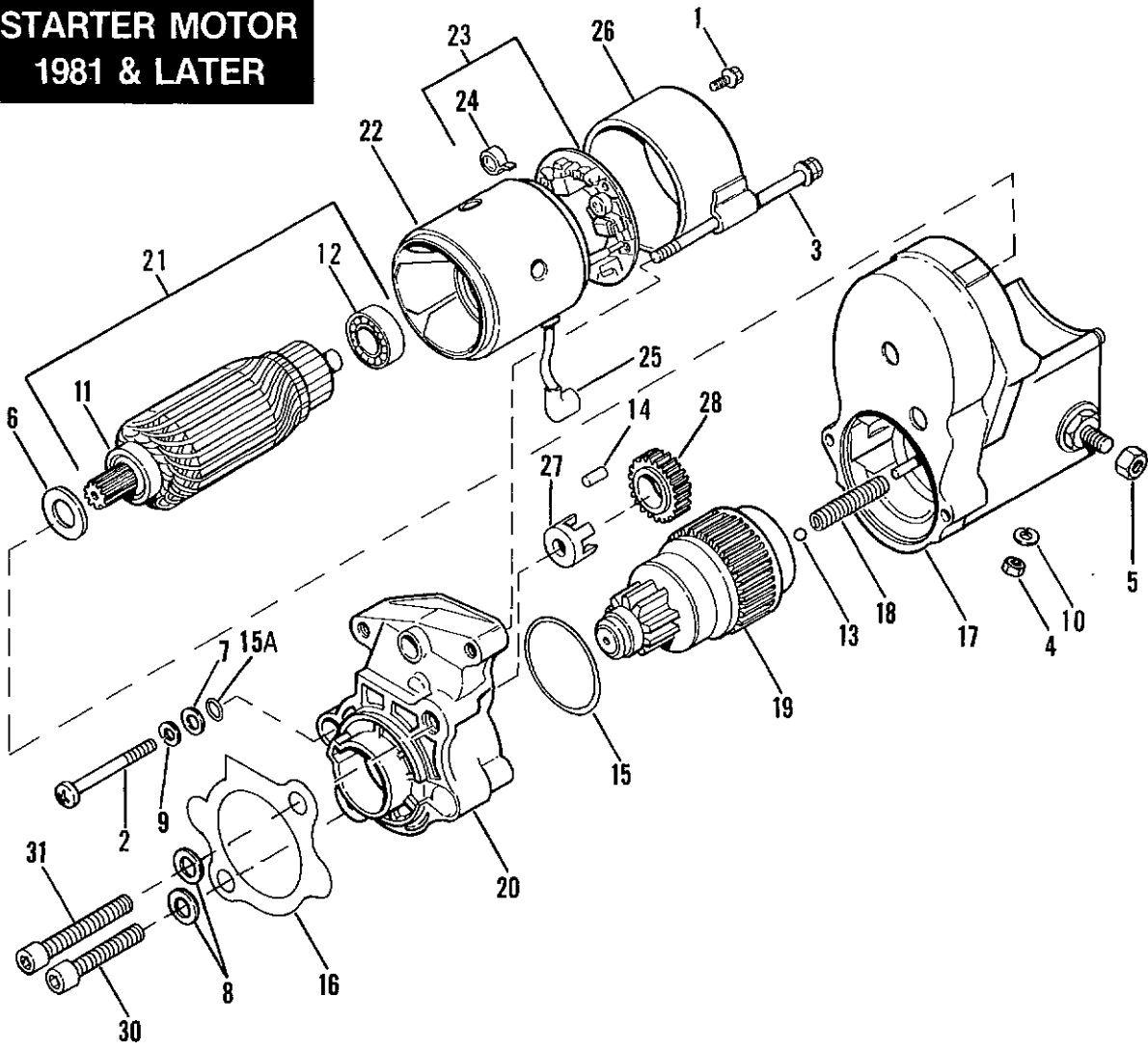


STARTER MOTOR — 1979 & 1980

XL12A

RETAIL PRICE	INDEX NO.	PART NO.	N A M E	USED ON
	1	2682	SCREW, No. 10-32 x 3/8 Phillips hd.	79 & 80 — XL, XLS
	2	6703	WASHER, 1/4 x 5/8 x 1/16 (2)	79 & 80 — XL, XLS
	3	7036	LOCKWASHER, 1/4 (2)	79 & 80 — XL, XLS
	4	7220	LOCKWASHER, No. 10 external tooth	79 & 80 — XL, XLS
	5	7230	LOCKWASHER, 1/4 external tooth (2)	79 & 80 — XL, XLS
	6	7676	NUT, 1/4-28 x 7/32 x 7/16 hex. (2)	79 & 80 — XL, XLS
	7	7688	NUT, 1/4-20 x 7/32 x 7/16 hex. (2)	79 & 80 — XL, XLS
	7A	9073	BALL BEARING, drive end	79 & 80 - XL, XLS
	8	31458-66A	STARTER MOTOR	N/A 79 & 80 — XL, XLS
	9	31488-77	GASKET, starter motor mounting	79 & 80 — XL, XLS
	11	31534-66	SET OF BRUSH SPRINGS	79 & 80 — XL, XLS
	12	31535-66	SET OF THRU-BOLTS	N/A 79 & 80 — XL, XLS
	13	31536-66	COVER ASSEMBLY, commutator end	79 & 80 — XL, XLS
	14	31537-66	BRUSH PLATE AND HOLDER ASSEMBLY	N/A 79 & 80 — XL, XLS
	15	31538-66	COVER ASSEMBLY, drive end	79 & 80 — XL, XLS
	17	31540-66	FRAME AND FIELD COILS, assembled	N/A 79 & 80 — XL, XLS
	18	31541-66	SET OF BRUSHES, with terminals	79 & 80 — XL, XLS
	19	31542-66	ARMATURE	79 & 80 — XL, XLS
	20	31565-67	END COVER KIT (chrome)	79 & 80 — XL, XLS
	21	31566-80	END COVER (black)	80 — XLS
	22	31568-67	BRACKET, end cover	79 & 80 — XL, XLS

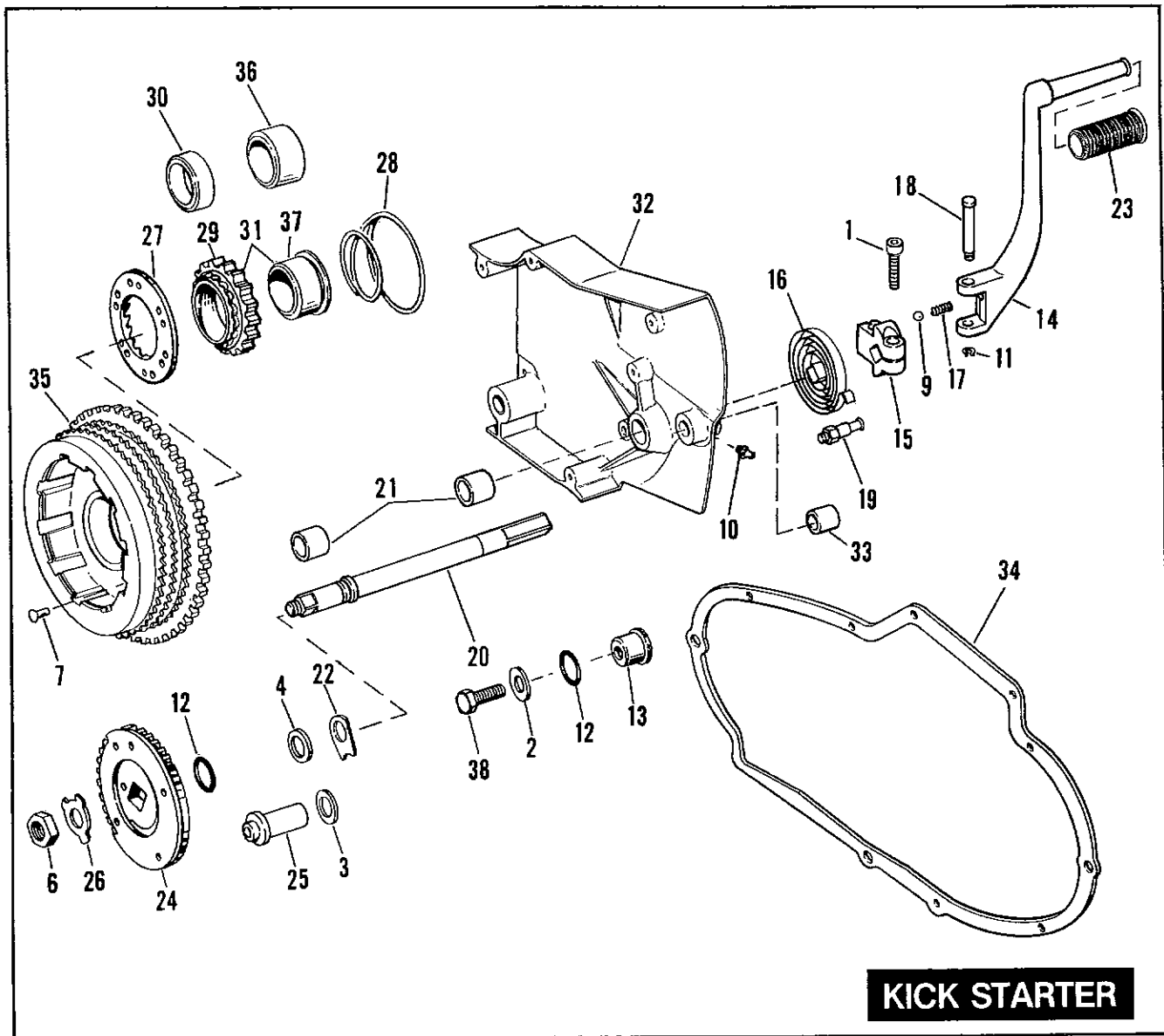
STARTER MOTOR 1981 & LATER



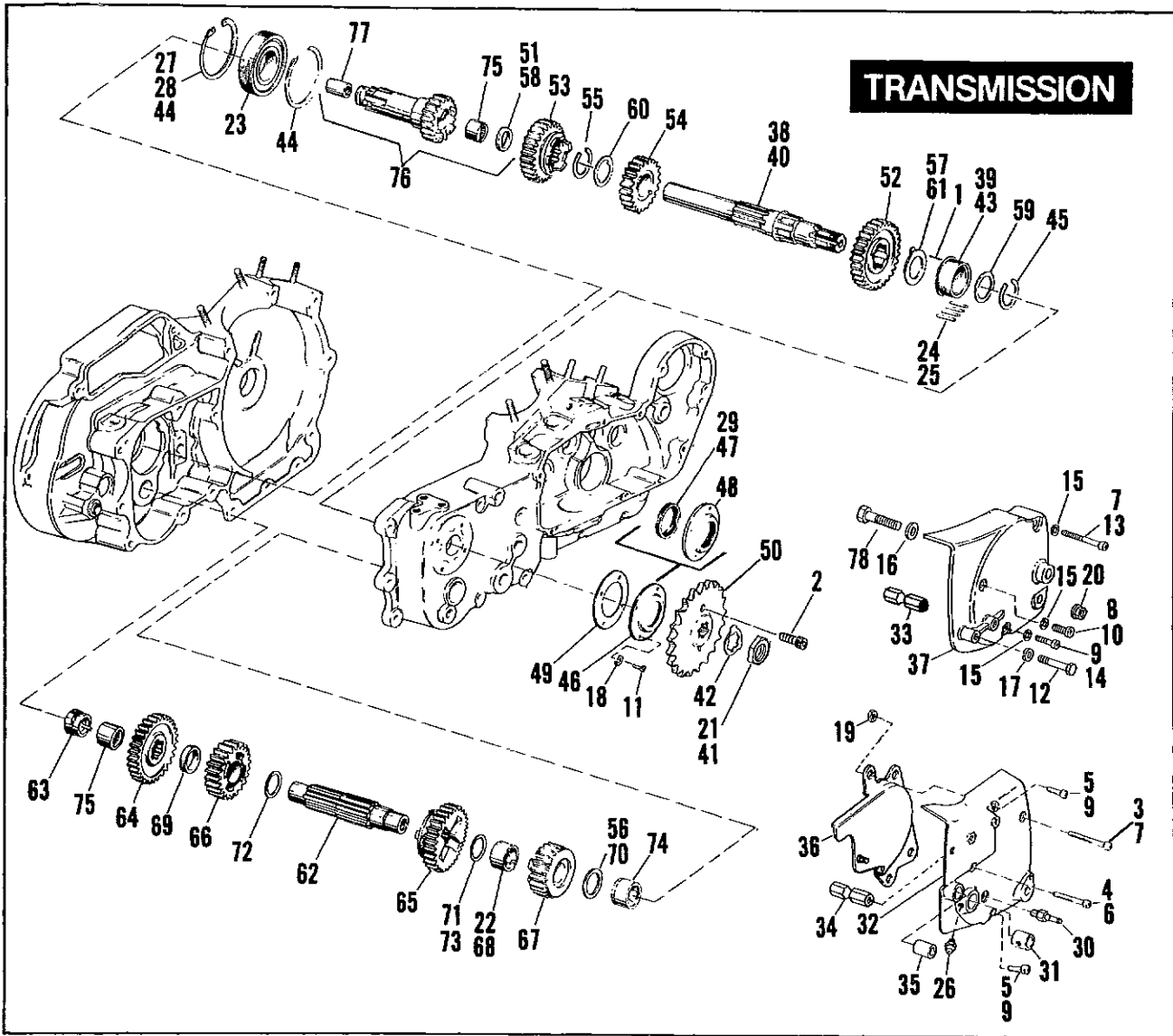
STARTER MOTOR — 1981 & LATER

XL12B

RETAIL PRICE	INDEX NO.	PART NO.	N A M E	USED ON
	1	910	SCREW (2)	81 to * — XL, XLS, XLX
	2	917	SCREW (2)	81 to * — XL, XLS, XLX
	3	3401	BOLT (2)	81 to * — XL, XLS, XLX
	4	3402	NUT	81 to * — XL, XLS, XLX
	5	3403	NUT	81 to * — XL, XLS, XLX
	6	6005	WASHER	81 to * — XL, XLS, XLX
	7	6236B	WASHER, 1/4 x 1/2 x 3/32 (2)	81 to * — XL, XLS, XLX
	8	6443HW	WASHER, 13/32 x 11/16 x 1/16 (2)	81 to 83 — XL, XLS, XLX
		6812	WASHER, 3/8 x 11/16 x 1/16 (2)	84 to * — XL, XLS, XLX
	9	7036	LOCKWASHER, 1/4 (2)	81 to * — XL, XLS, XLX
	10	7041	LOCKWASHER, 5/16	81 to * — XL, XLS, XLX
	11	8877	BALL BEARING	81 to * — XL, XLS, XLX
	12	8878	BALL BEARING	81 to * — XL, XLS, XLX
	13	8879	BALL	81 to * — XL, XLS, XLX
	14	9077	ROLLER, bearing (5)	81 to * — XL, XLS, XLX
	15	11116	O-RING, starter housing	81 to * — XL, XLS, XLX
	15A	11171	O-RING (2)	81 to * — XL, XLS, XLX
		31390—86	STARTER MOTOR ASSEMBLY, complete	81 to * — XL, XLS, XLX
	16	31488—81	GASKET, starter motor	81 to * — XL, XLS, XLX
	17	31546—81	SWITCH ASSEMBLY, magnetic	81 to * — XL, XLS, XLX
	18	31557—81	SPRING, compression	81 to * — XL, XLS, XLX
	19	31567—81	CLUTCH ASSEMBLY, starter	81 to * — XL, XLS, XLX
	20	31574—81	HOUSING, starter	81 to * — XL, XLS, XLX
	21	31590—81	ARMATURE ASSEMBLY, with bearings	81 to * — XL, XLS, XLX
	22	31591—81	YOKE ASSEMBLY, starter	81 to * — XL, XLS, XLX
	23	31592—81	BRUSH HOLDER ASSEMBLY, with springs & brushes	81 to * — XL, XLS, XLX
	24	31593—81	SPRING, brush (4)	81 to * — XL, XLS, XLX
	25	31594—81	CAP, starter terminal (rubber)	81 to 83 — XL, XLS, XLX
	26	31595—81	FRAME, starter end	81 to * — XL, XLS, XLX
	27	31597—81	RETAINER, roller	81 to * — XL, XLS, XLX
	28	31598—81	PINION	81 to * — XL, XLS, XLX
	30	45995—73	SCREW, starter mounting — short	81 to * — XL, XLS, XLX
	31	45999—81	SCREW, starter mounting — long	81 to * — XL, XLS, XLX



RETAIL PRICE	INDEX NO.	PART NO.	N A M E	USED ON
	1	4371W	SCREW, 3/8-16 x 1-5/8 socket hd.	79 — XL, XLCH, XLS
	2	6092	WASHER, 1/16 x 1-1/8 x 3/4	79 — XL, XLS
	3	6469HW	WASHER, 7/16 x 3/4 x 1/8	79 — XL, XLCH, XLS
	4	6802	WASHER, 3/4 x 1-1/16 x .007 steel (as req'd.)	79 — XL, XLCH, XLS
	6	7926	NUT, 1/2-20 x 9/32 x 1-3/16 hex.	79 — XL, XLCH, XLS
	7	8216	RIVET, 5/32 x 7/16 x 9/32 dia. ctsk. hd. (12)	79 — XL, XLCH, XLS
	9	8860	STEEL BALL, pivot	79 — XL, XLCH, XLS
	10	9851	GREASE FITTING, sprocket cover	79 — XL, XLCH, XLS
	11	11031	RETAINING RING, pivot pin	79 — XL, XLCH, XLS
	12	11101	O-RING	79 — XL, XLCH, XLS
	13	24577—68	PLUG, crankcase starter shaft hole	79 — XL, XLS
		33058—79	KICK START KIT	N/A 79 — XL
	14	33060—77	STARTER CRANK, only	79 — XL, XLCH, XLS
		33063—79	KICK START KIT	79 — XLS
	15	33078—77	CLAMP, starter crank	79 — XL, XLCH, XLS
	16	33084—41	SPRING, starter crank	79 — XL, XLCH, XLS
	17	33085—74	SPRING, pivot ball	79 — XL, XLCH, XLS
	18	33086—74	PIVOT PIN, starter crank	79 — XL, XLCH, XLS
	19	33088—79	STUD, starter spring	79 — XL, XLCH, XLS
	20	33094—77A	CRANKSHAFT, starter	79 — XL, XLCH, XLS
	21	33099—52A	BUSHING, crankshaft (2)	79 — XL, XLCH, XLS
	22	33110—54	THRUST PLATE, crankshaft	79 — XL, XLCH, XLS
	23	33189—63	RUBBER, only	79 — XL, XLCH, XLS
	24	33348—78	GEAR, starter crank	79 — XL, XLCH, XLS
	25	33356—52	STOP, crank gear	79 — XL, XLCH, XLS
	26	33362—52	LOCKWASHER, crank gear	79 — XL, XLCH, XLS
	27	33379—71A	RATCHET	79 — XL, XLCH, XLS
	28	33391—52	SPRING, ratchet	79 — XL, XLCH, XLS
	29	33432—73	GEAR, ratchet — w/bushing	79 — XL, XLCH, XLS
	30	33442—73	BUSHING, ratchet gear	79 — XL, XLCH, XLS
	31	33460—74	RATCHET GEAR AND SPACER	79 — XL, XLCH, XLS
	32	34869—79	SPROCKET COVER (painted)	N/A 79 — XLS
		34888—79	SPROCKET COVER (polished)	N/A 79 — XL
	33	34898—79	BUSHING, brake pivot shaft	79 — XL, XLCH, XLS
	34	34955—75	GASKET, chain cover	79 — XL, XLS
	35	37716—71A	CLUTCH SPROCKET	79 — XL, XLS
		37717—79	CLUTCH SPROCKET ASSEMBLY, w/#7, 27 & 35	79 — XLS
	36	37753—76	SPACER, clutch sprocket	79 — XL, XLS
	37	37755—73	SPACER, clutch sprocket	79 — XL, XLCH, XLS
	38	59146—52	BOLT, 5/16-24 x 3/4 hex. hd.	79 — XL, XLS



TRANSMISSION

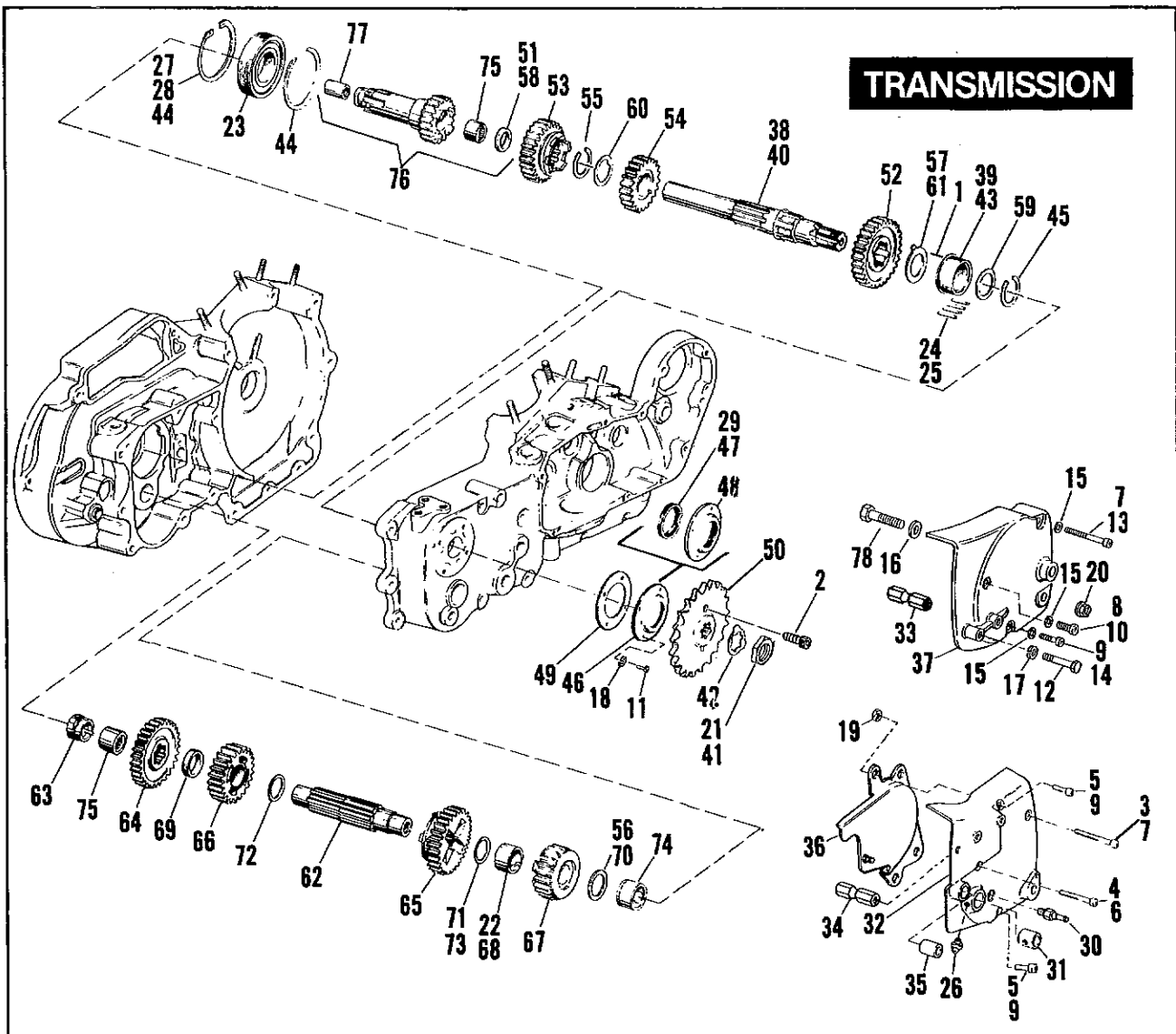
XL14-1

RETAIL PRICE	INDEX NO.	PART NO.	NAME	USED ON
	1	600	ROLL PIN, mainshaft thrust washer	79 to Early 82 — XL, XLCH, XLS
	2	857	SCREW, No. 10-24 x 3/8 knurled socket hd.	Late 84 to * — XL, XLS, XLX
	3	901	SCREW, 1/4-20 x 2-1/2 Pozidriv fil. hd. (black)	N/A 79 — XLS
	4	902	SCREW, 1/4-20 x 1 Pozidriv oval ctsk. hd. (black)	N/A 79 — XLS
	5	913	SCREW, 1/4-20 x 1-1/2 Pozidriv fil. hd. (black) (2)	79 — XLS
	6	1305	SCREW, 1/4-20 x 1 Pozidriv fil. hd.	79 — XL, XLS
	7	1381	SCREW, 1/4-20 x 2-1/2 Pozidriv fil. hd.	79 & 80 — XL, XLS
	8	1797R	SCREW, 1/4-20 x 2 hex. socket hd.	81 to * — XL, XLS, XLX
	9	2346W	SCREW, 1/4-20 x 1-1/2 Pozidriv fil. hd. (2)	79 & 80 — XL, XLS
	10	2351W	SCREW, 1/4-20 x 2 Pozidriv fil. hd.	80 to * — XL, XLS, XLX
	11	2660	SCREW, 10-24 x 3/8 Pozidriv fil. hd. (4)	79 to Early 84 — XL, XLCH, XLS, XLX
	12	3419	BOLT, 5/16-18 x 2-1/4 hex. hd. (2)	80 to * — XL, XLX; 80 to 82 — XLS
	13	3478	SCREW, 1/4-20 x 2-1/2 hex. socket hd.	81 to * — XL, XLS, XLX
	14	3481	SCREW, 1/4-20 x 2-1/4 hex. socket hd.	81 to * — XL, XLS, XLX
	15	6099	WASHER, 1/4 x 7/16 x 1/16 (3)	81 to * — XL, XLS, XLX
	16	6718	WASHER, 1/2 x 1-1/16 x 3/32	80 to * — XL, XLS, XLX
	17	7041	LOCKWASHER, 5/16 (2)	80 to * — XL, XLS, XLX

TRANSMISSION (CONT'D)

XL14-2

RETAIL PRICE	INDEX NO.	PART NO.	NAME	USED ON
	18	7069	LOCKWASHER, No. 10 (4)	79 to Early 84 — XL, XLCH, XLS, XLX
	19	7742	LOCKNUT, 1/4-20 x 7/32 x 7/16 hex.	79 to * — XL, XLCH, XLS, XLX
	20	7844	LOCKNUT, 1/2-13 x 5/16 x 3/4 hex.	80 to * — XL, XLS, XLX
	21	7855W	NUT, mainshaft, 3/4-16 x 7/16 x 1-1/8 hex.	Late 84 to * — XL, XLS, XLX
	22	8888	BEARING, countershaft low gear	Late 84 to * — XL, XLS, XLX
	23	9025A	BALL BEARING, mainshaft	79 to * — XL, XLCH, XLS, XLX
	24	9095	ROLLER, clutch gear bearing, standard (23)	79 to Early 84 — XL, XLCH, XLS, XLX
		9096	ROLLER, clutch gear bearing — 0.0004" O.S. (23)	79 to Early 84 — XL, XLCH, XLS, XLX
		9097	ROLLER, clutch gear bearing — 0.0008" O.S. (23)	79 to Early 84 — XL, XLCH, XLS, XLX
	25	9118	BEARING, crankcase (outer race rollers)	Late 84 to * — XL, XLS, XLX
	26	9851	GREASE FITTING, sprocket cover	79 — XLCH
	27	11006	RETAINING RING, mainshaft ball bearing — outer	Late 79; 85 to * — XL, XLCH, XLS
	28	11180	RETAINING RING, mainshaft ball bearing — outer	Late 84 to * — XL, XLS, XLX
	29	12049	OIL SEAL	Late 84 to * — XL, XLS, XLX
	30	33088--71	STUD, kick starter spring	79 — XLCH
		33088--79	STUD, kick starter spring	79 — XL, XLS
	31	33099--52A	BUSHING, kick starter shaft	79 — XLCH
	32	34863--79	SPROCKET COVER	N/A 79 — XL
		34870--79	SPROCKET COVER	N/A 79 — XLS
		34872--79	SPROCKET COVER	N/A 79 — XLCH
	33	34880--77B	MOUNTING STUD KIT	80 to * — XL, XLS, XLX
		34886--82	MOUNTING STUD	83 to * — XL, XLS, XLX
	34	34895--79	STUD, sprocket cover	79 — XL, XLCH, XLS
	35	34898--79	BUSHING, brake pivot shaft	79 — XL, XLCH, XLS
	36	34899--79	SPROCKET COVER, inner	79 — XL, XLCH, XLS
	37	34908--83A	SPROCKET COVER (painted)	83 to * — XLX
		34911--80	SPROCKET COVER (polished)	80 — XL, XLS
		34911--81A	SPROCKET COVER (polished)	82 to * — XL; 81, 83 to * — XLS
		34912--81	SPROCKET COVER (black)	82 — XLS
		34918--81A	SPROCKET COVER (polished)	81 — XL
	38	35036--84A	MAINSHAFT	Late 84 to * — XL, XLS, XLX
	39	35041--84	BEARING RACE, mainshaft	Late 84 to * — XL, XLS, XLX
	40	35046--71A	MAINSHAFT	79 to Early 84 — XL, XLCH, XLS, XLX
	41	35047--71A	NUT, mainshaft	79 to Early 84 — XL, XLCH, XLS, XLX
	42	35050--52	LOCKWASHER, mainshaft	79 to * — XL, XLCH, XLS, XLX
	43	35105--52	BEARING RACE, mainshaft	79 to 83 — XL, XLCH, XLS, XLX
		35105--83	BEARING RACE, mainshaft	Early 84 — XL, XLS, XLX
	44	35112--52	RETAINING RING, mainshaft ball bearing — inner (2 — Early 79)	79 to Early 84 — XL, XLCH, XLS
		35112--84	RETAINING RING, mainshaft ball bearing — inner	Late 84 — XL, XLS, XLX
	45	35113--52	RETAINING RING, mainshaft roller bearing	79 to Early 84 — XL, XLCH, XLS
	46	35150--52	OIL SEAL AND RETAINER, mainshaft	79 to Early 84 — XL, XLCH, XLS, XLX
	47	35151--52A	OIL SEAL, mainshaft	79 to Early 84 — XL, XLCH, XLS, XLX
	48	35154--52	RETAINER, mainshaft oil seal	79 to Early 84 — XL, XLCH, XLS, XLX
	49	35169--52	GASKET, mainshaft oil seal	79 to Early 84 — XL, XLCH, XLS, XLX
	50	35208--84	TRANSMISSION SPROCKET — 21 T	Late 84 to * — XL, XLS, XLX
	51	35216--79	THRUST WASHER, mainshaft — 0.212"	Late 79 to * — XL, XLS, XLX
	52	35277--52A	MAINSHAFT LOW GEAR — 27 T.	79 to * — XL, XLCH, XLS, XLX
	53	35296--56A	MAINSHAFT SECOND GEAR — 23 T.	79 to * — XL, XLCH, XLS, XLX
	54	35305--56A	MAINSHAFT THIRD GEAR — 20 T.	79 to * — XL, XLCH, XLS, XLX
	55	35337--56	RETAINING RING, mainshaft third gear	79 to * — XL, XLCH, XLS, XLX

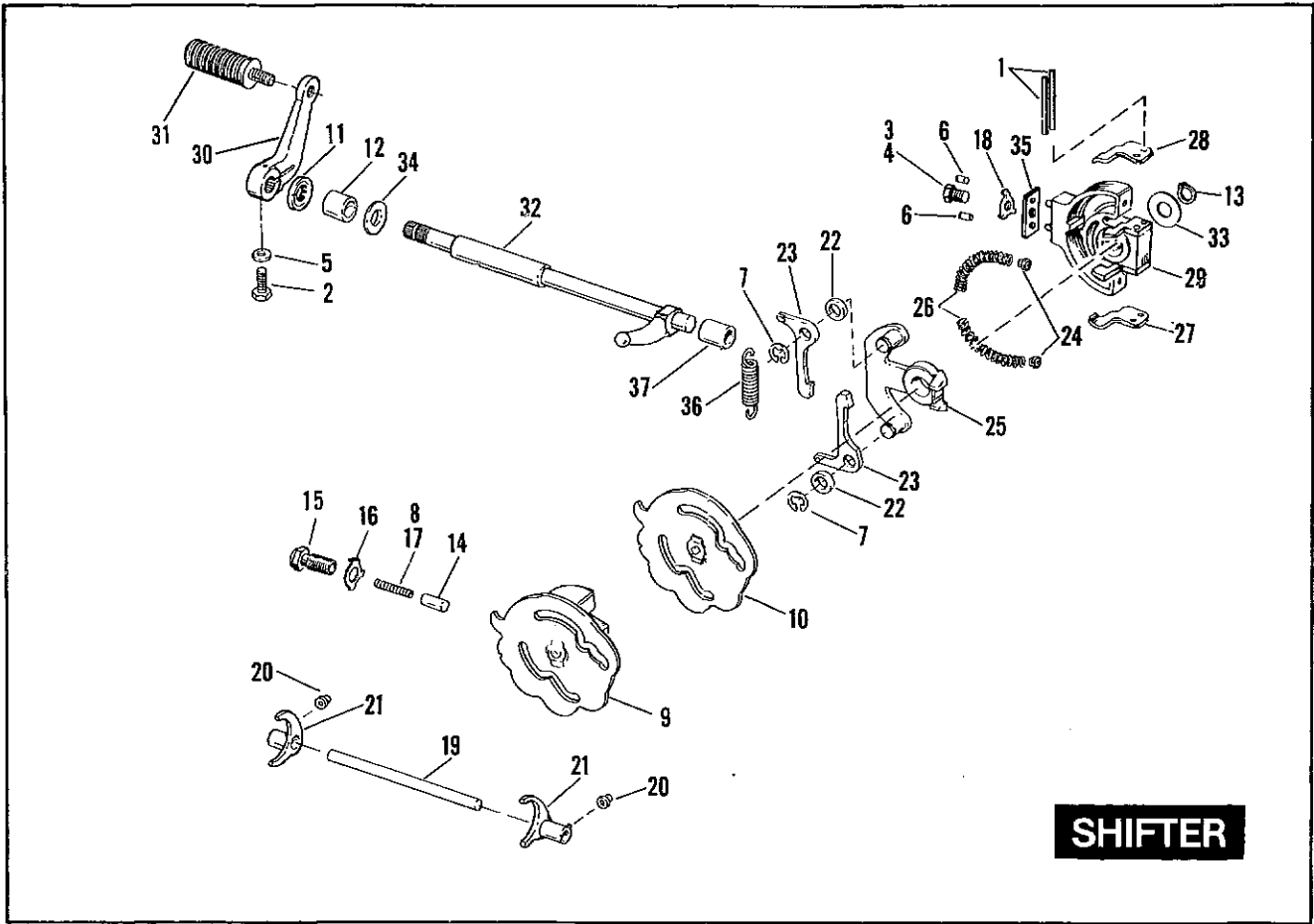


TRANSMISSION (CONT'D)

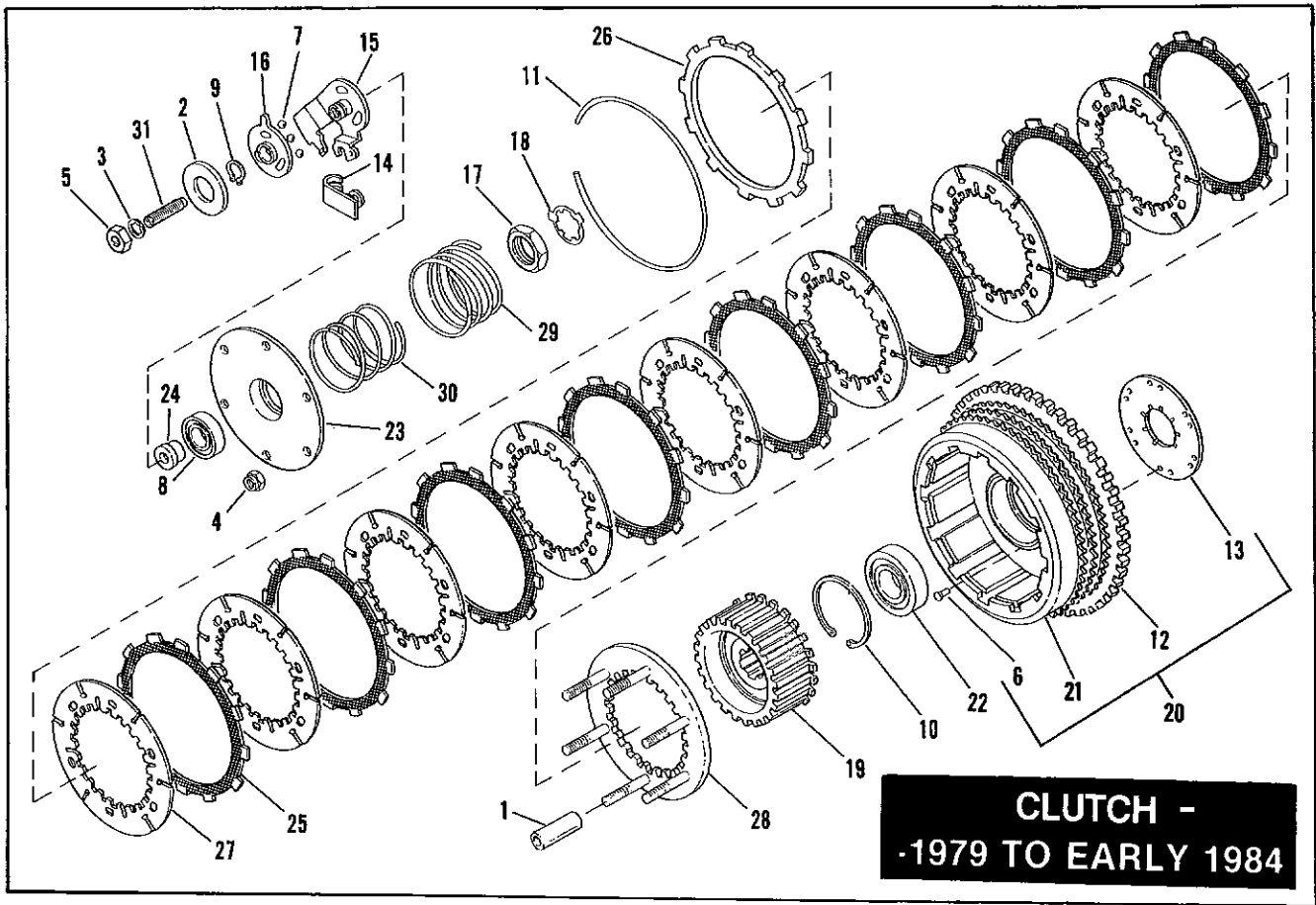
XL14-3

RETAIL PRICE	INDEX NO.	PART NO.	NAME	USED ON
	56	35327-73	THRUST WASHER, countershaft low gear 0.025"	79 to * - XL, XLCH, XLS, XLX
		35328-73	THRUST WASHER, countershaft low gear 0.035"	79 to * - XL, XLCH, XLS, XLX
		35329-73	THRUST WASHER, countershaft low gear 0.045"	79 to * - XL, XLCH, XLS, XLX
	57	35326-73	THRUST WASHER, mainshaft, right 0.080"	79 - XL, XLCH, XLS
		35343-73	THRUST WASHER, mainshaft, right 0.030"	79 - XL, XLCH, XLS
		35344-73	THRUST WASHER, mainshaft, right 0.040"	79 - XL, XLCH, XLS
		35349-52	THRUST WASHER, mainshaft, right 0.050"	79 - XL, XLCH, XLS
		35350-52	THRUST WASHER, mainshaft, right 0.055"	79 - XL, XLCH, XLS
		35351-52	THRUST WASHER, mainshaft, right 0.060"	79 - XL, XLCH, XLS
		35352-52	THRUST WASHER, mainshaft, right 0.065"	79 - XL, XLCH, XLS
		35353-52	THRUST WASHER, mainshaft, right 0.070"	79 - XL, XLCH, XLS
		35354-52	THRUST WASHER, mainshaft, right 0.075"	79 - XL, XLCH, XLS
		35355-72	THRUST WASHER, mainshaft, right 0.085"	N/A 79 - XL, XLCH, XLS
		35357-82	THRUST WASHER, mainshaft, right 0.098	79 to Early 84 - XL, XLCH, XLS, XLX
		35358-82	THRUST WASHER, mainshaft, right 0.107	79 to Early 84 - XL, XLCH, XLS, XLX
		35359-82	THRUST WASHER, mainshaft, right 0.116	79 to Early 84 - XL, XLCH, XLS, XLX
		35360-82	THRUST WASHER, mainshaft, right 0.125	79 to Early 84 - XL, XLCH, XLS, XLX
	58	35361-56	THRUST WASHER, mainshaft, left 0.232"	Early 79; Late 84 to * - XL, XLCH, XLS, XLX

RETAIL PRICE	INDEX NO.	PART NO.	N A M E	USED ON
	59	35363-52	WASHER, mainshaft roller bearing	79 to Early 84 — XL, XLCH, XLS, XLX
	60	35364-56	WASHER, mainshaft third gear	79 to * — XL, XLCH, XLS, XLX
	61	35380-84	THRUST WASHER, mainshaft — right 0.0965"	Late 84 to * — XL, XLS, XLX
		35381-84	THRUST WASHER, mainshaft — right 0.0905"	Late 84 to * — XL, XLS, XLX
		35382-84	THRUST WASHER, mainshaft — right 0.0845"	Late 84 to * — XL, XLS, XLX
		35383-84	THRUST WASHER, mainshaft — right 0.0795"	Late 84 to * — XL, XLS, XLX
		35384-84	THRUST WASHER, mainshaft — right 0.0725"	Late 84 to * — XL, XLS, XLX
		35385-84	THRUST WASHER, mainshaft — right 0.0675"	Late 84 to * — XL, XLS, XLX
	62	35613-58	COUNTERSHAFT	79 to Early 84 — XL, XLCH, XLS, XLX
		35613-84	COUNTERSHAFT	Late 84 to * — XL, XLS, XLX
	63	35631-73	OILER PLUG, countershaft	79 to * — XL, XLCH, XLS, XLX
	64	35695-58	COUNTERSHAFT DRIVE GEAR — 27 T.	79 to * — XL, XLCH, XLS, XLX
	65	35709-54B	COUNTERSHAFT THIRD GEAR — 23 T.	79 to * — XL, XLCH, XLS, XLX
	66	35750-58A	COUNTERSHAFT SECOND GEAR — 20 T.	79 to * — XL, XLCH, XLS, XLX
	67	35760-73	COUNTERSHAFT LOW GEAR — 17 T.	79 to Early 84 — XL, XLCH, XLS, XLX
		35760-84A	COUNTERSHAFT LOW GEAR — 17 T	Late 84 to * — XL, XLS, XLX
	68	35787-72	BUSHING, countershaft low gear	79 to * — XL, XLCH, XLS, XLX
	69	35809-58	SPACER, countershaft gear	79 to * — XL, XLCH, XLS, XLX
	70	35818-72	THRUST WASHER, countershaft low gear 0.020"	79 to * — XL, XLCH, XLS, XLX
		35819-72	THRUST WASHER, countershaft low gear 0.030"	79 to * — XL, XLCH, XLS, XLX
		35820-52	THRUST WASHER, countershaft low gear 0.050"	79 to * — XL, XLCH, XLS, XLX
		35821-52	THRUST WASHER, countershaft low gear 0.055"	79 to * — XL, XLCH, XLS, XLX
		35821-72	THRUST WASHER, countershaft low gear 0.040"	79 to * — XL, XLCH, XLS, XLX
		35824-52	THRUST WASHER, countershaft low gear 0.060"	79 to * — XL, XLCH, XLS, XLX
		35825-52	THRUST WASHER, countershaft low gear 0.065"	79 to * — XL, XLCH, XLS, XLX
		35828-52	THRUST WASHER, countershaft low gear 0.070"	79 to * — XL, XLCH, XLS, XLX
		35829-52	THRUST WASHER, countershaft low gear 0.075"	79 to * — XL, XLCH, XLS, XLX
	71	35836-55	THRUST WASHER, countershaft low gear, left 0.075"	79 to Early 84 — XL, XLCH, XLS, XLX
		35838-55	THRUST WASHER, countershaft low gear, left 0.085"	79 to Early 84 — XL, XLCH, XLS, XLX
		35839-55	THRUST WASHER, countershaft low gear, left 0.100"	79 to Early 84 — XL, XLCH, XLS, XLX
		35840-52	THRUST WASHER, countershaft low gear, left 0.065"	79 to Early 84 — XL, XLCH, XLS, XLX
	72	35841-58	THRUST WASHER, second gear	79 to * — XL, XLCH, XLS, XLX
	73	35845-84	THRUST WASHER, countershaft low gear — left 0.047"	Late 84 to * — XL, XLS, XLX
		35846-84	THRUST WASHER, countershaft low gear — left 0.056"	Late 84 to * — XL, XLS, XLX
		35847-84	THRUST WASHER, countershaft low gear — left 0.066"	Late 84 to * — XL, XLS, XLX
		35848-84	THRUST WASHER, countershaft low gear — left 0.080"	Late 84 to * — XL, XLS, XLX
	74	35960-54	NEEDLE BEARING, countershaft (close end)	79 to * — XL, XLCH, XLS, XLX
	75	35961-52	NEEDLE BEARING (2 — 79 to 84)	79 to * — XL, XLCH, XLS, XLX
	76	37448-71	CLUTCH GEAR	Early 79 — XL, XLCH, XLS
		37448-79	CLUTCH GEAR	Late 79 to Early 84 — XL, XLS, XLX
		37448-84A	CLUTCH GEAR, includes index nos. 51 & 75 (2)	Late 84 to * — XL, XLS, XLX
	77	37458-52	BUSHING, clutch gear	79 to * — XL, XLCH, XLS, XLX
	78	42450-80	BOLT, sprocket cover mounting	80 to * — XL, XLS, XLX

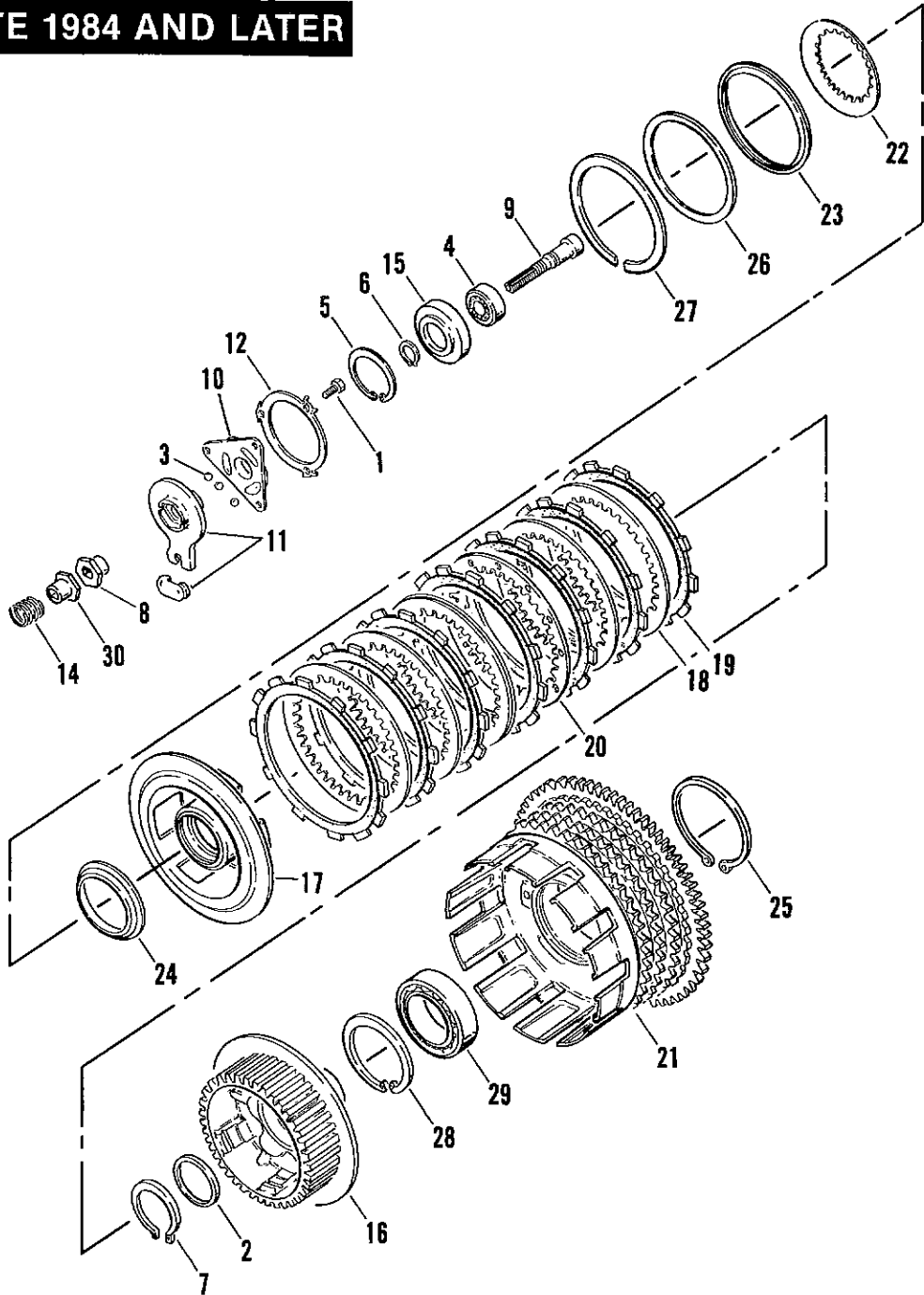


RETAIL PRICE	INDEX NO.	PART NO.	N A M E	USED ON
	1	350	PIN, pawl lifter arm (2)	79 to * — XL, XLCH, XLS, XLX
	2	2551W	BOLT, 1/4-20 x 1 hex. hd.	79 to * — XL, XLCH, XLS, XLX
	3	3854	BOLT, 7/16-14 x 1 hex. hd.	Late 84 to * — XL, XLS, XLX
	4	4621	BOLT, 7/16-24 x 1-1/8 hex. hd.	79 to Early 84 — XL, XLCH, XLS, XLX
	5	6242W	WASHER	85 to * — XL, XLS, XLX
		6703	WASHER, 1/4 x 5/8 x 1/16.	79 to 84 — XL, XLCH, XLS, XLX
	6	9260	PIN, cam support (2)	79 to * — XL, XLCH, XLS, XLX
	7	11036	RETAINING RING, shifter pawls (2)	79 to * — XL, XLCH, XLS, XLX
	8	29980—84	SPRING, shifter cam follower	Late 84 to * — XL, XLS, XLX
	9	34009—75A	SHIFTER CAM ASSEMBLY	79 to Early 84 — XL, XLCH, XLS, XLX
	10	34012—75B	SHIFTER CAM AND SHAFT	79 to * — XL, XLCH, XLS, XLX
	11	34035—52	SEAL, shifter shaft (in chain cover)	79 to * — XL, XLCH, XLS, XLX
	12	34037—52	BUSHING, shifter shaft (in chain cover)	79 to * — XL, XLCH, XLS, XLX
	13	34040—52	RETAINING RING, shifter cam	79 to * — XL, XLCH, XLS, XLX
	14	34062—52	SHIFTER CAM FOLLOWER	79 to Early 84 — XL, XLCH, XLS, XLX
		34063—84	SHIFTER CAM FOLLOWER	Late 84 to * — XL, XLS, XLX
	15	34065—52	RETAINER, cam follower	79 to * — XL, XLCH, XLS, XLX
	16	34067—52	LOCK, shifter cam retainer	79 to * — XL, XLCH, XLS, XLX
	17	34068—52A	SPRING, cam follower	79 to Early 84 — XL, XLCH, XLS, XLX
	18	34069—71	LOCK, shifter cam bolt	79 to * — XL, XLCH, XLS, XLX
	19	34141—52A	SHAFT, shifter fork	79 to Early 84 — XL, XLCH, XLS, XLX
		34141—84A	SHAFT, shifter fork	Late 84 to * — XL, XLS, XLX
	20	34168—52	ROLLER, shifter finger (2)	79 to * — XL, XLCH, XLS, XLX
	21	34291—52C	SHIFTER FORK (2)	79 to * — XL, XLCH, XLS, XLX
		34292—72A	SHIFTER FORK, 0.020 longer	79 to * — XL, XLCH, XLS, XLX
		34294—84	SHIFTER FORK, 0.01 longer	Late 84 to * — XL, XLS, XLX
		34295—84	SHIFTER FORK, 0.01 shorter	Late 84 to * — XL, XLS, XLX
		34296—84	SHIFTER FORK, 0.005 longer	Late 84 to * — XL, XLS, XLX
		34297—84	SHIFTER FORK, 0.005 shorter	Late 84 to * — XL, XLS, XLX
	22	34461—72	SPACER, shifter pawl (2)	79 to * — XL, XLCH, XLS, XLX
	23	34476—72	SHIFTER PAWL (2)	79 to * — XL, XLCH, XLS, XLX
	24	34485—52	PLUG, carrier spring retainer (2)	79 to * — XL, XLCH, XLS, XLX
	25	34494—74C	PAWL CARRIER	79 to * — XL, XLCH, XLS, XLX
	26	34500—52A	PAWL CARRIER SPRING (2)	79 to * — XL, XLCH, XLS, XLX
	27	34506—52A	PAWL LIFTER ARM, lower	79 to * — XL, XLCH, XLS, XLX
	28	34507—52A	PAWL LIFTER ARM, upper	79 to * — XL, XLCH, XLS, XLX
	29	34514—75A	PAWL CARRIER SUPPORT	79 to * — XL, XLCH, XLS, XLX
	30	34606—75	SHIFT LEVER, only	79 to * — XL, XLCH, XLS, XLX
	31	34611—65	RUBBER, shift lever	79 to * — XL, XLCH, XLS, XLX
	32	34628—75	SHAFT, shifter lever	79 to * — XL, XLCH, XLS, XLX
	33	35336—74	THRUST WASHER, shifter cam	79 to * — XL, XLCH, XLS, XLX
	34	35404—74	THRUST WASHER, shifter lever shaft	79 to * — XL, XLCH, XLS, XLX
	35	35891—66	SHIM, pawl carrier support	79 to * — XL, XLCH, XLS, XLX
	36	37222—52	SPRING, shifter pawls	79 to * — XL, XLCH, XLS, XLX
	37	40520—63	BUSHING, shifter shaft (in right crankcase)	79 to * — XL, XLCH, XLS, XLX



RETAIL PRICE	INDEX NO.	PART NO.	N A M E	USED ON
	1	5995	SPACER, stud (standard -- 1.530) (6)	79 to Early 84 — XL, XLCH, XLS, XLX
		5996	SPACER, stud (.040) (6)	79 to Early 84 — XL, XLCH, XLS, XLX
		5997	SPACER, stud (.080) (6)	79 to Early 84 — XL, XLCH, XLS, XLX
	2	6860	WASHER, 1 x 2 x 1/8.	79 to Early 84 — XL, XLCH, XLS, XLX
	3	7130W	LOCKWASHER, 3/8 internal tooth	79 to Early 84 — XL, XLCH, XLS, XLX
	4	7686	LOCKNUT, 1/4-20 x 5/16 x 7/16 hex. (6)	79 to Early 84 — XL, XLCH, XLS, XLX
	5	7803	NUT, 3/8-24 x 1/4 x 13/16 hex.	79 to Early 84 — XL, XLCH, XLS, XLX
	6	8216	RIVET, 5/32 x 7/16 x 9/32 dia. ctsk. hd. (12)	Early 79 — XLCH
	7	8860	BALL, 5/16 dia. (3)	79 to Early 84 — XL, XLCH, XLS, XLX
	8	9073	BALL BEARING	79 to Early 84 — XL, XLCH, XLS, XLX
	9	11005	RETAINING RING, adjusting screw	79 to Early 84 — XL, XLCH, XLS, XLX
	10	11052	RETAINING RING	79 to Early 84 — XL, XLCH, XLS, XLX
	11	11053	RETAINING RING, drive plate	79 to Early 84 — XL, XLCH, XLS, XLX
	12	33162-67	STARTER RING GEAR	N/A 79 & 80 — XL, XLS
	13	33379-71A	STARTER RATCHET	Early 79 — XLCH
	14	34920-71	COUPLING, clutch cable.	79 to Early 84 — XL, XLCH, XLS, XLX
	15	37202-71A	RAMP ASSEMBLY, inner	79 to Early 84 — XL, XLCH, XLS, XLX
	16	37203-71A	RAMP ASSEMBLY, outer	79 to Early 84 — XL, XLCH, XLS, XLX
	17	37527-67	NUT, clutch hub	79 to Early 84 — XL, XLCH, XLS, XLX
	18	37533-52A	LOCKWASHER, clutch hub nut	79 to Early 84 — XL, XLCH, XLS, XLX
	19	37561-71	CLUTCH HUB	79 to Early 84 — XL, XLCH, XLS, XLX
	20	37701-71A	CLUTCH SPROCKET ASSEMBLY	N/A Early 79 — XLCH
	21	37716-71A	CLUTCH SPROCKET ASSEMBLY	79 — XL; 79 & 80 — XLS
		37716-81	CLUTCH SPROCKET ASSEMBLY	81 to Early 84 — XL, XLS, XLX
		37717-79	CLUTCH SPROCKET ASSEMBLY	79 — XL, XLS
	22	37722-71	BALL BEARING	79 to Early 84 — XL, XLCH, XLS, XLX
	23	37878-74	RELEASING DISC	N/A 79 to Early 84 — XL, XLCH, XLS, XLX
	24	37879-71	COLLAR, thrust bearing	79 to Early 84 — XL, XLCH, XLS, XLX
	25	37985-71	DRIVE PLATE (8)	79 to Early 84 — XL, XLCH, XLS, XLX
	26	37987-71	DRIVE PLATE, outer	79 to Early 84 — XL, XLCH, XLS, XLX
	27	37992-71A	DRIVEN PLATE (8)	79 to Early 84 — XL, XLCH, XLS, XLX
	28	38005-74	BACKING PLATE	79 to Early 84 — XL, XLCH, XLS, XLX
	29	38079-72	SPRING, outer	79 to Early 84 — XL, XLCH, XLS, XLX
	30	38080-71	SPRING, inner	79 to Early 84 — XL, XLCH, XLS, XLX
	31	38130-71	ADJUSTING SCREW	79 to Early 84 — XL, XLCH, XLS, XLX

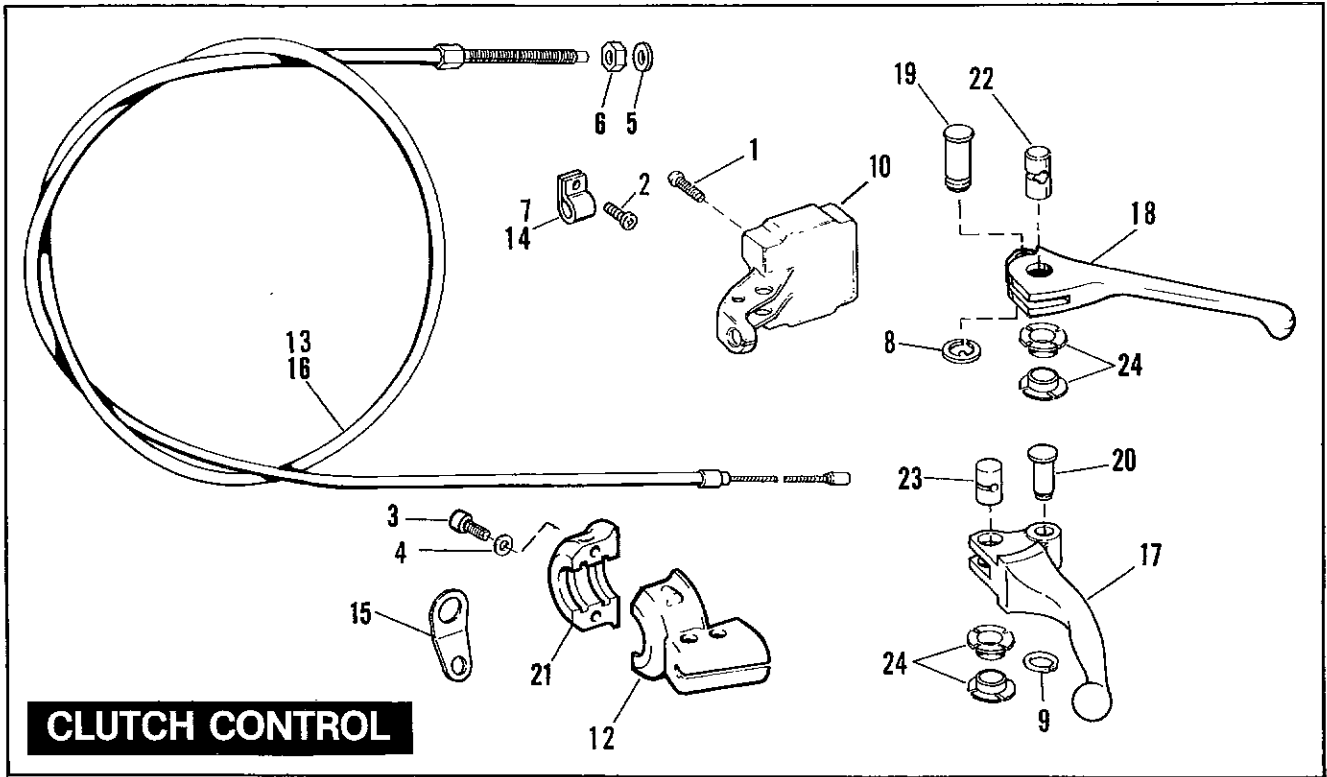
CLUTCH-LATE 1984 AND LATER



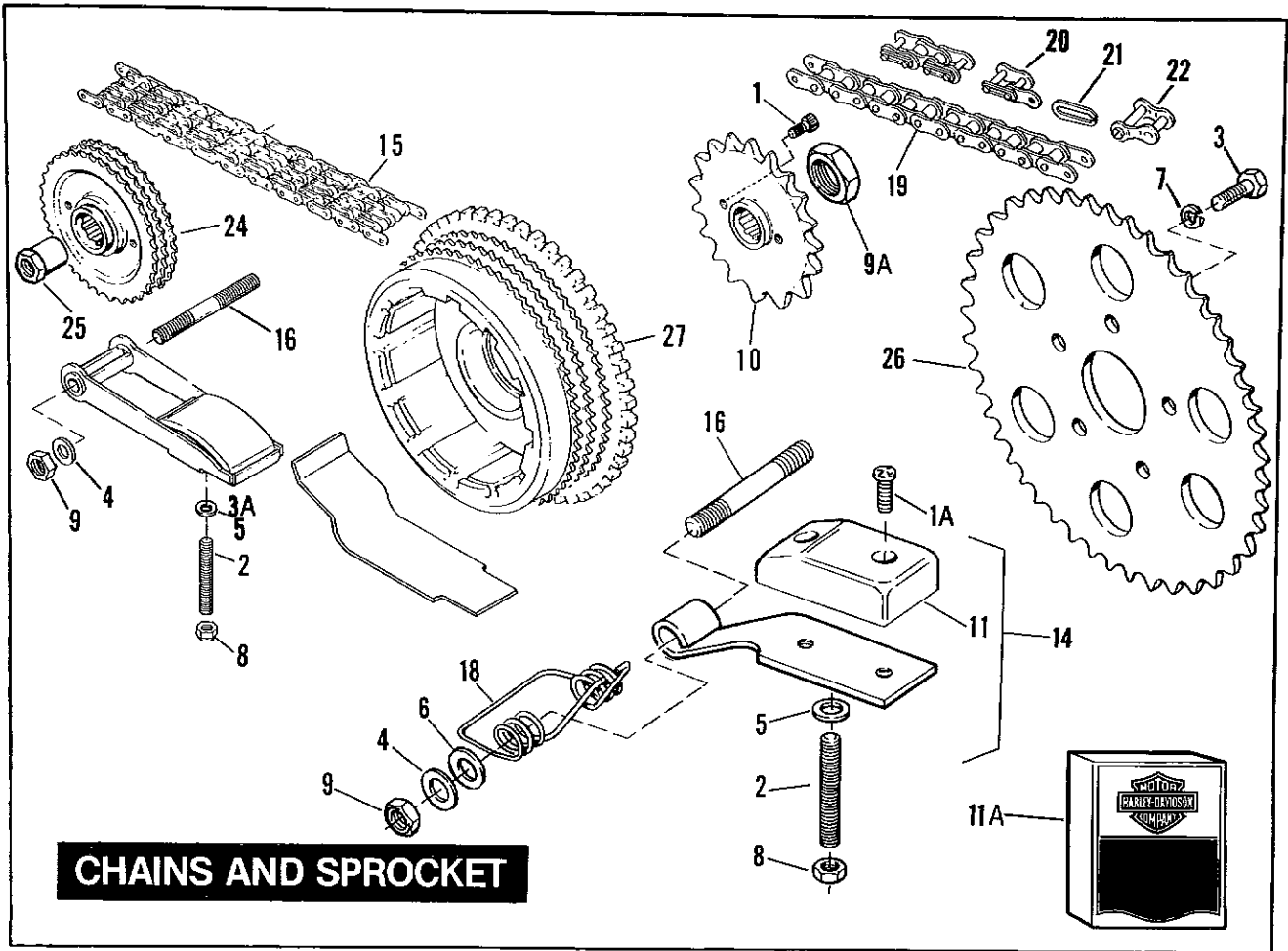
CLUTCH — LATE 1984 & LATER

XL16A

RETAIL PRICE	INDEX NO.	PART NO.	N A M E	USED ON
	1	3583	BOLT, clutch ramp lockplate (3)	Late 84 to * — XL, XLS, XLX
	2	5707	SPACER, clutch hub	Late 84 to * — XL, XLS, XLX
	3	8873	BALL, ramp assembly (3)	Late 84 to * — XL, XLS, XLX
	4	8885	BEARING	Late 84 to * — XL, XLS, XLX
	5	11045	RETAINING RING, guide	Late 84 to * — XL, XLS, XLX
	6	11046	RETAINING RING, clutch adjusting screw	Late 84 to * — XL, XLS, XLX
	7	11164	RETAINING RING, clutch hub bearing	Late 84 to * — XL, XLS, XLX
	8	11730	NUT, well-type, clutch adjusting screw	Late 84 to * — XL, XLS, XLX
	9	11735	ADJUSTMENT SCREW, clutch	Late 84 to * — XL, XLS, XLX
	10	25408—84	RAMP, inner	Late 84 to * — XL, XLS, XLX
	11	25409—84A	RAMP & COUPLING KIT	Late 84 to * — XL, XLS, XLX
	12	25448—84	LOCKPLATE, clutch ramp	Late 84 to * — XL, XLS, XLX
	14	36715—84	SPRING, clutch adjustment	Late 84 to * — XL, XLS, XLX
		36720—84	CLUTCH ASSEMBLY	Late 84 to * — XL, XLS, XLX
	15	36730—84	GUIDE, bearing	Late 84 to * — XL, XLS, XLX
	16	36785—84	CLUTCH HUB	Late 84 to * — XL, XLS, XLX
	17	36786—84	PRESSURE PLATE	Late 84 to * — XL, XLS, XLX
	18	36787—84	DRIVEN PLATE (5)	Late 84 to * — XL, XLS, XLX
	19	36788—84	DRIVE PLATE (7)	Late 84 to * — XL, XLS, XLX
	20	36789—84	SPRING PLATE, center	Late 84 to * — XL, XLS, XLX
	21	36791—84	CLUTCH SHELL & SPROCKET, with starter ring gear	Late 84 to * — XL, XLS, XLX
	22	36792—84	SPRING, pressure plate	Late 84 to * — XL, XLS, XLX
	23	36793—84	SEAT, spring — center	Late 84 to * — XL, XLS, XLX
	24	36794—84	SEAT, spring — inner	Late 84 to * — XL, XLS, XLX
	25	36795—84	RETAINING RING, clutch hub	Late 84 to * — XL, XLS, XLX
	26	36796—84	SEAT, spring — outer	Late 84 to * — XL, XLS, XLX
	27	36797—84	RETAINING RING, pressure plate	Late 84 to * — XL, XLS, XLX
	28	36798—84	RETAINING RING, clutch hub	Late 84 to * — XL, XLS, XLX
	29	36799—84	BEARING, clutch	Late 84 to * — XL, XLS, XLX
	30	36802—84	LOCKPLATE, well-type, filler plug	Late 84 to * — XL, XLS, XLX



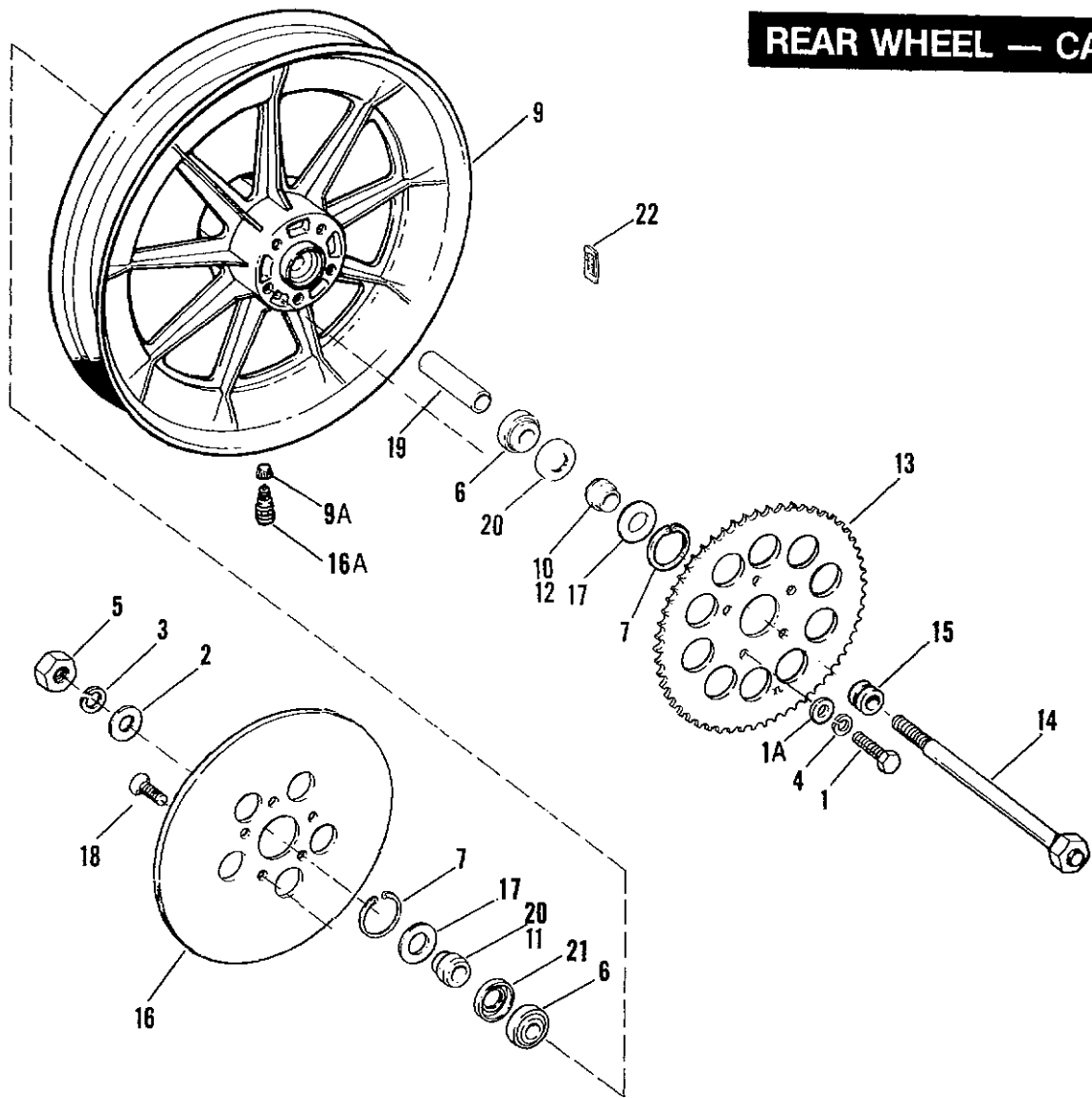
RETAIL PRICE	INDEX NO.	PART NO.	N A M E	USED ON
	1	2695W	SCREW, No. 10-24 x 1-1/8 Pozidriv fil. hd. (4)	79 to 81 — XL, XLCH, XLS
	2	2808	SCREW, No. 8-32 x 3/8 Pozidriv pan hd.	80 to * — XL, XLS, XLX
	3	4015	SCREW, 1/4 - 20 x 7/8 hex. socket rd. hd. (2)	82 to * — XL, XLS, XLX
	4	6099	WASHER, 1/4 (2)	82 to * — XL, XLS, XLX
	5	6316HW	WASHER, 5/16 x 5/8 x 1/16	79 to * — XL, XLCH, XLS, XLX
	6	7744	NUT, 5/16-24 x 3/16 x 1/2 hex.	79 to * — XL, XLCH, XLS, XLX
		7753	NUT, 5/16-24 x 1/4 x 1/2 hex.	Late 84 to * — XL, XLS, XLX
	7	10031	CLAMP, clutch cable	Late 81 — XL, XLS
	8	11036	RETAINING RING, handlever pivot pin	79 to 81 — XL, XLCH, XLS
	9	11143	RETAINING RING	82 to * — XL, XLS, XLX
	10	38608—72	BRACKET, handlever (black)	Late 79 to 81 — XL, XLCH, XLS
		38608—73	BRACKET, handlever (polished)	Early 79 — XLCH
	12	38608—82B	BRACKET, clutch lever	82 to * — XL, XLS, XLX
	13	38619—71B	CABLE ASSEMBLY, 46-3/4"	79 to Early 84 — XL, XLCH; 81 to Early 84 — XLS
		38619—84	CABLE, clutch control, 47-5/16"	Late 84 to * — XL, XLS
	14	38712—68	CLAMP, clutch cable	80 to Early 81 — XL, XLS
	15	38623—68	BRACKET, clutch cable	82 to * — XL, XLS, XLX
	16	38626—77B	CABLE ASSEMBLY, 41-3/4"	79 & 80 — XLS; 83 & Early 84 — XLX
		38626—84	CABLE, clutch control, 42-5/16"	Late 84 to * — XLX
	17	45017—82A	HAND LEVER, only	82 to * — XL, XLS, XLX
	18	45024—65A	HAND LEVER, with pins and nylon bushings	79 to 81 — XL, XLCH, XLS
	19	45031—65	PIVOT PIN, handlever	79 to 81 — XL, XLCH, XLS
	20	45032—82	PIVOT PIN	82 to * — XL, XLS, XLX
	21	45044—82	CLAMP, clutch control	82 to * — XL, XLS, XLX
	22	45036—68	PIN, clutch cable	79 to 81 — XL, XLCH, XLS
	23	45036—82	PIN, clutch cable	82 to * — XL, XLS, XLX
	24	45039—68	BUSHING, clutch cable pin (2)	79 to * — XL, XLCH, XLS, XLX



CHAINS AND SPROCKET

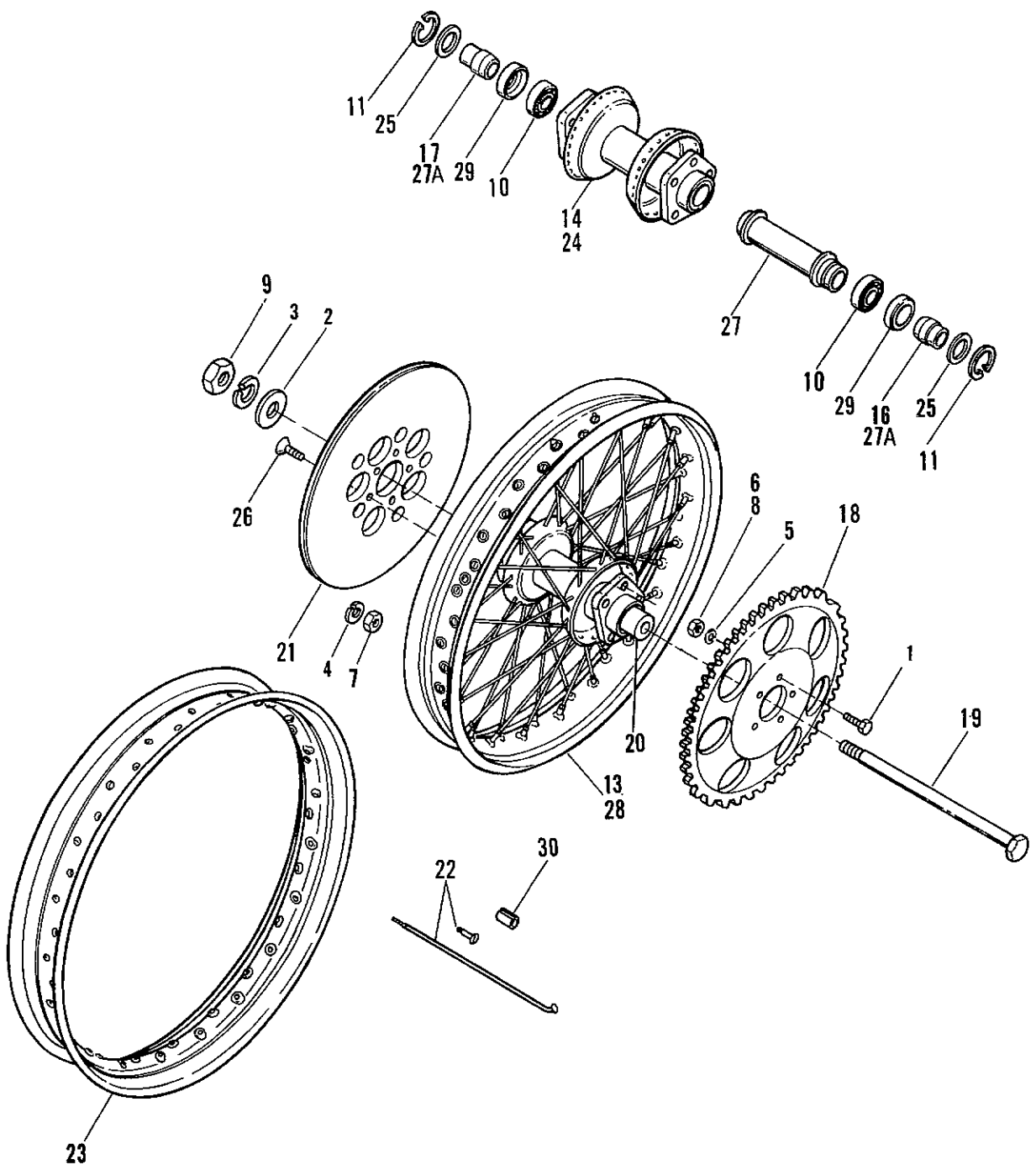
RETAIL PRICE	INDEX NO.	PART NO.	N A M E	USED ON
	1	857	SCREW, No. 10-24 x 3/8 knurled socket hd.	Late 84 to * — XL, XLS, XLX
	1A	2587	SCREW, No. 10-32 x 5/8 Pozidriv pan (2)	80 to * — XL, XLS, XLX
	2	3250	ADJUSTING SCREW, 5/16-18 x 2 socket end	79 to * — XL, XLCH, XLS, XLX
	3	3771	BOLT, 7/16-14 x 1-1/2 hex. hd.	79 to * — XL, XLCH, XLS, XLX
	3A	6016	WASHER, 11/32 x 11/16 x 1/16.	84 to * — XL, XLS, XLX
	4	6033	WASHER, 3/8 x 9/16 x 1/16.	79 & Early 80 — XL, XLCH, XLS
	5	6316HW	WASHER, 5/16 x 5/8 x 1/16.	79 to 83 — XL, XLCH, XLS, XLX
	6	6379W	WASHER, 3/8 x 5/8 x 3/64 (steel)	Late 80 to 83 — XL, XLS, XLX
		6812	WASHER, 3/8 x 11/16 x 1/16.	84 to * — XL, XLS, XLX
	7	7039	LOCKWASHER, 7/16 (5)	79 to * — XL, XLCH, XLS, XLX
	8	7739	LOCKNUT, 5/16-18 x 11/32 x 1/2 hex.	79 to * — XL, XLCH, XLS, XLX
	9	7775	LOCKNUT, 3/8-24 x 7/16 x 9/16 hex.	79 to * — XL, XLCH, XLS, XLX
	9A	7855W	JAM NUT, 3/4-16 x 7/16 x 1-1/8 hex.	Late 84 to * — XL, XLS, XLX
	10	35197—52	TRANSMISSION SPROCKET — 19 T.	Early 79 — XL, XLCH
		35198—52	TRANSMISSION SPROCKET — 20 T.	Early 79 — XL, XLCH
		35205—52A	TRANSMISSION SPROCKET — 21 T.	Early 79 — XL, XLCH
		35205—79A	TRANSMISSION SPROCKET — 21 T.	Late 79 to Early 84 * — XL, XLS, XLX
		35208—84	TRANSMISSION SPROCKET — 21 T	Late 84 to * — XL, XLS, XLX
	11	39966—80	PAD, front chain adjuster	Late 80 to * — XL, XLS, XLX
	11A	39967—77A	CHAIN ADJUSTER KIT, w/#4, 6, 9, 14, 16 & 18	79 to * — XL, XLCH, XLS, XLX
	14	39975—86	FRONT CHAIN ADJUSTER	Late 80 to * — XL, XLS, XLX
	15	40005—57	FRONT CHAIN	79 to * — XL, XLCH, XLS, XLX
	16	40018—77	STUD, chain adjuster	79 to * — XL, XLCH, XLS, XLX
	18	40019—80A	SPRING, chain adjuster	79 to * — XL, XLCH, XLS, XLX
	19	40028—15E	REAR CHAIN (Duckworth; 110 pitch)	84 to * — XL, XLS, XLX
		40029—15E	REAR CHAIN (Diamond; 110 pitch)	84 to * — XL, XLS, XLX
	20	40052—65	CONNECTING LINK, rear chain (Diamond; press fit)	79 to * — XL, XLCH, XLS, XLX
		40053—65	CONNECTING LINK, rear chain (Duckworth; press fit)	79 to * — XL, XLCH, XLS, XLX
	21	40066—12	SPRING CLIP, rear chain link (Diamond)	79 to * — XL, XLCH, XLS, XLX
	22	40091—15	OFFSET REPAIR LINK, rear chain (Diamond)	79 to * — XL, XLCH, XLS, XLX
		40092—15	OFFSET REPAIR LINK, rear chain (Duckworth)	79 to * — XL, XLCH, XLS, XLX
	24	40235—74	ENGINE SPROCKET — 34 T.	79 to * — XL, XLCH, XLS, XLX
	25	40387—70	NUT, sprocket shaft	79 to * — XL, XLCH, XLS, XLX
	26	41470—73A	SPROCKET, rear wheel — 51 T. (shot blast & chrome)	79 to 81 — XL, XLCH, XLS
		41470—78	SPROCKET, rear wheel — 51 T. (polish & chrome)	79 to 81 — XL, XLCH, XLS
		41470—82	SPROCKET, rear wheel — 48 T. (shot blast & chrome)	82 to * — XL, XLS, XLX
	27	— —	See Clutch Section	

REAR WHEEL — CAST



REAR WHEEL — CAST

RETAIL PRICE	INDEX NO.	PART NO.	N A M E	USED ON
	1	3771	BOLT 7/16-14 x 1-1/2 hex. hd. (5)	79 to * — XL, XLCH, XLS, XLX
	1A	6516HW	WASHER (5)	Late 83 to * — XL, XLS, XLX
	2	6653	WASHER	82 to * — XL, XLS, XLX
		6722B	WASHER, 5/8 x 1-1/8 x 3/32 (steel)	79 to 81 — XL, XLCH, XLS
	3	7022	LOCKWASHER, 5/8	79 to * — XL, XLCH, XLS, XLX
	4	7039	LOCKWASHER, 7/16 (5)	79 to Early 83 — XL, XLCH, XLS, XLX
	5	7986	NUT, 5/16-18 x 7/16 x 1-1/16 hex.	79 to * — XL, XLCH, XLS, XLX
	6	9052	ROLLER BEARING (2)	79 to * — XL, XLCH, XLS, XLX
	7	11027	RETAINING RING (2)	79 to 81 — XL, XLCH, XLS
	9	40952—79	WHEEL ASSEMBLY - 18" with 41606—77 spacer . . . N/A	Early 79 — XL, XLCH
		40953—79A	WHEEL ASSEMBLY - 16" with 41606—80 spacer (black)	79 & 80 — XLS; 80 — XL
		40955—81	WHEEL ASSEMBLY - 16" with 41606—77 spacer (black)	81 — XL, XLS
		40983—83A	WHEEL ASSEMBLY - 16"	83 to * — XLS, XLX
		41015—82A	WHEEL ASSEMBLY - 16"	82 — XLS; 82 to * — XL, XLX; 84 to * — XLS
	9A	41123—79	VALVE CAP	84 to * — XL, XLS, XLX
	10	41196—73	SPACER, outer right	Late 79 to 81 — XL, XLCH, XLS
	11	41202—79	SPACER, bearing — outer left, 1"	79 to 81 — XL, XLCH, XLS
	12	41203—79	SPACER, bearing — outer right, 1-1/2"	Early 79 — XL, XLCH, XLS
	13	41470—73A	SPROCKET, rear wheel — 51T. (shot blast & chrome)	79 to 81 — XL, XLCH, XLS
		41470—78	SPROCKET, rear wheel — 51T. (polish & chrome)	79 to 81 — XL, XLCH, XLS
		41470—82	SPROCKET, rear wheel — 48T. (shot blast & chrome)	82 to * — XL, XLS, XLX
	14	41563—77	AXLE	79 to * — XL, XLCH, XLS, XLX
	15	41606—77	SPACER	79 & Early 80 — XLS; 82 to * — XL, XLS, XLX
		41606—80	SPACER	Late 80 & 81 — XL, XLS
	16	41791—79A	DISC, brake	79 to * — XL, XLCH, XLS, XLX
	16A	43150—83	VALVE STEM, tubeless tire (as required)	84 to * — XL, XLS, XLX
		43157—83A	VALVE STEM, tubeless tire (as required)	84 to * — XL, XLS, XLX
	17	43559—73	WASHER, bearing spacer (2)	79 to 81 — XL, XLCH, XLS
	18	43567—79	SCREW, brake disc (5)	79 to * — XL, XLCH, XLS, XLX
	19	43601—78	SPACER, between bearings — 4.420 (with flanges)	Early 82 — XL, XLS
		43602—78	SPACER, between bearings — 4.434 (with flanges)	Early 82 — XL, XLS
		43603—78	SPACER, between bearings — 4.448 (with flanges)	Early 82 — XL, XLS
		43604—78	SLEEVE, bearing spacer — 4.420 (w/o flange) (orange)	Late 82 to * — XL, XLS, XLX
		43605—78	SLEEVE, bearing spacer — 4.434 (w/o flange) (yellow)	Late 82 to * — XL, XLS, XLX
		43606—78	SLEEVE, bearing spacer — 4.448 (w/o flange) white)	Late 82 to * — XL, XLS, XLX
		43620—78	SPACER, between bearings — 3.937 (red)	79 to 81 — XL, XLCH, XLS
		43621—78	SPACER, between bearings — 3.951 (green)	79 to 81 — XL, XLCH, XLS
		43622—78	SPACER, between bearings — 3.923 (blue)	79 to 81 — XL, XLCH, XLS
	20	43654—86A	SPACER (2)	82 to * — XL, XLCH, XLS
	21	47519—72	SEAL (2)	79 to 83 — XL, XLCH, XLS, XLX
		47519—83A	SEAL (2)	84 to * — XL, XLS, XLX
	22	95594—84	WHEEL WEIGHT, 1/2 oz. (black)	79 to * — XL, XLCH, XLS, XLX
		95595—84	WHEEL WEIGHT, 1/2 oz. (silver)	84 to * — XLS, XLX

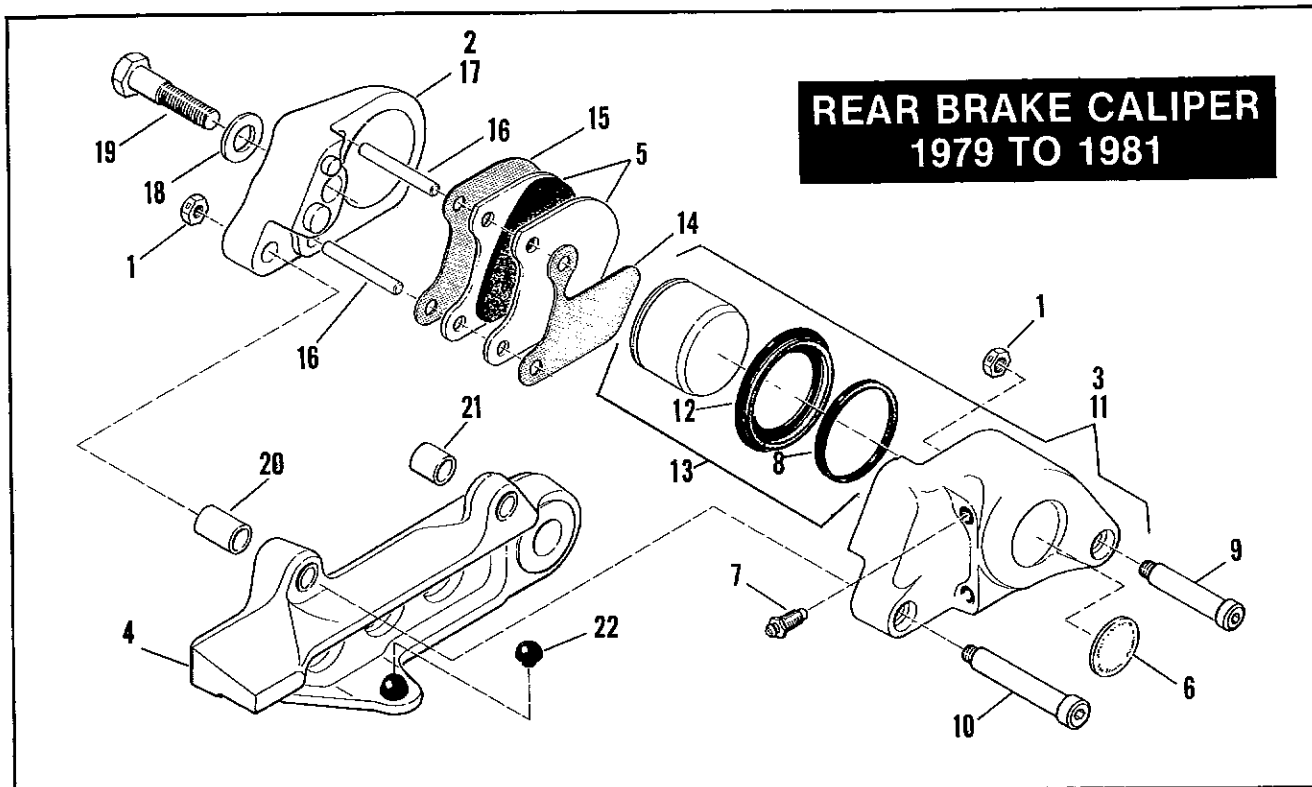


REAR WHEEL — LACED

REAR WHEEL — LACED

XL19A

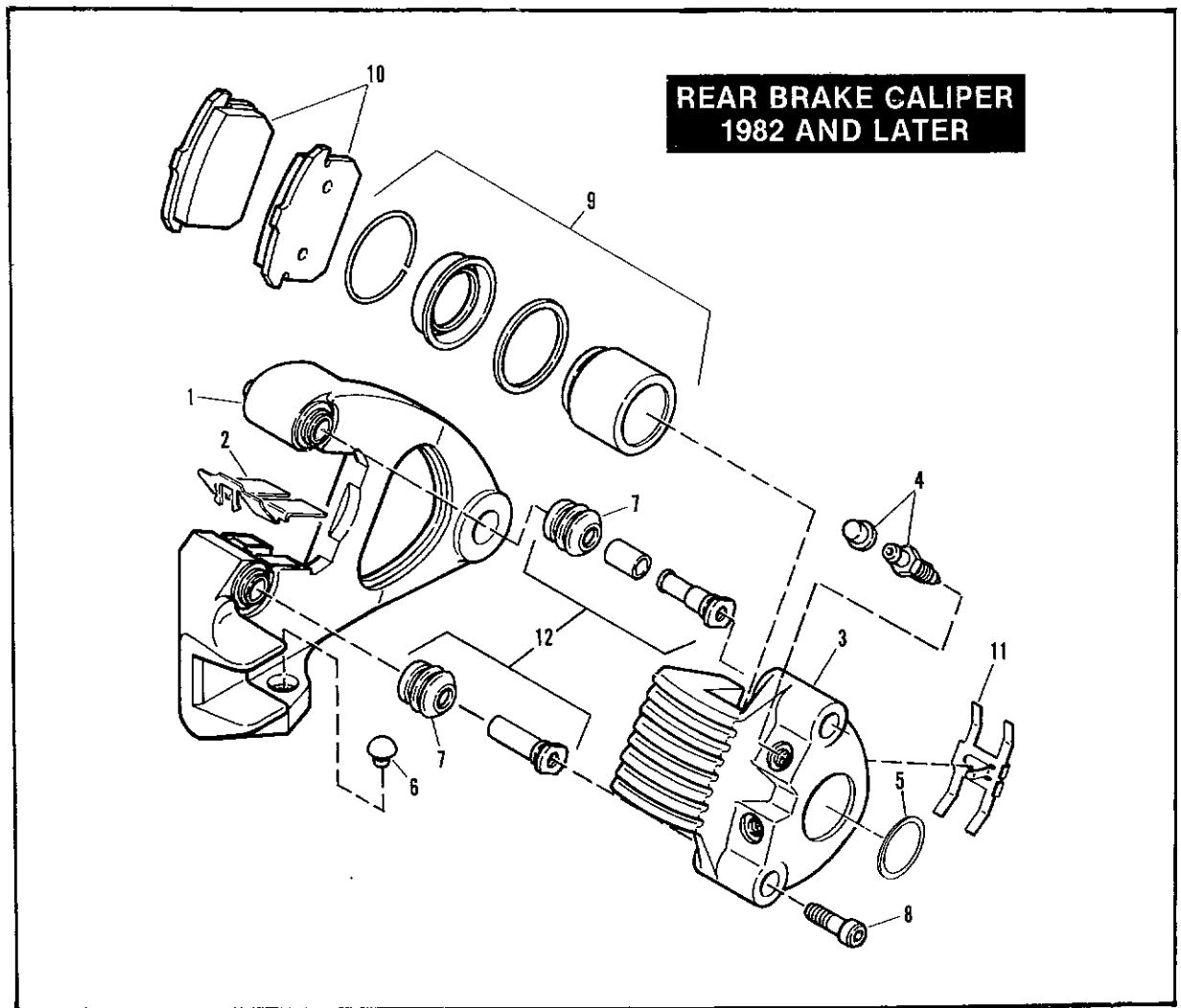
RETAIL PRICE	INDEX NO.	PART NO.	NAME	USED ON
	1	3782	BOLT, 7/16-14 x 1-1/4 hex. hd. (5)	81 to * — XL, XLS, XLX
		3854	BOLT, 7/16-14 x 1 (5)	79 & 80 — XL, XLS
	2	6653	WASHER	82 to * — XL, XLS, XLX
		6722B	WASHER, 5/8 x 1-1/8 x 3/32 steel	79 to 81 — XL, XLS
	3	7022	LOCKWASHER, 5/8	79 to * — XL, XLS, XLX
	4	7038	LOCKWASHER, 3/8 (5)	79 to 81 — XL, XLS
	5	7039	LOCKWASHER, 7/16 (5)	81 — XL, XLS
	6	7515	JAMNUT, 7/16-14 x 11/16 x 1/4 hex. (5)	79 to 81 — XL, XLS
	7	7778	LOCKNUT, 3/8-16 x 15/32 x 9/16 hex. (5)	82 to * — XL, XLS, XLX
		7783	NUT, 3/8-16 x 9/16 x 21/64 (5)	79 to 81 — XL, XLS
	8	7827W	LOCKNUT, 7/16-14 x 29/64 x 5/8 hex. (5)	82 to * — XL, XLS, XLX
	9	7986	NUT, 5/16-18 x 7/16 x 1-1/16 hex.	79 to * — XL, XLS, XLX
	10	9052	ROLLER BEARING (2)	79 to * — XL, XLS, XLX
	11	11027	RETAINING RING (2)	79 to * — XL, XLX
	13	40951—82	WHEEL ASSEMBLY, 16" (chrome)	82 to * — XL, XLS, XLX
	14	40952—82A	HUB ASSEMBLY, rear — 16"	82 to * — XL, XLS, XLX
	16	41196—73	SPACER, outer right	Late 79 to 81 — XL, XLS
	17	41202—79	SPACER, bearing — outer left — 1"	79 to 81 — XL
	18	41470—73A	SPROCKET — 51 T. (chrome)	79 to 81 — XL, XLS
		41470—78	SPROCKET, rear wheel — 51T. (polish & chrome)	79 to 81 — XL, XLCH, XLS
		41470—82	SPROCKET, rear wheel — 48T. (shot blast & chrome)	82 to * — XL, XLS, XLX
	19	41563—77	AXLE	79 to * — XL, XLS, XLX
	20	41606—77	SPACER	79 to * — XL, XLCH, XLS, XLX
	21	41791—79A	DISC, brake	79 to * — XL, XLS, XLX
	22	43032—40B	SPOKE AND NIPPLE, 16" rim (40)	79 to * — XL, XLS, XLX
	23	43085—81	RIM, 16" (chrome)	79 to * — XL, XLS, XLX
	24	43457—79	HUB ASSEMBLY, 16"	79 to 81 — XL
	25	43559—73	WASHER (2)	79 to 81 — XL, XLS
	26	43567—79	SCREW, brake disc (5)	79 to * — XL, XLS, XLX
	27	43601—78	SPACER, between bearings — 4.420 (with flanges)	82 to * — XL, XLS, XLX
		43602—78	SPACER, between bearings — 4.434 (with flanges)	82 to * — XL, XLS, XLX
		43603—78	SPACER, between bearings — 4.448 (with flanges)	82 to * — XL, XLS, XLX
		43630—79	SLEEVE ASSEMBLY — 3.937 (red)	79 to 81 — XL, XLS
		43631—79	SLEEVE ASSEMBLY — 3.951 (green)	79 to 81 — XL, XLS
		43632—79	SLEEVE ASSEMBLY — 3.923 (blue)	79 to 81 — XL, XLS
	27A	43654—86A	SPACER (2)	82 to * — XL, XLS, XLX
	28	43720—79	WHEEL ASSEMBLY, 16" (chrome)	Late 79 & 80 — XL, XLS
		43720—81	WHEEL ASSEMBLY, 16" (chrome)	81 — XL, XLS
	29	47519—72	SEAL (2)	79 to 83 — XL, XLS, XLX
		47519—83A	SEAL (2)	84 to * — XL, XLS, XLX
	30	95578—41	WHEEL WEIGHT, 1/2 oz.	79 to * — XL, XLS, XLX
		95581—47	WHEEL WEIGHT, 3/4 oz.	79 to * — XL, XLS, XLX
		95582—47	WHEEL WEIGHT, 1 oz.	79 to * — XL, XLS, XLX



REAR BRAKE CALIPER — 1979 TO 1981

XL20

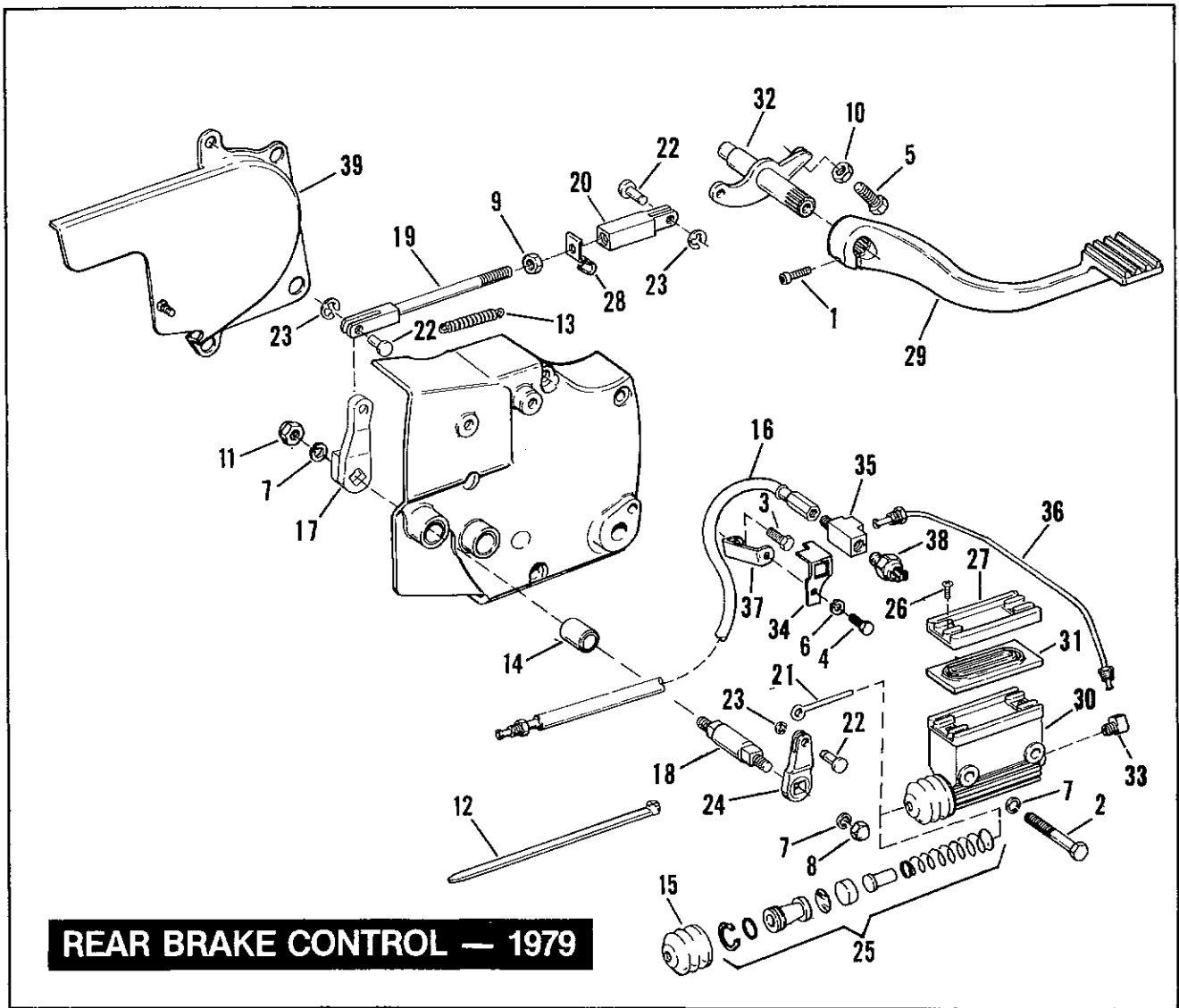
RETAIL PRICE	INDEX NO.	PART NO.	NAME	USED ON
	1	7740	LOCKNUT, 5/16-18 x 1/4 x 1/2 hex. (2)	79 to 81 — XL, XLS
		40925-80	CALIPER ASSEMBLY, w/mounting bracket (black)	80 to 81 — XLS
	2	40926-80	CALIPER, inner (black)	80 to 81 — XLS
	3	40927-80	CALIPER ASSEMBLY, outer (black)	80 to 81 — XLS
	4	40929-80	BRACKET, caliper mounting, continuity with bushing & bumper	80 to 81 — XLS
		40944-79	BRACKET, caliper mounting — with bushings & bumper	79 to 81 — XL, XLCH; 79 — XLS
	5	43395-80	PAD SET	79 to 81 — XL, XLCH, XLS
		44024-79	CALIPER ASSEMBLY, with mounting bracket	79 to 81 — XL, XLCH; 79 — XLS
	6	44108-72	LABEL, caliper	79 to 81 — XL, XLCH; 79 — XLS
	7	44146-77	BLEEDER FITTING	79 to 81 — XL, XLCH, XLS
	8	44152-77	SEAL, piston	79 to 81 — XL, XLCH, XLS
	9	44175-77	SCREW, caliper mounting (short)	79 to 81 — XL, XLCH, XLS
		44176-77	SCREW, caliper mounting (long)	79 to 81 — XL, XLCH, XLS
	11	44178-77	CALIPER ASSEMBLY, outer	79 to 81 — XL, XLCH; 79 — XLS
	12	44180-77	BOOT	79 to 81 — XL, XLCH, XLS
	13	44181-77A	PISTON KIT	79 to 81 — XL, XLCH, XLS
	14	44182-77	PLATE, outer	79 to 81 — XL, XLCH, XLS
	15	44185-77	PLATE, inner	79 to 81 — XL, XLCH, XLS
	16	44186-77	PIN (2)	79 to 81 — XL, XLCH, XLS
	17	44187-77	CALIPER, inner	79 to 81 — XL, XLCH; 79 — XLS
	18	44188-77A	WASHER	79 to 81 — XL, XLCH, XLS
	19	44189-77	BOLT	79 to 81 — XL, XLCH, XLS
	20	44192-77	BUSHING, caliper bracket (long)	79 to 81 — XL, XLCH, XLS
		44193-77	BUSHING, caliper bracket (short)	79 to 81 — XL, XLCH, XLS
	22	44199-79	RUBBER BUMPER, caliper bracket	79 to 81 — XL, XLCH, XLS



REAR BRAKE CALIPER — 1982 & LATER

XL20A

RETAIL PRICE	INDEX NO.	PART NO.	NAME	USED ON
	1	40929-82	BRACKET, mounting, includes items 1A, 4 & 10	82 to * — XL, XLS, XLX
	2	41865-82	ABUTMENT SHIM (2)	82 to * — XL, XLS, XLX
	3	44052-82A	CALIPER BODY ASSEMBLY, includes items 3, 7 & 9 (black)	82 to * — XL, XLS, XLX
	4	44146-82	BLEED SCREW, with dust cover	82 to * — XL, XLS, XLX
	5	44197-77	LABEL	82 to * — XL, XLS, XLX
	6	44199-82	RUBBER BUMPER, caliper bracket	82 to * — XL, XLS, XLX
	7	44200-82	PIN BOOT (2)	82 to * — XL, XLS, XLX
	8	44201-82	BOLT, mounting (2)	82 to * — XL, XLS, XLX
	9	44208-82	REBUILD KIT, brake caliper	82 to * — XL, XLS, XLX
	10	44209-82	PAD SET	82 to * — XL, XLS, XLX
	11	44211-82	PAD SPRING	82 to * — XL, XLS, XLX
	12	44212-82	GUIDE PIN KIT, includes items 5 & 6 (2)	82 to * — XL, XLS, XLX

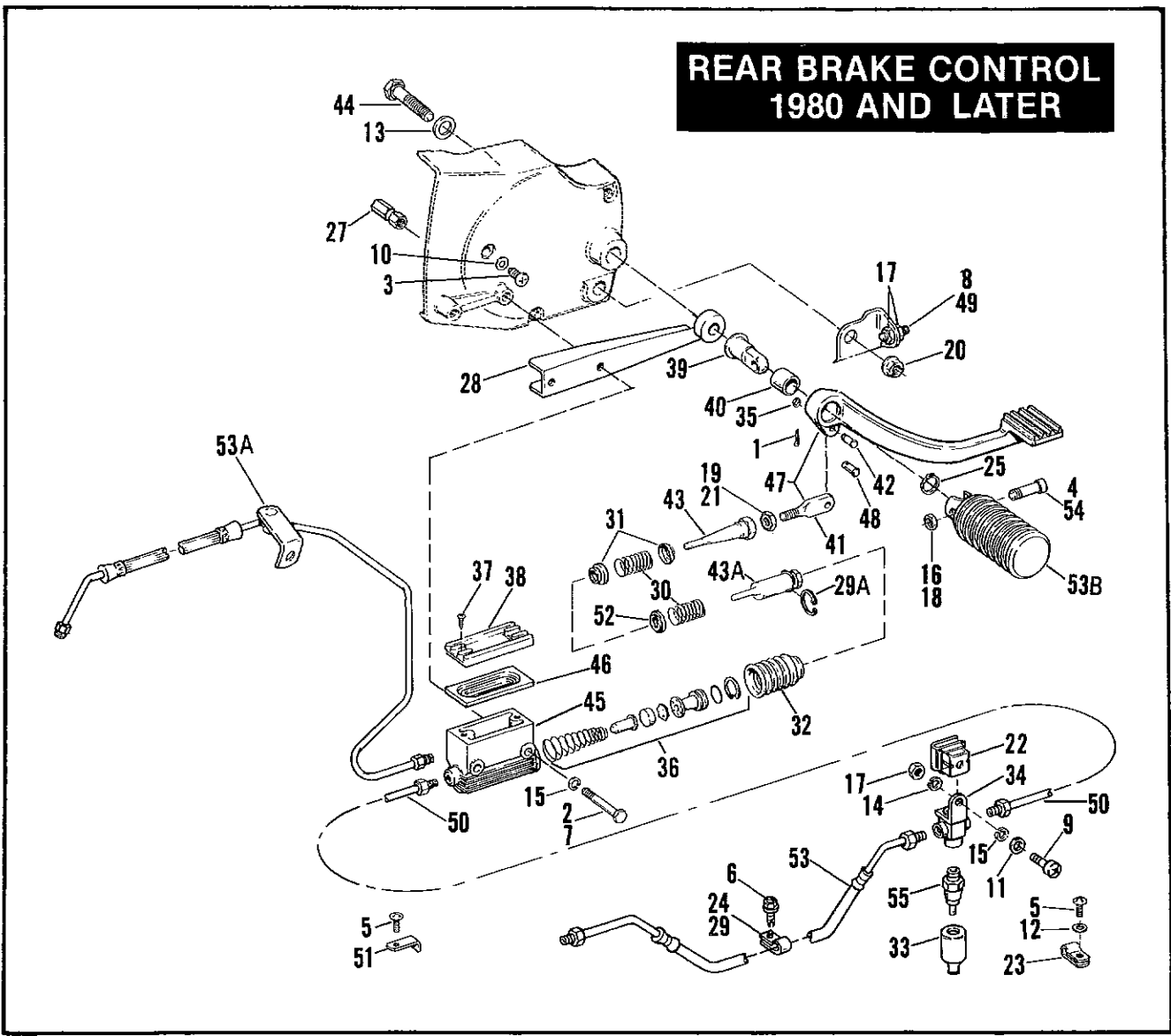


REAR BRAKE CONTROL — 1979

RETAIL PRICE	INDEX NO.	PART NO.	N A M E	USED ON
	1	2706	SCREW, No. 10-24 x 1 socket hd.	N/A 79 — XL, XLCH, XLS
	2	3419	BOLT, 5/16-18 x 2-1/4 hex. hd. (2)	79 — XL, XLS
		3424	BOLT, 5/16-18 x 2-1/4 hex. hd. (black) (2)	N/A 79 — XLS
	3	3728	BOLT, 1/4-20 x 1/2 hex. hd.	Early 79 — XLCH
	4	3802W	BOLT, 1/4-20 x 7/8 hex. hd.	79 — XL, XLCH, XLS
	5	4701	BOLT, 5/16-24 x 1-1/2 hex. hd.	79 — XL, XLCH, XLS
	6	7036	LOCKWASHER, 1/4	79 — XL, XLCH, XLS
	7	7041	LOCKWASHER, 5/16 (4)	79 — XL, XLCH, XLS
	8	7507	ACORN NUT, 5/16-18 x 11/16 x 1/2 hex.	79 — XL, XLCH, XLS
	9	7689W	JAMNUT, 1/4-20 x 5/32 x 7/16 hex.	79 — XL, XLCH, XLS
	10	7744	JAMNUT, 5/16-24 x 3/16 x 1/2 hex.	79 — XL, XLCH, XLS
	11	7763W	JAMNUT, 5/16-18 x 3/16 x 1/2 hex.	79 — XL, XLCH, XLS
	12	10006	STRAP, brake hose	79 — XL, XLCH, XLS
	13	32953-69	SPRING, brake return	N/A 79 — XL, XLCH, XLS
	14	34898-79	BUSHING, brake pivot shaft	79 — XL, XLCH, XLS
	15	41764-79	DUST BOOT, push rod	79 — XL, XLCH, XLS
	16	42329-79	HOSE, rear brake	79 — XL, XLCH, XLS
	17	42357-79	PIVOT ARM, inner	79 — XL, XLCH, XLS
	18	42359-79	PIVOT SHAFT	79 — XL, XLCH, XLS
	19	42361-79	BRAKE ROD	79 — XL, XLCH, XLS
	20	42364-79	CLEVIS, brake rod	79 — XL, XLCH, XLS
	21	42367-79	ROD, master cylinder	79 — XL, XLCH, XLS
	22	42368-79	CLEVIS PIN (3)	79 — XL, XLCH, XLS
	23	42369-79	RETAINING RING (3)	79 — XL, XLCH, XLS
	24	42372-79	PIVOT ARM, outer	79 — XL, XLCH, XLS
	25	42374-77B	REBUILD KIT, master cylinder	79 — XL, XLCH, XLS
	26	42375-77	SCREW, master cylinder cover (2)	79 — XL, XLCH, XLS
	27	42376-77A	COVER, master cylinder	79 — XL, XLCH, XLS
	28	42400-79	CLIP, return spring	79 — XL, XLCH, XLS
	29	42410-75A	BRAKE PEDAL	N/A 79 — XL, XLCH, XLS
	30	42415-79	MASTER CYLINDER	79 — XL, XLCH, XLS
	31	42455-80	GASKET, master cylinder cover	79 — XL, XLCH, XLS
	32	42549-75	OPERATING SHAFT, brake pedal	79 — XL, XLCH, XLS
	33	43307-78	ELBOW, master cylinder	79 — XL, XLCH, XLS
	34	44286-77	BRACKET, tee	N/A 79 — XL, XLCH, XLS
	35	44287-77	TEE, brake	79 — XL, XLCH, XLS
	36	44437-77	TUBE, master cylinder	79 — XL, XLCH, XLS
	37	72011-79	BRACKET, brake tee	N/A Early 79 — XLCH
	38	72023-51A	STOPLIGHT SWITCH, rear brake	79 — XL, XLCH, XLS

NOTE: See TRANSMISSION for covers and mounting hardware.

REAR BRAKE CONTROL 1980 AND LATER



REAR BRAKE CONTROL — 1980 & LATER

XL21A-1

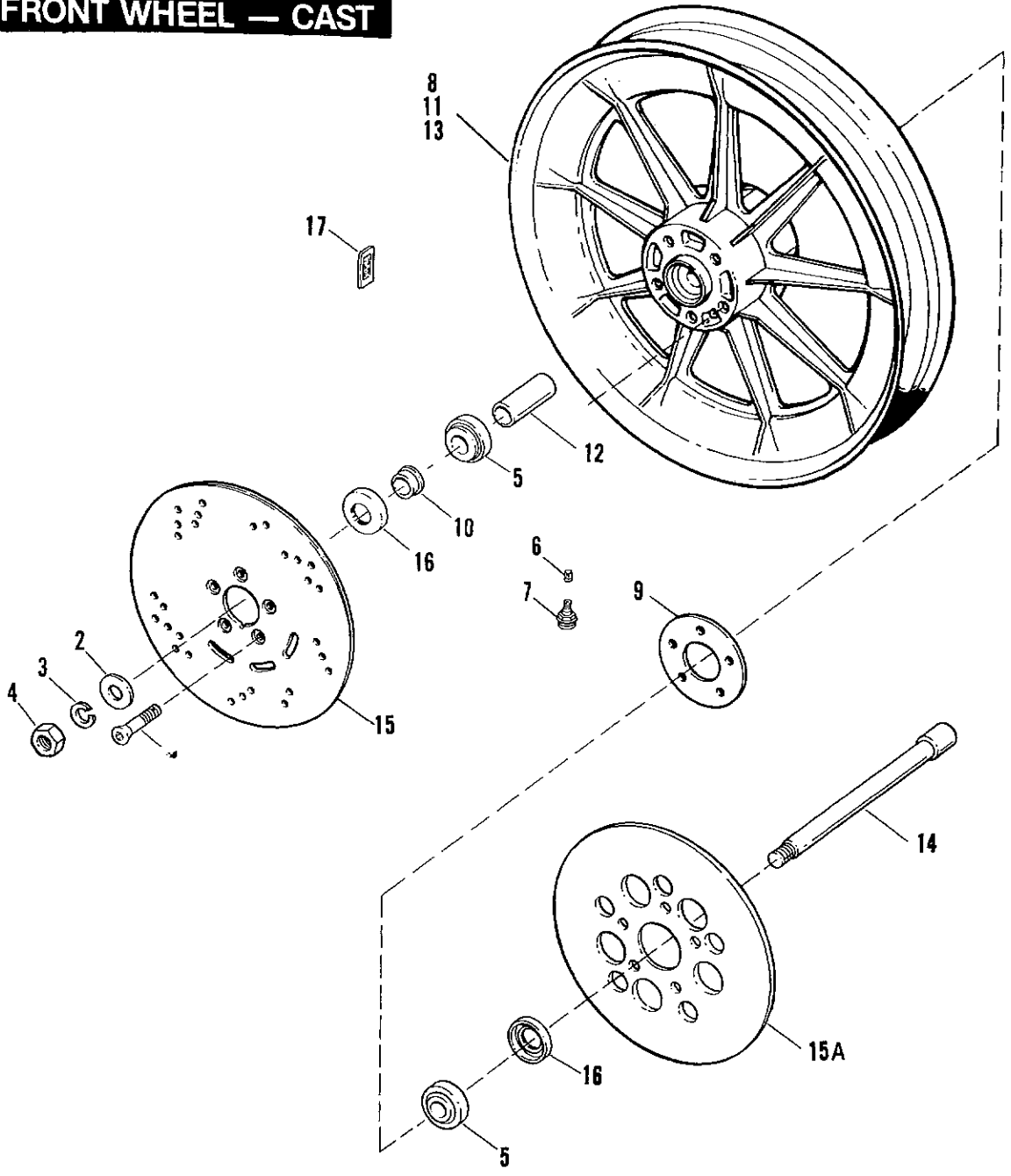
RETAIL PRICE	INDEX NO.	PART NO.	NAME	USED ON
	1	515	COTTER PIN (used with 42460—80A)	Late 80 to * — XL, XLS, XLX
	2	853	SCREW, 5/16-24 x 2-1/4 socket rd. hd. (2)	82 to * — XL, XLS, XLX
	3	1797R	SCREW, 1/4-20 x 2 hex. socket hd.	81 to * — XL, XLS, XLX
		2351W	SCREW, 1/4-20 x 2 Pozidriv	80 — XL, XLS
	4	2501	SCREW, No. 8-32 x 3/8 x 9/16 self tapping (2)	80 to * — XL, XLS, XLX
	5	2608	SCREW, 5/16-18 x 1-1/2 hex. socket hd. (shouldered)	Late 81 to * — XL, XLS, XLX
	6	2661W	SCREW, No. 10-24 x 1/2 self-tap. phil. hd. (2 - Late 81 to 83)	80 to 83 — XL, XLS, XLX
		2662W	SCREW, No. 10-24 x 3/8 self-tap. phil. hd. (2)	84 to * — XL, XLS, XLX
	7	3419	BOLT, 5/16-18 x 2-1/4 hex. hd. (2)	80 to 81 — XL, XLS
	8	3993	BOLT, 1/4-20 x 1-1/4 hex. hd.	Early 80 — XL, XLS
	9	4092	BOLT, 5/16-18 x 3/4 hex. hd.	82 to * — XL, XLS, XLX
	10	6099	WASHER, 1/4 x 7/16 x 1/16.	81 to * — XL, XLS, XLX
	11	6702	WASHER, 5/16 x 11/16 x 1/16.	82 to * — XL, XLS, XLX
	12	6716	WASHER, No. 10 x 1/2 x 3/64	80 — XL, XLS
		6718	WASHER, 1/2 x 1-1/16 x 3/32	80 to * — XL, XLS, XLX
	13	7036	LOCKWASHER, 1/4	80 & 81 — XL, XLS

REAR BRAKE CONTROL — 1980 & LATER (CONT'D)

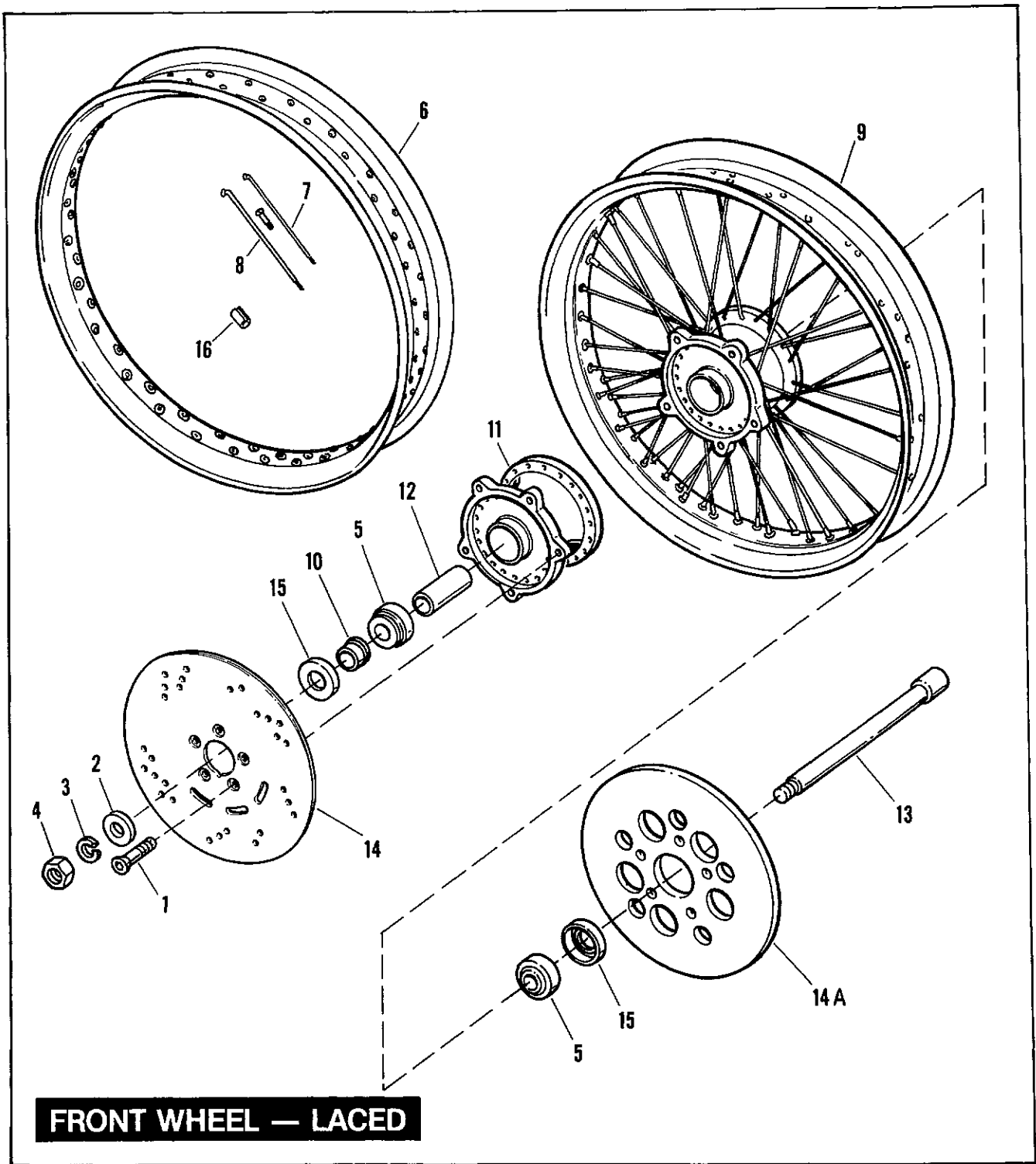
XL21A-2

RETAIL PRICE	INDEX NO.	PART NO.	N A M E	USED ON
	15	7042	LOCKWASHER, 5/16 (2)	82 to * — XL, XLS, XLX
		7041	LOCKWASHER, 5/16 (2)	80 & 81 — XL, XLS
	16	7531	NUT, 5/16-18 x 9/32 x 1/2 hex.	82 to * — XL, XLS, XLX
	17	7688	NUT, 1/4-20 x 7/32 x 7/16 hex. (2)	80 & 81 — XL, XLS
	18	7725	LOCKNUT, 5/16-24 x 11/32 x 1/2	80 & Early 81 — XL, XLS
		7739	LOCKNUT, 5/16-18 x 11/32 x 1/2 hex.	Late 81 — XL, XLS
	19	7744	JAMNUT, 5/16-24 x 3/16 x 1/2 hex.	81 to * — XL, XLS, XLX
	20	7844	LOCKNUT, 1/2-13 x 5/16 x 3/4 hex.	80 to * — XL, XLS, XLX
	21	7851W	NUT, 3/8-24 x 7/32 x 9/16 hex.	80 — XL, XLS
	22	8102	NUT, clip	82 to * — XL, XLS, XLX
	23	9973	CLAMP	80 & Early 81 — XL, XLS
	24	10031	CLAMP, rear brake hose (2)	Late 81 to * — XL, XLS, XLX
	25	11093	RETAINING RING, footrest	80 to * — XL, XLS, XLX
	27	34880—77B	STUD, mounting	82 to * — XL, XLS, XLX
		34886—82	STUD, mounting	83 to * — XL, XLS, XLX
	28	34905—82	STIFFENER, master cylinder (polished)	82 & Early 83 — XL; Early 83 — XLS
		34907—82	STIFFENER, master cylinder (vivid black)	82 — XLS
		34909—83	STIFFENER, master cylinder	Late 83 to * — XL, XLS; 83 to * — XLX
	29	38712—68	CLAMP, rear brake hose	80 & Early 81 — XL, XLS
	29A	40918—82	WASHER, piston cup	82 to * — XL, XLS, XLX
	30	40920—79	SPRING, brake return	80 to Early 84 — XL, XLS, XLX
		40920—82	SPRING, brake return	Late 84 to * — XL, XLS, XLX
	31	40921—79	WASHER, brake return	80 & 81 — XL, XLS
	32	40922—79	BOOT, push rod	80 to * — XL, XLS, XLX
	33	41642—82	RUBBER BOOT, brake switch	82 to * — XL, XLS, XLX
	34	42318—72	TEE, rear brake	80 to * — XL, XLS, XLX
	35	42369—79	RETAINING RING, rear brake pedal	80 & 81 — XL, XLS
	36	42374—77B	REBUILD KIT, master cylinder	80 & 81 — XL, XLS
		42374—82A	REBUILD KIT, master cylinder	82 to * — XL, XLS, XLX
	37	42375—77	SCREW, master cylinder cover	80 & 81 — XL, XLS
		42375—82	BOLT, cover	82 to * — XL, XLS, XLX
	38	42376—77A	COVER, master cylinder	80 & 81 — XL, XLS
		42378—82	COVER, master cylinder	82 — XLS
		42381—82	COVER, master cylinder	82 to * — XL; 83 to * — XLS, XLX
	39	42441—80	SHAFT, pivot rear brake	80 to * — XL, XLS, XLX
	40	42443—80	BUSHING, rear brake pedal	80 to * — XL, XLS, XLX
	41	42445—80A	ROD, end	80 to * — XL, XLS, XLX
	42	42447—80	PIN, rod end	Early 80 — XL, XLS
	43	42448—80	PLUNGER, master cylinder	80 & 81 — XL, XLS
	43A	42448—82A	PLUNGER KIT, master cylinder	82 to * — XL, XLS, XLX
	44	42450—80	BOLT, sprocket cover	80 to * — XL, XLS, XLX
	45	42453—80A	MASTER CYLINDER	80 & 81 — XLS
		42453—82A	MASTER CYLINDER ASSY. (polished)	82 to * — XL; 83 to * — XLS, XLX
		42454—80A	MASTER CYLINDER	80 & 81 — XL
		42454—82	MASTER CYLINDER ASSY. (black)	82 — XLS
	46	42455—80	GASKET, master cylinder	80 & 81 — XL, XLS
		42455—82	GASKET, master cylinder	82 to * — XL, XLS, XLX
	47	42459—80B	PEDAL ASSEMBLY, rear brake, consists of besides pedal, clevis pin & rod end index nos. 35 & 40	80 to * — XL, XLS, XLX
	48	42460—80A	CLEVIS PIN (use with 515)	Late 80 to * — XL, XLS, XLX
	49	42461—80	STUD, brake pedal stop	Late 80 to * — XL, XLS, XLX
	50	42477—80	TUBE, rear brake	80 — XL, XLS
		42484—81	BRAKE LINE, rear master cylinder	81 to * — XL, XLS, XLX
	51	42500—81	MOUNTING TAB, brake line	Late 81 to * — XL, XLS, XLX
	52	44126—82	WASHER, brake return spring	82 to * — XL, XLS, XLX
	53	44438—80	BRAKE HOSE, rear	80 & 81 — XL, XLS
	53A	44438—82	BRAKE HOSE (single piece)	82 to * — XL, XLS, XLX
	53B	50939—52	FOOTREST, with cover	80 to * — XL, XLCH, XLS, XLX
		50940—52	COVER (rubber)	80 to * — XL, XLCH, XLS, XLX
	54	50970—52	BOLT, footrest	80 & Early 81 — XL, XLS
	55	72023—51A	STOPLIGHT SWITCH, rear brake	80 to * — XL, XLS, XLX

FRONT WHEEL — CAST



RETAIL PRICE	INDEX NO.	PART NO.	N A M E	USED ON
	1	3655	SCREW, 5/16-18 x 7/8 pan hd., Torx (10)	84 to * — XL, XLS, XLX
		3680	SCREW, 5/16-18 x 7/8 ctsk. flat socket hd. (10)	79 to Early 81 — XL, XLCH, XLS
		3795	SCREW, 5/16-18 x 7/8 flat socket hd. (w/lock patch) (10)	Late 81 to 83 — XL, XLS, XLX
	2	6653	WASHER, 5/8 x 1-5/16 x 3/32	79 to * — XL, XLCH, XLS, XLX
	3	7022	LOCKWASHER, 5/8	79 to * — XL, XLCH, XLS, XLX
	4	7813	NUT, 5/18-13 x 9/16 x 5/16 hex.	79 to * — XL, XLCH, XLS, XLX
	5	9052	ROLLER BEARING (2)	79 to * — XL, XLCH, XLS, XLX
	6	41123—79	VALVE CAP	84 to * — XL, XLS, XLX
	7	43150—83	VALVE STEM, tubeless tire (as required)	84 to * — XL, XLS, XLX
		43157—83A	VALVE STEM, tubeless tire (as required)	84 to * — XL, XLS, XLX
	8	43309—83	WHEEL ASSEMBLY, 19" — w/bearing, seals & spacer	83 — XLS
		43338—83A	WHEEL ASSEMBLY, 19" (silver)	84 to * — XLX
	9	41814—76	HUB PLATE	84 to * — XLS, XLX, XLX
		43358—83	SPACER, bearing	85 to * — XL, XLS, XLX
	10	43488—77	SPACER, left bearing	79 to * — XL, XLCH, XLS, XLX
	11	43617—83	WHEEL ASSEMBLY, w/bearings, seals & spacers (black)	79 to 83 — XL, XLCH, XLX; 79 to 82 — XLS
	12	43623—78	SPACER, between bearings — 2.564 (violet)	79 to * — XL, XLCH, XLS, XLX
		43624—78	SPACER, between bearings — 2.550 (pink)	79 to * — XL, XLCH, XLS, XLX
		43625—78	SPACER, between bearings — 2.536 (gold)	79 to * — XL, XLCH, XLS, XLX
	13	43626—84	WHEEL ASSEMBLY, 19" (black)	84 to * — XLS, XLX
	14	43883—77	FRONT AXLE	79 to 83 — XL, XLCH, XLS, XLX
		43883—84	FRONT AXLE	84 to * — XL, XLS, XLX
	15	44136—84A	DISC	84 to * — XL, XLS, XLX
	15A	44137—77A	DISC (2)	79 to 83 — XL, XLCH, XLS, XLX
	16	47519—72	OIL SEAL (2)	79 to 83 — XL, XLCH, XLS, XLX
		47519—83A	OIL SEAL (2)	84 to * — XL, XLS, XLX
	17	95594—84	WHEEL WEIGHT, 1/2 oz. (black)	79 to * — XL, XLCH, XLS, XLX
		95595—84	WHEEL WEIGHT, 1/2 oz. (silver)	84 to * — XLS, XLX

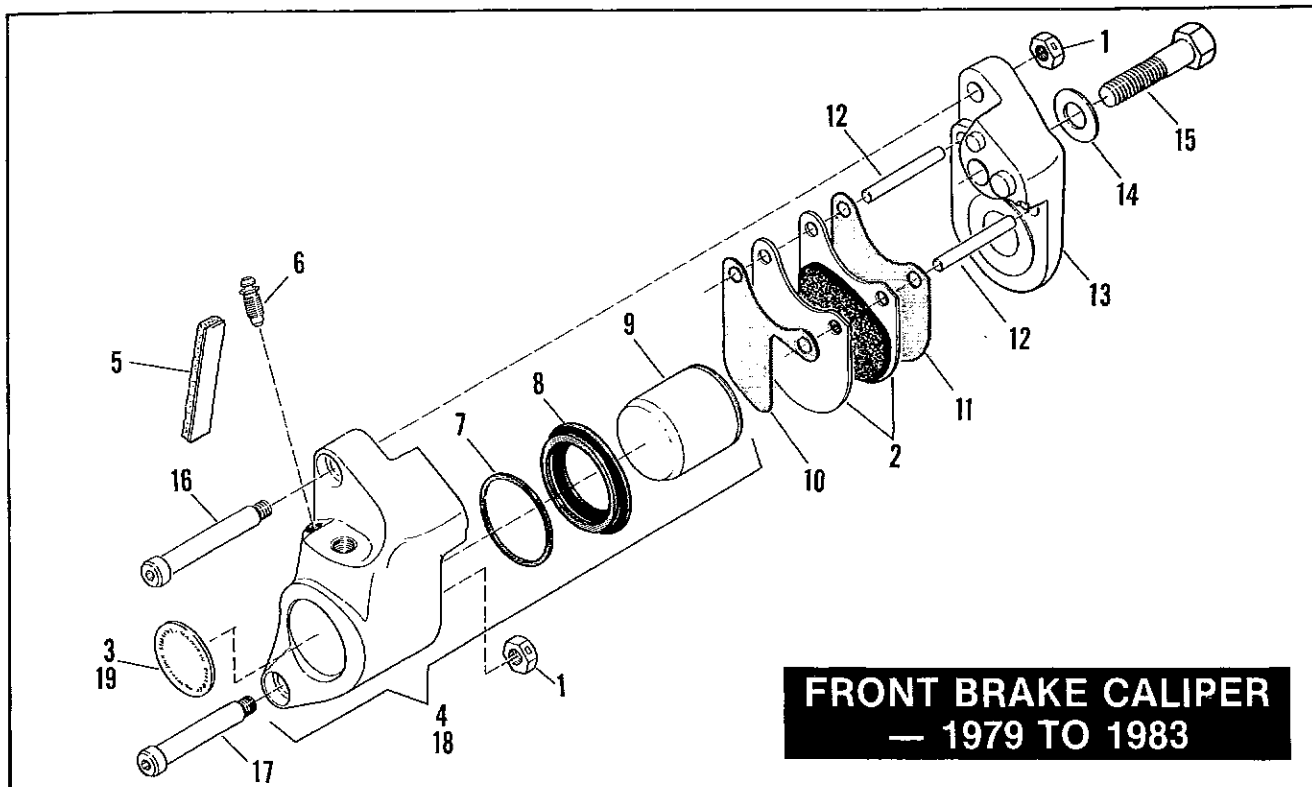


FRONT WHEEL — LACED

FRONT WHEEL — LACED

XL22A

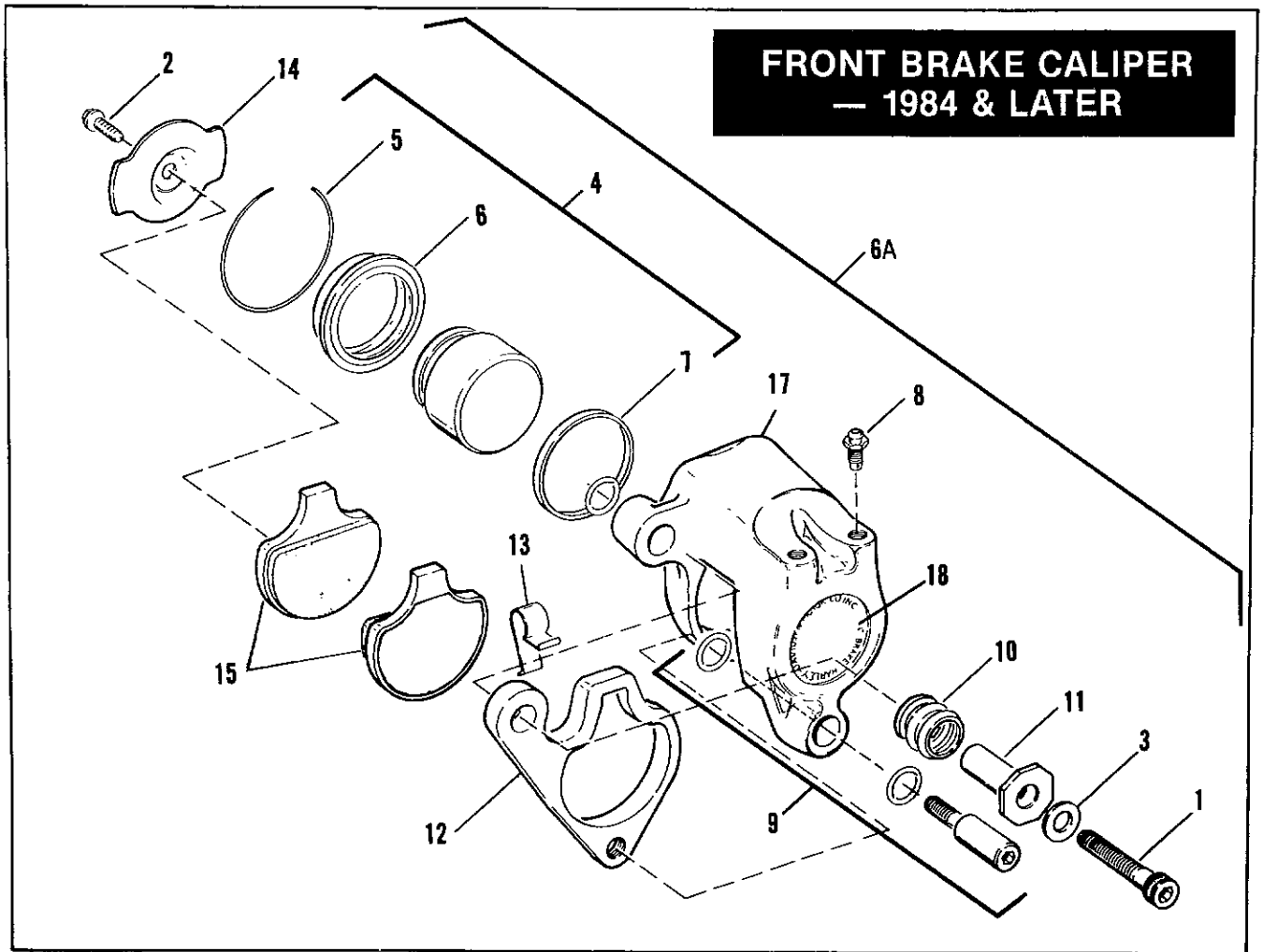
RETAIL PRICE	INDEX NO.	PART NO.	N A M E	USED ON
	1	3655	SCREW, 5/16-18 x 7/8 pan hd. Torx (5)	84 to * — XL, XLS
		3680	SCREW, 5/16-18 x 7/8 ctsk. flat socket hd. (10)	79 to Early 81 — XL, XLS
		3795	SCREW, 5/16-18 x 7/8 flat socket hd. (w/lock patch)	Late 81 to 83 — XL, XLS
	2	6653	WASHER, 5/8 x 1-5/16 x 3/32	79 to * — XL, XLS
	3	7022	LOCKWASHER, 5/8	79 to * — XL, XLS
	4	7813	NUT, 5/8-18 x 9/16 x 15/16 hex.	79 to * — XL, XLS
	5	9052	ROLLER BEARING (2)	79 to * — XL, XLS
	6	43001-79	RIM, 19" (chrome)	79 to * — XL, XLS
	7	43024-73B	SPOKE AND NIPPLE, 19" rim, short (20)	79 to * — XL, XLS
	8	43025-73B	SPOKE AND NIPPLE, 19" rim, long (20)	79 to * — XL, XLS
	9	43312-84	WHEEL ASSEMBLY, 19"	84 to * — XL, XLS
		43321-79	WHEEL ASSEMBLY, 19" (chrome)	Late 79 to 83 — XL, XLS
	10	43488-77	SPACER, left bearing	79 to * — XL, XLS
	11	43600-78	WHEEL HUB ASSEMBLY	79 to 83 — XL, XLS
		43619-84	WHEEL HUB ASSEMBY	84 to * — XL
	12	43623-78	SPACER, between bearings — 2.564 (violet)	79 to * — XL, XLS
		43624-78	SPACER, between bearings — 2.550 (pink)	79 to * — XL, XLS
		43625-78	SPACER, between bearings — 2.536 (gold)	79 to * — XL, XLS
	13	43883-77	FRONT AXLE	79 to 83 — XL, XLS
		43883-84	FRONT AXLE	84 to * — XL, XLS
	14	44136-84A	DISC	84 to * — XL, XLS
	14A	44137-77A	DISC (2)	79 to 83 — XL, XLS
	15	47519-72	SEAL (2)	79 to 83 — XL, XLS
		47519-83A	SEAL (2)	84 to * — XL, XLS
	16	95578-41	WHEEL WEIGHT, 1/2 oz.	79 to * — XL, XLS
		95581-47	WHEEL WEIGHT, 3/4 oz.	79 to * — XL, XLS
		95582-47	WHEEL WEIGHT, 1 oz.	79 to * — XL, XLS



FRONT BRAKE CALIPER — 1979 TO 1983

XL23

RETAIL PRICE	INDEX NO.	PART NO.	N A M E	USED ON
	1	7740	NUT, 5/16-18 x 1/2 x 1/4 hex. (2)	79 to 83 — XL, XLS, XLX
		44025-79	CALIPER ASSEMBLY, left	79 to 81 — XL, XLCH; 79 — XLS
		44025-80	CALIPER ASSEMBLY, left (black)	80 to 83 — XLS; 82 & 83 — XL, XLX
		44026-79	CALIPER ASSEMBLY, right	79 to 81 — XL, XLCH; 79 — XLS
		44026-80	CALIPER ASSEMBLY, right (black)	80 to 83 — XLS; 82 & 83 — XL, XLX
	2	44032-79	PAD SET	79 to 83 — XL, XLCH, XLS, XLX
	3	44108-72	LABEL, caliper	79 to 81 — XL, XLCH; 79 — XLS
	4	44121-77	CALIPER ASSEMBLY, outer — left	79 to 81 — XL, XLCH; 79 — XLS
		44121-80	CALIPER ASSEMBLY, outer — left (black)	80 to 83 — XLS; 82 & 83 — XL, XLX
	5	44125-82	FOAM TAPE	82 & 83 — XL, XLS, XLX
	6	44146-77	BLEEDER FITTING	79 to 83 — XL, XLCH, XLS, XLX
	7	44151-77	SEAL, piston	79 to 83 — XL, XLCH, XLS, XLX
	8	44153-77	BOOT	79 to 83 — XL, XLCH, XLS, XLX
	9	44157-77	PISTON	79 to 83 — XL, XLCH, XLS, XLX
	10	44158-77	PLATE, outer	79 to 83 — XL, XLCH, XLS, XLX
	11	44161-77	PLATE, inner	79 to 83 — XL, XLCH, XLS, XLX
	12	44162-77	PIN (2)	79 to 83 — XL, XLCH, XLS, XLX
	13	44163-77	CALIPER, inner — left	79 to 81 — XL, XLCH; 79 — XLS
		44163-80	CALIPER, inner — left (black)	80 to 83 — XLS; 82 & 83 — XL, XLX
		44164-77	CALIPER, inner — right	79 to 81 — XL, XLCH; 79 — XLS
		44164-80	CALIPER, inner — right (black)	80 to 83 — XLS; 82 & 83 — XL, XLX
	14	44165-77	WASHER	79 to 83 — XL, XLCH, XLS, XLX
	15	44172-77	BOLT	79 to 83 — XL, XLCH, XLS, XLX
	16	44173-77	SCREW, caliper mounting (long)	79 to 83 — XL, XLCH, XLS, XLX
	17	44174-77	SCREW, caliper mounting (short)	79 to 83 — XL, XLCH, XLS, XLX
	18	44195-77	CALIPER ASSEMBLY, outer — right	79 to 81 — XL, XLCH; 79 — XLS
		44195-80	CALIPER ASSEMBLY, outer — right (black)	80 to 83 — XLS; 82 & 83 — XL, XLX
	19	44197-77	LABEL (2)	80 to 83 — XLS; 82 & 83 — XL, XLX

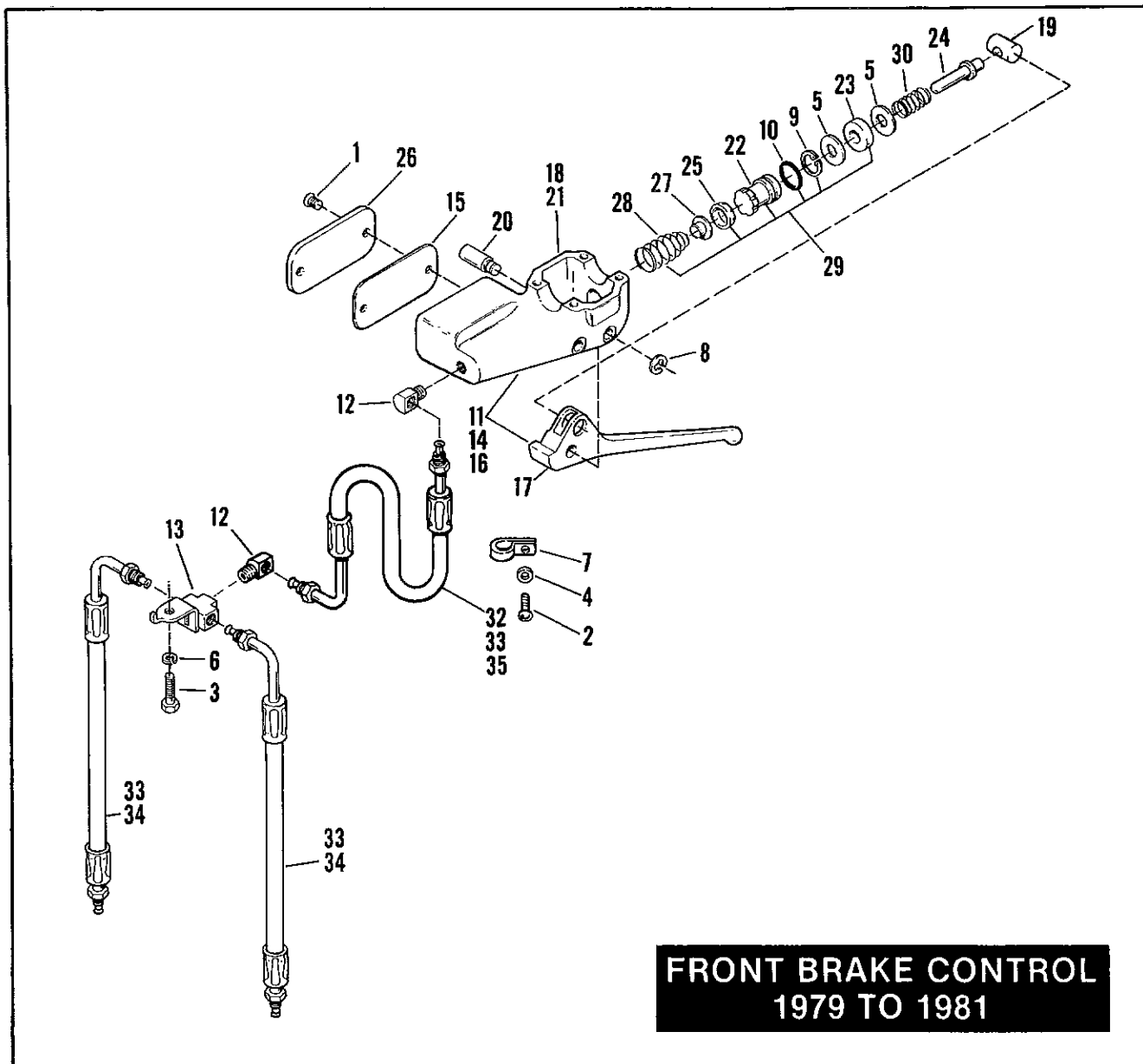


**FRONT BRAKE CALIPER
— 1984 & LATER**

FRONT BRAKE CALIPER — 1984 AND LATER

XL23A

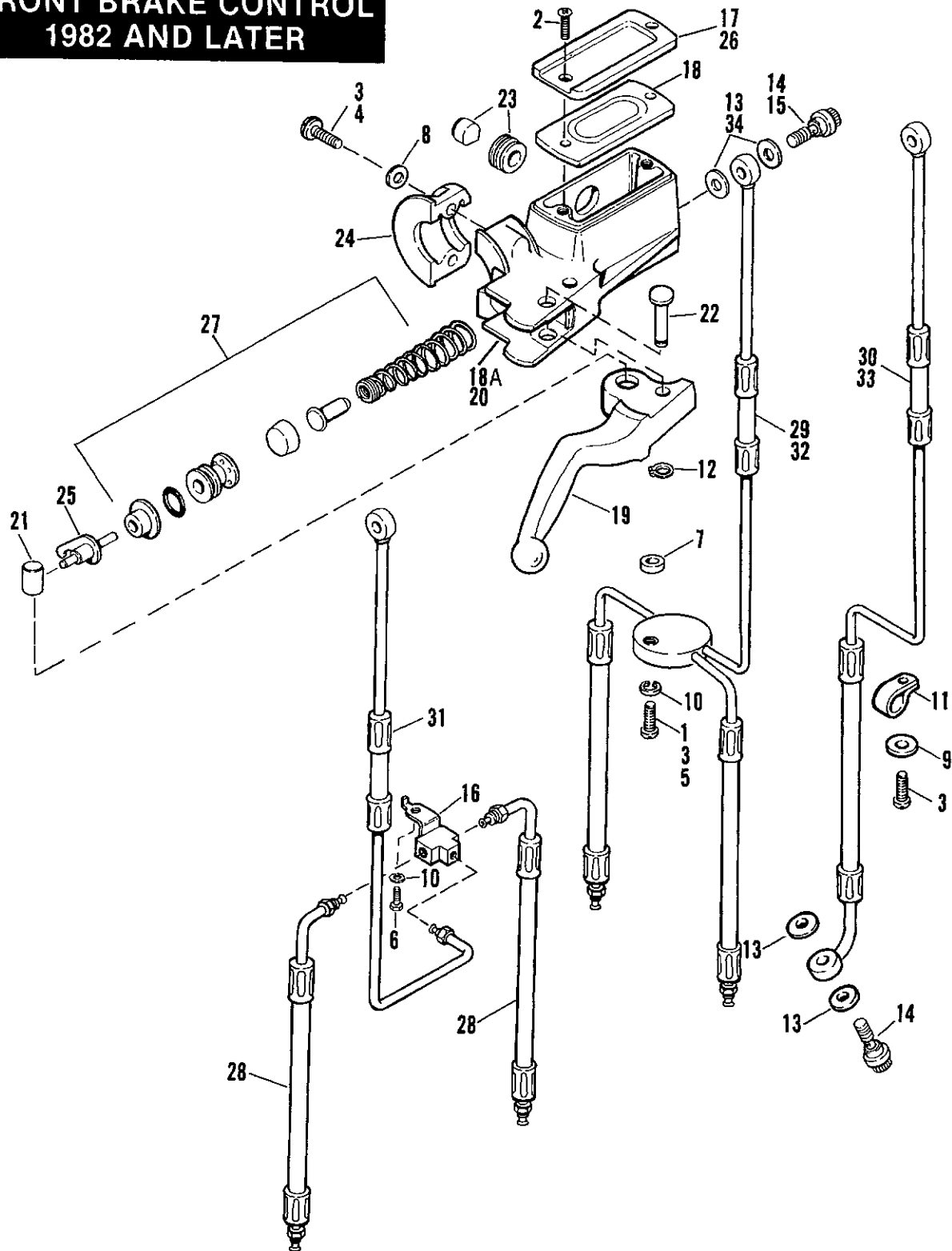
RETAIL PRICE	INDEX NO.	PART NO.	NAME	USED ON
	1	855	SCREW, 3/8-16 x 2 knurled socket hd.	84 to * — XL, XLS, XLX
	2	3517	SCREW, 10-32 x 1/2 hex. washer hd.	84 to * — XL, XLS, XLX
	3	6019	WASHER, 3/8 x 29/32 x 1/16.	84 to * — XL, XLX; 84 — XLS
		6701	WASHER	85 to * — XLS
	4	44020-83	PISTON REBUILD KIT, includes items 5 - 7	84 to * — XL, XLS, XLX
	5	44021-83	RETAINING RING, piston	84 to * — XL, XLS, XLX
	6	44022-83	DUST BOOT, piston	84 to * — XL, XLS, XLX
	6A	44046-84	CALIPER ASSEMBLY, left	84 to * — XL, XLS, XLX
	7	44047-83	SEAL, pinton	84 to * — XL, XLS, XLX
	8	44048-83	BLEEDER FITTING	84 to * — XL, XLS, XLX
	9	44053-83	GUIDE PIN KIT, includes items 10 & 11	84 to * — XL, XLS, XLX
	10	44054-83	PIN BOOT	84 to * — XL, XLS, XLX
	11	44059-83	GUIDE PIN, (3)	84 to * — XL, XLS, XLX
	12	44060-83	BRACKET, caliper mounting.	84 to * — XL, XLS, XLX
	13	44061-83	SPRING CLIP	84 to * — XL, XLS, XLX
	14	44062-83	RETAINING PAD	84 to * — XL, XLS, XLX
	15	44063-83	PAD SET — includes 3517 SCREW	84 to * — XL, XLS, XLX
	17	44065-83	CALIPER REBUILD KIT, includes items 4 & 8	84 to * — XL, XLS, XLX
	18	44197-77	LABEL	84 to * — XL, XLS, XLX



**FRONT BRAKE CONTROL
1979 TO 1981**

RETAIL PRICE	INDEX NO.	PART NO.	NAME	USED ON
	1	2628	SCREW, No. 8-32 x 7/16 ctsk. hd. (2)	79 to 81 — XL, XLCH, XLS
	2	2661W	SCREW, No. 10-24 x 1/2 self tapping phillips hd.	81 — XL, XLS
	3	4391	BOLT, 5/16-24 x 5/8 hex. hd.	79 to 81 — XL, XLCH, XLS
	4	6716	WASHER, No. 10 x 1/2 x 3/64	81 — XL, XLS
	5	6811W	WASHER, 1/4 x 3/4 x 1/64 (2)	79 to 81 — XL, XLCH, XLS
	6	7041	LOCKWASHER, 5/16	79 to 81 — XL, XLCH, XLS
	7	9973	CLAMP, upper brake hose	81 — XL, XLS
	8	11015	RETAINING RING, handlever pivot pin	79 to 81 — XL, XLCH, XLS
	9	11063	RETAINING RING, piston	79 to 81 — XL, XLCH, XLS
	10	11137	O-RING, piston	79 to 81 — XL, XLCH, XLS
	11	43306—78	MASTER CYLINDER ASSEMBLY, with handlever(polished)	Early 79 — XL, XLCH
	12	43307—78	TUBE FITTING (2)	79 to 81 — XL, XLCH, XLS
	13	44310—77	TEE, front brake hoses	Late 79 to 81 — XL, XLCH, XLS
	14	45011—77	MASTER CYLINDER ASSEMBLY, with handlever (black)	Late 79 — XL, XLCH, XLS
	15	45012—72	GASKET, cover	79 to 81 — XL, XLCH, XLS
	16	45013—72	MASTER CYLINDER, with handlever (black)	80 to 81 — XL, XLS
	17	45016—72	HANDLEVER, front brake	79 to 81 — XL, XLCH, XLS
	18	45024—72	BODY, master cylinder (black)	Late 79 to 81 — XL, XLCH, XLS
	19	45031—72	PIN, plunger	79 to 81 — XL, XLCH, XLS
	20	45032—72	PIN, handlever pivot	79 to 81 — XL, XLCH, XLS
	21	45037—73	BODY, master cylinder (polished)	Early 79 — XL, XLCH
	22	45053—72	PISTON	79 to 81 — XL, XLCH, XLS
	23	45054—72	DUST WIPER	79 to 81 — XL, XLCH, XLS
	24	45055—72	PLUNGER	79 to 81 — XL, XLCH, XLS
	25	45056—77	PISTON CUP	79 to 81 — XL, XLCH, XLS
	26	45057—72	COVER	79 to 81 — XL, XLCH, XLS
	27	45059—72	CUP, piston spring	79 to 81 — XL, XLCH, XLS
	28	45061—72A	SPRING, piston return	79 to 81 — XL, XLCH, XLS
	29	45063—72	REPAIR KIT, master cylinder	79 to 81 — XL, XLCH, XLS
	30	45071—72	SPRING, plunger	79 to 81 — XL, XLCH, XLS
	32	45114—77	BRAKE HOSE, upper	79 — XLS
		45114—79	BRAKE HOSE, upper	80 — XLS
	33	45121—77	BRAKE HOSE (3 - 1979) (2 lower - 1980 & later)	79 to 81 — XL
	34	45123—77	BRAKE HOSE, lower (2)	79 to 81 — XLS
	35	45123—79	BRAKE HOSE, upper	80 — XL
		45125—81	BRAKE HOSE, upper	81 — XL, XLS

FRONT BRAKE CONTROL 1982 AND LATER

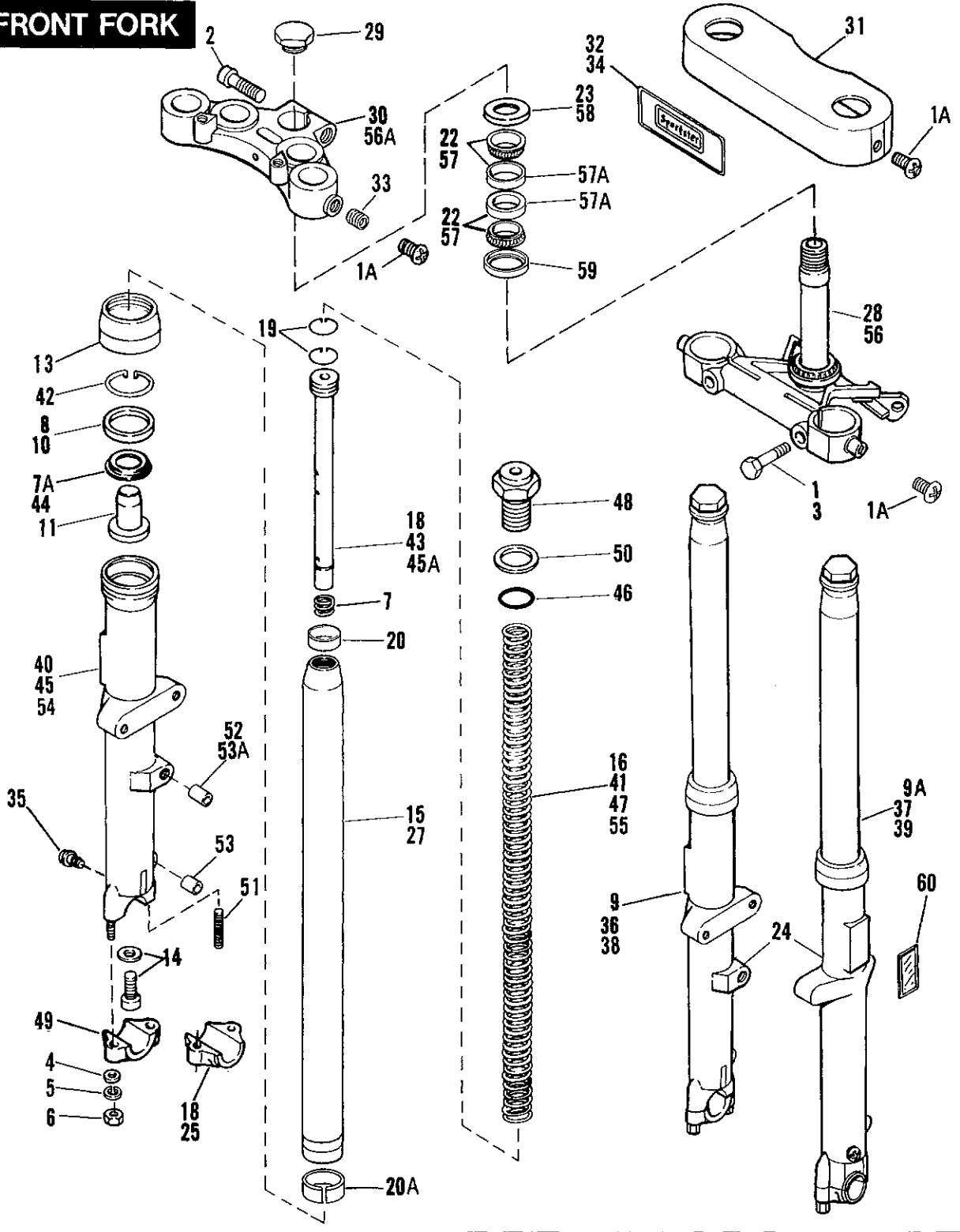


FRONT BRAKE CONTROL — 1982 & LATER

XL24A

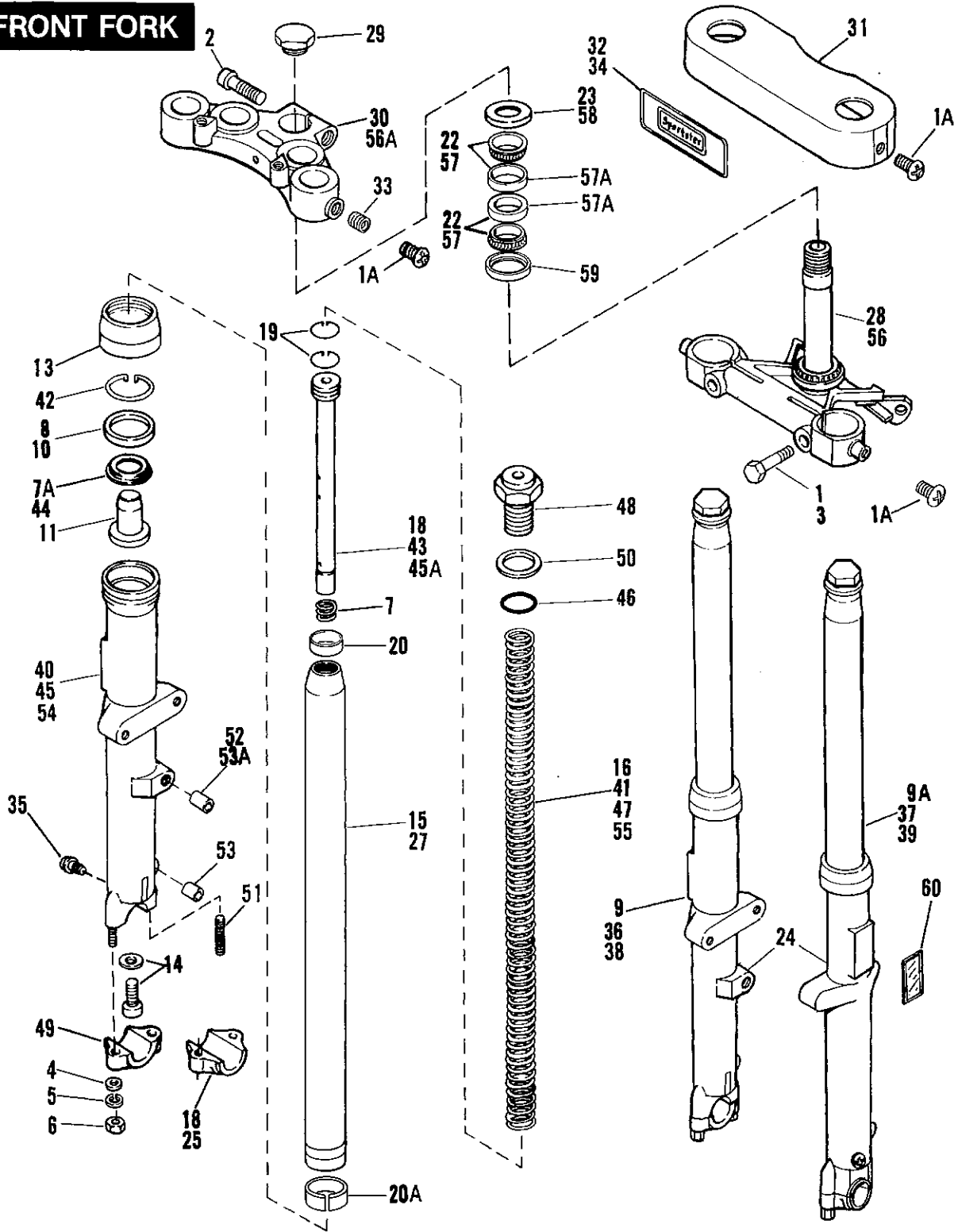
RETAIL PRICE	INDEX NO.	PART NO.	N A M E	USED ON
	1	856	SCREW, 5/16-24 x 1 knurled socket hd.	Late 83 — XL, XLS, XLX
	2	2579	SCREW, 8-32 x 5/8 Pozidriv pan hd. (2)	82 to * — XL, XLS, XLX
	3	3444	SCREW, 1/4-20 x 5/8 socket hd. (2 — 82 & 83).....	82 to * — XL, XLS, XLX
	4	4015	SCREW, 1/4-20 x 7/8 socket rd. hd (2)	84 to * — XL, XLS, XLX
	5	4387	SCREW, 5/16-24 x 27/32 socket rd. hd.	Early 83 — XL, XLS, XLX
	6	4391	BOLT, 5/16-24 x 5/8 hex. hd.	82 — XL, XLS
	7	5965B	SPACER	83 — XL, XLS, XLX
	8	6099	WASHER, 1/4 x 7/16 x 1/16 (2)	82 to * — XL, XLS, XLX
	9	6703	WASHER, 1/4 x 5/8 x 1/16	84 to * — XL, XLS, XLX
	10	7042	LOCKWASHER, 5/16	82 & 83 — XL, XLS, XLX
	11	10053	CLAMP	84 to * — XL, XLS, XLX
	12	11143	RETAINING RING, external	82 to * — XL, XLS, XLX
	13	41731—82	GASKET, master cylinder - 82 & 83; caliper - 84 & later (2)	82 to * — XL, XLS, XLX
	14	41739—84	BOLT, front brake hose	84 to * — XL, XLS, XLX
	15	41747—82	BOLT, front brake hose	82 to Early 84 — XL, XLS, XLX
		41747—82A	BOLT, front brake hose	Late 84 to * — XL, XLS, XLX
	16	44311—80	TEE, front brake hose	82 — XL, XLS
	17	45004—85	COVER, master cylinder	Late 85 to * — XL, XLS, XLX
	18	45005—85	GASKET, master cylinder cover	Late 85 to * — XL, XLS, XLX
		45012—82	GASKET, master cylinder cover	82 to Early 85 — XL, XLS, XLX
	18A	45013—82A	MASTER CYLINDER ASSEMBLY, with hand lever	82 & 83 — XL, XLS, XLX
	19	45016—82	HAND LEVER, front brake	82 to * — XL, XLS, XLX
	20	45019—85	MASTER CYLINDER ASSEMBLY, with hand lever	84 to * — XL, XLS, XLX
	21	45031—82	PIN, stoplight switch & pushrod	82 to * — XL, XLS, XLX
	22	45032—82	PIN, handlever pivot	82 to * — XL, XLS, XLX
	23	45042—82	FLUID LEVEL WINDOW KIT	82 to * — XL, XLS, XLX
	24	45044—82	CLAMP, master cylinder	82 to * — XL, XLS, XLX
	25	45051—82	PUSH ROD, stoplight switch & master cylinder	82 to * — XL, XLS, XLX
	26	45057—82	COVER, master cylinder	82 to Early 85 — XL, XLS, XLX
	27	45063—82A	REPAIR KIT, master cylinder	82 & 83 — XL, XLS, XLX
		45069—84	REPAIR KIT, master cylinder	84 to * — XL, XLS, XLX
	28	45121—77	BRAKE HOSE, lower (2)	82 — XL
		45123—77	BRAKE HOSE, lower (2)	82 — XLS
	29	45121—83	BRAKE LINE, front	83 — XL
		45122—83	BRAKE LINE, front	83 — XLX
	30	45121—84	BRAKE LINE, front	84 to * — XL
		45122—84	BRAKE LINE, front	84 to * — XLX
	31	45126—82	BRAKE HOSE, upper	82 — XL, XLS
	32	45130—83	BRAKE LINE, front	83 — XLS
	33	45130—84	BRAKE LINE, front	84 to * — XLS
	34	45583—83	GASKET, master cylinder (2)	84 to * — XL, XLS, XLX

FRONT FORK



RETAIL PRICE	INDEX NO.	PART NO.	NAME	USED ON
	1	854	SCREW, 3/8-24 x 1-1/2 knurled socket hd. (2)	83 to * — XLX
	1A	2823	SCREW, 5/16-18 x 3/8 Phillips hd. (2; 4 — XL)	79 to * — XL, XLCH, XLS
	2	4371W	SCREW, 3/8-16 x 1-5/8 socket hd.	79 to * — XL, XLCH, XLS, XLX
	3	4411	BOLT, 3/8-24 x 1-3/4 hex. hd. (2)	79 to 83 — XL, XLCH, XLS
		4724	BOLT, 3/8-24 x 1-1/2 hex. hd. (2)	84 to * — XL, XLS, XLX
	4	6702	WASHER, 5/16 x 11/16 x 1/16 (4)	79 to * — XL, XLCH, XLS, XLX
	5	7041	LOCKWASHER, 5/16 (4)	79 to * — XL, XLCH, XLS, XLX
	6	7748W	NUT, 5/16-18 x 1/4 x 1/2 (4)	79 to * — XL, XLCH, XLS, XLX
	7	45382—83	SPRING, damper tube (2)	84 to * — XL, XLS, XLX
	7A	45386—83	SPACER, seal (2)	84 to * — XL, XLS, XLX
	8	45387—83	OIL SEAL, slider (2)	84 to * — XL, XLCH, XLS, XLX
	9	45398—80	FORK SLIDER AND TUBE ASSY — right	80 to 82 — XLS
	9A	45399—80	FORK SLIDER AND TUBE ASSY. — left	80 to 82 — XLS
	10	45400—75	OIL SEAL, slider (2)	79 to 83 — XL, XLCH, XLS, XLX
	11	45402—75	LOWER STOP (2)	79 to 83 — XL, XLCH, XLS, XLX
		45403—84	LOWER STOP (2)	84 to * — XL, XLS, XLX
	13	45404—75	BOOT (2)	79 to * — XL, XLCH, XLS, XLX
	14	45405—75A	SCREW & WASHER, damper tube (2)	79 to * — XL, XLCH, XLS, XLX
	15	45407—75	SLIDER TUBE (2)	79 to 83 — XL, XLCH; 83 — XLS, XLX
		45407—83	SLIDER TUBE (2)	84 to * — XL, XLS, XLX
	16	45408—75	SPRING (2)	79 — XL, XLCH
	17	45409—75	DAMPER TUBE, complete (2)	79 — XL, XLCH, XLS
	18	45410—75	AXLE CAP, left slider	79 to 83 — XL, XLCH, XLS, XLX
		45410—84	AXLE CAP, left slider	84 to * — XL, XLS, XLX
	19	45412—75	RING, damper tube (4)	79 to * — XL, XLCH, XLS, XLX
	20	45413—84	BUSHING, slider tube — upper	84 to * — XL, XLS, XLX
	20A	45416—84	BUSHING, slider tube — lower	84 to * — XL, XLS, XLX
	22	45586—78	BEARING, steering head — complete (2)	79 to 81 — XL, XLCH, XLS
	23	45597—78	DUST SHIELD, steering head bearing — upper	79 to 81 — XL, XLCH, XLS
	24	45619—79	SET OF FORK LEGS, complete	N/A 79 — XLS
	25	45642—77	AXLE CAP, left slider (painted)	79 to 83 — XLS
	27	45644—77	SLIDER TUBE (2)	79 to 82 — XLS
	28	45703—78	FORK STEM AND BRACKET	79 to 81 — XL, XLCH, XLS
	29	45718—71	NUT, fork stem	79 to * — XL, XLCH, XLS, XLX
	30	45736—78B	BRACKET, upper (polished)	79 to * — XL, XLCH, XLS
	31	45751—71A	COVER, fork lower bracket	79 to * — XL, XLCH, XLS
	32	45770—82	NAME PLATE, "Milwaukee"	82 — XL
		45772—77	NAMEPLATE, "Sportster"	79 to 81 — XL, XLCH, XLS
		45772—82	NAMEPLATE, "Sportster"	82 to * — XL
	33	45782—72A	SCREW INSERT (2)	79 to * — XL, XLCH, XLS
	34	45784—79	NAMEPLATE, "XLS"	79 to 81 — XLS
		45784—82	NAMEPLATE, "Roadster"	82 & 83 — XLS
		45784—84	NAMEPLATE, "Roadster"	84 to * — XLS
	35	45790—80	DRAIN SCREW, with washer (2)	79 to * — XL, XLS, XLX
	36	45900—80	FORK SLIDER AND TUBE ASSY. — right	N/A 80 to 83 — XL; 83 — XLS, XLX
		45900—84A	FORK SLIDER AND TUBE ASSY. — right	84 to * — XL, XLS, XLX
	37	45901—80	FORK SLIDER AND TUBE ASSY. — left	80 to 83 — XL; 83 — XLS, XLX
		45901—84A	FORK SLIDER AND TUBE ASSY. — left	84 to * — XL, XLS, XLX
	38	45903—80	FORK SLIDER AND TUBE ASSY. — right	79 — XL, XLCH
	39	45904—80	FORK SLIDER AND TUBE ASSY. — left	79 — XL, XLCH
	40	45906—80	SLIDER, complete — right	79 to 83 — XL, XLS, XLX
		45906—84	SLIDER, complete — right	84 to * — XL, XLS, XLX
	41	45907—80	SPRING (2)	80 to 83 — XL; 83 — XLS, XLX
		45907—83	SPRING (2)	84 to * — XL, XLS, XLX

FRONT FORK

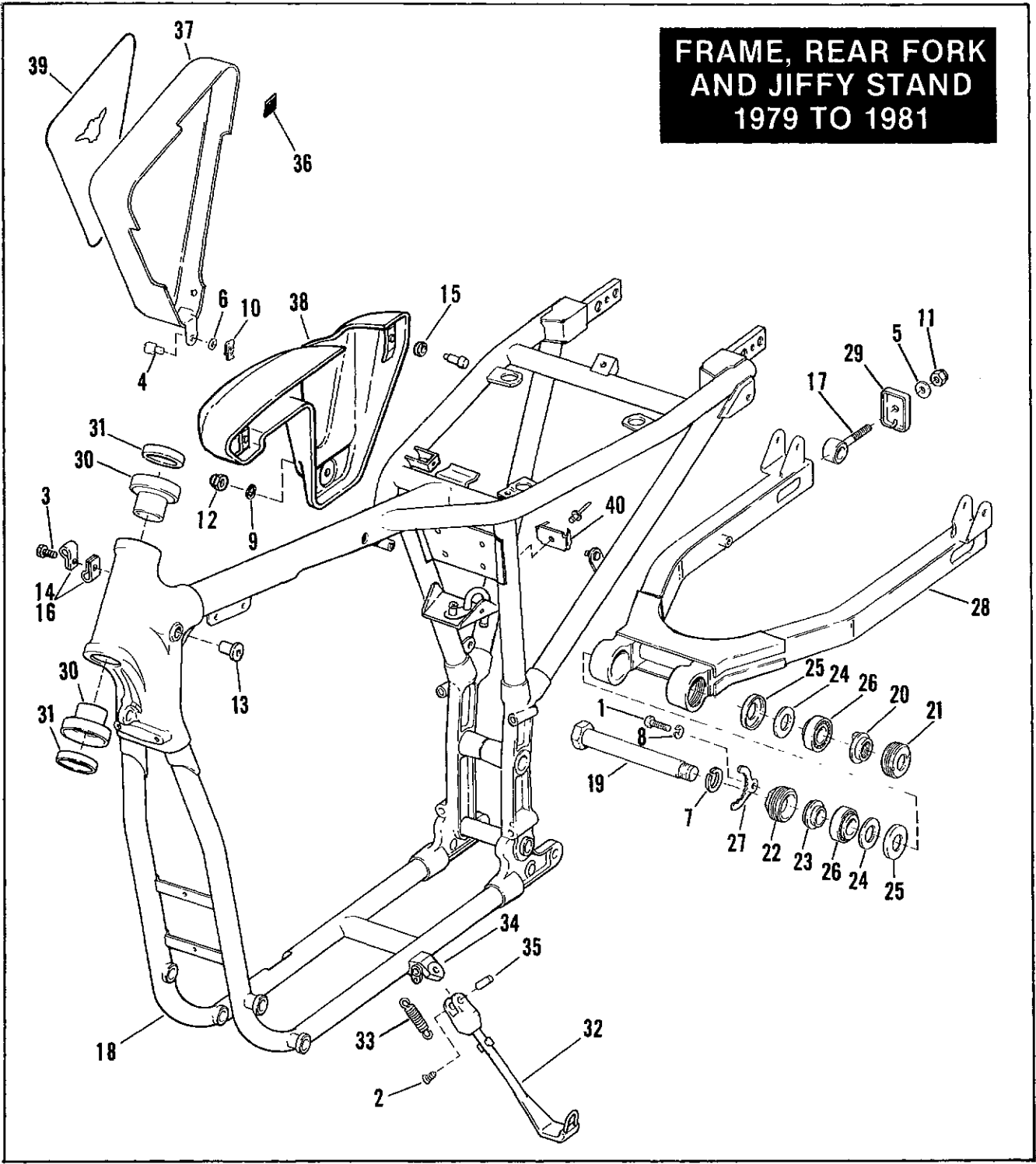


FRONT FORK (CONT'D)

XL25-2

RETAIL PRICE	INDEX NO.	PART NO.	N A M E	USED ON
	42	45908-80	RETAINING RING, oil seal (2)	79 to * — XL, XLCH, XLS, XLX
	43	45910-80	DAMPER TUBE, complete (2)	80 to 83 — XL, XLS, XLX
	44	45911-80	BACKUP RING (2)	80 to 83 — XL, XLS, XLX
	45	45912-80	SLIDER, complete — left	80 to 83 — XL, XLS, XLX
		45912-84	SLIDER, complete — left	84 to * — XL, XLS, XLX
	45A	45913-84	DAMPER TUBE, includes item 19 (2)	84 to * — XL, XLS, XLX
	46	45982-73	O-RING, slider tube cap (2)	79 to * — XL, XLCH, XLS, XLX
	47	45987-77	SPRING (2)	79 — XLS
	48	45993-73	CAP, slider tube (2)	79 to * — XL, XLCH, XLS, XLX
	49	45994-77	AXLE CAP, right slider	79 to 83 — XL, XLCH, XLS, XLX
		45994-84	AXLE CAP, right slider	84 to * — XL, XLS, XLX
	50	45997-73	WASHER, slider tube cap (2)	79 to * — XL, XLCH, XLS, XLX
	51	45998-73	STUD (4)	79 to * — XL, XLCH, XLS, XLX
	52	46018-77	BUSHING, brake caliper — upper (2)	79 to 83 — XL, XLCH, XLS
	53	46019-77	BUSHING, brake caliper — lower (2)	79 to 83 — XL, XLCH, XLS
	53A	46020-84	BUSHING, brake caliper	84 to * — XL, XLS, XLX
	54	46027-77	SLIDER, complete — left	79 — XL, XLCH, XLS
	55	46052-80	SPRING (2)	80 to 82 — XLS
	56	47693-81	FORK STEM AND BRACKET (black enamel)	82 & 83 — XL, XLS
		47693-84	FORK STEM AND BRACKET	84 to * — XL, XLS
		47694-83	FORK STEM AND BRACKET (black wrinkle)	83 — XLX
		47694-84	FORK STEM AND BRACKET (black wrinkle)	84 to * — XLX
	56A	47697-83A	BRACKET, upper (black wrinkle)	83 to * — XLX
	57	48300-60	BEARING, steering head — complete (2)	82 to * — XL, XLS, XLX
	57A	48315-60	BEARING CUP, steering head (2)	79 to * — XL, XLCH, XLS, XLX
	58	48361-80	DUST SHIELD, steering head bearing — upper	82 to * — XL, XLS, XLX
	59	48365-48A	DUST SHIELD, steering head bearing — lower	82 to * — XL, XLS, XLX
		48370-78	DUST SHIELD, steering head bearing — lower	79 to 81 — XL, XLCH, XLS
	60	59254-72	REFLECTOR (amber) (2)	79 to * — XL, XLCH, XLS, XLX

**FRAME, REAR FORK
AND JIFFY STAND
1979 TO 1981**

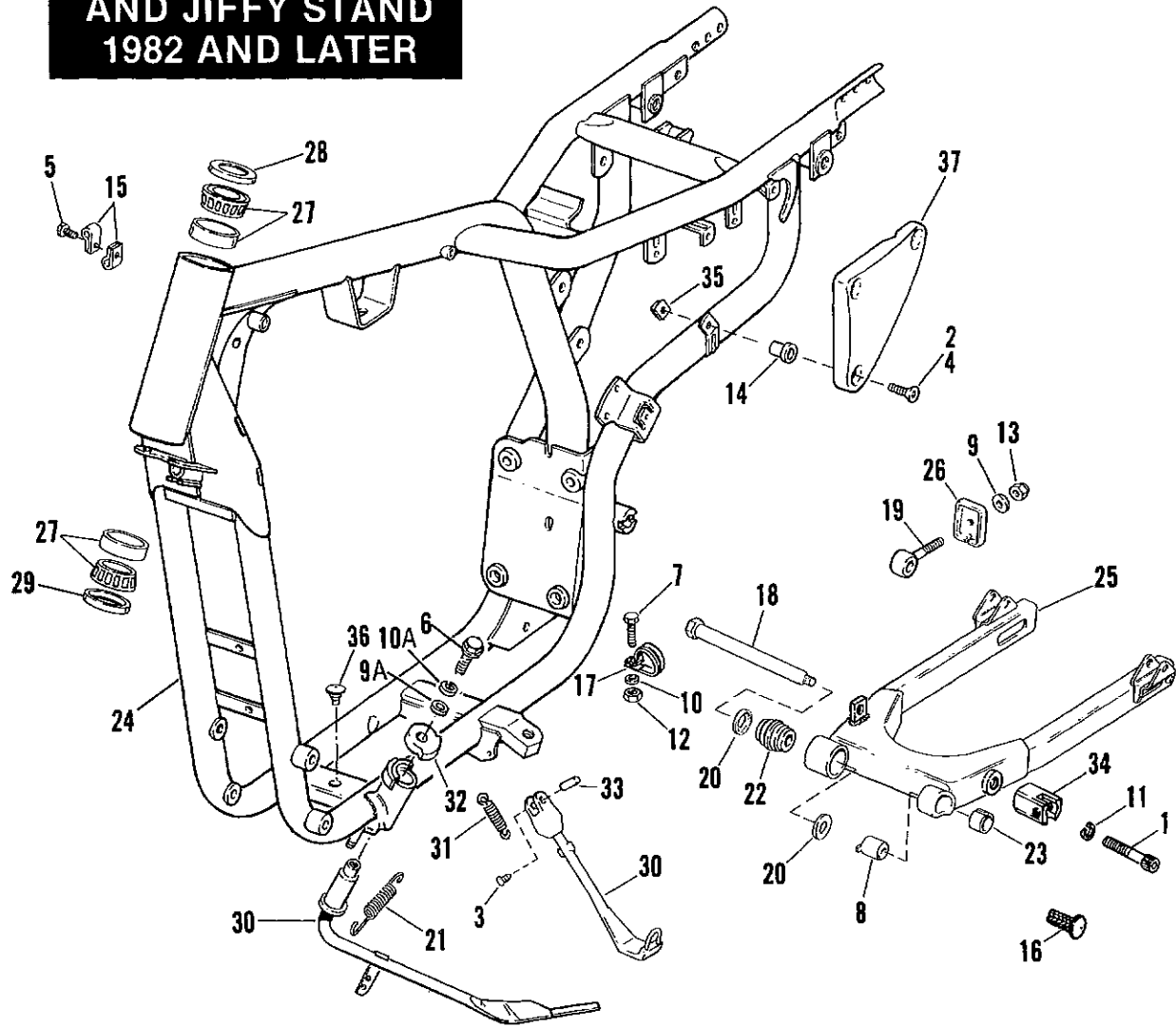


FRAME, REAR FORK AND JIFFY STAND — 1979 TO 1981

XL26

RETAIL PRICE	INDEX NO.	PART NO.	N A M E	USED ON
	1	1198	SCREW, No. 10-24 x 1/2 Pozidriv fil. hd.	79 to 81 — XL, XLCH, XLS
	2	1760B	SCREW, No. 10-24 x 3/8 ctsk. flat hd.	79 to 81 — XL, XLCH, XLS
	3	2808	SCREW, No. 8-32 x 3/8 Pozidriv pan hd.	79 to 81 — XL, XLCH, XLS
	4	3010	SCREW, side cover	79 — XL, XLCH, XLS
	5	6324W	WASHER, 5/16 x 11/16 x 3/32 (2)	79 to 81 — XL, XLCH, XLS
	6	6560	LOCKWASHER	N/A 79 — XL, XLCH, XLS
	7	7022	LOCKWASHER, 5/8	79 to 81 — XL, XLCH, XLS
	8	7069	LOCKWASHER, No. 10	79 to 81 — XL, XLCH, XLS
	9	7124	LOCKWASHER, 1/4 internal tooth	80 to 81 — XL, XLS
	10	7605	SPEED NUT, side cover	N/A 79 to 81 — XL, XLCH, XLS
	11	7725	LOCKNUT, 5/16-24 x 11/32 x 1/2 hex. (2)	79 to 81 — XL, XLCH, XLS
	12	7737W	ACORN NUT, 1/4-20 x 15/32 x 7/16 hex.	80 to 81 — XL, XLS
	13	8099	WELL NUT, 1/4-20 (2)	80 to 81 — XL
	14	10031	CLAMP, throttle cables (2)	Late 81 — XL, XLS
	15	11406	GROMMET, side cover (2)	80 to 81 — XL, XLS
	16	38712-68	CLAMP, tachometer & throttle cables (2)	79 to Early 81 — XL, XLCH, XLS
	17	41570-77	ADJUSTER, rear axle (2)	79 to 81 — XL, XLCH, XLS
	18	47265-79	FRAME	79 — XL, XLCH, XLS
		47265-80	FRAME	80 to 81 — XL, XLS
	19	47511-52	PIVOT BOLT, rear fork	79 to 81 — XL, XLCH, XLS
	20	47512-74	NUT, pivot bolt	79 to 81 — XL, XLCH, XLS
	21	47514-74	LOCKNUT, left bearing	79 to 81 — XL, XLCH, XLS
	22	47515-74	LOCKNUT, right bearing	79 to 81 — XL, XLCH, XLS
	23	47517-74	SPACER, bearing — outer	79 to 81 — XL, XLCH, XLS
	24	47518-52	SPACER, bearing — inner (2)	79 to 81 — XL, XLCH, XLS
	25	47519-52	SHIELD, bearing (2)	79 to 81 — XL, XLCH, XLS
	26	47521-74	BEARING, rear fork (2)	79 to 81 — XL, XLCH, XLS
	27	47525-52	LOCKPLATE, bearing locknut	79 to 81 — XL, XLCH, XLS
	28	47532-79A	REAR FORK, with bearings	79 to 81 — XL, XLCH, XLS
		47473-80	REAR FORK, without bearings	79 — XLCH; 79 to 81 — XL, XLS
	29	47554-73	END COVER, rear fork (2)	79 to 81 — XL, XLCH, XLS
	30	48310-78	BEARING CUP, steering head (2)	79 to 81 — XL, XLCH, XLS
	31	48315-60	BEARING CUP (2)	79 to 81 — XL, XLCH, XLS
	32	50006-77A	JIFFY STAND	79 — XL, XLCH, XLS
		50006-80	JIFFY STAND	80 to 81 — XL, XLS
	33	50011-30A	SPRING, jiffy stand	79 to 81 — XL, XLCH, XLS
	34	50048-56	BRACKET, jiffy stand (welded)	79 to 81 — XL, XLCH, XLS
	35	50090-77	PIN, jiffy stand leg	79 to 81 — XL, XLCH, XLS
	36	66021-77	RUBBER MOUNT, side cover (2)	79 — XL, XLCH, XLS
	37	66415-79	COVER, right side (primed)	79 — XL, XLCH, XLS
	38	66601-80	COVER, right side (black wrinkle)	80 to 81 — XL, XLS
	39	66608-79	TRANSFER, side cover ("Made in USA" & striping)	N/A 79 — XL, XLS
	40		NOTE: See SWITCHES AND CIRCUIT BREAKERS.	

**FRAME, REAR FORK
AND JIFFY STAND
1982 AND LATER**

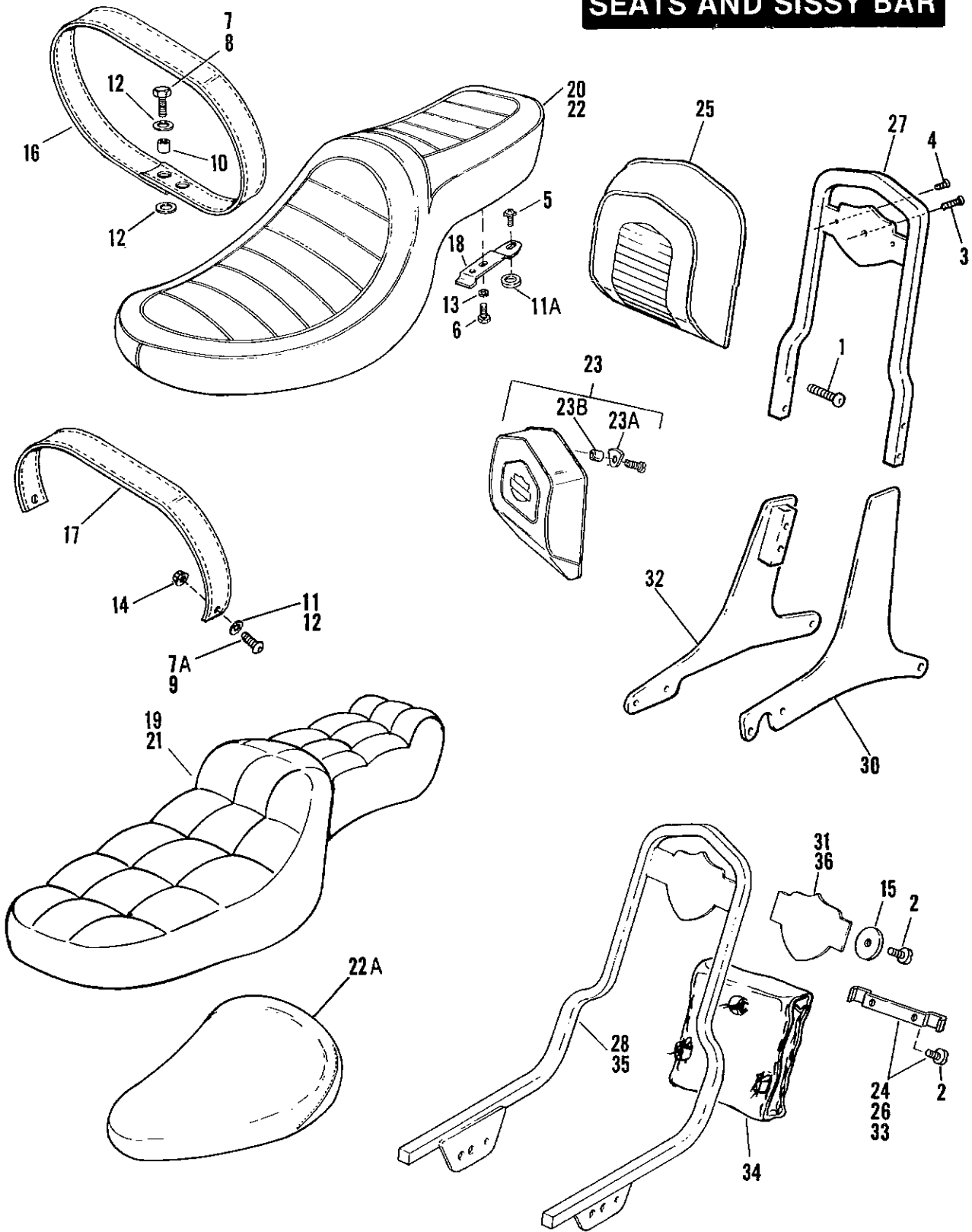


FRAME, REAR FORK AND JIFFY STAND — 1982 & LATER

XL26A

RETAIL PRICE	INDEX NO.	PART NO.	N A M E	USED ON
	1	855	SCREW, 3/8-16 x 2 knurled socket hd. (2)	83 to * — XL, XLS
	2	1357W	SCREW, 1/4-20 x 1 Pozidriv oval ctsk. hd. (3)	Late 84 to * — XL, XLS, XLX
	3	1760B	SCREW, No. 10-24 x 3/8 ctsk. flat hd.	82 to Early 84 — XL, XLS, XLX
	4	2008	SCREW, oval head (3)	82 to Early 84 — XL, XLS, XLX
	5	2808	SCREW, No. 8-32 x 3/8 Pozidriv pan hd.	82 to * — XL, XLS, XLX
	6	2882W	BOLT, 5/16-18 x 5/8 hex. hd.	Late 84 to * — XL, XLS, XLX
	7	3787	BOLT, 1/4 -20 x 3/4 hex. hd.	Late 84 to * — XL, XLS, XLX
	8	5716	SPACER, pivot bolt	82 to * — XL, XLS, XLX
	9	6324W	WASHER, 5/16 x 11/16 x 3/32 (2)	82 to * — XL, XLS, XLX
	9A	6702	WASHER	Late 84 to * — XL, XLS, XLX
	10	6703	WASHER, 1/4 x 5/8 x 1/16	Late 84 to * — XL, XLS, XLX
	10A	7041	LOCKWASHER	Late 84 to * — XL, XLS, XLX
	11	7045	LOCKWASHER, 3/8 (2)	83 to * — XL, XLS
	12	7686	LOCKNUT, 1/4-20 x 5/16 x 7/16	Late 84 to * — XL, XLS, XLX
	13	7725	LOCKNUT, 5/16-24 x 11/32 x 1/2 hex. (2)	82 to * — XL, XLS, XLX
	14	8099	WELL NUT	Late 84 to * — XL, XLS, XLX
	15	10031	CLAMP, throttle cables (2)	82 to * — XL, XLS, XLX
	16	10040	PLUG (plastic)	83 to * — XLX
	17	10062	CUSHION, jiffy stand	Late 84 to * — XL, XLS, XLX
	18	41568—81A	PIVOT BOLT, rear fork	82 to * — XL, XLS, XLX
	19	41570—77	ADJUSTER, rear axle (2)	82 to * — XL, XLS, XLX
	20	41579—81	DUST SHIELD, bearing (2)	82 to * — XL, XLS, XLX
	21	41836—58	SPRING, jiffy stand	Late 84 — XL, XLS, XLX
		41836—84	SPRING, jiffy stand	85 to * — XL, XLS, XLX
	22	47082—81	BEARING, rear fork — right (2)	82 to * — XL, XLS, XLX
	23	47083—81	BEARING, rear fork — left	82 to * — XL, XLS, XLX
	24	47150—84	FRAME	Late 84 to * — XL, XLS, XLX
		47265—81A	FRAME	82 — XL, XLS
		47292—83	FRAME	83 & Early 84 — XL, XLS, XLX
	25	47532—81	REAR FORK, with bearings	82 — XL, XLS
		47532—83	REAR FORK, with bearings	83 to * — XL, XLS, XLX
	26	47554—73	END COVER, rear fork (2)	82 to * — XL, XLS, XLX
	27	48300—60	BEARING, steering head — complete (2)	82 to * — XL, XLS, XLX
		48315—60	BEARING CUP, steering head (2)	82 to * — XL, XLS, XLX
	28	48361—80	DUST SHIELD, steering head bearing — upper	82 to * — XL, XLS, XLX
	29	48365—48A	DUST SHIELD, steering head bearing — lower	82 to * — XL, XLS, XLX
	30	50006—80	JIFFY STAND	82 to Early 84 — XL, XLS, XLX
		50006—84B	JIFFY STAND	Late 84 to * — XL, XLS, XLX
	31	50011—30A	SPRING, jiffy stand	82 to Early 84 — XL, XLS, XLX
	32	50038—84	CATCH, jiffy stand	Late 84 to * — XL, XLS, XLX
	33	50090—77	PIN, jiffy stand leg	82 to Early 84 — XL, XLS, XLX
	34	50615—83	FOOTREST BRACKET, passenger (2)	83 to * — XL, XLS
	35	62044—82	NUT (3)	82 to Early 84 — XL, XLS, XLX
	36	62123—66	BUMPER	Late 84 to * — XL, XLS, XLX
	37	66325—82	SIDE COVER, ignition module (black)	82 to * — XL, XLS, XLX

SEATS AND SISSY BAR

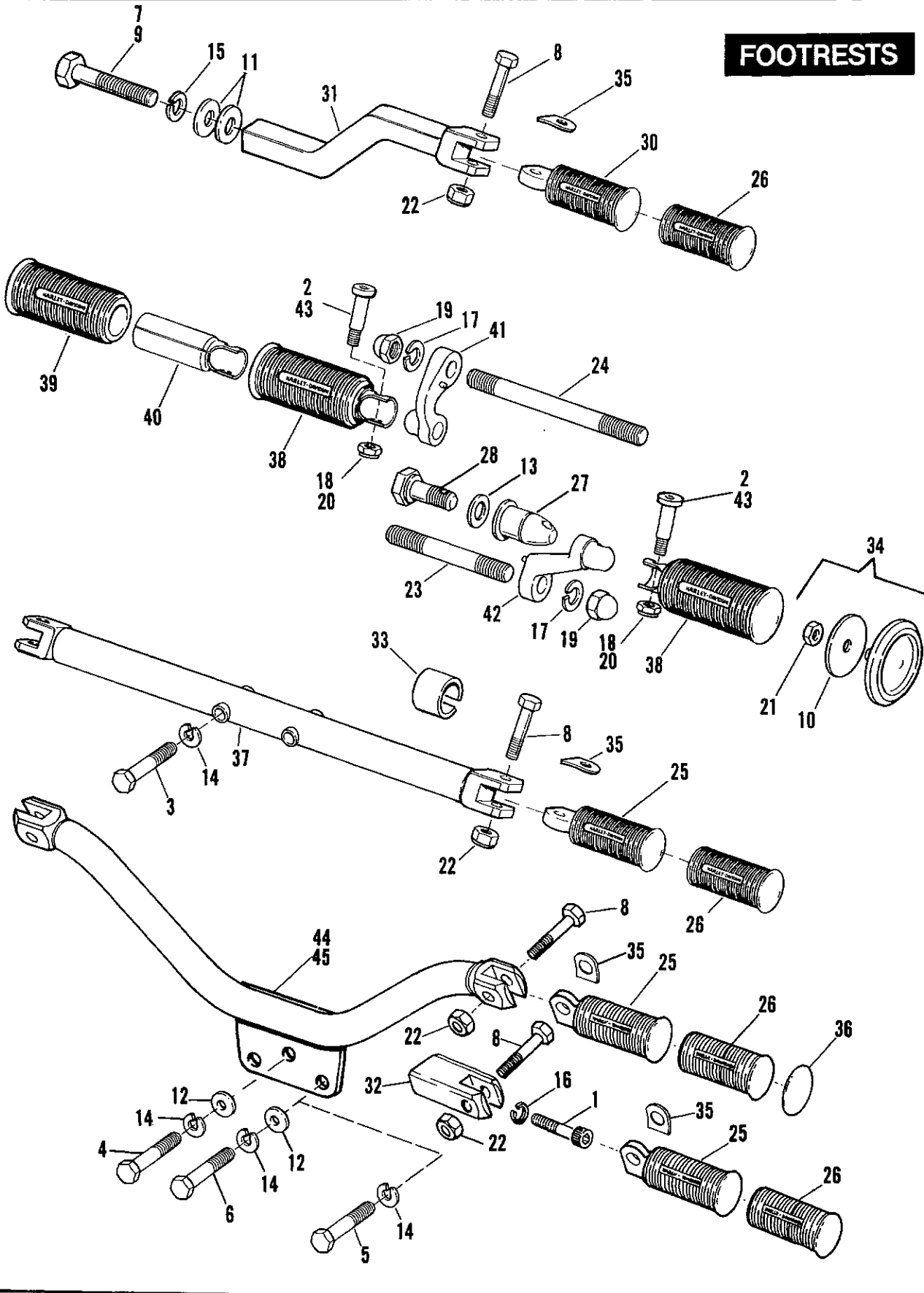


SEAT AND SISSY BAR

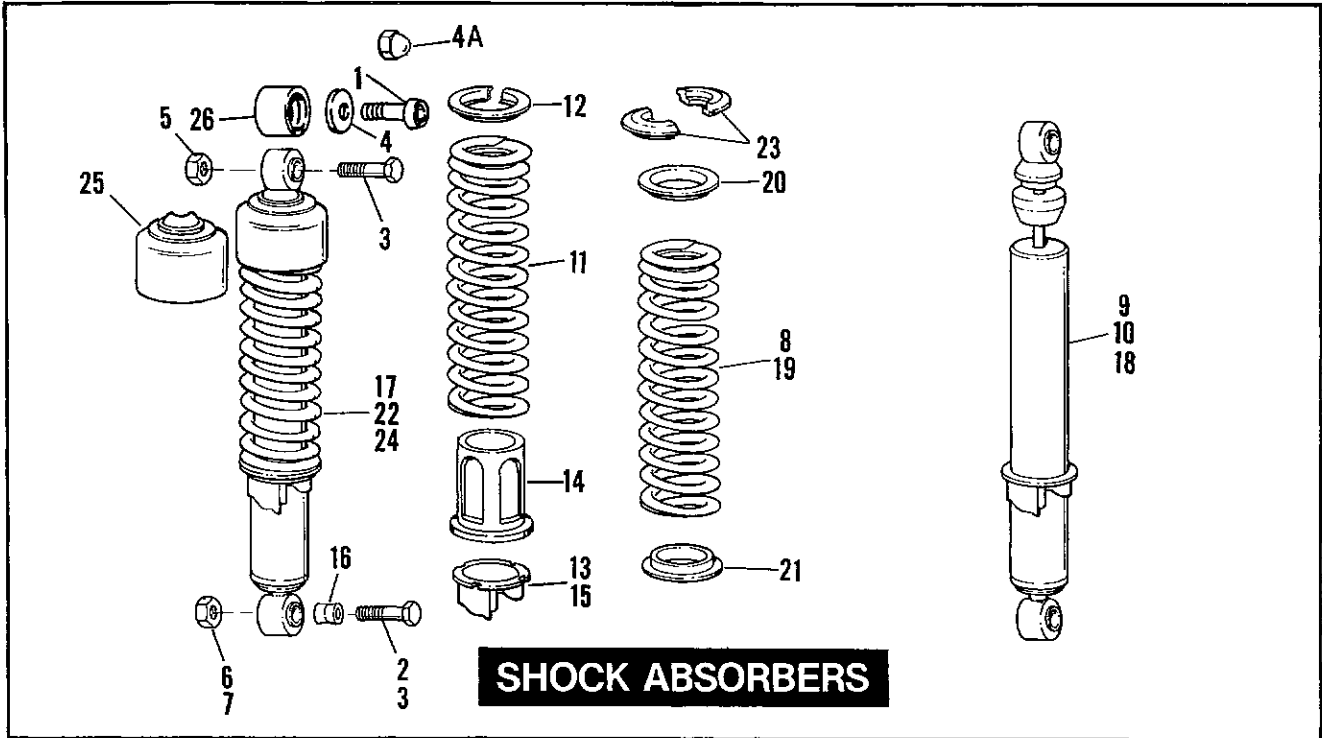
XL27

RETAIL PRICE	INDEX NO.	PART NO.	N A M E	USED ON
	1	919	SCREW, 1/4-28 x 3/4 hex. socket hd. (4)	82 — XLS; Late 83 to * — XL, XLS, XLX
	2	1000	SCREW, 1/4-20 x 1/2 Pozidriv pan hd. (chrome)	80 to 83 — XL, XLS
	3	1602	SCREW, 1/4-20 x 3/4 Pozidriv flat ctsk hd.	82 — XLS
		2607	SCREW, 1/4-20 x 3/4 Pozidriv pan hd. (2)	80 — XLS
	4	2711	SCREW, No. 4-40 x 3/8 self-tapping pan hd. (2)	82 — XLS
	5	2757W	SCREW, 1/4-28 x 7/16 Phillips hd. (2)	79 to * — XL, XLCH, XLS, XLX
	6	3767B	BOLT, 1/4-20 x 5/8 hex. hd. (2)	79 to * — XL, XLCH, XLS
	7	3974HW	BOLT, 5/16-24 x 3/4 hex. hd.	80 — XL, XLS
	7A	3987	BOLT, 5/16-18 x 3/4 hex. hd. (2)	83 to * — XLX
	8	3996	BOLT, 5/16-24 x 7/8 hex. hd.	81 — XL, XLS
	9	4092	SCREW, 5/16-18 x 3/4 socket hd. (2)	82 to * — XL, XLS
	10	5926B	SPACER, passenger strap	81 — XL, XLS
	11	6002	WASHER, 5/16 x 5/8 x 1/16 (black) (2)	82 to * — XL, XLS
	11A	6410	WASHER, 1/4 x 9/16 x 1/16, nylon (2)	Late 82 to * — XL, XLS, XLX
	12	6702	WASHER, 5/16 x 11/16 x 1/16 (2 - 81; 4 - XLX)	80 & 81 — XL, XLS; 83 to * — XLX
	13	7036	LOCKWASHER, 1/4 (2)	79 to * — XL, XLCH, XLS
	14	7531	NUT, 5/16-18 x 9/32 x 1/2 hex. (2)	82 to * — XL, XLS
		7710W	LOCKNUT, 5/16-18 x 1/4 x 1/2 hex. hd. (2)	83 to * — XLX
	15	33258--71	WASHER	80 to * — XLS
	16	51187--84	PASSENGER STRAP	Late 84 to * — XLS
		51191--83	PASSENGER STRAP	83 to * — XL, XLS
		51193--80A	PASSENGER STRAP (black) (with hardware)	N/A 80 & 81 — XL, XLS
		51193--82	PASSENGER STRAP	82 — XLS
		51194--80A	PASSENGER STRAP (brown) (with hardware)	N/A 80 — XL, XLS
	17	51199--82	PASSENGER STRAP (black)	82 — XL
	18	51651--79	BRACKET, seat mounting	79 to 82 — XL, XLCH, XLS; 85 to * — XL
		51652--83	BRACKET, seat mounting	83 to * — XLS, XLX; 83 & 84 — XL
	19	52099--80	SEAT (black vinyl)	N/A 80 & 81 — XLS
		52099--82	SEAT	82 — XLS
	20	52101--79A	SEAT ASSEMBLY, low (black vinyl)	N/A 79 to 81 — XL, XLCH
		52101--82A	SEAT, low (black vinyl)	82 to * — XL
	21	52102--79A	SEAT (black vinyl)	N/A 79 — XLS
	22	52102--80	SEAT (brown vinyl)	N/A 80 — XL
		52109--79A	SEAT (brown vinyl)	N/A Late 79 — XL
		52118--83	SEAT	83 — XLS
		52118--84	SEAT	84 to * — XLS
	22A	52130--83	SEAT	83 — XLX
		52131--83	SEAT	84 to * — XLX
	23	52412--79A	BACKREST ASSEMBLY, w/hardware (black vinyl)	79 to 81 — XLS
	23A	52437--79	BRACKET, backrest mounting	79 to 81 — XL, XLS
	23B	52438--79	SPACER, backrest bracket	79 to 81 — XL, XLS
	24	52492--80	BRACKET, backrest	80 & 81 — XLS
	25	52544--84	BACKREST, accordion pleat	82 — XLS
	26	52597--78	BRACKET KIT, backrest pad — includes index no. 2 (2)	79 to 83 — XL, XLS
	27	52739--83	SISSY BAR	82 — XLS; Late 83 to * — XL, XLS, XLX
	28	52750--79	SISSY BAR, with nameplate	79 to 81 — XL, XLCH; 79 & 80 — XLS
		52750--81	SISSY BAR, without nameplate	N/A 81 — XLS
	30	52751--82	SIDE PLATE, sissy bar — left	82 — XLS
	31	52756--79	NAMEPLATE, sissy bar	79 to 81 — XL, XLCH, XLS
	32	52769--82	SIDE PLATE, sissy bar — right	82 — XLS
	33	52771--82	BRACKET, backrest	82 — XLS
	34	90840--80	POUCH, sissy bar	80 & 81 — XLS
	35	91501--79	SISSY BAR	N/A 79 to 81 — XL, XLCH
	36	99013--82	NAMEPLATE, sissy bar	82 — XLS

FOOTRESTS



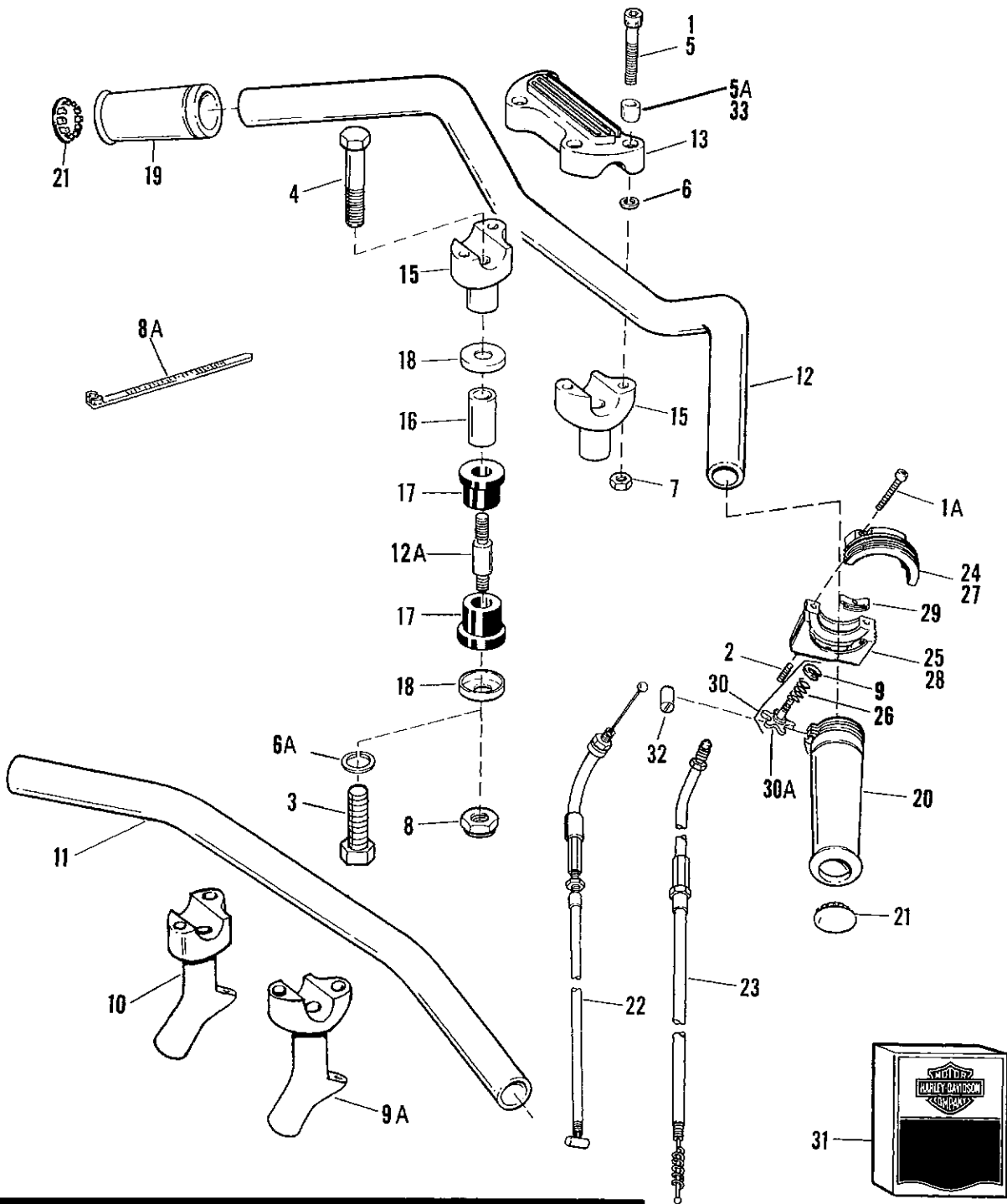
RETAIL PRICE	INDEX NO.	PART NO.	N A M E	USED ON
	1	855	SCREW, 3/8-16 x 2 knurled socket hd. (2)	83 to * — XL, XLS, XLX
	2	2608	SCREW, 5/16-18 x 1-1/2 socket hd. (shouldered) (2)	Late 81 to * — XL, XLS, XLX
	3	3945	BOLT, 3/8-24 x 2-1/4 hex. hd. (2)	79 — XL, XLCH, XLS
	4	4319	BOLT, 3/8-24 x 1 hex. hd.	82 — XL, XLS
	5	4401W	BOLT, 3/8-24 x 2-3/4 hex. (2)	80 & Early 81 — XL, XLS
		4412	BOLT, 3/8-24 x 2-1/2 hex. (2)	Late 81 — XL, XLS
	6	4435W	BOLT, 3/8-24 x 3-1/2 hex. hd. (2)	82 to * — XL, XLS, XLX
	7	4640	BOLT, 7/16-20 x 1 hex. (2)	80 to * — XLS
	8	4721	BOLT, 3/8-16 x 1-1/2 hex. hd. (2 — XL; 4 — XLS)	79 to 81 — XL, XLCH, XLS; 83 to * — XLX; Late 84 to * — XLS
		4724	BOLT, 3/8-24 x 1-1/2 hex. hd. (2)	82 to * — XL, XLS
	9	4729	BOLT, 7/16-20 x 1-1/4 hex. hd. (2)	79 — XLS
	10	6235	WASHER, 5/16 x 3/4 x 1/16 (2)	79 — XL, XLCH, XLS
	11	6334	WASHER, 7/16 x 15/16 x 1/16 (4 — 79, 2)	79, Late 84 to * — XLS
	12	6701	WASHER, 3/8 x 13/16 x 1/16 (2)	82 to * — XL, XLS, XLX
	13	6718	WASHER, 1/2 x 1-1/16 x 3/32	80 to * — XL, XLS, XLX
	14	7038	LOCKWASHER, 3/8 (2)	79 to * — XL, XLCH, XLS, XLX
	15	7039	LOCKWASHER, 7/16 (2)	79 to * — XLS
	16	7045	LOCKWASHER, 3/8 (2)	83 to * — XL, XLS, XLX
	17	7068	LOCKWASHER, 1/2 (2)	79 to * — XL, XLCH, XLS, XLX
	18	7531	LOCKNUT, 5/16-18 x 9/32 x 1/2 hex. (2)	83 to * — XL, XLS, XLX
	19	7627	ACORN NUT, 1/2-13 x 3/4 hex. (2)	79 to * — XL, XLCH, XLS, XLX
	20	7725	LOCKNUT, 5/16-24 x 11/32 x 1/2 hex. (2)	79 to Early 81 — XL, XLCH, XLS
		7739	LOCKNUT, 5/16-18 x 11/32 x 1/2 hex. (2)	Late 81 & 82 — XL, XLS
	21	7742	LOCKNUT, 1/4-20 x 7/32 x 7/16 hex. (2)	79 to * — XL, XLCH, XLS, XLX
	22	7775	LOCKNUT, 3/8-24 x 7/16 x 9/16 hex. (2)	82 to * — XL; 82 to Early 84 — XLS
		7778	LOCKNUT, 3/8-16 x 7/16 x 9/16 hex. (2)	79 to 81 — XL, XLCH, XLS; 83 to * — XLX; Late 84 to * — XLS
	23	24751-75	STUD, right footrest	79 to * — XL, XLCH, XLS, XLX
	24	24752-75	STUD, left footrest	79 to * — XL, XLCH, XLS, XLX
	25	33048-72	FOOTREST (2 — XL; 4 — XLS)	79 to * — XL, XLCH, XLS, XLX
	26	33189-63	RUBBER PAD, only (2)	79 to * — XL, XLCH, XLS, XLX
	27	42441-80	SHAFT, pivot rear brake	80 to * — XL, XLS, XLX
	28	42450-80	BOLT, sprocket cover	80 to * — XL, XLS, XLX
	30	49117-77	FOOTREST, with cover (2)	79 to * — XLS
	31	49118-77	BRACKET, right	79 to Early 84 — XLS
		49118-84	BRACKET, highway — right	Late 84 to * — XLS
		49121-77	BRACKET, left	79 to Early 84 — XLS
		49121-84	BRACKET, highway — left	Late 84 to * — XLS
	32	50615-83	FOOTREST BRACKET, passenger (2)	83 to * — XL, XLS, XLX
	33	50656-80	CHAIN PROTECTOR, footrest	79 — XL, XLS
	34	50880-69	FOOTREST END COVER KIT, large (chrome)	79 to * — XL, XLCH, XLS, XLX
	35	50912-72	SPRING WASHER, footrest (2 — XL; 4 — XLS)	79 to * — XL, XLCH, XLS, XLX
	37	50938-79	SUPPORT, footrest	79 — XL, XLCH, XLS
	38	50939-52	FOOTREST, with cover (2)	79 to * — XL, XLCH, XLS, XLX
	39	50940-52	COVER (rubber) (2)	79 to * — XL, XLCH, XLS, XLX
		50943-82	CHAIN PROTECTOR, footrest	82 — XL, XLS
	40	50946-52	FOOTREST, only (2)	79 to * — XL, XLCH, XLS, XLX
	41	50948-75	SUPPORT, left footrest	79 to * — XL, XLCH, XLS, XLX
	42	50949-75	SUPPORT, right footrest	79 — XL, XLCH, XLS
	43	50970-52	BOLT, footrest pivot (2)	79 to Early 81 — XL, XLCH, XLS
	44	52702-80A	SUPPORT, footrest	80 & 81 — XL, XLS
	45	52706-82	SUPPORT, footrest	82 — XL, XLS



SHOCK ABSORBERS

XL29

RETAIL PRICE	INDEX NO.	PART NO.	N A M E	USED ON
	1	3820	BOLT, 1/2-13 x 2-1/4 hex. socket hd. (2)	82 to * — XL, XLS, XLX
	2	4081	SCREW, 1/2-20 x 1-3/4 (2)	82 to * — XL, XLS, XLX
	3	4411	BOLT, 3/8-24 x 1-3/4 hex. hd. (4)	79 to 81 — XL, XLCH, XLS
	4	6113	WASHER, 1/2 (2)	82 to Early 84 — XL, XLS, XLX
		6416	WASHER, 3/8 (2)	Late 84 to * — XL, XLS, XLX
	4A	7680W	ACORN NUT, 5/16-24 (2)	Late 84 to * — XL, XLS, XLX
	5	7775	LOCKNUT, 3/8-24 x 7/16 x 9/16 hex. (3)	79 to 81 — XL, XLCH, XLS
	6	7776W	LOCKNUT, 3/8-24 x 3/4 x 9/16 hex.	79 to 81 — XL, XLCH, XLS
	7	7812W	NUT, 1/2 - 20 x 3/4 hex. (2)	82 to * — XL, XLS, XLX
	8	54468-79A	SPRING	Late 79 — XL, XLCH
	9	54469-79	DAMPER, only — 13.5" (black)	Early 79 — XL, XLCH
	10	54471-79A	DAMPER, only — 12.5" (black)	Late 79 to 81 — XL, XLS
		54471-82	DAMPER (2)	82 to * — XL, XLS, XLX
	11	54472-79	SPRING	Late 79 to 81 — XL, XLS
		54472-82	SPRING (2)	82 to * — XL, XLS, XLX
	12	54473-79	SEAT, spring — upper	Late 79 to * — XL, XLS, XLX
	13	54474-79	ADJUSTER, spring	Late 79 to 81 — XL, XLCH, XLS
	14	54475-79	SPRING GUIDE, lower	Late 79 to * — XL, XLCH, XLS, XLX
	15	54476-82	ADJUSTER, spring (2)	82 to * — XL, XLS, XLX
	16	54523-79	BUSHING, shock absorber (2)	79 to 81 — XL, XLCH, XLS
		54523-82	BUSHING, damper (4)	82 to * — XL, XLS, XLX
	17	54528-77	SHOCK ABSORBER, complete — 12.7" (2)	N/A Early 79 — XL, XLCH, XLS
	18	54531-77	DAMPER, only — 12.7" (chrome)	N/A Early 79 — XL, XLCH
	19	54533-77	SPRING	N/A Early 79 — XL, XLCH, XLS
	20	54541-77	SEAT, spring — upper	N/A Early 79 — XL, XLCH
	21	54542-77	SEAT, spring — lower	N/A Early 79 — XL, XLCH
	22	54565-79	SHOCK ABSORBER, complete — 13.5" (2)	Early 79 — XL, XLCH, XLS
	23	54567-77	RETAINER (2)	N/A Early 79 — XL, XLCH
	24	54568-79B	SHOCK ABSORBER, with cover — 12.5" (2)	Late 79 to 81 — XL, XLCH, XLS
		54568-82	SHOCK ABSORBER, complete (2)	82 to * — XL, XLS, XLX
	25	54700-67	COVER, shock absorber (chrome)	79 to 81 — XL, XLCH, XLS
		54701-82	COVER, shock absorber (2)	82 to * — XL, XLS, XLX
	26	54705-81	COVER, shock absorber stud (2)	82 to * — XL, XLS, XLX



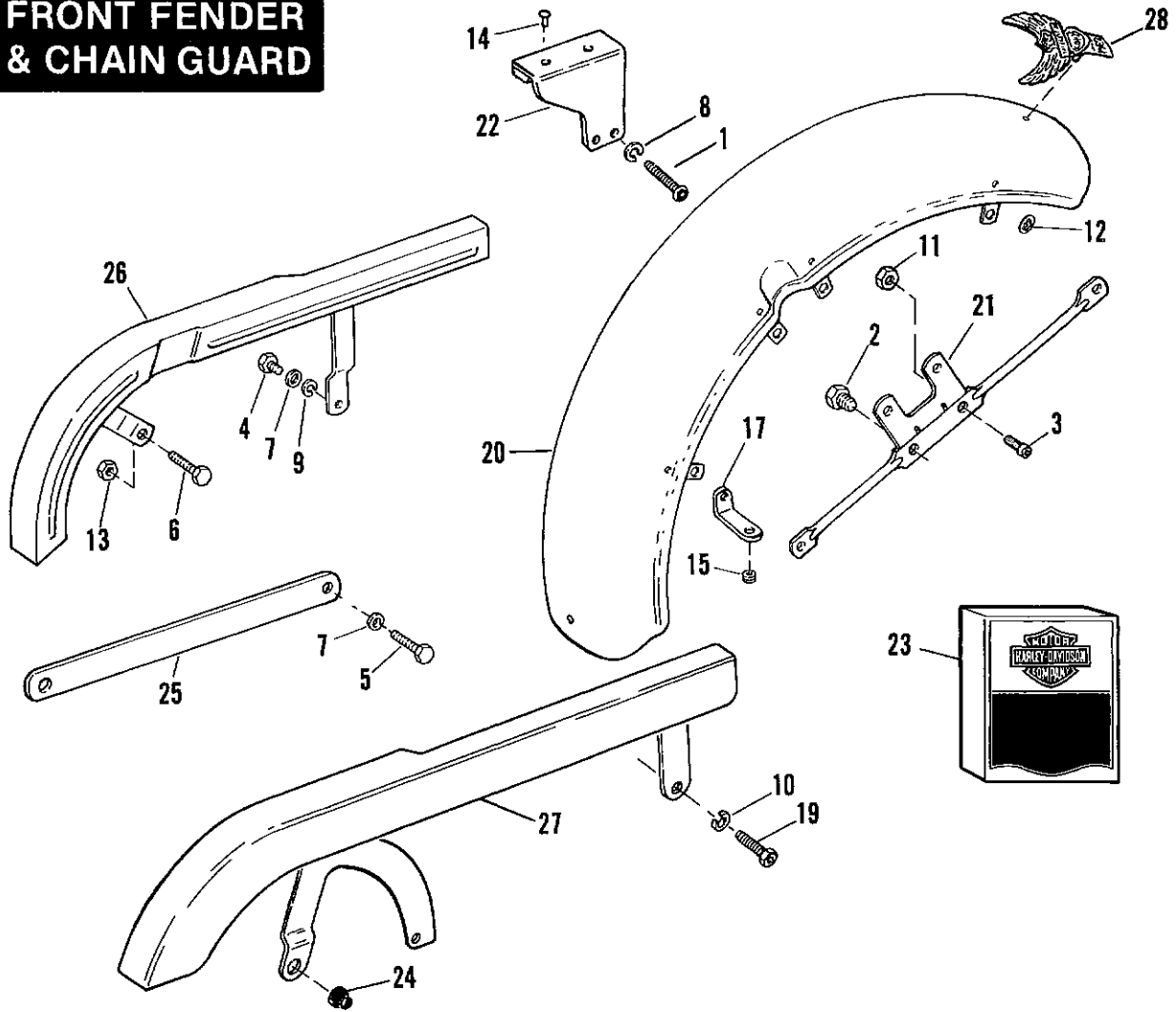
HANDLEBARS AND THROTTLE CONTROL

HANDLEBAR AND THROTTLE CONTROL

XL30

RETAIL PRICE	INDEX NO.	PART NO.	N A M E	USED ON
	1	853	SCREW, 5/16-24 x 2-1/4 socket rd. hd. (2)	83 to * — XL, XLS, XLX
	1A	916	SCREW, No. 8-32 x 5/8 fil. hd. (2)	81 — XL, XLS
		1203	SCREW, No. 8-32 x 7/8 Pozidriv fil. hd. (2)	79 & 80 — XL, XLCH, XLS
	2	3208	SET SCREW, No. 8-32 x 5/8 socket hd.	79 & 80 — XL, XLCH, XLS
	3	3431	BOLT, 1/2-13 x 3-1/4 hex. hd. (2)	83 to * — XLS
		3450	BOLT, 1/2-13 x 2-1/2 hex. hd. (2)	79 & 80; 82 — XLS
		3498	SCREW, 1/2-13 x 3 hex. cap (2)	Early 84 — XL, XLX
	4	3778	BOLT, 1/2-13 x 3-3/4 hex. hd. (2)	79 to * — XL, XLCH; 81 & 82 — XLX
	5	4816	SCREW, 5/16-18 x 1-5/16 socket hd. (4; 2 — 83 & later)	79 to * — XL, XLCH, XLS, XLX
	5A	5736	SPACER, handlebar mounting (2)	83 to * — XL
	6	7042	LOCKWASHER, 5/16 (2; 4 — XL)	83 to * — XL, XLS, XLX
	6A	7068	LOCKWASHER, 1/2 (2)	79 & 80; 82 to Early 84 — XLS
	7	7740	LOCKNUT, 5/16-18 x 1/4 x 1/2 hex. (4)	83 to * — XL, XLX
		7748W	NUT, 5/16-18 x 1/4 x 1/2 hex. (4)	79 to 82 — XL, XLS; Late 84 to * — XLX
	8	7768W	LOCKNUT, 1/2-13 x 19/32 x 3/4 hex. (2)	79 to * — XL; 79 to 82 — XLS
	8A	10006	STRAP (2)	85 to * — XL, XLS, XLX
		10007	CABLE STRAP (2)	83 & 84 — XL, XLS, XLX
	9	11155	RETAINING RING	79 to * — XL, XLCH, XLS, XLX
	9A	55900-79	CLAMP, handlebar — lower right	79 & 80 — XLS
	10	55902-79	CLAMP, handlebar — lower left	79 & 80 — XLS
	11	55963-77	HANDLEBAR, only	79 & 80 — XLS
	12	56081-81	HANDLEBAR, only (buckhorn)	81 — XL, XLS
		56081-82	HANDLEBAR, buckhorn pullback	82 to * — XL; 82 — XLS
		56082-83	HANDLEBAR	83 to * — XLS
		56083-74	HANDLEBAR, only (buckhorn)	Late 79 & 80 — XL, XLCH
		56083-77	HANDLEBAR, only	Early 79 — XL, XLCH
		56085-83	HANDLEBAR, only (black)	83 to * — XLX
	12A	56105-84	STUD, handlebar (2)	Late 84 to * — XL, XLX
	13	56115-79A	CLAMP, handlebar — upper	79 to * — XL, XLCH, XLS, XLX
	15	56116-77	CLAMP, handlebar — lower left (riser)	79 to 83 — XL, XLCH, XLX; 81 & 82 — XLS
		56116-82	CLAMP, handlebar — lower left (riser)	84 to * — XL, XLX
		56117-77A	CLAMP, handlebar — lower right (riser)	79 to 83 — XL, XLCH, XLX; 81 & 82 — XLS
		56117-82	CLAMP, handlebar — lower right (riser)	84 to * — XL, XLX
		56122-77	CLAMP, handlebar — lower left (riser)	83 to * — XLS
		56124-77	CLAMP, handlebar — lower right (riser)	83 to * — XLS
	16	56153-73	SPACER, handlebar mounting (2)	79 to Early 84 — XL, XLCH, XLS, XLX
	17	56158-73	RUBBER BUSHING, handlebar mounting (4)	79 to * — XL, XLCH, XLS, XLX
	18	56159-73	CUP WASHER, handlebar mounting (4; 2 - XLS - 83 & Later)	79 to * — XL, XLCH, XLS, XLX
		56160-83	CUP WASHER, handlebar mounting (2)	83 to * — XLS
	19	56206-74	GRIP, left handlebar	79 & 80 — XL, XLCH, XLS
		56206-81A	HANDLEBAR GRIP (rubber)	81 to * — XL, XLS, XLX
	20	56220-74	GRIP WITH SLEEVE, throttle control	79 & 80 — XL, XLCH, XLS
		56220-81B	GRIP AND SLEEVE, throttle	81 to * — XL, XLS, XLX
	21	56238-62	PLUG, handlebar grip (2)	79 to Early 83 — XL, XLCH, XLS, XLX
	22	56313-76	CONTROL WIRE ASSEMBLY	79 & 80 — XL, XLCH, XLS
	23	56323-81A	IDLE CONTROL ASSEMBLY	81 to * — XL, XLX; 81 & 82 — XLS
		56324-81A	THROTTLE CONTROL ASSEMBLY	81 to * — XL, XLX; 81 & 82 — XLS
		56333-83	THROTTLE CONTROL ASSEMBLY	83 to * — XLS
		56334-83	IDLE CONTROL ASSEMBLY	83 to * — XLS
	24	56392-77	UPPER CLAMP, throttle control	81 — XL, XLS
	25	56393-74A	CLAMP, throttle control — lower	79 & 80 — XL, XLCH, XLS
	26	56394-74	SPRING, adjusting screw	79 to * — XL, XLCH, XLS, XLX
	27	56395-74	CLAMP, throttle control — upper	79 & 80 — XL, XLCH, XLS
	28	56395-81	LOWER CLAMP, throttle control	81 — XL, XLS
	29	56396-74A	FRICTION SPRING, throttle grip	79 to * — XL, XLCH, XLS, XLX
	30	56397-74C	KIT, throttle adjusting screw, includes items 9, 26 & 30	79 to * — XL, XLCH, XLS, XLX
	30A	56402-83A	ADJUSTING SCREW, throttle	79 to * — XL, XLCH, XLS, XLX
	31	56500-79	THROTTLE GRIP KIT, includes items 1A, 2, 20, 21, 25, 26, 27 & 29	79 & 80 — XL, XLCH, XLS
	32	56508-76	FERRULE (2 — 81 & later)	79 to * — XL, XLCH, XLS, XLX
	33	67009-72	SPACER, handlebar mounting (2)	83 to * — XLS, XLX
	34	70504-81	CLIP, throttle cables	81 to * — XL, XLS, XLX

FRONT FENDER & CHAIN GUARD

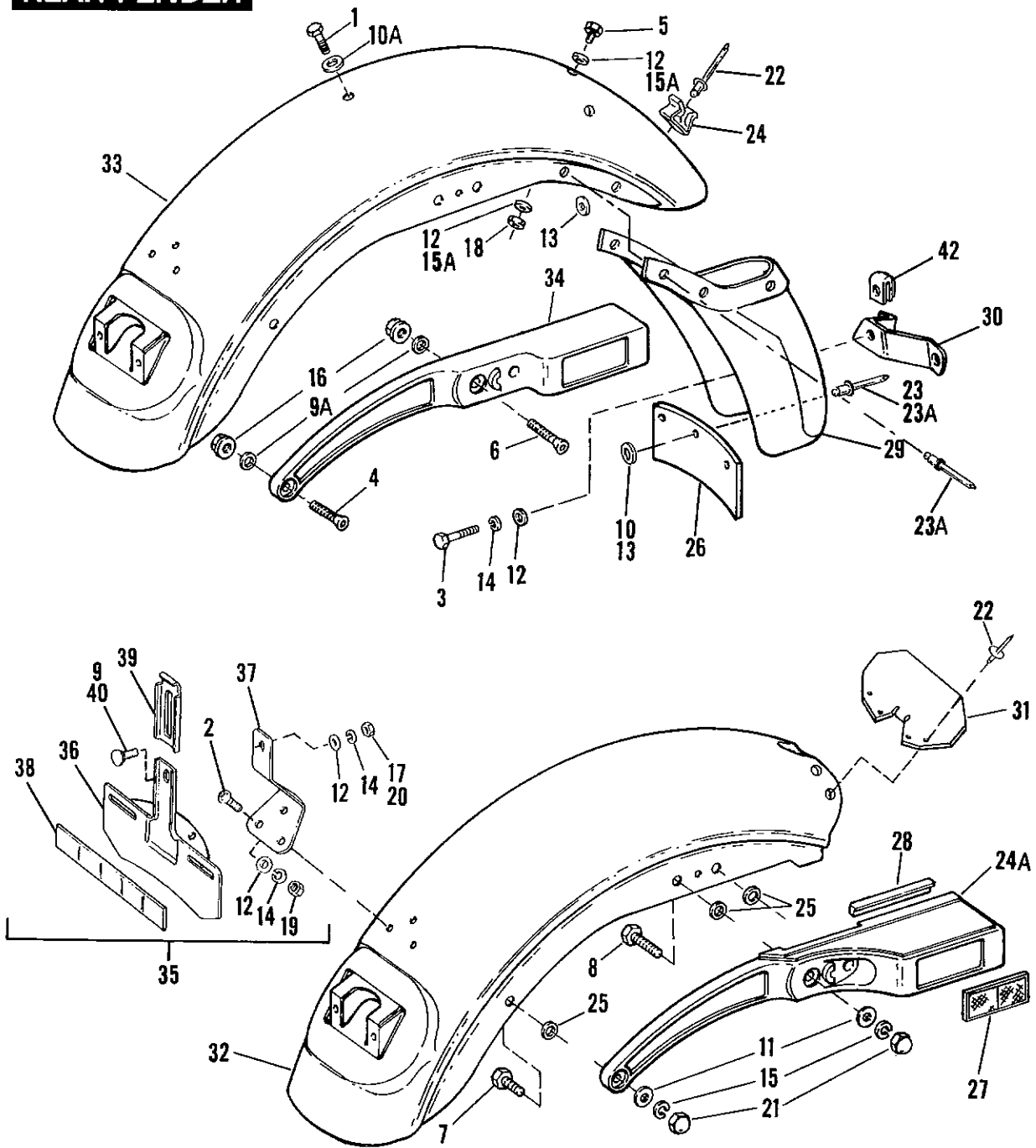


FRONT FENDER AND CHAIN GUARD

XL32

RETAIL PRICE	INDEX NO.	PART NO.	N A M E	USED ON
	1	919	BOLT, 1/4-28 x 3/4 x 5/32 hex. socket hd. (2)	82 — XL, XLS, XLX
	2	2882W	BOLT, 5/16-18 x 5/8 hex. hd. (4)	79 to 83 — XL, XLCH, XLS, XLX
	3	3210	SCREW, 5/16-18 x 1-1/4 socket hd. (4)	84 to * — XL, XLS, XLX
	4	3953W	BOLT, 5/16-24 x 1/2 hex. hd.	79 — XL, XLCH, XLS
	5	3974HW	BOLT, 5/16-24 x 3/4 hex. hd.	82 — XL, XLS, XLX
	6	4081	BOLT, 1/2-20 x 1-3/4 hex. hd.	82 to * — XL, XLS, XLX
		4411	BOLT, 3/8-24 x 1-3/4 hex. hd.	79 to 81 — XL, XLCH, XLS
	7	6702	WASHER, 5/16 x 11/16 x 1/16 (5-79, 6)	79 to 83 — XL, XLCH, XLS, XLX
	8	7036	LOCKWASHER, 1/4 (2)	82 — XL, XLS, XLX
	9	7041	LOCKWASHER, 5/16 (5)	79 — XL, XLCH, XLS, XLX
	10	7045	LOCKWASHER	83 to * — XL, XLS, XLX
	11	7531	LOCKNUT, 5/16-18 x 9/32 x 1/2 hex. (4)	84 to * — XL, XLS, XLX
	12	7611	SPEEDNUT	82 — XL, XLS
	13	7776W	LOCKNUT, 3/8-24 x 3/4 x 9/16 hex.	79 to 81 — XL, XLCH, XLS
		7812W	NUT, 1/2-20 x 3/4 hex.	82 to * — XL, XLS, XLX
	14	8306	RIVET, scuff pad — chain guard (2)	82 — XL, XLS
	15	11431	GROMMET, speedometer cable guide	Late 79 to * — XL, XLCH, XLS, XLX
	17	38622-73	GUIDE, speedometer cable	N/A Early 79 — XL, XLCH
		38622-78	GUIDE, speedometer cable (grommet type)	Late 79 to * — XL, XLCH, XLS, XLX
	19	45995-73	SCREW, chain guard	83 to * — XL, XLS, XLX
	20	59007-73B	FRONT FENDER (prime)	79 to 83 — XL, XLCH, XLS
		59007-84	FRONT FENDER (prime)	84 to * — XL, XLS
		59031-83	FRONT FENDER (prime)	83 to * — XLX
	21	59111-74	FENDER BRACE (2)	79 to * — XL, XLCH, XLS
	22	60304-82	CHAIN GUARD, front (black)	82 — XL, XLS
	23	60316-82	SCUFF PAD KIT, chain guard	82 — XL, XLS
	24	60319-83	BUMPER	83 to * — XL, XLS, XLX
	25	60366-82	CHAIN GUARD, lower	82 — XL, XLS
	26	60375-79	CHAIN GUARD	79 to 81 — XL, XLCH, XLS
		60375-81	CHAIN GUARD (black)	82 — XL, XLS
	27	60375-83	CHAIN GUARD (black)	83 to * — XL, XLS, XLX
	28	99031-82	MEDALLION, front fender	82 — XL, XLS

REAR FENDER

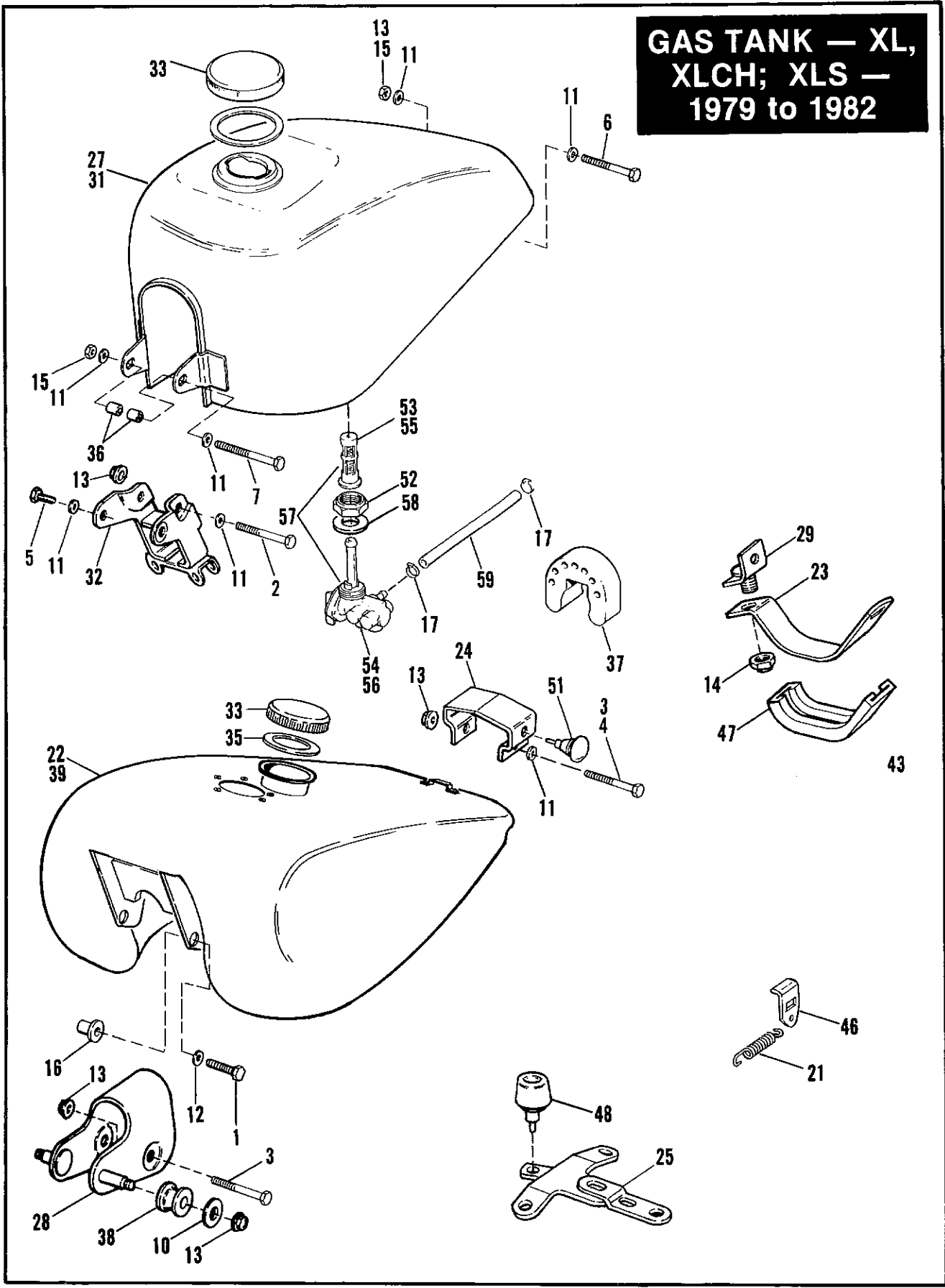


REAR FENDER

XL32A

RETAIL PRICE	INDEX NO.	PART NO.	N A M E	USED ON
	1	2757W	SCREW, 1/4-28 x 7/16 Phil. truss hd. (chrome)	79 to * — XL, XLCH, XLS, XLX
	2	2774	SCREW, 1/4-20 x 5/8 Pozidriv pan hd. (3)	79 to * — XL, XLCH, XLS, XLX
	3	3765	BOLT, 1/4-28 x 5/8 x 7/16	82 to * — XL, XLS, XLX
	4	3685	SCREW, 5/16-18 x 1 hex. socket (2)	82 to * — XL, XLS, XLX
	5	3767B	BOLT, 1/4-20 x 5/8 hex.	82 to * — XL, XLS, XLX
	6	3781	SCREW, 5/16-18 x 1-1/4 hex. socket (2)	82 to * — XL, XLS, XLX
	7	3960W	BOLT, 5/16-24 x 1 hex. hd. (2)	79 to 81 — XL, XLCH, XLS
	8	4036	BOLT, 5/16-24 x 1-1/2 hex. hd. (2)	79 to 81 — XL, XLCH, XLS
	9	5403B	CARRIAGE BOLT, 1/4-20 x 1/2	80 to * — XL, XLS, XLX
	9A	6026	WASHER, 3/8 x 7/8 x 7/64 (4)	82 to * — XL, XLS, XLX
	10	6192	WASHER, No. 8 x 7/16 x 3/64 (3)	84 to * — XL, XLS, XLX
	10A	6410	WASHER, 1/4 x 9/16 x 1/16 (nylon)	Late 82 to * — XL, XLCH, XLS, XLX
	11	6702	WASHER, 5/16 x 11/16 x 1/16 (5; 6 - 80 & Later)	79 to * — XL, XLCH, XLS, XLX
	12	6703	WASHER, 1/4 x 5/8 x 1/16 (4; 5 — 83 & Later)	79 to * — XL, XLCH, XLS
	13	6717	WASHER (7; 4 — 84 & Later)	82 to * — XL, XLS, XLX
	14	7036	LOCKWASHER, 1/4 (4)	79 to * — XL, XLCH, XLS, XLX
	15	7041	LOCKWASHER, 5/16 (5)	79 to * — XL, XLCH, XLS, XLX
	15A	7230	LOCKWASHER, 1/4 (2)	83 to * — XL, XLS, XLX
	16	7531	NUT, 5/16-18 x 9/32 x 1/2 hex. (4)	82 to * — XL, XLS, XLX
	17	7676	NUT, 1/4-28 x 3/16 x 7/16 hex.	79 — XL, XLCH, XLS
	18	7686	LOCKNUT, 1/4-20 x 5/16 x 7/16 hex.	82 to * — XL, XLS, XLX
	19	7688	NUT, 1/4-28 x 7/32 x 7/16 hex. (3)	79 to * — XL, XLCH, XLS, XLX
	20	7689W	NUT, 1/4-20 x 5/32 x 7/16 hex.	80 to * — XL, XLS, XLX
	21	7736	ACORN NUT, 5/16-24 (4)	79 to 81 — XL, XLCH, XLS
	22	8483	RIVET (7; 4 — 84 & Later)	79 to * — XL, XLCH, XLS, XLX
	23	8685	RIVET (3)	84 to * — XL, XLS, XLX
	23A	8692	RIVET (7; 4 — 84 & Later)	79 to * — XL, XLS, XLX
	24	9952	CLIP (4)	82 to * — XL, XLS, XLX
	24A	52754—79	SUPPORT, rear fender — right	79 to 81 — XL, XLCH, XLS
		52755—79	SUPPORT, rear fender — left	79 to 81 — XL, XLCH, XLS
	25	57034—71	SPACER (6; 2 — XLS)	79 to 81 — XL, XLCH, XLS
	26	58500—82	SPLASH GUARD, rear fender	82 to * — XL, XLS, XLX
	27	59263—79	REFLECTOR (red) (2)	79 to * — XL, XLCH, XLS, XLX
	28	59590—79	INSERT, fender support	79 to 81 — XL, XLCH
	29	59594—82	FENDER EXTENSION — includes item 26	82 to * — XL, XLS, XLX
	30	59606—82	BRACKET, fender extension	82 — XL, XLS
	31	59622—79	SPLASH GUARD	79 to 81 — XL, XLCH, XLS
	32	59674—79A	REAR FENDER (prime)	79 to 81 — XL, XLCH, XLS
	33	59674—81A	REAR FENDER (prime)	82 to * — XL, XLS; 83 to * — XLX
	34	59942—83	SUPPORT, rear fender — right	83 to * — XLX
		59943—83	SUPPORT, rear fender — left	83 to * — XLX
		59950—81	SUPPORT, rear fender — left	82 to * — XL, XLS
		59951—81	SUPPORT, rear fender — right	82 to * — XL, XLS
	35	59983—75	BRACKET ASSEMBLY, license plate	79 to * — XL, XLCH, XLS, XLX
	36	59984—73	BRACKET, license plate	79 to * — XL, XLCH, XLS, XLX
	37	59986—75	SUPPORT, license plate bracket	79 to * — XL, XLCH, XLS, XLX
	38	59988—72	REFLECTOR, license plate bracket	79 to * — XL, XLCH, XLS, XLX
	39	60001—55	CLAMP, license plate bracket	79 to * — XL, XLCH, XLS, XLX
	40	60002—55	CLAMP BOLT, license plate bracket	79 — XL, XLCH, XLS
	42	62044—82	NUT, with retainer	82 to * — XL, XLS, XLX

**GAS TANK — XL,
XLCH; XLS —
1979 to 1982**

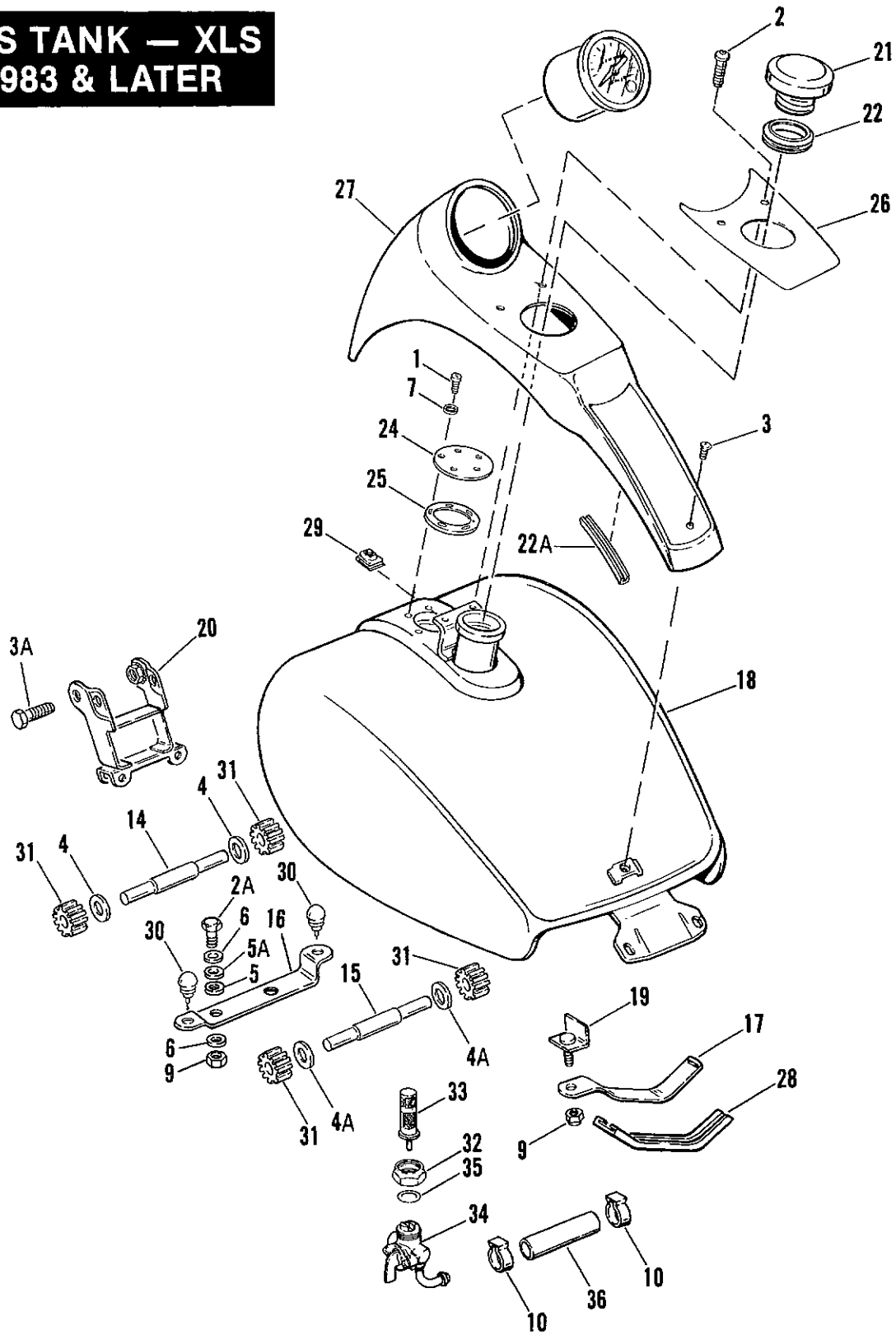


RETAIL PRICE	INDEX NO.	PART NO.	NAME	USED ON
	1	2551W	BOLT, 1/4-20 x 1 (2)	80 & 81 — XLS
	2	2667	BOLT, 5/16-18 x 2 x 1/2 hex. hd.	Early 82 — XL; 82 — XLS
	3	3419	BOLT, 5/16-18 x 2-1/4 x 1/2 hex. hd. (3)	82 — XLS
	4	4068	BOLT, 5/16-18 x 2-1/2 x 1/2 hex. hd.	82 & Early 83 — XL; Early 82 — XLS
	5	4391	BOLT, 5/16-24 x 5/8 x 13/64 hex. hd. (2)	Early 82 — XL
	6	4723	BOLT, 5/16-24 x 2-1/2 hex. hd.	79 to 81 — XL, XLCH, XLS
	7	4725	BOLT, 5/16-24 x 2-3/4 hex. hd.	79 to 81 — XL, XLCH, XLS
	10	6229W	WASHER, 21/64 x 1 (2)	82 — XLS; Early 83 — XL, XLX
	11	6702	WASHER, 5/16 x 11/16 x 1/16 (3)	79 to * — XL, XLCH, XLX; 79 to Early 82 — XLS
	12	6703	WASHER, 1/4 x 5/8 x 1/16 (2)	80 & 81 — XLS
	13	7531	LOCKNUT, 5/16-18 x 9/32 x 1/2 hex. (3)	82 & Early 83 — XL, XLX; 82 — XLS
	14	7686	LOCKNUT, 1/4-20 x 7/16 x 5/16	82 — XLS
	15	7725	LOCKNUT, 5/16-24 x 11/32 x 1/2 hex. (2)	79 to 81 — XL, XLCH, XLS
	16	8099	WELL NUT (2)	80 & 81 — XLS
	17	10014	CLAMP, fuel hose (2)	79 to * — XL, XLCH, XLX; 79 to 82 — XLS
	21	40503-63	SPRING, tank mounting	80 & 81 — XLS
	22	60976-80	FUEL TANK (prime)	N/A 80 & 81 — XLS
	23	61004-82	STRAP, fuel tank	82 — XLS; 83 to * — XL, XLX
	24	61007-82	BRACKET, fuel tank, rear	82 — XLS; Early 83 — XL, XLX
	25	61021-82	BRACKET, fuel tank support — rear	82 — XLS; Early 83 — XL, XLX
	27	61023-83A	FUEL TANK (prime)	83 & 84 — XL, XLX; 85 to * — XL, XLX
		61033-81	FUEL TANK (prime)	N/A 82 — XL
	28	61036-82A	BRACKET, fuel tank mount — front	82 — XLS; Early 83 — XL
	29	61038-82	STRAP END, fuel tank	82 — XLS; Early 83 — XL, XLX
	31	61097-79	FUEL TANK (prime)	N/A 79 to 81 — XL, XLCH; 79 — XLS
	32	61100-82	MOUNTING BRACKET, tank & coil	Early 82 — XL; 82 — XLS
	33	61102-73	FILLER CAP, fuel tank	N/A 79 to 82 — XL, XLCH, XLS
		61102-83A	FILLER CAP, fuel tank	83 to * — XL, XLX
	35	61111-77	GASKET, filler cap	79 to 82 — XL, XLCH, XLS
	36	61135-52A	SPACER, tank mounting (2)	79 to 81 — XL, XLCH; 79 — XLS
	37	61139-73	CUSHION, tank mounting	80 to 82 — XLS
	38	61152-65P	RUBBER MOUNT, fuel tank (2)	82 — XLS; Early 83 — XL
	39	61215-83	FUEL TANK (prime)	82 — XLS
	46	61546-74	CLIP, fuel tank mounting	80 & 81 — XLS
	47	61630-81	BUMPER STRIP, fuel tank	82 & Early 83 — XL
	48	61631-81	RUBBER SUPPORT, fuel tank (2)	82 — XLS; Early 83 — XL
	51	62123-66	SUPPORT, fuel tank (2)	82 — XLS; Early 83; Late 84 to * — XL, XLX
	52	62161-75	NUT, fuel valve	79 to * — XL, XLCH, XLX; 79 to 82 — XLS
	53	62162-75	FILTER, fuel valve	79 & 80 — XL, XLCH, XLS
	54	62164-76	FUEL VALVE, without nut & filter	79 & 80 — XL, XLCH, XLS
	55	62166-81	FILTER, fuel valve — with reserve tube	81 to * — XL, XLX; 81 & 82 — XLS
	56	62167-81	FUEL VALVE, without nut, filter & reserve tube	81 to * — XL; 81 & 82 — XLS
		62169-81	FUEL VALVE, includes item 58	83 to * — XLX
	57	62171-77	FUEL VALVE KIT	80 — XLS
	58	62172-75	GASKET, fuel valve	79 to * — XL, XLX; 79 to 82 — XLS

NOTE: Hose is sold only in bulk length under the following part number. Cut to required length.

59	63501-68	HOSE, 1/4 I.D x 1/2 O.D. reinforced rubber (25 ft. long)	79 to * — XL, XLCH, XLX; 79 to 82 — XLS
----	----------	--	---

GAS TANK — XLS 1983 & LATER



FUEL TANK — XLS — 1983 & LATER

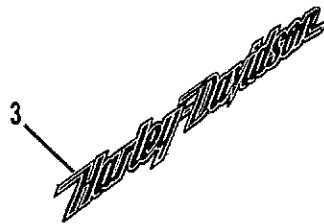
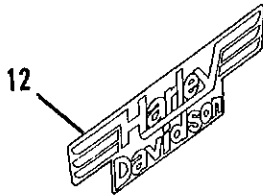
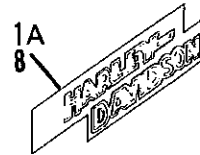
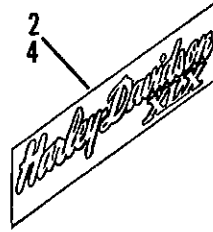
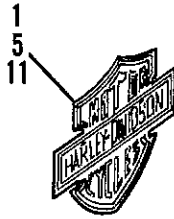
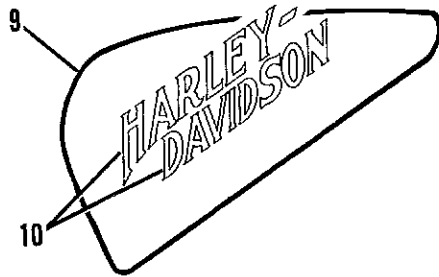
XL33A

RETAIL PRICE	INDEX NO.	PART NO.	N A M E	USED ON
	1	907	SCREW (w/lock patch) (5)	83 to * — XLS
	2	919	SCREW (2)	83 to * — XLS
	2A	2551W	BOLT, 1/4-20 x 1 hex. hd.	Late 83 to * — XLS
	3	3651	SCREW	83 to * — XLS
	3A	4391	BOLT (2)	83 to * — XLS
	4	5734	SPACER, front fuel tank mounting (2)	83 to * — XLS
	4A	5735	SPACER, rear fuel tank mounting (2)	83 to * — XLS
	5	6336B	WASHER, 5/16 x 15/16 x 3/16	Late 83 to * — XLS
	5A	6701	WASHER, 3/8 x 13/16 x 1/16 (as required)	Late 83 to * — XLS
	6	6703	WASHER, 1/4 x 5/8 x 1/16 (2)	Late 83 to * — XLS
	7	6759	WASHER (nylon) (5)	83 to * — XLS
	9	7686	LOCKNUT, 1/4-20 x 5/16 x 7/16 hex. (2)	83 to * — XLS
	10	10014	CLAMP, fuel hose (2)	83 to * — XLS
	14	47091—83	MOUNTING STUD, front — 3" long	83 to * — XLS
	15	47096—83	MOUNTING STUD, rear - 2-7/8" long	83 to * — XLS
	16	60949—83	BRACKET, fuel tank	83 to * — XLS
	17	61004—82	STRAP, fuel tank	Early 83 — XLS
		61030—83	STRAP, fuel tank	Late 83 to * — XLS
	18	61025—83A	FUEL TANK (prime)	83 to * — XLS
	19	61038—82	STRAP END, fuel tank	83 to * — XLS
	20	61100—82	MOUNTING BRACKET, tank & coil	83 — XLS
	21	61102—83A	FILLER CAP, fuel tank	83 to * — XLS
	22	61112—82	GASKET, filler cap	83 to * — XLS
	22A	61115—82	TRIM (2)	83 & Early 84 — XLS
		61163—84	TRIM (2)	Late 84 to * — XLS
	24	61321—80	PLATE, sending unit hole	83 to * — XLS
	25	61322—80A	GASKET, sending unit hole	83 to * — XLS
	26	61409—83	TRIM, console (aluminum finish)	83 to * — XLS
	27	61410—83	CONSOLE, fuel tank (black)	83 to * — XLS
	28	61630—81	BUMPER STRIP, fuel tank	83 to * — XLS
	29	62044—82	NUT, with retainer — 1/4-28 (2)	83 to * — XLS
	30	62123—66	SUPPORT, fuel tank (2)	83 to * — XLS
	31	62144—83	RUBBER MOUNT, fuel tank (4)	83 to * — XLS
	32	62161—75	NUT, fuel valve	83 to * — XLS
	33	62166—81	FILTER, fuel valve — with reserve tube	83 to * — XLS
	34	62167—81	FUEL VALVE, only	83 to * — XLS
	35	62172—75	GASKET, fuel valve	83 to * — XLS

NOTE: Hose is sold only in bulk length under the following part number. Cut to required length.

36	63501—68	HOSE, 1/4 I.D. x 1/2 O.D. reinforced rubber (25 ft. long)	83 to * — XLS
----	----------	---	---------------

**GAS TANK
TRIM**

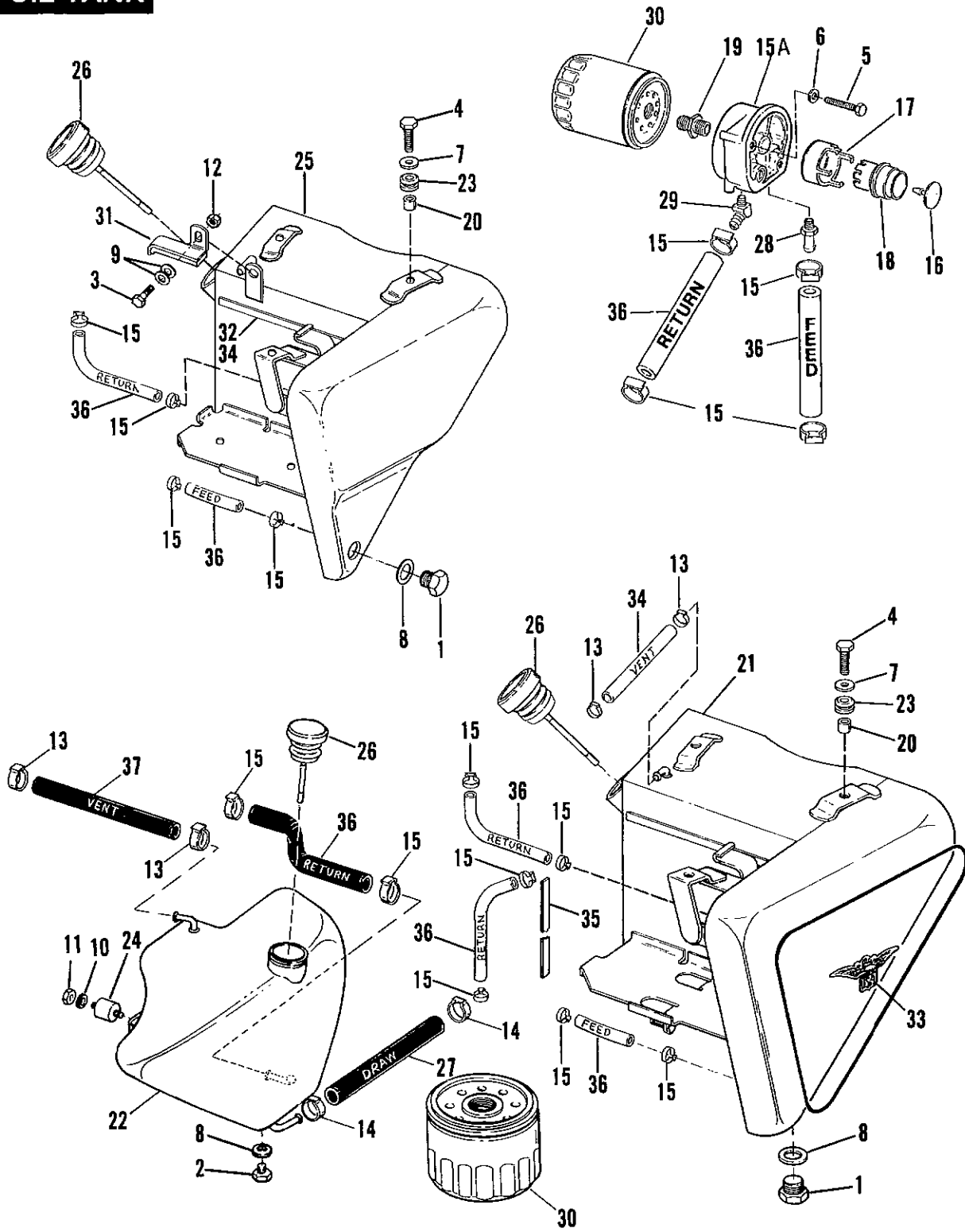


FUEL TANK TRIM

XL33B

RETAIL PRICE	INDEX NO.	PART NO.	N A M E	USED ON
	1	14004-82	DECAL, fuel tank (silver & black) (2)	82 & 83 - XL, XLS
		14005-82	DECAL, fuel tank (gold & black) (2)	82 & 83 - XL, XLS
		14006-82	DECAL, fuel tank (gold & brown) (2)	82 & 83 - XL, XLS
	1A	14007-82	DECAL, fuel tank (red, gold & black) (2)	79 & 80 - XLS
	2	14028-83	DECAL, fuel tank - "Harley-Davidson XLX" (white) (2)	83 to * - XLX
	3	14058-84	DECAL, fuel tank (red & white) (2)	84 to * - XL
		14059-84	DECAL, fuel tank (black & white) (2)	84 to * - XL
		14060-84	DECAL, fuel tank (rose metallic & silver) (2)	84 to * - XL
	4	14070-84	DECAL, fuel tank - "Harley-Davidson XLX (black) (2)	85 to * - XLX
	5	14072-84	DECAL, fuel tank - right (gold & black)	85 to * - XLS
		14073-84	DECAL, fuel tank - left (gold & black)	85 to * - XLS
	7	61255-82	DECAL, fuel tank (black & white) (2)	82 to * - XL
	8	61296-81A	DECAL, fuel tank (red & gold) (2)	82 to 84 - XL, XLS
	9	61318-79	DECAL, fuel tank, stripe - left (gray)	N/A 79 - XL, XLCH
		61319-79	DECAL, fuel tank, stripe - right (gray)	N/A 79 - XL, XLCH
	10	61320-79	DECAL, fuel tank (black & white) (2)	79 - XL, XLCH
	11	61405-80A	DECAL, fuel tank (gold & black) (2)	80 & 81 - XL
		61406-80	DECAL, fuel tank (silver & black) (2)	80 & 81 - XL
	12	61899-81A	DECAL, fuel tank (gold & black) (2)	82 - XLS
		61908-81A	DECAL, fuel tank (red & black) (2)	81 & 82 - XLS
		61909-81	DECAL, fuel tank (silver & black) (2)	81 - XLS

OIL TANK

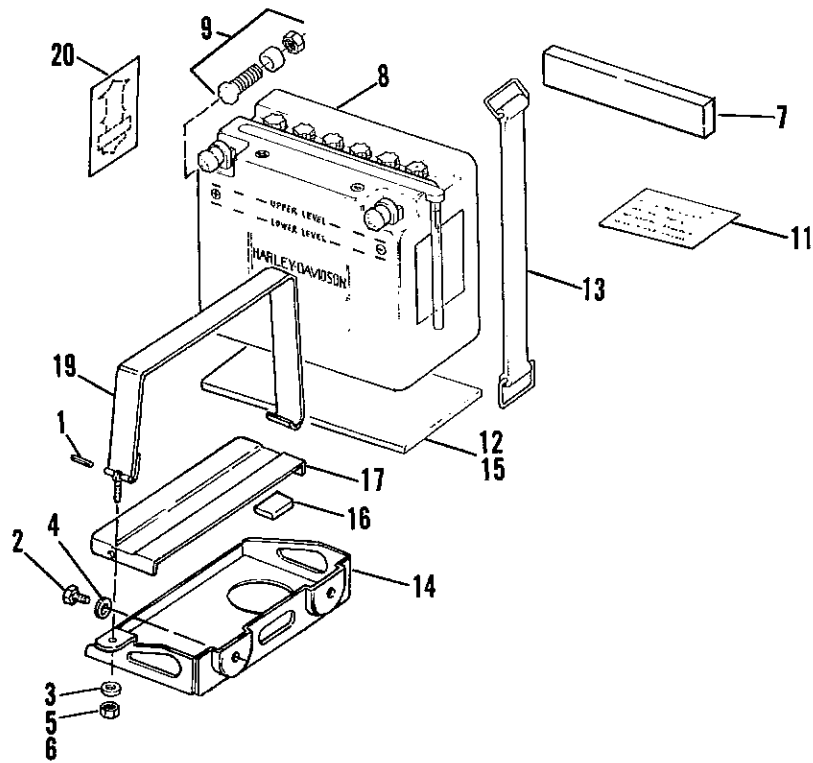


RETAIL PRICE	INDEX NO.	PART NO.	N A M E	USED ON
	1	704	DRAIN PLUG	79 to 81 — XL, XLCH, XLS
	2	706A	DRAIN PLUG, 1/2-20 x 1/2 x 7/8 hex. hd.	82 to * — XL, XLS, XLX
	3	3987	BOLT, 5/16-18 x 3/4 hex. hd.	80 to 81 — XL, XLS
	4	3996	BOLT, 5/16-24 x 7/8 hex. hd. (3)	79 to 81 — XL, XLCH, XLS
		4391	BOLT, 5/16-24 x 5/8 hex. hd. (2)	82 to * — XL, XLS, XLX
	5	4392	BOLT, 5/16-18 x 3-1/4 hex. hd. (2)	Late 84 to * — XL, XLS, XLX
	6	6016	WASHER, 11/32 x 11/16 x 1/16 (2)	Late 84 to * — XL, XLS, XLX
	7	6645	WASHER, 1/4 x 1 x 1/8 (3)	79 to 81 — XL, XLCH, XLS
	8	6700B	WASHER, 5/8 x 13/16 x 1/32	79 to 82 — XL, XLCH, XLS
	9	6702	WASHER, 5/16 x 11/16 x 1/16	80 to * — XL, XLS, XLX
	10	7041	LOCKWASHER, 1/4 x 21/64 (4)	82 to * — XL, XLS, XLX
	11	7686	LOCKNUT, 1/4-20 x 5/16 x 7/16 hex. (5)	82 to * — XL, XLS, XLX
		7688	NUT, 1/4-20 x 7/16 x 7/32 (4)	82 to * — XL, XLS, XLX
	12	7740	NUT, 5/16-18 x 1/4 x 1/2 hex.	80 to 81 — XL, XLS
	13	10014	CLAMP, oil vent hose (2)	79 to * — XL, XLCH, XLS, XLX
	14	10049	CLAMP, oil draw hose (2)	83 to * — XL, XLS, XLX
	15	10080	CLAMP, oil hoses (6)	79 to * — XL, XLCH, XLS, XLX
	15A	26205—84	MOUNTING BRACKET	Late 84 to * — XL, XLS, XLX
	16	26856—82	UMBRELLA CHECK VALVE	Late 84 to * — XL, XLS, XLX
	17	26916—84	CAP, breather baffle	Late 84 to * — XL, XLS, XLX
	18	26917—84	TUBE, breather baffle	Late 84 to * — XL, XLS, XLX
	19	33115—79	ADAPTOR, oil filter	Late 84 to * — XL, XLS, XLX
	20	47311—77	SPACER, oil tank (3)	79 to 81 — XL, XLCH, XLS
	21	62449—79	OIL TANK (prime)	N/A 79 — XL, XLCH, XLS
	22	62475—81A	OIL TANK ASSEMBLY	82 — XL, XLS
		62475—83	OIL TANK ASSEMBLY	83 to * — XL, XLS, XLX
	23	62561—77	GROMMET (3)	79 to 81 — XL, XLCH, XLS
	24	62563—65	MOUNT (rubber) (4)	82 to * — XL, XLS, XLX
	25	62587—80	OIL TANK ASSEMBLY (black wrinkle)	80 to 81 — XL, XLS
	26	62595—82A	FILLER CAP, with dipstick	82 to * — XL, XLS, XLX
		62599—79	FILLER CAP, with dipstick	79 — XL, XLCH, XLS
		62625—80	FILLER CAP, with dipstick	80 to 81 — XL, XLS
	27	63504—83	HOSE, oil draw	83 & 84 — XL, XLS, XLX
		63504—84	HOSE, oil draw	85 to * — XL, XLS, XLX
	28	63533—41	FITTING, oil line	Late 84 to * — XL, XLS, XLX
	29	63540—62	FITTING, oil line	Late 84 to * — XL, XLS, XLX
	30	63782—80	OIL FILTER (chrome)	80 to * — XL, XLS, XLX
		63801—79	OIL FILTER KIT (chrome)	N/A 79 — XL, XLCH, XLS
		63805—80	OIL FILTER	Late 84 to * — XL, XLS, XLX
		63810—80A	OIL FILTER (black)	80 to * — XL, XLS, XLX
	31	66279—80	BRACKET, battery	80 to 81 — XL, XLS
	32	66308—80	CUSHION STRIP, 1'' x 8''	Late 80 — XL, XLS
	33	66607—79	TRANSFER, oil tank 'Made in USA'	79 — XL, XLCH, XLS
	34	67065—80	CUSHION STRIP, 1-3/8'' x 7''	80 to 81 — XL, XLS
	35	67067—76	CUSHION STRIP (dealer cut into two pieces)	79 — XL, XLCH, XLS

NOTE: Hoses are sold only in bulk length under the following part numbers. Cut to required length.

36	63500—68	HOSE, 3/8 I.D. x 5/8 O.D. reinforced rubber (25 ft. lg.)	79 to * — XL, XLCH, XLS, XLX
37	63501—68	HOSE, 1/4 I.D. x 1/2 O.D. reinforced rubber (25 ft. lg.)	79 to * — XL, XLCH, XLS, XLX

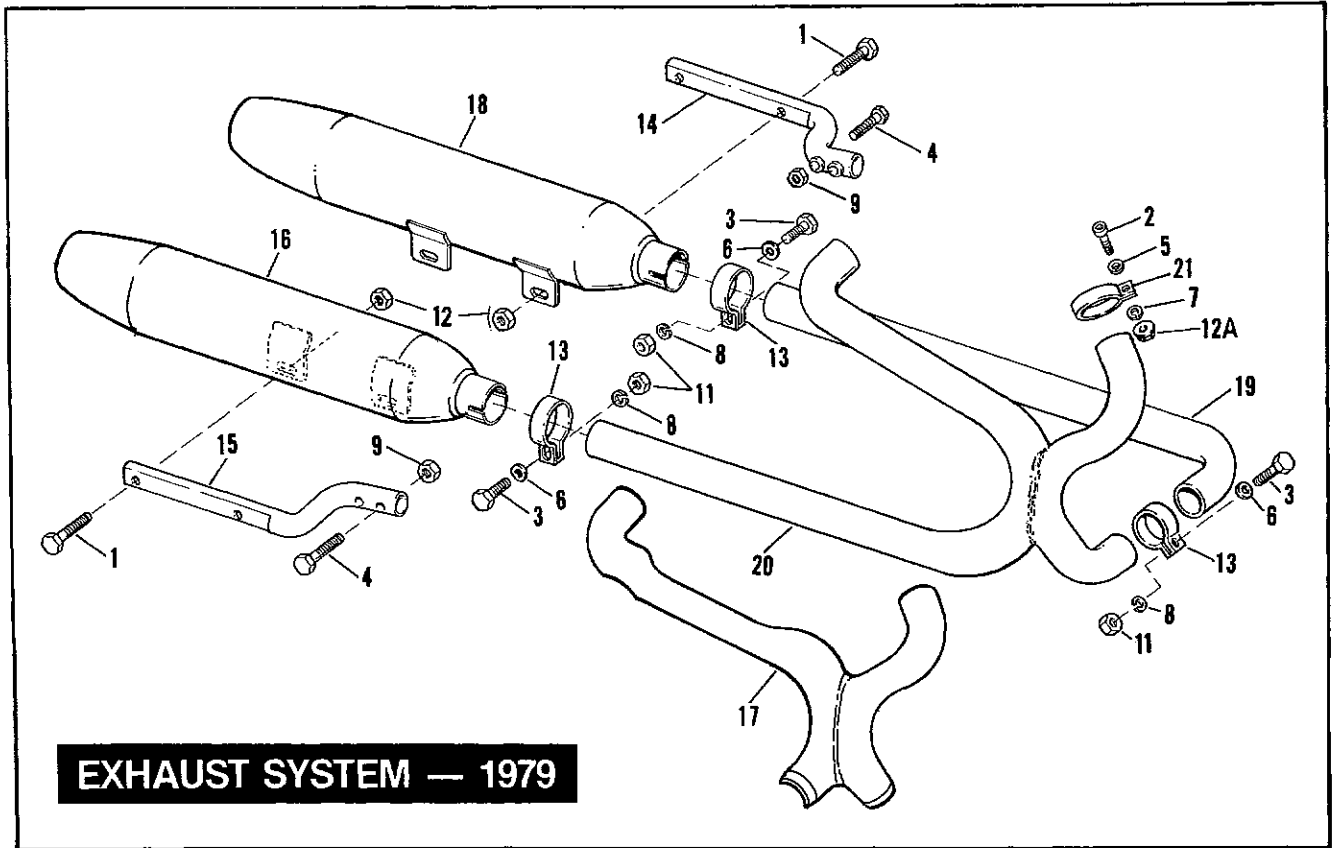
BATTERY



BATTERY

XL34A

RETAIL PRICE	INDEX NO.	PART NO.	NAME	USED ON
	1	618	ROLL PIN	82 to * - XL, XLS, XLX
	2	4391	BOLT (2)	82 to * - XL, XLS, XLX
	3	6220W	WASHER	Late 82 to * - XL, XLS, XLX
	4	6702	WASHER (2)	80 to * - XL, XLS, XLX
	5	7682	LOCKNUT	Early 82 - XL, XLS
	6	7688	NUT	Late 82 to * - XL, XLS, XLX
		10067	CLAMP, battery vent hose	82 to * - XL, XLS, XLX
	7	47403-75	PAD, rear	83 to * - XL, XLS, XLX
	8	65991-75C	BATTERY (dry)	79 to 81 - XL, XLCH, XLS
		65991-82A	BATTERY	82 to * - XL, XLS, XLX
	9	66000-80	BATTERY TERMINAL KIT	79 to * - XL, XLS, XLX
	11	66042-79A	LABEL, "warning, disconnect battery, etc."	79 to * - XL, XLCH, XLS, XLX
	12	66103-74A	PAD, battery	82 to * - XL, XLS, XLX
	13	66105-77	STRAP, battery	79 - XL, XLCH, XLS
	14	66191-81A	CARRIER, battery	82 - XL, XLS
		66191-83	CARRIER, battery	83 to * - XL, XLS, XLX
	15	66277-80	PAD, battery	N/A 80 to 81 - XL, XLS
		66280-77	PAD, battery	79 - XL, XLCH, XLS
	16	66352-65	PAD, battery cover	82 to * - XL, XLS, XLX
	17	66359-80	COVER, battery - top (black)	83 to * - XLX
		66367-73	COVER, battery - top (chrome)	82 to * - XL, XLS
	19	66476-73A	STRAP, battery	82 to * - XL, XLS, XLX
	20	99353-82Z	TRIM, battery	82 to * - XL, XLS, XLX

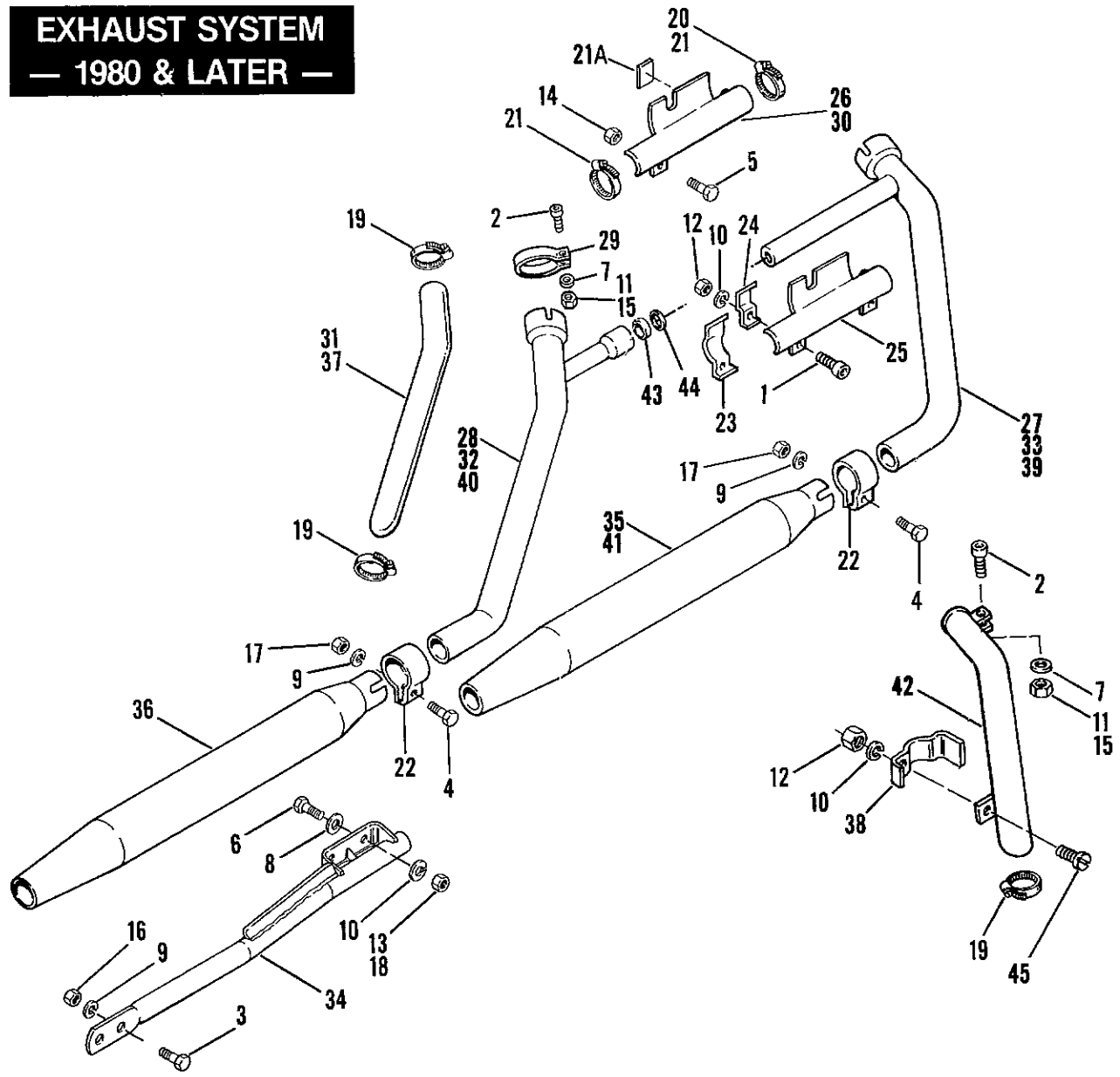


EXHAUST SYSTEM — 1979

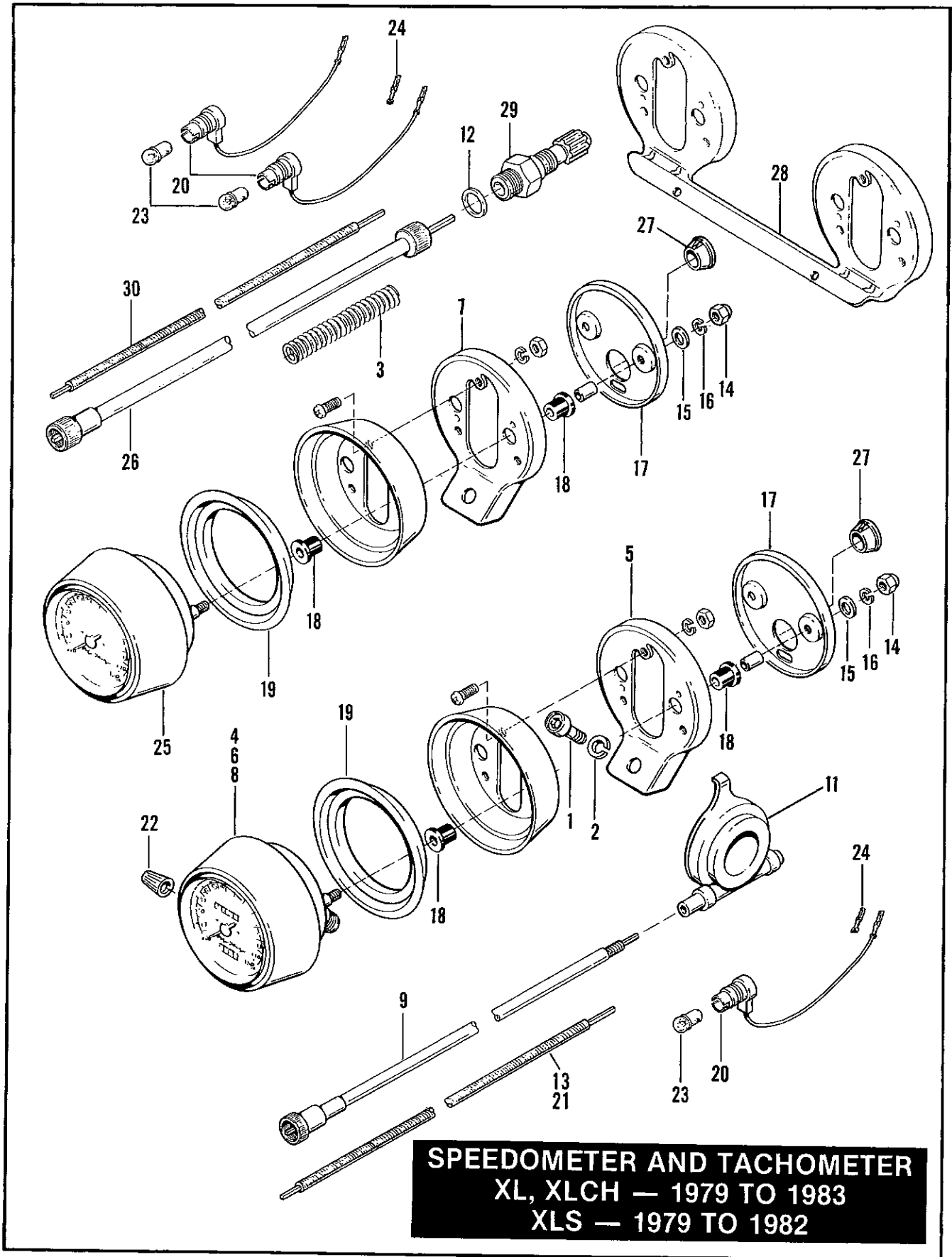
XL35

RETAIL PRICE	INDEX NO.	PART NO.	N A M E	USED ON
	1	2871W	BOLT, 5/16-18 x 1-1/4 hex. hd. (4)	79 — XL, XLCH, XLS
	2	3789A	SCREW, 1/4-20 x 3/4 socket hd. (2)	79 — XL, XLCH, XLS
	3	4014W	BOLT, 5/16-24 x 1-1/4 hex. hd. (3)	79 — XL, XLCH, XLS
	4	4719W	BOLT, 3/8-16 x 2-1/2 hex. hd. (4)	79 — XL, XLCH, XLS
	5	6228W	WASHER, 1/4 x 1/2 x 1/16 (2)	79 — XL, XLCH, XLS
	6	6324W	WASHER, 5/16 x 11/16 x 3/32 (3)	79 — XL, XLCH, XLS
	7	7036	LOCKWASHER, 1/4 (2)	79 — XL, XLCH, XLS
	8	7041	LOCKWASHER, 5/16 (3)	79 — XL, XLCH, XLS
	9	7633	LOCKNUT, 3/8-16 x 5/16 x 9/16 hex. (4)	79 — XL, XLCH, XLS
	11	7740	LOCKNUT, 5/16-18 x 1/4 x 1/2 hex. (4)	79 — XL, XLCH, XLS
	12	7753	NUT, 5/16-24 x 1/4 x 1/2 hex. (3)	79 — XL, XLCH, XLS
	12A	50884-69	FLANGE NUT, exhaust port clamp (2)	N/A 79 — XL, XLCH, XLS
	13	65276-62	CLAMP, exhaust pipe (3)	79 — XL, XLCH, XLS
	14	65304-77	SUPPORT, left muffler	N/A 79 — XL, XLCH, XLS
	15	65305-77	SUPPORT, right muffler	N/A 79 — XL, XLCH, XLS
	16	65326-79	MUFFLER, right	N/A 79 — XL, XLCH, XLS
	17	65454-79	SHIELD KIT, exhaust	N/A 79 — XL, XLCH, XLS
	18	65484-79	MUFFLER, left	79 — XL, XLCH, XLS
	19	65486-79	EXHAUST PIPE, left	N/A 79 — XL, XLCH, XLS
	20	65487-79	EXHAUST PIPE, right	N/A 79 — XL, XLCH, XLS
	21	65519-52B	CLAMP, exhaust port (2)	79 — XL, XLCH, XLS

EXHAUST SYSTEM — 1980 & LATER —



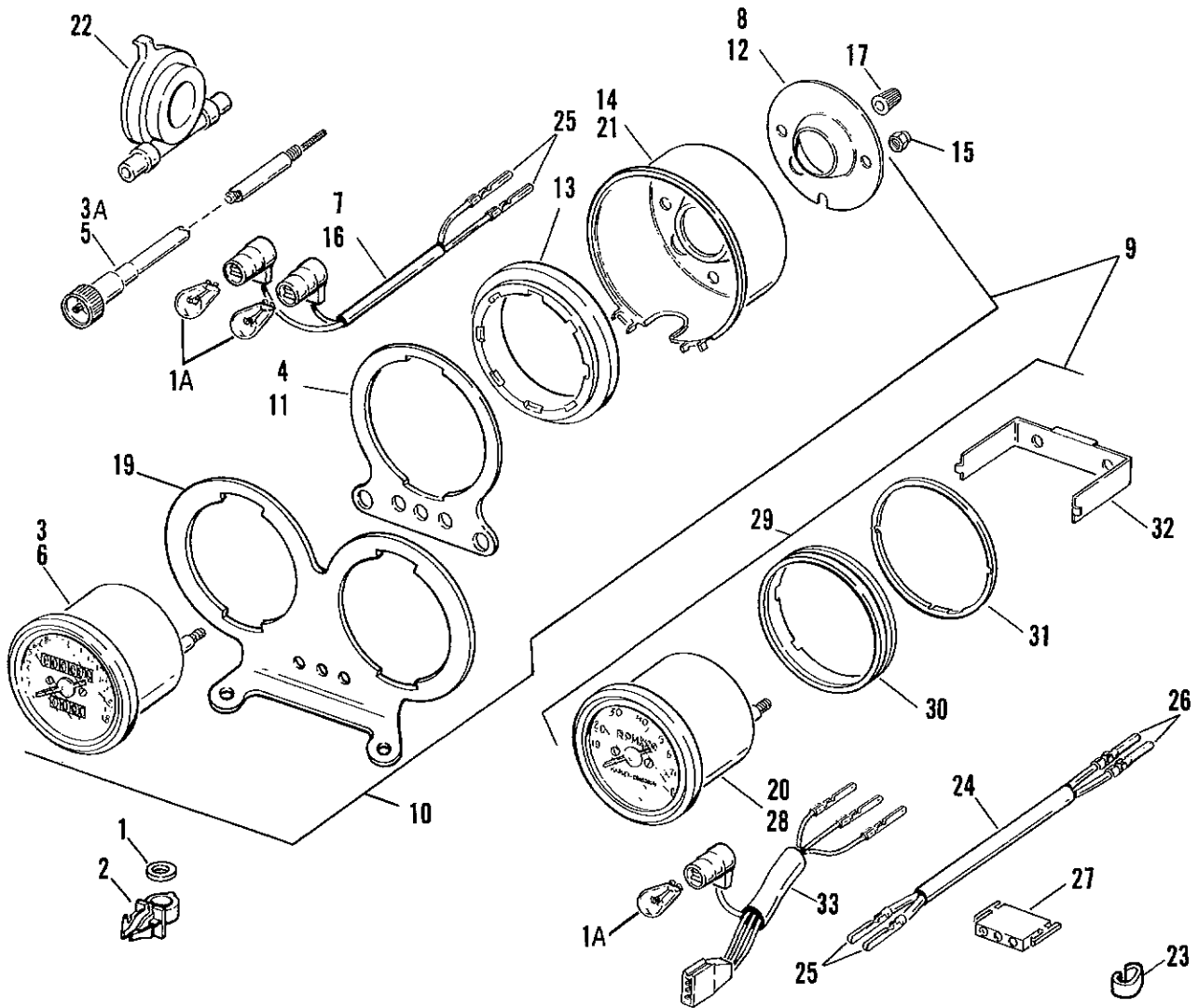
RETAIL PRICE	INDEX NO.	PART NO.	N A M E	USED ON
	1	1205	SCREW, No. 10-24 x 3/4 Pozidriv fil. hd. (2)	80 — XL, XLS
	2	3210	SCREW, 5/16-18 x 1-1/4 socket fil. hd. (2)	81 to * — XL, XLS, XLX
		3789A	SCREW, 1/4-20 x 3/4 socket fil. hd. (2)	80 — XL, XLS
	3	3991	BOLT, 5/16-18 x 7/8 hex. hd.	80 to * — XL, XLS, XLX
	4	4014W	BOLT, 5/16-24 x 1-1/4 hex. hd. (2)	81 — XL, XLS
	5	4017	BOLT, 5/16-18 x 1 hex. hd.	Late 81 — XL, XLS
		4036	BOLT, 5/16-24 x 1-1/2 hex. hd. (2)	82 to * — XL, XLS
	6	4380W	BOLT, 3/8-24 x 2 hex. hd. (2)	82 to * — XL, XLS, XLX
		4721	BOLT, 3/8-16 x 1-1/2 hex. hd.	80 & 81; 83 to * — XL, XLS, XLX
	7	6109	WASHER, 5/16 x 11/16 x 1/8 (2)	81 to * — XL, XLS, XLX
		6228W	WASHER, 1/4 x 1/2 x 1/16 (3)	80 — XL, XLS
	8	6701	WASHER, 3/8 x 13/16 x 1/16 (4)	82 to * — XL, XLS, XLX
	9	7041	LOCKWASHER, 5/16 (3)	80 to * — XL, XLS, XLX
	10	7069	LOCKWASHER, No. 10 (2)	80 & Early 81 — XL, XLS
	11	7531	LOCKNUT, 5/16-18 x 9/32 x 1/2 hex. (2)	81 to * — XL, XLS, XLX
	12	7620W	NUT, No. 10-24 x 1/8 x 3/8 hex. (4)	80 & Early 81 — XL, XLS
	13	7633	NUT, No. 10-24 x 1/8 x 3/8 hex. (2)	80 & 81 — XL, XLS
	14	7740	NUT, 5/16-18 x 1/4 x 1/2 hex. (2; 3 — Late 81)	81 — XL, XLS
	15	7742	LOCKNUT, 1/4-20 x 7/32 x 7/16 hex. (2)	80 — XL, XLS
	16	7748W	NUT, 5/16-18 x 1/4 x 1/2 hex.	80 to * — XL, XLS, XLX
	17	7753	NUT, 5/16-24 x 1/4 x 1/2 hex. (2)	80 to * — XL, XLS, XLX
	18	7775	LOCKNUT, 3/8-24 x 7/16 x 9/16 hex.	82 to * — XL, XLS, XLX
	19	9955	CLAMP, heat shield (5; 2 — XLX)	80 to * — XL, XLS, XLX
	20	9964	CLAMP, heat shield	Late 81 — XL, XLS
	21	10048	CLAMP, heat shield (2)	82 to * — XL, XLS
	21A	61090—82	PAD	83 to * — XL, XLS, XLX
	22	65276—62	CLAMP, muffler (chrome) (2)	80 to * — XL, XLS; 84 & Early 85 — XLX
		65280—83	CLAMP, muffler (black) (2)	83 to * — XLX
	23	65411—75	CLAMP, crossover pipe heat shield — rear	80 & Early 81 — XL, XLS
	24	65412—75	CLAMP, crossover pipe heat shield — front	80 & Early 81 — XL, XLS
	25	65415—75	HEAT SHIELD, crossover pipe	N/A Early 80 — XL, XLS
		65419—80	HEAT SHIELD, crossover pipe (black)	N/A Late 80 — XL, XLS
	26	65419—81	HEAT SHIELD, crossover pipe (black)	Late 81 — XL, XLS
	27	65420—80	EXHAUST PIPE, front	80 & 81 — XL, XLS
	28	65425—80	EXHAUST PIPE, rear	80 & 81 — XL, XLS
	29	65519—52B	CLAMP (2)	80 to * — XL, XLS, XLX
	30	65532—82	HEAT SHIELD, crossover pipe — w/clamps (black)	82 — XL, XLS
		65532—82A	HEAT SHIELD, crossover pipe — w/clamps (black)	83 to * — XL, XLS, XLX
	31	65540—81	HEAT SHIELD, rear — w/clamps (chrome)	81 to * — XL, XLS; 84 & Early 85 — XLX
	32	65568—82A	EXHAUST PIPE, rear (chrome)	82 to * — XL, XLS; 84 & Early 85 — XLX
	33	65569—82A	EXHAUST PIPE, front (chrome)	82 to * — XL, XLS; 84 & Early 85 — XLX
	34	65599—80A	SUPPORT, rear muffler	80 to * — XL, XLS, XLX
	35	65605—82	MUFFLER, front	82 — XL; 82 to * — XLS
		65605—83A	MUFFLER, front (chrome)	83 to * — XL; 84 & Early 85 — XLX
		65611—80	MUFFLER, front	80 & 81 — XL, XLS
	36	65607—83	MUFFLER, rear (black)	83 to * — XLX
		65613—80	MUFFLER, rear	80 to 82 — XL; 80 to * — XLS
		65613—83	MUFFLER, rear (chrome)	83 to * — XL; 84 & Early 85 — XLX
	37	65702—68B	HEAT SHIELD, rear — w/clamps	80 — XL, XLS
	38	65713—61	CLAMP, front heat shield	80 — XL, XLS
	39	65714—83	EXHAUST PIPE, front (black)	83 to * — XLX
	40	65716—83	EXHAUST PIPE, rear (black)	83 to * — XLX
		65717—83	HEAT SHIELD, rear — w/clamps	83 to * — XLX
	41	65718—83A	MUFFLER, front (black)	83 to * — XLX
	42	65719—81	HEAT SHIELD, front — w/clamps	N/A 82 — XL
		65719—83	HEAT SHIELD, front — w/clamps	83 to * — XLX
		65728—66B	HEAT SHIELD, front — w/clamps (chrome)	80 & 81 — XL, XLS; 84 & Early 85 — XLX
	43	65781—82	GASKET	82 to * — XL, XLS, XLX
	44	65782—82	WASHER	82 to * — XL, XLS, XLX
	45	67729—48	SCREW, shield (2)	80 — XL, XLS



SPEEDOMETER AND TACHOMETER — XL, XLCH — 1979 TO 1983; XLS — 1979 TO 1982 XL36

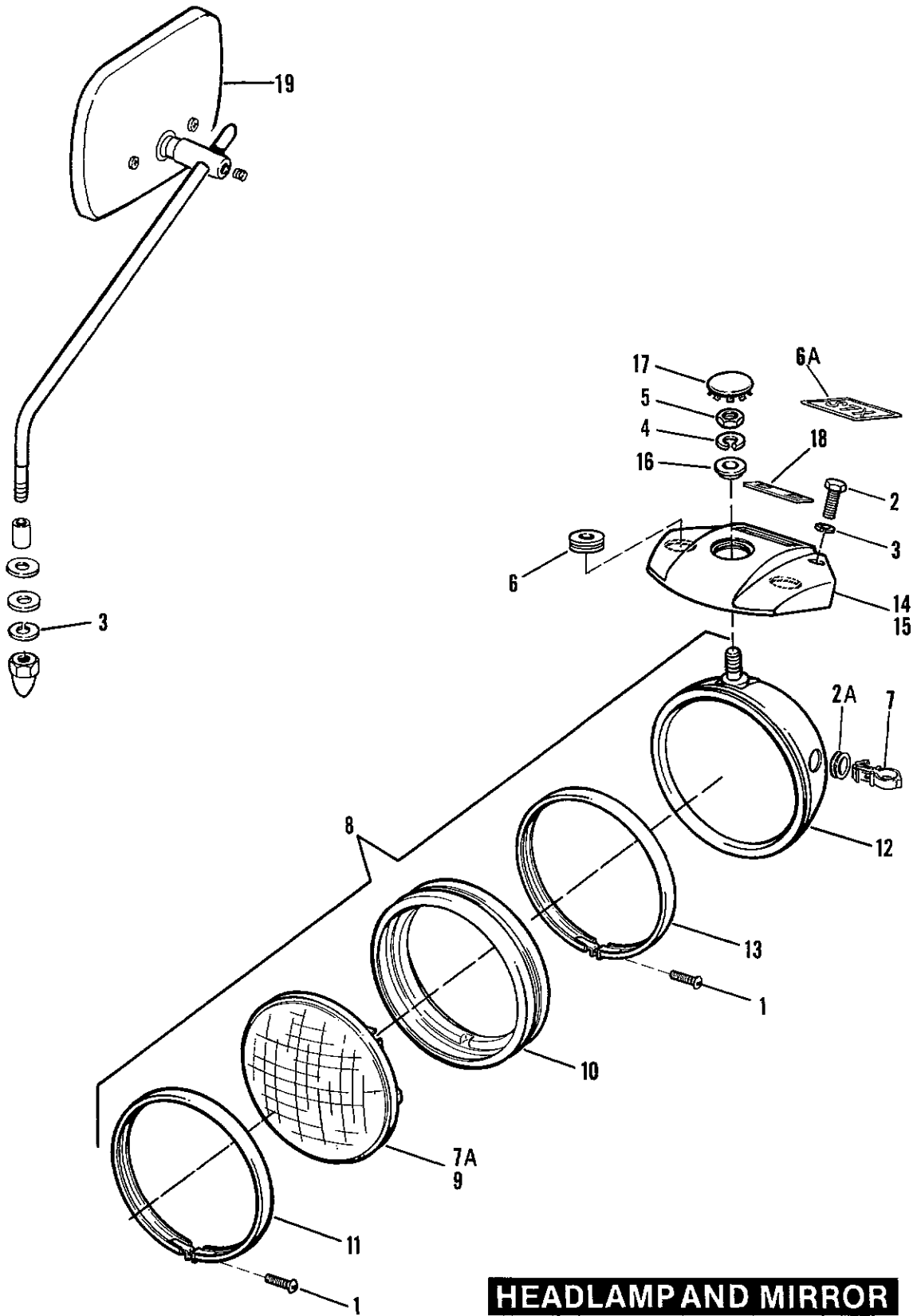
RETAIL PRICE	INDEX NO.	PART NO.	NAME	USED ON
	1	3991	SCREW, 5/16-18 x 7/8 hex. hd. (2)	79 & 80 — XLS
	2	7042	LOCKWASHER, 5/16 (2)	79 & 80 — XLS
	3	34500-78	SPRING, tachometer cable	80 — XL, XLS
	4	67007-79A	SPEEDOMETER, mile — with mounting bracket	79 & 80 — XLS
		67008-79	SPEEDOMETER, kilometer — with mounting bracket	79 — XLS
		67008-79A	SPEEDOMETER, kilometer — with mounting bracket	80 — XLS
	5	67012-80	BRACKET, speedometer mounting	79 & 80 — XLS
	6	67020-74B	SPEEDOMETER, mile	79 — XL, XLCH
		67020-75D	SPEEDOMETER, mile	80 to 83 — XL; 81 & 82 — XLS
	7	67022-80	BRACKET, tachometer mounting	79 to 82 — XLS
	8	67043-74B	SPEEDOMETER, kilometer	N/A 79 — XL, XLCH
		67043-75C	SPEEDOMETER, kilometer	80 to 83 — XL; 81 & 82 — XLS
	9	67051-74	CABLE ASSEMBLY, speedometer	79 to 83 — XL
		67060-79A	CABLE ASSEMBLY, speedometer	79 to 82 — XLS
	11	67127-73	DRIVE UNIT, speedometer	79 to 83 — XL, XLCH; 79 to 82 — XLS
	12	67142-52	WASHER, tachometer drive unit	79 & 80 — XL, XLCH, XLS
	13	67309-80	CORE, speedometer cable	79 to Early 81 — XLS
	14	67310-74	ACORN NUT (2)	79 to 83 — XL, XLCH; 79 to 82 — XLS
	15	67311-74	WASHER (2)	79 to 83 — XL, XLCH; 79 to 82 — XLS
	16	67312-74	LOCKWASHER (2)	79 to 83 — XL, XLCH; 79 to 82 — XLS
	17	67313-74	LOWER COVER	79 to 83 — XL, XLCH; 79 to 82 — XLS
	18	67314-74	GROMMET (black) (2)	79 to 83 — XL, XLCH; 79 to 82 — XLS
	19	67317-74	GASKET (foam rubber)	79 to 83 — XL, XLCH; 79 to 82 — XLS
	20	67318-74	SOCKET, with wire (3)	79 to 83 — XL, XLCH; 79 to 82 — XLS
	22	67325-76	RESET KNOB, with screw — speedometer	79 to 83 — XL, XLCH; 79 to 82 — XLS
	23	71090-64	BULB (3)	79 to 83 — XL, XLCH; 79 to 82 — XLS
	24	72038-71	SOCKET, pin terminal (3)	79 to 83 — XL, XLCH; 79 to 82 — XLS
	25	92051-75D	TACHOMETER	79 & 80 — XL, XLCH
		92051-81A	TACHOMETER, electronic	81 to 83 — XL; 81 & 82 — XLS
		92053-79A	TACHOMETER, with mounting bracket	79 & 80 — XLS
	26	92065-74	CABLE ASSEMBLY, tachometer (w/spring)	79 & 80 — XL, XLCH, XLS
	27	92073-81	PLUG, lower cover	82 & 83 — XL; 82 — XLS
	28	92075-77	BRACKET, speedometer & tachometer support	79 to 83 — XL, XLCH; 81 & 82 — XLS
	29	92097-71	DRIVE UNIT, tachometer	79 & 80 — XL, XLCH, XLS
	30	92118-74	WIRE, tachometer cable	79 & 80 — XL, XLCH, XLS

SPEEDOMETER AND TACHOMETER XL — 1984 & LATER XLS, XLX — 1983 & LATER



SPEEDOMETER & TACHOMETER — XL — 1984 & LATER; XLS, XLX — 1983 & LATER XL36A

RETAIL PRICE	INDEX NO.	PART NO.	N A M E	USED ON
	1	6261	WASHER, 1/4 x 3/4 x 3/32 (rubber)	84 to * — XL, XLS, XLX
	1A	53439-79	BULB, as required	83 to * — XLS; 84 to * — XL
	2	56073-83	RETAINER, speedometer cable	84 to * — XL, XLS, XLX
	3	67010-83	SPEEDOMETER, kilometer — complete	83 to * — XLX
		67016-83	SPEEDOMETER, mile — complete	83 & 84 — XLX
		67016-85	SPEEDOMETER, mile — complete	85 to * — XLX
		67037-83	SPEEDOMETER, mile — w/wiring	Early 84 — XL
		67037-85A	SPEEDOMETER, mile — w/wiring	Late 84 to * — XL; 85 to * — XLS, XLX
	3A	67048-83	CABLE ASSEMBLY, speedometer	Late 84 to * — XLS
		67052-78A	CABLE ASSEMBLY, speedometer	83 to * — XLX; 84 to * — XL
	4	67053-83	BRACKET, speedometer	83 to * — XLX
	5	67054-83A	CABLE ASSEMBLY, speedometer	83 — XLS
	6	67061-83	SPEEDOMETER, mile — w/wiring	84 — XLS
		67062-83	SPEEDOMETER, kilometer — w/wiring	Late 83 to * — XLX; 84 to * — XLS
	7	67063-83	BULB & SOCKET, with terminals — speedometer	84 — XLS
	8	67085-83	TRIM, tachometer	84 to * — XL
	9	67099-84	TACHOMETER & SPEEDOMETER ASSEMBLY, complete	Early 84 — XL
		67099-85	TACHOMETER & SPEEDOMETER ASSEMBLY, complete	Late 84 to * — XL
	10	67100-83	SPEEDOMETER, mile — complete	83 & 84 — XLS
		67100-85	SPEEDOMETER, mile — complete	85 to * — XLS
		67101-83	SPEEDOMETER, kilometer — complete	83 to * — XLS
	11	67102-83	BRACKET, speedometer mounting (black)	83 to * — XLS
	12	67103-83	TRIM, speedometer	83 to * — XLS, XLX; 84 to * — XL
	13	67104-83	CUSHION (rubber)	83 to * — XLS, XLX; 84 to * — XL
	14	67105-83	COVER, speedometer — lower (black)	83 to * — XLS, XLX; 84 to * — XL
	15	67106-83	ACORN NUT (chrome) (2)	83 to * — XLS, XLX; 84 to * — XL
	16	67107-83	BULB & SOCKET, with terminals — speedometer	83; 85 to * — XLS; 84 to * — XL, XLX
	17	67108-83	KNOB, odometer reset (chrome)	83; 85 to * — XLS; 84 to * — XL, XLX
	19	67110-83	BRACKET, speedometer & tachometer support	84 to * — XL
	20	67111-83	TACHOMETER, w/wiring (1985 — k.p.h. kit)	84 to * — XL
		67111-85	TACHOMETER, w/wiring	85 to * — XL
	21	67112-83	CÖVER, tachometer — lower (black)	84 to * — XL
	22	67127-73	DRIVE UNIT, speedometer	83 — XLS, XLX
		67127-84A	DRIVE UNIT, speedometer	84 to * — XL, XLS, XLX
	23	67239-83	CABLE GUIDE, speedometer cable (2)	83 to * — XLX
	24	70497-83	WIRE ASSEMBLY, tachometer (w/terminals)	83 to * — XLS
	25	72038-71	SOCKET, pin terminal (4)	83 to * — XLS; 84 to * — XL
	26	72039-71	PIN, socket terminal (2)	83 to * — XLS
	27	72040-71	HOUSING, 3 socket terminal	83 to * — XLS
	28	92059-83	TACHOMETER, includes 92078-83 (1985 — k.p.h. kit)	83 to * — XLS
		92059-85	TACHOMETER, includes 92078-83	85 to * — XLS
	29	92060-83	TACHOMETER, complete — w/bracket (1985 — k.p.h. kit)	83 to * — XLS
		92060-85	TACHOMETER, complete — with bracket	85 to * — XLS
	30	92061-83	CUSHION (rubber)	83 to * — XLS
	31	92068-83	RETAINING RING, tachometer	83 to * — XLS
	32	92077-83	BRACKET, tachometer	83 to * — XLS
	33	92078-83	BULB AND SOCKET, tachometer	83 to * — XLS



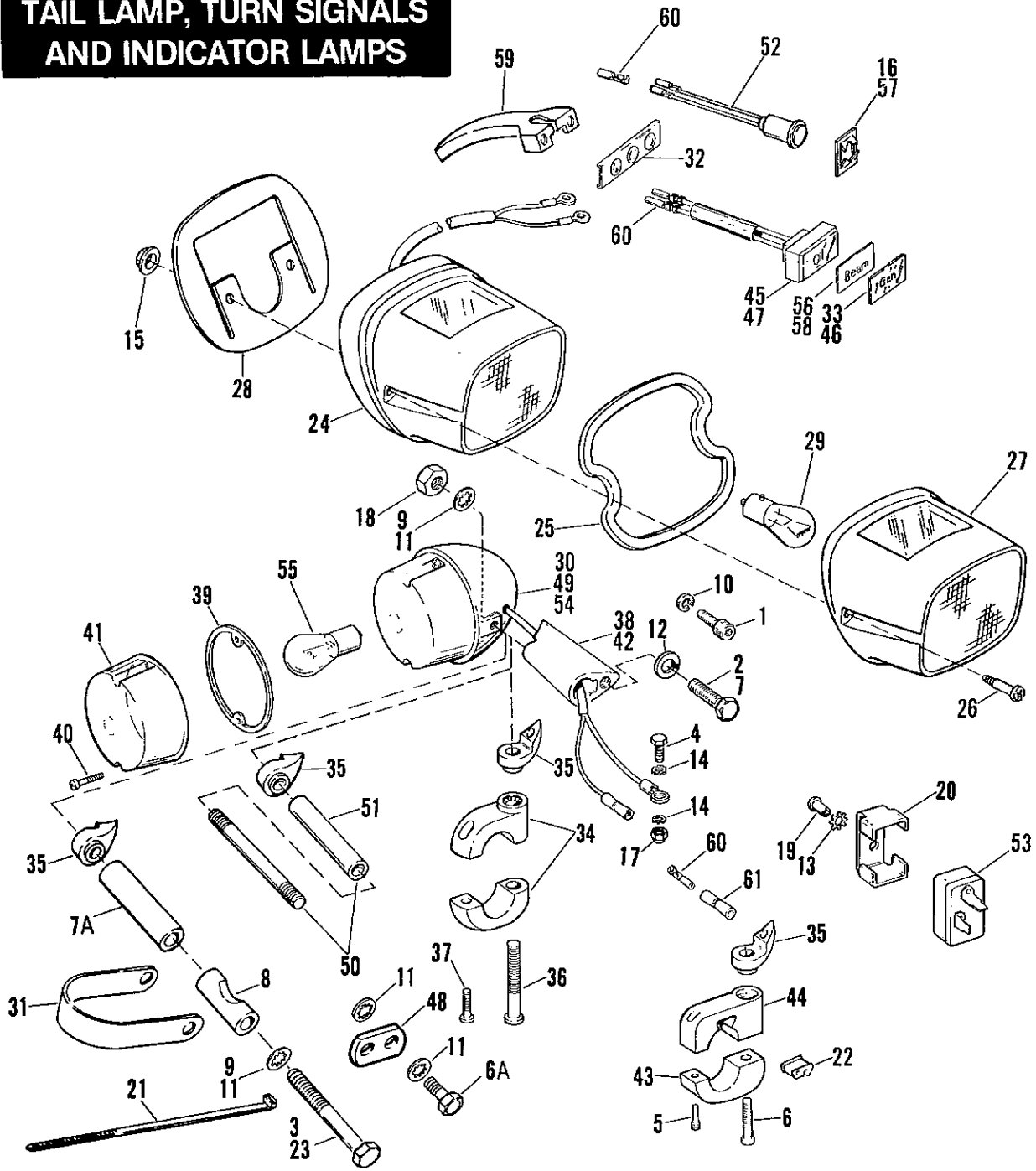
HEADLAMP AND MIRROR

HEADLAMP AND MIRROR

XL37

RETAIL PRICE	INDEX NO.	PART NO.	N A M E	USED ON
	1	1203	SCREW, No. 8-32 x 7/8 Pozidriv fil. hd. (2)	79 to * — XL, XLCH, XLS, XLX
	2	2871W	BOLT, 5/16-18 x 1-1/8 hex. hd. (2)	79 to * — XL, XLCH, XLS, XLX
	2A	6261	WASHER, 1/4 x 3/4 x 3/32 (rubber)	84 to * — XL, XLS, XLX
	3	7041	LOCKWASHER, 5/16 (2)	79 to * — XL, XLCH, XLS, XLX
	4	7068	LOCKWASHER, 1/2	79 to * — XL, XLCH, XLS, XLX
	5	7880	NUT, 1/2-13 x 7/16 x 3/4 hex.	79 to * — XL, XLCH, XLS, XLX
	6	11429	GROMMET, headlamp bracket (2)	79 & 80 — XLS
	6A	14047—83	TRIM, headlamp bracket	83 to * — XLS
	7	56073—83	RETAINER, speedometer cable	84 to * — XL, XLS, XLX
	7A	67698—81A	SEALED BEAM, halogen	82 to * — XL, XLS, XLX
	8	67705—74	HEADLAMP, complete (without wiring)	79 to 81 — XL, XLCH, XLS
	9	67717—65A	SEALED BEAM	79 to 81 — XL, XLCH, XLS
	10	67719—63	MOUNTING RING (rubber)	79 to * — XL, XLCH, XLS, XLX
	11	67725—63	MOLDING RING, outer	79 to * — XL, XLCH, XLS, XLX
	12	67743—75	HOUSING, headlamp	79 to 83 — XL, XLCH, XLS, XLX
		67743—84	HOUSING, headlamp	84 to * — XL, XLS, XLX
	13	67744—75	MOLDING RING, inner	79 to * — XL, XLCH, XLS, XLX
	14	67761—79	BRACKET, headlamp — with cable holes	79 & 80 — XLS
	15	67809—75	BRACKET, headlamp	79 to * — XL, XLCH; 81 to * — XLS, XLX
	16	67815—59A	WASHER, headlamp mounting	79 to * — XL, XLCH, XLS, XLX
	17	67830—59	PLUG, headlamp bracket	79 to * — XL, XLCH, XLS, XLX
	18	67834—83	TRIM, headlamp bracket	83 to * — XLS, XLX
		67835—75	TRIM, headlamp bracket	79 to 83 — XL, XLCH; 79 to 82 — XLS
	19	91875—70B	MIRROR KIT, 5" rectangular — complete (chrome)	79 to 83 — XL, XLCH, XLS
		91875—82	MIRROR KIT, complete	85 — XL, XLS, XLX
		91878—77A	MIRROR KIT, 5" rectangular — complete (black)	79 to 81 — XL, XLCH, XLS
		91896—83	MIRROR KIT, 5" rectangular — complete (black)	83 to * — XLX

TAIL LAMP, TURN SIGNALS AND INDICATOR LAMPS

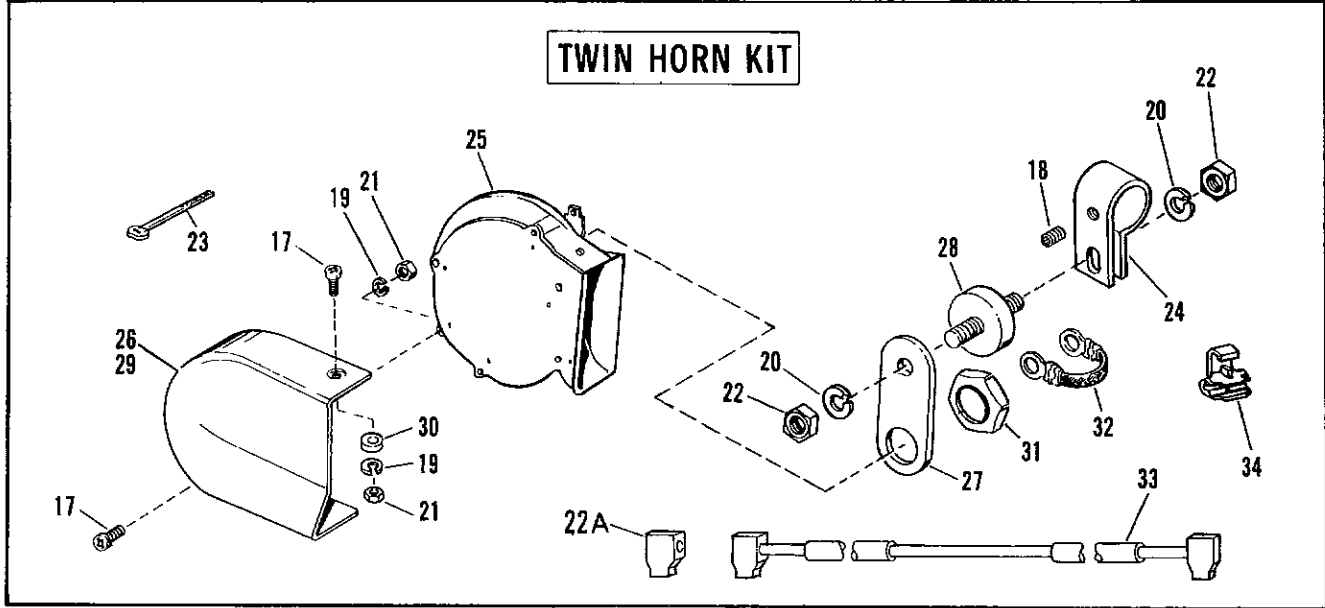
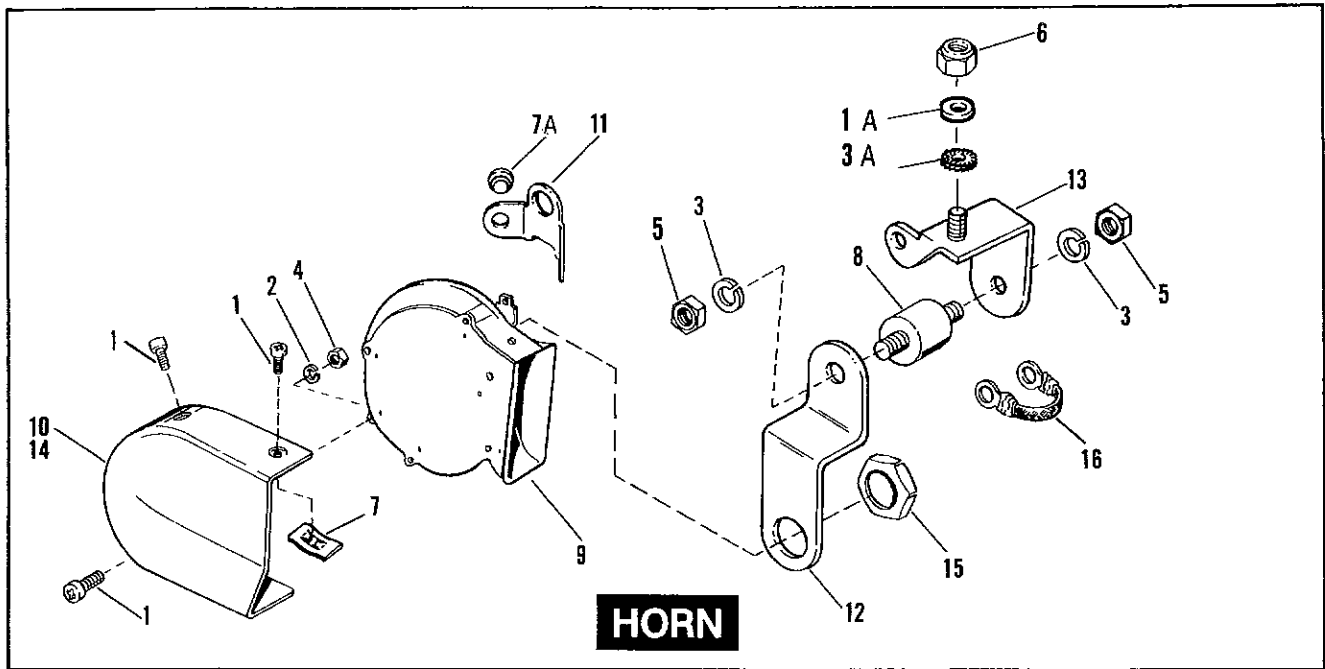


TAIL LAMP, TURN SIGNALS AND INDICATOR LAMPS

XL38-1

RETAIL PRICE	INDEX NO.	PART NO.	NAME	USED ON
	1	2698	SCREW, 5/16-24 x 5/8 socket hd. (2)	79 to * - XL, XLCH, XLS, XLX
	2	3416	BOLT, 3/8-24 x 1-1/2 hex. hd. (w/lock patch) (2)	79 to 82 - XL, XLCH, XLS, XLX
	3	3430	BOLT, 5/16-24 x 5 hex. hd. (2)	Early 83 - XLS
	4	3767B	BOLT, 1/4-20 x 5/8 hex.	83 to * - XL, XLS, XLX
	5	4069	SCREW, 1/4-20 x 3/4 hex. socket hd. (2)	82 to * - XL, XLX; 82 - XLS
	6	4070	SCREW, 5/16-24 x 2-1/4 hex. socket hd. (2)	82 to * - XL, XLX; 82 - XLS
	6A	4391	BOLT, 5/16-24 x 5/8 hex. hd. (2)	Late 83 to * - XLS

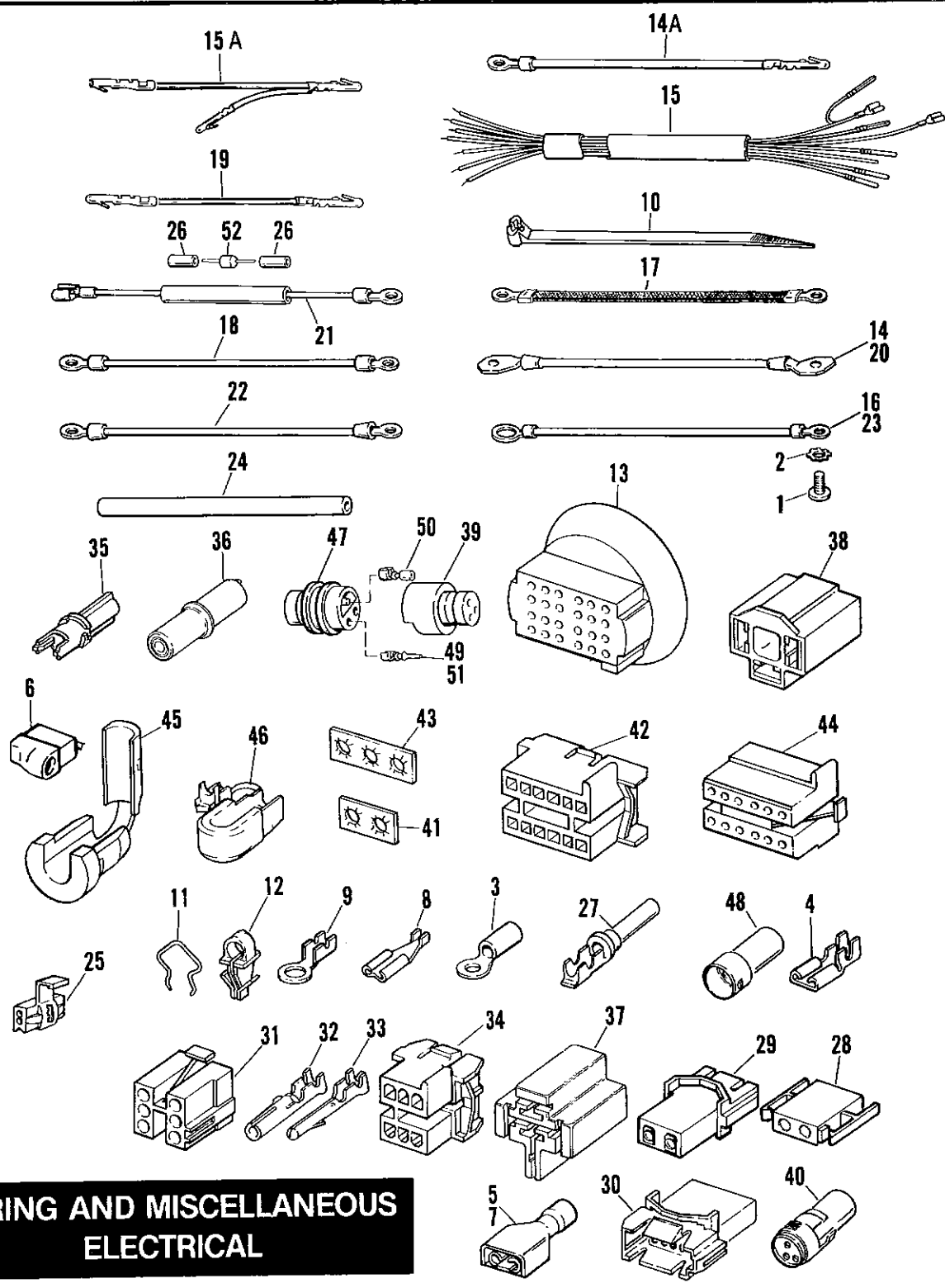
RETAIL PRICE	INDEX NO.	PART NO.	N A M E	USED ON
	7	4724	BOLT, 3/8-24 x 1-1/2 hex. hd.	83 to * — XL, XLS, XLX
	7A	5731	SPACER (2)	Early 83 — XLS
	8	5732	SPACER (2)	Early 83 — XLS
	9	7041	LOCKWASHER, 5/16 (2)	79 & 80; 82 & Early 83 — XLS
	10	7042	LOCKWASHER, 5/16 (2)	79 to * — XL, XLCH, XLS, XLX
	11	7127	LOCKWASHER, 5/16 internal tooth (8)	Late 83 to * — XLS
	12	7130W	LOCKWASHER, 3/8 (2)	83 to * — XL, XLS, XLX
	13	7220	LOCKWASHER, No. 10 external tooth	79 to * — XL, XLCH, XLS, XLX
	14	7230	LOCKWASHER, 1/4 ext. tooth (2)	83 to * — XL, XLS, XLX
	15	7501	SPEED NUT, 1/4 x 1/4 x 7/16 hex. self threading (2)	79 to * — XL, XLCH, XLS, XLX
	16	7614	SPEED NUT, 1/2 dia. stud size (2)	79 to * — XL, XLCH, XLX; 79 to 82 — XLS
	17	7686	LOCKNUT, 1/4-20 x 5/16 x 7/16 hex.	83 to * — XL, XLS, XLX
	18	7753	NUT, 5/16-24 x 1/4 x 1/2 hex. (2)	79 & 80; Late 83 to * — XLS
	19	8519	RIVET, flasher clip	79 to * — XL, XLCH, XLS, XLX
	20	9952	CLIP, flasher	79 to * — XL, XLCH, XLS, XLX
	21	10007	STRAP, anchor cable (2)	83 to * — XLS
	22	11449	GROMMET, right clamp	82 to * — XL, XLX; 82 — XLS
		11442	GROMMET, left clamp	82 to * — XL, XLX; 82 — XLS
	23	30013-71	BOLT, 5/16-24 x 3-1/4 hex. hd. (2)	Late 83 to * — XLS
	24	68008-73A	TAIL LAMP ASSEMBLY	79 to * — XL, XLCH, XLS, XLX
	25	68025-73	GASKET, tail lamp lens	79 to * — XL, XLCH, XLS, XLX
	26	68026-73	SCREW, tail lamp lens (2)	79 to * — XL, XLCH, XLS, XLX
	27	68034-77	LENS, tail lamp	79 to * — XL, XLCH, XLS, XLX
	28	68123-73	GASKET, tail lamp mounting	79 to * — XL, XLCH, XLS, XLX
	29	68165-64	BULB, tail lamp	79 to * — XL, XLCH, XLS, XLX
	30	68435-84	LAMP WITH WIRE (amber) (4; 2 — XLS - rear & Late 85) .	84 to * — XL, XLS, XLX
	31	68460-83	CLAMP, handlebar (2)	Early 83 — XLS
	32	68464-83	SUPPORT BRACKET, indicator lamps	83 to * — XLS
	33	68466-84	INDICATOR LAMP	Late 84 to * — XL, XLS, XLX
	34	68476-73A	CLAMP, handlebar (2)	79 to 81 — XL, XLS
	35	68477-73	BRACKET (2)	79 to * — XL, XLCH, XLS, XLX
	36	68478-73	SCREW, handlebar clamp to lamp (2)	79 to 81 — XL, XLS
	37	68479-73	SCREW, handlebar clamp (2)	79 to 81 — XL, XLS
	38	68480-73	SUPPORT, rear turn signal lamp (2)	Late 83 to * — XL, XLS, XLX
	39	68481-73	GASKET, turn signal lens	79 to * — XL, XLCH, XLS, XLX
	40	68482-73	SCREW, turn signal lens (2)	79 to * — XL, XLCH, XLS, XLX
	41	68483-73	LENS, turn signal	79 to * — XL, XLCH, XLS, XLX
	42	68484-79A	SUPPORT, rear turn signal lamp (2)	79 to Early 83 — XL, XLCH, XLS, XLX
	43	68486-82A	CLAMP, handlebar to signal (2)	83 to * — XLX; 82 to * — XL; 82 — XLS
	44	68487-82	CLAMP, inner, handlebar to signal	82 to * — XL; 82 — XLS
	45	68489-83	INDICATOR LAMP, oil pressure	83 to * — XL, XLX
	46	68495-83	INDICATOR LAMP, generator	83 & Early 84 — XL, XLX
		68502-83	INDICATOR LAMP, generator	83 & Early 84 — XLS
	47	68503-83	INDICATOR LAMP, oil pressure	83 to * — XLS
	48	68504-83	CLAMP, directional mounting (2)	Late 83 to * — XLS
	49	68514-73	LAMP WITH WIRE (amber) (4; 2 - XLS - front - 81 to Early 83)	79 to 83 — XL, XLCH, XLS, XLX
		68515-77A	LAMP WITH WIRE, front (amber) (2)	79 & 80; Late 83 to * — XLS
	50	68528-77A	STUD WITH SPACER (2)	79 & 80 — XLS
	51	68531-78	SPACER (2)	Late 83 to * — XLS
	52	68536-75	INDICATOR LAMP, generator & oil pressure (2)	79 to 82 — XL, XLCH; 79 to 82 — XLS
	53	68543-64B	FLASHER, turn signals	79 to * — XL, XLCH, XLS, XLX
	54	68567-84	LAMP WITH WIRE (amber) (2)	Late 85 to * — XL, XLX
	55	68572-64A	BULB, turn signal	79 to * — XL, XLCH, XLS, XLX
	56	68596-83	INDICATOR LAMP, high beam	83 — XLS
		68597-83	INDICATOR LAMP, high beam	83 — XL, XLX
	57	68608-83	SPEEDNUT, 3/8 dia. size (3)	83 to * — XLS, XLX
	58	70021-83	INDICATOR LAMP, high beam	84 to * — XL, XLX
		70021-84	INDICATOR LAMP, high beam	84 to * — XLS
	59	70503-83	BOOT, indicator lamps	83 to * — XLS
	60	72038-71	SOCKET, pin terminal (3)	79 to * — XL, XLCH, XLS, XLX
	61	72044-71	CONNECTOR, single socket — rear (2)	79 to * — XL, XLCH, XLS, XLX



RETAIL PRICE	INDEX NO.	PART NO.	N A M E	USED ON
	1	1719W	SCREW, No. 8-32 x 5/8 Phillips hd. (3)	79 to * — XL, XLCH, XLS, XLX
	1A	6701	WASHER, 3/8 x 13/16 x 1/16	84 to * — XL, XLS, XLX
	2	7015	LOCKWASHER, No. 8	79 to * — XL, XLCH, XLS, XLX
	3	7036	LOCKWASHER, 1/4 (2)	79 to * — XL, XLCH, XLS, XLX
	3A	7145W	LOCKWASHER, 3/8 external tooth	84 to * — XL, XLS, XLX
	4	7608	NUT, No. 8-32 x 1/8 x 11/32 hex.	79 to * — XL, XLCH, XLS, XLX
	5	7688	NUT, 1/4-20 x 1/4 x 1/2 hex. (2)	79 to * — XL, XLCH, XLS, XLX
	6	7775	LOCKNUT, 3/8-24 x 7/16 x 9/16 hex.	79 to * — XL, XLCH, XLS, XLX
	7	8125	SPEED NUT, horn cover	79 to * — XL, XLCH, XLS, XLX
	7A	11428	BUMPER, horn bracket	Late 81 to * — XL, XLS, XLX
	8	62563—65	RUBBER MOUNT, 1/4-20 threads	79 to * — XL, XLCH, XLS, XLX
	9	69000—76	HORN, low note	79 to Early 85 — XL, XLCH, XLS, XLX
		69016—76	HORN, high note	Late 85 to * — XL, XLS, XLX
	10	69011—76	COVER, horn (black)	80 to 82 — XLS
		69017—76	COVER, horn (chrome)	Late 85 to * — XL, XLS, XLX
	11	69041—73	BRACKET, horn bumper	79 to * — XL, XLCH, XLS, XLX
	12	69117—71A	PLATE, horn mounting	79 to * — XL, XLCH, XLS, XLX
	13	69129—72B	BRACKET, horn mounting	79 to * — XL, XLCH, XLS, XLX
	14	69140—76	COVER, horn (chrome)	79 to Early 85 — XL, XLCH, XLX; 83 to Early 85 — XLS
	15	69149—65	NUT, horn mounting	79 to * — XL, XLCH, XLS, XLX
	16	70016—65A	GROUND STRAP	79 to * — XL, XLCH, XLS, XLX

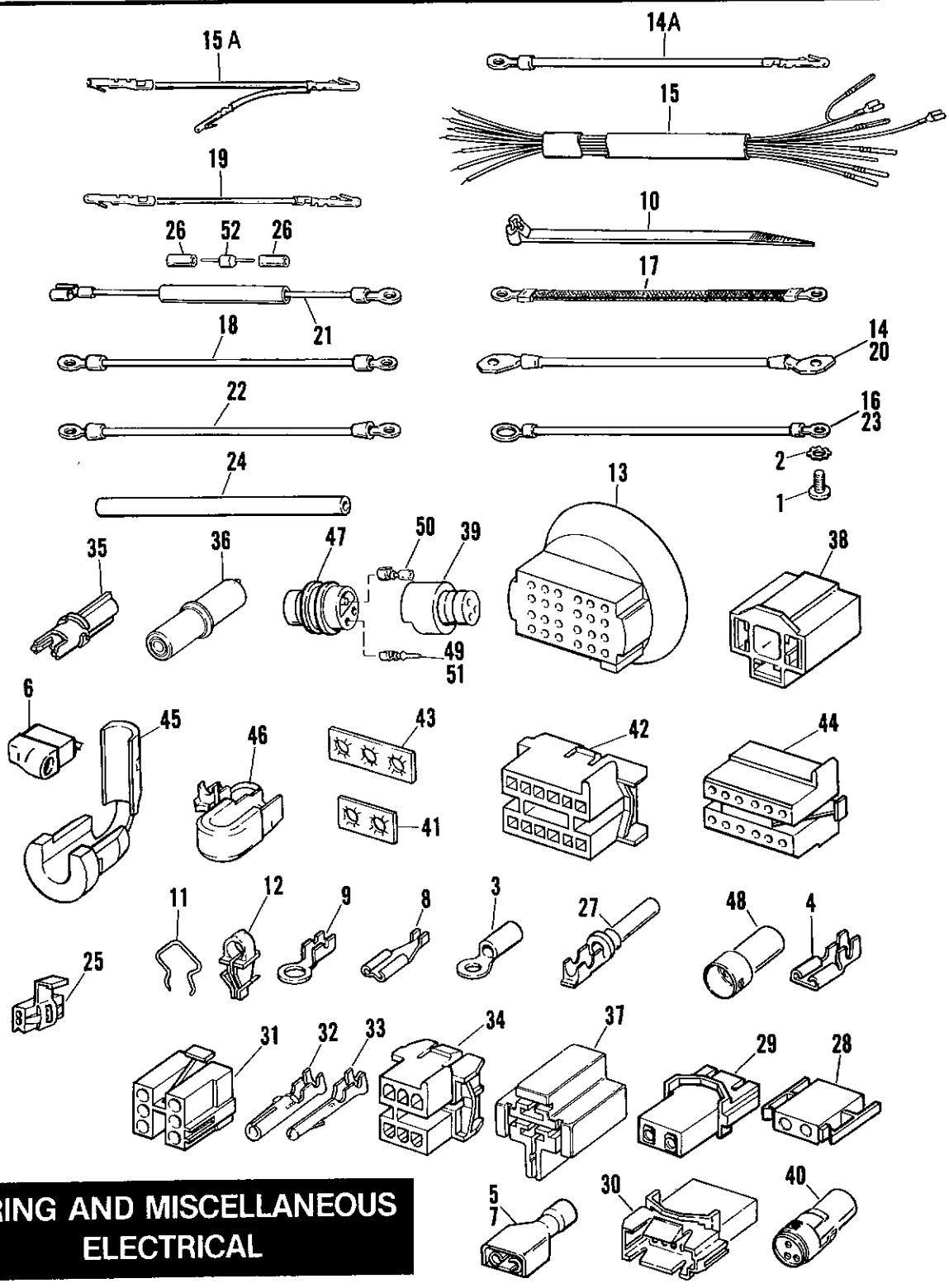
TWIN HORN KIT

	69003—76	TWIN HORN KIT	79 to * — XL, XLCH, XLS, XLX
		Consists of:	
17	1719W	SCREW, No. 8-32 x 5/8 Phillips hd. (6)	
18	3206B	SET SCREW, No. 8-32x3/16 socket hd. (2)	
19	7015	LOCKWASHER, No. 8 (4)	
20	7041	LOCKWASHER, 5/16 (4)	
21	7608	NUT, No. 8-32 x 1/8 x 11/32 hex. (4)	
22	7748W	NUT, 5/16-18 x 17/64 x 1/2 hex. (4)	
22A	9898	INSULATOR, flag terminal (2)	
23	10006	CABLE STRAP (5)	
24	10026	CLAMP, twin horn (2)	
25	69016—76	HORN, high note	
26	69017—76	COVER, high note horn	
27	69117—65	MOUNTING BRACKET, only (2)	
28	69125—65	RUBBER MOUNT, 5/16-18 threads (2)	
29	69140—76	COVER, low note horn	
30	69144—65	SPACER, horn cover	
31	69149—65	MOUNTING NUT, horn	
32	70016—65A	HORN GROUND STRAP (braided) (2)	
33	70318—70	CABLE ASSEMBLY, twin horn	
34	70576—68	WIRE CONNECTOR	



WIRING AND MISCELLANEOUS ELECTRICAL

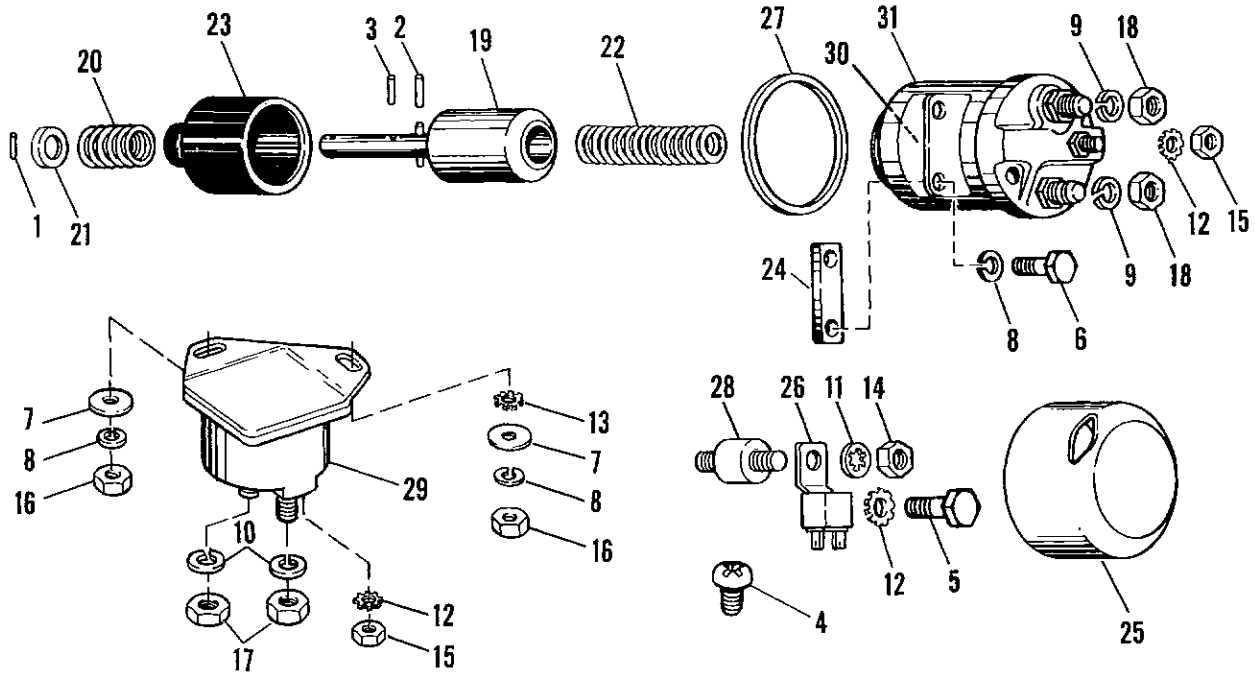
RETAIL PRICE	INDEX NO.	PART NO.	N A M E	USED ON
	1	2662W	SCREW, No. 10-24 x 3/8 self-tapping Phil. rd. hd.	79 to * — XL, XLCH, XLS, XLX
	2	7220	LOCKWASHER, No. 10 external tooth	79 to * — XL, XLCH, XLS, XLX
	3	9856	WIRE TERMINAL, ring type, No. 6 hole, #16-22 wire	79 to * — XL, XLCH, XLS, XLX
		9857	WIRE TERMINAL, ring type, No. 10 hole, #16-22 wire	79 to * — XL, XLCH, XLS, XLX
		9858	WIRE TERMINAL, ring type, 1/4 dia. hole, #16-22 wire . . .	79 to * — XL, XLCH, XLS, XLX
		9859	WIRE TERMINAL, ring type, 5/16 dia. hole, #16-22 wire . .	79 — XL, XLCH, XLS
		9862	WIRE TERMINAL, ring type, No. 10 hole, #14-16 wire	79 to * — XL, XLCH, XLS, XLX
		9863	WIRE TERMINAL, ring type, 1/4 dia. hole, #14-16 wire . . .	79 to * — XL, XLCH, XLS, XLX
		9864	WIRE TERMINAL, ring type, 5/16 dia. hole, #14-16 wire . .	79 to * — XL, XLCH, XLS, XLX
		9866	WIRE TERMINAL, ring type, No. 10 hole, #10-12 wire	79 to * — XL, XLCH, XLS, XLX
		9868	WIRE TERMINAL, ring type, 5/16 dia. hole, #10-12 wire . .	79 to * — XL, XLCH, XLS, XLX
	4	9875	WIRE TERMINAL, female spade type, 5/16 slot, #16-22 wire .	79 to * — XL, XLCH, XLS, XLX
	5	9885	WIRE TERMINAL, female spade type, 13/64 slot	83 to * — XL, XLS, XLX
	6	9898	WIRE TERMINAL, female spade type, 1/4 slot, #14-16 wire . .	84 to * — XL, XLS, XLX
	7	9900	WIRE TERMINAL, female spade type, 3/16 slot, #18-22 wire .	81 to * — XL, XLS, XLX
	8	9904	WIRE TERMINAL, female spade type, 1/8 slot, #16-20 wire . .	79 to * — XL, XLCH, XLS, XLX
		9931	WIRE TERMINAL, female spade type, 3/16 slot, #16-20 wire .	79 to * — XL, XLCH, XLS, XLX
		9937	WIRE TERMINAL, female spade type, 1/4 slot, #14-18 wire . .	81 — XL, XLS
	9	9945	TERMINAL, ring type, 5/16 dia. hole, #10-12 wire	79 to * — XL, XLCH, XLS, XLX
	10	10006	STRAP (black plastic)	79 to * — XL, XLCH, XLS, XLX
		10007	STRAP (white plastic)	79 to * — XL, XLCH, XLS, XLX
	11	56062—73	CLIP, handlebar wires	79 & 80 — XL, XLCH; 79 — XLS
	12	56070—81	CLIP, handlebar wires (4)	82 & 83 — XL, XLS
		56073—83	CLIP, handlebar wires (4)	83 to * — XLX; 84 to * — XL, XLS
	13	67839—74	BOOT, headlamp connector	79 to * — XL, XLCH, XLS, XLX
	14	69628—75	CABLE, battery pos. to solenoid	N/A 81 — XL, XLS
	14A	70000—84	WIRE ASSEMBLY (black)	Early 84 — XL, XLS, XLX
	15	70001—79	MAIN WIRING HARNESS	Early 79 — XLCH
		70006—79	MAIN WIRING HARNESS	79 — XL, XLS
		70006—80	MAIN WIRING HARNESS	80 — XL, XLS
		70006—81	MAIN WIRING HARNESS	81 — XL, XLS
		70006—82	MAIN WIRING HARNESS	82 to Early 84 — XL, XLS, XLX
		70135—84	MAIN WIRING HARNESS	Late 84 to * — XL, XLS, XLX
	15A	70003—83	WIRE, instrument connection (orange)	84 to * — XL, XLS, XLX
	16	70011—84B	WIRE, battery ground	81 to * — XL, XLS, XLX
	17	70016—65A	STRAP, horn ground	79 to * — XL, XLCH, XLS, XLX
	18	70018—77	WIRE, starter relay to solenoid	79 to * — XL, XLS, XLX
	19	70022—83	WIRE, to front left handlebar switch (violet)	84 to * — XL, XLS, XLX
		70027—83	WIRE, to front right handlebar switch (brown)	84 to * — XL, XLS, XLX
	20	70069—65B	CABLE, battery positive to solenoid	Early 82 — XL, XLS
		70083—82	CABLE, battery positive to solenoid (2 — 83 & Later)	82 to * — XL, XLS, XLX
		70097—75	CABLE (XL, XLS, battery - 2 & solenoid - 1) (XLCH, battery pos. - 1)	79 to * — XL, XLCH, XLS, XLX 79 to 82 — XLCH; 79 to * — XL, XLS, XLX
		70129—79A	WIRE, battery positive to circuit breaker	Early 79 — XLCH
		70161—79	WIRE, battery ground	79 to 84 — XL, XLCH, XLS, XLX
	21	70165—78	WIRE, with diode (orange) (inside headlamp)	79 to * — XL, XLCH, XLS, XLX
	22	70169—70	WIRE, starter relay to ground	79 to * — XL, XLCH, XLS, XLX
	23	70191—73A	WIRE, handlebar ground	79 to * — XL, XLCH, XLS, XLX
	24	70551—69	CONDUIT, 1/8 I.D. x 10 ft. lg. black vinyl (hi-temp)	79 to * — XL, XLCH, XLS, XLX
		70552—69	CONDUIT, 3/8 I.D. x 10 ft. lg. black vinyl	79 to * — XL, XLCH, XLS, XLX
		70553—69	CONDUIT, 7/16 I.D. x 10 ft. lg. black vinyl	79 to * — XL, XLCH, XLS, XLX
		70554—69	CONDUIT, 1/4 I.D. x 10 ft. lg. black vinyl	79 to * — XL, XLCH, XLS, XLX
		70555—69	CONDUIT, 1/4 I.D. x 10 ft. lg. black vinyl (hi-temp)	79 to * — XL, XLCH, XLS, XLX
		70556—71	CONDUIT, 5/16 I.D. x 10 ft. lg. black vinyl	79 to * — XL, XLCH, XLS, XLX
		70558—71	CONDUIT, 1/2 I.D. x 10 ft. lg. black vinyl	79 to * — XL, XLCH, XLS, XLX
		70559—71	CONDUIT, 1/8 I.D. x 10 ft. lg. black vinyl	79 to * — XL, XLCH, XLS, XLX



WIRING AND MISCELLANEOUS ELECTRICAL

RETAIL PRICE	INDEX NO.	PART NO.	NAME	USED ON
	25	70576-68	WIRE CONNECTOR	79 to * — XL, XLCH, XLS, XLX
	26	70581-73	CONNECTOR — #16-22 wire	79 to Early 84 — XL, XLCH, XLS, XLX
	27	72028-83	SOCKET, ignition module	83 to * — XL, XLS, XLX
	28	72034-71	CONNECTOR, double socket	79 to 81 — XL, XLCH, XLS
	29	72035-71	CONNECTOR, double pin	79 to * — XL, XLCH, XLS, XLX
	30	72036-71	CONNECTOR, 3 terminal	83 to * — XLS
	31	72037-71	CONNECTOR, six socket terminals	79 to * — XL, XLCH, XLS, XLX
	32	72038-71	SOCKET, pin terminal	79 to * — XL, XLCH, XLS, XLX
	33	72039-71	PIN, socket terminal	79 to * — XL, XLCH, XLS, XLX
	34	72041-71	CONNECTOR, six pin terminals	79 to * — XL, XLCH, XLS, XLX
	35	72043-71	CONNECTOR, single pin	79 to * — XL, XLCH, XLS, XLX
	36	72044-71	CONNECTOR, single socket	79 to * — XL, XLCH, XLS, XLX
	37	72046-79	HOUSING SOCKET, starter relay	80 to * — XL, XLS, XLX
	38	72047-71	INSULATOR, spade terminals — headlamp wiring harness	79 to * — XL, XLCH, XLS, XLX
	39	72051-77	RECEPTACLE, regulator plug	79 to * — XL, XLCH, XLS, XLX
	40	72051-83	CONNECTOR, 3 socket	83 to * — XL, XLS, XLX
	41	72275-74	CONNECTOR TAB, 2 terminal (3 — Late 84 & Later)	79 to * — XL, XLCH, XLS, XLX
	42	72276-74	HOUSING, pin terminal	79 to * — XL, XLCH, XLS, XLX
	43	72277-74	CONNECTOR TAB, 3 terminal (3 — Late 84 & Later)	79 to * — XL, XLCH, XLS, XLX
	44	72278-74	HOUSING, socket terminal	79 to * — XL, XLCH, XLS, XLX
	45	72501-74	BUSHING, straight	79 to * — XL, XLCH, XLS, XLX
	46	72502-74	BUSHING, right angle	79 to 81 — XL, XLCH, XLS
	47	74521-77	PLUG, regulator wiring harness	79 to 82; 84 to * — XL, XLCH, XLS, XLX
	48	74521-83	RECEPTACLE, sensor, 3 pin	83 — XL, XLS, XLX
	49	74536-77A	PIN, regulator connector (2)	79 to * — XL, XLCH, XLS, XLX
	50	74539-77A	SOCKET, regulator connector	79 to * — XL, XLCH, XLS, XLX
	51	74539-83	PIN, ignition sensor (3)	83 to * — XL, XLS, XLX
	52	74563-65	DIODE (part of 70165-78 wire)	79 to 84 — XL, XLCH, XLS, XLX

STARTER SWITCHES

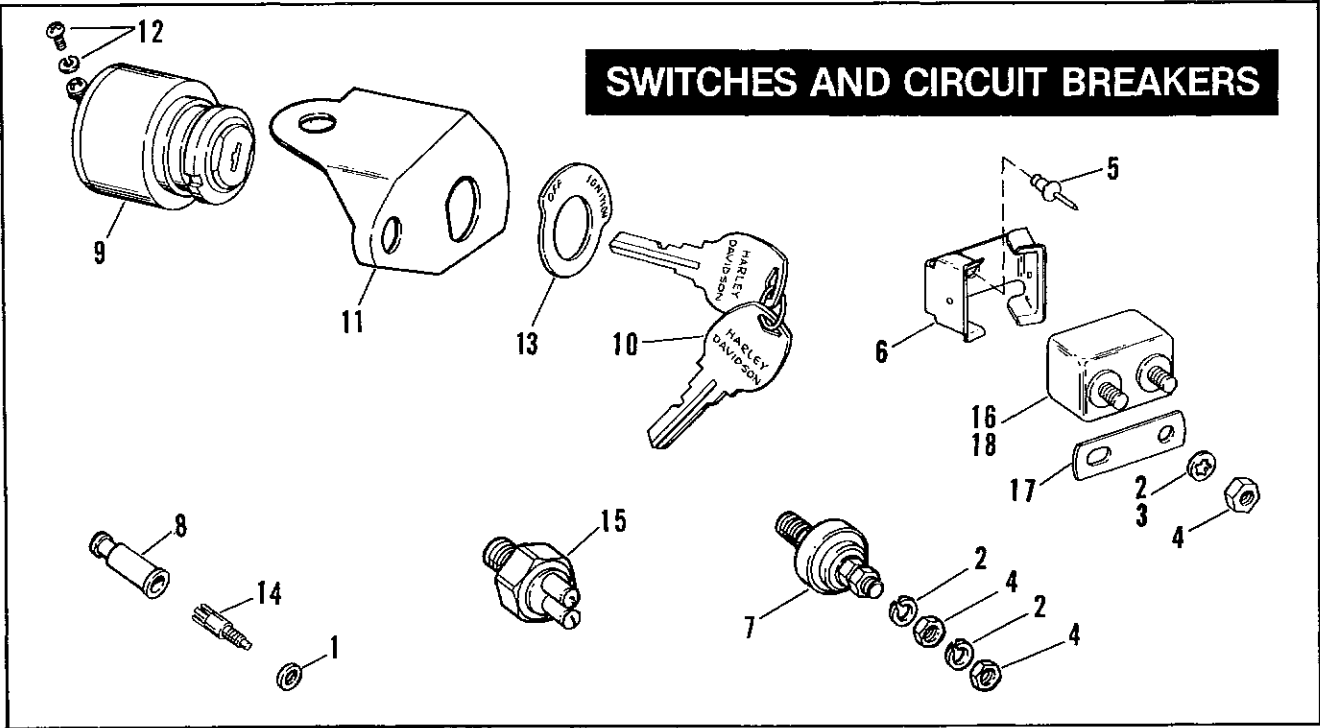


STARTER SWITCHES

XL41

RETAIL PRICE	INDEX NO.	PART NO.	N A M E	USED ON
	1	256	ROLL PIN, 7/64 dia. x 1/2 lg.	79 & 80 — XL, XLS
	2	600	ROLL PIN, 1/8 dia. x 1/2 lg.	79 & 80 — XL, XLS
	3	614	ROLL PIN, 1/8 dia. x 1 lg.	79 & 80 — XL, XLS
	4	2661W	SCREW, No. 10-24 x 1/2 self tap. phillips hd.	80 to 83 — XL, XLS, XLX
		2662W	SCREW, No. 10-24 x 3/8 self tap. phillips hd.	84 to * — XL, XLS, XLX
	5	3581	BOLT, 10-24 x 3/8 hex. hd.	82 to * — XL, XLS, XLX
	6	3802W	BOLT, 1/4-20 x 7/8 hex. hd. (2)	79 & 80 — XL, XLS
	7	6703	WASHER, 1/4 x 5/8 x 1/16 (2)	79 — XL, XLS
	8	7036	LOCKWASHER, 1/4 (4)	79 & 80 — XL, XLS
	9	7038	LOCKWASHER, 3/8 (2)	79 & 80 — XL, XLS
	10	7041	LOCKWASHER, 5/16	79 & 80 — XL, XLS
	11	7115	LOCKWASHER, No. 8 internal tooth (2)	80 — XL, XLS
	12	7220	LOCKWASHER, No. 10 external tooth (2)	79 & 80 — XL, XLS
	13	7230	LOCKWASHER, 1/4 external tooth	79 — XL, XLS
	14	7608	NUT, No. 8-32 hex. (2)	80 & 81 — XL, XLS
	15	7638	NUT, No. 10-32 x 1/8 x 3/8 hex. (2)	79 & 80 — XL, XLS
	16	7688	NUT, 1/4-20 x 1/4 x 1/2 hex. (2)	79 — XL, XLS
	17	7748W	NUT, 5/16-18 x 1/4 x 1/2 hex. (2)	79 — XL, XLS
	18	7783	NUT, 3/8-16 x 5/16 x 9/16 hex. (2)	79 & 81 — XL, XLS
	19	31435—65B	PLUNGER ASSEMBLY, solenoid	79 & 80 — XL, XLS
	20	31438—65A	SPRING, over-run	79 & 80 — XL, XLS
	21	31439—65A	RETAINER, over-run spring	79 & 80 — XL, XLS
	22	31440—65	SPRING, plunger return	79 & 80 — XL, XLS
	23	31441—65A	RUBBER BOOT, solenoid plunger	79 & 80 — XL, XLS
	24	31452—65A	SPACER, solenoid mounting	79 & 80 — XL, XLS
	25	31457—77	COVER, solenoid	79 & 80 — XL, XLS
	26	31506—79B	STARTER RELAY	80 to * — XL, XLS, XLX
	27	60645—65	GASKET, solenoid mounting	79 & 80 — XL, XLS
	28	62568—80	RUBBER MOUNT, starter relay	80 & 81 — XL, XLS
	29	71463—73A	STARTER RELAY	79 — XL, XLCH, XLS
	30	71466—65	SOLENOID INNER PLUNGER	N/A 79 & 80 — XL, XLS
		71467—65	COVER GASKET, starter solenoid	79 & 80 — XL, XLS
	31	71469—65B	STARTER SOLENOID SWITCH	79 & 80 — XL
		71473—77B	STARTER SOLENOID SWITCH (painted)	79 & 80 — XLS

SWITCHES AND CIRCUIT BREAKERS

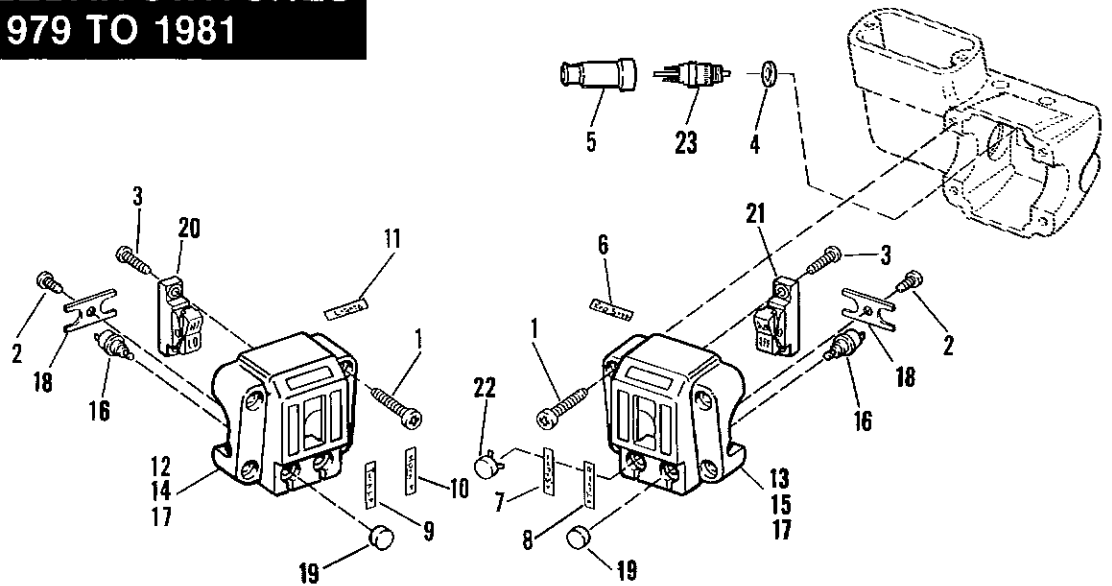


SWITCHES AND CIRCUIT BREAKERS

XL42

RETAIL PRICE	INDEX NO.	PART NO.	N A M E	USED ON
	1	6220W	WASHER, 1/4 x 7/16 x 1/32	79 to 81 — XL, XLCH, XLS, XLX
	2	7069	LOCKWASHER, No. 10 (2; 10 — 84 & Later)	79 to * — XL, XLCH, XLS, XLX
	3	7118	LOCKWASHER, No. 10 internal tooth (8)	79 to * — XL, XLCH, XLS, XLX
	4	7638	NUT, No. 10-32 x 1/8 x 3/8 hex. (10; 2 — 84 & Later)	79 to * — XL, XLCH, XLS, XLX
	5	8483	POP RIVET, circuit breaker clip (4)	79 to * — XL, XLCH, XLS, XLX
	6	9952	CLIP, circuit breaker (4)	79 to * — XL, XLCH, XLS, XLX
	7	26554-77	SWITCH, oil pressure indicator	79 to * — XL, XLCH, XLS, XLX
	8	27751-69P	RUBBER CAP, front stoplight switch	79 to 81 — XL, XLCH, XLS, XLX
	9	71425-77	IGNITION AND LIGHT SWITCH, with keys	79 to * — XL, XLCH, XLS, XLX
	10	71451-78	KEY SET, ignition switch/(specify number)	79 to * — XL, XLCH, XLS, XLX
	11	71510-72A	COVER, ignition switch	79 to * — XL, XLCH, XLS, XLX
	12	71518-80	SCREW WITH WASHER (3)	79 to * — XL, XLCH, XLS, XLX
	13	71550-75	LABEL, ignition switch	79 to * — XL, XLCH, XLS, XLX
	14	72001-69B	STOPLIGHT SWITCH, front brake	79 to 81 — XL, XLCH, XLS, XLX
	15	72023-51A	STOPLIGHT SWITCH, rear brake	79 to * — XL, XLCH, XLS, XLX
	16	74589-73	CIRCUIT BREAKER (3)	79 to * — XL, XLCH, XLS, XLX
	17	74598-73	CONNECTOR BAR, circuit breakers	79 to * — XL, XLCH, XLS, XLX
	18	74599-77A	CIRCUIT BREAKER, battery	79 to * — XL, XLCH, XLS, XLX

HANDLEBAR SWITCHES 1979 TO 1981

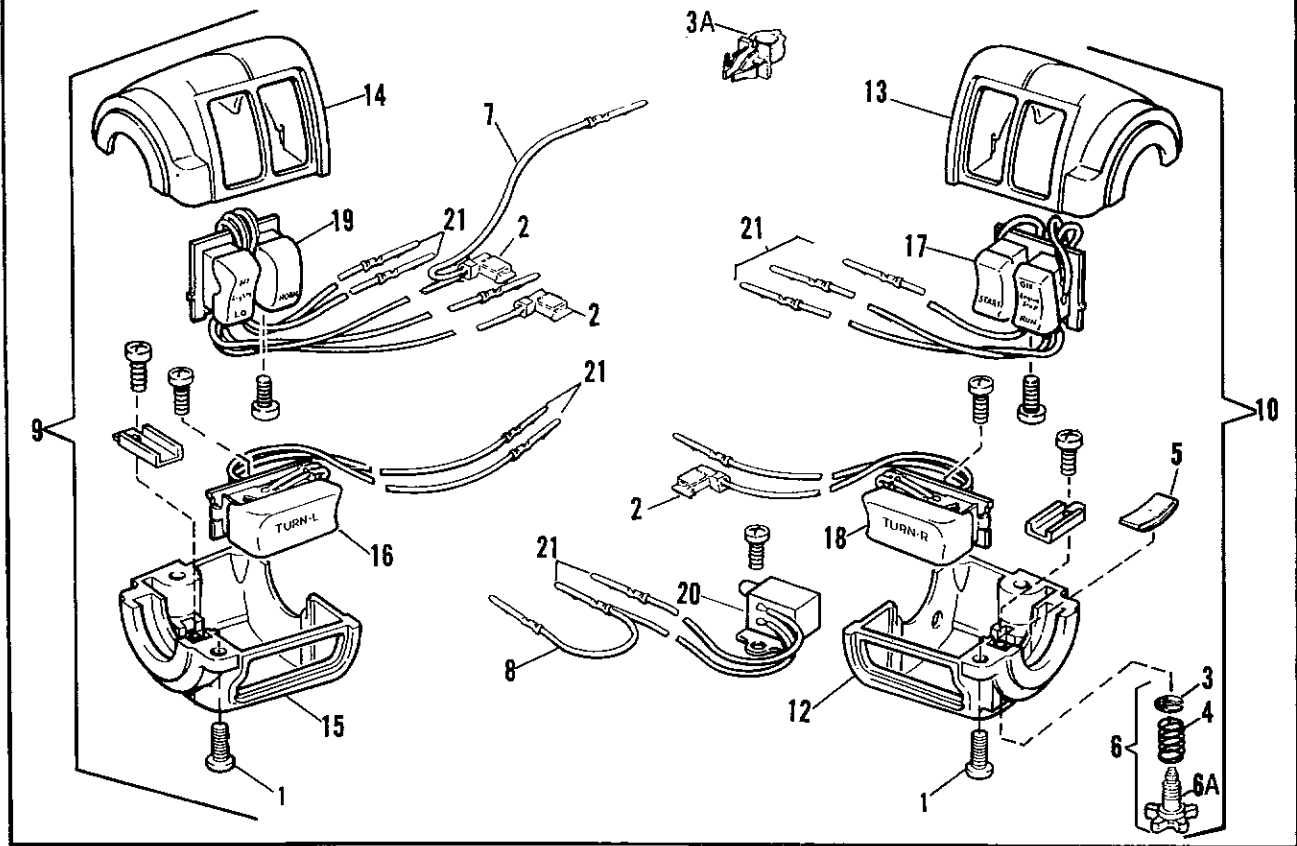


HANDLEBAR SWITCHES 1979 TO 1981

XL43

RETAIL PRICE	INDEX NO.	PART NO.	NAME	USED ON
	1	2695W	SCREW, No. 10-24 x 1-1/8 Pozidriv fil. hd. (8)	79 to 81 — XL, XLCH, XLS
	2	2803W	SCREW, No. 6-32 x 1/4 Pozidriv pan. hd. (2)	79 to 81 — XL, XLCH, XLS
	3	2804W	SCREW, No. 6-32 x 1/2 Pozidriv pan hd. (4)	79 to 81 — XL, XLCH, XLS
	4	6220W	WASHER, 1/4 x 7/16 x 1/32	79 to 81 — XL, XLCH, XLS
	5	27751-69P	RUBBER CAP, front stoplight switch	79 to 81 — XL, XLCH, XLS
	6	46907-77	LABEL, engine stop	79 to 81 — XL, XLCH, XLS
	7	46908-77	LABEL, start	79 to 81 — XL, XLS
	8	46909-77	LABEL, turn — R	79 to 81 — XL, XLCH, XLS
	9	46910-77	LABEL, turn — L	79 to 81 — XL, XLCH, XLS
	10	46911-77	LABEL, horn	79 to 81 — XL, XLCH, XLS
	11	46912-77	LABEL, lights	79 to 81 — XL, XLCH, XLS
		69537-77	WIRING HARNESS, right handlebar switch	79 & 80 — XLS
		69538-77	WIRING HARNESS, left handlebar switch	79 & 80 — XLS
		70166-79	WIRING HARNESS, right handlebar switch	79 & 80 — XL, XLS
		70170-79	WIRING HARNESS, left handlebar switch	79 & 80 — XL, XLS
		70173-81	WIRING HARNESS, left handlebar switch	81 — XL, XLS
		70177-81	WIRING HARNESS, right handlebar switch	81 — XL, XLS
	12	70182-79	SWITCH ASSEMBLY, complete — left	79 & 80 — XL, XLS
		70185-81	SWITCH ASSEMBLY, complete — left	81 — XL, XLS
	13	70234-79	SWITCH ASSEMBLY, complete — right	79 & 80 — XL
		70237-79	SWITCH ASSEMBLY, complete — right	79 — XLCH
		70240-79	SWITCH ASSEMBLY, complete — right	79 & 80 — XLS
	14	70241-79	SWITCH ASSEMBLY, complete — left	79 & 80 — XLS
	15	70247-81	SWITCH ASSEMBLY, complete — right	81 — XL, XLS
	16	71484-72A	BUTTON SWITCH (4)	79 to 81 — XL, XLCH, XLS
	17	71519-75	HOUSING, switches (2)	79 to 81 — XL, XLCH, XLS
	18	71533-72	RETAINER, button switches (2)	79 to 81 — XL, XLCH, XLS
	19	71534-72	BUTTON CAP, switch (3 — XLCH) (4 — XL, XLS)	79 to 81 — XL, XLCH, XLS
	20	71546-75A	ROCKER SWITCH (HI-LO)	79 to 81 — XL, XLS
	21	71547-75A	ROCKER SWITCH (RUN-OFF)	79 to 81 — XL, XLS
	22	71559-73	PLUG, starter switch hole	N/A 79 — XLCH
	23	72001-69B	STOPLIGHT SWITCH, front brake	79 to 81 — XL, XLCH, XLS

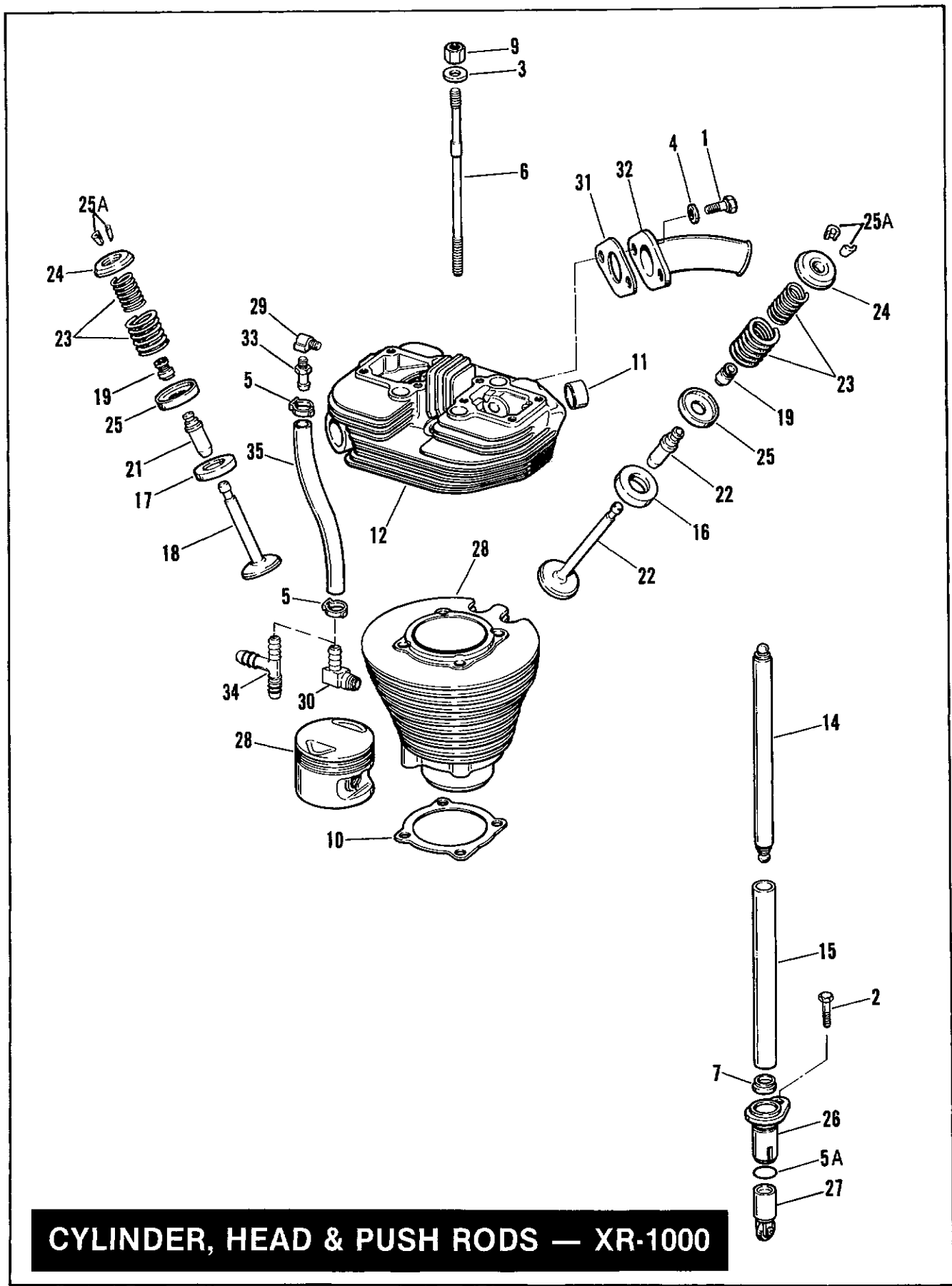
HANDLEBAR SWITCHES — 1982 & LATER



HANDLEBAR SWITCHES — 1982 & LATER

XL44

RETAIL PRICE	INDEX NO.	PART NO.	N A M E	USED ON
	1	2508	SCREW, No. 10-32 x 9/16 hex. socket rd. hd. (4)	82 to * — XL, XLS, XLX
	2	9898	WIRE TERMINAL, female, insulated	82 to * — XL, XLS, XLX
	3	11155	RETAINING RING	82 to * — XL, XLS, XLX
	3A	56070—81	RETAINER, wiring harness (4)	82 & 83 — XL, XLS
		56073—83	RETAINER, wiring harness (4)	83 to * — XLX; 84 to * — XL, XLS
	4	56394—74	SPRING, throttle adjusting screw	82 to * — XL, XLS, XLX
	5	56396—74A	PAD, throttle adjusting	82 to * — XL, XLS, XLX
	6	56397—74C	KIT, throttle adjusting screw, includes items 3, 4 & 6A	82 to * — XL, XLS, XLX
	6A	56402—83A	ADJUSTING SCREW	82 to * — XL, XLS, XLX
	7	70047—82	WIRE ASSEMBLY, 5'' (white)	82 to * — XL, XLS, XLX
	8	70082—82	WIRE ASSEMBLY, 3'' (orange)	82 to * — XL, XLS, XLX
	9	70218—82	SWITCH KIT, complete left	82 to Early 84 — XL, XLS, XLX
		70218—84	SWITCH KIT, complete left	Late 84 to * — XL, XLS, XLX
	10	70219—82	SWITCH KIT, complete right	82 to Early 84 — XL, XLS, XLX
		70219—84	SWITCH KIT, complete right	Late 84 to * — XL, XLS, XLX
	12	71563—82A	HOUSING, lower right	82 to * — XL, XLS, XLX
	13	71564—82	HOUSING, upper right	82 to * — XL, XLS, XLX
	14	71567—82	HOUSING, upper left	82 to * — XL, XLS, XLX
	15	71568—82A	HOUSING, lower left	82 to * — XL, XLS, XLX
	16	71570—82	SWITCH ASSEMBLY, with terminals, left directional	82 to * — XL, XLS, XLX
	17	71571—82	SWITCH ASSEMBLY, with terminals, engine stop & start	82 to * — XL, XLS, XLX
	18	71572—82	SWITCH ASSEMBLY, with terminals, right directional	82 to * — XL, XLS, XLX
	19	71573—82A	SWITCH ASSEMBLY, with terminals & wiring, dimmer & horn	82 to * — XL, XLS, XLX
	20	71574—82	STOPLIGHT SWITCH, with terminals & wiring	82 to * — XL, XLS, XLX
	21	72039—71	PIN, single socket (12)	82 to * — XL, XLS, XLX
		72043—71	CONNECTOR, single pin	82 to * — XL, XLS, XLX



CYLINDER, HEAD & PUSH RODS — XR-1000

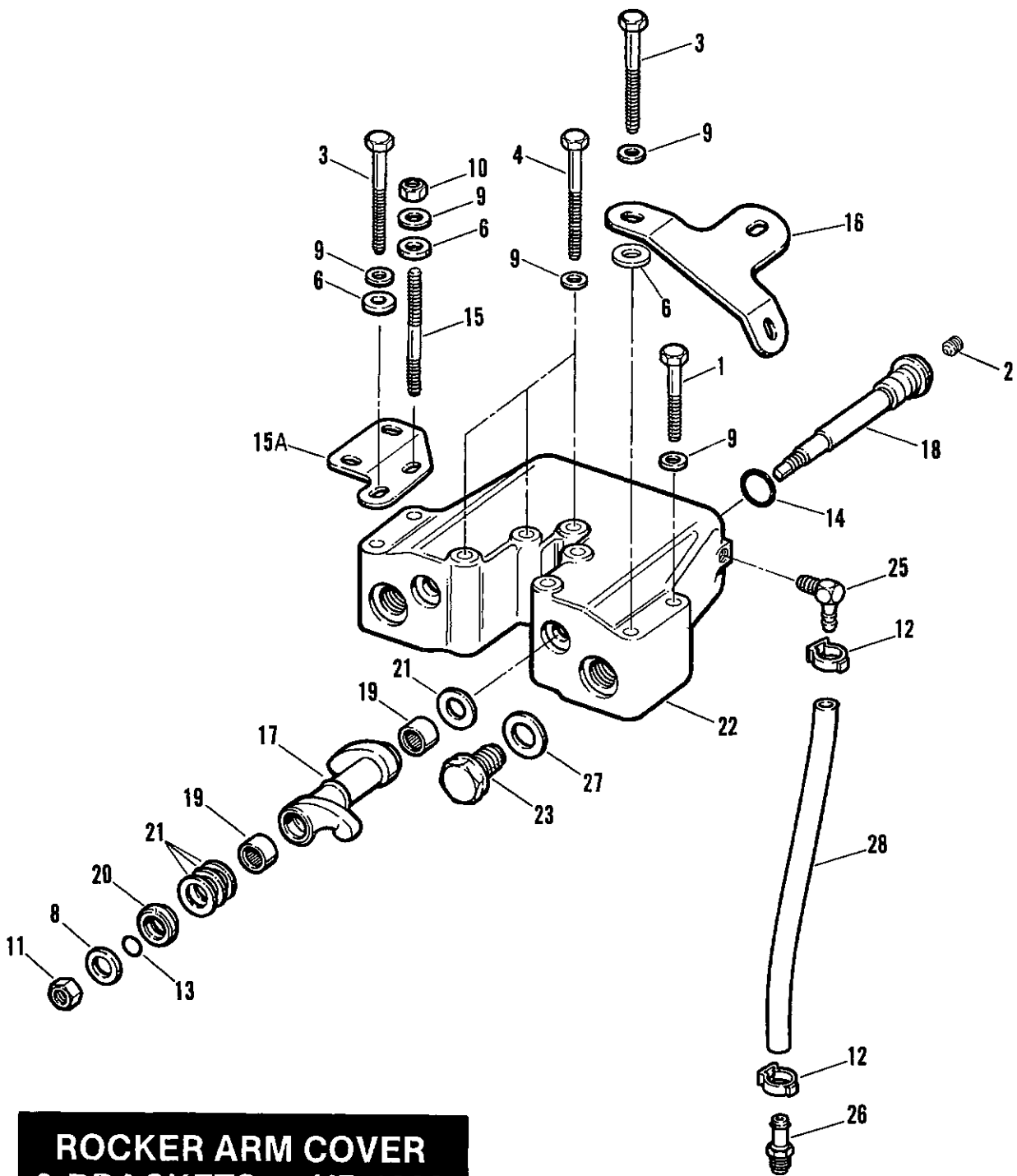
CYLINDER, HEAD & PUSH RODS — XR-1000

XL47-1

RETAIL PRICE	INDEX NO.	PART NO.	N A M E	USED ON
	1	2851	BOLT, manifold mounting (4)	Late 83 to * — XR-1000
	2	4017	BOLT, tappet guide (4)	Late 83 to * — XR-1000
	3	6470R	WASHER, cylinder head to cylinder (8)	Late 83 to * — XR-1000
	4	6812	WASHER, manifold mounting (4)	Late 83 to * — XR-1000
	5	10080	HOSE CLAMP, oil drain lines (2)	Late 83 to * — XR-1000
	6	11724	STUD, cylinder head — 9-3/32" long (8)	Late 83 to * — XR-1000
	7	12023	OIL SEAL, push rod cover (8)	Late 83 to * — XR-1000
	9	16602—30	NUT, cylinder head stud (8)	Late 83 to * — XR-1000
	10	16774—72R	GASKET, cylinder base (2)	Late 83 to * — XR-1000
	11	17203—83	INSERT, exhaust valve (2)	Late 83 to * — XR-1000
	12	17204—83	FRONT CYLINDER HEAD	Late 83 to * — XR-1000
		17205—83	REAR CYLINDER HEAD	Late 83 to * — XR-1000
	14	17962—83	PUSH ROD, rear exhaust & front intake (2)	Late 83 to * — XR-1000
		17963—83	PUSH ROD, rear intake & front exhaust (2)	Late 83 to * — XR-1000
	15	17970—83	COVER, push rod (4)	Late 83 to * — XR-1000
	16	18095—83	INSERT, exhaust valve seat (2)	Late 83 to * — XR-1000
		18096—83	INSERT, exhaust valve seat — 0.002 O.S. (2)	Late 83 to * — XR-1000
		18097—83	INSERT, exhaust valve seat — 0.020 O.S. (2)	Late 83 to * — XR-1000
		18098—83	INSERT, exhaust valve seat — 0.040 O.S. (2)	Late 83 to * — XR-1000
	17	18090—83	INSERT, intake valve seat (2)	Late 83 to * — XR-1000
		18091—83	INSERT, intake valve seat — 0.002 O.S. (2)	Late 83 to * — XR-1000
		18092—83	INSERT, intake valve seat — 0.020 O.S. (2)	Late 83 to * — XR-1000
		18093—83	INSERT, intake valve seat — 0.040 O.S. (2)	Late 83 to * — XR-1000
	18	18067—82R	INTAKE VALVE, 45mm (2)	Late 83 to * — XR-1000
	19	18071—72R	VALVE SEAL (4)	Late 83 to * — XR-1000
	20	18083—82R	EXHAUST VALVE, 38mm (2)	Late 83 to * — XR-1000
	21	18150—84R	VALVE GUIDE, intake — std. (2)	Late 83 to * — XR-1000
	22	18160—84R	VALVE GUIDE, exhaust — std. (2)	Late 83 to * — XR-1000
	23	18200—79R	VALVE SPRING, inner & outer — pair (4)	Late 83 to * — XR-1000
	24	18216—79R	COLLAR, valve spring — upper (4)	Late 83 to * — XR-1000
	25	18220—79R	COLLAR, valve spring — lower (4)	Late 83 to * — XR-1000
	25A	18223—83	VALVE KEY (8)	Late 83 to * — XR-1000
	26	18607—74RA	TAPPET GUIDE (4)	Late 83 to * — XR-1000
	27	18642—83	TAPPET ASSEMBLY (4)	Late 83 to * — XR-1000
	28	22290—83	REAR CYLINDER & PISTON	Late 83 to * — XR-1000
		22291—83	FRONT CYLINDER & PISTON	Late 83 to * — XR-1000
	29	26338—68	ELBOW, oil return hose (2)	Late 83 to * — XR-1000
	30	26496—75	FITTING, 90° — front cylinder	Late 83 to * — XR-1000
	31	27015—72R	GASKET, intake manifold to cylinder head (2)	Late 83 to * — XR-1000
	32	27031—83	INTAKE MANIFOLD, front carburetor	Late 83 to * — XR-1000
		27032—83	INTAKE MANIFOLD, rear carburetor	Late 83 to * — XR-1000
	33	63533—41	FITTING, oil line (2)	Late 83 to * — XR-1000
	34	63579—83	TEE FITTING, rear cylinder	Late 83 to * — XR-1000

NOTE: Hose is sold only in bulk length under the following part no. Cut to required length.

35	63500—68	HOSE, 3/8 I.D. x 5/8 O.D. (25 ft. long)	Late 83 to * — XR-1000
----	----------	---	------------------------



**ROCKER ARM COVER
& BRACKETS — XR-1000**

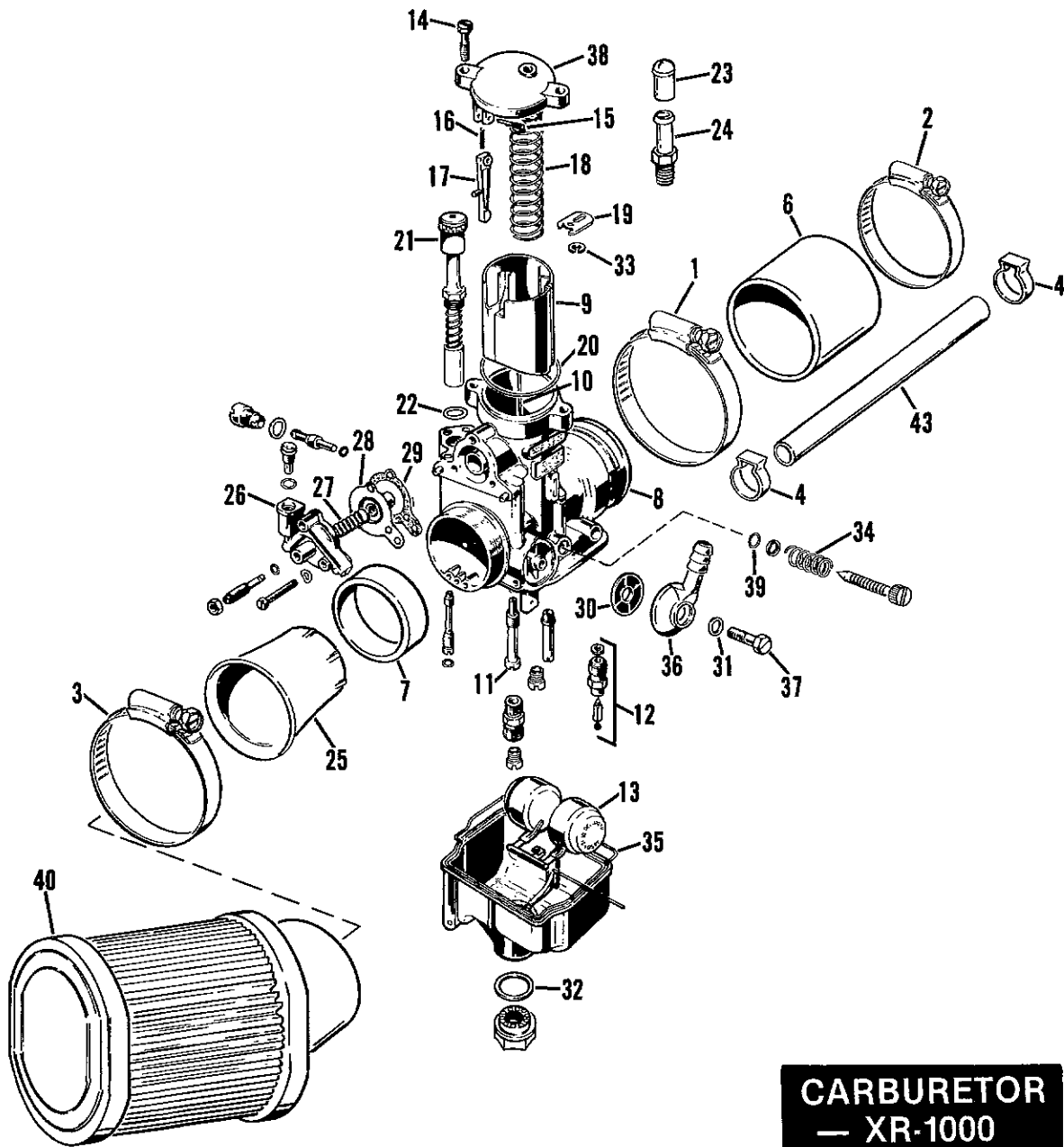
RETAIL PRICE	INDEX NO.	PART NO.	NAME	USED ON
	1	858	BOLT, rocker arm cover (4)	Late 83 to * — XR-1000
	2	3206B	SET SCREW, rocker arm shaft (4)	Late 83 to * — XR-1000
	3	4086	BOLT, rocker arm cover (3)	Late 83 to * — XR-1000
	4	4392	BOLT, rocker arm cover (10)	Late 83 to * — XR-1000
	6	6109	WASHER, engine bracket & rocker arm cover (4)	Late 83 to * — XR-1000
	8	6486HW	WASHER, rocker shaft (4)	Late 83 to * — XR-1000
	9	6016	WASHER, rocker arm cover (18)	Late 83 to * — XR-1000
	10	7748W	LOCKNUT, front rocker cover stud	Late 83 to * — XR-1000
	11	7837W	NUT, rocker shaft (4)	Late 83 to * — XR-1000
	12	10014	HOSE CLAMP, oil line (4)	Late 83 to * — XR-1000
	13	11110	O-RING, rocker shaft (4)	Late 83 to * — XR-1000
	14	11115	O-RING, rocker arm shaft (4)	Late 83 to * — XR-1000
	15	11725	STUD, front rocker arm cover	Late 83 to * — XR-1000
	15A	16214—81	BRACKET, engine mounting — upper front	Late 83 to * — XR-1000
	16	16277—81A	BRACKET, motor support	Late 83 to * — XR-1000
	17	17380—83	ROCKER ARM, front intake	Late 83 to * — XR-1000
		17381—83	ROCKER ARM, front exhaust	Late 83 to * — XR-1000
		17382—83	ROCKER ARM, rear intake	Late 83 to * — XR-1000
		17383—83	ROCKER ARM, rear exhaust	Late 83 to * — XR-1000
	18	17390—83	SHAFT, rocker arm (4)	Late 83 to * — XR-1000
	19	17428—72R	NEEDLE BEARING, rocker arm (8)	Late 83 to * — XR-1000
	20	17436—74R	SPACER, rocker shaft (4)	Late 83 to * — XR-1000
	21	17451—72R	SHIM, rocker shaft (.007) (as req'd)	Late 83 to * — XR-1000
		17452—72R	SHIM, rocker shaft (.015) (as req'd)	Late 83 to * — XR-1000
		17453—72R	SHIM, rocker shaft (.036) (as req'd)	Late 83 to * — XR-1000
	22	17514—74R	COVER, rocker arm — front	Late 83 to * — XR-1000
		17515—74R	COVER, rocker — rear	Late 83 to * — XR-1000
	23	17949—83	PLUG, valve adjusting hole (4)	Late 83 to * — XR-1000
	25	63533—41	FITTING, oil line (2)	Late 83 to * — XR-1000
	26	63578—52	FITTING, oil line (2)	Late 83 to * — XR-1000
	27	67142—52	WASHER, valve adjusting plug (aluminum) (4)	Late 83 to * — XR-1000
	28	63501—68	NOTE: Hose is sold only in bulk length under the following part no. Cut to required length. HOSE, 1/4 I.D. x 1/2 O.D. (25 ft. long)	Late 83 to * — XR-1000

PISTONS & FLYWHEELS

NOTE: The following parts are not illustrated.

NOTE: Use of high performance accessories will void new vehicle warranty.

22249—83	PISTON RING SET, high compression — .060 O.S. (accy.)	Late 83 to * — XR-1000
22250—83	PISTON RING SET, high compression — .070 O.S. (accy.)	Late 83 to * — XR-1000
22260—83	PISTON RING SET — standard	Late 83 to * — XR-1000
22263—83	PISTON RING SET — .030 O.S.	Late 83 to * — XR-1000
22292—83	PISTON & RINGS ASSEMBLY — standard	Late 83 to * — XR-1000
22311—83	PISTON & RINGS ASSEMBLY — .030 O.S.	Late 83 to * — XR-1000
22589—83	LOCK RING, piston pin	Late 83 to * — XR-1000
22600—83R	PISTON & RINGS ASSEMBLY, high compression - std. (accy.)	Late 83 to * — XR-1000
22606—83R	PISTON & RINGS ASSEMBLY, high comp. - .070 O.S. (accy.)	Late 83 to * — XR-1000
23910—83	SET OF FLYWHEELS & SHAFTS, with rods	Late 83 to * — XR-1000
24275—83A	SET OF CONNECTING RODS	Late 83 to * — XR-1000



**CARBURETOR
— XR-1000**

CARBURETOR & AIR CLEANER

XL47-3

RETAIL PRICE	INDEX NO.	PART NO.	N A M E	USED ON
	1	9954	CLAMP	Late 83 to * — XR-1000
	2	9955	CLAMP	Late 83 to * — XR-1000
	3	9956	CLAMP	Late 83 to * — XR-1000
	4	10014	CLAMP (2)	Late 83 to * — XR-1000
	6	27059-83	SLEEVE, intake manifold	Late 83 to * — XR-1000
	7	27062-78	SEAL, velocity stack	Late 83 to * — XR-1000
	8	27120-83	CARBURETOR (PHF36) (2)	Late 83 to * — XR-1000
	9	27550-83	THROTTLE SLIDE	Late 83 to * — XR-1000
	10	27551-83	METERING ROD, main jet	Late 83 to * — XR-1000
	11	27552-83	MAIN JET	Late 83 to * — XR-1000
	12	27553-83	FLOAT VALVE	Late 83 to * — XR-1000
	13	27554-83	FLOAT	Late 83 to * — XR-1000
	14	27555-83	SCREW, throttle slide cover (2)	Late 83 to * — XR-1000
	15	27556-83	PIN, accelerator pump lever	Late 83 to * — XR-1000
	16	27557-83	SPRING, accelerator pump lever	Late 83 to * — XR-1000
	17	27558-83	LEVER, accelerator pump	Late 83 to * — XR-1000
	18	27559-83	SPRING, throttle slide	Late 83 to * — XR-1000
	19	27560-83	PLATE, metering rod	Late 83 to * — XR-1000
	20	27561-83	GASKET, throttle slide cover	Late 83 to * — XR-1000
	21	27562-83	VALVE, cold start	Late 83 to * — XR-1000
	22	27563-83	GASKET, cold start valve	Late 83 to * — XR-1000
	23	27564-83	CAP	Late 83 to * — XR-1000
	24	27565-83	FITTING	Late 83 to * — XR-1000
	25	27566-83	VELOCITY STACK	Late 83 to * — XR-1000
	26	27567-83	HOUSING, accelerator pump	Late 83 to * — XR-1000
	27	27568-83	SPRING, accelerator pump	Late 83 to * — XR-1000
	28	27569-83	DIAPHRAGM, accelerator pump	Late 83 to * — XR-1000
	29	27570-83	GASKET, accelerator pump	Late 83 to * — XR-1000
	30	27571-83	FILTER, fuel inlet	Late 83 to * — XR-1000
	31	27572-83	GASKET, fuel inlet screw	Late 83 to * — XR-1000
	32	27573-83	GASKET, float bowl drain plug	Late 83 to * — XR-1000
	33	27574-83	RETAINING RING, metering rod	Late 83 to * — XR-1000
	34	27709-69	SPRING, idle speed screw	Late 83 to * — XR-1000
	35	27723-69	GASKET, float bowl	Late 83 to * — XR-1000
	36	27738-69	FITTING, fuel inlet	Late 83 to * — XR-1000
	37	27739-69	SCREW, fuel inlet fitting	Late 83 to * — XR-1000
	38	27743-75	COVER, throttle slide	Late 83 to * — XR-1000
	39	27751-75	O-RING, idle speed screw	Late 83 to * — XR-1000
	40	29037-83	AIR CLEANER, front — includes item 3	Late 83 to * — XR-1000
		29038-83	AIR CLEANER, rear — includes item 3	Late 83 to * — XR-1000
	42	62691-83	FITTING, breather hose (not shown)	Late 83 to * — XR-1000
	43	63501-68	NOTE: Hose is sold only in bulk length under the following part number. Cut to required length. HOSE, 1/4 I.D. x 1/2 O.D. (25 ft. long)	Late 83 to * — XR-1000

RETAIL PRICE	INDEX NO.	PART NO.	N A M E	USED ON
--------------	-----------	----------	---------	---------

CASES & COVERS

NOTE: The following parts are not illustrated.

4434W			BOLT, upper, rear engine mount	Late 83 to * — XR-1000
4435W			BOLT, lower, rear engine mount (2)	Late 83 to * — XR-1000
6701			WASHER, upper, rear engine mount (2)	Late 83 to * — XR-1000
6812			WASHER, lower, rear engine mount (2)	Late 83 to * — XR-1000
7038			LOCKWASHER, lower, rear engine mount (2)	Late 83 to * — XR-1000
7775			LOCKNUT, upper, rear engine mount (2)	Late 83 to * — XR-1000
16230—81A			SPACER, lower, front engine mount (2)	Late 83 to * — XR-1000
24517—83A			CRANKCASE SET	Late 83 to * — XR-1000
25211—83			COVER, gearcase (painted)	Late 83 to * — XR-1000
25433—83			CHAIN COVER (painted)	Late 83 to * — XR-1000
25481—83			CAM GEAR SET (matched)	Late 83 to * — XR-1000
25631—83			CAM GEAR, rear exhaust	Late 83 to * — XR-1000
25632—83			CAM GEAR, rear intake	Late 83 to * — XR-1000
34908—83A			SPROCKET COVER (aluminum finish)	Late 83 to * — XR-1000
34963—83			TRIM, front chain housing (aluminum with orange pinstripe)	Late 83 to * — XR-1000

CLUTCH CONTROL

38612—83			GUIDE, clutch cable	Late 83 to * — XR-1000
----------	--	--	---------------------	------------------------

WHEELS

40984—83			WHEEL ASSEMBLY, rear cast — 16"	Late 83 to * — XR-1000
43330—83			WHEEL ASSEMBLY, front cast — 19"	Late 83 to * — XR-1000
43358—83A			BEARING SPACER, front wheel	Late 83 to * — XR-1000
44136—84A			DISC, front brake (2)	Late 83 to * — XR-1000
45410—84			RETAINER, front axle — left	Late 83 to * — XR-1000
45994—84			RETAINER, front axle — right	Late 83 to * — XR-1000

FRONT & REAR BRAKE SYSTEMS

855			SCREW, 3/8-16 x 2, front caliper mounting	Late 83 to * — XR-1000
2330			SCREW, 1/2" long — right master cylinder cover	Late 83 to * — XR-1000
2331			SCREW, 3/8" long — left master cylinder cover	Late 83 to * — XR-1000
5965B			WASHER, front brake line mounting	Late 83 & Early 84 — XR-1000
6703			WASHER, front brake line	Late 84 to * — XR-1000
6236B			WASHER, front brake line	Late 84 to * — XR-1000
41731—82			GASKET, front brake line to front calipers, (2 - left; 1 - right)	Late 83 to * — XR-1000
44019—83			BRAKE CALIPER REBUILD KIT, right front brake	Late 83 to * — XR-1000
44023—83			CALIPER ASSEMBLY, right front brake	Late 83 to * — XR-1000
45015—83			MASTER CYLINDER ASSEMBLY, with hand lever	Late 83 to * — XR-1000
45063—82A			PISTON REBUILD KIT, front master cylinder	Late 83 to * — XR-1000
45065—83			SPACER, front master cylinder body	Late 83 to * — XR-1000
45067—83			SCREW, spacer (2)	Late 83 to * — XR-1000
45068—83			GASKET, front master cylinder spacer	Late 83 to * — XR-1000
45132—83			BRAKE LINE, front brake	Late 83 to * — XR-1000
65619—83			BRAKE PEDAL STOP, rear brake	Late 83 to * — XR-1000
67239—83			CABLE GUIDE, front brake line (2)	Late 83 to * — XR-1000

RETAIL PRICE	INDEX NO.	PART NO.	NAME	USED ON
ELECTRONIC IGNITION				
	31609—80		SPARK COIL	Late 83 to * — XR-1000
	31727—72		PLATE, spark coil mounting	Late 83 to * — XR-1000
	31986—65C		CABLE, front spark plug	Late 83 to * — XR-1000
	31996—83		CABLE, rear spark plug	Late 83 to * — XR-1000
	32314—83		SPARK PLUG, No. 6R7 (0.038 — 0.043" gap)	Late 83 to * — XR-1000
	32399—84		IGNITION MODULE	Late 83 to * — XR-1000
	32400—80A		SENSOR ASSEMBLY	Late 83 to * — XR-1000
	32401—80A		TRIGGER ROTOR	Late 83 to * — XR-1000
	32502—83		COVER, timer — Eagle racing design	Late 83 to * — XR-1000

FRONT FORK

	854		SCREW, lower fork bracket (2)	Late 83 to * — XR-1000
	45901—84A		FORK SLIDER & TUBE ASSEMBLY, left	Late 83 to * — XR-1000
	45902—83		FORK SLIDER & TUBE ASSEMBLY, right	Late 83 to * — XR-1000
	45909—83		SLIDER TUBE, right	Late 83 to * — XR-1000
	45912—84		SLIDER TUBE, left	Late 83 to * — XR-1000
	47694—83		FORK STEM & BRACKET (black wrinkle)	Late 83 & Early 84— XR-1000
	47694—84		FORK STEM & BRACKET (black wrinkle)	Late 84 to * — XR-1000

REAR FORK

	10040		CLIP, passenger footrest holes (2)	Late 83 to * — XR-1000
	34897—83		CHAIN DEBRIS DEFLECTOR	Late 83 to * — XR-1000

HANDLEBAR & THROTTLE CONTROL

	2902		SCREW, throttle housing (2)	Late 83 to * — XR-1000
	5736		SPACER, handlebar mounting (2)	Late 83 to * — XR-1000
	7689W		NUT, throttle housing screw (2)	Late 83 to * — XR-1000
	56085—83		HANDLEBAR (black)	Late 83 to * — XR-1000
	56238—62		PLUG, handlebar grip (2)	Late 83 to * — XR-1000
	56312—83		CONTROL WIRE ASSEMBLY	Late 83 to * — XR-1000
	56330—83		DRUM, throttle cables	Late 83 to * — XR-1000
	56339—83		BRACKET, spark coil & throttle mounting (black)	Late 83 to * — XR-1000
	56340—83A		THROTTLE CABLE, front carburetor	Late 83 to * — XR-1000
	56341—83A		THROTTLE CABLE, rear carburetor	Late 83 to * — XR-1000
	56344—83		SHAFT, throttle junction	Late 83 to * — XR-1000
	56347—83		HOUSING, front, throttle drum	Late 83 to * — XR-1000
	56348—83		HOUSING, rear, throttle drum	Late 83 to * — XR-1000

RETAIL PRICE	INDEX NO.	PART NO.	N A M E	USED ON
--------------	-----------	----------	---------	---------

REAR FENDER

2757W		SCREW, passenger seat hole	Late 83 to *	XR-1000
6410		WASHER, passenger seat hole	Late 83 to *	XR-1000
59942—83		SUPPORT, rear fender — right	Late 83 to *	XR-1000
59943—83		SUPPORT, rear fender — left	Late 83 to *	XR-1000

OIL & FUEL TANKS

4068		BOLT, rear fuel tank mounting	Late 83 to *	XR-1000
10014		HOSE CLAMP, fuel lines (4)	Late 83 to *	XR-1000
10080		HOSE CLAMP, oil lines (except vent line) (8)	Late 83 to *	XR-1000
14054—83		DECAL, fuel tank "H-D XR-1000" (2)	Late 83 to *	XR-1000
62165—83		FUEL VALVE, includes gasket	Late 83 to *	XR-1000
62470—83		OIL TANK ASSEMBLY	Late 83 to *	XR-1000
67239—83		CABLE GUIDE, rear fuel line (2)	Late 83 to *	XR-1000

HORN

3427		BOLT, horn mounting	Late 83 to *	XR-1000
6702		WASHER, horn mounting	Late 83 to *	XR-1000
7232		LOCKWASHER, horn mounting	Late 83 to *	XR-1000
7531		LOCKNUT, horn mounting	Late 83 to *	XR-1000
42520—80		SPACER, horn mounting	Late 83 to *	XR-1000
69043—83		HORN	Late 83 to *	XR-1000

SEAT

52131—83		SEAT	Late 83 to *	XR-1000
----------	--	----------------	--------------	---------

EXHAUST SYSTEM

4088		BOLT, rear muffler to shock cover	Late 83 to *	XR-1000
5755		SPACER, rear muffler to shock cover	Late 83 to *	XR-1000
6702		WASHER, exhaust clamp	Late 83 to *	XR-1000
6718		WASHER, rear muffler to shock cover	Late 83 to *	XR-1000
7068		LOCKWASHER, rear muffler to shock cover	Late 83 to *	XR-1000
9991A		HEAT SHIELD CLAMPS (2)	Late 83 to *	XR-1000
65202—83		MUFFLER, lower	Late 83 to *	XR-1000
65280—83		CLAMP, muffler (black) (2)	Late 83 to *	XR-1000
65357—83		MUFFLER, upper	Late 83 to *	XR-1000
65404—83		EXHAUST PIPE, lower	Late 83 to *	XR-1000
65764—83		HEAT SHIELD, upper — with clamp	Late 83 to *	XR-1000
65765—83		HEAT SHIELD, lower — with clamp	Late 83 to *	XR-1000

SPEEDOMETER AND TACHOMETER

853		SCREW, bracket to upper handlebar clamp (2)	Late 83 to *	XR-1000
67011—83		SPEEDOMETER AND TACHOMETER, complete with bracket	Late 83 to *	XR-1000
67033—83		SPEEDOMETER, head (120 m.p.h.)	Late 83 to *	XR-1000
67239—83		CABLE GUIDE, speedometer cable (2)	Late 83 to *	XR-1000

RETAIL PRICE	INDEX NO.	PART NO.	N A M E	USED ON
		66359-80	BATTERY COVER	Late 83 to * — XR-1000

BATTERY**SWITCHES, LAMPS & ELECTRICAL**

4319			BOLT, ignition switch cover	Late 83 to * — XR-1000
5410			SCREW, ignition switch cover	Late 83 to * — XR-1000
6701			WASHER, ignition switch cover	Late 83 to * — XR-1000
7725			LOCKNUT, ignition switch cover	Late 83 to * — XR-1000
7775			LOCKNUT, ignition switch cover	Late 83 to * — XR-1000
67834-83			TRIM, headlamp	Late 83 to * — XR-1000
68464-83			SUPPORT BRACKET, indicator lamps	Late 83 to * — XR-1000
68489-83			INDICATOR LAMP, oil pressure (red)	Late 83 to * — XR-1000
68495-83			INDICATOR LAMP, generator (red)	Late 83 to * — XR-1000
68597-83			INDICATOR LAMP, high beam (blue)	Late 83 to * — XR-1000
68608-83			SPEEDNUT, indicator lamps (3)	Late 83 to * — XR-1000
70003-83			RELAY WIRE, accessory circuit breaker wiring	Late 83 to * — XR-1000
70010-83			MAIN WIRING HARNESS	Late 83 to * — XR-1000
70022-83			WIRE, connecting (inside headlamp — violet)	Late 83 to * — XR-1000
70027-83			WIRE, connecting (inside headlamp — brown)	Late 83 to * — XR-1000
70049-83			WIRE, to flasher (orange)	Late 83 to * — XR-1000
70050-83			WIRE, headlamp ground (black)	Late 83 to * — XR-1000
70218-84			SWITCH KIT, complete, left handlebar	Late 83 to * — XR-1000
70219-84			SWITCH KIT, complete, right handlebar	Late 83 to * — XR-1000
72502-74			BUSHING, right angle — directional wiring (2)	Late 83 to * — XR-1000
71424-83			BOOT, ignition switch	Late 83 to * — XR-1000

RETAIL PRICE	INDEX NO.	PART NO.	NAME	USED ON
AIR CLEANER AND CHOKE				
	29061—78		COVER, air cleaner (chrome)	Late 82 — XLHA
	29062—78		COVER, air cleaner (black)	Late 82 — XLSA
	29274—79		TRIM, air cleaner "1000" (clear aluminum)	Late 82 — XLHA, XLSA
	29299—78		TRIM STRIP, cover	Late 82 — XLHA
ELECTRONIC IGNITION SYSTEM				
	2667		SCREW, cap — coil bracket	Late 82 — XLHA, XLSA
	31727—72		PLATE, spark coil mounting	Late 82 — XLHA, XLSA
	32512—82		COVER, timer — "XL 25th Anniversary"	N/A Late 82 — XLHA, XLSA
	61100—82		MOUNTING BRACKET, coil & fuel tank	Late 82 — XLHA, XLSA
CHAINS AND SPROCKETS				
	41470—82		SPROCKET, rear wheel — 48 T	Late 82 — XLHA, XLSA
REAR WHEEL — LACED				
	40951—82		WHEEL ASSEMBLY, 16" (chrome)	Late 82 — XLHA, XLSA
FRONT WHEEL — LACED				
	43321—79		WHEEL ASSEMBLY, 19" (chrome)	Late 82 — XLHA, XLSA
FRONT FORK				
	45425—82		NAME PLATE, "25th Anniversary XL"	N/A Late 82 — XLHA, XLSA
FRAME, REAR FORK AND JIFFY STAND				
	66326—82		SIDE COVER, ignition module (dark maroon)	Late 82 — XLHA, XLSA
FRONT FENDER AND CHAIN GUARD				
	59007—82TH		FRONT FENDER (painted)	Late 82 — XLHA, XLHS
	99015—82		MEDALLION	Late 82 — XLHA, XLHS
REAR FENDER				
	59674—82TH		REAR FENDER (painted)	N/A Late 82 — XLHA, XLSA
FUEL TANK				
	2667		SCREW, cap — coil bracket	Late 82 — XLHA, XLSA
	61058—83		FUEL TANK (prime finish)	N/A Late 82 — XLHA
	61100—82		MOUNTING BRACKET, coil & fuel tank	Late 82 — XLHA, XLSA
	61216—82TH		FUEL TANK (painted)	N/A Late 82 — XLSA
	61225—82TH		FUEL TANK (painted)	N/A Late 82 — XLHA
	61244—82		DECAL, fuel tank (maroon & orange)	Late 82 — XLHA, XLSA
	62169—81		FUEL VALVE, without nut, filter & reserve tube	Late 82 — XLHA
OIL TANK AND BATTERY				
	62474—82		OIL TANK ASSEMBLY (maroon)	Late 82 — XLHA, XLSA
	66365—82		COVER, battery	Late 82 — XLHA, XLSA

RETAIL PRICE	INDEX NO.	PART NO.	NAME	USED ON
--------------	-----------	----------	------	---------

NOTE: This kit is for 1985 XL model motorcycles sold for use in the state of California.

	3787		BOLT	85 to * — XL, XLS, XLX
	6703		WASHER (6)	85 to * — XL, XLS, XLX
	7686		LOCKNUT (5)	85 to * — XL, XLS, XLX
	8625		RIVET (2)	85 to * — XL, XLS, XLX
	10006		STRAP (6)	85 to * — XL, XLS, XLX
	10014		CLAMP, fuel line (2)	85 to * — XL, XLS, XLX
	10080		CLAMP	85 to * — XL, XLS, XLX
	10057		CLIP	85 to * — XL, XLS, XLX
	10064		CLIP	85 to * — XL, XLS, XLX
	27018—85		CLAMP	85 to * — XL, XLS, XLX
	27042—84		CANISTER	85 to * — XL, XLS, XLX
	27047—84		BRACKET, canister mounting	85 to * — XL, XLS, XLX
	27048—84		CLAMP, canister down tube (2)	85 to * — XL, XLS, XLX
	27050—84		HOSE, canister to air cleaner	85 to * — XL, XLS, XLX
	27065—85		HOSE FITTING, flanged	85 to * — XL, XLS, XLX
	27068—85		GASKET, fitting — air cleaner	85 to * — XL, XLS, XLX
	27073—84		HOSE, canister to tank	85 to * — XL, XLS, XLX
	27074—84		HOSE, canister to carburetor	85 to * — XL, XLS, XLX
	28805—85		EVAPORATIVE EMISSIONS KIT, complete	85 to * — XL, XLS, XLX
	28812—85		BRACKET, vapor valve	85 to * — XL, XLS, XLX
	29058—77		GASKET, carburetor inlet	85 to * — XL, XLS, XLX
	29121—84		CAP, overflow	85 to * — XL, XLS, XLX
	29141—85		VENT TUBE, carburetor bowl	85 to * — XL, XLS, XLX
	62150—85		VAPOR VALVE	85 to * — XL, XLS, XLX
	62563—85		CANISTER MOUNT, rubber (2)	85 to * — XL, XLS, XLX

NUMERICAL INDEX

Part No.	Page	Part No.	Page	Part No.	Page	Part No.	Page	Part No.	Page
215	13		119		70	3430	120	3826	37
256	129	1205	33		125	3431	97	3854	53
275	17		35		129	3440	13		65
350	53		37	2667	37	3444	81	3945	13
358	13		113		103	3450	97		93
375	17	1305	48		144	3455	13	3953 W	99
515	70	1316 W	17		144	3458	29	3960 W	101
600	48	1317 W	17	2690 W	31	3467	6	3974 HW	91
	129	1357 W	89	2695 W	59	3468	6		99
603	31	1370 W	17		131	3469	31	3987	13
614	129	1374	31	2698	120	3470	3		29
615	37	1381	13	2706	69	3474	3		91
618	110		48	2711	91	3478	13		109
620	37	1601	37	2712	35		21	3991	6
623	37	1602	91	2757 W	91		48		13
635	37	1611	37		101	3479	13		27
704	109	1719 W	123		142		17		113
706 A	109		123	2774	29	3480	17		115
720	13	1760 B	87		101	3481	13	3993	37
853	70		89	2803 W	131		48		70
	97	1797 R	48	2804 W	131	3482	17	3996	91
	142		70	2808	59	3498	97		109
854	83	2008	89		87	3517	77	4014 W	6
	141	2330	140		89	3570 T	37		111
855	77	2331	140	2823	83	3581	129		113
	89	2346 W	48	2851	135	3583	57	4015	59
	93	2351 W	48	2871 W	6	3651	105		81
	140		70		41	3655	73	4017	3
856	81	2402 W	29		111		75		41
857	48	2420	13		119	3680	73		113
	61	2501	70	2879 W	13		75		135
858	137	2506	17	2882 W	89	3685	101	4036	101
901	48	2508	133		99	3728	69		113
902	48	2551 W	53	2902	141	3765	101	4067	13
907	105		103	3010	87	3767 B	29	4068	6
908	13		105	3206 B	123		91		103
910	45	2554	37		137		101		142
911	17	2579	81	3208	97		120	4069	120
912	17	2587	31	3210	99	3768	13	4070	120
913	13		61		113	3771	61	4081	95
	48	2607	91	3250	61		63		99
914	13	2608	70	3401	45	3778	97	4086	13
	17		93	3402	45	3781	101		37
916	97	2611 B	37	3403	45	3782	65		137
917	45	2628	79	3412	6	3787	29	4088	142
919	91	2646	37	3413	3		31	4092	70
	99	2647	35		29		89		91
	105	2653	35	3416	120		145	4319	6
930	23	2656 W	31	3417	6	3789 A	111		13
	25	2660	48	3419	48		113		93
	27	2661 W	37		69	3795	73		143
1000	91		70		70		75	4336 W	13
1047	37		79		103	3802 W	69	4337 W	6
1198	87		129	3424	69		129	4340	13
1203	97	2662 W	37	3427	142	3820	95	4371 W	47

NUMERICAL INDEX

Part No.	Page	Part No.	Page	Part No.	Page	Part No.	Page	Part No.	Page
	83	5926 B	91		59		37		65
4380 W	113	5965 B	81		61		70		73
4387	81		140	6324 W	7		83		75
4391	79	5995	55		87		89		87
	81	5996	55		89		91	7036	13
	103	5997	55		111		99		21
	105	6001	6	6327 B	3		101		29
	109	6002	7		29		103		31
	110		91		31		109		33
	120	6005	45		33		110		43
4392	109	6006	37	6333	7		142		45
	137	6016	7	6334	3		142		69
4401 W	93		13		93	6703	13		70
4411	83		27	6336 B	105		29		91
	95		33	6379 W	61		43		99
	99		61	6388 HR	13		53		101
4412	93		109	6397 B	13		81		111
4413	13		137	6410	91		89		123
4415	13	6019	77		101		101		129
4420	13	6026	13		142		103	7038	13
4434 W	13		101	6416	95		105		29
	140	6033	61	6420	3		129		65
4435 W	13	6046	29	6443 HW	45		140		93
	93	6092	47	6466 W	7		145		129
	140	6095	29	6469 HW	3	6716	33		140
4621	53	6099	13		47		33	7039	61
4640	3		17	6470 R	135		35		63
	93		48	6486 HW	137		37		65
4701	69		59	6495 HW	3		70		93
4709	3		70	6506	11		79	7041	7
4710	6		81	6508	11	6717	101		13
4716 W	13	6109	7	6516 HW	63	6718	48		27
4719 W	111		113	6560	87		70		41
4721	93		137	6645	109		93		45
	113	6113	95	6653	63		142		48
4723	103	6165 W	31		65	6722 B	63		69
4724	83	6186	31		73		65		71
	93	6192	37		75	6736	13		79
	121		101	6700 B	109	6759	105		83
4725	103	6193	31	6701	7	6762 B	3		89
4729	93	6220 W	110		13	6769	17		99
4816	97		130		77	6770	17		101
4819	17		131		93	6780	3		109
5403 B	101	6228 W	111		105	6802	47		111
5410	143		113		113	6811 W	79		113
5707	57	6229 W	103		123	6812	13		119
5716	89	6235	93		140		45		121
5731	121	6236 B	45		143		61		123
5732	121		140	6702	7		135		129
5734	105	6242 W	21		13		140	7042	71
5735	105		53		23	6860	55		81
5736	97	6261	117		25	6969	37		97
	141		119		27	7015	123		115
5755	142	6316 HW	7		29		123		121
5911	31		41		33	7022	63	7044 A	11

NUMERICAL INDEX

Part No.	Page	Part No.	Page	Part No.	Page	Part No.	Page	Part No.	Page
7045	89	7608	29		31		143	9025 A	49
	93		123		33	7776 W	95	9052	63
	99		123		71		99		65
7068	13		129		87	7778	65		73
	93	7611	99		89		93		75
	97	7614	121		93	7780	13	9057	17
	119	7620 W	23		103	7783	65	9062	41
	142		25		143		129	9063	13
7069	21		27	7729	3	7800 W	13		41
	31		113		29	7803	55	9073	43
	49	7624	33	7736	101	7812 W	95		55
	87		35	7737 W	87		99	9077	45
	113		37	7739	7	7813	73	9088	31
	130	7627	13		23		75	9095	49
7115	129		93		25	7827 W	65	9096	49
7118	37	7633	111		61	7837 W	137	9097	49
	130		113		71	7844	49	9118	49
7124	87	7634	31		93		71	9150 A	8
7127	7		37	7740	7	7851 W	29	9152 A	8
	41	7638	21		66		71	9154 A	8
	121		31		76	7855 W	49	9156 A	8
7130 W	55		37		97		61	9158 A	8
	121		129		109	7875	7	9160 A	8
7145 W	123		130		111	7880	119	9161	8
7220	31	7676	31		113	7913	11	9260	53
	33		43	7742	49	7926	47	9415	8
	35		101		93	7986	63	9416	8
	37	7680 W	95		113		65	9417	8
	43	7682	110	7744	59	8011	11	9418	8
	121	7683	31		69	8099	87	9441 A	8
	125		37		71		89	9442 A	8
	129	7686	29	7748 W	7		103	9443 A	8
7230	29		37		41	8102	71	9444 A	8
	31		55		83	8115 B	31	9445 A	8
	43		89		97	8125	123	9446 A	8
	101		101		113	8216	47	9450 A	8
	121		103		123		47	9851	47
	129		105		129		55		49
7232	142		109		137	8306	99	9856	125
7501	121		121	7753	27	8483	101	9857	37
7504	25		145		59		130		125
7507	69	7688	13		111	8519	121	9858	125
7515	65		43		113	8625	145	9859	125
7531	7		71		121	8685	101	9862	125
	37		101	7763 W	69	8692	101	9863	125
	71		109	7768 W	97	8699	37	9864	125
	91		110	7775	3	8860	47	9866	125
	93		123		7		55	9868	125
	99		129		13	8873	57	9875	125
	101	7689 W	69		61	8877	45	9881	37
	103		101		93	8878	45	9885	37
	113		141		95	8879	45		125
	142	7710 W	29		113	8885	57	9898	123
7546	33		91		123	8888	49		125
7605	87	7725	29		140	9007	31		133

NUMERICAL INDEX

Part No.	Page	Part No.	Page	Part No.	Page	Part No.	Page	Part No.	Page
9900	125		109	12023	135	16769-73	3	17963-83	135
9904	125		135	12036	21	16769-82	3	17970-83	135
9908	37		142	12036 A	21	16774-72	3	18027-80	3
9921	31		145	12049	49	16774-72R	135	18028-80	3
9931	37	11004	31	14004-82	107	16830-72	15	18033-80	3
	125	11005	55	14005-82	107	17024-71	3	18036-80	3
9937	125	11006	35	14006-82	107		7	18055-70	3
9945	125		49	14007-82	107	17037-60	3	18067-82R	135
9952	101	11015	79	14028-83	107		7	18071-72R	135
	121	11027	63	14047-83	119	17203-83	135	18083-82R	135
	130		65	14054-83	142	17204-83	135	18090-83	135
9954	139	11031	47	14058-84	107	17205-83	135	18091-83	135
9955	113	11036	53	14059-84	107	17324-57B	7	18092-83	135
	139		59	14060-84	107	17380-83	137	18093-83	135
9956	139	11039	41	14070-84	107	17381-83	137	18095-83	135
9964	113	11045	57	14072-84	107	17382-83	137	18096-83	135
9973	71	11046	57	14073-84	107	17383-83	137	18097-83	135
	79	11052	55	16058-84	3	17390-83	137	18098-83	135
9991 A	142	11053	55	16202-62	13	17394-57A	7	18150-84R	135
10006	33	11063	79	16203-67	13	17395-57A	7	18160-84R	135
	35	11093	71	16203-82A	13	17396-57A	7	18168-79A	5
	37	11100	3		15	17397-57A	7	18170-57B	5
	69	11101	3	16210-77	13	17428-57	7	18171-57B	5
	97		7	16210-79	13	17428-72R	137	18172-57B	5
	123		47	16210-81	13	17435-57B	7	18176-57C	5
	125	11105	13	16210-84A	13	17436-74R	137	18179-57C	5
	145	11110	137	16212-84	13	17448-71A	7	18180-57C	5
10007	97	11115	137	16213-77	13	17450-73	7	18191-79A	5
	121	11116	45	16213-79	13	17451-57	7	18200-79R	135
	125	11117	45	16213-81	13	17451-72R	137	18203-57A	5
10014	17	11124	17	16214-81	7	17452-72R	137	18203-83	5
	103		37		137	17453-72R	137	18204-57A	5
	105	11132	3	16218-52	15	17483-57	7	18204-83	5
	109	11137	79	16230-52	15	17514-71	7	18216-79R	135
	137	11139	13	16230-81A	15	17514-74R	137	18220-57	5
	139	11143	59		140	17515-71	7	18220-79R	135
	142		81	16235-52A	15	17515-74R	137	18220-81	5
	145	11155	97	16237-57	15	17524-83	7	18220-83	5
10026	123		133	16240-82	15	17525-83	7	18221-57B	5
10031	59	11157	3	16250-57	3	17536-70	3	18223-83	135
	71	11164	57	16265-76	7		7	18228-30	5
	87	11172	17	16266-76	7	17904-57	3	18508-52B	5
	89	11180	49	16276-79	3	17935-48B	3	18515-58A	5
10040	89	11204	17	16277-81	7	17935-79B	3	18534-29A	5
	141	11218	11	16277-81A	7	17936-79	3	18554-57	5
	113	11406	87		137	17937-57B	3	18570-38	5
10048	109	11428	123	16464-73C	3	17937-79	3	18607-57B	5
10049	81	11429	119	16465-73C	3	17945-36B	3	18607-74RA	135
10053	145	11431	99	16602-30	135	17947-36	3	18642-83	135
10057	89	11442	121	16603-72	3	17949-83	137	22249-83	137
10062	145	11449	121	16673-73D	3	17950-48	3	22250-83	137
10064	110	11724	135	16673-84	3	17952-79	3	22251-83A	8
10067	13	11725	137	16674-73D	3	17955-36	3	22252-85	8
10080	17	11730	57		3	17955-79	3	22253-83A	8
	29	11735	57	16674-84	3	17962-83	135	22254-83A	8

NUMERICAL INDEX

Part No.	Page	Part No.	Page	Part No.	Page	Part No.	Page	Part No.	Page
22255-83A	8	24056-74	17	25224-52A	17	25776-57	19	27059-83	139
22256-83A	8	24057-74	17	25227-81	17	26197-83	21	27062-78	23
22257-83	8	24058-74	17	25263-81	17	26205-84	109		25
22258-73A	8	24059-74	17	25408-84	57	26272-81	15		27
22258-83	8	24060-74	17	25409-84A	57	26318-75	19		139
22259-73A	8	24061-74	17	25424-80	15	26338-68	135	27063-78	23
22259-83	8	24275-57A	9	25424-81	15	26430-76	21	27063-80	23
22260-83	9	24275-80A	9	25430-81	15	26431-76	21		25
	137	24275-83A	137	25430-84	15	26432-76A	21		27
22261-83	9	24290-57	9	25433-83	15	26433-77	21	27065-85	145
22262-83	9	24294-52	9		140	26434-76A	21	27068-85	145
22263-83	9	24331-36	9	25433-84	15	26435-76A	21	27073-84	145
	137	24332-36	9	25448-84	57	26461-77	21	27074-84	145
22264-83	9	24341-52A	9	25481-83	140	26463-77	21	27079-84	27
22265-83	9	24352-52A	9	25482-75	17	26480-77	21	27087-80	25
22290-83	135	24354-87	9	25482-80	17	26484-75A	21	27096-79	23
22291-83	135	24362-54A	9	25482-81	17	26486-75A	21	27120-83	139
22292-83	137	24364-54A	9	25482-84	17	26488-75	21	27130-81	25
22311-83	137	24371-52B	9	25485-71	17	26489-75	21		27
22355-72A	9	24372-52B	9	25485-80	17	26491-75	21	27136-81	25
22357-72A	9	24373-52B	9	25501-59	17	26491-83	21		27
22358-72A	9	24374-52B	9	25503-71	17	26492-75	21	27137-81	25
22359-72A	9	24375-52B	9	25503-80	17	26492-83	21		27
22360-73A	9	24379-76	9	25503-81	17	26493-75A	21	27139-81	25
22361-73A	9	24480-85A	15	25504-59	19	26495-75	21		27
22362-73A	9	24484-85	15	25517-71	19	26496-75	21	27141-81	25
22363-73	9	24490-79A	15	25551-58	19		135	27142-81	25
22588-78	9	24490-81A	15	25586-37	19	26497-75	21		27
22589-83	9	24517-83A	140	25588-57	19	26505-85	19	27143-81	25
	137	24527-75B	15	25593-74	19	26509-85	19		27
22600-83R	137	24527-81A	15	25594-75	19	26554-77	21	27144-83	27
22606-83R	137	24527-82A	15	25597-57	19		130	27145-81	25
22719-52A	9	24577-68	47	25631-83	140	26557-83	27		27
22719-85	9	24578-57	15	25632-83	140	26570-84	27	27304-76	23
22723-52	9	24648-77	15	25640-80	19	26856-82	109		25
23900-75B	11	24729-74	15	25641-80	19	26909-79A	19		27
23901-81	9	24751-75	93	25642-80	19	26909-82	19	27306-76	23
	11	24752-75	15	25643-80	19	26916-84	109	27307-76	23
23902-81	11		93	25644-80	19	26917-84	109		25
23910-83	137	24754-75	15	25645-80	19	27015-72R	135		27
23960-54	9	24817-52	15	25646-80	19	27018-85	145	27308-76	23
	11	24825-82	15	25650-80	19	27021-78	23		25
23960-80A	9	24827-66A	5	25651-80	19		25		27
	11		27	25652-80	19		27	27309-76	23
23967-54A	9	24920-67	15	25653-80	19	27023-71	23		25
	11	25201-79A	17	25654-80	19		25		27
23972-72	11	25205-79A	17	25655-80	19		27	27311-76	23
23985-12	11	25207-83	17	25656-80	19	27031-83	135		25
23985-18	11	25207-84A	17	25660-84	19	27032-83	135		27
24000-75	11	25208-81	17	25661-84	19	27042-84	145	27313-76	23
24000-80	11	25209-80	17	25662-84	19	27045-78	23	27314-76	23
24005-75	11	25209-81	17	25663-84	19	27046-78	23	27320-76	23
24005-80	11	25211-83	140	25664-84	19	27047-84	145	27321-76	23
24008-75	11	25219-86	17	25665-84	19	27048-84	145	27322-76	23
24055-74	17	25221-77	17	25666-84	19	27050-84	145	27324-83	27

NUMERICAL INDEX

Part No.	Page	Part No.	Page	Part No.	Page	Part No.	Page	Part No.	Page
27325-83	27	27555-83	139	27896-79	23	29908-82	33	31435-65B	129
27327-83	27	27556-83	139	27898-78	23	29909-82	33	31438-65A	129
27328-76	23	27557-83	139	28805-85	145	29910-82	33	31439-65A	129
27329-83	27	27558-83	139	28812-85	145	29911-82	33	31440-65	129
27331-83	27	27559-83	139	29009-83	29	29912-82	33	31441-65A	129
27333-76	23	27560-83	139	29009-83A	29	29913-82	33	31443-65A	41
	25	27561-83	139	29036-72	29	29914-82	33	31452-65A	129
	27	27562-83	139	29037-83	139	29915-82	33	31457-77	129
27335-76	23	27563-83	139	29038-83	139	29916-82	33	31458-66A	43
	25	27564-83	139	29057-78A	29	29917-82	33	31461-70	41
	27	27565-83	139	29058-77	23	29918-82	33	31462-67	41
27338-76	23	27566-83	139		25	29919-82	33	31471-67A	41
	25	27567-83	139		27	29920-82	33	31478-67	41
	27	27568-83	139		29	29921-82	33	31483-67	41
27360-76	23	27569-83	139		145	29922-82	33	31488-77	43
	25	27570-83	139	29061-78	29	29923-82	33	31488-81	45
	27	27571-83	139		144	29966-84	35	31490-67	41
27361-76	23	27572-83	139	29062-78	29	29967-84	35	31493-67	41
	25	27573-83	139		144	29968-84	35	31501-65	41
	27	27574-83	139	29064-78	29	29975-65B	31	31502-65	41
27362-76	23	27594-76	23	29071-79	29		33	31503-65	41
	25		27	29084-73	29	29978-77A	33	31504-79	41
	27	27709-69	139	29103-83	29	29980-84	53	31506-79B	129
27366-76	23	27723-69	139	29111-83	29	30012-58	31	31534-66	43
	25	27738-69	139	29121-84	145	30013-71	31	31535-66	43
	27	27739-69	139	29124-79	29		33	31536-66	43
27367-76	23	27743-75	139	29125-79	29		121	31537-66	43
	25	27751-69P	130	29141-85	145	30014-80	31	31538-66	43
	27		131	29144-77	29	30095-61	31	31540-66	43
27368-76	23	27751-75	139	29168-83A	29	30131-59	31	31541-66	43
	25	27882-78	23	29214-67A	29	30132-61A	31	31542-66	43
	27		25	29219-78	29	30136-59	31	31546-81	45
27369-76	23	27883-78	23	29226-79	29	30137-80	31	31550-79	41
	25	27884-78	23	29228-80	29	30143-58	31	31557-81	45
	27	27885-78	23	29229-80A	29		33	31565-67	43
27370-83	27	27886-78	23	29237-78	29	30145-46A	31	31566-80	43
27371-76	25		25	29239-78	29	30201-65	31	31567-81	45
27373-76	23		27	29252-78	29	30276-58	31	31568-67	43
	25	27887-78	23	29252-79	29	30280-58	31	31574-81	45
	27		25	29254-78	23	30350-66	31	31590-81	45
27385-76	23		27		25	30421-58A	31	31591-81	45
	25	27888-78	23	29255-78	29	30426-58	31	31592-81	45
	27		25	29273-79	29	30453-58	31	31593-81	45
27434-83	5		27	29274-79	29	30475-66	31	31594-81	45
	29	27889-78	23		144	30851-65A	31	31595-81	45
27469-78A	23		25	29295-78	29	31035-58	31	31597-81	45
27469-80A	23	27890-78	23	29299-78	29	31066-82	33	31598-81	45
27469-81A	25		25		144	31067-63	31	31602-82	37
27469-82	25	27891-80	23	29901-82	33	31073-63A	31	31607-64	37
27469-83C	27		25	29902-82	33		33	31609-65A	37
27550-83	139		27	29903-82	33	31096-58	31	31609-80	37
27551-83	139	27892-78	23	29904-82	33	31097-58	31		141
27552-83	139		25	29905-82	33	31098-58	31	31614-83	37
27553-83	139	27893-78	23	29906-82	33	31424-67	41	31620-47	37
27554-83	139	27894-78	25	29907-82	33	31429-67	41	31629-78	37

NUMERICAL INDEX

Part No.	Page	Part No.	Page	Part No.	Page	Part No.	Page	Part No.	Page
31723-71A	37	33085-74	47	34611-65	53	35197-52	61	35825-52	51
31727-72	37	33086-74	47	34624-77	15	35198-52	61	35828-52	51
	141	33088-71	49	34628-75	53	35205-52A	61	35829-52	51
	144	33088-79	47	34742-77B	15	35205-79A	61	35836-55	51
31727-85	37		49	34744-77	15	35208-84	49	35838-55	51
31983-71A	37	33094-77A	47	34841-84	15		61	35839-55	51
31984-83	37	33099-52A	47	34844-57B	15	35216-79	49	35840-52	51
31986-65C	37		49	34847-79	15	35277-52A	49	35841-58	51
	141	33110-54	47	34863-79	49	35296-56A	49	35845-84	51
31995-83	37	33115-79	109	34869-79	47	35305-56A	49	35846-84	51
31996-83	37	33162-67	55	34870-79	49	35326-73	50	35847-84	51
	141	33189-63	47	34872-79	49	35327-73	50	35848-84	51
32301-78A	37		93	34880-77B	15	35328-73	50	35891-66	53
32301-80	37	33258-71	91		49	35329-73	50	35960-54	51
32314-83	141	33348-78	47		71	35336-74	53	35961-52	51
32342-58	37	33356-52	47	34886-82	15	35337-56	49	36715-84	57
32399-84	39	33362-52	47		49	35343-73	50	36720-84	57
	141	33379-71A	47		71	35344-73	50	36730-84	57
32400-80A	39		47	34888-79	47	35349-52	50	36785-84	57
	141		55	34895-79	49	35350-52	50	36786-84	57
32400-83	39	33391-52	47	34897-83	141	35351-52	50	36787-84	57
32401-80	39	33432-73	47	34898-79	47	35352-52	50	36788-84	57
	141	33442-73	47		49	35353-52	50	36789-84	57
32402-83	39	33460-74	47		69	35354-52	50	36791-84	35
32409-82	39	34009-75A	53	34899-79	49	35355-72	50		57
32410-83	39	34012-75B	53	34905-82	71	35357-82	50	36792-84	57
32410-84	39	34035-52	15	34907-82	71	35358-82	50	36793-84	57
32502-83	141		53	34908-83A	49	35359-82	50	36794-84	57
32503-77	39	34037-52	53		140	35360-82	50	36795-84	57
32504-80	39	34040-52	53	34909-83	71	35361-56	50	36796-84	57
32505-78A	39	34062-52	53	34911-80	49	35363-52	51	36797-84	57
32506-83	39	34063-84	53	34911-81A	49	35364-56	51	36798-84	57
32511-78	39	34065-52	53	34912-81	49	35380-84	51	36799-84	57
32512-82	144	34067-52	53	34918-81A	49	35381-84	51	36802-84	57
32520-80	39	34068-52A	53	34920-71	55	35382-84	51	37202-71A	55
32522-70	39	34069-71	53	34955-75	15	35383-84	51	37203-71A	55
32522-80	39	34141-52A	53		47	35384-84	51	37222-52	53
32591-80	39	34141-84A	53	34961-77	15	35385-84	51	37448-71	51
32592-78	39	34168-52	53	34962-79	15	35404-74	53	37448-79	51
32601-78	39	34291-52C	53	34963-83	140	35613-58	51	37448-84A	51
32602-78	39	34292-72A	53	35036-84A	49	35613-84	51	37458-52	51
32602-80	39	34294-84	53	35041-84	49	35631-73	51	37527-67	55
32604-78	39	34295-84	53	35046-71A	49	35695-58	51	37533-52A	55
32605-70	39	34296-84	53	35047-71A	49	35709-54B	51	37561-71	55
32606-82	39	34297-84	53	35050-52	49	35750-58A	51	37701-71A	55
32610-78	39	34461-72	53	35105-52	49	35760-73	51	37716-71A	47
32629-70	39	34476-72	53	35105-83	49	35760-84A	51		47
32629-80	39	34485-52	53	35112-52	49	35787-72	51		55
32953-69	69	34494-74C	53	35112-84	49	35809-58	51	37716-81	55
33048-72	93	34500-52A	53	35113-52	49	35818-72	51	37717-79	47
33058-79	47	34500-78	115	35150-52	49	35819-72	51		55
33060-77	47	34506-52A	53	35151-52A	49	35820-52	51	37722-71	55
33063-79	47	34507-52A	53	35151-74	15	35821-52	51	37753-76	47
33078-77	47	34514-75A	53	35154-52	49	35821-72	51	37755-73	47
33084-41	47	34606-75	53	35169-52	49	35824-52	51	37878-74	55

NUMERICAL INDEX

Part No.	Page	Part No.	Page	Part No.	Page	Part No.	Page	Part No.	Page
37879-71	55	40953-79A	63	42374-77B	69	43330-83	140	44032-79	76
37985-71	55	40955-81	63		71	43338-83A	73	44046-84	77
37987-71	55	40983-83A	63	42374-82A	71	43358-83	73	44047-83	77
37992-71A	55	40984-83	140	42375-77	69	43358-83A	140	44048-83	77
38005-74	55	41015-82A	63		71	43395-80	66	44052-82A	67
38079-72	55	41123-79	63	42375-82	71	43457-79	65	44053-83	77
38080-71	55		73	42376-77A	69	43488-77	73	44054-83	77
38130-71	55	41196-73	63		71		75	44059-83	77
38608-72	59		65	42378-82	71	43559-73	63	44060-83	77
38608-73	59	41202-79	63	42381-82	71		65	44061-83	77
38608-82B	59		65	42400-79	69	43567-79	63	44062-83	77
38612-83	140	41203-79	63	42410-75A	69		65	44063-83	77
38619-71B	59	41470-73A	61	42415-79	69	43600-78	75	44065-83	77
38619-84	59		63	42441-80	71	43601-78	63	44108-72	66
38622-73	99		65		93		65		76
38622-78	99	41470-78	61	42443-80	71	43602-78	63	44121-77	76
38623-68	59		63	42445-80A	71		65	44121-80	76
38626-77B	59		65	42447-80	71	43603-78	63	44125-82	76
38626-84	59	41470-82	61	42448-80	71		65	44126-82	71
38712-68	59		63	42448-82A	71	43604-78	63	44136-84A	73
	71		65	42449-80	15	43605-78	63		75
	87		144	42450-80	51	43606-78	63		140
39966-80	61	41563-77	63		71	43617-83	73	44137-77A	73
39967-77A	61		65		93	43619-84	75		75
39975-86	61	41568-81A	89	42453-80A	71	43620-78	63	44146-77	66
40005-57	61	41570-77	87	42453-82A	71	43621-78	63		76
40018-77	61		89	42454-80A	71	43622-78	63	44146-82	67
40019-80A	61	41579-81	89	42454-82	71	43623-78	73	44151-77	76
40028-15E	61	41606-77	63	42455-80	69		75	44152-77	66
40029-15E	61		65		71	43624-78	73	44153-77	76
40052-65	61	41606-80	63	42455-82	71		75	44157-77	76
40053-65	61	41642-82	71	42459-80B	71	43625-78	73	44158-77	76
40066-12	61	41665-82	67	42460-80A	71		75	44161-77	76
40091-15	61	41731-82	81	42461-80	71	43626-84	73	44162-77	76
40092-15	61		140	42477-80	71	43630-79	65	44163-77	76
40235-74	61	41739-84	81	42484-81	71	43631-79	65	44163-80	76
40387-70	61	41747-82	81	42500-81	71	43632-79	65	44164-77	76
40503-63	103	41747-82A	81	42520-80	142	43654-86A	63	44164-80	76
40520-63	15	41764-79	69	42549-75	69		65	44165-77	76
	53	41791-79A	63	43001-79	75	43720-79	65	44172-77	76
40918-82	71		65	43024-73B	75	43720-81	65	44173-77	76
40920-79	71	41814-76	73	43025-73B	75	43883-77	73	44174-77	76
40920-82	71	41836-58	89	43032-40B	65		75	44175-77	66
40921-79	71	41836-84	89	43085-81	65	43883-84	73	44176-77	66
40922-79	71	42318-72	71	43150-83	63		75	44178-77	66
40925-80	66	42329-79	69		73	44019-83	140	44180-77	66
40926-80	66	42357-79	69	43157-83A	63	44020-83	77	44181-77A	66
40927-80	66	42359-79	69		73	44021-83	77	44182-77	66
40929-80	66	42361-79	69	43306-78	79	44022-83	77	44185-77	66
40929-82	67	42364-79	69	43307-78	69	44023-83	140	44186-77	66
40944-79	66	42367-79	69		79	44024-79	66	44187-77	66
40951-82	65	42368-79	69	43309-83	73	44025-79	76	44188-77A	66
	144	42369-79	69	43312-84	75	44025-80	76	44189-77	66
40952-79	63		71	43321-79	75	44026-79	76	44192-77	66
40952-82A	65	42372-79	69		144	44026-80	76	44193-77	66

NUMERICAL INDEX

Part No.	Page	Part No.	Page	Part No.	Page	Part No.	Page	Part No.	Page
44195-77	76	45061-72A	79	45751-71A	83	47083-81	89	49121-84	93
44195-80	76	45063-72	79	45770-82	83	47091-83	105	50006-77A	87
44197-77	67	45063-82A	81	45772-77	83	47096-83	105	50006-80	87
	76		140	45772-82	83	47150-84	89		89
	77	45065-83	140	45782-72A	83	47265-79	87	50006-84B	89
44199-79	66	45067-83	140	45784-79	83	47265-80	87	50011-30A	87
44199-82	67	45068-83	140	45784-82	83	47265-81A	89		89
44200-82	67	45069-84	81	45784-84	83	47292-83	89	50038-84	89
44201-82	67	45071-72	79	45790-80	83	47311-77	109	50048-56	87
44208-82	67	45114-77	79	45830-48	7	47403-75	110	50090-77	87
44209-82	67	45114-79	79		15	47473-80	87		89
44211-82	67	45121-77	79		19	47511-52	87	50615-83	89
44212-82	67		81	45900-80	83	47512-74	87		93
44286-77	69	45121-83	81	45900-84A	83	47514-74	87	50656-80	93
44287-77	69	45121-84	81	45901-80	83	47515-74	87	50880-69	93
44310-77	79	45122-83	81	45901-84A	83	47517-74	87	50884-69	111
44311-80	81	45122-84	81		141	47518-52	87	50912-72	93
44437-77	69	45123-77	79	45902-83	141	47519-52	87	50938-79	93
44438-80	71		81	45903-80	83	47519-72	63	50939-52	71
44438-82	71	45123-79	79	45904-80	83		65		93
45004-85	81	45125-81	79	45906-80	83		73	50940-52	71
45005-85	81	45126-82	81	45906-84	83		75		93
45011-77	79	45130-83	81	45907-80	83	47519-83A	63	50943-82	93
45012-72	79	45130-84	81	45907-83	83		65	50946-52	93
45012-82	81	45132-83	140	45908-80	85		73	50948-75	93
45013-72	79	45382-83	83	45909-83	141		75	50949-75	93
45013-82A	81	45386-83	83	45910-80	85	47521-74	87	50970-52	71
45015-83	140	45387-83	83	45911-80	85	47525-52	87		93
45016-72	79	45398-80	83	45912-80	85	47532-79A	87	51187-84	91
45016-82	81	45399-80	83	45912-84	85	47532-81	89	51191-83	91
45017-82A	59	45400-75	83		141	47532-83	89	51193-80A	91
45019-85	81	45402-75	83	45913-84	85	47554-73	87	51193-82	91
45024-65A	59	45403-84	83	45982-73	85		89	51194-80A	91
45024-72	79	45404-75	83	45987-77	85	47693-81	85	51199-82	91
45031-65	59	45405-75A	83	45993-73	85	47693-84	85	51651-79	91
45031-72	79	45407-75	83	45994-77	85	47694-83	85	51652-83	91
45031-82	81	45407-83	83	45994-84	85		141	52099-80	91
45032-72	79	45408-75	83		140	47694-84	85	52099-82	91
45032-82	59	45409-75	83	45995-73	45		141	52101-79A	91
	81	45410-75	83		99	47697-83A	85	52101-82A	91
45036-68	59	45410-84	83	45997-73	85	48300-60	85	52102-79A	91
45036-82	59		140	45998-73	85		89	52102-80	91
45037-73	79	45412-75	83	45999-81	45	48310-78	87	52109-79A	91
45039-68	59	45413-84	83	46018-77	85	48315-60	85	52118-83	91
45042-82	81	45416-84	83	46019-77	85		87	52118-84	91
45044-82	59	45425-82	144	46020-84	85		89	52130-83	91
	81	45583-83	81	46027-77	85	48361-80	85	52131-83	91
45051-82	81	45586-78	83	46052-80	85		89		142
45053-72	79	45597-78	83	46907-77	131	48365-48A	85	52412-79A	91
45054-72	79	45619-79	83	46908-77	131		89	52437-79	91
45055-72	79	45642-77	83	46909-77	131	48370-78	85	52438-79	91
45056-77	79	45644-77	83	46910-77	131	49117-77	93	52492-80	91
45057-72	79	45703-78	83	46911-77	131	49118-77	93	52544-84	91
45057-82	81	45718-71	83	46912-77	131	49118-84	93	52597-78	91
45059-72	79	45736-78B	83	47082-81	89	49121-77	93	52702-80A	93

NUMERICAL INDEX

Part No.	Page	Part No.	Page	Part No.	Page	Part No.	Page	Part No.	Page
52706-82	93	56116-82	97	59622-79	101	61152-65P	103		123
52739-83	91	56117-77A	97	59674-79A	101	61163-84	105		145
52750-79	91	56117-82	97	59674-81A	101	61215-83	103	62568-80	129
52750-81	91	56122-77	97	59674-82TH144		61216-82TH144		62570-79	19
52751-82	91	56124-77	97	59942-83	101	61225-82TH144			29
52754-79	101	56153-73	97		142	61244-82	144	62570-83	19
52755-79	101	56158-73	97	59943-83	101	61255-82	107		29
52756-79	91	56159-73	97		142	61296-81A	107	62587-80	109
52769-82	91	56160-83	97	59950-81	101	61318-79	107	62595-82A	109
52771-82	91	56206-74	97	59951-81	101	61319-79	107	62599-79	109
53439-79	117	56206-81A	97	59983-75	101	61320-79	107	62625-80	109
54468-79A	95	56220-74	97	59984-73	101	61321-80	105	62661-67	15
54469-79	95	56220-81B	97	59986-75	101	61322-80A	105	62691-83	139
54471-79A	95	56238-62	97	59988-72	101	61405-80A	107	63500-68	19
54471-82	95		141	60001-55	101	61406-80	107		29
54472-79	95	56312-83	141	60002-55	101	61409-83	105		109
54472-82	95	56313-76	97	60304-82	99	61410-83	105		135
54473-79	95	56323-81A	97	60316-82	99	61546-74	103	63501-68	19
54474-79	95	56324-81A	97	60319-83	99	61630-81	103		103
54475-79	95	56330-83	141	60348-65A	15		105		105
54476-82	95	56333-83	97	60366-82	99	61631-81	103		109
54523-79	95	56334-83	97	60375-79	99	61899-81A	107		137
54523-82	95	56339-83	141	60375-81	99	61908-81A	107		139
54528-77	95	56340-83A	141	60375-83	99	61909-81	107	63504-83	109
54531-77	95	56341-83A	141	60645-65	129	62044-82	89	63504-84	109
54533-77	95	56344-83	141	60949-83	105		101	63526-57	7
54541-77	95	56347-83	141	60976-80	103		105	63527-57A	7
54542-77	95	56348-83	141	61004-82	103	62123-66	89	63529-57	7
54565-79	95	56392-77	97		105		103	63533-41	109
54567-77	95	56393-74A	97	61007-82	103		105		135
54568-79B	95	56394-74	97	61021-82	7	62144-83	105		137
54568-82	95		133		103	62150-85	145	63540-62	21
54700-67	95	56395-74	97	61023-83A	103	62161-75	103		109
54701-82	95	56395-81	97	61025-83A	105		105	63578-52	137
54705-81	95	56396-74A	97	61030-83	105	62162-75	103	63579-83	135
55900-79	97		133	61033-81	103	62164-76	103	63782-80	109
55902-79	97	56397-74C	97	61036-82A	103	62165-83	142	63801-79	109
55963-77	97		133	61038-82	103	62166-81	103	63805-80	109
56062-73	125	56402-83A	97		105		105	63810-80A	109
56070-81	125		133	61058-83	144	62167-81	103	63858-49	15
	133	56500-79	97	61090-82	113		105	65202-83	142
56073-83	117	56508-76	97	61097-79	103	62169-81	103	65276-62	111
	119	57034-71	101	61100-82	39		144		113
	125	58500-82	101		103	62171-77	103	65280-83	113
	133	59007-73B	99		105	62172-75	103		142
56081-81	97	59007-82TH144			144		105	65304-77	111
56081-82	97	59007-84	99		144	62375-57	19	65305-77	111
56082-83	97	59031-83	99	61102-73	103	62449-79	109	65326-79	111
56083-74	97	59111-74	99	61102-83A	103	62470-83	142	65357-83	142
56083-77	97	59146-52	47		105	62474-82	144	65404-83	142
56085-83	97	59254-72	85	61111-77	103	62475-81A	109	65411-75	113
	141	59263-79	101	61112-82	105	62475-83	109	65412-75	113
56105-84	97	59590-79	101	61115-82	105	62484-81	7	65415-75	113
56115-79A	97	59594-82	101	61135-52A	103	62561-77	109	65419-80	113
56116-77	97	59606-82	101	61139-73	103	62563-65	109	65419-81	113

NUMERICAL INDEX

Part No.	Page	Part No.	Page	Part No.	Page	Part No.	Page	Part No.	Page
65420-80	113	66476-73A	110	67239-83	117		143		143
65425-80	113	66601-80	87		140	68502-83	121	70027-83	125
65454-79	111	66607-79	109		142	68503-83	121		143
65484-79	111	66608-79	87		142	68504-83	121	70047-82	133
65486-79	111	67007-79A	115	67309-80	115	68514-73	121	70049-83	143
65487-79	111	67008-79	115	67310-74	115	68515-77A	121	70050-83	143
65519-52B	111	67008-79A	115	67311-74	115	68528-77A	121	70069-65B	125
	113	67009-72	97	67312-74	115	68531-78	121	70082-82	133
65532-82	113	67010-83	117	67313-74	115	68536-75	121	70083-82	125
65532-82A	113	67011-83	142	67314-74	115	68543-64B	121	70097-75	125
65540-81	113	67012-80	115	67317-74	115	68567-84	121	70129-79A	125
65568-82A	113	67016-83	117	67318-74	115	68572-64A	121	70135-84	125
65569-82A	113	67016-85	117	67325-76	115	68596-83	121	70161-79	125
65599-80A	113	67020-74B	115	67698-81A	119	68597-83	121	70165-78	125
65605-82	113	67020-75D	115	67705-74	119		143	70166-79	131
65605-83A	113	67022-80	115	67717-65A	119	68608-83	121	70169-70	125
65607-83	113	67033-83	142	67719-63	119		143	70170-79	131
65611-80	113	67037-83	117	67725-63	119	69000-76	123	70173-81	131
65613-80	113	67037-85A	117	67729-48	113	69003-76	123	70177-81	131
65613-83	113	67043-74B	115	67743-75	119	69011-76	123	70182-79	131
65619-83	140	67043-75C	115	67743-84	119	69016-76	123	70185-81	131
65702-68B	113	67048-83A	117	67744-75	119		123	70191-73A	125
65713-61	113	67051-74	115	67761-79	119	69017-76	123	70218-82	133
65714-83	113	67052-78B	117	67809-75	119		123	70218-84	133
65716-83	113		117	67815-59A	119	69041-73	123		143
65717-83	113	67053-83	117	67830-59	119	69043-83	142	70219-82	133
65718-83A	113	67054-83A	117	67834-83	119	69117-65	123	70219-84	133
65719-81	113	67060-79A	115		143	69117-71A	123		143
65719-83	113	67061-83	117	67835-75	119	69125-65	123	70234-79	131
65728-66B	113	67062-83	117	67839-74	125	69129-72B	123	70237-79	131
65764-83	142	67063-83	117	68008-73A	121	69140-76	123	70240-79	131
65765-83	142	67065-80	109	68025-73	121		123	70241-79	131
65781-82	113	67067-76	109	68026-73	121	69144-65	123	70247-81	131
65782-82	113	67085-83	117	68034-77	121	69149-65	123	70318-70	123
65991-75C	110	67099-84	117	68123-73	121		123	70497-83	117
65991-82A	110	67099-85	117	68165-64	121	69537-77	131	70503-83	121
66000-80	110	67100-83	117	68435-84	121	69538-77	131	70504-81	97
66021-77	87	67100-85	117	68460-83	121	69628-75	125	70551-69	125
66042-79A	110	67101-83	117	68464-83	121	70000-84	125	70552-69	125
66103-74A	110	67102-83	117		143	70001-79	125	70553-69	125
66105-77	110	67103-83	117	68466-84	121	70003-83	125	70554-69	125
66191-81A	110	67104-83	117	68476-73A	121		143	70555-69	125
66191-83	110	67105-83	117	68477-73	121	70006-79	125	70556-71	125
66277-80	110	67106-83	117	68478-73	121	70006-80	125	70558-71	125
66279-80	109	67107-83	117	68479-73	121	70006-81	125	70559-71	125
66280-77	110	67108-83	117	68480-73	121	70006-82	125	70576-68	123
66308-80	109	67110-83	117	68481-73	121	70010-83	143		127
66325-82	89	67111-83	117	68482-73	121	70011-84B	125	70581-73	127
66326-82	144	67111-85	117	68483-73	121	70016-65A	123	71090-64	115
66352-65	110	67112-83	117	68484-79A	121		123	71424-83	143
66359-80	110	67127-73	115	68486-82A	121		125	71425-77	130
	143		117	68487-82	121	70018-77	125	71451-78	130
66365-82	144	67127-84A	117	68489-83	121	70021-83	121	71463-73A	129
66367-73	110	67142-52	115		143	70021-84	121	71466-65	129
66415-79	87		137	68495-83	121	70022-83	125	71467-65	129

NUMERICAL INDEX

Part No.	Page	Part No.	Page	Part No.	Page	Part No.	Page	Part No.	Page
71469-65B	129	72277-74	127	95581-47	65				
71473-77B	129	72278-74	127		75				
71484-72A	131	72501-74	127	95582-47	65				
71510-72A	130	72502-74	127		75				
71518-80	130		143	95590-77	63				
71519-75	131	74504-78	31	95591-77	63				
71533-72	131	74504-82	33	95594-84	63				
71534-72	131	74521-77	31		73				
71546-75A	131		33	95595-84	63				
71547-75A	131		35		73				
71550-75	130		39	99013-82	91				
71559-73	131		127	99015-82	144				
71563-82A	133	74521-83	39	99031-82	99				
71564-82	133		127	99353-82Z	110				
71567-82	133	74523-84	35						
71568-82A	133	74536-77A	31						
71570-82	133		33						
71571-82	133		35						
71572-82	133		39						
71573-82A	133		127						
71574-82	133	74539-77A	31						
71774-77	39		33						
72001-69B	130		35						
	131		39						
72011-79	69		127						
72023-51A	69	74539-83	39						
	71		127						
	130	74563-65	127						
72028-83	39	74589-73	130						
	127	74598-73	130						
72034-71	127	74599-77A	130						
72035-71	127	90840-80	91						
72036-71	127	91501-79	91						
72037-71	127	91875-70B	119						
72038-71	115	91875-82	119						
	117	91878-77A	119						
	121	91896-83	119						
	127	92051-75D	115						
72039-71	117	92051-81A	115						
	127	92053-79A	115						
	133	92059-83	117						
72040-71	117	92059-85	117						
72041-71	127	92060-83	117						
72043-71	127	92060-85	117						
	133	92061-83	117						
72044-71	121	92065-74	115						
	127	92068-83	117						
72046-79	127	92073-81	115						
72047-71	127	92075-77	115						
72051-77	39	92077-83	117						
	127	92078-83	117						
72051-83	39	92097-71	115						
	127	92118-74	115						
72275-74	127	95578-41	65						
72276-74	127		75						

PARTS CATALOG USER'S COMMENT

The Harley-Davidson Technical Publications Department maintains a continuous effort to improve the quality, accuracy and usefulness of its publications. To do this effectively we need user feedback — your critical evaluation of this parts catalog.

Please comment on this catalog's completeness, accuracy, organization, usability and readability.

Did you find errors in this catalog? (Please list) _____

How can this catalog be improved? _____

Occupation: _____

Name _____ Dealership _____

Street _____ Department _____

City _____ State _____ Zip _____

Part No. 99451-85A

Send your replies to:

Harley-Davidson, Technical Publications Department, P.O. Box 653, Milwaukee, WI. 53201

