

GENERAL INFORMATION

This Parts Catalog has been prepared for your convenience when ordering parts for ELECTRA GLIDE (FL) Models. Wherever possible, parts are shown in assembly breakdown sequence. Index numbers shown in the illustrations correspond to index numbers in parts lists. Consult the illustrations when ordering parts so you are sure to get what you want. In most cases, only the latest parts are shown in the illustrations, however, parts lists cover some parts used as early as 1941.

Number in parenthesis following description of part is the quantity needed for complete assembly shown in illustration. If there is no number in parenthesis, only one is used.

Prices of parts listed in this catalog are published separately in the latest RETAIL PRICE LIST, and on the microfiche.

NOTE: N/A following description of part indicates part is no longer available from the factory. Do not attempt to order these parts from Harley-Davidson, Inc.

The following instructions should be followed carefully when ordering parts:

- Specify the correct part number for each item. Check the "Used On" column of the parts list which shows the model on which the part fits. Whenever in doubt, refer to the Vehicle Identification Number (V.I.N.) stamped on the engine crankcase.

Three types of serial numbers are used:

1. **1969 and earlier:** Serial number is located on the engine left crankcase. The first four or five digits represent the year and model — the same as shown in the "Used On" column in this catalog.
2. **1970 thru 1980:** Vehicle Identification Number (V.I.N.) is located on the engine right crankcase and is the same as the number located on the frame steering head. (See chart on this page.)
3. **1981 and later:** A 17 digit Vehicle Identification Number is stamped on the frame steering head and frame downtube label. An abbreviated V.I.N. is stamped on the engine crankcase (SEE INSIDE BACK COVER FOR CHART).

The V.I.N. (Vehicle Identification Number) for 1970 thru 1980 Electra Glide models are as follows:

ELECTRA GLIDE (Model)	FIRST TWO DIGITS (Model)	NEXT FIVE DIGITS (Sequential Number)	SECOND LAST DIGIT (Manufacturer)	LAST DIGIT (Model Season)
FL-1200	1A	1970 to Dec. 31, 1977 10000 and up	H-1970 thru 1979 J-1980	7-1977
FLH-1200	2A			8-1978
FLHS-1200	7E	9-1979		
FLH-80	3G	0-1980		
1979 Classic	3G	Jan. 1, 1978 thru 1980 60000 and up		Examples: 1979 FLH-80 (3G 62152 H9) 1980 Classic (3H 62153 J0) 1980 CLE (2G 82154 J0)
1980 Classic	3H			
FLHS-80	5H			
FL-80	6H			
FLH-1200 Police	7H			
FLH-1200 Shrine	8H			
FLH-80 Police	9H			
FLH-80 Shrine	1K			
CLE	2H	80000 and up		

- An asterisk (*) in the "Used On" column indicates part is used for 1984 models (the latest model year covered by this catalog.)
- Part Numbers are to be used when ordering by TELEGRAM or CABLE.
- When ordering parts use our standard Parts & Accessories order form, Part No. 99511-76, for all parts except engines and crankcases. Order form, Part No. 99514-76, must be used for engines and crankcases. The use of these forms will enable us to fill and ship your order more promptly. These forms are furnished free of charge upon request.
- Do not order motorcycles or advertising material on Parts Order Forms. Write nothing on the order form except the order itself, as any other correspondence will not be answered until the order is shipped and billed.
- Freight, Express and Parcel Post orders should be on separate order forms.
- For your own records, number and date all orders, also keep a carbon copy for future reference.

ALPHABETICAL INDEX

	Page		Page
Air Cleaner	47, 49	Headlamp	209
Alternator - 1970 & Later	51	Heritage Edition Parts	285, 286, 287
Axle - Front & Rear	121, 123, 125	Highway Bars	137
Axle - Sidecar	263, 265	Horn	217
Battery	199	Ignition Circuit Breaker	59
Belt - Secondary	99	Ignition, Electronic	55, 57
Brake - Front - 1971 & Earlier	113	Indicator Lamps	216
Brake - Rear	111, 119	Instrument Panel	233, 235
Brake - Sidecar	255, 259	Jiffy Stand	139
Brake Caliper - 1972 to Early 1980	105, 107	Kick Starter - 1969 & Earlier	71
Brake Caliper - Late 1980 & Later	109	Leg Shields	171
Brake Caliper - Rear	111	Liberty Edition Parts	282
Brake Control - Front	102, 103	License Plate Bracket	179
Brake Control - Rear	115, 117	Luggage Carrier & Box	153, 155, 157, 159
Bumpers	173	Master Cylinder	100, 101, 113, 115
Cam Gear	23, 25, 27	Mirror	216
Carburetor - 1967 to 1970	45	Mufflers	195, 197
Carburetor - 1971 to 1975	43	Numerical Index	294
Carburetor - 1976 to Early 1978	39, 41	Oil Cooler	193
Carburetor - Late 1978 to 1980	33, 35	Oil Filter	192
Carburetor - 1981 & Later	37	Oil Pressure Switch	31
Cast Wheel	121	Oil Pump	29, 31
Cast Wheel - Classic Sidecar	263	Oil Tank	191
Center Stand	139	Parking Lamps	213, 215
Chain	99	Passing Lamps	219, 221
Chain & Belt Guard - Rear	185	Pistons & Rings	15, 16
Chain Housing - Front	181, 183	Points - Ignition	59, 61
Chain Oiler	183, 191	Pursuit Lamps	219, 221
Choke	47, 49	Push Rods & Covers	7, 9, 11
Circuit Breaker	59, 236	Rims	121
Clutch - 1941 to Early 1984	88, 89	Rocker Arms & Covers	7, 9, 11
Clutch - Late 1984 & Later	91	Saddlebags	267, 269
Clutch Foot Control	93	Seat	141, 143, 145, 147, 149, 285
Clutch Hand Control	95	Seat Post	147, 287
Clutch Booster	97	Shifter	72, 73, 75, 77, 79, 81
Connecting Rods	17	Shock Absorbers	161
Crankcase	19, 21, 23, 25, 27	Sidecar Body & Frame	243, 245, 247, 249
Cycle Signal Lamp	203, 205, 207	Sidecar Connection Kit	251, 253
Cylinders & Heads	3, 4, 5	Siren	271, 273, 275
Disc - Brake	105, 121	Spark Cables, Coil & Plugs	55, 57, 61
Electrical	223, 225, 227, 228, 229, 231, 233, 235, 236, 237	Speedometer	201
Engine	3	Splash Guards	171
Exhaust Pipes	195, 197	Spotlamps	219, 221
Fairing	169	Sprockets	85, 99, 101, 121
Fenders	175, 177, 255, 257	Starter Housing	63, 65
Fender Trim	178	Starter Motor	67, 69
FLHS Parts	278, 279, 280, 281, 282, 283	Starter Switches	239
FLHF Parts	289, 291	Switches	229, 230, 231, 236, 239
FLHX Parts	291, 292, 293	Tachometer	201
Flywheels	16	Tail Lamp	211, 257, 260
Footboards & Footrests	150, 151	Tappets	9, 13
Foot Shifter	72, 73, 75, 77	Terminal Plate	233, 235
Fork - Front	127, 129, 131, 133	Throttle Control	163, 165, 167
Frame & Rear Fork	135	Tool Kit	277
Frame - Sidecar	243, 245, 247, 249	Tour-Pak	153, 155, 157, 159
Gas Tanks	187	Transmission	82, 83, 85, 87
Gas Tank Trim	188, 189	Tune Up Kits	61
Gaskets - Engine	3, 7, 11, 13	Turn Signals	213, 215, 261
Gear Case & Cover	23, 25, 27	Valves & Guides	5, 11
Generator - 1958 to 1969	53	Voltage Regulator	241
Handlebar	163, 165	Wheels	121, 123, 125, 263, 265
Handlebar Switches	228, 229, 231	Windshield	169, 170
Hand Shifter	79, 81	Wiring	223, 230, 231
		75th Anniversary Parts	284

PATENT NOTICE

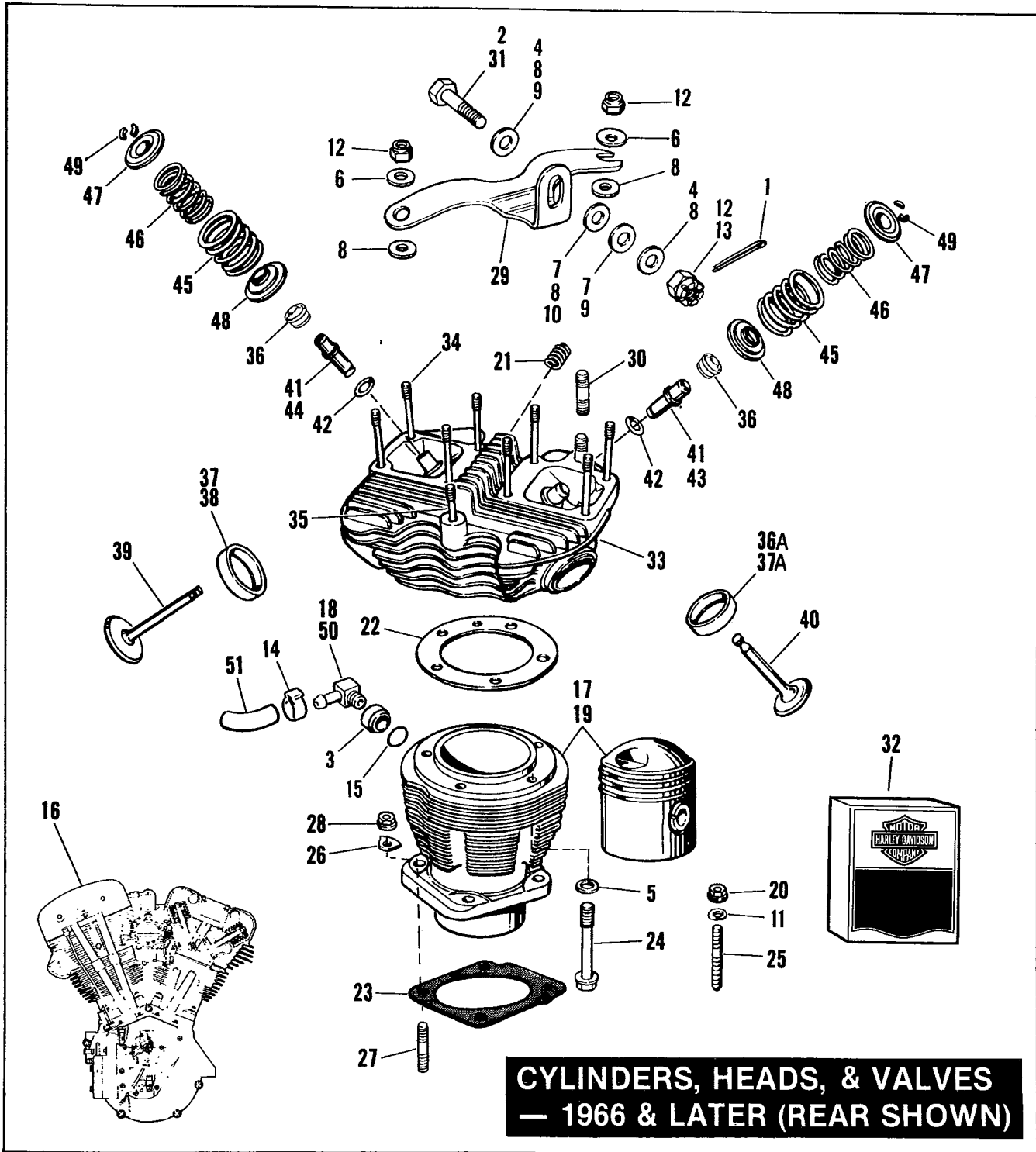
Harley-Davidson products are manufactured under one or more of the following: U.S. Patents — 2986162, 2987934, 2998809, 3116089, 3144631, 3144860, 3226994, 3229792, 3434887, 3559773, 3673359, 3680403, 3683716, 3709317, Des. 225 626.

To the best knowledge of Harley-Davidson, Inc., the material contained herein is accurate as of the date this publication was approved for printing. Harley-Davidson, Inc., reserves the right to change specifications, equipment, or designs at any time without notice and without incurring obligation.



Printed in U.S.A.
on Recycled Paper
CMI-1M-07/09

HARLEY-DAVIDSON MOTOR COMPANY
Milwaukee, Wisconsin 53201

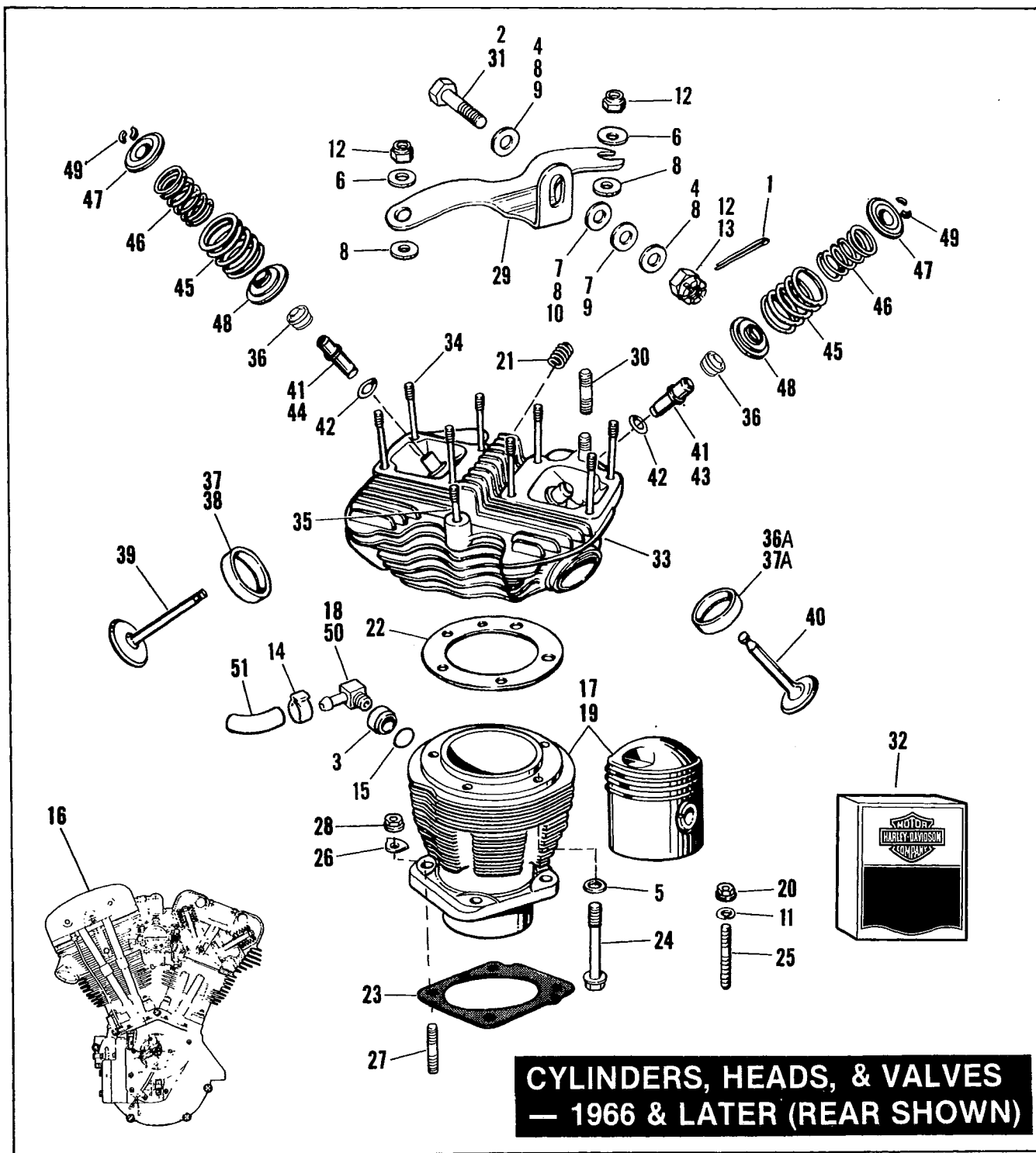


CYLINDERS, HEADS & VALVES — 1966 & LATER

A1-1

RETAIL PRICE	INDEX NO.	PART NO.	NAME	USED ON
	1	534	COTTER PIN, 3/32 x 7/8	66 to 72 — FL, FLH
	2	4726	BOLT, 7/16-20 x 1-1/2 hex. hd.	73 to * — FL, FLH, FLH-80, Classic
	3	5723	SPACER, front cylinder base	Late 81 — FLH-80, Classic
	4	6416	WASHER, 3/8 x 1 x 5/64 (2)	Late 71 to 78 — FL, FLH, FLH-80
	5	6469HW	WASHER, 7/16 x 3/4 x 1/8 (5)	66 to Early 77 — FL, FLH
	6	6495HW	WASHER, 7/16 x 15/16 x 1/8 (2 - 79 to 83; as req'd)	66 to * — FL, FLH, FLH-80, Classic

RETAIL PRICE	INDEX NO.	PART NO.	N A M E	USED ON
	7	6497HW	WASHER, 7/16 x 1-1/8 x 1/16 (2 - 83 & Earlier)	Late 71 to * — FL, FLH, FLH-80, Classic
	8	6516HW	WASHER, 7/16 x 1-1/8 x 1/8 (2; 4 - 79 to 83; 7 - 84) . . .	66 to * — FL, FLH, FLH-80, Classic
		6521W	WASHER, 29/64 x 1-1/8 x 3/32	N/A 66 to 69 — FL, FLH
	9	6522HB	WASHER, 29/64 x 1-1/8 x 5/32 (2)	66 to 78 — FL, FLH, FLH-80
	10	6524W	WASHER, 29/64 x 1-1/8 x 1/64	66 to 69 — FL, FLH
	11	7039	LOCKWASHER, 7/16 (4)	66 to 77 — FL, FLH
	12	7825	LOCKNUT, 7/16-20 x 7/16 x 5/8 hex. (2; 3 - 73 & Later) .	66 to * — FL, FLH, FLH-80, Classic
	13	7867W	CASTLE NUT, 7/16-20	66 to 72 — FL, FLH
	14	10014	CLAMP, hose (4)	Late 81 — FLH-80, Classic
	15	11101	O-RING front cylinder base fitting	Late 81 — FLH-80, Classic
	18	16303—81	FITTING, cylinder base (2)	Late 81 to Early 82 — FLH-80, Classic
	19	16484—66B	FRONT CYLINDER WITH PISTON	N/A 66 to 73 — FL
		16484—74A	FRONT CYLINDER WITH PISTON	N/A 74 to 80 — FL
		16485—66B	FRONT CYLINDER WITH PISTON	N/A 66 to 73 — FLH
		16485—74A	FRONT CYLINDER WITH PISTON	74 to 80 — FLH
		16492—66B	REAR CYLINDER WITH PISTON	N/A 66 to 73 — FLH
		16492—74A	REAR CYLINDER WITH PISTON	74 to 80 — FLH
		16493—66B	REAR CYLINDER WITH PISTON	N/A 66 to 73 — FL
		16493—74A	REAR CYLINDER WITH PISTON	N/A 74 to 80 — FL
		16494—78	FRONT CYLINDER WITH PISTON	78 to 80 — FLH-80, Classic
		16495—78	REAR CYLINDER WITH PISTON	78 to 80 — FLH-80, Classic
		16498—80A	FRONT CYLINDER WITH PISTON	Early 81, Late 82 to * — FLH-80, Classic
		16508—81	FRONT CYLINDER WITH PISTON	Late 81 & Early 82 — FLH-80, Classic
		16499—80A	REAR CYLINDER WITH PISTON	Early 81, Late 82 to * — FLH-80, Classic
		16509—81	REAR CYLINDER WITH PISTON	Late 81 & Early 82 — FLH-80, Classic
	20	16602—30	NUT, 7/16-20 x 1/2 x 5/8 hex. (4)	66 to 77 — FL, FLH
	21	16725—66A	HELI-COIL INSERT, spark plug hole	N/A 66 to 74 — FL, FLH
	22	16770—66B	GASKET, cylinder head	66 to * — FL, FLH, FLH-80, Classic
	23	16776—63	GASKET, front cylinder base	66 to * — FL, FLH, FLH-80, Classic
		16777—63	GASKET, rear cylinder base	66 to * — FL, FLH, FLH-80, Classic
	24	16814—77	BOLT, cylinder head (5)	66 to * — FL, FLH, FLH-80, Classic
	25	16831—30	STUD, cylinder base (4)	66 to 77 — FL, FLH
	26	16836—78	SPACER, cylinder base stud (4)	78 to * — FL, FLH, FLH-80, Classic
	27	16837—78	STUD, cylinder base, 2-11/32 long (4)	78 to * — FL, FLH, FLH-80, Classic
	28	16838—78	LOCKNUT, 7/16-20 x 3/8 x 9/16 hex. (4)	78 to * — FL, FLH, FLH-80, Classic
	29	16852—67A	BRACKET, engine mounting	57 to * — FL, FLH, FLH-80, Classic
		16853—48	BRACKET, engine mounting	N/A 66 — FL, FLH
	30	16864—48	STUD, cylinder head motor brace	66 to * — FL, FLH, FLH-80, Classic
	31	16865—52	BOLT, engine bracket - center	N/A 66 to 72 — FL, FLH
	32	17029—66A	SET OF ENGINE GASKETS	66 to 78 — FL, FLH, FLH-80, Classic
		17029—79	SET OF ENGINE GASKETS	79 to * — FL, FLH, FLH-80, Classic
	33	17121—80	HEAD, rear cylinder	N/A 66 to 79 — FL, FLH, FLH-80
		17130—80	HEAD, front cylinder, w/studs (painted)	N/A 79 — Classic
		17131—80	HEAD, rear cylinder, w/studs (painted)	N/A 79 — Classic



CYLINDERS, HEADS & VALVES — 1966 & LATER (CONT'D)

A1-3

RETAIL PRICE	INDEX NO.	PART NO.	NAME	USED ON
--------------	-----------	----------	------	---------

NOTE: To use the following on Early 81 & Earlier vehicles replace exhaust valves with either 18086-81 or 18089-81; replace intake valves with either 18075-81 or 18078-81; replace upper & lower collars with (2) 18219-81 & (2) 18222-81; & use (4) 18000-81 valve seals. For pre-1980 models use 18222-79 collar.

	33	17160-81	HEAD, front cylinder (w/studs)	80 to * — FL, FLH, FLH-80
		17161-81	HEAD, rear cylinder (w/studs)	80 to * — FL, FLH, FLH-80
		17170-81	HEAD, front cylinder — (w/studs—painted)	80 to 82 — Classic
		17171-81	HEAD, rear cylinder — (w/studs—painted)	80 to 82 — Classic
	34	17506-66A	STUD, rocker arm cover (long) (8) (7-80 & Later)	66 to * — FL, FLH, FLH-80, Classic

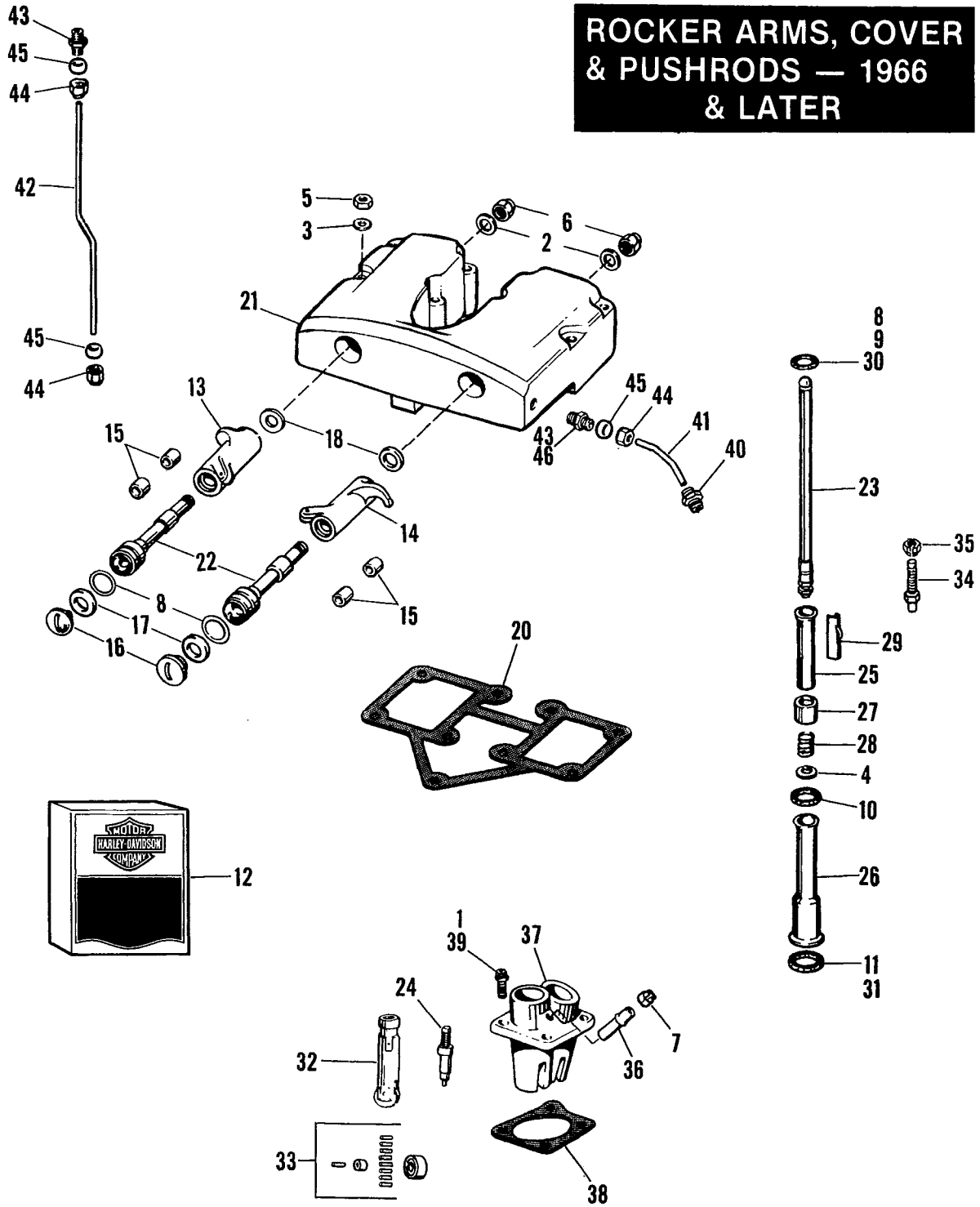
CYLINDERS, HEADS & VALVES — 1966 & LATER (CONT'D)

RETAIL PRICE	INDEX NO.	PART NO.	N A M E	USED ON
	35	17508—66	STUD, rocker arm cover (short) (2 - 80-83)	66 to * — FL, FLH, FLH-80, Classic
	36	18000—81	VALVE SEAL (4)	Late 81 to * — FLH-80, Classic
	36A	18010—79	INSERT, exhaust valve seat	80 to * — FLH-80, Classic
	37	18020—79	INSERT, intake valve seat	80 to * — FLH-80, Classic
	37A	18055—66B	INSERT, exhaust valve seat	66 to 79 — FL, FLH, FLH-80, Classic
		18057—66	INSERT, exhaust valve seat — 0.005" O.S. O.D.	N/A 66 to 79 — FL, FLH, FLH-80, Classic
	38	18056—66B	INSERT, intake valve seat	N/A 66 to 79 — FL, FLH, FLH-80, Classic
	39	18075—80	INTAKE VALVE — std. (Nittan)	66 to Early 81 — FL, FLH, FLH-80, Classic
		18075—81	INTAKE VALVE — std. (Nittan)	Late 81 to * — FLH-80, Classic
		18078—80	INTAKE VALVE — std. (Eaton)	66 to Early 81 — FL, FLH, FLH-80, Classic
		18078—81	INTAKE VALVE — std. (Eaton)	Late 81 to * — FLH-80, Classic
	40	18082—60	EXHAUST VALVE (special — 0.156 O.S. head)	66 to * — FL, FLH, FLH-80, Classic
		18086—80	EXHAUST VALVE — std. (Nittan)	66 to Early 81 — FL, FLH, FLH-80, Classic
		18086—81	EXHAUST VALVE — std. (Nittan)	Late 81 to * — FLH-80, Classic
		18089—80	EXHAUST VALVE — std. (Eaton)	66 to Early 81 — FL, FLH, FLH-80, Classic
		18089—81	EXHAUST VALVE — std. (Eaton)	Late 81 to * — FLH-80, Classic
	41	18103—81A	VALVE GUIDE, in. & ex. — 0.008 O.S. O.D. (cast iron) (2)	Late 81 to * — FLH-80, Classic
		18104—81A	VALVE GUIDE, in. & ex. — 0.006 O.S. O.D. (cast iron) (2)	Late 81 to * — FLH-80, Classic
		18106—81A	VALVE GUIDE, in. & ex. — 0.004 O.S. O.D. (cast iron) (2)	Late 81 to * — FLH-80, Classic
		18107—81A	VALVE GUIDE, in. & ex. — 0.003 O.S. O.D. (cast iron) (2)	Late 81 to * — FLH-80, Classic
		18108—81A	VALVE GUIDE, in. & ex. — 0.002 O.S. O.D. (cast iron) (2)	80 to * — FL, FLH, FLH-80, Classic
		18109—81A	VALVE GUIDE, in. & ex. — 0.001 O.S. O.D. (cast iron) (2)	80 to * — FL, FLH, FLH-80, Classic
		18138—79A	VALVE GUIDE, in. & ex. — 0.001 O.S. O.D. (cast iron) (2)	66 to 79 — FL, FLH, FLH-80, Classic
		18139—79A	VALVE GUIDE, in. & ex. — 0.008 O.S. O.D. (cast iron) (2)	66 to 79 — FL, FLH, FLH-80, Classic
		18140—79A	VALVE GUIDE, in. & ex. — 0.006 O.S. O.D. (cast iron) (2)	66 to 79 — FL, FLH, FLH-80, Classic
		18141—79A	VALVE GUIDE, in. & ex. — 0.004 O.S. O.D. (cast iron) (2)	66 to 79 — FL, FLH, FLH-80, Classic
		18143—79A	VALVE GUIDE, in. & ex. — 0.002 O.S. O.D. (cast iron) (2)	66 to 79 — FL, FLH, FLH-80, Classic
	42	18105—79	RETAINING RING, cast iron valve guides (4)	80 & Early 81 — FL, FLH, FLH-80, Classic
	43	18167—49	VALVE GUIDE, intake — 0.004 O.S. O.D. (2)	66 to 79 — FL, FLH, FLH-80, Classic
		18170—49	VALVE GUIDE, intake — 0.008 O.S. O.D. (2)	66 to 79 — FL, FLH, FLH-80, Classic
	44	18186—51	VALVE GUIDE, exhaust — 0.003 O.S. O.D. (2)	N/A 66 to 79 — FL, FLH, FLH-80, Classic
		18187—51	VALVE GUIDE, exhaust — 0.004 O.S. O.D. (2)	N/A 66 to 79 — FL, FLH, FLH-80, Classic
		18194—51	VALVE GUIDE, exhaust — 0.008 O.S. O.D. (2)	N/A 66 to 79 — FL, FLH, FLH-80, Classic
	45	18201—82	VALVE SPRING, outer (2)	66 to 80 — FLH; 70 to * — FL, FLH-80, Classic
	46	18202—82	VALVE SPRING, inner (2)	66 to 80 — FLH; 70 to * — FL, FLH-80, Classic
		18204—36A	VALVE SPRING, inner (2)	N/A 66 to 69 — FL
		18205—57	VALVE SPRING KIT, includes inner & outer spring	66 to Early 82 — FL, FLH, FLH-80, Classic
	47	18219—81	COLLAR, valve spring — upper (2)	Late 81 to * — FLH-80, Classic
		18221—36	COLLAR, valve spring — upper (2)	66 to Early 81 — FL, FLH, FLH-80, Classic
	48	18222—48	COLLAR, valve spring — lower (2)	66 to 79 — FL, FLH, FLH-80, Classic
		18222—79	COLLAR, valve spring — lower (2)	80 & Early 81 — FL, FLH, FLH-80, Classic
		18222—81	COLLAR, valve spring — lower (2)	Late 81 to * — FLH-80, Classic
	49	18228—36	VALVE KEY (2)	66 to * — FL, FLH, FLH-80, Classic
	50	62375—57	FITTING, cylinder base (2)	Late 82 — FLH-80, Classic

NOTE: Hose is sold only in bulk length under the following part number. Cut to required length.

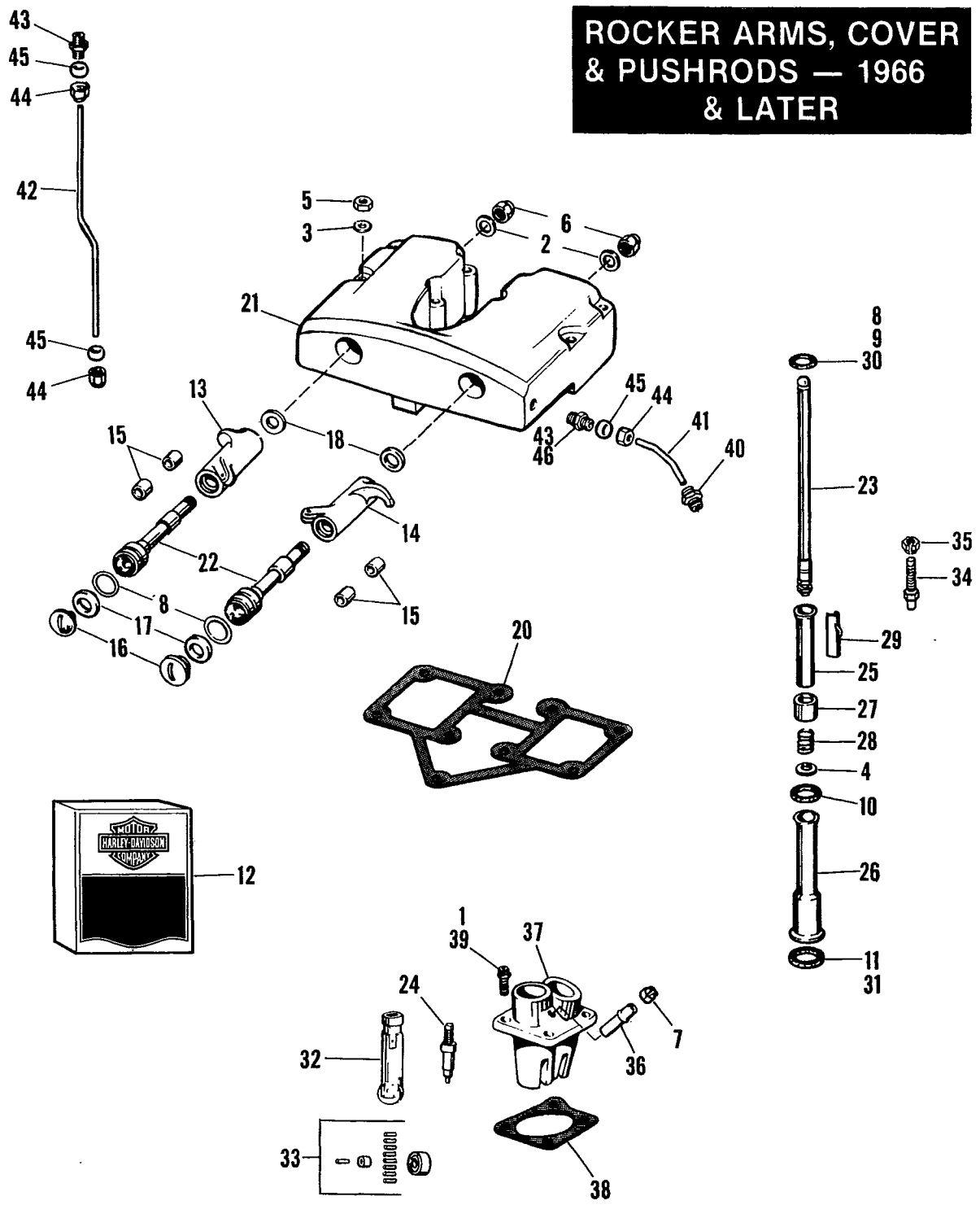
51	63501—68	HOSE, 1/4 I.D. x 5/8 O.D. reinforced rubber (25 ft. lg.)	Late 81 — FLH-80, Classic
----	----------	--	---------------------------

ROCKER ARMS, COVER & PUSHRODS — 1966 & LATER



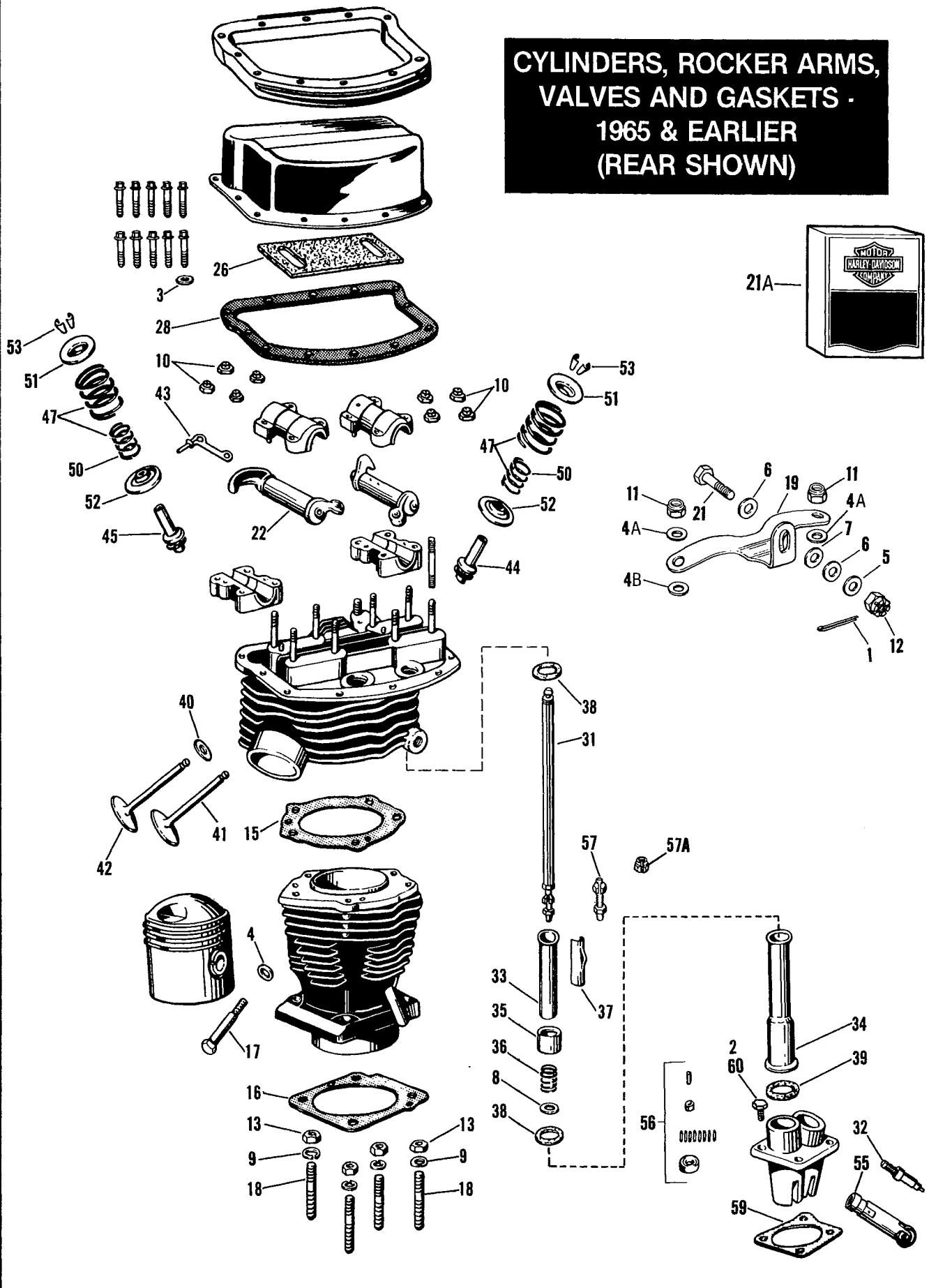
RETAIL PRICE	INDEX NO.	PART NO.	N A M E	USED ON
	1	906	SCREW, 1/4-20 x 7/8 12 pt. ctsk. hd. (4) (black)	79 — Classic
		3750	SCREW, 1/4-24 x 7/8 x 12 pt. hd. (4)	66 to Early 76 — FL, FLH
		3770	SCREW, 1/4-20 x 7/8 12 pt. ctsk. hd. (4)	Late 76 to * — FL, FLH, FLH-80, Classic
	2	6001	WASHER, 7/16 x 3/4 x 1/32 (black) (4)	79 — Classic
		6466W	WASHER, 7/16 x 3/4 x .025 (2)	66 to * — FL, FLH, FLH-80, Classic
	3	6002	WASHER, 5/16 x 5/8 x 1/16 (black) (9)	79 — Classic
		6016	WASHER, 11/32 x 11/16 x 1/16 (9)	Late 83 to * — FLH-80
		6316HW	WASHER, 5/16 x 5/8 x 1/16 (9)	80 to Early 83 — FL, FLH, FLH-80, Classic
		6702	WASHER, 5/16 x 11/16 x 1/16 (9)	66 to 79 — FL, FLH, FLH-80, Classic
	4	6762B	WASHER, 11/16 x 59/64 x 1/32 (2)	66 to * — FL, FLH, FLH-80, Classic
	5	7509	NUT, 5/16-24 x 1/2 hex. (black) (9)	79 — Classic
		7753	NUT, 5/16-24 x 17/64 x 1/2 hex. (9)	66 to * — FL, FLH, FLH-80, Classic
	6	7873	ACORN NUT, 7/16-20 x 11/16 x 5/8 hex. (chrome) (2) . .	81 to * — FLH-80, Classic
		7875	ACORN NUT, 7/16-20 x 5/8 x 5/8 hex. (chrome) (2) . . .	66 to 80 — FL, FLH, FLH-80, Classic
	7	10014	CLAMP, hose (4)	Late 81 & Early 82 — FLH-80, Classic
	8	11101	O-RING, rocker arm shaft (2); push rod cover - upper (2); Late 79 to Early 81)	66 to * — FL, FLH, FLH-80, Classic
	9	11118	QUAD SEAL, push rod cover — upper (4)	Late 81 to * — FLH-80, Classic
	10	11132	O-RING, push rod cover — middle (2)	Late 79 to * — FL, FLH, FLH-80, Classic
	11	11133A	QUAD SEAL, push rod cover — lower (2)	Late 79 to * — FL, FLH, FLH-80, Classic.
	12	17034—48A	GASKET SET, top overhaul	66 to 78 — FL, FLH, FLH-80, Classic
		17034—80A	GASKET SET, top overhaul	79 to * — FL, FLH, FLH-80, Classic
	13	17360—66A	ROCKER ARM, rear exhaust and front intake	66 to * — FL, FLH, FLH-80, Classic
	14	17375—66A	ROCKER ARM, front exhaust and rear intake	66 to * — FL, FLH, FLH-80, Classic
	15	17428—57	BUSHING, rocker arm (4)	66 to * — FL, FLH, FLH-80, Classic
	16	17448—57	SCREW, rocker arm shaft end (2)	66 to Early 71 — FL, FLH
		17448—71A	SCREW, rocker arm shaft end (chrome) (2)	Late 71 to * — FL, FLH, FLH-80, Classic
		17449—77	SCREW, rocker arm shaft end (black) (2)	N/A 79 — Classic
	17	17450—73	WASHER, rocker arm shaft (2)	73 to 81 — FL, FLH, FLH-80, Classic
	18	17452—66	SPACER, rocker arm (2)	66 to * — FL, FLH, FLH-80, Classic
	20	17540—69	GASKET, rocker arm cover (2)	66 to * — FL, FLH, FLH-80, Classic
	21	17550—80	ROCKER ARM COVER KIT, rear, with 17508—66A STUD .	66 to * — FL, FLH, FLH-80, Classic
		17552—80	ROCKER ARM COVER KIT, front, with 17508—66A STUD .	66 to * — FL, FLH, FLH-80, Classic
	22	17611—66B	SHAFT, rocker arm (2)	66 to * — FL, FLH, FLH-80, Classic
	23	17904—66	PUSH ROD ASSEMBLY (2)	66 to * — FL, FLH, FLH-80, Classic
	24	17920—53A	LIFTER, hydraulic — push rod (2)	66 to * — FL, FLH, FLH-80, Classic
	25	17935—79B	COVER, upper push rod	66 to * — FL, FLH, FLH-80, Classic
	26	17938—48B	COVER, lower push rod (2)	66 to Early 79 — FL, FLH, FLH-80, Classic
		17938—79	COVER, lower push rod	Late 79 to * — FL, FLH, FLH-80, Classic
	27	17945—36B	CAP, cover spring (2)	66 to * — FL, FLH, FLH-80, Classic
	28	17947—36	SPRING, push rod cover (2)	66 to * — FL, FLH, FLH-80, Classic
	29	17950—66	RETAINER, spring cap (2)	66 to * — FL, FLH, FLH-80, Classic
	30	17955—36	CORK WASHER, push rod cover (upper) (4)	66 to Early 79 — FL, FLH, FLH-80, Classic
	31	17955—48	CORK WASHER, push rod cover (lower) (2)	66 to Early 79 — FL, FLH, FLH-80, Classic

ROCKER ARMS, COVER & PUSHRODS — 1966 & LATER



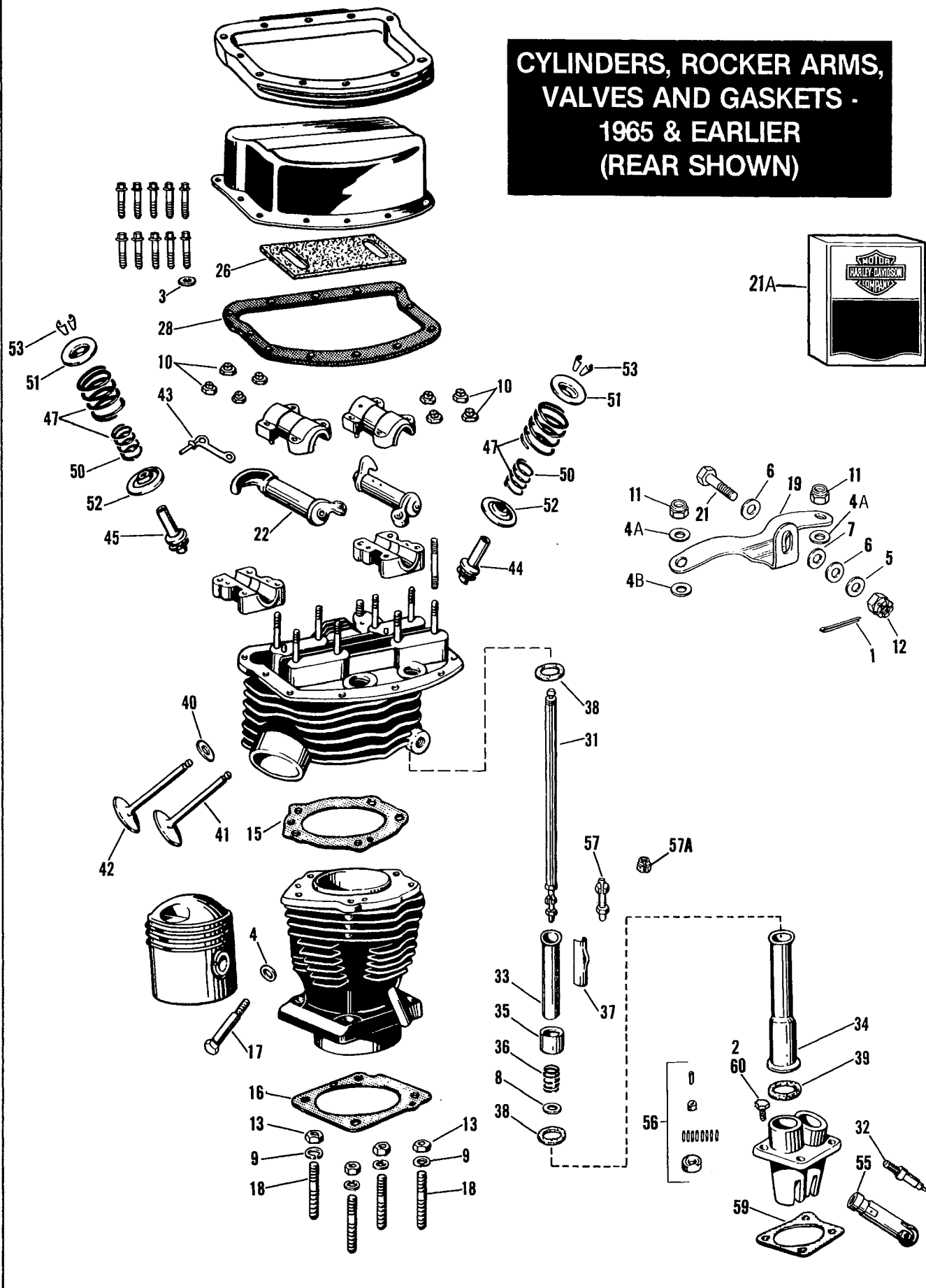
RETAIL PRICE	INDEX NO.	PART NO.	N A M E	USED ON
	32	18522—53A	TAPPET, with roller (2)	66 to * — FL, FLH, FLH-80, Classic
	33	18534—29A	KIT, tappet roller (2)	66 to * — FL, FLH, FLH-80, Classic
	34	18556—57	TAPPET ADJUSTING SCREW, with nut (2)	66 to * — FL, FLH, FLH-80, Classic
	35	18570—38	NUT, tappet adjusting screw	66 to * — FL, FLH, FLH-80, Classic
	36	18599—81	FITTING, tappet guide	Late 81 & Early 82 — FLH-80, Classic
	37	18600—66C	TAPPET GUIDE, front cylinder	N/A 66 to Early 76 — FL, FLH
		18603—80A	TAPPET GUIDE, front cylinder	Late 76 to * — FL, FLH, FLH-80, Classic
		18597—81	TAPPET GUIDE, front cylinder	Late 81 & Early 82 — FLH-80, Classic
		18602—80A	TAPPET GUIDE, rear cylinder	Late 82 to * — FLH-80, Classic
		18598—81	TAPPET GUIDE, rear cylinder	Late 81 & Early 82 — FLH-80, Classic
		18610—66B	TAPPET GUIDE, rear cylinder	N/A 66 to Early 76 — FL, FLH
		18610—76A	TAPPET GUIDE, rear cylinder	Late 76 to Early 81 — FL, FLH, FLH-80, Classic
	38	18633—48B	GASKET, tappet guide, rear cylinder	66 to Early 83 — FL, FLH, FLH-80, Classic
		18633—48C	GASKET, tappet guide, rear cylinder	Late 83 to * — FLH-80
		18634—48B	GASKET, tappet guide, front cylinder	66 to * — FL, FLH, FLH-80, Classic
	39	18660—53	SCREW, tappet guide (4)	66 to Early 76 — FL, FLH
	40	62484—81	OIL LINE FITTING, rocker arm cover — front	81 to * — FLH-80, Classic
	41	62783—66A	OIL LINE TUBE, top cover cross-over (chrome)	66 to * — FL, FLH, FLH-80, Classic
	42	62785—66A	OIL LINE TUBE, crankcase to top cover (chrome)	66 to * — FL, FLH, FLH-80, Classic
	43	63526—57	OIL LINE FITTING, rocker arm cover (2 — Early 82 & Earlier)	66 to * — FL, FLH, FLH-80, Classic
	44	63527—57A	NUT, oil line (4)	66 to * — FL, FLH, FLH-80, Classic
	45	63529—57	SLEEVE, oil line (4)	66 to * — FL, FLH, FLH-80, Classic
	46	63543—82	OIL LINE FITTING, rocker arm cover	Late 82 to * — FLH-80, Classic

**CYLINDERS, ROCKER ARMS, VALVES AND GASKETS -
1965 & EARLIER
(REAR SHOWN)**

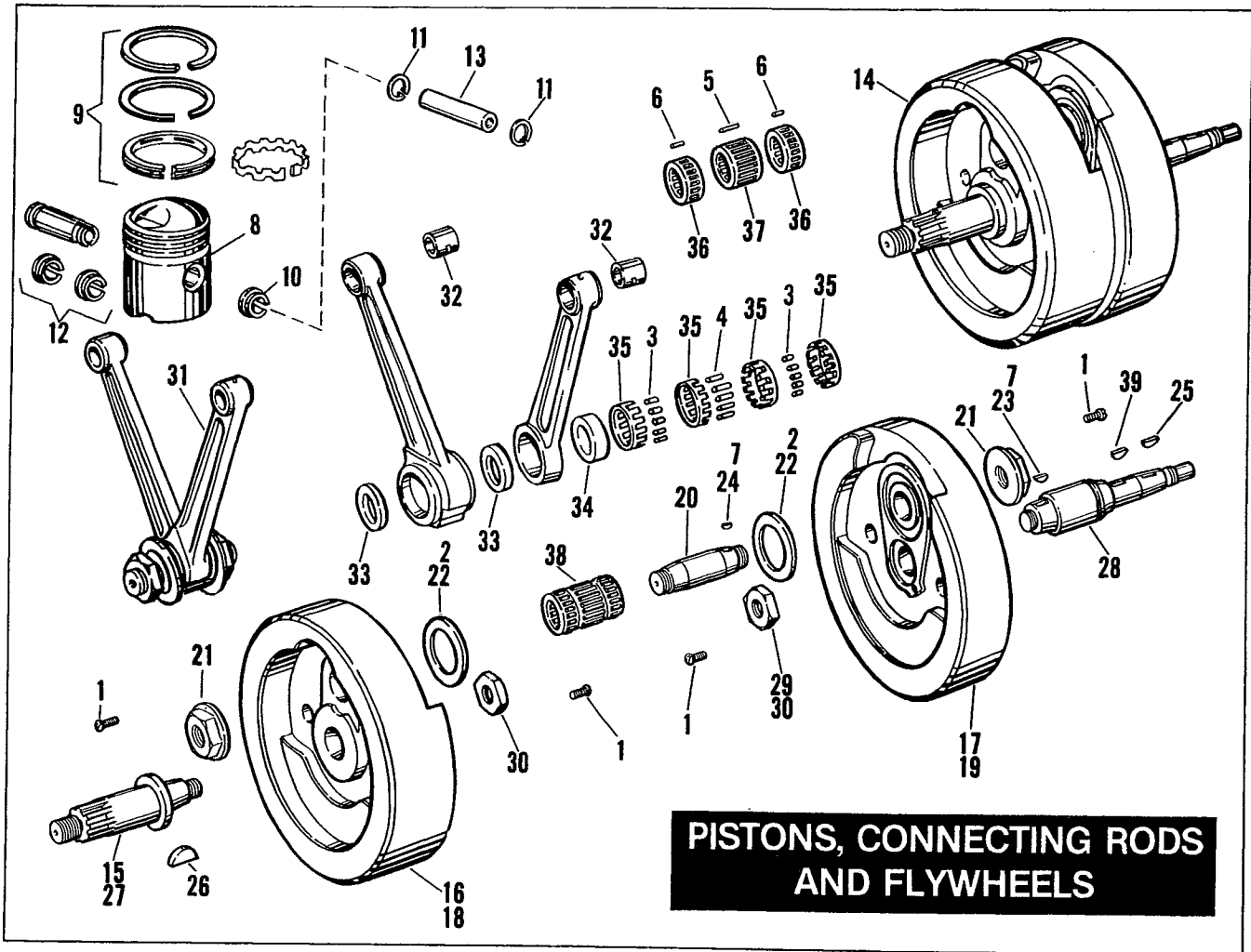


RETAIL PRICE	INDEX NO.	PART NO.	N A M E	USED ON
	1	534	COTTER PIN, 3/32 x 7/8	52 to 65 — FL, FLH
	2	3750	SCREW, 1/4-24 x 7/8, 12 pt. hd. (4)	Late 53 to 65 — FL, FLH
	3	6150W	WASHER, No. 10 x 3/8 x 1/16 (as req.)	54 to 65 — FL, FLH
	4	6469HW	WASHER, 7/16 x 3/4 x 1/8 (5)	41 to 65 — FL, FLH
	4A	6495HW	WASHER, 7/16 x 15/16 x 1/8 (rear cylinder only)	48 to 65 — FL, FLH
	4B	6516HW	WASHER, 7/16 x 1-1/8 x 1/16 (2)	48 to 65 — FL, FLH
	5	6521W	WASHER, 29/64 x 1-1/8 x 3/32	N/A 41 to 65 — FL, FLH
	6	6522HB	WASHER, 29/64 x 1-1/8 x 5/32 (2)	41 to 65 — FL, FLH
	7	6524W	WASHER, 29/64 x 1-1/8 x 1/64	41 to 65 — FL, FLH
	8	6762B	WASHER, 11/16 x 59/64 x 1/32 (2)	41 to 65 — FL, FLH
	9	7039	LOCKWASHER, 7/16 (4)	41 to 65 — FL, FLH
	10	7727	LOCKNUT, 5/16-24 x 1/4 x 1/2 hex. (8)	48 to 65 — FL, FLH
	11	7825	LOCKNUT, 7/16-20 x 7/16 x 5/8 hex. (2)	48 to 65 — FL, FLH
	12	7867W	CASTLE NUT, 7/16-20	52 to 65 — FL, FLH
	13	16602—30	NUT, 7/16-20 x 1/2 x 5/8 hex. (4)	41 to 65 — FL, FLH
	15	16770—48	GASKET, cylinder head	48 to 65 — FL, FLH
	16	16776—48	GASKET, front cylinder base	48 to 62 — FL, FLH
		16776—63	GASKET, front cylinder base	63 to 65 — FL, FLH
		16777—48	GASKET, rear cylinder base	48 to 62 — FL, FLH
		16777—63	GASKET, rear cylinder base	63 to 65 — FL, FLH
	17	16814—77	BOLT, cylinder head (5)	48 to 65 — FL, FLH
	18	16831—30	STUD, cylinder base (4)	41 to 65 — FL, FLH
	19	16853—48	BRACKET, engine mounting	N/A 48 to 65 — FL, FLH
	21	16865—52	BOLT, engine bracket - center	N/A 52 to 65 — FL, FLH
	21A	17028—58	SET OF MOTOR GASKETS	60 to 65 — FL, FLH
		17034—48A	GASKET SET, top overhaul	60 to 65 — FL, FLH
	22	17360—48	ROCKER ARM, rear exhaust and front intake	N/A 48 to 65 — FL, FLH
	26	17507—48	PAD, rocker arm cover	48 to 65 — FL, FLH
	28	17541—48B	GASKET, rocker arm cover (2)	48 to 65 — FL, FLH
	31	17905—53B	PUSH ROD ASSEMBLY, (2)	N/A 53 to 65 — FL, FLH
	32	17920—53A	PUSH ROD, hydraulic unit (2)	53 to 65 — FL, FLH
	33	17935—48B	COVER, upper push rod (2)	48 to 65 — FL, FLH
	34	17938—48B	COVER, lower push rod (2)	48 to 65 — FL, FLH
	35	17945—36B	CAP, cover spring (2)	41 to 65 — FL, FLH
	36	17947—36	SPRING, push rod cover (2)	41 to 65 — FL, FLH
	37	17950—48	RETAINER, spring cap	48 to 65 — FL, FLH
	38	17955—36	CORK WASHER, push rod cover - upper (4)	48 to 65 — FL, FLH
	39	17955—48	CORK WASHER, push rod cover - lower (2)	48 to 65 — FL, FLH
	40	18057—48	INSERT, valve seat (2)	48 to 65 — FL, FLH
	41	18071—48	INTAKE VALVE	48 to 65 — FL, FLH
	42	18082—60	EXHAUST VALVE (special — 0.156 O.S. head)	52 to 65 — FL, FLH
		18086—80	EXHAUST VALVE — std. (Nittan)	48 to 65 — FL, FLH
		18089—80	EXHAUST VALVE — std. (Eaton)	48 to 65 — FL, FLH
	43	18100—49	OILER, front intake valve	N/A 49 to 65 — FL, FLH
		18102—49	OILER, rear intake valve	N/A 49 to 65 — FL, FLH
	44	18138—79A	VALVE GUIDE, in. & ex. — 0.001 O.S. O.D. (cast iron) (2)	48 to 65 — FL, FLH
		18139—79A	VALVE GUIDE, in. & ex. — 0.008 O.S. O.D. (cast iron) (2)	48 to 65 — FL, FLH
		18140—79A	VALVE GUIDE, in. & ex. — 0.006 O.S. O.D. (cast iron) (2)	48 to 65 — FL, FLH
		18141—79A	VALVE GUIDE, in. & ex. — 0.004 O.S. O.D. (cast iron) (2)	48 to 65 — FL, FLH
		18143—79A	VALVE GUIDE, in. and ex. — 0.002 O.S. O.D. (cast iron) (2)	48 to 65 — FL, FLH
		18167—49	VALVE GUIDE, intake — 0.004 O.S. O.D.	48 to 65 — FL, FLH
		18170—49	VALVE GUIDE, intake — 0.008 O.S. O.D.	48 to 65 — FL, FLH
	45	18186—51	VALVE GUIDE, exhaust — 0.003 O.S. O.D.	N/A 48 to 65 — FL, FLH
		18187—51	VALVE GUIDE, exhaust — 0.004 O.S. O.D.	N/A 48 to 65 — FL, FLH
		18194—51	VALVE GUIDE, exhaust — 0.008 O.S. O.D.	N/A 48 to 65 — FL, FLH

**CYLINDERS, ROCKER ARMS,
VALVES AND GASKETS -
1965 & EARLIER
(REAR SHOWN)**



RETAIL PRICE	INDEX NO.	PART NO.	N A M E	USED ON
	47	18205-57	VALVE SPRING KIT, includes inner & outer spring	55 to 65 — FLH
	50	18204-36A	VALVE SPRING, inner (2)	N/A 41 to 65 — FL
	51	18221-36	COLLAR, valve spring, upper (2)	41 to 65 — FL, FLH
	52	18222-48	COLLAR, valve spring, lower (2)	48 to 65 — FL, FLH
	53	18228-36	VALVE KEY (2)	41 to 65 — FL, FLH
	55	18522-53A	TAPPET, with roller (2)	53 to 65 — FL, FLH
	56	18534-29A	KIT, tappet roller (2)	41 to 65 — FL, FLH
	57	18556-57	TAPPET ADJUSTING SCREW, with nut (2)	57 to 65 — FL, FLH
	57A	18570-38	NUT, tappet adjusting screw	57 to 65 — FL, FLH
	59	18633-48B	GASKET, tappet guide, rear cylinder	48 to 65 — FL, FLH
		18634-48B	GASKET, tappet guide, front cylinder	48 to 65 — FL, FLH
	60	18660-53	SCREW, tappet guide (4)	Late 53 to 65 — FL, FLH



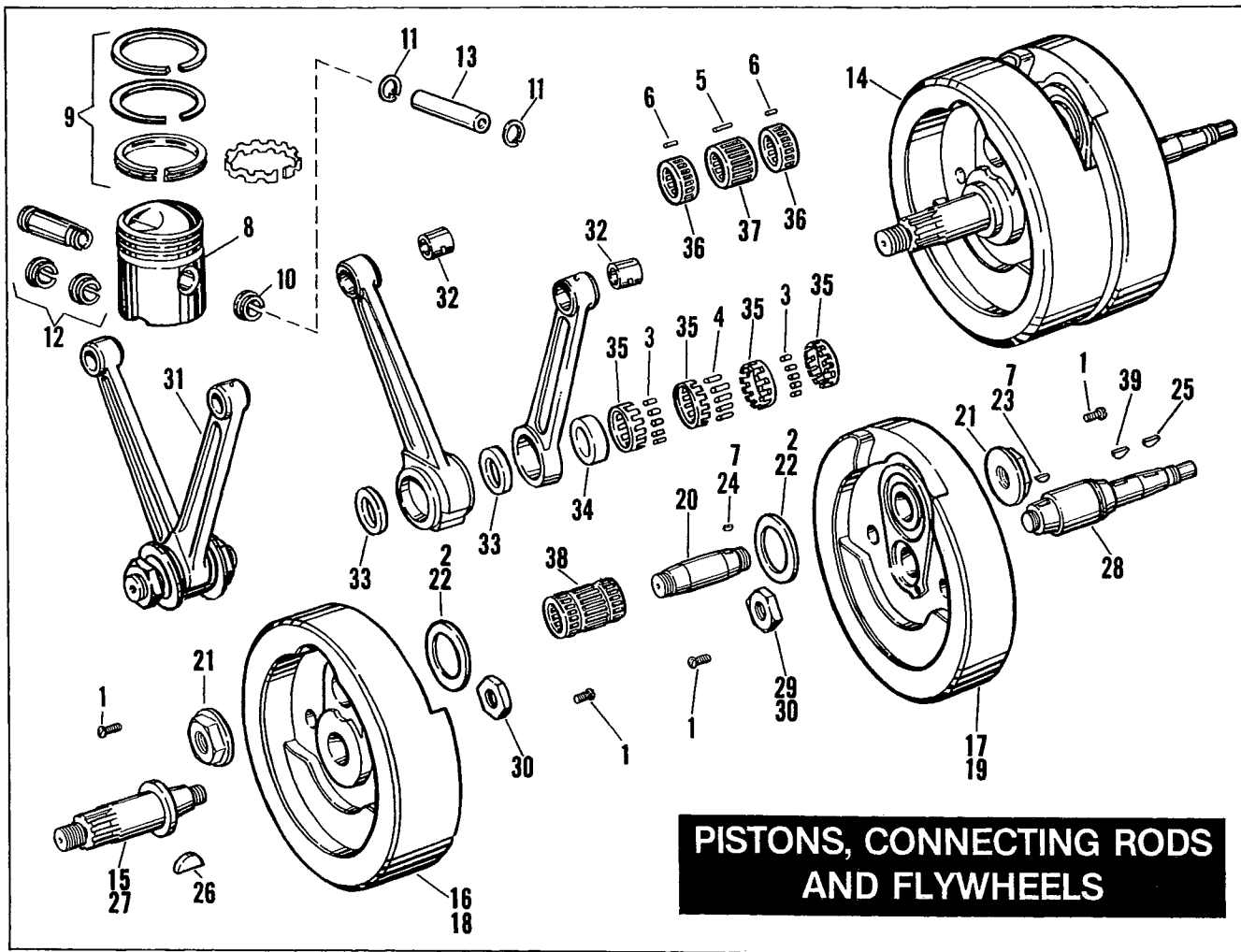
PISTONS, CONNECTING RODS AND FLYWHEELS

PISTONS, CONNECTING RODS AND FLYWHEELS

A3-1

RETAIL PRICE	INDEX NO.	PART NO.	N A M E	USED ON
	1	2660	SCREW, No. 10-24 x 3/8 Pozidriv pan hd. (4)	48 to Early 78 — FL, FLH, FLH-80
	2	6506	WASHER, flywheel — bronze (2)	Late 70 to * — FL, FLH, FLH-80, Classic
	3	9101A	ROLLER, crank pin, 0.188 x 0.329 — std. (36)	51 to 72 — FL, FLH
		9102A	ROLLER, crank pin — 0.0002 O.S. (36)	51 to 72 — FL, FLH
		9103A	ROLLER, crank pin — 0.0004 O.S. (36)	51 to 72 — FL, FLH
		9104A	ROLLER, crank pin — 0.0006 O.S. (36)	51 to 72 — FL, FLH
		9105A	ROLLER, crank pin — 0.0008 O.S. (36)	N/A 51 to 72 — FL, FLH
		9106A	ROLLER, crank pin — 0.0010 O.S. (36)	51 to 72 — FL, FLH
		9108A	ROLLER, crank pin — 0.0002 U.S. (36)	51 to 72 — FL, FLH
	4	9171A	ROLLER, crank pin, 0.188 x 0.662 — std. (18)	N/A 51 to 72 — FL, FLH
		9172A	ROLLER, crank pin — 0.0002 O.S. (18)	51 to 72 — FL, FLH
		9173A	ROLLER, crank pin — 0.0004 O.S. (18)	N/A 51 to 72 — FL, FLH
		9174A	ROLLER, crank pin — 0.0006 O.S. (18)	51 to 72 — FL, FLH
		9175A	ROLLER, crank pin — 0.0008 O.S. (18)	N/A 51 to 72 — FL, FLH
		9176A	ROLLER, crank pin — 0.0010 O.S. (18)	N/A 51 to 72 — FL, FLH
		9179A	ROLLER, crank pin — 0.0002 U.S. (18)	N/A 51 to 72 — FL, FLH
	5	9180	ROLLER, crank pin — 0.0002 O.S. (17)	73 to * — FL, FLH, FLH-80, Classic
		9181	ROLLER, crank pin — 0.0004 O.S. (17)	73 to * — FL, FLH, FLH-80, Classic
		9182	ROLLER, crank pin — 0.0006 O.S. (17)	73 to * — FL, FLH, FLH-80, Classic
		9183	ROLLER, crank pin — 0.0008 O.S. (17)	73 to * — FL, FLH, FLH-80, Classic
		9184	ROLLER, crank pin — 0.0010 O.S. (17)	73 to * — FL, FLH, FLH-80, Classic
		9185	ROLLER, crank pin — 0.0002 U.S. (17)	73 to * — FL, FLH, FLH-80, Classic
		9186	ROLLER, crank pin — standard (17)	73 to * — FL, FLH, FLH-80, Classic

RETAIL PRICE	INDEX NO.	PART NO.	N A M E	USED ON
	6	9441A	ROLLER, crank pin — std. (34)	73 to * — FL, FLH, FLH-80, Classic
		9442A	ROLLER, crank pin — 0.0002 O.S. (34)	73 to * — FL, FLH, FLH-80, Classic
		9443A	ROLLER, crank pin — 0.0004 O.S. (34)	73 to * — FL, FLH, FLH-80, Classic
		9444A	ROLLER, crank pin — 0.0006 O.S. (34)	73 to * — FL, FLH, FLH-80, Classic
		9445A	ROLLER, crank pin — 0.0008 O.S. (34)	73 to * — FL, FLH, FLH-80, Classic
		9446A	ROLLER, crank pin — 0.0010 O.S. (34)	73 to * — FL, FLH, FLH-80, Classic
		9450A	ROLLER, crank pin — 0.0002 U.S. (34)	73 to * — FL, FLH, FLH-80, Classic
	7	11218	KEY, crank pin and gearshaft (2)	Late 81 to * — FLH-80, Classic
	8	21994—83	PISTON, RINGS, PIN & LOCK RING ASSY. — 0.005 O.S.	81 to * — FLH-80, Classic
		21991—80A	PISTON, RINGS, PIN & LOCK RING ASSY. — 0.01 O.S.	81 to * — FLH-80, Classic
		21992—80A	PISTON, RINGS, PIN & LOCK RING ASSY. — 0.02 O.S.	81 to * — FLH-80, Classic
		21993—80A	PISTON, RINGS, PIN & LOCK RING ASSY. — 0.03 O.S.	81 to * — FLH-80, Classic
		22101—53C	PISTON, RINGS, PIN & LOCK RING ASSY. — std.	N/A 53 to 73 — FL
		22101—74A	PISTON, RINGS, PIN & LOCK RING ASSY. — std.	N/A 74 to 80 — FL
		22103—53D	PISTON, RINGS, PIN & LOCK RING ASSY. — 0.01 O.S.	N/A 55 to 73 — FL
		22103—74A	PISTON, RINGS, PIN & LOCK RING ASSY. — 0.01 O.S.	N/A 74 to 80 — FL
		22104—53D	PISTON, RINGS, PIN & LOCK RING ASSY. — 0.02 O.S.	N/A 53 to 73 — FL
		22104—74A	PISTON, RINGS, PIN & LOCK RING ASSY. — 0.02 O.S.	N/A 74 to 80 — FL
		22105—53D	PISTON, RINGS, PIN & LOCK RING ASSY. — 0.03 O.S.	53 to 73 — FL
		22105—74A	PISTON, RINGS, PIN & LOCK RING ASSY. — 0.03 O.S.	N/A 74 to 80 — FL
		22106—53D	PISTON, RINGS, PIN & LOCK RING ASSY. — 0.04 O.S.	53 to 73 — FL
		22106—74A	PISTON, RINGS, PIN & LOCK RING ASSY. — 0.04 O.S.	N/A 74 to 80 — FL
		22107—53C	PISTON, RINGS, PIN & LOCK RING ASSY. — 0.05 O.S.	N/A 53 to 73 — FL
		22107—74A	PISTON, RINGS, PIN & LOCK RING ASSY. — 0.05 O.S.	N/A 74 to 80 — FL
		22108—53D	PISTON, RINGS, PIN & LOCK RING ASSY. — 0.06 O.S.	N/A 53 to 73 — FL
		22108—74A	PISTON, RINGS, PIN & LOCK RING ASSY. — 0.06 O.S.	74 to 80 — FL
		22109—53C	PISTON, RINGS, PIN & LOCK RING ASSY. — 0.07 O.S.	N/A 53 to 73 — FL
		22109—74A	PISTON, RINGS, PIN & LOCK RING ASSY. — 0.07 O.S.	N/A 74 to 80 — FL
		22141—55B	PISTON, RINGS, PIN & LOCK RING ASSY. — std.	N/A 55 to 73 — FLH
		22141—74A	PISTON, RINGS, PIN & LOCK RING ASSY. — std.	74 to 80 — FLH
		22143—55C	PISTON, RINGS, PIN & LOCK RING ASSY. — 0.01 O.S.	N/A 55 to 73 — FLH
		22143—74A	PISTON, RINGS, PIN & LOCK RING ASSY. — 0.01 O.S.	N/A 74 to 80 — FLH
		22144—55C	PISTON, RINGS, PIN & LOCK RING ASSY. — 0.02 O.S.	N/A 55 to 73 — FLH
		22144—74A	PISTON, RINGS, PIN & LOCK RING ASSY. — 0.02 O.S.	74 to 80 — FLH
		22145—55C	PISTON, RINGS, PIN & LOCK RING ASSY. — 0.03 O.S.	N/A 55 to 73 — FLH
		22145—74A	PISTON, RINGS, PIN & LOCK RING ASSY. — 0.03 O.S.	N/A 74 to 80 — FLH
		22146—55C	PISTON, RINGS, PIN & LOCK RING ASSY. — 0.04 O.S.	N/A 55 to 73 — FLH
		22146—74A	PISTON, RINGS, PIN & LOCK RING ASSY. — 0.04 O.S.	N/A 74 to 80 — FLH
		22147—55C	PISTON, RINGS, PIN & LOCK RING ASSY. — 0.05 O.S.	N/A 55 to 73 — FLH
		22147—74A	PISTON, RINGS, PIN & LOCK RING ASSY. — 0.05 O.S.	N/A 74 to 80 — FLH
		22148—55C	PISTON, RINGS, PIN & LOCK RING ASSY. — 0.06 O.S.	N/A 55 to 73 — FLH
		22148—74A	PISTON, RINGS, PIN & LOCK RING ASSY. — 0.06 O.S.	N/A 74 to 80 — FLH
		22149—55C	PISTON, RINGS, PIN & LOCK RING ASSY. — 0.07 O.S.	N/A 55 to 73 — FLH
		22149—74A	PISTON, RINGS, PIN & LOCK RING ASSY. — 0.07 O.S.	74 to 80 — FLH
		22191—78	PISTON, RINGS, PIN & LOCK RING ASSY. — std.	78 to 80 — FLH-80, Classic
		22192—78	PISTON, RINGS, PIN & LOCK RING ASSY. — 0.01 O.S.	78 to 80 — FLH-80, Classic
		22194—78	PISTON, RINGS, PIN & LOCK RING ASSY. — 0.02 O.S.	78 to 80 — FLH-80, Classic
		22196—78	PISTON, RINGS, PIN & LOCK RING ASSY. — 0.03 O.S.	78 to 80 — FLH-80, Classic
	9	22325—55B	PISTON RING SET — std.	55 to 80 — FLH; 65 to 80 — FL
		22327—55B	PISTON RING SET — 0.01 O.S.	55 to 80 — FLH; 65 to 80 — FL
		22328—55B	PISTON RING SET — 0.02 O.S.	55 to 80 — FLH; 65 to 80 — FL
		22329—55B	PISTON RING SET — 0.03 O.S.	55 to 80 — FLH; 65 to 80 — FL
		22330—55B	PISTON RING SET — 0.04 O.S.	55 to 80 — FLH; 65 to 80 — FL
		22331—55B	PISTON RING SET — 0.05 O.S.	55 to 80 — FLH; 65 to 80 — FL
		22334—78B	PISTON RING SET — std. (0.06 O.S. - FL, FLH)	55 to 80 — FLH; 65 to * — FL, FLH-80, Classic
		22335—78B	PISTON RING SET — 0.07 O.S. (0.01 O.S. - FLH-80, Classic)	55 to 80 — FLH; 65 to Early 83 — FL, FLH-80, Classic

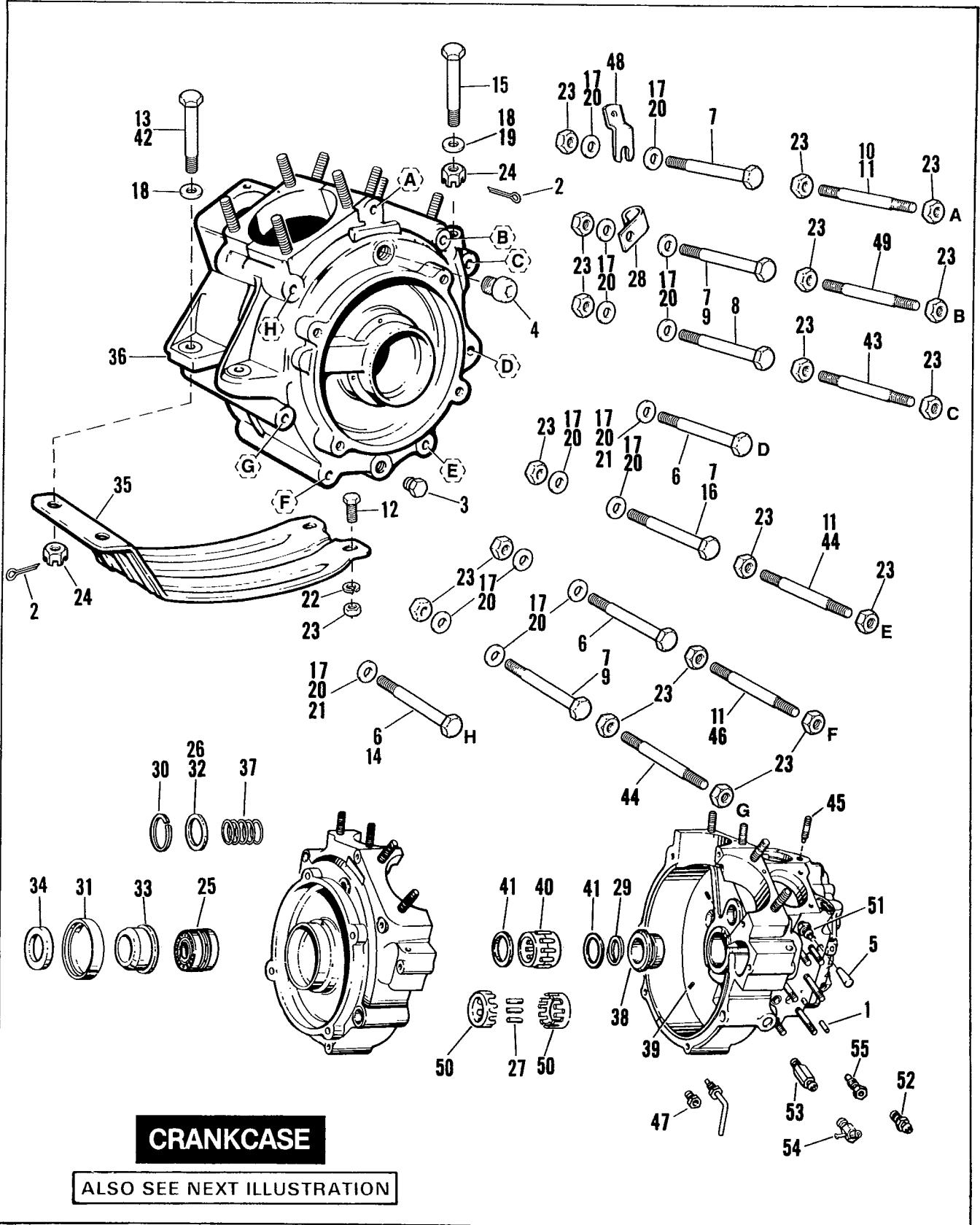


PISTONS, CONNECTING RODS AND FLYWHEELS (CONT'D)

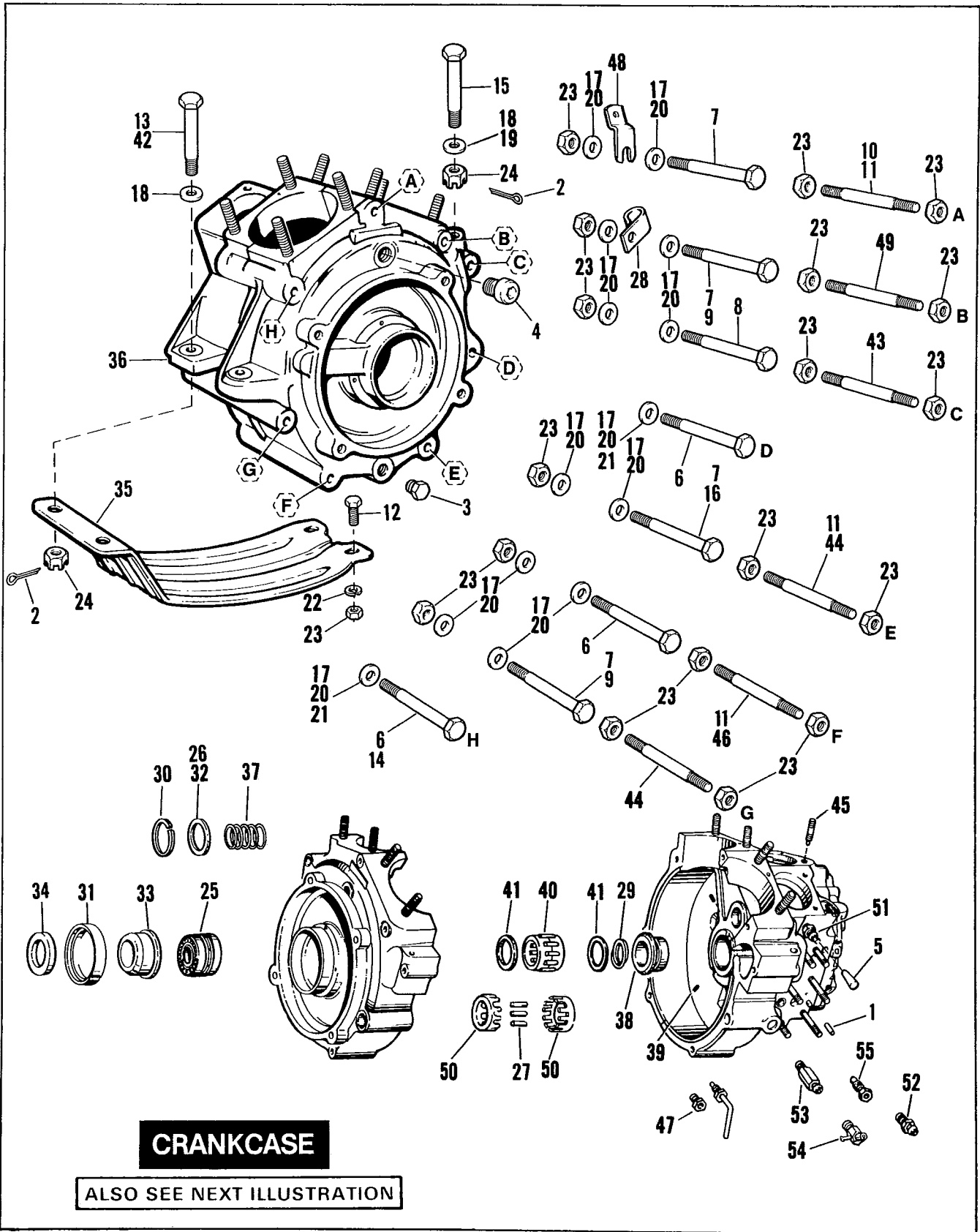
A3-3

RETAIL PRICE	INDEX NO.	PART NO.	NAME	USED ON
15.22		21920-83	PISTON RING SET — std.	Late 83 to * — FLH-80, Classic
15.22		21921-83	PISTON RING SET — 0.005 O.S.	Late 83 to * — FLH-80, Classic
		21922-83	PISTON RING SET — 0.01 O.S.	Late 83 to * — FLH-80, Classic
12.31		22336-78B	PISTON RING SET — 0.02 O.S.	78 to Early 83 — FLH-80, Classic
15.24		21923-83	PISTON RING SET — 0.02 O.S.	Late 83 to * — FLH-80, Classic
15.22		22337-78A	PISTON RING SET — 0.03 O.S.	78 to Early 83 — FLH-80, Classic
		21924-83	PISTON RING SET — 0.03 O.S.	Late 83 to * — FLH-80, Classic
	9	22355-53	PISTON RING SET — std.	N/A 53 to 64 — FL
		22358-53	PISTON RING SET — 0.02 O.S.	N/A 53 to 64 — FL
2.78	10	22581-32	LOCK RING, piston pin (2)	N/A 41 to 72 — FL, FLH
.42•	11	22582-52	LOCK RING, piston pin (2)	73 to Early 77 — FL, FLH
.26•		22588-78	LOCK RING, piston pin (2)	Late 77 to Early 83 — FL, FLH, FLH-80, Classic
.28		22589-83	LOCK RING, piston pin (2)	Late 83 to * — FLH-80
15.54•	12	22735-32	PISTON PIN, with lock rings — std.	N/A 41 to 72 — FL, FLH
4.37	13	22760-73A	PISTON PIN — std.	73 to 82 — FL, FLH, FLH-80, Classic
7.95		22762-73	PISTON PIN — 0.004 O.S.	73 to Early 83 — FL, FLH, FLH-80, Classic
5.55•		22764-83	PISTON PIN — std.	83 to * — FLH-80
603.57•	14	23906-74	SET OF FLYWHEELS AND SHAFTS, with rods	74 to 80 — FL, FLH
504.67•		23906-78F	SET OF FLYWHEELS AND SHAFTS, with rods	78 to * — FLH-80, Classic
40.95	15	23909-80	SPROCKET SHAFT	Late 81 to * — FLH-80, Classic
147.62	16	23919-72	FLYWHEEL, left	N/A 72 to 80 — FL, FLH

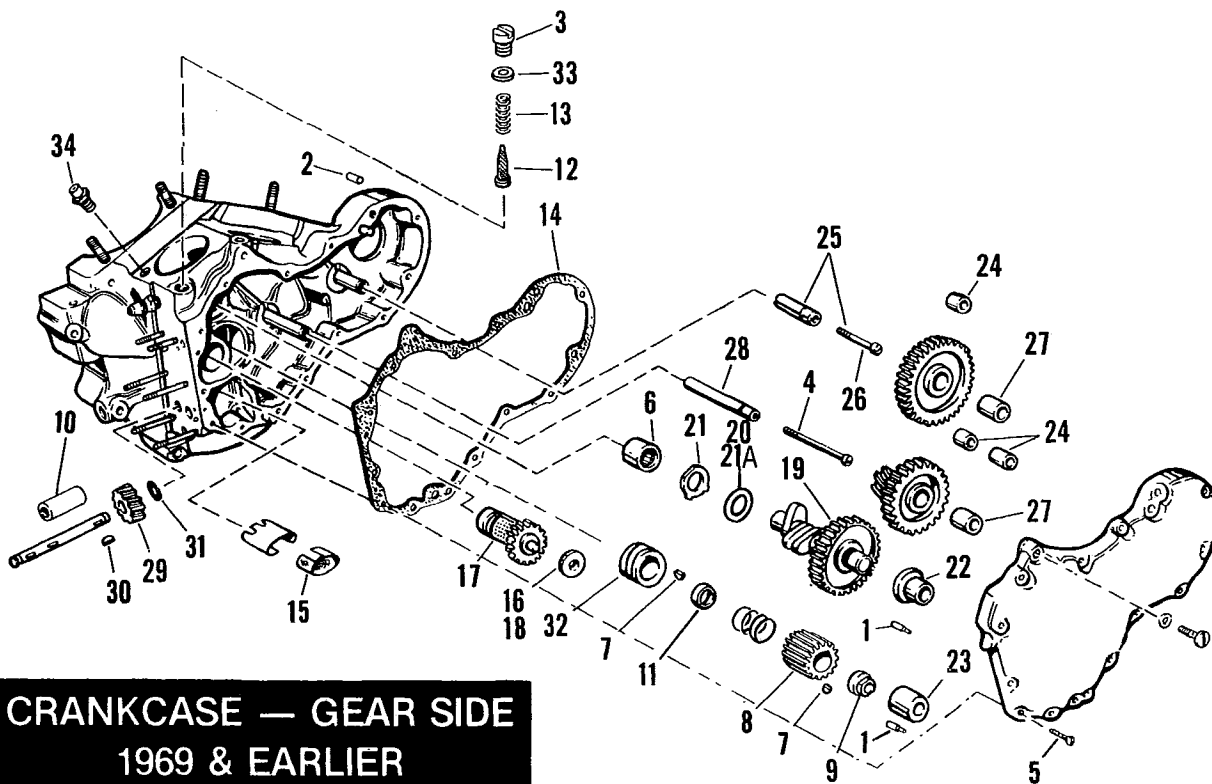
RETAIL PRICE	INDEX NO.	PART NO.	N A M E	USED ON
	17	23922-78	FLYWHEEL, right	78 to Early 81 — FLH-80, Classic
		23922-80	FLYWHEEL, right	Late 81 to Early 83 — FLH-80, Classic
	18	23924-78	FLYWHEEL, left	78 to Early 81 — FLH-80, Classic
		23926-80A	FLYWHEEL, left	N/A Late 81 to Early 83 — FLH-80, Classic
	19	23940-41A	FLYWHEEL, right	N/A 41 to 80 — FL, FLH
	20	23961-41	CRANK PIN	41 to Early 81 — FL, FLH, FLH-80, Classic
		23961-80A	CRANK PIN	Late 81 to * — FLH-80, Classic
	21	23966-54A	NUT, crank pin (2)	54 to Early 81 — FL, FLH, FLH-80, Classic
		23969-80	NUT, crank pin (2)	Late 81 to Early 83 — FLH-80, Classic
		23969-83	NUT, crank pin (2)	Late 83 to * — FLH-80
	22	23973-41	WASHER, flywheel (2)	41 to Early 70 — FL, FLH
	23	23985-12	KEY, gear shaft	41 to Early 81 — FL, FLH, FLH-80, Classic
	24	23985-18	KEY, crank pin	41 to Early 81 — FL, FLH, FLH-80, Classic
	25	23985-54	KEY, gear shaft pinion (2 - 54 to Early 75)	54 to * — FL, FLH, FLH-80
	26	23985-56	KEY, sprocket shaft	N/A 56 to 71 — FL, FLH
	27	24001-65	SPROCKET SHAFT	65 to 69 — FL, FLH
		24001-70	SPROCKET SHAFT	N/A 70 & 71 — FL, FLH
		24001-72	SPROCKET SHAFT	72 to Early 81 — FL, FLH, FLH-80, Classic
	28	24006-58	GEAR SHAFT	N/A 58 to 72 — FL, FLH
		24006-73	GEAR SHAFT	73 to Early 81 — FL, FLH, FLH-80, Classic
		24006-80	GEAR SHAFT	Late 81 to Early 83 — FLH-80, Classic
		24006-83	GEAR SHAFT	Late 83 to * — FLH-80
	29	24016-80	NUT, gear shaft	Late 81 to * — FLH-80, Classic
	30	24017-72	NUT, sprocket shaft	72 to Early 81 — FL, FLH, FLH-80, Classic
		24017-80	NUT, sprocket shaft	Late 81 to * — FLH-80, Classic
		24023-36	NUT, gear and sprocket shafts (2 - 41 to 71)	41 to Early 81 — FL, FLH, FLH-80, Classic
	31	24281-41A	SET OF CONN. RODS WITH BEARINGS & CRANK PIN	41 to 73 — FL, FLH
		24281-74A	SET OF CONN. RODS WITH BEARINGS & CRANK PIN	74 to Early 81 — FL, FLH, FLH-80, Classic
		24281-80	SET OF CONN. RODS WITH BEARINGS & CRANK PIN	Late 81 to Early 83 — FLH-80, Classic
		24281-83	SET OF CONN. RODS WITH BEARINGS & CRANK PIN	Late 83 to * — FLH-80
	32	24334-36	BUSHING, piston pin — 0.002 O.S. O.D.	41 to * — FL, FLH, FLH-80, Classic
		24335-36	BUSHING, piston pin — 0.010 O.S. O.D. (2)	41 to * — FL, FLH, FLH-80, Classic
	33	24345-36A	BUSHING, rear connecting rod — lower (2)	41 to * — FL, FLH, FLH-80, Classic
	34	24356-36A	BUSHING, front connecting rod — lower	41 to * — FL, FLH, FLH-80, Classic
	35	24366-51	RETAINER, crank pin roller (4)	N/A 51 to 72 — FL, FLH
	36	24366-71	RETAINER, crank pin roller — rear rod (2)	73 to * — FL, FLH, FLH-80, Classic
	37	24367-71	RETAINER, crank pin roller — front rod	73 to * — FL, FLH, FLH-80, Classic
	38	24385-40B	SET OF ROLLERS AND RETAINERS — std.	41 to * — FL, FLH, FLH-80, Classic
		24387-40B	SET OF ROLLERS AND RETAINERS — 0.0004 O.S.	41 to * — FL, FLH, FLH-80, Classic
		24388-40B	SET OF ROLLERS AND RETAINERS — 0.0006 O.S.	41 to * — FL, FLH, FLH-80, Classic
		24389-40B	SET OF ROLLERS AND RETAINERS — 0.0008 O.S.	41 to * — FL, FLH, FLH-80, Classic
		24390-40B	SET OF ROLLERS AND RETAINERS — 0.0010 O.S.	41 to * — FL, FLH, FLH-80, Classic
		24391-40B	SET OF ROLLERS AND RETAINERS — 0.0002 U.S.	41 to * — FL, FLH, FLH-80, Classic
	39	26348-15	KEY, gear shaft pinion	Late 75 to * — FL, FLH, FLH-80, Classic



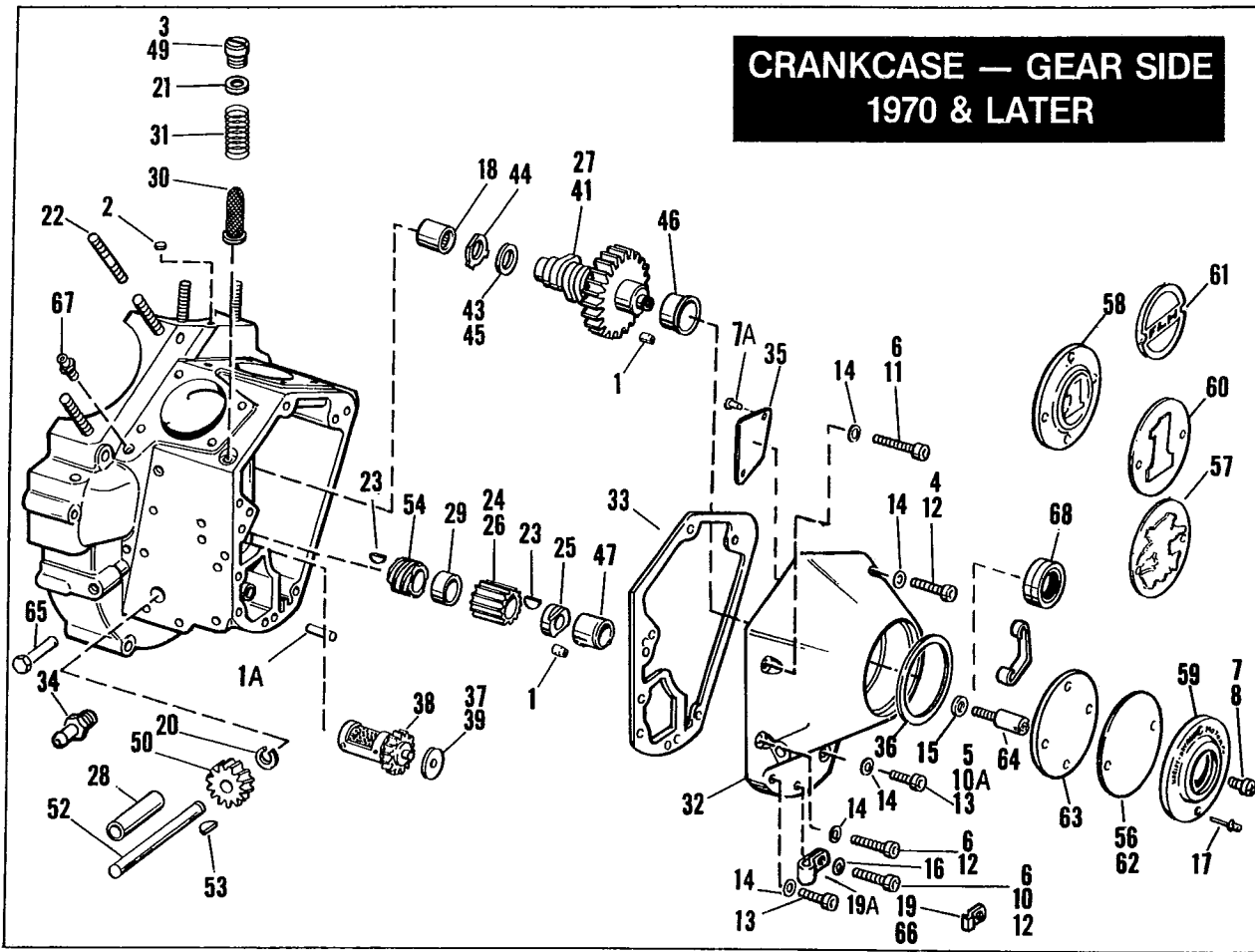
RETAIL PRICE	INDEX NO.	PART NO.	N A M E	USED ON
	1	341	DOWEL PIN, oil pump mounting (2)	N/A 41 to 73 — FL, FLH
	2	534	COTTER PIN, 3/32 x 5/8 (4)	41 to 66 — FL, FLH
	3	700	DRAIN PLUG	41 to 70 — FL, FLH
	4	704	PLUG, timing hole	41 to 69 — FL, FLH
		720	PLUG, timing hole	70 to * — FL, FLH, FLH-80, Classic
	5	723	PLUG, oil pump vent hole - use with 24519-73D & 24524—77D crankcases when using 80 & earlier oil pump	70 to 80 — FL, FLH, FLH-80, Classic
	6	3427	BOLT, 5/16-18 x 3-1/2 hex. hd. (2)	79 to * — FL, FLH, FLH-80, Classic
	7	3428	BOLT, 5/16-24 x 5-1/2 hex. hd. (3; 5 - Late 81)	79 to 81 — FL, FLH, FLH-80, Classic
	8	3430	BOLT, 5/16-24 x 5 hex. hd.	79 to * — FL, FLH, FLH-80, Classic
	9	3504	BOLT, 5-3/8 hex. hd. (2)	82 to * — FLH-80, Classic
	10	3505	STUD, 5/16-24 x 5-9/16	82 & 83 * — FLH-80, Classic
	11	3506	STUD, 5/16-24 x 5-3/4 (2; 3 - 84 & Later)	82 to * — FLH-80, Classic
	12	3974HW	BOLT, 5/16-24 x 3/4 hex. hd. (2)	41 to Early 81 — FL, FLH, FLH-80, Classic
	13	4401W	BOLT, 3/8-24 x 2-3/4 hex. hd. (2)	73 to * — FL, FLH, FLH-80, Classic
	14	4432W	BOLT, 3/8-16 x 3-1/4 hex. hd. (2)	41 to 78 — FL, FLH, FLH-80
	15	4435W	BOLT, 3/8-24 x 3-1/2 hex. hd. (2)	41 to * — FL, FLH, FLH-80, Classic
	16	4806	BOLT, 5/16-24 x 1/2 hex. hd. (3)	N/A 76 to 78 — FL, FLH, FLH-80
	17	6016	WASHER, 11/32 x 11/16 x 1/16 (14)	Late 83 to * — FLH-80
	18	6400HB	WASHER, 3/8 x 13/16 x 7/64 (4)	63 to * — FL, FLH, FLH-80, Classic
	19	6701	WASHER, 3/8 x 13/16 x 1/16 (2)	41 to 70 — FL, FLH
	20	6702	WASHER, 5/16 x 11/16 x 1/16 (13; 14 - 80 & Later)	79 to Early 83 — FL, FLH, FLH-80, Classic
	21	6774	WASHER, 3/8 x 5/8 x 1/16 (2)	Late 74 to 78 — FL, FLH, FLH-80, Classic
	22	7041	LOCKWASHER, 5/16 (2)	41 to Early 81 — FL, FLH, FLH-80, Classic
	23	7753	NUT, 5/16-24 x 1/4 x 1/2 hex. (6; 9 - 82 & Later)	41 to Early 81 — FL, FLH, FLH-80, Classic; 82 to * — FLH-80, Classic
	24	7775	LOCKNUT, 3/8-24 x 7/16 x 9/16 hex. (4)	67 to * — FL, FLH, FLH-80, Classic
		7809	NUT, 3/8-24 x 15/32 x 9/16 hex. (4)	N/A 41 to 66 — FL, FLH
	25	9028	BEARING, left crankcase (Timken)	69 to * — FL, FLH, FLH-80, Classic
		9029	BEARING, left crankcase (Timken)	55 to 68 — FL, FLH
	26	9120	SHIM, bearing assembly, 0.0925-.0915	69 to * — FLH-80, Classic
		9121	SHIM, bearing assembly, 0.0945-.0935	69 to * — FLH-80, Classic
		9122	SHIM, bearing assembly, 0.0965-.0955	69 to * — FLH-80, Classic
		9123	SHIM, bearing assembly, 0.0985-.0975	69 to * — FLH-80, Classic
		9124	SHIM, bearing assembly, 0.1005-.0995	69 to * — FLH-80, Classic
		9125	SHIM, bearing assembly, 0.1025-.1015	69 to * — FLH-80, Classic
		9126	SHIM, bearing assembly, 0.1045-.1035	69 to * — FLH-80, Classic
		9127	SHIM, bearing assembly, 0.1065-.1055	69 to * — FLH-80, Classic
		9128	SHIM, bearing assembly, 0.1085-.1075	69 to * — FLH-80, Classic
		9129	SHIM, bearing assembly, 0.1105-.1095	69 to * — FLH-80, Classic
		9130	SHIM, bearing assembly, 0.1125-.1115	69 to * — FLH-80, Classic
		9131	SHIM, bearing assembly, 0.1145-.1135	69 to * — FLH-80, Classic
		9132	SHIM, bearing assembly, 0.1165-.1155	69 to * — FLH-80, Classic
		9133	SHIM, bearing assembly, 0.1185-.1175	69 to * — FLH-80, Classic
		9134	SHIM, bearing assembly, 0.1205-.1195	69 to * — FLH-80, Classic
	27	9220A	ROLLER, right bearing, 0.250 x 0.490 lg. — std. (28)	58 to * — FL, FLH, FLH-80, Classic
		9219	ROLLER, right bearing — 0.0001 O.S. (28)	58 to * — FL, FLH, FLH-80, Classic
		9221A	ROLLER, right bearing — 0.0002 O.S. (28)	58 to * — FL, FLH, FLH-80, Classic
		9218	ROLLER, right bearing — 0.0003 O.S. (28)	58 to * — FL, FLH, FLH-80, Classic
		9222A	ROLLER, right bearing — 0.0004 O.S. (28)	58 to * — FL, FLH, FLH-80, Classic
		9217	ROLLER, right bearing — 0.0005 O.S. (28)	58 to * — FL, FLH, FLH-80, Classic
		9223A	ROLLER, right bearing — 0.0006 O.S. (28)	58 to * — FL, FLH, FLH-80, Classic
		9224A	ROLLER, right bearing — 0.0008 O.S. (28)	58 to * — FL, FLH, FLH-80, Classic
		9225A	ROLLER, right bearing — 0.0010 O.S. (28)	58 to * — FL, FLH, FLH-80, Classic
		9421	BEARING ROLLER, 0.1875 x 0.800 lg. — std (13)	54 to 57 — FL, FLH
	28	9979	CLIP, air cleaner hose (breather)	Late 78 to Early 81 — FL, FLH, FLH-80, Classic
	29	11007	RETAINING RING, right bearing	58 to * — FL, FLH, FLH-80, Classic
	30	11160	SNAP RING, bearing	Late 83 to * — FLH-80
	31	12026B	OIL SEAL	70 to * — FL, FLH, FLH-80, Classic
	32	23741—55	SHIM, sprocket shaft bearing - 0.003	N/A 55 to 68 — FL, FLH, FLH-80, Classic
	33	24002—70	SPACER, sprocket shaft	70 to * — FL, FLH, FLH-80, Classic
	34	24029—55	SPACER, sprocket shaft — 0.336 thick	55 to 64 — FL, FLH



RETAIL PRICE	INDEX NO.	PART NO.	N A M E	USED ON
	34	24032-70	SPACER, sprocket shaft — 0.06 thick	70 to * — FL, FLH, FLH-80, Classic
		24033-70	SPACER, sprocket shaft — 0.09 thick	70 to * — FL, FLH, FLH-80, Classic
		24034-70	SPACER, sprocket shaft — 0.12 thick	70 to * — FL, FLH, FLH-80, Classic
		24035-70	SPACER, sprocket shaft — 0.15 thick	70 to * — FL, FLH, FLH-80, Classic
		24036-70	SPACER, sprocket shaft — 0.18 thick	70 to * — FL, FLH, FLH-80, Classic
		24037-70	SPACER, sprocket shaft — 0.21 thick	70 to * — FL, FLH, FLH-80, Classic
	35	24490-36	CRANKCASE GUARD	41 to Early 81 — FL, FLH, FLH-80, Classic
	36	24519-66A	SET OF CRANKCASES	N/A 66 to 69 — FL, FLH
		24519-70	SET OF CRANKCASES	N/A 70 to 72 — FL, FLH
		24519-73F	SET OF CRANKCASES	73 to * — FL, FLH, FLH-80
		24524-77E	SET OF CRANKCASES (black)	N/A 79 to 82 — Classic
	37	24553-83	HELI-COIL INSERT (4)	84 to * — FLH-80
	38	24599-58A	BUSHING, right crankcase — std.	58 to * — FL, FLH, FLH-80, Classic
		24600-58A	BUSHING, right crankcase — 0.002 O.S. O.D.	58 to * — FL, FLH, FLH-80, Classic
		24601-58A	BUSHING, right crankcase — 0.005 O.S. O.D.	58 to * — FL, FLH, FLH-80, Classic
	39	24608-54	SCREW, crankcase gear side bushing (2)	N/A 54 to 78 — FL, FLH
	40	24650-58	RIGHT BEARING — std.	N/A 58 to 81 — FL, FLH, FLH-80, Classic
		24650-81	RIGHT BEARING — 0.0001 O.S.	58 to * — FL, FLH, FLH-80, Classic
		24651-58	RIGHT BEARING — 0.0002 O.S.	58 to * — FL, FLH, FLH-80, Classic
		24649-81	RIGHT BEARING — 0.0003 O.S.	58 to * — FL, FLH, FLH-80, Classic
		24652-58	RIGHT BEARING — 0.0004 O.S.	58 to * — FL, FLH, FLH-80, Classic
		24645-81	RIGHT BEARING — 0.0005 O.S.	58 to * — FL, FLH, FLH-80, Classic
		24653-58	RIGHT BEARING — 0.0006 O.S.	58 to * — FL, FLH, FLH-80, Classic
		24654-58	RIGHT BEARING — 0.0008 O.S.	58 to * — FL, FLH, FLH-80, Classic
		24655-58	RIGHT BEARING — 0.0010 O.S.	58 to * — FL, FLH, FLH-80, Classic
	41	24692-58	WASHER, right bearing (2)	58 to * — FL, FLH, FLH-80, Classic
	42	24791-36	BOLT, front engine mounting (2)	N/A 41 to 72 — FL, FLH
	43	24805-30	CRANKCASE STUD, 5/16-24 x 5	41 to 78 — FL, FLH, FLH-80
	44	24809-30	CRANKCASE STUD, 5/16 x 6 (3)	N/A 41 to 75 — FL, FLH
	45	24811-63	STUD, circuit breaker mounting clamp	N/A 66 to 69 — FL, FLH
	46	24815-40	CRANKCASE STUD, 11/32 x 5-27/32 (2)	48 to 78 — FL, FLH, FLH-80
	47	24918-52A	NUT, breather pipe	65 to 67 — FL, FLH
	48	25405-82	BRACKET, clamp	Late 82 to * — FLH-80, Classic
	49	26390-68	CRANKCASE STUD (2)	76 to 79 — FL, FLH, FLH-80, Classic
	50	43578-35	RETAINER, right roller bearing (2)	58 to * — FL, FLH, FLH-80, Classic
	51	63533-15	FITTING, vent pipe tubing	N/A 41 to 64 — FL, FLH
	52	63533-41	FITTING, vent hose	Late 66 to * — FL, FLH, FLH-80, Classic
	53	63533-65	FITTING, oiler return line hose	65 — FL, FLH; 79 to * — FL, FLH, FLH-80, Classic
	54	63541-70	TEE, rear chain oiler	70 to 79 — FL, FLH, FLH-80, Classic
	55	63578-52	FITTING, vent hose	65 & Early 66 — FL, FLH; Late 76 to 78 — FL, FLH, FLH-80



RETAIL PRICE	INDEX NO.	PART NO.	N A M E	USED ON
	1	275	DOWEL PIN, 1/8 x 1/4 (2)	41 to 69 — FL, FLH
	2	378	DOWEL PIN, gear cover (2)	65 to 69 — FL, FLH
	3	655	PLUG, oil screen	N/A 66 to 69 — FL, FLH
	4	1430	SCREW, left hand thread	N/A Late 59 to 69 — FL, FLH
	5	2341HW	SCREW, 1/4-24 x 1-1/8 ctsk. hd. (12)	41 to 69 — FL, FLH
	6	9058	NEEDLE BEARING, crankcase cam gear	58 to 69 — FL, FLH, FLH-80
	7	23985—54	KEY, gear shaft (2)	54 to 69 — FL, FLH
	8	24010—54	PINION GEAR	54 to 69 — FL, FLH
	9	24023—54	NUT, gear shaft	54 to 69 — FL, FLH, FLH-80
	10	24641—36	BUSHING, oil pump shaft	54 to 69 — FL, FLH, FLH-80
	11	24703—54	SPACER, gear shaft pinion	N/A 54 to 69 — FL, FLH, FLH-80
	12	24981—66	OIL SCREEN, crankcase	66 to 69 — FL, FLH
	13	24982—66	OIL SCREEN SPRING	N/A 66 to 69 — FL, FLH
	14	25225—36C	GASKET, gear cover	41 to 69 — FL, FLH
	15	25275—36	BREATHER SCREEN	N/A 41 to 69 — FL, FLH
	16	25313—50	THRUST WASHER, breather valve — 0.115 thick	50 to 69 — FL, FLH, FLH-80
	17	25313—73	BREATHER VALVE, with gear	41 to 69 — FL, FLH
	18	25314—50	THRUST WASHER, breather valve — 0.120 thick	50 to 69 — FL, FLH, FLH-80
		25315—50	THRUST WASHER, breather valve — 0.125 thick	50 to 69 — FL, FLH, FLH-80
		25316—52	THRUST WASHER, breather valve — 0.110 thick	52 to 69 — FL, FLH, FLH-80
	19	25523—56	CAM GEAR (Victory)	56 to 69 — FLH
	20	25550—36	THRUST WASHER, cam gear — 0.050 thick	41 to 69 — FL, FLH, FLH-80
	21	25550—57	LOCKWASHER, cam gear	58 to 69 — FL, FLH, FLH-80
	21A	25551—36	THRUST WASHER, cam gear — 0.055 thick	41 to 69 — FL, FLH, FLH-80
		25552—36	THRUST WASHER, cam gear — 0.060 thick	41 to 69 — FL, FLH, FLH-80
		25553—36	THRUST WASHER, cam gear — 0.065 thick	41 to 69 — FL, FLH, FLH-80
		25554—36	THRUST WASHER, cam gear — 0.070 thick	41 to 69 — FL, FLH, FLH-80
		25555—36	THRUST WASHER, cam gear — 0.075 thick	41 to 69 — FL, FLH, FLH-80
		25556—79	THRUST WASHER, cam gear — 0.080 thick	41 to 69 — FL, FLH, FLH-80
		25557—79	THRUST WASHER, cam gear — 0.085 thick	41 to 69 — FL, FLH, FLH-80
		25558—79	THRUST WASHER, cam gear — 0.090 thick	41 to 69 — FL, FLH, FLH-80
		25559—79	THRUST WASHER, cam gear — 0.095 thick	41 to 69 — FL, FLH, FLH-80
	22	25581—36	BUSHING, gear cover	41 to 69 — FL, FLH
	23	25582—54	BUSHING, gear cover pinion shaft	54 to 69 — FL, FLH
	24	25785—30A	BUSHING, idler gear (3)	41 to 69 — FL, FLH
	25	25791—36	IDLER GEAR STUD	N/A 41 to 69 — FL, FLH
	26	25794—36	SCREW, idler gear stud	N/A 41 to 69 — FL, FLH
	27	25800—36	SPACER, idler and circuit breaker gear (2)	N/A 41 to 69 — FL, FLH
	28	25856—36	STUD, circuit breaker drive gear	N/A 41 to 69 — FL, FLH
	29	26345—39	DRIVE GEAR, oil pump — 25 T	41 to 69 — FL, FLH
	30	26348—15	KEY, oil pump gear	41 to 69 — FL, FLH, FLH-80
	31	26348—36	RETAINING RING, drive shaft	41 to 69 — FL, FLH
	32	26349—54	DRIVE GEAR, oil pump	N/A 54 to 69 — FL, FLH
	33	62702—52	GASKET, oil screen plug	66 to 69 — FL, FLH
	34	63526—57	FITTING, rocker arm oil line	66 to 69 — FL, FLH, FLH-80



CRANKCASE — GEAR SIDE — 1970 & LATER

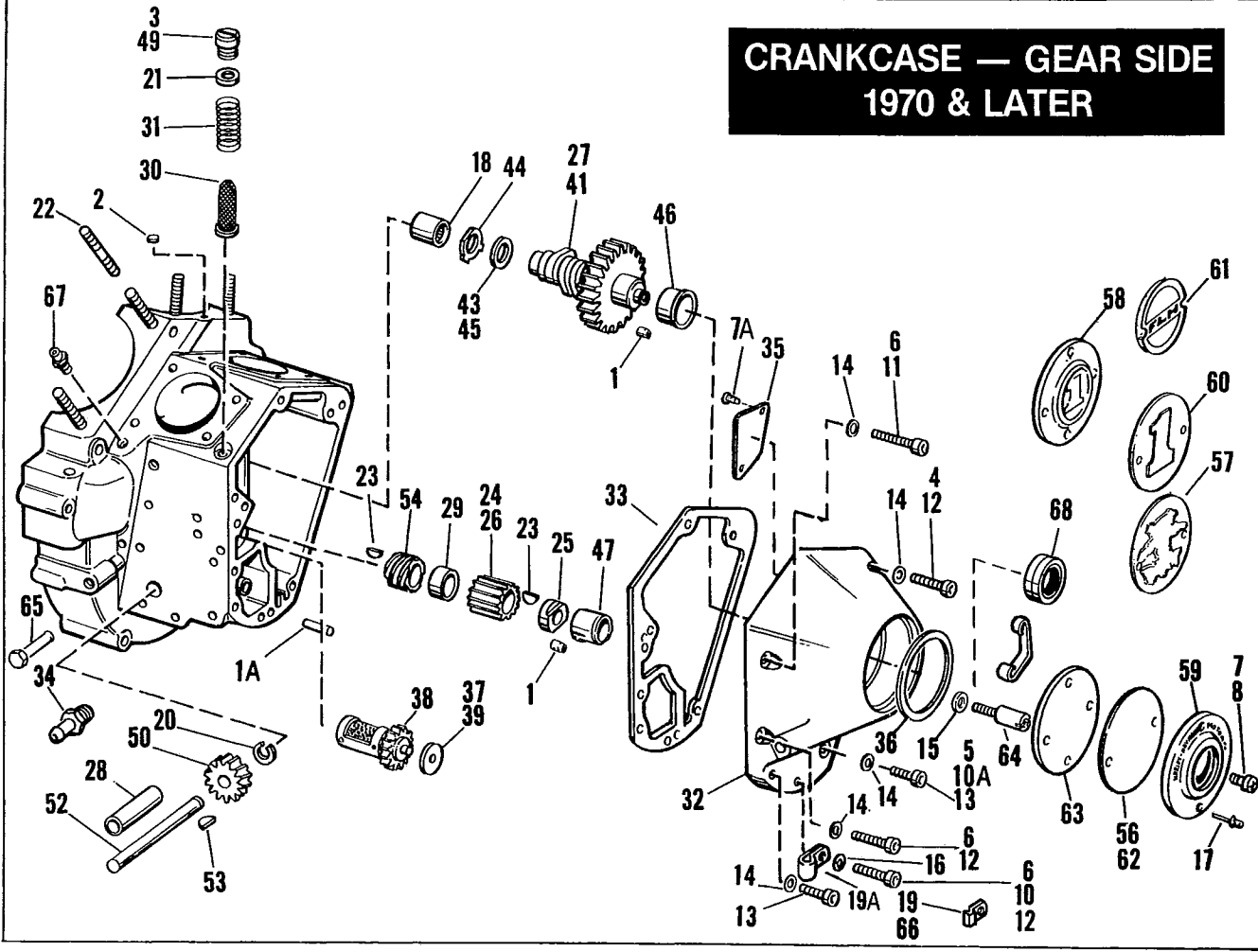
A4B-1

RETAIL PRICE	INDEX NO.	PART NO.	N A M E	USED ON
	1	275	DOWEL PIN (2 — as required)	70 to * — FL, FLH, FLH-80, Classic
	1A	358	DOWEL PIN, (2)	70 to * — FL, FLH, FLH-80, Classic
	2	653	PLUG, crankcase	70 to * — FL, FLH, FLH-80, Classic
	3	657	PLUG, oil screen	70 to 80 — FL, FLH, FLH-80, Classic
	4	1301	SCREW, 1/4-20 x 1-1/4 Pozidriv fil. hd. (3)	70 to Early 80 — FL, FLH, FLH-80, Classic
	5	1305	SCREW, 1/4-20 x 1 Pozidriv fil. hd. (2)	70 to Early 80 — FL, FLH, FLH-80, Classic
	6	1308	SCREW, 1/4-20 x 1-3/4 Pozidriv fil. hd.	N/A 70 to Early 80 — FL, FLH, FLH-80, Classic
	7	1601	SCREW, No. 8-32 x 1/2 ctsk. flat hd. (2)	80 to * — FL, FLH, FLH-80, Classic
	7A	2511	SCREW, No. 10-24 x 1/2 self tapping pan hd (2)	Late 82 to * — FLH-80, Classic
	8	2622	SCREW, No. 8-32 x 7/16 Pozidriv. hd. (2)	72 to 79 — FL, FLH, FLH-80, Classic
		2628	SCREW, No. 8-32 x 7/16 ctsk. hd. (2)	70 & 71 — FL, FLH
	10	2829	SCREW, 1/4-20 x 1-1/4 hex. socket hd. (self locking)	Late 80 & Early 81 — FL, FLH, FLH-80, Classic
	10A	4740	SCREW, 1/4-20 x 1-1/4 knurled socket hd. (2)	84 to * — FLH-80
	11	4810	SCREW, 1/4-20 x 1-3/4 hex. socket hd. (w/locking patch)	Late 80 to * — FL, FLH, FLH-80, Classic
	12	4813	SCREW, 1/4-20 x 1-3/8 hex. socket hd. (w/locking patch) (2; 3 - Late 81 & Later)	Late 80 to * — FL, FLH, FLH-80, Classic
	13	4814	SCREW, 1/4-20 x 1-1/8 hex. socket hd. (w/locking patch) (2)	Late 80 to 83 — FL, FLH, FLH-80, Classic
	14	6099	WASHER, 1/4 x 7/16 x 1/16 (5)	Late 80 to * — FL, FLH, FLH-80, Classic
	15	6192	WASHER, No. 8 x 7/16 x 3/64 (2)	70 to 82 — FL, FLH, FLH-80, Classic
		6194	WASHER, 13/64 x 7/16 x 1/64 (2)	83 to * — FLH-80
	16	6703	WASHER, 1/4 x 5/8 x 1/16	80 to * — FL, FLH, FLH-80, Classic
	17	8699	POP RIVET, 5/32 x 3/8 x 5/16 dia. hd. (2)	80 to * — FL, FLH, FLH-80, Classic
	18	9058	NEEDLE BEARING, crankcase cam gear	70 to * — FL, FLH, FLH-80
	19	9965W	CLAMP, electronic ignition wire	80 & Early 81 — FL, FLH, FLH-80, Classic
	19A	10046	CLAMP, electronic ignition wire	Late 81 to * — FLH-80, Classic

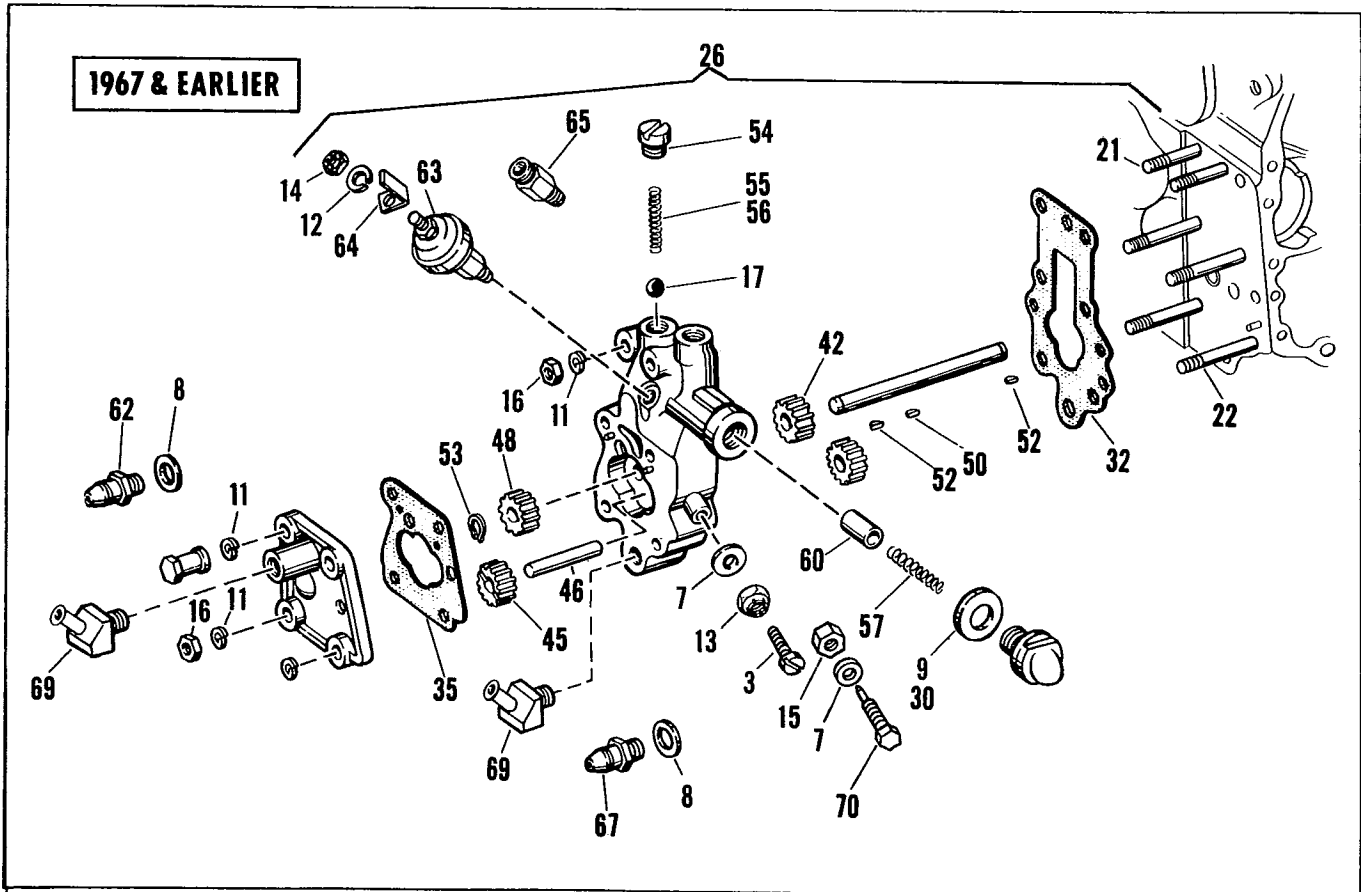
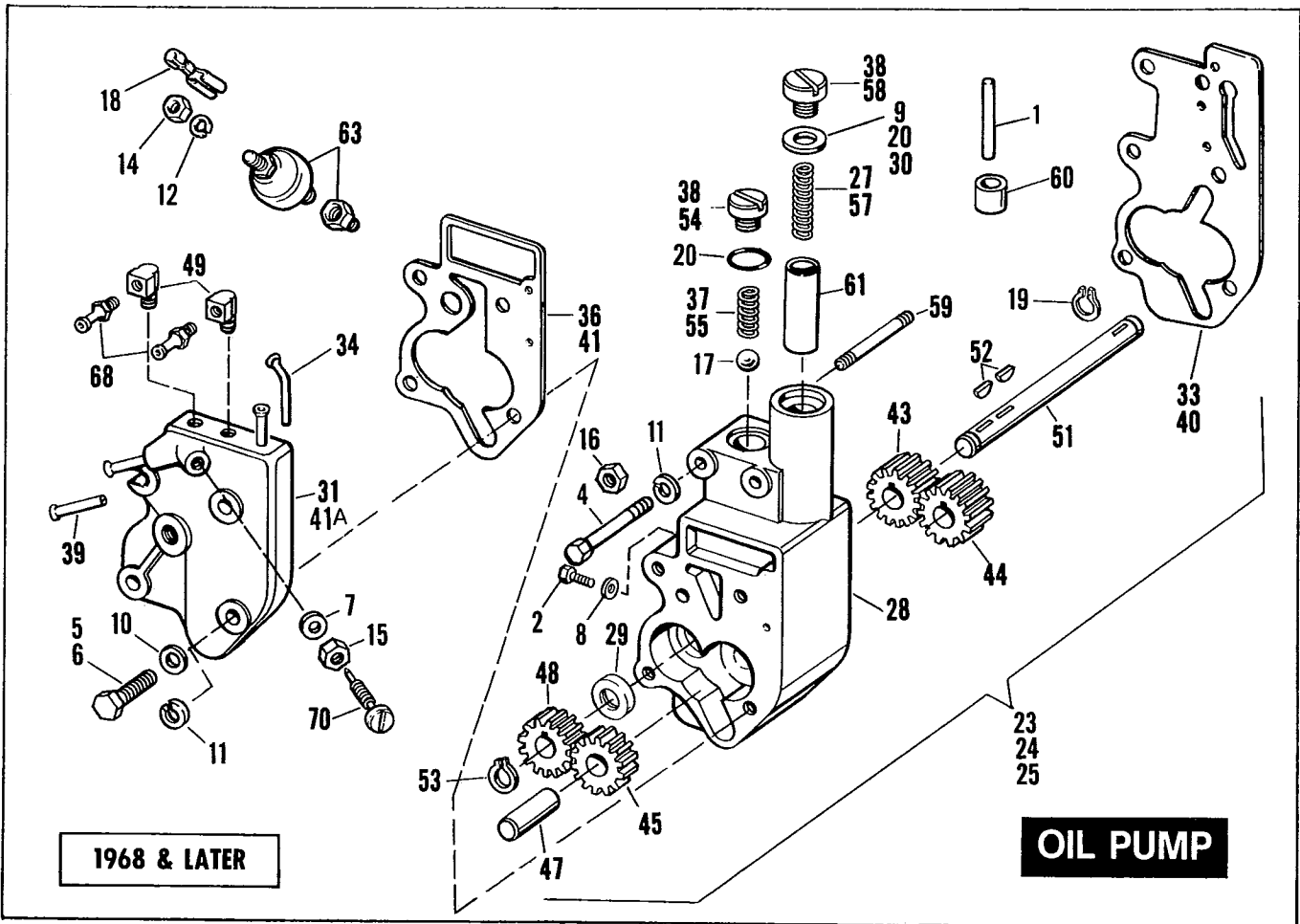
RETAIL PRICE	INDEX NO.	PART NO.	N A M E	USED ON
	20	11002	RETAINING RING, oil pump drive shaft	70 to * — FL, FLH, FLH-80, Classic
	21	11105	O-RING	Late 70 to * — FL, FLH, FLH-80, Classic
	22	16837-78	STUD, 7/16-20 x 1-1/4 lg. (8)	74 to * — FL, FLH, FLH-80, Classic
	23	23985-54	KEY, gear shaft (3; 2 - Late 75 & later)	70 to * — FL, FLH
	24	24010-54	PINION GEAR	70 to Early 77 — FL, FLH
	25	24023-54	NUT, gear shaft	70 to * — FL, FLH, FLH-80, Classic
	26	24040-78	PINION GEAR, 1.4751-56 pitch dia. (orange)	Late 77 to * — FL, FLH, FLH-80, Classic
		24041-78	PINION GEAR, 1.4745-51 pitch dia. (white)	Late 77 to * — FL, FLH, FLH-80, Classic
		24042-78	PINION GEAR, 1.4737-45 pitch dia. (yellow)	Late 77 to * — FL, FLH, FLH-80, Classic
		24043-78	PINION GEAR, 1.4729-37 pitch dia. (red)	Late 77 to * — FL, FLH, FLH-80, Classic
		24044-78	PINION GEAR, 1.4721-29 pitch dia. (blue)	Late 77 to * — FL, FLH, FLH-80, Classic
		24045-78	PINION GEAR, 1.4715-21 pitch dia. (green)	Late 77 to * — FL, FLH, FLH-80, Classic
		24046-78	PINION GEAR, 1.4710-15 pitch dia. (black)	Late 77 to Early 83 — FL, FLH, FLH-80, Classic
	27	24582-77A	CAM AND PINION GEAR SET	70 to * — FL, FLH, FLH-80
	28	24641-36	BUSHING, oil pump shaft	70 to * — FL, FLH, FLH-80, Classic
	29	24703-54A	SPACER, gear shaft pinion	70 to * — FL, FLH, FLH-80, Classic
	30	24981-70	OIL SCREEN	70 to * — FL, FLH, FLH-80, Classic
	31	24982-70	OIL SCREEN SPRING	70 to * — FL, FLH, FLH-80, Classic
	32	25216-73B	GEAR COVER KIT	73 to * — FL, FLH, FLH-80, Classic
			Consists of besides index nos. 10A, 15 & 65: 25258-80A GEAR COVER 25262-80 SPACER	
	33	25225-70B	GASKET, gear cover	70 to * — FL, FLH, FLH-80, Classic
	34	25260-78	FITTING, crankcase to air cleaner hose	Late 78 to 83 — FL, FLH, FLH-80, Classic
	35	25275-82	COVER, breather valve	Late 82 to * — FLH-80, Classic
	36	25261-82	SPACER, gear cover	73 to 79 — FLH-80
	37	25313-50	THRUST WASHER, breather valve — 0.115 thick	70 to Early 79 — FL, FLH, FLH-80, Classic
	38	25313-73	BREATHER VALVE, with gear	70 to Early 77 — FL, FLH
		25313-77B	BREATHER VALVE, with gear (plastic)	Late 77 to * — FL, FLH, FLH-80, Classic
	39	25314-50	THRUST WASHER, breather valve — 0.120 thick	70 to Early 79 — FL, FLH, FLH-80, Classic
		25315-50	THRUST WASHER, breather valve — 0.125 thick	70 to Early 79 — FL, FLH, FLH-80, Classic
		25316-52	THRUST WASHER, breather valve — 0.110 thick	70 to Early 79 — FL, FLH, FLH-80, Classic
		25320-79	THRUST WASHER, breather valve — 0.110 thick (steel) ..	Late 79 to Early 82 — FL, FLH, FLH-80, Classic
		25321-79	THRUST WASHER, breather valve — 0.115 thick (steel) ..	Late 79 to Early 82 — FL, FLH, FLH-80, Classic
		25322-79	THRUST WASHER, breather valve — 0.120 thick (steel) ..	Late 79 to Early 82 — FL, FLH, FLH-80, Classic
		25323-79	THRUST WASHER, breather valve — 0.125 thick (steel) ..	Late 79 to Early 82 — FL, FLH, FLH-80, Classic
		25325-79	THRUST WASHER, breather valve — 0.130 thick (steel) ..	Late 79 to Early 82 — FL, FLH, FLH-80, Classic
		25326-79	THRUST WASHER, breather valve — 0.135 thick (steel) ..	Late 79 to Early 82 — FL, FLH, FLH-80, Classic
		25327-79	THRUST WASHER, breather valve — 0.140 thick (steel) ..	Late 79 to Early 82 — FL, FLH, FLH-80, Classic
		25328-79	THRUST WASHER, breather valve — 0.145 thick (steel) ..	Late 79 to Early 82 — FL, FLH, FLH-80, Classic
		25320-82	THRUST WASHER, breather valve — 0.130 thick (plastic)	Late 82 to * — FLH-80, Classic
		25321-82	THRUST WASHER, breather valve — 0.135 thick (plastic)	Late 82 to * — FLH-80, Classic
		25322-82	THRUST WASHER, breather valve — 0.140 thick (plastic)	Late 82 to * — FLH-80, Classic
		25323-82	THRUST WASHER, breather valve — 0.145 thick (plastic)	Late 82 to * — FLH-80, Classic
		25325-82	THRUST WASHER, breather valve — 0.150 thick (plastic)	Late 82 to * — FLH-80, Classic
		25326-82	THRUST WASHER, breather valve — 0.155 thick (plastic)	Late 82 to * — FLH-80, Classic
		25327-82	THRUST WASHER, breather valve — 0.160 thick (plastic)	Late 82 to * — FLH-80, Classic
		25328-82	THRUST WASHER, breather valve — 0.165 thick (plastic)	Late 82 to * — FLH-80, Classic

NOTE: Order plastic washers only with plastic breather valve assemblies. Do not intermix steel and plastic parts.

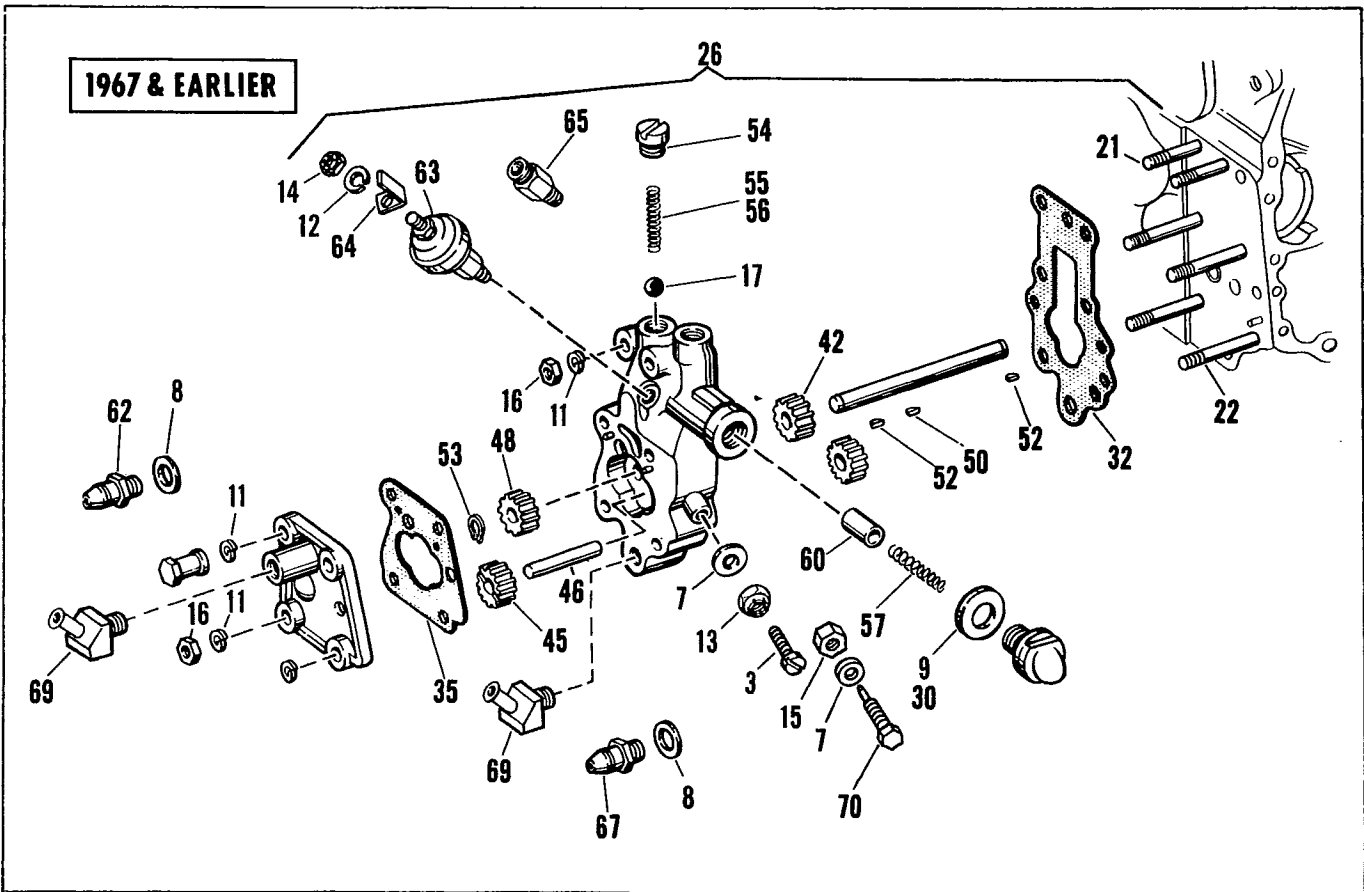
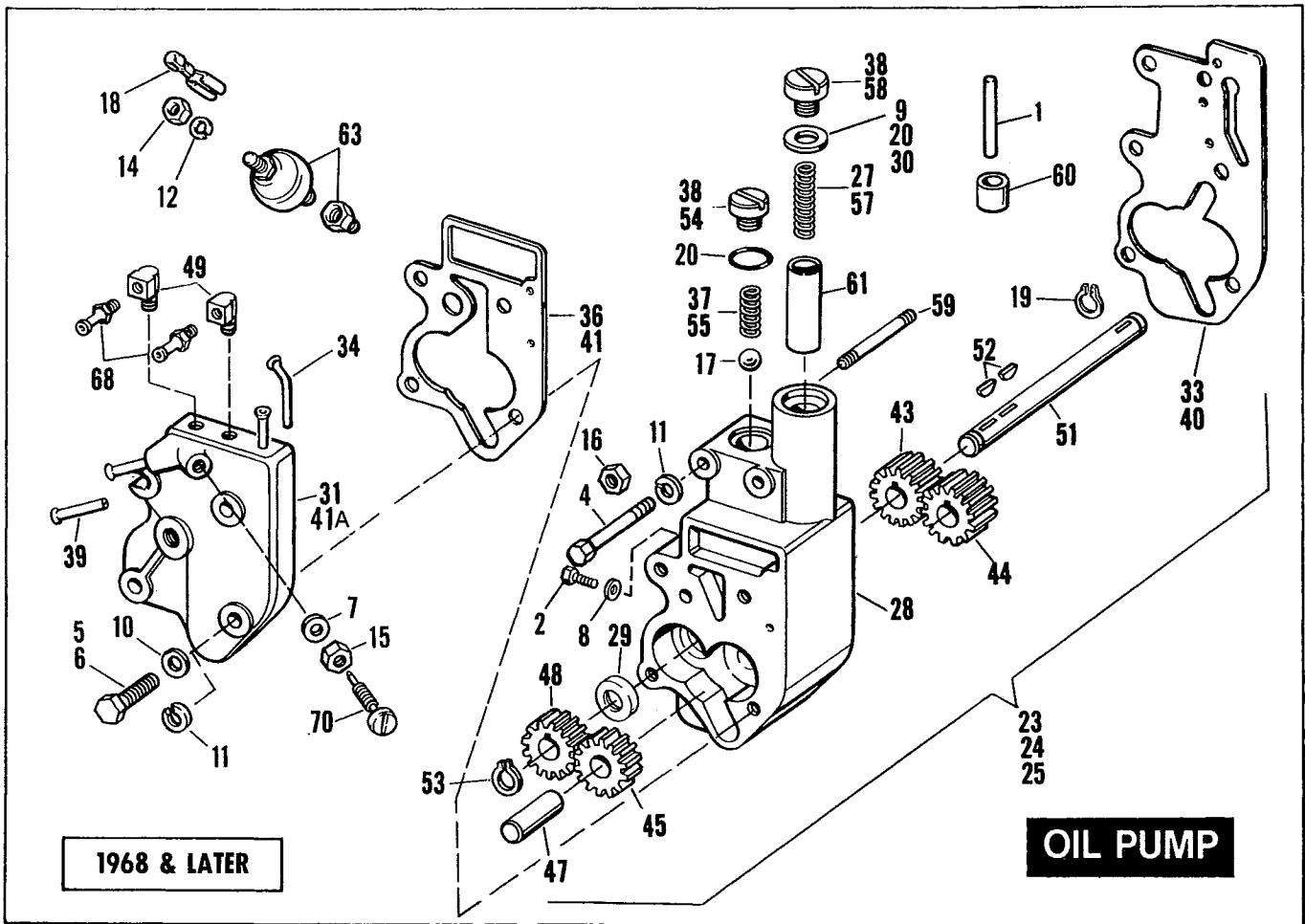
CRANKCASE — GEAR SIDE 1970 & LATER



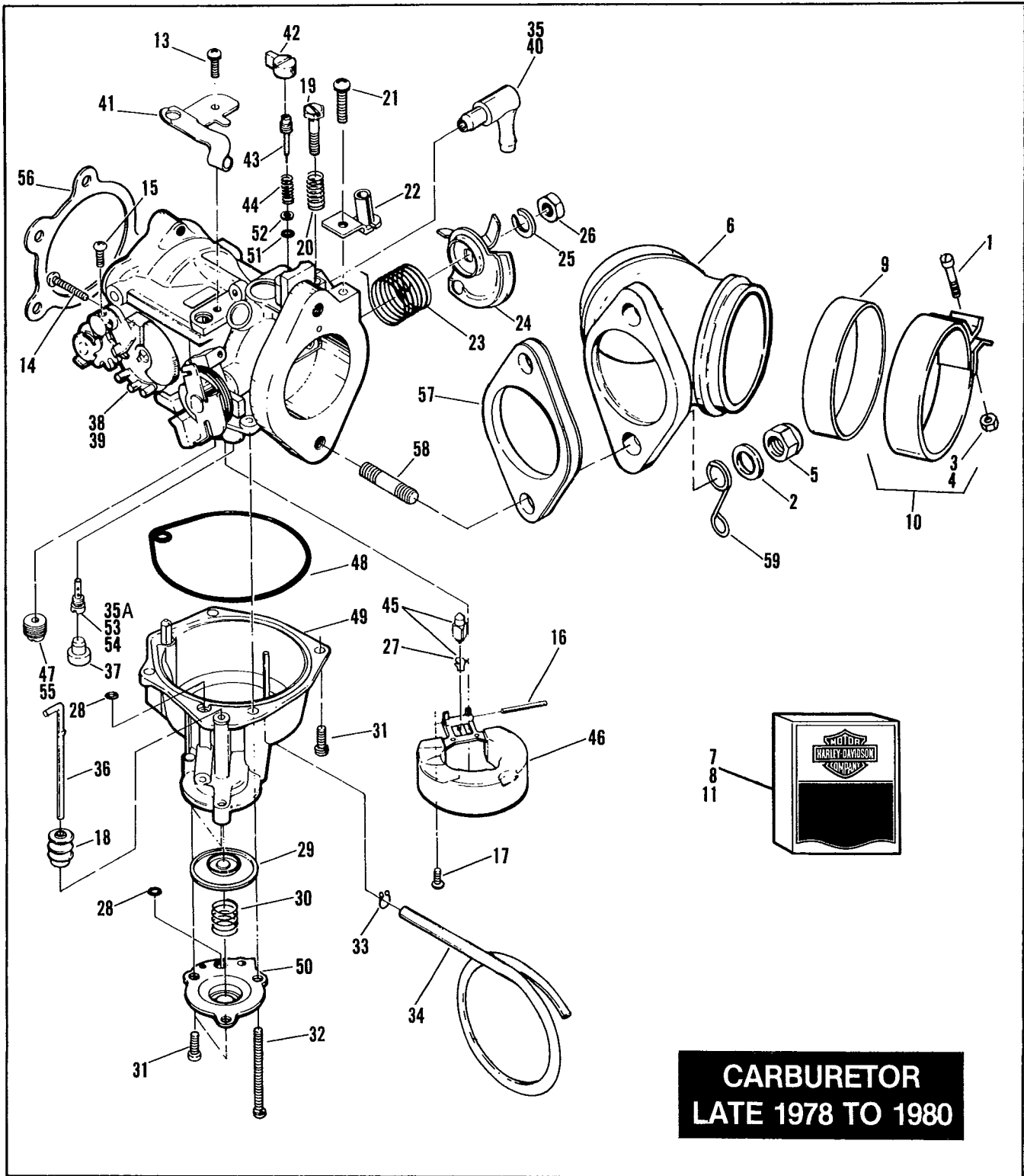
RETAIL PRICE	INDEX NO.	PART NO.	N A M E	USED ON
	41	25523-70	CAM GEAR	70 to Early 77 — FLH
		25527-81A	CAM GEAR, 2.7324 — 2.7334 (orange)	Late 77 to * — FL, FLH, FLH-80, Classic
		25528-81A	CAM GEAR, 2.7334 — 2.7344 (white)	Late 77 to * — FL, FLH, FLH-80, Classic
		25529-81A	CAM GEAR, 2.7344 — 2.7354 (yellow)	Late 77 to * — FL, FLH, FLH-80, Classic
		25530-81A	CAM GEAR, 2.7354 — 2.7364 (red)	Late 77 to * — FL, FLH, FLH-80, Classic
		25531-81A	CAM GEAR, 2.7364 — 2.7374 (blue)	Late 77 to * — FL, FLH, FLH-80, Classic
		25532-81A	CAM GEAR, 2.7374 — 2.7384 (green)	Late 77 to * — FL, FLH, FLH-80, Classic
		25534-81A	CAM GEAR, 2.7384 — 2.7394 (black)	Late 77 to * — FL, FLH, FLH-80, Classic
	43	25550-36	THRUST WASHER, cam gear — 0.05 thick	70 to * — FL, FLH, FLH-80, Classic
	44	25550-57	LOCKWASHER, cam gear	70 to * — FL, FLH, FLH-80, Classic
	45	25551-36	THRUST WASHER, cam gear — 0.055 thick	70 to * — FL, FLH, FLH-80, Classic
		25552-36	THRUST WASHER, cam gear — 0.060 thick	70 to * — FL, FLH, FLH-80, Classic
		25553-36	THRUST WASHER, cam gear — 0.065 thick	70 to * — FL, FLH, FLH-80, Classic
		25554-36	THRUST WASHER, cam gear — 0.070 thick	70 to * — FL, FLH, FLH-80, Classic
		25555-36	THRUST WASHER, cam gear — 0.075 thick	70 to * — FL, FLH, FLH-80, Classic
		25556-79	THRUST WASHER, cam gear — 0.080 thick	70 to * — FL, FLH, FLH-80, Classic
		25557-79	THRUST WASHER, cam gear — 0.085 thick	70 to * — FL, FLH, FLH-80, Classic
		25558-79	THRUST WASHER, cam gear — 0.090 thick	70 to * — FL, FLH, FLH-80, Classic
		25559-79	THRUST WASHER, cam gear — 0.095 thick	70 to * — FL, FLH, FLH-80, Classic
	46	25581-70	BUSHING, gear cover	70 to * — FL, FLH, FLH-80, Classic
	47	25582-54	BUSHING, gear cover pinion shaft	70 to Early 73 — FL, FLH
		25582-73	BUSHING, gear cover pinion shaft	Late 73 to * — FL, FLH, FLH-80, Classic
	49	26263-80	PLUG, oil screen	81 to * — FLH-80, Classic
	50	26345-39	DRIVE GEAR, oil pump — 25 T	70 to 72 — FL, FLH
		26345-73	DRIVE GEAR, oil pump — 24 T	73 to * — FL, FLH, FLH-80, Classic
	52	26346-70	DRIVE SHAFT, oil pump	70 to 79 — FL, FLH, FLH-80, Classic
	53	26348-15	KEY, oil pump gear (2 - gear shaft - 75 & later)	70 to * — FL, FLH, FLH-80, Classic
	54	26349-54	DRIVE GEAR, oil pump	70 to 72 — FL, FLH
		26349-73A	DRIVE GEAR, oil pump	73 to * — FL, FLH, FLH-80, Classic
	56	32504-80	INNER COVER, timer	80 to * — FL, FLH, FLH-80, Classic
	57	32508-77	TIMER COVER, Gold Eagle (accy.)	Late 77 to * — FL, FLH, FLH-80, Classic
	58	32511-78	TIMER COVER, "No. 1"	80 to 82 — FL, FLH, FLH-80, Classic
		32503-77	TIMER COVER, "No. 1"	Late 78 & 79 — FL, FLH, FLH-80, Classic
	59	32521-83	TIMER COVER	83 to * — FLH-80
	60	32513-77	TIMER COVER, "No. 1" (accy.)	N/A Late 77 to 79 — FL, FLH, FLH-80, Classic
	61	32584-70	LABEL, timer cover	N/A 70 to 79 — FL, FLH, FLH-80, Classic
	62	32588-70A	COVER, timer	N/A 70 to 79 — FL, FLH, FLH-80, Classic
	63	32591-70	GASKET, ignition timer cover	70 to 79 — FL, FLH, FLH-80, Classic
		32591-80	GASKET, ignition timer cover	80 to * — FL, FLH, FLH-80, Classic
	64	32601-78	STUD, ignition timer cover (2)	Late 72 to 79 — FL, FLH, FLH-80, Classic
		32606-82	STUD, ignition timer cover (2)	80 to * — FL, FLH, FLH-80, Classic
		32607-70	STUD, ignition timer cover (2)	N/A Early 70 — FL, FLH
		32608-70	STUD, ignition timer cover (2)	Late 70 to Early 72 — FL, FLH
	65	45830-48	PLUG, crankcase oil line	Late 84 to * — FLH-80
	66	56609-52	CLAMP, circuit breaker wire	70 to 79 — FL, FLH, FLH-80, Classic
	67	63526-57	FITTING, rocker arm oil line	70 to * — FL, FLH, FLH-80, Classic
	68	83162-51	OIL SEAL	70 to * — FL, FLH, FLH-80, Classic



RETAIL PRICE	INDEX NO.	PART NO.	N A M E	USED ON
	1	223	DOWEL PIN	80 to Early 82 — FLH-80, Classic
	2	700	PLUG, oil pump body	68 to * — FL, FLH, FLH-80, Classic
	3	1183	SCREW, No. 10-32 x 5/16 Phillips hd.	N/A 65 to 67 — FL, FLH
	4	2872W	BOLT, 1/4-20 x 1-1/2 hex. hd. (2)	79 to * — FL, FLH, FLH-80, Classic
	5	3429	BOLT, 1/4-20 x 2-3/4 hex. hd. (4)	79 to * — FL, FLH, FLH-80, Classic
	6	5430W	BOLT, 1/4-24 x 2-3/4 hex. hd. (4)	68 to 78 — FL, FLH, FLH-80
	7	6156	WASHER, 13/64 x 3/8 x 1/32 (brass)	41 to 69 — FL, FLH
	8	6377	WASHER, 3/8 x 5/8 x 1/32 (2)	Late 50 to * — FL, FLH, FLH-80, Classic
	9	6581	WASHER, 17/32 x 15/16 x 1/64 (brass)	54 to 78 — FL, FLH, FLH-80
	10	6703	WASHER, 1/4 x 5/8 x 1/16 (4)	Late 80 to Early 83 — FL, FLH, FLH-80, Classic
		6736	WASHER, 1/4 x 5/8 x 1/16 (4)	Late 83 to * — FLH-80
	11	7036	LOCKWASHER, 1/4 (7; 2 - 81 & later)	50 to * — FL, FLH, FLH-80, Classic
	12	7069	LOCKWASHER, No. 10	64 to * — FL, FLH, FLH-80, Classic
	13	7626W	LOCKNUT, No. 10-32 x 3/16 x 3/8 hex.	41 to 67 — FL, FLH
	14	7634	NUT, No. 10-32 x 1/8 x 5/16 hex. (brass)	64 to * — FL, FLH, FLH-80, Classic
	15	7638	NUT, No. 10-32 x 1/8 x 3/8 hex. hd.	41 to 64; 68 & 69 — FL, FLH
	16	7691W	NUT, 1/4-24 x 5/32 x 5/16 hex. (5; 2 — 68 to 79)	50 to 79 — FL, FLH, FLH-80, Classic
	17	8866	BALL, check valve, 3/8 dia.	41 to * — FL, FLH, FLH-80, Classic
	18	9914	WIRE TERMINAL, female spade type, 1/4 slot, 14-18 wire	41 to 81 — FL, FLH, FLH-80, Classic
	19	11002	RETAINING RING, oil pump	70 to * — FL, FLH, FLH-80, Classic
	20	11105	O-RING, check valve cover screw (2 - 81 & Later)	Late 78 to * — FL, FLH, FLH-80, Classic
	21	24819—36	MOUNTING STUD, 1-11/16 (2)	N/A 41 to 67 — FL, FLH
	22	24820—36	MOUNTING STUD, 2-1/4 (4)	41 to 67 — FL, FLH
	23	26190—73	OIL PUMP KIT	73 to * — FL, FLH, FLH-80, Classic
		26200—68B	OIL PUMP ASSEMBLY	68 to 72 — FL, FLH
	26	26201—48D	OIL PUMP ASSEMBLY	N/A 48 to 64 — FL, FLH
		26202—65	OIL PUMP ASSEMBLY	N/A 65 to 67 — FL, FLH
	27	26207—83	SPRING, relief valve	Late 73 to * — FL, FLH, FLH-80, Classic
	29	26227—58	OIL SEAL	68 to * — FL, FLH, FLH-80, Classic
	30	26231—78	WASHER, relief valve plug (felt)	54 to 80 — FL, FLH, FLH-80, Classic
	31	26234—82	COVER, oil pump	Late 82 to Early 84 — FLH-80
		26239—82	COVER, oil pump	Late 82 — Classic
	32	26245—41	GASKET, oil pump body	41 to 67 — FL, FLH
	33	26246—68A	GASKET, oil pump body	68 to Early 80 — FL, FLH, FLH-80, Classic
	34	26247—78	TUBE, cover — upper (bent)	Late 78 to * — FL, FLH, FLH-80, Classic
	35	26257—50A	GASKET, oil pump cover	50 to 67 — FL, FLH
	36	26258—68B	GASKET, oil pump cover	68 to Early 80 — FL, FLH, FLH-80, Classic
	37	26262—80	SPRING, check valve	81 to * — FLH-80, Classic
	38	26263—80	PLUG (2)	81 to * — FLH-80, Classic
	39	26265—68A	TUBE, pump & cover (2)	68 to Early 83 — FL, FLH, FLH-80, Classic
	40	26273—80B	GASKET, oil pump body (paper)	Late 80 to * — FL, FLH, FLH-80, Classic
	41	26276—80A	GASKET, oil pump cover (paper)	Late 80 to * — FL, FLH, FLH-80, Classic
	41A	26278—84	COVER ASSEMBLY, oil pump	Late 84 to * — FLH-80
	42	26315—48	DRIVE GEAR	N/A 48 to 67 — FL, FLH
	43	26315—68A	DRIVE GEAR	68 to * — FL, FLH, FLH-80, Classic
	44	26317—68A	IDLER GEAR	68 to * — FL, FLH, FLH-80, Classic

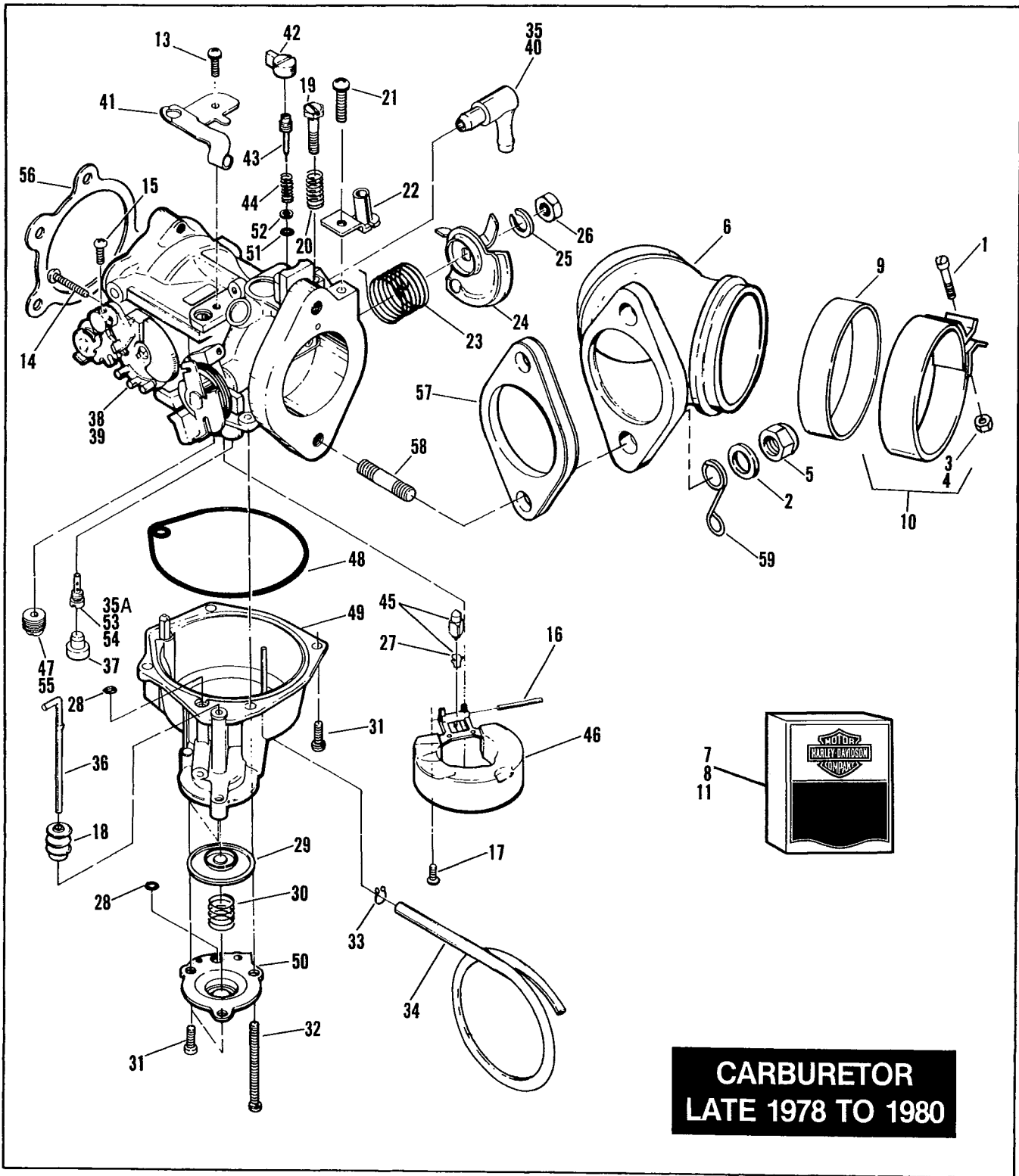


RETAIL PRICE	INDEX NO.	PART NO.	N A M E	USED ON
	45	26326-62A	DRIVE IDLER GEAR	Late 62 to * — FL, FLH, FLH-80, Classic
	46	26327-52	IDLER SHAFT	Late 62 to 67 — FL, FLH
	47	26327-68	IDLER SHAFT	68 to * — FL, FLH, FLH-80, Classic
	48	26328-74	DRIVE GEAR	41 to * — FL, FLH, FLH-80, Classic
	49	26338-68	ELBOW, oil pump (2)	68 to * — FL, FLH, FLH-80, Classic
	50	26340-36	KEY, oil pump gear	41 to 67 — FL, FLH
	51	26346-70	DRIVE SHAFT	70 to * — FL, FLH, FLH-80, Classic
	52	26348-15	KEY, drive shaft (2)	41 to * — FL, FLH, FLH-80, Classic
	53	26348-36	RETAINING RING, drive shaft	41 to * — FL, FLH, FLH-80, Classic
	54	26362-36	COVER SCREW, check valve spring	41 to 80 — FL, FLH, FLH-80, Classic
	55	26363-36	SPRING, check valve	41 to 55; 66 to 80 — FL, FLH, FLH-80, Classic
	56	26363-56	SPRING, check valve	N/A 56 to 65 — FL, FLH
	57	26374-54	SPRING, relief valve (2)	Late 54 to 72 — FL, FLH
	58	26377-68	PLUG, relief valve	68 to 80 — FL, FLH, FLH-80, Classic
	59	26390-68	MOUNTING STUD, oil pump (2)	68 to 79 — FL, FLH, FLH-80, Classic
	60	26400-54	VALVE, oil pump	Late 54 to Early 82 — FL, FLH, FLH-80, Classic
	61	26400-82	VALVE, oil pump	Late 82 to * — FLH-80, Classic
		26410-82	VALVE KIT	Late 78 to Early 82 — All FL Models
			Consists of:	
		3212	SET SCREW, 3/8 - 16 x 1/4 socket	
		26400-82	VALVE, oil pump	
	62	26424-50	FITTING, pump cover	N/A 50 to 64 — FL, FLH
	63	26552-72	OIL PRESSURE SWITCH, only	41 to * — FL, FLH, FLH-80, Classic
	64	26560-63	TERMINAL, oil pressure switch	N/A Late 63 to 67 — FL, FLH
	65	26569-58	FITTING, oil pressure switch	N/A 58 to 67 — FL, FLH
	67	63533-15	FITTING, oil line (short)	N/A 48 to 64 — FL, FLH
	68	63533-41	FITTING, oil line hose (2)	68 to * — FL, FLH, FLH-80, Classic
	69	63540-62	FITTING, oil line hose (2)	65 to 67 — FL, FLH
	70	63610-70	ADJUSTING SCREW, chain oiler (hex. hd.)	N/A 41 to 64; 68 to Early 72 — FL, FLH
		63614-72	ADJUSTING SCREW, chain oiler (slot hd.)	Late 72 to Early 83 — FL, FLH, FLH-80, Classic



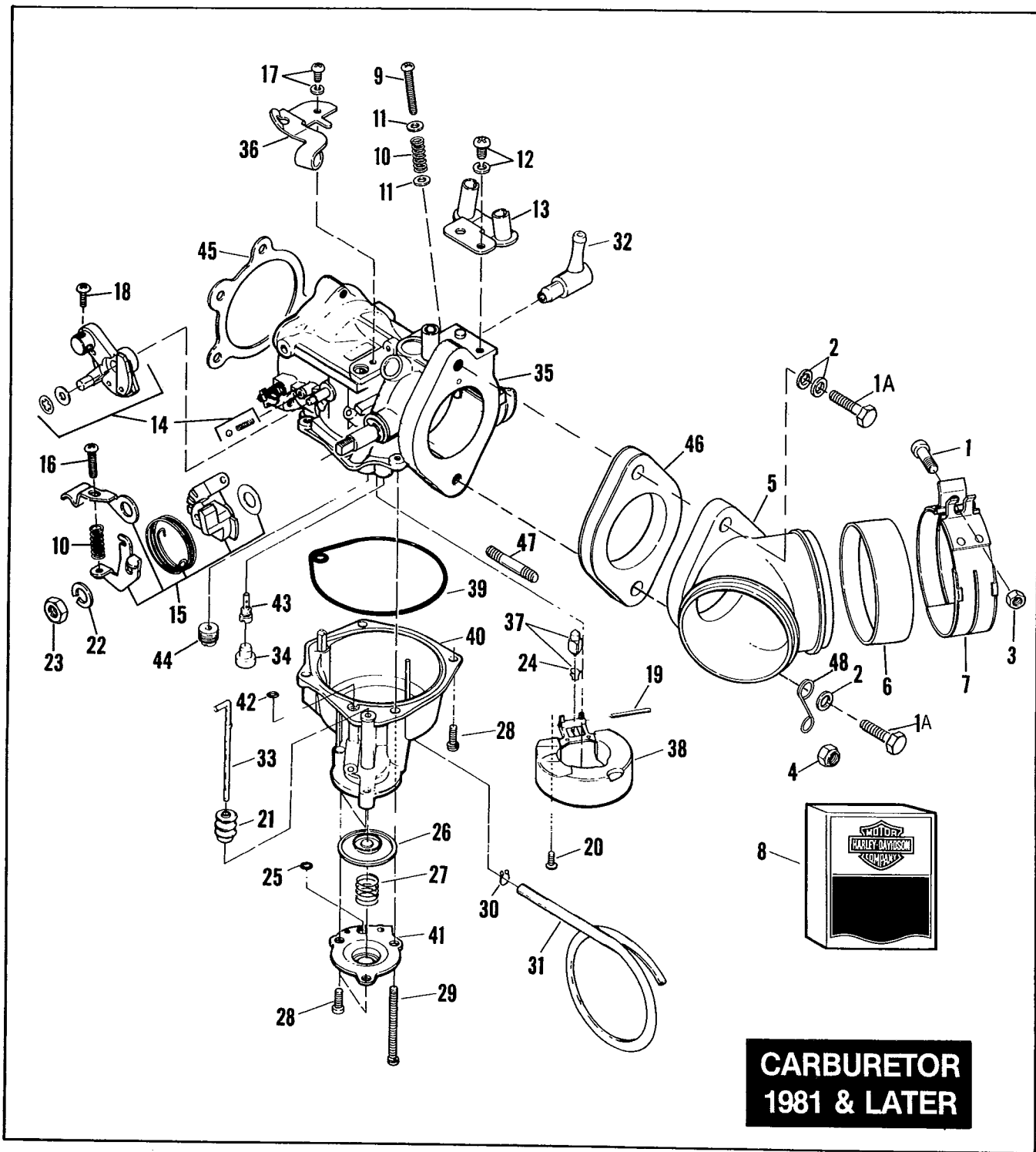
**CARBURETOR
LATE 1978 TO 1980**

RETAIL PRICE	INDEX NO.	PART NO.	N A M E	USED ON
	1	930	SCREW, No. 10-24 x 1-1/4 Pozidriv fil. hd. (2)	Late 78 to 80 — FLH-80, Classic
	2	6702	WASHER, 5/16 x 11/16 x 1/16 (2)	Late 78 to 80 — FLH-80, Classic
	3	7504	NUT, No. 10-24 x 1/8 x 5/16 hex. (2)	80 — FL, FLH, FLH-80, Classic
	4	7620W	NUT, No. 10-24 x 1/8 x 3/8 hex. (2)	Late 78 & 79 — FL, FLH, FLH-80, Classic
	5	7739	LOCKNUT, 5/16-18 x 11/32 x 1/2 hex. (2)	Late 78 to 80 — FL, FLH, FLH-80, Classic
	6	27021-71A	INTAKE PIPE	Late 78 to Early 80 — FL, FLH, FLH-80, Classic
		27021-78	INTAKE MANIFOLD	Late 80 — FL, FLH, FLH-80, Classic
	7	27045-78	CHOKE SHAFT KIT Consists of: Choke lever, shaft, washer, clip, screws (2) and disc	Late 78 to 80 — FL, FLH, FLH-80, Classic
	8	27046-78	PLASTIC PARTS KIT Consists of: Springs (3), clips (2), cam choke lever, washers, ball and wiring	Late 78 to 80 — FL, FLH, FLH-80, Classic
	9	27062-78	SEAL, intake manifold clamp (2)	Late 78 to 80 — FL, FLH, FLH-80, Classic
	10	27063-80	CLAMP, intake manifold — includes screw and nut (2)	Late 80 — FL, FLH, FLH-80, Classic
	11	27078-80	HIGH ALTITUDE KIT (4000-6000 ft.) Consists of besides high altitude label: 27888-78 MAIN JET, 1.60 mm	80 to * — FL, FLH, FLH-80, Classic
	12	27093-78	HIGH ALTITUDE KIT Consists of besides high altitude label: 27098-78 MAIN JET, 1.55 mm.	N/A Late 78 & 79 — FLH-80, Classic
	12A	27094-78	HIGH ALTITUDE KIT Consists of besides high altitude label: 27888-78 MAIN JET, 1.60 mm. 27897-78 LOW SPEED JET, 0.72 mm.	N/A Late 78 & 79 — FL, FLH
	13	27304-76	SCREW, choke cable bracket	Late 78 to 80 — FL, FLH, FLH-80, Classic
	14	27306-76	SCREW, fast idle cam & high alt. accelerator pump stop	N/A Late 78 to 80 — FL, FLH, FLH-80, Classic
	15	27307-76	SCREW, wire block	Late 78 to 80 — FL, FLH, FLH-80, Classic
	16	27308-76	PIN, float	Late 78 to 80 — FL, FLH, FLH-80, Classic
	17	27309-76	SCREW, float pin	Late 78 to 80 — FL, FLH, FLH-80, Classic
	18	27311-76	RUBBER CAP, accelerator pump	Late 78 to 80 — FL, FLH, FLH-80, Classic
	19	27313-76	SCREW, throttle stop	Late 78 to 80 — FL, FLH, FLH-80, Classic
	20	27314-76	SPRING, throttle stop screw	Late 78 to 80 — FL, FLH, FLH-80, Classic
	21	27320-76	SCREW, throttle cable bracket	Late 78 to 80 — FL, FLH, FLH-80, Classic
	22	27321-76	BRACKET, throttle cable	Late 78 to 80 — FL, FLH, FLH-80, Classic
	23	27322-76	SPRING, throttle lever	Late 78 to 80 — FL, FLH, FLH-80, Classic
	24	27328-76	THROTTLE LEVER	Late 78 to 80 — FL, FLH, FLH-80, Classic
	25	27333-76	LOCKWASHER, throttle lever	Late 78 to 80 — FL, FLH, FLH-80, Classic
	26	27335-76	NUT, throttle lever	Late 78 to 80 — FL, FLH, FLH-80, Classic
	27	27338-76	CLIP, float valve	Late 78 to 80 — FL, FLH, FLH-80, Classic
	28	27360-76	O-RING	Late 78 to 80 — FL, FLH, FLH-80, Classic
	29	27361-76	DIAPHRAGM, accelerator pump	Late 78 to 80 — FL, FLH, FLH-80, Classic
	30	27362-76	SPRING, diaphragm	Late 78 to 80 — FL, FLH, FLH-80, Classic
	31	27366-76	SCREW (5)	Late 78 to 80 — FL, FLH, FLH-80, Classic
	32	27367-76	SCREW	Late 78 to 80 — FL, FLH, FLH-80, Classic
	33	27368-76	CLIP, overflow hose	Late 78 to 80 — FL, FLH, FLH-80, Classic
	34	27369-76	HOSE, overflow	Late 78 to 80 — FL, FLH, FLH-80, Classic
	35	27371-76	FITTING	Late 78 — FL, FLH, FLH-80
	35A	27372-80	LOW SPEED JET, 0.070 mm.	80 — FL, FLH, FLH-80, Classic
	36	27373-76	ROD, accelerator pump, 59.5 mm.	Late 78 to 80 — FL, FLH, FLH-80, Classic
	37	27385-76	PLUG, low speed jet	Late 78 to 80 — FL, FLH, FLH-80, Classic
	38	27466-78A	CARBURETOR (B78B)	Late 78 & 79 — FLH-80, Classic
		27466-80A	CARBURETOR (B78D) (Sidecar — 79 & later)	N/A 80 — FLH-80, Classic
	39	27467-78A	CARBURETOR (B80B)	N/A Late 78 & 79 — FL, FLH
		27467-80A	CARBURETOR (B80D)	N/A 80 — FL, FLH

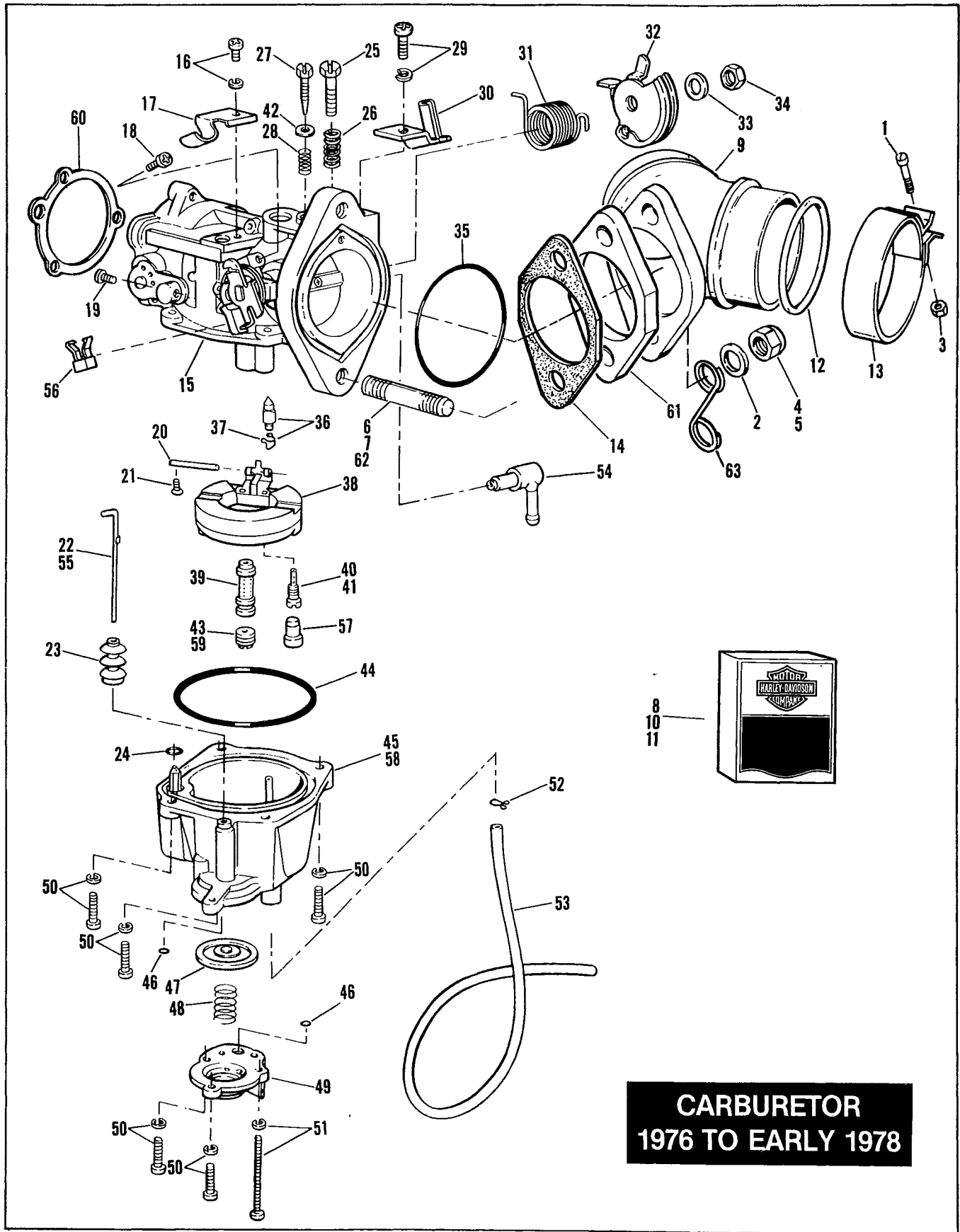


**CARBURETOR
LATE 1978 TO 1980**

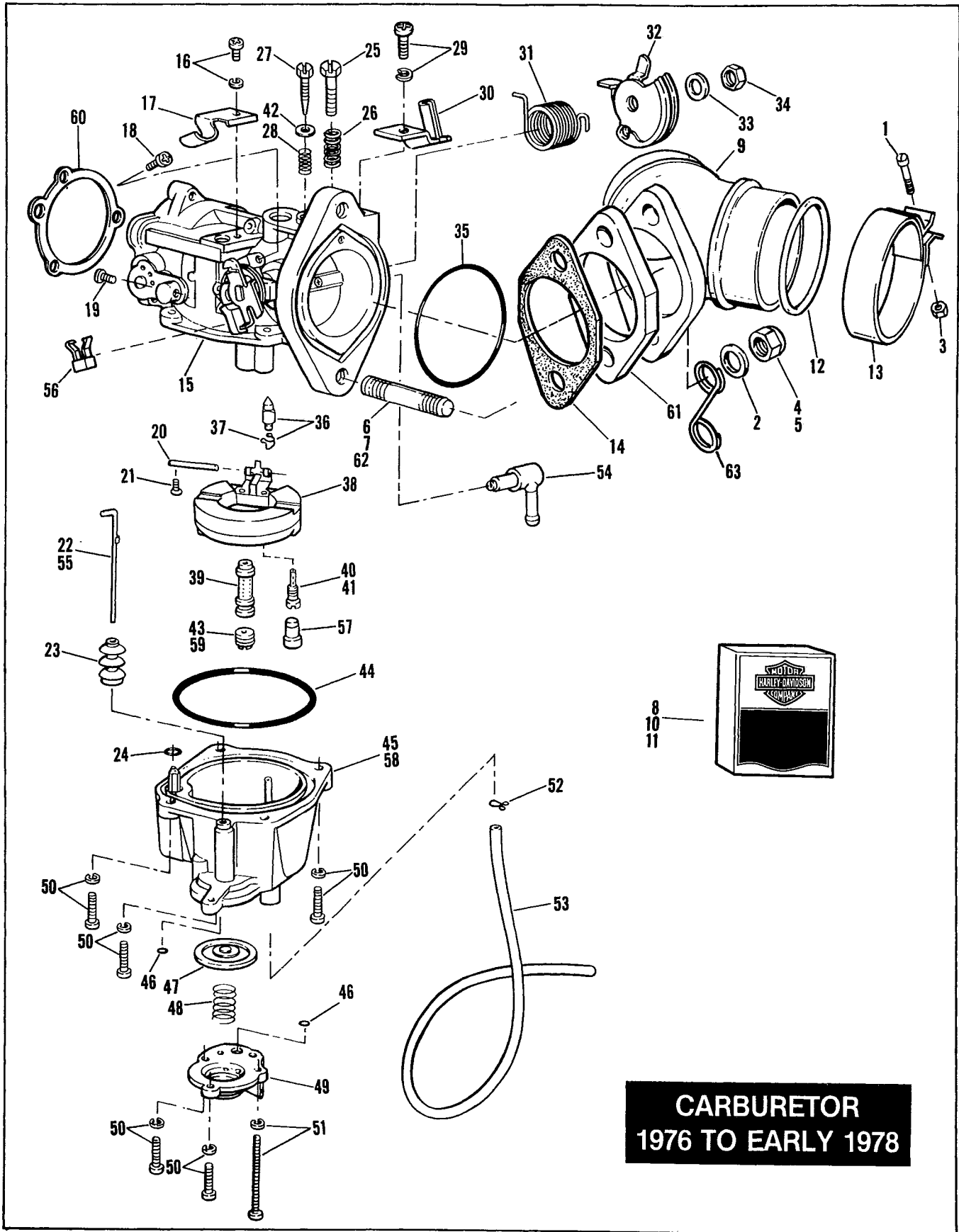
RETAIL PRICE	INDEX NO.	PART NO.	N A M E	USED ON
	40	27594-76	FITTING	79 to 80 — FL, FLH, FLH-80, Classic
	41	27882-78	BRACKET, choke cable	Late 78 to 80 — FL, FLH, FLH-80, Classic
	42	27883-78	CAP, low speed mixture screw	Late 78 & 79 — FL, FLH, FLH-80, Classic
	43	27884-78	SCREW, low speed mixture	Late 78 & 79 — FL, FLH, FLH-80, Classic
	44	27885-78	SPRING, low speed mixture adjusting screw	Late 78 & 79 — FL, FLH, FLH-80, Classic
	45	27886-78	FLOAT VALVE, with clip	Late 78 to 80 — FL, FLH, FLH-80, Classic
	46	27887-78	FLOAT	Late 78 to 80 — FL, FLH, FLH-80, Classic
	47	27888-78	MAIN JET, 1.60 mm. (Late 78 & 79 FL, FLH — Hi-Altitude)	Late 78 to 80 — FL, FLH, FLH-80, Classic
	48	27889-78	O-RING, bowl	Late 78 to 80 — FL, FLH, FLH-80, Classic
	49	27890-78	BOWL	Late 78 to 80 — FL, FLH, FLH-80, Classic
	50	27891-80	HOUSING, accelerator pump	Late 78 to 80 — FL, FLH, FLH-80, Classic
	51	27892-78	O-RING, low speed mixture adjusting screw	Late 78 & 79 — FL, FLH, FLH-80, Classic
	52	27893-78	WASHER, low speed mixture adjusting screw	Late 78 & 79 — FL, FLH, FLH-80, Classic
	53	27894-78	LOW SPEED JET, 0.68 mm.	Late 78 to 80 — FL, FLH, FLH-80, Classic
	54	27895-78	LOW SPEED JET, 0.70 mm.	Late 78 & 79 — FL, FLH, FLH-80, Classic
	55	27898-78	MAIN JET, 1.65 mm.	Late 78 to 80 — FL, FLH, FLH-80, Classic
	56	29058-77	GASKET, air cleaner to carburetor	Late 78 to 80 — FL, FLH, FLH-80, Classic
	57	29250-78	INSULATING SPACER	Late 78 to 80 — FL, FLH, FLH-80, Classic
	58	29253-78	STUD, 5/16-18 x 1-3/4 (2)	Late 78 to 80 — FL, FLH, FLH-80, Classic
	59	45092-66	CABLE GUIDE	Late 78 to 80 — FL, FLH, FLH-80, Classic



RETAIL PRICE	INDEX NO.	PART NO.	N A M E	USED ON
	1	930	SCREW, No. 10-24 x 1-1/4 Pozidriv fil. hd. (2)	81 to * — FLH-80, Classic
	1A	2871W	BOLT, 5/16-18 x 1-1/4 hex. hd. (2)	Late 82 to * — FLH-80, Classic
	2	6702	WASHER, 5/16 x 11/16 x 1/16 (2; 3 - Late 82 & Later)	81 to * — FLH-80, Classic
	3	7620W	NUT, No. 10-24 x 1/8 x 3/8 hex. (2)	81 to * — FLH-80, Classic
	4	7739	LOCKNUT, 5/16-18 x 11/32 x 1/2 hex. (2)	81 & Early 82 — FLH-80, Classic
	5	27021-78	INTAKE MANIFOLD	81 to * — FLH-80, Classic
	6	27062-78	SEAL, intake manifold clamp (2)	81 to * — FLH-80, Classic
	7	27063-80	CLAMP, intake manifold — includes screw and nut (2)	81 to * — FLH-80, Classic
	8	27078-80	HIGH ALTITUDE KIT (4000-6000 ft.)	81 to * — FLH-80, Classic
			Consists of besides high altitude label:	
		27888-78	MAIN JET, 1.60 mm	
	9	27130-81	SCREW, throttle stop	81 to * — FLH-80, Classic
	10	27136-81	SPRING, throttle stop screw & fast idle screw (2)	81 to * — FLH-80, Classic
	11	27137-81	WASHER, throttle stop screw (2)	81 to * — FLH-80, Classic
	12	27139-81	SCREW WITH WASHER, throttle cable bracket	81 to * — FLH-80, Classic
	13	27141-81	BRACKET, throttle cable	81 to 83 — FLH-80, Classic
	14	27142-81	CHOKE LEVER KIT	81 to * — FLH-80, Classic
	15	27143-81	LEVER KIT, accelerator pump	81 to * — FLH-80, Classic
	16	27145-81	SCREW, fast idle	81 to * — FLH-80, Classic
	17	27304-76	SCREW WITH WASHER, choke cable bracket	81 to * — FLH-80, Classic
	18	27307-76	SCREW, wire block	81 to * — FLH-80, Classic
	19	27308-76	PIN, float	81 to * — FLH-80, Classic
	20	27309-76	SCREW, float pin	81 to * — FLH-80, Classic
	21	27311-76	RUBBER CAP, accelerator pump	81 to * — FLH-80, Classic
		27324-83	O-RING, bowl	84 to * — FLH-80
		27325-83	BRACKET, choke cable	84 to * — FLH-80
		27327-83	BRACKET, throttle cable	84 to * — FLH-80
		27330-83	BOWL	84 to * — FLH-80
	22	27333-76	LOCKWASHER, throttle lever	81 to * — FLH-80, Classic
	23	27335-76	NUT, throttle lever	81 to * — FLH-80, Classic
	24	27338-76	CLIP, float valve	81 to * — FLH-80, Classic
	25	27360-76	O-RING	81 to * — FLH-80, Classic
	26	27361-76	DIAPHRAGM, accelerator pump	81 to * — FLH-80, Classic
	27	27362-76	SPRING, diaphragm	81 to * — FLH-80, Classic
	28	27366-76	SCREW (5)	81 to * — FLH-80, Classic
	29	27367-76	SCREW	81 to * — FLH-80, Classic
	30	27368-76	CLIP, overflow hose	81 to * — FLH-80, Classic
	31	27369-76	HOSE, overflow	81 to * — FLH-80, Classic
	32	27371-76	FITTING	81 to * — FLH-80, Classic
	33	27373-76	ROD, accelerator pump, 59.5 mm.	81 to * — FLH-80, Classic
	34	27385-76	PLUG, low speed jet	81 to * — FLH-80, Classic
	35	27494-81A	CARBURETOR (B78F)	81 to * — FLH-80, Classic
	36	27882-78	BRACKET, choke cable	81 to 83 — FLH-80, Classic
	37	27886-78	FLOAT VALVE, with clip	81 to * — FLH-80, Classic
	38	27887-78	FLOAT	81 to * — FLH-80, Classic
	39	27889-78	O-RING, bowl	81 to 83 — FLH-80, Classic
	40	27890-78	BOWL	81 to 83 — FLH-80, Classic
	41	27891-80	HOUSING, accelerator pump	81 to * — FLH-80, Classic
	42	27892-78	O-RING	81 to * — FLH-80, Classic
	43	27895-78	LOW SPEED JET, 0.70 mm.	81 to * — FLH-80, Classic
	44	27898-78	MAIN JET, 1.65 mm. (Std.)	81 to * — FLH-80, Classic
	45	29058-77	GASKET, air cleaner to carburetor	81 to * — FLH-80, Classic
	46	29250-78	INSULATING SPACER	81 to * — FLH-80, Classic
	47	29253-78	STUD, 5/16-18 x 1-3/4 (2)	81 & Early 82 — FLH-80, Classic
	48	45092-66	CABLE GUIDE	81 to * — FLH-80, Classic

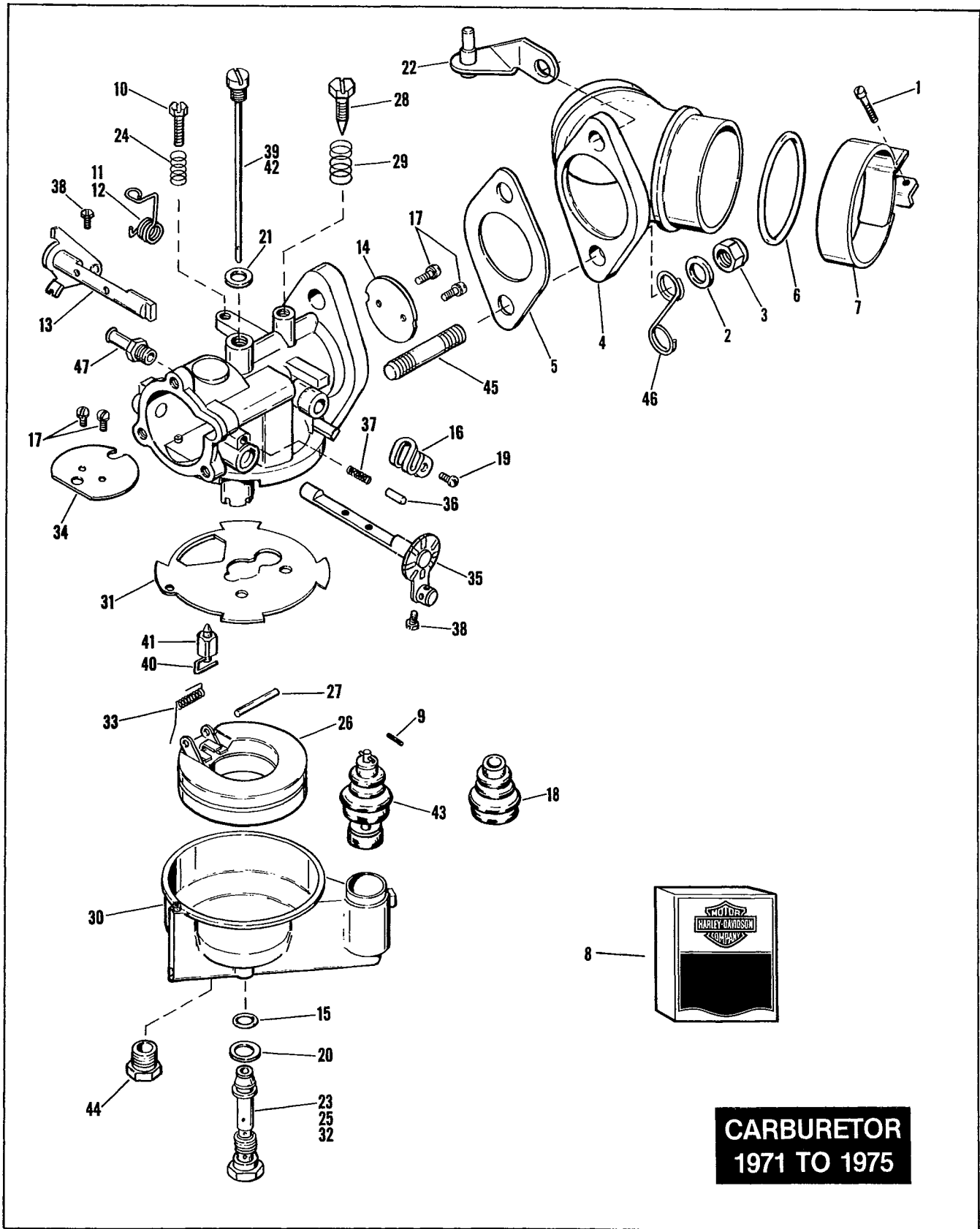


RETAIL PRICE	INDEX NO.	PART NO.	N A M E	USED ON
	1	930	SCREW, No. 10-24 x 1-1/4 Pozidriv fil hd. (2)	76 to Early 78 — FL, FLH
	2	6702	WASHER, 5/16 x 11/16 x 1/16 (2)	76 to Early 78 — FL, FLH
	3	7620W	NUT, No. 10-24 x 1/8 x 3/8 hex. (2)	76 to Early 78 — FL, FLH
	4	7725	LOCKNUT, 5/16-24 x 11/32 x 1/2 hex. (2)	76 & 77 — FL, FLH
	5	7739	LOCKNUT, 5/16-18 x 11/32 x 1/2 hex. (2)	Early 78 — FL, FLH
	6	24820—78	STUD, 5/16-18 x 1-11/16 (2)	N/A Early 78 — FL, FLH
	7	24823—80	STUD, 5/16-18 x 5/16-24 x 1-3/4 (2)	77 — FL, FLH
	8	27006—76	CARBURETOR REPAIR KIT	76 to Early 78 — FL, FLH
	9	27021—71A	INTAKE MANIFOLD	76 to Early 78 — FL, FLH
	10	27045—78	CHOKE SHAFT KIT	76 to Early 78 — FL, FLH
	11	27046—78	PLASTIC PARTS KIT	76 to Early 78 — FL, FLH
	12	27060—55	O-RING, intake manifold (2)	76 to Early 78 — FL, FLH
	13	27063—57	CLAMP, intake manifold — with screw and nut (2)	76 to Early 78 — FL, FLH
	14	27077—78	GASKET, spacer (2)	Early 78 — FL, FLH
	15	27155—76A	CARBURETOR	76 to Early 78 — FL, FLH
	16	27304—76	SCREW, choke cable bracket	76 to Early 78 — FL, FLH
	17	27305—76	BRACKET, choke cable	N/A 76 to Early 78 — FL, FLH
	18	27306—76	ADJUSTING SCREW, pump stroke	N/A 76 to Early 78 — FL, FLH
	19	27307—76	SCREW, wire block	76 to Early 78 — FL, FLH
	20	27308—76	PIN, float	76 to Early 78 — FL, FLH
	21	27309—76	SCREW, float pin	76 to Early 78 — FL, FLH
	22	27310—76	ROD, accelerator pump (860A)	N/A 76 to Early 77 — FL, FLH
	23	27311—76	RUBBER CAP, accelerator pump	76 to Early 78 — FL, FLH
	24	27312—76	O-RING	N/A 76 to Early 78 — FL, FLH
	25	27313—76	SCREW, throttle stop	76 to Early 78 — FL, FLH
	26	27314—76	SPRING, throttle stop screw	76 to Early 78 — FL, FLH
	27	27315—76	ADJUSTING SCREW, low speed mixture	N/A 76 to Early 78 — FL, FLH
	28	27319—76	SPRING, low speed adjusting screw	76 to Early 78 — FL, FLH
	29	27320—76	SCREW, throttle cable bracket	76 to Early 78 — FL, FLH
	30	27321—76	BRACKET, throttle cable	76 to Early 78 — FL, FLH
	31	27322—76	SPRING, throttle lever	76 to Early 78 — FL, FLH
	32	27328—76	THROTTLE LEVER	76 to Early 78 — FL, FLH
	33	27333—76	SPRING WASHER, throttle lever	76 to Early 78 — FL, FLH
	34	27335—76	NUT, throttle lever	76 to Early 78 — FL, FLH
	35	27336—76	O-RING	76 to Early 78 — FL, FLH
	36	27337—76	FLOAT VALVE, with clip	76 to Early 78 — FL, FLH
	37	27338—76	CLIP, float valve	76 to Early 78 — FL, FLH
	38	27339—76	FLOAT	N/A 76 to Early 78 — FL, FLH
	39	27340—76	MAIN NOZZLE	N/A 76 to Early 78 — FL, FLH
	40	27348—76	LOW SPEED JET, 1.00 mm.	76 — FL, FLH
	41	27348—77	LOW SPEED JET, 0.88 mm.	77 to Early 78 — FL, FLH
	42	27355—76	GASKET, low speed adjusting screw	N/A 76 to Early 78 — FL, FLH
	43	27356—76	MAIN JET, 1.85 mm.	76 — FL, FLH
	44	27358—76	O-RING, bowl	76 to Early 78 — FL, FLH
	45	27359—76	BOWL	N/A 76 to Early 77 — FL, FLH
	46	27360—76	O-RING (2)	76 to Early 78 — FL, FLH
	47	27361—76	DIAPHRAGM, accelerator pump	76 to Early 78 — FL, FLH
	48	27362—76	SPRING, diaphragm	76 to Early 78 — FL, FLH
	49	27364—76	ACCELERATOR PUMP HOUSING	N/A 76 to Early 78 — FL, FLH
	50	27366—76	SCREW (5)	76 to Early 78 — FL, FLH
	51	27367—76	SCREW	76 to Early 78 — FL, FLH
	52	27368—76	CLIP, overflow hose	76 to Early 78 — FL, FLH
	53	27369—76	HOSE, overflow	76 to Early 78 — FL, FLH
	54	27371—76	FITTING	76 to Early 78 — FL, FLH
	55	27373—76	ROD, accelerator pump, 59.5 mm (860B)	76 to Early 78 — FL, FLH
	56	27379—76	SPACER (860A)	N/A 76 to Early 77 — FL, FLH
	57	27385—76	PLUG, low speed jet	76 to Early 78 — FL, FLH
	58	27395—76A	BOWL	N/A Late 77 to Early 78 — FL, FLH



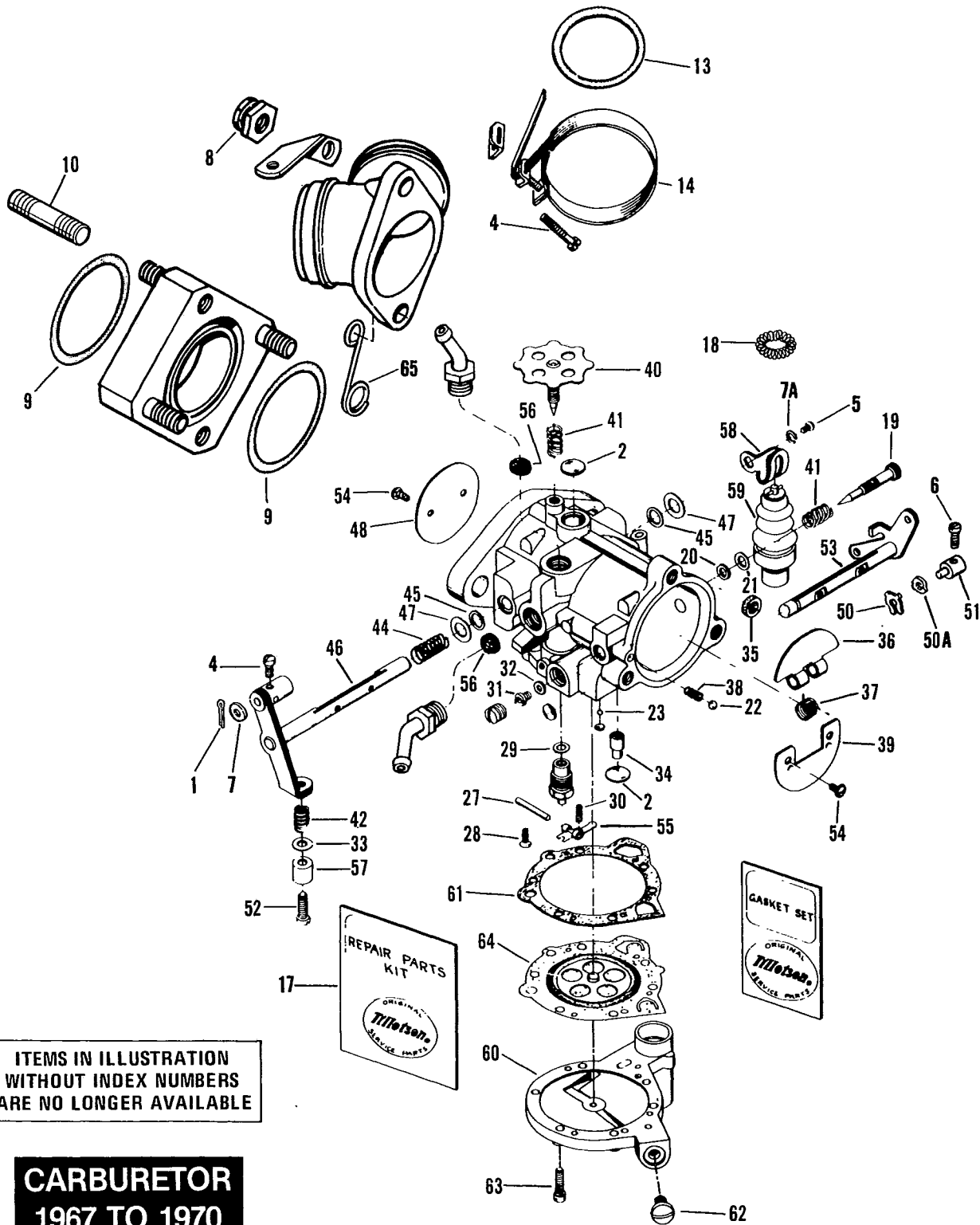
**CARBURETOR
1976 TO EARLY 1978**

RETAIL PRICE	INDEX NO.	PART NO.	N A M E	USED ON
	59	27416—76	MAIN JET, 1.80 mm.	76 to Early 78 — FL, FLH
		27417—76	MAIN JET, 1.75 mm.	76 to Early 78 — FL, FLH
		27418—76	MAIN JET, 1.70 mm.	76 to Early 78 — FL, FLH
		27419—76	MAIN JET, 1.65 mm.	76 to Early 78 — FL, FLH
		27420—76	MAIN JET, 1.60 mm.	76 to Early 78 — FL, FLH
	60	29058—77	GASKET, air cleaner back plate	Late 77 to Early 78 — FL, FLH
	61	29250—78	SPACER, intake manifold to carburetor	Early 78 — FL, FLH
	62	33298—65	STUD, carb. to int. man., 5/16-18 x 5/16-24 x 1-1/2 lg. (2) . . .	76 — FL, FLH
	63	45092—66	CABLE GUIDE	76 to Early 78 — FL, FLH



**CARBURETOR
1971 TO 1975**

RETAIL PRICE	INDEX NO.	PART NO.	N A M E	USED ON
	1	930	SCREW, No. 10-24 x 1-1/4 Poz. pan hd. (2)	71 to 75 — FL, FLH
	2	6016	WASHER, 11/32 x 11/16 x 1/16 (2)	71 to 75 — FL, FLH
	3	7725	LOCKNUT, 5/16-24 x 11/32 x 1/2 (2)	71 to 75 — FL, FLH
	4	27021-71A	INTAKE MANIFOLD	71 to 75 — FL, FLH
	5	27023-71	GASKET	71 to 75 — FL, FLH
	6	27060-55	O-RING, intake manifold (2)	71 to 75 — FL, FLH
	7	27063-57	CLAMP ASSEMBLY (2)	71 to 75 — FL, FLH
	8	27132-71	REPAIR PARTS AND GASKET KIT	71 to 75 — FL, FLH
		27155-72B	CARBURETOR	71 to 75 — FL, FLH
	9	27164-71	ROLL PIN, accelerator pump	N/A 71 to 75 — FL, FLH
	10	27271-71	SCREW, throttle stop, No. 8-32 slotted hex. hd.	N/A 71 to 75 — FL, FLH
	11	27272-71	SPRING, throttle return	N/A 71 to 73 — FL, FLH
	12	27272-74	SPRING, throttle return	N/A 74 & 75 — FL, FLH
	13	27281-71A	THROTTLE SHAFT AND LEVER	N/A 71 to 75 — FL, FLH
	14	27282-71	THROTTLE PLATE	N/A 71 to 75 — FL, FLH
	15	27326-71	O-RING	71 to 75 — FL, FLH
	16	27341-71	LEVER, accelerator pump	71 to 75 — FL, FLH
	17	27342-71	SCREW WITH LOCKWASHER, No. 1/8-40 (4)	N/A 71 to 75 — FL, FLH
	18	27389-71	BOOT, accelerator pump	71 to 75 — FL, FLH
	19	27396-71	SCREW WITH LOCKWASHER, No. 4-36	71 to 75 — FL, FLH
	20	27403-71	WASHER, main jet (fiber)	N/A 71 to 75 — FL, FLH
	21	27404-71	WASHER, idle jet (fiber)	N/A 71 to 75 — FL, FLH
	22	27459-74	BRACKET, throttle cable	75 — FL, FLH
	23	27612-71	MAIN JET, 0.90 mm. (C66-173)	N/A 71 to 75 — FL, FLH
	24	27613-71	SPRING, throttle stop screw	N/A 71 to 75 — FL, FLH
	25	27614-71	MAIN JET, 0.95 mm. (C66-174)	N/A 71 to 75 — FL, FLH
		27618-71	MAIN JET, 1.00 (C66-155)	N/A 71 to 75 — FL, FLH
		27619-71	MAIN JET, 1.05 (C66-156)	N/A 71 to 75 — FL, FLH
		27620-71	MAIN JET, 1.10 (C66-157)	N/A 71 to 75 — FL, FLH
		27621-71	MAIN JET, 1.15 (C66-143)	N/A 71 to 75 — FL, FLH
		27622-71	MAIN JET, 1.20 (C66-158)	N/A 71 to 75 — FL, FLH
		27623-71	MAIN JET, 1.25 (C66-159)	N/A 71 to 75 — FL, FLH
	26	27630-71	FLOAT	N/A 71 to 75 — FL, FLH
	27	27631-71	PIN, float	N/A 71 to 75 — FL, FLH
	28	27641-71	IDLE ADJUSTING SCREW	71 to 75 — FL, FLH
	29	27642-71	SPRING, idle adjusting screw	71 to 75 — FL, FLH
	30	27645-71	BOWL	N/A 71 to 75 — FL, FLH
	31	27646-71	GASKET, bowl	71 to 75 — FL, FLH
	32	27651-75	MAIN JET, 0.95 mm. (C66-183-19)	N/A Late 75 — FL, FLH
		27652-75	MAIN JET, 1.00 mm. (C66-183-20)	N/A Late 75 — FL, FLH
		27653-75	MAIN JET, 1.05 mm. (C66-183-21)	N/A Late 75 — FL, FLH
		27654-75	MAIN JET, 1.10 mm. (C66-183-22)	N/A Late 75 — FL, FLH
		27655-75	MAIN JET, 1.15 mm. (C66-183-23)	N/A Late 75 — FL, FLH
		27656-75	MAIN JET, 1.20 mm. (C66-183-24)	N/A Late 75 — FL, FLH
	33	27659-71	SPRING, float	N/A 71 to 75 — FL, FLH
	34	27663-71	CHOKE PLATE	N/A 71 to 75 — FL, FLH
	35	27664-71	CHOKE SHAFT AND LEVER	N/A 71 to 75 — FL, FLH
	36	27665-71	PIN, choke friction spring	N/A 71 to 75 — FL, FLH
	37	27666-71	FRICTION SPRING, choke	N/A 71 to 75 — FL, FLH
	38	27686-71	SCREW, wire block, No. 8-36 (2)	N/A 71 to 75 — FL, FLH
	39	27725-71	IDLE JET, .60 mm.	N/A 71 to 75 — FL, FLH
	40	27737-71	CLIP, fuel valve	N/A 71 to 75 — FL, FLH
	41	27748-71	FUEL VALVE, with clip	71 to 75 — FL, FLH
	42	27750-72	IDLE JET, .65 mm.	N/A 74 & 75 — FL, FLH
	43	27762-71A	ACCELERATOR PUMP	71 to 75 — FL, FLH
	44	27763-71	BOWL DRAIN PLUG	N/A 71 to 75 — FL, FLH
	45	33298-65	STUD, 5/16-24 x 1-1/2 (2)	71 to 75 — FL, FLH
	46	45092-66	CABLE GUIDE	71 to 75 — FL, FLH
	47	63578-52	INLET FITTING	71 to 75 — FL, FLH

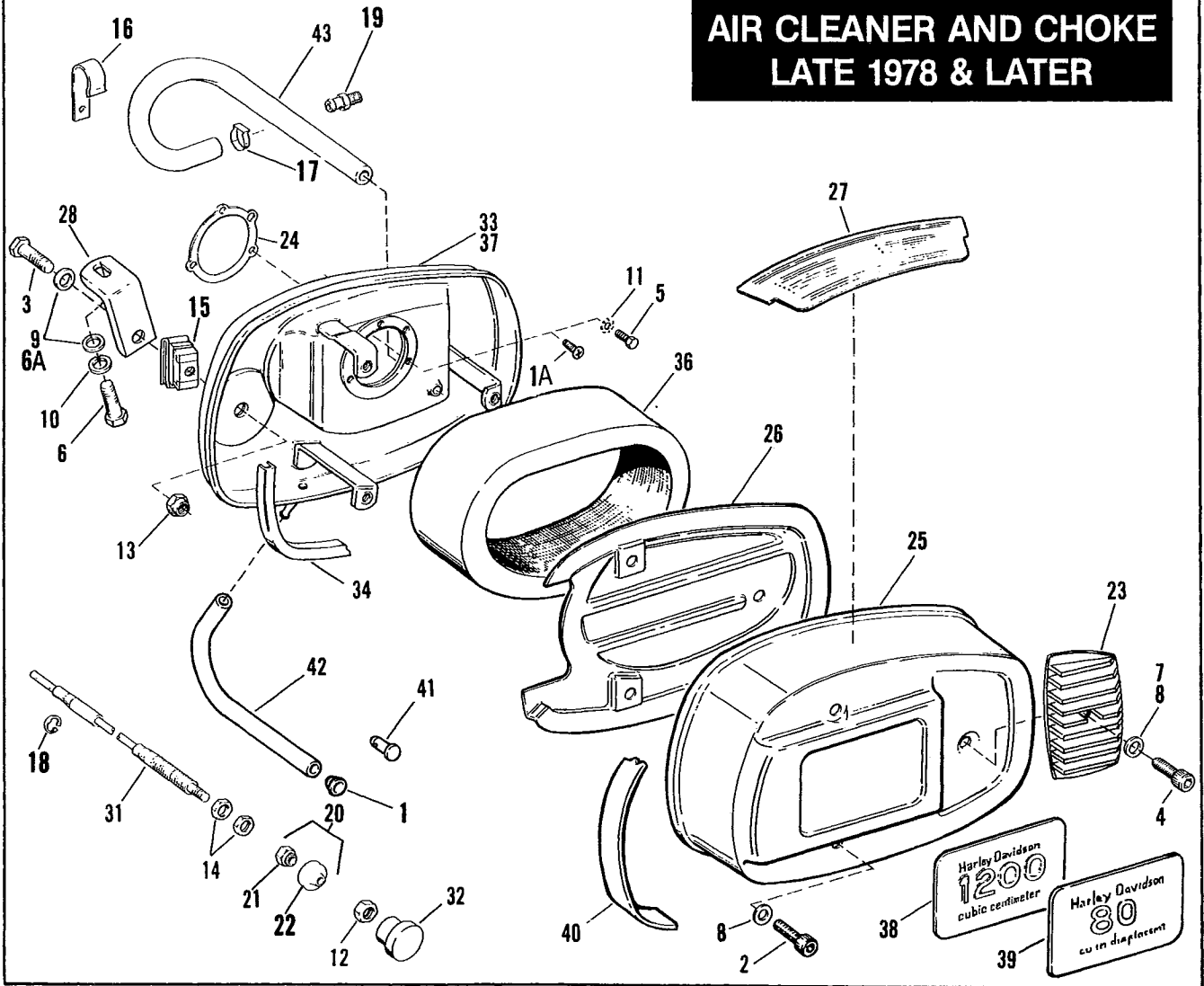


ITEMS IN ILLUSTRATION
WITHOUT INDEX NUMBERS
ARE NO LONGER AVAILABLE

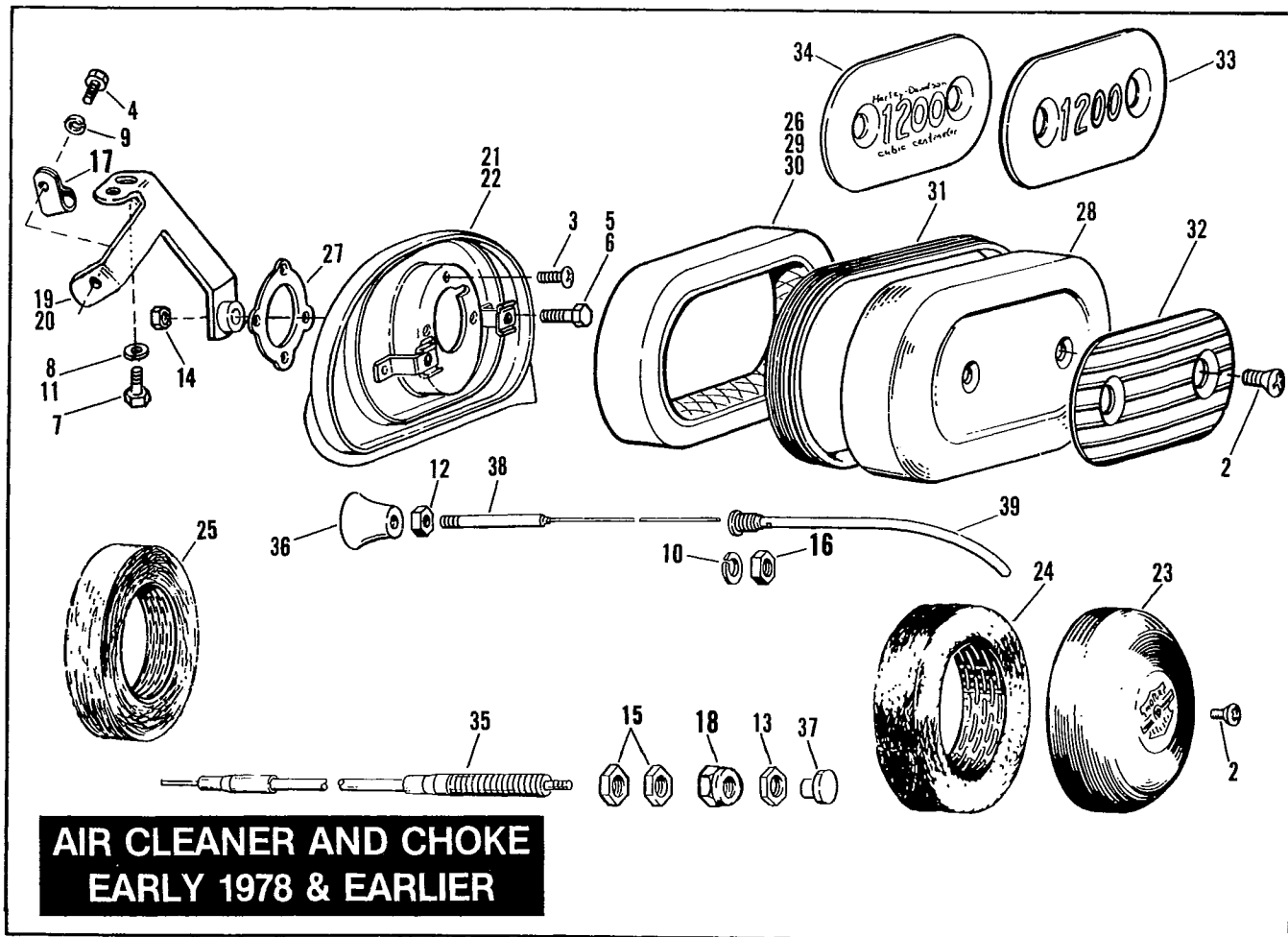
**CARBURETOR
1967 TO 1970**

RETAIL PRICE	INDEX NO.	PART NO.	N A M E	USED ON
	1	515	COTTER PIN 1/16 x 3/4	67 to 70 — FL, FLH
	2	711	WELCH PLUG, body (2)	N/A 67 to 70 — FL, FLH
	4	930	SCREW, No. 10-24 x 1-1/4 Pozidriv fil. hd.	67 to 70 — FL, FLH
	5	2540	SCREW, No. 4-36 x 1/4 fil. hd.	N/A 67 to 70 — FL, FLH
	6	2589	SCREW, No. 6-32 x 1/4 Pozidriv pan hd. (2)	67 to 70 — FL, FLH
	7	6189W	WASHER, No. 8 x 3/8 x 1/32	67 to 70 — FL, FLH
	7A	6969	LOCKWASHER, No. 4	67 to 70 — FL, FLH
	8	7776W	LOCKNUT, 3/8-24 x 9/32 x 9/16 (3)	67 to 70 — FL, FLH
	9	11107	O-RING, carburetor adapter (2)	67 to 70 — FL, FLH
	10	24824-67	STUD, carburetor adapter — 2"	67 to 70 — FL, FLH
	13	27060-55	O-RING, manifold (2)	67 to 70 — FL, FLH
	14	27063-57	CLAMP ASSEMBLY (2)	67 to 70 — FL, FLH
	17	27147-66	REPAIR PARTS KIT	67 to 70 — FL, FLH
	18	27347-69	SPRING, accelerator pump plunger	N/A 67 to 70 — FL, FLH
	19	27352-66	SCREW, intermediate speed mixture adj.	N/A 67 to 70 — FL, FLH
	20	27353-66	PACKING RING, intermediate speed adj. screw	N/A 67 to 70 — FL, FLH
	21	27354-66	WASHER, intermediate speed adj. screw	N/A 67 to 70 — FL, FLH
	22	27406-26	BALL, choke shaft friction spring	N/A 67 to 70 — FL, FLH
	23	27407-66	CHECK BALL	N/A 67 to 70 — FL, FLH
	27	27595-66	PIN, inlet valve lever	N/A 67 to 70 — FL, FLH
	28	27596-66	RETAINING SCREW, inlet valve lever pin	N/A 67 to 70 — FL, FLH
	29	27598-66	GASKET, inlet seat	N/A 67 to 70 — FL, FLH
	30	27599-66	SPRING, inlet valve lever	N/A 67 to 70 — FL, FLH
	31	27619-66	MAIN JET — 0.059"	N/A 67 to 70 — FL, FLH
	32	27640-66	GASKET, main jet	N/A 67 to 70 — FL, FLH
	33	27644-66	WASHER, idle speed screw	N/A 67 to 70 — FL, FLH
	34	27658-66	CHECK VALVE ASSEMBLY	N/A 67 to 70 — FL, FLH
	35	27661-66	SEAL, choke shaft	N/A 67 to 70 — FL, FLH
	36	27668-66	CHOKE DISC RELIEF VALVE	N/A 67 to 70 — FL, FLH
	37	27669-66	SPRING, choke relief valve	N/A 67 to 70 — FL, FLH
	38	27671-55	FRICTION SPRING, choke shaft	N/A 67 to 70 — FL, FLH
	39	27673-66	CHOKE DISC	67 to 70 — FL, FLH
	40	27688-66	SCREW, idle mixture adjusting	N/A 67 to 70 — FL, FLH
	41	27689-61	SPRING, idle and intermediate adj. screws (2)	N/A 67 to 70 — FL, FLH
	42	27691-59	SPRING, throttle lever stop screw	N/A 67 to 70 — FL, FLH
	44	27706-66	SPRING, throttle shaft	N/A 67 to 70 — FL, FLH
	45	27707-66	SEAL, throttle shaft	N/A 67 to 70 — FL, FLH
	46	27708-67	THROTTLE SHAFT AND LEVER	N/A 67 to 70 — FL, FLH
	47	27712-66	SEAL WASHER, throttle shaft	N/A 67 to 70 — FL, FLH
	48	27714-66	THROTTLE DISC	N/A 67 to 70 — FL, FLH
	50	27716-55	RETAINING CLIP, choke lever wire block	N/A 67 to 70 — FL, FLH
	50A	27716-61	SPRING WASHER	N/A 67 to 70 — FL, FLH
	51	27716-67	WIRE BLOCK, choke lever	N/A 67 to 70 — FL, FLH
	52	27717-66	SCREW, throttle lever stop	N/A 67 to 70 — FL, FLH
	53	27718-67	CHOKE SHAFT AND LEVER	N/A 67 to 70 — FL, FLH
	54	27720-61	SCREW, with lockwasher — choke & throttle discs (4)	N/A 67 to 70 — FL, FLH
	55	27740-66	LEVER, inlet valve	N/A 67 to 70 — FL, FLH
	56	27746-66	INLET SCREEN (2)	N/A 67 to 70 — FL, FLH
	57	27747-66	CUP, idle adj. screw	N/A 67 to 70 — FL, FLH
	58	27759-66	LEVER, accelerating pump	N/A 67 to 70 — FL, FLH
	59	27760-66	ACCELERATING PUMP	N/A 67 to 70 — FL, FLH
	60	27804-66A	DIAPHRAGM COVER	N/A 67 to 70 — FL, FLH
	61	27806-66	GASKET, diaphragm cover	N/A 67 to 70 — FL, FLH
	62	27812-66	PLUG SCREW, diaphragm cover	N/A 67 to 70 — FL, FLH
	63	27814-66	RETAINING SCREW, diaphragm cover (6)	N/A 67 to 70 — FL, FLH
	64	27816-66	DIAPHRAGM	N/A 67 to 70 — FL, FLH
	65	45092-66	HOSE GUIDE, on manifold stud	67 to 70 — FL, FLH

AIR CLEANER AND CHOKE LATE 1978 & LATER



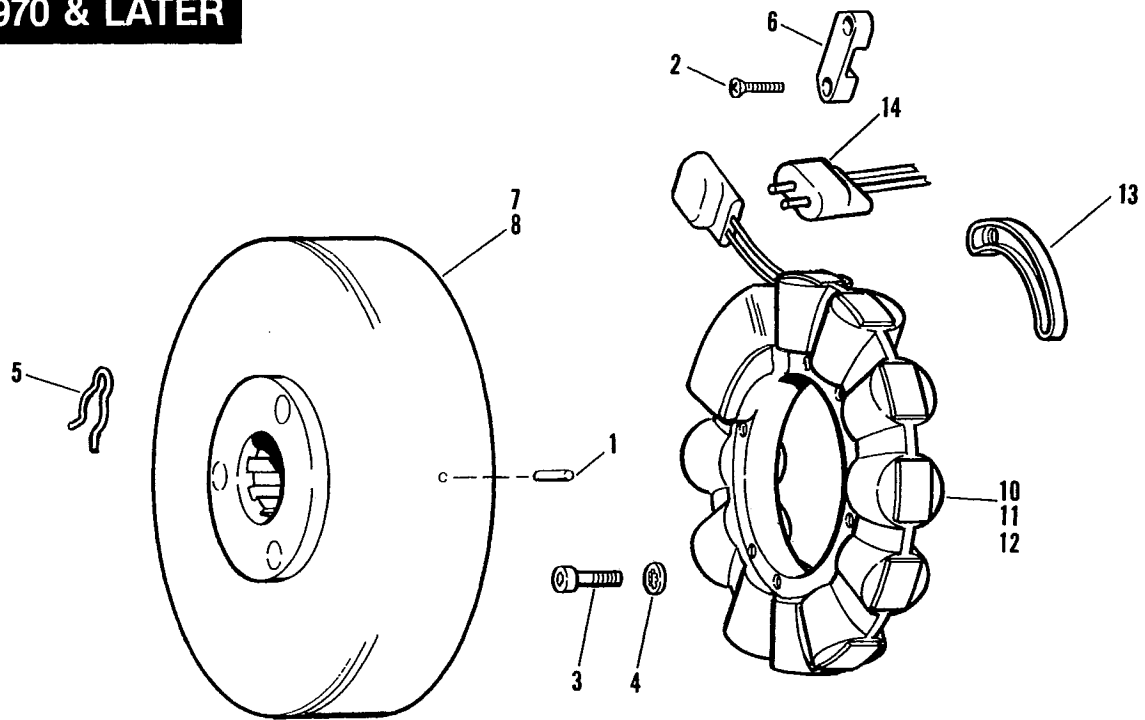
RETAIL PRICE	INDEX NO.	PART NO.	N A M E	USED ON
.21	1	725	PLUG, backing plate hose	82 to * — FLH-80, Classic
.23•	1A	2774	SCREW, 1/4-20 x 5/8 Pozidriv pan hd. (3)	Late 78 — FL, FLH, FLH-80, Classic
.43•	2	3413	SCREW, 5/16-18 x 5/8 socket hd. (2)	Late 78 to 83 — FL, FLH, FLH-80, Classic
1.53•	3	3447	BOLT, 5/16-18 x 3/4 hex. hd. (2)	80 to * — FL, FLH, FLH-80, Classic
.76•	4	3458	SCREW, 5/16-18 x 1 socket hd.	79 to 82 — Classic; 84 to * — FLH-80
.42•	5	3767B	BOLT, 1/4-20 x 5/8 hex. hd. (3)	79 to * — FL, FLH, FLH-80, Classic
.14•	6	3987	BOLT, 5/16 x 3/4 hex. hd. (4) (2 — 1980 & Later)	Late 78 to * — FL, FLH, FLH-80, Classic
.36	6A	6016	WASHER, 11/32 x 11/16 x 1/16 (4)	Late 83 to * — FLH-80
.16•	7	6046	WASHER, 5/16 x 9/16 x 1/32 (black)	79 to 82 — Classic; 84 to * — FLH-80
.43•	8	6095	WASHER, 5/16 x 5/8 x 1/16 (steel & rubber) (3)	Late 78 to * — FL, FLH, FLH-80, Classic
.14•	9	6702	WASHER, 5/16 x 11/16 x 1/16 (4)	Late 78 to Early 83 — FL, FLH, FLH-80, Classic
.04	10	7041	LOCKWASHER, 5/16 (2)	Late 78 to * — FL, FLH, FLH-80, Classic
.04	11	7230	LOCKWASHER, 1/4 external tooth (3)	79 to * — FL, FLH, FLH-80, Classic
.15•	12	7638	NUT, No. 10-32 x 1/8 x 3/8 hex.	Late 78 to * — FL, FLH, FLH-80, Classic
1.10	13	7710W	LOCKNUT, 5/16-18 x 1/4 x 1/2 hex. (2)	Late 78 to * — FL, FLH, FLH-80, Classic
.15•	14	7744	JAMNUT, 5/16-24 x 3/8 x 1/2 hex. (2)	Late 78 to * — FL, FLH, FLH-80, Classic
.76•	15	8103	CLIP NUT, rear bracket (2)	80 to * — FL, FLH, FLH-80, Classic
.90	16	9979	CLIP, breather hose	Late 78 to * — FL, FLH, FLH-80, Classic
.41	17	10020A	CLAMP, hose	Late 78 to 83 — FL, FLH, FLH-80, Classic
.27•	18	11013	RETAINING RING, choke cable	Late 78 to * — FL, FLH, FLH-80, Classic
3.08	19	25260—78	FITTING, crankcase to air cleaner hose	Late 78 to 83 — FL, FLH, FLH-80, Classic
2.30	20	27452—82	NUT KIT, choke cable	Late 78 to * — FL, FLH, FLH-80, Classic
			Consists of:	
1.28	21	27450—82	NUT, 5/16-24 hex. machined	
1.28	22	27451—82	GROMMET (black)	
2.76•	23	29057—78A	GRILL, air intake	79 to 82 — Classic; 84 to * — FLH-80
.57•	24	29058—77	GASKET, air cleaner to carburetor	Late 78 to * — FL, FLH, FLH-80, Classic
50.14	25	29061—78	COVER, air cleaner	Late 78 to * — FL, FLH, FLH-80, Classic
10.07	26	29064—78	BAFFLE	Late 78 to * — FL, FLH, FLH-80, Classic
1.53	27	29071—79	SAFETY LABEL, air cleaner	79 to * — FL, FLH, FLH-80, Classic
1.98	28	29113—78	BRACKET, rear	Late 78 & 79 — FL, FLH, FLH-80, Classic
3.08		29113—79A	BRACKET, rear	Early 80 to * — FL, FLH, FLH-80, Classic
1.98		29114—78	BRACKET, front	N/A
3.08		29114—79A	BRACKET, front	80 to * — FL, FLH, FLH-80, Classic
14.60	31	29213—79	CONTROL CABLE, choke	Late 78 to * — FL, FLH, FLH-80, Classic
5.39	32	29214—71	KNOB, choke wire	Late 78 to * — FL, FLH, FLH-80, Classic
38.88	33	29239—78	BACK PLATE, air cleaner	Late 78 to Early 80 — FL, FLH, FLH-80, Classic
3.22	34	29252—78	SEAL STRIP, air cleaner backing plate	Late 78 to Early 80 — FL, FLH, FLH-80, Classic
5.06		29252—79	SEAL STRIP, air cleaner backing plate	Late 80 to * — FL, FLH, FLH-80, Classic
25.50	36	29255—78	FILTER ELEMENT	Late 78 to * — FL, FLH, FLH-80, Classic
49.78	37	29261—80	BACK PLATE, air cleaner	Late 80 to * — FL, FLH, FLH-80, Classic
8.65	38	29270—78	TRIM, air cleaner "1200"	Late 78 to 80 — FL, FLH, FLH-80, Classic
8.65	39	29272—78	TRIM, air cleaner "80"	78 to * — FLH-80, Classic
1.63	40	29299—78	TRIM STRIP, air cleaner cover (black)	Late 78 to * — FL, FLH, FLH-80, Classic
2.46•	41	42269—70	CLEVIS PIN, backing plate hose	Late 80 to 81 — FL, FLH, FLH-80, Classic
2.03	42	63591—82	HOSE, air cleaner backing plate	Late 80 to * — FL, FLH, FLH-80, Classic
			NOTE: Hose is sold only in bulk length under the following part number. Cut to required length.	
38.02	43	63500—68	HOSE, 3/8 I.D. x 5/8 O.D. reinforced rubber (25 ft. lg.)	Late 78 to * — FL, FLH, FLH-80, Classic



**AIR CLEANER AND CHOKE
EARLY 1978 & EARLIER**

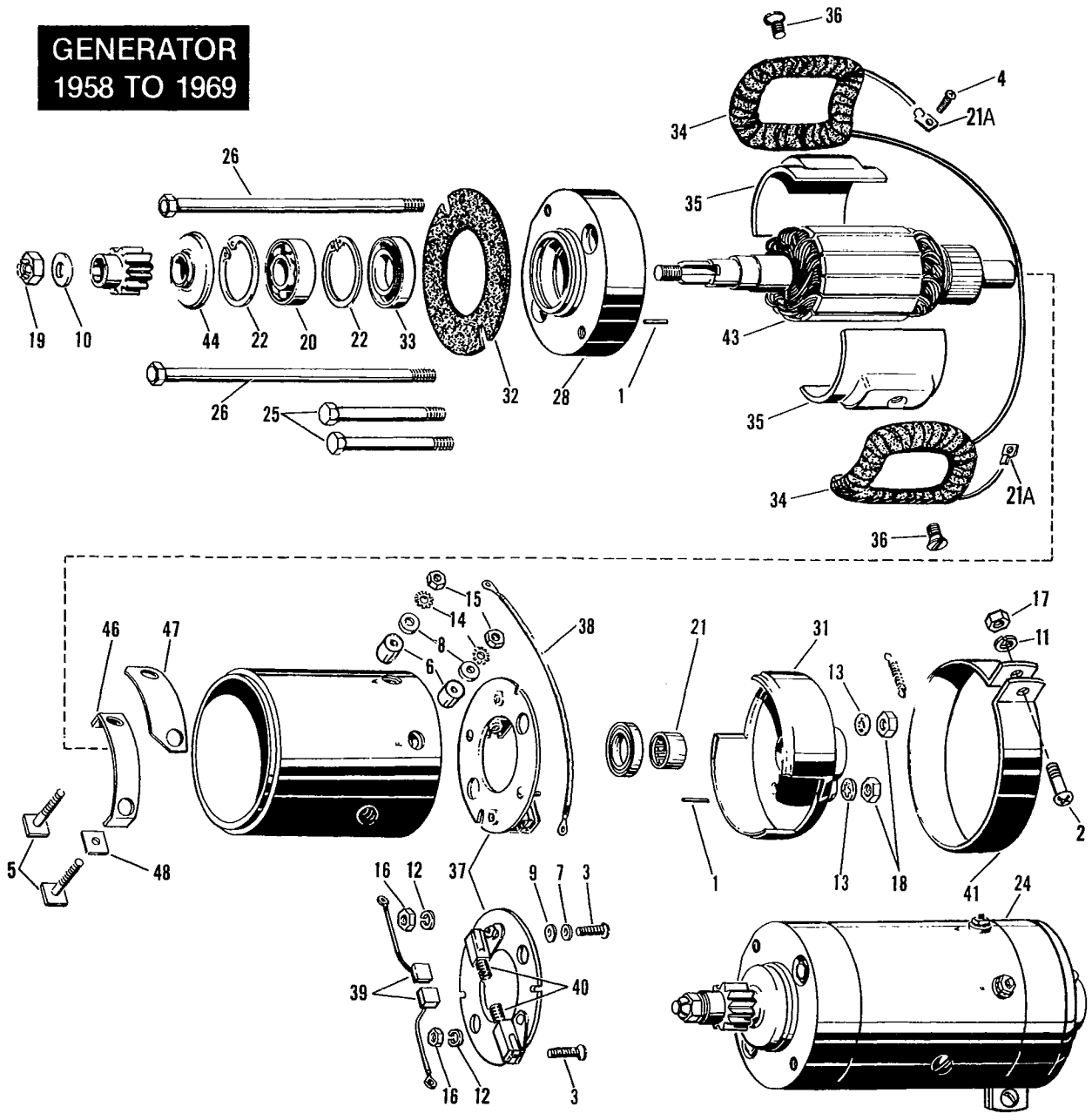
RETAIL PRICE	INDEX NO.	PART NO.	N A M E	USED ON
	2	2402W	SCREW, 5/16-24 x 11/16 Phillips hd.	56 to Early 78 — FL, FLH
	3	2758	SCREW, 1/4-20 x 1/2 Phillips hd. (3)	67 to Early 78 — FL, FLH
	4	3738	BOLT, 1/4-28 x 5/8 hex. hd.	71 to Early 78 — FL, FLH
	5	3765	BOLT, 1/4-28 x 5/8 hex. hd.	67 to 77 — FL, FLH
	6	3825	BOLT, 1/4-28 x 1 hex. hd.	Early 78 — FL, FLH
	7	3987	BOLT, 5/16-18 x 3/4 hex. hd.	Late 77 to Early 78 — FL, FLH
	8	6702	WASHER, 5/16 x 11/16 x 1/16.	Late 77 to Early 78 — FL, FLH
	9	7036	LOCKWASHER, 1/4	71 to Early 78 — FL, FLH
	10	7038	LOCKWASHER, 3/8	67 to 70 — FL, FLH
	11	7041	LOCKWASHER, 5/16	67 to Early 77 — FL, FLH
	12	7608	NUT, No. 8-32 x 1/8 x 5/16 hex.	66 to Early 78 — FL, FLH
	13	7638	NUT, No. 10-32 x 1/8 x 3/8 hex.	71 to Early 78 — FL, FLH
	14	7683	LOCKNUT, 1/4-28 x 5/16 x 7/16 hex.	67 to Early 78 — FL, FLH
	15	7744	JAMNUT, 5/16-24 x 3/16 x 1/2 hex. (2)	71 to Early 78 — FL, FLH
	16	7851W	JAMNUT, 3/8-24 x 7/32 x 9/16 hex. hd.	67 to 70 — FL, FLH
	17	9957	CLIP, choke wire	N/A 71 to Early 78 — FL, FLH
	18	27452-82	NUT KIT, choke cable	71 to Early 78 — FL, FLH
			Consists of:	
			27450-82 NUT, 5/16-24 hex.	
			27451-82 GROMMET, black	
	19	29018-71A	SUPPORT BRACKET	N/A 71 to 77 — FL, FLH
	20	29018-78	SUPPORT BRACKET	N/A Early 78 — FL, FLH
	21	29020-71	BACK PLATE, air cleaner	N/A 71 to Early 75 — FL, FLH
	22	29024-73	BACK PLATE, air cleaner	N/A Late 75 to Early 78 — FL, FLH
	23	29030-56	COVER, air cleaner	N/A 56 to 66 — FL, FLH
	24	29036-41A	MESH, air cleaner	41 to 66 — FL, FLH
	25	29036-66	FILTER ELEMENT, wire mesh type	N/A 67 to 71 — FL, FLH
	26	29036-72	FILTER ELEMENT, foam type, w/screen (2-5/8" wide)	67 to Early 75 — FL, FLH
	27	29058-77	GASKET, air cleaner back plate	Late 77 to Early 78 — FL, FLH
	28	29084-73	COVER, air cleaner	67 to Early 78 — FL, FLH
	29	29086-73	FILTER ELEMENT, foam type, w/screen (3" wide)	Late 75 to 76 — FL, FLH
	30	29086-75	FILTER ELEMENT, foam type, w/screen (3-1/2" wide)	77 to Early 78 — FL, FLH
	31	29144-77	RUBBER SEAL, air cleaner cover	Late 77 to Early 78 — FL, FLH
	32	29205-69	TRIM, air cleaner	N/A 67 to 75 — FL, FLH
	33	29205-76	TRIM, air cleaner — "1200"	N/A 76 & 77 — FL, FLH
	34	29206-78	TRIM, air cleaner — "1200 cc"	N/A Early 78 — FL, FLH
	35	29212-71	CONTROL CABLE, choke	71 to Early 78 — FL, FLH
	36	29214-67A	KNOB, choke wire	67 to 70 — FL, FLH
	37	29214-71	KNOB, choke wire	71 to Early 78 — FL, FLH
	38	29216-67	WIRE, choke control	N/A 67 to 70 — FL, FLH
	39	29220-67	TUBE, choke wire	N/A 67 to 70 — FL, FLH

**ALTERNATOR
1970 & LATER**



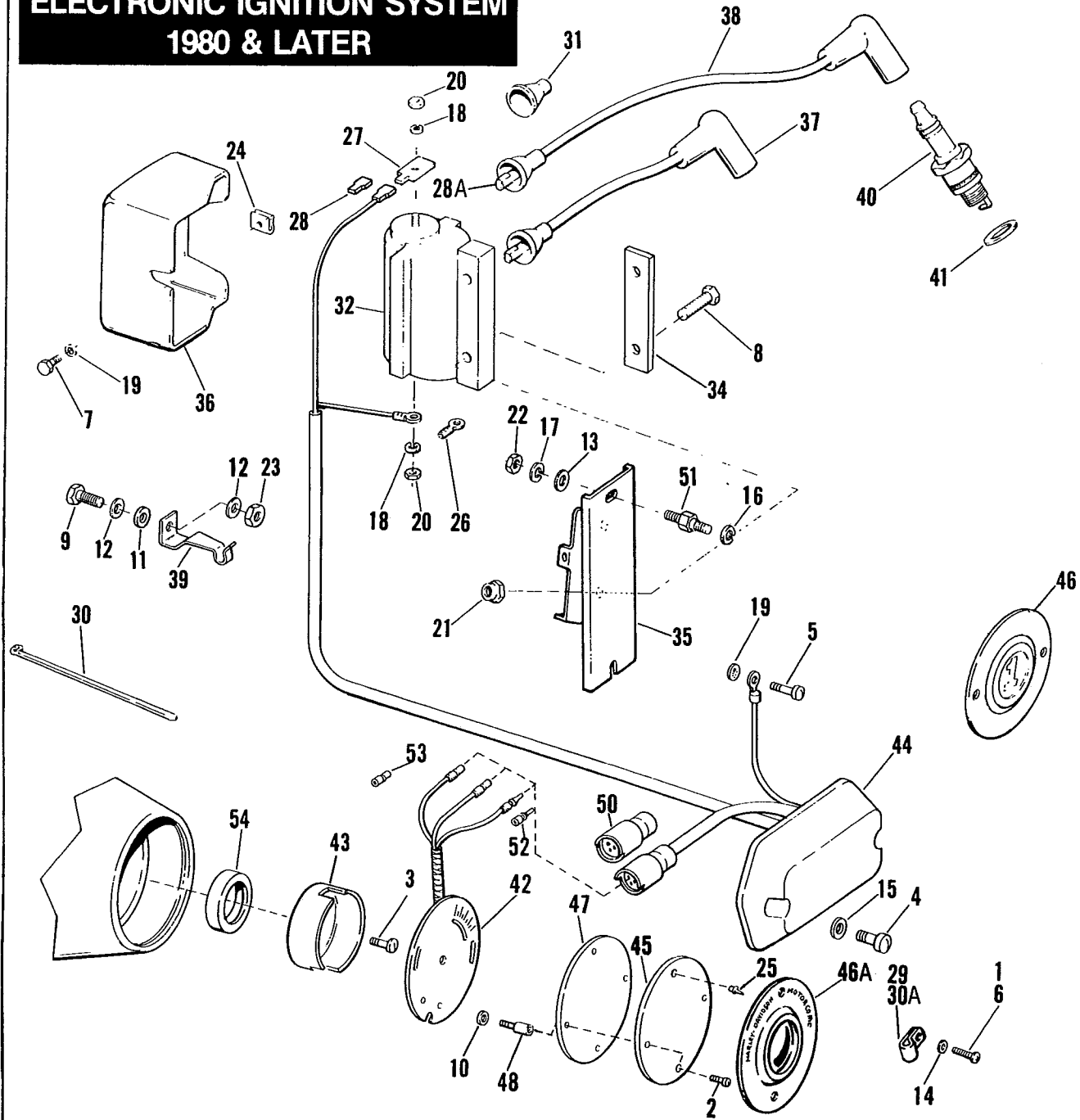
RETAIL PRICE	INDEX NO.	PART NO.	N A M E	USED ON
	1	603	ROLL PIN, rotor	76 to 81 — FL, FLH, FLH-80, Classic
	2	2216W	SCREW, No. 4-24 x 1/2 Phillips hd. (2).....	71 to * — FL, FLH, FLH-80, Classic
	3	2653	SCREW, No. 10-24 x 7/8 fil. hd. (4)	70 to * — FL, FLH, FLH-80, Classic
	4	7118	LOCKWASHER, No. 10 internal tooth (4)	Early 70 — FL, FLH
	5	11084	RETAINING SPRING, rotor magnet ring	76 to 81 — FL, FLH, FLH-80, Classic
	6	29954—71	RETAINER, alternator plug	71 to * — FL, FLH, FLH-80, Classic
	7	29956—70	ROTOR ASSEMBLY	70 to 80 — FL, FLH; 76 to 81 — FLH-80, Classic
	8	29957—81A	ROTOR ASSEMBLY	82 to * — FLH-80, Classic
	10	29965—70	STATOR	70 to 75 — FL, FLH
	11	29965—75	STATOR	76 to 80 — FL, FLH, FLH-80, Classic
	12	29957—81B	STATOR	81 to * — FLH-80, Classic
	13	29988—73	LOCKING PLATE, stator (2)	70 to * — FL, FLH, FLH-80, Classic
	14	71871—75	MALE PLUG, stator - with wires	75 to 80 — FL, FLH, FLH-80, Classic

GENERATOR 1958 TO 1969

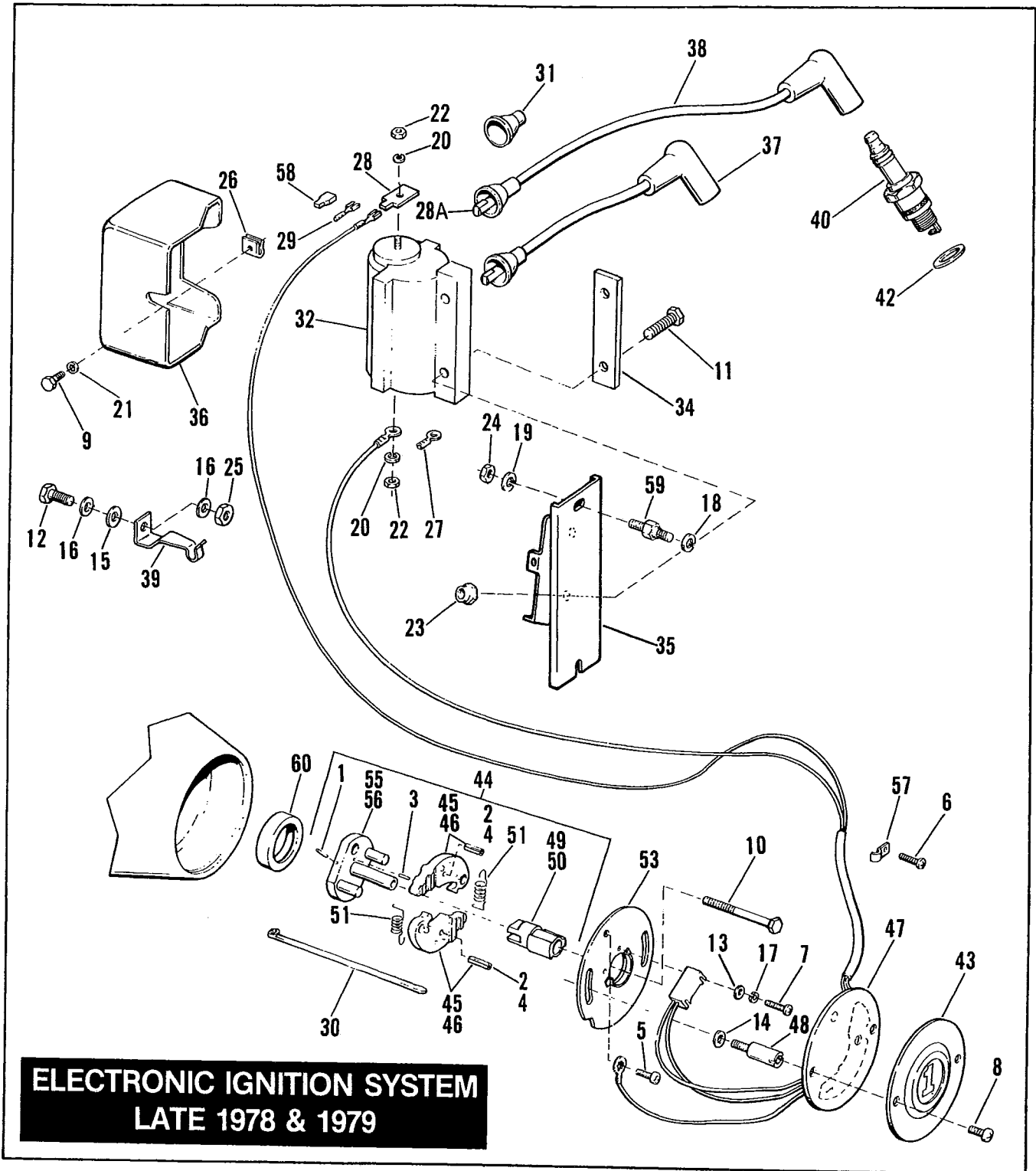


RETAIL PRICE	INDEX NO.	PART NO.	N A M E	USED ON
	1	603	ROLL PIN (2)	58 to 69 — FL, FLH
	2	1374	SCREW, 1/4-28 x 3/4 Pozidriv pan hd.	66 to 69 — FL, FLH
	3	2587	SCREW, No. 10-32 x 5/8 Pozidriv pan hd. (2)	58 to 69 — FL, FLH
	4	2589	SCREW, No. 6-32 x 1/4 Pozidriv pan hd. (4)	58 to 69 — FL, FLH
	5	2690W	SCREW, No. 10-32 x 7/8 sq. hd. (2)	58 to 69 — FL, FLH
	6	5911	INSULATING BUSHING (2)	58 to 69 — FL, FLH
	7	6165W	WASHER, No. 10 x 3/8 x 1/32 (3)	58 to 69 — FL, FLH
	8	6186	WASHER, No. 10 x 1/2 x 1/8 (fiber) (2)	58 to 69 — FL, FLH
	9	6193	WASHER, No. 10 x 15/32 x 1/32	58 to 69 — FL, FLH
	10	6324W	WASHER, 5/16 x 11/16 x 3/32	58 to 69 — FL, FLH
	11	7036	LOCKWASHER, 1/4	66 to 69 — FL, FLH
	12	7069	LOCKWASHER, No. 10 (2)	58 to 69 — FL, FLH
	13	7124	LOCKWASHER, 1/4 int. tooth (2)	58 to 69 — FL, FLH
	14	7220	LOCKWASHER, No. 10 ext. tooth (2)	58 to 69 — FL, FLH
	15	7634	NUT, No. 10-32 x 1/8 x 5/16 hex. (brass) (2)	58 to 69 — FL, FLH
	16	7638	NUT, No. 10-32 x 1/8 x 3/8 hex. (4)	58 to 69 — FL, FLH
	17	7676	NUT, 1/4-28 x 3/16 x 7/16 hex.	66 to 69 — FL, FLH
	18	7683	LOCKNUT, 1/4-28 x 5/16 x 7/16 hex.	58 to 69 — FL, FLH
	19	7725	LOCKNUT, 5/16-24 x 11/32 x 1/2 hex.	58 to 69 — FL, FLH
	20	9007	ARMATURE BEARING, gear end	58 to 69 — FL, FLH
	21	9064	NEEDLE BEARING, commutator end	N/A 61 to 69 — FL, FLH
	21A	9921	WIRE TERMINAL, No. 6 hole	58 to 69 — FL, FLH
	22	11004	RETAINING RING (2)	58 to 69 — FL, FLH
	24	29975—65A	GENERATOR, less drive gear — 12 V.	65 to 69 — FL, FLH
	25	30011—58	SCREW, end cover (2)	58 to 69 — FL, FLH
	26	30012—58	SCREW, frame (2)	58 to 69 — FL, FLH
	28	30095—61	END PLATE, generator frame	58 to 69 — FL, FLH
	31	30132—61A	END COVER	61 to 69 — FL, FLH
	32	30143—58	GASKET, generator mounting	58 to 69 — FL, FLH
	33	30145—46A	OIL SEAL, armature	58 to 69 — FL, FLH
	34	30201—58A	FIELD COIL	N/A 58 to 64 — FL, FLH
		30201—65	FIELD COIL — 12 V.	65 to 69 — FL, FLH
	35	30276—58	POLE PIECE (2)	58 to 69 — FL, FLH
	36	30280—58	SCREW, pole piece (2)	58 to 69 — FL, FLH
	37	30350—66	BRUSH HOLDER PLATE ASSEMBLY	66 to 69 — FL, FLH
	38	30421—58A	CABLE, positive brush	66 to 69 — FL, FLH
	39	30426—58	PAIR OF GENERATOR BRUSHES	58 to 69 — FL, FLH
	40	30453—58	BRUSH SPRING (2)	58 to 69 — FL, FLH
	41	30475—66	BRUSH COVER	66 to 69 — FL, FLH
	43	30851—61	ARMATURE — 6 V.	N/A 61 to 64 — FL, FLH
		30851—65A	ARMATURE — 12 V.	65 to 69 — FL, FLH
	44	31035—58	OIL DEFLECTOR, gear end	58 to 69 — FL, FLH
	46	31096—58	CLIP, terminal bolt	58 to 69 — FL, FLH
	47	31097—58	INSULATOR, terminal	58 to 69 — FL, FLH
	48	31098—58	INSULATOR, terminal bracket	58 to 69 — FL, FLH

ELECTRONIC IGNITION SYSTEM 1980 & LATER

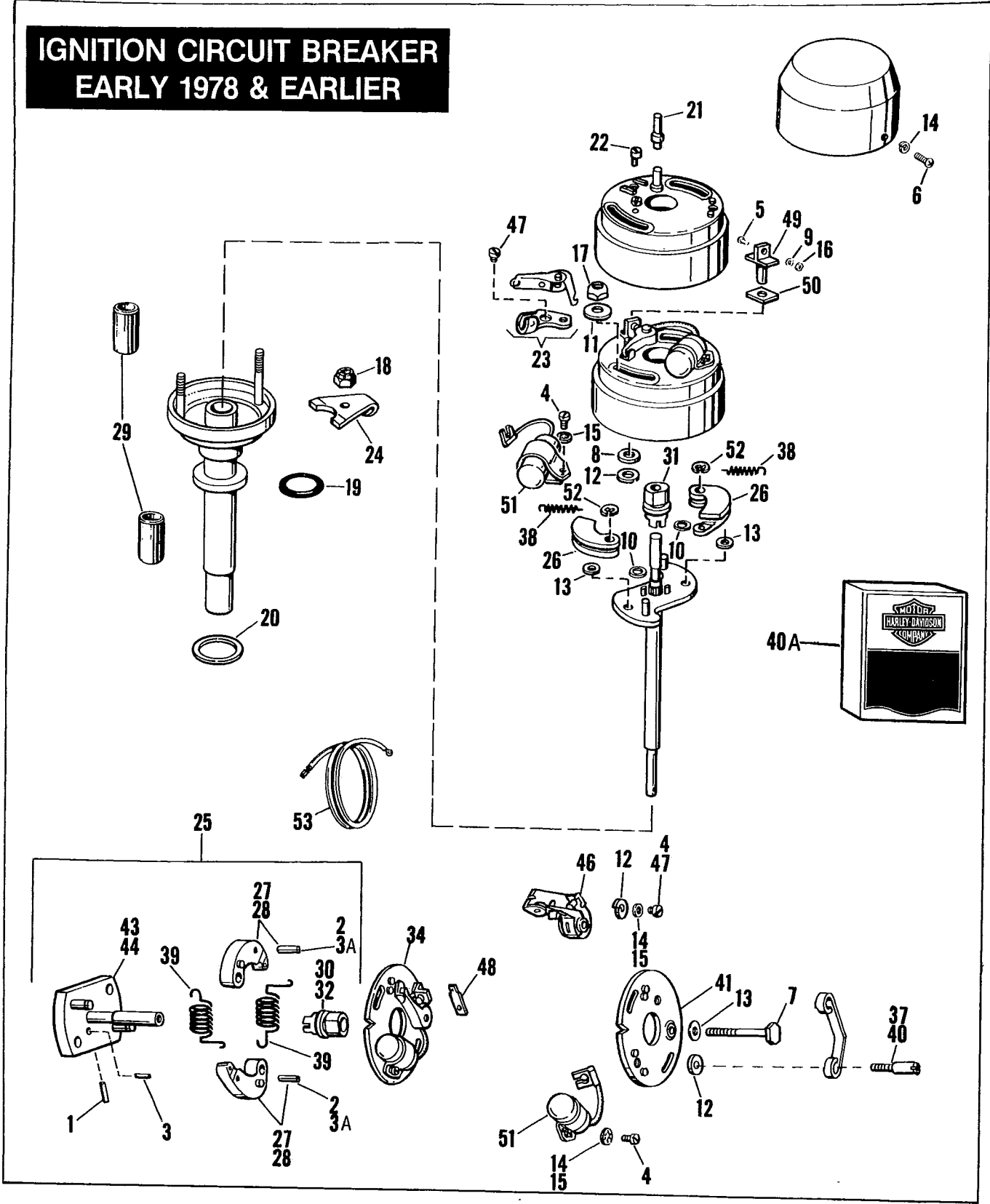


RETAIL PRICE	INDEX NO.	PART NO.	N A M E	USED ON
	1	1301	SCREW, No. 1/4-20 x 1-1/4 Pozidriv fil. hd.	80 — FLH, FLH-80
	2	1601	SCREW, No. 8-32 x 1/2 flat hd. (2)	80 to * — FLH, FLH-80, Classic
	3	2611B	SCREW, No. 10-32 x 1/2 hex. hd.	80 to * — FLH, FLH-80, Classic
	4	2659	SCREW, No. 10-24 x 7/8 Pozidriv pan hd. (2)	80 to * — FLH, FLH-80, Classic
	5	2661W	SCREW, No. 10-24 x 1/2 self tapping Phillips rd. hd.	80 to * — FLH, FLH-80, Classic
	6	2829	SCREW, 1/4-20 x 1-1/4 hex. socket hd. (self-locking)	80 & Early 81 — FLH, FLH-80, Classic
	7	3473	SCREW, No. 10-32 x 1/2 hex. washer hd. (2)	80 to * — FLH, FLH-80, Classic
	8	3826	BOLT, 1/4-28x1-1/4 hex. hd. (2)	Late 82 to * — FLH-80, Classic
		3842	BOLT, 1/4-28 x 1-1/2 hex. hd. (2)	80 to Early 82 — FLH, FLH-80, Classic
	9	4726	BOLT, 7/16-20 x 1-1/2 hex. hd.	80 to * — FLH, FLH-80, Classic
	10	6192	WASHER, No. 8 x 7/16 x 3/64 (2)	80 to 82 — FLH, FLH-80, Classic
		6194	WASHER, 13/64 x 7/16 x 1/64 (2)	83 to * — FLH-80
	11	6497HW	WASHER, 7/16 x 1-1/8 x 1/16 (as req'd.)	80 to * — FLH, FLH-80, Classic
	12	6516HW	WASHER, 7/16 x 1-1/8 x 1/8 (2)	80 to * — FLH, FLH-80, Classic
	13	6702	WASHER, 5/16 x 11/16 x 1/16 (2)	80 to Early 82 — FLH, FLH-80, Classic
	14	6703	WASHER, 1/4 x 5/8 x 1/16	80 to * — FL, FLH-80, Classic
	15	6716	WASHER, No. 10 x 1/2 x 3/64 (2; 4 - Late 84 & Later)	80 to * — FLH, FLH-80, Classic
	16	7036	LOCKWASHER, 1/4 (2)	Late 82 to * — FLH-80, Classic
		7038	LOCKWASHER, 3/8 (2)	80 to Early 82 — FLH, FLH-80, Classic
	17	7041	LOCKWASHER, 5/16 (2)	80 to Early 82 — FLH, FLH-80, Classic
	18	7069	LOCKWASHER, No. 10 (2)	80 to * — FLH, FLH-80, Classic
	19	7118	LOCKWASHER, No. 10 internal tooth (2)	80 to * — FLH, FLH-80, Classic
	20	7638	NUT, No. 10-32 x 1/8 x 3/8 hex. (2)	80 to * — FLH, FLH-80, Classic
	21	7683	LOCKNUT, 1/4-28 x 5/16 x 7/16 hex. (2)	80 to * — FLH, FLH-80, Classic
	22	7753	NUT, 5/16-24 x 1/4 x 1/2 hex. (2)	80 to Early 82 — FLH, FLH-80, Classic
	23	7825	LOCKNUT, 7/16-20 x 7/16 x 5/8 hex.	80 to * — FLH, FLH-80, Classic
	24	8115B	SPEED NUT, coil cover (2)	80 to * — FLH, FLH-80, Classic
	25	8699	POP RIVET, 3/16 x 3/8 x 3/8 dia. hd. (4)	80 to * — FLH, FLH-80, Classic
	26	9857	WIRE TERMINAL, ring type — No. 10 hole — #16-22 wire	80 to * — FLH, FLH-80, Classic
	27	9881	TERMINAL ADAPTER, spark coil	80 to * — FLH, FLH-80, Classic
	28	9900	CONNECTOR, wire	80 to * — FLH, FLH-80, Classic
	28A	9908	TERMINAL, spark plug cable (2)	80 to * — FLH, FLH-80, Classic
	29	9965W	CLAMP, ignition wire	80 & Early 81 — FLH, FLH-80, Classic
	30	10006	CABLE STRAP (3)	80 to * — FLH, FLH-80, Classic
	30A	10046	CLAMP, ignition wire	Late 81 to * — FLH-80, Classic
	31	31607—64	RUBBER CAP, spark plug cable (2)	80 to * — FLH, FLH-80, Classic
	32	31609—80	SPARK COIL	80 to * — FLH, FLH-80, Classic
	34	31727—72	PLATE, spark coil	80 to * — FLH, FLH-80, Classic
	35	31728—78A	BRACKET, spark coil	80 to Early 82 — FLH, FLH-80, Classic
	36	31800—78A	SPARK COIL COVER, includes item 7	80 to * — FLH, FLH-80, Classic
	37	31980—65B	SPARK PLUG CABLE, 5-1/2 in.	80 to * — FLH, FLH-80, Classic
	38	31981—65B	SPARK PLUG CABLE, 16 in.	80 to * — FLH, FLH-80, Classic
	39	32000—37A	BRACKET, spark plug cable	80 to * — FLH, FLH-80, Classic
	40	32311—83	SPARK PLUGS, bulk package 12 — 5R6A	80 to Early 82 — FLH, FLH-80, Classic
		32312—78A	SPARK PLUG, No. 5RL — 0.040 gap (2)	Late 82 to * — FLH-80, Classic
	41	32342—58	GASKET, spark plug (2)	80 to * — FLH, FLH-80, Classic
	42	32400—80A	SENSOR ASSEMBLY	80 to * — FLH, FLH-80, Classic
	43	32401—80	TRIGGER ROTOR	80 to 83 — FLH, FLH-80, Classic
		32402—83	TRIGGER ROTOR	84 to * — FLH-80
	44	32399—84	IGNITION MODULE ASSEMBLY	80 to * — FLH, FLH-80, Classic
	45	32504—80	INNER COVER, timer	80 to * — FLH, FLH-80, Classic
	46	32511—78	OUTER COVER, timer "No. 1"	80 to 82 — FLH, FLH-80, Classic
	46A	32521—83	OUTER COVER, timer	83 to * — FLH-80
	47	32591—80	GASKET, ignition timer	80 to * — FLH, FLH-80, Classic
	48	32606—82	STUD, timer plate (2)	80 to * — FLH-80, Classic
	50	72051—77	CONNECTOR, pin and socket	80 to * — FLH, FLH-80, Classic
	51	72341—56A	STUD, spark coil bracket to frame (2)	80 to Early 82 — FLH, FLH-80, Classic
	52	74536—77A	PIN, ignition module (2)	80 to * — FLH, FLH-80, Classic
	53	74539—77A	SOCKET, ignition module	80 to * — FLH, FLH-80, Classic
	54	83162—51	SEAL	80 to * — FLH, FLH-80, Classic

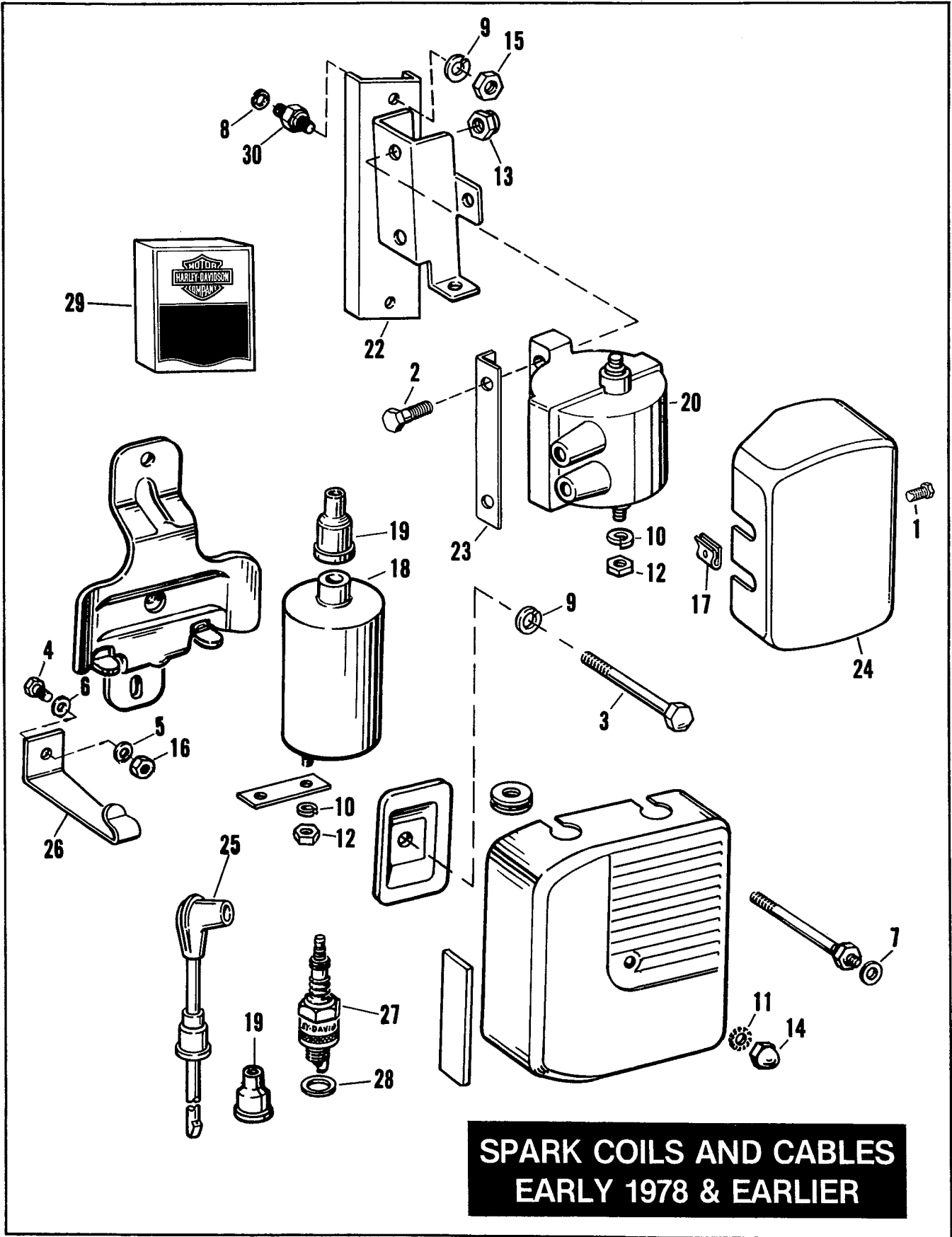


RETAIL PRICE	INDEX NO.	PART NO.	N A M E	USED ON
	1	615	ROLL PIN, plate	Late 78 & 79 — FLH, FLH-80, Classic
	2	620	ROLL PIN, weight (2)	Late 78 & 79 — FLH, FLH-80, Classic
	3	623	ROLL PIN, plate	Late 78 & 79 — FLH, FLH-80, Classic
	4	635	PIN, breaker weight (use w/32629—80) (2)	Late 78 & 79 — FLH, FLH-80, Classic
	5	1047	SCREW, No. 8-36 x 1/4 fil. hd.	Late 78 & 79 — FLH, FLH-80, Classic
	6	1301	SCREW, 1/4-20 x 1-1/4 Pozidriv fil. hd.	Late 78 & 79 — FLH, FLH-80, Classic
	7	2554	SCREW, No. 4-40 x 5/8 Pozidriv pan hd. (2)	Late 78 & 79 — FLH, FLH-80, Classic
	8	2646	SCREW, No. 8-32 x 3/4 Pozidriv pan hd. (2)	Late 78 & 79 — FLH, FLH-80, Classic
	9	3473	SCREW, No. 10-32 x 1/2 hex. washer hd. (2)	Late 78 & 79 — FLH, FLH-80, Classic
	10	3570T	SCREW, No. 10-32 x 2 hex. hd.	Late 78 & 79 — FLH, FLH-80, Classic
	11	3842	BOLT, 1/4-28 x 1-1/2 hex. hd. (2)	Late 78 & 79 — FLH, FLH-80, Classic
	12	4726	BOLT, 7/16-20 x 1-1/2 hex. hd.	Late 78 & 79 — FLH, FLH-80, Classic
	13	6006	WASHER, No. 4 x 1/4 x 1/32 (2)	Late 78 & 79 — FLH, FLH-80, Classic
	14	6192	WASHER, No. 8 x 7/16 x 3/64 (2)	Late 78 & 79 — FLH, FLH-80, Classic
	15	6497HW	WASHER, 7/16 x 1-1/8 x 1/16 (as req'd.)	Late 78 & 79 — FLH, FLH-80, Classic
	16	6516HW	WASHER, 7/16 x 1-1/8 x 1/8 (2)	Late 78 & 79 — FLH, FLH-80, Classic
	17	6969	LOCKWASHER, No. 4 (2)	Late 78 & 79 — FLH, FLH-80, Classic
	18	7038	LOCKWASHER, 3/8 (2)	Late 78 & 79 — FLH, FLH-80, Classic
	19	7041	LOCKWASHER, 5/16 (2)	Late 78 & 79 — FLH, FLH-80, Classic
	20	7069	LOCKWASHER, No. 10 (2)	Late 78 & 79 — FLH, FLH-80, Classic
	21	7118	LOCKWASHER, No. 10 internal tooth (2)	Late 78 & 79 — FLH, FLH-80, Classic
	22	7638	NUT, No. 10-32 x 1/8 x 3/8 hex. (2)	Late 78 & 79 — FLH, FLH-80, Classic
	23	7683	LOCKNUT, 1/4-28 x 5/16 x 7/16 hex. (2)	Late 78 & 79 — FLH, FLH-80, Classic
	24	7753	NUT, 5/16-24 x 1/4 x 1/2 hex. (2)	Late 78 & 79 — FLH, FLH-80, Classic
	25	7825	LOCKNUT, 7/16-20 x 7/16 x 5/8 hex.	Late 78 & 79 — FLH, FLH-80, Classic
	26	8115B	SPEED NUT, coil cover (2)	Late 78 & 79 — FLH, FLH-80, Classic
	27	9857	WIRE TERMINAL, ring type — No. 10 hole — #16-22 wire	Late 78 & 79 — FLH, FLH-80, Classic
	28	9881	TERMINAL ADAPTER, spark coil	Late 78 & 79 — FLH, FLH-80, Classic
	28A	9908	TERMINAL, spark plug cable	Late 78 & 79 — FLH, FLH-80, Classic
	29	9931	WIRE TERMINAL, female spade type, 3/16 slot, #16-20 wire	Late 78 & 79 — FLH, FLH-80, Classic
	30	10006	CABLE STRAP (3)	Late 78 & 79 — FLH, FLH-80, Classic
	31	31607—64	RUBBER CAP, spark plug cable (2)	Late 78 & 79 — FLH, FLH-80, Classic
	32	31609—65A	SPARK COIL	Late 78 & 79 — FLH, FLH-80, Classic
	34	31727—72	PLATE, spark coil	Late 78 & 79 — FLH, FLH-80, Classic
	35	31728—78A	BRACKET, spark coil	Late 78 & 79 — FLH, FLH-80, Classic
	36	31800—78A	SPARK COIL COVER, with hardware	Late 78 & 79 — FLH, FLH-80, Classic
	37	31980—65B	SPARK PLUG CABLE, 5-1/2"	Late 78 & 79 — FLH, FLH-80, Classic
	38	31981—65B	SPARK PLUG CABLE, 16"	Late 78 & 79 — FLH, FLH-80, Classic
	39	32000—37A	BRACKET, spark plug cable	Late 78 & 79 — FLH, FLH-80, Classic
	40	32311—83	SPARK PLUG, No. 5R6A (2)	Late 78 & 79 — FLH, FLH-80, Classic
	42	32342—58	GASKET, spark plug (2)	Late 78 & 79 — FLH, FLH-80, Classic
	43	32503—77	TIMER COVER, "No. 1"	Late 78 & 79 — FLH, FLH-80, Classic
	44	32505—78A	WEIGHT & ROTOR ASSEMBLY (Teflon coated)	Late 78 & 79 — FLH, FLH-80, Classic
	45	32522—70	WEIGHT & PIN (2)	Late 78 & 79 — FLH, FLH-80, Classic
	46	32522—80	WEIGHT & PIN (use with 32629—80) (2)	Late 78 & 79 — FLH, FLH-80, Classic
	47	32598—78	IGNITION MODULE ASSEMBLY	Late 78 & 79 — FLH, FLH-80, Classic
	48	32601—78	SCREW, timer plate (2)	Late 78 & 79 — FLH, FLH-80, Classic
	49	32602—78	TRIGGER ROTOR	N/A Late 78 & 79 — FLH, FLH-80, Classic
	50	32602—80	TRIGGER ROTOR (use with 32629—80)	Late 78 & 79 — FLH, FLH-80, Classic
	51	32605—70	SPRING, weight (2)	Late 78 & 79 — FLH, FLH-80, Classic
	53	32610—78	PLATE, timer	N/A Late 78 & 79 — FLH, FLH-80, Classic
	55	32629—70	SHAFT AND PLATE	Late 78 & 79 — FLH, FLH-80, Classic
	56	32629—80	SHAFT AND PLATE (Teflon coated)	Late 78 & 79 — FLH, FLH-80, Classic
	57	56609—52	CLAMP, ignition wire	Late 78 & 79 — FLH, FLH-80, Classic
	58	71774—77	INSULATOR, female spade terminal	N/A Late 78 & 79 — FLH, FLH-80, Classic
	59	72341—56A	STUD, spark coil bracket to frame (2)	Late 78 & 79 — FLH, FLH-80, Classic
	60	83162—51	SEAL	Late 78 & 79 — FLH, FLH-80, Classic

IGNITION CIRCUIT BREAKER EARLY 1978 & EARLIER



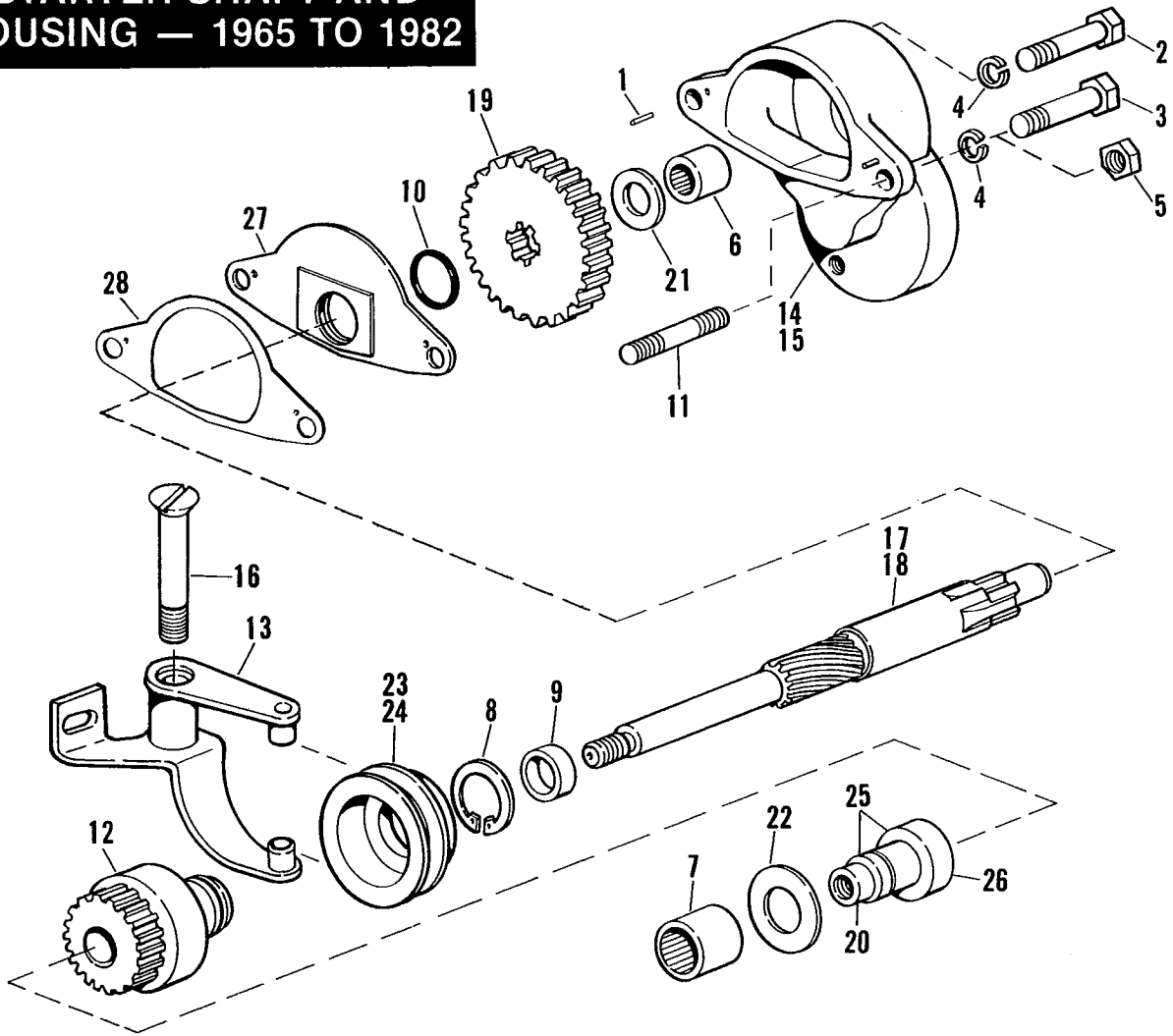
RETAIL PRICE	INDEX NO.	PART NO.	N A M E	USED ON
	1	615	ROLL PIN, breaker plate	70 to Early 78 — FL, FLH
	2	620	ROLL PIN, breaker weight (2)	70 to Early 78 — FL, FLH
	3	623	ROLL PIN, breaker plate	70 to Early 78 — FL, FLH
	3A	635	PIN, breaker weight, use w/32629—80 (2)	70 to Early 78 — FL, FLH
	4	1047	SCREW, No. 8-36 x 1/4 fil. hd. (2 — Late 72 and later)	61 to Early 78 — FL, FLH
	5	2585	SCREW, No. 8-32 x 5/16 Pozidriv pan hd. (3)	47 to 69 — FL, FLH
	6	2594	SCREW, No. 8-32 x 1/4 Pozidriv pan hd.	65 to 69 — FL, FLH
	7	3570T	SCREW, timer	70 to Early 78 — FL, FLH
	8	6106	FIBER WASHER, No. 8 x 1/2 x 1/16 (2)	N/A 41 to 69 — FL, FLH
	9	6156	WASHER, 13/64 x 3/8 x 1/32	49 to 69 — FL, FLH
	10	6165W	WASHER, 3/16 x 3/8 x 1/32 (2)	65 to 69 — FL, FLH
	11	6182W	WASHER, No. 10 x 7/16 x 1/32 (2)	65 to 69 — FL, FLH
	12	6189W	WASHER, 11/64 x 13/32 x 1/32 (2)	65 to Early 70 — FL, FLH; Late 72 to Early 78 — FL, FLH
	13	6335	WASHER, No. 4 x 5/16 x 1/32 (2)	65 to 69 — FL, FLH
	14	7015	LOCKWASHER, No. 8	48 to 69 — FL, FLH
	15	7115	LOCKWASHER, No. 8, internal tooth (2 — Late 72 and later)	61 to Early 78 — FL, FLH
	16	7608	NUT, No. 8-32 x 1/8 x 5/16 hex.	48 to 69 — FL, FLH
	17	7626W	LOCKNUT, No. 10-32 x 3/16 x 3/8 hex. (2)	65 to 69 — FL, FLH
	18	7683	LOCKNUT, 1/4-28 x 5/16 x 7/16 hex.	66 to 69 — FL, FLH
	19	11101	O-RING, circuit breaker housing	66 to 69 — FL, FLH
	20	29603—48	OIL SEAL, breaker stem	65 — FL, FLH
	21	30505—47	PIN, circuit breaker wire	N/A 47 to 69 — FL, FLH
	22	30507—47A	ECCENTRIC SCREW, breaker points	N/A 47 to Early 63; 65 to 69 — FL, FLH
	23	30605—48A	BREAKER POINT SET	48 to 69 — FL, FLH
	24	32516—66	CLAMP, circuit breaker	N/A 66 to 69 — FL, FLH
	25	32517—70	WEIGHT AND CAM ASSEMBLY (Teflon coated)	70 to Early 78 — FL, FLH
			Consists of:	
			32522—80 WEIGHT & PIN (2)	
			32533—70 CAM	
			32605—70 SPRING (2)	
			32629—80 SHAFT AND PLATE (Teflon coated)	
	26	32522—67	WEIGHT & PIN, breaker assembly (2)	N/A 67 to 69 — FL, FLH
	27	32522—70	WEIGHT & PIN, breaker assembly (2)	70 to Early 78 — FL, FLH
	28	32522—80	WEIGHT & PIN (use w/32629—80) (2)	70 to Early 78 — FL, FLH
	29	32525—36A	BUSHING, breaker housing (2)	N/A 41 to 69 — FL, FLH
	30	32533—70	CAM, circuit breaker (use w/32629—80) (2)	70 to Early 78 — FL, FLH
	31	32542—64A	CAM	N/A 65 to 69 — FL, FLH
	32	32542—70A	CAM, circuit breaker	70 to Early 78 — FL, FLH
	34	32577—70	CIRCUIT BREAKER BASE ASSEMBLY	70 to Early 78 — FL, FLH
	37	32601—78	SCREW, ignition breaker plate (2)	Late 72 to Early 78 — FL, FLH
	38	32605—67	SPRING, breaker weight (2)	N/A 67 to Early 69 — FL, FLH
		32605—69	SPRING, breaker weight (2)	N/A Late 69 — FL, FLH
	39	32605—70	SPRING, breaker weight (2)	70 to Early 78 — FL, FLH
	40	32607—70	STUD, ignition breaker plate (2)	N/A Early 70 — FL, FLH
		32608—70	STUD, ignition breaker plate (2)	Late 70 to Early 72 — FL, FLH
	40A	32609—78	ELECTRONIC IGNITION CONVERSION KIT	N/A 70 to Early 78 — FL, FLH
	41	32618—70A	BASE, circuit breaker	70 to Early 78 — FL, FLH
	43	32629—70	SHAFT AND PLATE	70 to Early 78 — FL, FLH
	44	32629—80	SHAFT AND PLATE (Teflon coated)	70 to Early 78 — FL, FLH
	46	32661—70	BREAKER POINT SET	70 to Early 78 — FL, FLH
	47	32669—47	LOCK SCREW, breaker points	N/A 49 to Early 63; 65 to Early 72 — FL, FLH
	48	32670—70	ADAPTER, terminal — circuit breaker	70 to Early 78 — FL, FLH
	49	32676—64	PIN, circuit breaker wire	N/A 65 to 69 — FL, FLH
	50	32678—49	INSULATOR, wire stud	N/A 49 to 69 — FL, FLH
	51	32726—30A	CONDENSER AND BRACKET	41 to Early 78 — FL, FLH
	52	62150—50	RETAINING RING, breaker plate (2)	N/A 65 & 66 — FL, FLH
	53	70456—73	WIRE, circuit breaker to coil	70 to Early 78 — FL, FLH



**SPARK COILS AND CABLES
EARLY 1978 & EARLIER**

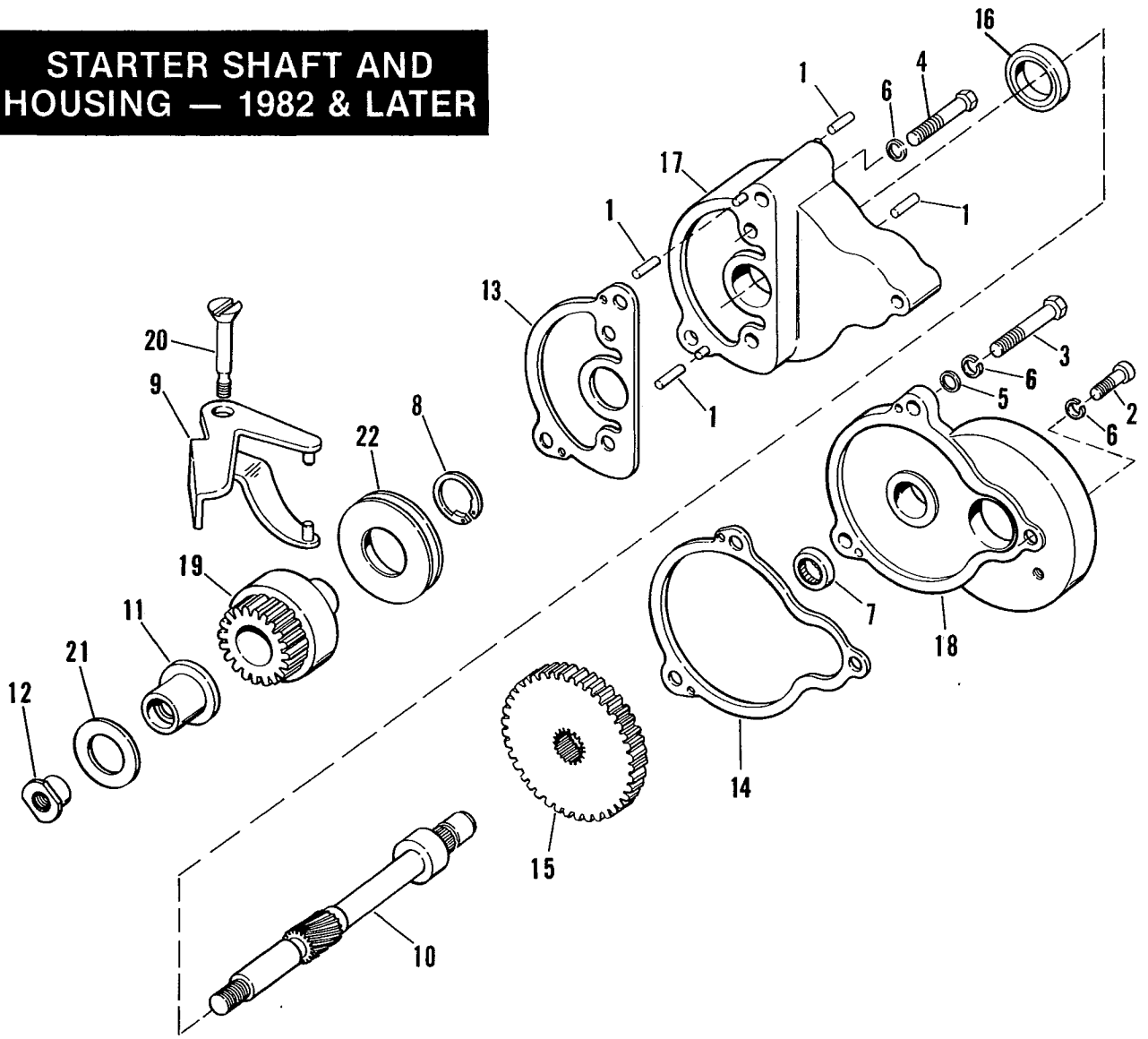
RETAIL PRICE	INDEX NO.	PART NO.	N A M E	USED ON
	1	3473	BOLT, No. 10-32 x 1/2 hex. washer hd. (2)	65 to Early 78 — FL, FLH
	2	3842	BOLT, 1/4-28 x 1-1/2 hex. hd. (2)	65 to Early 78 — FL, FLH
	3	4725	BOLT, 5/16-24 x 2-3/4 hex. hd.	61 to Early 78 — FL, FLH
	4	4726	BOLT, 7/16-20 x 1-1/2 hex. hd.	66 to Early 78 — FL, FLH
	5	6497HW	WASHER, 7/16 x 1-1/8 x 1/16	66 to Early 78 — FL, FLH
	6	6516HW	WASHER, 7/16 x 1-1/8 x 1/8	66 to Early 78 — FL, FLH
	7	6703	WASHER, 1/4 x 5/8 x 1/16	61 to 64 — FL, FLH
	8	7038	LOCKWASHER, 3/8 (2)	65 to Early 78 — FL, FLH
	9	7041	LOCKWASHER, 5/16 (2)	61 to 64 — FL, FLH
	10	7069	LOCKWASHER, No. 10 (2)	61 to 64 — FL, FLH
	11	7230	LOCKWASHER, 1/4 ext. tooth	61 to 64 — FL, FLH
	12	7638	NUT, No. 10-32 x 1/8 x 3/8 hex. (2)	61 to Early 78 — FL, FLH
	13	7683	LOCKNUT, 1/4-28 x 5/16 x 7/16 hex. (2)	65 to Early 78 — FL, FLH
	14	7684	ACORN NUT, 1/4-28 x 3/16 x 3/8 hex.	61 to 64 — FL, FLH
	15	7753	NUT, 5/16-24 x 1/4 x 1/2 hex. (2)	65 to Early 78 — FL, FLH
	16	7825	LOCKNUT, 7/16-20 x 7/16 x 5/8 hex.	66 to Early 78 — FL, FLH
	17	8115B	SPEED NUT, coil cover (2)	65 to Early 78 — FL, FLH
	18	31604—61	SPARK COIL — 6 V. (2)	N/A 61 to 64 — FL, FLH
	19	31607—64	RUBBER CAP, spark plug cables (2)	65 to Early 78 — FL, FLH
	20	31609—65A	SPARK COIL — 12 V.	65 to Early 78 — FL, FLH
	21	31620—47	TERMINAL, spark plug cable	N/A 61 to Early 78 — FL, FLH
	22	31724—65	BRACKET, spark coil	65 to Early 78 — FL, FLH
	23	31727—72	PLATE, spark coil	65 to Early 78 — FL, FLH
	24	31800—78A	SPARK COIL COVER, with hardware	65 to Early 78 — FL, FLH
	25	31980—65B	SPARK PLUG CABLE, 5-1/2"	75 to Early 78 — FL, FLH
		31981—65B	SPARK PLUG CABLE, 16"	75 to Early 78 — FL, FLH
		31991—74A	SPARK PLUG CABLE, 9-1/2"	N/A 65 to Early 78 — FL, FLH
	26	32000—37A	BRACKET, spark plug cable	66 to Early 78 — FL, FLH
	27	32301—47A	SPARK PLUG, No. 4	48 to 74 — FL, FLH
		32301—60	SPARK PLUG, No. 3-4	48 to 74 — FL, FLH
		32303—47A	SPARK PLUG, No. 3	48 to 74 — FL, FLH
		32305—48A	SPARK PLUG, No. 2	N/A 48 to 74 — FL, FLH
		32307—58	SPARK PLUG, No. 5	58 to 74 — FL, FLH
		32310—77	SPARK PLUG, No. 5A6 — 0.025 gap (2)	75 to Early 78 — FL, FLH
		32310—77X	SPARK PLUGS, bulk package 500 - No. 5A6	N/A 77 & Early 78 — FL, FLH
		32312—77	SPARK PLUG, No. 5R6 - 0.025 gap (radio noise suppression) (2)	Late 77 to Early 78 — FL, FLH
	28	32342—58	GASKET, spark plug	Late 58 to Early 78 — FL, FLH
	29	32352—77	TUNE UP KIT	41 to 69 — FL, FLH
			Consists of:	
		30605—48A	BREAKER POINT SET	
		32301—60	SPARK PLUG, No. 3-4 (2)	
		32726—30A	CONDENSER AND BRACKET	
		32353—77	TUNE UP KIT	70 to 74 — FL, FLH
			Consists of	
		32301—60	SPARK PLUG, No. 3-4 (2)	
		32661—70	BREAKER POINT SET	
		32726—30A	CONDENSER AND BRACKET	
		32354—77	TUNE UP KIT	75 to Early 78 — FL, FLH
			Consists of:	
		32310—77	SPARK PLUG, No. 5A6 (2)	
		32661—70	BREAKER POINT SET	
		32726—30A	CONDENSER AND BRACKET	
	30	72341—56A	STUD, spark coil bracket to frame (2)	65 to Early 78 — FL, FLH

STARTER SHAFT AND HOUSING — 1965 TO 1982



RETAIL PRICE	INDEX NO.	PART NO.	N A M E	USED ON
	1	334A	ROLL PIN, starter shaft housing (2)	65 to 82 — FL, FLH, FLH-80; 79 to 81 — Classic
	2	2551W	BOLT, 1/4-20 x 1 hex. hd.	79 to 82 — FL, FLH, FLH-80; 79 to 81 — Classic
	3	2872W	BOLT, 1/4-20 x 1-1/2 hex. hd.	79 to 82 — FL, FLH, FLH-80; 79 to 81 — Classic
	4	7036	LOCKWASHER, 1/4 (2)	65 to 82 — FL, FLH, FLH-80; 79 to 81 — Classic
	5	7676	NUT, 1/4-28 x 3/16 x 7/16 hex. (2)	65 to 82 — FL, FLH, FLH-80; 79 to 81 — Classic
	6	9062	NEEDLE BEARING, starter shaft housing	65 to 82 — FL, FLH, FLH-80; 79 to 81 — Classic
	7	9063	NEEDLE BEARING, chain housing cover	65 to 82 — FL, FLH, FLH-80; 79 to 81 — Classic
	8	11039	RETAINING RING, shifter collar	65 to 82 — FL, FLH, FLH-80; 79 to 81 — Classic
	9	11041	SPACER, starter shaft	65 to 82 — FL, FLH, FLH-80; 79 to 81 — Classic
	10	11101	O-RING, deflector plate	Late 65 to 82 — FL, FLH, FLH-80; 79 to 81 — Classic
	11	24811—59A	STUD, starter shaft housing (2)	N/A 65 to 78 — FL, FLH, FLH-80
	12	31443—65A	STARTER DRIVE GEAR UNIT	65 to 82 — FL, FLH, FLH-80; 79 to 81 — Classic
	13	31445—65A	SHIFT LEVER, starter gear	65 to 82 — FL, FLH, FLH-80; 79 to 81 — Classic
	14	31465—65	STARTER SHAFT HOUSING, with bearing (Prestolite)	65 to Early 79 — FL, FLH, FLH-80, Classic
	15	31465—79	STARTER SHAFT HOUSING, with bearing (Prestolite) (plate shifter transmission)	Late 79 to 82 — FL, FLH, FLH-80; Late 79 to 81 — Classic
	16	31478—65A	PIVOT BOLT, shift lever	65 to 82 — FL, FLH, FLH-80; 79 to 81 — Classic
	17	31482—65	STARTER SHAFT	65 to 69 — FL, FLH
	18	31482—70	STARTER SHAFT	70 to 82 — FL, FLH, FLH-80; 79 to 81 — Classic
	19	31485—65	GEAR, starter shaft	65 to 82 — FL, FLH, FLH-80; 79 to 81 — Classic
	20	31493—67	NUT, starter shaft (left hand thread)	65 to 82 — FL, FLH, FLH-80; 79 to 81 — Classic
	21	31501—65	THRUST WASHER, starter shaft housing	65 to 71 — FL, FLH
	22	31502—65	THRUST WASHER, chain cover	65 to 82 — FL, FLH, FLH-80; 79 to 81 — Classic
	23	31503—65	SHIFTER COLLAR	65 to 69 — FL, FLH
	24	31503—70	SHIFTER COLLAR	70 to 82 — FL, FLH, FLH-80; 79 to 81 — Classic
	26	31531—69	SPACER	65 to 82 — FL, FLH, FLH-80; 79 to 81 — Classic
	27	60516—65A	PLATE, oil deflector	65 to 82 — FL, FLH, FLH-80; 79 to 81 — Classic
	28	60559—80	GASKET, oil deflector plate	80 to 82 — FL, FLH, FLH-80; 80 & 81 — Classic

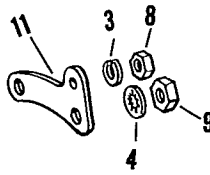
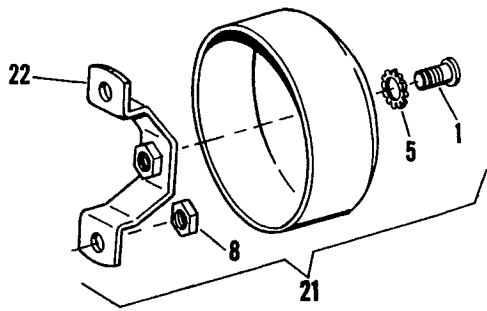
STARTER SHAFT AND HOUSING — 1982 & LATER



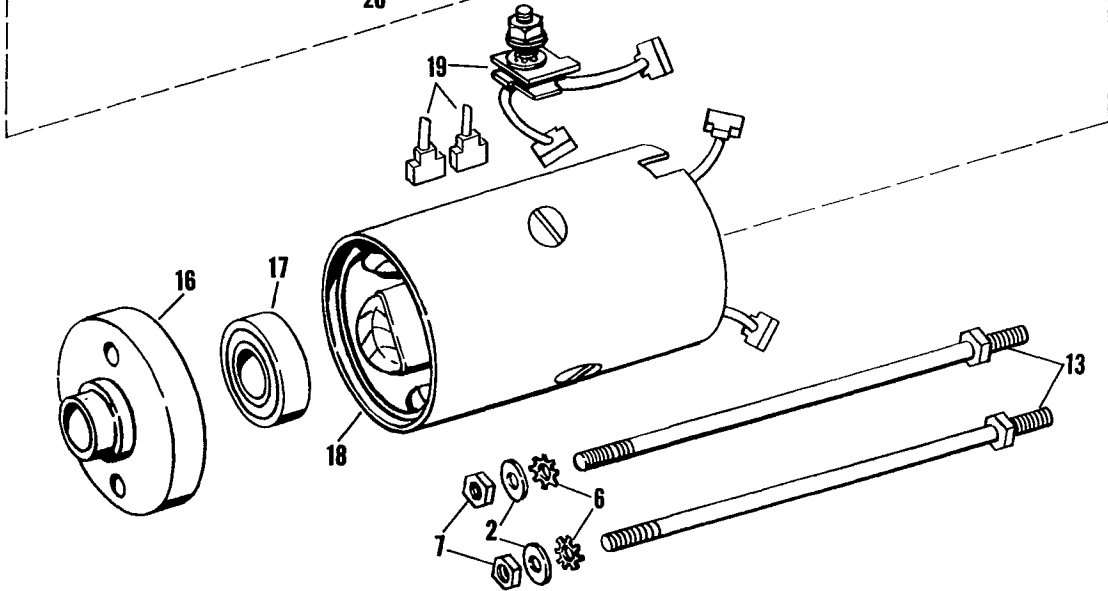
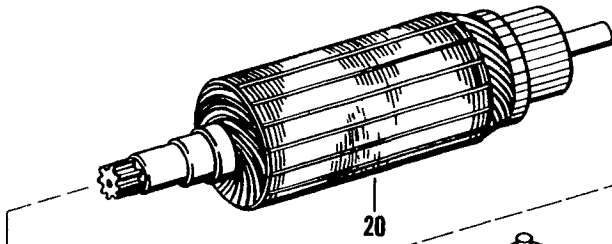
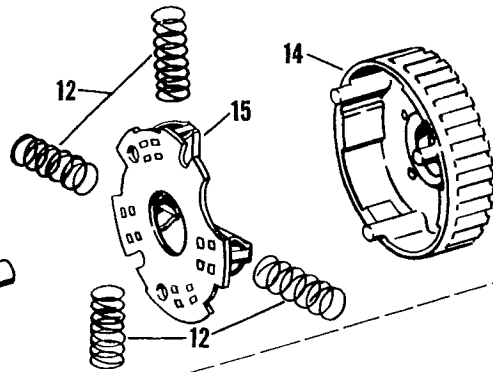
STARTER SHAFT AND HOUSING — CLASSIC - 1982; FLH-80 - 1983 & LATER

A18A

RETAIL PRICE	INDEX NO.	PART NO.	N A M E	USED ON
	1	334A	ROLL PIN, starter shaft housing (4)	82 — Classic; 83 to * — FLH-80
	2	2825W	SCREW, 1/4-20 x 1 socket hd.	82 — Classic; 83 to * — FLH-80
	3	3768	BOLT, 1/4-20 x 2-1/2 hex. hd. (2)	82 — Classic; 83 to * — FLH-80
	4	3993	BOLT, 1/4-20 x 1-1/4 hex. hd. (2)	82 — Classic; 83 to * — FLH-80
	5	6703	WASHER, 1/4 x 5/8 x 1/16 (2)	82 — Classic; 83 to * — FLH-80
	6	7036	LOCKWASHER, 1/4 (4)	82 — Classic; 83 to * — FLH-80
	7	9062	NEEDLE BEARING, starter shaft housing	82 — Classic; 83 to * — FLH-80
	8	11039	RETAINING RING, shifter collar	82 — Classic; 83 to * — FLH-80
	9	31300—80A	SHIFTER LEVER KIT, starter gear	82 — Classic; 83 to * — FLH-80
	10	31310—80A	STARTER SHAFT	82 — Classic; 83 to * — FLH-80
	11	31311—80	SPACER, starter shaft	82 — Classic; 83 to * — FLH-80
	12	31312—80	NUT, starter shaft	82 — Classic; 83 to * — FLH-80
	13	31320—80	GASKET, starter shaft housing	82 — Classic; 83 to * — FLH-80
	14	31321—80	GASKET, starter cover	82 — Classic; 83 to * — FLH-80
	15	31340—80	GEAR, starter shaft	82 — Classic; 83 to * — FLH-80
	16	31341—80	OIL SEAL, starter shaft housing	82 — Classic; 83 to * — FLH-80
	17	31387—80	STARTER SHAFT HOUSING	82 — Classic; 83 to * — FLH-80
	18	31397—80	STARTER COVER	82 — Classic; 83 to * — FLH-80
	19	31443—65A	STARTER DRIVE GEAR UNIT	82 — Classic; 83 to * — FLH-80
	20	31478—65A	PIVOT BOLT, shift lever	82 — Classic; 83 to * — FLH-80
	21	31502—65	THRUST WASHER, chain cover	82 — Classic; 83 to * — FLH-80
	22	31503—65	SHIFTER COLLAR	82 — Classic; 83 to * — FLH-80



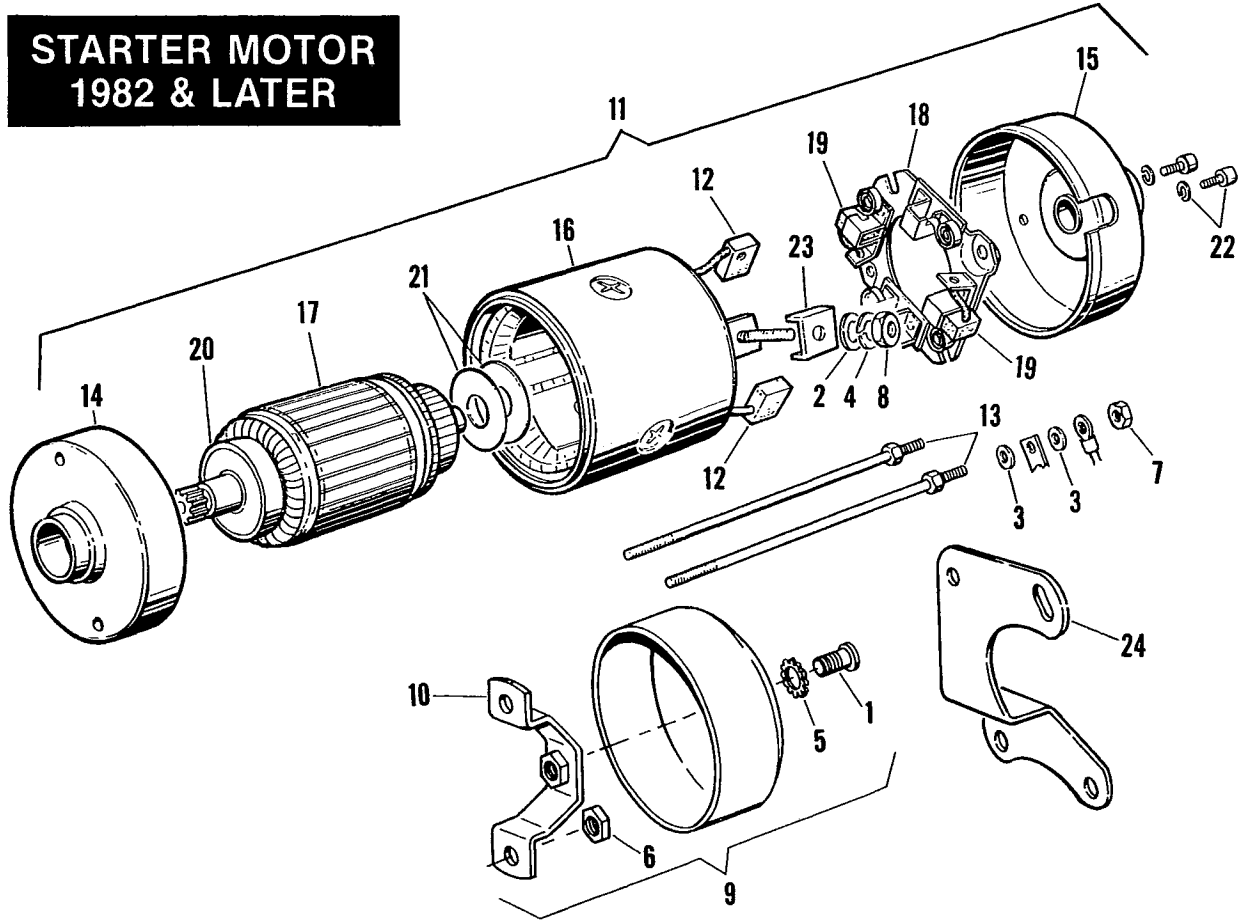
**STARTER MOTOR
LATE 1966 TO 1982**



STARTER MOTOR — LATE 1966 TO 1982

RETAIL PRICE	INDEX NO.	PART NO.	N A M E	USED ON
	1	2682	SCREW, No. 10-32 x 3/8 Phillips hd.	Late 66 to 82 — FL, FLH, FLH-80; 79 to 81 — Classic
	2	6253W	WASHER, 1/4 x 3/4 x 1/16 (2)	Late 66 to 78 — FL, FLH, FLH-80
		6703	WASHER, 1/4 x 5/8 x 1/16 (2)	79 to 82 — FL, FLH, FLH-80; 79 to 81 — Classic
	3	7036	LOCKWASHER, 1/4	Late 66 to 82 — FL, FLH, FLH-80; 79 to 81 — Classic
	4	7127	LOCKWASHER, 5/16 internal tooth	Late 66 to 82 — FL, FLH, FLH-80; 79 to 81 — Classic
	5	7220	LOCKWASHER, No. 10 external tooth	Late 66 to 82 — FL, FLH, FLH-80; 79 to 81 — Classic
	6	7230	LOCKWASHER, 1/4 external tooth (2)	Late 66 to 82 — FL, FLH, FLH-80; 79 to 81 — Classic
	7	7676	NUT, 1/4-28 x 7/32 x 7/16 hex. (2)	Late 66 to 82 — FL, FLH, FLH-80; 79 to 81 — Classic
	8	7688	NUT, 1/4-20 x 7/32 x 7/16 hex. (3)	Late 66 to 82 — FL, FLH, FLH-80; 79 to 81 — Classic
	9	7753	NUT, 5/16-24 x 17/64 x 1/2	Late 66 to 82 — FL, FLH, FLH-80; 79 to 81 — Classic
	9A	9073	BALL BEARING, drive end	Late 66 to 82 — FL, FLH, FLH-80; 79 to 81 — Classic
	10	31458—66A	STARTER MOTOR, only (Prestolite)	N/A Late 66 to 82 — FL, FLH, FLH-80; 79 to 81 — Classic
	11	31476—66	BRACKET, starter motor	Late 66 to 82 — FL, FLH, FLH-80; 79 to 81 — Classic
	12	31534—66	SET OF BRUSH SPRINGS	Late 66 to 82 — FL, FLH, FLH-80; 79 to 81 — Classic
	13	31535—66	SET OF THRU-BOLTS	N/A Late 66 to 82 — FL, FLH, FLH-80; 79 to 81 — Classic
	14	31536—66	COVER ASSEMBLY, commutator end	N/A Late 66 to 82 — FL, FLH, FLH-80; 79 to 81 — Classic
	15	31537—66	BRUSH PLATE AND HOLDER ASSEMBLY	N/A Late 66 to 82 — FL, FLH, FLH-80; 79 to 81 — Classic
	16	31538—66	COVER ASSEMBLY, drive end	Late 66 to 82 — FL, FLH, FLH-80; 79 to 81 — Classic
	18	31540—66	FRAME AND FIELD COILS, assembled	N/A Late 66 to 82 — FL, FLH, FLH-80; 79 to 81 — Classic
	19	31541—66	SET OF FOUR BRUSHES	Late 66 to 82 — FL, FLH, FLH-80; 79 to 81 — Classic
	20	31542—66	ARMATURE	Late 66 to 82 — FL, FLH, FLH-80; 79 to 81 — Classic
	21	31565—67	END COVER KIT, starter	Late 66 to 82 — FL, FLH, FLH-80; 79 to 81 — Classic
	22	31568—67	BRACKET, end cover	Late 66 to 82 — FL, FLH, FLH-80; 79 to 81 — Classic

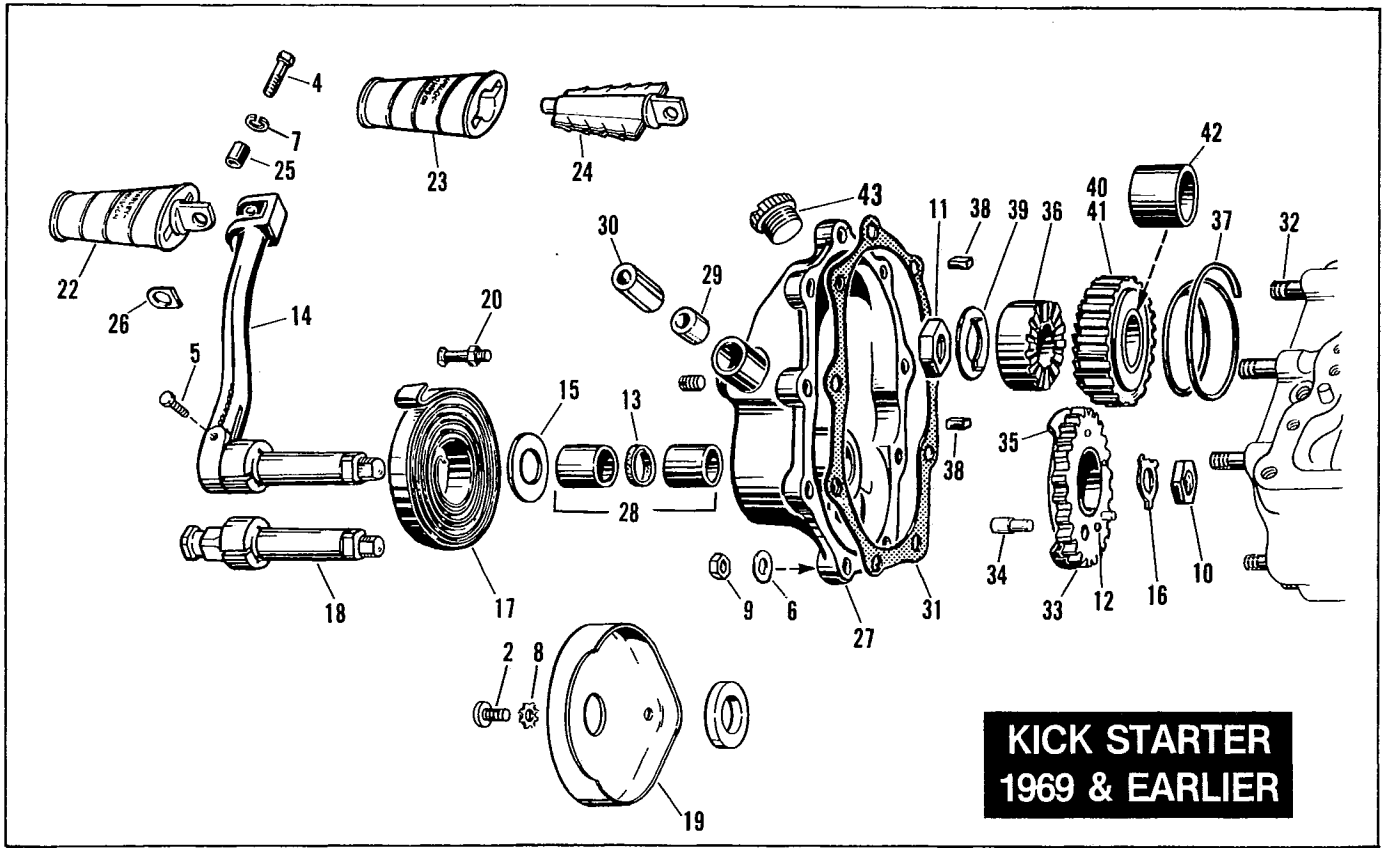
STARTER MOTOR 1982 & LATER



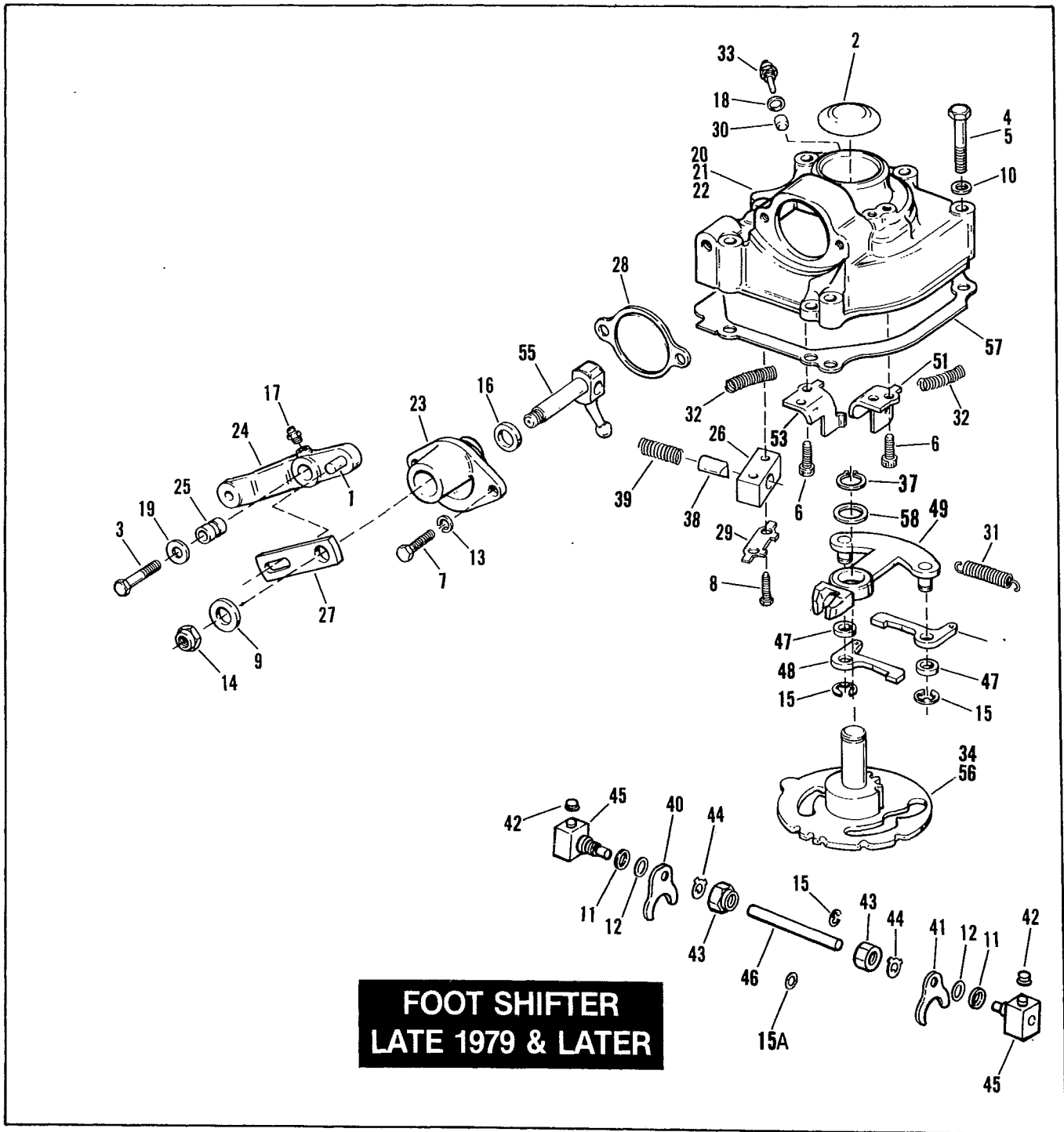
STARTER MOTOR — CLASSIC - 1982; FLH-80 - 1983 & LATER

A19A

RETAIL PRICE	INDEX NO.	PART NO.	N A M E	USED ON
	1	2682	SCREW, No. 10-32 x 3/8 Phillips hd.	82 — Classic; 83 to * — FLH-80
	2	6703	WASHER, 1/4 x 5/8 x 1/16 (2)	82 — Classic; 83 to * — FLH-80
	3	6716	WASHER, No. 10 x 1/2 x 3/64 (2)	82 — Classic; 83 to * — FLH-80
	4	7036	LOCKWASHER, 1/4	82 — Classic; 83 to * — FLH-80
	5	7220	LOCKWASHER, No. 10 external tooth	82 — Classic; 83 to * — FLH-80
	6	7620W	NUT, No. 10-24x1/8x3/8 hex. (2)	82 — Classic; 83 to * — FLH-80
	7	7624	NUT, No. 10-24 x 1/4 x 3/8 hex. (2)	82 — Classic; 83 to * — FLH-80
	8	7688	NUT, 1/4-20 x 7/32 x 7/16 hex. (3)	82 — Classic; 83 to * — FLH-80
	9	31499—83	BRACKET, starter motor support	Late 84 to * — FLH-80
	9A	31565—67	END COVER KIT, starter	82 — Classic; 83 to * — FLH-80
	10	31568—67	BRACKET, end cover	82 — Classic; 83 to * — FLH-80
	11	31570—73	STARTER MOTOR, only (Hitachi)	82 — Classic; 83 to * — FLH-80
	12	31575—73	BRUSH, field coil mounted (2)	82 — Classic; 83 to * — FLH-80
	13	31576—73	SET OF THRU-BOLTS	82 — Classic; 83 to * — FLH-80
	14	31577—73	COVER, drive end	82 — Classic; 83 to * — FLH-80
	15	31578—73	COVER, commutator end — with bushing	82 — Classic; 83 to * — FLH-80
	16	31579—73	FRAME AND FIELD COILS, with 2 brushes	82 — Classic; 83 to * — FLH-80
	17	31580—73	ARMATURE, with ball bearing	82 — Classic; 83 to * — FLH-80
	18	31581—73	BRUSH HOLDER, with 4 springs & 2 brushes	82 — Classic; 83 to * — FLH-80
	19	31582—73	BRUSH (2)	82 — Classic; 83 to * — FLH-80
	20	31583—73	BALL BEARING, armature drive end	82 — Classic; 83 to * — FLH-80
	21	31584—73	SET OF THRUST WASHERS, armature commutator end ...	82 — Classic; 83 to * — FLH-80
	22	31585—73	SCREW, with lockwasher (2)	82 — Classic; 83 to * — FLH-80
	23	31586—73	INSULATOR, terminal	82 — Classic; 83 to * — FLH-80
	24	66098—82	BRACKET, starter motor support	82 — Classic; 83 & Early 84 — FLH-80



RETAIL PRICE	INDEX NO.	PART NO.	N A M E	USED ON
	2	2664	SCREW, No. 10-24 x 7/16 Pozidriv hd.	41 to 69 — FL, FLH
	4	4336W	BOLT, 3/8-24 x 1-1/8 hex. hd.	41 to 69 — FL, FLH
	5	4411	BOLT, 3/8-24 x 1-3/4 hex. hd.	41 to 69 — FL, FLH
	6	6016	WASHER, 11/32 x 11/16 x 1/16 (9)	41 to 69 — FL, FLH
	7	7038	LOCKWASHER, 3/8	41 to 69 — FL, FLH
	8	7220	LOCKWASHER, No. 10 external tooth	41 to 69 — FL, FLH
	9	7753	NUT, 5/16-24 x 1/4 x 1/2 hex. (9)	41 to 69 — FL, FLH
	10	7911	NUT, 1/2-20 x 7/16 x 7/8 hex.	41 to 69 — FL, FLH
	11	7977	NUT, 5/8-18 x 1/4 x 9/16 hex.	41 to 69 — FL, FLH
	12	8241	RIVET, 3/16 x 5/32 (3)	41 to 69 — FL, FLH
	13	11101	O-RING	41 to 69 — FL, FLH
	14	33068—54	STARTER CRANK, only (black)	N/A 54 to 69 — FL, FLH
	15	33080—36	WASHER, starter crank	41 to 69 — FL, FLH
	16	33082—16	LOCKWASHER, starter crank (2)	41 to 69 — FL, FLH
	17	33085—36	SPRING, starter crank	41 to 69 — FL, FLH
	18	33096—54B	STARTER CRANK SHAFT	54 to 69 — FL, FLH
	19	33150—59	SPRING COVER KIT, complete	41 to 69 — FL, FLH
	20	33152—59	STUD, starter spring w/spring cover screw hole	41 to 69 — FL, FLH
	22	33175—16A	STARTER PEDAL, complete (black rubber)	41 to 67 — FL, FLH
	23	33182—63A	PEDAL COVER, starter (black)	63 to 67 — FL, FLH
	24	33202—63	AXLE PLATE, starter crank pedal	N/A 63 to 69 — FL, FLH
	25	33213—31	BUSHING, pedal pin	41 to 69 — FL, FLH
	26	33215—30	WASHER, pedal pin	41 to 69 — FL, FLH
	27	33277—36A	STARTER COVER, transmission	41 to 69 — FL, FLH
	28	33288—37	BUSHINGS, pair, starter cover	41 to 69 — FL, FLH
	29	33290—38	LOWER BUSHING, starter cover	41 to 69 — FL, FLH
	30	33291—36	UPPER BUSHING, starter cover	41 to 69 — FL, FLH
	31	33295—36	GASKET, starter cover	41 to 69 — FL, FLH
	32	33298—65	STUD, starter cover (9)	65 to 69 — FL, FLH
	33	33350—36	GEAR, starter crank — 24 T.	41 to 69 — FL, FLH
	34	33355—36	PIN, starter crank gear	N/A 41 to 69 — FL, FLH
	35	33358—36	CAM PLATE, starter crank gear	41 to 69 — FL, FLH
	36	33381—39	STARTER CLUTCH	41 to 69 — FL, FLH
	37	33391—36	SPRING, starter clutch	41 to 69 — FL, FLH
	38	33393—50	KEY, starter clutch (2)	41 to 69 — FL, FLH
	39	33396—39	LOCKWASHER, starter clutch	41 to 69 — FL, FLH
	40	33430—50	STARTER GEAR, mainshaft — 16 T.	67 to 69 — FL, FLH
	41	33430—59	STARTER GEAR, mainshaft — 14 T.	Late 59 to 66 — FL, FLH
	42	33438—50	BUSHING, mainshaft starter gear	Late 50 to 69 — FL, FLH
	43	37072—79	FILLER PLUG, starter cover	41 to 69 — FL, FLH



FOOT SHIFTER — LATE 1979 & LATER

A22-1

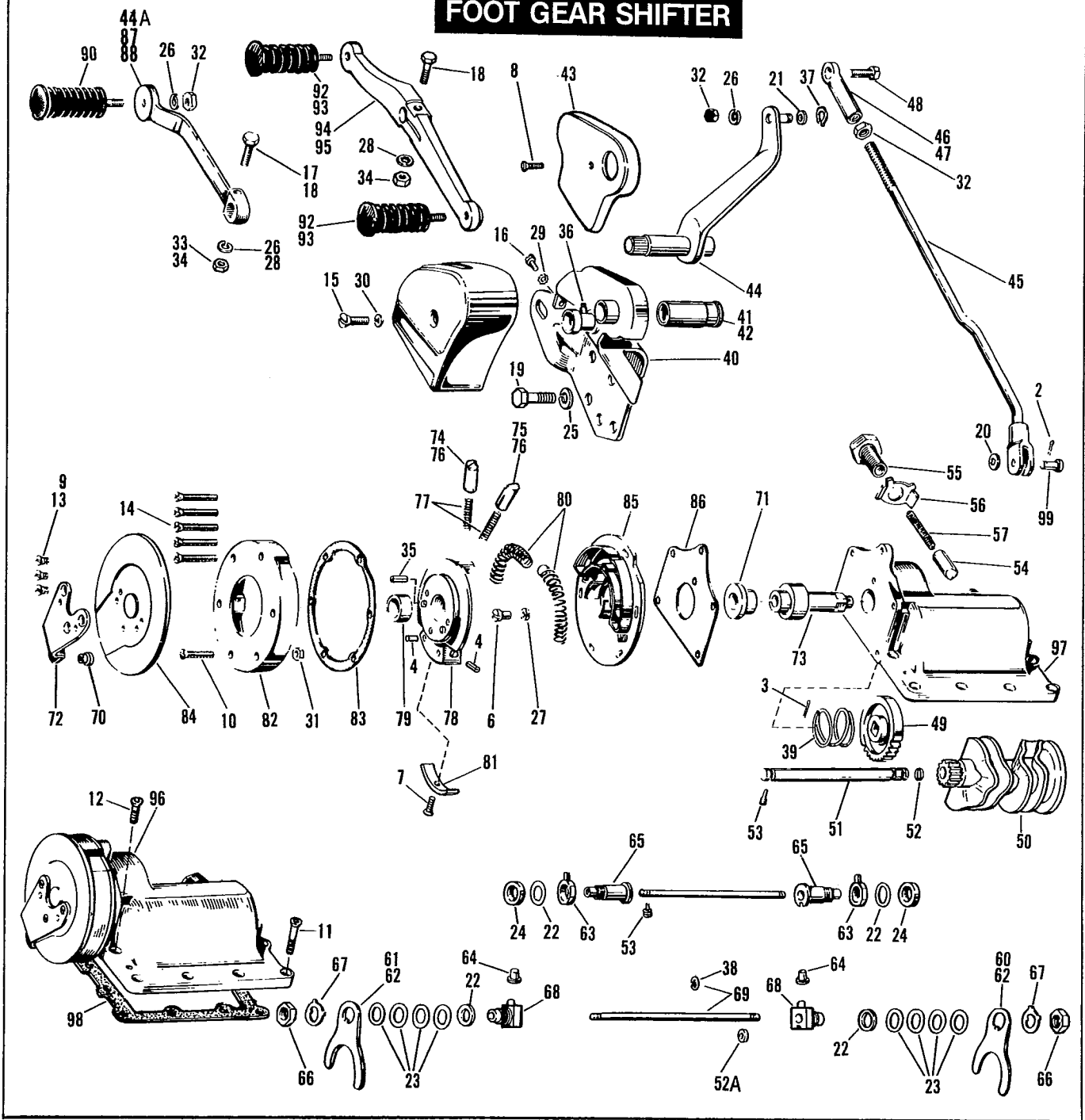
RETAIL PRICE	INDEX NO.	PART NO.	N A M E	USED ON
--------------	-----------	----------	---------	---------

NOTE: See "FOOT GEAR SHIFTER" group for foot lever linkage parts.

	1	215	PIN, shift lever	Late 79 to * — FL, FLH, FLH-80, Classic
	2	650	PLUG, cover	Late 79 to * — FL, FLH, FLH-80, Classic
	3	2818	BOLT, 5/16-18 x 1-1/2 hex. hd.	Late 79 to * — FL, FLH, FLH-80, Classic
	4	2872W	BOLT, 1/4-20 x 1-1/2 hex. hd.	Late 79 to * — FL, FLH, FLH-80, Classic
	5	2881W	BOLT, 1/4-20 x 2 hex. hd. (4)	Late 79 to * — FL, FLH, FLH-80, Classic
	6	3789A	SCREW, 1/4-20 x 3/4 socket fil. hd. (4)	Late 79 to * — FL, FLH, FLH-80, Classic
	7	3802W	BOLT, 1/4-20 x 7/8 hex. hd. (2)	Late 79 to * — FL, FLH, FLH-80, Classic

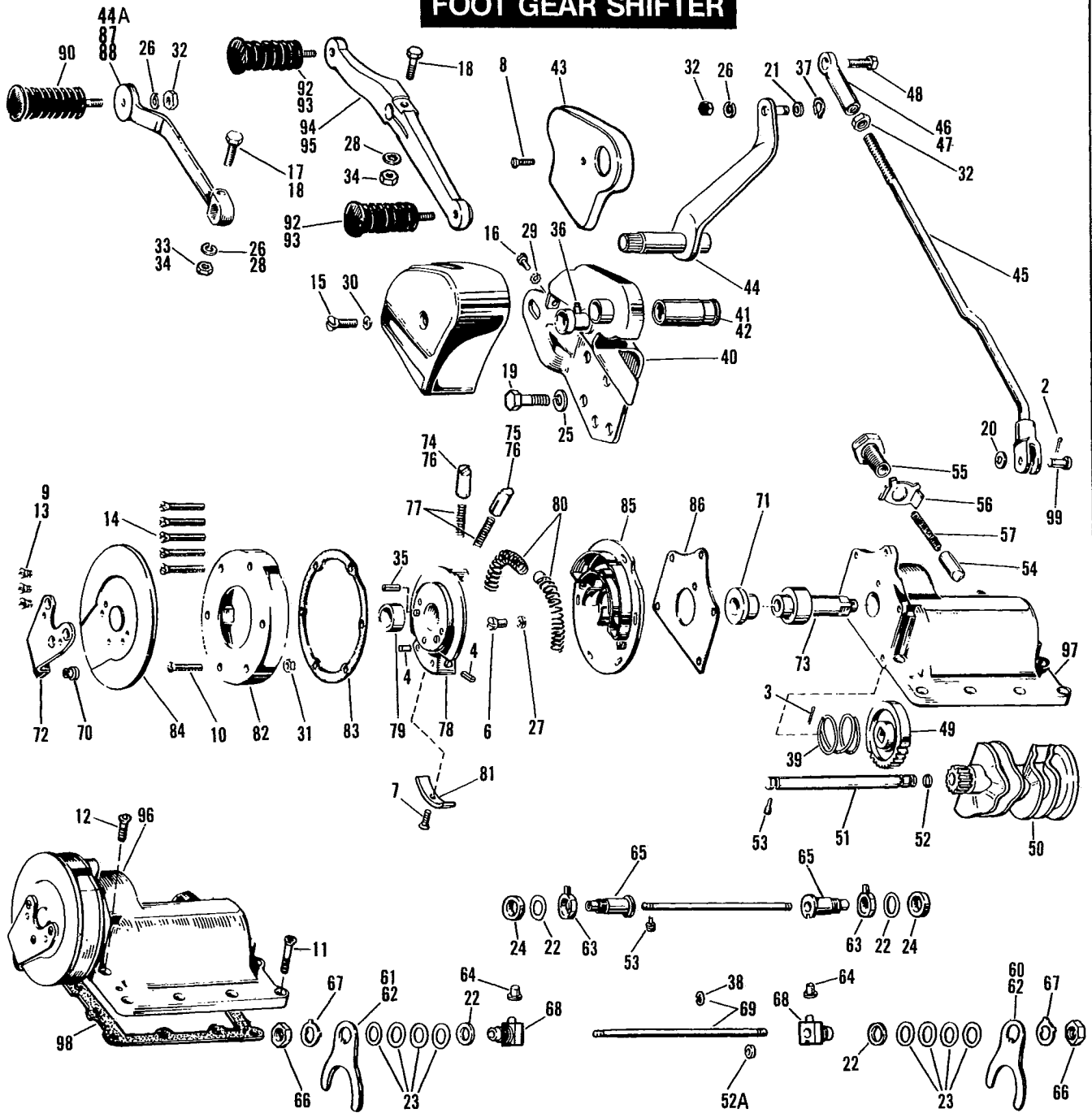
RETAIL PRICE	INDEX NO.	PART NO.	N A M E	USED ON
	8	3993	BOLT, 1/4-20 x 1-1/4 hex. hd. (2)	Late 79 to * — FL, FLH, FLH-80, Classic
	9	6701	WASHER, 3/8 x 13/16 x 1/16	Late 79 to Early 81 — FL, FLH, FLH-80, Classic
	10	6703	WASHER, 1/4 x 5/8 x 1/16 (5)	Late 79 to Early 84 — FL, FLH, FLH-80, Classic
	10A	6736	WASHER, 9/32 x 5/8 x 1/16 (5)	Late 84 to * — FLH-80
	11	6750	WASHER, 21/32 x 7/8 x 0.007 (as req.)	Late 79 to * — FL, FLH, FLH-80, Classic
	12	6752	WASHER, 21/32 x 27/32 x 1/8 (as req.)	Late 79 to * — FL, FLH, FLH-80, Classic
	13	7036	LOCKWASHER, 1/4 (7)	Late 79 to * — FL, FLH, FLH-80, Classic
	14	7775	LOCKNUT, 3/8-24x7/16x9/16 hex.	Late 81 to * — FLH-80, Classic
		7776W	LOCKNUT, 3/8-24 x 3/4 x 9/16 hex.	Late 79 to Early 81 — FL, FLH, FLH-80, Classic
	15	11036	RETAINING RING, shifter pawls (2), fork shaft (1)	Late 79 to * — FL, FLH, FLH-80, Classic
	15A	11171	O-RING	Late 80 to * — FL, FLH, FLH-80, Classic
	16	12010	OIL SEAL, shaft cover	Late 79 to * — FL, FLH, FLH-80, Classic
	17	25715-47	GREASE FITTING, shift lever	Late 79 to * — FL, FLH, FLH-80, Classic
	18	25811-11	WASHER, transmission neutral switch	Late 79 — FL, FLH, FLH-80, Classic
	19	32535-48	THRUST WASHER, shift lever (2)	Late 79 to * — FL, FLH, FLH-80, Classic
	20	33158-80	SHIFTER COVER ASSEMBLY, 4 speed	82 — Classic
		33165-80	COVER, shifter — with pawls	Late 79 to * — FL, FLH, FLH-80; Late 79 to 81 — Classic
		33166-80	COVER, shifter — with pawls	82 — Classic
	21	33167-79	COVER, only	Late 79 to * — FL, FLH, FLH-80, Classic
	22	33170-79	SHIFTER COVER ASSEMBLY, 4 speed	Late 79 & Early 80 — FL, FLH, FLH-80, Classic
		33170-79A	SHIFTER COVER ASSEMBLY, 4 speed	Late 80 to * — FL, FLH, FLH-80; Late 80 & 81 — Classic
	23	33174-79	COVER, shifter shaft	Late 79 to * — FL, FLH, FLH-80; Late 79 to 81 — Classic
		33176-79	COVER, shifter shaft	82 — Classic
	24	33177-79	SHIFTER LEVER ASSEMBLY, with fitting and pin	Late 79 to * — FL, FLH, FLH-80, Classic
	25	33187-79	SPACER, shift lever	Late 79 to * — FL, FLH, FLH-80, Classic
	26	33188-79	PLUNGER BODY, cam follower	Late 79 to * — FL, FLH, FLH-80, Classic
	27	33190-79	ARM, shift lever	Late 79 to * — FL, FLH, FLH-80, Classic
	28	33196-79	GASKET, shaft cover	Late 79 to * — FL, FLH, FLH-80, Classic
	29	33197-79	LOCK, plunger body bolt	Late 79 to * — FL, FLH, FLH-80, Classic
	30	33198-79	BUSHING, neutral switch	Late 79 to * — FL, FLH, FLH-80, Classic
	31	33199-79	SPRING, shifter pawls	Late 79 to * — FL, FLH, FLH-80, Classic
	32	33201-79	PAWL CARRIER SPRING (2)	Late 79 to * — FL, FLH, FLH-80, Classic
	33	33901-79	TRANSMISSION NEUTRAL SWITCH	Late 79 to * — FL, FLH, FLH-80, Classic
	34	34020-79B	SHIFTER CAM ASSEMBLY	Late 79 to * — FL, FLH, FLH-80
	37	34040-52	RETAINING RING, shifter cam	Late 79 to * — FL, FLH, FLH-80, Classic
	38	34062-52	SHIFTER CAM FOLLOWER	Late 79 to * — FL, FLH, FLH-80, Classic
	39	34068-52	SPRING, shifter cam follower	Late 79 to * — FL, FLH, FLH-80, Classic
	40	34158-36	SHIFTER FORK, mainshaft	Late 79 to * — FL, FLH, FLH-80, Classic
	41	34159-36	SHIFTER FORK, countershaft	Late 79 to * — FL, FLH, FLH-80, Classic
	42	34168-52	ROLLER, shifter finger (2)	Late 79 to * — FL, FLH, FLH-80, Classic
	43	34179-33	NUT, shifter fork (2)	Late 79 to * — FL, FLH, FLH-80, Classic
	44	34180-33	LOCKWASHER, shifter fork (2)	Late 79 to * — FL, FLH, FLH-80, Classic
	45	34184-79	SHIFTER FINGER, only (2)	Late 79 to * — FL, FLH, FLH-80, Classic
	46	34186-76	FORK SHAFT KIT, includes items 15 & 36	Late 79 to * — FL, FLH, FLH-80, Classic
	47	34461-72	SPACER, shifter pawl	Late 79 to * — FL, FLH, FLH-80, Classic
	48	34476-72	SHIFTER PAWL (2)	Late 79 to * — FL, FLH, FLH-80, Classic
	49	34494-74C	PAWL CARRIER	Late 79 to * — FL, FLH, FLH-80, Classic
	51	34517-80	SHIFTER PAWL STOP, rear	Late 80 to * — FL, FLH, FLH-80, Classic
	53	34518-80	SHIFTER PAWL STOP, front	Late 80 to * — FL, FLH, FLH-80, Classic
	55	34652-80	SHAFT, shifter lever	Late 80 to * — FL, FLH, FLH-80, Classic
	56	34661-80	SHIFTER KIT, includes items 34, 39, 51, 53 & 55	Late 79 & Early 80 — FL, FLH, FLH-80, Classic
	57	34824-79	GASKET, shifter cover	Late 79 to * — FL, FLH, FLH-80, Classic
	58	35336-74	THRUST WASHER, shifter cam	Late 79 to * — FL, FLH, FLH-80, Classic

FOOT GEAR SHIFTER



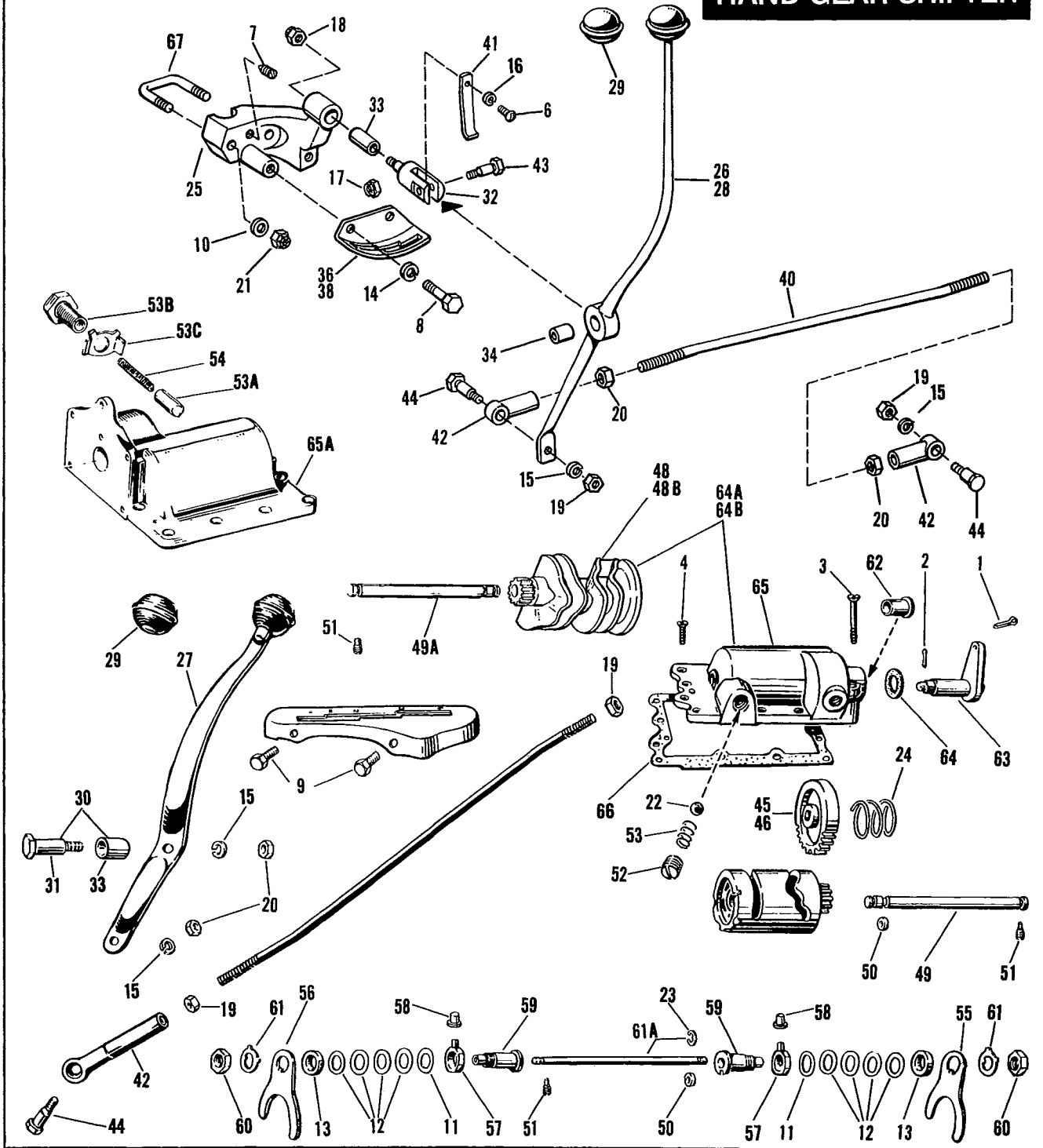
RETAIL PRICE	INDEX NO.	PART NO.	N A M E	USED ON
	2	515	COTTER PIN, 1/16 x 3/4	51 to * — FL, FLH, FLH-80, Classic
	3	534	COTTER PIN, 3/32 x 5/8	51 to Early 79 — FL, FLH, FLH-80, Classic
	4	623	ROLL PIN (2)	74 to Early 79 — FL, FLH, FLH-80, Classic
	6	1369	SCREW, 1/4-20 x 11/16 fil. hd.	52 to Early 79 — FL, FLH, FLH-80, Classic
	7	1608	SCREW, No. 6-32 x 7/16 ctsk. Pozidriv flat hd.	52 to Early 79 — FL, FLH, FLH-80, Classic
	8	1719W	SCREW, No. 8-32 x 5/8 Phillips hd.	65 to * — FL, FLH, FLH-80, Classic
	9	1761W	SCREW, No. 10-24 x 1/2 ctsk. hd. (3)	N/A 52 to 64 — FL, FLH
	10	1764W	SCREW, No. 10-24 x 1-5/32 socket hd.	65 to Early 79 — FL, FLH, FLH-80, Classic
	11	1765W	SCREW, 1/4-24 x 2 socket hd. (2)	59 to Early 79 — FL, FLH, FLH-80, Classic
	12	1766W	SCREW, 1/4-24 x 13/16 socket hd. (9)	59 to Early 79 — FL, FLH, FLH-80, Classic
	13	1767W	SCREW, No. 10-24 x 1/2 ctsk. hd. (3)	65 to Early 79 — FL, FLH, FLH-80, Classic
	14	1772W	SCREW, No. 10-24 x 1-3/8 socket hd. (5)	65 to Early 79 — FL, FLH, FLH-80, Classic
	15	2360	SCREW, 1/4-20 x 1-1/4 Pozidriv oval ctsk. hd.	N/A 52 to 64 — FL, FLH
	16	2597	SCREW, 1/4-24 x 3/8 rd. hd.	52 to * — FL, FLH, FLH-80, Classic
	17	4014W	BOLT, 5/16-24 x 1-1/4 hex. hd.	52 to * — FL, FLH, FLH-80, Classic
	18	4337W	BOLT, 3/8-24 x 1-1/4 hex. hd.	Late 65 to * — FL, FLH, FLH-80, Classic
	19	4713W	BOLT, 3/8-16 x 3/4 hex. hd. (3)	52 to * — FL, FLH, FLH-80, Classic
	20	6220W	WASHER, 1/4 x 7/16 x 1/32	52 to * — FL, FLH, FLH-80, Classic
	21	6375B	WASHER, 3/8 x 9/16 x 1/32	65 to * — FL, FLH, FLH-80, Classic
	22	6750	WASHER, 43/64 x 55/64 x 0.007 (as req.)	41 to * — FL, FLH, FLH-80, Classic
	23	6752	WASHER, 43/64 x 55/64 x 0.014 (as req.)	41 to * — FL, FLH, FLH-80, Classic
	24	6754	WASHER, 21/32 x 55/64 x 3/32 (2)	N/A 41 to Early 76 — FL, FLH
	25	7038	LOCKWASHER, 3/8 (3)	52 to * — FL, FLH, FLH-80, Classic
	26	7041	LOCKWASHER, 5/16	41 to * — FL, FLH, FLH-80, Classic
	27	7124	LOCKWASHER, 1/4 internal tooth	52 to Early 79 — FL, FLH, FLH-80, Classic
	28	7130W	LOCKWASHER, 3/8 internal tooth	Late 65 to * — FL, FLH, FLH-80, Classic
	29	7230	LOCKWASHER, 1/4 external tooth	52 to * — FL, FLH, FLH-80, Classic
	30	7231	LOCKWASHER, 1/4 external tooth ctsk.	52 to 64 — FL, FLH
	31	7620W	NUT, No. 10-24 x 1/8 x 3/8 hex.	52 to Early 79 — FL, FLH, FLH-80, Classic
	32	7744	NUT, 5/16-24 x 3/16 x 1/2 hex.	52 to * — FL, FLH, FLH-80, Classic
	33	7753	NUT, 5/16-24 x 1/4 x 1/2 hex.	41 to * — FL, FLH, FLH-80, Classic
	34	7800W	NUT, 3/8-24 x 21/64 x 9/16 hex.	Late 65 to * — FL, FLH, FLH-80, Classic
	35	9106A	PIN, shifter pawl carrier (2)	52 to Early 79 — FL, FLH, FLH-80, Classic
	36	9851	GREASE FITTING, lever bracket	52 to * — FL, FLH, FLH-80, Classic
	37	11031	RETAINING RING	65 to 73 — FL, FLH
	38	11036	RETAINING RING, fork shaft	Late 76 to * — FL, FLH, FLH-80, Classic
	39	33390—26	SPRING, shifter gear	41 to Early 79 — FL, FLH, FLH-80, Classic
	40	33630—70	BRACKET, shift lever	70 to * — FL, FLH, FLH-80, Classic
	41	33638—52	BUSHING, shift lever	N/A 52 to 69 — FL, FLH
	42	33638—70	BUSHING, shift lever	70 to * — FL, FLH, FLH-80, Classic
	43	33644—65	COVER, shift lever	65 to * — FL, FLH, FLH-80, Classic
	44	33660—70	SHIFT LEVER	N/A 70 to 73 — FL, FLH
		33660—74A	SHIFT LEVER (chrome)	74 to * — FL, FLH, FLH-80, Classic
	44A	33664—81	SHIFT LEVER	74 to Early 79 — FL, FLH, FLH-80, Classic
	45	33851—52A	SHIFTER ROD	N/A 52 to 84 — FL, FLH, FLH-80, Classic
	46	33870—51	END, shift rod	N/A 51 to 66 — FL, FLH, FLH-80, Classic
	47	33871—67	END, shift rod	67 to * — FL, FLH, FLH-80, Classic
	48	33878—51	SCREW, shift rod and shaft lever	N/A 51 to 64 — FL, FLH
	49	33960—36A	SHIFTER GEAR (4 speed only — 1965 & later)	N/A 41 to Early 79 — FL, FLH, FLH-80, Classic
		33960—65	SHIFTER GEAR (3 speed & reverse)	N/A 65 to 70 — FL, FLH
	50	34019—73	SHIFTER CAM (casting)	52 to Early 79 — FL, FLH, FLH-80, Classic

FOOT GEAR SHIFTER



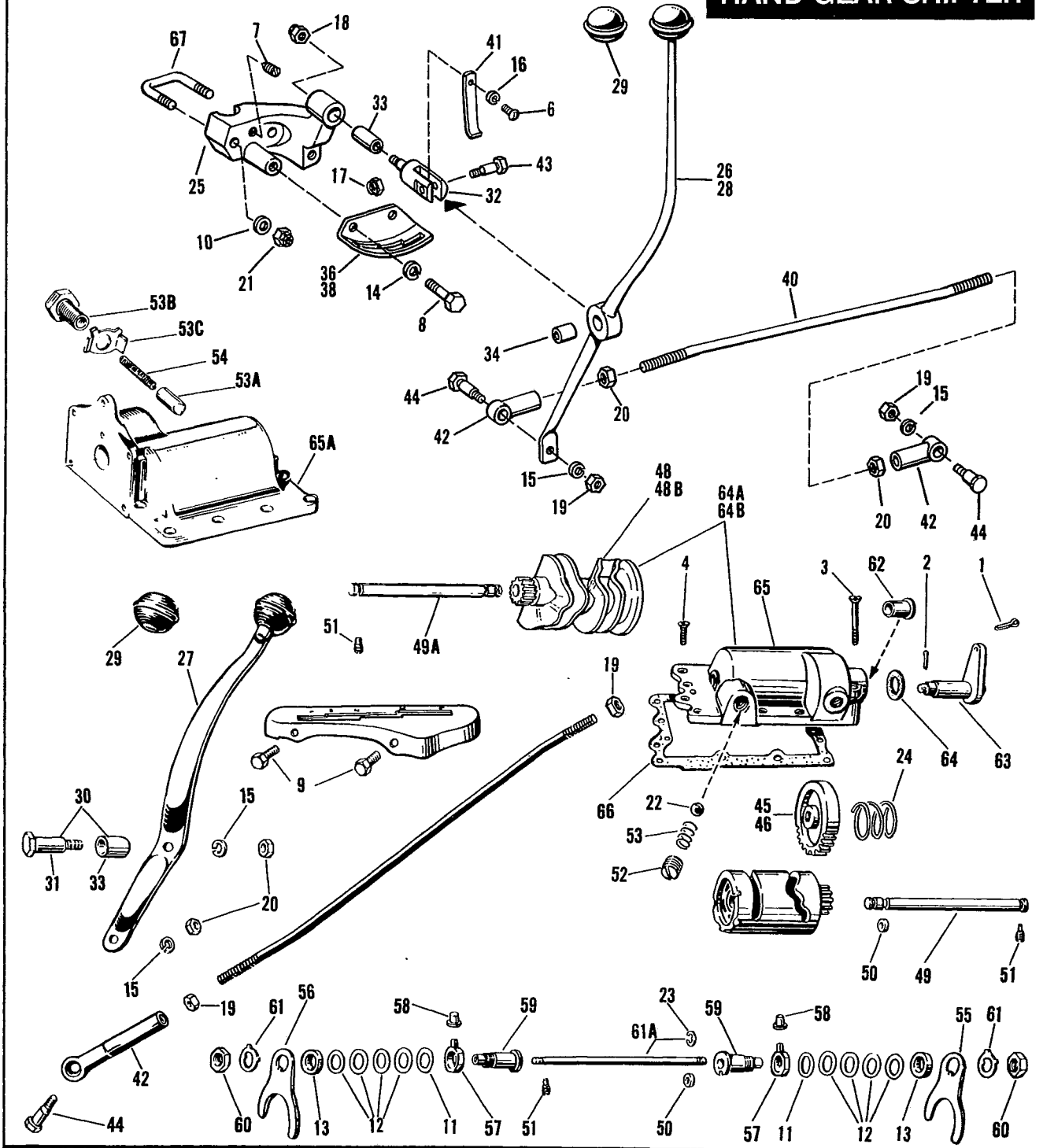
RETAIL PRICE	INDEX NO.	PART NO.	N A M E	USED ON
	51	34031-41	SHAFT, shifter cam	52 to Early 79 — FL, FLH, FLH-80, Classic
	52	34036-36	OIL SEAL, shifter cam shaft	N/A 41 to Early 79 — FL, FLH, FLH-80, Classic
	52A	34036-80	O-RING	41 to Early 79 — FL, FLH, FLH-80, Classic
	53	34050-36	LOCK SCREW, shifter cam shaft	41 to Early 79 — FL, FLH, FLH-80, Classic
	54	34062-52	CAM FOLLOWER	52 to * — FL, FLH, FLH-80, Classic
	55	34064-52	RETAINER, cam follower	52 to Early 79 — FL, FLH, FLH-80, Classic
	56	34066-52	WASHER, cam follower retainer	52 to Early 79 — FL, FLH, FLH-80, Classic
	57	34068-52A	SPRING, cam follower	52 to Early 79 — FL, FLH, FLH-80, Classic
	60	34158-36	SHIFTER FORK, mainshaft	41 to * — FL, FLH, FLH-80, Classic
	61	34159-36	SHIFTER FORK, countershaft (4 speed)	41 to * — FL, FLH, FLH-80, Classic
	62	34160-39	SHIFTER FORK, countershaft (3 speed & reverse)	N/A 41 to 78 — FL, FLH, FLH-80, Classic
	63	34165-36	SHIFTER FINGER (2)	N/A 41 to Early 76 — FL, FLH
	64	34168-39	ROLLER, shifter finger (2)	41 to Early 79 — FL, FLH, FLH-80, Classic
	65	34175-36	BUSHING, shifter fork (2)	N/A 41 to Early 76 — FL, FLH
	66	34179-33	NUT, bushing (2)	41 to * — FL, FLH, FLH-80, Classic
	67	34180-33	LOCKWASHER, bushing (2)	41 to * — FL, FLH, FLH-80, Classic
	68	34182-76	SHIFTER FINGER (2)	Late 76 to Early 79 — FL, FLH, FLH-80, Classic
		34184-79	SHIFTER FINGER, (2)	Late 79 to * — FL, FLH, FLH-80, Classic
	69	34186-76	FORK SHAFT KIT, includes items 38 & 52A	41 to Early 79 — FL, FLH, FLH-80, Classic
	70	34428-52	BUSHING, shifter shaft lever	52 to Early 79 — FL, FLH, FLH-80, Classic
	71	34435-52	BUSHING, shifter shaft (bronze)	41 to Early 79 — FL, FLH, FLH-80, Classic
	72	34447-52	LEVER, shifter shaft	52 to Early 79 — FL, FLH, FLH-80, Classic
	73	34453-52	SHIFTER SHAFT	N/A 52 to Early 79 — FL, FLH, FLH-80, Classic
	74	34477-53	SHIFTER PAWL, left — without spring	N/A 52 to Early 75 — FL, FLH
	75	34478-53	SHIFTER PAWL, right — without spring	N/A 52 to Early 75 — FL, FLH
	76	34478-75	SHIFTER PAWL (2)	N/A Late 75 to Early 79 — FL, FLH, FLH-80, Classic
	77	34482-53	SPRING, shifter pawl (2)	52 to Early 79 — FL, FLH, FLH-80, Classic
	78	34488-52B	CARRIER, shifter pawl	N/A 52 to Early 79 — FL, FLH, FLH-80, Classic
	79	34498-52	BUSHING, pawl carrier	N/A 52 to Early 79 — FL, FLH, FLH-80, Classic
	80	34500-52A	SPRING, pawl carrier (2)	52 to Early 79 — FL, FLH, FLH-80, Classic
	81	34525-54	RETAINER, pawl	N/A 52 to Early 79 — FL, FLH, FLH-80, Classic
	82	34551-52	COVER, shifter	52 to Early 79 — FL, FLH, FLH-80, Classic
	83	34552-52	GASKET, shifter cover	52 to Early 79 — FL, FLH, FLH-80, Classic
	84	34555-52	SHIELD, dust cover	N/A 52 to Early 79 — FL, FLH, FLH-80, Classic
	85	34560-52	ADAPTER PLATE, shifter	N/A 52 to Early 79 — FL, FLH, FLH-80, Classic
	86	34565-52	GASKET, adapter plate	52 to Early 79 — FL, FLH, FLH-80, Classic
	87	34600-74	SHIFT LEVER, with cover	N/A 74 to Early 79 — FL, FLH, FLH-80, Classic
	88	34606-54A	SHIFT LEVER, without cover	N/A 54 to 73 — FL, FLH
	90	34609-52	COVER, shift lever (black)	52 to Early 79 — FL, FLH, FLH-80, Classic
	92	34609-65	COVER, shift lever (white)	65 to * — FL, FLH, FLH-80, Classic
	93	34611-65	COVER, shift lever (black) (2)	65 to * — FL, FLH, FLH-80, Classic
	94	34690-65	SHIFT LEVER, with cover (heel & toe)	65 to 73 — FL, FLH
	95	34690-74A	SHIFT LEVER, with cover (heel & toe) (chrome)	74 to * — FL, FLH, FLH-80, Classic
		34797-70	CONVERSION KIT, handshift to footshift	N/A 70 to Early 79 — FL, FLH, FLH-80, Classic
	96	34798-79	SHIFTER ASSEMBLY, 4 speed	N/A Early 79 — Classic
		34799-65	SHIFTER ASSEMBLY, 4 speed	N/A 65 to Early 79 — FL, FLH, FLH-80, Classic
	97	34803-59	COVER, shifter	N/A 59 to Early 79 — FL, FLH, FLH-80, Classic
	98	34824-36	GASKET, shifter cover	59 to Early 79 — FL, FLH, FLH-80, Classic
	99	42269-30	CLEVIS PIN, shift rod	52 to 74 — FL, FLH

HAND GEAR SHIFTER



RETAIL PRICE	INDEX NO.	PART NO.	N A M E	USED ON
	1	515	COTTER PIN, 1/16 x 3/4 (2)	51 to Early 79 — FL, FLH
	2	534	COTTER PIN, 3/32 x 5/8	51 to Early 79 — FL, FLH
	3	1765W	SCREW, 1/4-24 x 2 socket hd. (2)	65 to Early 79 — FL, FLH
	4	1766W	SCREW, 1/4-24 x 13/16 socket hd. (9)	65 to Early 79 — FL, FLH
		2333W	SCREW, 1/4-24 x 13/16 ctsk. hd. (10 to 14)	41 to 64 — FL, FLH
	6	2664	SCREW, No. 10-24 x 7/16 Pozidriv pan hd.	66 to Early 79 — FL, FLH
	7	3237W	SET SCREW, shift lever bracket	N/A 66 to Early 79 — FL, FLH
	8	3720	BOLT, 1/4-28 x 7/16 hex. hd. (2)	66 to Early 79 — FL, FLH
	9	3738	BOLT, 1/4-28 x 5/8 hex. hd. (2)	47 to 65 — FL, FLH
	10	6400HB	WASHER, 3/8 x 13/16 x 7/64 (2)	66 to Early 79 — FL, FLH
	11	6750	WASHER, 43/64 x 55/64 x .007 (as req.)	41 to Early 79 — FL, FLH
	12	6752	WASHER, 43/64 x 55/64 x .014 (as req.)	41 to Early 79 — FL, FLH
	13	6754	WASHER, 21/32 x 55/64 x 3/32 (2)	N/A 41 to Early 79 — FL, FLH
	14	7036	LOCKWASHER, 1/4 (2)	66 to Early 79 — FL, FLH
	15	7041	LOCKWASHER, 5/16	41 to Early 79 — FL, FLH
	16	7069	LOCKWASHER, No. 10 (3)	66 to Early 79 — FL, FLH
	17	7683	LOCKNUT, 1/4-28 x 5/16 x 7/16 hex.	66 to Early 79 — FL, FLH
	18	7725	LOCKNUT, 5/16-24 x 11/32 x 1/2 hex.	66 to Early 79 — FL, FLH
	19	7727	LOCKNUT, 5/16-24 x 1/4 x 1/2 hex.	52 to Early 79 — FL, FLH
	20	7753	NUT, 5/16-24 x 17/64 x 1/2 hex.	41 to Early 79 — FL, FLH
	21	7775	LOCKNUT, 3/8-24 x 7/16 x 9/16 hex.	66 to Early 79 — FL, FLH
	22	8872	STEEL BALL, 1/2 in.	N/A 41 to Early 76 — FL, FLH
	23	11036	RETAINING RING, fork shaft	Late 76 to Early 79 — FL, FLH
	24	33390—26	SPRING, shifter gear	41 to Early 79 — FL, FLH
	25	33631—66	SUPPORT BRACKET, shift lever	N/A 66 to Early 79 — FL, FLH
	26	33656—66	LEVER (small tank)	N/A 66 to Early 79 — FL, FLH
	27	33675—37A	LEVER, (left hand only)	N/A 41 to 65 — FL, FLH
	28	33676—66	LEVER (large tank)	N/A 66 to Early 79 — FL, FLH
	29	33745—31	BALL, hand shift lever (black)	N/A 41 to 65 — FL, FLH
	30	33775—37	STUD, shift lever, with bushing	N/A 41 to 65 — FL, FLH
	31	33776—47	STUD, shift lever	N/A 47 to 65 — FL, FLH
	32	33776—66	PIVOT SHAFT, hand shift lever	N/A 66 to Early 79 — FL, FLH
	33	33778—47	BUSHING, shift lever stud	N/A 47 to Early 79 — FL, FLH
	34	33778—66	BUSHING, hand shift lever	N/A 66 to Early 79 — FL, FLH
	36	33789—66	GUIDE, shift lever (4 speed)	N/A 66 to Early 79 — FL, FLH
	38	33791—66	GUIDE, shift lever (3 speed and reverse)	N/A 66 to Early 79 — FL, FLH
	40	33857—66	SHIFTER ROD	N/A 66 to Early 79 — FL, FLH
	41	33865—66A	SPRING, shift lever (2)	N/A 66 to Early 79 — FL, FLH
	42	33870—51	END, shift rod (2)	N/A 51 to Early 79 — FL, FLH
	43	33875—66	SHOULDER BOLT, shift lever	N/A 66 to Early 79 — FL, FLH
	44	33878—51	SCREW, shift rod & shaft lever	N/A 41 to Early 79 — FL, FLH
	45	33960—36A	SHIFTER GEAR (4 speed only on 1965 & later)	N/A 41 to Early 79 — FL, FLH
	46	33960—65	SHIFTER GEAR (3 speed and reverse)	N/A 65 to Early 79 — FL, FLH
	48	34010—76	SHIFTER CAM (3 speed and reverse)	N/A Late 76 to Early 78 — FL, FLH
	48B	34019—73	SHIFTER CAM (4 speed)	Late 76 to Early 78 — FL, FLH
	49	34030—36	SHAFT, shifter cam	N/A 41 to Early 76 — FL, FLH
	49A	34031—41	SHAFT, shifter cam	Late 76 to Early 79 — FL, FLH
	50	34036—36	OIL SEAL, shifter cam shaft	41 to Early 79 — FL, FLH
	51	34050—36	LOCK SCREW, shifter cam shaft and fork shaft	41 to Early 76 — FL, FLH
	52	34053—36	CAP SCREW, cam plunger	N/A 41 to Early 76 — FL, FLH
	53	34057—36	SPRING, plunger ball	N/A 41 to Early 76 — FL, FLH
	53A	34062—52	CAM FOLLOWER	Late 76 to Early 79 — FL, FLH
	53B	34064—52	RETAINER, cam follower	Late 76 to Early 79 — FL, FLH
	53C	34066—52	WASHER, cam follower retainer	Late 76 to Early 79 — FL, FLH
	54	34068—52A	SPRING, cam follower	Late 76 to Early 79 — FL, FLH
	55	34158—36	SHIFTER FORK, mainshaft	41 to Early 79 — FL, FLH

HAND GEAR SHIFTER

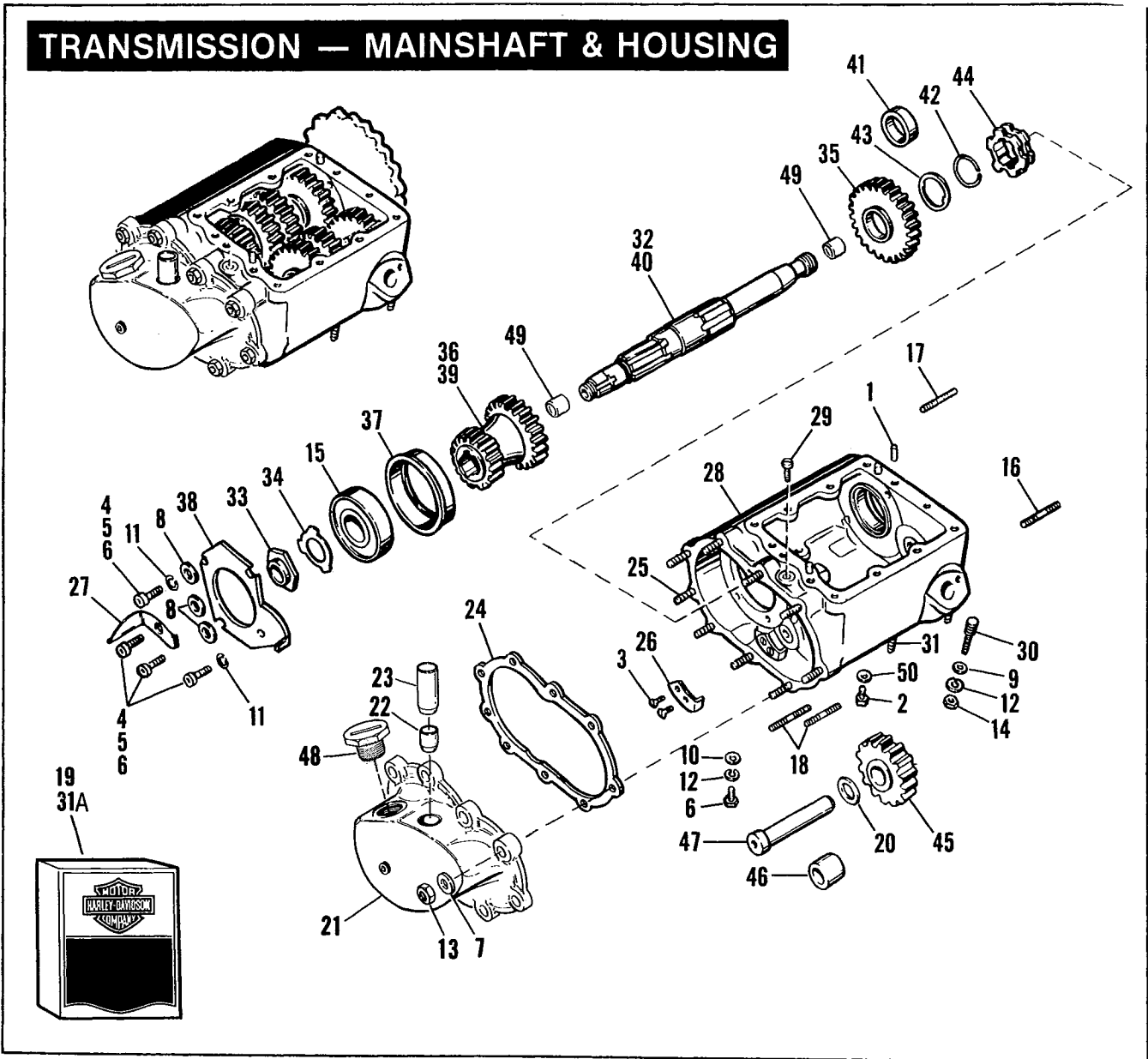


HAND GEAR SHIFTER (CONT'D)

A24-2

RETAIL PRICE	INDEX NO.	PART NO.	N A M E	USED ON
	56	34159-36	SHIFTER FORK, countershaft (4 speed)	41 to Early 79 — FL, FLH
		34160-39	SHIFTER FORK, countershaft (3 speed and reverse)	N/A 41 to Early 78 — FL, FLH
	57	34165-36	SHIFTER FINGER (2)	N/A 41 to Early 79 — FL, FLH
	58	34168-39	ROLLER, shifter finger (2)	41 to Early 79 — FL, FLH
	59	34175-36	BUSHING, shifter fork (2)	N/A 41 to Early 79 — FL, FLH
	60	34179-33	NUT, bushing (2)	41 to Early 79 — FL, FLH
	61	34180-33	LOCKWASHER, bushing (2)	41 to Early 79 — FL, FLH
	61A	34186-76	FORK SHAFT KIT	41 to Early 79 — FL, FLH
			Consists of besides shaft:	
		11036	RETAINING RING, fork shaft	
		11171	O-RING	
	62	34430-36	BUSHING, shifter shaft	N/A 52 to Early 76 — FL, FLH
	63	34448-51	SHIFT LEVER, with shaft	51 to Early 79 — FL, FLH
	64	34459-26	LEATHER WASHER, shift shaft	41 to Early 79 — FL, FLH
		34797-70	CONVERSION KIT, handshift to footshift	N/A 70 to Early 79 — FL, FLH
	64A	34800-65	SHIFTER CAM & COVER ASSEMBLY (3 speed and reverse)	N/A 65 to Early 78 — FL, FLH
	64B	34801-65	SHIFTER CAM & COVER ASSEMBLY (4 speed)	N/A 65 to Early 79 — FL, FLH
	65	34802-65	COVER, shifter	N/A 65 to Early 76 — FL, FLH
	65A	34803-59	COVER, shifter	N/A Late 76 to Early 79 — FL, FLH
	66	34824-36	GASKET, shifter cover	41 to Early 79 — FL, FLH
	67	38460-52	U-BOLT, support bracket	N/A 66 to Early 79 — FL, FLH

TRANSMISSION — MAINSHAFT & HOUSING



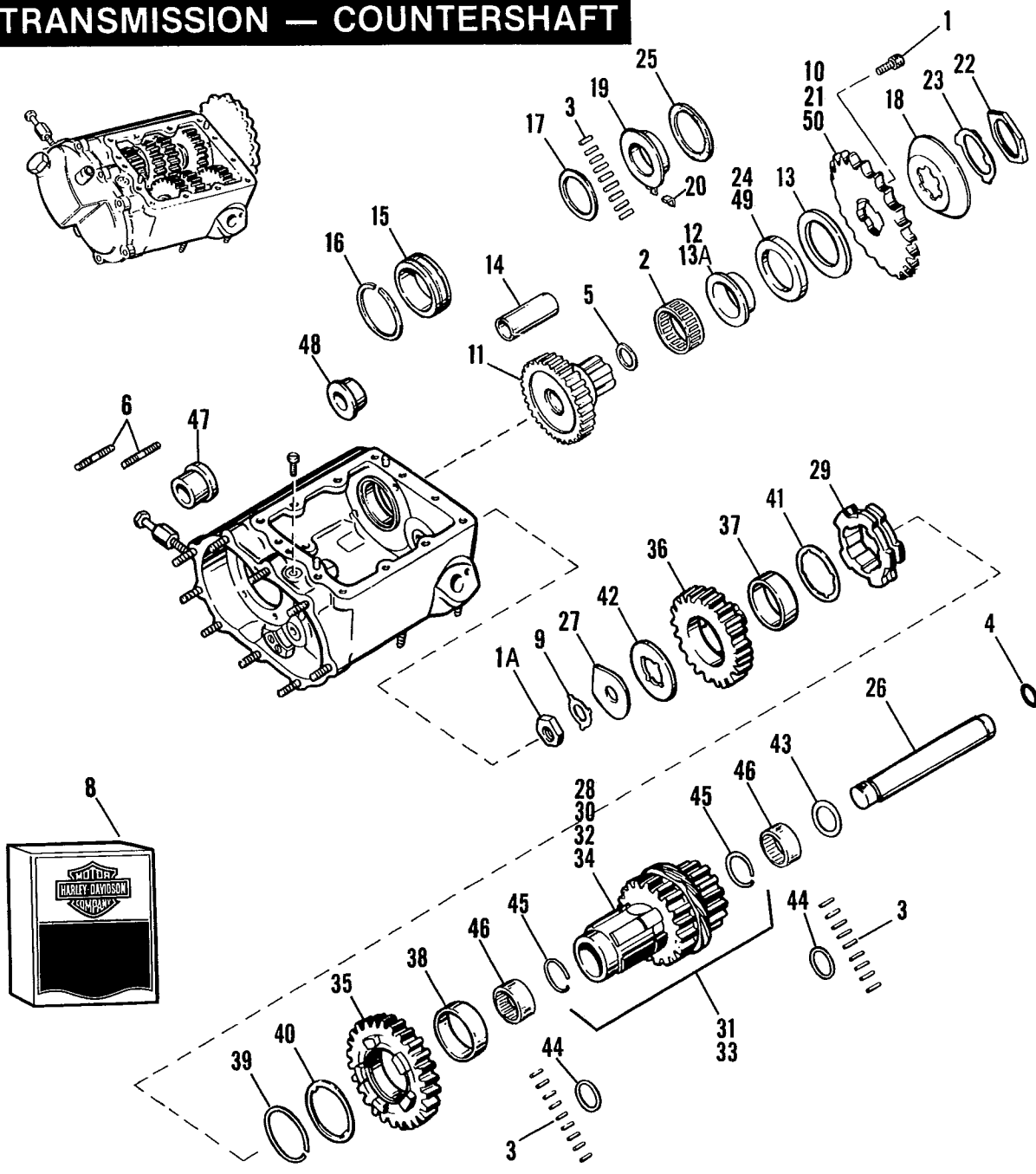
TRANSMISSION — MAINSHAFT AND HOUSING

A25-1

RETAIL PRICE	INDEX NO.	PART NO.	NAME	USED ON
		NOTE: Additional mainshaft parts may be found in the next section.		
	1	375	DOWEL PIN (2)	41 to * — FL, FLH, FLH-80, Classic
	2	707	DRAIN PLUG	41 to * — FL, FLH, FLH-80, Classic
	3	1864B	SCREW, 1/4-24 x 5/8 ctsk. hd. (2)	41 to 69 — FL, FLH
	4	2333W	SCREW, 1/4-24 x 13/16 ctsk. hd. (4)	41 to 79 — FL, FLH, FLH-80, Classic
	5	2607	SCREW, 1/4-20 x 3/4 Pozidriv pan hd. (4)	Early 80 — FL, FLH, FLH-80, Classic
	6	3789A	SCREW, 1/4-20 x 3/4 hex. socket hd. (4)	Late 80 to * — FL, FLH, FLH-80, Classic
	7	6016	WASHER, 11/32 x 11/16 x 1/16 (9)	70 to * — FL, FLH, FLH-80, Classic
	8	6099	WASHER, 1/4 x 7/16 x 3/64 (3)	Late 81 — Classic
	9	6400HB	WASHER, 3/8 x 13/16 x 3/32 (4)	41 to 81 — FL, FLH, FLH-80, Classic
		6474	WASHER (4)	82 to * — FLH-80, Classic
	10	6701	WASHER, 3/8 x 13/16 x 1/16	41 to * — FL, FLH, FLH-80, Classic
	11	7036	LOCKWASHER, 1/4 (4)	Early 80 — FL, FLH, FLH-80, Classic
	12	7038	LOCKWASHER, 3/8 (5)	41 to * — FL, FLH, FLH-80, Classic
	13	7753	NUT, 5/16-24 x 1/4 x 1/2 hex. (9)	70 to * — FL, FLH, FLH-80, Classic
	14	7800W	NUT, 3/8-24 x 21/64 x 9/16 hex. (4)	41 to * — FL, FLH, FLH-80, Classic
	15	9020	BALL BEARING, mainshaft	41 to * — FL, FLH, FLH-80, Classic

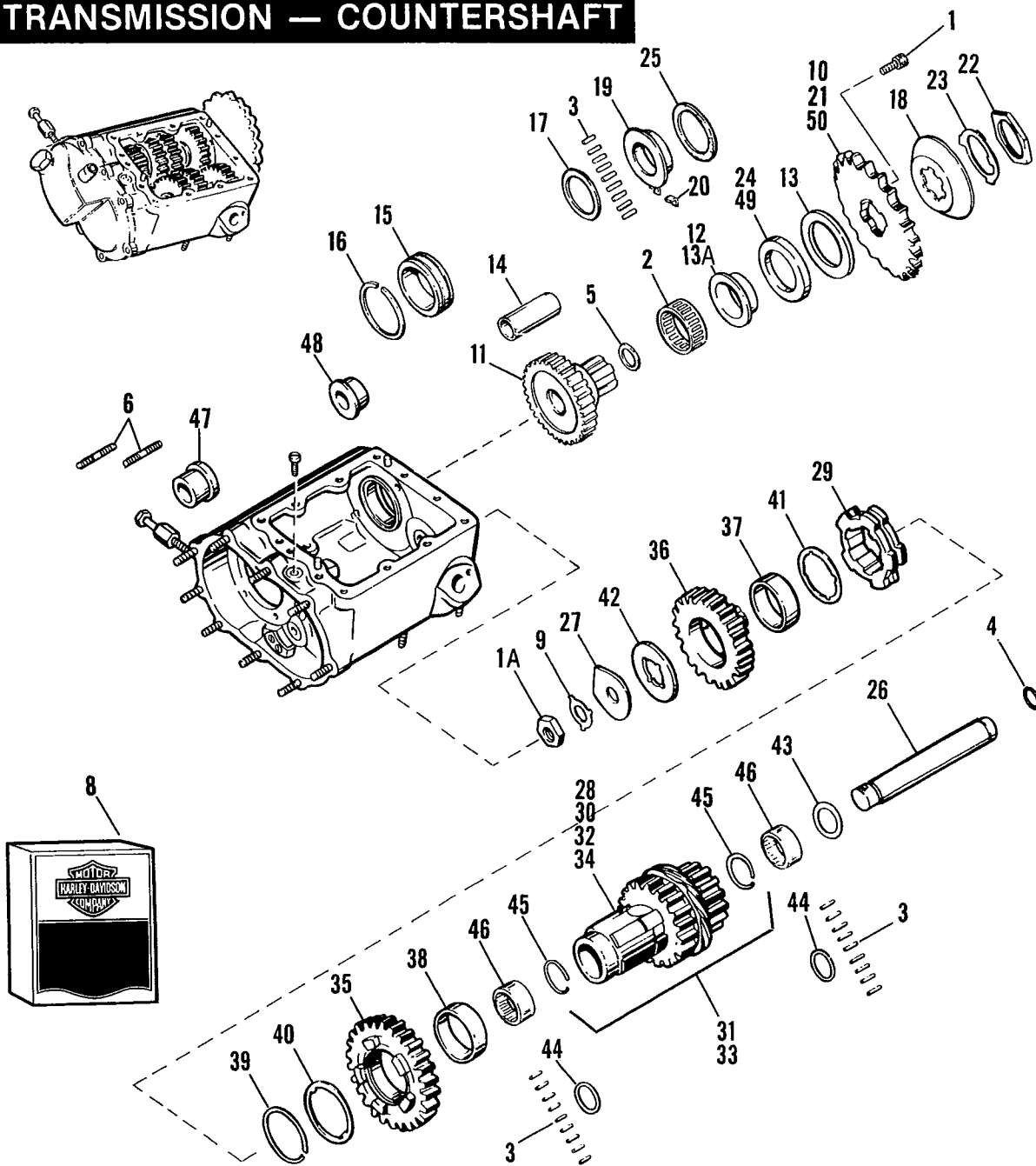
RETAIL PRICE	INDEX NO.	PART NO.	NAME	USED ON
		NOTE: Additional mainshaft parts may be found in the next section.		
	16	16830—29A	STUD, 3/8-24 x 1-13/16 (2)	65 to 69 — FL, FLH
	17	16830—54	STUD, 3/8-24 x 2-5/16 (2; 4 — 1970 to 1979)	65 to * — FL, FLH, FLH-80, Classic
	18	24823—80	STUD, 5/16-18 x 5/16-24 x 1-3/4 (4; 5 — 1970 & later)	65 to * — FL, FLH, FLH-80, Classic
	19	33031—36	TRANSMISSION GASKET SET	N/A 41 to 64 — FL, FLH
		33031—65A	TRANSMISSION GASKET, SEAL & LOCKPLATE KIT	65 to 79 — FL, FLH, FLH-80, Classic
		33031—80	TRANSMISSION GASKET, SEAL & LOCKPLATE KIT	80 to * — FL, FLH, FLH-80, Classic
	20	33237—64	SPACER, reverse idler gear	N/A 64 to Early 79 — FL, FLH
	21	33276—70	COVER, transmission (see Kick Starter for 1969 & Earlier cover)	70 to * — FL, FLH, FLH-80, Classic
	22	33290—38	LOWER BUSHING, transmission cover	70 to * — FL, FLH, FLH-80, Classic
	23	33291—36	UPPER BUSHING, transmission cover	70 to * — FL, FLH, FLH-80, Classic
	24	33295—36	GASKET, transmission cover	70 to * — FL, FLH, FLH-80, Classic
	25	33298—65	STUD, 5/16-18 x 5/16-24 x 1-1/2 (5; 4 — 1970 & later)	65 to * — FL, FLH, FLH-80, Classic
	26	33353—78	BUMPER PLATE, starter crank	41 to 69 — FL, FLH
	27	33429—39	OIL DEFLECTOR, mainshaft starter gear	41 to 69 — FL, FLH
	27A	34090—84	BEARING INNER RACE	Late 84 to * — FLH-80
	28	34701—78	TRANSMISSION HOUSING (3 speed & reverse)	N/A Late 78 to Early 79 — FL, FLH
		34702—78	TRANSMISSION HOUSING (4 speed)	Late 78 to Early 79 — FL, FLH, FLH-80, Classic
		34702—79	TRANSMISSION HOUSING (4 speed)	N/A Late 79 — FL, FLH, FLH-80, Classic
		34702—80	TRANSMISSION HOUSING (4 speed)	80 — FL, FLH, FLH-80, Classic
		34703—78	TRANSMISSION HOUSING KIT (4 speed)	65 to Early 78 — FL, FLH
		34705—65B	TRANSMISSION HOUSING KIT (3 speed)	N/A 65 to Early 78 — FL, FLH
		34711—80	TRANSMISSION HOUSING (4 speed)	81 — FLH-80, Classic
		34714—82A	TRANSMISSION HOUSING (4 speed)	82 to * — FLH-80, Classic
	29	34720—56	VENT SCREW, transmission housing	56 to 78 — FL, FLH, FLH-80
	30	34723—47	STUD, gear box bottom, oversize (4)	47 to 83 — FL, FLH, FLH-80, Classic
	31	34724—36	BOTTOM STUD, transmission housing (4)	41 to 83 — FL, FLH, FLH-80, Classic
		34726—84	STUD, transmission housing (4)	84 to * — FLH-80
	31A	34797—70	CONVERSION KIT, handshift to footshift	N/A 70 to Early 79 — FL, FLH, FLH-80, Classic
	32	35039—65	MAINSHAFT	65 to 69 — FL, FLH
		35039—70B	MAINSHAFT KIT	70 to Early 80 — FL, FLH, FLH-80, Classic
		35039—80	MAINSHAFT	Late 80 to Early 84 — FL, FLH, FLH-80, Classic
		35039—84	MAINSHAFT	Late 84 to * — FLH-80
		35040—50	MAINSHAFT	41 to 64 — FL, FLH
	33	35046—36	NUT, mainshaft bearing, with lockwasher	41 to * — FL, FLH, FLH-80, Classic
	34	35050—40	LOCKWASHER, mainshaft bearing	41 to * — FL, FLH, FLH-80, Classic
	35	35072—70	GEAR, mainshaft second (handshift — 3 speed & rev.) — 22 T.	N/A 70 to Early 79 — FL, FLH
	36	35073—70	GEAR, mainshaft low & reverse (3 speed & rev.) — 15 & 26 T.	N/A 70 to Early 79 — FL, FLH
	37	35100—36	HOUSING, mainshaft bearing	41 to 79 — FL, FLH, FLH-80, Classic
		35100—79	HOUSING, mainshaft bearing	80 to * — FL, FLH, FLH-80, Classic
	38	35111—36	RETAINING PLATE, bearing housing	41 to 79 — FL, FLH, FLH-80, Classic
		35111—80	RETAINING PLATE, bearing housing	80 to * — FL, FLH, FLH-80, Classic
	39	35282—59	GEAR, mainshaft low & second (4 speed) — 15 & 20 T.	59 to * — FL, FLH, FLH-80, Classic
	40	35306—59	GEAR, mainshaft third (4 speed) — 24 T.	59 to * — FL, FLH, FLH-80, Classic
	41	35322—38	BUSHING, mainshaft second & third gears (handshift)	N/A 41 to 79 — FL, FLH, FLH-80, Classic
	42	35337—36	RETAINING RING, mainshaft second & third gears	41 to * — FL, FLH, FLH-80, Classic
	43	35365—36	WASHER, mainshaft second & third gears	41 to * — FL, FLH, FLH-80, Classic
	44	35440—38	CLUTCH, mainshaft	41 to * — FL, FLH, FLH-80, Classic
	45	36140—36	IDLER GEAR (3 speed & rev.) — 14T.	N/A 41 to Early 79 — FL, FLH
	46	36150—31	BUSHING, idler gear (3 speed & rev.)	N/A 41 to Early 79 — FL, FLH
	47	36158—36	IDLER GEAR SHAFT (3 speed & rev.)	N/A 41 to Early 79 — FL, FLH
	48	37072—79	FILLER PLUG	70 to * — FL, FLH, FLH-80, Classic
	49	37436—36	BUSHING, mainshaft (2)	41 to Early 80 — FL, FLH, FLH-80, Classic
	50	62702—52	WASHER, drain plug	41 to * — FL, FLH, FLH-80, Classic

TRANSMISSION — COUNTERSHAFT

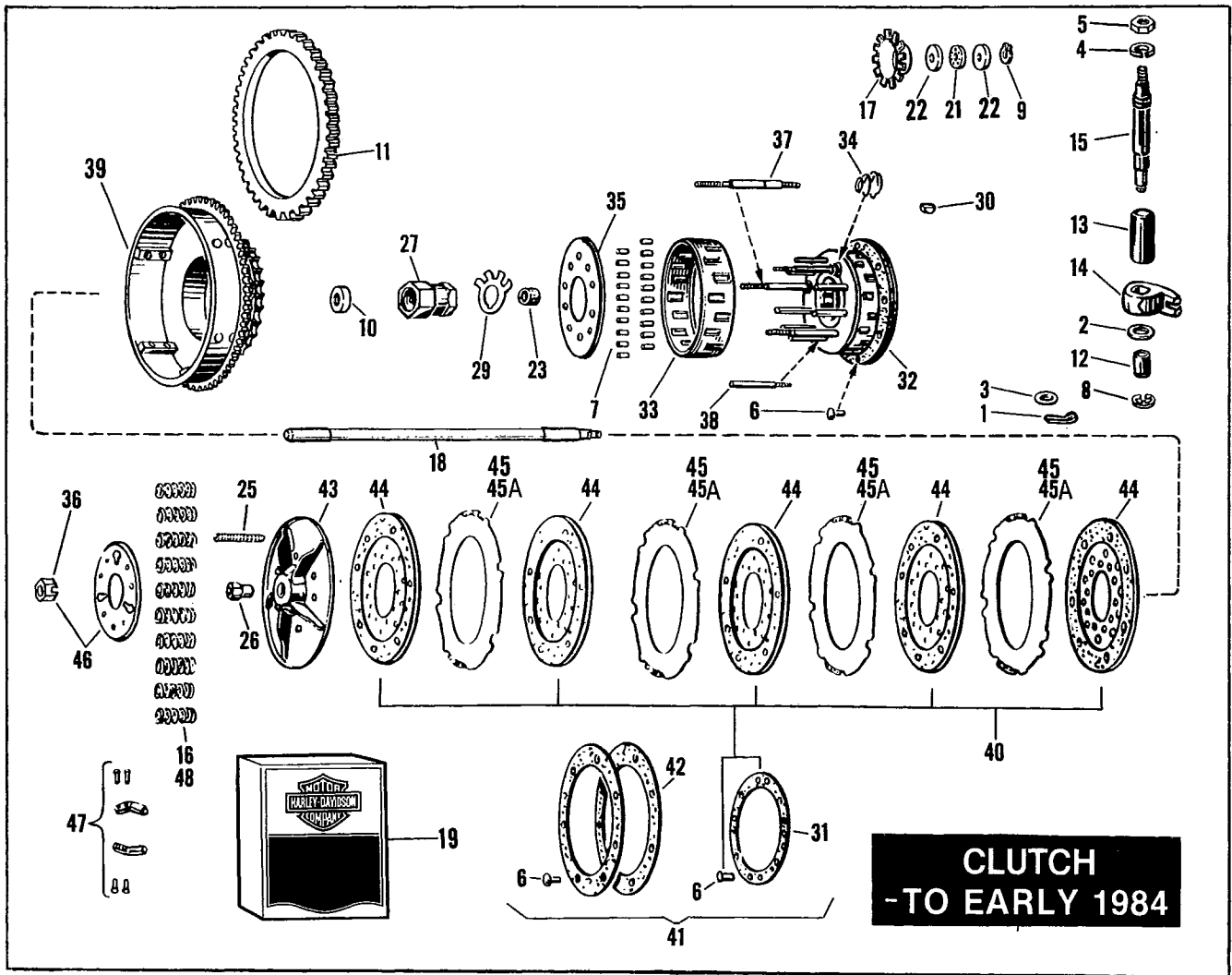


RETAIL PRICE	INDEX NO.	PART NO.	N A M E	USED ON
			NOTE: See previous section for additional transmission parts' listing.	
	1	857	SCREW, No. 10-24 x 3/8 knurled socket hd.	82 to * — FLH-80, Classic
	1A	7911	NUT, 1/2-20 x 7/32 x 7/8 hex.	41 to 79 — FL, FLH, FLH-80, Classic
	2	8905	NEEDLE BEARING, mainshaft.	Late 77 to 81 — FL, FLH, FLH-80, Classic
		8906	NEEDLE BEARING, mainshaft.	82 to * — FLH-80, Classic
	3	9084	ROLLER, main drive gear & countershaft, 0.125 x 0.615 - std. (44) .	41 to Early 77 — FL, FLH
		9085	ROLLER, main drive gear & countershaft - 0.0004 O.S. (44) . .	41 to Early 77 — FL, FLH
		9086	ROLLER, main drive gear & countershaft - 0.0008 O.S. (44) . .	41 to Early 77 — FL, FLH
	4	11115	O-RING, countershaft	65 to * — FL, FLH, FLH-80, Classic
	5	12013A	OIL SEAL, main drive gear	65 & Early 66 — FL, FLH; Late 81 to * — FLH-80, Classic
		12022	OIL SEAL, main drive gear	Late 66 to Early 81 — FL, FLH, FLH-80, Classic
	6	24823—80	STUD, 5/16-18 x 5/16-24 x 1-3/4 (6; 7 - 1970 & later) . .	65 to * — FL, FLH, FLH-80, Classic
	8	33031—36	TRANSMISSION GASKET SET	N/A 41 to 64 — FL, FLH
		33031—65A	TRANSMISSION GASKET, SEAL & LOCKPLATE KIT	65 to 79 — FL, FLH, FLH-80, Classic
		33031—80	TRANSMISSION GASKET, SEAL & LOCKPLATE KIT	80 to * — FL, FLH, FLH-80, Classic
	9	33082—16	LOCKWASHER, countershaft nut	41 to 79 — FL, FLH, FLH-80, Classic
	10	33338—83	SPROCKET KIT, mainshaft, chain drive, with item 1	80 to 82 — FL, FLH, FLH-80; 80 & 81 — Classic
	11	35065—65B	MAIN DRIVE GEAR — 26 T. (loose rollers)	41 to Early 77 — FL, FLH
		35067—77A	MAIN DRIVE GEAR — 26 T. (w/caged roller bearing & seal) .	Late 77 to * — FL, FLH, FLH-80, Classic
	12	35070—77	SPACER, mainshaft	Late 77 to 79 — FL, FLH, FLH-80, Classic
		35070—80	SPACER, mainshaft	80 & 81 — FL, FLH, FLH-80, Classic
		35070—82A	SPACER, mainshaft	82 — Classic; 83 to * — FLH-80
	13	35079—80	SPACER, mainshaft sprocket	80 & 81 — FL, FLH, FLH-80, Classic
	13A	35079—82A	SPACER, mainshaft	82 — FLH-80
	14	35094—31	BUSHING, main drive gear	41 to 64 — FL, FLH
		35094—65	BUSHING, main drive gear	65 to * — FL, FLH, FLH-80, Classic
	15	35125—37	OUTER RACE, mainshaft bearing	41 to Early 77 — FL, FLH
	16	35129—36	RETAINING RING, outer race	41 to Early 77 — FL, FLH
	17	35131—36	RETAINING WASHER, bearing roller	41 to Early 77 — FL, FLH
	18	35159—39	OIL DEFLECTOR, main drive gear	N/A 41 to 64 — FL, FLH
	19	35171—37	SPACER, main gear	41 to Early 77 — FL, FLH
	20	35175—38	KEY, drive gear spacer	41 to Early 77 — FL, FLH
	21	35203—36	SPROCKET, mainshaft — 22 T.	41 to 79 — FL, FLH, FLH-80, Classic
	22	35211—36	LOCKNUT, mainshaft sprocket	41 to * — FL, FLH, FLH-80, Classic
	23	35216—36	LOCKWASHER, mainshaft sprocket	41 to Early 83 — FL, FLH, FLH-80, Classic
	24	35230—39	OIL SEAL, mainshaft	41 to 79 — FL, FLH, FLH-80, Classic
	25	35231—36	CORK WASHER, mainshaft oil seal	41 to Early 77 — FL, FLH
	26	35614—65	COUNTERSHAFT	41 to Early 76 — FL, FLH
		35614—76	COUNTERSHAFT	Late 76 to 79 — FL, FLH, FLH-80, Classic
		35614—80	COUNTERSHAFT	80 to * — FL, FLH, FLH-80, Classic
	27	35630—36	END PLATE, countershaft	41 to 79 — FL, FLH, FLH-80, Classic
	28	35635—69	GEAR, speedometer drive — 7 T.	69 to 80 — FL, FLH, FLH-80, Classic
	29	35665—36A	CLUTCH, countershaft (4 speed)	41 to * — FL, FLH, FLH-80, Classic
	30	35699—76	GEAR, countershaft — 15 & 17 T. (4 speed)	Late 76 to 80 — FL, FLH, FLH-80, Classic
	31	35700—69	COUNTERSHAFT GEAR, with retaining rings— 15 & 17 T. (4 speed)	69 to Early 76 — FL, FLH
	32	35701—76	GEAR, countershaft — 15 & 19 T. (3 speed & rev.)	N/A Late 76 to Early 79 — FL, FLH
	33	35703—69	GEAR, countershaft — 15 & 19 T. (3 speed & rev.)	N/A 69 to Early 76 — FL, FLH

TRANSMISSION — COUNTERSHAFT



RETAIL PRICE	INDEX NO.	PART NO.	N A M E	USED ON
		NOTE:	See previous section for additional transmission parts' listing.	
	34	35716-76	GEAR, countershaft — 15 & 17 T.	81 & 82 — FLH-80, Classic
		35716-84	GEAR, countershaft — 3rd & 4th	83 to * — FLH-80
	35	35751-36	GEAR, countershaft second (4 speed) — 21 T.	41 to * — FL, FLH, FLH-80, Classic
	36	35762-39	GEAR, countershaft low (3 speed & rev.) — 25 T.	41 to Early 79 — FL, FLH
		35765-36	GEAR, countershaft low (4 speed) — 26 T.	41 to * — FL, FLH, FLH-80, Classic
		35775-39	GEAR, countershaft reverse — 23 T.	41 to Early 79 — FL, FLH
	37	35789-36	BUSHING, countershaft low & reverse gears	41 to * — FL, FLH, FLH-80, Classic
	38	35791-36	BUSHING, countershaft low & second gears (4 speed) ...	41 to * — FL, FLH, FLH-80, Classic
	39	35810-36	RETAINING RING, countershaft low & second gears (4 speed) .	41 to * — FL, FLH, FLH-80, Classic
	40	35811-36	WASHER, countershaft second & low gears (4 speed)	41 to * — FL, FLH, FLH-80, Classic
	41	35812-36	WASHER, low & reverse gears	41 to * — FL, FLH, FLH-80, Classic
	42	35875-36	SET OF WASHERS, countershaft — gear end	41 to * — FL, FLH, FLH-80, Classic
		35876-36	WASHER, countershaft, gear end — .074 thick	41 to * — FL, FLH, FLH-80, Classic
		35877-36	WASHER, countershaft, gear end — .078 thick	41 to * — FL, FLH, FLH-80, Classic
		35878-36	WASHER, countershaft, gear end — .082 thick	41 to * — FL, FLH, FLH-80, Classic
		35879-36	WASHER, countershaft, gear end — .085 thick	41 to * — FL, FLH, FLH-80, Classic
		35882-36	WASHER, countershaft, gear end — .090 thick	41 to * — FL, FLH, FLH-80, Classic
		35883-36	WASHER, countershaft, gear end — .095 thick	41 to * — FL, FLH, FLH-80, Classic
		35884-36	WASHER, countershaft, gear end — .100 thick	41 to * — FL, FLH, FLH-80, Classic
	43	35915-36	RETAINING WASHER, countershaft bearing (outer)	41 to * — FL, FLH, FLH-80, Classic
	44	35917-36	RETAINING WASHER, countershaft bearing (inner) (2) ...	41 to Early 76 — FL, FLH
	45	35920-36	RETAINING RING, countershaft bearing (2)	41 to Early 77 — FL, FLH
	46	35961-52	NEEDLE BEARING, countershaft (2)	Late 76 to * — FL, FLH, FLH-80, Classic
	47	36045-76	BUSHING, countershaft (starter side)	Late 76 to 79 — FL, FLH, FLH-80, Classic
		36046-36	BUSHING, countershaft (starter side)	41 to Early 76 — FL, FLH
	48	36048-36	BUSHING, countershaft (clutch side)	41 to Early 76 — FL, FLH
		36048-76A	BUSHING, countershaft (clutch side & starter side 80 & Later)	Late 76 to * — FL, FLH, FLH-80, Classic
	49	37741-67	OIL SEAL, mainshaft	80 & 81 — FL, FLH, FLH-80, Classic
		37741-82	OIL SEAL, mainshaft	82 to * — FLH-80, Classic



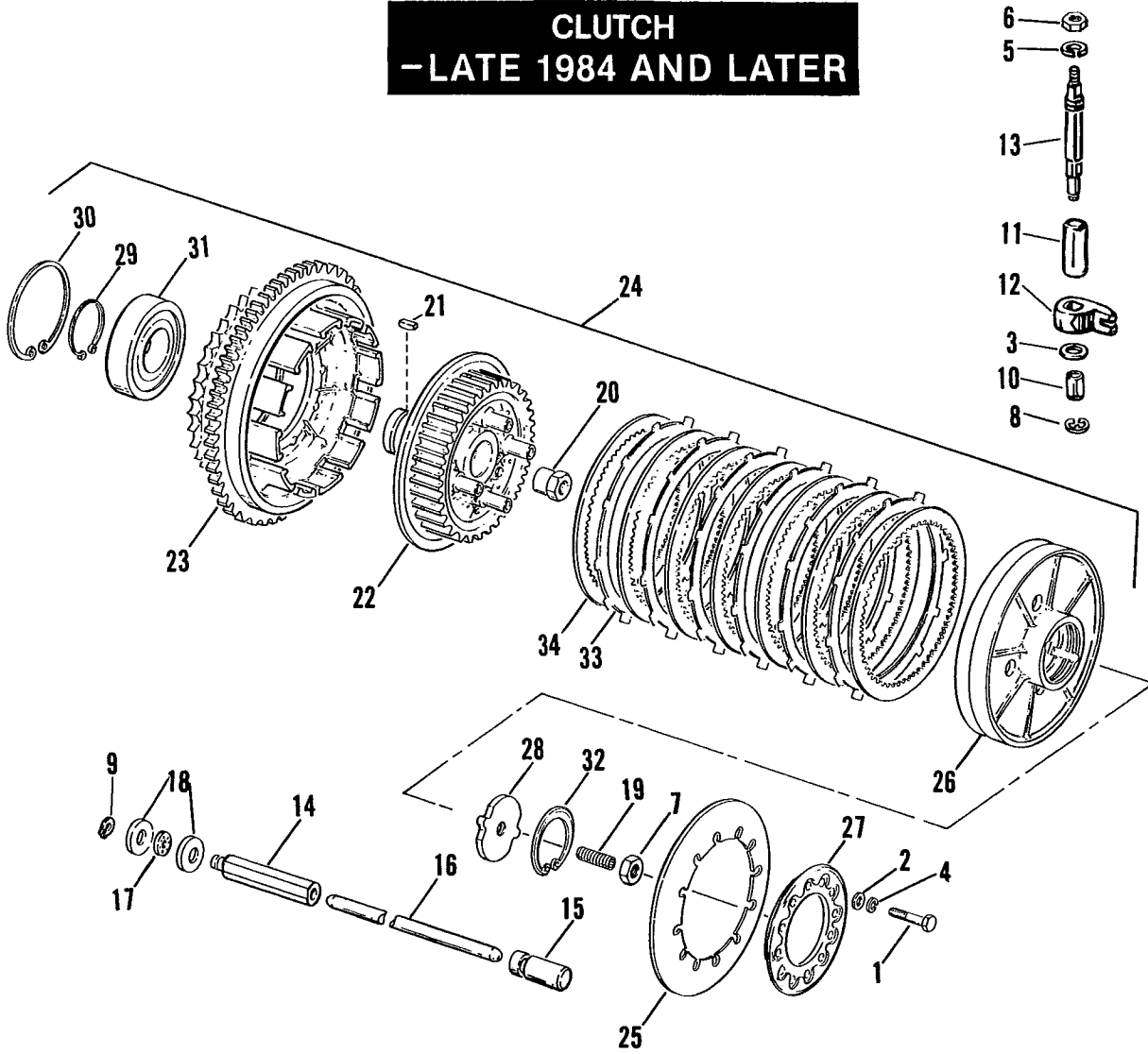
CLUTCH — 1941 TO EARLY 1984

A26-1

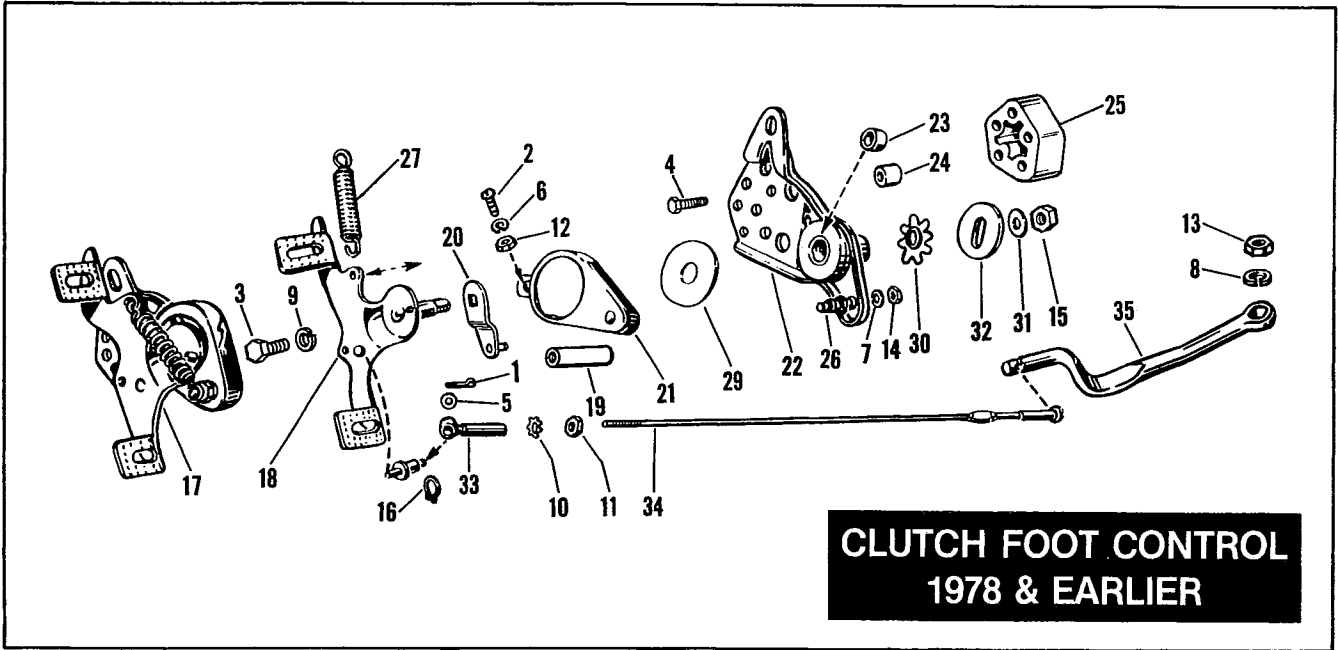
RETAIL PRICE	INDEX NO.	PART NO.	N A M E	USED ON
	1	534	COTTER PIN, 3/32 x 5/8	41 to 69 — FL, FLH
	2	6443HW	WASHER, 13/32 x 11/16 x 1/16	41 to Early 84 — FL, FLH, FLH-80, Classic
	3	6702	WASHER, 5/16 x 11/16 x 1/16	41 to 69 — FL, FLH
	4	7039	LOCKWASHER, 7/16	41 to Early 84 — FL, FLH, FLH-80, Classic
	5	7837W	NUT, 7/16-20 x 3/8 x 11/16 hex	41 to Early 84 — FL, FLH, FLH-80, Classic
	6	8226	RIVET, 3/16 x 7/32 (brass) (8)	41 to 73 — FL, FLH
		8227	RIVET, 3/16 x 9/32 (brass) (9)	41 to Early 84 — FL, FLH, FLH-80, Classic
		8232	RIVET, 3/16 x 11/32 (brass) (23)	41 to Early 84 — FL, FLH, FLH-80, Classic
	7	9540A	ROLLER, clutch hub bearing (20)	59 to Early 84 — FL, FLH, FLH-80, Classic
	8	11000	RETAINING RING	70 to Early 84 — FL, FLH, FLH-80, Classic
	9	11096	RETAINING RING	Late 75 to Early 84 — FL, FLH, FLH-80, Classic
	10	12014	OIL SEAL, mainshaft nut	65 to Early 84 — FL, FLH, FLH-80, Classic
	11	33163—65B	STARTER RING GEAR	65 to Early 84 — FL, FLH, FLH-80, Classic
	12	33290—38	BUSHING, release lever shaft (lower)	41 to Early 84 — FL, FLH, FLH-80, Classic
	13	33291—36	BUSHING, release lever shaft (upper)	41 to Early 84 — FL, FLH, FLH-80, Classic
	14	37070—39B	RELEASE FINGER	41 to Early 84 — FL, FLH, FLH-80, Classic
	15	37074—38A	STUD, release lever (finger shaft)	41 to Early 84 — FL, FLH, FLH-80, Classic
	16	37077—68	CLUTCH SPRING (10)	68 to Early 84 — FL, FLH, FLH-80, Classic
	17	37228—75	OIL SLINGER	Late 75 to Early 84 — FL, FLH, FLH-80, Classic
	18	37285—41	PUSH ROD, clutch	41 to 64 — FL, FLH
		37285—75A	PUSH ROD, clutch	Late 75 to Early 84 — FL, FLH, FLH-80, Classic

RETAIL PRICE	INDEX NO.	PART NO.	N A M E	USED ON
	19	37305-41	BEARING & PUSH ROD KIT Consists of besides push rod: 11096 RETAINING RING, push rod bearing 37070-39B RELEASE FINGER 37228-75 OIL SLINGER 37313-80 THRUST WASHER, inner 37312-75 BEARING, push rod 37436-36 BUSHING, clutch rod	41 to 64 — FL, FLH
		37305-65	BEARING & PUSH ROD KIT Consists of besides push rod: 11096 RETAINING RING, push rod bearing 37070-39B RELEASE FINGER 37228-75 OIL SLINGER 37313-80 THRUST WASHER, inner 37312-75 BEARING, push rod 37436-36 BUSHING, clutch rod	65 to 69 — FL, FLH
		37305-70	BEARING & PUSH ROD KIT Consists of besides push rod: 11096 RETAINING RING, push rod bearing 37070-39B RELEASE FINGER 37228-75 OIL SLINGER 37313-80 THRUST WASHER, inner 37312-75 BEARING, push rod 37436-36 BUSHING, clutch rod	70 to Early 84 — FL, FLH, FLH-80, Classic
	21	37312-75	BEARING, push rod	Late 75 to Early 84 — FL, FLH, FLH-80, Classic
	22	37313-80	THRUST WASHER (2)	Late 75 to Early 84 — FL, FLH, FLH-80, Classic
	23	37337-36	OIL SEAL, push rod (cork)	41 to 64 — FL, FLH
	25	37357-41	ADJUSTING SCREW, push rod	41 to Early 84 — FL, FLH, FLH-80, Classic
	26	37361-41	NUT, adjusting screw	41 to Early 84 — FL, FLH, FLH-80, Classic
	27	37496-41	NUT, mainshaft (clutch side)	N/A 41 to 64 — FL, FLH
		37496-65	NUT, mainshaft (clutch side)	65 to Early 84 — FL, FLH, FLH-80, Classic
	29	37503-41	LOCKWASHER, clutch nut	41 to Early 84 — FL, FLH, FLH-80, Classic
	30	37523-15A	KEY, clutch	41 to Early 84 — FL, FLH, FLH-80, Classic
	31	37549-41	LINING, hub friction disc	41 to Early 84 — FL, FLH, FLH-80, Classic
	32	37550-41B	CLUTCH HUB ASSEMBLY	41 to Early 84 — FL, FLH, FLH-80, Classic
	33	37566-58	RETAINER, clutch hub roller	58 to Early 84 — FL, FLH, FLH-80, Classic
		37567-41A	RETAINER, clutch hub roller — with rollers	58 to Early 84 — FL, FLH, FLH-80, Classic
	34	37574-44	SPRING, hub bearing plate (3)	44 to Early 84 — FL, FLH, FLH-80, Classic
	35	37576-41	PLATE, hub bearing	41 to Early 84 — FL, FLH, FLH-80, Classic
	36	37581-47	NUT, hub stud (3)	47 to Early 84 — FL, FLH, FLH-80, Classic
	37	37583-41	STUD, drive hub (3)	41 to Early 84 — FL, FLH, FLH-80, Classic
	38	37585-41	PIN, clutch hub (7)	41 to Early 84 — FL, FLH, FLH-80, Classic
	39	37702-70A	CLUTCH SHELL AND SPROCKET, with starter ring gear	41 to 64 — FL, FLH; 70 to 82 — FL, FLH, FLH-80; 79 to 81 — Classic
		37707-82	CLUTCH SHELL AND SPROCKET, with starter ring gear	82 — Classic; 83 & Early 84 — FLH-80
	40	37850-68	SET OF LINED CLUTCH DISCS	68 to Early 84 — FL, FLH, FLH-80, Classic
	41	37855-41	SET OF CLUTCH LININGS AND RIVETS	N/A 41 to 67 — FL, FLH
	42	37860-41	LINING, clutch friction disc (7)	N/A 41 to 67 — FL, FLH
	43	37871-41	RELEASING DISC	41 to Early 84 — FL, FLH, FLH-80, Classic
	44	37930-68A	FRICTION DISC (5)	68 to Early 84 — FL, FLH, FLH-80, Classic
	45	37975-81	DRIVE DISC (steel) (4)	41 to Early 84 — FL, FLH, FLH-80, Classic
	46	38010-41	PRESSURE PLATE	41 to Early 84 — FL, FLH, FLH-80, Classic
	47	38025-41	SET OF CLUTCH DISC BUFFERS	41 to Early 81 — FL, FLH, FLH-80, Classic
	48	38077-41	CLUTCH SPRING (10)	41 to 67 — FL, FLH

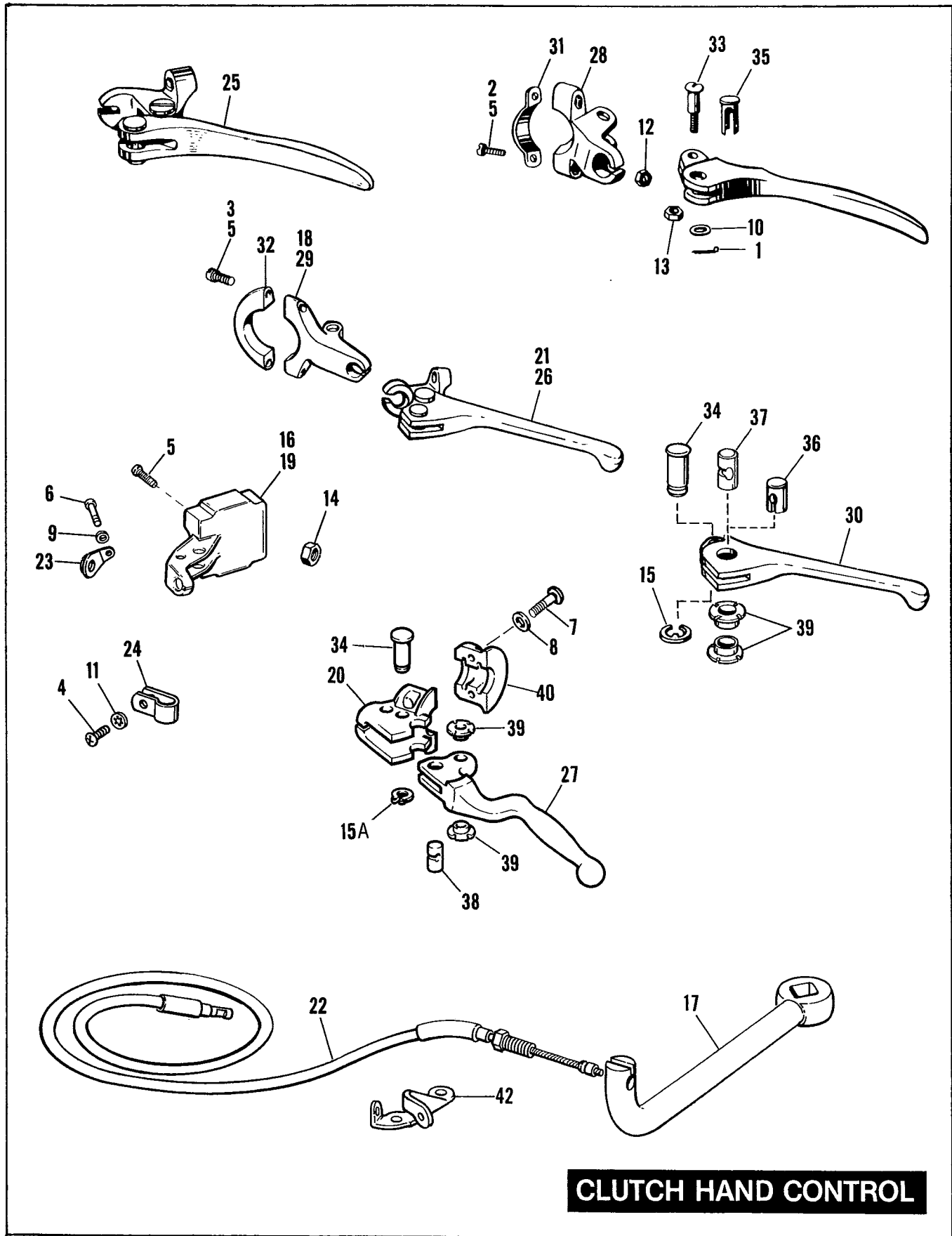
CLUTCH -LATE 1984 AND LATER



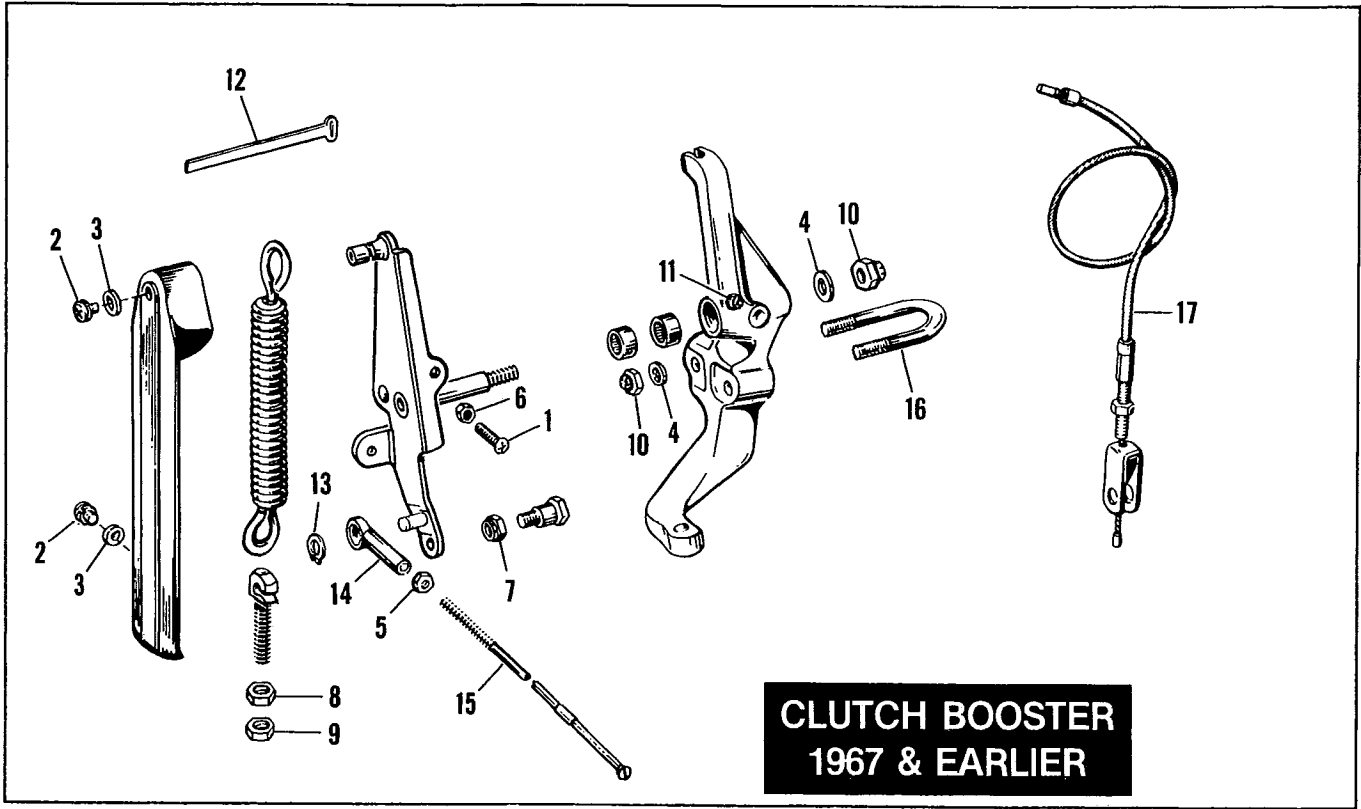
RETAIL PRICE	INDEX NO.	PART NO.	N A M E	USED ON
	1	2881W	BOLT, 1/4-20 x 7/8 hex. hd. (4)	Late 84 to * — FLH-80
	2	6099	WASHER, 1/4 x 7/16 x 1/16 (4)	Late 84 to * — FLH-80
	3	6443HW	WASHER, 13/32 x 11/16 x 1/16	Late 84 to * — FLH-80
	4	7036	LOCKWASHER, 1/4 (4)	Late 84 to * — FLH-80
	5	7039	LOCKWASHER, 7/16	Late 84 to * — FLH-80
	6	7837W	NUT, 7/16-20 x 3/8 x 11/16 hex.	Late 84 to * — FLH-80
	7	7848W	NUT, 5/16-18 x 1/4 x 1/2 hex.	Late 84 to * — FLH-80
	8	11000	RETAINING RING	Late 84 to * — FLH-80
	9	11096	RETAINING RING	Late 84 to * — FLH-80
	10	33290—38	BUSHING, release lever shaft — lower	Late 84 to * — FLH-80
	11	33291—36	BUSHING, release lever shaft — upper	Late 84 to * — FLH-80
	12	37070—39B	RELEASE FINGER	Late 84 to * — FLH-80
	13	37074—38A	STUD, release finger	Late 84 to * — FLH-80
	14	37089—84	ROD END, clutch push rod	Late 84 to * — FLH-80
	15	37090—84	ROD END, clutch push rod	Late 84 to * — FLH-80
	16	37285—84	PUSH ROD, clutch release	Late 84 to * — FLH-80
	17	37312—75	BEARING, push rod	Late 84 to * — FLH-80
	18	37313—80	THRUST WASHER, inner (2)	Late 84 to * — FLH-80
	19	37357—84	ADJUSTING STUD, push rod	Late 84 to * — FLH-80
	20	37496—84	NUT, mainshaft (clutch side)	Late 84 to * — FLH-80
	21	37523—15A	KEY, clutch	Late 84 to * — FLH-80
	22	37550—84	CLUTCH HUB, inner	Late 84 to * — FLH-80
	23	37707—84	CLUTCH SHELL AND SPROCKET, with starter ring gear	Late 84 to * — FLH-80
	24	37800—84	CLUTCH ASSEMBLY, complete — except mainshaft nut, rod ends, push rod, o-ring and thrust washer	Late 84 to * — FLH-80
	25	37871—84	DIAPHRAGM SPRING PLATE	Late 84 to * — FLH-80
	26	37902—84A	PRESSURE PLATE	Late 84 to * — FLH-80
	27	37902—84	ADJUSTER PLATE	Late 84 to * — FLH-80
	28	37903—84	RELEASE PLATE, center	Late 84 to * — FLH-80
	29	37904—84	RETAINING RING, external — bearing	Late 84 to * — FLH-80
	30	37905—84	RETAINING RING, internal — bearing	Late 84 to * — FLH-80
	31	37906—84	BEARING, clutch assembly	Late 84 to * — FLH-80
	32	37907—84	RETAINING RING, pressure plate	Late 84 to * — FLH-80
	33	37931—84	FRICITION DISC (6)	Late 84 to * — FLH-80
	34	37975—84	DRIVE DISC (7)	Late 84 to * — FLH-80



RETAIL PRICE	INDEX NO.	PART NO.	N A M E	USED ON
	1	534	COTTER PIN, 3/32 x 5/8	41 to 69 — FL, FLH
	2	2773	SCREW, 1/4-20 x 1/2 Pozidriv pan hd.	41 to 78 — FL, FLH
	3	2882W	BOLT, 5/16-18 x 5/8 hex. hd.	65 to 78 — FL, FLH
	4	3775	BOLT, 3/8-16 x 2 hex. hd. (3)	41 to 78 — FL, FLH
	5	6702	WASHER, 5/16 x 11/16 x 1/16	41 to 69 — FL, FLH
	6	7036	LOCKWASHER, 1/4	41 to 78 — FL, FLH
	7	7038	LOCKWASHER, 3/8	41 to 78 — FL, FLH
	8	7039	LOCKWASHER, 7/16	41 to 78 — FL, FLH
	9	7041	LOCKWASHER, 5/16	65 to 78 — FL, FLH
	10	7231	LOCKWASHER, 1/4 ext. tooth ctsk.	41 to 78 — FL, FLH
	11	7638	NUT, No. 10-32 x 1/8 x 3/8 hex.	41 to 78 — FL, FLH
	12	7691W	NUT, 1/4-24 x 5/32 x 7/16 hex.	41 to 78 — FL, FLH
	13	7837W	NUT, 7/16-20 x 3/8 x 11/16	41 to 78 — FL, FLH
	14	7851W	JAMNUT, 3/8-24 x 7/32 x 9/16 hex.	41 to 78 — FL, FLH
	15	7984	NUT, 5/8-24 x 7/32 x 7/8 hex.	N/A 41 to 78 — FL, FLH
	16	11037	RETAINING RING, rod end	65 to 78 — FL, FLH
	17	36810—65A	FOOT LEVER AND BRACKET	N/A 65 to 78 — FL, FLH
	18	36811—65	FOOT LEVER	N/A 65 to 78 — FL, FLH
	19	36812—65	STOP PIN, clutch pedal	N/A 65 to 78 — FL, FLH
	20	36816—65A	LEVER, operating rod	N/A 65 to 78 — FL, FLH
	21	36830—36	COVER, foot lever bearing	N/A 41 to 78 — FL, FLH
	22	36842—41	BRACKET, foot lever	41 to 78 — FL, FLH
	23	36857—36	BUSHING, foot lever bracket	N/A 41 to 78 — FL, FLH
	24	36869—48	SPACER, foot lever bracket (3 or 1)	N/A 48 to 78 — FL, FLH
	25	36869—70	SPACER, foot lever bracket	N/A 70 to 78 — FL, FLH
	26	36871—40	STUD, foot lever spring	N/A 41 to 78 — FL, FLH
	27	36880—36	SPRING, foot lever	N/A 41 to 78 — FL, FLH
	29	36899—41	FRICTION DISC, foot lever	N/A 41 to 78 — FL, FLH
	30	36906—36	FRICTION WASHER, foot lever	N/A 41 to 78 — FL, FLH
	31	36909—36	WASHER, foot lever shaft (inner)	N/A 41 to 78 — FL, FLH
	32	36913—41	WASHER, foot lever shaft (outer)	N/A 41 to 78 — FL, FLH
	33	36916—36	ROD END, clutch lever	N/A 41 to 78 — FL, FLH
	34	36917—36	PULL ROD, clutch lever	N/A 41 to 64 — FL, FLH
		36917—65	PULL ROD, clutch lever	N/A 65 to 78 — FL, FLH
	35	37052—65	RELEASE LEVER (1968 & later — handshift only)	N/A 65 to 78 — FL, FLH



RETAIL PRICE	INDEX NO.	PART NO.	N A M E	USED ON
	1	515	COTTER PIN, 1/16 x 3/4	52 to 64 — FL, FLH
	2	991	SCREW, No. 10-24 x 1 Pozidriv fil. hd. (2)	52 to 64 — FL, FLH
	3	1205	SCREW, No. 10-24 x 3/4 Pozidriv fil. hd.	72 — FL, FLH
	4	2585	SCREW, No. 8-32 x 5/16 Pozidriv pan hd.	68 to * — FL, FLH, FLH-80, Classic
	5	2695W	SCREW, No. 10-24 x 1-1/8 Phillips hd. (4)	72 to * — FL, FLH, FLH-80, Classic
	6	2770W	SCREW, 1/4-20 x 3/4 self tapping Phillips rd. hd.	68 to * — FL, FLH, FLH-80, Classic
	7	4015	SCREW, 1/4-20 x 7/8 hex. socket rd. hd. (2)	82 to * — FLH-80, Classic
	8	6099	WASHER, 1/4 x 7/16 x 3/64 (2)	82 to * — FLH-80, Classic
	9	6703	WASHER, 1/4 x 5/8 x 1/16	68 to * — FL, FLH, FLH-80, Classic
	10	6807W	WASHER, 15/32 x 3/4 x 1/64	52 to 64 — FL, FLH
	11	7115	LOCKWASHER, No. 8 int. tooth	68 to * — FL, FLH, FLH-80, Classic
	12	7620W	NUT, No. 10-24 x 1/8 x 3/8 hex. (2)	52 to 64 — FL, FLH
	13	7691W	NUT, 1/4-24 x 5/32 x 7/16	41 to 64 — FL, FLH
	14	7800W	NUT, 3/8-24 x 5/16 x 9/16 hex.	68 to * — FL, FLH, FLH-80, Classic
14A		10059	CLAMP, clutch cable	84 to * — FLH-80
	15	11036	RETAINING RING, pivot pin	65 to 81 — FL, FLH, FLH-80, Classic
		11143	RETAINING RING, pivot pin	82 to * — FLH-80, Classic
	16	33626—72	BRACKET, mirror mounting (handshift only)	N/A 72 to 78 — FL, FLH, FLH-80
	17	37053—68	RELEASE LEVER, clutch	N/A 68 to Early 79 — FL, FLH, FLH-80, Classic
		37054—79A	RELEASE LEVER, clutch (painted)	Late 79 to * — FL, FLH, FLH-80, Classic
	18	38608—68	BRACKET, hand lever	68 to 71 — FL, FLH
	19	38608—72	BRACKET, hand lever (black)	72 to 81 — FL, FLH, FLH-80, Classic
	20	38608—82A	BRACKET, hand lever (black)	82 to * — FLH-80, Classic
	21	38609—68	HAND LEVER AND BRACKET	68 to 71 — FL, FLH
		38609—72	HAND LEVER AND BRACKET, includes items 34 & 37	72 to 81 — FL, FLH, FLH-80, Classic
	22	38618—68C	CABLE AND COIL ASSEMBLY	68 to * — FL, FLH, FLH-80, Classic
	23	38623—68	CABLE GUIDE PLATE	68 to * — FL, FLH, FLH-80, Classic
	24	38712—68	CLAMP, clutch cable (at frame front)	68 to 83 — FL, FLH, FLH-80, Classic
	25	45002—41	HAND LEVER AND BRACKET	52 to 64 — FL, FLH
	26	45002—65A	HAND LEVER AND BRACKET	65 to 67 — FL, FLH
	27	45017—82A	HAND LEVER, only	82 to * — FLH-80, Classic
	28	45023—41	BRACKET, hand lever	N/A 52 to 64 — FL, FLH
	29	45023—65	BRACKET, hand lever	65 to 67 — FL, FLH
	30	45024—65A	HAND LEVER, includes items 37, 38 & 39	65 to 81 — FL, FLH, FLH-80, Classic
	31	45030—28	CLAMP, lever bracket	52 to 64 — FL, FLH
	32	45030—65A	CLAMP, lever bracket	65 to 71 — FL, FLH
	33	45031—41	PIVOT SCREW, hand lever	52 to 64 — FL, FLH
	34	45031—65	PIVOT PIN, hand lever	65 to 71 — FL, FLH
				74 to 81 — FL, FLH, FLH-80, Classic
		45032—82	PIVOT PIN, hand lever	82 to * — FLH-80, Classic
	35	45033—49	CABLE ANCHOR PIN, hand lever	N/A 52 to 64 — FL, FLH
	36	45033—65	CABLE ANCHOR PIN, hand lever	N/A 65 to Early 68 — FL, FLH
	37	45034—68	CABLE ANCHOR PIN, hand lever	Early 68 — FL, FLH
		45036—68	CABLE ANCHOR PIN, hand lever	Late 68 to 81 — FL, FLH, FLH-80, Classic
	38	45036—82	CABLE ANCHOR PIN, hand lever	82 to * — FLH-80, Classic
	39	45039—68	BUSHING, hand lever cable anchor pin (plastic) (2)	Late 68 to * — FL, FLH, FLH-80, Classic
	40	45044—82	CLAMP, clutch cables	82 to * — FLH-80, Classic
	42	62576—65A	MOUNTING BRACKET, oil tank	65 to Early 79 — FL, FLH, FLH-80, Classic
		62576—79	MOUNTING BRACKET, oil tank	Late 79 to * — FL, FLH, FLH-80, Classic

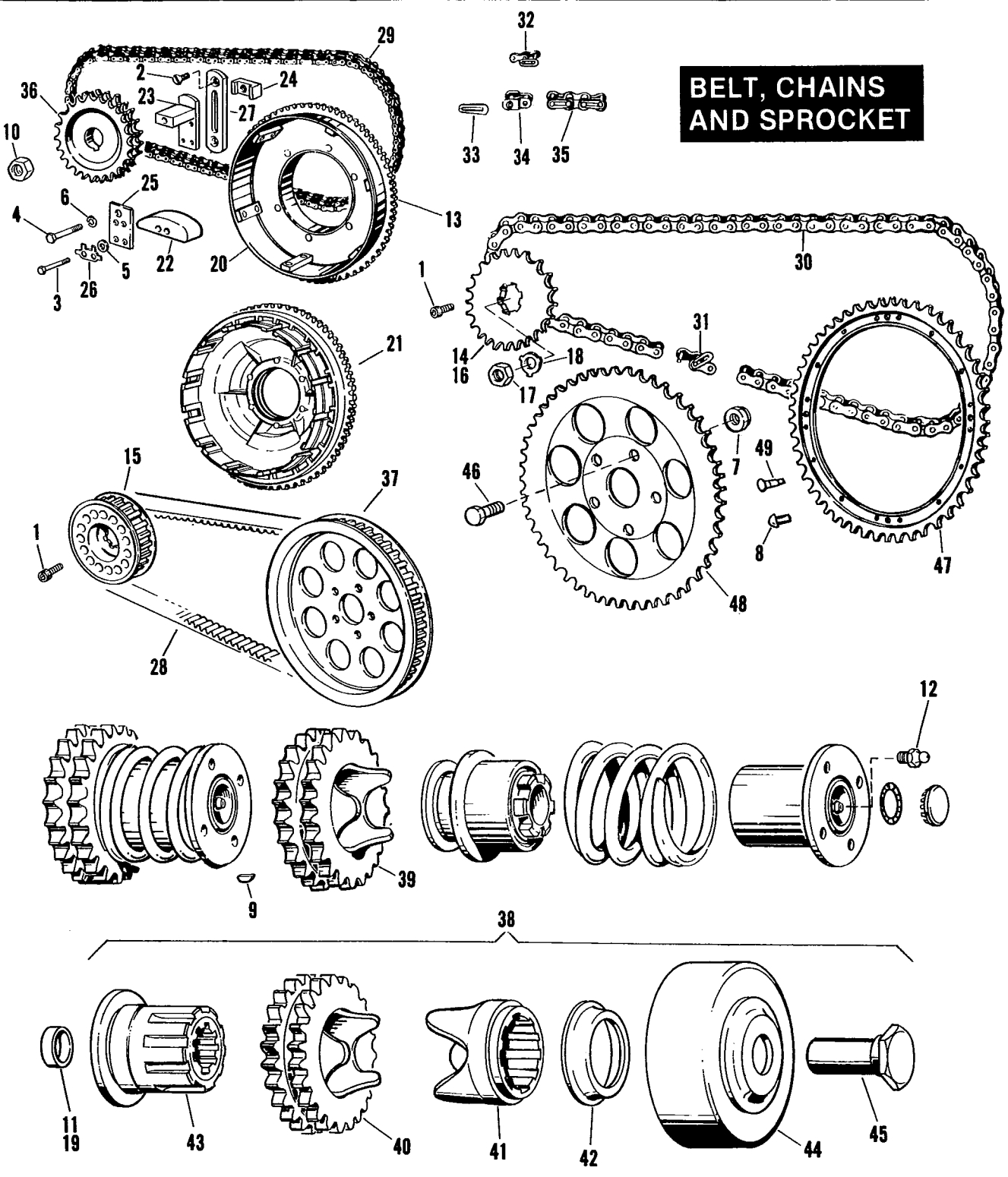


CLUTCH BOOSTER — 1967 & EARLIER

A28A

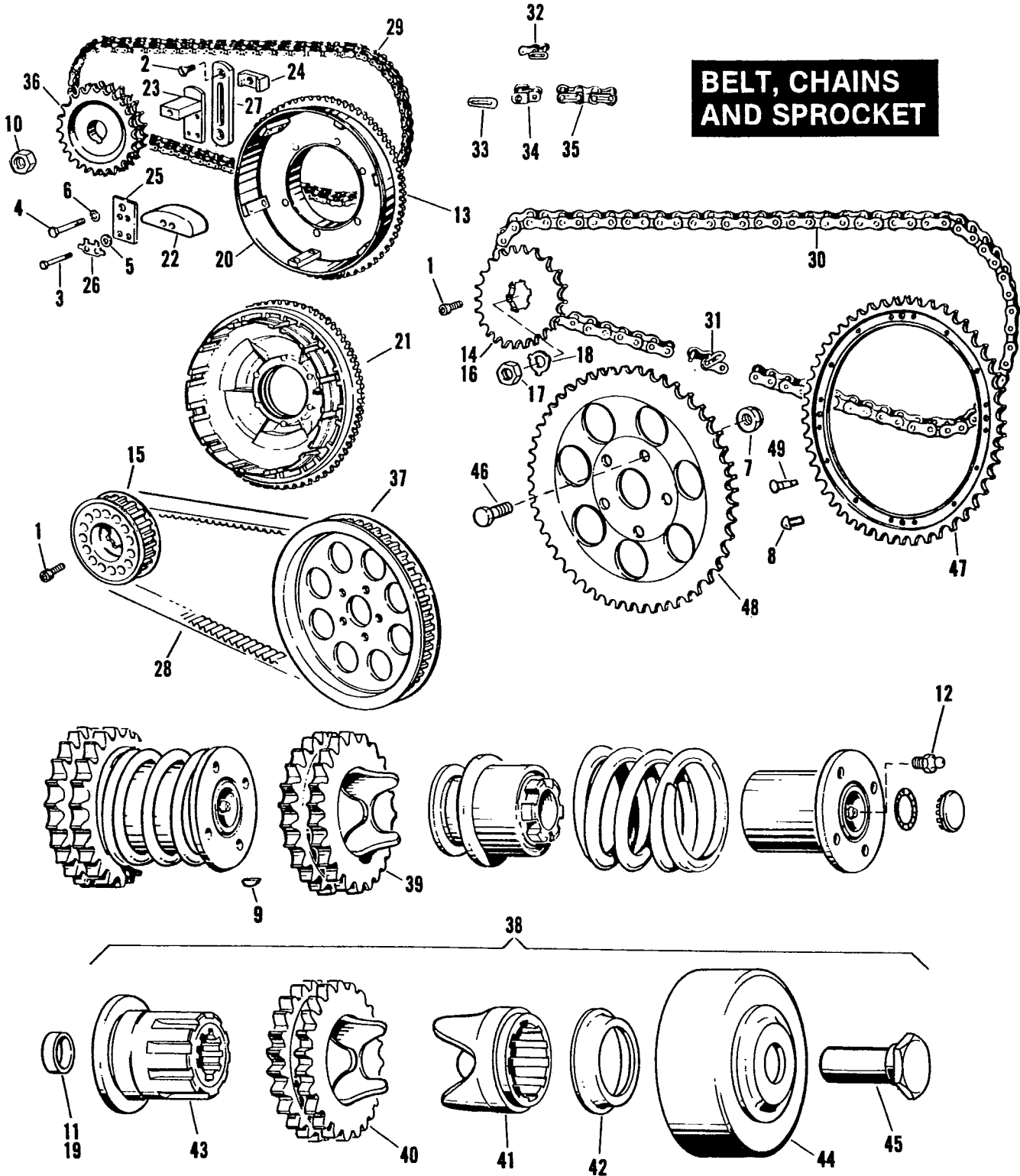
RETAIL PRICE	INDEX NO.	PART NO.	N A M E	USED ON
	1	1374	SCREW, 1/4-28 x 3/4 Pozidriv pan hd.	52 to 67 — FL, FLH
	2	2751	SCREW, 1/4-28 x 5/16 Phillips hd. (2)	N/A 52 to 67 — FL, FLH
	3	6400HB	WASHER, 3/8 x 13/16 x 7/64 (2)	52 to 67 — FL, FLH
	4	6703	WASHER, 1/4 x 5/8 x 1/16 (2)	52 to 67 — FL, FLH
	5	7638	NUT, No. 10-32 x 1/8 x 3/8 hex.	52 to 67 — FL, FLH
	6	7676	NUT, 1/4-28 x 3/16 x 7/16 hex.	52 to 67 — FL, FLH
	7	7727	LOCKNUT, 5/16-24 x 1/4 x 1/2 hex.	52 to 64 — FL, FLH
	8	7744	NUT, 5/16-24 x 3/16 x 1/2 hex. (2)	52 to 67 — FL, FLH
	9	7753	NUT, 5/16-24 x 17/64 x 1/2 hex.	52 to 67 — FL, FLH
	10	7775	LOCKNUT, 3/8-24 x 7/16 x 9/16 hex. (3)	52 to 67 — FL, FLH
	11	9851	GREASE FITTING	52 to 67 — FL, FLH
	12	10006	STRAP, clutch booster cable	52 to 67 — FL, FLH
	13	11037	RETAINING RING (2)	52 to 67 — FL, FLH
	14	36916—36	END, clutch lever rod	N/A 52 to 67 — FL, FLH
	15	36918—52	ROD, clutch lever	N/A 52 to 67 — FL, FLH
	16	38460—52	U-BOLT, booster bracket	N/A 52 to 67 — FL, FLH
	17	38618—52	CABLE AND COIL ASSEMBLY (Buckhorn bars)	52 to 67 — FL, FLH

BELT, CHAINS AND SPROCKET



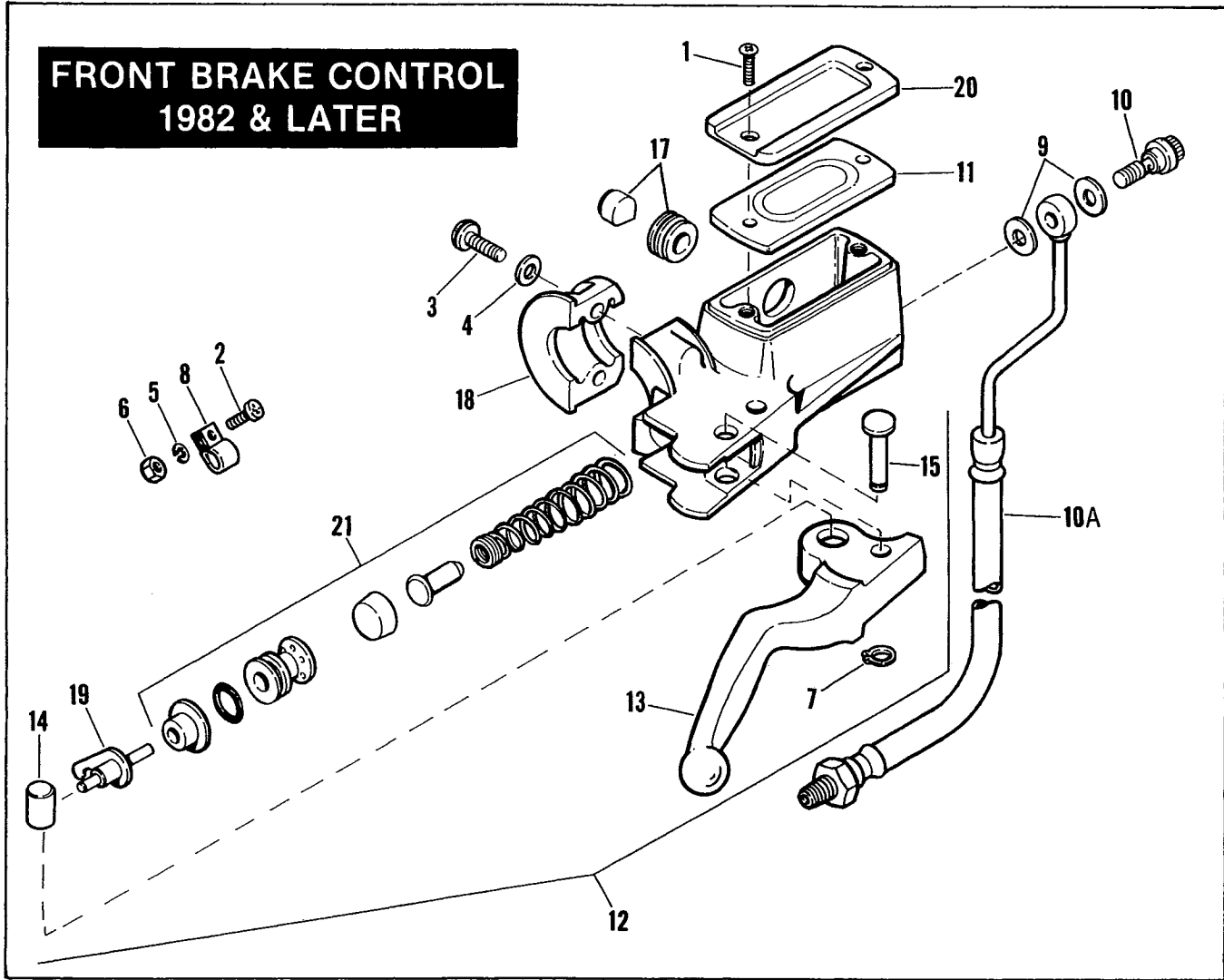
RETAIL PRICE	INDEX NO.	PART NO.	N A M E	USED ON
	1	857	SCREW, No. 10-24 x 3/8 knurled socket hd.	82 to * — FLH-80, Classic
	2	1783	SCREW, 5/16-18 x 7/8 Pozidriv flat ctsk. hd. (2)	65 to * — FL, FLH, FLH-80, Classic
	3	2614	BOLT, 1/4-28 x 2 hex. hd. (2)	Late 84 to * — FLH-80
		3862B	BOLT, 1/4-28 x 1-15/16 hex. hd. (2)	65 to Early 84 — FL, FLH, FLH-80, Classic
	4	4401W	BOLT, 3/8-24 x 2-3/4 hex. hd.	65 to * — FL, FLH, FLH-80, Classic
	5	6703	WASHER, 1/4 x 5/8 x 1/16 (2)	Late 84 to * — FLH-80
	6	7038	LOCKWASHER, 3/8	65 to * — FL, FLH, FLH-80, Classic
	7	7825	LOCKNUT, 7/16-20 x 7/16 x 5/8 hex. (5)	73 to * — FL, FLH, FLH-80, Classic
	8	8524	RIVET, 3/16 x 5/8 (16)	60 to 66 — FL, FLH
		8532	RIVET, 3/16 x 1 (16)	67 to 72 — FL, FLH
	9	23985—12	KEY, compensating sprocket shaft	54 to 60 — FL, FLH
	10	24003—55	NUT, motor sprocket	55 to 71 — FL, FLH
	11	24032—70	SPACER, sprocket shaft — .060 thick	70 to * — FL, FLH, FLH-80, Classic
		24033—70	SPACER, sprocket shaft — .090 thick	70 to * — FL, FLH, FLH-80, Classic
		24034—70	SPACER, sprocket shaft — .120 thick	70 to * — FL, FLH, FLH-80, Classic
		24035—70	SPACER, sprocket shaft — .150 thick	70 to * — FL, FLH, FLH-80, Classic
		24036—70	SPACER, sprocket shaft — .180 thick	70 to * — FL, FLH, FLH-80, Classic
		24037—70	SPACER, sprocket shaft — .210 thick	70 to * — FL, FLH, FLH-80, Classic
		24051—80	SPACER, compensating sprocket (.010)	82 — Classic
		24052—80	SPACER, compensating sprocket (.020)	82 — Classic
		24053—80	SPACER, compensating sprocket (.040)	82 — Classic
		24054—80	SPACER, compensating sprocket (.060)	82 — Classic
	12	25715—47	GREASE FITTING, sprocket shaft nut	48 to 64 — FL, FLH; 79 to * — FL, FLH, FLH-80, Classic
	13	33163—65B	STARTER RING GEAR	65 to * — FL, FLH, FLH-80, Classic
	14	33338—83	SPROCKET KIT, mainshaft, chain drive — includes 857 SCREW	80 to 82 — FL, FLH, FLH-80; 80 & 81 — Classic
	15	33341—83	SPROCKET KIT, mainshaft, belt drive — includes 857 SCREW ..	82 — Classic; 83 to * — FLH-80
	16	35203—36	SPROCKET, mainshaft — 22 T	41 to 79 — FL, FLH, FLH-80, Classic
	17	35211—36	LOCKNUT, mainshaft sprocket	41 to * — FL, FLH, FLH-80, Classic
	18	35216—36	WASHER, mainshaft sprocket	41 to Early 83 — FL, FLH, FLH-80, Classic
	19	35850—84	SPACER, sprocket shaft — .010 thick (as req'd)	70 to * — FL, FLH, FLH-80, Classic
		35851—84	SPACER, sprocket shaft — .020 thick (as req'd)	70 to * — FL, FLH, FLH-80, Classic
		35852—84	SPACER, sprocket shaft — .030 thick (as req'd)	70 to * — FL, FLH, FLH-80, Classic
	20	37702—70A	CLUTCH SHELL AND SPROCKET, with starter ring gear ..	70 to 82 — FL, FLH, FLH-80; 79 to 81 — Classic
	21	37707—82	CLUTCH SHELL AND SPROCKET, with starter ring gear ..	82 — Classic; 83 & Early 84 — FLH-80
		37707—84	CLUTCH SHELL AND SPROCKET, with starter ring gear ..	Late 84 to * — FLH-80
	22	39976—65B	PAD ASSEMBLY, chain tensioner	65 to * — FL, FLH, FLH-80, Classic
	23	39990—65	CHAIN TENSIONER SHOE	65 to * — FL, FLH, FLH-80, Classic
	24	39992—65C	NUT, chain tensioner	65 to * — FL, FLH, FLH-80, Classic
	25	39993—65	PLATE, chain tensioner	65 to * — FL, FLH, FLH-80, Classic
	26	39996—65	LOCKWASHER, chain tensioner plate	65 to * — FL, FLH, FLH-80, Classic
	27	39998—65	ANCHOR PLATE, chain tensioner	65 to * — FL, FLH, FLH-80, Classic
	28	40003—79	BELT, transmission sprocket to rear wheel sprocket	82 — Classic; 83 to * — FLH-80
	29	40007—36A	FRONT CHAIN, solo	41 to * — FL, FLH, FLH-80, Classic
	30	40028—15E	REAR CHAIN (Duckworth)	41 to 82 — FL, FLH, FLH-80, Classic
		40029—15E	REAR CHAIN (Diamond)	41 to 82 — FL, FLH, FLH-80, Classic
		40033—15	REAR CHAIN — 25 ft. (Duckworth)	41 to 82 — FL, FLH, FLH-80; 79 to 81 — Classic
		40034—15	REAR CHAIN — 25 ft. (Diamond)	41 to 82 — FL, FLH, FLH-80; 79 to 81 — Classic
	31	40052—15	CONNECTING LINK, rear chain (Diamond, slip fit)	41 to 82 — FL, FLH, FLH-80; 79 to 81 — Classic
		40052—65	CONNECTING LINK, rear chain (Diamond, press fit)	66 to 82 — FL, FLH, FLH-80; 79 to 81 — Classic
		40053—15	CONNECTING LINK, rear chain (Duckworth, slip fit)	41 to 82 — FL, FLH, FLH-80; 79 to 81 — Classic
	32	40055—39	CONNECTING LINK, front chain (Duckworth)	41 to * — FL, FLH, FLH-80, Classic
	33	40066—12	SPRING, connecting link, rear chain	41 to 82 — FL, FLH, FLH-80; 79 to 81 — Classic
		40070—28	SPRING, connecting link, front chain (Duckworth)	41 to * — FL, FLH, FLH-80, Classic
	34	40091—15	OFFSET REPAIR LINK, rear chain (Diamond)	41 to 82 — FL, FLH, FLH-80; 79 to 81 — Classic
		40092—15	OFFSET REPAIR LINK, rear chain (Duckworth)	41 to 82 — FL, FLH, FLH-80; 79 to 81 — Classic
	35	40093—15	DOUBLE REPAIR LINK, rear chain (Diamond)	41 to 82 — FL, FLH, FLH-80; 79 to 81 — Classic
		40094—15	DOUBLE REPAIR LINK, rear chain (Duckworth)	41 to 82 — FL, FLH, FLH-80; 79 to 81 — Classic
	36	40209—55	MOTOR SPROCKET — 22 T.	N/A 55 to 71 — FL, FLH
		40210—55	MOTOR SPROCKET — 23 T.	N/A 55 to 71 — FL, FLH
		40211—55	MOTOR SPROCKET — 24 T.	N/A 55 to 71 — FL, FLH

BELT, CHAINS AND SPROCKET



RETAIL PRICE	INDEX NO.	PART NO.	N A M E	USED ON
	37	40217-79	SPROCKET, rear wheel (black)	82 - Classic; 83 to * - FLH-80
	38	40270-65A	COMPENSATING SPROCKET KIT - 24 T.	65 to * - FL, FLH, FLH-80, Classic
		40271-65A	COMPENSATING SPROCKET KIT - 23 T. N/A	65 to Early 70 - FL, FLH, FLH-80, Classic
		40272-65A	COMPENSATING SPROCKET KIT - 22 T. N/A	65 to Early 70 - FL, FLH, FLH-80, Classic
	39	40275-55A	COMPENSATING SPROCKET - 24 T. N/A	55 to Early 70 - FL, FLH
	40	40275-70	COMPENSATING SPROCKET - 24 T.	Late 70 to 82 - FL, FLH, FLH-80, Classic
		40275-83	COMPENSATING SPROCKET - 24 T.	83 to * - FLH-80
		40280-70	COMPENSATING SPROCKET - 22 T. (sidecar)	Late 70 to * - FL, FLH, FLH-80; Late 70 to 81 - Classic
		40282-70	COMPENSATING SPROCKET - 23 T.	Late 70 to * - FL, FLH, FLH-80, Classic
	41	40299-70	SLIDING CAM	Late 70 to 82 - FL, FLH, FLH-80, Classic
		40299-83	SLIDING CAM	83 to * - FLH-80
	42	40324-70	CUP	Late 70 to 82 - FL, FLH, FLH-80, Classic
	43	40375-70	SHAFT EXTENSION	Late 70 to * - FL, FLH, FLH-80, Classic
	44	40384-70	RETAINER & COVER ASSEMBLY, w/ spring washers	Late 70 to 82 - FL, FLH, FLH-80, Classic
		40384-83A	RETAINER & COVER ASSEMBLY, w/ spring washers	83 to * - FLH-80
		40385-70	RETAINER & COVER ASSEMBLY, w/ out spring washers	Late 70 to 82 - FL, FLH, FLH-80, Classic
	45	40392-70	NUT	Late 70 to * - FL, FLH, FLH-80, Classic
	46	41197-73	BOLT, rear sprocket (5)	73 to 82 - FL, FLH, FLH-80, Classic
	47	41470-62	SPROCKET KIT, rear wheel	62 to 66 - FL, FLH
		41470-67	SPROCKET KIT, rear wheel	67 to 72 - FL, FLH
	48	41470-73A	SPROCKET, rear wheel (shot blast & chrome)	73 to 82 - FL, FLH, FLH-80; 79 to 81 - Classic
	49	41485-30	DOWEL PIN, rear wheel sprocket	41 to 66 - FL, FLH
		41485-67	DOWEL PIN, rear wheel sprocket	67 to 72 - FL, FLH

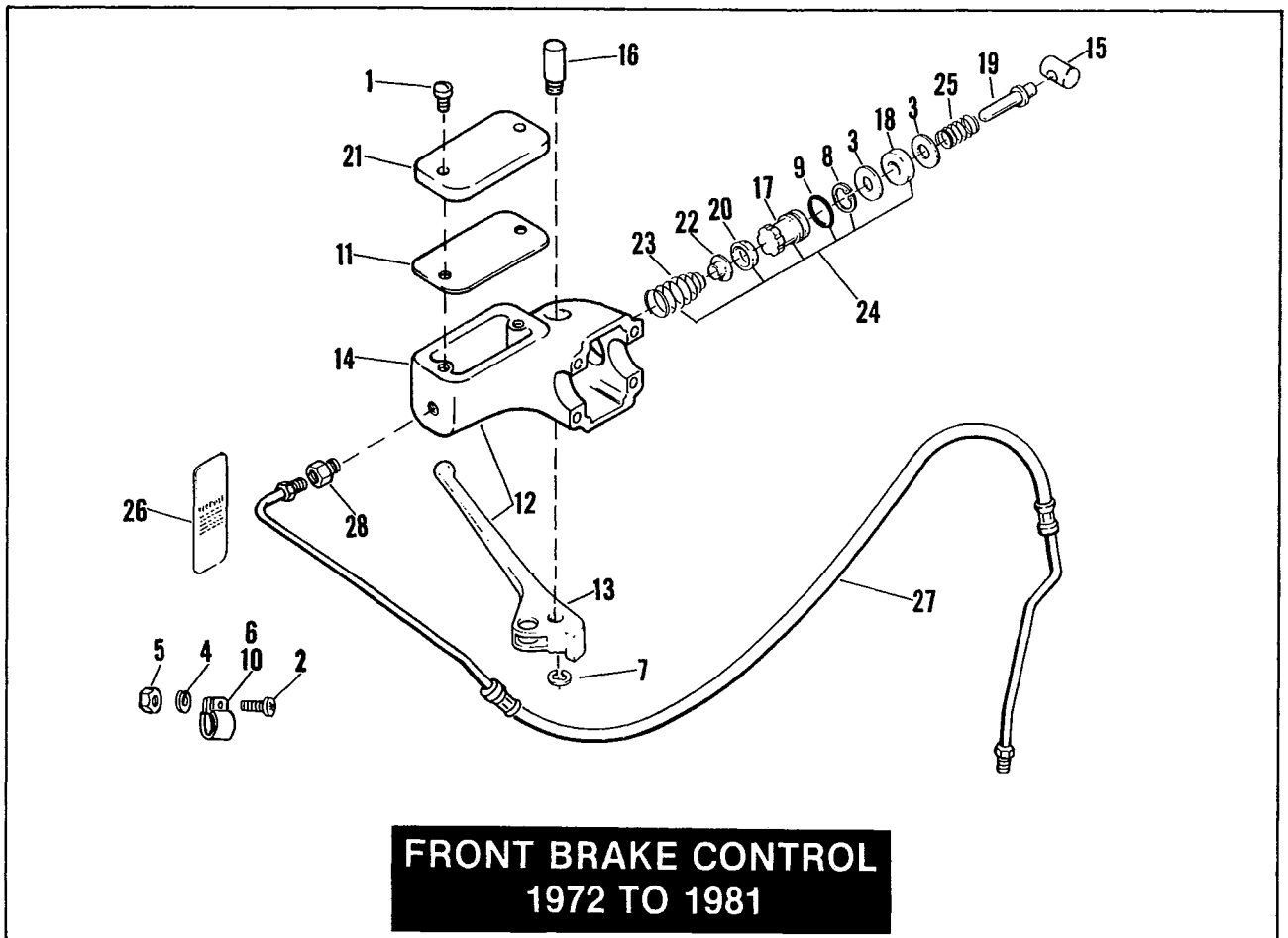
FRONT BRAKE CONTROL 1982 & LATER



FRONT BRAKE CONTROL — 1982 & LATER

A30

RETAIL PRICE	INDEX NO.	PART NO.	N A M E	USED ON
	1	2579	SCREW, No. 8-32 x 5/8 Pozidriv oval ctsk. hd. (2)	82 to * — FLH-80, Classic
	2	2664	SCREW, No. 10-24 x 7/16 Pozidriv pan hd.	82 to * — FLH-80, Classic
	3	4015	SCREW, 1/4-20 x 7/8 hex. socket rd. hd. (2)	82 to * — FLH-80, Classic
	4	6099	WASHER, 1/4 x 7/16 x 3/64 (2)	82 to * — FLH-80, Classic
	5	7069	LOCKWASHER, No. 10	82 to * — FLH-80, Classic
	6	7620W	NUT, No. 10-24 x 1/8 x 3/8 hex.	82 to * — FLH-80, Classic
	7	11143	RETAINING RING, external	82 to * — FLH-80, Classic
	8	38712-68	CLIP, brake hose	82 to * — FLH-80, Classic
	9	41731-82	GASKET, brake hose (2)	82 to * — FLH-80, Classic
	10	41747-82A	BOLT, front brake hose	82 to * — FLH-80, Classic
	10A	42304-82	FRONT BRAKE HOSE	82 to * — FLH-80, Classic
	11	45012-82	GASKET, master cylinder cover	82 to * — FLH-80, Classic
	12	45013-82	MASTER CYLINDER ASSEMBLY, with hand lever	82 to * — FLH-80, Classic
	13	45016-82	HAND LEVER, front brake	82 to * — FLH-80, Classic
	14	45031-82	PIN, stoplight switch & pushrod	82 to * — FLH-80, Classic
	15	45032-82	PIN, hand lever pivot	82 to * — FLH-80, Classic
	17	45042-82	FLUID LEVEL WINDOW KIT	82 to * — FLH-80, Classic
	18	45044-82	CLAMP, master cylinder	82 to * — FLH-80, Classic
	19	45051-82	PUSH ROD, stoplight switch & master cylinder	82 to * — FLH-80, Classic
	20	45057-82	COVER, master cylinder	82 to * — FLH-80, Classic
	21	45063-82A	REPAIR KIT, master cylinder	82 to * — FLH-80, Classic

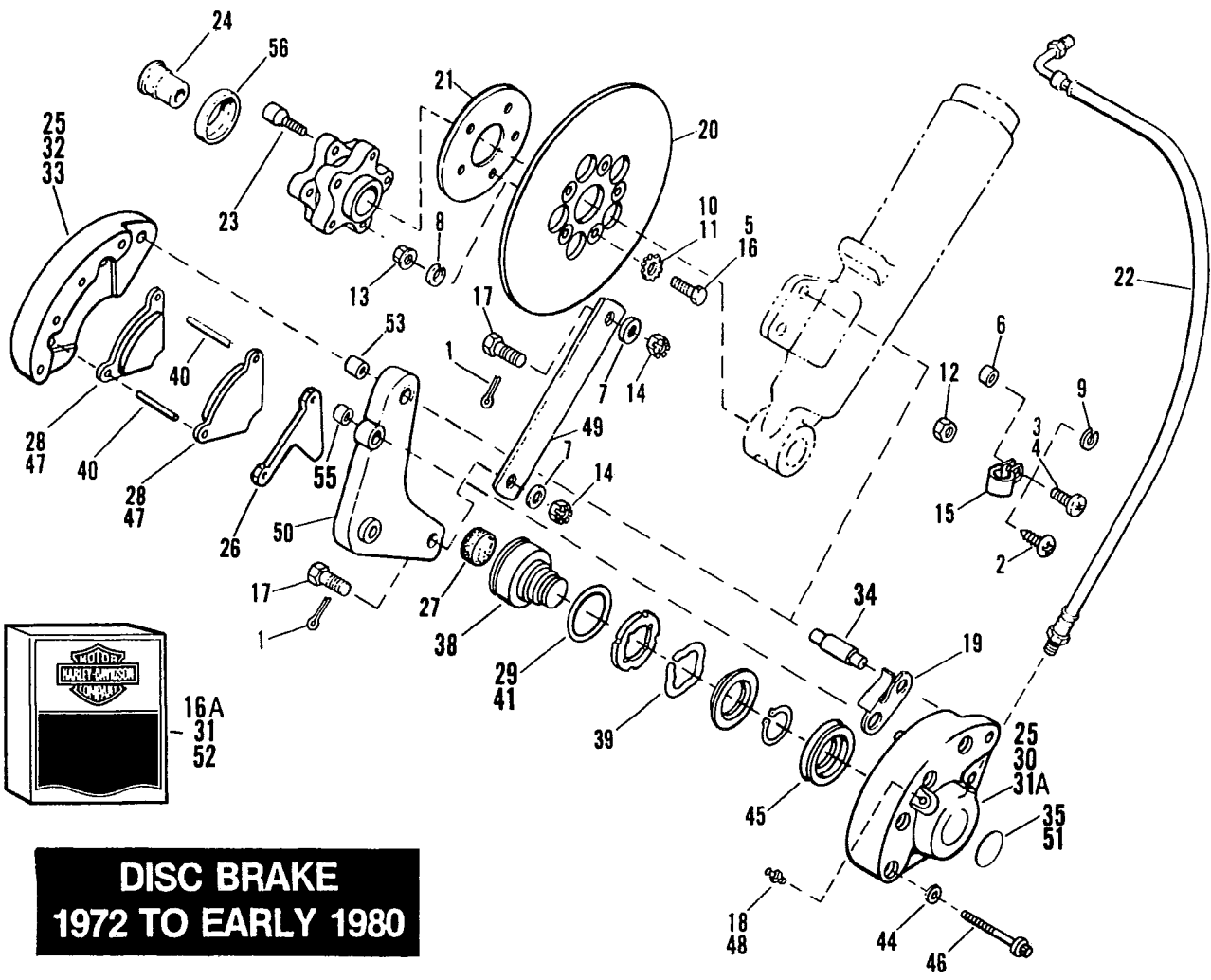


**FRONT BRAKE CONTROL
1972 TO 1981**

FRONT BRAKE CONTROL — DISC BRAKE — 1972 TO 1981

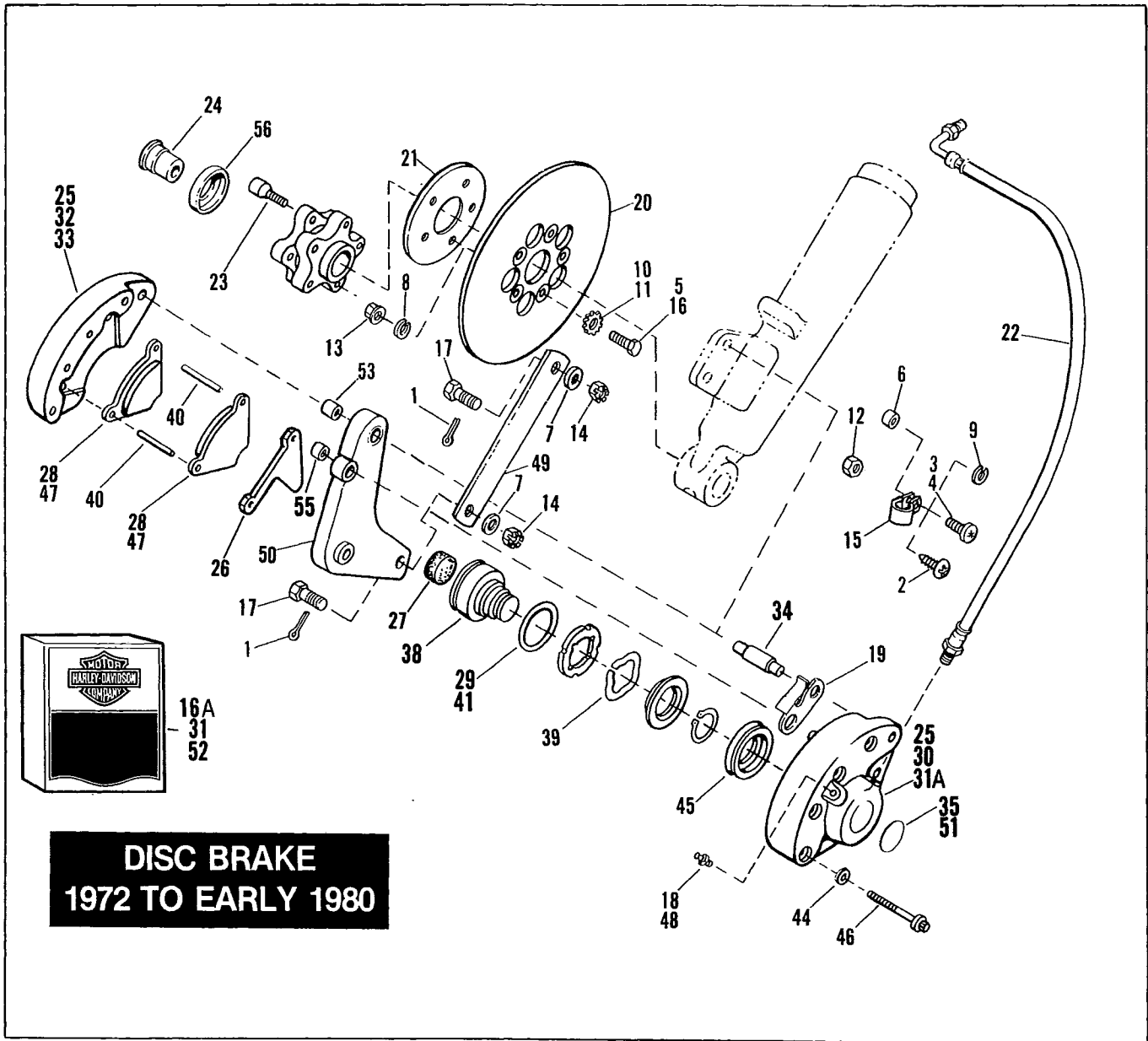
A30A

RETAIL PRICE	INDEX NO.	PART NO.	N A M E	USED ON
	1	2628	SCREW, No. 8-32 x 7/16 ctsk. hd. (2)	72 to 81 — FL, FLH, FLH-80, Classic
	2	2664	SCREW, No. 10-24 x 7/16 Pozidriv pan hd.	73 to 81 — FL, FLH, FLH-80, Classic
	3	6811W	WASHER, 1/4 x 3/4 x 1/64 (2)	72 to 81 — FL, FLH, FLH-80, Classic
	4	7069	LOCKWASHER, No. 10	72 to 81 — FL, FLH, FLH-80, Classic
	5	7620W	NUT, NO. 10-24 x 1/8 x 3/8 hex.	73 to 81 — FL, FLH, FLH-80, Classic
	6	9990W	CLAMP, brake hose (mounted on fork side)	72 — FL, FLH
	7	11015	RETAINING RING, hand lever pivot pin	72 to 81 — FL, FLH, FLH-80, Classic
	8	11063	RETAINING RING, master cylinder piston	72 to 81 — FL, FLH, FLH-80, Classic
	9	11137	O-RING, master cylinder piston	72 to 81 — FL, FLH, FLH-80, Classic
	10	38712—68	CLIP, brake hose	72 to 81 — FL, FLH, FLH-80, Classic
	11	45012—72	GASKET, master cylinder cover	72 to 81 — FL, FLH, FLH-80, Classic
	12	45013—72	MASTER CYLINDER ASSEMBLY, with hand lever (black)	72 to 81 — FL, FLH, FLH-80, Classic
	13	45016—72	HAND LEVER, front brake	72 to 81 — FL, FLH, FLH-80, Classic
	14	45024—72	BODY, master cylinder (black)	72 to 81 — FL, FLH, FLH-80, Classic
	15	45031—72	PIN, master cylinder plunger	72 to 81 — FL, FLH, FLH-80, Classic
	16	45032—72	PIN, hand lever pivot	72 to 81 — FL, FLH, FLH-80, Classic
	17	45053—72	PISTON, master cylinder	72 to 81 — FL, FLH, FLH-80, Classic
	18	45054—72	DUST WIPER, master cylinder	72 to 81 — FL, FLH, FLH-80, Classic
	19	45055—72	PLUNGER, master cylinder	72 to 81 — FL, FLH, FLH-80, Classic
	20	45056—77	PISTON CUP, master cylinder	72 to 81 — FL, FLH, FLH-80, Classic
	21	45057—72	COVER, master cylinder	72 to 81 — FL, FLH, FLH-80, Classic
	22	45059—72	CUP, piston spring	72 to 81 — FL, FLH, FLH-80, Classic
	23	45061—72A	SPRING, piston return — master cylinder	72 to 81 — FL, FLH, FLH-80, Classic
	24	45063—72	REPAIR KIT, master cylinder	72 to 81 — FL, FLH, FLH-80, Classic
	25	45071—72	SPRING, plunger — master cylinder	72 to 81 — FL, FLH, FLH-80, Classic
	26	45105—77	WARNING LABEL, master cylinder (DOT 5)	77 to 81 — FL, FLH, FLH-80, Classic
	27	45120—72A	FRONT BRAKE HOSE	72 to 81 — FL, FLH, FLH-80, Classic
	28	63609—72	TUBE FITTING, 1/8-27 NPSF	Late 73 to 81 — FL, FLH, FLH-80, Classic

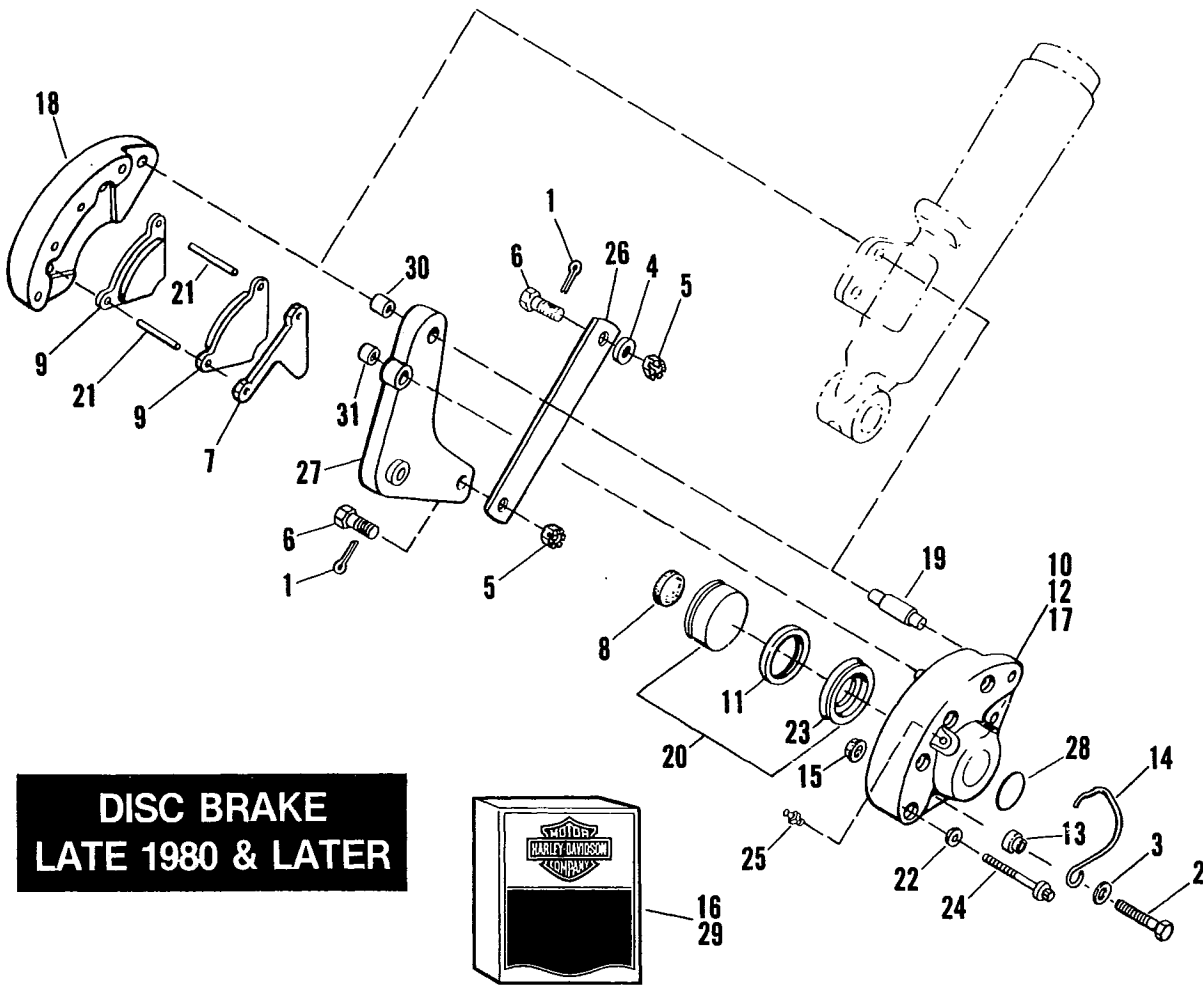


**DISC BRAKE
1972 TO EARLY 1980**

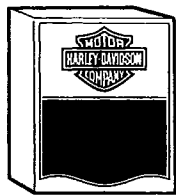
RETAIL PRICE	INDEX NO.	PART NO.	N A M E	USED ON
	1	520W	COTTER PIN, 1/8 x 1-1/4 (2)	73 to Early 80 — FL, FLH, FLH-80, Classic
	2	2652	SCREW, No. 10 x 3/8 self tapping hex. hd. (2)	73 to Early 80 — FL, FLH, FLH-80, Classic
	3	2664	SCREW, No. 10-24 x 7/16 Pozidriv pan hd.	73 to Early 80 — FL, FLH, FLH-80, Classic
	4	2668	SCREW, No. 10-24 x 9/16 Pozidriv hd.	72 to Early 80 — FL, FLH, FLH-80, Classic
	5	2879W	BOLT, 3/8-16 x 1 hex. hd. (5)	72 — FL, FLH
	6	5989	SPACER, brake hose clamp	Late 72 to Early 80 — FL, FLH, FLH-80, Classic
	7	6718	WASHER, 1/2 x 1-1/6 x 3/32 (2)	73 to Early 80 — FL, FLH, FLH-80, Classic
	8	7039	LOCKWASHER, 3/8 (5)	Early 73 — FL, FLH
	9	7069	LOCKWASHER, No. 10	72 to Early 80 — FL, FLH, FLH-80, Classic
	10	7130W	LOCKWASHER, 3/8 internal tooth (5)	72 — FL, FLH
	11	7145W	LOCKWASHER, 3/8 external tooth (5)	79 to Early 80 — Classic
	12	7620W	NUT, No. 10-24 x 1/8 x 3/8 hex.	73 to Early 80 — FL, FLH, FLH-80, Classic
	13	7778	LOCKNUT, 3/8-16 x 7/16 x 9/16 hex. (5)	73 to Early 80 — FL, FLH, FLH-80, Classic
	14	7843	CASTLE NUT, 1/2-13 x 7/16 x 3/4 hex. (2)	73 to Early 80 — FL, FLH, FLH-80, Classic
	15	38712-68	CLIP, brake hose	72 to Early 80 — FL, FLH, FLH-80, Classic
	16	41198-73	BOLT, 3/8-16 x 1 thin hex. hd. (5)	73 to Early 80 — FL, FLH, FLH-80, Classic
	16A	41670-73	ANTI-VIBRATION KIT, includes 41671-73 CLIP	73 to Early 80 — FL, FLH, FLH-80, Classic
	17	41734-73	BOLT, 1/2-13 x 1-1/8 hex. hd. (drilled) (2)	73 to Early 80 — FL, FLH, FLH-80, Classic
	18	41749-58	BLEEDER VALVE, caliper	72 to 79 — FL, FLH, FLH-80, Classic
	19	41768-73	CLIP, vibration damper — FRONT BRAKE ONLY	73 to Early 78 — FL, FLH
	20	41806-72B	DISC, brake (front & rear)	72 to Early 78 — FL, FLH
		41813-79	DISC, brake (front & rear)	Late 78 to Early 80 — FL, FLH, FLH-80, Classic
	21	41814-76	PLATE, brake disc	Late 76 to Early 80 — FL, FLH, FLH-80, Classic
	22	42300-73A	REAR BRAKE HOSE	73 to Early 80 — FL, FLH, FLH-80, Classic
	23	43530-35A	SCREW, wheel mounting, 3/8-20 socket hd. (5)	72 — FL, FLH
	24	43885-72	SPACER, front axle — left	N/A 72 — FL, FLH
	25	44000-78D	CALIPER ASSEMBLY, front only (black)	72 to Early 80 — FL, FLH, FLH-80, Classic
	26	44002-78	SHIM, piston side — anti-rattle	Late 78 to Early 80 — FL, FLH, FLH-80, Classic
	27	44004-78	INSULATOR	Late 78 to Early 80 — FL, FLH, FLH-80, Classic
	28	44005-78	PAD SET	Late 78 to Early 80 — FL, FLH, FLH-80, Classic
	29	44007-80	SEAL, caliper piston	72 to Early 80 — FL, FLH, FLH-80, Classic
	30	44006-80A	CALIPER AND PISTON ASSEMBLY, outer — FRONT BRAKE - consists of items 31, 38 & 48	73 to Early 80 — FL, FLH, FLH-80, Classic
		44008-80	CALIPER AND PISTON ASSEMBLY, outer — REAR BRAKE - consists of, besides outer caliper, items 38 & 48	73 to Early 80 — FL, FLH, FLH-80, Classic
		44011-81	CALIPER AND PISTON ASSEMBLY, outer — REAR BRAKE Consists of besides outer caliper: 44012-81 SLEEVE KIT, with bushing 44118-80 PISTON, with boot and seal 44146-77 BLEEDER VALVE, caliper	73 to Early 80 — FL, FLH, FLH-80, Classic
	31	44070-72	ANTI-VIBRATION KIT Consists of: 3775 BOLT, 3/8-16 x 2 hex. hd. 4720W BOLT, 3/8-16 x 1-3/4 hex. hd. 6416 WASHER, 3/8 x 1 x 5/64 (2) 44066-84 BUSHING 44067-84 SPRING 44068-84 LOCKNUT 44071-72 BUSHING	Late 73 to Early 84 — FL, FLH, FLH-80, Classic
	31A	44105-72	BRAKE CALIPER, outer	N/A 72 to 79 — FL, FLH, FLH-80, Classic
	32	44106-72	BRAKE CALIPER, inner	72 to 79 — FL, FLH, FLH-80, Classic
	33	44106-80	BRAKE CALIPER, inner (black)	Early 80 — FL, FLH, FLH-80, Classic
	34	44107-72	MOUNTING PIN	72 to Early 80 — FL, FLH, FLH-80, Classic
	35	44108-72	LABEL, caliper	72 to 79 — FL, FLH, FLH-80, Classic
	37	44111-72	FLANGE, brake disc	N/A 72 — FL, FLH
	38	44118-80	PISTON, with boot & seal	72 to Early 80 — FL, FLH, FLH-80, Classic
	39	44123-72	SPRING WASHER, caliper	N/A 72 to Early 74 — FL, FLH; 77 to Early 80 — FL, FLH, FLH-80, Classic



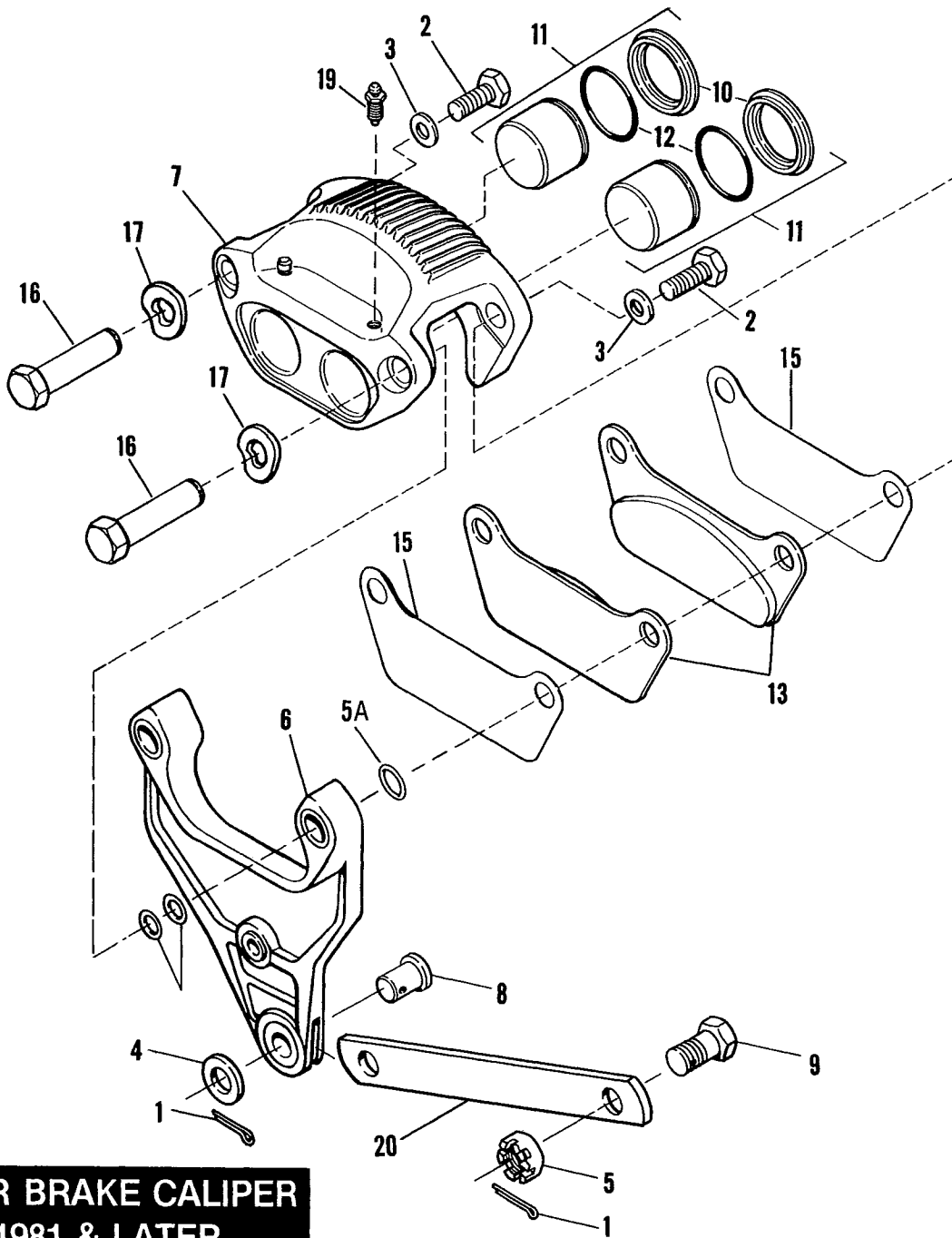
RETAIL PRICE	INDEX NO.	PART NO.	N A M E	USED ON
	40	44124-72	PIN, brake pad (2)	72 to Early 80 — FL, FLH, FLH-80, Classic
	41	44127-72A	O-RING, caliper piston	72 to Early 80 — FL, FLH, FLH-80, Classic
	44	44132-72	WASHER, caliper bolt (4)	72 to Early 80 — FL, FLH, FLH-80, Classic
	45	44133-72	DUST BOOT, caliper	72 to Early 80 — FL, FLH, FLH-80, Classic
	46	44134-72A	BOLT, caliper (4)	72 to Early 80 — FL, FLH, FLH-80, Classic
	47	44135-74	PAD SET, with piston o-ring	72 to Early 78 — FL, FLH, FLH-80
	48	44146-77	BLEEDER VALVE, outer caliper	Early 80 — FL, FLH, FLH-80, Classic
	49	44154-73	ANCHOR ARM, caliper bracket	73 to Early 80 — FL, FLH, FLH-80, Classic
	50	44166-73	BRACKET, caliper mounting	73 to Early 80 — FL, FLH, FLH-80, Classic
	51	44197-77	LABEL, brake caliper (bright aluminum & black)	Early 80 — FL, FLH, FLH-80, Classic
	52	44331-73	CALIPER MOUNTING STUD KIT, consists of besides mounting stud, locknut & washer, items 40, 53 & 55	73 to Early 80 — FL, FLH, FLH-80, Classic
	53	45821-75	BUSHING, caliper mounting bracket — long (steel)	72 to Early 80 — FL, FLH, FLH-80, Classic
	55	45822-75	BUSHING, caliper mounting bracket — short (steel)	72 to Early 80 — FL, FLH, FLH-80, Classic
	56	47519-72	OIL SEAL, flange	72 to Early 80 — FL, FLH, FLH-80, Classic



**DISC BRAKE
LATE 1980 & LATER**



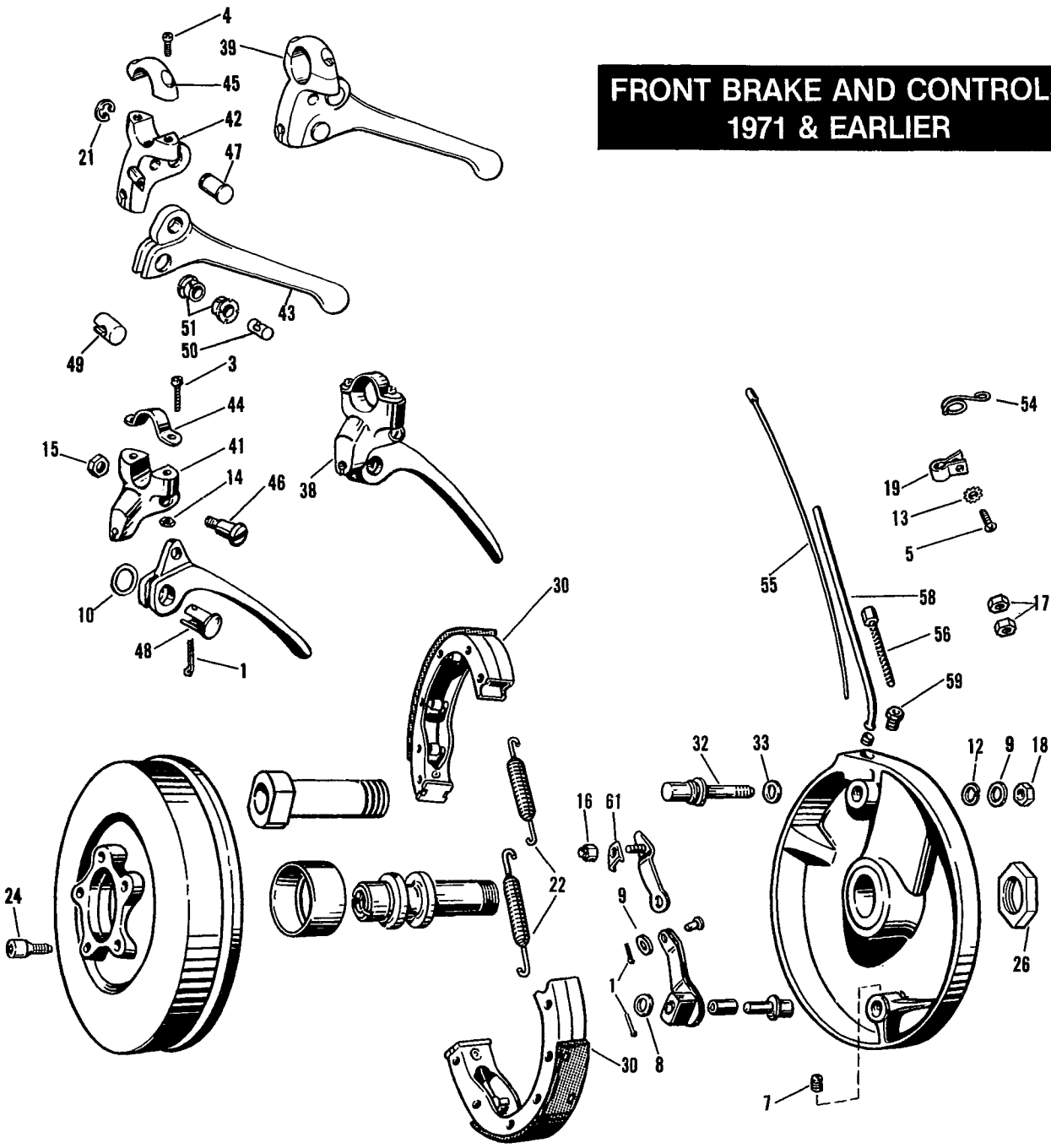
RETAIL PRICE	INDEX NO.	PART NO.	N A M E	USED ON
NOTE: See next pages for 1981 & later rear brake caliper components.				
	1	520W	COTTER PIN, 1/8 x 1-1/4 (2)	Late 80 — FL, FLH, FLH-80, Classic
	2	3775	BOLT, 3/8-16 x 2 hex. hd.	Late 84 to * — FLH-80
	3	6416	WASHER, 3/8 x 1 x 5/64	Late 84 to * — FLH-80
	4	6718	WASHER, 1/2 x 1-1/16 x 3/32	Late 80 — FL, FLH, FLH-80, Classic
	5	7843	CASTLE NUT, 1/2-13 x 7/16 x 3/4 hex. (2)	Late 80 — FL, FLH, FLH-80, Classic
	6	41734—73	BOLT, 1/2-13 x 1-1/8 hex. hd. (drilled) (2)	Late 80 — FL, FLH, FLH-80, Classic
		44000—78D	CALIPER ASSEMBLY, complete — FRONT ONLY	Late 80 to * — FL, FLH, FLH-80, Classic
	7	44002—78	SHIM, piston side — anti-rattle	Late 80 to * — FL, FLH, FLH-80, Classic
	8	44004—80	INSULATOR, 1-3/4 round x 5/16 thick	Late 80 to * — FL, FLH, FLH-80, Classic
	9	44005—78	PAD SET	Late 80 to * — FL, FLH, FLH-80, Classic
	10	44006—80	CALIPER AND PISTON ASSEMBLY, outer — FRONT BRAKE ONLY (black), consists of items 11, 17, 20, 23 & 25	Late 80 to Early 84 — FL, FLH, FLH-80, Classic
		44006—80A	CALIPER AND PISTON ASSEMBLY, outer — FRONT ONLY	Late 84 to * — FLH-80
	11	44007—80	SEAL, caliper piston	Late 80 to * — FL, FLH, FLH-80, Classic
	12	44008—80	CALIPER AND PISTON ASSEMBLY, outer — REAR BRAKE ONLY (black), consists of, besides outer caliper, items 11, 20, 23 & 25	Late 80 — FL, FLH, FLH-80, Classic
	13	44066—84	BUSHING, front brake caliper	Late 84 to * — FLH-80
	14	44067—84	SPRING, front brake — anti-vibration	Late 84 to * — FLH-80
	15	44068—84	LOCKNUT, front brake caliper	Late 84 to * — FLH-80
	16	44070—72	ANTI-VIBRATION KIT, front brake caliper	Late 80 to Early 84 — FL, FLH, FLH-80, Classic
			Consists of besides items 2 & 13-15:	
		4720W	BOLT, 3/8-16 x 1-3/4 hex. hd.	
		6416	WASHER, 3/8 x 1 x 5/64 (2)	
		44071—72	BUSHING	
	17	44105—80	BRAKE CALIPER, outer — FRONT ONLY (black)	Late 80 to Early 84 — FL, FLH, FLH-80, Classic
	18	44106—80	BRAKE CALIPER, inner (black)	Late 80 to * — FL, FLH, FLH-80, Classic
	19	44107—72	MOUNTING PIN	Late 80 to * — FL, FLH, FLH-80, Classic
	20	44118—80	PISTON, with boot & seal	Late 80 to * — FL, FLH, FLH-80, Classic
	21	44124—72	PIN, brake pad (2)	Late 80 to * — FL, FLH, FLH-80, Classic
	22	44132—72	WASHER, caliper bolt (4)	Late 80 to * — FL, FLH, FLH-80, Classic
	23	44133—72	DUST BOOT, caliper	Late 80 to * — FL, FLH, FLH-80, Classic
	24	44134—72A	BOLT, caliper (4)	Late 80 to * — FL, FLH, FLH-80, Classic
	25	44146—77	BLEEDER VALVE, caliper	Late 80 to * — FL, FLH, FLH-80, Classic
	26	44154—73	ANCHOR ARM, caliper bracket	Late 80 — FL, FLH, FLH-80, Classic
	27	44166—73	BRACKET, caliper mounting	Late 80 — FL, FLH, FLH-80, Classic
	28	44197—77	LABEL, brake caliper (bright aluminum & black)	Late 80 to * — FL, FLH, FLH-80, Classic
	29	44331—73	CALIPER MOUNTING STUD KIT, consists of, besides mounting stud, locknut & washer, items 21, 30 & 31	Late 80 to * — FL, FLH, FLH-80, Classic
	30	45821—75	BUSHING, caliper mounting bracket — long (steel)	Late 80 to * — FL, FLH, FLH-80, Classic
	31	45822—75	BUSHING, caliper mounting bracket — short (steel)	Late 80 to * — FL, FLH, FLH-80, Classic



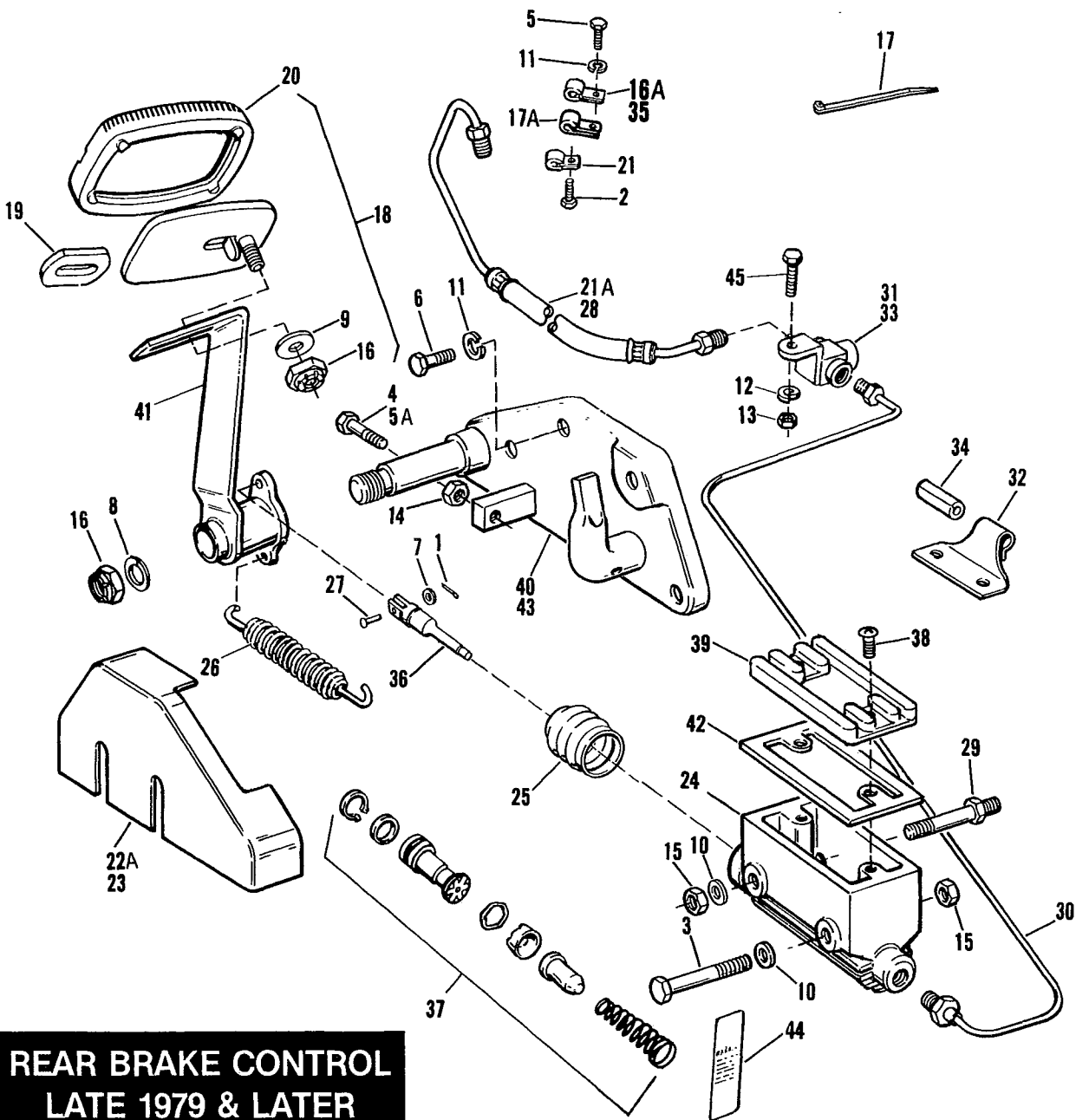
**REAR BRAKE CALIPER
1981 & LATER**

RETAIL PRICE	INDEX NO.	PART NO.	N A M E	USED ON
	1	520W	COTTER PIN, 1/8 x 1-1/4 (2)	81 to * — FLH-80, Classic
	2	3987	BOLT, 5/16-18 x 3/4 hex. hd. (2)	81 to * — FLH-80, Classic
	3	6333	WASHER, 5/16 x 7/8 x 5/64 (2)	82 to * — FLH-80, Classic
		6702	WASHER, 5/16 x 11/16 x 1/16 (2)	81 — FLH-80, Classic
	4	6718	WASHER, 1/2 x 1-1/16 x 3/32	81 to * — FLH-80, Classic
	5	7843	CASTLE NUT, 1/2-13 x 7/16 x 3/4 hex.	81 to * — FLH-80, Classic
	5A	11149	O-RING (4)	81 to * — FLH-80, Classic
	6	40916—81	BRACKET, caliper mounting — rear, includes 11149 O-Ring (4)	81 to * — FLH-80, Classic
	7	40917—81	CALIPER ASSEMBLY, complete — rear	81 to * — FLH-80, Classic
	8	40919—81	CLEVIS PIN, rear caliper bracket	81 to * — FLH-80, Classic
	9	41734—73	BOLT, 1/2-13 x 1-1/8 hex. hd. (drilled)	81 to * — FLH-80, Classic
	10	43945—79	BOOT (2)	81 to * — FLH-80, Classic
	11	43946—79	PISTON, includes boot & seal (2)	81 to * — FLH-80, Classic
	12	43947—79	SEAL, piston (2)	81 to * — FLH-80, Classic
	13	43957—80	PAD SET	81 to * — FLH-80, Classic
	15	44038—80	PLATE (2)	81 to * — FLH-80, Classic
	16	44039—80	PIN (2)	81 to * — FLH-80, Classic
	17	44042—80	SPRING WASHER (2)	81 to * — FLH-80, Classic
	19	44146—77	BLEEDER FITTING	81 to * — FLH-80, Classic
	20	44155—81	ANCHOR ARM, caliper bracket	81 to * — FLH-80, Classic

FRONT BRAKE AND CONTROLS 1971 & EARLIER

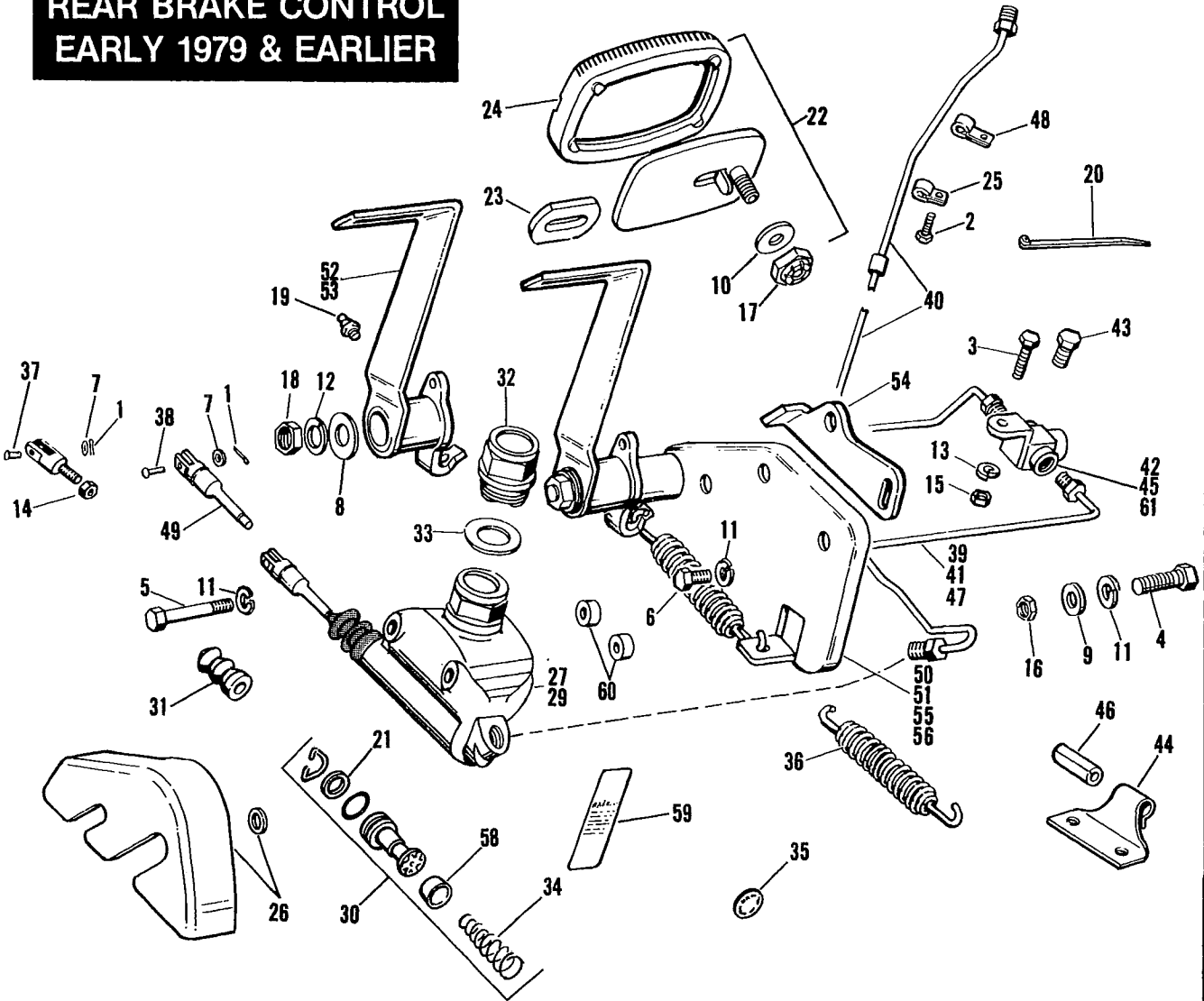


RETAIL PRICE	INDEX NO.	PART NO.	N A M E	USED ON
	1	515	COTTER PIN, 1/16 x 3/4 (2 — 41 to 64)	41 to 71 — FL, FLH
	3	991	SCREW, No. 10-24 x 1 Pozidriv fil. hd. (2)	41 to 64 — FL, FLH
	4	1205	SCREW, No. 10-24 x 3/4 Pozidriv fil. hd. (2)	65 to 71 — FL, FLH
	5	2664	SCREW, No. 10-24 x 7/16 Pozidriv pan hd.	50 to 71 — FL, FLH
	7	3207	SET SCREW, No. 10-32 x 3/16 slot hd.	N/A 49 to 71 — FL, FLH
	8	6375B	WASHER, 3/8 x 9/16 x 1/32	49 to 71 — FL, FLH
	9	6702	WASHER, 5/16 x 11/16 x 1/16	49 to 71 — FL, FLH
	10	6807W	WASHER, 15/32 x 3/4 x 1/64	41 to 71 — FL, FLH
	12	7039	LOCKWASHER, 7/16	48 to 71 — FL, FLH
	13	7220	LOCKWASHER, No. 10 ext. tooth	50 to 71 — FL, FLH
	14	7620W	NUT, No. 10-24 x 1/8 x 3/8 hex. (2)	41 to 71 — FL, FLH
	15	7691W	NUT, 1/4-24 x 5/32 x 7/16 hex.	41 to 64 — FL, FLH
	16	7725	LOCKNUT, 5/16-24 x 11/16 x 1/2 hex.	49 to 71 — FL, FLH
	17	7744	NUT, 5/16-24 x 3/16 x 1/2 hex.	50 to 71 — FL, FLH
	18	7837W	NUT, 7/16-20 x 11/16 x 3/8 hex.	41 to 71 — FL, FLH
	19	9963	CLIP, front brake cable	N/A 50 to 71 — FL, FLH
	21	11036	RETAINING RING, hand lever pivot pin	65 to 71 — FL, FLH
	22	41835—69	SPRING, brake shoe (2)	49 to 71 — FL, FLH
	24	43530—35A	SCREW, wheel mounting 3/8-20 socket hd. (5)	49 to 71 — FL, FLH
	26	43886—30	NUT, axle sleeve	N/A 41 to 71 — FL, FLH
	30	44401—49B	SET OF BRAKE SHOES AND LININGS	49 to 71 — FL, FLH
	32	44448—48	PIVOT STUD	N/A 49 to 71 — FL, FLH
	33	44454—48	WASHER, pivot stud	N/A 49 to 71 — FL, FLH
	38	45002—41	HAND LEVER AND BRACKET	41 to 64 — FL, FLH
	39	45002—65A	HAND LEVER AND BRACKET	Late 68 & Early 69 — FL, FLH
		45002—69	HAND LEVER AND BRACKET	N/A Late 69 to 71 — FL, FLH
	41	45023—41	BRACKET, hand lever	N/A 41 to 64 — FL, FLH
	42	45023—65	BRACKET, hand lever	65 to Early 69 — FL, FLH
		45023—69	BRACKET, hand lever	N/A Late 69 to 71 — FL, FLH
	43	45024—65A	HAND LEVER, includes items 50 & 51	65 to 71 — FL, FLH
	44	45030—28	CLAMP, lever bracket	41 to 64 — FL, FLH
	45	45030—65A	CLAMP, lever bracket	65 to 71 — FL, FLH
	46	45031—41	PIVOT SCREW, hand lever	41 to 64 — FL, FLH
	47	45031—65	PIVOT PIN, hand lever	65 to 71 — FL, FLH
	48	45033—49	BUSHING, hand lever	49 to 64 — FL, FLH
	49	45033—65	BUSHING, hand lever	N/A 65 to Early 68 — FL, FLH
	50	45034—68	CABLE ANCHOR PIN, hand lever (used without bushings)	68 to 71 — FL, FLH
		45036—68	CABLE ANCHOR PIN, hand lever (used with plastic bushings)	Late 68 to 71 — FL, FLH
	51	45039—68	BUSHING, hand lever cable anchor pin (plastic) (2)	Late 68 to 71 — FL, FLH
		45060—54	CABLE AND COIL ASSEMBLY	Late 69 to 71 — FL, FLH
	54	45092—66	GUIDE, control cable	66 to 71 — FL, FLH
	55	45137—51	CABLE CORE	49 to 71 — FL, FLH
	56	45159—50	ADJUSTING SCREW, brake cable	N/A 50 to 71 — FL, FLH
	58	45202—50A	CABLE TUBE (handshift; all models, 1968, straight)	N/A 49 to 71 — FL, FLH
	59	45205—49	FITTING, cable tube	N/A 49 to 71 — FL, FLH
	61	45216—49	CLAMP, brake cable clevis	N/A 49 to 71 — FL, FLH

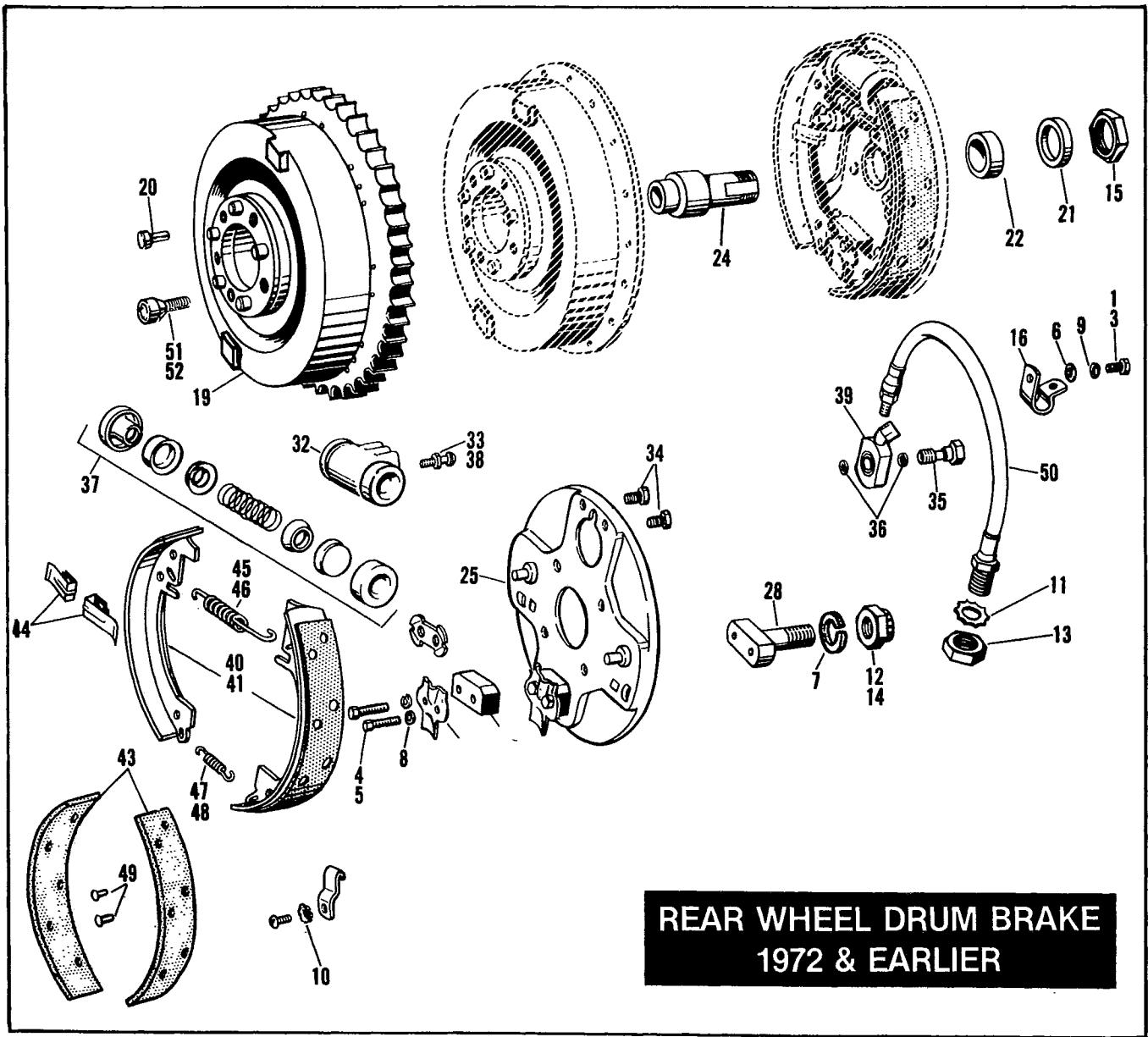


RETAIL PRICE	INDEX NO.	PART NO.	N A M E	USED ON
	1	515	COTTER PIN, 1/16 x 3/4	Late 79 to * — FL, FLH, FLH-80, Classic
	2	2652	SCREW, No. 10-16 x 3/8 self tapping hex. washer hd. (2 — 81 & Earlier)	Late 79 to 82 — FL, FLH, FLH-80, Classic
	3	3419	BOLT, 5/16-18 x 2-1/4 hex. hd.	Late 79 to * — FL, FLH, FLH-80, Classic
	4	3825	BOLT, 1/4-28 x 1 hex. hd.	Late 79 & Early 80 — FL, FLH, FLH-80, Classic
	5	4319	BOLT, 3/8-24 x 1 hex. hd.	Late 79 to * — FL, FLH, FLH-80, Classic
	5A	4410	BOLT, 1/4-28 x 7/8 hex. hd.	Late 80 to * — FL, FLH, FLH-80, Classic
	6	4713W	BOLT, 3/8-16 x 3/4 hex. hd.	Late 79 to * — FL, FLH, FLH-80, Classic
	7	6220W	WASHER, 1/4 x 7/16 x 1/32	Late 79 to * — FL, FLH, FLH-80, Classic
	8	6334	WASHER, 7/16 x 15/16 x 1/16	Late 79 to * — FL, FLH, FLH-80, Classic
	9	6486HW	WASHER, 7/16 x 13/16 x 3/32	Late 79 to * — FL, FLH, FLH-80, Classic
	10	6702	WASHER, 5/16 x 11/16 x 1/16 (2)	Late 79 to * — FL, FLH, FLH-80, Classic
	11	7038	LOCKWASHER, 3/8 (2)	Late 79 to * — FL, FLH, FLH-80, Classic
	12	7130W	LOCKWASHER, 3/8 internal tooth (3)	Late 79 to * — FL, FLH, FLH-80, Classic
	13	7643W	JAMNUT, 3/8-16 x 7/32 x 9/16 hex.	Late 79 to * — FL, FLH, FLH-80, Classic
	14	7676	NUT, 1/4-28 x 7/32 x 7/16 hex.	Late 79 to * — FL, FLH, FLH-80, Classic
	15	7740	LOCKNUT, 5/16-18 x 1/4 x 1/2 hex. (2)	Late 79 to * — FL, FLH, FLH-80, Classic
	16	7825	LOCKNUT, 7/16-20 x 7/16 x 5/8 hex. (2)	Late 79 to * — FL, FLH, FLH-80, Classic
	16A	10003	CLAMP, rear brake hose	Late 83 to * — FLH-80
	17	10006	STRAP, brake tube to frame (2)	Late 79 to * — FL, FLH, FLH-80, Classic
	17A	10036	CLAMP, rear brake hose	81 to * — FLH-80, Classic
	18	36956—65A	PAD KIT, brake pedal, includes index nos.: 9, 16, 19 & 20	Late 79 to * — FL, FLH, FLH-80, Classic
	19	36962—67	SPACER, brake pedal pad	Late 79 to * — FL, FLH, FLH-80, Classic
	20	36964—67	PAD ONLY, brake pedal	Late 79 to * — FL, FLH, FLH-80, Classic
	21	38712—68	CLAMP, rear brake hose - small (2)	Late 79 to 82 — FL, FLH, FLH-80, Classic
	21A	40912—81	REAR BRAKE HOSE	81 to Early 84 — FLH-80, Classic
		40912—84	REAR BRAKE HOSE	Late 84 to * — FLH-80
	22	41670—73	ANTI-VIBRATION KIT	Late 79 to 80 — FL, FLH, FLH-80, Classic
	22A	41745—79	COVER, master cylinder (without sidecar) (chrome)	Late 79 to * — FL, FLH, FLH-80, Classic
	23	41746—79	COVER, master cylinder (with sidecar) (chrome)	Late 79 to 82 — Classic; 83 to * — FLH-80
	24	41754—79A	MASTER CYLINDER	Late 79 to * — FL, FLH, FLH-80, Classic
	25	41764—79	RUBBER BOOT, master cylinder	Late 79 to * — FL, FLH, FLH-80, Classic
	26	41835—69	SPRING, foot lever	Late 79 to * — FL, FLH, FLH-80, Classic
	27	42269—70	CLEVIS PIN	Late 79 to * — FL, FLH, FLH-80, Classic
	28	42300—73A	REAR BRAKE TUBE	Late 79 & 80 — FL, FLH, FLH-80, Classic
	29	42301—79	STUD, master cylinder	Late 79 to * — FL, FLH, FLH-80, Classic
	30	42304—79	FRONT BRAKE TUBE	Late 79 to Early 84 — FL, FLH, FLH-80, Classic
		42304—84	FRONT BRAKE TUBE	Late 84 to * — FLH-80
	31	42309—70	BRAKE LINE TEE (used w/sidecar)	Late 79 to * — FL, FLH, FLH-80, Classic
	32	42314—71A	BRACKET, brake front tube	Late 79 to * — FL, FLH, FLH-80, Classic
	33	42318—72	BRAKE LINE TEE (used w/o sidecar)	Late 79 to * — FL, FLH, FLH-80, Classic
	34	42319—72	HOSE PAD, brake front tube	Late 79 to * — FL, FLH, FLH-80, Classic
	35	42327—70	CLAMP, rear brake hose — large	Late 79 to Early 83 — FL, FLH, FLH-80, Classic
	36	42333—79	PLUNGER, master cylinder	Late 79 to * — FL, FLH, FLH-80, Classic
	37	42374—77B	REPAIR KIT, master cylinder	Late 79 to * — FL, FLH, FLH-80, Classic
	38	42375—77	SCREW, master cylinder (2)	Late 79 to * — FL, FLH, FLH-80, Classic
	39	42376—77A	COVER, master cylinder	Late 79 to * — FL, FLH, FLH-80, Classic
	40	42401—79	FOOT LEVER AND BRACKET ASSEMBLY	Late 79 to * — FL, FLH, FLH-80, Classic
	41	42402—79	LEVER, foot brake (chrome)	Late 79 to * — FL, FLH, FLH-80, Classic
	42	42455—80	GASKET, master cylinder	Late 79 to * — FL, FLH, FLH-80, Classic
	43	42480—79	BRACKET ASSEMBLY, only	Late 79 to * — FL, FLH, FLH-80, Classic
	44	45105—77	WARNING LABEL, master cylinder (DOT 5) (2 - 79 to 81)	Late 79 to 82 — FL, FLH, FLH-80, Classic
	45	47730—77	CARRIAGE BOLT, brake line tee, 3/8-16 x 1-3/8	Late 79 to * — FL, FLH, FLH-80, Classic

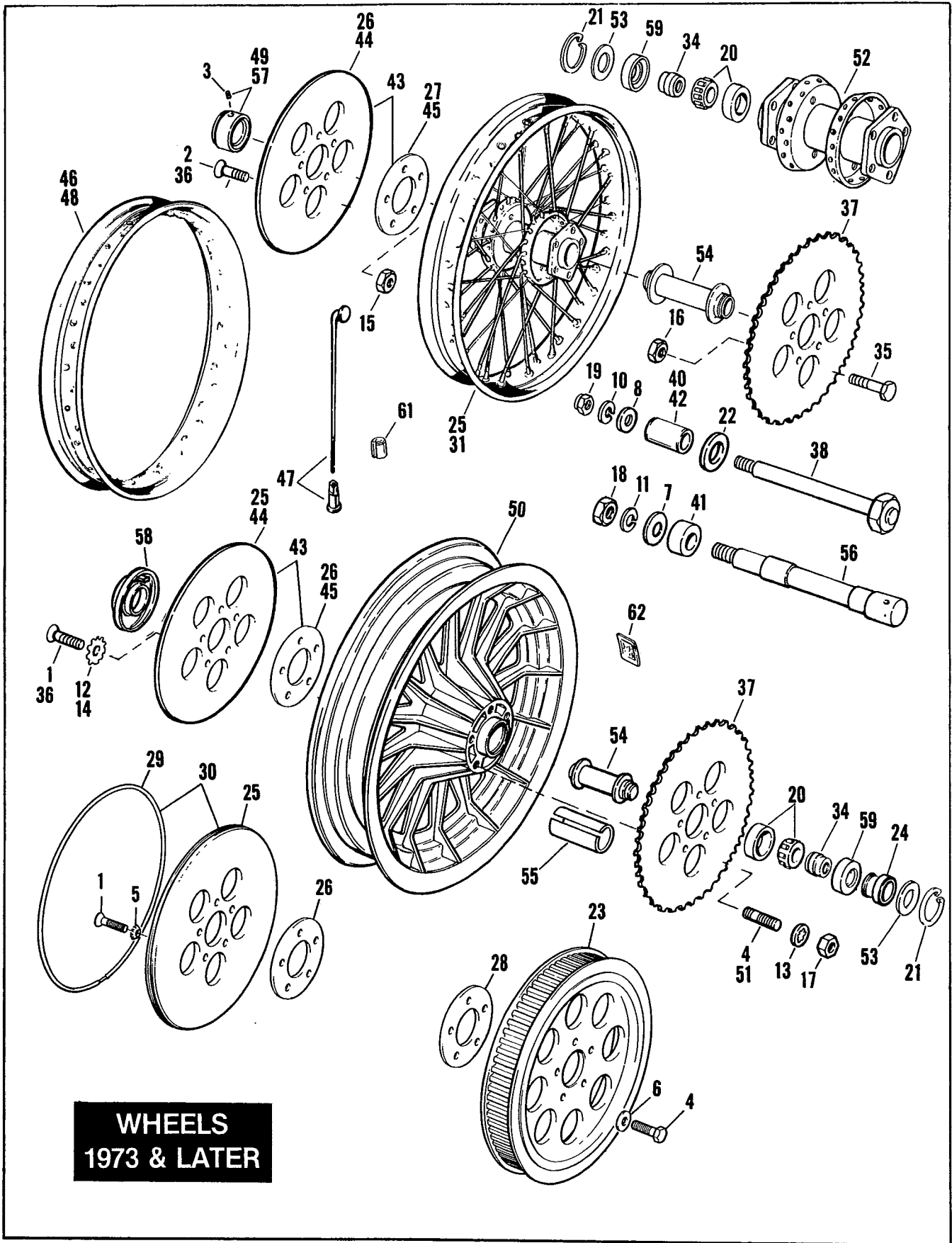
REAR BRAKE CONTROL EARLY 1979 & EARLIER



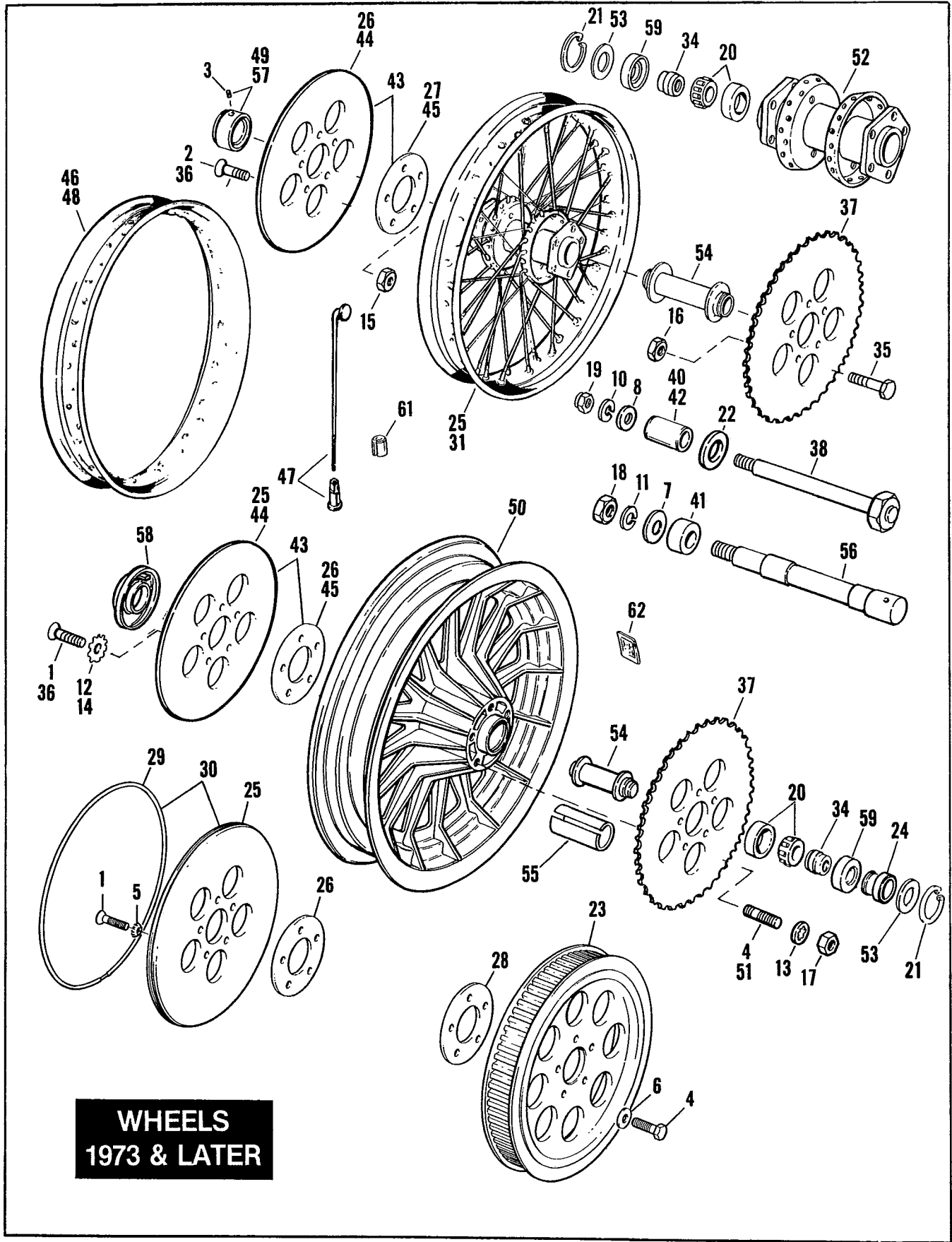
RETAIL PRICE	INDEX NO.	PART NO.	N A M E	USED ON
	1	515	COTTER PIN, 1/16 x 3/4	58 to Early 79 — FL, FLH, FLH-80, Classic
	2	2652	SCREW, No. 10-16 x 3/8 self tap. hex. wash. hd. (2)	71 to Early 79 — FL, FLH, FLH-80, Classic
	3	3953W	BOLT, 5/16-24 x 1/2 hex. hd.	58 to 69 — FL, FLH
	4	4401W	BOLT, 3/8-24 x 2-3/4 hex. hd.	70 to Early 79 — FL, FLH, FLH-80, Classic
	5	4420	BOLT, 3/8-16 x 2-3/4 hex. hd.	58 to 72 — FL, FLH
	6	4713W	BOLT, 3/8-16 x 3/4 hex. hd.	58 to Early 79 — FL, FLH, FLH-80, Classic
	7	6220W	WASHER, 1/4 x 7/16 x 1/32	58 to Early 79 — FL, FLH, FLH-80, Classic
	8	6334	WASHER, 7/16 x 15/16 x 1/16	58 to Early 79 — FL, FLH, FLH-80, Classic
	9	6448HB	WASHER, 3/8 x 13/16 x 3/32	58 to Early 79 — FL, FLH, FLH-80, Classic
	10	6486HW	WASHER, 7/16 x 13/16 x 3/32	65 to Early 79 — FL, FLH, FLH-80, Classic
	11	7038	LOCKWASHER, 3/8	58 to Early 79 — FL, FLH, FLH-80, Classic
	12	7039	LOCKWASHER, 7/16	58 to Early 79 — FL, FLH, FLH-80, Classic
	13	7041	LOCKWASHER, 5/16	58 to Early 79 — FL, FLH, FLH-80, Classic
	14	7748W	NUT, 5/16-18 x 1/4 x 1/2 hex.	58 to 69 — FL, FLH
	15	7753	NUT, 5/16-24 x 1/4 x 1/2 hex.	58 to Early 79 — FL, FLH, FLH-80, Classic
	16	7800W	NUT, 3/8-24 x 5/16 x 9/16 hex.	70 to Early 79 — FL, FLH, FLH-80, Classic
	17	7825	LOCKNUT, 7/16-20 x 7/16 x 5/8 hex.	65 to Early 79 — FL, FLH, FLH-80, Classic
	18	7848W	JAMNUT, 7/16-20 x 1/4 x 11/16 hex.	58 to Early 79 — FL, FLH, FLH-80, Classic
	19	9851	GREASE FITTING	70 to Early 79 — FL, FLH, FLH-80, Classic
	20	10006	STRAP, brake tube to frame (2)	70 to Early 79 — FL, FLH, FLH-80, Classic
	21	11137	O-RING, repair kit	58 to Early 79 — FL, FLH, FLH-80, Classic
	22	36956—65A	PAD KIT, brake pedal, includes index nos.: 10, 17, 23 & 24	65 to Early 79 — FL, FLH, FLH-80, Classic
	23	36962—67	SPACER, brake pedal pad	67 — FL, FLH; Early 79 — FL, FLH, FLH-80, Classic
	24	36964—67	PAD ONLY, brake pedal	67 to Early 79 — FL, FLH, FLH-80, Classic
	25	38712—68	CLAMP, brake rear hose — small (2)	70 to Early 79 — FL, FLH, FLH-80, Classic
	25A	41670—73	ANTI-VIBRATION KIT	73 to Early 79 — FL, FLH, FLH-80, Classic
	26	41737—63	MASTER CYLINDER COVER KIT, w/ 6701 WASHER	N/A 63 to Early 79 — FL, FLH, FLH-80, Classic
	27	41761—58	MASTER CYLINDER	58 to 72 — FL, FLH
	29	41761—78	MASTER CYLINDER	73 to Early 79 — FL, FLH, FLH-80, Classic
	30	41762—58A	REPAIR KIT, master cylinder	58 to Early 79 — FL, FLH, FLH-80, Classic
			NOTE: Must order 41773—58 valve and seat for use on 1972 and earlier vehicles with drum brake.	
	31	41764—70	RUBBER BOOT, master cylinder	70 to Early 79 — FL, FLH, FLH-80, Classic
	32	41765—58	FILLER PLUG, master cylinder	58 to Early 79 — FL, FLH, FLH-80, Classic
	33	41766—58	WASHER, filler plug	58 to Early 79 — FL, FLH, FLH-80, Classic
	34	41769—58	MASTER CYLINDER SPRING, with cap, valve, & seat	58 to Early 79 — FL, FLH, FLH-80, Classic
	35	41786—79	WARNING LABEL, master cylinder (round)	Mid 79 — FL, FLH, FLH-80, Classic
	36	41835—69	SPRING, foot lever	70 to Early 79 — FL, FLH, FLH-80, Classic
	37	42269—30	PIN, rear brake rod clevis	58 to 69 — FL, FLH
	38	42269—70	CLEVIS PIN	70 to Early 79 — FL, FLH, FLH-80, Classic
	39	42302—58	FRONT TUBE	N/A 58 to 69 — FL, FLH
	40	42303—70A	REAR BRAKE TUBE	N/A 70 to 72 — FL, FLH
	41	42304—70A	FRONT TUBE	70 to Early 79 — FL, FLH, FLH-80, Classic
	42	42309—70	BRAKE LINE TEE (used w/sidecar)	70 to Early 79 — FL, FLH, FLH-80, Classic
	43	42311—58	PLUG, rear brake line	58 to 72 — FL, FLH
	44	42314—71A	BRACKET, brake front tube	Late 72 to Early 79 — FL, FLH, FLH-80, Classic
	45	42318—72	BRAKE LINE TEE (used w/o sidecar)	Late 72 to Early 79 — FL, FLH, FLH-80, Classic
	46	42319—72	HOSE PAD, brake front tube	Late 72 to Early 79 — FL, FLH, FLH-80, Classic
	47	42321—71	BRAKE TUBE KIT, front (rubber mounted)	N/A 71 to Early 72 — FL, FLH, FLH-80, Classic
	48	42327—70	CLAMP, brake rear hose — large	70 to Early 79 — FL, FLH, FLH-80, Classic
	49	42333—70	PLUNGER, master cylinder	70 to Early 79 — FL, FLH, FLH-80, Classic
	50	42401—70	FOOT LEVER AND BRACKET	N/A 70 to 72 — FL, FLH
	51	42401—73A	FOOT LEVER AND BRACKET	73 to Early 79 — FL, FLH, FLH-80, Classic
	52	42402—70	LEVER, foot brake	N/A 70 to 72 — FL, FLH
	53	42402—73A	LEVER, foot brake (chrome)	73 to Early 79 — FL, FLH, FLH-80, Classic
	54	42411—70	STOP PLATE, foot brake lever	N/A 70 to Early 79 — FL, FLH, FLH-80, Classic
	55	42480—70	BRACKET ASSEMBLY, only	N/A 70 to 72 — FL, FLH
	56	42480—73	BRACKET ASSEMBLY, only	73 to Early 79 — FL, FLH, FLH-80, Classic
	58	45056—77	CUP, repair kit	58 to Early 79 — FL, FLH, FLH-80, Classic
	59	45105—77	WARNING LABEL, master cylinder (DOT 5)	N/A 77 to Early 79 — FL, FLH, FLH-80, Classic
	60	50668—35	SPACER, master cylinder stud (2)	58 to Early 79 — FL, FLH, FLH-80, Classic
	61	83566—51	BRAKE LINE TEE, only	N/A 58 to 69 — FL, FLH



RETAIL PRICE	INDEX NO.	PART NO.	N A M E	USED ON
	1	2592	SCREW, No. 10-24 x 1/2 Pozidriv pan hd.	63 to 72 — FL, FLH
	3	3720	BOLT, 1/4-28 x 7/16 hex. hd.	58 to 62 — FL, FLH
	4	4020W	BOLT, 5/16-24 x 1-3/8 hex. hd.	58 to 62 — FL, FLH
	5	4319	BOLT, 3/8-24 x 1 hex. hd. (2)	63 to 72 — FL, FLH
	6	6716	WASHER, No. 10 x 1/2 x 3/64	58 to 72 — FL, FLH
	7	7022	LOCKWASHER, 5/8	58 to 62 — FL, FLH
	8	7038	LOCKWASHER, 3/8	58 to 72 — FL, FLH
	9	7069	LOCKWASHER, No. 10	58 to 72 — FL, FLH
	10	7220	LOCKWASHER, No. 10 external tooth (2)	58 to 69 — FL, FLH
	11	7242	LOCKWASHER, 5/8 external tooth	58 to 73 — FL, FLH
	12	7813	NUT, 5/8-18 x 9/16 x 15/16	58 to 62 — FL, FLH
	13	7988	NUT, 5/8-18 x 1/4 x 1 hex.	58 to 72 — FL, FLH
	14	7993	LOCKNUT, 5/8-18 x 3/8 x 15/16 hex.	63 to 72 — FL, FLH
	15	8095A	NUT, 1-20 x 3/8 x 1-3/8 hex. N/A	58 to 72 — FL, FLH
	16	9995	CLAMP, rear brake hose N/A	58 to 72 — FL, FLH
	19	41400—67	REAR BRAKE DRUM, with sprocket N/A	67 to 72 — FL, FLH
	20	41425—37	DOWEL PIN, brake shell (5) N/A	58 to 72 — FL, FLH
	21	41596—30	COLLAR, rear axle sleeve N/A	58 to 72 — FL, FLH
	22	41596—63	SPACER, side plate N/A	63 to 72 — FL, FLH
	24	41600—67	AXLE SLEEVE N/A	67 to 72 — FL, FLH
	25	41650—58	SIDE PLATE ASSEMBLY N/A	58 to 62 — FL, FLH
	28	41720—58	ANCHOR STUD	58 to 62 — FL, FLH
	32	41740—63	WHEEL BRAKE CYLINDER	63 to 72 — FL, FLH
	33	41741—63	BLEEDER FITTING, wheel brake cylinder N/A	63 to 72 — FL, FLH
	34	41742—58	SCREW, wheel cylinder	58 to 72 — FL, FLH
	35	41743—58	BOLT, wheel cylinder N/A	58 to 72 — FL, FLH
	36	41744—58	GASKET, cylinder fitting (2) N/A	58 to 72 — FL, FLH
	37	41748—63	REPAIR KIT, wheel cylinder	63 to 72 — FL, FLH
	38	41749—58	BLEEDER NIPPLE, wheel cylinder	58 to 62 — FL, FLH
	39	41750—63	SWIVEL FITTING, brake cylinder	63 to 72 — FL, FLH
	40	41801—58A	SET OF BRAKE SHOES AND LININGS (cast iron drums) ...	Late 58 to 62 — FL, FLH
	41	41801—63	SET OF BRAKE SHOES AND LININGS, std.	63 to 72 — FL, FLH
	43	41808—63	SET OF REAR BRAKE LININGS AND RIVETS N/A	63 to 72 — FL, FLH
	44	41835—58	RETAINER, brake shoe (2)	58 to 72 — FL, FLH
	45	41836—58	RETURN SPRING, brake shoe	58 to 62 — FL, FLH
	46	41836—63	RETURN SPRING, brake shoe N/A	63 to 72 — FL, FLH
	47	41837—58	SPRING, brake shoe	58 to 62 — FL, FLH
	48	41837—63	SPRING, brake shoe N/A	63 to 72 — FL, FLH
	49	41841—31	RIVET, brake lining (18)	63 to 72 — FL, FLH
	50	42300—63	REAR BRAKE HOSE	63 to 72 — FL, FLH
	51	43530—35A	SCREW, wheel mounting socket, std. — 3/8-20	48 to 72 — FL, FLH
	52	43531—35	SCREW, wheel mounting socket — 7/16-20 O.S. N/A	58 to 72 — FL, FLH



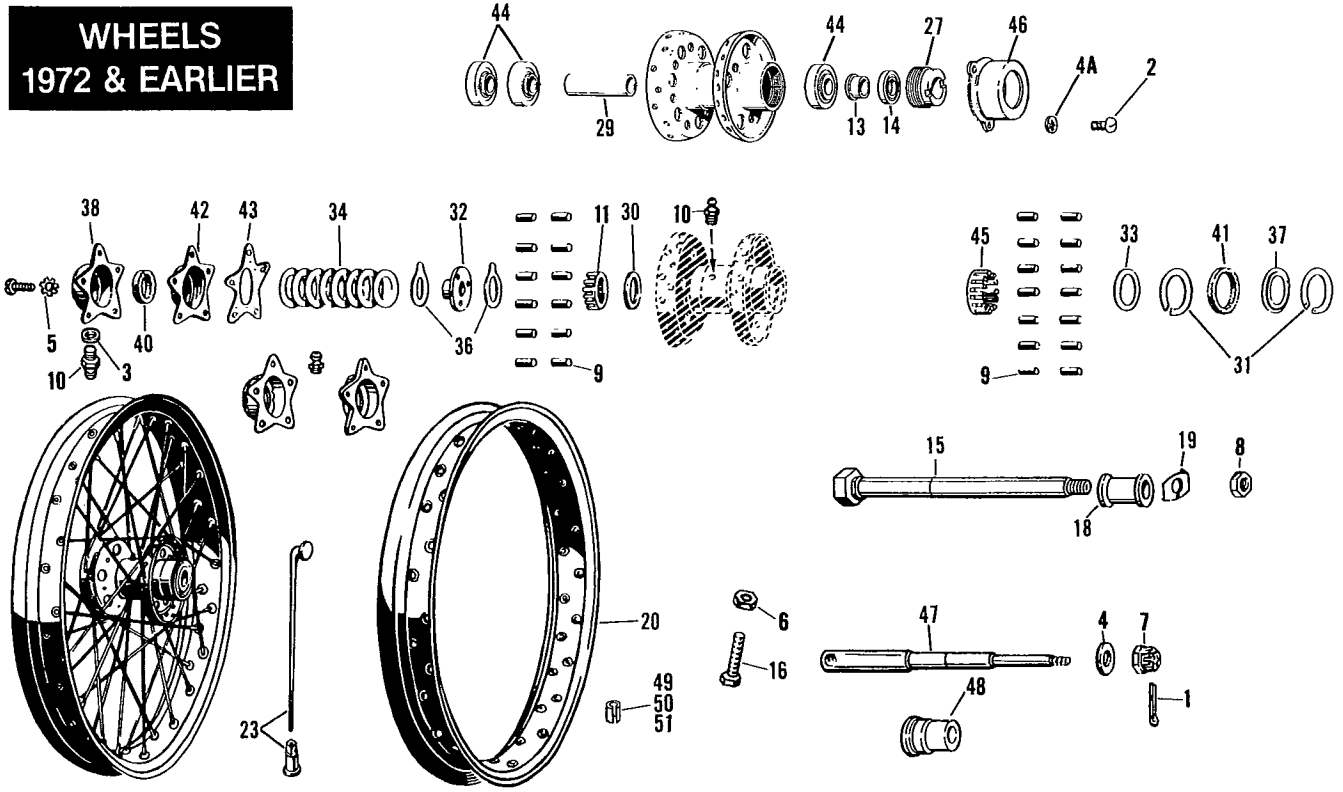
RETAIL PRICE	INDEX NO.	PART NO.	N A M E	USED ON
	1	1604	SCREW, 3/8-16 x 1-1/2 ctsk. flat socket hd. w/locking patch (rear only) (5)	81 to * — FLH-80, Classic
	2	1605	SCREW, 3/8-16 x 1-1/2 ctsk. flat socket hd. (rear only) (5)	81 — FLH-80
	3	3234W	SET SCREW, 1/4-20 x 5/16 slot hd. (2)	79 to * — FL, FLH, FLH-80, Classic
	4	3771	BOLT, 7/16-14 x 1-1/2 hex. hd. (5)	82 — Classic; 83 to * — FLH-80
	5	6027	LOCKWASHER, 25/64 ctsk. external tooth (5)	82 to * — FLH-80, Classic
	6	6516HW	WASHER, 7/16 x 1-1/8 x 1/8 (5)	82 — Classic; 83 to * — FLH-80
	7	6590HW	WASHER, 1/2 x 1-1/8 x 3/32	73 to * — FL, FLH, FLH-80, Classic
	8	6653	WASHER, 5/8 x 1-5/16 x 3/32	73 to Early 78 — FL, FLH, FLH-80
		6655	WASHER, 5/8 x 1-1/2 x 1/8	Late 78 to * — FL, FLH, FLH-80, Classic
	10	7022	LOCKWASHER, 5/8	73 to * — FL, FLH, FLH-80, Classic
	11	7068	LOCKWASHER, 1/2	73 to * — FL, FLH, FLH-80, Classic
	12	7130W	LOCKWASHER, 3/8 (5)	73 to * — FL, FLH, FLH-80, Classic
	13	7136	LOCKWASHER, 7/16 internal tooth (5)	79 to 82 — FL, FLH, FLH-80; 79 to 81 — Classic
	14	7145W	LOCKWASHER, 3/8 external tooth (5)	79 to 82 — Classic
	15	7778	LOCKNUT, 3/8-16 x 7/16 x 9/16 hex. (5)	73 to * — FL, FLH, FLH-80, Classic
	16	7825	LOCKNUT, 7/16-20 x 7/16 x 5/8 hex. (5)	73 to * — FL, FLH, FLH-80, Classic
	17	7837W	NUT, 7/16-20 x 3/8 x 11/16 hex. (5)	73 to 82 — FL, FLH, FLH-80, Classic
	18	7845	NUT, 1/2-20 x 7/16 x 3/4 hex.	73 to * — FL, FLH, FLH-80, Classic
	19	7986	NUT, 5/8-18 x 7/16 x 1-1/16 hex.	73 to * — FL, FLH, FLH-80, Classic
	20	9052	ROLLER BEARING (2)	73 to * — FL, FLH, FLH-80, Classic
	21	11027	RETAINING RING (2)	73 to * — FL, FLH, FLH-80, Classic
	22	33080—36	WASHER	73 — FL, FLH
	23	40217—79	SPROCKET, belt drive (black)	82 — Classic; 83 to * — FLH-80
	24	40906—82A	SPACER, rear cast wheel (2)	Late 84 to * — FLH-80
	25	40908—81	WHEEL ASSEMBLY, 16" (chrome)	73 to 81 — FL, FLH, FLH-80, Classic
	26	40909—81A	DISC, brake includes index nos. 5 & 30	81 to * — FLH-80, Classic
	27	40911—81	PLATE, brake disc (rear only)	81 to * — FLH-80, Classic
	28	40932—81	SPACER, bearing — inner	82 — Classic; 83 to * — FLH-80
	29	40934—82	SPRING, brake disc	82 to * — FLH-80, Classic
	30	40939—79A	DISC ASSEMBLY, rear — includes item 29	82 to * — FLH-80, Classic
	31	40981—73	WHEEL ASSEMBLY, 16" (black)	73 to 78 — FL, FLH, FLH-80
	34	41196—73	SPACER, bearing — outer (2 front; 2 rear)	73 to Early 83 — FL, FLH, FLH-80, Classic
		41196—83	SPACER, bearing — outer (2 front; 2 rear)	Late 83 to * — FLH-80
	35	41197—73	BOLT, rear sprocket (5)	73 to 82 — FL, FLH, FLH-80, Classic
	36	41198—73	BOLT, 3/8-16 x 1 thin hex. hd. (front only 81 & later) (5)	73 to * — FL, FLH, FLH-80, Classic
	37	41470—73A	SPROCKET, rear wheel (shot blast and chrome)	73 to 82 — FL, FLH, FLH-80; 79 to 81 — Classic
	38	41552—73	AXLE, rear wheel	73 to 82 — FL, FLH, FLH-80; 79 to 81 — Classic
		41580—79	AXLE, rear wheel	82 — Classic; 83 to * — FLH-80
	40	41592—79	SPACER, rear axle	82 — Classic; 83 to * — FLH-80
	41	41594—73	SPACER, front axle — left	73 to * — FL, FLH, FLH-80, Classic
	42	41595—73	SPACER, rear axle — left	73 to 82 — FL, FLH, FLH-80; 79 to 81 — Classic
	43	41806—72B	DISC, brake — with plate	72 to Early 78 — FL, FLH, FLH-80
	44	41813—79	DISC, brake (front only 81 & later)	Late 78 to * — FL, FLH, FLH-80, Classic
	45	41814—76	PLATE, brake disc (front only 81 & later)	Late 76 to * — FL, FLH, FLH-80, Classic
	46	43006—40A	RIM, 16" (black)	73 to 78 — FL, FLH, FLH-80
	47	43032—40B	SPOKE AND NIPPLE, 16" rim — metric (40)	73 to 81 — FL, FLH, FLH-80, Classic
	48	43085—81	RIM, 16" (chrome)	73 to 81 — FL, FLH, FLH-80, Classic
	49	43304—73	AXLE CAP, front laced wheel — 2" diam. (chrome)	73 to 78 — FL, FLH, FLH-80
	50	43483—77A	WHEEL ASSEMBLY, cast aluminum — with bearings & seals (black finish)	73 to * — FL, FLH, FLH-80, Classic



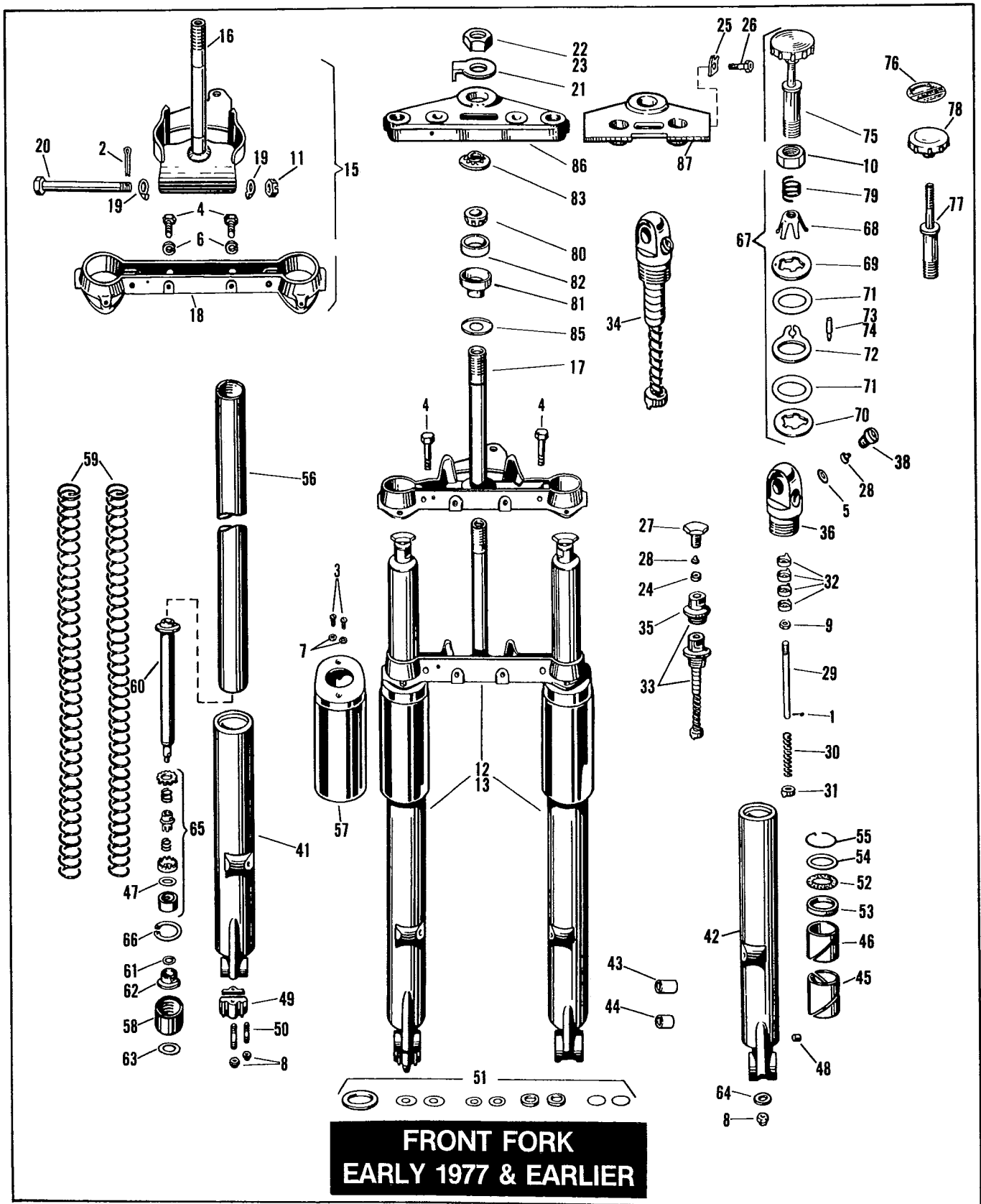
WHEELS
1973 & LATER

RETAIL PRICE	INDEX NO.	PART NO.	N A M E	USED ON
		43485-75	WHEEL ASSEMBLY, cast aluminum — with bearings & seals (silver)	73 to 79 — FL, FLH, FLH-80, Classic
		43495-84	WHEEL ASSEMBLY, cast — rear (black)	Late 84 to * — FLH-80
51		43532-73	STUD (5)	73 to 82 — FL, FLH, FLH-80; 73 to 81 — Classic
52		43540-73A	WHEEL HUB, complete	73 to Late 81 — FL, FLH, FLH-80, Classic
53		43559-73	WASHER (2 front; 2 rear)	73 to * — FL, FLH, FLH-80, Classic
54		43601-78	SPACER, between bearings (w / flanges) — 4.420 (orange)	73 to * — FL, FLH, FLH-80, Classic
		43602-78	SPACER, between bearings (w / flanges) — 4.434 (yellow)	73 to * — FL, FLH, FLH-80, Classic
		43603-78	SPACER, between bearings (w / flanges) — 4.448 (white)	73 to * — FL, FLH, FLH-80, Classic
55		43615-82	SLEEVE, rear cast wheel	Late 84 to * — FLH-80
56		43346-83	FRONT AXLE	81 to * — FLH-80, Classic
		43875-73	FRONT AXLE	73 to 80 — FL, FLH, FLH-80, Classic
57		43899-86	AXLE CAP, front laced wheel (with set screws 3234W) (2)	79 to * — FL, FLH, FLH-80, Classic
58		44441-75	HUBCAP, front cast wheel	73 to Early 79 — FL, FLH, FLH-80, Classic
		44441-79	HUBCAP, front cast wheel — 4-3/8" diam.	Late 79 & 80 — FL, FLH, FLH-80, Classic
		44443-81	HUBCAP, 4-7/16" diam.	81 to * — FLH-80, Classic
59		47519-72	OIL SEAL, cast wheel (2)	73 to 79 — FL, FLH, FLH-80, Classic
		47519-83A	OIL SEAL, laced wheel (cast wheel - 80 & later) (2)	73 to * — FL, FLH, FLH-80, Classic
61		95578-41	WHEEL WEIGHT, 1/2 oz. — 0.275" I.D.	73 to * — FL, FLH, FLH-80, Classic
		95581-47	WHEEL WEIGHT, 3/4 oz. — 0.275" I.D.	73 to * — FL, FLH, FLH-80, Classic
		95582-47	WHEEL WEIGHT, 1 oz. — 0.275" I.D.	73 to * — FL, FLH, FLH-80, Classic
62		95587-75	WHEEL WEIGHT, 1/2 oz. (cast aluminum wheel)	73 to 78 — FL, FLH, FLH-80
		95588-75	WHEEL WEIGHT, 1 oz. (cast aluminum wheel)	73 to 78 — FL, FLH, FLH-80
		95590-77	WHEEL WEIGHT, 1/2 oz. — (cast aluminum wheel) (black)	73 to * — FL, FLH, FLH-80, Classic
		95591-77	WHEEL WEIGHT, 1 oz. — (cast aluminum wheel) (black)	73 to * — FL, FLH, FLH-80, Classic
		95592-78	WHEEL WEIGHT, 1/2 oz. (cast wheel) (gold)	80 & 81 — FL, FLH, FLH-80, Classic
		95593-78	WHEEL WEIGHT, 1 oz. (cast wheel) (gold)	80 & 81 — FL, FLH, FLH-80, Classic

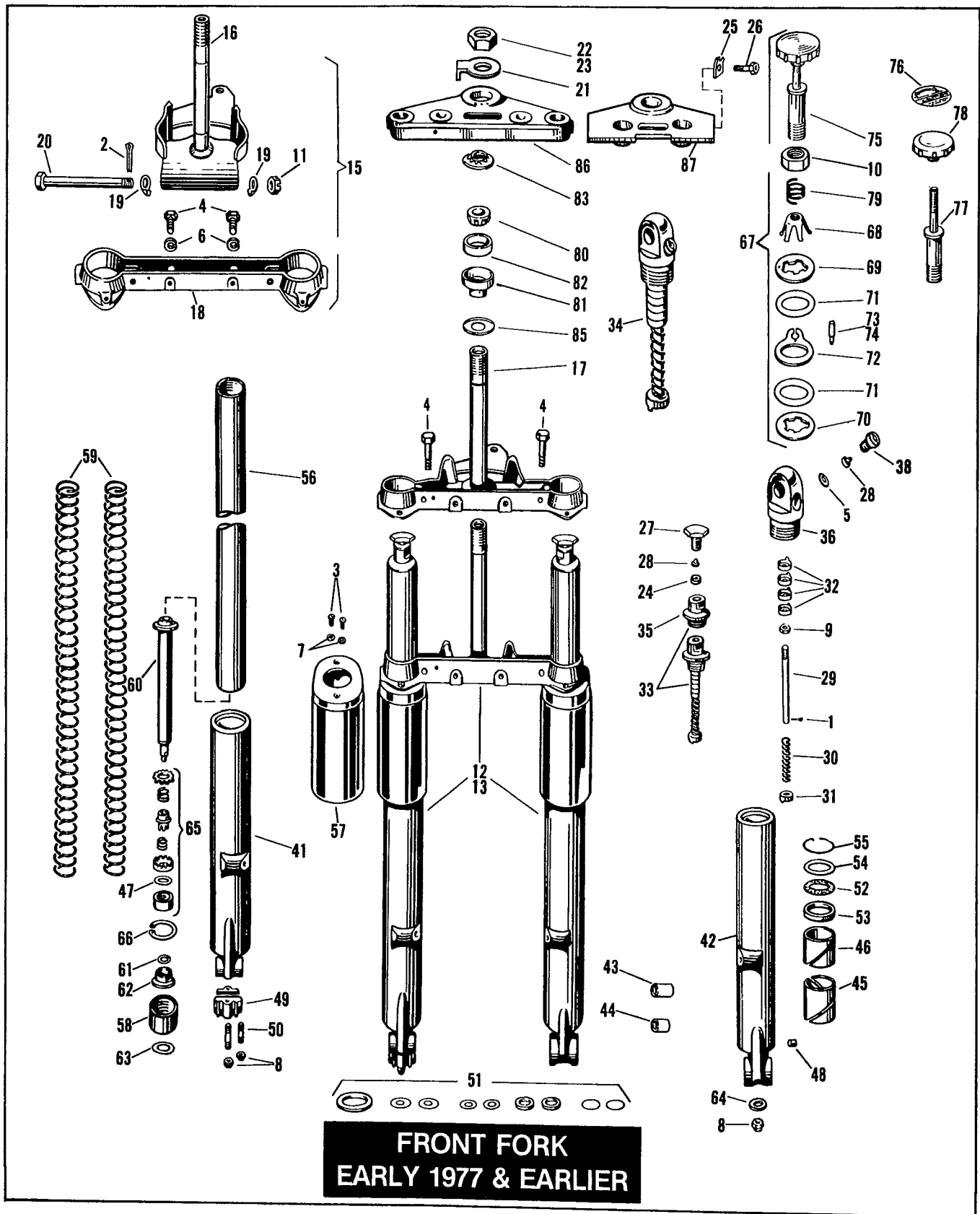
WHEELS 1972 & EARLIER



RETAIL PRICE	INDEX NO.	PART NO.	N A M E	USED ON
	1	534	COTTER PIN 3/32 x 7/8	41 to 72 — FL, FLH
	2	2660	SCREW, No. 10-32 x 3/8 Pozidriv pan hd. (2)	Late 70 to 72 — FL, FLH
	3	6300	WASHER, 5/16 x 7/16 x 1/32 N/A	41 to 66 — FL, FLH
	4	6590HW	WASHER, 1/2 x 1-1/8 x 3/32	49 to 66 — FL, FLH
	4A	7118	LOCKWASHER, No. 10 internal tooth (2)	Late 70 to 72 — FL, FLH
	5	7230	LOCKWASHER, 1/4 external tooth (5)	41 to 66 — FL, FLH
	6	7800W	NUT, 3/8-24 x 5/16 x 9/16 hex. (2)	41 to 72 — FL, FLH
	7	7734W	CASTLE NUT, 1/2-20 x 9/16 x 3/4 hex.	41 to 72 — FL, FLH
	8	7813	NUT, 5/8-18 x 9/16 x 15/16 hex.	41 to 72 — FL, FLH
	9	9220A	ROLLER (26)	41 to 66 — FL, FLH
	10	9851	GREASE FITTING (2)	41 to 66 — FL, FLH
	11	24721—30	ROLLER RETAINER	41 to 66 — FL, FLH
	13	41196—55	SPACER, wheel hub	67 to 72 — FL, FLH
	14	41210—55	OIL SEAL, wheel bearing	67 to 72 — FL, FLH
	15	41552—67	REAR AXLE	67 to 72 — FL, FLH
	16	41576—36	BOLT, axle adjuster (2)	41 to 72 — FL, FLH
	18	41595—67	SPACER, rear axle N/A	67 to 72 — FL, FLH
	19	41603—32	LOCKWASHER, rear axle nut N/A	41 to 72 — FL, FLH
	20	43006—40A	RIM, 16" (black) N/A	41 to 72 — FL, FLH
		43085—81	RIM, front and rear — 16" (chrome)	41 to 72 — FL, FLH
	23	43032—40B	SPOKE AND NIPPLE, 16" rim — metric (40)	41 to 72 — FL, FLH
	27	43542—67	LOCKNUT, wheel bearing (L.H. thread)	67 to 72 — FL, FLH
	29	43549—67	SPACER, wheel bearing	67 to 72 — FL, FLH
	30	43552—39	THRUST WASHER, inner N/A	41 to 66 — FL, FLH
	31	43554—35	LOCK RING, thrust washer (2) N/A	41 to 66 — FL, FLH
	32	43556—35	SLEEVE, thrust bearing N/A	41 to 66 — FL, FLH
	33	43558—39	THRUST WASHER, roller bearing — brake side N/A	41 to 66 — FL, FLH
	34	43560—35	ADJUSTING SHIM — 0.002 thick	41 to 66 — FL, FLH
	36	43563—35	THRUST WASHER, thick (2 per hub)	41 to 66 — FL, FLH
	37	43564—35	RETAINER — brake side (cork) N/A	41 to 66 — FL, FLH
	38	43566—35A	COVER, outer thrust bearing N/A	41 to 66 — FL, FLH
	40	43570—35	WASHER (cork)	41 to 66 — FL, FLH
	41	43571—35	WASHER — brake side (cork) N/A	41 to 66 — FL, FLH
	42	43574—55	THRUST WASHER, wheel hub	55 to 66 — FL, FLH
	43	43576—35	GASKET, inner thrust bearing cover N/A	41 to 66 — FL, FLH
	44	43577—67	BEARING, wheel hub and brake drum (2 front — 3 rear)	67 to 72 — FL, FLH
	45	43578—35	ROLLER RETAINER — brake side	41 to 66 — FL, FLH
	46	43592—70	RETAINER, wheel bearing locknut	Late 70 to 72 — FL, FLH
	47	43875—48	FRONT AXLE N/A	49 to 66 — FL, FLH
		43875—67	FRONT AXLE N/A	67 to 71 — FL, FLH
	48	43885—72	SPACER, front axle — left N/A	72 — FL, FLH
	49	95578—41	WHEEL WEIGHT, 1/2 oz. — 0.275" I.D.	41 to 72 — FL, FLH
	50	95581—47	WHEEL WEIGHT, 3/4 oz. — 0.275" I.D.	41 to 72 — FL, FLH
	51	95582—47	WHEEL WEIGHT, 1 oz. — 0.275" I.D.	41 to 72 — FL, FLH

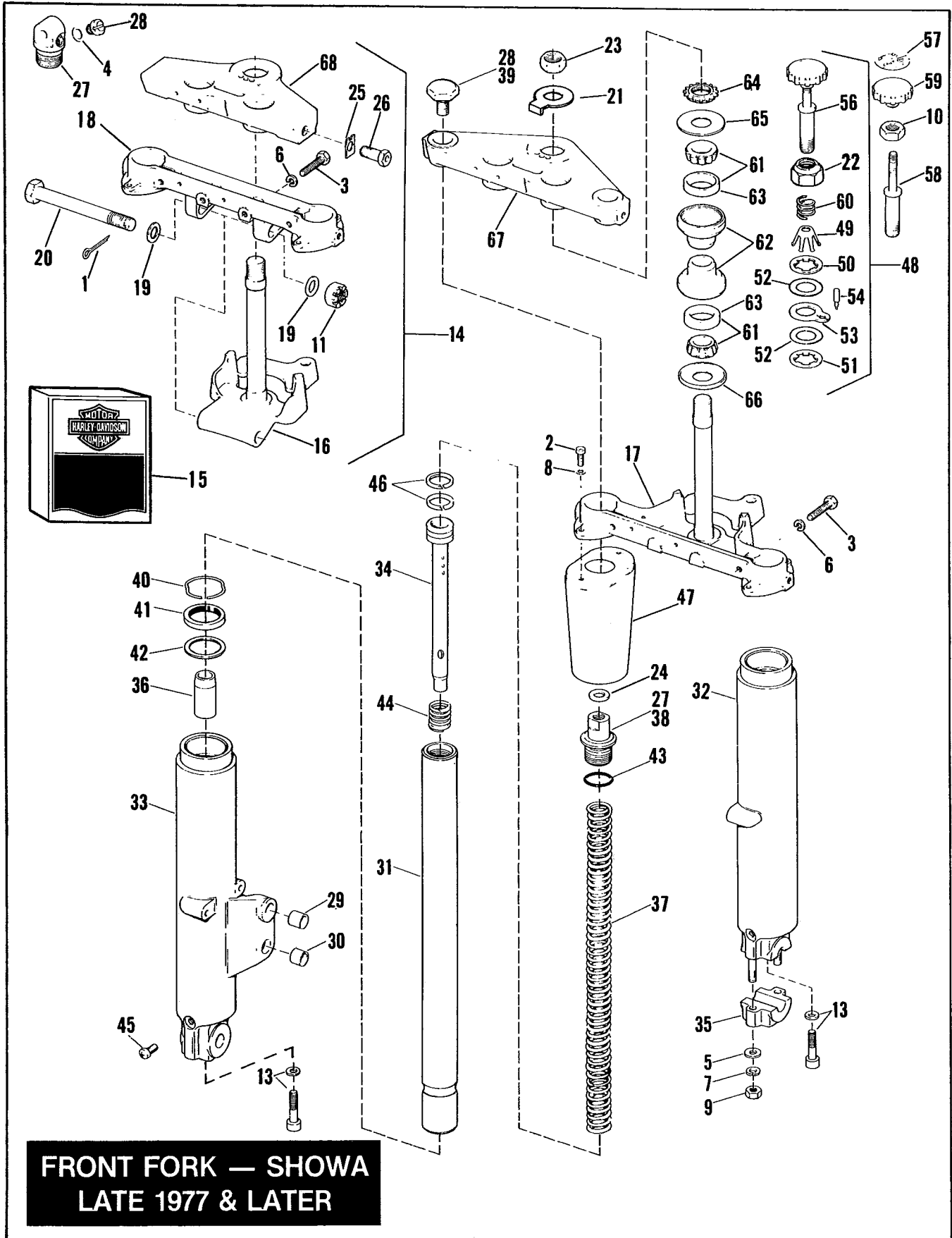


RETAIL PRICE	INDEX NO.	PART NO.	N A M E	USED ON
.09•	1	515	COTTER PIN, 1/16 x 3/4	49 to Early 77 — FL, FLH
.15•	2	559	COTTER PIN, 1/8 x 1-1/4 — adjustable fork	58 to Early 77 — FL, FLH
.17•	3	2417	SCREW, 1/4-28 x 5/8 Pozidriv fil. hd. (4)	49 to Early 77 — FL, FLH
.57•	4	4729	BOLT, 7/16-20 x 1-1/4 hex. hd. (2)	55 to Early 77 — FL, FLH
.42•	5	6649	WASHER, 9/16 x 3/4 x 1/2 — adjustable fork (2)	50 to Early 77 — FL, FLH
.05•	6	7039	LOCKWASHER, 7/16 — adj. fork (2)	72 to Early 77 — FL, FLH
.13•	7	7124	LOCKWASHER, 1/4 internal tooth — adj. fork (4)	72 to Early 77 — FL, FLH
.57•	8	7725	LOCKNUT, 5/16-24 x 11/16 x 1/2 hex.	49 to Early 77 — FL, FLH
.15•	9	7744	NUT, 5/16-24 x 3/16 x 1/2 hex.	49 to Early 77 — FL, FLH
.61•	10	7763W	NUT, 5/16-18 x 3/16 x 9/16 hex. — adjustable fork	60 to Early 77 — FL, FLH
2.70	11	7947W	CASTLE NUT, 5/8-18 x 1/2 x 15/16 hex.	58 to Early 77 — FL, FLH
664.79•	12	45498—72A	FRONT FORK ASSEMBLY	72 to Early 77 — FL, FLH
677.05•	13	45509—72B	FRONT FORK ASSEMBLY — adjustable	72 to Early 77 — FL, FLH
539.39•		45695—73	FRONT FORK CONVERSION KIT — non-adjustable to adjustable for sidecar	60 to Early 77 — FL, FLH
			Consists of besides items 15, 25, 26, 34 & 87:	
.30•		2661W	SCREW, headlamp, adapter ring, No. 10-24 x 1/2 self tapping Phillips rd. hd. (6)	
33.59		56589—60	COVER, handlebar clamp (polished)	
83.13		67842—60	ADAPTER RING, headlamp housing (chrome)	
324.67	15	45690—69	FORK STEM AND BRACKET, w/bearings — adj. fork	60 to Early 77 — FL, FLH
96.12	16	45697—69	FORK STEM — adjustable fork	50 to Early — FL, FLH
181.33	17	45700—69A	FORK STEM AND BRACKET	60 to Early 77 — FL, FLH
204.55	18	45708—50B	FORK BRACKET — adjustable fork	N/A 50 to Early 77 — FL, FLH
7.97	19	45710—58	WASHER, fork bracket bolt (2)	58 to Early 77 — FL, FLH
13.97	20	45711—51A	BOLT, fork bracket	50 to Early 77 — FL, FLH
.55•	21	45717—63	LOCKWASHER, fork stem nut (not used with steering damper)	60 to Early 77 — FL, FLH
18.88	22	45718—48	NUT, fork stem	49 to Early 77 — FL, FLH
5.39	23	45718—60	NUT, fork stem (not used with steering damper)	60 to Early 77 — FL, FLH
.63•	24	45733—48	OIL SEAL, tube plug (2)	49 to Early 77 — FL, FLH
2.20	25	45752—50	WASHER, upper bracket bolt — adjustable fork (used w/sidecar) (2)	50 to 72 — FL, FLH; Late 76 & Early 77 — FL, FLH
8.46	26	45753—50	BOLT, upper bracket — adjustable fork (used w/sidecar) (2)	50 to 72 — FL, FLH; Late 76 & Early 77 — FL, FLH
22.68	27	45754—60	BOLT, upper bracket (2)	60 to Early 77 — FL, FLH
5.77	28	45757—49	BREATHING VALVE (2)	50 to Early 77 — FL, FLH
5.26	29	45765—49	STUD, baffle (2)	N/A 49 to Early 77 — FL, FLH
2.05	30	45766—49	SPRING, baffle stud (2)	N/A 49 to Early 77 — FL, FLH
2.35	31	45768—49	CUP, lower baffle (2)	N/A 49 to Early 77 — FL, FLH
2.15	32	45769—49	CUP, upper baffle (12)	N/A 49 to Early 77 — FL, FLH
54.67•	33	45775—49	PLUG, slider tube (2)	N/A 49 to Early 77 — FL, FLH
84.39	34	45775—50	PLUG, slider tube — adjustable fork (2)	50 to Early 77 — FL, FLH
15.94	35	45776—49	PLUG, fork tube (2)	49 to Early 77 — FL, FLH
43.85	36	45777—50	PLUG, fork tube — adjustable fork	N/A 50 to Early 77 — FL, FLH
13.85	38	45778—50	FILLER SCREW, with valve — adjustable fork	N/A 50 to Early 77 — FL, FLH
191.40	41	45800—50A	FORK SLIDER, right — with bushings (polished)	50 to 68 — FL, FLH 72 to Early 77 — FL, FLH
179.55	42	45807—72	FORK SLIDER, left — with bushings (polished)	N/A 72 to Early 77 — FL, FLH

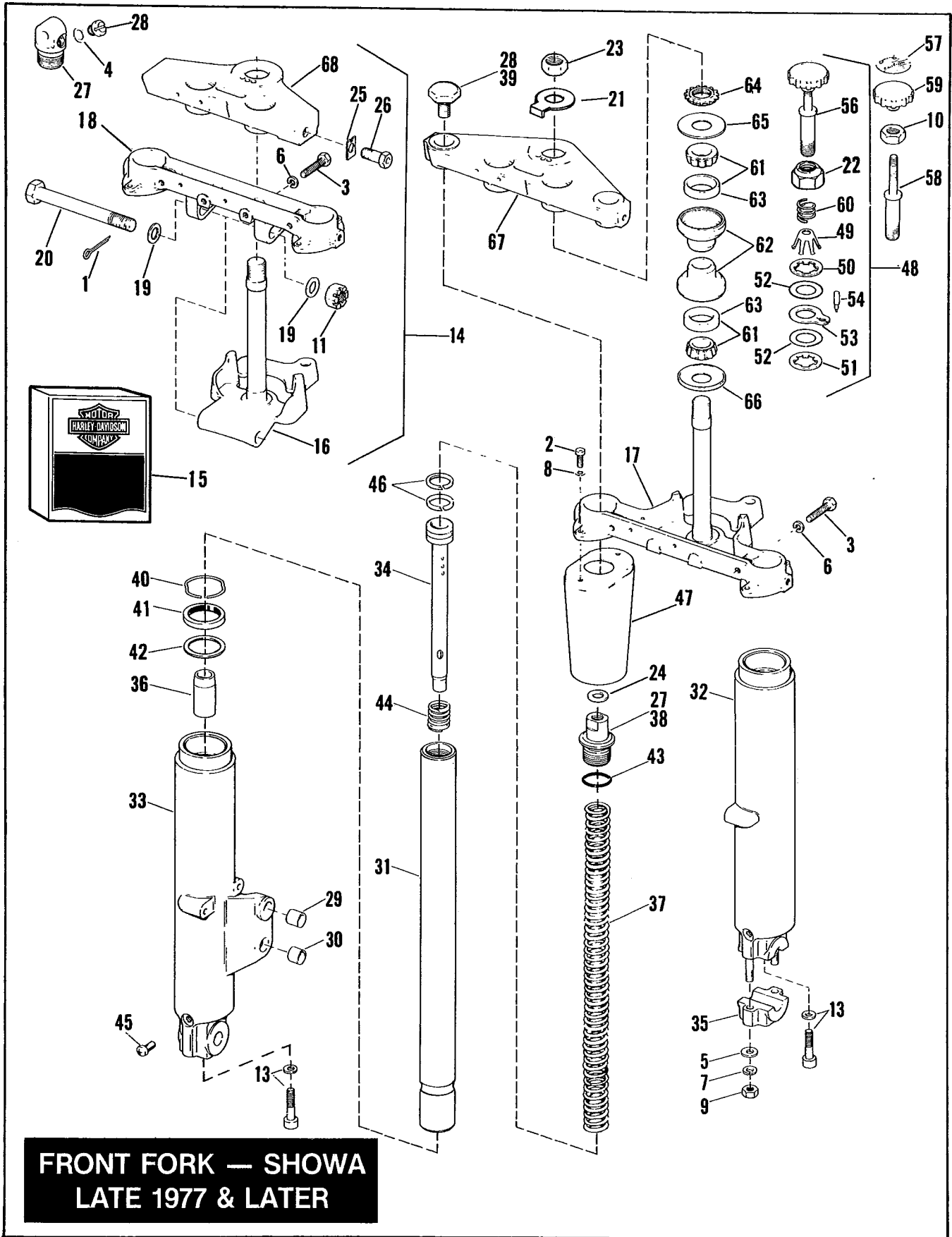


FRONT FORK — EARLY 1977 & EARLIER (CONT'D)

RETAIL PRICE	INDEX NO.	PART NO.	N A M E	USED ON
	43	45821-75	UPPER BUSHING, fork slider — long (disc brake mounting)	72 to Early 77 — FL, FLH
	44	45822-75	LOWER BUSHING, fork slider — short (disc brake mounting)	72 to Early 77 — FL, FLH
	45	45823-49	LOWER BUSHING, fork slider (2)	49 to Early 77 — FL, FLH
	46	45824-49	UPPER BUSHING, fork slider (2)	49 to Early 77 — FL, FLH
	47	45826-49	SHIM, slider bushing (as req.)	N/A 49 to Early 77 — FL, FLH
	48	45830-48	DRAIN PLUG (2)	49 to Early 77 — FL, FLH
	49	45836-48	BOTTOM CAP, right slider	49 to Early 77 — FL, FLH
	50	45840-48	STUD, right slider bottom cap (2)	49 to Early 77 — FL, FLH
	51	45849-49	SET OF OIL SEALS AND GASKETS	49 to Early 77 — FL, FLH
	52	45850-48	FELT WASHER, upper oil seal (2)	49 to Early 77 — FL, FLH
	53	45852-48A	UPPER OIL SEAL (2)	49 to Early 77 — FL, FLH
	54	45854-48	WASHER, retaining ring (2)	49 to Early 77 — FL, FLH
	55	45856-48	RETAINING RING (2)	49 to Early 77 — FL, FLH
	56	45950-48	SLIDER TUBE (2)	49 to Early 77 — FL, FLH
	57	45964-49	COVER, slider (stainless) (2)	49 to Early 77 — FL, FLH
	58	45972-48	TAPER BUSHING, fork tube	N/A 49 to Early 77 — FL, FLH
	59	46051-49A	SET OF FORK SPRINGS	49 to Early 77 — FL, FLH
	60	46100-48	DAMPER TUBE (2)	49 to Early 77 — FL, FLH
	61	46111-48	GASKET, damper tube stud	49 to Early 77 — FL, FLH
	62	46121-48	LOWER BUSHING, damper tube (2)	49 to Early 77 — FL, FLH
	63	46125-48	GASKET, damper tube bushing	49 to Early 77 — FL, FLH
	64	46128-48	WASHER, damper tube end (2)	49 to Early 77 — FL, FLH
	65	46161-49	VALVE KIT, damper tube (2) (fits damper tubes with square corner — no radius on valve seat)	49 to Early 77 — FL, FLH
	66	46172-48	RETAINING RING, slider tube (lower) (2)	49 to Early 77 — FL, FLH
	67	46700-60	STEERING DAMPER, complete	60 to Early 77 — FL, FLH
			Consists of:	
		45718-48	NUT, fork stem	
		46715-48	SPIDER SPRING, steering damper	
		46718-48	PRESSURE DISC, steering damper	
		46720-48	PRESSURE DISC, lower — steering damper	
		46727-48	FRICTION WASHER, damper (2)	
		46730-48	ANCHOR PLATE, damper	
		46731-48	PIN, anchor plate	
		46740-60	ADJUSTING SCREW ASSEMBLY	
		46751-48	SPRING, adjusting screw	
	68	46715-48	SPIDER SPRING, steering damper	49 to Early 77 — FL, FLH
	69	46718-48	PRESSURE DISC, steering damper	49 to Early 77 — FL, FLH
	70	46720-48	PRESSURE DISC, lower, damper	49 to Early 77 — FL, FLH
	71	46727-48	FRICTION WASHER, damper (2)	49 to Early 77 — FL, FLH
	72	46730-48	ANCHOR PLATE, damper	49 to Early 77 — FL, FLH
	73	46731-48	PIN, anchor plate	49 to Early 77 — FL, FLH
	74	46732-48	PIN, anchor plate	N/A 49 to Early 77 — FL, FLH
	75	46740-60	ADJUSTING SCREW ASSEMBLY	60 to Early 77 — FL, FLH
	76	46741-71	LABEL, steering damper knob	60 to Early 77 — FL, FLH
	77	46743-60	ADJUSTING SCREW, damper	60 to Early 77 — FL, FLH
	78	46746-52	KNOB, damper	60 to Early 77 — FL, FLH
	79	46751-48	SPRING, adjusting screw	49 to Early 77 — FL, FLH
	80	48300-60	HEAD BEARING (2)	60 to Early 77 — FL, FLH
	81	48311-60	HEAD CUP (2)	60 to Early 77 — FL, FLH
	82	48315-60	HEAD CUP (Timken) (2)	60 to Early 77 — FL, FLH
	83	48330-48A	CONE SEAT, upper — with guard	49 to Early 77 — FL, FLH
	85	48365-48A	DUST SHIELD, head bearing — lower	49 to Early 77 — FL, FLH
	86	56121-73A	FORK BRACKET, handlebar (non-adjustable)	73 to Early 77 — FL, FLH
	87	56129-73A	FORK BRACKET, handlebar (adjustable)	73 to Early 77 — FL, FLH



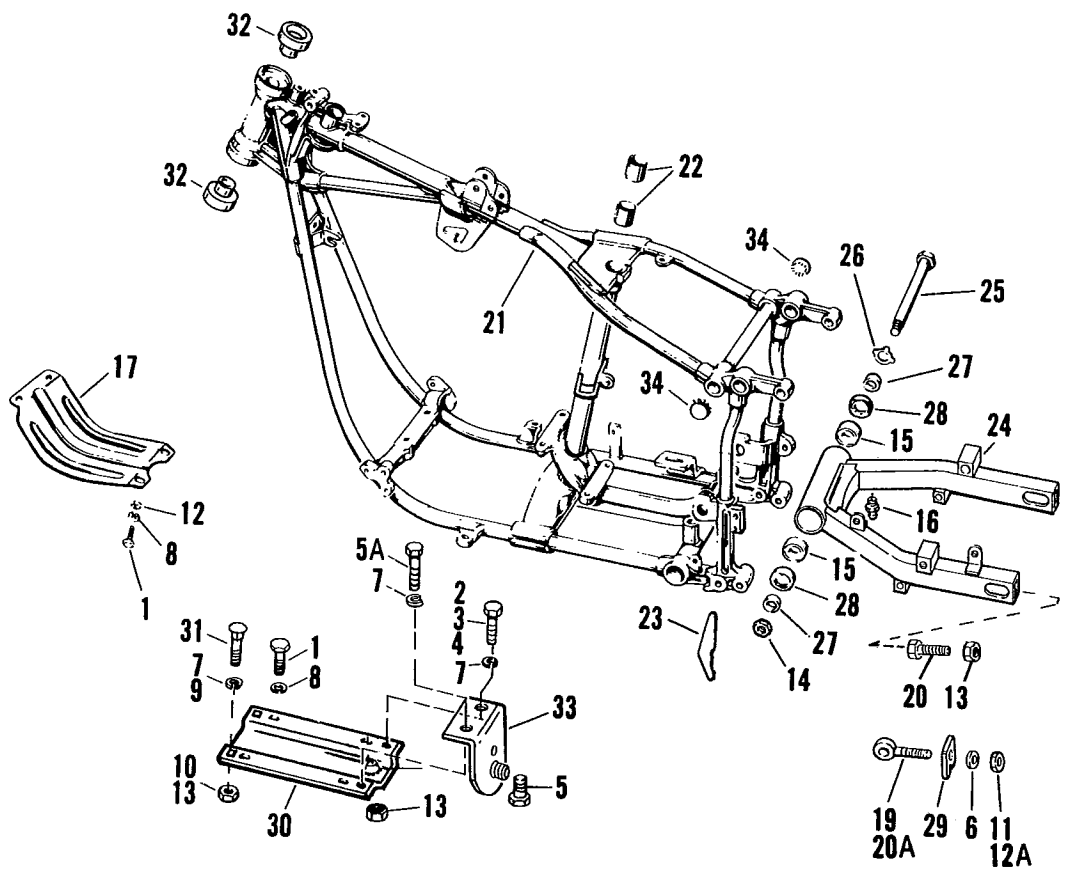
RETAIL PRICE	INDEX NO.	PART NO.	N A M E	USED ON
	1	559	COTTER PIN, 1/8 x 1-1/4 — adjustable fork	Late 77 to * — FL, FLH, FLH-80, Classic
	2	2417	SCREW, 1/4-28 x 5/8 Pozidriv truss hd. (4)	Late 77 to * — FL, FLH, FLH-80, Classic
	3	4729	BOLT, 7/16-20 x 1-1/4 hex. hd. (2)	Late 77 to * — FL, FLH, FLH-80, Classic
	4	6649	WASHER, 9/16 x 3/4 x 1/2 — adjustable fork (2)	Late 77 to * — FL, FLH, FLH-80, Classic
	5	6702	WASHER, 5/16 x 11/16 x 1/16 (2)	Late 77 to * — FL, FLH, FLH-80, Classic
	6	7039	LOCKWASHER, 7/16 (2)	Late 77 to * — FL, FLH, FLH-80, Classic
	7	7041	LOCKWASHER, 5/16 (2)	Late 77 to * — FL, FLH, FLH-80, Classic
	8	7124	LOCKWASHER, 1/4 internal tooth (4)	Late 77 to * — FL, FLH, FLH-80, Classic
	9	7748W	NUT, 5/16-18 x 1/4 x 1/2 hex. (2)	Late 77 to * — FL, FLH, FLH-80, Classic
	10	7763W	NUT, 5/16-18 x 3/16 x 9/16 hex. — adjustable fork	Late 77 to * — FL, FLH, FLH-80, Classic
	11	7947W	CASTLE NUT, 5/8-18 x 1/2 x 15/16 hex.	Late 77 to * — FL, FLH, FLH-80, Classic
	13	45405—75A	SCREW AND WASHER, damper tube (2)	Late 77 to * — FL, FLH, FLH-80, Classic
		45498—72A	FRONT FORK ASSEMBLY	Late 77 to * — FL, FLH, FLH-80, Classic
		45509—72B	FRONT FORK ASSEMBLY — adjustable	Late 77 to * — FL, FLH, FLH-80, Classic
	14	45690—69	FORK STEM AND BRACKET, w/bearings — adjustable	Late 77 to * — FL, FLH, FLH-80, Classic
	15	45695—77	FRONT FORK CONVERSION KIT — non-adjustable to ad- justable for sidecar	Late 77 to 79 — FL, FLH, FLH-80, Classic
			Consists of besides items 4, 14, 25-28, 43 & 68:	
		2661W	SCREW, headlamp adapter ring No. 10-24 x 1/2 self tapping Phillips rd. hd. (6)	
		67842—60	ADAPTER RING, headlamp housing (chrome)	
			NOTE: For two piece handlebars order 56589—60 COVER	
	16	45697—69	FORK STEM — adjustable fork	Late 77 to * — FL, FLH, FLH-80, Classic
	17	45700—69A	FORK STEM AND BRACKET	Late 77 to * — FL, FLH, FLH-80, Classic
	18	45708—50B	FORK BRACKET — adjustable fork	Late 77 to * — FL, FLH, FLH-80, Classic
	19	45710—58	WASHER, adjustable fork bracket bolt (2)	Late 77 to * — FL, FLH, FLH-80, Classic
	20	45711—51A	BOLT, adjustable fork bracket	Late 77 to * — FL, FLH, FLH-80, Classic
	21	45717—63	LOCKWASHER, fork stem nut (not used with steering damper)	Late 77 to * — FL, FLH, FLH-80, Classic
	22	45718—48	NUT, fork stem	Late 77 to * — FL, FLH, FLH-80, Classic
	23	45718—60	NUT, fork stem (not used with steering damper)	Late 77 to * — FL, FLH, FLH-80, Classic
	24	45733—48	OIL SEAL, fork tube plug (2)	Late 77 to * — FL, FLH, FLH-80, Classic
	25	45752—50	LOCK PLATE, upper bracket bolt — adjustable fork (2)	Late 77 to * — FL, FLH, FLH-80, Classic
	26	45753—50	BOLT, upper bracket — adjustable fork (2)	Late 77 to * — FL, FLH, FLH-80, Classic
	27	45777—77	PLUG, fork tube — adjustable fork	Late 77 to * — FL, FLH, FLH-80, Classic
	28	45778—77	FILLER SCREW, fork plug — adjustable fork	Late 77 to * — FL, FLH, FLH-80, Classic
		45815—84	FORK SLIDER, right — complete	Late 77 to * — FL, FLH, FLH-80, Classic
		45816—84	FORK SLIDER, left — complete	Late 77 to * — FL, FLH, FLH-80, Classic
	29	45821—75	BUSHING, brake caliper — upper	Late 77 to * — FL, FLH, FLH-80, Classic
	30	45822—75	BUSHING, brake caliper — lower	Late 77 to * — FL, FLH, FLH-80, Classic
	31	45825—77A	SLIDER TUBE (2)	Late 77 to * — FL, FLH, FLH-80, Classic



**FRONT FORK — SHOWA
LATE 1977 & LATER**

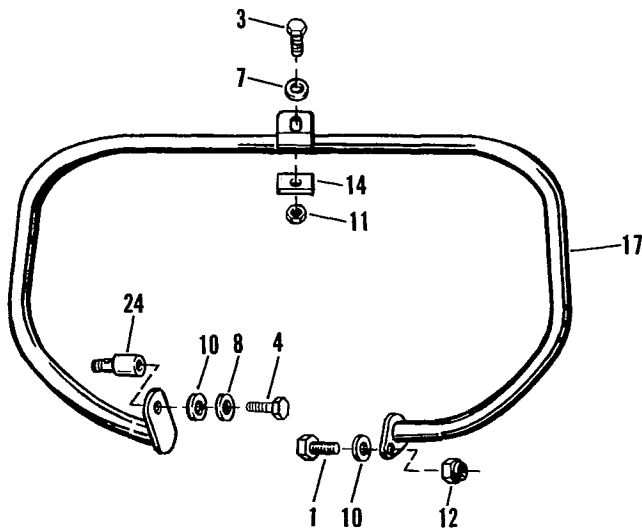
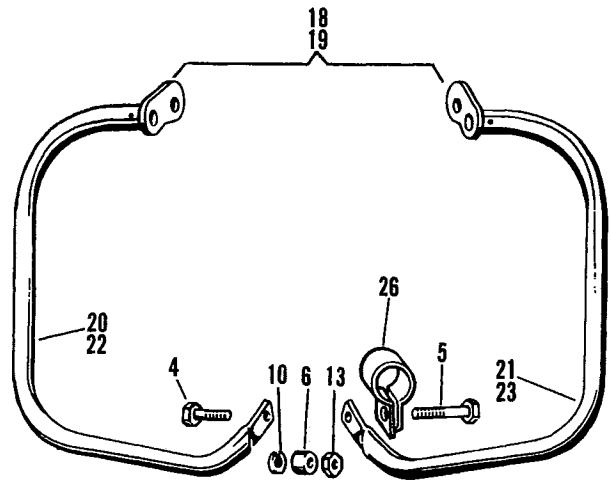
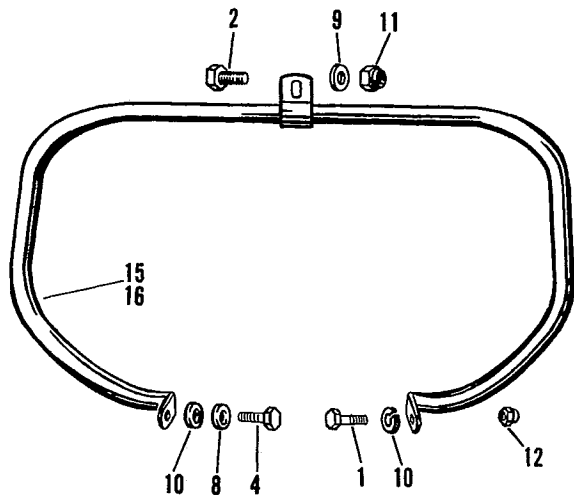
RETAIL PRICE	INDEX NO.	PART NO.	NAME	USED ON
	32	45828-77A	FORK SLIDER, right — with bushings (polished)	Late 77 to * — FL, FLH, FLH-80, Classic
	33	45829-77	FORK SLIDER, left — with bushings (polished)	Late 77 to * — FL, FLH, FLH-80, Classic
	34	45831-77	DAMPER TUBE (2)	Late 77 to * — FL, FLH, FLH-80, Classic
	35	45832-77A	AXLE CAP, right slider	Late 77 to * — FL, FLH, FLH-80, Classic
	36	45834-77	LOWER STOP (2)	Late 77 to * — FL, FLH, FLH-80, Classic
	37	45837-77	SPRING (2)	Late 77 to * — FL, FLH, FLH-80, Classic
	38	45838-77	PLUG, fork tube (non-adjustable) (2)	Late 77 to * — FL, FLH, FLH-80, Classic
	39	45839-77	CAP, upper bracket (2)	Late 77 to * — FL, FLH, FLH-80, Classic
	40	45842-77	RETAINING RING, oil seal (2)	Late 77 to * — FL, FLH, FLH-80, Classic
	41	45843-77	OIL SEAL, slider (2)	Late 77 to * — FL, FLH, FLH-80, Classic
	42	45844-77	WASHER, slider (2)	Late 77 to * — FL, FLH, FLH-80, Classic
	43	45845-77	O-RING, slider tube plug (2)	Late 77 to * — FL, FLH, FLH-80, Classic
	44	45855-77	SPRING, slider tube (2)	Late 77 to * — FL, FLH, FLH-80, Classic
	45	45858-77	DRAIN SCREW, slider (2)	Late 77 to * — FL, FLH, FLH-80, Classic
	46	45859-77	RING, damper tube (4)	Late 77 to * — FL, FLH, FLH-80, Classic
	47	45964-49	COVER, slider (stainless)	Late 77 to * — FL, FLH, FLH-80, Classic
	48	46700-60	STEERING DAMPER, complete	Late 77 to * — FL, FLH, FLH-80, Classic
			Consists of:	
			45718-48 NUT, fork stem	
			46715-48 SPIDER SPRING, steering damper	
			46718-48 PRESSURE DISC, steering damper	
			46720-48 PRESSURE DISC, lower — steering damper	
			46727-48 FRICTION WASHER, damper (2)	
			46730-48 ANCHOR PLATE, damper	
			46731-48 PIN, anchor plate	
			46740-60 ADJUSTING SCREW ASSEMBLY	
			46751-48 SPRING, adjusting screw	
	49	46715-48	SPIDER SPRING, steering damper	Late 77 to * — FL, FLH, FLH-80, Classic
	50	46718-48	PRESSURE DISC, steering damper	Late 77 to * — FL, FLH, FLH-80, Classic
	51	46720-48	PRESSURE DISC, lower, damper	Late 77 to * — FL, FLH, FLH-80, Classic
	52	46727-48	FRICTION WASHER, damper (2)	Late 77 to * — FL, FLH, FLH-80, Classic
	53	46730-48	ANCHOR PLATE, damper	Late 77 to * — FL, FLH, FLH-80, Classic
	54	46731-48	PIN, anchor plate	Late 77 to * — FL, FLH, FLH-80, Classic
	56	46740-60	ADJUSTING SCREW ASSEMBLY	Late 77 to * — FL, FLH, FLH-80, Classic
	57	46741-71	LABEL, steering damper knob	Late 77 to * — FL, FLH, FLH-80, Classic
	58	46743-60	ADJUSTING SCREW, damper	Late 77 to * — FL, FLH, FLH-80, Classic
	59	46746-52	KNOB, damper	Late 77 to * — FL, FLH, FLH-80, Classic
	60	46751-48	SPRING, adjusting screw	Late 77 to * — FL, FLH, FLH-80, Classic
	61	48300-60	HEAD BEARING, cup & cone (2)	Late 77 to * — FL, FLH, FLH-80, Classic
	62	48311-60	ADAPTER CUP, bearing cup (2)	Late 77 to * — FL, FLH, FLH-80, Classic
	63	48315-60	BEARING CUP (2)	Late 77 to * — FL, FLH, FLH-80, Classic
	64	48330-48A	CONE SEAT, upper — with dust shield	Late 77 to 83 — FL, FLH, FLH-80
		48332-48B	CONE SEAT, upper — with dust shield	84 to * — FLH-80
	65	48361-80	DUST SHIELD, head bearing — upper	79 to * — FL, FLH, FLH-80, Classic
	66	48365-48A	DUST SHIELD, head bearing — lower	Late 77 to * — FL, FLH, FLH-80, Classic
	67	56121-73A	FORK BRACKET, upper (non adjustable)	Late 77 to * — FL, FLH, FLH-80, Classic
	68	56129-73A	FORK BRACKET, upper (adjustable)	Late 77 to * — FL, FLH, FLH-80, Classic

FRAME AND REAR FORK

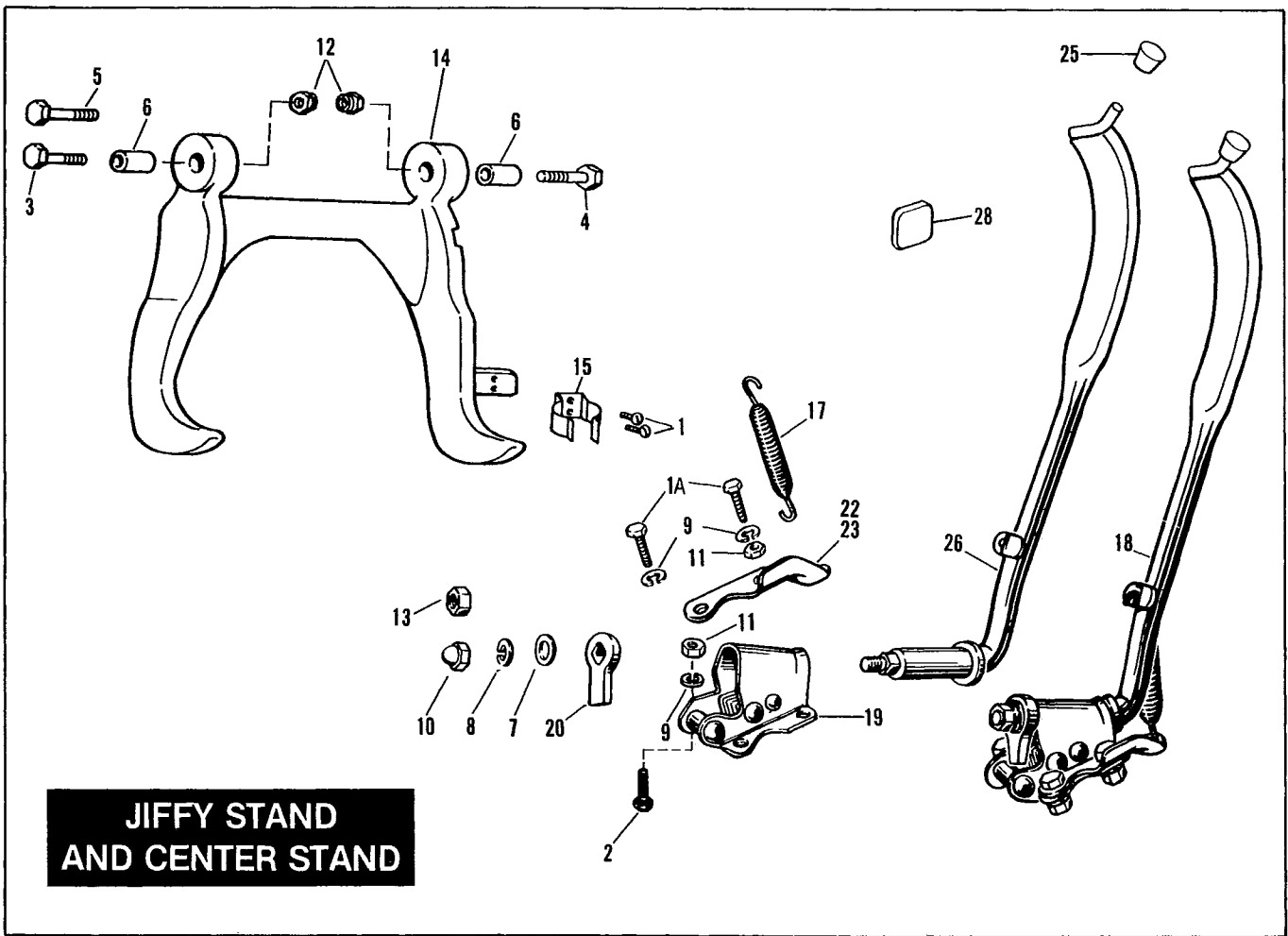


RETAIL PRICE	INDEX NO.	PART NO.	N A M E	USED ON
	1	3974HW	BOLT, 5/16-24 x 3/4 hex. hd. (4; 2 — Late 77 & Later) . .	41 to Early 81 — FL, FLH, FLH-80, Classic
	2	4319	BOLT, 3/8-24 x 1 hex. hd. (4 — Early 77; 2 — Late 77, 79 & Later)	77 to * — FL, FLH, FLH-80, Classic
	3	4336W	BOLT, 3/8-24 x 1-1/8 hex. hd. (2)	41 to Early 77 — FL, FLH,
	4	4337W	BOLT, 3/8-24 x 1-1/4 hex. hd.	Late 82 to * — FLH-80, Classic; 78 — FL, FLH, FLH-80
	5	4362	BOLT, 3/8-24 x 1-3/8 hex. hd. (2) N/A	41 to 84 — FL, FLH, FLH-80, Classic
	5A	4724	BOLT, 3/8-24 x 1-1/2 hex. hd.	Late 82 to * — FLH-80, Classic
	6	6324W	WASHER, 5/16 x 11/16 x 3/32 (2)	73 to Early 84 — FL, FLH, FLH-80, Classic
	7	7038	LOCKWASHER, 1/4 (4 — Early 77; Late 77 to Early 82; 3)	77 to * — FL, FLH, FLH-80, Classic
	8	7041	LOCKWASHER, 5/16 (4; 2 — Late 77 & Later)	41 to Early 81 — FL, FLH, FLH-80, Classic
	9	7130W	LOCKWASHER, 3/8 internal tooth	Late 77 to * — FL, FLH, FLH-80, Classic
	10	7643W	JAMNUT, 3/8-16 x 7/32 x 9/16 hex. (2)	Late 77 to * — FL, FLH, FLH-80, Classic
	11	7725	LOCKNUT, 5/16-24 x 1/4 x 1/2 hex. (2)	73 to Early 84 — FL, FLH, FLH-80, Classic
	12	7753	NUT, 5/16-24 x 17/64 x 1/2 hex. (4; 2 — Late 77 & later)	41 to Early 81 — FL, FLH, FLH-80, Classic
	12A	7767	FLANGE NUT (2)	Late 84 to * — FLH-80
	13	7800W	NUT, 3/8-24 x 5/16 x 9/16 hex. (2 — Early 77 & Earlier) .	Late 82 to * — FLH-80, Classic; 41 to Early 77 — FL, FLH
	14	7813	NUT, 5/16-18 x 9/16 x 15/16 hex.	58 to 72 — FL, FLH
	15	9052	ROLLER BEARING (2)	58 to * — FL, FLH, FLH-80, Classic
	16	9851	GREASE FITTING, rear fork	58 to * — FL, FLH, FLH-80, Classic
	17	24490—36	CRANKCASE GUARD	41 to Early 81 — FL, FLH, FLH-80, Classic
	19	41570—77	ADJUSTER, rear axle (2)	73 to Early 84 — FL, FLH, FLH-80, Classic
	20	41576—36	BOLT, axle adjuster (2)	41 to 72 — FL, FLH
	20A	41583—84	ADJUSTER, rear axle (2)	Late 84 to * — FLH-80
	21	47013—72D	FRAME (fits Police models through 84)	65 to Early 81 — FL, FLH, FLH-80, Classic
		47015—81	FRAME	Late 81 to * — FLH-80, Classic
	22	47094—58	BUSHING, seat post (2)	58 to Early 81 — FL, FLH, FLH-80, Classic
	23	47261—68	GUSSET PLATE, frame (repair part only — welded to left down tube)	58 to Early 68 — FL, FLH
	24	47446—79	REAR FORK	82 — Classic; 83 to * — FLH-80
		47500—73	REAR FORK (used with siren — Late 78 & Later)	73 to * — FL, FLH, FLH-80, Classic
		47500—78	REAR FORK	Late 78 to 82 — FL, FLH, FLH-80; 79 to 81 — Classic
	25	47510—58	PIVOT BOLT, rear fork	58 to * — FL, FLH, FLH-80, Classic
	26	47513—58	LOCKWASHER, pivot bolt	58 to * — FL, FLH, FLH-80, Classic
	27	47517—58	SPACER, pivot bearing (2)	58 to * — FL, FLH, FLH-80, Classic
	28	47519—72	SEAL, pivot bearing (2)	73 to 83 — FL, FLH, FLH-80, Classic
		47519—83A	SEAL, pivot bearing (2)	58 to 72 — FL, FLH; 84 to * — FLH-80
	29	47548—84	END COVER, rear axle (2)	Late 84 to * — FLH-80
		47554—73	END COVER, rear fork (2)	73 to Early 84 — FL, FLH, FLH-80, Classic
	30	47698—65C	TRANSMISSION MOUNTING PLATE	65 to * — FL, FLH, FLH-80, Classic
	31	47730—77	CARRIAGE BOLT, transmission mounting plate (2)	Late 77 to * — FL, FLH, FLH-80, Classic
	32	48311—60	HEADCUP, frame (2)	60 to * — FL, FLH, FLH-80, Classic
	33	62538—82	MOUNTING BRACKET, oil filter	Late 82 to * — FLH-80, Classic
	34	68797—68A	END PLUG, frame (2)	80 to * — FL, FLH, FLH-80, Classic

FRONT AND REAR HIGHWAY BAR

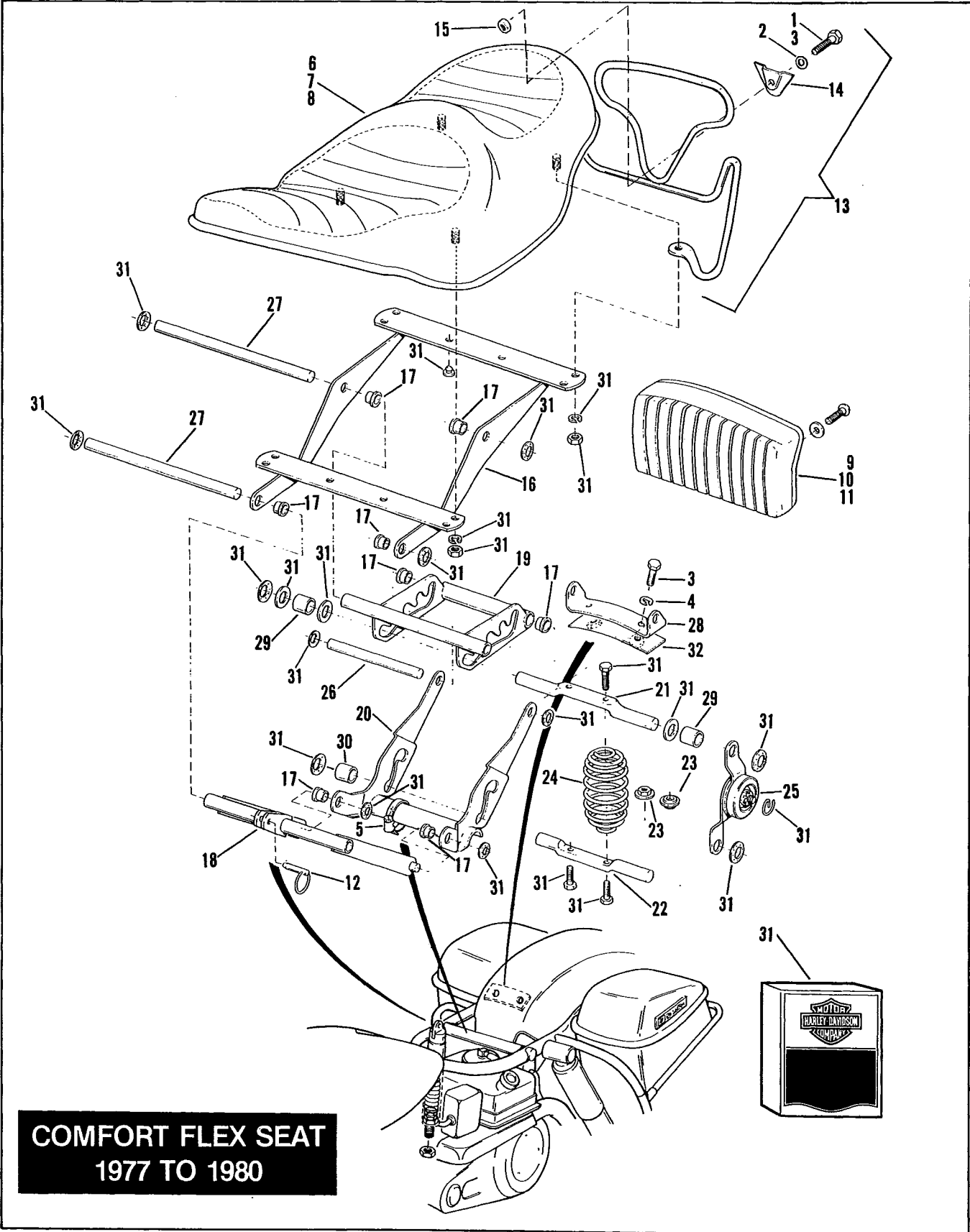


RETAIL PRICE	INDEX NO.	PART NO.	N A M E	USED ON
	1	2851	BOLT, 3/8 x 7/8 hex. hd.	Late 79 to * — FL, FLH, FLH-80, Classic
	2	3996	BOLT, 5/16-24 x 3/4 hex. hd.	58 to * — FL, FLH, FLH-80, Classic
	3	4014W	BOLT, 5/16-24 x 1-1/4 hex. hd.	Late 79 to * — FL, FLH, FLH-80, Classic
	4	4411	BOLT, 3/8-24 x 1-3/4 hex. hd.	58 to * — FL, FLH, FLH-80, Classic
	5	4434W	BOLT, 3/8-24 x 3-1/4 hex. hd.	65 to * — FL, FLH, FLH-80, Classic
	6	5942B	SPACER, right lower mount (single muffler)	65 to * — FL, FLH, FLH-80, Classic
	7	6336B	WASHER, 5/16 x 15/16 x 5/32 (black)	Late 79 to * — FL, FLH, FLH-80, Classic
	8	6448HB	WASHER, 13/32 x 13/16 x 3/32.	Late 79 to * — FL, FLH, FLH-80, Classic
	9	6702	WASHER, 5/16 x 11/16 x 1/16.	58 to * — FL, FLH, FLH-80, Classic
	10	7038	LOCKWASHER, 3/8 (2)	Late 54 to * — FL, FLH, FLH-80, Classic
	11	7725	LOCKNUT, 5/16-24 x 11/32 x 1/2 hex.	58 to * — FL, FLH, FLH-80, Classic
	12	7783	NUT, 3/8-16 x 5/16 x 9/16 hex.	Late 79 to * — FL, FLH, FLH-80, Classic
	13	7800W	NUT, 3/8-24 x 21/64 x 9/16 hex. (2)	58 to * — FL, FLH, FLH-80, Classic
	14	49027—79	REINFORCEMENT, front highway bar - top	Late 79 to * — FL, FLH, FLH-80, Classic
	15	49037—58B	FRONT HIGHWAY BAR KIT (black)	58 to Early 79 — FL, FLH, FLH-80, Classic
	16	49038—58B	FRONT HIGHWAY BAR KIT (chrome)	58 to Early 79 — FL, FLH, FLH-80, Classic
	17	49040—79	FRONT HIGHWAY BAR (chrome)	Late 79 to * — FL, FLH, FLH-80, Classic
	18	49135—67B	REAR HIGHWAY BAR KIT (black) N/A	Late 67 to 78 — FL, FLH, FLH-80
	19	49137—67B	REAR HIGHWAY BAR KIT (chrome)	Late 67 to * — FL, FLH, FLH-80, Classic
	20	49168—67B	REAR HIGHWAY BAR, left (chrome)	Late 67 to * — FL, FLH, FLH-80, Classic
	21	49169—67B	REAR HIGHWAY BAR, right (chrome)	Late 67 to * — FL, FLH, FLH-80, Classic
	22	49170—67B	REAR HIGHWAY BAR, left (black)	Late 67 to 78 — FL, FLH, FLH-80
	23	49171—67B	REAR HIGHWAY BAR, right (black)	Late 67 to 78 — FL, FLH, FLH-80
	24	50658—70A	STUD, left front — footshift (chrome)	Late 79 to * — FL, FLH, FLH-80, Classic
	26	65276—62	MUFFLER CLAMP (2 in. dia.)	Late 67 to * — FL, FLH, FLH-80, Classic



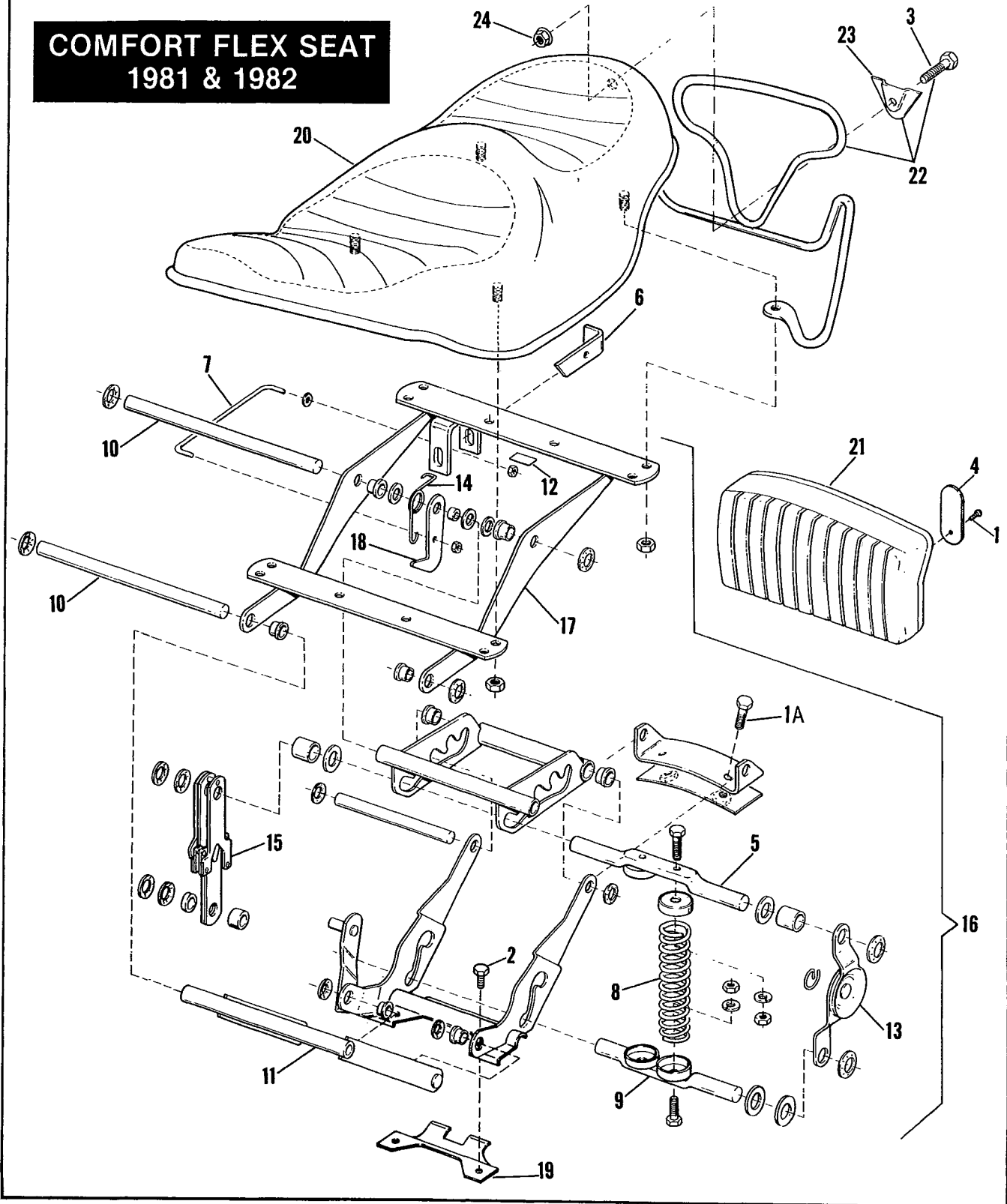
**JIFFY STAND
AND CENTER STAND**

RETAIL PRICE	INDEX NO.	PART NO.	N A M E	USED ON
	1	2634W	SCREW, No. 8-32 x 1/2 rd. hd. (2)	N/A Late 61 to 81 — FL, FLH, FLH-80, Classic
	1A	3960W	BOLT, 5/16-24 x 1 hex. hd. (2)	Late 81 to * — FLH-80, Classic
	2	3996	BOLT, 5/16-24 x 7/8 hex. hd. (4; 2 — Late 81 & Later) . .	41 to * — FL, FLH, FLH-80, Classic
	3	4434W	BOLT, 3/8-24 x 3-1/4 hex. hd. (used with standard exh.)	58 to 78 — FL, FLH, FLH-80
	4	4440W	BOLT, 3/8-24 x 4 hex. hd.	58 to 81 — FL, FLH, FLH-80, Classic
	5	4450W	BOLT, 3/8-24 x 4-1/2 hex. hd. (used with dual exh.) . .	N/A 58 to 81 — FL, FLH, FLH-80, Classic
	6	5905	BUSHING, center stand (2)	N/A Late 61 to 81 — FL, FLH, FLH-80, Classic
	7	6334	WASHER, 7/16 x 15/16 x 1/16	41 to * — FL, FLH, FLH-80, Classic
	8	7039	LOCKWASHER, 7/16	41 to * — FL, FLH, FLH-80, Classic
	9	7041	LOCKWASHER, 5/16 (4)	41 to * — FL, FLH, FLH-80, Classic
	10	7513	ACORN NUT, 7/16-20 x 11/16 x 5/8 hex.	79 to * — FL, FLH, FLH-80, Classic
	11	7753	NUT, 5/16-24 x 1/4 x 1/2 hex. (3)	41 to * — FL, FLH, FLH-80, Classic
	12	7775	LOCKNUT, 3/8-24 x 7/16 x 9/16 hex. (2)	Late 61 to * — FL, FLH, FLH-80, Classic
	13	7837W	NUT, 7/16-20 x 3/8 x 11/16 hex.	41 to 78 — FL, FLH, FLH-80
	14	49400—59A	CENTER STAND ASSEMBLY, with fittings	58 to 81 — FL, FLH, FLH-80, Classic
	15	49404—61	CLIP, center stand	N/A 58 to 81 — FL, FLH, FLH-80, Classic
	17	50011—30A	SPRING, jiffy stand leg	41 to * — FL, FLH, FLH-80, Classic
	18	50013—74A	JIFFY STAND ASSEMBLY (chrome)	58 to * — FL, FLH, FLH-80, Classic
	19	50014—74	LEG BRACKET	58 to * — FL, FLH, FLH-80, Classic
	20	50015—74	LEG STOP	58 to * — FL, FLH, FLH-80, Classic
	22	50028—74A	BRACKET, spring	79 to * — FL, FLH, FLH-80, Classic
	23	50036—36	BRACKET, spring	N/A 41 to 78 — FL, FLH, FLH-80
	25	50052—70	TIP, jiffy stand leg	70 to 78 — FL, FLH, FLH-80
	26	50061—36E	LEG, jiffy stand (chrome)	48 to * — FL, FLH, FLH-80, Classic
	28	50100—70	BUMPER, jiffy stand	70 to * — FL, FLH, FLH-80, Classic

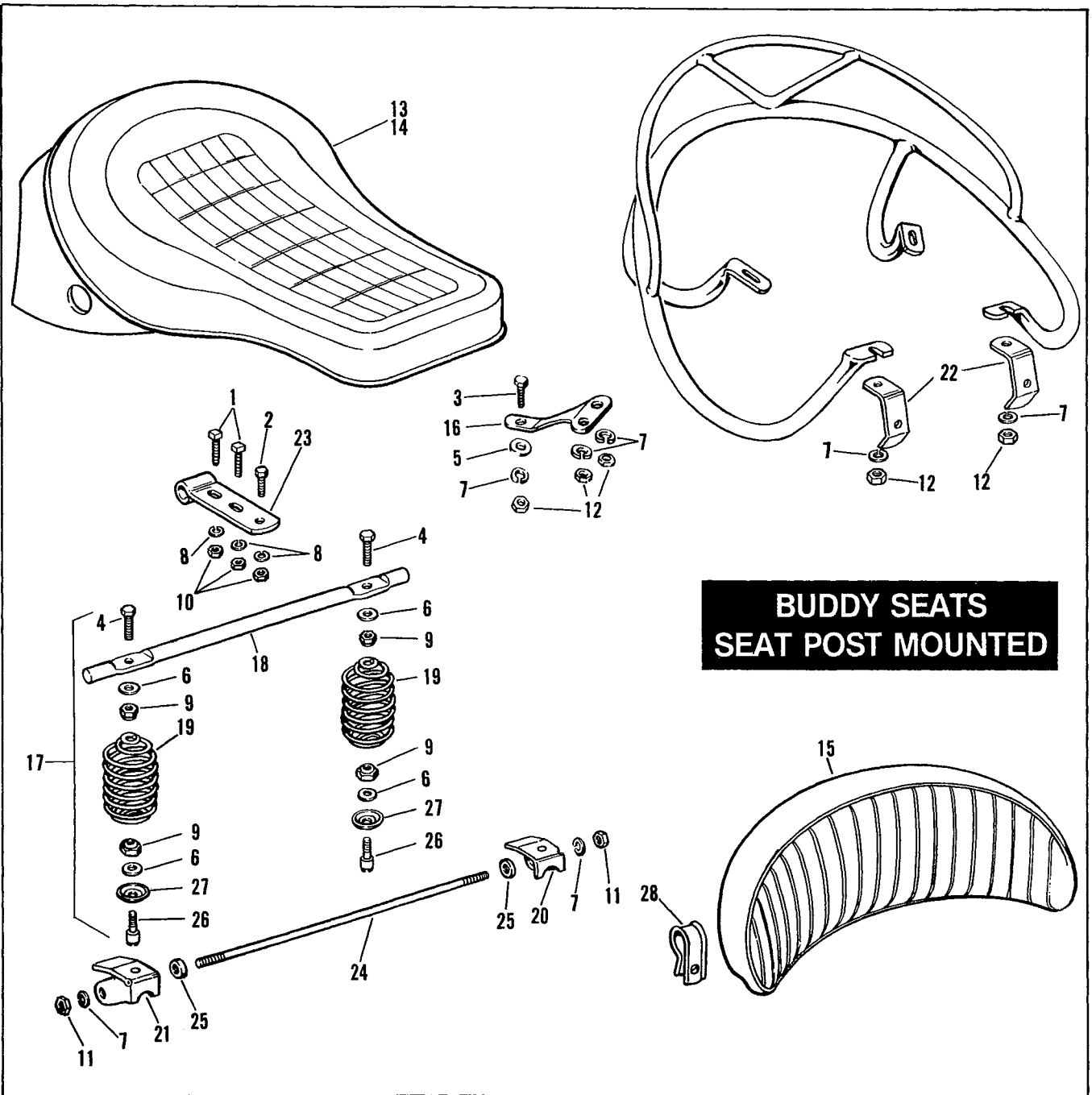


RETAIL PRICE	INDEX NO.	PART NO.	NAME	USED ON
	1	2698	SCREW, 5/16 x 5/8 socket fillister hd. (2)	Late 78 to 80 — FL, FLH, FLH-80, Classic
	2	6702	WASHER, 5/16 x 11/16 x 1/16 (2)	Late 78 to 80 — FL, FLH, FLH-80, Classic
	3	4391	BOLT, 5/16-24 x 5/8 hex. hd. (3)	77 to 80 — FL, FLH, FLH-80, Classic
	4	7041	LOCKWASHER, 5/16 (2)	77 to 80 — FL, FLH, FLH-80, Classic
	5	9955	CLAMP, worm drive (2)	77 to 80 — FL, FLH, FLH-80, Classic
		52510-77	SUSPENSION ASSEMBLY	N/A 77 to 80 — FL, FLH, FLH-80, Classic
	6	52514-77A	SEAT, only (black vinyl)	77 to 80 — FL, FLH, FLH-80, Classic
		52514-78	SEAT, only (black leather)	N/A 78 to 80 — FL, FLH, FLH-80, Classic
	7	52516-77A	SEAT, only (white vinyl)	N/A 77 to 80 — FL, FLH, FLH-80, Classic
		52516-78	SEAT, only (white leather)	N/A 78 to 80 — FL, FLH, FLH-80, Classic
	8	52518-77A	SEAT, only (brown vinyl)	N/A 77 to 80 — FL, FLH, FLH-80, Classic
		52518-78	SEAT, only (brown leather)	N/A 78 to 80 — FL, FLH, FLH-80, Classic
		52533-78	SEAT & SUSPENSION KIT (brown leather)	N/A 78 to 80 — FL, FLH, FLH-80, Classic
		52534-77	SEAT & SUSPENSION KIT (white vinyl)	N/A 77 to 80 — FL, FLH, FLH-80, Classic
		52534-78	SEAT & SUSPENSION KIT (white leather)	N/A 78 to 80 — FL, FLH, FLH-80, Classic
		52536-78	SEAT & SUSPENSION KIT (black leather)	N/A 78 to 80 — FL, FLH, FLH-80, Classic
	9	52567-77	BACKREST ASSEMBLY (black vinyl)	77 to 80 — FL, FLH, FLH-80, Classic
		52568-77	BACKREST ASSEMBLY (black leather)	N/A 77 to 80 — FL, FLH, FLH-80, Classic
	10	52569-77	BACKREST ASSEMBLY (brown vinyl)	N/A 77 to 80 — FL, FLH, FLH-80, Classic
		52580-77	BACKREST ASSEMBLY (brown leather)	N/A 77 to 80 — FL, FLH, FLH-80, Classic
	11	52581-77	BACKREST ASSEMBLY (white vinyl)	77 to 80 — FL, FLH, FLH-80, Classic
	12	52603-77	PIN, seat post	77 to 80 — FL, FLH, FLH-80, Classic
	13	52620-77	HANDRAIL ASSEMBLY	77 to 80 — FL, FLH, FLH-80, Classic
	14	52622-77	SUPPORT PLATE, handrail	77 to 80 — FL, FLH, FLH-80, Classic
	15	52623-77	LOCKNUT, support plate to handrail	77 to 80 — FL, FLH, FLH-80, Classic
	16	52801-77	SUPPORT, seat	77 to 80 — FL, FLH, FLH-80, Classic
	17	52802-77	BUSHING (8)	77 to 80 — FL, FLH, FLH-80, Classic
	18	52803-77	ADJUSTING BRACKET, seat suspension — front	77 to 80 — FL, FLH, FLH-80, Classic
	19	52804-77	ADJUSTING BRACKET, seat suspension — rear	77 to 80 — FL, FLH, FLH-80, Classic
	20	52805-77	SEAT SUSPENSION BASE	77 to 80 — FL, FLH, FLH-80, Classic
	21	52806-77	BRACKET, spring mounting — upper	77 to 80 — FL, FLH, FLH-80, Classic
	22	52807-77	BRACKET, spring mounting — lower	77 to 80 — FL, FLH, FLH-80, Classic
	23	52808-77	RETAINER, spring (4)	77 to 80 — FL, FLH, FLH-80, Classic
	24	52809-77	SPRING, compression (2)	77 to 80 — FL, FLH, FLH-80, Classic
	25	52810-77	DAMPER, spring	77 to 80 — FL, FLH, FLH-80, Classic
	26	52811-77	SHAFT, fender bracket	77 to 80 — FL, FLH, FLH-80, Classic
	27	52812-77	SHAFT, seat support (2)	77 to 80 — FL, FLH, FLH-80, Classic
	28	52813-77	BRACKET, support — fender	77 to 80 — FL, FLH, FLH-80, Classic
	29	52814-77	SPACER, spring upper bracket	77 to 80 — FL, FLH, FLH-80, Classic
	30	52815-77	SPACER, spring lower bracket	77 to 80 — FL, FLH, FLH-80, Classic
	31	52816-77	HARDWARE KIT, seat suspension	77 to 80 — FL, FLH, FLH-80, Classic
	32	59731-77	FENDER REINFORCEMENT, w/weldnuts	N/A 41 to 76 — FL, FLH

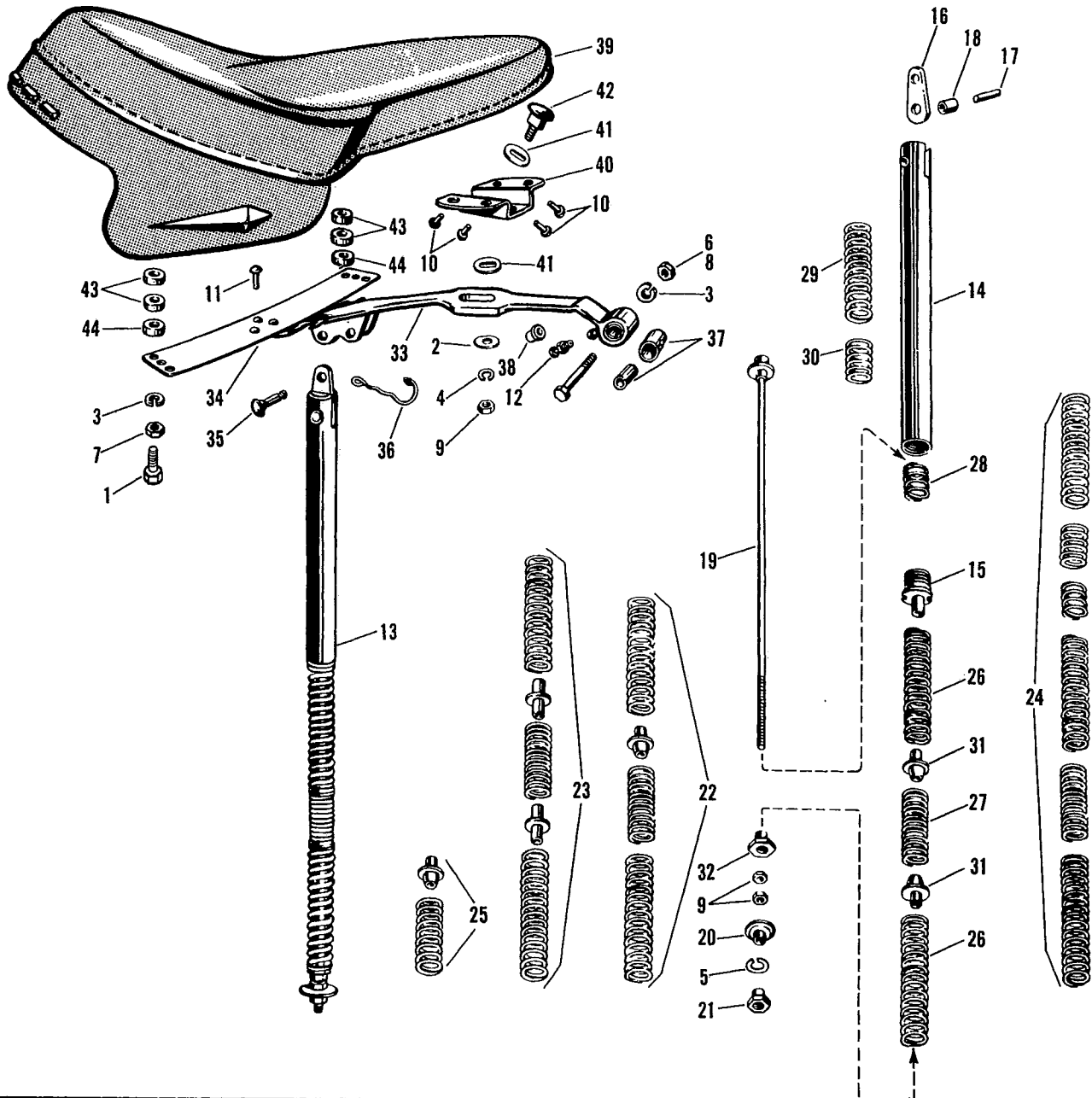
COMFORT FLEX SEAT
1981 & 1982



RETAIL PRICE	INDEX NO.	PART NO.	N A M E	USED ON
	1	2151	SCREW, 1/4-20 x 3/4 Phillips truss hd. (2)	81 & 82 — FLH-80, Classic
	1A	3489	SCREW, 5/16-24 x 5/8 hex. socket button hd. (2)	81 & 82 — FLH-80, Classic
	2	3787	BOLT, 1/4-20 x 3/4 hex. hd. (2)	81 — FLH-80, Classic
		2551W	BOLT, 1/4-20 x 1 hex. hd. (2)	82 — FLH-80, Classic
	3	4391	BOLT, 5/16-24 x 5/8 hex. hd.	81 & 82 — FLH-80, Classic
	4	52114-79	SUPPORT, backrest (2)	81 & 82 — FLH-80, Classic
	5	52147-80	SHAFT ASSEMBLY, upper	81 & 82 — FLH-80, Classic
	6	52148-80	HANDLE	81 & 82 — FLH-80, Classic
	7	52149-80	ROD	81 & 82 — FLH-80, Classic
	8	52150-80	SPRING, compression (2)	81 & 82 — FLH-80, Classic
	9	52153-80	SHAFT ASSEMBLY, lower	81 & 82 — FLH-80, Classic
	10	52154-80	SHAFT (2)	81 & 82 — FLH-80, Classic
	11	52156-80	FRONT LINK	81 & 82 — FLH-80, Classic
	12	52157-80	BUMPER	81 & 82 — FLH-80, Classic
	13	52159-80	DAMPER	81 & 82 — FLH-80, Classic
	14	52162-80	SPRING	81 & 82 — FLH-80, Classic
	15	52163-80	SLIDER ASSEMBLY	81 & 82 — FLH-80, Classic
	16	52418-81	SUSPENSION ASSEMBLY	81 & 82 — FLH-80, Classic
	17	52419-81	SUPPORT, seat	81 & 82 — FLH-80, Classic
	18	52420-81	HOOK	81 & 82 — FLH-80, Classic
	19	52421-81	CLAMP	81 & 82 — FLH-80, Classic
	20	52514-77A	SEAT (black vinyl)	81 & 82 — FLH-80, Classic
		52516-77A	SEAT (white vinyl)	N/A 81 & 82 — FLH-80, Classic
	21	52567-77	BACKREST ASSEMBLY (black vinyl)	81 & 82 — FLH-80, Classic
	22	52620-77	HANDRAIL KIT	81 & 82 — FLH-80, Classic
	23	52622-77	SUPPORT PLATE, handrail	81 & 82 — FLH-80, Classic
	24	52623-77	LOCKNUT, support plate to handrail	81 & 82 — FLH-80, Classic

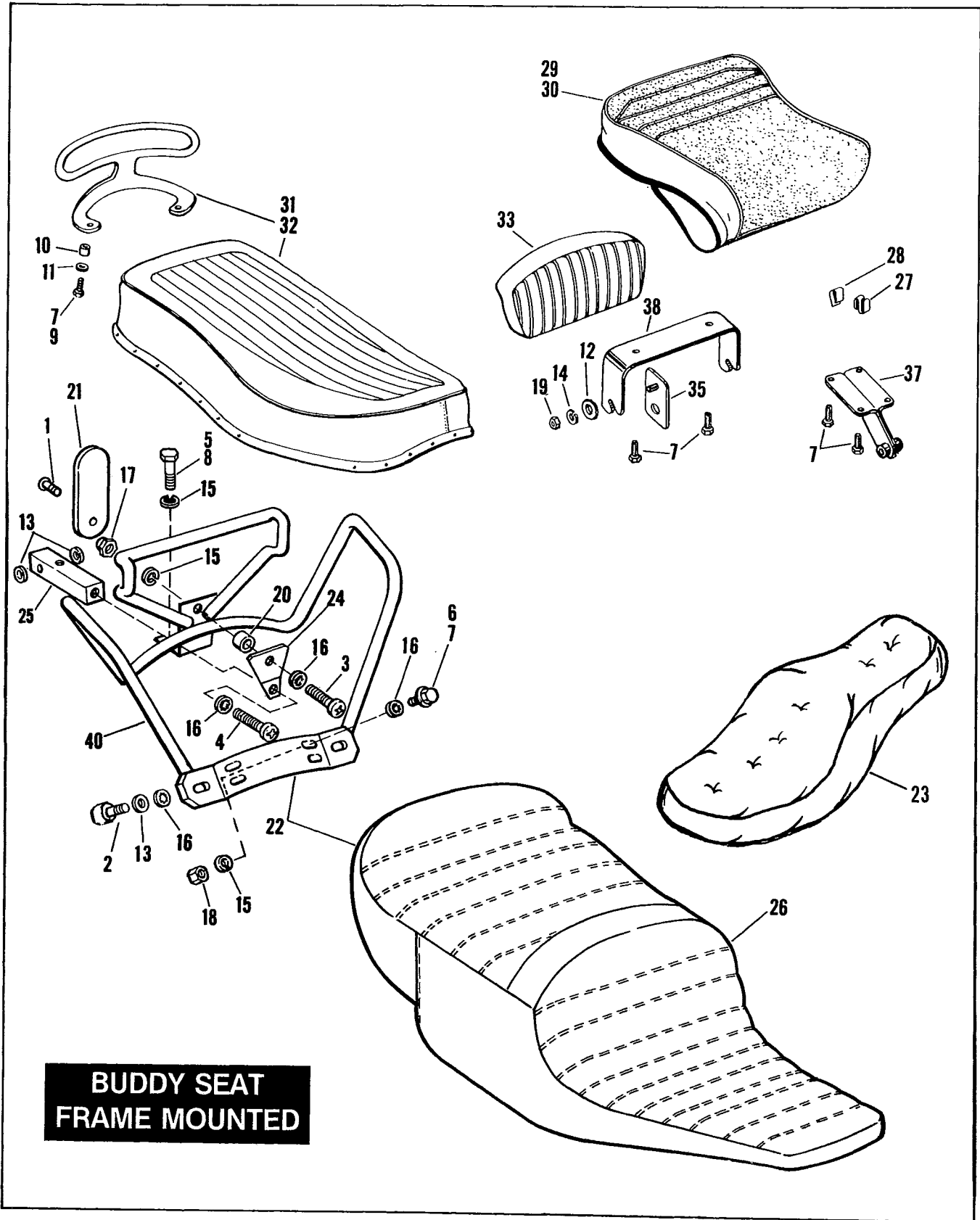


RETAIL PRICE	INDEX NO.	PART NO.	N A M E	USED ON
	1	3951B	BOLT, 5/16-24 x 7/8 sq. hd. (2)	65 to 80 — FL, FLH
	2	3996	BOLT, 5/16-24 x 7/8 hex. hd.	58 to 80 — FL, FLH
	3	4337W	BOLT, 3/8-24 x 1-1/4 hex. hd.	65 to 80 — FL, FLH
	4	4410	BOLT, 1/4-24 x 7/8 hex. hd. (2)	65 to 80 — FL, FLH
	5	6701	WASHER, 3/8 x 13/16 x 1/16	41 to 80 — FL, FLH
	6	6703	WASHER, 1/4 x 5/8 x 1/16 (4)	65 to 80 — FL, FLH
	7	7038	LOCKWASHER, 3/8 (7)	41 to 80 — FL, FLH
	8	7041	LOCKWASHER, 5/16 (3)	41 to 80 — FL, FLH
	9	7682	LOCKNUT, 1/4-28 x 3/16 x 7/16 hex. (4)	65 to 80 — FL, FLH
	10	7753	NUT, 5/16-24 x 1/4 x 1/2 hex. (3)	41 to 80 — FL, FLH
	11	7800W	NUT, 3/8-24 x 21/64 x 9/16 hex. (2)	65 to 80 — FL, FLH
	12	7851W	NUT, 3/8-24 x 7/32 x 9/16 hex. (5)	41 to 80 — FL, FLH
	13	52506—65B	SUPER DELUXE BUDDY SEAT, with handrail (white)	N/A 58 to 80 — FL, FLH
	14	52507—65C	SUPER DELUXE BUDDY SEAT, with handrail (black)	N/A 58 to 80 — FL, FLH
		52510—65A	BUDDY SEAT FITTINGS	N/A 65 to 80 — FL, FLH
	15	52520—64A	BACK REST, buddy seat (white)	N/A 65 to 80 — FL, FLH
		52525—65	SHELL, buddy seat	N/A 65 to 80 — FL, FLH
	16	52551—36A	FRONT BRACKET	41 to 80 — FL, FLH
	17	52560—68	SPRING YOKE ASSEMBLY	68 to 80 — FL, FLH
	18	52566—65	SUPPORT ROD	65 to 80 — FL, FLH
	19	52575—65	AUXILIARY SPRING (2)	65 to 80 — FL, FLH
	20	52583—68	SUPPORT BRACKET, left	68 to 80 — FL, FLH
	21	52584—68	SUPPORT BRACKET, right	68 to 80 — FL, FLH
	22	52586—68	SPRING BRACKET (2)	68 to 80 — FL, FLH
	23	52596—65	BRACKET, spring yoke	65 to 80 — FL, FLH
	24	52602—65	STUD, spring support	65 to 80 — FL, FLH
	25	52605—58	SPACER, support stud (2)	58 to 80 — FL, FLH
	26	52608—68	SHOULDER BOLT	68 to 80 — FL, FLH
	27	52609—65	CUP WASHER, spring mounting (2)	65 to 80 — FL, FLH
	28	52793—64	CLIP FASTENER, back rest (white plastic) (4)	N/A 65 to 80 — FL, FLH



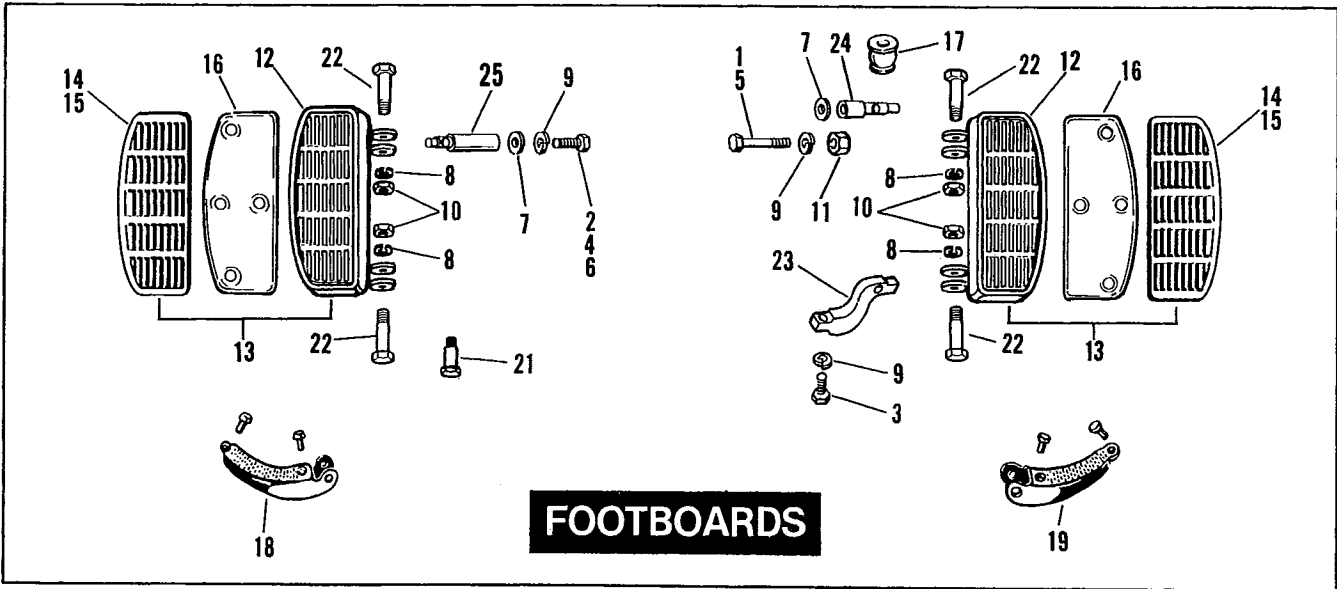
SEAT AND SEAT POST

RETAIL PRICE	INDEX NO.	PART NO.	N A M E	USED ON
	1	4014W	BOLT, 5/16-24 x 1-1/4 hex. hd. (2)	Late 70 to 80 — FL, FLH, FLH-80, Classic
		4380W	BOLT, 3/8-24 x 2 hex. hd.	65 to Early 70 — FL, FLH
		4411	BOLT, 3/8-24 x 1-3/4 hex. hd.	Late 70 to 80 — FL, FLH, FLH-80, Classic
	2	6400HB	WASHER, 3/8 x 13/16 x 7/64	41 to 80 — FL, FLH, FLH-80, Classic
	3	7038	LOCKWASHER, 3/8	41 to 80 — FL, FLH, FLH-80, Classic
	4	7041	LOCKWASHER, 5/16 (3)	48 to 80 — FL, FLH, FLH-80, Classic
	5	7065	LOCKWASHER, 9/16	41 to 80 — FL, FLH, FLH-80, Classic
	6	7744	NUT, 5/16-24 x 3/16 x 1/2 hex.	41 to 64 — FL, FLH
	7	7753	NUT, 5/16-24 x 17/64 x 1/2 hex.	41 to 80 — FL, FLH, FLH-80, Classic
	8	7775	LOCKNUT, 3/8-24 x 7/16 x 9/16 hex.	65 to Early 70 — FL, FLH
		7776W	LOCKNUT, 3/8-24 x 3/4 x 9/16 hex.	Late 70 to 80 — FL, FLH, FLH-80, Classic
	9	7851W	NUT, 3/8-24 x 7/32 x 9/16 hex. (2)	41 to 80 — FL, FLH, FLH-80, Classic
	10	8515	RIVET, 3/16 x 3/8 (4)	41 to 80 — FL, FLH, FLH-80, Classic
	11	8583	RIVET, 1/4 x 3/4 (3)	41 to 80 — FL, FLH, FLH-80, Classic
	12	9851	GREASE FITTING	41 to 66 — FL, FLH, FLH-80, Classic
	13	51610—58	SEAT PLUNGER ASSEMBLY (150 to 220 lbs.)	58 to 80 — FL, FLH, FLH-80, Classic
		51614—58	SEAT PLUNGER ASSEMBLY (over 220 lbs.)	58 to 80 — FL, FLH, FLH-80, Classic
	14	51626—36	PLUNGER, seat post	41 to 80 — FL, FLH, FLH-80, Classic
	15	51634—36	LOCKNUT, plunger	41 to 80 — FL, FLH, FLH-80, Classic
	16	51640—29	PLUNGER LINK	41 to 80 — FL, FLH, FLH-80, Classic
	17	51642—29	RIVET, plunger link	41 to 80 — FL, FLH, FLH-80, Classic
	18	51644—13	BUSHING, plunger link	41 to 80 — FL, FLH, FLH-80, Classic
	19	51661—36	ROD, seat post	41 to 80 — FL, FLH, FLH-80, Classic
	20	51672—25	NUT, seat post rod	41 to 80 — FL, FLH, FLH-80, Classic
	21	51674—25	LOCKNUT, seat post rod	41 to 80 — FL, FLH, FLH-80, Classic
	22	51770—29	SET OF SEAT POST SPRINGS — std.	N/A 41 to 80 — FL, FLH, FLH-80, Classic
	23	51771—29	SET OF SEAT POST SPRINGS, heavy	41 to 80 — FL, FLH, FLH-80, Classic
	24	51772—31	SET OF SEAT POST SPRINGS, complete	N/A 41 to 80 — FL, FLH, FLH-80, Classic
	25	51773—31	CUSHION SPRING, with collar	41 to 80 — FL, FLH, FLH-80, Classic
	26	51774—31	CUSHION SPRING (2)	41 to 80 — FL, FLH, FLH-80, Classic
	27	51775—31	CUSHION SPRING, short	41 to 80 — FL, FLH, FLH-80, Classic
	28	51777—30	RECOIL SPRING	N/A 41 to 80 — FL, FLH, FLH-80, Classic
	29	51778—30	AUXILIARY SPRING — 3 in. (2)	41 to 80 — FL, FLH, FLH-80, Classic
	30	51780—30	AUXILIARY SPRING — 2-1/2 in.	41 to 80 — FL, FLH, FLH-80, Classic
		51790—29	COLLAR, cushion spring (2) (over 220 lbs.)	41 to 80 — FL, FLH, FLH-80, Classic
	31	51791—31	SPACER, seat post spring (2)	41 to 80 — FL, FLH, FLH-80, Classic
	32	51795—29	ADJUSTING NUT, seat post spring	41 to 80 — FL, FLH, FLH-80, Classic
	33	51900—30	SEAT BAR	41 to 80 — FL, FLH, FLH-80, Classic
	34	51911—29	CROSS-BAR	41 to 80 — FL, FLH, FLH-80, Classic
	35	51918—29	PIN, seat bar clamp	41 to 80 — FL, FLH, FLH-80, Classic
	36	51920—29	SPRING, clamp pin	41 to 80 — FL, FLH, FLH-80, Classic
	37	51925—37	BUSHING SET, seat bar	N/A 41 to 64 — FL, FLH
		51925—65	BUSHING SET, seat bar	65 to 80 — FL, FLH, FLH-80, Classic
	38	51988—66	PLASTIC PLUG, seat bar grease fitting hole	41 to 80 — FL, FLH, FLH-80, Classic
	39	52004—25	SEAT, standard	41 to 79 — FL, FLH, FLH-80, Classic
		52006—47B	SEAT, deluxe (black leather)	41 to 80 — FL, FLH, FLH-80, Classic
	40	52090—25	CLAMP PLATE, seat bar	41 to 80 — FL, FLH, FLH-80, Classic
	41	52096—34	WASHER, front bolt (2)	41 to 80 — FL, FLH, FLH-80, Classic
	42	52098—34	BOLT, front	41 to 80 — FL, FLH, FLH-80, Classic
	43	52103—31	SPACER, rear stud — upper (4)	41 to 80 — FL, FLH, FLH-80, Classic
	44	52104—38	SPACER, rear stud — lower (2)	41 to 80 — FL, FLH, FLH-80, Classic



**BUDDY SEAT
FRAME MOUNTED**

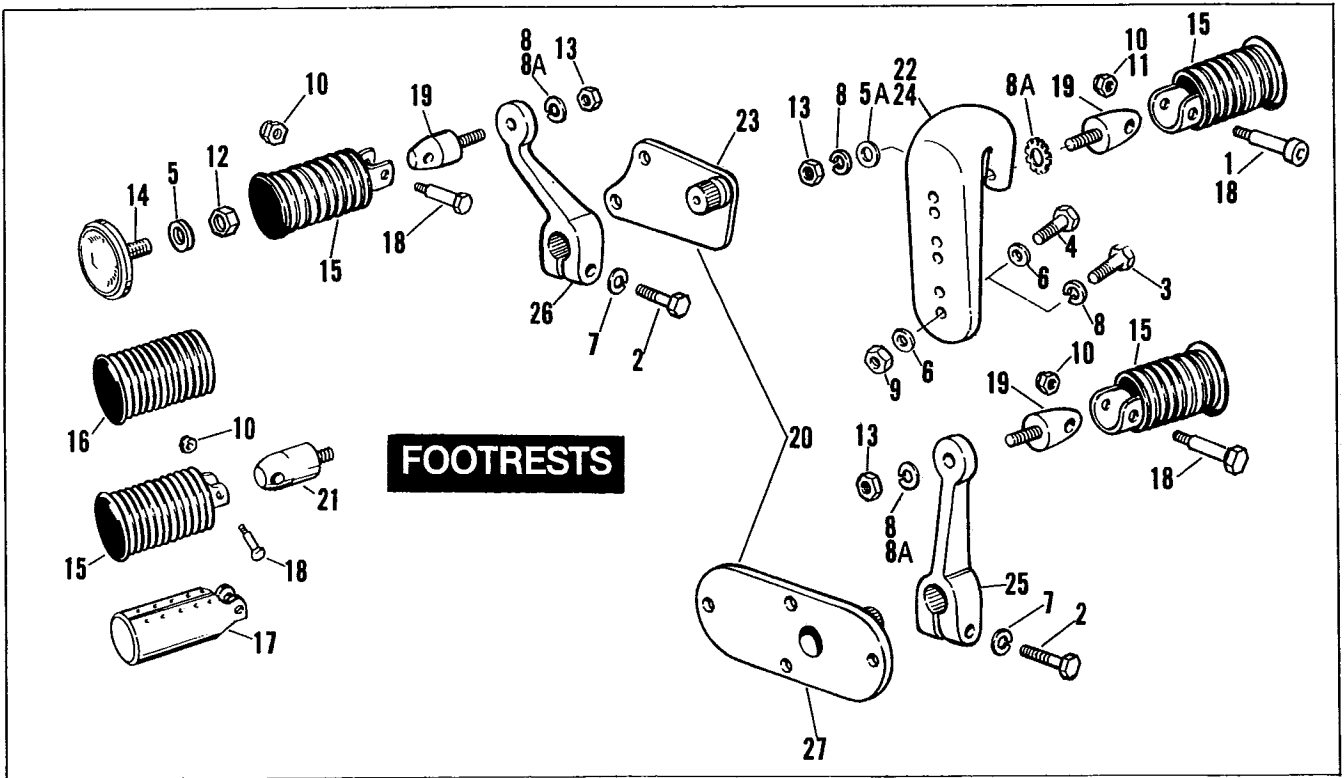
RETAIL PRICE	INDEX NO.	PART NO.	N A M E	USED ON
NOTE: REFER TO DEALER ACCESSORY GUIDE FOR ADDITIONAL FRAME MOUNTED SEATS AND BACKREST KITS.				
	1	2151	SCREW, 1/4-20 x 3/4 Phillips truss hd. (2)	79 to * — FL, FLH, FLH-80, Classic
	2	2698	SCREW, 5/16 x 5/8 socket fil. hd. (2)	79 to * — FL, FLH, FLH-80, Classic
	3	2741	SCREW, 5/16-24 x 1-1/4 Poz. pan hd.	Late 79 to * — FL, FLH, FLH-80, Classic
	4	2784	SCREW, 5/16-18 x 7/8 Poz. truss hd.	Late 79 to * — FL, FLH, FLH-80, Classic
	5	3442	BOLT, 5/16-24 x 5/8 hex. hd.	Early 79 — FL, FLH, FLH-80, Classic
	6	3487	BOLT, 5/16-24 x 5/8 hex. locking hd. (2)	Late 80 to * — FL, FLH, FLH-80, Classic
	7	3974HW	BOLT, 5/16-24 x 3/4 hex. hd. (6; 2-79 & later)	58 to 64 — FL, FLH; 79 to * — FL, FLH, FLH-80, Classic
	8	3991	BOLT, 5/16-18 x 7/8 hex. hd.	Late 79 to * — FL, FLH, FLH-80, Classic
	9	4730	BOLT, 5/16-24 x 1-3/4 hex. hd. (2)	66 to 78 — FL, FLH, FLH-80
	10	5940	SPACER (2)	66 to 78 — FL, FLH, FLH-80
	11	6341B	WASHER, 5/16 x 1-1/8 x 1/16 (2)	66 to 78 — FL, FLH, FLH-80
	12	6701	WASHER, 3/8 x 13/16 x 1/16 (2)	58 to 78 — FL, FLH, FLH-80
	13	6702	WASHER, 5/16 x 11/16 x 1/16 (4)	79 to * — FL, FLH, FLH-80, Classic
	14	7038	LOCKWASHER, 3/8 (2)	58 to 78 — FL, FLH, FLH-80
	15	7041	LOCKWASHER, 5/16 (4)	79 to * — FL, FLH, FLH-80, Classic
	16	7127	LOCKWASHER, 5/16 int. tooth (4)	Late 79 to * — FL, FLH, FLH-80, Classic
	17	7736	ACORN NUT, 5/16-24 x 19/32 x 9/16 hex.	Late 79 to * — FL, FLH, FLH-80, Classic
	18	7753	NUT, 5/16-24 x 1/4 x 1/2 hex. (2)	Late 80 to * — FL, FLH, FLH-80, Classic
	19	7800W	NUT, 3/8-24 x 21/64 x 9/16 hex. (2)	58 to 78 — FL, FLH, FLH-80
	20	42520—80	SPACER, handrail & backrest bracket	Late 79 to * — FL, FLH, FLH-80, Classic
	21	52115—85	SUPPORT, backrest (2)	79 to * — FL, FLH, FLH-80, Classic
	22	52120—79	SEAT AND HANDRAIL, frame mounted (black vinyl)	79 to * — FL, FLH, FLH-80, Classic
	23	52169—81	RAINCOVER, cloth seat	80 — FL, FLH, FLH-80, Classic
		52171—81	RAINCOVER, cloth seat	81 to 84 — FLH-80, Classic
	24	52185—79	BRACKET, handrail & backrest	Late 79 to * — FL, FLH, FLH-80, Classic
	25	52186—79	SUPPORT BLOCK, handrail & backrest	Late 79 to * — FL, FLH, FLH-80, Classic
	26	52411—79A	SEAT, frame mounted (black vinyl)	79 to * — FL, FLH, FLH-80, Classic
	27	52465—65	SIDE CLIP, seat cover (13)	N/A 65 to 78 — FL, FLH, FLH-80
	28	52466—65	JOINT CLIP, seat cover	N/A 65 to 78 — FL, FLH, FLH-80
	29	52467—65A	SEAT COVER REPLACEMENT KIT (black)	N/A 65 to 78 — FL, FLH, FLH-80
	30	52469—65A	SEAT COVER REPLACEMENT KIT (white)	N/A 65 to 78 — FL, FLH, FLH-80
	31	52486—60D	BUDDY SEAT AND HANDRAIL (black)	58 to 78 — FL, FLH, FLH-80
	32	52490—60C	BUDDY SEAT AND HANDRAIL (white)	58 to 78 — FL, FLH, FLH-80
		52511—65	BUDDY SEAT FITTINGS	N/A 65 to 78 — FL, FLH, FLH-80
		52524—59	SHELL, buddy seat (Universal Style)	N/A 60 to 78 — FL, FLH, FLH-80
	33	52526—66	BACKREST, frame mounted buddy seat	N/A 66 to 78 — FL, FLH, FLH-80
	35	52541—59	PLATE, rear bracket (2)	N/A 58 to 78 — FL, FLH, FLH-80
	37	52550—65	FRONT BRACKET	N/A 65 to 78 — FL, FLH, FLH-80
	38	52554—59	REAR BRACKET	N/A 58 to 78 — FL, FLH, FLH-80
	40	91582—79	HANDRAIL, with hardware	79 to * — FL, FLH, FLH-80, Classic



FOOTBOARDS

A48

RETAIL PRICE	INDEX NO.	PART NO.	NAME	USED ON
	1	2851	BOLT, 3/8-24 x 1-3/4 hex. hd.	Late 79 to * — FL, FLH, FLH-80, Classic
	2	4319	BOLT, 3/8-24 x 1 hex. hd. (front left — footshift) (right rear — handshift)	70 to 79 — FL, FLH, FLH-80, Classic
	3	4337W	BOLT, 3/8-24 x 1-1/4 hex. hd.	70 to * — FL, FLH, FLH-80, Classic
	4	4370HB	BOLT, 3/8-24 x 1-9/16 hex. hd. (handshift only)	70 to 78 — FL, FLH, FLH-80
	5	4401W	BOLT, 3/8-24 x 2-3/4 hex. hd.	70 to Early 79 — FL, FLH, FLH-80, Classic
	6	4411	BOLT, 3/8-24 x 1-3/4 hex. hd. (front left — footshift) ...	79 to * — FL, FLH, FLH-80, Classic
	7	6448HB	WASHER, 13/32 x 13/16 x 3/32 (2; 1-79 & later)	41 to Early 62 — FL, FLH 79 to * — FL, FLH, FLH-80, Classic
	8	7036	LOCKWASHER, 1/4 (4)	41 to Early 82 — FL, FLH, FLH-80, Classic
	9	7038	LOCKWASHER, 3/8 (5; 3-78 & later)	41 to * — FL, FLH, FLH-80, Classic
	10	7691W	NUT, 1/4-24 x 5/32 x 7/16 hex. (4)	41 to Early 82 — FL, FLH, FLH-80, Classic
		7742	LOCKNUT, 1/4-20 x 7/32 x 7/16 hex. (4)	Late 82 to * — FLH-80, Classic
		7783	NUT, 3/8-16 x 5/16 x 9/16 hex.	Late 79 to * — FL, FLH, FLH-80, Classic
	12	50603-66	FOOTBOARD	66 to 74 — FL, FLH
	13	50603-74A	FOOTBOARD, includes index nos. 14, 16 & 17	66 to * — FL, FLH, FLH-80, Classic
	14	50614-66	PAD, footboard	66 to * — FL, FLH, FLH-80, Classic
	15	50616-66	PAIR OF PADS, footboards (white)	66 to * — FL, FLH, FLH-80, Classic
	16	50619-74A	UPPER PLATE, only — rubber mounted footboard (2)	66 to * — FL, FLH, FLH-80, Classic
	17	50620-74	RUBBER MOUNT, footboard (8)	66 to * — FL, FLH, FLH-80, Classic
	18	50622-40	HINGE, footboard — right front & left rear (2)	N/A 41 to 73 — FL, FLH
	19	50623-40	HINGE, footboard — left front & right rear (2)	N/A 41 to 73 — FL, FLH
	21	50635-14A	BOLT, hinge (4)	41 to Early 82 — FL, FLH, FLH-80, Classic
	22	50635-82	BOLT, hinge (4)	Late 82 to * — FLH-80, Classic
	23	50655-70	STUD, right rear	70 to * — FL, FLH, FLH-80, Classic
	24	50657-70A	STUD, right front (chrome)	70 to Early 79 — FL, FLH, FLH-80, Classic
	25	50658-70A	STUD, left front — footshift only (chrome)	70 to * — FL, FLH, FLH-80, Classic
		50659-70	STUD, left front (handshift only)	70 to 78 — FL, FLH, FLH-80



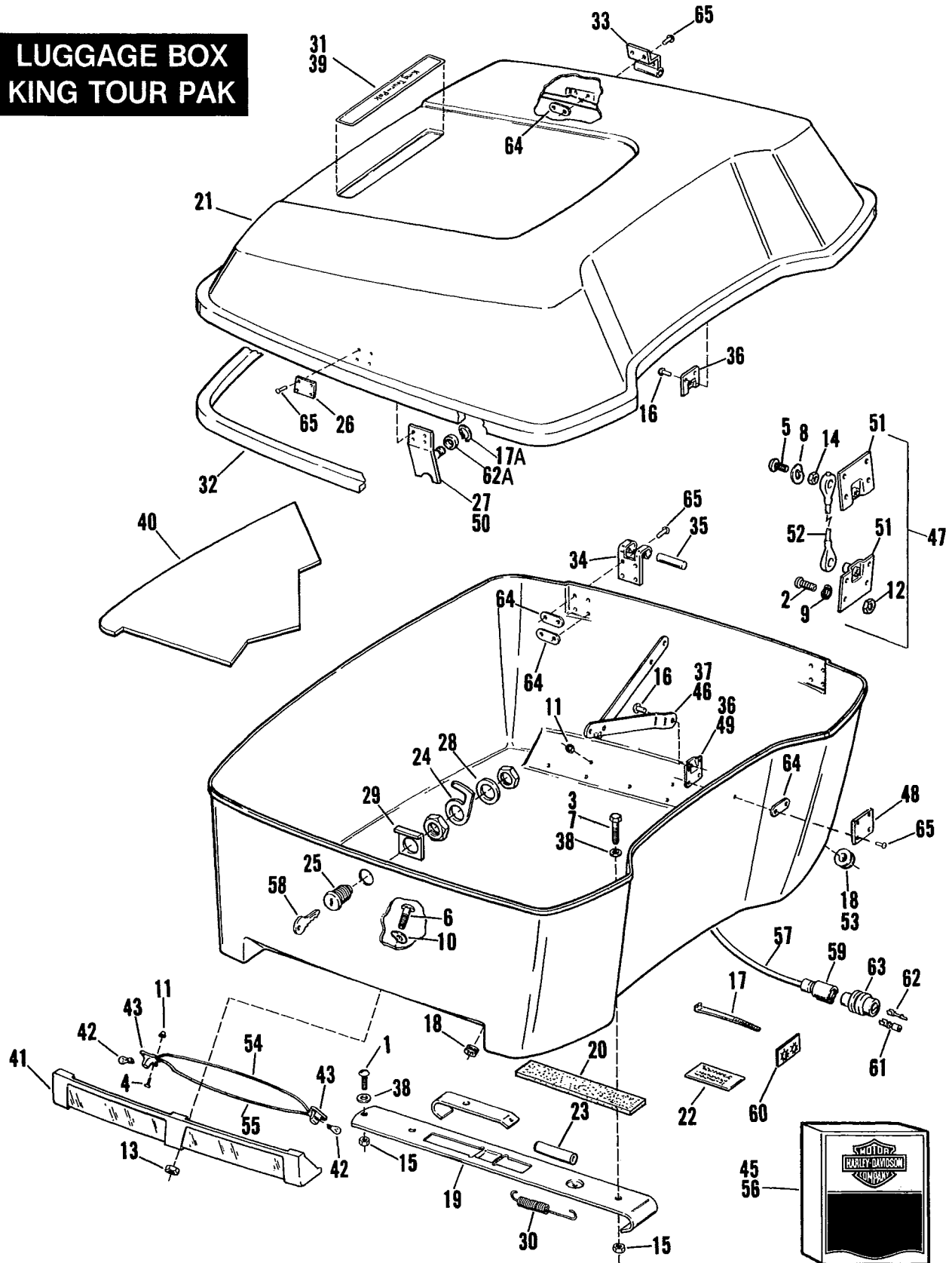
FOOTRESTS

A49

RETAIL PRICE	INDEX NO.	PART NO.	NAME	USED ON
	1	2608	SCREW, 5/16-18 x 1-1/2 socket hd. — shouldered (2) ..	Late 81 to * — FLH-80, Classic
	2	3825	BOLT, 1/4-28 x 1 hex. hd. (2) ..	65 to 77 — FL, FLH, FLH-80, Classic
	3	4716W	BOLT, 3/8-16 x 1-1/4 hex. hd. (4) ..	81 to * — FLH-80, Classic
	4	4720W	BOLT, 3/8-16 x 1-3/4 hex. hd. (4) ..	78 to 80 — FL, FLH, FLH-80, Classic
	5	6235	WASHER, 1/4 x 3/4 x 1/16 (2) ..	41 to * — FL, FLH, FLH-80, Classic
	5A	6379W	WASHER, 3/8 x 5/8 x 3/64 (2) ..	84 to * — FLH-80
	6	6701	WASHER, 3/8 x 13/16 x 1/16 (6; 2 - 81 & later) ..	78 to * — FL, FLH, FLH-80, Classic
	7	7036	LOCKWASHER, 1/4 (2) ..	41 to 77 — FL, FLH, FLH-80, Classic
	8	7038	LOCKWASHER, 3/8 (2; 6 - 81 to 83: 4 - 84) ..	65 to * — FL, FLH, FLH-80, Classic
	8A	7145W	LOCKWASHER, 3/8 (2) ..	84 to * — FLH-80
	9	7633	LOCKNUT, 3/8-16 x 5/16 x 9/16 hex. (4) ..	78 to 80 — FL, FLH, FLH-80, Classic
	10	7725	LOCKNUT, 5/16-24 x 11/32 x 1/2 hex. (2) ..	41 to Early 81 — FL, FLH, FLH-80, Classic
	11	7739	LOCKNUT, 5/16-18 x 11/32 x 1/2 hex. (2) ..	Late 81 to * — FLH-80, Classic
	12	7742	LOCKNUT, 1/4-20 x 7/32 x 7/16 hex. (2) ..	41 to * — FL, FLH, FLH-80, Classic
	13	7776W	LOCKNUT, 3/8-24 x 9/32 x 9/16 hex. (2) ..	84 to * — FLH-80
		7800W	NUT, 3/8-24 x 5/16 x 9/16 hex. (2) ..	65 to 83 — FL, FLH, FLH-80, Classic
	14	50880-69	FOOTPEG COVER KIT, chrome ..	41 to * — FL, FLH, FLH-80, Classic
	15	50939-52	FOOTREST (2) ..	41 to * — FL, FLH, FLH-80, Classic
	16	50940-52	RUBBER, footrest (2) ..	41 to * — FL, FLH, FLH-80, Classic
	17	50946-52	FOOTREST, only (2) ..	41 to * — FL, FLH, FLH-80, Classic
	18	50970-52	BOLT, footrest (2) ..	41 to Early 81 — FL, FLH, FLH-80, Classic
	19	50973-65	STUD, footrest (2) ..	65 to * — FL, FLH, FLH-80, Classic
	20	52650-65	SET OF FOOTRESTS AND FITTINGS ..	65 to 77 — FL, FLH
	21	52683-74	STUD, footrest ..	41 to 64 — FL, FLH
	22	52686-77A	FOOTREST BRACKET, right — adjustable ..	77 to * — FL, FLH, FLH-80, Classic
	23	52688-65	FOOTREST BRACKET, right ..	65 to 77 — FL, FLH
	24	52690-77A	FOOTREST BRACKET, left — adjustable ..	77 to * — FL, FLH, FLH-80, Classic
	25	52698-65	FOOTREST SUPPORT, left ..	65 to 77 — FL, FLH
	26	52700-65	FOOTREST SUPPORT, right ..	65 to 77 — FL, FLH
	27	60574-65	FOOTREST BRACKET, left (on chain cover) ..	65 to 77 — FL, FLH

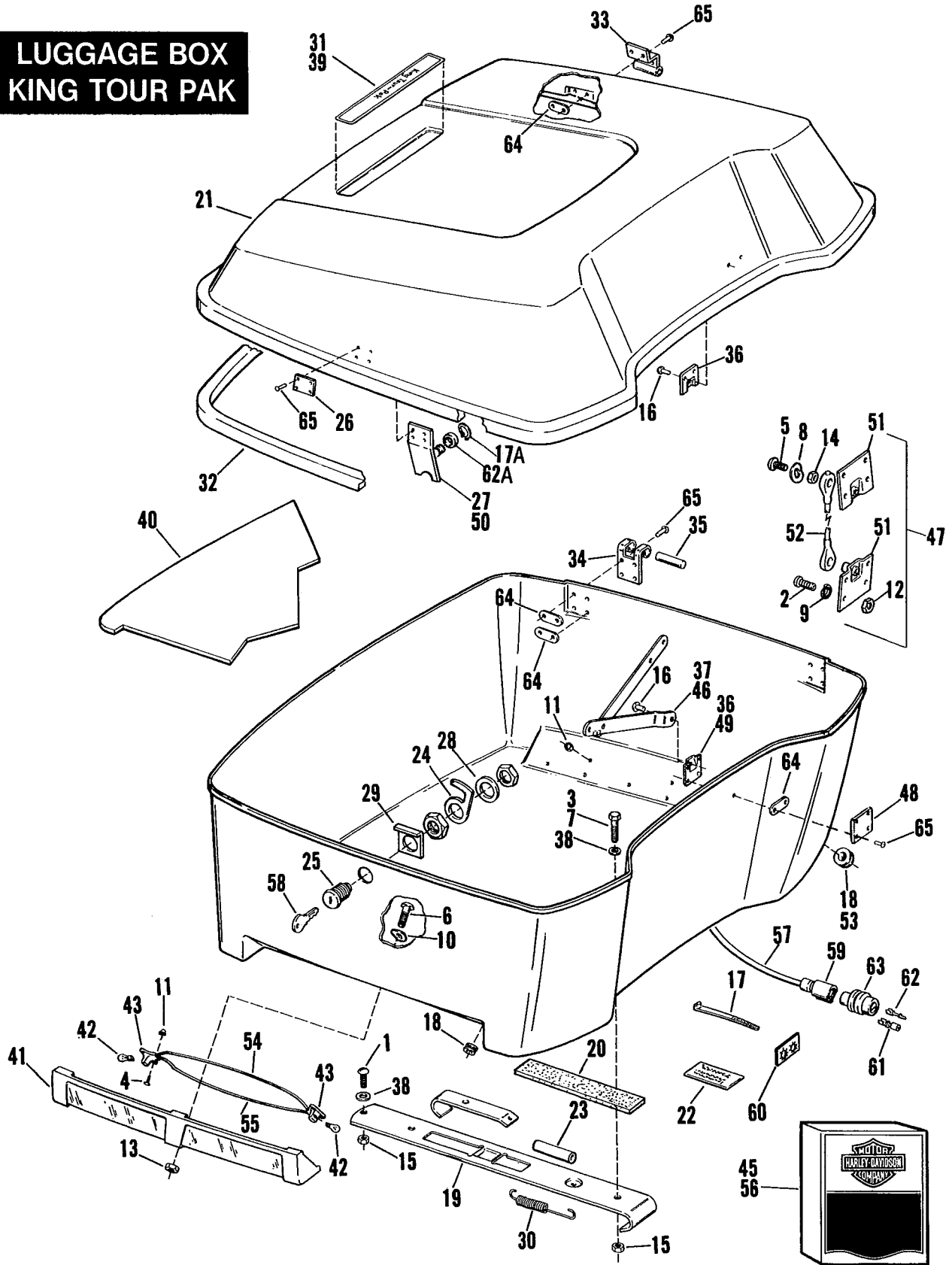
NOTE: REFER TO DEALER ACCESSORY GUIDE FOR HIGHWAY FOOTREST KITS.

LUGGAGE BOX KING TOUR PAK

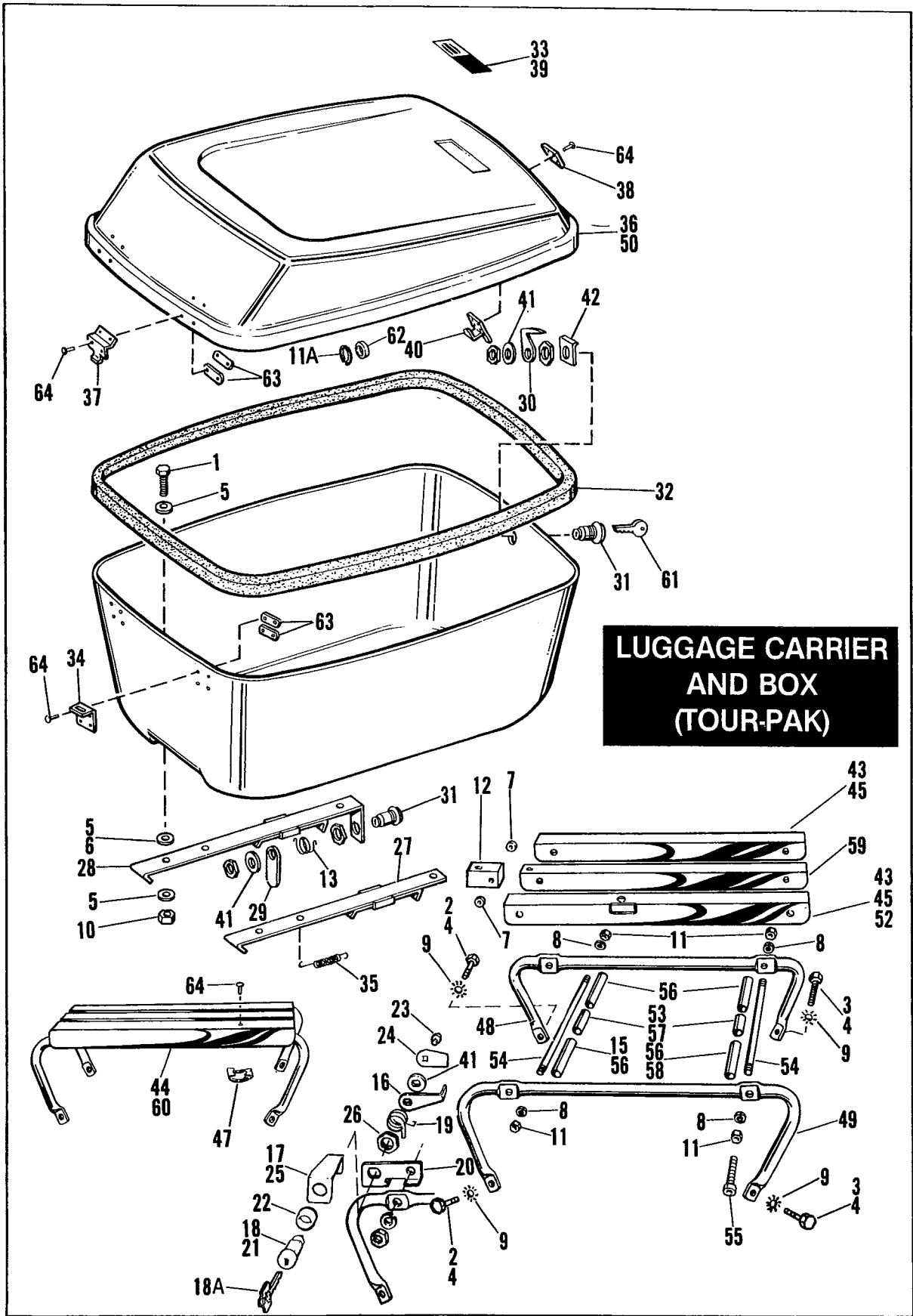


RETAIL PRICE	INDEX NO.	PART NO.	N A M E	USED ON
			NOTE: REFER TO DEALER ACCESSORY GUIDE FOR ADDITIONAL PAINTED PARTS.	
			NOTE: See next group for luggage carrier parts.	
	1	2538	SCREW, 1/4-20 x 1 Pozidriv pan hd. (4)	80 to 82 — FL, FLH, FLH-80, Classic
		2774	SCREW, 1/4-20 x 5/8 Pozidriv pan hd. (4)	49 to 79 — FL, FLH, FLH-80, Classic
	2	2539	SCREW, No. 6-32 x 1/2 Pozidriv pan hd. (8)	82 — FLH-80, Classic
	3	2551W	BOLT, 1/4-20 x 1 hex. hd. (2)	80 to 82 — FL, FLH, FLH-80, Classic
	4	2589	SCREW, No. 6-32 x 1/4 Pozidriv pan hd. (8)	49 to 82 — FL, FLH, FLH-80, Classic
	5	2831	SCREW, No. 6-32 x 3/8 Pozidriv truss hd. (2)	82 — FLH-80, Classic
	6	2888	SCREW, No. 8-32 x 1/2 Pozidriv truss hd. (6)	49 to 82 — FL, FLH, FLH-80, Classic
	7	3767B	BOLT, 1/4-20 x 5/8 hex. hd. (2)	49 to 79 — FL, FLH, FLH-80, Classic
	8	6970	WASHER, 1/4 x 1/2 x 0.006 (2)	82 — FLH-80, Classic
	9	7112	LOCKWASHER, No. 6 internal tooth	82 — FLH-80, Classic
	10	7115	LOCKWASHER, No. 8 internal tooth (6)	49 to 82 — FL, FLH, FLH-80, Classic
	11	7520	ACORN NUT, No. 6-32 x 7/32 x 1/4 hex. (nylon) (8)	49 to 82 — FL, FLH, FLH-80, Classic
	12	7590	NUT, No. 6-32 x 1/8 x 5/16 hex.	82 — FLH-80, Classic
	13	7608	NUT, No. 8-32 x 1/8 x 11/32 hex. (6)	49 to 79 — FL, FLH, FLH-80, Classic
		7626W	LOCKNUT, No. 10-32 x 3/16 x 3/8 hex. (6)	80 to 82 — FL, FLH, FLH-80, Classic
	14	7609W	LOCKNUT, No. 8-32 x 3/16 x 3/8 hex.	82 — Classic
	15	7742	LOCKNUT, 1/4-20 x 7/32 x 7/16 hex. (6)	49 to 82 — FL, FLH, FLH-80, Classic
	16	8420	RIVET (4; 2 — 82 & Later)	49 to 82 — FL, FLH, FLH-80; 79 to 81 — Classic
		8692	POP RIVET (2)	82 — Classic
	17	10006	CABLE STRAP (2)	49 to 82 — FL, FLH, FLH-80, Classic
		10007	CABLE STRAP (3)	49 to 79 — FL, FLH, FLH-80, Classic
	17A	11016	RETAINING RING	80 to 82 — FL, FLH, FLH-80, Classic
	18	11410	GROMMET, side light wiring (2)	49 to 82 — FL, FLH, FLH-80, Classic
	19	53161—80A	BOX BRACKET, lower (2)	49 to 82 — FL, FLH, FLH-80, Classic
	20	53162—80	FOAM TAPE (3)	80 to 82 — FL, FLH, FLH-80, Classic
	21	53275—80A	COVER, tour-pak (vivid black)	80 to 82 — FL, FLH, FLH-80
		53282—80	COVER, tour pak	80 & 81 — Classic
	22	53293—79	WARNING LABEL, tour-pak	49 to 82 — FL, FLH, FLH-80, Classic
	23	53294—77	SPACER, box bracket	49 to 82 — FL, FLH, FLH-80, Classic
	24	53306—69	LOCKING HOOK, luggage box cover	49 to 80 — FL, FLH, FLH-80, Classic
		53306—80	LOCKING HOOK, tour-pak cover	81 & 82 — FLH-80, Classic
	25	53307—69	LOCK, luggage box — with nuts	49 to 82 — FL, FLH, FLH-80; 79 to 81 — Classic
	26	53326—69A	LATCH PLATE, luggage box cover	49 to 82 — FL, FLH, FLH-80, Classic
	27	53329—69A	LATCH, luggage box cover	49 to 80 — FL, FLH, FLH-80, Classic
	28	53331—69	WASHER, locking gear	49 to 82 — FL, FLH, FLH-80, Classic
	29	53332—69	WASHER, body lock	49 to 82 — FL, FLH, FLH-80, Classic
	30	53404—79	SPRING, luggage box (2)	49 to 82 — FL, FLH, FLH-80, Classic
	31	53424—79	NAMEPLATE, luggage box, "KING TOUR-PAK" (brown)	49 to 82 — FL, FLH, FLH-80, Classic
	32	53425—80	GASKET, luggage box cover	49 to 82 — FL, FLH, FLH-80, Classic
	33	53426—80	HINGE, luggage box cover — upper (2)	49 to 82 — FL, FLH, FLH-80, Classic
	34	53427—80	HINGE, luggage box cover — lower (2)	49 to 82 — FL, FLH, FLH-80, Classic
	35	53428—80A	HINGE PIN, luggage box cover (2)	49 to 82 — FL, FLH, FLH-80, Classic
	36	53429—80	BRACKET, luggage box brace (2)	49 to 82 — FL, FLH, FLH-80, Classic
	37	53431—80	BRACE, luggage box	49 to 81 — FL, FLH, FLH-80, Classic
	38	53433—80	WASHER, box bracket (nylon) (6)	49 to 82 — FL, FLH, FLH-80, Classic
	39	53434—80	NAMEPLATE, luggage box, "KING TOUR-PAK" (black)	49 to 82 — FL, FLH, FLH-80, Classic
	40	53435—80	MAT, luggage box	49 to 82 — FL, FLH, FLH-80, Classic
	41	53437—79	LENS, luggage box side light (2)	49 to 82 — FL, FLH, FLH-80, Classic
	42	53439—79	BULB, luggage box side light (4)	49 to 82 — FL, FLH, FLH-80, Classic
	43	53440—79	SOCKET, luggage box side light (4)	49 to 82 — FL, FLH, FLH-80, Classic

LUGGAGE BOX KING TOUR PAK



RETAIL PRICE	INDEX NO.	PART NO.	N A M E	USED ON
NOTE: REFER TO DEALER ACCESSORY GUIDE FOR ADDITIONAL PAINTED PARTS.				
	45	53457-79	LIGHT KIT, luggage box, includes items 4, 6, 10, 11, 13, 17, 18, 22, 41-43, 53-57, 59 & 60	49 to 82 — FL, FLH, FLH-80, Classic
	46	53477-80	BRACE ASSEMBLY, luggage box — with brackets	Late 80 & 81 — FL, FLH, FLH-80, Classic
	47	53477-80A	BRACE ASSEMBLY, luggage box — with brackets	82 — FLH-80, Classic
	48	53478-80	BACKING PLATE (2)	Late 80 to 82 — FL, FLH, FLH-80, Classic
	49	53479-80	BRACKET, luggage box brace (2)	Late 80 to 81 — FL, FLH, FLH-80, Classic
	50	53513-81	LATCH, luggage box cover	81 & 82 — FLH-80, Classic
	51	53563-82	BRACKET, cover to box cable (2)	82 — FLH-80, Classic
	52	53564-82	CABLE, cover to box	82 — FLH-80, Classic
	53	57978-63	GROMMET, side light wiring	49 to 82 — FL, FLH, FLH-80, Classic
	54	70643-79A	CABLE ASSEMBLY, green — side light (2)	49 to 82 — FL, FLH, FLH-80, Classic
	55	70644-79A	CABLE ASSEMBLY, black — side light (2)	49 to 82 — FL, FLH, FLH-80, Classic
	56	70645-79	WIRING HARNESS, rear fender — "KING TOUR-PAK"	49 to 82 — FL, FLH, FLH-80, Classic
	57	70646-79	WIRING HARNESS, luggage box side light	49 to 82 — FL, FLH, FLH-80, Classic
	58	71626-62	KEY (include serial no.)	49 to 82 — FL, FLH, FLH-80, Classic
	59	72052-79	RECEPTACLE, side light wire	49 to 82 — FL, FLH, FLH-80, Classic
	60	72275-74	CONNECTOR TAB, King Tour-Pak wiring harness	49 to Early 80 — FL, FLH, FLH-80, Classic
	61	74536-77A	SOCKET, King Tour-Pak wiring harness	49 to 82 — FL, FLH, FLH-80, Classic
	62	74539-77A	PIN, King Tour-Pak wiring harness	49 to 82 — FL, FLH, FLH-80, Classic
	62A	90630-80	ROLLER, saddlebag latch — 0.58 diameter	80 to 82 — FL, FLH, FLH-80, Classic
		90631-80	ROLLER, saddlebag latch — 0.45 diameter	80 to 82 — FL, FLH, FLH-80, Classic
	63	90771-79	PLUG, King Tour-Pak wiring harness	49 to 82 — FL, FLH, FLH-80, Classic
	64	90964-63	BACKING PLATE (10; 8 — Late 80 & later)	49 to 82 — FL, FLH, FLH-80, Classic
	65	90965-63	RIVET (24; 28 - Late 80 & Later)	49 to 82 — FL, FLH, FLH-80, Classic

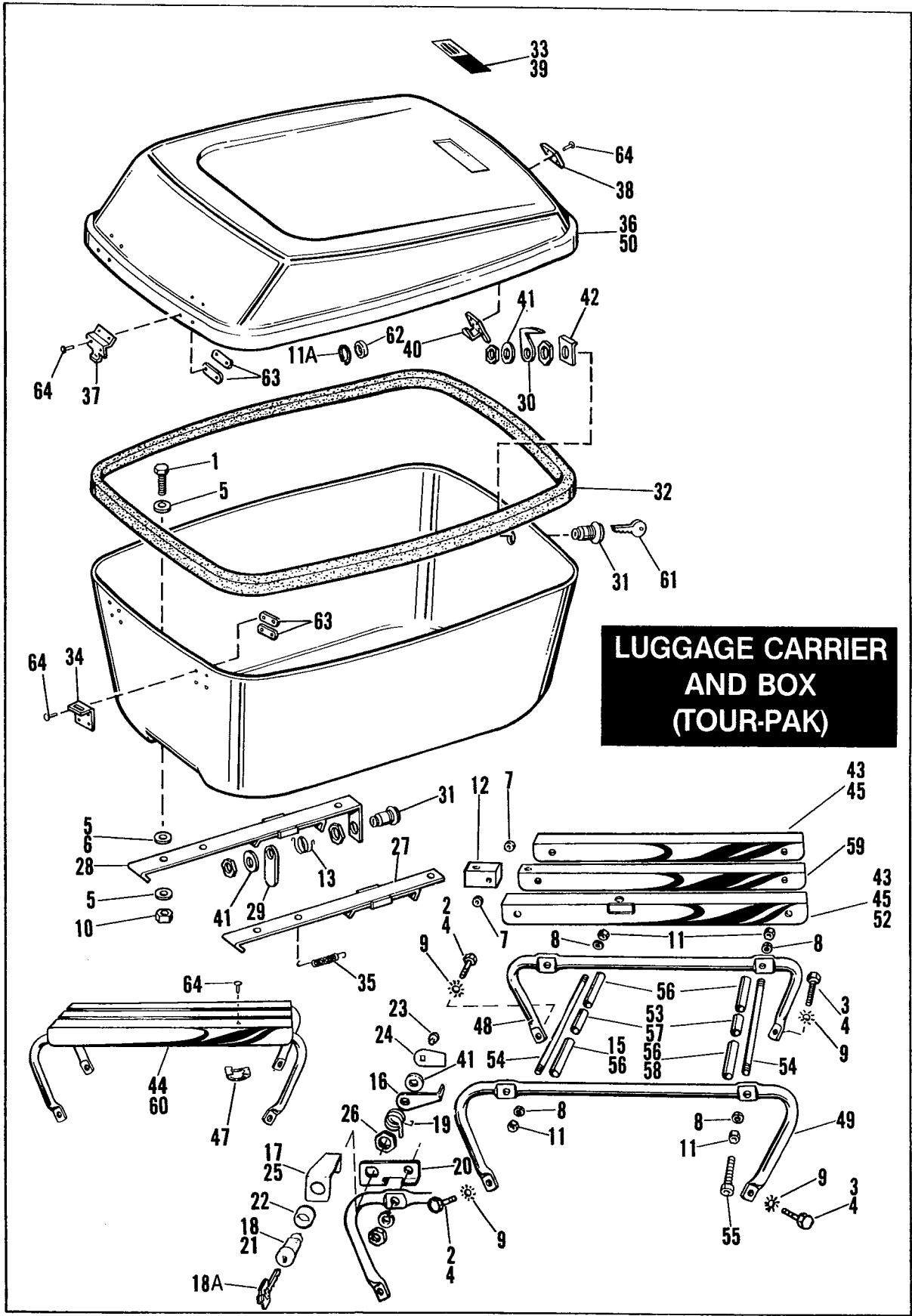


**LUGGAGE CARRIER
AND BOX
(TOUR-PAK)**

RETAIL PRICE	INDEX NO.	PART NO.	N A M E	USED ON
--------------	-----------	----------	---------	---------

NOTE: REFER TO DEALER ACCESSORY GUIDE FOR PAINTED PARTS.

	1	3787	BOLT, 1/4-20 x 3/4 hex. hd. (4)	49 to 82 — FL, FLH, FLH-80
	2	3974HW	BOLT, 5/16-24 x 3/4 hex. hd. (2)	Late 78 to * — FL, FLH, FLH-80, Classic
	3	3996	BOLT, 5/16-24 x 3/4 hex. hd. (2)	Late 78 to * — FL, FLH, FLH-80, Classic
	4	4041W	BOLT, 5/16-24 x 1-5/8 hex. hd. (4)	58 to Early 78 — FL, FLH, FLH-80, Classic
	5	6253W	WASHER, 1/4 x 3/4 x 1/16 (12) (8 — Late 77 & later)	49 to 82 — FL, FLH, FLH-80
	6	6647	WASHER, 9/32 x 1-3/8 x 1/16 nylon (4)	Late 77 to 82 — FL, FLH, FLH-80
	7	6702	WASHER, 5/16 x 11/16 x 1/16 (2)	Late 79 to * — FL, FLH, FLH-80, Classic
	8	7041	LOCKWASHER, 5/16 (4)	58 to * — FL, FLH, FLH-80, Classic
	9	7232	LOCKWASHER, 5/16 external tooth (4)	58 to * — FL, FLH, FLH-80, Classic
	10	7686	LOCKNUT, 1/4-20 x 5/16 x 7/16 hex. (4)	49 to 82 — FL, FLH, FLH-80
	11	7753	NUT, 5/16-24 x 1/4 x 1/2 hex. (4)	49 to * — FL, FLH, FLH-80
	11A	11016	RETAINING RING	80 to 82 — FL, FLH, FLH-80
	12	52186—79	SUPPORT BLOCK	Late 79 to Early 84 — FL, FLH, FLH-80, Classic
		52186—84	SUPPORT BLOCK	Late 84 to * — FLH-80
	13	53291—69	SPRING, luggage box lock	N/A 49 to 76 — FL, FLH
	14	53293—79	WARNING LABEL, tour-pak	Late 84 to * — FLH-80
	15	53294—77	SPACER, left front (use with 53298-77A LOCK)	77 to Early 84 — FL, FLH, FLH-80, Classic
	16	53295—77	LOCKING EAR, luggage box to carrier	77 to Early 82 — FL, FLH, FLH-80
	17	53297—77	COVER, lock assembly	77 to Early 82 — FL, FLH, FLH-80
	18	53298—77A	LOCK ASSEMBLY, luggage carrier	77 to 82 — FL, FLH, FLH-80
			Consists of:	
	18A	48152—82	KEY (specify key no. 1 to 100)	
	19	53291—77	SPRING	
	20	53296—77	BRACKET	
	21	53580—82	LOCK	
	22	53581—82	SPACER	
	23	53582—82	SCREW	
	24	53584—82	CAM, lock release	
	25	53586—82	COVER, lock assembly	
	26	84850—67	NUT, lock bracket	
	27	53303—69	BOX BRACKET, left (2 — Late 77 & later)	49 to 82 — FL, FLH, FLH-80
	28	53304—69	BOX BRACKET, right (locking)	N/A 49 to 76 — FL, FLH
	29	53305—69	LOCKING EAR, luggage box to carrier	N/A 49 to 76 — FL, FLH
	30	53306—69	LOCKING HOOK, luggage box cover	49 to 80 — FL, FLH, FLH-80
	31	53307—69	LOCK (with key) (2—Early 82 & Earlier)	49 to 82 — FL, FLH, FLH-80
	32	53310—69A	GASKET, luggage box cover	N/A 49 to 82 — FL, FLH, FLH-80
	33	53311—69	NAMEPLATE, "Tour-Pak"	49 to 82 — FL, FLH, FLH-80
	34	53312—69	HINGE, luggage box cover (lower) (2)	49 to 82 — FL, FLH, FLH-80

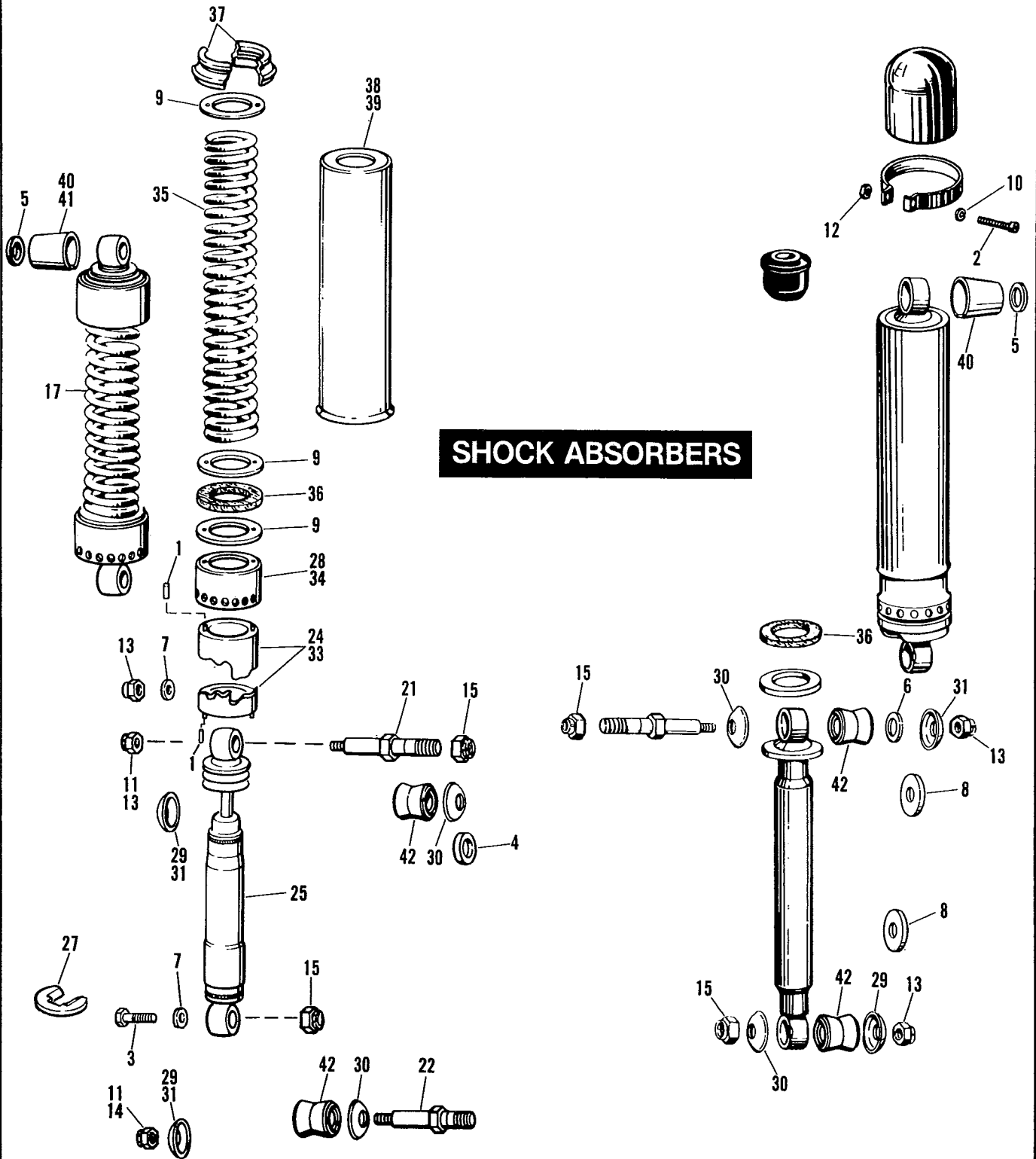


**LUGGAGE CARRIER
AND BOX
(TOUR-PAK)**

RETAIL PRICE	INDEX NO.	PART NO.	N A M E	USED ON
NOTE: REFER TO DEALER ACCESSORY GUIDE FOR PAINTED PARTS.				
35	53316—69		SPRING, luggage box (2)	49 to 82 — FL, FLH, FLH-80
36	53321—69A		COVER, luggage box (white)	N/A 49 to 82 — FL, FLH, FLH-80
37	53325—69		HINGE, luggage box cover — upper (2)	49 to 82 — FL, FLH, FLH-80
38	53326—69A		LATCH PLATE, luggage box cover	49 to 82 — FL, FLH, FLH-80
39	53327—77		NAMEPLATE, "Electra Glide Classic" (brown)	77 to 82 — FL, FLH, FLH-80, Classic
40	53329—69A		LATCH, luggage box cover	49 to 82 — FL, FLH, FLH-80
41	53331—69		WASHER, locking ear (2)	49 to Early 82 — FL, FLH, FLH-80
42	53332—69		WASHER, body lock	49 to 82 — FL, FLH, FLH-80
43	53399—86		OUTER CHANNEL KIT	83 to * — FLH-80
44	53403—58D		LUGGAGE CARRIER	58 to 82 — FL, FLH, FLH-80, Classic
45	53408—85		OUTER CHANNEL (2)	83 to * — FLH-80
47	53410—83		RECEPTACLE, leaf spring (4)	83 to * — FLH-80
48	53417—65A		LEFT BRACE	65 to * — FL, FLH, FLH-80, Classic
49	53418—65A		RIGHT BRACE	65 to * — FL, FLH, FLH-80, Classic
50	53419—80		COVER, luggage box — with hardware (black)	80 & 81 — FL, FLH, FLH-80
	53419—80A		COVER, luggage box — with hardware (black)	82 — FLH-80
52	53450—52		OUTER CHANNEL (2)	49 to 82 — FL, FLH, FLH-80, Classic
53	53453—84		SPACER (2)	Late 84 to * — FLH-80
54	53454—52		CROSS STUD (2)	49 to Early 84 — FL, FLH, FLH-80, Classic
55	53454—84		SCREW, outer channel mounting (4)	Late 84 to * — FLH-80
56	53455—52		SPACER (4)	49 to * — FL, FLH, FLH-80, Classic
57	53456—52		SPACER (short) (2)	49 to Early 79 — FL, FLH, FLH-80, Classic
58	53456—84		SPACER	Late 84 to * — FLH-80
59	53492—79		CENTER CHANNEL	49 to * — FL, FLH, FLH-80, Classic
60	53548—84A		LUGGAGE CARRIER	Late 84 to * — FLH-80
	53550—79A		LUGGAGE CARRIER	83 & Early 84 — FLH-80
61	71626—62		KEY (include serial no.)	N/A 49 to 82 — FL, FLH, FLH-80
62	90630—80		ROLLER, latch — 0.58 diameter	80 & 81 — FL, FLH, FLH-80
	90631—80		ROLLER, latch — 0.45 diameter	82 — FLH-80
63	90964—63		BACKING PLATE (8)	49 to 82 — FL, FLH, FLH-80
64	90965—63		RIVET (20; 8 — 83)	49 to * — FL, FLH, FLH-80

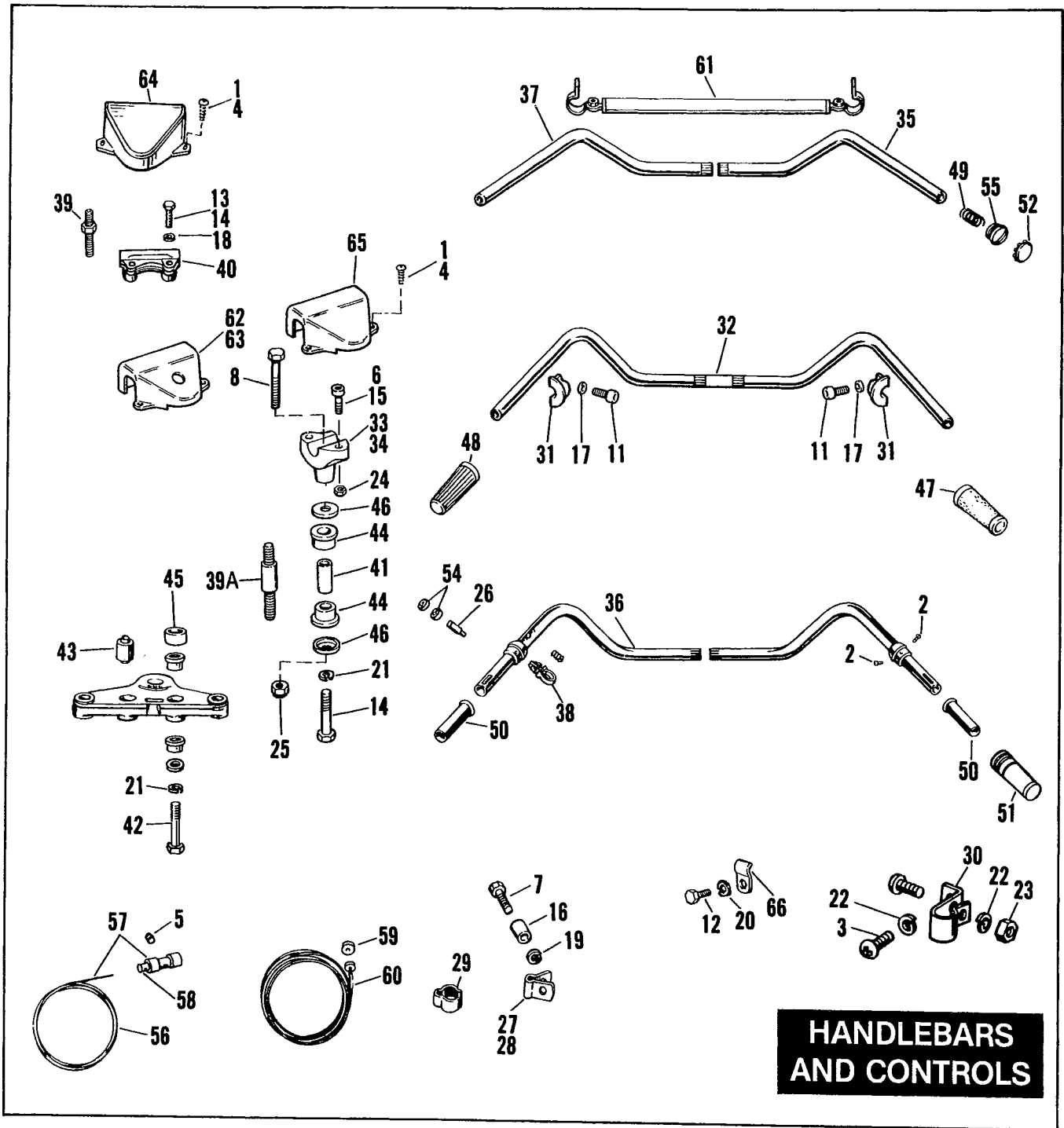
1967 & LATER

1966 & EARLIER



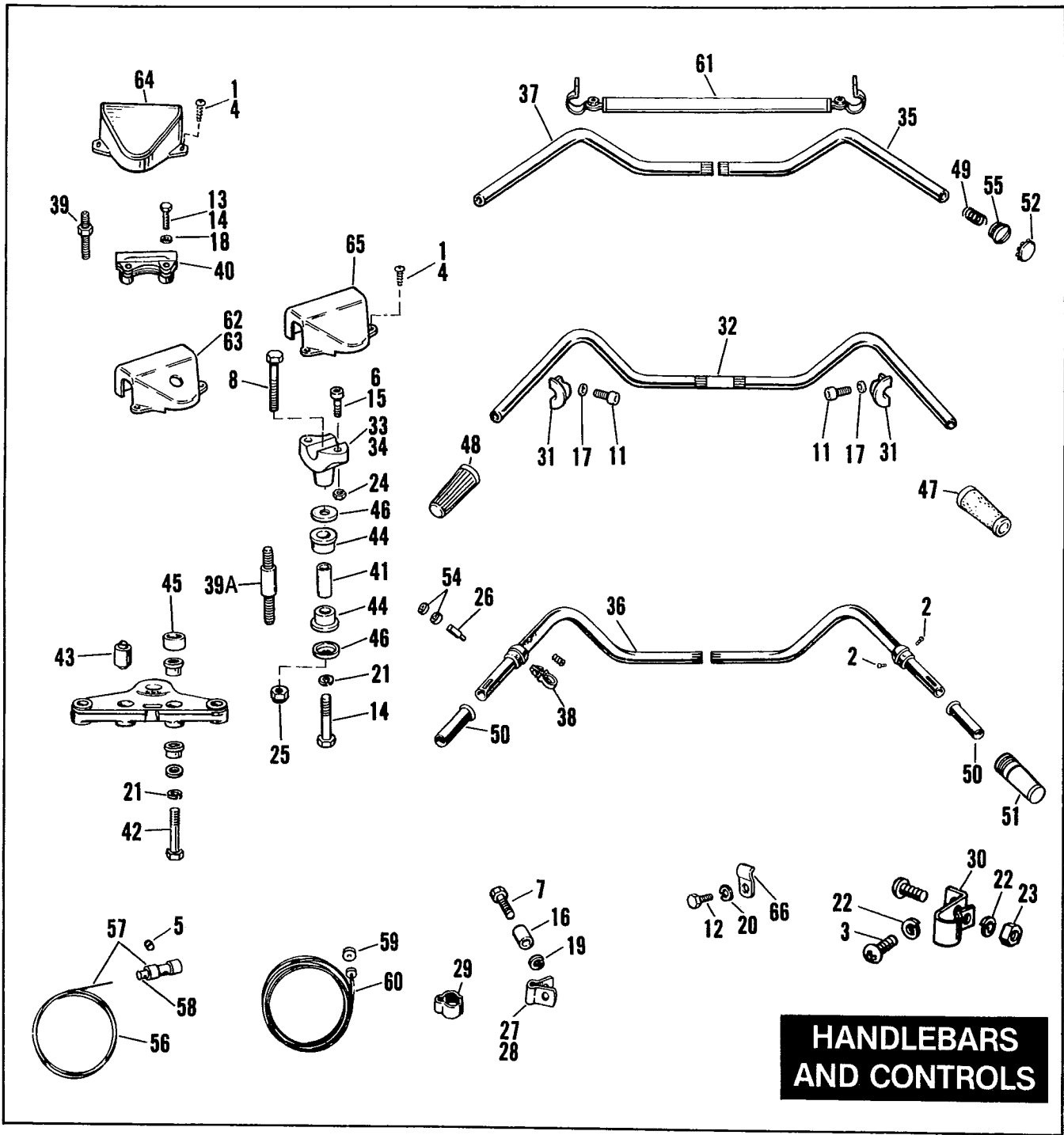
SHOCK ABSORBERS

RETAIL PRICE	INDEX NO.	PART NO.	N A M E	USED ON
	1	604	ROLL PIN (2 or 4)	58 to 72 — FL, FLH
	2	991	SCREW, No. 10-24 x 1 Pozidriv fil. hd. (2)	58 to 64 — FL, FLH
	3	3958	BOLT, 1/2-20 x 2-1/4 hex. hd. (2)	73 to * — FL, FLH, FLH-80, Classic
	4	5960W	SPACER, upper stud (not used with safety guards) (2)	67 to 79 & 81 — FL, FLH, FLH-80, Classic
	5	6379W	WASHER, 3/8 x 5/8 x 1/16 (2)	Late 70 to * — FL, FLH, FLH-80, Classic
	6	6416	WASHER, 3/8 x 1 x 5/64 (4)	58 to 64 — FL, FLH
	7	6718	WASHER, 1/2 x 1 x 3/32 (4)	73 to * — FL, FLH, FLH-80, Classic
	8	6722B	WASHER, 5/8 x 1-1/8 x 1/32 (4)	58 to 64 — FL, FLH
	9	6910W	WASHER, 1-21/32 x 2-15/32 x 3/32 (w/2 drilled holes) (3)	67 to * — FL, FLH, FLH-80, Classic
	10	7069	LOCKWASHER, No. 10 (2)	58 to 64 — FL, FLH
	11	7572W	LOCKNUT, 1/2-20 x 19/32 x 3/4 hex. (2)	67 to Early 70 — FL, FLH
	12	7620W	NUT, No. 10-24 x 1/8 x 3/8 hex. (2)	58 to 64 — FL, FLH
	13	7775	LOCKNUT, 3/8-24 x 7/16 x 9/10 hex. (4)	58 to 66 — FL, FLH Late 70 to * — FL, FLH, FLH-80, Classic
	14	7812W	LOCKNUT, 1/2-20 x 5/16 x 3/4 hex. (2)	Late 72 — FL, FLH
	15	7993	LOCKNUT, 5/8-18 x 3/8 x 15/16 hex. (4)	58 to * — FL, FLH, FLH-80, Classic
	17	54500—73	REAR SHOCK ABSORBER, complete (2)	73 to 80 — FL, FLH, FLH-80, Classic
		54500—81	REAR SHOCK ABSORBER, complete (chrome) (2)	81 to * — FLH-80, Classic
	21	54515—73	UPPER STUD (2)	73 to * — FL, FLH, FLH-80, Classic
	22	54517—67	LOWER STUD (2)	67 to Early 72 — FL, FLH
	24	54530—67	ROTATING CAM, shock absorber (2) N/A	67 to 72 — FL, FLH
	25	54534—73	SHOCK ABSORBER, only	73 to 80 — FL, FLH, FLH-80, Classic
		54534—81	SHOCK ABSORBER, only	81 to * — FLH-80, Classic
	27	54538—73	CAM SUPPORT (2)	73 to * — FL, FLH, FLH-80, Classic
	28	54540—67	CAM SLEEVE, rear shock absorber (2) N/A	67 to 72 — FL, FLH
	29	54543—65	OUTER WASHER, lower — upper 70 to 72 (4)	65 to 72 — FL, FLH
	30	54544—65	INNER WASHER (4)	65 to 72 — FL, FLH
	31	54545—65	OUTER WASHER, upper — lower Late 72 (2)	Late 65 to Early 70 — FL, FLH Late 72 — FL, FLH, FLH-80, Classic
	33	54558—73	ROTATING CAM, shock absorber (4)	73 to 80 — FL, FLH, FLH-80, Classic
	34	54559—73	CAM SLEEVE, rear shock absorber (2)	73 to * — FL, FLH, FLH-80, Classic
	35	54570—73	SPRING, shock absorber (black)	73 to * — FL, FLH, FLH-80, Classic
	36	54590—56	DIRT SEAL	58 to * — FL, FLH, FLH-80, Classic
	37	54635—67	SPRING RETAINER, upper (2)	67 to * — FL, FLH, FLH-80, Classic
	38	54702—67	COVER, shock absorber spring (2)	67 to 72 — FL, FLH
	39	54702—73	COVER, shock absorber spring (2)	73 to * — FL, FLH, FLH-80, Classic
	40	54704—65	COVER, shock absorber stud - 3/8" hole (2)	Early 65 — FL, FLH; Late 70 to * — FL, FLH, FLH-80, Classic
	41	54708—65	COVER, shock absorber stud — 1/2" hole N/A	Late 65 to Early 70 — FL, FLH
	42	85210—42A	BUSHING (rubber) (2)	58 to 72 — FL, FLH



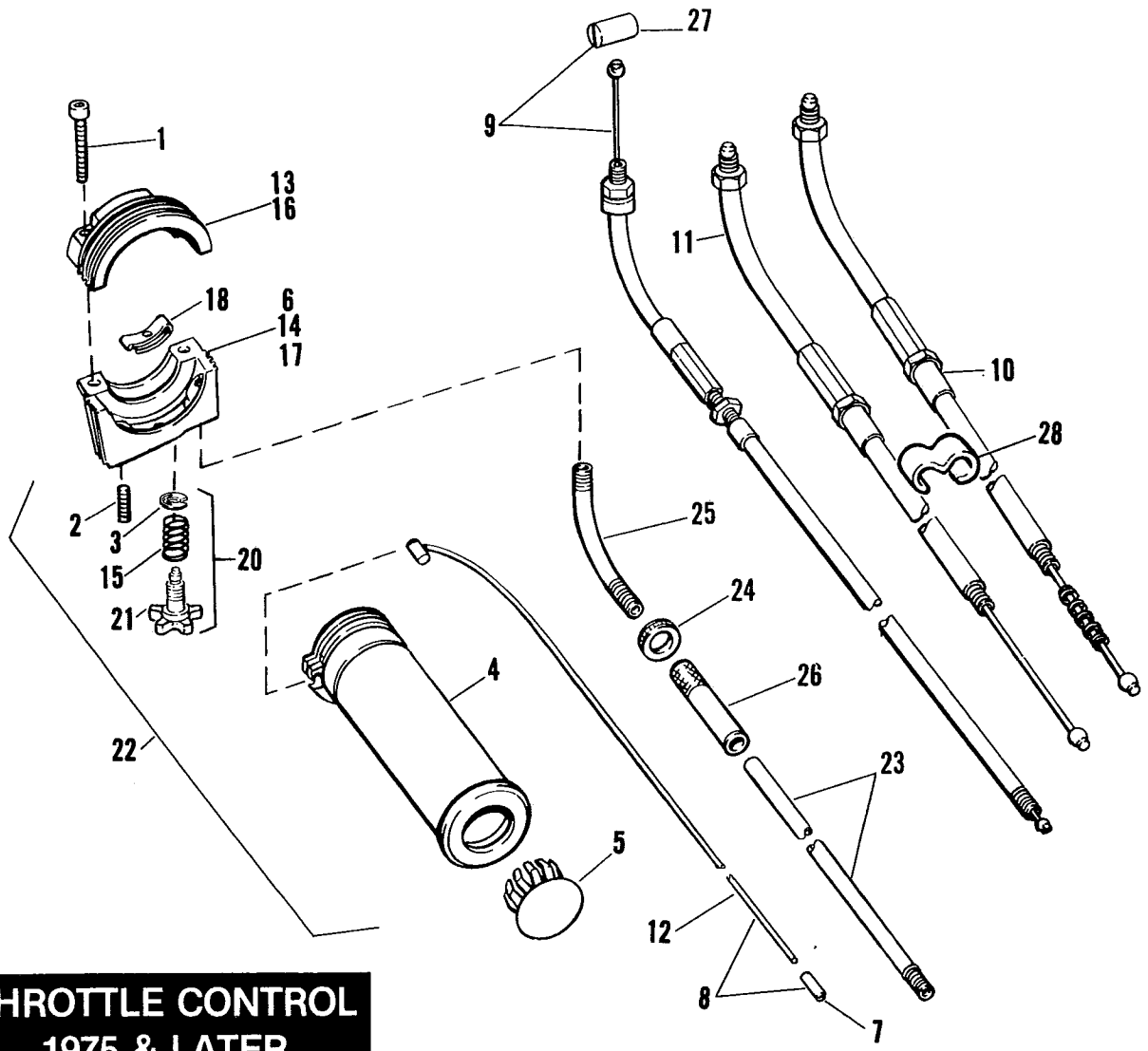
HANDLEBARS AND CONTROLS

RETAIL PRICE	INDEX NO.	PART NO.	N A M E	USED ON
NOTE: Only current production handlebar assemblies are sold for parts order.				
	1	915	SCREW, 5/16-24 x 5/8 self-tapping Pozidriv fil. hd. (2) ..	Late 79 & Early 80 — FLH, FLH-80, Classic
	2	2594	SCREW, No. 8-32 x 1/4 Pozidriv pan hd. (4)	54 to 79 — FL, FLH, FLH-80, Classic
	3	2660	SCREW, No. 10-24 x 3/8 Pozidriv pan hd.	68 to 74 — FL, FLH
	4	2764W	SCREW, 1/4-20 self-tapping Phillips hd. (2)	60 to 80 — FL, FLH, FLH-80, Classic
	5	3207	SET SCREW, No. 10-32 x 3/16 socket hd.	N/A 54 to 74 — FL, FLH
	6	3210	SCREW, 5/16-18 x 1-1/4 socket fil. hd. (4)	80 & Early 81 — FL, FLH, FLH-80, Classic; Late 83 to * — FLH-80
	7	3425W	BOLT, No. 12-24 x 3/4 hex. hd.	N/A 71 to 74 — FL, FLH
	8	3431	BOLT, 1/2-13 x 3-1/4 hex. hd. (2)	Late 80 to 83 — FL, FLH, FLH-80, Classic
		3507	BOLT, 1/2 - 13 x 2-3/4 hex. hd. (2)	Early 84 — FLH-80
	11	4015	SCREW, 1/4-20 x 7/8 hex. socket rd. hd. (4)	82 to * — FLH-80, Classic
	12	3720	BOLT, 1/4-28 x 7/16 hex. hd.	52 to 65 — FL, FLH
	13	4336W	BOLT, 3/8-24 x 1-1/8 hex. hd.	60 to 72 — FL, FLH 76 to 79 — FL, FLH, FLH-80, Classic
	14	4414	BOLT, 1/2-20 x 2-1/2 hex. hd. (2)	73 to 79 — FL, FLH, FLH-80, Classic
	15	4816	SCREW, 5/16-18 x 1-1/2 hex. socket hd. (4)	Late 81 to Early 83 — FLH-80, Classic
	16	5915B	SPACER, throttle cable clamp	N/A 71 to 74 — FL, FLH
	17	6099	WASHER, 1/4 x 7/16 x 3/64 (4)	82 to * — FLH-80, Classic
	18	6379W	WASHER, 3/8 x 5/8 x 3/64 (2)	60 to 72 — FL, FLH 76 to 79 — FL, FLH, FLH-80, Classic
	19	7030W	LOCKWASHER, No. 12	71 to 74 — FL, FLH
	20	7036	LOCKWASHER, 1/4	52 to 65 — FL, FLH
	21	7068	LOCKWASHER, 1/2 (2)	60 to * — FL, FLH, FLH-80, Classic
	22	7069	LOCKWASHER, No. 10 (2)	68 to 74 — FL, FLH
	23	7620W	NUT, No. 10-24 x 1/8 x 3/8 hex.	68 to 74 — FL, FLH
	24	7740	LOCKNUT, 5/16 - 18 x 1/4 x 1/2 hex. (2)	84 to * — FLH-80
		7748W	NUT, 5/16-18 x 1/4 x 1/2 hex. (4; 2 - 84 & Later)	80 to * — FL, FLH, FLH-80, Classic
	25	7768W	LOCKNUT, 1/2-13 x 19/32 x 3/4 hex. (2)	Late 80 to * — FLH, FLH, FLH-80, Classic
	26	9260	ROLLER, handlebar grip	Late 73 & 74 — FL, FLH
	27	9957	CLIP, control coil (timer)	N/A 50 to 64 — FL, FLH (1971 & later throttle — beneath tank)
	28	9958	CLAMP, throttle cable (beneath tank)	66 to 73 — FL, FLH
	29	9983	CLIP, control coil (carburetor)	49 to 65 — FL, FLH
	30	45218—52	CLAMP, throttle cable (frame steering head)	N/A 68 to 72 — FL, FLH; 74 — FL, FLH
	31	45044—82	CLAMP, handlebar (2)	82 to * — FLH-80, Classic
	32	55919—79	HANDLEBAR, only	80 & 81 — FL, FLH, FLH-80, Classic
		55919—82	HANDLEBAR, only	82 to * — FLH-80, Classic
	33	55940—79A	CLAMP, handlebar — lower right	80 to 83 — FL, FLH, FLH-80, Classic
		55940—82	CLAMP, handlebar — lower right	84 to * — FLH-80
	34	55941—79A	CLAMP, handlebar — lower left	80 to 83 — FL, FLH, FLH-80, Classic
		55941—82	CLAMP, handlebar — lower left	84 to * — FLH-80
	35	56044—72	HANDLEBAR SIDE, right, buckhorn (chrome)	N/A 72 to 74 — FL, FLH
		56044—75	HANDLEBAR SIDE, right, buckhorn (chrome)	75 to 79 — FL, FLH, FLH-80, Classic
	36	56056—72	HANDLEBAR SIDE, left, buckhorn (chrome)	N/A 72 to 74 — FL, FLH
	37	56056—75	HANDLEBAR SIDE, left, buckhorn (chrome)	75 to 79 — FL, FLH, FLH-80, Classic
	38	56070—81	CLIP, wire routing (4)	82 & 83 — FLH-80, Classic
		56073—83	CLIP, wire routing (4)	84 to * — FLH-80
	39	56102—60	HANDLEBAR STUD, to mount radio speaker (2)	N/A 60 to 79 — FL, FLH
	39A	56105—84	STUD, handlebar mounting (2)	Late 84 to * — FLH-80
	40	56115—77	HANDLEBAR CLAMP, upper	60 to * — FL, FLH, FLH-80, Classic
	41	56153—73	SPACER, handlebar mounting (2)	73 to Early 84 — FL, FLH, FLH-80, Classic
	42	56154—52	BOLT, riser mounting (2)	N/A 60 to 72 — FL, FLH
	43	56158—49	RUBBER BUSHING (2)	49 to 72 — FL, FLH
	44	56158—73	RUBBER BUSHING, handlebar mounting (4)	73 to * — FL, FLH, FLH-80, Classic
	45	56159—49	RUBBER WASHER (2)	N/A 49 to 72 — FL, FLH
	46	56159—73	CUP WASHER, handlebar mounting (4)	73 to * — FL, FLH, FLH-80, Classic
	47	56201—62A	PAIR OF HANDLEBAR GRIPS — with plugs (white) ..	N/A 62 to 80 — FL, FLH, FLH-80, Classic
		56205—62A	PAIR OF HANDLEBAR GRIPS — with plugs (black)	62 to 73 — FL, FLH
	48	56206—81A	HANDLEBAR GRIP, left (black)	81 to * — FLH-80, Classic
	49	56216—53	SPRING, handlebar grip	N/A 54 to 74 — FL, FLH



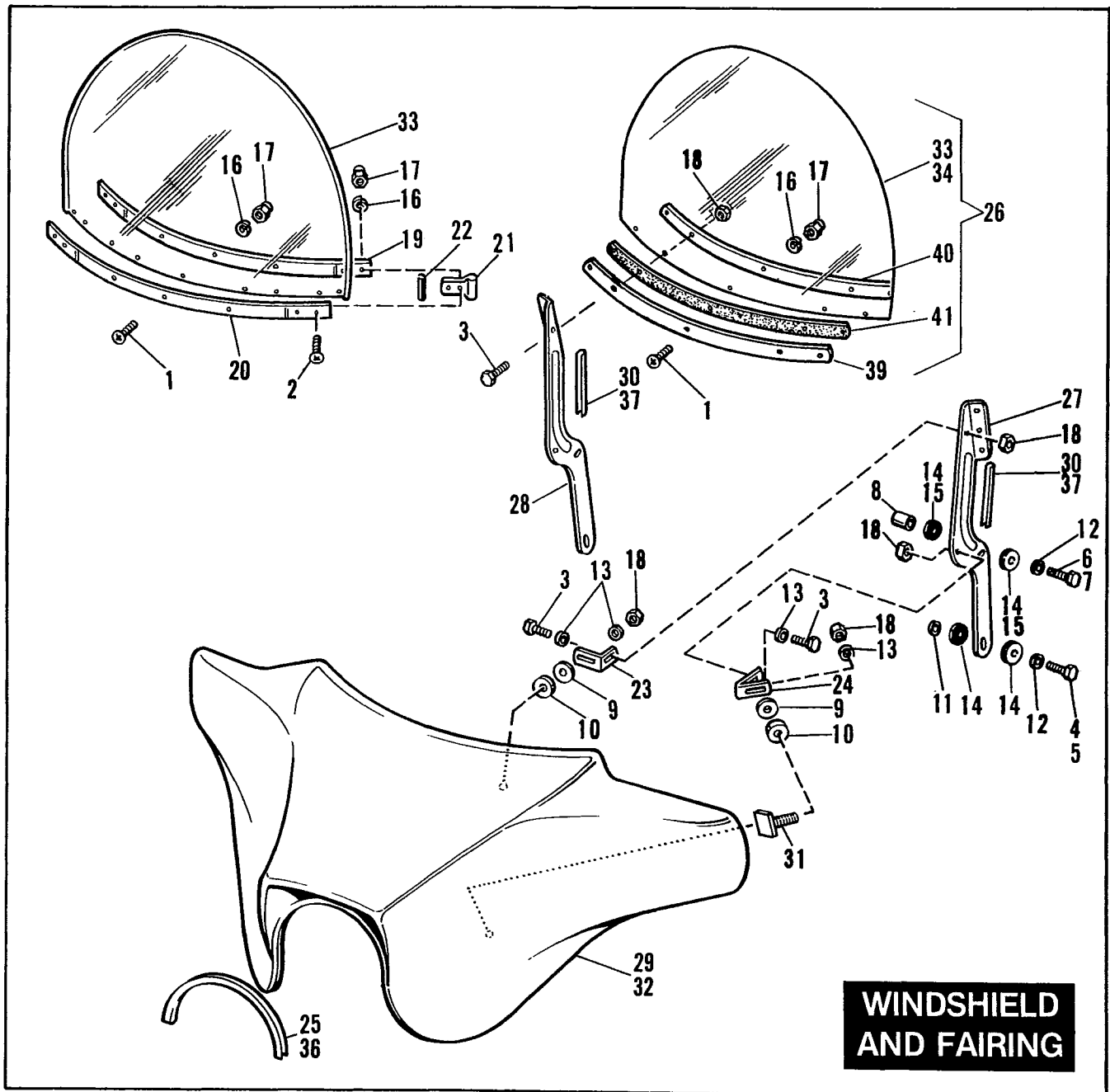
HANDLEBARS AND CONTROLS

RETAIL PRICE	INDEX NO.	PART NO.	N A M E	USED ON
	50	56220-53	SLEEVE, handlebar grip (2)	54 to 70 — FL, FLH
		56220-58	SLEEVE, handlebar grip (2)	71 to 74 — FL, FLH
	51	56220-74	HANDLEBAR GRIP AND SLEEVE, right	75 to 80 — FL, FLH, FLH-80, Classic
		56220-81B	HANDLEBAR GRIP AND SLEEVE, right	81 to * — FLH-80, Classic
	52	56238-62	PLUG, handlebar grip (2)	60 to Early 83 — FL, FLH, FLH-80, Classic
	54	56278-10	ROLLER, handlebar grip	N/A 57 to 74 — FL, FLH
	55	56288-53	END SCREW	N/A 54 to 74 — FL, FLH
	56	56377-65	CONTROL WIRE, only	57 to 73 — FL, FLH
	57	56378-65	CONTROL WIRE AND PLUNGER	N/A 54 to 73 — FL, FLH
	58	56400-53A	PLUNGER KIT, control cable	N/A 54 to 74 — FL, FLH
		56401-73	PLUNGER, control cable	N/A Late 73 & 74 — FL, FLH
	59	56410-53	PLUG, control cable (2)	54 to 74 — FL, FLH
	60	56503-65	CONTROL COIL (throttle and timer)	53 to * — FL, FLH, FLH-80, Classic
	61	— —	NOTE: See section A80.	
	62	56589-60	COVER, handlebar clamp (polished) (used with steering damper)	60 to 79 — FL, FLH, FLH-80, Classic
	63	56589-79	COVER, handlebar clamp (polished) (used with steering damper)	80 to * — FL, FLH, FLH-80, Classic
	64	56590-60	COVER, handlebar clamp (polished) (not used with steering damper)	60 to 79 — FL, FLH, FLH-80, Classic
	65	56590-79	COVER, handlebar clamp (polished) (not used with steering damper)	80 to * — FL, FLH, FLH-80, Classic
	66	56609-52	CLAMP, carburetor cable	52 to 65 — FL, FLH



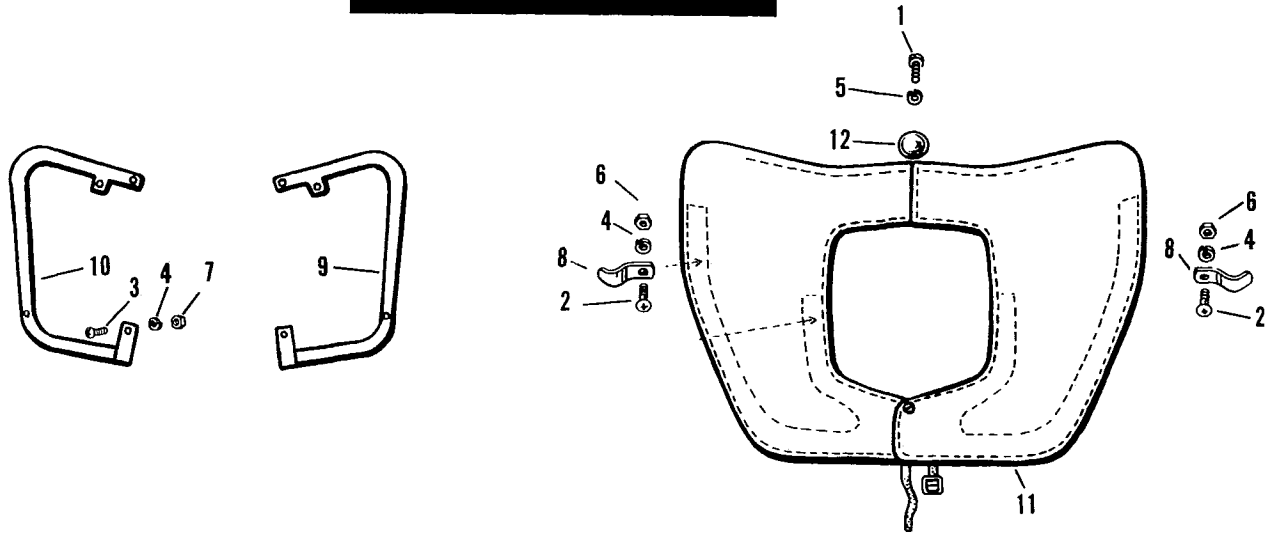
**THROTTLE CONTROL
1975 & LATER**

RETAIL PRICE	INDEX NO.	PART NO.	N A M E	USED ON
	1	916	SCREW, No. 8-32 x 5/8 fil. hd. (2)	81 — FLH-80, Classic
		1203	SCREW, No. 8-32 x 7/8 Pozidriv fil. hd. (2)	75 to 80 — FL, FLH, FLH-80, Classic
	2	3208	SET SCREW, throttle cable stop	75 to 80 — FL, FLH, FLH-80, Classic
	3	11155	SNAP RING, throttle screw	75 to * — FL, FLH, FLH-80, Classic
	4	56220-74	GRIP AND SLEEVE, throttle	75 to 80 — FL, FLH, FLH-80, Classic
		56220-81B	GRIP AND SLEEVE, throttle	81 to * — FLH-80, Classic
	5	56238-62	PLUG, handlebar grip	75 to * — FL, FLH, FLH-80, Classic
	6	56300-74	LOWER CLAMP AND CABLE ASSEMBLY, complete	75 — FL, FLH
	7	56302-74	FERRULE, throttle control wire	75 — FL, FLH
	8	56303-74	CONTROL WIRE AND FERRULE	75 — FL, FLH
	9	56313-76	CONTROL WIRE ASSEMBLY	76 to 80 — FL, FLH, FLH-80, Classic
	10	56323-81A	IDLE CONTROL ASSEMBLY	81 to * — FLH-80, Classic
	11	56324-81A	THROTTLE CONTROL ASSEMBLY	81 to * — FLH-80, Classic
	12	56389-74	CONTROL WIRE, only	75 — FL, FLH
	13	56392-77	UPPER CLAMP, throttle control	81 — FLH-80, Classic
	14	56393-74A	LOWER CLAMP, throttle control	75 to 80 — FL, FLH, FLH-80, Classic
	15	56394-74	SPRING, throttle control clamp adjusting screw	75 to * — FL, FLH, FLH-80, Classic
	16	56395-74	UPPER CLAMP, throttle control	75 to 80 — FL, FLH, FLH-80, Classic
	17	56395-81	LOWER CLAMP, throttle control	81 — FLH-80, Classic
	18	56396-74	FRICTION SPRING, throttle grip	75 to * — FL, FLH, FLH-80, Classic
	20	56397-74C	KIT, throttle adjusting screw, includes items 3, 15 & 21	75 to * — FL, FLH, FLH-80, Classic
	21	56402-83A	ADJUSTING SCREW, throttle control clamp	75 to * FL, FLH, FLH-80, Classic
	22	56500-79	THROTTLE CONTROL ASSEMBLY	75 to 80 — FL, FLH, FLH-80, Classic
	23	56502-74	CASING, control wire	75 — FL, FLH
	24	56505-74	LOCKNUT, throttle cable adjuster	75 — FL, FLH
	25	56506-74	ELBOW, throttle cable	75 — FL, FLH
	26	56507-74	ADJUSTER, throttle cable	75 — FL, FLH
	27	56508-76	FERRULE, control wire — hand grip end (Plastic 90° angle piece) (2 - 81 & later)	76 to * — FL, FLH, FLH-80, Classic
		56520-77	FERRULE, control wire — hand grip end (Steel 90° angle piece)	76 to 80 — FL, FLH, FLH-80, Classic
	28	70504-81	CLIP, throttle cables	81 to * — FLH-80, Classic



RETAIL PRICE	INDEX NO.	PART NO.	NAME	USED ON
NOTE: REFER TO DEALER ACCESSORY GUIDE FOR ADDITIONAL PAINTED PARTS.				
	1	2725	SCREW, No. 12-24 x 5/8 Phillips truss hd. (3 - Late 77 & later)	60 to * — FL, FLH, FLH-80, Classic
	2	2726	SCREW, No. 12-24 x 11/16 Phillips truss hd. (4)	60 to Early 77 — FL, FLH
	3	3787	BOLT, 1/4-20 x 3/4 hex. hd. (6)	60 to * — FL, FLH, FLH-80, Classic
	4	3960W	BOLT, 5/16-24 x 1 hex. hd. (2)	81 to * — FLH-80, Classic
	5	3996	BOLT, 5/16-24 x 7/8 hex. hd. (2)	60 to * — FL, FLH, FLH-80, Classic
	6	4014W	BOLT, 5/16-24 x 1-1/4 hex. hd. (2)	60 to * — FL, FLH, FLH-80, Classic
	7	4036	BOLT, 5/16-24 x 1-1/2 hex. hd. (2)	81 to * — FLH-80, Classic
	8	5933W	SPACER, fork bracket to fork, upper (2)	60 to 82 — FL, FLH, FLH-80, Classic
	9	6255B	WASHER, 1/4 x 3/4 x 1/32 (4)	60 to * — FL, FLH, FLH-80, Classic
	10	6261	WASHER, 1/4 x 3/4 x 1/8 (rubber) (4)	60 to * — FL, FLH, FLH-80, Classic
	11	6314W	WASHER, 5/16 x 9/16 x 1/8 (2)	60 to * — FL, FLH, FLH-80, Classic
	12	6702	WASHER, 5/16 x 11/16 x 1/16 (4)	60 to * — FL, FLH, FLH-80, Classic
	13	6703	WASHER, 1/4 x 5/8 x 1/16 (8)	60 to * — FL, FLH, FLH-80, Classic
	14	6952	WASHER (rubber & steel) (8; 4 - 83 & Later)	81 to * — FLH-80, Classic
	15	6955	WASHER (rubber & steel) (4)	83 to * — FLH-80
	16	7030W	LOCKWASHER, No. 12 (5; 3 - Late 77 & later)	60 to * — FL, FLH, FLH-80, Classic
	17	7651	ACORN NUT, No. 12-24 x 13/32 x 3/8 (5; 3 - Late 77 & Later)	60 to * — FL, FLH, FLH-80, Classic
	18	7686	LOCKNUT, 1/4-20 x 5/16 x 7/16 hex. (10)	60 to * — FL, FLH, FLH-80, Classic
	19	58033—49A	BRACE, windshield — inner	N/A 60 to Early 77 — FL, FLH
	20	58037—49A	BRACE, windshield — outer	N/A 60 to Early 77 — FL, FLH
	21	58048—50	CLAMP, windshield molding (2)	N/A 60 to Early 77 — FL, FLH
	22	58049—50A	BUSHING, windshield molding (2)	60 to Early 77 — FL, FLH
		58153—77A	WINDSHIELD AND FAIRING KIT (black)	Late 77 to * — FL, FLH, FLH-80
		58160—69B	WINDSHIELD AND FAIRING KIT (white)	60 to * — FL, FLH, FLH-80
	23	58161—69	BRACKET, windshield fairing — upper, 90° (2)	60 to * — FL, FLH, FLH-80, Classic
	24	58162—69	BRACKET, windshield fairing — lower, 60° (2)	60 to * — FL, FLH, FLH-80, Classic
	25	58163—69	TRIM, windshield fairing (white)	79 to 82 — Classic; 60 to 81 — FL, FLH, FLH-80
	26	58164—69A	WINDSHIELD KIT (Lexan)	60 to Early 77 — FL, FLH, FLH-80, Classic
			Includes besides label:	
		2725	SCREW, windshield braces, No. 12-24 x 17/32 Phillips hd. (3)	
		7030W	LOCKWASHER, windshield braces, No. 12 (3)	
		7651	ACORN NUT, windshield braces, No. 12-24 (3)	
		58181—78	WINDSHIELD	
		58411—76	BRACE, outer	
		58412—76	BRACE, inner	
		58416—77	CUSHION TAPE, windshield brace	
	27	58165—69A	FORK BRACKET, left (chrome)	60 to 82 — FL, FLH, FLH-80, Classic
		58165—83	FORK BRACKET, left	83 to * — FLH-80
	28	58166—69A	FORK BRACKET, right (chrome)	60 to 82 — FL, FLH, FLH-80, Classic
		58166—83	FORK BRACKET, right	83 to * — FLH-80
	29	58167—69A	WINDSHIELD FAIRING, only (white)	60 to 82 — FL, FLH, FLH-80, Classic
	30	58168—69	TRIM, fairing brackets (white) (2)	79 to * — Classic; 60 to 81 — FL, FLH, FLH-80
	31	58171—69	MOUNTING STUD, windshield fairing (4)	N/A 60 to 84 — FL, FLH, FLH-80, Classic
	32	58178—77A	WINDSHIELD FAIRING, only (black)	Late 77 to * — FL, FLH, FLH-80
	33	58181—78	WINDOW AND CUSHION TAPE KIT, 18-1/2'' high window	60 to * — FL, FLH, FLH-80, Classic
	34	58182—78	WINDOW AND CUSHION TAPE KIT, 15-1/2'' high window	Late 77 to * — FL, FLH, FLH-80, Classic
	36	58320—76	TRIM, windshield fairing (black)	Late 77 to * — FL, FLH, FLH-80, Classic
	37	58321—76	TRIM, windshield fairing (black) (2)	Late 77 to * — FL, FLH, FLH-80
	39	58411—76	BRACE, outer	Late 77 to * — FL, FLH, FLH-80, Classic
	40	58412—76	BRACE, inner	Late 77 to * — FL, FLH, FLH-80, Classic
	41	58416—77	CUSHION TAPE, windshield brace	Late 77 to * — FL, FLH, FLH-80, Classic

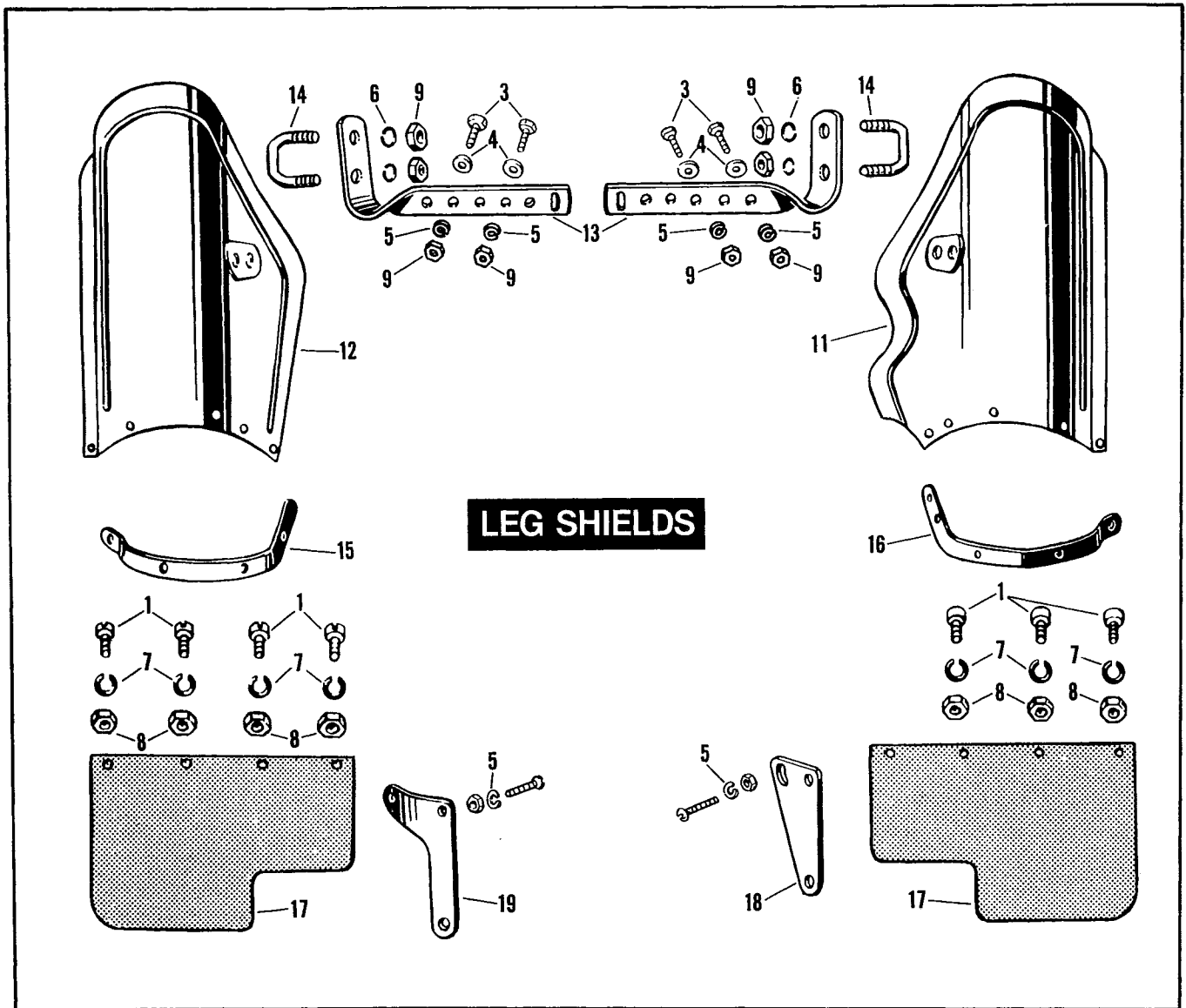
WINTER WINDSHIELD



WINTER WINDSHIELD

A57

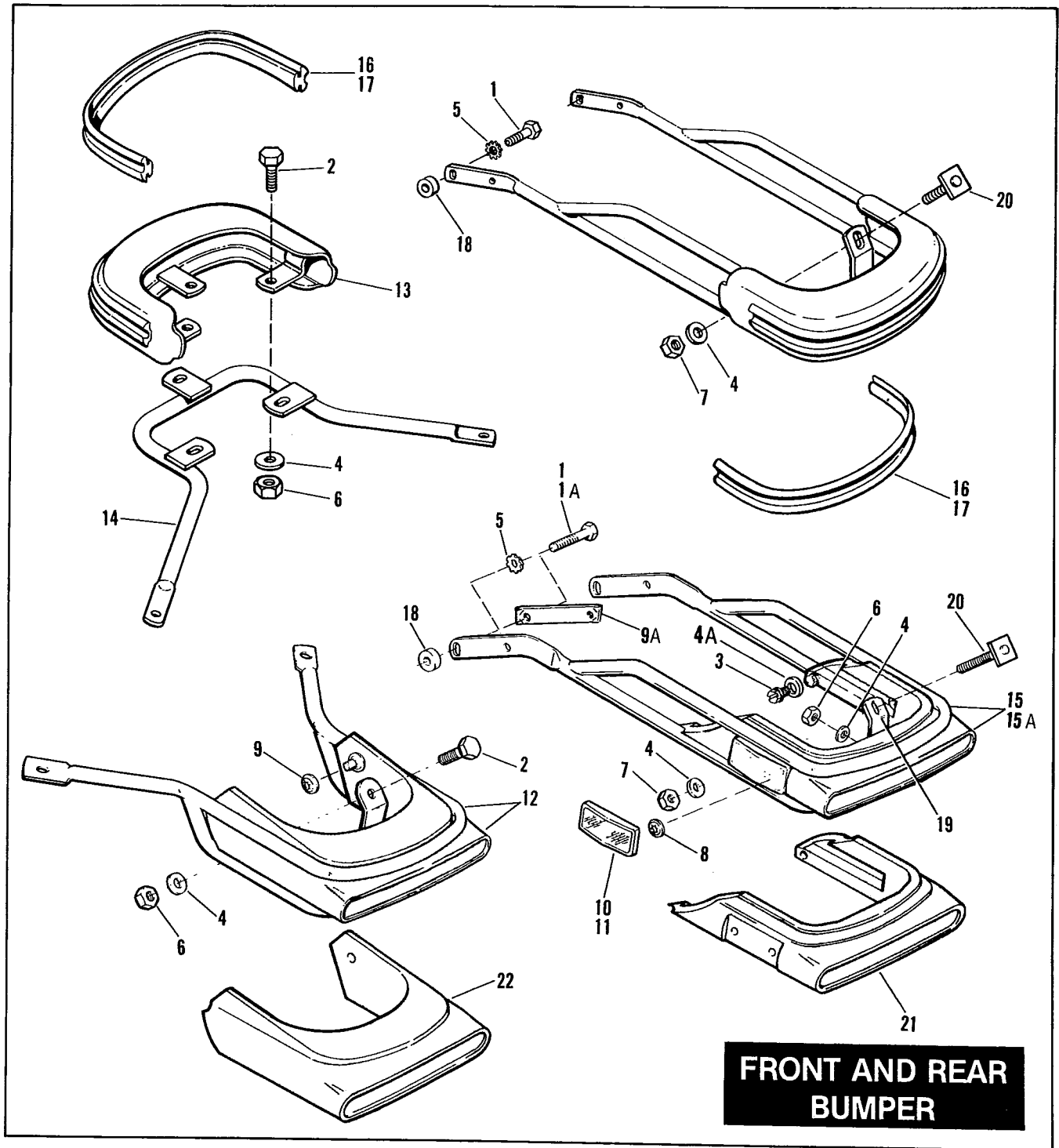
RETAIL PRICE	INDEX NO.	PART NO.	N A M E	USED ON
	1	2583	SCREW, No. 10-32 x 3/8 Pozidriv pan hd.	60 to Early 63 — FL, FLH
	2	2725	SCREW, No. 12-24 x 17/32 Phil. hd. (4)	49 to 79 — FL, FLH, FLH-80, Classic
	3	2773	SCREW, 1/4-20 x 1/2 Pozidriv pan hd. (2)	49 to 79 — FL, FLH, FLH-80, Classic
	4	7030W	LOCKWASHER, No. 12 (7)	49 to 79 — FL, FLH, FLH-80, Classic
	5	7069	LOCKWASHER, No. 10 (3)	49 to 79 — FL, FLH, FLH-80, Classic
	6	7654W	NUT, No. 12-24 x 5/32 x 7/16 hex. (6)	49 to 79 — FL, FLH, FLH-80, Classic
	7	7754	WELD NUT, windshield bracket	N/A 49 to 79 — FL, FLH, FLH-80, Classic
	8	9965W	CLIP, apron to windshield (4)	60 to Early 63 — FL, FLH
		57990—60B	WINTER WINDSHIELD KIT (fits plastic shields)	N/A 49 to 79 — FL, FLH, FLH-80, Classic
			Consists of besides left support:	
		2604	SCREW, No. 10-32 x 1/2 Pozidriv pan hd.	
		2725	SCREW, No. 12-24 x 5/8 Phillips truss hd.	
		2726	SCREW, No. 12-24 x 11/16 Phillips truss hd.	
		7030W	LOCKWASHER, No. 12	
		7069	LOCKWASHER, No. 10	
		7654W	NUT, No. 12-24 x 5/32 x 7/16 hex.	
		9965W	CLIP	
		58073—63	SUPPORT, right	
		58125—63	APRON, windshield	
		58225—41	TEE NUT, center brace	
	9	58072—63	SUPPORT, left	N/A Late 63 to 79 — FL, FLH, FLH-80, Classic
	10	58073—63	SUPPORT, right	Late 63 to 79 — FL, FLH, FLH-80, Classic
	11	58125—63	APRON, windshield	Late 63 to 79 — FL, FLH, FLH-80, Classic
	12	58225—41	TEE NUT, center brace	49 to 79 — FL, FLH, FLH-80, Classic



LEG SHIELDS

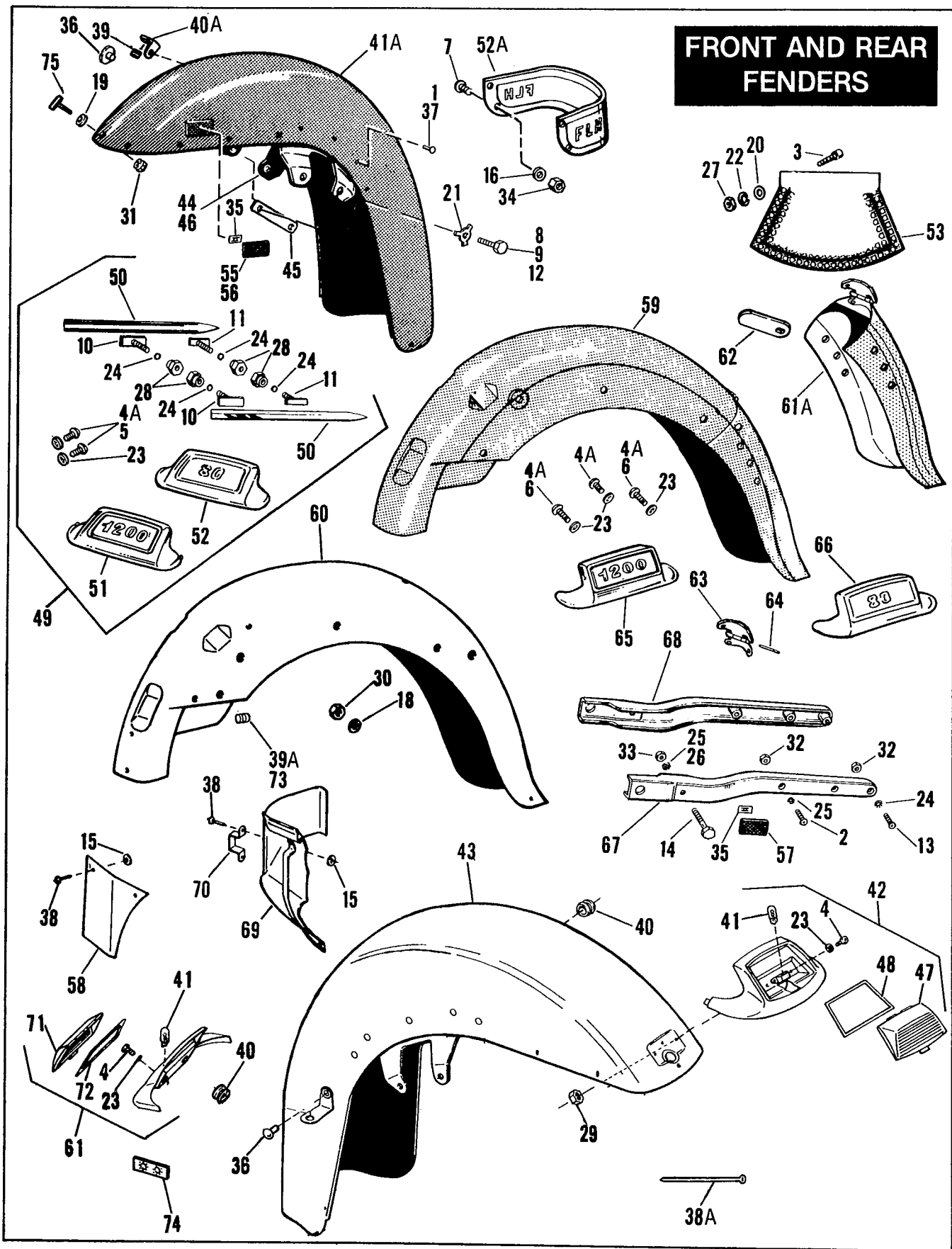
A58

RETAIL PRICE	INDEX NO.	PART NO.	NAME	USED ON
	1	2592	SCREW, No. 10-24 x 1/2 Pozidriv pan hd. (7)	41 to 77 — FL, FLH
	3	3974HW	BOLT, 5/16-24 x 3/4 hex. hd. (4)	41 to 77 — FL, FLH
	4	6016	WASHER, 11/32 x 11/16 x 1/16 (4)	41 to 77 — FL, FLH
	5	7036	LOCKWASHER, 1/4 (4)	41 to 77 — FL, FLH
	6	7041	LOCKWASHER, 5/16 (4)	41 to 77 — FL, FLH
	7	7069	LOCKWASHER, No. 10 (7)	41 to 77 — FL, FLH
	8	7620W	NUT, No. 10-24 x 1/8 x 3/8 hex. (7)	41 to 77 — FL, FLH
	9	7676	NUT, 1/4-28 x 3/16 x 7/16 hex. (8)	41 to 77 — FL, FLH
	11	58511—37	LEG SHIELD, left	41 to 77 — FL, FLH
	12	58531—37	LEG SHIELD, right	N/A 41 to 77 — FL, FLH
	13	58554—51	BRACKET, leg shield (2)	Late 51 to 77 — FL, FLH
	14	58563—51	U-BOLT (2)	Late 51 to 77 — FL, FLH
	15	58566—30	FLAP BRACKET, right	N/A 41 to 77 — FL, FLH
	16	58568—36	FLAP BRACKET, left	41 to 77 — FL, FLH
	17	58581—37	FLAP, rubber (2)	N/A 41 to 77 — FL, FLH
	18	58587—36	LOWER BRACKET, left	41 to 77 — FL, FLH
	19	58589—36	LOWER BRACKET, right	N/A 41 to 77 — FL, FLH



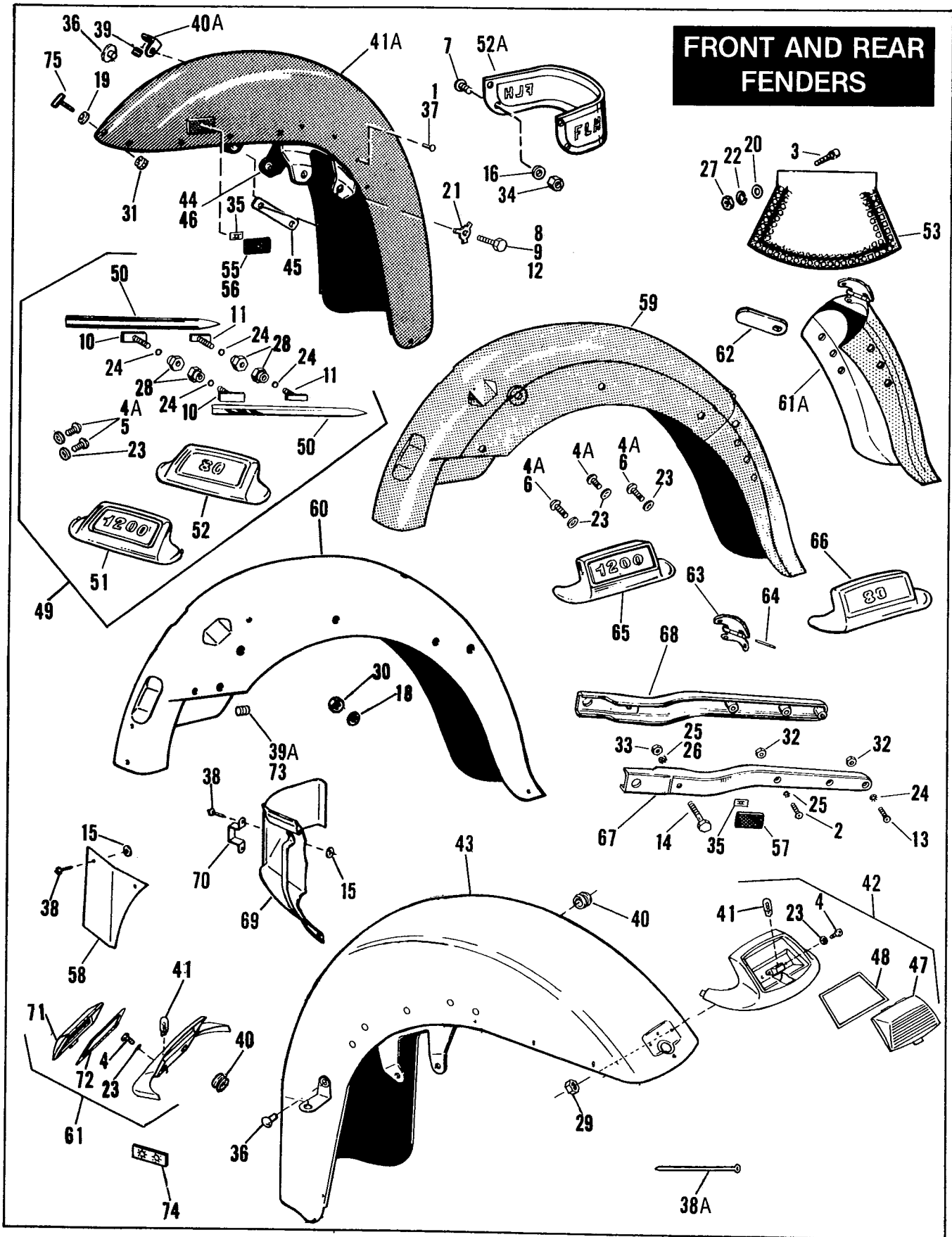
RETAIL PRICE	INDEX NO.	PART NO.	N A M E	USED ON
	1	2871W	BOLT, 5/16-18 x 1-1/4 hex. hd. (4)	68 to 74 — FL, FLH
	1A	3477	BOLT, 5/16-18 x 1-1/4 hex. hd. (4)	75 to * — FL, FLH, FLH-80, Classic
	2	3765	BOLT, 1/4-28 x 5/8 hex. hd. (3; 2 - Late 82 & Later)	68 to * — FL, FLH, FLH-80, Classic
	3	4091	SCREW, No. 10-24 x 1/2 self tapping slotted hex. washer hd.	77 to * — FL, FLH, FLH-80, Classic
	4	6703	WASHER, 1/4 x 5/8 x 1/16 (6; 5 - Late 81 & later)	68 to * — FL, FLH, FLH-80, Classic
	4A	6716	WASHER, No. 10 x 1/2 x 3/64 (2)	68 to * — FL, FLH, FLH-80, Classic
	5	7232	LOCKWASHER, 5/16 external tooth (4)	68 to 74 — FL, FLH, FLH-80, Classic
	6	7682	LOCKNUT, 1/4-28 x 3/16 x 7/16 hex. (5)	68 to * — FL, FLH, FLH-80, Classic
	7	7686	LOCKNUT, 1/4-20 x 5/16 x 7/16 hex.	68 to * — FL, FLH, FLH-80
	8	8126	SPEED NUT, reflector (2)	77 to * — FL, FLH, FLH-80, Classic
	9	8135B	SPEED NUT, rear bumper (2)	77 to * — FL, FLH, FLH-80, Classic
	9A	59166—80	LOCKPLATE, fender bolts (2)	75 to * — FL, FLH, FLH-80, Classic
	10	59254—69	REFLECTOR, amber (2)	N/A Early 77 — FL, FLH
	11	59261—77	REFLECTOR, amber (2)	Late 77 to * — FL, FLH, FLH-80, Classic
	12	91007—68A	REAR BUMPER, with fittings (used with saddlebags only)	68 to * — FL, FLH, FLH-80, Classic
	13	91014—68	REAR BUMPER, only	N/A 68 to 76 — FL, FLH
	14	91021—68	SUPPORT, rear bumper	N/A 68 to 76 — FL, FLH
	15	91075—68B	FRONT BUMPER, with fittings	68 to 80 — FL, FLH, FLH-80, Classic
	15A	91075—81	FRONT BUMPER, includes items 1A & 9A	81 to * — FLH-80, Classic
	16	91081—68	RUBBER BUMPER STRIP (white)	N/A 68 to 76 — FL, FLH
	17	91082—68	RUBBER BUMPER STRIP (black)	N/A 68 to 76 — FL, FLH
	18	91089—58	SPACER, front bumper (4)	68 to Early 80 — FL, FLH, FLH-80, Classic
	19	91090—77A	BRACKET, front bumper mounting	77 to * — FL, FLH, FLH-80, Classic
	20	91091—61	TEE BOLT, front bumper	68 to Early 81 — FL, FLH, FLH-80, Classic
	21	91107—77	FRONT BUMPER, only	77 to * — FL, FLH, FLH-80, Classic
	22	91123—77	REAR BUMPER, only	77 to * — FL, FLH, FLH-80, Classic

FRONT AND REAR FENDERS

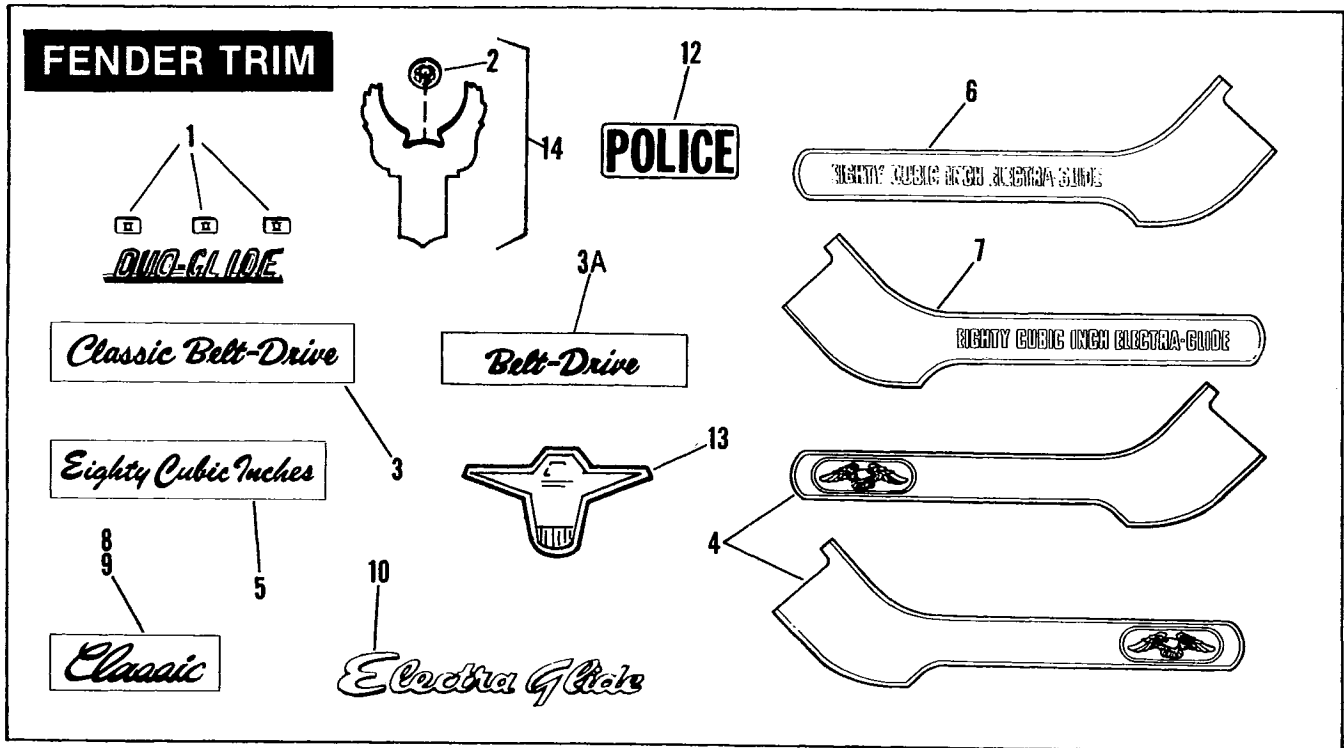


RETAIL PRICE	INDEX NO.	PART NO.	N A M E	USED ON
NOTE: REFER TO DEALER ACCESSORY GUIDE FOR PAINTED PARTS.				
	1	932	SCREW, 1/4-20 x 1/2 Phillips hd. (chrome) (10)	75 to Early 80 — FL, FLH, FLH-80, Classic
	2	2272	SCREW, 5/16-24 x 1-1/4 Pozidriv oval ctsk. hd. (4)	58 to 78 — FL, FLH, FLH-80
	3	2592	SCREW, No. 10-24 x 1/2 Pozidriv pan hd. (3)	41 to * — FL, FLH, FLH-80, Classic
	4	2604	SCREW, No. 10-32 x 1/2 Pozidriv pan hd. (4)	Late 82 to * — FLH-80, Classic
	4A	2630W	SCREW, No. 8-32 x 5/16 self-tapping rd. hd. (5)	59 to 61; 67 to 80 — FL, FLH, FLH-80, Classic
	5	2633	SCREW, No. 8-32 x 3/8 self-tapping rd. hd. (5)	80 to Early 82 — FL, FLH, FLH-80, Classic
	6	2634W	SCREW, No. 8-32 x 1/2 self-tapping rd. hd. (2)	N/A 59 to 66 — FL, FLH
	7	2710C	SCREW, No. 4-40 x 3/8 Phil. hd. (4)	54 to * — FL, FLH, FLH-80, Classic
	8	3476	BOLT, 5/16-18 x 1-1/8 hex. hd. (4) (use w/o bumper)	75 to Early 80 — FL, FLH, FLH-80, Classic
	9	3477	BOLT, 5/16-18 x 1-1/4 hex. hd. (4) (use w/ bumper)	75 to * — FL, FLH, FLH-80, Classic
	10	3560W	TEE BOLT, No. 10-24 x 3/8 (2)	57 to * — FL, FLH, FLH-80, Classic
	11	3561WA	TEE BOLT, No. 10-24 x 1/4 (2)	57 to * — FL, FLH, FLH-80, Classic
	12	3991	BOLT, 5/16-18 x 7/8 hex. hd. (4)	49 to 74 — FL, FLH
	13	4018W	BOLT, 5/16-24 x 1-1/4 ctsk. hd. (2)	63 to 78 — FL, FLH, FLH-80
	14	4380W	BOLT, 3/8-24 x 2 hex. hd. (2)	58 to 81 — FL, FLH, FLH-80; Classic; 83 to * — FLH-80
		4411	BOLT, 3/8-24 x 1-3/4 hex. hd. (2)	82 to * — FLH-80, Classic
	15	6029	WASHER, 5/32 x 3/8 debris deflector (8)	82 — Classic; 83 to * — FLH-80
	16	6335	WASHER, No. 4 x 5/16 x 1/32 (4)	54 to * — FL, FLH, FLH-80, Classic
	18	6701	WASHER, 3/8 x 13/16 x 1/16	82 — Classic; 83 to * — FLH-80
	19	6703	WASHER, 1/4 x 5/8 x 1/16 (2 — 82 & Later)	79 to * — FL, FLH, FLH-80, Classic
	20	6716	WASHER, No. 10 x 1/2 x 3/64 (3)	41 to * — FL, FLH, FLH-80, Classic
	21	7041	LOCKWASHER, 5/16 (4)	Late 70 to Early 78 — FL, FLH
	22	7069	LOCKWASHER, No. 10 (3)	41 to * — FL, FLH, FLH-80, Classic
	23	7115	LOCKWASHER, No. 8 internal tooth (2)	59 to Early 82 — FL, FLH, FLH-80, Classic
		7118	LOCKWASHER, No. 10 internal tooth (4)	Late 82 to * — FLH-80, Classic
	24	7220	LOCKWASHER, No. 10 internal tooth (6)	57 to * — FL, FLH, FLH-80, Classic
	25	7232	LOCKWASHER, 5/16 external tooth ctsk. (4)	58 to * — FL, FLH, FLH-80, Classic
	26	7233	LOCKWASHER, 5/16 external tooth (2)	58 to 73 — FL, FLH
	27	7620W	NUT, No. 10-24 x 1/8 x 3/8 hex. (3)	41 to * — FL, FLH, FLH-80, Classic
	28	7624	NUT, No. 10-24 x 1/4 x 3/8 hex. (4)	57 to * — FL, FLH, FLH-80, Classic
	29	7638	NUT, No. 10-32 x 1/8 x 3/8 hex. (2)	Late 82 to * — FLH-80, Classic
	30	7683	LOCKNUT, 1/4-28 x 5/16 x 7/16 hex.	82 — Classic; 83 to * — FLH-80
	31	7686	LOCKNUT, 1/4-20 x 5/16 x 7/16 hex.	79 to Early 81 — FL, FLH, FLH-80, Classic
	32	7753	NUT, 5/16-24 x 17/64 x 1/2 hex. (4)	41 to * — FL, FLH, FLH-80, Classic
	33	7800W	NUT, 3/8-24 x 21/64 x 9/16 hex. (2)	58 to 73 — FL, FLH
	34	8131W	NUT, No. 4-40 (4)	54 to * — FL, FLH, FLH-80, Classic
	35	8133W	SPEED NUT, reflector (4)	N/A 69 to 71 — FL, FLH
	37	8515	RIVET, 3/16 x 3/8 (10)	54 to 74 — FL, FLH, FLH-80
	38	8692	POP RIVET (8)	82 — Classic; 83 to * — FLH-80
	38A	10006	CABLE STRAP, fender tip wires (2 - Late 82)	Late 82 to * — FLH-80, Classic
	39	11431	GROMMET, speedometer cable guide	81 to * — FLH-80, Classic
	39A	11430	GROMMET, rear fender	82 to * — FLH-80, Classic
	40	11437	GROMMET, wiring harness	Late 82 to * — FLH-80, Classic
	40A	38622—78	GUIDE, speedometer cable	81 to * — FLH-80, Classic
	41	53439—79	BULB, fender tip lamp (2)	Late 82 to * — FLH-80, Classic
	41A	59000—58G	FRONT FENDER, prime	54 to 78 — FL, FLH, FLH-80
	42	59082—79	LAMP ASSEMBLY, front fender	Late 82 to * — FLH-80, Classic
		59101—79A	FRONT FENDER, prime	79 & 80 — FL, FLH, FLH-80, Classic
	43	59093—79	FRONT FENDER, prime finish	81 to * — FLH-80, Classic

FRONT AND REAR FENDERS



RETAIL PRICE	INDEX NO.	PART NO.	N A M E	USED ON
NOTE: REFER TO DEALER ACCESSORY GUIDE FOR PAINTED PARTS.				
	44	59136-69	FRONT FENDER BRACE (2)	N/A 69 to 74 — FL, FLH, FLH-80, Classic
		59164-80	FRONT FENDER BRACE, left (prime)	75 to Early 82 — FL, FLH, FLH-80, Classic
	45	59166-80	LOCKPLATE, fender bolt (2)	75 to * — FL, FLH, FLH-80, Classic
	46	59167-80	FRONT FENDER BRACE, right (prime)	75 to * — FL, FLH, FLH-80, Classic
		59169-80	FRONT FENDER BRACE, left (chrome)	N/A 75 to Early 80 — FL, FLH, FLH-80, Classic
		59170-80	FRONT FENDER BRACE, right (chrome)	N/A 75 to Early 80 — FL, FLH, FLH-80, Classic
	47	59180-80	LENS, front fender lamp	Late 82 to * — FLH-80, Classic
	48	59181-80	GASKET, front fender lamp lens	Late 82 to * — FLH-80, Classic
	49	59204-59B	FRONT FENDER TRIM SET, with fittings "1200"	67 to 80 — FL, FLH, FLH-80, Classic
		59204-78	FRONT FENDER TRIM SET, with fittings "80"	78 to Early 82 — FL, FLH, FLH-80, Classic
	50	59211-74	SIDE TRIM STRIP (2)	57 to * — FL, FLH, FLH-80, Classic
	51	59216-59B	FRONT FENDER TIP, with fittings "1200"	67 to 80 — FL, FLH
	52	59216-78	FRONT FENDER TIP, with fittings "80"	78 to Early 82 — FL, FLH, FLH-80, Classic
	52A	59233-76	FRONT FENDER TRIM KIT, lower — complete (accy)	54 to * — FL, FLH, FLH-80, Classic
	53	59238-60	FENDER FLAP, less trim (black)	49 to * — FL, FLH, FLH-80, Classic
		59239-60	FENDER FLAP, less trim (white)	49 to * — FL, FLH, FLH-80, Classic
	55	59252-69	REFLECTOR KIT, front (amber) (2)	N/A 69 to 71 — FL, FLH
	56	59254-72	REFLECTOR (amber) (2)	72 to * — FL, FLH, FLH-80, Classic
	57	59255-72	REFLECTOR (red) (2)	72 to * — FL, FLH, FLH-80, Classic
	58	59646-80	FENDER DEBRIS DEFLECTOR	82 — Classic; 83 to * — FLH-80
	59	59601-79B	REAR FENDER, with turn signals (prime)	79 to Late 82 — FL, FLH, FLH-80; 79 to 81 — Classic
		59604-69C	REAR FENDER, with turn signals (prime)	Late 73 to 78 — FL, FLH, FLH-80
	60	59641-82A	REAR FENDER (prime)	82 — Classic; 83 to * — FLH-80
	61	59658-79	LAMP ASSEMBLY, rear fender	Late 82 to * — FLH-80, Classic
	61A	59699-73	REAR END, rear fender	Late 74 to 79 — FL, FLH, FLH-80, Classic
	62	59790-62	SCREW PLATE, rear fender (2)	62 to 79 — FL, FLH, FLH-80, Classic
	63	59853-58A	REAR FENDER HINGE, with rivets	58 to 79 — FL, FLH, FLH-80, Classic
	64	59862-30	HINGE PIN	41 to 79 — FL, FLH, FLH-80, Classic
	65	59887-59B	REAR FENDER TIP, with fittings "1200"	67 to 80 — FL, FLH
	66	59887-78	REAR FENDER TIP, with fittings "80"	78 to Early 82 — FL, FLH, FLH-80, Classic
	67	59932-58	REAR FENDER SUPPORT, left	N/A 58 to 76 — FL, FLH
		59932-77	REAR FENDER SUPPORT, left	77 to * — FL, FLH, FLH-80, Classic
	68	59933-58	REAR FENDER SUPPORT, right	N/A 58 to 76 — FL, FLH
		59933-77	REAR FENDER SUPPORT, right	77 to * — FL, FLH, FLH-80, Classic
	69	60386-84	FRAME, debris deflector	Early 84 — FLH-80
		60389-80	FRAME, debris deflector	82 — Classic; 83 & Late 84 to * — FLH-80
	70	60494-80	BRACKET, debris deflector (2)	82 — Classic; 83 & Late 84 to * — FLH-80
	71	68046-79	LENS, rear fender lamp	Late 82 to * — FLH-80, Classic
	72	68047-79	GASKET, rear fender lamp lens	Late 82 to * — FLH-80, Classic
	73	70577-26	GROMMET, rear fender	79 to 81 — FL, FLH, FLH-80, Classic
	74	72275-74	CONNECTOR TAB, 2 terminal	Late 82 to * — FLH-80, Classic
	75	91091-61	TEE BOLT, front fender	79 to Early 81 — FL, FLH, FLH-80, Classic

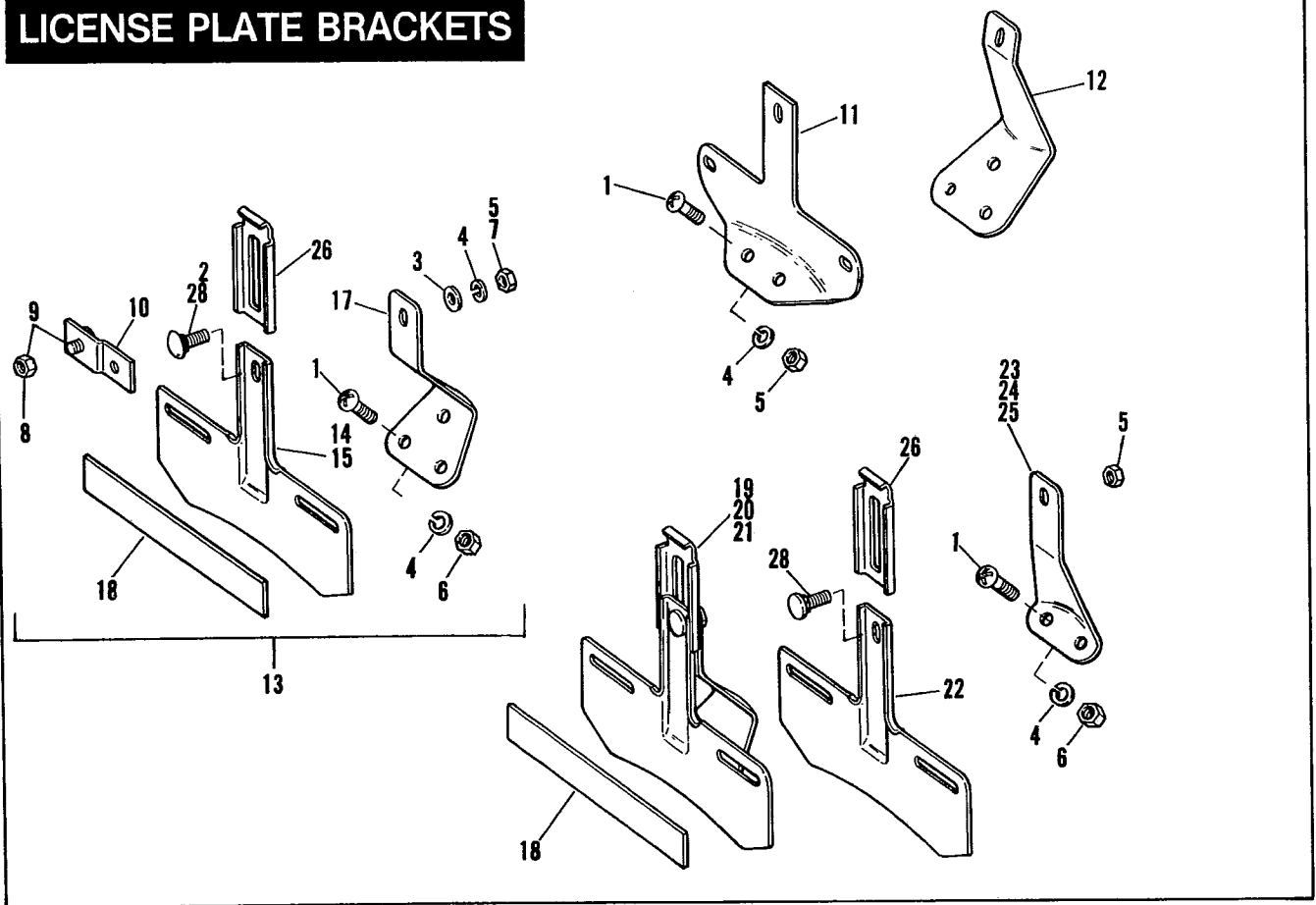


FENDER TRIM

A60A

RETAIL PRICE	INDEX NO.	PART NO.	NAME	USED ON
	1	7611	SPEEDNUT	82 — FLH-80, Classic
	2	7613A	SPEEDNUT (6)	58 to * — FL, FLH, FLH-80, Classic
	3	14015-82	TRIM, front fender — "Classic Belt Drive" (gold) (2)	82 — Classic
		14016-82	TRIM, front fender — "Classic Belt Drive" (silver) (2) N/A	82 — Classic
	3A	14023-83	TRIM, front fender — "Belt Drive" (gold) (2)	83 to * — FLH-80
		14024-83	TRIM, front fender — "Belt Drive" (silver) (2)	83 to * — FLH-80
	4	59076-77	TRIM KIT, front fender — eagle (brown) (2)	N/A 77 & 78 — FL, FLH
		59077-77	TRIM KIT, front fender — eagle (blue) (2)	N/A 77 — FL, FLH
		59078-77	TRIM KIT, front fender — eagle (gray) (2)	N/A 77 — FL, FLH
		59079-77	TRIM KIT, front fender — eagle (red) (2)	N/A 77 — FL, FLH
		59080-77	TRIM KIT, front fender — "Classic" (2)	N/A 77 — Classic
	5	59121-80	TRIM, front fender — "Eighty Cubic Inches" (silver) (2) .	80 to 82 — FLH-80
		59122-80	TRIM, front fender — "Eighty Cubic Inches" (gold) (2) . .	80 to 82 — FLH-80
	6	59150-79	TRIM, front fender—R, "Eighty Cubic Inch Electra Glide" (silver)	79 — FLH-80
		59151-79	TRIM, front fender—R, "Eighty Cubic Inch Electra Glide" (red)	79 — FLH-80
		59152-79	TRIM, front fender—R, "Eighty Cubic Inch Electra Glide" (blue)	79 — FLH-80
		59153-79	TRIM, front fender—R, "Eighty Cubic Inch Electra Glide" (brown)	79 — FLH-80
	7	59154-79	TRIM, front fender—L, "Eighty Cubic Inch Electra Glide" (silver)	79 — FLH-80
		59155-79	TRIM, front fender—L, "Eighty Cubic Inch Electra Glide" (red) N/A	79 — FLH-80
		59156-79	TRIM, front fender—L, "Eighty Cubic Inch Electra Glide" (blue)	79 — FLH-80
		59157-79	TRIM, front fender—L, "Eighty Cubic Inch Electra Glide" (brown)	79 — FLH-80
	8	59158-79	TRIM, front fender — "Classic" (brown) (2)	79 & 80 — Classic
		59159-80	TRIM, front fender — "Classic" (silver) (2)	80 — Classic
		59173-81A	TRIM, front fender — "Classic" (gold) (2)	80 & 81 — Classic
	10	59196-65	NAMEPLATE, "Electra Glide" (2)	65 to 70 — FL, FLH
	12	60111-58A	POLICE DECAL, front fender (2)	58 to * — FL, FLH, FLH-80, Classic
	13	61162-74	TRIM, rear fender, "FLH 1200"	N/A 74 & 75 — FLH
	14	99031-82	TRIM KIT, front, includes item 1	82 — FLH-80, Classic

LICENSE PLATE BRACKETS

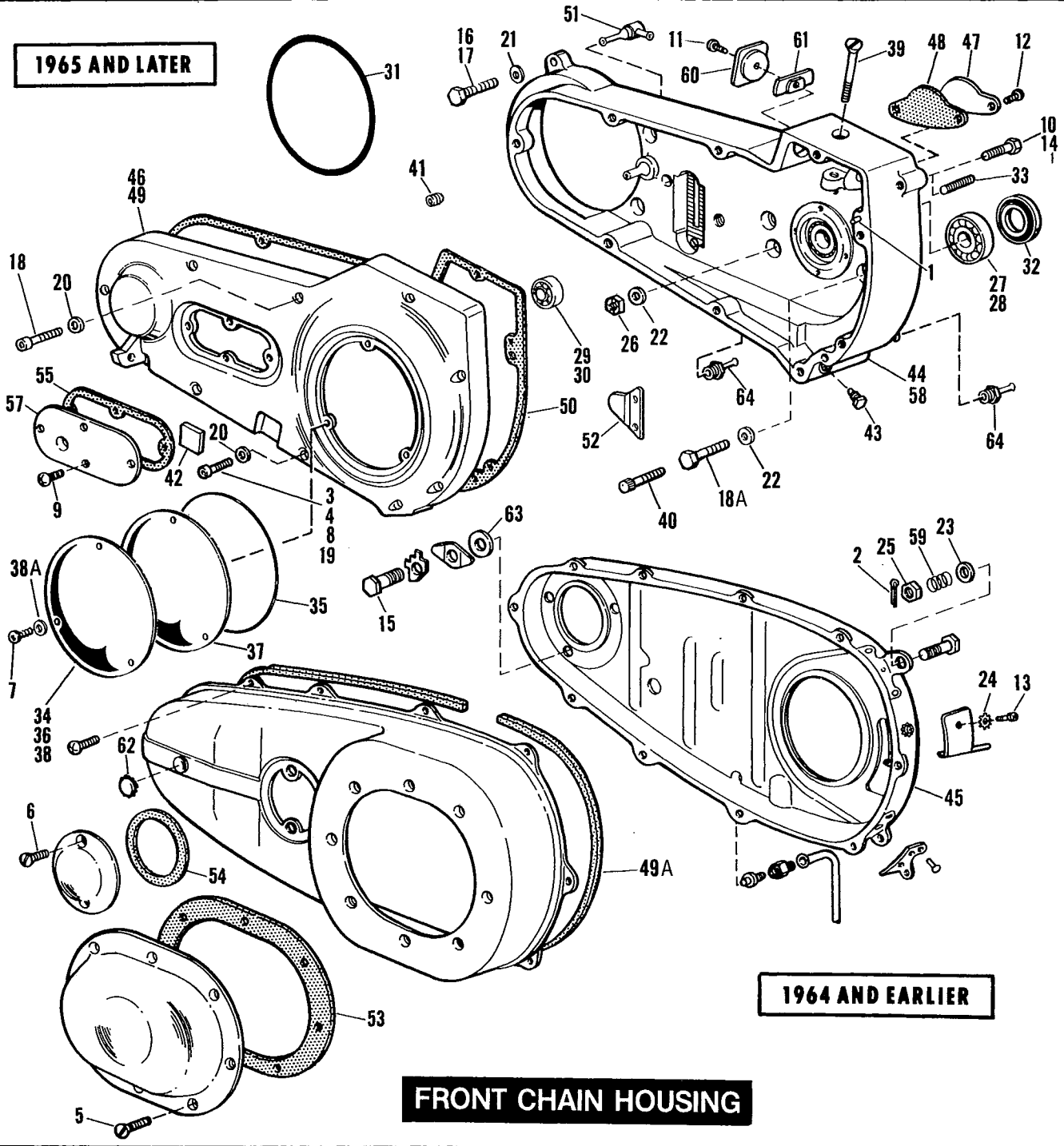


LICENSE PLATE BRACKETS

A61

RETAIL PRICE	INDEX NO.	PART NO.	NAME	USED ON
	1	2774	SCREW, 1/4-20 x 5/8 Pozidriv pan hd. (2 or 3)	Late 73 to * — FL, FLH, FLH-80, Classic
	2	5403B	CARRIAGE BOLT, 1/4-20 x 1/2	80 to * — FL, FLH, FLH-80, Classic
	3	6703	WASHER, 1/4 x 5/8 x 1/16	55 to * — FL, FLH, FLH-80, Classic
	4	7036	LOCKWASHER, 1/4 (2 or 3)	55 to * — FL, FLH, FLH-80, Classic
	5	7676	NUT, 1/4-28 x 3/16 x 7/16 hex.	55 to 79 — FL, FLH, FLH-80, Classic
	6	7688	NUT, 1/4-20 x 7/32 x 7/16 hex. (2 or 3)	55 to * — FL, FLH, FLH-80, Classic
	7	7689W	JAM NUT, 1/4-20 x 5/32 x 7/16 hex.	80 to * — FL, FLH, FLH-80, Classic
	11	59981-74	BRACKET, license plate (security system)	N/A 74 & 75 — FL, FLH
	12	59982-74	SUPPORT, license plate bracket (security system)	N/A 74 & 75 — FL, FLH
	13	59983-75	BRACKET ASSEMBLY, license plate	76 to * — FL, FLH, FLH-80, Classic
	14	59984-72	BRACKET, license plate	N/A Late 72 & Early 73 — FL, FLH
	15	59984-73	BRACKET, license plate	Late 73 to * — FL, FLH, FLH-80, Classic
	17	59986-75	SUPPORT, license plate bracket	76 to * — FL, FLH, FLH-80, Classic
	18	59988-72	REFLECTOR, license plate bracket	72 to * — FL, FLH, FLH-80, Classic
	19	59995-55A	LICENSE PLATE BRACKET ASSEMBLY	N/A 58 to Early 72 — FL, FLH
	20	59995-72A	LICENSE PLATE BRACKET ASSEMBLY	N/A Late 72 & Early 73 — FL, FLH
	21	59995-73	LICENSE PLATE BRACKET ASSEMBLY	N/A Late 73 — FL, FLH
	22	59997-55	BRACKET, license plate	N/A 55 to 71 — FL, FLH
	23	59999-55A	SUPPORT, license plate bracket	N/A 55 to 71 — FL, FLH
	24	59999-72	SUPPORT, license plate bracket	N/A Late 72 & Early 73 — FL, FLH
	25	59999-73	SUPPORT, license plate bracket	Late 73 — FL, FLH
	26	60001-55	CLAMP, license plate	55 to * — FL, FLH, FLH-80, Classic
	28	60002-55	BOLT, license plate clamp	55 to 79 — FL, FLH, FLH-80, Classic

1965 AND LATER

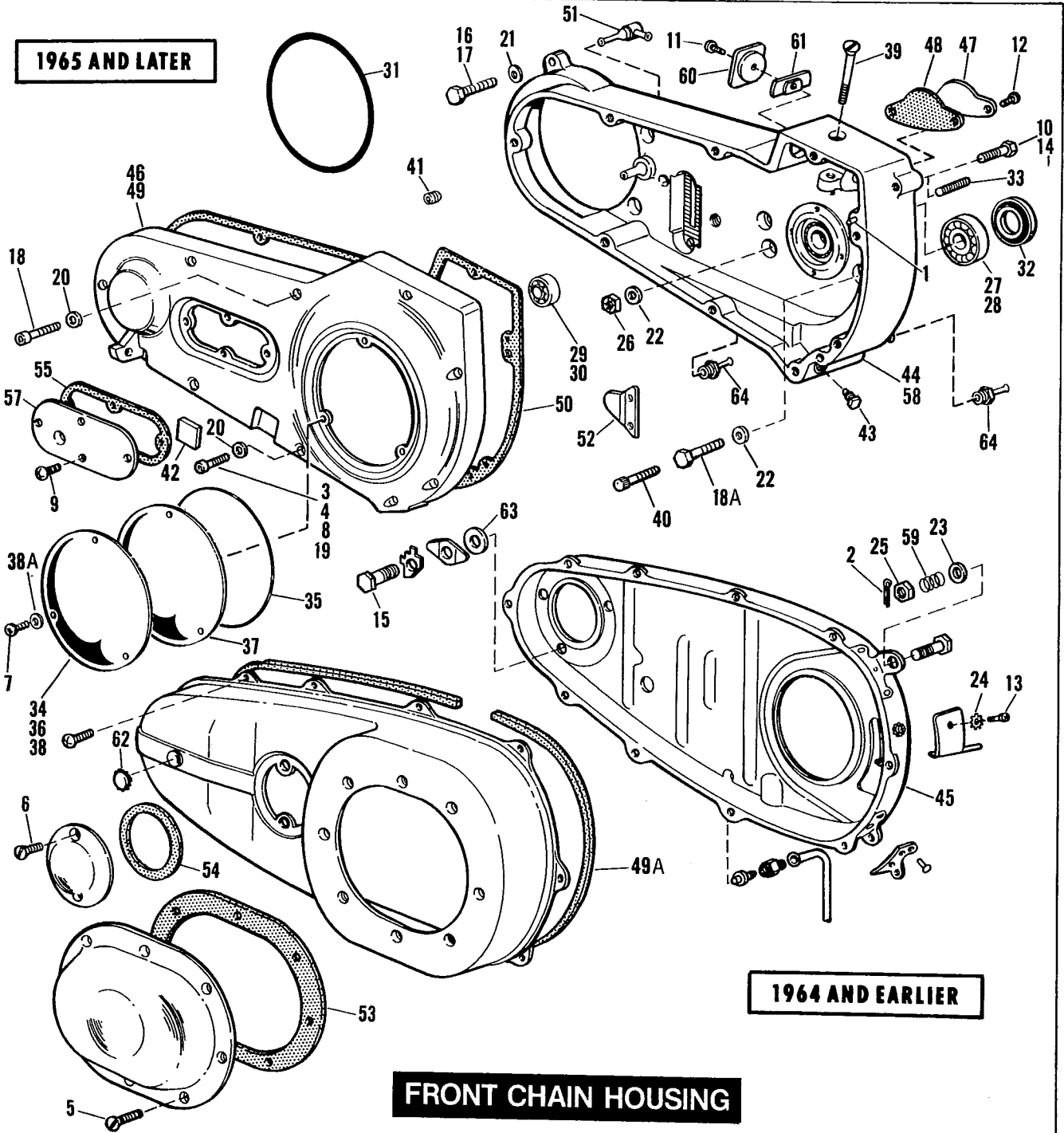


1964 AND EARLIER

FRONT CHAIN HOUSING

RETAIL PRICE	INDEX NO.	PART NO.	N A M E	USED ON
	1	334A	ROLL PIN, front chain housing	65 to * — FL, FLH, FLH-80, Classic
	2	515	COTTER PIN	41 to 64 — FL, FLH
	3	903	SCREW, 1/4-20 x 1-1/4 Pozidriv oval ctsk. hd. (black) (8)	79 & 80 — Classic
	4	1301	SCREW, 1/4-20 x 1-1/4 Pozidriv fil. hd. (8; 7-81 & Later)	70 to * — FL, FLH, FLH-80
	5	2265W	SCREW, No. 12-24 x 3/8 oval hd. (8)	41 to 64 — FL, FLH
	6	2268W	SCREW, No. 12-24 x 1/2 oval hd. (2)	41 to 64 — FL, FLH
	7	2337W	SCREW, 1/4-20 x 1/2 Phillips pan hd. (w/lock patch) (3)	70 to * — FL, FLH, FLH-80, Classic
	8	2345	SCREW, 1/4-20 x 1-1/2 ctsk. oval hd. (8)	65 to 69 — FL, FLH
	9	2356	SCREW, 1/4-20 x 3/4 Pozidriv oval ctsk. hd. (4)	65 to * — FL, FLH, FLH-80, Classic
	10	2551W	BOLT, 1/4-20 x 1 hex. hd. (rear)	79 to * — FL, FLH, FLH-80, Classic
	11	2773	SCREW, 1/4-20 x 1/2 Pozidriv pan hd.	65 to 79 — FL, FLH, FLH-80, Classic
	12	2774	SCREW, 1/4-20 x 5/8 Pozidriv pan hd. (2)	65 to 69 — FL, FLH
	13	2808	SCREW, No. 8-32 x 3/8 Pozidriv pan hd.	Late 62 to 64 — FL, FLH
	14	2872W	BOLT, 1/4-20 x 1-1/2 hex. hd. (front)	79 to * — FL, FLH, FLH-80, Classic
	15	3987	BOLT, 5/16-18 x 3/4 hex. hd. (3)	41 to 64 — FL, FLH
	16	4017	BOLT, 5/16-18 x 1 hex. hd. (2)	Early 70 — FL, FLH, FLH-80, Classic
	17	4021	BOLT, 5/16-18 x 1 hex. hd. (2) (with safety wire holes)	Late 70 to * — FL, FLH, FLH-80, Classic
	18	4718	SCREW, 1/4-20 x 1-1/2 socket hd.	81 & 82 — FLH-80, Classic
	18A	4720W	BOLT, 3/8 - 16 x 1-3/4 hex. hd. (2)	Late 82 to * — FLH-80
		4722	BOLT, 3/8-16 x 2-1/4 hex. hd. (2)	Late 81 & Early 82 — FLH-80; Late 81 — Classic
	19	4813	SCREW, 1/4-20 x 1-3/8 socket hd. (7; 9 - 83 & Later)	81 & 82 — Classic; 83 to * — FLH-80
	20	6099	WASHER, 1/4 x 7/16 x 3/64 (8; 9 - 83 & Later)	81 & 82 — Classic; 83 to * — FLH-80
	21	6324W	WASHER, 5/16 (4)	70 to * — FL, FLH, FLH-80, Classic
	22	6388HB	WASHER, 3/8 x 23/32 x 1/16 (4)	74 to * — FL, FLH, FLH-80, Classic
	23	6703	WASHER, 1/4 x 5/8 x 1/16 (2)	41 to 64 — FL, FLH
	24	7315	LOCKWASHER, No. 8 int. & ext. tooth	Late 62 to 64 — FL, FLH
	25	7688	NUT, 1/4-20 x 1/4 x 1/2 hex. (2)	41 to 64 — FL, FLH
	26	7775	LOCKNUT, 3/8-24 x 7/16 x 9/16 hex. (4; 2 - 80 & Later)	65 to * — FL, FLH, FLH-80, Classic
	27	9037	BEARING, chain housing	65 to 69 — FL, FLH
	28	9040	BALL BEARING	70 to * — FL, FLH, FLH-80, Classic
	29	9061	BALL BEARING, chain housing	79 to Early 84 — FL, FLH, FLH-80, Classic
		9135	BEARING, chain housing	Late 84 to * — FLH-80
	30	9063	NEEDLE BEARING	65 to 78 — FL, FLH, FLH-80
	31	11125	O-RING, chain housing cover	70 to 82 — FL, FLH, FLH-80; 79 to 81 — Classic
		11147	O-RING, chain housing cover	82 — Classic; 83 to * — FLH-80
	32	12018	OIL SEAL	70 to Early 84 — FL, FLH, FLH-80; 82 — Classic
		12052	OIL SEAL	Late 84 to * — FLH-80
	33	24811—59A	STUD, starter shaft housing (2)	N/A 65 to 78 — FL, FLH, FLH-80
	34	25401—77	COVER, clutch, chain guard (Eagle Medallion)	N/A 81 & 82 — Classic
		25414—70	COVER, clutch, chain guard	70 to * — FL, FLH, FLH-80
	35	25416—70	GASKET, chain & clutch cover	70 to Early 84 — FL, FLH, FLH-80, Classic
		25416—84	O-RING, clutch cover	Late 84 to * — FLH-80
	36	25417—79	COVER, clutch, chain guard — "80"	79 — FLH-80, Classic
	37	25420—79	INNER COVER, chain guard	Late 79 to * — FLH-80, Classic
	38	25426—80	COVER, clutch chain guard — "EIGHTY CUBIC INCHES"	80 to * — FLH-80
	38A	31433—84	WASHER, clutch cover (nylon) (3)	Late 84 to * — FLH-80
	39	31478—65A	TOP SCREW, chain housing	65 to * — FL, FLH, FLH-80, Classic

1965 AND LATER

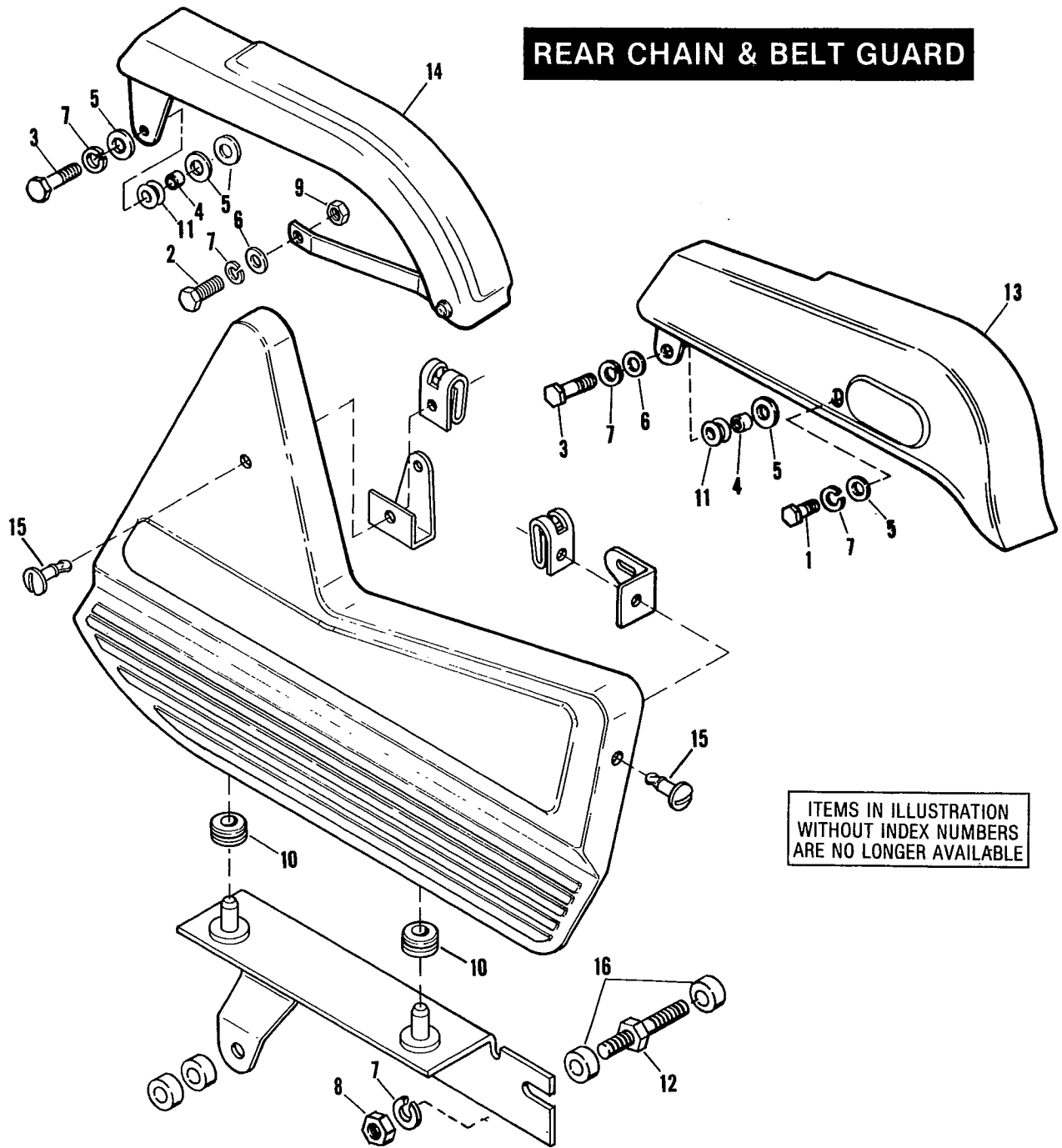


1964 AND EARLIER

FRONT CHAIN HOUSING

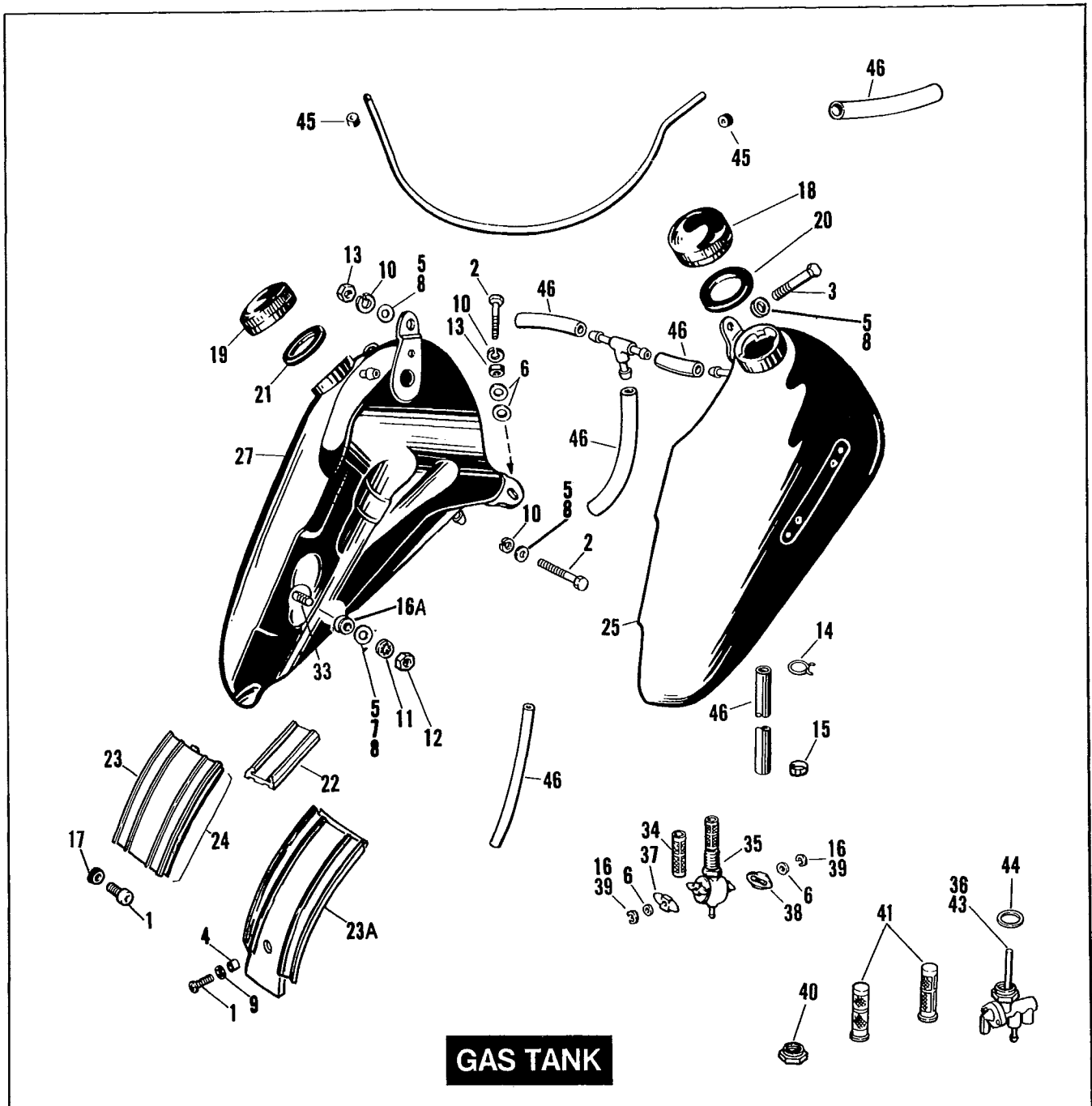
RETAIL PRICE	INDEX NO.	PART NO.	N A M E	USED ON
	40	44134-72A	BOLT, 12 pt. flanged (2)	80 & Early 81 — FLH, FLH-80, Classic; 82 — Classic
	41	45830-48	PLUG, chain housing vent hole	65 — FL, FLH
	42	50100-70	BUMPER, jiffy stand	70 to * — FL, FLH, FLH-80, Classic
	43	60348-65A	MAGNETIC DRAIN PLUG KIT	65 to * — FL, FLH, FLH-80, Classic
	44	60411-79A	FRONT CHAIN HOUSING — 8 hole	79 to 82 — FL, FLH, FLH-80
		60441-79	FRONT CHAIN HOUSING (painted)	79 to 81 — Classic
			To fit the above housings on 70 thru 78 models, you must order the following hardware:	
		3454	BOLT, 1/4-20 x 1-3/4 hex. hd.	
		7036	LOCKWASHER, 1/4	
		7688	NUT, 1/4-20 x 1/4 x 1/2 hex.	
		60414-82	FRONT CHAIN HOUSING — 9 hole	83 & Early 84 — FLH-80
		60414-84	FRONT CHAIN HOUSING — 9 hole	Late 84 to * — FLH-80
		60444-82	FRONT CHAIN HOUSING (black wrinkle)	82 — Classic
	45	60505-55	FRONT CHAIN HOUSING	N/A 55 to 64 — FL, FLH
	46	60508-70	COVER, chain housing — with needle bearing 9063	70 to 82 — FL, FLH, FLH-80; 79 to 81 — Classic
		60508-82A	COVER, chain housing — with needle bearing 9063	83 — FLH-80
	47	60514-65	COVER, starter hole	65 to 69 — FL, FLH
	48	60518-65	GASKET, starter hole cover	65 to 69 — FL, FLH
	49	60523-82	COVER, chain housing — with needle bearing 9063	Early 82 — Classic
		60525-82A	COVER, chain housing	Late 82 — Classic; 83 to * — FLH-80
	49A	60540-36	GASKET, housing cover	41 to 64 — FL, FLH
	50	60538-81C	GASKET, housing cover	65 to * — FL, FLH, FLH-80, Classic
	51	60549-70	CHAIN OILER FITTING, chain housing	70 to * — FL, FLH, FLH-80, Classic
	52	60556-74	BAFFLE PLATE, front chain housing	N/A 66 to 72 — FL, FLH
	53	60565-36	GASKET, clutch cover	N/A 41 to 64 — FL, FLH
	54	60567-36	GASKET, inspection cover (2)	41 to 64 — FL, FLH
	55	60567-65	GASKET, inspection cover	65 to 83 — FL, FLH, FLH-80, Classic
		60567-65B	GASKET, inspection cover	84 to * — FLH-80
	57	60572-78	INSPECTION COVER, w/o hole (chrome)	65 to * — FL, FLH, FLH-80, Classic
	58	60617-65A	FRONT CHAIN HOUSING	N/A 65 to 69 — FL, FLH
	59	60640-29	SPRING, chain cover bolt (2)	N/A 41 to 64 — FL, FLH
	60	60644-65	COVER, switch hole	65 to 79 — FL, FLH, FLH-80, Classic
	61	60646-65	RETAINER, switch hole cover	65 to 78 — FL, FLH, FLH-80
	62	60650-54A	PLUG, chain housing — with gasket	N/A 54 to 64 — FL, FLH
	63	60655-55	SPACER, spring clip (3)	N/A 55 to 64 — FL, FLH
	64	63533-41	FITTING, vent hose	66 to * — FL, FLH, FLH-80, Classic

REAR CHAIN & BELT GUARD



ITEMS IN ILLUSTRATION
WITHOUT INDEX NUMBERS
ARE NO LONGER AVAILABLE

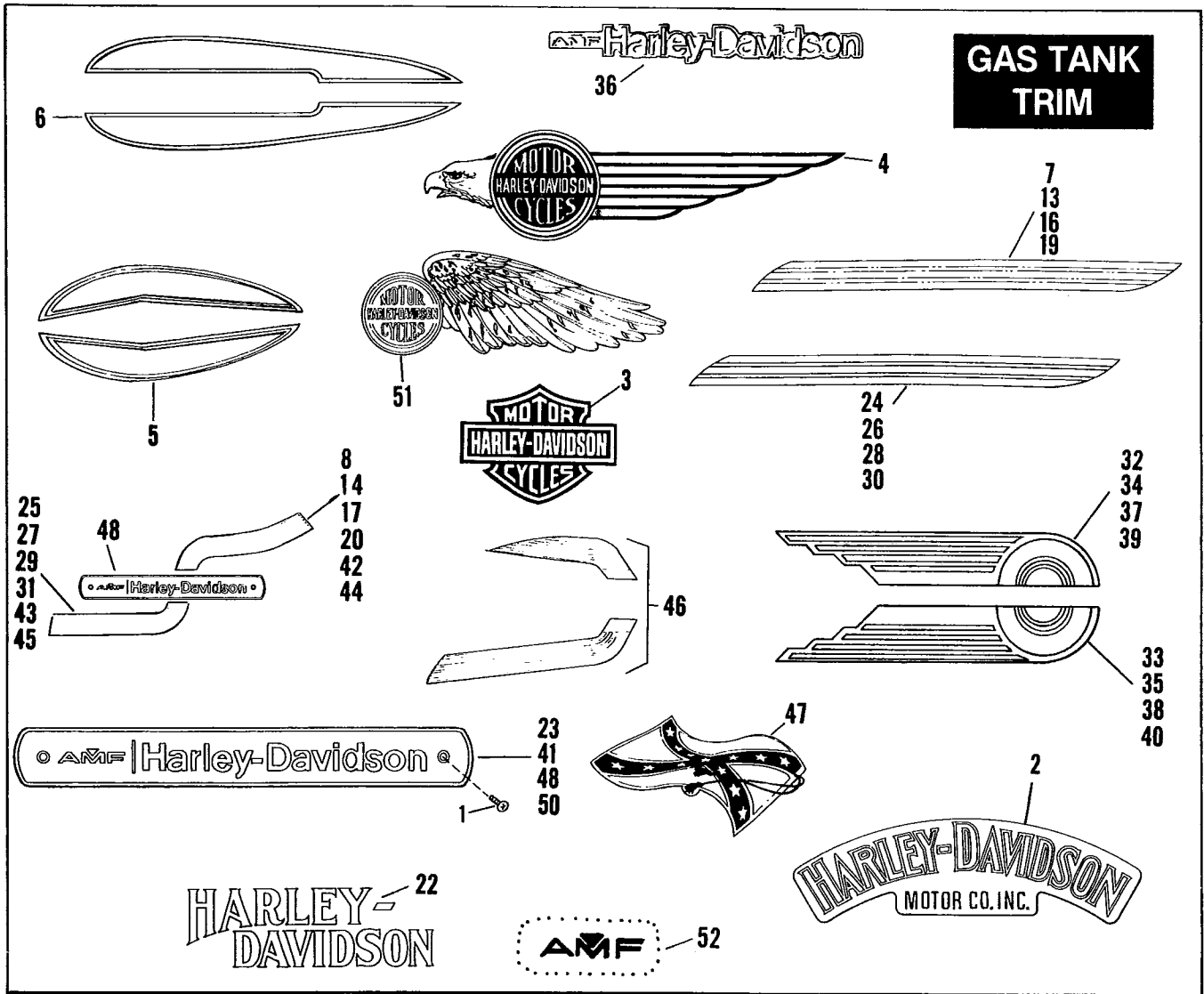
RETAIL PRICE	INDEX NO.	PART NO.	N A M E	USED ON
	1	3974HW	BOLT, 5/16-24 x 3/4 hex. hd.	63 to 82 — FL, FLH, FLH-80; 79 to 81 — Classic
	2	3996	BOLT, 5/16-24 x 7/8 hex. hd.	82 — Classic; 83 to * — FLH-80
	3	4014W	BOLT, 5/16-24 x 1-1/4 hex. hd.	58 to * — FL, FLH, FLH-80, Classic
	4	5926B	SPACER, chain guard — front mounting	63 to 72 — FL, FLH; 74 to * — FL, FLH, FLH-80, Classic
	5	6107B	WASHER, 5/16 x 11/16 x 1/8 (2; 3 — Late 83)	63 to * — FL, FLH, FLH-80, Classic
	6	6702	WASHER, 5/16 x 11/16 x 1/16.	73 to * — FL, FLH, FLH-80, Classic
	7	7041	LOCKWASHER, 5/16 (3; 1-82 & Later — Classic)	58 to * — FL, FLH, FLH-80, Classic
	8	7744	JAMNUT, 5/16-24 x 3/16 x 1/2 (panel kit)	65 to 72 — FL, FLH
	9	7753	NUT, 5/16-24 x 1/4 x 1/2 hex.	82 — Classic; 83 to * — FLH-80
	10	11410	GROMMET, panel bottom bracket (2)	65 to 72 — FL, FLH
	11	11411	GROMMET, chain guard mounting	63 to * — FL, FLH, FLH-80, Classic
	12	24827—66A	STUD, transmission cover (panel kit)	65 to 72 — FL, FLH
	13	60302—63	REAR CHAIN GUARD	63 to 82 — FL, FLH, FLH-80; 79 to 81 — Classic
	14	60388—82	BELT GUARD, rear (black)	82 — Classic; 83 to * — FLH-80
	15	60589—69	STUD (2)	N/A 65 to 72 — FL, FLH
	16	91089—58	SPACER, transmission cover stud (2) (panel kit)	65 to * — FL, FLH, FLH-80, Classic



RETAIL PRICE	INDEX NO.	PART NO.	N A M E	USED ON
NOTE: REFER TO DEALER ACCESSORY GUIDE FOR PAINTED PARTS.				
	1	903	SCREW, 1/4-20x1-1/4 Pozidriv oval ctsk. hd. (black) . . .	82 to Early 84 — FLH-80, Classic
		2513	SCREW, 1/4-20 x 1-1/4 socket rd. hd. (black)	Late 84 to * — FLH-80
	2	3960W	BOLT, 5/16-24 x 1 hex. hd. (3; 2-82 & Later)	41 to 82 — FL, FLH, FLH-80, Classic
		4014W	BOLT, 5/16-24 x 1-1/4 hex. hd.	83 to * — FLH-80
	3	4725	BOLT, 5/16-24 x 2-3/4 hex. hd.	41 to * — FL, FLH, FLH-80, Classic
	4	5733	SPACER, fuel tank trim	83 to * — FLH-80
	5	6109	WASHER, 5/16 x 11/16 x 1/8 (5)	84 to * — FLH-80
	6	6160P	THRUST WASHER (as required)	N/A Late 69 to 74 — FL, FLH
	7	6324W	WASHER, 5/16 x 11/16 x 3/32 (2)	63 to 75 — FL, FLH
	8	6327B	WASHER, 5/16 x 3/4 x 1/16 (5; 2-82 & Later)	41 to * — FL, FLH, FLH-80, Classic
		6400HB	WASHER, 3/8 x 13/16 x 3/32 (3)	82 & 83 — FLH-80, Classic
	9	6411	WASHER, 9/32 x 5/8 x 1/16 (black)	83 to * — FLH-80
	10	7041	LOCKWASHER, 5/16 (3)	41 to * — FL, FLH, FLH-80, Classic
	11	7127	LOCKWASHER, 5/16 internal tooth (2)	63 to Early 71 — FL, FLH
	12	7725	LOCKNUT, 5/16-24 x 11/32 x 1/2 hex. (2)	74 & 75 — FL, FLH
	13	7753	NUT, 5/16-24 x 17/64 x 1/2 hex. (4)	41 to * — FL, FLH, FLH-80, Classic
	14	9993	WIRE CLAMP (1/2" o.d. hose) (5)	Late 66 to 82 — FL, FLH, FLH-80, Classic
	15	10014	BAND CLAMP (1/2" o.d. hose) (2; 5-83 & Later)	67 to * — FL, FLH, FLH-80, Classic
	16	11040P	LOCK RING (2)	Late 69 to 74 — FL, FLH
	16A	52103—31	SPACER, fuel tank (2)	Late 80 to * — FL, FLH, FLH-80, Classic
	17	60975—78	MOUNTING, fuel tank trim	82 — FLH-80, Classic
	18	61102—73	CAP, fuel tank (vented)	N/A Late 73 to 82 — FL, FLH, FLH-80, Classic
		61102—83A	CAP, fuel tank (vented)	83 to * — FLH-80
		61103—36	CAP, fuel tank (vented)	N/A 41 to Early 73 — FL, FLH
	19	61103—65	CAP, fuel tank — left (not vented)	N/A 65 to Early 73 — FL, FLH
		61103—73A	CAP, fuel tank (not vented)	N/A Late 73 to 82 — FL, FLH, FLH-80, Classic
		61103—83	CAP, fuel tank (not vented)	83 to * — FLH-80
	20	61111—77	GASKET, right tank cap	41 to 82 — FL, FLH, FLH-80, Classic
	21	61116—65	GASKET, left tank cap	65 to 82 — FL, FLH, FLH-80, Classic
	22	61122—39	FILLER STRIP (rubber) (standard seat)	41 to Early 79 — FL, FLH, FLH-80, Classic
		61122—79	FILLER STRIP (rubber) (standard seat)	Late 79 to 81 — FL, FLH, FLH-80, Classic
	23	61141—82	FILLER STRIP, fuel tank	82 — FLH-80, Classic
	23A	61141—83B	FILLER STRIP, fuel tank	83 to * — FLH-80
	24	61169—82	TAPE, filler strip (2)	82 — FLH-80, Classic
	25	61213—83	FUEL TANK, right (5 gal.) (prime)	67 to * — FL, FLH, FLH-80, Classic
		61217—69A	FUEL TANK, right (3-1/2 gal.) (prime) w/screw tab	N/A 69 to 77 — FL, FLH
		61219—83	FUEL TANK, right (3-1/2 gal.) (prime)	78 to * — FL, FLH, FLH-80, Classic
	27	61229—83	FUEL TANK, left (5 gal.) (prime)	67 to * — FL, FLH, FLH-80, Classic
		61230—69A	FUEL TANK, left (3-1/2 gal.) (prime) w/screw tab	N/A 69 to 77 — FL, FLH
		61425—83	FUEL TANK, left (3-1/2 gal.) (prime)	78 to * — FL, FLH, FLH-80, Classic
	33	61605—36	REAR MOUNTING STUD (2)	N/A 41 to 75 — FL, FLH
	34	62096—69	FILTER SCREEN, fuel valve (Nylon)	69 to 74 — FL, FLH
	35	62125—55B	FUEL VALVE ASSEMBLY	66 to 74 — FL, FLH
	36	62129—75	FUEL VALVE, without filter or nut — with reserve tube	75 to 80 — FL, FLH, FLH-80, Classic
	37	62141—69P	KNOB, fuel valve	N/A Late 69 to 74 — FL, FLH
	38	62142—69P	KNOB, fuel valve (reserve)	N/A Late 69 to 74 — FL, FLH
	39	62150—50	RETAINING RING, valve knob (2)	N/A 66 to 69 — FL, FLH
	40	62161—75	NUT, fuel valve	75 to * — FL, FLH, FLH-80, Classic
	41	62162—75	FILTER, fuel valve	75 to 80 — FL, FLH, FLH-80, Classic
		62166—81	FILTER, fuel valve — with reserve tube	81 to * — FLH-80, Classic
	43	62168—81	FUEL VALVE, without filter, nut or reserve tube	81 to * — FLH-80, Classic
	44	62172—75	GASKET, fuel valve	81 to * — FLH-80, Classic
	45	62360—50	SLEEVE, fuel line (2)	N/A 50 to 65 — FL, FLH

NOTE: Hose is sold only in bulk length under the following part number. Cut to required length.

46	63501—68	HOSE, 1/4 I.D. x 5/8 O.D. reinforced rubber (25 ft.)	59 to * — FL, FLH, FLH-80, Classic
----	----------	--	------------------------------------

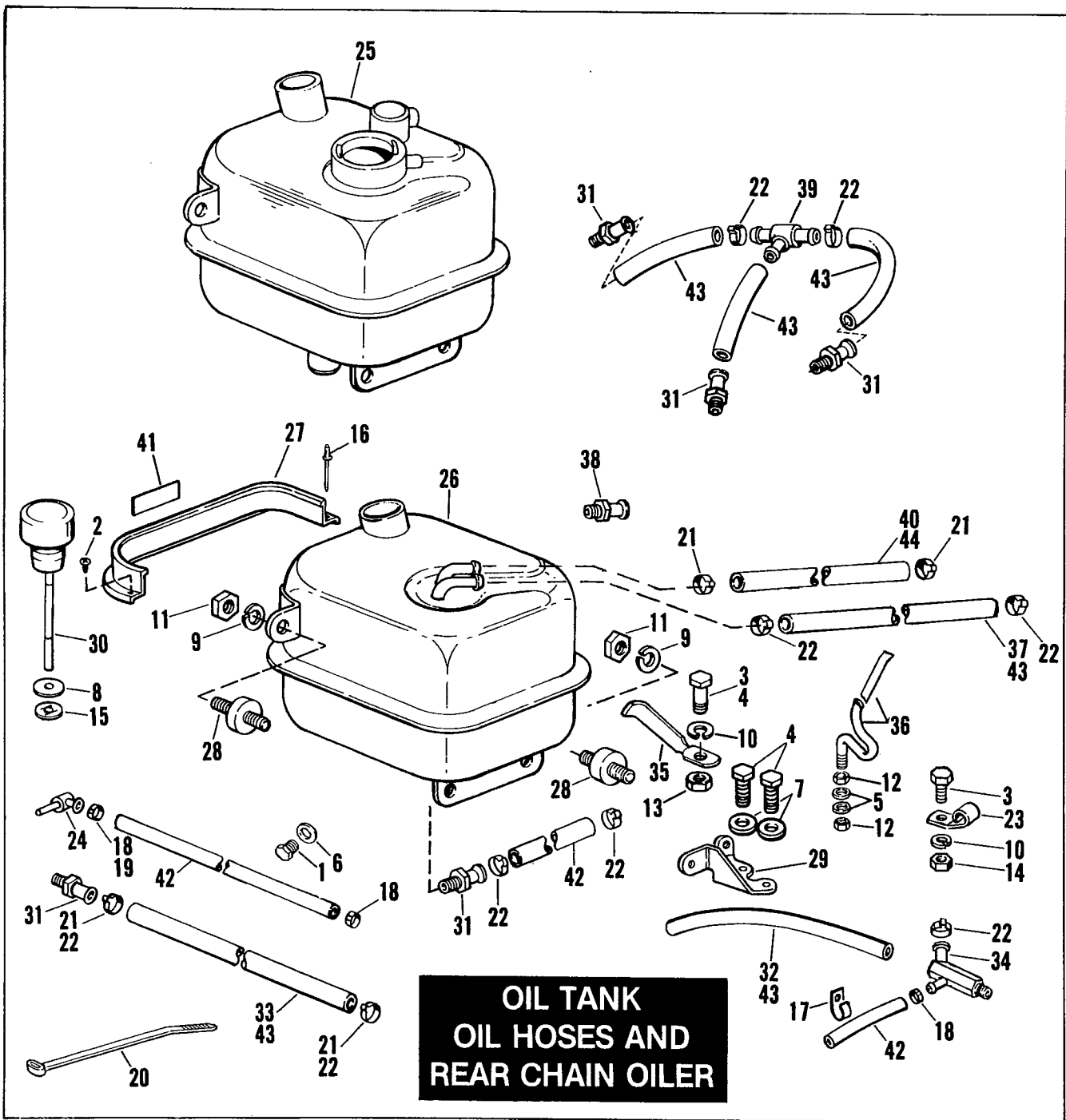


GAS TANK TRIM

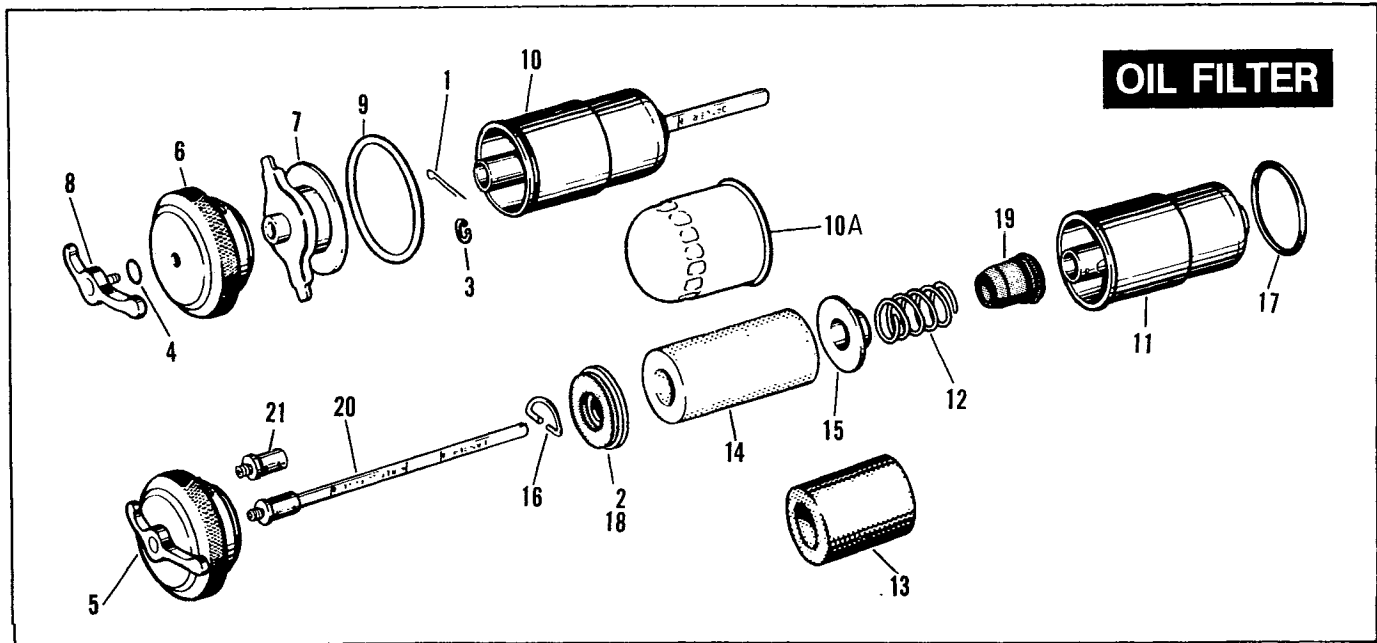
A65-1

RETAIL PRICE	INDEX NO.	PART NO.	NAME	USED ON
	1	2061W	SCREW, No. 4-40 x 3/16 Phillips hd. (4)	63 to 81 — FL, FLH, FLH-80, Classic
	2	14001-82	DECAL, tank side (gold)	82 — Classic
		14002-82	DECAL, tank side (gold & red)	82 — Classic
		14003-82	DECAL, tank side (silver & grey)	82 — Classic
	3	14004-82	DECAL, tank side (silver on black)	83 — FLH-80
		14005-82	DECAL, tank side (gold on black)	83 to * — FLH-80
		14006-82	DECAL, tank side (gold on brown)	83 to * — FLH-80
	4	14061-84	WING DECAL, tank side — R (gold / brown / black)	84 to * — FLH-80
		14062-84	WING DECAL, tank side — L (gold / brown / black)	84 to * — FLH-80
		14063-84	WING DECAL, tank side — R (silver / gray / black)	84 to * — FLH-80
		14064-84	WING DECAL, tank side — L (silver / gray / black)	84 to * — FLH-80
	5	61145-71	DECAL, bottom left (black)	N/A 71 — FL, FLH
	6	61146-72	DECAL, tank side — L (red, white & blue)	N/A 72 — FL, FLH
	7	61148-74	TRIM, tank side — upper right (red, white & blue)	N/A 74 — FL, FLH
	8	61148-75	TRIM, tank side — upper right (red, white & blue)	N/A 75 — FL, FLH
	13	61150-74	TRIM, tank side — upper right	N/A 74 — FL, FLH
	14	61150-75	TRIM, tank side — upper right (brown, pink & purple)	N/A 75 — FL, FLH
	16	61153-74	TRIM, tank side — upper left	N/A 74 — FL, FLH
	17	61153-75	TRIM, tank side — upper left (brown, pink & purple)	N/A 75 — FL, FLH
	19	61155-74	TRIM, tank side — upper left (red, white & blue)	N/A 74 — FL, FLH
	20	61155-75	TRIM, tank side — upper left (red, white & blue)	N/A 75 — FL, FLH

RETAIL PRICE	INDEX NO.	PART NO.	N A M E	USED ON
	22	61205-77	TRIM, gas tank "Harley-Davidson"	Late 77 & 78 — FLH
		61243-78	TRIM, gas tank (black & gold) (2)	Early 78 — FL, FLH
	23	61253-79A	NAMEPLATE, gas tank (black) (2)	79 & 80 — FL, FLH, FLH-80
	24	61257-74	TRIM, tank side — lower right	N/A 74 — FL, FLH
	25	61257-75	TRIM, tank side — lower right (brown, pink & purple)	N/A 75 — FL, FLH
	26	61258-74	TRIM, tank side — lower right (red, white & blue)	N/A 74 — FL, FLH
	27	61258-75	TRIM, tank side — lower right (red, white & blue)	N/A 75 — FL, FLH
	28	61259-74	TRIM, tank side — lower left	N/A 74 — FL, FLH
	29	61259-75	TRIM, tank side — lower left (brown, pink & purple)	N/A 75 — FL, FLH
	30	61268-74	TRIM, tank side — lower left (red, white & blue)	N/A 74 — FL, FLH
	31	61268-75	TRIM, tank side — lower left (red, white & blue)	N/A 75 — FL, FLH
	32	61325-79	TRIM, tank side — upper right (gold, light & dark brown)	79 & 80 — FL, FLH, FLH-80, Classic
	33	61326-79	TRIM, tank side — lower right (gold, light & dark brown)	79 & 80 — FL, FLH, FLH-80, Classic
	34	61327-79	TRIM, tank side — upper left (gold, light & dark brown)	79 & 80 — FL, FLH, FLH-80, Classic
	35	61328-79	TRIM, tank side — lower left (gold, light & dark brown)	79 & 80 — FL, FLH, FLH-80, Classic
	36	61348-78	NAMEPLATE — L (red)	78 — FL, FLH, FLH-80
		61349-78	NAMEPLATE — L (blue)	N/A 78 — FL, FLH, FLH-80
		61350-78	NAMEPLATE — L (brown)	N/A 78 — FL, FLH, FLH-80
		61352-78	NAMEPLATE — R (red)	N/A 78 — FL, FLH, FLH-80
		61353-78	NAMEPLATE — R (blue)	N/A 78 — FL, FLH, FLH-80
		61354-78	NAMEPLATE — R (brown)	N/A 78 — FL, FLH, FLH-80
	37	61356-79	TRIM, tank side — upper right (silver, red & gray)	79 & 80 — FL, FLH, FLH-80, Classic
	38	61357-79	TRIM, tank side — lower right (silver, red & gray)	79 & 80 — FL, FLH, FLH-80, Classic
	39	61358-79	TRIM, tank side — upper left (silver, red & gray)	79 & 80 — FL, FLH, FLH-80, Classic
	40	61359-79	TRIM, tank side — lower left (silver, red & gray)	79 & 80 — FL, FLH, FLH-80, Classic
	41	61360-79	NAMEPLATE, gas tank (gold) (2)	79 & 80 — Classic; 80 — FL, FLH, FLH-80
	42	61370-75	TRIM, tank side — upper right (green, blue & black)	N/A 75 — FL, FLH
	43	61371-75	TRIM, tank side — lower right (green, blue & black)	N/A 75 — FL, FLH
	44	61372-75	TRIM, tank side — upper left (green, blue & black)	N/A 75 — FL, FLH
	45	61373-75	TRIM, tank side — lower left (green, blue & black)	N/A 75 — FL, FLH
	46	61470-76	TRIM KIT, gas tank — R (black)	N/A 76 — FL, FLH
		61471-76	TRIM KIT, gas tank — R (brown)	N/A 76 — FL, FLH
		61472-76	TRIM KIT, gas tank — R (blue)	N/A 76 — FL, FLH
		61473-76	TRIM KIT, gas tank — R (red)	N/A 76 — FL, FLH
		61474-76	TRIM KIT, gas tank — R (orange)	N/A 76 — FL, FLH
		61475-76	TRIM KIT, gas tank — L (black)	N/A 76 — FL, FLH
		61476-76	TRIM KIT, gas tank — L (brown)	N/A 76 — FL, FLH
		61477-76	TRIM KIT, gas tank — L (blue)	N/A 76 — FL, FLH
		61478-76	TRIM KIT, gas tank — L (red)	N/A 76 — FL, FLH
		61479-76	TRIM KIT, gas tank — L (orange)	N/A 76 — FL, FLH
	47	61650-77	TRIM, "CONFEDERATE EDITION" — R	N/A 77 — FLH
		61651-77	TRIM, "CONFEDERATE EDITION" — L	N/A 77 — FLH
	48	61771-72	NAMEPLATE (silver) (2)	N/A 72 to 75 — FL, FLH
		61773-76	NAMEPLATE (gold) (2)	76 to * — FL, FLH, FLH-80
	50	61796-77	NAMEPLATE, gas tank (brown) (2)	N/A 77 — FL, FLH
		61797-77	NAMEPLATE, gas tank (blue) (2)	N/A 77 — FL, FLH
		61798-77	NAMEPLATE, gas tank (black) (2)	N/A 77 — FL, FLH
		61799-77	NAMEPLATE, gas tank (red) (2)	N/A 77 — FL, FLH
	51	61900-81	WING DECAL, tank side — L (gold)	81 & 82 — FLH-80
		61901-81	WING DECAL, tank side — R (gold)	81 & 82 — FLH-80
		61902-81	WING DECAL, tank side — L (silver)	81 & 82 — FLH-80, Classic
		61903-81	WING DECAL, tank side — R (silver)	81 & 82 — FLH-80, Classic
		61904-81	WING DECAL, tank side — L (red)	81 & 82 — FLH-80, Classic
		61905-81	WING DECAL, tank side — R (red)	81 & 82 — FLH-80, Classic
	52	61906-81	DECAL, tank side (gold) (2)	N/A 81 — FLH-80; 81 — Classic
		61907-81	DECAL, tank side (silver) (2)	N/A 81 — FLH-80; 81 — Classic



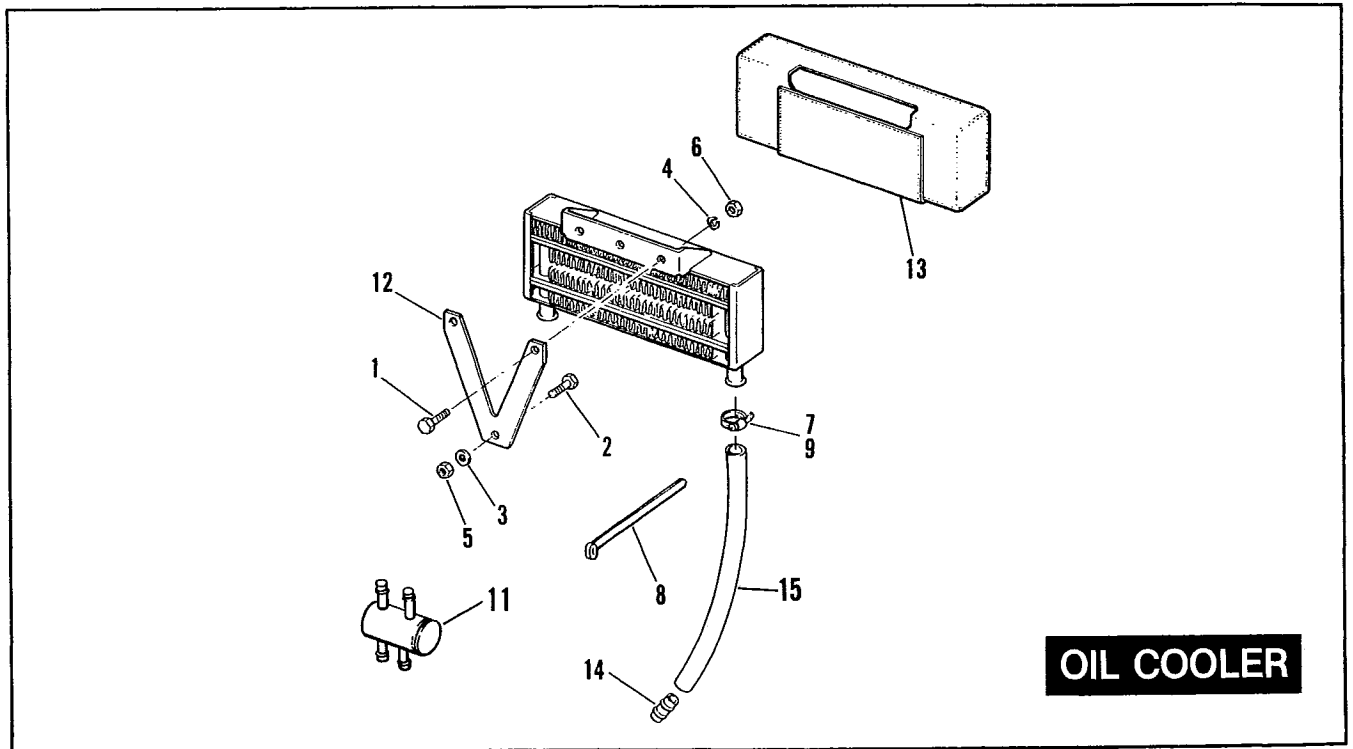
RETAIL PRICE	INDEX NO.	PART NO.	N A M E	USED ON
	1	704	DRAIN PLUG	Late 81 — FLH-80, Classic
		706A	DRAIN PLUG	41 to * — FL, FLH, FLH-80, Classic
	2	2073W	SCREW, No. 4-24 x 1/4 self-tapping flat hd. (2)	65 to Early 81 — FL, FLH, FLH-80, Classic
	3	3974HW	BOLT, 5/16-24 x 3/4 hex. hd. (2)	65 to Early 80 — FL, FLH, FLH-80, Classic
		3987	BOLT, 5/16-18 x 3/4 hex. hd.	Late 80 to Early 84 — FL, FLH, FLH-80, Classic
	4	4391	BOLT, 5/16-24 x 5/8 hex. hd. (2)	80 to * — FL, FLH, FLH-80, Classic
	5	6339	WASHER, 1/4 x 5/8 x 1/16 (chrome) (2)	Late 84 to * — FLH-80
	6	6700B	WASHER, 5/8 x 13/16 x 1/32	41 to 83 — FL, FLH, FLH-80, Classic
	7	6702	WASHER, 5/16 x 11/16 x 1/16 (2)	80 to * — FLH, FLH-80, Classic
	8	6703	WASHER, 1/4 x 5/8 x 1/16	70 to * — FL, FLH, FLH-80, Classic
	9	7036	LOCKWASHER, 1/4	58 to * — FL, FLH, FLH-80, Classic
	10	7041	LOCKWASHER, 5/16	41 to Early 84 — FL, FLH, FLH-80, Classic
	11	7688	NUT, 1/4-20 x 1/4 x 1/2 hex. (2)	65 to * — FL, FLH, FLH-80, Classic
	12	7689W	JAM NUT, 1/4-20 x 5/32 x 7/16 hex. (2)	Late 84 to * — FLH-80
	13	7748W	NUT, 5/16-18 x 17/64 x 1/2 hex.	Late 80 to Early 84 — FL, FLH, FLH-80, Classic
	14	7753	NUT, 5/16-24 x 1/4 x 1/2 hex.	67 to Early 78 — FL, FLH, FLH-80, Classic
	15	8126	SPEED NUT, oil cap	70 to * — FL, FLH, FLH-80, Classic
	16	8698	POP RIVET (2)	65 to * — FL, FLH, FLH-80, Classic
	17	9951	CLAMP, chain oiler hose	Late 78 to 82 — FL, FLH, FLH-80; 79 to 81 — Classic
	18	9992	HOSE CLAMP, oiler hose — 11/32 dia. (3 - Late 77 & Early 78; 2 - 81 & Earlier — Classic; 2 - 82 & Earlier — FLH-80)	65 to * — FL, FLH, FLH-80, Classic
	19	9996	HOSE CLAMP — 3/8 dia.	Late 79 to Early 84 — FL, FLH, FLH-80, Classic
	20	10006	HOSE STRAP, oil hose (2-83 & Later)	65 to * — FL, FLH, FLH-80, Classic
	21	10014	CLAMP, oil hoses — 1/2 dia. (2)	Late 61 to * — FL, FLH, FLH-80, Classic
	22	10080	CLAMP, oil hoses (19; 18 — Classic)	Late 61 to * — FL, FLH, FLH-80, Classic
	23	24920-67	CLAMP, rear chain oiler hose	67 to Early 77 — FL, FLH
		24921-77	CLAMP, rear chain oiler hose	N/A Late 77 & Early 78 — FL, FLH, FLH-80
	24	60549-70	CHAIN OILER FITTING, chain housing	70 to Early 84 — FL, FLH, FLH-80, Classic
	25	62483-81	OIL TANK KIT	65 to Early 82 — FL, FLH, FLH-80, Classic
			NOTE: To use on 1979 & earlier vehicles use 66204-80 BATTERY CARRIER	
	26	62504-82A	OIL TANK	Late 82 to * — FLH-80, Classic
		62541-82A	OIL TANK KIT	N/A 83 & 84 — FLH-80
	27	62534-65	EDGING, oil tank (without "H" decal)	65 to * — FL, FLH, FLH-80, Classic
	28	62563-65	RUBBER MOUNT (2)	65 to * — FL, FLH, FLH-80, Classic
	29	62576-65A	BRACKET, oil tank mounting	65 to Early 79 — FL, FLH, FLH-80, Classic
		62576-79	BRACKET, oil tank mounting	Late 79 & Early 80 — FL, FLH, FLH-80, Classic
	30	62625-70A	FILLER CAP, with dipstick	70 to * — FL, FLH, FLH-80, Classic
	31	63533-41	FITTING, feed and oiler return hoses (2)	65 to * — FL, FLH, FLH-80, Classic
	32	63536-84	HOSE, oil pump to oil filter inlet	Late 84 to * — FLH-80
	33	63539-84	HOSE, oil pump inlet from oil tank outlet	Late 84 to * — FLH-80
	34	63541-70	TEE, rear chain oiler	70 to Early 78 — FL, FLH, FLH-80
	36	63549-65A	BRACKET, includes items 5 & 12	65 to * — FL, FLH, FLH-80, Classic
	37	63564-84	HOSE, crankcase to oil tank vent	Late 84 to * — FLH-80
	38	63578-52	FITTING, vent hose	65 to 75 — FL, FLH, FLH-80, Classic
	39	63580-66A	TEE, vent hose	66 to Early 84 — FL, FLH, FLH-80, Classic
	40	63587-84	HOSE, oil filter to oil tank vent	Late 84 to * — FLH-80
	41	66035-79	LABEL, "warning - disconnect battery, etc." (silver)	79 & 80 — FL, FLH, FLH-80, Classic
		66047-80A	LABEL, "warning - disconnect battery, etc." (silver)	81 to * — FLH-80, Classic
	42	63591-82	HOSE, front & rear chain oiler (rear — 82 & Earlier)	68 to * — FL, FLH, FLH-80, Classic
			NOTE: Hose is sold only in bulk length under the following part numbers. Cut to required length.	
	43	63500-68	HOSE, 3/8 I.D. x 5/8 O.D., reinforced rubber (25 ft. lg.)	59 to * — FL, FLH, FLH-80, Classic
	44	63501-68	HOSE, 1/4 I.D. x 1/2 O.D., reinforced rubber (25 ft. lg.)	59 to * — FL, FLH, FLH-80, Classic



OIL FILTER

A67

RETAIL PRICE	INDEX NO.	PART NO.	NAME	USED ON
	1	534	COTTER PIN, 3/32 x 5/8	58 to Early 82 — FL, FLH, FLH-80, Classic
	2	6817	WASHER, 3/4 x 1-11/16 x 1/8	58 to Early 67 — FL, FLH
	3	11012	RETAINING RING	Late 66 to Early 82 — FL, FLH, FLH-80, Classic
	4	11105	O-RING, cap top	Late 66 to Early 82 — FL, FLH, FLH-80, Classic
	5	62610—52A	CAP ASSEMBLY	58 to Early 82 — FL, FLH, FLH-80, Classic
	6	62611—66	CAP TOP	N/A
	7	62612—66	LOCKING NUT, filter cap	Late 66 to Early 82 — FL, FLH, FLH-80, Classic
	8	62620—66	SCREW, filter cap	Late 66 to Early 82 — FL, FLH, FLH-80, Classic
	9	62628—66	GASKET, oil filter cap	Late 66 to Early 82 — FL, FLH, FLH-80, Classic
		63785—80	OIL FILTER CONVERSION KIT — chrome	80 to Early 82 — FLH, FLH-80, Classic
		63794—77	OIL FILTER CONVERSION KIT — chrome	Late 77 to 79 — FL, FLH, FLH-80, Classic
			NOTE: Cannot be used with front Highway Bar	
	10	63799—65A	OIL FILTER ASSEMBLY, less cap	65 to 69 — FL, FLH
	10A	63805—80	OIL FILTER, conversion kit (black)	Early 82 — FLH-80, Classic
		63810—80A	OIL FILTER, spin-on (black)	Late 82 to * — FLH-80, Classic
	11	63826—53	CUP, oil filter	58 to Early 82 — FL, FLH, FLH-80, Classic
	12	63831—67	SPRING, filter cup	Late 67 to Early 82 — FL, FLH, FLH-80, Classic
	13	63840—48A	FILTER ELEMENT	41 to 64 — FL, FLH
	14	63840—53	FILTER ELEMENT	53 to Early 82 — FL, FLH, FLH-80, Classic
	15	63846—67	LOWER RETAINER, filter element	Late 67 to Early 82 — FL, FLH, FLH-80, Classic
	16	63878—53	CLIP, oil filter	58 to Early 82 — FL, FLH, FLH-80, Classic
	17	63879—53	O-RING	58 to Early 82 — FL, FLH, FLH-80, Classic
	18	63881—67	UPPER SEAL, oil filter	Late 67 to Early 82 — FL, FLH, FLH-80, Classic
	19	63882—67	LOWER SEAL, oil filter	Late 67 to Early 82 — FL, FLH, FLH-80, Classic
	20	63885—65	VALVE, with gage rod	65 to 69 — FL, FLH
	21	63885—70	VALVE, less gage rod	70 to Early 82 — FL, FLH, FLH-80, Classic

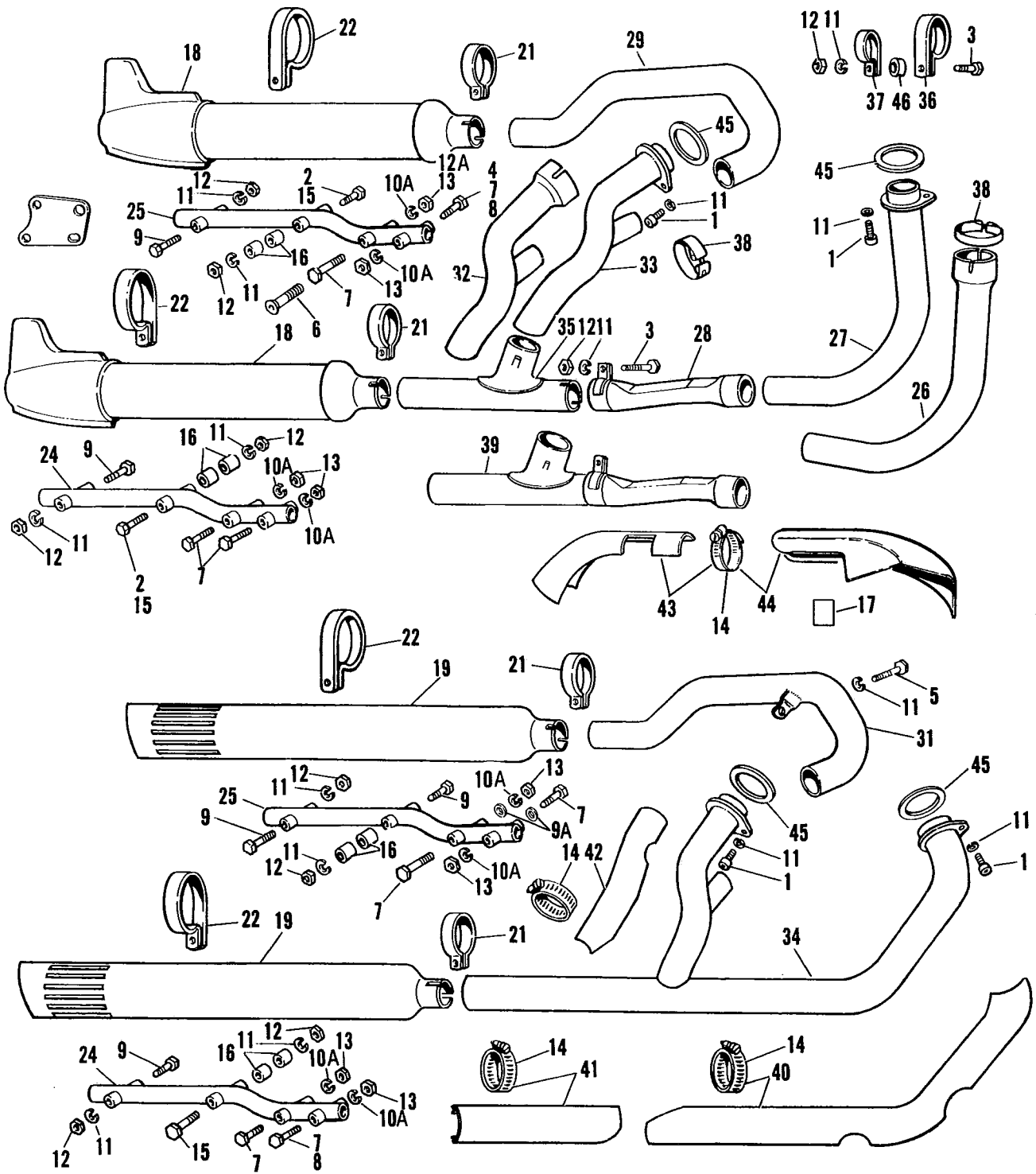


OIL COOLER

A68

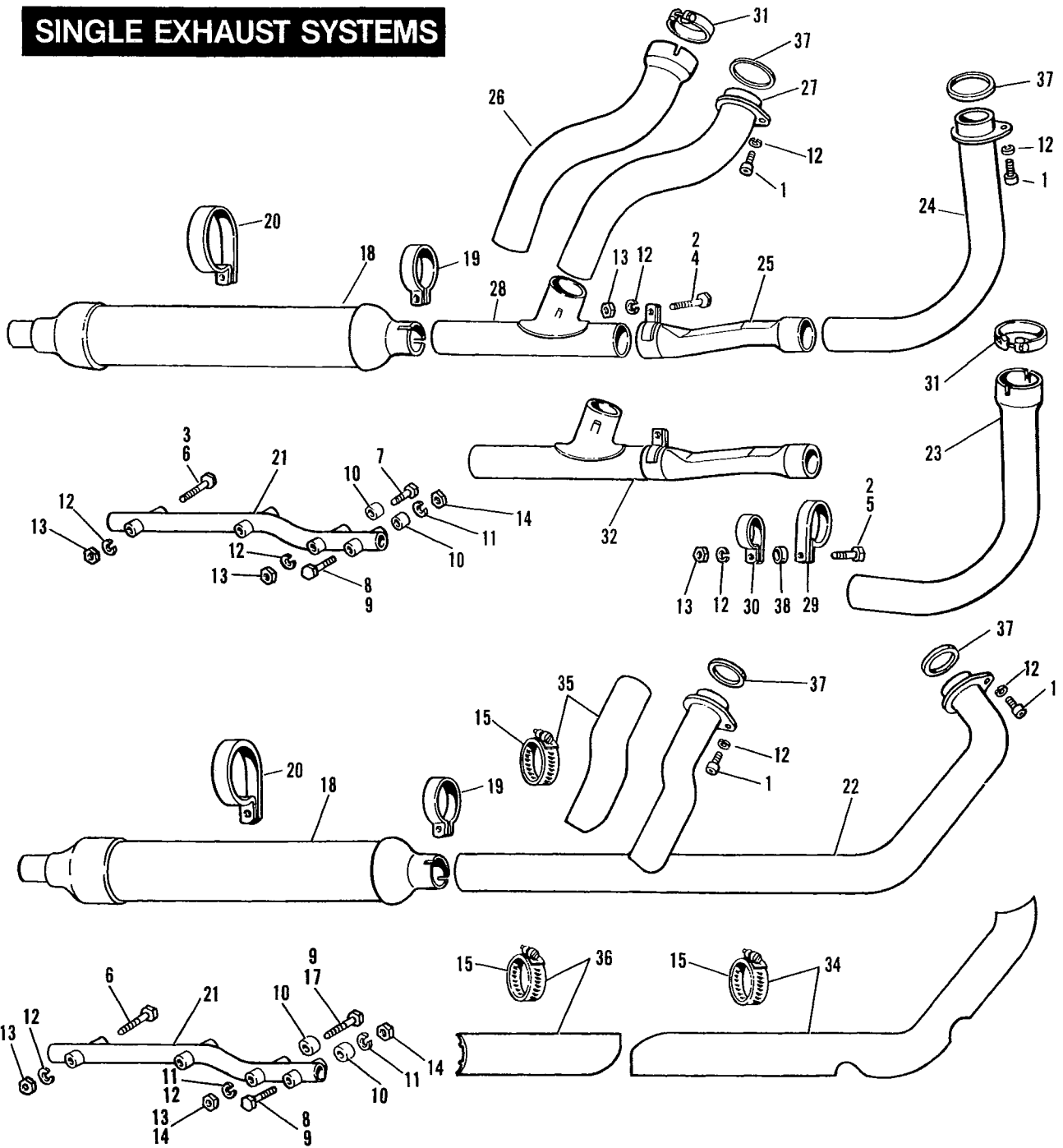
RETAIL PRICE	INDEX NO.	PART NO.	NAME	USED ON
	1	3953W	BOLT, 5/16-24 x 1/2 hex. hd. (2)	78 to 81 — FL, FLH, FLH-80, Classic
	2	3996	BOLT, 5/16-24 x 7/8 hex. hd.	78 to 81 — FL, FLH, FLH-80, Classic
	3	6702	WASHER, 5/16 x 11/16 x 1/16	78 to 81 — FL, FLH, FLH-80, Classic
	4	7041	LOCKWASHER, 5/16 (2)	78 to 81 — FL, FLH, FLH-80, Classic
	5	7725	LOCKNUT, 5/16-24 x 11/32 x 1/2 hex.	78 to 81 — FL, FLH, FLH-80, Classic
	6	7753	NUT, 5/16-24 x 1/4 x 1/2 hex. (2)	78 to 81 — FL, FLH, FLH-80, Classic
	7	9946	CLAMP, oil hose (5)	78 to 81 — FL, FLH, FLH-80, Classic
	8	10006	STRAP, oil hose (6)	78 to 81 — FL, FLH, FLH-80, Classic
	9	10080	CLAMP, oil hoses — 11/16 dia. (2)	78 to 81 — FL, FLH, FLH-80, Classic
	11	26251—78	THERMOSTATIC BYPASS VALVE, oil cooler (black)	78 to 81 — FL, FLH, FLH-80, Classic
			Includes besides valve:	
			9946 CLAMP, oil hose (4)	
			10006 CABLE STRAP (4)	
		62571—77A	OIL COOLER KIT (black)	78 to 81 — FL, FLH, FLH-80, Classic
	12	62574—77	MOUNTING BRACKET, oil cooler	78 to 81 — FL, FLH, FLH-80, Classic
		62577—77A	OIL COOLER KIT (chrome)	78 to 81 — FL, FLH, FLH-80, Classic
	13	62578—77	COVER, oil cooler	78 to 81 — FL, FLH, FLH-80, Classic
	14	63792—77	FITTING, oil hose	78 to 81 — FL, FLH, FLH-80, Classic
			NOTE: Hose is only sold in bulk length under the following part number. Cut to length required.	
	15	63500—68	HOSE, 3/8 I.D. x 5/8 O.D. reinforced rubber (25 ft. long)	78 to 81 — FL, FLH, FLH-80, Classic

DUAL EXHAUST SYSTEMS

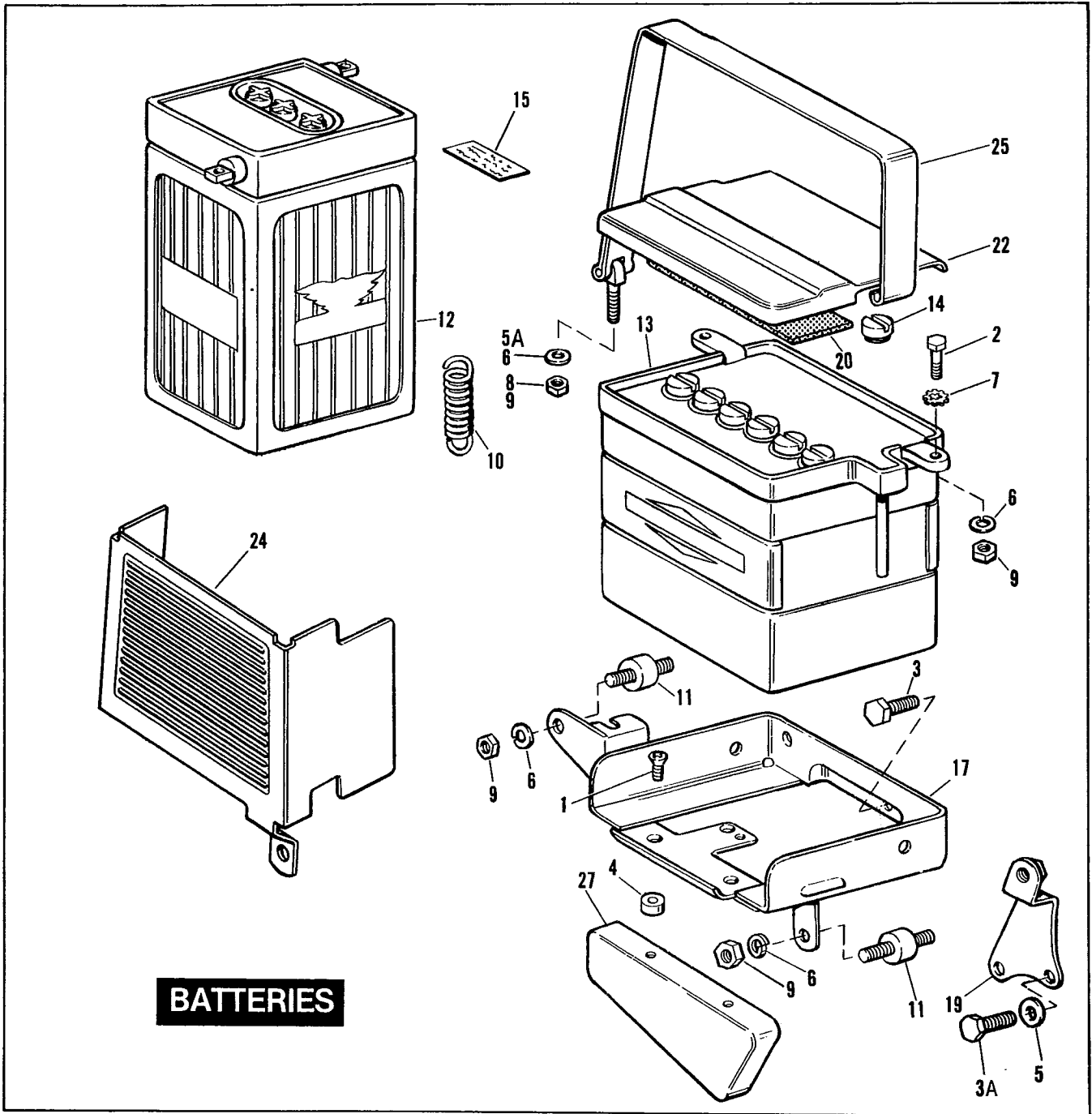


RETAIL PRICE	INDEX NO.	PART NO.	N A M E	USED ON
	1	3201W	SCREW, 5/16-18 x 3/4 socket hd. (2)	66 to * — FL, FLH, FLH-80, Classic
	2	3409	BOLT, 5/16-24 x 3-1/2 hex. hd. (2)	Late 81 to * — FLH-80, Classic
	3	3960W	BOLT, 5/16-24 x 1 hex. hd. (2)	41 to 81 — FL, FLH, FLH-80, Classic
		3974HW	BOLT, 5/16-24 x 3/4 hex. hd.	41 to * — FL, FLH, FLH-80, Classic
	4	3945	BOLT, 3/8-24 x 2-1/4 hex. hd.	82 — Classic; 83 to * — FLH-80
	5	4017	BOLT, 5/16-18 x 1 hex. hd.	70 to * — FL, FLH, FLH-80, Classic
	6	4050	SCREW, 3/8-16 x 2-3/4 socket ctsk. hd.	82 to * — FLH-80, Classic
	7	4380W	BOLT, 3/8-24 x 2 hex. hd. (3)	58 to 78 — FL, FLH, FLH-80
		4415	BOLT, 3/8-24 x 3 hex. hd. (3; 2-82 — Classic)	79 to * — FL, FLH, FLH-80, Classic
	8	4435W	BOLT, 3/8-24 x 3-7/16 hex. hd. (2). (Not used with rear safety guard)	58 to * — FL, FLH, FLH-80, Classic
		4440W	BOLT, 3/8-24 x 4 hex. hd. (2). (Used with rear safety guard)	58 to 79 — FL, FLH, FLH-80, Classic
	9	4710	BOLT, 5/16-24 x 2-1/4 hex. hd. (2-83 & Later)	58 to * — FL, FLH, FLH-80, Classic
		4053W	BOLT, 5/16-24 x 2 hex. hd.	Late 82 to * — FLH-80, Classic
	9A	6701	WASHER, 3/8 x 13/16 x 1/16 (2)	Late 83 — FLH-80
	10	6702	WASHER, 5/16 x 11/16 x 1/16	81 to * — FLH-80, Classic
	10A	7038	LOCKWASHER, 3/8 (2)	58 to * — FL, FLH, FLH-80, Classic
	11	7041	LOCKWASHER, 5/16 (2)	41 to 80 — FL, FLH, FLH-80, Classic
	12	7725	LOCKNUT, 5/16-24 x 11/32 x 1/2 hex.	81 to * — FLH-80, Classic
		7753	NUT, 5/16-24 x 1/4 x 1/2 hex.	58 to 80 — FL, FLH, FLH-80, Classic
	12A	7783	NUT, 3/8-16 x 5/16 x 9/16 hex.	82 to * — FLH-80, Classic
	13	7800W	NUT, 3/8-24 x 5/16 x 9/16 hex. (3; 2-82 — Classic)	58 to * — FL, FLH, FLH-80, Classic
	14	9955	CLAMP, exhaust pipe shield (4)	70 to * — FL, FLH, FLH-80, Classic
	15	30013—71	BOLT, 5/16-24 x 3-1/4 hex. hd. (3- 58 to Early 81)	58 to * — FL, FLH, FLH-80, Classic
	16	57089—71	SPACER (2)	79 to * — FL, FLH, FLH-80, Classic
		58102—49	SPACER (4)	58 to 78 — FL, FLH, FLH-80
	17	61079—82	CUSHION, heat shield	Late 83 to * — FLH-80
	18	65240—61	MUFFLER, fishtail	58 to 66 — FL, FLH
		65242—62A	MUFFLER, fishtail — extra quiet	62 to 66 — FL, FLH
	19	65242—70B	MUFFLER, extra quiet (chrome) (2)	70 to 77 — FL, FLH
		65242—78B	MUFFLER (chrome) (2)	78 to * — FL, FLH, FLH-80, Classic
	21	65276—62	CLAMP, muffler — front (2" dia.)	58 to * — FL, FLH, FLH-80, Classic
	22	65293—58	HANGER, muffler — rear (2)	58 to 77 — FL, FLH
		65294—78	HANGER, muffler — rear (2)	78 to * — FL, FLH, FLH-80, Classic
	24	65318—58A	SUPPORT TUBE, muffler — right side	58 to * — FL, FLH, FLH-80, Classic
	25	65318—59C	SUPPORT TUBE, muffler — left side	58 to * — FL, FLH, FLH-80, Classic
	26	65440—48	EXHAUST PIPE, front	N/A 48 to 65 — FL, FLH
	27	65443—66	EXHAUST PIPE, front	N/A 66 to 69 — FL, FLH
	28	65465—36	PIPE CONNECTOR, with fittings	N/A 41 to 64 — FL, FLH
	29	65494—61	EXHAUST PIPE, left — rear, cross-over	N/A 58 to 64 — FL, FLH
		65494—65	EXHAUST PIPE, left — rear, cross-over	N/A 65 to 69 — FL, FLH
	31	65494—70	EXHAUST PIPE, left — rear, cross-over	70 to * — FL, FLH, FLH-80, Classic
	32	65496—61	EXHAUST PIPE, right — rear	N/A 58 to 65 — FL, FLH
	33	65496—66	EXHAUST PIPE, right — rear	66 to 69 — FL, FLH
	34	65496—70	EXHAUST PIPE	70 to * — FL, FLH, FLH-80, Classic
	35	65505—61	CONNECTION, rear exhaust pipe	N/A 62 to 64 — FL, FLH
	36	65512—37A	CLAMP, front pipe to frame	N/A 41 to 69 — FL, FLH
	37	65513—58	CLAMP, front pipe to frame	N/A 58 to 69 — FL, FLH
	38	65519—48A	CLAMP, exhaust port (2)	48 to 65 — FL, FLH
	39	65538—65	CONNECTOR, rear exhaust pipe	65 to 69 — FL, FLH
	40	65561—70	SHIELD KIT, front exhaust pipe	70 to * — FL, FLH, FLH-80
	41	65565—70A	SHIELD KIT, dual exhaust pipe — right front	70 to * — FL, FLH, FLH-80, Classic
	42	65567—70	SHIELD KIT, dual exhaust pipe — right rear	70 to * — FL, FLH, FLH-80, Classic
	43	65707—77	EXHAUST PIPE LOWER HEAT SHIELD — vertical left front, includes 9995 CLAMP (2)	65 to * — FL, FLH, FLH-80, Classic
	44	65710—65	EXHAUST PIPE UPPER HEAT SHIELD - horizontal left rear, includes 9991A CLAMP (2)	65 to * — FL, FLH, FLH-80, Classic
	45	65834—68A	GASKET, exhaust port (2)	Late 68 to * — FL, FLH, FLH-80, Classic
	46	90908—58	SPACER	69 to * — FL, FLH, FLH-80, Classic

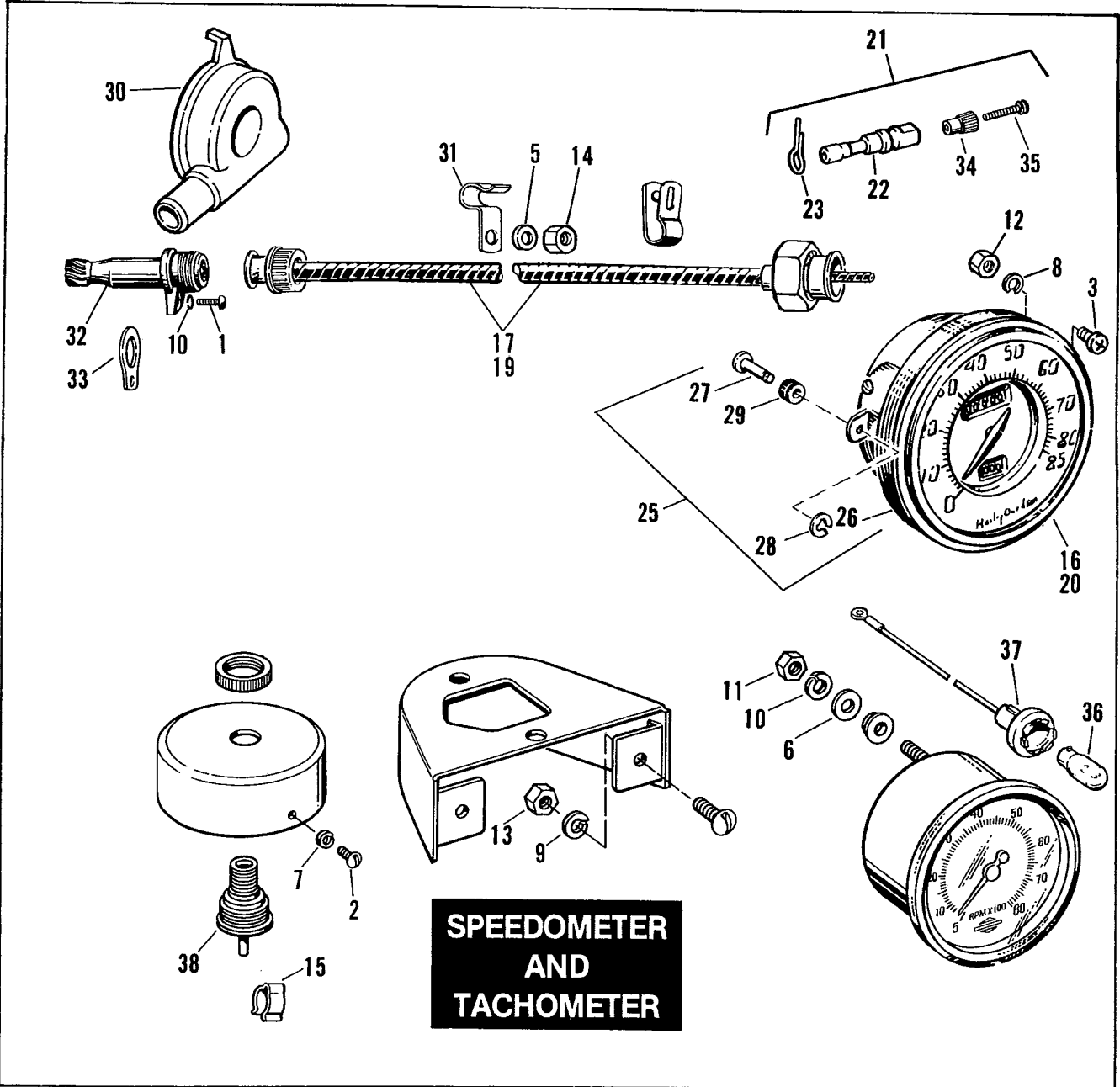
SINGLE EXHAUST SYSTEMS



RETAIL PRICE	INDEX NO.	PART NO.	N A M E	USED ON
	1	3201W	SCREW, 5/16-18 x 3/4 socket hd. (2)	66 to Early 78 — FL, FLH, FLH-80
	2	3960W	BOLT, 5/16-24 x 1 hex. hd. (2)	41 to Early 78 — FL, FLH, FLH-80
	3	3974HW	BOLT, 5/16-24 x 3/4 hex. hd.	41 to Early 78 — FL, FLH, FLH-80
	4	3996	BOLT, 5/16-24 x 7/8 hex. hd. (2)	41 to 63 — FL, FLH
		4014W	BOLT, 5/16-24 x 1-1/4 hex. hd.	58 to Early 78 — FL, FLH, FLH-80
	5	4020W	BOLT, 5/16-24 x 1-3/8 hex. hd.	65 to * — FL, FLH, FLH-80
	6	4415	BOLT, 3/8-24 x 3 hex. hd. (3)	58 to Early 78 — FL, FLH, FLH-80
	7	4435W	BOLT, 3/8-24 x 3-7/16 hex. hd. (2). (Not used with rear safety guard)	58 to Early 78 — FL, FLH, FLH-80
		4440W	BOLT, 3/8-24 x 4 hex. hd. (Used with rear safety guard)	58 to Early 78 — FL, FLH, FLH-80
	8	4710	BOLT, 5/16-24 x 2-1/4 hex. hd.	58 to Early 78 — FL, FLH, FLH-80
	9	4725	BOLT, 5/16-24 x 2-3/4 hex. hd.	58 to 62 — FL, FLH
	10	5942B	SPACER, muffler front clamp	66 to Early 78 — FL, FLH, FLH-80
	11	7038	LOCKWASHER, 3/8	58 to Early 78 — FL, FLH, FLH-80
	12	7041	LOCKWASHER, 5/16 (2)	41 to Early 78 — FL, FLH, FLH-80
	13	7753	NUT, 5/16-24 x 1/4 x 1/2 hex.	58 to Early 78 — FL, FLH, FLH-80
	14	7800W	NUT, 3/8-24 x 5/16 x 9/16 hex.	58 to Early 78 — FL, FLH, FLH-80
	15	9955	CLAMP, exhaust pipe shield (2)	70 to Early 78 — FL, FLH, FLH-80
	17	30013-71	BOLT, 5/16-24 x 3-1/4 hex. hd.	63 to 72 — FL, FLH
	18	65239-41A	MUFFLER, black	N/A 58 to Early 78 — FL, FLH, FLH-80
		65240-41A	MUFFLER, extra-quiet (chrome)	58 to Early 78 — FL, FLH, FLH-80
	19	65276-62	CLAMP, muffler front (2" dia.)	58 to Early 78 — FL, FLH, FLH-80
	20	65293-58	HANGER, muffler — rear	58 to Early 78 — FL, FLH, FLH-80
	21	65318-58A	SUPPORT TUBE, muffler, right side	58 to Early 78 — FL, FLH, FLH-80
	22	65435-70	EXHAUST PIPE	70 to Early 78 — FL, FLH, FLH-80
	23	65440-48	FRONT EXHAUST PIPE	N/A 48 to 65 — FL, FLH
	24	65443-66	FRONT EXHAUST PIPE	N/A 66 to 69 — FL, FLH
	25	65465-36	PIPE CONNECTOR, with fittings	N/A 41 to 64 — FL, FLH
	26	65493-58	REAR EXHAUST PIPE	N/A 58 to 65 — FL, FLH
	27	65493-66	REAR EXHAUST PIPE	N/A 66 to 69 — FL, FLH
	28	65505-58	CONNECTOR, rear exhaust pipe	N/A 58 to 64 — FL, FLH
	29	65512-37A	CLAMP, front pipe to frame	N/A 41 to 69 — FL, FLH
	30	65513-58	CLAMP, front pipe to frame	N/A 58 to 69 — FL, FLH
	31	65519-48A	PORT CLAMP (2)	48 to 65 — FL, FLH
	32	65539-65	CONNECTOR, rear exhaust pipe	N/A 65 to 69 — FL, FLH
	34	65561-70	SHIELD KIT, single exhaust pipe — front	70 to Early 78 — FL, FLH, FLH-80
	35	65563-70	SHIELD KIT, single exhaust pipe — rear	N/A 70 to Early 78 — FL, FLH, FLH-80
	36	65565-70A	SHIELD KIT, front exhaust pipe	70 to Early 78 — FL, FLH, FLH-80
		65713-61	CLAMP, exhaust pipe guard	Late 61 to 64; 66 to 69 — FL, FLH
	37	65834-68A	GASKET, exhaust port (2)	Late 68 to Early 78 — FL, FLH, FLH-80
		67729-48	SCREW, exhaust pipe guard	Late 61 to 64; 66 to 69 — FL, FLH
	38	90908-58	SPACER	69 to Early 78 — FL, FLH, FLH-80

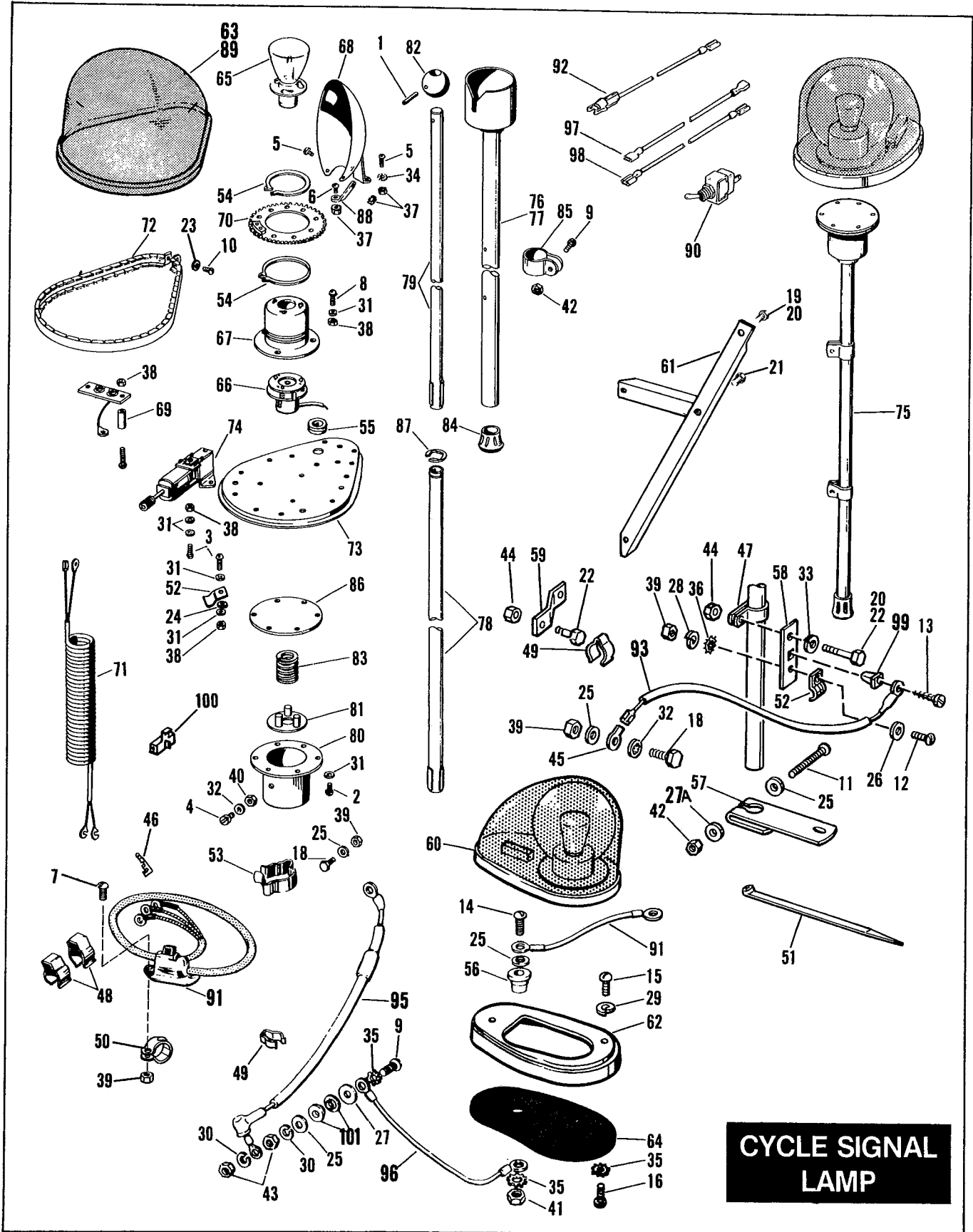


RETAIL PRICE	INDEX NO.	PART NO.	N A M E	USED ON
	1	2356	SCREW, 1/4-20 x 3/4 Pozidriv oval ctsk. hd. (2)	65 to * — FL, FLH, FLH-80, Classic
	2	3787	BOLT, 1/4-20 x 3/4 hex. hd. (2)	65 to * — FL, FLH, FLH-80, Classic
	3	3956	BOLT, 5/16-24 x 9/16 hex. hd. (2)	65 to * — FL, FLH, FLH-80, Classic
	3A	4391	BOLT, 5/16-24 x 5/8 hex. hd. (2)	80 to * — FLH, FLH-80, Classic
	4	5917B	SPACER (2)	65 to * — FL, FLH, FLH-80, Classic
	5	6702	WASHER, 5/16 x 11/16 x 1/16 (2)	80 to * — FLH, FLH-80, Classic
	5A	6703	WASHER, 1/4 x 5/8 x 1/16	79 to * — FL, FLH, FLH-80, Classic
	6	7036	LOCKWASHER, 1/4 (4) (3-79 & Later)	65 to * — FL, FLH, FLH-80, Classic
	7	7229W	LOCKWASHER, 1/4 internal & external tooth (2)	65 to * — FL, FLH, FLH-80, Classic
	8	7676	NUT, 1/4-28 x 3/16 x 7/16 hex.	65 to Early 82 — FL, FLH, FLH-80, Classic
	9	7688	NUT, 1/4-20 x 1/4 x 1/2 hex. (3; 4 — Late 82 & Later)	65 to * — FL, FLH, FLH-80, Classic
	10	37222—52	SPRING, battery cover T-handle (2)	Late 62 to 64 — FL, FLH
	11	62563—65	RUBBER MOUNT (2)	65 to * — FL, FLH, FLH-80, Classic
	12	66006—29D	BATTERY, 22 amp. — 6 V.	41 to 64 — FL, FLH
	13	66007—84	BATTERY, 32 amp. — 12 V.	65 to * — FL, FLH, FLH-80, Classic
	14	66016—65	FILLER PLUG (6)	N/A 65 to 72 — FL, FLH
	15	66047—80A	LABEL, "warning - disconnect battery, etc." (silver)	80 to * — FL, FLH, FLH-80, Classic
	17	66204—74	BATTERY CARRIER	74 to 79 — FL, FLH, FLH-80, Classic
		66204—80	BATTERY CARRIER	80 to * — FL, FLH, FLH-80, Classic
	19	66212—65	SUPPORT BRACKET	65 to * — FL, FLH, FLH-80, Classic
	20	66352—65	CUSHION, battery cover (2)	49 to * — FL, FLH, FLH-80, Classic
		66353—65	CUSHION, battery cover (square)	65 to * — FL, FLH, FLH-80, Classic
	22	66370—65	BATTERY COVER (chrome)	65 to * — FL, FLH, FLH-80, Classic
		66371—65	BATTERY COVER (black)	N/A 65 to 78 — FL, FLH, FLH-80
	24	66378—70	SIDE COVER, battery (chrome)	70 to * — FL, FLH, FLH-80, Classic
	25	66383—65	BATTERY STRAP	N/A 65 to 69 — FL, FLH
		66383—70A	BATTERY STRAP	70 to * — FL, FLH, FLH-80, Classic
	27	66425—68	COVER KIT, starter relay (chrome)	65 to * — FL, FLH, FLH-80, Classic

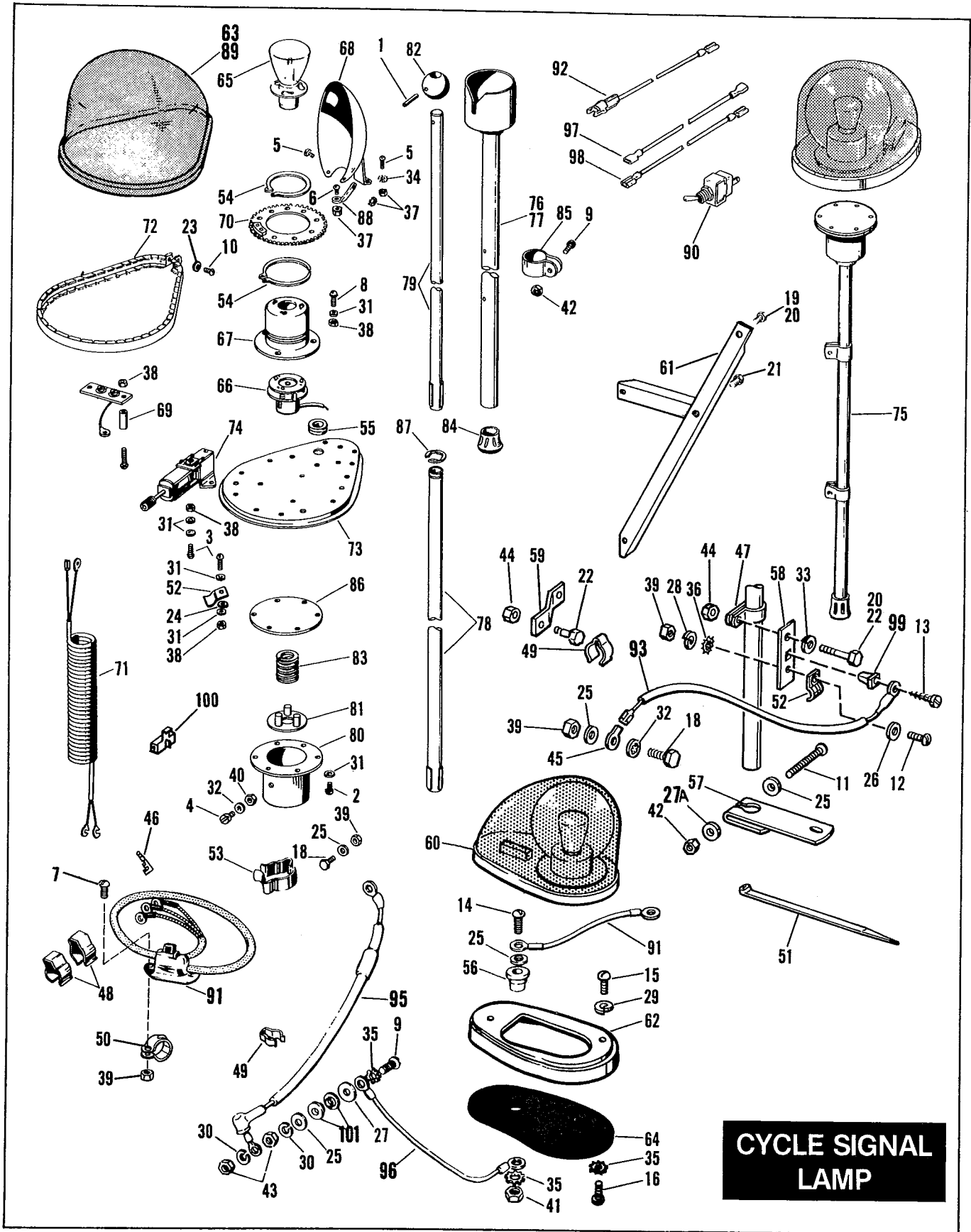


**SPEEDOMETER
AND
TACHOMETER**

RETAIL PRICE	INDEX NO.	PART NO.	N A M E	USED ON
	1	2592	SCREW, No. 10-24 x 1/2 Pozidriv pan hd.	41 to * — FL, FLH, FLH-80, Classic
	2	2594	SCREW, No. 8-32 x 1/4 Pozidriv pan hd. (2)	61 to 69 — FL, FLH
	3	2598	SCREW, No. 12-24 x 3/8 Pozidriv pan hd. (2)	47 to 76 — FL, FLH
	5	6702	WASHER, 5/16 x 11/16 x 1/16.	Late 61 to * — FL, FLH, FLH-80, Classic
	6	6716	WASHER, No. 10 x 1/2 x 3/64 (2)	61 to 69 — FL, FLH
	7	7015	LOCKWASHER, No. 8 (2)	61 to 69 — FL, FLH
	8	7030W	LOCKWASHER, No. 12 (2)	47 to 76 — FL, FLH
	9	7036	LOCKWASHER, 1/4 (2)	61 to 69 — FL, FLH
	10	7069	LOCKWASHER, No. 10 (2)	41 to * — FL, FLH, FLH-80, Classic
	11	7638	NUT, No. 10-32 x 1/8 x 3/8 hex. (2)	65 to * — FL, FLH, FLH-80, Classic
	12	7654W	NUT, No. 12-24 x 5/32 x 7/16 hex. (2)	47 to 76 — FL, FLH
	13	7676	NUT, 1/4-28 x 3/16 x 7/16 hex. (2)	61 to 69 — FL, FLH
	14	7753	NUT, 5/16-24 x 1/4 x 1/2 hex.	Late 61 to * — FL, FLH, FLH-80, Classic
	15	9983	CABLE CLIP, frame tube	61 to 69 — FL, FLH
	16	67004—68B	SPEEDOMETER HEAD, mile (120 mph)	68 to 79 — FL, FLH, FLH-80, Classic
		67004—80	SPEEDOMETER HEAD, mile (85 mph)	80 — FLH, FLH-80, Classic
		67005—68A	SPEEDOMETER HEAD, kilometer	68 to 80 — FL, FLH, FLH-80, Classic
		67005—68B	SPEEDOMETER HEAD, kilometer	Late 80 — FL, FLH, FLH-80, Classic
		67006—68B	SPEEDOMETER HEAD, police	68 to 80 — FL, FLH, FLH-80, Classic
		67006—81A	SPEEDOMETER HEAD, police	81 to * — FLH-80
	17	67026—62	DRIVE CABLE ASSEMBLY	62 to 80 — FL, FLH, FLH-80, Classic
	19	67026—81	DRIVE CABLE ASSEMBLY	81 to * — FLH-80, Classic
	20	67027—81B	SPEEDOMETER HEAD, mile (85 mph)	81 to * — FLH-80, Classic
		67030—81C	SPEEDOMETER HEAD, kilo/mph	81 to * — FLH-80, Classic
	21	67031—68	ODOMETER REPAIR KIT	68 to * — FLH-80, Classic
			Consists of:	
			67044—68 SHAFT, odometer reset	
			67045—68 RETAINING WIRE, odometer	
			67215—68 KNOB, odometer reset	
			67217—68 SCREW, reset knob	
	22	67044—68	SHAFT, odometer reset	68 to * — FLH-80, Classic
	23	67045—68	RETAINING WIRE, odometer	68 to * — FLH-80, Classic
	25	67066—76	SPEEDOMETER ISOLATION KIT	Late 76 to * — FL, FLH, FLH-80, Classic
			Consists of:	
	26		67067—76 ISOLATOR STRIP, speedometer head	
	27		67068—76 PIN, speedometer mounting (2)	
	28		67069—76 RETAINING RING, speedometer mounting pin (2)	
	29		67070—76 GROMMET, speedometer mounting (2)	
	30	67073—81	DRIVE UNIT, speedometer	81 to * — FLH-80, Classic
	31	67075—57A	CLIP, speedometer cable (on crankcase)	Late 61 to 78 — FL, FLH, FLH-80
	32	67130—69	DRIVE UNIT ASSEMBLY, 23 T	69 to 80 — FL, FLH, FLH-80, Classic
	33	67141—36	GASKET, drive housing	41 to 80 — FL, FLH, FLH-80, Classic
	34	67215—68	KNOB, odometer reset	68 to * — FL, FLH, FLH-80, Classic
	35	67217—68	SCREW, reset knob	68 to * — FL, FLH, FLH-80, Classic
	36	71090—64	BULB, tachometer lamp (12 V.)	65 to 69 — FL, FLH
	37	71151—48	SOCKET, with wire — tachometer lamp	N/A 61 to 69 — FL, FLH
	38	92097—65	CABLE ADAPTER, circuit breaker cover	N/A 61 to 69 — FL, FLH



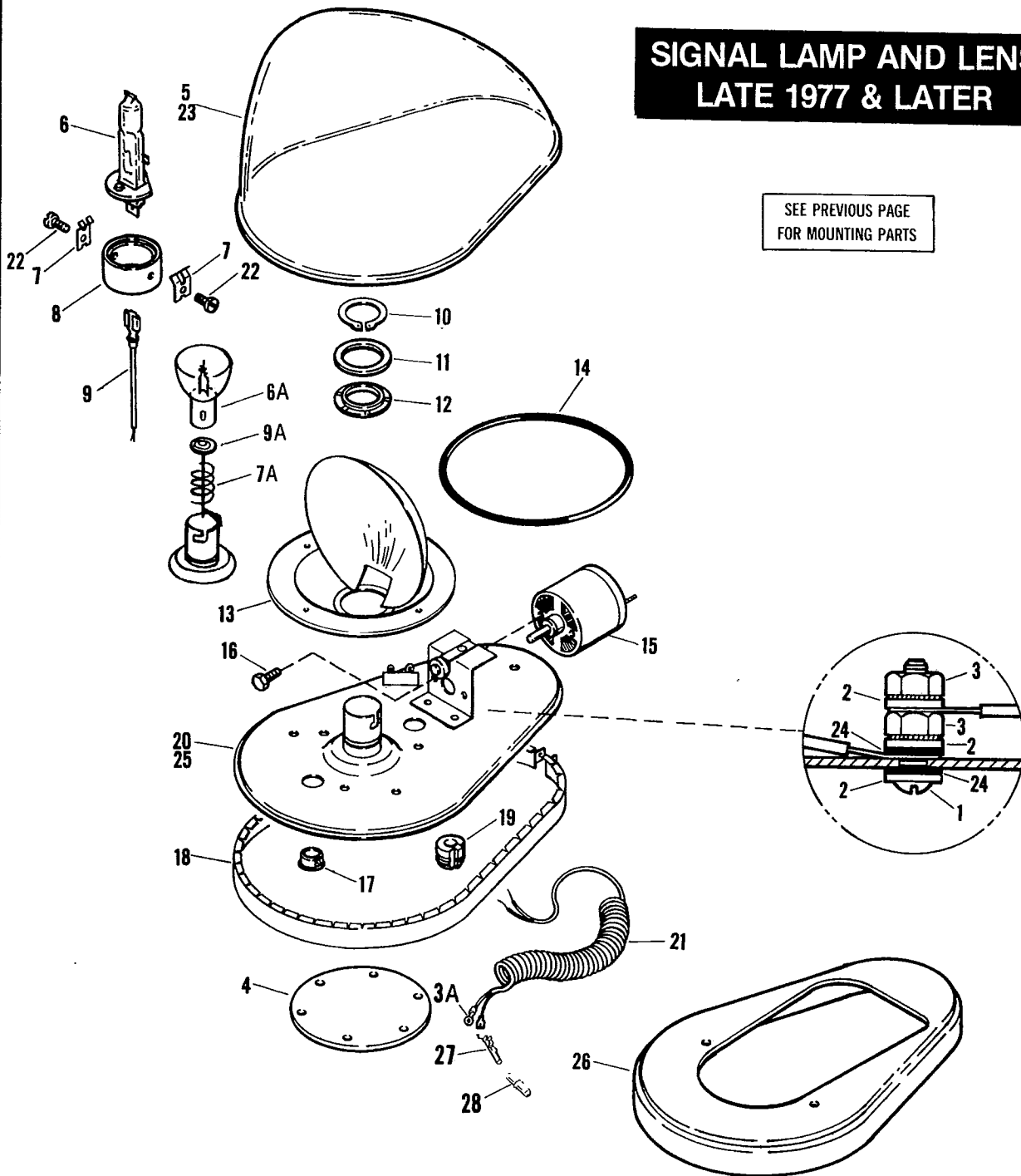
RETAIL PRICE	INDEX NO.	PART NO.	N A M E	USED ON
	1	384	ROLL PIN, swivel ball	60 to * — FL, FLH, FLH-80
	2	990W	SCREW, No. 6-32 x 3/16 rd. hd. (3)	60 to * — FL, FLH, FLH-80
	3	997W	SCREW, No. 6-32 x 3/8 rd. hd. N/A	60 to Early 77 — FL, FLH
	4	1040	SCREW, No. 8-32 x 15/32 fil. hd.	60 to * — FL, FLH, FLH-80
	5	2540	SCREW, No. 4-36 x 1/4 rd. hd. (2) N/A	60 to Early 77 — FL, FLH
	6	2544W	SCREW, No. 4-36 x 3/8 rd. hd. N/A	60 to Early 77 — FL, FLH
	7	2585	SCREW, No. 8-32 x 5/16 Pozidriv pan hd.	60 to 83 — FL, FLH, FLH-80
	8	2586	SCREW, No. 6-32 x 1/2 rd. hd. N/A	60 to Early 77 — FL, FLH
	9	2587	SCREW, No. 10-32 x 5/8 Pozidriv pan hd. (2)	60 to * — FL, FLH, FLH-80
	10	2589	SCREW, No. 6-32 x 1/4 Pozidriv pan hd.	60 to Early 77 — FL, FLH
	11	2591	SCREW, No. 10-32 x 1-3/4 Pzoidriv hd.	60 to 79 — FL, FLH, FLH-80
	12	2622	SCREW, No. 8-32 x 7/16 Pozidriv pan hd.	60 to * — FL, FLH, FLH-80
	13	2623W	SCREW, No. 8-15 x 5/8 self tapping rd. hd.	60 to * — FL, FLH, FLH-80
	14	2659	SCREW, No. 10-24 x 7/8 Pozidriv pan hd.	70 to Early 77 — FL, FLH
	15	2660	SCREW, No. 10-32 x 3/8 Pozidriv pan hd. (3)	70 to Early 77 — FL, FLH
	16	2664	SCREW, No. 10-24 x 7/16 Pozidriv pan hd. (2)	70 to Early 77 — FL, FLH
	18	3491	BOLT, No. 8-32 x 5/8 hex. hd.	60 to 83 — FL, FLH, FLH-80
	19	3956	BOLT, 5/16-24 x 9/16 hex. hd.	60 to * — FL, FLH, FLH-80
	20	3974HW	BOLT, 5/16-24 x 3/4 hex. hd.	Late 74 to * — FL, FLH, FLH-80
	21	3986	BOLT, 5/16-24 x 27/32 hex. hd.	60 to * — FL, FLH, FLH-80
	22	4036	BOLT, 5/16-24 x 1-1/2 hex. hd. (3)	60 to * — FL, FLH, FLH-80
	23	6041	WASHER, 1/8 x 1/4 x 3/64 N/A	60 to Early 77 — FL, FLH
	24	6150W	WASHER, 3/16 x 3/8 x 1/16	60 to Early 77 — FL, FLH
	25	6182W	WASHER, 3/16 x 7/16 x 1/32 (4)	60 to Early 77 — FL, FLH
	26	6192	WASHER, No. 8 x 7/16 x 3/64	Late 77 to 83 — FL, FLH
	27	6197	INSULATING WASHER	70 to 83 — FL, FLH, FLH-80
	27A	6716	WASHER, No. 10 x 1/2 x 3/64	84 to * — FLH-80
	28	7015	LOCKWASHER, No. 8	60 to 83 — FL, FLH, FLH-80
	29	7030W	LOCKWASHER, No. 12 (3)	70 to Early 77 — FL, FLH
	30	7069	LOCKWASHER, No. 10 (2)	70 to 83 — FL, FLH, FLH-80
	31	7112	LOCKWASHER, No. 6 int. tooth (3)	60 to * — FL, FLH, FLH-80
	32	7115	LOCKWASHER, No. 8 int. tooth	60 to 83 — FL, FLH, FLH-80
	33	7127	LOCKWASHER, 5/16 int. tooth	60 to 83 — FL, FLH, FLH-80
	34	7206W	LOCKWASHER, No. 4 int. tooth (2) N/A	60 to Early 77 — FL, FLH
	35	7220	LOCKWASHER, No. 10 ext. tooth (4)	70 to * — FL, FLH, FLH-80
	36	7315	LOCKWASHER, No. 8 int. & ext. tooth	60 to 83 — FL, FLH, FLH-80
	37	7564	NUT, No. 4-36 x 3/32 x 1/4 hex. (2) N/A	60 to Early 77 — FL, FLH
	38	7590	NUT, No. 6-32 x 7/64 x 5/16 hex. (3)	60 to Early 77 — FL, FLH
	39	7608	NUT, No. 8-32 x 1/8 x 5/16 hex. (3)	60 to 83 — FL, FLH, FLH-80
	40	7609W	LOCKNUT, No. 8-32 x 3/16 x 3/8 hex.	60 to * — FL, FLH, FLH-80
	41	7620W	NUT, No. 10-24 x 1/8 x 3/8 hex.	70 to * — FL, FLH, FLH-80
	42	7626W	LOCKNUT, No. 10-32 x 3/16 x 3/8 hex. (2)	60 to * — FL, FLH, FLH-80
	43	7638	NUT, No. 10-32 x 1/8 x 3/8 hex. (2)	70 to 83 — FL, FLH, FLH-80
	44	7727	LOCKNUT, 5/16-24 x 1/4 x 1/2 hex.	Late 79 to * — FL, FLH, FLH-80
	45	9902	WIRE TERMINAL, ring type, 3/16 dia. hole — #14-16 wire . .	60 to 69; Late 77 to 79 — FL, FLH, FLH-80
	46	9931	WIRE TERMINAL, female spade type — 3/16 slot	70 to 83 — FL, FLH, FLH-80
	47	9972	WIRE CLAMP, fender brace	60 to 79 — FL, FLH, FLH-80
	48	9976	CLAMP, handlebar switch cable (2)	60 to 83 — FL, FLH, FLH-80
	49	9983	SPRING CLIP (2)	60 to * — FL, FLH, FLH-80
	50	10001	CLAMP, handlebar switch	60 to 83 — FL, FLH, FLH-80
	51	10006	WIRING STRAP (3)	60 to * — FL, FLH, FLH-80
	52	10009	CABLE CLIP	60 to 79 — FL, FLH, FLH-80
	53	10012	CLIP, lamp cable	60 to 83 — FL, FLH, FLH-80
	54	11017	RETAINING RING, driven gear (2) N/A	60 to Early 77 — FL, FLH
	55	11405	GROMMET, lamp cable	60 to Early 77 — FL, FLH
	56	59271—68	WELL NUT, lamp terminal	70 to Early 77 — FL, FLH
		67605—68A	REAR MOUNTING KIT, cycle signal lamp (hardware only) . . .	60 to 83 — FL, FLH, FLH-80



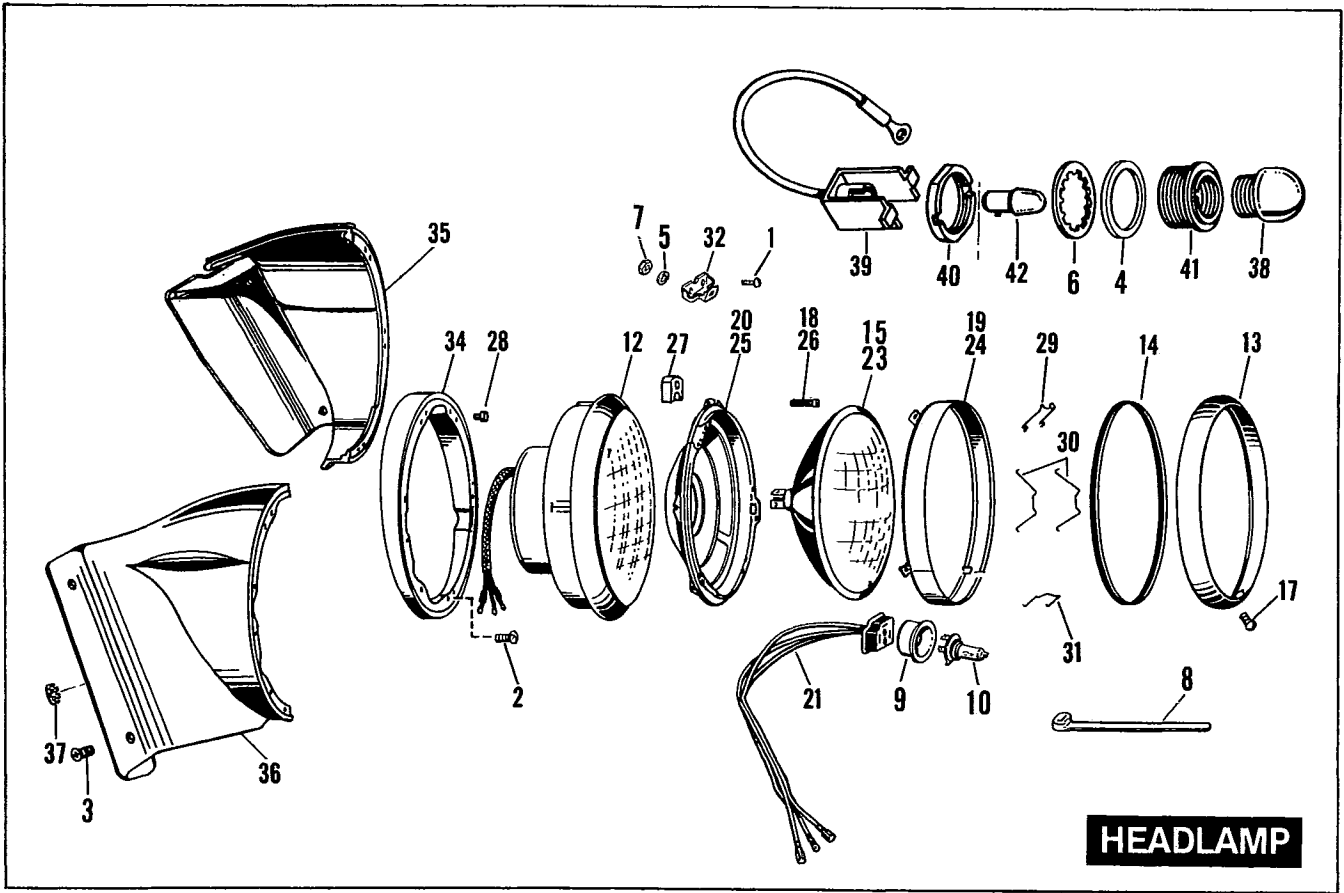
RETAIL PRICE	INDEX NO.	PART NO.	N A M E	USED ON
	57	67607-68	MOUNTING BRACKET	60 to * - FL, FLH, FLH-80
	58	67609-68	WIRING BRACKET	60 to 83 - FL, FLH, FLH-80
	59	67610-78	BRACKET, top support	60 to * - FL, FLH, FLH-80
		67623-64C	CYCLE SIGNAL ROTATING LAMP KIT, less brackets (blue lens)	65 to * - FL, FLH, FLH-80
		67624-64C	CYCLE SIGNAL ROTATING LAMP KIT, less brackets - 12 V. (red lens)	65 to * - FL, FLH, FLH-80
		67627-64B	LAMP AND LENS ASSEMBLY, less mast, w/cable - 12 v. (red)	N/A 65 to 84 - FL, FLH, FLH-80
	60	67627-70B	LAMP AND LENS ASSEMBLY, with fender adapter - 12 v. (red)	70 to * - FL, FLH, FLH-80
	61	67628-59	FORK BRACKET, left hand	60 to 83 - FL, FLH, FLH-80
		67628-59A	FORK BRACKET, left hand	84 to * - FLH-80
		67629-59	FORK BRACKET, right hand	60 to 83 - FL, FLH, FLH-80
		67629-59A	FORK BRACKET, right hand	84 to * - FLH-80
		67630-62	BRUSH ASSEMBLY, signal lamp motor	60 to Early 77 - FL, FLH, FLH-80
	62	67632-70	BASE PLATE, cycle signal lamp	N/A 70 to Early 77 - FL, FLH
	63	67634-59	LAMP LENS (amber)	N/A 60 to Early 77 - FL, FLH, FLH-80
		67688-77	LAMP LENS (blue)	60 to Early 77 - FL, FLH
	64	67637-70	GASKET, cycle signal lamp	N/A 70 to Early 77 - FL, FLH
	65	67638-59	BULB, rotating lamp - 6 V.	N/A 60 to 64 - FL, FLH
		67638-64	BULB, rotating lamp - 12 V.	N/A 65 to Early 77 - FL, FLH
	66	67639-59	SOCKET, rotating lamp	N/A 60 to Early 77 - FL, FLH
	67	67640-59	SOCKET HOLDER	N/A 60 to Early 77 - FL, FLH
	68	67641-59	SHIELD, rotating lamp	N/A 60 to Early 77 - FL, FLH
	69	67642-59	INSULATOR, terminal strip	N/A 60 to Early 77 - FL, FLH
	70	67643-59	DRIVEN GEAR	N/A 60 to Early 77 - FL, FLH
	71	67644-70	CABLE, rotating lamp	N/A 70 to Early 77 - FL, FLH
	72	67646-59	RETAINING BAND, lamp lens	N/A 60 to Early 77 - FL, FLH
	73	67647-59	BASE PLATE	N/A 60 to Early 77 - FL, FLH
	74	67648-64	DRIVE MOTOR - 12 V.	N/A 65 to Early 77 - FL, FLH
	75	67649-59	MAST ASSEMBLY, complete	60 to 83 - FL, FLH, FLH-80
	76	67650-59	OUTER MAST SECTION	N/A 60 to Early 78 - FL, FLH, FLH-80
	77	67650-78	OUTER MAST SECTION	Late 78 to * - FL, FLH, FLH-80
	78	67651-59	CENTER MAST SECTION	60 to * - FL, FLH, FLH-80
	79	67652-59	INNER MAST SECTION	60 to * - FL, FLH, FLH-80
	80	67655-59	BALL SOCKET	60 to * - FL, FLH, FLH-80
	81	67656-59	WASHER, ball socket	60 to * - FL, FLH, FLH-80
	82	67657-59	SWIVEL BALL	60 to * - FL, FLH, FLH-80
	83	67658-59	SPRING, ball washer	60 to * - FL, FLH, FLH-80
	84	67659-59	RUBBER TIP, lamp mast	60 to * - FL, FLH, FLH-80
	85	67660-59	CLAMP, lamp mast mounting (2)	60 to * - FL, FLH, FLH-80
	86	67661-59	COVER PLATE, ball socket	60 to * - FL, FLH, FLH-80
	87	67662-59	RETAINING RING, mast section	60 to * - FL, FLH, FLH-80
	88	67663-59	SUPPORT BRACKET, lamp shield, right	N/A 60 to Early 77 - FL, FLH
		67664-59	SUPPORT BRACKET, lamp shield, left	N/A 60 to Early 77 - FL, FLH
	89	67670-77	LAMP LENS (red)	60 to Early 77 - FL, FLH
	90	67844-70	TOGGLE SWITCH, cycle signal light	84 to * - FLH-80
	91	70060-29	HANDLEBAR SWITCH, with fittings	60 to Early 78 - FL, FLH, FLH-80
	92	70301-84	WIRE, terminal 11 to cycle signal light (blue)	84 to * - FLH-80
	93	70308-70	WIRE, terminal plate to lamp terminal	70 to 83 - FL, FLH, FLH-80
	94	70335-70	CABLE, fender terminal to lamp	N/A 70 to Early 77 - FL, FLH
	95	70336-68	CABLE, fender to terminal board	70 to 83 - FL, FLH, FLH-80
	96	70337-68	WIRE, fender terminal to fender terminal	70 to Early 77 - FL, FLH
	97	70425-70A	WIRE, terminal 11 to toggle switch (brown)	84 to * - FLH-80
	98	70430-70	WIRE, terminal 3 to toggle switch (blue)	84 to * - FLH-80
	99	70574-68	EXPANSION NUT, wiring bracket	60 to 83 - FL, FLH, FLH-80
	100	70576-68	WIRE CONNECTOR	65 to 83 - FL, FLH, FLH-80
	101	71098-38	INSULATING WASHER (2)	70 to 83 - FL, FLH, FLH-80

SIGNAL LAMP AND LENS LATE 1977 & LATER

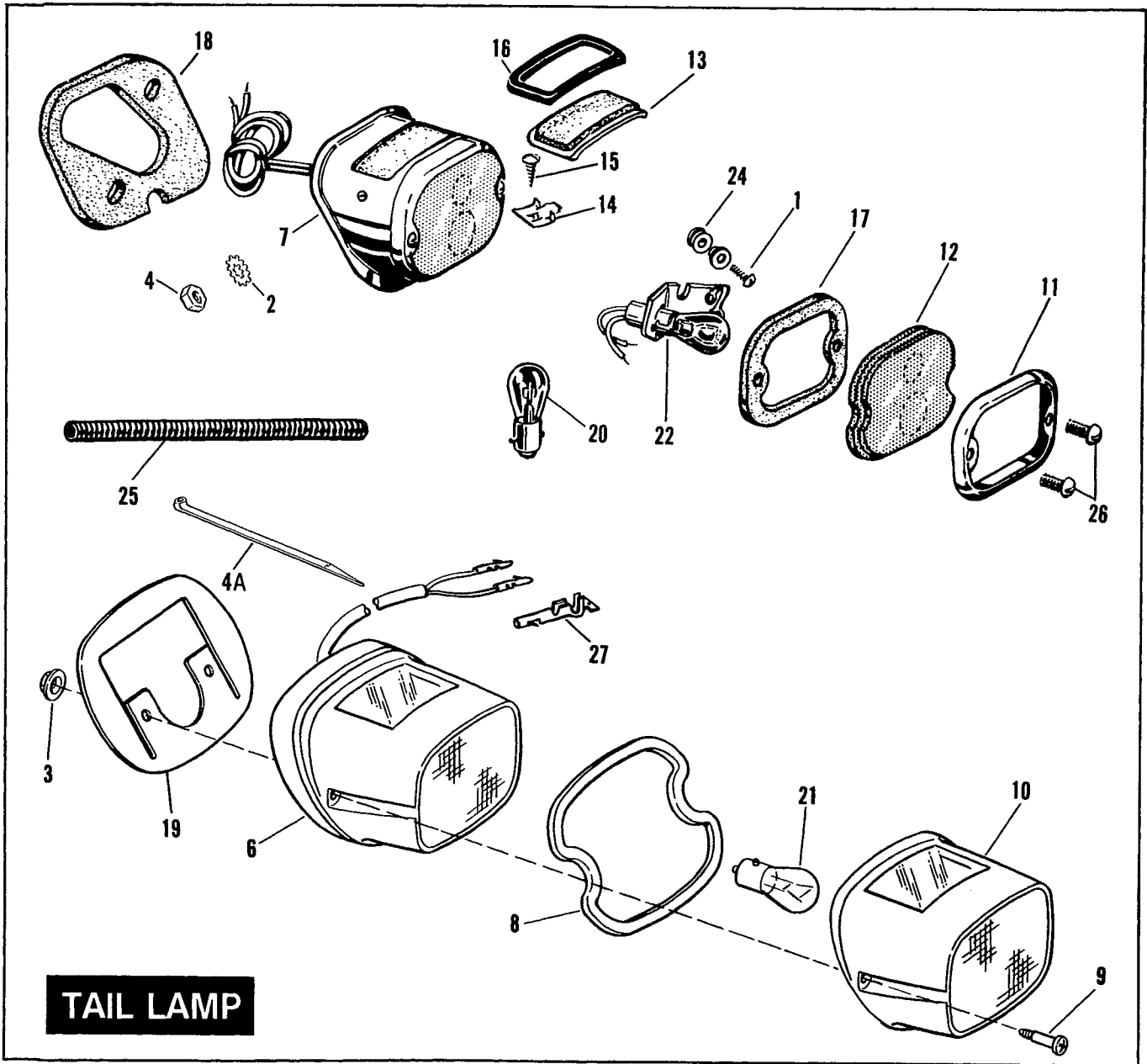
SEE PREVIOUS PAGE
FOR MOUNTING PARTS



RETAIL PRICE	INDEX NO.	PART NO.	N A M E	USED ON
	1	2806	SCREW, No. 6-32 x 3/4 Pozidriv pan hd.	Late 77 to * — FL, FLH, FLH-80
	2	6717	WASHER, No. 6 x 3/8 x 3/64 (3)	Late 77 to * — FL, FLH, FLH-80
	3	7590	NUT, No. 6-32 x 1/8 x 5/16 hex. (2)	Late 77 to * — FL, FLH, FLH-80
	3A	9858	WIRE TERMINAL, ring type, 1/4 dia. hole, #16-22 wire . .	84 to * — FLH-80
		67627—64B	LAMP AND LENS ASSEMBLY, less mast, with cable — 12 V. quartz iodide (red)	N/A
		67627—64C	LAMP AND LENS ASSEMBLY, less mast, with cable — 12 V. incandescent (red)	Late 77 to 84 — FL, FLH, FLH-80 81 to * — FLH-80
		67633—77A	LAMP AND LENS ASSEMBLY, less mast, with cable — 12 V. incandescent (blue)	Late 77 to * — FL, FLH, FLH-80
	4	67661—59	COVER PLATE, signal lamp kit base	Late 77 to * — FL, FLH, FLH-80
	5	67670—77	LAMP LENS (red)	Late 77 to * — FL, FLH, FLH-80
	6	67671—77	BULB, rotating lamp — 12 V. quartz iodide	Late 77 to 80 — FL, FLH, FLH-80
	6A	67671—80	BULB, rotating lamp — 12 V. incandescent	81 to * — FLH-80
	7	67672—77	RETAINER, bulb (2)	Late 77 to 80 — FL, FLH, FLH-80
	7A	67672—80	SPRING, bulb contact	81 to — FLH-80
	8	67673—77	BUSHING, bulb	Late 77 to 80 — FL, FLH, FLH-80
	9	67674—77	ADAPTER, bulb	Late 77 to 80 — FL, FLH, FLH-80
	9A	67674—80	LEAD WIRE, bulb	81 to * — FLH-80
	10	67675—77	RETAINING RING, bulb	Late 77 to * — FL, FLH, FLH-80
	11	67676—77	WASHER (nylon)	Late 77 to * — FL, FLH, FLH-80
	12	67677—77	WASHER, drive wheel (nylon)	Late 77 to * — FL, FLH, FLH-80
	13	67678—77	DRIVEN WHEEL AND MIRROR	Late 77 to * — FL, FLH, FLH-80
	14	67679—77	RUBBER CUSHION, driven wheel and mirror	Late 77 to * — FL, FLH, FLH-80
	15	67680—77	DRIVE MOTOR — 12 V.	Late 77 to * — FL, FLH, FLH-80
	16	67681—77	BOLT, motor (2)	Late 77 to * — FL, FLH, FLH-80
	17	67682—77	PLUG, base plate (2)	Late 77 to * — FL, FLH, FLH-80
	18	67683—77	RETAINING BAND, base plate	Late 77 to * — FL, FLH, FLH-80
	19	67684—77	BUSHING, base plate — signal lamp kit	Late 77 to * — FL, FLH, FLH-80
	20	67685—77	BASE PLATE, signal lamp kit	Late 77 to * — FL, FLH, FLH-80
	21	67686—77A	CABLE, rotating lamp	Late 77 to * — FL, FLH, FLH-80
	22	67687—77	SCREW, bulb retainer (2)	Late 77 to 80 — FL, FLH, FLH-80
	23	67688—77	LAMP LENS (blue)	Late 77 to * — FL, FLH, FLH-80
		67690—77A	LAMP AND LENS ASSEMBLY, fender mounted — 12 V. incandescent (red)	Late 77 to * — FL, FLH, FLH-80
	24	67691—77	WASHER, fender mounted base plate (nylon) (2)	Late 77 to * — FL, FLH, FLH-80
	25	67692—77	BASE PLATE, fender mount lamp	Late 77 to * — FL, FLH, FLH-80
	26	67695—77	BASE PLATE ADAPTER, fender mounted lamp	Late 77 to * — FL, FLH, FLH-80
	27	72038—71	SOCKET, single pin	84 to * — FLH-80
	28	72044—71	CONNECTOR, single pin	84 to * — FLH-80



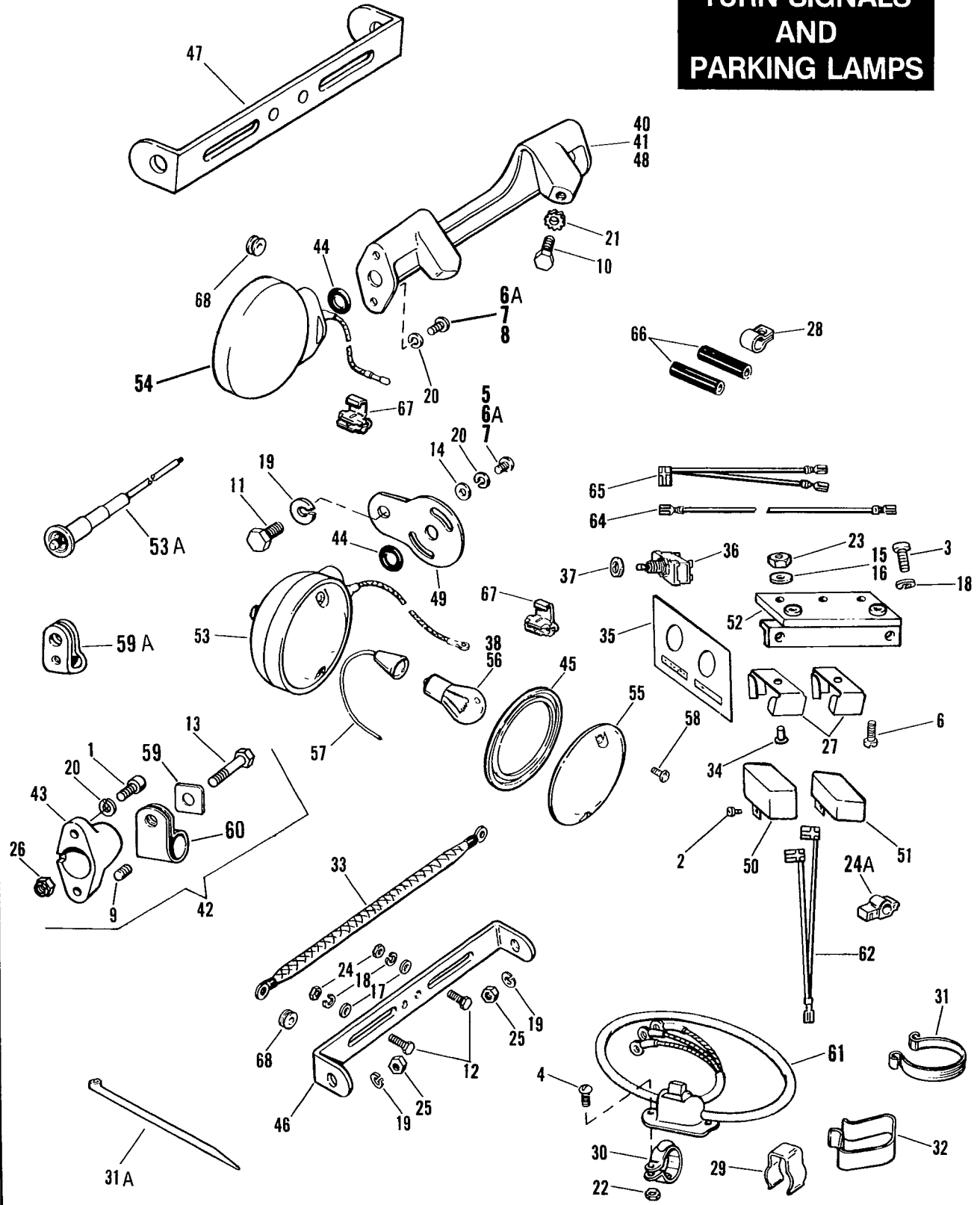
RETAIL PRICE	INDEX NO.	PART NO.	N A M E	USED ON
	1	1655	SCREW, No. 6-32 x 3/8 flat hd. (2)	60 to * — FL, FLH, FLH-80, Classic
	2	2661W	SCREW, No. 10-24 x 1/2 self tapping Phillips rd. hd. (adjustable fork) (6)	79 to * — FL, FLH, FLH-80, Classic
		2662W	SCREW, No. 10-24 x 3/8 self tapping Phillips hd. (7)	60 to * — FL, FLH, FLH-80, Classic
	3	2824W	SCREW, 5/16-24 x 9/16 Phillips hd. (4)	60 to 78 — FL, FLH
		3974HW	BOLT, 5/16-24 x 3/4 hex. hd. (upper) (2)	79 to * — FL, FLH, FLH-80, Classic
		4014W	BOLT, 5/16-24 x 1-1/4 hex. hd. (lower) (2)	79 to * — FL, FLH, FLH-80, Classic
	4	6768	WASHER, 15/16 x 11/16 x 1/16 (fiber)	N/A 49 to 69 — FL, FLH
	5	7112	LOCKWASHER, No. 6 int. tooth (2)	60 to * — FL, FLH, FLH-80, Classic
	6	7149	LOCKWASHER, 15/16 int. tooth	Late 66 to 69 — FL, FLH
	7	7590	NUT, No. 6-32 x 7/64 x 5/16 hex. (2)	60 to * — FL, FLH, FLH-80, Classic
	8	10006	WIRING STRAP, lamp	Early 77 to * — FL, FLH, FLH-80, Classic
	9	67696-81	BOOT, headlamp	81 to * — FLH-80, Classic
	10	67697-81	BULB, 12 V. halogen	81 to * — FLH-80, Classic
	12	67702-70	HEADLAMP, 12 V.	N/A 70 to 80 — FL, FLH, FLH-80, Classic
		67702-81	HEADLAMP, complete — 12 V. halogen	81 to * — FLH-80, Classic
	13	67712-60A	DOOR ASSEMBLY, with gasket and springs (chrome)	60 to 80 — FL, FLH, FLH-80, Classic
		67712-83	DOOR ASSEMBLY, with gasket and springs	81 to * — FLH-80
	14	67716-60A	GASKET, headlamp door	60 to * — FL, FLH, FLH-80, Classic
	15	67717-48B	SEALED BEAM UNIT, 6 V.	N/A 49 to 64 — FL, FLH
		67717-64	SEALED BEAM UNIT, 12 V.	65 to * — FL, FLH, FLH-80, Classic
	17	67718-60A	SCREW, headlamp door	60 to * — FL, FLH, FLH-80, Classic
	18	67724-71	ADJUSTING SCREW, 1/4-28 x 1-3/8 Phillips hd. (2)	Late 71 to Early 75 — FL, FLH, FLH-80, Classic
	19	67726-71	RETAINING RING, sealed unit — 3/4" deep	Late 71 to Early 75; 81 to * — FL, FLH, FLH-80, Classic
	20	67732-71	MOUNTING RING, sealed unit — no slot in I.D.	Late 71 to Early 75 — FL, FLH, FLH-80, Classic
	21	67753-60	LAMP WIRING AND CONNECTOR	N/A 60 to 69 — FL, FLH
		67753-70	LAMP WIRING AND CONNECTOR	70 to * — FL, FLH, FLH-80, Classic
	23	67757-85	HEADLAMP, includes items 9 & 10	81 to * — FLH-80, Classic
	24	67765-60	RETAINING RING, sealed unit, 1" deep	60 to 80 — FL, FLH, FLH-80, Classic
	25	67766-60	MOUNTING RING, sealed unit, slot in I.D.	60 to * — FL, FLH, FLH-80, Classic
	26	67767-60	ADJUSTING SCREW, 1/4-28 x 1 slot hd. (2)	60 to * — FL, FLH, FLH-80, Classic
	27	67768-60	ADJUSTING NUT (2)	N/A 60 to 84 — FL, FLH, FLH-80, Classic
	28	67769-60	RUBBER BUMPER (3)	N/A 60 to 78 — FL, FLH, FLH-80
	29	67778-60	TOP SPRING, headlamp door	60 to * — FL, FLH, FLH-80, Classic
	30	67779-60	SIDE SPRING, headlamp door (2)	60 to Early 72 — FL, FLH
	31	67780-60	BOTTOM SPRING, headlamp door (2)	60 to * — FL, FLH, FLH-80, Classic
	32	67782-60A	BRACKET, headlamp door	81 to * — FLH-80, Classic
	34	67842-60	ADAPTER RING, headlamp housing — adjustable fork (chrome)	60 to * — FL, FLH, FLH-80, Classic
	35	67847-60	HEADLAMP HOUSING, left (polished)	60 to * — FL, FLH, FLH-80, Classic
		67850-84	HEADLAMP HOUSING, left (polished)	84 to * — FLH-80
	36	67848-60	HEADLAMP HOUSING, right (polished)	60 to * — FL, FLH, FLH-80, Classic
	37	67860-76	HOLE PLUG, headlamp housing	Late 76 to 78 — FL, FLH, FLH-80
	38	67898-66	LENS, high beam pilot lamp (red)	N/A 49 to 69 — FL, FLH
	39	68563-60	SOCKET AND WIRE	N/A 49 to 69 — FL, FLH
	40	68564-60	NUT, high beam lamp	49 to 69 — FL, FLH
	41	68565-60	HOLDER, high beam lamp	49 to 69 — FL, FLH
	42	71090-64	BULB, high beam lamp — 12 V.	65 to 69 — FL, FLH
		71092-68A	BULB, high beam lamp — 12 V.	83 to * — FLH-80



TAIL LAMP

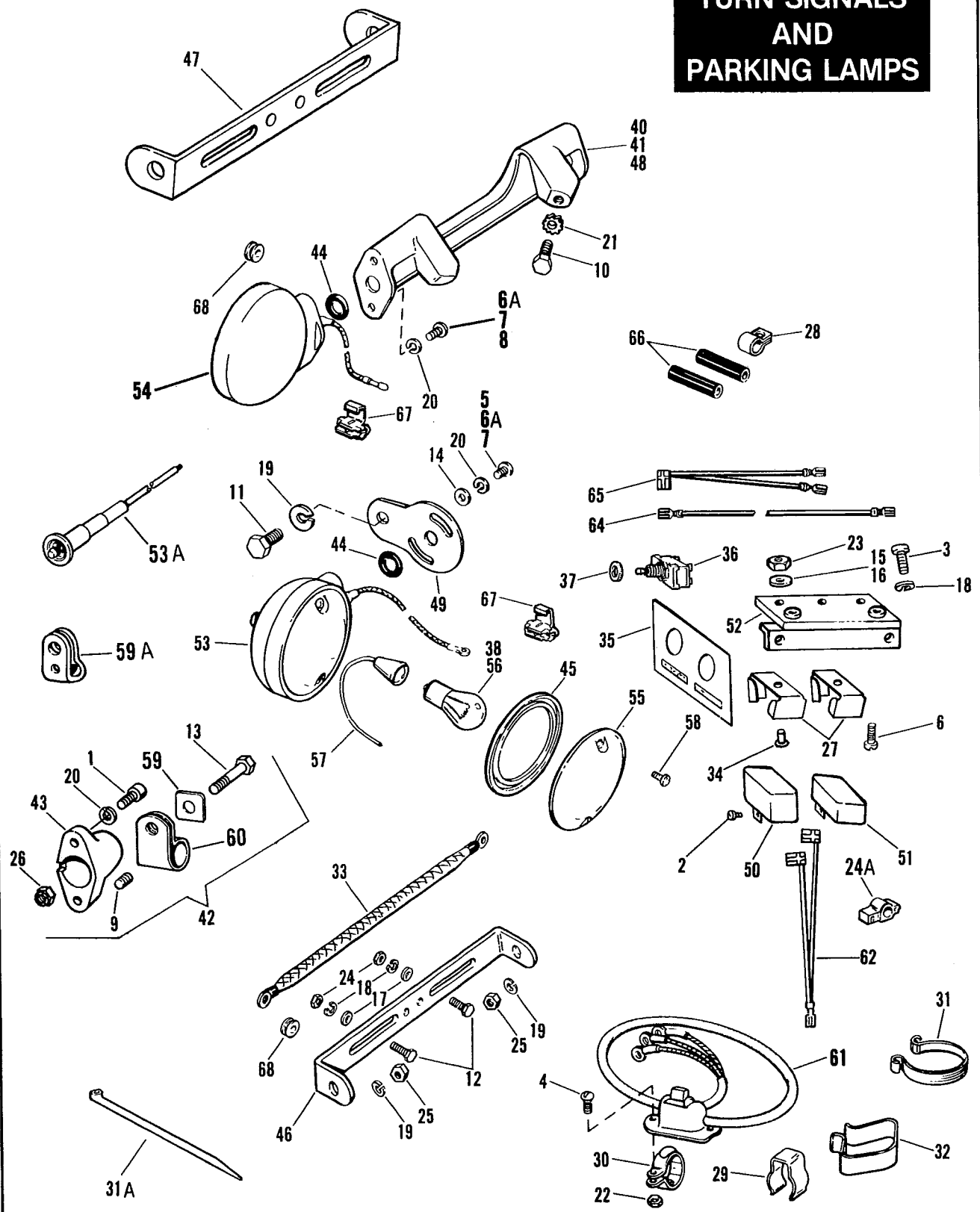
RETAIL PRICE	INDEX NO.	PART NO.	N A M E	USED ON
	1	2612	SCREW, No. 8-32 x 1/2 rd. hd. (3)	42 to 72 — FL, FLH
	2	7229W	LOCKWASHER, 1/4 internal and external tooth (2)	55 to 72 — FL, FLH
	3	7501	SPEED NUT, 1/4 x 7/16 hex. (2)	73 to * — FL, FLH, FLH-80, Classic
	4	7688	NUT, 1/4-20 x 1/4 x 1/2 hex. (2)	55 to 72 — FL, FLH
	4A	10006	WIRING STRAP, tail lamp	80 to * — FL, FLH, FLH-80, Classic
	6	68008—73A	TAIL LAMP ASSEMBLY	73 to * — FL, FLH, FLH-80, Classic
	7	68010—64B	TAIL LAMP AND STOPLIGHT ASSEMBLY	N/A 69 to 72 — FL, FLH
	8	68025—73	GASKET, tail lamp lens	73 to * — FL, FLH, FLH-80, Classic
	9	68026—73	SCREW, tail lamp lens (2)	73 to * — FL, FLH, FLH-80, Classic
	10	68034—77	LENS, tail lamp	73 to * — FL, FLH, FLH-80, Classic
	11	68086—55	DOOR, tail lamp lens	N/A 55 to 72 — FL, FLH
	12	68090—69	LENS, tail lamp (red)	55 to 72 — FL, FLH
	13	68093—55A	OUTLOOK LENS	N/A 55 to 72 — FL, FLH
	14	68114—55	SPEED NUT, lens screw (2)	N/A 55 to 72 — FL, FLH
	15	68119—69	SCREW, outlook lens (2)	N/A 69 to 72 — FL, FLH
	16	68121—55	GASKET, outlook lens	N/A 55 to 72 — FL, FLH
	17	68122—55	GASKET, tail lamp lens	55 to 72 — FL, FLH
	18	68123—55	GASKET, tail lamp housing	55 to 72 — FL, FLH
	19	68123—73	GASKET, tail lamp housing	73 to * — FL, FLH, FLH-80, Classic
	20	68165—47	BULB, tail and stop lamp — 6 V.	N/A 47 to 64 — FL, FLH
	21	68165—64	BULB, tail lamp — 12 V.	65 to * — FL, FLH, FLH-80, Classic
	22	68185—70	SOCKET AND WIRING	N/A 70 to 72 — FL, FLH
	24	68196—55	GROMMET, socket screw (3)	N/A 55 to 72 — FL, FLH
	25	68225—55	PROTECTOR COIL, tail lamp wire	55 to * — FL, FLH, FLH-80, Classic
	26	68672—38	SCREW, tail lamp door (2)	47 to 72 — FL, FLH
	27	72039—71	PIN TERMINAL (2)	80 to * — FL, FLH, FLH-80, Classic

TURN SIGNALS AND PARKING LAMPS

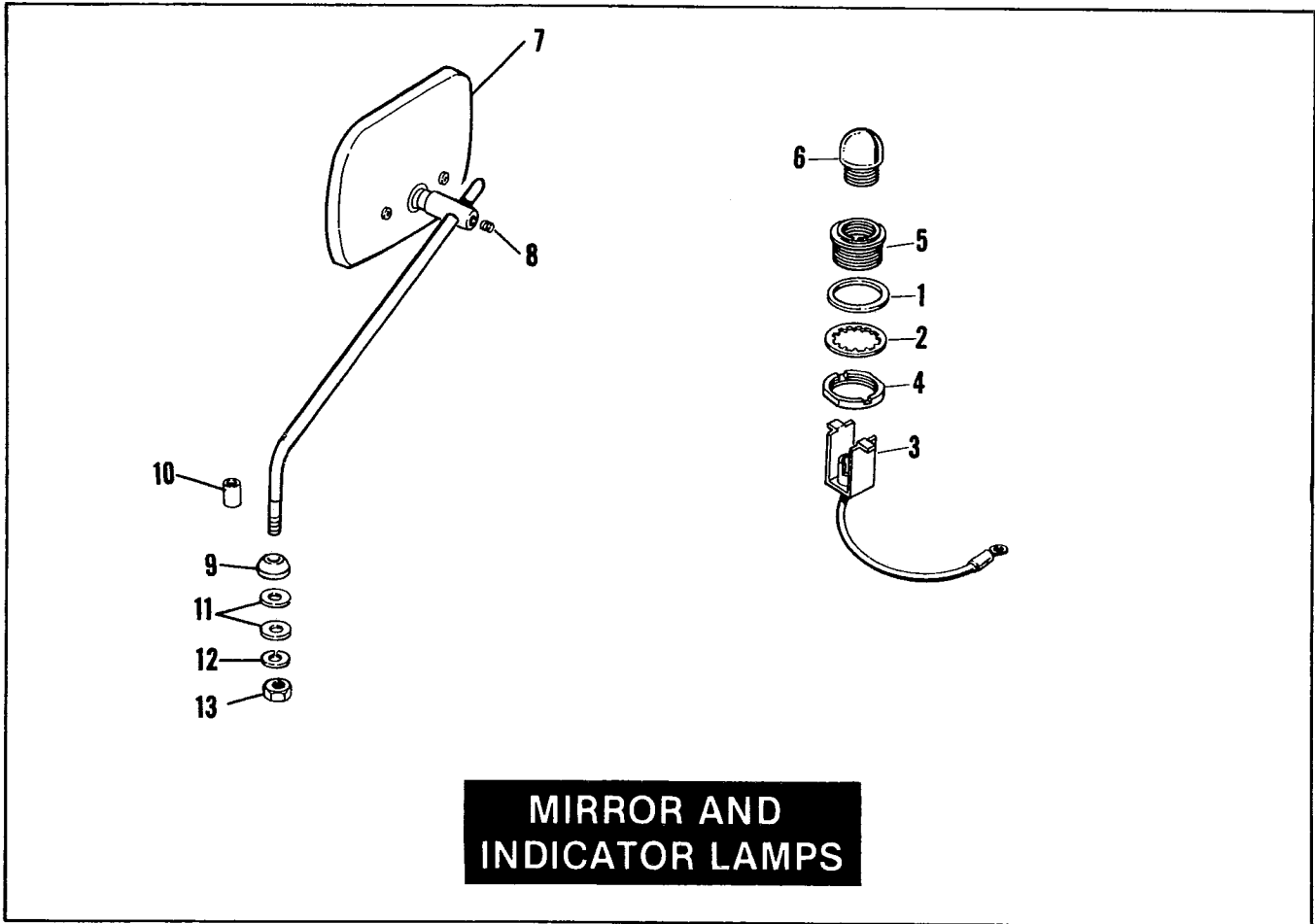


RETAIL PRICE	INDEX NO.	PART NO.	N A M E	USED ON
	1	1302	SCREW, No. 10-24 x 5/8 Pozidriv fil. hd. (2)	Late 74 to 82 — FL, FLH, FLH-80, Classic
	2	2073W	SCREW, No. 4-40 self tapping rd. hd. (two terminal flasher)	Late 63 to * — FL, FLH, FLH-80, Classic
	3	2583	SCREW, No. 10-32 x 3/8 Pozidriv pan hd. (2)	79 to * — FL, FLH, FLH-80, Classic
	4	2585	SCREW, No. 8-32 x 5/16 Pozidriv pan hd. (3)	49 to 72 — FL, FLH
	5	2592	SCREW, No. 10-24 x 1/2 Pozidriv pan hd. (4 - front)	Late 64 to * — FL, FLH, FLH-80, Classic
	6	2622	SCREW, No. 8-32 x 7/16 Pozidriv pan hd.	70 to Early 79 — FL, FLH, FLH-80, Classic
	6A	2647	SCREW, No. 10-24 x 3/4 socket hd. (8)	83 to * — FLH-80
	7	2661W	SCREW, No. 10-24 x 1/2 self tapping Phil. hd. (8)	63 & Early 64 — FL, FLH
	8	2692W	SCREW, No. 10-24 x 1/2 socket hd. (4 - rear)	Late 64 to 82 — FL, FLH, FLH-80, Classic
	9	3206B	SET SCREW, No. 8-32 x 3/16 socket hd.	Late 68 to Early 82 — FL, FLH, FLH-80, Classic
	10	3728	BOLT, 1/4-20 x 1/2 hex. hd. (2)	63 to * — FL, FLH, FLH-80, Classic
	11	3956	BOLT, 5/16-24 x 9/16 hex. hd.	49 to * — FL, FLH, FLH-80, Classic
	12	4410	BOLT, 1/4-28 x 7/8 hex. hd. (2)	49 to 62 — FL, FLH
	13	4716W	BOLT, 3/8-16 x 1-1/4 hex. hd. (2)	68 to * — FL, FLH, FLH-80, Classic
	14	6182W	WASHER, No. 10 x 7/16 x 1/32	63 to * — FL, FLH, FLH-80, Classic
	15	6189W	WASHER, 5/32 x 13/32 x 1/32	Late 76 to Early 79 — FL, FLH, FLH-80, Classic
	16	6192	WASHER, No. 8 x 7/16 x 3/64	70 to Early 76 — FL, FLH
	17	6702	WASHER, 5/16 x 11/16 x 1/16 (2)	49 to * — FL, FLH, FLH-80, Classic
	18	7036	LOCKWASHER, 1/4 (2)	58 to 62 — FL, FLH; 79 to * — FL, FLH, FLH-80, Classic
	19	7041	LOCKWASHER, 5/16 (4)	58 to 62 — FL, FLH
	20	7069	LOCKWASHER, No. 10 (6)	63 to * — FL, FLH, FLH-80, Classic
	21	7230	LOCKWASHER, 1/4 external tooth (2)	49 to * — FL, FLH, FLH-80, Classic
	22	7608	NUT, No. 8-32 x 1/8 x 5/16 hex.	49 to 72 — FL, FLH
	23	7609W	LOCKNUT, No. 8-32 x 3/16 x 11/32 hex.	70 to Early 79 — FL, FLH, FLH-80, Classic
	24	7676	NUT, 1/4-28 x 3/16 x 7/16 hex. (2)	58 to 62 — FL, FLH
	25	7744	NUT, 5/16-24 x 3/16 x 1/2 hex. (4)	58 to 62 — FL, FLH
	26	7778	LOCKNUT, 3/8-16 x 7/16 x 9/16 hex.	68 to * — FL, FLH, FLH-80, Classic
	26A	9898	INSULATOR, flag terminal (2)	70 to 83 — FL, FLH, FLH-80, Classic
	27	9952	FLASHER CLIP (3)	49 to * — FL, FLH, FLH-80, Classic
	28	9963	CLIP, turn signal lamp cable (2)	N/A 58 to 62 — FL, FLH
	29	9976	HANDLEBAR CLAMP (2)	49 to 72 — FL, FLH
	30	10001	CLAMP, handlebar switch (2)	49 to 72 — FL, FLH
	31	10002	CLIP, front wires to fork (2)	49 to 72 — FL, FLH
	31A	10006	WIRING STRAP, hazard and passing lamp wires	80 to * — FL, FLH, FLH-80, Classic
	32	10012	CLAMP, frame head	49 to * — FL, FLH, FLH-80, Classic
	33	31650—69A	GROUND STRAP	N/A 58 to 62 — FL, FLH
	34	41841—31	RIVET, 9/64 x 9/32 umbrella head (2)	Late 79 to * — FL, FLH, FLH-80, Classic
	35	67840—70	DECAL, flasher, passing lamp	70 to * — FL, FLH, FLH-80, Classic
	36	67843—70	TOGGLE SWITCH, hazard warning flasher kit	70 to * — FL, FLH, FLH-80, Classic
	37	67846—70	NUT, toggle switch	70 to * — FL, FLH, FLH-80, Classic
	38	68165—64	BULB, directional — 12 V. (3)	82 to * — FLH-80, Classic
		68166—64	BULB, parking lamp — 12 V. (2)	65 to * — FL, FLH, FLH-80, Classic
		68500—68	FRONT PARKING LAMP KIT	68 to * — FL, FLH, FLH-80, Classic
	40	68510—73	BRACKET, rear turn signal lamps	N/A Mid 73 — FL, FLH
	41	68510—74A	BRACKET, rear turn signal lamps	74 to * — FL, FLH, FLH-80, Classic
	42	68518—68	LAMP MOUNTING KIT, parking lamp (hardware only)	Late 68 to 82 — FL, FLH, FLH-80, Classic
	43	68519—68	BRACKET, front turn signal or parking lamp (2)	68 to * — FL, FLH, FLH-80, Classic
	44	68520—63	O-RING, lamp mounting (4)	63 to * — FL, FLH, FLH-80, Classic
	45	68521—63A	LENS GASKET (4)	63 to * — FL, FLH, FLH-80, Classic
	46	68525—52A	BRACKET, rear turn signal lamps	N/A 58 to 62 — FL, FLH; 72 to 78 — FL, FLH, FLH-80
	47	68525—62	MOUNTING BRACKET, rear	N/A 73 to 78 — FL, FLH, FLH-80
	48	68526—63	BRACKET, rear turn signal lamps	N/A 63 to 73 — FL, FLH
	49	68527—63	BRACKET, front turn signal lamps (2)	63 to * — FL, FLH, FLH-80, Classic
	50	68541—64A	FLASHER, hazard warning	68 to * — FL, FLH, FLH-80, Classic
	51	68543—64B	FLASHER, turn signal — 12 V.	65 to Early 83 — FL, FLH, FLH-80, Classic
	52	68545—70	BRACKET, flasher	70 to Early 81 — FL, FLH, FLH-80, Classic
		68545—81	BRACKET, flasher	Late 81 to * — FLH-80, Classic

TURN SIGNALS AND PARKING LAMPS



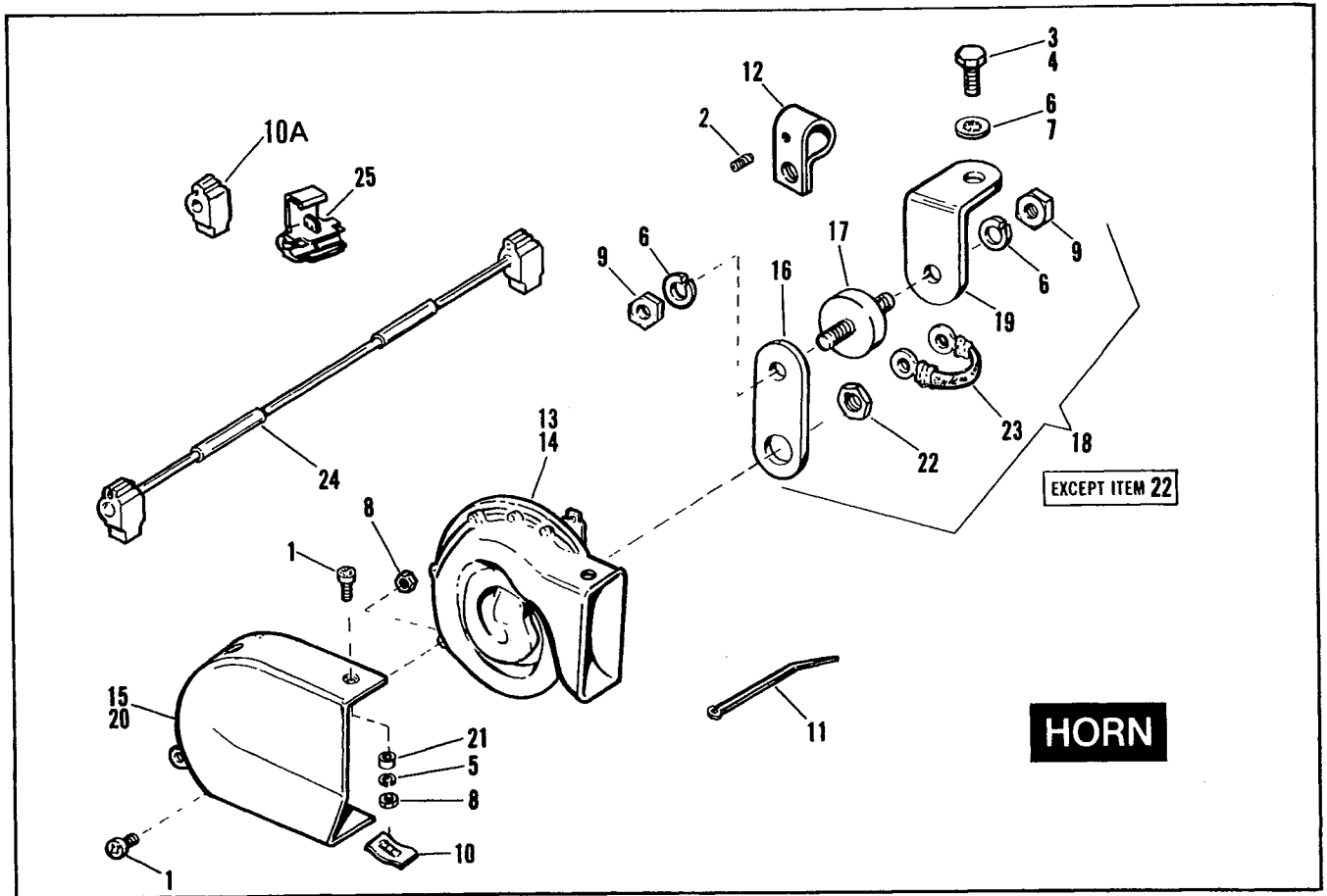
RETAIL PRICE	INDEX NO.	PART NO.	N A M E	USED ON
	53	68552-70A	LAMP WITH WIRE, front — 12 V. (amber) (2)	63 to * — FL, FLH, FLH-80, Classic
	53A	68554-82	WIRE, terminals to directional (black) (4)	82 to * — FLH-80, Classic
	54	68557-70A	LAMP WITH WIRE, rear — 12 V. (amber) (2)	63 to * — FL, FLH, FLH-80, Classic
	55	68570-63	LENS, rear lamp (red) (2)	63 to 73 — FL, FLH
		68571-63A	LENS, front & rear (amber) (4)	63 to * — FL, FLH, FLH-80, Classic
	56	68572-64A	BULB, turn signal lamp — 12 V.	65 to * — FL, FLH, FLH-80, Classic
	57	68576-70	SOCKET AND WIRE	63 to 81 — FL, FLH, FLH-80, Classic
	58	68586-63	SCREW, lens mounting (2)	63 to 81 — FL, FLH, FLH-80, Classic
		68586-63A	SCREW, lens mounting (2) N/A	82 to 84 — FLH-80, Classic
	59	68791-82	WASHER, 3/8 x 1-1/8 square	Late 82 — FLH-80, Classic
	59A	68795-68	CLAMP	Late 68 to Early 82 — FL, FLH, FLH-80, Classic
	60	68795-82	CLAMP, lamp support	Late 82 — FLH-80, Classic
	61	70058-50B	HANDLEBAR SWITCH AND CABLE N/A	49 to 83 — FL, FLH, FLH-80, Classic
	62	70128-79	WIRE, hazard and turn signal flasher (orange) (2 — Late 84) .	80 to * — FL, FLH, FLH-80, Classic
	64	70425-70A	WIRE, terminal 2 to toggle switch (brown)	70 to * — FL, FLH, FLH-80, Classic
		70425-70A	WIRE, terminal 2 to toggle switch (brown)	80 to * — FL, FLH, FLH-80, Classic
		70428-70A	WIRE, terminal 1 to toggle switch (violet)	70 to * — FL, FLH, FLH-80, Classic
	65	70429-70	WIRING HARNESS, toggle switch to flasher	70 to 79 — FL, FLH, FLH-80, Classic
		70429-80	WIRING HARNESS, toggle switch to flasher (yellow)	80 to 82 — FL, FLH, FLH-80, Classic
	66	70575-50	INSULATING CONNECTING TUBE (2) N/A	49 to 71 — FL, FLH
	67	70576-68	WIRE CONNECTOR	70 to * — FL, FLH, FLH-80, Classic
	68	70577-26	GROMMET, rear lamp cable	49 to 72 — FL, FLH 78 to * — FL, FLH, FLH-80, Classic



MIRROR AND INDICATOR LAMPS

A76

RETAIL PRICE	INDEX NO.	PART NO.	N A M E	USED ON
	1	6768	WASHER (fiber)	N/A 60 to 74 — FL, FLH
	2	7149	LOCKWASHER, 15/16 internal tooth	49 to 74 — FL, FLH
	3	68563—60	SOCKET AND WIRE, pilot lamp	60 to 74 — FL, FLH
	4	68564—60	NUT, pilot lamp holder	60 to 74 — FL, FLH
	5	68565—60	HOLDER, pilot lamp	60 to 74 — FL, FLH
	6	68566—60	LENS, pilot lamp (green)	60 to 74 — FL, FLH
	7	91879—67B	MIRROR KIT, 5' rectangular - long stem (chrome) (2 — Classic)	Late 79 to * — FLH-80, Classic
			Consists of besides mirror & stem:	
	8	3233	SET SCREW	
	9	5714	SPACER (Early 82)	
	10	5978W	SPACER (Late 79 to 81; Late 82 to *)	
	11	6702	WASHER (2)	
	12	7041	LOCKWASHER	
	13	7744	JAMNUT	

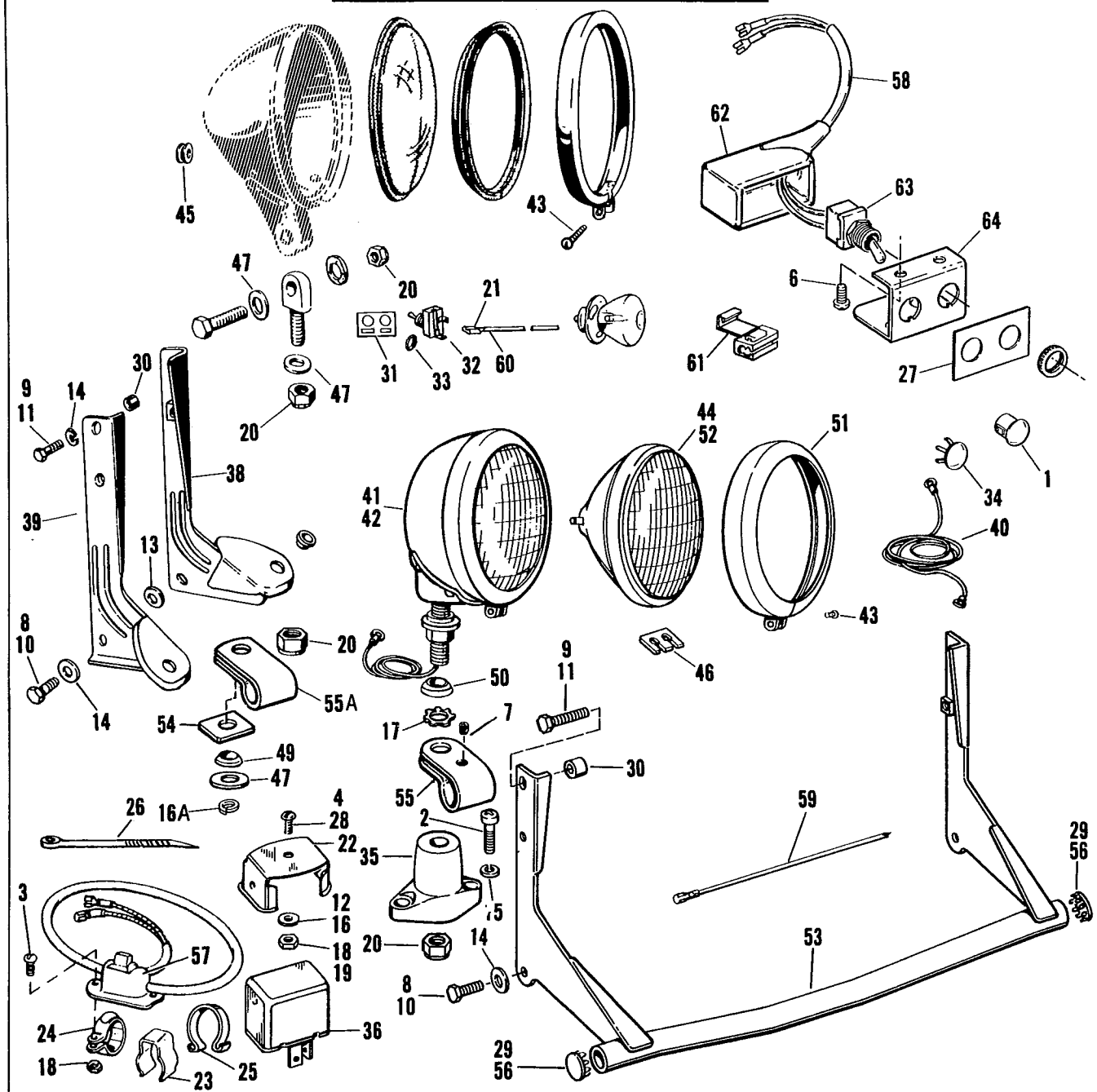


HORN

A81

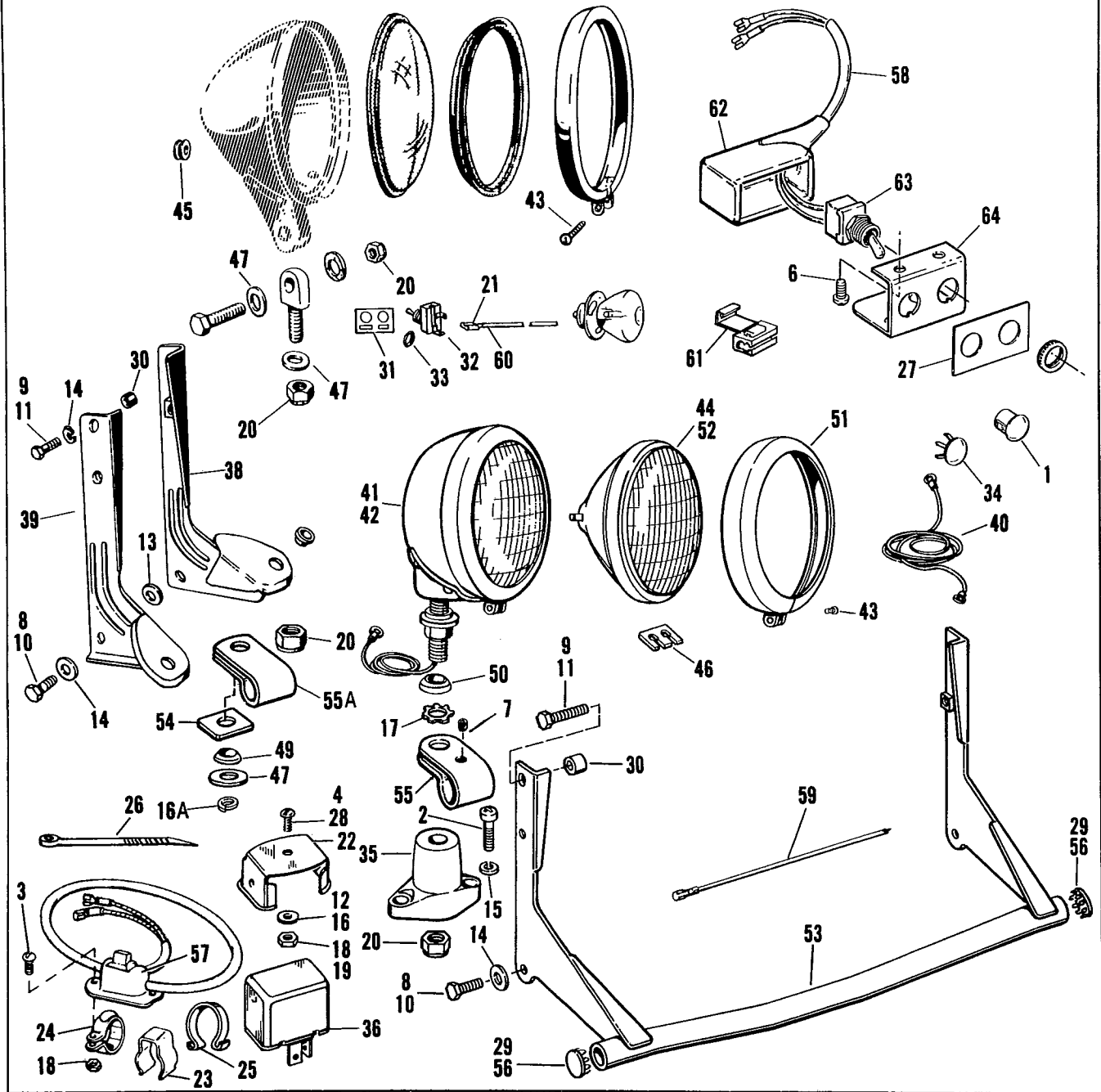
RETAIL PRICE	INDEX NO.	PART NO.	NAME	USED ON
	1	1719W	SCREW, No. 8-32 x 5/8 Phil. hd. (3)	70 to * — FL, FLH, FLH-80, Classic
	2	3206B	SET SCREW, No. 8-32 x 3/16 socket hd. (2)	70 to * — FL, FLH, FLH-80, Classic
	3	3953W	BOLT, 5/16-24 x 1/2 hex. hd.	79 to * — FL, FLH, FLH-80, Classic
	4	3956	BOLT, 5/16-24 x 9/16 hex. hd.	66 to 78 — FL, FLH, FLH-80
	5	7015	LOCKWASHER, No. 8 (2)	70 to * — FL, FLH, FLH-80, Classic
	6	7041	LOCKWASHER, 5/16 (3) (2 — 79 & later)	54 to * — FL, FLH, FLH-80, Classic
	7	7127	LOCKWASHER, 5/16 internal tooth	79 to * — FL, FLH, FLH-80, Classic
	8	7608	NUT, No. 8-32 x 1/8 x 11/32 hex. (2)	70 to * — FL, FLH, FLH-80, Classic
	9	7748W	NUT, 5/16-18 x 17/64 x 1/2 hex. (2)	65 to * — FL, FLH, FLH-80, Classic
	10	8125	SPEED NUT, horn cover	70 to * — FL, FLH, FLH-80, Classic
	10A	9898	INSULATOR, flag terminal	70 to 83 — FL, FLH, FLH-80, Classic
	11	10006	PLASTIC STRAP, horn wire to frame (2)	70 to * — FL, FLH, FLH-80, Classic
	12	10025	CLAMP, horn to frame (1 or 2)	70 to * — FL, FLH, FLH-80, Classic
	13	69000-76	HORN, low note	Late 76 to * — FL, FLH, FLH-80, Classic
		69003-76	TWIN HORN KIT	Late 76 to * — FL, FLH, FLH-80, Classic
	14	69016-76	HORN, high note	Late 76 to * — FL, FLH, FLH-80, Classic
	15	69017-76	COVER, high note horn	Late 76 to * — FL, FLH, FLH-80, Classic
	16	69117-65	MOUNTING PLATE, horn	65 to * — FL, FLH, FLH-80, Classic
	17	69125-65	RUBBER MOUNT, horn — 5/16-18 threads	65 to * — FL, FLH, FLH-80, Classic
	18	69130-65C	HORN MOUNTING BRACKET, with rubber mount	65 to * — FL, FLH, FLH-80, Classic
	19	69131-68	MOUNTING BRACKET, horn	65 to * — FL, FLH, FLH-80, Classic
	20	69141-70	COVER, high note horn	N/A 70 to Early 76 — FL, FLH
	21	69144-65	SPACER, horn cover	70 to * — FL, FLH, FLH-80, Classic
	22	69149-65	NUT, horn mounting	65 to * — FL, FLH, FLH-80, Classic
	23	70016-65A	GROUND STRAP, horn	Late 68 to * — FL, FLH, FLH-80, Classic
	24	70318-70	CABLE ASSEMBLY, twin horn	70 to * — FL, FLH, FLH-80, Classic
	25	70576-68	WIRE CONNECTOR	70 to * — FL, FLH, FLH-80, Classic

SPOTLAMPS, PASSING LAMPS AND PURSUIT LAMPS



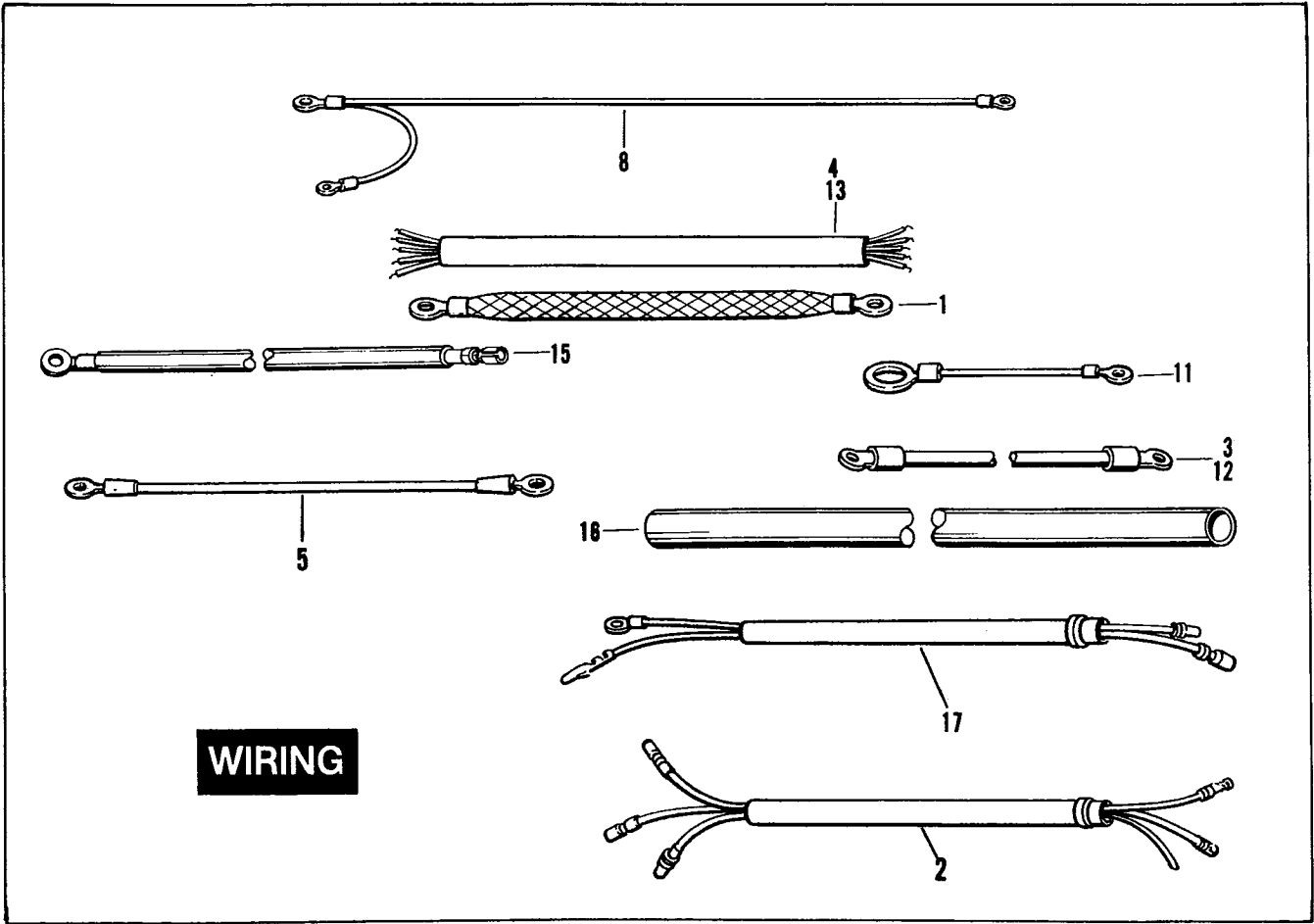
RETAIL PRICE	INDEX NO.	PART NO.	N A M E	USED ON
	1	729	HOLE PLUG, siren switch	84 to * — FLH-80
	2	1302	SCREW, No. 10-24 x 5/8 Pozidriv fil. hd. (4)	68 to 82 — FL, FLH, FLH-80, Classic
	3	2585	SCREW, No. 8-32 x 5/16 Pozidriv pan hd. (2)	60 to 83 — FL, FLH, FLH-80, Classic
	4	2622	SCREW, No. 8-32 x 7/16 Pozidriv pan hd.	70 to 83 — FL, FLH, FLH-80, Classic
	5	2647	SCREW, No. 10-24 x 3/4 socket hd. (4)	84 to * — FLH-80
	6	2661W	SCREW, No. 10-24 x 1/2 self tapping Phil. hd. (2)	84 to * — FLH-80
	7	3206B	SET SCREW, No. 8-32 x 3/16 socket hd. (2)	68 to Early 82 — FL, FLH, FLH-80, Classic
	8	3956	BOLT, 5/16-24 x 9/16 hex. hd. (2)	49 to 78 — FL, FLH, FLH-80
	9	3960W	BOLT, 5/16-24 x 1 hex. hd. (2)	49 to 78; 84 to * — FL, FLH, FLH-80
	10	3974HW	BOLT, 5/16-24 x 3/4 hex. hd. (2)	79 to 83 — FL, FLH, FLH-80, Classic
	11	4014W	BOLT, 5/16-24 x 1-1/4 hex. hd. (2)	79 to * — FL, FLH, FLH-80, Classic
	12	6189W	WASHER, No. 8 x 3/8 x 1/32	70 to Early 78 — FL, FLH, FLH-80
		6192	WASHER, No. 8 x 7/16 x 3/64 (5 - 84)	Late 78 to * — FL, FLH, FLH-80, Classic
	13	6336B	WASHER, 5/16 x 15/16 x 3/16 (2)	84 to * — FLH-80
	14	6702	WASHER, 5/16 x 11/16 x 1/16 (4)	84 to * — FLH-80
		7041	LOCKWASHER, 5/16 (4)	49 to 83 — FL, FLH, FLH-80, Classic
	15	7069	LOCKWASHER, No. 10 (4)	68 to * — FL, FLH, FLH-80, Classic
	16	7115	LOCKWASHER, No. 8 (4; 5 - 70 & later)	49 to 83 — FL, FLH, FLH-80, Classic
	16A	7130W	LOCKWASHER, 3/8	82 to * — FLH-80, Classic
	17	7145W	LOCKWASHER, 3/8 external tooth (2)	68 to Early 82 — FL, FLH, FLH-80, Classic
	18	7608	NUT, No. 8-32 x 1/8 x 3/8 hex. (7)	49 to 83 — FL, FLH, FLH-80, Classic
	19	7609W	LOCKNUT, No. 8-32 x 3/16 x 3/8 hex.	70 to 79 — FL, FLH, FLH-80, Classic
	20	7778	LOCKNUT, 3/8-16 x 7/16 x 9/16 hex. (2)	49 to * — FL, FLH, FLH-80, Classic
		7783	NUT, 3/8-16 x 5/16 x 9/16 hex. (2)	82 to * — FLH-80, Classic
	21	9900	CONNECTOR, wire	81 to * — FLH-80, Classic
	22	9952	MOUNTING CLIP, flasher (3 - 84)	49 to 64 — FL, FLH; 70 to * — FL, FLH, FLH-80, Classic
	23	9976	CLAMP, switch wires (2)	49 to 83 — FL, FLH, FLH-80, Classic
	24	10001	CLAMP, handlebar switch (2)	49 to 83 — FL, FLH, FLH-80, Classic
	25	10002	WIRE CLIP (2)	62 to 69 — FL, FLH
	26	10006	CABLE STRAP (2)	70 to * — FL, FLH, FLH-80, Classic
	27	14021—83	LABEL, siren & lights	84 to * — FLH-80
	28	41841—31	RIVET, 9/64 x 9/32 umbrella hd. (5)	84 to * — FLH-80
	29	56238—62	END PLUG, spotlamp bracket (2)	Late 78 to 82 — FL, FLH, FLH-80, Classic
		56575—26	CROSS BAR, handlebar — mount spotlamps & accessories Consists of besides items 10 & 14: 7753 NUT, 5/16-24 x 1/4 x 1/2 hex. (2) 56581—26 CLAMP, bar to handlebar (2)	41 to 78 — FL, FLH, FLH-80, Classic
	30	58102—49	SPACER, spotlamp brackets (2)	62 to * — FL, FLH, FLH-80, Classic
	31	67840—70	LABEL, headlamp housing	70 to * — FL, FLH, FLH-80, Classic
		67853—84	LABEL, headlamp housing	84 to * — FLH-80
	32	67844—70	TOGGLE SWITCH, spotlamp	70 to * — FL, FLH, FLH-80, Classic
	33	67846—70	NUT, toggle switch	70 to * — FL, FLH, FLH-80, Classic
	34	67860—76	HOLE PLUG, cycle signal	84 to * — FLH-80
		67861—84	HOLE PLUG, microphone jack	84 to * — FLH-80
	35	68519—68	MOUNTING BRACKET, directional lamp (2)	68 to * — FL, FLH, FLH-80, Classic
	36	68541—64A	FLASHER, 12 V.	65 to * — FL, FLH, FLH-80, Classic
		68598—70	SET OF PURSUIT LAMPS & FITTINGS, 12 V. (blue lens) . .	70 to 82 — FL, FLH, FLH-80
		68600—70	SET OF PASSING LAMPS & FITTINGS, 12 V.	70 to 82 — FL, FLH, FLH-80, Classic
		68601—70	SET OF PURSUIT LAMPS & FITTINGS, 12 V. (red lens) . .	70 to 82 — FL, FLH, FLH-80
	38	68603—62	MOUNTING BRACKET, left	62 to * — FL, FLH, FLH-80, Classic
		68603—70	SET OF PURSUIT LAMPS & FITTINGS, 12 V.	70 to 78 — FL, FLH, FLH-80
	39	68604—62	MOUNTING BRACKET, right	62 to * — FL, FLH, FLH-80, Classic

SPOTLAMPS, PASSING LAMPS AND PURSUIT LAMPS



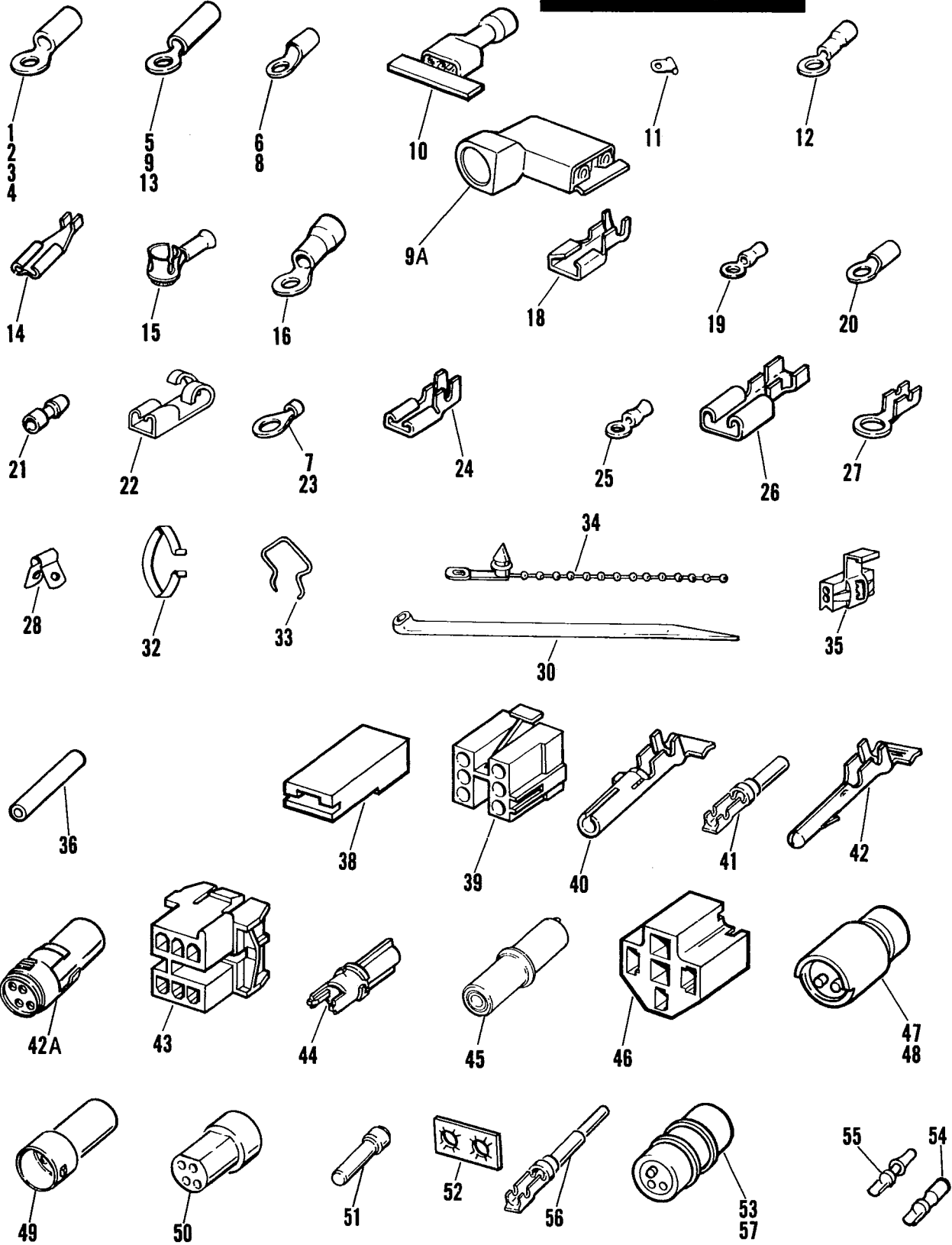
STOPLAMPS, PASSING LAMPS AND PURSUIT LAMPS (CONT'D)

RETAIL PRICE	INDEX NO.	PART NO.	N A M E	USED ON
		68605-70	SET OF PURSUIT LAMPS & FITTINGS (red & clear lens) . .	70 to 78 — FL, FLH, FLH-80
	40	68627-62A	SPOTLAMP WIRE (2)	62 to * — FL, FLH, FLH-80, Classic
	41	68652-64B	PASSING LAMP, 12 V. (clear lens)	62 to 77 — FL, FLH
		68654-64	PURSUIT LAMP — 12 V. (red lens)	62 to 82 — FL, FLH, FLH-80
		68657-70	PURSUIT LAMP KIT, left — 12 V. (red lens)	70 to * — FL, FLH, FLH-80
		68658-70	PURSUIT LAMP KIT, right — 12 V. (red lens)	70 to * — FL, FLH, FLH-80
	42	68667-78	PASSING LAMP KIT, 12 V. (clear lens)	78 to * — FL, FLH, FLH-80, Classic
		68669-70	PURSUIT LAMP, right — 12 V. (blue lens)	70 to * — FL, FLH, FLH-80
		68670-70	PURSUIT LAMP KIT, left — 12 V. (blue lens)	70 to * — FL, FLH, FLH-80
	43	68672-38	SCREW, spotlight door	41 to * — FL, FLH, FLH-80, Classic
	44	68674-69	PASSING LAMP SEALED UNIT, 12 V. (2)	Late 69 to * — FL, FLH, FLH-80, Classic
	45	68689-38	GROMMET, lamp wire N/A	41 to 71 — FL, FLH, FLH-80, Classic
	46	68690-69	WIRE CLIP, passing lamp (2)	Late 69 to * — FL, FLH, FLH-80, Classic
	47	68693-38	SWIVEL WASHER (2)	41 to * — FL, FLH, FLH-80, Classic
	49	68720-62	CLAMP BLOCK (2)	62 to 67 — FL, FLH; 70 to * — FL, FLH, FLH-80, Classic
	50	68721-62	SWIVEL BLOCK (2)	62 to * — FL, FLH, FLH-80, Classic
	51	68725-62	LAMP MOLDING, spotlight and pursuit lamp	62 to * — FL, FLH, FLH-80, Classic
	52	68726-62	SPOTLAMP SEALED UNIT, 6 V. (clear lens) N/A	62 to 64 — FL, FLH
		68726-64	SPOTLAMP SEALED UNIT, 12 V. (clear lens)	65 to 78 — FL, FLH, FLH-80
		68727-64A	PURSUIT LAMP SEALED UNIT, 12 V. (red lens)	65 to * — FL, FLH, FLH-80
		68728-64	PURSUIT LAMP SEALED UNIT, 12 V. (blue lens)	65 to * — FL, FLH, FLH-80
	53	68780-68	SUPPORT BAR	68 to 82 — FL, FLH, FLH-80, Classic
	54	68791-82	WASHER, 3/8 x 1-1/8 square	Late 82 — FLH-80, Classic
	55	68795-68	CLAMP BRACKET, spotlight (2)	68 to Early 82 — FL, FLH, FLH-80, Classic
	55A	68795-82	CLAMP BRACKET, spotlight (2)	Late 82 — FLH-80, Classic
	56	68797-68A	END PLUG, spotlight bracket (2)	68 to Early 78 — FL, FLH, FLH-80
	57	70060-29	HANDLEBAR SWITCH, with wires	41 to Early 79 — FL, FLH, FLH-80, Classic
	58	70152-84	WIRING HARNESS, pursuit lamp	84 to * — FLH-80
	59	70249-70	WIRE, passing lamp (gray) (2)	70 to Early 78 — FL, FLH, FLH-80
	60	70430-70	WIRE, toggle switch — passing lamp (blue) (2)	70 to * — FL, FLH, FLH-80, Classic
	61	70576-68	WIRE CONNECTOR (2 — 68 to Early 78)	68 to * — FL, FLH, FLH-80, Classic
	62	71430-83	BOOT, toggle switch	84 to * — FLH-80
	63	71431-83	TOGGLE SWITCH, pursuit lamp	84 to * — FLH-80
	64	91152-83	BRACKET, toggle switches	84 to * — FLH-80



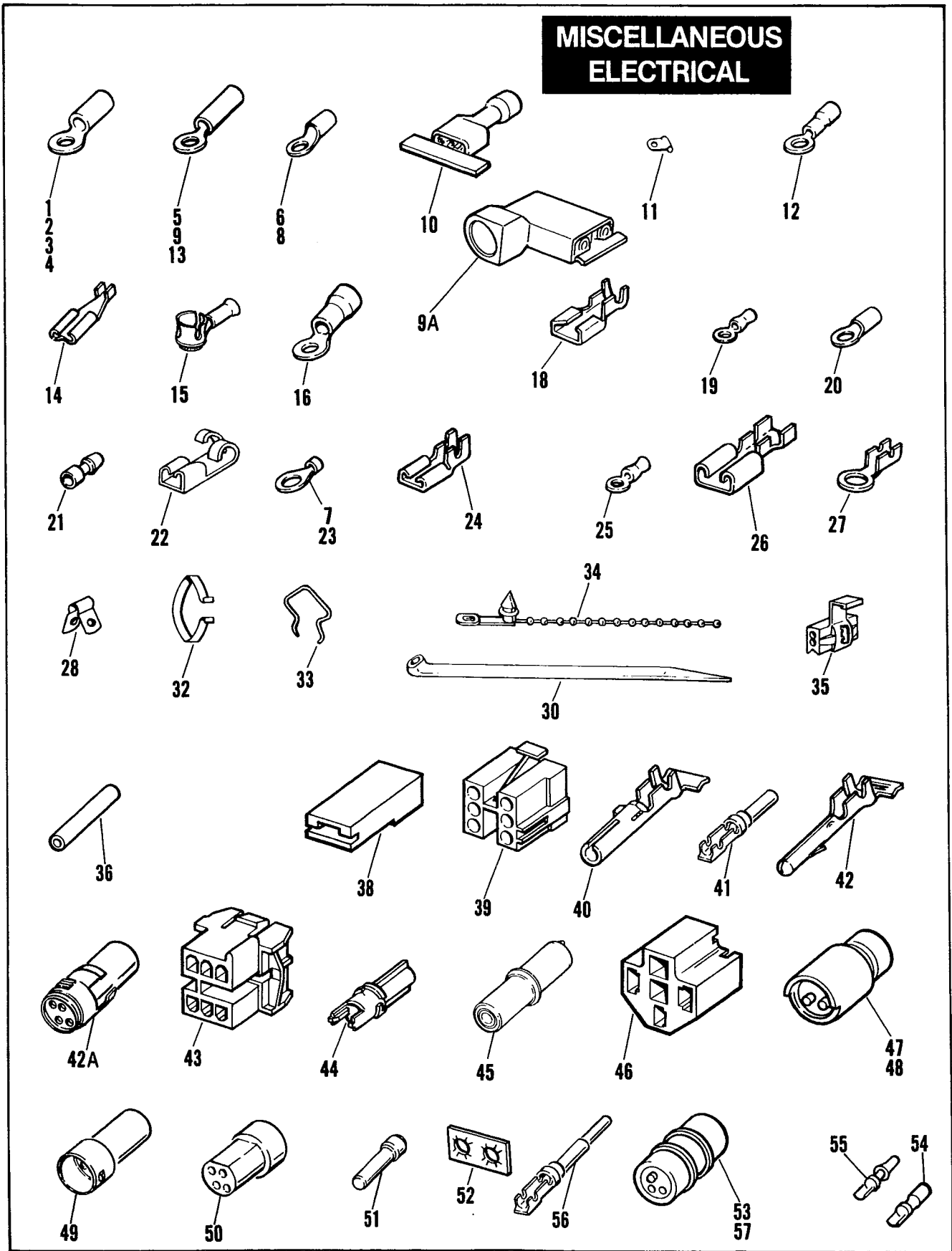
RETAIL PRICE	INDEX NO.	PART NO.	N A M E	USED ON
	1	31650—69A	GROUND STRAP, regulator	N/A 65 to 69 — FL, FLH
	2	70068—79	WIRING HARNESS, sidecar connection	79 to 82 — Classic
		70068—82	WIRING HARNESS, sidecar connection	83 — CLE
		70068—84	WIRING HARNESS, sidecar connection	84 to * — CLE
	3	70069—65B	CABLE, solenoid to starter & battery (2 - Early 83 & Earlier) . .	Late 65 to * — FL, FLH, FLH-80, Classic
		70069—83	CABLE, solenoid to starter	Late 83 to * — FLH-80
	4	70105—73	WIRE, fusible link (batt. positive to starter relay)	N/A 73 to 78 — FL, FLH, FLH-80
	5	70144—73	WIRE, ignition switch terminal 2 & 4	N/A 73 to 78 — FL, FLH, FLH-80
		70145—73	WIRE, ignition switch terminals 1 & 3	N/A 73 to 78 — FL, FLH, FLH-80
		70158—73	WIRE, ignition switch terminal 5 & ignition circuit breaker . .	N/A 73 to 78 — FL, FLH, FLH-80
	8	70159—73A	WIRE, ignition switch terminal 6 & lights circuit breaker . .	N/A 73 to 78 — FL, FLH, FLH-80
	9	70160—73	WIRE, ignition switch terminal 4 & accy. circuit breaker	N/A 73 to 78 — FL, FLH, FLH-80
		70169—70	WIRE, starter relay to starter motor mount (black)	70 to * — FL, FLH, FLH-80, Classic
	11	70191—73A	WIRE, handlebar ground	Early 78 to * — FL, FLH, FLH-80, Classic
	12	70209—65A	BATTERY GROUND CABLE	65 to * — FL, FLH, FLH-80, Classic
	13	70281—47	TAIL LAMP WIRE (red)	N/A 47 to 77 — FL, FLH, FLH-80, Classic
		70282—47	TAIL LAMP WIRE (black)	N/A 47 to 77 — FL, FLH, FLH-80, Classic
		70320—73A	MAIN WIRING HARNESS	73 to 77 — FL, FLH
		70320—78	MAIN WIRING HARNESS	78 & 79 — FL, FLH, FLH-80, Classic
		70320—80	MAIN WIRING HARNESS	80 to 81 — FL, FLH, FLH-80, Classic
		70320—82A	MAIN WIRING HARNESS	82 to * — FLH-80, Classic
	15	70456—73	WIRE, circuit breaker to coil	70 to * — FL, FLH, FLH-80, Classic
	16	70551—69	CONDUIT, 1/8 I.D. x 10 ft. lg. (black vinyl) (hi temp)	41 to * — FL, FLH, FLH-80, Classic
		70552—69	CONDUIT, 3/8 I.D. x 10 ft. lg. (black vinyl)	41 to * — FL, FLH, FLH-80, Classic
		70553—69	CONDUIT, 7/16 I.D. x 10 ft. lg. (black vinyl)	41 to * — FL, FLH, FLH-80, Classic
		70554—69	CONDUIT, 1/4 I.D. x 10 ft. lg. (black vinyl)	41 to * — FL, FLH, FLH-80, Classic
		70555—69	CONDUIT, 1/4 I.D. x 10 ft. lg. (black vinyl) (hi-temp)	41 to * — FL, FLH, FLH-80, Classic
		70556—71	CONDUIT, 5/16 I.D. x 10 ft. lg. (black vinyl)	41 to * — FL, FLH, FLH-80, Classic
		70558—71	CONDUIT, 1/2 I.D. x 10 ft. lg. (black vinyl)	41 to * — FL, FLH, FLH-80, Classic
		70559—71	CONDUIT, 1/8 I.D. x 10 ft. lg. (black vinyl)	41 to * — FL, FLH, FLH-80, Classic
	17	70645—79	WIRING HARNESS, rear fender (Tour-Pak)	79 to * — FL, FLH, FLH-80, Classic
		91704—15	BRAIDED CABLE, 16 strand (soft black)	48 to * — FL, FLH, FLH-80, Classic

MISCELLANEOUS ELECTRICAL



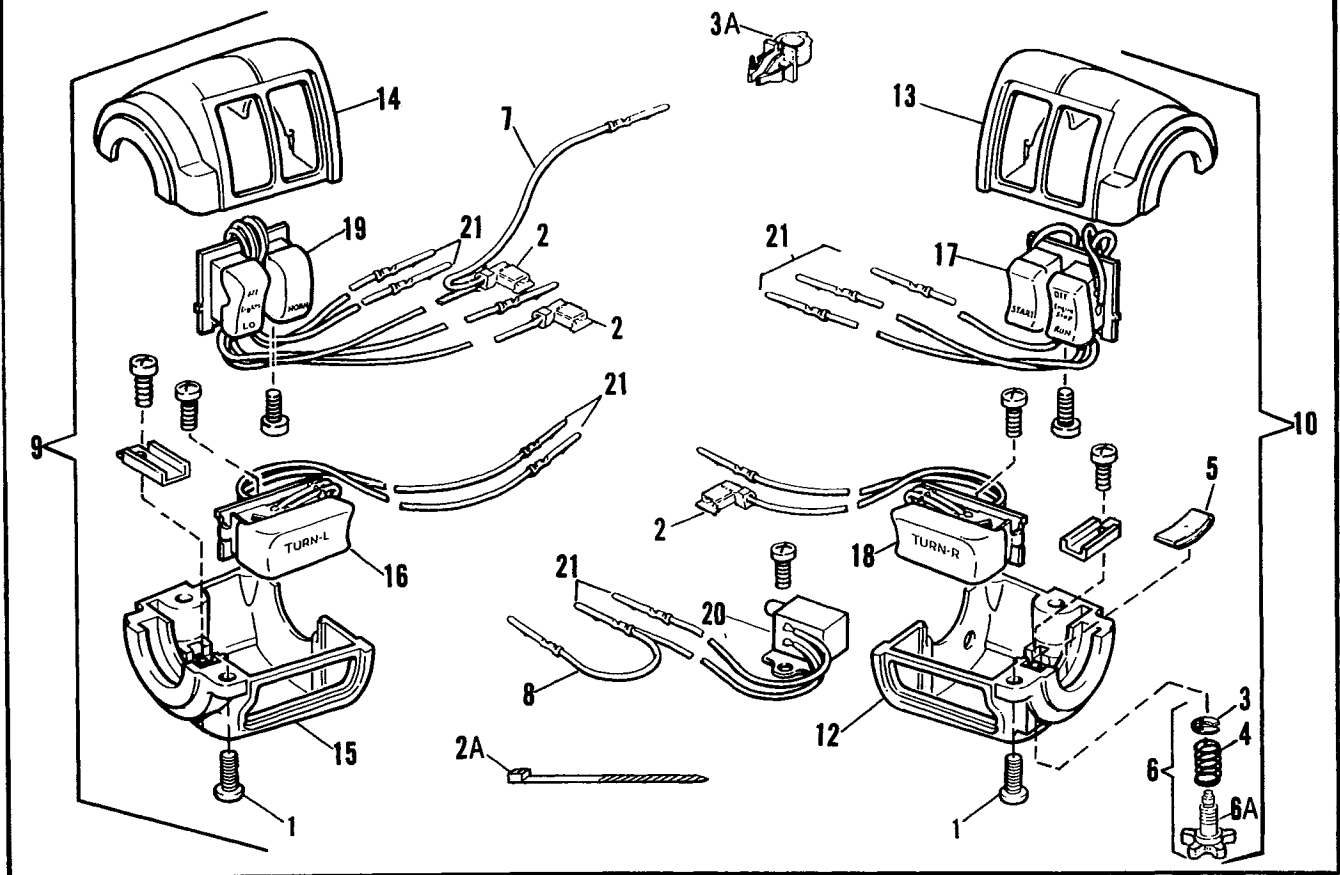
RETAIL PRICE	INDEX NO.	PART NO.	N A M E	USED ON
	1	9856	WIRE TERMINAL, ring type, No. 6 hole, #16-22 wire	80 to * — FL, FLH, FLH-80, Classic
	2	9857	WIRE TERMINAL, ring type, No. 10 hole, #16-22 wire . . .	78 to * — FL, FLH, FLH-80, Classic
	3	9858	WIRE TERMINAL, ring type, 1/4 dia. hole, #16-22 wire . .	79 to * — FL, FLH, FLH-80, Classic
	4	9859	WIRE TERMINAL, ring type, 1/4 dia. hole, #16-22 wire . .	78 & 79 — FL, FLH, FLH-80, Classic
	5	9862	WIRE TERMINAL, ring type, 1/4 dia. hole, #14-16 wire . .	78 to * — FL, FLH, FLH-80, Classic
	6	9863	WIRE TERMINAL, ring type, 1/4 dia. hole, #14-16 wire . .	78 to * — FL, FLH, FLH-80, Classic
	7	9866	WIRE TERMINAL, ring type, No. 10 hole, #10-12 wire . . .	80 to * — FL, FLH, FLH-80, Classic
	8	9868	WIRE TERMINAL, ring type, 5/16 dia. hole, #10-12 wire .	78 & 79 — FL, FLH, FLH-80, Classic
	9	9871	WIRE TERMINAL, ring type, No. 6 dia. hole, #14-16 wire .	74 to * — FL, FLH, FLH-80, Classic
	9A	9898	WIRE TERMINAL, female spade type, insulated — #14-16 wire .	70 to * — FL, FLH, FLH-80, Classic
	10	9900	CONNECTOR, wire	80 to * — FL, FLH, FLH-80, Classic
	11	9901	WIRE TERMINAL, ring flag type, 5/32 dia. hole, #14-16 wire .	N/A 48 to 84 — FL, FLH, FLH-80, Classic
	12	9902	WIRE TERMINAL, ring type, 3/16 dia. hole, #14-16 wire .	48 to 79 — FL, FLH, FLH-80, Classic
	13	9903	WIRE TERMINAL, ring type, 1/8 dia. hole, #18-22 wire . .	48 to * — FL, FLH, FLH-80, Classic
	14	9904	WIRE TERMINAL, female spade type, 1/8 slot — #16-20 wire	48 to * — FL, FLH, FLH-80, Classic
	15	9905	WIRE TERMINAL, 1/4 dia. cap type, #18-22 wire	48 to * — FL, FLH, FLH-80, Classic
	16	9909	WIRE TERMINAL, ring type, 3/16 dia. hole, #10-12 wire .	N/A 48 to 78 — FL, FLH, FLH-80
	18	9914	WIRE TERMINAL, female spade type, 1/4 slot #14-18 wire . .	48 to * — FL, FLH, FLH-80, Classic
	19	9918	WIRE TERMINAL, ring type, 1/4 dia. hole, #14-16 wire . .	48 to * — FL, FLH, FLH-80, Classic
	21	9924	WIRE TERMINAL, round plug type	N/A 48 to 78 — FL, FLH, FLH-80
	22	9925	WIRE TERMINAL, female spade type, 1/4 slot — #16-18 wire	48 to 83 — FL, FLH, FLH-80, Classic
	24	9931	WIRE TERMINAL, female spade type, 3/16 slot — #16-20 wire	58 to 79 — FL, FLH, FLH-80, Classic
	25	9932	WIRE TERMINAL, ring type, 3/16 dia. hole, #18-22 wire .	48 to 78 — FL, FLH, FLH-80
	26	9937	WIRE TERMINAL, female spade type, 1/4 slot — #14-18 wire	80 to * — FL, FLH, FLH-80, Classic
	27	9945	WIRE TERMINAL, ring type, 5/16 dia. hole, #10-12 wire . . .	48 to * — FL, FLH, FLH-80, Classic
	28	9957	WIRE CLIP, spark coil	N/A Late 50 to 78 — FL, FLH, FLH-80
	30	10006	PLASTIC STRAP (black)	Late 68 to * — FL, FLH, FLH-80, Classic
		10007	PLASTIC STRAP (white)	Late 68 to 72 — FL, FLH
	31	10012	WIRE CLIP, cables to frame	41 to * — FL, FLH, FLH-80, Classic
	32	10065	PLASTIC STRAP (6)	84 to * — FLH-80
	33	56062—73	WIRE CLIP, handlebar wires (4)	72 to 81 — FL, FLH, FLH-80, Classic
		56070—81	WIRE CLIP, handlebar wires (4)	82 & 83 — FLH-80, Classic
		56073—83	WIRE CLIP, handlebar wires (4)	84 to * — FLH-80
	34	70005—70	CABLE STRAP (2)	70 to * — FL, FLH, FLH-80, Classic
	35	70576—68	WIRE CONNECTOR	68 to * — FL, FLH, FLH-80, Classic

MISCELLANEOUS ELECTRICAL



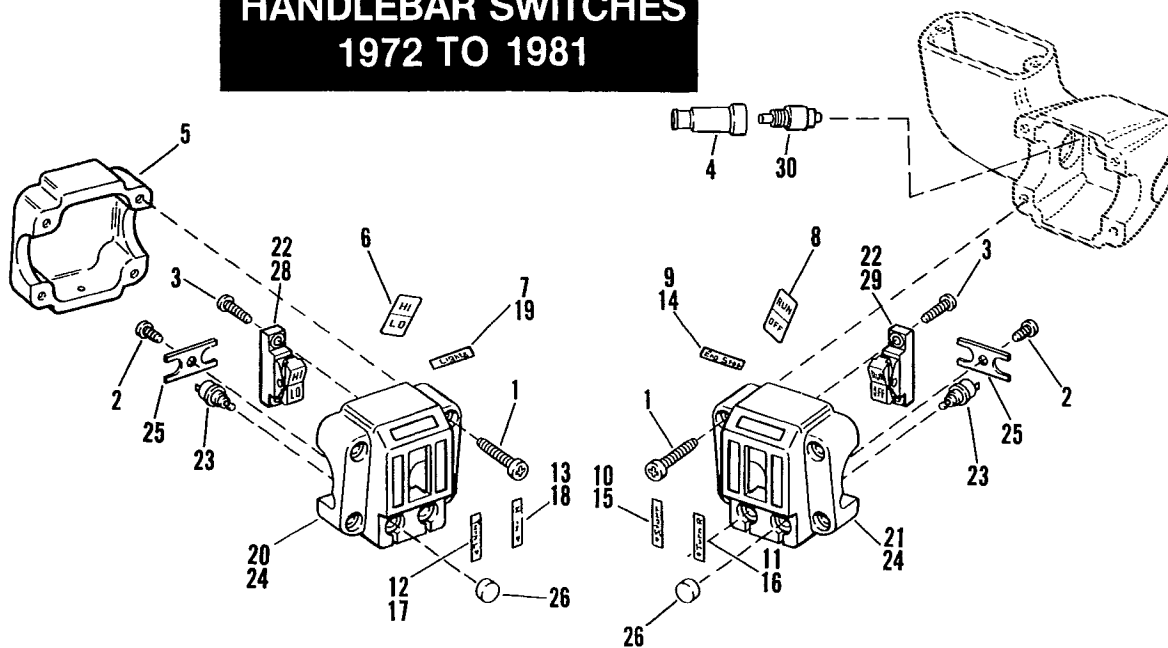
RETAIL PRICE	INDEX NO.	PART NO.	N A M E	USED ON
	36	70581-73	CONNECTOR, sidecar turn signal wire	79 to 82 — Classic; 83 — CLE
	39	72037-71	CONNECTOR, six socket	78 to * — FL, FLH, FLH-80, Classic
	40	72038-71	SOCKET, single pin	73 to * — FL, FLH, FLH-80, Classic
	41	72028-83	CONNECTOR, single pin	Late 82 & 83 — CLE
	42	72039-71	PIN, single socket	73 to * — FL, FLH, FLH-80, Classic
	42A	72029-83	SOCKET, four terminal	Late 82 & 83 — CLE
	43	72041-71	CONNECTOR, six pin	79 to * — FL, FLH, FLH-80, Classic
	44	72043-71	CONNECTOR, single pin	73 to * — FL, FLH, FLH-80, Classic
	45	72044-71	CONNECTOR, single socket	73 & 74 — FL, FLH; 78 to * — FL, FLH, FLH-80, Classic
	46	72046-79	CONNECTOR, starter relay — female, spade terminals (main wiring harness)	80 to * — FL, FLH, FLH-80, Classic
	47	72051-77	CONNECTOR, three socket (sidecar)	79 to 82 — Classic
	48	72053-79	CAP, wiring protection (used when sidecar is removed) . .	79 to 82 — Classic
		72057-84	CAP, wiring protection (used when sidecar is removed) . .	84 to * — CLE
	49	72054-82	SOCKET, four terminal	83 — CLE
		72054-84	SOCKET, four terminal	84 to * — CLE
	50	72055-82	CAP, wiring protection, includes index nos. 49 & 51	83 — CLE
	51	72056-82	PLUG, sealing (plastic) (4)	83 — CLE
	52	72275-74	CONNECTOR TAB, two terminal (5)	75 to Early 80 — FL, FLH, FLH-80, Classic
	53	74521-77	CONNECTOR, pin and socket	80 to 82 — FL, FLH, FLH-80, Classic
	54	74536-77A	SOCKET, wiring harness	79 to 82 — FL, FLH, FLH-80, Classic; 84 to * — CLE
	55	74539-77A	PIN, wiring harness	79 to 82 — FL, FLH, FLH-80, Classic; 84 to * — CLE
	56	74539-83	PIN, single socket	83 — CLE
	57	90771-79	PLUG, rear fender wiring harness (King Tour-Pak)	79 to 82 — FL, FLH, FLH-80, Classic

HANDLEBAR SWITCHES — 1982 & LATER



RETAIL PRICE	INDEX NO.	PART NO.	N A M E	USED ON
	1	2508	SCREW, No. 10-32 x 9/16 hex. socket rd. hd. (4)	82 to * — FLH-80, Classic
	2	9898	WIRE TERMINAL, insulated (2)	82 to * — FLH-80, Classic
	2A	10007	STRAP, switch wiring (2)	84 to * — FLH-80
	3	11155	SNAP RING, throttle screw	82 to * — FLH-80, Classic
	3A	56070—81	RETAINER, wiring harness to handlebar (4)	82 & 83 — FLH-80, Classic
		56073—83	RETAINER, wiring harness to handlebar (4)	84 to * — FLH-80
	4	56394—74	SPRING, adjusting screw	82 to * — FLH-80, Classic
	5	56396—74	SPRING, grip	82 to * — FLH-80, Classic
	6	56397—74C	KIT, throttle adjusting screw, includes items 3, 4 & 6A	82 to * — FLH-80, Classic
	6A	56402—83A	SCREW, throttle adjusting	82 to * — FLH-80, Classic
	7	70047—82	WIRE ASSEMBLY, 5' lg. (white)	82 to * — FLH-80, Classic
	8	70082—82	WIRE ASSEMBLY, 3' lg. (orange)	82 to * — FLH-80, Classic
	9	70218—82	SWITCH KIT, left — complete	82 & 83 — FLH-80, Classic
		70218—84	SWITCH KIT, left — complete	84 to * — FLH-80
	10	70219—82	SWITCH KIT, right — complete	82 & 83 — FLH-80, Classic
		70219—84	SWITCH KIT, right — complete	84 to * — FLH-80
	12	71563—82A	HOUSING, lower, right	82 to * — FLH-80, Classic
	13	71564—82	HOUSING, upper, right	82 to * — FLH-80, Classic
	14	71567—82	HOUSING, upper, left	82 to * — FLH-80, Classic
	15	71568—82A	HOUSING, lower, left	82 to * — FLH-80, Classic
	16	71570—82	SWITCH ASSEMBLY, with terminals, left directional	82 to * — FLH-80, Classic
	17	71571—82	SWITCH ASSEMBLY, with terminals, engine stop/start	82 to * — FLH-80, Classic
	18	71572—82	SWITCH ASSEMBLY, with terminals, right directional	82 to * — FLH-80, Classic
	19	71573—82A	SWITCH ASSEMBLY, w/terminals & wiring, dimmer & horn	82 to * — FLH-80, Classic
	20	71574—82	STOPLIGHT SWITCH, with terminals & wiring	82 to * — FLH-80, Classic
	21	72039—71	PIN, single socket (12)	82 to * — FLH-80, Classic
		72043—71	CONNECTOR, single pin	82 to * — FLH-80, Classic

HANDLEBAR SWITCHES 1972 TO 1981

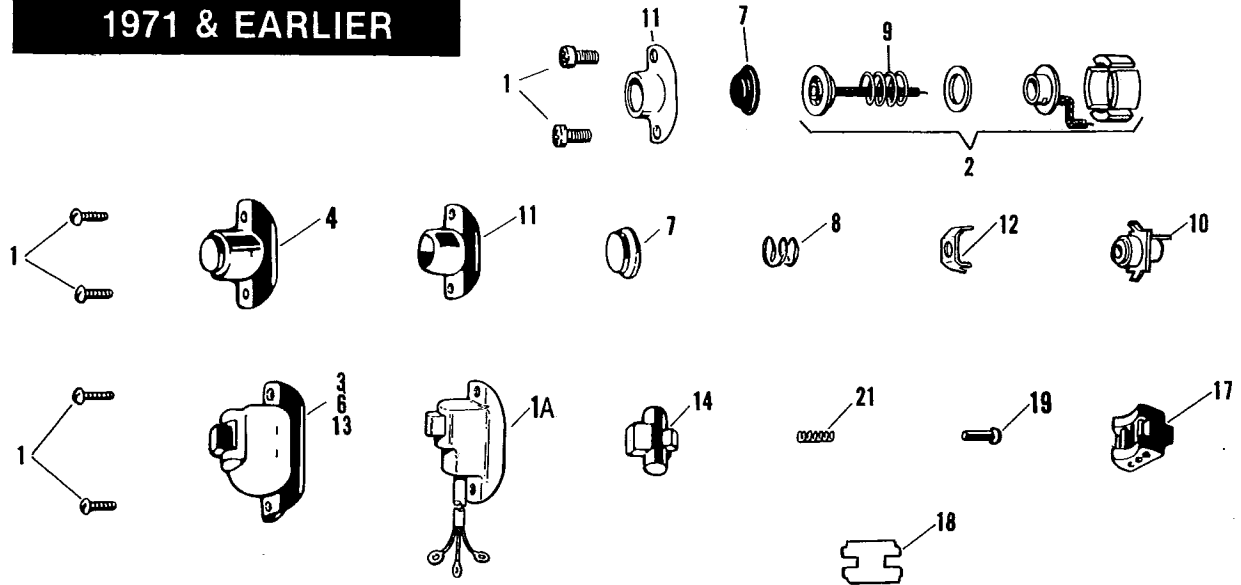


HANDLEBAR SWITCHES — 1972 TO 1981

A85

RETAIL PRICE	INDEX NO.	PART NO.	NAME	USED ON
	1	2695W	SCREW, No. 10-24 x 1-1/8 Pozidriv fil. hd. (8)	72 to 81 — FL, FLH, FLH-80, Classic
	2	2803W	SCREW, No. 6-32 x 1/4 Phillips hd. (2)	72 to 81 — FL, FLH, FLH-80, Classic
	3	2804W	SCREW, No. 6-32 x 1/2 Phillips hd. (2)	72 to 81 — FL, FLH, FLH-80, Classic
	4	27751-69P	RUBBER CAP, front stoplight switch	72 to 81 — FL, FLH, FLH-80, Classic
	5	33626-72	CLAMP, left handlebar switch (handshift only)	N/A 72 to 78 — FL, FLH, FLH-80
	6	46901-73	LABEL, dimmer switch	N/A 73 & 74 — FL, FLH
	7	46901-75	LABEL, lights	N/A 75 & 76 — FL, FLH
	8	46902-73	LABEL, engine stop switch	N/A 73 & 74 — FL, FLH
	9	46902-75	LABEL, engine stop	N/A 75 & 76 — FL, FLH
	10	46903-75	LABEL, start	75 & 76 — FL, FLH
	11	46904-75	LABEL, turn — R	N/A 75 & 76 — FL, FLH
	12	46905-75	LABEL, turn — L	75 & 76 — FL, FLH
	13	46906-75	LABEL, horn	75 & 76 — FL, FLH
	14	46907-77	LABEL, engine stop	77 to 81 — FL, FLH, FLH-80, Classic
	15	46908-77	LABEL, start	77 to 81 — FL, FLH, FLH-80, Classic
	16	46909-77	LABEL, turn — R	77 to 81 — FL, FLH, FLH-80, Classic
	17	46910-77	LABEL, turn — L	77 to 81 — FL, FLH, FLH-80, Classic
	18	46911-77	LABEL, horn	77 to 81 — FL, FLH, FLH-80, Classic
	19	46912-77	LABEL, lights	77 to 81 — FL, FLH, FLH-80, Classic
		70023-72	WIRING HARNESS, left handlebar switch	N/A 72 to 74 — FL, FLH
		70023-75	WIRING HARNESS, left handlebar switch	75 to 81 — FL, FLH, FLH-80, Classic
		70024-73	WIRING HARNESS, right handlebar switch	N/A 73 & 74 — FL, FLH
		70024-75	WIRING HARNESS, right handlebar switch	75 to 81 — FL, FLH, FLH-80, Classic
	20	70051-72A	SWITCH ASSEMBLY, complete — left handlebar	72 to 81 — FL, FLH, FLH-80, Classic
	21	70054-73A	SWITCH ASSEMBLY, complete — right handlebar	72 to 81 — FL, FLH, FLH-80, Classic
	22	71483-72	ROCKER SWITCH (2)	72 to 74 — FL, FLH
	23	71484-72A	BUTTON SWITCHES (4)	72 to 81 — FL, FLH, FLH-80, Classic
	24	71519-75	HOUSING, handlebar switches (vertical rocker switch) (2)	72 to 81 — FL, FLH, FLH-80, Classic
	25	71533-72	RETAINER, button switches (2)	72 to 81 — FL, FLH, FLH-80, Classic
	26	71534-72	BUTTON CAP, switch — short (2)	72 to 81 — FL, FLH, FLH-80, Classic
	28	71546-75A	ROCKER SWITCH (HI — LOW)	75 to 81 — FL, FLH, FLH-80, Classic
	29	71547-75A	ROCKER SWITCH (RUN — OFF)	75 to 81 — FL, FLH, FLH-80, Classic
	30	72001-69B	STOPLIGHT SWITCH, front brake	72 to 81 — FL, FLH, FLH-80, Classic

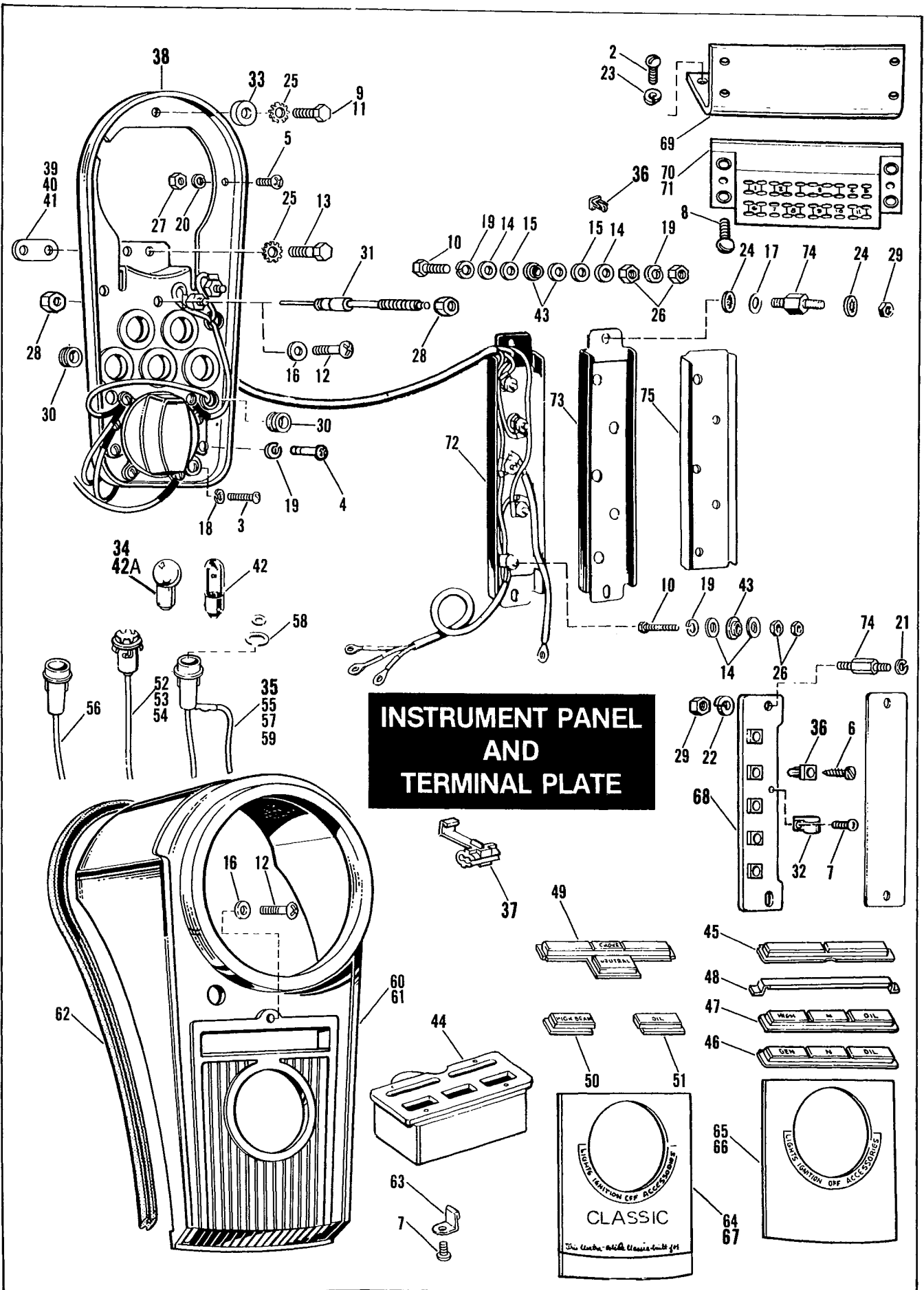
HANDLEBAR SWITCHES 1971 & EARLIER



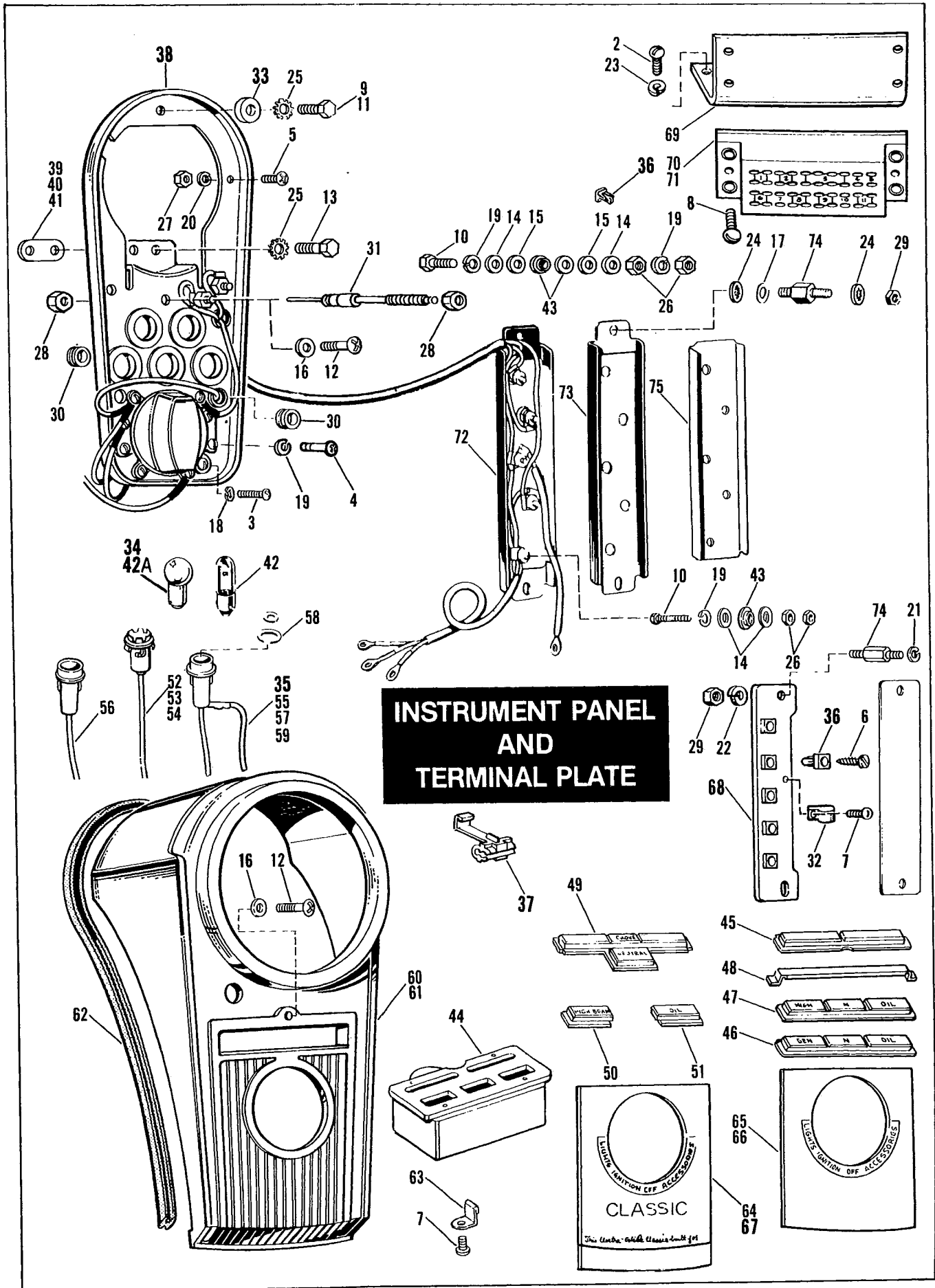
HANDLEBAR SWITCHES — 1971 & EARLIER

A86

RETAIL PRICE	INDEX NO.	PART NO.	N A M E	USED ON
	1	2594	SCREW, No. 8-32 x 1/4 Pozidriv pan hd. (2)	41 to 71 — FL, FLH
	1A	70058—50B	HANDLEBAR SWITCH, with wires — 3 wire	N/A Late 65 to 69 — FL, FLH
			Consists of besides housing & wiring items 14, 18 & 21:	
	2	70059—66	BUTTON SWITCH REPAIR KIT, 2 wire	N/A 65 to 71 — FL, FLH
	3	70060—29	HANDLEBAR SWITCH, with wires — 3 wire	41 to 71 — FL, FLH
	4	70060—66	BUTTON SWITCH ASSEMBLY	65 to 69 — FL, FLH
		70060—70	BUTTON SWITCH, horn and starter (2)	N/A 70 & 71 — FL, FLH
	6	71800—26A	BUTTON SWITCH ASSEMBLY	N/A 41 to 64 — FL, FLH
	7	71802—26A	BUTTON, horn & starter switch	41 to 71 — FL, FLH
	8	71804—26	SPRING, horn switch	N/A 41 to 64 — FL, FLH
	9	71804—65	SPRING, horn and starter switch	N/A 65 to 71 — FL, FLH
	10	71806—53	WIRE TERMINAL	N/A 41 to 64 — FL, FLH
	11	71811—26	HOUSING, horn and starter switch	41 to 71 — FL, FLH
	12	71813—26	CONTACT, horn switch	N/A 41 to 64 — FL, FLH
	13	71840—29	HANDLEBAR LIGHT SWITCH, complete, less wire	N/A 41 to 69 — FL, FLH
	14	71843—29	LEVER, light switch	41 to 71 — FL, FLH
	17	71851—29	CONTACT BLOCK, light switch	41 to 71 — FL, FLH
	18	71856—61	PLATE, light switch contact retainer block	54 to Early 60; Late 61 to 71 — FL, FLH
	19	71859—29	PIN, light switch contact — two position	41 to 71 — FL, FLH
		71859—38A	PIN, light switch contact — three position	N/A 41 to 71 — FL, FLH
	21	71861—29	SPRING, light switch contact pin	41 to 71 — FL, FLH

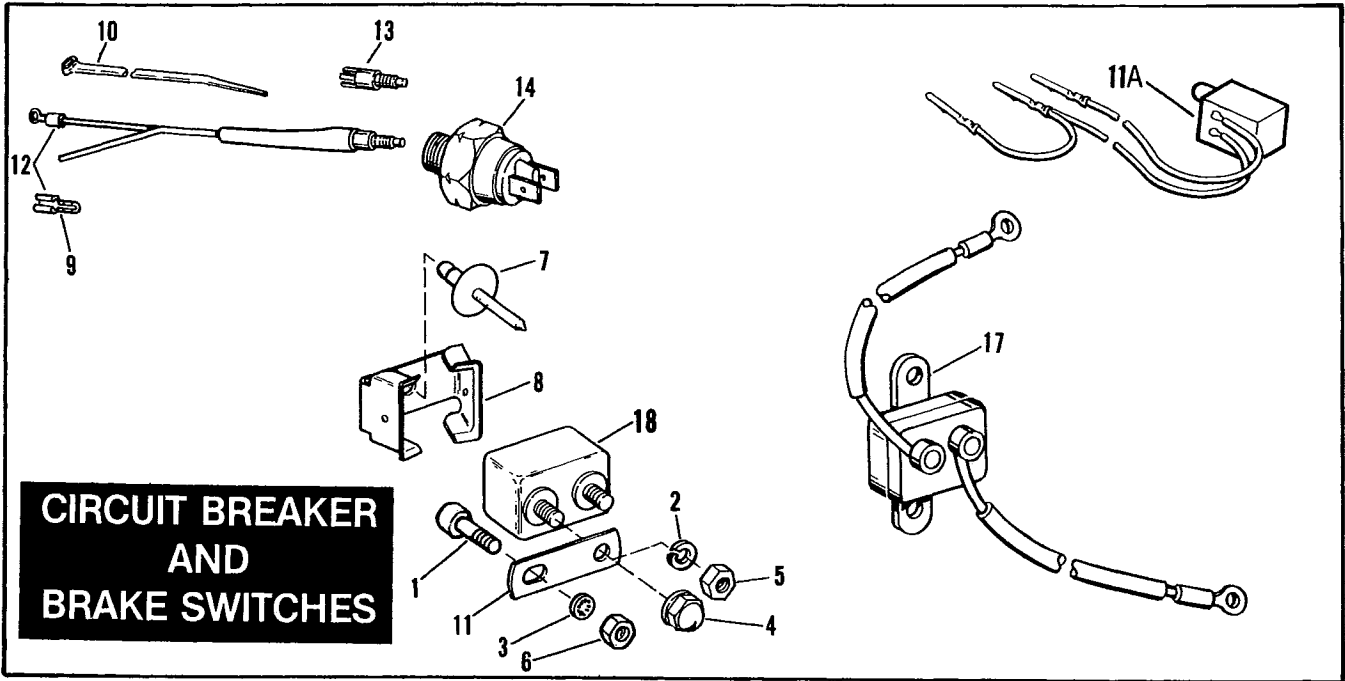


RETAIL PRICE	INDEX NO.	PART NO.	N A M E	USED ON
	2	2583	SCREW, No. 10-32 x 3/8 Pozidriv pan hd. (2)	70 to * — FL, FLH, FLH-80, Classic
	3	2589	SCREW, No. 6-32 x 1/4 Pozidriv pan hd. (6)	71 to Early 76 — FL, FLH
	4	2594	SCREW, No. 8-32 x 1/4 Pozidriv pan hd. (4)	80 to * — FL, FLH, FLH-80, Classic
	5	2598	SCREW, No. 12-24 x 3/8 Pozidriv pan hd. (2)	N/A 47 to 76 — FL, FLH
	6	2623W	SCREW, No. 8-15 x 5/8 self-tapping pan hd. (10)	70 to 77 — FL, FLH
	7	2630W	SCREW, No. 8-32 x 5/16 self tapping rd. hd. (2 — 77 & Earlier)	68 to * — FL, FLH, FLH-80, Classic
	8	2750	SCREW, No. 6-32 x 3/4 self tapping rd. hd. (4)	70 to 81 — FL, FLH, FLH-80, Classic
		2779	SCREW, No. 6-32 x 1 self-tapping pan hd. (4)	82 to * — FLH-80, Classic
	9	2882W	BOLT, 5/16-18 x 5/8 hex. hd.	68 to * — FL, FLH, FLH-80, Classic
	10	3491	SCREW, No. 8-32 x 5/8 hex. hd. (4)	48 to 69 — FL, FLH
	11	3952	BOLT, 5/16-18 x 7/16 hex. hd. (3)	N/A 56 to 67 — FL, FLH
	12	3983W	SCREW, 1/4-20 x 1-3/4 Phillips hd.	N/A 68 to 70 — FL, FLH
	13	3987	BOLT, 5/16-18 x 3/4 hex. hd. (2)	68 to * — FL, FLH, FLH-80, Classic
	14	6182W	WASHER, 3/16 x 7/16 x 1/32 (8)	48 to 69 — FL, FLH
	15	6185	WASHER, 3/16 x 1/2 x 1/16 (8)	48 to 69 — FL, FLH
	16	6220W	WASHER, 1/4 x 7/16 x 1/32.	68 & 69 — FL, FLH
	17	6702	WASHER, 5/16 x 11/16 x 1/16 (as req.)	48 to 69 — FL, FLH
	18	7010	LOCKWASHER, No. 6 (6)	Late 76 to * — FL, FLH, FLH-80, Classic
	19	7015	LOCKWASHER, No. 8 (4)	48 to 69 — FL, FLH 80 to * — FL, FLH, FLH-80, Classic
	20	7030W	LOCKWASHER, No. 12 (2)	47 to 76 — FL, FLH
	21	7038	LOCKWASHER, 3/8 (2)	79 to * — FL, FLH, FLH-80, Classic
	22	7041	LOCKWASHER, 5/16 (2)	70 to 77 — FL, FLH
	23	7069	LOCKWASHER, No. 10 (2)	70 to * — FL, FLH, FLH-80, Classic
	24	7127	LOCKWASHER, 5/16 internal tooth (2)	48 to 69 — FL, FLH
	25	7232	LOCKWASHER, 5/16 external tooth (3)	48 to * — FL, FLH, FLH-80, Classic
	26	7608	NUT, No. 8-32 x 1/8 x 5/16 hex. (8)	48 to 69 — FL, FLH
	27	7654W	NUT, No. 12-24 x 5/32 x 7/16 hex. (2)	47 to 76 — FL, FLH
	28	7744	NUT, 5/16-24 x 3/16 x 1/2 hex. (2)	80 to * — FL, FLH, FLH-80, Classic
	29	7753	NUT, 5/16-24 x 1/4 x 1/2 hex. (2)	48 to * — FL, FLH, FLH-80, Classic
	30	11430	GROMMET, instrument panel (2)	70 to * — FL, FLH, FLH-80, Classic
	31	29213—79	CONTROL CABLE	80 to * — FL, FLH, FLH-80, Classic
	32	38712—68	CLAMP	70 to 77 — FL, FLH
	33	52103—31	SPACER	Late 82 to * — FLH-80, Classic
	34	68462—64	BULB, signal lamps — 12 V. (3; 5 — 80 to 82; 4 — 83 & Later)	65 to * — FL, FLH, FLH-80, Classic
	35	68582—73	SOCKET, neutral indicator	73 to * — FL, FLH, FLH-80, Classic
	36	70574—68	EXPANSION NUT, terminal board (5)	70 to 77 — FL, FLH
	37	70576—68	WIRE CONNECTOR	70 to * — FL, FLH, FLH-80, Classic
	38	70935—73	INSTRUMENT PANEL BASE	73 to * — FL, FLH, FLH-80, Classic
	39	71027—68	SPACER — .030 thick	68 to * — FL, FLH, FLH-80, Classic
	40	71028—68	SPACER — .060 thick	68 to * — FL, FLH, FLH-80, Classic
	41	71029—68	SPACER — .120 thick	68 to * — FL, FLH, FLH-80, Classic
	42	71090—64	BULB, speedometer lamp — 12 V.	65 to * — FL, FLH, FLH-80, Classic
	42A	71092—68A	BULB, high beam indicator	83 to * — FLH-80
	43	71098—38	INSULATOR, terminal screw (9)	41 to 69 — FL, FLH
	44	71134—68	SUPPORT, indicator lamp lens	68 to * — FL, FLH, FLH-80, Classic
	45	71138—68	LENS, direction lamp	N/A 68 to 74 — FL, FLH
	46	71139—68	LENS, warning lamps	N/A 68 & 69 — FL, FLH
	47	71139—70	LENS, warning lamps	N/A 70 to 74 — FL, FLH
	48	71141—68	RETAINER, indicator lamp lens	68 to * — FL, FLH, FLH-80, Classic
	49	71143—75	LENS, direction lamp	75 to * — FL, FLH, FLH-80, Classic
	50	71144—75A	LENS, high beam indicator	75 to * — FL, FLH, FLH-80, Classic



INSTRUMENT PANEL AND TERMINAL PLATE (CONT'D)

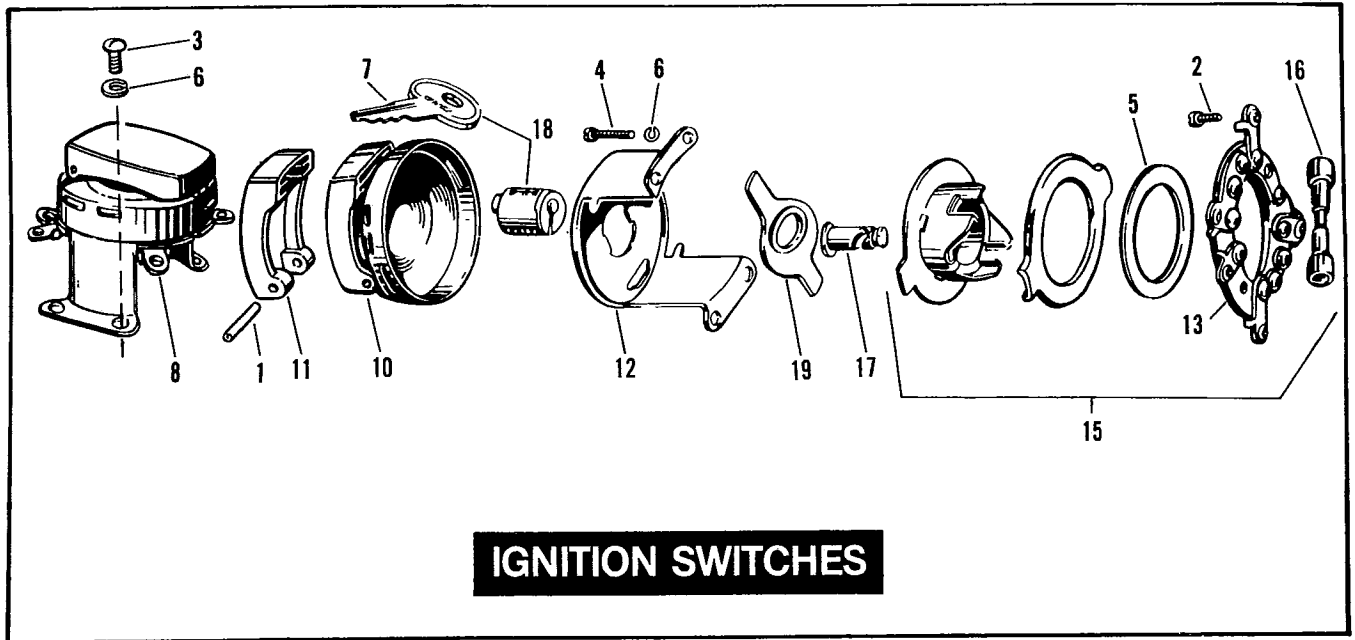
RETAIL PRICE	INDEX NO.	PART NO.	N A M E	USED ON
	51	71145-75	LENS, oil indicator	75 to * — FL, FLH, FLH-80, Classic
	52	71151-48	SOCKET, speedometer lamp	N/A 48 to 69 — FL, FLH
	53	71151-70	SOCKET, speedometer lamp	N/A 70 to 73 — FL, FLH
	54	71159-73A	SOCKET, speedometer lamp	73 to * — FL, FLH, FLH-80, Classic
	55	71161-70	SOCKET, oil signal lamp	N/A 70 to 72 — FL, FLH
	56	71162-70	SOCKET (4) (3 — 1973 & later)	70 to * — FL, FLH, FLH-80, Classic
	57	71166-73	SOCKET, oil signal lamp	73 to * — FL, FLH, FLH-80, Classic
	58	71182-47A	WASHER, signal lamp socket	47 to * — FL, FLH, FLH-80, Classic
	59	71190-47	WIRE, lamp socket (green)	N/A 47 to 64 — FL, FLH, FLH-80
	60	71241-68B	COVER, instrument panel (chrome)	68 to * — FL, FLH, FLH-80, Classic
	61	71244-68B	COVER, instrument panel (prime)	N/A 68 to 78 — FL, FLH, FLH-80
	62	71295-68	GASKET, instrument panel cover	68 to * — FL, FLH, FLH-80, Classic
	63	71297-68	CLIP, lens support (2)	68 to * — FL, FLH, FLH-80, Classic
	64	71299-79	DECAL, instrument housing cover — "CLASSIC, LIGHTS, IGNITION," etc. (brown)	79 to 81 — Classic
	65	71300-68A	PLATE, ignition switch	68 to 78 — FL, FLH, FLH-80
	66	71300-79	DECAL, instrument housing cover — "LIGHTS, IGNITION," etc. (aluminum)	79 to * — FL, FLH, FLH-80
	67	71305-82	NAMEPLATE, personalized	82 — Classic
	68	72300-70	TERMINAL PLATE	N/A 70 to 77 — FL, FLH
	69	72310-70	BRACKET, terminal block	70 to * — FL, FLH, FLH-80, Classic
	70	72311-70	TERMINAL BLOCK	N/A 70 to 72 — FL, FLH
	71	72312-73	TERMINAL BLOCK	73 to * — FL, FLH, FLH-80, Classic
	72	72325-48	TERMINAL BOX	N/A 48 to 69 — FL, FLH
	73	72335-48	COVER, terminal box	N/A 48 to 69 — FL, FLH
	74	72341-56A	STUD, terminal box and terminal plate (2)	56 to * — FL, FLH, FLH-80, Classic
	75	72345-48	INSULATOR, terminal box	N/A 48 to 69 — FL, FLH



CIRCUIT BREAKER AND BRAKE SWITCHES

A88

RETAIL PRICE	INDEX NO.	PART NO.	NAME	USED ON
	1	3787	BOLT, 1/4-20 x 3/4 hex. hd.	78 to * — FL, FLH, FLH-80, Classic
	2	7069	LOCKWASHER, No. 10 (6)	78 to * — FL, FLH, FLH-80, Classic
	3	7229W	LOCKWASHER, 1/4 internal tooth	78 to * — FL, FLH, FLH-80, Classic
	4	7602	ACORN NUT, No. 10-32 nylon (6)	Late 74 to * — FL, FLH, FLH-80, Classic
	5	7638	NUT, No. 10-32 x 1/8 x 3/8 (6)	73 to * — FL, FLH, FLH-80, Classic
	6	7688	NUT, 1/4-20 x 7/32 x 7/16 hex.	78 to * — FL, FLH, FLH-80, Classic
	7	8483	POP RIVET, circuit breaker clip (3)	73 to * — FL, FLH, FLH-80, Classic
	8	9952	CLIP, circuit breaker (3)	73 to * — FL, FLH, FLH-80, Classic
	9	9931	TERMINAL, brake light switch	70 to * — FL, FLH, FLH-80, Classic
	10	10007	CABLE STRAP, switch cable to handlebar (2)	Late 69 to 79 — FL, FLH, FLH-80, Classic
	11	69999-77	CONNECTOR BAR, circuit breaker to battery	78 to * — FL, FLH, FLH-80, Classic
	11A	71574-82	STOPLIGHT SWITCH, with terminals & wiring	82 to * — FLH-80, Classic
	12	71900-70	STOPLIGHT SWITCH, front — with terminals	N/A Late 69 to 71 — FL, FLH
	13	72001-69B	STOPLIGHT SWITCH, front	72 to 81 — FL, FLH, FLH-80, Classic
	14	72023-51A	STOPLIGHT SWITCH, rear — includes 9898 TERMINAL	58 to * — FL, FLH, FLH-80, Classic
	17	74586-70	CIRCUIT BREAKER, only	70 to 72 — FL, FLH
	18	74589-73	CIRCUIT BREAKER (3)	73 to * — FL, FLH, FLH-80, Classic
		74599-77A	CIRCUIT BREAKER, battery	78 to * — FL, FLH, FLH-80, Classic

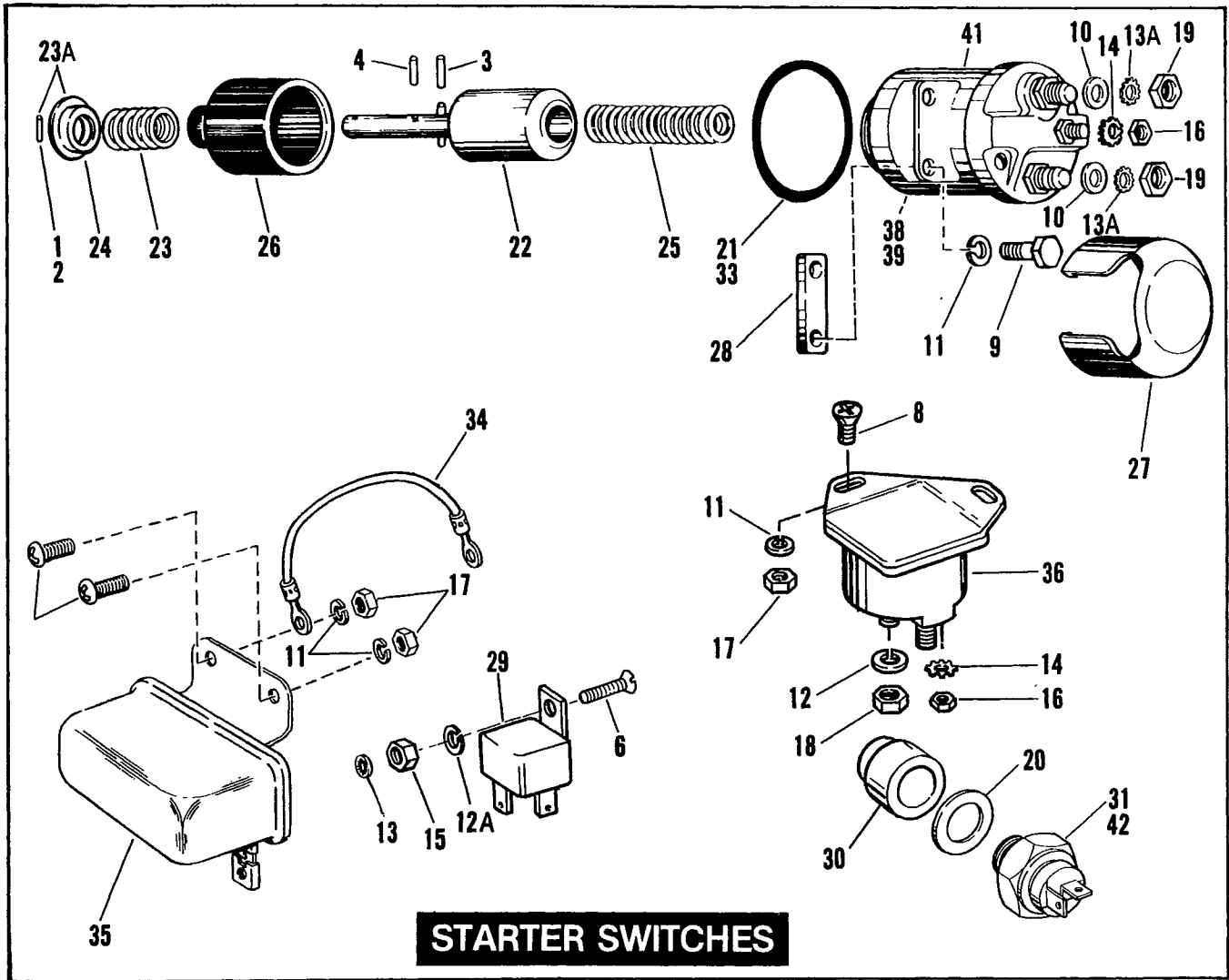


IGNITION SWITCHES

IGNITION SWITCHES

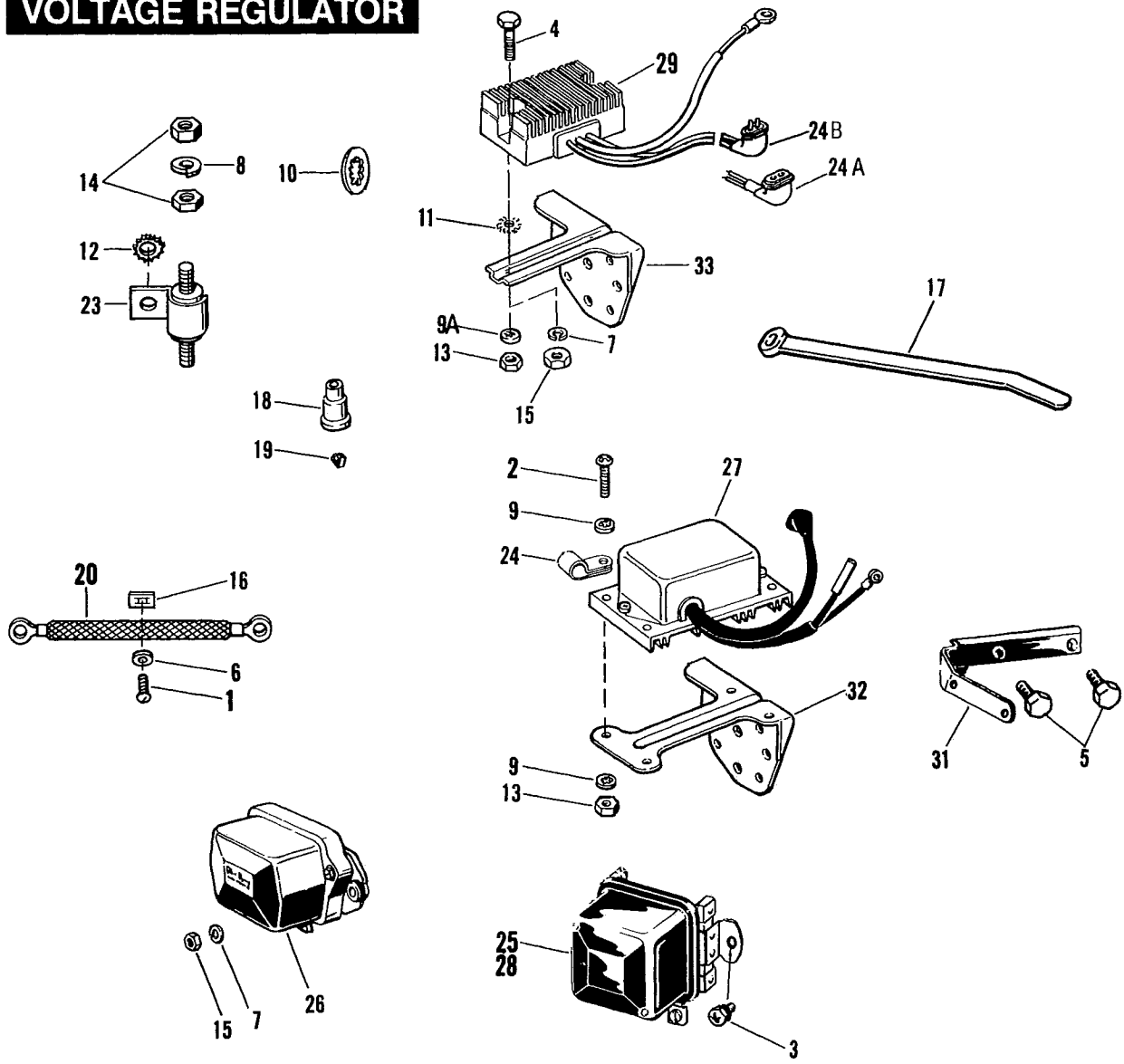
A89

RETAIL PRICE	INDEX NO.	PART NO.	N A M E	USED ON
	1	612	ROLL PIN, keyhole cover	68 to * — FL, FLH, FLH-80, Classic
	3	2594	SCREW, No. 8-32 x 1/4 Pozidriv pan hd. (4)	80 to * — FL, FLH, FLH-80, Classic
	4	2625	SCREW, No. 8-32 x 5/8 Pozidriv pan hd. (4)	41 to * — FL, FLH, FLH-80, Classic
	5	6730	WASHER, 1 x 1-11/16 x 1/32 (Delrin)	Late 76 to * — FL, FLH, FLH-80, Classic
	6	7015	LOCKWASHER, No. 8 (4; 8 — 80 & later)	41 to * — FL, FLH, FLH-80, Classic
	7	48155—30	KEY, ignition switch (specify letter and number of lock) (2)	N/A 48 to 84 — FL, FLH, FLH-80, Classic
	8	71500—36A	IGNITION AND LIGHT SWITCH, with lock	N/A 48 to 72 — FL, FLH
		71501—73A	IGNITION AND LIGHT SWITCH, with lock	73 to * — FL, FLH, FLH-80, Classic
	10	71506—36A	SWITCH COVER	41 to * — FL, FLH, FLH-80, Classic
	11	71510—36A	KEYHOLE COVER, with roll pin	41 to * — FL, FLH, FLH-80, Classic
	12	71516—36	SWITCH BASE	41 to * — FL, FLH, FLH-80, Classic
	13	71525—36	PLATE, switch mounting	N/A 41 to 72 — FL, FLH
		71541—73	PLATE, switch mounting	73 to * — FL, FLH, FLH-80, Classic
	15	71550—36	CONTACT HOLDER	N/A 41 to 72 — FL, FLH
	16	71560—36	CONTACT ROLLER	41 to * — FL, FLH, FLH-80, Classic
	17	71562—36	RETAINER, contact roller	41 to * — FL, FLH, FLH-80, Classic
	18	71580—36	SWITCH LOCK AND KEYS	64 to * — FL, FLH, FLH-80, Classic
	19	71587—36	PLATE, switch lock	41 to * — FL, FLH, FLH-80, Classic



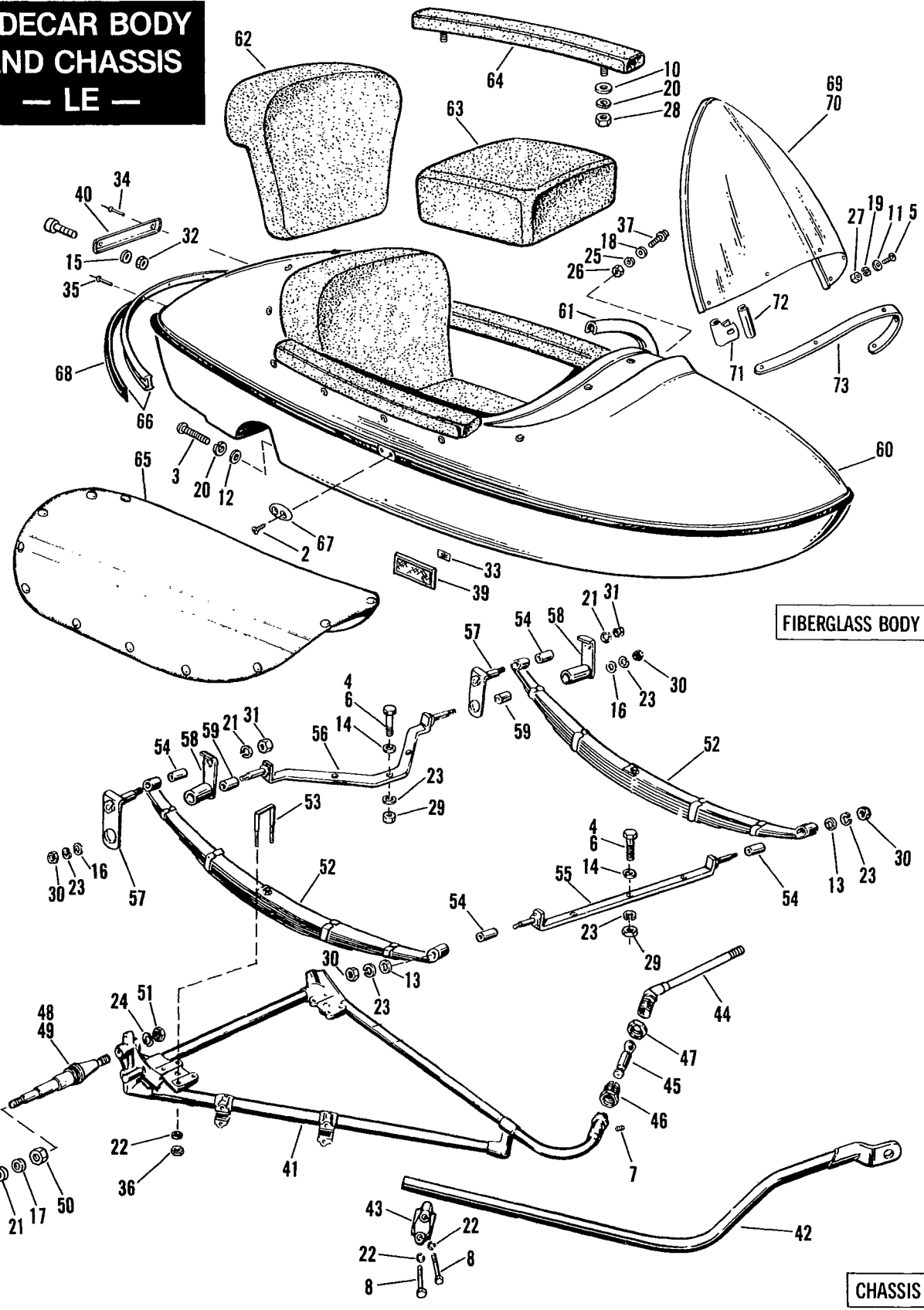
RETAIL PRICE	INDEX NO.	PART NO.	N A M E	USED ON
	1	257	PIN, 7/64 dia. x 3/8 lg.	65 to * — FL, FLH, FLH-80, Classic
	3	600	ROLL PIN, 1/8 dia. x 1/2 lg.	65 to * — FL, FLH, FLH-80, Classic
	4	601	ROLL PIN, 1/8 dia. x 3/4 lg.	Late 81 & Early 82 — FLH-80, Classic
		613	ROLL PIN, 1/8 dia. x 1-1/4 lg.	Late 75 to Early 81; Late 82 to * — FL, FLH, FLH-80, Classic
		614	ROLL PIN, 1/8 dia. x 1 lg.	65 to Early 75 — FL, FLH
	6	1784	SCREW, No. 10-24 x 3/4 Pozidriv flat ctsk. hd.	80 to * — FL, FLH, FLH-80, Classic
	7	2774	SCREW, 1/4-20 x 5/8 Pozidriv pan hd. (2)	Late 67 to 73 — FL, FLH
	8	2816	SCREW, 1/4-20 x 1/2 Pozidriv ctsk. hd. (2)	74 to 79 — FL, FLH, FLH-80, Classic
	9	3802W	BOLT, 1/4-20 x 7/8 hex. hd. (2)	65 to * — FL, FLH, FLH-80, Classic
	10	6701	WASHER, 3/8 x 13/16 x 1/16 (2)	65 to * — FL, FLH, FLH-80, Classic
	11	7036	LOCKWASHER, 1/4 (2)	65 to * — FL, FLH, FLH-80, Classic
	12	7041	LOCKWASHER, 5/16 (2)	74 to * — FL, FLH, FLH-80, Classic
	12A	7069	LOCKWASHER, No. 10	79 to * — FL, FLH, FLH-80, Classic
	13	7118	LOCKWASHER, No. 10 internal tooth	82 to * — FLH-80, Classic
	13A	7130W	LOCKWASHER, 3/8 internal tooth (2)	65 to * — FL, FLH, FLH-80, Classic
	14	7220	LOCKWASHER, No. 10 external tooth	65 to * — FL, FLH, FLH-80, Classic
	15	7620W	NUT, No. 10-24 x 1/8 x 3/8 hex.	80 to * — FL, FLH, FLH-80, Classic
	16	7638	NUT, No. 10-32 x 1/8 x 3/8 hex.	65 to * — FL, FLH, FLH-80, Classic
	17	7688	NUT, 1/4-20 x 1/4 x 1/2 (2)	74 to * — FL, FLH, FLH-80, Classic
	18	7748W	NUT, 5/16-18 x 1/4 x 1/2 hex. (2)	74 to 79 — FL, FLH, FLH-80, Classic
	19	7783	NUT, 3/8-16 x 5/16 x 9/16 hex. (2)	65 to * — FL, FLH, FLH-80, Classic
	20	25811—11	WASHER, transmission neutral switch (fiber) (as req'd.)	65 to Early 79 — FL, FLH, FLH-80, Classic
	21	27060—55	O'RING, solenoid mounting	83 & Early 84 — FLH-80
	22	31435—65B	PLUNGER ASSEMBLY, solenoid	65 to * — FL, FLH, FLH-80, Classic
	23	31438—65A	OVER-RUN SPRING	65 to * — FL, FLH, FLH-80, Classic
	23A	31439—65A	RETAINER KIT, w/#1 & 24	65 to * — FL, FLH, FLH-80, Classic
	24	31439—84	RETAINER, over-run spring	65 to * — FL, FLH, FLH-80, Classic
	25	31440—65	RETURN SPRING, plunger	65 to * — FL, FLH, FLH-80, Classic
	26	31441—65A	BOOT, solenoid plunger (rubber)	65 to * — FL, FLH, FLH-80, Classic
	27	31444—65A	COVER, solenoid switch (rubber)	65 to * — FL, FLH, FLH-80; 79 to 81 — Classic
		31475—77	COVER, solenoid switch	82 — Classic
	28	31452—65A	SPACER, solenoid mounting	65 to * — FL, FLH, FLH-80, Classic
	29	31506—79B	STARTER RELAY, without wires	80 to * — FL, FLH, FLH-80, Classic
	30	33198—79	BUSHING, neutral switch	Late 79 to * — FL, FLH, FLH-80, Classic
	31	33900—59	TRANSMISSION NEUTRAL SWITCH	59 to 64 — FL, FLH; Late 73 to Early 79 — FL, FLH, FLH-80, Classic
		33901—79	TRANSMISSION NEUTRAL SWITCH	Late 79 to * — FL, FLH, FLH-80, Classic
	33	60645—65	GASKET, solenoid mounting	Late 65 to 82 — FL, FLH, FLH-80, Classic
	34	70169—70	WIRE, starter relay (black)	70 to * — FL, FLH, FLH-80, Classic
	35	71455—67	STARTER RELAY, without wires	70 to 73 — FL, FLH
	36	71463—73A	STARTER RELAY	74 to 79 — FL, FLH, FLH-80, Classic
	38	71466—65	SOLENOID INNER PLUNGER	65 to * — FL, FLH, FLH-80, Classic
	39	71467—65	COVER GASKET, starter solenoid	65 to * — FL, FLH, FLH-80, Classic
	41	71469—65B	STARTER SOLENOID SWITCH	65 to * — FL, FLH, FLH-80; 79 to 81 — Classic
		71473—77B	STARTER SOLENOID SWITCH	82 — Classic
	42	71507—64A	TRANSMISSION NEUTRAL SWITCH, w/9942 TERMINALS N/A	65 to 70 — FL, FLH
		71507—71	TRANSMISSION NEUTRAL SWITCH	71 to Early 73 — FL, FLH

VOLTAGE REGULATOR



RETAIL PRICE	INDEX NO.	PART NO.	NAME	USED ON
	1	2585	SCREW, No. 8-32 x 5/16 Pozidriv pan hd.	65 to 69 — FL, FLH
	2	2595	SCREW, No. 10-24 x 1 Pozidriv pan hd. (4)	N/A 70 to 75 — FL, FLH
	3	2751	SCREW, 1/4-28 x 5/16 Phillips hd.	N/A 58 to 64 — FL, FLH
	4	3802W	BOLT, 1/4-20 x 7/8 hex. hd. (2)	76 to * — FL, FLH, FLH-80, Classic
	5	3952	BOLT, 5/16-18 x 7/16 hex. hd. (2)	N/A 58 to 64 — FL, FLH
	6	6182W	WASHER, No. 10 x 7/16 x 1/32 (2)	65 to 69 — FL, FLH
	7	7036	LOCKWASHER, 1/4 (2)	41 to 64 — FL, FLH; 76 to Early 81 — FLH-80, Classic
	8	7069	LOCKWASHER, No. 10 (2)	65 to * — FL, FLH, FLH-80, Classic
	9	7118	LOCKWASHER, No. 10 internal tooth (8)	70 to 79 — FL, FLH
	9A	7124	LOCKWASHER, 1/4 internal tooth (2)	Late 81 to * — FLH-80, Classic
	10	7127	LOCKWASHER, 5/16 internal tooth (2)	65 to * — FL, FLH, FLH-80, Classic
	11	7145W	LOCKWASHER, 3/8 external tooth (3)	79 to * — FL, FLH, FLH-80, Classic
	12	7230	LOCKWASHER, 1/4 external tooth (3)	65 to * — FL, FLH, FLH-80, Classic
	13	7624	NUT, No. 10-24 x 1/4 x 3/8 hex. (4)	70 to 79 — FL, FLH
	14	7638	NUT, No. 10-32 x 1/8 x 3/8 hex. (4)	65 to * — FL, FLH, FLH-80, Classic
	15	7688	NUT, 1/4-20 x 1/4 x 1/2 hex. (2)	65 to 69 — FL, FLH
	16	8125	SPEED NUT, connecting strap	65 to 69 — FL, FLH
	17	10006	CABLE STRAP	65 to * — FL, FLH, FLH-80, Classic
	18	31607—64	RUBBER CAP, spark plug cables (2)	65 to 77 — FL, FLH
	19	31620—47	TERMINAL, spark plug cable	N/A 65 to 77 — FL, FLH
		31640—70A	RADIO SUPPRESSION KIT	N/A 70 to 84 — FL, FLH, FLH-80, Classic
	20	31645—70	WIRE, capacitor to spark coil	70 to * — FL, FLH, FLH-80, Classic
		31650—69A	GROUND STRAP, regulator — radio suppression kit .	N/A 65 to 69 — FL, FLH
		31651—70	WIRE, engine to frame	70 to * — FL, FLH, FLH-80, Classic
	23	31710—69	CAPACITOR, 0.10 MFD — radio suppression kit	65 to * — FL, FLH, FLH-80, Classic
	24	71795—63A	CLAMP, regulator cable	70 to 75 — FL, FLH
	24A	71870—79	FEMALE PLUG, rectifier/regulator — with wires	75 to 80 — FL, FLH, FLH-80, Classic
	24B	71875—81	MALE PLUG, rectifier / regulator — with wires	81 to * — FLH-80, Classic
	25	74510—47A	VOLTAGE REGULATOR, only — standard generator .	N/A 58 to 64 — FL, FLH
	26	74510—64	VOLTAGE REGULATOR — 12 V.	65 to 69 — FL, FLH
	27	74510—70A	RECTIFIER AND REGULATOR ASSEMBLY, 12 V. (chrome) ...	70 to 75 — FL, FLH
	28	74511—58	CURRENT AND VOLTAGE REGULATOR, std. generator .	N/A 58 to 64 — FL, FLH
	29	74512—79A	RECTIFIER AND REGULATOR ASSEMBLY	76 to 80 — FL, FLH, FLH-80, Classic
		74516—86	RECTIFIER AND REGULATOR ASSEMBLY	81 to * — FLH-80, Classic
	31	74531—58	SUPPORT, regulator	N/A 58 to 64 — FL, FLH
	32	74533—70A	BRACKET, regulator	N/A 70 to 75 — FL, FLH
	33	74533—75B	BRACKET, regulator (chrome)	76 to Early 81 — FL, FLH, FLH-80, Classic
		74534—80	BRACKET, regulator (black)	Late 81 to * — FLH-80, Classic

**SIDECAR BODY
AND CHASSIS**
— LE —

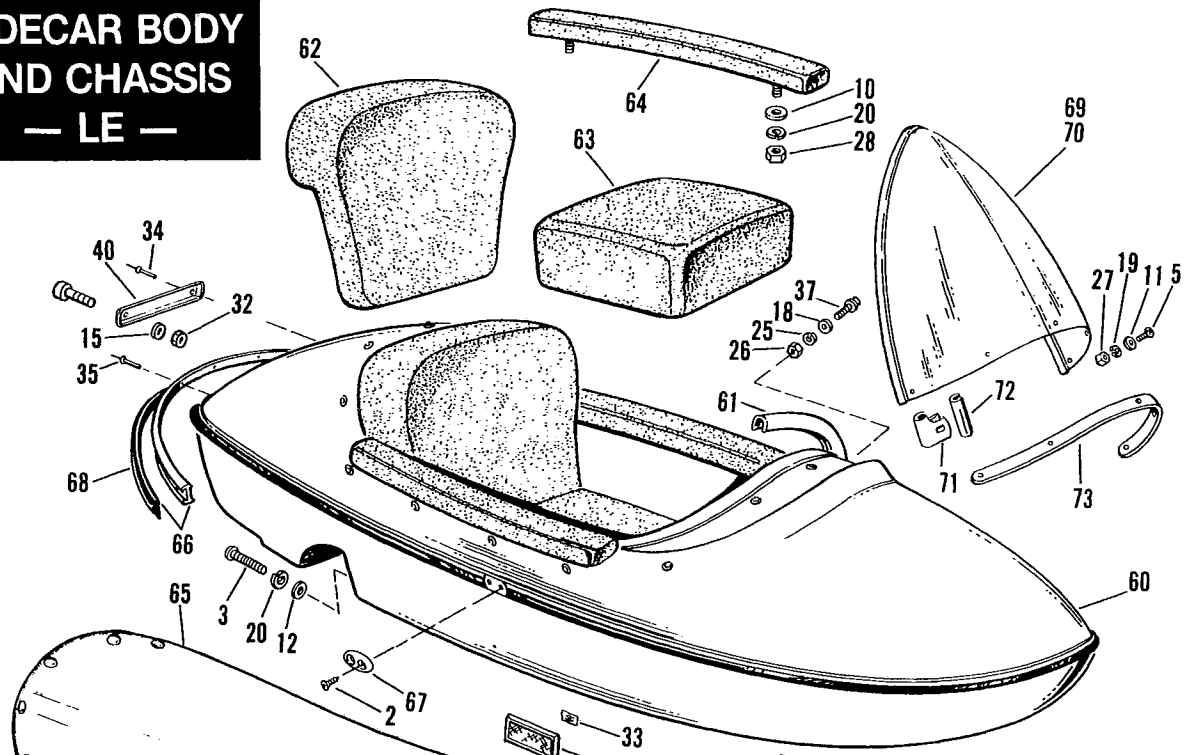


FIBERGLASS BODY

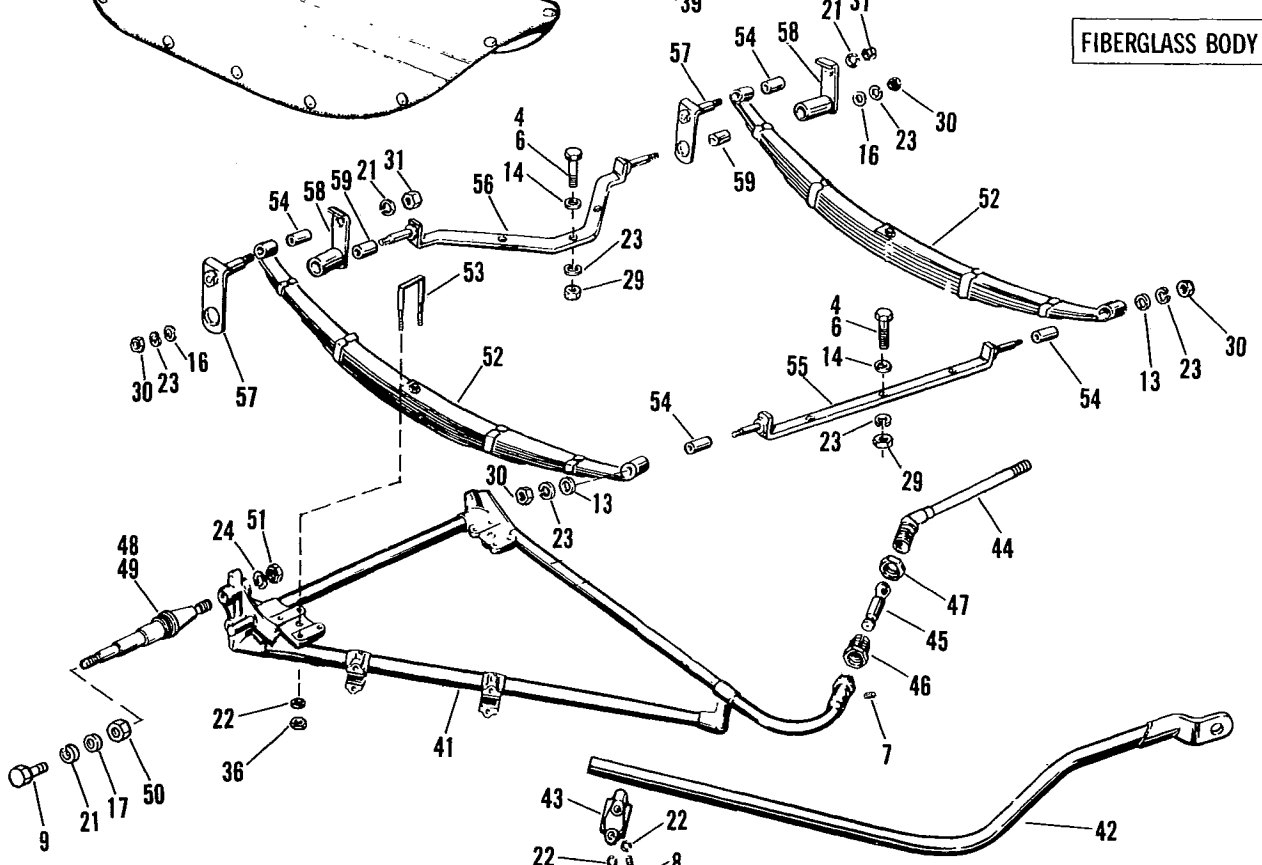
CHASSIS

RETAIL PRICE	INDEX NO.	PART NO.	N A M E	USED ON
	2	2216W	SCREW, No. 4-24 self-tapping Phil. hd. (2)	Late 67 to 79 — LE
	3	2599	SCREW, 1/4-20 x 1-3/4 Pozidriv pan hd. (2)	Late 67 to 79 — LE
	4	2605	SCREW, 5/16-18 x 1-3/4 Pozidriv pan hd. (6)	N/A Late 67 to 76 — LE
	5	2726	SCREW, No. 12-24 x 21/32 Phil. hd. (5)	Late 67 to 79 — LE
	6	2887W	BOLT, 5/16-18 x 1-3/4 hex. hd. (6)	77 to 79 — LE
	7	3232H	SET SCREW, 5/16-24 x 9/32 (2)	41 to 79 — LE
	8	3946	BOLT, 7/16-20 x 2 hex. hd. (4)	41 to 79 — LE
	9	4319	BOLT, 3/8-24 x 1 hex. hd.	Late 67 to 79 — LE
	10	6228W	WASHER, 1/4 x 1/2 x 1/16 (2)	Late 67 to 79 — LE
	11	6236B	WASHER, 1/4 x 1/2 x 1/32 (5)	Late 67 to 79 — LE
	12	6253W	WASHER, 1/4 x 3/4 x 1/16 (2)	Late 67 to 79 — LE
	13	6327B	WASHER, 5/16 x 3/4 x 1/16 (2)	41 to 79 — LE
	14	6332B	WASHER, 5/16 x 15/16 x 1/16 (6)	Late 67 to 79 — LE
	15	6335	WASHER, No. 4, 5/16 x 1/32 (2)	Late 67 to 79 — LE
	16	6341B	WASHER, 5/16 x 1-1/8 x 1/16 (2)	41 to 79 — LE
	17	6701	WASHER, 3/8 x 13/16 x 1/16	Late 67 to 79 — LE
	18	6716	WASHER, No. 10 x 1/2 x 3/64 (16)	Late 67 to 79 — LE
	19	7030W	LOCKWASHER, No. 12 (5)	Late 67 to 79 — LE
	20	7036	LOCKWASHER, 1/4 (10)	Late 67 to 79 — LE
	21	7038	LOCKWASHER, 3/8 (5)	41 to 79 — LE
	22	7039	LOCKWASHER, 7/16 (4)	41 to 79 — LE
	23	7041	LOCKWASHER, 5/16 (6)	Late 67 to 79 — LE
	24	7043	LOCKWASHER, 3/4	41 to 79 — LE
	25	7069	LOCKWASHER, No. 10 (16)	Late 67 to 79 — LE
	26	7608	NUT, No. 8-32 x 1/8 x 5/16 hex. (16)	Late 67 to 79 — LE
	27	7654W	NUT, No. 12-24 x 5/32 x 7/16 hex. (5)	41 to 79 — LE
	28	7688	NUT, 1/4-20 x 1/4 x 1/2 hex. (4)	Late 67 to 79 — LE
	29	7748W	NUT, 5/16-18 x 1/4 x 1/2 hex. (8)	41 to 72 — LE
	30	7753	NUT, 5/16-24 x 17/64 x 1/2 hex. (4)	41 to 79 — LE
	31	7800W	NUT, 3/8-24 x 5/16 x 9/16 hex.	41 to 79 — LE
	32	8131W	LOCKNUT, No. 4-40 (2)	Late 67 to 71 — LE
	33	8133W	SPEED NUT, reflector	N/A 69 to 71 — LE
	34	8321	POP RIVET, 1/8 x 1/2 x 1/4 dia. hd. (aluminum) (2)	N/A 71 to 79 — LE
	35	8688	POP RIVET, 3/16 x 1/2 x 3/8 dia. hd. (29)	41 to 79 — LE
	36	16602—30	NUT, 7/16-20 x 1/2 x 5/8 hex. (2)	41 to 79 — LE
		45752—50	WASHER, fork upper bracket bolt (See Front Fork)	Late 76 to 79 — LE
		45753—50	BOLT, fork upper bracket (See Front Fork)	Late 76 to 79 — LE
	37	58132—66	SNAP STUD, body cover (16)	Late 67 to 79 — LE
	39	59255—72	REFLECTOR, red (2)	72 to 79 — LE
	40	61771—72	NAMEPLATE	N/A 72 to 75 — LE
		61773—76	NAMEPLATE	76 to 79 — LE
	41	87064—67A	SIDE CAR FRAME	58 to 79 — LE
	42	87094—36B	BRACE, sidecar frame	41 to 79 — LE
	43	87117—36	LOWER CLAMP (2)	41 to 79 — LE
	44	87176—37	TIE ROD, lower front	41 to 79 — LE
	45	87254—24	BALL STUD	41 to 79 — LE
	46	87265—24	NUT, ball stud	41 to 79 — LE
	47	87267—24	LOCKNUT, ball stud (2)	41 to 79 — LE
	48	87433—36	AXLE, sidecar	N/A 41 to Early 76 — LE
	49	87433—76	AXLE, sidecar	Late 76 to 79 — LE
	50	87438—67	NUT, axle extension	Late 67 to 79 — LE

**SIDECAR BODY
AND CHASSIS**
— LE —

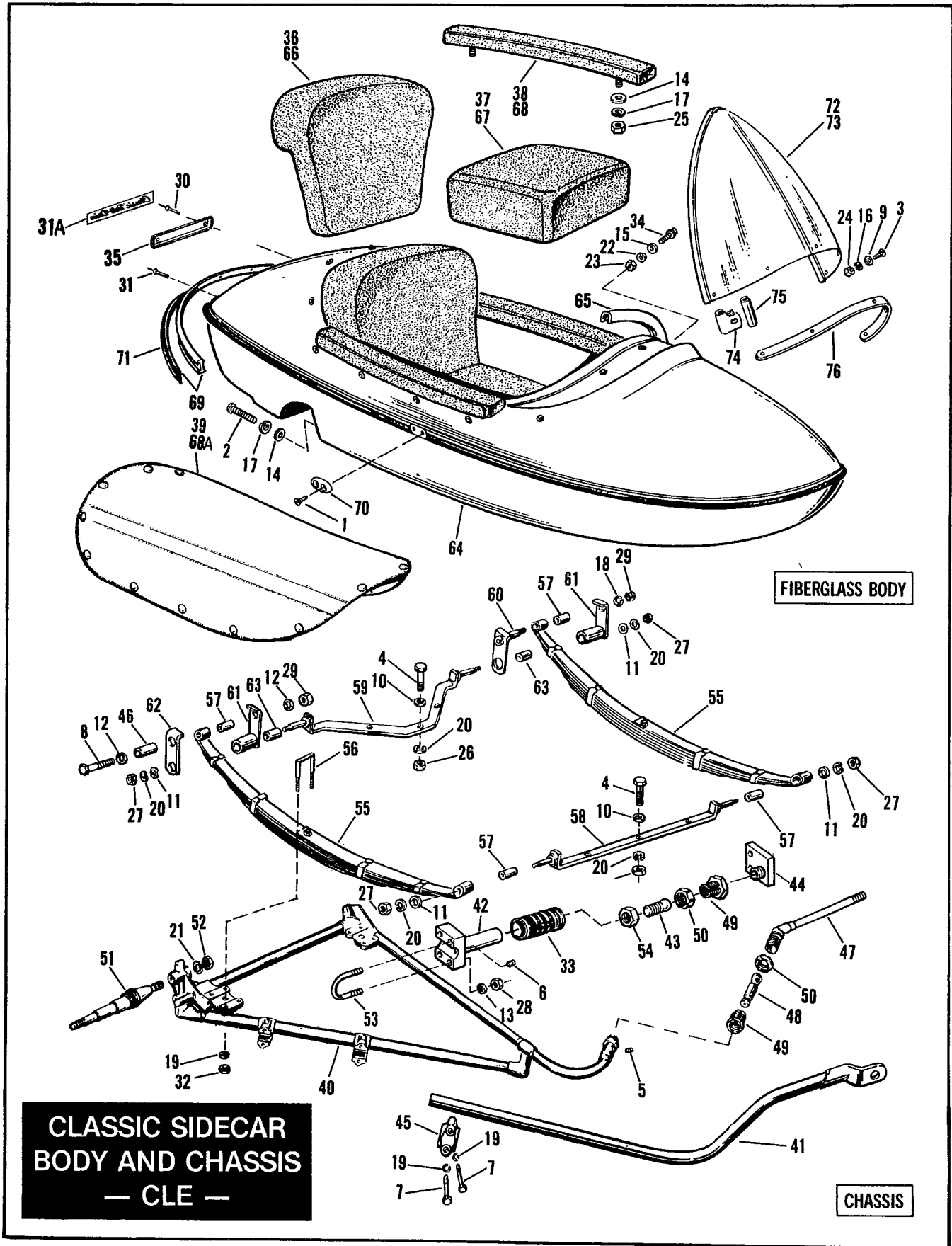


FIBERGLASS BODY



CHASSIS

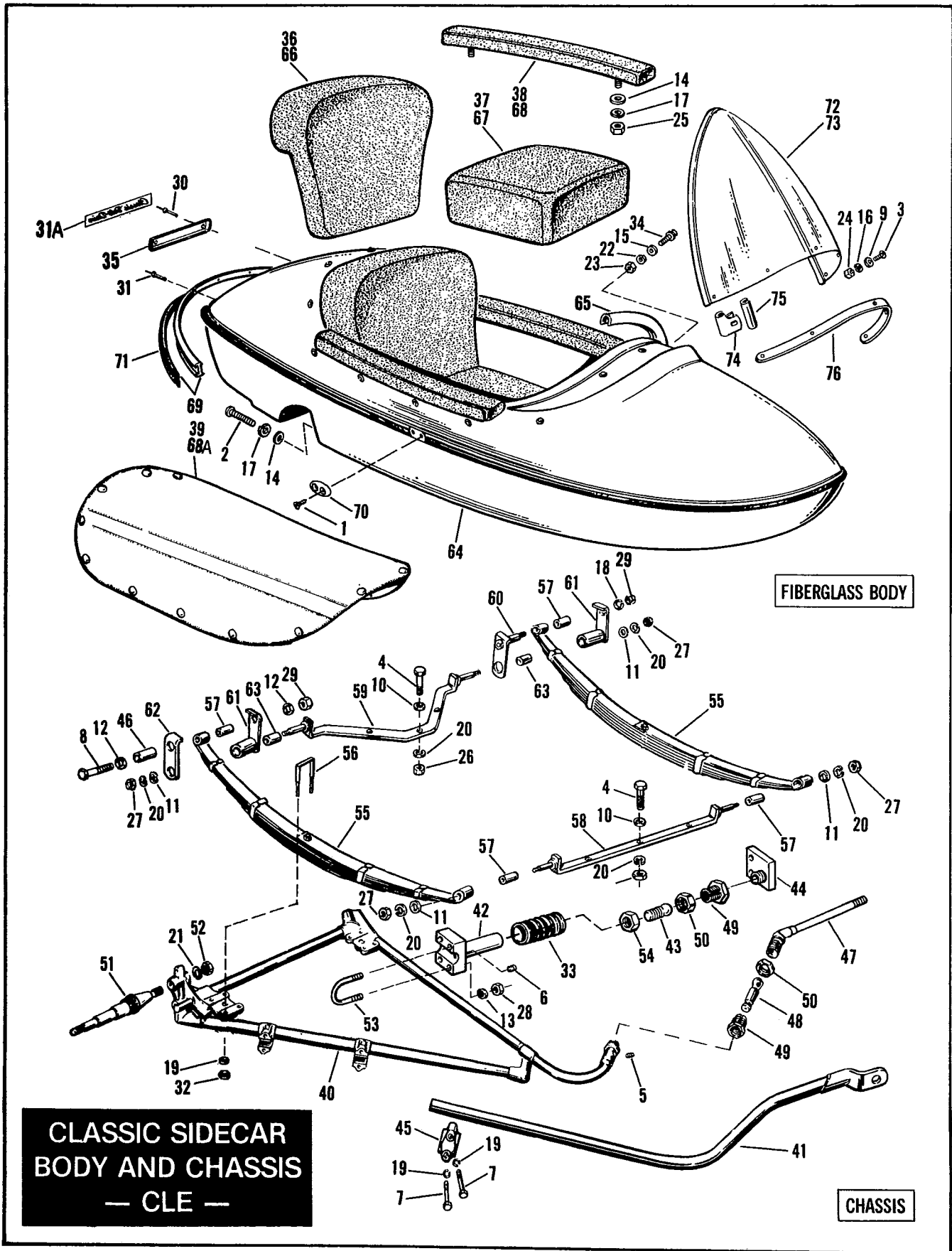
RETAIL PRICE	INDEX NO.	PART NO.	N A M E	USED ON
	51	87444-33	AXLE NUT (inside frame)	41 to 79 — LE
	52	88100-24A	SIDECAR SPRING, with bushings (2)	41 to 79 — LE
	53	88172-25	U-BOLT, springs (4)	41 to 79 — LE
	54	88174-37	SPRING BUSHING (4)	41 to 79 — LE
	55	88261-36	SUPPORT ROD, front	41 to 79 — LE
	56	88264-36	SUPPORT ROD, rear	41 to 79 — LE
	57	88300-79	SHACKLE PLATE, with stud	Late 67 to 79 — LE
	58	88301-79	SHACKLE PLATE, with bushing — inner (2)	Late 67 to 79 — LE
	59	88314-37	SHACKLE BUSHING	41 to 79 — LE
	60	88366-36A	SIDECAR, only — without frame (Fiberglass)	41 to 79 — LE
	61	88425-67	TRIM STRIP, body top	Late 67 to 79 — LE
	62	88481-67	BACK CUSHION	Late 67 to 79 — LE
	63	88487-67	SEAT CUSHION	Late 67 to 79 — LE
	64	88493-67	ARM REST CUSHION (2)	Late 67 to 79 — LE
	65	88528-67	COVER, sidecar body	Late 67 to 79 — LE
	66	88694-67	TRIM STRIP, with fittings	Late 67 to 79 — LE
	67	88695-67	RETAINER CLIP, sidecar trim strip	Late 67 to 79 — LE
	68	88698-67	CHANNEL INSERT, body trim (black vinyl)	Late 67 to 79 — LE
	69	88850-67	WINDSHIELD, with fittings	Late 67 to 79 — LE
	70	88862-67	WINDSHIELD, only	Late 67 to 79 — LE
	71	88883-67	CLAMP, windshield molding (2)	Late 67 to 79 — LE
	72	88885-67	BUSHING, windshield molding (2)	Late 67 to 79 — LE
	73	88895-67	WINDSHIELD BRACE	Late 67 to 79 — LE



**CLASSIC SIDECAR
BODY AND CHASSIS**
— CLE —

CHASSIS

RETAIL PRICE	INDEX NO.	PART NO.	N A M E	USED ON
	1	2216W	SCREW, No. 4-24 self tapping Phillips hd. (2)	79 to * — CLE
	2	2599	SCREW, 1/4-20 x 1-3/4 Pozidriv pan hd. (2)	79 to * — CLE
	3	2726	SCREW, No. 12-24 x 21/32 Phil. hd. (5)	79 to * — CLE
	4	2887W	BOLT, 5/16-18 x 1-3/4 hex. hd.	79 to * — CLE
	5	3232H	SET SCREW, 5/16-24 x 9/32 (2)	79 to * — CLE
	6	3233	SET SCREW, 1/4-28 x 1/8 socket hd. (2)	79 to * — CLE
	7	3946	BOLT, 7/16-20 x 2 hex. hd. (4)	79 to * — CLE
	8	4401W	BOLT, 3/8-24 x 2-3/4 hex. hd.	79 to * — CLE
	9	6228W	WASHER, 1/4 x 1/2 x 1/16 (5)	79 to * — CLE
	10	6332B	WASHER, 5/16 x 15/16 x 1/16 (6)	79 to * — CLE
	11	6341B	WASHER, 5/16 x 1-1/8 x 1/16 (4)	79 to * — CLE
	12	6416	WASHER, 3/8 x 1 x 5/64 (2)	79 to * — CLE
	13	6701	WASHER, 3/8 x 13/16 x 1/16 (4)	79 to * — CLE
	14	6703	WASHER, 1/4 x 5/8 x 1/16 (6)	79 to * — CLE
	15	6716	WASHER, No. 10 x 1/2 x 3/64 (16)	79 to * — CLE
	16	7030W	LOCKWASHER, No. 12 (5)	79 to * — CLE
	17	7036	LOCKWASHER, 1/4 (6)	79 to * — CLE
	18	7038	LOCKWASHER, 3/8	79 to * — CLE
	19	7039	LOCKWASHER, 7/16 (12)	79 to * — CLE
	20	7041	LOCKWASHER, 5/16 (10)	79 to * — CLE
	21	7043	LOCKWASHER, 3/4	79 to * — CLE
	22	7069	LOCKWASHER, No. 10 (16)	79 to * — CLE
	23	7638	NUT, No. 10-32 x 1/8 x 3/8 hex. (16)	79 to * — CLE
	24	7654W	NUT, No. 12-24 x 5/32 x 7/16 hex. (5)	79 to * — CLE
	25	7688	NUT, 1/4-20 x 1/4 x 1/2 hex. (4)	79 to * — CLE
	26	7748W	NUT, 5/16-18 x 1/4 x 1/2 hex. (6)	79 to * — CLE
	27	7753	NUT, 5/16-24 x 17/64 x 1/2 hex. (4)	79 to * — CLE
	28	7775	LOCKNUT, 3/8-24 x 7/16 x 9/16 hex. (4)	79 to * — CLE
	29	7780	LOCKNUT, 3/8-24 x 3/8 x 11/16 hex.	79 to * — CLE
	30	8321	POP RIVET, 1/8 x 1/2 x 1/4 dia. hd. (aluminum) (2)	N/A 79 to 81 — CLE
	31	8688	POP RIVET, 3/16 x 1/2 x 3/8 dia. hd. (29)	79 to * — CLE
	31A	14015—82	NAMEPLATE (gold)	82 — CLE
		14016—82	NAMEPLATE (silver)	N/A 82 — CLE
	32	16602—30	NUT, 7/16-20 x 1/2 x 5/8 hex. (8)	79 to * — CLE
	33	50945—80	RUBBER, footrest	79 to * — CLE
	34	58132—66	SNAP STUD, body cover (16)	79 to * — CLE
	35	61773—76	NAMEPLATE	79 to 82 — CLE
	36	87053—79	BACK CUSHION (brown)	79 & 80 — CLE
	37	87055—79	SEAT CUSHION (brown)	79 & 80 — CLE
	38	87057—79	ARM REST CUSHION (brown) (2)	79 & 80 — CLE
	39	87058—79	COVER, side car body (brown)	79 & 80 — CLE
	40	87060—79	FRAME, sidecar	N/A 79 to 84 — CLE
	41	87094—36B	BRACE, sidecar frame	79 to * — CLE
	42	87100—79	BRACKET, rear mounting	79 to * — CLE
	43	87103—79	BALL STUD, rear mounting bracket	79 to * — CLE
	44	87105—79	MOUNTING BLOCK, rear connection	79 to * — CLE
	45	87117—36	LOWER CLAMP (2)	79 to * — CLE
	46	87120—79	SPACER, turn signal and spring shackle	79 to * — CLE
	47	87176—37	TIE ROD, lower front	79 to * — CLE
	48	87254—24	BALL STUD, front mounting	79 to * — CLE
	49	87265—24	NUT, ball stud - front and rear (2)	79 to * — CLE
	50	87267—24	LOCKNUT, ball stud - front and rear (2)	79 to * — CLE



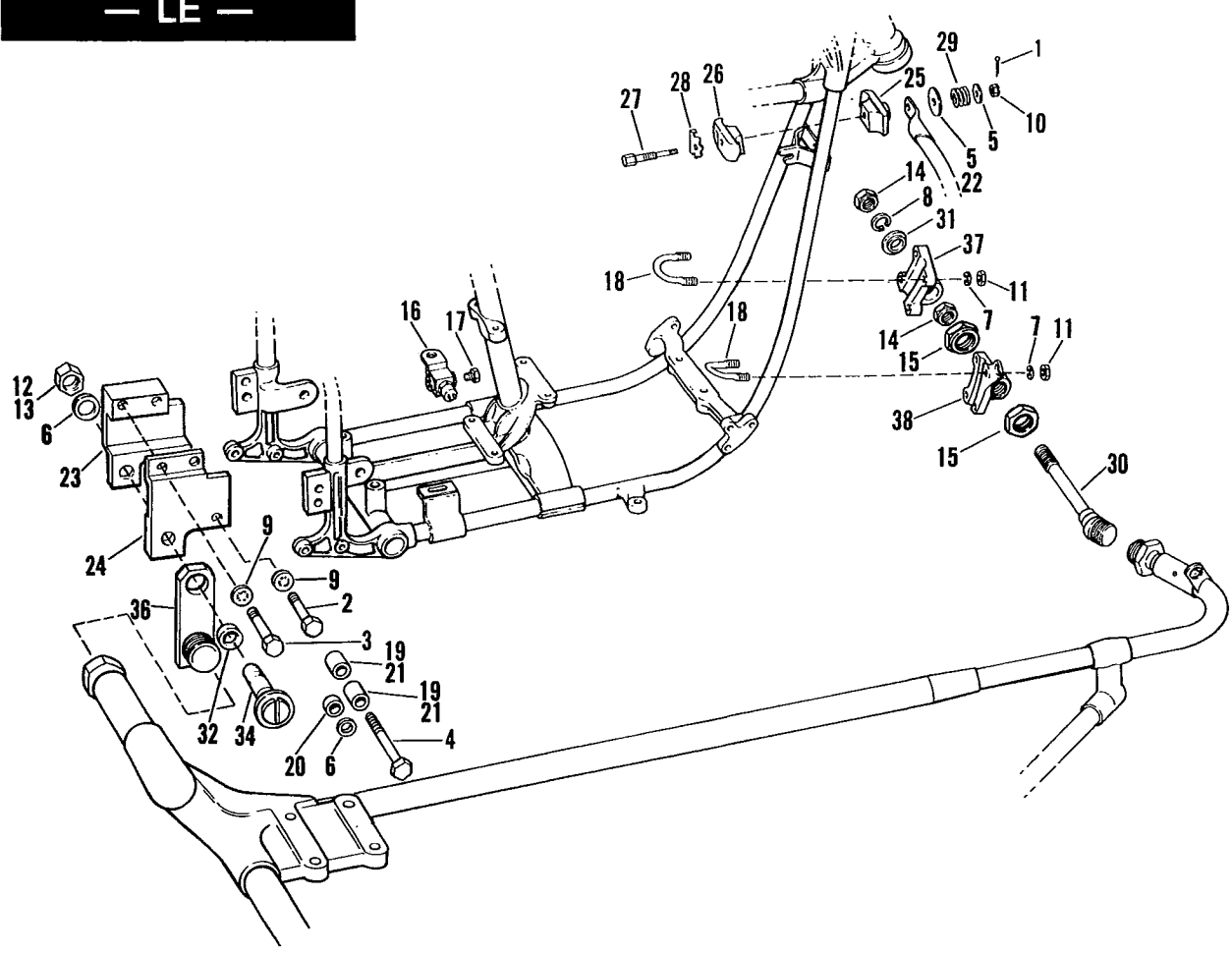
**CLASSIC SIDECAR
BODY AND CHASSIS
— CLE —**

FIBERGLASS BODY

CHASSIS

RETAIL PRICE	INDEX NO.	PART NO.	N A M E	USED ON
	51	87435-79	AXLE, sidecar	79 to 82 — CLE
		87435-83	AXLE, sidecar	83 to * — CLE
	52	87444-33	AXLE NUT (inside frame)	79 to * — CLE
	53	87701-79	U-BOLT, rear mounting bracket (2)	79 to * — CLE
	54	87702-79	JAM NUT, 1-14 x 9/16 x 1-1/2 hex.	79 to * — CLE
	55	88100-24A	SIDECAR SPRING, with bushings (2)	79 to * — CLE
	56	88172-25	U-BOLT, springs (4)	79 to * — CLE
	57	88174-37	SPRING BUSHING (4)	79 to * — CLE
	58	88261-36	SUPPORT ROD, front	79 to * — CLE
	59	88264-36	SUPPORT ROD, rear	79 to * — CLE
	60	88300-79	SHACKLE PLATE, with stud-inner, spring	79 to * — CLE
	61	88301-79	SHACKLE PLATE, with bushing-spring (2)	79 to * — CLE
	62	88302-79	SHACKLE PLATE, spring - outer	79 to * — CLE
	63	88314-37	SHACKLE BUSHING (2)	79 to * — CLE
	64	88366-36A	SIDECAR, only - without frame (Fiberglass) (white)	79 to * — CLE
	65	88425-67	TRIM STRIP, body top (white)	79 to * — CLE
	66	88481-67	BACK CUSHION (black)	80 to * — CLE
	67	88487-67	SEAT CUSHION (black)	80 to * — CLE
	68	88493-67	ARM REST CUSHION (black)	80 to * — CLE
	68A	88528-67	COVER, side car body (black)	80 to * — CLE
	69	88694-67	TRIM STRIP, with fittings	79 to * — CLE
	70	88695-67	RETAINER CLIP, sidecar trim strip	79 to * — CLE
	71	88698-67	CHANNEL INSERT, body trim (black vinyl)	79 to * — CLE
	72	88850-67	WINDSHIELD, with fittings	79 to * — CLE
	73	88862-67	WINDSHIELD, only	79 to * — CLE
	74	88883-67	CLAMP, windshield moulding (2)	79 to * — CLE
	75	88885-67	BUSHING, windshield moulding (2)	79 to * — CLE
	76	88895-67	WINDSHIELD BRACE	79 to * — CLE

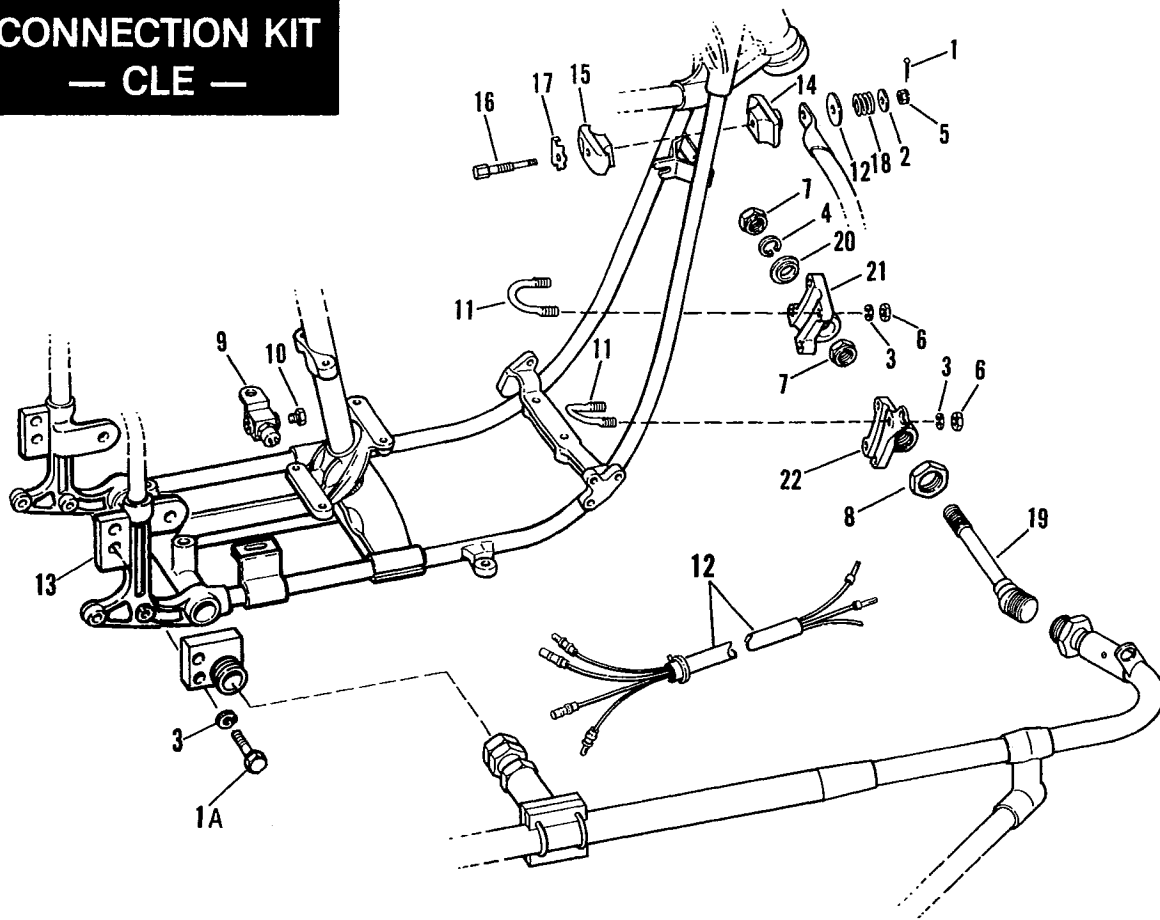
**SIDECAR
CONNECTION KIT
— LE —**



SIDECAR CONNECTION KIT — LE

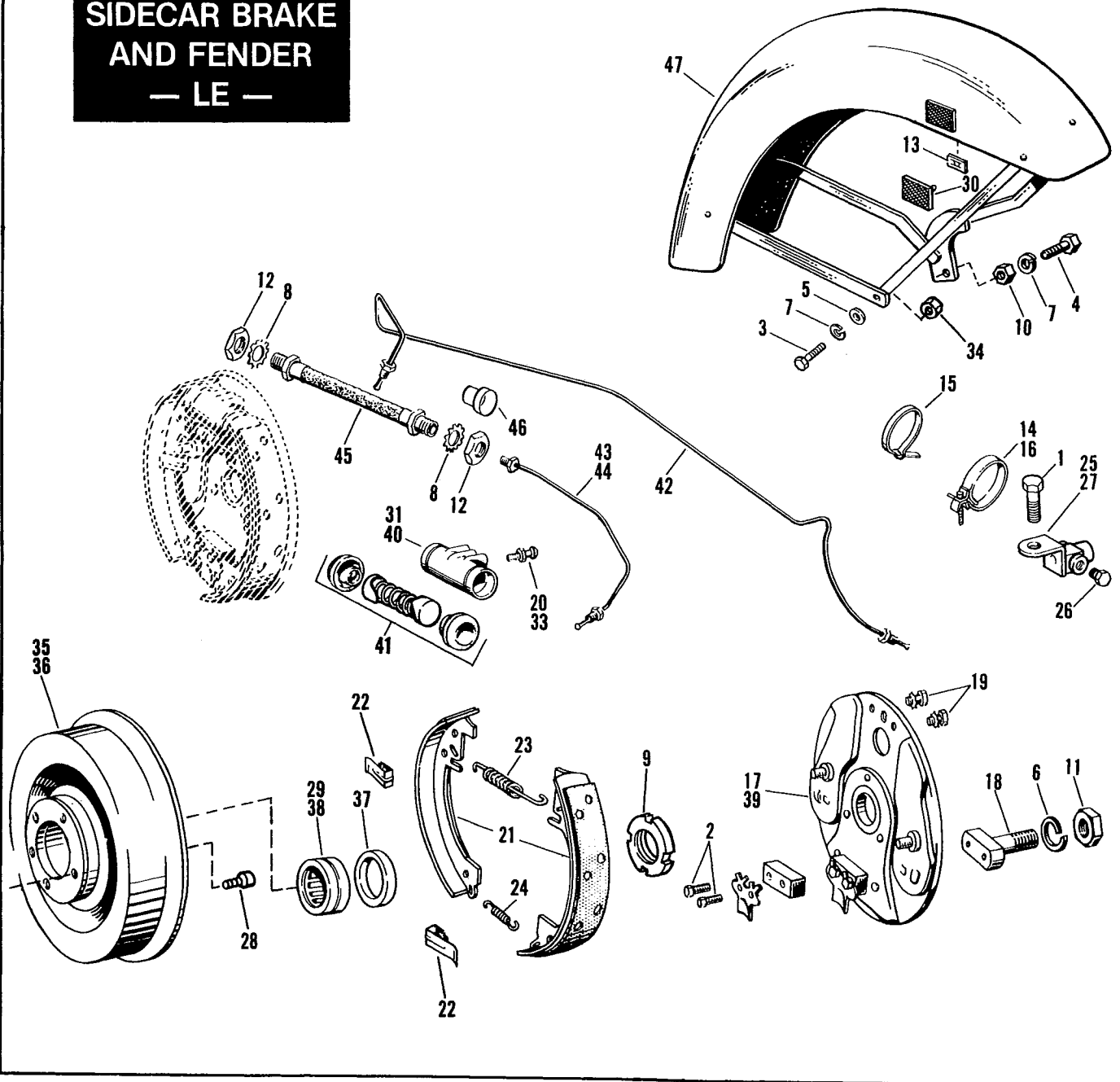
RETAIL PRICE	INDEX NO.	PART NO.	N A M E	USED ON
	1	559	COTTER PIN, 1/8 x 1-1/4 (2)	41 to 79 — LE
	2	2871W	BOLT, 5/16-18 x 1-1/4 hex. hd.	73 to 79 — LE
	3	4017	BOLT, 5/16-18 x 1 hex. hd. (2)	73 to 79 — LE
	4	4440W	BOLT, 3/8-24 x 4 hex. hd. (2)	74 to 79 — LE
	5	6718	WASHER, 1/2 x 1-1/16 x 3/32 (2)	41 to 79 — LE
	6	6725HB	WASHER, 41/64 x 1-7/16 x 9/64	58 to 79 — LE
	7	7038	LOCKWASHER, 3/8 (4)	41 to 79 — LE
	8	7043	LOCKWASHER, 3/4	41 to 79 — LE
	9	7127	LOCKWASHER, 5/16 internal tooth (3)	73 to 79 — LE
	10	7734W	CASTLE NUT, 1/2-20 x 9/16 x 3/4 hex.	41 to 79 — LE
	11	7800W	NUT, 3/8-24 x 5/16 x 9/16 hex. (8)	71 to 79 — LE
	12	7823	NUT, 5/8-18 x 3/8 x 15/16	73 to 79 — LE
	13	7947W	CASTLE NUT, 5/8-18 x 1/2 x 15/16 hex.	58 to 72 — LE
	14	8034	NUT, 3/4-18 x 7/32 x 1-3/16 hex. (2)	41 to 79 — LE
	15	8059	NUT, 13/16-18 x 15/32 x 1-3/16 hex.	41 to 79 — LE
	16	42309—70	TEE, brake line	41 to 79 — LE
	17	42311—58	PLUG, rear brake line (used when sidecar removed)	41 to 79 — LE
	18	49063—36	U-BOLT, sidecar connection (4)	58 to 79 — LE
	19	50668—35	SPACER, muffler support — 11/16 O.D.	58 to 79 — LE
	20	52103—31	SPACER, muffler mounting — 3/4 O.D.	58 to 79 — LE
	21	58102—49	SPACER, muffler support — 1/2 lg.	58 to 79 — LE
	22	83975—37A	WASHER, 5/8 x 1-1/2 x 1/16	N/A
		87082—73	SIDECAR CONNECTION KIT, with frame fittings	73 to 79 — LE
	23	87083—73	BRACKET, inner	73 to 79 — LE
	24	87084—73	BRACKET, outer	73 to 79 — LE
	25	87127—36	UPPER CONNECTION, front	41 to 79 — LE
	26	87128—36	UPPER CONNECTION, rear	41 to 79 — LE
	27	87135—36	BOLT, upper connection	41 to 79 — LE
	28	87136—36	LOCKWASHER, connection bolt	41 to 79 — LE
	29	87138—36	SPRING, connection bolt	41 to 79 — LE
	30	87176—37	TIE ROD, lower front	41 to 79 — LE
	31	87181—37	WASHER, lower front tie rod	41 to 79 — LE
	32	87191—58	BUSHING, sidecar connector	58 to 79 — LE
	34	87192—73	CONNECTOR STUD, 5/8-18 thread	73 to 79 — LE
	36	87197—73	SIDECAR CONNECTOR	73 to 79 — LE
	37	87205—58	BRACKET, front left	58 to 79 — LE
	38	87206—58	BRACKET, front right	58 to 79 — LE

**CLASSIC SIDECAR
CONNECTION KIT
— CLE —**



RETAIL PRICE	INDEX NO.	PART NO.	N A M E	USED ON
	1	559	COTTER PIN, 1/8 x 1-14	79 to * — CLE
	1A	4716W	BOLT, 3/8-16 x 1-1/4 hex. hd. (2)	79 to * — CLE
	2	6718	WASHER, 1/2 x 1-1/16 x 3/32	79 to * — CLE
	3	7038	LOCKWASHER, 3/8 (8)	79 to * — CLE
	4	7043	LOCKWASHER, 3/4	79 to * — CLE
	4A	7633	LOCKNUT, 3/8-16 x 5/16 x 9/16 hex. (2)	79 to * — CLE
	5	7734W	CASTLE NUT, 1/2-20 x 9/16 x 3/4 hex.	79 to * — CLE
	6	7800W	NUT, 3/8-24 x 5/16 x 9/16 hex. (8)	79 to * — CLE
	7	8034	NUT, 3/4-18 x 7/32 x 1-3/16 hex. (2)	79 to * — CLE
	8	8059	NUT, 13/16-18 x 15/32 x 1-3/16 hex.	79 to * — CLE
	9	40969—79	TEE, rear brake hose	Late 84 to * — CLE
		42309—70	TEE, brake line	79 to Early 84 — CLE
	10	42311—58	PLUG, rear brake line (used when sidecar is removed)	79 to * — CLE
	11	49063—36	U-BOLT, sidecar connection (4)	79 to * — CLE
	12	70068—82	HARNESS, sidecar connection	82 to Early 84 — CLE
		70068—84	HARNESS, sidecar connection	Late 84 to * — CLE
	13	87105—79	MOUNTING BLOCK, rear connection	79 to * — CLE
		87106—79	SIDECAR CONNECTION KIT (Classic)	79 to * — CLE
	14	87127—36	UPPER CONNECTION, front	79 to * — CLE
	15	87128—36	UPPER CONNECTION, rear	79 to * — CLE
	16	87135—36	BOLT, upper connection	79 to * — CLE
	17	87136—36	LOCKWASHER, upper connection bolt	79 to * — CLE
	18	87138—36	SPRING, connection bolt	79 to * — CLE
	19	87176—37	TIE ROD, lower front	79 to * — CLE
	20	87181—37	WASHER, lower front tie rod	79 to * — CLE
	21	87205—58	BRACKET, front left	79 to * — CLE
	22	87206—58	BRACKET, front right	79 to * — CLE

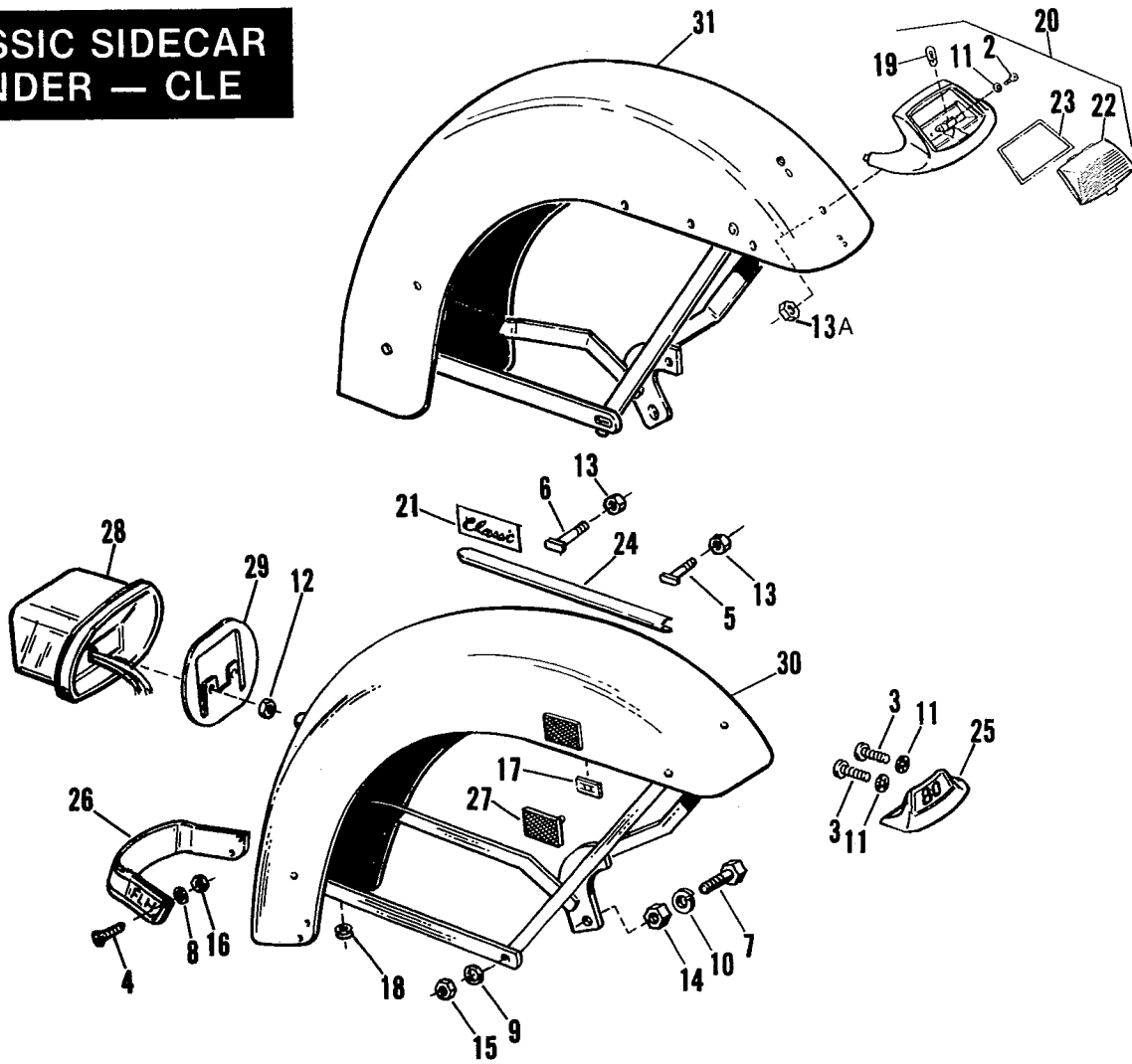
**SIDECAR BRAKE
AND FENDER
— LE —**



SIDECAR BRAKE AND FENDER — LE

RETAIL PRICE	INDEX NO.	PART NO.	N A M E	USED ON
	1	3953W	BOLT, 5/16-24 x 1/2 hex. hd.	70 to 79 — LE
	2	4020W	BOLT, 5/16-24 x 1-3/8 hex. (2)	58 to 79 — LE
	3	4319	BOLT, 3/8-24 x 1 hex. hd.	Late 67 to 79 — LE
	4	4716W	BOLT, 3/8-16 x 1-1/4 hex. hd.	41 to 78 — LE
		4721	BOLT, 3/8-16 x 1-1/2 hex. hd.	79 — LE
	5	6701	WASHER, 3/8 x 13/16 x 1/16.	Late 67 to 79 — LE
	6	7022	LOCKWASHER, 5/8.	58 to 79 — LE
	7	7038	LOCKWASHER, 3/8.	41 to 79 — LE
	8	7242	LOCKWASHER, 3/8 external tooth (2)	58 to 79 — LE
	9	7581	LOCKNUT.	Late 76 to 79 — LE
	10	7783	NUT, 3/8-16 x 5/16 x 9/16 hex.	41 to 79 — LE
	11	7813	NUT, 5/8-18 x 9/16 x 15/16 hex.	58 to 79 — LE
	12	7988	NUT, 5/8-18 x 1/4 x 1 hex. (2)	58 to 79 — LE
	13	8133W	SPEED NUT, reflector.	N/A 69 to 71 — LE
	14	9991A	HOSE CLAMP.	58 to 79 — LE
	15	10006	STRAP, brake tube (3).	58 to 79 — LE
	16	27063—57	HOSE CLAMP.	73 to 79 — LE
	17	41650—58	SIDE PLATE.	N/A 58 to Early 76 — LE
	18	41720—58	ANCHOR STUD.	58 to 79 — LE
	19	41742—58	SCREW AND LOCKWASHER, brake cylinder (2)	58 to 79 — LE
	20	41749—58	BLEEDER FITTING, brake cylinder.	58 to Early 70 — LE
	21	41801—58A	SET OF BRAKE SHOES AND LININGS.	58 to 79 — LE
	22	41835—58	HOLD DOWN SPRING (2).	58 to 79 — LE
	23	41836—58	BRAKE SHOE SPRING, upper.	58 to 79 — LE
	24	41837—58	BRAKE SHOE SPRING, lower.	58 to 79 — LE
	25	42309—70	TEE, brake line (used w/sidecar).	70 to 79 — LE
	26	42311—58	PLUG, rear brake line (used when sidecar is removed) ...	Late 76 to 79 — LE
	27	42318—72	TEE, brake line (used w/o sidecar).	Late 72 to 79 — LE
	28	43530—35A	SCREW, wheel mounting.	41 to 79 — LE
	29	43577—67	BEARING, brake drum (2).	67 to Early 76 — LE
	30	59255—72	REFLECTOR (red) (2).	72 to 79 — LE
	31	87071—79	BRAKE CYLINDER, wheel.	Late 79 — LE
	33	87073—79	BLEEDER FITTING, brake cylinder.	Late 79 — LE
	34	87438—67	EXTENDER NUT, axle.	Late 67 to 79 — LE
	35	87657—58A	BRAKE SHELL.	N/A 58 to Early 76 — LE
	36	87657—76	BRAKE SHELL.	Late 76 to 79 — LE
	37	87670—76	OIL SEAL.	Late 76 to 79 — LE
	38	87671—76	BEARING.	Late 76 to 79 — LE
	39	87672—76	SIDE PLATE.	Late 76 to 79 — LE
	40	87750—58	WHEEL CYLINDER.	58 to Early 79 — LE
	41	87752—58A	REPAIR KIT, wheel cylinder.	58 to 79 — LE
	42	87775—58	BRAKE TUBE, rear.	58 to 79 — LE
	43	87777—58	BRAKE TUBE, front.	N/A 58 to 69 — LE
	44	87777—70	BRAKE TUBE, front.	70 to 79 — LE
	45	87778—58A	BRAKE HOSE.	58 to 79 — LE
	46	87778—64	CAP, brake hose (used when sidecar is removed) ...	N/A 64 to 79 — LE
	47	87900—67A	FENDER (prime).	Late 67 to 79 — LE

**CLASSIC SIDECAR
FENDER — CLE**

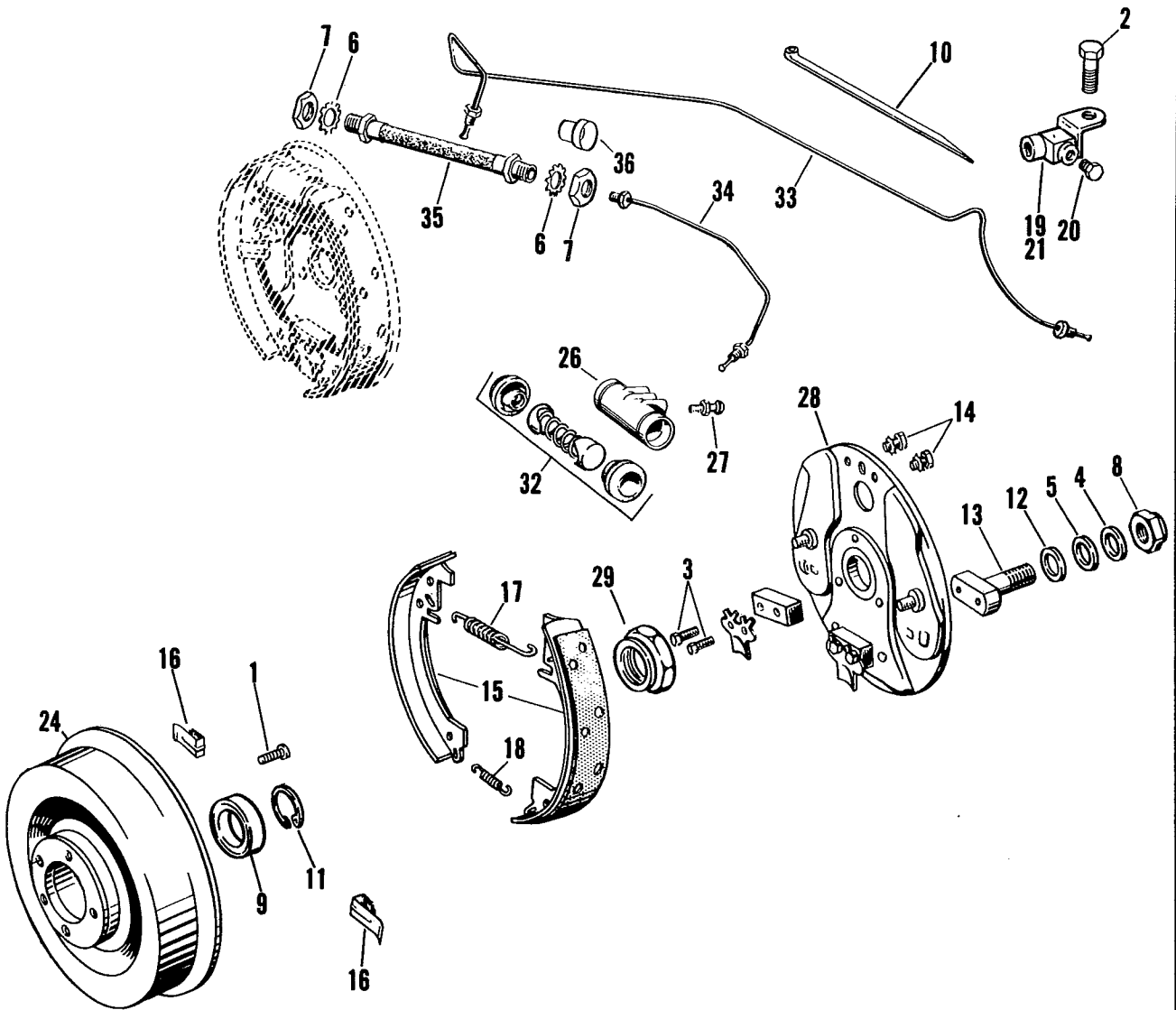


RETAIL PRICE	INDEX NO.	PART NO.	NAME	USED ON
--------------	-----------	----------	------	---------

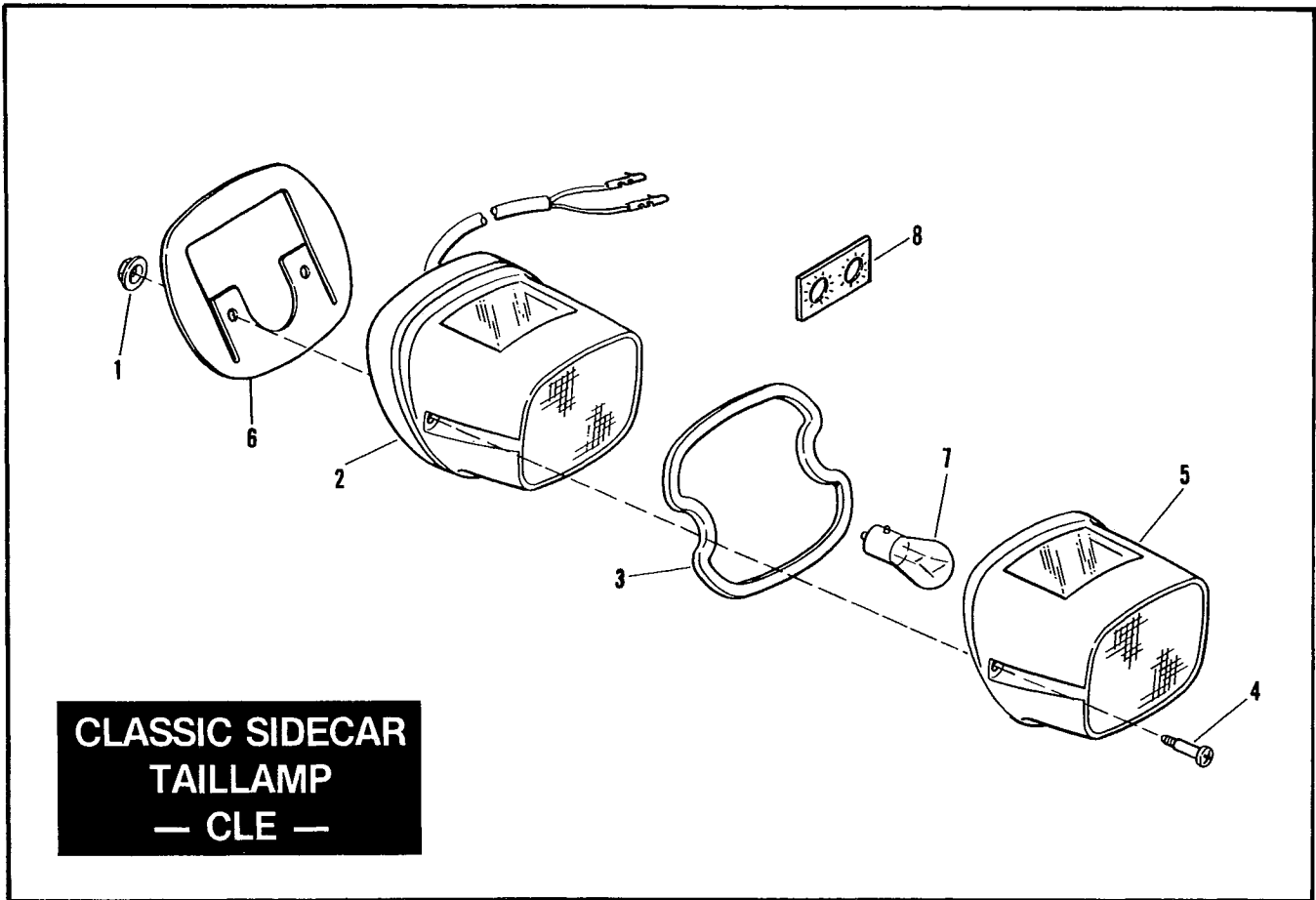
NOTE: REFER TO DEALER ACCESSORY GUIDE FOR PAINTED PARTS.

	2	2604	SCREW, No. 10-32 x 1/2 Pozidriv pan hd. (4)	Late 82 to * — CLE
	3	2630W	SCREW, No. 8-32 x 5/16 self tapping rd. hd. (2)	79 to * — CLE
	4	2710C	SCREW, No. 4-40 x 3/8 Phil. hd. (4)	79 to * — CLE
	5	3560W	TEE BOLT, No. 10-24 x 3/8 (2)	79 to * — CLE
	6	3561WA	TEE BOLT, No. 10-24 x 1/2 lg. (2)	79 to * — CLE
	7	4721	BOLT, 3/8-16 x 1-1/2 hex. hd.	79 to * — CLE
	8	6335	WASHER, No. 4 x 5/16 x 1/32 (4)	79 to * — CLE
	9	6653	WASHER, 5/8 x 1-5/16 x 3/32	79 to * — CLE
	10	7038	LOCKWASHER, 3/8	79 to * — CLE
	11	7115	LOCKWASHER, No. 8 internal tooth (2)	79 to 82 — CLE
		7118	LOCKWASHER, No. 10 internal tooth (4)	83 to * — CLE
	12	7501	SPEED NUT, 1/4 x 1/4 x 7/16 hex. (self threading) (2)	79 to * — CLE
	13	7624	LOCKNUT, No. 10-24 x 1/4 x 3/8 hex. (4)	79 to * — CLE
	13A	7638	NUT, No. 10-32 x 1/8 x 3/8 hex. (2)	83 to * — CLE
	14	7783	NUT, 3/8-16 x 5/16 x 9/16 hex.	79 to * — CLE
	15	7823	CASTLE NUT, 5/8-18 x 9/16 x 15/16 hex.	79 to * — CLE
	16	8131W	LOCKNUT, No. 4-40 (4)	79 to * — CLE
	18	11410	GROMMET, tail lamp wiring	79 to * — CLE
	19	53439-79	BULB, fender tip lamp (2)	Late 82 to * — CLE
	20	59082-79	LAMP ASSEMBLY, sidecar fender	Late 82 to * — CLE
	21	59158-79	DECAL, fender — "Classic" (brown)	79 & 80 — CLE
		59159-80	DECAL, fender — "Classic" (silver)	80 — CLE
		59173-81A	DECAL, fender — "Classic" (gold)	81 & 82; Late 83 to * — CLE
	22	59180-80	LENS, sidecar fender lamp lens	Late 82 to * — CLE
	23	59181-80	GASKET, sidecar fender lamp lens	Late 82 to * — CLE
	24	59211-74	SIDE TRIM STRIP (2)	79 to * — CLE
	25	59216-78	FENDER TIP KIT, with fittings - "80", includes index nos. 3 & 11	79 to * — CLE
	26	59233-76	FENDER TRIM KIT, lower (complete) - "FLH", includes index nos. 4, 8 & 16	79 to * — CLE
	27	59255-72	REFLECTOR (red)	79 to * — CLE
	28	68008-73A	TAIL LAMP ASSEMBLY	79 to * — CLE
	29	68123-73	GASKET, tail lamp	79 to * — CLE
	30	87900-67A	FENDER, prime	79 to 82 — CLE
	31	87901-83A	FENDER, prime	83 to * — CLE

CLASSIC SIDECAR BRAKE — CLE



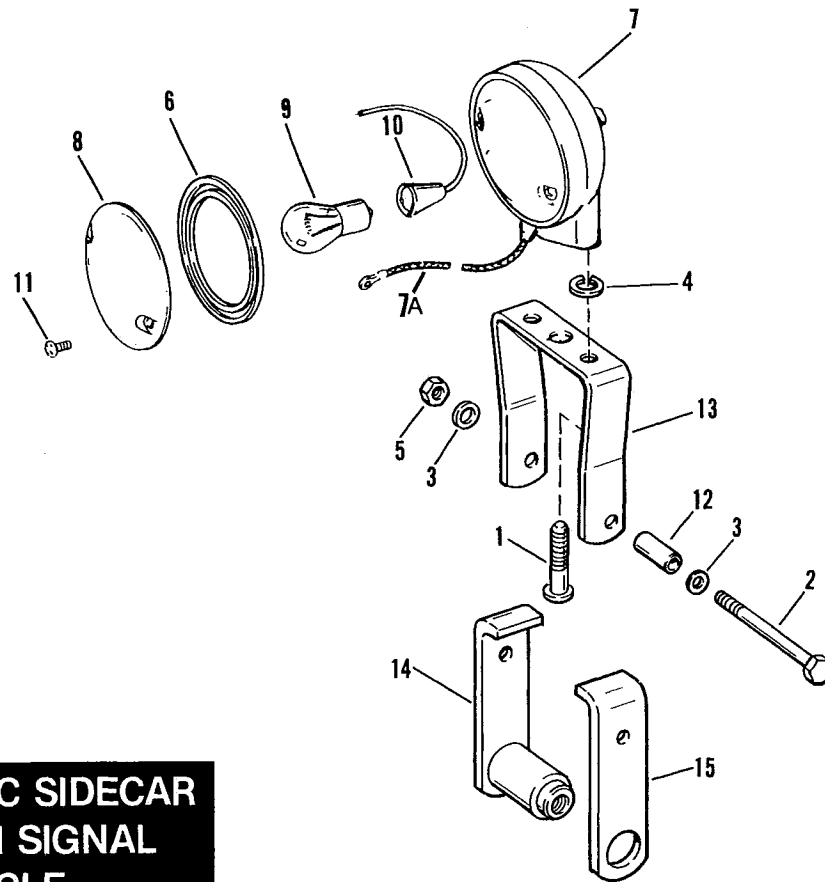
RETAIL PRICE	INDEX NO.	PART NO.	N A M E	USED ON
	1	1643	SCREW, 7/16-14 x 1 1/4 ctsk flat socket hd. (5)	79 to * — CLE
	2	3953W	BOLT, 5/16-24 x 1/2 hex. hd.	79 to * — CLE
	3	4020W	BOLT, 5/16-24 x 1-3/8 hex. (2)	79 to * — CLE
	4	6700B	WASHER, 5/8 x 13/16 x 1/32 (as req'd)	79 to * — CLE
	5	6712B	WASHER, 5/8 x 15/16 x 3/32 (as req'd)	79 to * — CLE
	6	7242	LOCKWASHER, 3/8 external tooth (2)	79 to * — CLE
	7	7988	NUT, 5/8-18 x 1/4 x 1 hex. (2)	79 to * — CLE
	8	7993	LOCKNUT, 5/8-18 x 3/8 x 15/16 hex.	79 to * — CLE
	9	9200	BEARING, brake drum	79 to * — CLE
	10	10006	STRAP, brake tube (3)	79 to * — CLE
	11	10999	RETAINING RING, brake drum bearing	79 to * — CLE
	12	18268—48	WASHER (as req'd)	79 to * — CLE
	13	41720—58	ANCHOR STUD	79 to * — CLE
	14	41742—58	SCREW AND LOCKWASHER, brake cylinder (2)	79 to * — CLE
	15	41801—58A	SET OF BRAKE SHOES AND LININGS	79 to * — CLE
	16	41835—58	HOLD DOWN, spring (2)	79 to * — CLE
	17	41836—58	BRAKE SHOE SPRING, upper	79 to * — CLE
	18	41837—58	BRAKE SHOE SPRING, lower	79 to * — CLE
	19	42309—70	TEE, brake line (used w / sidecar)	79 to * — CLE
	20	42311—58	PLUG, rear brake line (used when sidecar removed)	79 to * — CLE
	21	42318—72	TEE, brake line (used w / o sidecar)	79 to * — CLE
	24	86999—79	BRAKE DRUM ASSEMBLY	79 to * — CLE
	26	87071—79	BRAKE CYLINDER, wheel	79 to * — CLE
	27	87073—79	BLEEDER FITTING, brake cylinder	79 to * — CLE
	28	87672—76	SIDE PLATE	79 to * — CLE
	29	87706—79	LOCKNUT, axle shaft	79 to * — CLE
	32	87752—58A	REPAIR KIT, brake cylinder	79 to * — CLE
	33	87775—58	BRAKE TUBE, rear	79 to * — CLE
	34	87777—70	BRAKE TUBE, front	79 to * — CLE
	35	87778—58A	BRAKE HOSE	79 to * — CLE
	36	87778—64	CAP, brake hose (used when sidecar is removed)	79 to 83 — CLE
		87778—64A	CAP, brake hose (used when sidecar is removed)	84 to * — CLE



CLASSIC SIDECAR TAIL LAMP — CLE

A99

RETAIL PRICE	INDEX NO.	PART NO.	N A M E	USED ON
	1	7501	SPEED NUT, 1/4 x 7/16 hex. (2)	79 to * — CLE
	2	68008—73A	TAIL LAMP ASSEMBLY	79 to * — CLE
	3	68025—73	GASKET, tail lamp lens	79 to * — CLE
	4	68026—73	SCREW, tail lamp lens (2)	79 to * — CLE
	5	68034—77	LENS, tail lamp	79 to * — CLE
	6	68123—73	GASKET, tail lamp housing	79 to * — CLE
	7	68165—64	BULB, tail lamp - 12 V.	79 to * — CLE
	8	72275—74	CONNECTOR TAB - 2 terminal	Late 80 to * — CLE

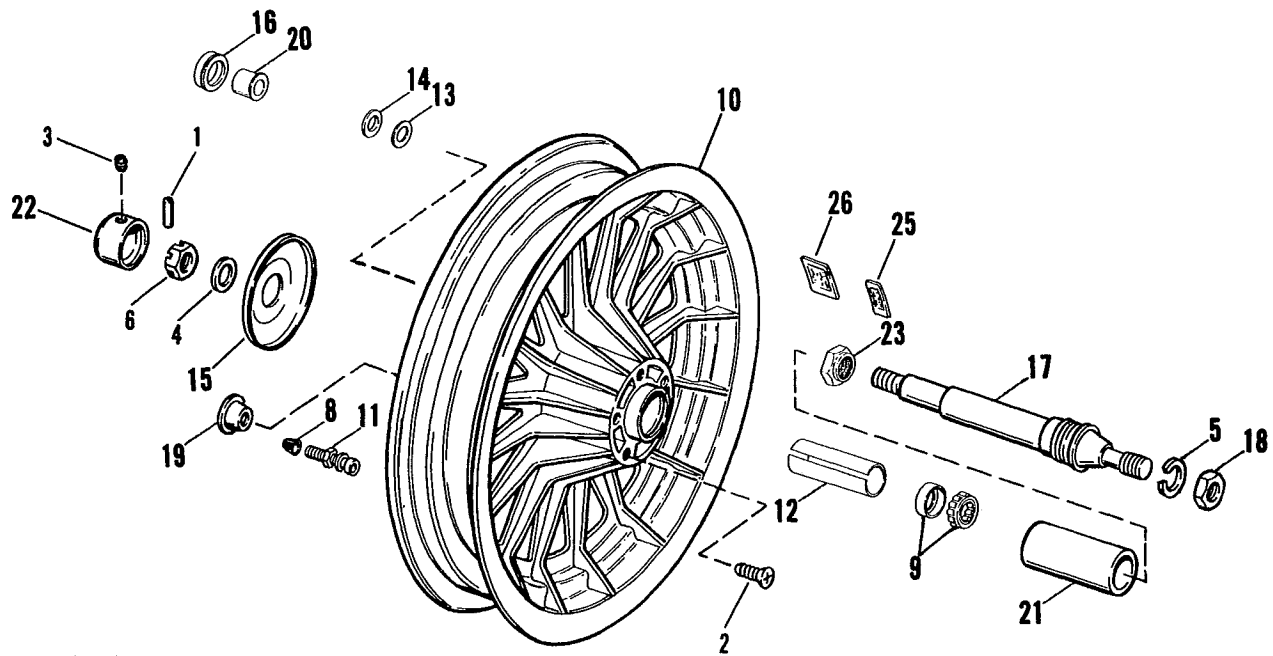


**CLASSIC SIDECAR
TURN SIGNAL
— CLE —**

CLASSIC SIDECAR TURN SIGNAL — CLE

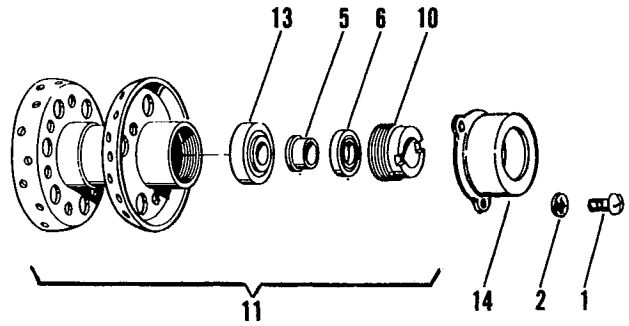
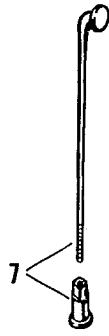
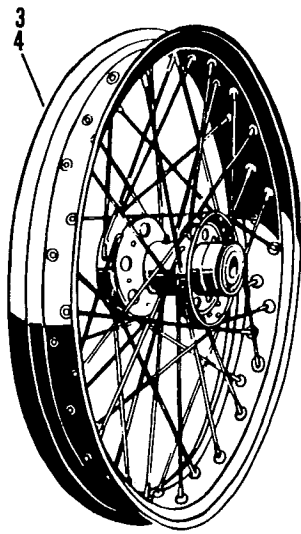
A100

RETAIL PRICE	INDEX NO.	PART NO.	N A M E	USED ON
	1	2664	SCREW, NO. 10-24 x 7/16 Pozidriv pan hd. (2)	79 to * — CLE
	2	4401W	BOLT, 3/8-24 x 2-3/4 hex. hd.	79 to * — CLE
	3	6416	WASHER, 3/8 x 1 x 5/64 (2)	79 to * — CLE
	4	7069	LOCKWASHER, No. 10 (2)	79 to * — CLE
	5	7780	LOCKNUT, 3/8-24 x 3/8 x 11/16 hex.	79 to * — CLE
	6	68521—63A	GASKET, sidecar turn signal lens	79 to * — CLE
	7	68552—70A	LAMP WITH WIRE, - sidecar turn signal (amber)	79 to * — CLE
	7A	68554—82	WIRING, turn signal	83 to * — CLE
	8	68571—63A	LENS, sidecar turn signal	79 to * — CLE
	9	68572—64A	BULB, sidecar turn signal lamp	79 to * — CLE
	10	68576—70	SOCKET AND WIRE, sidecar turn signal	79 to * — CLE
	11	68586—63	SCREW, lens mounting - sidecar turn signal (2)	N/A 79 to 81 — CLE
		68586—63A	SCREW, lens mounting — sidecar turn signal (2)	82 to * — CLE
	12	87120—79	SPACER, turn signal and spring shackle	79 to * — CLE
	13	87121—79	BRACKET, sidecar turn signal	79 to * — CLE
	14	88301—79	SHACKLE PLATE, with bushing - turn signal and spring	79 to * — CLE
	15	88302—79	SHACKLE PLATE, turn signal and spring	79 to * — CLE



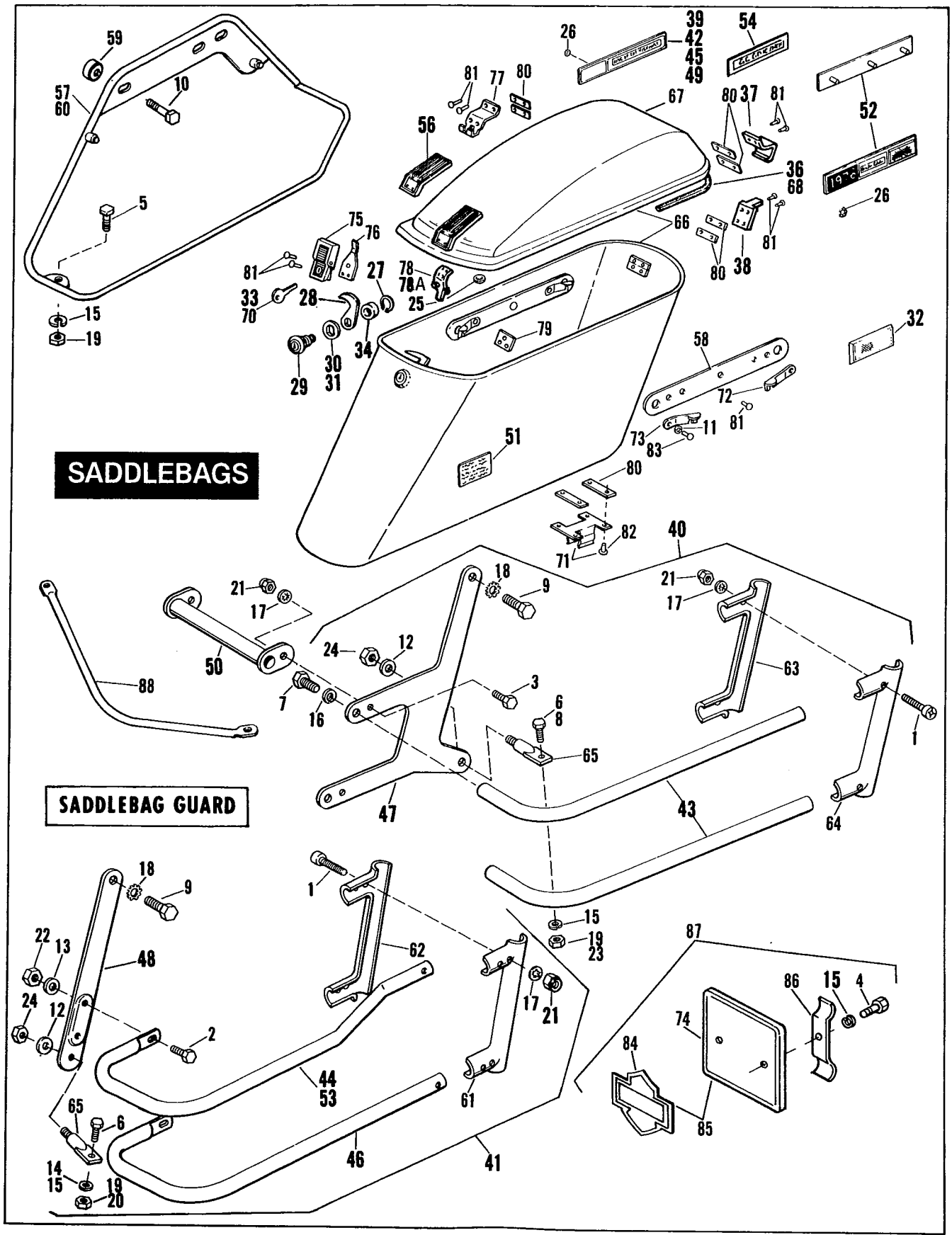
**CLASSIC SIDECAR
CAST WHEEL
— CLE —**

RETAIL PRICE	INDEX NO.	PART NO.	N A M E	USED ON
	1	601	ROLL PIN, 1/8 dia. x 3/4 lg.	79 to * — CLE
	2	1643	SCREW, 7/16-14 x 1-1/4 ctsk. flat socket hd. (5)	79 to * — CLE
	3	3234W	SET SCREW, 1/4-20 x 5/16 slot hd. (2)	79 to * — CLE
	4	6653	WASHER, 5/8 x 1-5/16 x 3/32	79 to * — CLE
	5	7043	LOCKWASHER, 3/4	79 to * — CLE
	6	7823	CASTLE NUT, 5/8-18 x 9/16 x 15/16 hex.	79 to * — CLE
	8	41123-79	VALVE CAP	83 to * — CLE
	9	41124-81	ROLLER BEARING, sidecar wheel	79 to * — CLE
	10	41126-79	WHEEL, cast — with 41124-81 BEARING (black)	79 to * — CLE
	11	43157-83A	VALVE STEM	83 to * — CLE
	12	43288-82	SLEEVE, inner	83 to * — CLE
	13	43290-82	SPACER — .032 thick	83 to * — CLE
		43291-82	SPACER — .016 thick	83 to * — CLE
		43292-82	SPACER — .008 thick	83 to * — CLE
		43293-82	SPACER — .004 thick	83 to * — CLE
		43294-82	SPACER — .002 thick	83 to * — CLE
	14	43650-82	WASHER, with flange	83 to * — CLE
	15	44444-79	HUB CAP, sidecar (chrome)	79 to * — CLE
	16	47519-83	OIL SEAL, outer — axle	84 to * — CLE
		47519-83A	OIL SEAL, outer — axle	83 — CLE
	17	87435-79	AXLE, sidecar	79 to * — CLE
	18	87444-33	AXLE NUT (inside frame)	79 to * — CLE
	19	87700-79	CAP, sidecar wheel — outer (plastic) (5)	79 to * — CLE
	20	87703-79	SPACER, outer — axle	79 to * — CLE
	21	87704-79	SLEEVE, axle bearing	79 to * — CLE
	22	87705-79	CAP, axle end	79 to * — CLE
	23	87706-79	AXLE NUT — left	79 to * — CLE
	25	95590-77	WHEEL WEIGHT, 1/2 oz. (black)	79 to * — CLE
	26	95591-77	WHEEL WEIGHT, 1 oz. (black)	79 to * — CLE

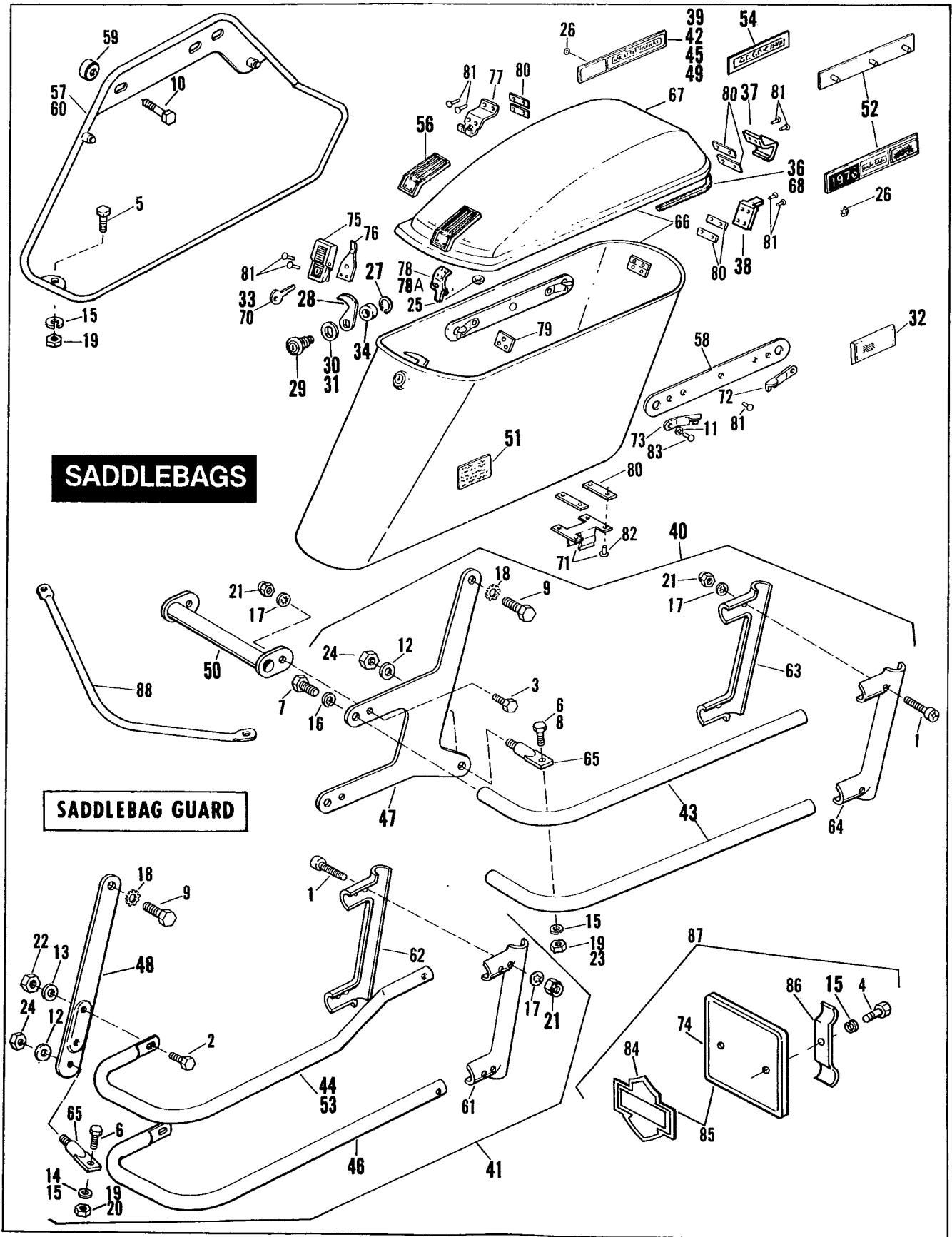


SIDECAR WHEEL
— LE —

RETAIL PRICE	INDEX NO.	PART NO.	N A M E	USED ON
	1	2660	SCREW, No. 10-24 x 3/8 Pozidriv pan hd.	67 to 79 — LE
	2	7118	LOCKWASHER, No. 10 internal tooth	67 to 79 — LE
	3	40982—76	WHEEL ASSEMBLY, 16 in. (chrome)	76 to 79 — LE
	4	40985—76	WHEEL ASSEMBLY, 16 in. (black)	76 to 78 — LE
	5	41196—55	SPACER, wheel hub	67 to 79 — LE
	6	41210—55	OIL SEAL, wheel bearing	67 to 79 — LE
	7	43032—40A	SPOKE AND NIPPLE SET — metric (40)	67 to 79 — LE
	10	43542—67	LOCKNUT, wheel bearing	67 to 79 — LE
	11	43551—76	WHEEL HUB, complete	67 to 79 — LE
		43562—76	WHEEL HUB REPLACEMENT KIT	N/A 41 to 75 — LE
	13	43577—67	BEARING, wheel hub (brake drum — Early 76 & earlier) ..	67 to 79 — LE
	14	43592—70	RETAINER, wheel bearing locknut	67 to 79 — LE



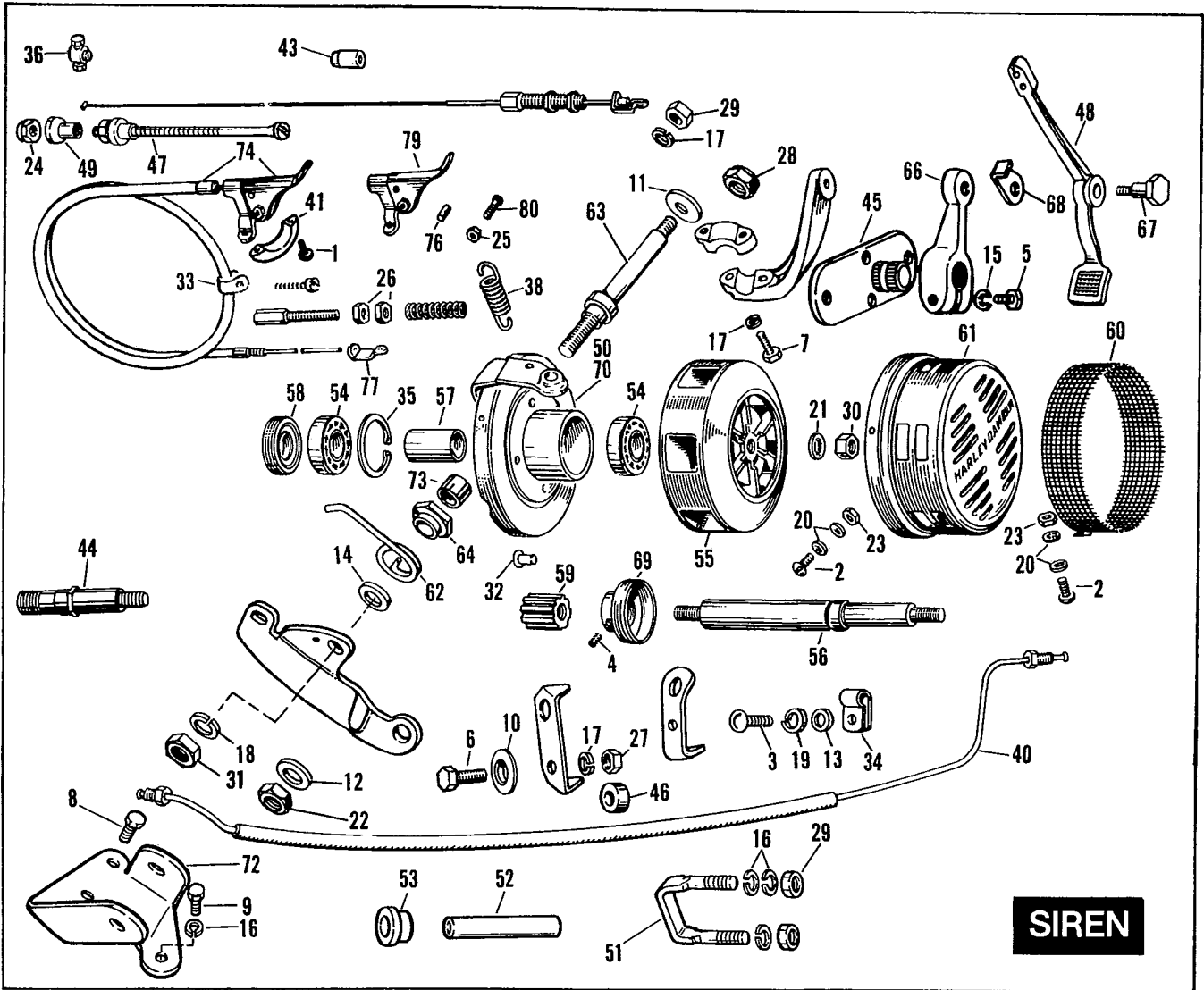
RETAIL PRICE	INDEX NO.	PART NO.	N A M E	USED ON
NOTE: REFER TO DEALER ACCESSORY GUIDE FOR ADDITIONAL PAINTED PARTS.				
	1	2841W	SCREW, 1/4-28 x 1-1/4 Phillips hd. (4 - 8 — 78 & later)	68 to * — FL, FLH, FLH-80, Classic
	2	2882W	BOLT, 5/16-18 x 5/8 hex. hd. (4)	78 to * — FL, FLH, FLH-80, Classic
	3	3738	BOLT, 1/4-28 x 5/8 hex. hd. (4)	68 to 77 — FL, FLH
	4	3767B	BOLT, 1/4-20 x 5/8 hex. hd. (4)	79 to * — FL, FLH, FLH-80, Classic
	5	3825	BOLT, 1/4-28 x 1 hex. hd. (2)	63 to * — FL, FLH, FLH-80, Classic
	6	3826	BOLT, 1/4-28 x 1-1/4 hex. hd. (2)	68 to 76 — FL, FLH 78 to * — FL, FLH, FLH-80, Classic
	7	3974HW	BOLT, 5/16-24 x 3/4 hex. hd. (4)	68 to 77 — FL, FLH
	8	4014W	BOLT, 5/16-24 x 1-1/4 hex. hd.	77 — FL, FLH
	9	4020W	BOLT, 5/16-24 x 1-3/8 hex. hd. (2)	68 to * — FL, FLH, FLH-80, Classic
	10	4041W	BOLT, 5/16-24 x 1-5/8 hex. hd. (4)	63 to * — FL, FLH, FLH-80, Classic
	11	6048W	WASHER, 1/8 x 1/4 x 1/32 (4)	78 to * — FL, FLH, FLH-80, Classic
	12	6701	WASHER, 3/8 x 13/16 x 1/16 (2)	68 to * — FL, FLH, FLH-80, Classic
	13	6702	WASHER, 5/16 x 11/16 x 1/16 (4)	78 to * — FL, FLH, FLH-80, Classic
	14	6703	WASHER, 1/4 x 5/8 x 1/16	79 to * — FL, FLH, FLH-80, Classic
	15	7036	LOCKWASHER, 1/4 (2; 6 - 79 & later)	63 to * — FL, FLH, FLH-80, Classic
	16	7041	LOCKWASHER, 5/16 (4)	68 to 77 — FL, FLH
	17	7124	LOCKWASHER, 1/4 internal tooth (8)	68 to Early 80 — FL, FLH, FLH-80, Classic
	18	7232	LOCKWASHER, 5/16 external tooth (2)	68 to * — FL, FLH, FLH-80, Classic
	19	7676	NUT, 1/4-28 x 3/16 x 7/16 hex. (2)	63 to 76 — FL, FLH 78 to * — FL, FLH, FLH-80, Classic
	20	7682	LOCKNUT, 1/4-28 x 3/16 x 7/16 hex.	79 to * — FL, FLH, FLH-80, Classic
	21	7683	LOCKNUT, 1/4-28 x 5/16 x 7/16 hex. (8)	Late 80 to * — FL, FLH, FLH-80, Classic
		7684	ACORN NUT, 1/4-28 x 3/16 x 3/8 hex. (4; 8 - 78 & later)	68 to Early 80 — FL, FLH, FLH-80, Classic
	22	7710W	LOCKNUT, 5/16-18 x 1/4 x 1/2 hex. (4)	78 to * — FL, FLH, FLH-80, Classic
	23	7753	NUT, 5/16-24 x 1/4 x 1/2 hex. (2)	77 — FL, FLH
	24	7775	LOCKNUT, 3/8-24 x 7/16 x 9/16 hex. (2)	68 to * — FL, FLH, FLH-80, Classic
	25	8135B	SPEED NUT (2)	70 to 82 — FL, FLH
	26	8160	SPEED NUT, saddlebag cover trim (6)	76 to * — FL, FLH
	27	11016	RETAINING RING	80 to * — FLH-80
	28	53306—69	LOCKING HOOK, saddlebag	70 to 80 — FL, FLH, FLH-80, Classic
		53306—80	LOCKING HOOK, saddlebag	81 to * — FLH-80, Classic
	29	53307—69	LOCK, saddlebag — with nuts & key	70 to * — FL, FLH, FLH-80
	30	53324—69	WASHER, saddlebag lock	70 to * — FL, FLH, FLH-80
	31	53332—69	WASHER, body lock	70 to * — FL, FLH, FLH-80, Classic
	32	59255—72	REFLECTOR (red) (2)	72 to * — FL, FLH, FLH-80, Classic
		59263—79	REFLECTOR (red) (2)	Early 81 — FLH-80, Classic
	33	71626—62	KEY (indicate serial no.)	N/A 70 to 84 — FL, FLH, FLH-80, Classic
	34	90630—80	ROLLER, saddlebag latch — 0.580 diameter	80 to * — FLH-80
		90631—80	ROLLER, saddlebag latch — 0.450 diameter	80 to * — FLH-80
		90632—80A	GASKET, bag cover	81 to * — FLH-80, Classic
	37	90744—79	HINGE, top (2)	79 to * — FL, FLH, FLH-80, Classic
	38	90745—79A	HINGE, bottom (2)	79 to * — FL, FLH, FLH-80, Classic
		90746—79	HINGE KIT (converts 2 saddlebags)	70 to 78 — FL, FLH, FLH-80
	39	90792—78	TRIM ASSEMBLY, left cover (red)	78 to 80 — FL, FLH, FLH-80
		90793—78	TRIM ASSEMBLY, left cover (blue)	N/A 78 — FL, FLH, FLH-80, Classic
		90794—78	TRIM ASSEMBLY, left cover (brown)	N/A 78 — FL, FLH, FLH-80, Classic
		90795—78	TRIM ASSEMBLY, left cover (gold)	N/A 78 — FL, FLH, FLH-80
		90796—78	TRIM ASSEMBLY, left cover — (black cherry)	78 — FL, FLH, FLH-80
	40	90800—68	SADDLEBAG GUARD KIT	63 to 77 — FL, FLH
	41	90800—78	SADDLEBAG GUARD KIT	78 to * — FL, FLH, FLH-80, Classic
	42	90802—78	TRIM ASSEMBLY, right cover (red)	78 to 80 — FL, FLH, FLH-80
		90803—78	TRIM ASSEMBLY, right cover (blue)	N/A 78 — FL, FLH, FLH-80, Classic
		90804—78	TRIM ASSEMBLY, right cover (brown)	N/A 78 — FL, FLH, FLH-80, Classic
	43	90805—68	SADDLEBAG GUARD (2)	N/A 68 to 77 — FL, FLH
	44	90805—78	SADDLEBAG GUARD, upper — right	78 to * — FL, FLH, FLH-80, Classic
	45	90806—78	TRIM ASSEMBLY, right cover (gold)	N/A 78 — FL, FLH, FLH-80
	46	90807—78	SADDLEBAG GUARD, lower (2)	78 to * — FL, FLH, FLH-80, Classic
	47	90808—68	BRACKET, saddlebag guard (2)	68 to 77 — FL, FLH



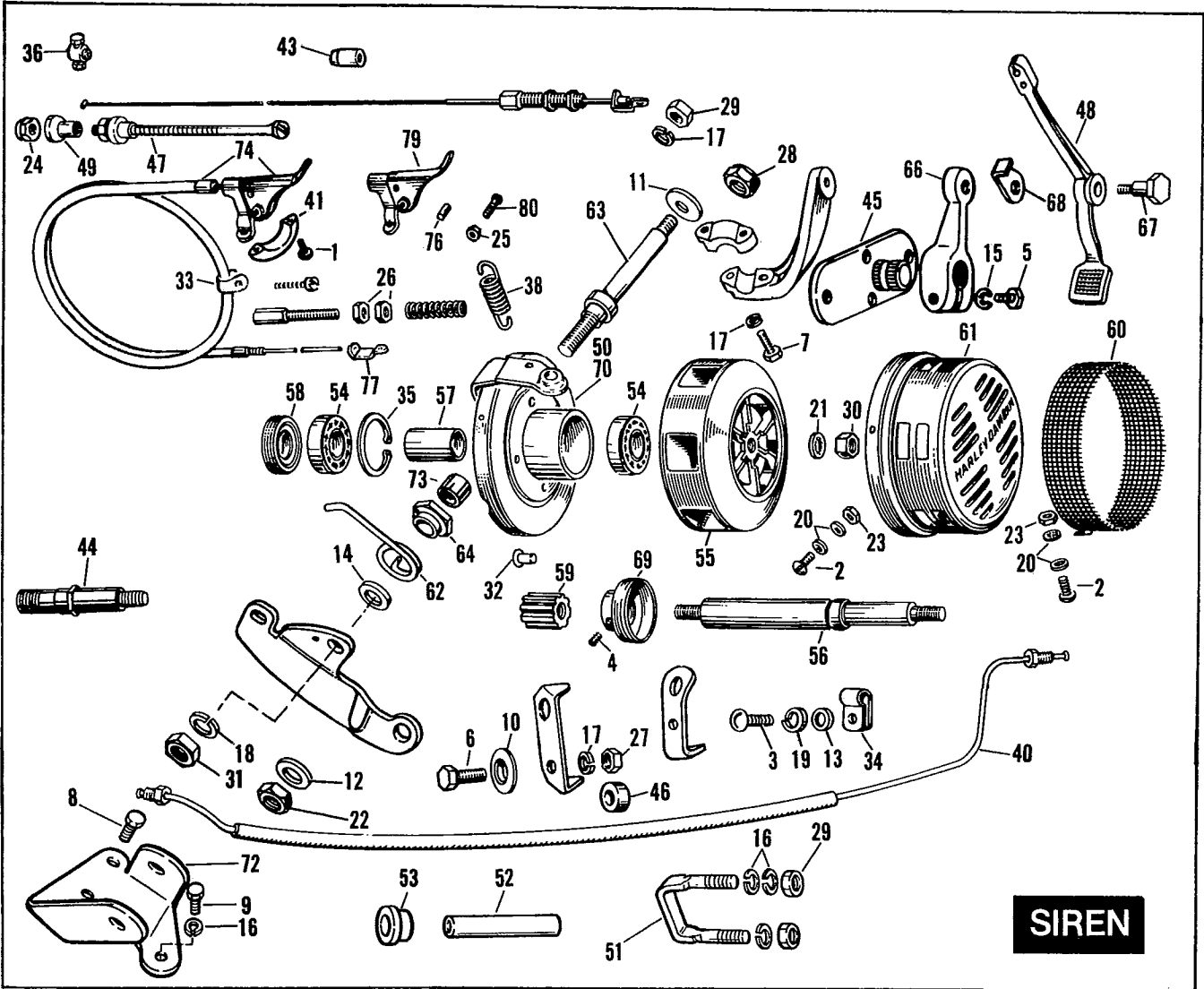
SADDLEBAGS

SADDLEBAG GUARD

RETAIL PRICE	INDEX NO.	PART NO.	NAME	USED ON
NOTE: REFER TO DEALER ACCESSORY GUIDE FOR ADDITIONAL PAINTED PARTS.				
	48	90808-82	BRACKET, saddlebag guard (2)	78 to * — FL, FLH, FLH-80, Classic
	49	90810-78	TRIM ASSEMBLY, right cover (black cherry)	78 — FL, FLH, FLH-80
	50	90811-68	SADDLEBAG GUARD, rear (2)	68 to 77 — FL, FLH
		90820-74A	LABEL, saddlebag load limit	68 to * — FL, FLH, FLH-80, Classic
	52	90822-76	TRIM, saddlebag — right, "1976"	N/A 76 — FL, FLH
		90822-77	TRIM, saddlebag — right, "King of the Highway"	N/A 77 — FL, FLH
		90822-78	TRIM, saddlebag cover (2)	78 to * — FL, FLH, FLH-80, Classic
		90823-76	TRIM, saddlebag — left, "1976"	N/A 76 — FL, FLH
		90823-77	TRIM, saddlebag — left, "King of the Highway"	N/A 77 — FL, FLH
	53	90830-78	SADDLEBAG GUARD, upper — left	78 to * — FL, FLH, FLH-80, Classic
	54	90841-79	DECAL, saddlebag cover, "80 CUBIC INCHES" (red)	79 to 81 — FLH-80
		90842-79	DECAL, saddlebag cover, "80 CUBIC INCHES" (blue)	79 to 81 — FLH-80
		90843-79	DECAL, saddlebag cover, "80 CUBIC INCHES" (brown)	79 to * — FLH-80
		90845-79	DECAL, saddlebag cover, "80 CUBIC INCHES" (light brown) (2)	79 & 80 — Classic
		90849-77E	SADDLEBAGS AND CARRIER (white)	58 to * — FL, FLH, FLH-80; 79 to 81 — Classic
		90851-77E	SADDLEBAGS AND CARRIER (black)	58 to * — FL, FLH, FLH-80; 79 to 81 — Classic
	56	90871-70	LOCK PLATE (2)	70 to * — FL, FLH, FLH-80, Classic
	57	90875-77A	SUPPORT BRACKET, right (order w/left for Early 77 & earlier)	63 to * — FL, FLH, FLH-80, Classic
		90877-77B	SUPPORT BRACKET, left (order w/right for Early 77 & earlier)	63 to * — FL, FLH, FLH-80, Classic
	58	90891-63	SUPPORT PLATE (2)	63 to * — FL, FLH, FLH-80, Classic
	59	90908-58	SPACER, support bracket (4)	72 to * — FL, FLH, FLH-80, Classic
	60	90913-67	SUPPORT BRACKET, left — radio	67 to 78 — FL, FLH, FLH-80
	61	90914-78	CLAMP, saddlebag guard, right (2)	78 to * — FL, FLH, FLH-80, Classic
	62	90918-78	CLAMP, saddlebag guard, left (2)	78 to * — FL, FLH, FLH-80, Classic
	63	90919-68	CLAMP, saddlebag guard, left (2)	68 to 77 — FL, FLH
	64	90920-68	CLAMP, saddlebag guard, right (2)	68 to 77 — FL, FLH
	65	90921-68	STUD, saddlebag guard	68 to * — FL, FLH, FLH-80, Classic
	66	90924-67C	SADDLEBAG, left (G.E. or tube type Motorola radio) (black)	67 to * — FL, FLH, FLH-80, Classic
		90924-68C	SADDLEBAG, left (Solid-State Motorola radio) (black)	68 to * — FL, FLH, FLH-80, Classic
		90925-67C	SADDLEBAG, left (G.E. or tube type Motorola radio) (white)	67 to * — FL, FLH, FLH-80, Classic
		90925-68C	SADDLEBAG, left (Solid-State Motorola radio) (white)	N/A 68 to * — FL, FLH, FLH-80, Classic
	67	90931-70A	SADDLEBAG COVER (white)	N/A 70 to 80 — FL, FLH, FLH-80, Classic
	68	90937-64	MOLDING, bag cover	63 to 80 — FL, FLH, FLH-80, Classic
	70	90947-63	SADDLEBAG KEY	63 to 69 — FL, FLH
	71	90949-63A	SPRING CLIP, with rivets (2)	63 to * — FL, FLH, FLH-80, Classic
	72	90952-63	LOCKING CLIP, left	63 to * — FL, FLH, FLH-80, Classic
	73	90953-63	LOCKING CLIP, right	63 to * — FL, FLH, FLH-80, Classic
	74	90955-79	BACKPLATE, saddlebag guard nameplate	79 to * — FL, FLH, FLH-80, Classic
	75	90957-64	SADDLEBAG LOCK KIT, with latch plate	63 to 69 — FL, FLH
	76	90960-64	LATCH PLATE, saddlebag	Late 64 to 69 — FL, FLH
	77	90961-63A	LOCK PLATE, bag cover	63 to 69 — FL, FLH
	78	90961-70A	LATCH (2)	70 to 80 — FL, FLH, FLH-80, Classic
	78A	90961-80	LATCH (2)	81 to * — FLH-80, Classic
	79	90963-63	BACKING PLATE, lock	63 to 69 — FL, FLH
	80	90964-63	BACKING PLATE, mounting clips	63 to * — FL, FLH, FLH-80, Classic
	81	90965-63	RIVET, saddlebag clips — 5/16" lg. (26)	63 to * — FL, FLH, FLH-80, Classic
	82	90966-67	RIVET, saddlebag clips — 1/4" lg. (16)	Late 67 to * — FL, FLH, FLH-80, Classic
	83	90967-64	RIVET, saddlebag — 3/8" lg. (8)	Late 64 to * — FL, FLH, FLH-80, Classic
	84	90971-79	NAMEPLATE, saddlebag guard	79 to * — FL, FLH, FLH-80, Classic
	85	90972-79	NAMEPLATE ASSEMBLY, saddlebag guard (2)	79 to * — FL, FLH, FLH-80, Classic
	86	90973-79	BRACKET, nameplate assembly (4)	79 to * — FL, FLH, FLH-80, Classic
	87	90974-79	NAMEPLATE KIT, saddlebag guard — includes index nos.: 4, 15, 85 & 86	78 to * — FL, FLH, FLH-80, Classic
	88	90989-63	REAR CROSS-BRACE	63 to * — FL, FLH, FLH-80, Classic



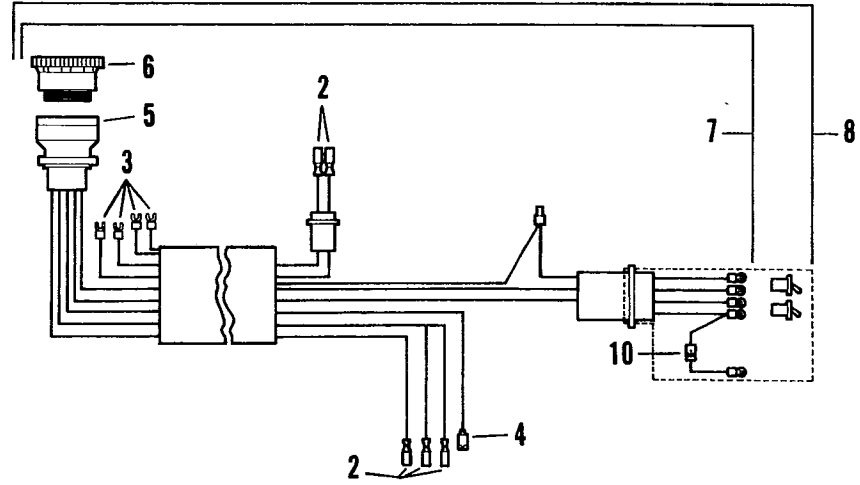
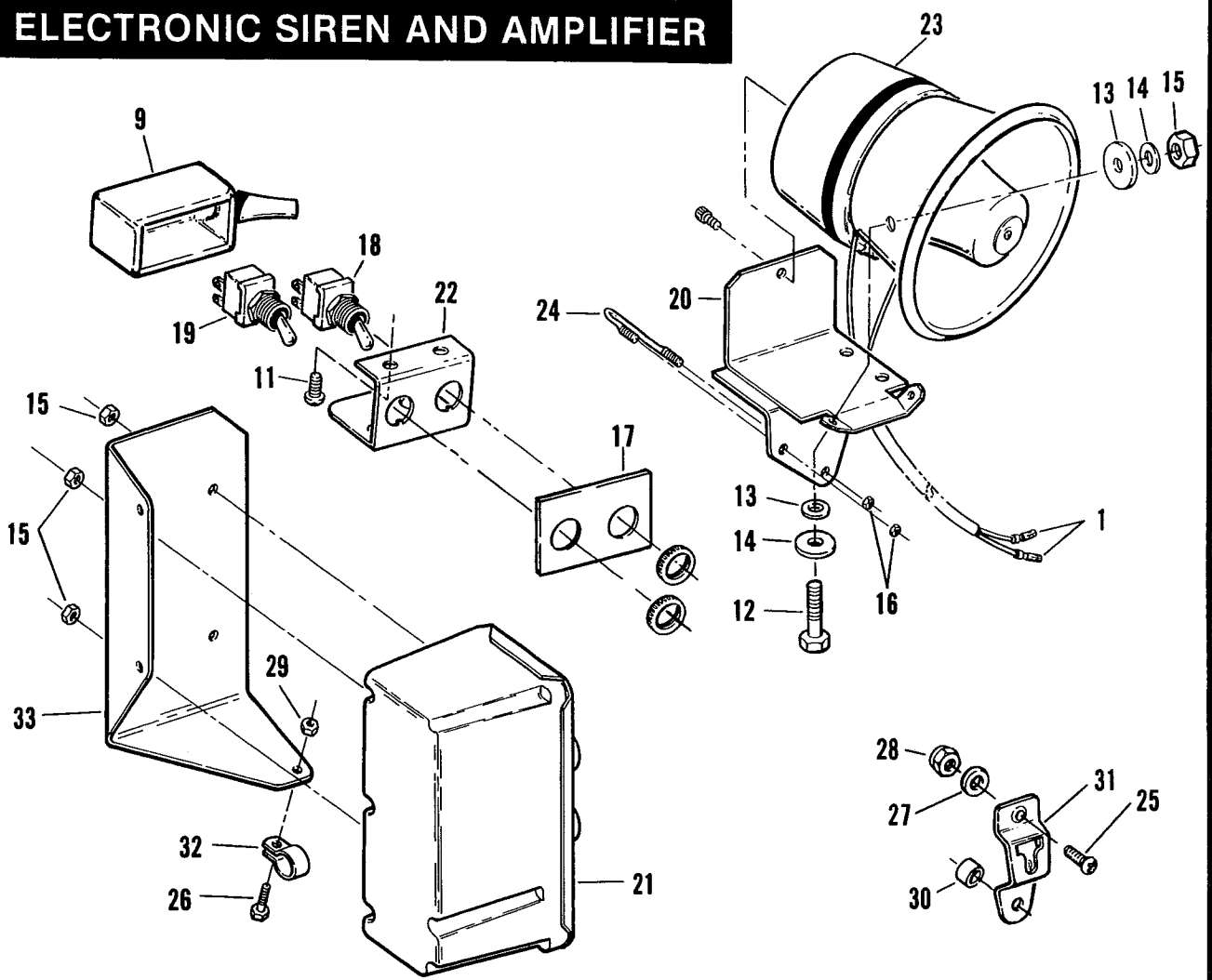
RETAIL PRICE	INDEX NO.	PART NO.	N A M E	USED ON
	1	1304	SCREW, No. 10-32 x 5/8 Pozidriv fil. hd.	58 to * — FL, FLH, FLH-80
	2	2585	SCREW, No. 8-32 x 5/16 Pozidriv pan hd. (3).....	58 to * — FL, FLH, FLH-80
	3	2592	SCREW, No. 10-24 x 1/2 Pozidriv pan hd.	67 to * — FL, FLH, FLH-80
	4	3233	SET SCREW, 1/4-28 x 1/8 socket hd.....	58 to * — FL, FLH, FLH-80
	5	3825	BOLT, 1/4-28 x 1 hex. hd.....	65 to * — FL, FLH, FLH-80
	6	3960W	BOLT, 5/16-24 x 1 hex. hd.....	58 to * — FL, FLH, FLH-80
	7	4017	BOLT, 5/16-18 x 1 hex. hd. (2).....	49 to 69 — FL, FLH
	8	4411	BOLT, 3/8-24 x 1-3/4 hex. hd.	73 to * — FL, FLH, FLH-80
	9	4440W	BOLT, 3/8-24 x 4 hex. hd.....	73 to 79 — FL, FLH, FLH-80
	10	6333	WASHER, 5/16 x 7/8 x 5/64.....	58 to * — FL, FLH, FLH-80
	11	6408HB	WASHER, 3/8 x 1 x 3/32.....	Late 59 to * — FL, FLH, FLH-80
	12	6590HW	WASHER, 1/2 x 1-1/8 x 3/32.....	69 to * — FL, FLH, FLH-80
	13	6716	WASHER, No. 10 x 1/2 x 3/64.....	67 to * — FL, FLH, FLH-80
	14	6718	WASHER, 1/2 x 1-1/16 x 3/32.....	Late 59 to Early 69 — FL, FLH
	15	7036	LOCKWASHER, 1/4.....	58 to * — FL, FLH, FLH-80
	16	7038	LOCKWASHER, 3/8.....	73 to * — FL, FLH, FLH-80
	17	7041	LOCKWASHER, 5/16.....	49 to * — FL, FLH, FLH-80
	18	7068	LOCKWASHER, 1/2.....	49 to * — FL, FLH, FLH-80
	19	7069	LOCKWASHER, No. 10.....	67 to * — FL, FLH, FLH-80
	20	7115	LOCKWASHER, No. 8 int. tooth.....	58 to * — FL, FLH, FLH-80
	21	7136	LOCKWASHER, 7/16 int. tooth.....	58 to Early 69 — FL, FLH
	22	7572W	LOCKNUT, 1/2-20 x 19/32 x 3/4 hex.....	Late 69 to * — FL, FLH, FLH-80
	23	7608	NUT, No. 8-32 x 1/8 x 5/16 hex. (3).....	58 to * — FL, FLH, FLH-80
	24	7626W	LOCKNUT, No. 10-32 x 3/16 x 3/8 hex.....	70 to * — FL, FLH, FLH-80
	25	7676	NUT, 1/4-28 x 3/16 x 7/16 hex.....	58 to * — FL, FLH, FLH-80
	26	7744	NUT, 5/16-24 x 3/16 x 1/2 hex. (2).....	58 to * — FL, FLH, FLH-80
	27	7753	NUT, 5/16-24 x 1/4 x 1/2 hex. (2).....	49 to * — FL, FLH, FLH-80
	28	7775	LOCKNUT, 3/8-24 x 7/16 x 9/16.....	Late 69 to * — FL, FLH, FLH-80
	29	7800W	NUT, 3/8-24 x 5/16 x 9/16 hex.....	73 to * — FL, FLH, FLH-80
	30	7837W	NUT, 7/16-20 x 3/8 x 11/16 hex.....	58 to * — FL, FLH, FLH-80
	31	7921	NUT, 1/2-20 x 7/16 x 1 hex.....	58 to Early 69 — FL, FLH
	32	8524	RIVET, 3/16 x 5/8 x 11/32 dia. rd. hd.	Late 59 to * — FL, FLH, FLH-80
	33	9958	CLAMP, siren cable.....	Late 59 to Early 71 — FL, FLH
		9961	CABLE CLIP.....	Late 67 to * — FL, FLH, FLH-80
		9965W	CABLE CLIP.....	59 to * — FL, FLH, FLH-80
	34	9995	CLAMP, brake hose to siren bracket.....	N/A 58 to 77 — FL, FLH, FLH-80
	35	11004	RETAINING RING.....	58 to * — FL, FLH, FLH-80
	36	38641—61P	CABLE BLOCK WITH SCREWS.....	Late 71 to * — FL, FLH, FLH-80
	38	41837—58	CABLE SPRING.....	58 to 71 — FL, FLH
	40	42303—70A	HYDRAULIC TUBE, rear brake.....	N/A 70 to 77 — FL, FLH, FLH-80
	41	45030—65A	CAP, hand lever bracket.....	65 to * — FL, FLH, FLH-80
		45073—26	CONTROL COIL, 7/64 I.D. x 5/16 O.D. black vinyl covered — 25 ft.	58 to 79 — FL, FLH, FLH-80,
	43	45161—71	CABLE END, hand control with foot lever cable.....	Late 71 to * — FL, FLH, FLH-80
	44	54516—58	STUD, shock absorber — left.....	N/A 58 to Early 67 — FL, FLH
	45	60574—65	SUPPORT PLATE, on chain housing cover.....	65 to * — FL, FLH, FLH-80,
	46	91089—58	SPACER, brake hose plate.....	Late 61 to * — FL, FLH, FLH-80
		91128—73	SIREN AND FITTINGS (foot operated).....	73 to 79 — FL, FLH, FLH-80
		91129—73	SIREN AND FITTINGS (foot or hand control).....	73 to 79 — FL, FLH, FLH-80,
	47	91134—70	ROD ASSEMBLY, rear siren.....	70 to * — FL, FLH, FLH-80
	48	91135—70	FOOT LEVER AND BUSHING.....	70 to * — FL, FLH
	49	91142—70	ROD END, rear siren.....	70 to * — FL, FLH, FLH-80



MECHANICAL SIREN (CONT'D)

RETAIL PRICE	INDEX NO.	PART NO.	N A M E	USED ON
	50	91143-70	HUB, rear siren	Late 67 to * — FL, FLH, FLH-80
	51	91146-73	U-BOLT	73 to * — FL, FLH, FLH-80
	52	91147-73	SLEEVE, rear siren support	73 to * — FL, FLH, FLH-80
	53	91148-73	SPRING COLLAR, rear siren support	73 to * — FL, FLH, FLH-80
	54	91158-49	BALL BEARING (2)	49 to 57; 59 to * — FL, FLH, FLH-80
	55	91160-58	ROTOR	58 to * — FL, FLH, FLH-80
	56	91162-59	ROTOR SHAFT, rear siren	Late 59 to * — FL, FLH, FLH-80
	57	91163-58	SPACER, rotor shaft	58 to * — FL, FLH, FLH-80
	58	91164-58A	BEARING RETAINER	58 to * — FL, FLH, FLH-80
	59	91168-59	TIRE ROLLER, rear siren	Late 59 to Early 67 — FL, FLH
		91168-67	TIRE ROLLER, siren	Late 67 to * — FL, FLH, FLH-80
	60	91181-59	SCREEN, rear siren cover	Late 59 to * — FL, FLH, FLH-80
	61	91182-58	COVER, rear siren	58 to * — FL, FLH, FLH-80
	62	91225-59	SPRING, rear siren	Late 59 to Early 67 — FL, FLH 73 to 83 — FL, FLH, FLH-80
		91225-67	SPRING, rear siren	84 to * — FLH-80
	63	91233-59	SUPPORT SHAFT, rear siren	Late 59 to * — FL, FLH, FLH-80
	64	91234-59	COLLAR, support shaft	Late 59 to Early 69 — FL, FLH
	66	91252-65	SUPPORT, foot lever	65 to * — FL, FLH, FLH-80
	67	91257-49	SHAFT, foot lever	49 to * — FL, FLH, FLH-80
	68	91269-59A	PEDAL STOP	Late 59 to * — FL, FLH, FLH-80
	69	91290-59	DEFLECTOR, rear siren	Late 59 to * — FL, FLH, FLH-80
	70	91305-59A	HUB, rear siren	Late 59 to 65 — FL, FLH
		91309-61	BRACKET, rear siren hub	Late 59 to 65 — FL, FLH
	72	91310-73	MOUNTING BRACKET, siren	73 to * — FL, FLH, FLH-80
	73	91313-58	BUSHING, hub bracket	58 to * — FL, FLH, FLH-80
	74	91354-59	HAND LEVER AND CABLE ASSEMBLY, rear siren	Late 59 to Early 80 — FL, FLH, FLH-80
		91356-71	CONTROL CABLE ASSEMBLY, rear siren (hand control with foot lever)	Late 71 to 79 — FL, FLH, FLH-80
		91360-71	CORE, control cable, rear siren (hand control with foot lever)	Late 71 to * — FL, FLH, FLH-80
	76	91372-57	CABLE END	58 to 79 — FL, FLH, FLH-80
	77	91374-59	HOOK, cable spring	Late 59 to Early 71 — FL, FLH
	79	91379-58	HAND LEVER ASSEMBLY	58 to * — FL, FLH, FLH-80
	80	91385-58	SCREW, hand lever	58 to * — FL, FLH, FLH-80

ELECTRONIC SIREN AND AMPLIFIER

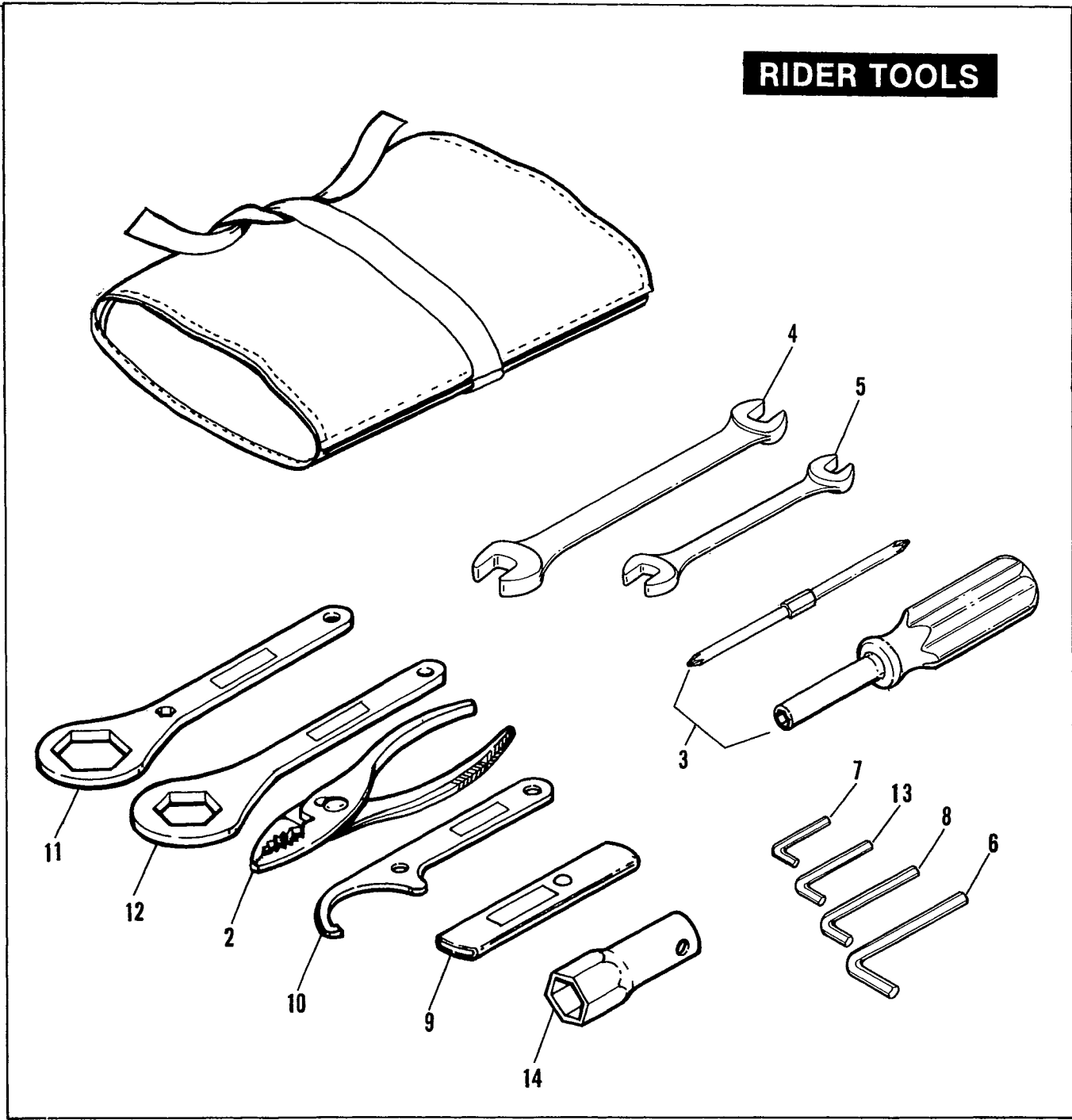


ELECTRONIC SIREN AND AMPLIFIER

A105A

RETAIL PRICE	INDEX NO.	PART NO.	N A M E	USED ON
	1	9886	CONNECTOR, wire, male (2)	84 to * — FLH-80
	2	9887	CONNECTOR, wire, female (5)	84 to * — FLH-80
	3	9896	WIRE TERMINAL, spade type, No. 6 slot, #14-16 wire (4)	84 to * — FLH-80
	4	9900	WIRE TERINAL, female spade type, 3/16 slot, #18-22 wire . .	84 to * — FLH-80
		60572—78	INSPECTION COVER (chrome)	84 to * — FLH-80
	5	69506—83	CONNECTOR, male	84 to * — FLH-80
	6	69510—83	RECEPTACLE, female	84 to * — FLH-80
	7	70344—84	WIRING HARNESS, siren, includes items 2-6, 9 & 10	84 to * — FLH-80
	8	70346—84	WIRING HARNESS, siren & switches, with items 7, 18 & 19 .	84 to * — FLH-80
	9	71430—83	BOOT, toggle switches	84 to * — FLH-80
	10	74563—65	DIODE (silicone)	84 to * — FLH-80
		91151—83	SIREN KIT	84 to * — FLH-80
			Consists of:	
	11	2661W	SCREW, No. 10-24 x 1/2 self-tapping Phil. hd. (2)	84 to * — FLH-80
	12	3802W	BOLT, 1/4-20 x 7/8 hex. hd. (2)	84 to * — FLH-80
	13	6035	WASHER, 1/4 x 1-1/4 x 1/8 (neoprene) (4)	84 to * — FLH-80
	14	6036	WASHER, 17/64 x 1 x 1/16 (4)	84 to * — FLH-80
	15	7686	LOCKNUT, 1/4-20 x 5/16 x 7/16 hex. (6)	84 to * — FLH-80
	16	7739	LOCKNUT, 1/4-20 x 11/32 x 7/16 hex. (2)	84 to * — FLH-80
	17	14021—83	LABEL, siren & lamps	84 to * — FLH-80
	18	71431—83	TOGGLE SWITCH, lamps	84 to * — FLH-80
	19	71432—83	TOGGLE SWITCH, siren	84 to * — FLH-80
	20	91127—82	MOUNTING BRACKET, speaker	84 to * — FLH-80
	21	91150—82	AMPLIFIER	84 to * — FLH-80
	22	91152—83	BRACKET, toggle switches	84 to * — FLH-80
	23	91153—83	SPEAKER, includes item 1	84 to * — FLH-80
	24	91159—82	U-BOLT (2)	84 to * — FLH-80
		91191—84	SIREN AMPLIFIER MOUNTING KIT	84 to * — FLH-80
			Consists of:	
	25	2659	SCREW, No. 10-24 x 7/8 Pozidriv pan hd. (2)	84 to * — FLH-80
	26	3987	BOLT, 5/16-18 x 3/4 hex. hd. (3)	84 to * — FLH-80
	27	6716	WASHER, No. 10 x 1/2 x 3/64	84 to * — FLH-80
	28	7624	LOCKNUT, No. 10-24 x 1/4 x 3/8 hex. (2)	84 to * — FLH-80
	29	7740	LOCKNUT, 5/16-18 x 1/4 x 1/2 hex. (3)	84 to * — FLH-80
	30	49079—72	SPACER, microphone bracket	84 to * — FLH-80
	31	76201—80A	HANGER, microphone	84 to * — FLH-80
	32	91173—84	CLAMP, amplifier bracket (3)	84 to * — FLH-80
		91174—84	CLAMP, amplifier bracket	84 to * — FLH-80
	33	91192—84	BRACKET, amplifier mounting	84 to * — FLH-80

RIDER TOOLS



RETAIL PRICE	INDEX NO.	PART NO.	N A M E	USED ON
	2	94422-82	PLIERS, 6 in.	82 to * — FLH-80, Classic
	3	94423-82	SCREWDRIVER, with Phillips bit	82 to * — FLH-80, Classic
	4	94424-78	WRENCH, open end — 9/16 x 1/2	82 to * — FLH-80, Classic
	5	94425-78	WRENCH, open end — 3/8 x 7/16	82 to * — FLH-80, Classic
	6	94430-78	WRENCH, hex end, 1/4" N/A	82 to 84 — FLH-80, Classic
	7	94441-82	WRENCH, hex end, 1/8"	82 to * — FLH-80, Classic
	8	94442-82	WRENCH, hex end, 3/16"	82 to * — FLH-80, Classic
	9	94443-82	EXTENSION HANDLE, 6"	82 to * — FLH-80, Classic
	10	94444-82	WRENCH, shock absorber	82 to * — FLH-80, Classic
	11	94445-82	WRENCH, rear axle	82 to * — FLH-80, Classic
	12	94446-82	WRENCH, front axle	82 to * — FLH-80, Classic
	13	94451-82	WRENCH, hex end, 5/32"	82 to * — FLH-80, Classic
	14	94515-68A	SPARK PLUG WRENCH	82 to * — FLH-80, Classic

RETAIL PRICE	INDEX NO.	PART NO.	N A M E	USED ON
--------------	-----------	----------	---------	---------

ENGINE & CARBURETOR — PAGE 3-9, 14-21 & 37

27470—81A	CARBURETOR (B28E)	Late 81, Late 82 to 84 — FLHS-80
27888—78	MAIN JET, 1.60mm	Late 81 to 84 — FLHS-80
27897—78	LOW SPEED JET, 0.72mm	Late 81 to 84 — FLHS-80

AIR CLEANER — PAGE 47 & 49

3458	SCREW, grill mounting, 5/16-18 x 1 socket hd. (black)	Late 82 — FLHS-80
6046	WASHER, grill mounting, 5/16 x 9/16 x 1/32 (black)	Late 82 — FLHS-80
29024—77	BACK PLATE, air cleaner (snorkel type)	N/A 77 — FLHS
29057—78A	GRILL, air intake	Late 82 — FLHS-80
29086—75	FILTER ELEMENT, foam type — with screen (3-1/2" wide)	77 — FLHS

ELECTRONIC IGNITION SYSTEM — PAGE 55

2731W	SCREW, groundwire No. 10 x 3/8 self tapping Phillips hd.	Late 81 — FLHS-80
-------	--	-------------------

VOLTAGE REGULATOR — PAGE 241

74534—80	BRACKET, regulator	Late 81 — FLHS-80
----------	--------------------	-------------------

STARTER SHAFT, HOUSING AND MOTOR — PAGE 63, 65 & 69

6716	WASHER (2 - starter motor mount; 2-coil cover — Late 82)	Late 82 & 83 — FLHS-80
31570—73	STARTER MOTOR	Late 81 & Late 82 — FLHS-80
31572—79	STARTER SHAFT HOUSING, with bearing	Late 81 & Late 82 — FLHS-80

TRANSMISSION AND FOOT SHIFTER — PAGE 72-77 & 82-86

33268—78	COVER, transmission	Late 81 to 84 — FLHS-80
33337—83	SPROCKET KIT, mainshaft - includes 857 SCREW	Late 81 & Late 82 — FLHS-80
33664—81	SHIFTER LEVER	Late 81 to 84 — FLHS-80
33683—80	BRACKET ASSEMBLY, brake lever & footrest mounting	Late 81 to 84 — FLHS-80
34609—52	COVER, shift lever (black)	Late 82 to 84 — FLHS-80
35282—79	GEAR, mainshaft, low & second — 17T & 25T	Late 81 to 84 — FLHS-80
35777—79	GEAR, countershaft, second — 24T	Late 81 to 84 — FLHS-80
42517—80	CLEVIS ASSEMBLY, shifter rod	Late 81 — FLHS-80

LACED WHEELS — PAGE 121 & 123

7825	LOCKNUT, rear wheel assy. 7/16-20 x 7/16 x 5/8 hex. (5)	Late 82 & 84 — FLHS-80
11027	RETAINING RING, front wheel hub (2)	Late 82 to 84 — FLHS-80
40906—82A	SPACER, rear wheel (2)	Late 82 & 83 — FLHS-80
40908—81	WHEEL ASSEMBLY, 16" — front (chrome)	Late 82 to 84 — FLHS-80
40951—82	WHEEL ASSEMBLY, 16" — rear (chrome)	Late 82 to 84 — FLHS-80
40952—82A	WHEEL HUB, complete — front	Late 82 to 84 — FLHS-80
41196—73	SPACER, front wheel hub (2)	Late 82 to 84 — FLHS-80
41197—73	BOLT, rear sprocket	Late 82 — FLHS-80
43032—40B	SPOKE & NIPPLE, 16" rim — metric (40 — each wheel)	Late 82 to 84 — FLHS-80
43085—81	RIM, 16" — front & rear (chrome) (2)	Late 82 to 84 — FLHS-80
43304—73	AXLE CAP, front laced wheel — 2" diameter	80 — FLHS-80
43540—73A	WHEEL HUB, complete — front	Late 82 to 84 — FLHS-80
43559—73	WASHER, front wheel hub (2)	Late 82 to 84 — FLHS-80
44463—82	HUB CAP, front — 8-1/4" diameter (chrome)	Late 82 to 84 — FLHS-80

RETAIL PRICE	INDEX NO.	PART NO.	N A M E	USED ON
--------------	-----------	----------	---------	---------

REAR BRAKE CALIPER — PAGE 109 & 111

	513		COTTER PIN, strut mounting, 3/32 x 1-5/16 (2)	83 & Late 84— FLHS-80
	2664		SCREW, No. 10-24 x 7/16 Pozidriv pan hd.	Late 82 — FLHS-80
	3496		BOLT, caliper to strut (drilled)	83 — FLHS-80
	3497		BOLT, strut to rear fork (drilled)	83 — FLHS-80
	3520		BOLT, caliper to strut (drilled)	Late 84 — FLHS-80
	3525		BOLT, strut to rear fork (drilled)	Late 84 — FLHS-80
	6017		WASHER, strut mounting, 3/8 x 15/16 x 1/4 (2)	Late 83 — FLHS-80
	6115		WASHER, caliper to strut mounting, 13/32 x 23/32 x 1/16	83 & Late 84 — FLHS-80
	6607W		WASHER, 3/8 x 29/32 x 5/32	Early 83 — FLHS-80
	7069		LOCKWASHER, No. 10	Late 82 — FLHS-80
	7130W		LOCKWASHER, rear brake mounting plate	83 — FLHS-80
	7610		CASTLE NUT, strut mounting, 3/8-24 x 7/32 x 9/16 hex. (2)	83 — FLHS-80
	7628		NUT, strut mounting (2)	Late 84 — FLHS-80
	7620W		NUT, No. 10-24 x 1/8 x 3/8 hex.	Late 82 & 83 — FLHS-80
	41039—82		STRUT, rear fork to caliper (black)	83 & Late 84 — FLHS-80
	41665—82		ABUTMENT SHIM, mounting bracket (2)	Late 83 & 84 — FLHS-80
	41791—79A		DISC, brake	Late 81 to 84 — FLHS-80
	42269—30		PIN, rear brake rod clevis	83 — FLHS-80
	42300—73A		REAR BRAKE HOSE, tee to caliper	Late 81 & Late 82 — FLHS-80
	42511—80		BUSHING, mounting bracket	Late 81 — FLHS-80
	43567—79		SCREW, brake disc (5)	Late 81 to 84 — FLHS-80
	44014—81		CALIPER ASSEMBLY, rear (black) (REFER TO 71 to 84 FX CATALOG, SECTION AA26)	Late 81 & Late 82 — FLHS-80
	44050—82A		CALIPER BODY ASSEMBLY	83 & Late 84 — FLHS-80
	44146—77		BLEED SCREW, with dust cover	Late 81, 82, 83 & Late 84 — FLHS-80
	44154—73		ANCHOR ARM, caliper bracket	Late 81, 82 — FLHS-80
	44197—77		LABEL, rear brake caliper	Late 81, 82 & 84 — FLHS-80
	44200—82		PIN BOOT	83 & Late 84 — FLHS-80
	44201—82		BOLT, mounting	83 & Late 84 — FLHS-80
	44207—82		MOUNTING BRACKET	83 & Late 84 — FLHS-80
	44208—82		REPAIR KIT, rear brake caliper	83 & Late 84 — FLHS-80
	44209—82		PAD SET, rear caliper	83 & Late 84 — FLHS-80
	44211—82		PAD SPRING	83 & Late 84 — FLHS-80
	44212—82		GUIDE PIN KIT	83 & Late 84 — FLHS-80

REAR BRAKE CONTROL AND FOOTRESTS — PAGE 115, 117 & 151

	515		COTTER PIN, rear brake rod clevis, 1/16 x 3/4	83 & Late 84 — FLHS-80
	720		PLUG, footlever and bracket assembly	Late 82 — FLHS-80
	2348		BOLT, footrest, 1/2-20 x 7/8 hex. hd. (2)	77 — FLHS; Late 81 — FLHS-80
	2708		SCREW, brake pedal, 5/16-18 x 1 hex. socket hd. (2)	Late 81 & Late 82 — FLHS-80
	2872W		BOLT, support bracket, 1/4-20 x 1-1/2 hex. hd. (2)	83 & Late 84 — FLHS-80
	2879W		BOLT, footrest mounting bracket, 3/8-16 x 1 hex. hd. (2)	83 & Late 84 — FLHS-80
	2887W		BOLT, master cylinder mounting, 5/16-18 x 1-3/4 hex. hd. (2)	83 & Late 84 — FLHS-80
	3201W		SCREW, brake pedal, 5/16-18 x 5/8 socket fil. hd. (2)	Late 82 — FLHS-80
	3464		BOLT, master cylinder mtg., 3/8-16 x 3/4 hex. hd. (2)	Late 81 to 84 — FLHS-80
	3825		BOLT, 1/4-28 x 1 hex. hd. brake pedal adjustment	83 — FLHS-80
	4084W		BOLT, bracket assembly, 5/16-24 x 3 hex. hd. (2)	Late 81, Late 82 & 83 — FLHS-80
	4720W		BOLT, footrest bracket, 3/8-16 x 1-3/4 hex. hd. (2)	Late 81 — FLHS-80
	4721		BOLT, footrest (2) & footrest bracket (2), 3/8-16 x 1-1/2 hex. hd.	77 — FLHS; Late 81 to 84 — FLHS-80
	5751		SPACER, footrest bracket (2)	Late 81 — FLHS-80
	6220W		WASHER, brake rod clevis, 1/4 x 7/16 x 1/32	83 & Late 84 — FLHS-80
	7038		LOCKWASHER, footrest bracket, 3/8 (4)	77 — FLHS
	7068		LOCKWASHER, footrest, 1/2 (2)	77 — FLHS
	7683		LOCKNUT, 1/4-28 x 5/16 x 7/16 hex. pedal adjustment	83 — FLHS-80
	7729		LOCKNUT, bracket assembly, 5/16-24 x 1/4 x 1/2 hex.	Late 81 & Late 82 — FLHS-80
	7744		NUT, brake rod, 5/16-24 x 3/16 x 1/2 hex.	83 — FLHS-80
	7778		LOCKNUT, footrest mounting, 3/8-16 x 7/16 x 9/16 hex. (2)	77 — FLHS; Late 82 to 84 — FLHS-80

RETAIL PRICE	INDEX NO.	PART NO.	N A M E	USED ON
	7783		NUT, brake tee, 3/8-16 (footrest bracket - 4 — 77)	77 — FLHS; Late 82 & 83 — FLHS-80
	10033		CLAMP, brake hose	83 & Late 84 — FLHS-80
	10038		CLAMP, reservoir hose, 19/32 (2)	83 & Late 84 — FLHS-80
	33048—72		FOOTREST (4)	77 — FLHS; Late 81 to 84 — FLHS-80
	33189—63		RUBBER PAD, only — footrest (4)	77 — FLHS; Late 81 to 84 — FLHS-80
	40918—82		WASHER, piston cup	83 & Late 84 — FLHS-80
	40920—79		SPRING, brake return	83 — FLHS-80
	40920—82		SPRING, brake return	Late 84 — FLHS-80
	40921—79		WASHER, brake return	83 — FLHS-80
	40922—79		BOOT, push rod	83 & Late 84 — FLHS-80
	41004—80		REAR BRAKE TUBE (18")	Late 81 & Late 82 — FLHS-80
	41004—82		REAR BRAKE TUBE, to brake tee	83 — FLHS-80
	41033—82		REAR BRAKE HOSE, to caliper	83 & Late 84 — FLHS-80
	41664—82		BRACKET, front brake tube	83 — FLHS-80
	41753—80		COVER, master cylinder (black)	Late 81 & Late 82 — FLHS-80
	41800—81A		RESERVOIR, master cylinder	83 & Late 84 — FLHS-80
	42316—80		LOCKPLATE, footlever and bracket assembly	Late 81 & Late 82 — FLHS-80
	42374—82A		REPAIR KIT, master cylinder	83 & Late 84 — FLHS-80
	42448—82A		PLUNGER, master cylinder	83 & Late 84 — FLHS-80
	42454—80A		MASTER CYLINDER	Late 81 & Late 82 — FLHS-80
	42470—82A		MASTER CYLINDER	83 & Late 84 — FLHS-80
	42507—80		FOOT LEVER AND BRACKET ASSEMBLY	Late 82 — FLHS-80
	42507—82		MOUNTING BRACKET (black wrinkle)	83 & Late 84 — FLHS-80
	42515—80		LEVER, foot brake (polished)	Late 81 & Late 82 — FLHS-80
	42515—82		LEVER, foot brake	83 & Late 84 — FLHS-80
	42519—80		CROSS SHAFT, brake lever to clevis	Late 81 & Late 82 — FLHS-80
	42521—80		SPRING, brake foot lever	Late 81 & Late 82 — FLHS-80
	42522—80		PLUNGER, master cylinder	Late 81 to 83 — FLHS-80
	42522—82		PLUNGER, master cylinder	Late 84 — FLHS-80
	42524—82		BUSHING (2)	83 & Late 84 — FLHS-80
	42526—82		SUPPORT BRACKET, master cylinder mounting	83 & Late 84 — FLHS-80
	42527—82		MOUNTING BRACKET, reservoir	83 & Late 84 — FLHS-80
	42531—82		WASHER, lever mounting	83 & Late 84 — FLHS-80
	42532—82		PAD, brake lever	83 & Late 84 — FLHS-80
	42534—82		SCREW, reservoir cover (2)	83 & Late 84 — FLHS-80
	44126—82		WASHER, brake return spring	83 & Late 84 — FLHS-80
	45152—78A		BRACKET, brake line tee	83 & Late 84 — FLHS-80
	45154—84		REAR BRAKE LINE, master cylinder to tee	Late 84 — FLHS-80
	47107—81		BRACKET, footrest — left	83 & Late 84 — FLHS-80
	47108—81		BRACKET, footrest — right	83 & Late 84 — FLHS-80
	47116—77		BRACKET, footrest — left	77 — FLHS; Late 81 — FLHS-80
	47117—77		BRACKET, footrest — right	77 — FLHS; Late 81 — FLHS-80
	50900—72		FOOTREST SUPPORT (2)	77 — FLHS; Late 81 — FLHS-80
	50912—72		SPRING WASHER, footrest support (4)	77 — FLHS; Late 81 — FLHS-80
	63551—82		FITTING, reservoir hose (brass)	83 & Late 84 — FLHS-80
	63573—82		HOSE, 5/16 (rubber) — 25 ft. long	83 & Late 84 — FLHS-80

FRAME, REAR FORK AND JIFFY STAND — PAGE 135 & 139

	7130W		LOCKWASHER, 3/8 internal tooth	Late 83 — FLHS-80
	7508		ACORN NUT, jiffy stand mtg., 5/16-24 x 19/32 x 1/2 hex. (3)	Late 81 to 84 — FLHS-80
	47013—78C		FRAME	Late 82 to 84 — FLHS-80
	47446—82		REAR FORK	83 & Late 84 — FLHS-80
	47498—82A		REAR FORK	Late 82 — FLHS-80

RETAIL PRICE	INDEX NO.	PART NO.	NAME	USED ON
--------------	-----------	----------	------	---------

SEAT — PAGE 149

2757W			SCREW, seat mtg., 1/4-28 x 7/16 Phillips truss hd. (with lockwasher) (chrome)	77 — FLHS; 80 to 84 — FLHS-80
2802W			SCREW, seat assy., No. 6-32 x 3/4 Pozidriv flat ctsk. hd. (4)	77 — FLHS; 80 to 84 — FLHS-80
3767B			BOLT, seat bracket, 1/4-20 x 5/8 hex. hd. (2)	80, Late 82 & 83 — FLHS-80
5960W			SPACER, seat strap mounting (2)	Late 82 to 84 — FLHS-80
6379W			WASHER, seat strap mounting, 3/8 x 5/8 x 3/4 (2)	Late 82 & 83 — FLHS-80
6410			WASHER, seat mounting, 1/4 x 9/16 x 1/16 (nylon)	Late 82 to 84 — FLHS-80
7036			LOCKWASHER, seat bracket, 1/4 (2)	80 — FLHS-80
51195—80			GRAB STRAP (black)	80 to 84 — FLHS-80
51196—80			GRAB STRAP (brown)	N/A 80 & Late 81 — FLHS-80
51651—79			BRACKET, seat mounting	80 to 84— FLHS-80
52064—78			HI-LO SEAT (black leather)	77 — FLHS; 80 — FLHS-80
52178—77			HI-LO SEAT (black vinyl)	80 to 84 — FLHS-80
52180—80			HI-LO SEAT (brown vinyl)	N/A 80 to 83 — FLHS-80
52181—78			HI-LO SEAT (brown vinyl)	N/A 77 — FLHS
52538—72			BRACKET, seat — rear	77 — FLHS; 80 to 83 — FLHS-80

FOOTBOARDS — PAGE 150

50517—80			SPACER, left front footboard mtg.	80 — FLHS-80
50603—74A			FOOTBOARD (2)	80 & Late 81 — FLHS-80

HANDLEBARS — PAGE 163 & 165

3778			BOLT, 1/2-13 x 3-3/4 hex. hd., lower handlebar clamp (2)	Late 82 & 83 — FLHS-80
56081—82			HANDLEBAR, buckhorn	Late 82 to 84 — FLHS-80
56086—81			HANDLEBAR, only	Late 81 — FLHS-80
56220—81B			GRIP & SLEEVE, throttle	Late 82 to 84 — FLHS-80

FENDERS — PAGE 175 & 177

NOTE: REFER TO DEALER ACCESSORY GUIDE FOR PAINTED PARTS.

2272			SCREW, rear fender support, 5/16-24 x 1-1/4 Pozidriv oval ctsk. hd. (4; 6 — Late 82, 83 & 84)	80 to 84 — FLHS-80
3476			BOLT, front fender mtg., 5/16-18 x 1-1/8 hex. hd. (4)	Late 82 to 84 — FLHS-80
5410			SCREW, rear fender support, 5/16-24 x 1/2 Pozidriv truss hd. (chrome) (4)	Late 82 to 84 — FLHS-80
59237—83			TRIM, front fender	83 & Late 84 — FLHS-80
59254—72			REFLECTOR, front (amber) (2)	Late 82 to 84 — FLHS-80
59255—72			REFLECTOR, rear (red) (2)	Late 82 to 84 — FLHS-80
59604—69C			REAR FENDER, w/turn signals (prime)	77 — FLHS
59627—80B			REAR FENDER, w/turn signals (prime)	80 to 82 — FLHS-80
59639—83			REAR FENDER (prime)	83 & Late 84 — FLHS-80
70577—26			GROMMET, rear fender (turn signal wires)	77 — FLHS

FRONT AND REAR BUMPER — PAGE 173

3987			BOLT, front bumper — rear mtg., 1/4-20 x 3/4 hex. hd.	80 — FLHS-80
------	--	--	---	--------------

RETAIL PRICE	INDEX NO.	PART NO.	N A M E	USED ON
--------------	-----------	----------	---------	---------

FRONT AND REAR CHAIN HOUSING — PAGE 181, 183 & 185

6398			WASHER, guard to transmission, 3/8 x 13/16 x 3/32 rubber (4; 2 — Late 82)	Late 81 & Late 82 — FLHS-80
45830—48			DRAIN PLUG, vent — front chain housing	Late 81 to 84 — FLHS-80
60302—73			REAR CHAIN GUARD (chrome)	Late 81 & Late 82 — FLHS-80
60302—78			REAR CHAIN GUARD (black)	Late 81 — FLHS-80
60507—77			COVER, front chain housing	Late 81 — FLHS-80
60507—82A			COVER, front chain housing	Late 82 — FLHS-80
60531—83B			COVER, front chain housing, belt drive (polished)	83 & 84 — FLHS-80

FUEL TANK TRIM — PAGE 188 & 189

61126—71			PLASTIC PANEL, fuel tank	N/A 77 — FLHS
61127—71			TAPE, tank panel (2)	N/A 77 — FLHS
61207—77			DECAL, fuel tank panel "Electra Glide Sport"	N/A 77 — FLHS

EXHAUST SYSTEM — PAGE 195 & 197

2828W			BOLT, muffler support tube, 3/8-16 x 3 hex. hd. (2)	77 — FLHS
3201W			SCREW, exhaust mounting, 5/16-18 x 5/8 socket fil. hd. (2 — 77)	77 — FLHS; Late 82 — FLHS-80
4014W			BOLT, mufflers & reinforcement strap, 5/16-24 x 1-1/4 hex. hd. (3)	Late 82 — FLHS-80
4086			BOLT, muffler support tube to frame, 5/16-18 x 3 hex. hd.	77 — FLHS
4392			BOLT, muffler support tube to frame, 5/16-18 x 3-1/4 hex. hd.	77 — FLHS
6324W			WASHER, 5/16 x 11/16 x 1/16 (2 — muffler support; 1 — exhaust pipe brace)	Late 82 & 83 — FLHS-80
7038			LOCKWASHER, muffler support tube, 3/8 (2)	77 — FLHS
7041			LOCKWASHER, exhaust pipe mounting (2) & muffler support tube to frame (2), 5/16	77 — FLHS
7748W			NUT, muffler support tube to frame, 5/16-18 x 1/4 x 1/2 hex. (2)	77 — FLHS
7783			NUT, muffler support tube, 3/8-16 x 5/16 x 9/16 hex. (2)	77 — FLHS
9955			CLAMP, exhaust pipe shield (2)	77 — FLHS
10048			CLAMP, crossover pipe shield (2)	Late 82 to 84 — FLHS-80
65276—62			CLAMP, muffler front — 2" dia. (chrome)	77 — FLHS
65336—77			MUFFLER	N/A 77 — FLHS
65344—77			HANGER, muffler — rear	N/A 77 — FLHS
65349—81			MUFFLER, front	Late 81 to Early 83 — FLHS-80
65349—81A			MUFFLER, front	Late 83 & 84 — FLHS-80
65354—77			SPACER, muffler support tube to frame (2)	N/A 77 — FLHS
65397—81A			MUFFLER, rear	Late 81 to 84 — FLHS-80
65399—81			SUPPORT STRAP, rear	Late 81 to 84 — FLHS-80
65401—81			EXHAUST PIPE, front	Late 81 to 84 — FLHS-80
65411—80A			CLAMP, crossover exhaust	Late 81 to 84 — FLHS-80
65435—70			EXHAUST PIPE	77 — FLHS
65556—80			HEAT SHIELD KIT, crossover (with clamps)	Late 81 & Late 82 — FLHS-80
65557—80			SHIELD KIT, rear (with clamps)	Late 81, Late 82; Late 84 — FLHS-80
65561—70			SHIELD KIT, single exhaust pipe — front	77 — FLHS
65563—70			SHIELD KIT, single exhaust pipe — rear	N/A 77 — FLHS
65566—80			SHIELD KIT, front — with clamps	Late 81, Late 82; Late 84 — FLHS-80
65603—81			EXHAUST PIPE, rear	Late 81 to 84 — FLHS-80
65615—80A			MUFFLER SUPPORT	Late 81 to 84 — FLHS-80
65834—68A			GASKET, exhaust port (2)	77 — FLHS

RETAIL PRICE	INDEX NO.	PART NO.	NAME	USED ON
--------------	-----------	----------	------	---------

HEADLAMP — PAGE 209

2660		SCREW, ground wire, No. 10-24 x 3/8 Pozidriv pan hd. . .	Late 82 to 84 — FLHS-80
2824W		SCREW, headlamp mtg., 5/16-24 x 9/16 Phillips hd. (4) .	80 to 84 — FLHS-80
7220		LOCKWASHER, ground wire, No. 10 external tooth	Late 82 & 83 — FLHS-80
67860—76		HOLE PLUG, headlamp housing	80 to 84 — FLHS-80

BATTERY — PAGE 199

2592		SCREW, battery carrier, No. 10-24 x 1/2 Pozidriv pan hd.	Late 82 to 84 — FLHS-80
6107 B		WASHER, battery carrier, 5/16 x 11/16 x 1/8	Late 82 & 83 — FLHS-80
7036		LOCKWASHER, battery carrier, 1/4	Late 82 — FLHS-80
7620W		NUT, battery carrier, No. 10-24 x 1/8 x 3/8 hex.	Late 82 — FLHS-80
65991—75C		BATTERY ASSEMBLY (smoke)	Late 81 — FLHS-80
65991—82		BATTERY — 12 V.	Late 82 to 84 — FLHS-80
66000—80		TERMINAL KIT	Late 82 to 84 — FLHS-80
66099—80		BRACKET, battery carrier	83 — FLHS-80
66103—74A		CUSHION, battery	Late 81 to Late 84 — FLHS-80
66191—80		BATTERY CARRIER	Late 81 to 84 — FLHS-80
66228—78		SUPPORT BRACKET (polished)	Late 81 & Late 82 — FLHS-80
66367—73		BATTERY COVER (chrome)	Late 81 to 84 — FLHS-80
66476—73A		BATTERY STRAP	Late 81 to 84 — FLHS-80
70461—67B		BATTERY GROUND CABLE	Late 81 to 84 — FLHS-80
99353—82Z		TRIM, battery	Late 84 — FLHS-80

TURN SIGNALS — FRONT — PAGE 213 & 215

4069		SCREW, top — mounting clamp, 1/4-20 x 3/4 knurled socket hd. (2)	Late 82 to 84 — FLHS-80
4070		SCREW, bottom — mounting clamp, 5/16-24 x 2-1/4 socket hd. (chrome) (2)	Late 82 to 84 — FLHS-80
10007		CABLE STRAP, wires (2)	80 — FLHS-80
11442		GROMMET, mounting clamps (2)	Late 82 to 84 — FLHS-80
56062—73		CLIP, handlebar wires (4)	77 — FLHS
56070—81		CLIP, turn signal lamp cable (4)	Late 81 — FLHS-80
68476—73A		CLAMP, handlebar (2)	77 — FLHS; 80, Late 82 & 83 — FLHS-80
68477—73		BRACKET, handlebar clamp to lamp (2)	77 — FLHS; 80, Late 82 to 84 — FLHS-80
68478—73		SCREW, handlebar clamp, No. 10-24 x 3/4 socket hd. (2) .	77 — FLHS; 80 — FLHS-80
68479—73		SCREW, lamp mtg. — front, 5/16-24 x 2 socket hd. (2) . .	77 — FLHS; 80 — FLHS-80
68481—73		GASKET, turn signal lens (2)	77 — FLHS; 80, Late 82 to 84 — FLHS-80
68482—73		SCREW, turn signal lens (2)	77 — FLHS; 80, Late 82 to 84 — FLHS-80
68483—73		LENS, turn signal (2)	77 — FLHS; 80, Late 82 to 84 — FLHS-80
68486—82A		CLAMP, handlebar — outer (2)	Late 82 to 84 — FLHS-80
68487—82		CLAMP, handlebar — inner (2)	Late 82 to 84 — FLHS-80
68514—73		LAMP WITH WIRE (amber) (2)	77 — FLHS; 80 to 84 — FLHS-80
68572—64A		BULB, turn signal — 12 V. (2)	77 — FLHS; 80 — FLHS-80
72038—71		SOCKET, turn signal (2)	77 — FLHS; 80 — FLHS-80

MIRRORS — PAGE 216

91875—70B		MIRROR KIT, 5" rectangular — short stem (chrome)	Late 82 to 84 — FLHS-80
-----------	--	--	-------------------------

LIBERTY EDITION — PARTS

A108

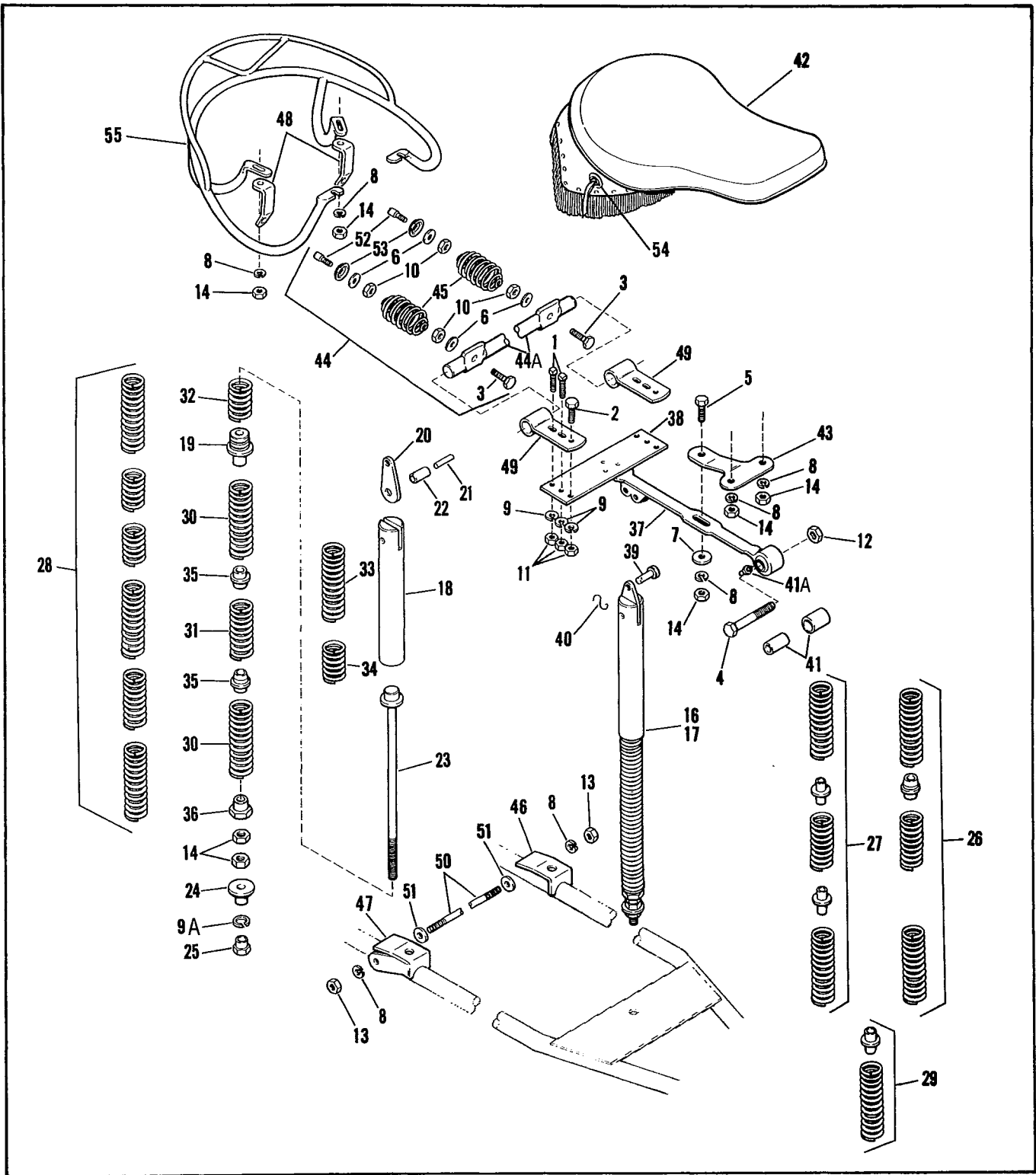
RETAIL PRICE	INDEX NO.	PART NO.	N A M E	USED ON
		53299-76	LUGGAGE BOX, complete	N/A 76 — FL, FLH
		53350-76	COVER, luggage box	N/A 76 — FL, FLH
		58176-76	WINDSHIELD FAIRING, only (Liberty Edition painted with decals)	N/A 76 — FL, FLH
		58318-76	DECAL, fairing — "Eagle"	N/A 76 — FL, FLH
		58320-76	TRIM STRIP, windshield fairing — 14" (black)	76 — FL, FLH
		58321-76	TRIM STRIP, windshield fairing — 4" (black) (2)	76 — FL, FLH
		61773-76	NAMEPLATE "AMF Harley-Davidson" (fuel tank) (2)	76 — FL, FLH
		61833-76	DECAL, fuel tank (2)	N/A 76 — FL, FLH
		90822-76	TRIM, saddlebag — right "1976"	N/A 76 — FL, FLH
		90823-76	TRIM, saddlebag — left "1976"	N/A 76 — FL, FLH
		91000-76	SADDLEBAG KIT, right	N/A 76 — FL, FLH
		91001-76	SADDLEBAG KIT, left	N/A 76 — FL, FLH
		91002-76	SADDLEBAG COVER ASSEMBLY	N/A 76 — FL, FLH

FLH-1200 75th ANNIVERSARY PARTS

A109

RETAIL PRICE	INDEX NO.	PART NO.	N A M E	USED ON
		29207-78	TRIM, air cleaner	N/A 77 — FLH
		44138-78	LABEL, brake caliper	N/A 77 — FLH
		44461-78	WHEEL ASSEMBLY, with bearings and seals (2)	77 — FLH
		53328-78	LUGGAGE BOX, complete — Tour-Pak	N/A 77 — FLH
		53334-78	NAMEPLATE, luggage box	N/A 77 — FLH
		58426-78	WINDSHIELD AND FAIRING KIT	N/A 77 — FLH
		59138-78	FENDER DECALS (black cherry)	N/A 77 — FLH
		59139-78	FENDER DECALS (brown)	N/A 77 — FLH
		59140-78	FENDER DECALS (blue)	N/A 77 — FLH
		59141-78	FENDER DECALS (gray)	N/A 77 — FLH
		59142-78	FENDER DECALS (red)	N/A 77 — FLH
		59143-78	FENDER DECALS (gold)	N/A 77 — FLH
		59249-78	FENDER TRIM KIT, front — lower	N/A 77 — FLH
		61243-78	NAME TRANSFER, fuel tank (2)	77 — FLH
		61351-78	NAMEPLATE, fuel tank — left	N/A 77 — FLH
		61355-78	NAMEPLATE, fuel tank — right	N/A 77 — FLH
		90857-78	SADDLEBAGS AND CARRIER	N/A 77 — FLH
		95592-78	WHEEL WEIGHT, 1/2 oz. (gold)	77 — FLH
		95593-78	WHEEL WEIGHT, 1 oz. (gold)	77 — FLH

RETAIL PRICE	INDEX NO.	PART NO.	NAME	USED ON
CRANKCASE — GEAR SIDE				
		32511—80	COVER, timer (No. 1) (black)	81 — FLH
AIR CLEANER				
		3458	SCREW, air intake grill, 5/16-18 x 1 socket hd.	81 — FLH
		6046	WASHER, air intake grill	81 — FLH
		29057—78A	AIR INTAKE GRILL	81 — FLH
FRONT FORK				
		45498—72A	FRONT FORK ASSEMBLY, non-adjustable (stainless covers, polished sliders)	81 — FLH
		45717—63	LOCKWASHER, fork stem nut	81 — FLH
		45718—60	NUT, fork stem	81 — FLH
		56121—73A	FORK BRACKET, handlebar, non-adjustable	81 — FLH
FRAME AND REAR FORK				
		47013—72D	FRAME ASSEMBLY	81 — FLH
LUGGAGE CARRIER				
		59988—72	REFLECTOR (2) (left & right sides of luggage carrier)	81 — FLH
WINDSHIELD				
		53269—81	WIDNSHIELD BAG, leather with two conchos	81 — FLH
		58416—77	CUSHION TAPE, upper window brace (20" long)	81 — FLH
		57998—81	WINDSHIELD ASSEMBLY	81 — FLH
		90988—78	CONCHOS, pair	81 — FLH
FRONT FENDER				
		59174—81	FRONT FENDER DECAL, "Heritage Edition" (2)	81 — FLH
FRONT CHAIN HOUSING				
		25450—81	DECAL, clutch cover, "Heritage Edition"	81 — FLH
		25451—81	COVER, clutch (painted) (black)	81 — FLH
		60441—79	CHAIN HOUSING, front (painted) (black)	81 — FLH
GAS TANK				
		61123—81	TRIM PLATE ASSEMBLY, between tanks	81 — FLH
GAS TANK TRIM				
		61296—81A	TRIM, tank side, "AMF HARLEY-DAVIDSON," (2)	81 — FLH
INSTRUMENT PANEL AND TERMINAL PLATE				
		2630W	SCREW, No. 8-32 x 5/16 self tapping rd. hd. (2)	81 — FLH
		71240—80	INSTRUMENT PANEL COVER (black wrinkle)	81 — FLH
		71300—68A	PLATE, ignition switch	81 — FLH
		71303—81	NAMEPLATE, personalized	81 — FLH



RETAIL PRICE	INDEX NO.	PART NO.	N A M E	USED ON
SEAT AND SEAT POST				
	1	3951B	BOLT, 5/16-24 x 7/8 sq. hd. (4)	81 — FLH
	2	3974HW	BOLT, 5/16-24 x 3/4 hex. hd. (2)	81 — FLH
	3	4410	BOLT, 1/4-24 x 7/8 hex. hd. (2)	81 — FLH
	4	4411	BOLT, 3/8-24 x 1-3/4 hex. hd.	81 — FLH
	5	4319	BOLT, 3/8-24 x 1 hex. hd.	81 — FLH
	6	6253W	WASHER, 1/4 x 3/4 x 1/16 (steel) (4)	81 — FLH
	7	6701	WASHER, 3/8 x 13/16 x 1/16	81 — FLH
	8	7038	LOCKWASHER, 3/8 (7)	81 — FLH
	9	7041	LOCKWASHER, 5/16 (6)	81 — FLH
	9A	7065	LOCKWASHER, 9/16	81 — FLH
	10	7682	LOCKNUT, 1/4-28 x 3/16 x 7/16 hex. (4)	81 — FLH
	11	7753	NUT, 5/16-24 x 1/4 x 1/2 hex. (6)	81 — FLH
	12	7776W	LOCKNUT, 3/8-24 x 3/4 x 9/16 hex.	81 — FLH
	13	7800W	NUT, 3/8-24 x 21/64 x 9/16 hex. (2)	81 — FLH
	14	7851W	NUT, 3/8-24 x 7/32 x 9/16 hex. (7)	81 — FLH
	16	51610—58	SEAT PLUNGER ASSEMBLY (150-220 lbs.)	81 — FLH
	17	51614—58	SEAT PLUNGER ASSEMBLY (over 220 lbs.)	81 — FLH
	18	51626—36	PLUNGER, seat post.	81 — FLH
	19	51634—36	LOCKNUT, plunger	81 — FLH
	20	51640—29	PLUNGER LINK	81 — FLH
	21	51642—29	RIVET, plunger link	81 — FLH
	22	51644—13	BUSHING, plunger link	81 — FLH
		51661—36	ROD, seat post	81 — FLH
	23	51672—25	NUT, seat post rod	81 — FLH
	25	51674—25	LOCKNUT, seat post rod	81 — FLH
	26	51770—29	SET OF SEAT POST SPRINGS — standard	N/A 81 — FLH
	27	51771—29	SET OF SEAT POST SPRINGS — heavy	81 — FLH
	28	51772—31	SET OF SEAT POST SPRINGS — complete	N/A 81 — FLH
	29	51773—31	CUSHION SPRING, with collar	81 — FLH
	30	51774—31	CUSHION SPRING (2)	81 — FLH
	31	51775—31	CUSHION SPRING, short	81 — FLH
	32	51777—30	RECOIL SPRING.	N/A 81 — FLH
	33	51778—30	AUXILIARY SPRING — 3"	81 — FLH
	34	51780—30	AUXILIARY SPRING — 2-1/2"	81 — FLH
	35	51791—31	SPACER, seat post spring (2)	81 — FLH
	36	51795—29	ADJUSTING NUT, seat post spring	81 — FLH
	37	51900—30	SEAT BAR	81 — FLH
	38	51911—29	CROSS-BAR	81 — FLH
	39	51918—29	PIN, seat bar clamp	81 — FLH
	40	51920—29	SPRING, clamp pin	81 — FLH
	41	51925—65	BUSHING SET, seat bar	81 — FLH
	41A	51988—66	PLASTIC PLUG, seat bar grease fitting hole	81 — FLH
	42	52502—81	BUDDY SEAT, with fringed skirt and two conchos.	N/A 81 — FLH
		52525—65	SHELL, buddy seat	N/A 81 — FLH
	43	52551—36A	FRONT BRACKET	81 — FLH
	44	52560—68	SPRING YOKE ASSEMBLY (2)	81 — FLH
	44A	52566—65	ROD, auxiliary spring support	81 — FLH
	45	52575—65	AUXILIARY SPRING (2)	81 — FLH
	46	52583—68	SUPPORT BRACKET, left	81 — FLH
	47	52584—68	SUPPORT BRACKET, right	81 — FLH
	48	52586—68	SPRING BRACKET (2)	81 — FLH
	49	52596—65	BRACKET, spring yoke (2)	81 — FLH
	50	52602—65	STUD, spring support	81 — FLH
	51	52605—58	SPACER, support stud (2)	81 — FLH
	52	52608—68	SHOULDER BOLT (2)	81 — FLH
	53	52609—65	CUP WASHER, spring mounting (2)	81 — FLH
	54	90988—78	CONCHOS (pair)	81 — FLH
	55	91574—58A	HANDRAIL, buddy seat	81 — FLH

RETAIL PRICE	INDEX NO.	PART NO.	N A M E	USED ON
-----------------	--------------	-------------	---------	---------

SADDLEBAGS

	90988—78		CONCHOS, pair	81 — FLH
	91005—81		SADDLEBAG, left (leather, with conchos)	81 — FLH
	91006—81		SADDLEBAG, right (leather, with conchos)	N/A 81 — FLH

PAINTED PARTS

	58992—81HR		FRONT FENDER (olive and orange)	N/A 81 — FLH
	59604—81HR		REAR FENDER (olive and orange)	N/A 81 — FLH
	60982—81HR		FUEL TANK, right (olive and orange)	N/A 81 — FLH
	60983—81HR		FUEL TANK, left (olive and orange)	N/A 81 — FLH

SPECIAL AIR DRY PAINT

	98600FT		OLIVE, 1/2 oz. Touch-Up Bottle w/brush	N/A 81 — FLH
	98603FT		OLIVE, quart	81 — FLH
	98606FT		OLIVE, aerosol	N/A 81 — FLH
	98600FU		ORANGE, 1/2 oz. Touch-Up Bottle w/brush	N/A 81 — FLH
	98603FU		ORANGE, quart	81 — FLH
	98606FU		ORANGE, aerosol	N/A 81 — FLH

RETAIL PRICE	INDEX NO.	PART NO.	N A M E	USED ON
-----------------	--------------	-------------	---------	---------

STARTER MOTOR, SHAFT AND HOUSING

	7624		LOCKNUT, No. 10-24 x 1/4 x 3/8 hex., ground wire (2) . . .	Late 82 — FLHF
	31570—73		STARTER MOTOR	Late 82 — FLHF
	31572—79		STARTER SHAFT HOUSING, with bearing	Late 82 — FLHF
	31575—73		BRUSH, field coil mounted	Late 82 — FLHF
	31576—73		SET OF THRU-BOLTS	Late 82 — FLHF
	31577—73		COVER, drive end	Late 82 — FLHF
	31578—73		COVER, commutator — with bushing	Late 82 — FLHF
	31579—73		FRAME & FIELD COILS, with 2 brushes	Late 82 — FLHF
	31580—73		ARMATURE, with ball bearing	Late 82 — FLHF
	31581—73		BRUSH HOLDER, with 4 springs & 2 brushes	Late 82 — FLHF
	31582—73		BRUSH	Late 82 — FLHF
	31583—73		BALL BEARING, armature drive end	Late 82 — FLHF
	31584—73		SET OF THRUST WASHERS, armature commutator end . . .	Late 82 — FLHF
	31585—73		SCREW, with lockwasher (2)	Late 82 — FLHF
	31586—73		INSULATOR, terminal	Late 82 — FLHF

FRONT CHAIN HOUSING

	11125		O-RING, chain housing cover	Late 82 — FLHF
	52573—77A		COVER, clutch, chain guard (chrome)	Late 82 — FLHF
	60508—70		COVER, chain housing (with 9063 NEEDLE BEARING)	Late 82 — FLHF

LACED WHEEL

	1605		SCREW, 3/8-16 x 1-1/2 flat socket ctsk. hd. (10)	Late 82 — FLHF
	40908—81		WHEEL ASSEMBLY, 16 in. (chrome)	Late 82 — FLHF
	43032—40A		SPOKE & NIPPLE, 16 in. rim — metric (40)	Late 82 — FLHF
	43540—73A		WHEEL HUB, complete	Late 82 — FLHF

SEAT

	2757W		SCREW, 1/4-28 x 7/16 Phillips truss hd., seat mounting (with lockwasher) (chrome)	Late 82 — FLHF
	51190—82		GRAB STRAP (black)	Late 82 — FLHF
	51930—82		MOUNTING BRACKET, seat to frame	Late 82 — FLHF
	52411—79A		SEAT, frame mounted — black vinyl	Late 82 — FLHF

HEADLAMP

	2660		SCREW, No. 10-24 x 3/8 Pozidriv pan hd., ground wire . .	Late 82 — FLHF
	2824W		SCREW, 5/16-24 x 9/16 Phillips hd., headlamp housing (4) .	Late 82 — FLHF
	67752—77T		VISOR, headlamp	Late 82 — FLHF
	67860—76		HOLE PLUG, headlamp housing	Late 82 — FLHF

FRONT AND REAR FENDERS

	2612		SCREW, No. 8-32 x 1/2 Pozidriv pan hd., mud flap (3) . . .	Late 82 — FLHF
	2272		SCREW, 5/16-24 x 1-1/4 Pozidriv oval ctsk. hd., rear fender support (2)	Late 82 — FLHF
	2633		SCREW, No. 8-32 x 3/8 self tapping rd. hd., rear fender tip (5)	Late 82 — FLHF
	5410		SCREW, 5/16-24 x 1/2 Pozidriv truss hd., rear fender support (chrome) (2)	Late 82 — FLHF
	5960W		SPACER, rear fender support	Late 82 — FLHF
	6410		WASHER, 1/4 x 9/16 x 1/16 (nylon) rear fender	Late 82 — FLHF
	7609W		LOCKNUT, No. 8-32 x 3/16 x 5/16 hex., mud flap (3) . . .	Late 82 — FLHF

RETAIL PRICE	INDEX NO.	PART NO.	N A M E	USED ON
--------------	-----------	----------	---------	---------

FRONT AND REAR FENDERS (CONT'D)

	59000—82		FRONT FENDER (prime)	N/A Late 82 — FLHF
	59164—80		FRONT FENDER BRACE, left (prime)	Late 82 — FLHF
	59216—78		FRONT FENDER TIP, with fittings	Late 82 — FLHF
	59219—79		BRACE, mud flap	Late 82 — FLHF
	59238—60		MUD FLAP, less trim (black)	Late 82 — FLHF
	59254—72		REFLECTOR (amber) (2)	Late 82 — FLHF
	59627—80		REAR FENDER, with turn signals (prime)	N/A Late 82 — FLHF
	59887—78		FENDER TIP KIT, rear	Late 82 — FLHF

EXHAUST SYSTEM

	4719W		BOLT, 3/8-16 x 2-1/2 hex. hd., left muffler support	Late 82 — FLHF
--	-------	--	---	----------------

FUEL TANK

	61159—80A		DECAL, bar & shield (orange & black) (2)	Late 82 — FLHF
	61237—82DH		FUEL TANK, right (5 gal) (black)	Late 82 — FLHF
	61240—82DH		FUEL TANK, left (5 gal) (black)	N/A Late 82 — FLHF

OIL TANK

	62531—80		EDGING, oil tank	Late 82 — FLHF
--	----------	--	----------------------------	----------------

FRONT TURN SIGNALS

	4069		SCREW, 1/4-20 x 3/4 knurled socket hd., top — mounting clamp (2)	Late 82 — FLHF
	4070		SCREW, 5/16-24 x 2-1/4 socket hd., bottom — mounting clamp (chrome) (2)	Late 82 — FLHF
	11442		GROMMET, mounting clamps (2)	Late 82 — FLHF
	68477—73		BRACKET, handlebar clamp to lamp (2)	Late 82 — FLHF
	68481—73		GASKET, turn signal lens (2)	Late 82 — FLHF
	68482—73		SCREW, turn signal lens (4)	Late 82 — FLHF
	68483—73		LENS, turn signal (2)	Late 82 — FLHF
	68486—82A		CLAMP, handlebar (2)	Late 82 — FLHF
	68487—82		CLAMP, handlebar (2)	Late 82 — FLHF
	68514—73		LAMP WITH WIRE (amber) (2)	Late 82 — FLHF

MIRRORS

	91875—70B		MIRROR KIT, 5" rectangular (2)	Late 82 — FLHF
			Consists of:	
	5714		SPACER	
	5978W		SPACER	
	6702		WASHER, 5/16 x 11/16 x 1/16	
	7041		LOCKWASHER, 5/16	
	7736		ACORN NUT, 5/16-24 x 3/16 x 1/2 hex. (chrome)	

SADDLEBAGS

	3825		BOLT, 1/4-28 x 1 hex. hd., saddlebag brace (2)	Late 82 — FLHF
	59255—72		REFLECTOR (red) (4)	Late 82 — FLHF
	90989—63		REAR CROSS BRACE	Late 82 — FLHF

RETAIL PRICE	INDEX NO.	PART NO.	NAME	USED ON
--------------	-----------	----------	------	---------

OIL PUMP

26216—84	COVER, oil pump (polished)	Early 84 — FLHX
26226—84	OIL PUMP BODY (polished)	84 to * — FLHX
26242—84	COVER, oil pump (polished)	Late 84 to * — FLHX
26277—84	COVER ASSEMBLY, oil pump (polished)	N/A 84 — FLHX

WHEELS

1605	SCREW, rear disc mounting — laced wheel (5)	84 to * — FLHX
4726	BOLT, rear sprocket mounting — laced wheel (5)	84 to * — FLHX
6027	LOCKWASHER, rear disc mounting (5)	84 to * — FLHX
6516HW	WASHER, rear sprocket mounting (5)	84 to * — FLHX
7561	LOCKNUT, rear sprocket mounting — laced wheel (5)	84 to * — FLHX
7778	LOCKNUT, rear disc mounting — laced wheel (5)	84 to * — FLHX
40908—81	WHEEL ASSEMBLY, front or rear, laced — 16 in. (chrome)	84 to * — FLHX
43032—40B	SPOKE AND NIPPLE, 16" rim — metric (40)	84 to * — FLHX
43085—81	RIM, 16" (chrome)	84 to * — FLHX
43540—73A	WHEEL HUB, complete	84 to * — FLHX

BUDDY SEAT — FRAME MOUNTED

2151	SCREW, support backrest (2)	84 to * — FLHX
52115—85	SUPPORT, backrest	84 to * — FLHX
52540—79	BACKREST ASSEMBLY	84 to * — FLHX

RETAIL PRICE	INDEX NO.	PART NO.	N A M E	USED ON
		2507	SCREW, side light socket mounting (8)	84 to * — FLHX
		2831	SCREW, cable brace mounting (2)	84 to * — FLHX
		2888	SCREW, lens mounting (6)	84 to * — FLHX
		6029	WASHER, reinforcing plate (3)	84 to * — FLHX
		6235	WASHER, bail head stud (4)	84 to * — FLHX
		6970	WASHER, cable brace mounting (2)	84 to * — FLHX
		7115	LOCKWASHER, lens mounting (6)	84 to * — FLHX
		7520	ACORN NUT, nylon sidelight socket mounting (8)	84 to * — FLHX
		7608	LOCKNUT, lens mounting (6)	84 to * — FLHX
		8502	RIVET, hinge pin (2)	84 to * — FLHX
		8692	RIVET, reinforcing plate (3)	84 to * — FLHX
		10006	CABLE STRAP (2)	84 to * — FLHX
		10007	CABLE STRAP (4)	84 to * — FLHX
		11016	RETAINING RING	84 to * — FLHX
		11410	GROMMET, side light wiring (2)	84 to * — FLHX
		14099—84	TRIM, King Tour-Pak 'Made in U.S.A.' (black)	84 to * — FLHX
		14100—84	TRIM, King Tour-Pak 'Made in U.S.A.' (white)	84 to * — FLHX
		52773—82	TRIM PLATE, latch	84 to * — FLHX
		53415—83	GASKET, cover	84 to * — FLHX
		53426—80	HINGE PLATE, cover (2)	84 to * — FLHX
		53434—80	NAMEPLATE, luggage box, 'King Tour-Pak' (black)	84 to * — FLHX
		53435—80	MAT, luggage box	84 to * — FLHX
		53437—79	LENS, luggage box side light (2)	84 to * — FLHX
		53439—79	BULB, luggage box side light (4)	84 to * — FLHX
		53440—79	SOCKET, luggage box side light (4)	84 to * — FLHX
		53447—83A	HINGE PLATE, box (2)	84 to * — FLHX
		53478—80	BACKING PLATE, cable brace bracket (2)	84 to * — FLHX
		53513—81	LATCH ASSEMBLY, King Tour-Pak	84 to * — FLHX
		53563—82	BRACKET, cable brace (2)	84 to * — FLHX
		53564—82	CABLE BRACE, cover to box	84 to * — FLHX
		57978—63	GROMMET, side light wiring	84 to * — FLHX
		70643—79A	CABLE ASSEMBLY, green side light (2)	84 to * — FLHX
		70644—79A	CABLE ASSEMBLY, black side light (2)	84 to * — FLHX
		70645—79	WIRING HARNESS, rear fender	84 to * — FLHX
		70646—79	WIRING HARNESS, luggage box side light	84 to * — FLHX
		72039—71	PIN TERMINAL	84 to * — FLHX
		72052—79	RECEPTACLE, luggage box harness	84 to * — FLHX
		72275—74	CONNECTOR TAB, wiring harness	84 to * — FLHX
		74536—77A	SOCKET, box & fender wiring harness (2)	84 to * — FLHX
		74539—77A	PIN, box & fender wiring harness (2)	84 to * — FLHX
		90630—80	ROLLER, saddlebag latch — .580 dia.	84 to * — FLHX
		90743—83	GASKET, Tour-Pak mounting (2)	84 to * — FLHX
		90771—79	PLUG, luggage box harness	84 to * — FLHX
		90789—83	BAIL HEAD STUD, Tour-Pak mounting (4)	84 to * — FLHX
		90790—83	RETAINER, bail head stud (4)	84 to * — FLHX
		90821—74A	LABEL, Tour-Pak	84 to * — FLHX
		90964—63	BACKING PLATE, hinge plates (8)	84 to * — FLHX
		90965—63	RIVET, backing plates & hinges (28)	84 to * — FLHX

RETAIL PRICE	INDEX NO.	PART NO.	NAME	USED ON
--------------	-----------	----------	------	---------

LUGGAGE CARRIER

	7220		LOCKWASHER (4)	Early 84 — FLHX
	53293—79		WARNING LABEL, Tour-Pak	84 to * — FLHX
	53410—83		RECEPTACLE, leaf spring (4)	84 to * — FLHX
	53548—84A		LUGGAGE CARRIER ASSEMBLY	Early 84 — FLHX
	90965—63		RIVET (8)	84 to * — FLHX

WINDSHIELD AND FAIRING — Page 165

	14093—84		DECAL, "Made in U.S.A." (black)	84 to * — FLHX
	14094—84		DECAL, "Made in U.S.A." (white)	84 to * — FLHX

FENDER TRIM

	14089—84		TRIM, front fender, left — "Special Edition Electra-Glide" (black)	84 to * — FLHX
	14090—84		TRIM, front fender, left — "Special Edition Electra-Glide" (white)	84 to * — FLHX
	14091—84		TRIM, front fender, right — "Special Edition Electra-Glide" (black)	84 to * — FLHX
	14092—84		TRIM, front fender, right — "Special Edition Electra-Glide" (white)	84 to * — FLHX

FRONT CHAIN HOUSING

	60444—82		FRONT CHAIN HOUSING (black wrinkle)	Early 84 — FLHX
	60444—84		FRONT CHAIN HOUSING (black wrinkle)	Late 84 to * — FLHX

GAS TANK TRIM

	14072—84		DECAL, tank side — right (gold & black)	84 to * — FLHX
	14073—84		DECAL, tank side — left (gold & black)	84 to * — FLHX
	14095—84		DECAL, tank side — left (black)	84 to * — FLHX
	14096—84		DECAL, tank side — left (white)	84 to * — FLHX
	14097—84		DECAL, tank side — right (black)	84 to * — FLHX
	14098—84		DECAL, tank side — right (white)	84 to * — FLHX

SADDLEBAGS

	14085—84		TRIM, saddlebag, left — "Special Edition Electra-Glide" (black)	84 to * — FLHX
	14086—84		TRIM, saddlebag, left — "Special Edition Electra-Glide" (white)	84 to * — FLHX
	14087—84		TRIM, saddlebag, right — "Special Edition Electra-Glide" (black)	84 to * — FLHX
	14088—84		TRIM, saddlebag, right — "Special Edition Electra-Glide" (white)	84 to * — FLHX

NUMERICAL INDEX

Part No.	Page	Part No.	Page	Part No.	Page	Part No.	Page	Part No.	Page
215	72		75		97	2538	153	2611 B	55
223	29	635	57	1430	23	2539	153	2612	211
257	239		59	1601	24	2540	45		289
275	23	650	72		55		203	2614	99
	24	653	24	1604	121	2544 W	203	2622	24
334 A	63	655	23	1605	121	2551 W	63		203
	65	657	24		289		143		213
	181	700	19		291		153		219
341	19		29	1608	75		181	2623 W	203
358	24	704	19	1643	259	2554	57		233
375	82		191		263	2579	102	2625	237
378	23	706 A	191	1655	209	2583	170	2628	24
384	203	707	82	1719 W	75		213		103
513	279	711	45		217		233	2630 W	175
515	45	720	19	1761 W	75	2585	59		233
	75		279	1764 W	75		95		257
	79	723	19	1765 W	75		203		285
	95	725	47		79		213	2633	175
	113	729	219	1766 W	75		219		289
	115	857	85		79		241	2634 W	139
	117		99	1767 W	75		271		175
	127	903	181	1772 W	75	2586	203	2646	57
	181		187	1783	99	2587	53	2647	213
	279	906	7	1784	239		203		219
520 W	105	915	163	1864 B	82	2589	45	2652	105
	109	916	167	2061 W	188		53		115
	111	930	33	2073 W	191		153		117
534	2		37		213		203	2653	51
	11		39	2151	143		233	2659	55
	19		43		149	2591	203		203
	75		45		291	2592	119		275
	79	932	175	2216 W	51		171	2660	14
	88	990 W	203		243		175		125
	93	991	95		247		201		163
	125		113	2265 W	181		213		203
	192		161	2268 W	181		271		265
559	127	997 W	203	2272	175		283		283
	131	1040	203		281	2594	59		289
	251	1047	57		289		163	2661 W	55
	253		59	2333 W	79		201		127
600	239	1183	29		82		231		131
601	239	1203	167	2337 W	181		233		209
	263	1205	95	2341 HW	23		237		213
603	51		113	2345	181	2595	241		219
	53	1301	24	2348	279	2597	75		275
604	161		55	2356	181	2598	201	2662 W	209
612	237		57		199		233	2664	71
613	239		181	2360	75	2599	243		79
614	239	1302	213	2402 W	49		247		102
615	57		219	2417	127	2604	170		103
	59	1304	271		131		175		105
620	57	1305	24	2507	292		257		113
	59	1308	24	2508	229	2605	243		203
623	57	1369	75	2511	24	2607	82		261
	59	1374	53	2513	187	2608	151		279

NUMERICAL INDEX

Part No.	Page	Part No.	Page	Part No.	Page	Part No.	Page	Part No.	Page
2668	105		292	3454	183		199		209
2682	67	2841 W	267	3458	47		236		219
	69	2851	137		278	3789 A	72		219
2690 W	53		150		285		82		267
2692 W	213	2871 W	37	3464	279	3802 W	72		287
2695 W	95		173	3473	55		239	3983 W	233
	230		251		57		241	3986	203
2698	141	2872 W	29		61		275	3987	47
	149		63	3476	175	3825	49		49
2708	279		72		281		115		111
2710 C	175		181	3477	173		151		181
	257		279		175		267		191
2725	169	2879 W	105	3487	149		271		233
	169		279	3489	143		279		275
	170	2881 W	72	3491	203		290		281
	170		91		233	3826	55	3991	149
2726	169	2882 W	93	3496	279		267		175
	170		233	3497	279	3842	55	3993	65
	243		267	3504	19		57		73
	247	2887 W	243	3505	19		61	3996	137
2731 W	278		247	3506	19	3945	195		139
2741	149		279	3507	163	3946	243		145
2750	233	2888	153	3520	279		247		157
2751	97		292	3525	279	3951 B	145		169
	241	3201 W	195	3560 W	175		287		185
2757 W	281		197		257	3952	233		193
	289		279	3561 WA	175		241		197
2758	49		282		257	3953 W	117	4014 W	75
2764 W	163	3206 B	213	3570 T	57		193		137
2770 W	95		217		59		217		147
2773	93		219	3720	79		255		169
	170	3207	113		119		259		185
	181		163		163	3956	199		187
2774	47	3208	167	3728	213		203		197
	153	3210	163	3738	49		213		209
	179	3212	31		79		217		219
	181	3232 H	243		267		219		267
	239		247	3750	7	3958	161		282
2779	233	3233	216		11	3960 W	139	4015	95
2784	149		247	3765	49		169		102
2802 W	281		271		173		187		163
2803 W	230	3234 W	121	3767 B	47		195	4017	181
2804 W	230		263		153		197		195
2806	207	3237 W	79		267		219		251
2808	181	3409	195		281		271		271
2816	239	3413	47	3768	65	3974 HW	19	4018 W	175
2818	72	3419	115	3770	7		135	4020 W	119
2824 W	209	3425 W	163	3771	121		149		197
	283	3427	19	3775	93		157		255
	289	3428	19		105		171		259
2825 W	65	3429	29		109		185		267
2828 W	282	3430	19	3778	281		191	4021	181
2829	24	3431	163	3787	143		195	4036	169
	55	3442	149		157		197		203
2831	153	3447	47		169		203	4041 W	157

NUMERICAL INDEX

Part No.	Page	Part No.	Page	Part No.	Page	Part No.	Page	Part No.	Page
	267	4432 W	19	5714	216	6150 W	11		247
4050	195	4434 W	137		290		203	6333	111
4053 W	195		139	5723	2	6156	29		271
4069	283	4435 W	19	5733	187		59	6334	115
	290		195	5751	279	6160 P	187		117
4070	283		197	5905	139	6165 W	53		139
	290	4440 W	139	5911	53		59	6335	59
4084 W	279		195	5915 B	163	6182 W	59		175
4086	282		197	5917 B	199		203		243
4091	173		251	5926 B	185		213		257
4319	115		271	5933 W	169		233	6336 B	137
	119	4450 W	139	5940	149		241		219
	135	4710	195	5942 B	137	6185	233	6339	191
	150		197		197	6186	53	6341 B	149
	243	4713 W	75	5960 W	161	6189 W	45		243
	255		115		281		59		247
	287		117		289		213	6375 B	75
4336 W	71	4716 W	151	5978 W	216		219		113
	135		213		290	6192	24	6377	29
	163		253	5989	105		55	6379 W	151
4337 W	75		255	6001	7		57		161
	135	4718	181	6002	7		203		163
	145	4719 W	290	6006	57		213		281
	150	4720 W	105	6016	7		219	6388 HB	181
4362	135		109		19	6193	53	6398	282
4370 HB	150		151		43	6194	24	6400 HB	19
4380 W	147		181		47		55		79
	175		279		71	6197	203		82
	195	4721	255		82	6220 W	75		97
4391	141		257		171		115		147
	143		279	6017	279		117		187
	191	4722	181	6027	121		233	6408 HB	271
	199	4724	135		291		279	6410	281
4392	282	4725	61	6029	175	6228 W	243		289
4401 W	19		187		292		247	6411	187
	99		197	6035	275	6235	151	6416	2
	117	4726	2	6036	275		292		105
	150		55	6041	203	6236 B	243		109
	247		57	6046	47	6253 W	67		109
	261		61		278		157		161
4410	115		291		285		243		247
	145	4729	127	6048 W	267		287		261
	213		131	6095	47	6255 B	169	6443 HW	88
	287	4730	149	6099	24	6261	169		91
4411	71	4740	24		82	6300	125	6448 HB	117
	137	4806	19		91	6314 W	169		137
	147	4810	24		95	6316 HW	7		150
	150	4813	24		102	6324 W	53	6466 W	7
	175		181		163		135	6469 HW	2
	271	4814	24		181		181		11
	287	4816	163	6106	59		187	6474	82
4414	163	5403 B	179	6107 B	185		282	6486 HW	115
4415	195	5410	281		283	6327 B	187		117
	197		289	6109	187		243	6495 HW	2
4420	117	5430 W	29	6115	279	6332 B	243		11

NUMERICAL INDEX

Part No.	Page	Part No.	Page	Part No.	Page	Part No.	Page	Part No.	Page
6497 HW	3		93		278		233		233
	55		111	6717	207		243		243
	57		113	6718	105		247		247
	61		115		109	7036	29		251
6506	14		131		111		49		253
6516 HW	3		137		161		53		255
	11		141		251		55		257
	55		149		253		63		271
	57		157		271		65		279
	61		169	6722 B	161		67		282
	121		185	6725 HB	251		69		287
	291		191	6730	237		73	7039	3
6521 W	3		193	6736	29		79		11
	11		195		73		82		88
6522 HB	3		199	6750	73		91		91
	11		201		75		93		93
6524 W	3		213		79		150		105
	11		216	6752	73		151		113
6581	29		219		75		163		117
6590 HW	121		233		79		171		127
	125		267	6754	75		179		131
	271		290		79		183		139
6607 W	279	6703	24	6762 B	7		191		243
6647	157		29		11		199		247
6649	127		55	6768	209		201	7041	19
	131		61		216		213		47
6653	121		65	6774	19		239		49
	257		67	6807 W	95		241		55
	263		69		113		243		57
6655	121		73	6811 W	103		247		61
6700 B	191		95	6817	192		267		75
	259		97	6910 W	161		271		79
6701	19		99	6952	169		281		93
	73		145	6955	169		283		117
	82		169	6969	45	7038	49		131
	145		173		57		55		135
	149		175	6970	153		57		139
	151		179		292		61		141
	175		181	7010	233		71		145
	195		191	7015	59		75		147
	239		199		201		82		149
	243		247		203		93		157
	247		267		217		99		171
	255	6712 b	259		233		115		175
	267	6716	55		237		117		185
	287		69	7022	119		119		187
6702	7		119		121		135		191
	19		173		255		137		193
	33		175	7030 W	163		145		195
	37		201		169		147		197
	39		203		169		149		213
	47		243		170		150		216
	49		247		170		151		217
	55		271		201		195		219
	88		275		203		197		219

NUMERICAL INDEX

Part No.	Page	Part No.	Page	Part No.	Page	Part No.	Page	Part No.	Page
	233		175		203		271		203
	239		203		239		292		236
	243		219		283	7609 W	153		239
	247		257		293		203		241
	267		271	7229 W	199		213		247
	271		292		211		219		257
	282	7118	51		236		289	7643 W	115
	287		55	7230	47	7610	279		135
	290		57		61	7611	178	7651	169
7043	243		125		67	7613 A	178		169
	247		175		75	7620 W	33	7654 W	170
	251		239		125		37		170
	253		241		123		39		201
	263		257		241		69		233
7065	147		265	7231	75		75		243
	287	7124	53		93		95		247
7068	121		75	7232	157		102	7676	53
	163		127		173		103		63
	271		131		175		105		67
	279		241		233		113		97
7069	29		267		267		161		115
	53	7127	67	7233	175		163		171
	55		149	7242	119		171		179
	57		187		255		175		199
	61		203		259		203		201
	79		217	7315	181		239		213
	102		233		203		279		267
	103		241	7501	211		283		271
	105		251		257	7624	69	7682	145
	119	7130 W	75		260		175		173
	161		105	7504	33		241		267
	163		115	7508	280		257		287
	170		121	7509	7		275	7683	49
	170		135	7513	139		289		53
	171		219	7520	153	7626 W	29		55
	175		239		292		59		57
	201		279	7561	291		153		59
	203		280	7564	203		203		61
	213	7136	121	7572 W	161		271		79
	219		271		271	7628	279		175
	233	7145 W	105	7581	255	7633	151		267
	236		121	7590	153		253		279
	239		151		203	7634	29	7684	61
	241		219		207		53		267
	243		241		209	7638	29	7686	157
	247	7149	209	7602	236		47		169
	261		216	7608	49		49		173
	271	7206 W	203		59		53		175
	279	7220	53		153		55		275
7112	153		67		203		57	7688	67
	203		69		213		61		69
	209		71		217		93		179
7115	59		113		219		97		181
	95		119		233		175		183
298	153		175		243		201		191

NUMERICAL INDEX

Part No.	Page	Part No.	Page	Part No.	Page	Part No.	Page	Part No.	Page
	199		147		73	7823	251	8103	47
	211		185		79		257	8115 B	55
	236		213		97		263		57
	239		216		139	7825	3		61
	241		233		147		11	8125	217
	243		271		161		55		241
	247		279		181		57	8126	173
7689 W	179	7748 W	117		247		61		191
	191		131		267		99	8131 W	175
7691 W	29		163		271		115		243
	93		191	7776 W	45		117		257
	95		217		73		121	8133 W	175
	113		239		147		278		243
	150		243		151	7837 W	88		255
7710 W	47		247		287		91	8135 B	173
	267		282	7778	105		93		267
7725	39	7753	7		121		113	8160	267
	43		19		213		121	8226	88
	53		55		219		139	8227	88
	79		57		279		271	8232	88
	113		61		291	7843	105	8241	71
	127		67	7780	247		109	8321	243
	135		71		261		111		247
	137		75	7783	137	7845	121	8420	153
	151		79		150	7848 W	91	8483	236
	187		82		195		117	8502	292
	193		97		239	7851 W	49	8515	147
	195		117		255		93		175
7727	11		135		257		145	8524	99
	79		139		280		147		271
	97		145		282		287	8532	99
	203		147	7800 W	75	7867 W	3	8583	147
7729	279		149		82		11	8688	243
7734 W	125		157		95	7873	7		247
	251		175		117	7875	7	8692	153
	253		185		125	7911	71		175
7736	149		187		135		85		292
	290		191		137	7921	271	8698	191
7739	33		193		145	7947 W	127	8699	24
	37		195		149		131		55
	39		197		151		251	8872	79
	151		201		175	7977	71	8873	29
	275		219		195	7984	93	8905	85
7740	115		233		197	7986	121	8906	85
	163		243		243	7988	119	9007	53
	275		247		251		255	9020	82
7742	150		267		253		259	9028	19
	151		271		271	7993	119	9029	19
	153		287		287		161	9037	181
7744	47	7754	170	7809	19		259	9040	181
	49	7763 W	127	7812 W	161	8034	251	9052	121
	75		131	7813	119		253		135
	97	7767	135		125	8059	251	9058	23
	113	7768 W	163		135		253		24
	127	7775	19		255	8095 A	119	9061	181

NUMERICAL INDEX

Part No.	Page	Part No.	Page	Part No.	Page	Part No.	Page	Part No.	Page
9062	63	9223 A	19	9918	225	10003	115	11007	19
	65	9224 A	19	9921	53	10006	55	11012	192
9063	63	9225 A	19	9924	225		57	11013	47
	181	9260	163	9925	225		97	11015	103
9064	53	9421	19	9931	57		115	11016	153
9073	67	9441 A	15		203		117		157
9084	85	9442 A	15		225		153		267
9085	85	9443 A	15		236		175		292
9086	85	9444 A	15	9932	225		191	11017	203
9101 A	14	9445 A	15	9937	225		193	11027	121
9102 A	14	9446 A	15	9945	225		193		278
9103 A	14	9450 A	15	9946	193		203	11031	75
9104 A	14	9540 A	88		193		209	11036	73
9105 A	14	9851	75	9951	191		211		75
9106 A	14		97	9952	213		213		79
	75		117		219		217		81
9108 A	14		125		236		219		95
9120	19		135	9955	141		225		113
9121	19		147		195		241	11037	93
9122	19	9856	225		197		255		97
9123	19	9857	55		282		259	11039	63
9124	19		57	9957	49		292		65
9125	19		225		163	10007	153	11040 P	187
9126	19	9858	207		225		225	11041	63
9127	19		225	9958	163		229	11063	103
9128	19	9859	225		271		236	11084	51
9129	19	9862	225	9961	271		283	11096	88
9130	19	9863	225	9963	113		292		89
9131	19	9866	225		213	10009	203		89
9132	19	9868	225	9965 W	24	10012	203		89
9133	19	9871	225		55		213		91
9134	19	9881	55		170		225	11101	3
9135	181		57		170	10014	3		7
9171 A	14	9886	275		271		7		59
9172 A	14	9887	275	9972	203		187		63
9173 A	14	9896	275	9976	203		191		71
9174 A	14	9898	213		213	10020 A	47	11105	25
9175 A	14		217		219	10025	217		29
9176 A	14		225	9979	19	10033	280		192
9179 A	14		229		47	10036	115	11107	45
9180	14	9900	55	9983	163	10038	280	11115	85
9181	14		219		201	10046	24	11118	7
9182	14		225		203		55	11125	181
9183	14		275	9990 W	103	10048	282		289
9184	14	9901	225	9991 A	255	10059	95	11132	7
9185	14	9902	203	9992	191	10065	225	11133 A	7
9186	14		225	9993	187	10080	191	11137	103
9200	259	9903	225	9995	119		193		117
9217	19	9904	225		271	10999	259	11143	95
9218	19	9905	225	9996	191	11000	88		102
9219	19	9908	55	10001	203		91	11147	181
9220 A	19		57		213	11002	25	11149	111
	125	9909	225		219		29		111
9221 A	19	9914	29	10002	213	11004	53	11155	167
9222 A	19		225		219		271		229

NUMERICAL INDEX

Part No.	Page	Part No.	Page	Part No.	Page	Part No.	Page	Part No.	Page
11160	19	14097-84	293	17130-80	3		11		13
11171	73	14098-84	293	17131-80	3	18086-80	5	18556-57	9
	81	14099-84	292	17160-81	4		11		13
11218	15	14100-84	292	17161-81	4	18086-81	5	18570-38	9
11405	203	16303-81	3	17170-81	4	18089-80	5		13
11410	153	16484-66B	3	17171-81	4		11	18597-81	9
	185	16484-74A	3	17360-48	11	18089-81	5	18598-81	9
	257	16485-66B	3	17360-66A	7	18100-49	11	18599-81	9
	292	16485-74A	3	17375-66A	7	18102-49	11	18600-66C	9
11411	185	16492-66B	3	17428-57	7	18103-81A	5	18602-80A	9
11430	175	16492-74A	3	17448-57	7	18104-81A	5	18603-80A	9
	233	16493-66B	3	17448-71A	7	18105-79	5	18610-66B	9
11431	175	16493-74A	3	17449-77	7	18106-81A	5	18610-76A	9
11437	175	16494-78	3	17450-73	7	18107-81A	5	18633-48B	9
11442	283	16495-78	3	17452-66	7	18108-81A	5		13
	290	16498-80A	3	17506-66A	4	18109-81A	5	18633-48C	9
12010	73	16499-80A	3	17507-48	11	18138-79A	5	18634-48B	9
12013 A	85	16508-81	3	17508-66	5		11		13
12014	88	16509-81	3	17540-69	7	18139-79A	5	18660-53	9
12018	181	16602-30	3	17541-48B	11		11		13
12022	85		11	17550-80	7	18140-79A	5	21920-83	16
12026 B	19		243	17552-80	7		11	21921-83	16
12052	181		247	17611-66B	7	18141-79A	5	21923-83	16
14001-82	188	16725-66A	3	17904-66	7		11	21991-80A	15
14002-82	188	16770-48	11	17905-53B	11	18143-79A	5	21992-80A	15
14003-82	188	16770-66B	3	17920-53A	7		11	21993-80A	15
14004-82	188	16776-48	11		11	18167-49	5	21994-83	15
14005-82	188	16776-63	3	17935-48B	11		11	22101-53C	15
14006-82	188		11	17935-79B	7	18170-49	5	22101-74A	15
14015-82	178	16777-48	11	17938-48B	7		11	22103-53D	15
	247	16777-63	3		11	18186-51	5	22103-74A	15
14016-82	178		11	17938-79	7		11	22104-53D	15
	247	16814-77	3	17945-36B	7	18187-51	5	22104-74A	15
14021-83	219		11		11		11	22105-53D	15
	275	16830-29A	83	17947-36	7	18194-51	5	22105-74A	15
14023-83	178	16830-54	83		11		11	22106-53D	15
14024-83	178	16831-30	3	17950-48	11	18201-82	5	22106-74A	15
14061-84	188		11	17950-66	7	18202-82	5	22107-53C	15
14062-84	188	16836-78	3	17955-36	7	18204-36A	5	22107-74A	15
14063-84	188	16837-78	3		11		13	22108-53D	15
14064-84	188		25	17955-48	7	18205-57	5	22108-74A	15
14072-84	293	16838-78	3		11		13	22109-53C	15
14073-84	293	16852-67A	3	18000-81	5	18219-81	5	22109-74A	15
14085-84	293	16853-48	3	18010-79	5	18221-36	5	22141-55B	15
14086-84	293		11	18020-79	5		13	22141-74A	15
14087-84	293	16864-48	3	18055-66B	5	18222-48	5	22143-55C	15
14088-84	293	16865-52	3	18056-66B	5		13	22143-74A	15
14089-84	293		11	18057-48	11	18222-79	5	22144-55C	15
14090-84	293	17028-58	11	18057-66	5	18222-81	5	22144-74A	15
14091-84	293	17029-66A	3	18071-48	11	18228-36	5	22145-55C	15
14092-84	293	17029-79	3	18075-80	5		13	22145-74A	15
14093-84	293	17034-48A	7	18075-81	5	18268-48	259	22146-55C	15
14094-84	293		11	18078-80	5	18522-53A	9	22146-74A	15
14095-84	293	17034-80A	7	18078-81	5		13	22147-55C	15
14096-84	293	17121-80	3	18082-60	5	18534-29A	9	22147-74A	15

NUMERICAL INDEX

Part No.	Page	Part No.	Page	Part No.	Page	Part No.	Page	Part No.	Page
22148-55C	15	24003-55	99		135	25262-80	25	25552-36	23
22148-74A	15	24006-58	17	24519-66A	21	25275-36	23		27
22149-55C	15	24006-73	17	24519-70	21	25275-82	25	25553-36	23
22149-74A	15	24006-80	17	24519-73F	21	25313-50	23		27
22191-78	15	24006-83	17	24524-77E	21		25	25554-36	23
22192-78	15	24010-54	23	24553-83	21	25313-73	23		27
22194-78	15		25	24582-77A	25		25	25555-36	23
22196-78	15	24016-80	17	24599-58A	21	25313-77B	25		27
22325-55B	15	24017-72	17	24600-58A	21	25314-50	23	25556-79	23
22327-55B	15	24017-80	17	24601-58A	21		25		27
22328-55B	15	24023-36	17	24608-54	21	25315-50	23	25557-79	23
22329-55B	15	24023-54	23	24641-36	23		25		27
22330-55B	15		25		25	25316-52	23	25558-79	23
22331-55B	15	24029-55	19	24645-81	21		25		27
22334-78B	15	24032-70	21	24649-81	21	25320-79	25	25559-79	23
22335-78B	15		99	24650-58	21	25320-82	25		27
22336-78B	16	24033-70	21	24650-81	21	25321-79	25	25581-36	23
22337-78A	16		99	24651-58	21	25321-82	25	25581-70	27
22355-53	16	24034-70	21	24652-58	21	25322-79	25	25582-54	23
22358-53	16		99	24653-58	21	25322-82	25		27
22581-32	16	24035-70	21	24654-58	21	25323-79	25	25582-73	27
22582-52	16		99	24655-58	21	25323-82	25	25715-47	73
22588-78	16	24036-70	21	24692-58	21	25325-79	25		99
22589-83	16		99	24703-54B	23	25325-82	25	25785-30A	23
22735-32	16	24037-70	21		25	25326-79	25	25791-36	23
22760-73A	16		99	24721-30	125	25326-82	25	25794-36	23
22762-73	16	24040-78	25	24791-36	21	25327-79	25	25800-36	23
22764-83	16	24041-78	25	24805-30	21	25327-82	25	25811-11	73
23741-55	19	24042-78	25	24809-30	21	25328-79	25		239
23906-74	16	24043-78	25	24811-59A	63	25328-82	25	25856-36	23
23906-78F	16	24044-78	25		181	25401-77	181	26190-73	29
23909-80	16	24045-78	25	24811-63	21	25405-82	21	26200-68B	29
23919-72	16	24046-78	25	24815-40	21	25414-70	181	26201-48D	29
23922-78	17	24051-80	99	24819-36	29	25416-70	181	26202-65	29
23922-80	17	24052-80	99	24820-36	29	25416-84	181	26207-83	29
23924-78	17	24053-80	99	24820-78	39	25417-79	181	26216-84	291
23926-80A	17	24054-80	99	24823-80	39	25420-79	181	26226-84	291
23940-41A	17	24281-41A	17		83	25426-80	181	26227-58	29
23961-41	17	24281-74A	17		85	25450-81	285	26231-78	29
23961-80A	17	24281-80	17	24824-67	45	25451-81	285	26234-82	29
23966-54A	17	24281-83	17	24827-66A	185	25523-56	23	26239-82	29
23969-80	17	24334-36	17	24918-52A	21	25523-70	27	26242-84	291
23969-83	17	24335-36	17	24920-67	191	25527-81A	27	26245-41	29
23973-41	17	24345-36A	17	24921-77	191	25528-81A	27	26246-68A	29
23985-12	17	24356-36A	17	24981-66	23	25529-81A	27	26247-78	29
	99	24366-51	17	24981-70	25	25530-81A	27	26251-78	193
23985-18	17	24366-71	17	24982-66	23	25531-81A	27	26257-50A	29
23985-54	17	24367-71	17	24982-70	25	25532-81A	27	26258-68B	29
	23	24385-40B	17	25216-73B	25	25534-81A	27	26262-80	29
	25	24387-40B	17	25225-36C	23	25550-36	23	26263-80	27
23985-56	17	24388-40B	17	25225-70B	25		27		29
24001-65	17	24389-40B	17	25258-80A	25	25550-57	23	26265-68A	29
24001-70	17	24390-40B	17	25260-78	25		27	26273-80B	29
24001-72	17	24391-40B	17		47	25551-36	23	26276-80A	29
24002-70	19	24490-36	21	25261-82	25		27	26277-84	291

NUMERICAL INDEX

Part No.	Page	Part No.	Page	Part No.	Page	Part No.	Page	Part No.	Page
26278-84	29		37	27315-76	39		39	27621-71	43
26315-48	29	27063-57	39	27319-76	39	27368-76	33	27622-71	43
26315-68A	29		43	27320-76	33		37	27623-71	43
26317-68A	29		45		39		39	27630-71	43
26326-62A	31		255	27321-76	33	27369-76	33	27631-71	43
26327-52	31	27063-80	33		39		37	27640-66	45
26327-68	31		37	27322-76	33		39	27641-71	43
26328-74	31	27077-78	39		39	27371-76	33	27642-71	43
26338-68	31	27078-80	33	27324-83	37		37	27644-66	45
26340-36	31		37	27325-83	37		39	27645-71	43
26345-39	23	27093-78	33	27326-71	43	27372-80	33	27646-71	43
	27	27094-78	33	27327-83	37	27373-76	33	27651-75	43
26345-73	27	27098-78	33	27328-76	33		37	27652-75	43
26346-70	27	27130-81	37		39		39	27653-75	43
	31	27132-71	43	27330-83	37	27379-76	39	27654-75	43
26348-15	17	27136-81	37	27333-76	33	27385-76	33	27655-75	43
	23	27137-81	37		37		37	27656-75	43
	27	27139-81	37		39		39	27658-66	45
	31	27141-81	37	27335-76	33	27389-71	43	27659-71	43
26348-36	23	27142-81	37		37	27395-76A	39	27661-66	45
	31	27143-81	37		39	27396-71	43	27663-71	43
26349-54	23	27145-81	37	27336-76	39	27403-71	43	27664-71	43
	27	27147-66	45	27337-76	39	27404-71	43	27665-71	43
26349-73A	27	27155-72B	43	27338-76	33	27406-26	45	27666-71	43
26362-36	31	27155-76A	39		37	27407-66	45	27668-66	45
26363-36	31	27164-71	43		39	27416-76	41	27669-66	45
26363-56	31	27271-71	43	27339-76	39	27417-76	41	27671-55	45
26374-54	31	27272-71	43	27340-76	39	27418-76	41	27673-66	45
26377-68	31	27272-74	43	27341-71	43	27419-76	41	27686-71	43
26390-68	21	27281-71A	43	27342-71	43	27420-76	41	27688-66	45
	31	27282-71	43	27347-69	45	27450-82	47	27689-61	45
26400-54	31	27304-76	33	27348-76	39		49	27691-59	45
26400-82	31		37	27348-77	39	27451-82	47	27706-66	45
	31		39	27352-66	45		49	27707-66	45
26410-82	31	27305-76	39	27353-66	45	27452-82	47	27708-67	45
26424-50	31	27306-76	33	27354-66	45		49	27712-66	45
26552-72	31		39	27355-76	39	27459-74	43	27714-66	45
26560-63	31	27307-76	33	27356-76	39	27466-78A	33	27716-55	45
26569-58	31		37	27358-76	39	27466-80A	33	27716-61	45
27006-76	39		39	27359-76	39	27467-78A	33	27716-67	45
27021-71A	33	27308-76	33	27360-76	33	27467-80A	33	27717-66	45
	39		37		37	27470-81A	278	27718-67	45
	43		39		39	27494-81A	37	27720-61	45
27021-78	33	27309-76	33	27361-76	33	27594-76	35	27725-71	43
	37		37		37	27595-66	45	27737-71	43
	39		39		39	27596-66	45	27740-66	45
27023-71	43		39		39	27598-66	45	27746-66	45
27045-78	33	27310-76	39	27362-76	33	27599-66	45	27747-66	45
	39	27311-76	33		37	27612-71	43	27748-71	43
27046-78	33		37		39	27613-71	43	27750-72	43
	39		39	27364-76	39	27614-71	43	27751-69P	230
27060-55	39	27312-76	39	27366-76	33	27618-71	43	27759-66	45
	43	27313-76	33		37	27619-66	45	27760-66	45
	45		39		39	27619-71	43	27762-71A	43
	239	27314-76	33	27367-76	33	27620-71	43	27763-71	43
27062-78	33		39		37				

NUMERICAL INDEX

Part No.	Page	Part No.	Page	Part No.	Page	Part No.	Page	Part No.	Page
27804-66A	45	29084-73	49	30350-66	53	31503-70	63	31645-70	241
27806-66	45	29086-73	49	30421-58A	53	31506-79B	239	31650-69A	213
27812-66	45	29086-75	49	30426-58	53	31531-69	63		223
27814-66	45		278	30453-58	53	31534-66	67		241
27816-66	45	29113-78	47	30475-66	53	31535-66	67	31651-70	241
27882-78	35	29113-79A	47	30505-47	59	31536-66	67	31710-69	241
	37	29114-78	47	30507-47A	59	31537-66	67	31724-65	61
27883-78	35	29114-79A	47	30605-48A	59	31538-66	67	31727-72	55
27884-78	35	29144-77	49		61	31540-66	67		57
27885-78	35	29205-69	49	30851-61	53	31541-66	67		61
27886-78	35	29205-76	49	30851-65A	53	31542-66	67	31728-78A	55
	37	29206-78	49	31035-58	53	31565-67	67		57
27887-78	35	29207-78	284	31096-58	53		69	31800-78A	55
	37	29212-71	49	31097-58	53	31568-67	67		57
27888-78	33	29213-79	47	31098-58	53		69		61
	33		233	31300-80A	65	31570-73	69	31980-65B	55
	35	29214-67A	49	31310-80A	65		278		57
	37	29214-71	47	31311-80	65		289		61
	278		49	31312-80	65	31572-79	278	31981-65B	55
27889-78	35	29216-67	49	31320-80	65		289		57
	37	29220-67	49	31321-80	65	31575-73	69		61
27890-78	35	29239-78	47	31340-80	65		289	31991-74A	61
	37	29250-78A	35	31341-80	65	31576-73	69	32000-37A	55
27891-80	35		37	31387-80	65		289		57
	37		41	31397-80	65	31577-73	69		61
27892-78	35	29252-78	47	31433-84A	181		289	32301-47A	61
	37	29252-79	47	31435-65B	239	31578-73	69	32301-60	61
27893-78	35	29253-78	35	31438-65A	239		289		61
27894-78	35		37	31439-65A	239	31579-73	69		61
27895-78	35	29255-78	47	31439-84	239		289	32303-47A	61
	37	29261-80	47	31440-65	239	31580-73	69	32305-48A	61
27897-78	33	29270-78	47	31441-65A	239		289	32307-58	61
	278	29272-78	47	31443-65A	63	31581-73	69	32310-77	61
27898-78	35	29299-78	47		65		289		61
	37	29603-48	59	31444-65A	239	31582-73	69	32310-77X	61
29018-71A	49	29954-71	51	31445-65A	63		289	32311-83	55
29018-78	49	29956-70	51	31452-65A	239	31583-73	69		57
29020-71	49	29957-81B	51	31458-66A	67		289	32312-77	61
29024-73	49	29965-70	51	31465-65	63	31584-73	69	32312-78A	55
29024-77	278	29965-75	51	31465-79	63		289	32342-58	55
29030-56	49	29965-81A	51	31475-77	239	31585-73	69		57
29036-41A	49	29975-65A	53	31476-66	67		289		61
29036-66	49	29988-73	51	31478-65A	63	31586-73	69	32352-77	61
29036-72	49	30011-58	53		65		289	32353-77	61
29057-78A	47	30012-58	53		181	31604-61	61	32354-77	61
	278	30013-71	195	31482-65	63	31607-64	55	32399-84	55
	285		197	31482-70	63		57	32400-80A	55
29058-77	35	30095-61	53	31485-65	63		61	32401-80	55
	37	30132-61A	53	31493-67	63		241	32402-83	55
	41	30143-58	53	31499-83	69	31609-65A	57	32503-77	27
	47	30145-46A	53	31501-65	63		61		57
	49	30201-58A	53	31502-65	63	31609-80	55	32504-80	27
29061-78	47	30201-65	53		65	31620-47	61		55
29064-78	47	30276-58	53	31503-65	63		241	32505-78A	57
29071-79	47	30280-58	53		65	31640-70A	241	32508-77	27

NUMERICAL INDEX

Part No.	Page	Part No.	Page	Part No.	Page	Part No.	Page	Part No.	Page
32511-78	27	32670-70	59		83	33865-66A	79	34179-33	73
	55	32676-64	59		88	33870-51	75		77
32511-80	285	32678-49	59		91		79		81
32513-77	27	32726-30A	59	33291-36	71	33871-67	75	34180-33	73
32516-66	59		61		83	33875-66	79		77
32517-70	59		61		88	33878-51	75		81
32521-83	27		61		91		79	34182-76	77
	55	33031-36	83	33295-36	71	33900-59	239	34184-79	73
32522-67	59		85		83	33901-79	73		77
32522-70	57	33031-65A	83	33298-65	41		239	34186-76	73
	59		85		43	33960-36A	75		77
32522-80	57	33031-80	83		71		79		81
	59		85		83	33960-65	75	34428-52	77
	59	33048-72	280	33337-83	278		79	34430-36	81
32525-36A	59	33068-54	71	33338-83	85	34010-76	79	34435-52	77
32533-70	59	33080-36	71		99	34019-73	75	34447-52	77
	59		121	33350-36	71		79	34448-51	81
32535-48	73	33082-16	71	33353-78	83	34020-79B	73	34453-52	77
32542-64A	59		85	33355-36	71	34030-36	79	34459-26	81
32542-70A	59	33085-36	71	33358-36	71	34031-41	77	34461-72	73
32577-70	59	33096-54B	71	33381-39	71		79	34476-72	73
32584-70	27	33150-59	71	33390-26	75	34036-36	77	34477-53	77
32588-70A	27	33152-59	71		79		79	34478-53	77
32591-70	27	33158-80	73	33391-36	71	34036-80	77	34478-75	77
32591-80	27	33163-65B	88	33393-50	71	34040-52	73	34482-53	77
	55		99	33396-39	71	34050-36	77	34488-52B	77
32598-78	57	33165-80	73	33429-39	83		79	34494-74C	73
32601-78	27	33166-80	73	33430-50	71	34053-36	79	34498-52	77
	57	33167-79	73	33430-59	71	34057-36	79	34500-52A	77
	59	33170-79	73	33438-50	71	34062-52	73	34517-80	73
32602-78	57	33170-79A	73	33626-72	95		77	34518-80	73
32602-80	57	33174-79	73		230		79	34525-54	77
32605-67	59	33175-16A	71	33630-70	75	34064-52	77	34551-52	77
32605-69	59	33176-79	73	33631-66	79		79	34552-52	77
32605-70	57	33177-79	73	33638-52	75	34066-52	77	34555-52	77
	59	33182-63A	71	33638-70	75		79	34560-52	77
	59	33187-79	73	33644-65	75	34068-52A	73	34565-52	77
32606-82	27	33188-79	73	33656-66	79		77	34600-74	77
	55	33189-63	280	33660-70	75		79	34606-54A	77
32607-70	27	33190-79	73	33660-74A	75	34090-84	83	34609-52	77
	59	33196-79	73	33664-81	75	34158-36	73		278
32608-70	27	33197-79	73		278		77	34609-65	77
	59	33198-79	73	33675-37A	79		79	34611-65	77
32609-78	59		239	33676-66	79	34159-36	73	34652-80	73
32610-78	57	33199-79	73	33683-80	278		77	34661-80	73
32618-70A	59	33201-79	73	33745-31	79		81	34690-65	77
32629-70	57	33202-63	71	33775-37	79	34160-39	77	34690-74A	77
	59	33213-31	71	33776-47	79		81	34701-78	83
32629-80	57	33215-30	71	33776-66	79	34165-36	77	34702-78	83
	59	33237-64	83	33778-47	79		81	34702-79	83
	59	33268-78	278	33778-66	79	34168-39	77	34702-80	83
32661-70	59	33276-70	83	33789-66	79		81	34703-78	83
	61	33277-36A	71	33791-66	79	34168-52	73	34705-65B	83
	61	33288-37	71	33851-52A	75	34175-36	77	34711-80	83
32669-47	59	33290-38	71	33857-66	79		81	34714-82A	83

NUMERICAL INDEX

Part No.	Page	Part No.	Page	Part No.	Page	Part No.	Page	Part No.	Page
34720-56	83	35306-59	83	36842-41	93		89		97
34723-47	83	35322-38	83	36857-36	93		91	38608-68	95
34724-36	83	35336-74	73	36869-48	93	37337-36	89	38608-72	95
34726-84	83	35337-36	83	36869-70	93	37357-41	89	38608-82A	95
34797-70	77	35365-36	83	36871-40	93	37357-84	91	38609-68	95
	81	35440-38	83	36880-36	93	37361-41	89	38609-72	95
	83	35614-65	85	36899-41	93	37436-36	83	38618-52	97
34798-79	77	35614-76	85	36906-36	93		89	38618-68C	95
34799-65	77	35614-80	85	36909-36	93		89	38622-78	175
34800-65	81	35630-36	85	36913-41	93		89	38623-68	95
34801-65	81	35635-69	85	36916-36	93	37496-41	89	38641-61P	271
34802-65	81	35665-36A	85		97	37496-65	89	38712-68	95
34803-59	77	35699-76	85	36917-36	93	37496-84	91		102
	81	35700-69	85	36917-65	93	37503-41	89		103
34824-36	77	35701-76	85	36918-52	97	37523-15A	89		105
	81	35703-69	85	36956-65A	115		91		115
34824-79	73	35716-76	87		117	37549-41	89		117
35039-65	83	35716-84	87	36962-67	115	37550-41B	89		233
35039-70B	83	35751-36	87		117	37550-84	91	39974-84	99
35039-80	83	35762-39	87	36964-67	115	37566-58	89	39976-65B	99
35039-84	83	35765-36	87		117	37567-41A	89	39990-65	99
35040-50	83	35775-39	87	37052-65	93	37574-44	89	39992-65C	99
35046-36	83	35777-79	278	37053-68	95	37576-41	89	39993-65	99
35050-40	83	35789-36	87	37054-79A	95	37581-47	89	39996-65	99
35065-65B	85	35791-36	87	37070-39B	88	37583-41	89	39998-65	99
35067-77A	85	35810-36	87		89	37585-41	89	40003-79	99
35070-77	85	35811-36	87		89	37702-70A	89	40007-36A	99
35070-80	85	35812-36	87		89		99	40028-15E	99
35070-82A	85	35850-84	99		91	37707-82	89	40029-15E	99
35072-70	83	35851-84	99	37072-79	71		99	40033-15	99
35073-70	83	35852-84	99		83	37707-84	91	40034-15	99
35079-80	85	35875-36	87	37074-38A	88		99	40052-15	99
35079-82A	85	35876-36	87		91	37741-67	87	40052-65	99
35094-31	85	35877-36	87	37077-68	88	37741-82	87	40053-15	99
35094-65	85	35878-36	87	37089-84	91	37800-84	91	40055-39	99
35100-36	83	35879-36	87	37090-84	91	37850-68	89	40066-12	99
35100-79	83	35882-36	87	37222-52	199	37855-41	89	40070-28	99
35111-36	83	35883-36	87	37228-75	88	37860-41	89	40091-15	99
35111-80	83	35884-36	87		89	37871-41	89	40092-15	99
35125-37	85	35915-36	87		89	37871-84	91	40093-15	99
35129-36	85	35917-36	87		89	37901-84	91	40094-15	99
35131-36	85	35920-36	87	37285-41	88	37902-84A	91	40209-55	99
35159-39	85	35961-52	87	37285-75A	88	37903-84	91	40210-55	99
35171-37	85	36045-76	87	37285-84	91	37904-84	91	40211-55	99
35175-38	85	36046-36	87	37305-41	89	37905-84	91	40212-80C	87
35203-36	85	36048-36	87	37305-65	89	37906-84	91		99
	99	36048-76A	87	37305-70	89	37907-84	91	40217-79	101
35211-36	85	36140-36	83	37312-75	89	37930-68A	89		121
	99	36150-31	83		89	37931-84	91	40270-65A	101
35216-36	85	36158-36	83		89	37975-81	89	40271-65A	101
	99	36810-65A	93		89	37975-84	91	40272-65A	101
35230-39	85	36811-65	93		91	38010-41	89	40275-55A	101
35231-36	85	36812-65	93	37313-80	89	38025-41	89	40275-70	101
35282-59	83	36816-65A	93		89	38077-41	89	40275-83	101
35282-79	278	36830-36	93		89	38460-52	81	40280-70	101

NUMERICAL INDEX

Part No.	Page	Part No.	Page	Part No.	Page	Part No.	Page	Part No.	Page
40282-70	101	41400-67	119	41761-58	117	42304-70A	117	42521-80	280
40299-70	101	41425-37	119	41761-78	117	42304-79	115	42522-80	280
40299-83	101	41470-62	101	41762-58A	117	42304-82	102	42522-82	280
40324-70	101	41470-67	101	41764-70	117	42304-84	115	42524-82	280
40375-70	101	41470-73A	101	41764-79	115	42309-70	115	42526-82	280
40384-70	101		121	41765-58	117		117	42527-82	280
40384-83A	101	41485-30	101	41766-58	117		251	42531-82	280
40385-70	101	41485-67	101	41768-73	105		253	42532-82	280
40392-70	101	41552-67	125	41769-58	117		255	42534-82	280
40906-82A	121	41552-73	121	41786-79	117		259	43006-40A	121
	278	41570-77	135	41791-79A	279	42311-58	117		125
40908-81	121	41576-36	125	41800-81A	280		251	43032-40B	121
	278		135	41801-58A	119		253		125
	289	41580-79	121		255		255		265
	291	41583-84	135		259		259		278
40909-81A	121	41592-79	121	41801-63	119	42314-71A	115		289
40911-81	121	41594-73	121	41806-72B	105		117		291
40912-81	115	41595-67	125		121	42316-80	280	43085-81	121
40912-84	115	41595-73	121	41808-63	119	42318-72	115		125
40916-81	111	41596-30	119	41813-79	105		117		278
40917-81	111	41596-63	119		121		255		291
40918-82	280	41600-67	119	41814-76	105		259	43157-83A	263
40919-81	111	41603-32	125		121	42319-72	115	43288-82	263
40920-79	280	41650-58	119	41835-58	119		117	43290-82	263
40920-82	280		255		255	42321-71	117	43291-82	263
40921-79	280	41664-82	280		259	42327-70	115	43292-82	263
40922-79	280	41665-82	279	41835-69	113		117	43293-82	263
40932-81	121	41670-73	105		115	42333-70	117	43294-82	263
40934-82	121		115		117	42333-79	115	43304-73	121
40939-79A	121		117	41836-58	119	42374-77B	115		278
40951-82	278	41720-58	119		255	42374-82A	280	43346-83	123
40952-82A	278		255		259	42375-77	115	43483-77A	121
40969-79	253		259	41836-63	119	42376-77A	115	43485-75	123
40981-73	121	41731-82	102	41837-58	119	42401-70	117	43495-84	123
40982-76	265	41734-73	105		255	42401-73A	117	43530-35A	105
40985-76	265		109		259	42401-79	115		113
41004-80	280		111		271	42402-70	117		119
41004-82	280	41737-63	117	41837-63	119	42402-73A	117		255
41033-82	280	41740-63	119	41841-31	119	42402-79	115	43531-35	119
41039-82	279	41741-63	119		213	42411-70	117	43532-73	123
41123-79	263	41742-58	119		219	42448-82A	280	43540-73A	123
41124-81	263		255	42269-30	77	42454-80A	280		278
41126-79	263		259		117	42455-80	115		289
41196-55	125	41743-58	119		279	42470-82A	280		291
	265	41744-58	119	42269-70	47	42480-70	117	43542-67	125
41196-73	121	41745-79	115		115	42480-73	117		265
	278	41746-79	115		117	42480-79	115	43549-67	125
41196-83	121	41747-82A	102	42300-63	119	42507-80	280	43551-76	265
41197-73	101	41748-63	119	42300-73A	105	42507-82	280	43552-39	125
	121	41749-58	105		115	42511-80	279	43554-35	125
	278		119		279	42515-80	280	43556-35	125
41198-73	105		255	42301-79	115	42515-82	280	43558-39	125
	121	41750-63	119	42302-58	117	42517-80	278	43559-73	123
41210-55	125	41753-80	280	42303-70A	117	42519-80	280		278
	265	41754-79A	115		271	42520-80	149	43560-35	125

NUMERICAL INDEX

Part No.	Page	Part No.	Page	Part No.	Page	Part No.	Page	Part No.	Page
43562-76	265	44067-84	105	44331-73	107		113		131
43563-35	125		109		109	45042-82	102	45710-58	127
43564-35	125	44068-84	105	44401-49B	113	45044-82	95		131
43566-35A	125		109	44441-75	123		102	45711-51A	127
43567-79	279	44070-72	105	44441-79	123		163		131
43570-35	125		109	44443-81	123	45051-82	102	45717-63	127
43571-35	125	44071-72	105	44444-79	263	45053-72	103		131
43574-55	125		109	44448-48	113	45054-72	103		285
43576-35	125	44105-72	105	44454-48	113	45055-72	103	45718-48	127
43577-67	125	44105-80	109	44461-78	284	45056-77	103		129
	255	44106-72	105	44463-82	278		117		131
	265	44106-80	105	45002-41	95	45057-72	103		133
43578-35	21		109		113	45057-82	102	45718-60	127
	125	44107-72	105	45002-65A	95	45059-72	103		131
43592-70	125		109		113	45060-54	113		285
	265	44108-72	105	45002-69	113	45061-72A	103	45733-48	127
43601-78	123	44111-72	105	45012-72	103	45063-72	103		131
43602-78	123	44118-80	105	45012-82	102	45063-82A	102	45752-50	127
43603-78	123		105	45013-72	103	45071-72	103		131
43615-82	123		109	45013-82	102	45073-26	271		243
43650-82	263	44123-72	105	45016-72	103	45092-66	35	45753-50	127
43875-48	125	44124-72	107	45016-82	102		37		131
43875-67	125		109	45017-82A	95		41		243
43875-73	123	44126-82	280	45023-41	95		43	45754-60	127
43885-72	105	44127-72A	107		113		45	45757-49	127
	125	44132-72	107	45023-65	95		113	45765-49	127
43886-30	113		109		113	45105-77	103	45766-49	127
43899-86	123	44133-72	107	45023-69	113		115	45768-49	127
43945-79	111		109	45024-65A	95		117	45769-49	127
43946-79	111	44134-72A	107		113	45120-72A	103	45775-49	127
43947-79	111		109	45024-72	103	45137-51	113	45775-50	127
43957-80	111		183	45030-28	95	45152-78A	280	45776-49	127
44000-78D	105	44135-74	107		113	45154-84	280	45777-50	127
	109	44138-78	284	45030-65A	95	45159-50	113	45777-77	131
44002-78	105	44146-77	105		113	45161-71	271	45778-50	127
	109		107		271	45202-50A	113	45778-77	131
44004-78	105		109	45031-41	95	45205-49	113	45800-50A	127
44004-80	109		111		113	45216-49	113	45807-72	127
44005-78	105		279	45031-65	95	45218-52	163	45815-84	131
	109	44154-73	107		113	45405-75A	131	45816-84	131
44006-80A	105		109	45031-72	103	45419-80	131	45821-75	107
	109		279	45031-82	102	45498-72A	127		109
44007-80	105	44155-81	111	45032-72	103		131		129
	109	44166-73	107	45032-82	95		285		131
44008-80	105		109		102	45509-72B	127	45822-75	107
	109	44197-77	107	45033-49	95		131		109
44011-81	105		109		113	45690-69	127		129
44012-81	105		279	45033-65	95		131		131
44014-81	279	44200-82	279		113	45695-73	127	45823-49	129
44038-80	111	44201-82	279	45034-68	95	45695-77	131	45824-49	129
44039-80	111	44207-82	279		113	45697-69	127	45825-77A	131
44042-80	111	44208-82	279	45036-68	95		131	45826-49	129
44050-82A	279	44209-82	279		113	45700-69A	127	45828-77A	133
44066-84	105	44211-82	279	45036-82	95		131	45829-77	133
	109	44212-82	279	45039-68	95	45708-50B	127	45830-48	27

NUMERICAL INDEX

Part No.	Page	Part No.	Page	Part No.	Page	Part No.	Page	Part No.	Page
	129		133	47519-83A	123	50620-74	150	51775-31	147
	183	46731-48	129		135	50622-40	150		287
	282		129		263	50623-40	150	51778-30	147
45831-77	133		133	47548-84	135	50635-14A	150		287
45832-77A	133		133	47554-73	135	50635-82	150	51780-30	147
45834-77	133	46732-48	129	47698-65C	135	50655-70	150		287
45836-48	129	46740-60	129	47730-77	115	50657-70A	150	51790-29	147
45837-77	133		129		135	50658-70A	137	51791-31	147
45838-77	133		133	48152-82	157		150		287
45840-48	129		133	48155-30	237	50659-70	150	51795-29	147
45842-77	133	46741-71	129	48300-60	129	50668-35	117		287
45843-77	133		133		133		251	51900-30	147
45844-77	133	46743-60	129	48311-60	129	50880-69	151		287
45845-77	133		133		133	50900-72	280	51911-29	147
45849-49	129	46746-52	129		135	50912-72	280		287
45850-48	129		133	48315-60	129	50939-52	151	51918-29	147
45852-48A	129	46751-48	129		133	50940-52	151		287
45854-48	129		129	48330-48A	129	50945-80	247	51920-29	147
45855-77	133		133		133	50946-52	151		287
45856-48	129		133	48332-48B	133	50970-52	151	51925-37	147
45858-77	133	46901-73	230	48361-80	133	50973-65	151	51925-65	147
45859-77	133	46901-75	230	48365-48A	129	51190-82	289		287
45950-48	129	46902-73	230		133	51195-80	281	51930-82	289
45964-49	129	46902-75	230	49027-79	137	51196-80	281	51988-66	147
	133	46903-75	230	49037-58B	137	51610-58	147		287
45972-48	129	46904-75	230	49038-58B	137		287	52004-25	147
46051-49A	129	46905-75	230	49040-79	137	51614-58	147	52006-47B	147
46100-48	129	46906-75	230	49063-36	251		287	52064-78	281
46111-48	129	46907-77	230		253	51626-36	147	52090-25	147
46121-48	129	46908-77	230	49079-72	275		287	52096-34	147
46125-48	129	46909-77	230	49135-67B	137	51634-36	147	52098-34	147
46128-48	129	46910-77	230	49137-67B	137		287	52103-31	147
46161-49	129	46911-77	230	49168-67B	137	51640-29	147		187
46172-48	129	46912-77	230	49169-67B	137		287		233
46700-60	129	47013-72D	135	49170-67B	137	51642-29	147		251
	133		285	49171-67B	137		287	52104-38	147
46715-48	129	47013-78C	280	49400-59A	139	51644-13	147	52115-85	145
	129	47015-81	135	49404-61	139		287		149
	133	47094-58	135	50011-30A	139	51651-79	281		291
	133	47107-81	280	50013-74A	139	51661-36	147	52120-79	149
46718-48	129	47108-81	280	50014-74	139		287	52147-80	143
	129	47116-77	280	50015-74	139	51672-25	147	52148-80	143
	133	47117-77	280	50028-74A	139		287	52149-80	143
	133	47261-68	135	50036-36	139	51674-25	147	52150-80	143
46720-48	129	47446-79	135	50052-70	139		287	52153-80	143
	129	47446-82	280	50061-36E	139	51770-29	147	52154-80	143
	133	47498-82A	280	50100-70	139		287	52156-80	143
	133	47500-73	135		183	51771-29	147	52157-80	143
46727-48	129	47500-78	135	50517-80	281		287	52159-80	143
	129	47510-58	135	50603-66	150	51772-31	147	52162-80	143
	133	47513-58	135	50603-74A	150		287	52163-80	143
	133	47517-58	135		281	51773-31	147	52169-81	149
46730-48	129	47519-72	107	50614-66	150		287	52171-81	149
	129		123	50616-66	150	51774-31	147	52178-77	281
	133		135	50619-74A	150		287	52180-80	281

NUMERICAL INDEX

Part No.	Page	Part No.	Page	Part No.	Page	Part No.	Page	Part No.	Page
52185-79	149	52575-65	145	53275-80A	153	53419-80A	159	54517-67	161
52186-79	149		287	53282-80	153	53424-79	153	54530-67	161
	157	52580-77	141	53291-69	157	53425-80	153	54534-73	161
52186-84	157	52581-77	141	53291-77	157	53426-80	153	54534-81	161
52411-79A	149	52583-68	145	53293-79	153		292	54538-73	161
	289		287		157	53427-80	153	54540-67	161
52418-81	143	52584-68	145		293	53428-80A	153	54543-65	161
52419-81	143		287	53294-77	153	53429-80	153	54544-65	161
52420-81	143	52586-68	145		157	53431-80	153	54545-65	161
52421-81	143		287	53295-77	157	53433-80	153	54558-73	161
52465-65	149	52596-65	145	53296-77	157	53434-80	153	54559-73	161
52466-65	149		287	53297-77	157		292	54570-73	161
52467-65A	149	52602-65	145	53298-77A	157	53435-80	153	54590-56	161
52469-65A	149		287	53299-76	284		292	54635-67	161
52486-60U	149	52603-77	141	53303-69	157	53437-79	153	54702-67	161
52490-60C	149	52605-58	145	53304-69	157		292	54702-73	161
52502-81	287		287	53305-69	157	53439-79	153	54704-65	161
52506-65B	145	52608-68	145	53306-69	153		175	54708-65	161
52507-65C	145		287		157		257	55919-79	163
52510-65A	145	52609-65	145		267		292	55919-82	163
52510-77	141		287	53306-80	153	53440-79	153	55940-79A	163
52511-65	149	52620-77	141		267		292	55940-82	163
52514-77A	141		143	53307-69	153	53447-83A	292	55941-79A	163
	143	52622-77	141		157	53450-52	159	55941-82	163
52514-78	141		143		267	53453-84	159	56044-72	163
52516-77A	141	52623-77	141	53310-69A	157	53454-52	159	56044-75	163
	143		143	53311-69	157	53454-84	159	56056-72	163
52516-78	141	52650-65	151	53312-69	157	53455-52	159	56056-75	163
52518-77A	141	52683-74	151	53316-69	159	53456-52	159	56062-73	225
52518-78	141	52686-77A	151	53321-69A	159	53456-84	159		283
52520-64A	145	52688-65	151	53324-69	267	53457-79	155	56070-81	163
52524-59	149	52690-77A	151	53325-69	159	53477-80	155		225
52525-65	145	52698-65	151	53326-69A	153	53477-80A	155		229
	287	52700-65	151		159	53478-80	155		283
52526-66	149	52773-82	292	53327-77	159		292	56073-83	163
52533-78	141	52793-64	145	53328-78	284	53479-80	155		225
52534-77	141	52801-77	141	53329-69A	153	53492-79	159		229
52534-78	141	52802-77	141		159	53513-81	155	56081-82	281
52536-78	141	52803-77	141	53331-69	153		292	56086-81	281
52538-72	281	52804-77	141		159	53548-84A	159	56102-60	163
52540-79	291	52805-77	141	53332-69	153		293	56105-84	163
52541-59	149	52806-77	141		159	53550-79A	159	56115-77	163
52550-65	149	52807-77	141		267	53563-82	155	56121-73A	129
52551-36A	145	52808-77	141	53334-78	284		292		133
	287	52809-77	141	53350-76	284	53564-82	155		285
52554-59	149	52810-77	141	53399-86	159		292	56129-73A	129
52560-68	145	52811-77	141	53403-58D	159	53580-82	157		133
	287	52812-77	141	53404-79	153	53581-82	157	56153-73	163
52566-65	145	52813-77	141	53408-85	159	53582-82	157	56154-52	163
	287	52814-77	141	53410-83	159	53584-82	157	56158-49	163
52567-77	141	52815-77	141		293	53586-82	157	56158-73	163
	143	52816-77	141	53415-83	292	54500-73	161	56159-49	163
52568-77	141	53161-80A	153	53417-65A	159	54500-81	161	56159-73	163
52569-77	141	53162-80	153	53418-65A	159	54515-73	161	56201-62A	163
52573-77A	289	53269-81	285	53419-80	159	54516-58	271	56205-62A	163

NUMERICAL INDEX

Part No.	Page	Part No.	Page	Part No.	Page	Part No.	Page	Part No.	Page
56206-81A	163		165	58568-36	171		257	59986-75	179
56216-53	163	57089-71	195	58581-37	171	59216-59B	177	59988-72	179
56220-53	165	57978-63	155	58587-36	171	59216-78	177		285
56220-58	165		292	58589-36	171		257	59995-55A	179
56220-74	165	57990-60B	170	58992-81HR	288		290	59995-72A	179
	167	57998-81	285	59000-58G	175	59219-79	290	59995-73	179
56220-81B	165	58033-49A	169	59000-82	290	59233-76	177	59997-55	179
	167	58037-49A	169	59076-77	178		257	59999-55A	179
	281	58048-50	169	59077-77	178	59237-83	281	59999-72	179
56238-62	165	58049-50A	169	59078-77	178	59238-60	177	59999-73	179
	167	58072-63	170	59079-77	178		290	60001-55	179
	219	58073-63	170	59080-77	178	59239-60	177	60002-55	179
56278-10	165	58102-49	195	59082-79	175	59249-78	284	60111-58A	178
56288-53	165		219		257	59252-69	177	60302-63	185
56300-74	167		251	59093-79	175	59254-69	173	60302-73	282
56302-74	167	58125-63	170	59101-79A	175	59254-72	177	60302-78	282
56303-74	167	58132-66	243	59121-80	178		281	60348-65A	183
56313-76	167		247	59122-80	178		290	60386-84	177
56323-81A	167	58153-77A	169	59136-69	177	59255-72	177	60388-82	185
56324-81A	167	58160-69B	169	59138-78	284		243	60389-80	177
56377-65	165	58161-69	169	59139-78	284		255	60411-79A	183
56378-65	165	58162-69	169	59140-78	284		257	60414-82	183
56389-74	167	58163-69	169	59141-78	284		267	60414-84	183
56392-77	167	58164-69A	169	59142-78	284		281	60441-79	183
56393-74A	167	58165-69A	169	59143-78	284		290		285
56394-74	167	58165-83	169	59150-79	178	59261-77	173	60444-82	183
	229	58166-69A	169	59151-79	178	59263-79	267		293
56395-74	167	58166-83	169	59152-79	178	59271-68	203	60444-84	293
56395-81	167	58167-69A	169	59153-79	178	59601-79B	177	60494-80	177
56396-74	167	58168-69	169	59154-79	178	59604-69C	177	60505-55	183
	229	58171-69	169	59155-79	178		281	60507-77	282
56397-74C	167	58176-76	284	59156-79	178	59604-81HR	288	60507-82A	282
	229	58178-77A	169	59157-79	178	59627-80	290	60508-70	183
56400-53A	165	58181-78	169	59158-79	178	59627-80B	281		289
56401-73	165		169		257	59639-83	281	60508-82A	183
56402-83A	167	58182-78	169	59159-80	178	59641-82A	177	60514-65	183
	229	58225-41	170		257	59646-80	177	60516-65A	63
56410-53	165	58318-76	284	59164-80	177	59658-79	177	60518-65	183
56500-79	167	58320-76	169		290	59699-73	177	60523-82	183
56502-74	167		284	59166-80	173	59731-77	141	60525-82A	183
56503-65	165	58321-76	169		177	59790-62	177	60531-83B	282
56505-74	167		284	59167-80	177	59853-58A	177	60538-81D	183
56506-74	167	58411-76	169	59169-80	177	59862-30	177	60540-36	183
56507-74	167		169	59170-80	177	59887-59B	177	60549-70	183
56508-76	167	58412-76	169	59173-81A	178	59887-78	177		191
56520-77	167		169		257		290	60556-74	183
56575-26	219	58416-77	169	59174-81	285	59932-58	177	60559-80	63
56581-26	219		169	59180-80	177	59932-77	177	60565-36	183
56589-60	127		285		257	59933-58	177	60567-36	183
	165	58426-78	284	59181-80	177	59933-77	177	60567-65B	183
56589-79	165	58511-37	171		257	59981-74	179	60572-78	183
56590-60	165	58531-37	171	59196-65	178	59982-74	179		275
56590-79	165	58554-51	171	59204-59B	177	59983-75	179	60574-65	151
56609-52	27	58563-51	171	59204-78	177	59984-72	179		271
	57	58566-30	171	59211-74	177	59984-73	179	60589-69	185

NUMERICAL INDEX

Part No.	Page	Part No.	Page	Part No.	Page	Part No.	Page	Part No.	Page
60617-65A	183	61259-74	189	61904-81	189	63529-57	9		197
60640-29	183	61259-75	189	61905-81	189	63533-15	21	65294-78	195
60644-65	183	61268-74	189	61906-81	189		31	65318-58A	195
60645-65	239	61268-75	189	61907-81	189	63533-41	21		197
60646-65	183	61296-81A	285	62096-69	187		31	65318-59C	195
60650-54A	183	61325-79	189	62125-55B	187		183	65336-77	282
60655-55	183	61326-79	189	62129-75	187		191	65344-77	282
60975-78	187	61327-79	189	62141-69P	187	63533-65	21	65349-81	282
60982-81HR	288	61328-79	189	62142-69P	187	63536-84	191	65349-81A	282
60983-81HR	288	61348-78	189	62150-50	59	63539-84	191	65354-77	282
61079-82	195	61349-78	189		187	63540-62	31	65397-81A	282
61102-73	187	61350-78	189	62161-75	187	63541-70	21	65399-81	282
61102-83A	187	61351-78	284	62162-75	187		191	65401-81	282
61103-36	187	61352-78	189	62166-81	187	63543-82	9	65411-80A	282
61103-65	187	61353-78	189	62168-81	187	63549-65A	191	65435-70	197
61103-73A	187	61354-78	189	62172-75	187	63551-82	280		282
61103-83	187	61355-78	284	62360-50	187	63564-84	191	65440-48	195
61111-77	187	61356-79	189	62375-57	5	63573-82	280		197
61116-65	187	61357-79	189	62483-81	191	63578-52	21	65443-66	195
61122-39	187	61358-79	189	62484-81	9		43		197
61122-79	187	61359-79	189	62504-82A	191		191	65465-36	195
61123-81	285	61360-79	189	62531-80	290	63580-66A	191		197
61126-71	282	61370-75	189	62534-65	191	63587-84	191	65493-58	197
61127-71	282	61371-75	189	62538-82	135	63591-82	47	65493-66	197
61141-82	187	61372-75	189	62541-82A	191		191	65494-61	195
61141-83B	187	61373-75	189	62563-65	191	63609-72	103	65494-65	195
61145-71	188	61425-83	187		199	63610-70	31	65494-70	195
61146-72	188	61470-76	189	62571-77A	193	63614-72	31	65496-61	195
61148-74	188	61471-76	189	62574-77	193	63785-80	192	65496-66	195
61148-75	188	61472-76	189	62576-65A	95	63792-77	193	65496-70	195
61150-74	188	61473-76	189		191	63794-77	192	65505-58	197
61150-75	188	61474-76	189	62576-79	95	63799-65A	192	65505-61	195
61153-74	188	61475-76	189		191	63805-80	192	65512-37A	195
61153-75	188	61476-76	189	62577-77A	193	63810-80A	192		197
61155-74	188	61477-76	189	62578-77	193	63826-53	192	65513-58	195
61155-75	188	61478-76	189	62610-52A	192	63831-67	192		197
61159-80A	290	61479-76	189	62611-66	192	63840-48A	192	65519-48A	195
61162-74	178	61605-36	187	62612-66	192	63840-53	192		197
61169-82	187	61650-77	189	62620-66	192	63846-67	192	65538-65	195
61205-77	189	61651-77	189	62625-70A	191	63878-53	192	65539-65	197
61207-77	282	61771-72	189	62628-66	192	63879-53	192	65556-80	282
61213-83	187		243	62702-52	23	63881-67	192	65557-80	282
61217-69A	187	61773-76	189		83	63882-67	192	65561-70	195
61219-83	187		243	62783-66A	9	63885-65	192		197
61229-83	187		247	62785-66A	9	63885-70	192		282
61230-69A	187		284	63500-68	47	65239-41A	197	65563-70	197
61237-82DH	290	61796-77	189		191	65240-41A	197		282
61240-82DH	290	61797-77	189		193	65240-61	195	65565-70A	195
61243-78	189	61798-77	189	63501-68	5	65242-70B	195		197
	284	61799-77	189		187	65242-78B	195	65566-80	282
61253-79A	189	61833-76	284		191	65276-62	137	65567-70	195
61257-74	189	61900-81	189	63526-57	9		195	65603-81	282
61257-75	189	61901-81	189		23		197	65615-80A	282
61258-74	189	61902-81	189		27		282	65707-77	195
61258-75	189	61903-81	189	63527-57A	9	65293-58	195	65710-65	195

NUMERICAL INDEX

Part No.	Page	Part No.	Page	Part No.	Page	Part No.	Page	Part No.	Page
65713-61	197	67215-68	201	67672-77	207		209	68482-73	283
65834-68A	195		201	67672-80	207	67843-70	213		290
	197	67217-68	201	67673-77	207	67844-70	205	68483-73	283
	282		201	67674-77	207		219		290
65991-75C	283	67605-68A	203	67674-80	207	67846-70	213	68486-82A	283
65991-82	283	67607-68	205	67675-77	207		219		290
66000-80	283	67609-68	205	67676-77	207	67847-60	209	68487-82	283
66006-29D	199	67610-78	205	67677-77	207	67848-60	209		290
66007-84	199	67623-64C	205	67678-77	207	67850-84	209	68500-68	213
66016-65	199	67624-64C	205	67679-77	207	67853-84	219	68510-73	213
66035-79	191		205	67680-77	207	67860-76	209	68510-74A	213
66047-80A	191	67627-64B	205	67681-77	207		219	68514-73	283
	199		207	67682-77	207		283		290
66098-82	69	67627-64C	207	67683-77	207		289	68518-68	213
66099-80	283	67627-70B	205	67684-77	207	67861-84	219	68519-68	213
66103-74A	283	67628-59	205	67685-77	207	67898-66	209		219
66191-80	283	67628-59A	205	67686-77A	207	68008-73A	211	68520-63	213
66204-74	199	67629-59	205	67687-77	207		257	68521-63A	213
66204-80	199	67629-59A	205	67688-77	205		260		261
66212-65	199	67630-62	205		207	68010-64B	211	68525-52A	213
66228-78	283	67632-70	205	67690-77A	207	68025-73	211	68525-62	213
66352-65	199	67633-77A	207	67691-77	207		260	68526-63	213
66353-65	199	67634-59	205	67692-77	207	68026-73	211	68527-63	213
66367-73	283	67637-70	205	67695-77	207		260	68541-64A	213
66370-65	199	67638-59	205	67696-81	209	68034-77	211		219
66371-65	199	67638-64	205	67697-81	209		260	68543-64B	213
66378-70	199	67639-59	205	67702-70	209	68046-79	177	68545-70	213
66383-65	199	67640-59	205	67702-81	209	68047-79	177	68545-81	213
66383-70A	199	67641-59	205	67712-60A	209	68086-55	211	68552-70A	215
66425-68	199	67642-59	205	67712-83	209	68090-69	211		261
66476-73A	283	67643-59	205	67716-60A	209	68093-55A	211	68554-82	215
67004-68B	201	67644-70	205	67717-48B	209	68114-55	211		261
67004-80	201	67646-59	205	67717-64	209	68119-69	211	68557-70A	215
67005-68A	201	67647-59	205	67718-60A	209	68121-55	211	68563-60	209
67005-68B	201	67648-64	205	67724-71	209	68122-55	211		216
67006-68B	201	67649-59	205	67726-71	209	68123-55	211	68564-60	209
67006-81A	201	67650-59	205	67729-48	197	68123-73	211		216
67026-62	201	67650-78	205	67732-71	209		257	68565-60	209
67026-81	201	67651-59	205	67752-77T	289		260		216
67027-81B	201	67652-59	205	67753-60	209	68165-47	211	68566-60	216
67030-81C	201	67655-59	205	67753-70	209	68165-64	211	68570-63	215
67031-68	201	67656-59	205	67757-85	209		213	68571-63A	215
67044-68	201	67657-59	205	67765-60	209		260		261
	201	67658-59	205	67766-60	209	68166-64	213	68572-64A	215
67045-68	201	67659-59	205	67767-60	209	68185-70	211		261
	201	67660-59	205	67768-60	209	68196-55	211		283
67066-76	201	67661-59	205	67769-60	209	68225-55	211	68576-70	215
67067-76	201		207	67778-60	209	68462-64	233		261
67068-76	201	67662-59	205	67779-60	209	68476-73A	283	68582-73	233
67069-76	201	67663-59	205	67780-60	209	68477-73	283	68586-63	215
67070-76	201	67664-59	205	67782-60A	209		290		261
67073-81	201	67670-77	205	67840-70	213	68478-73	283	68586-63A	215
67075-57A	201		207		219	68479-73	283		261
67130-69	201	67671-77	207	67842-60	127	68481-73	283	68598-70	219
67141-36	201	67671-80	207		131		290	68600-70	219

NUMERICAL INDEX

Part No.	Page	Part No.	Page	Part No.	Page	Part No.	Page	Part No.	Page
68601-70	219	70047-82	229	70430-70	205	71151-48	201	71571-82	229
68603-62	219	70051-72A	230		221		235	71572-82	229
68603-70	219	70054-73A	230	70456-73	59	71151-70	235	71573-82A	229
68604-62	219	70058-50B	215		223	71159-73A	235	71574-82	229
68605-70	219		231	70461-67B	283	71161-70	235		236
68627-62A	219	70059-66	231	70504-81	167	71162-70	235	71580-36	237
68652-64B	219	70060-29	205	70551-69	223	71166-73	235	71587-36	237
68654-64	219		221	70552-69	223	71182-47A	235	71626-62	155
68657-70	219		231	70553-69	223	71190-47	235		159
68658-70	219	70060-66	231	70554-69	223	71240-80	285		267
68667-78	219	70060-70	231	70555-69	223	71241-68B	235	71774-77	57
68669-70	219	70068-79	223	70556-71	223	71244-68B	235	71795-63A	241
68670-70	219	70068-82	223	70558-71	223	71295-68	235	71800-26A	231
68672-38	211		253	70559-71	223	71297-68	235	71802-26A	231
	221	70068-84	223	70574-68	205	71299-79	235	71804-26	231
68674-69	221		253		233	71300-68A	235	71804-65	231
68689-38	221	70069-65B	223	70575-50	215		285	71806-53	231
68690-69	221	70069-83A	223	70576-68	205	71300-79	235	71811-26	231
68693-38	221	70082-82	229		215	71303-81	285	71813-26	231
68720-62	221	70105-73	223		217	71305-82	235	71840-29	231
68721-62	221	70128-79	215		221	71430-83	221	71843-29	231
68725-62	221	70144-73	223		225		275	71851-29	231
68726-62	221	70145-73	223		233	71431-83	221	71856-61	231
68726-64	221	70152-84	221	70577-26	177		275	71859-29	231
68727-64A	221	70158-73	223		215	71432-83	275	71859-38A	231
68728-64	221	70159-73A	223		281	71455-67	239	71861-29	231
68780-68	221	70160-73	223	70581-73	227	71463-73A	239	71870-79	241
68791-82	215	70169-70	223	70643-79A	155	71466-65	239	71871-75	51
	221		239		292	71467-65	239	71875-81	241
68795-68	215	70191-73A	223	70644-79A	155	71469-65B	239	71900-70	236
	221	70209-65A	223		292	71473-77B	239	72001-69B	230
68795-82	215	70218-82	229	70645-79	155	71483-72	230		236
	221	70218-84	229		223	71484-72A	230	72023-51A	236
68797-68A	135	70219-82	229		292	71500-36A	237	72028-83	227
	221	70219-84	229	70646-79	155	71501-73A	237	72029-83	227
69000-76	217	70249-70	221		292	71506-36A	237	72037-71	227
69003-76	217	70281-47	223	70935-73	233	71507-64A	239	72038-71	207
69016-76	217	70282-47	223	71027-68	233	71507-71	239		227
69017-76	217	70301-84	205	71028-68	233	71510-36A	237		283
69117-65	217	70308-70	205	71029-68	233	71516-36	237	72039-71	211
69125-65	217	70318-70	217	71090-64	201	71519-75	230		227
69130-65C	217	70320-73A	223		209	71525-36	237		229
69131-68	217	70320-78	223		233	71533-72	230		292
69141-70	217	70320-80	223	71092-68A	209	71534-72	230	72041-71	227
69144-65	217	70320-82A	223		233	71541-73	237	72043-71	227
69149-65	217	70335-70	205	71098-38	205	71546-75A	230		229
69506-83	275	70336-68	205		233	71547-75A	230	72044-71	207
69510-83	275	70337-68	205	71134-68	233	71550-36	237		227
69999-77	236	70344-84	275	71138-68	233	71560-36	237	72046-79	227
70005-70	225	70346-84	275	71139-68	233	71562-36	237	72051-77	55
70016-65A	217	70425-70A	205	71139-70	233	71563-82A	229		227
70023-72	230		215	71141-68	233	71564-82	229	72052-79	155
70023-75	230	70428-70A	215	71143-75	233	71567-82	229		292
70024-73	230	70429-70	215	71144-75A	233	71568-82A	229	72053-79	227
70024-75	230	70429-80	215	71145-75	235	71570-82	229	72054-82	227

NUMERICAL INDEX

Part No.	Page	Part No.	Page	Part No.	Page	Part No.	Page	Part No.	Page
72054-84	227	87055-79	247	87435-79	249	88314-37	245	90803-78	267
72055-82	227	87057-79	247		263		249	90804-78	267
72056-82	227	87058-79	247	87435-83	249	88366-36A	245	90805-68	267
72057-84	227	87060-79	247	87438-67	243		249	90805-78	267
72275-74	155	87064-67A	243		255	88425-67	245	90806-78	267
	177	87071-79	255	87444-33	245		249	90807-78	267
	227		259		249	88481-67	245	90808-68	267
	260	87073-79	255		263		249	90808-82	269
	292		259	87657-58A	255	88487-67	245	90810-78	269
72300-70	235	87082-73	251	87657-76	255		249	90811-68	269
72310-70	235	87083-73	251	87670-76	255	88493-67	245	90820-74A	269
72311-70	235	87084-73	251	87671-76	255		249	90821-74A	292
72312-73	235	87094-36B	243	87672-76	255	88528-67	245	90822-76	269
72325-48	235		247		259		249		284
72335-48	235	87100-79	247	87700-79	263	88694-67	245	90822-77	269
72341-56A	55	87103-79	247	87701-79	249		249	90822-78	269
	57	87105-79	247	87702-79	249	88695-67	245	90823-76	269
	61		253	87703-79	263		249		284
	235	87106-79	253	87704-79	263	88698-67	245	90823-77	269
72345-48	235	87117-36	243	87705-79	263		249	90830-78	269
74510-47A	241		247	87706-79	259	88850-67	245	90841-79	269
74510-64	241	87120-79	247		263		249	90842-79	269
74510-70A	241		261	87750-58	255	88862-67	245	90843-79	269
74511-58	241	87121-79	261	87752-58A	255		249	90845-79	269
74512-79A	241	87127-36	251		259	88883-67	245	90849-77E	269
74516-86	241		253	87775-58	255		249	90851-77E	269
74521-77	227	87128-36	251		259	88885-67	245	90857-78	284
74531-58	241		253	87777-58	255		249	90871-70	269
74533-70A	241	87135-36	251	87777-70	255	88895-67	245	90875-77A	269
74533-75B	241		253		259		249	90877-77B	269
74534-80	241	87136-36	251	87778-58A	255	90630-80	155	90891-63	269
	278		253		259		159	90908-58	195
74536-77A	55	87138-36	251	87778-64	255		267		197
	155		253		259		292		269
	227	87176-37	243	87778-64A	259	90631-80	155	90913-67	269
	292		247	87900-67A	255		159	90914-78	269
74539-77A	55		251		257		267	90918-78	269
	155		253	87901-83A	257	90632-80A	267	90919-68	269
	227	87181-37	251	88100-24A	245	90743-83	292	90920-68	269
	292		253		249	90744-79	267	90921-68	269
74539-83	227	87191-58	251	88172-25	245	90745-79A	267	90924-67C	269
74563-65	275	87192-73	251		249	90746-79	267	90924-68C	269
74586-70	236	87197-73	251	88174-37	245	90771-79	155	90925-67C	269
74589-73	236	87205-58	251		249		227	90925-68C	269
74599-77A	236		253	88261-36	245		292	90931-70A	269
76201-80A	275	87206-58	251		249	90789-83	292	90937-64	269
83162-51	27		253	88264-36	245	90790-83	292	90947-63	269
	55	87254-24	243		249	90792-78	267	90949-63A	269
	57		247	88300-79	245	90793-78	267	90952-63	269
83566-51	117	87265-24	243		249	90794-78	267	90953-63	269
83975-37A	251		247	88301-79	245	90795-78	267	90955-79	269
84850-67	157	87267-24	243		249	90796-78	267	90957-64	269
85210-42A	161		247		261	90800-68	267	90960-64	269
86999-79	259	87433-36	243	88302-79	249	90800-78	267	90961-63A	269
87053-79	247	87433-76	243		261	90802-78	267	90961-70A	269

NUMERICAL INDEX

Part No.	Page	Part No.	Page	Part No.	Page	Part No.	Page	Part No.	Page
90961-80	269		275	95578-41	123				
90963-63	269	91153-83	275		125				
90964-63	155	91158-49	273	95581-47	123				
	159	91159-82	275		125				
	269	91160-58	273	95582-47	123				
	292	91162-59	273		125				
90965-63	155	91163-58	273	95587-75	123				
	159	91164-58A	273	95588-75	123				
	269	91168-59	273	95590-77	123				
	292	91168-67	273		263				
	293	91173-84	275	95591-77	123				
90966-67	269	91174-84	275		263				
90967-64	269	91181-59	273	95592-78	123				
90971-79	269	91182-58	273		284				
90972-79	269	91191-84	275	95593-78	123				
90973-79	269	91192-84	275		284				
90974-79	269	91225-59	273	98600 FT	288				
90988-78	285	91225-67	273	98600 FU	288				
	287	91233-59	273	98603 FT	288				
	288	91234-59	273	98603 FU	288				
90989-63	269	91252-65	273	98606 FT	288				
	290	91257-49	273	98606 FU	288				
91000-76	284	91269-59A	273	99031-82	178				
91001-76	284	91290-59	273	99353-82Z	283				
91002-76	284	91305-59A	273						
91005-81	288	91309-61	273						
91006-81	288	91310-73	273						
91007-68A	173	91313-58	273						
91014-68	173	91354-59	273						
91021-68	173	91356-71	273						
91075-68B	173	91360-71	273						
91075-81	173	91372-57	273						
91081-68	173	91374-59	273						
91082-68	173	91379-58	273						
91089-58	173	91385-58	273						
	185	91574-58A	287						
	271	91582-79	149						
91090-77A	173	91704-15	223						
91091-61	173	91875-70B	283						
	177		290						
91107-77	173	91879-67B	216						
91123-77	173	92097-65	201						
91127-82	275	94422-82	277						
91128-73	271	94423-82	277						
91129-73	271	94424-78	277						
91134-70	271	94425-78	277						
91135-70	271	94430-78	277						
91142-70	271	94441-82	277						
91143-70	273	94442-82	277						
91146-73	273	94443-82	277						
91147-73	273	94444-82	277						
91148-73	273	94445-82	277						
91150-82	275	94446-82	277						
91151-83A	275	94451-82	277						
91152-83	221	94515-68A	277						

NOTES

NOTES

PARTS CATALOG USER'S COMMENT

The Harley-Davidson Technical Publications Department maintains a continuous effort to improve the quality, accuracy and usefulness of its publications. To do this effectively we need user feedback — your critical evaluation of this parts catalog.

Please comment on this catalog's completeness, accuracy, organization, usability and readability.

Did you find errors in this catalog? (Please list) _____

How can this catalog be improved? _____

Occupation: _____

Name _____ Dealership _____

Street _____ Department _____

City _____ State _____ Zip _____

Send your replies to:

Harley-Davidson, Technical Publications Department, P.O. Box 653, Milwaukee, Wi. 53201

NOTES

GENERAL INFORMATION (CONT'D.)

1981 & LATER VEHICLE IDENTIFICATION NUMBER (V.I.N.)

The full 17 digit serial, or Vehicle Identification Number (V.I.N.) is stamped on the steering head and on a label located on the front frame downtube. An abbreviated V.I.N. is stamped on the side crankcase, near the front of the engine.

Always give one of these numbers when ordering parts or making any inquiry about your motorcycle.

	Model Designation	Regular Introduction Date	Model Year	Sequential Number	
1	HD	1	AA	K	1
		**	E	Y	110000
		(2)	Mid-year Introduction		
		(3)	Special Early 1984 Models		
**Varies - can be 0 thru 9 or X					
Sample V.I.N. as it appears on the steering head - 1 HD 1AAK1 1 EY110000					
Sample abbreviated V.I.N. as it appears on the engine - AAKE 110000					

FLH-80	AA
FLH-Police-Std.	AB
FLH-Shrine-Chain	AC
FLH Classic	AD
FLH Classic w/sidecar	AG
FLH-Police-Dlx.	AH
FLH-80 Heritage	AJ
FLHS-80	AK
FLH-Shrine-Belt	AL
Sidecar not used with Classic	SA
Sidecar sold with Classic	SD
Sidecar sold separately for use with Classic	SE

NOTE:

Also see inside front cover for additional ordering information and 1980 & earlier Serial Number information.

